

**TOSHIBA**

# **SERVICE PARTS LIST**

**Stacker**

# **MX-ST10/CA10**

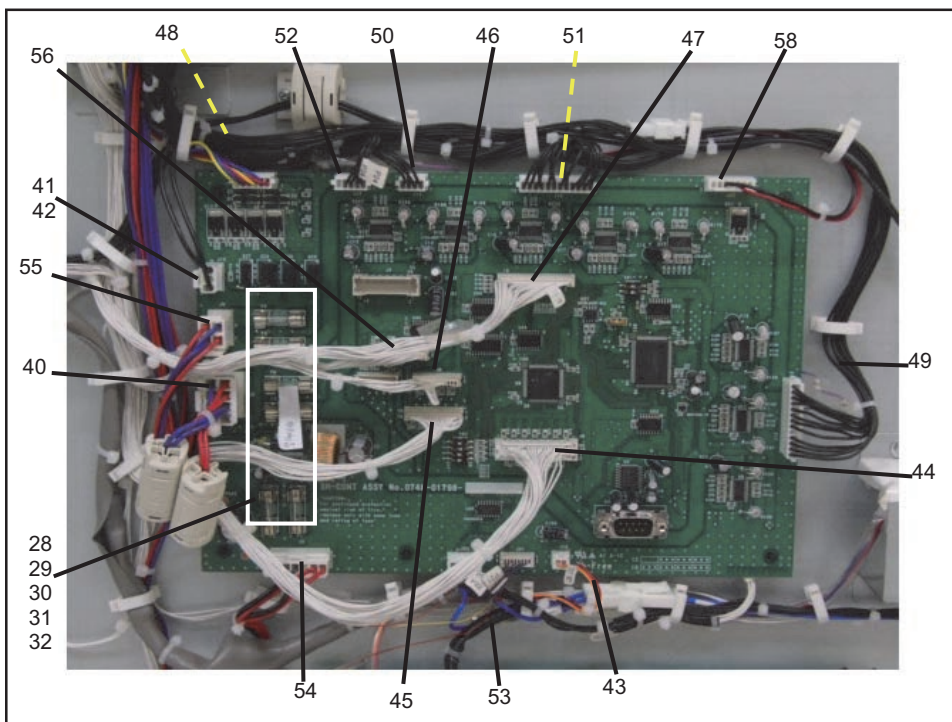
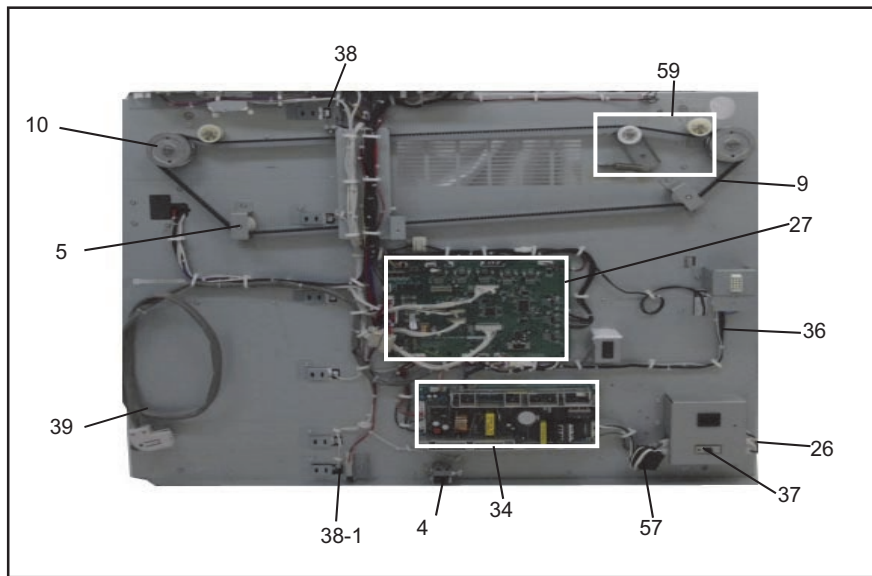
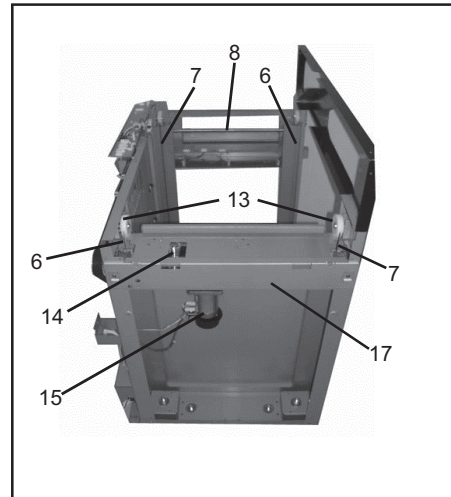
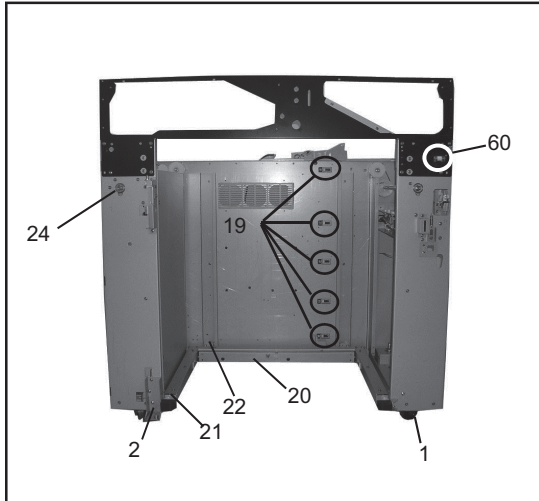
© 2014 TOSHIBA TEC CORPORATION All rights reserved

Under the copyright laws, this manual cannot be reproduced in any form without prior written permission of TOSHIBA TEC CORPORATION. No patent liability is assumed, however, with respect to the use of the information contained herein.

# CONTENTS

EXTERIORS_1 .....	1
EXTERIORS_2 .....	2
ENT&TOPPATH_ASSY_1.....	3
ENT&TOPPATH_ASSY_2.....	4
SHIFT_UNIT_1 .....	5
SHIFT_UNIT_2 .....	6
JOGGER_ASSY_1 .....	7
JOGGER_ASSY_2 .....	8
BYPASS_ASSY_1.....	9
BYPASS_ASSY_2.....	10
LEAD_EDGE_JOGGER_ASSY_1.....	11
LEAD_EDGE_JOGGER_ASSY_2.....	12
COVER_ASSY .....	13
MX-CA10_&_ACCESSORY .....	14



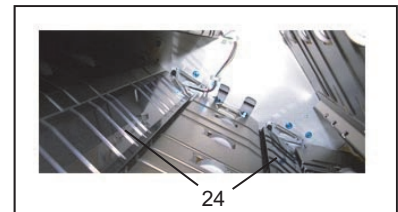
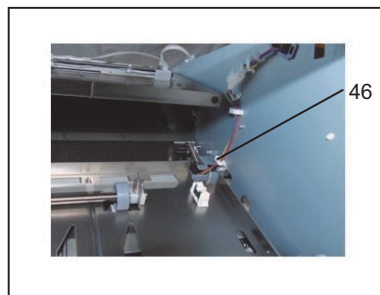
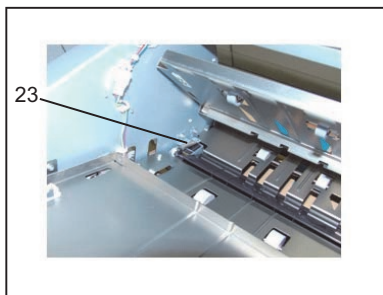
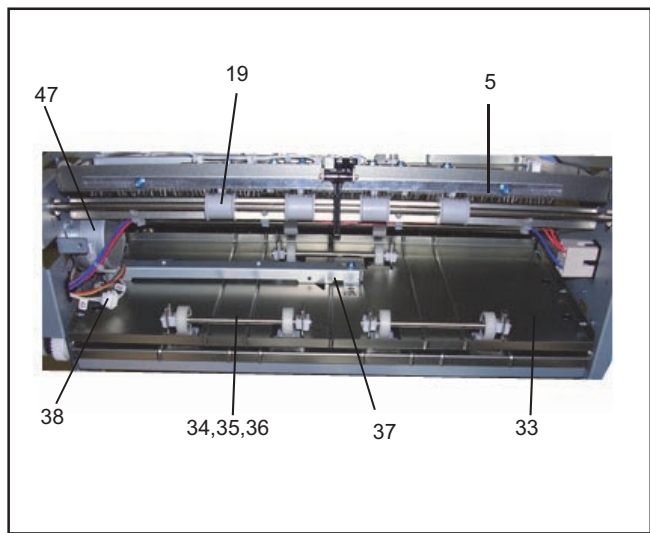
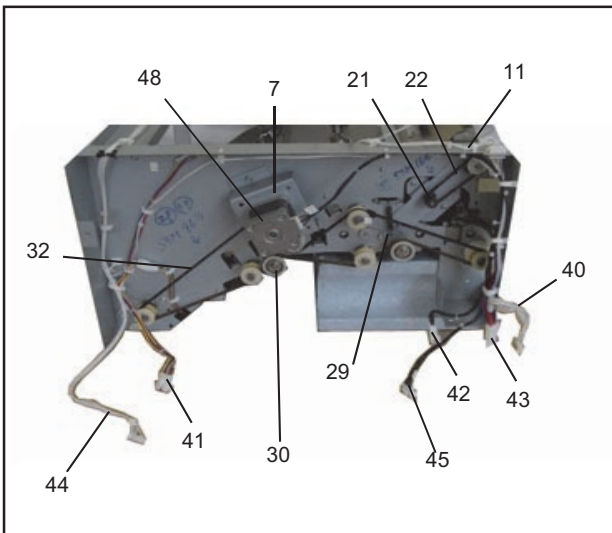
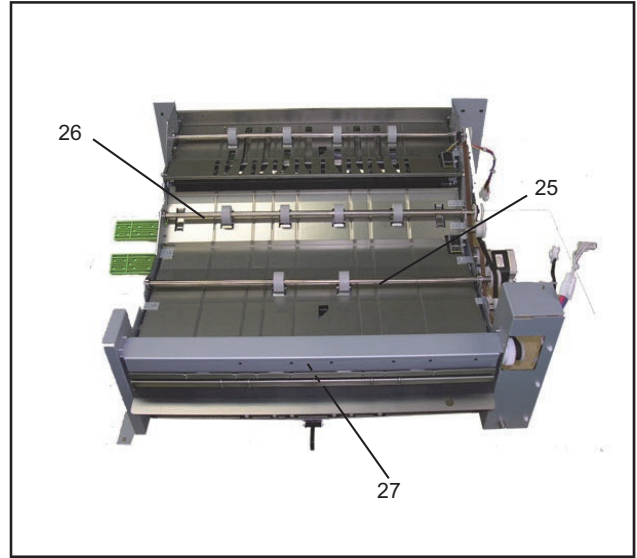
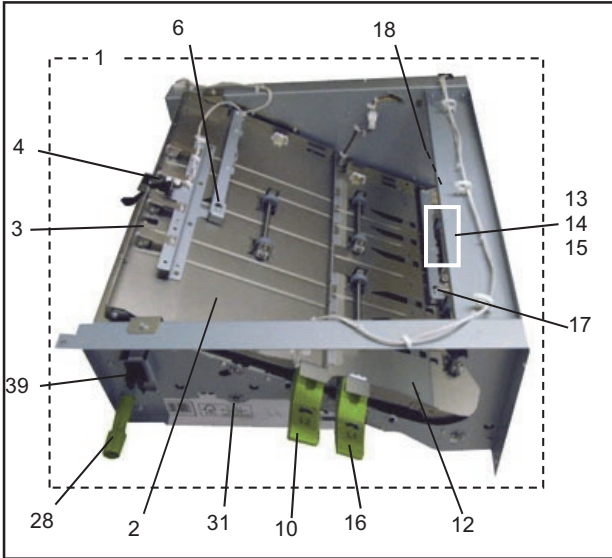


ITEM No.	PART No.	PART NAME	Q'TY / PAGE	Q'TY / PACK	REMARKS
1	6LS00161000	CASTER			
2	6LS00115000	DOOR HINGE			
4	6LS00162000	SENSOR			
5	6LS00085000	IDLER PULLEY B ASSY			
6	6LS00053000	WIRE TRAY-C			
7	6LS00054000	WIRE TRAY-D			
8	6LS00087000	SHAFT DRIVE-L ASSY			
9	6LS00175000	BELT TIMING			
10	6LS00160000	5GT PULLEY 36T ASSY			
13	6LS00180000	BKT&WIRE REEL-R ASSY			
14	6LS00088000	SHAFT DRIVE-R ASSY			
15	6LS00149000	TRAY MOTOR ASSY			
17	6LS00092000	BKT TRAY MOTOR ASSY			
19	6LS00162000	SENSOR			
21	6LS00182000	ROLLER			
22	6LS00064000	ALIGNER ASSY			
24	6LS00173000	BEARING			
26	6LS00026000	Power(AC) Harness 1			
27	6LS00109000	SH-CONT ASSY			
28	6LS00167000	FUSE (3.15A)			
29	6LS00168000	FUSE (2A)			
30	6LS00165000	FUSE (2.5A)			
31	6LS00169000	FUSE (0.5A)			
32	6LS00166000	FUSE 218 001 ( 1A)			
34	6LS00176000	POWER SUPPLY			
35	6LS00055000	SWITCH (FAIL-CA22)			
36	6LS00114000	I/F CABLE-2A			
37	6LS00065000	BREAKER ASSY			
38 A	6LS00066000	UPPER LIMIT SW ASSY			
38 B	6LS00095000	LOWER LIMIT SW ASSY			
39	6LS00137000	I/F CABLE-1A			
40	6LS00029000	Interlock Harness 1-1			
41	6LS00150000	Tray Motor Harness Assy			
42	6LS00108000	Tray Motor Harness A			
43	6LS00018000	Power On Remote Harness			
44	6LS00019000	Sensor Harness 1			
45	6LS00020000	Sensor Harness 2			
46	6LS00047000	Sensor Harness 2-A			
47	6LS00021000	Sensor Harness 3(Beam1)			
48	6LS00024000	Solenoid Harness 1			
49	6LS00100000	Motor Harness 1-1A			
50	6LS00105000	Motor Harness 2-1A			
51	6LS00103000	Motor Harness 3-1A			
52	6LS00111000	FEED IN MOTOR HARNESS 1			
53	6LS00027000	Power(BP) Harness			
54	6LS00028000	Power(DC) Harness			
55	6LS00031000	Interlock Harness 2-1			
56	6LS00032000	Panel Harness 1-1			
57	6LS00098000	Power(AC) Harness 2-1A			
58	6LS00113000	FAN Harness 2A			
59	6LS00086000	BELT TENSIONER ASSY			
60	6LS00091000	COVER GUIDE ASSY			



ITEM No.	PART No.	PART NAME	Q'TY / PAGE	Q'TY / PACK	REMARKS
1	6LS00161000	CASTER			
2	6LS00115000	DOOR HINGE			
4	6LS00162000	SENSOR			
5	6LS00085000	IDLER PULLEY B ASSY			
6	6LS00053000	WIRE TRAY-C			
7	6LS00054000	WIRE TRAY-D			
8	6LS00087000	SHAFT DRIVE-L ASSY			
9	6LS00175000	BELT TIMING			
10	6LS00160000	5GT PULLEY 36T ASSY			
13	6LS00180000	BKT&WIRE REEL-R ASSY			
14	6LS00088000	SHAFT DRIVE-R ASSY			
15	6LS00149000	TRAY MOTOR ASSY			
17	6LS00092000	BKT TRAY MOTOR ASSY			
19	6LS00162000	SENSOR			
21	6LS00182000	ROLLER			
22	6LS00064000	ALIGNER ASSY			
24	6LS00173000	BEARING			
26	6LS00026000	Power(AC) Harness 1			
27	6LS00109000	SH-CONT ASSY			
28	6LS00167000	FUSE (3.15A)			
29	6LS00168000	FUSE (2A)			
30	6LS00165000	FUSE (2.5A)			
31	6LS00169000	FUSE (0.5A)			
32	6LS00166000	FUSE 218 001 ( 1A)			
34	6LS00176000	POWER SUPPLY			
35	6LS00055000	SWITCH (FAIL-CA22)			
36	6LS00114000	I/F CABLE-2A			
37	6LS00065000	BREAKER ASSY			
38 A	6LS00066000	UPPER LIMIT SW ASSY			
38 B	6LS00095000	LOWER LIMIT SW ASSY			
39	6LS00137000	I/F CABLE-1A			
40	6LS00029000	Interlock Harness 1-1			
41	6LS00150000	Tray Motor Harness Assy			
42	6LS00108000	Tray Motor Harness A			
43	6LS00018000	Power On Remote Harness			
44	6LS00019000	Sensor Harness 1			
45	6LS00020000	Sensor Harness 2			
46	6LS00047000	Sensor Harness 2-A			
47	6LS00021000	Sensor Harness 3(Beam1)			
48	6LS00024000	Solenoid Harness 1			
49	6LS00100000	Motor Harness 1-1A			
50	6LS00105000	Motor Harness 2-1A			
51	6LS00103000	Motor Harness 3-1A			
52	6LS00111000	FEED IN MOTOR HARNESS 1			
53	6LS00027000	Power(BP) Harness			
54	6LS00028000	Power(DC) Harness			
55	6LS00031000	Interlock Harness 2-1			
56	6LS00032000	Panel Harness 1-1			
57	6LS00098000	Power(AC) Harness 2-1A			
58	6LS00113000	FAN Harness 2A			
59	6LS00086000	BELT TENSIONER ASSY			
60	6LS00091000	COVER GUIDE ASSY			

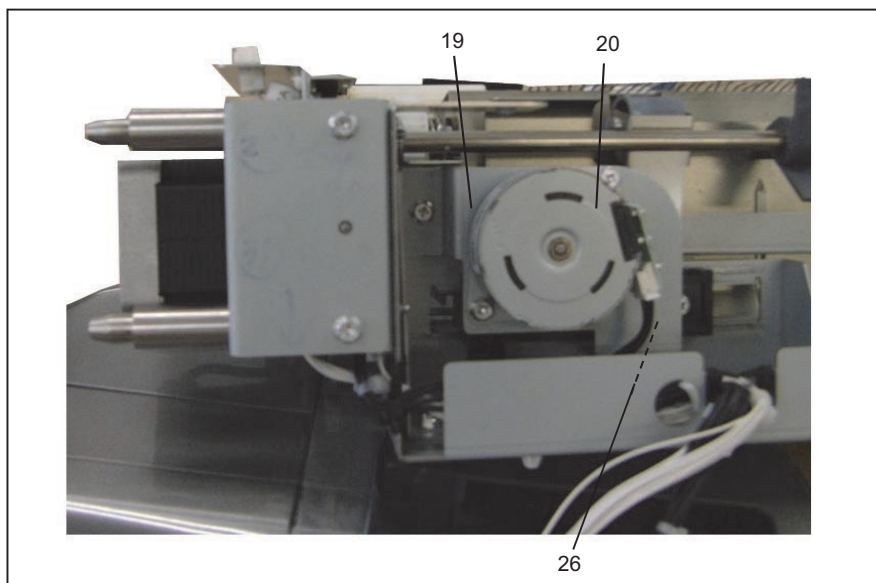
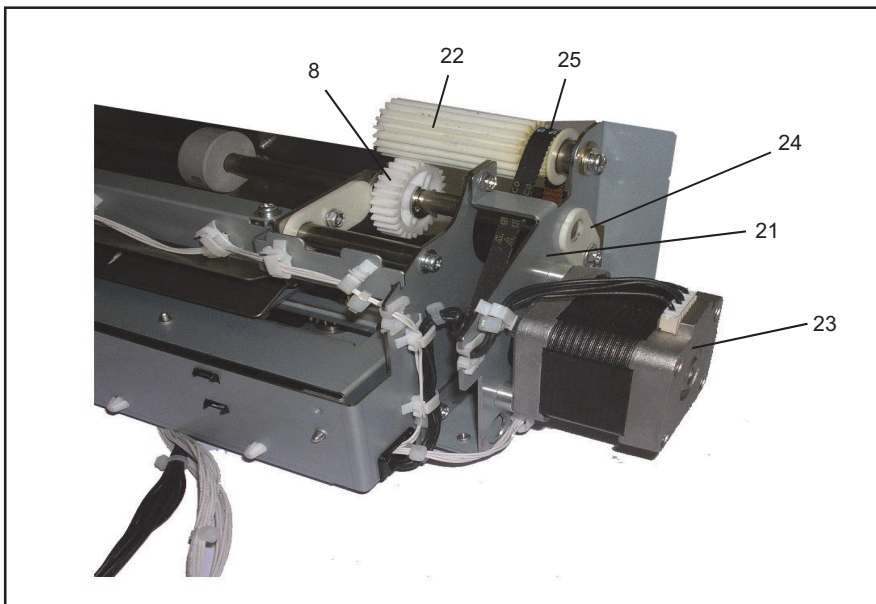
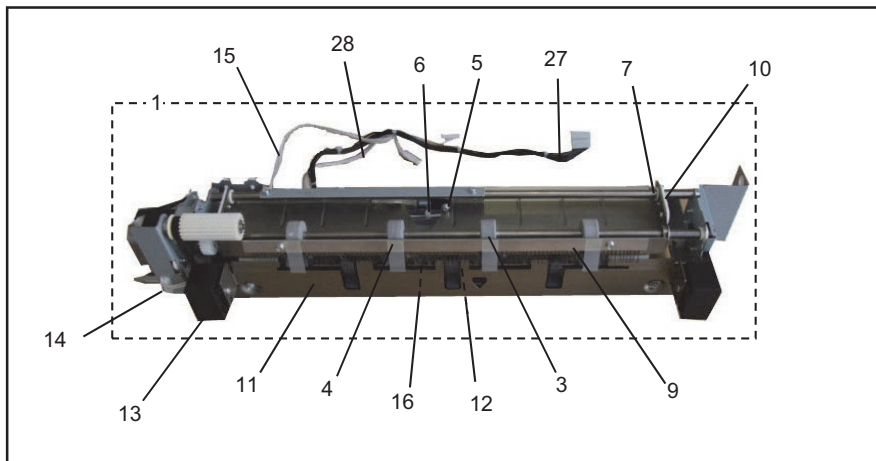




ITEM No.	PART No.	PART NAME	Q'TY / PAGE	Q'TY / PACK	REMARKS
1	6LS00145000	ENT & Top Path Assy			
2	6LS00154000	PAPER GUIDE RIGHT-U ASSY			
3	6LS00159000	PINCH ROLLER ASSY			
4	6LS00162000	SENSOR			
5	6LS00163000	STATIC BRUSH-B			
6	6LS00164000	SENSOR(PS-117L1)			
7	6LS00123000	Motor			
10	6LS00151000	KNOB L2 ASSY			
11	6LS00051000	SENSOR (PROOF) HARNESS			
12	6LS00155000	PAPER GUIDE ENT-U ASSY			
13	6LS00067000	IDLE ROLLER ASSY-LONG			
14	6LS00040000	BUSH:IDLE ROLLER			
15	6LS00062000	COMPRESSION SPRING IDLE ROLLER			
16	6LS00152000	KNOB L1 ASSY			
17	6LS00164000	SENSOR(PS-117L1)			
18	6LS00052000	SENSOR HARNESS			
19	6LS00045000	ROLLER ASSY TOP PATH EXIT			
20	6LS00170000	BALL BEARING(LNR-1360X3ZZR)			
21	6LS00122000	TOP PATH MOTOR ASSY			
22	6LS00117000	BELT TIMING			
23	6LS00068000	BKT SOLENOID ASSY			
24	6LS00069000	GATE ASSY			
25	6LS00041000	ROLLER ASSY-2			
26	6LS00042000	ROLLER ASSY-4			
27	6LS00046000	ROLLER ASSY-ONEWAY			
28	6LS00118000	KNOB-φ22			
29	6LS00070000	FEED BELT TIONSIONER ASSY			
30	6LS00071000	IDLE PULLEY ASSY			
31	6LS00174000	BALL BEARING			
32	6LS00119000	BELT TIMING			
33	6LS00072000	PAPER GUIDE BYPASS ENT-U ASSY			
34	6LS00067000	IDLE ROLLER ASSY-LONG			
35	6LS00040000	BUSH:IDLE ROLLER			
36	6LS00062000	COMPRESSION SPRING IDLE ROLLER			
37	6LS00164000	SENSOR(PS-117L1)			
38	6LS00052000	SENSOR HARNESS			
39	6LS00055000	SWITCH (FAIL-CA22)			
40	6LS00022000	Sensor Harness 4			
41	6LS00025000	Solenoid Harness 2			
42	6LS00106000	Motor Harness 2-2A			
43	6LS00030000	Interlock Harness 1-2			
44	6LS00099000	Panel Harness 1-2A			
45	6LS00112000	FEED IN MOTOR HARNESS 2			
46	6LS00093000	BKT SOLENOID 2 ASSY			
47	6LS00186000	ASSY:HB MOTOR:S2M19T			
48	6LS00187000	ASSY:HB MOTOR:42			



ITEM No.	PART No.	PART NAME	Q'TY / PAGE	Q'TY / PACK	REMARKS
1	6LS00145000	ENT & Top Path Assy			
2	6LS00154000	PAPER GUIDE RIGHT-U ASSY			
3	6LS00159000	PINCH ROLLER ASSY			
4	6LS00162000	SENSOR			
5	6LS00163000	STATIC BRUSH-B			
6	6LS00164000	SENSOR(PS-117L1)			
7	6LS00123000	Motor			
10	6LS00151000	KNOB L2 ASSY			
11	6LS00051000	SENSOR (PROOF) HARNESS			
12	6LS00155000	PAPER GUIDE ENT-U ASSY			
13	6LS00067000	IDLE ROLLER ASSY-LONG			
14	6LS00040000	BUSH:IDLE ROLLER			
15	6LS00062000	COMPRESSION SPRING IDLE ROLLER			
16	6LS00152000	KNOB L1 ASSY			
17	6LS00164000	SENSOR(PS-117L1)			
18	6LS00052000	SENSOR HARNESS			
19	6LS00045000	ROLLER ASSY TOP PATH EXIT			
20	6LS00170000	BALL BEARING(LNR-1360X3ZZR)			
21	6LS00122000	TOP PATH MOTOR ASSY			
22	6LS00117000	BELT TIMING			
23	6LS00068000	BKT SOLENOID ASSY			
24	6LS00069000	GATE ASSY			
25	6LS00041000	ROLLER ASSY-2			
26	6LS00042000	ROLLER ASSY-4			
27	6LS00046000	ROLLER ASSY-ONEWAY			
28	6LS00118000	KNOB-φ22			
29	6LS00070000	FEED BELT TIONSIONER ASSY			
30	6LS00071000	IDLE PULLEY ASSY			
31	6LS00174000	BALL BEARING			
32	6LS00119000	BELT TIMING			
33	6LS00072000	PAPER GUIDE BYPASS ENT-U ASSY			
34	6LS00067000	IDLE ROLLER ASSY-LONG			
35	6LS00040000	BUSH:IDLE ROLLER			
36	6LS00062000	COMPRESSION SPRING IDLE ROLLER			
37	6LS00164000	SENSOR(PS-117L1)			
38	6LS00052000	SENSOR HARNESS			
39	6LS00055000	SWITCH (FAIL-CA22)			
40	6LS00022000	Sensor Harness 4			
41	6LS00025000	Solenoid Harness 2			
42	6LS00106000	Motor Harness 2-2A			
43	6LS00030000	Interlock Harness 1-2			
44	6LS00099000	Panel Harness 1-2A			
45	6LS00112000	FEED IN MOTOR HARNESS 2			
46	6LS00093000	BKT SOLENOID 2 ASSY			
47	6LS00186000	ASSY:HB MOTOR:S2M19T			
48	6LS00187000	ASSY:HB MOTOR:42			

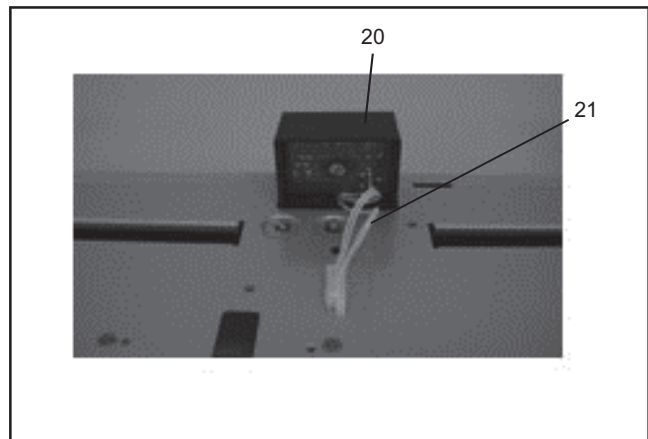
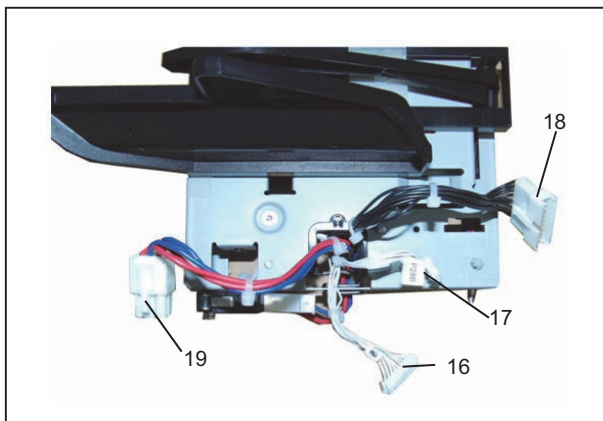
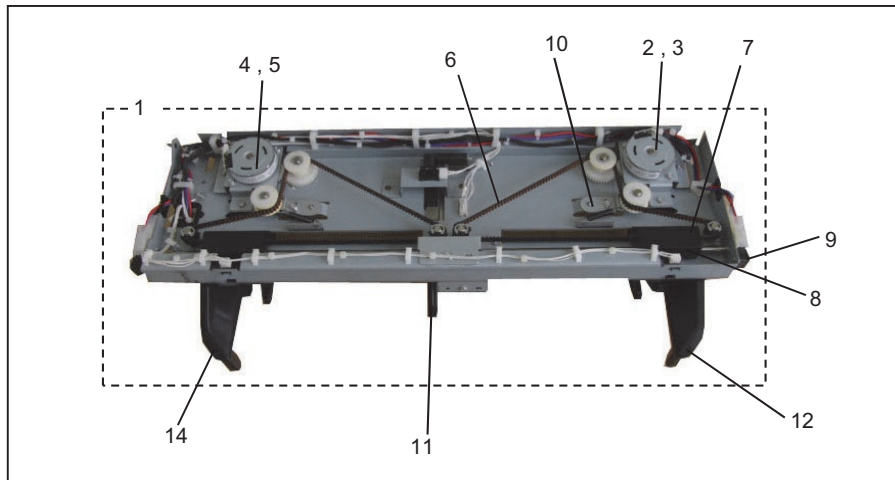




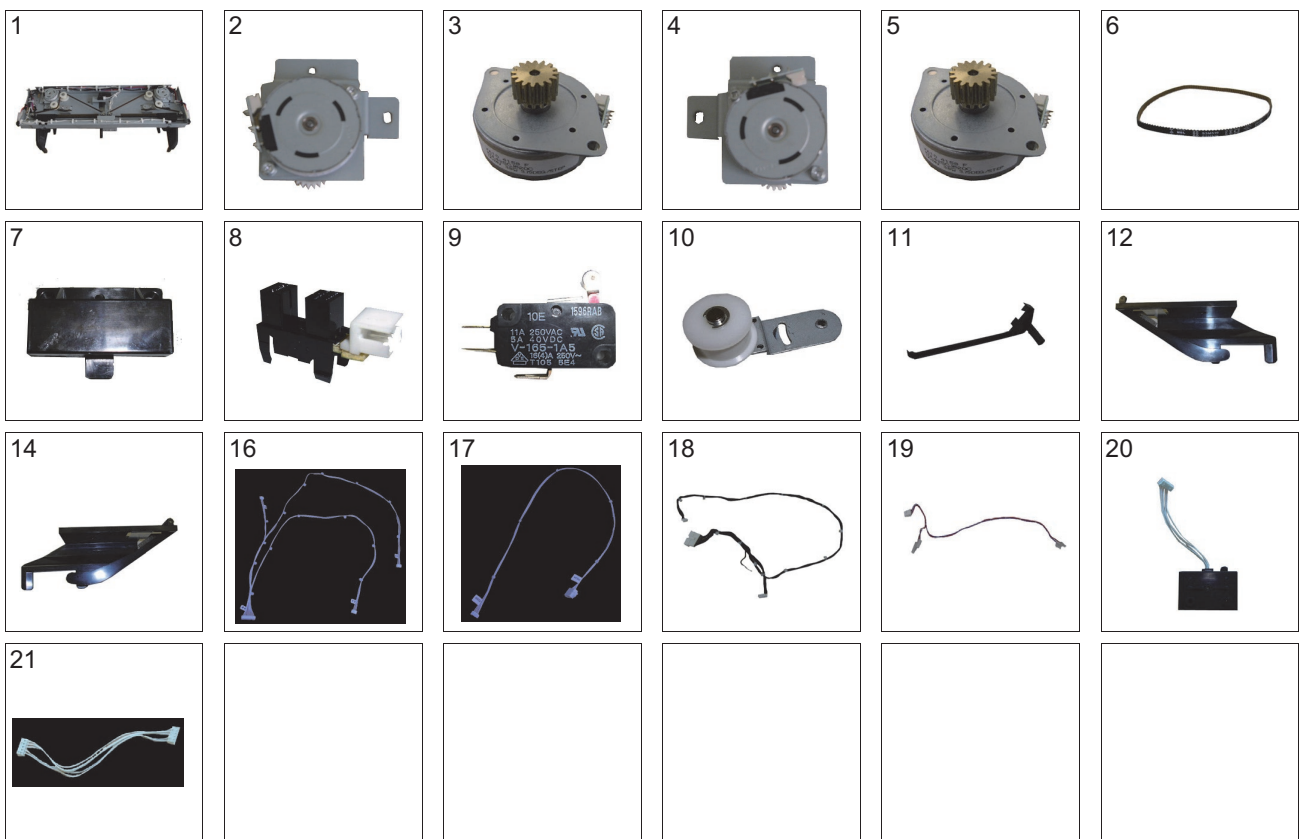




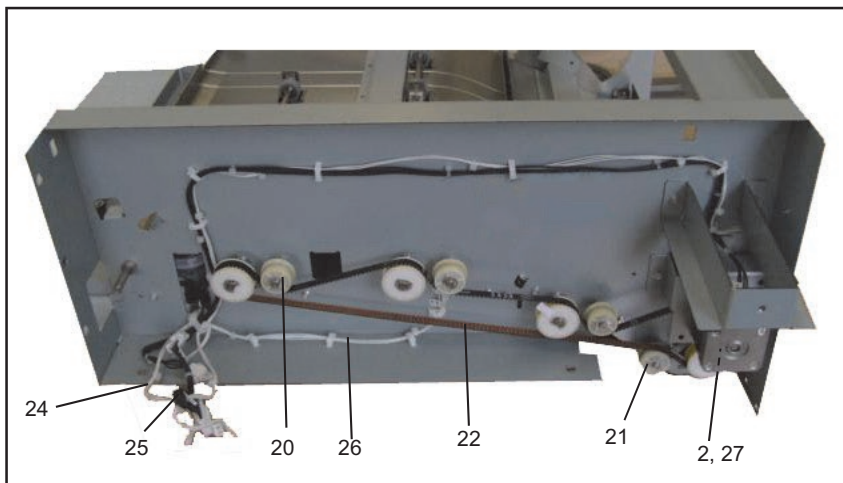
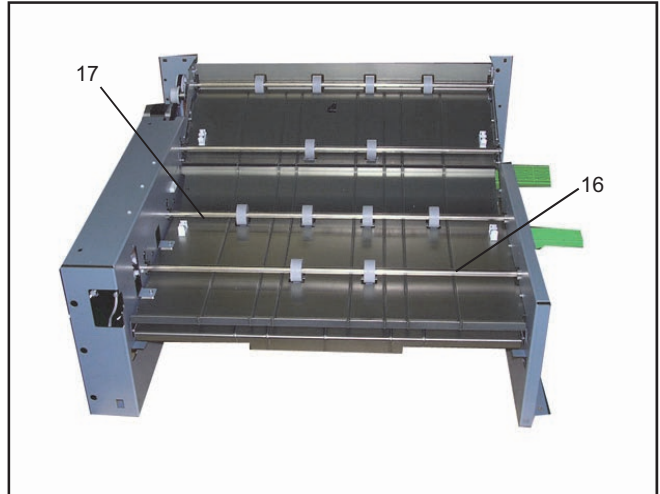
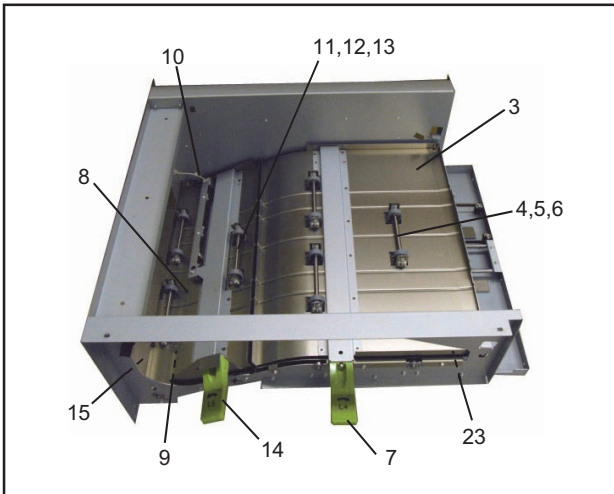




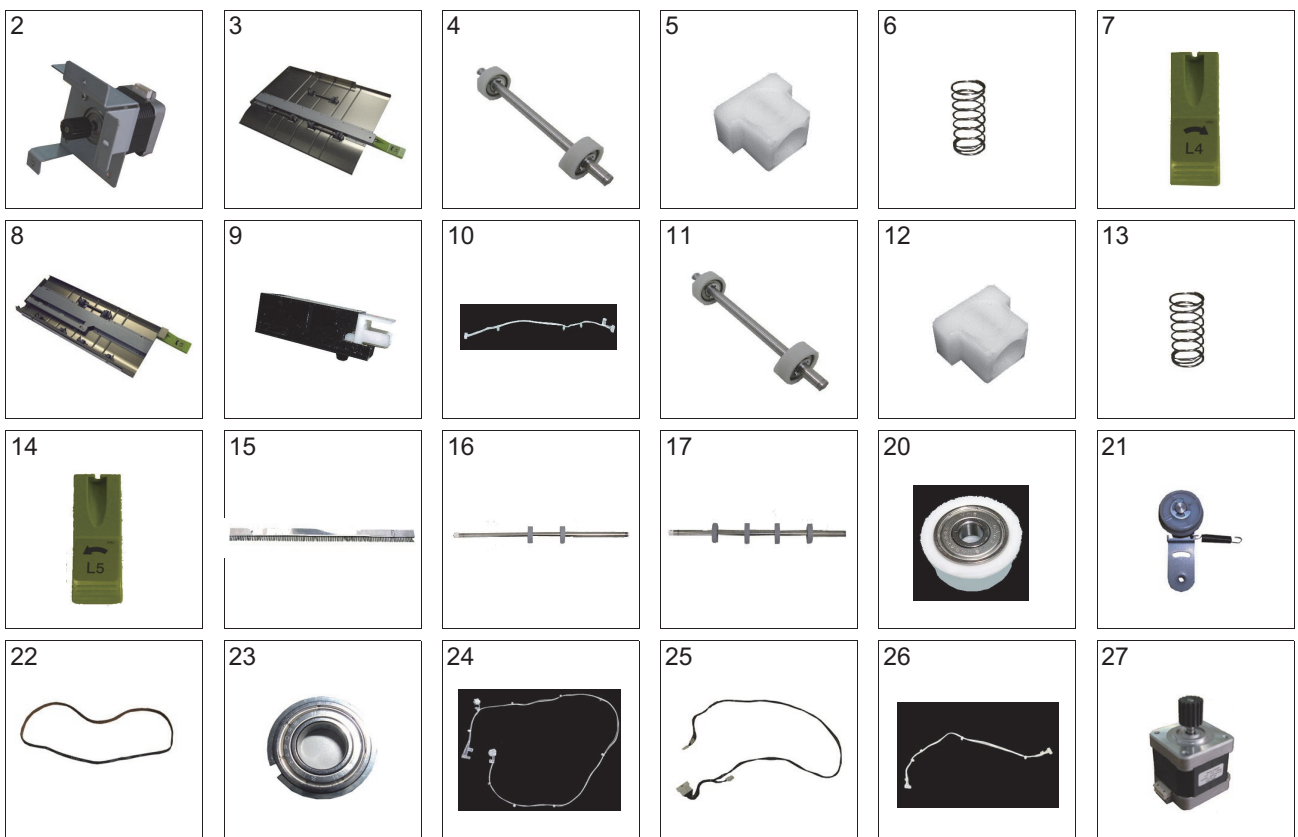






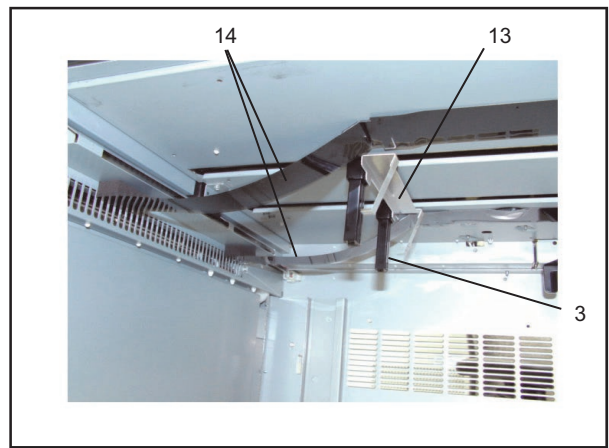
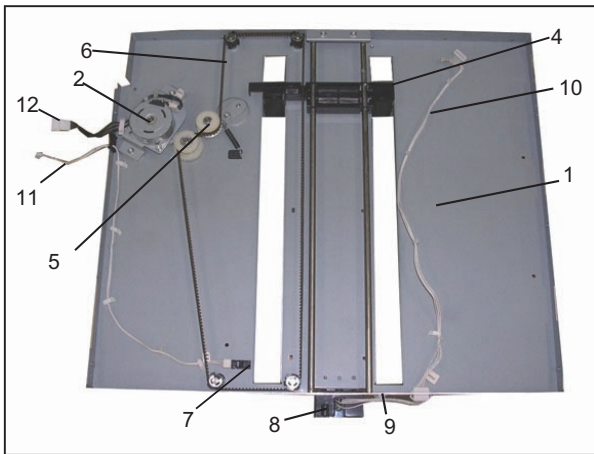




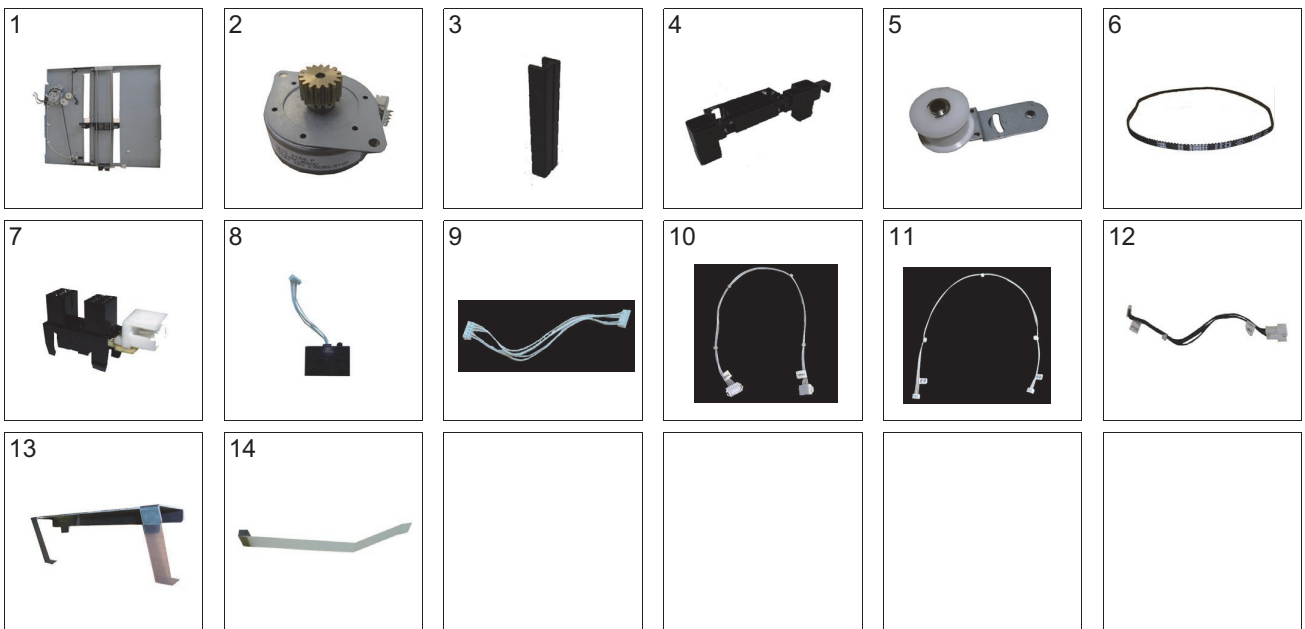




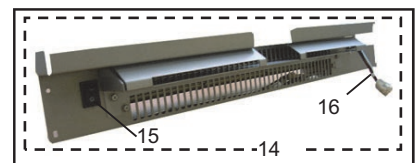
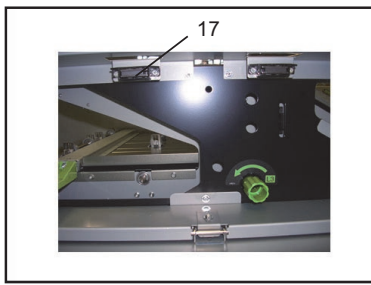
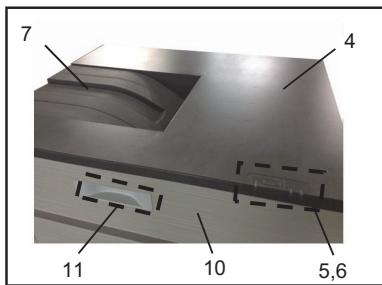
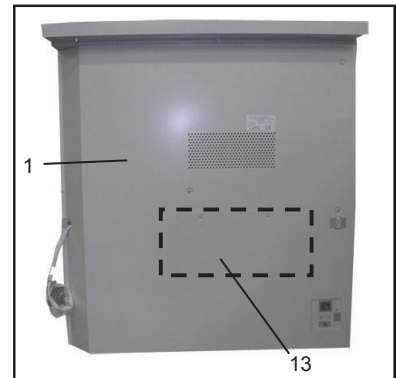
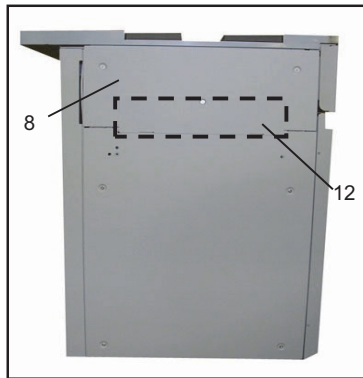




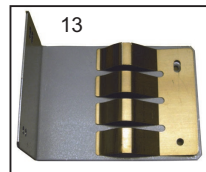
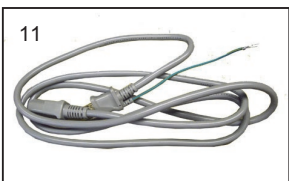
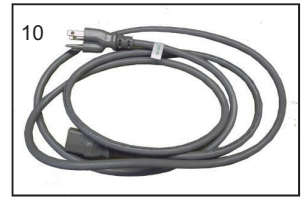
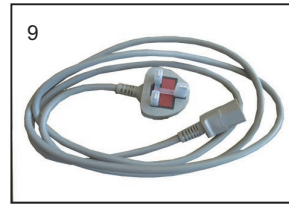
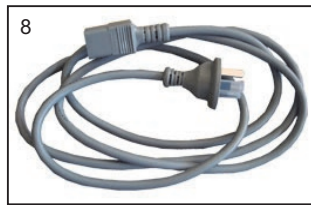
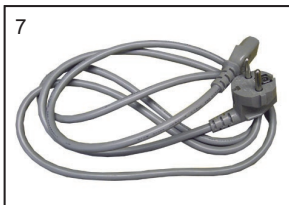
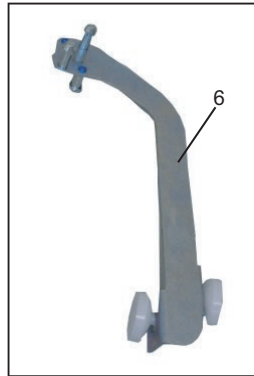


















**TOSHIBA**

**TOSHIBA TEC CORPORATION**

1-11-1, OSAKI, SHINAGAWA-KU, TOKYO, 141-8562, JAPAN