

TOSHIBA

SERVICE PARTS LIST

Relay Unit

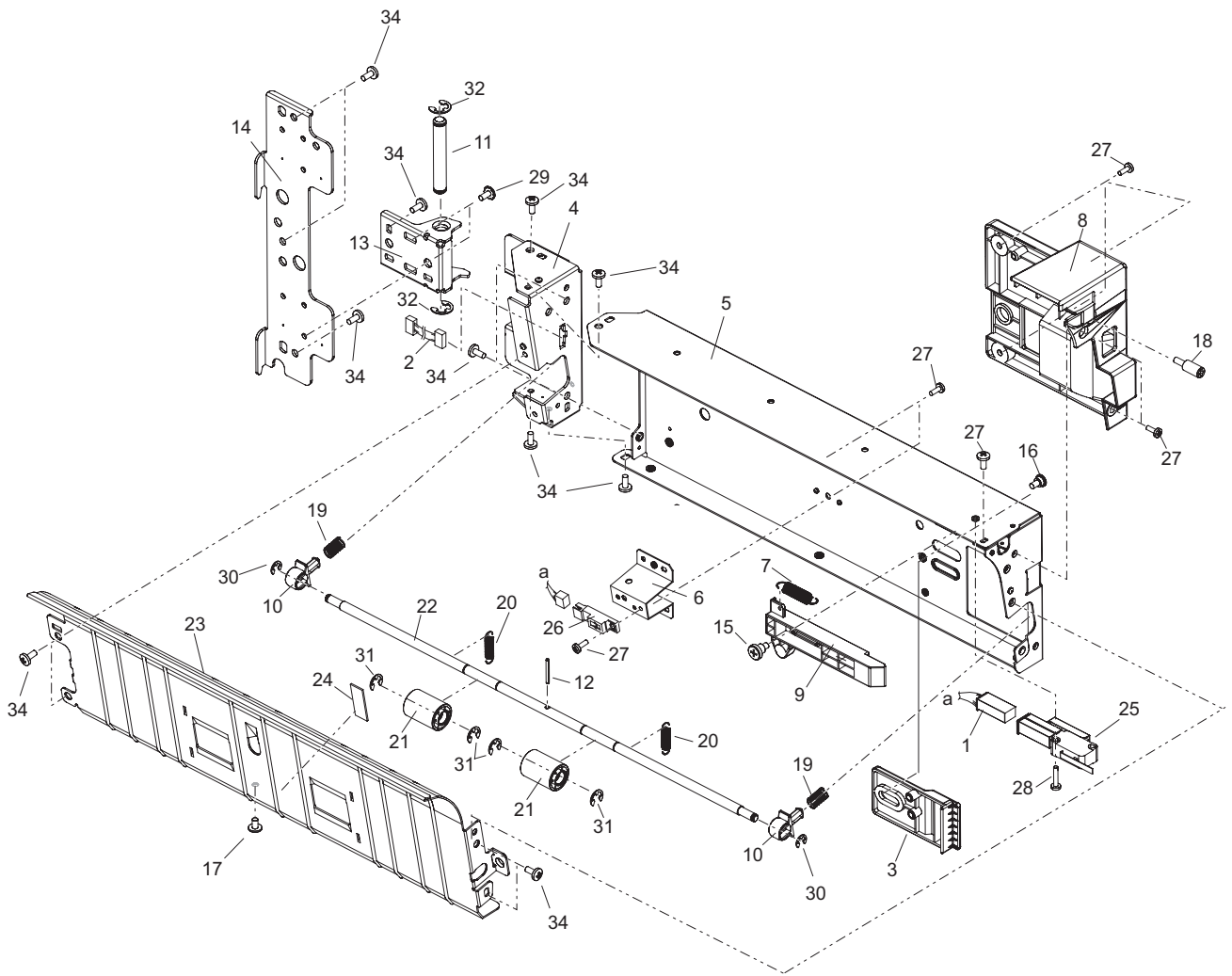
MX-RB16/17

© 2014 TOSHIBA TEC CORPORATION All rights reserved

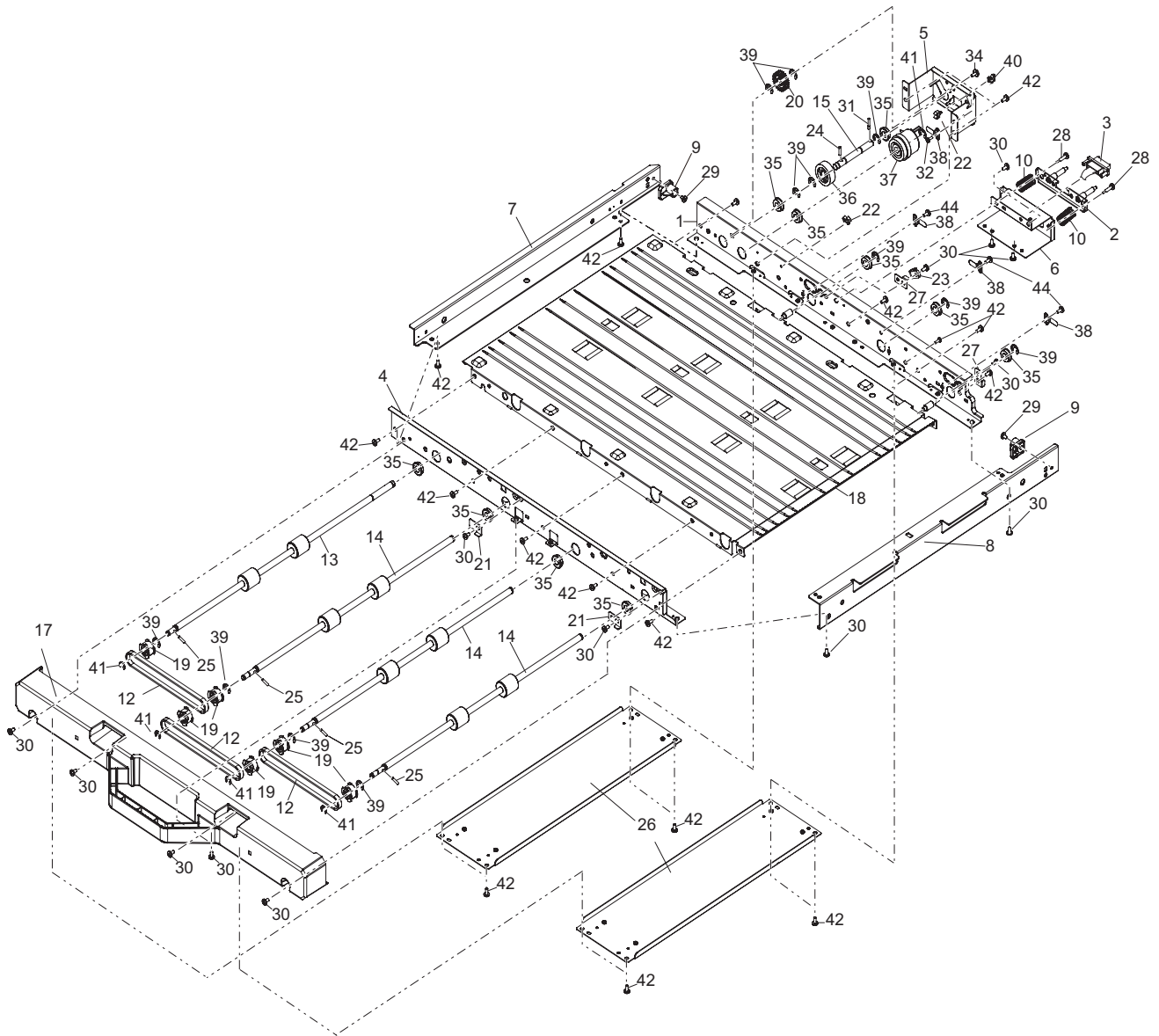
Under the copyright laws, this manual cannot be reproduced in any form without prior written permission of TOSHIBA TEC CORPORATION. No patent liability is assumed, however, with respect to the use of the information contained herein.

CONTENTS

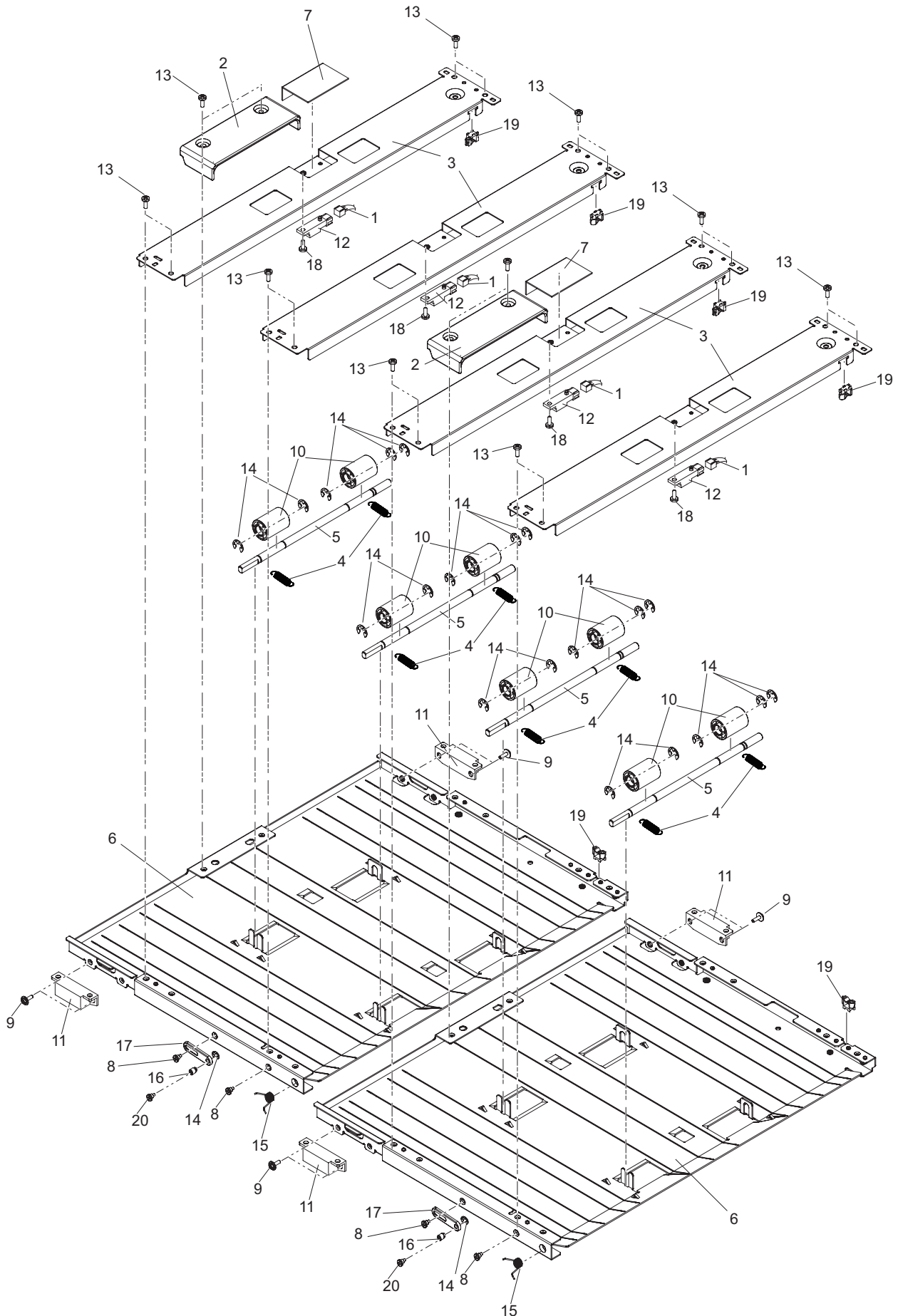
PAPER_TRANSFER_SECTION[MX-RB16]	1
HORIZONTAL_TRANSPORT_PAPER_GUIDE[MX-RB17]	2
HORIZONTAL_TRANSPORT_PAPER_GUIDE_UPPER[MX-RB17].....	3
ACCESSORIES[MX-RB16-RB17]	4



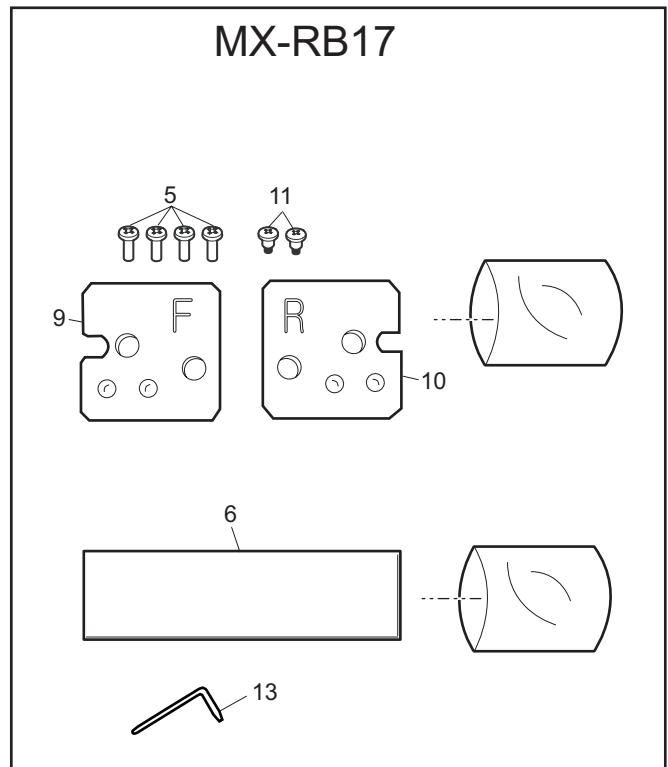
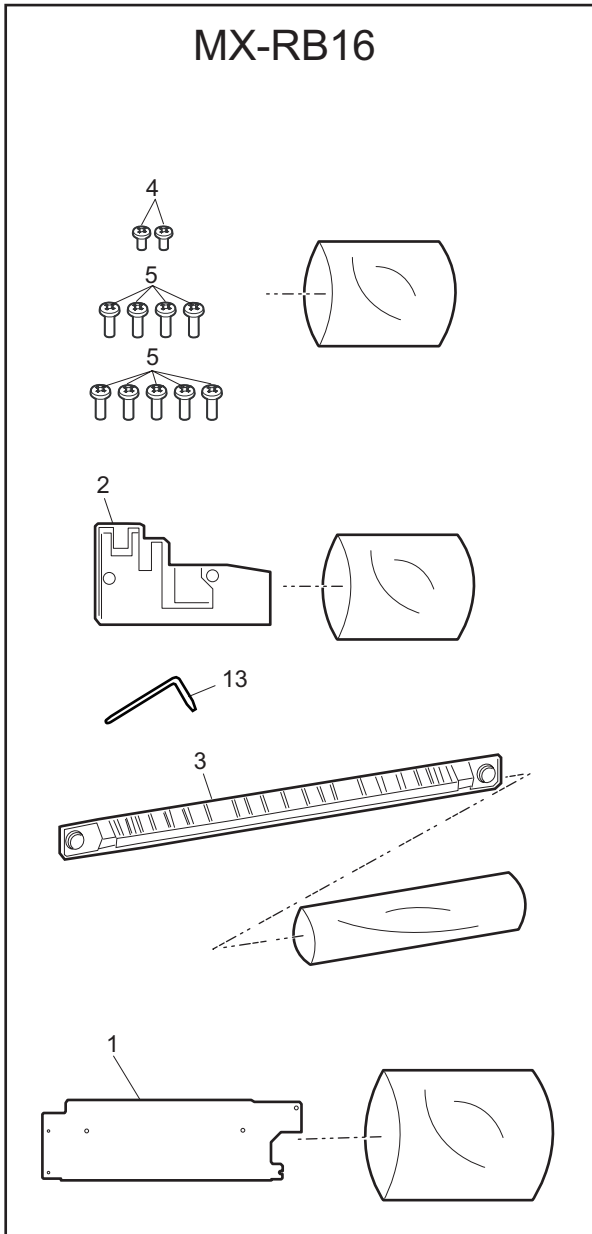
ITEM No.	PART No.	PART NAME	Q'TY / PAGE	Q'TY / PACK	REMARKS
1	6LS03314000	LCT Delivery sensor harness			
2	6LS03315000	LCT delivery interface sensor harness			
3	6LS03461000	Body transport open/close handle			
4	6LS03592000	Body transport frameR			
5	6LS04087000	Body transport reinforce plate			
6	6LS04088000	Body transport sub fixing plate			
7	6LS04724000	Body transport lock pawl			
8	6LS05481000	Body transport PG cover			
9	6LS05986000	Body transport lock pawl			
10	6LS03671000	Follower roller shaft holder			
11	6LS03748000	Fulcrum pin			
12	6LS03749000	Spring pin			
13	6LS03978000	Hinge base			
14	6LS04239000	MF UN support stay			
15	6LS04288000	Step screw			
16	6LS04289000	Screw			
17	6LS04304000	Screw			
18	6LS04370000	Tandem support step screw			
19	6LS04580000	Holder spring			
20	6LS04708000	LCC trans spring			
21	6LS05036000	Transport follower roller			
22	6LS05254000	LCC trans follwer shaft			
23	6LS05545000	LCC trans guide			
24	6LS05946000	LCC sound proof sheet			
25	6LS06043000	Micro switch			
26	6LS06164000	Sensor			
27	6LA58794500	Screw M3X8			
28	6LS06222000	Screw			
29	6LS06234000	Screw			
30	6LS06242000	E ring			
31	6LA58926000	E-ring			
32	6LA58928000	E-ring			
34	6LA58794800	SCREW M4X16			



ITEM No.	PART No.	PART NAME	Q'TY / PAGE	Q'TY / PACK	REMARKS
1	6LS02959000	Horizontal transport frameR AS			
2	6LS03081000	Drawer fixing plate AS			
3	6LS03312000	LCT Horizontal drower harness			
4	6LS03593000	Horizontal transport frameF			
5	6LS03594000	Horizontal transport drive frame			
6	6LS04089000	Horizontal transport drawer joint plate			
7	6LS04157000	Horizontal transport rail L			
8	6LS04158000	Horizontal transport rail R			
9	6LS04193000	Horizontal transport stopper			
10	6LS04597000	Horizontal transport drawer SP			
12	6LS04776000	Belt 60S3M342			
13	6LS05089000	Horizontal transport roller			
14	6LS05090000	Horizontal transport roller2			
15	6LS05308000	Horizontal transport plate joint shaft			
17	6LS05482000	Horizontal transport front cover			
18	6LS05568000	Horizontal transport PG lower			
19	6LS01829000	Pulley(20P(S3M))			
20	6LS02960000	DV idle gear 24T			
21	6LS03080000	Interface open/close fulcrum plate			
22	6LS03603000	Mini clamp			
23	6LS03618000	N5 cable clamp			
24	6LS03734000	SP pin			
25	6LS03736000	SP Pin(2x8)			
26	6LS04067000	Vertical transport unit fixing plate			
28	6LS04278000	Screw			
29	6LS04301000	Screw			
30	6LS04305000	Screw			
31	6LS04334000	Drive joint stopper screw			
32	6LS04357000	Screw			
34	6LS04374000	Screw			
35	6LS04830000	Ball bearing			
36	6LS04894000	Transport drive gear			
37	6LS05341000	Transport clutch			
38	6LS06029000	IF pass earth			
39	6LA58928000	E-ring			
40	6LS01806000	Edge saddle			
41	6LA58926000	E-ring			
42	6LA58794800	SCREW M4X16			
44	6LA58794500	Screw M3X8			



ITEM No.	PART No.	PART NAME	Q'TY / PAGE	Q'TY / PACK	REMARKS
1	6LS03313000	LCT Horizontal sensor harnessLCT			
2	6LS03462000	Horizontal transport open/close handle			
3	6LS04090000	Horizontal transport sensor fixing plate			
4	6LS04723000	Horizontal transport sub SP			
5	6LS05309000	Horizontal transport sub shaft			
6	6LS05567000	Horizontal transport PG upper			
7	6LS05902000	Edge protect sheet			
8	6LS04288000	Step screw			
9	6LA58852000	Screw			
10	6LS05036000	Transport follower roller			
11	6LS05664000	Magnet catch			
12	6LS06164000	Sensor			
13	6LA58794500	Screw M3X8			
14	6LA58926000	E-ring			
15	6LS04649000	Horizontal transport open/close SP			
16	6LS05310000	Open/close regulate shaft			
17	6LS04182000	Open/close left PG stopper			
18	6LS04357000	Screw			
19	6LS01806000	Edge saddle			
20	6LA58851000	Screw			



ITEM No.	PART No.	PART NAME	Q'TY / PAGE	Q'TY / PACK	REMARKS
1	6LS03595000	Body transport frameF			
2	6LS05643000	lock pawl guide			
3	6LS03354000	LCC cabinet lower			
4	6LA58793700	SCREW M4X10			
5	6LA58794800	SCREW M4X16			
6	6LS06140000	Horizontal transport jam processing label			
9	6LS04037000	Height adjust fixing plate F			
10	6LS04038000	Height adjust fixing plate R			
11	6LS04343000	Step screw			
13	6LS06152000	L type Driver			

TOSHIBA

TOSHIBA TEC CORPORATION

1-11-1, OSAKI, SHINAGAWA-KU, TOKYO, 141-8562, JAPAN