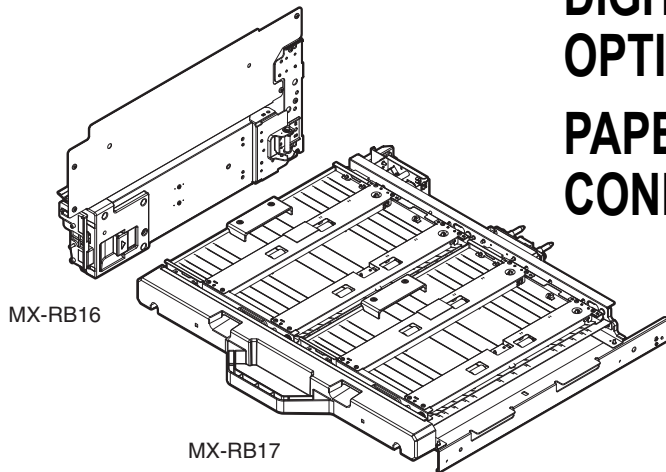


SERVICE MANUAL

DIGITAL MULTIFUNCTIONAL SYSTEM OPTION

PAPER PASS MODULE CONNECTION MODULE



MX-RB16

MODEL MX-RB17

CONTENTS

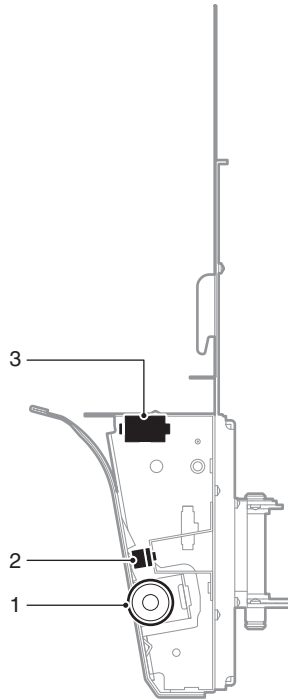
[1]	EXTERNAL VIEW AND INTERNAL STRUCTURE	
1.	Roller, sensor, clutch	1-1
[2]	MAINTENANCE	
1.	MX-RB16	2-1
2.	MX-RB17	2-1
[3]	ACTUAL WIRING CHART	
1.	MX-RB16	3-1
2.	MX-RB17	3-1

Parts marked with "▲" are important for maintaining the safety of the set. Be sure to replace these parts with specified ones for maintaining the safety and performance of the set.

[1] EXTERNAL VIEW AND INTERNAL STRUCTURE

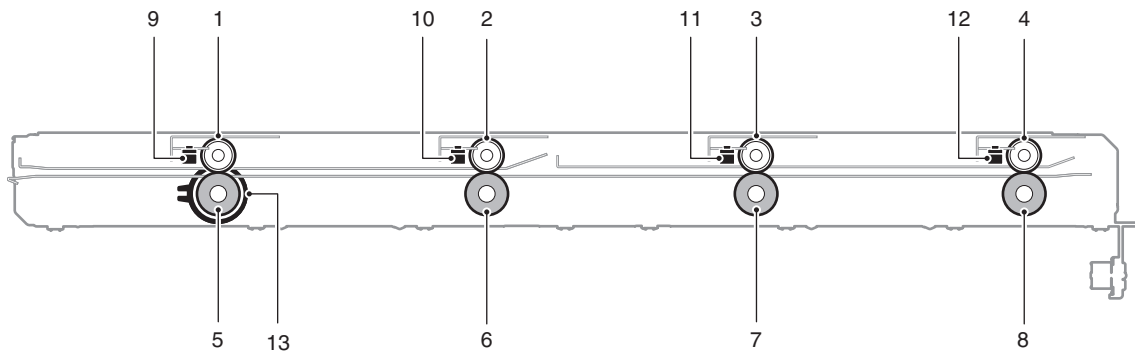
1. Roller, sensor, clutch

A. MX-RB16



No.	Name	Function/Operation
1	Transport roller (Idle)	Applies a pressure to paper and the transport roller, providing transport power of the transport roller 12 of the machine to paper.
2	Transport sensor (LPFD1)	Detects transport of paper.
3	Door switch (DSW-MPF)	Detects open/close of the connection unit.

B. MX-RB17



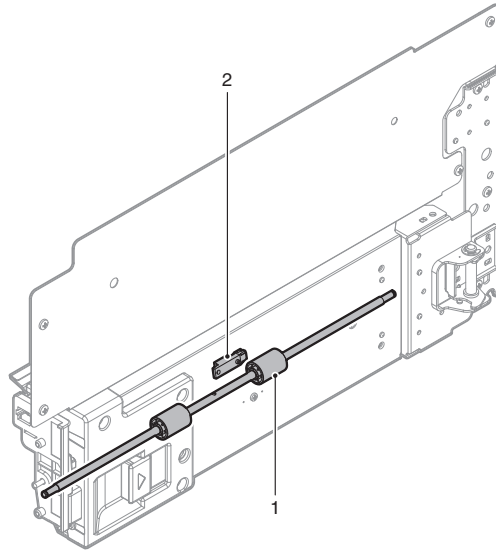
No.	Name	Function/Operation
1	Horizontal transport roller 4 (Idle)	Applies a pressure to paper and the transport roller, providing transport power of the transport roller to paper.
2	Horizontal transport roller 3 (Idle)	Applies a pressure to paper and the transport roller, providing transport power of the transport roller to paper.
3	Horizontal transport roller 2 (Idle)	Applies a pressure to paper and the transport roller, providing transport power of the transport roller to paper.
4	Horizontal transport roller 1 (Idle)	Applies a pressure to paper and the transport roller, providing transport power of the transport roller to paper.
5	Horizontal transport roller 4 (Drive)	Transports paper which is discharged from the second-series large capacity 2-stage paper feed tray to the horizontal transport roller 3.
6	Horizontal transport roller 3 (Drive)	Transports paper to the horizontal transport roller 2.
7	Horizontal transport roller 2 (Drive)	Transports paper to the horizontal transport roller 1.
8	Horizontal transport roller 1 (Drive)	Transports paper to the transport roller 9 of the first-series large capacity paper feed tray.
9	Horizontal transport sensor 4	Detects transport of paper.
10	Horizontal transport sensor 3	Detects transport of paper.
11	Horizontal transport sensor 2	Detects transport of paper.
12	Horizontal transport sensor 1	Detects transport of paper.
13	Horizontal transport clutch	Controls ON/OFF of each horizontal transport roller.

[2] MAINTENANCE

1. MX-RB16

×: Check (Clean, replace, or adjust according to necessity.) ○: Clean ▲: Replace △: Adjust ☆: Lubricate

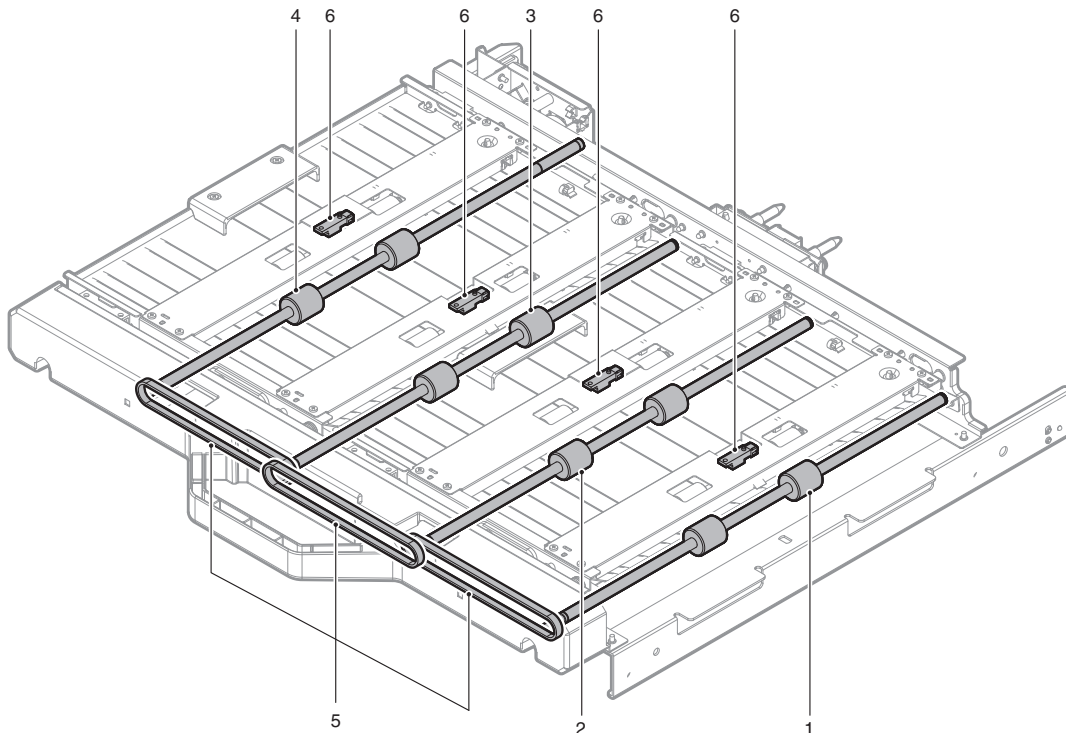
No.	Maintenance part	When calling	When machine maintenance	Remarks
1	Transport roller (Idle)	×	○	When cleaning, use waste cloth immersed in water.
2	Transport sensor (LPFD1)	×	×	
-	Transport paper guide	○	○	



2. MX-RB17

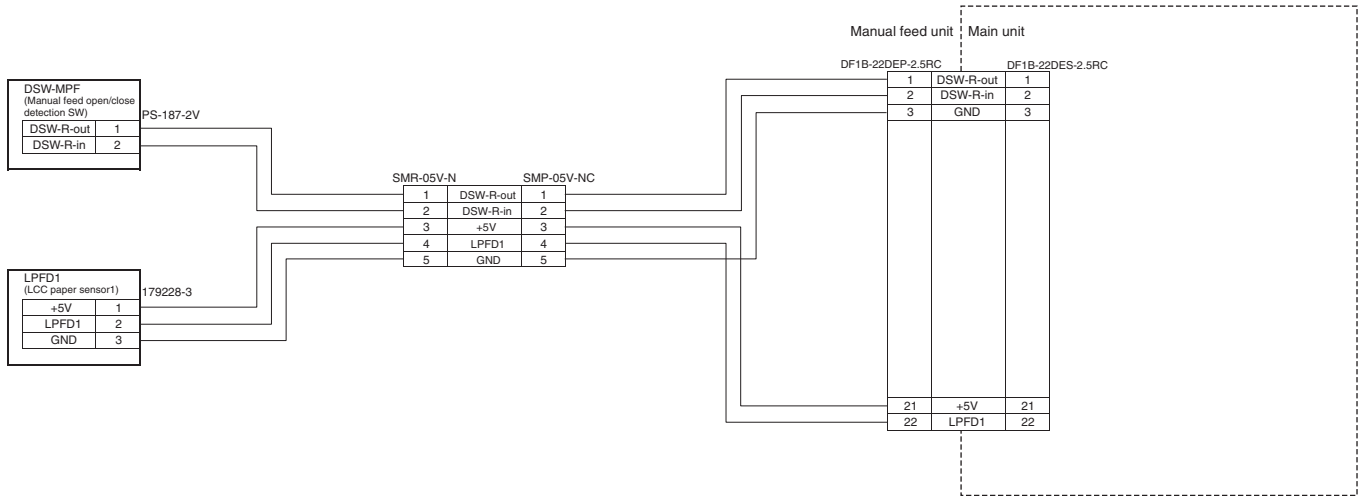
×: Check (Clean, replace, or adjust according to necessity.) ○: Clean ▲: Replace △: Adjust ☆: Lubricate

No.	Maintenance part	When calling	When machine maintenance	Remarks
1	Horizontal transport roller 1	×	○	When cleaning, use waste cloth immersed in water.
2	Horizontal transport roller 2	×	○	
3	Horizontal transport roller 3	×	○	
4	Horizontal transport roller 4	×	○	
5	Belts	-	×	
6	Sensors	×	×	
-	Transport paper guides	○	○	



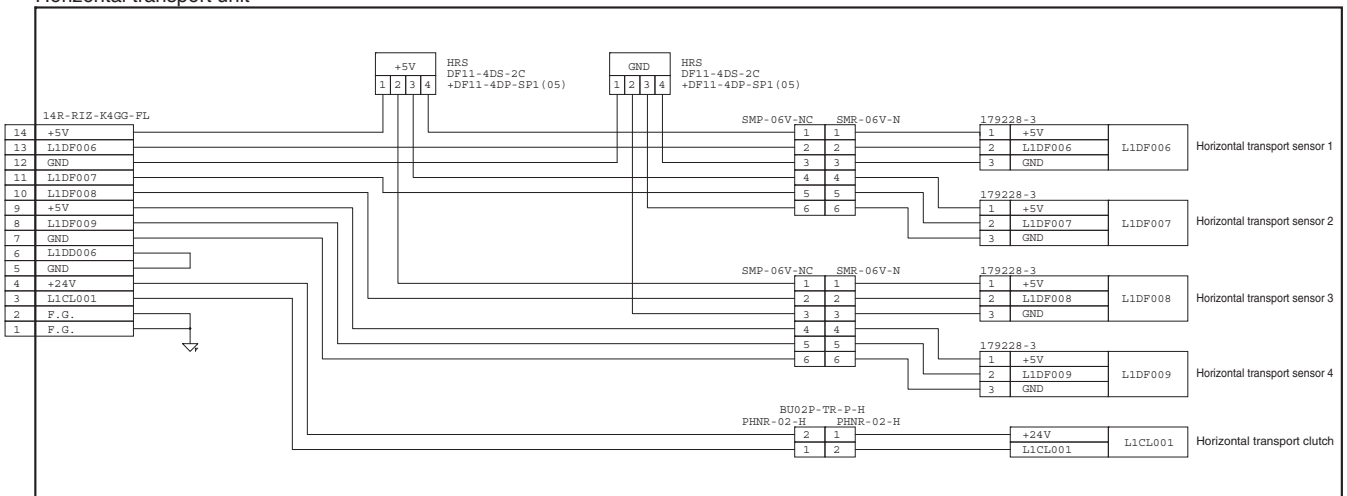
[3] ACTUAL WIRING CHART

1. MX-RB16



2. MX-RB17

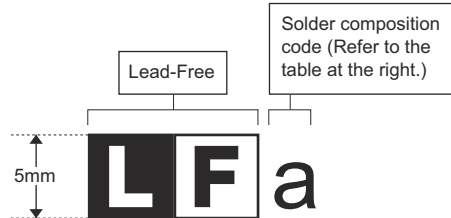
Horizontal transport unit



LEAD-FREE SOLDER

The PWB's of this model employs lead-free solder. The "LF" marks indicated on the PWB's and the Service Manual mean "Lead-Free" solder. The alphabet following the LF mark shows the kind of lead-free solder.

Example:



<Solder composition code of lead-free solder>

Solder composition	Solder composition code
Sn-Ag-Cu	a
Sn-Ag-Bi Sn-Ag-Bi-Cu	b
Sn-Zn-Bi	z
Sn-In-Ag-Bi	i
Sn-Cu-Ni	n
Sn-Ag-Sb	s
Bi-Sn-Ag-P Bi-Sn-Ag	p

(1) NOTE FOR THE USE OF LEAD-FREE SOLDER THREAD

When repairing a lead-free solder PWB, use lead-free solder thread.

Never use conventional lead solder thread, which may cause a breakdown or an accident.

Since the melting-point of lead-free solder thread is about 40°C higher than that of conventional lead solder thread, the use of the exclusive-use soldering iron is recommended.

(2) NOTE FOR SOLDERING WORK

Since the melting-point of lead-free solder is about 220°C, which is about 40°C higher than that of conventional lead solder, and its soldering capacity is inferior to conventional one, it is apt to keep the soldering iron in contact with the PWB for longer time. This may cause land separation or may exceed the heat-resistive temperature of components. Use enough care to separate the soldering iron from the PWB when completion of soldering is confirmed.

Since lead-free solder includes a greater quantity of tin, the iron tip may corrode easily. Turn ON/OFF the soldering iron power frequently.

If different-kind solder remains on the soldering iron tip, it is melted together with lead-free solder. To avoid this, clean the soldering iron tip after completion of soldering work.

If the soldering iron tip is discolored black during soldering work, clean and file the tip with steel wool or a fine filer.

CAUTION FOR BATTERY REPLACEMENT

(Danish) ADVARSEL !
Lithiumbatteri – Eksplosionsfare ved fejlagtig håndtering.
Udskiftning må kun ske med batteri
af samme fabrikat og type.
Levér det brugte batteri tilbage til leverandoren.

(English) Caution !
Danger of explosion if battery is incorrectly replaced.
Replace only with the same or equivalent type
recommended by the manufacturer.

Dispose of used batteries according to manufacturer's instructions.

(Finnish) VAROITUS
Paristo voi räjähtää, jos se on virheellisesti asennettu.
Vaihda paristo ainoastaan laitevalmistajan suosittelemaan
tyyppiin. Hävitä käytetty paristo valmistajan ohjeiden
mukaisesti.

(French) ATTENTION
Il y a danger d'explosion si il y a remplacement incorrect
de la batterie. Remplacer uniquement avec une batterie du
même type ou d'un type équivalent recommandé par
le constructeur.
Mettre au rebut les batteries usagées conformément aux
instructions du fabricant.

(Swedish) VARNING
Explosionsfara vid felaktigt batteribyte.
Använd samma batterityp eller en ekvivalent
typ som rekommenderas av apparattillverkaren.
Kassera använt batteri enligt fabrikantens
instruktion.

(German) Achtung
Explosionsgefahr bei Verwendung inkorrekt
er Batterien.
Als Ersatzbatterien dürfen nur Batterien vom gleichen Typ oder
vom Hersteller empfohlene Batterien verwendet werden.
Entsorgung der gebrauchten Batterien nur nach den vom
Hersteller angegebenen Anweisungen.

CAUTION FOR BATTERY DISPOSAL

(For USA, CANADA)

"BATTERY DISPOSAL"

THIS PRODUCT CONTAINS A LITHIUM PRIMARY
(MANGANESE DIOXIDE) MEMORY BACK-UP BATTERY
THAT MUST BE DISPOSED OF PROPERLY. REMOVE THE
BATTERY FROM THE PRODUCT AND CONTACT YOUR
LOCAL ENVIRONMENTAL AGENCIES FOR INFORMATION
ON RECYCLING AND DISPOSAL OPTIONS.

"TRAITEMENT DES PILES USAGÉES"

CE PRODUIT CONTIENT UNE PILE DE SAUVEGARDE DE
MÉMOIRE LITHIUM PRIMAIRE (DIOXYDE DE MANGANÈSE)
QUI DOIT ÊTRE TRAITÉE CORRECTEMENT. ENLEVEZ LA
PILE DU PRODUIT ET PRENEZ CONTACT AVEC VOTRE
AGENCE ENVIRONNEMENTALE LOCALE POUR DES
INFORMATIONS SUR LES MÉTHODES DE RECYCLAGE ET
DE TRAITEMENT.

