

TOSHIBA

SERVICE PARTS LIST

Relay Unit

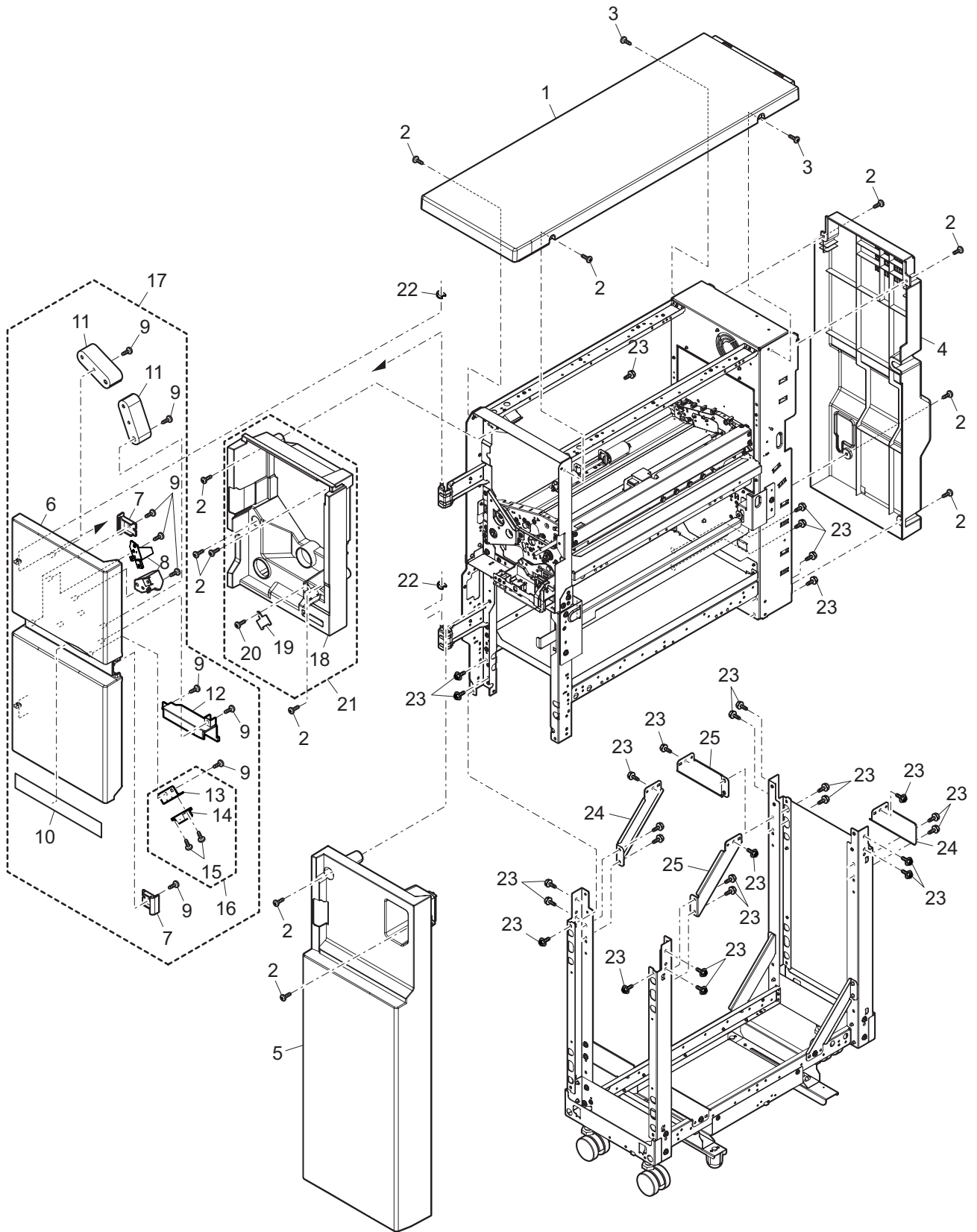
MX-RB13/18

© 2014 TOSHIBA TEC CORPORATION All rights reserved

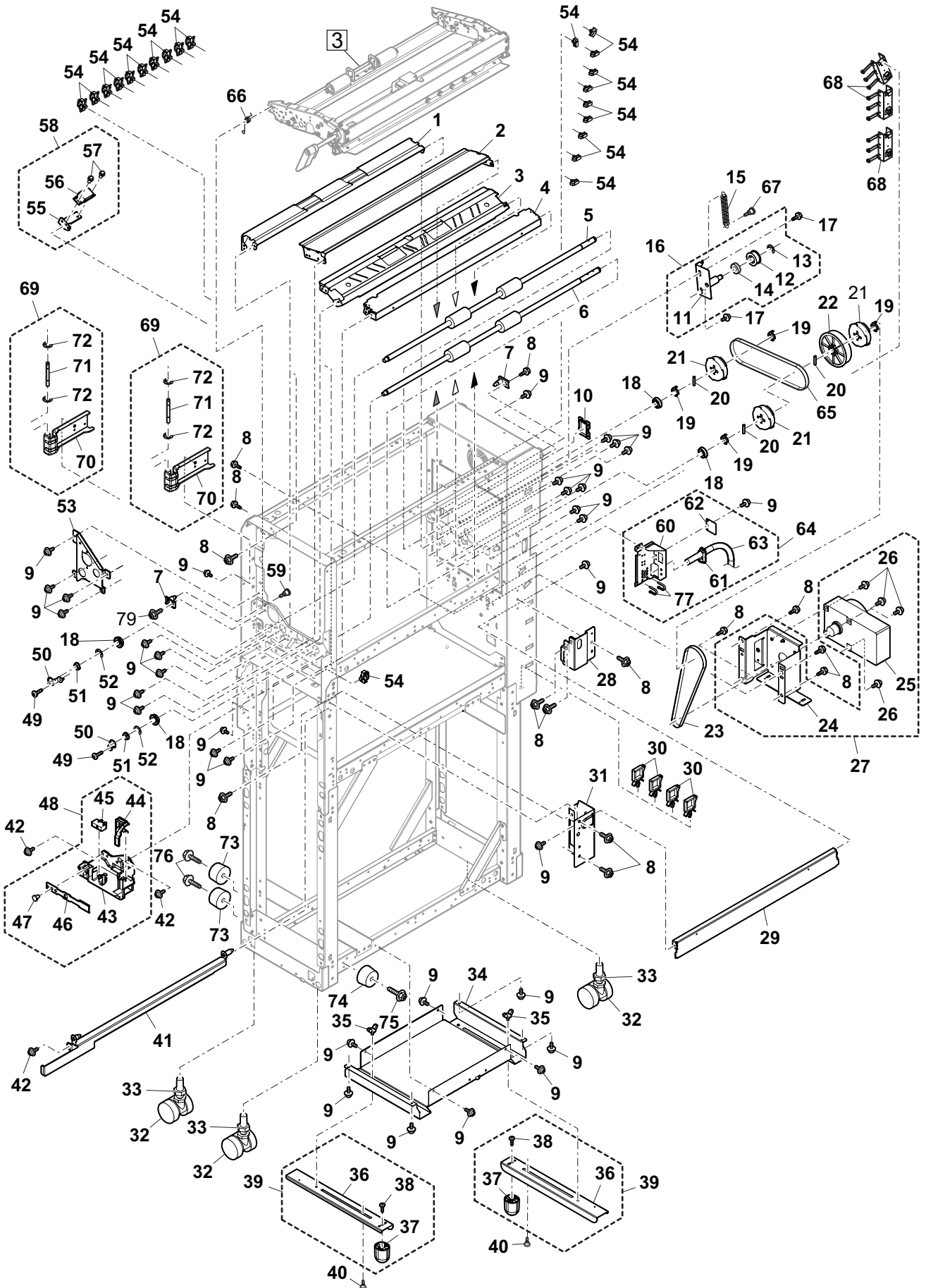
Under the copyright laws, this manual cannot be reproduced in any form without prior written permission of TOSHIBA TEC CORPORATION. No patent liability is assumed, however, with respect to the use of the information contained herein.

CONTENTS

EXTERIORS[MX-RB13].....	1
FRAME_SECTION[MX-RB13].....	2
UPPER_GUIDE_UNIT[MX-RB13].....	3
EXTERIORS[MX-RB18].....	4
FRAME_SECTION[MX-RB18].....	5
UPPER_GUIDE_UNIT[MX-RB18].....	6
TRANSPORT_SECTION[MX-RB18].....	7
PACKING_MATERIAL&ACCESSORIES[MX-RB13].....	8
PACKING_MATERIAL&ACCESSORIES[MX-RB18].....	9

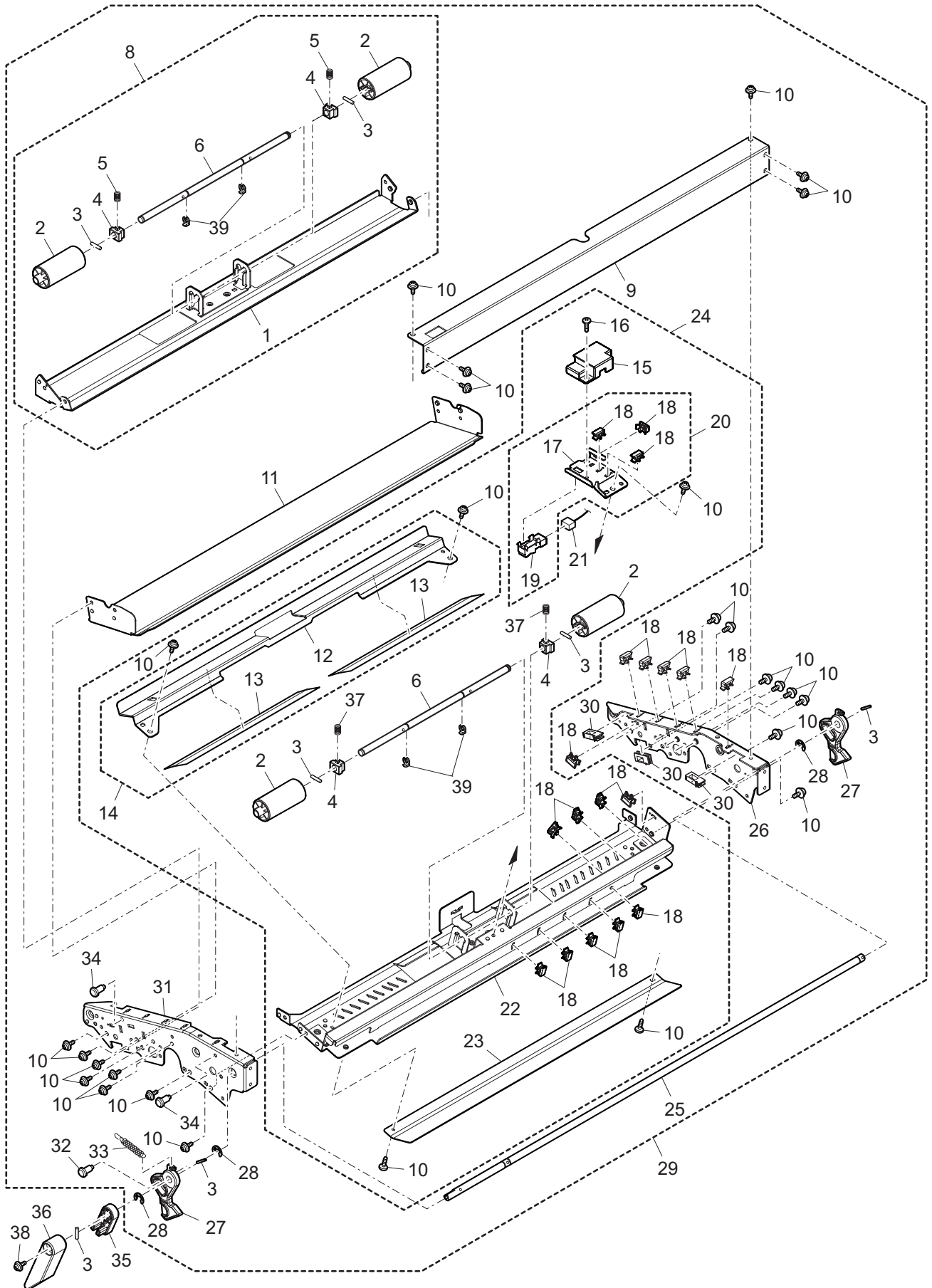


ITEM No.	PART No.	PART NAME	Q'TY / PAGE	Q'TY / PACK	REMARKS
1	6LS00457000	COVER,UPPER			
2	6LS00572000	SCREW.M4X7			
3	6LS01300000	SCREW, STEPPED, M4			
4	6LS00316000	COVER,REAR			
5	6LS00313000	COVER,FRONT,LOWER			
6	6LS00312000	COVER,FRONT,UPPER			
7	6LS00275000	COVER,FRONTSUB,RIGHT			
8	6LS00309000	BLOCK,UNCLOSED,DETECTION H			
9	6LS01683000	SCREW04T080WAVE-W			
10	6LS00414000	SHEET,MAKEUP LINE,DCR			
11	6LS00311000	BLOCK,UNCLOSED,DETECTION P			
12	6LS00269000	HANDLE,DOOR,6			
13	6LS00247000	BKT-MG-CVR			
14	6LS00640000	MGT-CATCH-20N			
15	6LS01664000	SCREW			
16	6LS00501000	MAGNET,UPPER,ASSEMBLY			
17	6LS00491000	COVER,FRONT UPPER H,ASSEMBLY			
18	6LS00317000	COVER,INNER,H			
19	6LS00246000	PLT-CVR-MG			
20	6LS01685000	SCREW, TAPPING,BINDING HEAD,M3X8,NL			
21	6LS00492000	COVER,INNER FE,ASSEMBLY			
22	6LS00592000	CLIP3			
23	6LS01654000	SCREW,RS,M4X8			
24	6LS00391000	PLATE,REINFORCEMENT,1			
25	6LS00392000	PLATE,REINFORCEMENT,2			

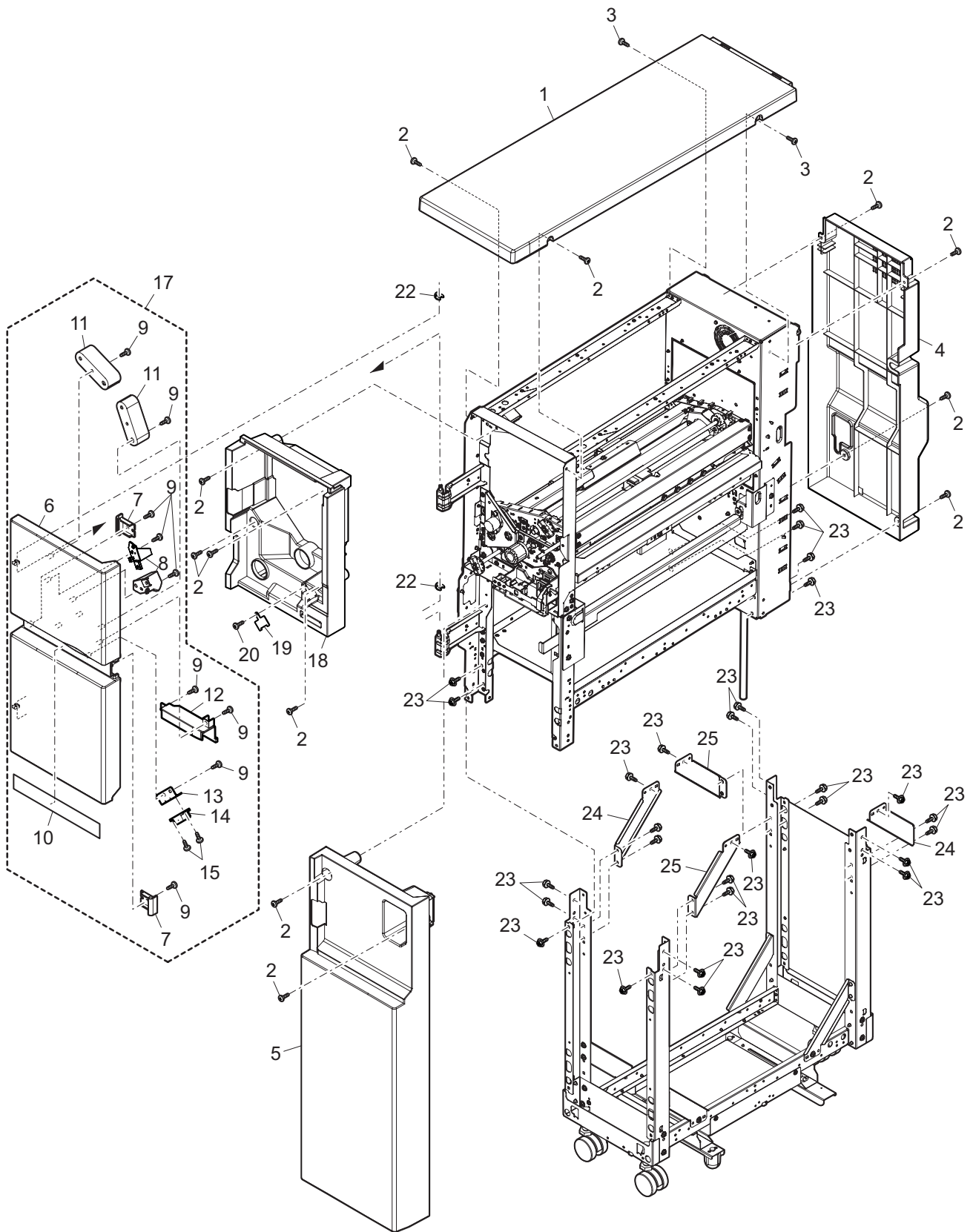


ITEM No.	PART No.	PART NAME	Q'TY / PAGE	Q'TY / PACK	REMARKS
1	6LS00299000	GUIDE,LEFT LOWER,H			
2	6LS00314000	GUIDE,MIDDLE,LOWER			
3	6LS00243000	GID-BC-IN-D			
4	6LS00389000	GUIDE,ENTRANCE LOWER,H			
5	6LS00394000	ROLLER,FEED,2			
6	6LS00296000	ROLLER,FEED,1			
7	6LS00430000	K-BKT-BC-DCR-CF			
8	6LS01654000	SCREW,RS,M4X8			
9	6LS01666000	SCREW,RS,M3			
10	6LS00570000	SQUARE BUSHING			
11	6LS00440000	STACKING,PLATE BELT TENSION			
12	6LS01313000	ROLLER_TENSIONER_17			
13	6LS01704000	E-RING, d=5.0, NL			
14	6LS00227000	BEARINGRBB060120			
15	6LS01576000	SP-FIN-SWING-ASIST			
16	6LS00497000	BELT,TENSION,ASSEMBLY			
17	6LS01681000	SCREW, WITH SPRING AND PLAIN WASHER, M4X8, ZC3			
18	6LS01794000	BEARING,BALL,F688ZZ			
19	6LS01624000	RING,STOP			
20	6LS01719000	PIN,PARALLEL,HARD,d3X16,no			
21	6LS00541000	PULLY,S3M,40			
22	6LS01389000	PLY,S3M,59,TRY			
23	6LS01781000	BELT,TIMING			
24	6LS00300000	BRACKET,MOTER			
25	6LS00526000	MOTER			
26	6LS01678000	SCREW,WITH SPRING AND PLAIN WASHER,M3X8,ZC3			
27	6LS00498000	MOTOR,FE,ASSEMBLY			
28	6LS00404000	BRACKET,JOINT REAR,FRAME			
29	6LS00406000	STAY,JOINT SLID,BASE			
30	6LS01651000	CABLE CLAMP			
31	6LS00405000	BRACKET,JOINT FRONT,FRAME			
32	6LS00321000	CASTER,40			
33	6LS01691000	NUT			
34	6LS00303000	PLATE,BOTTOM			
35	6LS00611000	BOT-040-080-WING			
36	6LS00304000	STAY,SUPPORT,ARM			
37	6LS00310000	SPACER,SUPPORT			
38	6LS01687000	SCREW, TAPPING, BINDING HEAD, M4X8, NL			
39	6LS00511000	STAY,SUPPORT ARM,ASSEMBLY			
40	6LS00654000	SCR03M030-D040022			
41	6LS00403000	LEVER,JOINT			
42	6LS00572000	SCREW.M4X7			
43	6LS00938000	HOLDER_DR_SW			
44	6LS00935000	LVR-DR-SW			
45	6LS01633000	MICRO SWITCH FOR POWER			
46	6LS01581000	SPRING_SWITCH_PLATE			
47	6LS01685000	SCREW, TAPPING,BINDING HEAD,M3X8,NL			
48	6LS00500000	SWITCH,DOOR,ASSEMBLY			
49	6LS01659000	SCREW			
50	6LS00960000	PLT-SFT-EARTH-ROL			
51	6LS01286000	BUSHING			
52	6LS01699000	E-RING			
53	6LS00324000	BRACKET,DANPER,H			
54	6LS01648000	WIRE LOCKING PARTS			
55	6LS00390000	BRACKET,MAGNET			
56	6LS00229000	MAGNET-13N			
57	6LS01664000	SCREW			
58	6LS00508000	BRACKET,MAGNET FRONT FRAME,ASSEMBLY			
59	6LS01397000	SCREW,STEPPED,M4			
60	6LS00302000	BRACKET,INTERFACE,CABLE			
61	6LS01652000	EDGE HOLDER			
62	6LS00393000	PLATE,BLIND			
63	6LS00486000	ASM-IF-RELAY			

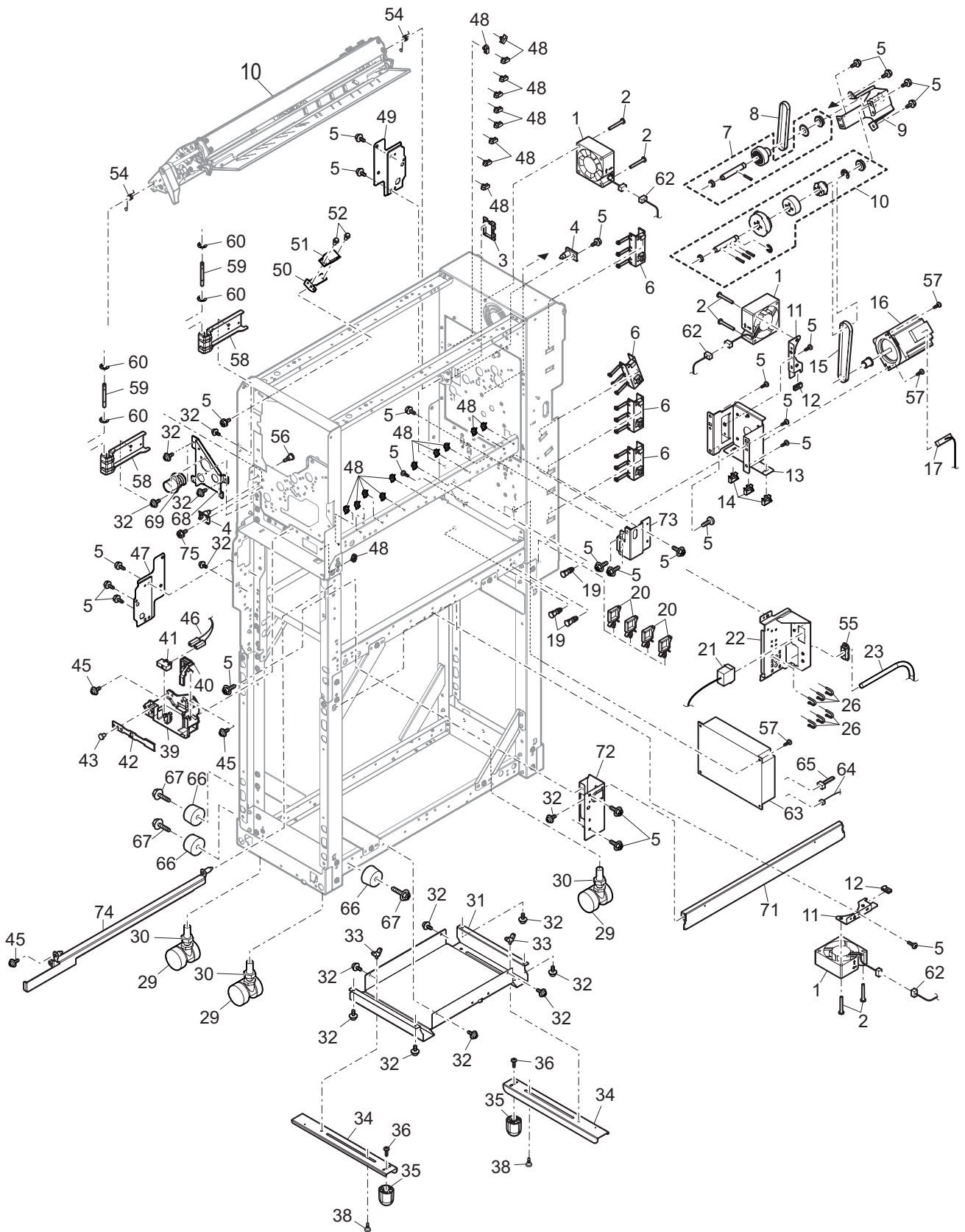
ITEM No.	PART No.	PART NAME	Q'TY / PAGE	Q'TY / PACK	REMARKS
64	6LS00495000	BRACKET,INTERFACECABLE FE,ASSEMBLY			
65	6LS01779000	BELT,TIMING			
66	6LS00540000	SPRING,LOCK UPPER DECURLER,F			
67	6LS00562000	SCREW M3X4,STEPPED 38 120			
68	6LS00958000	GID-HRNS			
69	6LS00502000	HINGE,DOOR,ASSEMBLY			
70	6LS00308000	BRACKET,DOOR HINGE			
71	6LS00397000	SHAFT,DOOR HINGE			
72	6LS01700000	E-RING,d=3.0,NL			
73	6LS00413000	RUBBER,CUSHION,SIDE			
74	6LS00410000	RUBBER,CUSHION,14			
75	6LS01677000	SCREW,BINDING HEAD,M4X16,ZC3			
76	6LS01676000	SCREW,BINDING HEAD,MAXX12,ZC3			
77	6LS01649000	WIRE LOCKING PARTS			
79	6LS01690000	SCREW			



ITEM No.	PART No.	PART NAME	Q'TY / PAGE	Q'TY / PACK	REMARKS
1	6LS00297000	GUIDE,LEFT UPPER,H			
2	6LS01407000	FEED-RL-COL			
3	6LS01713000	PIN,DOWEL			
4	6LS01409000	SLIDER,FOLLOWER			
5	6LS01588000	SP-FIN-BFA-KORO			
6	6LS00424000	SHAFT1,ENTRANCE PAPER FEED ROLLER			
8	6LS00494000	GUIDE,LEFT UPPER H,ASSEMBLY			
9	6LS00411000	PLATE,COVER DECURELER,UPPER			
10	6LS01666000	SCREW,RS,M3			
11	6LS00315000	GUIDE,MIDDLE,UPPER			
12	6LS00244000	STY-BC-DCR-U			
13	6LS00258000	SHT-STY-BC-DCR-U			
14	6LS00431000	ASY-STY-BC-DCR-U			
15	6LS00249000	CVR-BC-SNS-IN			
16	6LS01659000	SCREW			
17	6LS00245000	BKT-BC-SNS-IN			
18	6LS01643000	WIRE LOCKING PARTS			
19	6LS01088000	OPTICAL COMPOUND FUNCTION DEVICES			
20	6LS00505000	BRACKET,SENSOR,ASSEMBLY			
21	6LS00487000	ASM-SEN-RELAY			
22	6LS00298000	GUIDE,RIGHT UPPER,H			
23	6LS00388000	GUIDE,ENTRANCE UPPER,H			
24	6LS00499000	GUIDE,RIGHT UPPER FE,ASSEMBLY			
25	6LS00325000	SHAFT,LOCK DC DCR,H			
26	6LS00408000	FRAME,GUIDE UPPER,REAR			
27	6LS00250000	LOCK-BC-DCR			
28	6LS01698000	E-RING			
29	6LS00493000	GUIDE,UPPER FE,ASSEMBLY			
30	6LS01646000	EDGE PROTECTION PARTS			
31	6LS00407000	FRAME,GUIDE UPPER,FRONT			
32	6LS00653000	SCREW,STEPPED,M3			
33	6LS00539000	SPRING,LOCK GUIDE,DECURLER			
34	6LS01397000	SCREW,STEPPED,M4			
35	6LS00584000	SUPPORT,LATCHHANDLE			
36	6LS00409000	HANDLE,LOCK			
37	6LS01586000	SP-FIN-KORO-ENTRANCE			
38	6LS01678000	SCREW,WITH SPRING AND PLAIN WASHER,M3X8,ZC3			
39	6LS01702000	E-RING			

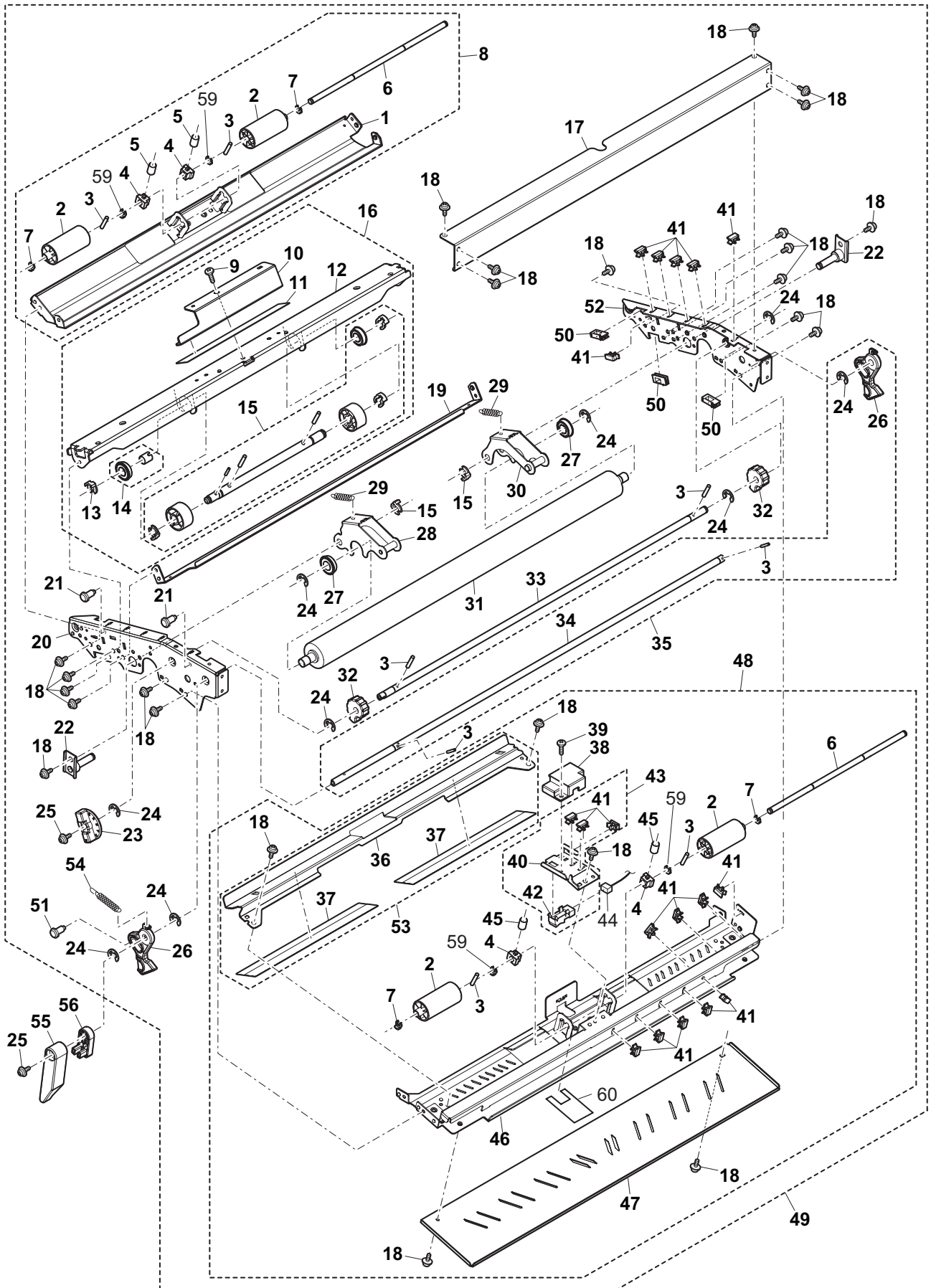


ITEM No.	PART No.	PART NAME	Q'TY / PAGE	Q'TY / PACK	REMARKS
1	6LS00457000	COVER,UPPER			
2	6LS00572000	SCREW.M4X7			
3	6LS01300000	SCREW, STEPPED, M4			
4	6LS00316000	COVER,REAR			
5	6LS00313000	COVER,FRONT,LOWER			
6	6LS00312000	COVER,FRONT,UPPER			
7	6LS00275000	COVER,FRONTSUB,RIGHT			
8	6LS00309000	BLOCK,UNCLOSED,DETECTION H			
9	6LS01683000	SCREW04T080WAVE-W			
10	6LS00414000	SHEET,MAKEUP LINE,DCR			
11	6LS00311000	BLOCK,UNCLOSED,DETECTION P			
12	6LS00269000	HANDLE,DOOR,6			
13	6LS00247000	BKT-MG-CVR			
14	6LS00640000	MGT-CATCH-20N			
15	6LS01664000	SCREW			
18	6LS00319000	COVER,INNER,H			
19	6LS00246000	PLT-CVR-MG			
20	6LS01671000	SCREW,BINDING HEAD,M3X8,NL			
22	6LS00592000	CLIP3			
23	6LS01654000	SCREW,RS,M4X8			
24	6LS00391000	PLATE,REINFORCEMENT,1			
25	6LS00392000	PLATE,REINFORCEMENT,2			

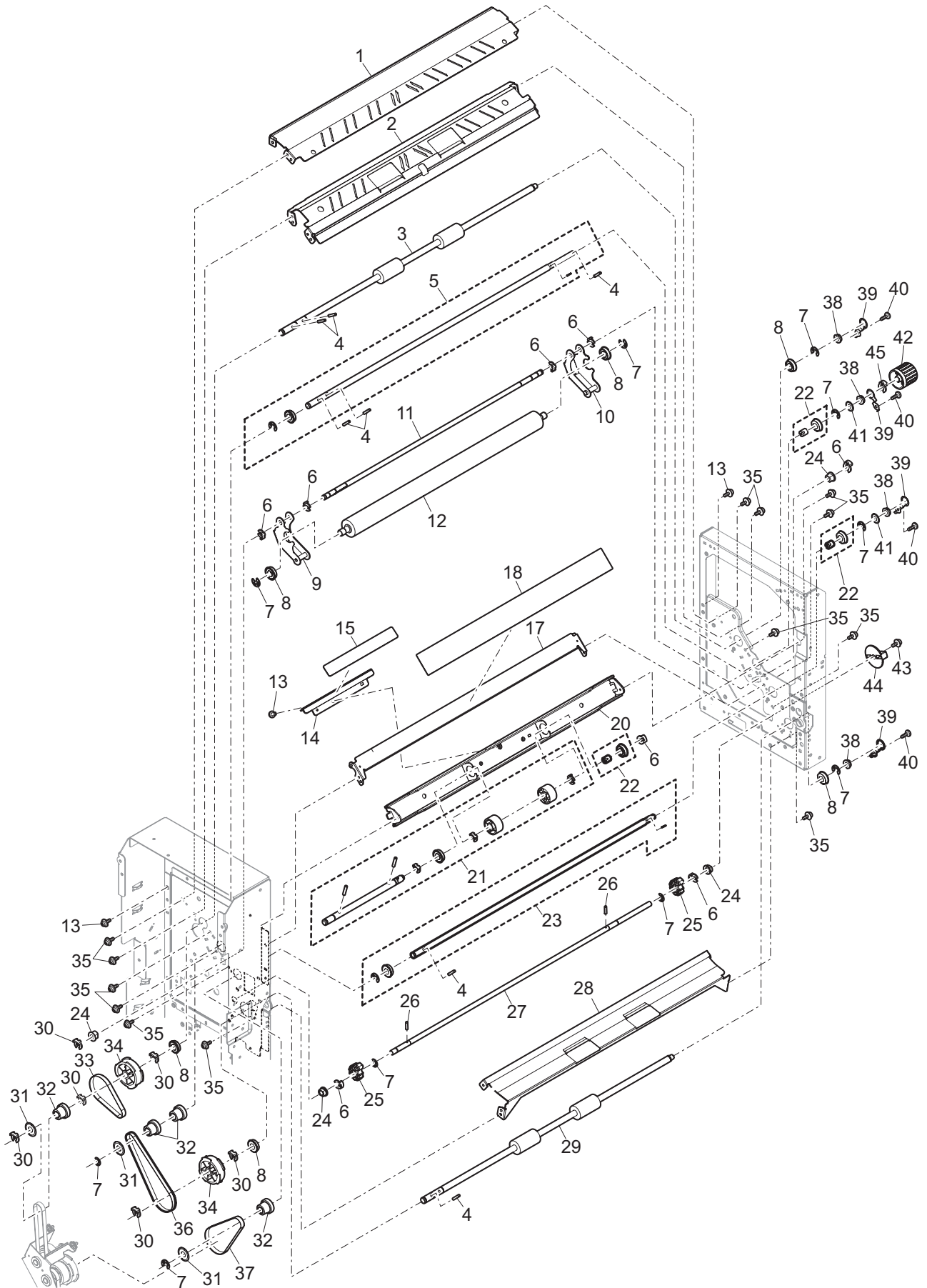


ITEM No.	PART No.	PART NAME	Q'TY / PAGE	Q'TY / PACK	REMARKS
1	6LS00525000	D06K 24TS10 10B			
2	6LS00563000	SCREW,M4X30,SR			
3	6LS00570000	SQUARE BUSHING			
4	6LS00430000	K-BKT-BC-DCR-CF			
5	6LS01654000	SCREW,RS,M4X8			
6	6LS00958000	GID-HRNS			
7	6LS00510000	GEAR,IDLER,ASSEMBLY2			
8	6LS01766000	BELT,TIMING			
9	6LS00301000	BRACKET,IDLER,GEAR			
10	6LS00509000	GEAR,IDLER,ASSEMBLY1			
11	6LS00305000	BRACKET,FAN			
12	6LS01646000	EDGE PROTECTION PARTS			
13	6LS00412000	BRACKET,MOTER,P			
14	6LS01644000	WIRE LOCKING PARTS			
15	6LS01771000	BELT,TIMING			
16	6LS00524000	23KM K141 P1V			
17	6LS00474000	ASM TRANSMOT			
19	6LS01632000	PARTS FOR PCB			
20	6LS01651000	CABLE CLAMP			
21	6LS00477000	ASM UNDERIF			
22	6LS00302000	BRACKET,INTERFACE,CABLE			
23	6LS00478000	ASM UPPERIF-H			
26	6LS01650000	WIRE LOCKING PARTS			
29	6LS00321000	CASTER,40			
30	6LS01691000	NUT			
31	6LS00303000	PLATE,BOTTOM			
32	6LS01666000	SCREW,RS,M3			
33	6LS00611000	BOT-040-080-WING			
34	6LS00304000	STAY,SUPPORT,ARM			
35	6LS00310000	SPACER,SUPPORT			
36	6LS01687000	SCREW, TAPPING, BINDING HEAD, M4X8, NL			
38	6LS00654000	SCR03M030-D040022			
39	6LS00938000	HOLDER_DR_SW			
40	6LS00935000	LVR-DR-SW			
41	6LS01633000	MICRO SWITCH FOR POWER			
42	6LS01581000	SPRING_SWITCH_PLATE			
43	6LS01685000	SCREW, TAPPING,BINDING HEAD,M3X8,NL			
45	6LS00572000	SCREW.M4X7			
46	6LS00475000	ASM COVERSW			
47	6LS00306000	BRACKET,LEFT JOINT,FRONT			
48	6LS01648000	WIRE LOCKING PARTS			
49	6LS00307000	BRACKET,LEFT JOINT,REAR			
50	6LS00390000	BRACKET,MAGNET			
51	6LS00229000	MAGNET-13N			
52	6LS01664000	SCREW			
54	6LS00540000	SPRING,LOCK UPPER DECURLER,F			
55	6LS01652000	EDGE HOLDER			
56	6LS01397000	SCREW,STEPPED,M4			
57	6LS01678000	SCREW,WITH SPRING AND PLAIN WASHER,M3X8,ZC3			
58	6LS00308000	BRACKET,DOOR HINGE			
59	6LS00397000	SHAFT,DOOR HINGE			
60	6LS01700000	E-RING,d=3.0,NL			
62	6LS00473000	ASM DECURFAN			
63	6LS00479000	PBA CONT H			
64	6LS00472000	ASM COVERSENSOR H			
65	6LS00476000	ASM SHORT			
66	6LS00413000	RUBBER,CUSHION,SIDE			
67	6LS01675000	SCREW,BINDING HEAD,MAXX12,ZC3			
68	6LS00324000	BRACKET,DANPER,H			
69	6LS00455000	DAMPER,GEAR,ASSEMBLY			
70	6LS01679000	SCREW,WITH SPRING ANDPLAIN WASHER, M4X10, ZC3			
71	6LS00406000	STAY,JOINT SLID,BASE			
72	6LS00405000	BRACKET,JOINT FRONT,FRAME			

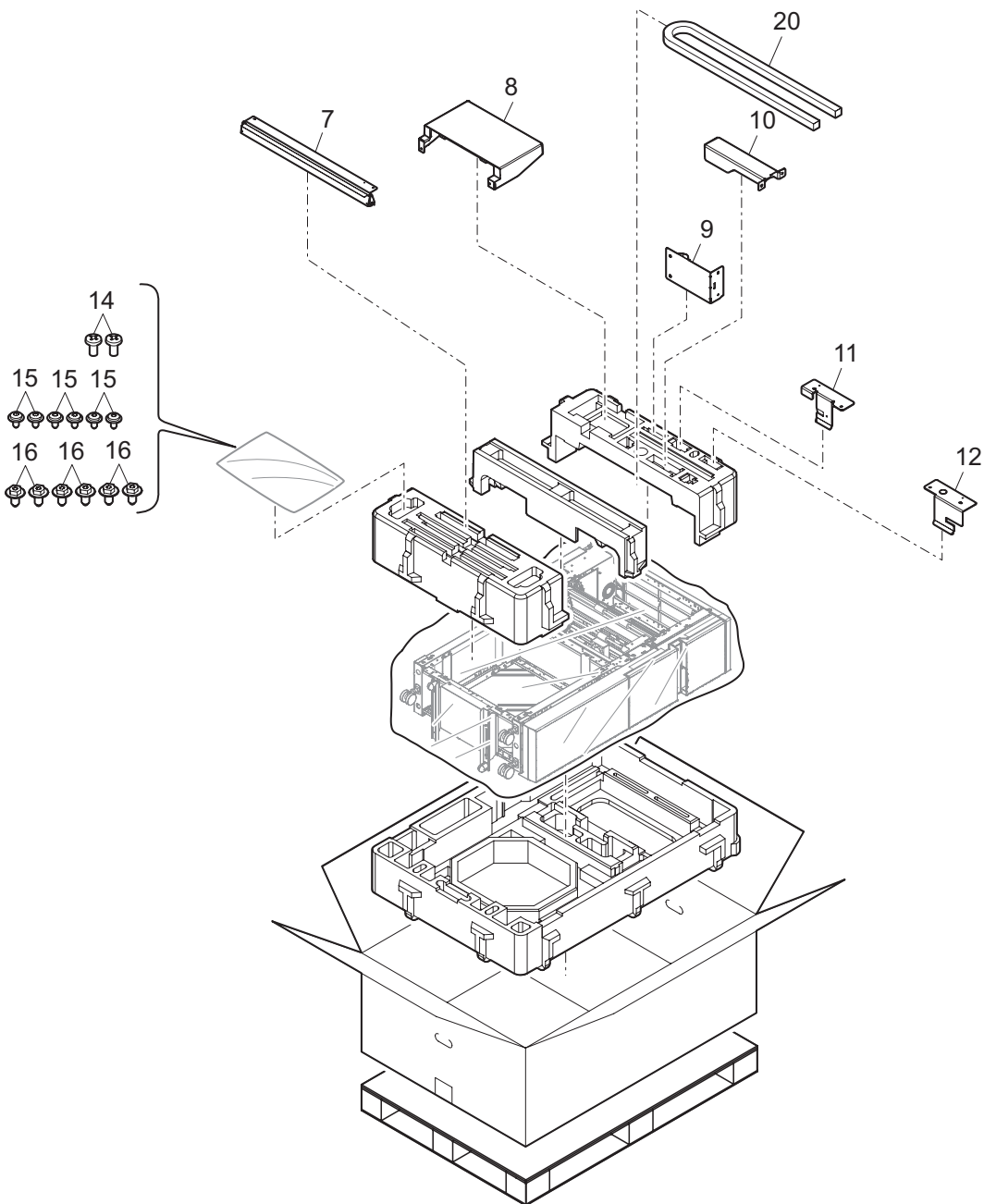
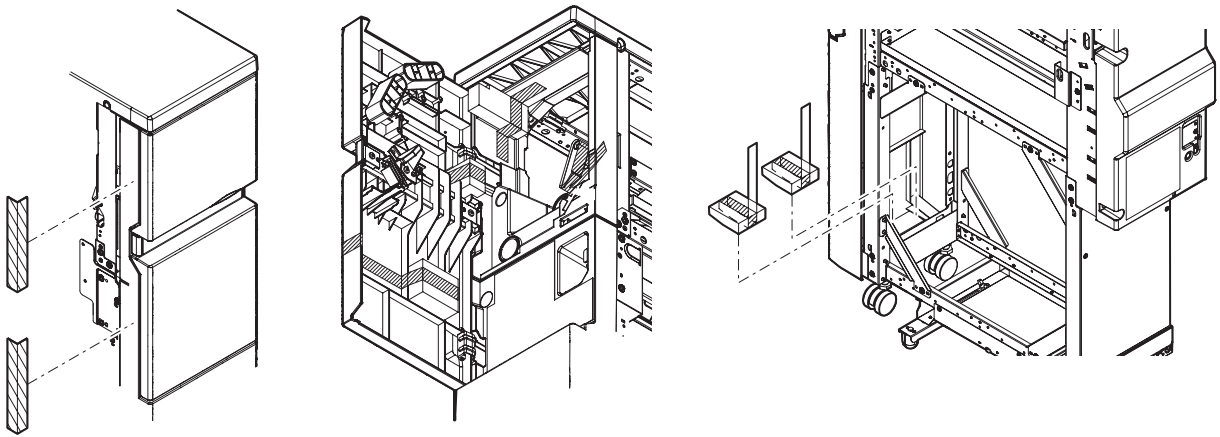
ITEM No.	PART No.	PART NAME	Q'TY / PAGE	Q'TY / PACK	REMARKS
73 74 75	6LS00404000 6LS00403000 6LS01690000	BRACKET,JOINT REAR,FRAME LEVER,JOINT SCREW			



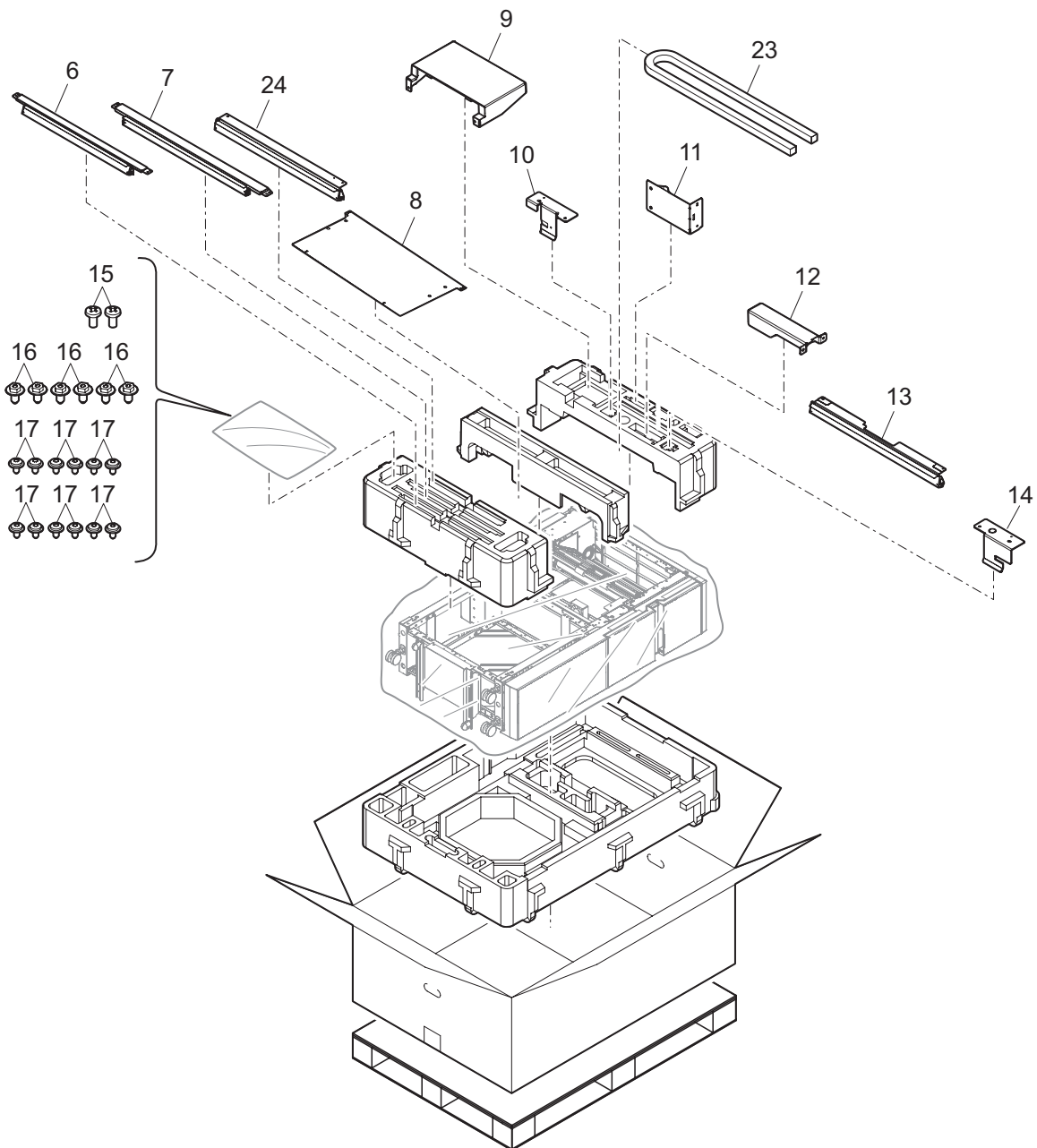
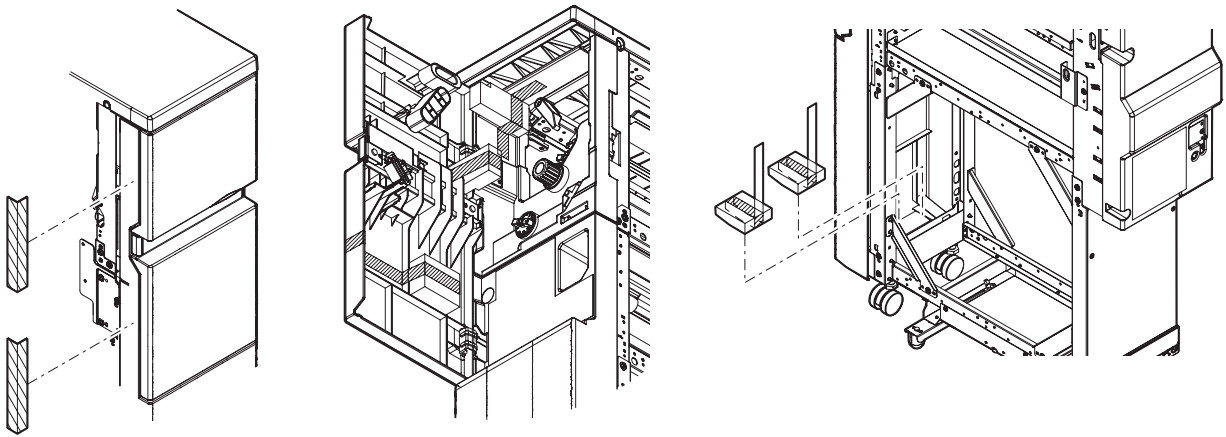
ITEM No.	PART No.	PART NAME	Q'TY / PAGE	Q'TY / PACK	REMARKS
1	6LS00297000	GUIDE,LEFT UPPER,H			
2	6LS01407000	FEED-RL-COL			
3	6LS01713000	PIN,DOWEL			
4	6LS01409000	SLIDER,FOLLOWER			
5	6LS01588000	SP-FIN-BFA-KORO			
6	6LS00424000	SHAFT1,ENTRANCE PAPER FEED ROLLER			
9	6LS01654000	SCREW,RS,M4X8			
10	6LS00242000	BKT DCL SHEET			
11	6LS00257000	SHT DCL C			
12	6LS00399000	STY DCL ROL BUCKUP			
13	6LS00591000	CLIP			
14	6LS00503000	BEARING,REAR,ASSEMBLY			
15	6LS00504000	SHAFT,DECULER BUCKUP,ASSEMBLY			
17	6LS00248000	PLT-DCR-V-LOCK			
18	6LS01666000	SCREW,RS,M3			
19	6LS00402000	GUIDE,UPPER,MIDDLE			
20	6LS00407000	FRAME,GUIDE UPPER,FRONT			
21	6LS01397000	SCREW,STEPPED,M4			
22	6LS00429000	K BC DCR ROL			
23	6LS00417000	DIAL,ADJUST			
24	6LS01698000	E-RING			
25	6LS01678000	SCREW,WITH SPRING AND PLAIN WASHER,M3X8,ZC3			
26	6LS00250000	LOCK-BC-DCR			
27	6LS01794000	BEARING,BALL,F688ZZ			
28	6LS00441000	STACKING,PLATE DECURLER ADJUST,F			
29	6LS00538000	SPRING,ARM,DECURL			
30	6LS00442000	STACKING,PLATE DECURLER ADJUST,R			
31	6LS00600000	ROLLER SPONGE			
32	6LS00398000	CAM,DECURL			
33	6LS00322000	SHAFT,CAM,UPPER			
34	6LS00325000	SHAFT,LOCK DC DCR,H			
36	6LS00244000	STY-BC-DCR-U			
37	6LS00258000	SHT-STY-BC-DCR-U			
38	6LS00249000	CVR-BC-SNS-IN			
39	6LS01659000	SCREW			
40	6LS00245000	BKT-BC-SNS-IN			
41	6LS01643000	WIRE LOCKING PARTS			
42	6LS01088000	OPTICAL COMPOUND FUNCTION DEVICES			
44	6LS00471000	ASM-PASSENSOR-H			
45	6LS01586000	SP-FIN-KORO-ENTRANCE			
46	6LS00298000	GUIDE,RIGHT UPPER,H			
47	6LS00388000	GUIDE,ENTRANCE UPPER,H			
50	6LS01646000	EDGE PROTECTION PARTS			
51	6LS00653000	SCREW,STEPPED,M3			
52	6LS00408000	FRAME,GUIDE UPPER,REAR			
54	6LS00539000	SPRING,LOCK GUIDE,DECURLER			
55	6LS00409000	HANDLE,LOCK			
56	6LS00584000	SUPPORT,LATCHHANDLE			
57	6LS00323000	PLATE,GEAR 100,H			
58	6LS00421000	SHEET,GUIDE UPPER,CENTER H			
59	6LS01702000	E-RING			
60	6LS00421000	SHEET,GUIDE UPPER,CENTER H			



ITEM No.	PART No.	PART NAME	Q'TY / PAGE	Q'TY / PACK	REMARKS
1	6LS00389000	GUIDE,ENTRANCE LOWER,H			
2	6LS00243000	GID-BC-IN-D			
3	6LS00395000	ROLLER,FEED,1			
4	6LS01719000	PIN,PARALLEL,HARD,d3X16,no			
5	6LS00506000	SHAFT,ROLLER DECURLER,ASSEMBLY			
6	6LS00591000	CLIP			
7	6LS01699000	E-RING			
8	6LS01794000	BEARING,BALL,F688ZZ			
9	6LS00444000	STACKING,PLATE ADJUST,H R			
10	6LS00443000	STACKING,PLATE ADJUST,H F			
11	6LS00318000	SFAFT,ARM,DECURL			
12	6LS00600000	ROLLER SPONGE			
13	6LS01654000	SCREW,RS,M4X8			
14	6LS00242000	BKT DCL SHEET			
15	6LS00257000	SHT DCL C			
17	6LS00400000	GUIDE,FIXED,MIDDLE			
18	6LS00401000	SHEET,FIXED,MIDDLE			
20	6LS00241000	STY DCL ROL BUCKUP			
21	6LS00504000	SHAFT,DECULER BUCKUP,ASSEMBLY			
22	6LS00503000	BEARING,REAR,ASSEMBLY			
23	6LS00507000	SHAFT,ROLLER DECURLER,ASSEMBLY2			
24	6LS01004000	BUSHING			
25	6LS00398000	CAM,DECURL			
26	6LS01715000	PIN,DOWEL			
27	6LS00320000	SFAFT,CAM,LOWER			
28	6LS00299000	GUIDE,LEFT LOWER,H			
29	6LS00396000	ROLLER,FEED,2			
30	6LS01624000	RING,STOP			
31	6LS00416000	FLANG,20,8			
32	6LS00542000	PULLEY,S3M,16			
33	6LS01762000	BELT,TIMING			
34	6LS00541000	PULLY,S3M,40			
35	6LS01666000	SCREW,RS,M3			
36	6LS01776000	BELT,TIMING			
37	6LS01766000	BELT,TIMING			
38	6LS01286000	BUSHING			
39	6LS00960000	PLT-SFT-EARTH-ROL			
40	6LS01659000	SCREW			
41	6LS00534000	WAS 062 095 100PW			
42	6LS00259000	KNOB KU JAM			
43	6LS01678000	SCREW,WITH SPRING AND PLAIN WASHER,M3X8,ZC3			
44	6LS00417000	DIAL,ADJUST			
45	6LS00588000	CLIP			



ITEM No.	PART No.	PART NAME	Q'TY / PAGE	Q'TY / PACK	REMARKS
7	6LS00496000	GUIDE,ENTRANCE TRANSFER 1,ASSEMBLY			
8	6LS00387000	COVER,UPPER,REAR			
9	6LS00512000	BRACKET,EARTH,ASSEMBLY			
10	6LS01005000	BRKT,SHUNT,CABLE			
11	6LS00446000	STACKING,JOINT FORNT,H			
12	6LS00445000	STACKING,JOINT REAR,H			
14	6LS00572000	SCREW.M4X7			
15	6LS01666000	SCREW,RS,M3			
16	6LS01654000	SCREW,RS,M4X8			
20	6LS00418000	SHEET,CONNECTION GAP,U			



ITEM No.	PART No.	PART NAME	Q'TY / PAGE	Q'TY / PACK	REMARKS
6	6LS00515000	GUIDE,EXIT,TRANSFER ASSEMBLY R			
7	6LS00514000	GUIDE,EXIT,TRANSFER ASSEMBLY C			
8	6LS00415000	SHEET,PROTECTION			
9	6LS00387000	COVER,UPPER,REAR			
10	6LS00446000	STACKING,JOINT FORNT,H			
11	6LS00512000	BRACKET,EARTH,ASSEMBLY			
12	6LS01005000	BRKT,SHUNT,CABLE			
13	6LS00513000	GUIDE,ENTRANCE TRANSFER,ASSEMBLY R			
14	6LS00445000	STACKING,JOINT REAR,H			
15	6LS00572000	SCREW.M4X7			
16	6LS01653000	SCREW,RS,M4			
17	6LS01666000	SCREW,RS,M3			
23	6LS00418000	SHEET,CONNECTION GAP,U			
24	6LS00496000	GUIDE,ENTRANCE TRANSFER 1,ASSEMBLY			

TOSHIBA

TOSHIBA TEC CORPORATION

1-11-1, OSAKI, SHINAGAWA-KU, TOKYO, 141-8562, JAPAN