

**TOSHIBA**

# **SERVICE PARTS LIST**

**Multi Bypass Tray**

**MX-MF11**

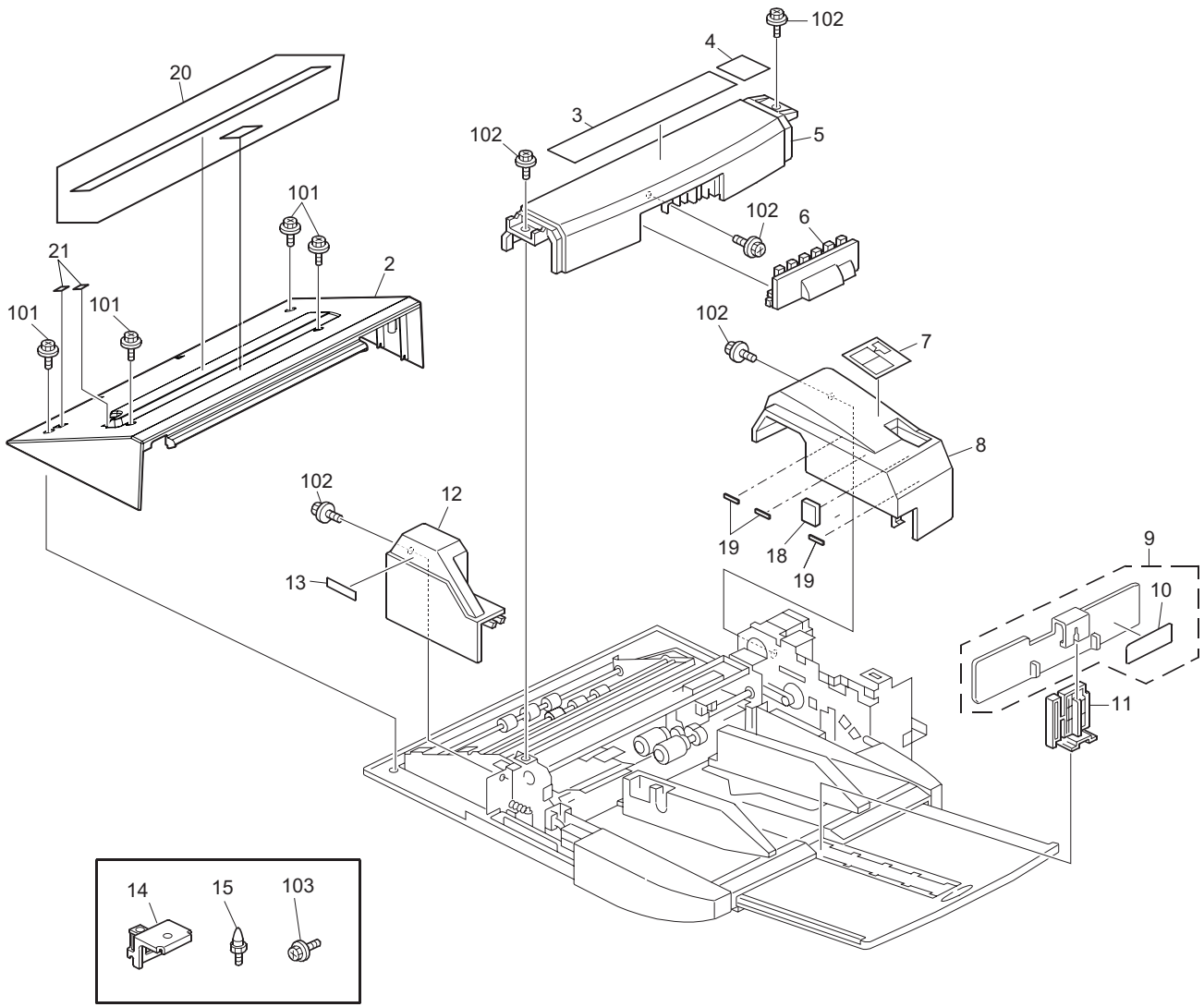
© 2014 TOSHIBA TEC CORPORATION All rights reserved

Under the copyright laws, this manual cannot be reproduced in any form without prior written permission of TOSHIBA TEC CORPORATION. No patent liability is assumed, however, with respect to the use of the information contained herein.

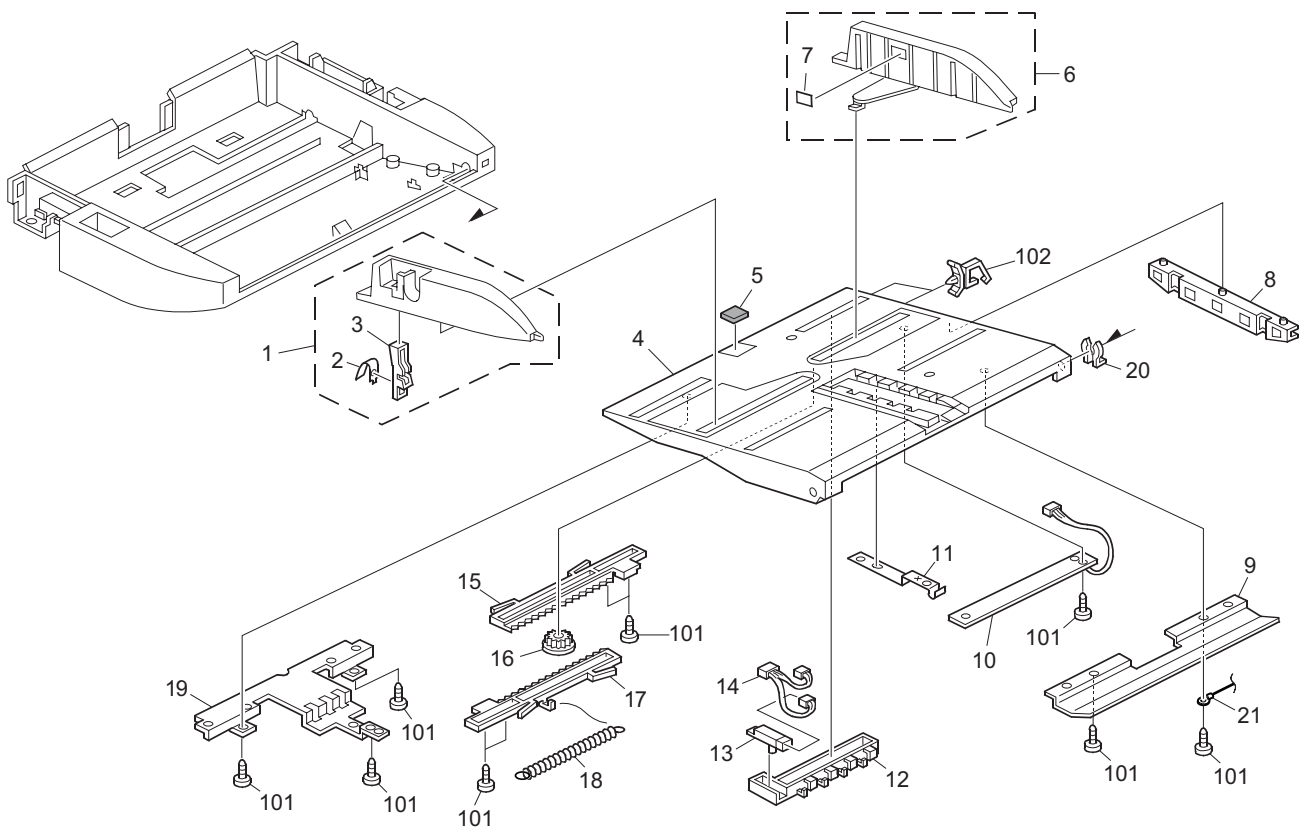
# CONTENTS

EXTERIOR.....	1
TRAY_SECTION_1.....	2
TRAY_SECTION_2.....	3
PAPER_FEEDING_SECTION_1.....	4
PAPER_FEEDING_SECTION_2.....	5
TRASFER_SECTION.....	6
REAR_FRAME_SECTION.....	7
FRAME_SECTION.....	8



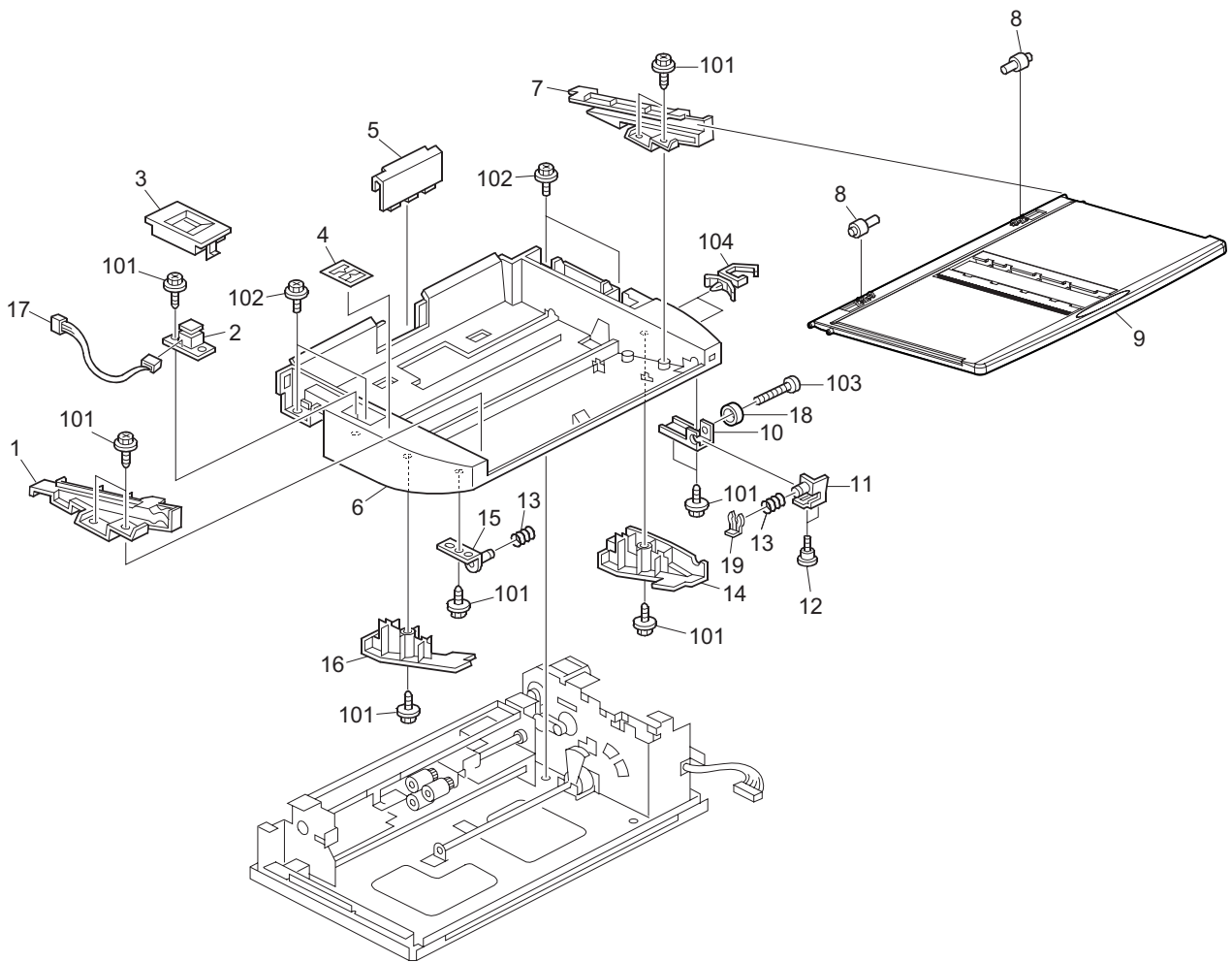


ITEM No.	PART No.	PART NAME	Q'TY / PAGE	Q'TY / PACK	REMARKS
2	6LS02760000	COVER:CONNECTING			
3	6LS02770000	DECAL:PAPER JAM			
4	6LS02769000	DECAL:CAUTION:PICK-UP PAPER JAM			
5	6LS02761000	COVER:UPPER			
6	6LS02767000	COVER:ROLLER:UPPER			
7	6LS02771000	DECAL:END FENCE:INSTALL			
8	6LS02762000	COVER:REAR			
9	6LS02784000	END FENCE:TAB:ASS'Y			
10	6LS02772000	DECAL:TAB:END FENCE:INSTALL			
11	6LS02588000	END FENCE			
12	6LS02764000	COVER:FRONT			
14	6LS02583000	BRACKET:FIX STAND			
15	6LS02536000	POSITIONING PIN:MACHINE OR COPIER:LOWER			
18	6LS02736000	CUSHION			
19	6LS02735000	CUSHION:RUBBER			
20	6LS02768000	SEAL:GATE			
21	6LS02769000	DECAL:CAUTION:PICK-UP PAPER JAM			
101	6LS02447000	TAPPING SCREW:4X6			
102	6LS02448000	TAPPING SCREW:4X8			
103	6LS02449000	TAPPING SCREW:4X10			

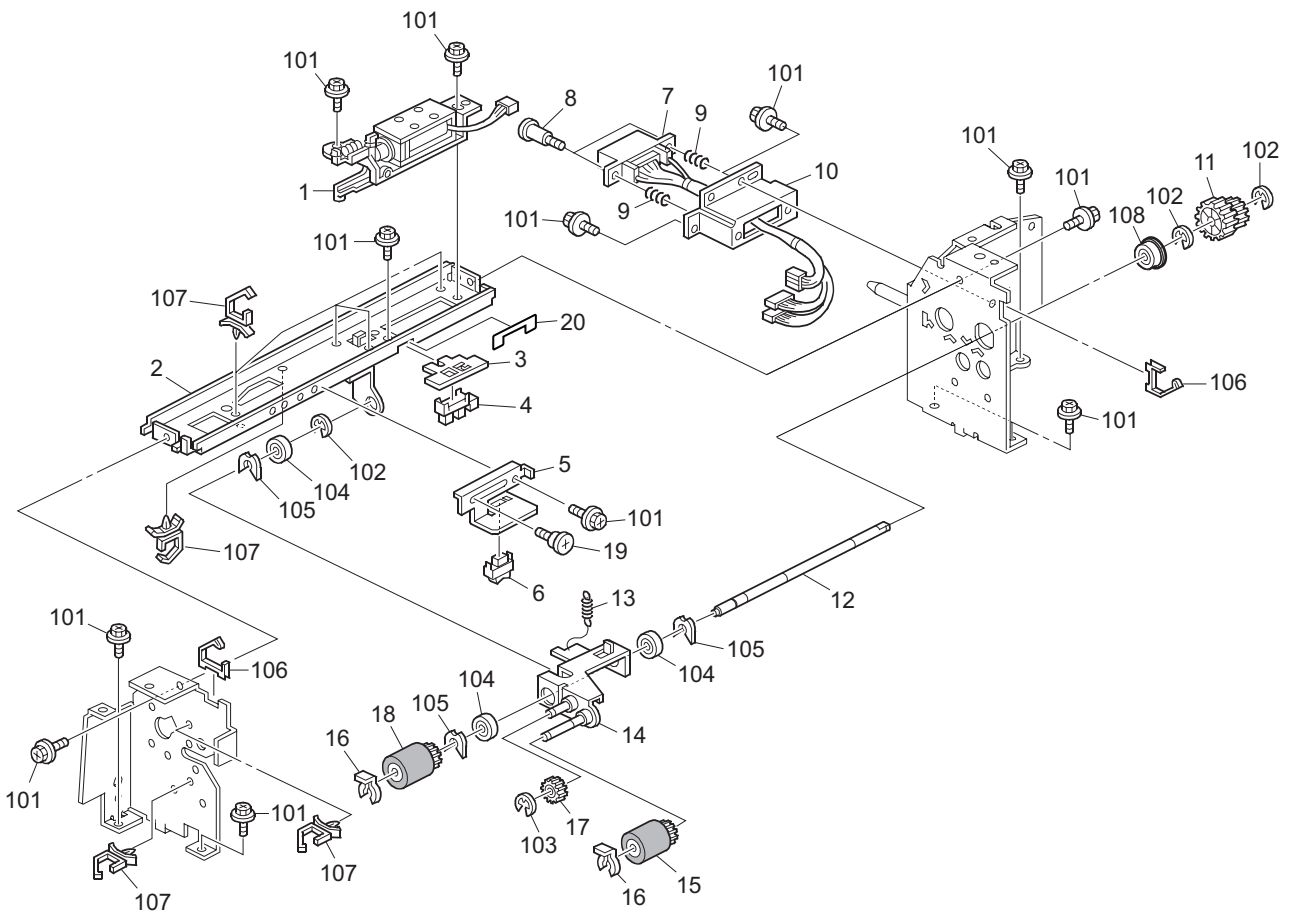


ITEM No.	PART No.	PART NAME	Q'TY / PAGE	Q'TY / PACK	REMARKS
1	6LS02783000	SIDE FENCE:FRONT:ASS'Y			
2	6LS02564000	SPRING PLATE:STOPPER:FRONT			
3	6LS02790000	LEVER:STOPPER:FRONT			
4	6LS02781000	TRAY BOTTOM PLATE			
5	6LS02502000	FRICTION PAD			
6	6LS02780000	SIDE FENCE:REAR:ASS'Y			
7	6LS02775000	DECAL:DISPLAY:PAPER VOLUME			
8	6LS02619000	CLAMP:HARNES			
9	6LS02621000	SUPPORTING PLATE:TRAY BOTTOM PLATE:SHAFT			
10	6LS02757000	PRINTED CIRCUIT BOARD:PAPER SIZE SENSOR:ASS'Y			
11	6LS02667000	GROUND PLATE:TRAY BOTTOM PLATE			
12	6LS02782000	BRACKET:PHOTO REFLECTION SENSOR			
13	6LS02557000	PHOTO REFLECTION SENSOR:ORIGINAL TRAY			
14	6LS02631000	HARNES:TRAY:ASS'Y			
15	6LS02785000	RACK:MANUAL FEED:REAR:ASS'Y			
16	6LS02875000	GEAR:16T			
17	6LS02786000	RACK:MANUAL FEED			
18	6LS02648000	TENSION SPRING:SIDE FENCE:REAR			
19	6LS02620000	SUPPORTING PLATE:TRAY BOTTOM PLATE			
20	6LS02532000	EXTERNAL CIRCLIP:SEPARATE			
21	6LS02632000	HARNES:GROUND:ASS'Y			
101	6LS02453000	BINDING SELF TAPPING SCREW:3X6			
102	6LS02481000	CLAMP:LWSM-0306			

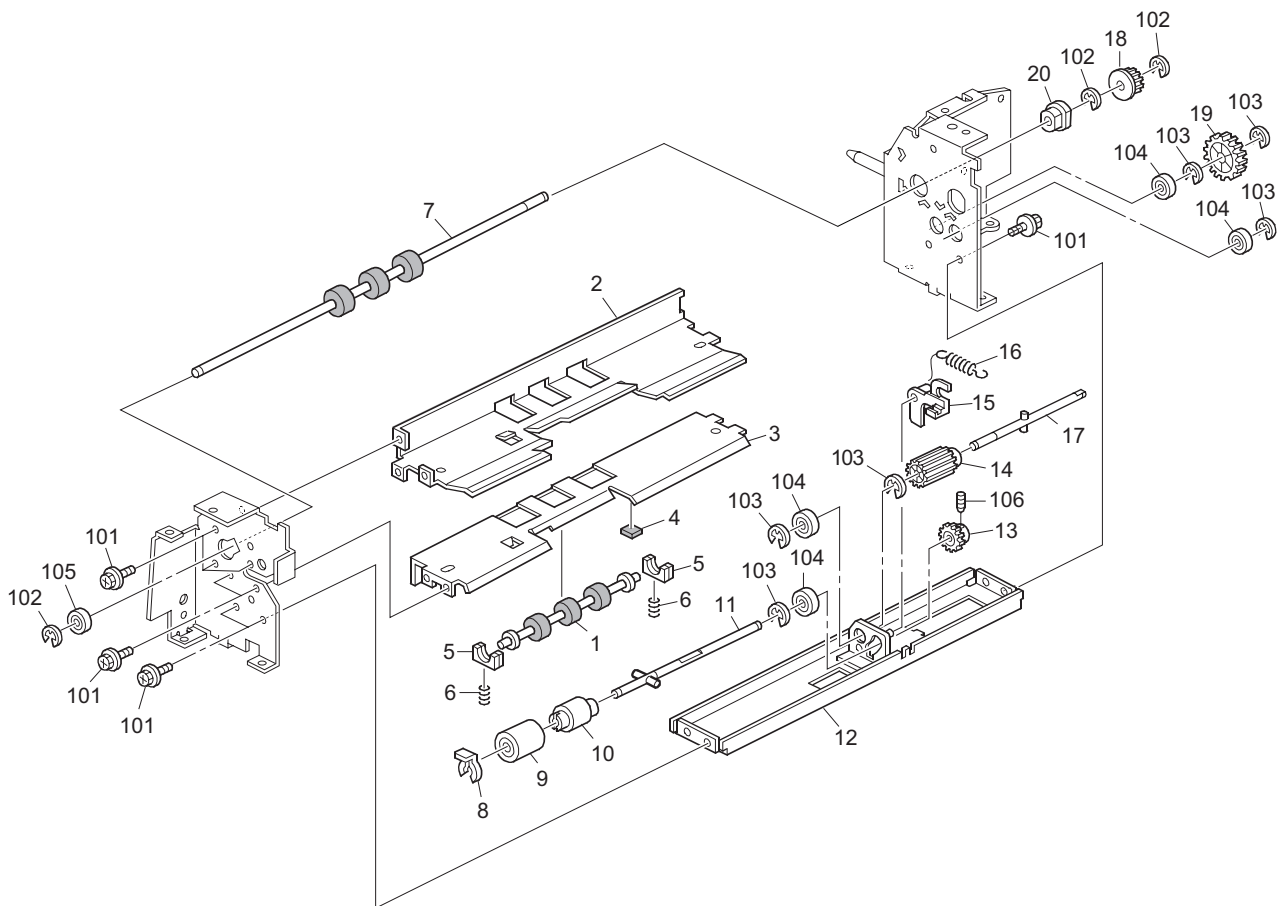




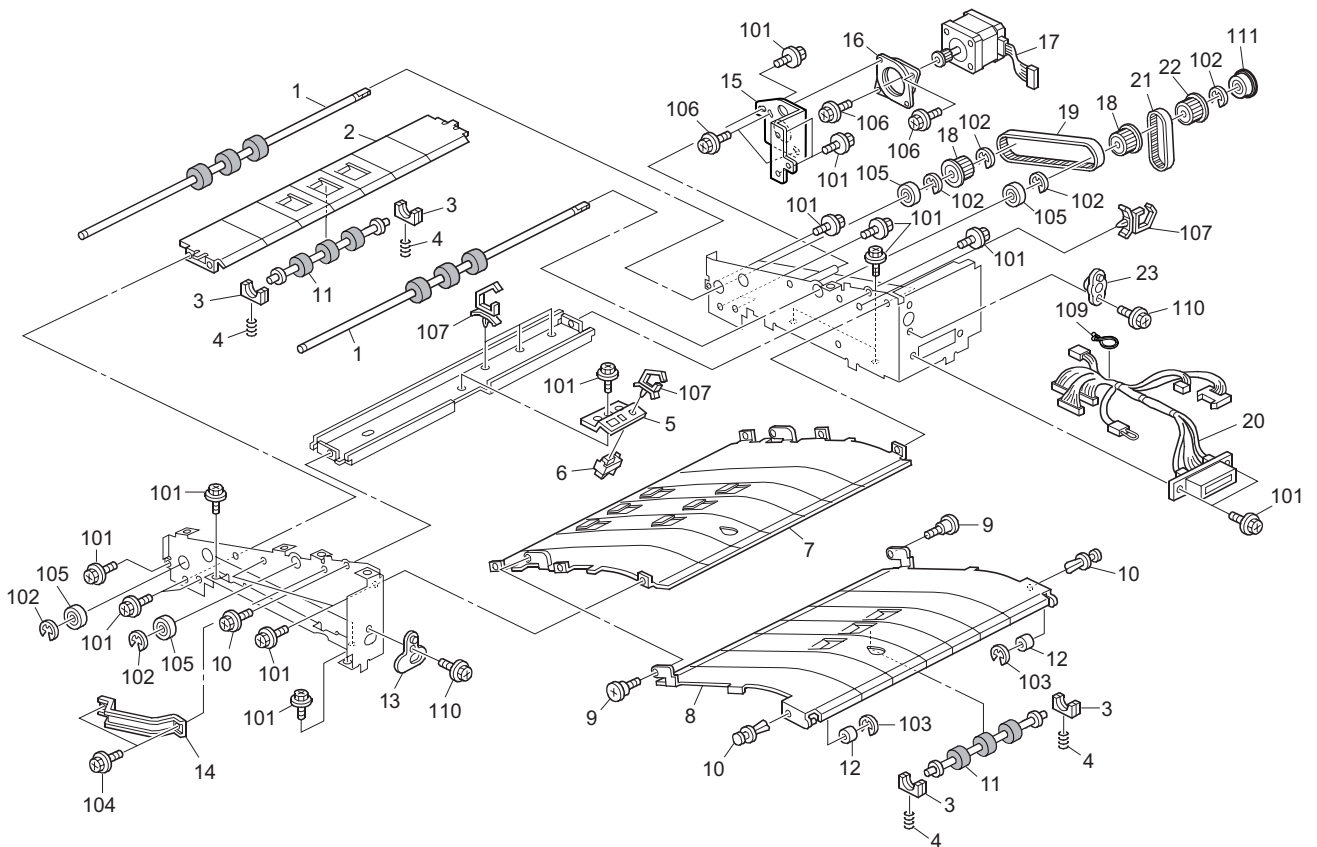




ITEM No.	PART No.	PART NAME	Q'TY / PAGE	Q'TY / PACK	REMARKS
1	6LS02599000	SWING UNIT:PICKUP ROLLER:ASS'Y			
2	6LS02600000	STAY:FEED:PEEN			
3	6LS02589000	BRACKET:RISE:SENSOR			
4	6LS02558000	PHOTOINTERRUPTOR-EE-SX4235A-P1			
5	6LS02610000	BRACKET:PHOTO REFIECTION SENSOR			
6	6LS02556000	PHOTO REFIECTION SENSOR:PAPER FEED			
7	6LS02633000	HARNES:DRAWER:PLUG:ASS'Y			
8	6LS02625000	SCREW:DRAWER			
9	6LS02624000	COMPRESSION SPRING:DRAWER			
10	6LS02623000	BRACKET:DRAWER			
11	6LS02629000	GEAR:PULLEY:DRIVE:Z28/30T			
12	6LS02612000	SHAFT:FEED ROLLER			
13	6LS02526000	TENSION SPRING:PICKUP:PRESSURE			
14	6LS02598000	ARM:PICKUP:PEEN			
15	6LS02549000	PAPER FEED ROLLER:PICKUP			
16	6LS02532000	EXTERNAL CIRCLIP:SEPARATE			
17	6LS02495000	GEAR:15T			
18	6LS02550000	PAPER FEED ROLLER:FEED:MANUAL FEED			
19	6LS02541000	SCREW:SCALE			
20	6LS02738000	SEAL:SPACER			
101	6LS02459000	TAPPING SCREW:4X6			
102	6LS02467000	RETAINING RINGS-E:6			
103	6LS02466000	RETAINING RINGS-E:4			
104	6LS02469000	BALL BEARING:DIA8XDIA12X3.5			
105	6LS02472000	E RING:SILENCER:φ6			
106	6LS02485000	EDGE SADDLE:LES-0510			
107	6LS02481000	CLAMP:LWSM-0306			
108	6LS02470000	BALL BEARING:DIA8XDIA16X5			

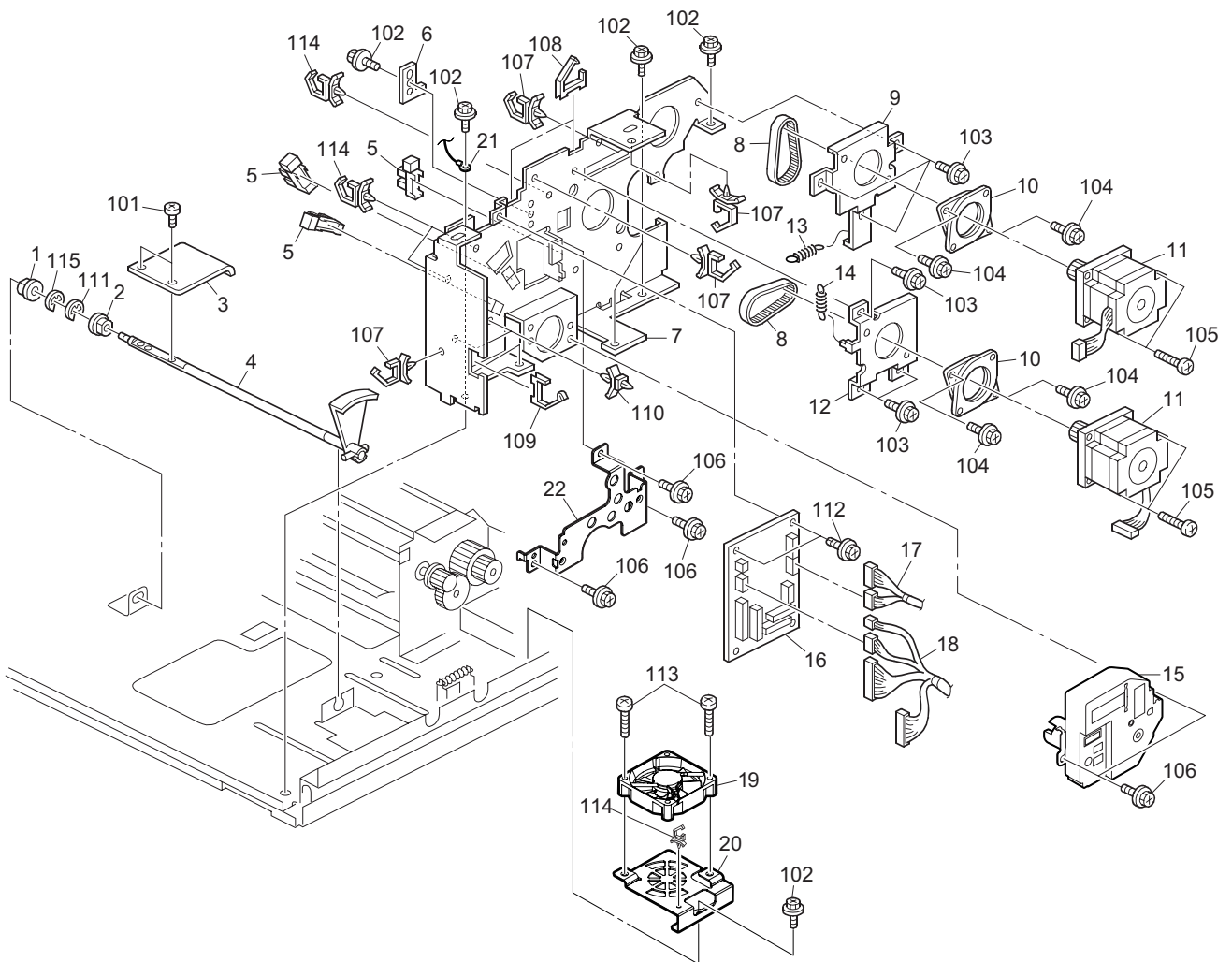




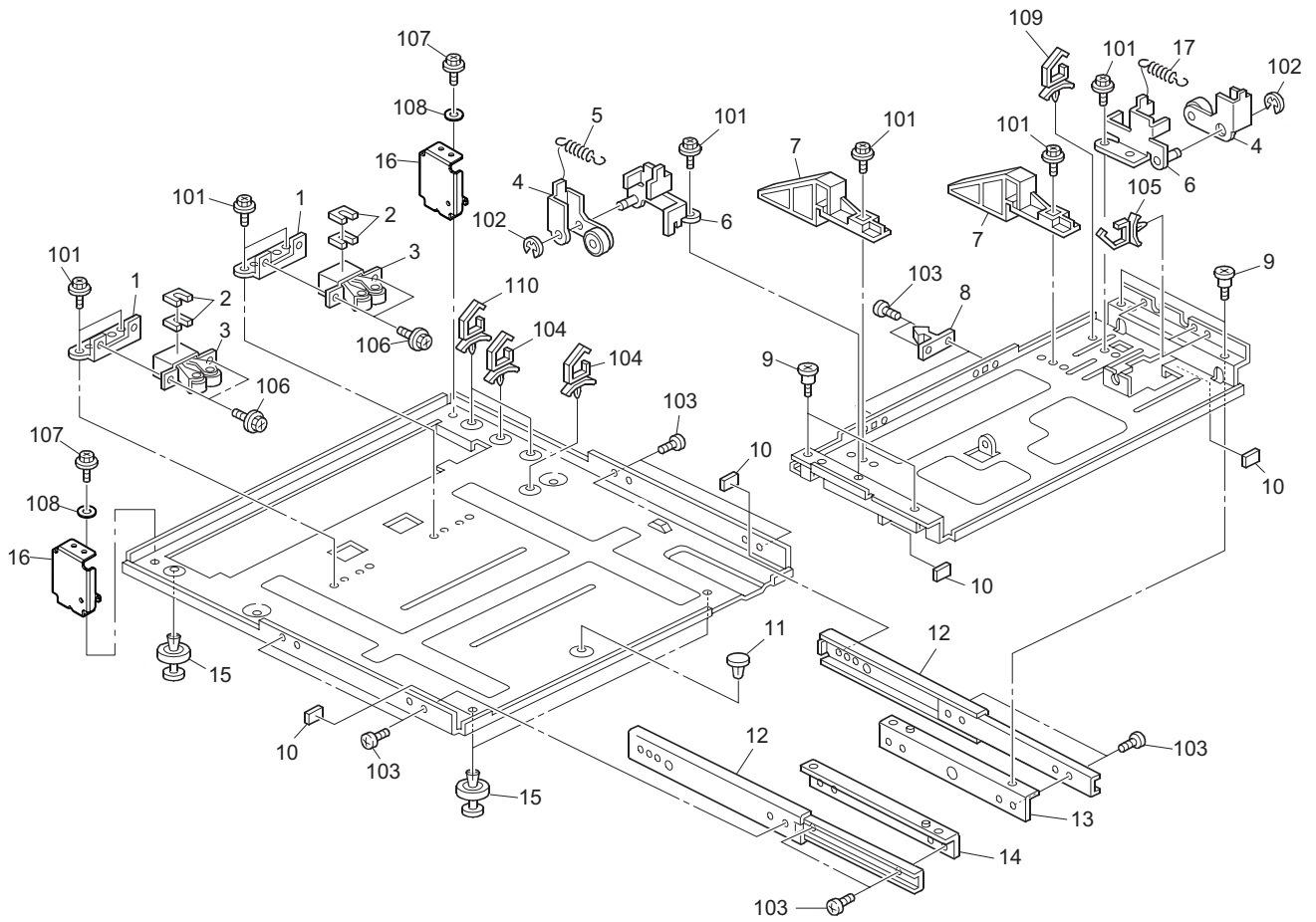


ITEM No.	PART No.	PART NAME	Q'TY / PAGE	Q'TY / PACK	REMARKS
1	6LS02859000	TRANSPORT ROLLER:DRIVE			
2	6LS02603000	GUIDE PLATE:LOWER:FIX:PEEN			
3	6LS02531000	HOLDER:PRESSURE:BALL BEARING			
4	6LS02525000	COMPRESSION SPRING:TRANSPORT			
5	6LS02601000	BRACKET:PHOTO REFIECTION SENSOR:TRANSPORT			
6	6LS02556000	PHOTO REFIECTION SENSOR:PAPER FEED			
7	6LS02586000	GUIDE PLATE:CONNECTING:UPPER			
8	6LS02602000	GUIDE PLATE:CONNECTING:LOWER:PEEN			
9	6LS02540000	DEVELOPMENT COVER SCREW			
10	6LS02592000	NYLON CLAMP			
11	6LS02856000	TRANSPORT ROLLER:DRIVEN:PAPER FEED UNIT			
12	6LS02877000	ROLLER:DETENT			
13	6LS02582000	POSITIONING PIN:GUIDE:FRONT			
14	6LS02594000	GRIP:APPLICATION			
15	6LS02605000	BRACKET:STEPPER MOTOR:CONNECTING			
16	6LS02595000	CUSHION:STEPPER MOTOR			
17	6LS02560000	STEPPER MOTOR:PAPER TRANSPORT MD:MM42			
18	6LS02547000	TIMING PULLEY:22T			
19	6LS02604000	TIMING BELT:S3M:318			
20	6LS02740000	HARNES:DRAWER:RECEPTACLE:ASS'Y			
21	6LS02606000	TIMING BELT:S2M:100			
22	6LS02570000	TIMING PULLEY:CONNECTING:DRIVE:25T			
23	6LS02581000	POSITIONING PIN:GUIDE:REAR			
101	6LS02459000	TAPPING SCREW:4X6			
102	6LS02467000	RETAINING RINGS-E:6			
103	6LS02465000	RETAINING RINGS-E:3			
104	6LS02445000	TAPPING SCREW:3X8			
105	6LS02471000	BALL BEARING:DIA8XDIA16X5			
106	6LS02440000	SCREW:M3X6			
107	6LS02481000	CLAMP:LWSM-0306			
109	6LS02480000	BAND:OLS-115			
110	6LS02448000	TAPPING SCREW:4X8			
111	6LS02469000	BALL BEARING:DIA8XDIA12X3.5			





ITEM No.	PART No.	PART NAME	Q'TY / PAGE	Q'TY / PACK	REMARKS
1	6LS02528000	BUSHING:MM6XMM10X6			
2	6LS02529000	BUSHING:DIA8XDIA12X7			
3	6LS02627000	LEVER:RISE:TRAY BOTTOM PLATE			
4	6LS02626000	SHAFT:RISE:PRESS FIT			
5	6LS02559000	PHOTOINTERRUPTOR:LGRC102			
6	6LS02614000	BRACKET:SPRING:MOTOR:FEED			
7	6LS02739000	SIDE PLATE:REAR:DRIVE UNIT			
8	6LS02517000	TIMING BELT:S2M:138MM			
9	6LS02628000	BRACKET:STEPPER MOTOR:GRIP			
10	6LS02542000	CUSHION:STEPPER MOTOR			
11	6LS02561000	STEPPER MOTOR:PAPER TRANSPORT MD:MM56			
12	6LS02613000	BRACKET:STEPPER MOTOR:FEED			
13	6LS02521000	SPRING:BLADE			
14	6LS02519000	TRAY LOCK SPRING-19MM			
15	6LS02649000	DC MOTOR:TRAY RISE:ASS'Y			
16	6LS02791000	PWB:CRATER:CONNECTING:ASS'Y			
17	6LS02630000	HARNESS:MOTOR:ASS'Y			
18	6LS02792000	HARNESS:SENSOR:ASS'Y			
19	6LS02563000	FAN:HH60:15MM:24V			
20	6LS02734000	STAY:COOLING:UNIT			
21	6LS02632000	HARNESS:GROUND:ASS'Y			
22	6LS02622000	BRACKET:TRAY RISE:PAPER FEED			
101	6LS02455000	BINDING SELF TAPPING SCREW:4X6			
102	6LS02459000	TAPPING SCREW:4X6			
103	6LS02449000	TAPPING SCREW:4X10			
104	6LS02460000	TAPPING SCREW:4X8			
105	6LS02438000	SCREW:M4x8			
106	6LS02447000	TAPPING SCREW:4X6			
107	6LS02483000	CLAMP:LWSM-0511			
109	6LS02484000	EDGE SADDLE:LES-1010			
110	6LS02474000	LOCKING SUPPORT:4.8MM:V-0			
111	6LS02467000	RETAINING RINGS-E:6			
112	6LS02457000	TAPPING SCREW:3X6			
113	6LS02452000	TAPPING SCREW:4X20			
114	6LS02481000	CLAMP:LWSM-0306			
115	6LS02466000	RETAINING RINGS-E:4			



ITEM No.	PART No.	PART NAME	Q'TY / PAGE	Q'TY / PACK	REMARKS
1	6LS02579000	BRACKET:DOOR CATCH			
2	6LS02580000	CUSHION:GUIDE PLATE			
3	6LS02732000	HOLDER:LOCK:PLOTTER			
4	6LS02590000	BRACKET:LOCK:PEEN			
5	6LS02878000	SPRING:DETENT			
6	6LS02591000	BRACKET:LOCK:SUPPORT:PEEN			
7	6LS02607000	SLIDER:GUIDE PLATE:OPEN AND CLOSE			
8	6LS02505000	DOOR CATCH:OPEN AND CLOSE:COVER			
9	6LS02540000	DEVELOPMENT COVER SCREW			
10	6LS02543000	DAMPING INSULATION:5X15X3			
11	6LS02881000	ANCHOR:CLIP:1026			
12	6LS02527000	SLIDE RAIL			
13	6LS02585000	BRACKET:SLIDE RAIL:REAR			
14	6LS02584000	BRACKET:SLIDE RAIL:FRONT			
15	6LS02553000	RUBBER FOOT:H5			
17	6LS02789000	SPRING:DETENT			
101	6LS02459000	TAPPING SCREW:4X6			
102	6LS02467000	RETAINING RINGS-E:6			
103	6LS02454000	BINDING SELF TAPPING SCREW:3X6			
104	6LS02476000	CLAMP:LWS-0511Z			
105	6LS02482000	CLAMP:RLWS-3T(V0)			
106	6LS02457000	TAPPING SCREW:3X6			
109	6LS02477000	CLAMP:LWS-1211Z			
110	6LS02479000	CLAMP:LWS-0711Z			



**TOSHIBA**

**TOSHIBA TEC CORPORATION**

1-11-1, OSAKI, SHINAGAWA-KU, TOKYO, 141-8562, JAPAN