

TOSHIBA

SERVICE PARTS LIST

Paper Folding Unit

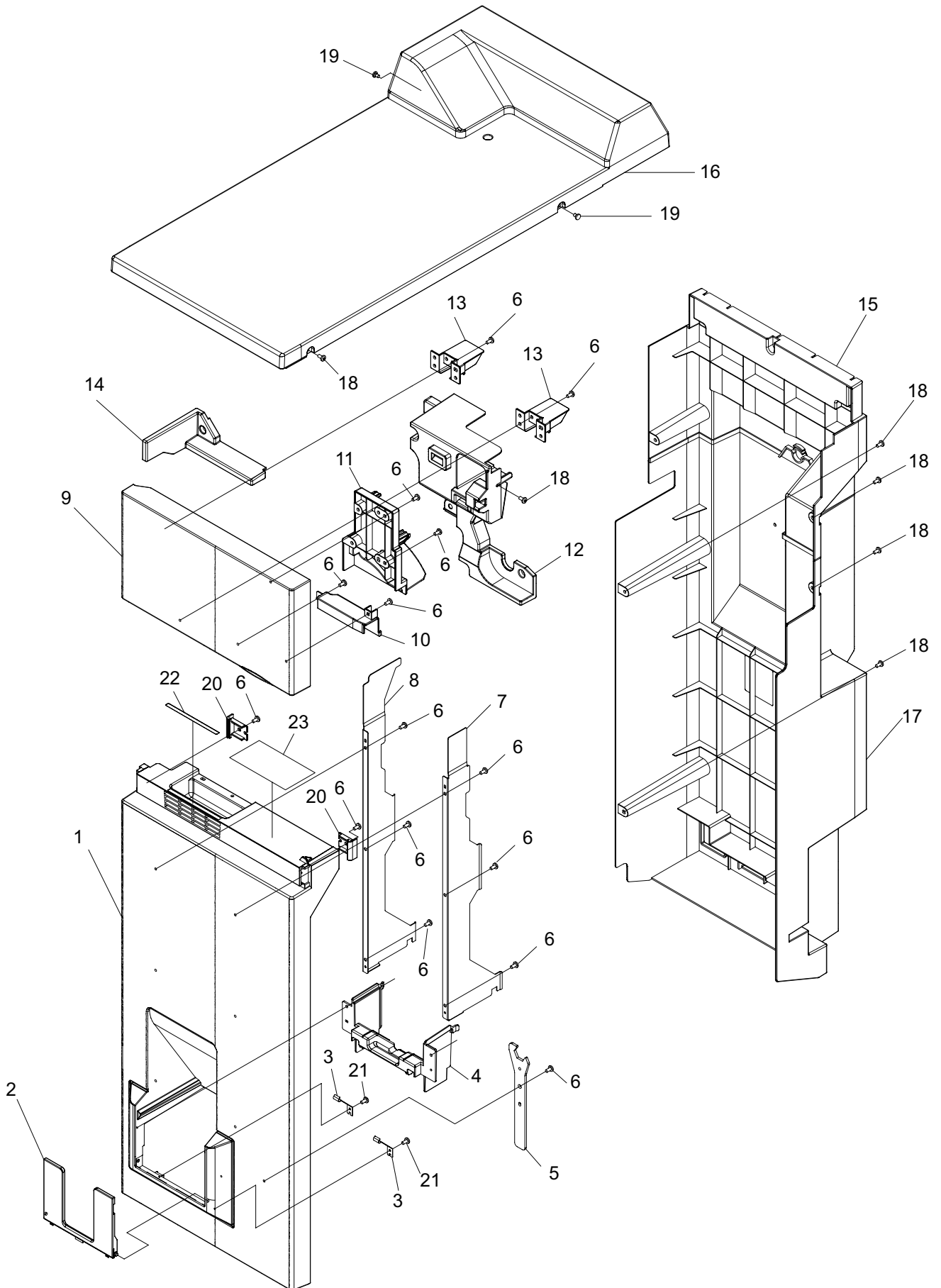
MX-FD10

© 2014 TOSHIBA TEC CORPORATION All rights reserved

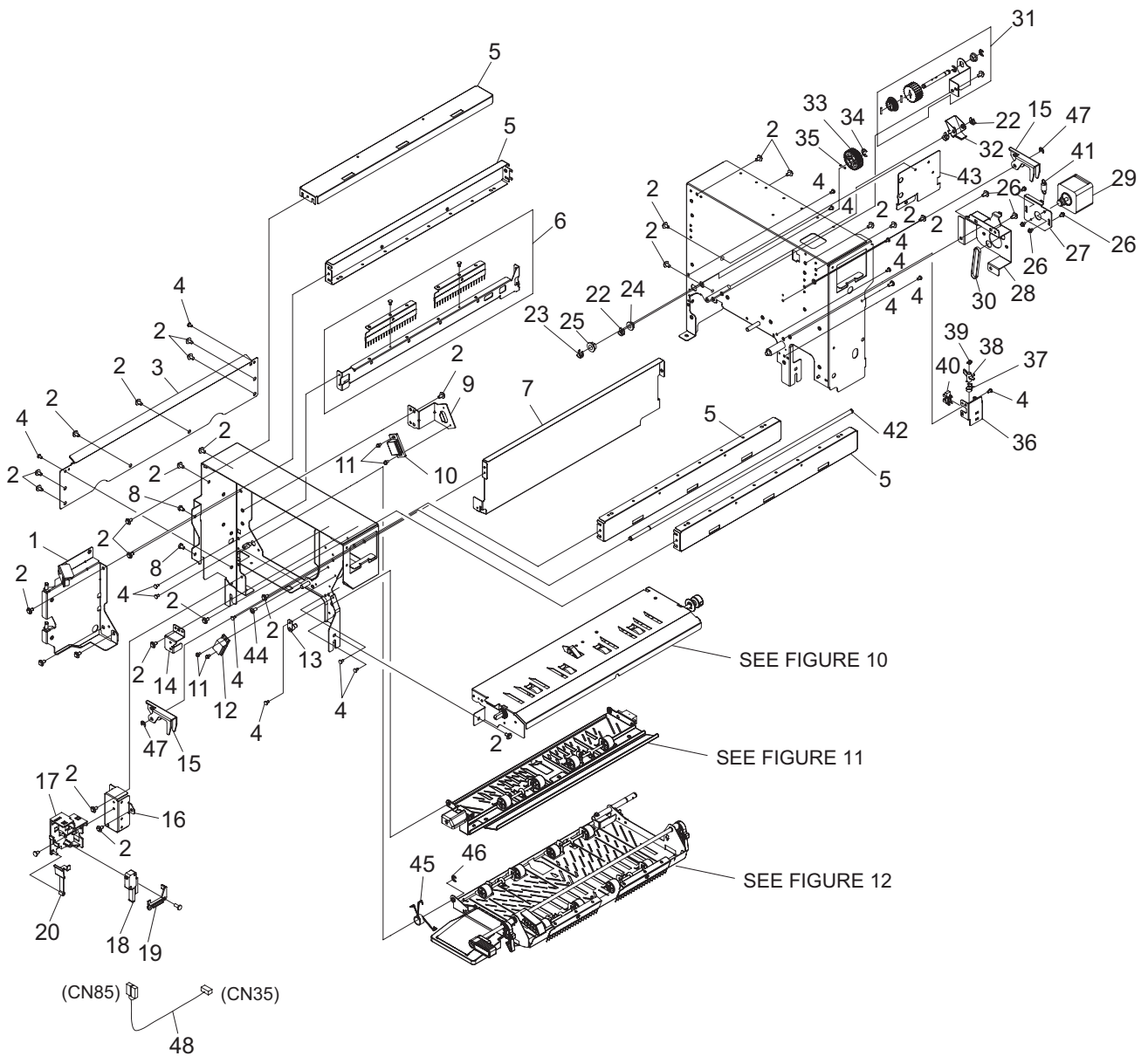
Under the copyright laws, this manual cannot be reproduced in any form without prior written permission of TOSHIBA TEC CORPORATION. No patent liability is assumed, however, with respect to the use of the information contained herein.

CONTENTS

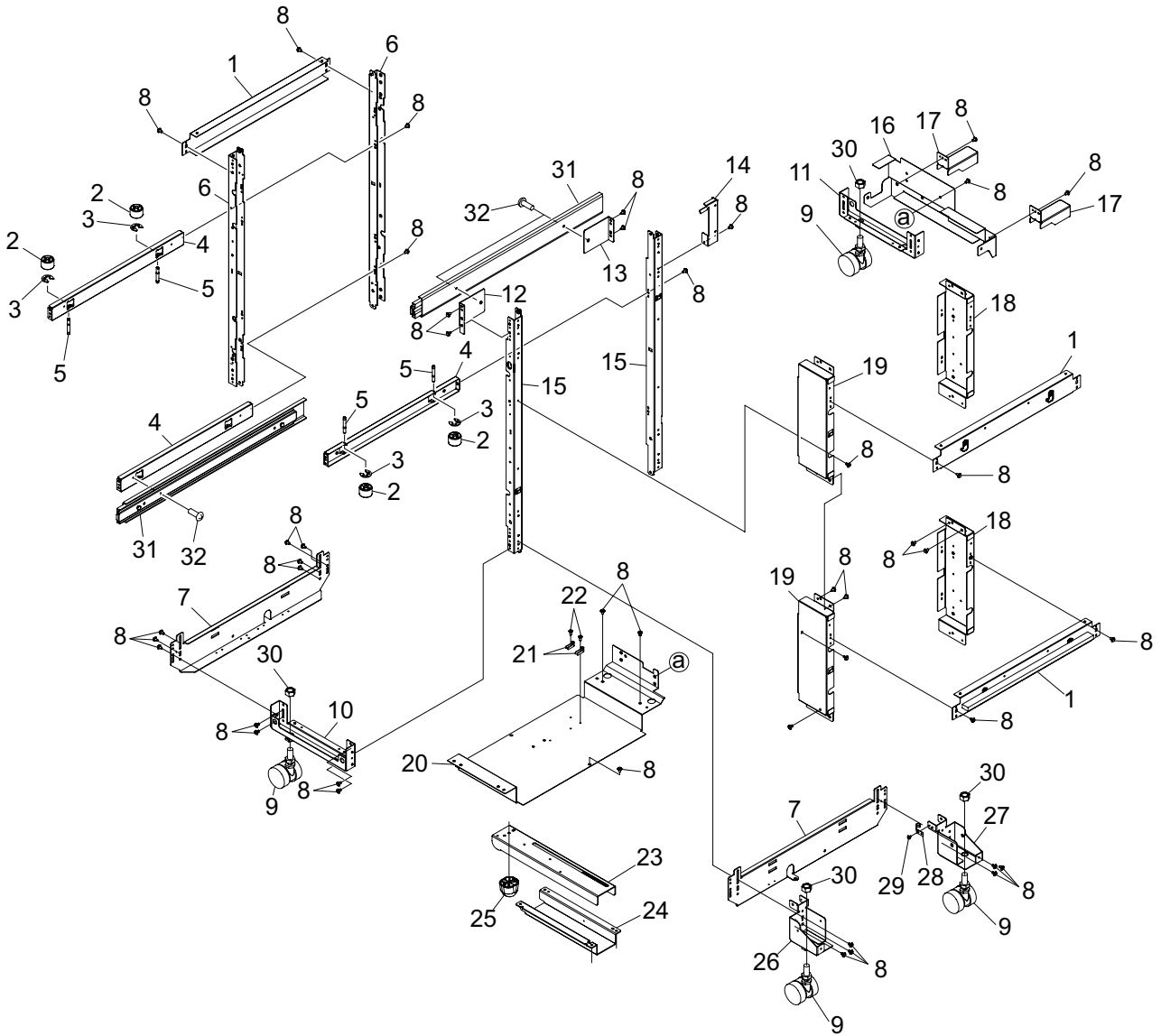
EXTERNAL_COVERS,PANELS,ETC.....	1
INTERNAL_COMPONENTS_1.....	2
INTERNAL_COMPONENTS_2.....	3
MACHINE_REAR_PLATE.....	4
INTERNAL_COMPONENTS_3.....	5
INTERNAL_COMPONENTS_4.....	6
INTERNAL_COMPONENTS_5.....	7
INTERNAL_COMPONENTS_6.....	8
REGISTRATION_DRIVE_ASSEMBLY	9
OPEN_PAPER_FEED_GUIDE_ASSEMBLY.....	10
HORIZ._FEED_LOWER_GUIDE_ASS'Y.....	11
HORIZ._FEED_UPPER_GUIDE_ASS'Y	12
REGISTRATION_GUIDE_ASSEMBLY.....	13
RIGHT_FOLDER_GUIDE_ASSEMBLY.....	14
LEFT_FOLDER_GUIDE_ASSEMBLY	15
CENTER_FOLDER_GUIDE_ASSEMBLY	16
FOLD_CHANGE_LOWER_GUIDE_ASS'Y	17
FOLDER_CONTROL_ASSEMBLY.....	18
C_FOLDING_DELIVERY_TRAY_ASS'Y	19
FOLDER_CONTROLLER_PCB_ASS'Y	20
NOISE_FILTER_PCB_ASSEMBLY	21
ACCESSORIES	22



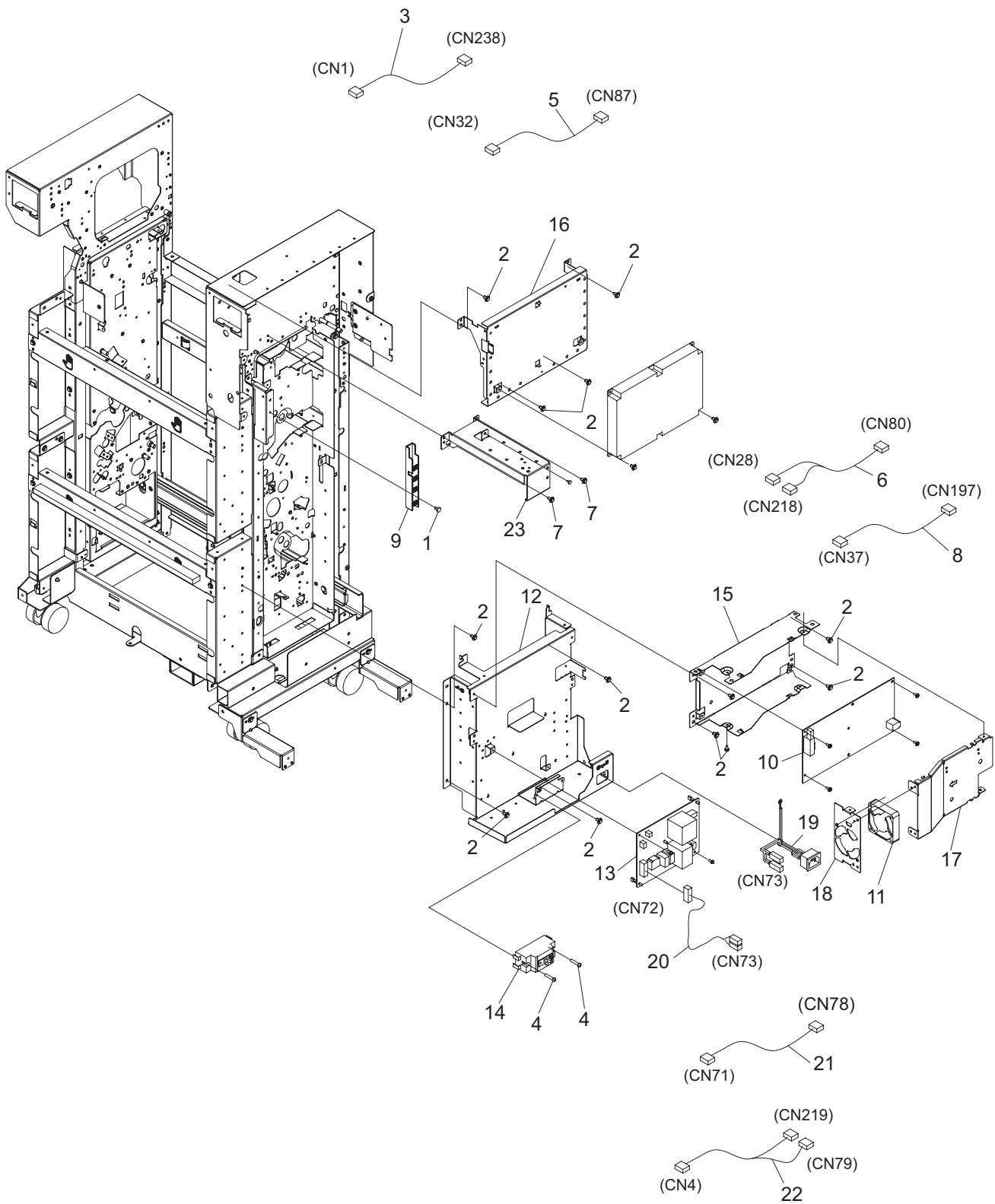
ITEM No.	PART No.	PART NAME	Q'TY / PAGE	Q'TY / PACK	REMARKS
1	6LS00288000	COVER_FRONT_LOWER			
2	6LS00279000	TRAY-3F-OPEN			
3	6LS00635000	PLATE-SP-TRY-3F-OPEN			
4	6LS00289000	COVER-FRONT-SPC			
5	6LS01007000	SPANA-19			
6	6LS01683000	SCREW04T080WAVE-W			
7	6LS00291000	BRACKET_COVER_FRONT_RIGHT			
8	6LS00292000	BRACKET_COVER_FRONT_LEFT			
9	6LS00284000	COVER_FRONT_DOOR			
10	6LS00269000	HANDLE,DOOR,6			
11	6LS00285000	COVER_FRONTDOOR_INNER			
12	6LS00286000	COVER_INNER			
13	6LS00295000	COVER_INNER_FOOL_PROOF			
14	6LS00287000	COVER_INNER_LEFT			
15	6LS00281000	COVER_REAR_UPPER			
16	6LS00280000	COVER_TOP			
17	6LS00277000	COVER_REAR_LOWER			
18	6LS00189000	SCREW			
19	6LS01627000	SCREW04M042-D050020			
20	6LS00275000	COVER_FRONTSUB,RIGHT			
21	6LS01617000	SCR03T060WAVE-W			
22	6LS00547000	LABEL,GUIDANCE SYMBOL,M3			
23	6LS00553000	LABEL,LOWER COVER,OPERATION			



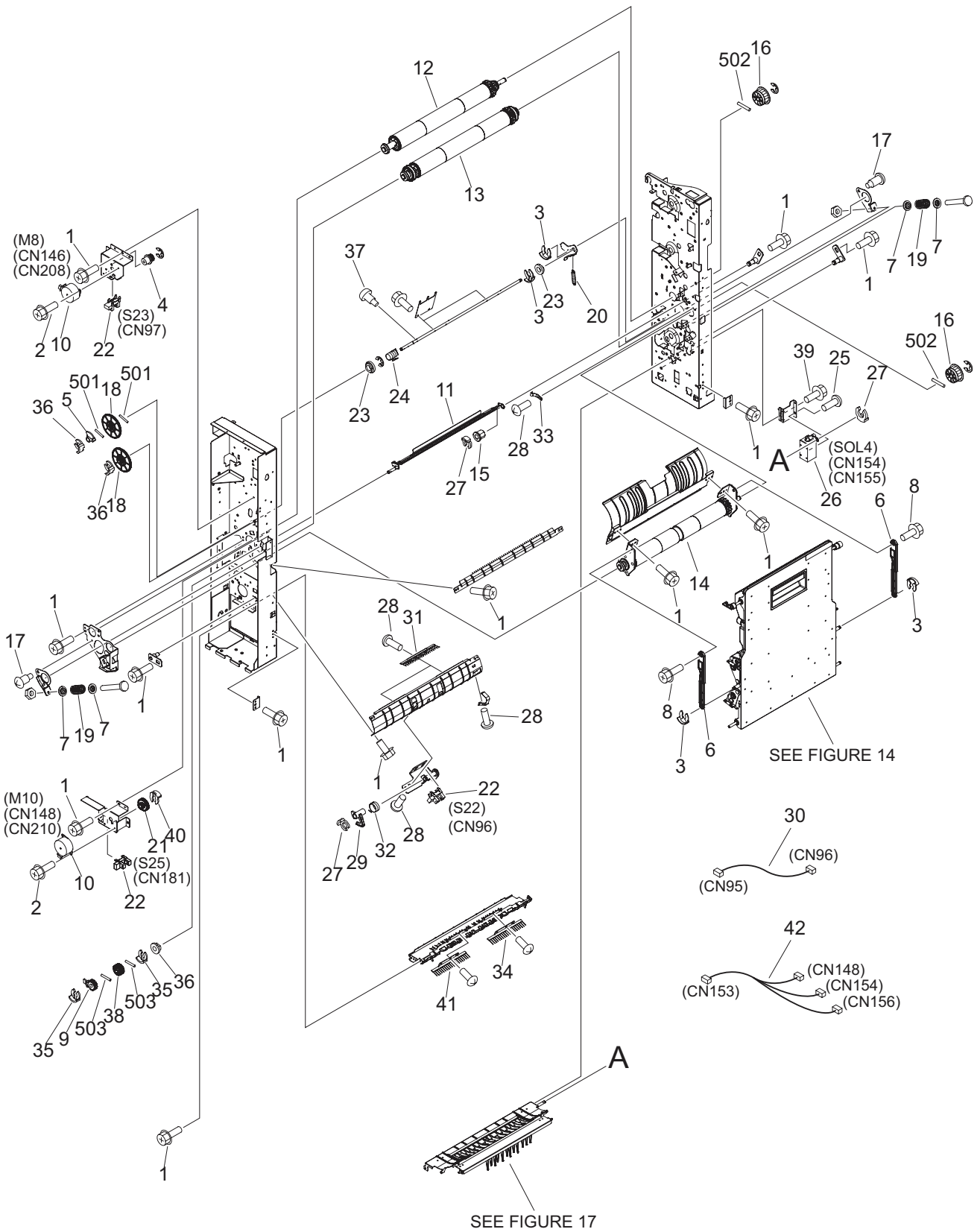
ITEM No.	PART No.	PART NAME	Q'TY / PAGE	Q'TY / PACK	REMARKS
1	6LS00326000	BRACKET_FRONT_FULCRUM			
2	6LS01619000	SCREW,PSSTEPED,M4			
3	6LS01151000	ASY-GID-HOL-EXIT			
4	6LS01616000	SCREW 03T060SR-W			
5	6LS00606000	STY-KDI-FRM			
6	6LS00483000	ASSEMBLY.FRAME			
7	6LS00283000	GUIDE_FRAME_STAY			
8	6LS01618000	SCREW 04T070SR-W			
9	6LS01035000	BRACKET-ST-MAG-35			
10	6LS01031000	CATCH-MG-35N			
11	6LS00575000	SCREW.W/WASHER,M3X6			
12	6LS00191000	MAGNETCATCH			
13	6LS00193000	PLATE-GID-F-HNG			
14	6LS00719000	STAY-JNT-HOOK			
15	6LS00998000	BRACKET-JNT-HOOK-X7			
16	6LS00720000	BRACKET-SNS-OPEN			
17	6LS00223000	SW-SENSOR-HOLDER			
18	6LS00521000	SW_V-5F33-DN			
19	6LS00222000	LEVERFIXHOLDER			
20	6LS00459000	SWLEVER			
22	6LS00577000	CLIP			
23	6LS00225000	CLIP070140B			
24	6LS01295000	BUSHING,CU			
25	6LS01615000	METAL080070FC			
26	6LS00652000	SCREW,W/WASHER,M3X6			
27	6LS01047000	BKT-KDU-MOT			
28	6LS01046000	BKT-KDU-MTR-1			
29	6LS01075000	MOTOR-17PM-J344-P3VS			
30	6LS01729000	BELT S2M069040			
31	6LS01169000	ASY-ST-UP-IDOL			
32	6LS00204000	PLATE-ST-UP-STOP			
33	6LS01411000	GEAR-ST-UP-GID			
34	6LS01699000	E-RING			
35	6LS01611000	PIN,DOWEL			
36	6LS01119000	BRACKET-SEN-SET			
37	6LS01425000	SPRING-SEN-STR			
38	6LS00625000	LEVER-SEN-SET			
39	6LS00579000	CLIP			
40	6LS01637000	PHOTO INTERRUPTER,TLP1243			
41	6LS01424000	SPRING			
42	6LS00294000	SHAFT_JOINT_HOOK_X6			
43	6LS00604000	CATCH-PLT-R-FIN			
44	6LS00189000	SCREW			
45	6LS01423000	SPRING-GID-ST-ASST			
46	6LS01703000	E-RING			
47	6LS01702000	E-RING			
48	6LS00469000	ASM,COVER,SW			



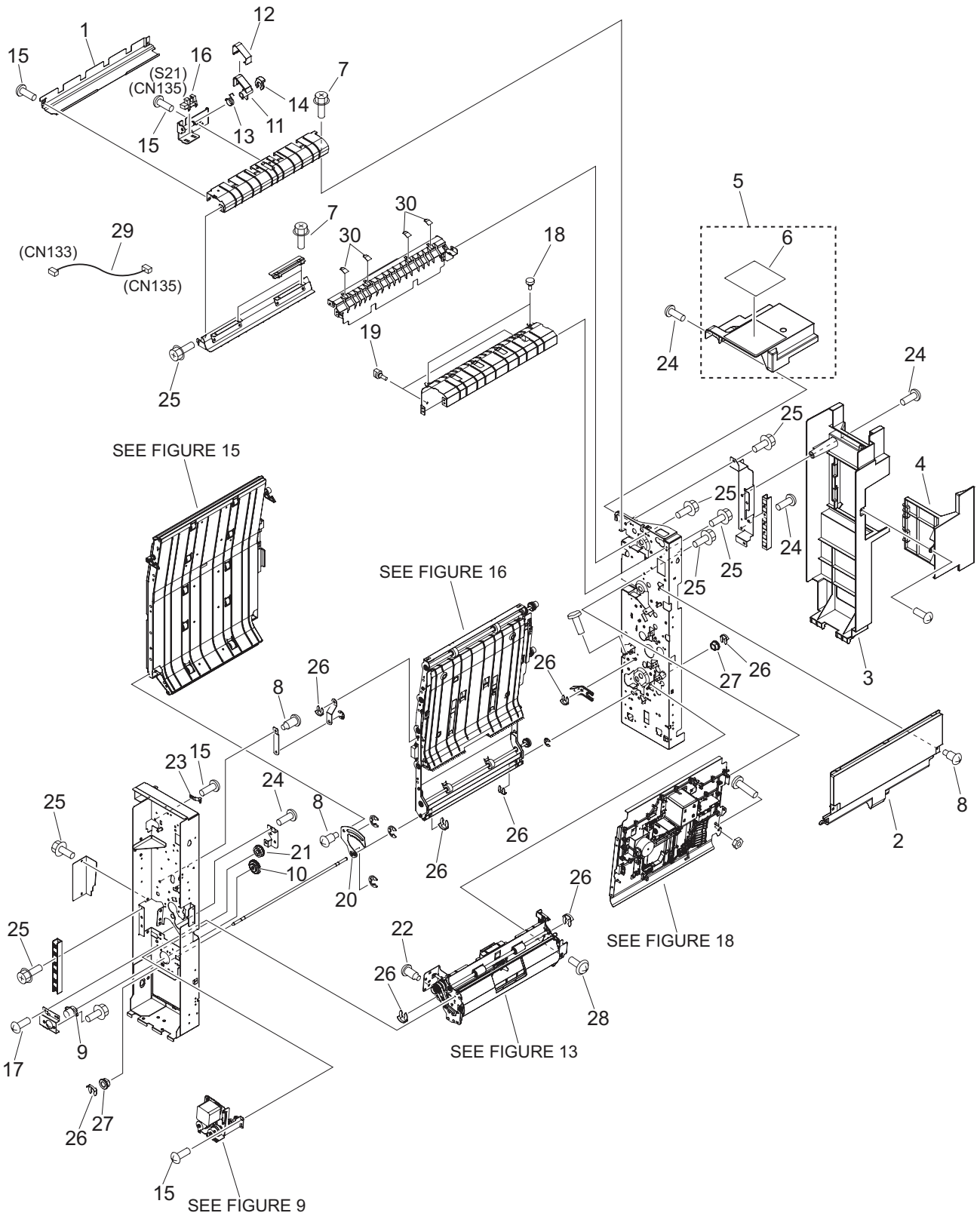
ITEM No.	PART No.	PART NAME	Q'TY / PAGE	Q'TY / PACK	REMARKS
1	6LS00607000	STAY-KDI-HOKYOU-SIDWE			
2	6LS00585000	ROLLER-P-FEED			
3	6LS01701000	E-RING			
4	6LS00636000	STAY-FRM-LOCK-R			
5	6LS00628000	SHAFT-FRM-SLIDE			
6	6LS00608000	STAY-MAIN-L			
7	6LS00605000	STAY-KDY-FOT			
8	6LS01619000	SCREW,PSSTEPED,M4			
9	6LS00583000	CASTER-FRM			
10	6LS00197000	BRACKET-FOT-FRM-F			
11	6LS00198000	BRACKET-FOT-FRM-R			
12	6LS00736000	BRACKET-RAIL-F			
13	6LS00627000	BRACKET-RAIL			
14	6LS00724000	BRACKET-PLT-KOTEI			
15	6LS00609000	STAY-MAIN-R			
16	6LS00725000	BRACKET-FOT-CVR			
17	6LS00717000	BRACKET-SHUNT-CABLE			
18	6LS00718000	BRACKET-LEG-CVR-R			
19	6LS00727000	BRACKET-LEG-CVR-F			
20	6LS00626000	BRACKET-FOT-CVR			
21	6LS00638000	SPC-FOLD-NIP			
22	6LS00205000	SCREW04M080SR-D			
23	6LS00723000	ARM-SUPPORT-LEG-SLD			
24	6LS00716000	ARM-SUPPORT-LEG-BAS			
25	6LS00610000	FOOT-SUPPORT-LEG			
26	6LS00721000	BRACKET-LEG-SUB-F			
27	6LS00722000	BRACKET-LEG-SUB-R			
28	6LS00203000	SPRING			
29	6LS00188000	SCREW			
30	6LS01691000	NUT			
31	6LS00737000	RAIL			
32	6LS01618000	SCREW 04T070SR-W			



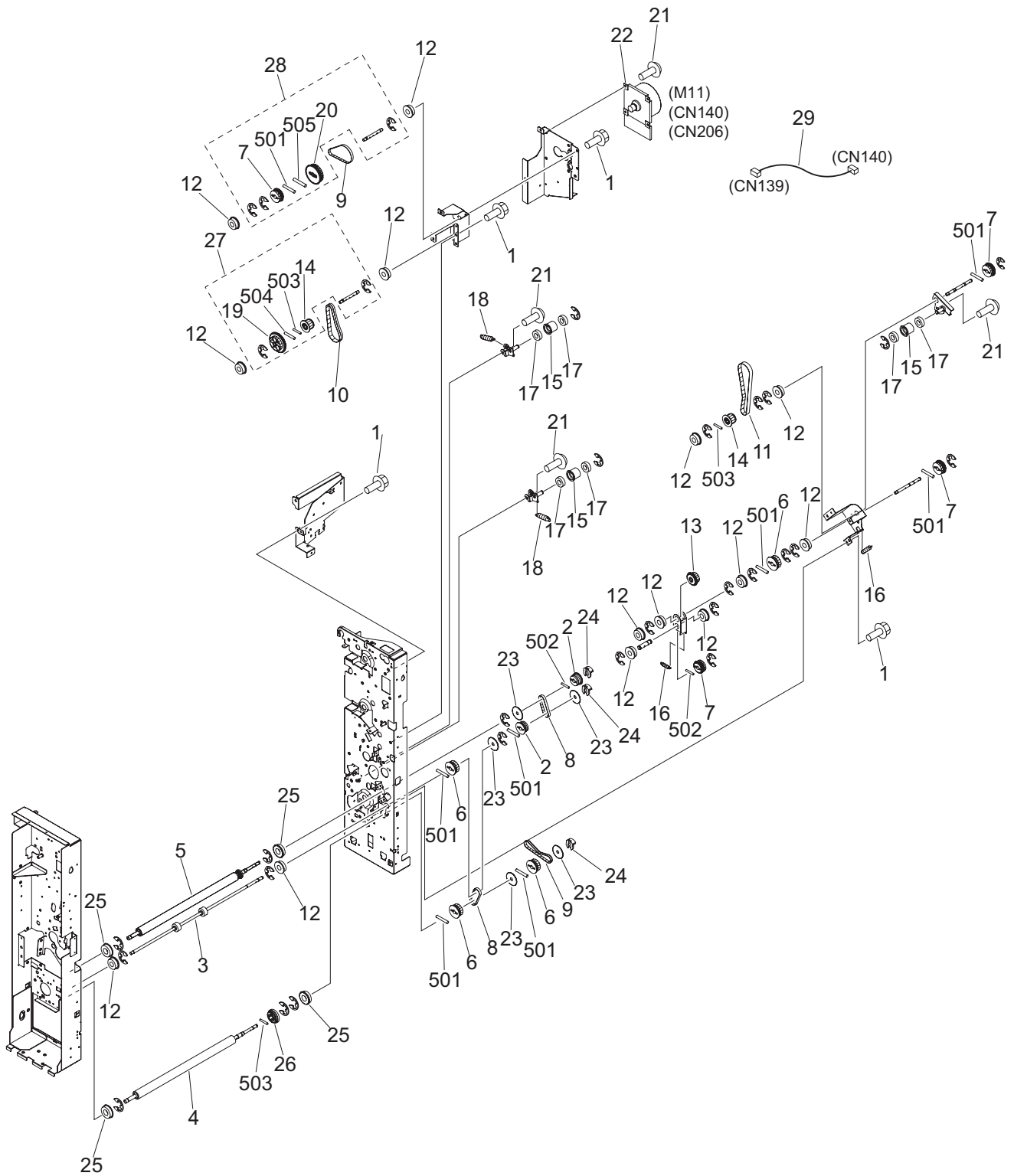
ITEM No.	PART No.	PART NAME	Q'TY / PAGE	Q'TY / PACK	REMARKS
1	6LS01618000	SCREW 04T070SR-W			
2	6LS01618000	SCREW 04T070SR-W			
3	6LS00482000	ASSEMBLY,INTERFACE			
4	6LS00643000	SCREWM4x20			
5	6LS00468000	E1-MOTHARNESS			
6	6LS00470000	DCPOWER			
7	6LS01619000	SCREW,PSSTEPED,M4			
8	6LS00196000	HARNESS			
9	6LS00603000	DUCT-BOARD-S			
10	6LS01086000	PWB-ZSCN624IA			
11	6LS01091000	FAN-U60T24MUA7-53J25			
12	6LS00200000	BRACKET-PS			
13	6LS01188000	PBA-FILTER-ORI			
14	6LS00206000	FUSE-NV-L22AZC			
15	6LS00658000	BRACKET-PWS-BASE-1			
16	6LS00282000	BRACKET,PCB,ASSY			
17	6LS00659000	BRACKET-PWS-BASE-2			
18	6LS00696000	BRACKET-PWS-BASE-3			
19	6LS01093000	HARNESS			
20	6LS01092000	HARNESS			
21	6LS00194000	HARNESS			
22	6LS00195000	HARNESS			
23	6LS00201000	BKT,HANES			



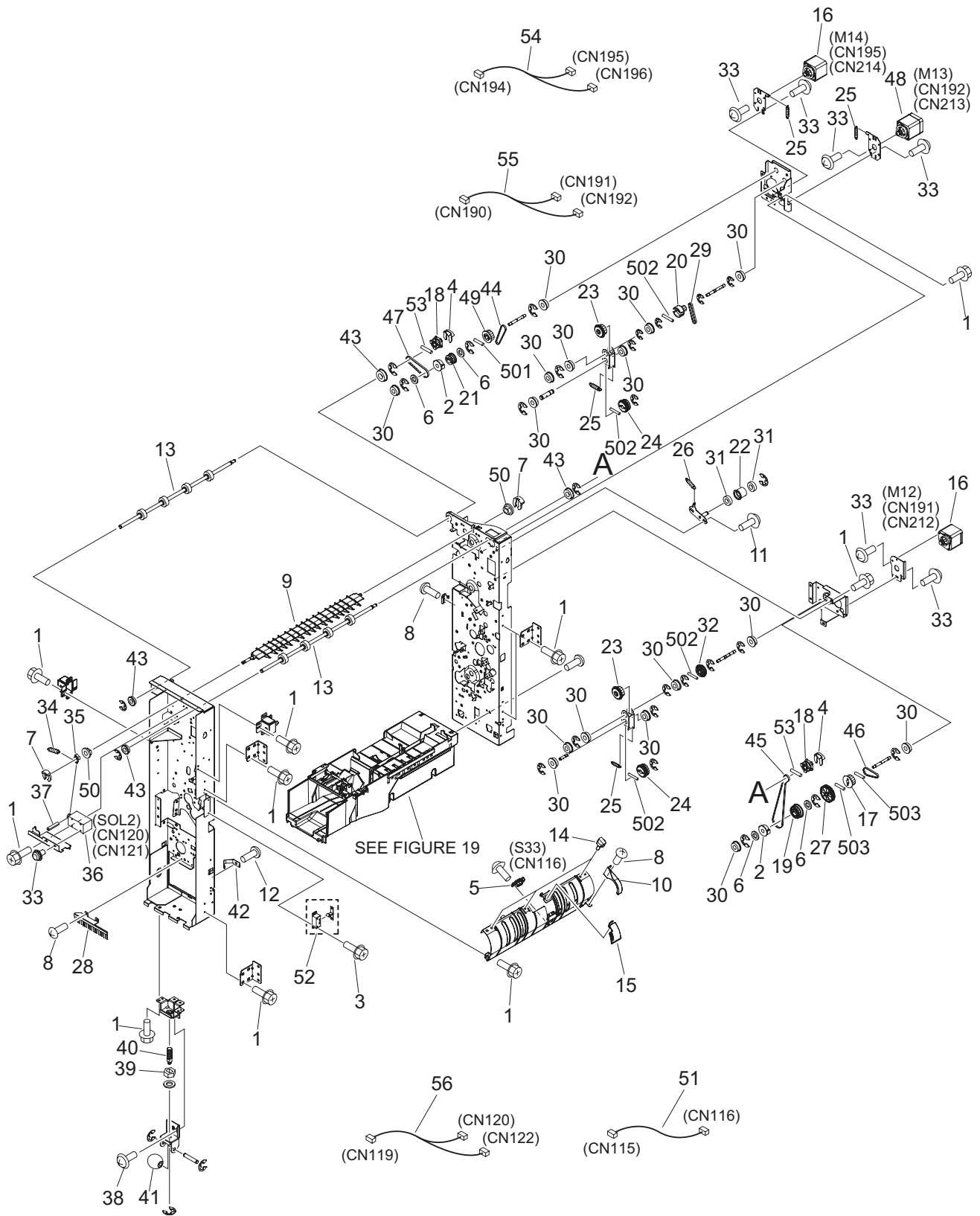
ITEM No.	PART No.	PART NAME	Q'TY / PAGE	Q'TY / PACK	REMARKS
1	6LS01619000	SCREW,PSSTEPED,M4			
2	6LS00575000	SCREW.W/WASHER,M3X6			
3	6LS00261000	CLIP,SHAFT			
4	6LS00529000	GEAR,32T/20T			
5	6LS00612000	LEVER,SENSOR			
6	6LS00617000	ARM,FOLDERDOORLINK,RIGHT			
7	6LS00645000	FLANGE,PRESSURE			
8	6LS00657000	SCREW,STEPPED,M4			
9	6LS00734000	GEAR,15TSENSING			
10	6LS01066000	MOTOR,STEPPING			
11	6LS00220000	PLATE,GUIDEEDGERETAINING			
12	6LS01129000	ROLLER,FOLDER,1			
13	6LS01130000	ROLLER,FOLDER,2			
14	6LS01131000	ROLLER,FOLDER,3			
15	6LS01310000	BUSHING			
16	6LS01323000	PULLEY,40T			
17	6LS01396000	SCREW,STEPPED,M4			
18	6LS01415000	GEAR,16T/80T			
19	6LS01426000	SPRING,COMPRESSION			
20	6LS01439000	SPRING,TENSION			
21	6LS01475000	GEAR,24T/30T			
22	6LS01637000	PHOTO INTERRUPTER,TLP1243			
23	6LS00571000	BUSHING			
24	6LS01440000	SPRING,TORSION			
25	6LS00574000	SCREW,W/WASHER,M3X5			
26	6LS01170000	SOLENOID			
27	6LS00579000	CLIP			
28	6LS00582000	SCREW.TAPPING.M3X6			
29	6LS00729000	FLAG,SENSOR			
30	6LS01080000	CABLE,RIGHTLOWER			
31	6LS01150000	ELIMINATOR,STATICCHARGE			
32	6LS01535000	SPRING,TORSION			
33	6LS01036000	SPRING,LEAF			
34	6LS01127000	BRUSH,STATICCHARGE			
35	6LS00589000	CLIP			
36	6LS01295000	BUSHING,CU			
37	6LS01397000	SCREW,STEPPED,M4			
38	6LS00528000	GEAR,20T			
39	6LS00651000	SCREW,W/WASHER,M4X8			
40	6LS00577000	CLIP			
41	6LS01133000	BRUSH,STATICCHARGE			
42	6LS00216000	ASM-SOL-C			
501	6LS01715000	PIN,DOWEL			
502	6LS01721000	PIN,DOWEL			
503	6LS01713000	PIN,DOWEL			



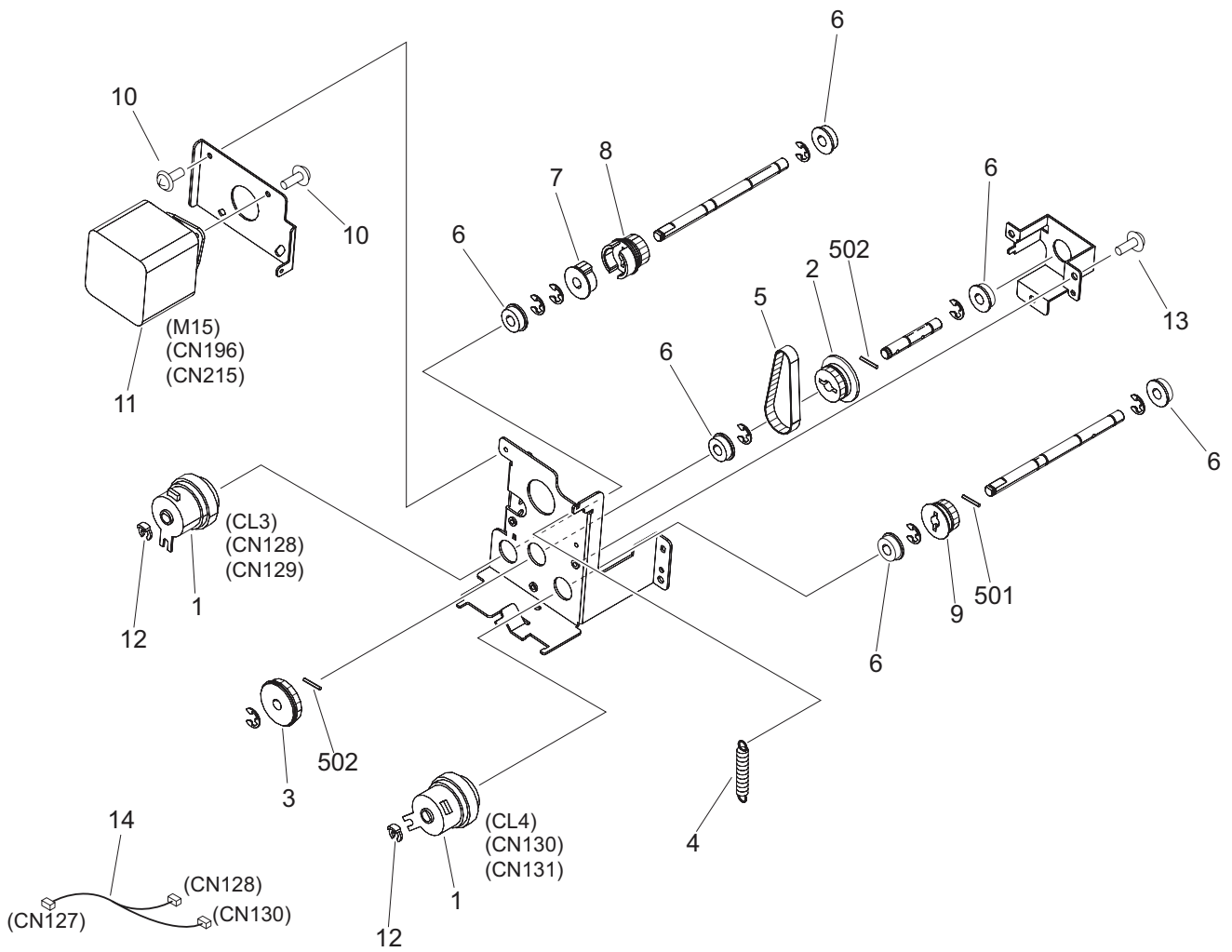
ITEM No.	PART No.	PART NAME	Q'TY / PAGE	Q'TY / PACK	REMARKS
1	6LS01045000	COVER,FOLD,LEFTUPPER			
2	6LS00752000	COVER,RIGHTDOORPCB			
3	6LS00753000	PANEL,FOLD,REARLOWER			
4	6LS00756000	PANEL,MAINTENANCE,REAR			
5	6LS00438000	ASSEMBLY,COVER REAR,UPPER			
6	6LS00554000	LABEL,CAUTION			
7	6LS00652000	SCREW,W/WASHER,M3X6			
8	6LS00656000	SCREW,STEPPED,M3			
9	6LS00644000	DAMPERUNIT,LEFT			
10	6LS01416000	GEAR,20T			
11	6LS00226000	LEVER,SENSOR			
12	6LS00232000	PLATE,SENSORFLAGPROTECTIVE			
13	6LS00532000	SPRING,TORSION			
14	6LS00579000	CLIP			
15	6LS00582000	SCREW.TAPPING.M3X6			
16	6LS01637000	PHOTO INTERRUPTER,TLP1243			
17	6LS00650000	SCREW,TAPPING,M4X5			
18	6LS00639000	SPACER			
19	6LS00642000	SPACER			
20	6LS01044000	RACK,LEFTDOOR			
21	6LS01420000	GEAR,16T			
22	6LS01289000	SCREW.STEPPED.M4			
23	6LS00235000	SPRING,LEAF			
24	6LS00572000	SCREW.M4X7			
25	6LS01619000	SCREW,PSSTEPPED,M4			
26	6LS00261000	CLIP,SHAFT			
27	6LS01295000	BUSHING,CU			
28	6LS00239000	SCREW.W/WASHER,M4X8			
29	6LS00214000	ASM-STPS			
30	6LS01063000	Cap guide hall			



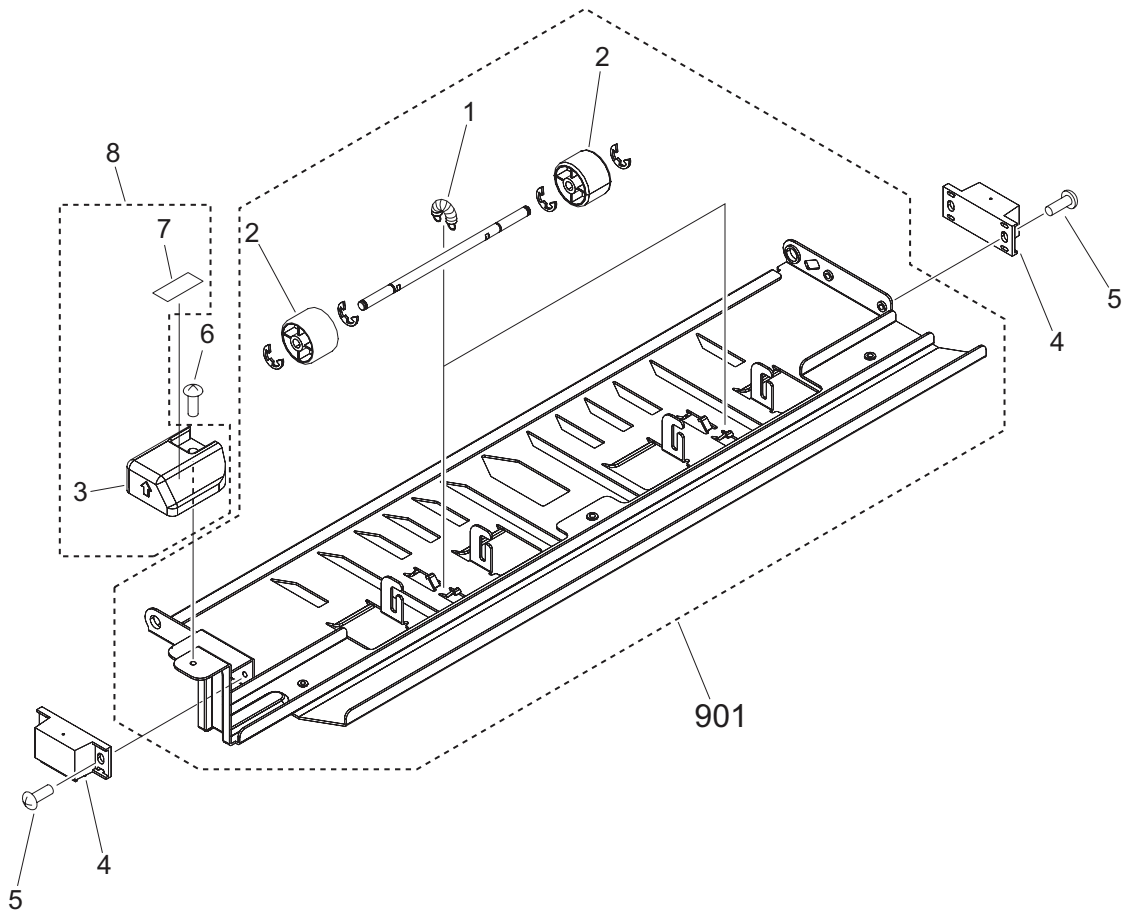
ITEM No.	PART No.	PART NAME	Q'TY / PAGE	Q'TY / PACK	REMARKS
1	6LS01619000	SCREW,PSSTEPED,M4			
2	6LS00533000	PULLEY			
3	6LS00742000	ROLLER,PAPERFEED			
4	6LS00744000	ROLLER,FOLDER,INNER			
5	6LS01132000	ROLLER,FOLDER,INNERUPPER			
6	6LS01320000	PULLEY,20T			
7	6LS01419000	GEAR,20T			
8	6LS01732000	BELT,TIMING			
9	6LS01733000	BELT,TIMING			
10	6LS01786000	BELT,TIMING			
11	6LS01787000	BELT,TIMING			
12	6LS01799000	BEARING,BALL,F686ZZ			
13	6LS01417000	GEAR,20T			
14	6LS01322000	PULLEY,20T			
15	6LS01393000	ROLLER,TENSION			
16	6LS01434000	SPRING,TENSION			
17	6LS01797000	BEARING,BALL,NMB,P0,16MM			
18	6LS01435000	SPRING,TENSION			
19	6LS01412000	GEAR,50T			
20	6LS01314000	PULLEY,48T			
21	6LS00651000	SCREW,W/WASHER,M4X8			
22	6LS01076000	MOTOR,DC24V			
23	6LS00202000	FLANGE			
24	6LS00589000	CLIP			
25	6LS01032000	BEARING,BALL			
26	6LS01301000	GEAR,20T			
27	6LS01171000	IDLERPULLEYASSY1			
28	6LS01172000	IDLERPULLEYASSY2			
29	6LS00209000	ASM-FMOT			
501	6LS01611000	PIN,DOWEL			
502	6LS01713000	PIN,DOWEL			
503	6LS01715000	PIN,DOWEL			
504	6LS01717000	PIN,DOWEL			
505	6LS01720000	PIN,DOWEL			



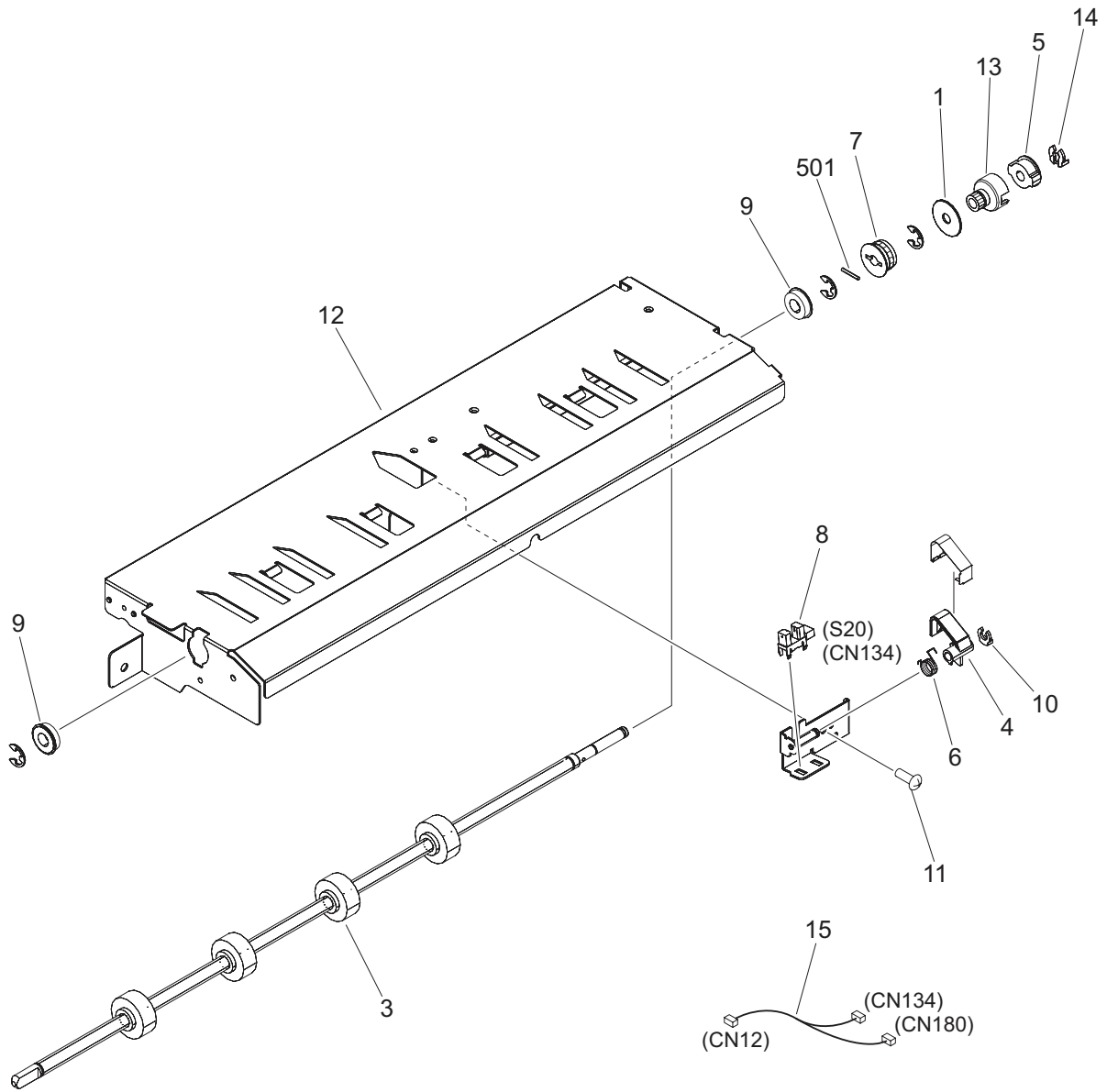
ITEM No.	PART No.	PART NAME	Q'TY / PAGE	Q'TY / PACK	REMARKS
1	6LS01619000	SCREW,PSSTEPED,M4			
2	6LS00237000	JOINT			
3	6LS00575000	SCREW.W/WASHER,M3X6			
4	6LS00261000	CLIP,SHAFT			
5	6LS00192000	LED PCB UNIT			
6	6LS00537000	WASHER			
7	6LS00579000	CLIP			
8	6LS00582000	SCREW.TAPPING.M3X6			
9	6LS00624000	FLAPPER,FOLDERINLET			
10	6LS01319000	COVER,FOLDERROLLERGEAR			
11	6LS00651000	SCREW,W/WASHER,M4X8			
12	6LS00652000	SCREW,W/WASHER,M3X6			
13	6LS00738000	ROLLER,HORIZONTALPATH			
14	6LS00750000	SPACER			
15	6LS00757000	COVER,GUIDEMAINTENANCE			
16	6LS01075000	MOTOR-17PM-J344-P3VS			
17	6LS01304000	PULLEY,32T			
18	6LS01315000	PULLEY,26T			
19	6LS01318000	PULLEY,52T			
20	6LS01337000	PULLEY,16T			
21	6LS01338000	PULLEY,38T			
22	6LS01393000	ROLLER,TENSION			
23	6LS01417000	GEAR,20T			
24	6LS01419000	GEAR,20T			
25	6LS01434000	SPRING,TENSION			
26	6LS01435000	SPRING,TENSION			
27	6LS01474000	GEAR,52T			
28	6LS01154000	ELIMINATOR,STATICCHARGE			
29	6LS01727000	BELT,TIMING			
30	6LS01799000	BEARING,BALL,F686ZZ			
31	6LS01797000	BEARING,BALL,NMB,P0,16MM			
32	6LS01413000	GEAR,26T			
33	6LS00574000	SCREW,W/WASHER,M3X5			
34	6LS01436000	SPRING,TENSION			
35	6LS00648000	LINK,FLAPPER			
36	6LS01077000	SOLENOID			
37	6LS01628000	PIN,SPRING			
38	6LS00239000	SCREW.W/WASHER,M4X8			
39	6LS00631000	HANDLE,CASTERADJUSTMENT			
40	6LS00632000	SCREW,CASTERADJUSTMENT			
41	6LS01391000	ROLLER,FOLDERCASTER			
42	6LS00634000	SPRING,LEAF			
43	6LS01032000	BEARING,BALL			
44	6LS01033000	BELT,TIMING			
45	6LS01034000	BELT,TIMING			
46	6LS01726000	BELT,TIMING			
47	6LS01730000	BELT,TIMING			
48	6LS01094000	MOTOR,STEPPING,DC			
49	6LS01299000	PULLEY,24T			
50	6LS01614000	BUSHING			
51	6LS01084000	CABLE,RIGHTUPPER			
52	6LS00633000	CATCH,ROLLER			
53	6LS01725000	PIN,SPRING			
54	6LS00211000	ASM-MOT-F			
55	6LS00212000	ASM-MOT-F2			
56	6LS00217000	ASM-SOL-F			
501	6LS01713000	PIN,DOWEL			
502	6LS01611000	PIN,DOWEL			
503	6LS01715000	PIN,DOWEL			



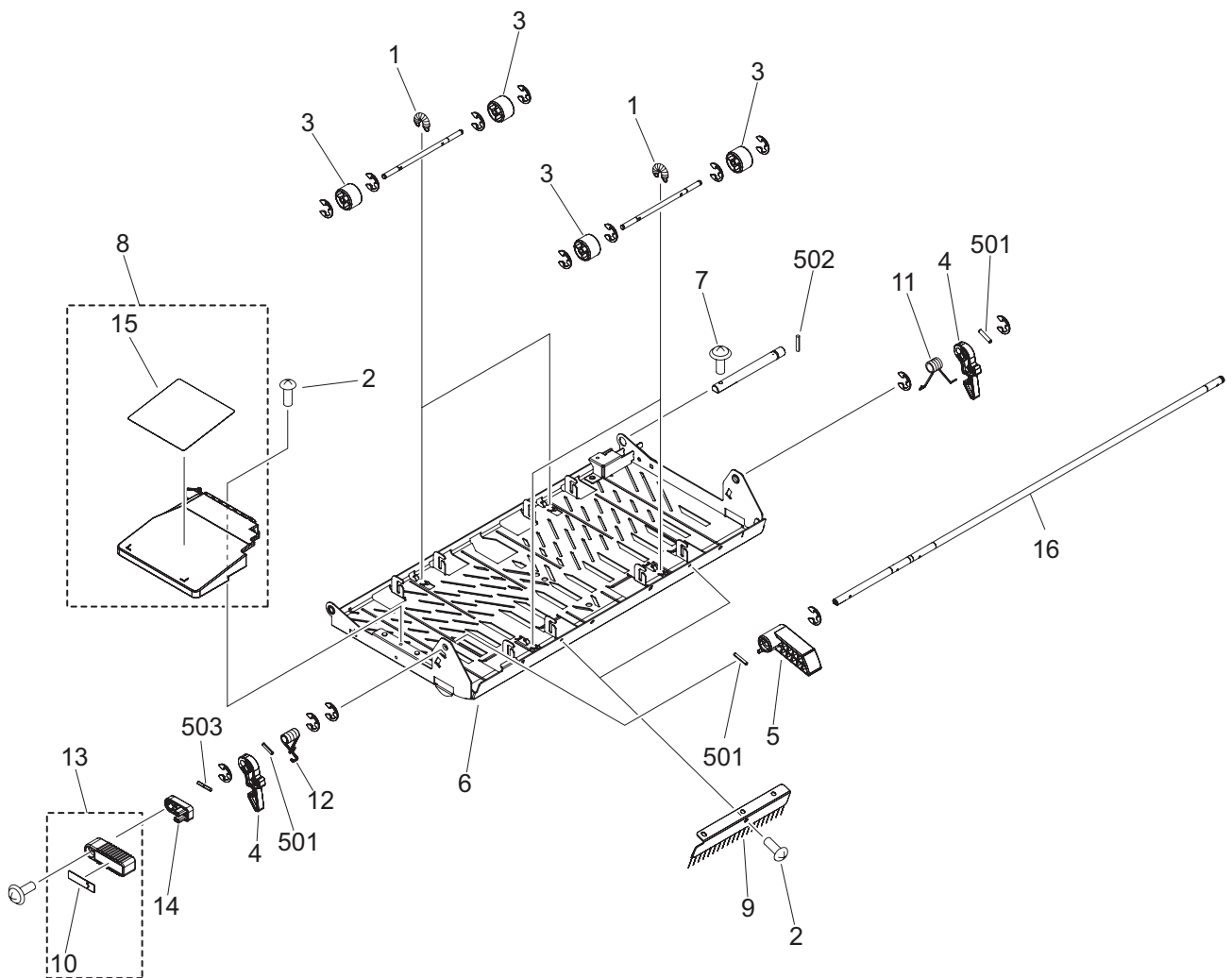
ITEM No.	PART No.	PART NAME	Q'TY / PAGE	Q'TY / PACK	REMARKS
1	6LS01079000	CLUTCH,EM			
2	6LS01321000	PULLEY,30T			
3	6LS00599000	GEAR,30T			
4	6LS01429000	SPRING,TENSION			
5	6LS01728000	BELT,TIMING			
6	6LS01799000	BEARING,BALL,F686ZZ			
7	6LS00237000	JOINT			
8	6LS01317000	PULLEY,18T			
9	6LS00533000	PULLEY			
10	6LS00652000	SCREW,W/WASHER,M3X6			
11	6LS01075000	MOTOR-17PM-J344-P3VS			
12	6LS00579000	CLIP			
13	6LS00582000	SCREW.TAPPING.M3X6			
14	6LS00207000	ASM-CLU-F			
501	6LS01611000	PIN,DOWEL			
502	6LS01713000	PIN,DOWEL			



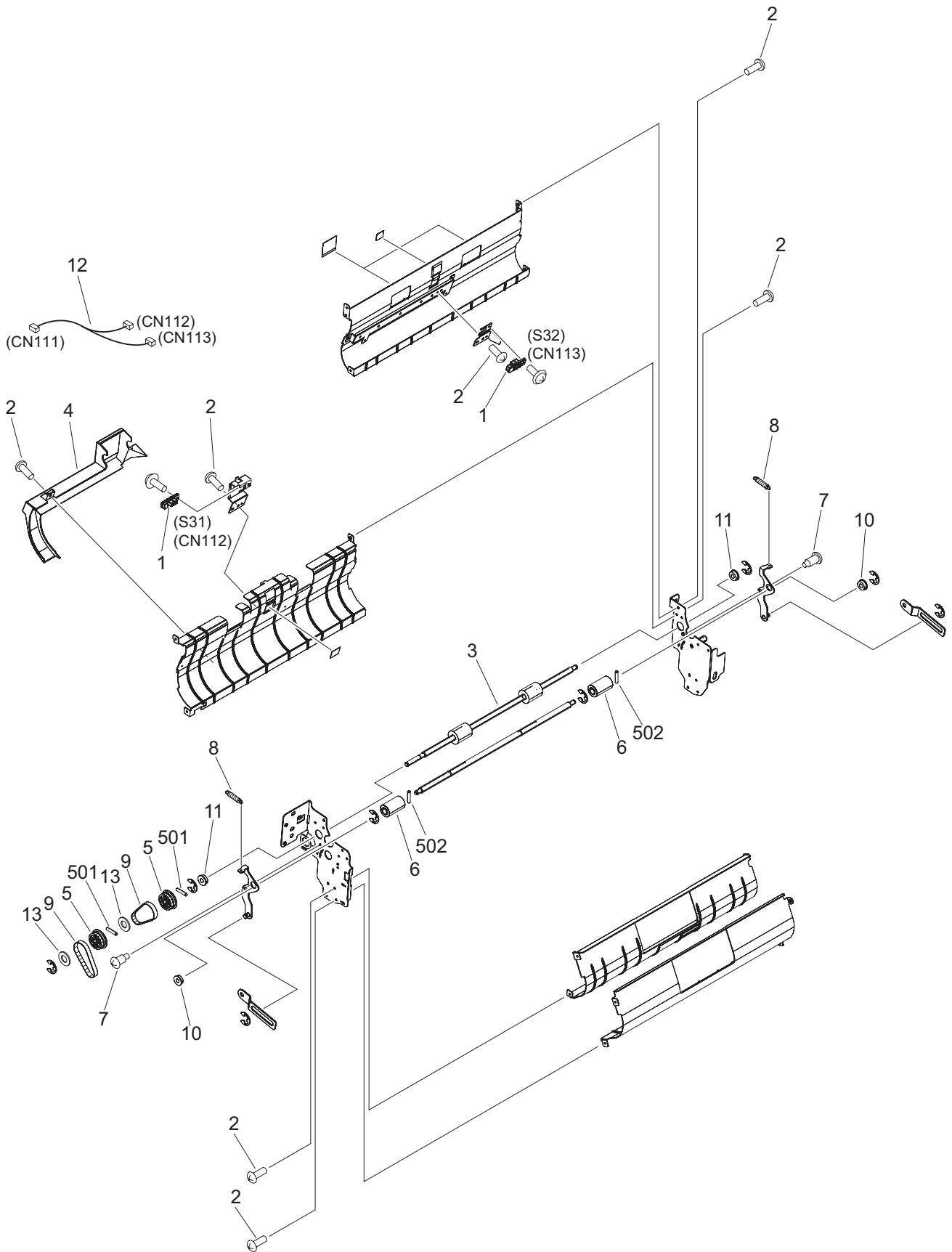
ITEM No.	PART No.	PART NAME	Q'TY / PAGE	Q'TY / PACK	REMARKS
1	6LS00531000	SPRING,TENSION			
2	6LS00585000	ROLLER-P-FEED			
3	6LS00290000	HANDLE_GUIDE ENTRANCE_UPPER			
4	6LS00191000	MAGNETCATCH			
5	6LS00575000	SCREW.W/WASHER,M3X6			
6	6LS00572000	SCREW.M4X7			
7	6LS00546000	LABEL,GUIDANCE SYMBOL,M2			
8	6LS00481000	ASSEMBLY,GUIDE OPEN,RIGHT			
901	6LS00481000	ASSEMBLY,GUIDE OPEN,RIGHT			



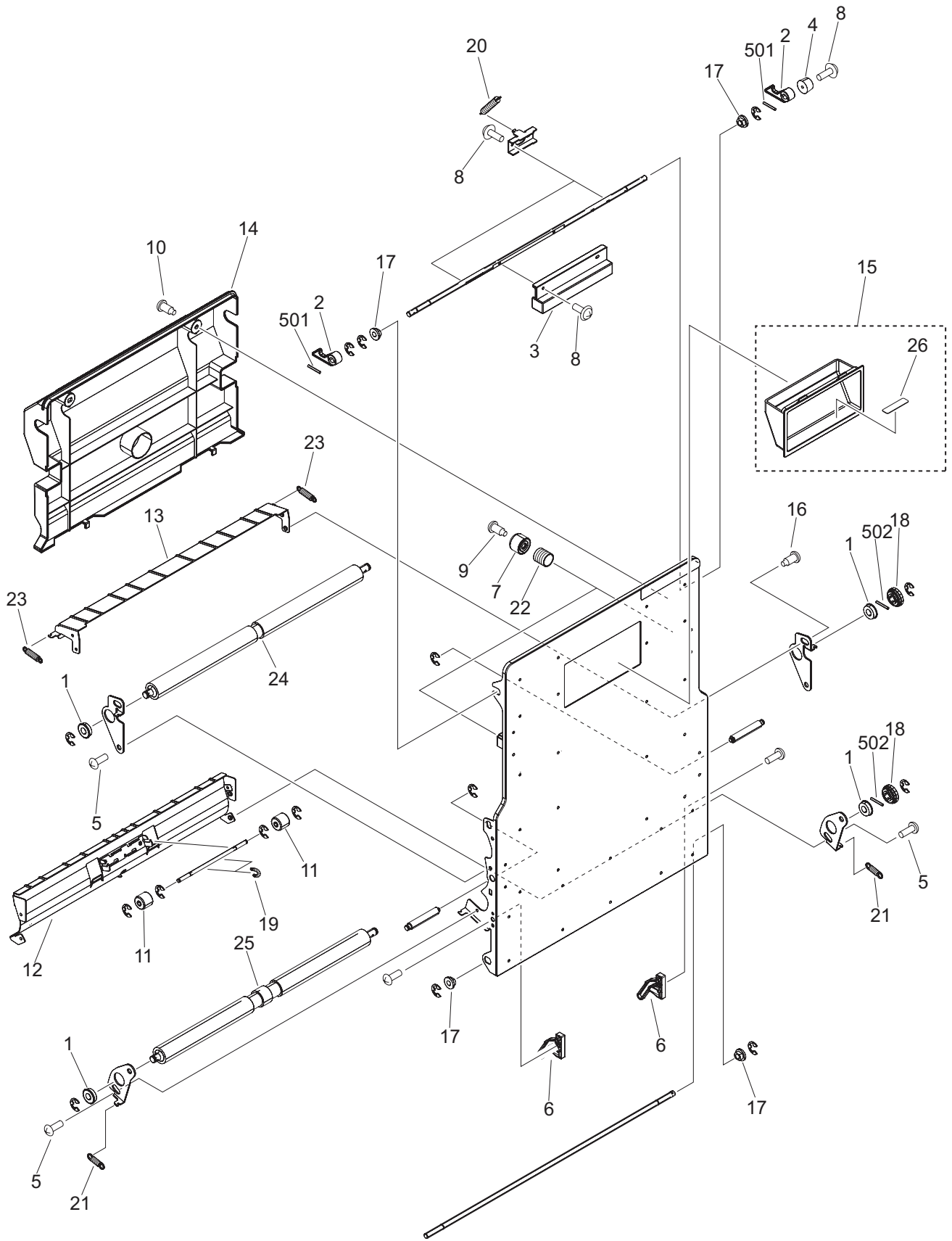
ITEM No.	PART No.	PART NAME	Q'TY / PAGE	Q'TY / PACK	REMARKS
1	6LS00202000	FLANGE			
3	6LS00726000	ROLLER,HORIZONTALFEED,1			
4	6LS00226000	LEVER,SENSOR			
5	6LS00237000	JOINT			
6	6LS00532000	SPRING,TORSION			
7	6LS00533000	PULLEY			
8	6LS01637000	PHOTO INTERRUPTER,TLP1243			
9	6LS01794000	BEARING,BALL,F688ZZ			
10	6LS00579000	CLIP			
11	6LS00582000	SCREW.TAPPING.M3X6			
12	6LS01042000	GUIDE,FEEDLOWER,ENTRANCE			
13	6LS01337000	PULLEY,16T			
14	6LS00589000	CLIP			
15	6LS00213000	ASM-PINS-ORI			
501	6LS01713000	PIN,DOWEL			



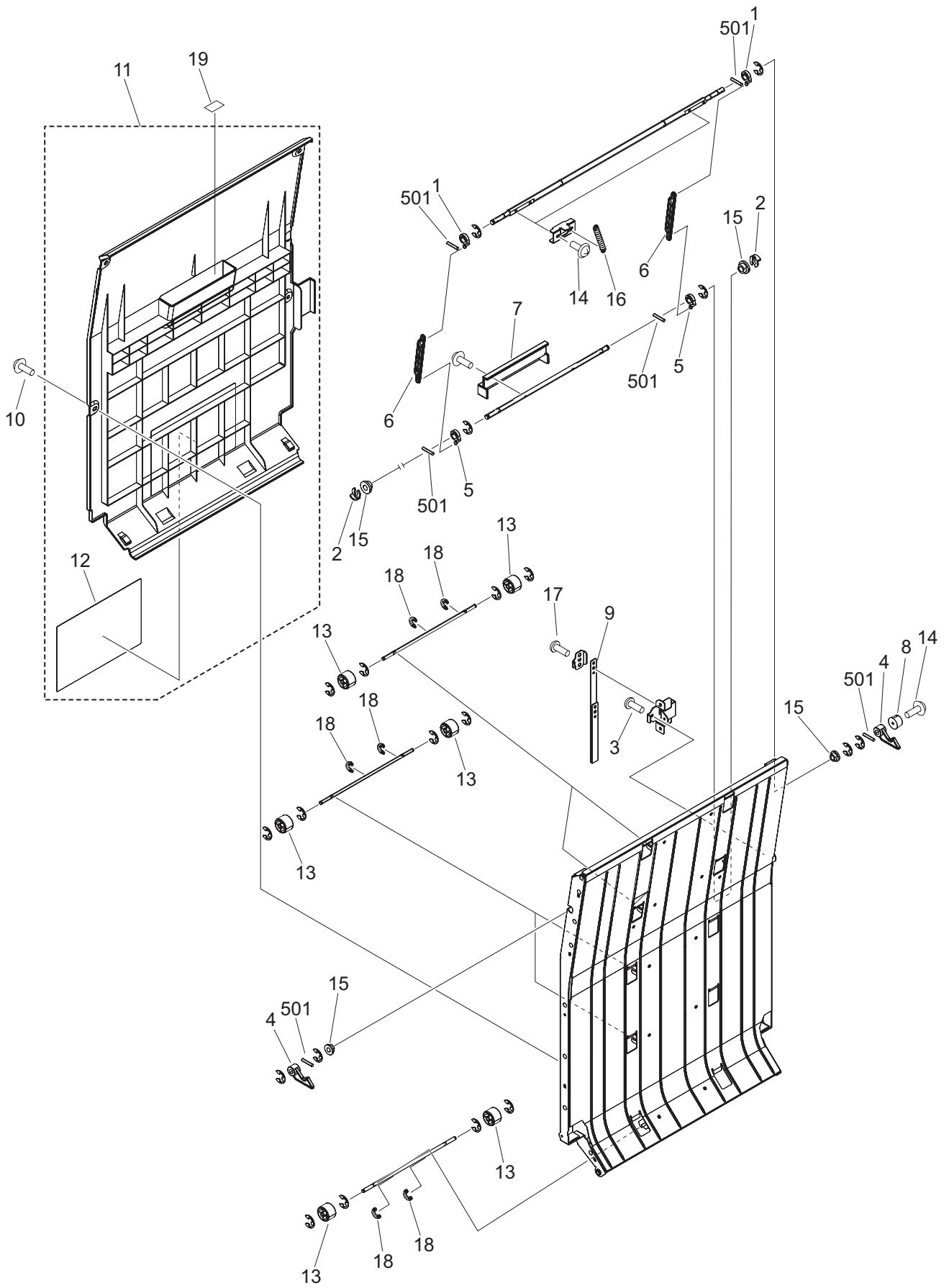
ITEM No.	PART No.	PART NAME	Q'TY / PAGE	Q'TY / PACK	REMARKS
1	6LS00531000	SPRING,TENSION			
2	6LS00582000	SCREW.TAPPING.M3X6			
3	6LS00585000	ROLLER-P-FEED			
4	6LS00601000	LEVER,FEEDGUIDELOCK,FRONT			
5	6LS00602000	BLOCK,HOR.FEEDGUIDESTOPPER			
6	6LS00759000	GUIDE,HORIZONTALFEED,UPPER			
7	6LS00649000	SCREW,W/WASHER,M3X10			
8	6LS00484000	ASSEMBLY,COVER,HANDLE			
9	6LS01152000	ASY-BRUSH-ST-68			
10	6LS00545000	LABEL,JAM			
11	6LS01421000	SPRING,TORSION			
12	6LS01422000	SPRING,TORSION			
13	6LS00490000	ASSEMBLY,HANDLE,STREET			
14	6LS00584000	SUPPORT,LATCHHANDLE			
15	6LS00552000	LABEL			
16	6LS00199000	SFT-GID-HOL-UP			
501	6LS01713000	PIN,DOWEL			
502	6LS01709000	PIN,SPRING			
503	6LS01611000	PIN,DOWEL			



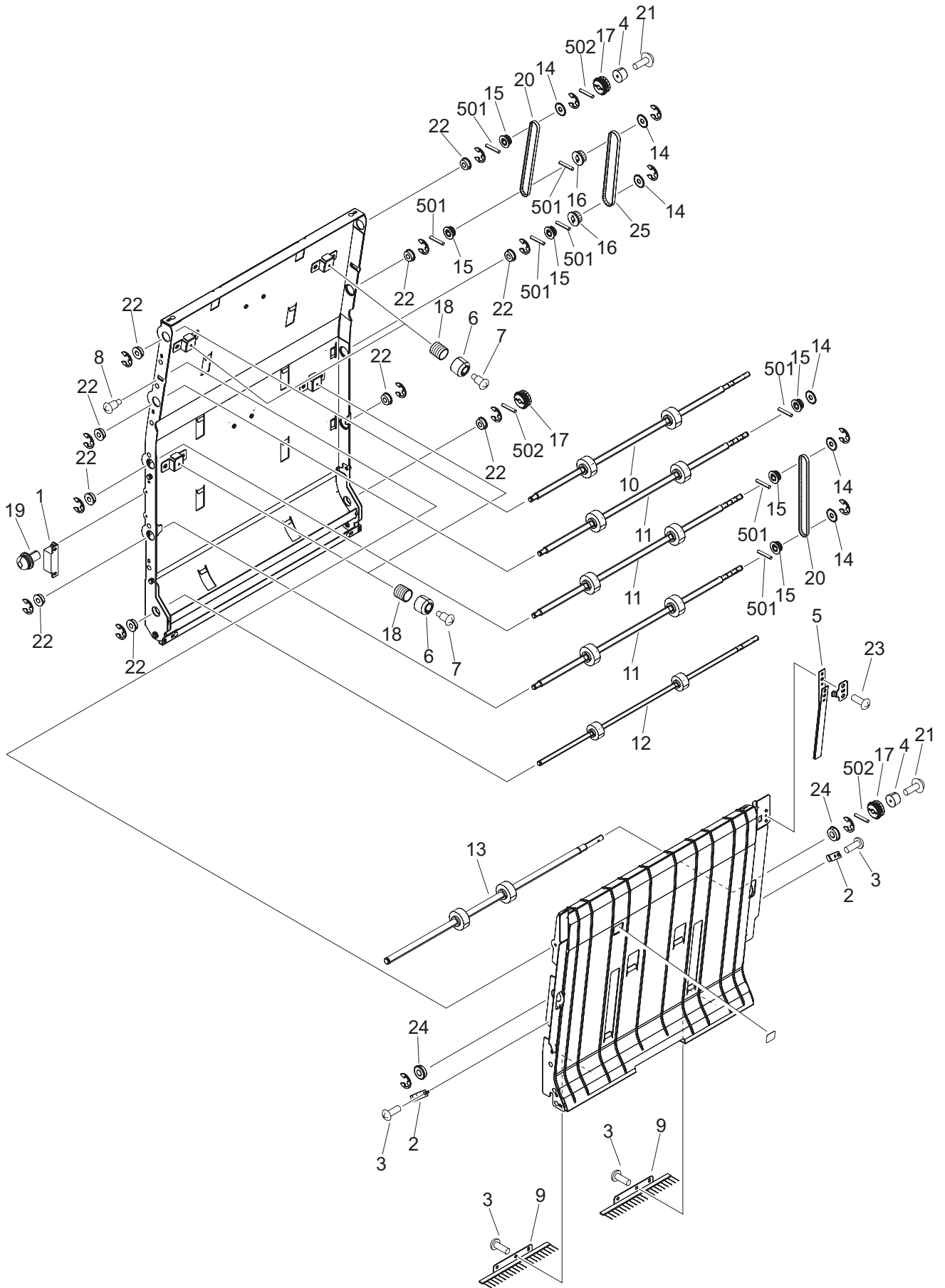
ITEM No.	PART No.	PART NAME	Q'TY / PAGE	Q'TY / PACK	REMARKS
1	6LS00192000	LED PCB UNIT			
2	6LS00582000	SCREW.TAPPING.M3X6			
3	6LS00743000	ROLLER,REGISTRATION			
4	6LS00754000	COVER,REGISTRATIONSENSOR			
5	6LS01316000	PULLEY,26T			
6	6LS01392000	ROLLER,IDLER,FOLDERREG.			
7	6LS01396000	SCREW,STEPPED,M4			
8	6LS01532000	SPRING,TENSION			
9	6LS01732000	BELT,TIMING			
10	6LS01796000	BEARING,BALL,MF106ZZS			
11	6LS01799000	BEARING,BALL,F686ZZ			
12	6LS01083000	CABLE,REGISTRATION			
13	6LS01620000	POLYSLIDER			
501	6LS01611000	PIN,DOWEL			
502	6LS01715000	PIN,DOWEL			



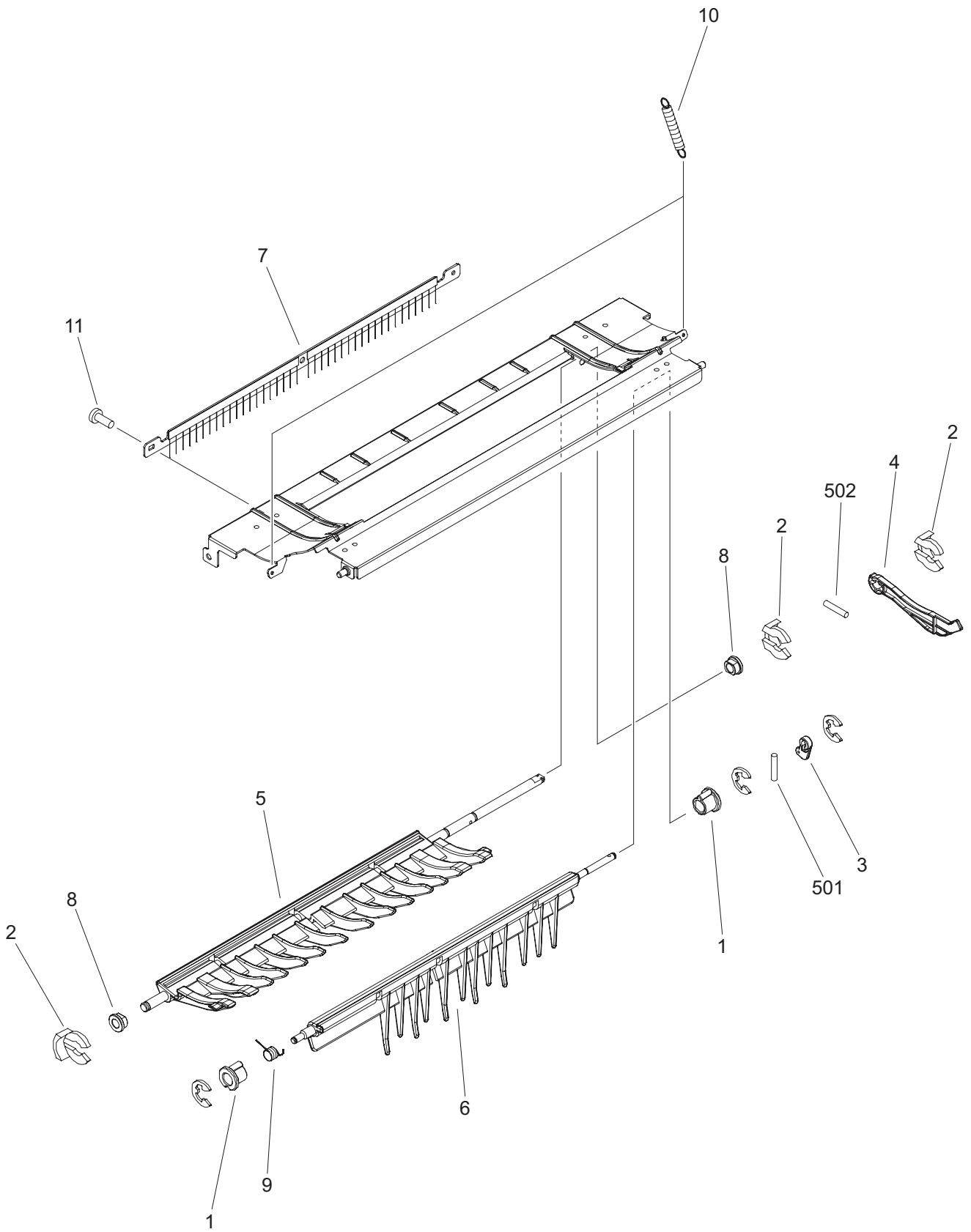
ITEM No.	PART No.	PART NAME	Q'TY / PAGE	Q'TY / PACK	REMARKS
1	6LS01032000	BEARING,BALL			
2	6LS00613000	HOK-CVR-LOCK			
3	6LS00293000	HANDLE_FOLD_DOOR			
4	6LS00629000	STOPPER			
5	6LS01395000	SCREW,STEPPED,M4			
6	6LS00616000	LEVER,GUIDEDOORLINK,RIGHT			
7	6LS00647000	CAP,PRESSURE			
8	6LS00649000	SCREW,W/WASHER,M3X10			
9	6LS00653000	SCREW,STEPPED,M3			
10	6LS00656000	SCREW,STEPPED,M3			
11	6LS00733000	ROLLER,PAPERFEED			
12	6LS00735000	GUIDE,FOLDERPATH,1			
13	6LS01043000	GUIDE,FOLDERPATH,2			
14	6LS00751000	COVER,RIGHTDOORINTERNAL			
15	6LS00437000	ASSEMBLY,COVER HANDLE,REAR			
16	6LS01293000	SCREW,STEPPED,M4			
17	6LS01295000	BUSHING,CU			
18	6LS01301000	GEAR,20T			
19	6LS01529000	SPRING,TENSION			
20	6LS01432000	SPRING,TENSION			
21	6LS01437000	SPRING,TENSION			
22	6LS01438000	SPRING,COMPRESSION			
23	6LS01530000	SPRING,TENSION			
24	6LS00748000	ROLLER,FOLDER,OUTER1			
25	6LS00758000	ROLLER,FOLDER,OUTER2			
26	6LS00548000	LABEL,JAM			
501	6LS01713000	PIN,DOWEL			
502	6LS01715000	PIN,DOWEL			
901	6LS00489000	ASSEMBLY.COVER.RIGHT			

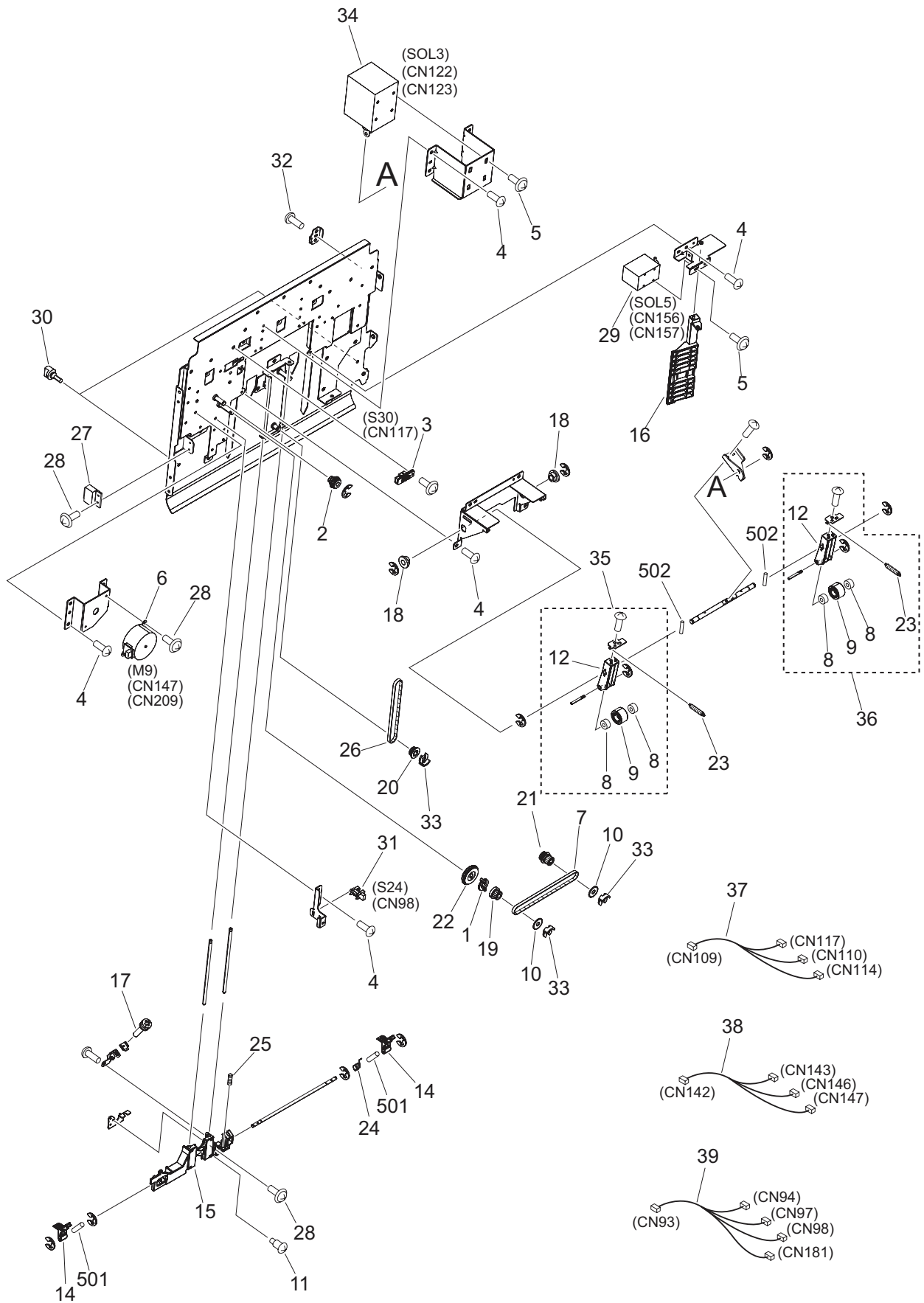


ITEM No.	PART No.	PART NAME	Q'TY / PAGE	Q'TY / PACK	REMARKS
1	6LS00233000	HOOK			
2	6LS00261000	CLIP,SHAFT			
3	6LS00582000	SCREW,TAPPING,M3X6			
4	6LS00613000	HOK-CVR-LOCK			
5	6LS00614000	HOOK,DOORHANDLELINK,LEFT			
6	6LS00615000	LINK,DOORHANDLELINK,LEFT			
7	6LS00293000	HANDLE_FOLD_DOOR			
8	6LS00629000	STOPPER			
9	6LS00760000	BAND,OPEN/CLOSESTOPPER			
10	6LS00656000	SCREW,STEPPED,M3			
11	6LS00439000	ASSEMBLY,COVER FOLDING,LEFT			
12	6LS00555000	LABEL,JAM			
13	6LS00585000	ROLLER-P-FEED			
14	6LS00649000	SCREW,W/WASHER,M3X10			
15	6LS01295000	BUSHING,CU			
16	6LS01433000	SPRING,TENSION			
17	6LS00652000	SCREW,W/WASHER,M3X6			
18	6LS01529000	SPRING,TENSION			
19	6LS00549000	LABEL,GUIDANCE SYMBOL,M5			
501	6LS01713000	PIN,DOWEL			

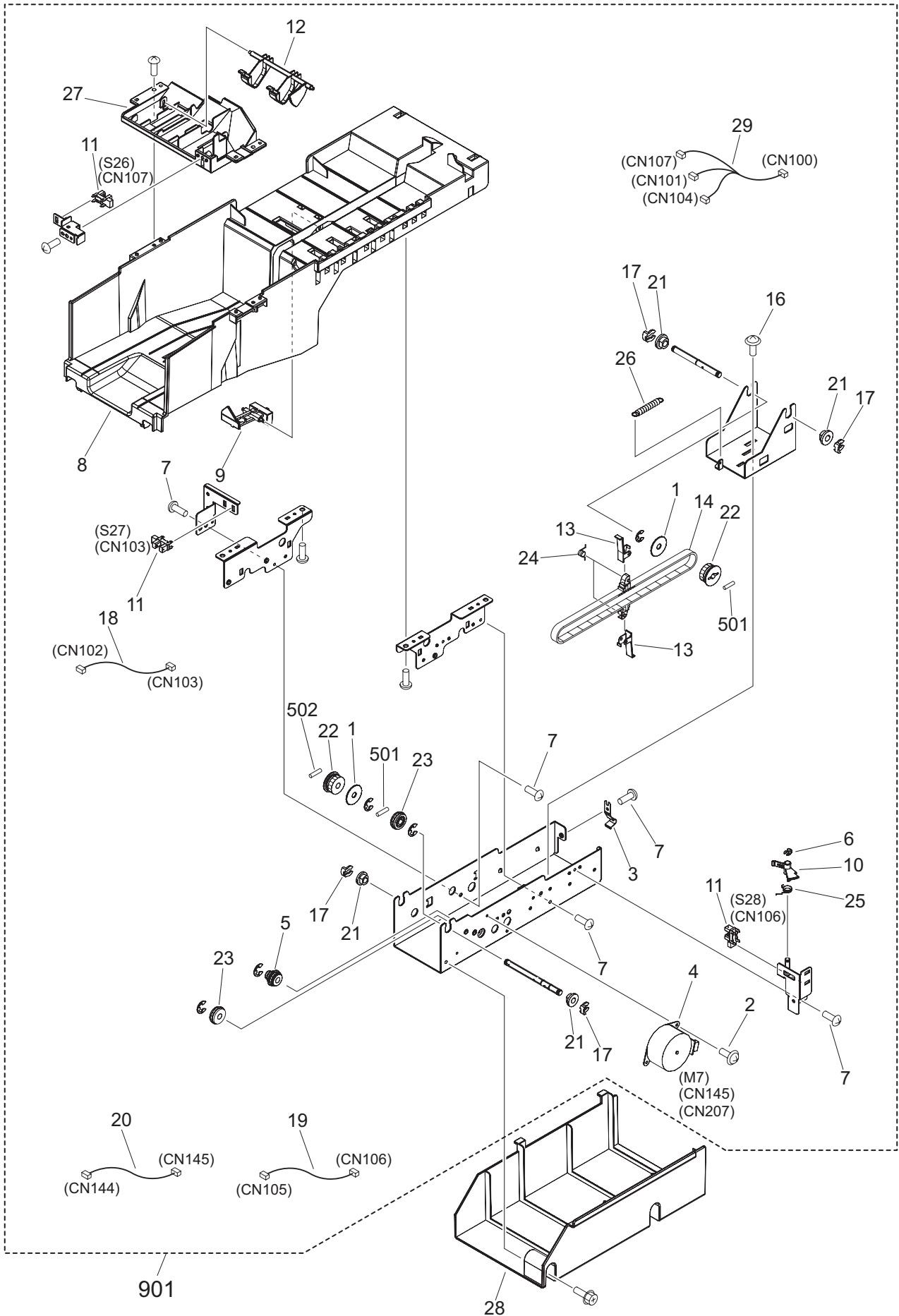


ITEM No.	PART No.	PART NAME	Q'TY / PAGE	Q'TY / PACK	REMARKS
1	6LS00224000	MAGNETCATCH			
2	6LS00581000	SPRING,GROUNDING			
3	6LS00582000	SCREW.TAPPING.M3X6			
4	6LS00629000	STOPPER			
5	6LS00760000	BAND,OPEN/CLOSESTOPPER			
6	6LS00647000	CAP,PRESSURE			
7	6LS00653000	SCREW,STEPPED,M3			
8	6LS00657000	SCREW,STEPPED,M4			
9	6LS01150000	ELIMINATOR,STATICCHARGE			
10	6LS00739000	ROLLER,VERTICALPATH,UPPER			
11	6LS00740000	ROLLER,VERTICALPATH,MIDDLE			
12	6LS00741000	ROLLER,VERTICALFEED,LOWER			
13	6LS00747000	ROLLER,ESTRANGEMENTPRESSURE			
14	6LS00190000	FLANGE			
15	6LS01319000	COVER,FOLDERROLLERGEAR			
16	6LS01340000	PULLEY,16T			
17	6LS01419000	GEAR,20T			
18	6LS01438000	SPRING,COMPRESSION			
19	6LS00575000	SCREW.W/WASHER,M3X6			
20	6LS01731000	BELT,TIMING			
21	6LS00649000	SCREW,W/WASHER,M3X10			
22	6LS01799000	BEARING,BALL,F686ZZ			
23	6LS00652000	SCREW,W/WASHER,M3X6			
24	6LS01032000	BEARING,BALL			
25	6LS01734000	BELT,TIMING			
501	6LS01712000	PIN,DOWEL			
502	6LS01611000	PIN,DOWEL			

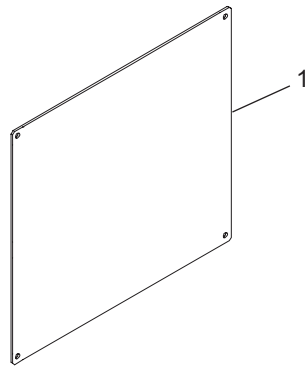


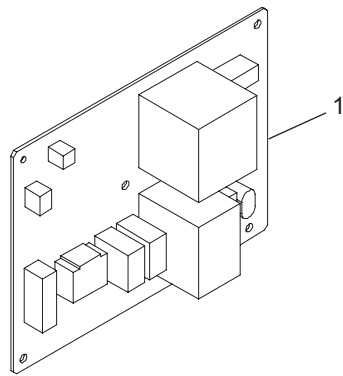


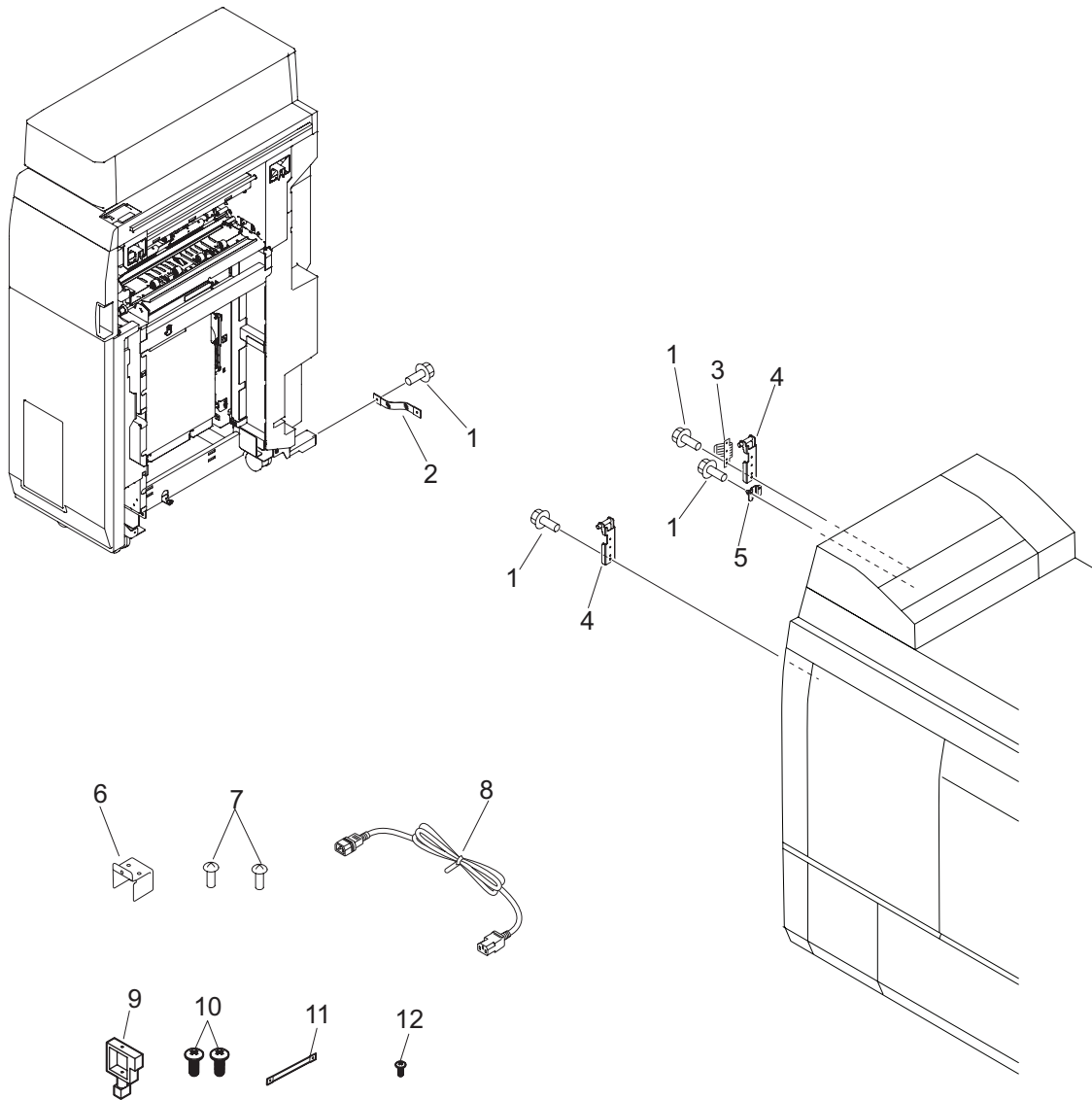
ITEM No.	PART No.	PART NAME	Q'TY / PAGE	Q'TY / PACK	REMARKS
1	6LS00234000	JOINT			
2	6LS00530000	GEAR,28T/16T			
3	6LS00192000	LED PCB UNIT			
4	6LS00572000	SCREW.M4X7			
5	6LS00574000	SCREW,W/WASHER,M3X5			
6	6LS01066000	MOTOR,STEPPING			
7	6LS01613000	BELT,TIMING			
8	6LS01788000	BALLBEARING,NMBR-1030SUJ			
9	6LS00646000	ROLLER,PINCH			
10	6LS00536000	FLANGE			
11	6LS01290000	SCR03M030-D040022			
12	6LS00728000	HOLDER,PINCHROLLER			
14	6LS00730000	ARM,STOPPER			
15	6LS00731000	HOLDER,FOLDERSTOPPER			
16	6LS00732000	LINK,STOPPER			
17	6LS00749000	SCREW,FOLDERADJUSTMENT			
18	6LS01295000	BUSHING,CU			
19	6LS01298000	PULLEY,20T			
20	6LS01319000	COVER,FOLDERROLLERGEAR			
21	6LS01339000	PULLEY,20T			
22	6LS01418000	GEAR,34T			
23	6LS01531000	SPRING,TENSION			
24	6LS01533000	SPRING,TORSION			
25	6LS01534000	SPRING,COMPRESSION			
26	6LS01612000	BELT,TIMING			
27	6LS00637000	CATCH,MAGNET,GUIDERETAINING			
28	6LS00575000	SCREW.W/WASHER,M3X6			
29	6LS01078000	SOLENOID			
30	6LS00642000	SPACER			
31	6LS01637000	PHOTO INTERRUPTER,TLP1243			
32	6LS00582000	SCREW.TAPPING.M3X6			
33	6LS00589000	CLIP			
34	6LS00219000	ASY-SOL-RIKAN-LNK			
35	6LS01186000	ESTRANGEMENTROLLERASSEMBLY			
36	6LS01187000	ESTRANGEMENTROLLERASS'Y,RR			
37	6LS00215000	ASM-REFS-RLY			
38	6LS00210000	ASM-MOT-C			
39	6LS00218000	ASM-STPS			
501	6LS01712000	PIN,DOWEL			
502	6LS01611000	PIN,DOWEL			



ITEM No.	PART No.	PART NAME	Q'TY / PAGE	Q'TY / PACK	REMARKS
1	6LS00202000	FLANGE			
2	6LS00575000	SCREW.W/WASHER,M3X6			
3	6LS00235000	SPRING,LEAF			
4	6LS01066000	MOTOR,STEPPING			
5	6LS00530000	GEAR,28T/16T			
6	6LS00579000	CLIP			
7	6LS00582000	SCREW.TAPPING.M3X6			
8	6LS00278000	TRAY_FOLDING			
9	6LS00618000	LEVER,SENSOR			
10	6LS00619000	LEVER,SENSOR			
11	6LS01637000	PHOTO INTERRUPTER,TLP1243			
12	6LS00620000	LEVER,SENSOR			
13	6LS00621000	LEVER,CFOLDERCLAWBELT			
14	6LS00630000	BELT,DELIVERYCLAW			
16	6LS00652000	SCREW,W/WASHER,M3X6			
17	6LS00577000	CLIP			
18	6LS01081000	CABLE,PAPERDELIVERYTRAY			
19	6LS01082000	CABLE,SENSOR			
20	6LS01085000	CABLE,MOTOR			
21	6LS01295000	BUSHING,CU			
22	6LS01320000	PULLEY,20T			
23	6LS01414000	GEAR,21T			
24	6LS01427000	SPRING,TORSION			
25	6LS01428000	SPRING,TORSION			
26	6LS01431000	SPRING,TENSION			
27	6LS01128000	GUIDE,DELIVERYTRAY,UPPER			
28	6LS00755000	COVER,CFOLDING,LOWER			
29	6LS00208000	ASM-CTRAYS-RLY			
501	6LS01713000	PIN,DOWEL			
502	6LS01611000	PIN,DOWEL			
901	6LS01185000	CFOLDINGDELIVERYTRAYASS'Y			







ITEM No.	PART No.	PART NAME	Q'TY / PAGE	Q'TY / PACK	REMARKS
1	6LS01619000	SCREW,PSSTEPED,M4			
2	6LS01073000	CABLE,SHUNT			
3	6LS00569000	PLATE,GROUNDING			
4	6LS01064000	PLATE, LATCH			
5	6LS01118000	PIN,POSITIONING			
6	6LS00598000	COVER,PLUG			
7	6LS00572000	SCREW.M4X7			
8	6LS01095000	CORD,POWERSUPPLY			
9	6LS01647000	CLAMP			
10	6LS01674000	SCREW			
11	6LS01073000	CABLE,SHUNT			
12	6LS01618000	SCREW 04T070SR-W			

TOSHIBA

TOSHIBA TEC CORPORATION

1-11-1, OSAKI, SHINAGAWA-KU, TOKYO, 141-8562, JAPAN