

TOSHIBA

SERVICE PARTS LIST

Dual Scan Document Feeder

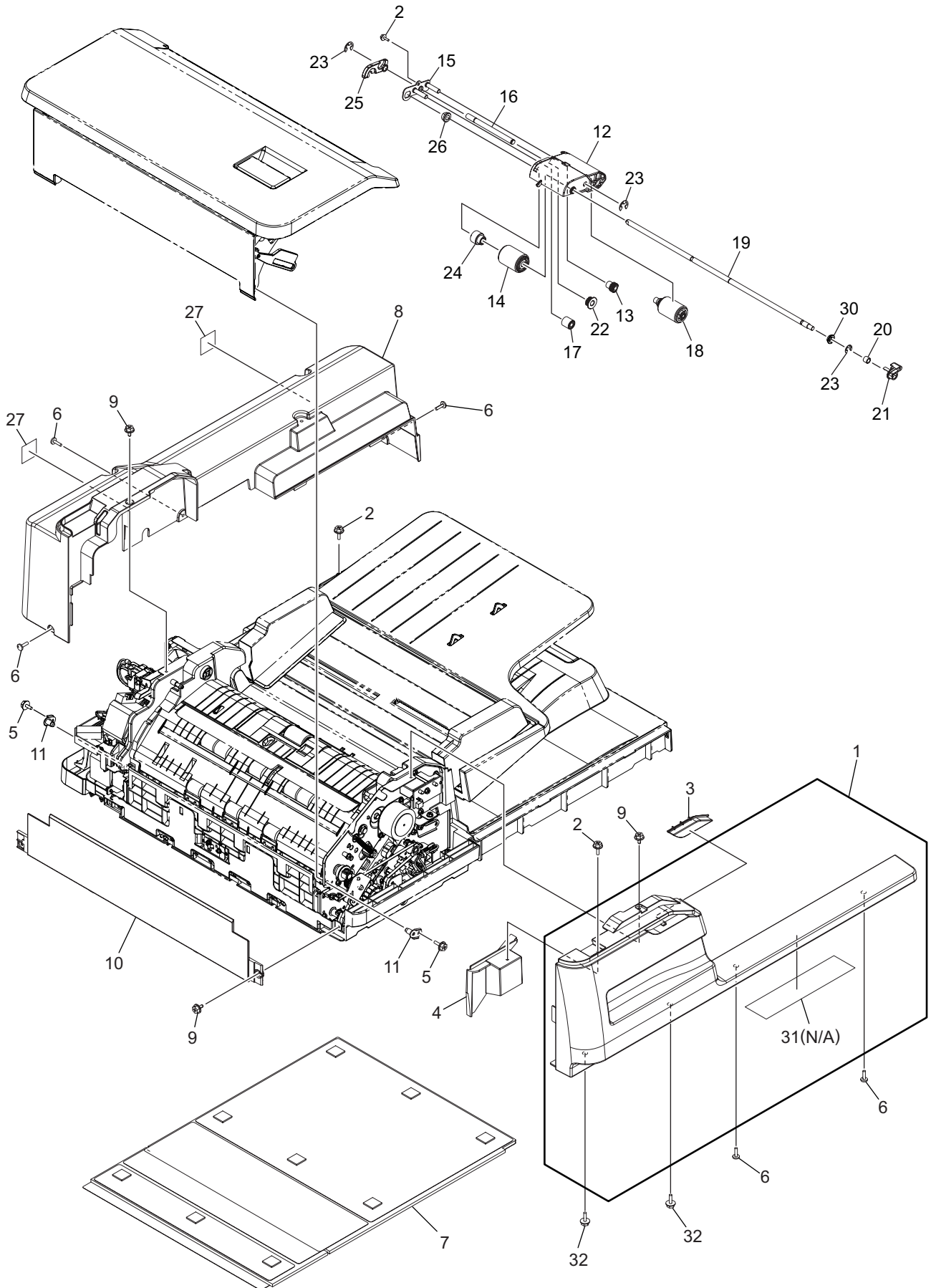
MR-4000

© 2016 TOSHIBA TEC CORPORATION All rights reserved

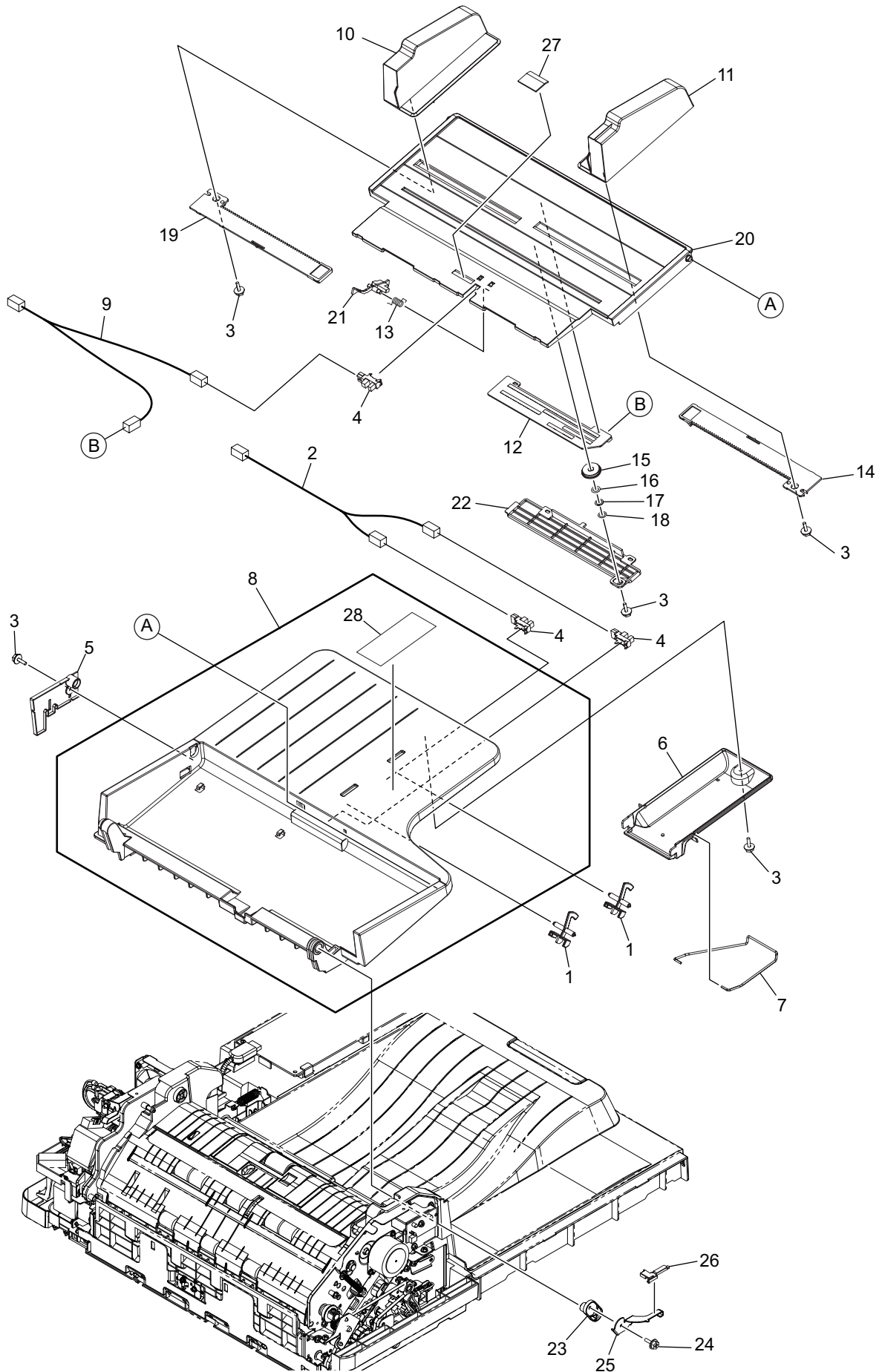
Under the copyright laws, this manual cannot be reproduced in any form without prior written permission of TOSHIBA TEC CORPORATION. No patent liability is assumed, however, with respect to the use of the information contained herein.

CONTENTS

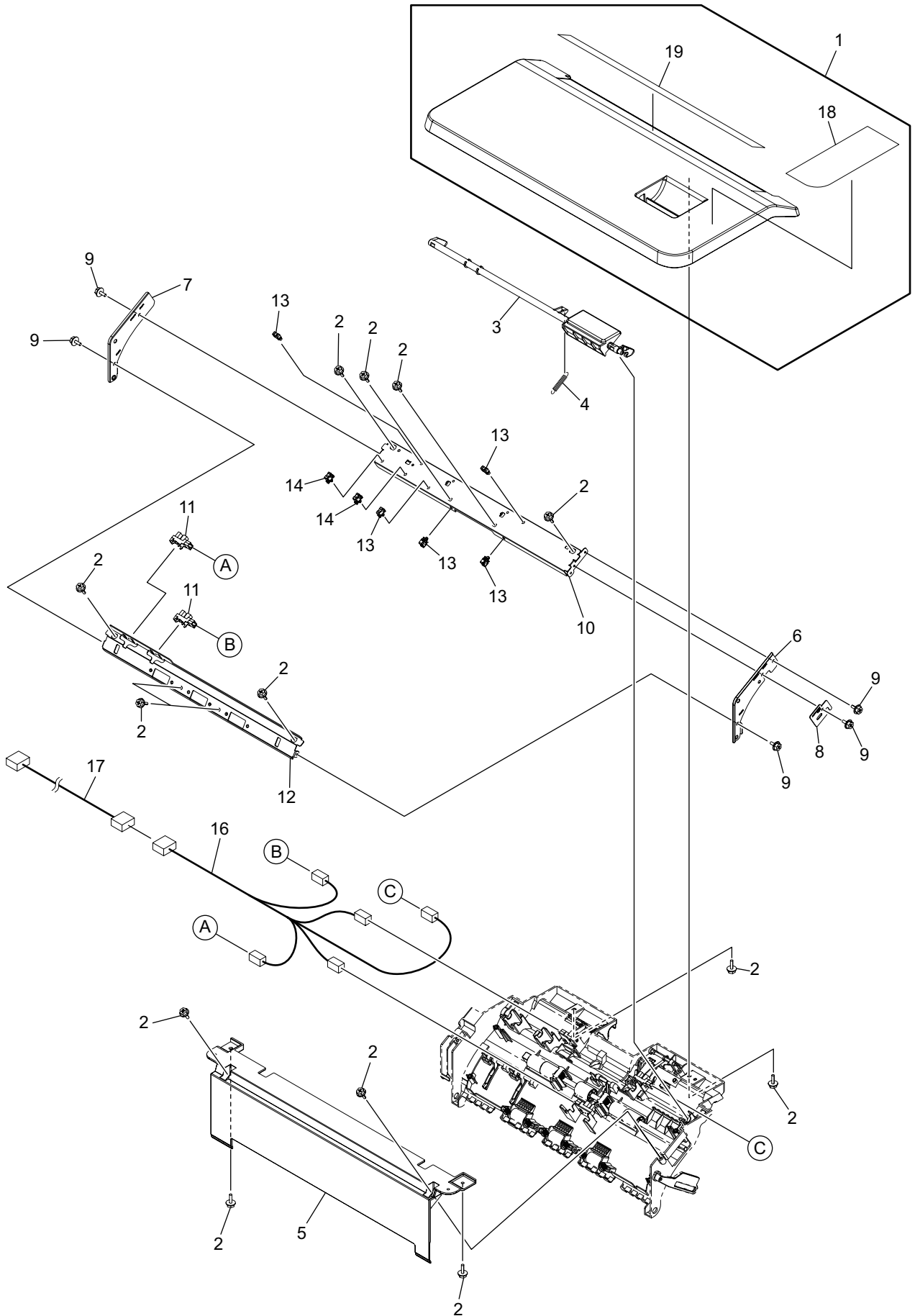
COVER-ASY	1
TRAY-ASY	2
TOP_FEED-1-ASY	3
TOP_FEED-2-ASY	4
OPTICAL-ASY	5
MIDDLE_FEED-DRIVE-ASY	6
MIDDLE_FEED-1-ASY	7
MIDDLE_FEED-2-ASY	8
MIDDLE_FEED-3-ASY	9
BOTTOM_FEED-DRIVE-ASY	10
BOTTOM_FEED-1-ASY	11
BOTTOM_FEED-2-ASY	12
BOTTOM_FEED-3-ASY	13
BOTTOM_FEED-4-ASY	14
BOTTOM_FRAME-ASY	15
BASE-TRAY-ASY	16
ACCESSARY_UNIT	20
ROL-KIT & JIG	21



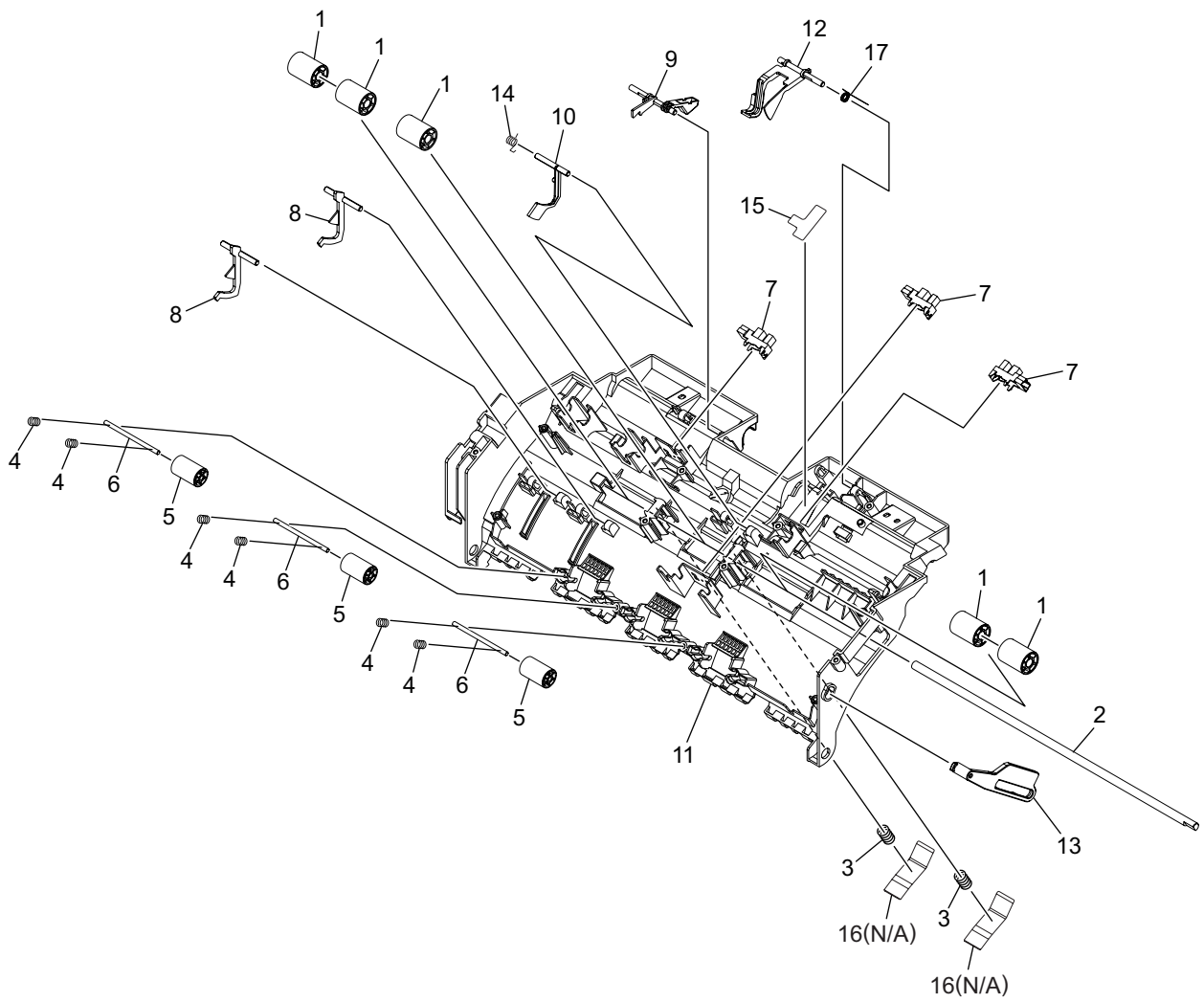
ITEM No.	PART No.	PART NAME	Q'TY / PAGE	Q'TY / PACK	REMARKS
1	6LK54371000	ASYS-COV-FRONT-DSDF	1	1/PP	
2	X0-02247000	S/TPP/FHEXM-3X8-NI	3	10/P	
3	6LK54136000	LENS-LED-DSDF	1	1/P	
4	6LK54222000	COVER-FRONT-SPRT	1	1/PP	
5	X0-02675000	S/TPP/BID-3X8-ZB3	2	5/P	
6	X0-01989000	S/TPP/BID-3X8-NI	5	10/P	
7	6LK54269000	ASYS-SHEET-PLTN-DSDF	1	1/KP	
8	6LK54286000	ASYS-COV-REAR-DSDF	1	1/PP	
9	X0-02419000	S/TPS/FHEXM/R-3X6-ZU3	3	10/P	
10	6LK54324000	ASYS-COVER-LEFT-B	1	1/PP	
11	6LK54083000	ASYS-SITEN	2	1/P	
12	6LK53968000	HOLDER-PICKUP	1	1/P	
13	6LK54070000	GEAR-5H20-5	1	1/P	
14	6LK54191000	ASYS-ROL-FEED	1	1/P	
15	6LK54100000	ASYS-PICKUP	1	1/P	
16	6LK54055000	SFT-PICKUP	1	1/P	
17	6LK54287000	GEAR-5H22-5	1	1/P	
18	6LK54190000	ASYS-ROL-PICKUP	1	1/P	
19	6LK54054000	SFT-FEED	1	1/P	
20	6LK54306000	BUSH-S5-6	1	1/P	
21	6LK53969000	LEVER-FEED	1	1/P	
22	6LK54069000	GEAR-5H20-6	1	1/P	
23	X0-00966000	RR/E-5-SS	3	10/P	
24	6LK54265000	ASYS-PULLY-FEED	1	1/P	
25	6LK54062000	STOPPER-FEED-ROL	1	1/P	
26	4407734980	BUSH-6-GCB	1	5/P	
27	6LK54279000	LBL_W-COV-JB	2	1/P	
30	6LA65696000	BUSH-6X12X4R8F	1	5/P	
31	6LK56552000	LBL-JAM-DF	1	1/KP	
32	X0-02680000	S/TPD3/FHEXM/R-3X6-ZB3	2	N/A***	



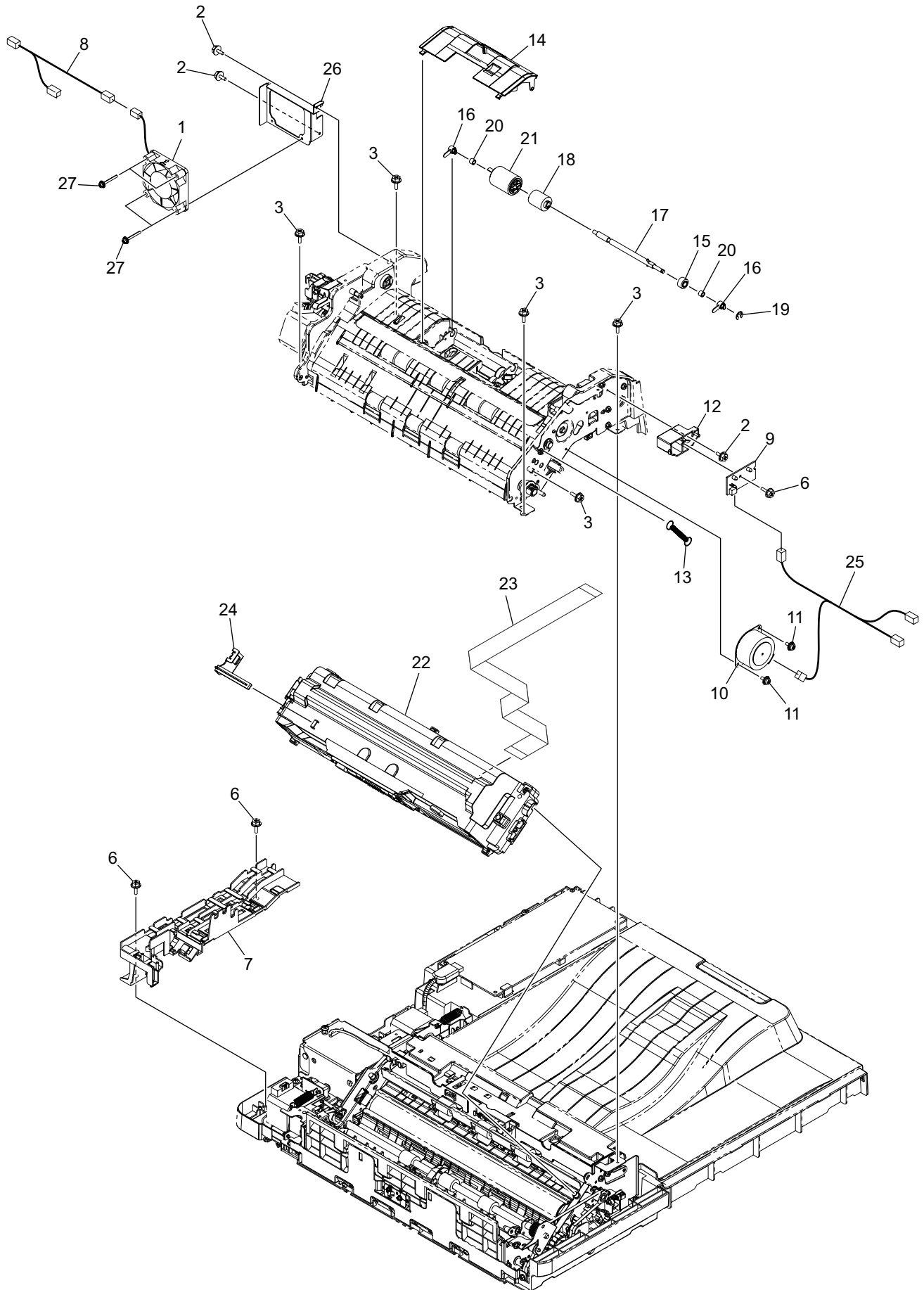
ITEM No.	PART No.	PART NAME	Q'TY / PAGE	Q'TY / PACK	REMARKS
1	6LE50461F00	ACT-SENSOR-TRAY-S_JB	2	1/P	
2	6LK53739000	HRNS-DSD-F-TLENGH-H616	1	1/P	
3	X0-02680000	S/TPD3/FHEXM/R-3X6-ZB3	5	N/A***	
4	C0-20495000	LG2A24BL1	3	1/C	
5	6LK54123000	HLDR-TRAY-EV	1	1/P	
6	6LK54124000	COV-TRAY-SENS-DSD-F	1	1/PP	
7	6LK54315000	STOPPER-EXIT-DSD-F-2	1	1/P	
8 A	6LK54285100	ASYS-TRAY-ORG-DSD-F-C	1	1/PP	CND
8 B	6LK54285000	ASYS-TRAY-ORG-DSD-F	1	1/PP	Except for CND
9	6LK53738000	HRNS-DSD-F-TRAY-H616	1	1/P	
10	6LK54187000	ASYS-SIDE-GID-R-DSD-F	1	1/PP	
11	6LK54159000	ASYS-SIDE-GID-F-DSD-F	1	1/PP	
12	6LK53708000	PWA-H-TRAY-616	1	1/SB	
13	6LK56557000	SPG-T-ACT-SNS-EMPTY-R18	1	1/P	
14	6LK54249000	ASYS-RACK-TRAY-F	1	1/P	
15	4407726480	PINION-18-395	1	1/P	
16	4400974200	WASHER-W-6-10	1	10/P	
17	6LA78908000	WASHER-6R2X9R5XR25-PL	1	5/P	
18	6LA78907000	WASHER-6R2X9R5XR13-PL	1	5/P	
19	6LK54132000	RACK-TRAY-PC-DSD-F	1	1/P	
20	6LK56582000	ASYS-TRY-EV-DSD-F	1	1/PP	
21	6LK54129000	ACT-SNS-EMPTY	1	1/P	
22	6LK54135000	COVER-PWA-TRAY-DSD-F	1	1/P	
23	6LK54064000	HOLDER-DH	1	1/P	
24	X0-02231000	S/FHEXM-M3X8-NI	1	10/P	
25	6LK54368000	BRKT-TRY-ORG	1	1/P	
26	6LK54369000	COV-BRKT-TRY	1	1/P	
27	6LK54388000	SHEET-PICKUP	1	1/P	
28 A	6LJ67549200	LABEL-CAUTION-3031C	1	1/KP	CND
28 B	6LJ67409300	LABEL-CAUTION-H616	1	1/P	Except for CND



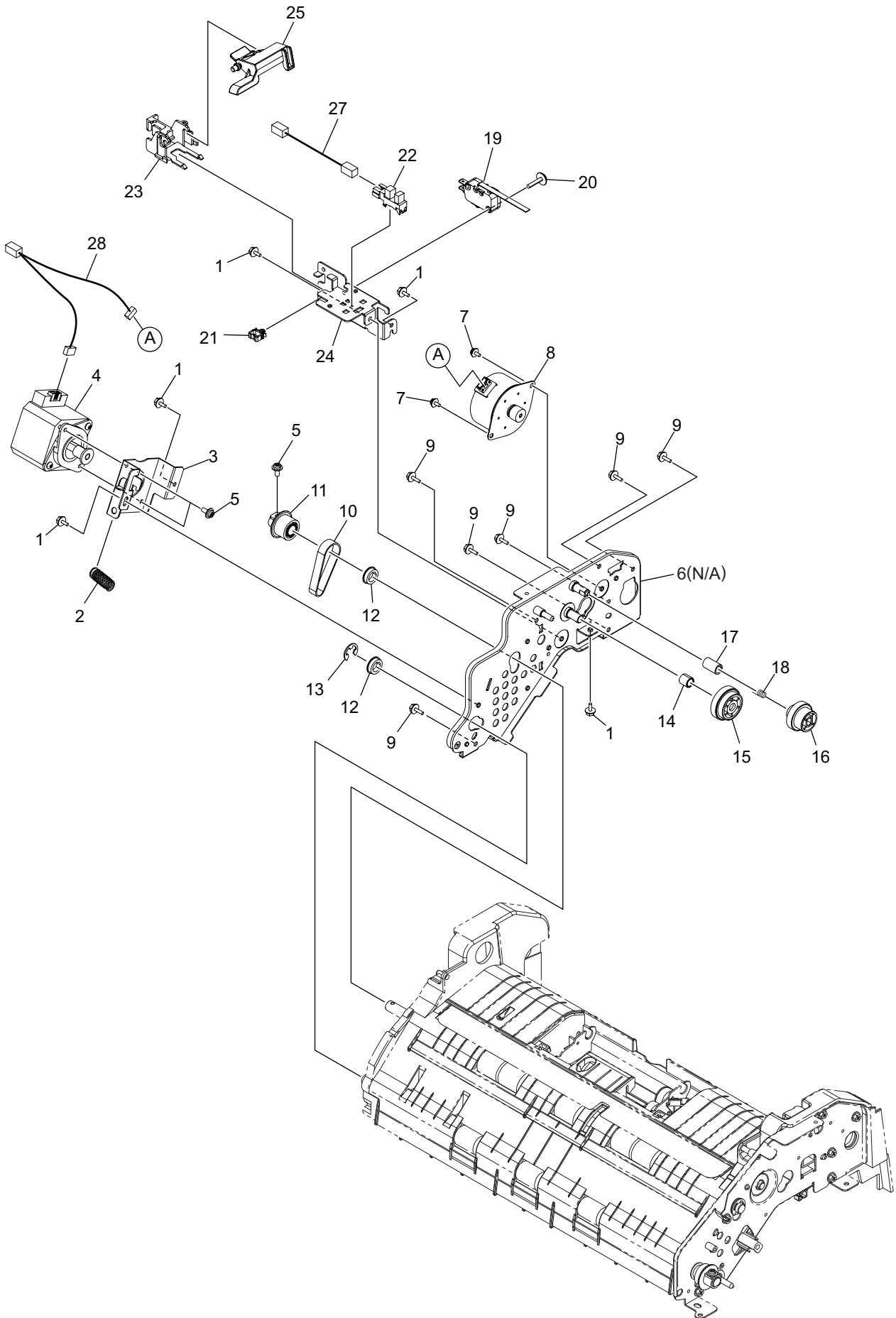
ITEM No.	PART No.	PART NAME	Q'TY / PAGE	Q'TY / PACK	REMARKS
1 A	6LK54370000	ASYS-COV-TOP-DSDF	1	1/PP	Except for CND CND
1 B	6LK54370100	ASYS-COV-TOP-DSDF-C	1	1/PP	
2	X0-02247000	S/TPP/FHEXM-3X8-NI	14	10/P	
3	6LK54008000	LEVER-TOP	1	1/KP	
4	6LK54755000	SPG-E-5R5XR75X24R9	1	1/P	
5	6LK54139000	COV-LEFT-U-DSDF	1	1/PP	
6	6LK53925000	BRKT-TOP-F	1	1/P	
7	6LK53927000	BRKT-TOP-R	1	1/P	
8	6LK53928000	BRKT-REGI-ADJUST	1	1/P	
9	X0-02230000	S/FHEXM-M3X6-NI	5	10/P	
10	6LK54361000	ASYS-STAY-REGIST	1	1/P	
11	C0-20495000	LG2A24BL1	2	1/C	
12	6LK53926000	STAY-READ1	1	1/P	
13	F0-01453000	RMS-1V0	5	5/P	
14	F0-01673000	RMS-2V0	2	5/P	
16	6LK53725000	HRNS-DSDF-TOP2-H616	1	1/P	Except for CND CND
17	6LK53724000	HRNS-DSDF-TOP1-H616	1	1/P	
18 A	6LK54276000	LABEL-CLN-H616	1	1/KP	
18 B	6LK54328000	LABEL-CLN-C-H616	1	1/KP	
19	6LK54275000	LABEL-SIZE-616	1	1/PP	



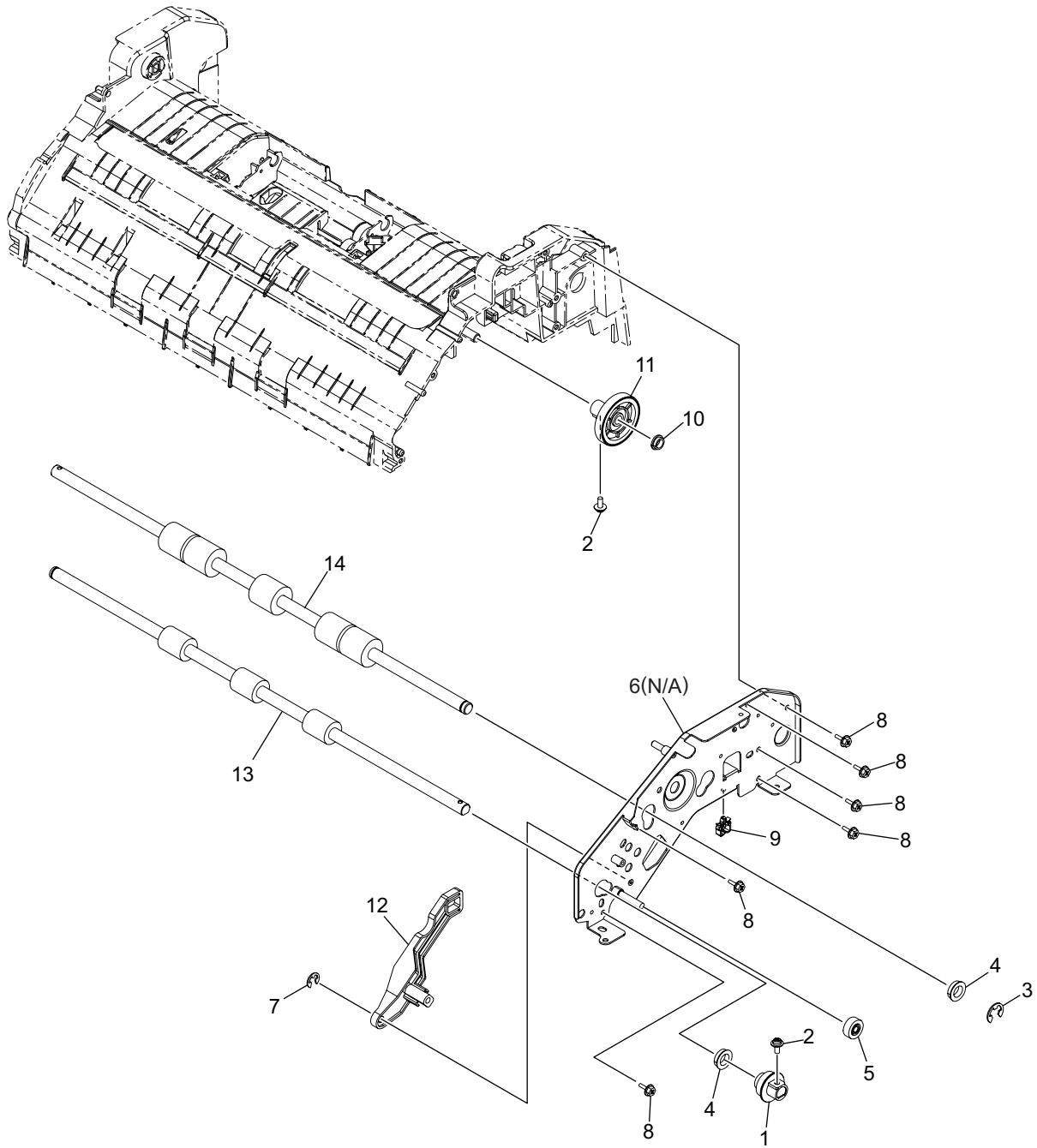
ITEM No.	PART No.	PART NAME	Q'TY / PAGE	Q'TY / PACK	REMARKS
1	6LK53962000	PINCH-ROL-REGI	5	1/P	
2	6LK54052000	SFT-REGIST	1	1/P	
3	6LK54022000	SPG-C-7R4X19R8R	2	1/P	
4	6LK56539000	SPG-C-5X12R-3R5N	6	1/P	
5	6LK53963000	PINCH-ROL	3	1/P	
6	6LK54053000	SFT-PINCH	3	1/P	
7	C0-20495000	LG2A24BL1	3	1/C	
8	6LK53965000	ACTUATOR-SIZE	2	1/P	
9	6LK54063000	ACTUATOR-PICKUP	1	1/P	
10	6LK53964000	ACTUATOR-REGI	1	1/P	
11	6LK53967000	FRAME-TOP	1	1/P	
12	6LK53966000	ACTUATOR-FEED	1	1/P	
13	6LK53984000	STOPPER-TOP	1	1/P	
14	6LK54272000	SPG-T-4R5XR2X100L	1	1/P	
15	6LK56540000	MYLAR-ACT-S	1	1/P	
16	6LK56543000	SHEET-RGST-U	2	1/P	
17	6LK54021000	SPG-T-4R25X1R9L	1	1/P	



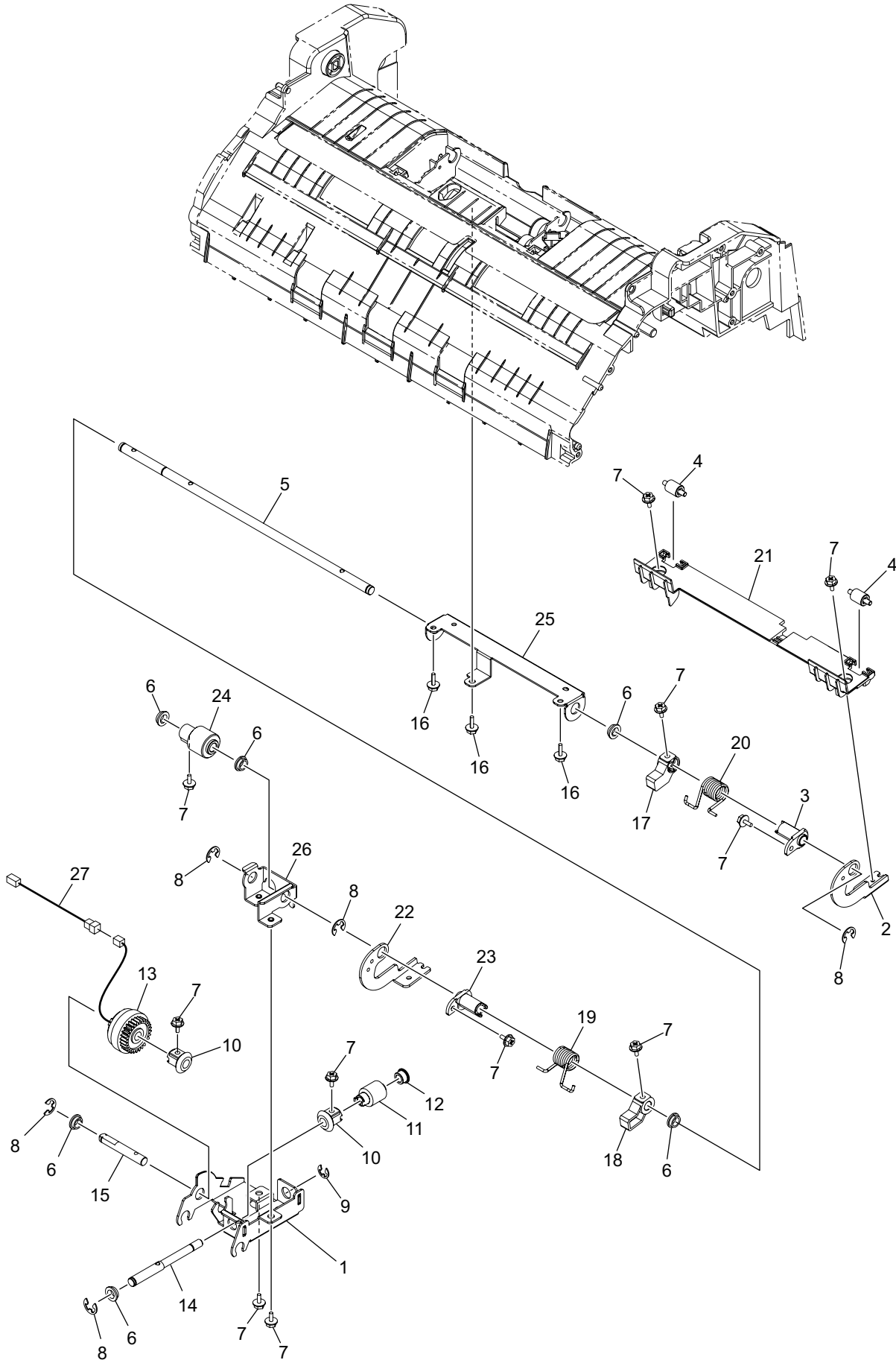
ITEM No.	PART No.	PART NAME	Q'TY / PAGE	Q'TY / PACK	REMARKS
1	6LJ67260000	FAND-6015-H576	1	1/D	
2	X0-02230000	S/FHEXM-M3X6-NI	3	10/P	
3	X0-02231000	S/FHEXM-M3X8-NI	5	10/P	
6	X0-02247000	S/TPP/FHEXM-3X8-NI	3	10/P	
7	6LK53978000	HOLDER-CABLE2	1	1/P	
8	6LK53765000	HRNS-DSDF-FAN2-H616	1	1/P	
9	6LJ67242000	PWA-H-LED-H546	1	1/C	
10	6LK53722000	MOTRS-DSDF-FEED-H616	1	1/C	
11	X0-00060000	S/PAN/SWWP-M3X6-NI	2	10/P	
12	6LK54137000	HLDR-PWA-LED-DSDF	1	1/P	
13	6LK54038000	SPG-E-4R3X46R95R	1	1/P	
14	6LK54227000	ASYS-COVER-RETARD	1	1/C	
15	6LK53913000	GEAR-6H17-6-D	1	1/P	
16	6LK53971000	LEVER-RETARD	2	1/P	
17	6LK54113000	ASYS-SFT-RETARD	1	1/P	
18	6LK54188000	TL-SEP-ROL-55	1	1/D	
19	X0-00964000	RR/E-3-SS	1	10/P	
20	6LK54305000	BUSH-S4-5	2	1/P	
21	6LK54189000	ASYS-ROL-RETARD	1	1/P	
22	6LK54147000	CCD-MODULE-H616	1	1/C	
23	6LK53717000	HRNS-CCDR-DLG-616	1	1/P	
24	6LK54067000	HOLDER-FFC	1	1/P	
25	6LK53736000	HRNS-DSDF-MID-H616	1	1/P	
26	6LK54102000	BRKT-60FAN	1	1/P	
27	X0-00130000	S/PAN/SWWP-M3X20-NI	4	10/P	



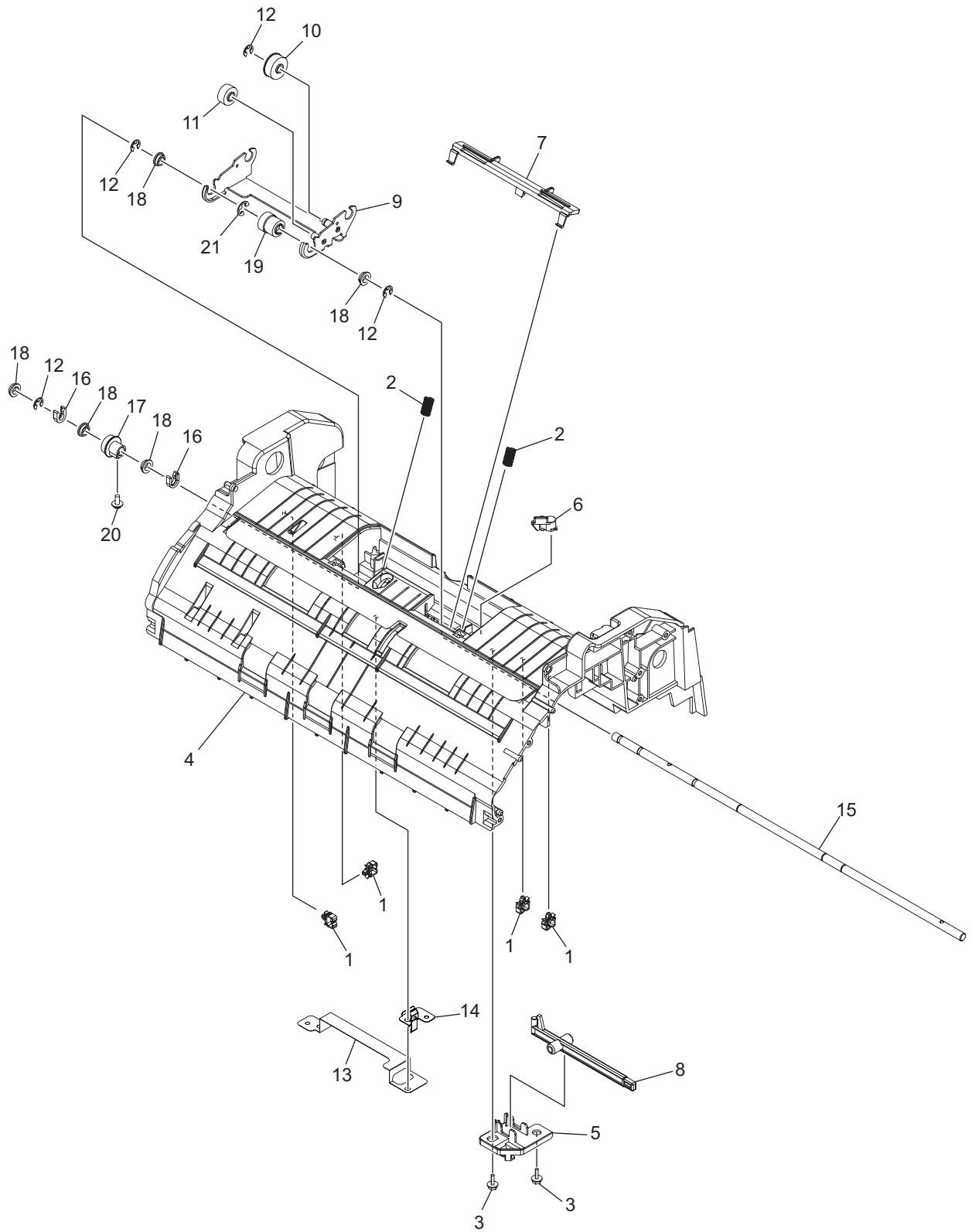
ITEM No.	PART No.	PART NAME	Q'TY / PAGE	Q'TY / PACK	REMARKS
1	X0-02230000	S/FHEXM-M3X6-NI	5	10/P	
2	6LK54289000	SPG-E-7R8XR8X25R6	1	1/P	
3	6LK53933000	BRKT-REGI-MOTOR	1	1/P	
4	6LK53723000	MOTRS-DSDf-READ-H616	1	1/C	
5	X0-00077000	S/PAN/SWWP-M3X8-NI	3	10/P	
6	6LK54071000	ASYS-REAR-MID	1	N/A***	
7	X0-00060000	S/PAN/SWWP-M3X6-NI	2	10/P	
8	6LK53722000	MOTRS-DSDf-FEED-H616	1	1/C	
9	X0-02247000	S/TPP/FHEXM-3X8-NI	6	10/P	
10	6LK54170000	BELT-103R5-1R5GT-6	1	1/P	
11	6LK53917000	PULLEY-1R5GT36-8	1	1/P	
12	F0-01106000	F-FLAW678AZZ1/1K	2	1/P	
13	X0-00968000	RR/E-7-SS	1	10/P	
14	6LK54267000	B-S6-7	1	1/P	
15	6LK53905000	GEAR-6H41-H34-6	1	1/P	
16	6LK53904000	GEAR-6H35-8	1	1/P	
17	6LK54307000	BUSH-S6-13	1	1/P	
18	6LK54024000	SPG-C-3X4R3R	1	1/P	
19	E0-14527000	D3V-163-1C25(10E)	1	1/C	
20	X0-01615000	S/TPS/FPAN-3X14-NC	1	10/P	
21	F0-01453000	RMS-1V0	1	5/P	
22	C0-20495000	LG2A24BL1	1	1/C	
23	6LK53985000	HOLDER-ACTUATOR	1	1/P	
24	6LK53940000	BRKT-SWITCH	1	1/P	
25	6LK53986000	ACTUATOR-COVER-TOP	1	1/P	
27	6LK53734000	HRNS-DSDf-COVU-H616	1	1/P	
28	6LK53726000	HRNS-DSDf-MOT1-H616	1	1/P	



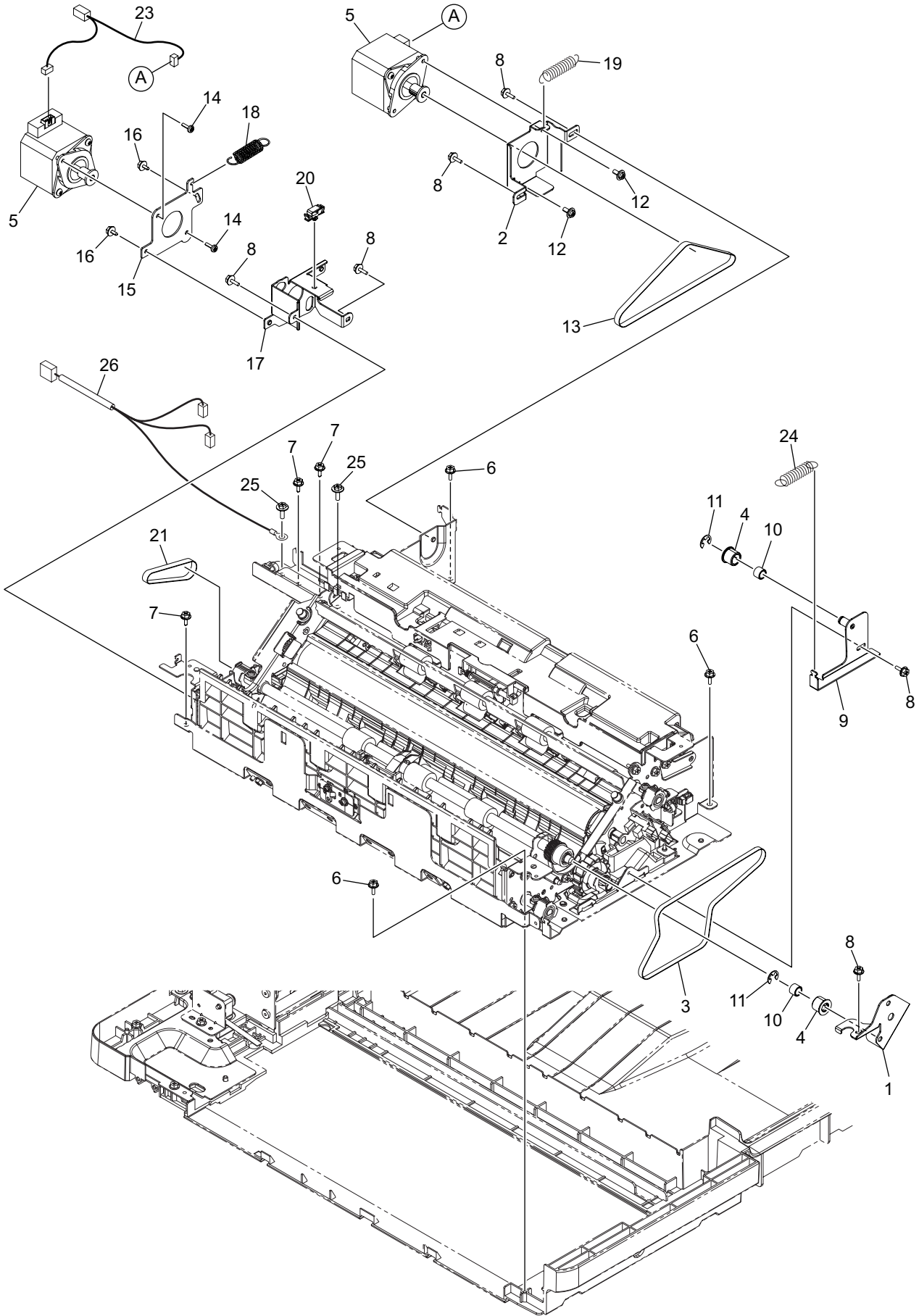
ITEM No.	PART No.	PART NAME	Q'TY / PAGE	Q'TY / PACK	REMARKS
1	6LK53907000	GEAR-6H25-6	1	1/P	
2	X0-00077000	S/PAN/SWWP-M3X8-NI	2	10/P	
3	X0-00968000	RR/E-7-SS	1	10/P	
4	F0-01106000	F-FLAW678AZZ1/1K	2	1/P	
5	6LK53906000	GEAR-6H19-4	1	1/P	
6	6LK54075000	ASYS-FRONT-MID	1	N/A***	
7	X0-00964000	RR/E-3-SS	1	10/P	
8	X0-02247000	S/TPP/FHEXM-3X8-NI	6	10/P	
9	F0-01453000	RMS-1V0	1	5/P	
10	6LK54304000	BUSH-F6-3	1	1/P	
11	6LK53909000	GEAR-6H53-6	1	1/P	
12	6LK53987000	ARM-LINK1	1	1/P	
13	6LK54014000	ROL-READ1	1	1/P	
14	6LK54013000	ROL-REGIST	1	1/P	



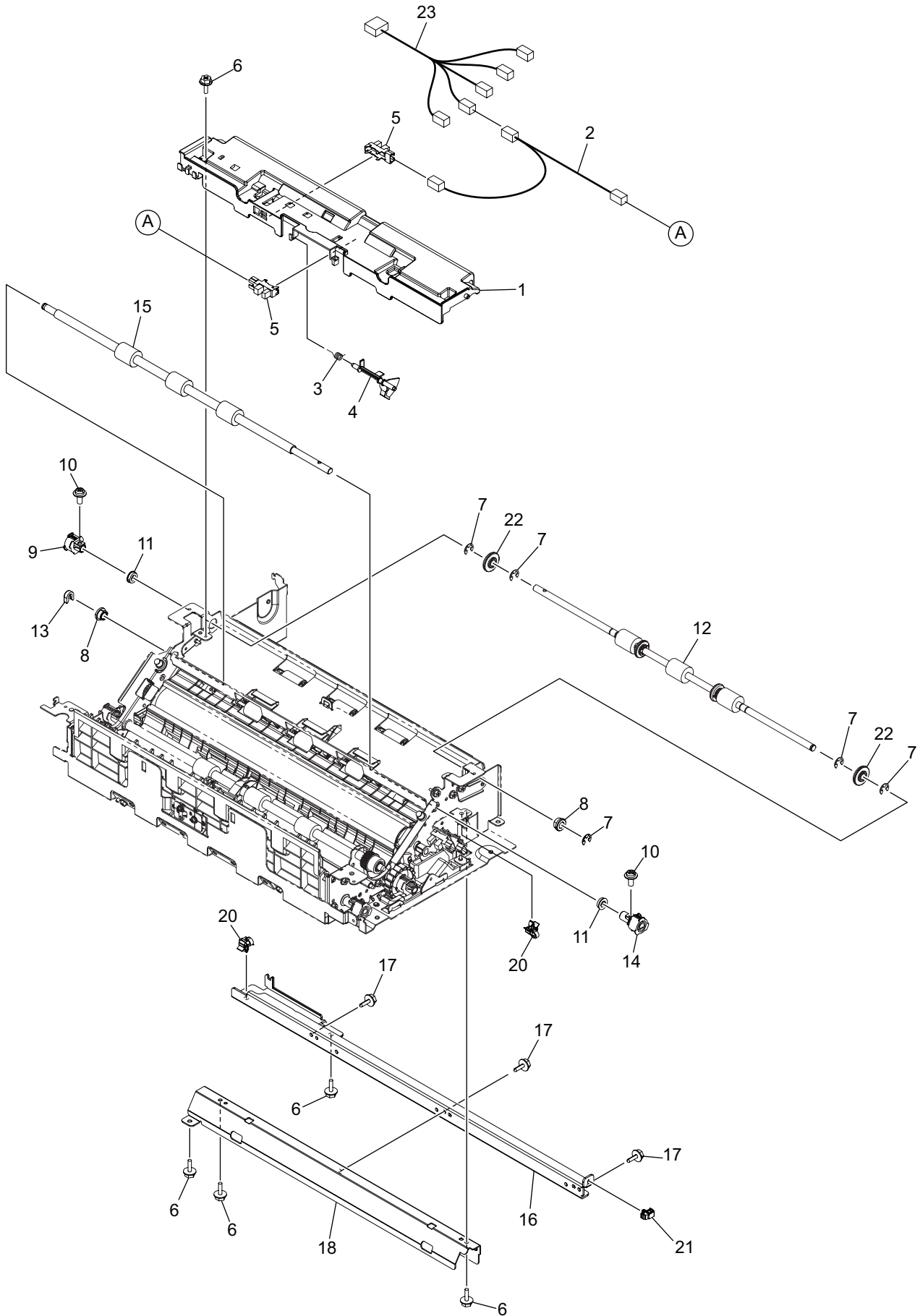
ITEM No.	PART No.	PART NAME	Q'TY / PAGE	Q'TY / PACK	REMARKS
1	6LK53974000	ASYS-ELEVATOR-BOX	1	1/P	
2	6LK53937000	BRKT-ELEVATOR-F	1	1/P	
3	6LK53981000	HOLDER-ARM-2F	1	1/P	
4	6LK53972000	ROL-ELEVATOR	2	1/P	
5	6LK54058000	SFT-ELEVATOR	1	1/P	
6	6LK54304000	BUSH-F6-3	6	1/P	
7	X0-02230000	S/FHEXM-M3X6-NI	11	10/P	
8	X0-00966000	RR/E-5-SS	5	10/P	
9	X0-00965000	RR/E-4-SS	1	10/P	
10	6LK53915000	GEAR-8B17-6	2	1/P	
11	6LK53916000	WORM-10-11	1	1/P	
12	6LK54194000	B-F5-4	1	1/P	
13	6LK54193000	CLUTCH-G28-08-28R5F	1	1/D	
14	6LK54060000	SFT-WORM	1	1/P	
15	6LK54059000	SFT-CLUTCH	1	1/P	
16	X0-02247000	S/TPP/FHEXM-3X8-NI	3	10/P	
17	6LK53979000	HOLDER-ARM-1F	1	1/P	
18	6LK53980000	HOLDER-ARM-1R	1	1/P	
19	6LK54037000	SPG-T-9R4X13R75R	1	1/P	
20	6LK54036000	SPG-T-9R4X13R75L	1	1/P	
21	6LK53973000	COVER-ELEVATOR	1	1/PP	
22	6LK53938000	BRKT-ELEVATOR-R	1	1/P	
23	6LK53982000	HOLDER-ARM-2R	1	1/P	
24	6LK53914000	WORM-WHEEL-14	1	1/P	
25	6LK53936000	STAY-ELEVATOR	1	1/P	
26	6LK54041000	BRKT-WHEEL-BOX	1	1/P	
27	6LK53735000	HRNS-DSDF-CLT-H616	1	1/P	



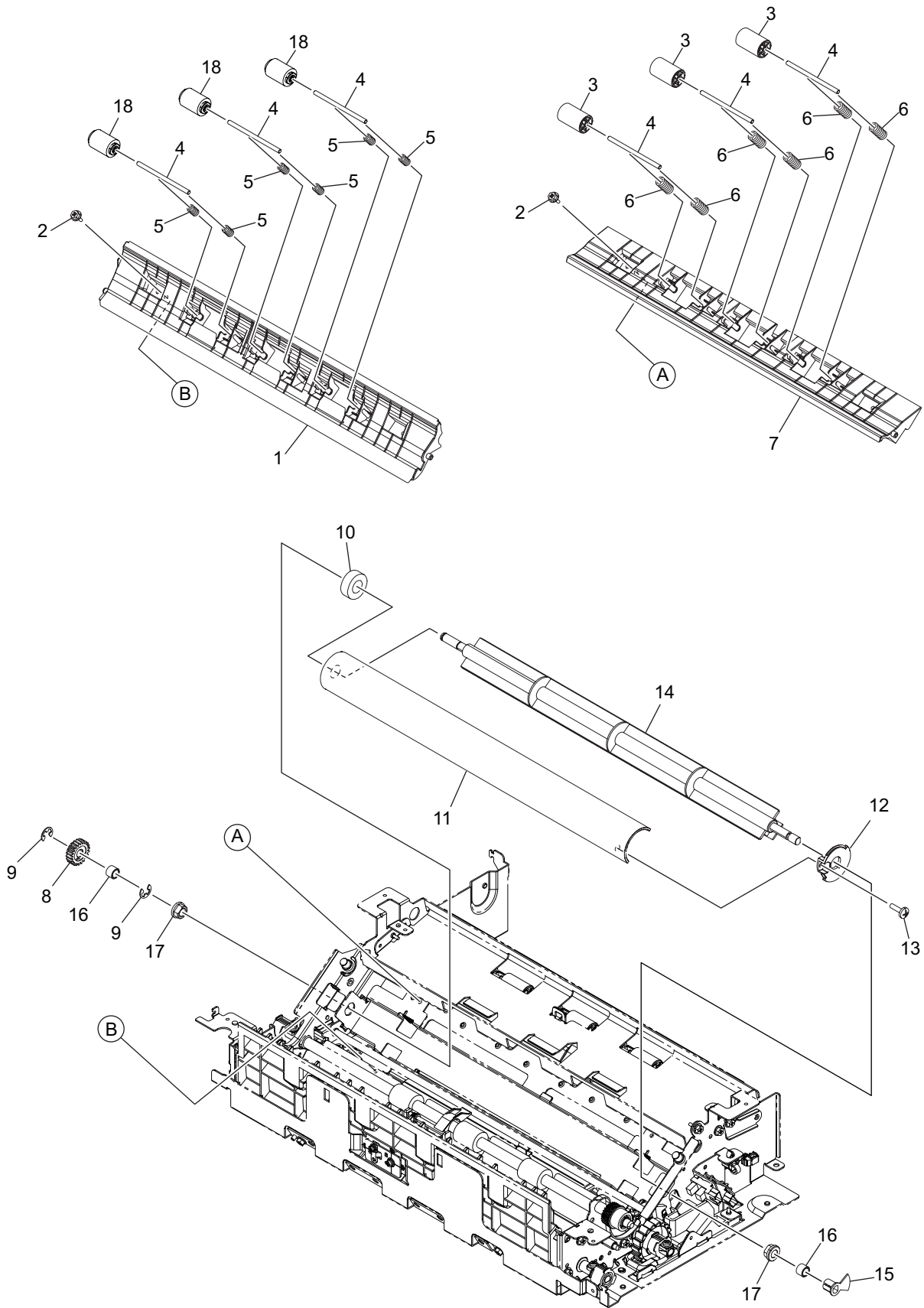
ITEM No.	PART No.	PART NAME	Q'TY / PAGE	Q'TY / PACK	REMARKS
1	F0-01453000	RMS-1V0	4	5/P	
2	6LK56568000	SPG-C-5R8X16R6R-1R35	2	1/P	
3	X0-02247000	S/TPP/FHEXM-3X8-NI	2	10/P	
4	6LK54228000	ASYS-FRAME-MIDDLE	1	1/P	
5	6LK53989000	COVER-LINK	1	1/P	
6	6LK53990000	ARM-LINK3	1	1/P	
7	6LK53983000	ADJUST-PLATE	1	1/P	
8	6LK53988000	ARM-LINK2	1	1/P	
9	6LK54080000	ASYS-RETARD	1	1/P	
10	6LK53912000	GEAR-6H25-5	1	1/P	
11	6LK53911000	GEAR-6H20-5	1	1/P	
12	X0-00965000	RR/E-4-SS	4	10/P	
13	6LK53945000	BRKT-EARTH-MID	1	1/P	
14	6LK54356000	ASYS-SPG-F-RETARD	1	1/P	
15	6LK54056000	SFT-DRIVE-RETARD	1	1/P	
16	4407972860	STOP-RING-6-5	2	5/P	
17	6LK53908000	GEAR-8S15-6	1	1/P	
18	6LK54304000	BUSH-F6-3	5	1/P	
19	6LK54292000	ASYS-GEAR-6H18-6-OW	1	1/P	
20	X0-00077000	S/PAN/SWWP-M3X8-NI	1	10/P	
21	X0-00966000	RR/E-5-SS	1	10/P	



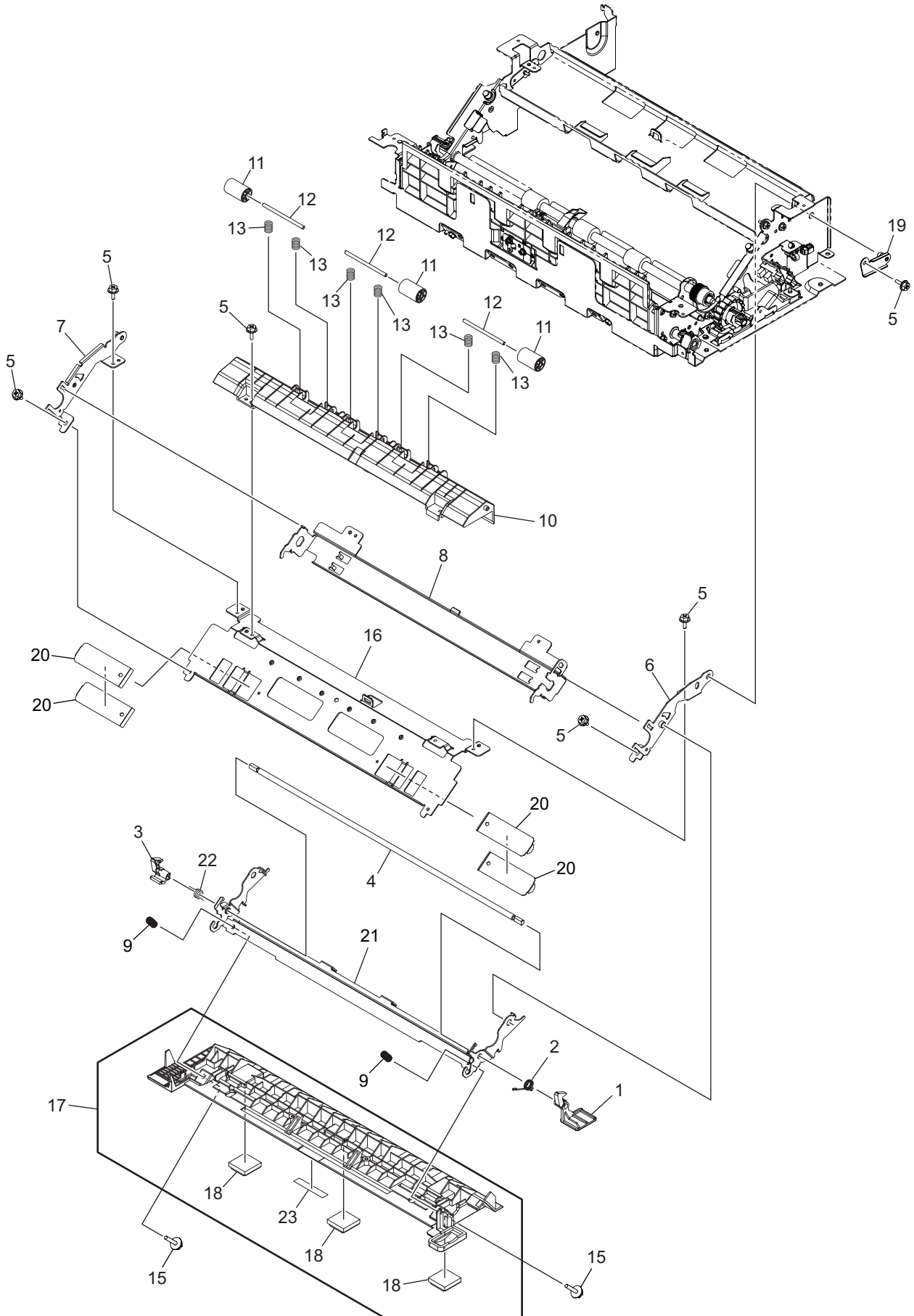
ITEM No.	PART No.	PART NAME	Q'TY / PAGE	Q'TY / PACK	REMARKS
1	6LK54294000	BRKT-STUD-FIX	1	1/P	
2	6LK53950000	BRKT-MOTOR-EJECT	1	1/P	
3	6LK54299000	BELT-339-1R5GT-4	1	1/P	
4	6LK53992000	IDOLER-PULLY	2	1/P	
5	6LK53723000	MOTRS-DSDP-READ-H616	2	1/C	
6	X0-02247000	S/TPP/FHEXM-3X8-NI	3	10/P	
7	X0-02420000	S/TPS/FHEXM/R-3X8-ZU3	3	10/P	
8	X0-02231000	S/FHEXM-M3X8-NI	6	10/P	
9	6LK54094000	ASYS-TENSION	1	1/P	
10	6LK54308000	BUSH-S6-6	2	1/P	
11	X0-00966000	RR/E-5-SS	2	10/P	
12	X0-00077000	S/PAN/SWHP-M3X8-NI	2	10/P	
13	6LK54172000	BELT-279-1R5GT-5	1	1/P	
14	X0-00074000	S/PAN-M3X8-NI	2	10/P	
15	6LK54295000	PLT-MTR-READ	1	1/P	
16	X0-02419000	S/TPS/FHEXM/R-3X6-ZU3	2	10/P	
17	6LK54296000	BRKT-MTR-READ-N	1	1/P	
18	6LK54319000	SPG-E-8R9XR9X27R3	1	1/P	
19	6LK54026000	SPG-E-8R2X23R5R	1	1/P	
20	F0-01933000	RLMS-1V0	1	5/P	
21	6LK54302000	BELT-124R5-1R5GT-5	1	1/P	
23	6LK53727000	HRNS-DSDP-MOT2-H616	1	1/P	
24	6LK54366000	SPE-BELT-TENS-F-56	1	1/P	
25	X0-02252000	S/TPP/FHEXM-4X10-NI	2	10/P	
26	6LK53730000	HRNS-DSDP-SCIF-H616	1	1/P	



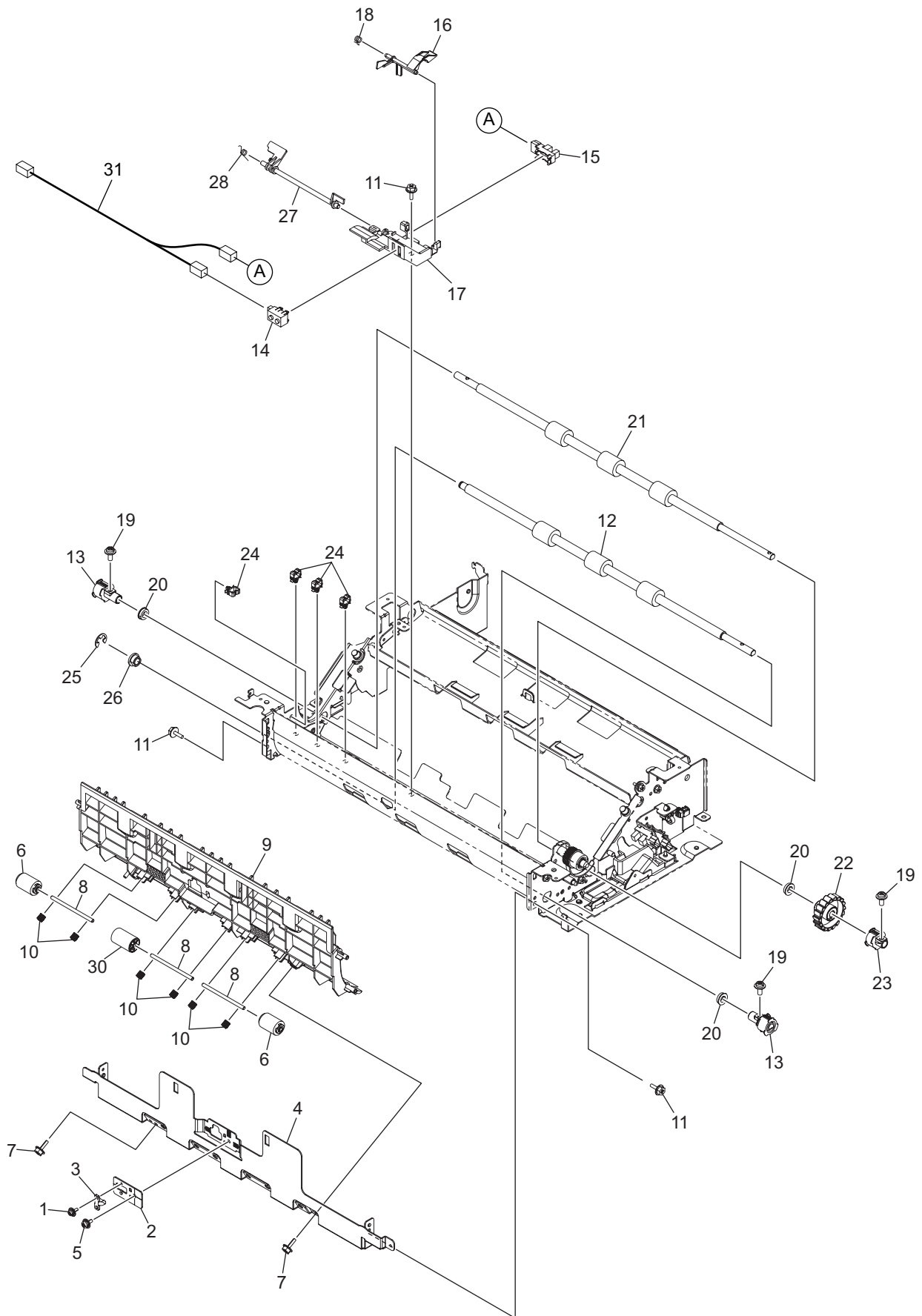
ITEM No.	PART No.	PART NAME	Q'TY / PAGE	Q'TY / PACK	REMARKS
1	6LK53995000	COVER-ELEVATOR-UN	1	1/PP	
2	6LK53731000	HRNS-DSDF-EXIT-H616	1	1/P	
3	6LK54029000	SPG-T-4R5X3R6R	1	1/P	
4	6LK53993000	ACTUATOR-EJECT	1	1/P	
5	C0-20495000	LG2A24BL1	2	1/C	
6	X0-02231000	S/FHEXM-M3X8-NI	5	10/P	
7	X0-00966000	RR/E-5-SS	5	10/P	
8	4407734980	BUSH-6-GCB	2	5/P	
9	6LK53921000	PULLEY-1R5GT32-6-S	1	1/P	
10	X0-00077000	S/PAN/SWWP-M3X8-NI	2	10/P	
11	F0-01102000	F-FLWA676AT2ZZ1/1K	2	1/P	
12	6LK54018000	ROL-EJECT	1	1/P	
13	4407972860	STOP-RING-6-5	1	5/P	
14	6LK53918000	PULLEY-1R5GT32-6-L	1	1/P	
15	6LK54017000	ROL-READ4	1	1/P	
16	6LK54353000	STAY-HINGE1-2	1	1/P	
17	X0-02420000	S/TPS/FHEXM/R-3X8-ZU3	3	10/P	
18	6LK53951000	STAY-HINGE2	1	1/P	
20	F0-02234000	RST-130V0	2	5/P	
21	F0-02285000	RPMS-1.5V0G	1	5/P	
22	6LK54386000	COLLAR-RLR-EJECT	2	1/P	
23	6LK53728000	HRNS-DSDF-BTM-H616	1	1/P	



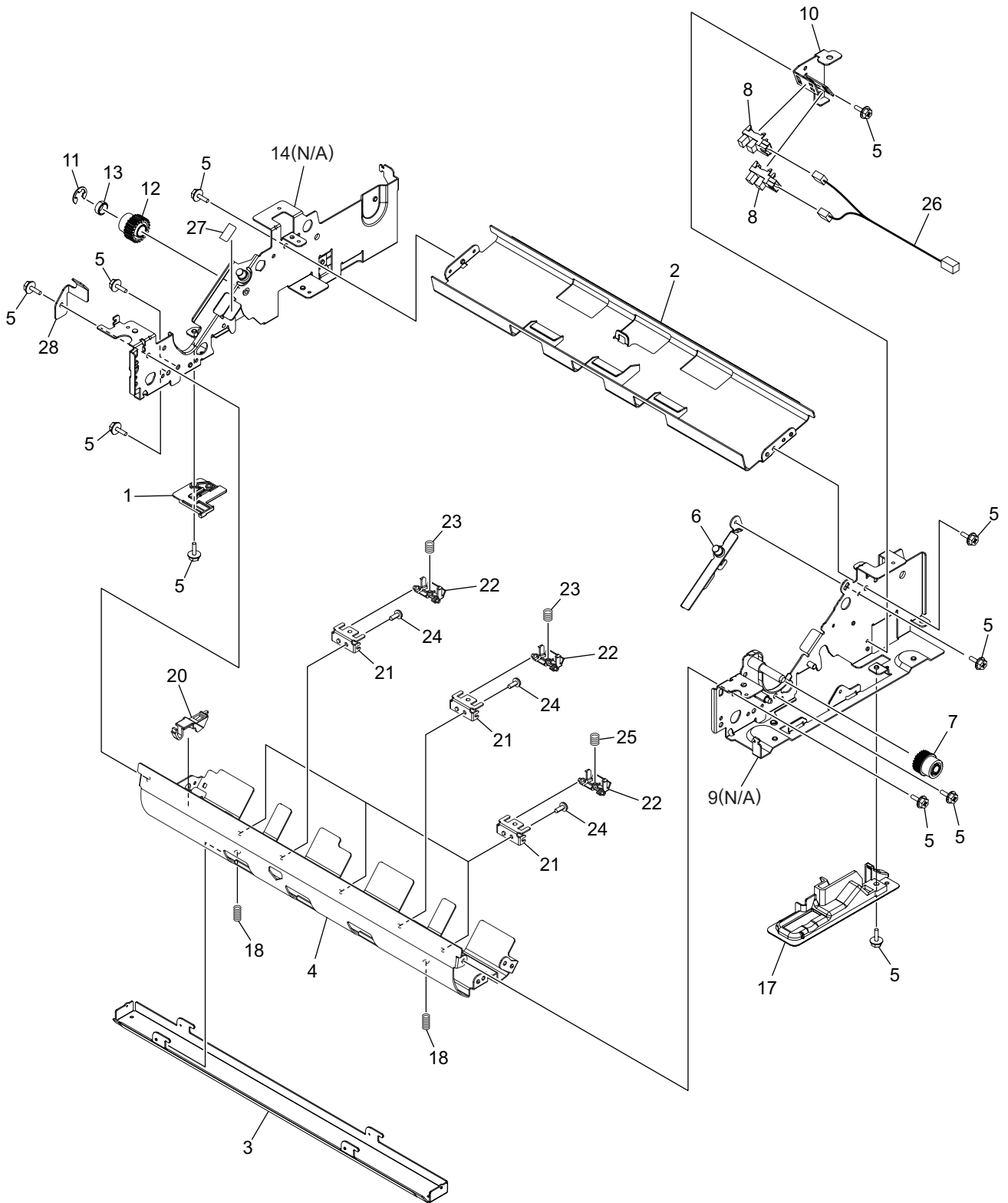
ITEM No.	PART No.	PART NAME	Q'TY / PAGE	Q'TY / PACK	REMARKS
1	6LK54230000	ASYS-GUIDE-READ3	1	1/PP	
2	X0-02231000	S/FHEXM-M3X8-NI	2	10/P	
3	6LK53963000	PINCH-ROL	3	1/P	
4	6LK54053000	SFT-PINCH	6	1/P	
5	6LK54031000	SPG-C-4R8X11R5R	6	1/P	
6	6LK54032000	SPG-C-6R5X27R	6	1/P	
7	6LK54004000	GUIDE-READ4	1	1/PP	
8	6LK54251000	ASYS-GEAR-ROL-SDH-OW	1	1/P	
9	X0-00966000	RR/E-5-SS	2	10/P	
10	6LK54303000	CUSH-ROL-SDH-DSDF	1	1/P	
11	6LK54364000	ASYS-GUIDE-ROL-PLTN	1	1/KP	
12	6LK54155000	FLANGE-G-ROL-PLTN	1	1/P	
13	X0-01989000	S/TPP/BID-3X8-NI	1	10/P	
14	6LK54238000	ASYS-ROL-SDH-DSDF	1	1/P	
15	6LK54006000	ACTUATOR-WHITE-ROL	1	1/P	
16	6LK54308000	BUSH-S6-6	2	1/P	
17	4407734980	BUSH-6-GCB	2	5/P	
18	6LK54192000	ASYS-ROL-PINCH	3	1/P	



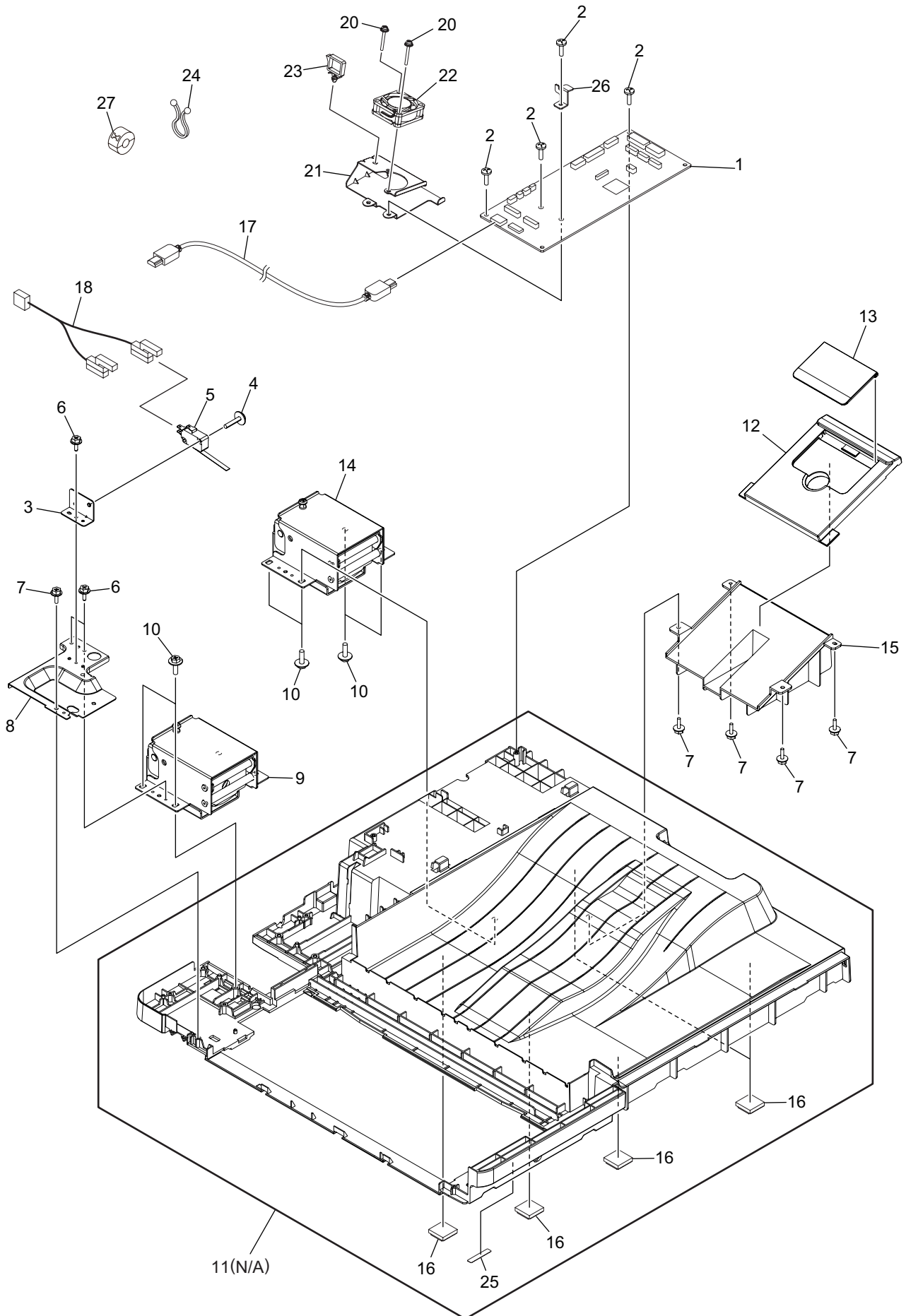
ITEM No.	PART No.	PART NAME	Q'TY / PAGE	Q'TY / PACK	REMARKS
1	6LK54001000	LOCK-EJECT-F	1	1/P	
2	6LK54030000	SPG-T-8X4R	1	1/P	
3	6LK54002000	LOCK-EJECT-R	1	1/P	
4	6LK54345000	SFT-LOCK2	1	1/P	
5	X0-02230000	S/FHEXM-M3X6-NI	6	10/P	
6	6LK54344000	ASYS-FRONT-EJECT	1	1/P	
7	6LK54096000	ASYS-REAR-EJECT	1	1/P	
8	6LK53956000	STAY-WHITE-ROL	1	1/P	
9	6LK54352000	SPG-EJECT-READ3	2	1/P	
10	6LK54005000	GUIDE-EJECT	1	1/PP	
11	6LK53963000	PINCH-ROL	3	1/P	
12	6LK54053000	SFT-PINCH	3	1/P	
13	6LK56538000	SPG-C-6R5X18R-1R4N	6	1/P	
15	X0-02233000	S/FHEXM-M3X12-NI	2	5/P	
16	6LK53955000	STAY-EJECT	1	1/P	
17	6LK54221000	ASYS-COVER-EJECT	1	1/PP	
18	6LE49999000	ASYS-TAPE-MAGIC	3	1/P	
19	6LK54098000	ASYS-SHITEN-EJECT	1	1/P	
20	6LK54340000	SPL-PLT-EJECT	4	1/P	
21	6LK54342000	STAY-GUIDE-READ3	1	1/P	
22	6LK54759000	SPG-T-LOCK-LEV-R	1	1/P	
23	6LK56555000	LBL_O-JAM-COVER	1	1/P	



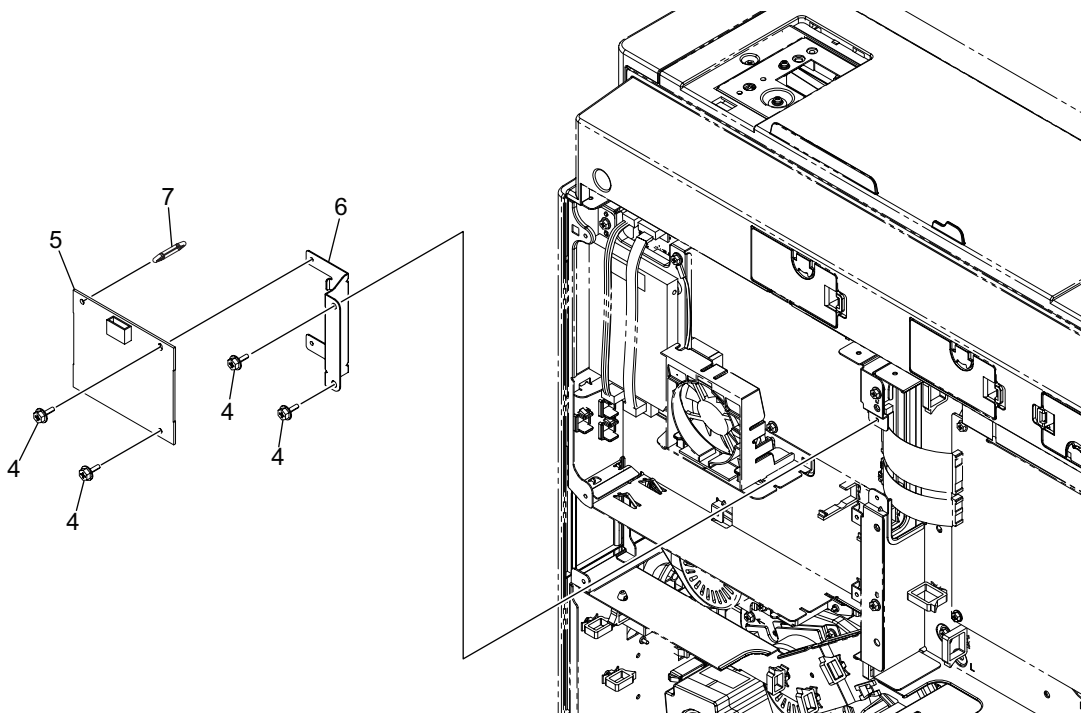
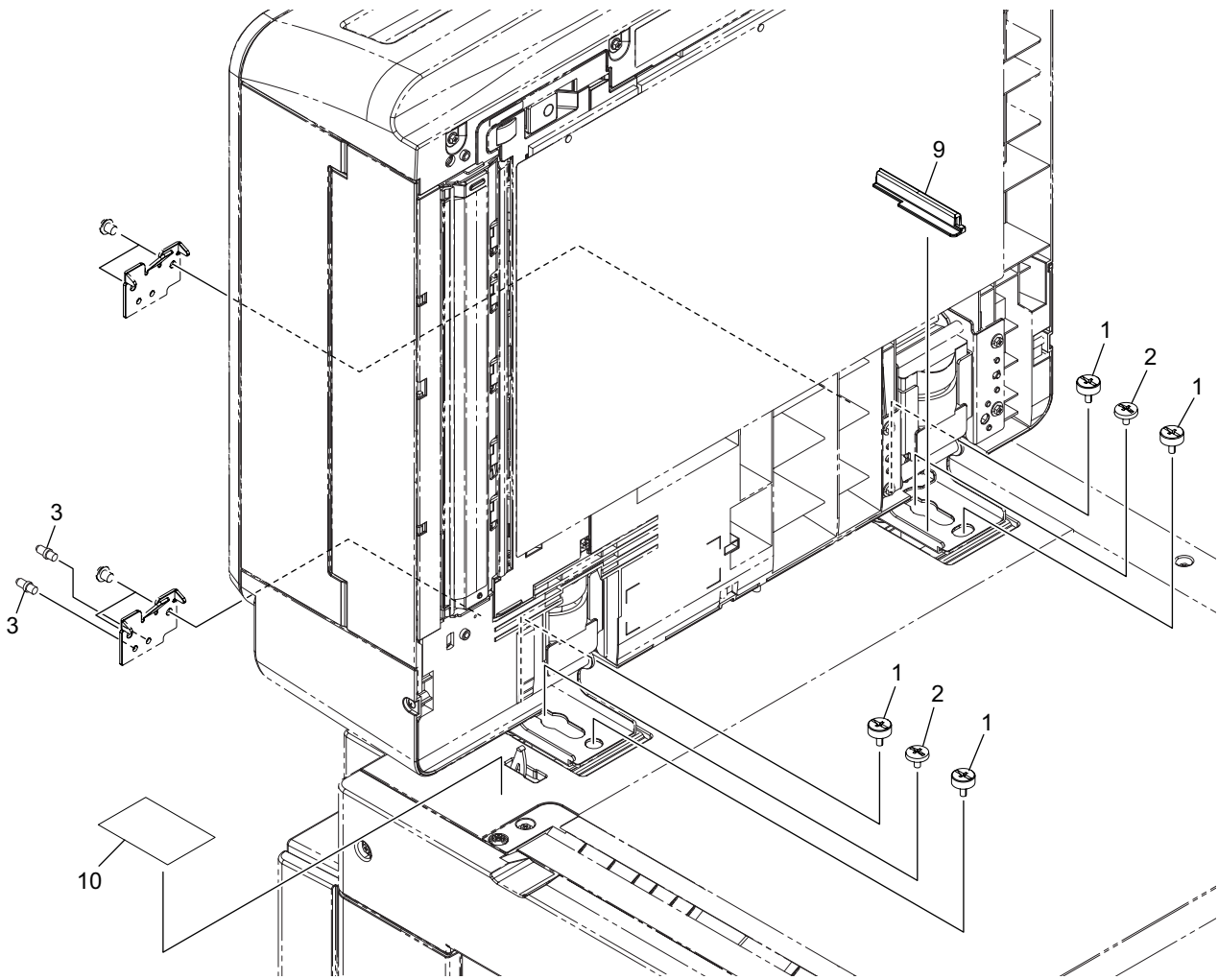
ITEM No.	PART No.	PART NAME	Q'TY / PAGE	Q'TY / PACK	REMARKS
1	X0-02103000	S/PAN/SWWP-M2.6X6-NI	1	10/P	
2	6LK53943000	BRKT-PRISM	1	1/P	
3	C0-14573000	E-800244	1	1/C	
4	6LK53954000	STAY-BOTTOM-UN	1	1/P	
5	X0-00060000	S/PAN/SWWP-M3X6-NI	1	10/P	
6	6LK54192000	ASYS-ROL-PINCH	2	1/P	
7	X0-02247000	S/TPP/FHEXM-3X8-NI	2	10/P	
8	6LK54053000	SFT-PINCH	3	1/P	
9	6LK54229000	ASYS-GUIDE-BOTTOM	1	1/PP	
10	6LK54020000	SPG-C-5X12R	6	1/P	
11	X0-02231000	S/FHEXM-M3X8-NI	3	10/P	
12	6LK54015000	ROL-READ2	1	1/P	
13	6LK53918000	PULLEY-1R5GT32-6-L	2	1/P	
14	C0-14572000	EON-5041-701	1	1/C	
15	C0-20495000	LG2A24BL1	1	1/C	
16	6LK53997000	ACTUATOR-TIP-BACK	1	1/P	
17	6LK53996000	HOLDER-SENSOR-TIP	1	1/P	
18	6LK54322000	SPG-ACTUATOR-TIP-BACK	1	1/P	
19	X0-00077000	S/PAN/SWWP-M3X8-NI	3	10/P	
20	F0-01102000	F-FLWA676AT2ZZ1/1K	3	1/P	
21	6LK54016000	ROL-READ3	1	1/P	
22	6LK54257000	ASYS-DIAL	1	1/P	
23	6LK53921000	PULLEY-1R5GT32-6-S	1	1/P	
24	F0-01453000	RMS-1V0	4	5/P	
25	X0-00966000	RR/E-5-SS	1	10/P	
26	4407734980	BUSH-6-GCB	1	5/P	
27	6LK54338000	LEVER-ACT-READ-IN	1	1/KP	
28	6LK54346000	SPG-LEVER-ACT-READ-IN	1	1/P	
30	6LK53963000	PINCH-ROL	1	1/P	
31	6LK53732000	HRNS-DSDF-READ-H616	1	1/P	



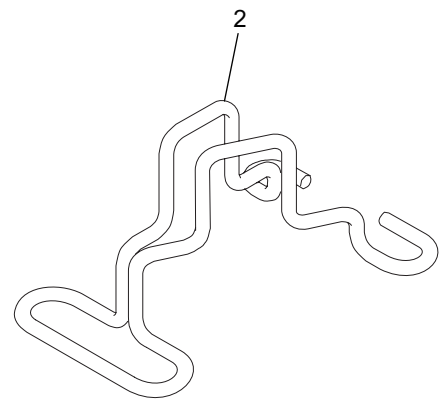
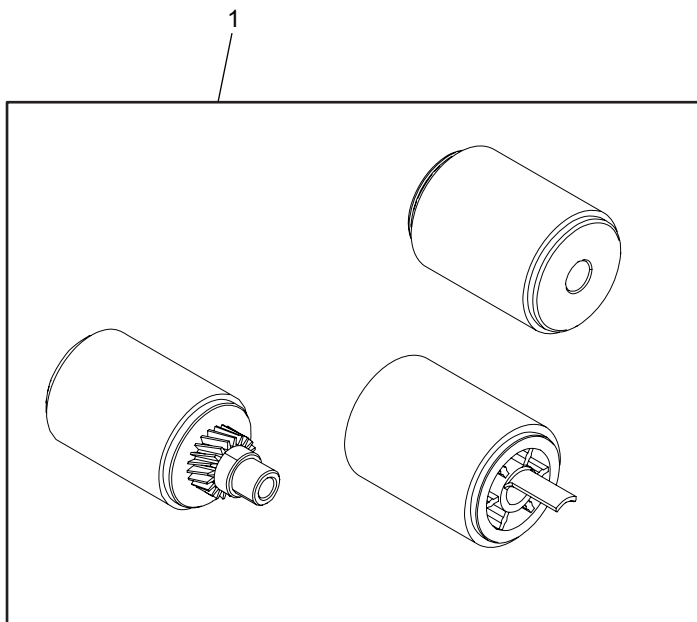
ITEM No.	PART No.	PART NAME	Q'TY / PAGE	Q'TY / PACK	REMARKS
1	6LK53999000	COVER-INTERLOCK	1	1/P	
2	6LK54256000	ASYS-GUIDE-EJECT-U	1	1/PP	
3	6LK56561000	GUIDE-WHITE	1	1/KP	
4	6LK56548000	ASYS-GUIDE-BOTTOM	1	1/D	
5	X0-02231000	S/FHEXM-M3X8-NI	11	10/P	
6	6LK54085000	ASYS-MODULE	1	1/P	
7	6LK53920000	GEAR-6H25_P1R5GT32-6	1	1/P	
8	C0-20495000	LG2A24BL1	2	1/C	
9	6LK54087000	ASYS-FRONT-BOTTOM	1	N/A***	
10	6LK54065000	BRKT-SNS-EJECT	1	1/P	
11	X0-00968000	RR/E-7-SS	1	10/P	
12	6LK53919000	GEAR-8S23_P1R5GT32-6	1	1/P	
13	4401761190	BUSH-0804-GCB	1	1/P	
14	6LK54090000	ASYS-REAR-BOTTOM	1	N/A***	
17	6LK53998000	COVER-DIAL	1	1/P	
18	6LK54028000	SPG-C-4R8X15R5R	2	1/P	
20	6LK54351000	COVER-LEVER-ACT-READ-IN	1	1/P	
21	6LK54349000	GID-PUSH-READ-HOLDER	5	1/P	
22	6LK54348000	GID-PUSH-READ-OUT-GA	5	1/P	
23	6LK54350000	SPG-GID-PUSH_GA	2	1/P	
24	X0-00057000	S/PAN-M3X6-NI	5	10/P	
25	6LK54387000	SPG-GID-PUSH-C	3	1/P	
26	6LK53733000	HRNS-DSDF-COVL-H616	1	1/P	
27	6LK56551000	LBL-ARROW	1	1/P	
28	6LK54027000	BRKT-CCD-STOP	1	1/P	



ITEM No.	PART No.	PART NAME	Q'TY / PAGE	Q'TY / PACK	REMARKS
1	6LK53786000	ASYB-DLG-H616S	1	1/SB	
2	X0-01989000	S/TPP/BID-3X8-NI	4	10/P	
3	6LK54290000	BRKT-L-INTERLOCK	1	1/P	
4	X0-01615000	S/TPS/FPAN-3X14-NC	1	10/P	
5	E0-14527000	D3V-163-1C25(10E)	1	1/C	
6	X0-02420000	S/TPS/FHEXM/R-3X8-ZU3	3	10/P	
7	X0-02247000	S/TPP/FHEXM-3X8-NI	5	10/P	
8	6LK53953000	BRKT-HINGE-L	1	1/P	
9	6LK54141000	HINGE-L-DSDf	1	1/C	
10	X0-02252000	S/TPP/FHEXM-4X10-NI	6	10/P	
11	6LK54220000	ASYS-BASE-EXIT-DSDf	1	N/A***	
12	6LK54143000	TRAY-SUB-EXIT-OUT-DSDf	1	1/PP	
13	6LK54144000	TRAY-SUB-EXIT-IN-S	1	1/PP	
14	6LK54142000	HINGE-R-DSDf	1	1/C	
15	6LK54239000	ASYS-TRAY-SUB-EXIT-DSDf	1	1/PP	
16	6LE49999000	ASYS-TAPE-MAGIC	5	1/P	
17	6LK53718000	HRNS-DLG-DSIF-616	1	1/P	
18	6LK53729000	HRNS-DSDf-INTLK-H616	1	1/P	
20	X0-00130000	S/PAN/SWWP-M3X20-NI	2	10/P	
21	6LK54359000	BRKT-FAN-R2	1	1/P	
22	6LK30991000	FAN-4015-155-H340	1	1/C	
23	F0-01813000	LWS-1316S-V0	1	5/P	
24	F0-02301000	OLS-150BK	1	5/P	
25	6LK54277000	LABEL-DIAL-616	1	1/P	
26	6LK56533000	BRKT-FAN-CRnk	1	1/P	
27	D0-24959000	FT-152613N	1	1/P	



ITEM No.	PART No.	PART NAME	Q'TY / PAGE	Q'TY / PACK	REMARKS
1	6LK54180000	SCR-HINGE-F	4	5/P	
2	6LK54179000	SCR-HINGE-CTR	2	5/P	
3	6LE50499000	SFT-PA-PIN-R	2	1/P	
4	X0-02231000	S/FHEXM-M3X8-NI	4	10/P	
5	6LK45614000	PWA-H-DSIF-370	1	1/SB	
6	6LK44718000	BRKT-PWA-DSDP-H370	1	1/P	
7	F0-02281000	WPCS-18SV0-3.5	1	5/P	
9	6LK54317000	COV-HINGE-R-OV	1	1/P	
10	6LK56550000	LBL-CLEANING	1	1/KP	



ITEM No.	PART No.	PART NAME	Q'TY / PAGE	Q'TY / PACK	REMARKS
1 2	6LK54293000 6LK56560000	KIT-ROL-DSDF JIG-DSDF-STOPPER	1 1	1/S 1/C	

TOSHIBA

TOSHIBA TEC CORPORATION

1-11-1, OSAKI, SHINAGAWA-KU, TOKYO, 141-8562, JAPAN