

TOSHIBA

SERVICE PARTS LIST

Reversing Automatic Document Feeder

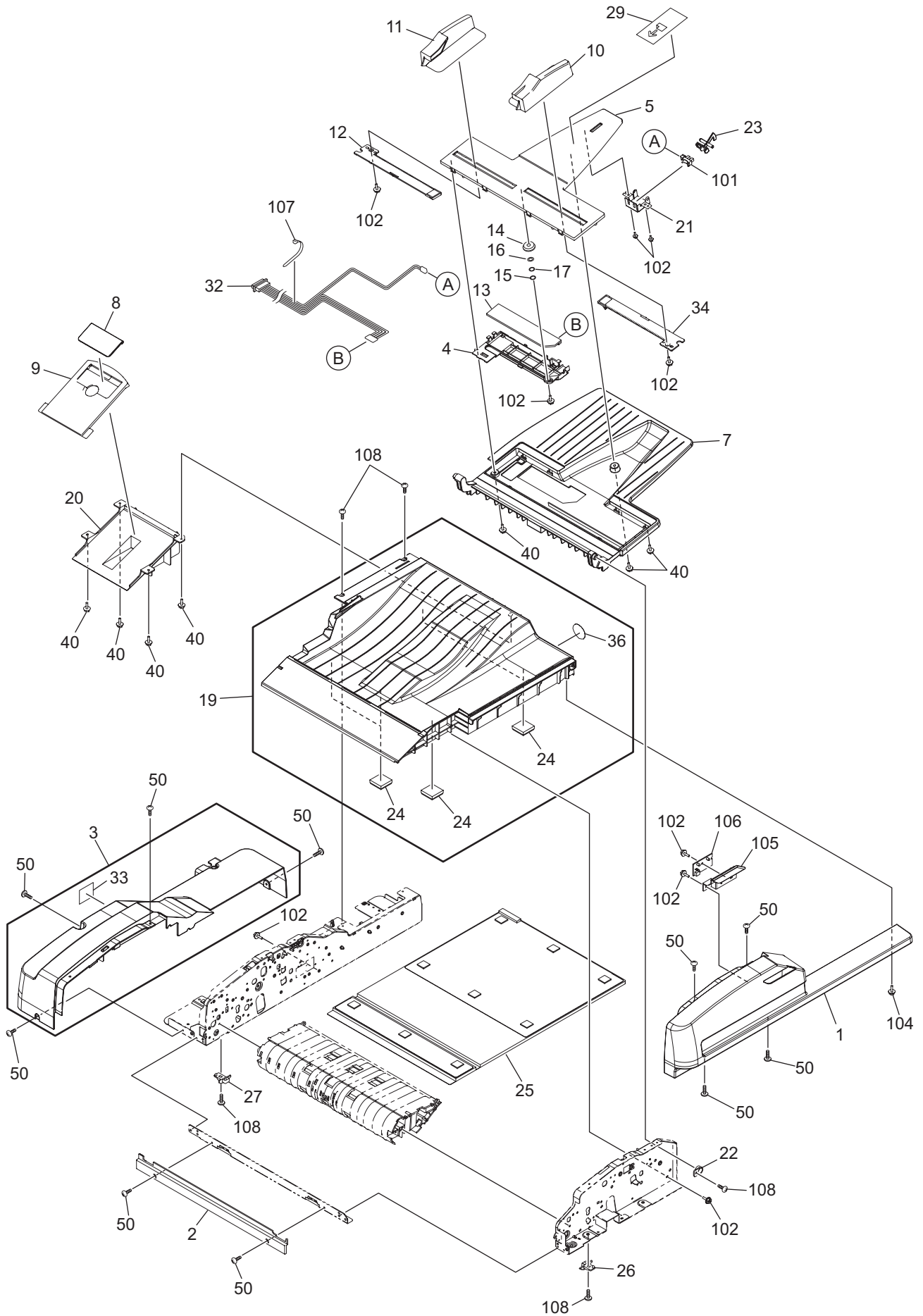
MR-3031

© 2016 TOSHIBA TEC CORPORATION All rights reserved

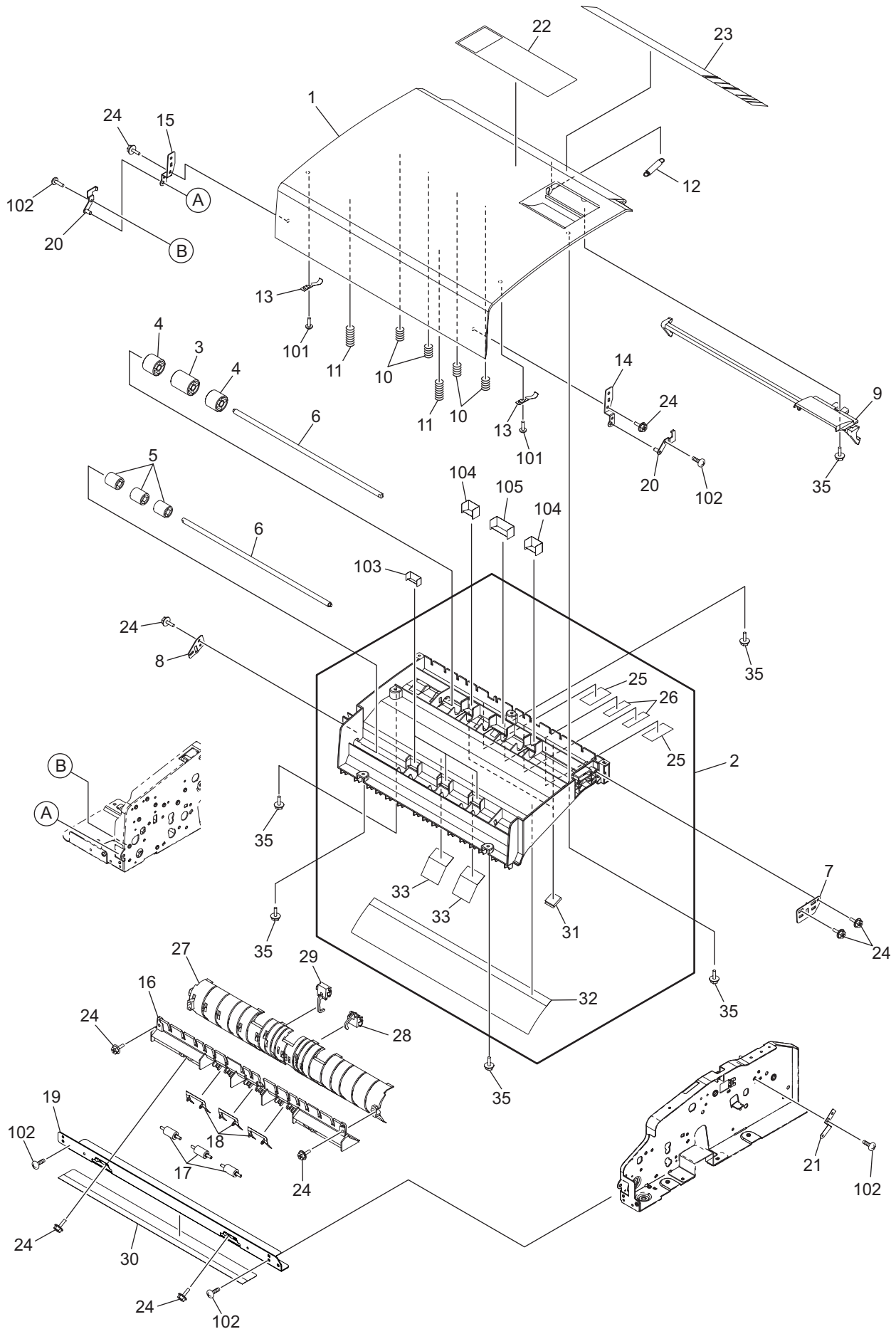
Under the copyright laws, this manual cannot be reproduced in any form without prior written permission of TOSHIBA TEC CORPORATION. No patent liability is assumed, however, with respect to the use of the information contained herein.

CONTENTS

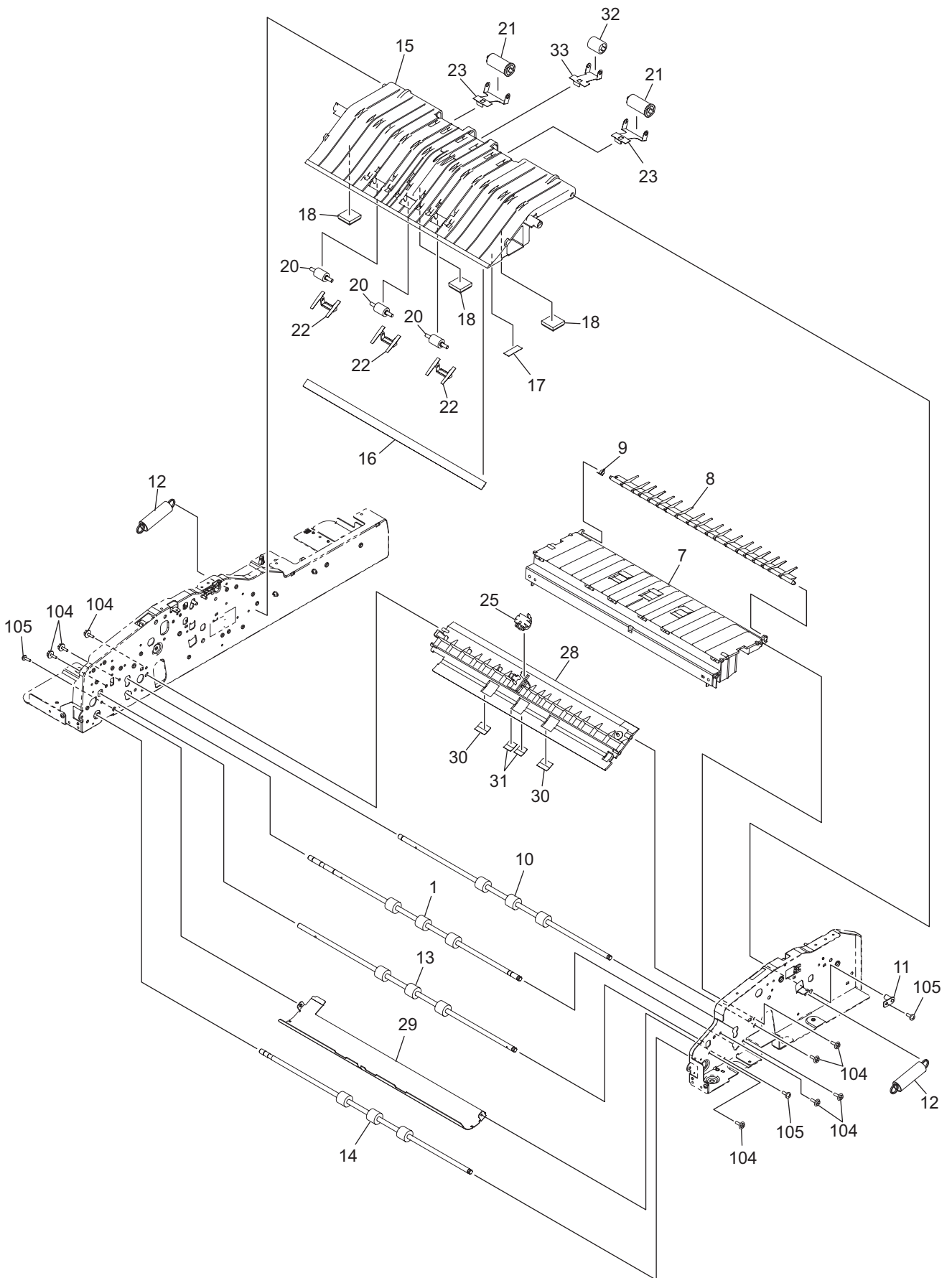
COVER-ASY	1
GUIDE-OPEN-ASM	2
FEED-1-ASY	3
FEED-2-ASY	4
FEED-3-ASY	5
FEED-DRIVE-1-ASM	6
HINGE-ASM.....	7
ACCESSARY_and_ROL-KIT	11



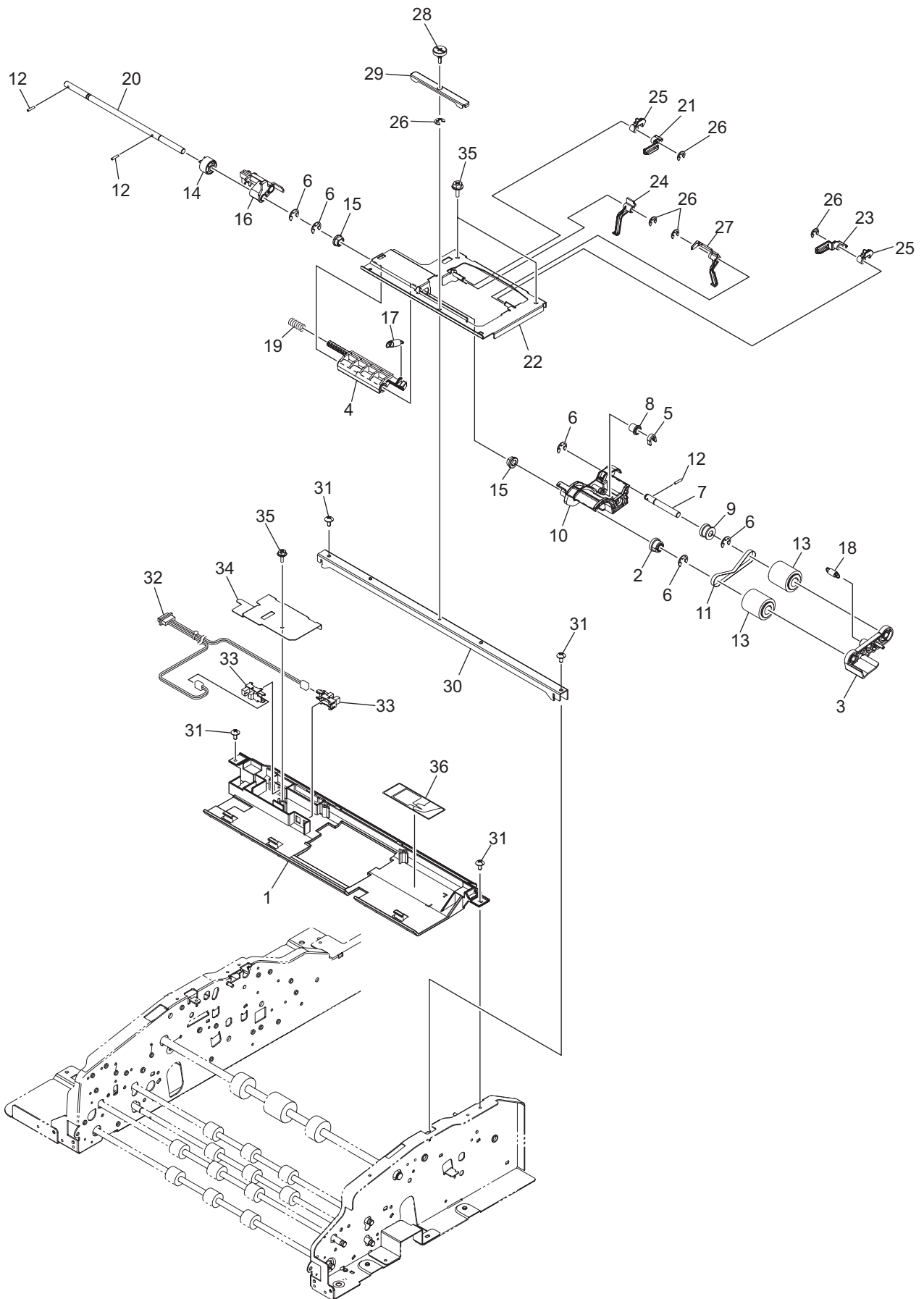
ITEM No.	PART No.	PART NAME	Q'TY / PAGE	Q'TY / PACK	REMARKS
1	6LK69845000	COV-FRONT-H617	1	1/PP	
2	6LE50383100	COV-LEFT-U_JB	1	1/PP	
3	6LK69878000	ASYS-COV-REAR-JB	1	1/PP	
4	6LJ67495300	ASYS-COVER-PWA-TRAY-SZ_JB	1	1/PP	
5 A	6LH57637800	ASYS-TRAY-INR-JB	1	1/PP	Except CND
5 B	6LH57637900	ASYS-TRAY-INR-JB_C	1	1/PP	CND
7	6LE59912A00	TRAY-ORIGINAL-PC-JB	1	1/PP	
8	6LE50002300	TRAY-SUB-EXT-IN-JB	1	1/P	
9	6LH57619300	TRAY-SUB-EXIT-OUT-H502-JB	1	1/PP	
10	6LE59916500	ASYS-GID-TRY-F-PC-JB	1	1/D	
11	6LE59652500	ASYS-GID-TRY-R-PC-JB	1	1/D	
12	6LE59922000	RACK-TRAY-PC	1	1/P	
13	6LE49586000	PWA-F-TRAY-623	1	1/S	
14	4407726480	PINION-18-395	1	1/P	
15	6LA78907000	WASHER-6R2X9R5XR13-PL	1	5/P	
16	F0-01324000	STW-FT60 T0.25	1	5/P	
17	4400974200	WASHER-W-6-10	1	10/P	
19	6LK69875000	ASYS-TRAY-EXIT-H617	1	1/PP	
20	6LH57611100	ASYS-HLDR-TRAY-SUB-H617	1	1/PP	
21	6LE50464100	HLDR-SENS-LE_576	1	1/P	
22	6LE50470000	HLDR-TRAY-F	1	1/P	
23	6LE50461F00	ACT-SENSOR-TRAY-S_JB	1	1/P	
24	6LE49999000	ASYS-TAPE-MAGIC	5	1/P	
25	6LJ67570000	ASYS-SHEET-PLTN-F	1	1/KP	
26	6LE59788000	STOP-SHEET-F-M	1	1/P	
27	6LE59789000	STOP-SHEET-R-M	1	1/P	
29	6LJ67409300	LABEL-CAUTION-H616	1	1/P	
32	6LE49580000	HRNS-RUBY-TRAY-623	1	1/P	
33	6LK54279000	LBL_W-COV-JB	1	1/P	
34	6LE59921000	ASYS-RACK-TRY-PC	1	1/PP	
36	6LK71640000	SEAL-HIDE-HDL-HOLE-JB	1	N/A***	
40	X0-02683000	S/TPP/FHEXM-3X8-ZB3	7	5/P	
50	X0-02686000	S/TPS/BID/R-3X6-ZB3	10	5/P	
101	C0-20487000	GP1A173LCS3F	1	1/P	
102	X0-02247000	S/TPP/FHEXM-3X8-NI	9	10/P	
104	X0-02675000	S/TPP/BID-3X8-ZB3	1	5/P	
105	6LK69847000	LENZ-LED_H617	1	1/P	
106	6LJ67242000	PWA-H-LED-H546	1	1/C	
107	F0-01846000	YJ-100	1	5/P	
108	6LA08935000	SCR-M3X6BISR-NI	5	10/P	

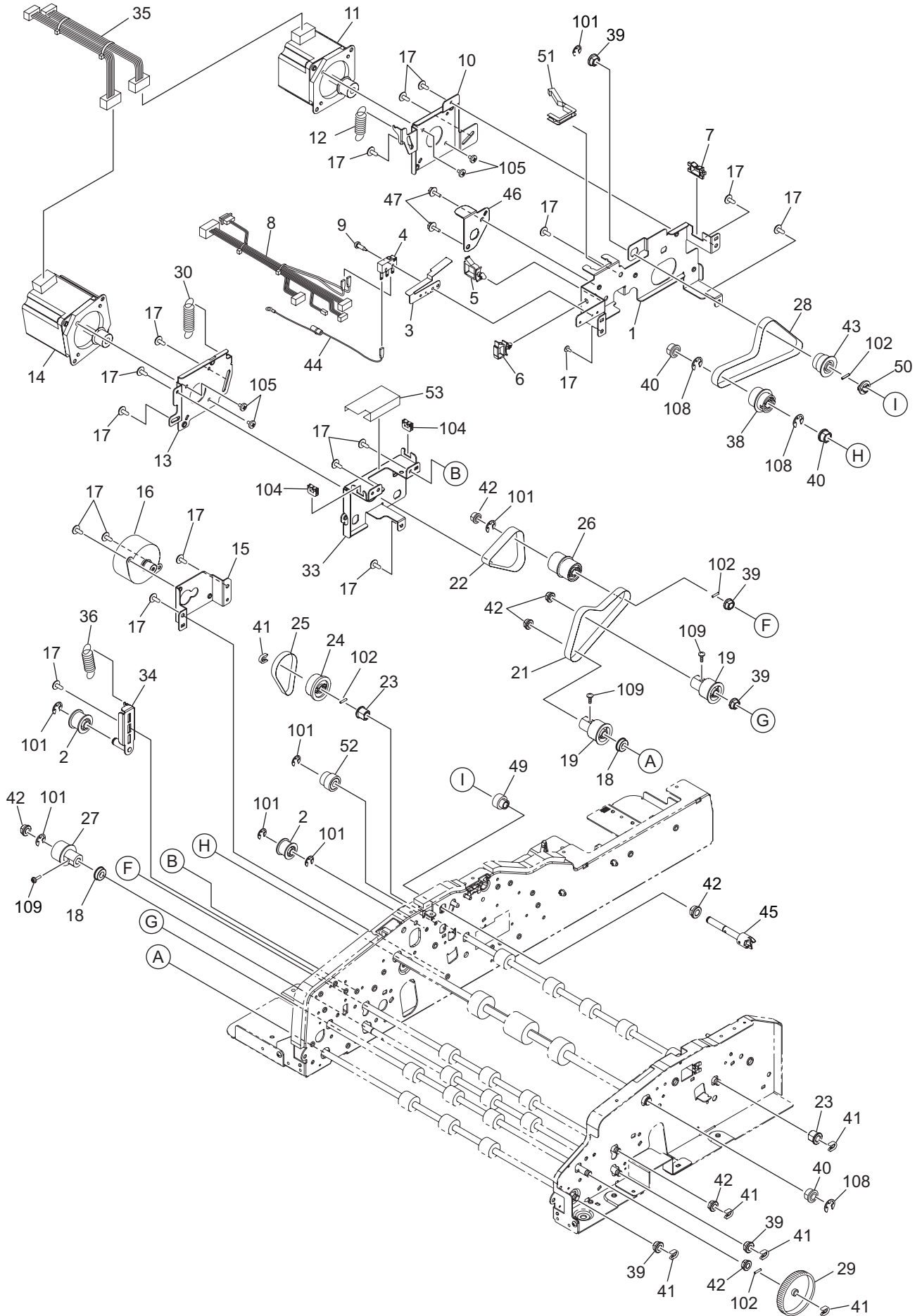


ITEM No.	PART No.	PART NAME	Q'TY / PAGE	Q'TY / PACK	REMARKS
1 A	6LK69874000	ASYS-COV-JAM-H617	1	1/PP	Except CND CND
1 B	6LK69874100	ASYS-COV-JAM-H617C	1	1/PP	
2	6LE59637000	ASYS-GID-COV-JAM-M	1	1/PP	
3	6LE50402000	ROL-IDL-D22-L	1	1/P	
4	6LE50404000	ROL-IDL-D22	2	1/P	
5	6LE50406000	ROL-IDL-D16	3	1/P	
6	6LE50412000	SFT-IDL-ALNG	2	1/P	
7	6LE50414000	PLT-SFT-IDL-ALN	1	1/P	
8	6LE50415000	PLT-SFT-D16-RD	1	1/P	
9	6LE50416100	LEVER-COV-OP_JB	1	1/PP	
10	6LE50419000	SPG-C-ROL-ALNG	4	1/P	
11	6LE50423000	SPG-C-ROL-MIDL	2	1/P	
12	6LE50425000	SPG-E-COV-JAM	1	1/P	
13	6LE50428000	SPG-F-GID-SB-PUSH	2	1/P	
14	6LH57676000	BRKT-COV-JAM-F	1	1/P	
15	6LH57674000	BRKT-COV-JAM-R	1	1/P	
16	6LE90507000	ASYS-GID-RI-D-N	1	1/KP	
17	6LE49897000	ASYS-ROL-IDL-D10	3	1/P	
18	6LE49910000	SPG-F-READ-IN-1.4	3	1/P	
19	6LE59808100	ASYS-STAY-LEFT-D-H617	1	1/P	
20	6LE49823000	ASYS-PLT-COV-JAM	2	1/P	Except CND CND
21	6LE49742000	SPG-F-EARTH-EXIT	1	1/P	
22 A	6LK71666000	LABEL-CLN-H617-WW-V	1	1/KP	
22 B	6LK71667000	LABEL-CLN-H617-CN-V	1	1/KP	
23	6LK69897000	LABEL-SIZE-H617	1	1/P	
24	X0-02247000	S/TPP/FHEXM-3X8-NI	9	10/P	
25	6LE50385000	CUSHION-RGST-1-L	2	1/P	
26	6LE50386000	CUSHION-RGST-3-L	2	1/P	
27	6LE59817000	ASYS-GID-RI-U-M	1	1/KP	
28	6LH06323000	SNSR-RADF-EXIT-430	1	1/C	
29	6LH57728000	SNSR-RADF-READ-502	1	1/C	
30	6LE59798000	FILM-STAY-LEFT-D	1	1/KP	
31	6LE50394000	CUSHION-RGST-2	2	1/P	
32	6LE59783000	FILM-GID-COV-JAM-M	1	1/KP	
33	6LE59833000	FILM-GID-COV-JAM-M-3	2	1/P	
35	X0-02683000	S/TPP/FHEXM-3X8-ZB3	6	5/P	
101	X0-01989000	S/TPP/BID-3X8-NI	2	10/P	
102	6LA08935000	SCR-M3X6BISR-NI	5	10/P	
103	6LE50401000	FILM-GID-COV-JAM-1	3	1/C	
104	6LE50403000	FILM-GID-COV-JAM-2	2	1/C	
105	6LE50405000	FILM-GID-COV-JAM-3	1	1/C	

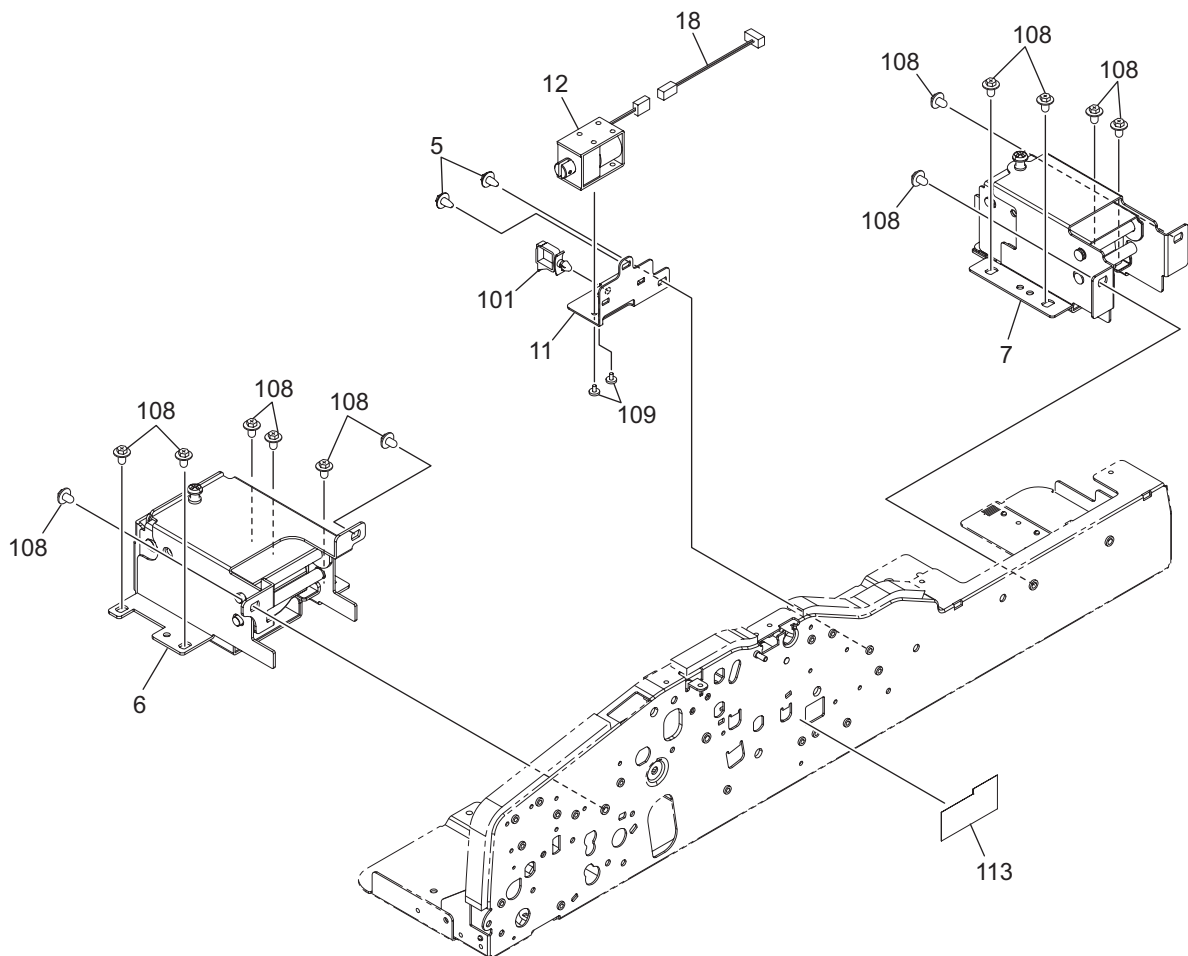
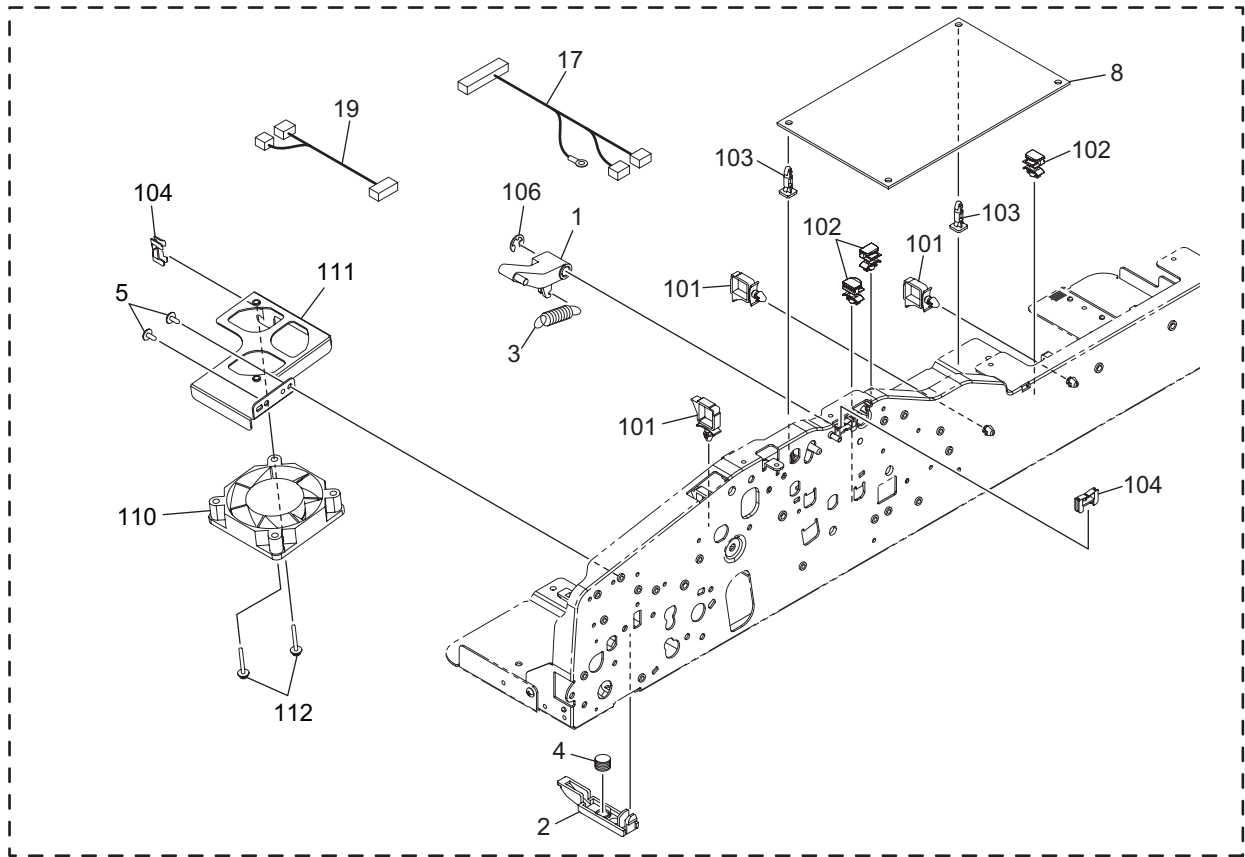


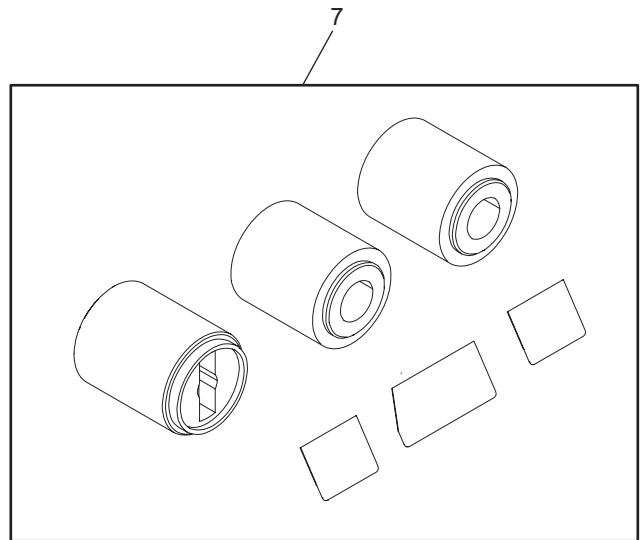
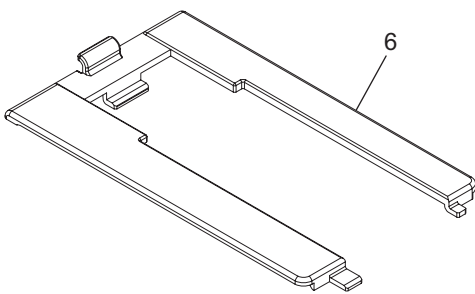
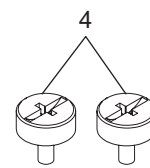
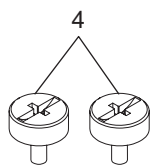
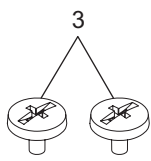
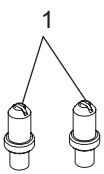
ITEM No.	PART No.	PART NAME	Q'TY / PAGE	Q'TY / PACK	REMARKS
2	6LE50198100	ARM-LVR-CAM-RET_SP	1	1/P	
3	6LE50202000	SPG-T-LVR-CAM-RET	1	1/P	
4	44201492000	BUSH-6-POM	2	5/P	
5	6LE49743000	STOP-RING-6-5-POM	5	5/P	
6	6LK69809000	LEVER-SENS-ALNG_N	1	1/P	
7	6LK69835000	LEVER-SENS-WIDTH_N	2	1/P	
8	6LE50234000	SPG-T-LVR-ALNG	1	1/P	
10	6LE49877000	ASYS-ROL-RET-RU	1	1/P	
11	6LK69863000	ASYS-SFT-RET_N	1	1/P	
12	6LH06990000	TL-SEP-ROL-Y-55-TQ	1	1/P	
13	6LE50406000	ROL-IDL-D16	3	1/P	
14	6LE49866100	ASYS-GID-SB-J-546	1	1/PP	
15	6LE50411000	SFT-IDL-D16	1	1/P	
16	6LE50044000	PLT-SFT-IDL-D16	1	1/P	
17	6LE50046000	SPG-C-SB-ALNG	4	1/P	
18	X0-02252000	S/TPP/FHEXM-4X10-NI	1	10/P	
19	6LK71652000	ASYS-GID-EXT-U-H617	1	1/KP	
20	6LK69853000	ASYS-GID-FD-D-H617	1	1/PP	
25	6LE59635000	ROL-EXIT-PC-PS	1	1/KP	
30	6LJ67537000	ROL-ALNG-PS-L	1	1/KP	
32	6LK69862000	ASYS-COV-ROL-RET_N	1	1/D	
35	6LK69909000	HRNS-RADF-ALIGN2-H617	1	1/P	
36	6LJ67462000	BRUSH-ERS-L	1	1/KP	
38	6LE50233000	FILM-ALNG-IN-D-S-0.05	2	1/P	
39	6LK69883000	FILM-ALNG-IN-D-L-0.05	1	1/P	
40	6LK69800000	ASYS-STAY-EXIT-U	1	N/A***	
41	6LA03977000	BUSH-F6-GCB	1	5/P	
42	6LK69846000	LVR-SEP_H617	1	1/P	
43	6LK69820000	PLATE-SLIDE-SPT	2	1/P	
44	6LK69804000	BRKT-LVR-FOOK_N	1	1/P	
45	6LK69864000	SFT-LVR-RET	1	1/P	
46	6LK69887000	SPG-SPT-LVR-H617	1	1/P	
47	6LK69844000	GEAR-8H24_N	1	1/P	
48	X0-00966000	RR/E-5-SS	1	10/P	
50	6LH53768000	BUSH-6-NU4	1	1/P	
102	C0-20487000	GP1A173LCS3F	4	1/P	
104	6LA08935000	SCR-M3X6BISR-NI	11	10/P	
106	6LJ67412100	LVR-SENS-LNG_N	1	1/P	
107	6LJ67455000	SPG-T-LNG-3	1	1/P	





ITEM No.	PART No.	PART NAME	Q'TY / PAGE	Q'TY / PACK	REMARKS
1	6LK69806000	BRKT-ROL-FEED-AD_H617	1	1/P	
2	6LE50098000	ROL-TNSN-FEED	2	1/P	
3	6LE50102000	SPG-F-COV-JAM-SW	1	1/P	
4	E0-15605000	DE2L-BAAAY	1	1/P	
5	F0-01813000	LWS-1316S-V0	1	5/P	
6	F0-01810000	LWS-0511S-V0	1	5/P	
7	F0-01248000	ESC-0912	1	10/P	
8	6LE50867000	HRNS-RUBY-FEED1-623	1	1/P	
9	44204394000	SCREW20*D23	1	10/P	
10	6LE59774100	PLT-MOT-FEED-H617	1	1/P	
11	6LJ67258000	MOTR_S-RADF-FEED-H576	1	1/C	
12	6LJ67526000	SPG-E-8X0R9X24R5	1	1/P	
13	6LE59775000	PLT-MOT-REED-643	1	1/P	
14	6LJ67259000	MOTR_S-RADF-READ-H576	1	1/C	
15	6LE59800100	PLT-MOT-EXIT-H576	1	1/P	
16	6LE49517000	MOTR_S-RUBY-EXIT-623	1	1/C	
17	6LA08935000	SCR-M3X6BISR-NI	18	10/P	
18	F0-02142000	LF-1260ZZRP0P25LY551	2	1/P	
19	6LE59633000	PULLY-1R5GT40-6-SCW	2	1/P	
21	6LJ67481000	BELT-207-1R5GT-6	1	1/P	
22	6LJ67482000	BELT-150-1R5GT-8	1	1/P	
23	4401941910	BUSH-0610*95N-P	2	5/P	
24	6LJ67473000	PULLY-1R5GT46-6	1	1/P	
25	6LJ67467000	BELT-109_5-1R5GT-6	1	1/P	
26	6LE49854000	PULLY-1R5GT40-6-W	1	1/P	
27	6LH57699000	PULLY-1R5GT40-6-RD-O	1	1/P	
28	6LJ67468000	BELT-292_5-1R5GT-6	1	1/P	
29	6LE49810200	DIAL-RD-JAM-GRSG	1	1/P	
30	6LE50169000	SPG-E-MOT-READ	1	1/P	
33	6LE59794000	BRKT-ROL-READ-M	1	1/P	
34	6LE50110000	ASYS-PLT-TNSN	1	1/P	
35	6LK69914000	HRNS-RADF-MOT-H617	1	1/P	
36	6LE50134000	SPG-E-TNSN-READ	1	1/P	
38	6LJ67472000	PULLY-1R5GT41-8	1	1/P	
39	6LH53768000	BUSH-6-NU4	5	1/P	
40	6LA65698000	BUSH-8X12X8F	3	5/P	
41	6LE49743000	STOP-RING-6-5-POM	6	5/P	
42	44201492000	BUSH-6-POM	7	5/P	
43	6LK69851000	ASYS-PULLY-1R5GT38-6	1	1/P	
44	6LE50868000	HRNS-RADF-POSI-623	1	1/P	
45	6LK69854000	ASYS-CPG-FEED_H617	1	1/P	
46	6LJ67536000	BRKT-ROL-ALNG-AD	1	1/P	
47	X0-02420000	S/TPS/FHEXM/R-3X8-ZU3	2	10/P	
49	6LK69842000	GEAR-8H16_N	1	1/P	
50	6LK69839000	CPG-GEAR-PIN	1	1/P	
51	F0-00786000	EDS-17L	1	5/P	
52	6LK69852000	ASYS-GEAR-8H16	1	1/P	
53	6LK71662000	MYLAR-GUIDE-HRN	1	1/P	
101	X0-00966000	RR/E-5-SS	7	10/P	
102	6LB12138000	PIN-2X10	4	10/P	
104	F0-01493000	DS-02S	2	5/P	
105	X0-00426000	S/BID-M3X4-NI	4	10/P	
108	X0-00968000	RR/E-7-SS	3	10/P	
109	X0-00074000	S/PAN-M3X8-NI	3	10/P	





TOSHIBA

TOSHIBA TEC CORPORATION

1-11-1, OSAKI, SHINAGAWA-KU, TOKYO, 141-8562, JAPAN