

TOSHIBA

SERVICE PARTS LIST

Reversing Automatic Document Feeder

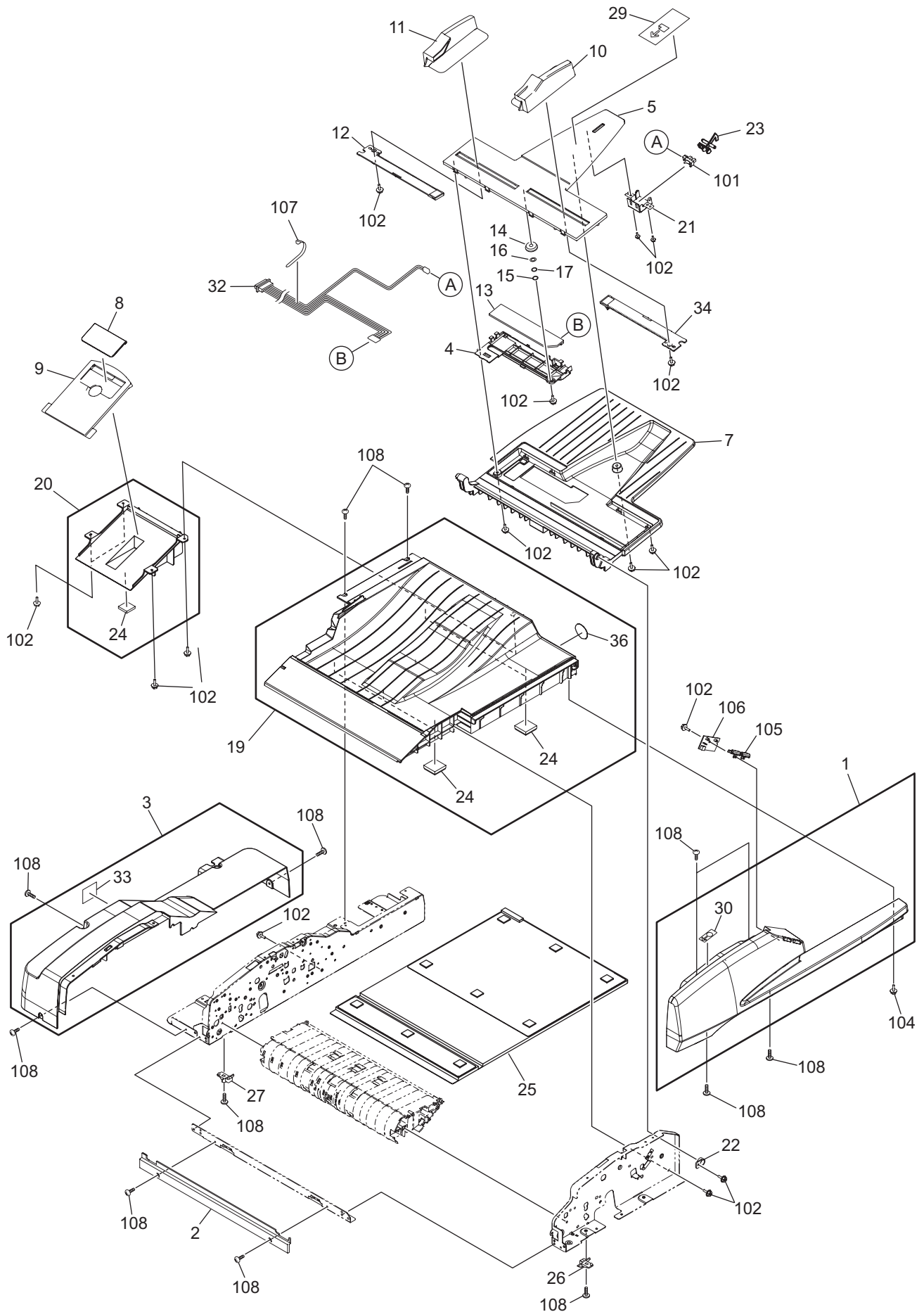
MR-3025

© 2013 TOSHIBA TEC CORPORATION All rights reserved

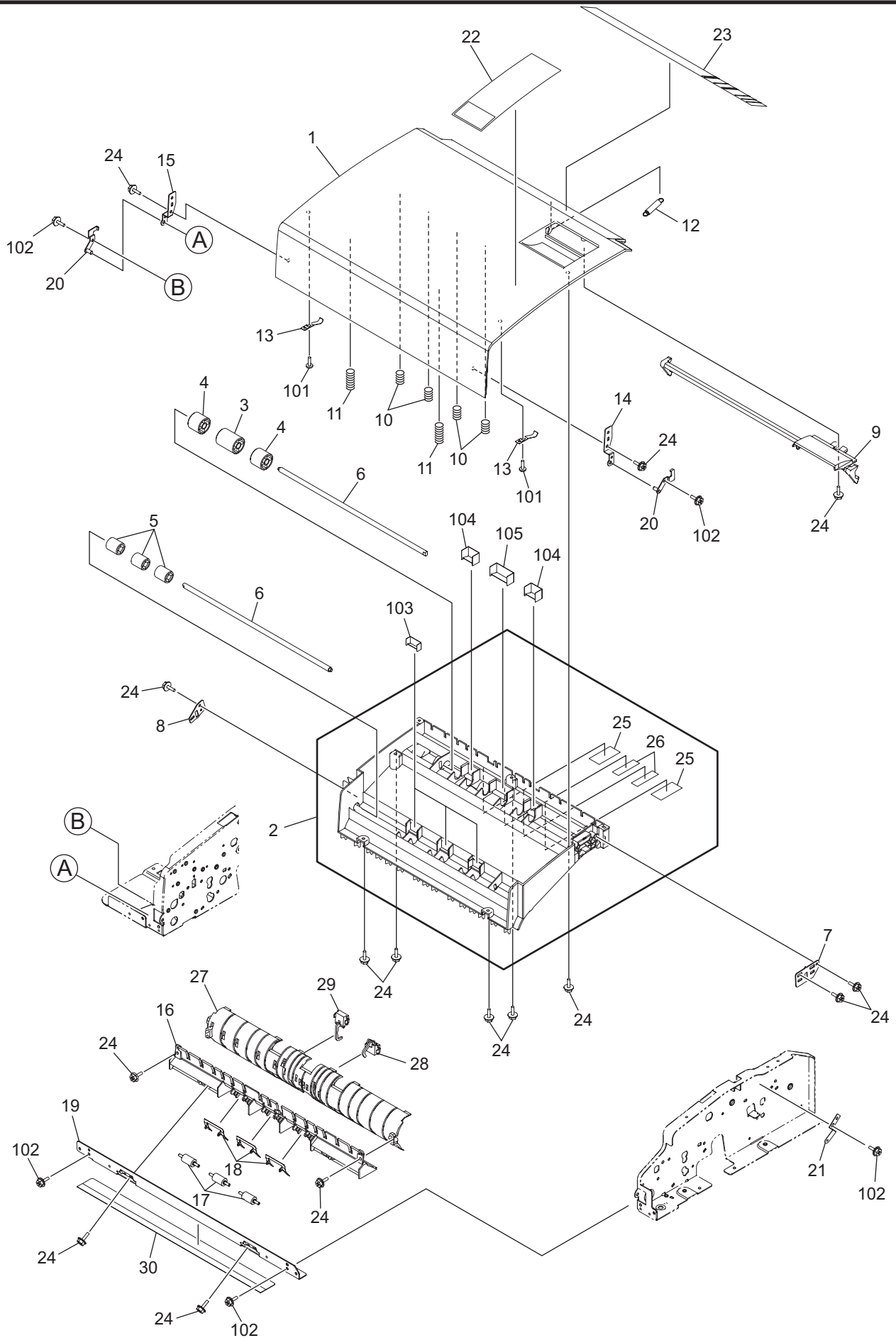
Under the copyright laws, this manual cannot be reproduced in any form without prior written permission of TOSHIBA TEC CORPORATION. No patent liability is assumed, however, with respect to the use of the information contained herein.

CONTENTS

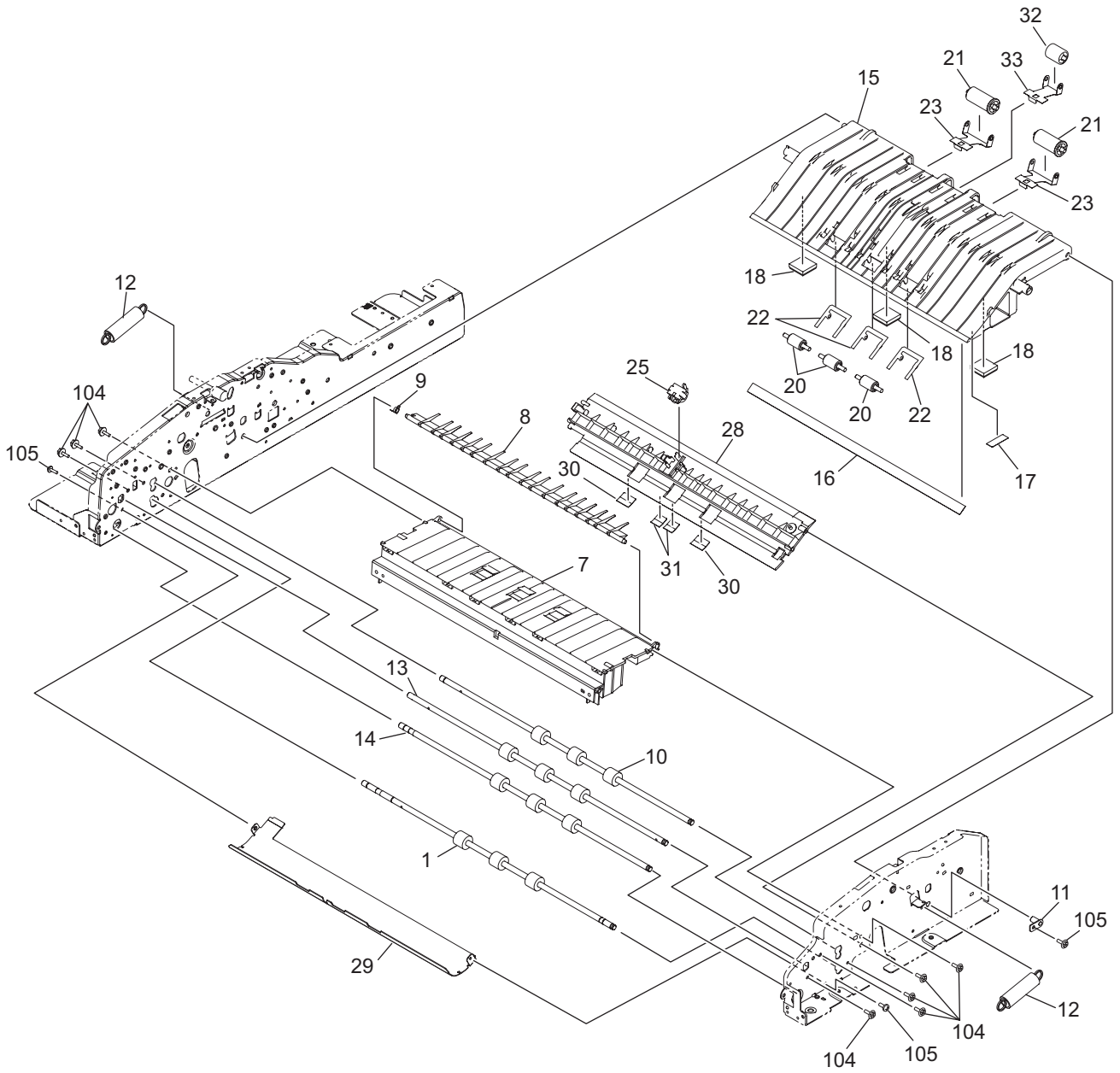
COVER-ASY	1
GUIDE-OPEN-ASY	2
FEED-1-ASY	3
FEED-2-ASY	4
FEED-3-ASY	5
FEED-DRIVE-ASY	6
HINGE-ASY.....	7
ACCESSARY & ROLLER-KIT.....	11



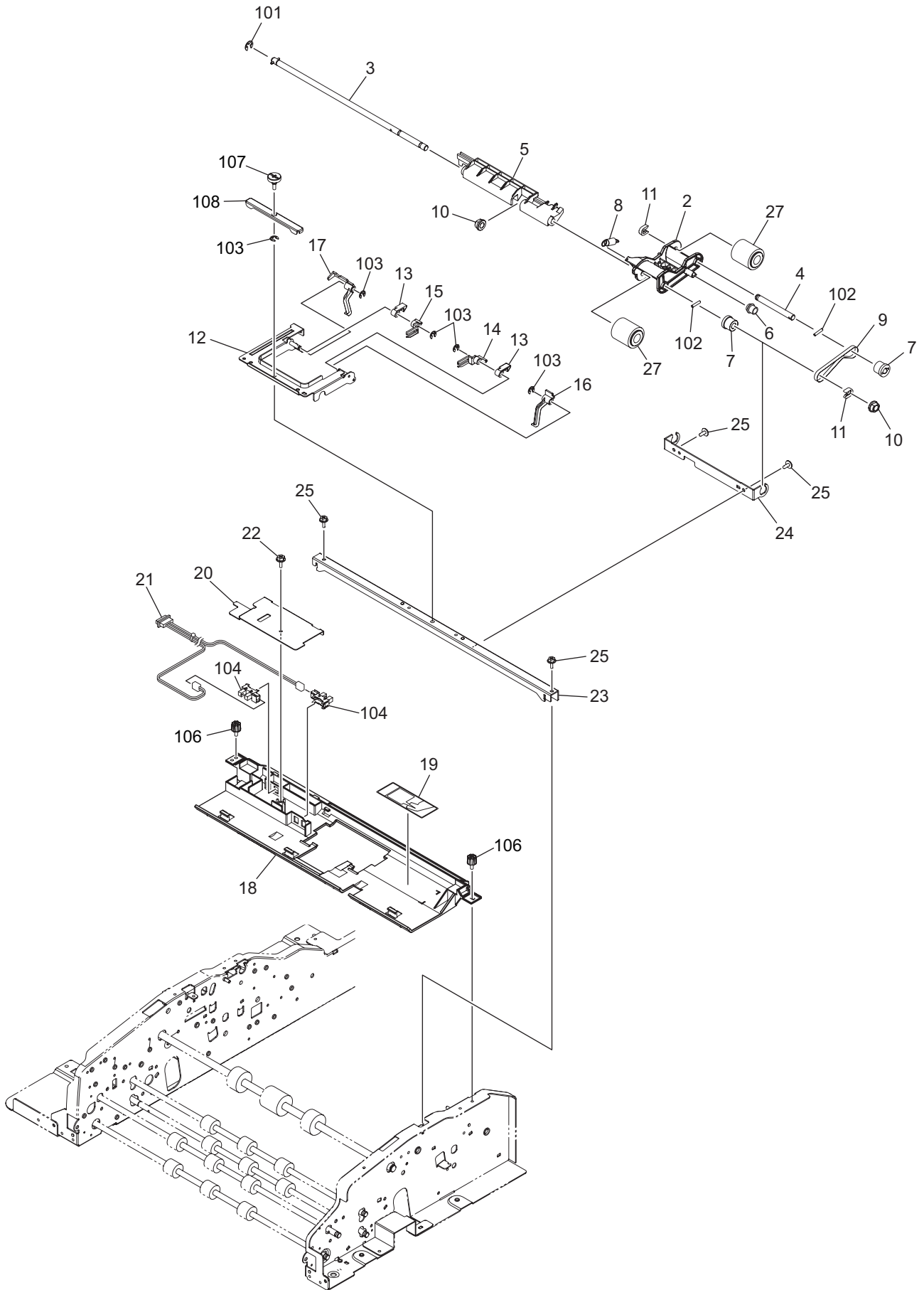
ITEM No.	PART No.	PART NAME	Q'TY / PAGE	Q'TY / PACK	REMARKS
1	6LH57607100	ASYS-COV-FRONT-H546	1	1/PP	
2	6LE50383000	COV-LEFT-U	1	1/PP	
3	6LH57608000	ASYS-COV-REAR-H502	1	1/PP	
4	6LJ67495000	ASYS-COVER-PWA-TRAY-SIZE	1	1/P	
5	6LE59915100	TRAY-INNER-TQ	1	1/PP	
7	6LE59912300	TRAY-ORIGINAL-PC-H576	1	1/PP	
8	6LE50002100	TRAY-SUB-EXT-IN-LG	1	1/PP	
9	6LH57619100	TRAY-SUB-EXIT-OUT-H502-LG	1	1/PP	
10	6LE59916100	ASYS-GID-TRY-F-502	1	1/D	
11	6LE59652100	ASYS-GID-TRY-R-PC-D	1	1/P	
12	6LE59922000	RACK-TRAY-PC	1	1/P	
13	6LE49586000	PWA-F-TRAY-623	1	1/S	
14	4407726480	PINION-18-395	1	1/P	
15	6LA78907000	WASHER-6R2X9R5XR13-PL	1	5/P	
16	F0-01324000	STW-FT60 T0.25	1	5/P	
17	4400974200	WASHER-W-6-10	1	10/P	
19	6LH57612000	ASYS-TRAY-EXIT-H502	1	1/PP	
20	6LH57611000	ASYS-HLDR-TRAY-SUB-H502	1	1/PP	
21	6LE50464100	HLDR-SENS-LE_576	1	1/P	
22	6LE50470000	HLDR-TRAY-F	1	1/P	
23	6LE50461300	ACT-SENSOR-TRAY-H502	1	1/P	
24	6LE49999000	ASYS-TAPE-MAGIC	6	1/P	
25	6LH57687000	ASYS-SHEET-PLTN	1	1/KP	
26	6LE59788000	STOP-SHEET-F-M	1	1/P	
27	6LE59789000	STOP-SHEET-R-M	1	1/P	
29	6LJ67409100	LABEL-CAUTION-546D	1	1/P	
30	6LH91067100	LABEL-JAM-1-546	1	5/P	
32	6LE49580000	HRNS-RUBY-TRAY-623	1	1/P	
33	6LH91066000	LBL.W-COV-PP	1	1/P	
34	6LE59921000	ASYS-RACK-TRY-PC	1	1/PP	
36	6LH57625000	SEAL-HIDE-HDL-HOLE	1	5/P	
101	C0-15172000	GP1A173LCS2F	1	1/C	
102	X0-02247000	S/TPP/FHEXM-3X8-NI	15	10/P	
104	X0-01989000	S/TPP/BID-3X8-NI	1	10/P	
105	6LJ67416000	LENZ-LED-H546	1	1/P	
106	6LJ67242000	PWA-H-LED-H546	1	1/C	
107	F0-00521000	SKB-1	1	5/P	
108	6LA08935000	SCR-M3X6BISR-NI	13	10/P	
110	6LE05773000	CLUTCH-6-RW-390	1	1/P	



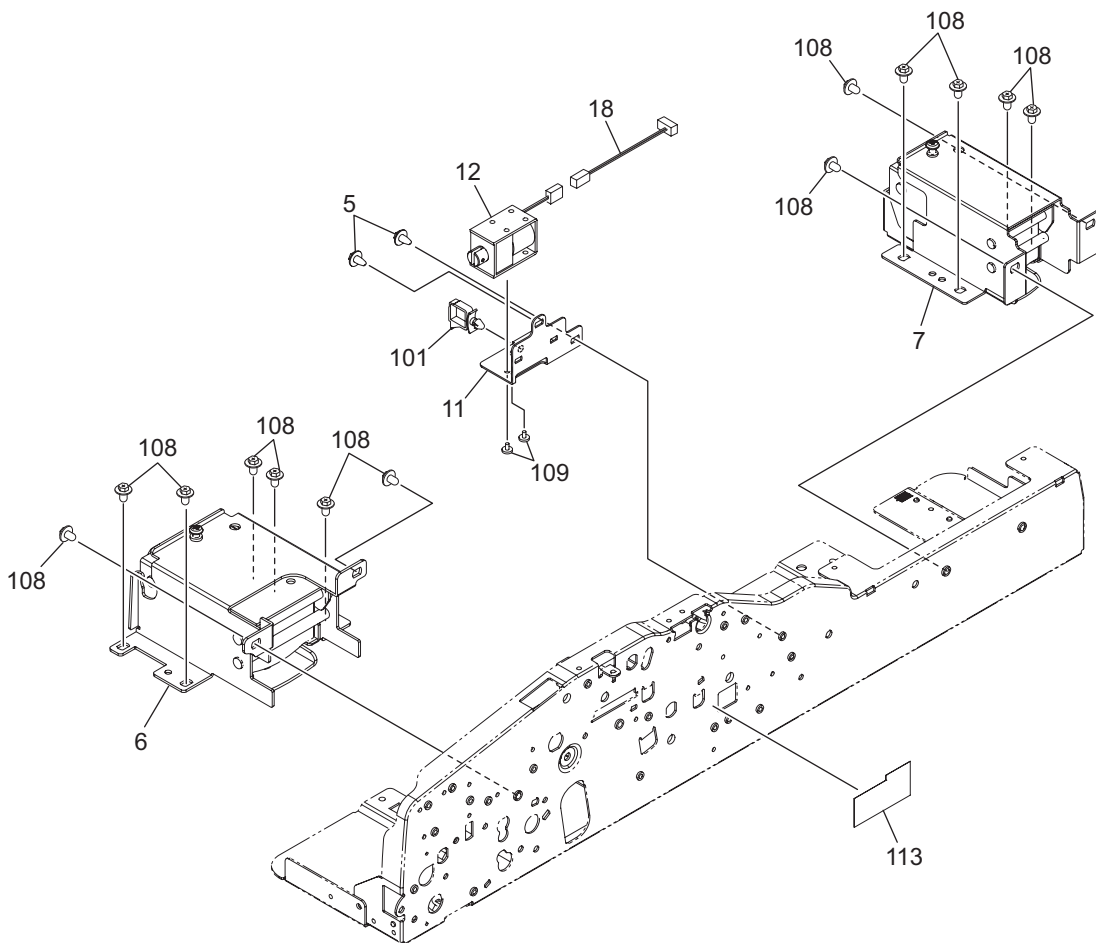
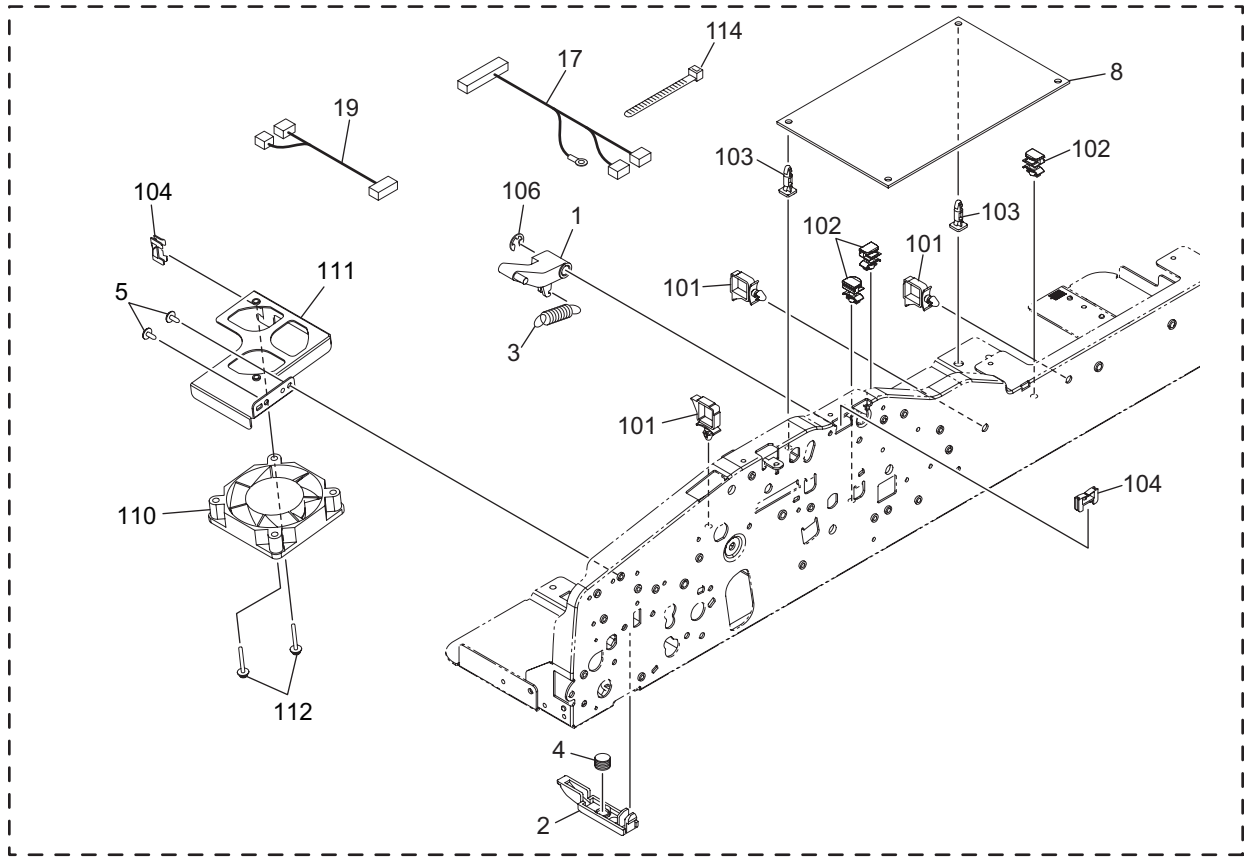
ITEM No.	PART No.	PART NAME	Q'TY / PAGE	Q'TY / PACK	REMARKS
1	6LE49778000	COV-JAM	1	1/PP	
2	6LE59637000	ASYS-GID-COV-JAM-M	1	1/PP	
3	6LE50402000	ROL-IDL-D22-L	1	1/P	
4	6LE50404000	ROL-IDL-D22	2	1/P	
5	6LE50406000	ROL-IDL-D16	3	1/P	
6	6LE50412000	SFT-IDL-ALNG	2	1/P	
7	6LE50414000	PLT-SFT-IDL-ALN	1	1/P	
8	6LE50415000	PLT-SFT-D16-RD	1	1/P	
9	6LE50416000	LEVER-COV-OPEN	1	1/PP	
10	6LE50419000	SPG-C-ROL-ALNG	4	1/P	
11	6LE50423000	SPG-C-ROL-MIDL	2	1/P	
12	6LE50425000	SPG-E-COV-JAM	1	1/P	
13	6LE50428000	SPG-F-GID-SB-PUSH	2	1/P	
14	6LH57676000	BRKT-COV-JAM-F	1	1/P	
15	6LH57674000	BRKT-COV-JAM-R	1	1/P	
16	6LE90507000	ASYS-GID-RI-D-N	1	1/KP	
17	6LE49897000	ASYS-ROL-IDL-D10	3	1/P	
18	6LE49910000	SPG-F-READ-IN-1.4	3	1/P	
19	6LE49911000	STAY-LEFT-D	1	1/P	
20	6LE49823000	ASYS-PLT-COV-JAM	2	1/P	
21	6LE49742000	SPG-F-EARTH-EXIT	1	1/P	
22	6LH91074000	LABEL-CLN-623	1	1/KP	
23	6LJ67408000	LABEL-SIZE-546	1	1/P	
24	X0-02247000	S/TPP/FHEXM-3X8-NI	15	10/P	
25	6LE50385000	CUSHION-RGST-1-L	2	1/P	
26	6LE50386000	CUSHION-RGST-3-L	2	1/P	
27	6LE59817000	ASYS-GID-RI-U-M	1	1/KP	
28	6LH06323000	SNSR-RADF-EXIT-430	1	1/C	
29	6LH57728000	SNSR-RADF-READ-502	1	1/C	
30	6LE59798000	FILM-STAY-LEFT-D	1	1/KP	
101	X0-01989000	S/TPP/BID-3X8-NI	2	10/P	
102	6LA08935000	SCR-M3X6BISR-NI	5	10/P	
103	6LE50401000	FILM-GID-COV-JAM-1	3	1/C	
104	6LE50403000	FILM-GID-COV-JAM-2	2	1/C	
105	6LE50405000	FILM-GID-COV-JAM-3	1	1/C	

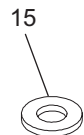
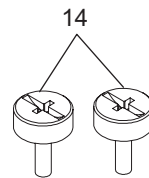
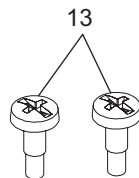
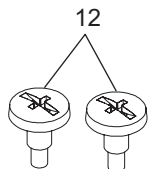
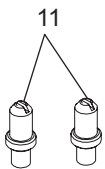
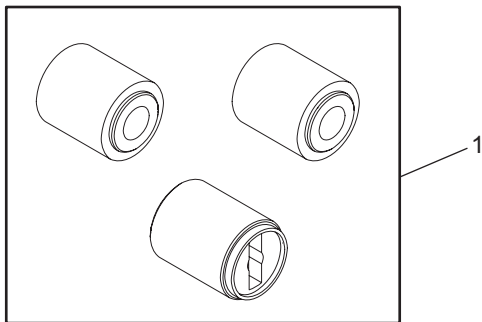


ITEM No.	PART No.	PART NAME	Q'TY / PAGE	Q'TY / PACK	REMARKS
1	6LE50194100	LEVER-CAM-RET-5330	1	1/KP	
2	6LE50198000	ARM-LVR-CAM-RET	1	1/P	
3	6LE50202000	SPG-T-LVR-CAM-RET	1	1/P	
4	44201492000	BUSH-6-POM	2	5/P	
5	6LE49743000	STOP-RING-6-5-POM	4	5/P	
6	6LE50228000	LEVER-SENS-ALNG	1	1/P	
7	6LE50231000	LEVER-SENS-WIDTH	2	1/P	
8	6LE50234000	SPG-T-LVR-ALNG	1	1/P	
10	6LE50296000	ASYS-ROL-RET	1	1/P	
11	6LE50237000	ASYS-SFT-RET-1	1	1/P	
12	6LH04750000	TL-SEP-ROL-Y-N	1	1/P	
13	6LE50406000	ROL-IDL-D16	3	1/P	
14	6LE49866100	ASYS-GID-SB-J-546	1	1/PP	
15	6LE50411000	SFT-IDL-D16	1	1/P	
16	6LE50044000	PLT-SFT-IDL-D16	1	1/P	
17	6LE50046000	SPG-C-SB-ALNG	4	1/P	
18	X0-02252000	S/TPP/FHEXM-4X10-NI	1	10/P	
19	6LE59908100	ASYS-GID-EXT-U-PC-546	1	1/KP	
20	6LJ67479000	ASYS-GID-FD-D-H576	1	1/P	
25	6LE59635000	ROL-EXIT-PC-PS	1	1/KP	
29	6LE59825000	SPG-C-ROL-RET-5UP	2	1/P	
30	6LE49830000	ROL-ALNG-PS	1	1/KP	
31	6LE50252000	HLDR-SFT-RET	2	1/P	
32	6LJ67443000	ASYS-COV-RET-H546	1	1/P	
34	6LH91071100	LABEL-JAMOP-2-GRSG	1	5/P	
35	6LJ67218000	HRNS-RADF-ALIGN2-H546	1	1/P	
36	6LJ67462000	BRUSH-ERS-L	1	1/KP	
38	6LE50233000	FILM-ALNG-IN-D-S-0.05	2	1/P	
39	6LE50232000	FILM-ALNG-IN-D-L-0.05	1	1/P	
101	6LB12138000	PIN-2X10	1	10/P	
102	C0-15172000	GP1A173LCS2F	4	1/C	
104	6LA08935000	SCR-M3X6BISR-NI	4	10/P	
106	6LJ67412000	LVR-SENS-LNG	1	1/P	
107	6LJ67455000	SPG-T-LNG-3	1	1/P	



ITEM No.	PART No.	PART NAME	Q'TY / PAGE	Q'TY / PACK	REMARKS
1	6LE50089000	ASYS-BRKT-R-FED	1	1/P	
2	6LE50098000	ROL-TNSN-FEED	2	1/P	
3	6LE50102000	SPG-F-COV-JAM-SW	1	1/P	
4	E0-01859000	DE2L-BAAA	1	1/P	
5	F0-01813000	LWS-1316S-V0	1	5/P	
6	F0-01810000	LWS-0511S-V0	1	5/P	
7	F0-01248000	ESC-0912	1	10/P	
8	6LE50867000	HRNS-RUBY-FEED1-623	1	1/P	
9	44204394000	SCREW20*D23	1	10/P	
10	6LE59774000	PLT-MOT-FEED-643	1	1/P	
11	6LJ67258000	MOTR_S-RADF-FEED-H576	1	1/C	
12	6LE59844000	SPG-E-9R6X1X23R2	1	1/P	
13	6LE59775000	PLT-MOT-REED-643	1	1/P	
14	6LJ67259000	MOTR_S-RADF-READ-H576	1	1/C	
15	6LE59800100	PLT-MOT-EXIT-H576	1	1/P	
16	6LE49517000	MOTR_S-RUBY-EXIT-623	1	1/C	
17	6LA08935000	SCR-M3X6BISR-NI	18	10/P	
18	F0-02142000	LF-1260ZZRP0P25LY551	2	1/P	
19	6LE59633000	PULLY-1R5GT40-6-SCW	2	1/P	
21	6LJ67481000	BELT-207-1R5GT-6	1	1/P	
22	6LJ67482000	BELT-150-1R5GT-8	1	1/P	
23	4401941910	BUSH-0610*95N-P	2	5/P	
24	6LJ67473000	PULLY-1R5GT46-6	1	1/P	
25	6LJ67467000	BELT-109_5-1R5GT-6	1	1/P	
26	6LE49854000	PULLY-1R5GT40-6-W	1	1/P	
27	6LH57699000	PULLY-1R5GT40-6-RD-O	1	1/P	
28	6LJ67468000	BELT-292_5-1R5GT-6	1	1/P	
29	6LE49810200	DIAL-RD-JAM-GRSG	1	1/P	
30	6LE50169000	SPG-E-MOT-READ	1	1/P	
33	6LE59794000	BRKT-ROL-READ-M	1	1/P	
34	6LE50110000	ASYS-PLT-TNSN	1	1/P	
35	6LJ67219000	HRNS-RADF-MOT-H546	1	1/P	
36	6LE50134000	SPG-E-TNSN-READ	1	1/P	
38	6LJ67472000	PULLY-1R5GT41-8	1	1/P	
39	6LH53768000	BUSH-6-NU4	6	1/P	
40	6LA65698000	BUSH-8X12X8F	3	5/P	
41	6LE49743000	STOP-RING-6-5-POM	6	5/P	
42	44201492000	BUSH-6-POM	7	5/P	
43	6LJ67471000	PULLY-1R5GT38-6-F	1	1/P	
44	6LE50868000	HRNS-RADF-POSI-623	1	1/P	
45	6LE50061000	ASYS-CPG-FED	1	1/P	
101	X0-00966000	RR/E-5-SS	5	10/P	
102	6LB12138000	PIN-2X10	3	10/P	
104	F0-01493000	DS-02S	2	5/P	
105	X0-00426000	S/BID-M3X4-NI	4	10/P	
108	X0-00968000	RR/E-7-SS	2	10/P	
109	X0-00074000	S/PAN-M3X8-NI	3	10/P	
110	6LE05773000	CLUTCH-6-RW-390	1	1/P	
111	6LJ67474000	CLUTCH-8-R	1	1/P	





TOSHIBA

TOSHIBA TEC CORPORATION

1-11-1, OSAKI, SHINAGAWA-KU, TOKYO, 141-8562, JAPAN