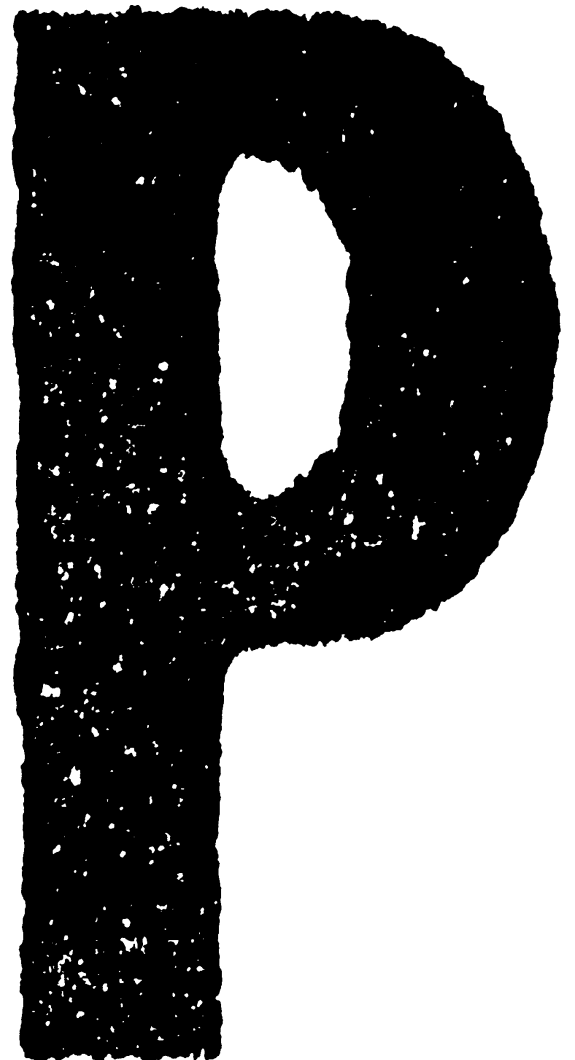


TOSHIBA

SERVICE PARTS LIST

LARGE CAPACITY FEEDER

MP-4004



© 2005 TOSHIBA TEC CORPORATION

All rights reserved

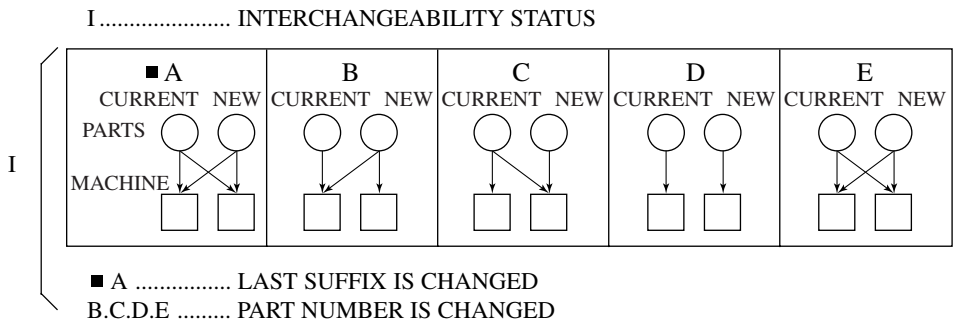
EXPLANATION OF SERVICE-PARTS LIST

1. HOW TO READ THE PARTS LIST

- (1) Number of pieces
The number of pieces in the list denotes total pieces used per unit. But the numbers in the list for PACKING MATERIAL and ACCESSORY denote total pieces used per machine.
- (2) One pack of screws in the list includes 50 pieces.
- (3) ABBREVIATED CODES

QTY/PAC	{	QTY	one piece
		PAC	one pack
		1/P	one piece packed in polyethylene bag
		1/S	one piece packed in special pack
		1/C	one piece packed in carton box
		1/PP	one piece packed in paper and polyethylene bag
		1/KP	one piece packed in polyethylene bag with cardboard
		1/D	one piece packed in polyethylene-cushion bag
N/A	not available		

P	{	P	PURPOSE
		A	ADD
		B	DELETE
		C	CHANGE
		D	QTY, CHANGE
		E	MISENTRY
		F	OMISSION



2. HOW TO PLACE ORDER FOR PARTS

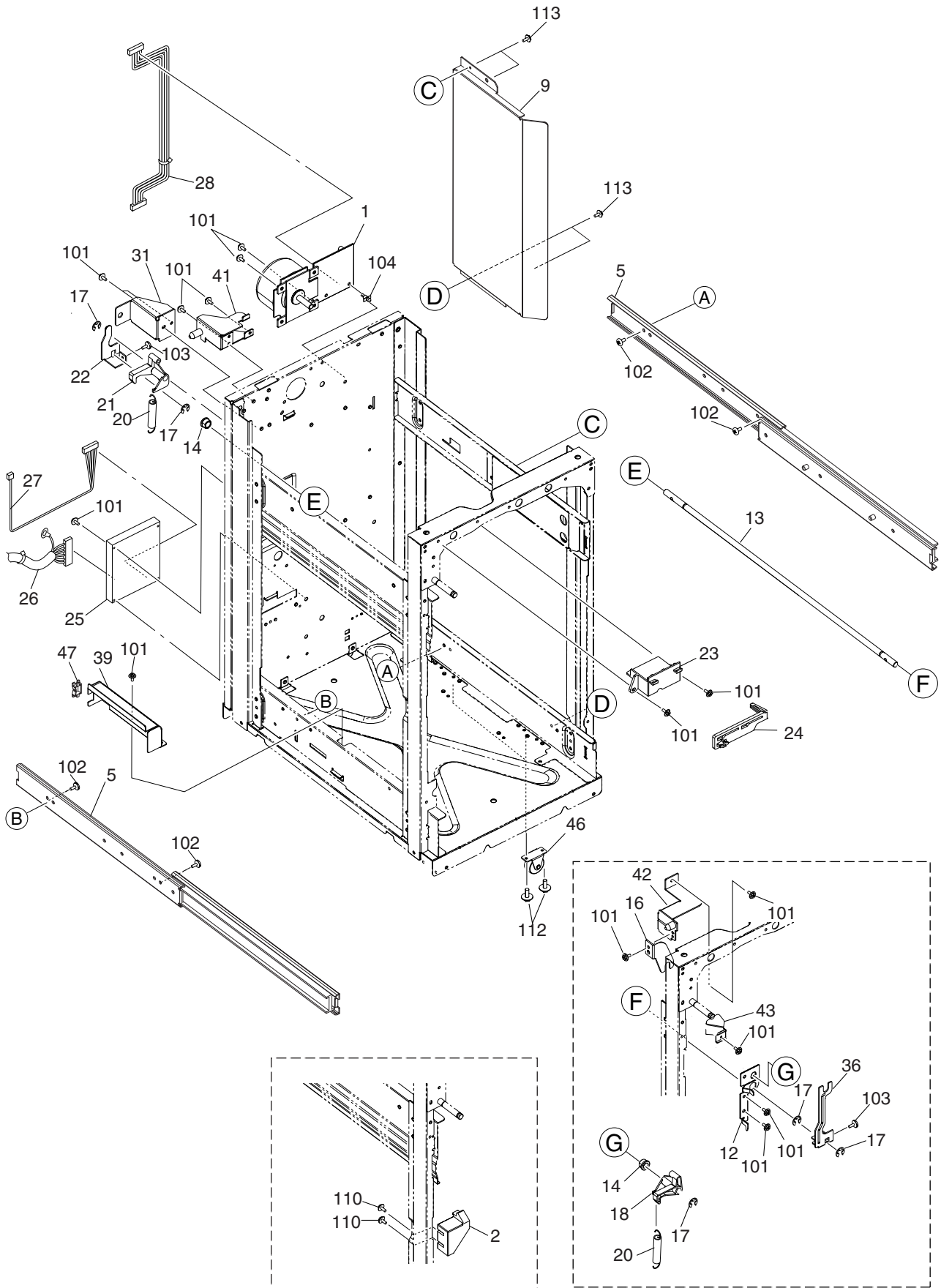
- (1) The parts handled as service parts are only those with their "QTY/PACK" column listed with a quantity other than "N/A***" or "SUPPLY".
Those parts with "N/A***" are listed only for the purpose of showing the mechanical construction, those listed with "SUPPLY" are handled only as a sales item, and therefore both types of parts are not supplied as service parts.
- (2) Orders for any parts which form a component of a semi-assembled unit are not acceptable.
Note: All the screws and nuts used are ISO standard.

3. REGION

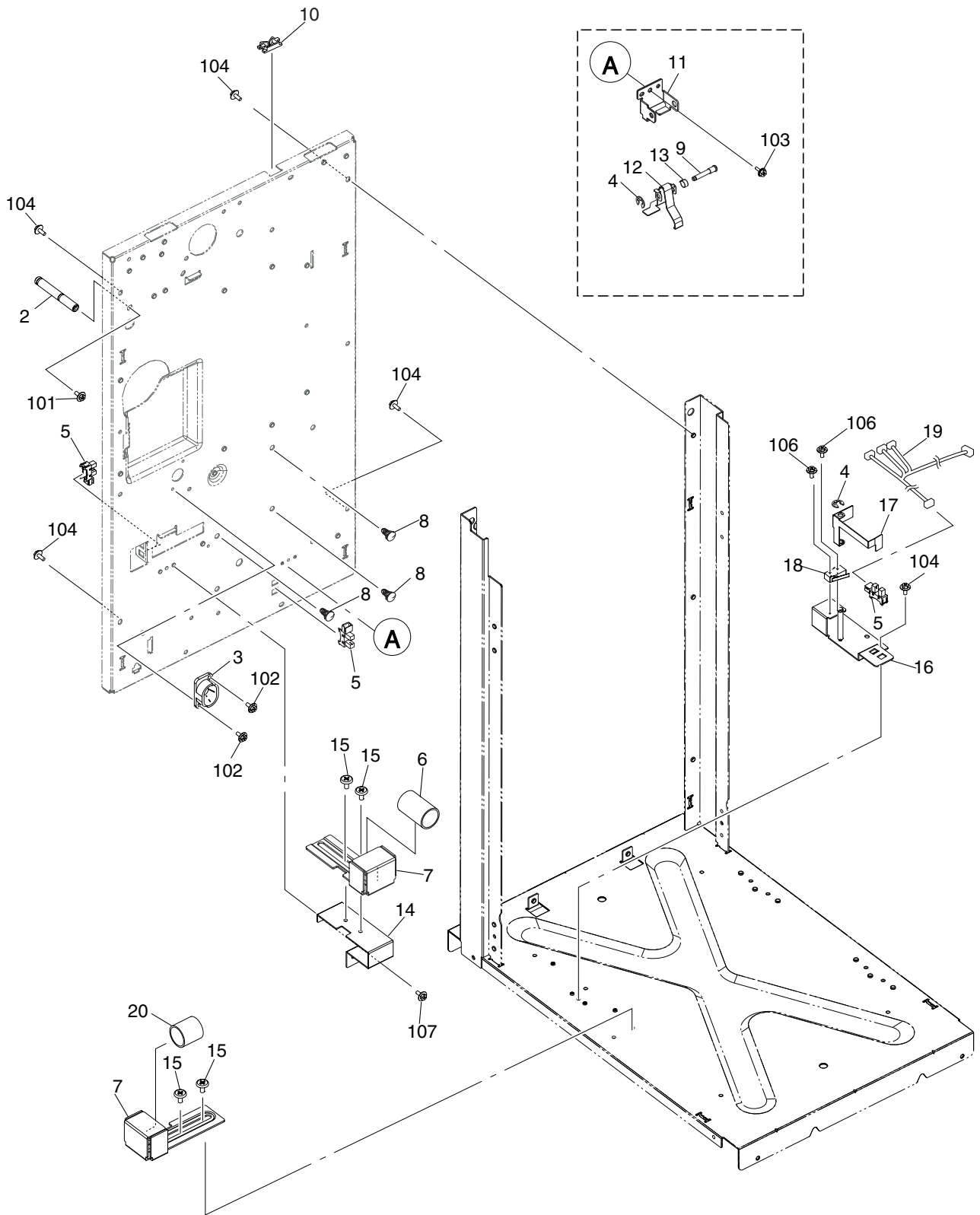
NAD	115V
	50/60Hz, NORTH AMERICA, SOUTH AMERICA
TWD	110/220V
	50/60Hz, TAIWAN
SAD	127V/60Hz, SAUDI ARABIA
ASD	220-240V
	50/60Hz, ASIA, SOUTH AMERICA, etc.
ASU	220-240V
	50/60Hz, ASIA, etc.
AUD	220-240V
	50/60Hz, AUSTRALIA
MJD	220-240V
	50/60Hz, EUROPE
CND	220-240V
	50/60Hz, CHINA
KRD	220-240V
	50/60Hz, KOREA

CONTENTS

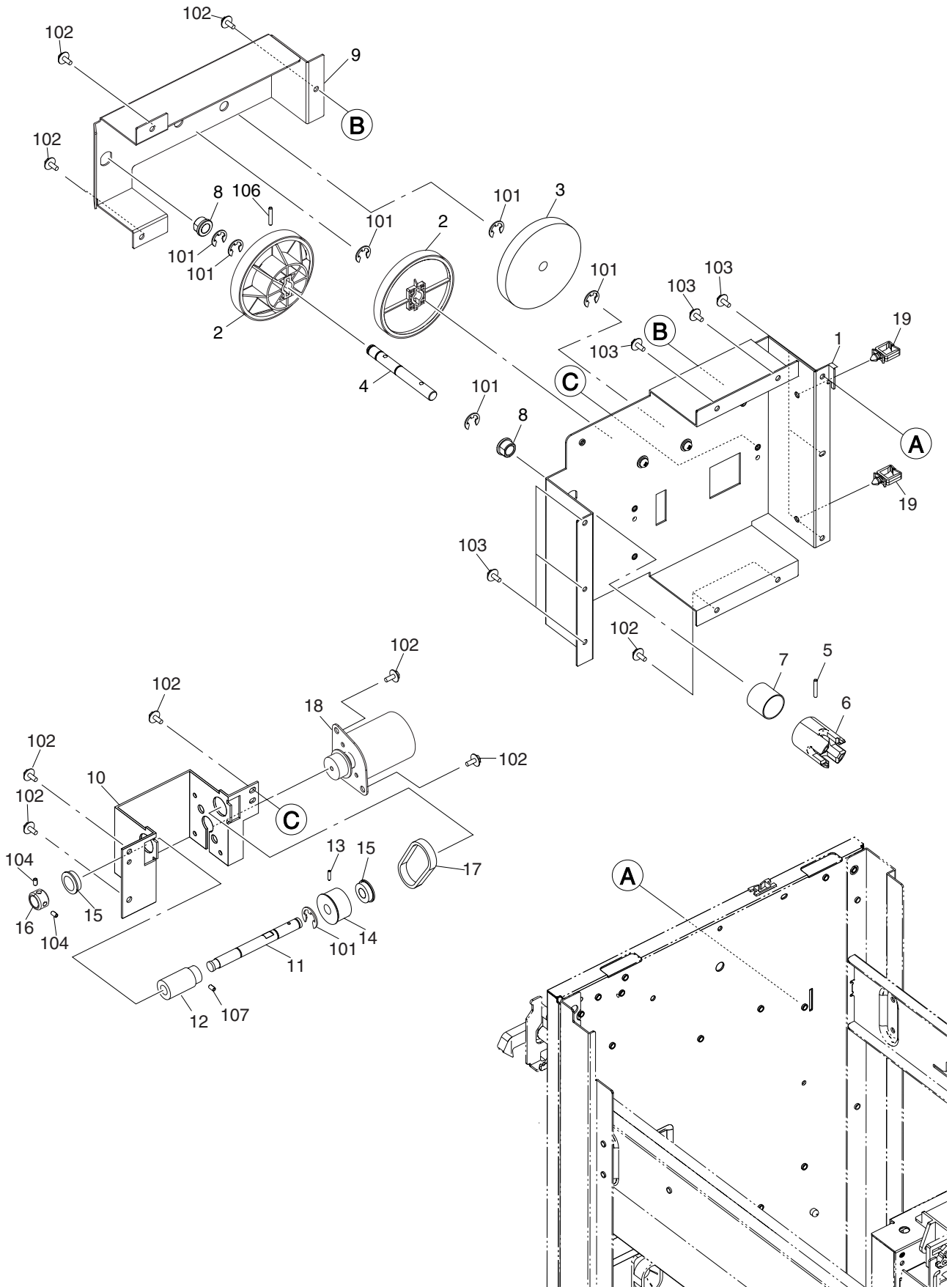
FRAME-1-ASM	1
FRAME-2-ASM	2
TRAY-DRIVE-ASM	3
PAPER-FEED-1-ASM	4
PAPER-FEED-2-ASM	5
CST-FRAME-ASM	6
CST-TRAY-ASM	7
COVER-ASM	8
ATTACH-ASM	9
ROL-KIT	10



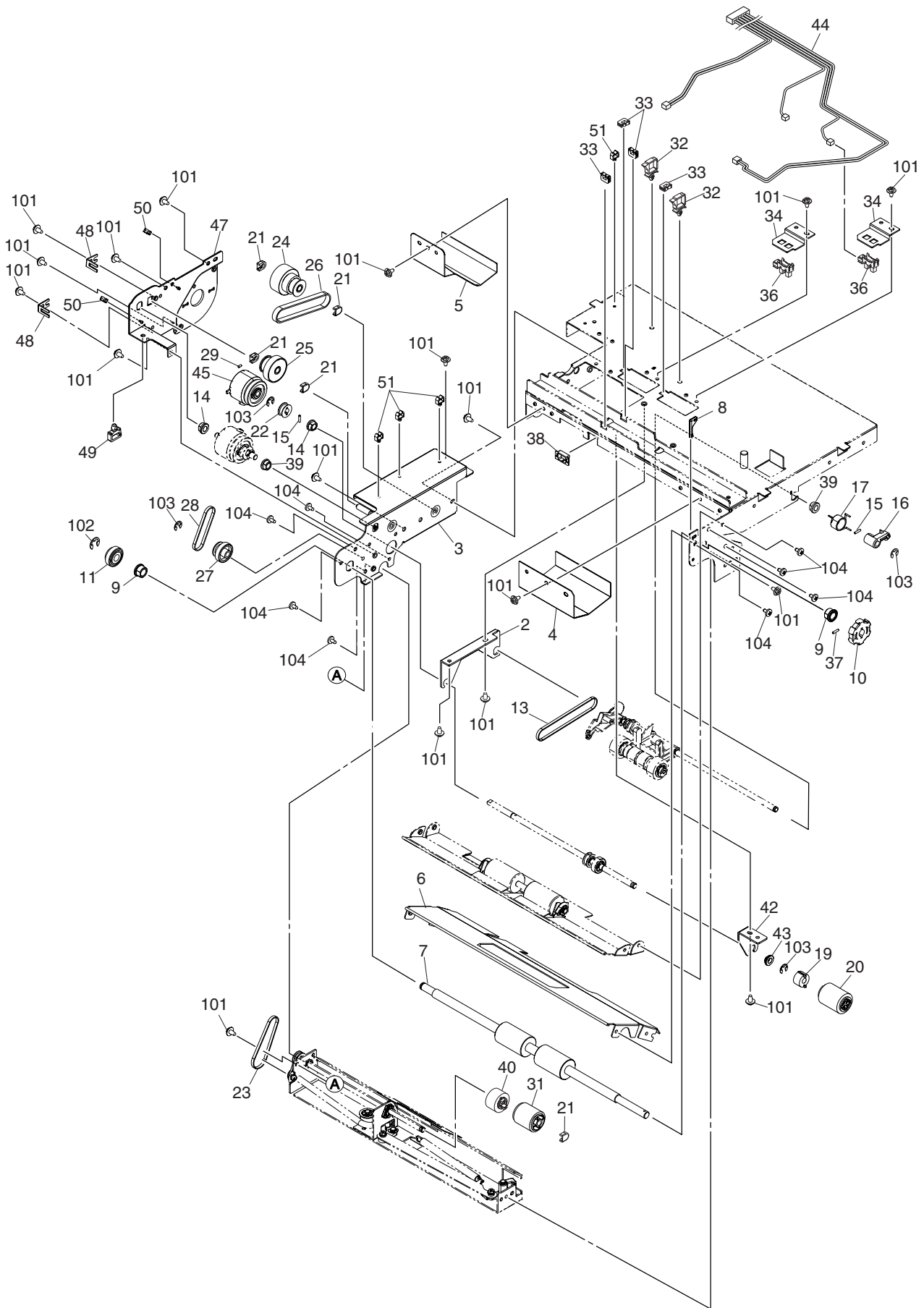
ITEM NO.	PARTS NO.	PARTS NAME	Q'TY / PAGE	Q'TY / PACK	P	I	R	BSI NO.	TO	T	FROM	SERIAL NO.	REMARKS	C
1	6LA62281000	MOTR_D-MAIN-360		11/C										
2	6LA10430000	LOCK-CST		11/P										
5	6LA10404000	RAIL-CST-LCF		21/P										
9	6LA10379000	GUIDE-STAY-LCF-R		11/PP										
12	6LA10481000	BRKT-LOCK-F		11/P										
13	6LE07812000	SHAFT-UNLOCK		11/P										
14	6LA65698000	BUSH-8X12X8F		25/P										
16	6LA10657000	BRKT-STUD-RATCH		11/P										
17	X0-00968000	RR/E-7-SS		510/P										
18	6LA10445000	LOCK-F		11/P										
20	6LA10416000	SPE-LOCK		21/P										
21	6LA10446000	LOCK-R		11/P										
22	6LA10438000	BRKT-LOCK-SUB-R		11/P										
23	6LE07861000	GUIDE-LEV-U		11/P										
24	6LA10440000	GUIDE-LEV-TOP		11/P										
25	6LE07930000	PWA-F-LCF-605		11/SB										
26	6LE07933000	HRNS-LCF-MAIN-605		11/P										
27	6LE07935000	HRNS-LCF-RLY-605		11/P										
28	6LE07939000	HRNS-LCF-MOT-605		11/P										
31	6LA10443000	BRKT-LOCK-REINF		11/P										
36	6LA10434000	BRKT-LOCK-SUB-F		11/P										
39	6LA10497000	BRKT-SW-LCF		11/P										
41	6LA10402000	ASYS-BKT-LOCK-R		11/P										
42	6LA10658000	ASYS-LOCK-LCF-F		11/P										
43	6LA10415000	BRKT-SLOPE-JA		11/P										
46	6LE07847000	CASTER-LCF-F605		21/P										
47	F0-01248000	ESC-0912		110/P										
101	6LA08934000	SCR-M4*8ITSR-NI		1510/P										
102	6LE07894000	S/TPS/BID/R-4*7-ZN3		45/P										
103	6LA08905000	S/HEX-M4*8-NI		210/P										
104	F0-00340000	SPLSN-4U		15/P										
110	6LA08921000	S/TPP/HEX-4*8-NI		210/P										
112	6LA08913000	S/TPS/HEX-4*8-NI		410/P										
113	6LA08909000	S/TPS/HEX-3*8-NI		410/P										



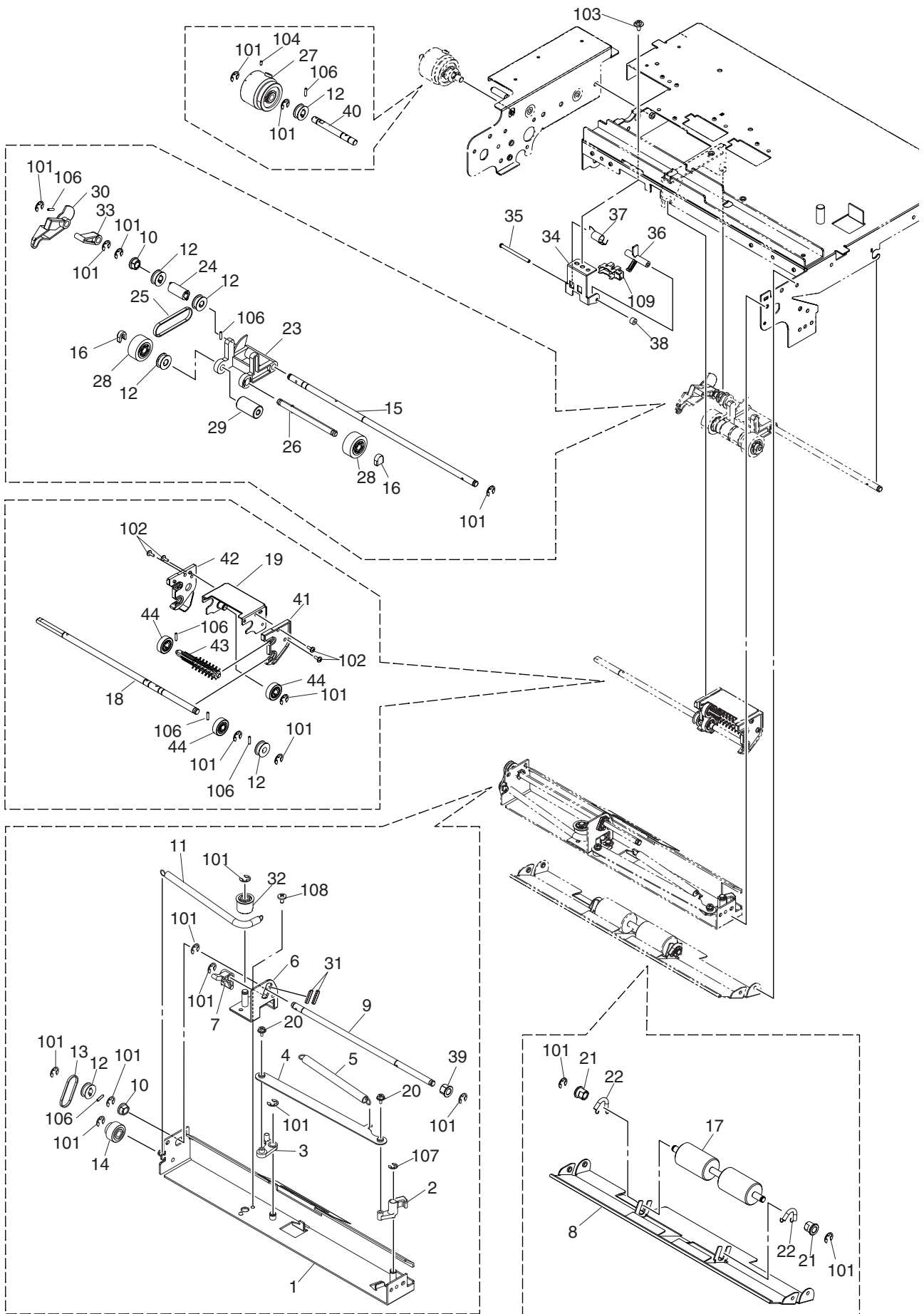
ITEM NO.	PARTS NO.	PARTS NAME	Q'TY / PAGE	Q'TY / PACK	PIR	BSI NO.	TO	T	FROM	SERIAL NO.	REMARKS	C
2	6LE07809000	STUD-LOCK-R		1/1/P								
3	4402480860	GUIDE-LCF-REAR		1/1/P								
4	X0-00964000	RR/E-3-SS		2/10/P								
5	C0-10813000	GP1A73ARJ00F		3/1/P								
6	6LA10752000	SPRING-PUSH-R		1/5/P								
7	6LA10988000	BRKT-SPC-OPEN		2/1/P								
8	F0-00226000	KGLS-6RT		3/5/P								
9	6LA10981000	PIN-ACTR		1/5/P								
10	F0-01248000	ESC-0912		1/10/P								
11	6LA10982000	BRKT-SENSOR-BTM		1/1/P								
12	6LA10983000	ACTR-SENSOR-BTM		1/1/P								
13	6LA10984000	SPRING-SEN-BTM		1/5/P								
14	6LA10989000	BRKT-PUSH-BASE		1/1/P								
15	6LE07880000	SCREW-LCF-M4		4/5/P								
16	6LA10741000	K-BRKT-SW-OPEN		1/1/P								
17	6LA10745000	SPRING-SW-LCF		1/5/P								
18	E0-05578000	DE2L-BALB		1/1/D							SWITCH	
19	6LE07936000	HRNS-LCF-INSW-605		1/1/P								
20	6LA10744000	SPRING-PUSH		1/5/P								
101	6LA08905000	S/HEX-M4*8-NI		1/10/P								
102	X0-00676000	S/TPS/BID-3X6-NI		2/10/P								
103	6LA08935000	SCR-M3X6BISR-NI		1/10/P								
104	6LA08934000	SCR-M4*8ITSR-NI		5/10/P								
106	44204394000	SCREW20*D23		2/10/P								
107	6LA08934000	SCR-M4*8ITSR-NI		1/10/P								



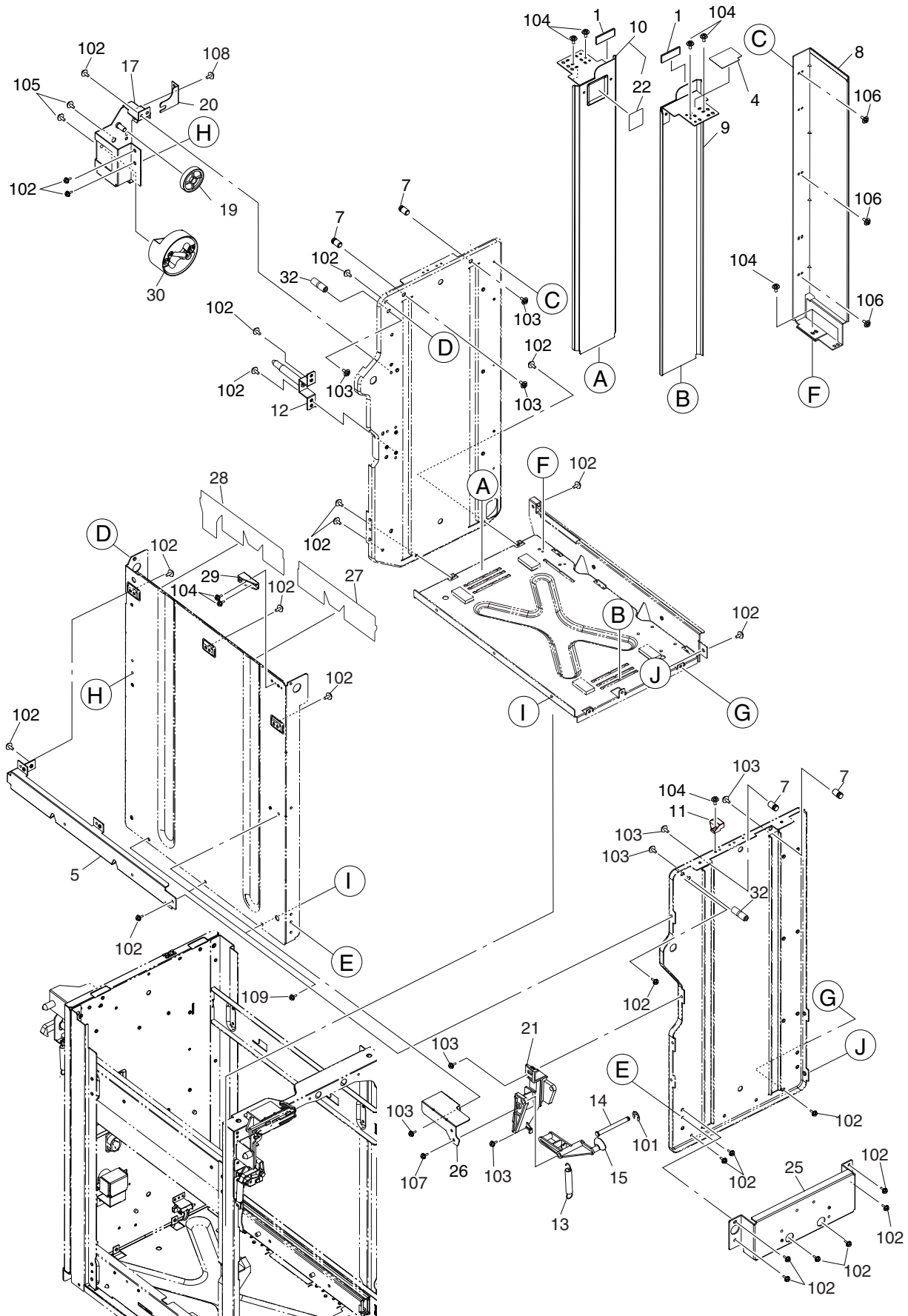
ITEM NO.	PARTS NO.	PARTS NAME	Q'TY / PAGE	Q'TY / PACK	P I R	B S I NO.	T O	T	F R O M	S E R I A L NO.	R E M A R K S	C
1	6LA10773000	K-BASE-DRV-TRAY		1/1/P								
2	6LA10776000	GEAR-TRAY-UP		2/1/P								
3	6LA14830000	WORM-WHEEL-74		1/1/P								
4	6LA10775000	SFT-TRAY-GEAR		1/1/P								
5	X0-01535000	P/PRL/AH7-3X12-SS		1/5/P								
6	6LA10469000	COUPLING-LCF		1/5/P								
7	6LA10489000	SPRING-CPG-TRAY		1/5/P								
8	6LA65698000	BUSH-8X12X8F		2/5/P								
9	6LA10774000	BRKT-TRAY-GEAR2		1/1/P								
10	6LE07895000	BRKT-DRIVE-1		1/1/P								
11	6LE07814000	SHAFT-WORM-LCF		1/1/P								
12	4401908270	WORM-1.0-16		1/1/P								
13	X0-01526000	P/PRL/AH7-2X12-SS		1/10/P								
14	4401908170	PLY/T-3GT-22		1/1/P								
15	4408510800	BRG-688ZZNR		2/1/P								
16	6LE07815000	STOPPER-WORM-LCF		1/1/P								
17	4401908140	BLT/T-3GT123-60		1/1/P								
18	6LE07848000	ASYS-MOTR-TRAY-605		1/1/C								
19	FO-01243000	LWS-1211Z		2/5/P								
101	X0-00968000	RR/E-7-SS		7/10/P								
102	6LA08913000	S/TPS/HEX-4*8-NI		16/10/P								
103	6LA08934000	SCR-M4*8ITSR-NI		8/10/P								
104	X0-00730000	S/SET/K-M3X4-B		2/10/P								
106	X0-01169000	P/PRL/AH7-3X14-SS		1/10/P								
107	X0-00734000	S/SET/K-M4X4-B		1/10/P								



ITEM NO.	PARTS NO.	PARTS NAME	Q'TY / PAGE	Q'TY / PACK	P I R	B S I NO.	T O	T	F R O M	S E R I A L NO.	R E M A R K S	C
2	6LA10517000	BKT-ROL-FED-LCF		11/P								
3	6LE07870000	ASYS-PLT-DRV-FEED		11/P								
4	6LA10515000	GUIDE-FEED-LCF		11/P								
5	6LA10516000	GUIDE-FEED-L-R		11/P								
6	6LA10577000	GUIDE-TR-LCF-L		11/P								
7	6LE07819000	ROL-TRANS-LCF		11/KP								
8	6LA10685000	CAP-FRAME-FEED		11/P								
9	6LA65698000	BUSH-8X12X8F		25/P								
10	6LE07862000	HANDLE-TR-LCF		11/P								
11	6LA10529000	GEAR-10S020-08		11/P								
13	4401771980	BELT-106096-2.5		11/P								
14	4407734980	BUSH-6-GCB		25/P								
15	X0-00979000	P/PRL/AH7-2X8-SS		210/P								
16	6LA10554000	LEV-PICK-ROL		11/P								
17	6LA10555000	SPR-LEV-PICK		15/P								
19	4402833100	CLUTCH-6-R		11/P								
20	6LA04047000	ASYS-ROL-FEED		11/P								
21	4407972860	STOP-RING-6-5		55/P								
22	4400884670	PLY-20-ROL		11/P								
23	6LA10547000	BLT/T-138-2GT		11/P								
24	6LE07878000	GEAR-05H57-P2M26-6		11/P								
25	6LE07879000	GEAR-10H27-PS2M26-6		11/P								
26	6LE07877000	BLT-T-188-2GT-6		11/P								
27	6LA10537000	PG-G20-P20		11/P								
28	6LA10668000	BLT-T-114-2GT		11/P								
29	X0-00730000	S/SET/K-M3X4-B		110/P								
31	6LA10749000	ASYS-ROL-SPT-LCF		11/P								
32	F0-01243000	LWS-1211Z		25/P								
33	F0-00120000	ES-0505-2		45/P								
34	6LA10501000	BRKT-SENS-FEED		21/P								
36	C0-10813000	GP1A73ARJ00F		21/P								
37	X0-01526000	P/PRL/AH7-2X12-SS		110/P								
38	F0-01248000	ESC-0912		110/P								
39	44201492000	BUSH-6-POM		25/P								
40	6LA15790000	TL-SEP-ROL-Y		11/P								
42	6LE07842000	BRKT-ROL-FEED-605		11/P								
43	44201994000	BUSH-6-3.7-GCB		15/P								
44	6LE07934000	HRNS-LCF-UP-605		11/P								
45	4401969940	ASM-CLT-G28-CC6		11/D								
47	6LE07873000	PLT-DRV-MTR-OUT		11/P								
48	6LE07874000	PLT-CLT-LCF		21/P								
49	F0-00235000	LWS-1S		15/P								
50	F0-01395000	RIMC-01TV0		25/P								
51	F0-00044000	UAMS-05-2		45/P								
101	6LA08934000	SCR-M4*8ITSR-NI		1810/P								
102	X0-00968000	RR/E-7-SS		110/P								
103	X0-00966000	RR/E-5-SS		410/P								
104	6LE07894000	S/TPS/BID/R-4*7-ZN3		85/P								

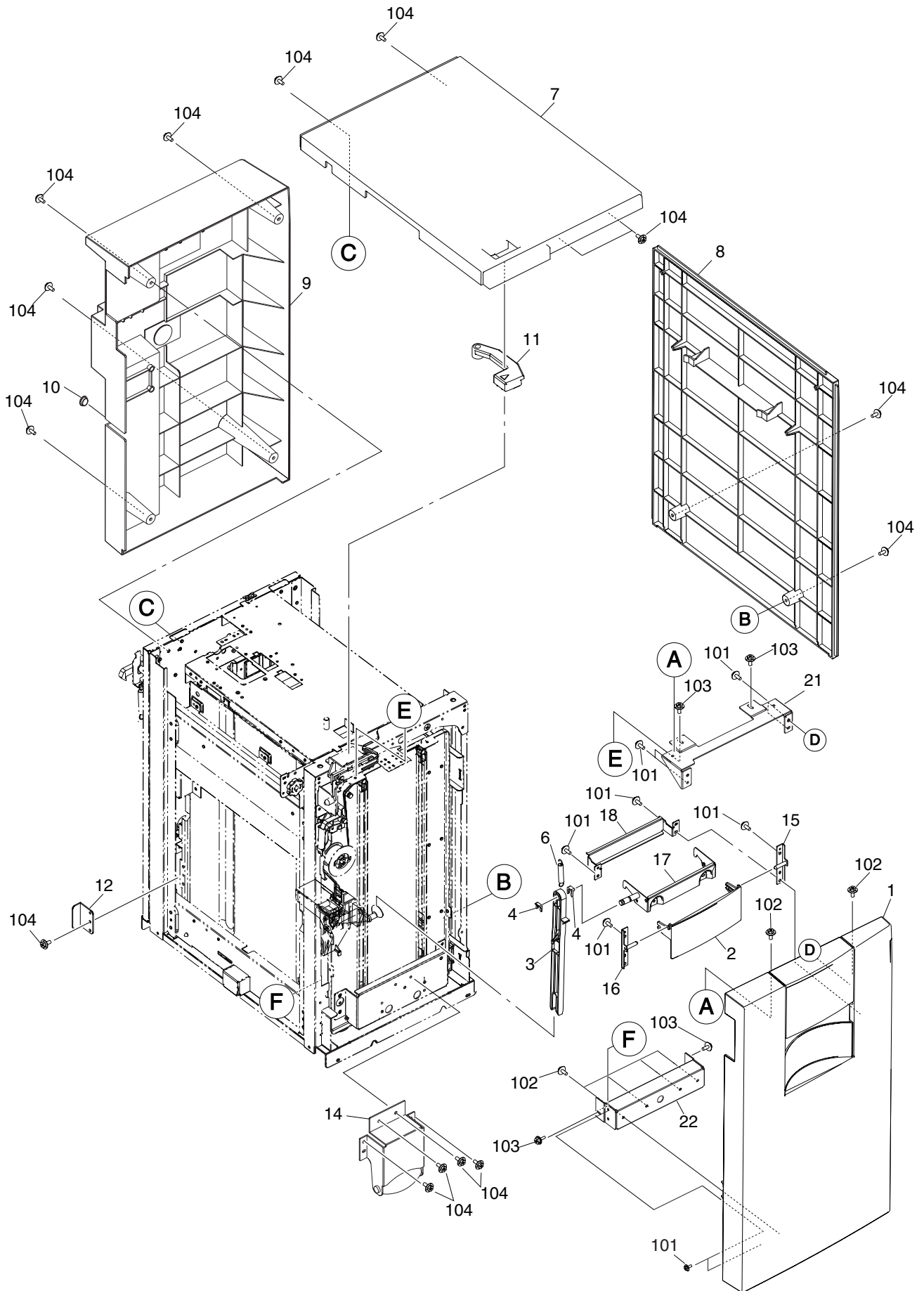


ITEM NO.	PARTS NO.	PARTS NAME	Q'TY / PAGE	Q'TY / PACK	P I R	B S I NO.	T O	T	F R O M	S E R I A L NO.	R E M A R K S	C
1	6LA10976000	ASYS-GUIDE-SPT		11/C								
2	6LA10505000	LEV-OPEN-SEP-F		11/P								
3	6LA10991000	LEV-OPEN-SEP-R		11/P								
4	6LA10992000	LINK-OPEN-SEP		11/P								
5	6LA10788000	SPE-080-100-0763		15/P								
6	6LA10965000	ASYS-BRKT-SEP-R		11/P								
7	6LA10979000	LEV-ROL-SEP		11/P								
8	6LA10578000	GUIDE-TR-LCF-U		11/P								
9	6LA10365000	ASYS-SFT-SEP		11/P								
10	4407734980	BUSH-6-GCB		25/P								
11	6LA10719000	SPG-LINK-RLR-380		11/P								
12	4400884670	PLY-20-ROL		61/P								
13	4402481810	BLT/T-080-2GT-3		11/P								
14	6LA10549000	PP2GT030/2GT020		11/P								
15	6LA10524000	SHAFT-PICK-LCF		11/P								
16	4407972860	STOP-RING-6-5		25/P								
17	6LE05723000	ROLLER-IDLE-390		11/KP								
18	6LE07846000	SHAFT-FED-LCF		11/P								
19	6LE07868000	ASYS-STAY-HLD-605		11/P								
20	6LA08916000	S/TPP/HEX-3X6-NI		210/P								
21	4407976990	BUSH-D6-GCB		21/P								
22	6LA05687000	SPRING-500-ADU		21/P								
23	6LA10355000	ARM-PICK-L		11/P								
24	4401771990	JOINT-D6-L20		11/P								
25	4402209840	BELT-106057-2.5		11/P								
26	6LA10998000	K-SFT-ROL-PICK		11/P								
27	4401969940	ASM-CLT-G28-CC6		11/D								
28	6LA10352000	ASYS-ROL-PICK-L		21/P								
29	6LE07911000	WEIGHT-PICK-UP-605		11/P								
30	6LA10514000	ACT-ENP-LCF		11/P								
31	6LA10684000	BRKT-SLIDE-SPT-LCF		25/P								
32	6LA10968000	PULLY-SEP		11/P								
33	4402209650	LEV-ACT-EMP-L		11/P								
34	6LA10510000	BRKT-SENS-LCF		11/P								
35	6LA10512000	PIN-SENS-LCF		15/P								
36	6LA10499000	ACTU-SEN-LCF		11/P								
37	6LA10539000	SPRING-ACTR		15/P								
38	6LA05676000	CUSH-ACTR-STOP		15/P								
39	6LA10779000	BUSH-F6-GCB		15/P								
40	6LA10666000	SHAFT-CLT-F-LCF		11/P								
41	6LA10323000	HLD-BRUSH-FEED-F		11/P								
42	6LA10322000	HLD-BRUSH-FEED-R		11/P								
43	6LA10727000	ROL-BRUSH		11/C								
44	6LA10728000	GEAR-06S-027-06		35/P								
101	X0-00966000	RR/E-5-SS		1910/P								
102	6LA08935000	SCR-M3X6BLSR-NI		410/P								
103	6LA08934000	SCR-M4*8ITSR-NI		110/P								
104	X0-00730000	S/SET/K-M3X4-B		110/P								
106	X0-00979000	P/PRL/AH7-2X8-SS		710/P								
107	X0-00965000	RR/E-4-SS		110/P								
108	6LE07894000	S/TPS/BID/R-4*7-ZN3		15/P								
109	C0-10813000	GP1A73ARJ00F		11/P								

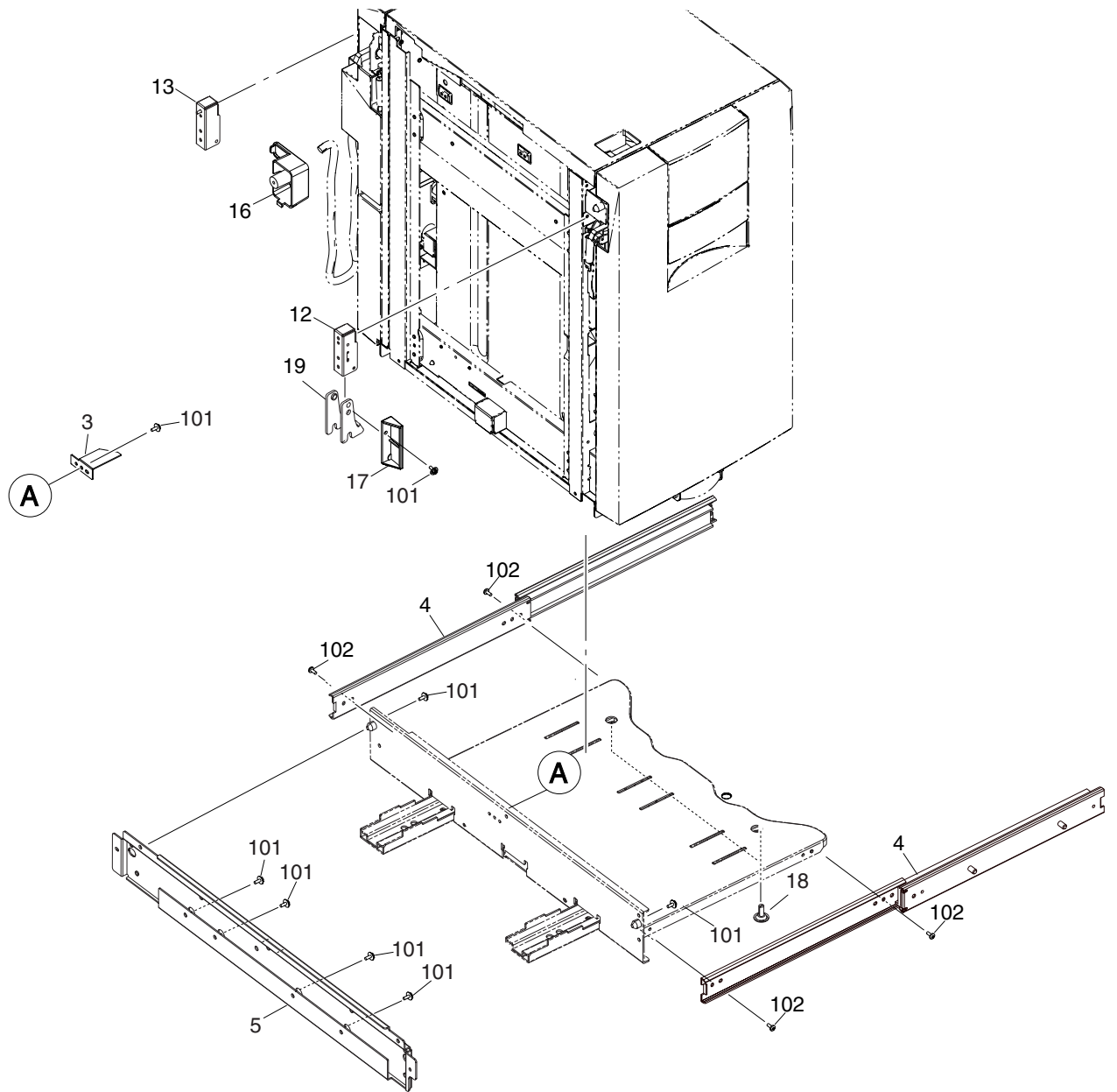


ITEM NO.	PARTS NO.	PARTS NAME	Q'TY / PAGE	Q'TY / PACK	P I R	B S I NO.	T O	T	F R O M	S E R I A L NO.	R E M A R K S	C
1	6LA14545000	MYLR-GUIDE-SIDE		25/KP								
4	6LE07892000	LBL-INFO-P-SUPPLY		15/P								
5	6LA10593000	GUIDE-RAIL-L		11/P								
7	4401907970	STUD-PLY-1		41/P								
8	6LE07831000	ASYS-GUIDE-END		11/P								
9	6LA15121000	ASYS-GUIDE-S-F-N		11/PP								
10	6LA15122000	K-GUIDE-SIDE-N		11/P								
11	6LA10630000	GUIDE-LEV-PICK		11/P								
12	6LA10587000	K-BRKT-POS-CST		11/P								
13	6LA10614000	SPE-LATCH		15/P								
14	6LE07840000	SHAFT-LEV-FR-LCF		11/P								
15	6LA10613000	LATCH-FR-LCF		11/P								
17	6LA10642000	K-BRKT-BRAKE		11/P								
19	6LA10646000	GEAR-10S035-06		11/P								
20	6LA10648000	BRKT-BRAKE-SPRT		11/P								
21	6LA10611000	BKT-LEV-FR-LCF		11/P								
22	6LA10618000	LBL-LIMIT-F555		11/P								
25	6LA10401000	BRKT-CASTER-CST		11/P								
26	6LA10619000	BRKT-LEV-CST		11/P								
27	6LA10960000	MYLAR-F-MID-F		11/KP								
28	6LA10961000	MYLAR-F-MID-R		11/KP								
29	6LA10570000	LVR-SEP-RELEASE		11/P								
30	6LA10641000	BRAKE		15/D								
32	6LA10797000	STUD-PLY-TENSION		21/P								
101	X0-00966000	RR/E-5-SS		110/P								
102	6LA08934000	SCR-M4*8ITSR-NI		2610/P								
103	X0-00164000	S/PAN/SWWP-M4X8-NI		1110/P								
104	6LA08935000	SCR-M3X6BLSR-NI		810/P								
105	X0-00451000	S/BID-M4X8-NI		210/P								
106	6LA08909000	S/TPS/HEX-3*8-NI		310/P								
107	6LA08921000	S/TPP/HEX-4*8-NI		110/P								
108	6LA08913000	S/TPS/HEX-4*8-NI		110/P								
109	X0-02074000	S/TPS/BID-4X8-ZU3		310/P								

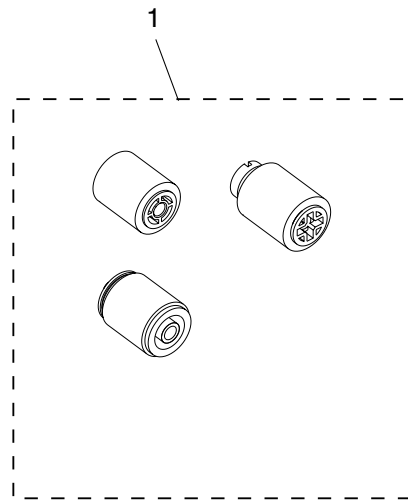
ITEM NO.	PARTS NO.	PARTS NAME	Q'TY / PAGE	Q'TY / PACK	P	I	R	BSI NO.	TO	T	FROM	SERIAL NO.	REMARKS	C
1	6LE07833000	TRAY-LCF-N		11/P										
3	6LA10974000	BRAKE-PAD-CORK		25/P										
5	4401907530	GUIDE-TRAY		21/P										
6	6LE07837000	ASYS-SHAFT-TRAY-LCF		11/P										
7	6LA10530000	GEAR-10S052-08		11/P										
8	6LA10604000	ROL-TRAY		21/P										
9	6LA10606000	WIRE-ROPE-LCF-S		21/P										
10	6LA10605000	WIRE-ROPE-LCF-L		21/P										
11	4408860930	FLANGE-ROL-GEAR		21/P										
12	6LA65698000	BUSH-8X12X8F		25/P										
13	4401907960	PULLEY-LCF		61/P										
14	4401908040	GUIDE-ROPE-ELV		41/P										
15	4402482650	GUIDE-ROPE-LCF		21/P										
16	6LA10985000	GUIDE-TRAY-SEN		41/P										
17	6LA10789000	ASYS-ARM-TENSION		21/P										
18	6LA10795000	CLIP-TENSION		25/P										
19	6LA10793000	PLATE-STOPPER-SP		21/P										
20	6LA10798000	SPA-TENSION-LCF-F		11/P										
21	6LA10799000	SPA-TENSION-LCF-R		11/P										
22	6LA10649000	BRKT-BRAKE-REINF		11/P										
23	6LA10655000	BUSH-SHAFT-TRAY		11/P										
101	6LA08909000	S/TPS/HEX-3*8-NI		610/P										
102	X0-00968000	RR/E-7-SS		310/P										
103	X0-01535000	P/PRL/AH7-3X12-SS		15/P										
104	X0-01169000	P/PRL/AH7-3X14-SS		110/P										
105	X0-00164000	S/PAN/SWWP-M4X8-NI		210/P										
106	X0-00967000	RR/E-6-SS		110/P										



ITEM NO.	PARTS NO.	PARTS NAME	Q'TY / PAGE	Q'TY / PACK	PIR	BSI NO.	TO	T	FROM	SERIAL NO.	REMARKS	C
1	6LE07859000	COV-FRONT-LCF		1/1/PP								
2	6LE07860000	LEVER-FR-LCF		1/1/PP								
3	6LA10674000	LOD-LEVER-LOCK		1/1/P								
4	4400336190	STOP-RING-8		2/5/P								
6	6LA10676000	SPE-LOD		1/5/P								
7	6LE07856000	COV-TOP-LCF		1/1/PP								
8	6LE07855000	COV-RIGHT-LCF		1/1/PP								
9	6LE07852000	ASYS-COV-R-LCF		1/1/PP								
10	F0-00373000	OCB-750		1/10/P								
11	6LE07857000	LEVER-TOP-LCF		1/1/P								
12	6LA10490000	GUIDE-STOP-CST		1/1/P								
14	6LA10382000	CASTER-CST-LCF		1/1/P								
15	6LA10696000	ASYS-HINGE-L		1/1/P								
16	6LA10694000	ASYS-HINGE-R		1/1/P								
17	6LA10691000	ASYS-LEV-FR-SUB		1/1/P								
18	6LA10699000	BRKT-REINF-LEV		1/1/P								
21	6LA10688000	BRKT-COV-F-UP		1/1/P								
22	6LA10689000	BRKT-COV-F-LOW		1/1/P								
101	6LA08913000	S/TPS/HEX-4*8-NI		10/10/P								
102	6LA08921000	S/TPP/HEX-4*8-NI		6/10/P								
103	X0-00164000	S/PAN/SWVP-M4X8-NI		4/10/P								
104	6LA08934000	SCR-M4*8TTSR-NI		15/10/P								



ITEM NO.	PARTS NO.	PARTS NAME	Q'TY / PAGE	Q'TY / PACK	P I R	B S I NO.	T O	T	F R O M	S E R I A L NO.	R E M A R K S	C
3	6LA10709000	BRKT-SPC-SW		1/1/P								
4	6LA10710000	RAIL-LCF		2/1/P								
5	6LE07825000	GUIDE-RAIL-N		1/1/P								
12	6LA10732000	BRKT-CNCT-F		1/1/P								
13	6LA10737000	BRKT-CNCT-R		1/1/P								
16	6LE07887000	COVER-CNCT-LCF		1/1/P								
17	6LE07886000	COVER-CNCT-F		1/1/P								
18	6LE07897000	ADJ-H-AD-501-30-ZN3		2/1/P								
19	6LA10739000	BRKT-CNCT-SUB		2/1/P								
101	6LA08934000	SCR-M4*8ITSR-NI		8/10/P								
102	X0-02074000	S/TPS/BID-4X8-ZU3		4/10/P								



ITEM NO.	PARTS NO.	PARTS NAME	Q'TY / PAGE	Q'TY / PACK	P	I	R	B S I NO.	TO	T	FROM	SERIAL NO.	REMARKS	C
1	6LE07910000	ROL-KIT-4004	1	1/S										

TOSHIBA

TOSHIBA TEC CORPORATION

2-17-2, HIGASHIGOTANDA, SHINAGAWA-KU, TOKYO, 141-8664, JAPAN