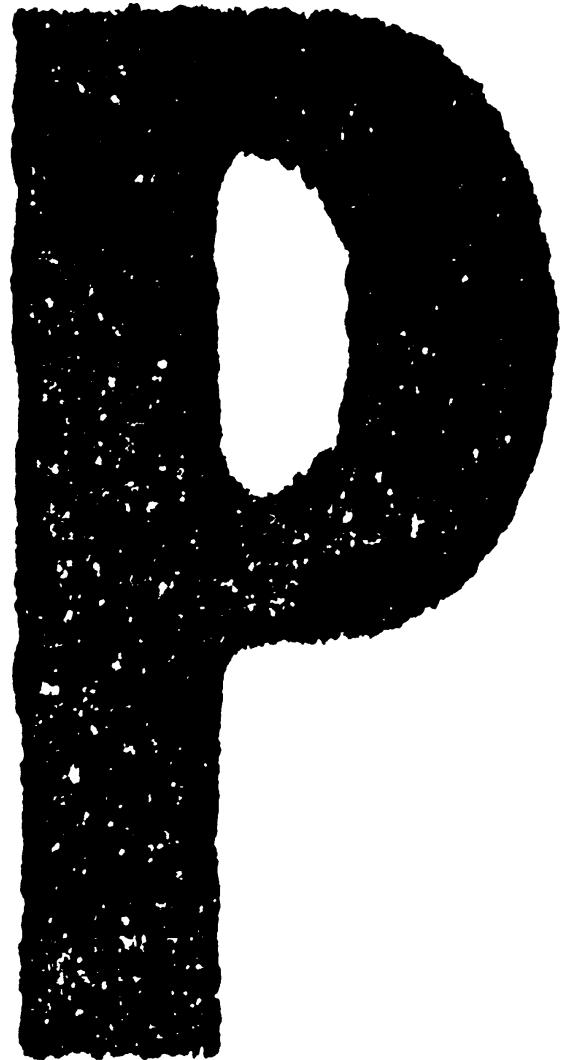


**TOSHIBA**

**SERVICE PARTS LIST**  
**FINISHER**

**MJ-1027/1028**



© 2005 TOSHIBA TEC CORPORATION

All rights reserved

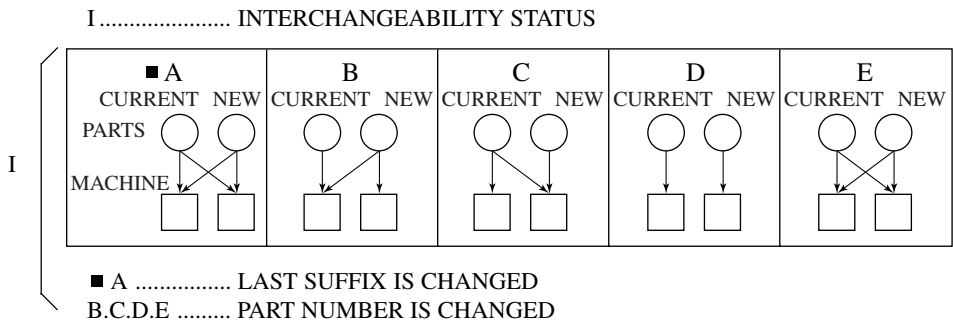
# EXPLANATION OF SERVICE-PARTS LIST

## 1. HOW TO READ THE PARTS LIST

- (1) Number of pieces  
The number of pieces in the list denotes total pieces used per unit. But the numbers in the list for PACKING MATERIAL and ACCESSORY denote total pieces used per machine.
- (2) One pack of screws in the list includes 50 pieces.
- (3) ABBREVIATED CODES

QTY/PAC	QTY ..... one piece PAC ..... one pack 1/P ..... one piece packed in polyethylene bag 1/S ..... one piece packed in special pack 1/C ..... one piece packed in carton box 1/PP ..... one piece packed in paper and polyethylene bag 1/KP ..... one piece packed in polyethylene bag with cardboard 1/D ..... one piece packed in polyethylene-cushion bag 1/SB ..... one piece packed in shielding bag N/A ..... not available
---------	---

P	P ..... PURPOSE A ..... ADD B ..... DELETE C ..... CHANGE D ..... QTY, CHANGE E ..... MISENTRY F ..... OMISSION
---	---



## 2. HOW TO PLACE ORDER FOR PARTS

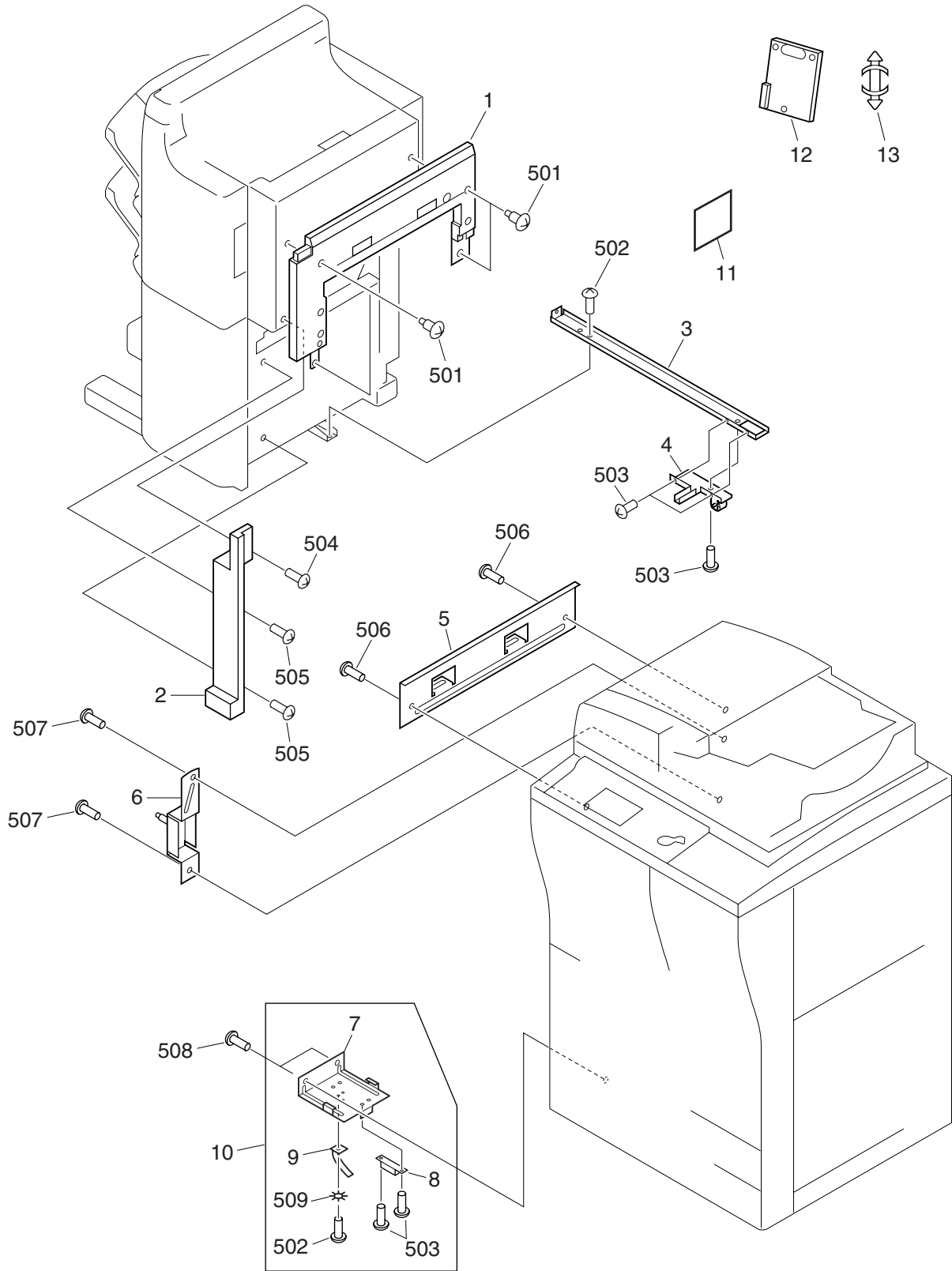
- (1) The parts handled as service parts are only those with their "QTY/PACK" column listed with a quantity other than "N/A\*\*\*" or "SUPPLY".  
Those parts with "N/A\*\*\*" are listed only for the purpose of showing the mechanical construction, those listed with "SUPPLY" are handled only as a sales item, and therefore both types of parts are not supplied as service parts.
- (2) Orders for any parts which form a component of a semi-assembled unit are not acceptable.  
Note: All the screws and nuts used are ISO standard.

## 3. REGION

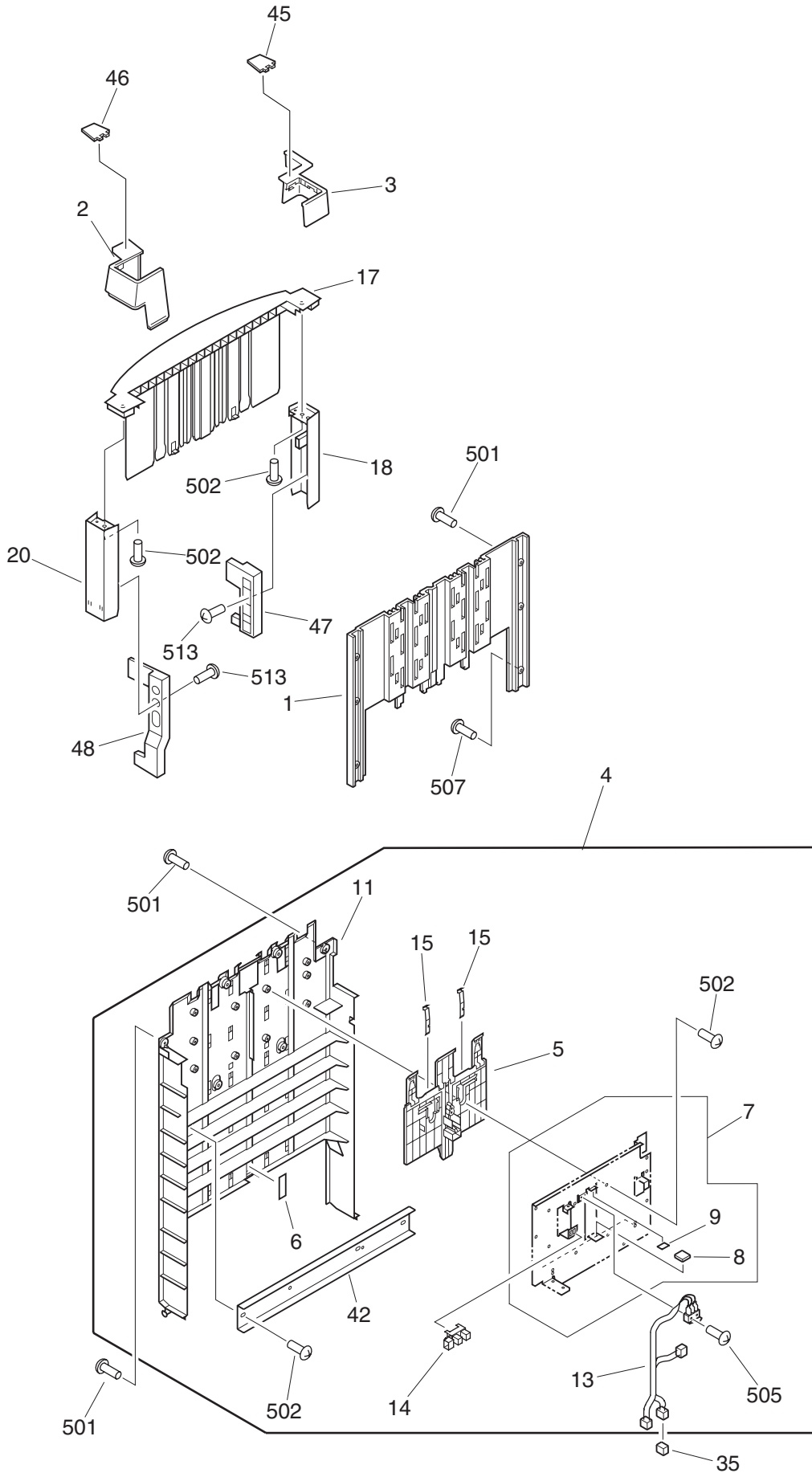
NAD	115V 50/60Hz, NORTH AMERICA, SOUTH AMERICA
TWD	110/220V 50/60Hz, TAIWAN
SAD	127V/60Hz, SAUDI ARABIA
ASD	220-240V 50/60Hz, ASIA, SOUTH AMERICA, etc.
ASU	220-240V 50/60Hz, ASIA, etc.
AUD	220-240V 50/60Hz, AUSTRALIA
MJD	220-240V 50/60Hz, EUROPE
CND	220-240V 50/60Hz, CHINA
KRD	220-240V 50/60Hz, KOREA

# CONTENTS

ATTACHMENT PARTS .....	1
EXTERNAL COVERS, PANELS, ETC. (1/2) .....	2
EXTERNAL COVERS, PANELS, ETC. (2/2) .....	3
FINISHER MAIN BODY (1/2) .....	4
FINISHER MAIN BODY (2/2) .....	5
CABLE MAIN BODY ASSEMBLY .....	6
UPPER TRAY ASSEMBLY .....	7
LOWER TRAY ASSEMBLY .....	8
FEEDER DRIVE ASSEMBLY .....	9
FEEDER ASSEMBLY (1/2) .....	10
FEEDER ASSEMBLY (2/2) .....	11
CENTER FEEDER ASSEMBLY .....	12
BUFFER UPPER GUIDE ASSEMBLY .....	13
INLET FEEDER ASSEMBLY .....	14
SWING ASSEMBLY .....	15
SWING GUIDE ASSEMBLY .....	16
STAPLER TRAY ASSEMBLY (1/2) .....	17
STAPLER TRAY ASSEMBLY (2/2) .....	18
STAPLER ASSEMBLY .....	19
SADDLE ASSEMBLY (1/4) (MJ-1028) .....	20
SADDLE ASSEMBLY (2/4) (MJ-1028) .....	21
SADDLE ASSEMBLY (3/4) (MJ-1028) .....	22
SADDLE ASSEMBLY (4/4) (MJ-1028) .....	23
SADDLE GUIDE ASSEMBLY (MJ-1028) .....	24
STAPLER ASSEMBLY (MJ-1028) .....	25
PASS LOWER GUIDE ASSEMBLY (MJ-1028) .....	26
INNER SIDE PLATE ASSEMBLY (MJ-1028) .....	27
SADDLE DELIVERY ASSEMBLY (MJ-1028) .....	28
MOTOR MOUNT ASSEMBLY (MJ-1028) .....	29
LATCH ASSEMBLY .....	30
ACCESSORIES .....	31

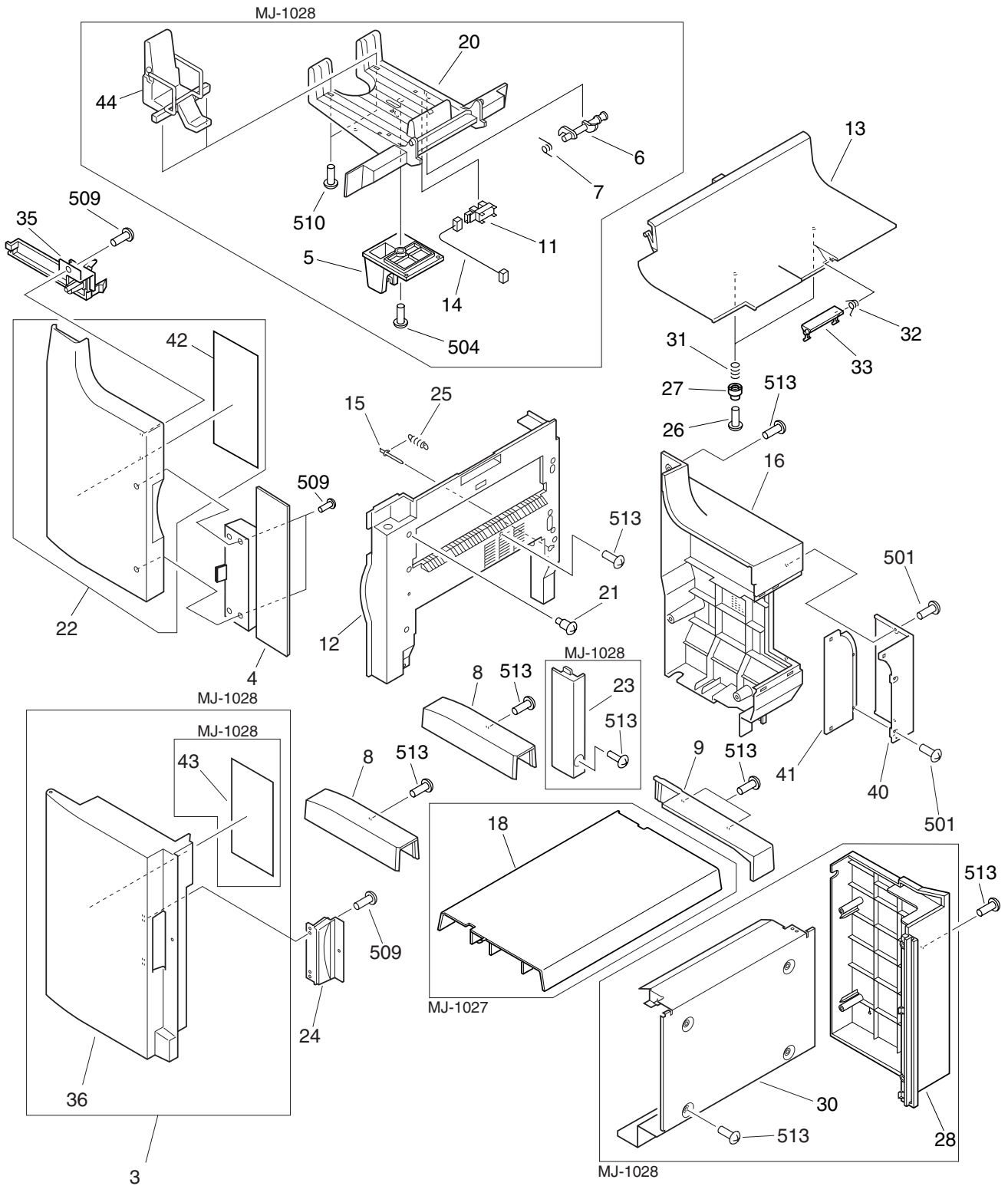


ITEM No.	PART No.	PART NAME	QTY / PAGE	QTY / PACK	P	I	R	BSI No.	TO	FROM	REMARKS
1	6LE68090000	ASY-LATCH-552	1	1/PP							
2	6LA54502000	COV-LATCH	1	1/PP							
3	4402966190	RAIL-SORT-795	1	1/P							
4	6LE68084000	STOPPER-780	1	1/P							
5	6LE67953000	PLATE-LATCH	1	1/PP							
6	6LE68110000	BKT-PIN-552	1	1/D							
7	6LE68129000	ASM-PLATE-516	1	1/P							
8	4400595360	SPACER-RAIL-773	1	1/P							
9	44209649000	SPL	1	1/P							
10	6LA54747000	ASM-STOP-552	1	1/PP							
11	4S38052000	LBL-JAM-CLEAR-POSITION	1	1/KP							
12	6LE00885000	IPC-BOARD-780	1	1/C							
13	4400576210	PWZ-SPLS	1	10/P							
501	4402967700	SCREW	4	10/P							
502	XO-01283000	S/BID-M4X4-NC	2	10/P							
503	XO-01820000	S/FPAN-M4X6-ZB	5	10/P							
504	XO-01733000	S/BID-M4X14-NC	1	10/P							
505	4402355520	SCREW	2	50/P							
506	6LE67915000	SCRW-4A14323000	2	10/P							
507	44210696000	SCREW	2	10/P							
508	6LA54600000	SCREW	2	10/P							
509	XO-01835000	W/TH/B-4-SS	1	10/P							

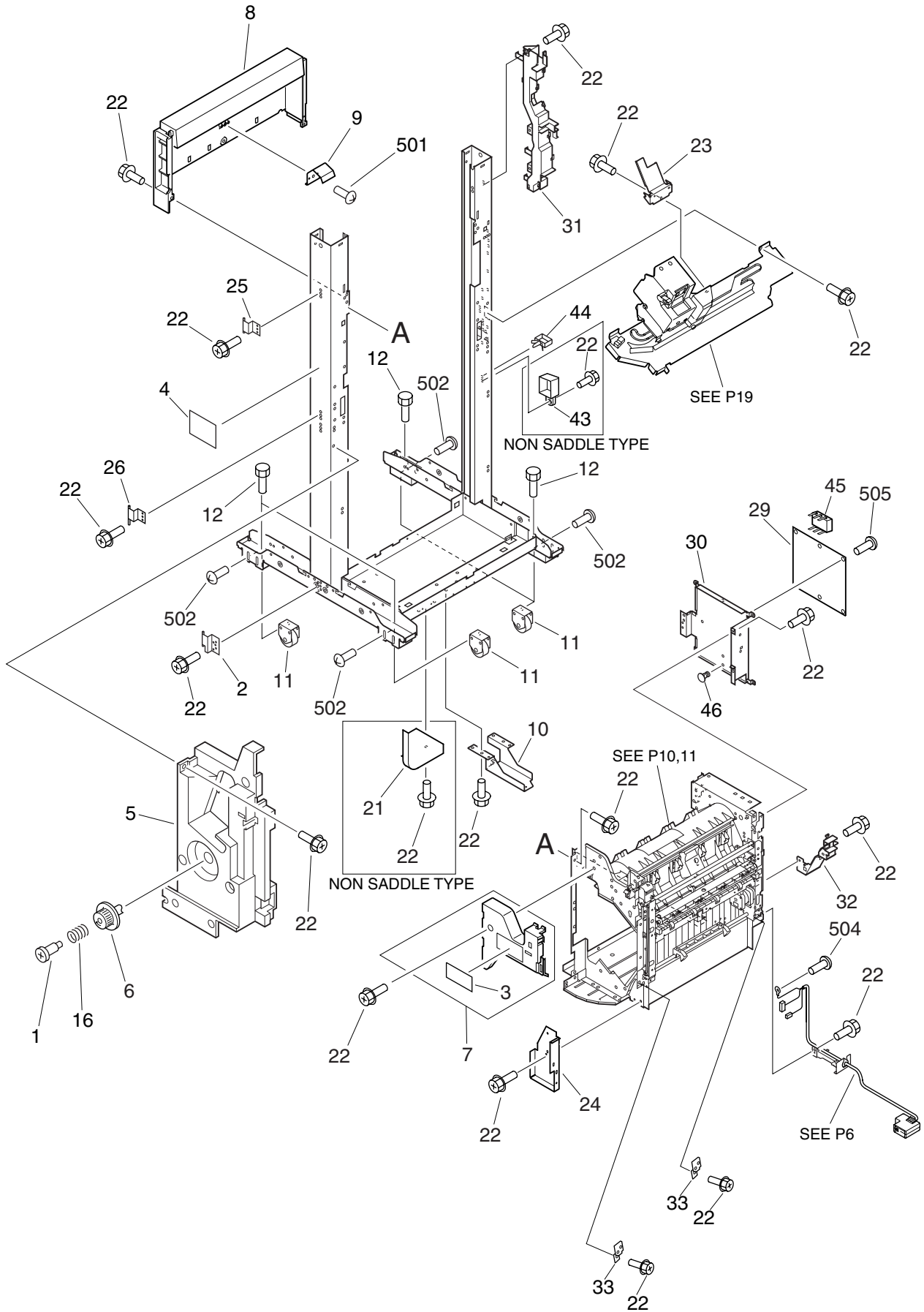


ITEM No.	PART No.	PART NAME	QTY / PAGE	QTY / PACK	P	I	R	BSI No.	TO	FROM	REMARKS
1	44209603000	GUIDE-PLATE-516	1	1/PP							
2	6LA54505000	CAP-552-F	1	1/PP							
3	6LA54506000	CAP-552-R	1	1/PP							
4	6LA54507000	ASY-GUIDE-L	1	1/PP							
5	44209619000	SHUTTER-GUIDE	1	1/P							
6	4402966760	SHEET-502	1	5/P							
7	44210706000	PLATE-SHUTTER	1	1/P							
8	4402349740	DAMPER	1	5/P							
9	4402349750	DAMPER-SHUTTER	1	5/P							
10	6LE67962000	PLATE-SHUTTER	1	1/PP							
11	6LA54508000	GUIDE-HURDLE	1	1/PP							
13	44209665000	WIRE-HARNESS	1	1/P							
14	6LE67827000	PHOTO INTERRUPTER	1	1/C							
15	4402351960	SPL	2	1/P							
17	6LA54650000	GUIDE-SLIDE	1	1/PP							
18	44209605000	COV-SLIDE-R	1	1/D							
20	44209604000	COV-SLIDE-F	1	1/P							
35	4402352940	CONNECTOR	2	1/P							
42	4402962960	PLATE	1	1/P							
45	6LA54509000	CAP-END-R	1	1/P							
46	6LA54510000	CAP-END-F	1	1/P							
47	6LA54651000	GUIDE-SLIDER-R	1	1/P							
48	6LA54652000	GUIDE-SLIDER-F	1	1/P							
501	4402352090	SCRW-XB47401207	8	50/P							
502	4402015300	PAN-XB47400809	14	50/P							
505	4400595930	SCREW	2	50/P							
507	44210733000	SCREW	4	10/P							
513	4402015350	PAN-XB47401009	2	50/P							

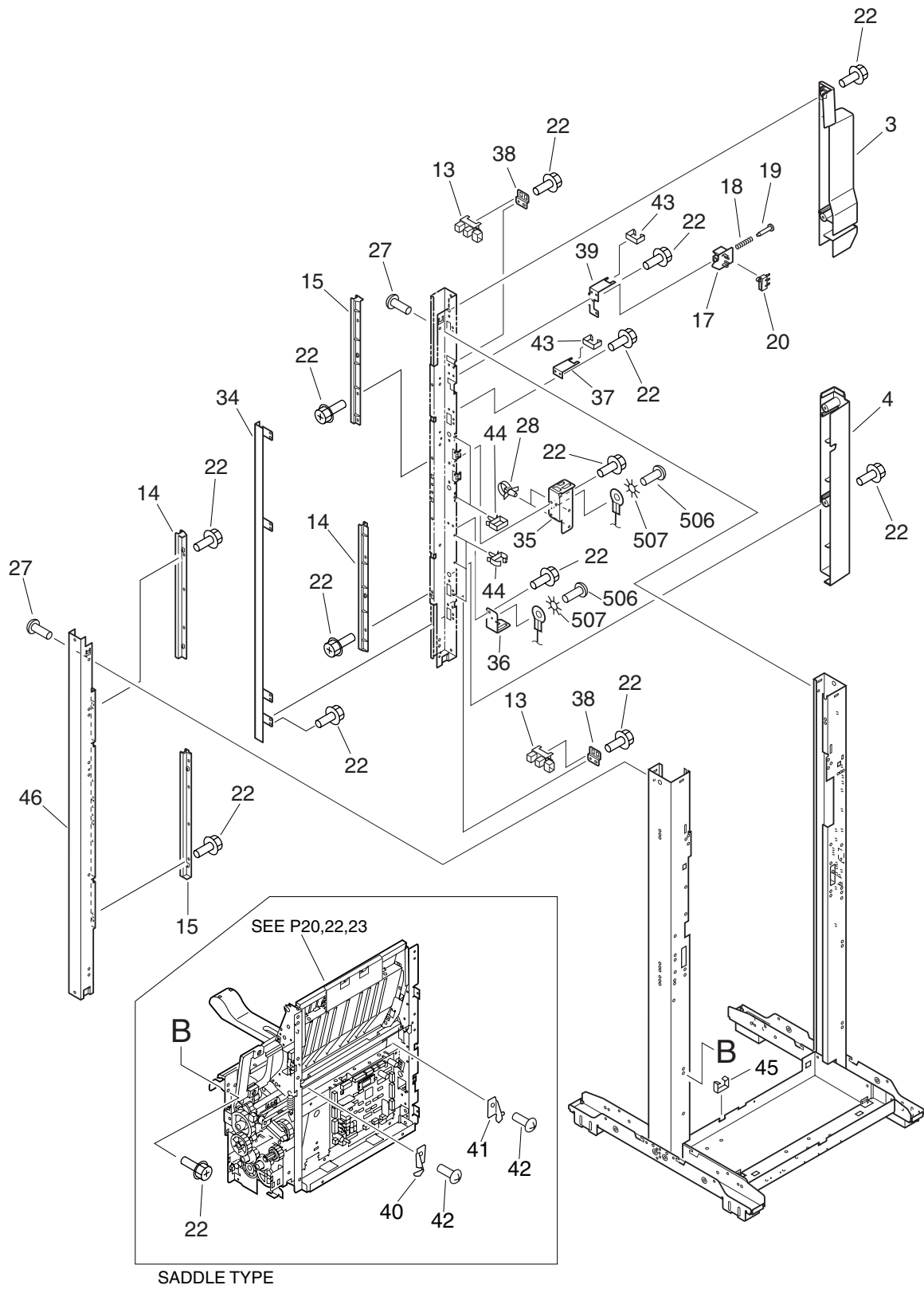




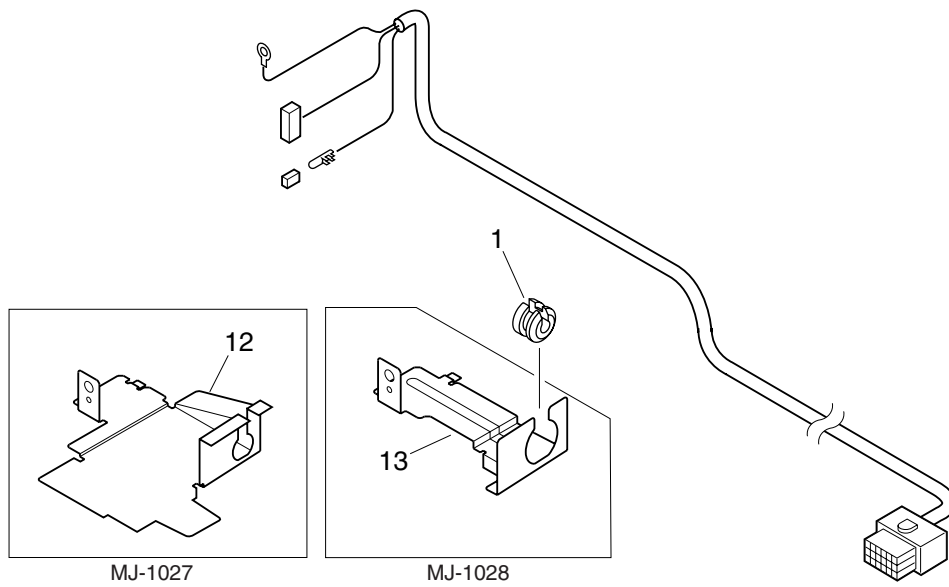
ITEM No.	PART No.	PART NAME	QTY / PAGE	QTY / PACK	P	I	R	BSI No.	TO	FROM	REMARKS
3	4F30403000	FRONT-LOWER-COVER-UNIT	1	1/C							
4	6LA54511000	COV-F-552	1	1/PP							
5 B	44209616000	COV-SENS-TRAY	1	1/P							MJ-1028
6 B	44209611000	LEVER-SENSOR	1	1/P							MJ-1028
7 B	4402966290	SPRING	1	5/P							MJ-1028
8	44209634000	COV-BOTTOM-A	2	1/P							
9	44209635000	COV-BOTTOM-B	1	1/PP							
11 B	6LE67841000	PHOTO-INTERRUPTER	1	1/D							MJ-1028
12	6LA54512000	GUID-R	1	1/PP							
13	6LA54513000	COV-TOP-552	1	1/PP							
14 B	44209663000	WIRE-HARNESS	1	1/P							MJ-1028
15	44210701000	FLAG-SENSOR	1	1/P							
16	6LA54514000	COV-R-552	1	1/PP							
18 A	44209581000	COVER-BOTTOM	1	1/PP							MJ-1027
20 B	6LA54515000	TRAY-STACK	1	1/PP							MJ-1028
21	6LE67977000	SCREW-M4	4	10/P							
22	4F30400000	FRONT-UPPER-COVER-UNIT	1	1/C							
23 B	44209671000	COV-REAR-R-L	1	1/P							MJ-1028
24 A	44209602000	COV-LATCH-A	1	1/P							MJ-1027
24 B	44209600000	COV-LATCH-B	1	1/P							MJ-1028
25	4402349880	SPRING	1	5/P							
26	44209660000	SCREW	2	10/P							
27	4402960500	SPACER-795	2	5/P							
28 B	44209593000	COVER-REAR	1	1/PP							MJ-1028
30 B	6LE67916000	COVER-R-B	1	1/PP							MJ-1028
31	44209662000	SPC	2	5/P							
32	4402349630	SPRING	1	5/P							
33	44209630000	LATCH	1	1/P							
35	44209606000	PLATE	1	1/P							
36 A	44209601000	COV-F-516	1	1/PP							MJ-1027
36 B	44209673000	COV-F-L	1	1/PP							MJ-1028
40	44209596000	COV-CONNECT-1	1	1/PP							
41	44209597000	COV-CONNECT-2	1	1/PP							
42	4S38051000	LABEL	1	5/P							
43 B	4S38053000	LABEL	1	5/P							MJ-1028
44	44221060000	TRAY-STACK-U	1	1/D							Service only
501	4402352090	SCRW-XB47401207	5	50/P							
504	X0-01286000	S/BID-M4X8-NC	1	10/P							
509	4402961210	SCREW-M4*8	5	10/P							
510	4402015240	PAN-XB47300809	2	50/P							SREVICE ONLY
513	4400792330	SCREW-RS-M4	25	50/P							



ITEM No.	PART No.	PART NAME	QTY / PAGE	QTY / PACK	P	I	R	BSI No.	TO	FROM	REMARKS
1	4402967010	SCREW-F502	1	10/P							
2	6LE67969000	PLATE-HINGE-L	1	1/P							
3	FB49050000	LABEL	1	5/P							
5	6LA54581000	COV-INNER	1	1/PP							
6	FB37881000	HANDLE	1	1/P							
7	FF57559000	INNER-COVER-UNIT	1	1/PP							
8	44209626000	BASE-SLIDE	1	1/PP							
9	44210735000	SPL	1	1/P							
10	6LE67950000	BRKT-FIN-548	1	1/P							
11	44221070000	CASTER-548	4	1/P							
12	6LA56619000	SCREW	4	10/P							
16	4402967020	SPRING	1	5/P							
21	6LE68007000	PLATE-COVER-B	1	1/P							
22	4400792330	SCREW-RS-M4	20	50/P							
23	6LE67963000	BRKT-STAPLE	1	1/P							
24	6LE68035000	PLATE-COVER-A	1	1/P							
25	6LE67967000	PLATE-HINGE-U	1	1/P							
26	6LE67968000	PLATE-HINGE-M	1	1/P							
29	4G30848000	MAIN-CONTROLLER-PCB-ASY	1	1/SB							
30	6LE68150000	BRKT-PCB	1	1/P							
31	6LA54519000	GUID-CABLE-A	1	1/C							
32	6LA54520000	GUID-CABLE-B	1	1/PP							
33	6LE67954000	PLATE-FINISHER	2	1/P							
43	6LA54527000	COV-BUN	1	1/PP							
44	6LA54619000	CLIP	1	5/P							
45	4F12280000	EP-ROM	1	1/S							
46	4402961060	SPACER-PCB	1	10/P							
501	44209690000	SCREW-M4*6	1	10/P							
502	4402015660	TPAN-XB67500609	4	10/P							
504	X0-01747000	S/BID-M4X6-ZB	2	10/P							
505	X0-00431000	S/BID-M3X6-ZB	5	10/P							





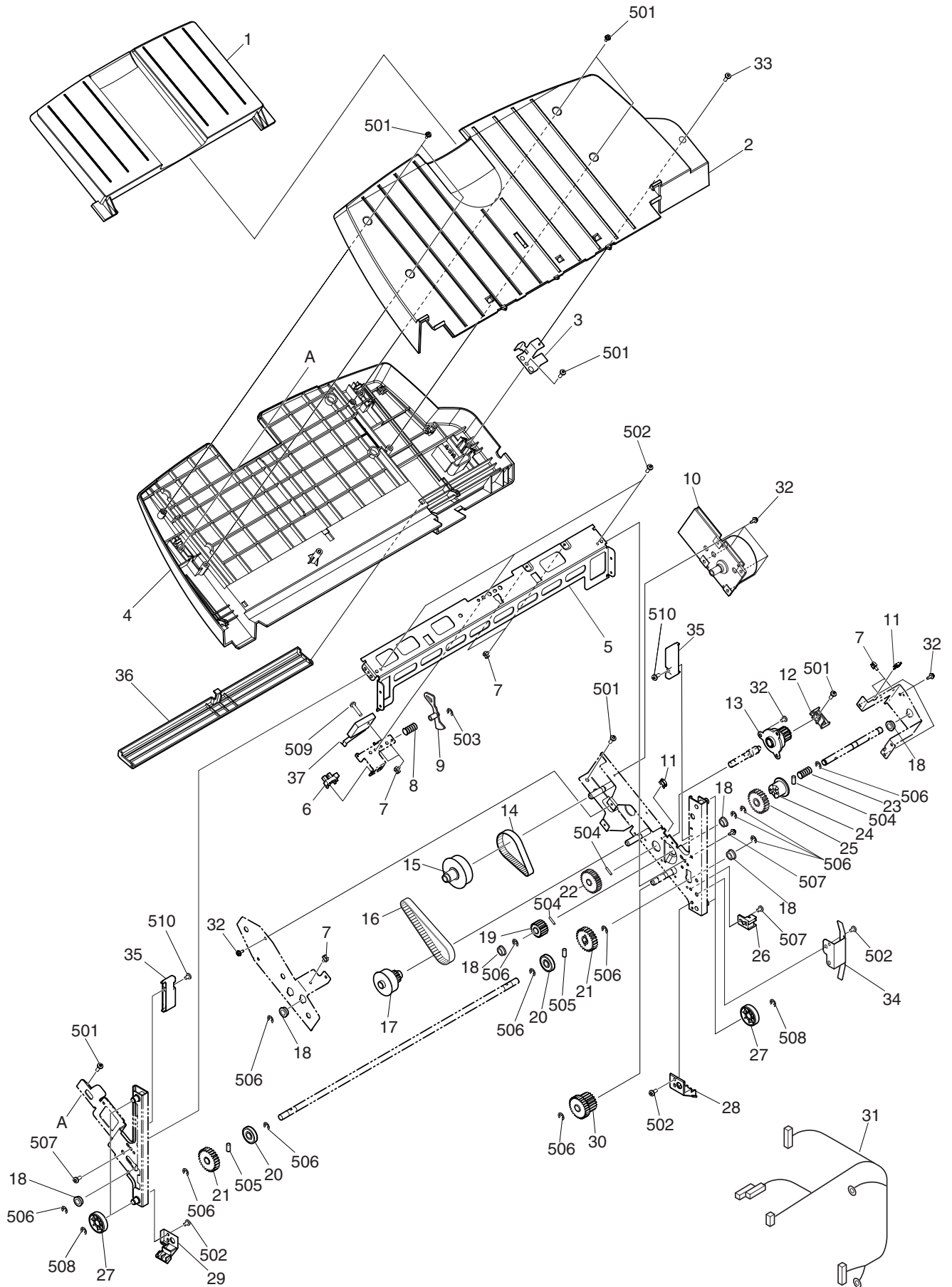


MJ-1027

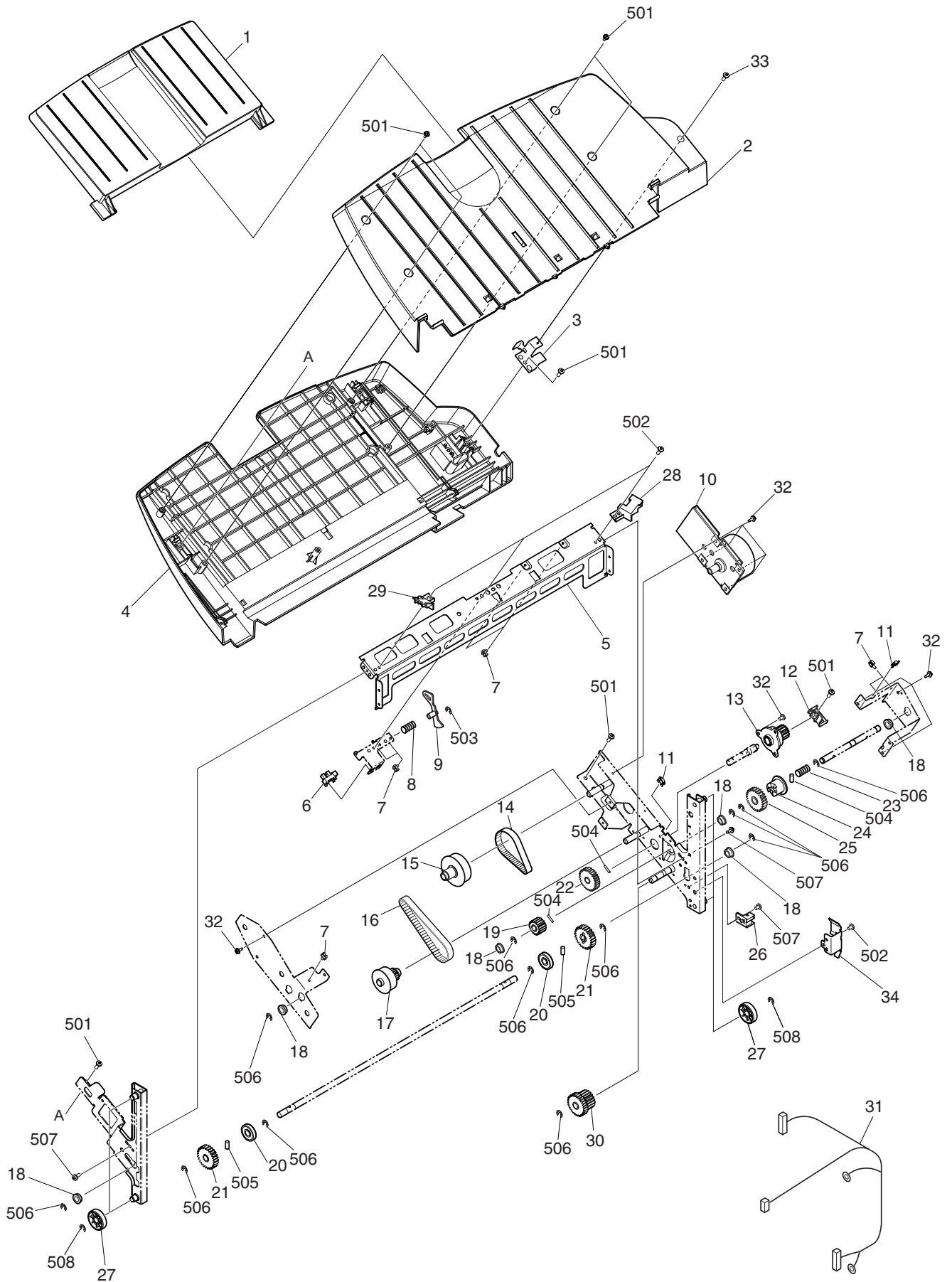
MJ-1028

ITEM No.	PART No.	PART NAME	QTY / PAGE	QTY / PACK	P	I	R	BSI No.	TO	FROM	REMARKS
0 A	44209701000	ASM-CABLE-516	1	1/P							MJ-1027 MJ-1028
0 B	44209702000	ASM-CABLE-517	1	1/P							
1	44209703000	BUSHING	1	1/P							
12	6LE67983000	BRKT-BUSH-516	1	1/P							
13	6LE67918000	BRKT-BUSH-517	1	1/P							

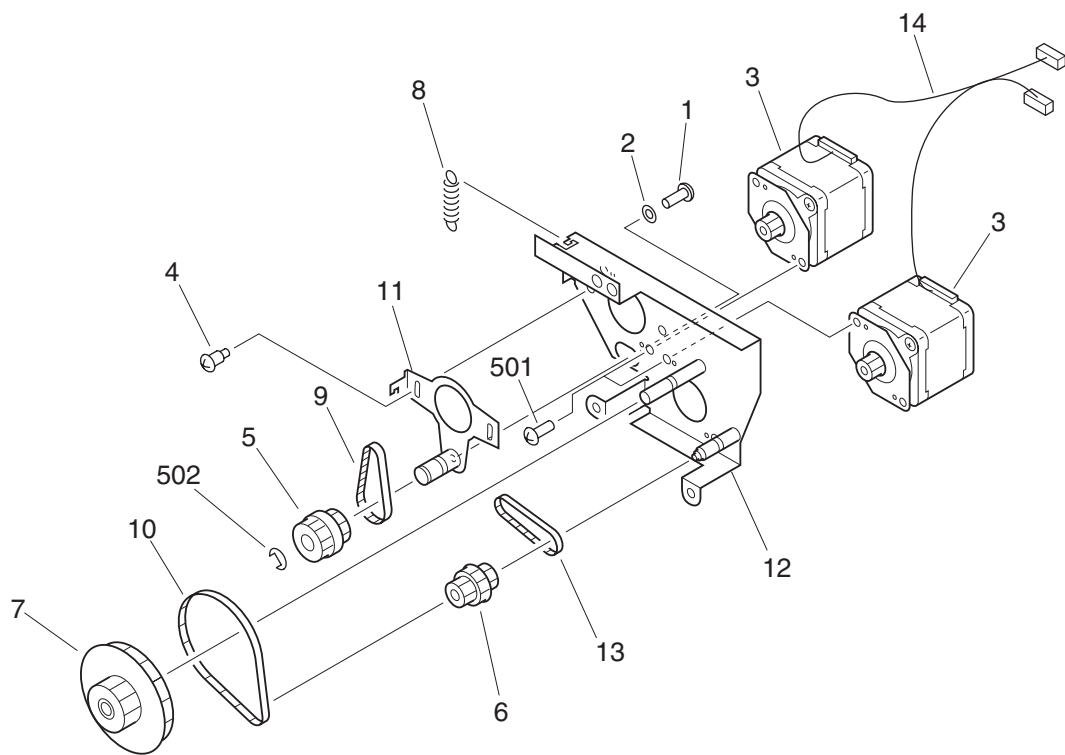




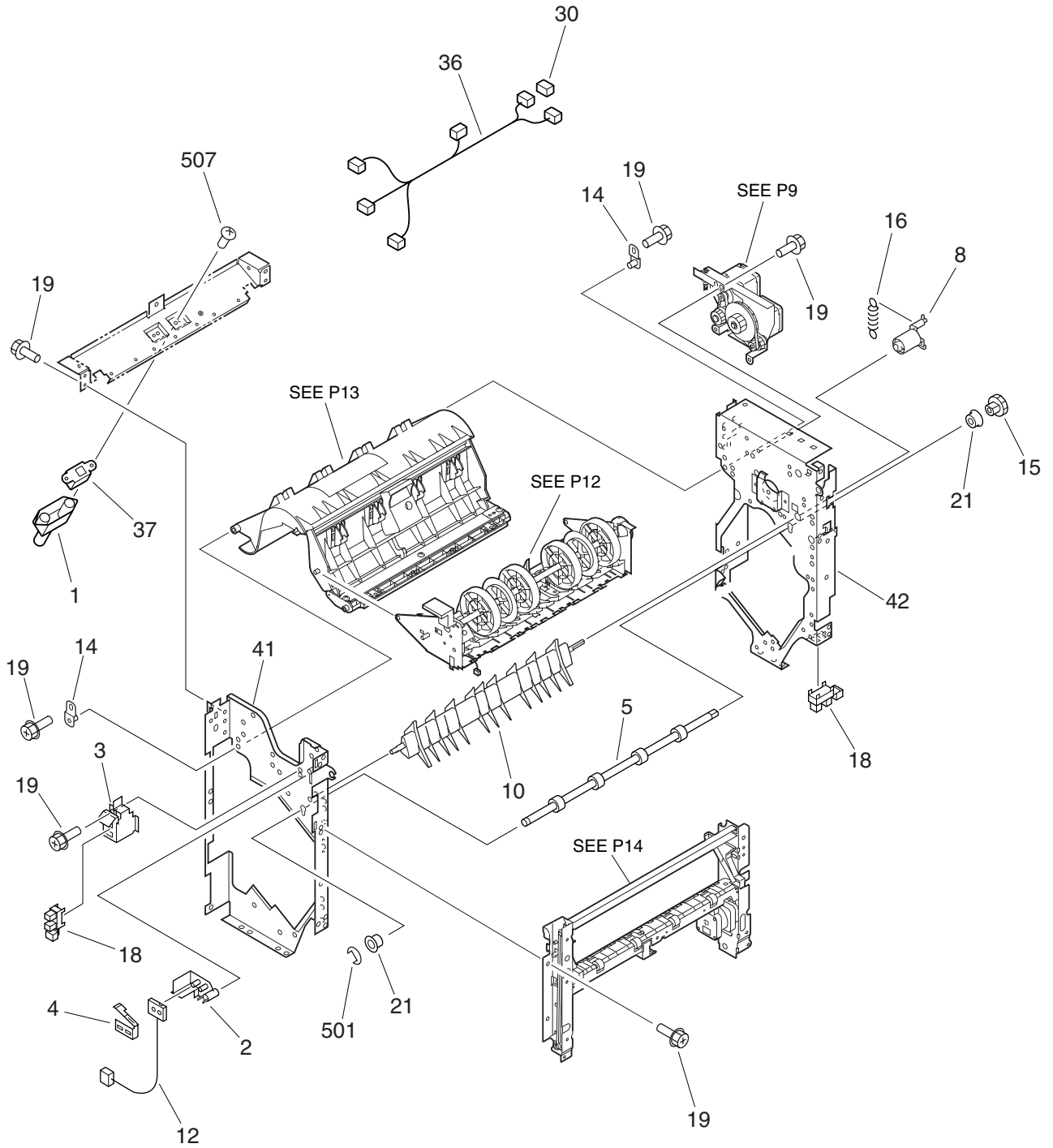
ITEM No.	PART No.	PART NAME	QTY / PAGE	QTY / PACK	P	I	R	BSI No.	TO	FROM	REMARKS
0	4G30787000	STACK UPPER TRAY ASSEMBLY	1	1/C							
1	4A32006000	TRAY- EXTENSION	1	1/PP							
2	4A31992000	TRAY- STACK	1	1/PP							
3	6LE67935000	BRKT-HOLDER	1	1/P							
4	4A31993000	PANEL- LOWER	1	1/PP							
5	6LE67934000	BRKT-TRAY	1	1/P							
6	6LE67827000	PHOTO INTERRUPTER	1	1/C							
7	4402346920	CLIP	4	5/P							
8	6LA54560000	SPRING	1	5/P							
9	6LA54559000	LEVER	1	1/P							
10	4K11102000	MOTOR- DC	1	1/C							
11	WT25607000	CLIP- WIRE	2	5/P							
12	4A32007000	SUPPORT- TORQUE LIMITER	1	1/P							
13	FC56862000	LIMITER- TORQUE	1	1/P							
14	XF21609010	BELT- TIMING	1	1/P							
15	4S30193000	PULLEY- 16T/68T	1	1/P							
16	XF21808410	BELT- TIMING	1	1/P							
17	4S30194000	PULLEY- 16T/36T	1	1/P							
18	4402355800	BUSHING	5	5/P							
19	4S30191000	GEAR- 20T	1	1/P							
20	6LA54562000	GEAR	2	1/P							
21	6LA54575000	GEAR-26T	2	1/P							
22	4S30190000	GEAR- 32T	1	1/P							
23	FU52313000	SPRING- COMPRESSION	1	1/P							
24	FU52305000	RATCHET	1	1/P							
25	4S30167000	GEAR- 26T	1	1/P							
26	6LA54576000	SLIDER	1	1/P							
27	6LA54574000	COLLAR	4	5/P							
28	6LA54592000	COLLAR	1	5/P							
29	6LA54591000	COLLAR	1	5/P							
30	4S30192000	GEAR- 20T/32T	1	1/P							
31	4G30851000	CABLE- TRAY	1	1/P							
32	XA91386000	SCREW-RS-M3X8	9	10/P							
33	XA90692000	SCREW-RS-M3X8	1	10/P							
34	6LE67932000	BRKT-SENSOR-U	1	1/P							
35	6LA54745000	SPACER-TRAY	2	1/P							
36	6LA54589000	LEVER-TRAY	1	1/P							
37	6LA54561000	MICROSWITCH	1	1/C							
501	4402961720	SCREW-M4*12	8	10/P							
502	XO-01747000	S/BID-M4X6-ZB	6	10/P							
503	6LA54563000	ERR-XD21100320	1	5/P							
504	XO-01526000	P/PRL/AH7-2X12-SS	3	10/P							
505	7432301608	HPIN30/16SS	2	50/P							
506	4402016830	ERRING-6.4	12	50/P							
507	6LA54564000	SCREW	3	10/P							
508	4402016800	ERRING-5	2	50/P							
509	XO-01745000	S/BID-M3X14-ZB	1	10/P							
510	6LA54746000	SCREW-M3*20	2	10/P							



ITEM No.	PART No.	PART NAME	QTY / PAGE	QTY / PACK	P	I	R	BSI No.	TO	FROM	REMARKS
0	4G30793000	STACK LOWER TRAY ASSEMBLY	1	1/C							
1	4A32006000	TRAY- EXTENSION	1	1/PP							
2	4A31992000	TRAY- STACK	1	1/PP							
3	6LE67935000	BRKT-HOLDER	1	1/P							
4	4A31993000	PANEL- LOWER	1	1/PP							
5	6LE67934000	BRKT-TRAY	1	1/P							
6	6LE67827000	PHOTO INTERRUPTER	1	1/C							
7	4402346920	CLIP	4	5/P							
8	6LA54560000	SPRING	1	5/P							
9	6LA54559000	LEVER	1	1/P							
10	4K11102000	MOTOR- DC	1	1/C							
11	WT25607000	CLIP- WIRE	2	5/P							
12	4A32007000	SUPPORT- TORQUE LIMITER	1	1/P							
13	FC56862000	LIMITER- TORQUE	1	1/P							
14	XF21609010	BELT- TIMING	1	1/P							
15	4S30193000	PULLEY- 16T/68T	1	1/P							
16	XF21808410	BELT- TIMING	1	1/P							
17	4S30194000	PULLEY- 16T/36T	1	1/P							
18	4402355800	BUSHING	6	5/P							
19	4S30191000	GEAR- 20T	1	1/P							
20	6LA54562000	GEAR	2	1/P							
21	6LA54575000	GEAR-26T	2	1/P							
22	4S30190000	GEAR- 32T	1	1/P							
23	FU52313000	SPRING- COMPRESSION	1	1/P							
24	FU52305000	RATCHET	1	1/P							
25	4S30167000	GEAR- 26T	1	1/P							
26	6LA54576000	SLIDER	1	1/P							
27	6LA54574000	COLLAR	4	5/P							
28	6LA54571000	COLLAR	1	5/P							
29	6LA54570000	COLLAR	1	5/P							
30	4S30192000	GEAR- 20T/32T	1	1/P							
31	4G30852000	CABLE- TRAY	1	1/P							
32	XA91386000	SCREW-RS-M3X8	9	10/P							
33	XA90692000	SCREW-RS-M3X8	1	10/P							
34	6LE67936000	BRKT-SENSOR-D	1	1/P							
501	4402961720	SCREW-M4*12	8	10/P							
502	X0-01747000	S/BID-M4X6-ZB	4	10/P							
503	6LA54563000	ERR-XD21100320	1	5/P							
504	X0-01526000	P/PRL/AH7-2X12-SS	3	10/P							
505	7432301608	HPIN30/16SS	2	50/P							
506	4402016830	ERRING-6.4	12	50/P							
507	6LA54564000	SCREW	3	10/P							
508	4402016800	ERRING-5	1	50/P							

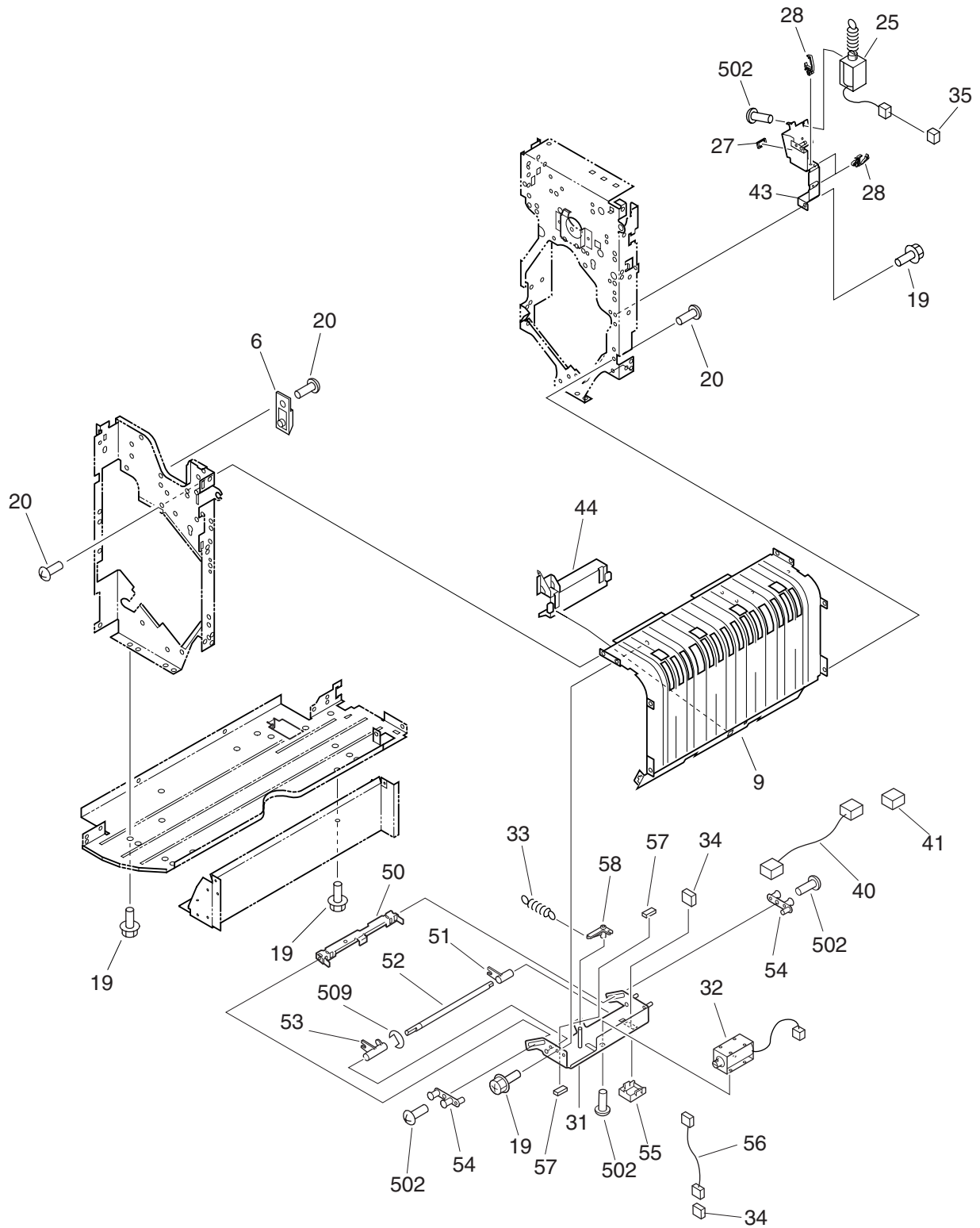




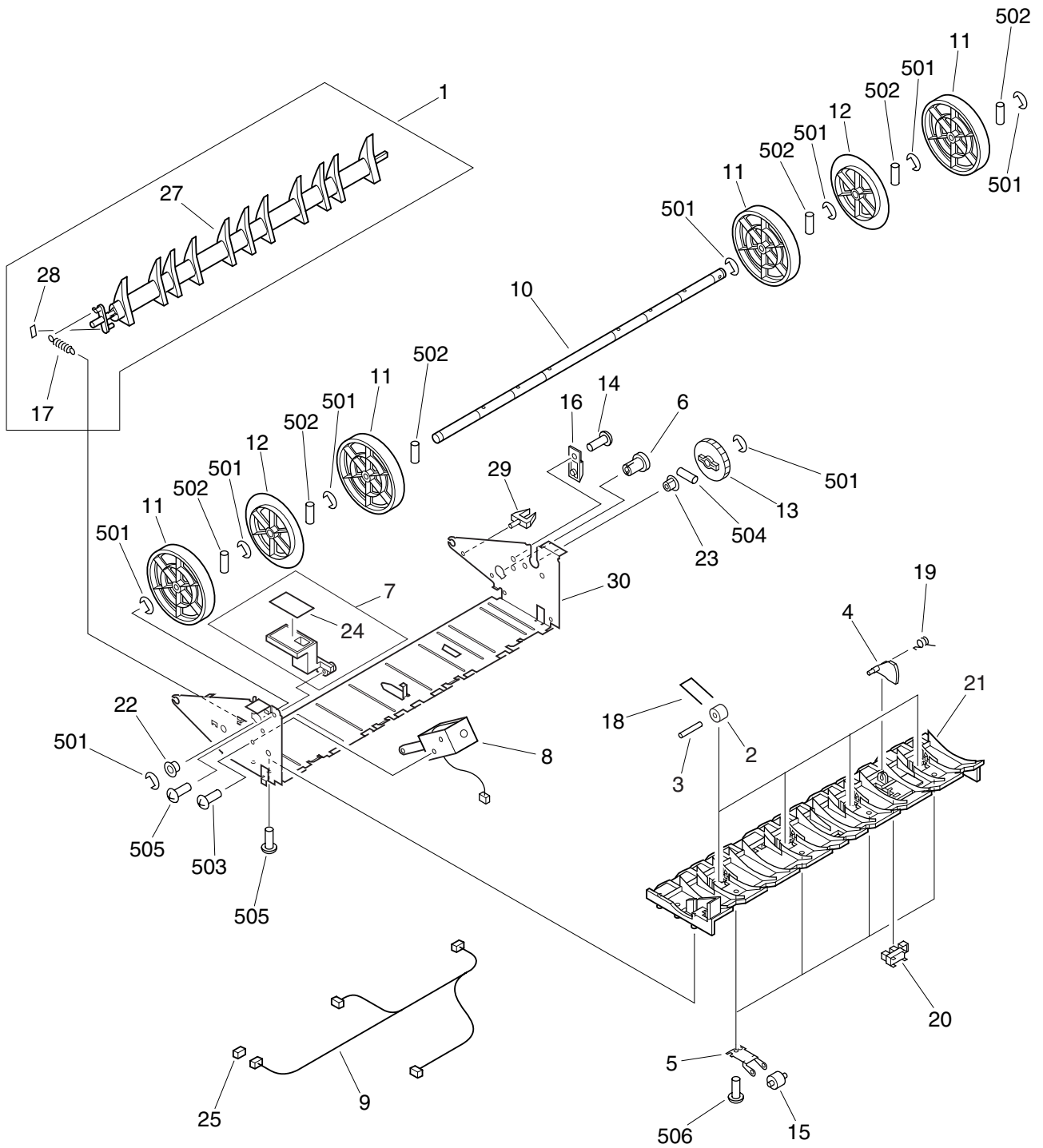


ITEM No.	PART No.	PART NAME	QTY / PAGE	QTY / PACK	P	I	R	BSI No.	TO	FROM	REMARKS
1	44209724000	DUCT-SENSOR	1	1/P							
2	4402960770	HOLDERSWITCH	1	1/P							
3	6LE67964000	BRKT-SENSOR	1	1/P							
4	4402960760	SPL	1	5/P							
5	6LE68038000	ROLLER-FEED	1	1/KP							
8	44209726000	SPCR-DEFLECTOR	1	1/P							
10	44209728000	FLAPPER	1	1/D							
12	44209730000	WIRE-HARNESS	1	1/P							
14	6LE68127000	PLATE-PIN	2	1/P							
15	4402960800	GEAR-21T	1	1/P							
16	4402961040	SPE	2	5/P							
18	6LE67827000	PHOTO INTERRUPTER	2	1/C							
19	4400792330	SCREW-RS-M4	17	50/P							
21	44209735000	BEARING	2	1/P							
30	6LE67813000	CONNECTOR	1	5/P							
36	44209746000	WIRE-HARNESS	1	1/P							
37	6LE67812000	SENSOR	1	1/C							
41	6LE68134000	FRAME-F	1	1/PP							
42	6LE67988000	FRAME-R	1	1/P							
47	6LE68126000	STAY-SENSOR	1	1/P							
501	4402016800	ERRING-5	1	50/P							
507	4402352080	SCREW	2	50/P							

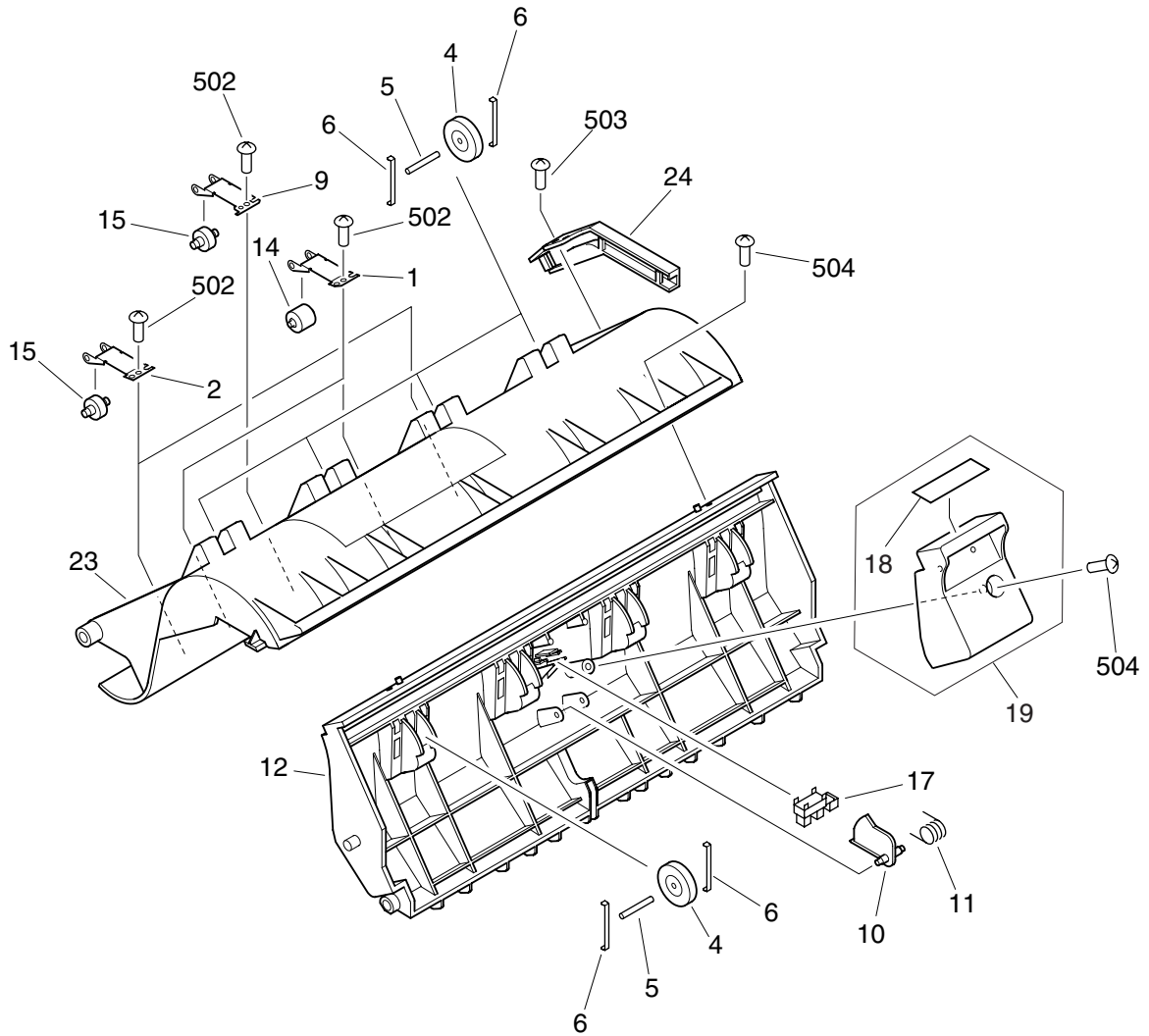




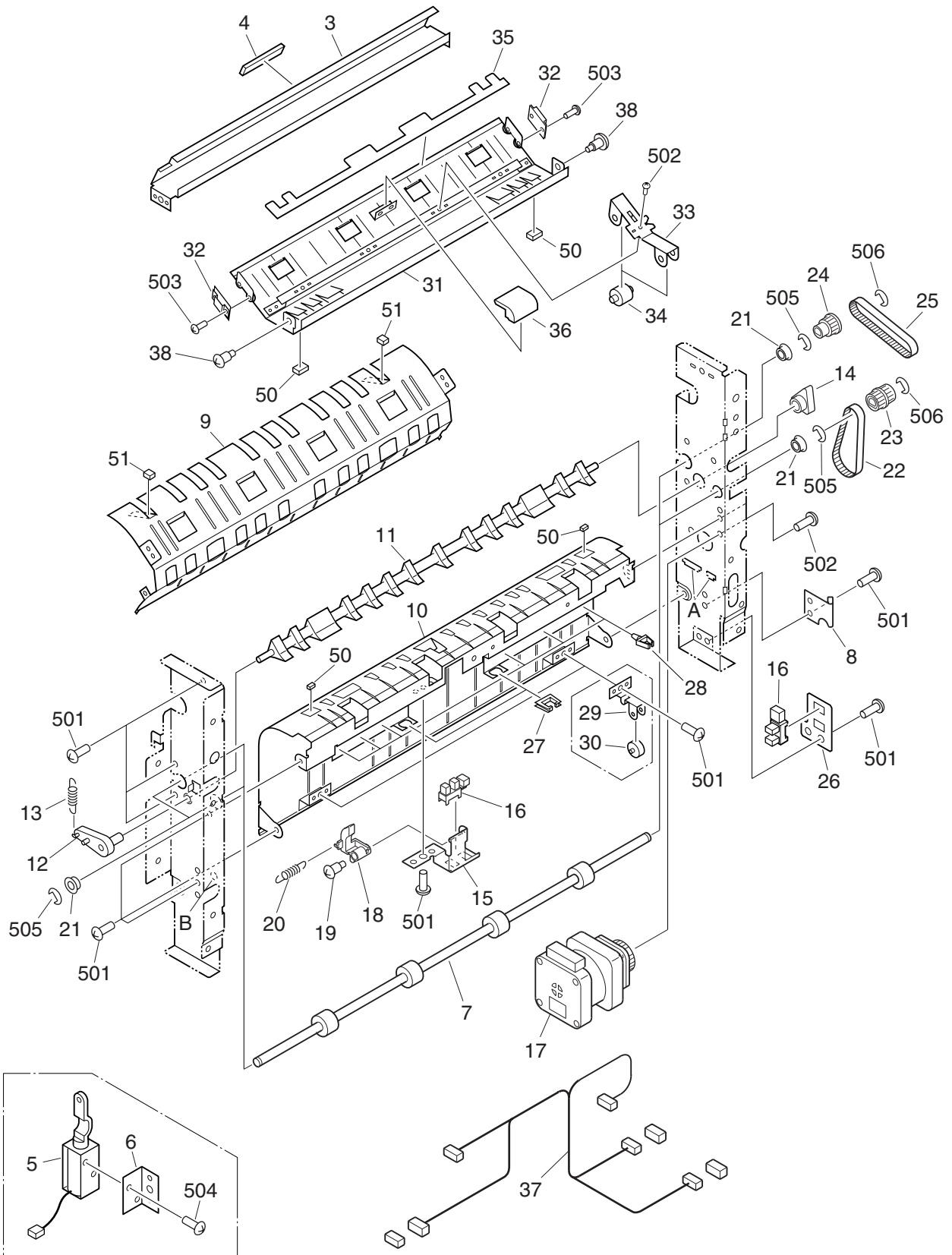






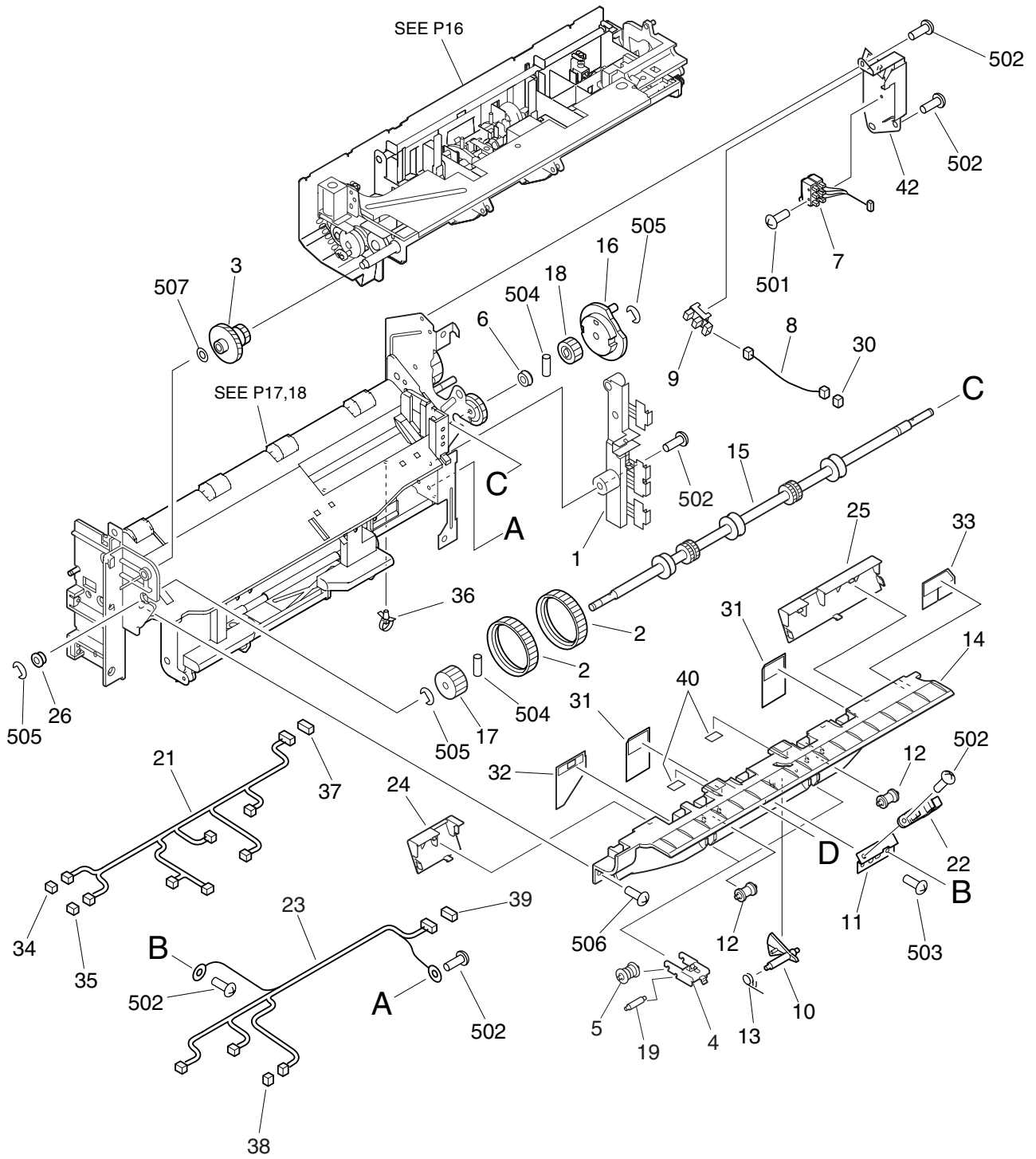






ITEM No.	PART No.	PART NAME	QTY / PAGE	QTY / PACK	P	I	R	BSI No.	TO	FROM	REMARKS
0 A	4G30824000	INLET-FEEDER-ASY	1	1/C							
0 B	4G30830000	INLET-FEEDER-ASY	1	1/C							
3	6LE67923000	STAY-ENT-536	1	1/P							
4	44209675000	SPACER	1	5/P							
5	44210756000	ASM-SND-ENT-537	1	1/C							
6	6LE67925000	BRKT-SND-ENT	1	1/P							
7	44210643000	ROLLER	2	1/KP							
8	44209957000	SPL	1	1/P							
9	6LE68098000	GUIDE-FEED	1	1/P							
10	6LE68097000	GUIDE-FEED-L	1	1/P							
11	44210639000	FLAPPER	1	1/P							
12	4402967660	SPACER-R	1	1/P							
13	44221104000	SPRING	1	5/P							
14	4402967650	SPACER-F	1	1/P							
15	6LE67975000	BRKT-SENSOR	1	1/P							
16	6LE67827000	PHOTO INTERRUPTER	2	1/C							
17	6LA54528000	MOTOR	1	1/D							
18	44210644000	FLAG-SENSOR-ENT	1	1/P							
19	6LE67903000	SCREW-M3-STEP	1	10/P							
20	44210759000	SPRING	1	5/P							
21	44209735000	BEARING	4	1/P							
22	44210760000	BELT	1	1/P							
23	44210640000	PULLEY	1	1/P							
24	44210641000	PULLEY	1	1/P							
25	44210761000	BELT	1	1/P							
26	6LA55770000	BRKT-SENSOR	1	1/P							
27	4402347290	CLIP	2	1/P							
28 A	4402346920	CLIP	6	5/P							MJ-1027
28 B	4402346920	CLIP	3	5/P							MJ-1028
29	4402963750	SPL-ROL-GUIDE	2	1/P							
30	44210762000	ROLLER	2	5/P							
31	6LE67924000	GUIDE-FEED-U	1	1/P							
32	6LE67926000	MAGNET	2	1/P							
33	44210634000	SPL	4	1/P							
34	4402351520	ROLLER-C	8	1/P							
35	44210764000	MYLAR	1	1/KP							
36	4A32004000	HANDLE-UPPER-GUIDE	1	1/P							
37 A	4G12193000	CABLE-INLET-FEEDER	1	1/P							
37 B	44210765000	WIRE-HARNESS	1	1/P							
38	4402967700	SCREW	2	10/P							
50	44210635000	SHEET-T1.5	4	5/P							
51	44210636000	SHEET-T2.0	2	5/P							
501 A	4400790620	SCREW-M4*6	16	50/P							MJ-1027
501 B	4400790620	SCREW-M4*6	14	50/P							MJ-1028
502	X0-01747000	S/BID-M4X6-ZB	6	10/P							
503	X0-01741000	S/BID-M3X4-ZB	4	10/P							
504	X0-00431000	S/BID-M3X6-ZB	2	10/P							
505	4402016800	ERRING-5	4	50/P							
506	4402016780	ERRING-4	2	50/P							

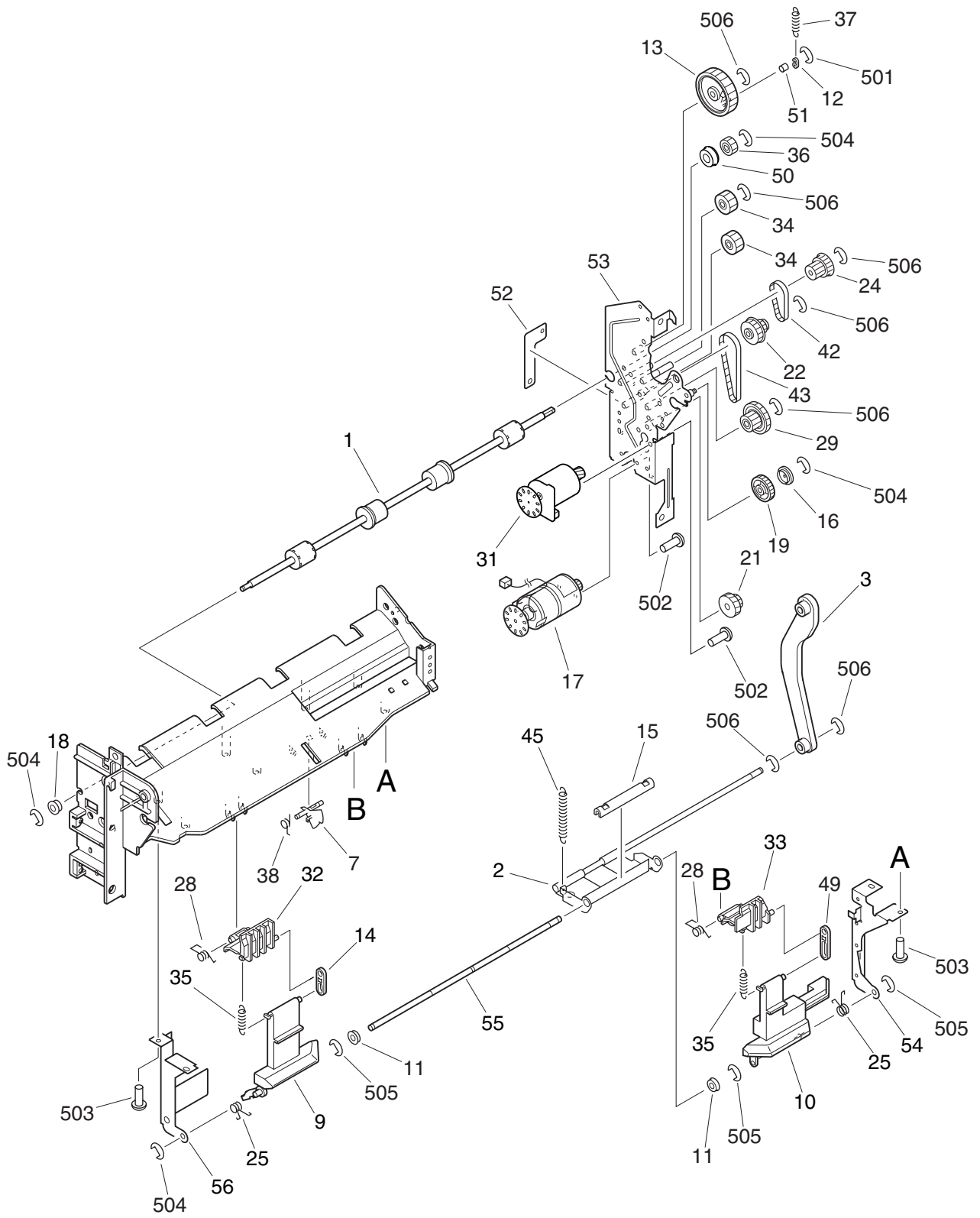




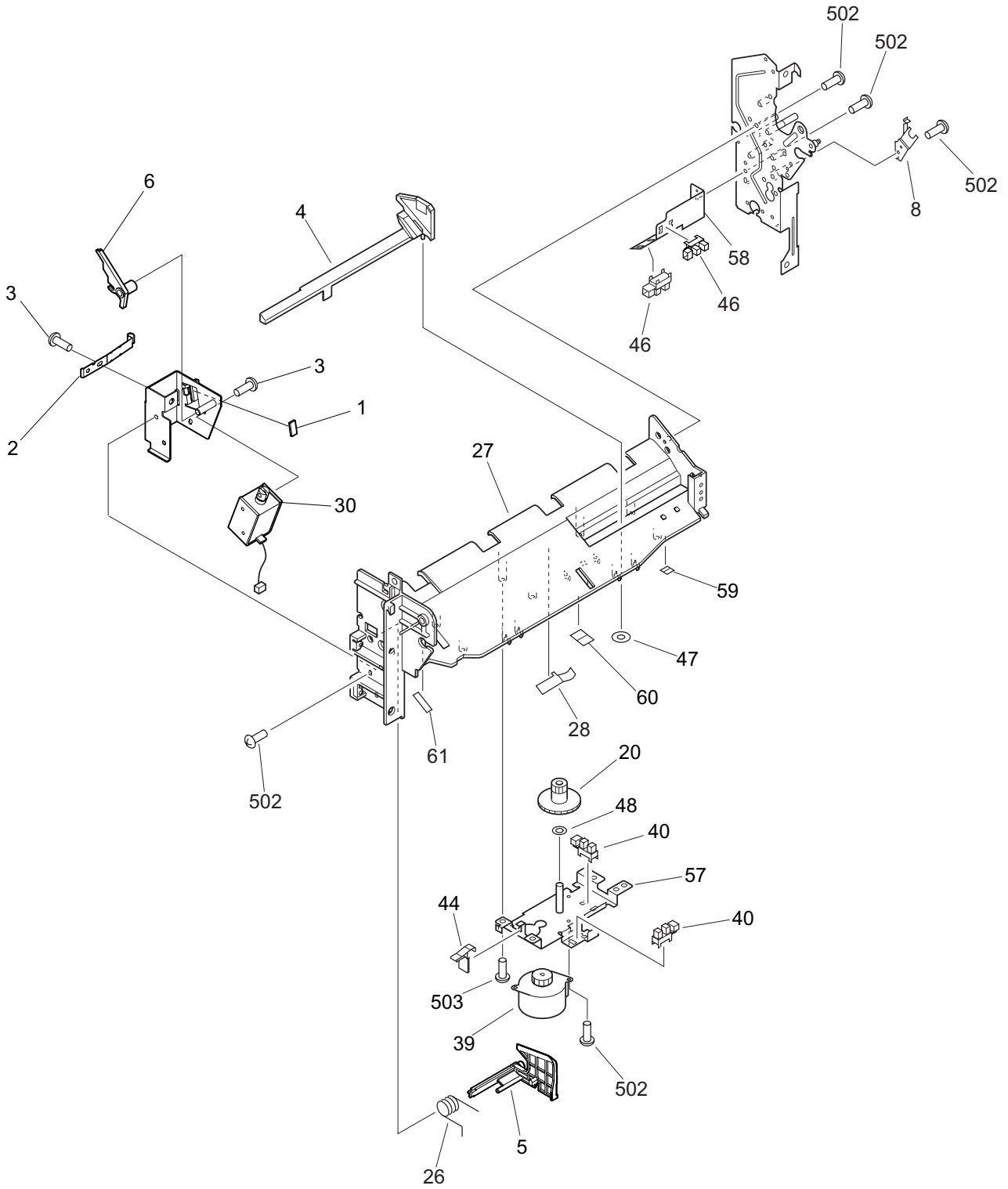
ITEM No.	PART No.	PART NAME	QTY / PAGE	QTY / PACK	P	I	R	BSI No.	TO	FROM	REMARKS
1	44209801000	GUIDE-CABLE	1	1/C							
2	4402961220	BELT-PAPER-FEED	2	1/P							
3	44209802000	GEAR-15T/31T	1	1/P							
4	44209803000	HOLDER-ROL	2	1/P							
5	44209804000	ROLLER	2	1/P							
6	44209735000	BEARING	1	1/P							
7	44209805000	WIRE-HARNESS	1	1/C							
8	44209806000	WIRE-HARNESS	1	1/P							
9	6LE67827000	PHOTO INTERRUPTER	1	1/C							
10	4402961250	FLAG-SENSOR	1	1/P							
11	6LE68001000	BRKT-SENSOR	1	1/P							
12	44209807000	ROLLER	2	1/P							
13	4402350490	SPRING	1	1/P							
14	44210766000	GUIDE-STPL-536	1	1/PP							
15	6LE68023000	ROLLER-EXIT	1	1/KP							
16	4402350530	CAM-SHUTTER	1	1/P							
17	44209812000	GEAR-23T	1	1/P							
18	4402350550	GEAR-18T	1	1/P							
19	44209813000	ROLLER	2	1/P							
21	44209814000	WIRE-HARNESS	1	1/P							
22	4402350570	PHOTOINTERRUPTER	1	1/C							
23	44209816000	WIRE-HARNESS	1	1/P							
24	44209818000	GUIDE-F	1	1/P							
25	44209819000	GUIDE-R	1	1/P							
26	4407839330	BUSHING	1	5/P							
30	6LE67805000	CONNECTOR	1	1/P							
31	4402961280	SHEET-B	2	5/P							
32	44209809000	SHEET-F	1	1/P							
33	44209810000	SHEET-R	1	1/P							
34	6LE67813000	CONNECTOR	1	5/P							
35	4402352940	CONNECTOR	1	1/P							
36	4402961320	CLIP-CABLE	2	5/P							
37	44209815000	CONNECTOR	1	1/P							
38	6LE67813000	CONNECTOR	1	5/P							
39	44209817000	CONNECTOR	1	1/P							
40	44210832000	CUSHION	2	5/P							
42	6LE67971000	BRKT-SWING	1	1/P							
501	44209820000	SCREW-M2.3*14	2	10/P							
502	X0-01741000	S/BID-M3X4-ZB	3	10/P							
503	4402015300	PAN-XB47400809	1	50/P							
504	7432200808	HPIN20/08SSDG	2	50/P							
505	4402016800	ERRING-5	3	50/P							
506	4402015350	PAN-XB47401009	2	50/P							
507	4402350590	WASHER	1	50/P							





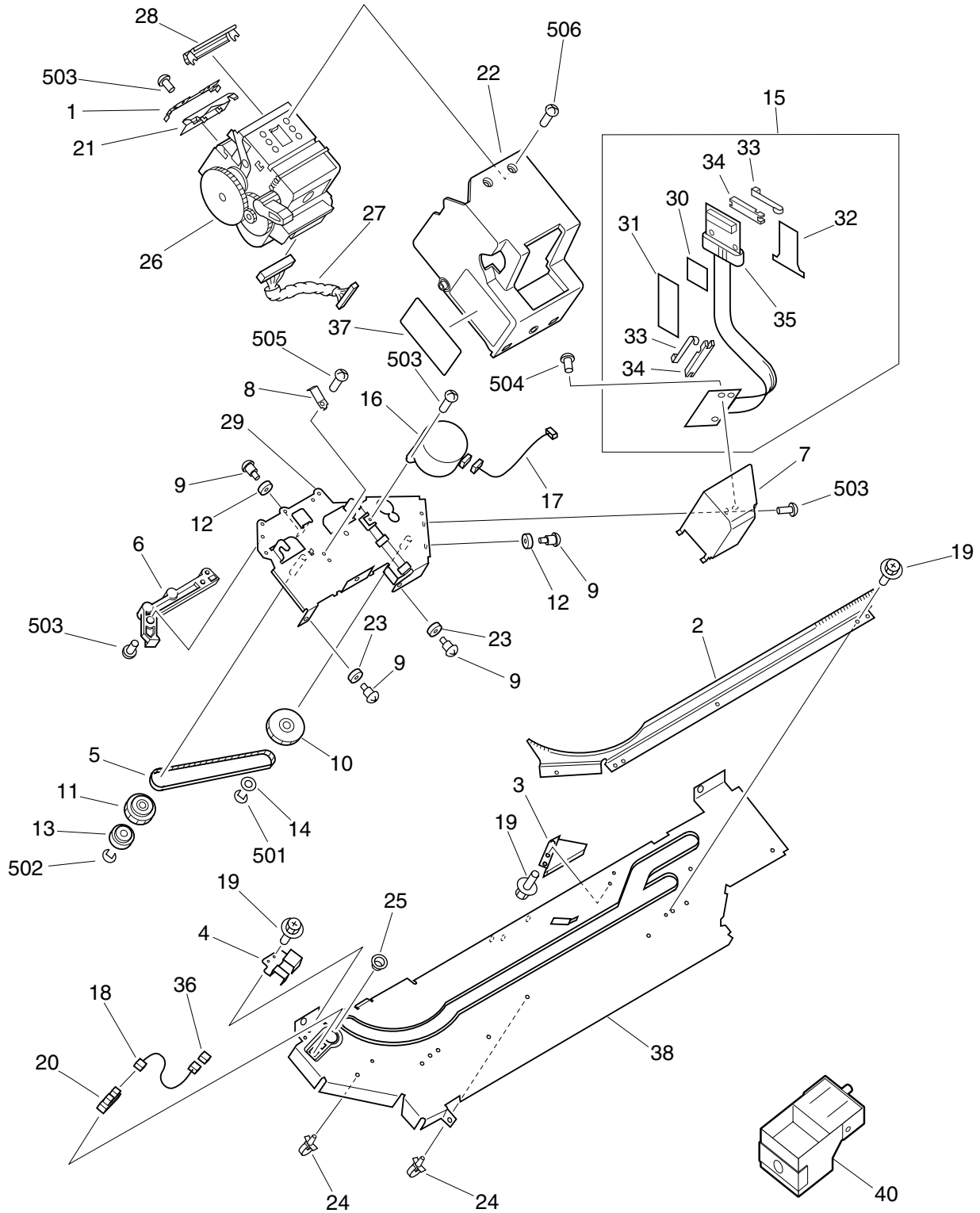


ITEM No.	PART No.	PART NAME	QTY / PAGE	QTY / PACK	P	I	R	BSI No.	TO	FROM	REMARKS
0	4G30810000	STAPLER-TRAY-ASY	1	1/C							
1	6LE68014000	ROL-EXIT	1	1/P							
2	6LE68012000	LINK-SHUTTER	1	1/P							
3	4402351080	LINK-SHUTTER-B	1	1/P							
7	44209844000	FLAG-SENSOR	1	1/P							
9	4402961780	LEVER-STOP-F	1	1/P							
10	44209846000	LEVER-STOP-R	1	1/P							
11	44209847000	BUSHING	2	5/P							
12	4402351030	COLLAR-SPRING	1	5/P							
13	6LA54541000	GEAR	1	1/P							
14	4402961820	LINK	1	5/P							
15	44209849000	SPACER	1	1/P							
16	44209850000	PULLEY	1	1/P							
17	44209851000	MOTOR	1	1/C							
18	4402248100	BUSHING	1	5/P							
19	44209852000	GEAR-25T	1	1/P							
21	4402962890	GEAR-15T/23T	1	1/P							
22	6LA54542000	PULLEY	1	1/P							
24	44209854000	PLY-14T/30T	1	1/P							
25	4402351300	SPRING	2	1/P							
28	44209857000	SPRING	2	5/P							
29	44209858000	GEAR-15T/34T	1	1/P							
31	4402961870	MOTOR	1	1/C							
32	4402962580	HOLDER-STOP-F	1	1/P							
33	44209859000	STOPPER-R	1	1/P							
34	44209860000	GEAR-20T	2	1/P							
35	4402351400	SPRING	2	5/P							
36	44209861000	GEAR-15T	1	1/P							
37	44209862000	SPE	1	5/P							
38	44209863000	SPRING	1	5/P							
42	44209864000	BELT	1	1/P							
43	6LA54543000	BELT	1	1/P							
45	4402352930	SPRING	1	1/P							
49	44209867000	LINK	1	1/P							
50	44209735000	BEARING	1	1/P							
51	6LA54544000	SPACER	1	5/P							
52	4402961910	SHEET-M	1	1/P							
53	6LE68137000	FRAME-TRAY-R	1	1/P							
54	6LE68011000	PLATE-R	1	1/P							
55	6LE68013000	SHAFT-STOP	1	1/P							
56	6LE68010000	PLATE-F	1	1/P							
501	4402016740	ERR-XD21100242	1	50/P							
502	X0-01741000	S/BID-M3X4-ZB	4	10/P							
503	4402015300	PAN-XB47400809	2	50/P							
504	4402016760	ERRING-3.2	4	50/P							
505	4402016770	ERR-XD21100372	3	50/P							
506	4402016800	ERRING-5	7	50/P							

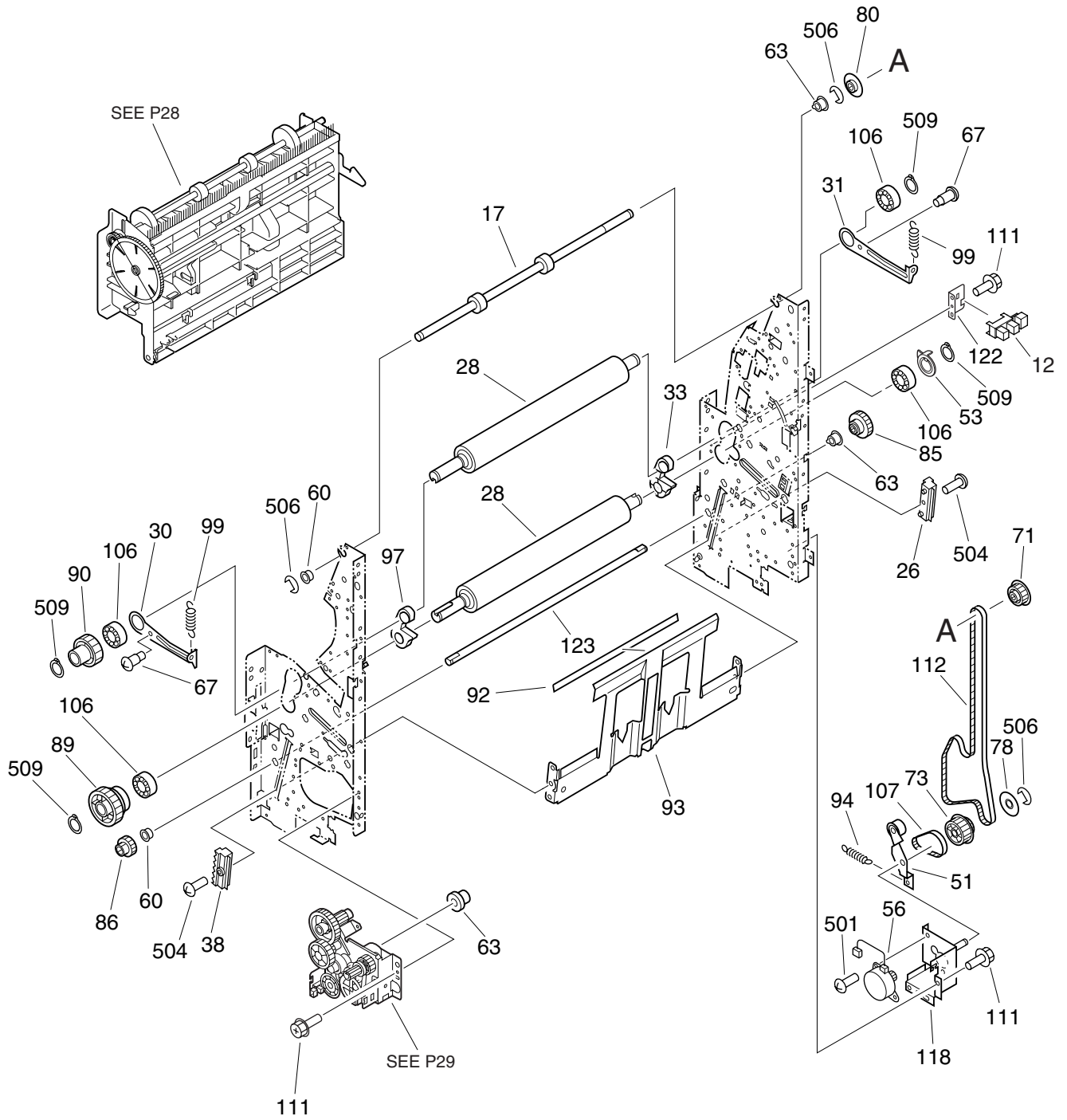




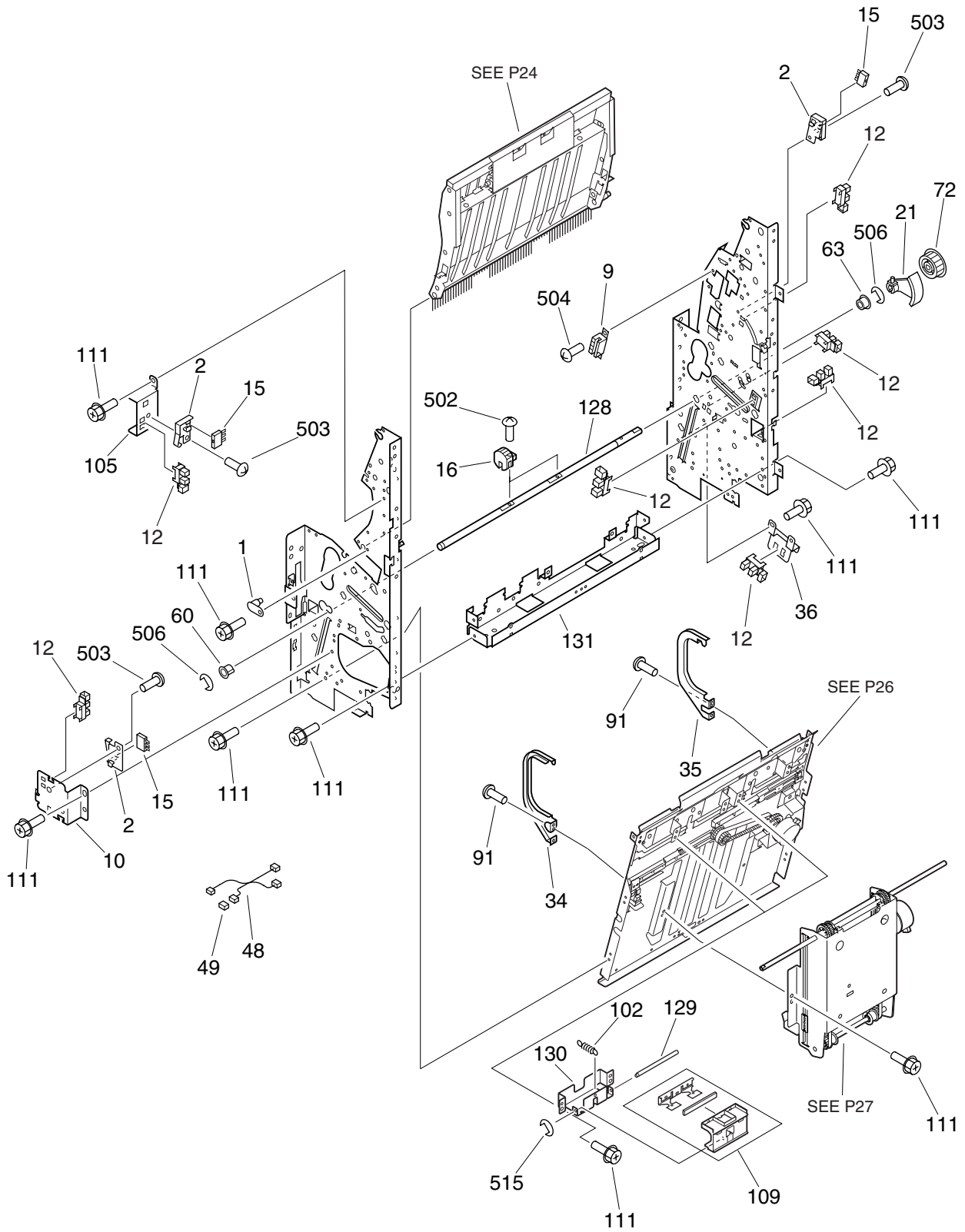




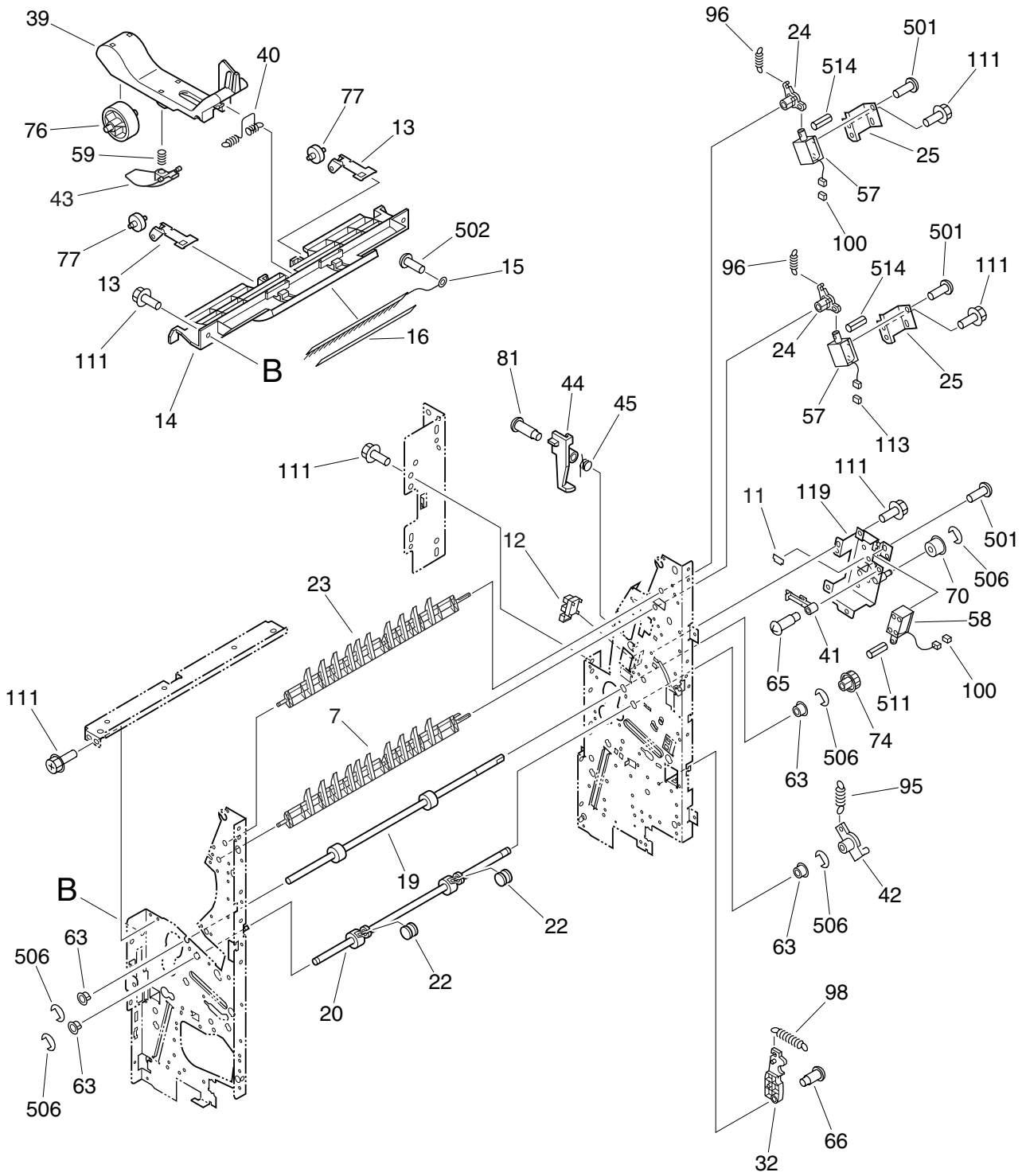
ITEM No.	PART No.	PART NAME	QTY / PAGE	QTY / PACK	P	I	R	BSI No.	TO	FROM	REMARKS
0	4G30820000	STAPLER-ASSEMBLY	1	1/C							
1	6LE68044000	PLATE-L	1	1/P							
2	6LE68005000	PLATE-RACK	1	1/P							
3	4402351590	PLATE-GUIDE	1	1/P							
4	6LE68006000	COVER-SENSOR	1	1/P							
5	4402351610	BELT	1	1/P							
6	4402351620	CAM-STOP	1	1/P							
7	44209876000	COVER-PCB	1	1/P							
8	44209877000	SPL-EARTH	1	1/P							
9	4407838280	SCREW-M3	4	50/P							
10	4402351640	GEAR-44T/P16T	1	1/P							
11	4402351650	GEAR-16T/P40T	1	1/P							
12	4402351660	ROLLER	2	1/P							
13	4402351670	ROLLER	1	1/P							
14	4402351680	FLANGE	1	5/P							
15	4402962280	ASM-WH-795	1	1/C							
16	4402351700	MOTOR-STEPPING	1	1/D							
17	44209879000	WIRE-HARNESS	1	1/P							
18	44209880000	WIRE-HARNESS	1	1/P							
19	4402351740	SCREW-RS-M3*6	6	50/P							
20	6LE67827000	PHOTO INTERRUPTER	1	1/C							
21	44209881000	PLATE-L	1	1/C							
22	44209882000	COVER-STPL	1	1/PP							
23	4402351880	ROLLER	2	1/P							
24	4402351770	CLAMP-CABLE	2	5/P							
25	41321266000	GROMMET-CORD	1	1/P							
26	FB45390000	STAPLER	1	1/C							
27	44209883000	WIRE-HARNESS	1	1/P							
28	44209884000	PLATE-U	1	1/P							
29	6LE68152000	BRKT-STAPLE	1	1/P							
30	4402962290	SHEET-A	1	1/P							
31	4402962300	SHEET-B	1	1/P							
32	4402962310	STOPPER	1	1/P							
33	4400590320	BAND	2	5/P							
34	4402962320	MOUNT-CABLE	2	1/P							
35	44209878000	CORE-FERRITE	1	1/P							
36	4402352940	CONNECTOR	1	1/P							
37	44209544000	LBL-WARNING	1	5/P							
38	6LE68004000	GUIDE-STAPLER	1	1/P							
40	4402357440	HOLDER-STAPLE	1	1/D							
501	4402016800	ERRING-5	1	50/P							
502	4402016830	ERRING-6.4	1	50/P							
503	X0-00431000	S/BID-M3X6-ZB	5	10/P							
504	4402015240	PAN-XB47300809	4	50/P							
505	X0-01741000	S/BID-M3X4-ZB	1	10/P							
506	X0-00449000	S/BID-M4X6-NI	3	10/P							





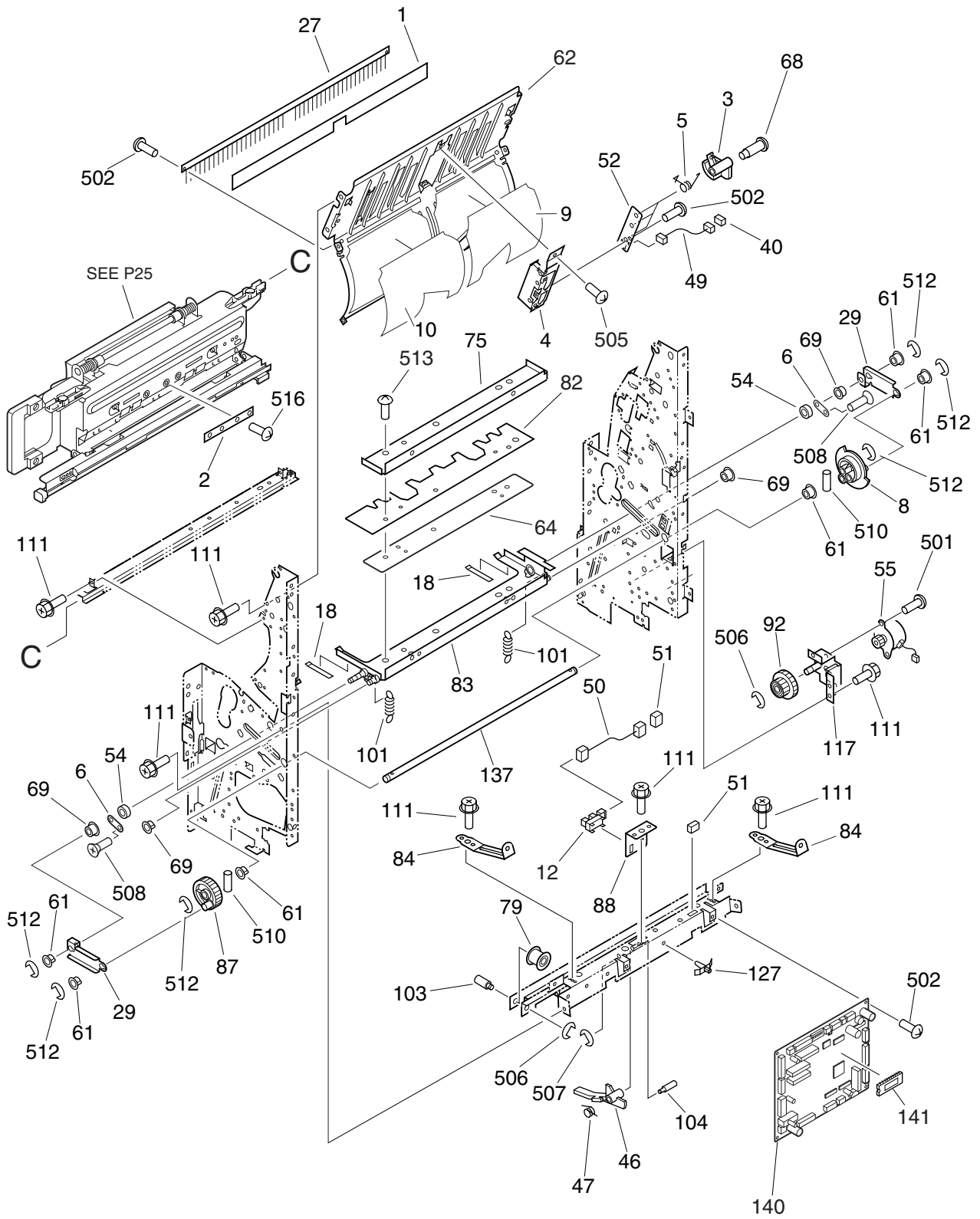




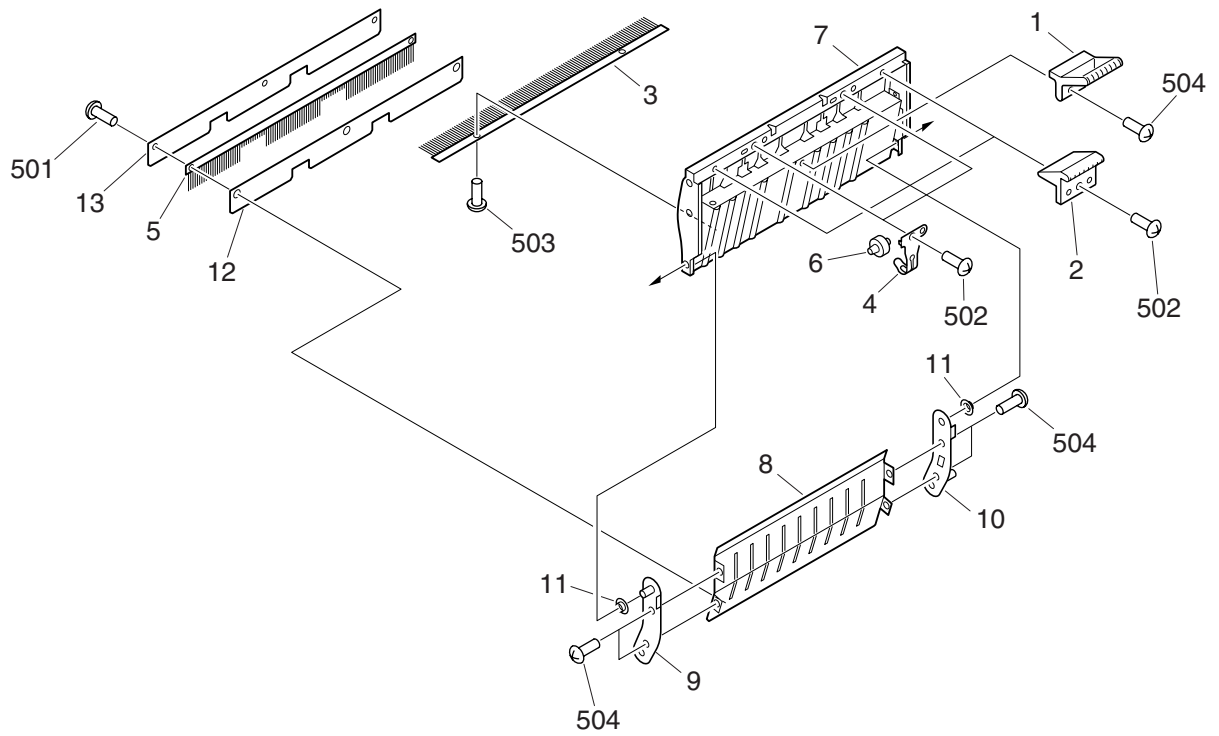


ITEM No.	PART No.	PART NAME	QTY / PAGE	QTY / PACK	P	I	R	BSI No.	TO	FROM	REMARKS
7 B	44209885000	FLAPPER	1	1/P							MJ-1028
11 B	44209886000	SHEET	1	5/P							MJ-1028
12 B	6LE67841000	PHOTO-INTERRUPTER	1	1/D							MJ-1028
13 B	44221170000	SPL	2	1/P							MJ-1028
14 B	6LA54545000	K-GUIDE-U-552	1	1/PP							MJ-1028
15 B	4402969000	BRUSH	1	1/KP							MJ-1028
16 B	4402969010	SHEET	1	1/KP							MJ-1028
19 B	6LA94268000	ROLLER-HOLDING	1	1/KP							MJ-1028
20 B	44209890000	SHAFT-CAM	1	1/P							MJ-1028
22 B	4402967990	ROL-BACK-UP	2	1/P							MJ-1028
23 B	4402968000	DEFLECTOR	1	1/KP							MJ-1028
24 B	4402968010	ARM-DEFLECTOR	2	1/P							MJ-1028
25 B	4402968020	BRKT-SOLENOID	2	1/P							MJ-1028
32 B	4402968090	LEVER-STOPPER	1	1/P							MJ-1028
39 B	44209628000	HOLDER-PAPER	1	1/P							MJ-1028
40 B	4402968180	SPRING	1	1/P							MJ-1028
41 B	4402968190	LINK-ROLLER-1	1	1/P							MJ-1028
42 B	4402968200	LINK-ROLLER-2	1	1/P							MJ-1028
43 B	44209620000	HOLDER-PAPER-1	1	1/P							MJ-1028
44 B	4402968220	FLAG-SENSOR	1	1/P							MJ-1028
45 B	4402968230	SPRING	1	5/P							MJ-1028
57 B	6LE67823000	SOLENOID	2	1/D							MJ-1028
58 B	6LE67824000	SOLENOID	1	1/C							MJ-1028
59 B	44209896000	SPC	1	1/P							MJ-1028
63 B	4407839330	BUSHING	4	5/P							MJ-1028
65 B	4402343550	SCREW-M4	1	10/P							MJ-1028
66 B	4407838830	SCREW-M4	1	50/P							MJ-1028
70 B	4402968400	PULLEY	1	1/P							MJ-1028
74 B	4402968440	PULLEY-24	1	1/P							MJ-1028
76 B	4402968460	ROLLER	1	1/P							MJ-1028
77 B	44221171000	ROLLER-EXIT	2	1/P							MJ-1028
81 B	4402968510	SCREW-M3	1	10/P							MJ-1028
95 B	44209899000	SPE	1	5/P							MJ-1028
96 B	4402968660	SPRING	2	5/P							MJ-1028
98 B	4402968680	SPRING	1	5/P							MJ-1028
100 B	6LE67813000	CONNECTOR	2	5/P							MJ-1028
111 B	4400792330	SCREW-RS-M4	7	50/P							MJ-1028
113 B	44209903000	CONNECTOR	1	1/P							MJ-1028
119 B	44209907000	BRKT-SND	1	1/P							MJ-1028
126 B	4402969090	STAY-UPPER	1	1/P							MJ-1028
139 B	4402969100	BRKT	1	1/P							MJ-1028
501 B	X0-01741000	S/BID-M3X4-ZB	3	10/P							MJ-1028
502 B	X0-00431000	S/BID-M3X6-ZB	1	10/P							MJ-1028
506 B	4402016800	ERRING-5	5	50/P							MJ-1028
511 B	X0-01016000	P/SPW/AW-3X10-SS	1	10/P							MJ-1028
514 B	X0-01893000	P/SPW/AW-3X8-SS	2	10/P							MJ-1028

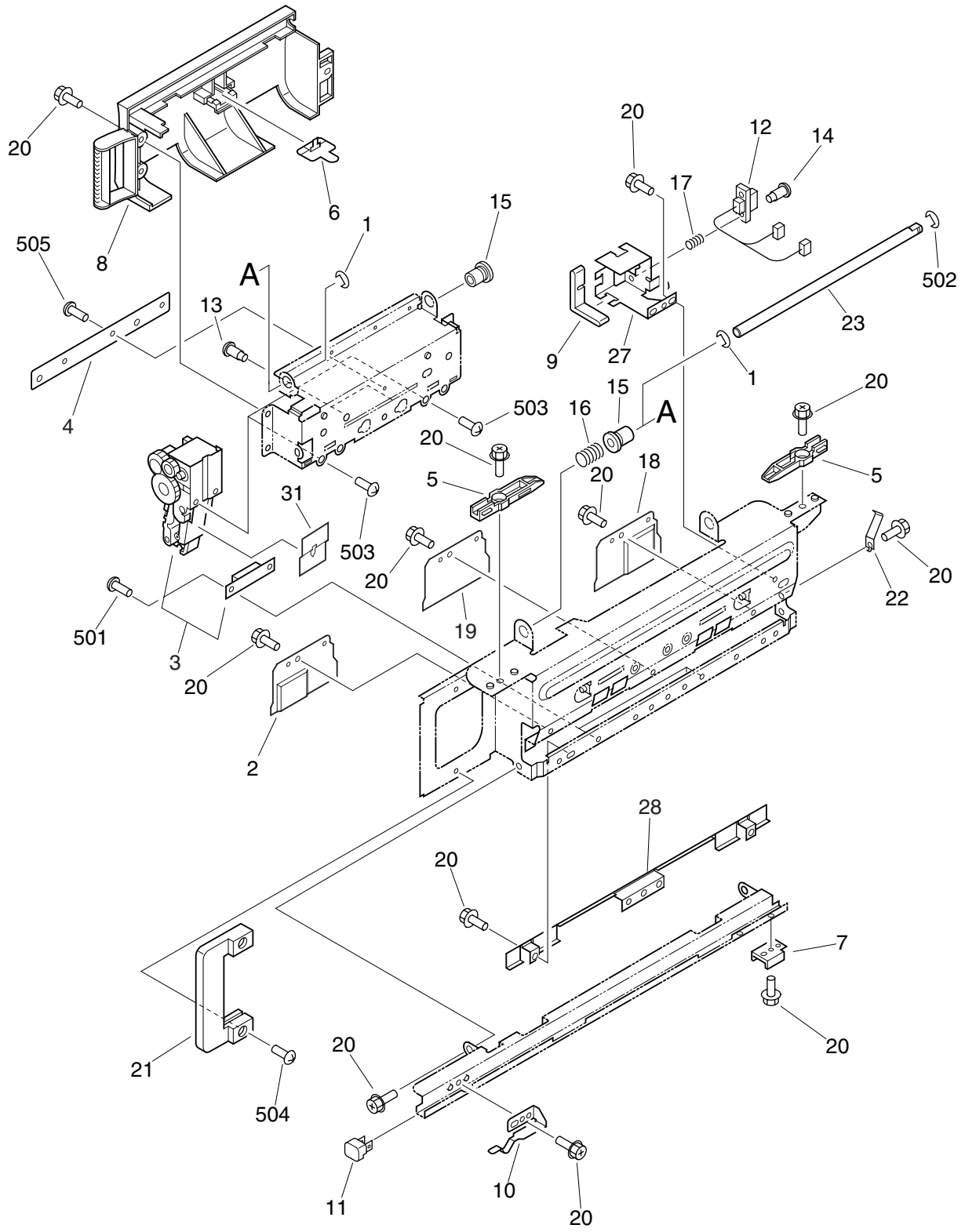




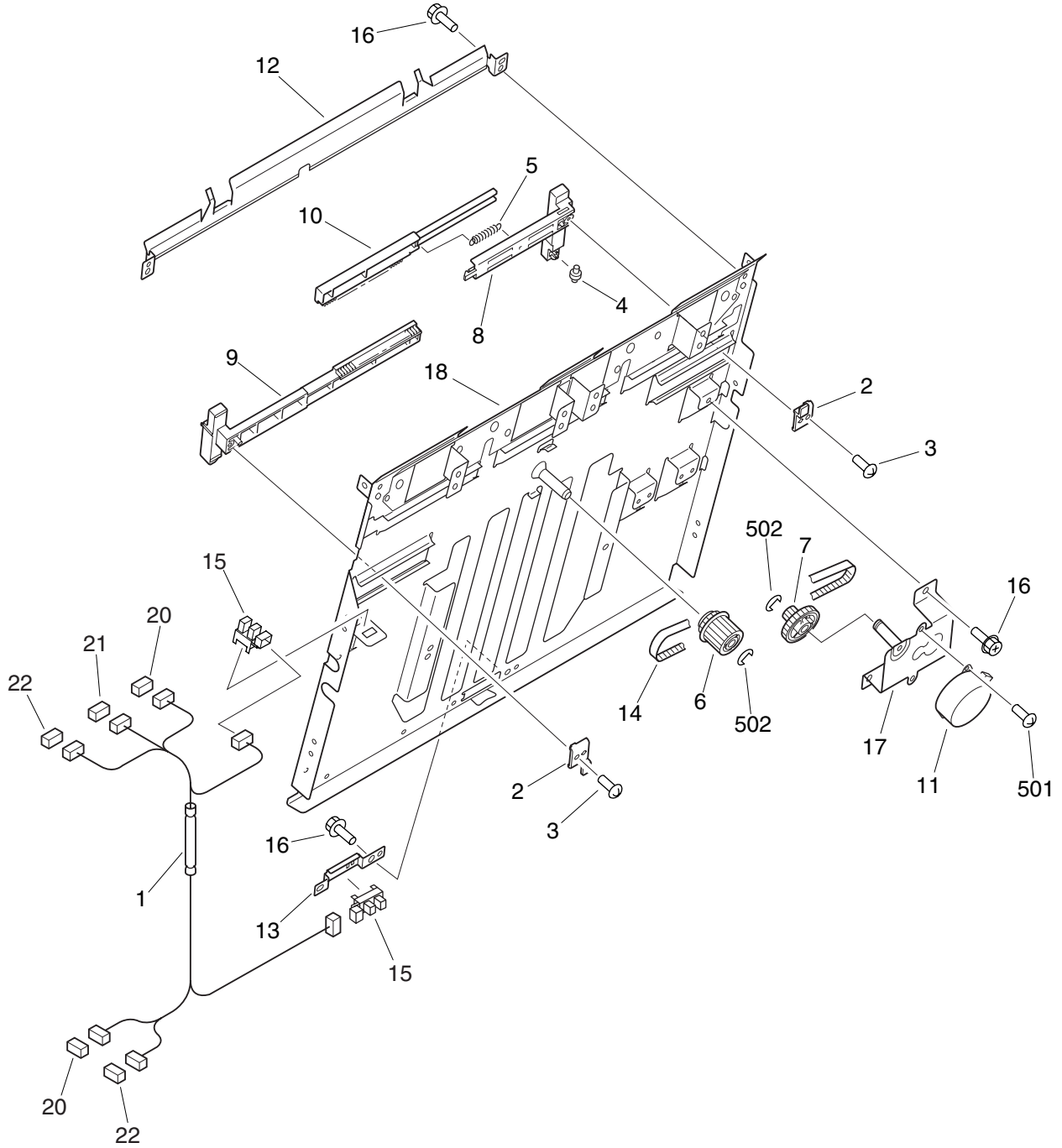






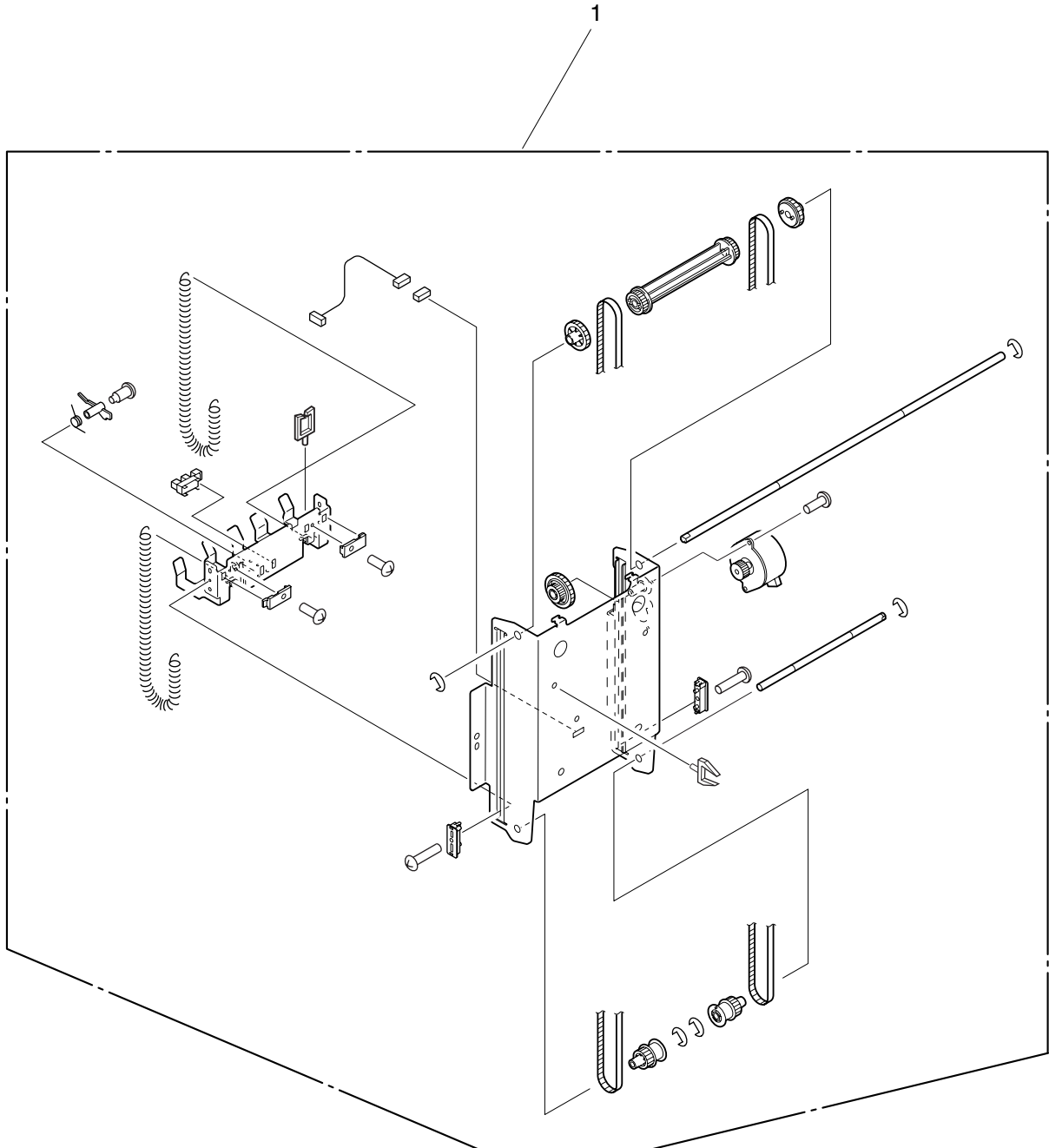




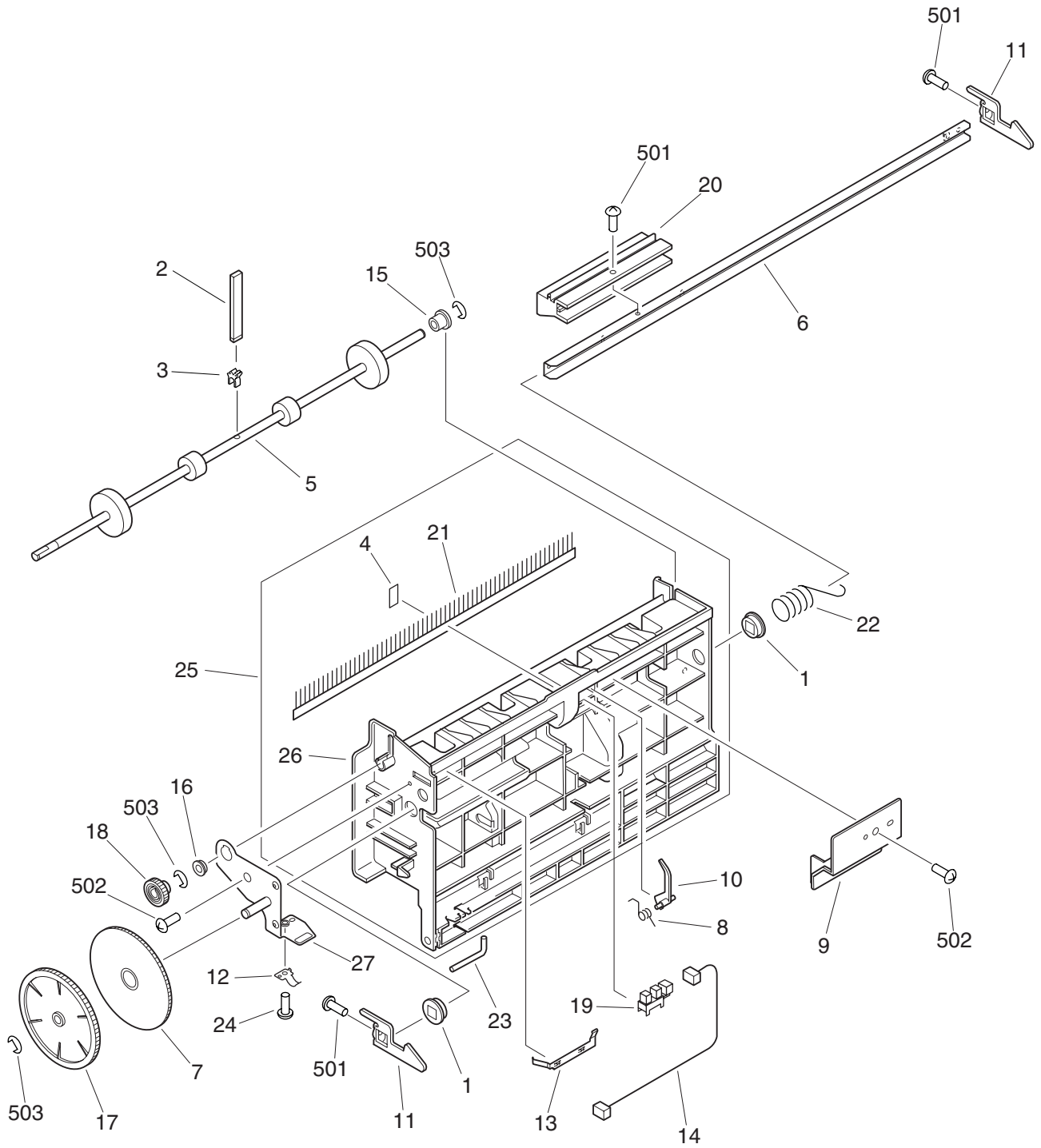




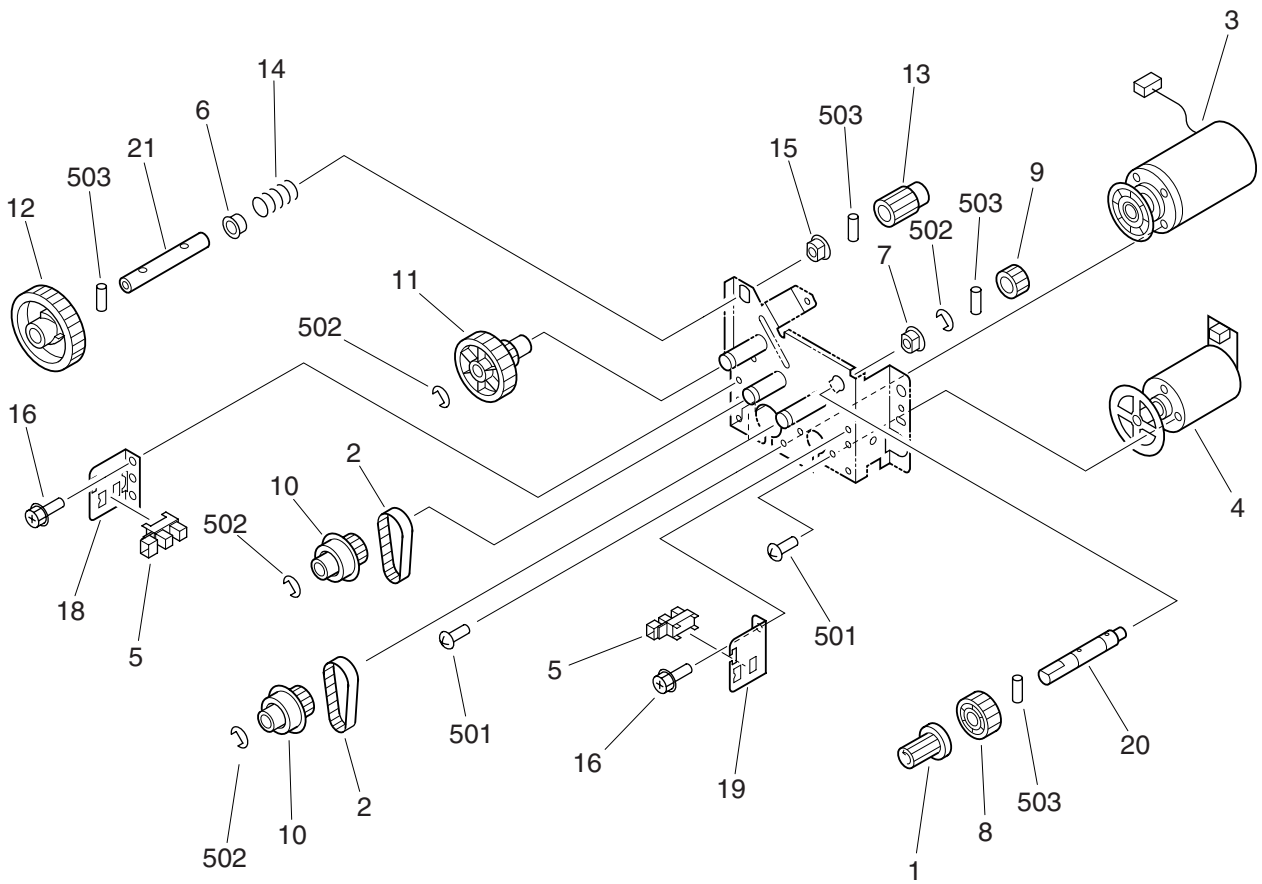




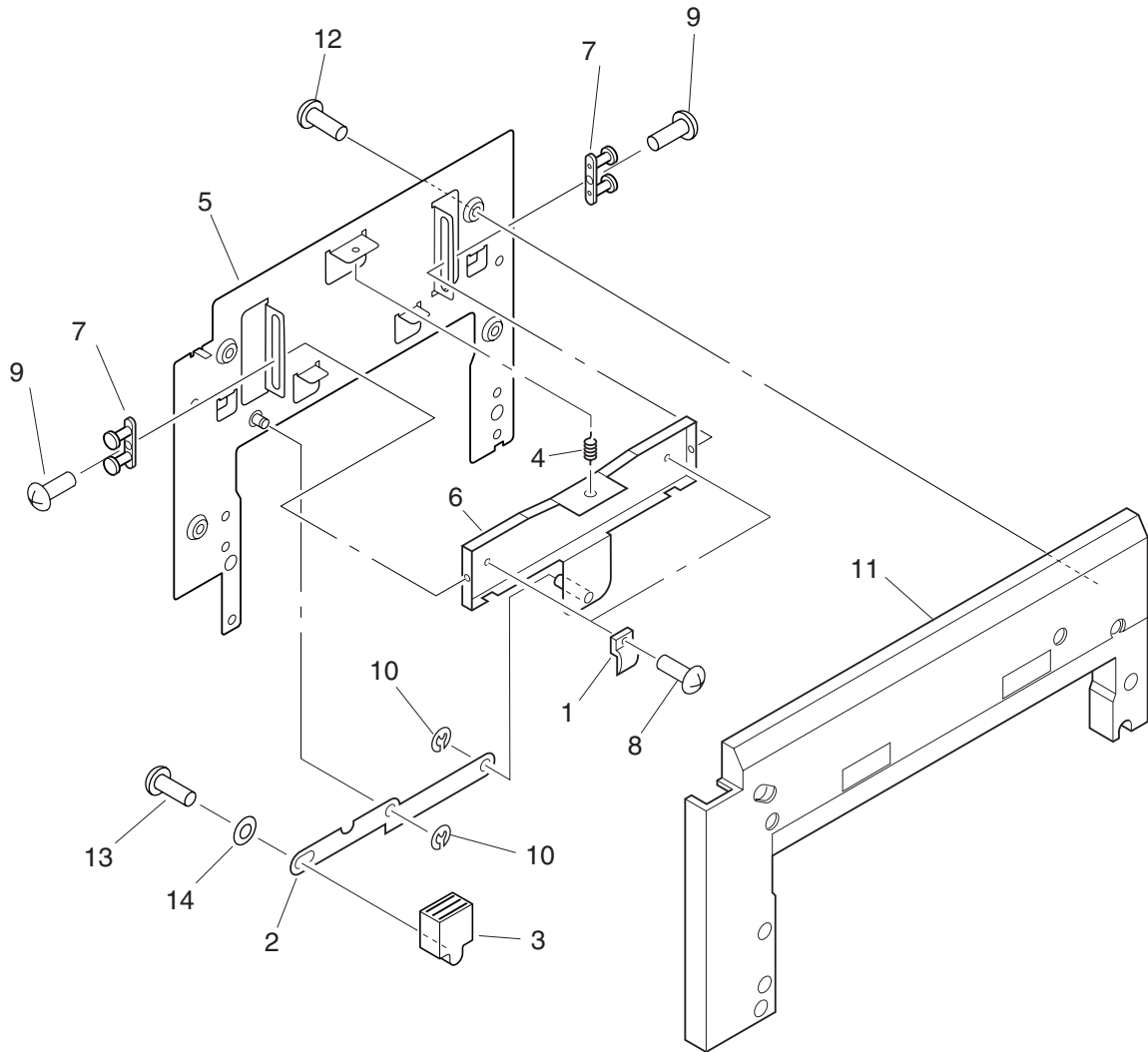






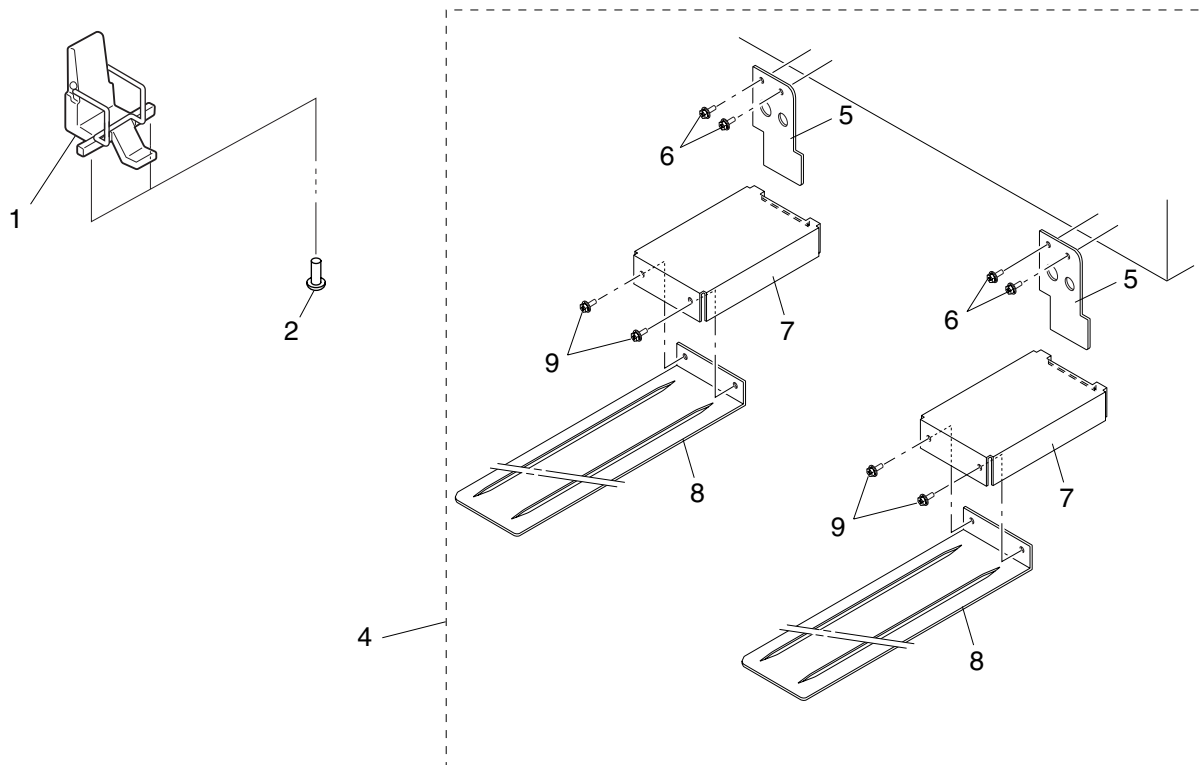
















**TOSHIBA**

**TOSHIBA TEC CORPORATION**

2-17-2, HIGASHIGOTANDA, SHINAGAWA-KU, TOKYO, 141-8664, JAPAN