

TOSHIBA

SERVICE PARTS LIST

LCIT RT5010

P

© 2006 TOSHIBA TEC CORPORATION All rights reserved

Under the copyright laws, this manual cannot be reproduced in any form without prior written permission of TOSHIBA TEC CORPORATION. No patent liability is assumed, however, with respect to the use of the information contained herein.

EXPLANATION OF SERVICE-PARTS LIST

1. HOW TO READ THE PARTS LIST

- (1) Number of pieces
The number of pieces in the list denotes total pieces used per unit. But the numbers in the list for PACKING MATERIAL and ACCESSORY denote total pieces used per machine.
- (2) One pack of screws in the list includes 50 pieces.
- (3) ABBREVIATED CODES

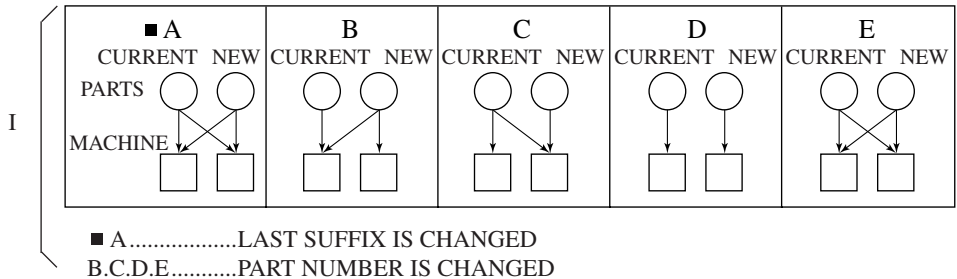
QTY/PAC

- QTY.....one piece
- PAC.....one pack
- 1/P.....one piece packed in polyethylene bag
- 1/S.....one piece packed in special pack
- 1/C.....one piece packed in carton box
- 1/PP.....one piece packed in paper and polyethylene bag
- 1/KP.....one piece packed in polyethylene bag with cardboard
- 1/D.....one piece packed in polyethylene-cushion bag
- 1/SB.....one piece packed in shielding bag
- N/A.....not available

P

- P.....PURPOSE
- A.....ADD
- B.....DELETE
- C.....CHANGE
- D.....QTY, CHANGE
- E.....MISENTRY
- F.....OMISSION

I.....INTERCHANGEABILITY STATUS



2. HOW TO PLACE ORDER FOR PARTS

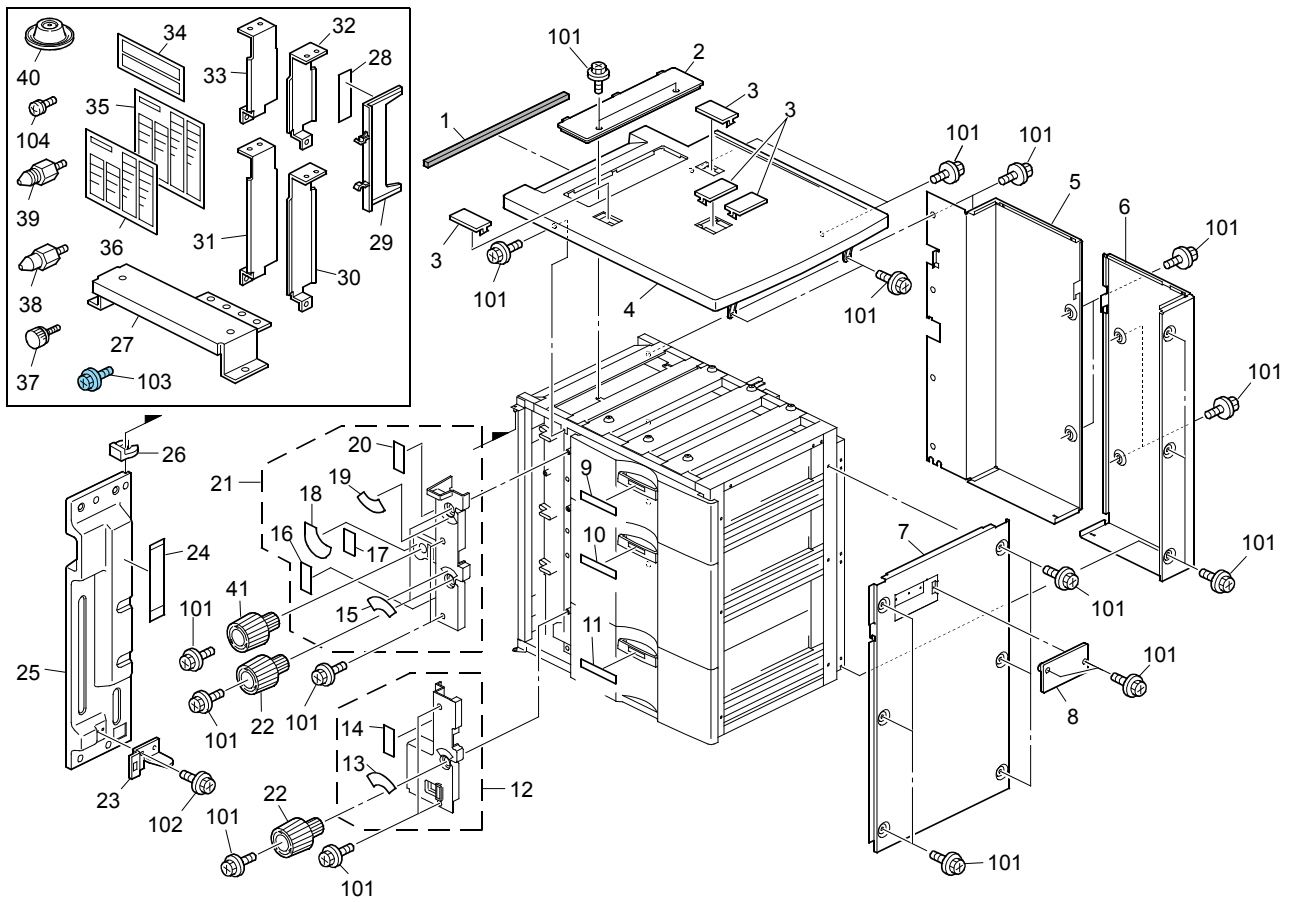
- (1) The parts handled as service parts are only those with their "QTY/PACK" column listed with a quantity other than "N/A***" or "SUPPLY".
Those parts with "N/A***" are listed only for the purpose of showing the mechanical construction, those listed with "SUPPLY" are handled only as a sales item, and therefore both types of parts are not supplied as service parts.
- (2) Orders for any parts which form a component of a semi-assembled unit are not acceptable.
Note: All the screws and nuts used are ISO standard.

3. REGION

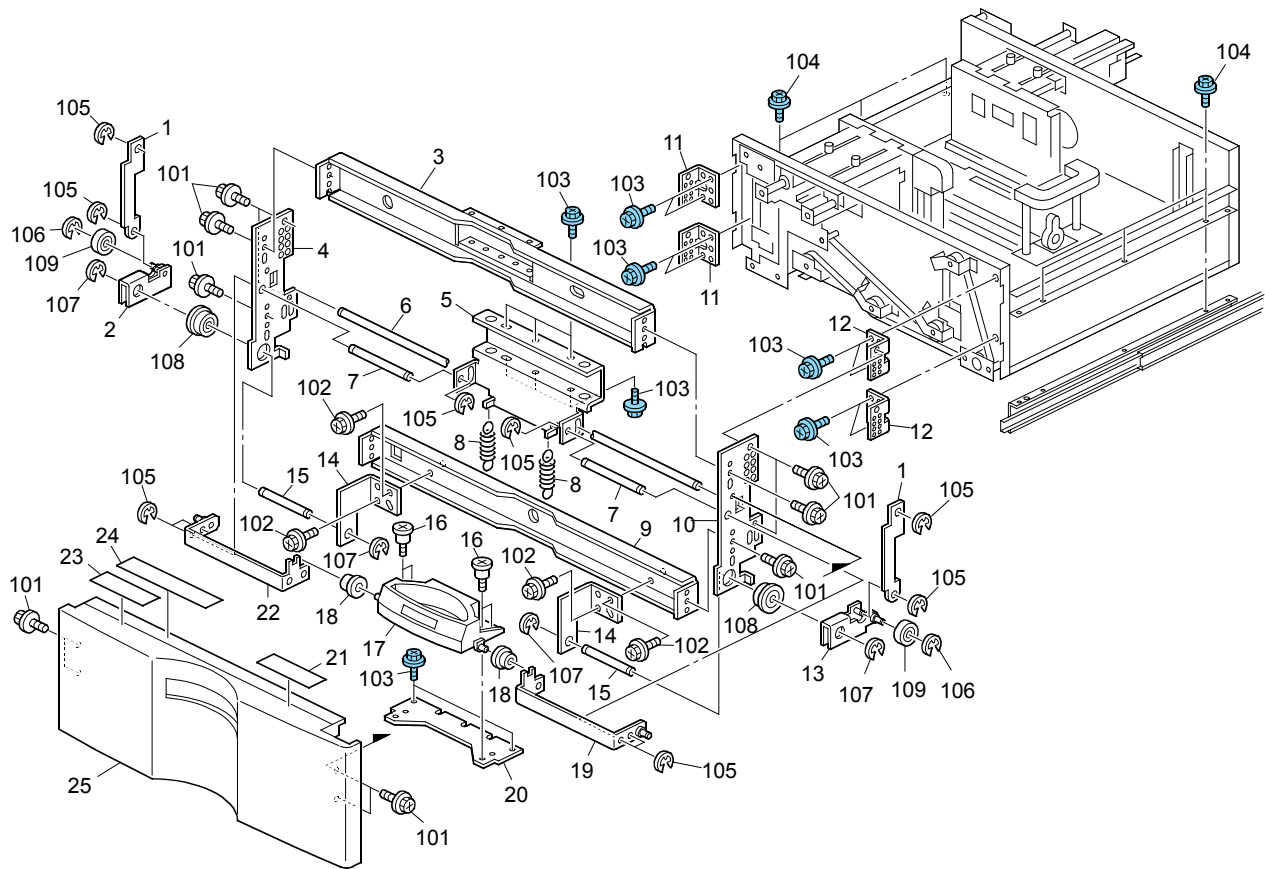
- NAD.....115V
50/60Hz, NORTH AMERICA, SOUTH AMERICA
- TWD.....110/220V
50/60Hz, TAIWAN
- SAD.....127V/60Hz, SAUDI ARABIA
- ASD.....220-240V
50/60Hz, ASIA, SOUTH AMERICA, etc.
- ASU.....220-240V
50/60Hz, ASIA, etc.
- AUD.....220-240V
50/60Hz, AUSTRALIA
- MJD.....220-240V
50/60Hz, EUROPE
- CND.....220-240V
50/60Hz, CHINA
- KRD.....220-240V
50/60Hz, KOREA

CONTENTS

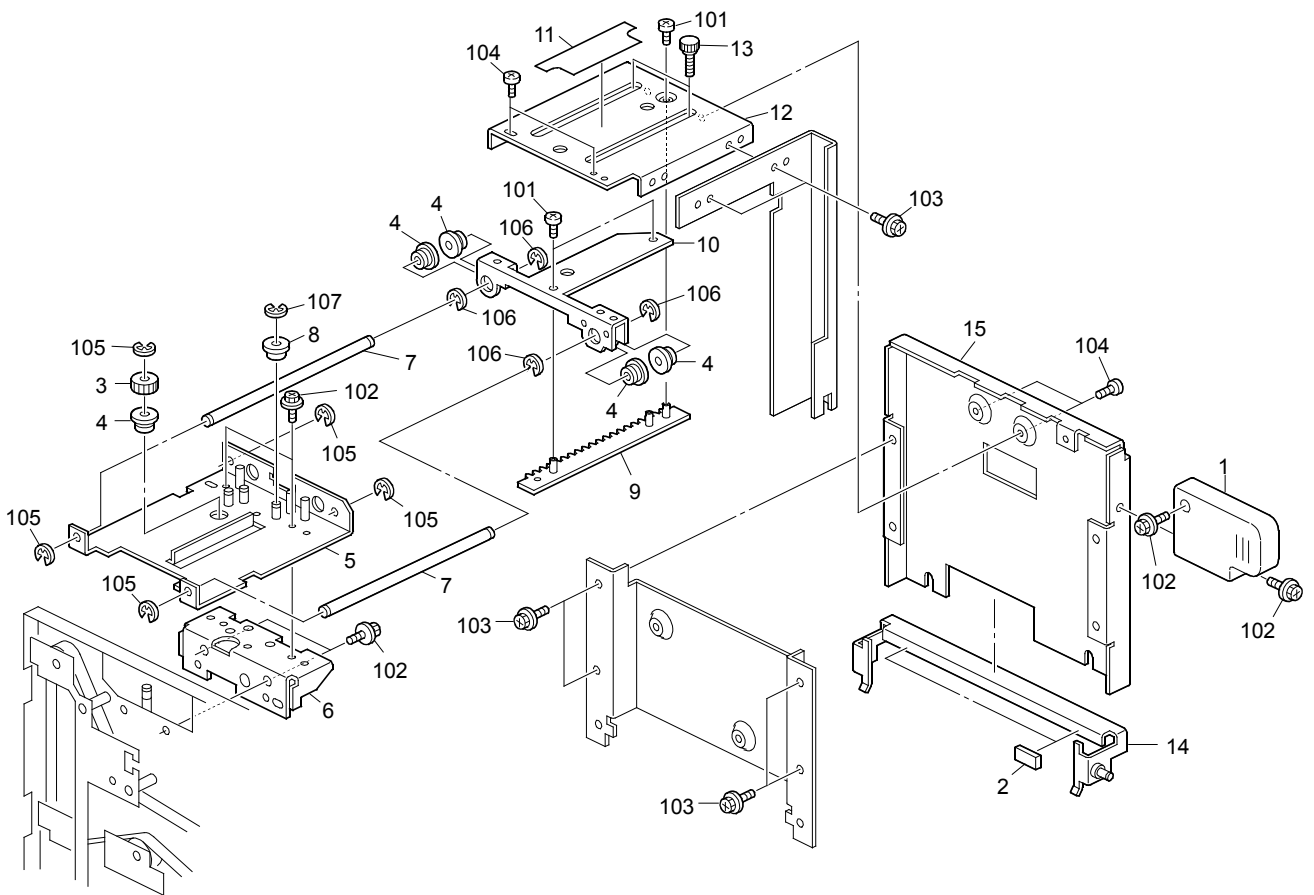
EXTERIOR	1
4TH/6TH PAPER TRAY 1	2
4TH/6TH PAPER TRAY 2	3
4TH/6TH PAPER TRAY 3	4
4TH/6TH PAPER TRAY 4	5
4TH/6TH PAPER TRAY 5	6
4TH/6TH PAPER TRAY 6	7
4TH/6TH PAPER TRAY 7	8
5TH PAPER TRAY 1	9
5TH PAPER TRAY 2	10
5TH PAPER TRAY 3	11
5TH PAPER TRAY 4	12
5TH PAPER TRAY 5	13
5TH PAPER TRAY 6	14
5TH PAPER TRAY 7	15
5TH PAPER TRAY 8	16
PAPER FEED SECTION 1	17
PAPER FEED SECTION 2	18
PAPER TRANSFER SECTION 1	19
PAPER TRANSFER SECTION 2	20
PAPER TRANSFER SECTION 3	21
PAPER TRANSFER SECTION 4	22
PAPER TRANSFER SECTION 5	23
PAPER TRANSFER SECTION 6	24
DRIVE SECTION	25
ELECTRICAL SECTION	26
FRAME	27
DECALS AND DOCUMENTS 1	28
DECALS AND DOCUMENTS 2	29



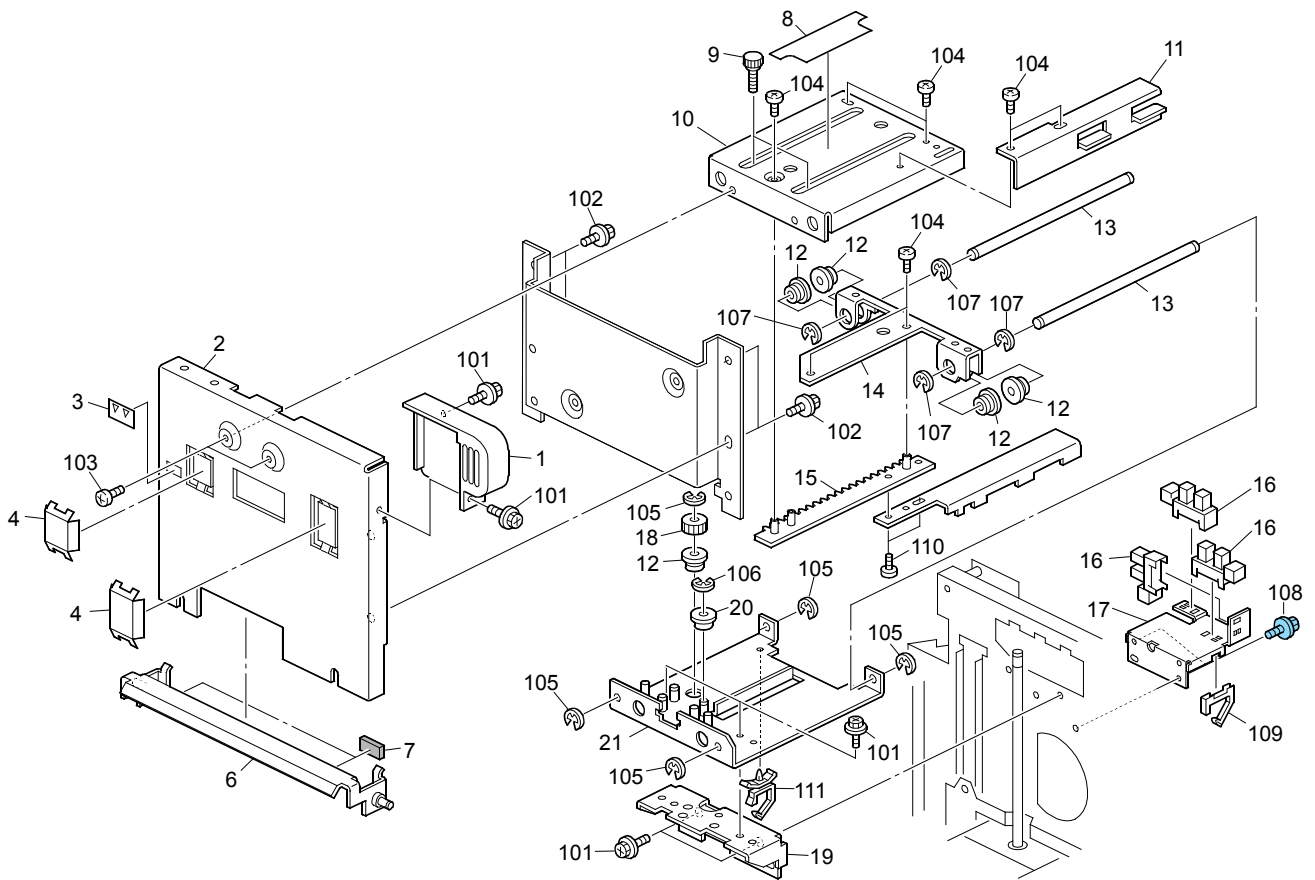
ITEM NO.	PARTS NO.	PARTS NAME	Q'TY / PAGE	Q'TY / PACK	P	I	R	B S I NO.	T O	T	F R O M	S E R I A L NO.	R E M A R K S	C
1	B8321371	Spacer Cushion	1											
2	B5111378	Cover:Cover:Upper	1											
3	B0241365	Cap - 38x77	2											
4	B8341370	Cover - Upper	1											
5	B8341375	Rear Cover - Left	1											
6	B8341376	Rear Cover - Right	1											
7	B8341385	Cover - Right	1											
8	B5111386	Cover:Right:Key Counter	1											
9	B8321312	Decal - Display (4)	1											
10	B8321313	Decal - Display (5)	1											
11	B8321314	Decal - Display (6)	1											
12	B8341340	Inner Cover - Lower	1											
13	B8341320	Decal - Knob (U6)	1											
14	B8341319	Decal - Misfeed Removal (1											
15	B8321318	Decal - Knob (U4)	1											
16	B8321332	Decal - Misfeed Removal (1											
17	B8341334	Decal - Misfeed Removal (1											
18	B8341333	Decal - Misfeed Removal (1											
19	B8321316	Decal - Knob (U2)	1											
20	B8341331	Decal - Misfeed Removal (1											
21	B8341330	Inner Cover - Upper	1											
22	B8320067	Knob - Misfeed Removal	2											
23	B8341361	Magnet Catch	1											
24	B8341309	Decal - Misfeed Removal	1											
25	B8341360	Cover - Left	1											
26	54472681	Snap Ring	1											
27	B8342805	Bracket:Postcard:Stay:Pee	1											
28	B8341322	Decal - End Fence Tab	1											
29	B8342785	End Fence - Tab	1											
30	B8342714	Bracket:Postcard:No.2:Fro	1											
31	B8342711	Bracket:Postcard:No.2:Rea	1											
32	B8342712	Bracket:Postcard:No.1:Fro	1											
33	B8342713	Bracket:Postcard:No.1:Rea	1											
34	B0701307	Decal:Caution Chart:Paper	1											
35	B0701308	Decal:Size Indication:Pap	1											
36	B5111308	Decal:Paper:Size:Multi-la	1											
37	B8322877	Knob Screw:Tray:Guide:Gre	1											
38	B8321101	Positioning Pin - Lower	1											
39	B8321100	Positioning Pin - Upper	1											
40	B1321226	Holder:Stand	1											
41	AG050067	Knob - Transport Roller	1											
101	0451006N	Tapping Screw - 3x6												
102	0450008N	Tapping Screw - M4x8												
103	0454008Q	Tapping Screw:3x8												
104	0950008Z	Philips Truss Screw - M4x												



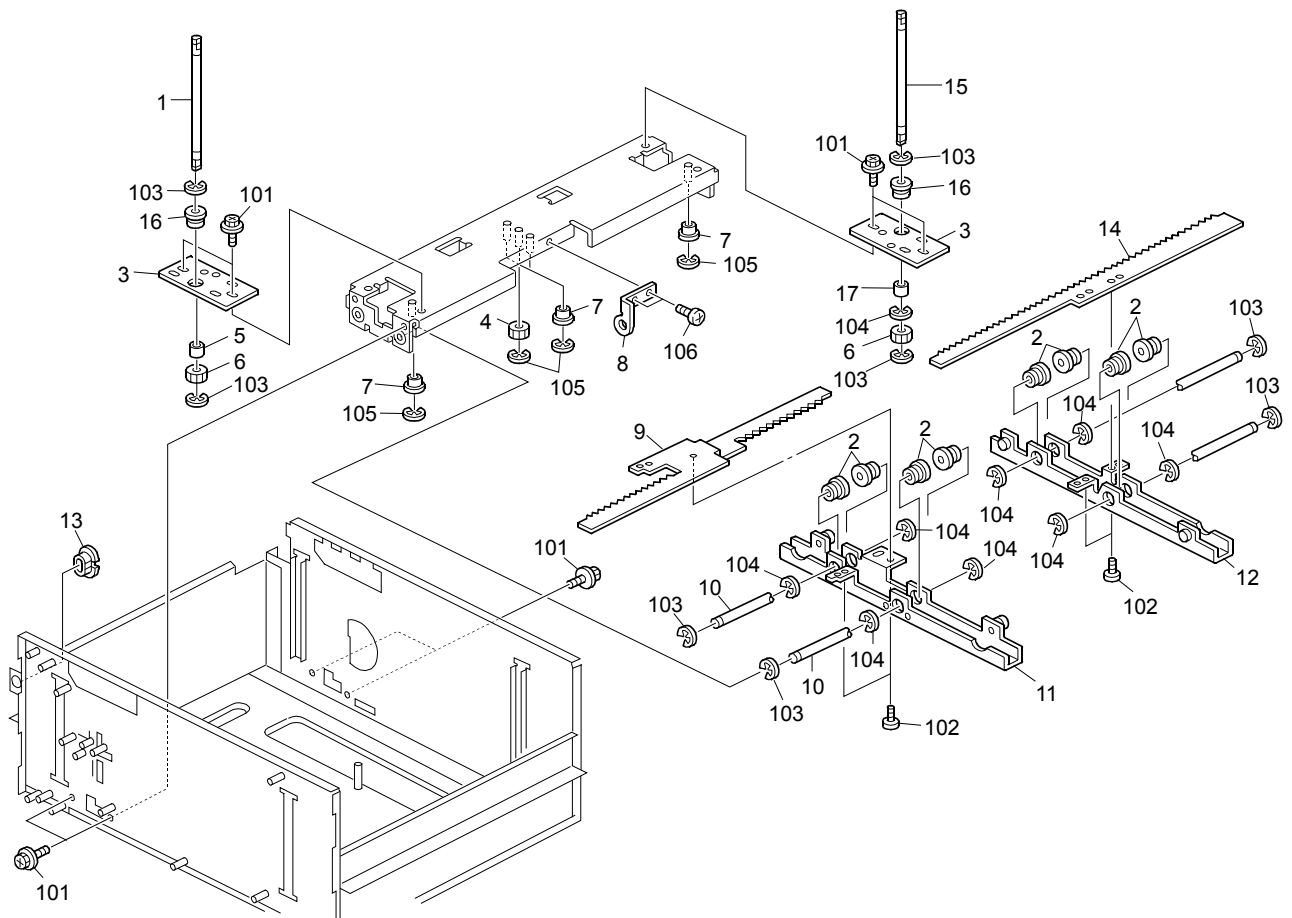
ITEM NO.	PARTS NO.	PARTS NAME	Q'TY / PAGE	Q'TY / PACK	P	I	R	BSI NO.	TO	T	FROM	SERIAL NO.	REMARKS	C
1	B8343478	Link Handle	2											
2	B8343400	Stopper Guide - Left	1											
3	B8343283	Stay:Main	1											
4	B8343480	Plate - Left	1											
5	B8343475	Bracket	1											
6	B8343438	Link Shaft	1											
7	B8343384	Contact Point Shaft	2											
8	H5163666	Spring - 19.6mm	2											
9	B8343378	Stay	1											
10	B8343481	Plate - Right	1											
11	B8344892	Registration Side Plate -	2											
12	B8344891	Registration Side Plate -	2											
13	B8343425	Stopper Guide - Right	1											
14	B8343479	Stay	2											
15	B8343389	Stopper Shaft	2											
16	AA143718	Stepped Screw - M4	2											
17	B8341380	Paper Tray Grip	1											
18	B8343312	Collar	2											
19	B8343385	Arm - Right	1											
20	B8343377	Plate Handle	1											
21	B8341313	Decal - Paper Supply 2	1											
22	B8343379	Arm:Swivel:Left:Peen	1											
23	B8341312	Decal - Paper Supply 1	1											
24	B8341323	Decal - Side Fence Postca	1											
25A	B8341381	Paper Tray Cover - Upper	1											
25B	B8341383	Paper Tray Cover - Lower	1											
101	0451008N	Tapping Screw:4x8												
102	0451006N	Tapping Screw - 3x6												
103	0454006Q	Tapping Screw - M3x6												
104	0454008Q	Tapping Screw:3x8												
105	0720040E	Retaining Ring - M4												
106	0720050E	Retaining Ring - M5												
107	0720060E	Retaining Ring - M6												
108	07413808	Ball Bearing - 8x16x5mm												
109	07403506	Ball Bearing - 6x12x4 mm												



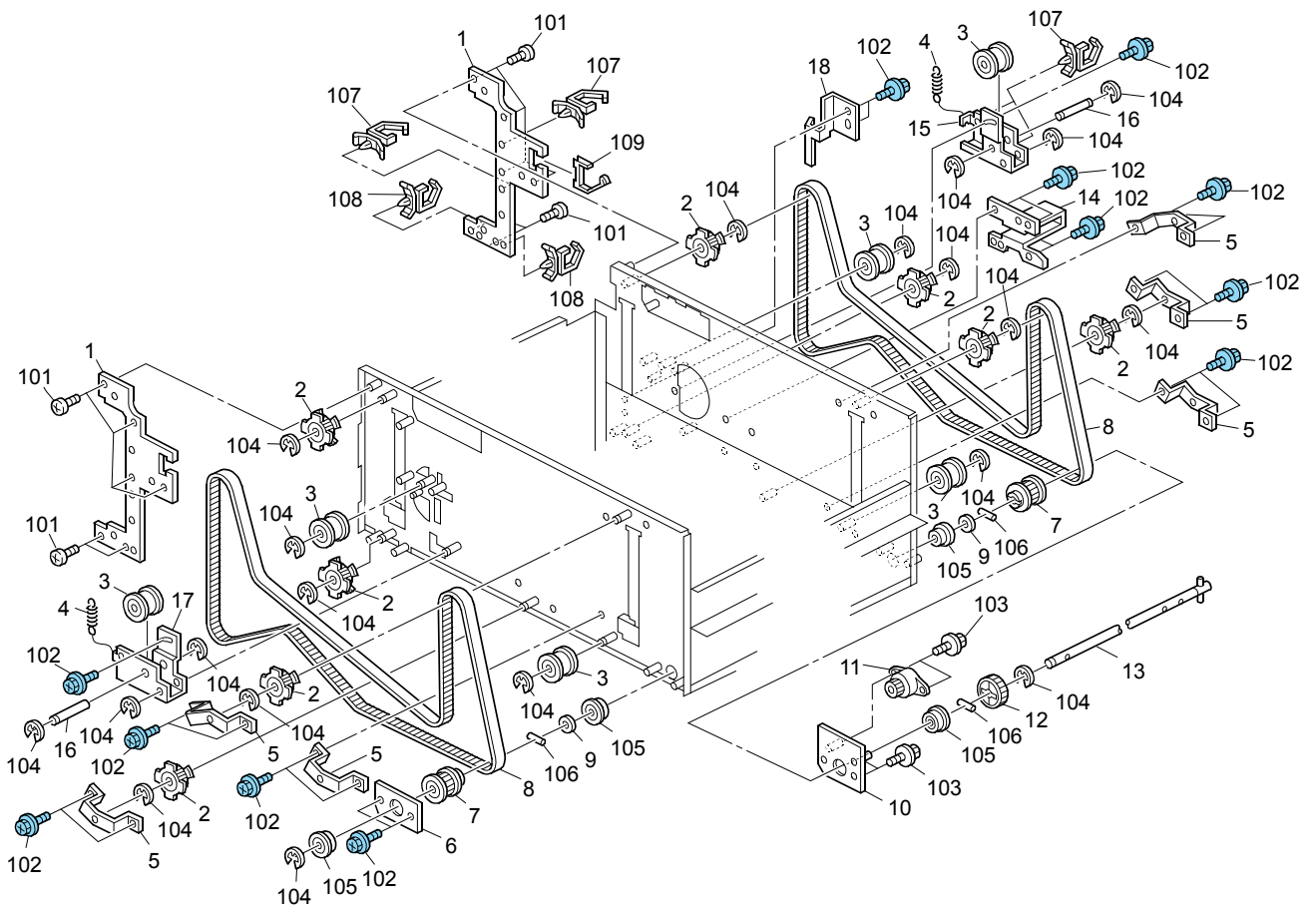
ITEM NO.	PARTS NO.	PARTS NAME	Q'TY / PAGE	Q'TY / PACK	P	I	R	BSI NO.	TO	T	FROM	SERIAL NO.	REMARKS	C
1	B8344153	Side Fence Grip	1											
2	B8343490	Spacer - Side Fence	2											
3	B8343316	Gear - 13Z	1											
4	B8343350	Bushing - 6x10x6.5	5											
5	B8343323	Holder - :Upper Front	1											
6	B8343321	Side Fence Bracket - Uppe	1											
7	B8343368	Slide Shaft - Upper	2											
8	B8343312	Collar	1											
9	B8343339	Rack - Upper Front	1											
10	B8343332	Guide - Upper Front	1											
11	B8341304	Decal - Side Fence Scale	1											
12	B8343337	Cover - Upper Front	1											
13	B8322877	Knob Screw:Tray:Guide:Gre	1											
14	B8343190	Tray Bottom Plate	1											
15	B8344151	Side Fence:Front:No.1	1											
101	0453005N	Binding Self Tapping Scre												
102	0451008N	Tapping Screw:4x8												
103	0451006N	Tapping Screw - 3x6												
104	0453006N	Tapping Screw - M3x6												
105	0720040E	Retaining Ring - M4												
106	0720080E	Retaining Ring - M8												
107	0720030E	Retaining Ring - M3												



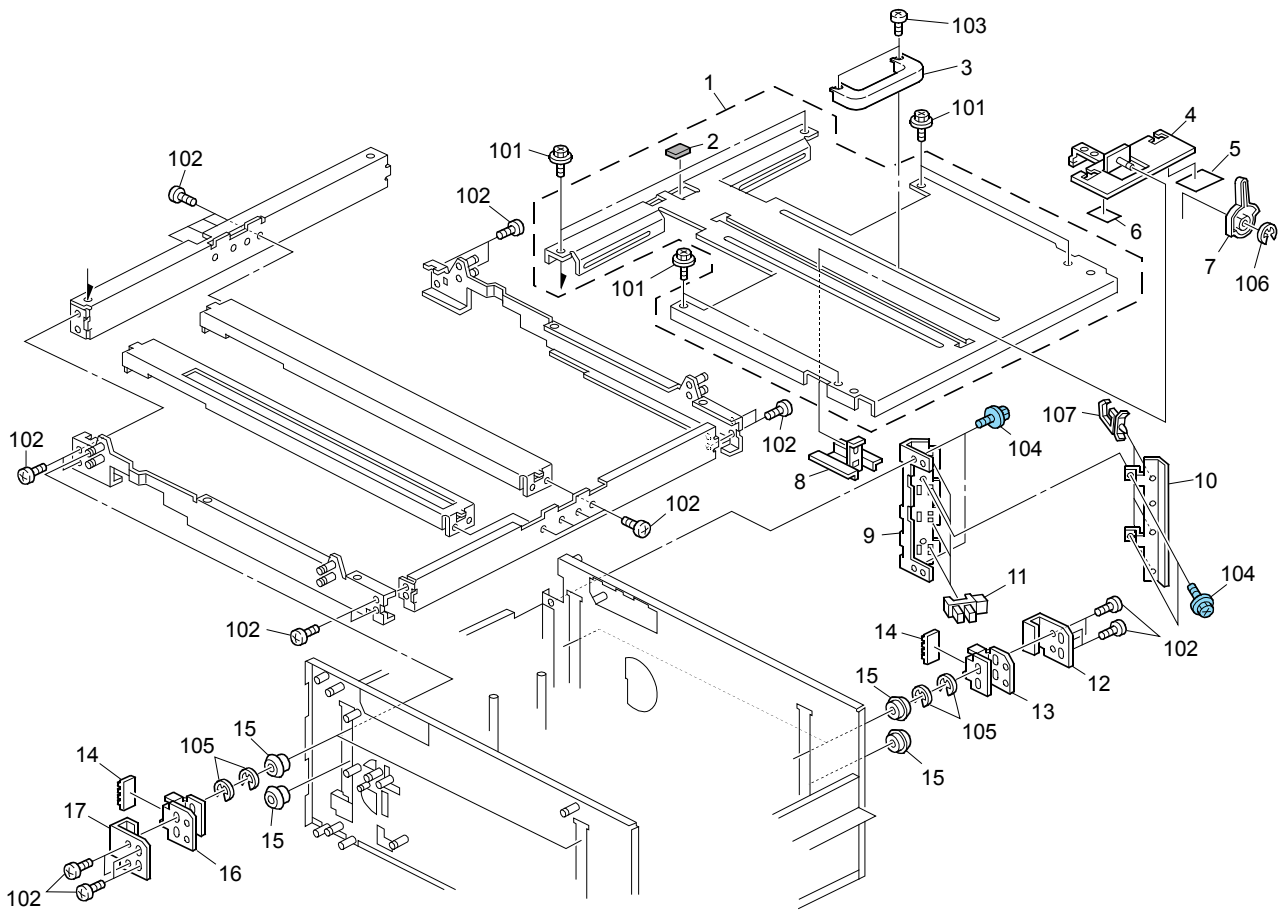
ITEM NO.	PARTS NO.	PARTS NAME	Q'TY / PAGE	Q'TY / PACK	P	I	R	BSI NO.	TO	T	FROM	SERIAL NO.	REMARKS	C
1	B8344163	Side Fence Grip - Rear	1											
2	B8344161	Side Fence:Rear:No.1	1											
3	B5112674	Decal:Display:Paper Volum	1											
4	B8342777	Plate:Auxiliary:Small:Adh	1											
6	B8343190	Tray Bottom Plate	1											
7	B8343490	Spacer - Side Fence	1											
8	B8341305	Decal - Side Fence Scale	1											
9	B8322877	Knob Screw:Tray:Guide:Gre	1											
10	B8343338	Cover - Upper Rear	1											
11	B8344743	Feeler - Paper Size Senso	1											
12	B8343350	Bushing - 6x10x6.5	5											
13	B8343368	Slide Shaft - Upper	2											
14	B8343334	Guide - Upper Rear	1											
15	B8343349	Rack - Upper Rear	1											
16	AW020160	Paper Feed Sensor	3											
17	B8344741	Paper Size Sensor Bracket	1											
18	B8343316	Gear - 13Z	1											
19	B8343322	Side Fence Bracket - Uppe	1											
20	B8343312	Collar	1											
21	B8343329	Holder - Upper Rear	1											
101	0451008N	Tapping Screw:4x8												
102	0451006N	Tapping Screw - 3x6												
103	0453006N	Tapping Screw - M3x6												
104	0453005N	Binding Self Tapping Scre												
105	0720040E	Retaining Ring - M4												
106	0720030E	Retaining Ring - M3												
107	0720080E	Retaining Ring - M8												
108	0454006Q	Tapping Screw - M3x6												
109	11050522	Edge Saddle - Les0510												
110	0453006N	Tapping Screw - M3x6												
111	11050511	Harness Clamp - LWS-0306Z												



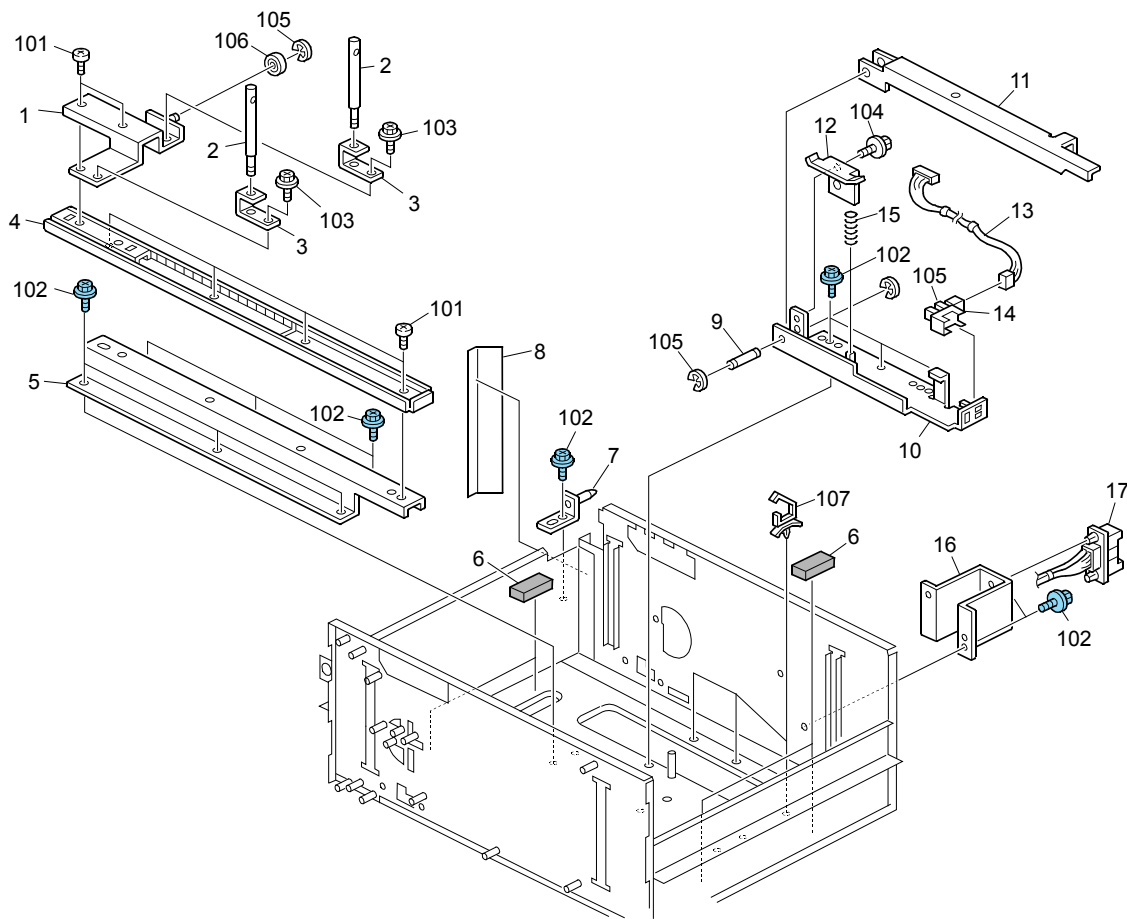
ITEM NO.	PARTS NO.	PARTS NAME	Q'TY / PAGE	Q'TY / PACK	P	I	R	BSI NO.	TO	T	FROM	SERIAL NO.	REMARKS	C
1	B8343470	Coupling Shaft - Front	1											
2	B8343350	Bushing - 6x10x6.5	10											
3	B8343318	Plate:Lower	1											
4	B8343315	Gear - 13Z	2											
5	H0722220	Spacer - M6x10	1											
6	B8343316	Gear - 13Z	2											
7	B8343312	Collar	3											
8	B8343314	Shaft Holder - Lower	1											
9	B8343313	Rack - Front:Lower	1											
10	B8343111	Side Fence Shaft - Lower	2											
11	B8343306	Side Fence Bracket - Lowe	1											
12	B8343309	Side Fence Bracket - Lowe	1											
13	B2346141	Positioning Sleeve - Inne	1											
14	B8344696	Rack - Rear Lower	1											
15	B8343471	Coupling Shaft - Rear	1											
16	AA082101	Bushing - 6X10X6	2											
17	A3761295	Spacer - M6x10x5	1											
101	0451006N	Tapping Screw - 3x6												
102	0453006N	Tapping Screw - M3x6												
103	0720040E	Retaining Ring - M4												
104	0720080E	Retaining Ring - M8												
105	0720030E	Retaining Ring - M3												
106	0453006N	Tapping Screw - M3x6												



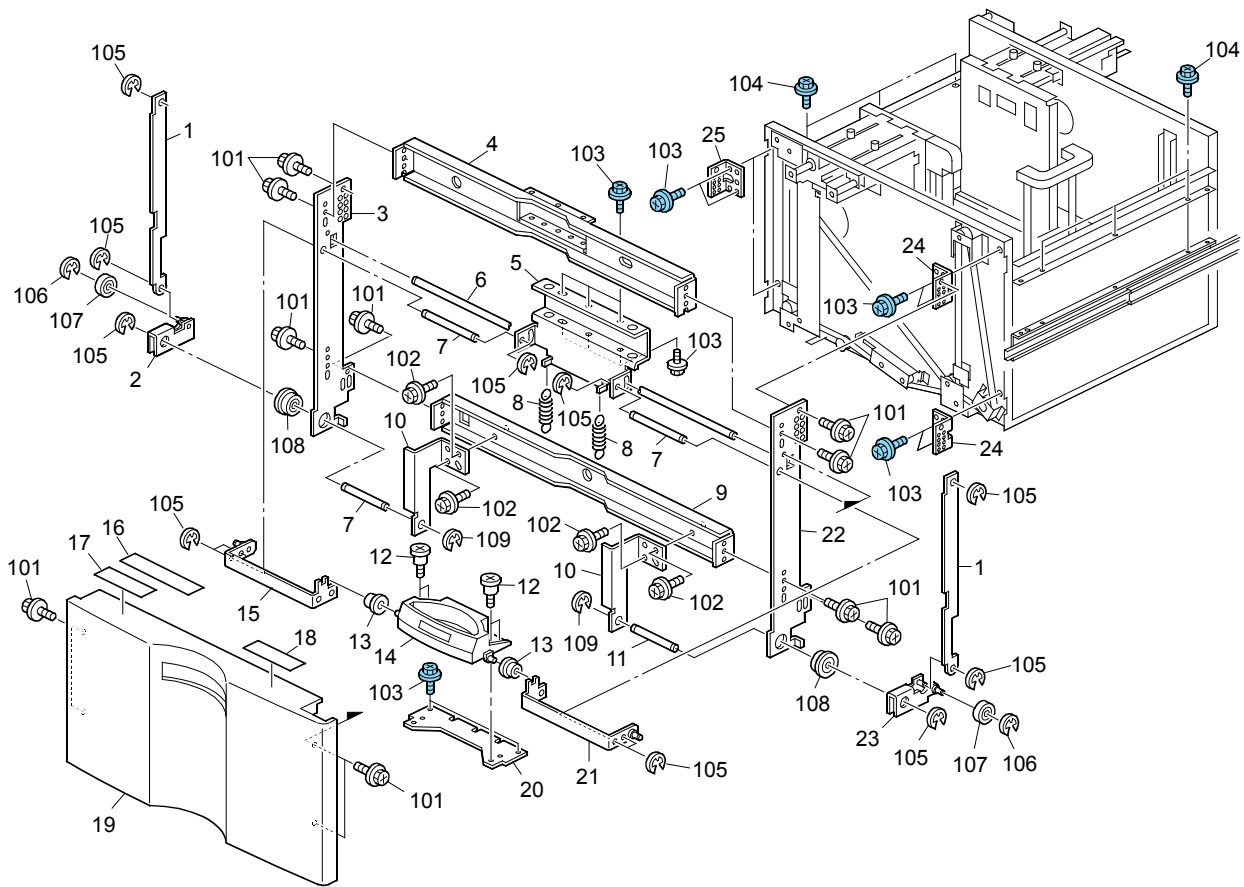
ITEM NO.	PARTS NO.	PARTS NAME	Q'TY / PAGE	Q'TY / PACK	P	I	R	BSI NO.	TO	T	FROM	SERIAL NO.	REMARKS	C
1	B8344053	Plate	2											
2	B8344049	Idler Pulley	8											
3	B8344054	Tensioner	6											
4	G4173374	Tension Spring:Pulley:Idl	2											
5	B8343422	Idler Bracket - Lower Fro	6											
6	B8344043	Bearing Plate - Front	1											
7	AB030548	Pulley - 16T	2											
8	B8343402	Timing Belt - B100S5M1605	2											
9	AA132142	Spacer - M8	2											
10	B8344046	Bearing Plate - Rear	1											
11	B8343424	Oil Damper - 0.5kgf Cm:No	1											
12	AB014140	Gear - 24Z	1											
13	B8344041	Drive Shaft	1											
14	B8344872	Pressure Roller Bracket	1											
15	B8344055	Tension Bracket - Rear	1											
16	B8344056	Tension Stud	2											
17	B8343423	Tension Bracket - Front	1											
18	B8344076	Feeler - Paper Volume Sen	1											
101	0453008N	Binding Self Tapping Scre												
102	0454006Q	Tapping Screw - M3x6												
103	0451008N	Tapping Screw:4x8												
104	0720060E	Retaining Ring - M6												
105	07413808	Ball Bearing - 8x16x5mm												
106	0633140G	Parallel Pin - 3x14												
107	11050487	Harness Clamp												
108	11050511	Harness Clamp - LWS-0306Z												
109	11050518	Edge Saddle - Les-1010												



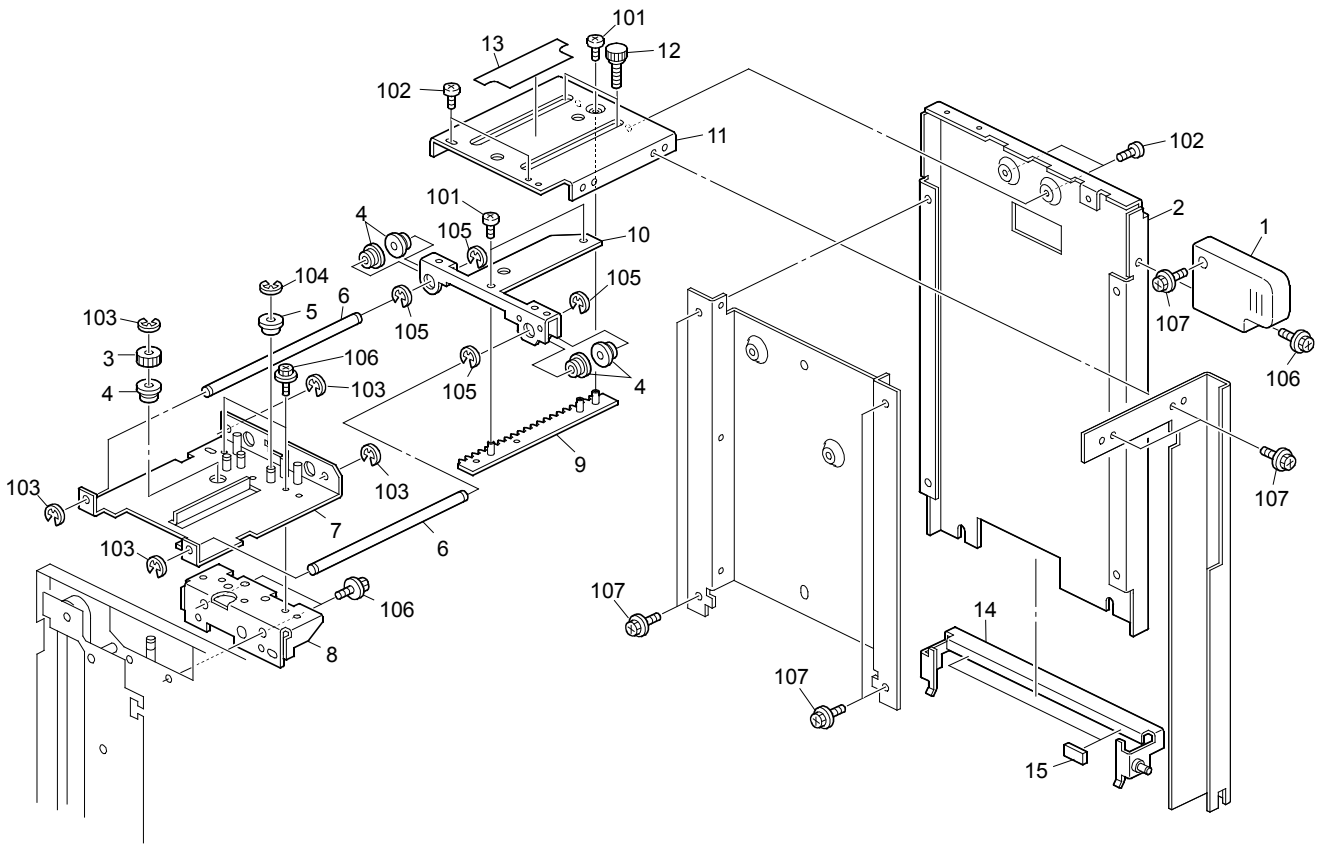
ITEM NO.	PARTS NO.	PARTS NAME	Q'TY / PAGE	Q'TY / PACK	P	I	R	B S I NO.	T O	T	F R O M	S E R I A L NO.	R E M A R K S	C
1	B8344610	Paper Tray	1											
2	A6672656	Friction Pad	1											
3	B8344598	End Fence Grip	1											
4	B8344587	End Fence Guide	1											
5	B8343143	End Fence Spacer - Large	1											
6	B8343142	End Fence Spacer- Small	1											
7	B8344083	End Fence Lock Lever	1											
8	B8344592	Cam	1											
9	B8344075	Bracket - Paper Volume Se	1											
10	B8343452	Cover - Paper Volume Sens	1											
11	AW020160	Paper Feed Sensor	4											
12	B8343230	Timing Belt Bracket - REA	1											
13	B8343231	Timing Belt Holder - REAR	1											
14	C5633116	Belt Joint	2											
15	A3354351	Guide Roller	4											
16	B8343243	Timing Belt Holder - FRON	1											
17	B8343242	Timing Belt Bracket - FRO	1											
101	0451008N	Tapping Screw:4x8												
102	0453008N	Binding Self Tapping Scre												
103	0354040N	Screw-m4x4												
104	0454006Q	Tapping Screw - M3x6												
105	0720060E	Retaining Ring - M6												
106	0720030E	Retaining Ring - M3												
107	11050511	Harness Clamp - LWS-0306Z												



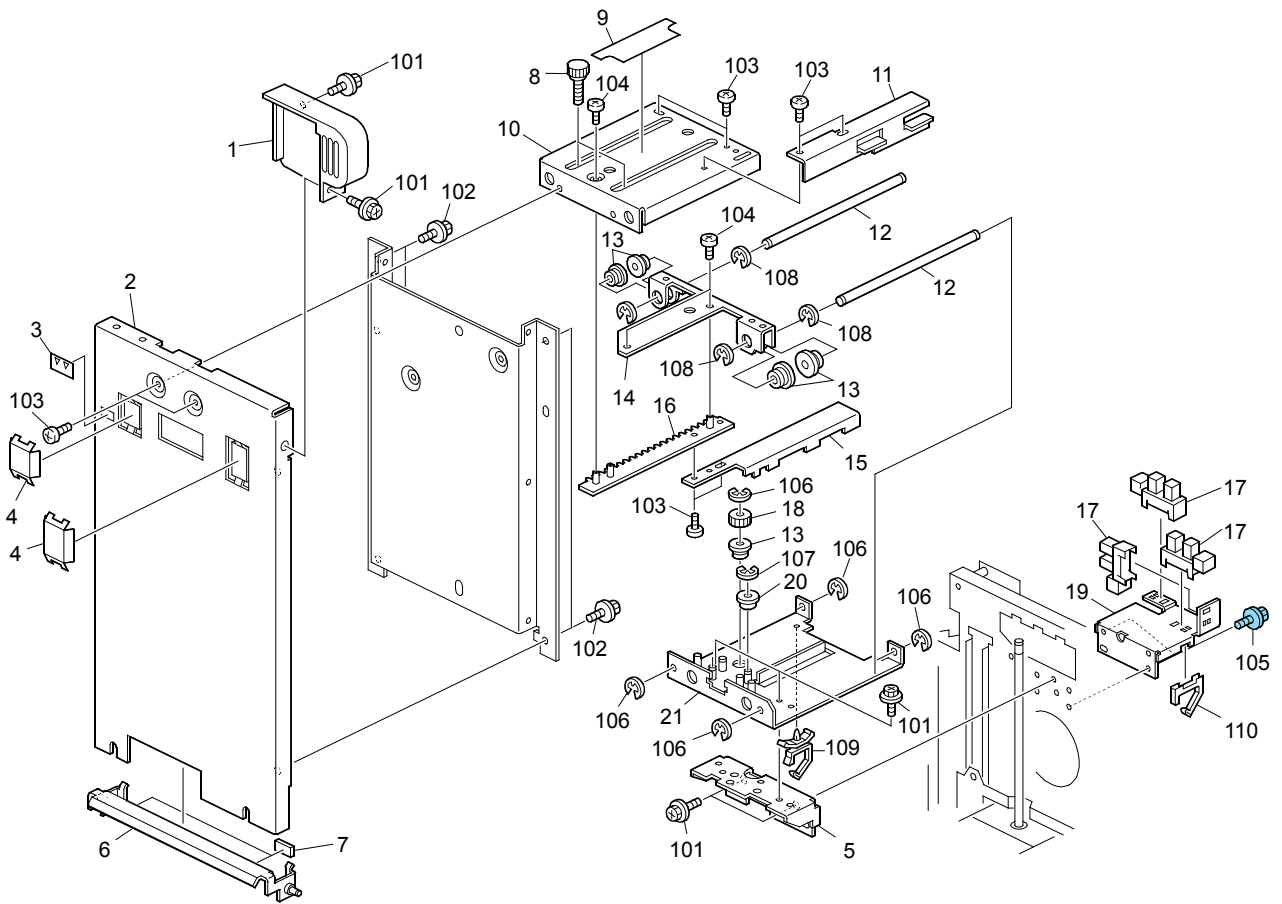
ITEM NO.	PARTS NO.	PARTS NAME	Q'TY / PAGE	Q'TY / PACK	P	I	R	B S I NO.	T O	T	F R O M	S E R I A L NO.	R E M A R K S	C
1	B8344596	End Fence Slide Bracket	1											
2	B8344082	End Fence Shaft	2											
3	B8344584	End Fence Shaft Holder	2											
4	B8343065	Slide Rail - End Fence	1											
5	B8344081	End Fence Base	1											
6	B8344032	Cushion:Tray:No.1	4											
7	B8344027	Positioning Pin Bracket	1											
8	B8344035	Guide:Paper Volume Sensor	1											
9	B8344595	Contact Point Shaft - Lon	1											
10	B8344593	Paper Size Sensor Bracket	1											
11	B8344594	Shielding Plate - Long	1											
12	B8343169	Paper Size Sensor Plate	1											
13	B8345334	Harness - Tray Inner	1											
14	AW020160	Paper Feed Sensor	1											
15	G0521518	Spring - Lock Lever	1											
16	B8344881	Drawer Connector Bracket	1											
17	B8345330	Harness - 4/6tray Connect	1											
101	0453006N	Tapping Screw - M3x6												
102	0454006Q	Tapping Screw - M3x6												
103	0451006N	Tapping Screw - 3x6												
104	0451008N	Tapping Screw:4x8												
105	0720040E	Retaining Ring - M4												
106	07403506	Ball Bearing - 6x12x4 mm												
107	11050511	Harness Clamp - LWS-0306Z												



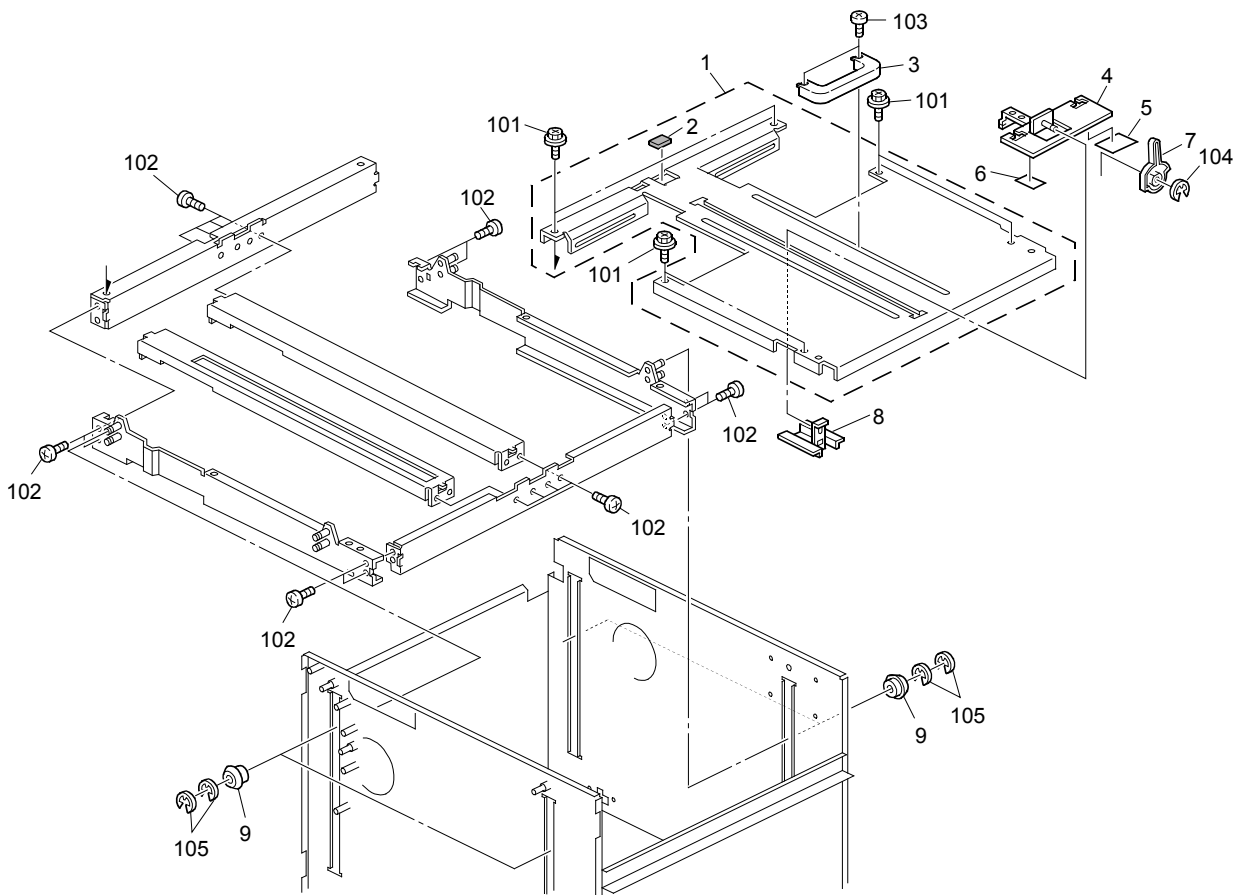
ITEM NO.	PARTS NO.	PARTS NAME	Q'TY / PAGE	Q'TY / PACK	P I R	B S I NO.	T O	T	F R O M	S E R I A L NO.	R E M A R K S	C
1	B8343386	Link Handle	2									
2	B8343400	Stopper Guide - Left	1									
3	B8343395	Plate - Left	1									
4	B8343283	Stay:Main	1									
5	B8343475	Bracket	1									
6	B8343438	Link Shaft	1									
7	B8343384	Contact Point Shaft	2									
8	H5163666	Spring - 19.6mm	2									
9	B8343378	Stay	1									
10	B8343390	Contact Point Stay	2									
11	B8343389	Stopper Shaft	2									
12	A143718	Stepped Screw - M4	2									
13	B8343312	Collar	2									
14	B8341380	Paper Tray Grip	1									
15	B8343379	Arm:Swivel:Left:Peen	1									
16	B8341323	Decal - Side Fence Postca	1									
17	B8341312	Decal - Paper Supply 1	1									
18	B8341313	Decal - Paper Supply 2	1									
19	B8341382	Paper Tray Cover - Middle	1									
20	B8343377	Plate Handle	1									
21	B8343385	Arm - Right	1									
22	B8343396	Plate - Right	1									
23	B8343425	Stopper Guide - Right	1									
24	B8344891	Registration Side Plate -	1									
25	B8344892	Registration Side Plate -	1									
101	0451008N	Tapping Screw:4x8										
102	0451006N	Tapping Screw - 3x6										
103	0454006Q	Tapping Screw - M3x6										
104	0454008Q	Tapping Screw:3x8										
105	0720040E	Retaining Ring - M4										
106	0720050E	Retaining Ring - M5										
107	07403506	Ball Bearing - 6x12x4 mm										
108	07413808	Ball Bearing - 8x16x5mm										
109	0720060E	Retaining Ring - M6										



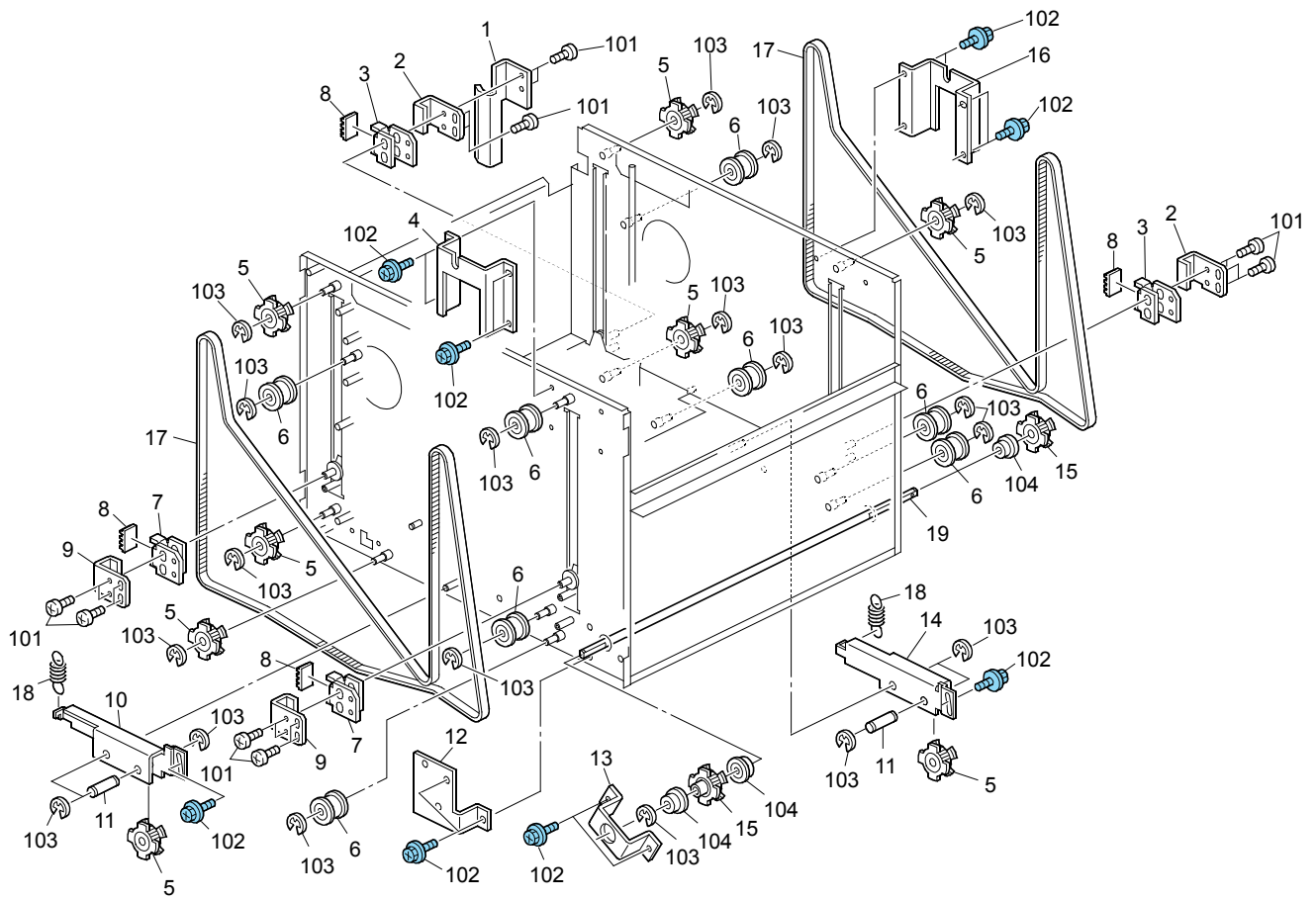
ITEM NO.	PARTS NO.	PARTS NAME	Q'TY / PAGE	Q'TY / PACK	P	I	R	B S I NO.	T O	T	F R O M	S E R I A L NO.	R E M A R K S	C
1	B8344153	Side Fence Grip	1											
2	B8344651	Side Fence:Front:No.2	1											
3	B8343316	Gear - 13Z	5											
4	B8343350	Bushing - 6x10x6.5	1											
5	B8343312	Collar	1											
6	B8343368	Slide Shaft - Upper	2											
7	B8343323	Holder - :Upper Front	1											
8	B8343321	Side Fence Bracket - Uppe	1											
9	B8343339	Rack - Upper Front	1											
10	B8343332	Guide - Upper Front	1											
11	B8343337	Cover - Upper Front	1											
12	B8322877	Knob Screw:Tray:Guide:Gre	1											
13	B8341304	Decal - Side Fence Scale	1											
14	B8343190	Tray Bottom Plate	1											
15	B8343490	Spacer - Side Fence	1											
101	0453005N	Binding Self Tapping Scre												
102	0453006N	Tapping Screw - M3x6												
103	0720040E	Retaining Ring - M4												
104	0720030E	Retaining Ring - M3												
105	0720080E	Retaining Ring - M8												
106	0451008N	Tapping Screw:4x8												
107	0451006N	Tapping Screw - 3x6												



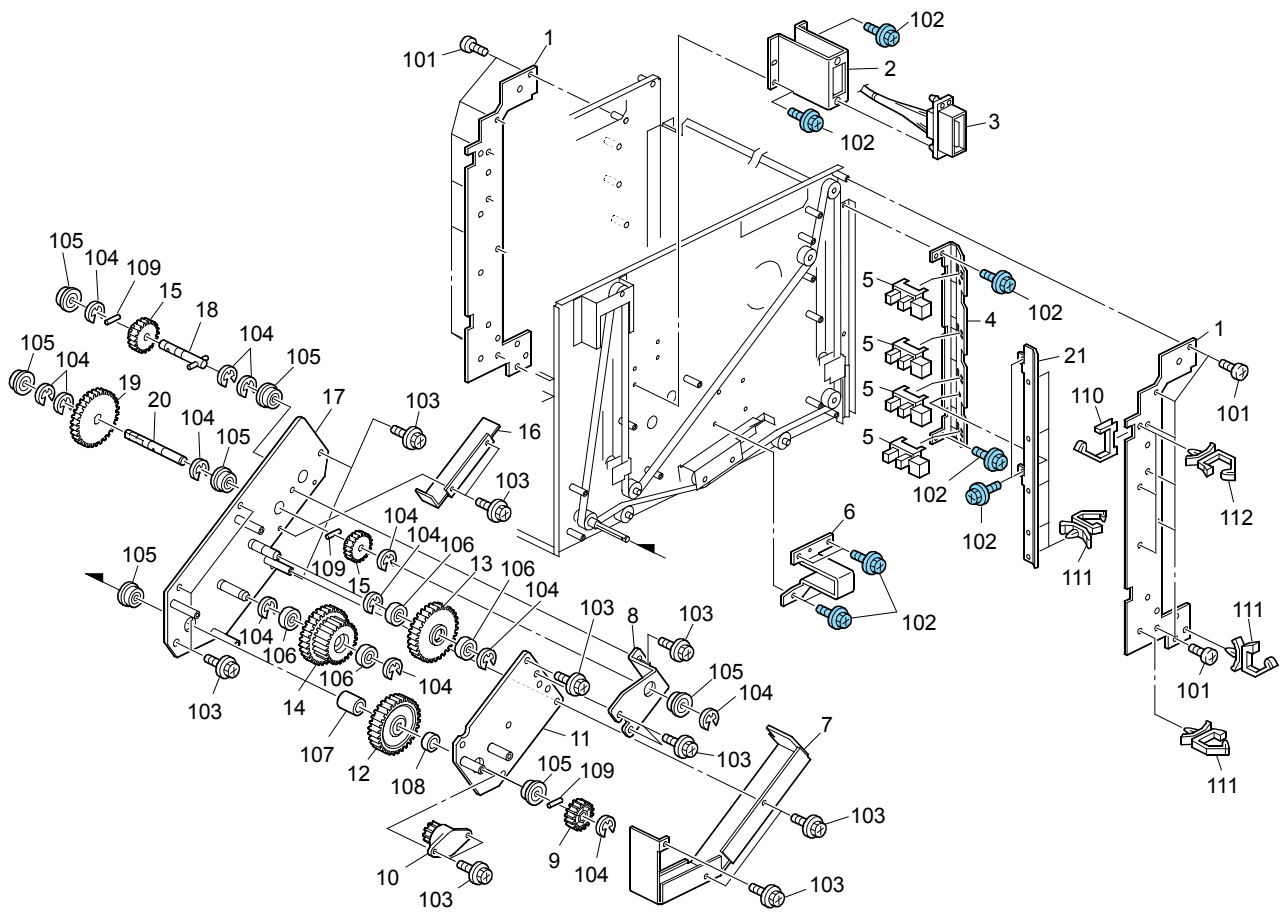
ITEM NO.	PARTS NO.	PARTS NAME	Q'TY / PAGE	Q'TY / PACK	P	I	R	B S I NO.	T O	T	F R O M	S E R I A L NO.	R E M A R K S	C
1	B8344163	Side Fence Grip - Rear	1											
2	B8344661	Side Fence:Rear:No.2	1											
3	B5112674	Decal:Display:Paper Volum	1											
4	B8342777	Plate:Auxiliary:Small:Adh	1											
5	B8343322	Side Fence Bracket - Uppe	1											
6	B8343190	Tray Bottom Plate	1											
7	B8343490	Spacer - Side Fence	1											
8	B8322877	Knob Screw:Tray:Guide:Gre	1											
9	B8341305	Decal - Side Fence Scale	1											
10	B8343334	Guide - Upper Rear	1											
11	B8344743	Feeler - Paper Size Senso	1											
12	B8343368	Slide Shaft - Upper	2											
13	B8343350	Bushing - 6x10x6.5	5											
14	B8343334	Guide - Upper Rear	1											
15	B8344742	Feeler - Paper Size Senso	1											
16	B8343349	Rack - Upper Rear	1											
17	AW020160	Paper Feed Sensor	3											
18	B8343316	Gear - 13Z	1											
19	B8344741	Paper Size Sensor Bracket	1											
20	B8343312	Collar	1											
21	B8343329	Holder - Upper Rear	1											
101	0451008N	Tapping Screw:4x8												
102	0451006N	Tapping Screw - 3x6												
103	0453006N	Tapping Screw - M3x6												
104	0453005N	Binding Self Tapping Scre												
105	0454008Q	Tapping Screw:3x8												
106	0720040E	Retaining Ring - M4												
107	0720030E	Retaining Ring - M3												
108	0720080E	Retaining Ring - M8												
109	11050511	Harness Clamp - LWS-0306Z												
110	11050522	Edge Saddle - Les0510												



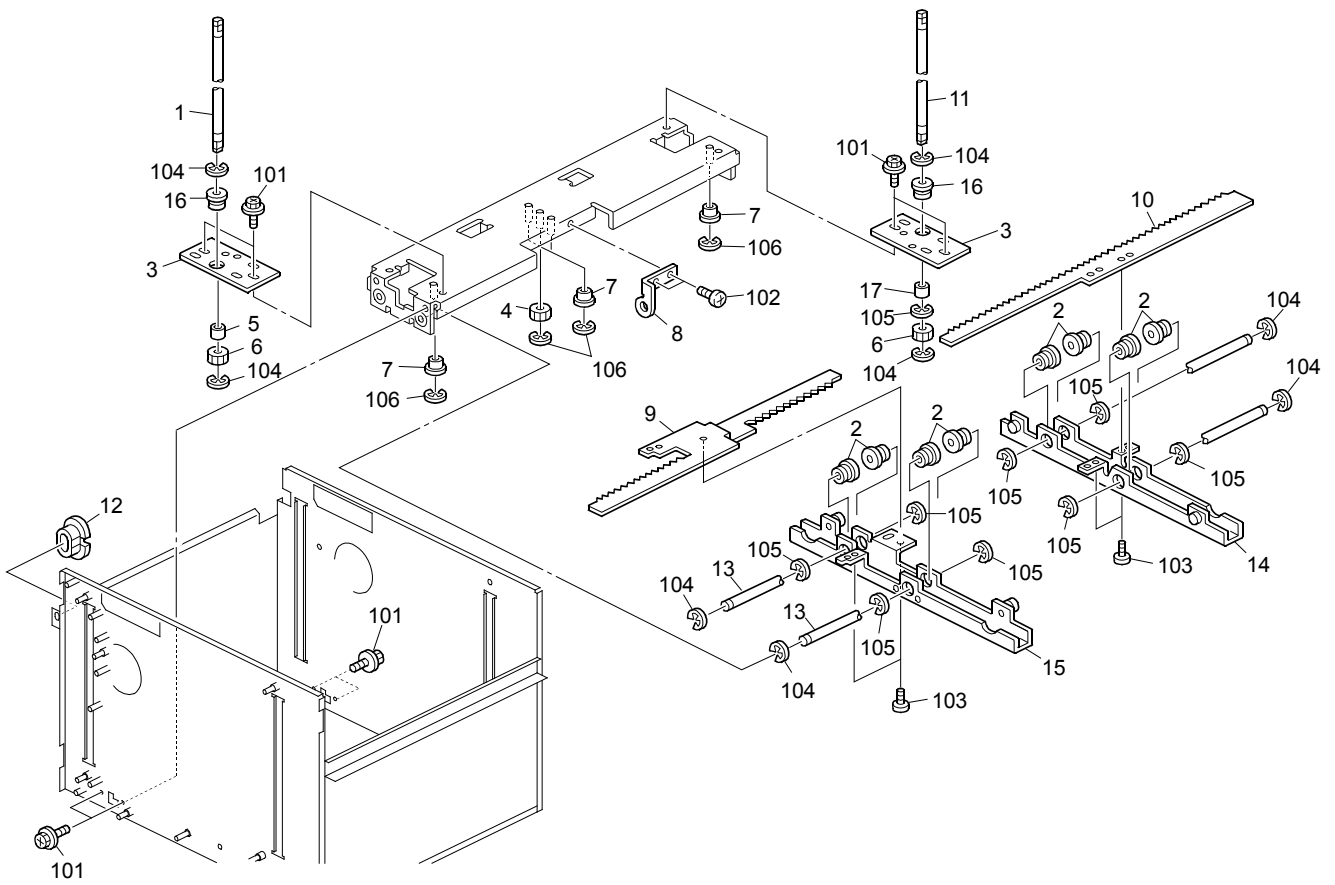
ITEM NO.	PARTS NO.	PARTS NAME	Q'TY / PAGE	Q'TY / PACK	P I R	B S I NO.	T O	T	F R O M	S E R I A L NO.	R E M A R K S	C
1	B8344610	Paper Tray	1									
2	A6672656	Friction Pad	1									
3	B8344598	End Fence Grip	1									
4	B8344587	End Fence Guide	1									
5	B8343143	End Fence Spacer - Large	1									
6	B8343142	End Fence Spacer- Small	1									
7	B8344083	End Fence Lock Lever	1									
8	B8344592	Cam	1									
9	A3354351	Guide Roller	2									
101	0451008N	Tapping Screw:4x8										
102	0453008N	Binding Self Tapping Scre										
103	0354040N	Screw-m4x4										
104	0720080E	Retaining Ring - M8										
105	0720060E	Retaining Ring - M6										



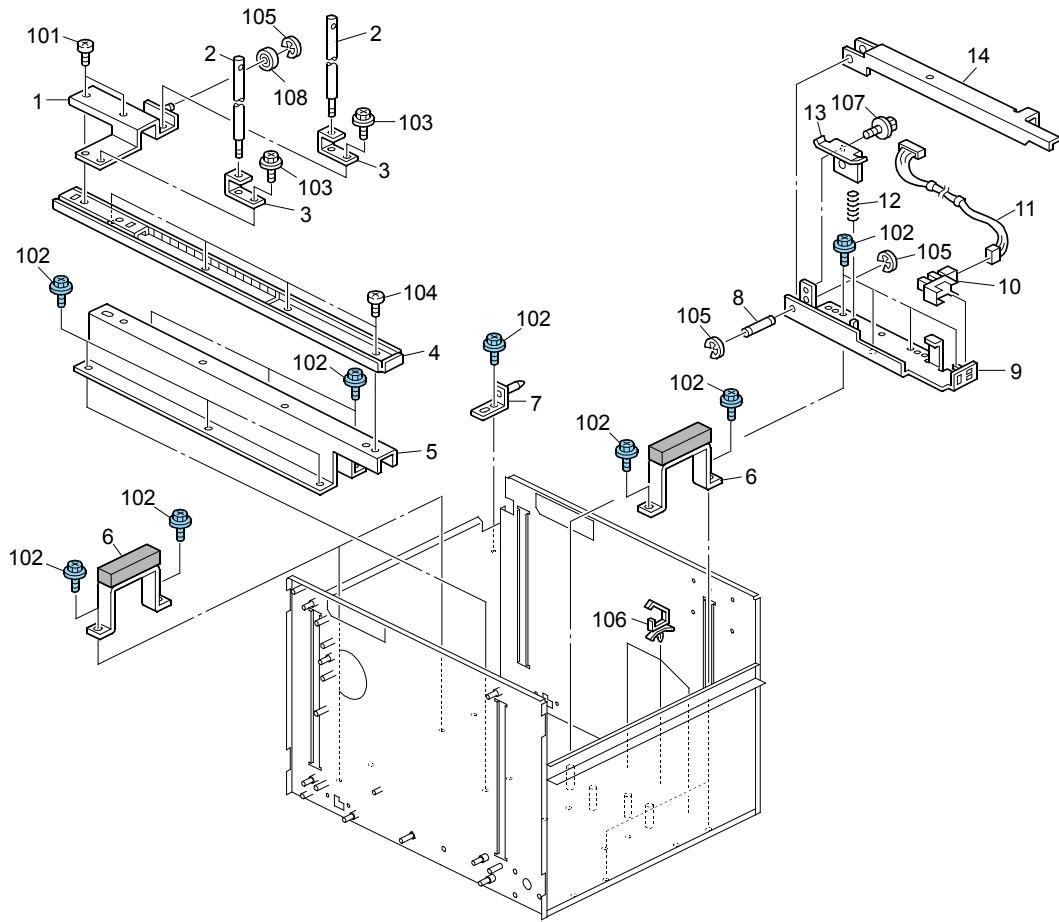
ITEM NO.	PARTS NO.	PARTS NAME	Q'TY / PAGE	Q'TY / PACK	P	I	R	B S I NO.	T O	T	F R O M	S E R I A L NO.	R E M A R K S	C
1	B8344576	Feeler - Paper Volume Sen	1											
2	B8343230	Timing Belt Bracket - REA	2											
3	B8343231	Timing Belt Holder - REAR	2											
4	B8343237	Bracket - Front	1											
5	B8344557	Timing Pulley:Drive:No.2:	8											
6	B8344559	Tensioner	8											
7	B8343243	Timing Belt Holder - FRON	2											
8	C5633116	Belt Joint	4											
9	B8343242	Timing Belt Bracket - FRO	2											
10	B8343245	Tension Bracket No.2 - Fr	1											
11	B8344568	Stud	2											
12	B8344564	Holder - Front	1											
13	B8344562	Bracket - Lower Front	1											
14	B8344566	Tension Bracket No.2 - Re	1											
15	B8344565	Timing Pulley - 20T	2											
16	B8343248	Bracket - Rear	1											
17	B8344572	Timing Belt - B100S5M2000	2											
18	AA060906	Tension Spring - 25n	2											
19	B8344548	Main Drive Shaft	1											
101	0453008N	Binding Self Tapping Scre												
102	0454006Q	Tapping Screw - M3x6												
103	0720060E	Retaining Ring - M6												
104	07413808	Ball Bearing - 8x16x5mm												



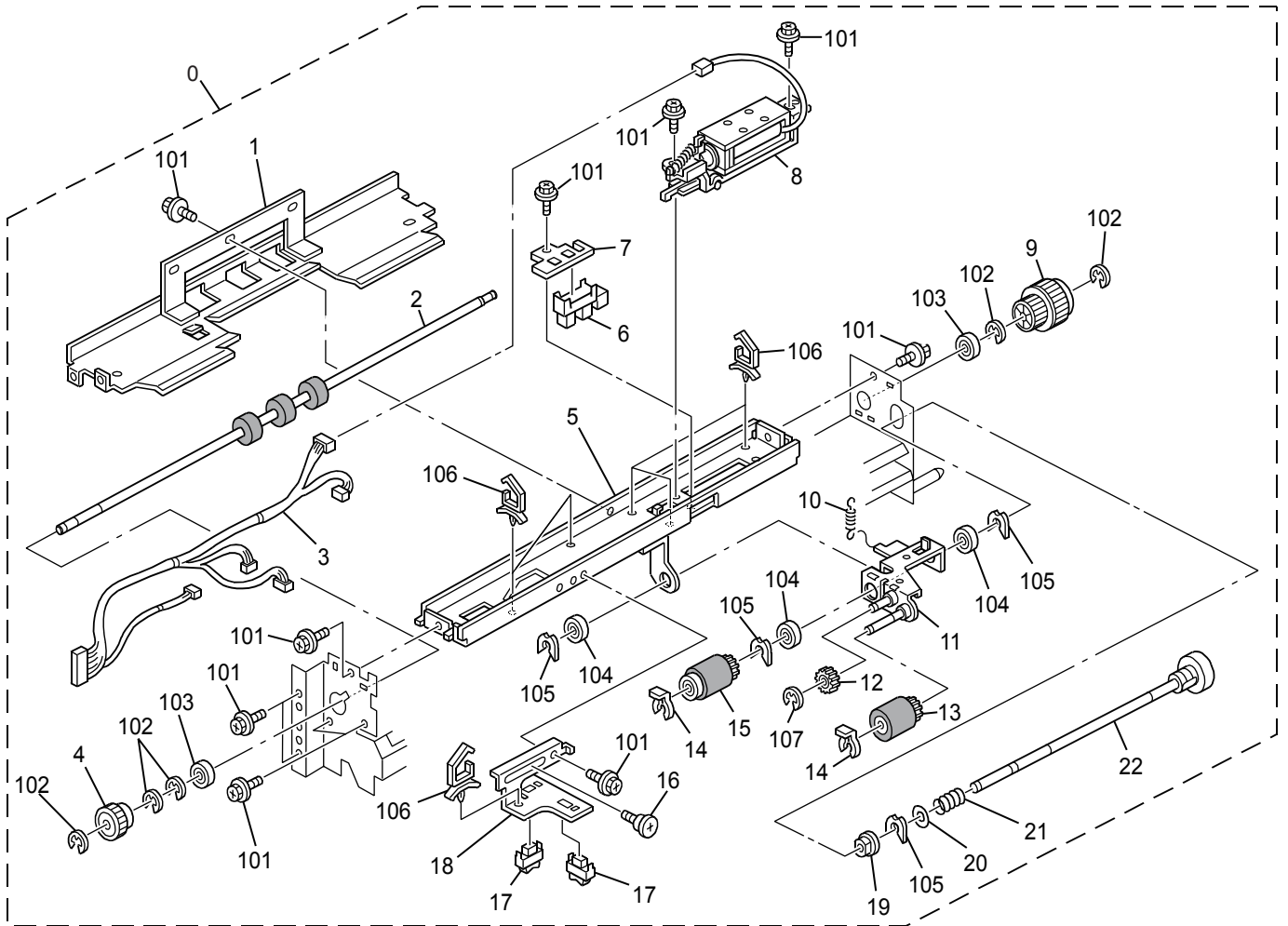
ITEM NO.	PARTS NO.	PARTS NAME	Q'TY / PAGE	Q'TY / PACK	P	I	R	B S I NO.	T O	T	F R O M	S E R I A L NO.	R E M A R K S	C
1	B8344563	Plate	2											
2	B8344881	Drawer Connector Bracket	1											
3	B8345332	Harness - 5tray	1											
4	B8344575	Bracket - Paper Volume Se	1											
5	AW020160	Paper Feed Sensor	4											
6	B8344892	Registration Side Plate -	1											
7	B8343485	Cover	1											
8	B8344551	Plate - Auxiliary	1											
9	AB014140	Gear - 24Z	1											
10	B8343493	Oil Damper:0.2n μ m	1											
11	B8343197	Plate - Upper	1											
12	B8343203	Gear - 48Z	1											
13	B8344546	Gear - 60Z	1											
14	B8344547	Gear - 36Z/60Z	1											
15	B8343214	Gear - 30Z	1											
16	B8343473	Cover - Small	1											
17	B8344552	Plate - Lower	1											
18	B8344541	Shaft	1											
19	B8343217	Gear - 60Z	1											
20	B8344549	Drive Gear Shaft	1											
21	B8343456	Cover - Paper Volume Sens	1											
101	0453008N	Binding Self Tapping Scre												
102	0454006Q	Tapping Screw - M3x6												
103	0451008N	Tapping Screw:4x8												
104	0720060E	Retaining Ring - M6												
105	07413808	Ball Bearing - 8x16x5mm												
106	07403008	Ball Bearing - 8x22x7												
107	0707120N	Bushing - 8x12												
108	0707050N	Bushing - 4x5												
109	0633140G	Parallel Pin - 3x14												
110	11050518	Edge Saddle - Les-1010												
111	11050511	Harness Clamp - LWS-0306Z												
112	11050487	Harness Clamp												



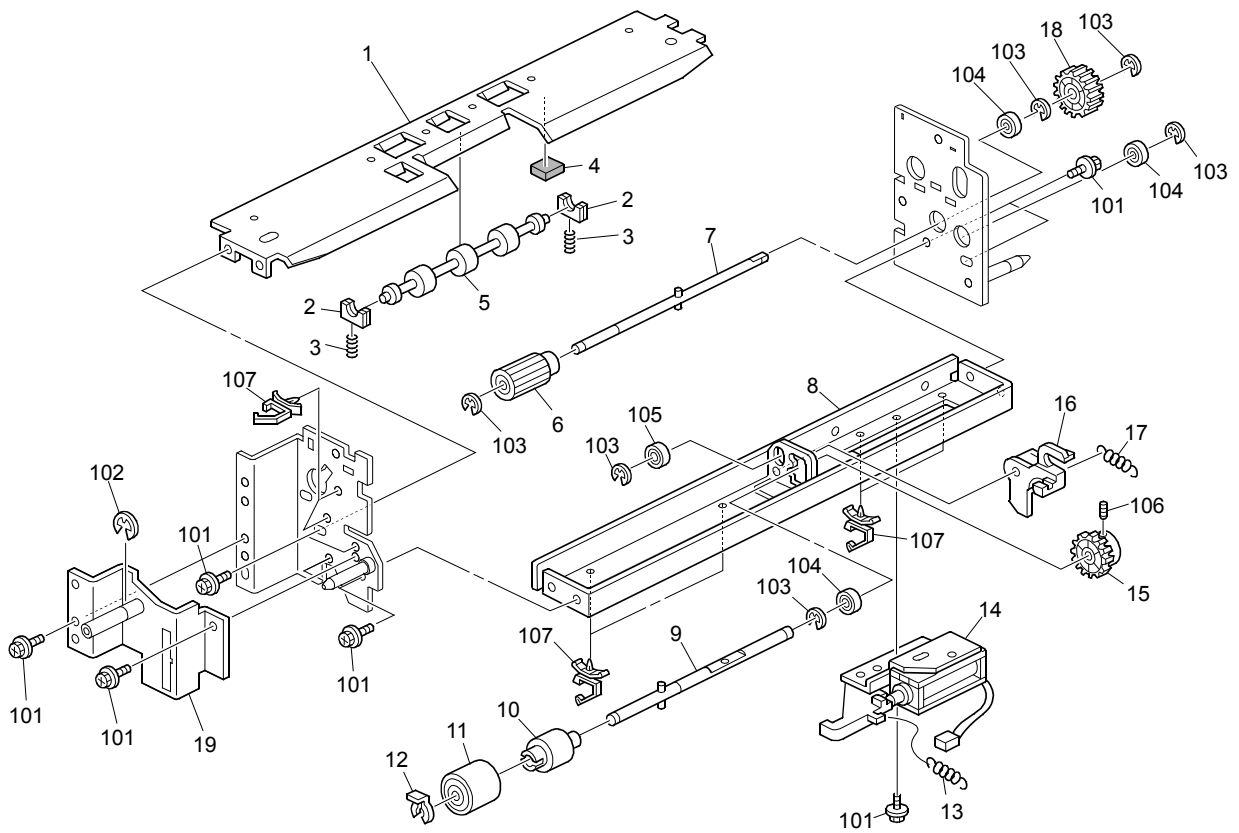
ITEM NO.	PARTS NO.	PARTS NAME	Q'TY / PAGE	Q'TY / PACK	P	I	R	B S I NO.	T O	T	F R O M	S E R I A L NO.	R E M A R K S	C
1	B8343320	Coupling Shaft - Front	1											
2	B8343350	Bushing - 6x10x6.5	10											
3	B8343318	Plate:Lower	2											
4	B8343315	Gear - 13Z	2											
5	H0722220	Spacer - M6x10	1											
6	B8343316	Gear - 13Z	2											
7	B8343312	Collar	3											
8	B8343314	Shaft Holder - Lower	1											
9	B8343313	Rack - Front:Lower	1											
10	B8344696	Rack - Rear Lower	1											
11	B8343346	Coupling Shaft - Rear	1											
12	B2346141	Positioning Sleeve - Inne	1											
13	B8343111	Side Fence Shaft - Lower	1											
14	B8343309	Side Fence Bracket - Lowe	1											
15	B8343306	Side Fence Bracket - Lowe	1											
16	AA082101	Bushing - 6X10X6	2											
17	A3761295	Spacer - M6x10x5	1											
101	0451006N	Tapping Screw - 3x6												
102	0353060N	Bind Screw - M3x6												
103	0453006N	Tapping Screw - M3x6												
104	0720040E	Retaining Ring - M4												
105	0720080E	Retaining Ring - M8												
106	0720030E	Retaining Ring - M3												



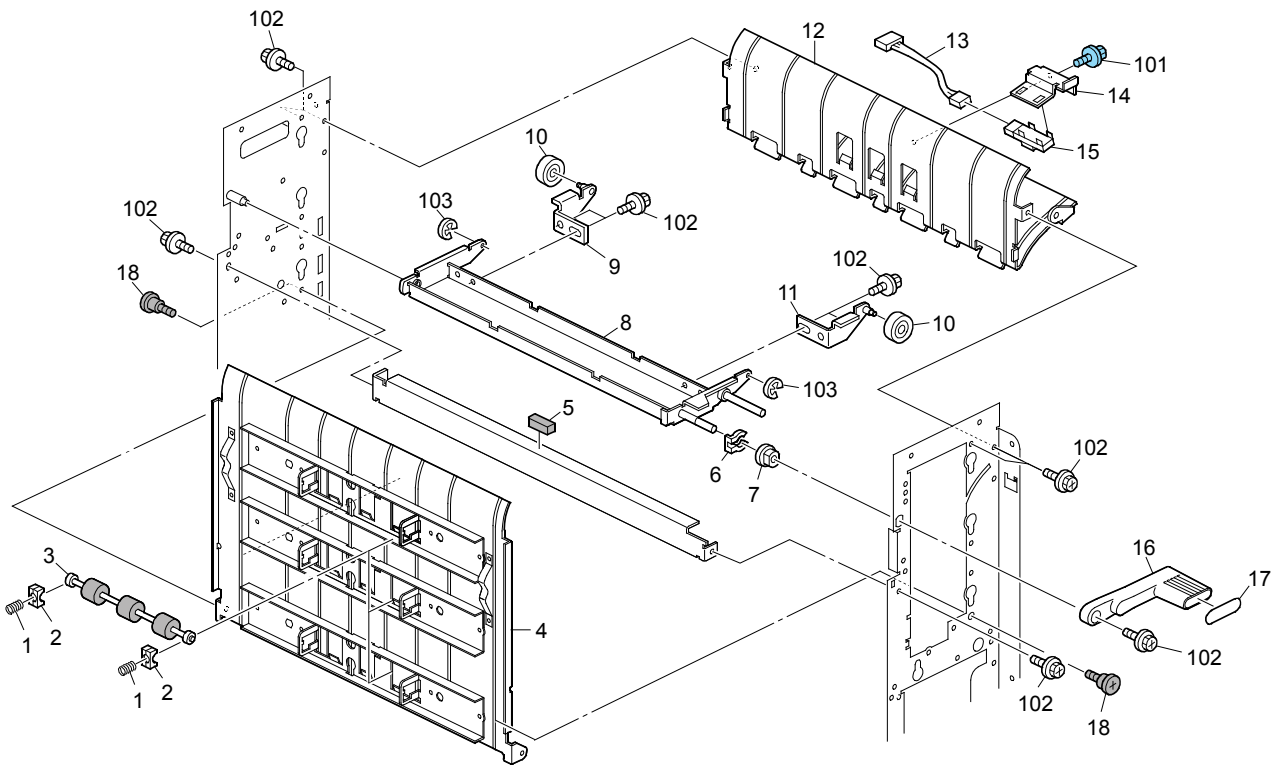
ITEM NO.	PARTS NO.	PARTS NAME	Q'TY / PAGE	Q'TY / PACK	P	I	R	B S I NO.	T O	T	F R O M	S E R I A L NO.	R E M A R K S	C
1	B8344596	End Fence Slide Bracket	1											
2	B8344585	End Fence Shaft	2											
3	B8344584	End Fence Shaft Holder	2											
4	B8343065	Slide Rail - End Fence	1											
5	B8344582	End Fence Base	1											
6	B8342715	Tray Cushion Holder	2											
7	B8344027	Positioning Pin Bracket	1											
8	B8344595	Contact Point Shaft - Lon	1											
9	B8344593	Paper Size Sensor Bracket	1											
10	AW020160	Paper Feed Sensor	1											
11	B8345334	Harness - Tray Inner	1											
12	G0521518	Spring - Lock Lever	1											
13	B8343169	Paper Size Sensor Plate	1											
14	B8344594	Shielding Plate - Long	1											
101	0453006N	Tapping Screw - M3x6												
102	0454006Q	Tapping Screw - M3x6												
103	0451006N	Tapping Screw - 3x6												
104	0453006N	Tapping Screw - M3x6												
105	0720040E	Retaining Ring - M4												
106	11050511	Harness Clamp - LWS-0306Z												
107	0451008N	Tapping Screw:4x8												
108	07403506	Ball Bearing - 6x12x4 mm												



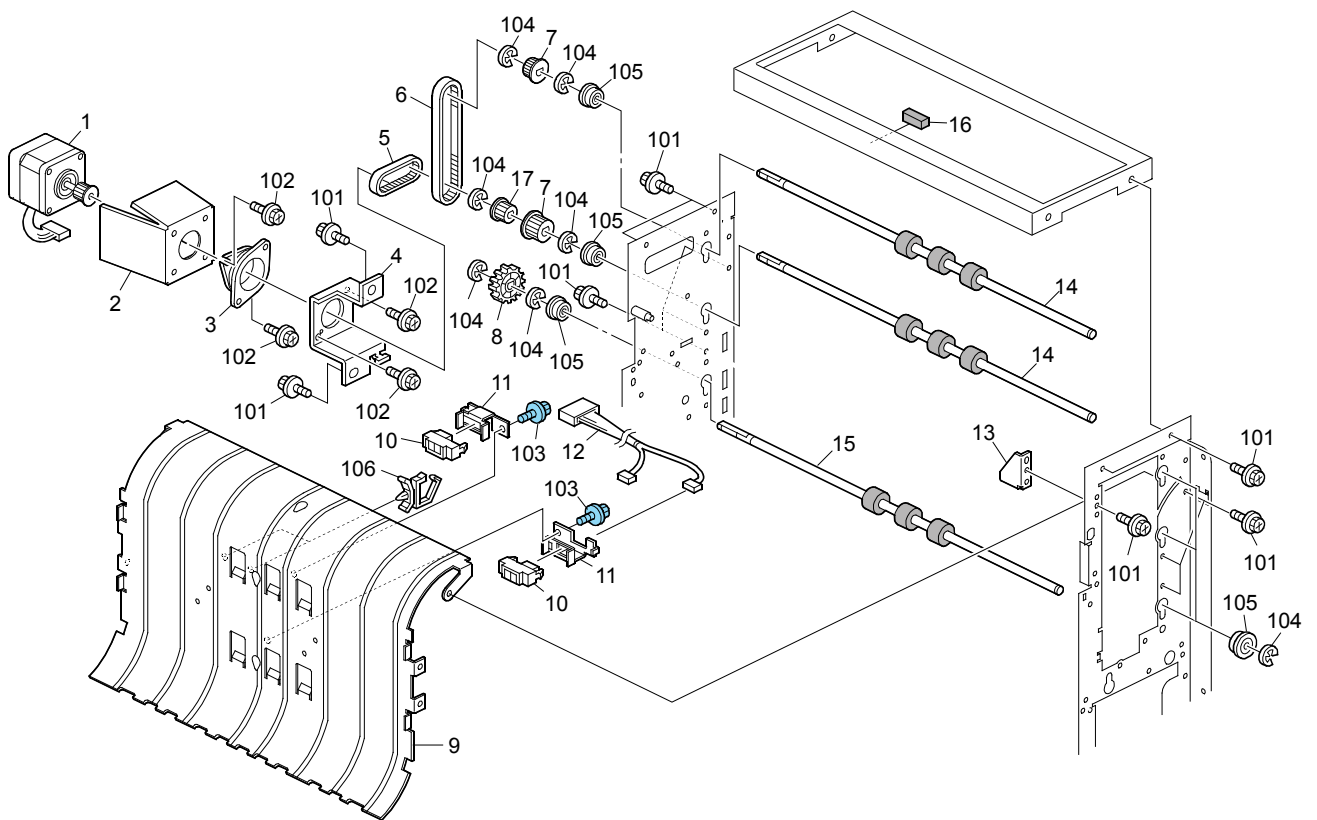
ITEM NO.	PARTS NO.	PARTS NAME	Q'TY / PAGE	Q'TY / PACK	P	I	R	BSI NO.	TO	T	FROM	SERIAL NO.	REMARKS	C
0	B8342500	Paper Feed Unit	1											
1	B8342520	Feed Guide Plate	1											
2	AF021410	Transport Roller	1											
3	B8325311	Harness - Paper Feed Unit	1											
4	AB011478	Gear - 18Z	1											
5	B8322571	Stay:Feed:Peen	1											
6	AW020145	Photointerruptor:Flat	1											
7	B5112677	Sensor Bracket	1											
8	B8322578	DC Solenoid 24V	1											
9	AB017724	Gear - 23Z/28Z	1											
10	AA066677	Tension Spring	1											
11	B8322574	Pickup Arm	1											
12	54472706	Gear - 15T	1											
13	AF030080	Paper Feed Roller:Pickup	1											
14	AA100014	Retaining Ring C - Separa	2											
15	AF031081	Paper Feed Roller:Feed:Ma	1											
16	AA143812	Screw - Scale	1											
17	AW010122	Paper Feed Sensor	2											
18	B8322577	Paper Feed Sensor Bracket	1											
19	AA083015	Roller Clutch	1											
20	B1324119	Spacer:Gear:Idler	1											
21	AA063204	Compression Spring	1											
22	B8322585	Feed Roller Shaft	1											
101	0451008N	Tapping Screw:4x8												
102	0720060E	Retaining Ring - M6												
103	07423808	Ball Bearing - 8x16x5												
104	07413708	Ball Bearing - 8x12x3.5mm												
105	08050088	Retaining Ring - M6												
106	11050511	Harness Clamp - LWS-0306Z												
107	0720080E	Retaining Ring - M8												



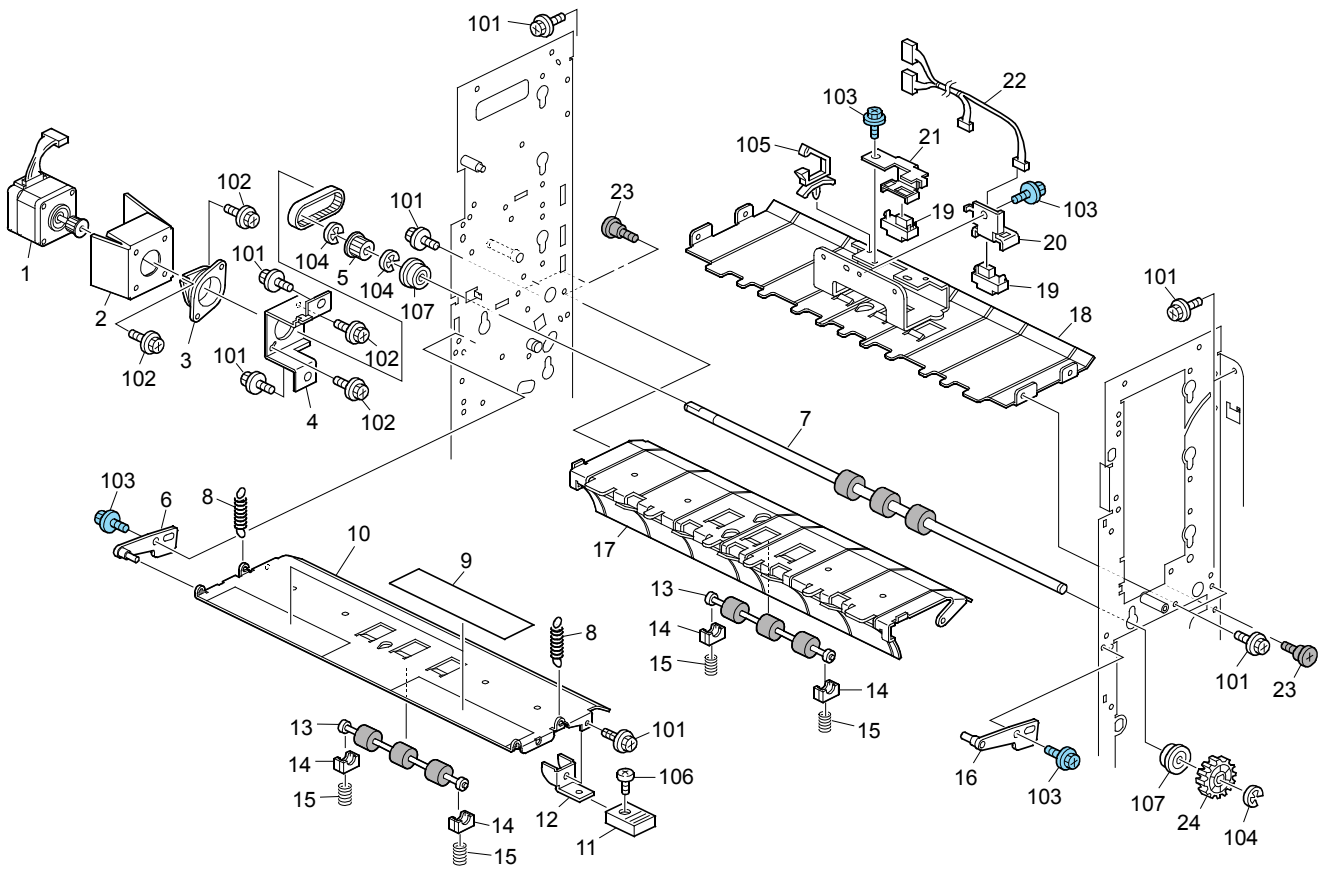
ITEM NO.	PARTS NO.	PARTS NAME	Q'TY / PAGE	Q'TY / PACK	P	I	R	B S I NO.	T O	T	F R O M	S E R I A L NO.	R E M A R K S	C
1	B8322535	Reverse Guide Plate	1											
2	AA084059	Ball Bearing Holder	2											
3	B8332565	Compression Spring	2											
4	A2292692	Damping Insulation	1											
5	B8342568	Transport Roller - Driven	1											
6	AB011392	Drive Reverse Gear - 24z	1											
7	B2346222	Reverse Drive Shaft	1											
8	B8322541	Stay	1											
9	B2346223	Driven Reverse Shaft	1											
10	B2346300	Torque Limiter	1											
11	AF032080	Paper Feed Roller:Separat	1											
12	AA100014	Retaining Ring C - Separat	1											
13	AA060575	Release Spring	1											
14	B8322558	DC Solenoid 24V	1											
15	AB011591	Gear:Reverse	1											
16	B3032556	Reverse Pressure Lever	1											
17	B8332567	Tension Spring	1											
18	BB013008	Gear - 31Z	1											
19	B8342631	Stay	1											
101	0451008N	Tapping Screw:4x8												
102	0720060E	Retaining Ring - M6												
103	0720040E	Retaining Ring - M4												
104	07413706	Ball Bearing - 6x10x3												
105	07413506	Ball Bearing - 6x12x4mm												
106	0573030E	Hexagon Headless Set Scre												
107	11050511	Harness Clamp - LWS-0306Z												



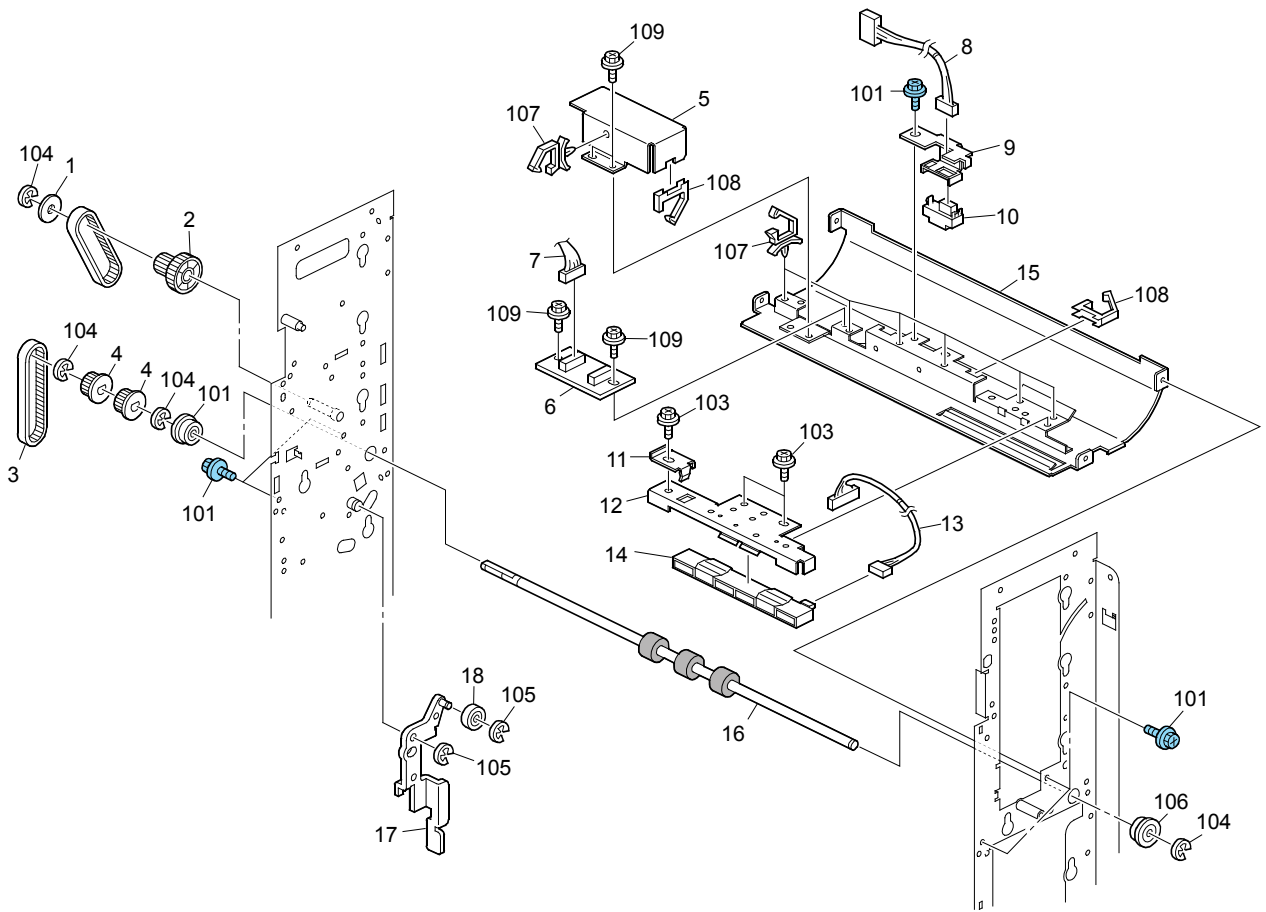
ITEM NO.	PARTS NO.	PARTS NAME	Q'TY / PAGE	Q'TY / PACK	P	I	R	BSI NO.	TO	T	FROM	SERIAL NO.	REMARKS	C
1	AA066675	Compression Spring	2											
2	AA084059	Ball Bearing Holder	2											
3	B8342568	Transport Roller - Driven	1											
4	B8343620	Guide Plate: - Upper	1											
5	B8323909	Bracket Cushion	1											
6	52152621	Snap Ring - M6	1											
7	AA082070	Bushing - 8x16x7	1											
8	B8343837	Release Handle Stay	1											
9	B8343817	Roller Stay Bracket - Rig	1											
10	67542866	Roller - Positioning Guid	2											
11	B8343818	Roller Stay Bracket - Lef	1											
12	B8343830	Manual Feed Guide Plate -	1											
13	B8345320	Harness - Sensor 4t6t	1											
14	B8343831	Paper Feed Sensor Bracket	1											
15	AW010118	Paper Feed Sensor	1											
16	B8343899	Lever - Misfeed Removal	1											
17	B3031306	Decal - Instruction	1											
18	AA143810	Development Cover Screw	2											
101	0454006Q	Tapping Screw - M3x6												
102	0451008N	Tapping Screw:4x8												
103	0720030E	Retaining Ring - M3												



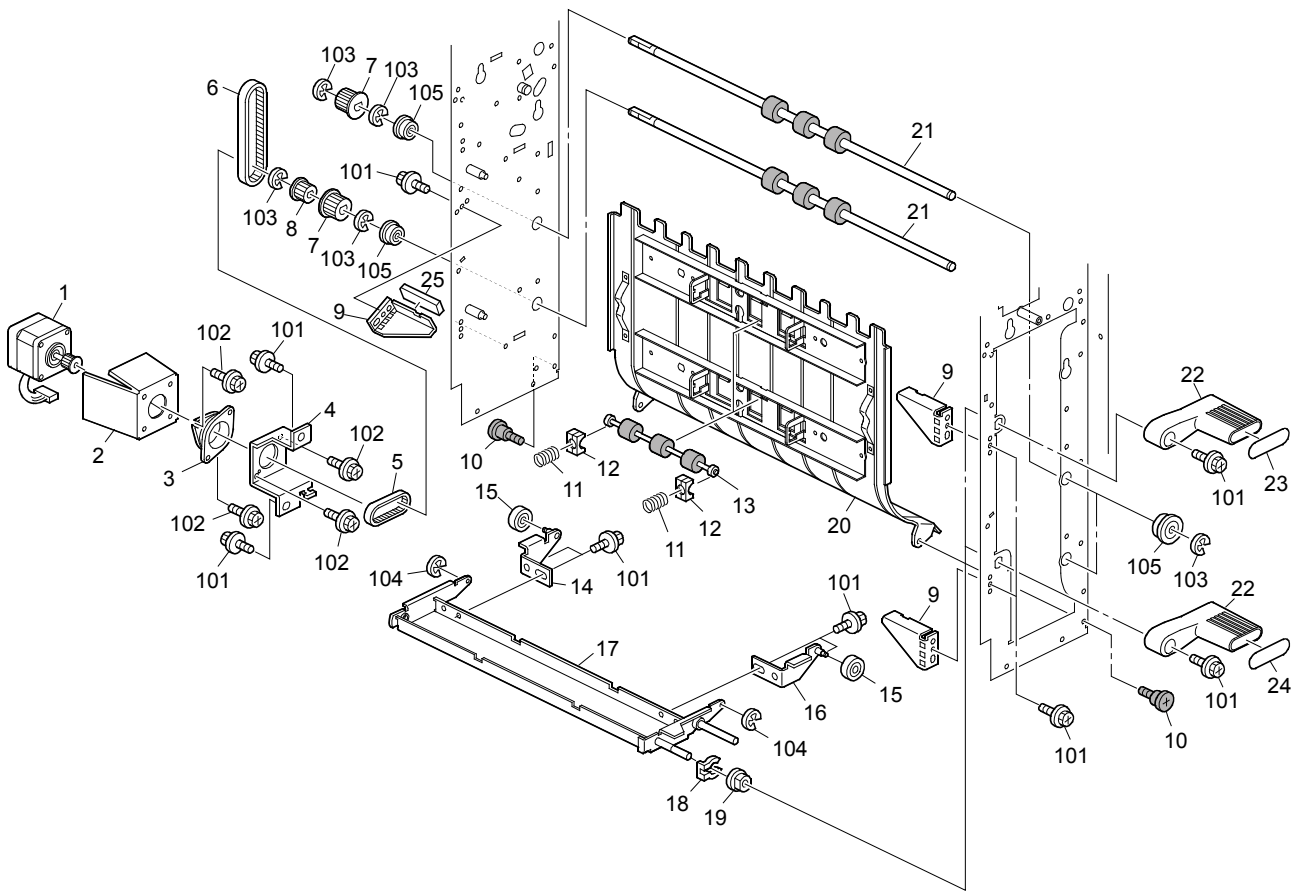
ITEM NO.	PARTS NO.	PARTS NAME	Q'TY / PAGE	Q'TY / PACK	P	I	R	B S I NO.	T O	T	F R O M	S E R I A L NO.	R E M A R K S	C
1	AX040158	Stepper Motor DC2.64V 6.3	1											
2	B8323510	Heat Sink	1											
3	A2324666	Cushion - Stepper Motor	1											
4	B8353972	Stepper Motor Bracket	1											
5	B8341648	Timing Belt - B60S2M120	1											
6	B8341646	Timing Belt - B60S2M206	1											
7	B2346506	Timing Pulley - 30T	2											
8	AB013654	Gear - 30Z	1											
9	B8343841	Guide Plate - Upper Right	1											
10	AW010122	Paper Feed Sensor	2											
11	B8343883	Paper Feed Sensor Bracket	2											
12	B8345321	Harness - Sensor 4t Upper	1											
13	B8343836	Stopper Stay	1											
14	B8343803	Transport Drive Roller -	1											
15	B8343806	Transport Drive Roller -	2											
16	B8323909	Bracket Cushion	1											
17	B2346507	Timing Pulley - 25T	1											
101	0451008N	Tapping Screw:4x8												
102	0451006N	Tapping Screw - 3x6												
103	0454006Q	Tapping Screw - M3x6												
104	0720060E	Retaining Ring - M6												
105	07423808	Ball Bearing - 8x16x5												
106	11050511	Harness Clamp - LWS-0306Z												



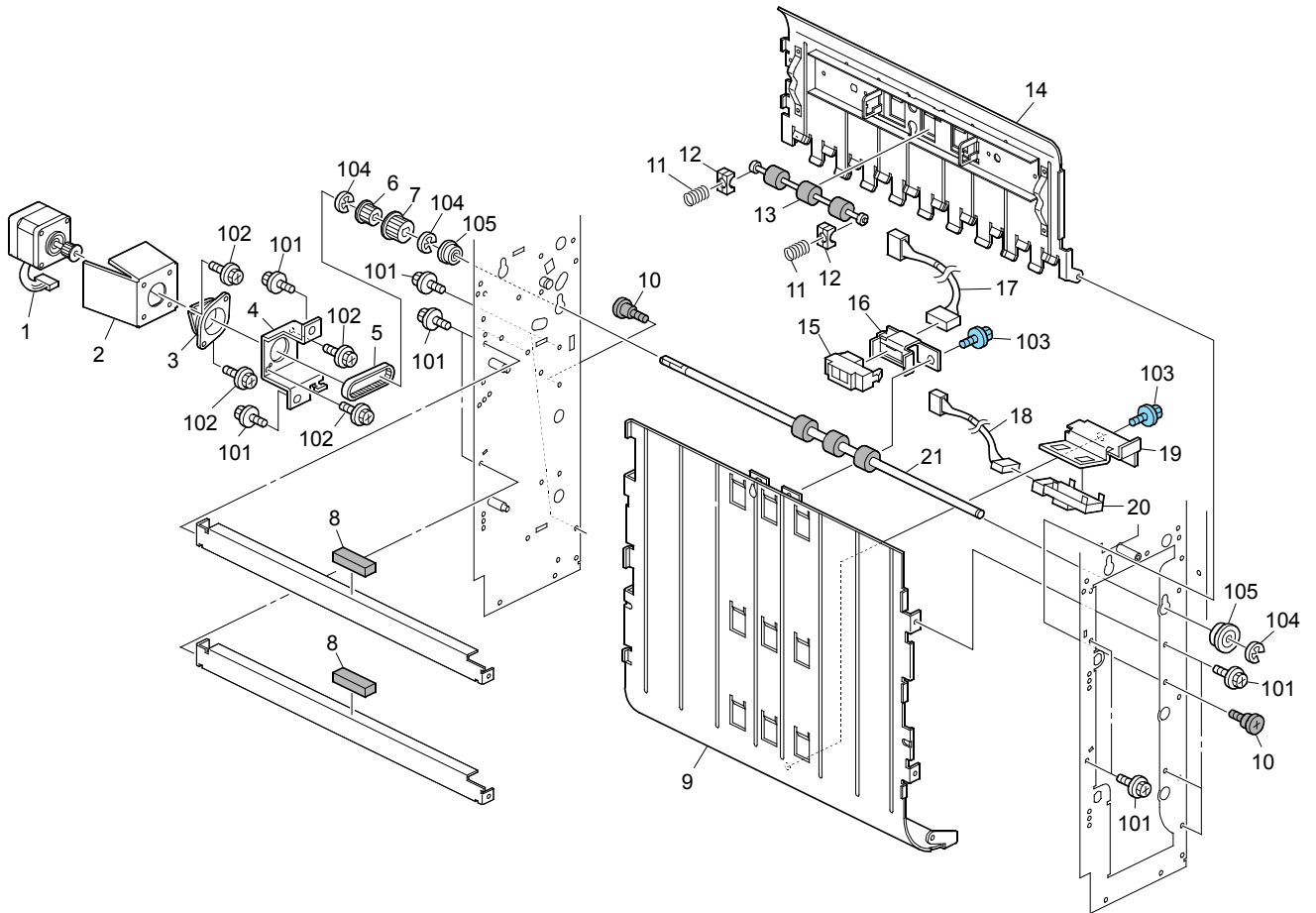
ITEM NO.	PARTS NO.	PARTS NAME	Q'TY / PAGE	Q'TY / PACK	P I R	B S I NO.	T O	T	F R O M	S E R I A L NO.	R E M A R K S	C
1	AX040158	Stepper Motor DC2.64V 6.3	1									
2	B8323510	Heat Sink	1									
3	A2324666	Cushion - Stepper Motor	1									
4	B8353972	Stepper Motor Bracket	1									
5	B2346507	Timing Pulley - 25T	1									
6	B8343669	Contact Point Bracket - R	1									
7	B8343805	Transport Drive Roller -	1									
8	AA066680	Spring	2									
9	B8343867	Positioning Sensor Sheet	1									
10	B8343920	Guide Plate - Middle Lowe	1									
11	A3532243	Lever Knob	1									
12	B5113637	Lever	1									
13	B8342568	Transport Roller - Driven	2									
14	AA084059	Ball Bearing Holder	4									
15	AA066675	Compression Spring	4									
16	B8343670	Contact Point Bracket	1									
17	B8343630	Guide Plate - Middle Lowe	1									
18	B8343880	Entrance Guide Plate - Mi	1									
19	AW010122	Paper Feed Sensor	2									
20	B8343828	Paper Feed Sensor Bracket	1									
21	B8343883	Paper Feed Sensor Bracket	1									
22	B8345322	Harness - 5t Transport Mi	1									
23	AA143810	Development Cover Screw	2									
24	AB014152	Gear - 32Z	1									
101	0451008N	Tapping Screw:4x8										
102	0451006N	Tapping Screw - 3x6										
103	0454006Q	Tapping Screw - M3x6										
104	0720060E	Retaining Ring - M6										
105	11050511	Harness Clamp - LWS-0306Z										
106	0313040N	Screw:M3x4										
107	07423808	Ball Bearing - 8x16x5										



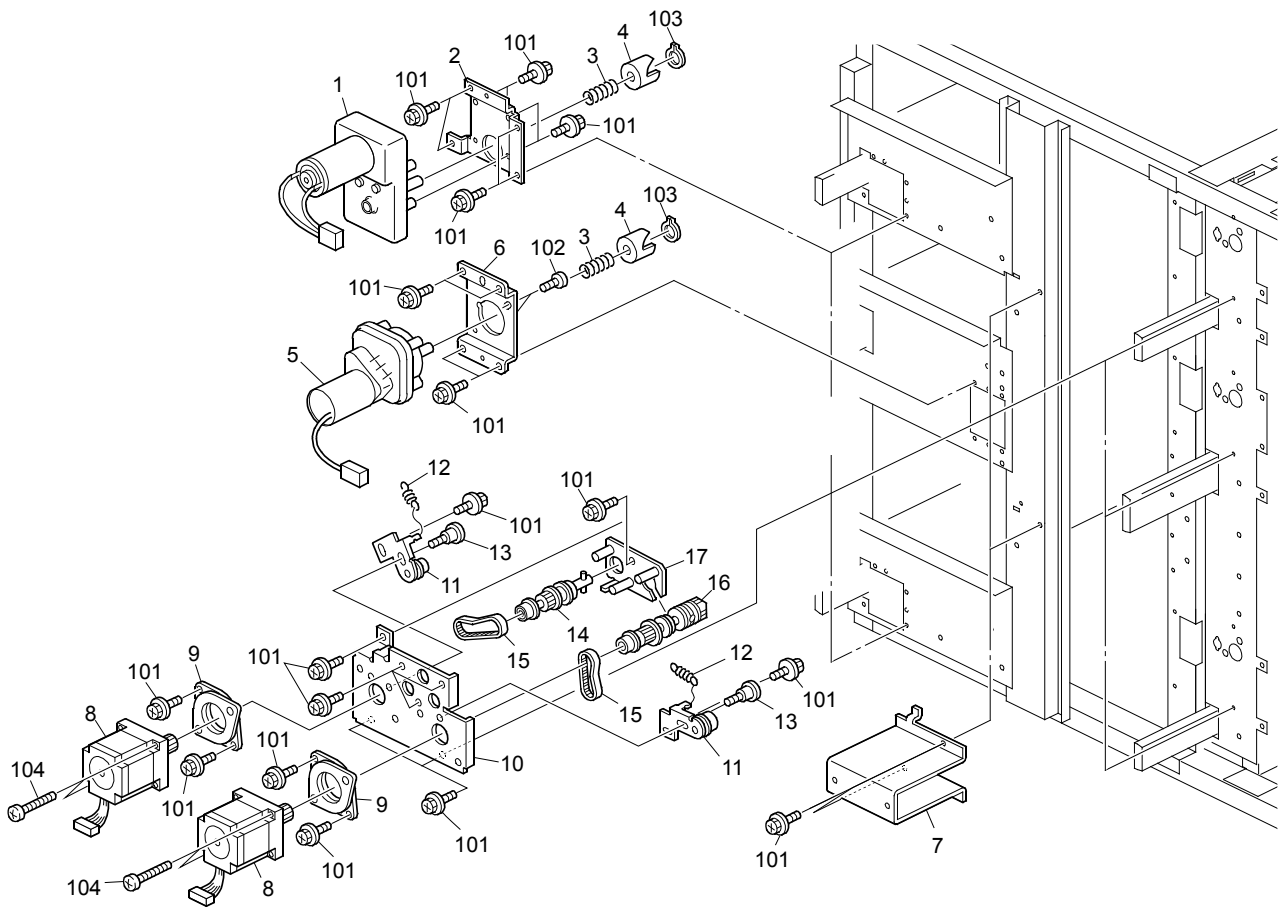
ITEM NO.	PARTS NO.	PARTS NAME	Q'TY / PAGE	Q'TY / PACK	P I R	B S I NO.	T O	T	F R O M	S E R I A L NO.	R E M A R K S	C
1	AA132205	Spacer - Timing Belt	1									
2	B8343885	Gear/pulley - 31Z/31T	1									
3	B8341645	Timing Belt - B60S2M220	1									
4	B2346506	Timing Pulley - 30T	2									
5	B8343835	Cover - Positioning Senso	1									
6	B2345280	PCB CRB	1									
7	B8345341	Harness - Interface Crb	1									
8	B8345323	Harness - Sensor Exit	1									
9	B8343883	Paper Feed Sensor Bracket	1									
10	AW010122	Paper Feed Sensor	1									
11	B8343675	Registration Sensor Holde	1									
12	B8323685	Sensor Bracket	1									
13	B8345350	Harness - Sensor	1									
14	B2342750	Contact Image Sensor	1									
15	B8343930	Guide Plate - Middle Uppe	1									
16	B8343806	Transport Drive Roller -	1									
17	B8343819	Link	1									
18	67542866	Roller - Positioning Guid	1									
19	B8341646	Timing Belt - B60S2M206	1									
101	0454006Q	Tapping Screw - M3x6										
102	0451008N	Tapping Screw:4x8										
103	0451008N	Tapping Screw:4x8										
104	0720060E	Retaining Ring - M6										
105	0720040E	Retaining Ring - M4										
106	07423808	Ball Bearing - 8x16x5										
107	11050511	Harness Clamp - LWS-0306Z										
108	11050522	Edge Saddle - Les0510										
109	0451006N	Tapping Screw - 3x6										



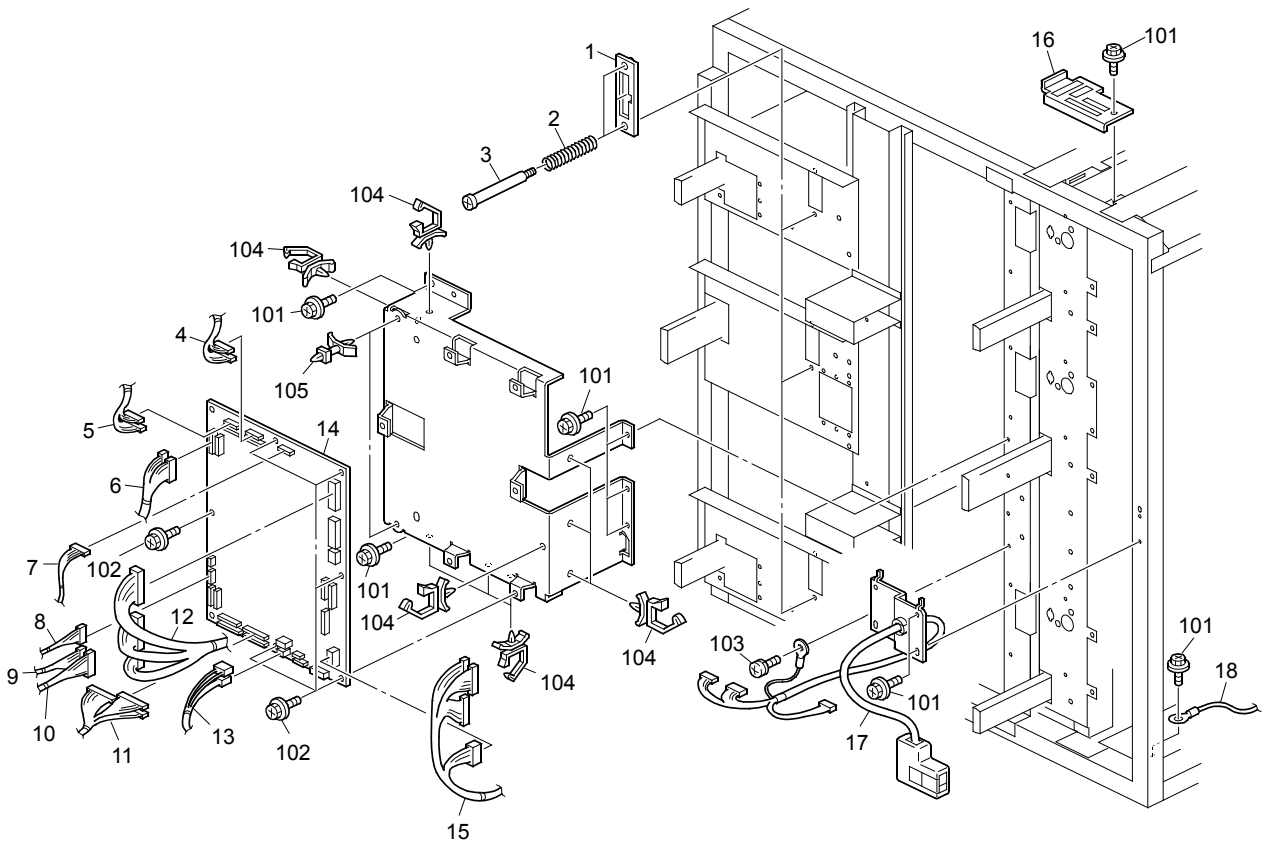
ITEM NO.	PARTS NO.	PARTS NAME	Q'TY / PAGE	Q'TY / PACK	P I R	B S I NO.	T O	T	F R O M	S E R I A L NO.	R E M A R K S	C
1	AX040158	Stepper Motor DC2.64V 6.3	1									
2	B8323510	Heat Sink	1									
3	A2324666	Cushion - Stepper Motor	1									
4	B8353972	Stepper Motor Bracket	1									
5	B8341648	Timing Belt - B60S2M120	1									
6	B8341647	Timing Belt - B60S2M260	1									
7	B2346506	Timing Pulley - 30T	2									
8	B2346507	Timing Pulley - 25T	1									
9	B8343836	Stopper Stay	3									
10	AA143810	Development Cover Screw	2									
11	AA066675	Compression Spring	4									
12	AA084059	Ball Bearing Holder	4									
13	B8342568	Transport Roller - Driven	2									
14	B8343817	Roller Stay Bracket - Rig	1									
15	67542866	Roller - Positioning Guid	2									
16	B8343818	Roller Stay Bracket - Lef	1									
17	B8343837	Release Handle Stay	1									
18	52152621	Snap Ring - M6	1									
19	AA082070	Bushing - 8x16x7	1									
20	B8343650	Guide Plate - Lower Left	1									
21	B8343807	Transport Drive Roller -	2									
22	B3033682	Misfeed Removal Knob	2									
23	B3031307	Decal - Instruction	1									
24	B8341318	Decal - Display (U5)	1									
25	B8323909	Bracket Cushion	1									
101	0451008N	Tapping Screw:4x8										
102	0451006N	Tapping Screw - 3x6										
103	0720060E	Retaining Ring - M6										
104	0720030E	Retaining Ring - M3										
105	07423808	Ball Bearing - 8x16x5										



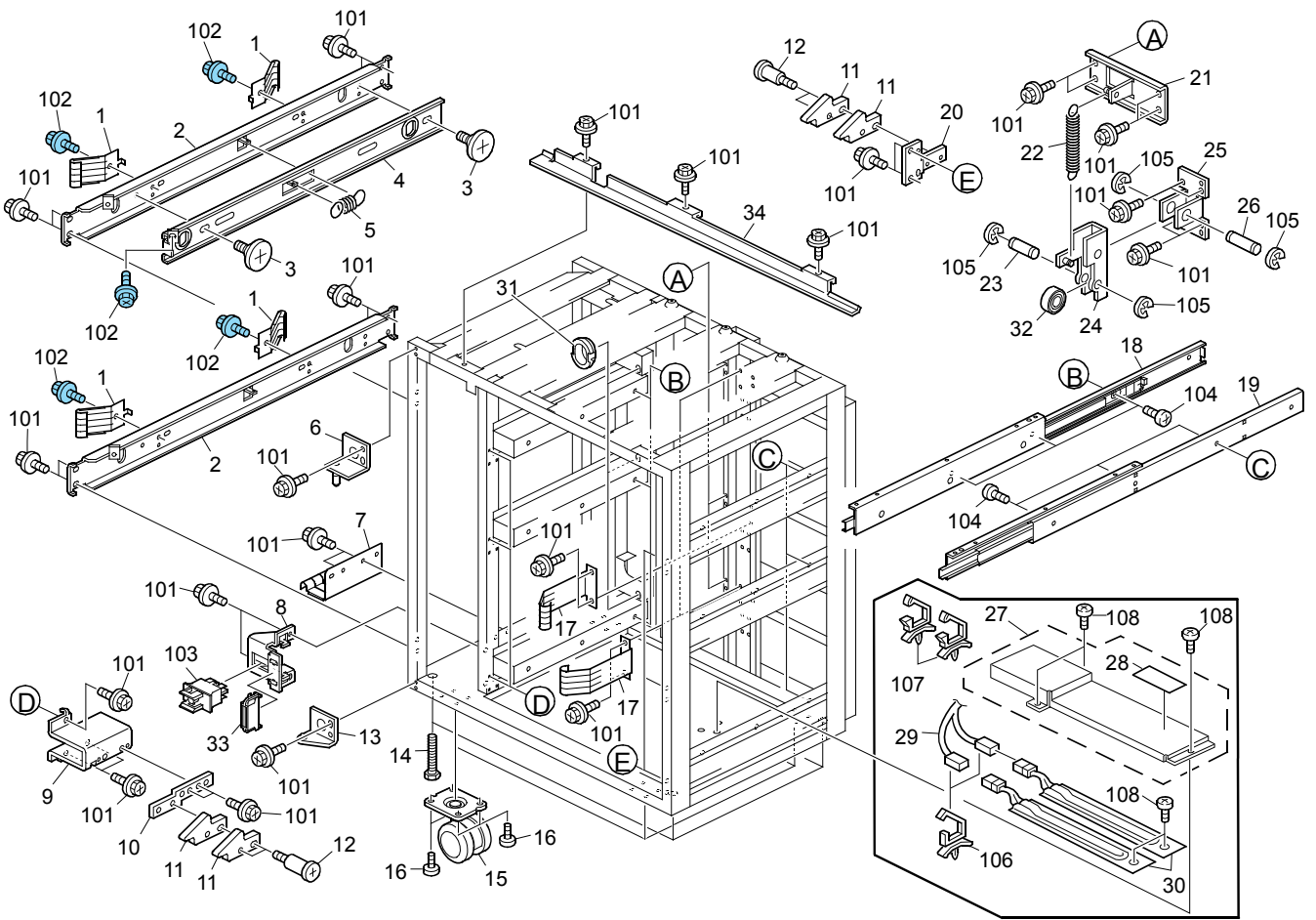
ITEM NO.	PARTS NO.	PARTS NAME	Q'TY / PAGE	Q'TY / PACK	P	I	R	BSI NO.	TO	T	FROM	SERIAL NO.	REMARKS	C
1	AX040158	Stepper Motor DC2.64V 6.3	1											
2	B8323510	Heat Sink	1											
3	A2324666	Cushion - Stepper Motor	1											
4	B8353972	Stepper Motor Bracket	1											
5	B8341648	Timing Belt - B60S2M120	1											
6	B2346507	Timing Pulley - 25T	1											
7	B2346506	Timing Pulley - 30T	1											
8	B8323909	Bracket Cushion	2											
9	B8343842	Guide Plate - Lower Right	1											
10	AA143810	Development Cover Screw	2											
11	AA066675	Compression Spring	2											
12	AA084059	Ball Bearing Holder	2											
13	B8342568	Transport Roller - Driven	1											
14	B8343640	Guide Plate - Lower Left	1											
15	AW010122	Paper Feed Sensor	1											
16	B8343883	Paper Feed Sensor Bracket	1											
17	B8345320	Harness - Sensor 4t6t	1											
18	B8345325	Harness - 6t Middle	1											
19	B8343825	Paper Feed Sensor Bracket	1											
20	AW010118	Paper Feed Sensor	1											
21	B8343807	Transport Drive Roller -	1											
101	0451008N	Tapping Screw:4x8												
102	0451006N	Tapping Screw - 3x6												
103	0454006Q	Tapping Screw - M3x6												
104	0720060E	Retaining Ring - M6												
105	07423808	Ball Bearing - 8x16x5												



ITEM NO.	PARTS NO.	PARTS NAME	Q'TY / PAGE	Q'TY / PACK	P	I	R	B S I NO.	T O	T	F R O M	S E R I A L NO.	R E M A R K S	C
1	AX040231	DC Motor 24V 19.6W	2											
2	B8344387	Motor Bracket No.1	1											
3	B8344388	Compression Spring	2											
4	B3031185	Metal Joint	2											
5	AX040229	DC Motor 24V 21.6W	1											
6	B8344887	Motor Bracket No.2	1											
7	B8341365	Rear Cover Bracket	1											
8	AX040157	Stepper Motor DC1.68V 6.7	1											
9	AA161122	Motor Cushion	1											
10	B8341725	Paper Feed Unit Drive Bra	1											
11	B8321750	Tension Bracket	2											
12	B2346508	Tension Spring	2											
13	AA143562	Screw:M4:Dia6x1.2	2											
14	B8341740	Shaft	1											
15	AA042550	Timing Belt - S2M138	2											
16	B8341730	Grip Drive Shaft	1											
17	B8341718	Bracket	1											
101	0451008N	Tapping Screw:4x8												
102	0353060N	Bind Screw - M3x6												
103	0727080E	Retaining Ring - M8												
104	0314100N	Pan Head Screw:M4x10												



ITEM NO.	PARTS NO.	PARTS NAME	Q'TY / PAGE	Q'TY / PACK	P	I	R	B S I NO.	T O	T	F R O M	S E R I A L NO.	R E M A R K S	C
1	B8344883	Drawer:Connector Bracket	1											
2	B8344875	Compression Spring:Drawer	2											
3	B8344874	Screw:Drawer:Connector	2											
4	B8345302	Harness - Interface 4t	1											
5	B8345303	Harness - Interface 5t	1											
6	B8345304	Harness - Interface 6t	1											
7	B8345301	Harness - DC Motor	1											
8	B8345307	Harness - Sensor Exit	1											
9	B8345305	Harness - Sensor Transpor	1											
10	B8345306	Harness - Sensor 4t6t Mid	1											
11	B8345308	Harness - Interface 4t5t6	1											
12	B8345300	Harness - Stepper Motor	1											
13	B8345311	Harness - Safety Switch	1											
14	B8345110	PCB Main	1											
15	B8345324	Harness - Interface Aleut	1											
16	B8341165	Connector Bracket	1											
17	B8345190	Harness - Interface	1											
18	B8345342	Harness - Earth	1											
101	0451008N	Tapping Screw:4x8												
102	0451008N	Tapping Screw:4x8												
103	0950008Z	Philips Truss Screw - M4x												
104	11050488	Harness Clamp												
105	11050194	PCB Stud												


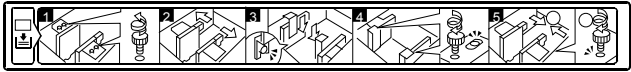
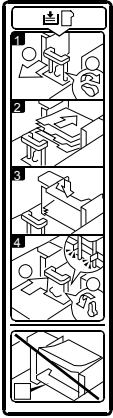

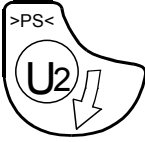



ITEM NO.	PARTS NO.	PARTS NAME	Q'TY / PAGE	Q'TY / PACK	P I R	B S I NO.	T O	T	F R O M	S E R I A L NO.	R E M A R K S	C
1	B3031116	Grounding Plate	4									
2	B8341112	Lock Stay - Upper	2									
3	AA140912	Screw - 8X14X2.8	2									
4	B8341114	Lock Slider	1									
5	AA066671	Lock Spring	1									
6	B8341034	Cover Hinge - Upper	1									
7	B8341183	Ground Plate - Lower	1									
8	B8353996	Safety Switch Bracket	1									
9	B8341365	Rear Cover Bracket	1									
10	B8343442	Stopper Holder - Left	1									
11	B8343443	Stopper Holder	4									
12	B8343460	Screw	2									
13	B8341355	Cover Hinge - Lower	1									
14	B8341089	Hexagonal Bolt - M12x50	4									
15	AH012014	Caster - 60kgf	4									
16	A5071096	Philips Screw - M5x6	16									
17	B8344915	Earth Spring Plate	2									
18A	B8341125	Left Slide Rail - Upper L	1									
18B	B8341145	Slide Rail - Left Middle	1									
19A	B8341135	Right Slide Rail - Upper	1									
19B	B8341155	Slide Rail - Right Middle	1									
20	B8344793	Stopper Bracket	1									
21	B8344834	Tension Spring Bracket -	1									
22	B8343264	Spring	1									
23	B8343263	Pressure Roller Shaft	1									
24	B8344821	Cam	1									
25	B8344832	Pressure Roller Bracket -	1									
26	B8343262	Contact Point Shaft	1									
27	B8343870	Cover:Dehumidifier:Heater	1									
28	GA000036	Decal - (high Temperature	1									
29	B8345340	Harness - Heater	1									
30	AX400012	Heater - 230V/18W	2									
31	B2346141	Positioning Sleeve - Inne	1									
32	G0706201	Roller - Transfer Roller	1									
33	AG071012	Magnet Catch:Ass'y	1									
34	B8341373	Cover - Upper Front	1									
101	0451008N	Tapping Screw:4x8										
102	0454008Q	Tapping Screw:3x8										
103	12042382	Interlock Switch - Fail-c										
104	0453008N	Binding Self Tapping Scre										
105	0720060E	Retaining Ring - M6										
106	11050515	Harness Clamp - RLWS-3T(V										
107	11050488	Harness Clamp										
108	0314060N	Screw - M4x6										

<p>1</p>	<p>3</p>	<p>6</p>	<p>7</p>
<p>2</p>	<p>5</p>	<p>8</p>	
		<p>9</p>	
		<p>10</p>	

<p>11</p>	<p>13</p>	<p>14</p>	
<p>12</p>	<p>15</p>		
		<p>16</p>	<p>17</p>

ITEM NO.	PARTS NO.	PARTS NAME	Q'TY / PAGE	Q'TY / PACK	P I R	B S I NO.	T O	T	F R O M	S E R I A L NO.	R E M A R K S	C
1	B0701307	Decal:Caution Chart:Paper	1									
2	B0701308	Decal:Size Indication:Pap	1									
3	B3031306	Decal - Instruction	1									
4	B3031307	Decal - Instruction	1									
5	B5111308	Decal:Paper:Size:Multi-la	1									
6	B5112674	Decal:Display:Paper Volum	1									
7A	B8321312	Decal - Display (4)	1									
7B	B8321313	Decal - Display (5)	1									
7C	B8321314	Decal - Display (6)	1									
8	B8321316	Decal - Knob (U2)	1									
9	B8321318	Decal - Knob (U4)	1									
10	B8321332	Decal - Misfeed Removal (1									
11	B8341304	Decal - Side Fence Scale	1									
12	B8341305	Decal - Side Fence Scale	1									
13	B8341309	Decal - Misfeed Removal	1									
14	B8341312	Decal - Paper Supply 1	1									
15	B8341313	Decal - Paper Supply 2	1									
16	B8341318	Decal - Display (U5)	1									
17	B8341319	Decal - Misfeed Removal (1									

18 	20 		
19 	21 	22 	23 

ITEM NO.	PARTS NO.	PARTS NAME	Q'TY / PAGE	Q'TY / PACK	P	I	R	BSI NO.	TO	T	FROM	SERIAL NO.	REMARKS	C
18	B8341320	Decal - Knob (U6)	1											
19	B8341322	Decal - End Fence Tab	1											
20	B8341323	Decal - Side Fence Postca	1											
21	B8341331	Decal - Misfeed Removal (1											
22	B8341333	Decal - Misfeed Removal (1											
23	B8341334	Decal - Misfeed Removal (1											
24	GA000036	Decal - (high Temperature	1											

TOSHIBA

TOSHIBA TEC CORPORATION

2-17-2, HIGASHIGOTANDA, SHINAGAWA-KU, TOKYO, 141-8664, JAPAN