

TOSHIBA

SERVICE PARTS LIST

Large Capacity Feeder

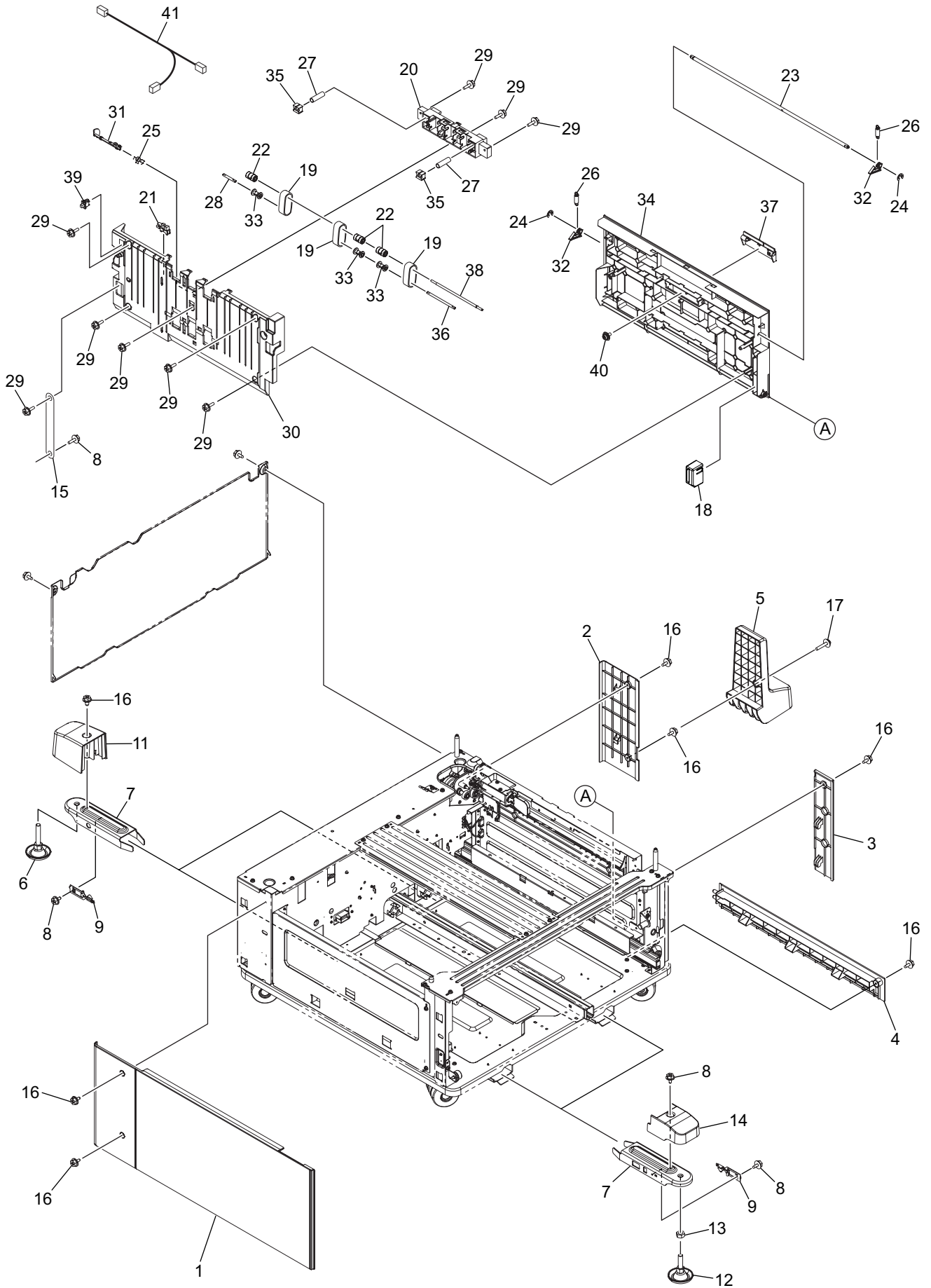
KD-1073

© 2022 Toshiba Tec Corporation All rights reserved

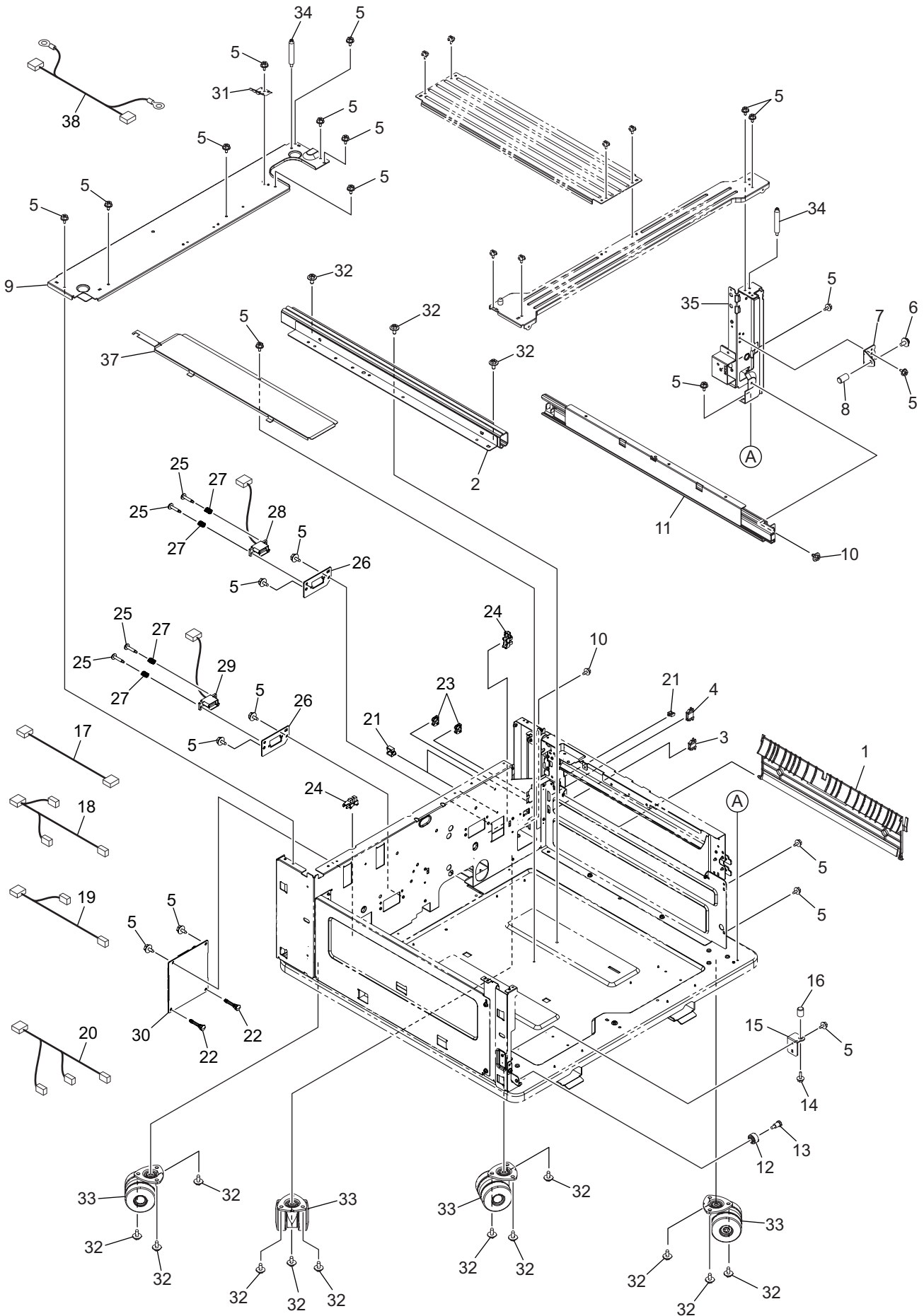
Under the copyright laws, this manual cannot be reproduced in any form without prior written permission of Toshiba Tec Corporation. No patent liability is assumed, however, with respect to the use of the information contained herein.

CONTENTS

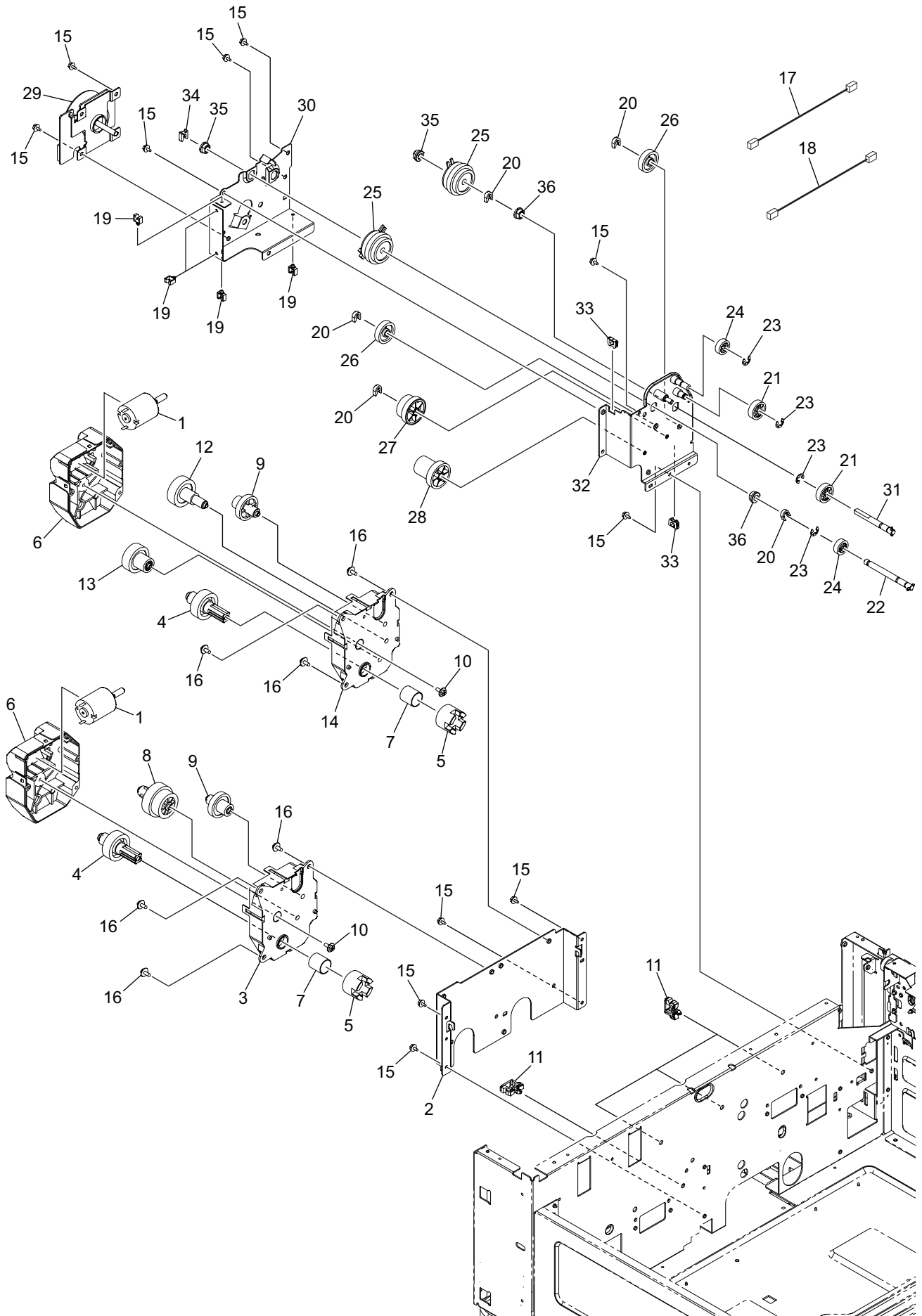
ASM-COVER	1
ASM-FRAME.....	2
ASM-DRIVE	3
FEED-1-ASY	4
FEED-2-ASY	5
TANDEM-LCF-1-ASM	6
TANDEM-LCF-2-ASM	7
ATTACH-ASM	8
ROL-KIT	9



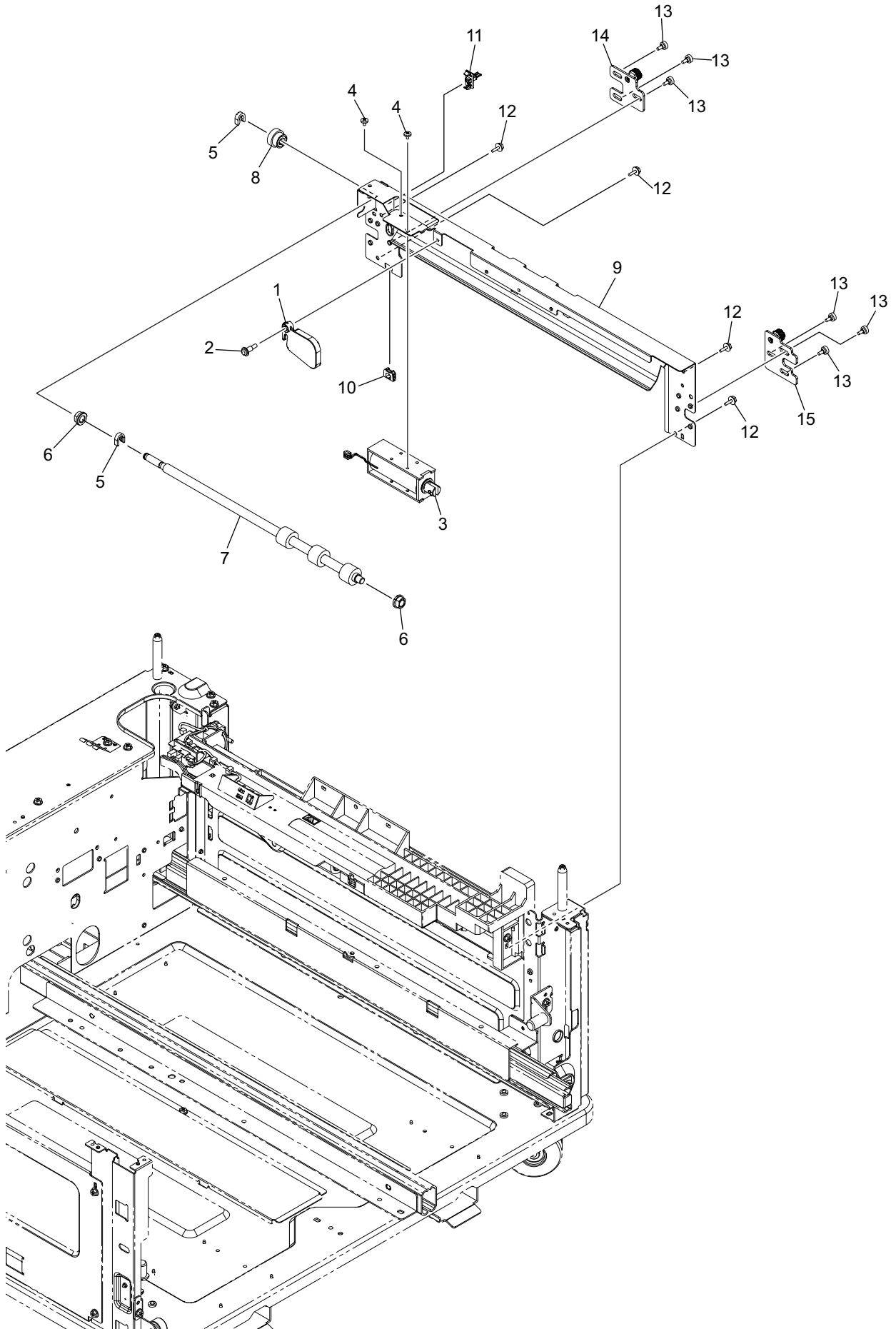
ITEM No.	PART No.	PART NAME	Q'TY / PAGE	Q'TY / PACK	REMARKS
1	6LL50211000	COVER-LEFT-T-LCF	1	1/PP	
2	6LH58091400	COVER-R-R_B	1	1/PP	
3	6LL50306000	COVER-RGT-F-T-LCF	1	1/PP	
4	6LL51309000	COVER-R-LOW-T-LCF	1	1/PP	
5	6LH58099400	FOOT-SIDE-PFP-RGT_B	1	1/PP	
6	6LH58106000	ADJSTR-FOOT-M8-PFP-L	2	1/P	
7	6LH58104000	BRKT-FOOT-M8-PFP-F47X	4	1/P	
8	X0-02419000	S/TPS/FHEXM/R-3X6-ZU3	7	10/P	
9	6LH58041000	SPG-F-FOOT-PFP-F47X	4	1/P	
11	6LH58086400	COVER-FOOT-B	2	1/PP	
12	6LH58105000	ADJSTR-FOOT-M8-PFP-S	2	1/P	
13	X0-02359000	N/HEX/1-M8-NI	2	10/P	
14	6LL50241000	COV-ADJ-T-LCF	2	1/PP	
15	6LJ66793000	STOPPER-STRING-PFP-1032	1	1/P	
16	X0-02680000	S/TPD3/FHEXM/R-3X6-ZB3	8	10/P	
17	X0-02673000	S/PAN/SWWP-M3X14-ZB3	1	5/P	
18	6LH57998100	BLK-GUIDE-SET-PFP_S	1	1/P	
19	6LL51347000	BELT-FEED-22-13	3	1/P	
20	6LL51336000	HLDR-ROL-RLY-T-LCF	1	1/PP	
21	C0-23083000	GP1A173LCS5F	1	1/P	
22	6LL50232000	ROL-RELAY-IDL-T-LCF	3	1/P	
23	6LH57928000	SHAFT-HOOK-PFP	1	1/P	
24	X0-00964000	RR/E-3-SS	2	10/P	
25	6LH57936000	SPG-T-SNSR-LOW-350	1	5/P	
26	6LL50369000	SPG-E-4R9XR6X18R2-HOOK	2	1/P	
27	6LJ69420000	SPG-C-8R4XR9X29	2	1/P	
28	6LL51362000	SFT-RELAY-IDL-PFP-PBF1	1	1/P	
29	X0-02247000	S/TPP/FHEXM-3X8-NI	9	10/P	
30	6LL51310000	GUIDE-COVER-PFP-300G	1	1/PP	
31	6LL13847000	ACTR-H44X-JAM-COV	1	1/D	
32	6LH58005000	HOOK-COVER-PFP	2	1/P	
33	6LL50233000	ROL-RELAY-SUB-IDL-T-LCF	3	1/P	
34	6LL51311000	COVER-RIGHT-DOOR-300G	1	1/PP	
35	6LH34715000	BUSH-FEED-IDL	2	5/P	
36	6LL51363000	SFT-RELAY-IDL-L-PBF1	1	1/P	
37	6LH57995200	KNOB-COVER-LOIRE-W2	1	1/P	
38	6LH58117100	SHAFT-RELAY-IDL-PFP-PBF2	1	1/P	
39	E0-16446000	SW1AG-550	1	1/D	
40	X0-00060000	S/PAN/SWWP-M3X6-NI	1	10/P	
41	6LL39476000	HRNS-TLCF-FED-CV-H658	1	1/P	

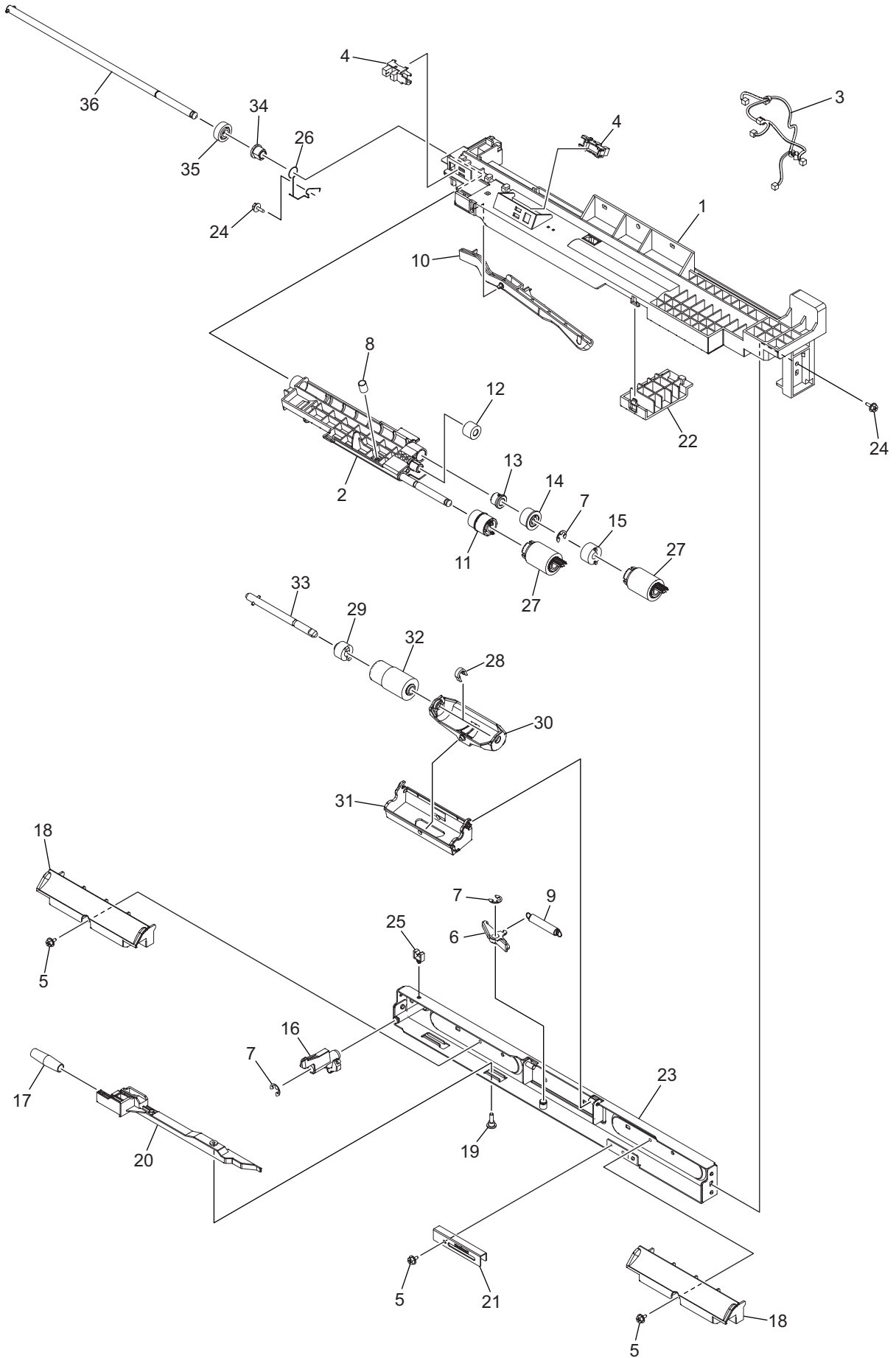


ITEM No.	PART No.	PART NAME	Q'TY / PAGE	Q'TY / PACK	REMARKS
1	6LL50230000	GUIDE-TRNS-OUT-T-LCF	1	1/PP	
2	6LL50285000	ASYS-RAIL-T-LCF	1	1/PP	
3	E0-10095000	BU05P-TZ-S (LF)(SN)	1	5/P	
4	E0-09963000	BU08P-TZ-S (LF)(SN)	1	5/P	
5	X0-02419000	S/TPS/FHEXM/R-3X6-ZU3	23	10/P	
6	X0-00164000	S/PAN/SWWP-M4X8-NI	1	10/P	
7	6LL50251000	PLT-LATCH-R-T-LCF	1	1/P	
8	6LK39096100	STUD-CST-POS-PBF2	1	5/P	
9	6LL50262000	PLATE-TOP-REAR-T-LCF	1	1/P	
10	X0-02408000	S/TPS/FHEX/R-4X6-ZU3	2	10/P	
11	6LJ08013000	RAIL-CST-R-H13X	1	1/PP	
12	6LH05709000	ROLL-LEFT-F-CST-F43X	1	1/P	
13	6LH05710000	SCREW-ROLL-CST-F43X	1	5/P	
14	X0-02231000	S/FHEXM-M3X8-NI	1	10/P	
15	6LL50252000	PLT-LATCH-L-T-LCF	1	1/P	
16	6LL50329000	STUD-LATCH-T-LCF	1	1/P	
17	6LL39565000	HRNS-TLCF-MOT9-H658	1	1/P	
18	6LL39474000	HRNS-TLCF-EFM-H658	1	1/P	
19	6LL39470000	HRNS-TLCF-UPLINE-H658	1	1/P	
20	6LL39475000	HRNS-TLCF-TRYM-H658	1	1/P	
21	F0-01250000	MSB-1207	3	5/P	
22	F0-00221000	KGLS-24RTV0	2	5/P	
23	F0-00339000	EHP-6U	2	5/P	
24	C0-23083000	GP1A173LCS5F	2	1/P	
25	4406326040	SCREW-D4-18-M3	4	10/P	
26	6LH05908000	BRKT-DRW-TANDEM	2	1/P	
27	6LH05996000	SPG-DRAWER-TANDEM	4	1/P	
28	6LL39473000	HRNS-TLCF-STOPPER-H658	1	1/P	
29	6LL39472000	HRNS-TLCF-ENDF-H658	1	1/P	
30	6LL40767100	PWA-H-PFPTLCF-658L	1	1/SB	
31	6LL50255000	SPL-TOP-T-LCF	1	1/P	
32	X0-02421000	S/TPS/FHEXM/R-4X8-ZU3	15	10/P	
33	6LK54798000	CASTER-D50-W52.5-H60	4	1/D	
34	6LJ66880100	PIN-LOCAT-PFP-PBF2	2	1/P	
35	6LL50292000	ASYS-FRM-FRONT-RGT-T-LCF	1	1/D	
37	6LJ66242000	BRKT-DMP-HTR-T-LCF	1	1/P	
38	6LL39435000	HRNS-PFPTLCF-H65X	1	1/P	

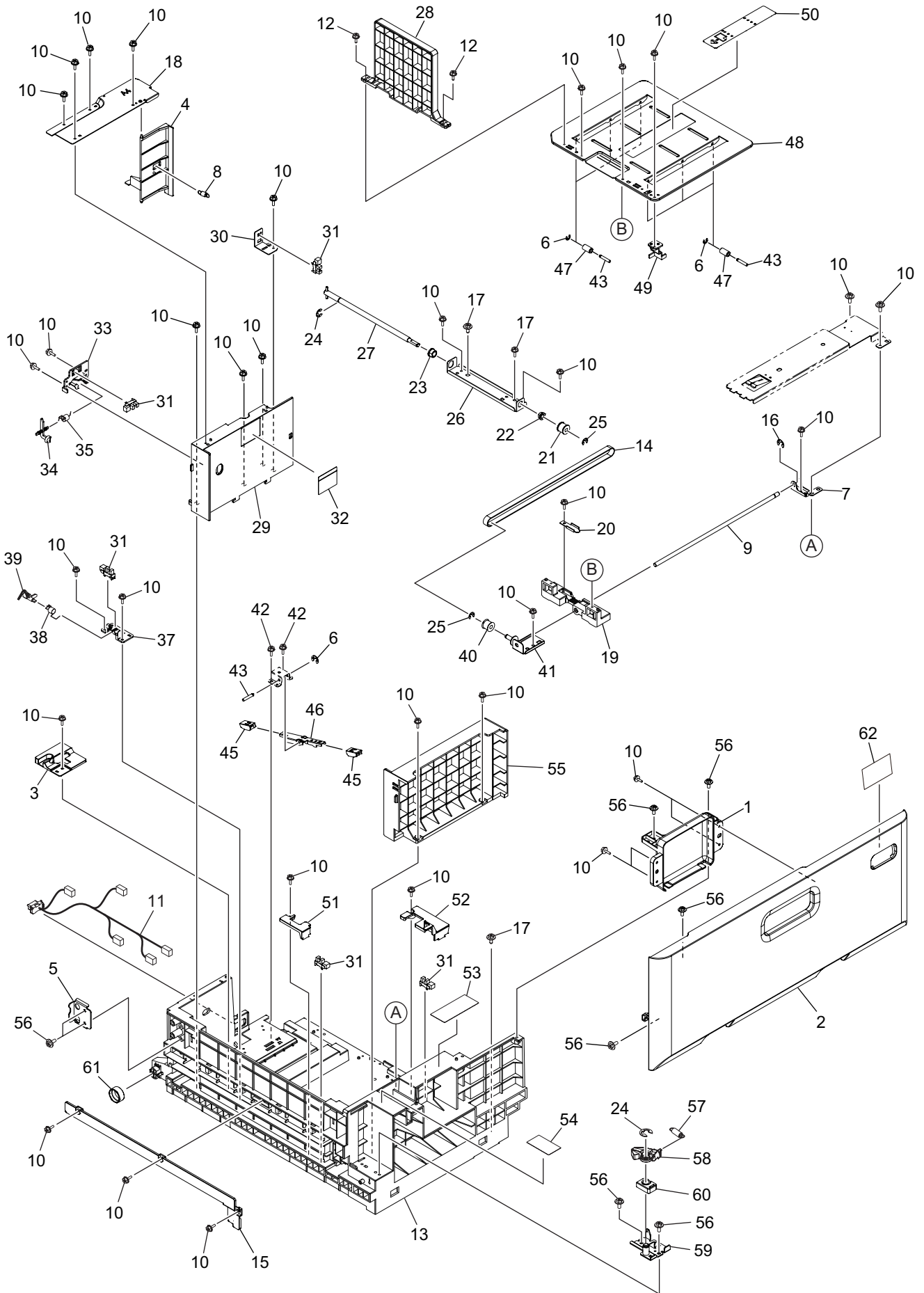


ITEM No.	PART No.	PART NAME	Q'TY / PAGE	Q'TY / PACK	REMARKS
1	6LK42327000	ASYS-MOTR_D-TLCF-130N	2	1/C	
2	6LL50261000	BRKT-MOTOR-T-LCF	1	1/P	
3	6LH05918100	BOX-DRV-TANDEM-F-2_S	1	1/D	
4	6LH05921000	GEAR-08S-38	2	1/P	
5	6LH05923000	CUP-DRV-TANDEM	2	1/P	
6	6LH05919100	BOX-DRV-TANDEM-R_S	2	1/P	
7	6LH06003000	SPG-DRV-TANDEM-CUP	2	1/P	
8	6LH05922000	GEAR-08S-44-08S-36	1	1/P	
9	6LH05902000	GEAR-08S-34-08S-17	2	1/P	
10	X0-02251000	S/TPP/FHEXM-4X8-NI	2	10/P	
11	F0-01609000	RLWC-2SV0	4	5/P	
12	6LH05920000	GEAR-08S-39-08S-16-L	1	1/P	
13	6LH05924000	GEAR-08S-37-08S-20	1	1/P	
14	6LH05917100	BOX-DRV-TANDEM-F_S	1	1/D	
15	X0-02419000	S/TPS/FHEXM/R-3X6-ZU3	11	10/P	
16	X0-02421000	S/TPS/FHEXM/R-4X8-ZU3	6	10/P	
17	6LL39538000	HRNS-TLCF-FEDCLT-H658	1	1/P	
18	6LL39483000	HRNS-TLCF-CLT-H658	1	1/P	
19	F0-01250000	MSB-1207	5	5/P	
20	6LE49743000	STOP-RING-6-5-POM	5	5/P	
21	6LH57979000	GEAR-10S20-6-E	2	1/P	
22	6LL50338000	ASYS-SFT-CLH-FED-DRV	1	1/P	
23	X0-00966000	RR/E-5-SS	4	10/P	
24	6LJ69307000	GEAR-10S16-6	2	1/P	
25	6LH51224000	CLUTCH-50C-G28-6	2	1/D	
26	6LL16883000	GEAR-10S24-6-RD	2	1/P	
27	6LL50235000	GEAR-10S30_10S25-06	1	1/P	
28	6LL50236000	GEAR-10S29_5H38-6-T-LCF	1	1/P	
29	6LL50343000	MOTR_D-DRIVE-05R20-10	1	1/C	
30	6LL50270000	BRKT-DRV-MOT-T-LCF	1	1/P	
31	6LL50324000	ASYS-SFT-CL-TR-DRV-T-LCF	1	1/P	
32	6LL50272000	ASYS-BRKT-DRV-BASE-T-LCF	1	1/D	
33	F0-00339000	EHP-6U	2	5/P	
34	4408358930	STOP-RING-6-4	1	5/P	
35	6LE49741000	BUSH-6X10X6F-POM	2	5/P	
36	4407734980	BUSH-6-GCB	2	5/P	

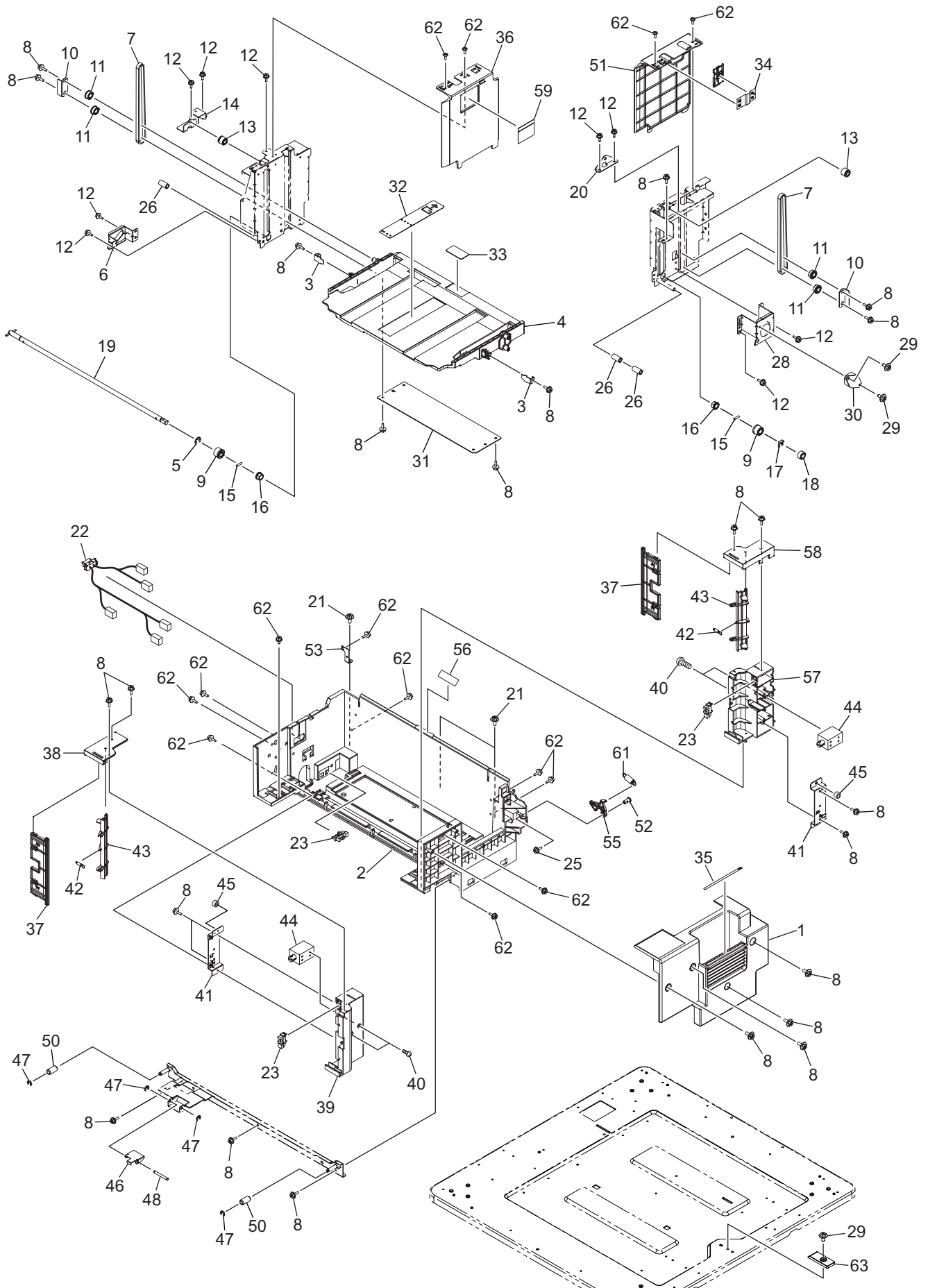




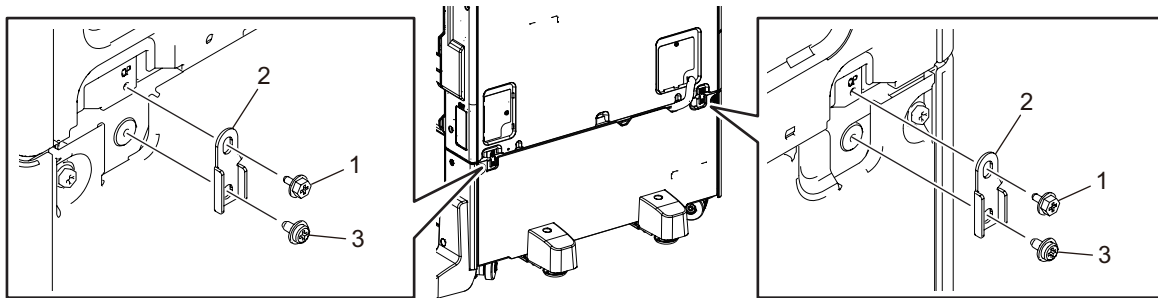
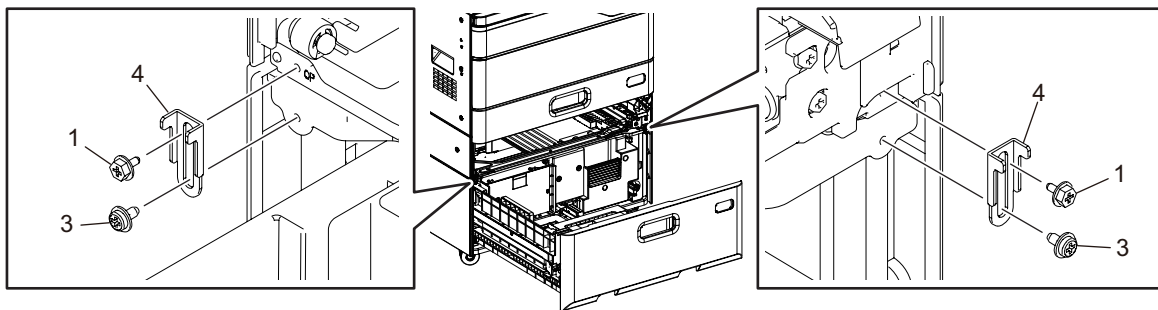
ITEM No.	PART No.	PART NAME	Q'TY / PAGE	Q'TY / PACK	REMARKS
1	6LL50372000	ASYS-FRAME-FEED-T-LCF	1	1/PP	
2	6LL50237000	ARM-PICK-T-LCF	1	1/PP	
3	6LL39471000	HRNS-TLCF-CSTMJ-H658	1	1/P	
4	C0-23083000	GP1A173LCS5F	2	1/P	
5	X0-02419000	S/TPS/FHEXM/R-3X6-ZU3	3	10/P	
6	6LL13752000	ARM-SFT-SPT-H44X-OP	1	1/P	
7	X0-00966000	RR/E-5-SS	3	10/P	
8	6LL16842000	SPG-C-PU-03-CENTER	1	1/P	
9	6LL50368000	SPG-E-SPT-H44XOP-R	1	1/P	
10	6LL50239000	ACTR-EMPTY-CST-T-LCF	1	1/P	
11	6LJ56245000	GEAR-5S30-6	1	1/P	
12	6LJ56244000	GEAR-5S25-8	1	1/P	
13	6LJ56246000	BUSH-6X10X9F-POM	1	1/P	
14	6LJ56239000	ASYS-GEAR-5S30-6L	1	1/P	
15	4406584800	CLUTCH-6-08L2	1	1/P	
16	6LJ56250000	LEVER-PU-LINK-H21X_H	1	1/P	
17	6LK50747000	SPG-C-SLIDER-H370	1	1/P	
18	6LL50228000	GUIDE-FEED-R-T-LCF	2	1/P	
19	6LH05511000	SCREW-M3X8-3.2-P	1	5/P	
20	6LL50226000	SLIDER-SPT-T-LCF	1	1/P	
21	6LL13745000	BRKT-SP-SPT	1	1/P	
22	6LL50229000	FRAME-FEED-SUB-T-LCF	1	1/P	
23	6LL50288000	ASYS-STAY-FEED-SP-T-LCF	1	1/PP	
24	X0-02420000	S/TPS/FHEXM/R-3X8-ZU3	2	10/P	
25	F0-01250000	MSB-1207	1	5/P	
26	6LL50357000	SPG-EARTH-FU-T-LCF	1	1/P	
27	6LL08757000	ASYS-ROLL-FEED-H44X	2	1/P	
28	6LE49743000	STOP-RING-6-5-POM	1	5/P	
29	6LJ56289000	TL-SEP-ORG-400	1	1/P	
30	6LL13777000	HOLDER-IN-SEP-LCF	1	1/P	
31	6LL13792000	HOLDER-OUT-SEP-LCF	1	1/P	
32	6LL07912000	ASYS-ROLL-SPT-H44X	1	1/P	
33	6LL16882000	ASYS-SHAFT-SEP-OP	1	1/P	
34	6LA03977000	BUSH-F6-GCB	1	5/P	
35	6LJ69307000	GEAR-10S16-6	1	1/P	
36	6LL50355000	ASYS-SFT-ROL-FEED-T-LCF	1	1/P	

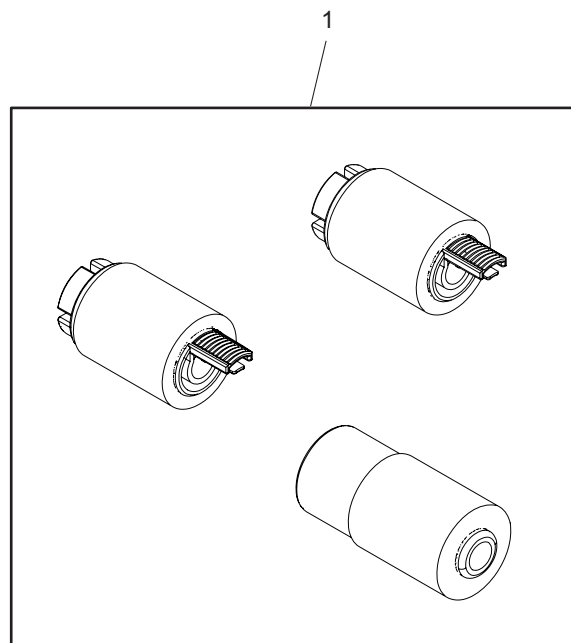


ITEM No.	PART No.	PART NAME	Q'TY / PAGE	Q'TY / PACK	REMARKS
1	6LL50216000	COVER-FRT-HNDL-T-LCF	1	1/P	
2	6LL50212000	COVER-FRT-T-LCF	1	1/PP	
3	6LJ08107100	COVER-ENPTY-SNS_S	1	1/P	
4	6LJ66295000	ASYS-CST2-SHUTTER-T-LCF	1	1/P	
5	6LL50243000	BRKT-STOP-T-LCF	1	1/P	
6	X0-00964000	RR/E-3-SS	7	10/P	
7	6LL50254000	BRKT-HOLD-ST-T-LCF	1	1/P	
8	6LL50367000	SPG-SHUT-TANDEM-2	1	1/P	
9	6LL50328000	SFT-GUIDE-T-LCF	1	1/P	
10	X0-02247000	S/TPP/FHEXM-3X8-NI	34	10/P	
11	6LL39444000	HRNS-TLCF-EFUNIT-H658	1	1/P	
12	X0-02420000	S/TPS/FHEXM/R-3X8-ZU3	2	10/P	
13	6LL50215000	CST-TRAY2-T-LCF	1	1/PP	
14	6LJ66290000	BELT-582-3GT-9	1	1/P	
15	6LH06041100	COVER-SIDE-HRNS_S	1	1/KP	
16	X0-00966000	RR/E-5-SS	1	10/P	
17	X0-02421000	S/TPS/FHEXM/R-4X8-ZU3	3	10/P	
18 A	6LL50258000	PLT-GUIDE-SIDE-TOP-A4	1	1/P	A4 size
18 B	6LL50259000	PLT-GUIDE-SIDE-TOP-LT	1	1/P	LT size
19	6LL50231000	BRKT-TRAY-MOVE-T-LCF	1	1/P	
20	6LJ66268000	BRKT-BELT-HOLD-T-LCF	1	1/P	
21	6LK42322000	PLY-DRIVE-1	1	1/P	
22	6LH53768000	BUSH-6-NU4	1	1/P	
23	4400802080	BUSH-8	1	5/P	
24	X0-00968000	RR/E-7-SS	2	10/P	
25	X0-00965000	RR/E-4-SS	2	10/P	
26	6LH05912000	BRKT-PLY-HOLD	1	1/P	
27	6LL50314000	ASYS-SFT-DRV-TRAY2-T-LCF	1	1/P	
28	6LL50223000	GUIDE-END-BK4-T-LCF	1	1/PP	
29	6LL50221000	GUIDE-SIDE-TRAY2-R-T-LCF	1	1/PP	
30	6LL50260000	BRKT-SENC-C2-T-LCF	1	1/P	
31	C0-17839000	LG2A14BL1	5	1/C	
32	6LJ56987000	LBL-P-LIMIT-TLCF-H21X	1	1/P	
33	6LH05964100	BASE-SNS-2_S	1	1/P	
34	6LH05962100	SENSOR-ACTR-3_S	1	1/D	
35	6LH06008000	SPRING-ACT-EMPTY2	1	1/P	
37	6LH05931100	BASE-SNS-EMPY_S	1	1/P	
38	6LH06060000	SPG-ACT-EMPTY	1	5/P	
39	6LH06074000	ACT-SENS-EMPTY-TDM	1	1/D	
40	6LK42321000	PLY-DRIVE-2	1	1/P	
41	6LH06093000	ASYS-PLY-HOLD	1	1/P	
42	X0-02246000	S/TPP/FHEXM-3X6-NI	2	10/P	
43	6LK42329100	SFT-ROLL-LCF-H38X-PBF2	7	1/P	
45	6LH05970000	COV-CST-COUP-TNDM	2	1/P	
46	6LH05971000	BRKT-STP-TRAY2	1	1/P	
47	6LH05933000	ROLL-TRAY	6	1/P	
48	6LL50245000	TRAY-MOVE-T-LCF	1	1/PP	
49	6LL50222000	ACTR-MOVE-SNSR-T-LCF	1	1/P	
50	6LK42313000	LBL-PSET-TRAY-L-TLCF	1	1/KP	
51	6LH06007100	COVER-SNSR-H_S	1	1/P	
52	6LH05985100	COVER-SNSR-R_S	1	1/P	
53	6LL50346000	LBL-P-SET-T-LCF	1	1/KP	
54	6LL50347000	LBL-CST2-SET-T-LCF	1	1/P	
55	6LL50224000	GUIDE-SIDE-TRAY2-F-T-LCF	1	1/PP	
56	X0-02251000	S/TPP/FHEXM-4X8-NI	8	10/P	
57	6LJ56984000	SPE-CST2-LATCH-L	1	1/P	
58	6LH06017000	BLOCK-LATCH-LINK	1	1/P	
59	6LH06095000	ASYS-PLT-LATCH-2	1	1/P	
60	6LJ66239000	BLOCK-LATCH-HOLD-TLCF	1	1/P	
61	6LH05717000	ROLLER-LEFT-R-BP	1	1/P	
62 A	6LL53204000	SIZE-CST-T-LCF-A4	1	1/KP	A4 size
62 B	6LL53204100	SIZE-CST-T-LCF-LT	1	1/KP	LT size



ITEM No.	PART No.	PART NAME	Q'TY / PAGE	Q'TY / PACK	REMARKS
1	6LL50217000	COV-INNER-T-LCF	1	1/PP	
2	6LL50214000	CST-TRAY1-T-LCF	1	1/C	
3	6LJ08109000	BRKT-LU-BELT-BP	2	1/P	
4	6LL50213000	TRAY1-T-LCF	1	1/PP	
5	X0-00968000	RR/E-7-SS	1	10/P	
6	6LH06054000	BRKT-HOLD-IDLER-R	1	1/P	
7	6LL50317000	BELT-369-3GT-6	2	1/P	
8	X0-02247000	S/TPP/FHEXM-3X8-NI	24	10/P	
9	6LH05901000	PULLY-BP-TDM2-Z18	2	1/P	
10	6LH05906000	BRKT-GUIDE-BP	2	1/P	
11	6LH05904000	ROLLER-BP-TDM	4	1/P	
12	X0-02419000	S/TPS/FHEXM/R-3X6-ZU3	9	10/P	
13	6LH05900000	PULLY-BP-TDM1-Z14	2	1/P	
14	6LL50244000	BRKT-SUPPORT-R-T-LCF	1	1/P	
15	X0-01535000	P/PRL/AH7-3X12-SS	2	5/P	
16	6LA65698000	BUSH-8X12X8F	2	5/P	
17	41306265000	STOP-RING-8	1	1/P	
18	6LH05903000	GEAR-DUMP-Z14	1	1/P	
19	6LL50318000	ASYS-SFT-TRAY1-T-LCF	1	1/P	
20	6LH06058000	BRKT-SUPPORT-F	1	1/P	
21	X0-02244000	S/TPS/FHEXM-4X10-ZU3	3	10/P	
22	6LL39443000	HRNS-TLCF-STOPUNIT-H658	1	1/P	
23	C0-17839000	LG2A14BL1	3	1/C	
25	X0-02231000	S/FHEXM-M3X8-NI	1	10/P	
26	6LH06059000	RLR-BELT-IDLER-2	3	1/P	
28	6LH05941000	BRKT-DAMP-BP	1	1/P	
29	X0-02421000	S/TPS/FHEXM/R-4X8-ZU3	3	10/P	
30	6LE03901000	OIL-DAMPER-390	1	1/P	
31	6LA93713000	PLT-BALANCER	1	1/P	
32	6LK42314000	LBL-PSET-TRAY-R-TLCF	1	1/KP	
33	6LK42323000	PAD-TRAY	1	1/P	
34	6LL50256000	SPL-SIDE-FENCE-T-LCF	1	1/P	
35	6LL50362000	LBL-COV-CST1-TLCF	1	1/KP	
36	6LL50218000	FENCE-TRAY1-R-T-LCF	1	1/PP	
37 A	6LL50238000	PLT-SHTT-CST1-T-LCF-A4	2	1/P	A4 size
37 B	6LL50240000	PLT-SHTT-CST1-T-LCF-LT	2	1/P	LT size
38	6LH06070100	PLATE-SHUT-R_S	1	1/P	
39	6LH06072100	HLDR-SHUT-R_S	1	1/PP	
40	X0-00057000	S/PAN-M3X6-NI	4	10/P	
41	6LH05949000	BRKT-HOLD-SHUT	2	1/P	
42	6LJ56983000	SPG-SHUT-TANDEM	2	1/P	
43	6LH05951100	JOINT-SHUT-TNDM_S	2	1/P	
44	6LL27027000	SOL-END-K130	2	1/D	
45	6LJ66270000	CUSH-FRM-SCREW-380	2	1/P	
46	6LH06064000	BRKT-STP-TANDEM	1	1/P	
47	X0-00964000	RR/E-3-SS	4	10/P	
48	6LH06021100	SFT-STP-TANDEM-PBF2	1	1/P	
50	6LH05958000	RLR-RAIL-CENTER	2	1/P	
51	6LL50219000	FENCE-TRAY1-F-T-LCF	1	1/PP	
52	6LA04494100	STUD-LOCK-CST-PBF2	1	5/P	
53	6LL50257000	SPL-CST1-RGT-T-LCF	1	1/P	
55	6LA04493000	HOOK-LOCK-CST	1	1/P	
56	6LL50320000	MYLAR-GUIDE-T-LCF	1	1/KP	
57	6LH06071100	HLDR-SHUT-F_S	1	1/D	
58	6LH06069100	PLATE-SHUT-F_S	1	1/P	
59	6LJ56987000	LBL-P-LIMIT-TLCF-H21X	1	1/P	
61	6LJ56986000	SPE-CST1-LATCH-R	1	1/P	
62	X0-02420000	S/TPS/FHEXM/R-3X8-ZU3	14	10/P	
63	6LH05940000	STP-BASE-TANDEM	1	1/P	





TOSHIBA

Toshiba Tec Corporation

1-11-1, OSAKI, SHINAGAWA-KU, TOKYO, 141-8562, JAPAN