

**TOSHIBA**

# **SERVICE PARTS LIST**

**Paper Feed Pedestal**

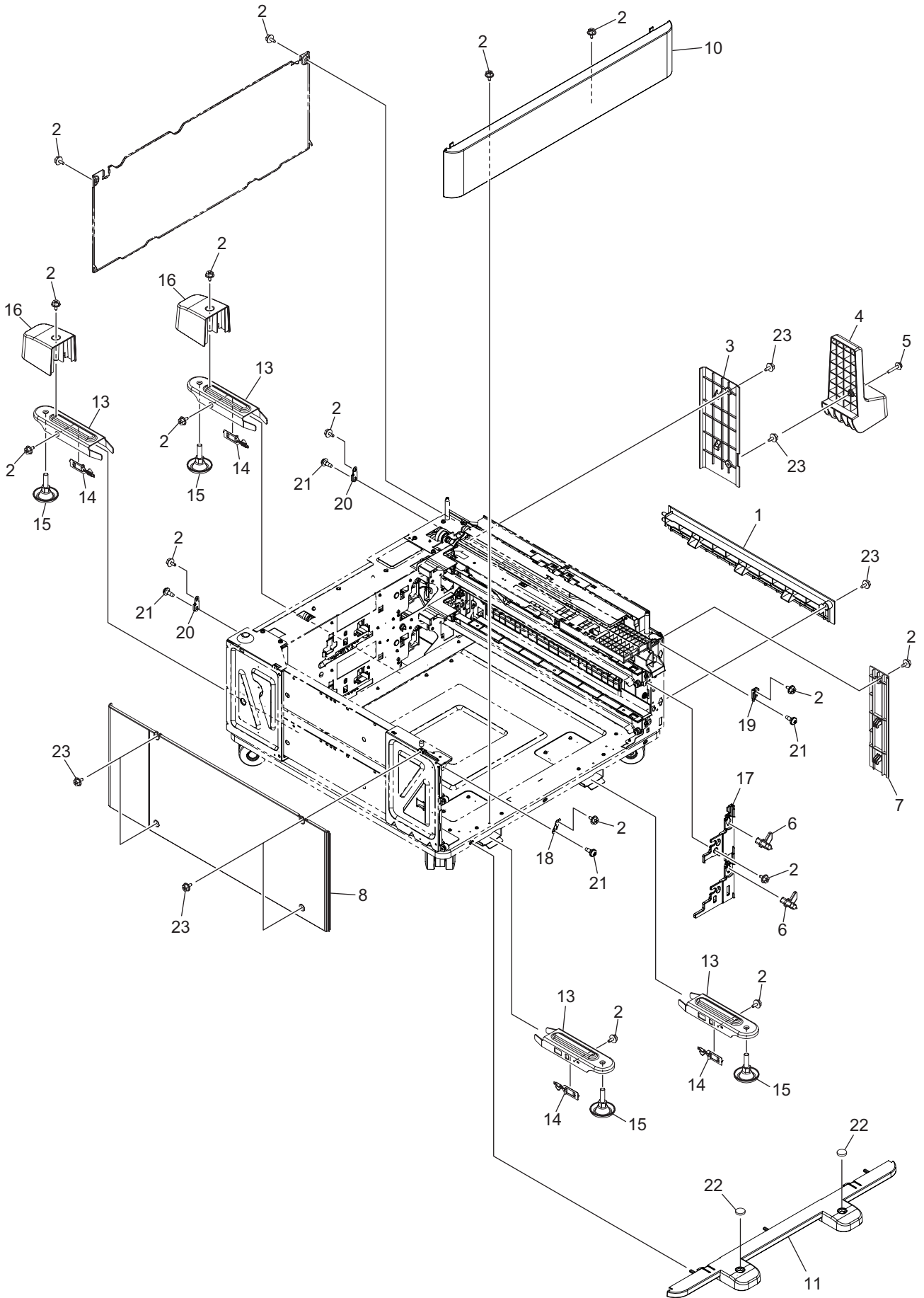
**KD-1072**

© 2022 Toshiba Tec Corporation All rights reserved

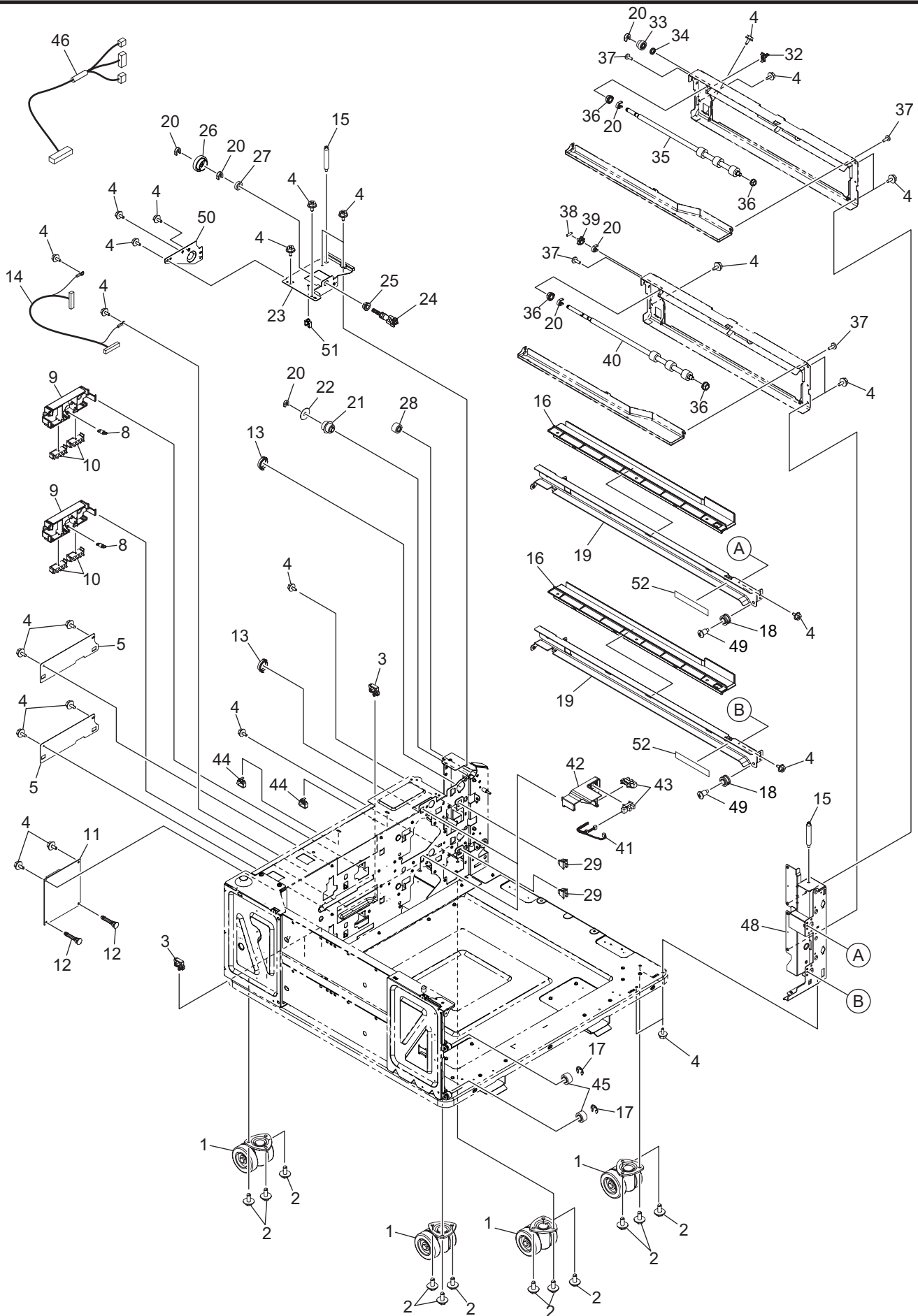
Under the copyright laws, this manual cannot be reproduced in any form without prior written permission of Toshiba Tec Corporation. No patent liability is assumed, however, with respect to the use of the information contained herein.

# CONTENTS

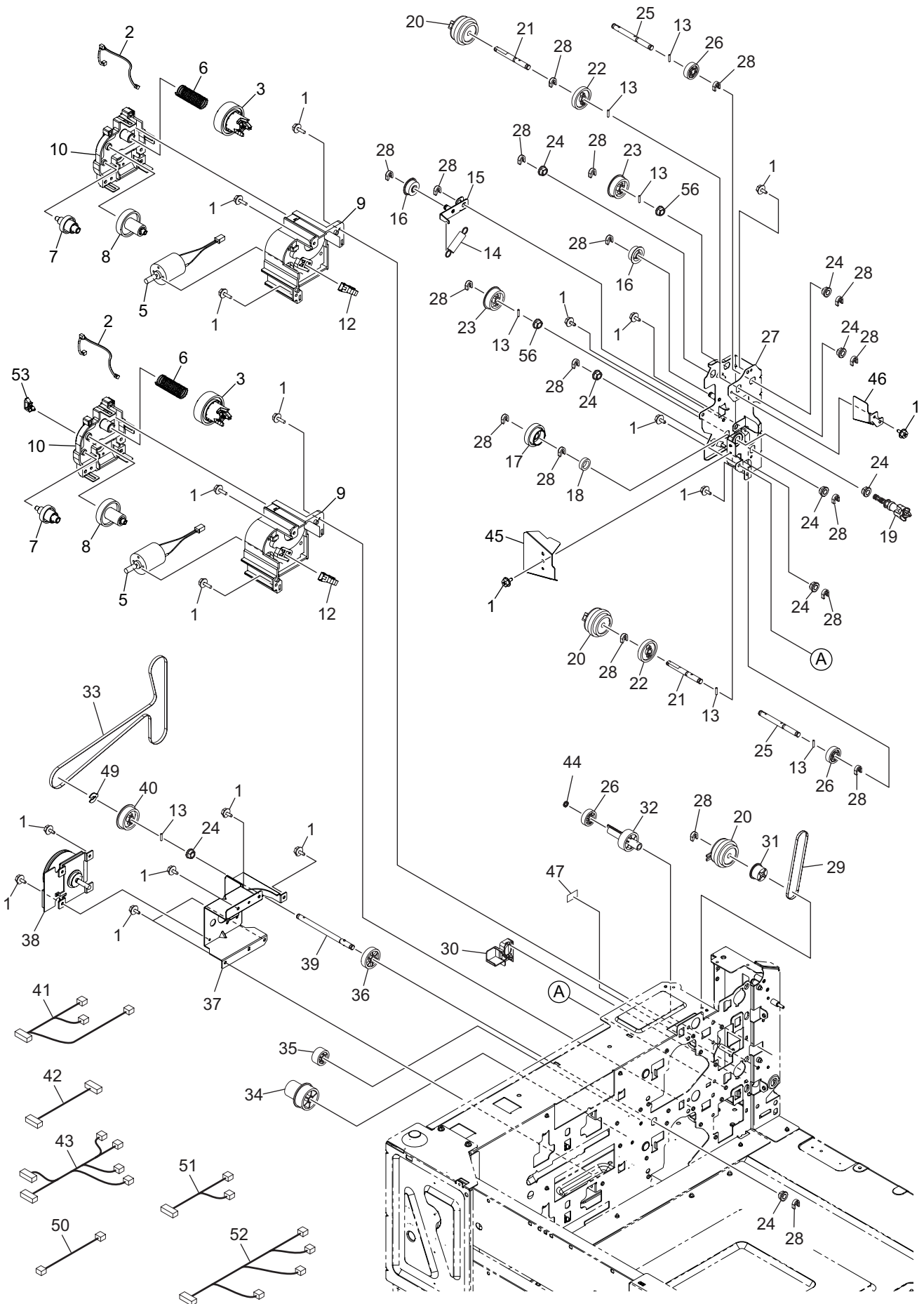
ASM-COVER .....	1
ASM-FRAME.....	2
ASM-DRIVE .....	3
ASM-COVER-GUIDE.....	4
FEED-ASY .....	5
DRAWER-ASM .....	6
ROL-KIT .....	10



ITEM No.	PART No.	PART NAME	Q'TY / PAGE	Q'TY / PACK	REMARKS
1	6LL51309000	COVER-R-LOW-T-LCF	1	1/PP	
2	X0-02419000	S/TPS/FHEXM/R-3X6-ZU3	16	10/P	
3	6LH58091400	COVER-R-R_B	1	1/PP	
4	6LH58099400	FOOT-SIDE-PFP-RGT_B	1	1/PP	
5	X0-02673000	S/PAN/SWWP-M3X14-ZB3	1	5/P	
6	6LJ56274100	LEVER-FEED-UNIT-21X_HS	2	1/P	
7	6LJ66757200	COVER-R-F-PFP_B	1	1/PP	
8	6LJ66826300	COVER-LEFT-PFP_B2	1	1/PP	
10	6LL51312000	COVER-F-L-PFP-A5	1	1/PP	
11	6LL51313000	COVER-SCART-PFP_B	1	1/PP	
13	6LH58104000	BRKT-FOOT-M8-PFP-F47X	4	1/P	
14	6LH58041000	SPG-F-FOOT-PFP-F47X	4	1/P	
15	6LH58105000	ADJSTR-FOOT-M8-PFP-S	4	1/P	
16	6LH58086400	COVER-FOOT-B	2	1/PP	
17	6LL51314000	COVER-FRT-PILLAR-R-PFP2	1	1/PP	
18	6LL51330000	BRKT-JOINT-PFP-FL	1	1/P	
19	6LL51328000	BRKT-JOINT-PFP-FR	1	1/P	
20	6LL51329000	BRKT-JOINT-PFP-R	2	1/P	
21	6LA36276000	SCREW-M3-FUS-C	4	5/P	
22	6LL51381000	LID-COVER-SCART-B	2	5/P	
23	X0-02680000	S/TPD3/FHEXM/R-3X6-ZB3	7	10/P	

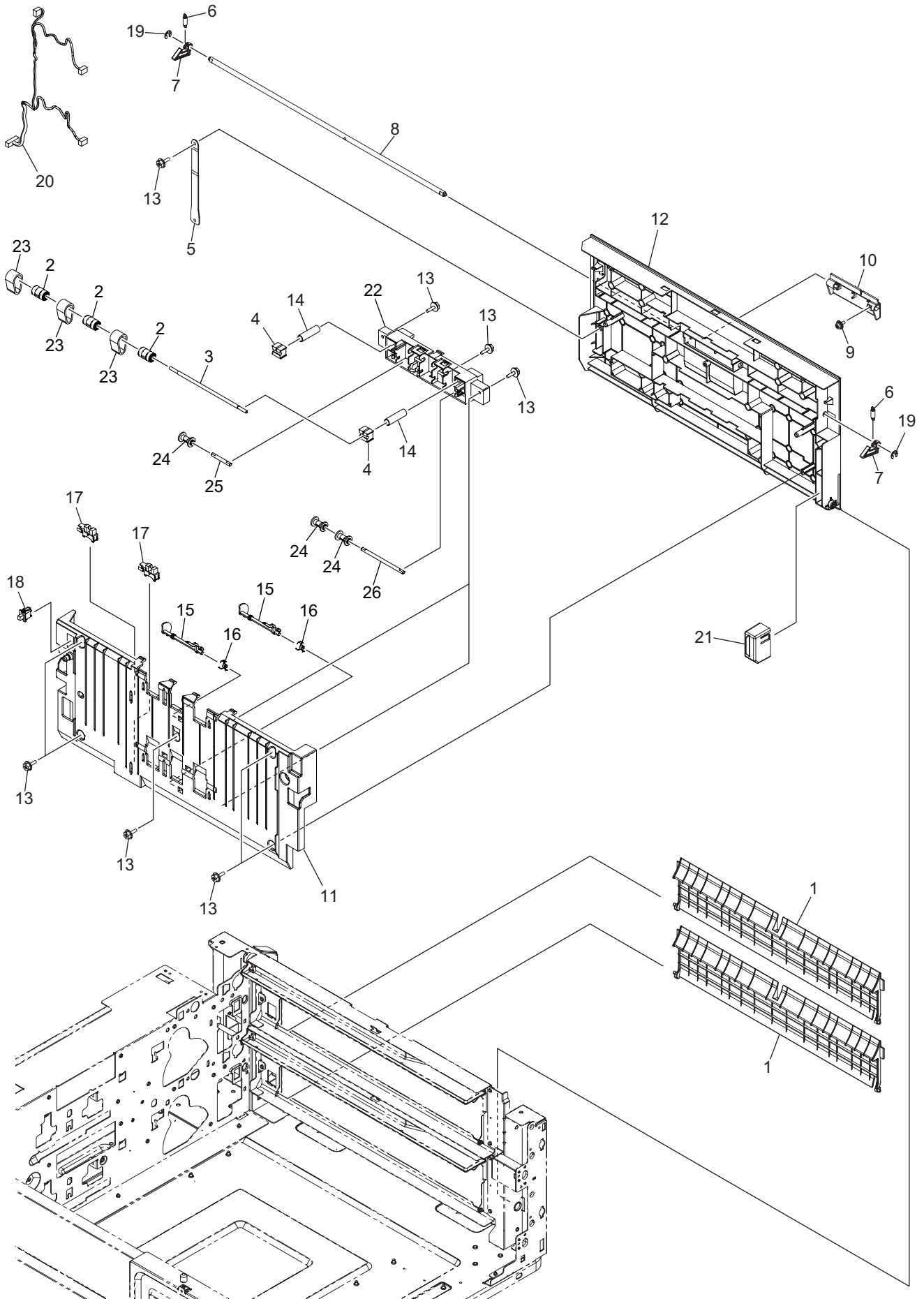


ITEM No.	PART No.	PART NAME	Q'TY / PAGE	Q'TY / PACK	REMARKS
1	6LK54798000	CASTER-D50-W52.5-H60	4	1/D	
2	X0-02234000	S/FHEXM-M4X6-NI	12	10/P	
3	F0-01811000	LWS-0711S-V0	7	5/P	
4	X0-02419000	S/TPS/FHEXM/R-3X6-ZU3	28	10/P	
5	6LJ66759000	PLATE-BLIND-PFP	2	1/P	
8	6LJ56887000	SPG-E-8R8XR9X19R9	2	1/P	
9	6LK51289100	HOLDER-SNSR-CST-H21X_S	2	1/P	
10	E0-16860000	SW4AG-554-1	4	1/C	
11	6LL40767000	PWA-H-PFPTLCF-657P	1	1/SB	
12	F0-00221000	KGLS-24RTV0	2	5/P	
13	6LJ66712000	BUSH-CPL-FEED-PFU	2	1/P	
14	6LL39435000	HRNS-PFPTLCF-H65X	1	1/P	
15	6LJ66880100	PIN-LOCAT-PFP-PBF2	2	1/P	
16	6LK50704000	RAIL-FEED-UNIT-L-H373	2	1/PP	
17	X0-00966000	RR/E-5-SS	2	10/P	
18	6LJ69392000	ROLL-RAIL-CST-H21X-1	2	1/P	
19	6LJ66740200	RAIL-CST-RIGHT-K163	2	1/PP	
20	4407972860	STOP-RING-6-5	7	5/P	
21	6LH57975000	GEAR-10S16_P2GT27-6-L	1	1/P	
22	41319076000	HWAS-PFP-SUS	1	10/P	
23	6LL51315000	PLATE-TOP-REAR-PFP-S20	1	1/P	
24	6LJ66722000	CPL-DRV-L-PFP	1	1/P	
25	44201492000	BUSH-6-POM	1	5/P	
26	6LK54835000	GEAR-10S28-6-D2	1	1/P	
27	6LJ66717000	CLR-CPL-PFP	1	1/P	
28	6LH57965000	GEAR-10S16-6-M	1	1/P	
29	E0-16446000	SW1AG-550	2	1/D	
32	6LH58116000	PUSH-IDL-PFP-N	1	1/P	
33	6LJ66715000	GEAR-10S16-06-PFP	1	1/P	
34	6LA32851000	COLAR-0602	1	5/P	
35	6LL51337000	ROL-TR-U-PFP-S20	1	1/KP	
36	6LH53768000	BUSH-6-NU4	4	1/P	
37	X0-02069000	S/TPS/BID-3X6-ZU3	4	10/P	
38	X0-00979000	P/PRL/AH7-2X8-SS	1	10/P	
39	6LH58084000	CPG-ROL-PFP	1	1/P	
40	6LL51333000	ROL-TR-L-PFP-S20	1	1/KP	
41	6LL39469000	HRNS-PFP-EMP-H657	2	1/P	
42	6LJ56265100	HOLDER-SNSR-FS-21X_HS	2	1/P	
43	C0-17839000	LG2A14BL1	4	1/C	
44	F0-01459000	RLWT-2V0	2	5/P	
45	6LJ69393000	ROLL-RAIL-CST-H21X-2	2	1/P	
46	6LL39438000	HRNS-PFP-SIDE-H657	1	1/P	
48	6LJ66876100	ASYS-FRM-FR-PFP2	1	1/D	
49	6LJ56973000	SCREW-ROLL-CST-H21X	2	1/P	
50	6LL51316000	PLATE-R-PFP	1	1/P	
51	F0-01250000	MSB-1207	1	5/P	
52	6LL45671000	MYLAR-CST-RAIL-K163	2	1/P	

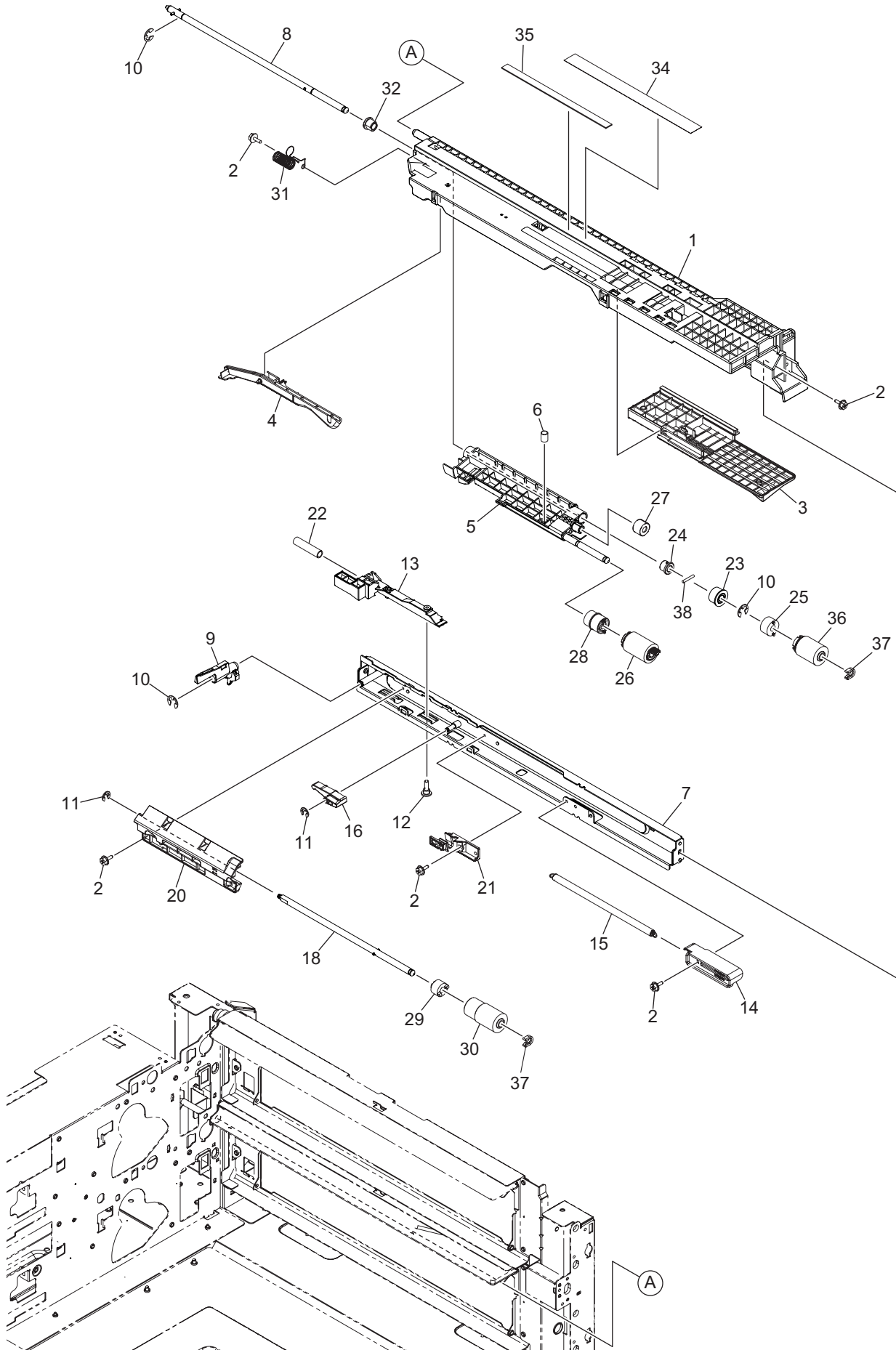




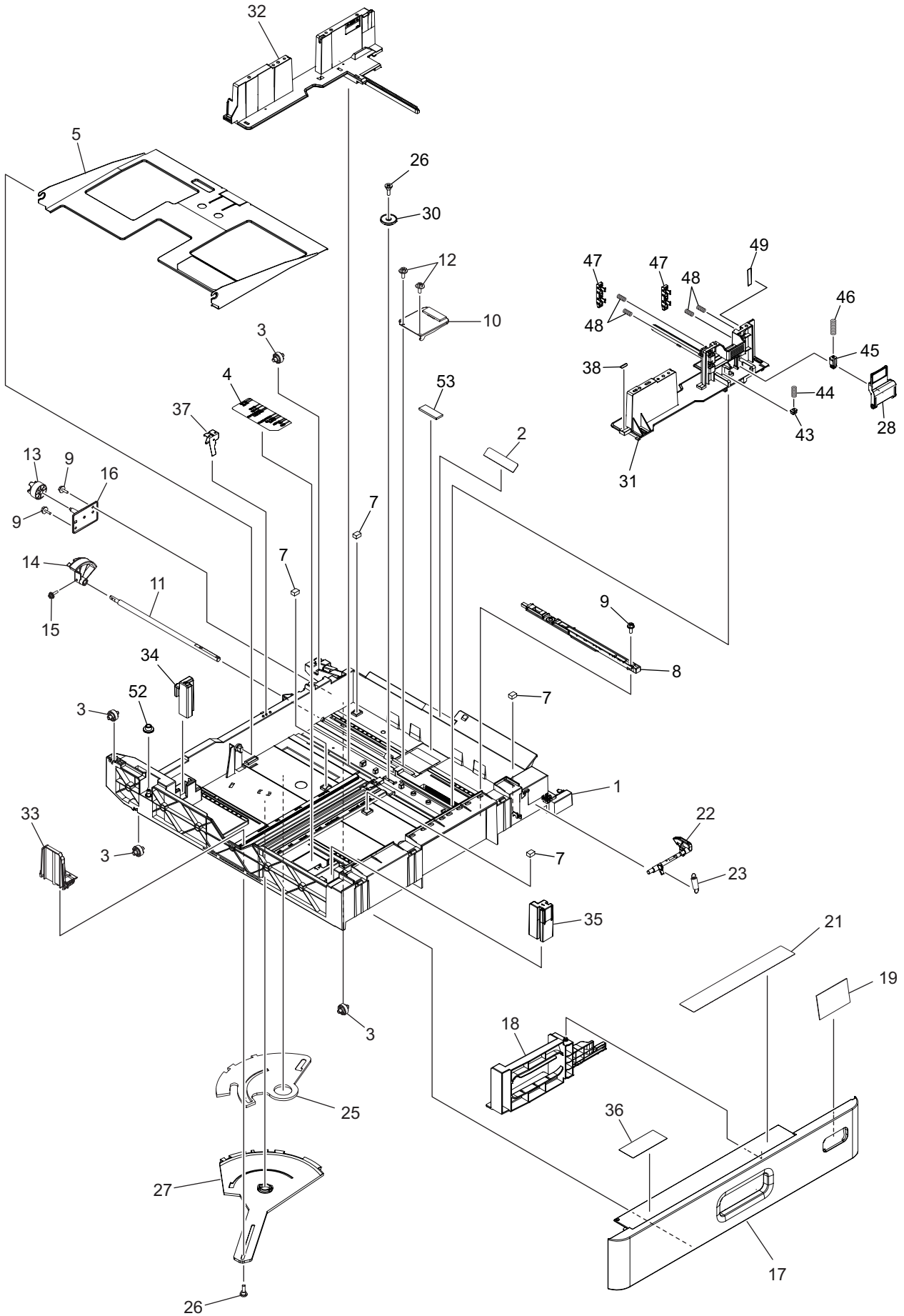
ITEM No.	PART No.	PART NAME	Q'TY / PAGE	Q'TY / PACK	REMARKS
1	X0-02419000	S/TPS/FHEXM/R-3X6-ZU3	20	10/P	
2	6LL39469000	HRNS-PFP-EMP-H657	2	1/P	
3	6LK51206000	GEAR-8S49-8	2	1/P	
5	6LL45666000	MOTR.D-TRAY-CST-ONC2	2	1/D	
6	6LL45636000	SPG-TRAYUP-CPG-K163	2	1/P	
7	6LK51202000	GEAR-5H45-5S18-5	2	1/P	
8	6LK51205000	GEAR-8S18-5S67-6	2	1/P	
9	6LL45611000	CASE-TRAYUP-GEAR-F-K163	2	1/P	
10	6LL45610000	CASE-TRAYUP-GEAR-R-K163	2	1/PP	
12	C0-20495000	LG2A24BL1	2	1/C	
13	X0-00980000	P/PRL/AH7-2X10-SS	7	10/P	
14	6LJ66754000	SPG-E-TENS-PFP	1	1/P	
15	6LJ66706100	ASYS-BRKT-DRV-TENS-PFP2	1	1/P	
16	6LJ66724000	PULLY-DRV-TENS-PFP	2	1/P	
17	6LA62276000	GEAR-10S28-6-D	1	1/P	
18	6LJ66717000	CLR-CPL-PFP	1	1/P	
19	6LJ66722000	CPL-DRV-L-PFP	1	1/P	
20	6LH51224000	CLUTCH-50C-G28-6	3	1/D	
21	6LJ66877100	SHAFT-DRV-1-PFP-PBF2	2	1/P	
22	6LE59993000	GEAR-10S028	2	1/P	
23	6LH57972000	PULLY-S3M28-6-E	2	1/P	
24	44201492000	BUSH-6-POM	9	5/P	
25	6LJ66879100	SHAFT-DRV-2-PFP-PBF2	2	1/P	
26	6LH57979000	GEAR-10S20-6-E	3	1/P	
27	6LL51326000	ASYS-BRKT-DRV-PFP2	1	1/D	
28	4407972860	STOP-RING-6-5	19	5/P	
29	6LL51335000	BLT/T-212-2GT-3	1	1/P	
30	6LJ69412100	GUIDE-HRNS-SNSR-PFU_S	1	1/P	
31	6LH58085000	PULLY-2GT027-6	1	1/P	
32	6LJ66719000	GEAR-10S25-6	1	1/P	
33	6LJ66760000	BLT/T-633-S3M-4	1	1/P	
34	6LH58025000	GEAR-10S29_5H48-6-B	1	1/P	
35	6LH57954000	GEAR-10S20-6-C	1	1/P	
36	6LH57962000	GEAR-10S26-6-D	1	1/P	
37	6LL51324000	BRKT-DRV-MOTOR-PFP2	1	1/D	
38	6LL39572000	MOTR_D-DRIVE-PFP-H657	1	1/SB	
39	6LK54757000	ASYS-SHAFT-GEAR-MOT-PFP	1	1/P	
40	6LH57978000	PULLY-S3M30-6-D	1	1/P	
41	6LL39439000	HRNS-PFP-DOWNLINE-H657	1	1/P	
42	6LL39575000	HRNS-PFP-MOT9-H657	1	1/P	
43	6LL39440000	HRNS-PFP-PSIZE-H657	1	1/P	
44	6LA32851000	COLAR-0602	1	5/P	
45	6LJ66806000	PLATE-GUARD-GEAR-PFP-LWR	1	1/P	
46	6LJ66805000	PLATE-GUARD-GEAR-PFP-UPR	1	1/P	
47	6LJ66820000	MYLAR-GUIDE-HRNS-SNSR	1	1/P	
49	6LH06812000	STOP-RING-3	1	5/P	
50	6LL39484000	HRNS-NEMPSN-H657	1	1/P	
51	6LL39436000	HRNS-PFP-UPLINE1-H657	1	1/P	
52	6LL39437000	HRNS-PFP-UPLINE2-H657	1	1/P	
53	F0-01810000	LWS-0511S-V0	1	5/P	
56	4407734980	BUSH-6-GCB	2	5/P	



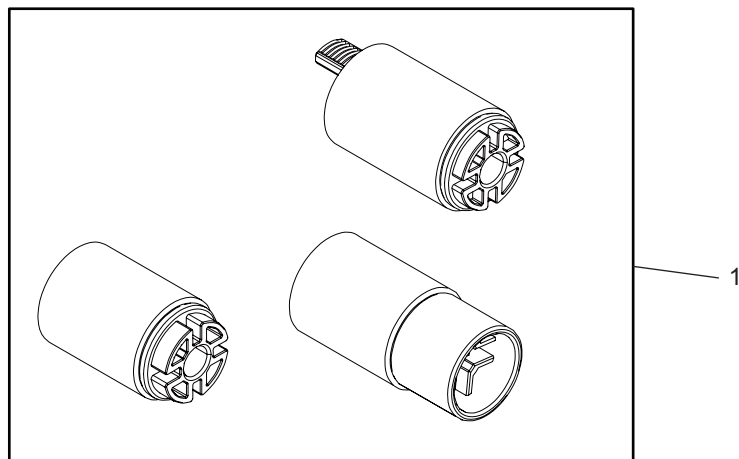
ITEM No.	PART No.	PART NAME	Q'TY / PAGE	Q'TY / PACK	REMARKS
1	6LJ66852100	GUIDE-TRNS-LEFT-MID-PFPS2	2	1/PP	
2	6LL50232000	ROL-RELAY-IDL-T-LCF	6	1/P	
3	6LH58117100	SHAFT-RELAY-IDL-PFP-PBF2	2	1/P	
4	6LH34715000	BUSH-FEED-IDL	4	5/P	
5	6LJ66793000	STOPPER-STRING-PFP-1032	1	1/P	
6	6LH58002000	SPG-E-4R9XR6X18R2-HOOK	2	1/P	
7	6LH58005000	HOOK-COVER-PFP	2	1/P	
8	6LH57928000	SHAFT-HOOK-PFP	1	1/P	
9	X0-00060000	S/PAN/SWWP-M3X6-NI	1	10/P	
10	6LH57995200	KNOB-COVER-LOIRE-W2	1	1/P	
11	6LL51310000	GUIDE-COVER-PFP-300G	1	1/PP	
12	6LL51311000	COVER-RIGHT-DOOR-300G	1	1/PP	
13	X0-02247000	S/TTP/FHEXM-3X8-NI	12	10/P	
14	6LJ69420000	SPG-C-8R4XR9X29	4	1/P	
15	6LL13847000	ACTR-H44X-JAM-COV	2	1/D	
16	6LH57936000	SPG-T-SNSR-LOW-350	2	5/P	
17	C0-20487000	GP1A173LCS3F	2	1/P	
18	E0-16446000	SW1AG-550	1	1/D	
19	X0-00964000	RR/E-3-SS	2	10/P	
20	6LL39535000	HRNS-PFP-FED-CV-H657	1	1/P	
21	6LH57998100	BLK-GUIDE-SET-PFP_S	1	1/P	
22	6LL51336000	HLDR-ROL-RLY-T-LCF	2	1/PP	
23	6LL51347000	BELT-FEED-22-13	6	1/P	
24	6LL50233000	ROL-RELAY-SUB-IDL-T-LCF	6	1/P	
25	6LL51362100	SFT-RELAY-IDL-PFP-PBF2	2	1/P	
26	6LL51363100	SFT-RELAY-IDL-L-PBF2	2	1/P	



ITEM No.	PART No.	PART NAME	Q'TY / PAGE	Q'TY / PACK	REMARKS
1	6LK50760000	FRAME-FEED-H373	1	1/PP	
2	X0-02420000	S/TPS/FHEXM/R-3X8-ZU3	5	10/P	
3	6LJ56263100	GUIDE-FEED-UP-F-21X_HS	1	1/PP	
4	6LJ56248100	ACTR-EMPTY-CST-2X_HS	1	1/P	
5	6LJ56381100	ARM-PICK-H21X_H-K170	1	1/PP	
6	6LJ56359000	SPG-C-PU-H21Y	1	1/P	
7	6LK50773000	ASYS-STAY-FEED-H373	1	1/PP	
8	6LL45127000	ASYS-SFT-ROL-FEED-K163	1	1/P	
9	6LL45142000	LEVER-PU-LINK-K163	1	1/P	
10	X0-00966000	RR/E-5-SS	3	10/P	
11	X0-00964000	RR/E-3-SS	2	10/P	
12	6LH05511000	SCREW-M3X8-3.2-P	1	5/P	
13	6LL45124000	SLIDER-SPT-K163	1	1/P	
14	6LJ56247100	HOLDER-SPE-SPT-21X_HS	1	1/P	
15	6LK51232000	SPG-E-SPT-H373	1	1/P	
16	6LJ56249100	ARM-SFT-SPT-K163	1	1/P	
18	6LJ56393000	ASYS-SHAFT-ROL-SPT-H21X_H	1	1/P	
20	6LJ56264100	GUIDE-FEED-R-21X_HS	1	1/P	
21	6LJ56258000	GUIDE-SFT-SPT-H21X_H	1	1/P	
22	6LK50747000	SPG-C-SLIDER-H370	1	1/P	
23	6LL45118000	GEAR-5S30-6	1	1/P	
24	6LJ56246000	BUSH-6X10X9F-POM	1	1/P	
25	4406584800	CLUTCH-6-08L2	1	1/P	
26	6LJ56242000	ASYS-ROLL-FEED-H21X_H	1	1/P	
27	6LJ56244000	GEAR-5S25-8	1	1/P	
28	6LJ56245000	GEAR-5S30-6	1	1/P	
29	6LJ56289000	TL-SEP-ORG-400	1	1/P	
30	6LK50742000	ASYS-ROLL-SPT-H373	1	1/P	
31	6LJ56267000	SPG-EARTH-FEED-UNIT	1	1/P	
32	6LA03977000	BUSH-F6-GCB	1	5/P	
34	6LJ56295000	MYLAR-SPACE-FEED	1	1/P	
35	6LJ56296000	RUBBER-SPACE-FEED	1	1/P	
36	6LK50739000	ASYS-ROLL-FEED-H373	1	1/P	
37	4407972860	STOP-RING-6-5	2	5/P	
38	X0-00980000	P/PRL/AH7-2X10-SS	1	10/P	



ITEM No.	PART No.	PART NAME	Q'TY / PAGE	Q'TY / PACK	REMARKS
1	6LL45601100	CST-K163-SRA3NS	1	1/PP	
2	6LJ66823000	SHEET-CST-H21X	1	1/P	
3	6LJ56845000	ROLL-CST-H21X	4	1/P	
4	6LL45652000	LBL_P-SIZE-LDA3-K163	1	1/KP	
5	6LL45633000	ASYS-TRAY-CST-H-K163	1	1/PP	
7	6LL08517000	CUSH-CST-TRAY	4	1/P	
8	6LL45605000	HLDR-ADJUST-GUIDE-K163	1	1/P	
9	X0-02247000	S/TPP/FHEXM-3X8-NI	3	10/P	
10	6LH05746000	ASYS-LEVER-ELV-CST-F43X	1	1/P	
11	6LJ56910000	SHAFT-ELV-CST-H21X	1	1/P	
12	X0-02235000	S/FHEXM-M4X8-NI	2	10/P	
13	6LJ56847100	CPG-TRAY-UP-H37X	1	1/P	
14	6LJ56832100	GEAR-DRV-TRAYUP-SFT-H37X	1	1/P	
15	X0-00094000	S/PAN/SWWP-M3X10-NI	1	10/P	
16	6LL45678000	ASYS-PLATE-DRV-CST-K16X	1	1/P	
17	6LL45603000	COVER-CST-K163	1	1/PP	
18	6LJ56838200	HNDL-CST-H370	1	1/PP	
19 A	6LK51245000	SIZE-CST-37X-A4	1	1/KP	A4 size
19 B	6LK51245100	SIZE-CST-37X-LT	1	1/KP	LT size
21	6LL45639000	LBL_O-GUIDE-CST-K163	1	1/KP	
22	6LJ56925000	LVR-CST2-H-H21X_E_SHAFT	1	1/P	
23	6LJ56839000	SPG-E-8R9XR9X29R5	1	1/P	
25	6LH05721100	PUSHER-SIDE-CST-F43X_S	1	1/P	
26	6LH05511000	SCREW-M3X8-3.2-P	2	5/P	
27	6LK51260000	PUSHER-END-CST-F43X	1	1/PP	
28	6LL08537000	LEVER-SIDE-GUIDE	1	1/P	
30	6LL08533000	GEAR-10S18-8-SIDE-GID	1	1/P	
31	6LL45600000	SLIDE-WALL-F-K163	1	1/KP	
32	6LL45630000	ASYS-SLIDE-WALL-R-K163	1	1/PP	
33	6LJ56827100	WALL-END-CST-H-H21X_S	1	1/P	
34	6LJ56834100	WALL-LONGPAPER-R-H-H21X_S	1	1/P	
35	6LJ56833100	WALL-LONGPAPER-F-H-H21X_S	1	1/P	
36	6LK66102000	LBL_O-GUIDE-LDA3-H41X	1	1/KP	
37	6LK51269000	SPG-F-TRAY-CST-H21Y	1	1/C	
38	6LL08518000	LBL-P-SIZE-REF-H44X	1	1/P	
43	6LL08536000	CLICK-PIN	1	1/P	
44	6LL08520000	SPG-C-CLICK-PIN	1	1/P	
45	6LL08538000	LOCK-RACK	1	1/P	
46	6LL08521000	SPG-C-LOCK-LACK	1	1/P	
47	6LL08535000	PUSH-BAR	2	1/P	
48	6LL08519000	SPG-C-PUSH-BAR	4	1/P	
49	6LL45606000	SHEET-SIDE-GUIDE-K163	1	1/P	
52	6LL45608000	ROLL-CST-SIDE-H21X	1	1/P	
53	6LH05743000	CUSH-CST-LIFT	1	1/P	





ITEM No.	PART No.	PART NAME	Q'TY / PAGE	Q'TY / PACK	REMARKS
1	6LK50755000	ROL-KIT-FC30-U	1	1/S	

**TOSHIBA**

**Toshiba Tec Corporation**

1-11-1, OSAKI, SHINAGAWA-KU, TOKYO, 141-8562, JAPAN