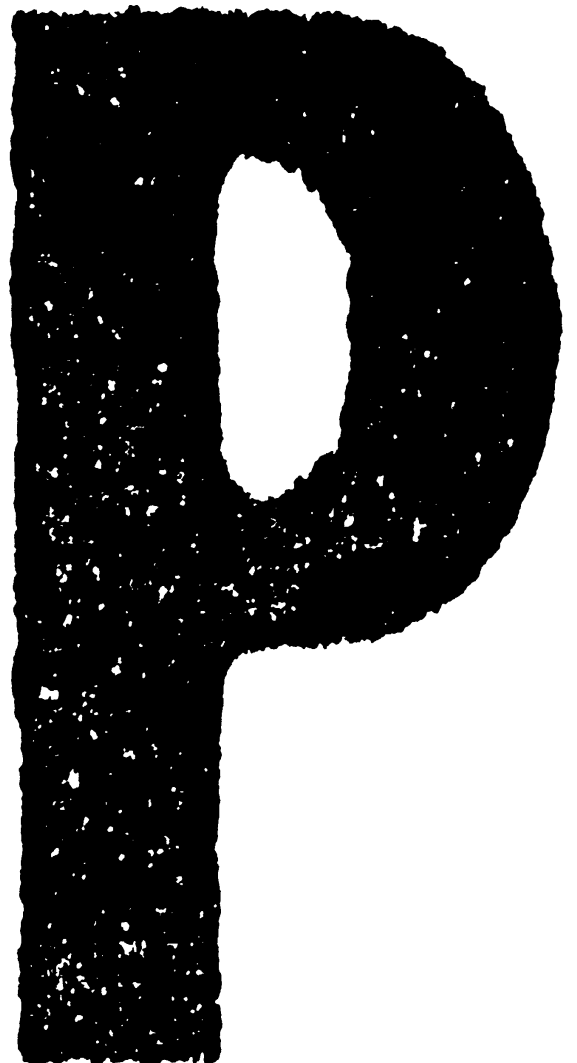


TOSHIBA

SERVICE PARTS LIST

Inner Finisher

MJ-1032

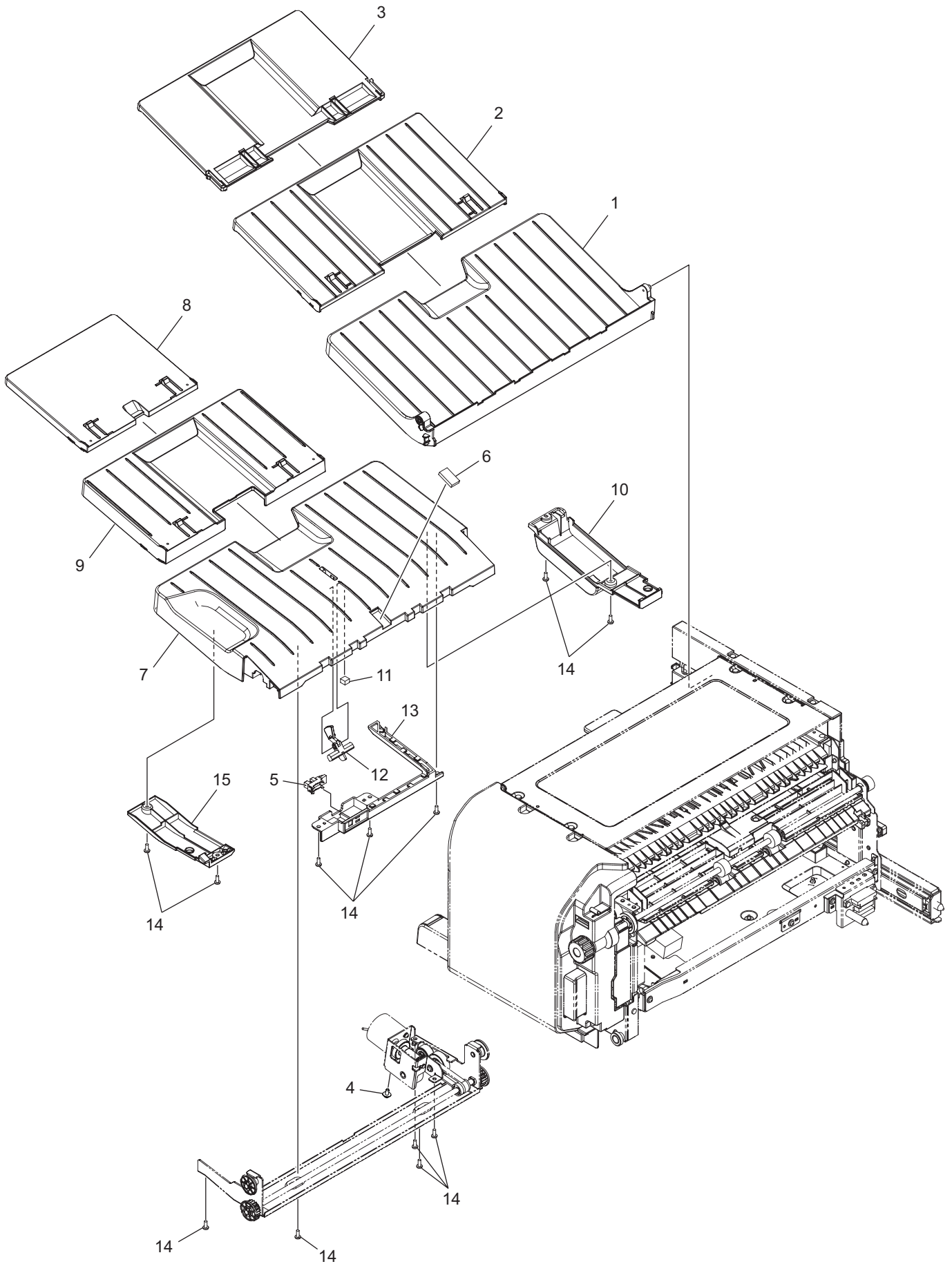


© 2012 TOSHIBA TEC CORPORATION All rights reserved

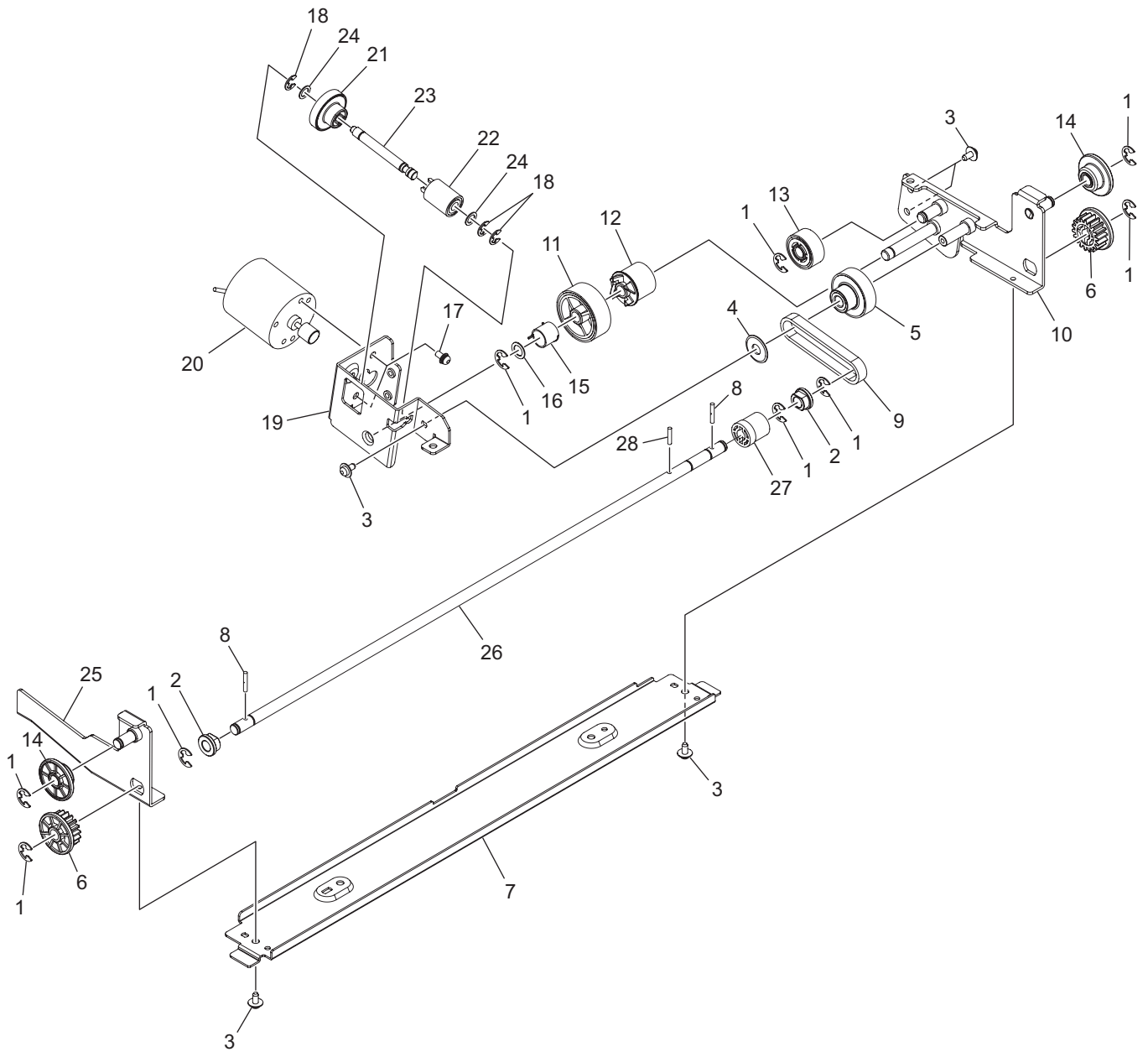
Under the copyright laws, this manual cannot be reproduced in any form without prior written permission of TOSHIBA TEC CORPORATION. No patent liability is assumed, however, with respect to the use of the information contained herein.

CONTENTS

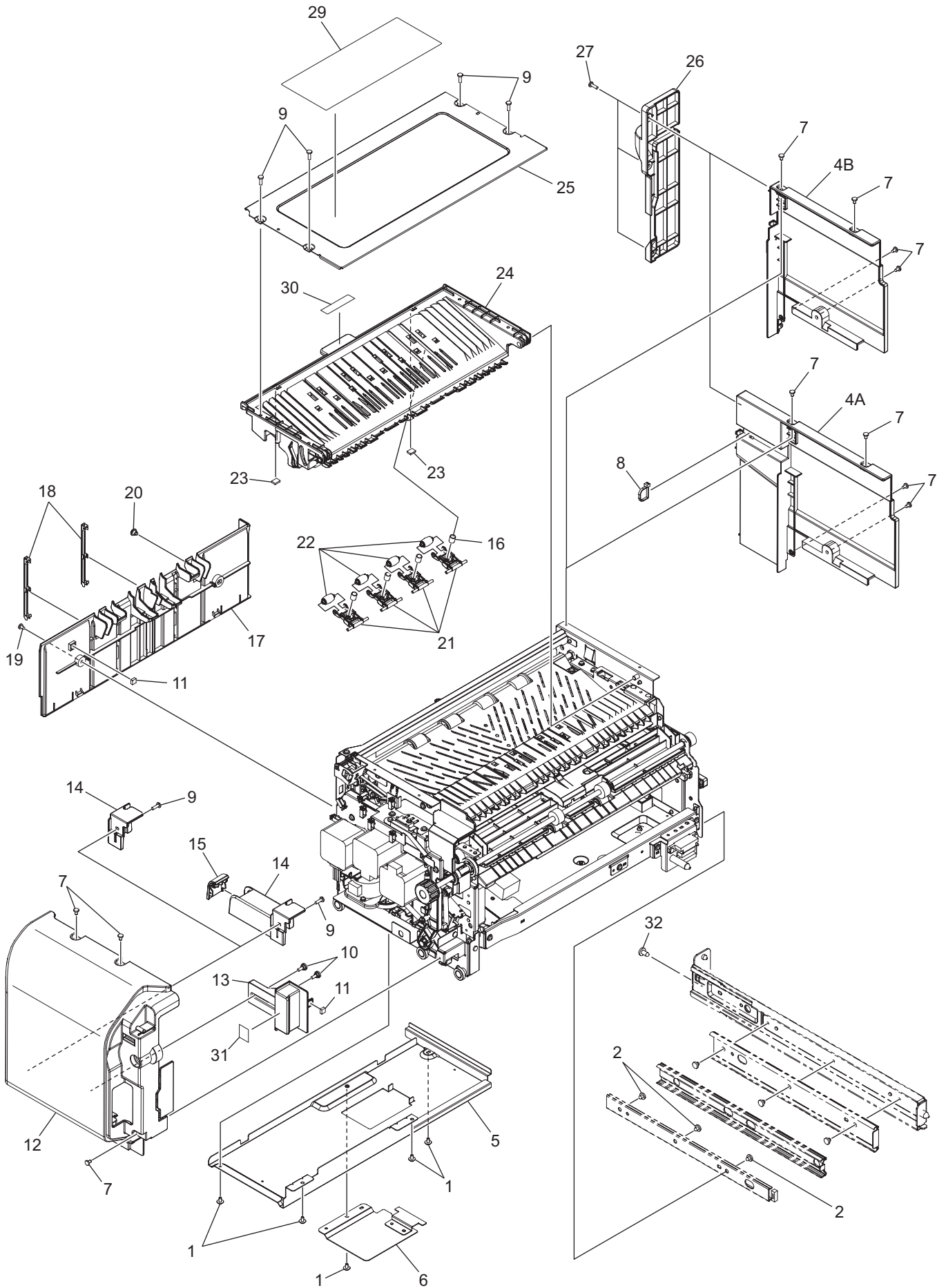
ASYB-TRAY	1
ASYB-DRIVE-TRAY	2
ASYB-COVER-FRAME	3
ASYB-MOT-DRIVE	4
ASYB-GID-FEED-SUB.....	5
ASYB-PICK-GID	6
ASYB-ROL-FEED	7
ASYB-GID-FIN-ENT.....	8
ASYB-GEAR-DRIVE	9
ASYB-BASE-FRAME	10
ASYB-FIN-SEG-1.....	11
ASYB-FIN-SEG-2.....	12
ASYB-TRAY-SEG.....	13
ASYB-ROL-PR-EXIT.....	14
ASYB-STAY&FAN	15
ASYB-GUIDE&RAIL.....	16
ASYB-ENT-UNIT-F.....	17
ASYB-GID-ENT-BASE-1	18
ASYB-GID-ENT-BASE-2.....	19
ASYB-GID-FED.....	20
ASYB-INST-PART	21
DOWNLOAD JIGS	51



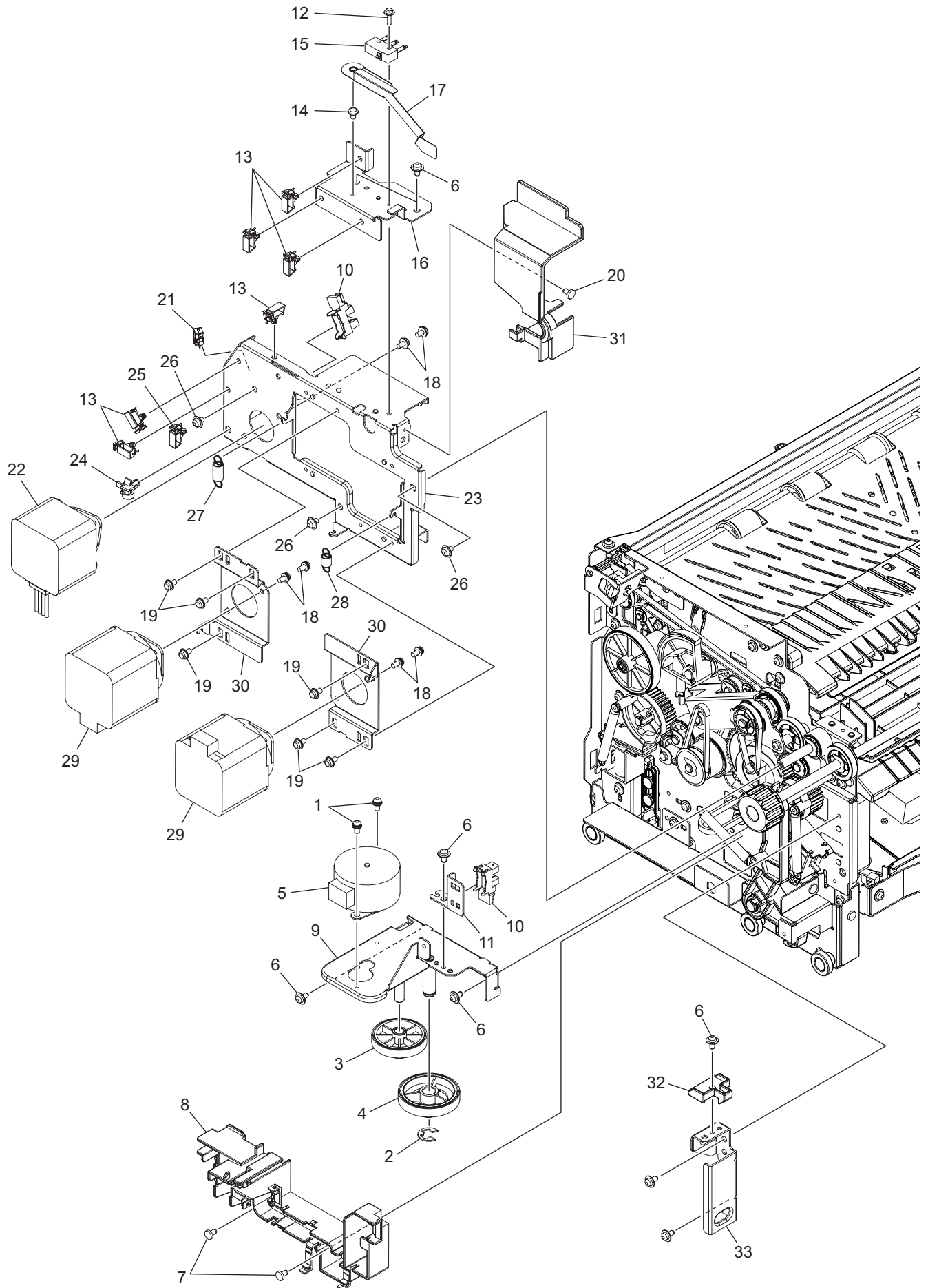
ITEM No.	PART No.	PART NAME	Q'TY / PAGE	Q'TY / PACK	REMARKS
1	6LJ19680000	TRAY-SUB1	1	1/PP	
2	6LJ19681000	TRAY-SUB2	1	1/PP	
3	6LJ19761000	TRAY-SUB3	1	1/PP	
4	6LJ19998000	SCR-030-060	1	1/P	
5	6LJ20009000	GP1S173LCS0F	1	1/P	
6	6LJ20119000	CUSH-S-TRAY	1	1/P	
7	6LJ19698000	LVR-PR-SOL-YO	1	1/PP	
8	6LJ19699000	LVR-PR-SOL-YO2	1	1/PP	
9	6LJ19700000	LVR-PR-YO	1	1/PP	
10	6LJ19701000	TRAY-MAIN	1	1/PP	
11	6LJ19814000	DAMPER-TRY-SEN	1	1/P	
12	6LJ19773000	LVR-TRY-MAIN-ENP	1	1/P	
13	6LJ19792000	COVER-TRY-SNS	1	1/PP	
14	6LJ20698000	SCR-030-080WBB	12	1/P	
15	6LJ19772000	LVR-TRY-MAIN-FULL	1	1/P	



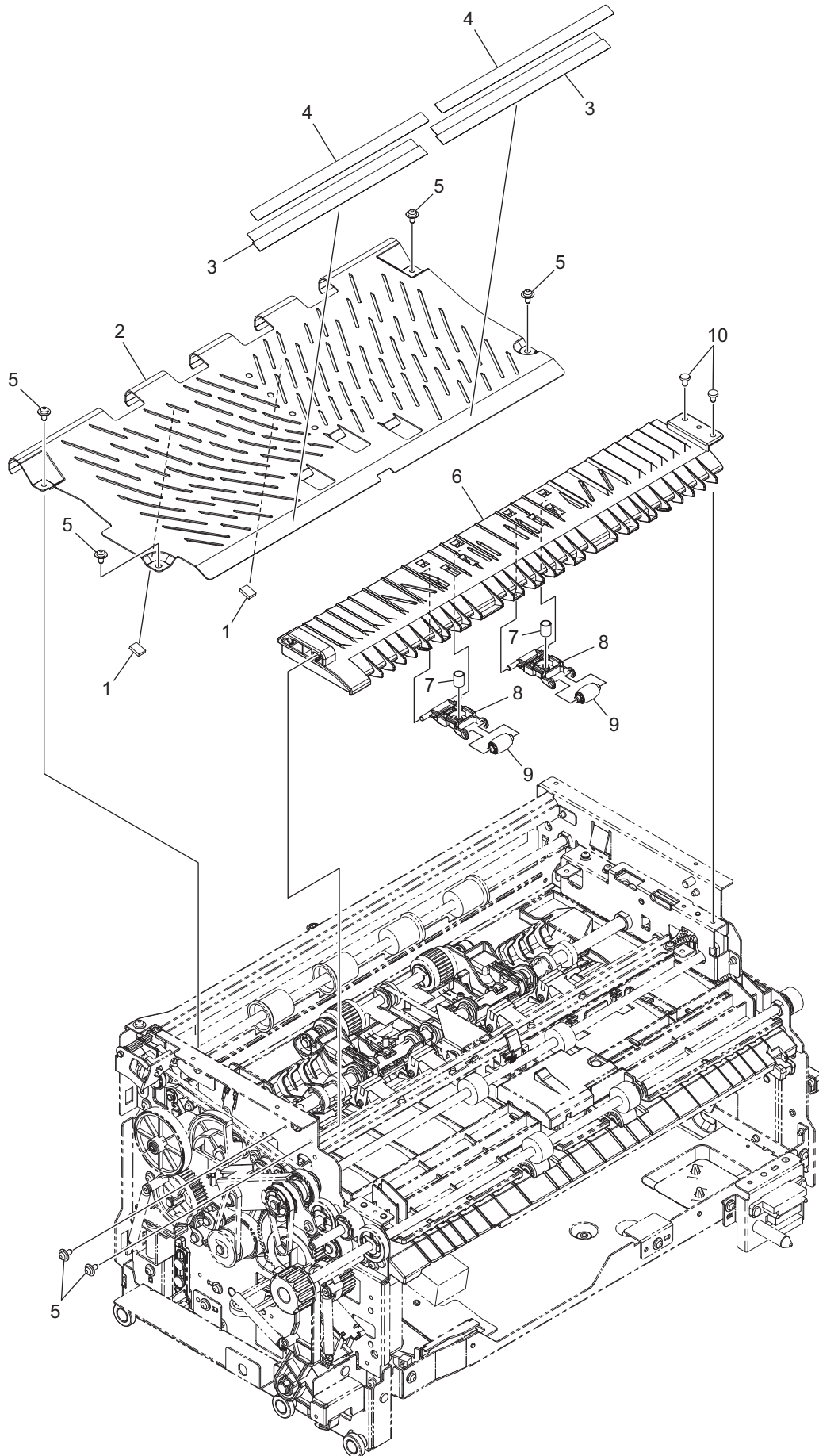
ITEM No.	PART No.	PART NAME	Q'TY / PAGE	Q'TY / PACK	REMARKS
1	6LJ20023000	ER-050	9	1/P	
2	6LJ20060000	METAL060060FC	2	1/P	
3	6LJ20064000	SCR03T060SR-W	5	1/P	
4	6LJ20083000	FLG-FEED-PLY	1	1/P	
5	6LJ19707000	GEAR-10S24_PS3M14-6	1	1/P	
6	6LJ19711000	GEAR-10S18-6	2	1/P	
7	6LJ19619000	FRAME-TRY-C	1	1/P	
8	6LJ20713000	HP-020	2	1/P	
9	6LJ20720000	BELT TIMING S3M04460	1	1/P	
10	6LJ20516000	CAULKING FRM TRY R	1	1/P	
11	6LJ19702000	TRAY-MAIN1	1	1/PP	
12	6LJ19703000	TRAY-MAIN2	1	1/PP	
13	6LJ19708000	GEAR-10S18-6	1	1/P	
14	6LJ19712000	ROL-GID-TRY	2	1/P	
15	6LJ20589000	SPRING TRY	1	1/P	
16	6LJ20670000	POLYSLIDER	1	1/P	
17	6LJ19998000	SCR-030-060	2	1/P	
18	6LJ20022000	ER-040	3	1/P	
19	6LJ19618000	BKT-TRY-DRV1	1	1/P	
20	6LJ20623000	NA3535A14C	1	1/C	
21	6LJ19709000	GEAR-05H42-5	1	1/P	
22	6LJ19710000	GEAR-10W10-5	1	1/P	
23	6LJ20566000	SHAFT TRY KUDO1	1	1/P	
24	6LJ20669000	PW-050	2	1/P	
25	6LJ20517000	CAULKING FRM TRY F	1	1/P	
26	6LJ20567000	SHAFT TRY MAIN	1	1/P	
27	6LJ19791000	PULLEY-S3M14-6	1	1/P	
28	6LJ20712000	HPIN-2X10	1	1/P	



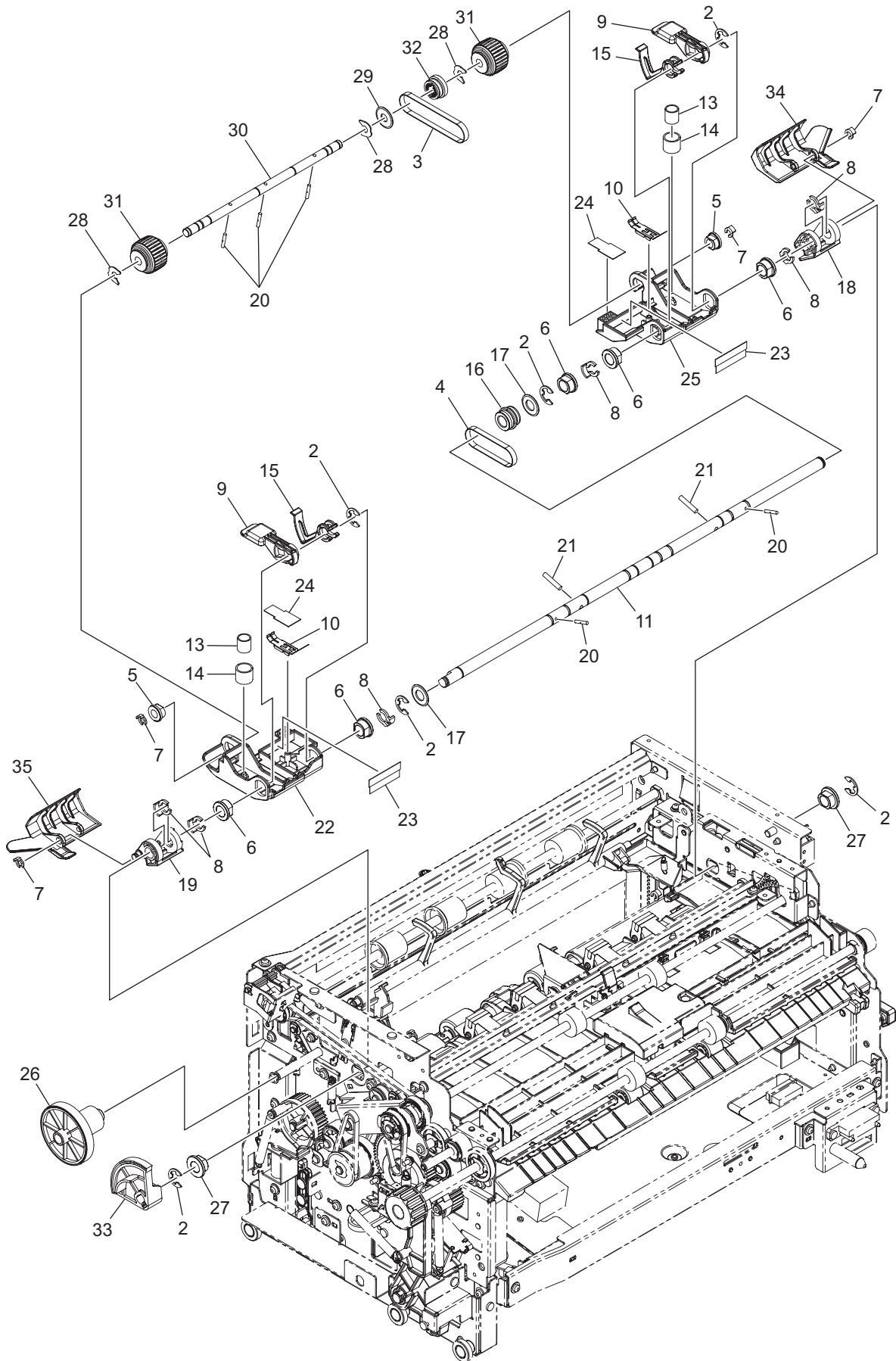
ITEM No.	PART No.	PART NAME	Q'TY / PAGE	Q'TY / PACK	REMARKS
1	6LJ20064000	SCR03T060SR-W	5	1/P	
2	6LJ20067000	SCR04T070SR-W	3	1/P	
4 A	6LJ19684000	COVER-R	1	1/P	Without MJ-6007
4 B	6LJ19872000	COVER-R-PNT	1	1/P	With MJ-6007
5	6LJ19643000	COVER-PCB	1	1/P	
6	6LJ19644000	COVER-PCB-DL	1	1/P	
7	6LJ20609000	SCR-030-060SR	7	1/P	
8	6LJ20688000	T18R-V0	1	1/P	
9	6LJ20065000	SCR03T100WAVE-W	5	1/P	
10	6LJ20076000	SCR-03T080-D060024	2	1/P	
11	6LJ20453000	DMP-TR-YO	2	1/P	
12	6LJ19683000	COVER-F	1	1/P	
13	6LJ19691000	ROL-FRM-F	1	1/P	
14 A	6LJ19790000	COVER-UN-SUB	1	1/P	Without MJ-6007
14 B	6LJ19857000	COVER-UN-SUB	1	1/P	With MJ-6007
15 A	6LJ19805000	COVER-UN-SUB-OPEN	1	1/P	Without MJ-6007
16	6LJ20906000	SPRING FEED SUB KORO	4	1/P	
17	6LJ19685000	COV-SIDE-WALL	1	1/P	
18	6LJ19608000	SPG-F-SIDE-WALL-E	2	1/P	
19	6LJ20063000	SCR03T060SR-W	1	1/P	
20	6LJ20504000	SCR-M3-DAN3.5-MARU-D	1	1/P	
21	6LJ19676000	HLD-IDL-FEED-SUB	1	1/P	
22	6LJ19677000	IDL-FEED-SUB-EXT	1	1/P	
23	6LJ20095000	DMP-FE-LVR-ENT	2	1/P	
24	6LJ19679000	GID-FEED-SUB2	1	1/PP	
25	6LJ19663000	COV-GID-SUB-UP	1	1/P	
26	6LJ19795000	DUCT-HN-IF	1	1/P	
27	6LJ20065000	SCR03T100WAVE-W	1	1/P	
29	6LJ20917000		1		
30	6LJ20918000		1		
31	6LJ20922000		1		



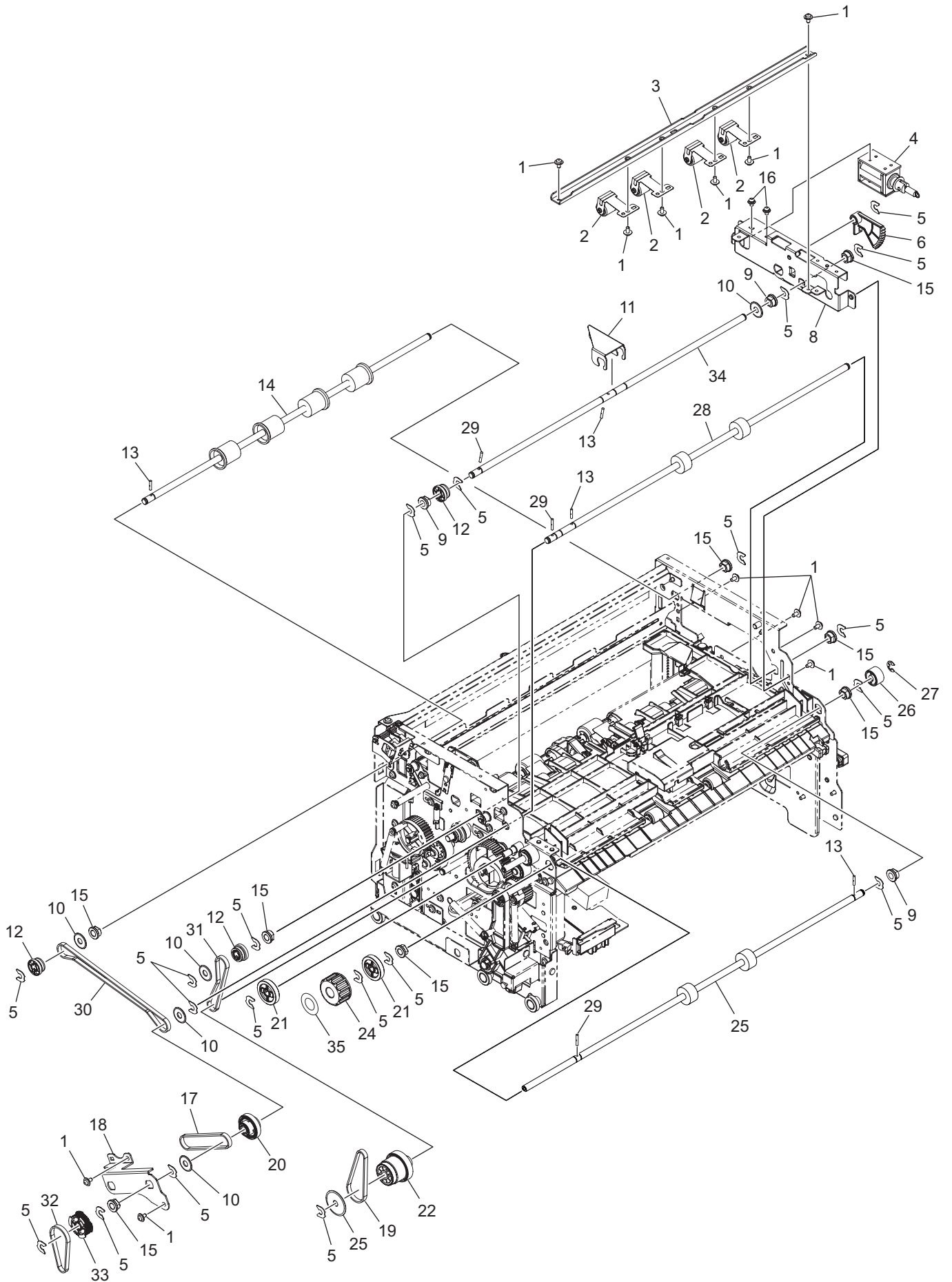
ITEM No.	PART No.	PART NAME	Q'TY / PAGE	Q'TY / PACK	REMARKS
1	6LJ19998000	SCR-030-060	2	1/P	
2	6LJ20024000	ER-070	1	1/P	
3	6LJ19758000	GEAR-08S17_08S42-6	1	1/P	
4	6LJ19759000	GEAR-08S47_PS3M18-6	1	1/P	
5	6LJ20624000	PM42L-048-NSL3	1	1/C	
6 A	6LJ20064000	SCR03T060SR-W	4	1/P	Without MJ-6007
6 B	6LJ20064000	SCR03T060SR-W	5	1/P	Without MJ-6007
7	6LJ20063000	SCR03T060SR-W	2	1/P	
8	6LJ19775000	DUCT-HNS	1	1/P	
9	6LJ20519000	CAULKING BKT STP KUDO F	1	1/P	
10	6LJ20009000	GP1S173LCS0F	2	1/P	
11	6LJ19652000	BKT-SNS-ROL-LIFT	1	1/P	
12	6LJ19995000	SCR-023-100ZWS	1	1/P	
13	6LJ20015000	RLMS-2V0	6	1/P	
14	6LJ20072000	SCR03M030-D040012	1	1/P	
15	6LJ20541000	ASM SW	1	1/P	
16	6LJ19656000	BKT-FRM-IL	1	1/P	
17	6LJ19659000	SPG-F-IL	1	1/P	
18	6LJ19999000	SCR03M060-WS-W	6	1/P	
19	6LJ19999000	SCR03M060-WS-W	6	1/P	
20	6LJ20609000	SCR-030-060SR	1	1/P	
21	6LJ20014000	RLMS-1V0	1	1/P	
22	6LJ20561000	17PM-J062-G2VS	1	1/C	
23	6LJ19611000	FRAME-F-SUB	1	1/P	
24	6LJ20677000	RSG-100	1	1/P	
25	6LJ20683000	LWSM-0511	1	1/P	
26	6LJ20701000	SCR-030-040NIT	3	1/P	
27	6LJ20601000	SPRING KU MOT	1	1/P	
28	6LJ20606000	SPRING KU MOT2	1	1/P	
29	6LJ20086000	MOT-KH42JM2B210	1	1/C	
30	6LJ19630000	BKT-DRV-MOT-F2	2	1/P	
31	6LJ19776000	COVER-F-SUB	1	1/P	
32 A	6LJ19862000	LEVER-RCH-PNT	1	1/P	With MJ-6007
33 A	6LJ20834000	BRACKET LOCK PNT	1	1/P	With MJ-6007



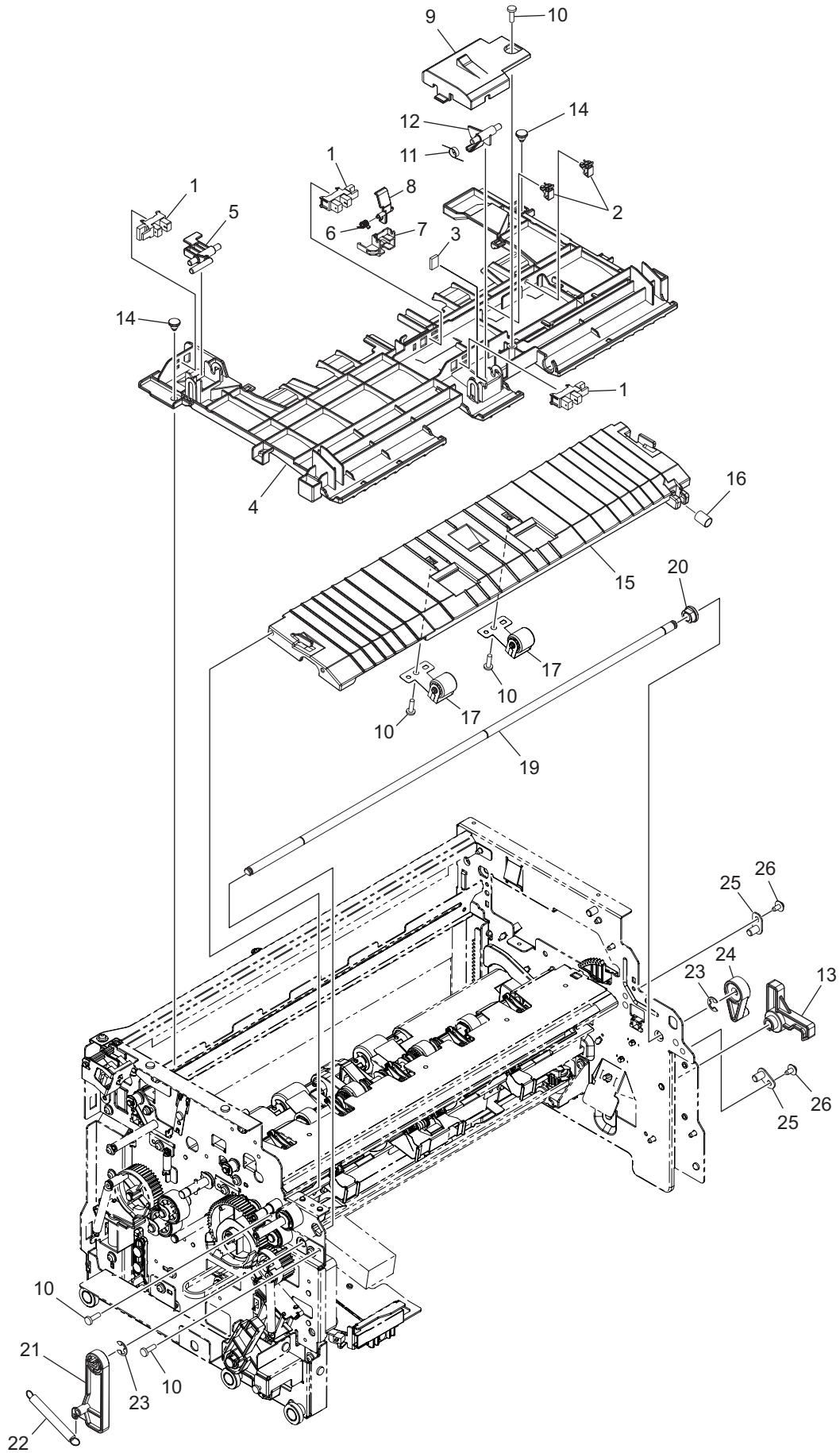
ITEM No.	PART No.	PART NAME	Q'TY / PAGE	Q'TY / PACK	REMARKS
1	6LJ20095000	DMP-FE-LVR-ENT	2	1/P	
2	6LJ19606000	GID-FE-SUB-EXIT	1	1/PP	
3	6LJ20611000	BRUSH GID SUB	2	1/P	
4	6LJ20630000	SHEET GID BRUSH1	2	1/P	
5	6LJ20064000	SCR03T060SR-W	6	1/P	
6	6LJ19678000	GID-FEED-SUB1	1	1/PP	
7	6LJ20906000	SPRING FEED SUB KORO	2	1/P	
8	6LJ19676000	HLD-IDL-FEED-SUB	1	1/P	
9	6LJ19677000	IDL-FEED-SUB-EXT	1	1/P	
10	6LJ20063000	SCR03T060SR-W	2	1/P	



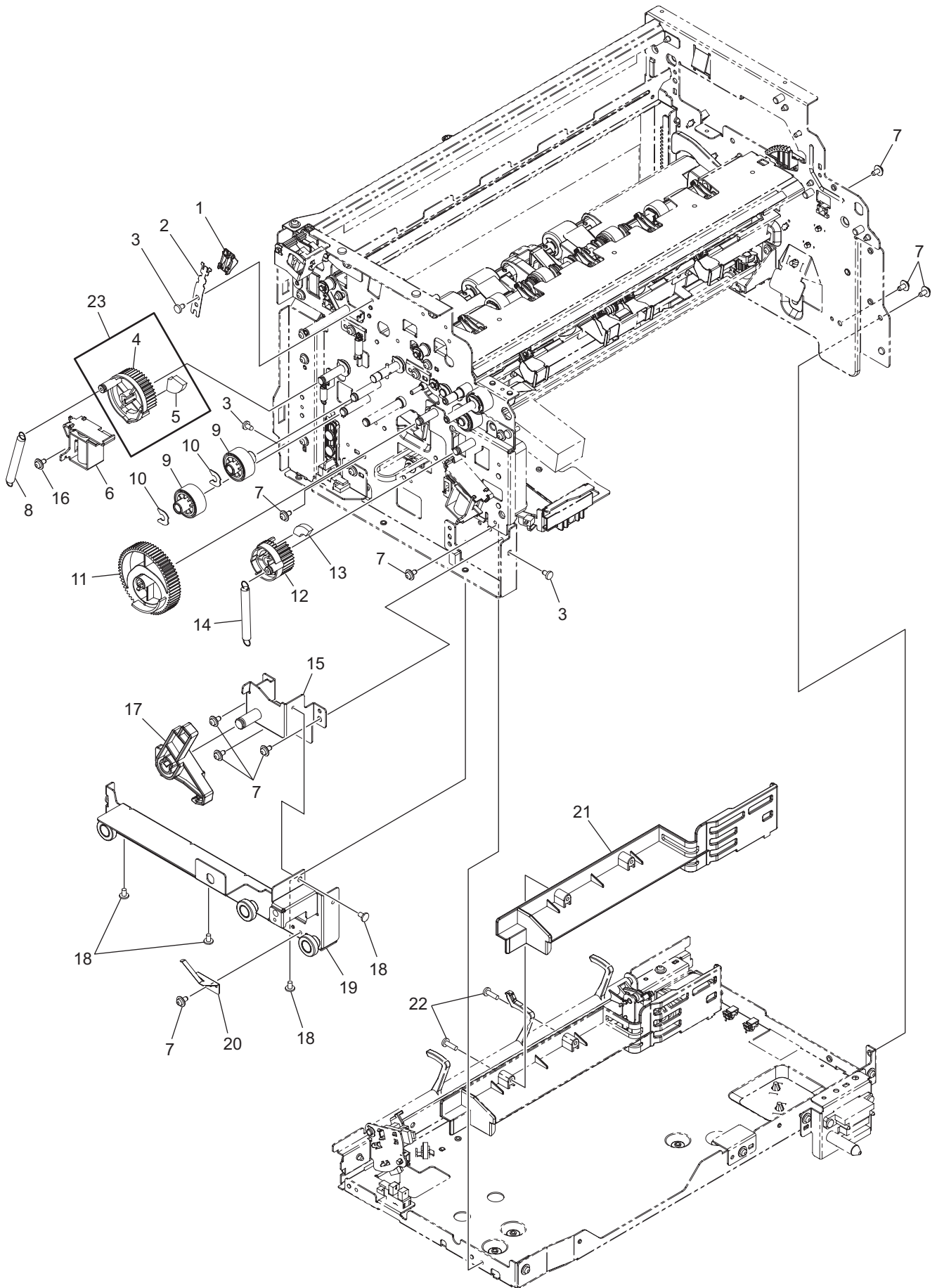
ITEM No.	PART No.	PART NAME	Q'TY / PAGE	Q'TY / PACK	REMARKS
2	6LJ20024000	ER-070	6	1/P	
3	6LJ20032000	BELTS2M070040	1	1/P	
4	6LJ20036000	BELTS2M053040	1	1/P	
5	6LJ20051000	BUSH060060MYU	2	1/P	
6	6LJ20052000	BUSH080070MYU	5	1/P	
7	6LJ20053000	CLIP040100G	4	1/P	
8	6LJ20056000	CLIP070140B	6	1/P	
9	6LJ19718000	ARM-PICK	2	1/P	
10	6LJ19636000	SPG-F-PICK-GID-EARTH	2	1/P	
11	6LJ20569000	SHAFT PICK ARM	1	1/P	
12	6LJ20584000	SHAFT PICK WGT	2	1/P	
13	6LJ20596000	SPRING PICK GID IN	2	1/P	
14	6LJ20597000	SPRING PICK GID OUT	2	1/P	
15	6LJ19748000	WEIGHT-PICK-GID	2	1/P	
16	6LJ19763000	PULLEY-S2M22-8-PICK	1	1/P	
17	6LJ19797000	FLANGE-016-080	2	1/P	
18	6LJ20621000	HOLDER PICK GID R	1	1/P	
19	6LJ20622000	HOLDER PICK GID F	1	1/P	
20	6LJ20713000	HP-020	5	1/P	
21	6LJ20716000	HP-030	2	1/P	
22	6LJ19716000	GUIDE-PICK-F	1	1/PP	
23	6LJ20594000	BRUSH PICK GID	2	1/KP	
24	6LJ20608000	BRUSH PICK EARTH	2	1/KP	
25	6LJ19717000	GUIDE-PICK-R	1	1/P	
26	6LJ19736000	GEAR-10S16_10S88-6	1	1/P	
27	6LJ20061000	METAL080070FC	2	1/P	
28	6LJ20054000	CLIP050060W	3	1/P	
29	6LJ20083000	FLG-FEED-PLY	1	1/P	
30	6LJ20576000	SHAFT PICK ID2	1	1/P	
31	6LJ20615000	ROLLER FE PICK	2	1/KP	
32	6LJ19750000	PULLEY-S2M22-6	1	1/P	
33	6LJ19735000	GEAR-10S56-8	1	1/P	
34	6LJ20619000	WEIGHT PICK GID R	1	1/P	
35	6LJ20620000	WEIGHT PICK GID F	1	1/P	



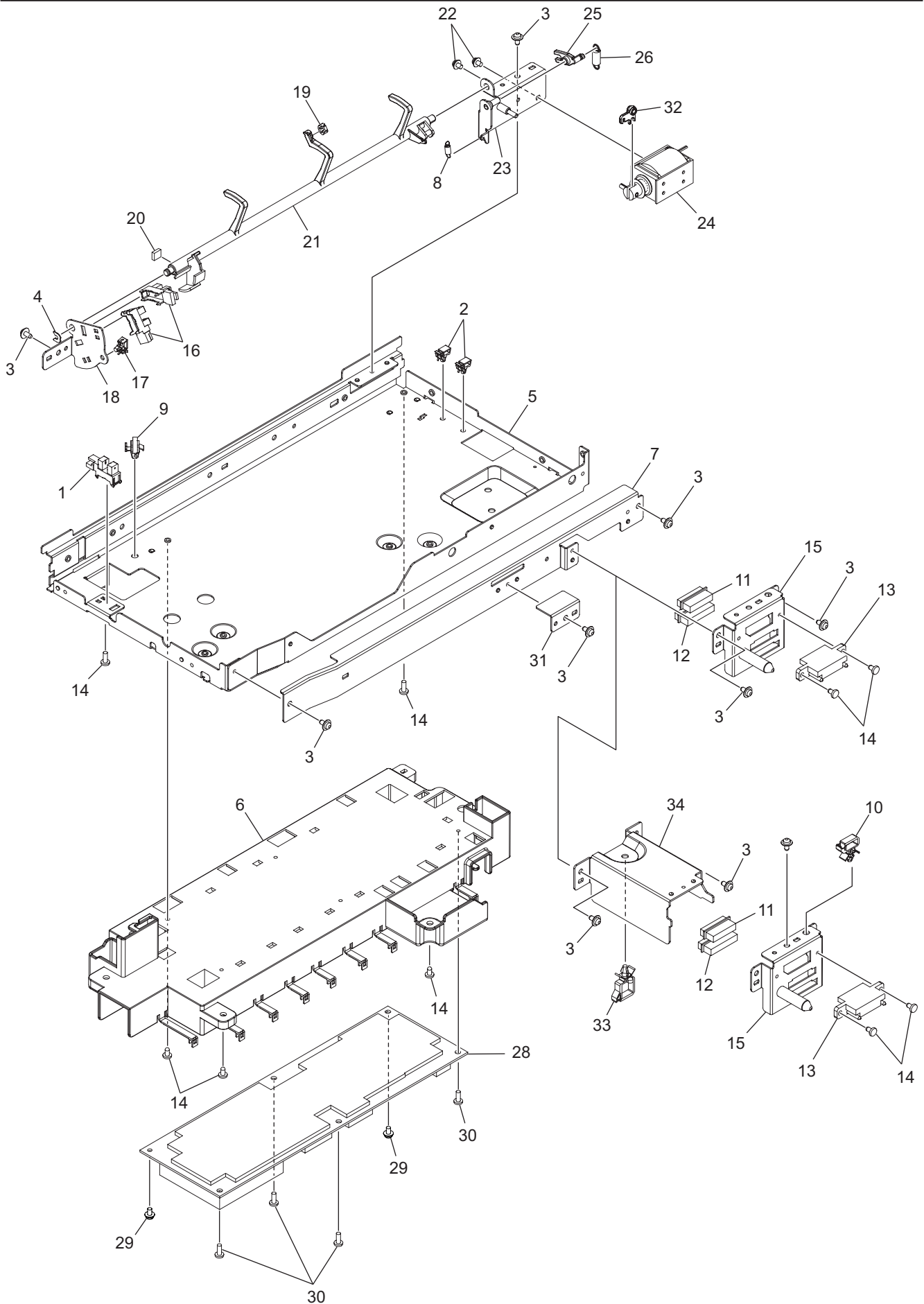
ITEM No.	PART No.	PART NAME	Q'TY / PAGE	Q'TY / PACK	REMARKS
1	6LJ20064000	SCR03T060SR-W	12	1/P	
2	6LJ20528000	ASSEMBLY KORO FE NIP	4	1/P	
3	6LJ19639000	STAY-PICK-GID	1	1/P	
4	6LJ20527000	ASSEMBLY SOL	1	1/C	
5	6LJ20054000	CLIP050060W	20	1/P	
6	6LJ19766000	LEVER-FIN-SEG-SOL2	1	1/P	
8	6LJ20509000	CAULKING FRM R SUB	1	1/P	
9	6LJ20051000	BUSH060060MYU	3	1/P	
10	6LJ20083000	FLG-FEED-PLY	5	1/P	
11	6LJ19662000	BKT-PICK-BLT-PICH	1	1/P	
12	6LJ19750000	PULLEY-S2M22-6	3	1/P	
13	6LJ20712000	HPIN-2X10	4	1/P	
14	6LJ19807000	ROL-FEED-SUB-EXIT	1	1/KP	
15	6LJ20060000	METAL060060FC	7	1/P	
16	6LJ19996000	SCR030050WS	2	1/P	
17	6LJ20033000	BELTS2M079040	1	1/P	
18	6LJ19623000	BKT-FEE-SFT	1	1/P	
19	6LJ20030000	BELTS2M071040	1	1/P	
20	6LJ19778000	GEAR-08S29_PS2M22-6	1	1/P	
21	6LJ19757000	GEAR-08S29-6	2	1/P	
22	6LJ19739000	GEAR-08S35_PS2M18-6	1	1/P	
23	6LJ19754000	FLANGE-6-13	1	1/P	
24	6LJ19738000	KNOB-JAM	1	1/P	
25	6LJ20588000	ROLLER FEED FIN ENT	1	1/KP	
26	6LJ19865000	GEAR-08S18-6-SUB	1	1/P	
27	6LJ20023000	ER-050	1	1/P	
28	6LJ19806000	ROLLER-FEED-SUB	1	1/KP	
29	6LJ20713000	HP-020	3	1/P	
30	6LJ20039000	BELTS2M157040	1	1/P	
31	6LJ20031000	BELTS2M076040	1	1/P	
32	6LJ20719000	BELT TIMING S2M 05940	1	1/P	
33	6LJ19742000	PULLEY-S2M35-6	1	1/P	
34	6LJ20568000	SHAFT PICK GID1	1	1/P	
35	6LJ20920000		1		



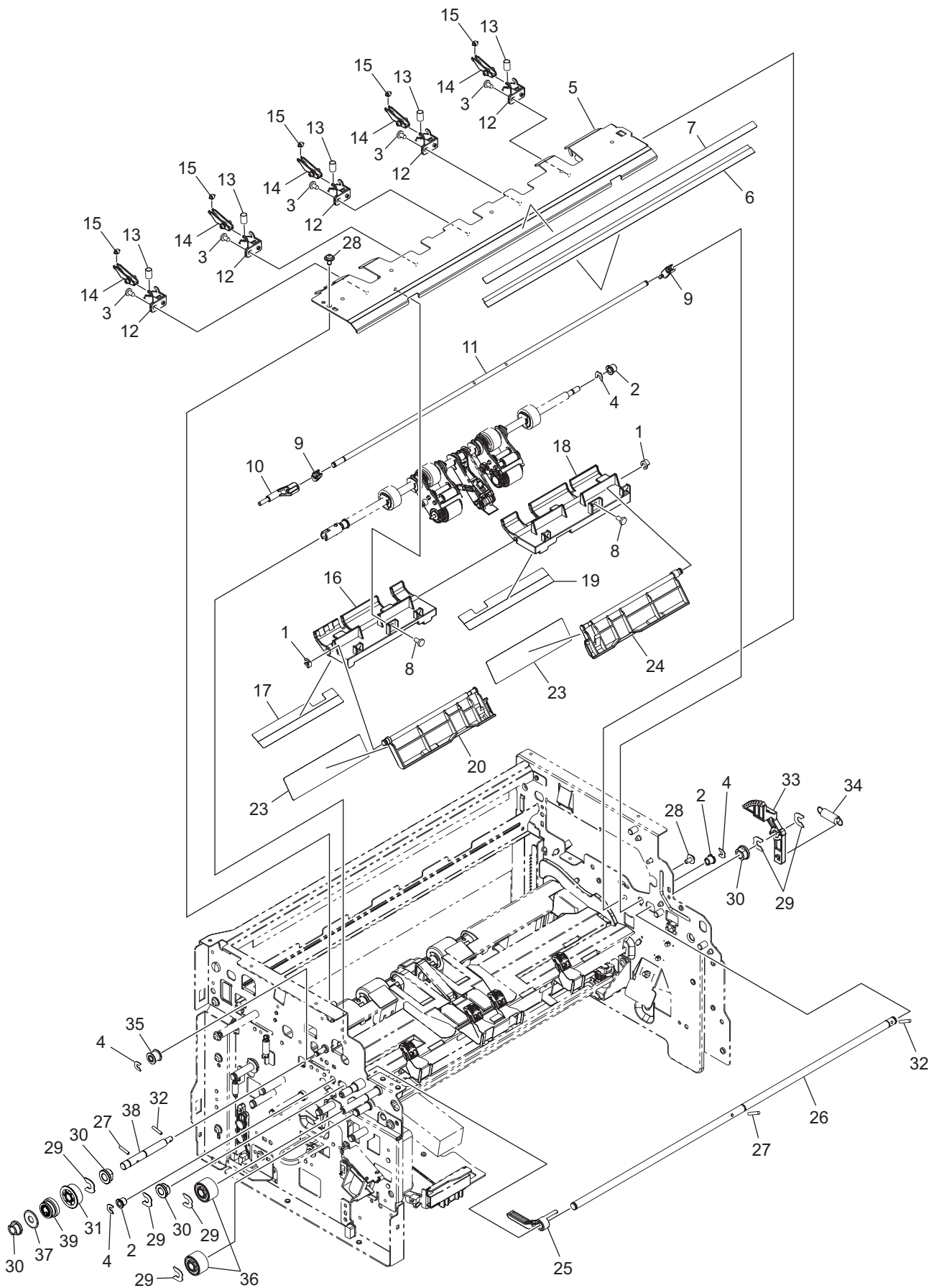
ITEM No.	PART No.	PART NAME	Q'TY / PAGE	Q'TY / PACK	REMARKS
1	6LJ20009000	GP1S173LCS0F	3	1/P	
2	6LJ20014000	RLMS-1V0	2	1/P	
3	6LJ20095000	DMP-FE-LVR-ENT	1	1/P	
4	6LJ19688000	GID-FIN-ENT-UP	1	1/PP	
5	6LJ19770000	LVR-SEN-FEED-SUB-O	1	1/P	
6	6LJ20604000	SPRING FE SUB SEN LVR	1	1/P	
7	6LJ19768000	HLD-SEN-FEED-SUB	1	1/P	
8	6LJ19769000	LVR-SEN-FEED-SUB	1	1/P	
9	6LJ19794000	COVER-SEN-FE-ENT	1	1/PP	
10	6LJ20065000	SCR03T100WAVE-W	5	1/P	
11	6LJ20907000	SPRING FE SEN LVR	1	1/P	
12	6LJ19771000	LVR-FE-ENT	1	1/P	
13	6LJ19694000	HLD-LOCK-MAIN	1	1/P	
14	6LJ20504000	SCR-M3-DAN3.5-MARU-D	2	1/P	
15	6LJ19689000	GID-FIN-ENT-UN	1	1/PP	
16	6LJ20603000	SPRING FEED ENT SET R	1	1/P	
17	6LJ20505000	ASSEMBLY KORO FE NIP	2	1/P	
19	6LJ20565000	SHAFT LOCK RACH	1	1/P	
20	6LJ20051000	BUSH060060MYU	1	1/P	
21	6LJ19693000	HLD-LOCK-SUB	1	1/P	
22	6LJ20602000	SPRING FRM LOCK	1	1/P	
23	6LJ20023000	ER-050	2	1/P	
24	6LJ19779000	LVR-FRM-LNK-R	1	1/P	
25	6LJ19689000	GID-FIN-ENT-UN	2	1/PP	
26	6LJ20064000	SCR03T060SR-W	2	1/P	



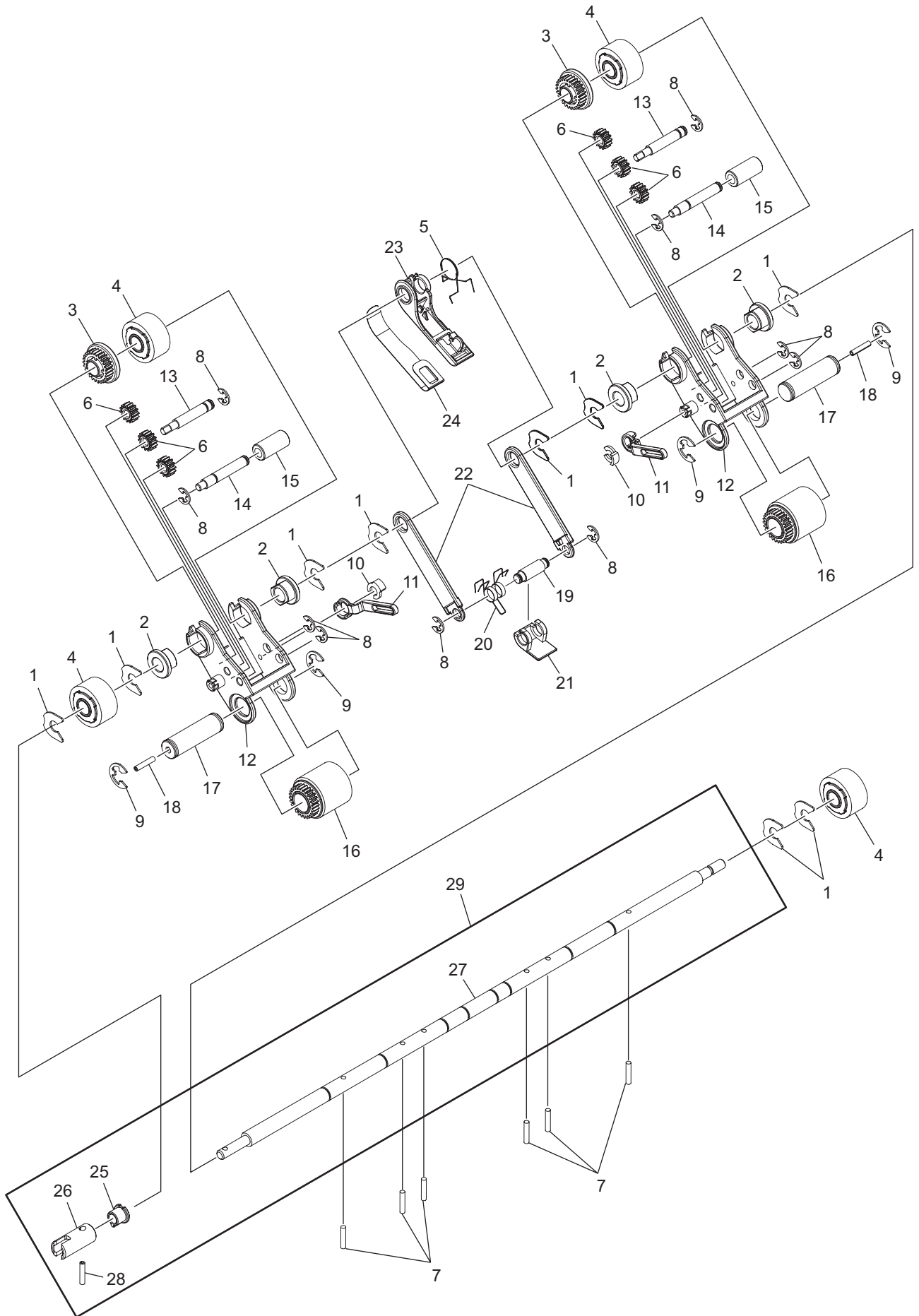
ITEM No.	PART No.	PART NAME	Q'TY / PAGE	Q'TY / PACK	REMARKS
1	6LJ20105000	CVR-PLT-SP-LOCK	1	1/P	
2	6LJ20244000	PLT-FRM-LOCK	1	1/P	
3	6LJ20063000	SCR03T060SR-W	3	1/P	
4	6LJ19737000	GEAR-08S43-6-PDL	1	1/P	
5	6LJ19816000	CUSHION-PDL-GER	1	1/P	
6	6LJ19826000	TDS-F12G-81	1	1/P	
7	6LJ20064000	SCR03T060SR-W	9	1/P	
8	6LJ20094000	SP-PR-PDL	1	1/P	
9	6LJ19753000	GEAR-08S26-6	2	1/P	
10	6LJ20054000	CLIP050060W	2	1/P	
11	6LJ20101000	GER-080-64-CAM	1	1/P	
12	6LJ19741000	GEAR-08S32-6-KH	1	1/P	
13	6LJ19815000	CUSHION-LFT-GER	1	1/P	
14	6LJ20118000	SP-CAM	1	1/P	
15	6LJ20522000	CAULKING BKT FRM LOCK	1	1/P	
16	6LJ20701000	SCR-030-040NIT	1	1/P	
17	6LJ19692000	HANDLE-FRM-JAM	1	1/P	
18	6LJ20028000	SCR030050	4	1/P	
19	6LJ20515000	CAULKING BKT CORO F	1	1/P	
20	6LJ19649000	SPG-F-RAIL	1	1/P	
21	6LJ19733000	HLD-STP-HRNS	1	1/PP	
22	6LJ20065000	SCR03T100WAVE-W	2	1/P	
23	6LJ20526000	ASSEMBLY GER PDL	1	1/P	



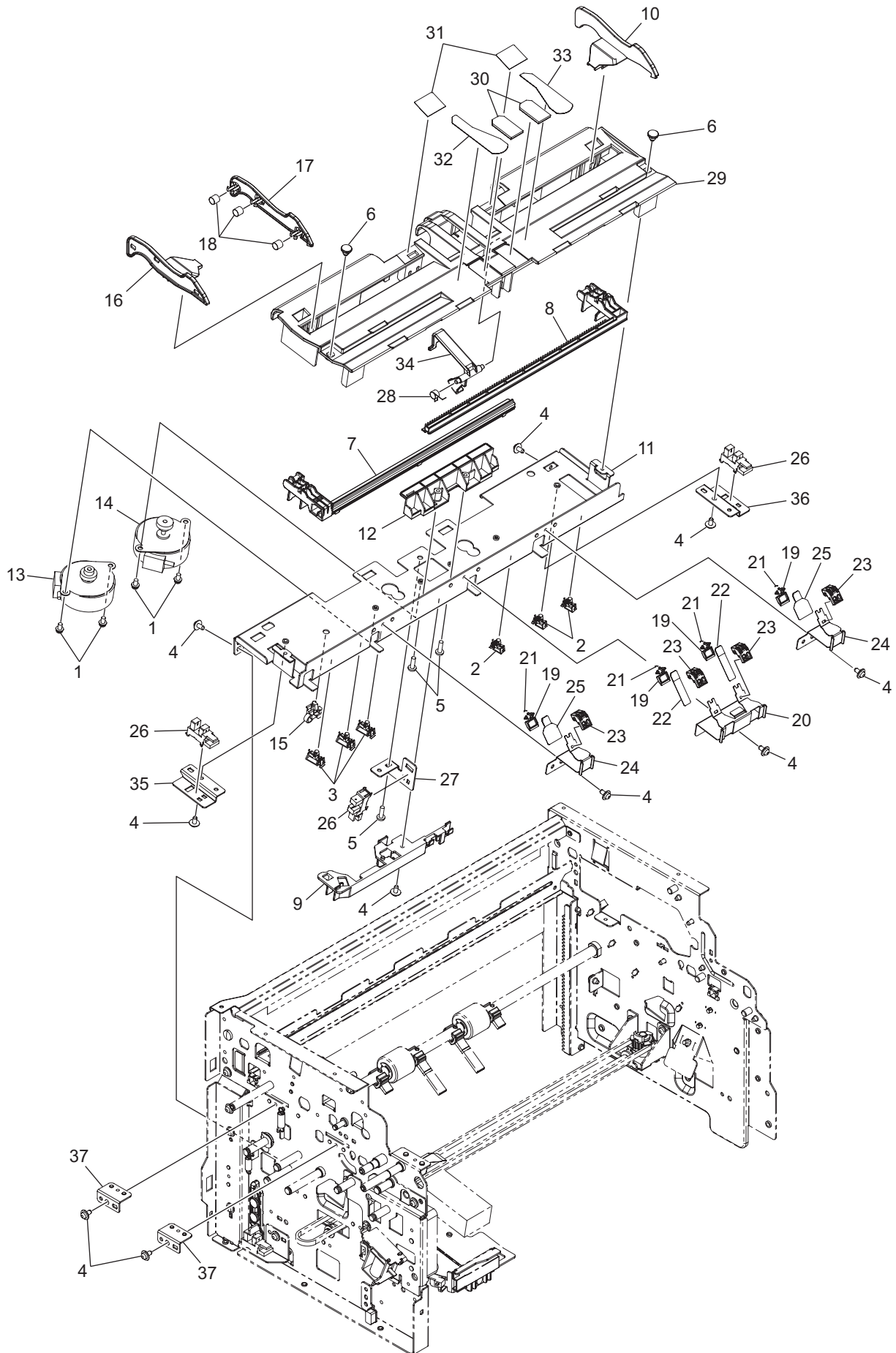
ITEM No.	PART No.	PART NAME	Q'TY / PAGE	Q'TY / PACK	REMARKS
1	6LJ20009000	GP1S173LCS0F	1	1/P	
2	6LJ20014000	RLMS-1V0	2	1/P	
3	6LJ20064000	SCR03T060SR-W	7	1/P	
4	6LJ20097000	CLIP-CB3	1	1/P	
5	6LJ20510000	CAULKING FRM BOTM	1	1/P	
6	6LJ19690000	DUCT-PCB	1	1/P	
7	6LJ19646000	BKT-STP-RAIL	1	1/P	
8	6LJ20910000	SPRING PR YO	1	1/P	
9	6LJ20677000	RSG-100	1	1/P	
10 A	6LJ20686000	LWSR-0511	1	1/P	Without MJ-6007
11	6LJ20017000	3-292215-4	1	1/P	
12	6LJ20018000	1-292215-6	1	1/P	
13	6LJ20019000	9715B-10Z02-G4C	1	1/P	
14	6LJ20063000	SCR03T060SR-W	7	1/P	
15	6LJ20539000	CAULKING BKT JNT ENT	1	1/P	
16	6LJ20009000	GP1S173LCS0F	2	1/P	
17	6LJ20014000	RLMS-1V0	1	1/P	
18	6LJ19613000	BKT-SEN-PR-YO	1	1/P	
19	6LJ20085000	CUSH-Y0	1	1/P	
20	6LJ20453000	DMP-TR-YO	1	1/P	
21	6LJ19697000	LVR-FRM-RACH-R	1	1/P	
22	6LJ19996000	SCR030050WS	2	1/P	
23	6LJ20520000	CAULKING BKT SOL YO	1	1/P	
24	6LJ20535000	ASSEMBLY SOL YO	1	1/C	
25	6LJ19696000	LVR-FRM-LNK-F	1	1/P	
26	6LJ20590000	SPRING PR SOL YO	1	1/P	
28	6LJ20562000	ASSY PBA CONT	1	1/SB	
29	6LJ19999000	SCR03M060-WS-W	2	1/P	
30	6LJ20698000	SCR-030-080WBB	4	1/P	
31	6LJ19629000	BKT-STP-LOCK	1	1/P	
32	6LJ19695000	LVR-FRM-RACH-F	1	1/P	
33 A	6LJ20687000	LWSR-1211	1	1/P	With MJ-6007
34 A	6LJ20833000	BRACKET SPC DW	1	1/P	With MJ-6007



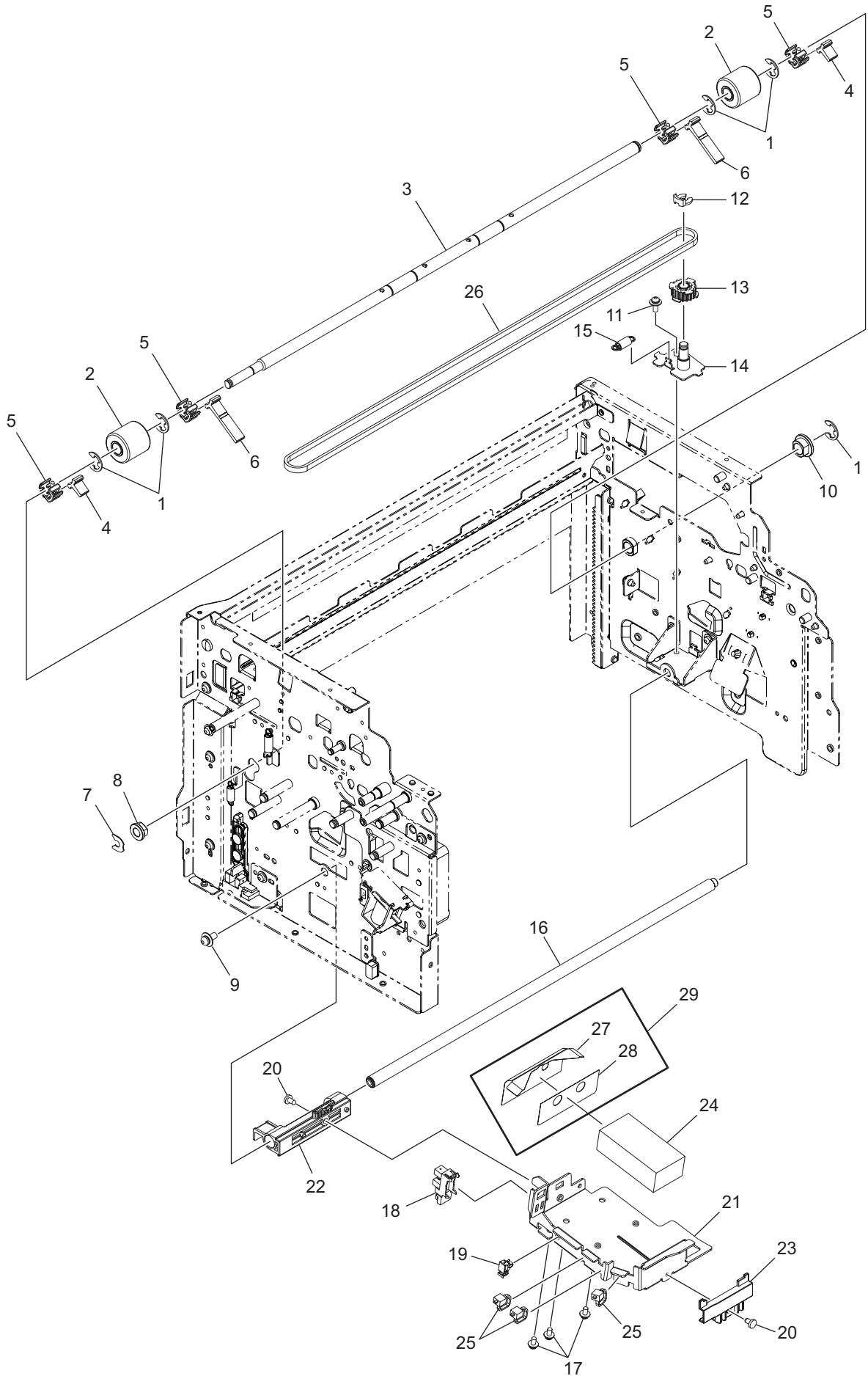
ITEM No.	PART No.	PART NAME	Q'TY / PAGE	Q'TY / PACK	REMARKS
1	6LJ20053000	CLIP040100G	2	1/P	
2	6LJ20057000	METAL040060CU	3	1/P	
3	6LJ20063000	SCR03T060SR-W	5	1/P	
4	6LJ20097000	CLIP-CB3	4	1/P	
5	6LJ19627000	GUIDE-FIN-SEG	1	1/P	
6	6LJ20612000	BRUSH GID SEG	1	1/P	
7	6LJ20631000	SHEET GID BRUSH2	1	1/P	
8	6LJ20691000	SCR030060FWBI	2	1/P	
9	6LJ19730000	ARM-FIN-SEG-ROL	2	1/P	
10	6LJ19740000	LEVER-BLT	1	1/P	
11	6LJ20571000	SHAFT FIN SEG ROL UD	1	1/P	
12	6LJ20563000	HOLDER FIN SEG COL	5	1/P	
13	6LJ20901000	SPRING FIN SEG COL	5	1/P	
14	6LJ20616000	ARM FIN SEG COL	5	1/P	
15	6LJ20617000	KORO FIN SEG COL	5	1/P	
16	6LJ19726000	GUIDE-FIN-SEG-F	1	1/P	
17	6LJ19820000	SHEET-GID-FIN-SEG-F	1	1/P	
18	6LJ19727000	GUIDE-FIN-SEG-R	1	1/P	
19	6LJ19821000	SHEET-GID-FIN-SEG-R	1	1/P	
20	6LJ19799000	GID-FIN-SEG-F2	1	1/PP	
23	6LJ19822000	SHEET-GID-FIN-SEG2	2	1/P	
24	6LJ20618000	GUIDE FIN SEG R2	1	1/PP	
25	6LJ19744000	LEVER-FIN-SEG-C	1	1/P	
26	6LJ20572000	SHAFT FIN SEG WGT	1	1/P	
27	6LJ20713000	HP-020	2	1/P	
28	6LJ20064000	SCR03T060SR-W	2	1/P	
29	6LJ20054000	CLIP050060W	6	1/P	
30	6LJ20060000	METAL060060FC	4	1/P	
31	6LJ19755000	KORO-PICK-IDL	1	1/P	
32	6LJ20708000	SFT-020-100SP-B	2	1/P	
33	6LJ19745000	LEVER-FIN-SEG-SOL1	1	1/P	
34	6LJ20600000	SPRING FIN SEG PUSH LNK	1	1/P	
35	6LJ19781000	KORO-FE-EX-BLT	1	1/P	
36	6LJ19756000	GEAR-08S2-60	2	1/P	
37	6LJ20083000	FLG-FEED-PLY	1	1/P	
38	6LJ20574000	SHAFT FE BLT F	1	1/P	
39	6LJ19750000	PULLEY-S2M22-6	1	1/P	



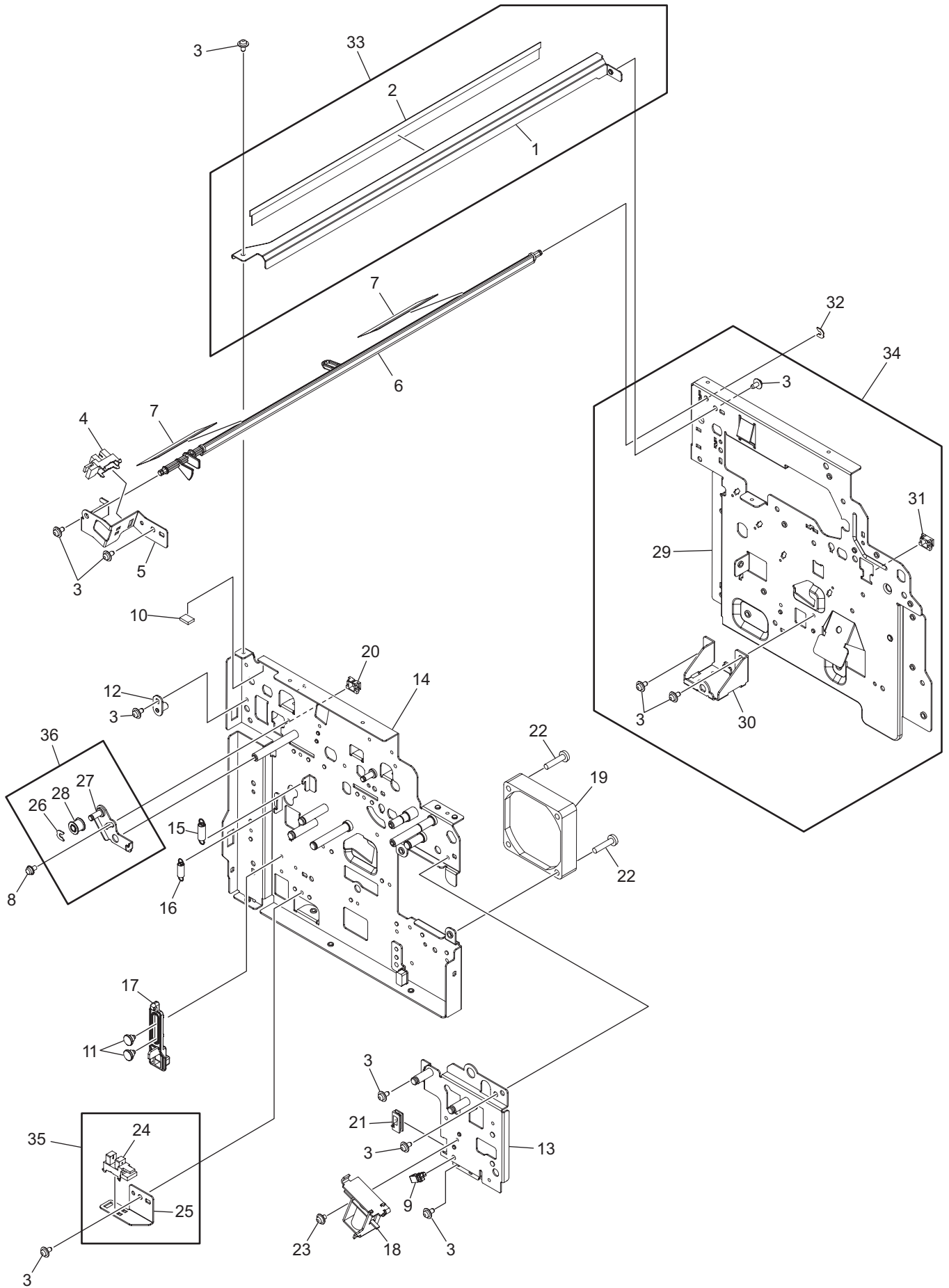
ITEM No.	PART No.	PART NAME	Q'TY / PAGE	Q'TY / PACK	REMARKS
1	6LJ20054000	CLIP050060W	9	1/P	
2	6LJ20060000	METAL060060FC	4	1/P	
3	6LJ19732000	GEAR-05S26-6	2	1/P	
4	6LJ19808000	ROL-FIN-SEG1	4	1/KP	
5	6LJ20607000	SPRING FIN SEG C	1	1/P	
6	6LJ19746000	GEAR-05S14-3	6	1/P	
7	6LJ20712000	HPIN-2X10	6	1/P	
8	6LJ20021000	ER-030	10	1/P	
9	6LJ20023000	ER-050	4	1/P	
10	6LJ20053000	CLIP040100G	2	1/P	
11	6LJ19729000	LINK-FIN-SEG-ROL	2	1/P	
12	6LJ19731000	HLD-FIN-SEG-ROL-F	2	1/P	
13	6LJ20575000	SHAFT FIN SEG ROL2	2	1/P	
14	6LJ20585000	SHAFT FIN SEG ROL3	2	1/P	
15	6LJ20586000	SHAFT FIN SEG ROL4	2	1/P	
16	6LJ20592000	ROLLER FIN SEG2	2	1/KP	
17	6LJ20573000	SHAFT FIN SEG ROL1	2	1/P	
18	6LJ20708000	SFT-020-100SP-B	2	1/P	
19	6LJ20579000	SHAFT FIN SEG WGT C	1	1/P	
20	6LJ20905000	SPRING FIN SEG WGT C	1	1/P	
21	6LJ19747000	WEIGHT-FIN-SEG-C	1	1/P	
22	6LJ19765000	ARM-FIN-SEG-WGT-C	2	1/P	
23	6LJ19728000	GUIDE-FIN -SEG-C	1	1/P	
24	6LJ19809000	SHEET-FIN-SEG-GID-C	1	1/P	
25	6LJ20057000	METAL040060CU	1	1/P	
26	6LJ19734000	JOINT-FE-BLT	1	1/P	
27	6LJ20570000	SHAFT FIN SEG ROL	1	1/P	
28	6LJ20708000	SFT-020-100SP-B	1	1/P	
29	6LJ20529000	ASSEMBLY SFT FIN SEG ROL	1	1/P	



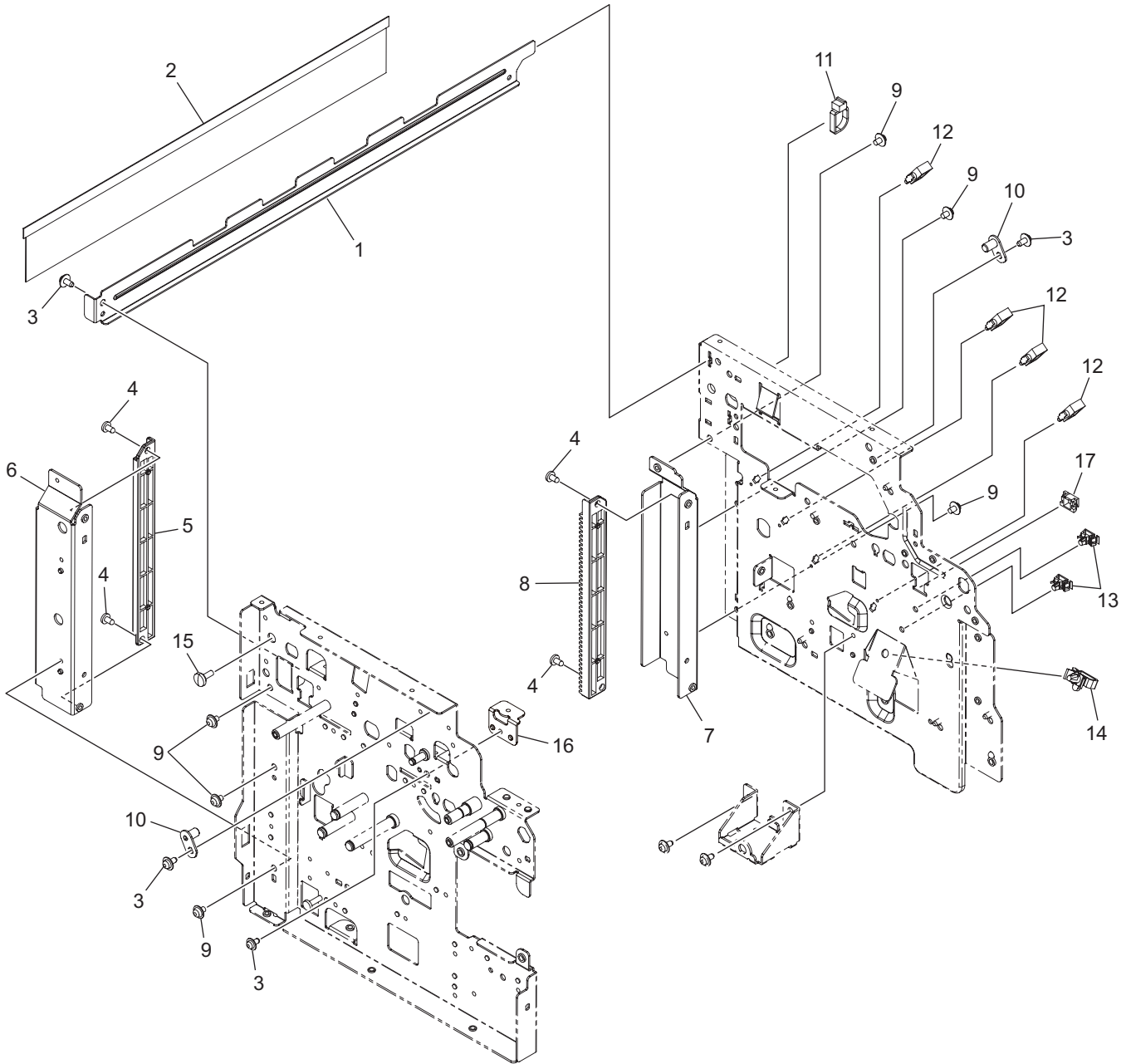
ITEM No.	PART No.	PART NAME	Q'TY / PAGE	Q'TY / PACK	REMARKS
1	6LJ19998000	SCR-030-060	4	1/P	
2	6LJ20014000	RLMS-1V0	3	1/P	
3	6LJ20015000	RLMS-2V0	3	1/P	
4	6LJ20064000	SCR03T060SR-W	10	1/P	
5	6LJ20065000	SCR03T100WAVE-W	3	1/P	
6	6LJ20504000	SCR-M3-DAN3.5-MARU-D	2	1/P	
7	6LJ19720000	RACK-SEG-F	1	1/P	
8	6LJ19721000	RACK-SEG-R	1	1/P	
9	6LJ19722000	GUIDE-SEG-HRNS-C	1	1/P	
10	6LJ19725000	PLATE-SEG-R	1	1/P	
11	6LJ19624000	BASE-SEG	1	1/P	
12	6LJ19767000	STP-SEG-RACK	1	1/P	
13	6LJ20625000	PM42S-048-NSL1	1	1/C	
14	6LJ20626000	PM42S-048-NSL2	1	1/C	
15	6LJ20677000	RSG-100	1	1/P	
16	6LJ19723000	PLATE-SEG-F	1	1/P	
17	6LJ19724000	PLATE-SEG-F-SUB	1	1/P	
18	6LJ20599000	SPRING SEG JOG	3	1/P	
19	6LJ19743000	LEVER-SEG-WGT1	3	1/P	
20	6LJ19626000	SPG-F-SEG-STOP-C	1	1/P	
21	6LJ20593000	SPRING SEG WGT	3	1/P	
22	6LJ19811000	SHEET-SEG-WGT2	2	1/P	
23	6LJ19764000	HLD-SEG-WGT2	4	1/P	
24	6LJ19625000	SPG-F-SEG-STOP-FR	1	1/P	
25	6LJ19810000	SHEET-SEG-WGT1	1	1/P	
26	6LJ20009000	GP1S173LCS0F	3	1/P	
27	6LJ19637000	BKT-SEG-SEN-C	1	1/P	
28	6LJ20092000	SP-PR-SEG-SEN	1	1/P	
29	6LJ19719000	TRAY-SEG	1	1/PP	
30	6LJ20902000	SHEET SEG STOP	2	1/P	
31	6LJ19819000	SHEET-SEG-ROL	2	1/P	
32	6LJ20613000	SHEETSEG ROL UN F	1	1/P	
33	6LJ20614000	SHEET SEG ROL UN R	1	1/P	
34	6LJ19749000	LEVER-SEG-SEN	1	1/P	
35	6LJ19638000	BKT-SEG-SEN-JOG-F	1	1/P	
36	6LJ19640000	BKT-SEG-SEN-JOG-R	1	1/P	
37	6LJ19653000	FRAME-F-SUB2	2	1/P	



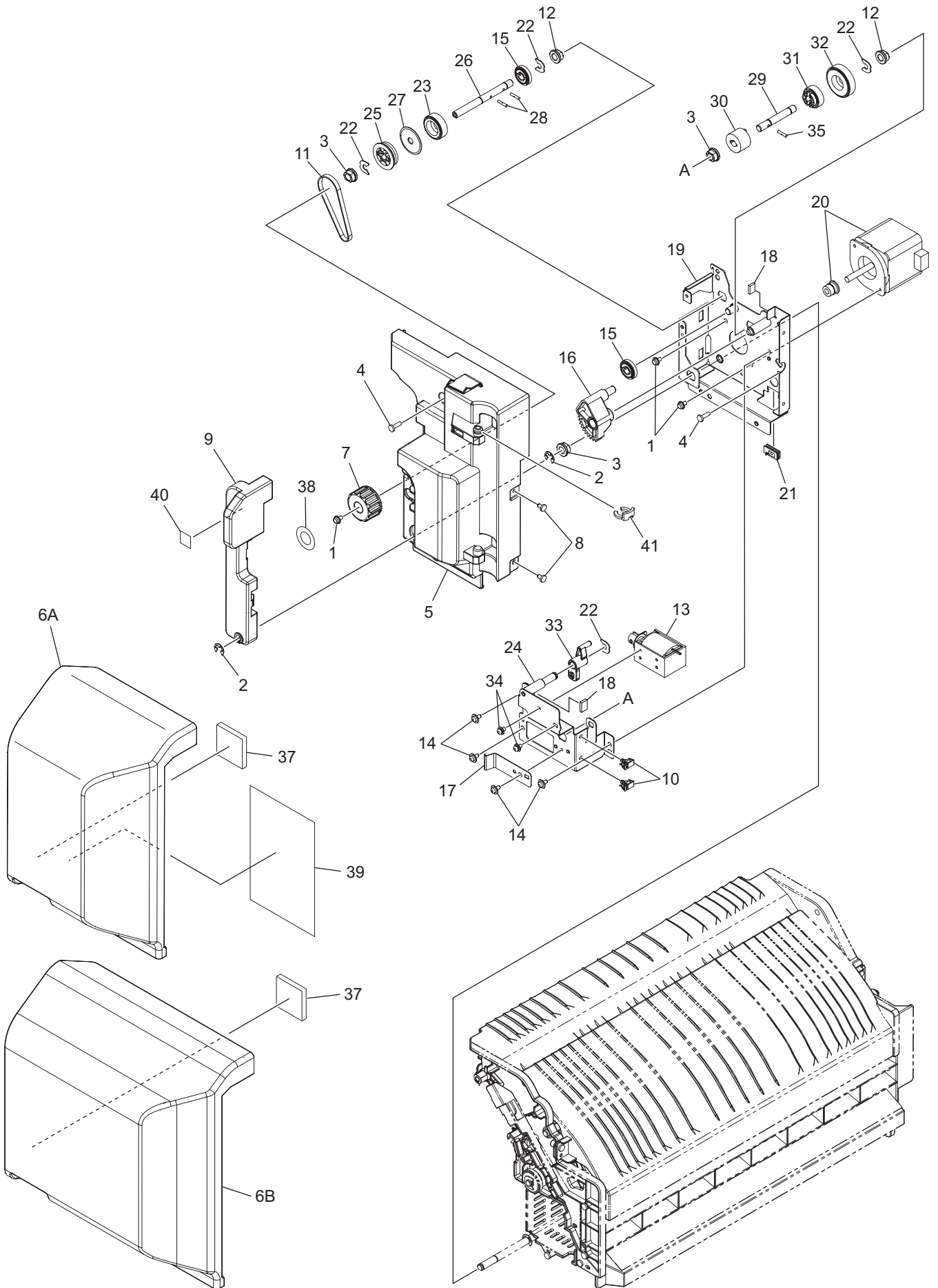
ITEM No.	PART No.	PART NAME	Q'TY / PAGE	Q'TY / PACK	REMARKS
1	6LJ20024000	ER-070	5	1/P	
2	6LJ20109000	ROL-PR-EXIT-W	2	1/KP	
3	6LJ20578000	SHAFTSEG EXIT	1	1/P	
4	6LJ20096000	PDL-PR-EXIT-S	2	1/P	
5	6LJ20110000	HLDR-PR-PDL-W	4	1/P	
6	6LJ20091000	PDL-PR-EXIT	2	1/P	
7	6LJ20054000	CLIP050060W	1	1/P	
8	6LJ20060000	METAL060060FC	1	1/P	
9	6LJ20003000	SCR040080FWWS	1	1/P	
10	6LJ20061000	METAL080070FC	1	1/P	
11	6LJ20000000	SCR030080FWWS	1	1/P	
12	6LJ20055000	CLIP050140W	1	1/P	
13	6LJ19751000	PULLEY-S3M18-6	1	1/P	
14	6LJ20511000	CAULKING STP KUDO TEN	1	1/P	
15	6LJ20909000	SPRING STP TEN	1	1/P	
16	6LJ20577000	SHAFT STP IDO	1	1/P	
17	6LJ19999000	SCR03M060-WS-W	3	1/P	
18	6LJ20009000	GP1S173LCS0F	1	1/P	
19	6LJ20014000	RLMS-1V0	1	1/P	
20	6LJ20063000	SCR03T060SR-W	2	1/P	
21	6LJ19628000	BASE-STP	1	1/P	
22	6LJ19752000	SLIDER-STP-SFT	1	1/P	
23	6LJ19777000	SLIDER-STP	1	1/P	
24	6LJ20627000	EH-C590N-T	1	1/P	
25	6LJ20688000	T18R-V0	3	1/P	
26	6LJ20721000	BELT TIMING S3M26240	1	1/P	
27	6LJ20270000	PLT-STP-GID	1	1/P	
28	6LJ20448000	DF-TAPE-GID-STP	1	1/P	
29	6LJ20506000	ASSEMBLY PLT STP GID	1	1/P	



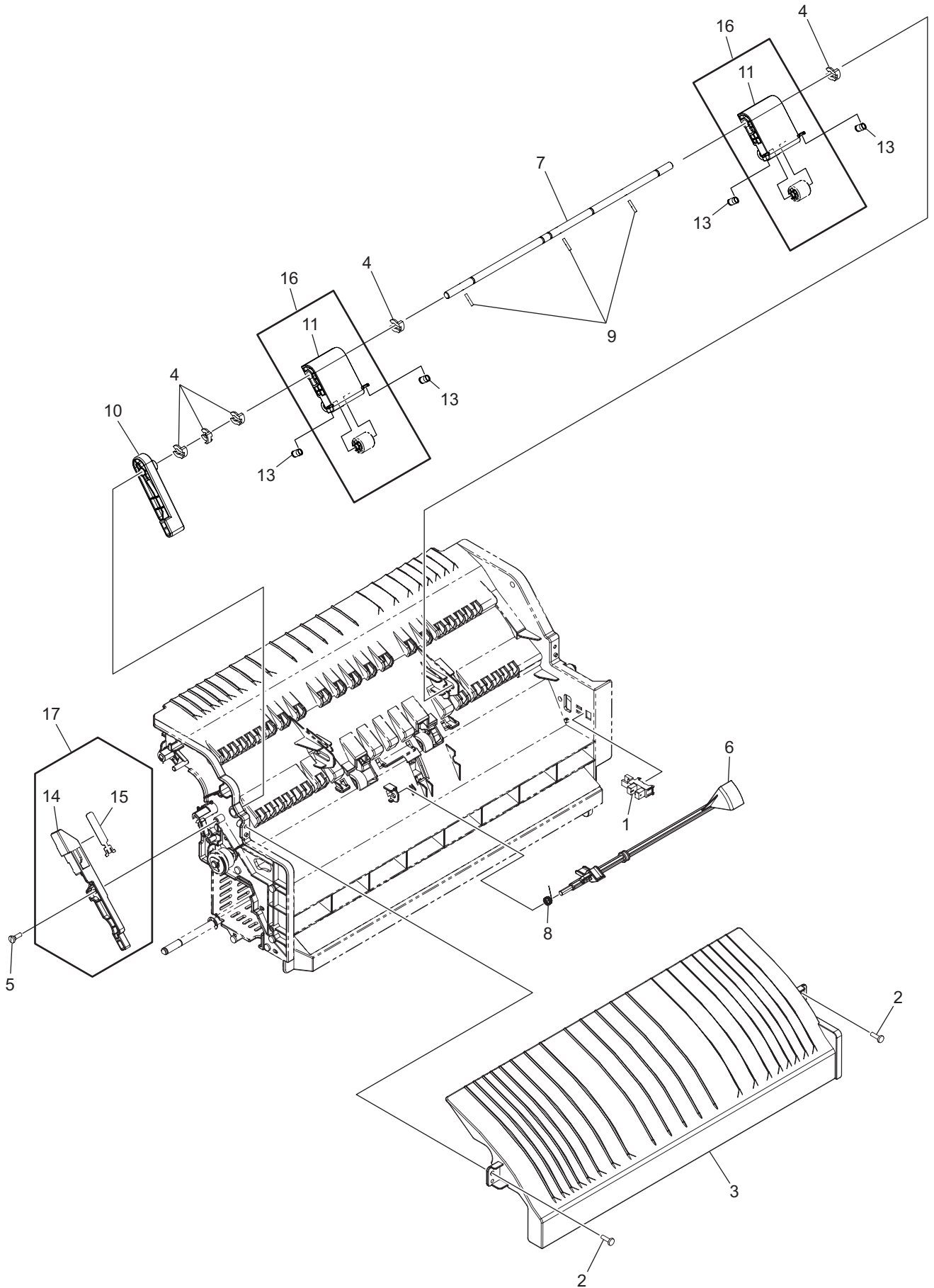
ITEM No.	PART No.	PART NAME	Q'TY / PAGE	Q'TY / PACK	REMARKS
1	6LJ19664000	STAY-SUB-EXIT	1	1/P	
2	6LJ19813000	BRUSH-FEED-SUB-EXIT	1	1/KP	
3	6LJ20064000	SCR03T060SR-W	11	1/P	
4	6LJ20009000	GP1S173LCS0F	1	1/P	
5	6LJ19607000	BKT-SUB-TRY-FULL	1	1/P	
6	6LJ19682000	LVR-SUB-TRY-FULL	1	1/P	
7	6LJ20610000	SHEET LVR SUB TRY	2	1/P	
8	6LJ19999000	SCR03M060-WS-W	1	1/P	
9	6LJ20014000	RLMS-1V0	1	1/P	
10	6LJ20095000	DMP-FE-LVR-ENT	1	1/P	
11	6LJ20504000	SCR-M3-DAN3.5-MARU-D	2	1/P	
12	6LJ20508000	CAULKING BKT FULDRUM SUB	1	1/P	
13	6LJ20512000	CAULKING BKT ROL LIFT	1	1/P	
14	6LJ20513000	CAULKING FRM F	1	1/P	
15	6LJ20598000	SPRING FESUB DRV TN	1	1/P	
16	6LJ20908000	SPRING SNS FULL	1	1/P	
17	6LJ19774000	LVR-SNS-FULL	1	1/P	
18	6LJ19827000	TDS-F12G-80	1	1/P	
19	6LJ20667000	FAN-H35760-57NIS	1	1/D	
20	6LJ20676000	EDS-0607M	1	1/P	
21	6LJ20684000	LES-0510	1	1/P	
22	6LJ20695000	SCR-040-180FNBI	2	1/P	
23	6LJ20701000	SCR-030-040NIT	1	1/P	
24	6LJ20009000	GP1S173LCS0F	1	1/P	
25	6LJ19651000	BKT-SNS-FULL	1	1/P	
26	6LJ20097000	CLIP-CB3	1	1/P	
27	6LJ20514000	CAULKING BKT FE SUB TN	1	1/P	
28	6LJ19781000	KORO-FE-EX-BLT	1	1/P	
29	6LJ20521000	CAULKING FRM R	1	1/P	
30	6LJ19634000	BKT-STP-DRV-R	1	1/P	
31	6LJ20676000	EDS-0607M	1	1/P	
33	6LJ20537000	ASSEMBLY STY SUB EXIT	1	1/P	
34	6LJ20530000	ASSEMBLY FRM R	1	1/P	
35	6LJ20531000	ASSEMBLY BKT SNS FULL	1	1/P	
36	6LJ20532000	ASSEMBLY BKT FE SUB TN	1	1/P	



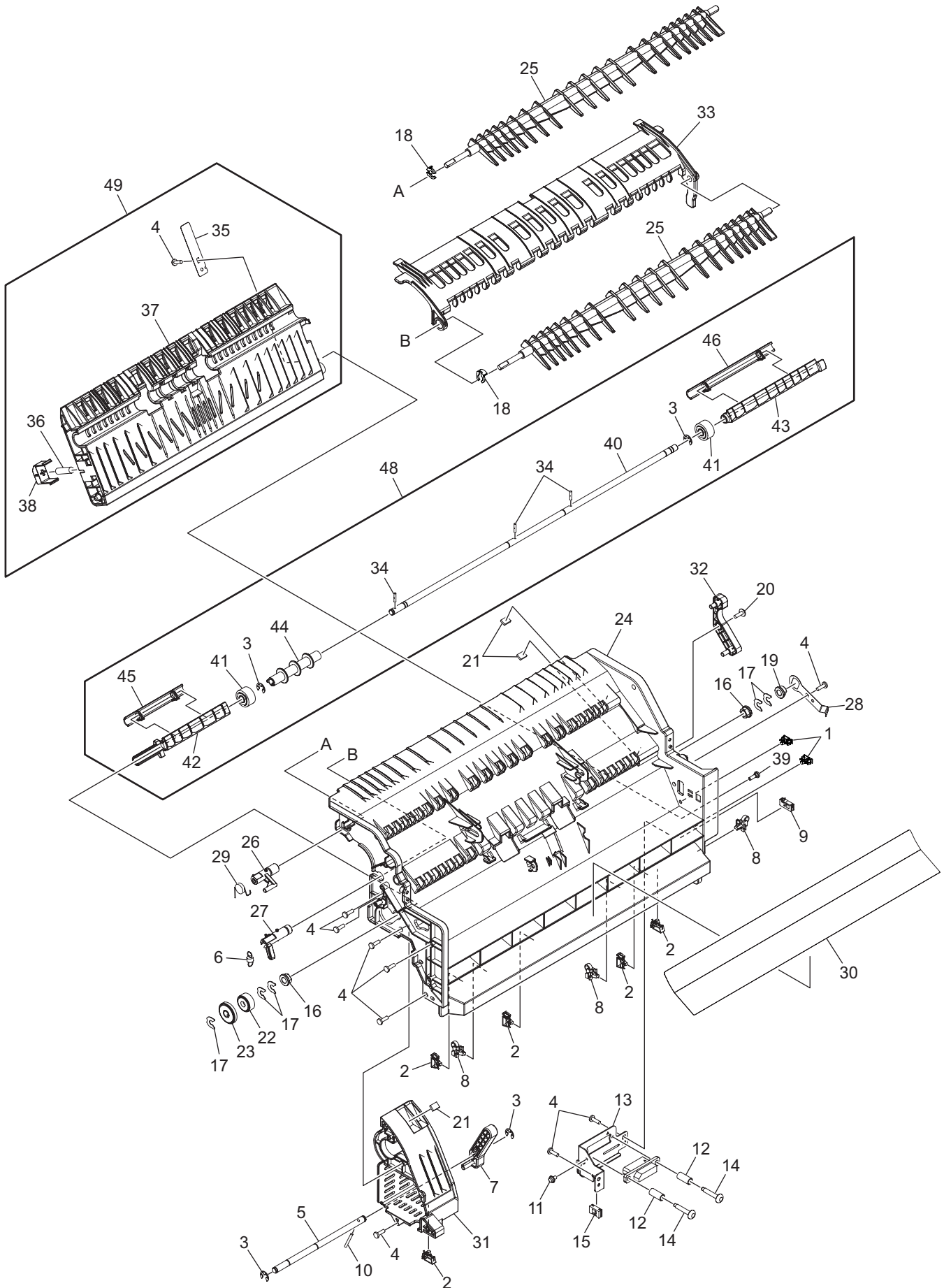
ITEM No.	PART No.	PART NAME	Q'TY / PAGE	Q'TY / PACK	REMARKS
1	6LJ19658000	GID-FE-SUB-EXIT-LO	1	1/P	
2	6LJ19812000	BRUSH-TRY-SUB	1	1/KP	
3	6LJ20064000	SCR03T060SR-W	4	1/P	
4	6LJ20063000	SCR03T060SR-W	4	1/P	
5	6LJ19713000	RACK-TRY-F	1	1/P	
6	6LJ19621000	RAIL-TRY-F	1	1/P	
7	6LJ19622000	RAIL-TRY-R	1	1/P	
8	6LJ19793000	RACK-TRY-R	1	1/P	
9	6LJ20701000	SCR-030-040NIT	6	1/P	
10	6LJ20508000	CAULKING BKT FULDRUM SUB	2	1/P	
11	6LJ20016000	T30R-V0	1	1/P	
12	6LJ20682000	RLWS-1T V0	4	1/P	
13	6LJ20014000	RLMS-1V0	2	1/P	
14	6LJ20686000	LWSR-0511	1	1/P	
15	6LJ20074000	SCR03T080-D060014	1	1/P	
16	6LJ19642000	FRAME-F-SUB	1	1/P	



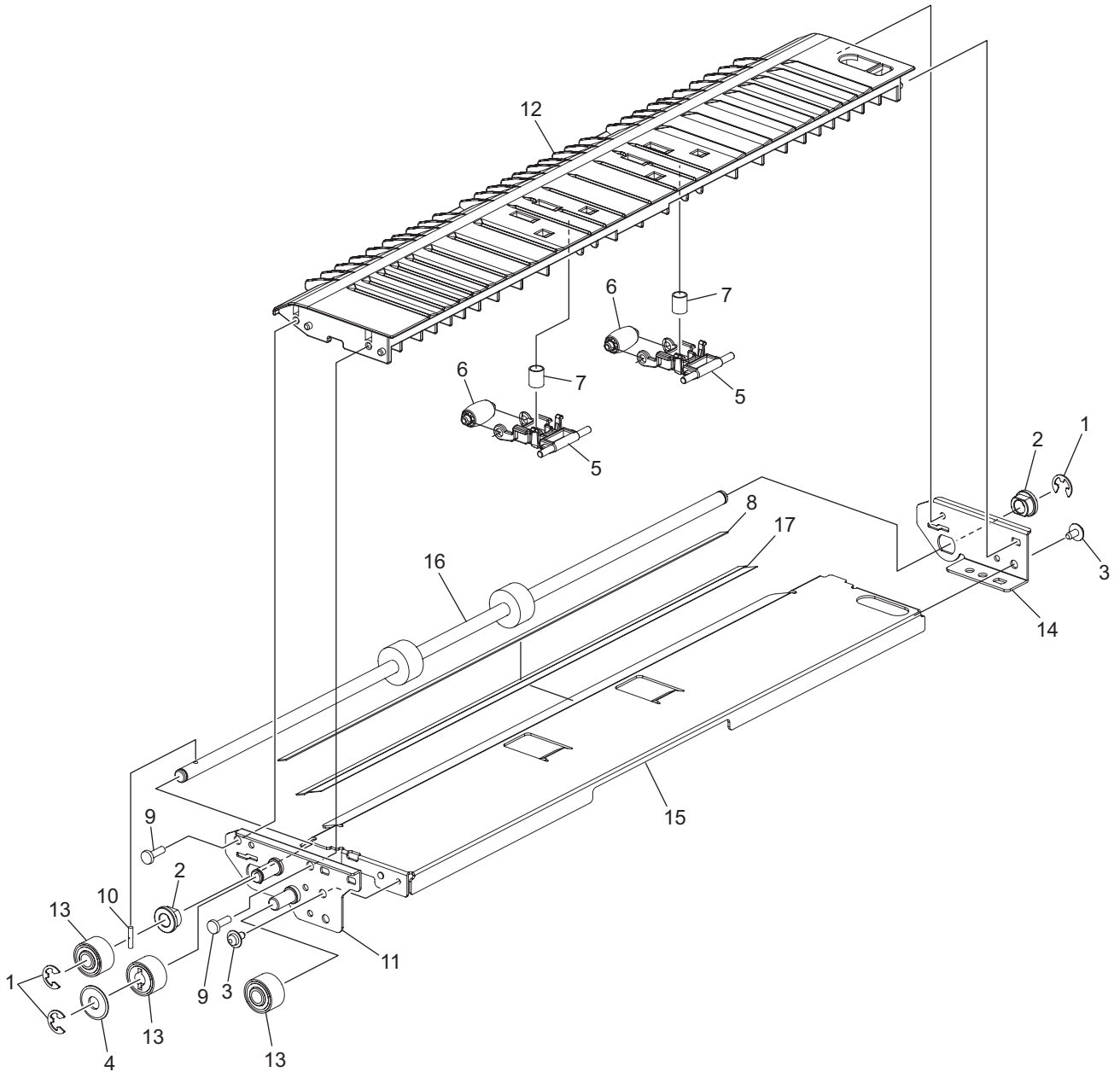
ITEM No.	PART No.	PART NAME	Q'TY / PAGE	Q'TY / PACK	REMARKS
1	6LJ19999000	SCR03M060-WS-W	3	1/P	
2	6LJ20023000	ER-050	2	1/P	
3	6LJ20060000	METAL060060FC	3	1/P	
4	6LJ20065000	SCR03T100WAVE-W	1	1/P	
5	6LJ19686000	COV-ENT-INNR-F	1	1/PP	
6 A	6LJ19687000	COV-ENT-F	1	1/PP	Without MJ-6007
6 B	6LJ19846000	COVER-F-JAM	1	1/PP	With MJ-6007
7	6LJ19738000	KNOB-JAM	1	1/P	
8	6LJ20609000	SCR-030-060SR	2	1/P	
9	6LJ19782000	LVR-GID-ENT-JAM	1	1/P	
10	6LJ20014000	RLMS-1V0	2	1/P	
11	6LJ20032000	BELTS2M070040	1	1/P	
12	6LJ20051000	BUSH060060MYU	2	1/P	
13	6LJ20536000	ASSEMBLY SOL ENT LNK	1	1/C	
14	6LJ20064000	SCR03T060SR-W	4	1/P	
15	6LJ20497000	GER-080-20	2	1/P	
16	6LJ19672000	LINK-FEED-FLP-SOL2	1	1/P	
17	6LJ19655000	SPG-F-LOCK-ENT-GID	1	1/P	
18	6LJ20095000	DMP-FE-LVR-ENT	2	1/P	
19	6LJ20523000	CAULKING BKT ENT MOT 1	1	1/P	
20	6LJ20560000	17PM-J046-P2VS	1	1/C	
21	6LJ20684000	LES-0510	1	1/P	
22	6LJ20054000	CLIP050060W	4	1/P	
23	6LJ20366000	GER-080-26-OW	1	1/P	
24	6LJ20524000	CAULKING BKT ENT MOT 2	1	1/P	
25	6LJ19714000	PULLEY-S2M35-6	1	1/P	
26	6LJ20564000	SHAFT ENT MOT1	1	1/P	
27	6LJ19754000	FLANGE-6-13	1	1/P	
28	6LJ20713000	HP-020	2	1/P	
29	6LJ20580000	SHAFT ENT MOT2	1	1/P	
30	6LJ20595000	TORQUELIMITER ENT MOT	1	1/P	
31	6LJ19780000	GEAR-10S17-6	1	1/P	
32	6LJ19824000	GEAR-08S34-6-OW	1	1/P	
33	6LJ19671000	LINK-FEED-FLP-SOL1	1	1/P	
34	6LJ19996000	SCR030050WS	2	1/P	
35	6LJ20711000	SFT-020-080SCH	1	1/P	
36	6LJ20524000	CAULKING BKT ENT MOT 2	1	1/P	
37 B	6LJ20849000	CUSHION CVR F	1	1/P	With MJ-6007
38	6LJ20919000		1		
39	6LJ20923000		1		
40	6LJ20922000		1		
41	6LJ20056000	CLIP070140B	1	1/P	



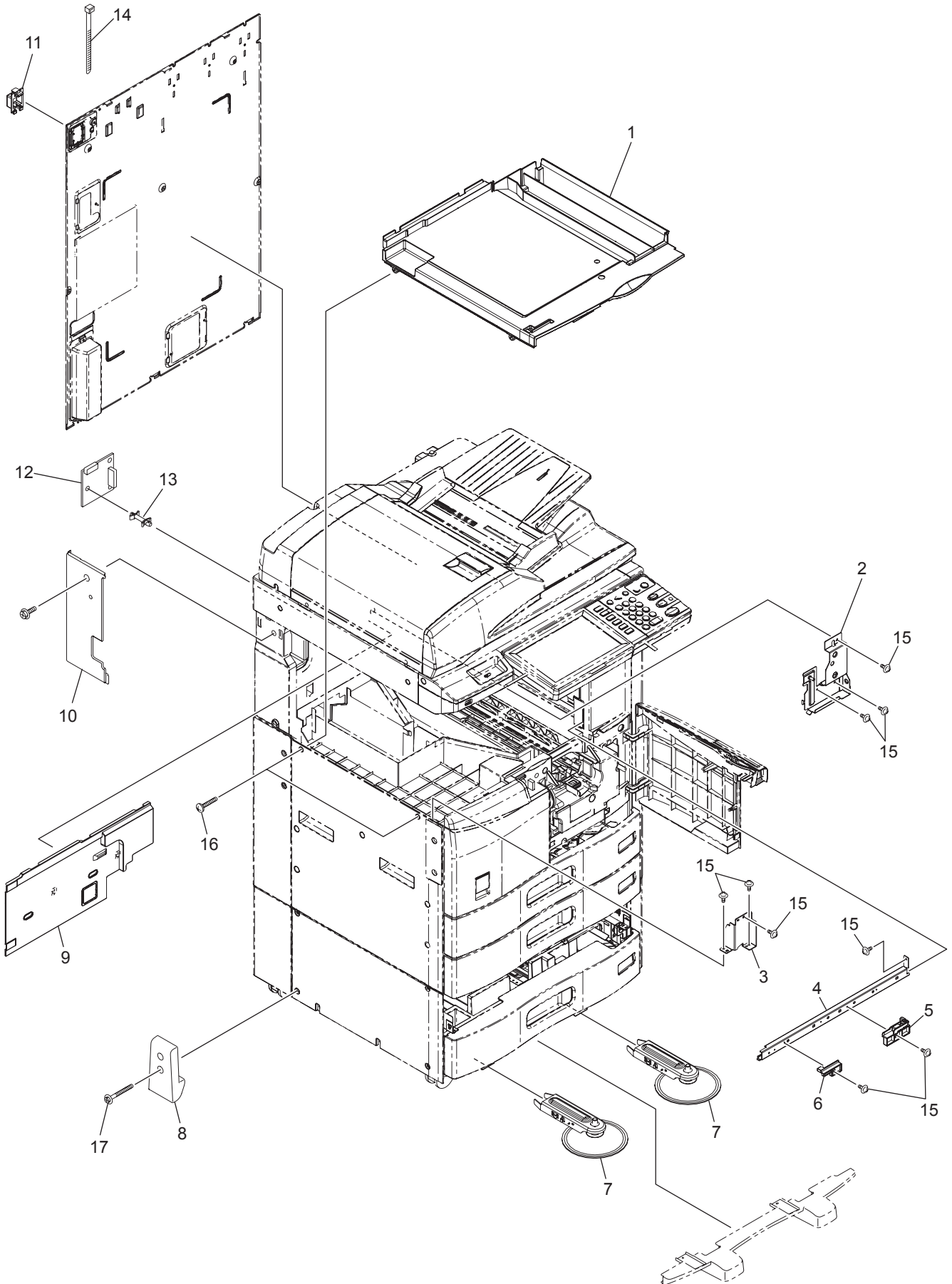
ITEM No.	PART No.	PART NAME	Q'TY / PAGE	Q'TY / PACK	REMARKS
1	6LJ20009000	GP1S173LCS0F	1	1/P	
2	6LJ20065000	SCR03T100WAVE-W	2	1/P	
3	6LJ19666000	GID-REV-UN	1	1/PP	
4	6LJ20055000	CLIP050140W	5	1/P	
5	6LJ20076000	SCR-03T080-D060024	1	1/P	
6	6LJ19674000	LEVER-ENT-SEN	1	1/P	
7	6LJ20582000	SHAFT ENT NIP KORO	1	1/P	
8	6LJ20903000	SPRING LVR FEED SEN	1	1/P	
9	6LJ20713000	HP-020	3	1/P	
10	6LJ19670000	LINK-ENT-NIP-IDL	1	1/P	
11	6LJ19669000	HLD-ENT-NIP-IDL	1	1/P	
13	6LJ20591000	SPRING ENT ROL KORO	4	1/P	
14	6LJ19673000	LINK-ENT-FLP	1	1/P	
15	6LJ19604000	SPG-F-ENT-FLP	1	1/P	
16	6LJ20507000	ASSEMBLY ENT NIP KORO	1	1/P	
17	6LJ20533000	ASSEMBLY PLT SP ENT FLP	1	1/P	



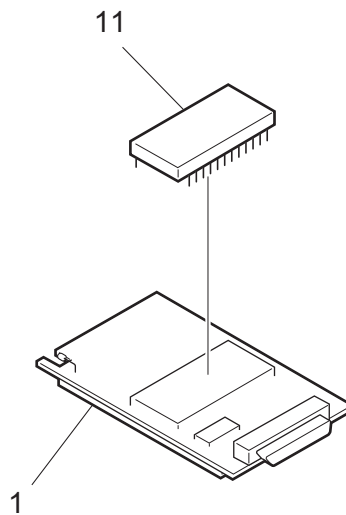
ITEM No.	PART No.	PART NAME	Q'TY / PAGE	Q'TY / PACK	REMARKS
1	6LJ20014000	RLMS-1V0	2	1/P	
2	6LJ20015000	RLMS-2V0	5	1/P	
3	6LJ20023000	ER-050	4	1/P	
4	6LJ20065000	SCR03T100WAVE-W	10	1/P	
5	6LJ20581000	SHAFT GID ENT JAM	1	1/P	
6	6LJ20904000	SPRING ENT FLP UN	1	1/P	
7	6LJ19787000	ARM-GID-ENT-JAM	1	1/P	
8	6LJ20677000	RSG-100	3	1/P	
9	6LJ20684000	LES-0510	1	1/P	
10	6LJ20709000	SP-020	1	1/P	
11	6LJ19999000	SCR03M060-WS-W	1	1/P	
12	6LJ20210000	SP-C-60-130-10000	2	1/P	
13	6LJ19616000	BKT-JNT-ENT	1	1/P	
14	6LJ19823000	SCW-M3-D04020-SR	2	1/P	
15	6LJ20676000	EDS-0607M	1	1/P	
16	6LJ20051000	BUSH060060MYU	2	1/P	
17	6LJ20054000	CLIP050060W	5	1/P	
18	6LJ20056000	CLIP070140B	2	1/P	
19	6LJ20060000	METAL060060FC	1	1/P	
20	6LJ20069000	SCR03T100-D	1	1/P	
21	6LJ20095000	DMP-FE-LVR-ENT	3	1/P	
22	6LJ20367000	GER-080-20-OW	1	1/P	
23	6LJ20496000	GER-080-26	1	1/P	
24	6LJ19665000	GID-ENT-BASE	1	1/PP	
25	6LJ19667000	GID-ENT-FLP	2	1/PP	
26	6LJ19668000	LEVER-FLP	1	1/P	
27	6LJ19715000	LEVER-FLP-UN	1	1/P	
28	6LJ19601000	SPG-F-ENT-EARTH	1	1/P	
29	6LJ20587000	SPRING ENT FLP UP	1	1/P	
30	6LJ19818000	SHEET-GID-ENT	1	1/P	
31	6LJ19784000	GUIDE-ENT-UN2	1	1/PP	
32	6LJ19785000	LINK-ENT-GID-JAM	1	1/P	
33	6LJ19786000	GUIDE-ENT-SUB	1	1/P	
34	6LJ20712000	HPIN-2X10	3	1/P	
35	6LJ19660000	SPG-F-JAM-LNK	1	1/P	
36	6LJ20605000	SPRING ENT GID JAM	1	1/P	
37	6LJ19783000	GUIDE-ENT-UN1	1	1/PP	
38	6LJ19798000	HLD-GID-ENT-JAM	1	1/P	
39	6LJ20076000	SCR-03T080-D060024	1	1/P	
40	6LJ20583000	SHAFT ROL ENT	1	1/P	
41	6LJ19808000	ROL-FIN-SEG1	2	1/KP	
42	6LJ19788000	GID-ENT-UN-SUB-F	1	1/P	
43	6LJ19789000	GID-ENT-UN-SUB-R	1	1/P	
44	6LJ19802000	COVER-ROL-ENT-C	1	1/P	
45	6LJ19803000	COVER-ROL-ENT-F	1	1/P	
46	6LJ19804000	COVER-ROL-ENT-R	1	1/P	
48	6LJ20540000	ASSEMBLY FEED ENT ROL	1	1/P	
49	6LJ20534000	ASSEMBLY GID ENT UN 1	1	1/P	



ITEM No.	PART No.	PART NAME	Q'TY / PAGE	Q'TY / PACK	REMARKS
1 A	6LJ20023000	ER-050	3	1/P	With MJ-6007
2 A	6LJ20060000	METAL060060FC	2	1/P	With MJ-6007
3 A	6LJ20064000	SCR03T060SR-W	2	1/P	With MJ-6007
4 A	6LJ20083000	FLG-FEED-PLY	1	1/P	With MJ-6007
5 A	6LJ19676000	HLD-IDL-FEED-SUB	2	1/P	With MJ-6007
6 A	6LJ19677000	IDL-FEED-SUB-EXT	2	1/P	With MJ-6007
7 A	6LJ20906000	SPRING FEED SUB KORO	2	1/P	With MJ-6007
8 A	6LJ20631000	SHEET GID BRUSH2	1	1/P	With MJ-6007
9 A	6LJ20699000	M3X10	2	1/P	With MJ-6007
10 A	6LJ20712000	HPIN-2X10	1	1/P	With MJ-6007
11 A	6LJ20824000	CAULKING FRM SUB R	1	1/P	With MJ-6007
12 A	6LJ19848000	GID-FEED-SUB-UP	1	1/PP	With MJ-6007
13 A	6LJ19865000	GEAR-08S18-6-SUB	3	1/P	With MJ-6007
14 A	6LJ19832000	FRAME-FEED-SUB-F	1	1/P	With MJ-6007
15 A	6LJ20830000	GUIDE FEED SUB LOW	1	1/P	With MJ-6007
16 A	6LJ20844000	ROLLER FEED SUB MID	1	1/KP	With MJ-6007
17 A	6LJ20851000	BRUSH GID SUB	1	1/P	With MJ-6007



ITEM No.	PART No.	PART NAME	Q'TY / PAGE	Q'TY / PACK	REMARKS
1	6LJ19675000	BASE-FIN	1	1/PP	
2	6LJ20518000	CAULKING BKT RAIL R	1	1/P	
3	6LJ19647000	BKT-RAIL-F	1	1/P	
4	6LJ19654000	RAIL-F	1	1/P	
5	6LJ20525000	ASSEMBLY HLDR LOCK MAIN	1	1/P	
6	6LJ19800000	STP-RAIL	1	1/P	
7	6LJ20538000	ASSEMBLY FOOT PFP	2	1/P	
8	6LJ20629000	FOOT LEFT MJ1032	1	1/P	
9	6LJ19647000	BKT-RAIL-F	1	1/P	
11	6LJ20005000	CABLE COVER T2(NP)	1	1/P	
12	6LB12403000	ASY-CNV-101	1	1/C	
13	6LJ20672000	WLS-12-0	1	1/P	
14	6LJ20011000	PLT-1M-69	1	1/P	
15	6LJ20701000	SCR-030-040NIT	8	1/P	
16	6LJ20065000	SCR03T100WAVE-W	1	1/P	



ITEM No.	PART No.	PART NAME	Q'TY / PAGE	Q'TY / PACK	REMARKS
1 11	44205829000 C0-04530000	K-PWA-DLM-320 M27C4001-10F1	1 1	1/C 1/S	

TOSHIBA

TOSHIBA TEC CORPORATION

2-17-2, HIGASHIGOTANDA, SHINAGAWA-KU, TOKYO, 141-8664, JAPAN