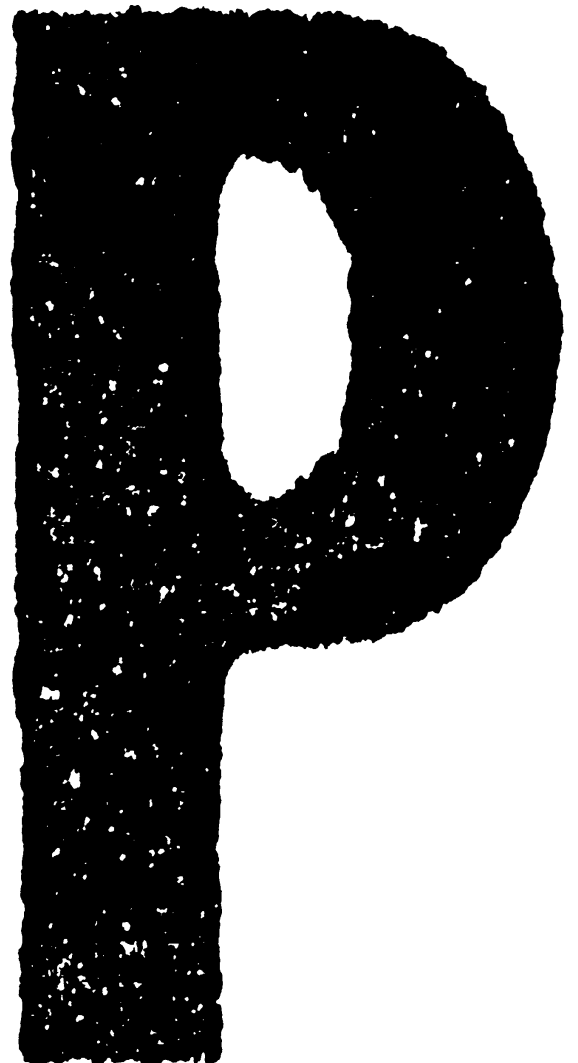


TOSHIBA

SERVICE PARTS LIST

Hole Punch Unit

MJ-6007

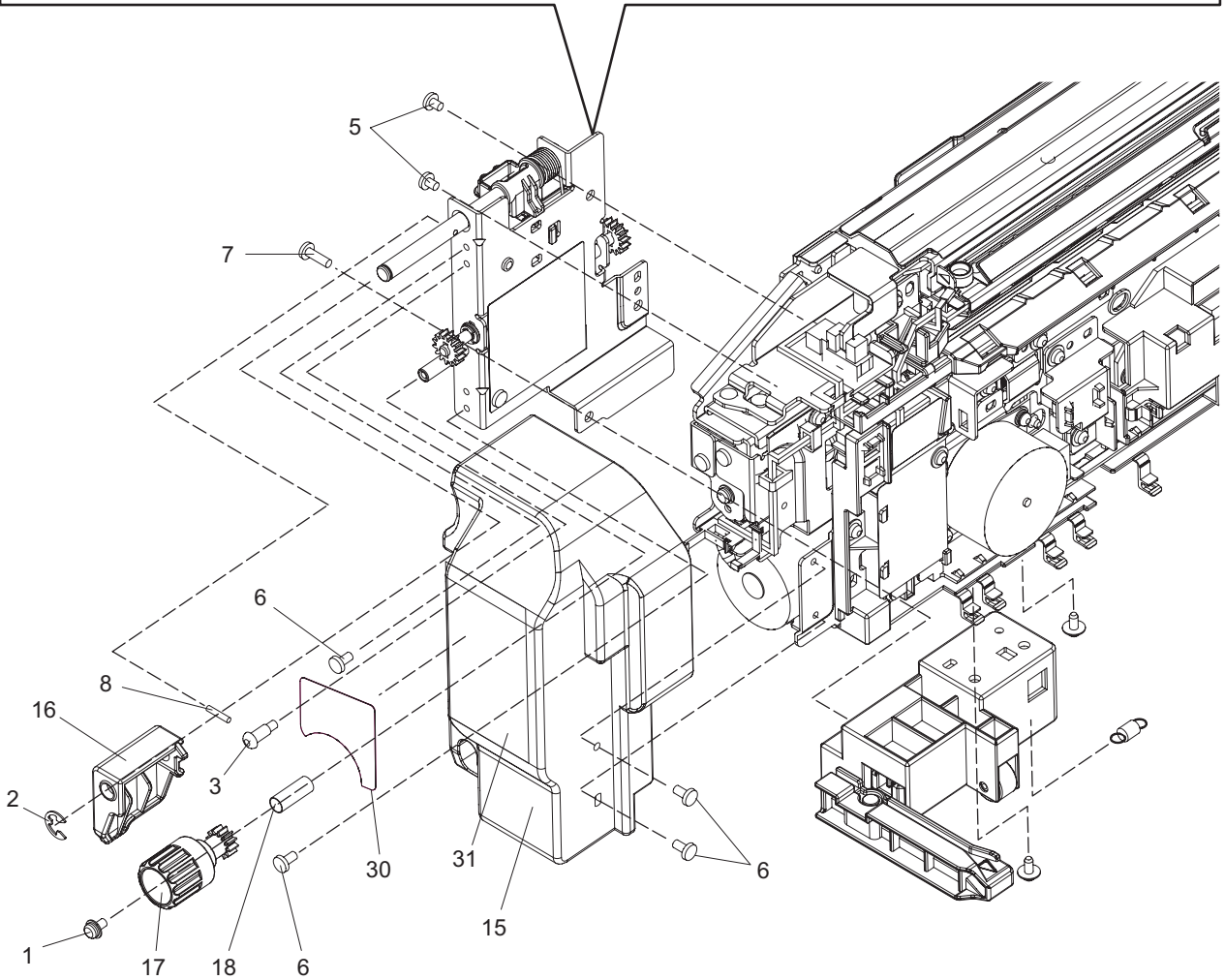
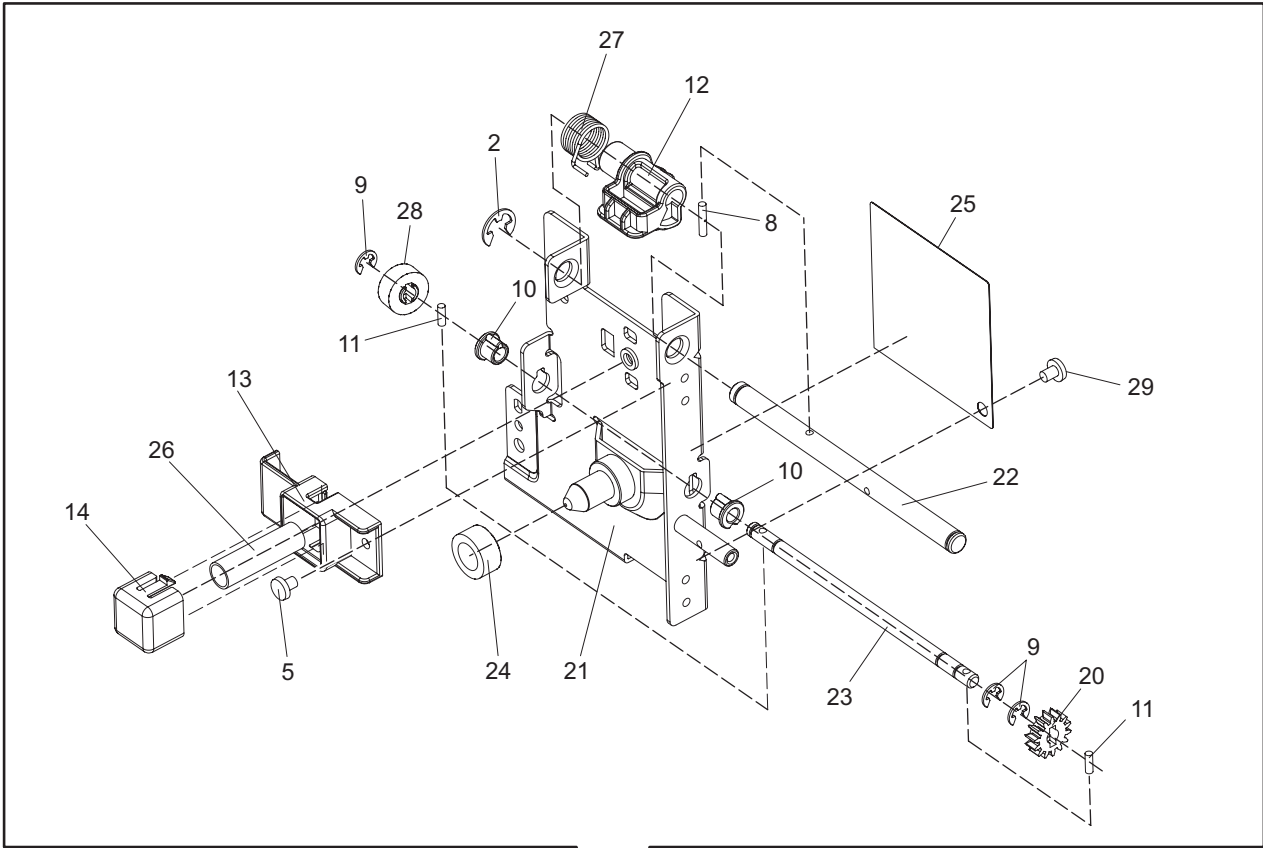


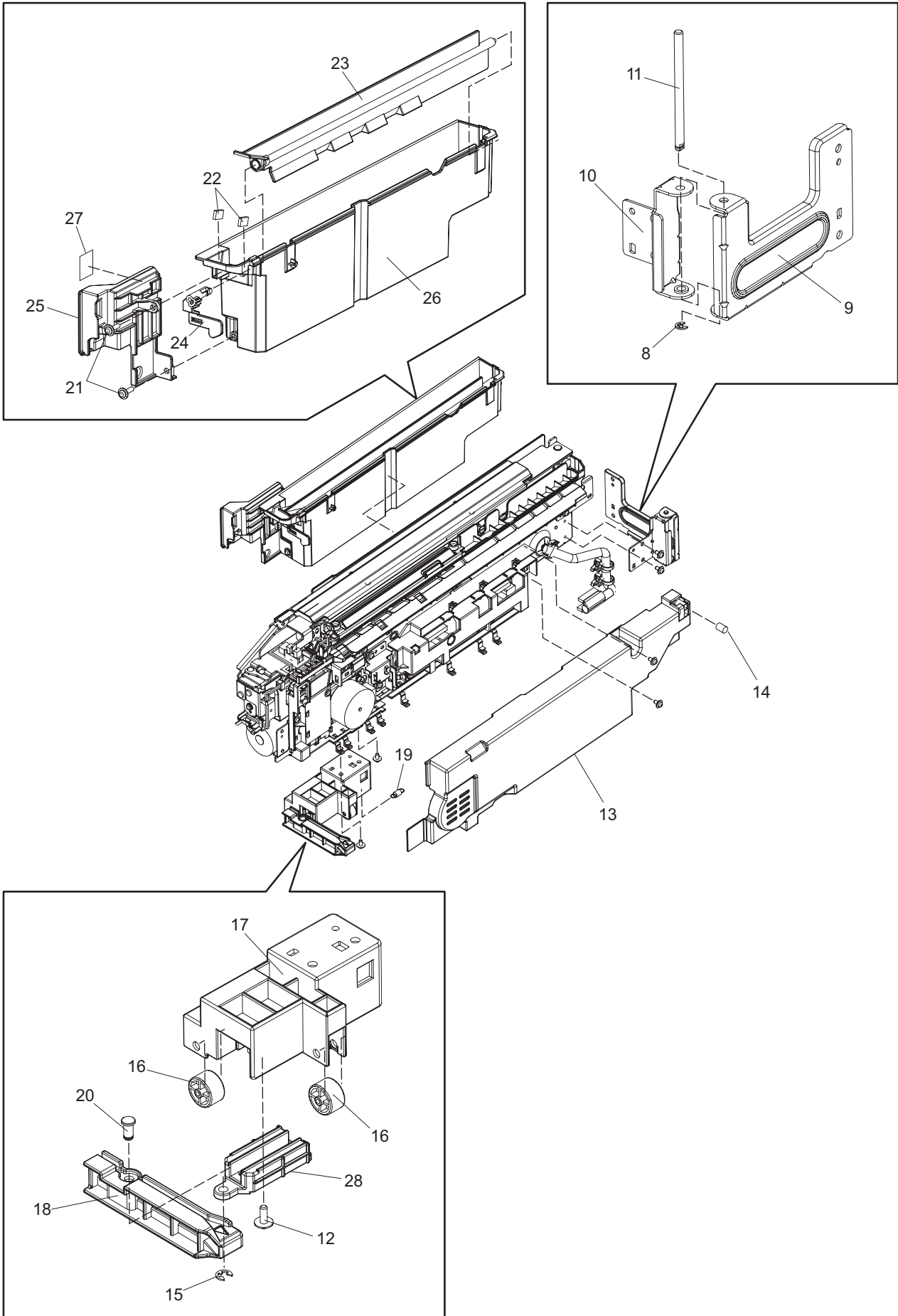
© 2012 TOSHIBA TEC CORPORATION All rights reserved

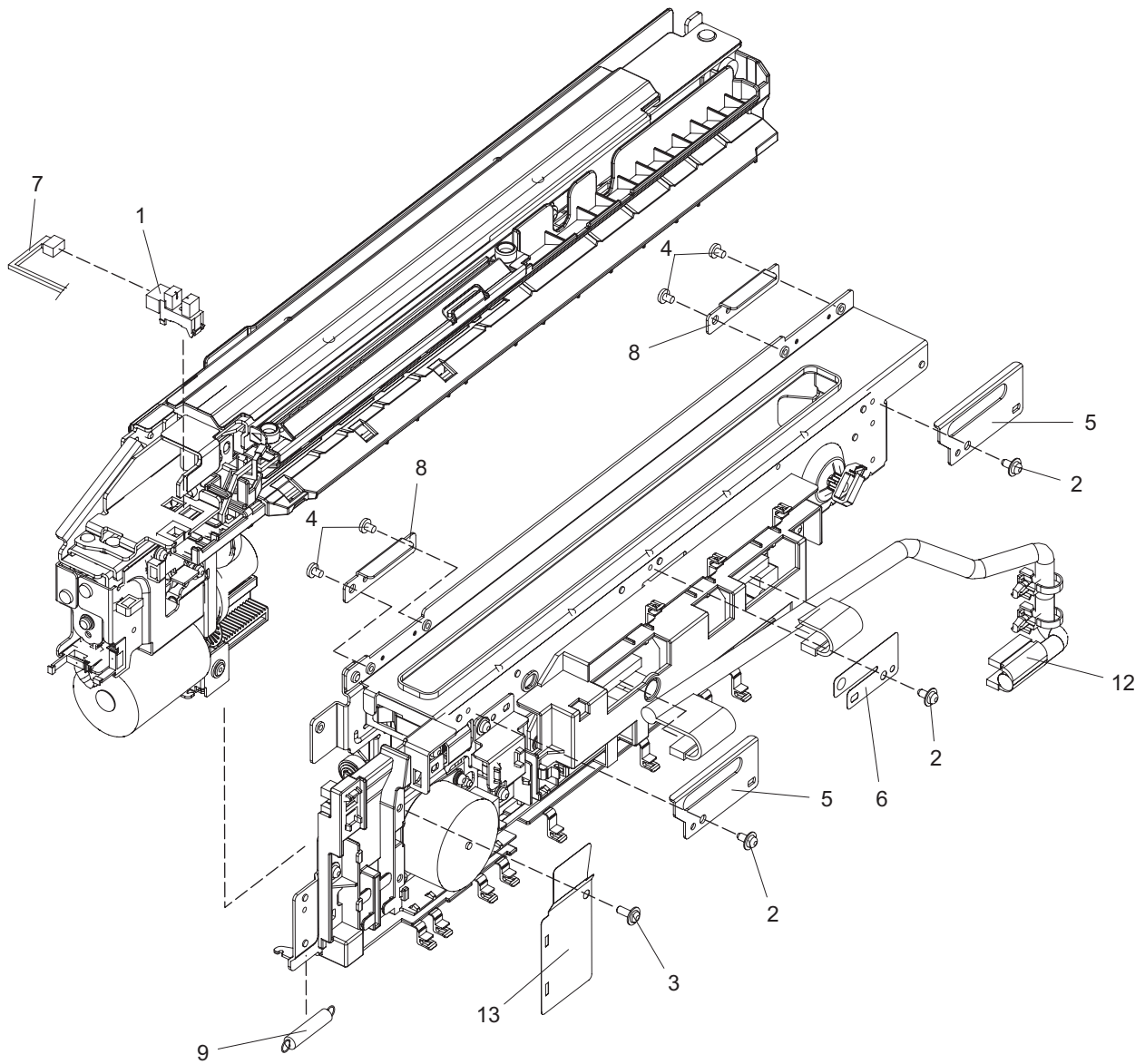
Under the copyright laws, this manual cannot be reproduced in any form without prior written permission of TOSHIBA TEC CORPORATION. No patent liability is assumed, however, with respect to the use of the information contained herein.

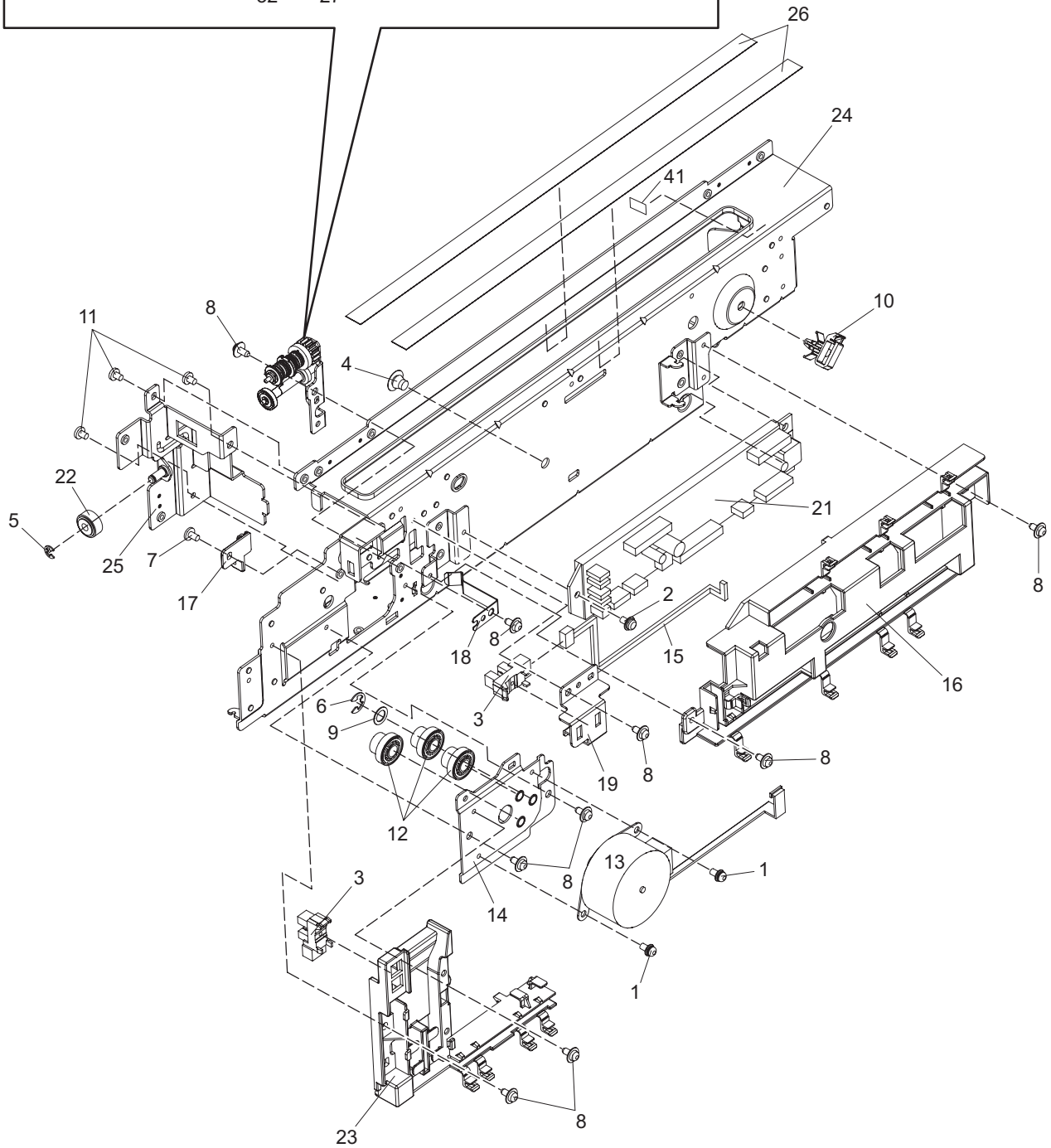
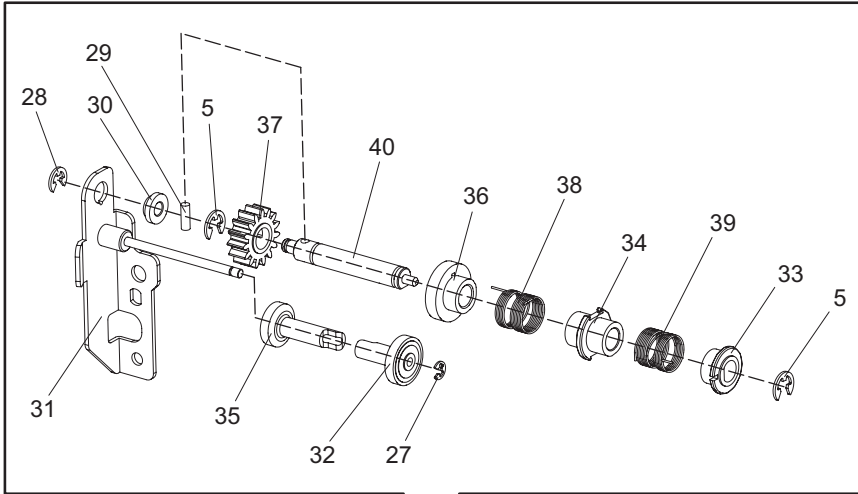
CONTENTS

ASYB-LVR-RCH.....	1
ASYB-DUST-BOX_&_HLDR-BASE	2
ASYB-PUNCH=SUB	3
ASYB-FRM_DUST-DRIVE.....	4
ASYB-PNT-DRIVE	5
ASYB-GID-UNIT.....	6
DOWNLOAD JIGS	51

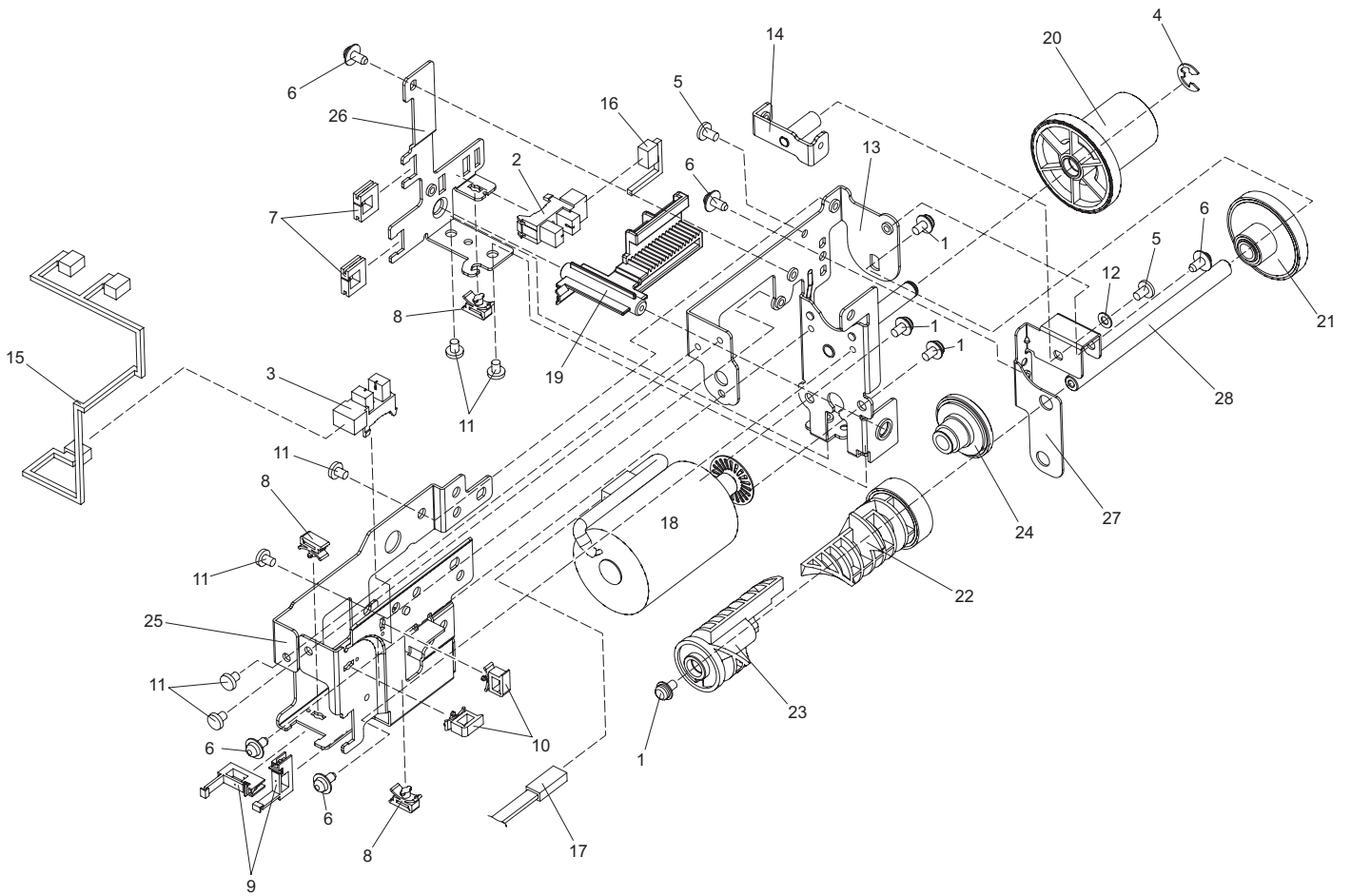


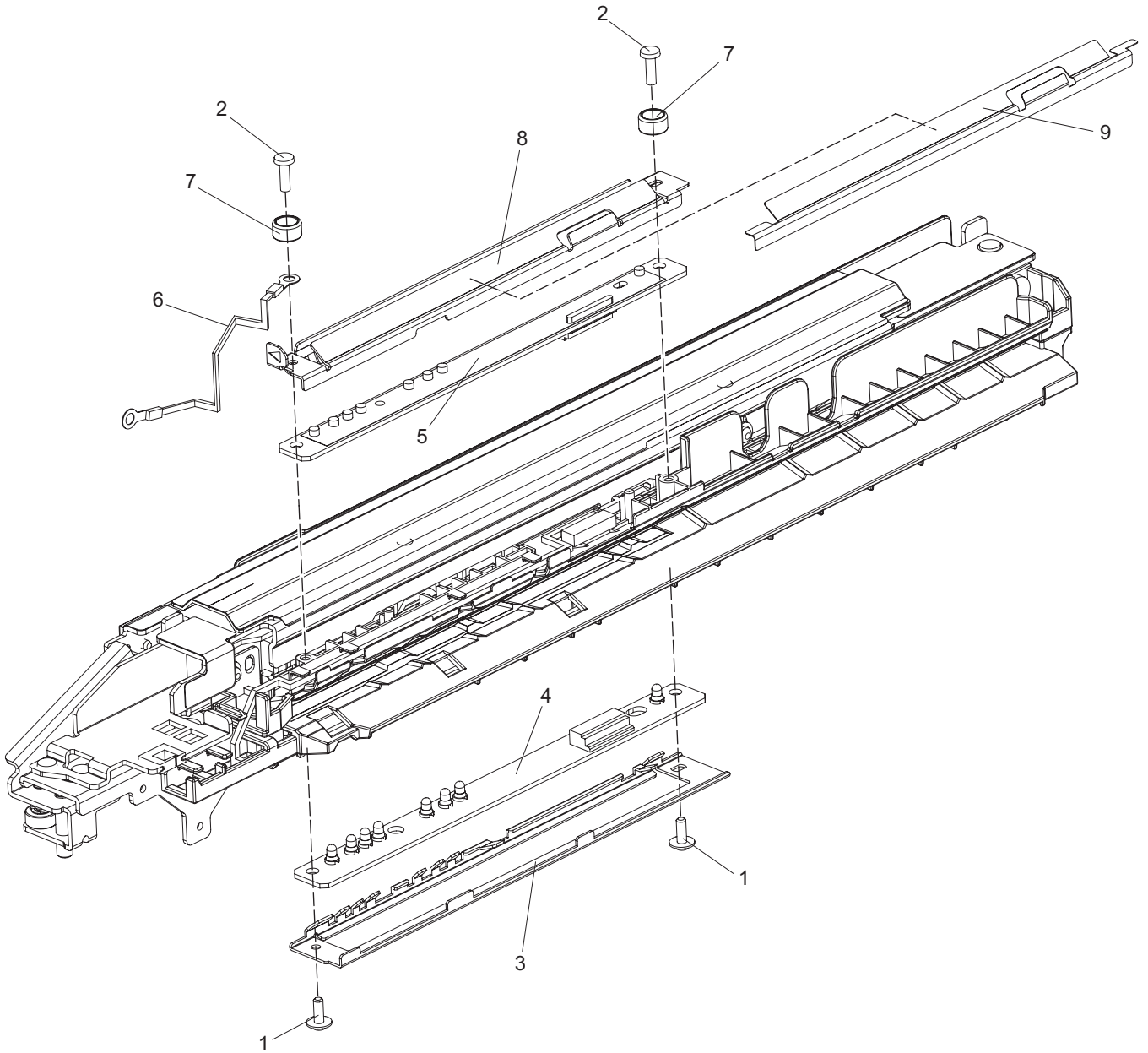


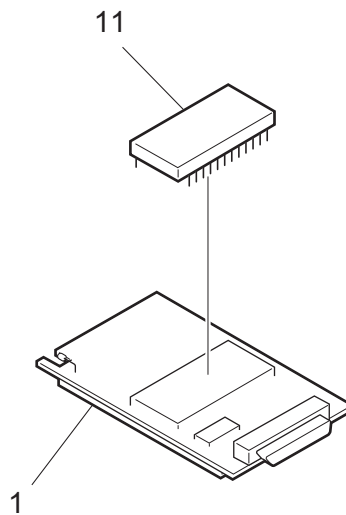




ITEM No.	PART No.	PART NAME	Q'TY / PAGE	Q'TY / PACK	REMARKS
1	6LJ19998000	SCR-030-060	2	1/P	
2	6LJ19999000	SCR03M060-WS-W	1	1/P	
3	6LJ20009000	GP1S173LCS0F	2	1/P	
4	6LJ20010000	KGPS-6RF	1	1/P	
5	6LJ20021000	ER-030	3	1/P	
6	6LJ20023000	ER-050	1	1/P	
7	6LJ20028000	SCR030050	1	1/P	
8	6LJ20064000	SCR03T060SR-W	9	1/P	
9	6LJ20670000	POLYSLIDER	1	1/P	
10	6LJ20686000	LWSR-0511	1	1/P	
11	6LJ20690000	SCR030040FWBI	3	1/P	
12	6LJ20722000	GER-060-16-25	3	1/P	
13	6LJ20725000	MOT-PM42L-048-NSD9	1	1/C	
14	6LJ20787000	K-FRM-SLID-MOT	1	1/P	
15	6LJ20789000	ASM-SNS-SEN1	1	1/P	
16	6LJ20802000	DUCT-PCB-BRIDGE	1	1/P	
17	6LJ20804000	HLDR-DRIVE-DUST	1	1/P	
18	6LJ20815000	SP-DUSTBOX	1	1/P	
19	6LJ20816000	BKT-DUST-SEN	1	1/P	
21	6LJ19879000	PBA-PUNCH	1	1/SB	
22	6LJ19867000	GEAR-08S14-4	1	1/P	
23	6LJ19869000	DUCT-PNT-BRIDGE	1	1/P	
24	6LJ20831000	FRAME BASE PNT	1	1/P	
25	6LJ20838000	BRACKET FRM F	1	1/P	
26	6LJ20850000	SHEET DUST FRM	2	1/KP	
27	6LJ20703000	ER-017	1	1/P	
28	6LJ20704000	ER-024	1	1/P	
29	6LJ20710000	SFT-020-060SCH	1	1/P	
30	6LJ20727000	BUSH-DRIVE-DUST	1	1/P	
31	6LJ20788000	K-DUST-DRIVE	1	1/P	
32	6LJ20803000	GER-080-12-DUST	1	1/P	
33	6LJ20805000	ABR-DRIVE-DUST	1	1/P	
34	6LJ20806000	ABR-DRIVE-DUST-M	1	1/P	
35	6LJ20807000	GER-050-18	1	1/P	
36	6LJ20808000	GER-050-25-ABR	1	1/P	
37	6LJ20809000	GER-080-15-JNT	1	1/P	
38	6LJ20820000	SP-DRIVE-DUST-L	1	1/P	
39	6LJ20821000	SP-DRIVE-DUST-R	1	1/P	
40	6LJ20843000	SHAFT DRIVE DUST	1	1/P	
41	6LJ20926000		1		







TOSHIBA

TOSHIBA TEC CORPORATION

2-17-2, HIGASHIGOTANDA, SHINAGAWA-KU, TOKYO, 141-8664, JAPAN