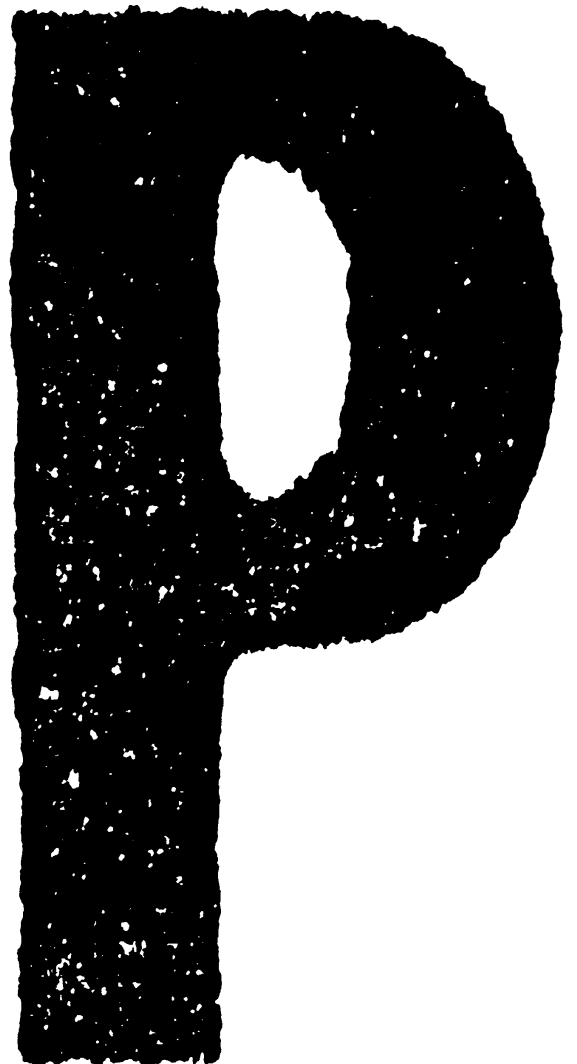


TOSHIBA
Leading Innovation >>>

SERVICE PARTS LIST

Hanging Finisher

MJ-1031

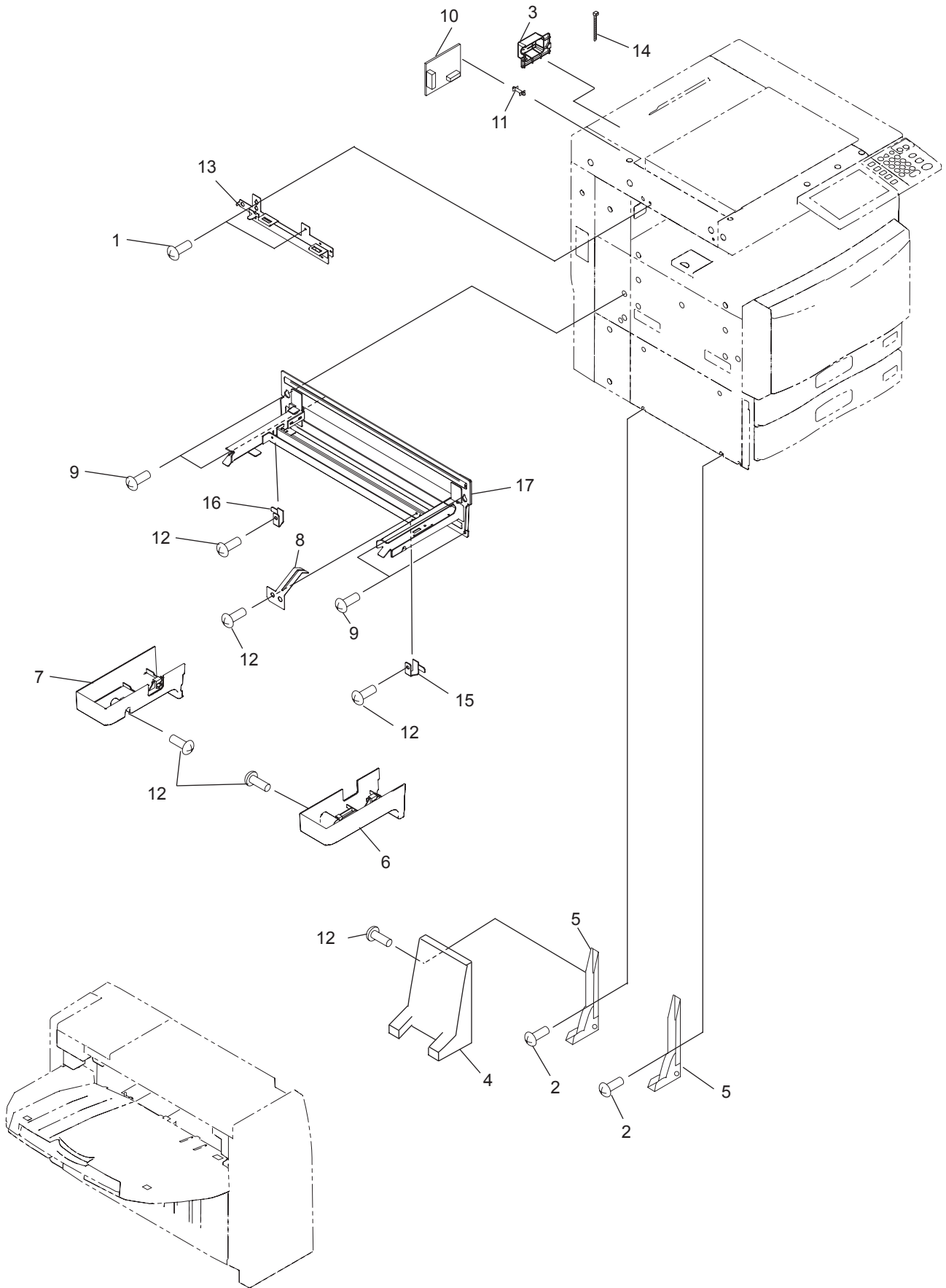


© 2008 TOSHIBA TEC CORPORATION All rights reserved

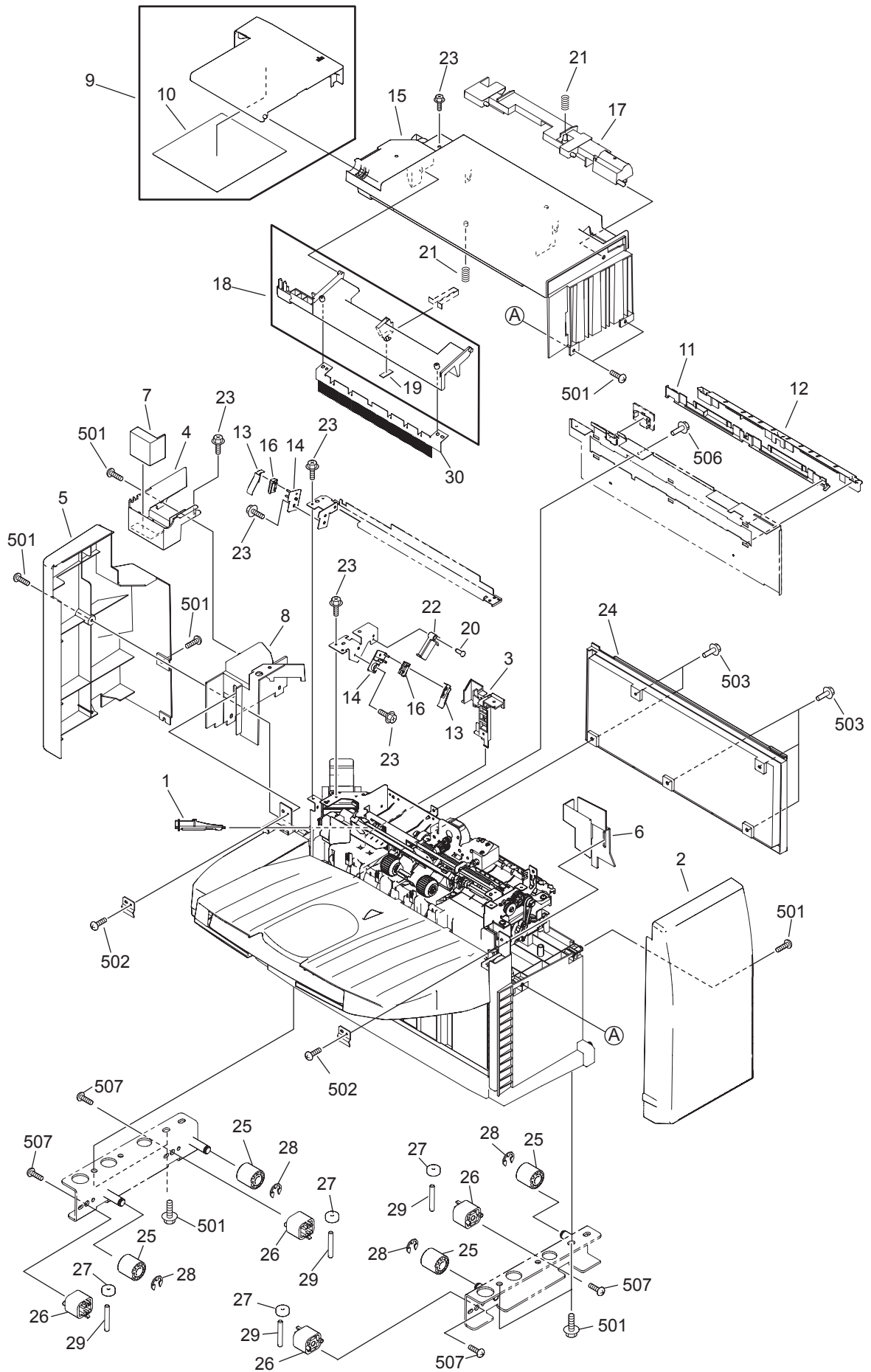
Under the copyright laws, this manual cannot be reproduced in any form without prior written permission of TOSHIBA TEC CORPORATION. No patent liability is assumed, however, with respect to the use of the information contained herein.

CONTENTS

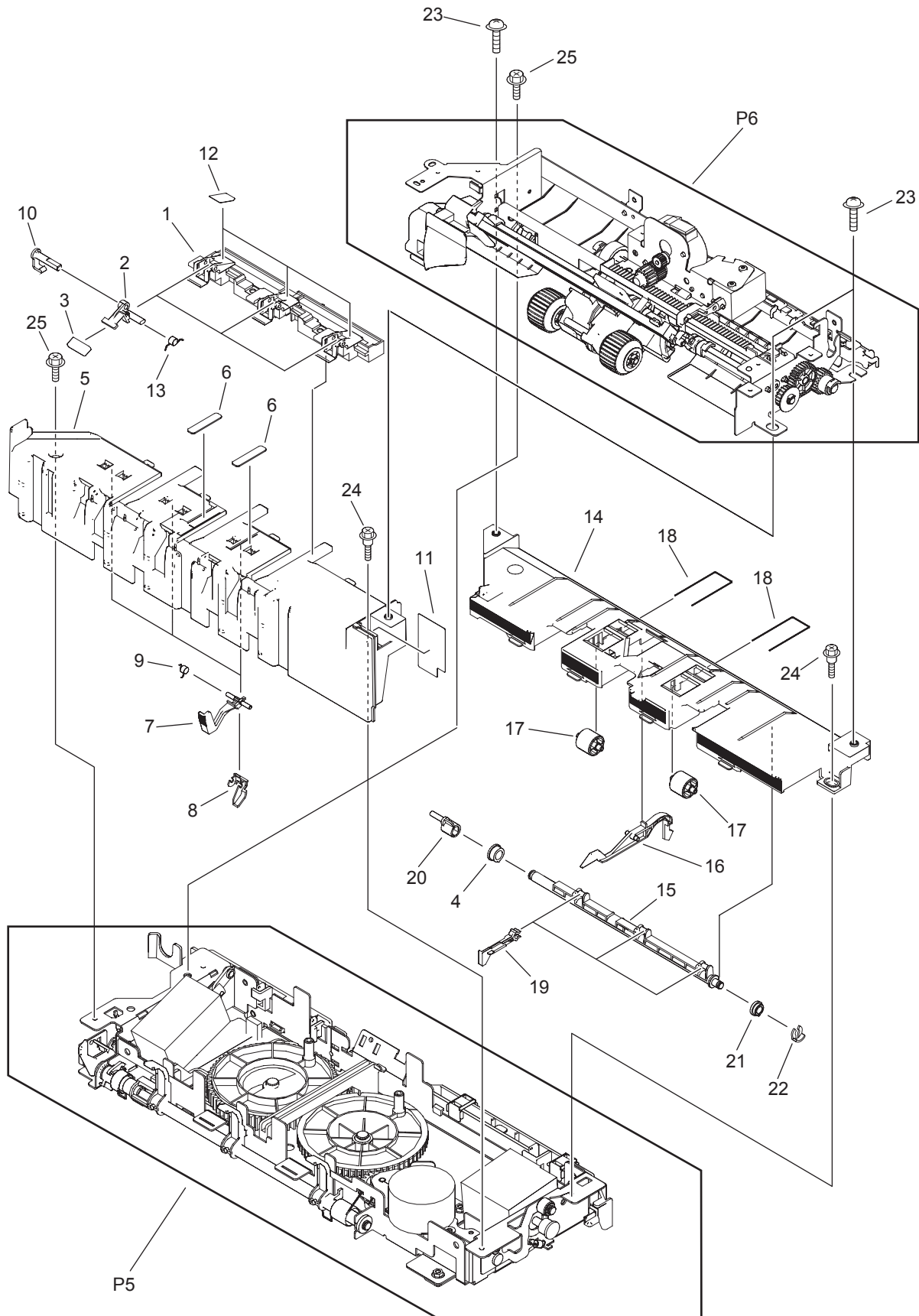
ATTACHMENT PARTS.....	1
EXTERNAL COVERS, PANELS, ETC.....	2
FINISHER MAIN BODY	3
STACK TRAY ASSEMBLY	4
DELIVERY DRIVE ASSEMBLY.....	5
FEEDER ASSEMBLY.....	6
STAPLER ASSEMBLY	7
PCB, MAIN CONTROLLER	8
DOWNLOAD JIGS	10



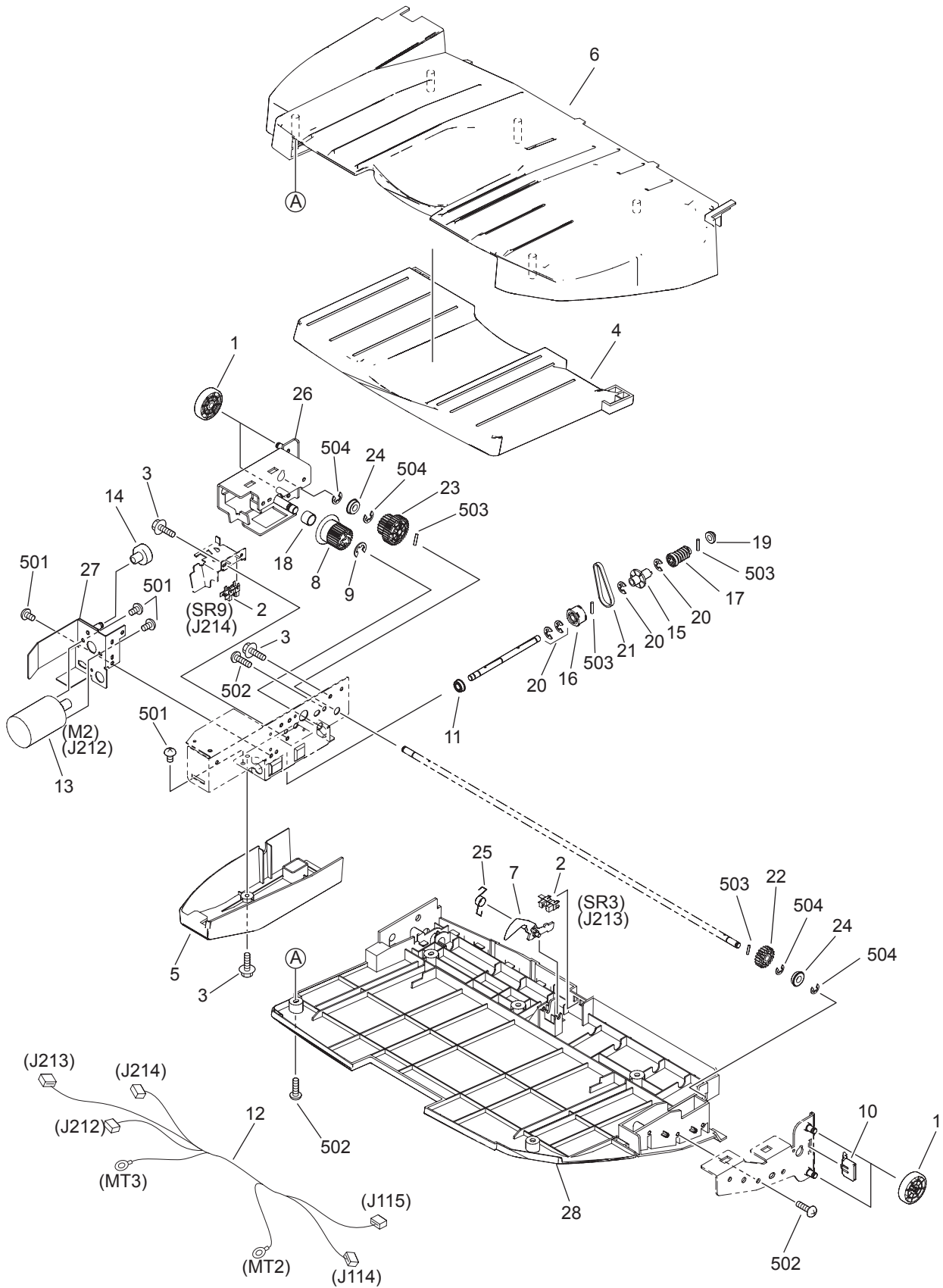
ITEM No.	PART No.	PART NAME	Q'TY / PAGE	Q'TY / PACK	P	I	R	BSI No.	TO	FROM	REMARKS
1	4A14659000	SCREW-S-M4X10	2	1/P							
2	4A16089000	SCREW-S-M3X16	2	1/P							
3	4A19687000	COVER-CABLE	1	1/P							
4	6LA95324000	COV-PANEL-STOP	1	1/PP							
5	6LE67884000	PLATE-STOPPER	2	1/P							
6	4A35119000	COVER-FOOT-F	1	1/PP							
7	4A35120000	COVER-FOOT-R	1	1/PP							
8	4A35131000	SPL-G-RAIL	1	1/P							
9	4A35152000	SCREW-TP-M4x16	4	1/P							
10	6LE00885000	IPC-BOARD-780	1	1/C							
11	4400576210	PWZ-SPLS	1	10/P							
12	XA91031000	SCREW-BIND-M4X8-R	6	1/P							
13	4F31254000	ASYS-PLATE-LATCH	1	1/P							
14	WT20030000	BAND	1	1/P							



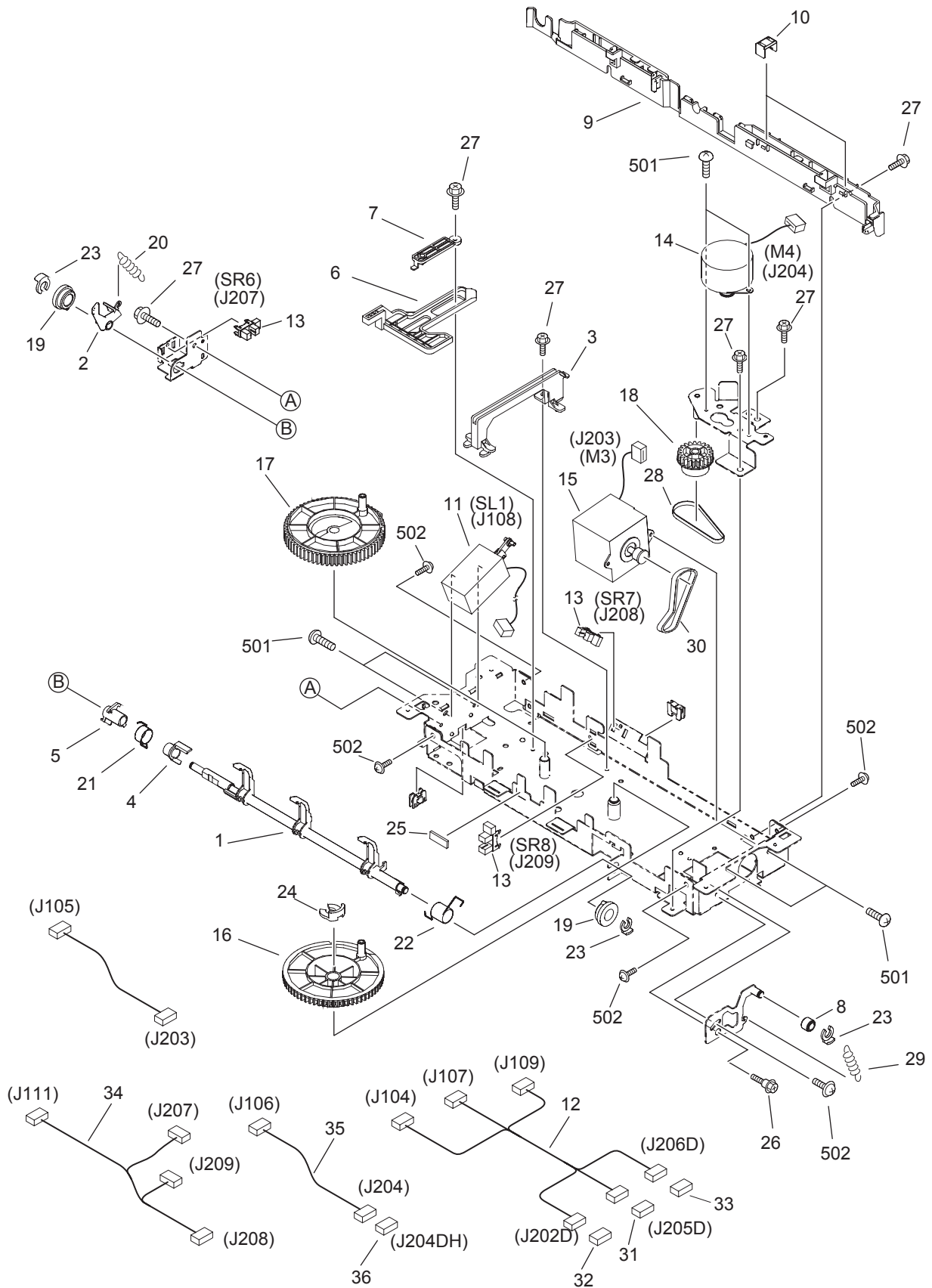
ITEM No.	PART No.	PART NAME	Q'TY / PAGE	Q'TY / PACK	P	I	R	BSI No.	TO	FROM	REMARKS
1	4A35150000	SFT-STP-OPEN-GUIDE	1	1/P							
2	4A35117000	COVER-FRONT	1	1/PP							
3	4A34291000	GUIDE-SW-CABLE	1	1/P							
4	4A35135000	COVER-TOP2	1	1/PP							
5	4A35136000	COVER-REAR	1	1/PP							
6	4A34295000	COVER-SIDE1	1	1/P							
7	4A34296000	COVER-SIDE2	1	1/P							
8	4A34328000	COVER-TOP3	1	1/P							
9	4F31255000	COVER-STAPLE	1	1/P							
10	4A35138000	LABEL-STP	1	1/KP							
11	4A34287000	GUIDE-ENTRANCE-U	1	1/P							
12	4A34289000	GUIDE-ENTRANCE-L	1	1/P							
13	4A31081000	SPL-SW	2	1/P							
14	4A31083000	HOLDER-SW	2	1/P							
15	4A35144000	COVER-TOP	1	1/PP							
16	4G31800000	CBL-SW	1	1/P							
17	4A35145000	LEVER	1	1/P							
18	4F30963000	COVER-FNP	1	1/PP							
19	4A34272000	SHEET-NOISE-PROOF	1	1/P							
20	FS29482000	SCREW-M3X11.5	1	1/P							
21	FS72246000	SPC-LEVER	2	1/P							
22	4A34280000	FLAG-JOINT	1	1/P							
23	XA91386000	SCREW-RS-M3X8	13	10/P							
24	4A35105000	COVER-RIGHT-L	1	1/PP							
25	4A35111000	ROLLER-RAIL	4	1/P							
26	4A35112000	HOLDER-ROLLER	4	1/P							
27	4A35113000	COLLAR-RAIL	4	1/P							
28	XD21100502	RING-E-050	4	1/P							
29	XD32200122	PIN-2X12	4	1/P							
501	XB45401205	SCREW-P-M4X12	16	1/P							
502	XA91435000	SCREW-M3X6-R	2	1/P							
503	XA91031000	SCREW-BIND-M4X8-R	5	1/P							
506	XA91500000	SCREW-RS-M3X8-ZC3	3	1/P							
507	XB45400809	SCREW-P-M4X8	4	1/P							



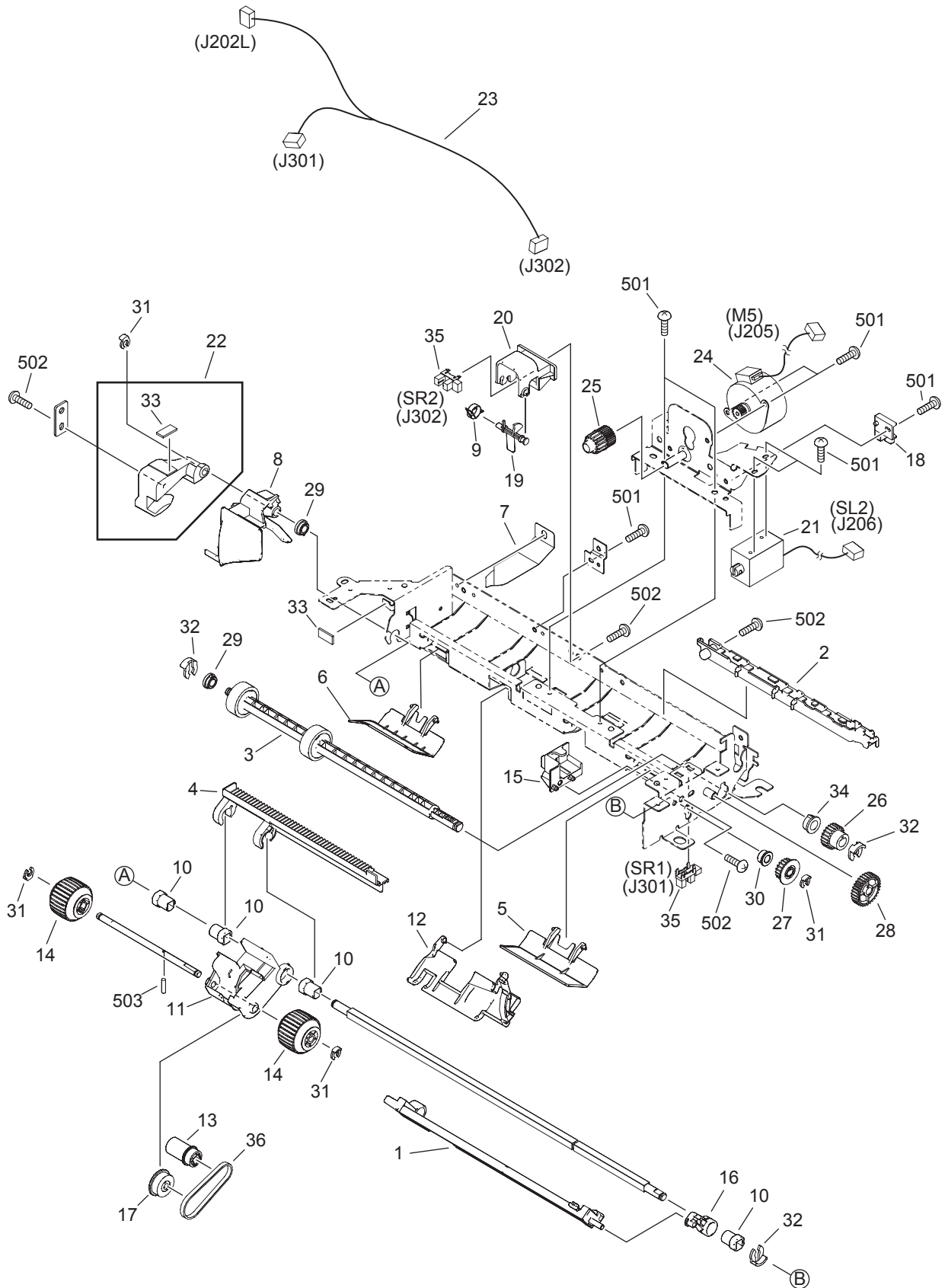
ITEM No.	PART No.	PART NAME	Q'TY / PAGE	Q'TY / PACK	P	I	R	BSI No.	TO	FROM	REMARKS
1	4F30243000	ASYS-TD-SLIDER	1	1/C							
2	4A31061000	CLAW	3	1/P							
3	4A31092000	CLAW-RUBBER	3	1/P							
4	FS51952000	BUSH-080	1	1/P							
5	4A31044000	OPERATING-TRAY	1	1/P							
6	4A31074000	OPERATING-TRAY-SHEET	2	1/P							
7	4A31045000	RETURN-WALL	1	1/P							
8	4A31068000	RETURN-WALL-LEVER	1	1/P							
9	4S32065000	RETURN-WALL-SPR	1	1/P							
10	4A31055000	CLAW-SHAFT	3	1/P							
11	4A34332000	SHEET-GEAR	1	1/P							
12	4A31080000	TD-GUIDE-SHEET	3	1/P							
13	4S32064000	CLAW-SP	3	1/P							
14	4A31047000	LOWER-GUIDE	1	1/P							
15	4A31048000	CLAW-LEVER-SHAFT	1	1/P							
16	4A31049000	FLAG-OPERATING-TRAY	1	1/P							
17	4A31050000	FEEDER-COLLAR	2	1/P							
18	4A31051000	FEEDER-COLLAR-SP	2	1/P							
19	4A31062000	CLAW-LEVER	3	1/P							
20	4A31063000	SHAFT-ARM	1	1/P							
21	4S31024000	BUSH-060MM	1	1/P							
22	FC54425000	CLIP-050	1	1/P							
23	XA91157000	SCREW-TP-M4X10	3	1/P							
24	FS59715000	SCREW-M3-060-3	2	1/P							
25	XA91386000	SCREW-RS-M3X8	2	10/P							



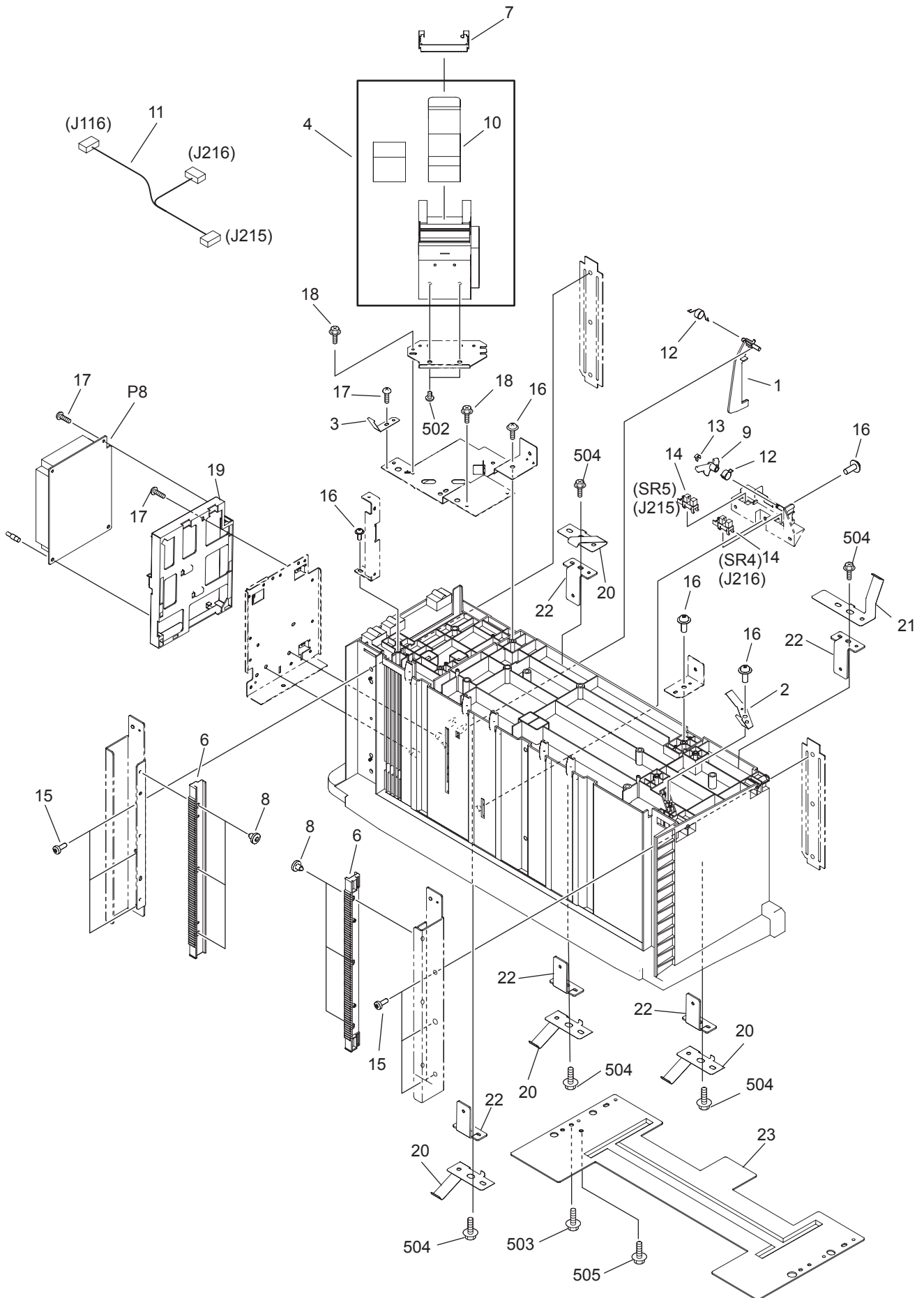
ITEM No.	PART No.	PART NAME	Q'TY / PAGE	Q'TY / PACK	P	I	R	BSI No.	TO	FROM	REMARKS
1	4A34298000	ROLLER-TRAY	4	1/P							
2	WG85696000	TLP1243	2	1/P							
3	XA91386000	SCREW-RS-M3X8	5	10/P							
4	4A35139000	SLIDE-TRAY	1	1/PP							
5	4A35140000	COVER-TRAY-LOWER	1	1/P							
6	4A35141000	MAIN-TRAY	1	1/PP							
7	4A34308000	FLAG-MAIN-TRAY	1	1/P							
8	4A34330000	GEAR-Z27	1	1/P							
9	XD21100642	RING-E-064	1	1/P							
10	4A34299000	THRUST-GUIDE-TRAY	1	1/P							
11	4A31643000	BRG-06-12	1	1/P							
12	4G32478000	CABLE-MAIN-TRAY	1	1/P							
13	4H30391000	TRAY-MOTOR	1	1/C							
14	4S36199000	BELT-SUP-ROLLER	1	1/P							
15	4A35149000	ENCODER-TRAY	1	1/P							
16	4S30553000	PULLEY-S2M-28	1	1/P							
17	4S30554000	WORM-GEAR	1	1/P							
18	4S32084000	SPRING-RATCHET	1	1/P							
19	4S31024000	BUSH-060MM	1	1/P							
20	XD21100402	RING-E-040	4	1/P							
21	XF21105640	BELT-S2M-112	1	1/P							
22	4S30551000	GEAR-Z20	1	1/P							
23	4S30552000	GEAR-Z36-Z20	1	1/P							
24	FS51805000	BUSHING	2	1/P							
25	4S32080000	SENSOR-SP	1	1/P							
501	XB12300405	SCREW-BIND-M3X4-ZC	5	1/P							
502	XB45401205	SCREW-P-M4X12	10	1/P							
503	XD32200102	PIN-020X10	4	1/P							
504	XD21100502	RING-E-050	4	1/P							



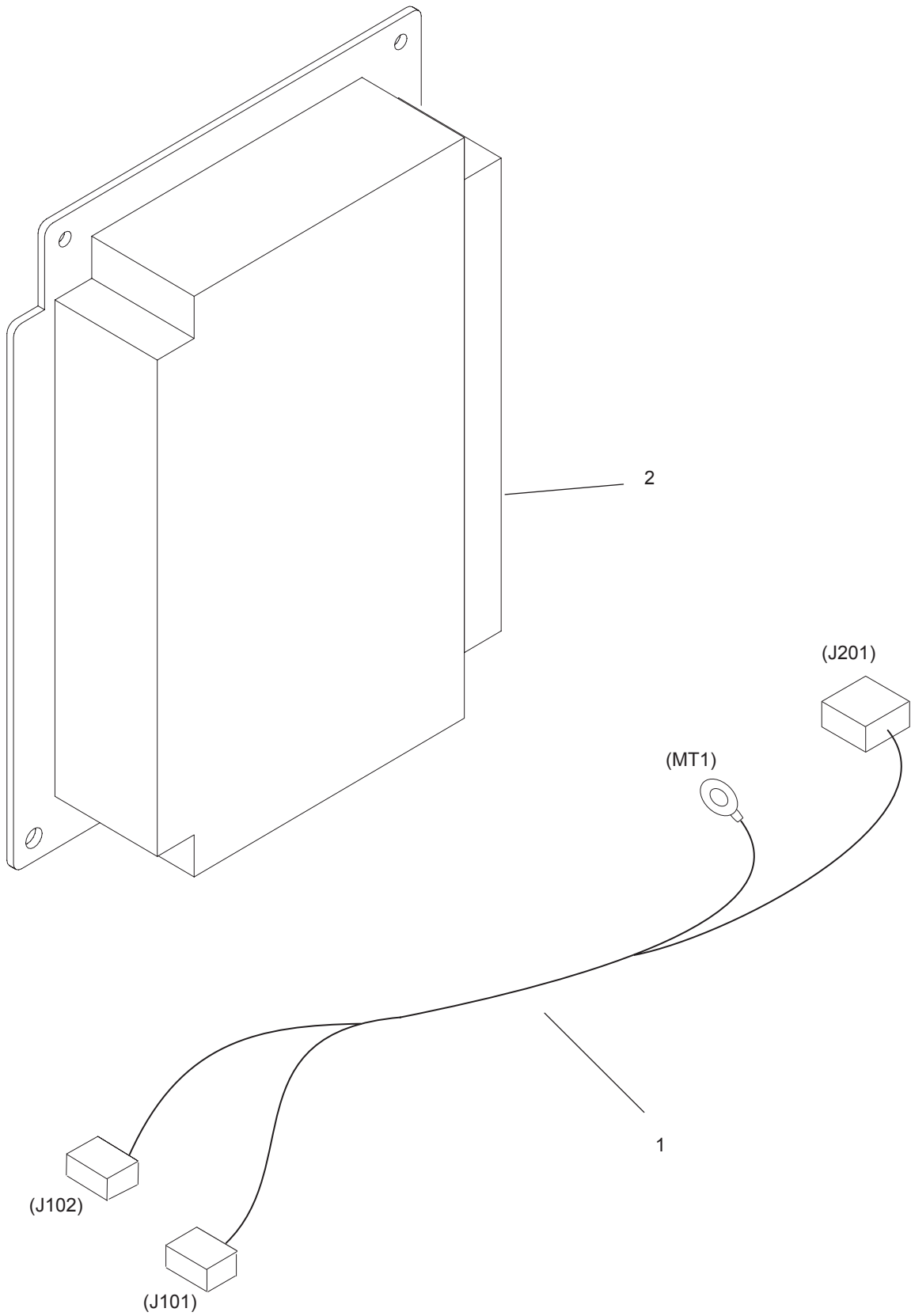
ITEM No.	PART No.	PART NAME	Q'TY / PAGE	Q'TY / PACK	P	I	R	BSI No.	TO	FROM	REMARKS
1	4A31042000	TRAY-PAPER-RETAINER	1	1/P							
2	4A31043000	FLAG-STK-PAPER	1	1/P							
3	4A31053000	TD-SLIDE-RAIL	1	1/P							
4	4A31056000	LEVER-PAPER-RETAINER	1	1/P							
5	4A31057000	ARM-PAPER-RETAINER	1	1/P							
6	4A31059000	LEVER-PRESSURE	1	1/P							
7	4A31060000	LEVER-PRESSURE-FIX	1	1/P							
8	4A31064000	TENSIONER-COLLAR	1	1/P							
9	4A31077000	TD-CABLE-GUIDE	1	1/PP							
10	4A31085000	TD-CABLE-COV	2	1/P							
11	4F31257000	SOLENOID-CABLE	1	1/C							
12	4G31793000	CABLE-OFFSET-UNIT	1	1/P							
13	WG85696000	TLP1243	3	1/P							
14	4K14052000	TD-MOTOR	1	1/C							
15	4H30379000	FEED-MOTOR	1	1/C							
16	4S30099000	TD-SLIDE-GEAR-64T-1	1	1/P							
17	4S30100000	TD-SLIDE-GEAR-64T-2	1	1/P							
18	4S30101000	PULLY-36T/GEAR-21T	1	1/P							
19	4S31024000	BUSH-060MM	2	1/P							
20	4S32063000	FLAG-STK-PAPER-SP	1	1/P							
21	4S32066000	PAPER-RETAINER-SP	1	1/P							
22	4S32067000	RETURN-SP	1	1/P							
23	FC54424000	CLIP-040	3	1/P							
24	FC54425000	CLIP-050	1	1/P							
25	FC56022000	1ST-FLAP-SHEET	1	1/P							
26	FS59714000	SCREW-M3-060-1	1	1/P							
27	XA91386000	SCREW-RS-M3X8	7	10/P							
28	XF21607135	BELT-S2M-142	1	1/P							
29	4S32068000	TENSIONER-SP	1	1/P							
30	XF21607235	BELT-S2M-144	1	1/P							
31	VS17207005	CONNECTOR	1	1/P							
32	VS17207006	CONNECTOR-F	1	1/P							
33	VS17507002	CONNECTOR-M	1	1/P							
34	4G31801000	CABLE-JOG-SENSOR	1	1/P							
35	4G31796000	CABLE-EJECT-MOTOR	1	1/P							
36	VS17207004	CONNECTOR-BK	1	1/P							
501	XB12300405	SCREW-BIND-M3X4-ZC	6	1/P							
502	XB28300605	SCREW-BIND-M3X6W/WAS	5	1/P							

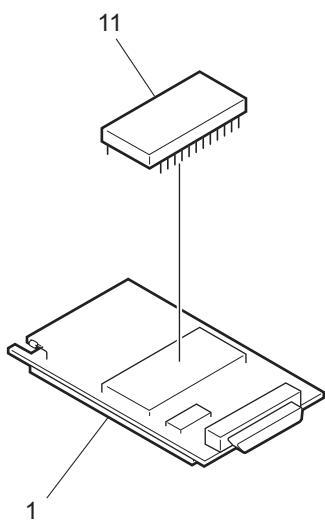


ITEM No.	PART No.	PART NAME	Q'TY / PAGE	Q'TY / PACK	P	I	R	BSI No.	TO	FROM	REMARKS
1	4A31104000	LEVER-OR	1	1/P							
2	4A31107000	GUIDE-CABLE	1	1/P							
3	4A31109000	FEED-ROLLER	1	1/P							
4	4A31110000	RACK-OFFSET	1	1/P							
5	4F31262000	GUIDE-SWING-F	1	1/P							
6	4A32062000	GUIDE-SWING-R	1	1/P							
7	4A34335000	SHEET-GUIDE-UPPER	1	1/C							
8	4F31216000	PAPER-RETAINER-C	1	1/P							
9	4A31116000	FLAG-FEED-SP	1	1/P							
10	4A31117000	BUSHING-OFFSET	4	1/P							
11	4A31118000	HOLDER-OFFSET-ROLLER	1	1/P							
12	4A31119000	PAPER-RETAINER-F	1	1/P							
13	4A31120000	PULLEY-22T	1	1/P							
14	4A31121000	OFFSET-ROLLER	2	1/P							
15	4A31123000	COVER-SENSOR	1	1/P							
16	4A31125000	HOLDER-LEVER-OR	1	1/P							
17	4A31127000	PULLEY-30T	1	1/P							
18	4A31129000	ROLLER-RETAINER	1	1/P							
19	4A31131000	FLAG-PAPER-FEEDER	1	1/P							
20	4A31133000	HOLDER-ENTRANCE-SENSOR	1	1/P							
21	4F30244000	OFFSET-SOLENOID	1	1/C							
22	4F30971000	HOLDER-PAPER-RIGHT	1	1/P							
23	4G31794000	CABLE-INLET-SENSOR	1	1/P							
24	4K14053000	OFFSET-MOTOR	1	1/C							
25	4S30109000	GEAR-14T/30T	1	1/P							
26	4S30110000	PULLY-22T/GEAR-22T	1	1/P							
27	4S30111000	GEAR-19T	1	1/P							
28	4S30112000	GEAR-31T	1	1/P							
29	4S31024000	BUSH-060MM	2	1/P							
30	FS51805000	BUSHING	1	1/P							
31	FC54424000	CLIP-040	4	1/P							
32	FC54425000	CLIP-050	3	1/P							
33	FC56022000	1ST-FLAP-SHEET	2	1/P							
34	FS51952000	BUSH-080	1	1/P							
35	WG85696000	TLP1243	2	1/P							
36	XF21606335	BELT-S2M-126	1	1/P							
501	XB12300405	SCREW-BIND-M3X4-ZC	6	1/P							
502	XB45401205	SCREW-P-M4X12	4	1/P							
503	XD32200102	PIN-020X10	1	1/P							



ITEM No.	PART No.	PART NAME	Q'TY / PAGE	Q'TY / PACK	P	I	R	BSI No.	TO	FROM	REMARKS
1	4A34278000	FLAG-AREA-SENSOR	1	1/P							
2	4A34285000	SPL-G2	1	1/P							
3	4A34286000	SPL-G3	1	1/P							
4	4G30480000	STAPLE-UNIT	1	1/C							
6	4A34268000	RACK-TRAY	2	1/P							
7	4A31078000	CLINCH-GUIDE-UP	1	1/C							
8	XA91035000	SCREW-M4X4-R	3	1/P							
9	4A34277000	FLAG-TRAY-FULL	1	1/P							
10	4A31257000	CARTRIDGE-STAPLER	1	1/P							
11	4G31804000	CABLE-TRAY-SENSOR	1	1/P							
12	4S32317000	FLAG-TRAY-FULL-SP	2	1/P							
13	FC54697000	RING-RETAINING	1	1/P							
14	WG85696000	TLP1243	2	1/P							
15	XA91729000	SCREW-BIND-M3X8BBC	6	1/P							
16	XA91157000	SCREW-TP-M4X10	9	1/P							
17	XA91435000	SCREW-M3X6-R	9	1/P							
18	XA91386000	SCREW-RS-M3X8	2	10/P							
19	4A35107000	GUIDE-CABLE	1	1/PP							
20	4A35147000	SPL-BASE-G2	4	1/P							
21	4A35148000	SPL-BASE-G3	1	1/P							
502	XB12300405	SCREW-BIND-M3X4-ZC	2	1/P							
503	4A35151000	SCREW-M4X25	1	1/P							
504	XB45400809	SCREW-P-M4X8	5	1/P							
505	XB45401205	SCREW-P-M4X12	2	1/P							





ITEM No.	PART No.	PART NAME	Q'TY / PAGE	Q'TY / PACK	P	I	R	BSI No.	TO	FROM	REMARKS
1	44205829000	K-PWA-DLM-320	1	1/C							

TOSHIBA

TOSHIBA TEC CORPORATION

2-17-2, HIGASHIGOTANDA, SHINAGAWA-KU, TOKYO, 141-8664, JAPAN