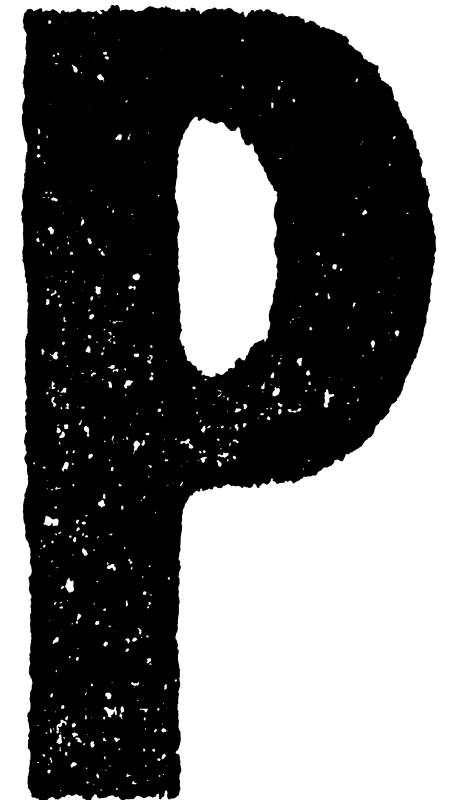


SERVICE PARTS LIST

Perfect Binder

GB5000



Perfect Binder GB5000 (D391)

PARTS CATALOG

This catalog gives the numbers and names of parts on this machine.

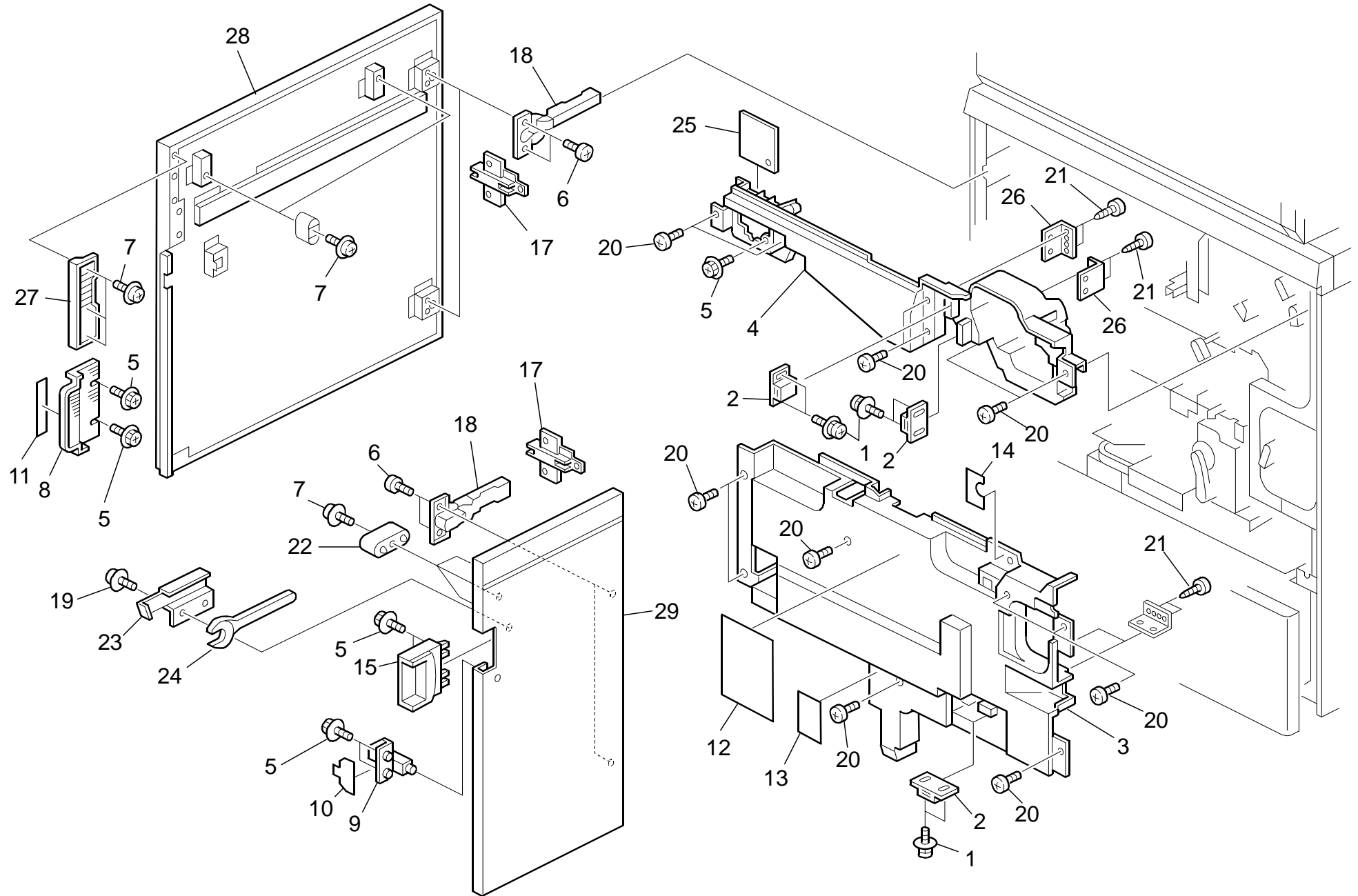
1.Exterior 1 (D391)	2	22.Signature Transport Section 1 (D391)	44
2.Exterior 2 (D391)	4	23.Signature Transport Section 2 (D391)	46
3.Exterior 3 (D391)	6	24.Signature Transport Section 3 (D391)	48
4.Transit Pass Unit 1 (D391)	8	25.Signature Transport Section 4 (D391)	50
5.Transit Pass Unit 2 (D391)	10	26.Signature Transport Section 5 (D391)	52
6.Transit Pass Unit 3 (D391)	12	27.Signature Delivery Section 1 (D391)	54
7.Inserter Section 1 (D391)	14	28.Signature Delivery Section 2 (D391)	56
8.Inserter Section 2 (D391)	16	29.Signature Delivery Section 3 (D391)	58
9.Inserter Section 3 (D391)	18	30.Signature Delivery Section 4 (D391)	60
10.Inserter Section 4 (D391)	20	31.Signature Delivery Section 5 (D391)	62
11.Inserter Section 5 (D391)	22	32.Stacking Tray Section 1 (D391)	64
12.Inserter Section 6 (D391)	24	33.Stacking Tray Section 2 (D391)	66
13.Inserter Section 7 (D391)	26	34.Stacking Tray Section 3 (D391)	68
14.Inserter Section 8 (D391)	28	35.Stacking Tray Section 4 (D391)	70
15.Inserter Section 9 (D391)	30	36.Stacking Tray Section 5 (D391)	72
16.Inserter Section 10 (D391)	32	37.Stacking Tray Section 6 (D391)	74
17.Inserter Section 11 (D391)	34	38.Sub Gripper Section 1 (D391)	76
18.Inserter Section 12 (D391)	36	39.Sub Gripper Section 2 (D391)	78
19.Inserter Section 13 (D391)	38	40.Sub Gripper Section 3 (D391)	80
20.Vertical Feed Section 1 (D391)	40	41.Sub Gripper Section 4 (D391)	82
21.Vertical Feed Section 2 (D391)	42	42.Sub Gripper Section 5 (D391)	84

July 20, 2010

43.Main Gripper Section 1 (D391).....	86
44.Main Gripper Section 2 (D391).....	88
45.Main Gripper Section 3 (D391).....	90
46.Main Gripper Section 4 (D391).....	92
47.Main Gripper Section 5 (D391).....	94
48.Glue Supply Section 1 (D391).....	96
49.Glue Supply Section 2 (D391).....	98
50.Glue Supply Section 3 (D391).....	100
51.Glue Supply Section 4 (D391).....	102
52.Gluing Section 1 (D391).....	104
53.Gluing Section 2 (D391).....	106
54.Gluing Section 3 (D391).....	108
55.Cover Feed Regist Section 1 (D391).....	110
56.Cover Feed Regist Section 2 (D391).....	112
57.Cover Feed Path Section 1 (D391).....	114
58.Cover Feed Path Section 2 (D391).....	116
59.Cover Feed Path Section 3 (D391).....	118
60.Cover Feed Path Section 4 (D391).....	120
61.Cover Feed Path Section 5 (D391).....	122
62.Cover Feed Path Section 6 (D391).....	124
63.Cover Feed Path Section 7 (D391).....	126
64.Cover Feed Path Section 8 (D391).....	128
65.Cover Feed Path Section 9 (D391).....	130
66.Cover Feed Path Section 10 (D391).....	132
67.Cover Feed Path Section 11 (D391).....	134
68.Rear Folder Section 1 (D391).....	136

69.Rear Folder Section 2 (D391).....	138
70.Rear Folder Section 3 (D391).....	140
71.Rear Folder Section 4 (D391).....	142
72.Bundle Feed Section 1 (D391).....	144
73.Bundle Feed Section 2 (D391).....	146
74.Bundle Feed Section 3 (D391).....	148
75.Bundle Feed Section 4 (D391).....	150
76.Stack Rotation Section 1 (D391).....	152
77.Stack Rotation Section 2 (D391).....	154
78.Stack Rotation Section 3 (D391).....	156
79.Stack Rotation Section 4 (D391).....	158
80.Stack Rotation Section 5 (D391).....	160
81.Stack Rotation Section 6 (D391).....	162
82.Trimming Section 1 (D391).....	164
83.Waste Paper Case Section 1 (D391).....	166
84.Waste Paper Case Section 2 (D391).....	168
85.Waste Paper Case Section 3 (D391).....	170
86.Waste Paper Case Section 4 (D391).....	172
87.Book Stacking Section 1 (D391).....	174
88.Book Stacking Section 2 (D391).....	176
89.Book Stacking Section 3 (D391).....	178
90.Book Stacking Section 4 (D391).....	180
91.Book Stacking Section 5 (D391).....	182
92.Electrical Section 1 (D391).....	184
93.Electrical Section 2 (D391).....	186
Parts Index.....	190

1.Exterior 1 (D391)

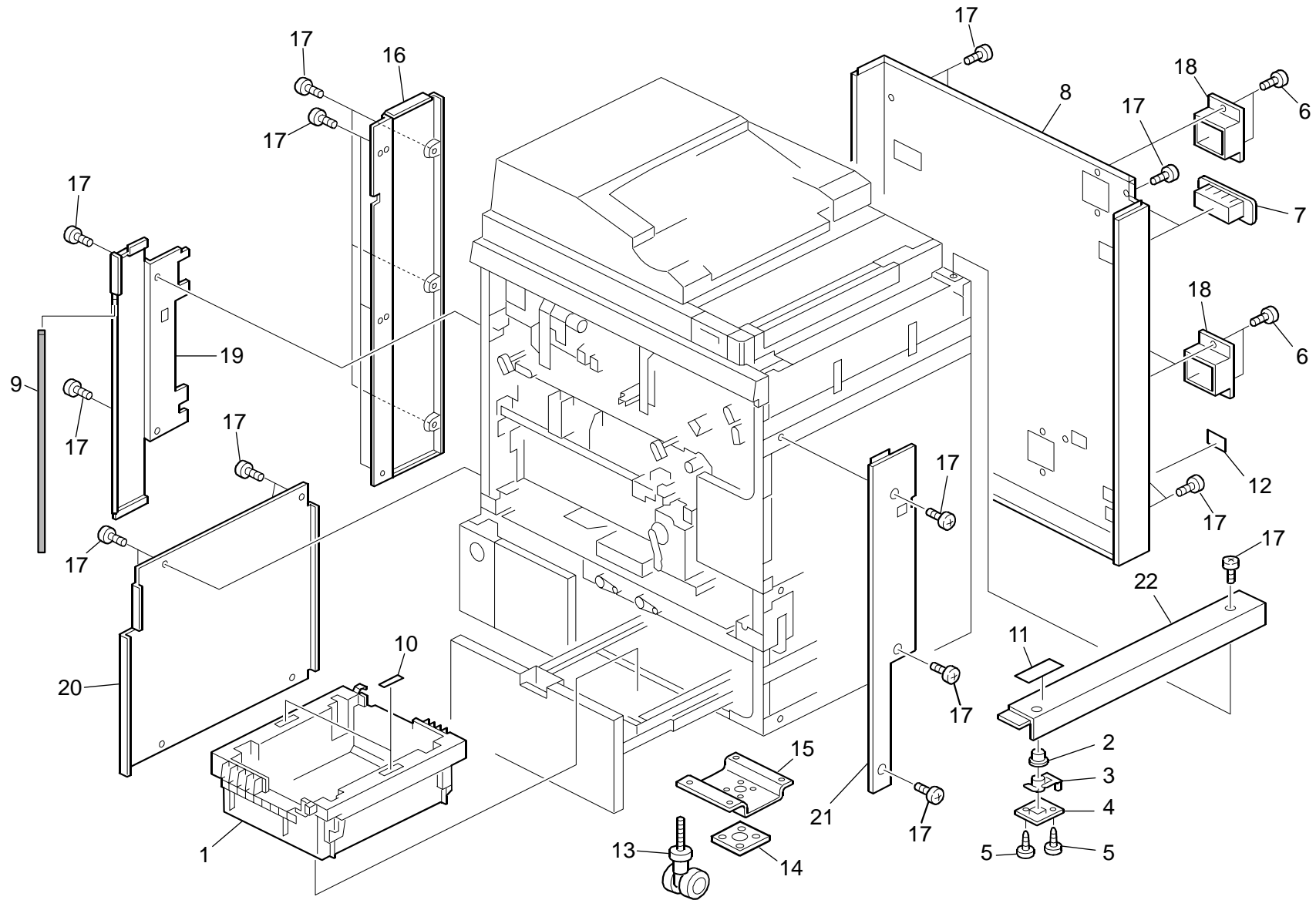


1.Exterior 1 (D391)

Index No.	Part No.	Description	Q'ty Per Assembly
1	D391 1114	Washer:M3x6:030060FWSW	6
2	D391 1266	Magnet Catch:20N:PF4130P412A	4
3	D391 2009	Inner Cover:Cutter:PF4140Q531E1	1
4	D391 2008	Inner Cover:Upper:PF4140Q530C1	1
5	D391 1129	Tapping Screr:M4x8:040080FWIT	7
6	D391 1113	Screw:M3x6:030060FNBI	4
7	D391 1242	Tapping Screr:M3x6:NS-SCR00017B	6
8	D391 2007	Handle:Door:Left:PF4140Q529	1
9	D391 2017	LED:Lock:Door:PF4140Q542B2	1
10	D391 2021	Decal:LED:Lock:Door:PF4140Q554A	1
11	D391 6530	Decal:Set:Paper Jam	1
12	D391 6530	Decal:Set:Paper Jam	1
13	D391 6564	Decal:Caution:Paper Exit Sub-Unit	1
14	D391 6520	Decal:Set:Lever:2	1
15	D391 2001	Handle:Front:PF4140P917A	1
17	D391 1470	Base:Hinge:Door:Front:PF4140P91	4
18	D391 1471	Arm:Hinge:Door:Front:PF4140P920	4
19	D391 1244	Screw:M4x8:NS-SCR00050B	1
20	B660 4835	Screw:NS-SCR00045A	13
21	D391 1117	Binding Self-Tapping Screw:M3x8: 030080FWBB	6
22	D391 2025	Bracket:Pick-up Paper Jam:Door: PF4140Q543	1
23	D391 2026	Holder:Wrench:PF4140P010	1
24	D391 2027	Wrench:19MM:PF4140P900	1
25	D391 2029	Inner Cover:Base:PF4140Q511	1
26	D391 2030	Plate:Magnetic:Door:PF4140Q510	2
27	D391 2022	Cover:Door:Left:PF4155Q555	1
28	D391 2023	Door:Front Left:PF4155Q500	1
29	D391 2028	Door:Front Right:PF4155Q501	1

Index No.	Part No.	Description	Q'ty Per Assembly

2.Exterior 2 (D391)

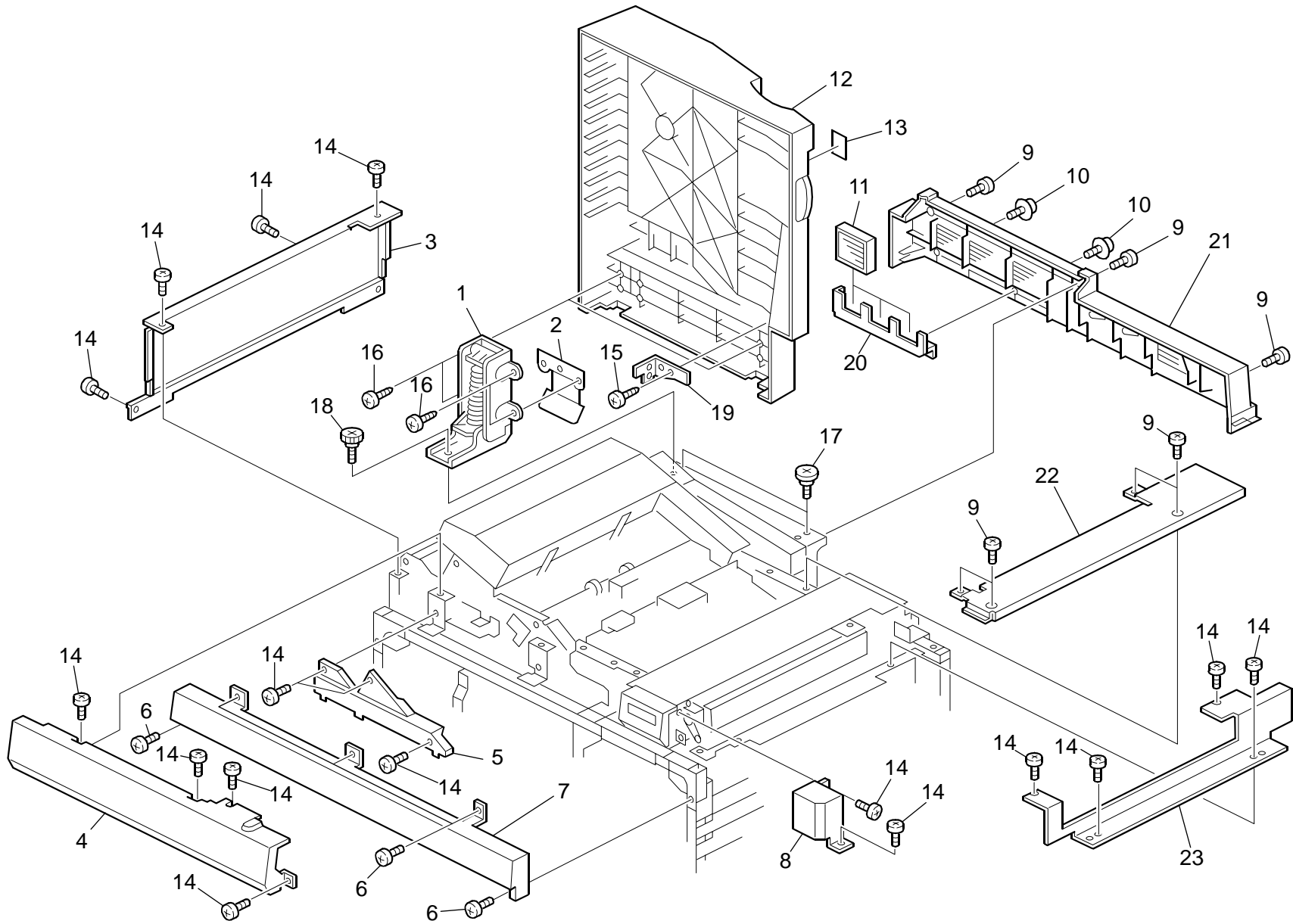


2.Exterior 2 (D391)

Index No.	Part No.	Description	Q'ty Per Assembly
1	D391 1269	Case:Paper Chip:PF4155K376:Ass'y	1
2	D391 2018	Keytop:PF4155Q544	1
3	D391 2019	Coil Spring:KEY:PF4140Q545A1	1
4	D391 5267	PCB:Switch:PF4140K624	1
5	D391 1121	Binding Self-Tapping Screw:M3x10: 030100FWBB	2
6	B660 4835	Screw:NS-SCR00045A	6
7	D391 2002	Grip:Rear:PF4155K106	2
8	D391 2005	Cover:Rear:PF4155Q508	1
9	D391 1107	Sponge>Contact Point:Cover:Front: PF4155Q731A	1
10	D391 6530	Decal:Set:Paper Jam	2
11	D391 6530	Decal:Set:Paper Jam	1
12	D391 6565	Decal:Caution:Power Supply Plug	1
13	D391 1442	Caster:PF4140P902	4
14	D391 1443	Holder:Caster:PF4140P903	4
15	D391 1444	Bracket:Caster:PF4155P096	4
16	D391 4500	Cover:Left Rear:PF4165Q525	1
17	B660 4835	Screw:NS-SCR00045A	21
18	D391 2034	Cover:Fan:PF4155K102	2
19	D391 2031	Cover:Left:PF4155Q522	1
20	D391 2032	Cover:Left Lower:PF4155Q513	1
21	D391 2033	Cover:Right:PF4155Q506	1
22	D391 2035	Cover:Main Swithc:PF4155Q537	1

Index No.	Part No.	Description	Q'ty Per Assembly

3.Exterior 3 (D391)

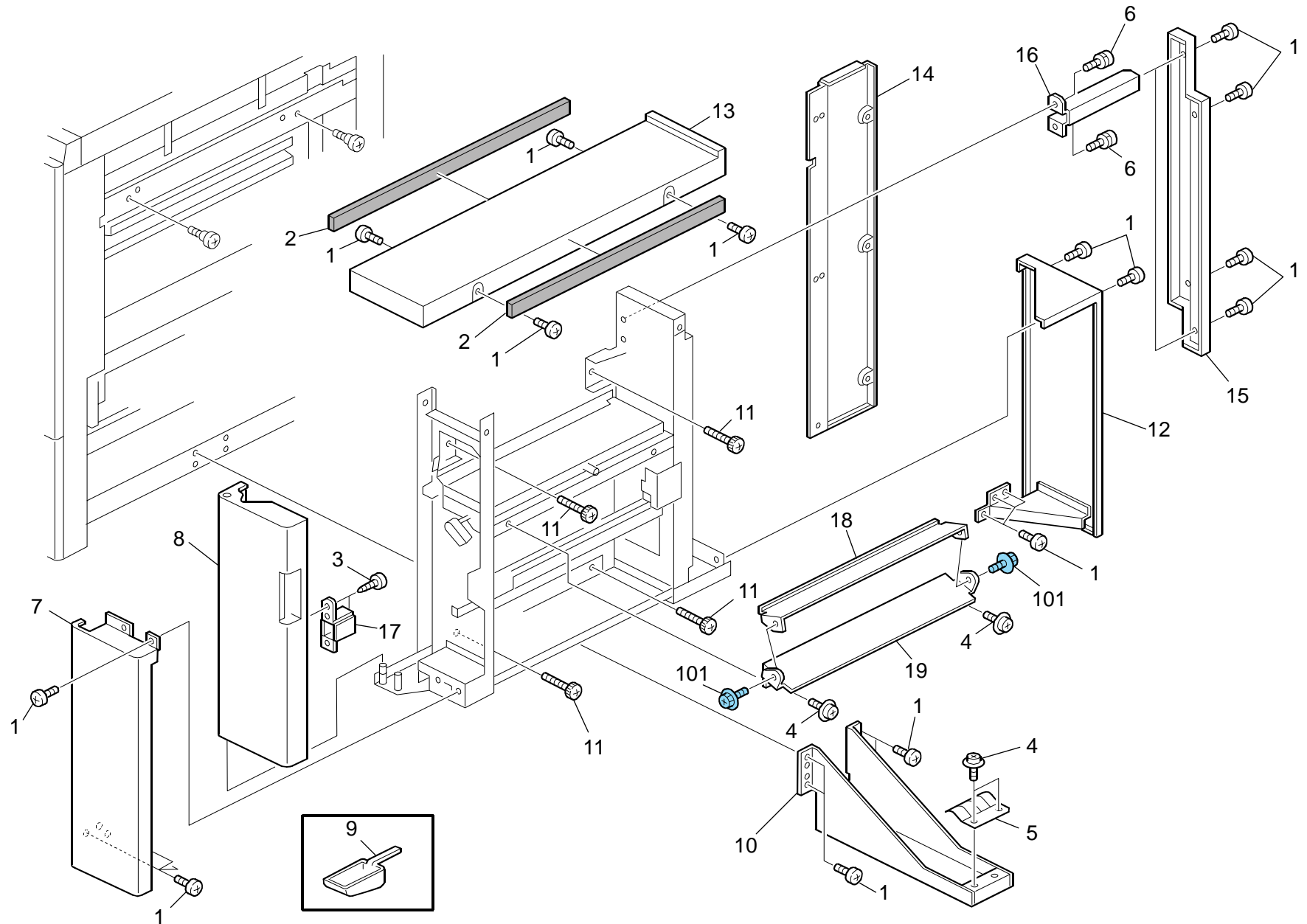


3.Exterior 3 (D391)

Index No.	Part No.	Description	Q'ty Per Assembly
1	D391 2000	Hinge:Cover:Upper:PF4140K101A	2
2	D391 2020	Decal:Caution:Hinge:PF4140Q550C2	2
3	D391 2004	Cover:Left:Upper:PF4155Q507	1
4	D391 2015	Cover:Left Front:Upper:PF4155Q538	1
5	D391 2010	Inner Cover:PF4140Q532B1	1
6	D391 1246	Flat Screw:M4x10:NS-SCR00088B	4
7	D391 2003	Cover:Front Upper:PF4155Q505	1
8	D391 2014	Cover:Right Front:Upper:PF4155Q536	1
9	B660 4835	Screw:NS-SCR00045A	7
10	D391 1242	Tapping Screr:M3x6:NS-SCR00017B	2
11	D391 1348	Filter:VOC:PF4140P915A	3
12	D391 2011	Cover:Upper:Open/Close:PF4155Q533	1
13	D391 6530	Decal:Set:Paper Jam	1
14	B660 4835	Screw:NS-SCR00045A	17
15	D391 1117	Binding Self-Tapping Screw:M3x8: 030080FWBB	1
16	D391 1131	Binding Self-Tapping Screw:M4x10: 040100FWBB	8
17	D391 4111	Screw:PF3091P352	2
18	D391 4112	Screw:PF3091P356	2
19	D391 2036	Feeler:Sensor:PF4140Q523	1
20	D391 2037	Bracket:Holder:Filter:PF4140Q559	1
21	D391 2038	Cover:Rear Upper:PF4155Q534	1
22	D391 2039	Cover:Upper Middle:PF4155Q509	1
23	D391 2040	Cover:Right Upper:PF3099P808	1

Index No.	Part No.	Description	Q'ty Per Assembly

4.Transit Pass Unit 1 (D391)

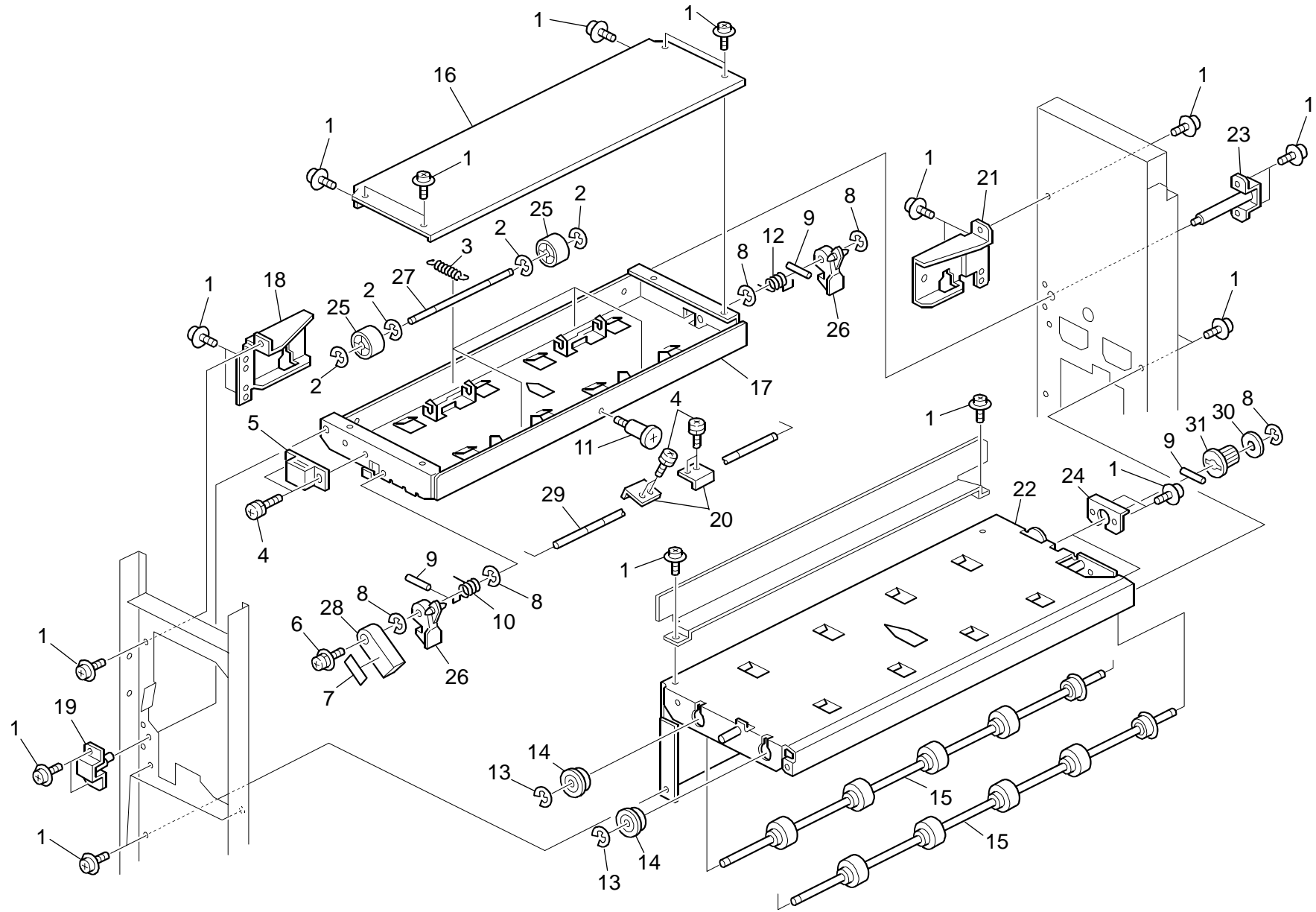


4.Transit Pass Unit 1 (D391)

Index No.	Part No.	Description	Q'ty Per Assembly
1	B660 4835	Screw:NS-SCR00045A	19
2	B660 4161	Right Cover Sponge	2
3	D391 1121	Binding Self-Tapping Screw:M3x10: 030100FWBB	2
4	D391 1242	Tapping Screr:M3x6:NS-SCR00017B	4
5	D391 4523	Spring Plate:PF4132P705A	1
6	D391 1114	Washer:M3x6:030060FWSW	2
7	D391 4503	Cover:Front Lower:PF4165Q680	1
8	D391 4504	Cover:Front:Joint Unit:PF4165Q681	1
9	D391 4510	Hopper:Glue:PF4140R643	1
10	D391 4511	Ground Plate:PF4165K811A	1
11	D391 4512	Flat Screw:PF4102P382	4
12	D391 4508	Cover:Rear Lower:PF4165Q683B	1
13	D391 4507	Cover:Upper:Joint Unit:PF4165Q684	1
14	D391 4500	Cover:Left Rear:PF4165Q525	1
15	D391 4505	Cover:Rear Upper:Joint Unit:PF4165Q682	1
16	D391 4513	Bracket:Cover:Rear:PF4165Q625	2
17	D391 4514	Bracket:Magnet Catch:PF4165Q626	1
18	B660 1768	Guide Plate:Connecting:PF4147P818A	1
19	B830 7511	Guide Plate:Connecting:Lower	1

Index No.	Part No.	Description	Q'ty Per Assembly
101	0454 3006Q	Tapping Screw - M3x6	

5.Transit Pass Unit 2 (D391)

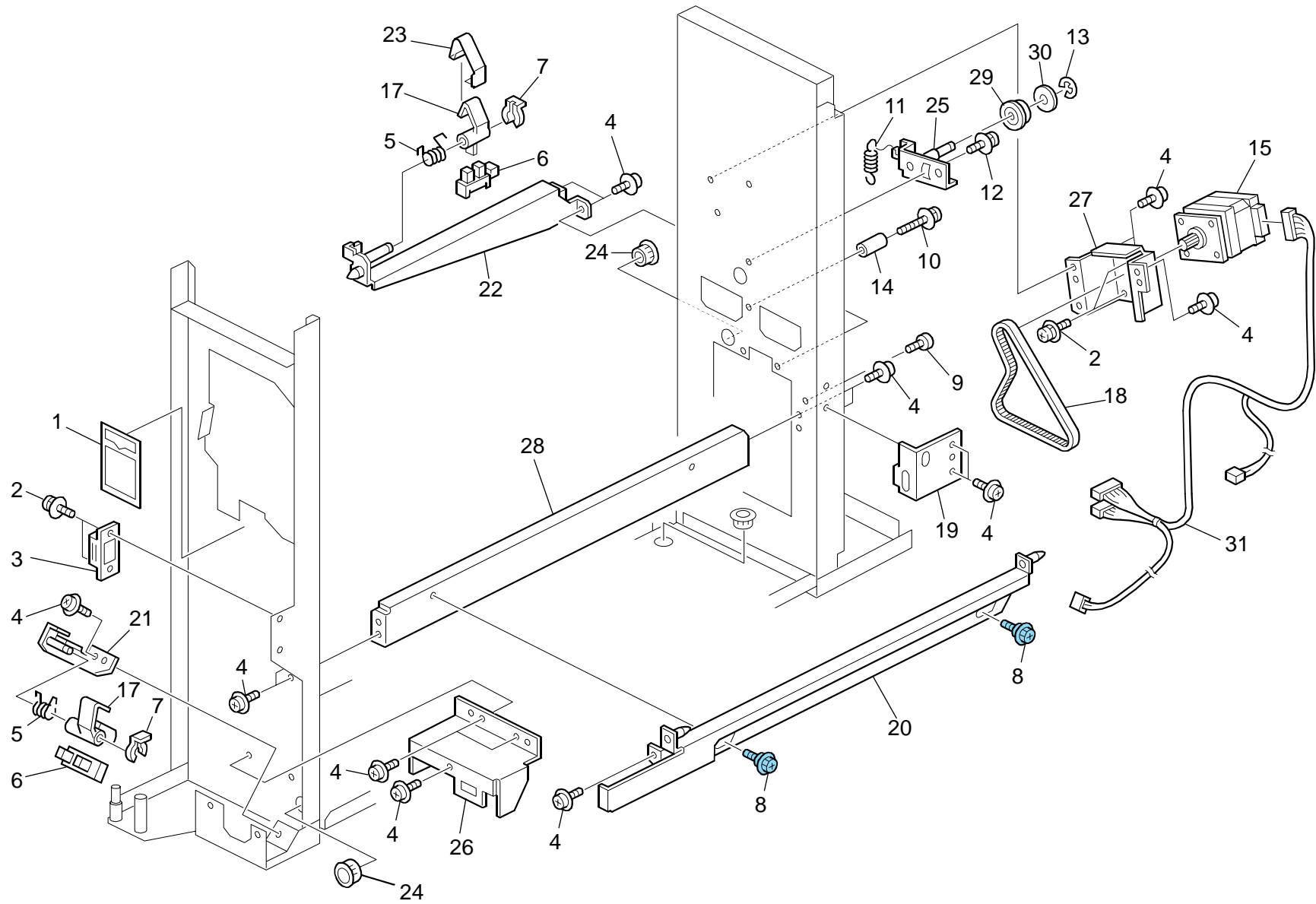


5.Transit Pass Unit 2 (D391)

Index No.	Part No.	Description	Q'ty Per Assembly
1	D391 1242	Tapping Screr:M3x6:NS-SCR00017B	24
2	D391 1148	Retaining Rings-E:DIA3.2:ER032SU-D	16
3	D391 1339	Coil Spring:Transport Roller:PF4140P700A1	4
4	D391 1114	Washer:M3x6:030060FWSW	6
5	D391 4522	Magnetic:35N:PF4132P350A1	1
6	D391 1116	Screw With Washer:M3x6:030060FWWS	1
7	D391 6550	Decal:Set:Joint Unit	1
8	D391 1150	Retaining Rings-E:DIA5:ER050SU-D	6
9	D391 1154	Parallel Pin:2x10:HP020100SCH	4
10	D391 1104	Torsion Spring:Front:PF4099P804B	1
11	B660 4841	Screw:NS-SCR00202A	1
12	D391 1105	Torsion Spring:Rear:PF4099P805B	1
13	D391 1151	Retaining Rings-E:DIA6.4:ER064SU-D	2
14	D391 1232	Radial Ball Bearing:DIA8:NS-BRG00103A	2
15	D391 4502	Roller:Joint Unit:PF4165Q650A	2
16	D391 4515	Cover:Upper:PF4165Q618	1
17	D391 4516	Stay:Transport:Upper:PF4165Q604	1
18	D391 4517	Bracket:Transport:Front:PF4165Q607	1
19	D391 4526	Shaft:Transport Sub-Unit:Front:PF4165K604	1
20	D391 4529	Plate:Release:PF4140P637	2
21	D391 4531	Bracket:Transport:Rear:PF4165Q608	1
22	D391 4532	Stay:Transport:Lower:PF4165Q606	1
23	D391 4533	Shaft:Transport Sub-Unit:Rear:PF4165K605	1
24	D391 4536	Bracket:Shaft:Transport Roller:PF4165Q609	2
25	D391 1350	Collar:PF4140P958A	8
26	D391 4528	Bracket:Release:PF4140P120	2
27	D391 4518	Shaft:Roller:PF4140P618	4
28	D391 4519	Holder:Shaft:Rrlease:PF4155P607	1
29	D391 4530	Shaft:Release:PF4165Q651	1
30	D391 4535	Flange:Timing Pulley:PF4099P225	2
31	D391 4534	Timing Pulley:S2MX16:PF4140P631	2

Index No.	Part No.	Description	Q'ty Per Assembly

6.Transit Pass Unit 3 (D391)

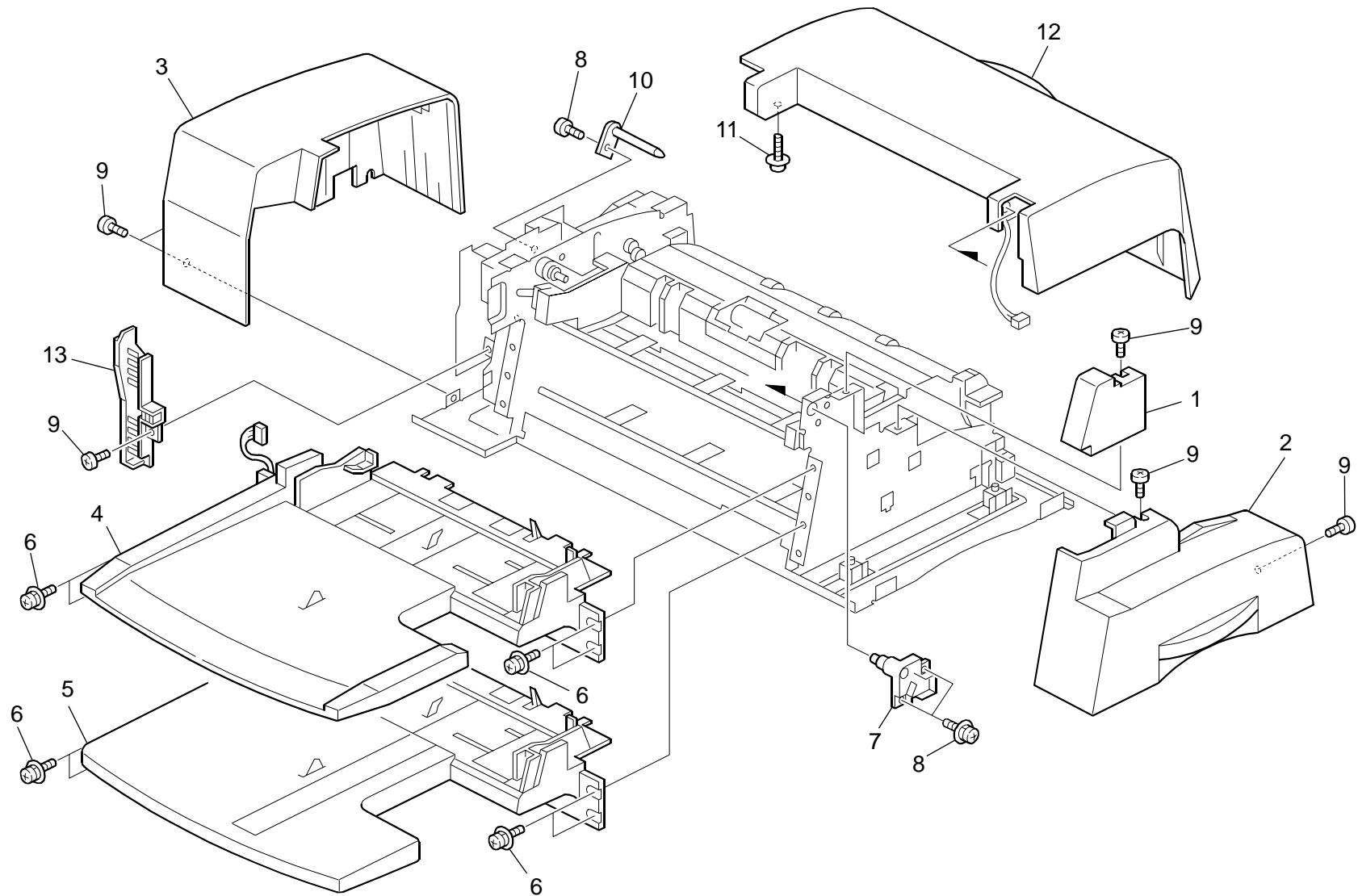


6.Transit Pass Unit 3 (D391)

Index No.	Part No.	Description	Q'ty Per Assembly
1	D391 6550	Decal:Set:Joint Unit	1
2	D391 1116	Screw With Washer:M3x6:030060FWWS	4
3	B660 1111	Magnet Catch	1
4	D391 1242	Tapping Screr:M3x6:NS-SCR00017B	16
5	D391 4520	Torsion Spring:PF3091P347A2	2
6	D391 5254	Photointerruptor:PF2286P475	2
7	B660 4815	External Circlip:NS-CLP00003A	2
8	B830 1135	Screw	2
9	B660 4835	Screw:NS-SCR00045A	1
10	D391 1123	Screw With Washer:M3x16:030160FWWS	1
11	D391 4524	Tension Spring:PF4143P310A	1
12	B660 4581	Screw:NS-SCR00080A	1
13	D391 1150	Retaining Rings-E:DIA5:ER050SU-D	1
14	D391 1140	Spacer:CL030120FW	1
15	D391 5275	DC Stepper Motor:PF4140K637	1
16	B660 1111	Magnet Catch:13N:PF2214P393A	1
17	D391 1328	Lever:Sensor:PF4140P614B2	2
18	D391 4525	Synchronous Belt:NS-BLT00452A	1
19	B660 1436	Bracket:Ground Plate:PF4147P139A	1
20	B660 1212	Lever:Coupling:PF4147P197A	1
21	D391 4537	Bracket:Sensor:PF4140K059:PEEN	1
22	D391 4538	Bracket:Sensor:Release:PF4165K608	1
23	D391 4539	Spring Plate:Sensor:Release:PF4140P714	1
24	D391 4540	Timing Pulley:E450001234	2
25	D391 4541	Bracket:Tightener:PF4165K606	1
26	D391 4542	Cover:Sensor:Release:PF4165Q619	1
27	D391 4545	Bracket:DC Stepper Motor:PF4140P629	1
28	D391 4547	Stay:Right:PF4165Q603	1
29	D391 4543	Roller:Synchronous Belt:PR5100P216	1
30	D391 4544	Flange:Roller:PF4099P950	1
31	D391 4546	Harness:Joint Unit:PF4165K906	1

Index No.	Part No.	Description	Q'ty Per Assembly

7.Inserter Section 1 (D391)

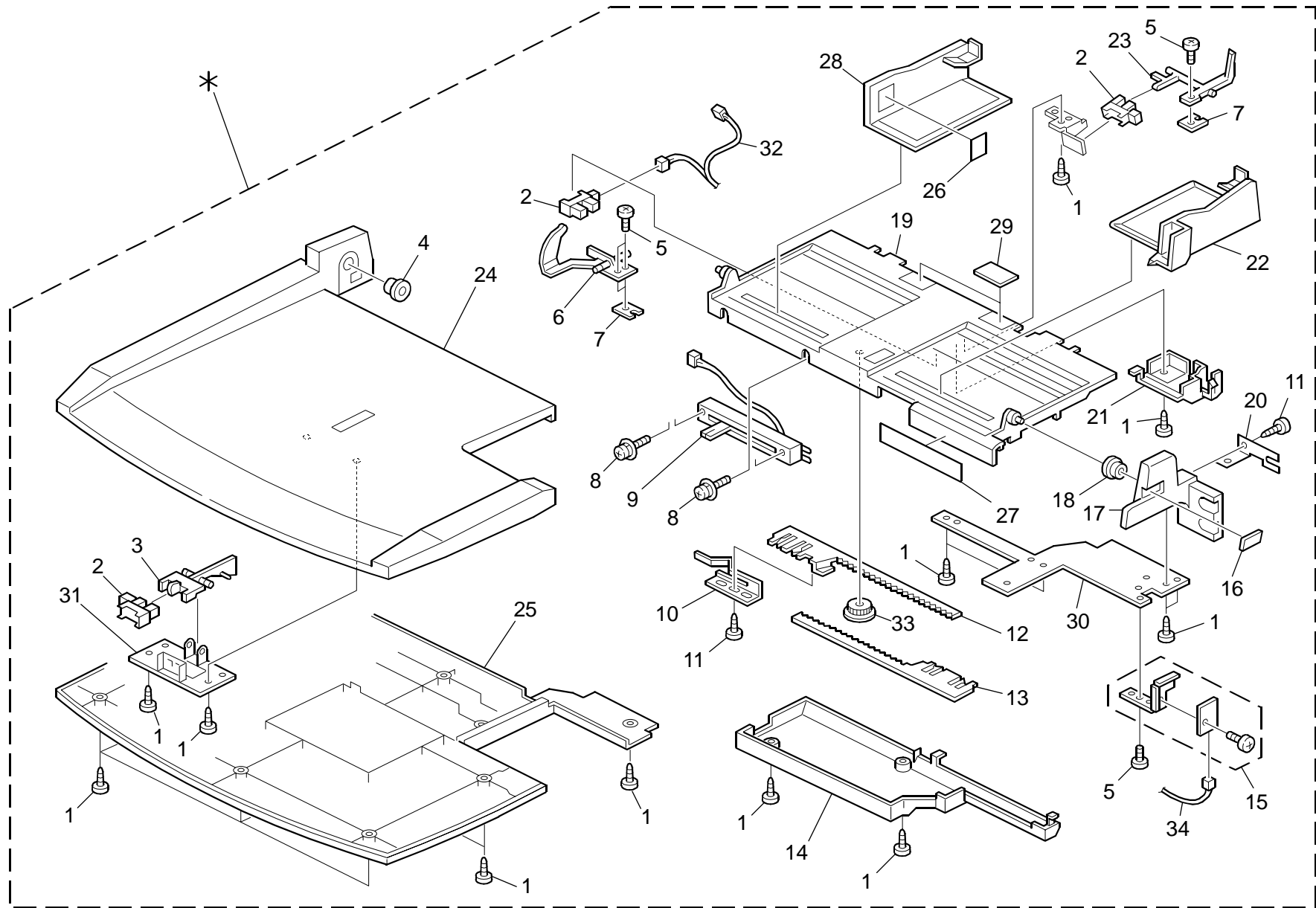


7.Inserter Section 1 (D391)

Index No.	Part No.	Description	Q'ty Per Assembly
1	D391 4030	Cover:Front:Sub:PF3099P002	1
2	D391 4029	Cover:Front:PF3099P001	1
3	D391 4031	Cover:Rear:PF3099P003	1
4	D391 4026	Tray Unit:Upper:PF3099K152:Ass'y	1
5	D391 4025	Tray Unit:Lower:PF3099K144:Ass'y	1
6	B660 4835	Screw:NS-SCR00045A	8
7	D391 4051	Holder:Contact Point:PF3091P028A	1
8	D391 1116	Screw With Washer:M3x6:030060FWWS	3
9	B660 4835	Screw:NS-SCR00045A	6
10	D391 4114	Stopper:Open And Close:Cover: PF3091K015:PEEN	1
11	D391 4116	Tapping Screw:M3x8:030080FWTP	1
12	D391 4115	Cover:Upper:PF3099P004	1
13	D391 4113	Duct:Upper:PF3091P095	1

Index No.	Part No.	Description	Q'ty Per Assembly

8. Inserter Section 2 (D391)

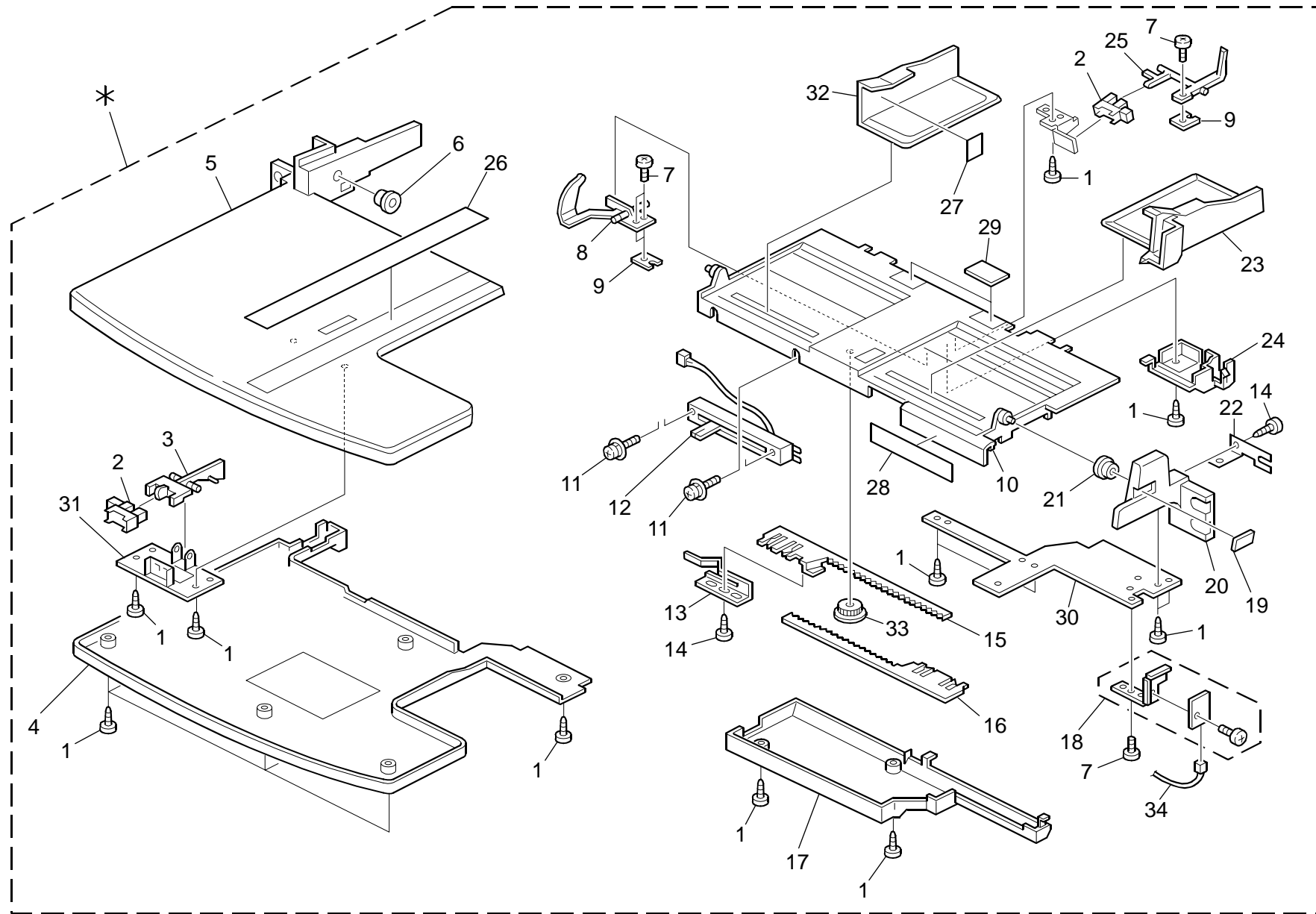


8.Inserter Section 2 (D391)

Index No.	Part No.	Description	Q'ty Per Assembly
*	D391 4026	Tray Unit:Upper:PF3099K152:Ass'y	1
1	D391 4018	Tapping Screr:M4x8:NS-SCR00053A	15
2	D391 5780	Photointerruptor:PF2286P475	3
3	D391 4061	Lever:PF3099P046	1
4	D391 4068	Bushing:Contact Point:PF3091P076A	1
5	D391 4002	Screw:M3x4:030040FWBI	3
6	D391 4063	Lever:PF3099P048	1
7	D391 4076	Balancer:PF3091P142A	2
8	D391 1120	Screw With Washer:M3x8:030080FWWS	2
9	D391 5782	Positioning Sensor:PF3091K324	1
10	D391 4082	Spring Plate:Click:PF3091P161A	1
11	D391 4017	Tapping Screr:M3x8:NS-SCR00026A	2
12	D391 4065	Rack:Tray:Rear:PF3091P050A	1
13	D391 4064	Rack:Tray:Front:PF3091P049A	1
14	D391 4046	Cover:Tray:Upper Lower:PF3099P021	1
15	D391 5781	PCB:LED:PF3091K149	1
16	D391 4062	Cover:LED:PF3091P047A	1
17	D391 4044	Tray:Base:Sub:PF3099P015	1
18	D391 4068	Bushing:Contact Point:PF3091P076A	1
19	D391 4021	Tray:Upper Lower:Bin:Upper:PF3099K102	1
20	D391 4083	Spring Plate:Earth:Tray:PF3091P162A	1
21	D391 4066	Cover:Sensor:Supply:PF3091P051A	1
22	D391 4047	Guide:Tray:Upper:Front:PF3099P022	1
23	D391 4067	Lever:Sensor:Supply:PF3091P052A	1
24	D391 4000	Tray:Upper:PF3099P0P13	1
25	D391 4001	Cover:Tray:Upper:PF3099P016	1
26	D391 6540	Decal:Set:Paper Feed	1
27	D391 6540	Decal:Set:Paper Feed	1
28	D391 4118	Side Fence:Tray:Upper:PF3099P023	1
29	D391 4119	Friction Pad:Pickup:PF3091P327	1
30	D391 4121	Frame:Tray:PF3091P120	1
31	D391 4125	Holder:Sensor:PF3091P045	1
32	D391 4117	Harness:Tray:Upper:PF3099K911	1
33	D391 4124	Gear:Pinion:Tray:PF3091P053	1
34	D391 4122	Harness:Design Sketch:LED:PF3091K320	1

Index No.	Part No.	Description	Q'ty Per Assembly

9.Inserter Section 3 (D391)

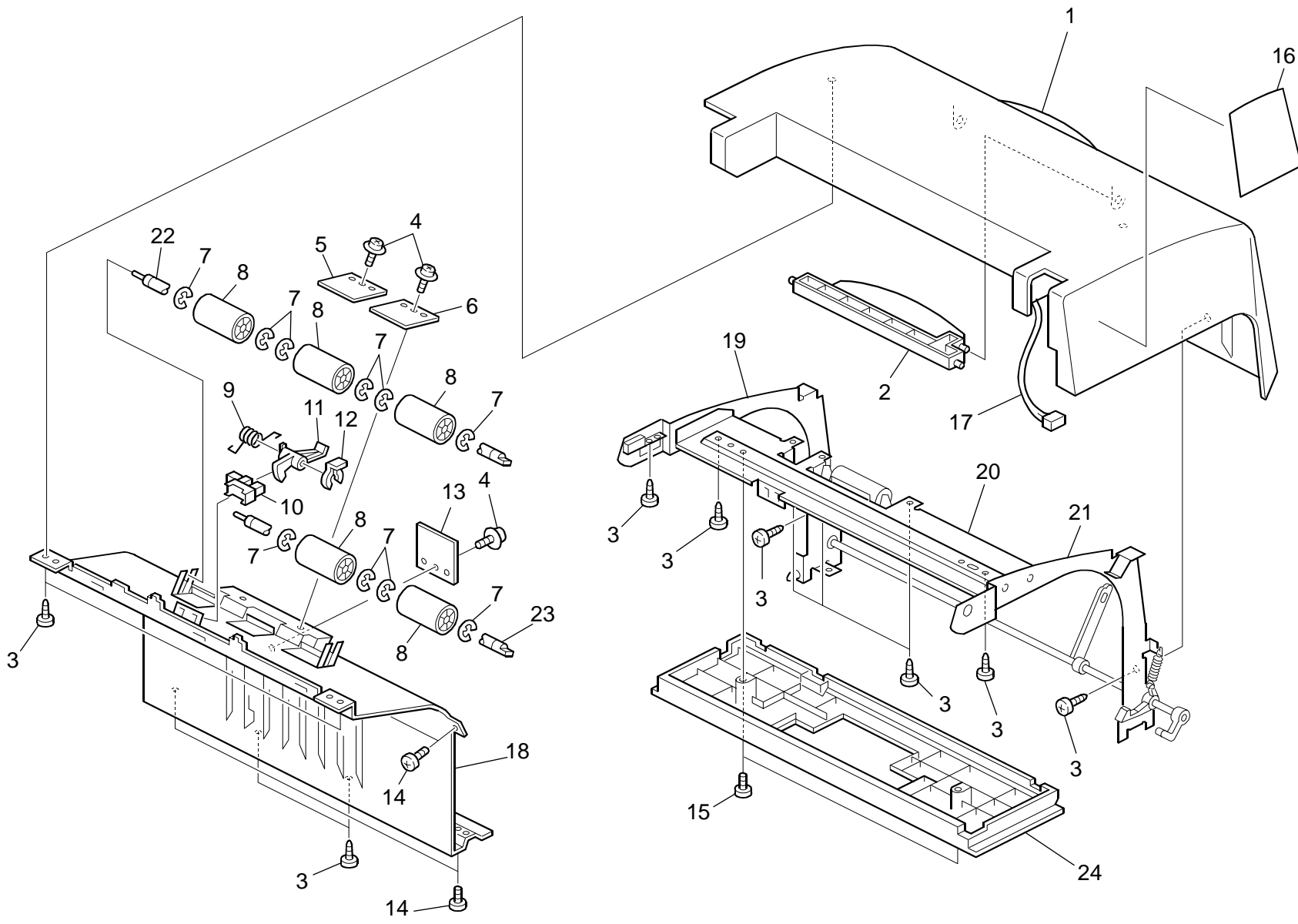


9.Inserter Section 3 (D391)

Index No.	Part No.	Description	Q'ty Per Assembly
*	D391 4025	Tray Unit:Lower:PF3099K144:Ass'y	1
1	D391 4018	Tapping Screr:M4x8:NS-SCR00053A	14
2	D391 5780	Photointerruptor:PF2286P475	2
3	D391 4061	Lever:PF3091P046A	1
4	D391 4045	Cover:Tray:Lower:PF3099P017	1
5	D391 4033	Base:Tray:Lower:PF3099P014	1
6	D391 4068	Bushing:Contact Point:PF3091P076A	1
7	D391 4002	Screw:M3x4:030040FWBI	4
8	D391 4063	Lever:PF3099P048	1
9	D391 4076	Balancer:PF3091P142A	2
10	D391 4022	Tray:Upper Lower:Bin:Lower:PF3099K103A	1
11	D391 1120	Screw With Washer:M3x8:030080FWWS	2
12	D391 5782	Positioning Sensor:PF3091K324	1
13	D391 4082	Spring Plate:Click:PF3091P161A	1
14	D391 4017	Tapping Screr:M3x8:NS-SCR00026A	2
15	D391 4065	Rack:Tray:Rear:PF3091P050A	1
16	D391 4064	Rack:Tray:Front:PF3091P049A	1
17	D391 4046	Cover:Tray:Upper Lower:PF3091P021A	1
18	D391 5781	PCB:LED:PF3091K149	1
19	D391 4062	Cover:LED:PF3091P047A	1
20	D391 4044	Tray:Base:Sub:PF3099P015	1
21	D391 4068	Bushing:Contact Point:PF3091P076A	1
22	D391 4083	Spring Plate:Earth:Tray:PF3091P162A	1
23	D391 4048	Guide:Tray:Lower:Front:PF3099P024	1
24	D391 4066	Cover:Sensor:Supply:PF3091P051A	1
25	D391 4067	Lever:Sensor:Supply:PF3091P052A	1
26	D391 6547	Decal:Cover:Paper Feed	1
27	D391 6540	Decal:Set:Paper Feed	1
28	D391 6540	Decal:Set:Paper Feed	1
29	D391 4119	Friction Pad:Pickup:PF3091P327	2
30	D391 4121	Frame:Tray:PF3091P120	1
31	D391 4125	Holder:Sensor:PF3091P045	1
32	D391 4126	Side Fence:Tray Lower:PF3099P025	1
33	D391 4124	Gear:Pinion:Tray:PF3091P053	1
34	D391 4130	Harness:Bin Display:PF3091K326	1

Index No.	Part No.	Description	Q'ty Per Assembly

10.Inserter Section 4 (D391)

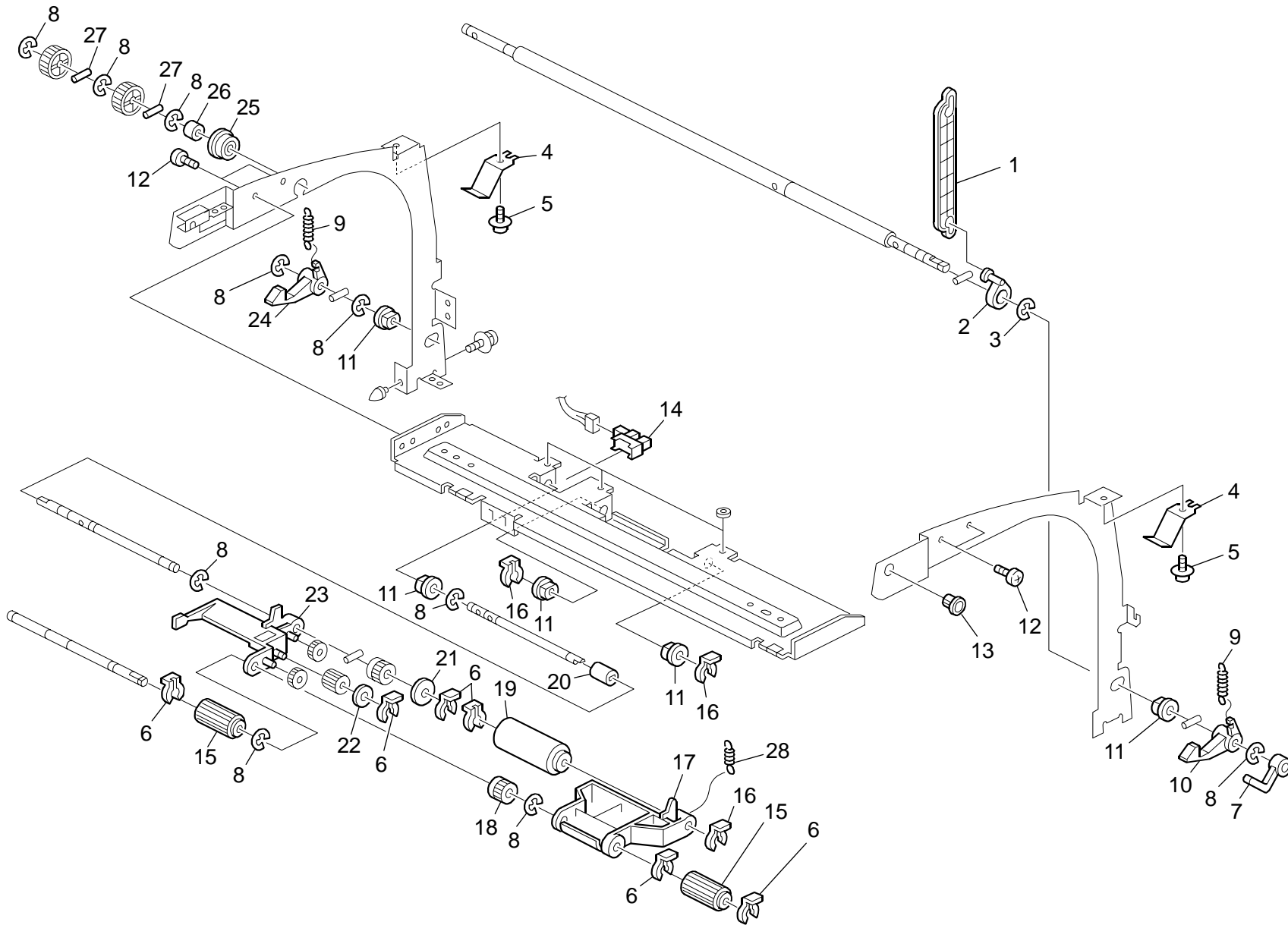


10. Inserter Section 4 (D391)

Index No.	Part No.	Description	Q'ty Per Assembly
1	D391 4032	Cover:Upper:PF3099P004	1
2	D391 4052	Lever:Open And Close:Cover:Upper:PF3099P029	1
3	D391 4018	Tapping Screr:M4x8:NS-SCR00053A	12
4	D391 4003	Tapping Screr:M3x6:030060FWIT	3
5	D391 4027	Spring Plate:Registration Roller:F:PF3091K172	1
6	D391 4028	Spring Plate:Registration Roller:R:PF3091K173	1
7	D391 1150	Retaining Rings-E:DIA5:ER050SU-D	10
8	D391 4059	Driven Roller:PF3091P039A	5
9	D391 4096	Coil Spring:Registration Sensor:BIN:Upper:PF3091P346A	1
10	D391 5780	Photointerruptor:PF2286P475	1
11	D391 4057	Lever:Registration Sensor:Bin:Upper:PF3091P03	1
12	B660 4811	External Circlip:NS-CLP00001A	1
13	D391 4080	Spring Plate:Plate:Registration Roller:PF3091P159A	1
14	B660 4831	Screw:NS-SCR00016A	4
15	B660 4835	Screw:NS-SCR00045A	2
16	D391 6540	Decal:Set:Paper Feed	1
17	D391 5787	Harness:Cover:Upper:PF3091K312	1
18	D391 4136	Guide:Bin:Upper:PF3091P111	1
19	D391 4137	Side Plate:Cover:Rear:PF3091P109	1
20	D391 4138	Stay:Cover:Upper:PF3091P110	1
21	D391 4139	Side Plate:Cover:Front:PF3091P108	1
22	D391 4134	Shaft:Registration Roller:PF3091P213	1
23	D391 4135	Shat:Transport Roller:PF3091P214	1
24	D391 4140	Guide:Pickup:PF3091P007	1

Index No.	Part No.	Description	Q'ty Per Assembly

11.Inserter Section 5 (D391)

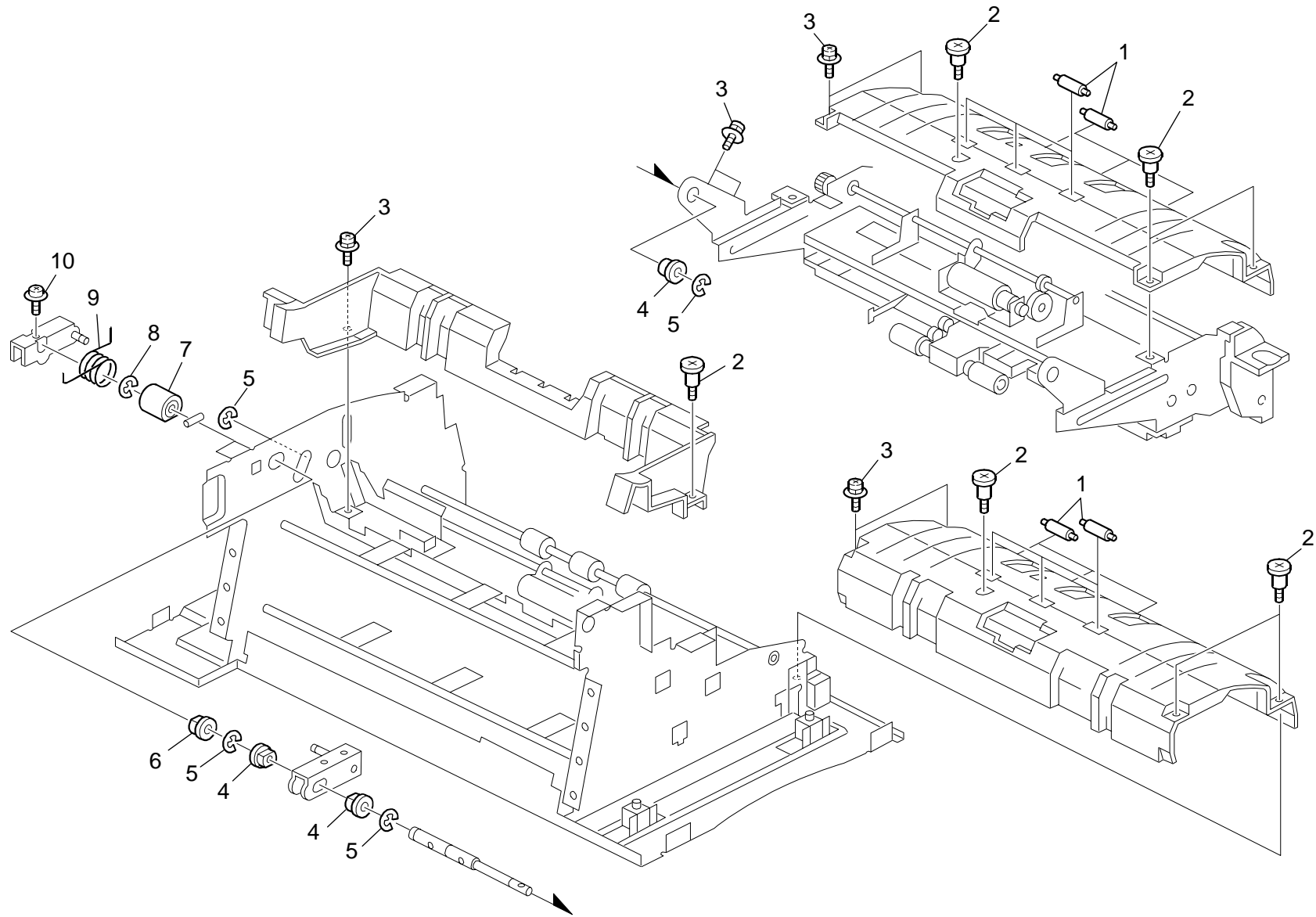


11. Inserter Section 5 (D391)

Index No.	Part No.	Description	Q'ty Per Assembly
1	D391 4053	Link:Open And Close:Cover:Upper: PF3091P030A	1
2	D391 4054	Hook:Open And Close:Cover:Upper: PF3091P031A	1
3	D391 1151	Retaining Rings-E:DIA6.4:ER064SU-D	1
4	D391 4077	Spring Plate:Lock:Cover:Upper: PF3091P155A	2
5	D391 4003	Tapping Screr:M3x6:030060FWIT	2
6	B660 4815	External Circlip:NS-CLP00003A	6
7	D391 4070	Lever:On Off Detector:Cover:Upper: PF3091P078A	1
8	D391 1150	Retaining Rings-E:DIA5:ER050SU-D	10
9	D391 4095	Coil Spring:Lock:Cover:Upper:PF3091P343A	2
10	D391 4055	Pawl:Lock:Cover:Upper:PF3091P032A	1
11	B660 4847	Bushing:NS-MTL00009A	5
12	B660 4835	Screw:NS-SCR00045A	4
13	D391 4068	Bushing>Contact Point:PF3091P076A	1
14	D391 5780	Photointerruptor:PF2286P475	1
15	D391 4086	Pickup Roller:PF3091P302A	2
16	D391 4016	Retaining Rings-C:NS-Clip00007A	3
17	D391 4049	Arm:Picku:PFfront:PF3091P026A	1
18	D391 4091	Gear:Mechanical Roller Clutch: PF3091P306A	1
19	D391 4085	Paper Feed Roller:PF3091P301A	1
20	D391 4020	Bushing:PF2166P035C	1
21	D391 4092	Flange:PF3091P335A	1
22	D391 4104	Flange:PF4062P779A	1
23	D391 4050	Arm:Pickup:Rear:PF3091P027A	1
24	D391 4069	Pawl:Lock:Cover:Upper:PF3091P077A	1
25	D391 1233	Radial Ball Bearing:DIA6:NS-BRG00110A	1
26	D391 4006	Collar:CL060030FW	1
27	D391 1154	Parallel Pin:2x10:HP020100SCH	2
28	D391 4094	Coil Spring:Pickup:PF3091P342A	1

Index No.	Part No.	Description	Q'ty Per Assembly

12. Inserter Section 6 (D391)

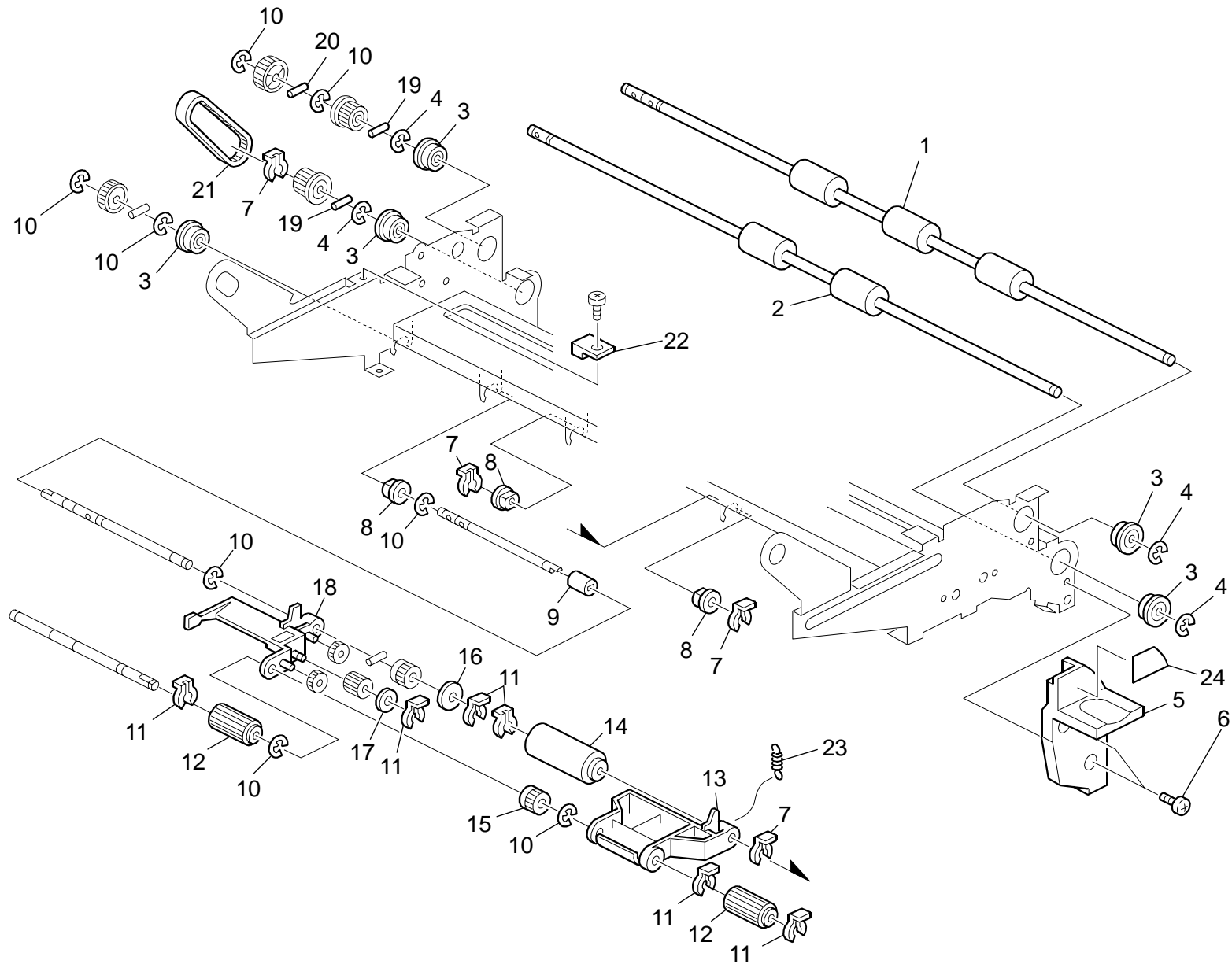


12.Inserter Section 6 (D391)

Index No.	Part No.	Description	Q'ty Per Assembly
1	D391 4073	Roller:PF3091P090A	12
2	D391 4019	Screw:M3:NS-SCR00206A	7
3	D391 1116	Screw With Washer:M3x6:030060FWWS	7
4	D391 4107	Mechanical Roller Clutch:PR5300P429A	3
5	D391 1150	Retaining Rings-E:DIA5:ER050SU-D	4
6	D391 1240	Bushing:NS-MTL00017B	1
7	D391 4074	Case:Support:Coil Spring:PF3091P091A	1
8	D391 1151	Retaining Rings-E:DIA6.4:ER064SU-D	1
9	D391 4100	Coil Spring:Auxiliary:Cover:Upper: PF3091P363A	1
10	D391 4003	Tapping Screr:M3x6:030060FWIT	1

Index No.	Part No.	Description	Q'ty Per Assembly

13.Inserter Section 7 (D391)

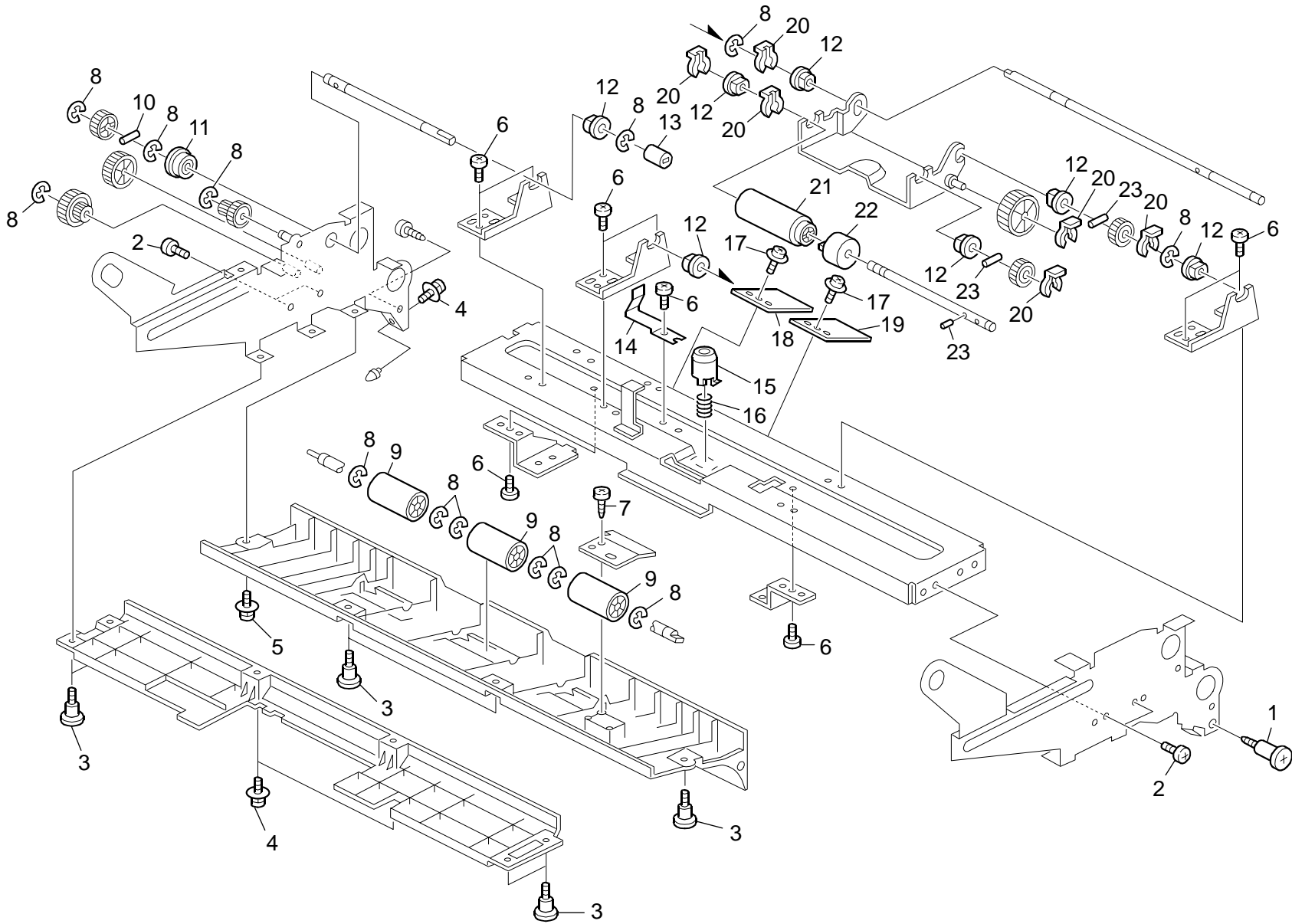


13.Inserter Section 7 (D391)

Index No.	Part No.	Description	Q'ty Per Assembly
1	D391 4087	Registration Roller:Bin:Upper:PF3091P303A	1
2	D391 4090	Transport Roller:PF3091P305A	1
3	D391 1232	Radial Ball Bearing:DIA8:NS-BRG00103A	5
4	D391 1151	Retaining Rings-E:DIA6.4:ER064SU-D	4
5	D391 4056	Lever:Open And Close:Middle:PF3091P033A	1
6	B660 4835	Screw:NS-SCR00045A	2
7	D391 4016	Retaining Rings-C:NS-Clip00007A	4
8	B660 4847	Bushing:NS-MTL00009A	3
9	D391 4020	Bushing:PF2166P035C	1
10	D391 1150	Retaining Rings-E:DIA5:ER050SU-D	8
11	B660 4815	External Circlip:NS-CLP00003A	6
12	D391 4086	Pickup Roller:PF3091P302A	2
13	D391 4049	Arm:Picku:PFfront:PF3091P026A	1
14	D391 4085	Paper Feed Roller:PF3091P301A	1
15	D391 4091	Gear:Mechanical Roller Clutch: PF3091P306A	1
16	D391 4092	Flange:PF3091P335A	1
17	D391 4104	Flange:PF4062P779A	1
18	D391 4050	Arm:Pickup:Rear:PF3091P027A	1
19	B660 4715	Parallel Pin:HP020120SCH	2
20	D391 1154	Parallel Pin:2x10:HP020100SCH	1
21	D391 1176	Synchronous Belt:NS-BLT00122A	1
22	D391 4072	Control Plate:Thrust:Middle:PF3091P082A	1
23	D391 4094	Coil Spring:Pickup:PF3091P342A	1
24	D391 6546	Decal:Grip:MK1	1

Index No.	Part No.	Description	Q'ty Per Assembly

14. Inserter Section 8 (D391)

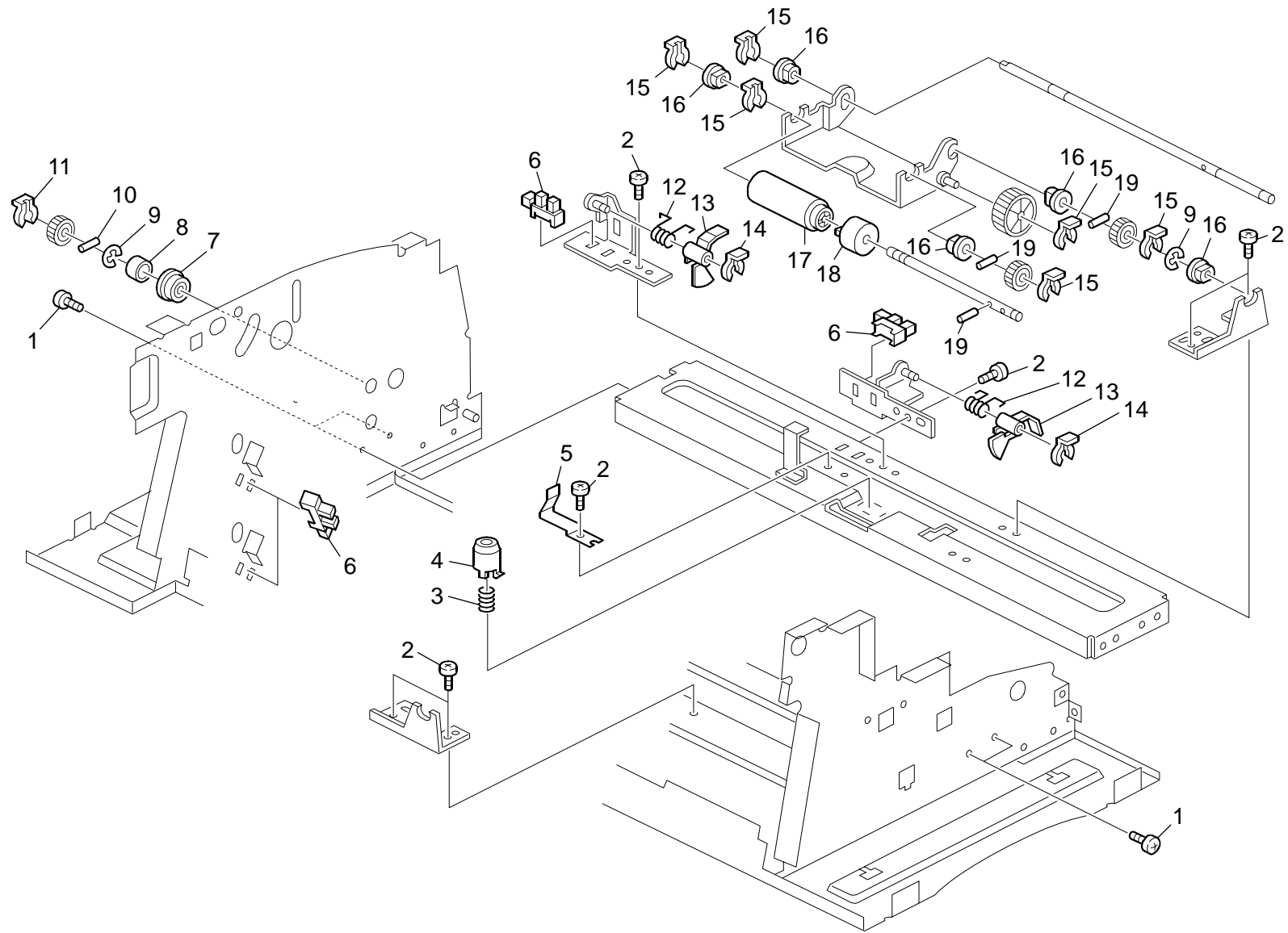


14. Inserter Section 8 (D391)

Index No.	Part No.	Description	Q'ty Per Assembly
1	D391 4106	Tapping Screr:PF4102P123C	1
2	B660 4835	Screw:NS-SCR00045A	4
3	D391 4019	Screw:M3:NS-SCR00206A	7
4	B660 4831	Screw:NS-SCR00016A	3
5	D391 1116	Screw With Washer:M3x6:030060FWWS	1
6	B660 4831	Screw:NS-SCR00016A	9
7	D391 4018	Tapping Screr:M4x8:NS-SCR00053A	1
8	D391 1150	Retaining Rings-E:DIA5:ER050SU-D	13
9	D391 4059	Driven Roller:PF3091P039A	3
10	B660 4711	Parallel Pin:HP020080SCH	1
11	D391 1233	Radial Ball Bearing:DIA6:NS-BRG00110A	1
12	B660 4847	Bushing:NS-MTL00009A	7
13	D391 4020	Bushing:PF2166P035C	1
14	D391 4081	Spring Plate:Roller:Separation: PF3091P160A	1
15	D391 4060	Case:Coil Spring:Separation:PF3091P040A	1
16	D391 4093	Coil Spring:Separation Sub-Unit: PF3091P341A	1
17	D391 4003	Tapping Screr:M3x6:030060FWIT	2
18	D391 4028	Spring Plate:Registration Roller:R: PF3091K173	1
19	D391 4027	Spring Plate:Registration Roller:F: PF3091K172	1
20	B660 4815	External Circlip:NS-CLP00003A	6
21	D391 4084	Roller:Separation:PF3091P300A	1
22	D391 4099	Torque Limiter Mechanical Clutch: PF3091P357A	1
23	B660 4711	Parallel Pin:HP020080SCH	3

Index No.	Part No.	Description	Q'ty Per Assembly

15.Inserter Section 9 (D391)

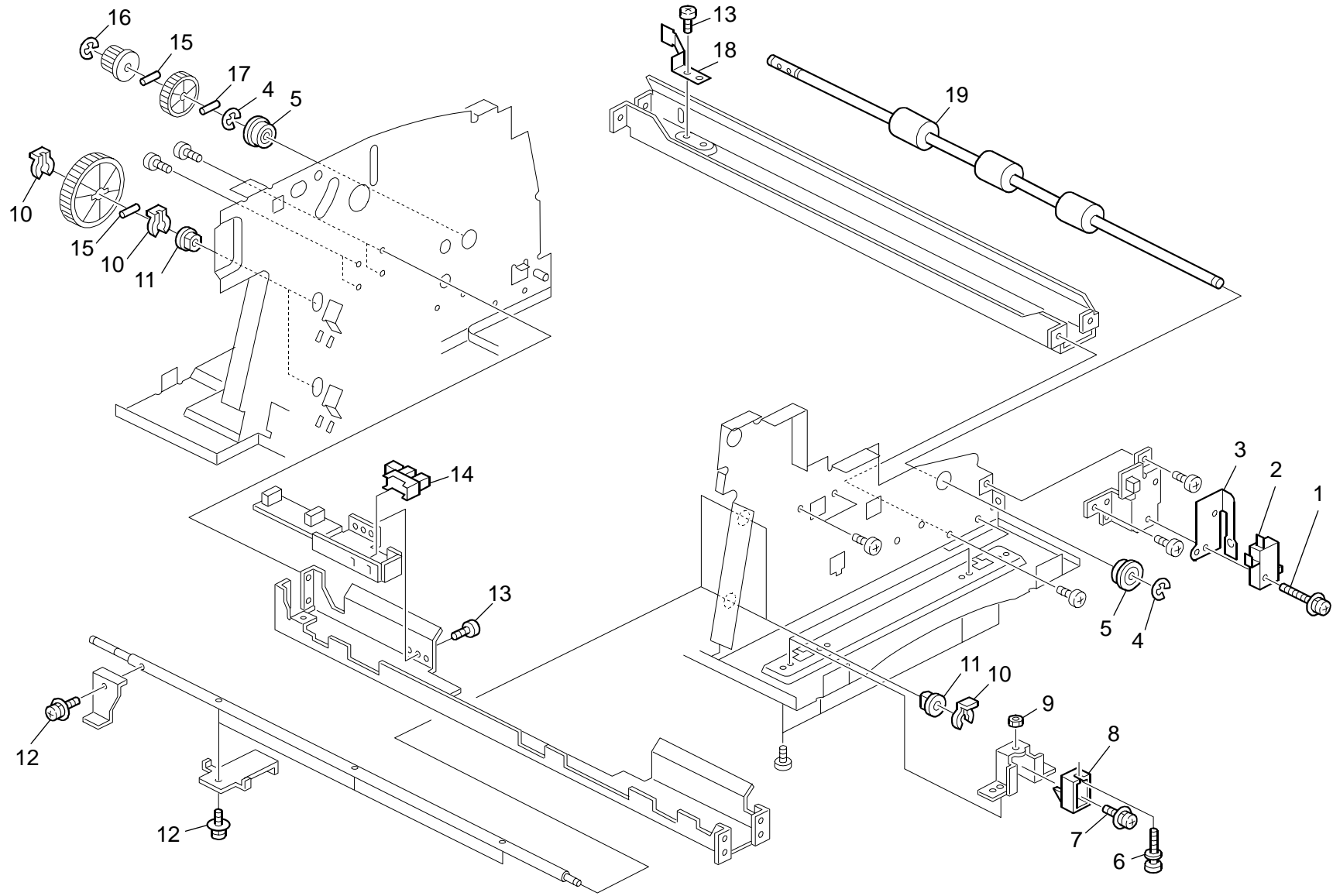


15.Inserter Section 9 (D391)

Index No.	Part No.	Description	Q'ty Per Assembly
1	B660 4835	Screw:NS-SCR00045A	4
2	B660 4831	Screw:NS-SCR00016A	7
3	D391 4093	Coil Spring:Separation Sub-Unit: PF3091P341A	1
4	D391 4060	Case:Coil Spring:Separation:PF3091P040A	1
5	D391 4081	Spring Plate:Roller:Separation: PF3091P160A	1
6	D391 5780	Photointerruptor:PF2286P475	4
7	D391 1233	Radial Ball Bearing:DIA6:NS-BRG00110A	1
8	D391 4006	Collar:CL060030FW	1
9	D391 1150	Retaining Rings-E:DIA5:ER050SU-D	2
10	D391 1154	Parallel Pin:2x10:HP020100SCH	1
11	D391 4016	Retaining Rings-C:NS-Clip00007A	1
12	D391 4097	Coil Spring:Registration Sensor:BIN:Lower: PF3091P347A	2
13	D391 4058	Lever:Registration Sensor:Bin:Lower: PF3091P037A	2
14	B660 4811	External Circlip:NS-CLP00001A	2
15	B660 4815	External Circlip:NS-CLP00003A	6
16	B660 4847	Bushing:NS-MTL00009A	5
17	D391 4084	Roller:Separation:PF3091P300A	1
18	D391 4099	Torque Limiter Mechanical Clutch: PF3091P357A	1
19	B660 4711	Parallel Pin:HP020080SCH	3

Index No.	Part No.	Description	Q'ty Per Assembly

16.Inserter Section 10 (D391)

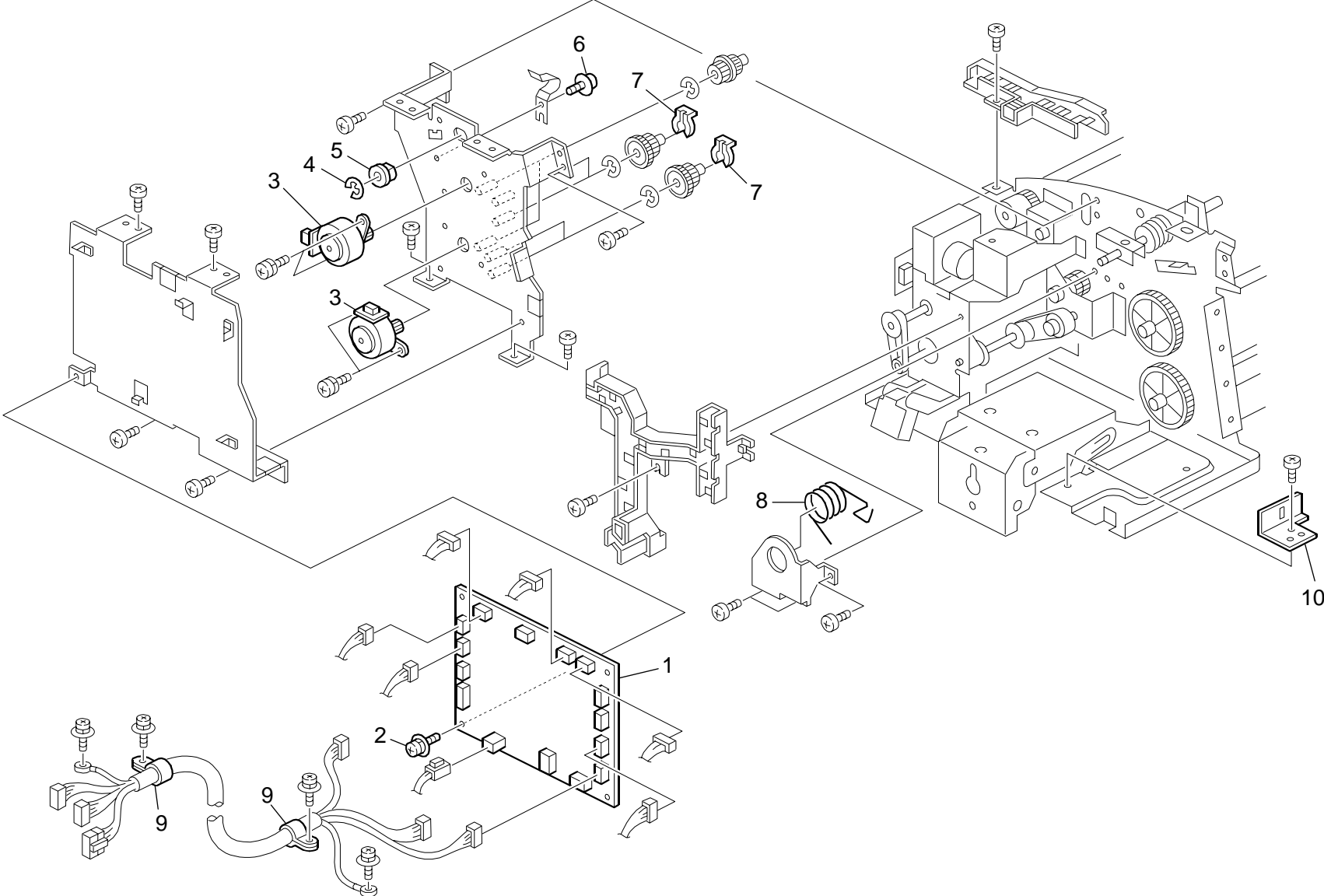


16. Inserter Section 10 (D391)

Index No.	Part No.	Description	Q'ty Per Assembly
1	D391 1123	Screw With Washer:M3x16:030160FWWS	1
2	D391 4007	Micro Switch:E120001580	1
3	D391 4079	Spring Plate:On Off Detector:Cover:Upper: PF3091P157A	1
4	D391 1151	Retaining Rings-E:DIA6.4:ER064SU-D	2
5	D391 1232	Radial Ball Bearing:DIA8:NS-BRG00103A	2
6	D391 1256	Flat Screw:Adjusting Screw:Hinge: PF2269P385A1	1
7	D391 1116	Screw With Washer:M3x6:030060FWWS	1
8	D391 4071	Adjusting Plate:PF3091P079A	1
9	B660 4751	Nut:NT040FN2	1
10	D391 4016	Retaining Rings-C:NS-Clip00007A	3
11	B660 4847	Bushing:NS-MTL00009A	2
12	D391 1120	Screw With Washer:M3x8:030080FWWS	4
13	B660 4831	Screw:NS-SCR00016A	2
14	D391 5780	Photointerruptor:PF2286P475	1
15	B660 4715	Parallel Pin:HP020120SCH	2
16	D391 1150	Retaining Rings-E:DIA5:ER050SU-D	1
17	D391 1154	Parallel Pin:2x10:HP020100SCH	1
18	D391 4078	Spring Plate:Earth:Cover:Upper: PF3091P156A	1
19	D391 4089	Registration Roller:Bin:Lower:PF3091P304A	1

Index No.	Part No.	Description	Q'ty Per Assembly

17.Inserter Section 11 (D391)

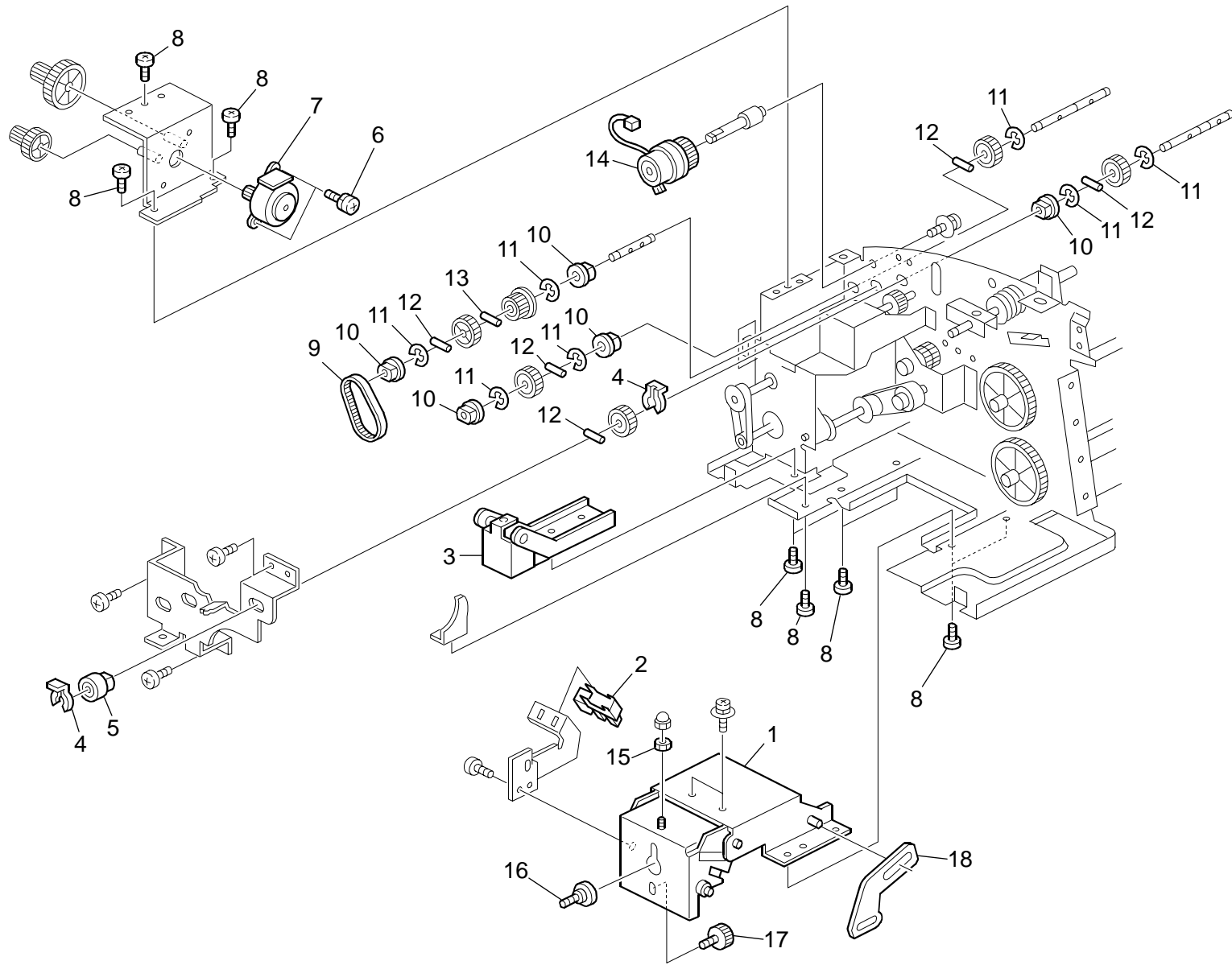


17.Inserter Section 11 (D391)

Index No.	Part No.	Description	Q'ty Per Assembly
1	D391 5700	PCB:Paper Feed Unit:Ass'y	1
2	D391 4005	Screw With Washer:M4x8:040080FWWS	1
3	D391 5296	DC Stepper Motor:PF4140R405	2
4	D391 1151	Retaining Rings-E:DIA6.4:ER064SU-D	1
5	B660 4847	Bushing:NS-MTL00009A	1
6	D391 4003	Tapping Screr:M3x6:030060FWIT	1
7	D391 4016	Retaining Rings-C:NS-Clip00007A	2
8	D391 4101	Coil Spring:Auxiliary:Middle:PF3091P364A	1
9	D391 4009	Nylon Clamp:E450000075	2
10	D391 4108	Bracket:PF3091P171	1

Index No.	Part No.	Description	Q'ty Per Assembly

18.Inserter Section 12 (D391)

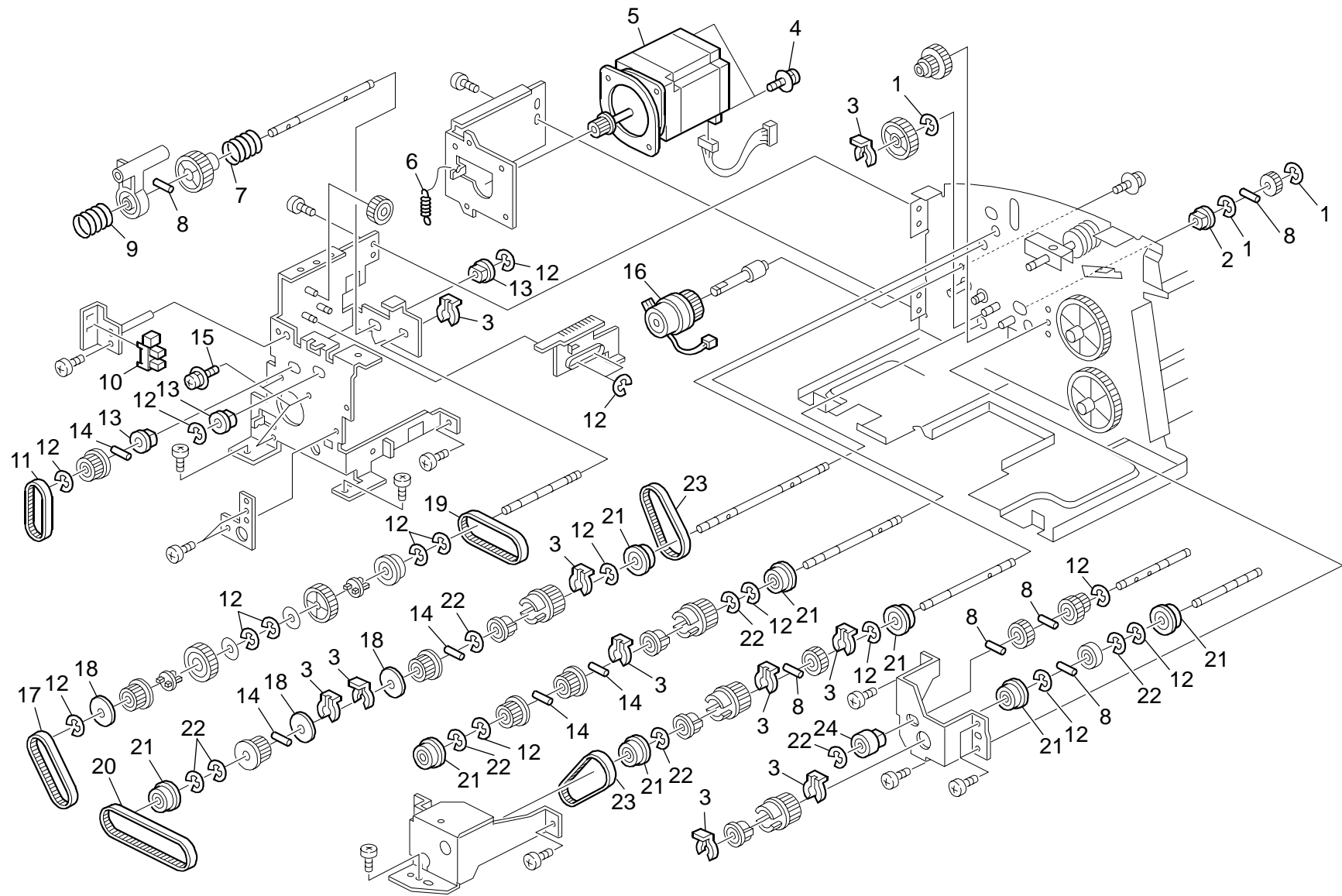


18.Inserter Section 12 (D391)

Index No.	Part No.	Description	Q'ty Per Assembly
1	D391 4023	Hinge:Main:PF3091K120A:Ass'y	1
2	D391 5780	Photointerruptor:PF2286P475	1
3	D391 4024	Hinge:Sub:PF3091K122A:Ass'y	1
4	D391 4016	Retaining Rings-C:NS-Clip00007A	2
5	D391 1255	Mechanical Roller Clutch:Joint: PF2268P344B	1
6	D391 1114	Washer:M3x6:030060FWSW	2
7	D391 5785	DC Stepper Motor:PF3091P500	1
8	B660 4835	Screw:NS-SCR00045A	11
9	D391 4013	Synchronous Belt:NS-BLT00166A	1
10	B660 4847	Bushing:NS-MTL00009A	5
11	D391 1150	Retaining Rings-E:DIA5:ER050SU-D	7
12	D391 1154	Parallel Pin:2x10:HP020100SCH	5
13	B660 4715	Parallel Pin:HP020120SCH	1
14	D391 5784	Electromagnetic Clutch:PF3091K345	1
15	D391 4110	Nut:PF3091P339	1
16	D391 4111	Screw:PF3091P352	1
17	D391 4112	Screw:PF3091P356	1
18	D391 4109	Stopper:Hinge:PF3091P185	1

Index No.	Part No.	Description	Q'ty Per Assembly

19.Inserter Section 13 (D391)

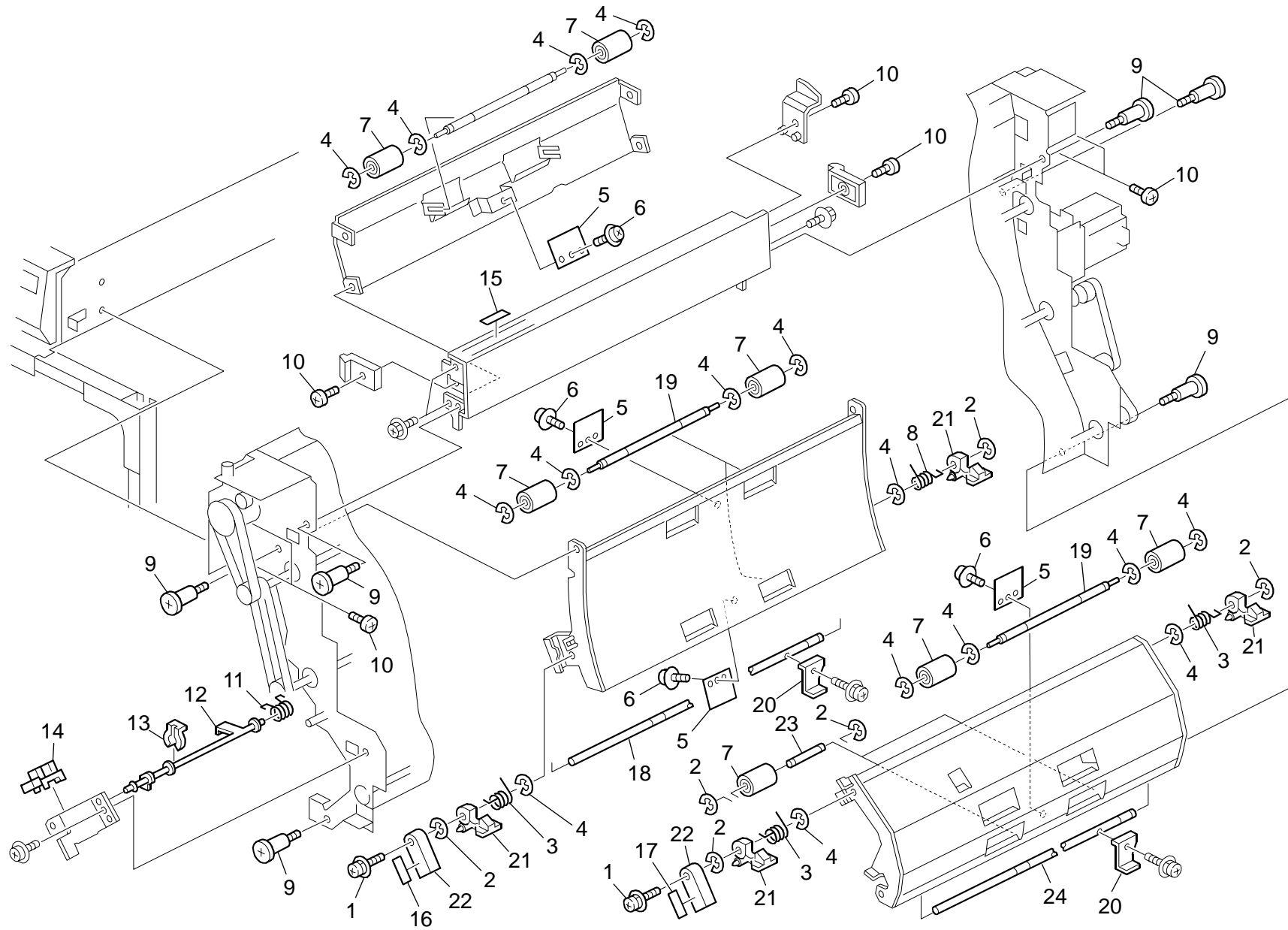


19.Inserter Section 13 (D391)

Index No.	Part No.	Description	Q'ty Per Assembly
1	D391 1150	Retaining Rings-E:DIA5:ER050SU-D	3
2	B660 4846	Bushing:NS-MTL00004A	1
3	D391 4016	Retaining Rings-C:NS-Clip00007A	10
4	D391 4005	Screw With Washer:M4x8:040080FWWS	2
5	D391 5783	DC Stepper Motor:PF3091K330	1
6	D391 4098	Coil Spring:Tension:PF3091P351A	1
7	D391 4102	Coil Spring:PF3091P400A	1
8	D391 1154	Parallel Pin:2x10:HP020100SCH	6
9	D391 4103	Coil Spring:Gear:PF3091P401A	1
10	D391 5780	Photointerruptor:PF2286P475	1
11	D391 4015	Synchronous Belt:NS-BLT00381A	1
12	D391 1150	Retaining Rings-E:DIA5:ER050SU-D	17
13	B660 4847	Bushing:NS-MTL00009A	3
14	B660 4715	Parallel Pin:HP020120SCH	5
15	D391 1130	Washer:M4x8:040080FWSW	3
16	D391 5784	Electromagnetic Clutch:PF3091K345	1
17	D391 4014	Synchronous Belt:NS-BLT00344A	1
18	D391 4105	Flange:PF4099P223A	3
19	D391 4011	Synchronous Belt:NS-BLT00121A	1
20	D391 4012	Synchronous Belt:NS-BLT00126A	1
21	D391 1233	Radial Ball Bearing:DIA6:NS-BRG00110A	8
22	D391 1148	Retaining Rings-E:DIA3.2:ER032SU-D	8
23	D391 4013	Synchronous Belt:NS-BLT00166A	2
24	D391 1255	Mechanical Roller Clutch:Joint: PF2268P344B	1

Index No.	Part No.	Description	Q'ty Per Assembly

20.Vertical Feed Section 1 (D391)

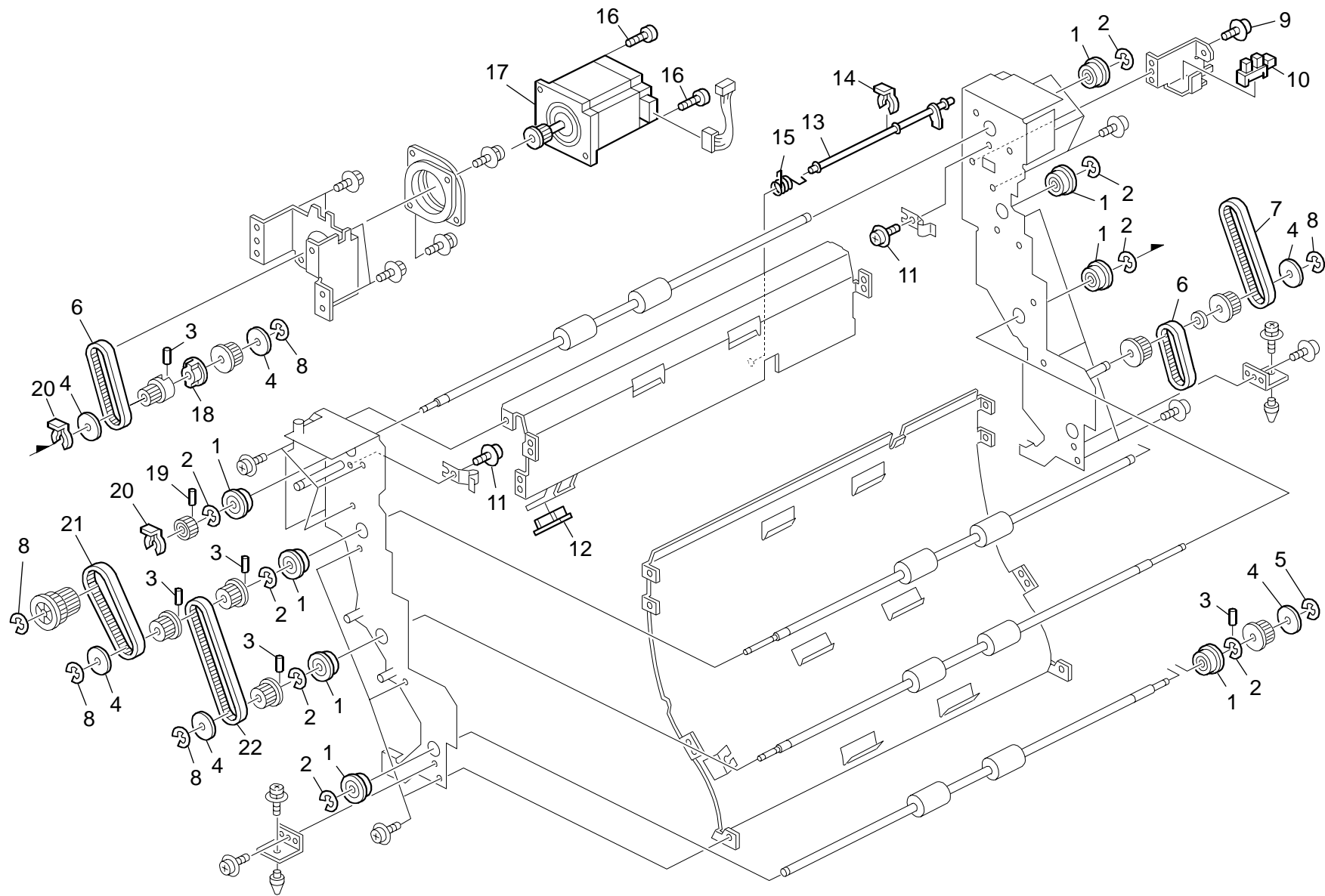


20.Vertical Feed Section 1 (D391)

Index No.	Part No.	Description	Q'ty Per Assembly
1	D391 1120	Screw With Washer:M3x8:030080FWWS	2
2	D391 1149	Retaining Rings-E:DIA4:ER040SU-D	8
3	D391 1105	Torsion Spring:Rear:PF4099P805B	3
4	D391 1150	Retaining Rings-E:DIA5:ER050SU-D	20
5	D391 1259	Spring Plate:Registration Roller:Plate: PF3091P159C	4
6	D391 1242	Tapping Screr:M3x6:NS-SCR00017B	4
7	D391 1258	Driven Roller:PF3091P039A1	10
8	D391 1104	Torsion Spring:Front:PF4099P804B	1
9	D391 1253	Screw:PF2171P583B	6
10	B660 4835	Screw:NS-SCR00045A	7
11	D391 1260	Coil Spring:Registration Sensor:Bin:Upper: PF3091P346	1
12	B660 1651	Sensor Lever	1
13	D391 4016	Retaining Rings-C:NS-Clip00007A	1
14	D391 5254	Photointerruptor:PF2286P475	1
15	D391 6530	Decal:Set:Paper Jam	1
16	D391 6510	Decal:Set:Lever:1	1
17	D391 6510	Decal:Set:Lever:1	1
18	D391 1520	Shaft:Lock:PF3091P845	1
19	D391 1521	Shaft:TFD:PF3091P847	2
20	D391 1522	Bracket:Positioning:Sensor:PF3091P141	2
21	D391 1523	Arm:Lock:PF4140P120	4
22	D391 1525	Handle:Arm:Lock:PF4155P607	2
23	D391 1526	Shaft:TFD:PF3091P846	2
24	D391 1527	Shaft:Lock:Guide:PF3091P843	1

Index No.	Part No.	Description	Q'ty Per Assembly

21.Vertical Feed Section 2 (D391)

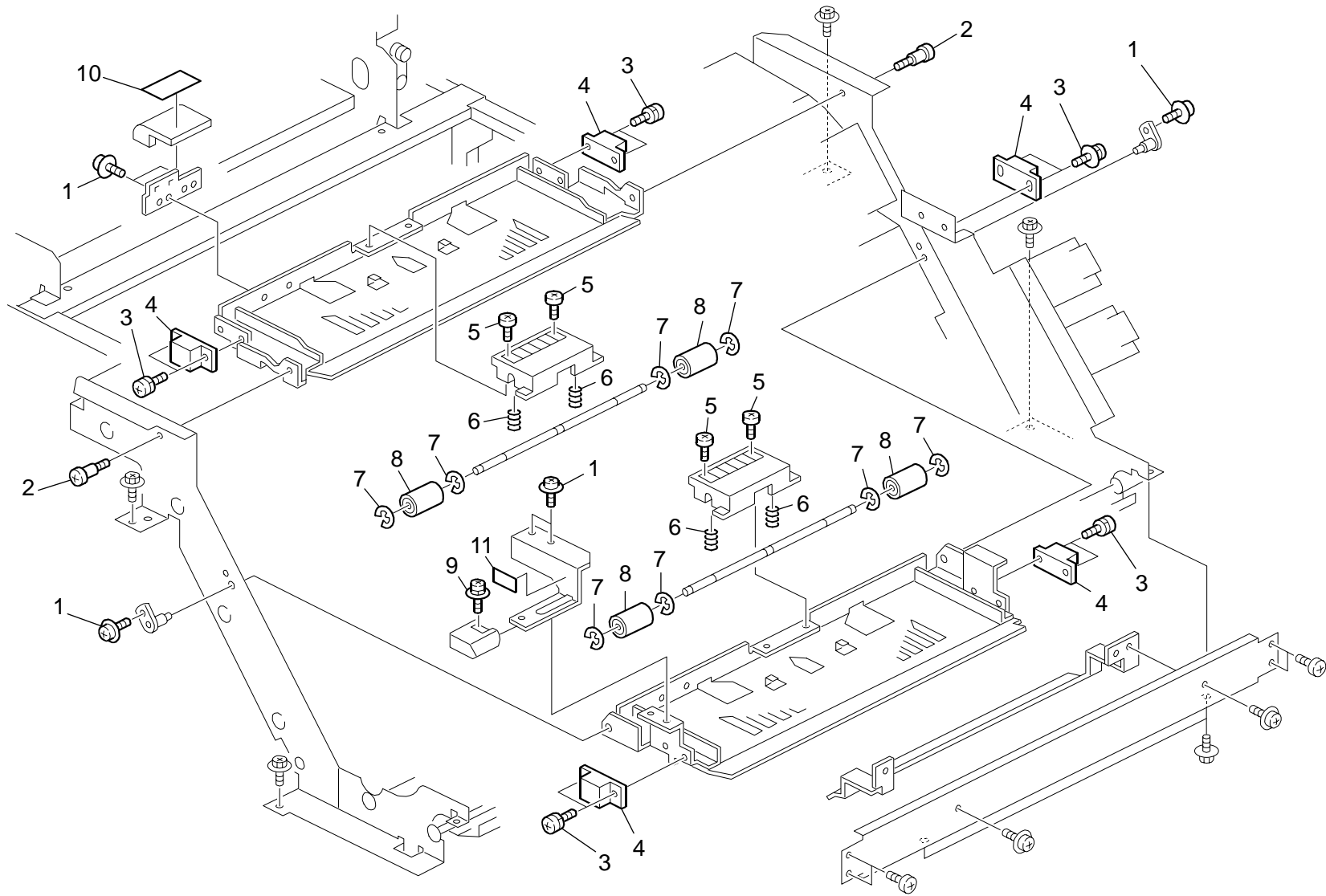


21.Vertical Feed Section 2 (D391)

Index No.	Part No.	Description	Q'ty Per Assembly
1	D391 1232	Radial Ball Bearing:DIA8:NS-BRG00103A	8
2	D391 1151	Retaining Rings-E:DIA6.4:ER064SU-D	8
3	B660 4715	Parallel Pin:HP020120SCH	5
4	D391 4105	Flange:PF4099P223A	6
5	D391 1149	Retaining Rings-E:DIA4:ER040SU-D	1
6	D391 1208	Synchronous Belt:NS-BLT00387B	2
7	D391 1177	Synchronous Belt:NS-BLT00128B	1
8	D391 1150	Retaining Rings-E:DIA5:ER050SU-D	5
9	D391 1130	Washer:M4x8:040080FWSW	1
10	D391 5254	Photointerruptor:PF2286P475	1
11	D391 1242	Tapping Screr:M3x6:NS-SCR00017B	2
12	D391 1262	Magnetic:40N:PF3091P854A	1
13	B660 1651	Sensor Lever	1
14	D391 4016	Retaining Rings-C:NS-Clip00007A	1
15	D391 1260	Coil Spring:Registration Sensor:Bin:Upper: PF3091P346	1
16	D391 1130	Washer:M4x8:040080FWSW	2
17	D391 5255	DC Stepper Motor:PF3091K335	1
18	D391 1255	Mechanical Roller Clutch:Joint: PF2268P344B	1
19	D391 1154	Parallel Pin:2x10:HP020100SCH	1
20	B660 4815	External Circlip:NS-CLP00003A	2
21	D391 1207	Synchronous Belt:NS-BLT00386B	1
22	D391 1178	Synchronous Belt:NS-BLT00136B	1

Index No.	Part No.	Description	Q'ty Per Assembly

22. Signature Transport Section 1 (D391)

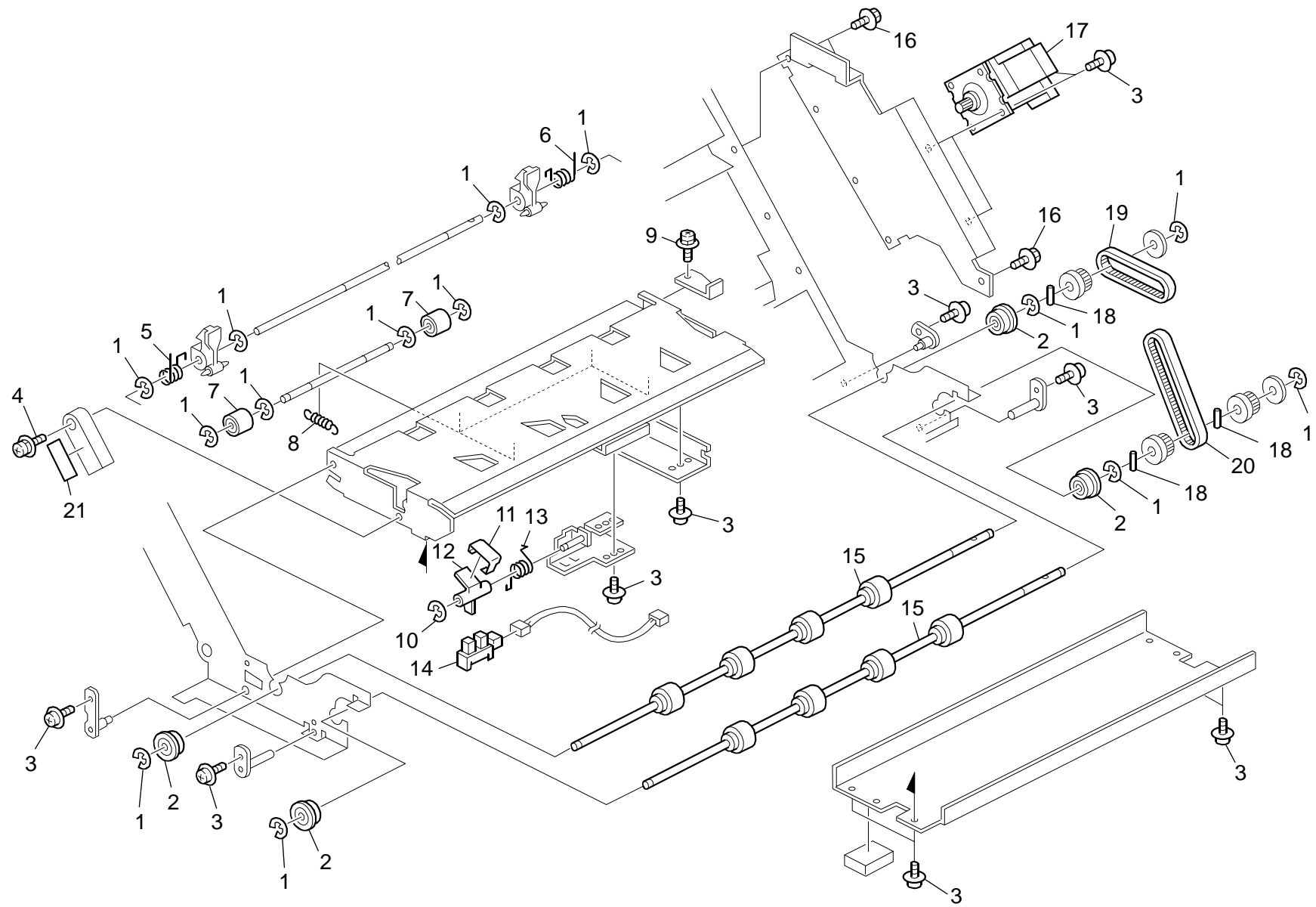


22. Signature Transport Section 1 (D391)

Index No.	Part No.	Description	Q'ty Per Assembly
1	D391 1242	Tapping Screr:M3x6:NS-SCR00017B	6
2	D391 1264	Screw:PF4103P331B	2
3	D391 1114	Washer:M3x6:030060FWSW	10
4	B660 1111	Magnet Catch	5
5	D391 1113	Screw:M3x6:030060FNBI	4
6	D391 1281	Coil Spring:Roller:PF4140P106A1	4
7	D391 1150	Retaining Rings-E:DIA5:ER050SU-D	8
8	D391 1258	Driven Roller:PF3091P039A1	4
9	D391 1120	Screw With Washer:M3x8:030080FWWS	1
10	D391 6510	Decal:Set:Lever:1	1
11	D391 6520	Decal:Set:Lever:2	1

Index No.	Part No.	Description	Q'ty Per Assembly

23. Signature Transport Section 2 (D391)

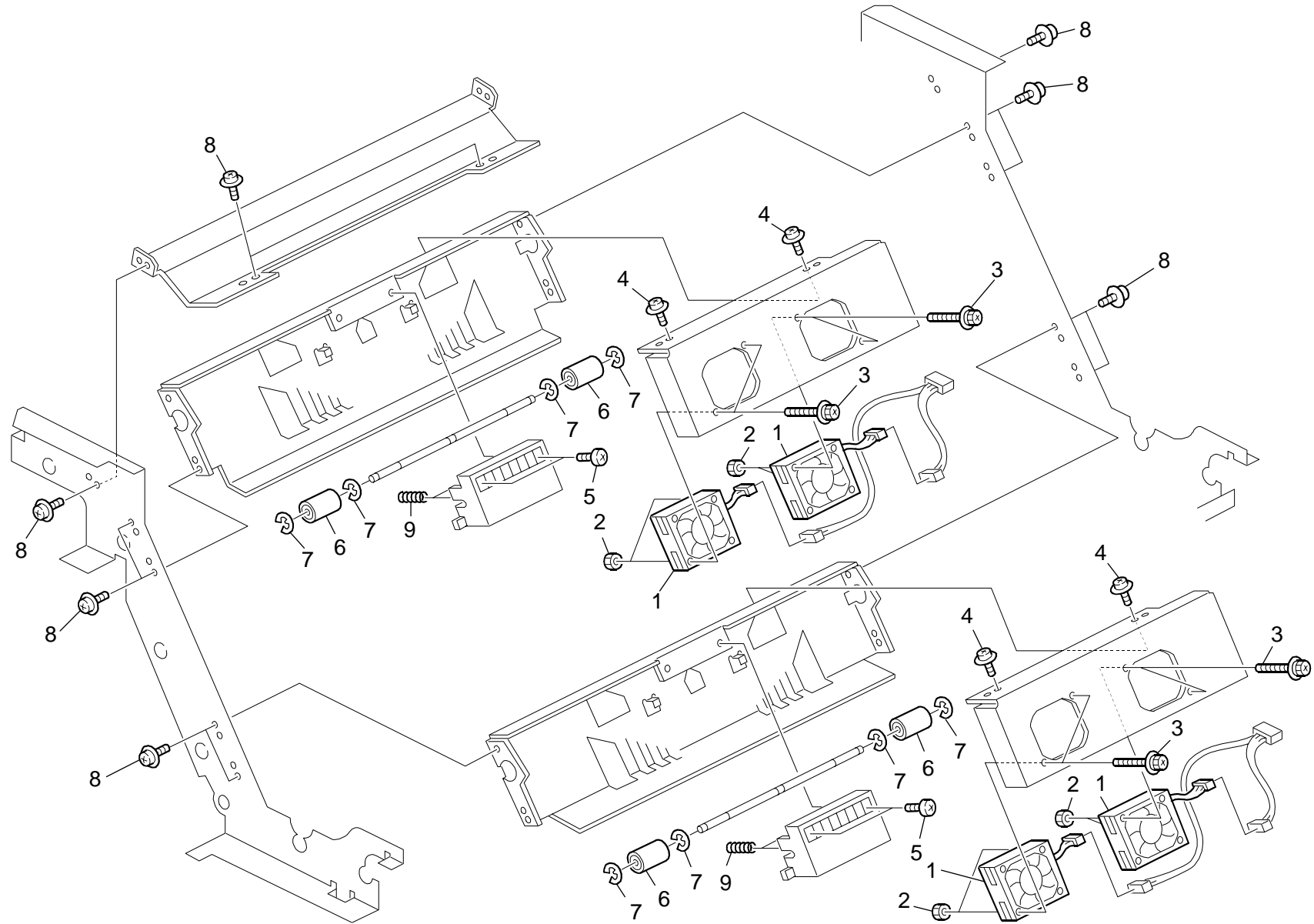


23. Signature Transport Section 2 (D391)

Index No.	Part No.	Description	Q'ty Per Assembly
1	D391 1150	Retaining Rings-E:DIA5:ER050SU-D	26
2	D391 1232	Radial Ball Bearing:DIA8:NS-BRG00103A	4
3	D391 1242	Tapping Screr:M3x6:NS-SCR00017B	12
4	D391 1120	Screw With Washer:M3x8:030080FWWS	1
5	D391 1104	Torsion Spring:Front:PF4099P804B	1
6	D391 1105	Torsion Spring:Rear:PF4099P805B	1
7	D391 1350	Roller:PF4140P958A	8
8	D391 1339	Coil Spring:Transport Roller:PF4140P700A1	4
9	D391 1114	Washer:M3x6:030060FWSW	1
10	D391 1148	Retaining Rings-E:DIA3.2:ER032SU-D	1
11	D391 1298	Spring Plate:Paper Sensor:Surface: PF4140P237B	1
12	D391 1282	Lever:Transport Sensor:PF4140P112B1	1
13	D391 1285	Coil Spring:Lever:Sensor:PF4140P132	1
14	D391 5254	Photointerruptor:PF2286P475	1
15	D391 1290	Roller:Entrance:PF4140P147A1	2
16	B660 4835	Screw:NS-SCR00045A	5
17	D391 5270	DC Stepper Motor:PF4140K631	1
18	B660 4715	Parallel Pin:HP020120SCH	3
19	D391 1198	Synchronous Belt:NS-BLT00365C	1
20	D391 1200	Synchronous Belt:NS-BLT00377B	1
21	D391 6510	Decal:Set:Lever:1	1

Index No.	Part No.	Description	Q'ty Per Assembly

24. Signature Transport Section 3 (D391)

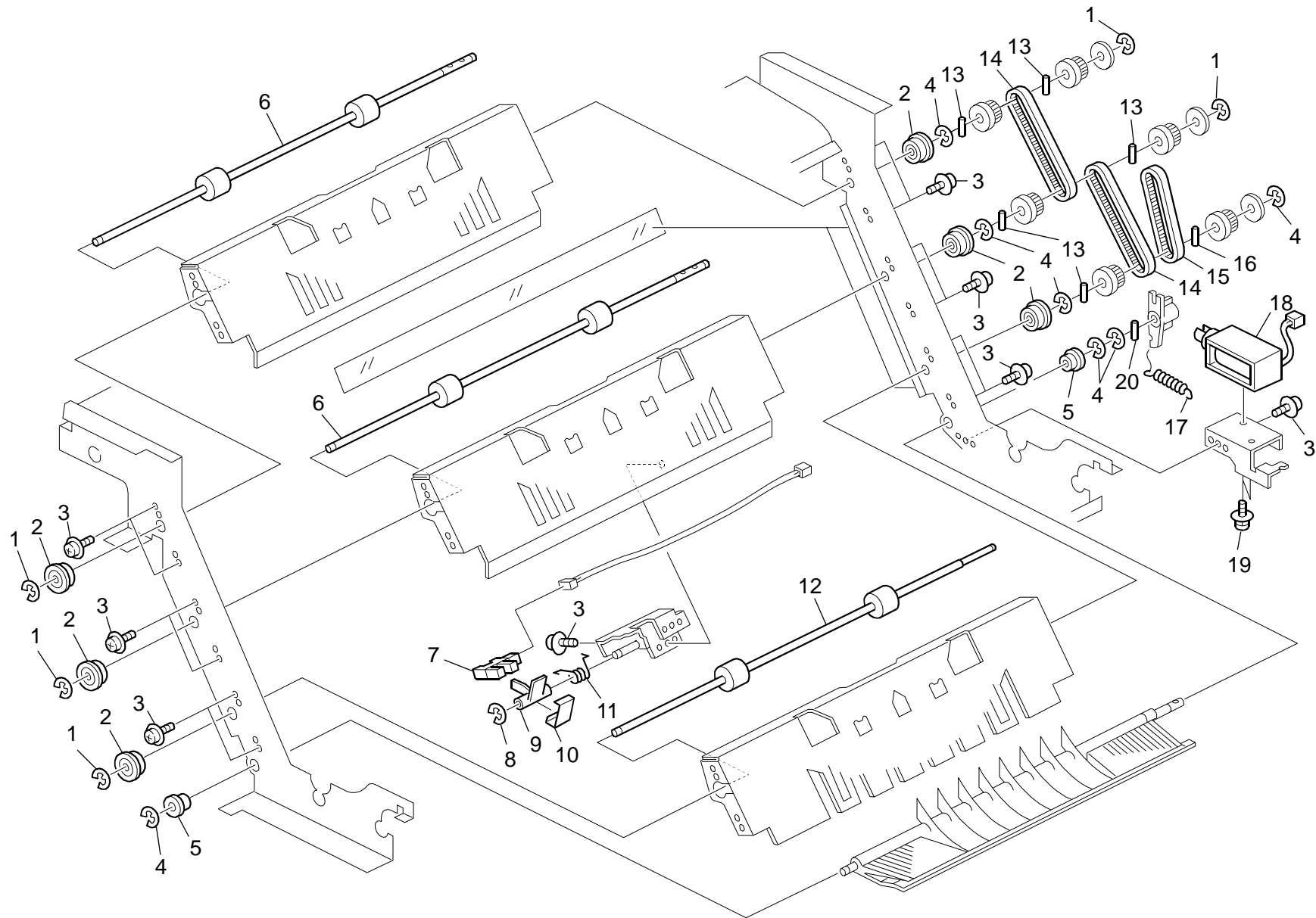


24. Signature Transport Section 3 (D391)

Index No.	Part No.	Description	Q'ty Per Assembly
1	D391 5297	DC Fan Motor:PF4140R406	4
2	D391 1249	Flanged Hexagonal Nut:NT030FN2	8
3	D391 1124	Pan Head Screw:Spring Washer: 030300FWWS	8
4	D391 1168	Tapping Screr:IR4016P167A	4
5	D391 1113	Screw:M3x6:030060FNBI	4
6	D391 1258	Driven Roller:PF3091P039A1	4
7	D391 1150	Retaining Rings-E:DIA5:ER050SU-D	8
8	D391 1242	Tapping Screr:M3x6:NS-SCR00017B	12
9	D391 1281	Coil Spring:Roller:PF4140P106A1	4

Index No.	Part No.	Description	Q'ty Per Assembly

25. Signature Transport Section 4 (D391)

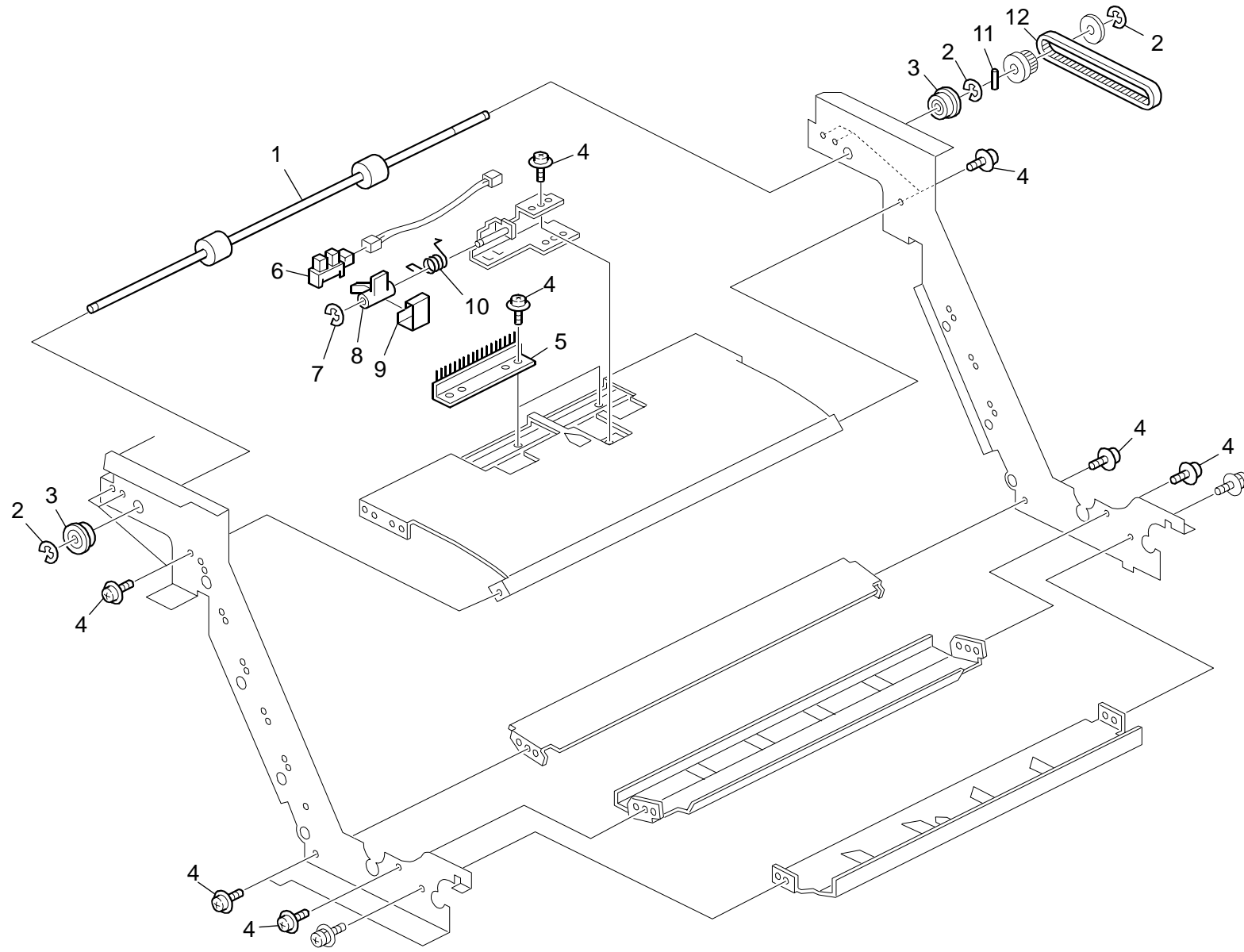


25. Signature Transport Section 4 (D391)

Index No.	Part No.	Description	Q'ty Per Assembly
1	D391 1151	Retaining Rings-E:DIA6.4:ER064SU-D	5
2	D391 1232	Radial Ball Bearing:DIA8:NS-BRG00103A	6
3	D391 1242	Tapping Screr:M3x6:NS-SCR00017B	14
4	D391 1150	Retaining Rings-E:DIA5:ER050SU-D	7
5	D391 1239	Bushing:DIA8:NS-MTL00013B	2
6	D391 1289	Roller:2:PF4140P146A1	2
7	D391 5254	Photointerruptor:PF2286P475	1
8	D391 1148	Retaining Rings-E:DIA3.2:ER032SU-D	1
9	D391 1282	Lever:Transport Sensor:PF4140P112B1	1
10	D391 1298	Spring Plate:Paper Sensor:Surface: PF4140P237B	1
11	D391 1285	Coil Spring:Lever:Sensor:PF4140P132	1
12	D391 1288	Roller:1:PF4140P145A1	1
13	B660 4715	Parallel Pin:HP020120SCH	5
14	D391 1202	Synchronous Belt:NS-BLT00379B	2
15	D391 1200	Synchronous Belt:NS-BLT00377B	1
16	D391 1154	Parallel Pin:2x10:HP020100SCH	1
17	D391 1287	Coil Spring:Entrance:PF4140P144A1	1
18	D391 5253	DC Solenoid:PF2252P930	1
19	D391 1111	Screw With Washer:M3x5:030050FWWS	2
20	D391 1156	Parallel Pin:2x16:HP020160SCH	1

Index No.	Part No.	Description	Q'ty Per Assembly

26. Signature Transport Section 5 (D391)

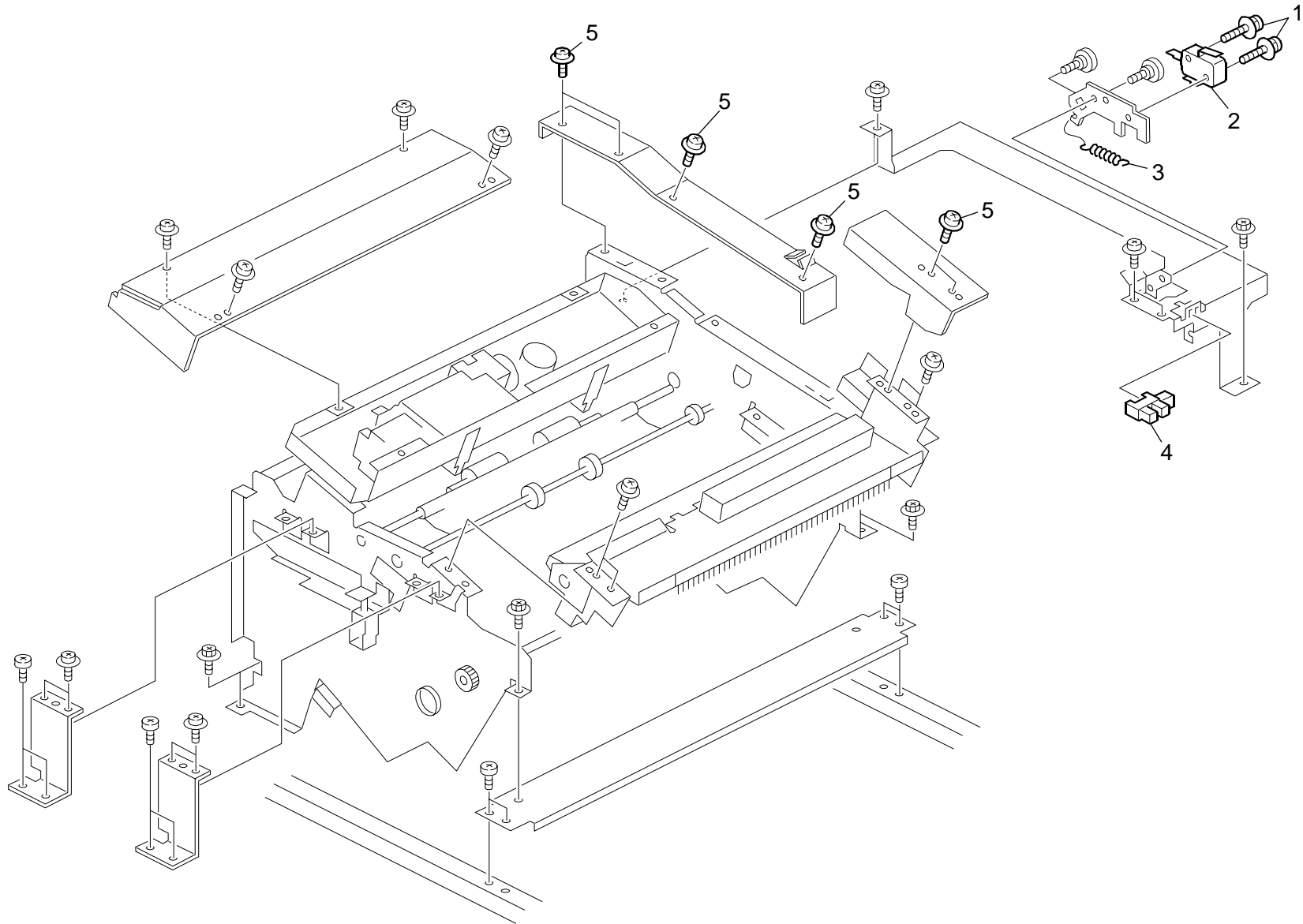


26. Signature Transport Section 5 (D391)

Index No.	Part No.	Description	Q'ty Per Assembly
1	D391 1289	Roller:2:PF4140P146A1	1
2	D391 1151	Retaining Rings-E:DIA6.4:ER064SU-D	3
3	D391 1232	Radial Ball Bearing:DIA8:NS-BRG00103A	2
4	D391 1242	Tapping Screr:M3x6:NS-SCR00017B	15
5	D391 1286	Discharge Brush:PF4140P136B1	2
6	D391 5254	Photointerruptor:PF2286P475	1
7	D391 1148	Retaining Rings-E:DIA3.2:ER032SU-D	1
8	D391 1282	Lever:Transport Sensor:PF4140P112B1	1
9	D391 1298	Spring Plate:Paper Sensor:Surface: PF4140P237B	1
10	D391 1285	Coil Spring:Lever:Sensor:PF4140P132	1
11	B660 4715	Parallel Pin:HP020120SCH	1
12	D391 1200	Synchronous Belt:NS-BLT00377B	1

Index No.	Part No.	Description	Q'ty Per Assembly

27. Signature Delivery Section 1 (D391)

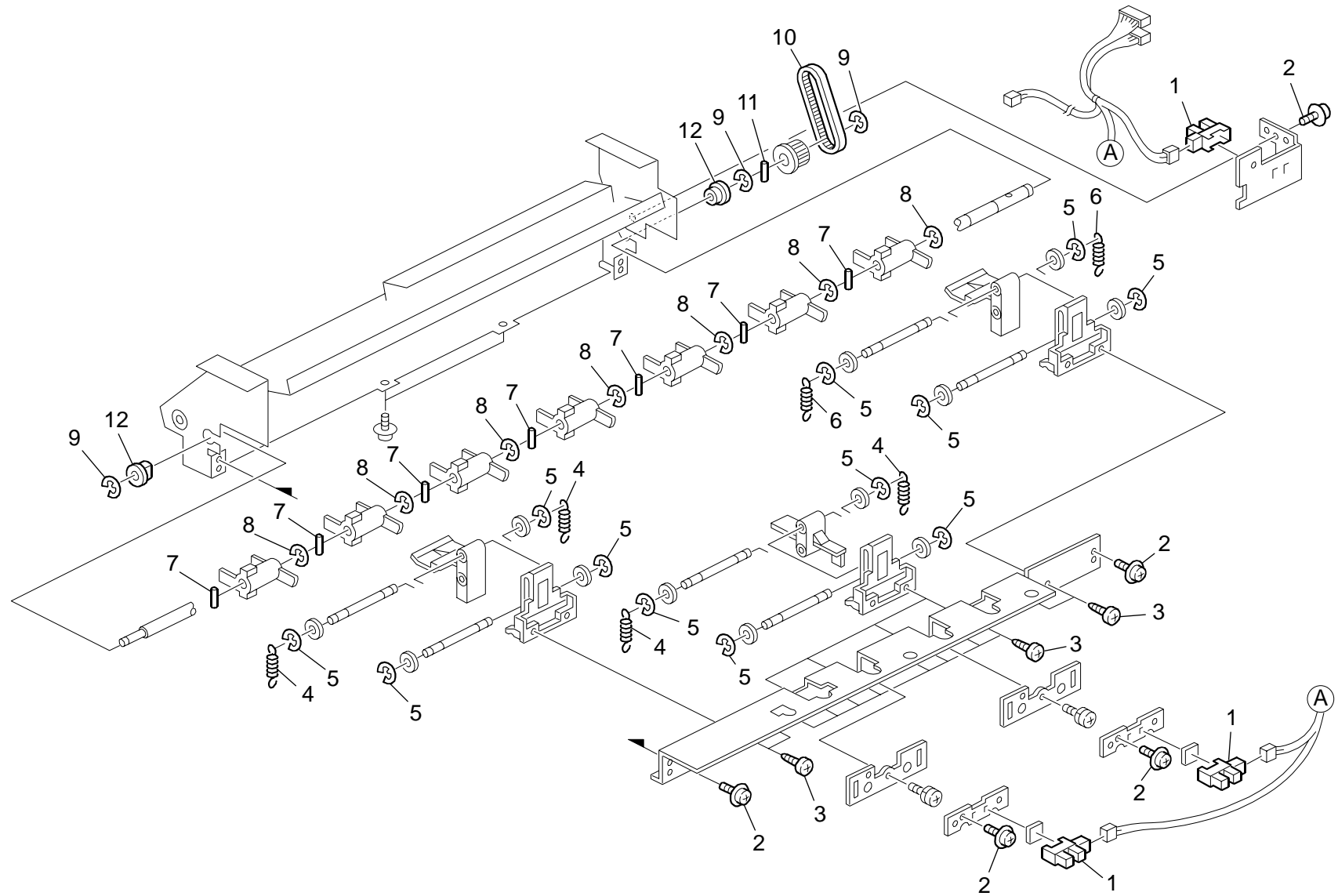


27. Signature Delivery Section 1 (D391)

Index No.	Part No.	Description	Q'ty Per Assembly
1	D391 1139	Screw:30140FWBI	2
2	D391 5250	Micro Switch:E120001934	1
3	D391 1280	Coil Spring:Hinge:Cover:Upper: PF4140P099A	1
4	D391 5254	Photointerruptor:PF2286P475	1
5	D391 1242	Tapping Screr:M3x6:NS-SCR00017B	6

Index No.	Part No.	Description	Q'ty Per Assembly

28. Signature Delivery Section 2 (D391)

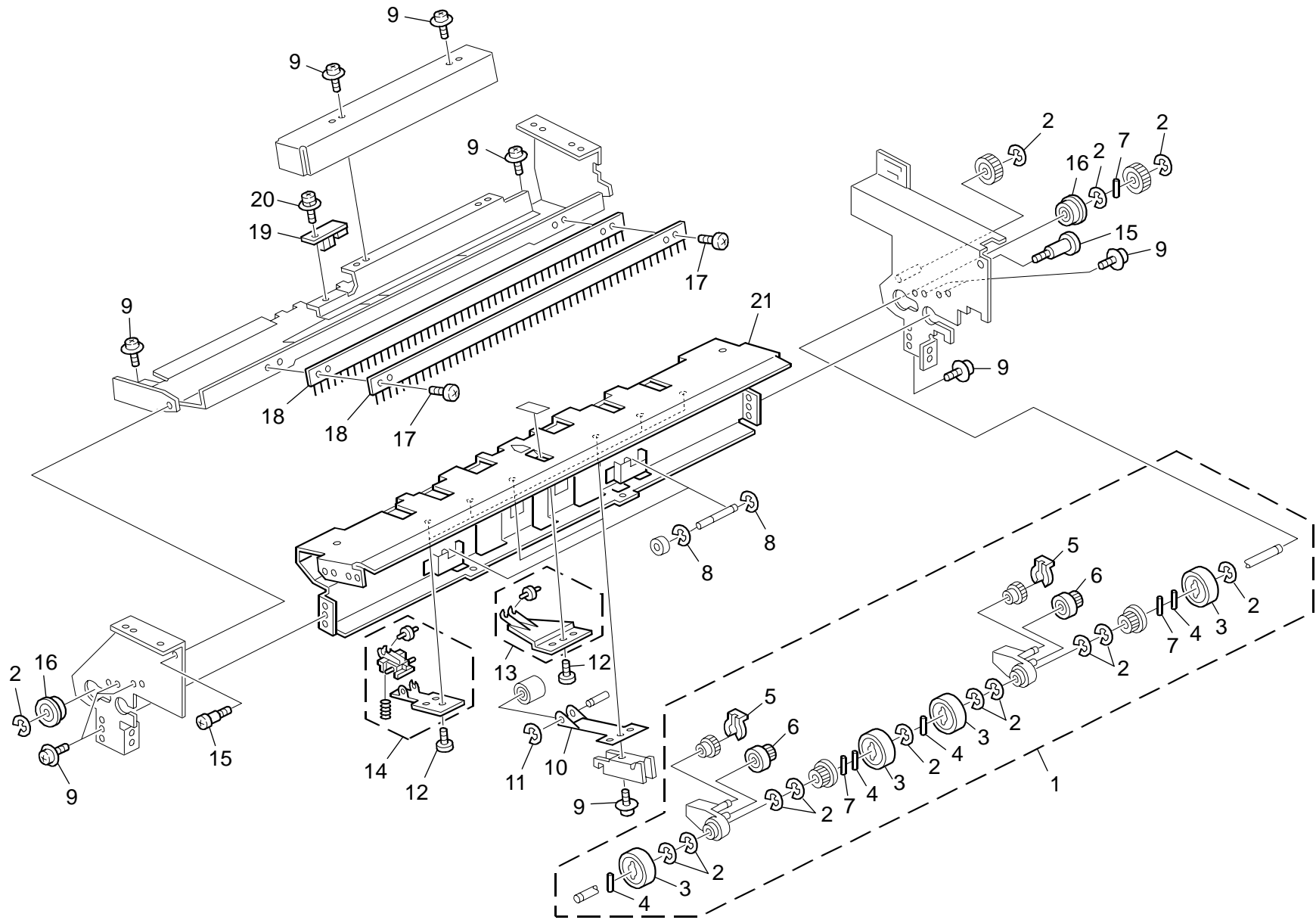


28. Signature Delivery Section 2 (D391)

Index No.	Part No.	Description	Q'ty Per Assembly
1	D391 5254	Photointerruptor:PF2286P475	3
2	D391 1242	Tapping Screr:M3x6:NS-SCR00017B	5
3	D391 1121	Binding Self-Tapping Screw:M3x10: 030100FWBB	12
4	D391 1293	Coil Spring:Plate:Trailing Edge:Middle: PF4140P216B2	10
5	D391 1148	Retaining Rings-E:DIA3.2:ER032SU-D	24
6	D391 1294	Coil Spring:Plate:Trailing Edge:Front Rear: PF4140P217A	2
7	D391 1160	Parallel Pin:3x14:HP030140SCH	7
8	D391 1152	Retaining Rings-E:DIA8:ER080SU-D	7
9	D391 1151	Retaining Rings-E:DIA6.4:ER064SU-D	3
10	D391 1185	Synchronous Belt:NS-BLT00284B	1
11	B660 4715	Parallel Pin:HP020120SCH	1
12	D391 1239	Bushing:DIA8:NS-MTL00013B	2

Index No.	Part No.	Description	Q'ty Per Assembly

29. Signature Delivery Section 3 (D391)

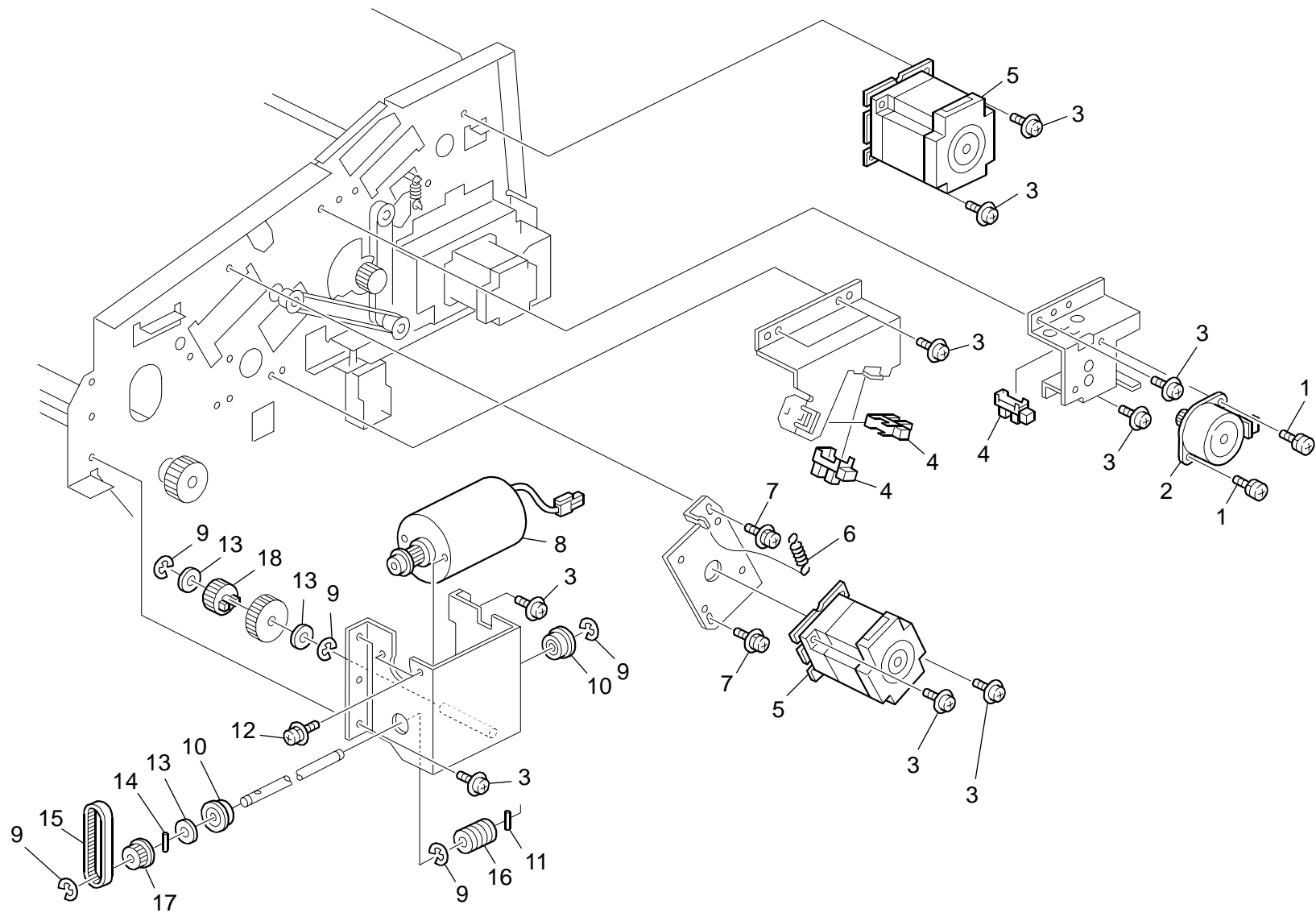


29. Signature Delivery Section 3 (D391)

Index No.	Part No.	Description	Q'ty Per Assembly
1	D391 1278	Roller:Plate:Trailing Edge:PF4140L411A	1
2	D391 1151	Retaining Rings-E:DIA6.4:ER064SU-D	14
3	D391 1295	Roller:Plate:Trailing Edge:PF4140P220A1	4
4	D391 1160	Parallel Pin:3x14:HP030140SCH	4
5	B660 4815	External Circlip:NS-CLP00003A	2
6	D391 1284	Roller:Plate:Trailing Edge:PF4140P131A1	2
7	B660 4715	Parallel Pin:HP020120SCH	3
8	D391 1148	Retaining Rings-E:DIA3.2:ER032SU-D	4
9	D391 1242	Tapping Screr:M3x6:NS-SCR00017B	12
10	D391 1296	Spring Plate:Transport Roller:PF4140P227B1	2
11	D391 1149	Retaining Rings-E:DIA4:ER040SU-D	2
12	D391 1113	Screw:M3x6:030060FNBI	2
13	D391 1277	Roller:Wing:2:PF4140L394A	1
14	D391 1276	Roller:Wing:PF4140L393A	1
15	D391 1247	Screw:NS-SCR00207B	2
16	D391 1232	Radial Ball Bearing:DIA8:NS-BRG00103A	2
17	D391 1168	Tapping Screr:IR4016P167A	2
18	D391 1304	Discharge Brush:Transport:PF4140P272A2	2
19	B660 5451	No.2 Entrance Sensor	1
20	D391 1120	Screw With Washer:M3x8:030080FWWS	1
21	D391 1480	Guide Plate:Paper Exit Sub-unit:Middle: PF4140P232	1

Index No.	Part No.	Description	Q'ty Per Assembly

30. Signature Delivery Section 4 (D391)

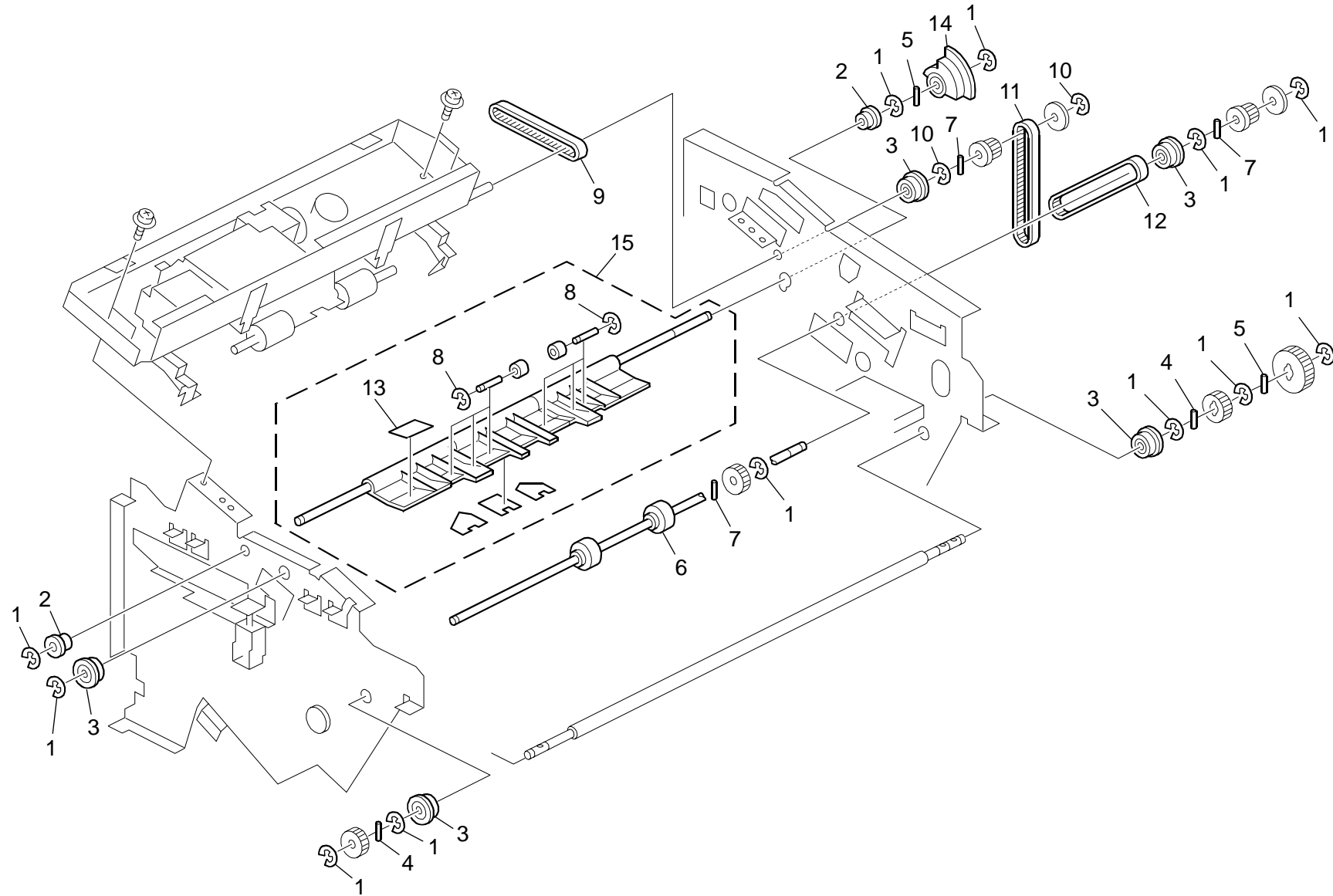


30. Signature Delivery Section 4 (D391)

Index No.	Part No.	Description	Q'ty Per Assembly
1	D391 1114	Washer:M3x6:030060FWSW	2
2	D391 5296	DC Stepper Motor:PF4140R405	1
3	D391 1242	Tapping Screr:M3x6:NS-SCR00017B	11
4	D391 5254	Photointerruptor:PF2286P475	3
5	D391 5270	DC Stepper Motor:PF4140K631	2
6	D391 1305	Coil Spring:Motor:Plate:Trailing Edge: PF4140P293A2	1
7	D391 1120	Screw With Washer:M3x8:030080FWWS	2
8	D391 5271	DC Motor:PF4140K632	1
9	D391 1151	Retaining Rings-E:DIA6.4:ER064SU-D	5
10	D391 1232	Radial Ball Bearing:DIA8:NS-BRG00103A	2
11	D391 1155	Parallel Pin:2x14:HP020140SCH	1
12	D391 4005	Screw With Washer:M4x8:040080FWWS	2
13	D391 1165	Washer:HW080FWSN	3
14	B660 4715	Parallel Pin:HP020120SCH	1
15	D391 1176	Synchronous Belt:NS-BLT00122A	1
16	D391 1490	Gear:Worm Gear:100:PF4140P484A2	1
17	D391 1492	Pulley:T18:PF4140P998A	1
18	D391 1496	Gear:100-20-30:PF4140P488B2	1

Index No.	Part No.	Description	Q'ty Per Assembly

31. Signature Delivery Section 5 (D391)

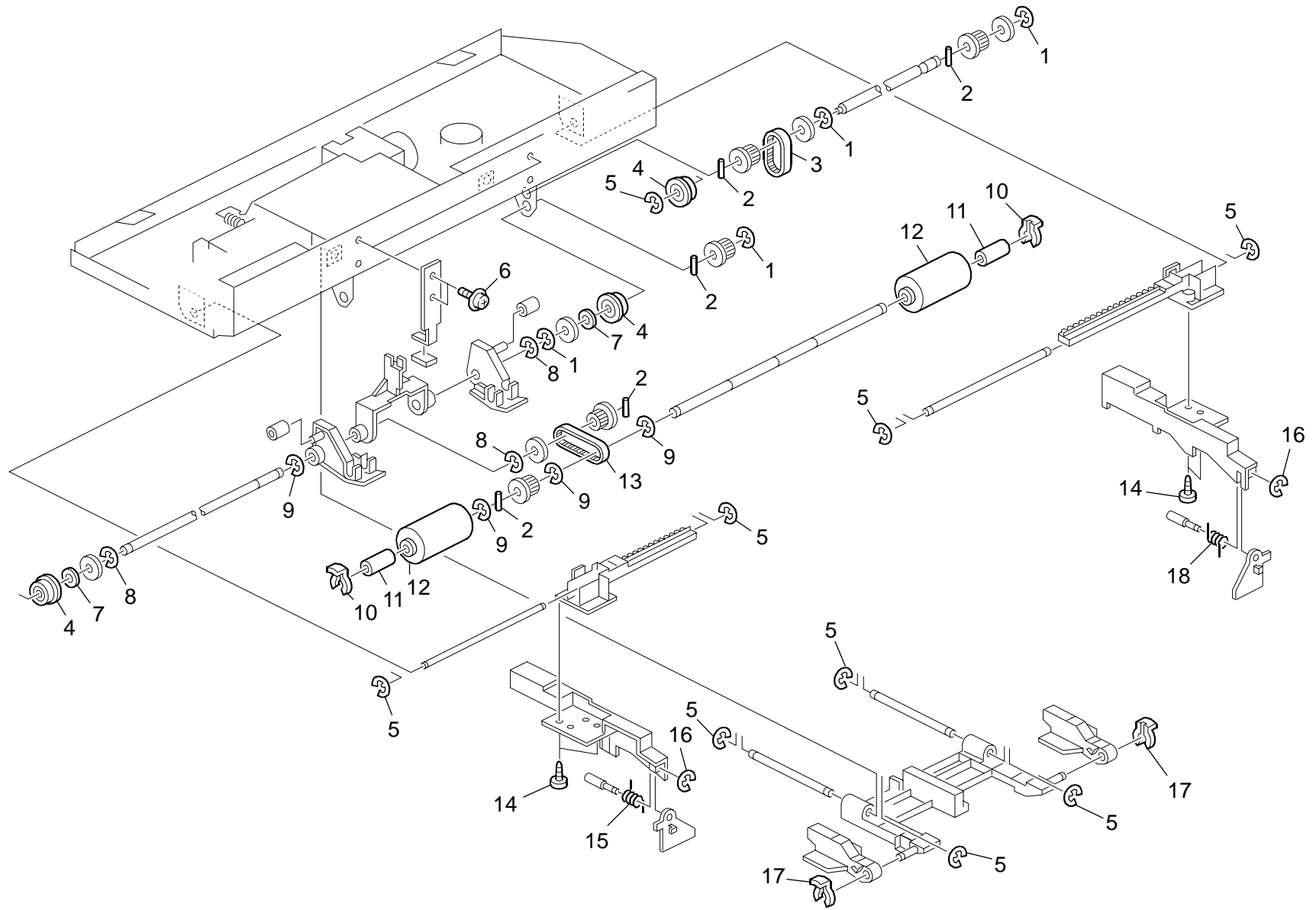


31. Signature Delivery Section 5 (D391)

Index No.	Part No.	Description	Q'ty Per Assembly
1	D391 1151	Retaining Rings-E:DIA6.4:ER064SU-D	12
2	D391 1239	Bushing:DIA8:NS-MTL00013B	2
3	D391 1232	Radial Ball Bearing:DIA8:NS-BRG00103A	5
4	D391 1155	Parallel Pin:2x14:HP020140SCH	2
5	D391 1160	Parallel Pin:3x14:HP030140SCH	2
6	D391 1300	Roller:Tray:PF4140P241B	1
7	B660 4715	Parallel Pin:HP020120SCH	3
8	D391 1145	Washer:ER017SU-D	6
9	D391 1183	Synchronous Belt:NS-BLT00209B	1
10	D391 1149	Retaining Rings-E:DIA4:ER040SU-D	2
11	D391 1194	Synchronous Belt:NS-BLT00356B	1
12	D391 1200	Synchronous Belt:NS-BLT00377B	1
13	D391 6510	Decal:Set:Lever:1	1
14	D391 1504	Gear:Switchback:PF4140P201A2	1
15	D391 1508	Vibrating Plate:Tray:PF4155L105:Ass'y	1

Index No.	Part No.	Description	Q'ty Per Assembly

32.Stacking Tray Section 1 (D391)

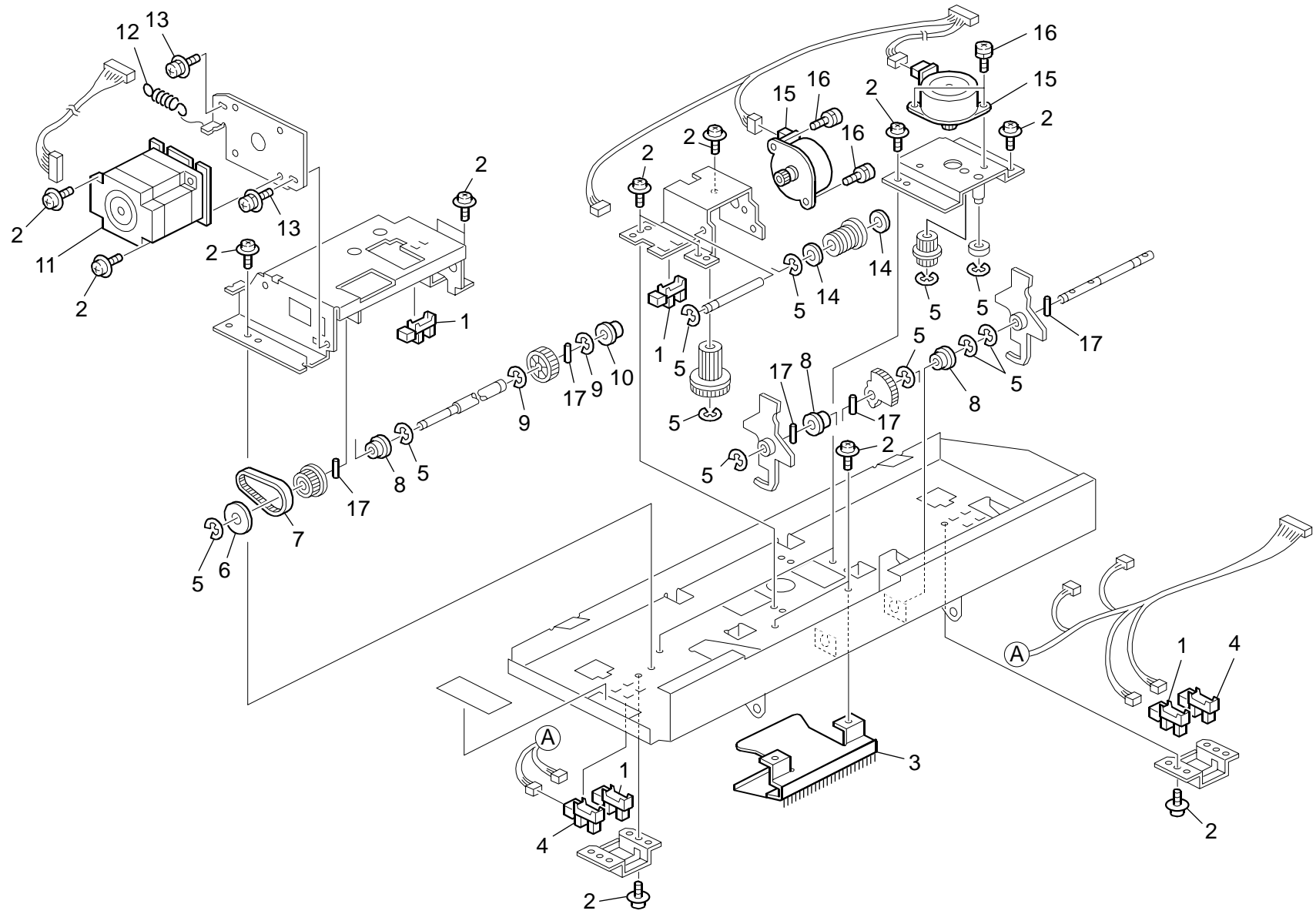


32.Stacking Tray Section 1 (D391)

Index No.	Part No.	Description	Q'ty Per Assembly
1	D391 1149	Retaining Rings-E:DIA4:ER040SU-D	4
2	B660 4715	Parallel Pin:HP020120SCH	5
3	D391 1187	Synchronous Belt:NS-BLT00347B	1
4	D391 1263	Radial Ball Bearing:6x10:PF4096P347A	3
5	D391 1148	Retaining Rings-E:DIA3.2:ER032SU-D	9
6	D391 1242	Tapping Screr:M3x6:NS-SCR00017B	2
7	D391 1164	Washer:HW060FNSN	2
8	D391 1150	Retaining Rings-E:DIA5:ER050SU-D	3
9	D391 1151	Retaining Rings-E:DIA6.4:ER064SU-D	4
10	D391 1236	Retaining Rings-C:NS-CLP00007D	2
11	D391 1142	Spacer:CL080180FW	2
12	D391 1301	Roller:PF4140P243A1	2
13	D391 1188	Synchronous Belt:NS-BLT00348B	1
14	D391 1121	Binding Self-Tapping Screw:M3x10: 030100FWBB	4
15	D391 1302	Coil Spring:Lever:Front:Uniform: PF4140P262B1	1
16	D391 1145	Washer:ER017SU-D	2
17	B660 4815	External Circlip:NS-CLP00003A	2
18	D391 1303	Coil Spring:Lever:Rear:UNIFORM: PF4140P266B1	1

Index No.	Part No.	Description	Q'ty Per Assembly

33.Stacking Tray Section 2 (D391)

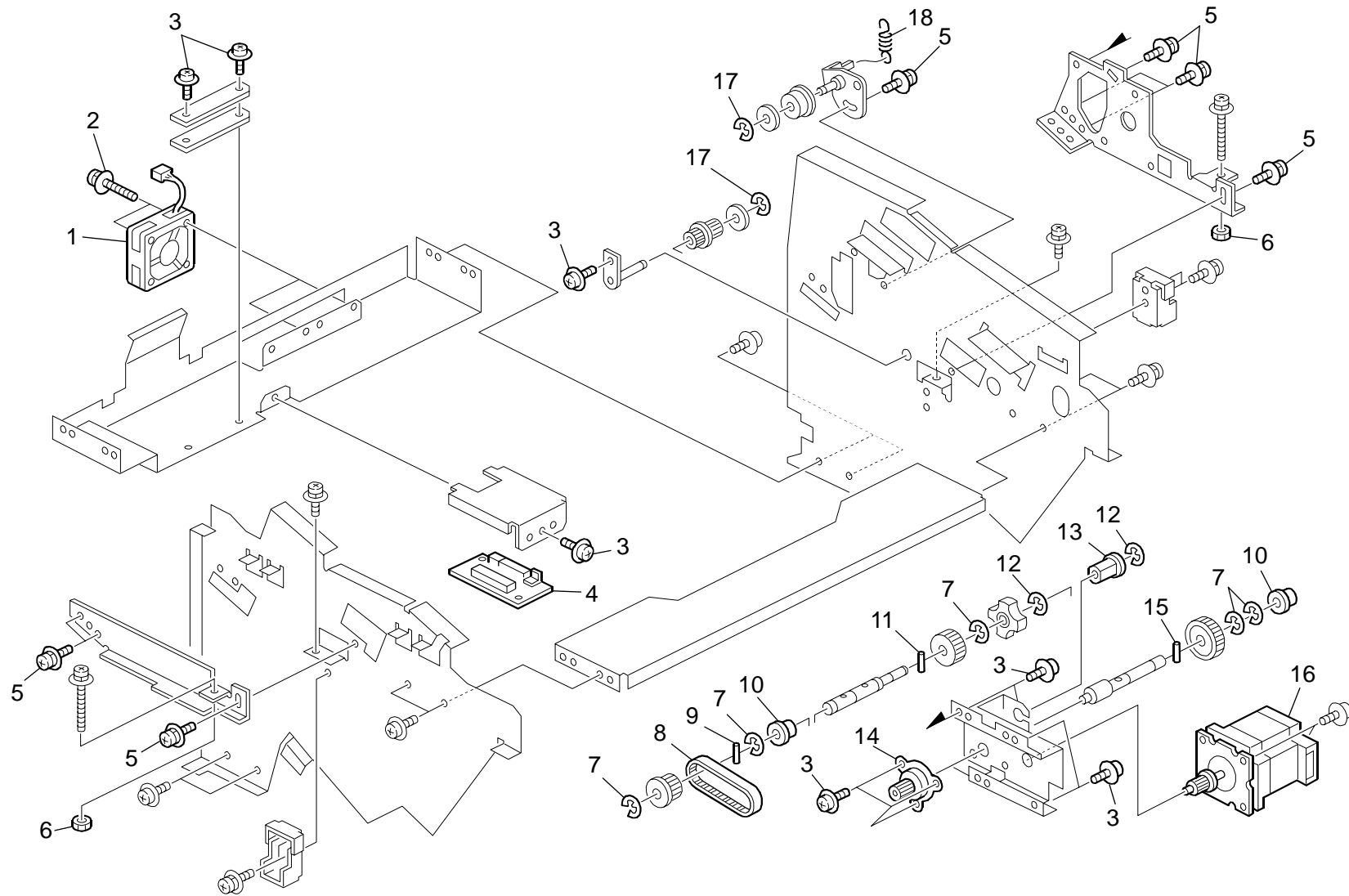


33.Stacking Tray Section 2 (D391)

Index No.	Part No.	Description	Q'ty Per Assembly
1	D391 5254	Photointerruptor:PF2286P475	4
2	D391 1242	Tapping Screr:M3x6:NS-SCR00017B	17
3	D391 1274	Bracket:PF4140L157A	1
4	D391 5251	Photointerruptor:E314000729	2
5	D391 1150	Retaining Rings-E:DIA5:ER050SU-D	11
6	B660 2815	Spacer:PF4099P337	1
7	D391 1169	Synchronous Belt:NS-BLT00049B	1
8	D391 1238	Bushing:DIA6:NS-MTL00007B	3
9	D391 1151	Retaining Rings-E:DIA6.4:ER064SU-D	2
10	D391 1239	Bushing:DIA8:NS-MTL00013B	1
11	D391 5270	DC Stepper Motor:PF4140K631	1
12	D391 1305	Coil Spring:Motor:Plate:Trailing Edge: PF4140P293A2	1
13	D391 1120	Screw With Washer:M3x8:030080FWWS	2
14	D391 1164	Washer:HW060FNSN	2
15	D391 5296	DC Stepper Motor:PF4140R405	2
16	D391 1114	Washer:M3x6:030060FWSW	4
17	B660 4715	Parallel Pin:HP020120SCH	5

Index No.	Part No.	Description	Q'ty Per Assembly

34.Stacking Tray Section 3 (D391)

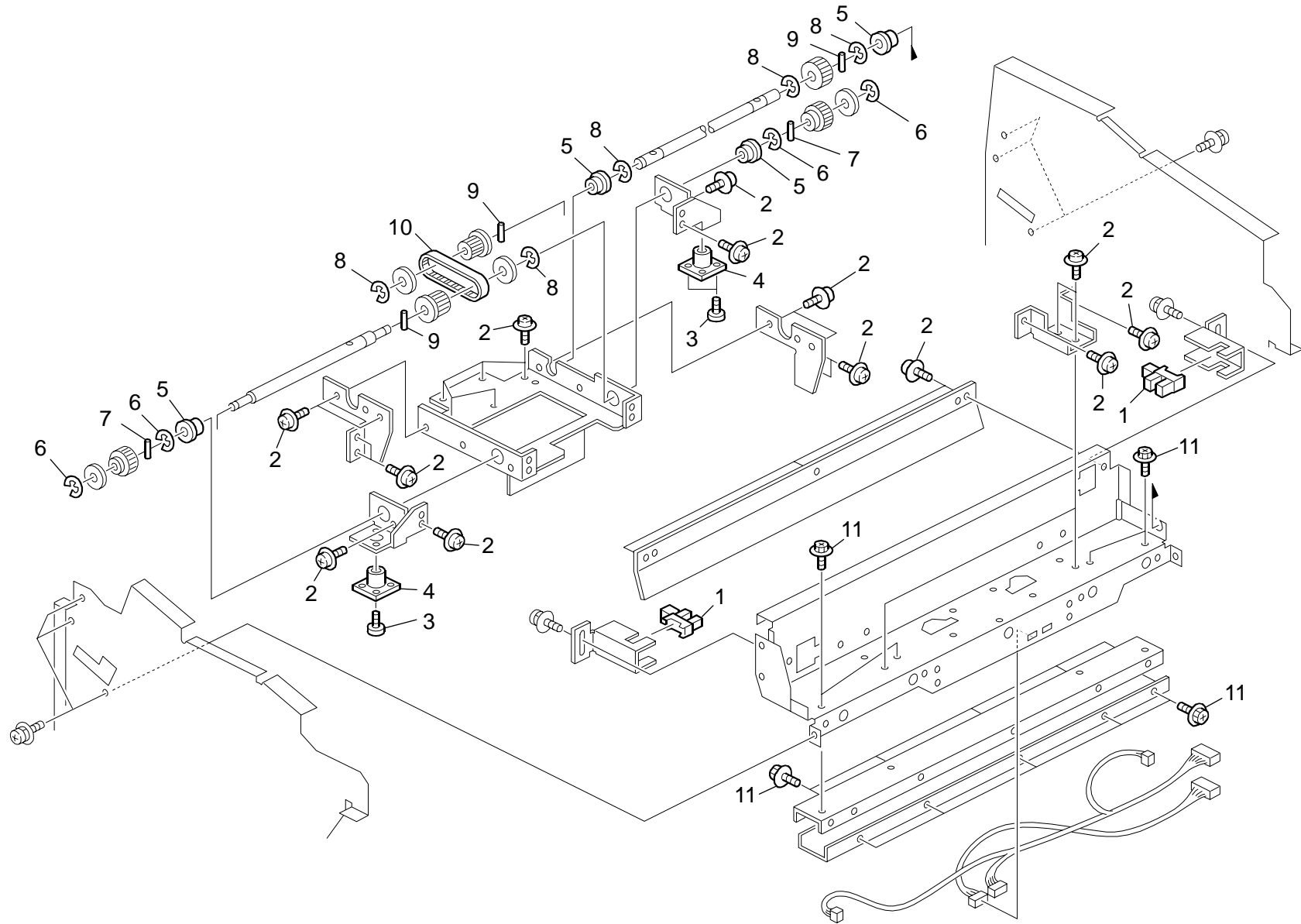


34.Stacking Tray Section 3 (D391)

Index No.	Part No.	Description	Q'ty Per Assembly
1	D391 5297	DC Fan Motor:PF4140R406	2
2	D391 1135	Pan Head Screw:Spring Washer:M4x30: 040300FWWS	4
3	D391 1242	Tapping Screr:M3x6:NS-SCR00017B	11
4	D391 5257	Interface Board:PF4140K614	1
5	D391 1110	Pan Head Screw:Spring Washer: 030040FWWS	8
6	D391 1250	Flanged Hexagonal Nut:NT040FN2	2
7	D391 1151	Retaining Rings-E:DIA6.4:ER064SU-D	5
8	D391 1185	Synchronous Belt:NS-BLT00284B	1
9	D391 1155	Parallel Pin:2x14:HP020140SCH	1
10	D391 1239	Bushing:DIA8:NS-MTL00013B	2
11	B660 4715	Parallel Pin:HP020120SCH	1
12	D391 1149	Retaining Rings-E:DIA4:ER040SU-D	2
13	D391 1237	Bushing:DIA5:NS-MTL00003B	1
14	D391 1268	Tray:Torque Diode:PF4140K117A:Ass'y	1
15	D391 1156	Parallel Pin:2x16:HP020160SCH	1
16	D391 5285	DC Stepper Motor:PF4140K916	1
17	D391 1150	Retaining Rings-E:DIA5:ER050SU-D	2
18	D391 1102	Tension Spring:PF4099P426B	1

Index No.	Part No.	Description	Q'ty Per Assembly

35.Stacking Tray Section 4 (D391)

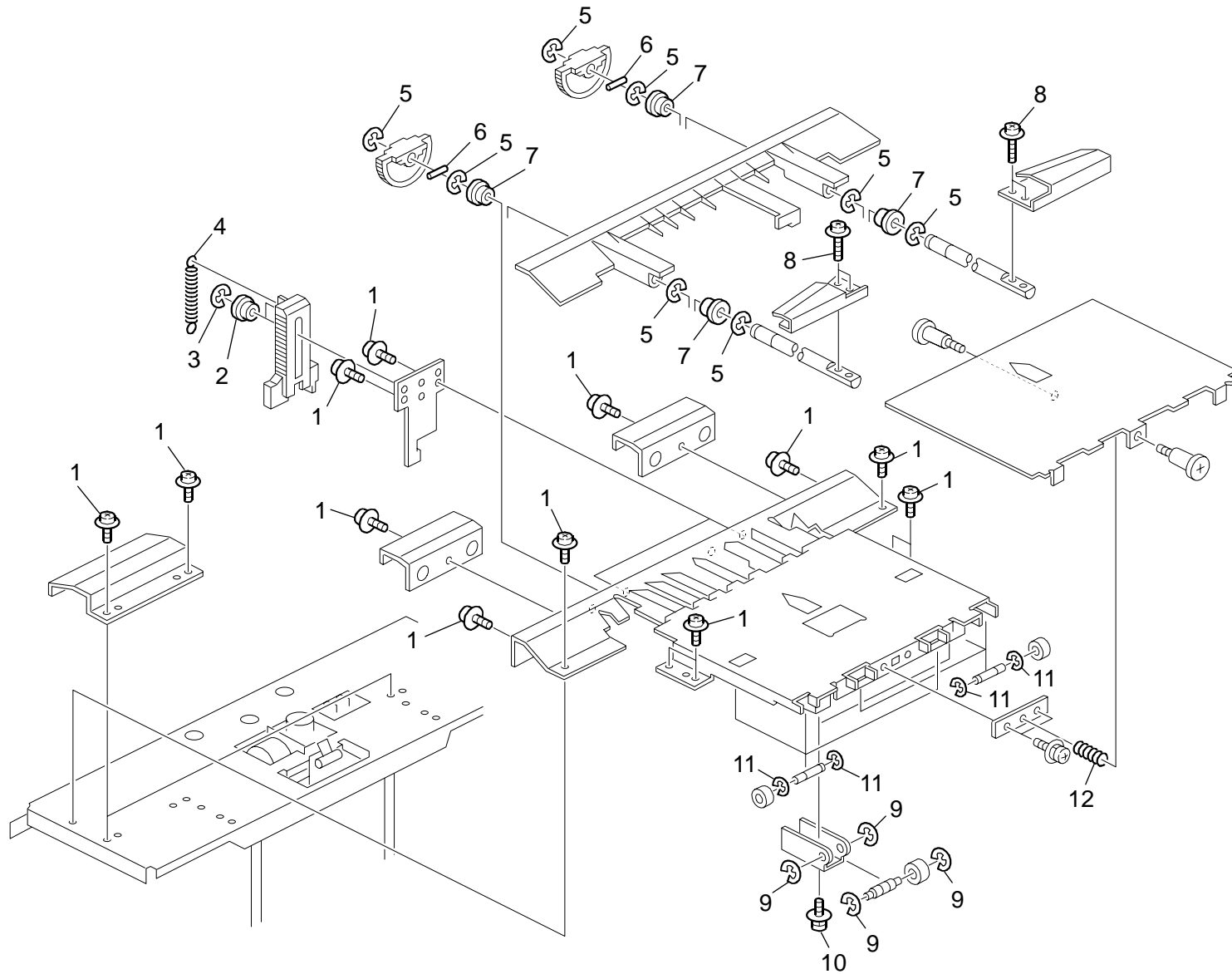


35.Stacking Tray Section 4 (D391)

Index No.	Part No.	Description	Q'ty Per Assembly
1	D391 5254	Photointerruptor:PF2286P475	2
2	D391 1242	Tapping Screr:M3x6:NS-SCR00017B	24
3	D391 1113	Screw:M3x6:030060FNBI	4
4	D391 1355	Radial Ball Bearing:Slide:PF4140P989A	2
5	D391 1239	Bushing:DIA8:NS-MTL00013B	4
6	D391 1150	Retaining Rings-E:DIA5:ER050SU-D	4
7	D391 1154	Parallel Pin:2x10:HP020100SCH	2
8	D391 1151	Retaining Rings-E:DIA6.4:ER064SU-D	5
9	B660 4715	Parallel Pin:HP020120SCH	3
10	D391 1221	Synchronous Belt:NS-BLT00407B	1
11	B660 4835	Screw:NS-SCR00045A	14

Index No.	Part No.	Description	Q'ty Per Assembly

36.Stacking Tray Section 5 (D391)

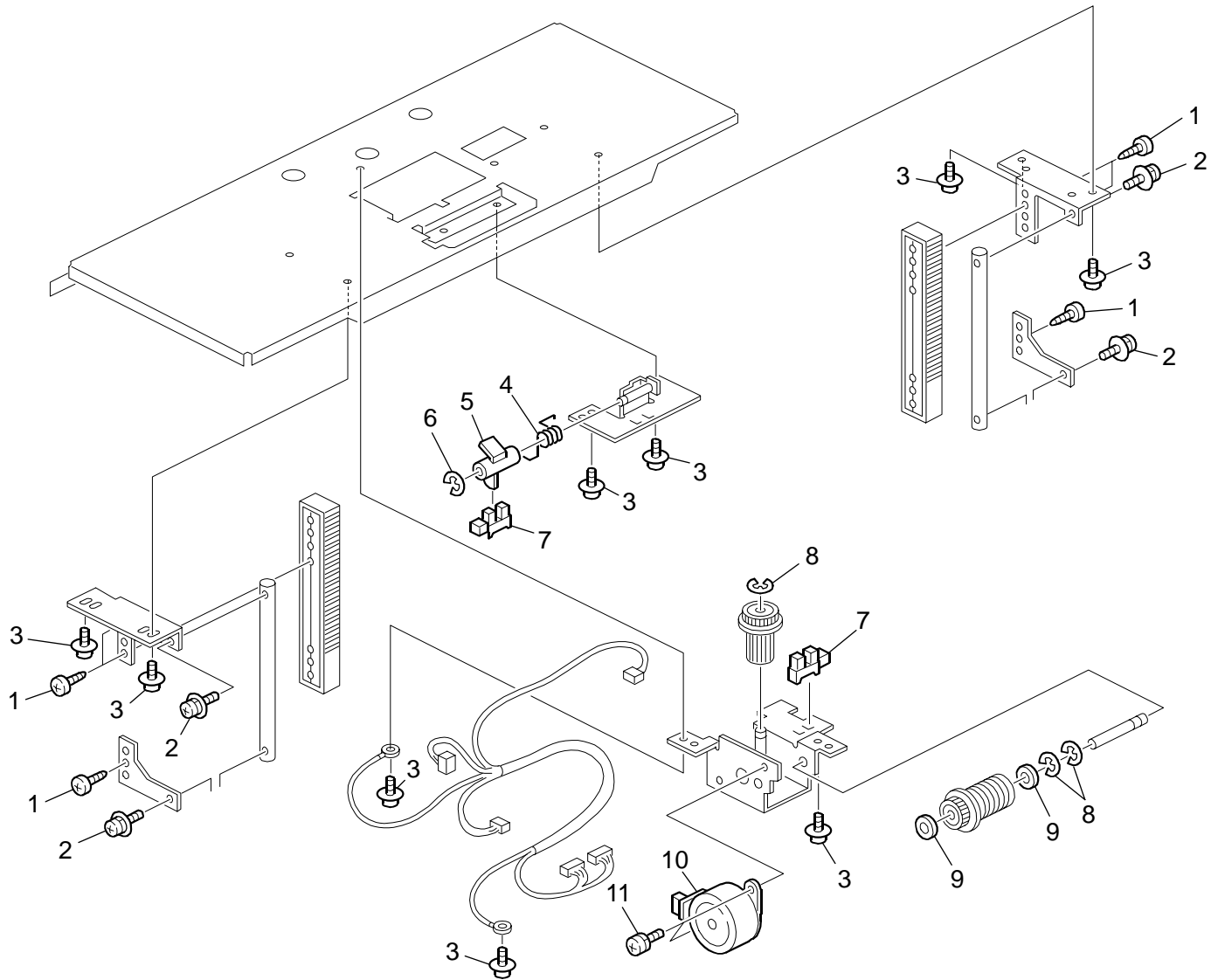


36.Stacking Tray Section 5 (D391)

Index No.	Part No.	Description	Q'ty Per Assembly
1	D391 1242	Tapping Screr:M3x6:NS-SCR00017B	16
2	D391 1349	Bushing:Pipe:PF4140P943A	2
3	D391 1148	Retaining Rings-E:DIA3.2:ER032SU-D	2
4	D391 1292	Torsion Spring:Tray:PF4140P161A1	2
5	D391 1150	Retaining Rings-E:DIA5:ER050SU-D	8
6	B660 4715	Parallel Pin:HP020120SCH	2
7	D391 1238	Bushing:DIA6:NS-MTL00007B	4
8	D391 1118	Tapping Screr:M3x8:030080FWIT	4
9	D391 1149	Retaining Rings-E:DIA4:ER040SU-D	8
10	D391 1120	Screw With Washer:M3x8:030080FWWS	2
11	D391 1145	Washer:ER017SU-D	12
12	D391 1283	Spring Plate:Tray:Sub:PF4140P122A2	1

Index No.	Part No.	Description	Q'ty Per Assembly

37.Stacking Tray Section 6 (D391)

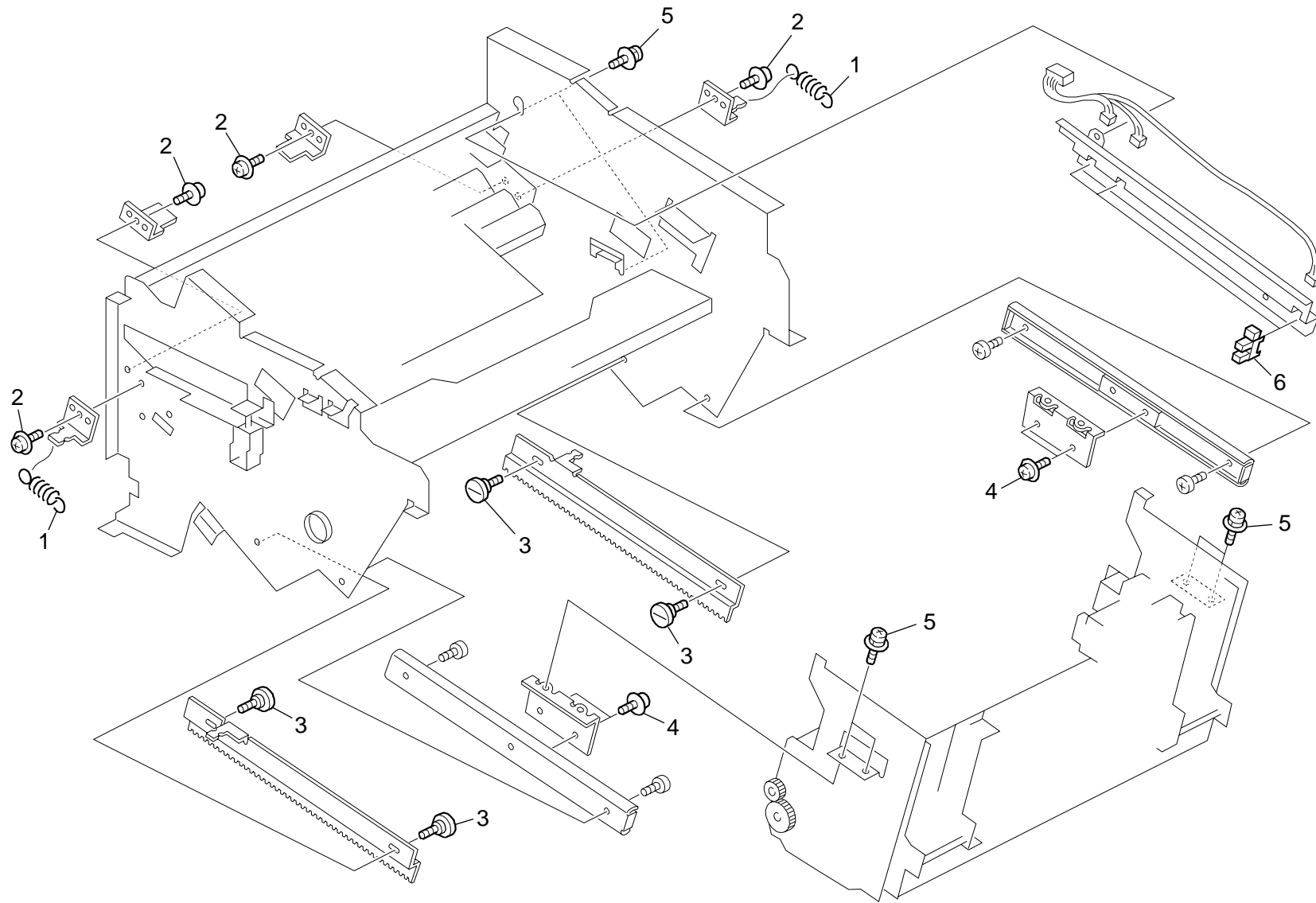


37.Stacking Tray Section 6 (D391)

Index No.	Part No.	Description	Q'ty Per Assembly
1	D391 1121	Binding Self-Tapping Screw:M3x10: 030100FWBB	6
2	D391 1120	Screw With Washer:M3x8:030080FWWS	4
3	D391 1242	Tapping Screr:M3x6:NS-SCR00017B	9
4	D391 1291	Coil Spring:Lever:Supply:Tray: PF4140P159B1	1
5	D391 1282	Lever:Transport Sensor:PF4140P112B1	1
6	D391 1148	Retaining Rings-E:DIA3.2:ER032SU-D	1
7	D391 5254	Photointerruptor:PF2286P475	2
8	D391 1150	Retaining Rings-E:DIA5:ER050SU-D	3
9	D391 1164	Washer:HW060FNSN	2
10	D391 5296	DC Stepper Motor:PF4140R405	1
11	D391 1114	Washer:M3x6:030060FWSW	2

Index No.	Part No.	Description	Q'ty Per Assembly

38.Sub Gripper Section 1 (D391)

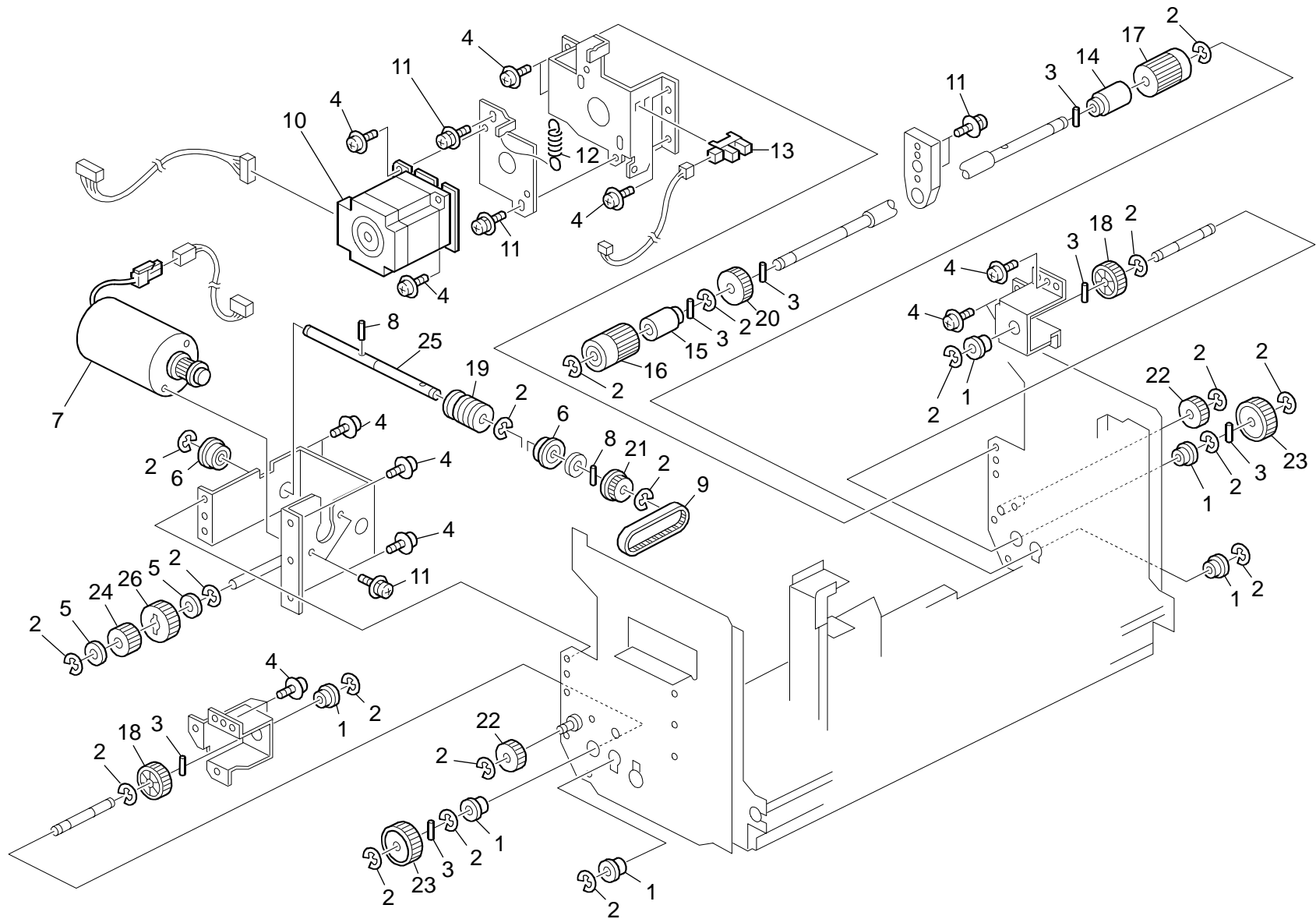


38.Sub Gripper Section 1 (D391)

Index No.	Part No.	Description	Q'ty Per Assembly
1	D391 1308	Coil Spring:PF4140P362A	2
2	D391 1242	Tapping Screr:M3x6:NS-SCR00017B	4
3	D391 1319	Screw:PF4140P545A1	4
4	D391 1126	Pan Head Screw W/Washer:M4x4: 040040FWIT	4
5	D391 1120	Screw With Washer:M3x8:030080FWWS	6
6	D391 5254	Photointerruptor:PF2286P475	3

Index No.	Part No.	Description	Q'ty Per Assembly

39.Sub Gripper Section 2 (D391)

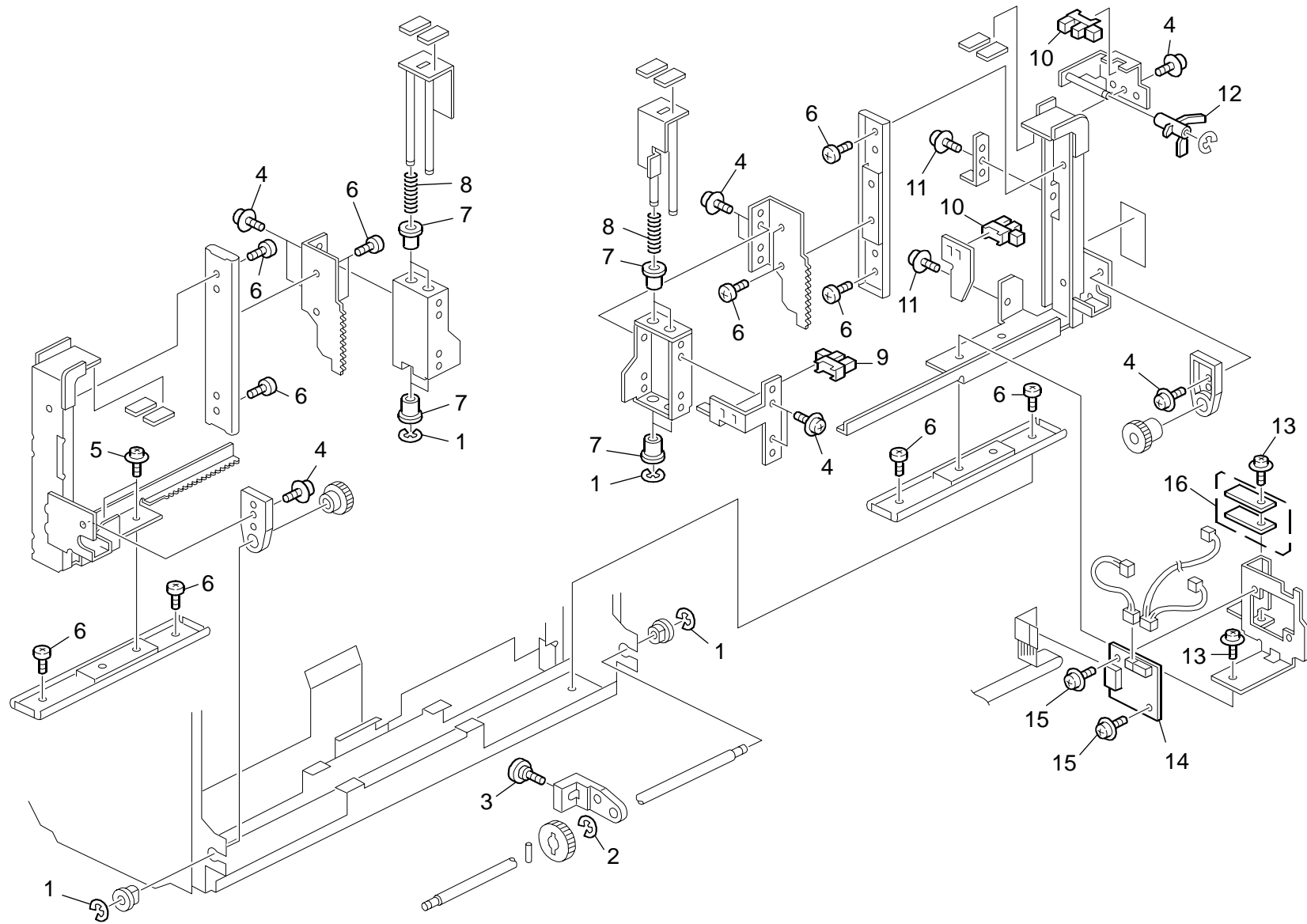


39.Sub Gripper Section 2 (D391)

Index No.	Part No.	Description	Q'ty Per Assembly
1	D391 1108	Bushing:606262	6
2	D391 1151	Retaining Rings-E:DIA6.4:ER064SU-D	20
3	D391 1156	Parallel Pin:2x16:HP020160SCH	7
4	D391 1242	Tapping Screr:M3x6:NS-SCR00017B	16
5	D391 1165	Washer:HW080FWSN	2
6	D391 1232	Radial Ball Bearing:DIA8:NS-BRG00103A	2
7	D391 5271	DC Motor:PF4140K632	1
8	D391 1155	Parallel Pin:2x14:HP020140SCH	2
9	D391 1204	Synchronous Belt:NS-BLT00381A	1
10	D391 5270	DC Stepper Motor:PF4140K631	1
11	D391 1120	Screw With Washer:M3x8:030080FWWS	6
12	D391 1310	Tension Spring:PF4140P391D1	1
13	D391 5254	Photointerruptor:PF2286P475	1
14	D391 1351	Torque Limiter Mechanical Clutch:500:Left: PF4140P985A	1
15	D391 1352	Torque Limiter Mechanical Clutch:500:Right: PF4140P986A	1
16	D391 1430	Gear:Mechanical Roller Clutch:Front: PF4140P311	1
17	D391 1431	Gear:Mechanical Roller Clutch:Rear: PF4140P312	1
18	D391 1433	Gear:30Z:PF4140P997A	2
19	D391 1507	Gear:Worm Gear:PF4140P484	1
20	D391 1491	Gear:Z24:PF4140P387A	1
21	D391 1492	Pulley:T18:PF4140P998A	1
22	D391 1493	Gear:Grip:Main:PF4140P406A1	2
23	D391 1494	Gear:Z30:PF4140P996A	2
24	D391 1496	Gear:100-20-30:PF4140P488B2	1
25	D391 1503	Shaft:Gear:Worm Gear:PF4140P388	1
26	D391 1506	Gear:PF4140P394	1

Index No.	Part No.	Description	Q'ty Per Assembly

40.Sub Gripper Section 3 (D391)

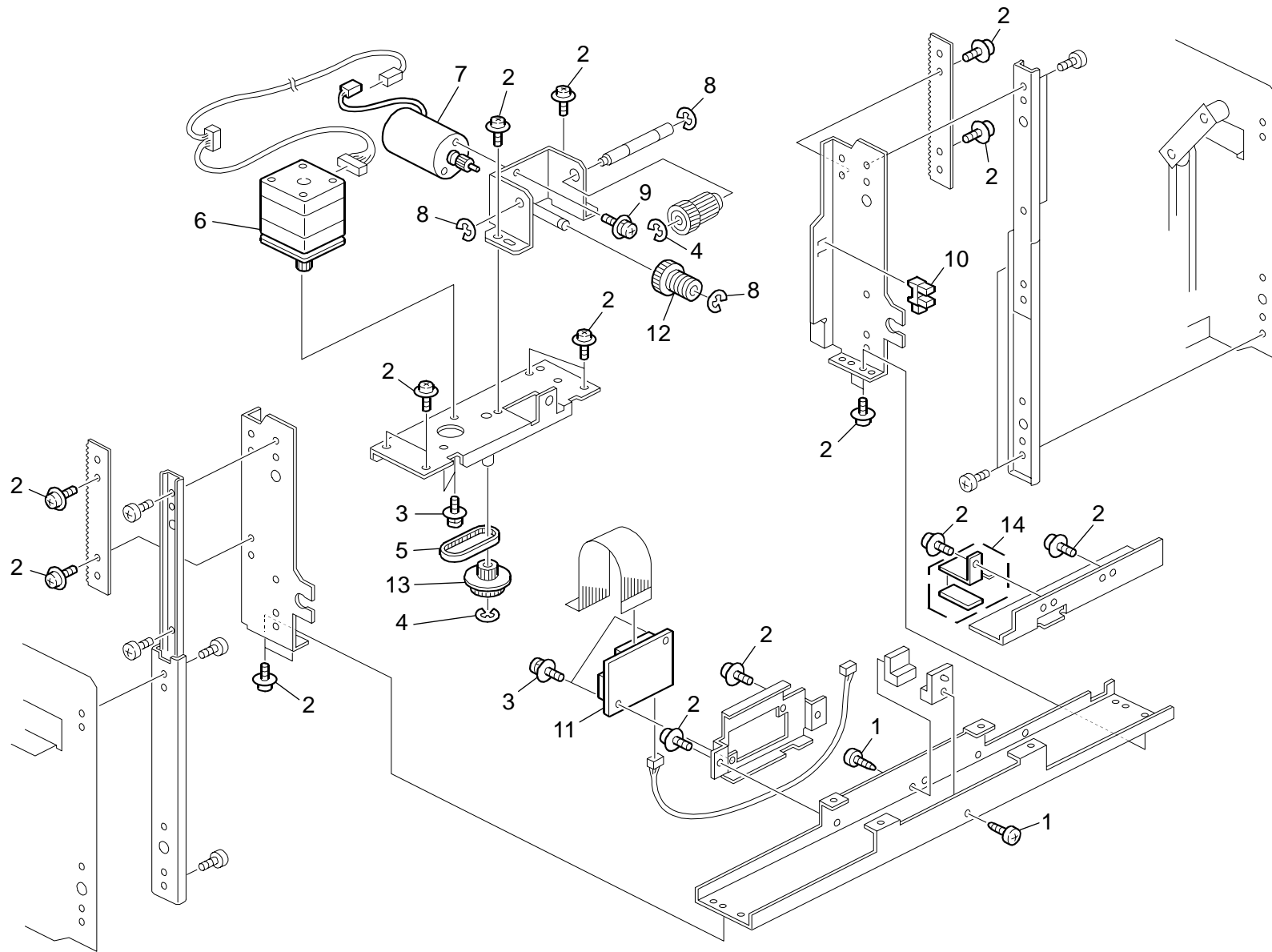


40.Sub Gripper Section 3 (D391)

Index No.	Part No.	Description	Q'ty Per Assembly
1	D391 1150	Retaining Rings-E:DIA5:ER050SU-D	6
2	D391 1151	Retaining Rings-E:DIA6.4:ER064SU-D	1
3	D391 1254	Screw:3.4x6:PF2254P326A1	1
4	D391 1242	Tapping Screr:M3x6:NS-SCR00017B	9
5	D391 1126	Pan Head Screw W/Washer:M4x4: 040040FWIT	2
6	B660 4572	Screw:040040FNBI	12
7	D391 1309	Bushing:PF4140P371A1	8
8	D391 1306	Coil Spring:Grip:PF4140P348A	4
9	D391 5251	Photointerruptor:E314000729	1
10	D391 5254	Photointerruptor:PF2286P475	2
11	D391 1109	Tapping Screr:M3x4:030040FWIT	2
12	D391 1307	Lever:Paper Sensor:Surface:PF4140P357C2	1
13	D391 1129	Tapping Screr:M4x8:040080FWIT	2
14	D391 5260	Interface Board:PF4140K617	1
15	D391 1120	Screw With Washer:M3x8:030080FWWS	2
16	D391 1510	Bracket:Plate:Core:PF4140K085A:Ass'y	1

Index No.	Part No.	Description	Q'ty Per Assembly

41.Sub Gripper Section 4 (D391)

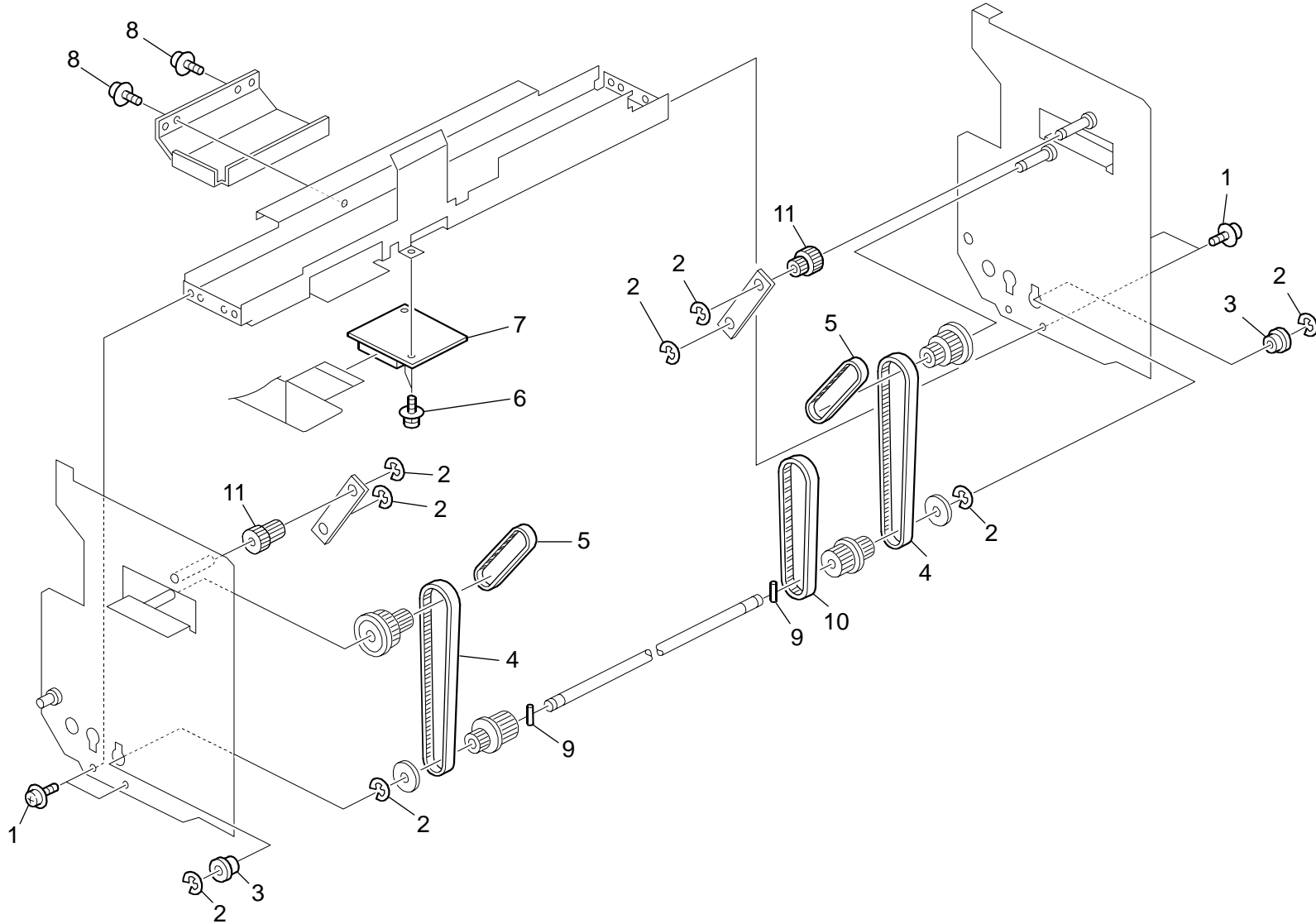


41.Sub Gripper Section 4 (D391)

Index No.	Part No.	Description	Q'ty Per Assembly
1	D391 1121	Binding Self-Tapping Screw:M3x10: 030100FWBB	2
2	D391 1242	Tapping Screr:M3x6:NS-SCR00017B	18
3	D391 1120	Screw With Washer:M3x8:030080FWWS	4
4	D391 1151	Retaining Rings-E:DIA6.4:ER064SU-D	2
5	D391 1170	Synchronous Belt:NS-BLT00050B	1
6	D391 5275	DC Stepper Motor:PF4140K637	1
7	D391 5277	DC Motor:PF4140K643	1
8	D391 1150	Retaining Rings-E:DIA5:ER050SU-D	3
9	D391 1111	Screw With Washer:M3x5:030050FWWS	2
10	D391 5254	Photointerruptor:PF2286P475	1
11	D391 5259	Interface Board:PF4140K616	1
12	D391 1497	Gear:Worm Gear:PF4140P383A2	1
13	D391 1498	Pulley:T20:PF4140P338A1	1
14	D391 1509	Bracke:Plate:Cavity:PF4140K084A:Ass'y	1

Index No.	Part No.	Description	Q'ty Per Assembly

42.Sub Gripper Section 5 (D391)

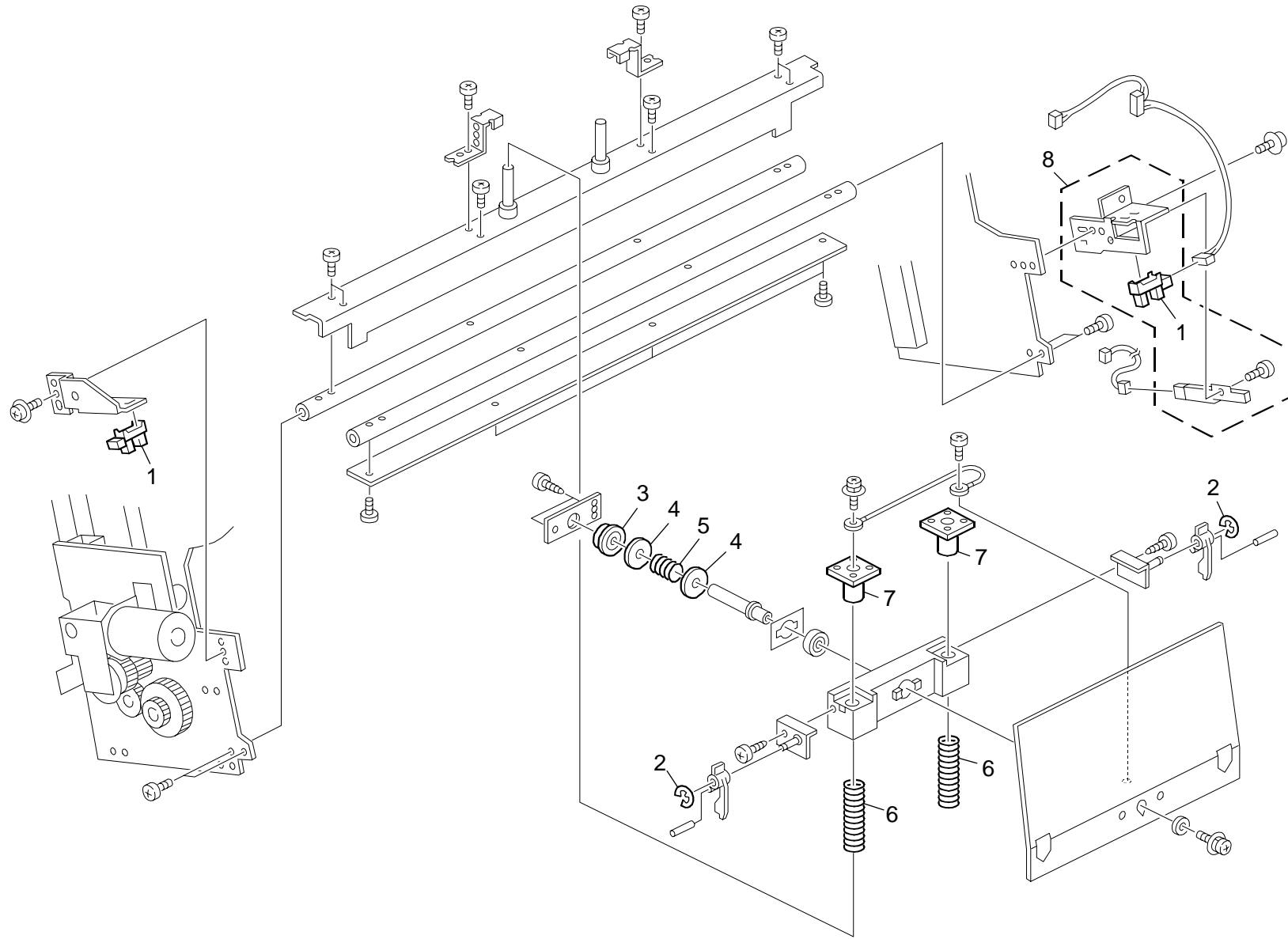


42.Sub Gripper Section 5 (D391)

Index No.	Part No.	Description	Q'ty Per Assembly
1	D391 1242	Tapping Screr:M3x6:NS-SCR00017B	4
2	D391 1151	Retaining Rings-E:DIA6.4:ER064SU-D	8
3	D391 1108	Bushing:606262	2
4	D391 1195	Synchronous Belt:NS-BLT00358B	2
5	D391 1174	Synchronous Belt:NS-BLT00067B	2
6	D391 1120	Screw With Washer:M3x8:030080FWWS	2
7	D391 5258	Interface Board:PF4140K615	1
8	D391 1127	Tapping Screr:M4x8:040080FNTP	2
9	D391 1155	Parallel Pin:2x14:HP020140SCH	2
10	D391 1190	Synchronous Belt:NS-BLT00353B	1
11	D391 1513	Timing Pulley:S2MX20:PF4140P321	2

Index No.	Part No.	Description	Q'ty Per Assembly

43.Main Gripper Section 1 (D391)

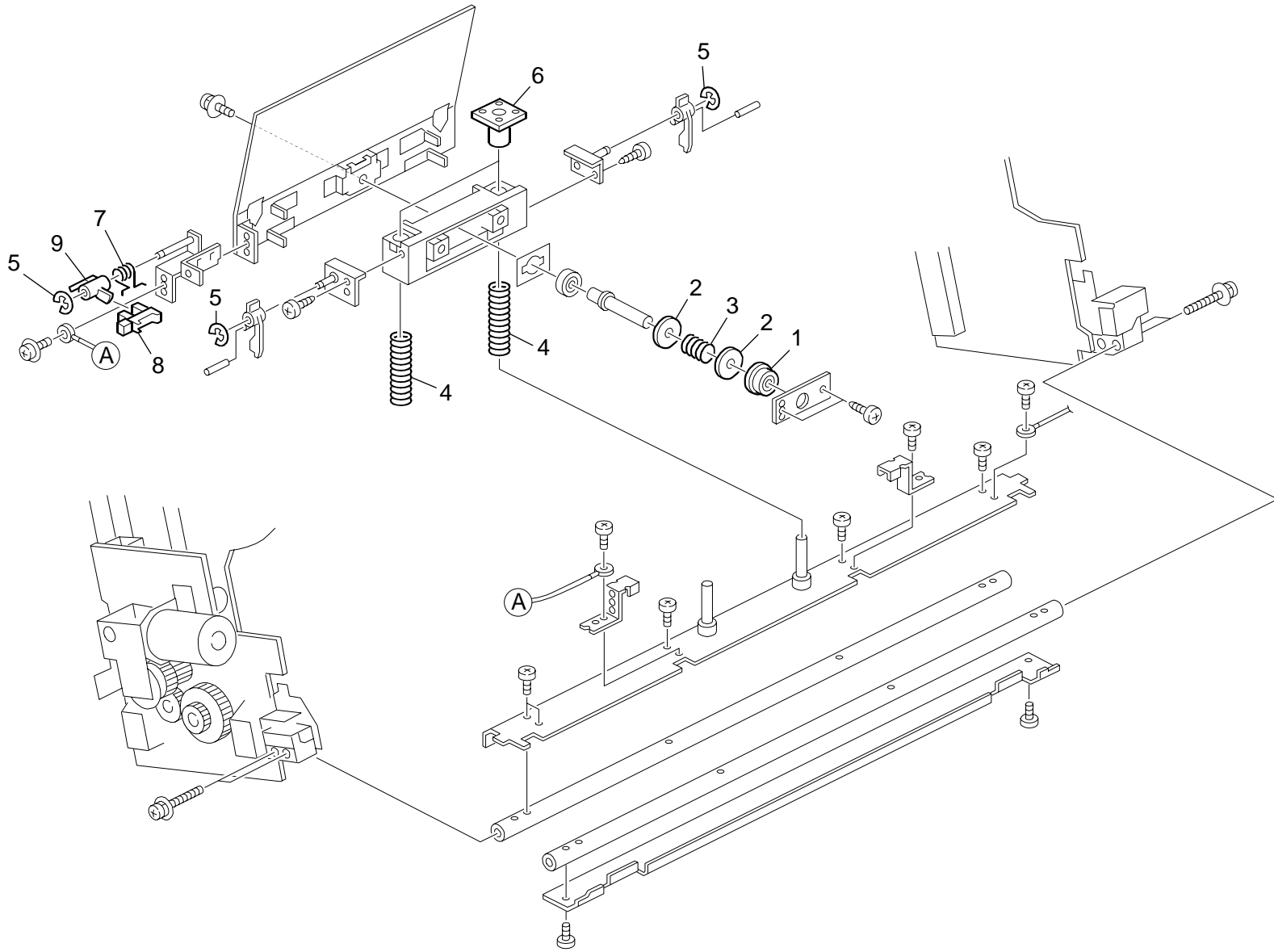


43.Main Gripper Section 1 (D391)

Index No.	Part No.	Description	Q'ty Per Assembly
1	D391 5254	Photointerruptor:PF2286P475	2
2	D391 1148	Retaining Rings-E:DIA3.2:ER032SU-D	2
3	D391 1231	Radial Ball Bearing:DIA8DIA12: NS-BRG00084B	1
4	D391 1313	Washer:PF4140P449A	2
5	D391 1314	Compression Spring:PF4140P451D1	1
6	D391 1315	Compression Spring:PF4140P453D1	2
7	D391 1355	Radial Ball Bearing:Slide:PF4140P989A	2
8	D391 1001	Pressure Sensor:PF4140L418	1

Index No.	Part No.	Description	Q'ty Per Assembly

44.Main Gripper Section 2 (D391)

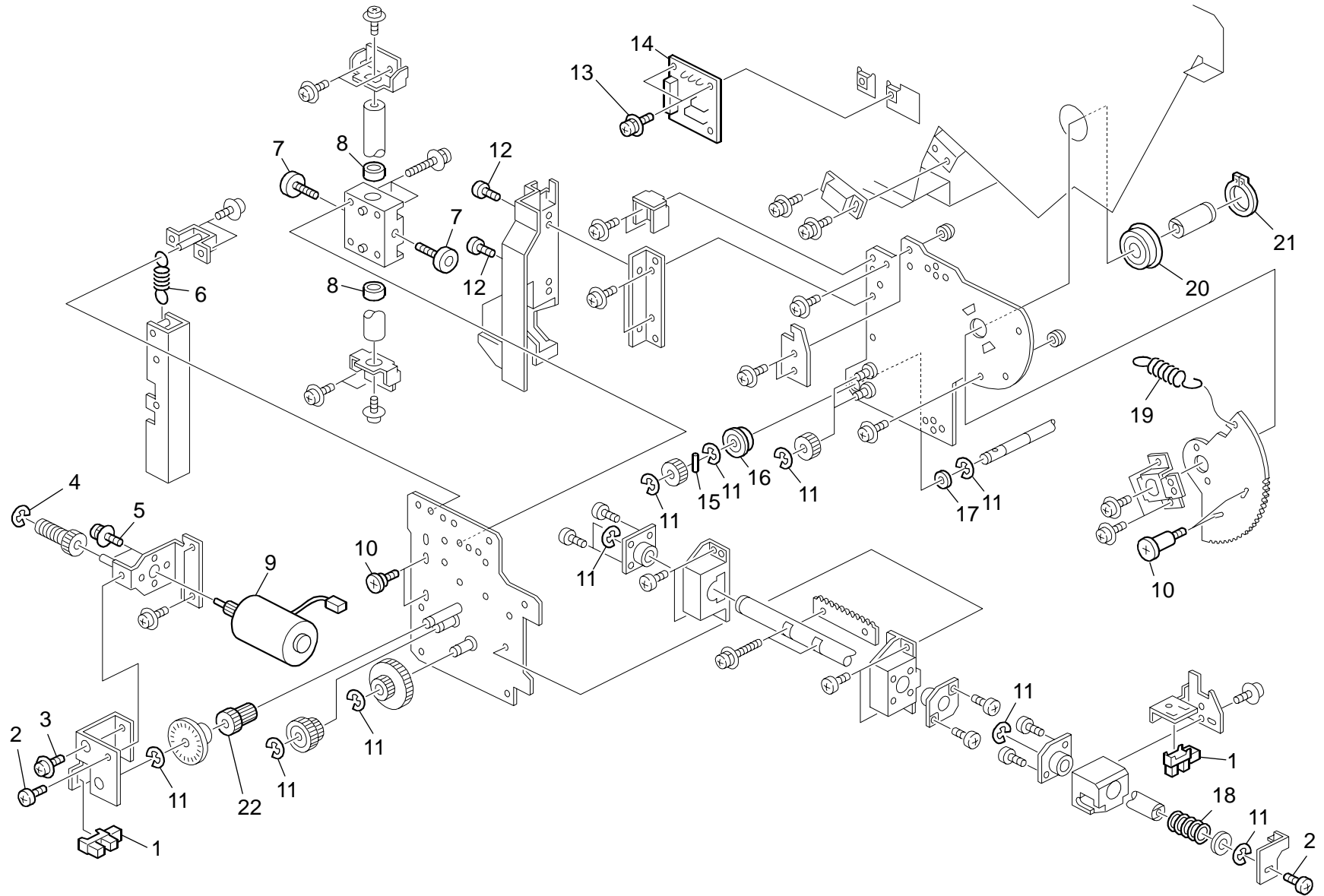


44.Main Gripper Section 2 (D391)

Index No.	Part No.	Description	Q'ty Per Assembly
1	D391 1231	Radial Ball Bearing:DIA8DIA12: NS-BRG00084B	1
2	D391 1313	Washer:PF4140P449A	2
3	D391 1314	Compression Spring:PF4140P451D1	1
4	D391 1317	Compression Spring:PF4140P496A	2
5	D391 1148	Retaining Rings-E:DIA3.2:ER032SU-D	3
6	D391 1335	Transport Roller:M3:PF4140P645B1	2
7	D391 1285	Coil Spring:Lever:Sensor:PF4140P132	1
8	D391 5254	Photointerruptor:PF2286P475	1
9	D391 1282	Lever:Transport Sensor:PF4140P112B1	1

Index No.	Part No.	Description	Q'ty Per Assembly

45.Main Gripper Section 3 (D391)

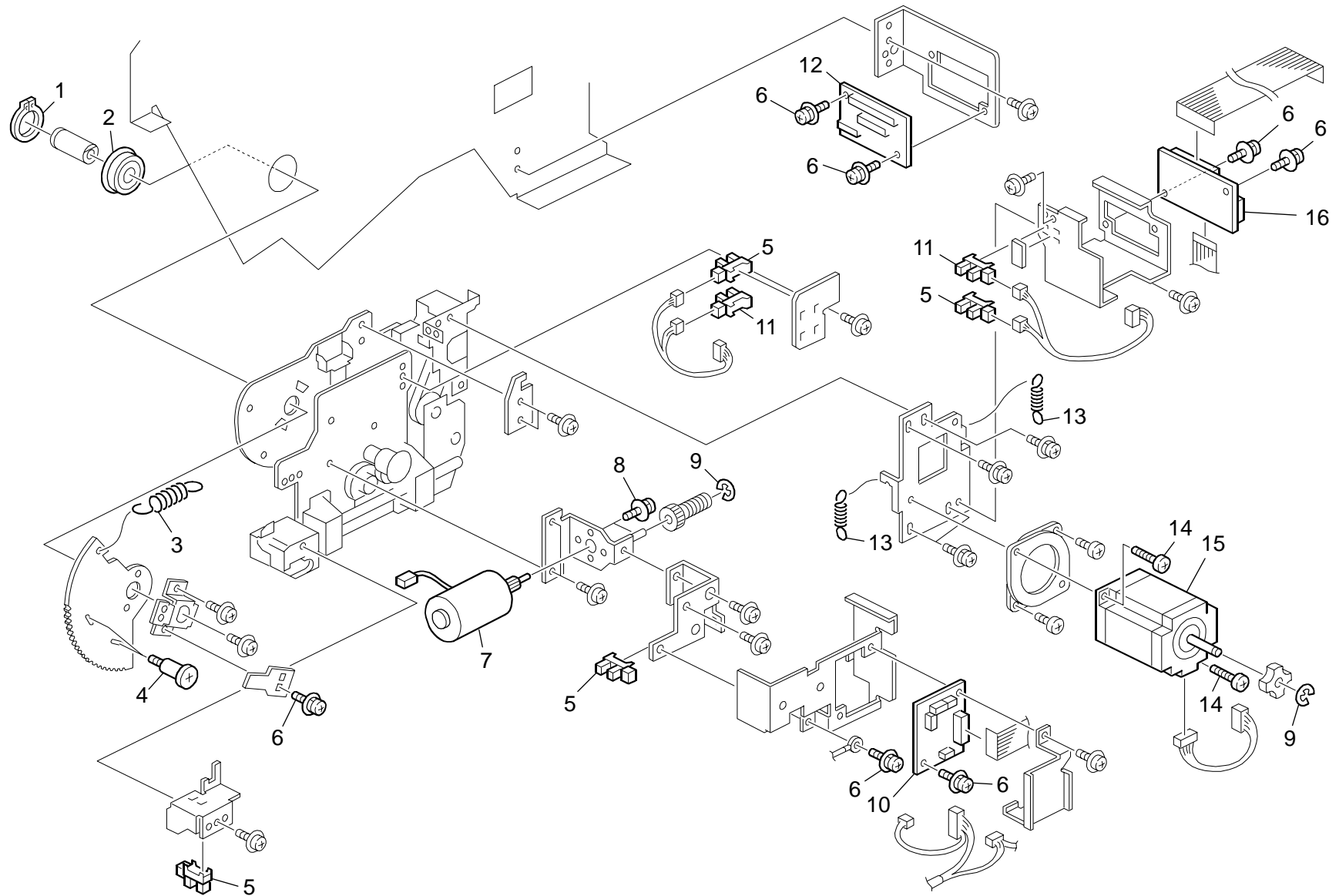


45.Main Gripper Section 3 (D391)

Index No.	Part No.	Description	Q'ty Per Assembly
1	D391 5254	Photointerruptor:PF2286P475	2
2	D391 1168	Tapping Screr:IR4016P167A	2
3	D391 1242	Tapping Screr:M3x6:NS-SCR00017B	1
4	D391 1150	Retaining Rings-E:DIA5:ER050SU-D	1
5	D391 1111	Screw With Washer:M3x5:030050FWWS	2
6	D391 1312	Tension Spring:PF4140P428A	1
7	D391 1354	Roller:PF4140P988A	2
8	D391 1353	Bushing:PF4140P987A	2
9	D391 5277	DC Motor:PF4140K643	1
10	D391 1254	Screw:3.4x6:PF2254P326A1	4
11	D391 1151	Retaining Rings-E:DIA6.4:ER064SU-D	10
12	B660 4835	Screw:NS-SCR00045A	2
13	D391 1120	Screw With Washer:M3x8:030080FWWS	2
14	D391 5266	PCB:Service:PF4140K623	1
15	D391 1155	Parallel Pin:2x14:HP020140SCH	1
16	D391 1232	Radial Ball Bearing:DIA8:NS-BRG00103A	1
17	D391 1165	Washer:HW080FWSN	1
18	D391 1316	Compression Spring:PF4140P462A	1
19	D391 1311	Tension Spring:PF4140P407A	1
20	D391 1234	Radial Ball Bearing:DIA15DIA32: NS-BRG00115C	1
21	D391 1356	Retaining Rings-C:PF4140P990A	1
22	D391 1425	Gear:Grip:Main:PF4140P382A2	1

Index No.	Part No.	Description	Q'ty Per Assembly

46.Main Gripper Section 4 (D391)

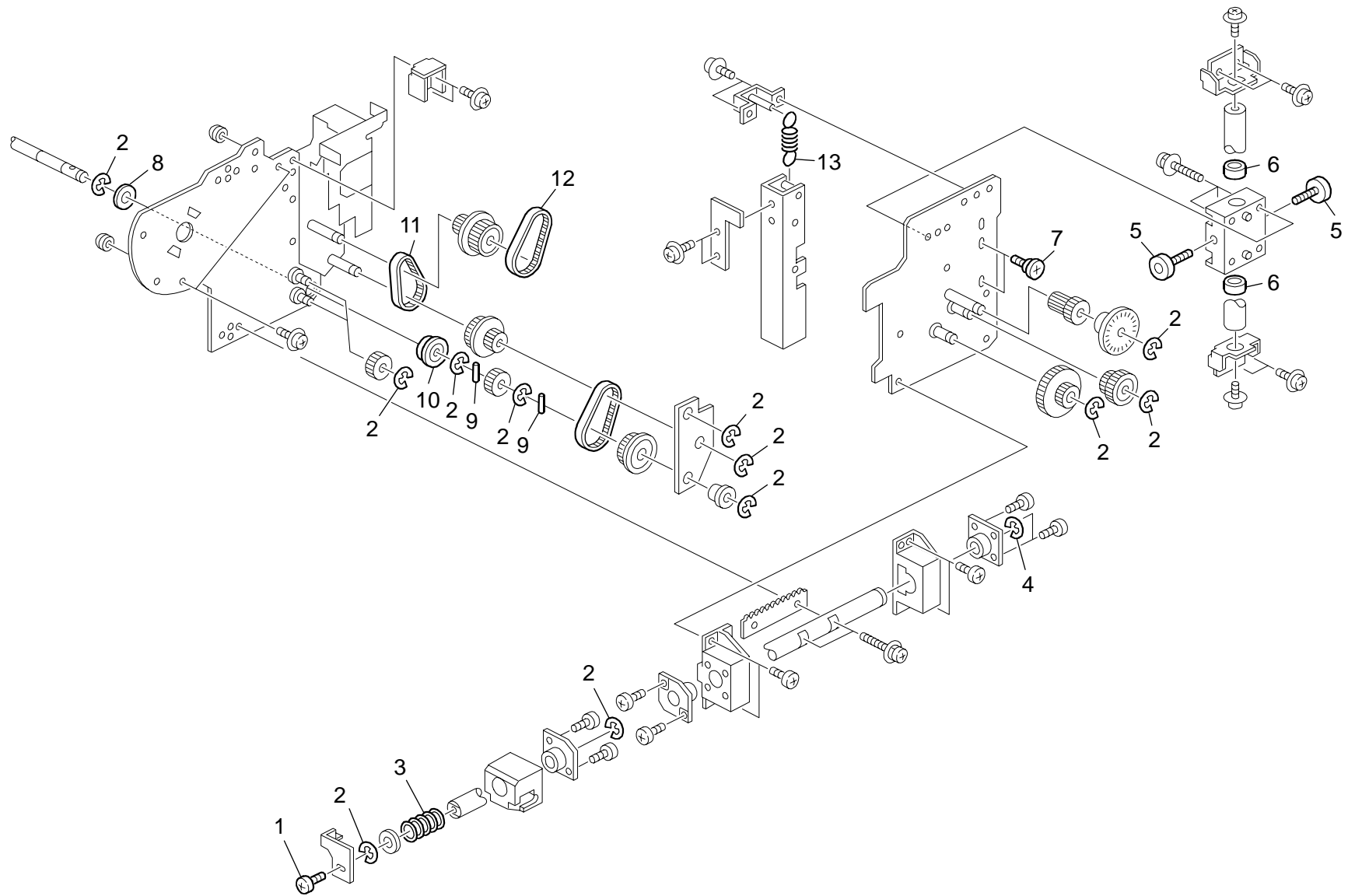


46.Main Gripper Section 4 (D391)

Index No.	Part No.	Description	Q'ty Per Assembly
1	D391 1356	Retaining Rings-C:PF4140P990A	1
2	D391 1234	Radial Ball Bearing:DIA15DIA32: NS-BRG00115C	1
3	D391 1311	Tension Spring:PF4140P407A	1
4	D391 1254	Screw:3.4x6:PF2254P326A1	2
5	D391 5254	Photointerruptor:PF2286P475	4
6	D391 1120	Screw With Washer:M3x8:030080FWWS	7
7	D391 5277	DC Motor:PF4140K643	1
8	D391 1111	Screw With Washer:M3x5:030050FWWS	2
9	D391 1150	Retaining Rings-E:DIA5:ER050SU-D	2
10	D391 5263	Interface Board:PF4140K620	1
11	D391 5251	Photointerruptor:E314000729	2
12	D391 5261	Interface Board:PF4140K618	1
13	D391 1310	Tension Spring:PF4140P391D1	2
14	D391 1120	Screw With Washer:M3x8:030080FWWS	2
15	D391 5272	DC Stepper Motor:PF4140K633	1
16	D391 5262	Interface Board:PF4140K619	1

Index No.	Part No.	Description	Q'ty Per Assembly

47.Main Gripper Section 5 (D391)

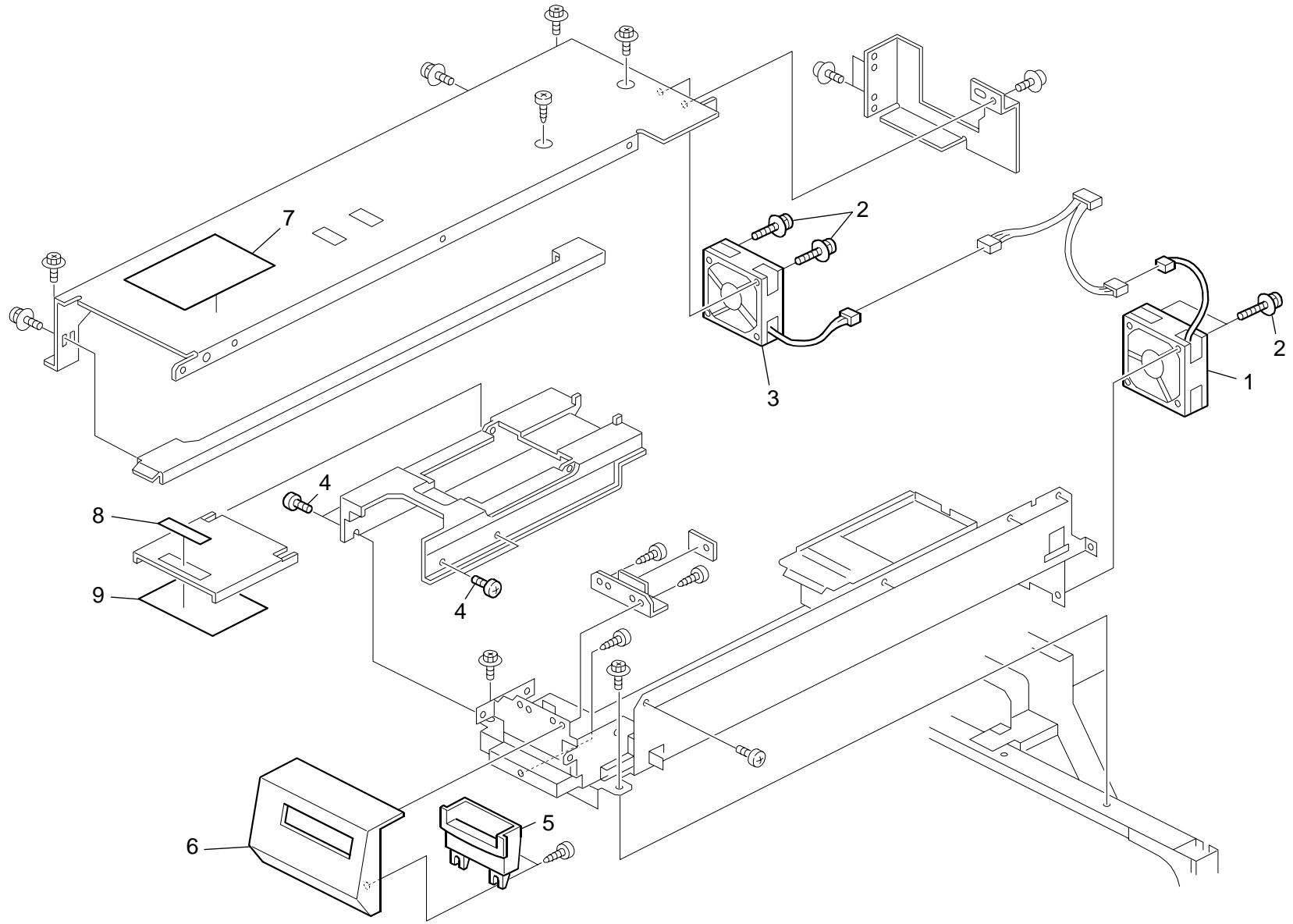


47.Main Gripper Section 5 (D391)

Index No.	Part No.	Description	Q'ty Per Assembly
1	D391 1168	Tapping Screr:IR4016P167A	1
2	D391 1151	Retaining Rings-E:DIA6.4:ER064SU-D	12
3	D391 1316	Compression Spring:PF4140P462A	1
4	D391 1150	Retaining Rings-E:DIA5:ER050SU-D	1
5	D391 1354	Roller:PF4140P988A	2
6	D391 1353	Bushing:PF4140P987A	2
7	D391 1254	Screw:3.4x6:PF2254P326A1	2
8	D391 1165	Washer:HW080FWSN	1
9	D391 1155	Parallel Pin:2x14:HP020140SCH	2
10	D391 1232	Radial Ball Bearing:DIA8:NS-BRG00103A	1
11	D391 1197	Synchronous Belt:NS-BLT00364B	1
12	D391 1181	Synchronous Belt:NS-BLT00167B	1
13	D391 1312	Tension Spring:PF4140P428A	1

Index No.	Part No.	Description	Q'ty Per Assembly

48.Glue Supply Section 1 (D391)

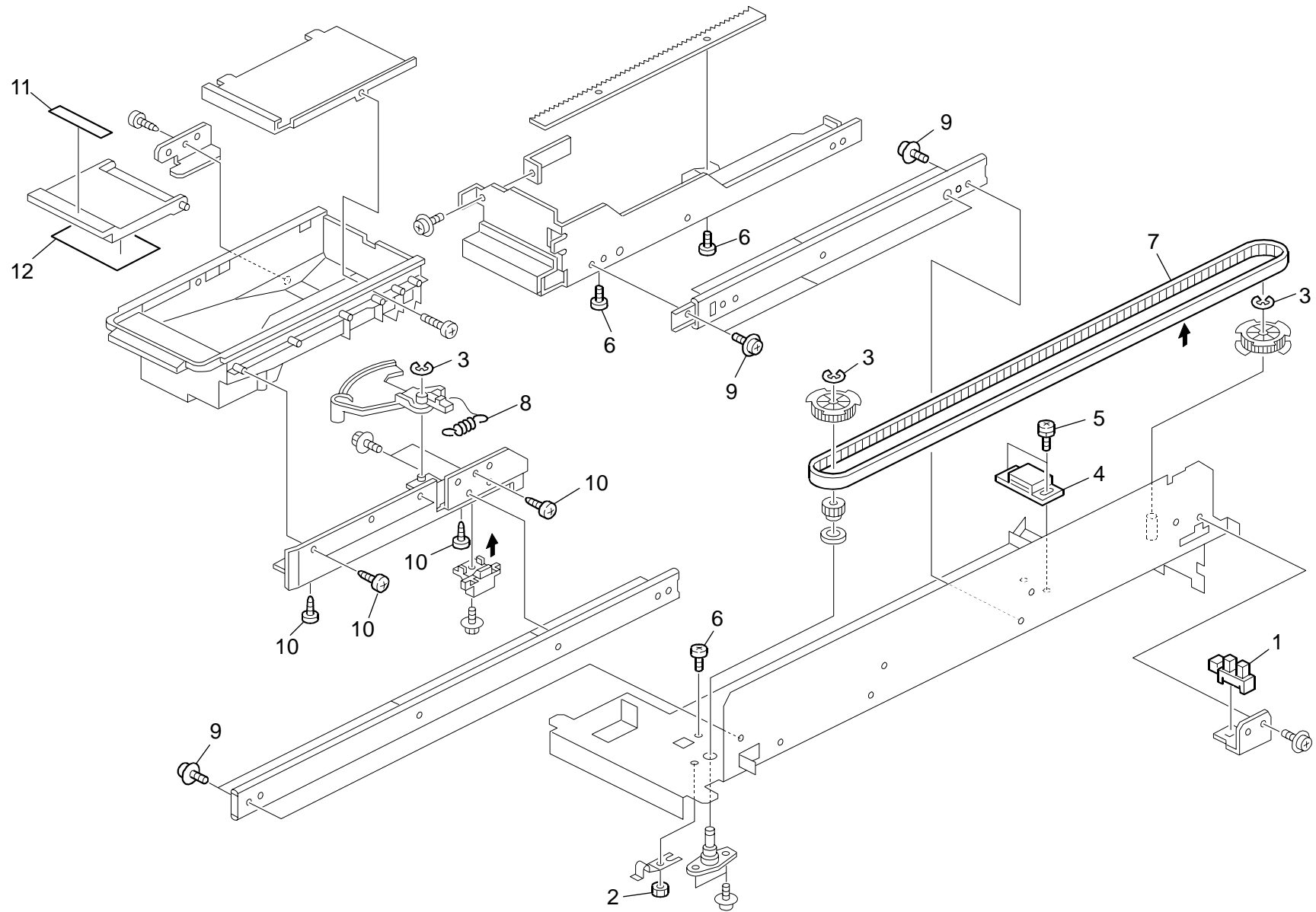


48.Glue Supply Section 1 (D391)

Index No.	Part No.	Description	Q'ty Per Assembly
1	D391 5297	DC Fan Motor:PF4140R406	1
2	D391 1135	Pan Head Screw:Spring Washer:M4x30: 040300FWWS	4
3	D391 5298	DC Fan Motor:PF4140R409	1
4	B660 4835	Screw:NS-SCR00045A	4
5	D391 2006	Grip:Supply:Glue:PF4140Q524A	1
6	D391 2013	Cover:Supply:Glue:PF4140Q535B1	1
7	D391 6530	Decal:Set:Paper Jam	1
8	D391 6500	Decal:Set:Glue	1
9	D391 6500	Decal:Set:Glue	1

Index No.	Part No.	Description	Q'ty Per Assembly

49.Glue Supply Section 2 (D391)

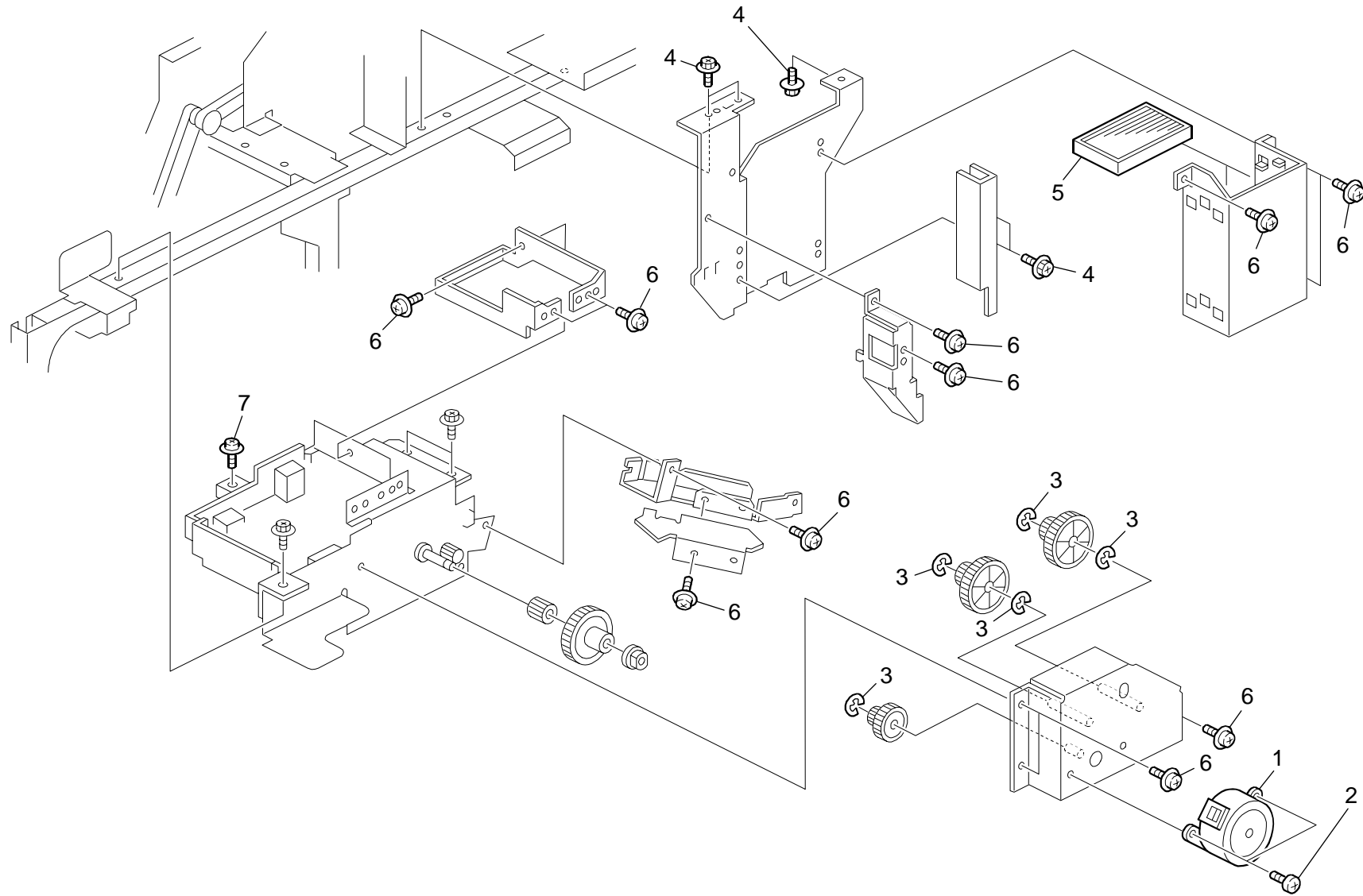


49.Glue Supply Section 2 (D391)

Index No.	Part No.	Description	Q'ty Per Assembly
1	D391 5254	Photointerruptor:PF2286P475	1
2	D391 1249	Flanged Hexagonal Nut:NT030FN2	1
3	D391 1151	Retaining Rings-E:DIA6.4:ER064SU-D	3
4	B660 1795	Magnet Catch	1
5	D391 1114	Washer:M3x6:030060FWSW	2
6	D391 1168	Tapping Screr:IR4016P167A	3
7	D391 1209	Synchronous Belt:NS-BLT00389B	1
8	D391 1346	Tension Spring:PF4140P889A2	1
9	D391 1242	Tapping Screr:M3x6:NS-SCR00017B	10
10	D391 1121	Binding Self-Tapping Screw:M3x10: 030100FWBB	5
11	D391 6500	Decal:Set:Glue	1
12	D391 6500	Decal:Set:Glue	1

Index No.	Part No.	Description	Q'ty Per Assembly

50.Glue Supply Section 3 (D391)

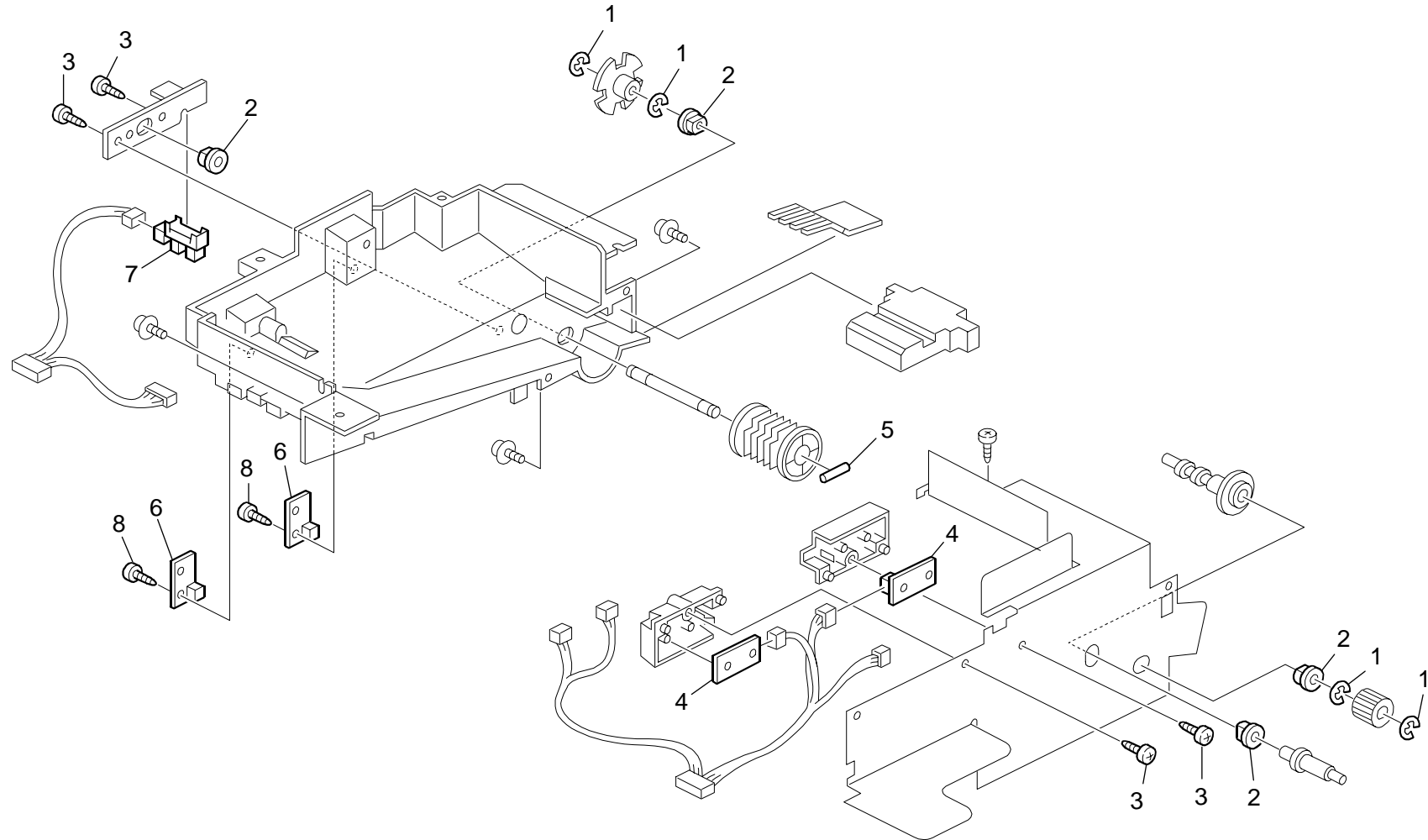


50.Glue Supply Section 3 (D391)

Index No.	Part No.	Description	Q'ty Per Assembly
1	D391 5296	DC Stepper Motor:PF4140R405	1
2	B660 4831	Screw:NS-SCR00016A	2
3	D391 1150	Retaining Rings-E:DIA5:ER050SU-D	5
4	D391 1244	Screw:M4x8:NS-SCR00050B	5
5	D391 1279	Filter:VOC:PF4140P026A	2
6	D391 1242	Tapping Screr:M3x6:NS-SCR00017B	12
7	D391 1133	Binding Self-Tapping Screw:M4x12: 040120FWBB	1

Index No.	Part No.	Description	Q'ty Per Assembly

51.Glue Supply Section 4 (D391)

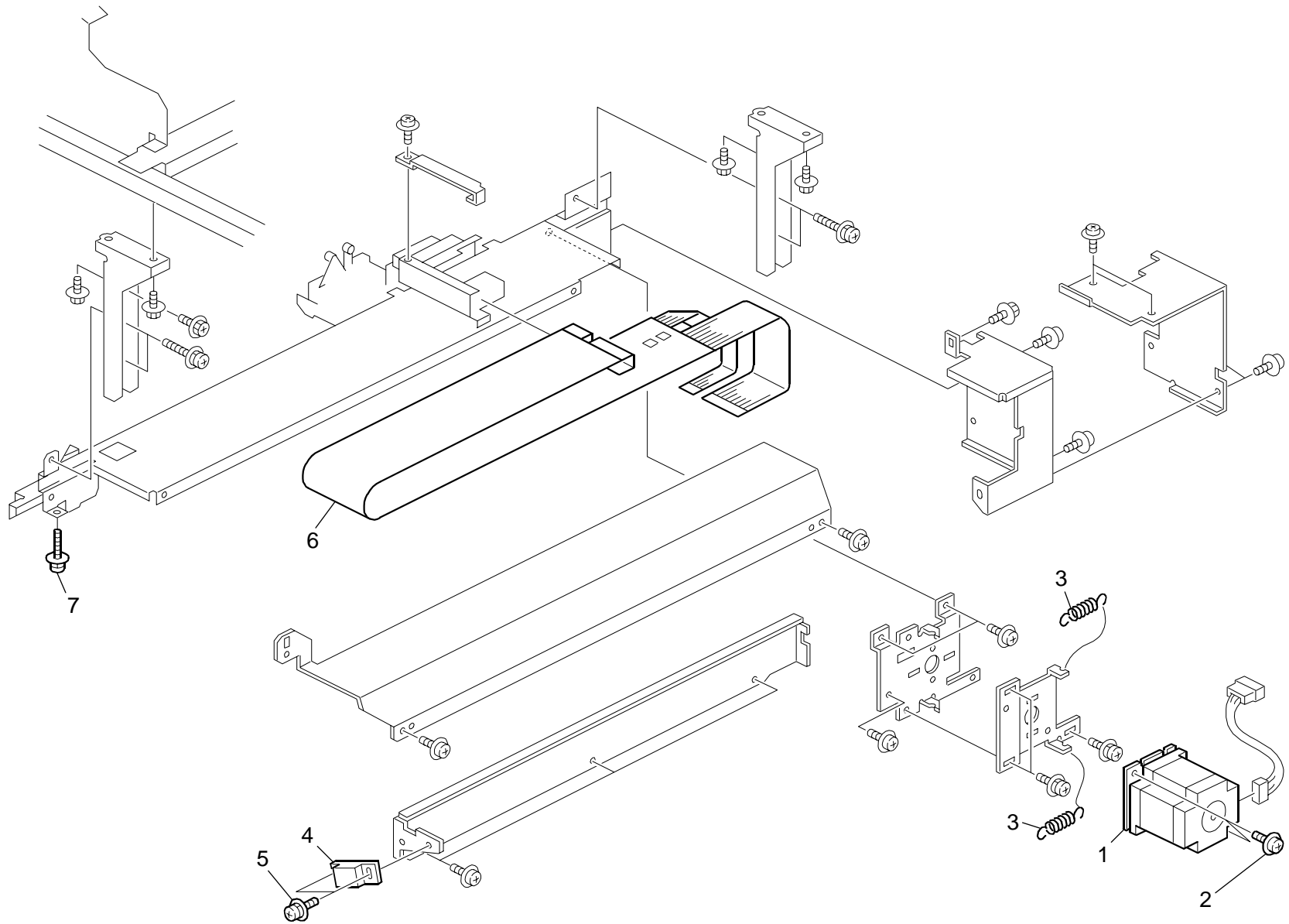


51.Glue Supply Section 4 (D391)

Index No.	Part No.	Description	Q'ty Per Assembly
1	D391 1151	Retaining Rings-E:DIA6.4:ER064SU-D	4
2	D391 1235	Bushing:DIA8:NS-BSH00004B	4
3	D391 1121	Binding Self-Tapping Screw:M3x10: 030100FWBB	4
4	D391 5282	Optics Sensor:Photo:PF4140K906	2
5	D391 1159	Parallel Pin:3x12:HP030120SCH	1
6	D391 5281	Optics Sensor:Radiate:PF4140K905	2
7	D391 5254	Photointerruptor:PF2286P475	1
8	D391 1112	Tapping Screr:030060FBNB	2

Index No.	Part No.	Description	Q'ty Per Assembly

52.Gluing Section 1 (D391)

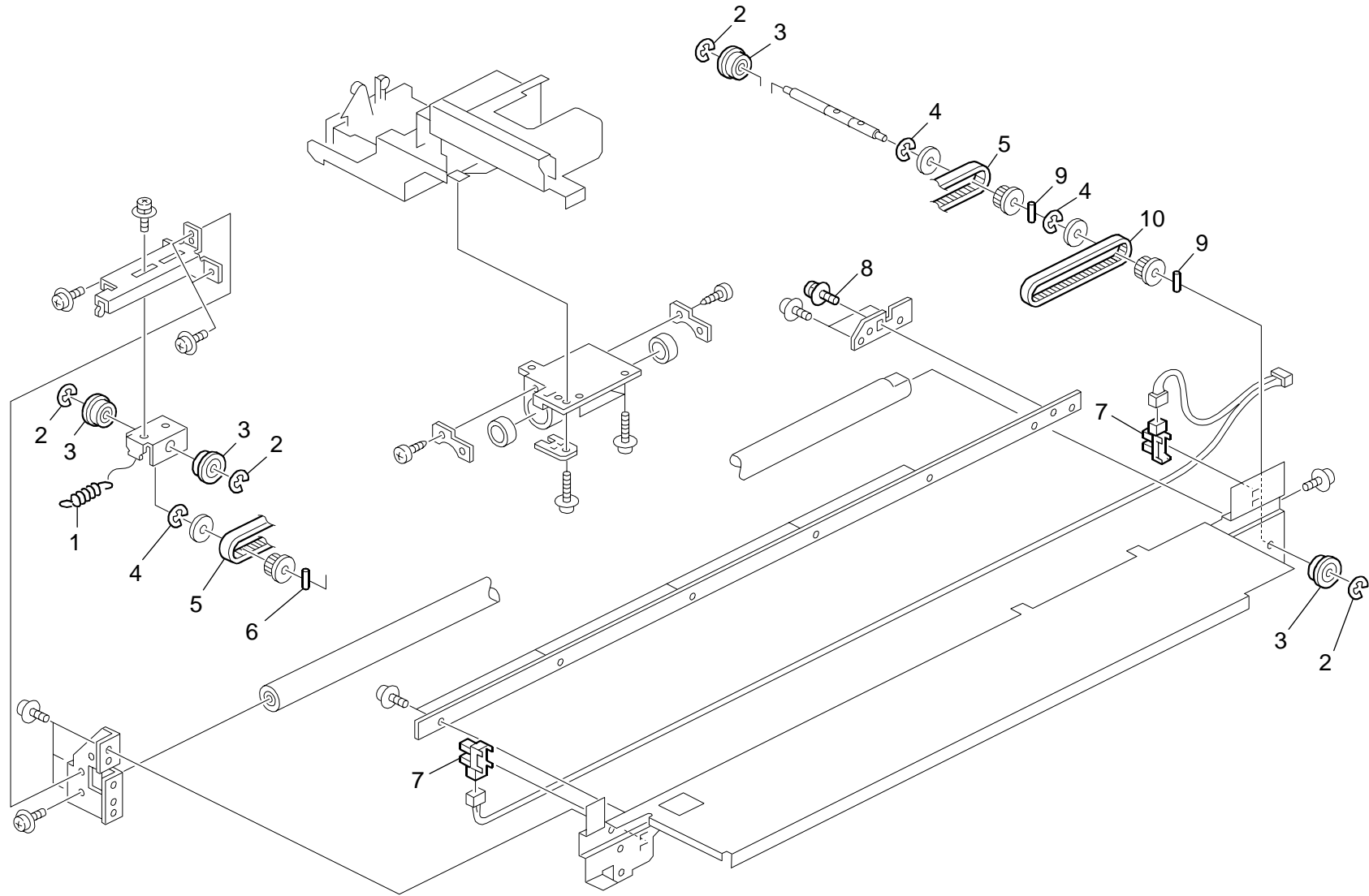


52.Gluing Section 1 (D391)

Index No.	Part No.	Description	Q'ty Per Assembly
1	D391 5270	DC Stepper Motor:PF4140K631	1
2	D391 1242	Tapping Screr:M3x6:NS-SCR00017B	2
3	D391 1347	Tension Spring:PF4140P895A1	2
4	D391 1266	Magnet Catch:20N:PF4130P412A	1
5	D391 1114	Washer:M3x6:030060FWSW	2
6	D391 1272	Cable:Glue:PF4140L096A	1
7	D391 1122	Screw With Washer:M3x14:030140FWWS	1

Index No.	Part No.	Description	Q'ty Per Assembly

53.Gluing Section 2 (D391)

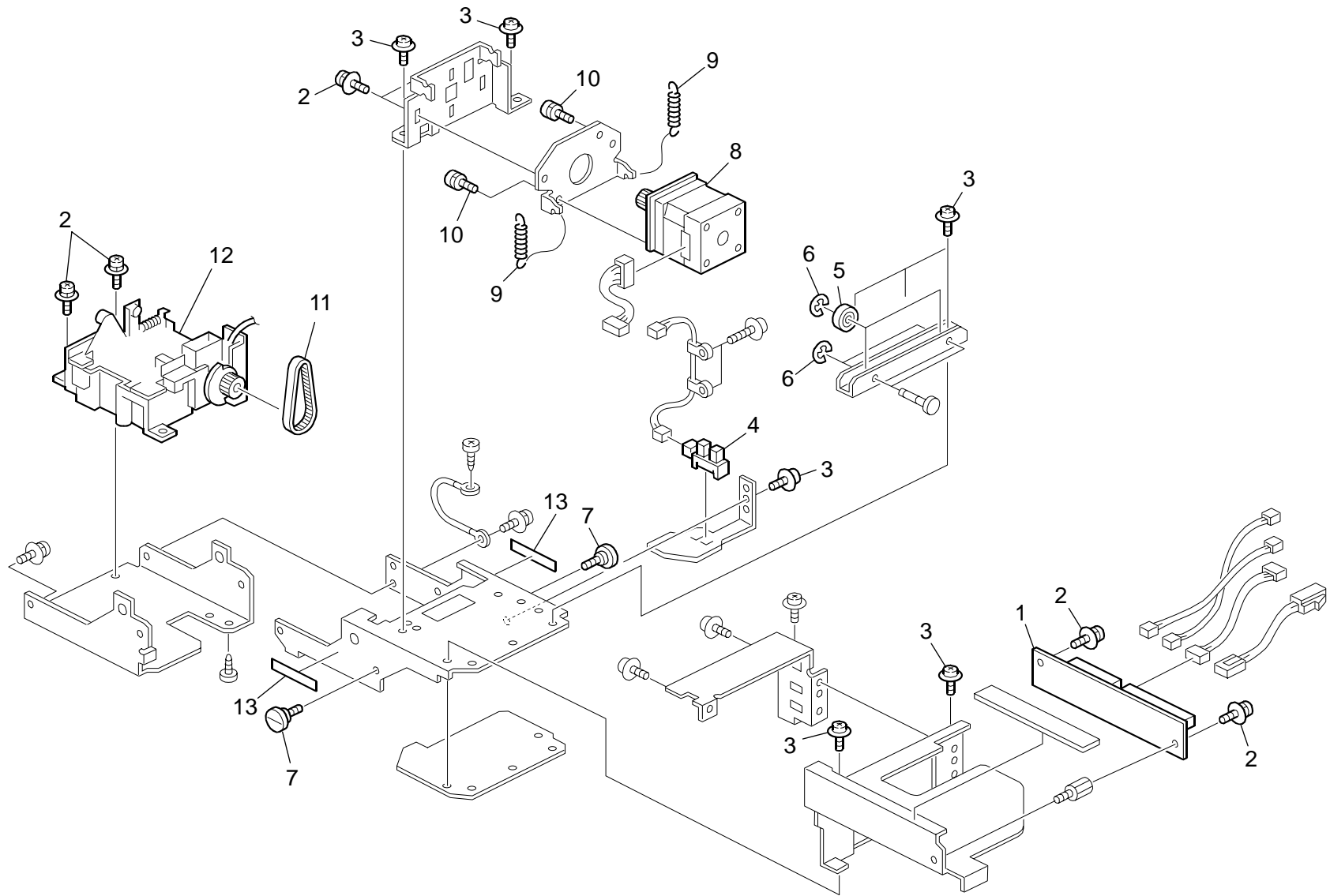


53.Gluing Section 2 (D391)

Index No.	Part No.	Description	Q'ty Per Assembly
1	D391 1345	Tension Spring:PF4140P850B1	1
2	D391 1148	Retaining Rings-E:DIA3.2:ER032SU-D	4
3	D391 1263	Radial Ball Bearing:6x10:PF4096P347A	4
4	D391 1150	Retaining Rings-E:DIA5:ER050SU-D	3
5	D391 1196	Synchronous Belt:NS-BLT00362B	1
6	D391 1154	Parallel Pin:2x10:HP020100SCH	1
7	D391 5254	Photointerruptor:PF2286P475	2
8	D391 1242	Tapping Screr:M3x6:NS-SCR00017B	1
9	D391 1154	Parallel Pin:2x10:HP020100SCH	2
10	D391 1193	Synchronous Belt:NS-BLT00355C	1

Index No.	Part No.	Description	Q'ty Per Assembly

54.Gluing Section 3 (D391)

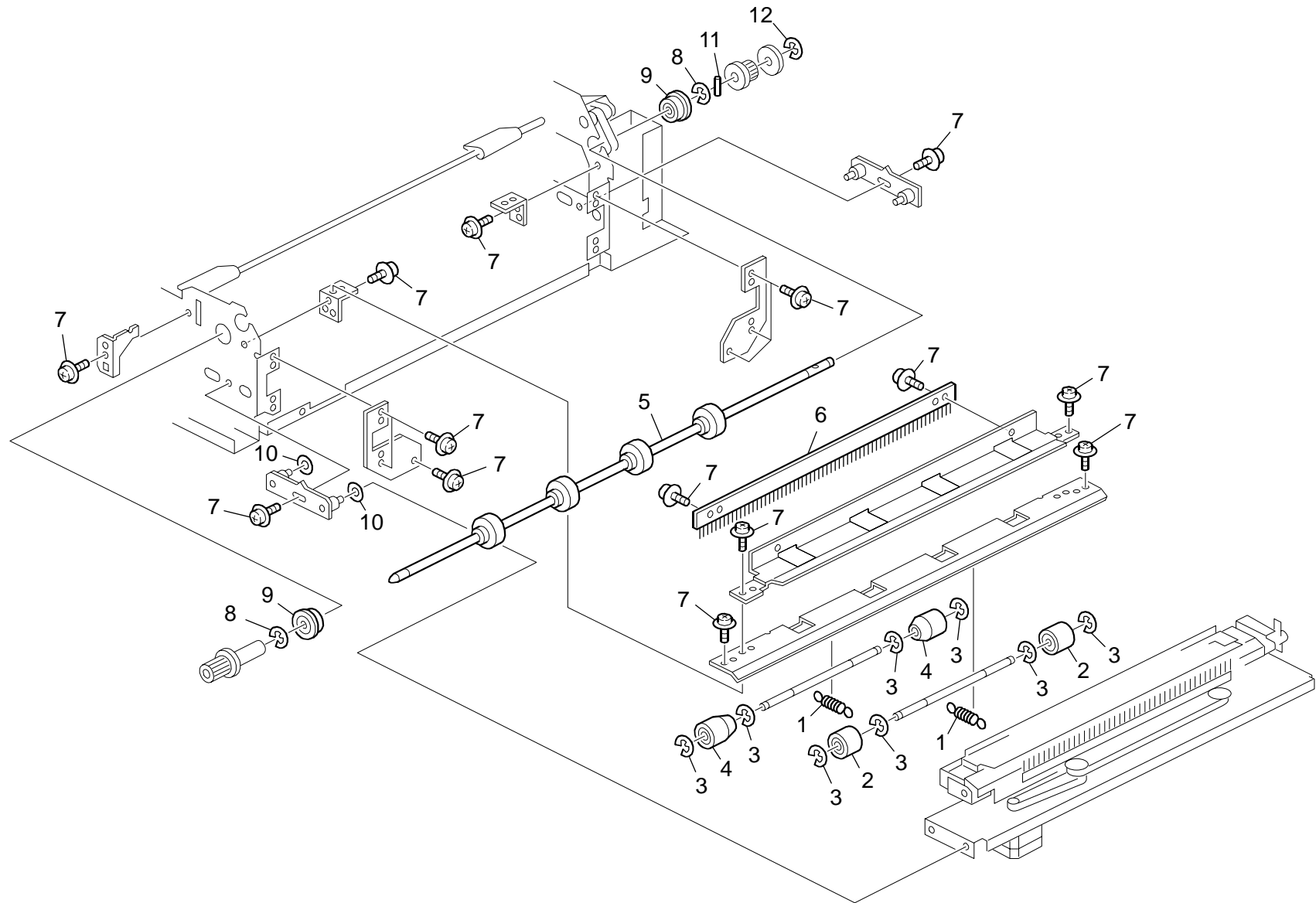


54.Gluing Section 3 (D391)

Index No.	Part No.	Description	Q'ty Per Assembly
1	D391 5264	Interface Board:PF4140K621	1
2	D391 1116	Screw With Washer:M3x6:030060FWWS	6
3	D391 1242	Tapping Screr:M3x6:NS-SCR00017B	8
4	D391 5254	Photointerruptor:PF2286P475	1
5	D391 1226	Radial Ball Bearing:DIA6DIA12: NS-BRG00030B	2
6	D391 1150	Retaining Rings-E:DIA5:ER050SU-D	4
7	D391 1324	Screw:PF4140P570A	2
8	D391 5275	DC Stepper Motor:PF4140K637	1
9	D391 1267	Coil Spring:PF4138P541A	2
10	D391 1114	Washer:M3x6:030060FWSW	2
11	D391 1199	Synchronous Belt:NS-BLT00366B	1
12	D391 1275	Glue:Tub:Unit:PF4140L386A	1
13	D391 6563	Decal:H-Temp Warning:Glue	2

Index No.	Part No.	Description	Q'ty Per Assembly

55.Cover Feed Regist Section 1 (D391)

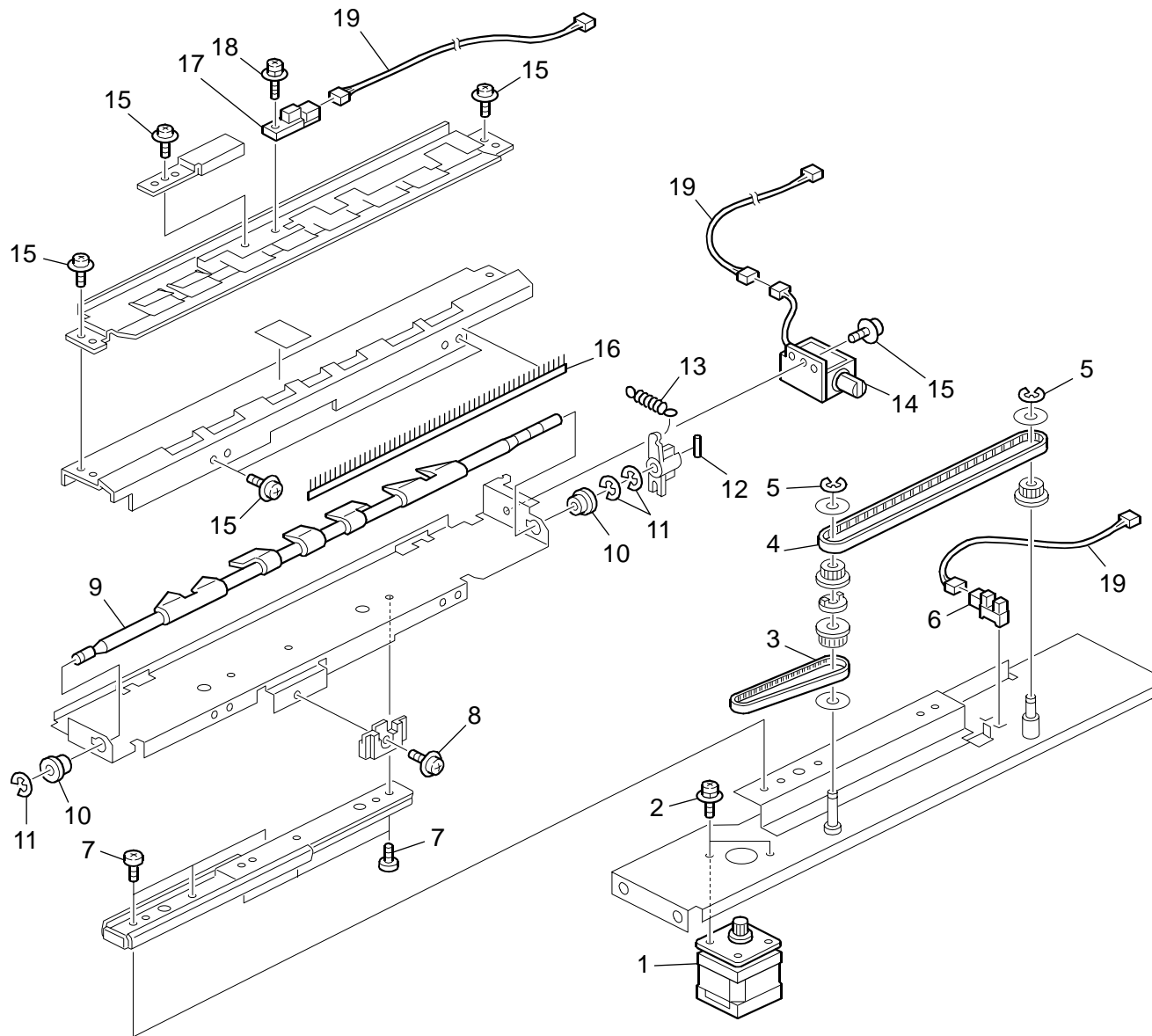


55.Cover Feed Regist Section 1 (D391)

Index No.	Part No.	Description	Q'ty Per Assembly
1	D391 1339	Coil Spring:Transport Roller:PF4140P700A1	2
2	D391 1350	Roller:PF4140P958A	2
3	D391 1148	Retaining Rings-E:DIA3.2:ER032SU-D	8
4	D391 1337	Roller:Transport:2:PF4140P651A1	2
5	D391 1335	Transport Roller:M3:PF4140P645B1	1
6	D391 1106	Discharge Brush:PF4110P489A2	1
7	D391 1242	Tapping Screr:M3x6:NS-SCR00017B	17
8	D391 1151	Retaining Rings-E:DIA6.4:ER064SU-D	2
9	D391 1232	Radial Ball Bearing:DIA8:NS-BRG00103A	2
10	D391 1252	Spring Washer:PR2112P094A	2
11	D391 1154	Parallel Pin:2x10:HP020100SCH	1
12	D391 1150	Retaining Rings-E:DIA5:ER050SU-D	1

Index No.	Part No.	Description	Q'ty Per Assembly

56.Cover Feed Regist Section 2 (D391)

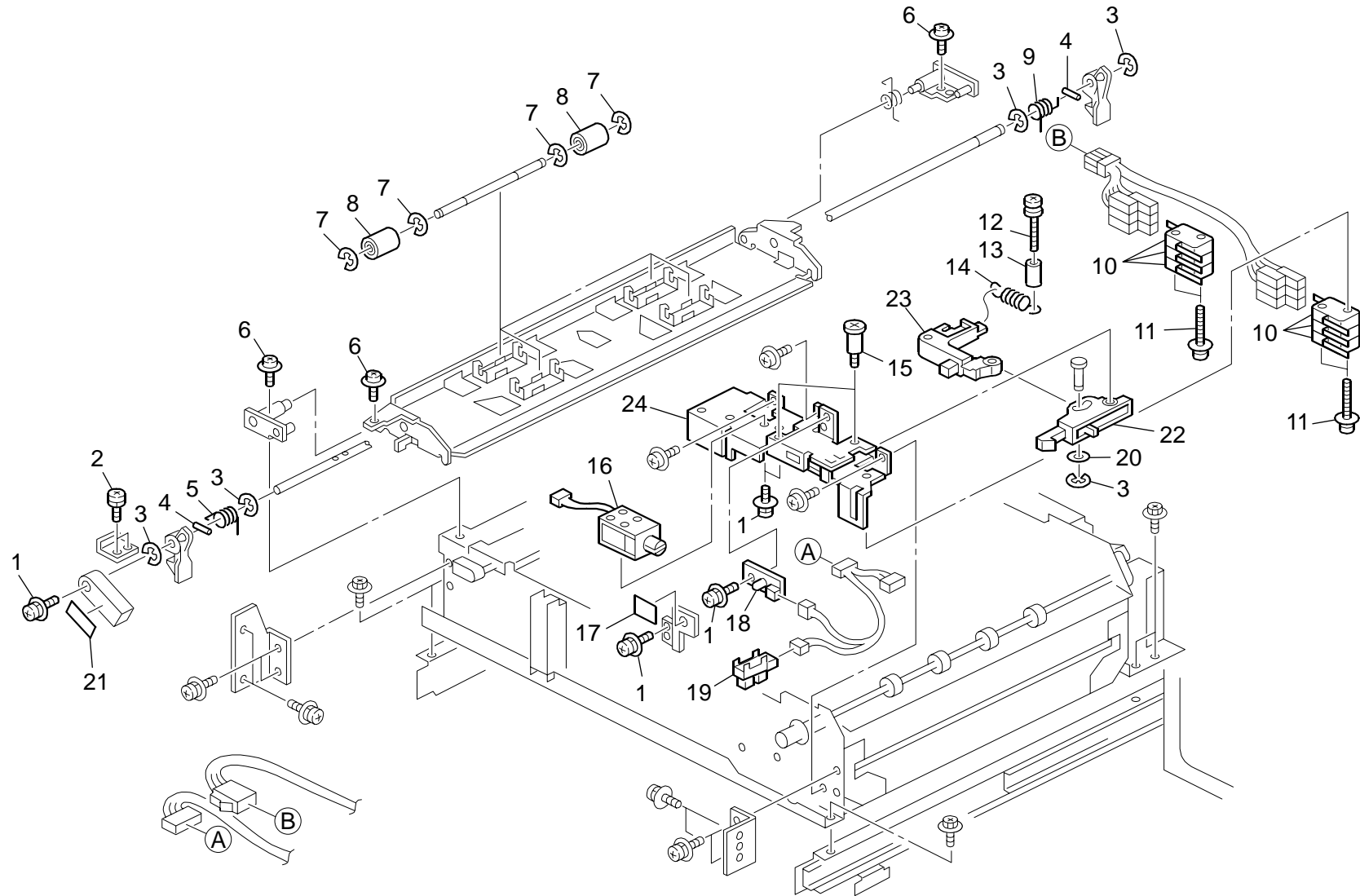


56.Cover Feed Regist Section 2 (D391)

Index No.	Part No.	Description	Q'ty Per Assembly
1	D391 5275	DC Stepper Motor:PF4140K637	1
2	D391 1120	Screw With Washer:M3x8:030080FWWS	2
3	D391 1183	Synchronous Belt:NS-BLT00209B	1
4	D391 1180	Synchronous Belt:NS-BLT00147B	1
5	D391 1151	Retaining Rings-E:DIA6.4:ER064SU-D	2
6	D391 5254	Photointerruptor:PF2286P475	1
7	D391 1128	Binding Self-Tapping Screw:M4x8: 040080FWBI	6
8	D391 1115	Pan Head Screw W/Washer:M3x6: 030060FWTP	1
9	D391 1273	Registration Guide:PF4140L107A	1
10	D391 1238	Bushing:DIA6:NS-MTL00007B	2
11	D391 1150	Retaining Rings-E:DIA5:ER050SU-D	3
12	D391 1155	Parallel Pin:2x14:HP020140SCH	1
13	D391 1340	Coil Spring:Registration:Side:PF4140P702A	1
14	D391 5274	DC Solenoid:PF4140K635	1
15	D391 1242	Tapping Screr:M3x6:NS-SCR00017B	6
16	D391 1329	Discharge Brush:Registration:Side: PF4140P625A	1
17	B660 5451	No.2 Entrance Sensor	1
18	D391 1119	Screw With Washer:M3x8:030080FWSW	1
19	D391 5313	Harness:Registration:PF4140K681:Ass'y	1

Index No.	Part No.	Description	Q'ty Per Assembly

57.Cover Feed Path Section 1 (D391)

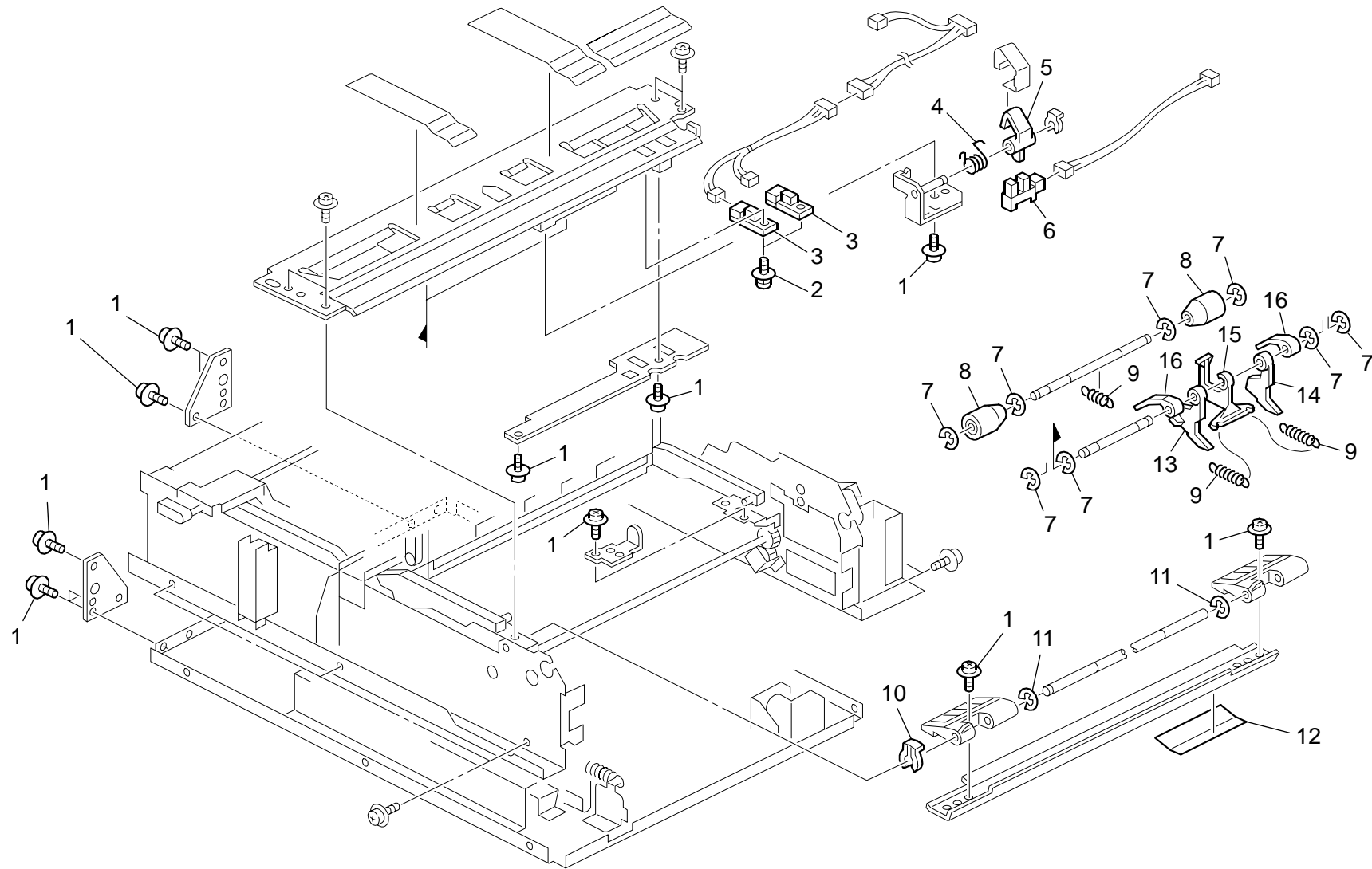


57.Cover Feed Path Section 1 (D391)

Index No.	Part No.	Description	Q'ty Per Assembly
1	D391 1120	Screw With Washer:M3x8:030080FWWS	4
2	D391 1114	Washer:M3x6:030060FWSW	2
3	D391 1150	Retaining Rings-E:DIA5:ER050SU-D	5
4	D391 1154	Parallel Pin:2x10:HP020100SCH	2
5	D391 1104	Torsion Spring:Front:PF4099P804B	1
6	D391 1242	Tapping Screr:M3x6:NS-SCR00017B	3
7	D391 1148	Retaining Rings-E:DIA3.2:ER032SU-D	4
8	D391 1350	Roller:PF4140P958A	2
9	D391 1105	Torsion Spring:Rear:PF4099P805B	1
10	D391 5295	Micro Switch:PF4140R123	6
11	D391 1125	Screw With Washer:M3x35:030350FWWS	4
12	D391 1256	Flat Screw:Adjusting Screw:Hinge: PF2269P385A1	1
13	D391 1142	Spacer:CL080180FW	1
14	D391 1397	Coil Spring:Lock:Door:Front:PF4140Q546B	1
15	D391 1265	Screw:PF4123Q908A	2
16	D391 5276	Keep Solenoid:PF4140K638	1
17	D391 1396	Sheet:LED:Lock:Door:PF4140Q526B	1
18	D391 5268	PCB:LED:PF4140K628	1
19	D391 5254	Photointerruptor:PF2286P475	1
20	B660 4636	Spacer:PW060050	1
21	D391 6510	Decal:Set:Lever:1	1
22	D391 1438	Lever:PF4140Q540	1
23	D391 1439	Link:PF4140Q541	1
24	D391 1440	Bracket:Lock:Solenoid:Front:PF4140Q512	1

Index No.	Part No.	Description	Q'ty Per Assembly

58.Cover Feed Path Section 2 (D391)

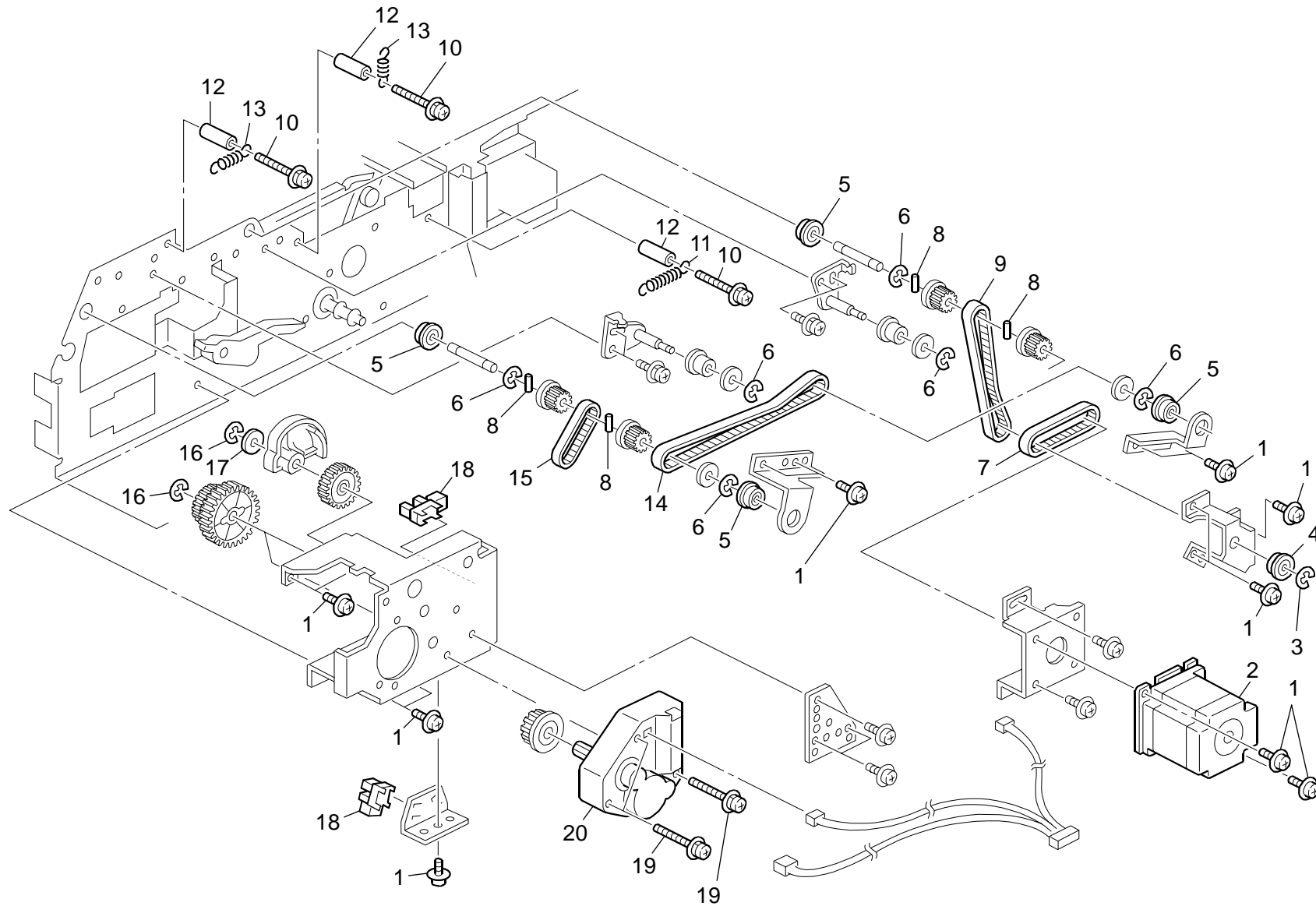


58.Cover Feed Path Section 2 (D391)

Index No.	Part No.	Description	Q'ty Per Assembly
1	D391 1242	Tapping Screr:M3x6:NS-SCR00017B	13
2	D391 1120	Screw With Washer:M3x8:030080FWWS	2
3	B660 5451	No.2 Entrance Sensor	2
4	D391 1261	Coil Spring:Registration Sensor:Bin:Lower: PF3091P347A	1
5	D391 1328	Lever:Sensor:PF4140P614B2	1
6	D391 5254	Photointerruptor:PF2286P475	1
7	D391 1148	Retaining Rings-E:DIA3.2:ER032SU-D	8
8	D391 1337	Roller:Transport:2:PF4140P651A1	2
9	D391 1339	Coil Spring:Transport Roller:PF4140P700A1	3
10	B660 4821	External Circlip:NS-CLP00008A	1
11	D391 1150	Retaining Rings-E:DIA5:ER050SU-D	2
12	D391 1344	Mirror:PF4140P791A2	1
13	D391 1446	Lever:Front:PF4140P649	1
14	D391 1447	Lever:Rear:PF4140P650	1
15	D391 1448	Lever:Coil SPRING:PF4140P659	1
16	D391 1449	Lever:Shaft:PF4140P660	2

Index No.	Part No.	Description	Q'ty Per Assembly

59.Cover Feed Path Section 3 (D391)

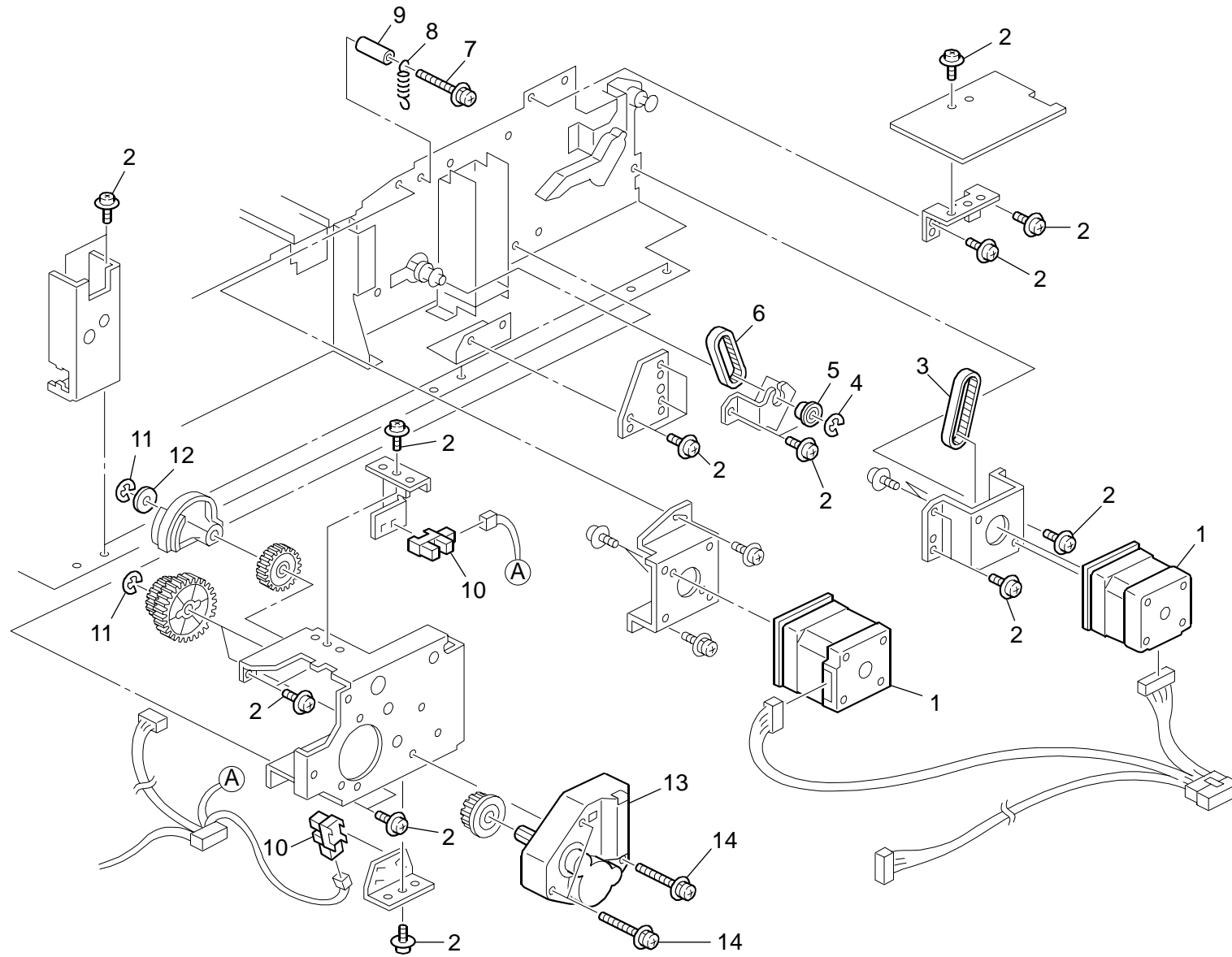


59.Cover Feed Path Section 3 (D391)

Index No.	Part No.	Description	Q'ty Per Assembly
1	D391 1242	Tapping Screr:M3x6:NS-SCR00017B	14
2	D391 5270	DC Stepper Motor:PF4140K631	1
3	D391 1148	Retaining Rings-E:DIA3.2:ER032SU-D	1
4	D391 1233	Radial Ball Bearing:DIA6:NS-BRG00110A	1
5	D391 1229	Radial Ball Bearing:DIA6DIA13: NS-BRG00047B	4
6	D391 1150	Retaining Rings-E:DIA5:ER050SU-D	6
7	D391 1175	Synchronous Belt:NS-BLT00078B	1
8	D391 1154	Parallel Pin:2x10:HP020100SCH	4
9	D391 1205	Synchronous Belt:NS-BLT00382B	1
10	D391 1123	Screw With Washer:M3x16:030160FWWS	3
11	D391 1167	Coil Spring:Tension:Transport Sub-Unit: IR3012P356A1	1
12	D391 1140	Spacer:CL030120FW	3
13	D391 1102	Tension Spring:PF4099P426B	2
14	D391 1186	Synchronous Belt:NS-BLT00295B	1
15	D391 1184	Synchronous Belt:NS-BLT00278C	1
16	D391 1151	Retaining Rings-E:DIA6.4:ER064SU-D	2
17	D391 1165	Washer:HW080FWSN	1
18	D391 5254	Photointerruptor:PF2286P475	2
19	D391 1124	Pan Head Screw:Spring Washer: 030300FWWS	3
20	D391 5273	DC Motor:PF4140K634	1

Index No.	Part No.	Description	Q'ty Per Assembly

60.Cover Feed Path Section 4 (D391)

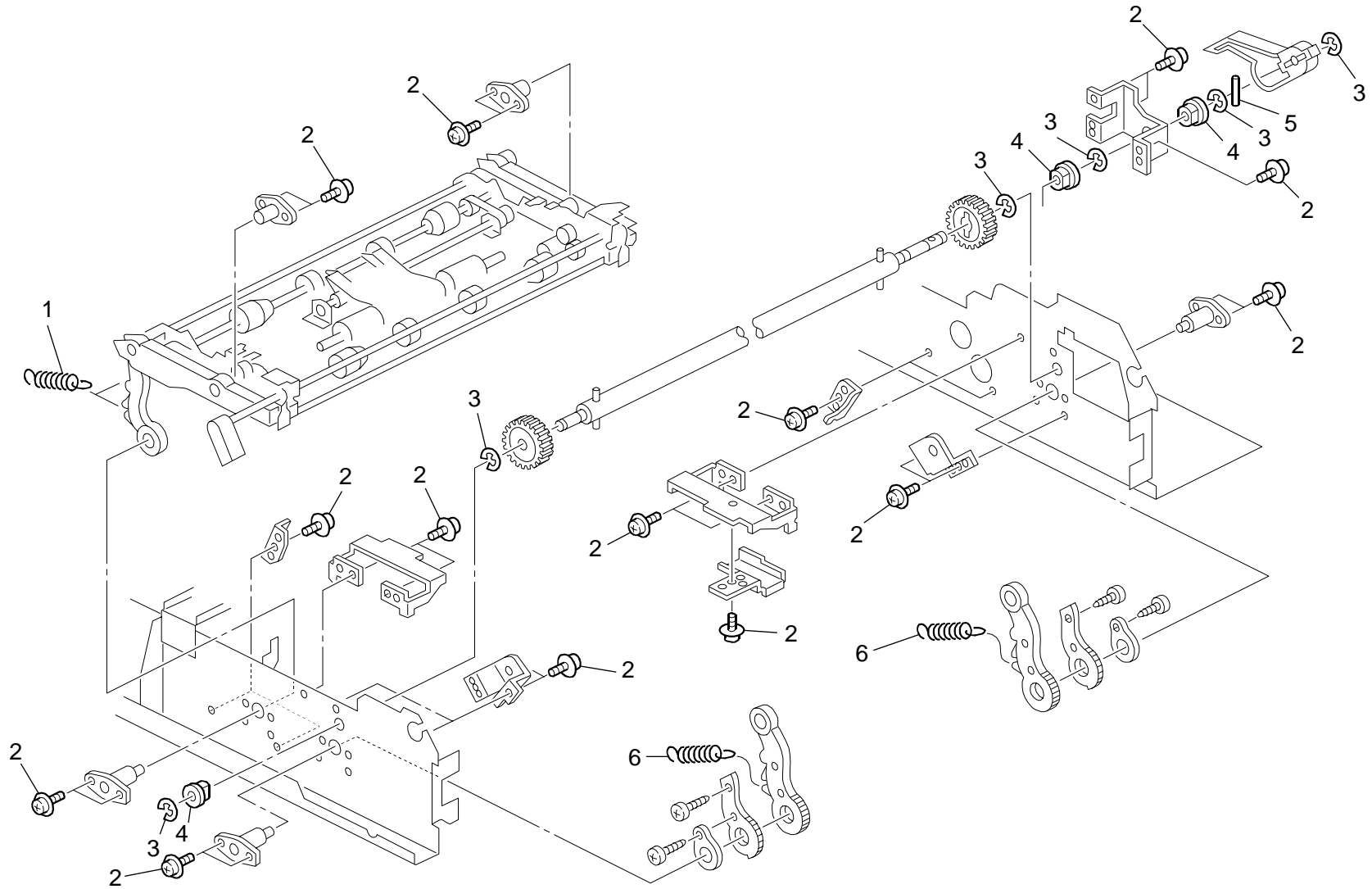


60.Cover Feed Path Section 4 (D391)

Index No.	Part No.	Description	Q'ty Per Assembly
1	D391 5275	DC Stepper Motor:PF4140K637	2
2	D391 1242	Tapping Screr:M3x6:NS-SCR00017B	19
3	D391 1172	Synchronous Belt:NS-BLT00062B	1
4	D391 1148	Retaining Rings-E:DIA3.2:ER032SU-D	1
5	D391 1233	Radial Ball Bearing:DIA6:NS-BRG00110A	1
6	D391 1171	Synchronous Belt:NS-BLT00054B	1
7	D391 1123	Screw With Washer:M3x16:030160FWWS	1
8	D391 1167	Coil Spring:Tension:Transport Sub-Unit: IR3012P356A1	1
9	D391 1140	Spacer:CL030120FW	1
10	D391 5254	Photointerruptor:PF2286P475	2
11	D391 1151	Retaining Rings-E:DIA6.4:ER064SU-D	2
12	D391 1165	Washer:HW080FWSN	1
13	D391 5273	DC Motor:PF4140K634	1
14	D391 1124	Pan Head Screw:Spring Washer: 030300FWWS	3

Index No.	Part No.	Description	Q'ty Per Assembly

61.Cover Feed Path Section 5 (D391)

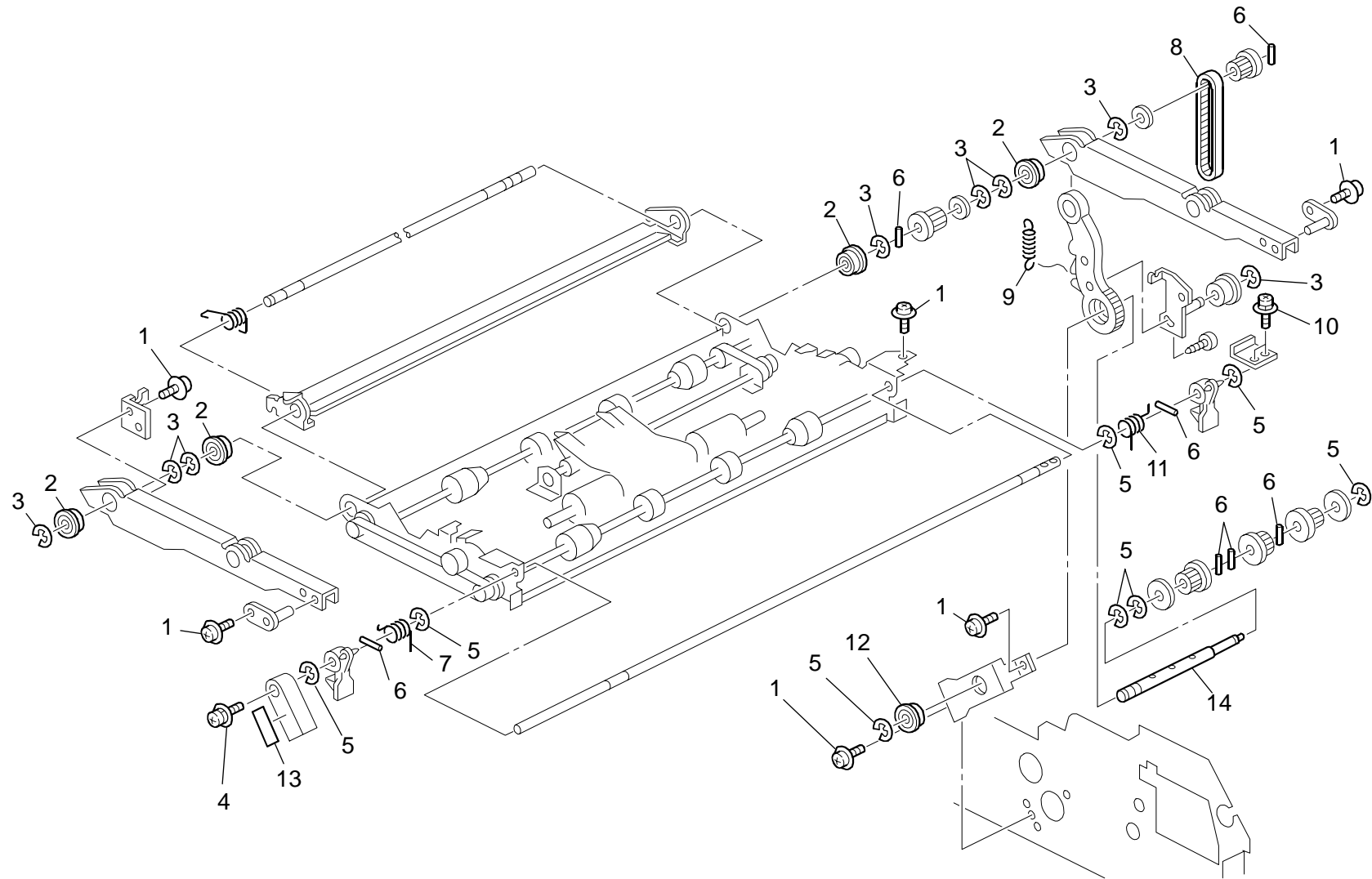


61.Cover Feed Path Section 5 (D391)

Index No.	Part No.	Description	Q'ty Per Assembly
1	D391 1342	Link:PF4140P773A1	2
2	D391 1243	Tapping Screr:NS-SCR00047A	24
3	D391 1151	Retaining Rings-E:DIA6.4:ER064SU-D	6
4	D391 1240	Bushing:NS-MTL00017B	3
5	D391 1163	Parallel Pin:3x25:HP030250SCH	1
6	D391 1342	Link:PF4140P773A1	2

Index No.	Part No.	Description	Q'ty Per Assembly

62.Cover Feed Path Section 6 (D391)

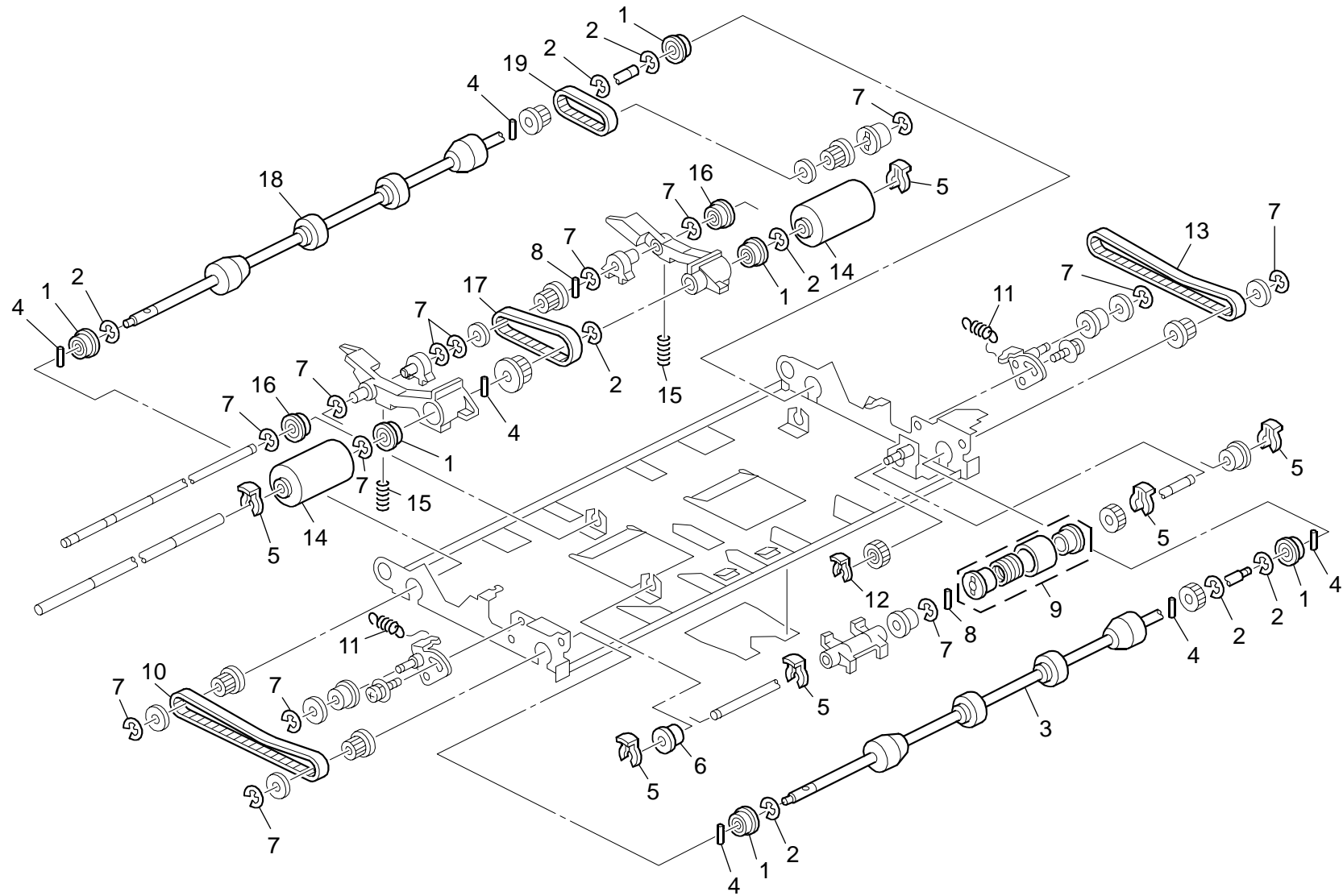


62.Cover Feed Path Section 6 (D391)

Index No.	Part No.	Description	Q'ty Per Assembly
1	D391 1242	Tapping Screr:M3x6:NS-SCR00017B	6
2	D391 1229	Radial Ball Bearing:DIA6DIA13: NS-BRG00047B	4
3	D391 1150	Retaining Rings-E:DIA5:ER050SU-D	8
4	D391 1120	Screw With Washer:M3x8:030080FWWS	1
5	D391 1151	Retaining Rings-E:DIA6.4:ER064SU-D	8
6	D391 1154	Parallel Pin:2x10:HP020100SCH	7
7	D391 1104	Torsion Spring:Front:PF4099P804B	1
8	D391 1206	Synchronous Belt:NS-BLT00384B	1
9	D391 1103	Tension Spring:PF4099P476B	1
10	D391 1114	Washer:M3x6:030060FWSW	2
11	D391 1105	Torsion Spring:Rear:PF4099P805B	1
12	D391 1232	Radial Ball Bearing:DIA8:NS-BRG00103A	1
13	D391 6510	Decal:Set:Lever:1	1
14	D391 1515	Shaft:Idler:Transport Sub-Unit: PF4155P761	1

Index No.	Part No.	Description	Q'ty Per Assembly

63.Cover Feed Path Section 7 (D391)

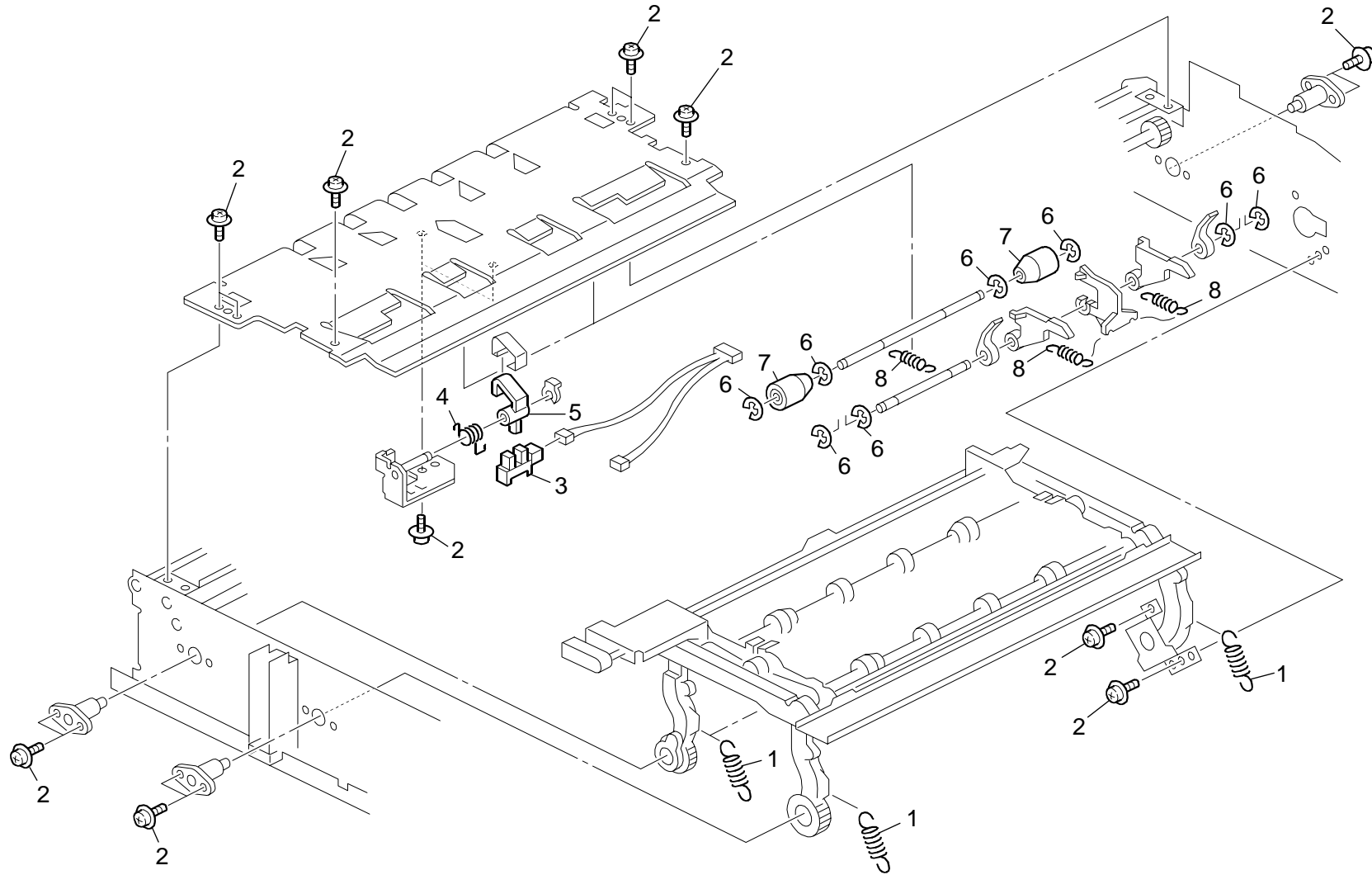


63.Cover Feed Path Section 7 (D391)

Index No.	Part No.	Description	Q'ty Per Assembly
1	D391 1232	Radial Ball Bearing:DIA8:NS-BRG00103A	6
2	D391 1151	Retaining Rings-E:DIA6.4:ER064SU-D	8
3	D391 1331	Transport Roller:M1:PF4140P633C3	1
4	B660 4715	Parallel Pin:HP020120SCH	6
5	B660 4821	External Circlip:NS-CLP00008A	6
6	D391 1238	Bushing:DIA6:NS-MTL00007B	1
7	D391 1150	Retaining Rings-E:DIA5:ER050SU-D	14
8	D391 1154	Parallel Pin:2x10:HP020100SCH	2
9	D391 1257	Torque Limiter Mechanical Clutch: PF3064K029B	1
10	D391 1200	Synchronous Belt:NS-BLT00377B	1
11	D391 1102	Tension Spring:PF4099P426B	2
12	B660 4815	External Circlip:NS-CLP00003A	1
13	D391 1203	Synchronous Belt:NS-BLT00380B	1
14	D391 1301	Roller:PF4140P243A1	2
15	D391 1327	Coil Spring:Roller:PF4140P606B2	2
16	D391 1229	Radial Ball Bearing:DIA6DIA13: NS-BRG00047B	2
17	D391 1173	Synchronous Belt:NS-BLT00065B	1
18	D391 1341	Transport Roller:M4:PF4140P729B1	1
19	D391 1222	Synchronous Belt:NS-BLT00409B	1

Index No.	Part No.	Description	Q'ty Per Assembly

64.Cover Feed Path Section 8 (D391)

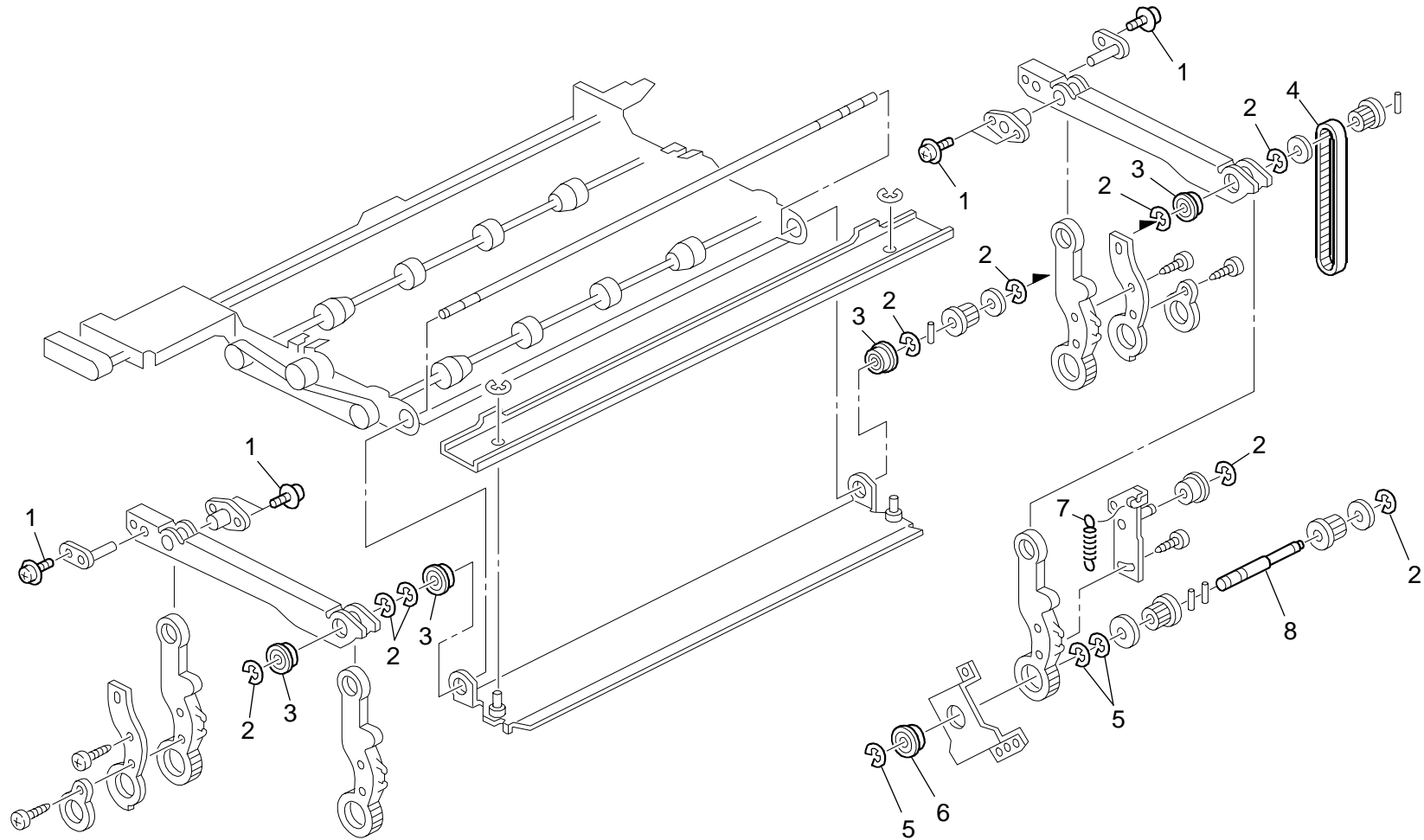


64.Cover Feed Path Section 8 (D391)

Index No.	Part No.	Description	Q'ty Per Assembly
1	D391 1342	Link:PF4140P773A1	4
2	D391 1242	Tapping Screr:M3x6:NS-SCR00017B	15
3	D391 5254	Photointerruptor:PF2286P475	1
4	D391 1261	Coil Spring:Registration Sensor:Bin:Lower: PF3091P347A	1
5	D391 1328	Lever:Sensor:PF4140P614B2	1
6	D391 1148	Retaining Rings-E:DIA3.2:ER032SU-D	8
7	D391 1337	Roller:Transport:2:PF4140P651A1	2
8	D391 1339	Coil Spring:Transport Roller:PF4140P700A1	3

Index No.	Part No.	Description	Q'ty Per Assembly

65.Cover Feed Path Section 9 (D391)

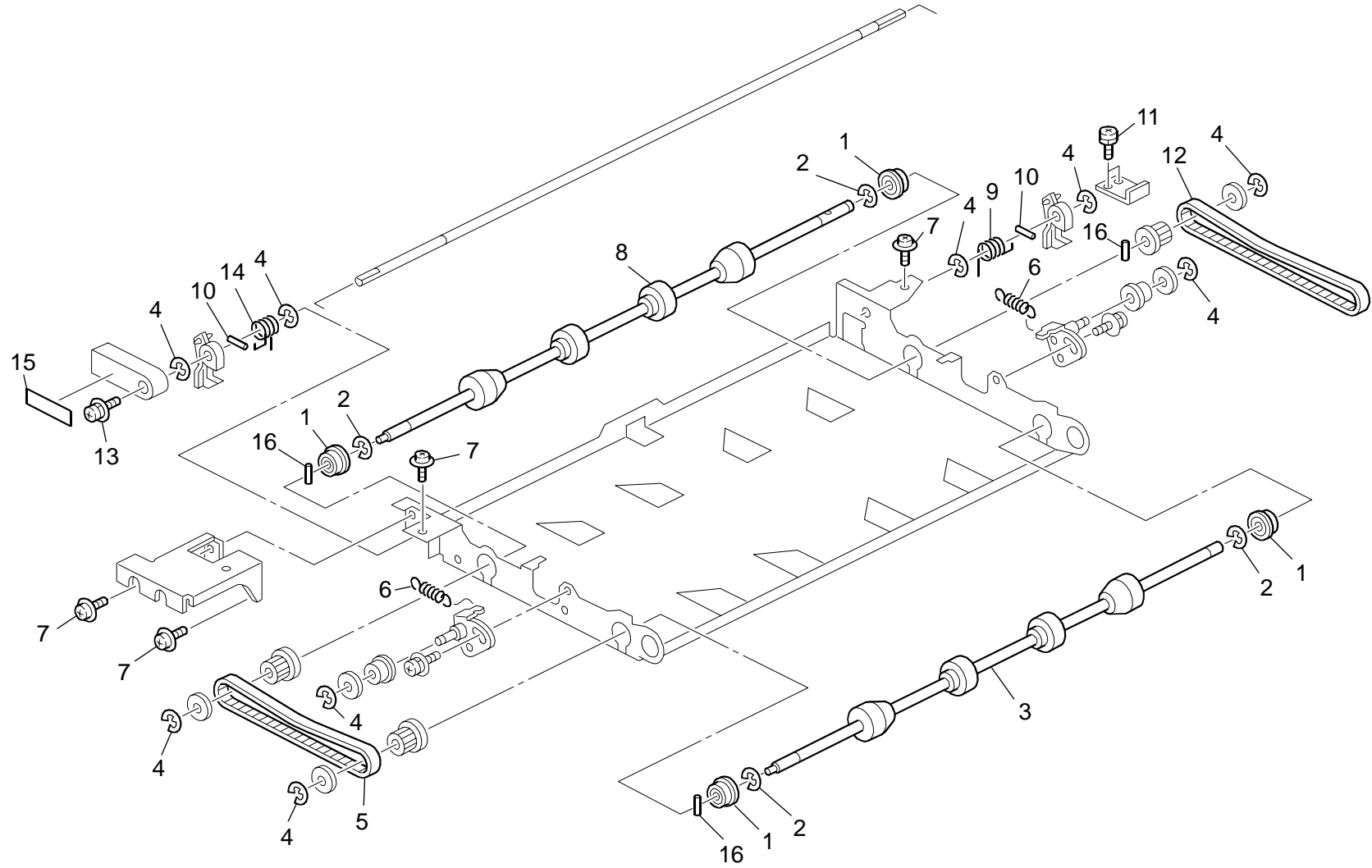


65.Cover Feed Path Section 9 (D391)

Index No.	Part No.	Description	Q'ty Per Assembly
1	D391 1243	Tapping Screr:NS-SCR00047A	6
2	D391 1150	Retaining Rings-E:DIA5:ER050SU-D	9
3	D391 1229	Radial Ball Bearing:DIA6DIA13: NS-BRG00047B	4
4	D391 1206	Synchronous Belt:NS-BLT00384B	1
5	D391 1151	Retaining Rings-E:DIA6.4:ER064SU-D	3
6	D391 1232	Radial Ball Bearing:DIA8:NS-BRG00103A	1
7	D391 1103	Tension Spring:PF4099P476B	1
8	D391 1514	Shaft:Contact Point:Transport Sub-Unit: PF4155P695	1

Index No.	Part No.	Description	Q'ty Per Assembly

66.Cover Feed Path Section 10 (D391)

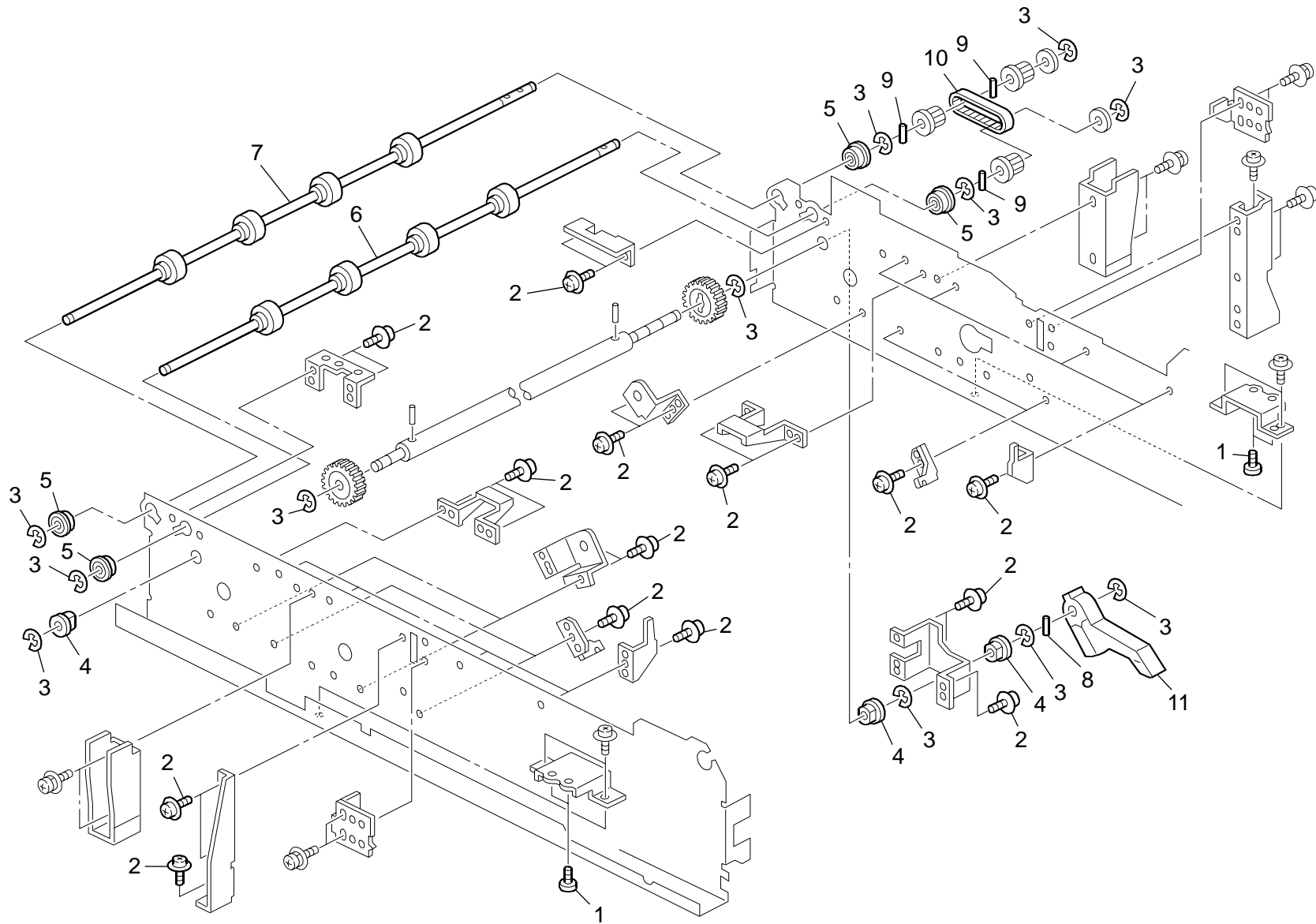


66.Cover Feed Path Section 10 (D391)

Index No.	Part No.	Description	Q'ty Per Assembly
1	D391 1232	Radial Ball Bearing:DIA8:NS-BRG00103A	4
2	D391 1151	Retaining Rings-E:DIA6.4:ER064SU-D	4
3	D391 1333	Transport Roller:M6:PF4140P635A2	1
4	D391 1150	Retaining Rings-E:DIA5:ER050SU-D	9
5	D391 1200	Synchronous Belt:NS-BLT00377B	1
6	D391 1102	Tension Spring:PF4099P426B	2
7	D391 1242	Tapping Screr:M3x6:NS-SCR00017B	4
8	D391 1334	Transport Roller:M7:PF4140P636B2	1
9	D391 1104	Torsion Spring:Front:PF4099P804B	1
10	D391 1154	Parallel Pin:2x10:HP020100SCH	2
11	D391 1114	Washer:M3x6:030060FWSW	2
12	D391 1201	Synchronous Belt:NS-BLT00378B	1
13	D391 1120	Screw With Washer:M3x8:030080FWWS	1
14	D391 1105	Torsion Spring:Rear:PF4099P805B	1
15	D391 6510	Decal:Set:Lever:1	1
16	B660 4715	Parallel Pin:HP020120SCH	3

Index No.	Part No.	Description	Q'ty Per Assembly

67.Cover Feed Path Section 11 (D391)

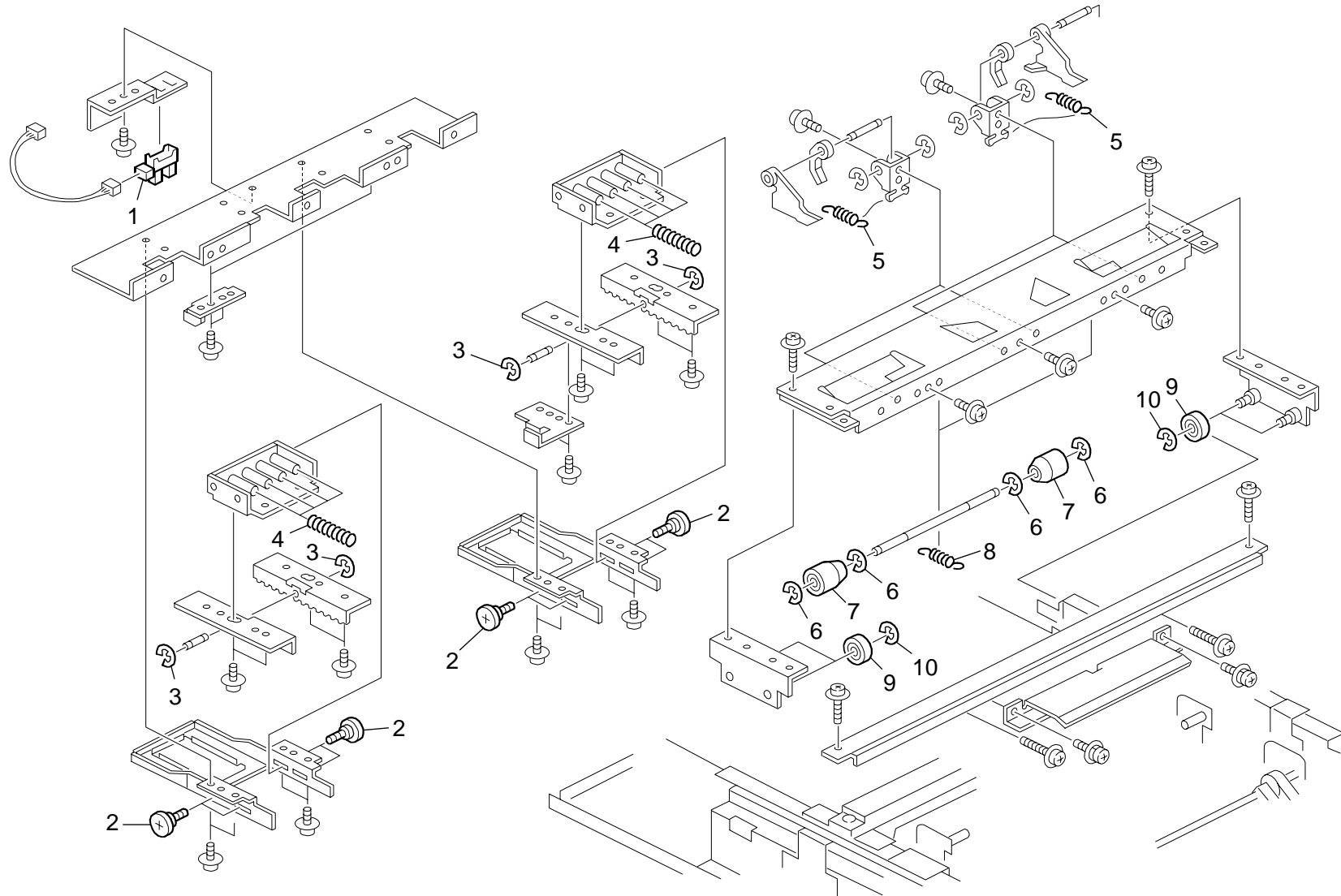


67.Cover Feed Path Section 11 (D391)

Index No.	Part No.	Description	Q'ty Per Assembly
1	D391 1246	Flat Screw:M4x10:NS-SCR00088B	4
2	D391 1242	Tapping Screr:M3x6:NS-SCR00017B	32
3	D391 1151	Retaining Rings-E:DIA6.4:ER064SU-D	12
4	D391 1240	Bushing:NS-MTL00017B	3
5	D391 1232	Radial Ball Bearing:DIA8:NS-BRG00103A	4
6	D391 1336	Transport Roller:M5:PF4140P646A1	1
7	D391 1332	Transport Roller:M2:PF4140P634A1	1
8	D391 1163	Parallel Pin:3x25:HP030250SCH	1
9	B660 4715	Parallel Pin:HP020120SCH	3
10	D391 1189	Synchronous Belt:NS-BLT00350B	1
11	D391 1499	Lever:Release:PF4140P722D1	1

Index No.	Part No.	Description	Q'ty Per Assembly

68.Rear Folder Section 1 (D391)

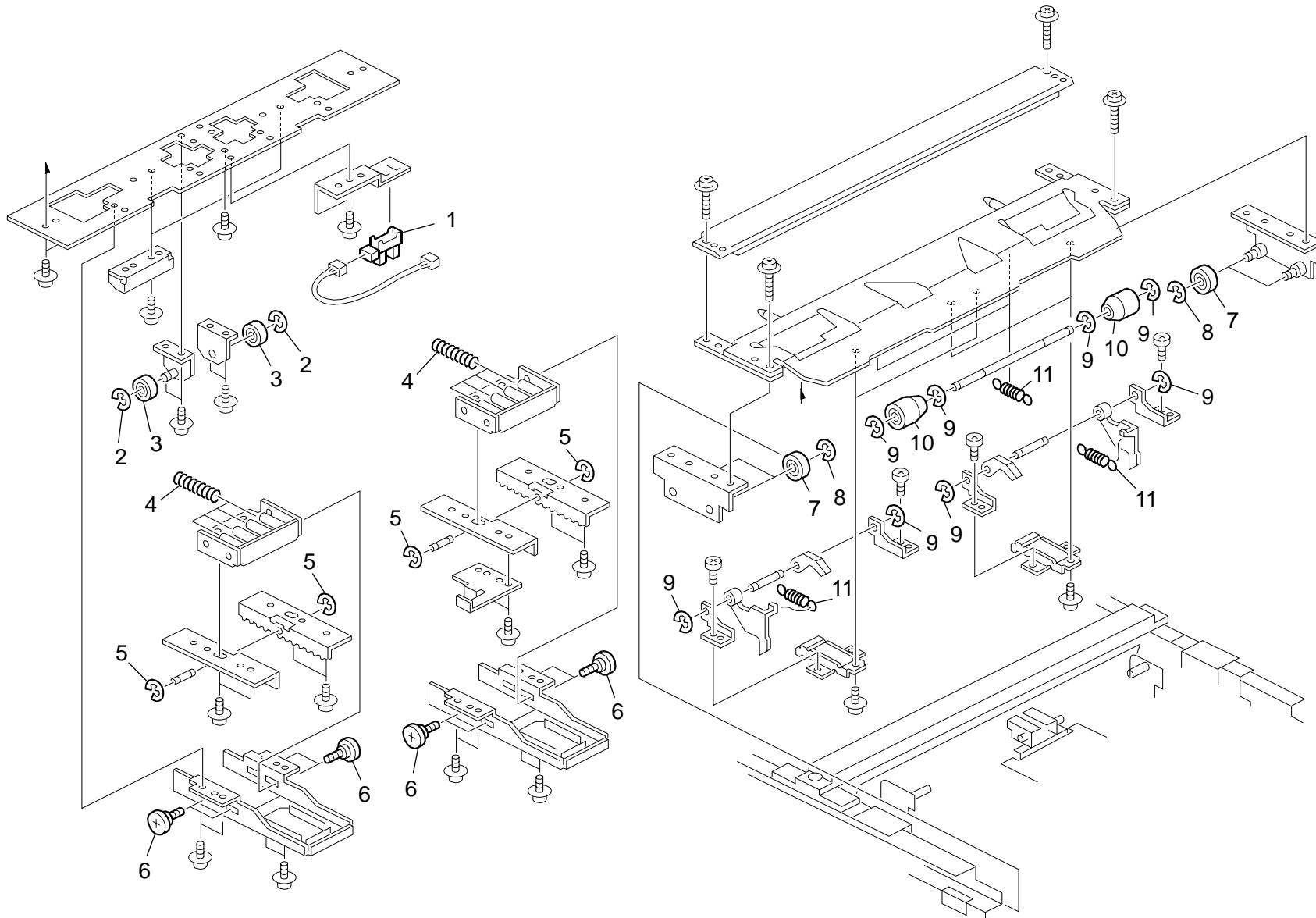


68.Rear Folder Section 1 (D391)

Index No.	Part No.	Description	Q'ty Per Assembly
1	D391 5254	Photointerruptor:PF2286P475	1
2	D391 1248	Screw:NS-SCR00212B	8
3	D391 1146	Retaining Rings-E:DIA2.4:ER024SU-D	4
4	D391 1320	Compression Spring:PF4140P546A	8
5	D391 1339	Coil Spring:Transport Roller:PF4140P700A1	2
6	D391 1148	Retaining Rings-E:DIA3.2:ER032SU-D	8
7	D391 1337	Roller:Transport:2:PF4140P651A1	4
8	D391 1330	Coil Spring:Transport Roller:PF4140P632A	2
9	D391 1228	Radial Ball Bearing:DIA8DIA22: NS-BRG00039B	4
10	D391 1151	Retaining Rings-E:DIA6.4:ER064SU-D	4

Index No.	Part No.	Description	Q'ty Per Assembly

69.Rear Folder Section 2 (D391)

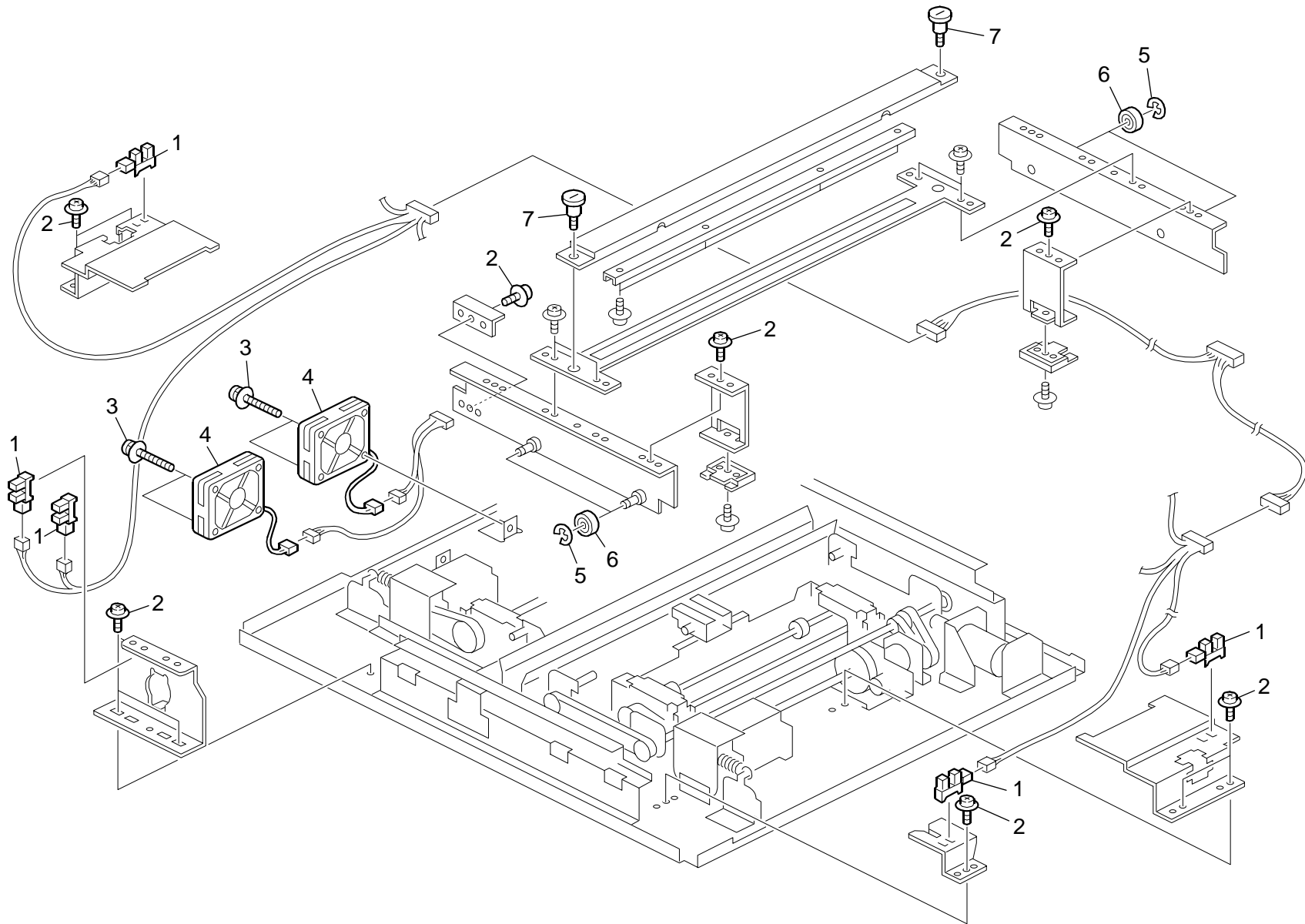


69.Rear Folder Section 2 (D391)

Index No.	Part No.	Description	Q'ty Per Assembly
1	D391 5254	Photointerruptor:PF2286P475	1
2	D391 1150	Retaining Rings-E:DIA5:ER050SU-D	2
3	D391 1227	Radial Ball Bearing:DIA6DIA15: NS-BRG00033B	2
4	D391 1325	Compression Spring:PF4140P591A	8
5	D391 1146	Retaining Rings-E:DIA2.4:ER024SU-D	4
6	D391 1248	Screw:NS-SCR00212B	8
7	D391 1228	Radial Ball Bearing:DIA8DIA22: NS-BRG00039B	4
8	D391 1151	Retaining Rings-E:DIA6.4:ER064SU-D	4
9	D391 1148	Retaining Rings-E:DIA3.2:ER032SU-D	16
10	D391 1337	Roller:Transport:2:PF4140P651A1	4
11	D391 1339	Coil Spring:Transport Roller:PF4140P700A1	6

Index No.	Part No.	Description	Q'ty Per Assembly

70.Rear Folder Section 3 (D391)

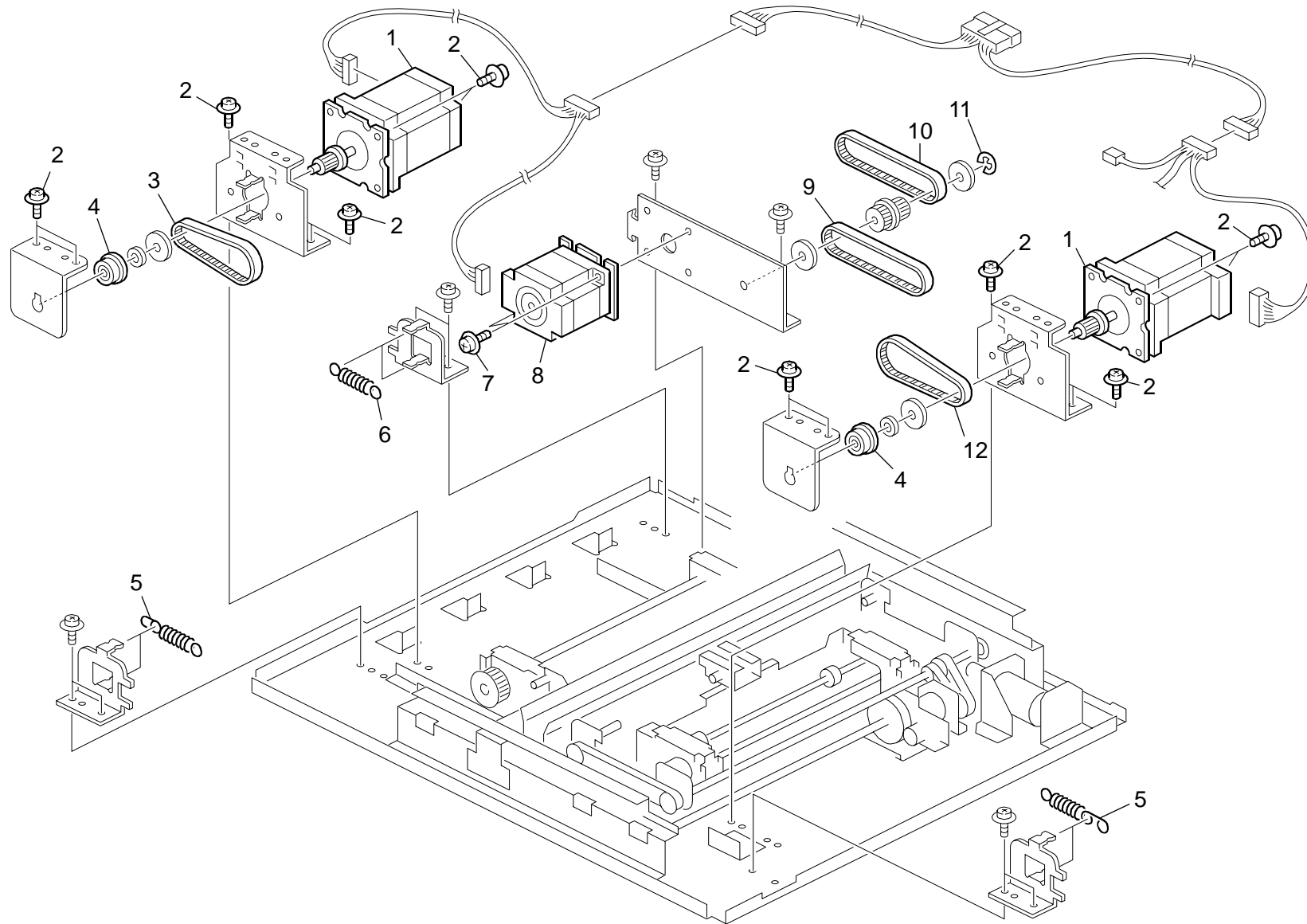


70.Rear Folder Section 3 (D391)

Index No.	Part No.	Description	Q'ty Per Assembly
1	D391 5254	Photointerruptor:PF2286P475	5
2	D391 1242	Tapping Screr:M3x6:NS-SCR00017B	10
3	D391 1135	Pan Head Screw:Spring Washer:M4x30: 040300FWWS	4
4	D391 5298	DC Fan Motor:PF4140R409	2
5	D391 1151	Retaining Rings-E:DIA6.4:ER064SU-D	4
6	D391 1108	Bushing:606262	4
7	D391 1318	Screw:PF4140P536A1	2

Index No.	Part No.	Description	Q'ty Per Assembly

71.Rear Folder Section 4 (D391)

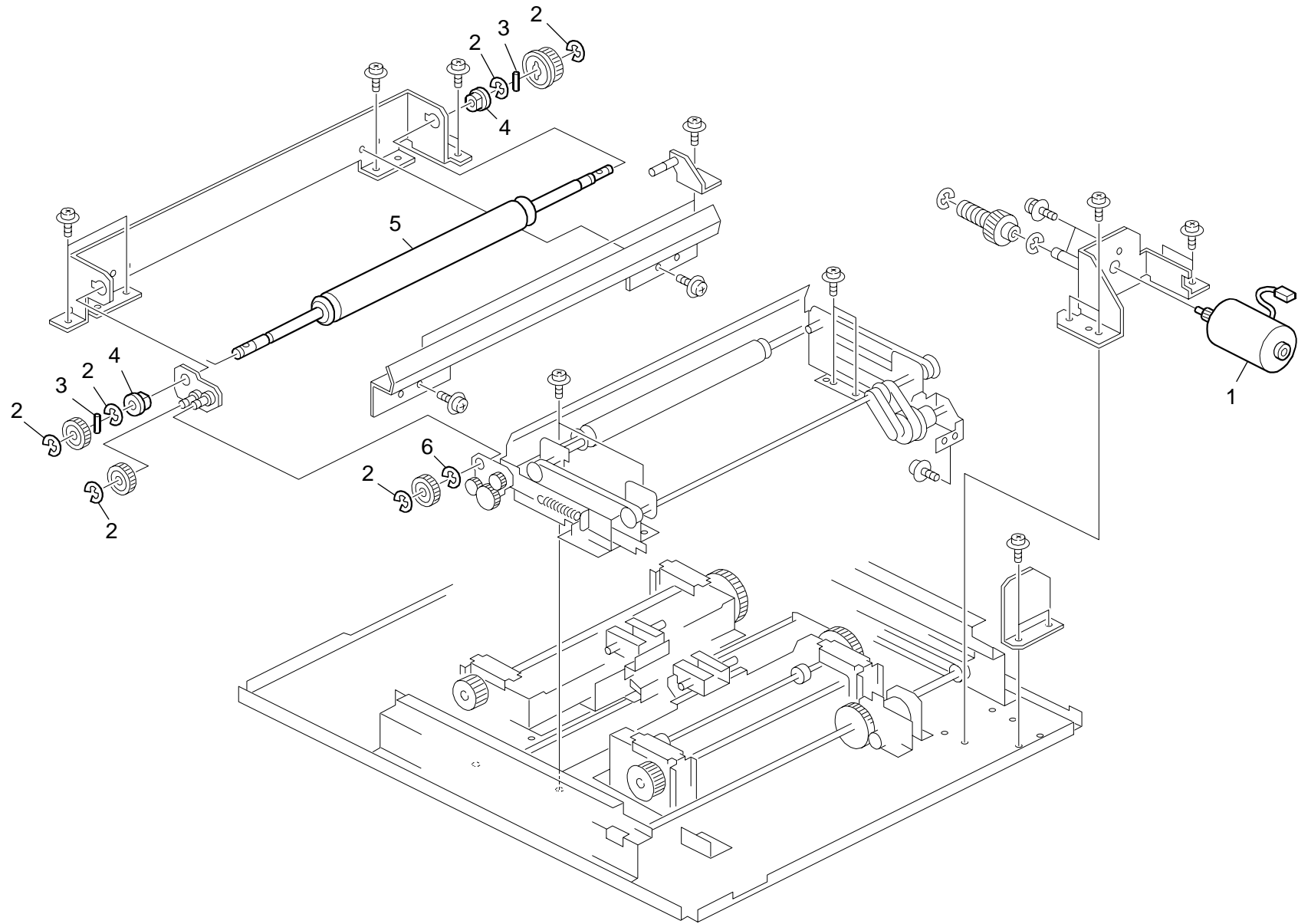


71.Rear Folder Section 4 (D391)

Index No.	Part No.	Description	Q'ty Per Assembly
1	D391 5269	DC Stepper Motor:PF4140K630	2
2	D391 1242	Tapping Screr:M3x6:NS-SCR00017B	14
3	D391 1182	Synchronous Belt:NS-BLT00172B	1
4	D391 1233	Radial Ball Bearing:DIA6:NS-BRG00110A	2
5	D391 1321	Tension Spring:PR4140P547C1	2
6	D391 1342	Link:PF4140P773A1	2
7	D391 1243	Tapping Screr:NS-SCR00047A	2
8	D391 5270	DC Stepper Motor:PF4140K631	1
9	D391 1183	Synchronous Belt:NS-BLT00209B	1
10	D391 1193	Synchronous Belt:NS-BLT00355C	1
11	D391 1151	Retaining Rings-E:DIA6.4:ER064SU-D	1
12	D391 1182	Synchronous Belt:NS-BLT00172B	1

Index No.	Part No.	Description	Q'ty Per Assembly

72.Bundle Feed Section 1 (D391)

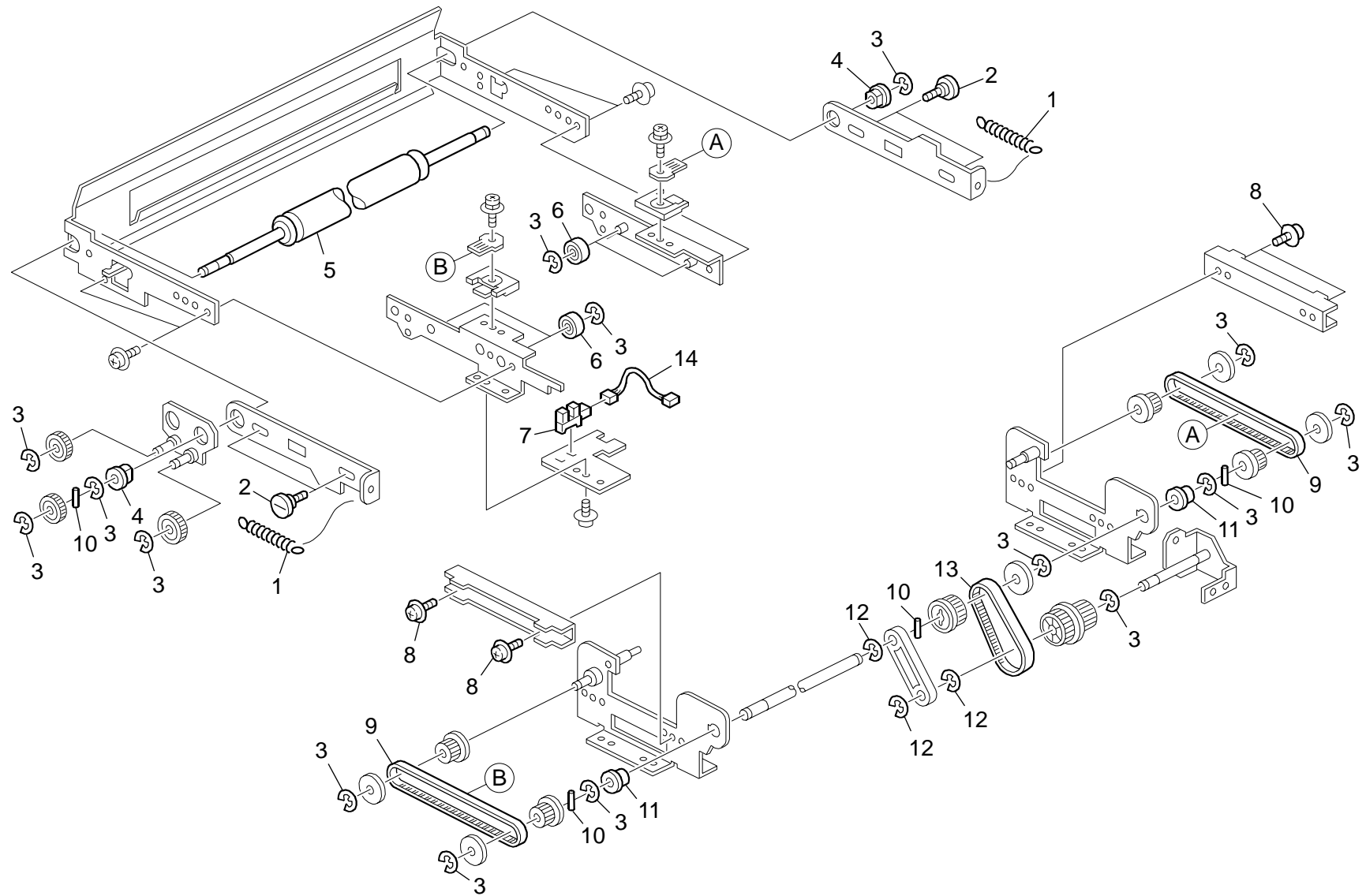


72.Bundle Feed Section 1 (D391)

Index No.	Part No.	Description	Q'ty Per Assembly
1	D391 5277	DC Motor:PF4140K643	1
2	D391 1151	Retaining Rings-E:DIA6.4:ER064SU-D	6
3	D391 1155	Parallel Pin:2x14:HP020140SCH	2
4	D391 1240	Bushing:NS-MTL00017B	2
5	D391 1323	Transport Roller:1:PF4140P561C2	1
6	D391 1152	Retaining Rings-E:DIA8:ER080SU-D	1

Index No.	Part No.	Description	Q'ty Per Assembly

73.Bundle Feed Section 2 (D391)

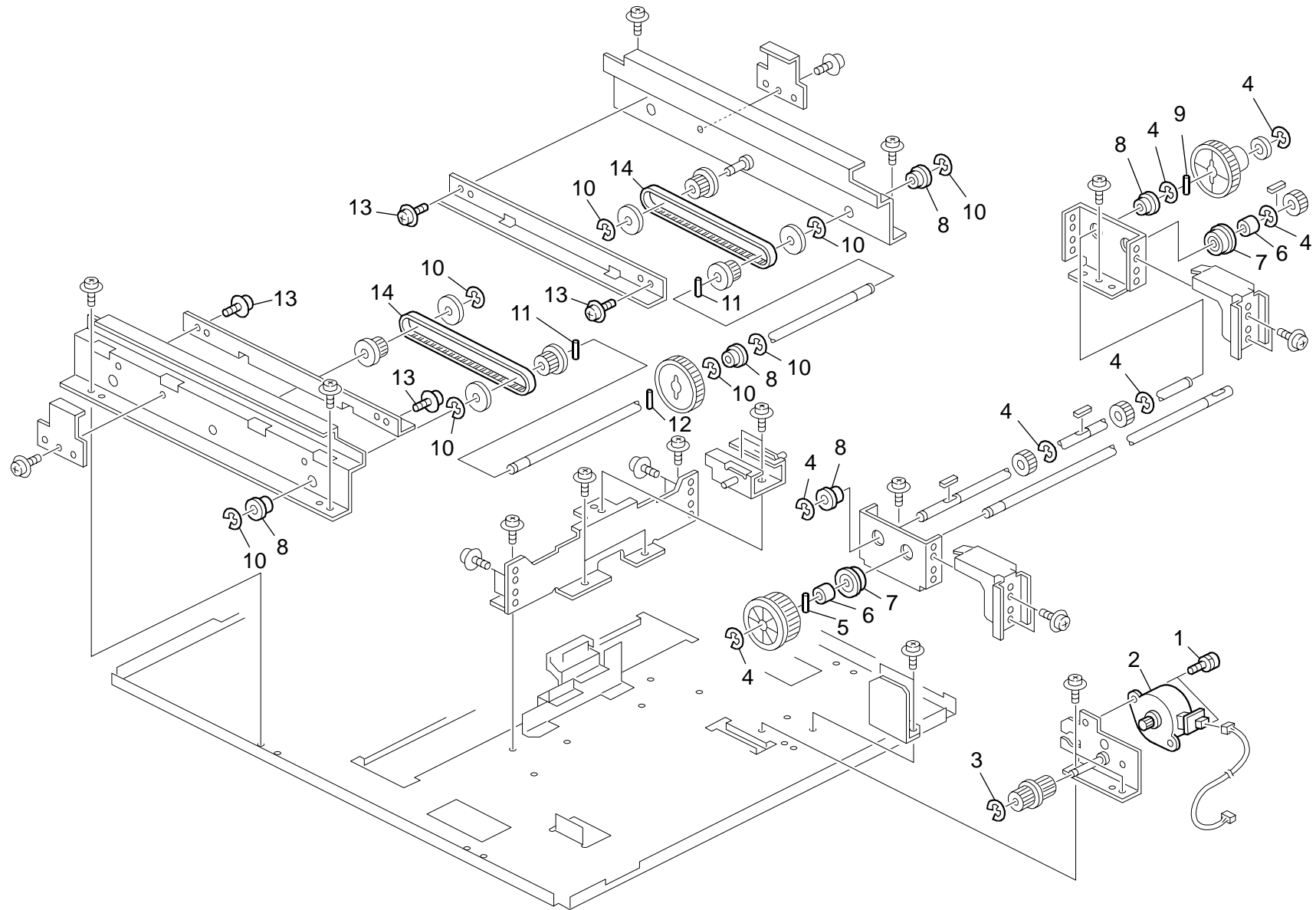


73.Bundle Feed Section 2 (D391)

Index No.	Part No.	Description	Q'ty Per Assembly
1	D391 1326	Tension Spring:PF4140P592A	2
2	D391 1324	Screw:PF4140P570A	4
3	D391 1151	Retaining Rings-E:DIA6.4:ER064SU-D	17
4	D391 1240	Bushing:NS-MTL00017B	2
5	D391 1322	Transport Roller:2:PF4140P560B2	1
6	D391 1228	Radial Ball Bearing:DIA8DIA22: NS-BRG00039B	4
7	D391 5254	Photointerruptor:PF2286P475	1
8	D391 1242	Tapping Screr:M3x6:NS-SCR00017B	4
9	D391 1179	Synchronous Belt:NS-BLT00138B	2
10	D391 1155	Parallel Pin:2x14:HP020140SCH	4
11	D391 1108	Bushing:606262	2
12	D391 1324	Screw:PF4140P570A	3
13	D391 1181	Synchronous Belt:NS-BLT00167B	1
14	D391 5314	Harness:Paper Feed Sensor:PF4140K782	1

Index No.	Part No.	Description	Q'ty Per Assembly

74.Bundle Feed Section 3 (D391)

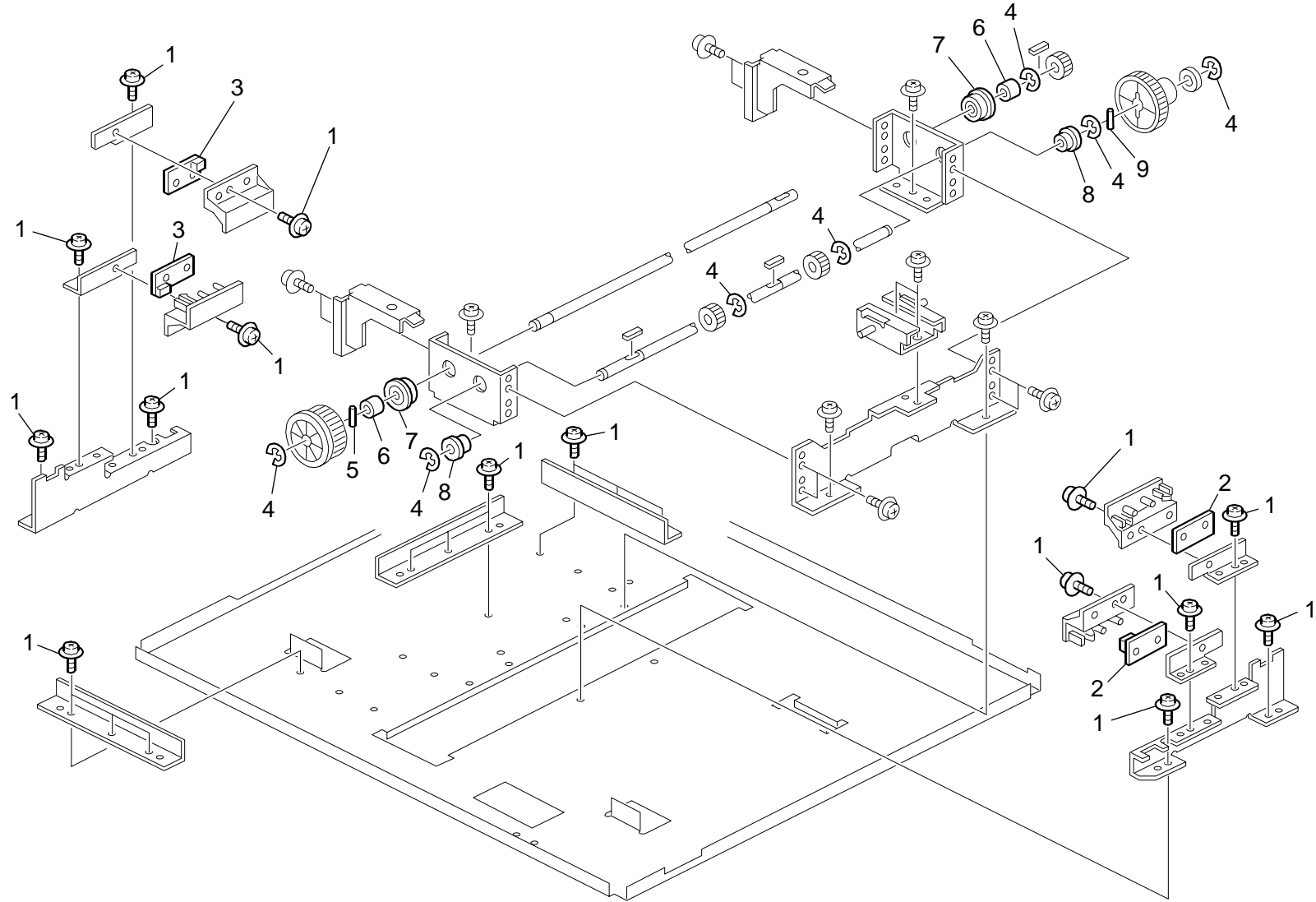


74.Bundle Feed Section 3 (D391)

Index No.	Part No.	Description	Q'ty Per Assembly
1	D391 1114	Washer:M3x6:030060FWSW	2
2	D391 5296	DC Stepper Motor:PF4140R405	1
3	D391 1150	Retaining Rings-E:DIA5:ER050SU-D	1
4	D391 1148	Retaining Rings-E:DIA3.2:ER032SU-D	7
5	D391 1160	Parallel Pin:3x14:HP030140SCH	1
6	D391 1141	Spacer:CL080050FW	2
7	D391 1231	Radial Ball Bearing:DIA8DIA12: NS-BRG00084B	2
8	D391 1108	Bushing:606262	5
9	D391 1161	Parallel Pin:3x16:HP030160SCH	1
10	D391 1151	Retaining Rings-E:DIA6.4:ER064SU-D	8
11	D391 1155	Parallel Pin:2x14:HP020140SCH	2
12	B660 4715	Parallel Pin:HP020120SCH	1
13	D391 1242	Tapping Screr:M3x6:NS-SCR00017B	4
14	D391 1179	Synchronous Belt:NS-BLT00138B	1

Index No.	Part No.	Description	Q'ty Per Assembly

75.Bundle Feed Section 4 (D391)

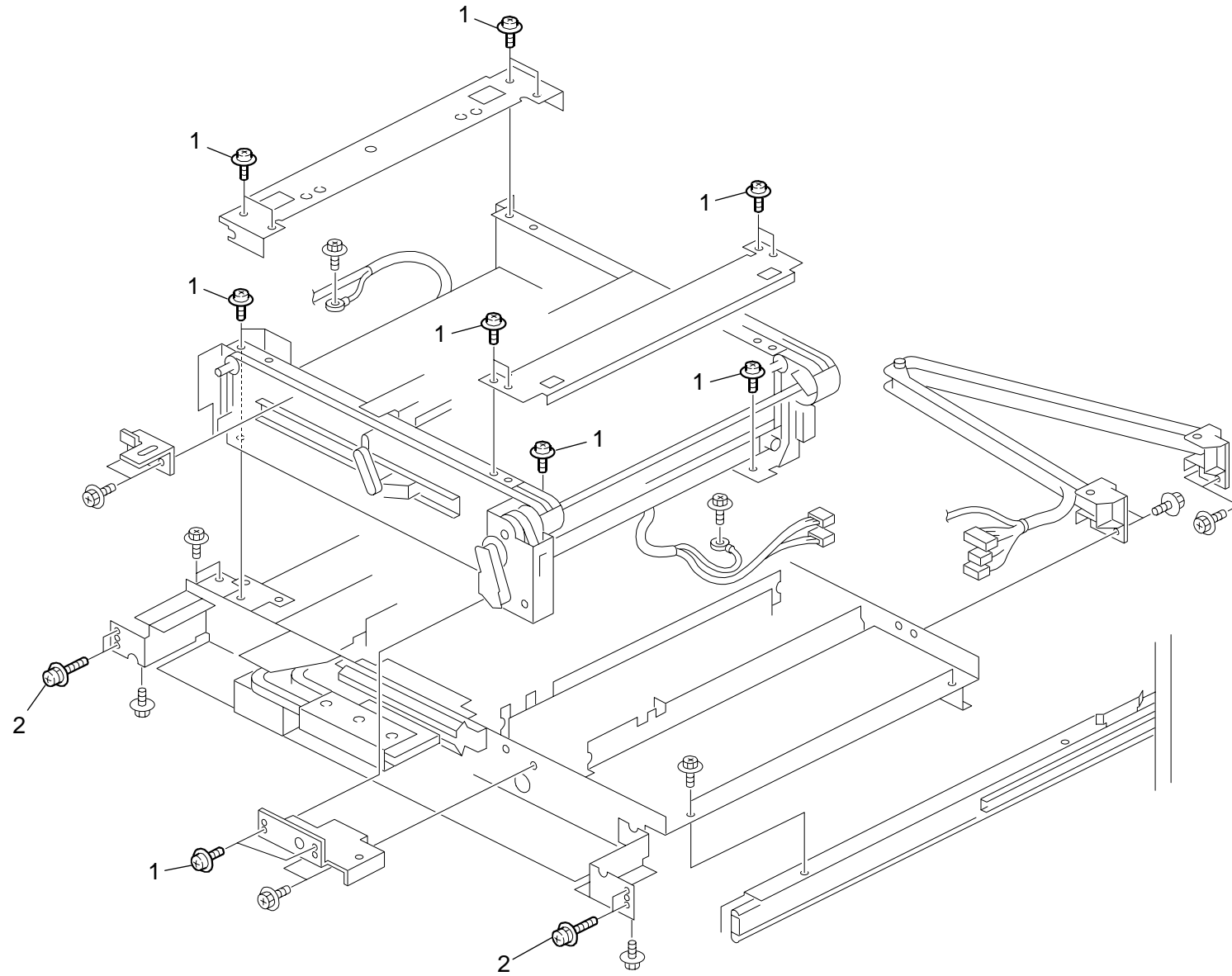


75.Bundle Feed Section 4 (D391)

Index No.	Part No.	Description	Q'ty Per Assembly
1	D391 1242	Tapping Screr:M3x6:NS-SCR00017B	21
2	D391 5282	Optics Sensor:Photo:PF4140K906	2
3	D391 5281	Optics Sensor:Radiate:PF4140K905	2
4	D391 1148	Retaining Rings-E:DIA3.2:ER032SU-D	7
5	D391 1160	Parallel Pin:3x14:HP030140SCH	1
6	D391 1141	Spacer:CL080050FW	2
7	D391 1231	Radial Ball Bearing:DIA8DIA12: NS-BRG00084B	2
8	D391 1108	Bushing:606262	2
9	D391 1161	Parallel Pin:3x16:HP030160SCH	1

Index No.	Part No.	Description	Q'ty Per Assembly

76.Stack Rotation Section 1 (D391)

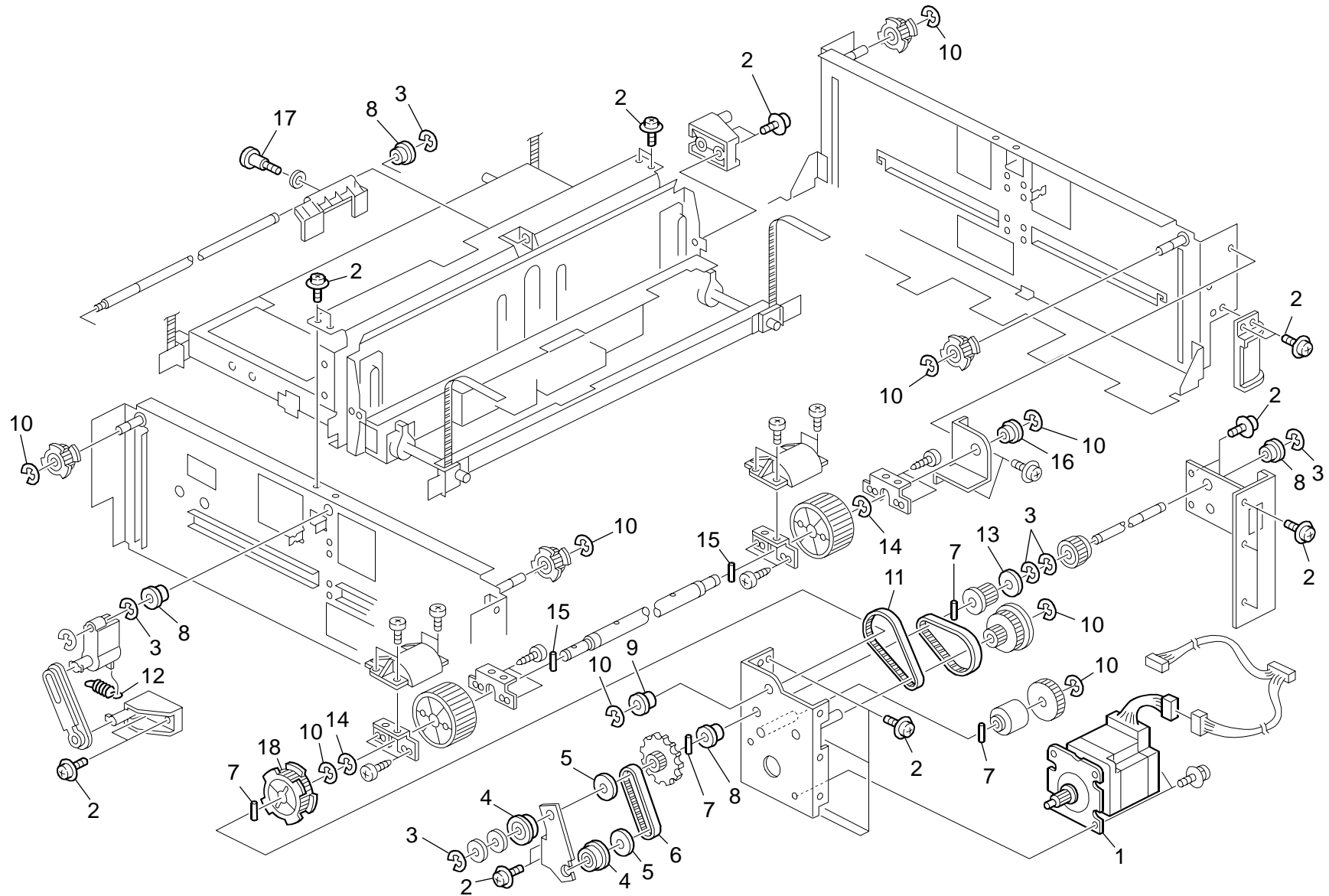


76.Stack Rotation Section 1 (D391)

Index No.	Part No.	Description	Q'ty Per Assembly
1	D391 1242	Tapping Screr:M3x6:NS-SCR00017B	13
2	D391 1132	Screw With Washer:M4x10:040100FWWS	4

Index No.	Part No.	Description	Q'ty Per Assembly

77.Stack Rotation Section 2 (D391)

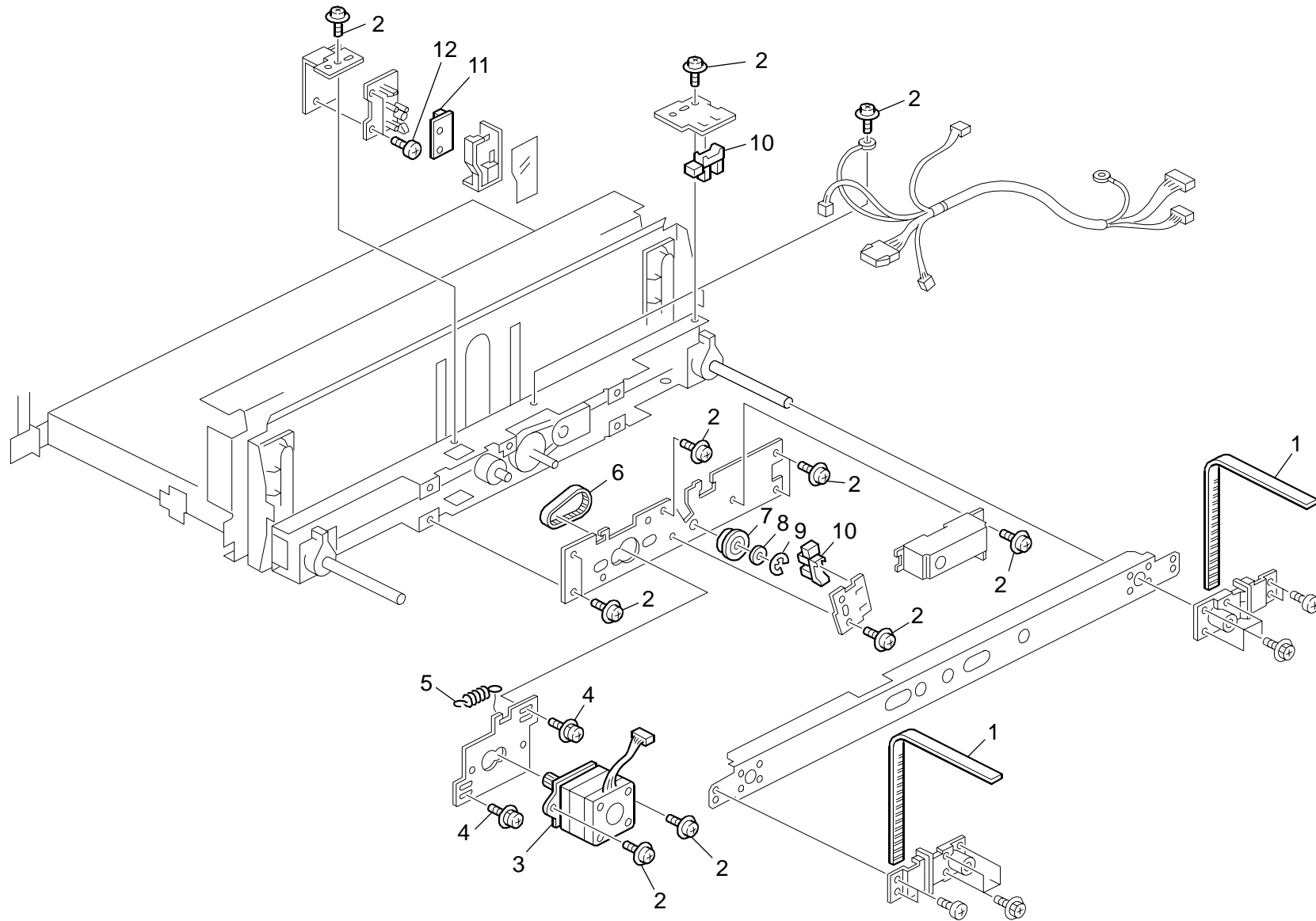


77.Stack Rotation Section 2 (D391)

Index No.	Part No.	Description	Q'ty Per Assembly
1	D391 5285	DC Stepper Motor:PF4140K916	1
2	D391 1242	Tapping Screr:M3x6:NS-SCR00017B	21
3	D391 1150	Retaining Rings-E:DIA5:ER050SU-D	6
4	D391 1263	Radial Ball Bearing:6x10:PF4096P347A	2
5	D391 1380	Flange:PF4140Q417A	2
6	D391 1211	Synchronous Belt:NS-BLT00394B	1
7	D391 1157	Parallel Pin:2x20:HP020200SCH	4
8	D391 1238	Bushing:DIA6:NS-MTL00007B	4
9	D391 1108	Bushing:606262	1
10	D391 1151	Retaining Rings-E:DIA6.4:ER064SU-D	9
11	D391 1421	Synchronous Belt:NS-BLT00461	1
12	D391 1373	Tension Spring:PF4140Q269A	1
13	D391 1380	Flange:PF4140Q417A	1
14	D391 1152	Retaining Rings-E:DIA8:ER080SU-D	2
15	D391 1162	Parallel Pin:3x20:HP030200SCH	2
16	D391 1108	Bushing:606262	1
17	D391 1393	Screw:PF4140Q464A	1
18	D391 1511	Timing Pulley:PF4140Q753A1	1

Index No.	Part No.	Description	Q'ty Per Assembly

78.Stack Rotation Section 3 (D391)

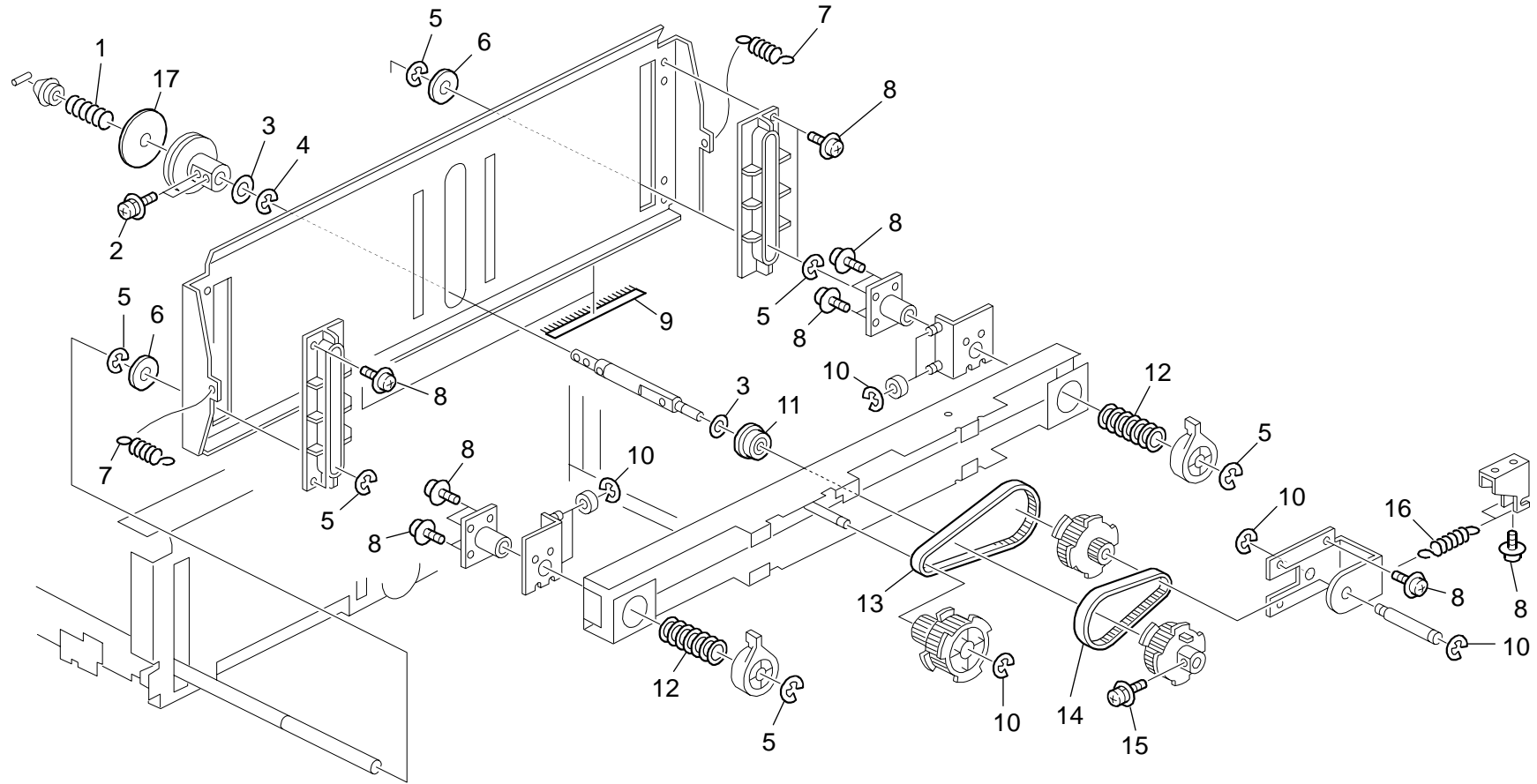


78.Stack Rotation Section 3 (D391)

Index No.	Part No.	Description	Q'ty Per Assembly
1	D391 1213	Synchronous Belt:NS-BLT00397B	2
2	D391 1242	Tapping Screr:M3x6:NS-SCR00017B	12
3	D391 5286	DC Stepper Motor:PF4140K917	1
4	D391 1130	Washer:M4x8:040080FWSW	2
5	D391 1371	Tension Spring:PF4140A236A1	1
6	D391 1223	Synchronous Belt:NS-BLT00410B	1
7	D391 1263	Radial Ball Bearing:6x10:PF4096P347A	1
8	B660 4636	Spacer:PW060050	1
9	D391 1150	Retaining Rings-E:DIA5:ER050SU-D	1
10	D391 5254	Photointerruptor:PF2286P475	2
11	D391 5281	Optics Sensor:Radiate:PF4140K905	1
12	B660 4511	Screw:030040FNBI	2

Index No.	Part No.	Description	Q'ty Per Assembly

79.Stack Rotation Section 4 (D391)



79.Stack Rotation Section 4 (D391)

Index No.	Part No.	Description	Q'ty Per Assembly
1	D391 1370	Compression Spring:PF4140Q234B1	1
2	B660 4521	Screw:030080FNBI	2
3	D391 1394	Washer:DIA8.2:PF4140Q472A	2
4	D391 1151	Retaining Rings-E:DIA6.4:ER064SU-D	1
5	D391 1152	Retaining Rings-E:DIA8:ER080SU-D	6
6	D391 1166	Washer:HW100FWMN	2
7	D391 1369	Tension Spring:PF4140Q215A1	2
8	D391 1242	Tapping Screr:M3x6:NS-SCR00017B	15
9	D391 1299	Discharge Brush:PF4140P238A	2
10	D391 1150	Retaining Rings-E:DIA5:ER050SU-D	7
11	D391 1379	Radial Ball Bearing:PF4140Q415A	1
12	D391 1372	Coil Spring:Grip:PF4140Q254A1	2
13	D391 1224	Synchronous Belt:NS-BLT00411A	1
14	D391 1225	Synchronous Belt:NS-BLT00412B	1
15	D391 1120	Screw With Washer:M3x8:030080FWWS	1
16	D391 1371	Tension Spring:PF4140A236A1	2
17	D391 1481	Sheet:Turn:PF4140Q204	1

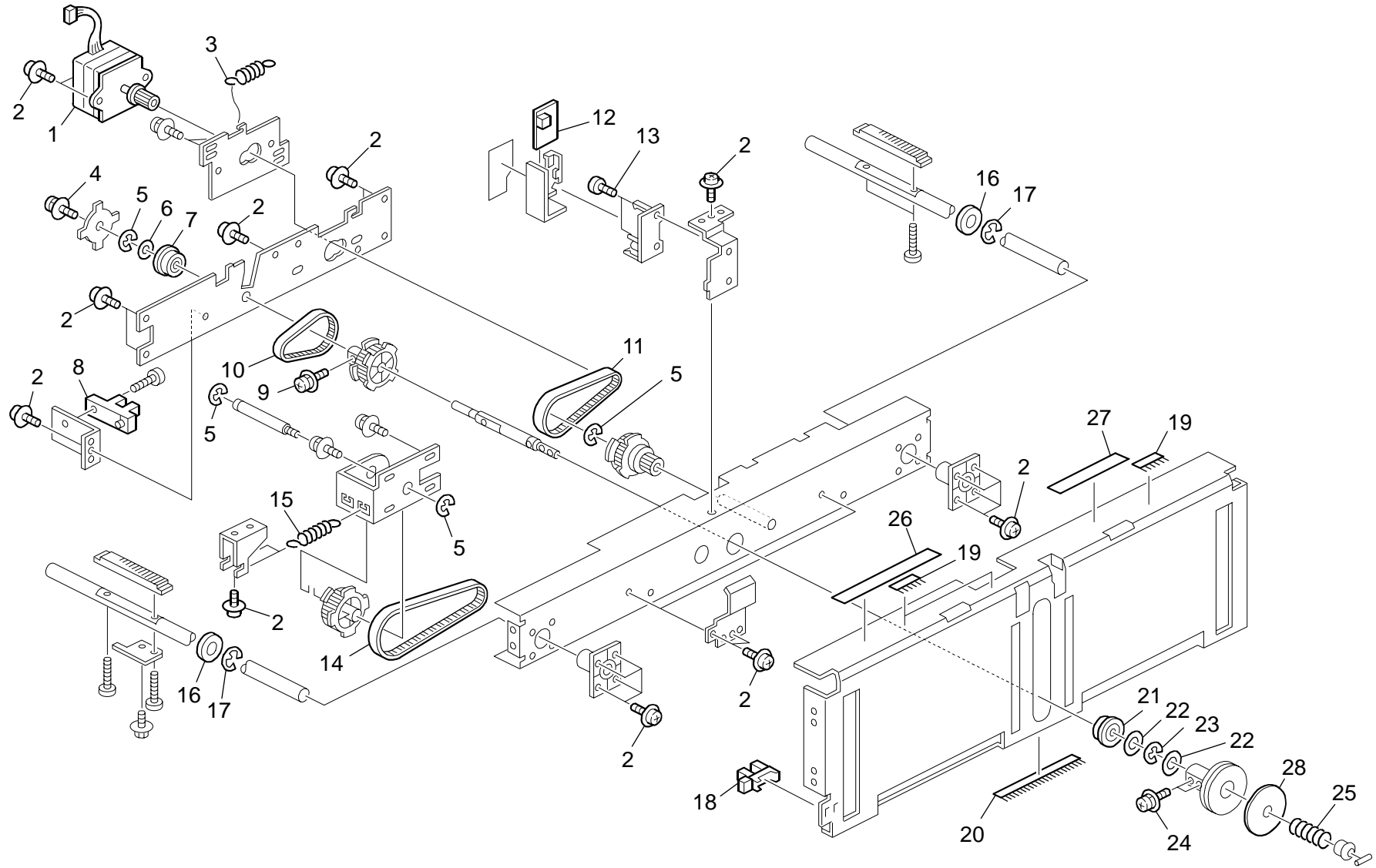
Index No.	Part No.	Description	Q'ty Per Assembly

80.Stack Rotation Section 5 (D391)

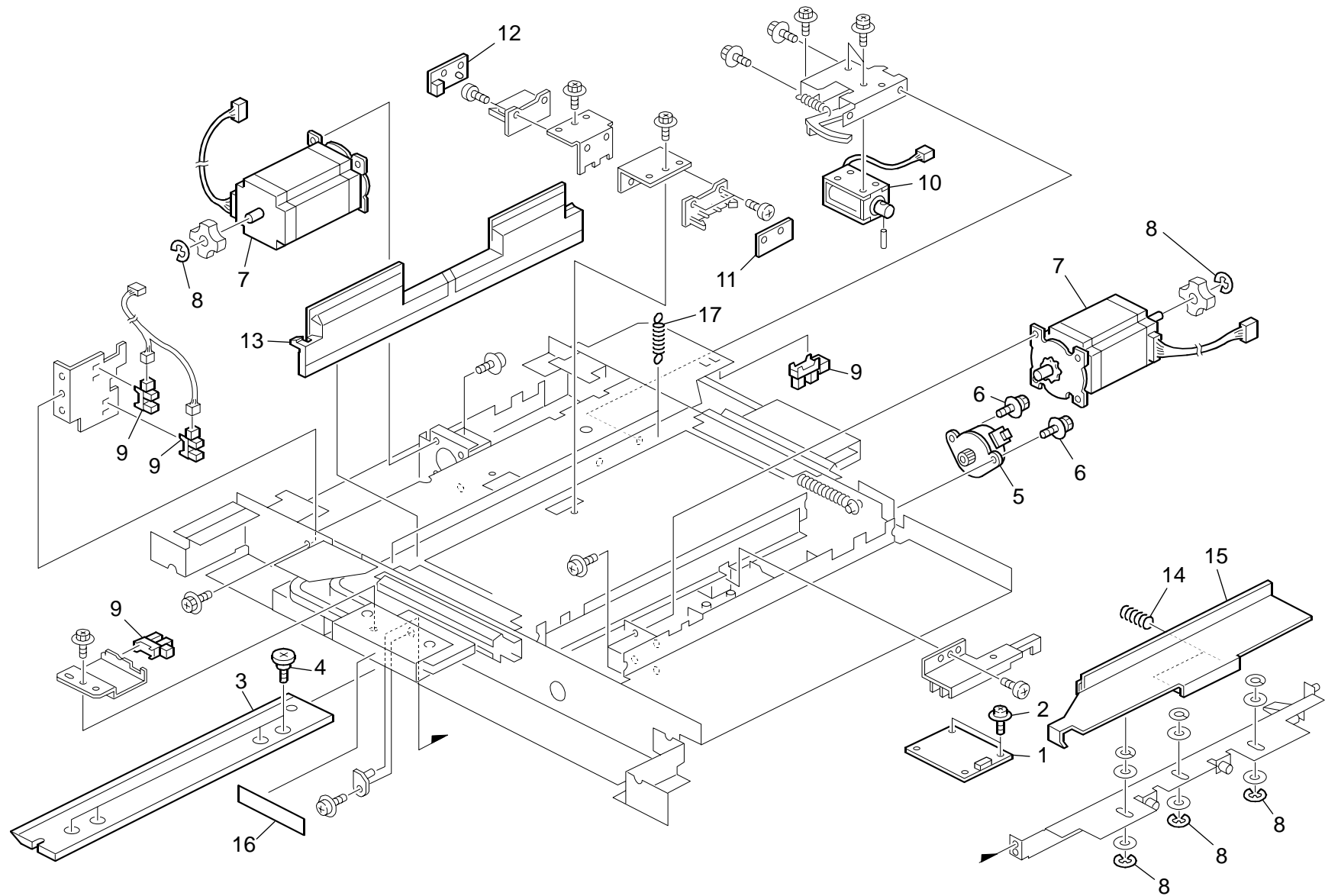
Index No.	Part No.	Description	Q'ty Per Assembly
1	D391 1151	Retaining Rings-E:DIA6.4:ER064SU-D	15
2	D391 1230	Radial Ball Bearing:DIA8DIA14: NS-BRG00050B	4
3	D391 1242	Tapping Screr:M3x6:NS-SCR00017B	19
4	D391 1391	Bushing:DIA8:PF4140Q455A	2
5	D391 1161	Parallel Pin:3x16:HP030160SCH	1
6	D391 1270	Diode:Torque:PF4140K458A1:Ass'y	1
7	D391 5285	DC Stepper Motor:PF4140K916	1
8	D391 1130	Washer:M4x8:040080FWSW	2
9	D391 5254	Photointerruptor:PF2286P475	1
10	D391 1108	Bushing:606262	3
11	D391 1162	Parallel Pin:3x20:HP030200SCH	1
12	D391 1210	Synchronous Belt:NS-BLT00390B	1
13	D391 1157	Parallel Pin:2x20:HP020200SCH	1
14	D391 1214	Synchronous Belt:NS-BLT00398B	2

Index No.	Part No.	Description	Q'ty Per Assembly

81.Stack Rotation Section 6 (D391)



82.Trimming Section 1 (D391)

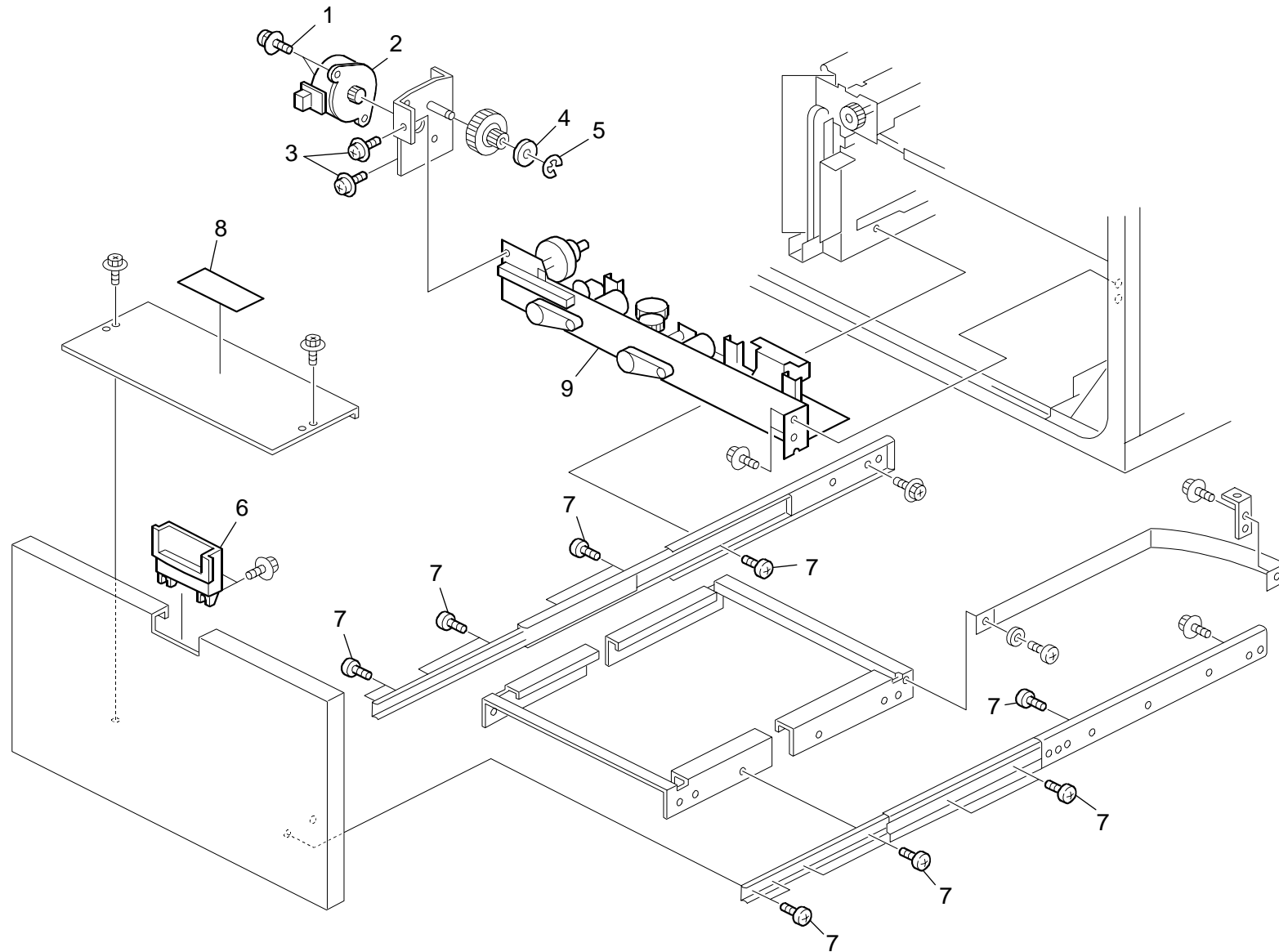


82.Trimming Section 1 (D391)

Index No.	Part No.	Description	Q'ty Per Assembly
1	D391 5280	PCB:Sensor:PF4140K903	1
2	D391 1242	Tapping Screr:M3x6:NS-SCR00017B	2
3	D391 1000	Cutter Unit:PF4140K399A	1
4	D391 1363	Flat Screw:Fix:Cutter:PF4140Q113B1	4
5	D391 5296	DC Stepper Motor:PF4140R405	1
6	D391 1116	Screw With Washer:M3x6:030060FWWS	2
7	D391 5284	DC Stepper Motor:PF4140K915	2
8	D391 1150	Retaining Rings-E:DIA5:ER050SU-D	5
9	D391 5254	Photointerruptor:PF2286P475	4
10	D391 5256	DC Solenoid:PF4109K542	1
11	D391 5281	Optics Sensor:Radiate:PF4140K905	1
12	D391 5282	Optics Sensor:Photo:PF4140K906	1
13	D391 1414	Receive Plate:Edge:PF4164K206A:Ass'y	1
14	D391 1413	Coil Spring:Paper Chip:PF4140Q871A1	2
15	D391 1271	Guide Plate:Slide:Paper Chip:PF4140K461C	1
16	D391 6562	Decal:Caution:Cutter	1
17	D391 1364	Coil Spring:Receive Plate:Cutter: PF4140Q121B1	2
18	D391 1512	Sheet:Discharge:PF4140Q476	1
19	D391 1517	Shaft:Sprocket:Cavity:PF4140Q142	2
20	D391 1518	Shaft:Sprocket:Coer:PF4140Q162	1
21	D391 1519	Sprocket:PF4140L508:Ass'y	3
22	D391 1516	Guide Plate:Sprocket:PF4140Q148	1
24	D391 1435	Sprocket:PF4140Q166	1
25	D391 1436	Spacer:PF4140Q182	1
26	D391 1437	Shaft:PF4140Q486	2

Index No.	Part No.	Description	Q'ty Per Assembly

83.Waste Paper Case Section 1 (D391)

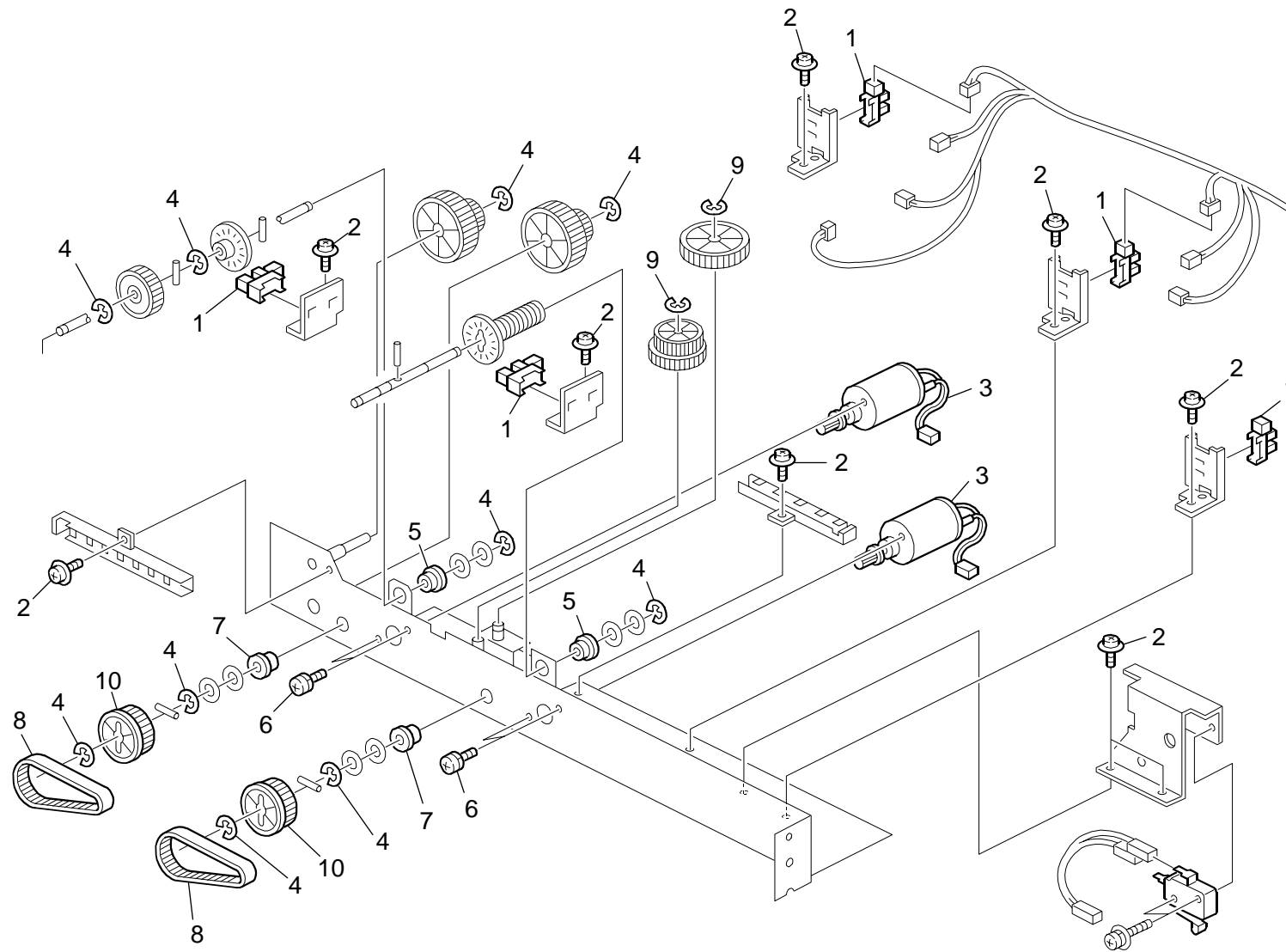


83.Waste Paper Case Section 1 (D391)

Index No.	Part No.	Description	Q'ty Per Assembly
1	D391 1116	Screw With Washer:M3x6:030060FWWS	2
2	D391 5296	DC Stepper Motor:PF4140R405	1
3	D391 1242	Tapping Screr:M3x6:NS-SCR00017B	2
4	D391 1380	Flange:PF4140Q417A	1
5	D391 1148	Retaining Rings-E:DIA3.2:ER032SU-D	1
6	D391 2015	Cover:Left Front:Upper:PF4140Q538C1	1
7	D391 1244	Screw:M4x8:NS-SCR00050B	14
8	D391 6530	Decal:Set:Paper Jam	1
9	D391 1460	Drive Sub-unt:Paper Chip:PF4140L392	1

Index No.	Part No.	Description	Q'ty Per Assembly

84.Waste Paper Case Section 2 (D391)

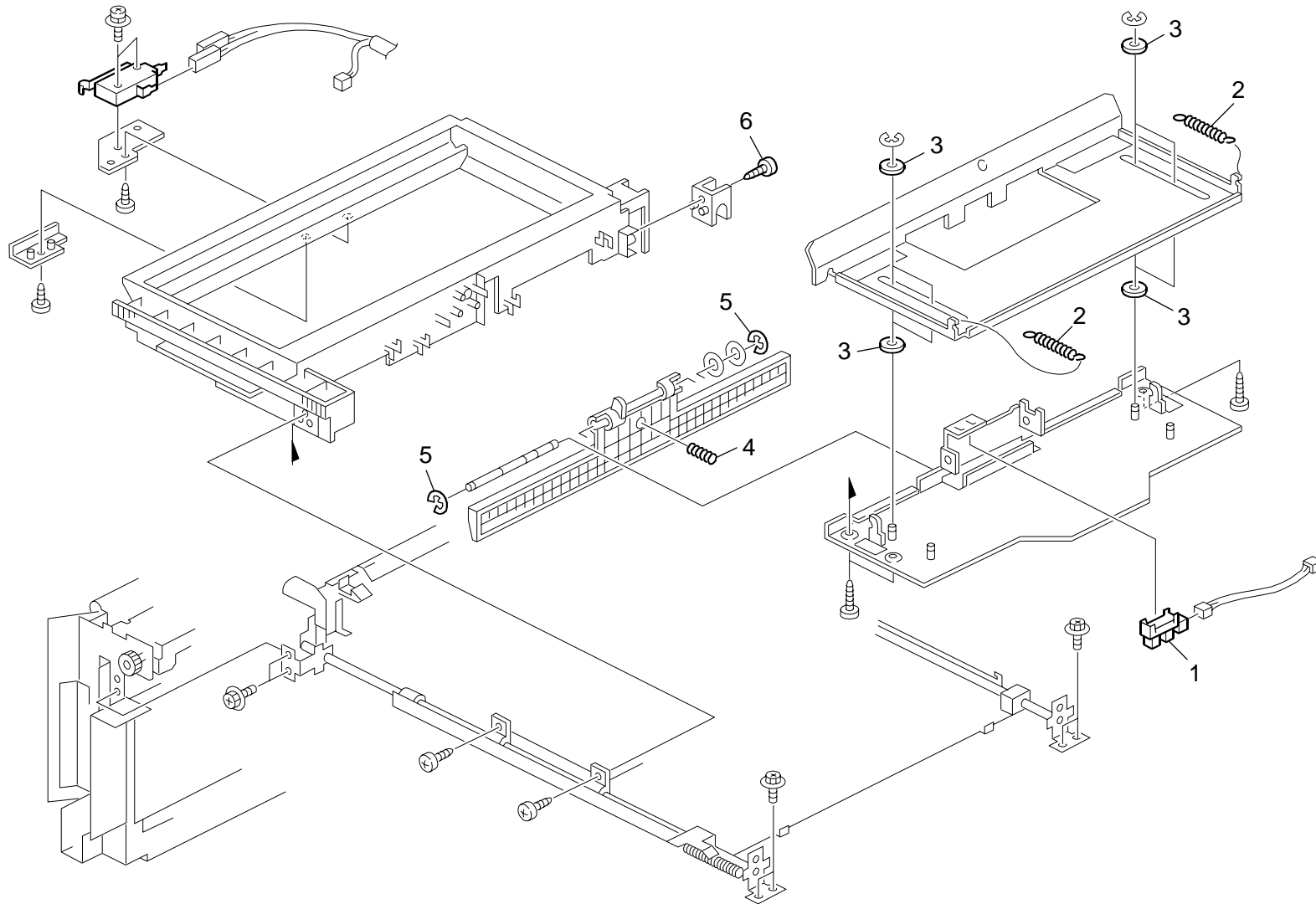


84.Waste Paper Case Section 2 (D391)

Index No.	Part No.	Description	Q'ty Per Assembly
1	D391 5254	Photointerruptor:PF2286P475	5
2	D391 1242	Tapping Screr:M3x6:NS-SCR00017B	9
3	D391 5287	DC Motor:PF4140K918	2
4	D391 1148	Retaining Rings-E:DIA3.2:ER032SU-D	10
5	D391 1238	Bushing:DIA6:NS-MTL00007B	2
6	D391 1114	Washer:M3x6:030060FWSW	4
7	D391 1238	Bushing:DIA6:NS-MTL00007B	2
8	D391 1215	Synchronous Belt:NS-BLT00400B	2
9	D391 1151	Retaining Rings-E:DIA6.4:ER064SU-D	2
10	D391 1645	Timing Pulley:T40:PF4140Q402	2

Index No.	Part No.	Description	Q'ty Per Assembly

85.Waste Paper Case Section 3 (D391)

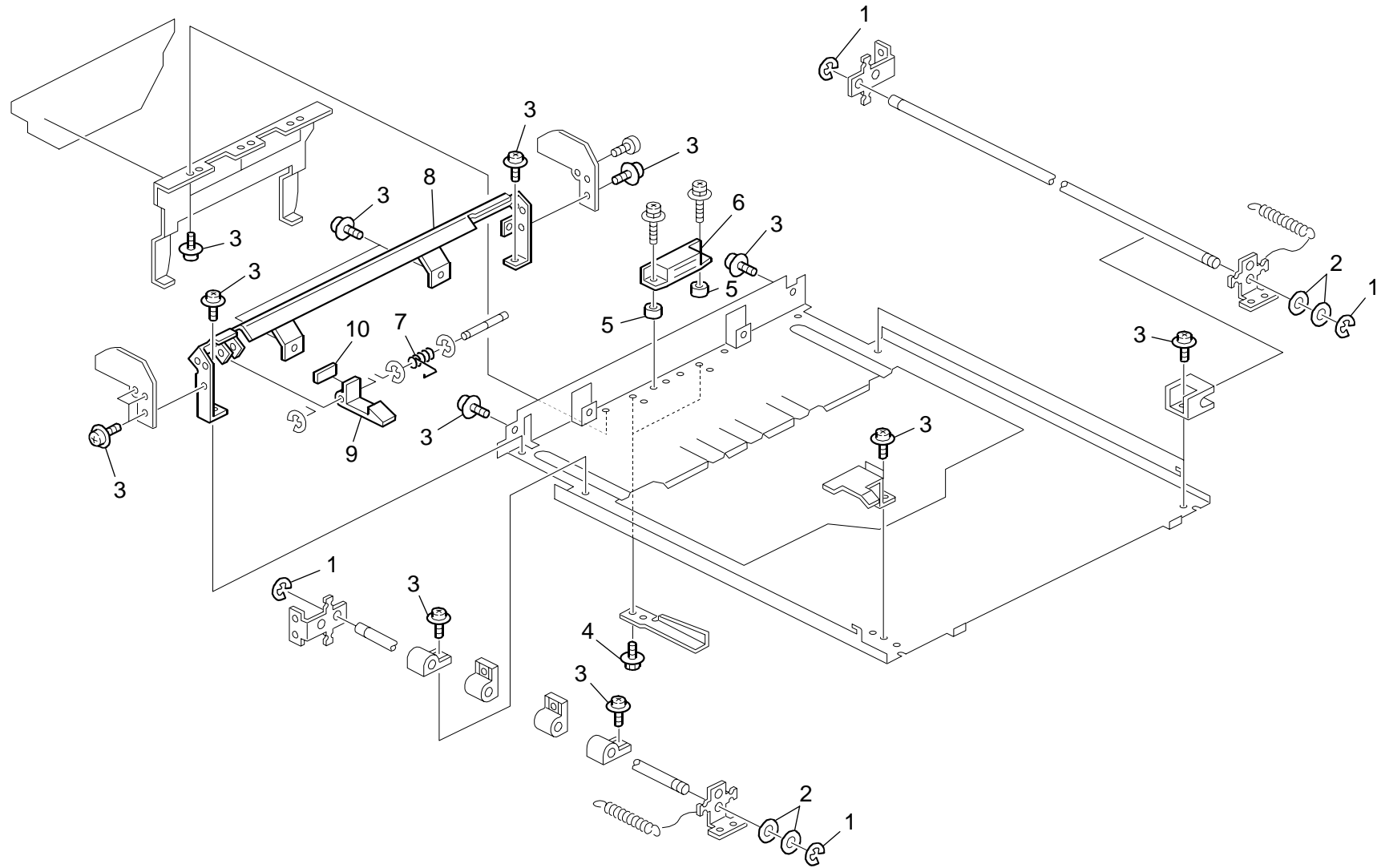


85.Waste Paper Case Section 3 (D391)

Index No.	Part No.	Description	Q'ty Per Assembly
1	D391 5254	Photointerruptor:PF2286P475	1
2	D391 1410	Coil Spring:Stopper:Paper Chip: PF4140Q859A	2
3	D391 1380	Flange:PF4140Q417A	6
4	D391 1357	Compression Spring:PF4140Q022A1	1
5	D391 1148	Retaining Rings-E:DIA3.2:ER032SU-D	2
6	B660 4835	Screw:NS-SCR00045A	1

Index No.	Part No.	Description	Q'ty Per Assembly

86.Waste Paper Case Section 4 (D391)

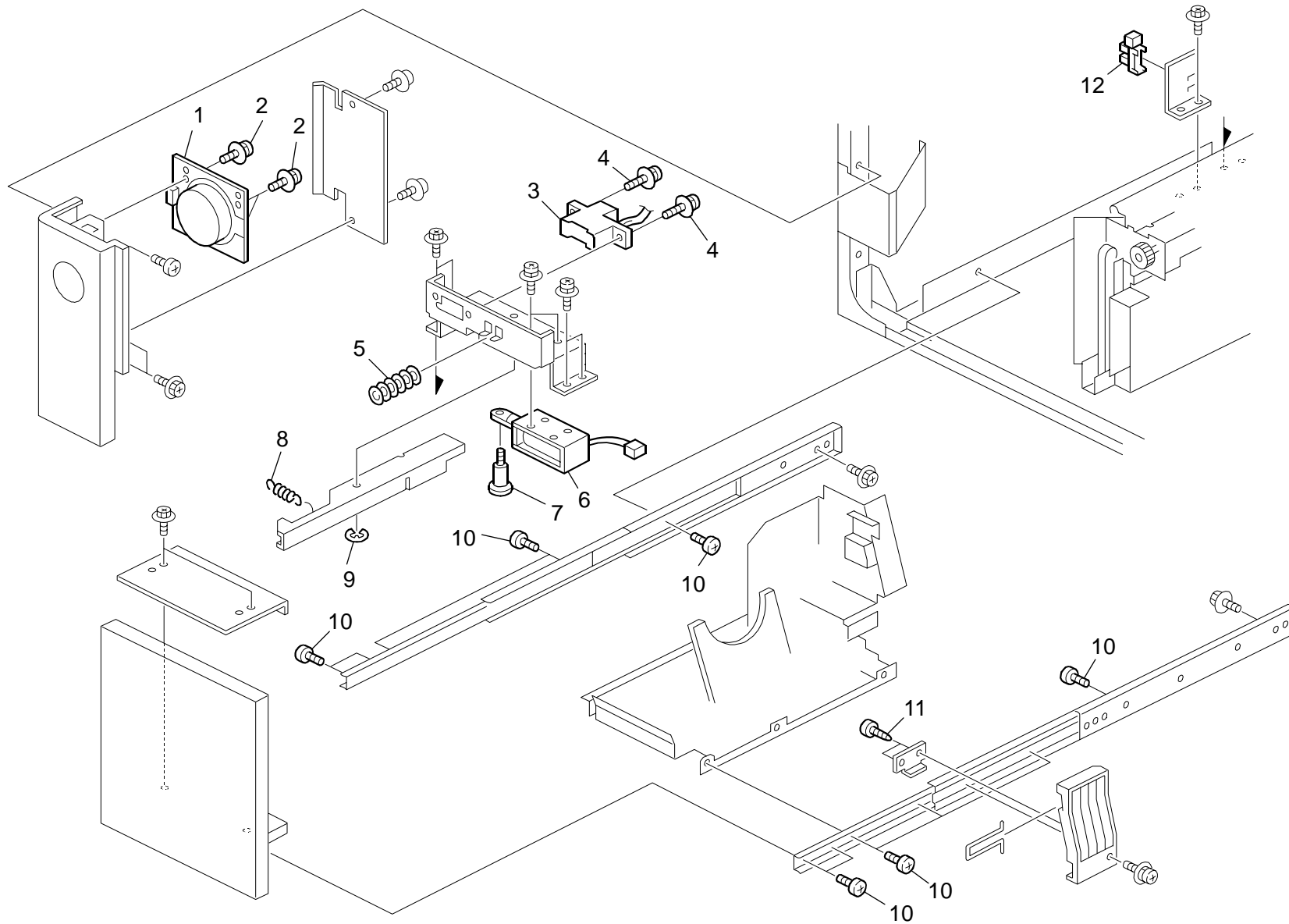


86.Waste Paper Case Section 4 (D391)

Index No.	Part No.	Description	Q'ty Per Assembly
1	D391 1151	Retaining Rings-E:DIA6.4:ER064SU-D	4
2	D391 1400	Washer:DIA10:PF4140Q593A	4
3	D391 1242	Tapping Screr:M3x6:NS-SCR00017B	18
4	D391 1244	Screw:M4x8:NS-SCR00050B	2
5	D391 1411	Washer:3x9x5:PF4140Q860A	2
6	D391 1412	Magnetic:Paper Chip:PF4140Q862A	1
7	D391 1406	Coil Spring:Hook:PF4140Q825A	1
8	D391 1501	Bracket:Shutter:Exhaust:PF4155K333	1
9	D391 1502	Hook:Arm:PF4140Q815A	1
10	D391 1505	Cushion:PF4140Q816	1

Index No.	Part No.	Description	Q'ty Per Assembly

87.Book Stacking Section 1 (D391)

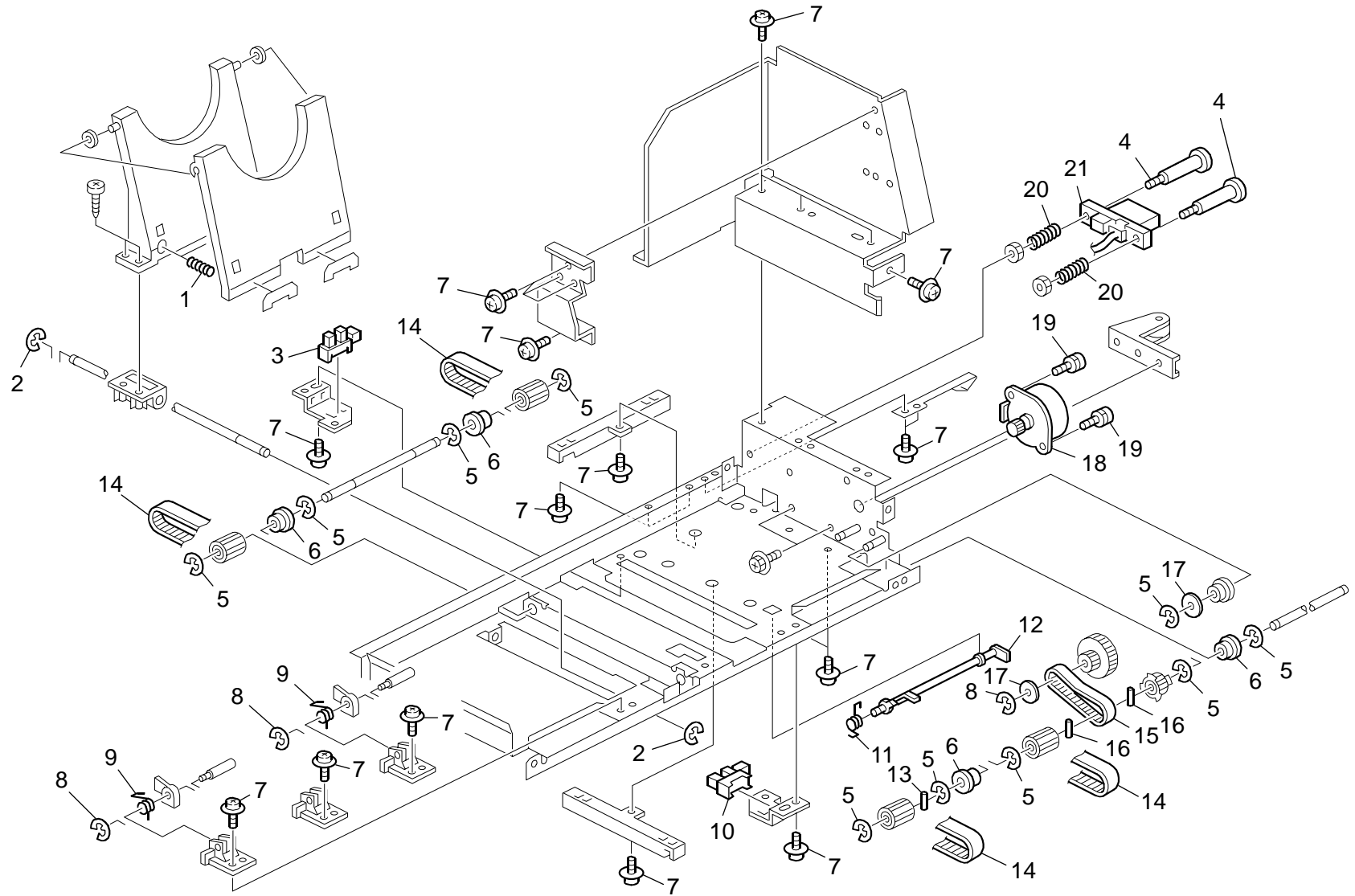


87.Book Stacking Section 1 (D391)

Index No.	Part No.	Description	Q'ty Per Assembly
1	D391 5283	Button:Release:PF4140K907	1
2	D391 1139	Screw:30140FWBI	3
3	D391 5288	Drawer:PF4140K956	1
4	D391 1405	Screw:M3:PF4140Q813A1	2
5	D391 1386	Compression Spring:PF4140Q436A	1
6	D391 5299	DC Solenoid:PF4140R411	1
7	D391 1265	Screw:PF4123Q908A	1
8	D391 1387	Tension Spring:PF4140Q437A	1
9	D391 1150	Retaining Rings-E:DIA5:ER050SU-D	1
10	D391 1244	Screw:M4x8:NS-SCR00050B	11
11	D391 1245	Tapping Screr:M4x10:NS-SCR00061B	2
12	D391 5254	Photointerruptor:PF2286P475	1

Index No.	Part No.	Description	Q'ty Per Assembly

88.Book Stacking Section 2 (D391)

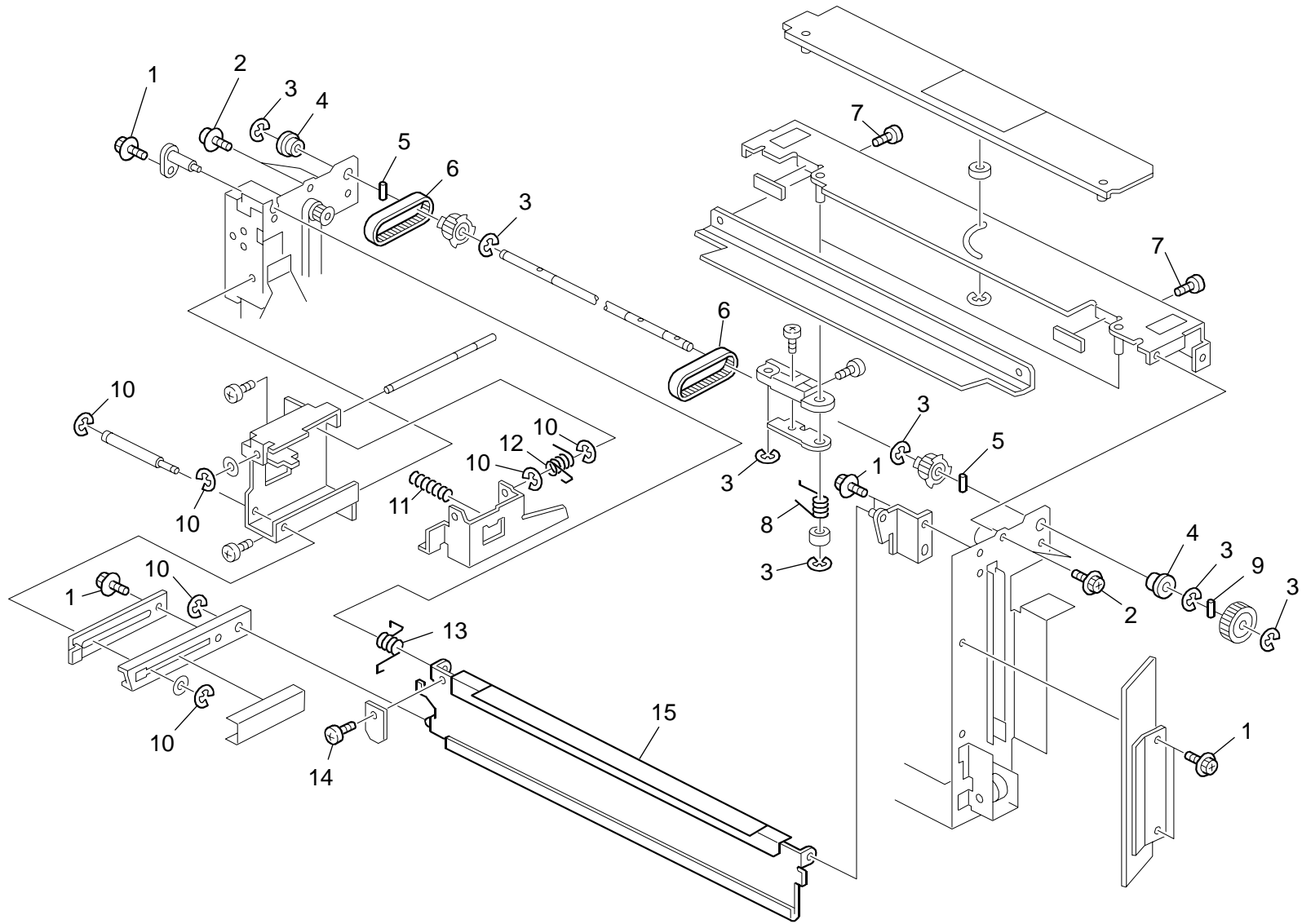


88.Book Stacking Section 2 (D391)

Index No.	Part No.	Description	Q'ty Per Assembly
1	D391 1359	Compression Spring:PF4140Q071A1	2
2	D391 1151	Retaining Rings-E:DIA6.4:ER064SU-D	2
3	D391 5254	Photointerruptor:PF2286P475	1
4	D391 1405	Screw:M3:PF4140Q813A1	2
5	D391 1150	Retaining Rings-E:DIA5:ER050SU-D	10
6	D391 1238	Bushing:DIA6:NS-MTL00007B	4
7	D391 1242	Tapping Screr:M3x6:NS-SCR00017B	20
8	D391 1151	Retaining Rings-E:DIA6.4:ER064SU-D	3
9	D391 1362	Torsion Spring:PF4140Q096B1	2
10	D391 5254	Photointerruptor:PF2286P475	1
11	D391 1360	Torsion Spring:PF4140Q086A1	1
12	D391 1361	Paper Sensor:Surface:PR4140Q088B1	1
13	D391 1158	Parallel Pin:3x10:HP030100SCH	1
14	D391 1375	U Conveyer Belt:PF4140Q370B2	2
15	D391 1217	Synchronous Belt:NS-BLT00402B	1
16	D391 1154	Parallel Pin:2x10:HP020100SCH	2
17	D391 1380	Flange:PF4140Q417A	2
18	D391 5296	DC Stepper Motor:PF4140R405	1
19	D391 1114	Washer:M3x6:030060FWSW	2
20	D391 1404	Coil Spring:Drawer:PF4140Q811A	2
21	D391 5289	Drawer:Tray:PF4140K957	1

Index No.	Part No.	Description	Q'ty Per Assembly

89.Book Stacking Section 3 (D391)

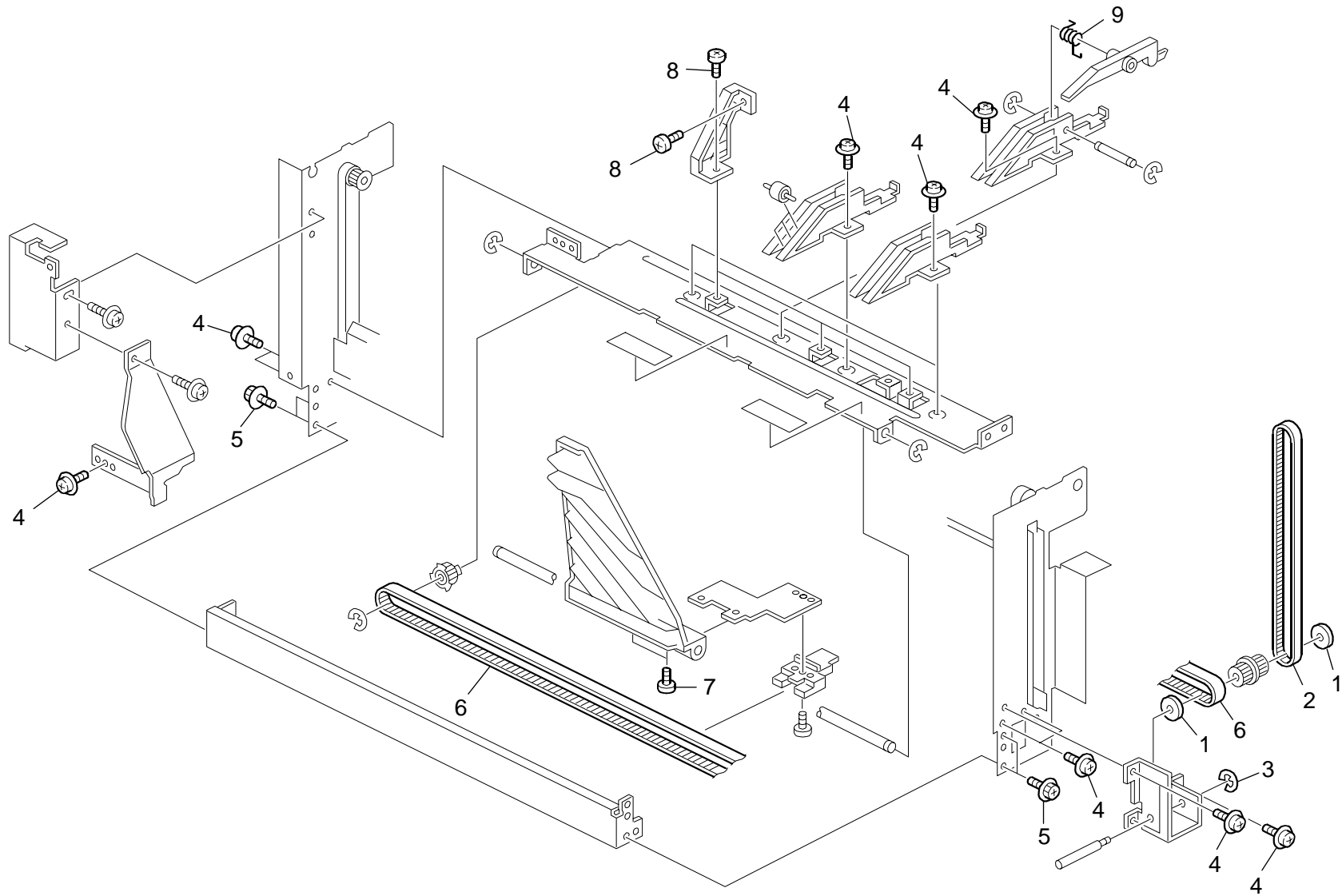


89.Book Stacking Section 3 (D391)

Index No.	Part No.	Description	Q'ty Per Assembly
1	D391 1244	Screw:M4x8:NS-SCR00050B	6
2	D391 1242	Tapping Screr:M3x6:NS-SCR00017B	4
3	D391 1150	Retaining Rings-E:DIA5:ER050SU-D	7
4	D391 1238	Bushing:DIA6:NS-MTL00007B	2
5	D391 1158	Parallel Pin:3x10:HP030100SCH	2
6	D391 1216	Synchronous Belt:NS-BLT00401B	2
7	B660 4835	Screw:NS-SCR00045A	2
8	D391 1407	Coil Spring:Return:Paper Chip: PF4140Q826A	1
9	D391 1155	Parallel Pin:2x14:HP020140SCH	1
10	D391 1148	Retaining Rings-E:DIA3.2:ER032SU-D	6
11	D391 1408	Coil Spring:Auxiliary:Stopper:PF4140Q844A	1
12	D391 1409	Coil Spring:Stopper:PF4140Q845A	1
13	D391 1403	Coil Spring:Guide:Tray:Upper Lower: PF4140Q805A1	1
14	D391 1241	Flat Screw:M3x5:NS-SCR00006B	1
15	D391 1528	Separation Plate:Exhaust:PF4164L852	1

Index No.	Part No.	Description	Q'ty Per Assembly

90.Book Stacking Section 4 (D391)

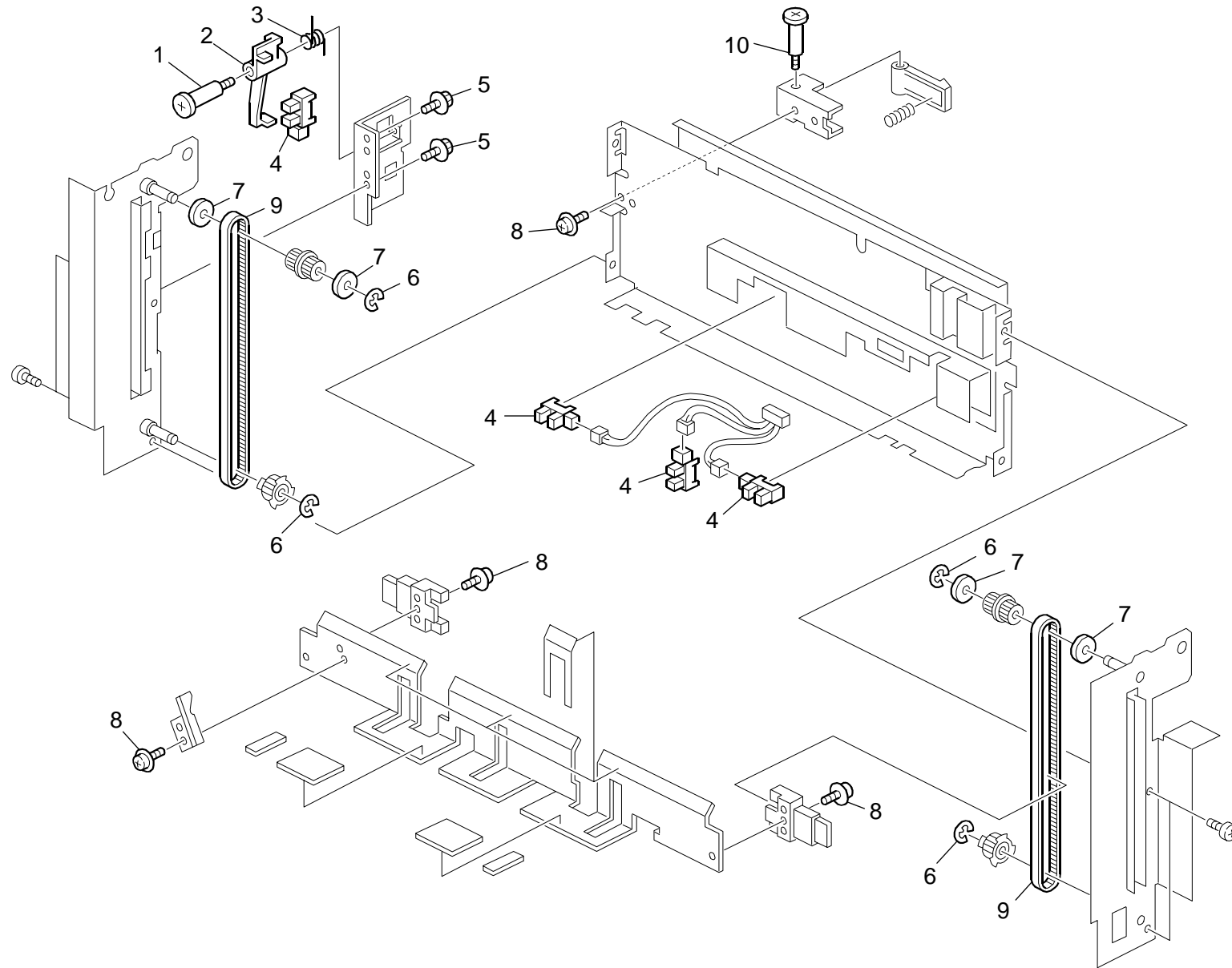


90.Book Stacking Section 4 (D391)

Index No.	Part No.	Description	Q'ty Per Assembly
1	D391 1380	Flange:PF4140Q417A	2
2	D391 1218	Synchronous Belt:NS-BLT00403B	1
3	D391 1150	Retaining Rings-E:DIA5:ER050SU-D	1
4	D391 1242	Tapping Screr:M3x6:NS-SCR00017B	11
5	D391 1244	Screw:M4x8:NS-SCR00050B	4
6	D391 1219	Synchronous Belt:NS-BLT00404B	1
7	D391 1241	Flat Screw:M3x5:NS-SCR00006B	2
8	B660 4835	Screw:NS-SCR00045A	2
9	D391 1358	Torsion Spring:PF4140Q064A	1

Index No.	Part No.	Description	Q'ty Per Assembly

91.Book Stacking Section 5 (D391)

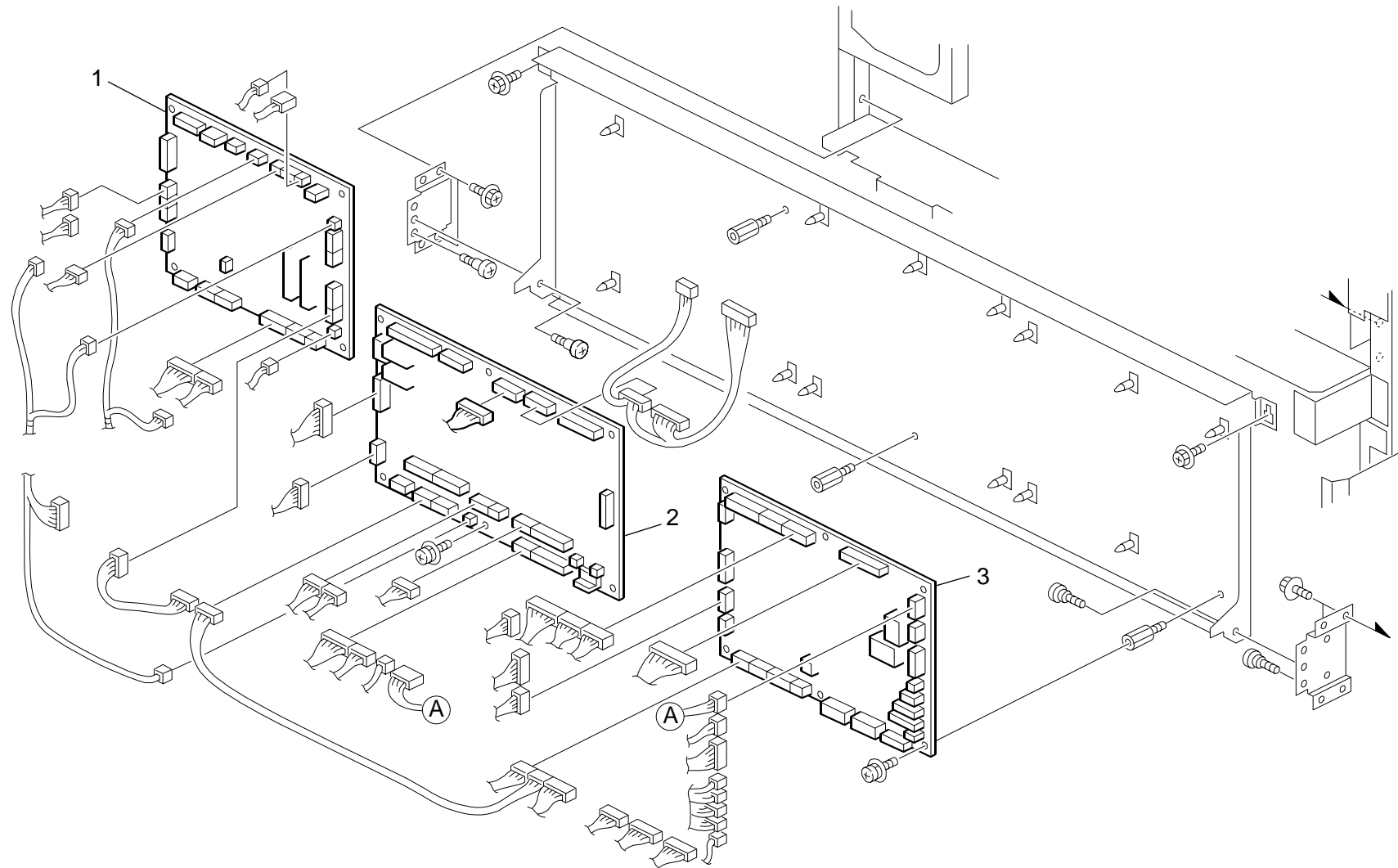


91.Book Stacking Section 5 (D391)

Index No.	Part No.	Description	Q'ty Per Assembly
1	D391 1390	Screw:M3:PF4140Q449A	1
2	D391 1388	Paper Sensor:Surface:PF4140Q442A	1
3	D391 1389	Coil Spring:Sensor:PF4140Q447A	1
4	D391 5254	Photointerruptor:PF2286P475	4
5	D391 1244	Screw:M4x8:NS-SCR00050B	2
6	D391 1150	Retaining Rings-E:DIA5:ER050SU-D	4
7	D391 1380	Flange:PF4140Q417A	4
8	D391 1242	Tapping Screr:M3x6:NS-SCR00017B	4
9	D391 1218	Synchronous Belt:NS-BLT00403B	2
10	D391 1264	Screw:PF4103P331B	1

Index No.	Part No.	Description	Q'ty Per Assembly

92.Electrical Section 1 (D391)

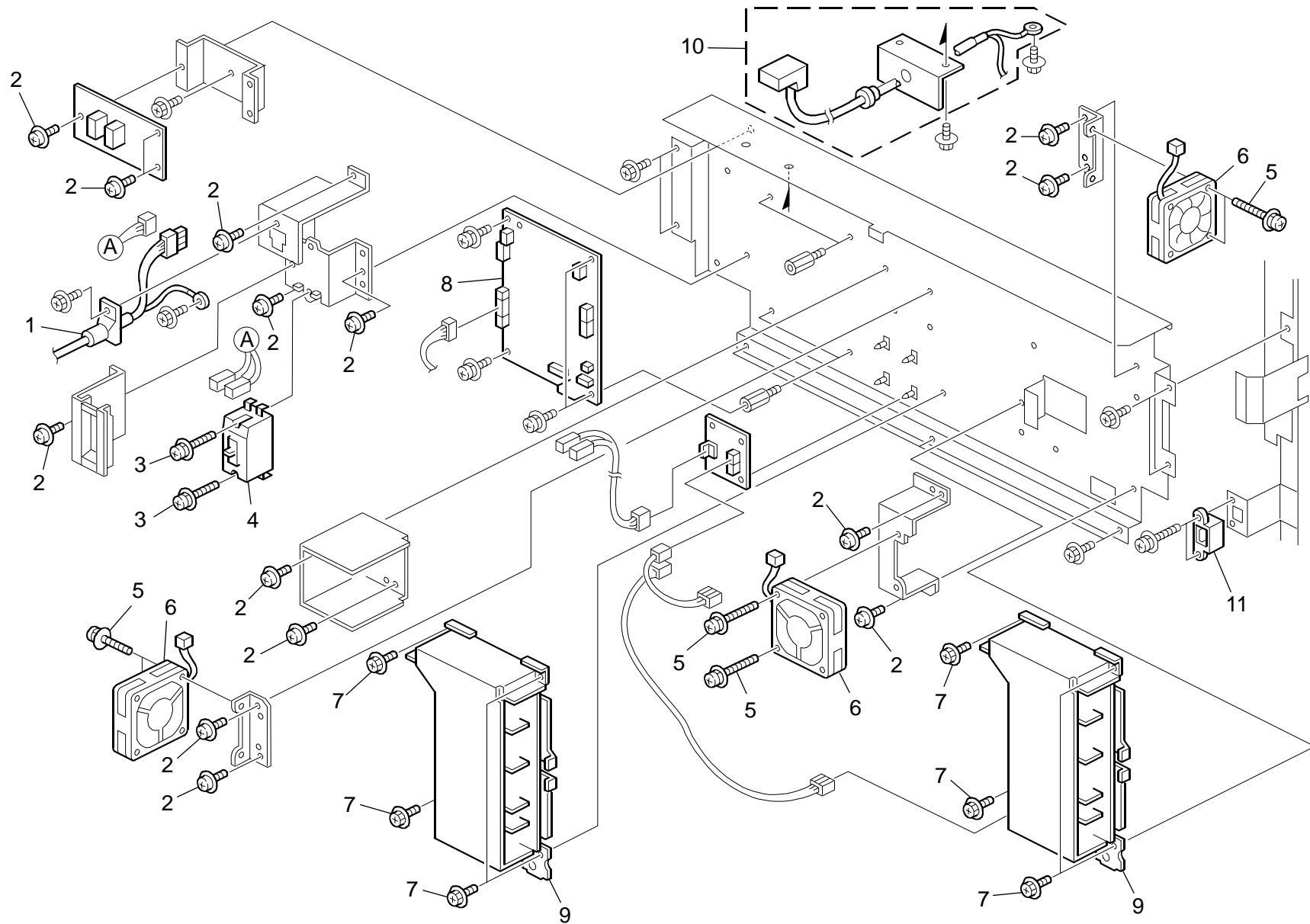


92.Electrical Section 1 (D391)

Index No.	Part No.	Description	Q'ty Per Assembly
1	D391 5530	PCB:Cutter:Ass'y	1
2	D391 5520	PCB:Sub:Ass'y	1
3	D391 5510	PCB:Main:Ass'y	1

Index No.	Part No.	Description	Q'ty Per Assembly
-----------	----------	-------------	-------------------

93.Electrical Section 2 (D391)



93.Electrical Section 2 (D391)

Index No.	Part No.	Description	Q'ty Per Assembly
1	D391 5279	Power Supply Cord:NA:PF4140K712	1
2	D391 1242	Tapping Screr:M3x6:NS-SCR00017B	15
3	D391 1134	Screw With Washer:M4x20:040200FWSW	2
4	D391 5300	Leak Breaker:PF4140R412	1
5	D391 1135	Pan Head Screw:Spring Washer:M4x30: 040300FWWS	6
6	D391 5297	DC Fan Motor:PF4140R406	3
7	D391 1129	Tapping Screr:M4x8:040080FWIT	8
8	D391 5500	PCB:Connecting:Ass'y	1
9	D391 5305	Power Supply Unit:PF4140R403B	2
10	D391 5311	Interface Cable:Inner Assembly:PF4155K201	1
11	D391 5312	Harness:Connectiong:PF4155K908	1

Index No.	Part No.	Description	Q'ty Per Assembly

Parts Index

Parts Index

Part No.	Description	Page and Index No.
D391 1000	Cutter Unit:PF4140K399A	165 - 3
D391 1001	Pressure Sensor:PF4140L418	87 - 8
D391 1102	Tension Spring:PF4099P426B	133 - 6
D391 1102	Tension Spring:PF4099P426B	119 - 13
D391 1102	Tension Spring:PF4099P426B	127 - 11
D391 1102	Tension Spring:PF4099P426B	69 - 18
D391 1103	Tension Spring:PF4099P476B	125 - 9
D391 1103	Tension Spring:PF4099P476B	131 - 7
D391 1104	Torsion Spring:Front:PF4099P804B	133 - 9
D391 1104	Torsion Spring:Front:PF4099P804B	41 - 8
D391 1104	Torsion Spring:Front:PF4099P804B	47 - 5
D391 1104	Torsion Spring:Front:PF4099P804B	11 - 10
D391 1104	Torsion Spring:Front:PF4099P804B	125 - 7
D391 1104	Torsion Spring:Front:PF4099P804B	115 - 5
D391 1105	Torsion Spring:Rear:PF4099P805B	115 - 9
D391 1105	Torsion Spring:Rear:PF4099P805B	47 - 6
D391 1105	Torsion Spring:Rear:PF4099P805B	41 - 3
D391 1105	Torsion Spring:Rear:PF4099P805B	11 - 12
D391 1105	Torsion Spring:Rear:PF4099P805B	133 - 14
D391 1105	Torsion Spring:Rear:PF4099P805B	125 - 11
D391 1106	Discharge Brush:PF4110P489A2	111 - 6
D391 1107	Sponge:Contact Point:Cover:Front: PF4155Q731A	5 - 9
D391 1108	Bushing:606262	147 - 11
D391 1108	Bushing:606262	149 - 8
D391 1108	Bushing:606262	155 - 9
D391 1108	Bushing:606262	79 - 1
D391 1108	Bushing:606262	85 - 3
D391 1108	Bushing:606262	141 - 6
D391 1108	Bushing:606262	151 - 8
D391 1108	Bushing:606262	155 - 16
D391 1108	Bushing:606262	161 - 10
D391 1109	Tapping Screr:M3x4:030040FWIT	81 - 11
D391 1110	Pan Head Screw:Spring Washer: 030040FWWS	69 - 5

Part No.	Description	Page and Index No.
D391 1111	Screw With Washer:M3x5:030050FWWS	83 - 9
D391 1111	Screw With Washer:M3x5:030050FWWS	51 - 19
D391 1111	Screw With Washer:M3x5:030050FWWS	91 - 5
D391 1111	Screw With Washer:M3x5:030050FWWS	93 - 8
D391 1112	Tapping Screr:030060FBNB	103 - 8
D391 1113	Screw:M3x6:030060FNBI	59 - 12
D391 1113	Screw:M3x6:030060FNBI	71 - 3
D391 1113	Screw:M3x6:030060FNBI	45 - 5
D391 1113	Screw:M3x6:030060FNBI	3 - 6
D391 1113	Screw:M3x6:030060FNBI	49 - 5
D391 1114	Washer:M3x6:030060FWSW	67 - 16
D391 1114	Washer:M3x6:030060FWSW	47 - 9
D391 1114	Washer:M3x6:030060FWSW	99 - 5
D391 1114	Washer:M3x6:030060FWSW	61 - 1
D391 1114	Washer:M3x6:030060FWSW	105 - 5
D391 1114	Washer:M3x6:030060FWSW	37 - 6
D391 1114	Washer:M3x6:030060FWSW	149 - 1
D391 1114	Washer:M3x6:030060FWSW	75 - 11
D391 1114	Washer:M3x6:030060FWSW	9 - 6
D391 1114	Washer:M3x6:030060FWSW	125 - 10
D391 1114	Washer:M3x6:030060FWSW	3 - 1
D391 1114	Washer:M3x6:030060FWSW	109 - 10
D391 1114	Washer:M3x6:030060FWSW	169 - 6
D391 1114	Washer:M3x6:030060FWSW	115 - 2
D391 1114	Washer:M3x6:030060FWSW	45 - 3
D391 1114	Washer:M3x6:030060FWSW	11 - 4
D391 1114	Washer:M3x6:030060FWSW	177 - 19
D391 1114	Washer:M3x6:030060FWSW	133 - 11
D391 1115	Pan Head Screw W/Washer:M3x6: 030060FWTP	113 - 8
D391 1116	Screw With Washer:M3x6:030060FWWS	109 - 2
D391 1116	Screw With Washer:M3x6:030060FWWS	25 - 3
D391 1116	Screw With Washer:M3x6:030060FWWS	33 - 7
D391 1116	Screw With Washer:M3x6:030060FWWS	13 - 2
D391 1116	Screw With Washer:M3x6:030060FWWS	15 - 8

Part No.	Description	Page and Index No.
D391 1116	Screw With Washer:M3x6:030060FWWS	29 - 5
D391 1116	Screw With Washer:M3x6:030060FWWS	163 - 4
D391 1116	Screw With Washer:M3x6:030060FWWS	11 - 6
D391 1116	Screw With Washer:M3x6:030060FWWS	167 - 1
D391 1116	Screw With Washer:M3x6:030060FWWS	165 - 6
D391 1117	Binding Self-Tapping Screw:M3x8: 030080FWBB	7 - 15
D391 1117	Binding Self-Tapping Screw:M3x8: 030080FWBB	3 - 21
D391 1118	Tapping Screr:M3x8:030080FWIT	73 - 8
D391 1119	Screw With Washer:M3x8:030080FWSW	113 - 18
D391 1120	Screw With Washer:M3x8:030080FWWS	115 - 1
D391 1120	Screw With Washer:M3x8:030080FWWS	93 - 14
D391 1120	Screw With Washer:M3x8:030080FWWS	61 - 7
D391 1120	Screw With Washer:M3x8:030080FWWS	83 - 3
D391 1120	Screw With Washer:M3x8:030080FWWS	125 - 4
D391 1120	Screw With Washer:M3x8:030080FWWS	85 - 6
D391 1120	Screw With Washer:M3x8:030080FWWS	93 - 6
D391 1120	Screw With Washer:M3x8:030080FWWS	79 - 11
D391 1120	Screw With Washer:M3x8:030080FWWS	81 - 15
D391 1120	Screw With Washer:M3x8:030080FWWS	117 - 2
D391 1120	Screw With Washer:M3x8:030080FWWS	59 - 20
D391 1120	Screw With Washer:M3x8:030080FWWS	159 - 15
D391 1120	Screw With Washer:M3x8:030080FWWS	67 - 13
D391 1120	Screw With Washer:M3x8:030080FWWS	75 - 2
D391 1120	Screw With Washer:M3x8:030080FWWS	163 - 9
D391 1120	Screw With Washer:M3x8:030080FWWS	91 - 13
D391 1120	Screw With Washer:M3x8:030080FWWS	33 - 12
D391 1120	Screw With Washer:M3x8:030080FWWS	77 - 5
D391 1120	Screw With Washer:M3x8:030080FWWS	19 - 11
D391 1120	Screw With Washer:M3x8:030080FWWS	47 - 4
D391 1120	Screw With Washer:M3x8:030080FWWS	133 - 13
D391 1120	Screw With Washer:M3x8:030080FWWS	17 - 8
D391 1120	Screw With Washer:M3x8:030080FWWS	41 - 1
D391 1120	Screw With Washer:M3x8:030080FWWS	73 - 10

Part No.	Description	Page and Index No.
D391 1120	Screw With Washer:M3x8:030080FWWS	45 - 9
D391 1120	Screw With Washer:M3x8:030080FWWS	113 - 2
D391 1121	Binding Self-Tapping Screw:M3x10: 030100FWBB	57 - 3
D391 1121	Binding Self-Tapping Screw:M3x10: 030100FWBB	9 - 3
D391 1121	Binding Self-Tapping Screw:M3x10: 030100FWBB	83 - 1
D391 1121	Binding Self-Tapping Screw:M3x10: 030100FWBB	75 - 1
D391 1121	Binding Self-Tapping Screw:M3x10: 030100FWBB	5 - 5
D391 1121	Binding Self-Tapping Screw:M3x10: 030100FWBB	65 - 14
D391 1121	Binding Self-Tapping Screw:M3x10: 030100FWBB	103 - 3
D391 1121	Binding Self-Tapping Screw:M3x10: 030100FWBB	99 - 10
D391 1122	Screw With Washer:M3x14:030140FWWS	105 - 7
D391 1123	Screw With Washer:M3x16:030160FWWS	121 - 7
D391 1123	Screw With Washer:M3x16:030160FWWS	119 - 10
D391 1123	Screw With Washer:M3x16:030160FWWS	13 - 10
D391 1123	Screw With Washer:M3x16:030160FWWS	33 - 1
D391 1124	Pan Head Screw:Spring Washer: 030300FWWS	121 - 14
D391 1124	Pan Head Screw:Spring Washer: 030300FWWS	119 - 19
D391 1124	Pan Head Screw:Spring Washer: 030300FWWS	49 - 3
D391 1125	Screw With Washer:M3x35:030350FWWS	115 - 11
D391 1126	Pan Head Screw W/Washer:M4x4: 040040FWIT	77 - 4
D391 1126	Pan Head Screw W/Washer:M4x4: 040040FWIT	81 - 5
D391 1127	Tapping Screr:M4x8:040080FNTP	85 - 8

Part No.	Description	Page and Index No.
D391 1128	Binding Self-Tapping Screw:M4x8: 040080FWBI	113 - 7
D391 1129	Tapping Screr:M4x8:040080FWIT	3 - 5
D391 1129	Tapping Screr:M4x8:040080FWIT	81 - 13
D391 1129	Tapping Screr:M4x8:040080FWIT	187 - 7
D391 1130	Washer:M4x8:040080FWSW	157 - 4
D391 1130	Washer:M4x8:040080FWSW	43 - 9
D391 1130	Washer:M4x8:040080FWSW	39 - 15
D391 1130	Washer:M4x8:040080FWSW	161 - 8
D391 1130	Washer:M4x8:040080FWSW	43 - 16
D391 1131	Binding Self-Tapping Screw:M4x10: 040100FWBB	7 - 16
D391 1132	Screw With Washer:M4x10:040100FWWS	153 - 2
D391 1133	Binding Self-Tapping Screw:M4x12: 040120FWBB	101 - 7
D391 1134	Screw With Washer:M4x20:040200FWSW	187 - 3
D391 1135	Pan Head Screw:Spring Washer:M4x30: 040300FWWS	69 - 2
D391 1135	Pan Head Screw:Spring Washer:M4x30: 040300FWWS	141 - 3
D391 1135	Pan Head Screw:Spring Washer:M4x30: 040300FWWS	97 - 2
D391 1135	Pan Head Screw:Spring Washer:M4x30: 040300FWWS	187 - 5
D391 1139	Screw:30140FWBI	175 - 2
D391 1139	Screw:30140FWBI	55 - 1
D391 1140	Spacer:CL030120FW	119 - 12
D391 1140	Spacer:CL030120FW	13 - 14
D391 1140	Spacer:CL030120FW	121 - 9
D391 1141	Spacer:CL080050FW	151 - 6
D391 1141	Spacer:CL080050FW	149 - 6
D391 1142	Spacer:CL080180FW	115 - 13
D391 1142	Spacer:CL080180FW	65 - 11
D391 1145	Washer:ER017SU-D	73 - 11
D391 1145	Washer:ER017SU-D	63 - 8

Part No.	Description	Page and Index No.
D391 1145	Washer:ER017SU-D	65 - 16
D391 1146	Retaining Rings-E:DIA2.4:ER024SU-D	137 - 3
D391 1146	Retaining Rings-E:DIA2.4:ER024SU-D	139 - 5
D391 1148	Retaining Rings-E:DIA3.2:ER032SU-D	117 - 7
D391 1148	Retaining Rings-E:DIA3.2:ER032SU-D	57 - 5
D391 1148	Retaining Rings-E:DIA3.2:ER032SU-D	129 - 6
D391 1148	Retaining Rings-E:DIA3.2:ER032SU-D	119 - 3
D391 1148	Retaining Rings-E:DIA3.2:ER032SU-D	47 - 10
D391 1148	Retaining Rings-E:DIA3.2:ER032SU-D	171 - 5
D391 1148	Retaining Rings-E:DIA3.2:ER032SU-D	149 - 4
D391 1148	Retaining Rings-E:DIA3.2:ER032SU-D	53 - 7
D391 1148	Retaining Rings-E:DIA3.2:ER032SU-D	115 - 7
D391 1148	Retaining Rings-E:DIA3.2:ER032SU-D	151 - 4
D391 1148	Retaining Rings-E:DIA3.2:ER032SU-D	169 - 4
D391 1148	Retaining Rings-E:DIA3.2:ER032SU-D	179 - 10
D391 1148	Retaining Rings-E:DIA3.2:ER032SU-D	73 - 3
D391 1148	Retaining Rings-E:DIA3.2:ER032SU-D	87 - 2
D391 1148	Retaining Rings-E:DIA3.2:ER032SU-D	51 - 8
D391 1148	Retaining Rings-E:DIA3.2:ER032SU-D	65 - 5
D391 1148	Retaining Rings-E:DIA3.2:ER032SU-D	111 - 3
D391 1148	Retaining Rings-E:DIA3.2:ER032SU-D	89 - 5
D391 1148	Retaining Rings-E:DIA3.2:ER032SU-D	39 - 22
D391 1148	Retaining Rings-E:DIA3.2:ER032SU-D	167 - 5
D391 1148	Retaining Rings-E:DIA3.2:ER032SU-D	107 - 2
D391 1148	Retaining Rings-E:DIA3.2:ER032SU-D	11 - 2
D391 1148	Retaining Rings-E:DIA3.2:ER032SU-D	137 - 6
D391 1148	Retaining Rings-E:DIA3.2:ER032SU-D	121 - 4
D391 1148	Retaining Rings-E:DIA3.2:ER032SU-D	59 - 8
D391 1148	Retaining Rings-E:DIA3.2:ER032SU-D	139 - 9
D391 1148	Retaining Rings-E:DIA3.2:ER032SU-D	75 - 6
D391 1149	Retaining Rings-E:DIA4:ER040SU-D	59 - 11
D391 1149	Retaining Rings-E:DIA4:ER040SU-D	73 - 9
D391 1149	Retaining Rings-E:DIA4:ER040SU-D	65 - 1
D391 1149	Retaining Rings-E:DIA4:ER040SU-D	41 - 2
D391 1149	Retaining Rings-E:DIA4:ER040SU-D	69 - 12

Part No.	Description	Page and Index No.
D391 1149	Retaining Rings-E:DIA4:ER040SU-D	63 - 10
D391 1149	Retaining Rings-E:DIA4:ER040SU-D	43 - 5
D391 1150	Retaining Rings-E:DIA5:ER050SU-D	21 - 7
D391 1150	Retaining Rings-E:DIA5:ER050SU-D	41 - 4
D391 1150	Retaining Rings-E:DIA5:ER050SU-D	95 - 4
D391 1150	Retaining Rings-E:DIA5:ER050SU-D	119 - 6
D391 1150	Retaining Rings-E:DIA5:ER050SU-D	113 - 11
D391 1150	Retaining Rings-E:DIA5:ER050SU-D	31 - 9
D391 1150	Retaining Rings-E:DIA5:ER050SU-D	131 - 2
D391 1150	Retaining Rings-E:DIA5:ER050SU-D	127 - 7
D391 1150	Retaining Rings-E:DIA5:ER050SU-D	25 - 5
D391 1150	Retaining Rings-E:DIA5:ER050SU-D	39 - 12
D391 1150	Retaining Rings-E:DIA5:ER050SU-D	107 - 4
D391 1150	Retaining Rings-E:DIA5:ER050SU-D	91 - 4
D391 1150	Retaining Rings-E:DIA5:ER050SU-D	177 - 5
D391 1150	Retaining Rings-E:DIA5:ER050SU-D	111 - 12
D391 1150	Retaining Rings-E:DIA5:ER050SU-D	75 - 8
D391 1150	Retaining Rings-E:DIA5:ER050SU-D	27 - 10
D391 1150	Retaining Rings-E:DIA5:ER050SU-D	125 - 3
D391 1150	Retaining Rings-E:DIA5:ER050SU-D	175 - 9
D391 1150	Retaining Rings-E:DIA5:ER050SU-D	139 - 2
D391 1150	Retaining Rings-E:DIA5:ER050SU-D	183 - 6
D391 1150	Retaining Rings-E:DIA5:ER050SU-D	159 - 10
D391 1150	Retaining Rings-E:DIA5:ER050SU-D	65 - 8
D391 1150	Retaining Rings-E:DIA5:ER050SU-D	93 - 9
D391 1150	Retaining Rings-E:DIA5:ER050SU-D	51 - 4
D391 1150	Retaining Rings-E:DIA5:ER050SU-D	11 - 8
D391 1150	Retaining Rings-E:DIA5:ER050SU-D	83 - 8
D391 1150	Retaining Rings-E:DIA5:ER050SU-D	179 - 3
D391 1150	Retaining Rings-E:DIA5:ER050SU-D	45 - 7
D391 1150	Retaining Rings-E:DIA5:ER050SU-D	81 - 1
D391 1150	Retaining Rings-E:DIA5:ER050SU-D	13 - 13
D391 1150	Retaining Rings-E:DIA5:ER050SU-D	163 - 5
D391 1150	Retaining Rings-E:DIA5:ER050SU-D	133 - 4
D391 1150	Retaining Rings-E:DIA5:ER050SU-D	43 - 8

Part No.	Description	Page and Index No.
D391 1150	Retaining Rings-E:DIA5:ER050SU-D	181 - 3
D391 1150	Retaining Rings-E:DIA5:ER050SU-D	115 - 3
D391 1150	Retaining Rings-E:DIA5:ER050SU-D	49 - 7
D391 1150	Retaining Rings-E:DIA5:ER050SU-D	33 - 16
D391 1150	Retaining Rings-E:DIA5:ER050SU-D	23 - 8
D391 1150	Retaining Rings-E:DIA5:ER050SU-D	71 - 6
D391 1150	Retaining Rings-E:DIA5:ER050SU-D	29 - 8
D391 1150	Retaining Rings-E:DIA5:ER050SU-D	73 - 5
D391 1150	Retaining Rings-E:DIA5:ER050SU-D	149 - 3
D391 1150	Retaining Rings-E:DIA5:ER050SU-D	165 - 8
D391 1150	Retaining Rings-E:DIA5:ER050SU-D	117 - 11
D391 1150	Retaining Rings-E:DIA5:ER050SU-D	37 - 11
D391 1150	Retaining Rings-E:DIA5:ER050SU-D	101 - 3
D391 1150	Retaining Rings-E:DIA5:ER050SU-D	155 - 3
D391 1150	Retaining Rings-E:DIA5:ER050SU-D	47 - 1
D391 1150	Retaining Rings-E:DIA5:ER050SU-D	69 - 17
D391 1150	Retaining Rings-E:DIA5:ER050SU-D	67 - 5
D391 1150	Retaining Rings-E:DIA5:ER050SU-D	157 - 9
D391 1150	Retaining Rings-E:DIA5:ER050SU-D	109 - 6
D391 1150	Retaining Rings-E:DIA5:ER050SU-D	39 - 1
D391 1151	Retaining Rings-E:DIA6.4:ER064SU-D	121 - 11
D391 1151	Retaining Rings-E:DIA6.4:ER064SU-D	143 - 11
D391 1151	Retaining Rings-E:DIA6.4:ER064SU-D	161 - 1
D391 1151	Retaining Rings-E:DIA6.4:ER064SU-D	131 - 5
D391 1151	Retaining Rings-E:DIA6.4:ER064SU-D	173 - 1
D391 1151	Retaining Rings-E:DIA6.4:ER064SU-D	145 - 2
D391 1151	Retaining Rings-E:DIA6.4:ER064SU-D	123 - 3
D391 1151	Retaining Rings-E:DIA6.4:ER064SU-D	169 - 9
D391 1151	Retaining Rings-E:DIA6.4:ER064SU-D	177 - 2
D391 1151	Retaining Rings-E:DIA6.4:ER064SU-D	25 - 8
D391 1151	Retaining Rings-E:DIA6.4:ER064SU-D	35 - 4
D391 1151	Retaining Rings-E:DIA6.4:ER064SU-D	103 - 1
D391 1151	Retaining Rings-E:DIA6.4:ER064SU-D	59 - 2
D391 1151	Retaining Rings-E:DIA6.4:ER064SU-D	69 - 7
D391 1151	Retaining Rings-E:DIA6.4:ER064SU-D	43 - 2

Part No.	Description	Page and Index No.
D391 1151	Retaining Rings-E:DIA6.4:ER064SU-D	27 - 4
D391 1151	Retaining Rings-E:DIA6.4:ER064SU-D	137 - 10
D391 1151	Retaining Rings-E:DIA6.4:ER064SU-D	147 - 3
D391 1151	Retaining Rings-E:DIA6.4:ER064SU-D	61 - 9
D391 1151	Retaining Rings-E:DIA6.4:ER064SU-D	119 - 16
D391 1151	Retaining Rings-E:DIA6.4:ER064SU-D	65 - 9
D391 1151	Retaining Rings-E:DIA6.4:ER064SU-D	71 - 8
D391 1151	Retaining Rings-E:DIA6.4:ER064SU-D	91 - 11
D391 1151	Retaining Rings-E:DIA6.4:ER064SU-D	81 - 2
D391 1151	Retaining Rings-E:DIA6.4:ER064SU-D	33 - 4
D391 1151	Retaining Rings-E:DIA6.4:ER064SU-D	139 - 8
D391 1151	Retaining Rings-E:DIA6.4:ER064SU-D	63 - 1
D391 1151	Retaining Rings-E:DIA6.4:ER064SU-D	85 - 2
D391 1151	Retaining Rings-E:DIA6.4:ER064SU-D	133 - 2
D391 1151	Retaining Rings-E:DIA6.4:ER064SU-D	177 - 8
D391 1151	Retaining Rings-E:DIA6.4:ER064SU-D	23 - 3
D391 1151	Retaining Rings-E:DIA6.4:ER064SU-D	53 - 2
D391 1151	Retaining Rings-E:DIA6.4:ER064SU-D	163 - 23
D391 1151	Retaining Rings-E:DIA6.4:ER064SU-D	125 - 5
D391 1151	Retaining Rings-E:DIA6.4:ER064SU-D	111 - 8
D391 1151	Retaining Rings-E:DIA6.4:ER064SU-D	79 - 2
D391 1151	Retaining Rings-E:DIA6.4:ER064SU-D	141 - 5
D391 1151	Retaining Rings-E:DIA6.4:ER064SU-D	11 - 13
D391 1151	Retaining Rings-E:DIA6.4:ER064SU-D	127 - 2
D391 1151	Retaining Rings-E:DIA6.4:ER064SU-D	113 - 5
D391 1151	Retaining Rings-E:DIA6.4:ER064SU-D	135 - 3
D391 1151	Retaining Rings-E:DIA6.4:ER064SU-D	57 - 9
D391 1151	Retaining Rings-E:DIA6.4:ER064SU-D	95 - 2
D391 1151	Retaining Rings-E:DIA6.4:ER064SU-D	159 - 4
D391 1151	Retaining Rings-E:DIA6.4:ER064SU-D	155 - 10
D391 1151	Retaining Rings-E:DIA6.4:ER064SU-D	99 - 3
D391 1151	Retaining Rings-E:DIA6.4:ER064SU-D	67 - 9
D391 1151	Retaining Rings-E:DIA6.4:ER064SU-D	51 - 1
D391 1151	Retaining Rings-E:DIA6.4:ER064SU-D	83 - 4
D391 1151	Retaining Rings-E:DIA6.4:ER064SU-D	149 - 10

Part No.	Description	Page and Index No.
D391 1152	Retaining Rings-E:DIA8:ER080SU-D	159 - 5
D391 1152	Retaining Rings-E:DIA8:ER080SU-D	163 - 17
D391 1152	Retaining Rings-E:DIA8:ER080SU-D	57 - 8
D391 1152	Retaining Rings-E:DIA8:ER080SU-D	155 - 14
D391 1152	Retaining Rings-E:DIA8:ER080SU-D	145 - 6
D391 1154	Parallel Pin:2x10:HP020100SCH	37 - 12
D391 1154	Parallel Pin:2x10:HP020100SCH	111 - 11
D391 1154	Parallel Pin:2x10:HP020100SCH	127 - 8
D391 1154	Parallel Pin:2x10:HP020100SCH	31 - 10
D391 1154	Parallel Pin:2x10:HP020100SCH	23 - 27
D391 1154	Parallel Pin:2x10:HP020100SCH	115 - 4
D391 1154	Parallel Pin:2x10:HP020100SCH	125 - 6
D391 1154	Parallel Pin:2x10:HP020100SCH	107 - 9
D391 1154	Parallel Pin:2x10:HP020100SCH	51 - 16
D391 1154	Parallel Pin:2x10:HP020100SCH	11 - 9
D391 1154	Parallel Pin:2x10:HP020100SCH	71 - 7
D391 1154	Parallel Pin:2x10:HP020100SCH	177 - 16
D391 1154	Parallel Pin:2x10:HP020100SCH	39 - 8
D391 1154	Parallel Pin:2x10:HP020100SCH	107 - 6
D391 1154	Parallel Pin:2x10:HP020100SCH	27 - 20
D391 1154	Parallel Pin:2x10:HP020100SCH	133 - 10
D391 1154	Parallel Pin:2x10:HP020100SCH	33 - 17
D391 1154	Parallel Pin:2x10:HP020100SCH	119 - 8
D391 1154	Parallel Pin:2x10:HP020100SCH	43 - 19
D391 1155	Parallel Pin:2x14:HP020140SCH	95 - 9
D391 1155	Parallel Pin:2x14:HP020140SCH	147 - 10
D391 1155	Parallel Pin:2x14:HP020140SCH	179 - 9
D391 1155	Parallel Pin:2x14:HP020140SCH	113 - 12
D391 1155	Parallel Pin:2x14:HP020140SCH	69 - 9
D391 1155	Parallel Pin:2x14:HP020140SCH	145 - 3
D391 1155	Parallel Pin:2x14:HP020140SCH	85 - 9
D391 1155	Parallel Pin:2x14:HP020140SCH	79 - 8
D391 1155	Parallel Pin:2x14:HP020140SCH	149 - 11
D391 1155	Parallel Pin:2x14:HP020140SCH	63 - 4
D391 1155	Parallel Pin:2x14:HP020140SCH	91 - 15

Part No.	Description	Page and Index No.
D391 1155	Parallel Pin:2x14:HP020140SCH	61 - 11
D391 1156	Parallel Pin:2x16:HP020160SCH	79 - 3
D391 1156	Parallel Pin:2x16:HP020160SCH	69 - 15
D391 1156	Parallel Pin:2x16:HP020160SCH	51 - 20
D391 1157	Parallel Pin:2x20:HP020200SCH	155 - 7
D391 1157	Parallel Pin:2x20:HP020200SCH	161 - 13
D391 1158	Parallel Pin:3x10:HP030100SCH	177 - 13
D391 1158	Parallel Pin:3x10:HP030100SCH	179 - 5
D391 1159	Parallel Pin:3x12:HP030120SCH	103 - 5
D391 1160	Parallel Pin:3x14:HP030140SCH	57 - 7
D391 1160	Parallel Pin:3x14:HP030140SCH	63 - 5
D391 1160	Parallel Pin:3x14:HP030140SCH	151 - 5
D391 1160	Parallel Pin:3x14:HP030140SCH	59 - 4
D391 1160	Parallel Pin:3x14:HP030140SCH	149 - 5
D391 1161	Parallel Pin:3x16:HP030160SCH	151 - 9
D391 1161	Parallel Pin:3x16:HP030160SCH	149 - 9
D391 1161	Parallel Pin:3x16:HP030160SCH	161 - 5
D391 1162	Parallel Pin:3x20:HP030200SCH	155 - 15
D391 1162	Parallel Pin:3x20:HP030200SCH	161 - 11
D391 1163	Parallel Pin:3x25:HP030250SCH	135 - 8
D391 1163	Parallel Pin:3x25:HP030250SCH	123 - 5
D391 1164	Washer:HW060FNSN	75 - 9
D391 1164	Washer:HW060FNSN	67 - 14
D391 1164	Washer:HW060FNSN	65 - 7
D391 1165	Washer:HW080FWSN	119 - 17
D391 1165	Washer:HW080FWSN	91 - 17
D391 1165	Washer:HW080FWSN	95 - 8
D391 1165	Washer:HW080FWSN	121 - 12
D391 1165	Washer:HW080FWSN	61 - 13
D391 1165	Washer:HW080FWSN	79 - 5
D391 1166	Washer:HW100FWMN	159 - 6
D391 1166	Washer:HW100FWMN	163 - 16
D391 1167	Coil Spring:Tension:Transport Sub-Unit: IR3012P356A1	121 - 8

Part No.	Description	Page and Index No.
D391 1167	Coil Spring:Tension:Transport Sub-Unit: IR3012P356A1	119 - 11
D391 1168	Tapping Screr:IR4016P167A	49 - 4
D391 1168	Tapping Screr:IR4016P167A	95 - 1
D391 1168	Tapping Screr:IR4016P167A	99 - 6
D391 1168	Tapping Screr:IR4016P167A	91 - 2
D391 1168	Tapping Screr:IR4016P167A	59 - 17
D391 1169	Synchronous Belt:NS-BLT00049B	67 - 7
D391 1170	Synchronous Belt:NS-BLT00050B	83 - 5
D391 1171	Synchronous Belt:NS-BLT00054B	121 - 6
D391 1172	Synchronous Belt:NS-BLT00062B	121 - 3
D391 1173	Synchronous Belt:NS-BLT00065B	127 - 17
D391 1174	Synchronous Belt:NS-BLT00067B	85 - 5
D391 1175	Synchronous Belt:NS-BLT00078B	119 - 7
D391 1176	Synchronous Belt:NS-BLT00122A	27 - 21
D391 1176	Synchronous Belt:NS-BLT00122A	61 - 15
D391 1177	Synchronous Belt:NS-BLT00128B	43 - 7
D391 1178	Synchronous Belt:NS-BLT00136B	43 - 22
D391 1179	Synchronous Belt:NS-BLT00138B	147 - 9
D391 1179	Synchronous Belt:NS-BLT00138B	149 - 14
D391 1180	Synchronous Belt:NS-BLT00147B	113 - 4
D391 1181	Synchronous Belt:NS-BLT00167B	147 - 13
D391 1181	Synchronous Belt:NS-BLT00167B	95 - 12
D391 1182	Synchronous Belt:NS-BLT00172B	143 - 12
D391 1182	Synchronous Belt:NS-BLT00172B	143 - 3
D391 1183	Synchronous Belt:NS-BLT00209B	63 - 9
D391 1183	Synchronous Belt:NS-BLT00209B	113 - 3
D391 1183	Synchronous Belt:NS-BLT00209B	143 - 9
D391 1184	Synchronous Belt:NS-BLT00278C	119 - 15
D391 1185	Synchronous Belt:NS-BLT00284B	57 - 10
D391 1185	Synchronous Belt:NS-BLT00284B	69 - 8
D391 1186	Synchronous Belt:NS-BLT00295B	119 - 14
D391 1187	Synchronous Belt:NS-BLT00347B	65 - 3
D391 1188	Synchronous Belt:NS-BLT00348B	65 - 13
D391 1189	Synchronous Belt:NS-BLT00350B	135 - 10

Part No.	Description	Page and Index No.
D391 1190	Synchronous Belt:NS-BLT00353B	85 - 10
D391 1193	Synchronous Belt:NS-BLT00355C	107 - 10
D391 1193	Synchronous Belt:NS-BLT00355C	143 - 10
D391 1194	Synchronous Belt:NS-BLT00356B	63 - 11
D391 1195	Synchronous Belt:NS-BLT00358B	85 - 4
D391 1196	Synchronous Belt:NS-BLT00362B	107 - 5
D391 1197	Synchronous Belt:NS-BLT00364B	95 - 11
D391 1198	Synchronous Belt:NS-BLT00365C	47 - 19
D391 1199	Synchronous Belt:NS-BLT00366B	109 - 11
D391 1200	Synchronous Belt:NS-BLT00377B	51 - 15
D391 1200	Synchronous Belt:NS-BLT00377B	47 - 20
D391 1200	Synchronous Belt:NS-BLT00377B	63 - 12
D391 1200	Synchronous Belt:NS-BLT00377B	127 - 10
D391 1200	Synchronous Belt:NS-BLT00377B	53 - 12
D391 1200	Synchronous Belt:NS-BLT00377B	133 - 5
D391 1201	Synchronous Belt:NS-BLT00378B	133 - 12
D391 1202	Synchronous Belt:NS-BLT00379B	51 - 14
D391 1203	Synchronous Belt:NS-BLT00380B	127 - 13
D391 1204	Synchronous Belt:NS-BLT00381A	79 - 9
D391 1205	Synchronous Belt:NS-BLT00382B	119 - 9
D391 1206	Synchronous Belt:NS-BLT00384B	125 - 8
D391 1206	Synchronous Belt:NS-BLT00384B	131 - 4
D391 1207	Synchronous Belt:NS-BLT00386B	43 - 21
D391 1208	Synchronous Belt:NS-BLT00387B	43 - 6
D391 1209	Synchronous Belt:NS-BLT00389B	99 - 7
D391 1210	Synchronous Belt:NS-BLT00390B	161 - 12
D391 1211	Synchronous Belt:NS-BLT00394B	155 - 6
D391 1213	Synchronous Belt:NS-BLT00397B	157 - 1
D391 1214	Synchronous Belt:NS-BLT00398B	161 - 14
D391 1215	Synchronous Belt:NS-BLT00400B	169 - 8
D391 1216	Synchronous Belt:NS-BLT00401B	179 - 6
D391 1217	Synchronous Belt:NS-BLT00402B	177 - 15
D391 1218	Synchronous Belt:NS-BLT00403B	181 - 2
D391 1218	Synchronous Belt:NS-BLT00403B	183 - 9
D391 1219	Synchronous Belt:NS-BLT00404B	181 - 6

Part No.	Description	Page and Index No.
D391 1221	Synchronous Belt:NS-BLT00407B	71 - 10
D391 1222	Synchronous Belt:NS-BLT00409B	127 - 19
D391 1223	Synchronous Belt:NS-BLT00410B	163 - 11
D391 1223	Synchronous Belt:NS-BLT00410B	157 - 6
D391 1224	Synchronous Belt:NS-BLT00411A	159 - 13
D391 1224	Synchronous Belt:NS-BLT00411A	163 - 14
D391 1225	Synchronous Belt:NS-BLT00412B	163 - 10
D391 1225	Synchronous Belt:NS-BLT00412B	159 - 14
D391 1226	Radial Ball Bearing:DIA6DIA12: NS-BRG00030B	109 - 5
D391 1227	Radial Ball Bearing:DIA6DIA15: NS-BRG00033B	139 - 3
D391 1228	Radial Ball Bearing:DIA8DIA22: NS-BRG00039B	137 - 9
D391 1228	Radial Ball Bearing:DIA8DIA22: NS-BRG00039B	139 - 7
D391 1228	Radial Ball Bearing:DIA8DIA22: NS-BRG00039B	147 - 6
D391 1229	Radial Ball Bearing:DIA6DIA13: NS-BRG00047B	131 - 3
D391 1229	Radial Ball Bearing:DIA6DIA13: NS-BRG00047B	119 - 5
D391 1229	Radial Ball Bearing:DIA6DIA13: NS-BRG00047B	127 - 16
D391 1229	Radial Ball Bearing:DIA6DIA13: NS-BRG00047B	125 - 2
D391 1230	Radial Ball Bearing:DIA8DIA14: NS-BRG00050B	161 - 2
D391 1231	Radial Ball Bearing:DIA8DIA12: NS-BRG00084B	149 - 7
D391 1231	Radial Ball Bearing:DIA8DIA12: NS-BRG00084B	89 - 1
D391 1231	Radial Ball Bearing:DIA8DIA12: NS-BRG00084B	151 - 7

Part No.	Description	Page and Index No.
D391 1231	Radial Ball Bearing:DIA8DIA12: NS-BRG00084B	87 - 3
D391 1232	Radial Ball Bearing:DIA8:NS-BRG00103A	59 - 16
D391 1232	Radial Ball Bearing:DIA8:NS-BRG00103A	11 - 14
D391 1232	Radial Ball Bearing:DIA8:NS-BRG00103A	51 - 2
D391 1232	Radial Ball Bearing:DIA8:NS-BRG00103A	61 - 10
D391 1232	Radial Ball Bearing:DIA8:NS-BRG00103A	133 - 1
D391 1232	Radial Ball Bearing:DIA8:NS-BRG00103A	131 - 6
D391 1232	Radial Ball Bearing:DIA8:NS-BRG00103A	111 - 9
D391 1232	Radial Ball Bearing:DIA8:NS-BRG00103A	47 - 2
D391 1232	Radial Ball Bearing:DIA8:NS-BRG00103A	27 - 3
D391 1232	Radial Ball Bearing:DIA8:NS-BRG00103A	135 - 5
D391 1232	Radial Ball Bearing:DIA8:NS-BRG00103A	63 - 3
D391 1232	Radial Ball Bearing:DIA8:NS-BRG00103A	43 - 1
D391 1232	Radial Ball Bearing:DIA8:NS-BRG00103A	95 - 10
D391 1232	Radial Ball Bearing:DIA8:NS-BRG00103A	33 - 5
D391 1232	Radial Ball Bearing:DIA8:NS-BRG00103A	91 - 16
D391 1232	Radial Ball Bearing:DIA8:NS-BRG00103A	53 - 3
D391 1232	Radial Ball Bearing:DIA8:NS-BRG00103A	127 - 1
D391 1232	Radial Ball Bearing:DIA8:NS-BRG00103A	79 - 6
D391 1232	Radial Ball Bearing:DIA8:NS-BRG00103A	125 - 12
D391 1233	Radial Ball Bearing:DIA6:NS-BRG00110A	121 - 5
D391 1233	Radial Ball Bearing:DIA6:NS-BRG00110A	143 - 4
D391 1233	Radial Ball Bearing:DIA6:NS-BRG00110A	39 - 21
D391 1233	Radial Ball Bearing:DIA6:NS-BRG00110A	29 - 11
D391 1233	Radial Ball Bearing:DIA6:NS-BRG00110A	119 - 4
D391 1233	Radial Ball Bearing:DIA6:NS-BRG00110A	31 - 7
D391 1233	Radial Ball Bearing:DIA6:NS-BRG00110A	23 - 25
D391 1234	Radial Ball Bearing:DIA15DIA32: NS-BRG00115C	93 - 2
D391 1234	Radial Ball Bearing:DIA15DIA32: NS-BRG00115C	91 - 20
D391 1235	Bushing:DIA8:NS-BSH00004B	103 - 2
D391 1236	Retaining Rings-C:NS-CLP00007D	65 - 10
D391 1237	Bushing:DIA5:NS-MTL00003B	69 - 13

Part No.	Description	Page and Index No.
D391 1238	Bushing:DIA6:NS-MTL00007B	127 - 6
D391 1238	Bushing:DIA6:NS-MTL00007B	67 - 8
D391 1238	Bushing:DIA6:NS-MTL00007B	179 - 4
D391 1238	Bushing:DIA6:NS-MTL00007B	169 - 5
D391 1238	Bushing:DIA6:NS-MTL00007B	169 - 7
D391 1238	Bushing:DIA6:NS-MTL00007B	113 - 10
D391 1238	Bushing:DIA6:NS-MTL00007B	73 - 7
D391 1238	Bushing:DIA6:NS-MTL00007B	155 - 8
D391 1238	Bushing:DIA6:NS-MTL00007B	177 - 6
D391 1239	Bushing:DIA8:NS-MTL00013B	57 - 12
D391 1239	Bushing:DIA8:NS-MTL00013B	71 - 5
D391 1239	Bushing:DIA8:NS-MTL00013B	51 - 5
D391 1239	Bushing:DIA8:NS-MTL00013B	63 - 2
D391 1239	Bushing:DIA8:NS-MTL00013B	67 - 10
D391 1239	Bushing:DIA8:NS-MTL00013B	69 - 10
D391 1240	Bushing:NS-MTL00017B	123 - 4
D391 1240	Bushing:NS-MTL00017B	25 - 6
D391 1240	Bushing:NS-MTL00017B	145 - 4
D391 1240	Bushing:NS-MTL00017B	147 - 4
D391 1240	Bushing:NS-MTL00017B	135 - 4
D391 1241	Flat Screw:M3x5:NS-SCR00006B	179 - 14
D391 1241	Flat Screw:M3x5:NS-SCR00006B	181 - 7
D391 1242	Tapping Screr:M3x6:NS-SCR00017B	157 - 2
D391 1242	Tapping Screr:M3x6:NS-SCR00017B	47 - 3
D391 1242	Tapping Screr:M3x6:NS-SCR00017B	153 - 1
D391 1242	Tapping Screr:M3x6:NS-SCR00017B	43 - 11
D391 1242	Tapping Screr:M3x6:NS-SCR00017B	115 - 6
D391 1242	Tapping Screr:M3x6:NS-SCR00017B	119 - 1
D391 1242	Tapping Screr:M3x6:NS-SCR00017B	91 - 3
D391 1242	Tapping Screr:M3x6:NS-SCR00017B	135 - 2
D391 1242	Tapping Screr:M3x6:NS-SCR00017B	187 - 2
D391 1242	Tapping Screr:M3x6:NS-SCR00017B	177 - 7
D391 1242	Tapping Screr:M3x6:NS-SCR00017B	107 - 8
D391 1242	Tapping Screr:M3x6:NS-SCR00017B	179 - 2
D391 1242	Tapping Screr:M3x6:NS-SCR00017B	77 - 2

Part No.	Description	Page and Index No.
D391 1242	Tapping Screr:M3x6:NS-SCR00017B	159 - 8
D391 1242	Tapping Screr:M3x6:NS-SCR00017B	133 - 7
D391 1242	Tapping Screr:M3x6:NS-SCR00017B	51 - 3
D391 1242	Tapping Screr:M3x6:NS-SCR00017B	7 - 10
D391 1242	Tapping Screr:M3x6:NS-SCR00017B	161 - 3
D391 1242	Tapping Screr:M3x6:NS-SCR00017B	155 - 2
D391 1242	Tapping Screr:M3x6:NS-SCR00017B	147 - 8
D391 1242	Tapping Screr:M3x6:NS-SCR00017B	167 - 3
D391 1242	Tapping Screr:M3x6:NS-SCR00017B	75 - 3
D391 1242	Tapping Screr:M3x6:NS-SCR00017B	67 - 2
D391 1242	Tapping Screr:M3x6:NS-SCR00017B	79 - 4
D391 1242	Tapping Screr:M3x6:NS-SCR00017B	143 - 2
D391 1242	Tapping Screr:M3x6:NS-SCR00017B	121 - 2
D391 1242	Tapping Screr:M3x6:NS-SCR00017B	53 - 4
D391 1242	Tapping Screr:M3x6:NS-SCR00017B	13 - 4
D391 1242	Tapping Screr:M3x6:NS-SCR00017B	141 - 2
D391 1242	Tapping Screr:M3x6:NS-SCR00017B	45 - 1
D391 1242	Tapping Screr:M3x6:NS-SCR00017B	117 - 1
D391 1242	Tapping Screr:M3x6:NS-SCR00017B	65 - 6
D391 1242	Tapping Screr:M3x6:NS-SCR00017B	163 - 2
D391 1242	Tapping Screr:M3x6:NS-SCR00017B	73 - 1
D391 1242	Tapping Screr:M3x6:NS-SCR00017B	181 - 4
D391 1242	Tapping Screr:M3x6:NS-SCR00017B	83 - 2
D391 1242	Tapping Screr:M3x6:NS-SCR00017B	85 - 1
D391 1242	Tapping Screr:M3x6:NS-SCR00017B	71 - 2
D391 1242	Tapping Screr:M3x6:NS-SCR00017B	59 - 9
D391 1242	Tapping Screr:M3x6:NS-SCR00017B	165 - 2
D391 1242	Tapping Screr:M3x6:NS-SCR00017B	3 - 7
D391 1242	Tapping Screr:M3x6:NS-SCR00017B	9 - 4
D391 1242	Tapping Screr:M3x6:NS-SCR00017B	105 - 2
D391 1242	Tapping Screr:M3x6:NS-SCR00017B	99 - 9
D391 1242	Tapping Screr:M3x6:NS-SCR00017B	183 - 8
D391 1242	Tapping Screr:M3x6:NS-SCR00017B	81 - 4
D391 1242	Tapping Screr:M3x6:NS-SCR00017B	173 - 3
D391 1242	Tapping Screr:M3x6:NS-SCR00017B	151 - 1

Part No.	Description	Page and Index No.
D391 1242	Tapping Screr:M3x6:NS-SCR00017B	149 - 13
D391 1242	Tapping Screr:M3x6:NS-SCR00017B	41 - 6
D391 1242	Tapping Screr:M3x6:NS-SCR00017B	57 - 2
D391 1242	Tapping Screr:M3x6:NS-SCR00017B	125 - 1
D391 1242	Tapping Screr:M3x6:NS-SCR00017B	55 - 5
D391 1242	Tapping Screr:M3x6:NS-SCR00017B	109 - 3
D391 1242	Tapping Screr:M3x6:NS-SCR00017B	111 - 7
D391 1242	Tapping Screr:M3x6:NS-SCR00017B	69 - 3
D391 1242	Tapping Screr:M3x6:NS-SCR00017B	101 - 6
D391 1242	Tapping Screr:M3x6:NS-SCR00017B	129 - 2
D391 1242	Tapping Screr:M3x6:NS-SCR00017B	49 - 8
D391 1242	Tapping Screr:M3x6:NS-SCR00017B	113 - 15
D391 1242	Tapping Screr:M3x6:NS-SCR00017B	169 - 2
D391 1242	Tapping Screr:M3x6:NS-SCR00017B	61 - 3
D391 1242	Tapping Screr:M3x6:NS-SCR00017B	11 - 1
D391 1243	Tapping Screr:NS-SCR00047A	123 - 2
D391 1243	Tapping Screr:NS-SCR00047A	143 - 7
D391 1243	Tapping Screr:NS-SCR00047A	131 - 1
D391 1244	Screw:M4x8:NS-SCR00050B	179 - 1
D391 1244	Screw:M4x8:NS-SCR00050B	101 - 4
D391 1244	Screw:M4x8:NS-SCR00050B	3 - 19
D391 1244	Screw:M4x8:NS-SCR00050B	167 - 7
D391 1244	Screw:M4x8:NS-SCR00050B	181 - 5
D391 1244	Screw:M4x8:NS-SCR00050B	175 - 10
D391 1244	Screw:M4x8:NS-SCR00050B	173 - 4
D391 1244	Screw:M4x8:NS-SCR00050B	183 - 5
D391 1245	Tapping Screr:M4x10:NS-SCR00061B	175 - 11
D391 1246	Flat Screw:M4x10:NS-SCR00088B	7 - 6
D391 1246	Flat Screw:M4x10:NS-SCR00088B	135 - 1
D391 1247	Screw:NS-SCR00207B	59 - 15
D391 1248	Screw:NS-SCR00212B	139 - 6
D391 1248	Screw:NS-SCR00212B	137 - 2
D391 1249	Flanged Hexagonal Nut:NT030FN2	99 - 2
D391 1249	Flanged Hexagonal Nut:NT030FN2	49 - 2
D391 1250	Flanged Hexagonal Nut:NT040FN2	69 - 6

Part No.	Description	Page and Index No.
D391 1252	Spring Washer:PR2112P094A	111 - 10
D391 1253	Screw:PF2171P583B	41 - 9
D391 1254	Screw:3.4x6:PF2254P326A1	91 - 10
D391 1254	Screw:3.4x6:PF2254P326A1	81 - 3
D391 1254	Screw:3.4x6:PF2254P326A1	95 - 7
D391 1254	Screw:3.4x6:PF2254P326A1	93 - 4
D391 1255	Mechanical Roller Clutch:Joint: PF2268P344B	43 - 18
D391 1255	Mechanical Roller Clutch:Joint: PF2268P344B	39 - 24
D391 1255	Mechanical Roller Clutch:Joint: PF2268P344B	37 - 5
D391 1256	Flat Screw:Adjusting Screw:Hinge: PF2269P385A1	115 - 12
D391 1256	Flat Screw:Adjusting Screw:Hinge: PF2269P385A1	33 - 6
D391 1257	Torque Limiter Mechanical Clutch: PF3064K029B	127 - 9
D391 1258	Driven Roller:PF3091P039A1	45 - 8
D391 1258	Driven Roller:PF3091P039A1	41 - 7
D391 1258	Driven Roller:PF3091P039A1	49 - 6
D391 1259	Spring Plate:Registration Roller:Plate: PF3091P159C	41 - 5
D391 1260	Coil Spring:Registration Sensor:Bin:Upper: PF3091P346	43 - 15
D391 1260	Coil Spring:Registration Sensor:Bin:Upper: PF3091P346	41 - 11
D391 1261	Coil Spring:Registration Sensor:Bin:Lower: PF3091P347A	117 - 4
D391 1261	Coil Spring:Registration Sensor:Bin:Lower: PF3091P347A	129 - 4
D391 1262	Magnetic:40N:PF3091P854A	43 - 12
D391 1263	Radial Ball Bearing:6x10:PF4096P347A	155 - 4
D391 1263	Radial Ball Bearing:6x10:PF4096P347A	107 - 3
D391 1263	Radial Ball Bearing:6x10:PF4096P347A	157 - 7

Part No.	Description	Page and Index No.
D391 1263	Radial Ball Bearing:6x10:PF4096P347A	65 - 4
D391 1263	Radial Ball Bearing:6x10:PF4096P347A	163 - 7
D391 1264	Screw:PF4103P331B	45 - 2
D391 1264	Screw:PF4103P331B	183 - 10
D391 1265	Screw:PF4123Q908A	175 - 7
D391 1265	Screw:PF4123Q908A	115 - 15
D391 1266	Magnet Catch:20N:PF4130P412A	3 - 2
D391 1266	Magnet Catch:20N:PF4130P412A	105 - 4
D391 1267	Coil Spring:PF4138P541A	109 - 9
D391 1268	Tray:Torque Diode:PF4140K117A:Ass'y	69 - 14
D391 1269	Case:Paper Chip:PF4155K376:Ass'y	5 - 1
D391 1270	Diode:Torque:PF4140K458A1:Ass'y	161 - 6
D391 1271	Guide Plate:Slide:Paper Chip:PF4140K461C	165 - 15
D391 1272	Cable:Glue:PF4140L096A	105 - 6
D391 1273	Registration Guide:PF4140L107A	113 - 9
D391 1274	Bracket:PF4140L157A	67 - 3
D391 1275	Glue:Tub:Unit:PF4140L386A	109 - 12
D391 1276	Roller:Wing:PF4140L393A	59 - 14
D391 1277	Roller:Wing:2:PF4140L394A	59 - 13
D391 1278	Roller:Plate:Trailing Edge:PF4140L411A	59 - 1
D391 1279	Filter:VOC:PF4140P026A	101 - 5
D391 1280	Coil Spring:Hinge:Cover:Upper: PF4140P099A	55 - 3
D391 1281	Coil Spring:Roller:PF4140P106A1	49 - 9
D391 1281	Coil Spring:Roller:PF4140P106A1	45 - 6
D391 1282	Lever:Transport Sensor:PF4140P112B1	53 - 8
D391 1282	Lever:Transport Sensor:PF4140P112B1	89 - 9
D391 1282	Lever:Transport Sensor:PF4140P112B1	51 - 9
D391 1282	Lever:Transport Sensor:PF4140P112B1	47 - 12
D391 1282	Lever:Transport Sensor:PF4140P112B1	75 - 5
D391 1283	Spring Plate:Tray:Sub:PF4140P122A2	73 - 12
D391 1284	Roller:Plate:Trailing Edge:PF4140P131A1	59 - 6
D391 1285	Coil Spring:Lever:Sensor:PF4140P132	47 - 13
D391 1285	Coil Spring:Lever:Sensor:PF4140P132	51 - 11
D391 1285	Coil Spring:Lever:Sensor:PF4140P132	89 - 7

Part No.	Description	Page and Index No.
D391 1285	Coil Spring:Lever:Sensor:PF4140P132	53 - 10
D391 1286	Discharge Brush:PF4140P136B1	53 - 5
D391 1287	Coil Spring:Entrance:PF4140P144A1	51 - 17
D391 1288	Roller:1:PF4140P145A1	51 - 12
D391 1289	Roller:2:PF4140P146A1	51 - 6
D391 1289	Roller:2:PF4140P146A1	53 - 1
D391 1290	Roller:Entrance:PF4140P147A1	47 - 15
D391 1291	Coil Spring:Lever:Supply:Tray: PF4140P159B1	75 - 4
D391 1292	Torsion Spring:Tray:PF4140P161A1	73 - 4
D391 1293	Coil Spring:Plate:Trailing Edge:Middle: PF4140P216B2	57 - 4
D391 1294	Coil Spring:Plate:Trailing Edge:Front Rear: PF4140P217A	57 - 6
D391 1295	Roller:Plate:Trailing Edge:PF4140P220A1	59 - 3
D391 1296	Spring Plate:Transport Roller:PF4140P227B1	59 - 10
D391 1298	Spring Plate:Paper Sensor:Surface: PF4140P237B	51 - 10
D391 1298	Spring Plate:Paper Sensor:Surface: PF4140P237B	47 - 11
D391 1298	Spring Plate:Paper Sensor:Surface: PF4140P237B	53 - 9
D391 1299	Discharge Brush:PF4140P238A	163 - 20
D391 1299	Discharge Brush:PF4140P238A	159 - 9
D391 1300	Roller:Tray:PF4140P241B	63 - 6
D391 1301	Roller:PF4140P243A1	127 - 14
D391 1301	Roller:PF4140P243A1	65 - 12
D391 1302	Coil Spring:Lever:Front:Uniform: PF4140P262B1	65 - 15
D391 1303	Coil Spring:Lever:Rear:UNIFORM: PF4140P266B1	65 - 18
D391 1304	Discharge Brush:Transport:PF4140P272A2	59 - 18
D391 1305	Coil Spring:Motor:Plate:Trailing Edge: PF4140P293A2	67 - 12

Part No.	Description	Page and Index No.
D391 1305	Coil Spring:Motor:Plate:Trailing Edge: PF4140P293A2	61 - 6
D391 1306	Coil Spring:Grip:PF4140P348A	81 - 8
D391 1307	Lever:Paper Sensor:Surface:PF4140P357C2	81 - 12
D391 1308	Coil Spring:PF4140P362A	77 - 1
D391 1309	Bushing:PF4140P371A1	81 - 7
D391 1310	Tension Spring:PF4140P391D1	79 - 12
D391 1310	Tension Spring:PF4140P391D1	93 - 13
D391 1311	Tension Spring:PF4140P407A	93 - 3
D391 1311	Tension Spring:PF4140P407A	91 - 19
D391 1312	Tension Spring:PF4140P428A	91 - 6
D391 1312	Tension Spring:PF4140P428A	95 - 13
D391 1313	Washer:PF4140P449A	87 - 4
D391 1313	Washer:PF4140P449A	89 - 2
D391 1314	Compression Spring:PF4140P451D1	89 - 3
D391 1314	Compression Spring:PF4140P451D1	87 - 5
D391 1315	Compression Spring:PF4140P453D1	87 - 6
D391 1316	Compression Spring:PF4140P462A	91 - 18
D391 1316	Compression Spring:PF4140P462A	95 - 3
D391 1317	Compression Spring:PF4140P496A	89 - 4
D391 1318	Screw:PF4140P536A1	141 - 7
D391 1319	Screw:PF4140P545A1	77 - 3
D391 1320	Compression Spring:PF4140P546A	137 - 4
D391 1321	Tension Spring:PR4140P547C1	143 - 5
D391 1322	Transport Roller:2:PF4140P560B2	147 - 5
D391 1323	Transport Roller:1:PF4140P561C2	145 - 5
D391 1324	Screw:PF4140P570A	147 - 2
D391 1324	Screw:PF4140P570A	147 - 12
D391 1324	Screw:PF4140P570A	109 - 7
D391 1325	Compression Spring:PF4140P591A	139 - 4
D391 1326	Tension Spring:PF4140P592A	147 - 1
D391 1327	Coil Spring:Roller:PF4140P606B2	127 - 15
D391 1328	Lever:Sensor:PF4140P614B2	117 - 5
D391 1328	Lever:Sensor:PF4140P614B2	129 - 5
D391 1328	Lever:Sensor:PF4140P614B2	13 - 17

Part No.	Description	Page and Index No.
D391 1329	Discharge Brush:Registration:Side: PF4140P625A	113 - 16
D391 1330	Coil Spring:Transport Roller:PF4140P632A	137 - 8
D391 1331	Transport Roller:M1:PF4140P633C3	127 - 3
D391 1332	Transport Roller:M2:PF4140P634A1	135 - 7
D391 1333	Transport Roller:M6:PF4140P635A2	133 - 3
D391 1334	Transport Roller:M7:PF4140P636B2	133 - 8
D391 1335	Transport Roller:M3:PF4140P645B1	111 - 5
D391 1335	Transport Roller:M3:PF4140P645B1	89 - 6
D391 1336	Transport Roller:M5:PF4140P646A1	135 - 6
D391 1337	Roller:Transport:2:PF4140P651A1	111 - 4
D391 1337	Roller:Transport:2:PF4140P651A1	129 - 7
D391 1337	Roller:Transport:2:PF4140P651A1	137 - 7
D391 1337	Roller:Transport:2:PF4140P651A1	139 - 10
D391 1337	Roller:Transport:2:PF4140P651A1	117 - 8
D391 1339	Coil Spring:Transport Roller:PF4140P700A1	137 - 5
D391 1339	Coil Spring:Transport Roller:PF4140P700A1	139 - 11
D391 1339	Coil Spring:Transport Roller:PF4140P700A1	111 - 1
D391 1339	Coil Spring:Transport Roller:PF4140P700A1	117 - 9
D391 1339	Coil Spring:Transport Roller:PF4140P700A1	47 - 8
D391 1339	Coil Spring:Transport Roller:PF4140P700A1	11 - 3
D391 1339	Coil Spring:Transport Roller:PF4140P700A1	129 - 8
D391 1340	Coil Spring:Registration:Side:PF4140P702A	113 - 13
D391 1341	Transport Roller:M4:PF4140P729B1	127 - 18
D391 1342	Link:PF4140P773A1	129 - 1
D391 1342	Link:PF4140P773A1	123 - 6
D391 1342	Link:PF4140P773A1	123 - 1
D391 1342	Link:PF4140P773A1	143 - 6
D391 1344	Mirror:PF4140P791A2	117 - 12
D391 1345	Tension Spring:PF4140P850B1	107 - 1
D391 1346	Tension Spring:PF4140P889A2	99 - 8
D391 1347	Tension Spring:PF4140P895A1	105 - 3
D391 1348	Filter:VOC:PF4140P915A	7 - 11
D391 1349	Bushing:Pipe:PF4140P943A	73 - 2
D391 1350	Collar:PF4140P958A	11 - 25

Part No.	Description	Page and Index No.
D391 1350	Roller:PF4140P958A	47 - 7
D391 1350	Roller:PF4140P958A	115 - 8
D391 1350	Roller:PF4140P958A	111 - 2
D391 1351	Torque Limiter Mechanical Clutch:500:Left: PF4140P985A	79 - 14
D391 1352	Torque Limiter Mechanical Clutch:500:Right: PF4140P986A	79 - 15
D391 1353	Bushing:PF4140P987A	91 - 8
D391 1353	Bushing:PF4140P987A	95 - 6
D391 1354	Roller:PF4140P988A	95 - 5
D391 1354	Roller:PF4140P988A	91 - 7
D391 1355	Radial Ball Bearing:Slide:PF4140P989A	71 - 4
D391 1355	Radial Ball Bearing:Slide:PF4140P989A	87 - 7
D391 1356	Retaining Rings-C:PF4140P990A	93 - 1
D391 1356	Retaining Rings-C:PF4140P990A	91 - 21
D391 1357	Compression Spring:PF4140Q022A1	171 - 4
D391 1358	Torsion Spring:PF4140Q064A	181 - 9
D391 1359	Compression Spring:PF4140Q071A1	177 - 1
D391 1360	Torsion Spring:PF4140Q086A1	177 - 11
D391 1361	Paper Sensor:Surface:PR4140Q088B1	177 - 12
D391 1362	Torsion Spring:PF4140Q096B1	177 - 9
D391 1363	Flat Screw:Fix:Cutter:PF4140Q113B1	165 - 4
D391 1364	Coil Spring:Receive Plate:Cutter: PF4140Q121B1	165 - 17
D391 1369	Tension Spring:PF4140Q215A1	159 - 7
D391 1370	Compression Spring:PF4140Q234B1	159 - 1
D391 1370	Compression Spring:PF4140Q234B1	163 - 25
D391 1371	Tension Spring:PF4140A236A1	159 - 16
D391 1371	Tension Spring:PF4140A236A1	163 - 15
D391 1371	Tension Spring:PF4140A236A1	157 - 5
D391 1371	Tension Spring:PF4140A236A1	163 - 3
D391 1372	Coil Spring:Grip:PF4140Q254A1	159 - 12
D391 1373	Tension Spring:PF4140Q269A	155 - 12
D391 1375	U Conveyer Belt:PF4140Q370B2	177 - 14
D391 1379	Radial Ball Bearing:PF4140Q415A	163 - 21

Part No.	Description	Page and Index No.
D391 1379	Radial Ball Bearing:PF4140Q415A	159 - 11
D391 1380	Flange:PF4140Q417A	155 - 13
D391 1380	Flange:PF4140Q417A	155 - 5
D391 1380	Flange:PF4140Q417A	177 - 17
D391 1380	Flange:PF4140Q417A	167 - 4
D391 1380	Flange:PF4140Q417A	171 - 3
D391 1380	Flange:PF4140Q417A	183 - 7
D391 1380	Flange:PF4140Q417A	181 - 1
D391 1385	Discharge Brush:Guide:Upper:PF4140Q432A	163 - 19
D391 1386	Compression Spring:PF4140Q436A	175 - 5
D391 1387	Tension Spring:PF4140Q437A	175 - 8
D391 1388	Paper Sensor:Surface:PF4140Q442A	183 - 2
D391 1389	Coil Spring:Sensor:PF4140Q447A	183 - 3
D391 1390	Screw:M3:PF4140Q449A	183 - 1
D391 1391	Bushing:DIA8:PF4140Q455A	161 - 4
D391 1393	Screw:PF4140Q464A	155 - 17
D391 1394	Washer:DIA8.2:PF4140Q472A	159 - 3
D391 1394	Washer:DIA8.2:PF4140Q472A	163 - 22
D391 1396	Sheet:LED:Lock:Door:PF4140Q526B	115 - 17
D391 1397	Coil Spring:Lock:Door:Front:PF4140Q546B	115 - 14
D391 1400	Washer:DIA10:PF4140Q593A	173 - 2
D391 1403	Coil Spring:Guide:Tray:Upper Lower: PF4140Q805A1	179 - 13
D391 1404	Coil Spring:Drawer:PF4140Q811A	177 - 20
D391 1405	Screw:M3:PF4140Q813A1	175 - 4
D391 1405	Screw:M3:PF4140Q813A1	177 - 4
D391 1406	Coil Spring:Hook:PF4140Q825A	173 - 7
D391 1407	Coil Spring:Return:Paper Chip: PF4140Q826A	179 - 8
D391 1408	Coil Spring:Auxiliary:Stopper:PF4140Q844A	179 - 11
D391 1409	Coil Spring:Stopper:PF4140Q845A	179 - 12
D391 1410	Coil Spring:Stopper:Paper Chip: PF4140Q859A	171 - 2
D391 1411	Washer:3x9x5:PF4140Q860A	173 - 5
D391 1412	Magnetic:Paper Chip:PF4140Q862A	173 - 6

Part No.	Description	Page and Index No.
D391 1413	Coil Spring:Paper Chip:PF4140Q871A1	165 - 14
D391 1414	Receive Plate:Edge:PF4164K206A:Ass'y	165 - 13
D391 1421	Synchronous Belt:NS-BLT00461	155 - 11
D391 1425	Gear:Grip:Main:PF4140P382A2	91 - 22
D391 1430	Gear:Mechanical Roller Clutch:Front: PF4140P311	79 - 16
D391 1431	Gear:Mechanical Roller Clutch:Rear: PF4140P312	79 - 17
D391 1433	Gear:30Z:PF4140P997A	79 - 18
D391 1435	Sprocket:PF4140Q166	165 - 24
D391 1436	Spacer:PF4140Q182	165 - 25
D391 1437	Shaft:PF4140Q486	165 - 26
D391 1438	Lever:PF4140Q540	115 - 22
D391 1439	Link:PF4140Q541	115 - 23
D391 1440	Bracket:Lock:Solenoid:Front:PF4140Q512	115 - 24
D391 1442	Caster:PF4140P902	5 - 13
D391 1443	Holder:Caster:PF4140P903	5 - 14
D391 1444	Bracket:Caster:PF4155P096	5 - 15
D391 1446	Lever:Front:PF4140P649	117 - 13
D391 1447	Lever:Rear:PF4140P650	117 - 14
D391 1448	Lever:Coil SPRING:PF4140P659	117 - 15
D391 1449	Lever:Shaft:PF4140P660	117 - 16
D391 1460	Drive Sub-unt:Paper Chip:PF4140L392	167 - 9
D391 1470	Base:Hinge:Door:Front:PF4140P91	3 - 17
D391 1471	Arm:Hinge:Door:Front:PF4140P920	3 - 18
D391 1480	Guide Plate:Paper Exit Sub-unit:Middle: PF4140P232	59 - 21
D391 1481	Sheet:Turn:PF4140Q204	163 - 28
D391 1481	Sheet:Turn:PF4140Q204	159 - 17
D391 1490	Gear:Worm Gear:100:PF4140P484A2	61 - 16
D391 1491	Gear:Z24:PF4140P387A	79 - 20
D391 1492	Pulley:T18:PF4140P998A	79 - 21
D391 1492	Pulley:T18:PF4140P998A	61 - 17
D391 1493	Gear:Grip:Main:PF4140P406A1	79 - 22
D391 1494	Gear:Z30:PF4140P996A	79 - 23

Part No.	Description	Page and Index No.
D391 1496	Gear:100-20-30:PF4140P488B2	61 - 18
D391 1496	Gear:100-20-30:PF4140P488B2	79 - 24
D391 1497	Gear:Worm Gear:PF4140P383A2	83 - 12
D391 1498	Pulley:T20:PF4140P338A1	83 - 13
D391 1499	Lever:Release:PF4140P722D1	135 - 11
D391 1501	Bracket:Shutter:Exhaust:PF4155K333	173 - 8
D391 1502	Hook:Arm:PF4140Q815A	173 - 9
D391 1503	Shaft:Gear:Worm Gear:PF4140P388	79 - 25
D391 1504	Gear:Switchback:PF4140P201A2	63 - 14
D391 1505	Cushion:PF4140Q816	173 - 10
D391 1506	Gear:PF4140P394	79 - 26
D391 1507	Gear:Worm Gear:PF4140P484	79 - 19
D391 1508	Vibrating Plate:Tray:PF4155L105:Ass'y	63 - 15
D391 1509	Bracke:Plate:Cavity:PF4140K084A:Ass'y	83 - 14
D391 1510	Bracket:Plate:Core:PF4140K085A:Ass'y	81 - 16
D391 1511	Timing Pulley:PF4140Q753A1	155 - 18
D391 1512	Sheet:Discharge:PF4140Q476	165 - 18
D391 1513	Timing Pulley:S2MX20:PF4140P321	85 - 11
D391 1514	Shaft:Contact Point:Transport Sub-Unit: PF4155P695	131 - 8
D391 1515	Shaft:Idler:Transport Sub-Unit: PF4155P761	125 - 14
D391 1516	Guide Plate:Sprocket:PF4140Q148	165 - 22
D391 1517	Shaft:Sprocket:Cavity:PF4140Q142	165 - 19
D391 1518	Shaft:Sprocket:Coer:PF4140Q162	165 - 20
D391 1519	Sprocket:PF4140L508:Ass'y	165 - 21
D391 1520	Shaft:Lock:PF3091P845	41 - 18
D391 1521	Shaft:TFD:PF3091P847	41 - 19
D391 1522	Bracket:Positioning:Sensor:PF3091P141	41 - 20
D391 1523	Arm:Lock:PF4140P120	41 - 21
D391 1525	Handle:Arm:Lock:PF4155P607	41 - 22
D391 1526	Shaft:TFD:PF3091P846	41 - 23
D391 1527	Shaft:Lock:Guide:PF3091P843	41 - 24
D391 1528	Separation Plate:Exhaust:PF4164L852	179 - 15
D391 1645	Timing Pulley:T40:PF4140Q402	169 - 10

Part No.	Description	Page and Index No.
D391 2000	Hinge:Cover:Upper:PF4140K101A	7 - 1
D391 2001	Handle:Front:PF4140P917A	3 - 15
D391 2002	Grip:Rear:PF4155K106	5 - 7
D391 2003	Cover:Front Upper:PF4155Q505	7 - 7
D391 2004	Cover:Left:Upper:PF4155Q507	7 - 3
D391 2005	Cover:Rear:PF4155Q508	5 - 8
D391 2006	Grip:Supply:Glue:PF4140Q524A	97 - 5
D391 2007	Handle:Door:Left:PF4140Q529	3 - 8
D391 2008	Inner Cover:Upper:PF4140Q530C1	3 - 4
D391 2009	Inner Cover:Cutter:PF4140Q531E1	3 - 3
D391 2010	Inner Cover:PF4140Q532B1	7 - 5
D391 2011	Cover:Upper:Open/Close:PF4155Q533	7 - 12
D391 2013	Cover:Supply:Glue:PF4140Q535B1	97 - 6
D391 2014	Cover:Right Front:Upper:PF4155Q536	7 - 8
D391 2015	Cover:Left Front:Upper:PF4155Q538	7 - 4
D391 2015	Cover:Left Front:Upper:PF4140Q538C1	167 - 6
D391 2017	LED:Lock:Door:PF4140Q542B2	3 - 9
D391 2018	Keytop:PF4155Q544	5 - 2
D391 2019	Coil Spring:KEY:PF4140Q545A1	5 - 3
D391 2020	Decal:Caution:Hinge:PF4140Q550C2	7 - 2
D391 2021	Decal:LED:Lock:Door:PF4140Q554A	3 - 10
D391 2022	Cover:Door:Left:PF4155Q555	3 - 27
D391 2023	Door:Front Left:PF4155Q500	3 - 28
D391 2025	Bracket:Pick-up Paper Jam:Door: PF4140Q543	3 - 22
D391 2026	Holder:Wrench:PF4140P010	3 - 23
D391 2027	Wrench:19MM:PF4140P900	3 - 24
D391 2028	Door:Front Right:PF4155Q501	3 - 29
D391 2029	Inner Cover:Base:PF4140Q511	3 - 25
D391 2030	Plate:Magnetic:Door:PF4140Q510	3 - 26
D391 2031	Cover:Left:PF4155Q522	5 - 19
D391 2032	Cover:Left Lower:PF4155Q513	5 - 20
D391 2033	Cover:Right:PF4155Q506	5 - 21
D391 2034	Cover:Fan:PF4155K102	5 - 18
D391 2035	Cover:Main Swithc:PF4155Q537	5 - 22

Part No.	Description	Page and Index No.
D391 2036	Feeler:Sensor:PF4140Q523	7 - 19
D391 2037	Bracket:Holder:Filter:PF4140Q559	7 - 20
D391 2038	Cover:Rear Upper:PF4155Q534	7 - 21
D391 2039	Cover:Upper Middle:PF4155Q509	7 - 22
D391 2040	Cover:Right Upper:PF3099P808	7 - 23
D391 4000	Tray:Upper:PF3099P0P13	17 - 24
D391 4001	Cover:Tray:Upper:PF3099P016	17 - 25
D391 4002	Screw:M3x4:030040FWBI	17 - 5
D391 4002	Screw:M3x4:030040FWBI	19 - 7
D391 4003	Tapping Screr:M3x6:030060FWIT	25 - 10
D391 4003	Tapping Screr:M3x6:030060FWIT	23 - 5
D391 4003	Tapping Screr:M3x6:030060FWIT	29 - 17
D391 4003	Tapping Screr:M3x6:030060FWIT	21 - 4
D391 4003	Tapping Screr:M3x6:030060FWIT	35 - 6
D391 4005	Screw With Washer:M4x8:040080FWWS	61 - 12
D391 4005	Screw With Washer:M4x8:040080FWWS	35 - 2
D391 4005	Screw With Washer:M4x8:040080FWWS	39 - 4
D391 4006	Collar:CL060030FW	23 - 26
D391 4006	Collar:CL060030FW	31 - 8
D391 4007	Micro Switch:E120001580	33 - 2
D391 4009	Nylon Clamp:E450000075	35 - 9
D391 4011	Synchronous Belt:NS-BLT00121A	39 - 19
D391 4012	Synchronous Belt:NS-BLT00126A	39 - 20
D391 4013	Synchronous Belt:NS-BLT00166A	39 - 23
D391 4013	Synchronous Belt:NS-BLT00166A	37 - 9
D391 4014	Synchronous Belt:NS-BLT00344A	39 - 17
D391 4015	Synchronous Belt:NS-BLT00381A	39 - 11
D391 4016	Retaining Rings-C:NS-Clip00007A	33 - 10
D391 4016	Retaining Rings-C:NS-Clip00007A	39 - 3
D391 4016	Retaining Rings-C:NS-Clip00007A	23 - 16
D391 4016	Retaining Rings-C:NS-Clip00007A	37 - 4
D391 4016	Retaining Rings-C:NS-Clip00007A	31 - 11
D391 4016	Retaining Rings-C:NS-Clip00007A	43 - 14
D391 4016	Retaining Rings-C:NS-Clip00007A	41 - 13
D391 4016	Retaining Rings-C:NS-Clip00007A	35 - 7

Part No.	Description	Page and Index No.
D391 4016	Retaining Rings-C:NS-Clip00007A	27 - 7
D391 4017	Tapping Screr:M3x8:NS-SCR00026A	17 - 11
D391 4017	Tapping Screr:M3x8:NS-SCR00026A	19 - 14
D391 4018	Tapping Screr:M4x8:NS-SCR00053A	19 - 1
D391 4018	Tapping Screr:M4x8:NS-SCR00053A	17 - 1
D391 4018	Tapping Screr:M4x8:NS-SCR00053A	21 - 3
D391 4018	Tapping Screr:M4x8:NS-SCR00053A	29 - 7
D391 4019	Screw:M3:NS-SCR00206A	29 - 3
D391 4019	Screw:M3:NS-SCR00206A	25 - 2
D391 4020	Bushing:PF2166P035C	27 - 9
D391 4020	Bushing:PF2166P035C	29 - 13
D391 4020	Bushing:PF2166P035C	23 - 20
D391 4021	Tray:Upper Lower:Bin:Upper:PF3099K102	17 - 19
D391 4022	Tray:Upper Lower:Bin:Lower:PF3099K103A	19 - 10
D391 4023	Hinge:Main:PF3091K120A:Ass'y	37 - 1
D391 4024	Hinge:Sub:PF3091K122A:Ass'y	37 - 3
D391 4025	Tray Unit:Lower:PF3099K144:Ass'y	19 - *
D391 4025	Tray Unit:Lower:PF3099K144:Ass'y	15 - 5
D391 4026	Tray Unit:Upper:PF3099K152:Ass'y	17 - *
D391 4026	Tray Unit:Upper:PF3099K152:Ass'y	15 - 4
D391 4027	Spring Plate:Registration Roller:F: PF3091K172	21 - 5
D391 4027	Spring Plate:Registration Roller:F: PF3091K172	29 - 19
D391 4028	Spring Plate:Registration Roller:R: PF3091K173	29 - 18
D391 4028	Spring Plate:Registration Roller:R: PF3091K173	21 - 6
D391 4029	Cover:Front:PF3099P001	15 - 2
D391 4030	Cover:Front:Sub:PF3099P002	15 - 1
D391 4031	Cover:Rear:PF3099P003	15 - 3
D391 4032	Cover:Upper:PF3099P004	21 - 1
D391 4033	Base:Tray:Lower:PF3099P014	19 - 5
D391 4044	Tray:Base:Sub:PF3099P015	19 - 20
D391 4044	Tray:Base:Sub:PF3099P015	17 - 17

Part No.	Description	Page and Index No.
D391 4045	Cover:Tray:Lower:PF3099P017	19 - 4
D391 4046	Cover:Tray:Upper Lower:PF3099P021	17 - 14
D391 4046	Cover:Tray:Upper Lower:PF3091P021A	19 - 17
D391 4047	Guide:Tray:Upper:Front:PF3099P022	17 - 22
D391 4048	Guide:Tray:Lower:Front:PF3099P024	19 - 23
D391 4049	Arm:Pickup:Front:PF3091P026A	27 - 13
D391 4049	Arm:Pickup:Front:PF3091P026A	23 - 17
D391 4050	Arm:Pickup:Rear:PF3091P027A	27 - 18
D391 4050	Arm:Pickup:Rear:PF3091P027A	23 - 23
D391 4051	Holder:Contact Point:PF3091P028A	15 - 7
D391 4052	Lever:Open And Close:Cover:Upper: PF3099P029	21 - 2
D391 4053	Link:Open And Close:Cover:Upper: PF3091P030A	23 - 1
D391 4054	Hook:Open And Close:Cover:Upper: PF3091P031A	23 - 2
D391 4055	Pawl:Lock:Cover:Upper:PF3091P032A	23 - 10
D391 4056	Lever:Open And Close:Middle:PF3091P033A	27 - 5
D391 4057	Lever:Registration Sensor:Bin:Upper: PF3091P03	21 - 11
D391 4058	Lever:Registration Sensor:Bin:Lower: PF3091P037A	31 - 13
D391 4059	Driven Roller:PF3091P039A	21 - 8
D391 4059	Driven Roller:PF3091P039A	29 - 9
D391 4060	Case:Coil Spring:Separation:PF3091P040A	29 - 15
D391 4060	Case:Coil Spring:Separation:PF3091P040A	31 - 4
D391 4061	Lever:PF3091P046A	19 - 3
D391 4061	Lever:PF3099P046	17 - 3
D391 4062	Cover:LED:PF3091P047A	19 - 19
D391 4062	Cover:LED:PF3091P047A	17 - 16
D391 4063	Lever:PF3099P048	17 - 6
D391 4063	Lever:PF3099P048	19 - 8
D391 4064	Rack:Tray:Front:PF3091P049A	19 - 16
D391 4064	Rack:Tray:Front:PF3091P049A	17 - 13
D391 4065	Rack:Tray:Rear:PF3091P050A	17 - 12

Part No.	Description	Page and Index No.
D391 4065	Rack:Tray:Rear:PF3091P050A	19 - 15
D391 4066	Cover:Sensor:Supply:PF3091P051A	17 - 21
D391 4066	Cover:Sensor:Supply:PF3091P051A	19 - 24
D391 4067	Lever:Sensor:Supply:PF3091P052A	17 - 23
D391 4067	Lever:Sensor:Supply:PF3091P052A	19 - 25
D391 4068	Bushing:Contact Point:PF3091P076A	17 - 18
D391 4068	Bushing:Contact Point:PF3091P076A	23 - 13
D391 4068	Bushing:Contact Point:PF3091P076A	17 - 4
D391 4068	Bushing:Contact Point:PF3091P076A	19 - 6
D391 4068	Bushing:Contact Point:PF3091P076A	19 - 21
D391 4069	Pawl:Lock:Cover:Upper:PF3091P077A	23 - 24
D391 4070	Lever:On Off Detector:Cover:Upper: PF3091P078A	23 - 7
D391 4071	Adjusting Plate:PF3091P079A	33 - 8
D391 4072	Control Plate:Thrust:Middle:PF3091P082A	27 - 22
D391 4073	Roller:PF3091P090A	25 - 1
D391 4074	Case:Support:Coil Spring:PF3091P091A	25 - 7
D391 4076	Balancer:PF3091P142A	17 - 7
D391 4076	Balancer:PF3091P142A	19 - 9
D391 4077	Spring Plate:Lock:Cover:Upper: PF3091P155A	23 - 4
D391 4078	Spring Plate:Earth:Cover:Upper: PF3091P156A	33 - 18
D391 4079	Spring Plate:On Off Detector:Cover:Upper: PF3091P157A	33 - 3
D391 4080	Spring Plate:Plate:Registration Roller: PF3091P159A	21 - 13
D391 4081	Spring Plate:Roller:Separation: PF3091P160A	29 - 14
D391 4081	Spring Plate:Roller:Separation: PF3091P160A	31 - 5
D391 4082	Spring Plate:Click:PF3091P161A	17 - 10
D391 4082	Spring Plate:Click:PF3091P161A	19 - 13
D391 4083	Spring Plate:Earth:Tray:PF3091P162A	17 - 20
D391 4083	Spring Plate:Earth:Tray:PF3091P162A	19 - 22

Part No.	Description	Page and Index No.
D391 4084	Roller:Separation:PF3091P300A	29 - 21
D391 4084	Roller:Separation:PF3091P300A	31 - 17
D391 4085	Paper Feed Roller:PF3091P301A	27 - 14
D391 4085	Paper Feed Roller:PF3091P301A	23 - 19
D391 4086	Pickup Roller:PF3091P302A	23 - 15
D391 4086	Pickup Roller:PF3091P302A	27 - 12
D391 4087	Registration Roller:Bin:Upper:PF3091P303A	27 - 1
D391 4089	Registration Roller:Bin:Lower:PF3091P304A	33 - 19
D391 4090	Transport Roller:PF3091P305A	27 - 2
D391 4091	Gear:Mechanical Roller Clutch: PF3091P306A	27 - 15
D391 4091	Gear:Mechanical Roller Clutch: PF3091P306A	23 - 18
D391 4092	Flange:PF3091P335A	23 - 21
D391 4092	Flange:PF3091P335A	27 - 16
D391 4093	Coil Spring:Separation Sub-Unit: PF3091P341A	31 - 3
D391 4093	Coil Spring:Separation Sub-Unit: PF3091P341A	29 - 16
D391 4094	Coil Spring:Pickup:PF3091P342A	27 - 23
D391 4094	Coil Spring:Pickup:PF3091P342A	23 - 28
D391 4095	Coil Spring:Lock:Cover:Upper:PF3091P343A	23 - 9
D391 4096	Coil Spring:Registration Sensor:BIN:Upper: PF3091P346A	21 - 9
D391 4097	Coil Spring:Registration Sensor:BIN:Lower: PF3091P347A	31 - 12
D391 4098	Coil Spring:Tension:PF3091P351A	39 - 6
D391 4099	Torque Limiter Mechanical Clutch: PF3091P357A	31 - 18
D391 4099	Torque Limiter Mechanical Clutch: PF3091P357A	29 - 22
D391 4100	Coil Spring:Auxiliary:Cover:Upper: PF3091P363A	25 - 9
D391 4101	Coil Spring:Auxiliary:Middle:PF3091P364A	35 - 8
D391 4102	Coil Spring:PF3091P400A	39 - 7

Part No.	Description	Page and Index No.
D391 4103	Coil Spring:Gear:PF3091P401A	39 - 9
D391 4104	Flange:PF4062P779A	23 - 22
D391 4104	Flange:PF4062P779A	27 - 17
D391 4105	Flange:PF4099P223A	43 - 4
D391 4105	Flange:PF4099P223A	39 - 18
D391 4106	Tapping Screr:PF4102P123C	29 - 1
D391 4107	Mechanical Roller Clutch:PR5300P429A	25 - 4
D391 4108	Bracket:PF3091P171	35 - 10
D391 4109	Stopper:Hinge:PF3091P185	37 - 18
D391 4110	Nut:PF3091P339	37 - 15
D391 4111	Screw:PF3091P352	37 - 16
D391 4111	Screw:PF3091P352	7 - 17
D391 4112	Screw:PF3091P356	37 - 17
D391 4112	Screw:PF3091P356	7 - 18
D391 4113	Duct:Upper:PF3091P095	15 - 13
D391 4114	Stopper:Open And Close:Cover: PF3091K015:PEEN	15 - 10
D391 4115	Cover:Upper:PF3099P004	15 - 12
D391 4116	Tapping Screw:M3x8:030080FWTP	15 - 11
D391 4117	Harness:Tray:Upper:PF3099K911	17 - 32
D391 4118	Side Fence:Tray:Upper:PF3099P023	17 - 28
D391 4119	Friction Pad:Pickup:PF3091P327	19 - 29
D391 4119	Friction Pad:Pickup:PF3091P327	17 - 29
D391 4121	Frame:Tray:PF3091P120	19 - 30
D391 4121	Frame:Tray:PF3091P120	17 - 30
D391 4122	Harness:Design Sketch:LED:PF3091K320	17 - 34
D391 4124	Gear:Pinion:Tray:PF3091P053	17 - 33
D391 4124	Gear:Pinion:Tray:PF3091P053	19 - 33
D391 4125	Holder:Sensor:PF3091P045	17 - 31
D391 4125	Holder:Sensor:PF3091P045	19 - 31
D391 4126	Side Fence:Tray Lower:PF3099P025	19 - 32
D391 4130	Harness:Bin Display:PF3091K326	19 - 34
D391 4134	Shaft:Registration Roller: PF3091P213	21 - 22
D391 4135	Shat:Transport Roller:PF3091P214	21 - 23

Part No.	Description	Page and Index No.
D391 4136	Guide:Bin:Upper:PF3091P111	21 - 18
D391 4137	Side Plate:Cover:Rear:PF3091P109	21 - 19
D391 4138	Stay:Cover:Upper:PF3091P110	21 - 20
D391 4139	Side Plate:Cover:Front:PF3091P108	21 - 21
D391 4140	Guide:Pickup:PF3091P007	21 - 24
D391 4500	Cover:Left Rear:PF4165Q525	9 - 14
D391 4500	Cover:Left Rear:PF4165Q525	5 - 16
D391 4502	Roller:Joint Unit:PF4165Q650A	11 - 15
D391 4503	Cover:Front Lower:PF4165Q680	9 - 7
D391 4504	Cover:Front:Joint Unit:PF4165Q681	9 - 8
D391 4505	Cover:Rear Upper:Joint Unit:PF4165Q682	9 - 15
D391 4507	Cover:Upper:Joint Unit:PF4165Q684	9 - 13
D391 4508	Cover:Rear Lower:PF4165Q683B	9 - 12
D391 4510	Hopper:Glue:PF4140R643	9 - 9
D391 4511	Ground Plate:PF4165K811A	9 - 10
D391 4512	Flat Screw:PF4102P382	9 - 11
D391 4513	Bracket:Cover:Rear:PF4165Q625	9 - 16
D391 4514	Bracket:Magnet Catch:PF4165Q626	9 - 17
D391 4515	Cover:Upper:PF4165Q618	11 - 16
D391 4516	Stay:Transport:Upper:PF4165Q604	11 - 17
D391 4517	Bracket:Transport:Front:PF4165Q607	11 - 18
D391 4518	Shaft:Roller:PF4140P618	11 - 27
D391 4519	Holder:Shaft:Rrlease:PF4155P607	11 - 28
D391 4520	Torsion Spring:PF3091P347A2	13 - 5
D391 4522	Magnetic:35N:PF4132P350A1	11 - 5
D391 4523	Spring Plate:PF4132P705A	9 - 5
D391 4524	Tension Spring:PF4143P310A	13 - 11
D391 4525	Synchronous Belt:NS-BLT00452A	13 - 18
D391 4526	Shaft:Transport Sub-Unit:Front:PF4165K604	11 - 19
D391 4528	Bracket:Release:PF4140P120	11 - 26
D391 4529	Plate:Release:PF4140P637	11 - 20
D391 4530	Shaft:Release:PF4165Q651	11 - 29
D391 4531	Bracket:Transport:Rear:PF4165Q608	11 - 21
D391 4532	Stay:Transport:Lower:PF4165Q606	11 - 22
D391 4533	Shaft:Transport Sub-Unit:Rear:PF4165K605	11 - 23

Part No.	Description	Page and Index No.
D391 4534	Timing Pulley:S2MX16:PF4140P631	11 - 31
D391 4535	Flange:Timing Pulley:PF4099P225	11 - 30
D391 4536	Bracket:Shaft:Transport Roller:PF4165Q609	11 - 24
D391 4537	Bracket:Sensor:PF4140K059:PEEN	13 - 21
D391 4538	Bracket:Sensor:Release:PF4165K608	13 - 22
D391 4539	Spring Plate:Sensor:Release:PF4140P714	13 - 23
D391 4540	Timing Pulley:E450001234	13 - 24
D391 4541	Bracket:Tightener:PF4165K606	13 - 25
D391 4542	Cover:Sensor:Release:PF4165Q619	13 - 26
D391 4543	Roller:Synchronous Belt:PR5100P216	13 - 29
D391 4544	Flange:Roller:PF4099P950	13 - 30
D391 4545	Bracket:DC Stepper Motor:PF4140P629	13 - 27
D391 4546	Harness:Joint Unit:PF4165K906	13 - 31
D391 4547	Stay:Right:PF4165Q603	13 - 28
D391 5250	Micro Switch:E120001934	55 - 2
D391 5251	Photointerruptor:E314000729	93 - 11
D391 5251	Photointerruptor:E314000729	67 - 4
D391 5251	Photointerruptor:E314000729	81 - 9
D391 5252	Photointerruptor:E314000804	163 - 8
D391 5253	DC Solenoid:PF2252P930	51 - 18
D391 5254	Photointerruptor:PF2286P475	177 - 10
D391 5254	Photointerruptor:PF2286P475	53 - 6
D391 5254	Photointerruptor:PF2286P475	51 - 7
D391 5254	Photointerruptor:PF2286P475	47 - 14
D391 5254	Photointerruptor:PF2286P475	43 - 10
D391 5254	Photointerruptor:PF2286P475	165 - 9
D391 5254	Photointerruptor:PF2286P475	41 - 14
D391 5254	Photointerruptor:PF2286P475	157 - 10
D391 5254	Photointerruptor:PF2286P475	113 - 6
D391 5254	Photointerruptor:PF2286P475	109 - 4
D391 5254	Photointerruptor:PF2286P475	107 - 7
D391 5254	Photointerruptor:PF2286P475	163 - 18
D391 5254	Photointerruptor:PF2286P475	147 - 7
D391 5254	Photointerruptor:PF2286P475	61 - 4
D391 5254	Photointerruptor:PF2286P475	55 - 4

Part No.	Description	Page and Index No.
D391 5254	Photointerruptor:PF2286P475	57 - 1
D391 5254	Photointerruptor:PF2286P475	169 - 1
D391 5254	Photointerruptor:PF2286P475	67 - 1
D391 5254	Photointerruptor:PF2286P475	171 - 1
D391 5254	Photointerruptor:PF2286P475	71 - 1
D391 5254	Photointerruptor:PF2286P475	75 - 7
D391 5254	Photointerruptor:PF2286P475	77 - 6
D391 5254	Photointerruptor:PF2286P475	79 - 13
D391 5254	Photointerruptor:PF2286P475	81 - 10
D391 5254	Photointerruptor:PF2286P475	83 - 10
D391 5254	Photointerruptor:PF2286P475	87 - 1
D391 5254	Photointerruptor:PF2286P475	89 - 8
D391 5254	Photointerruptor:PF2286P475	91 - 1
D391 5254	Photointerruptor:PF2286P475	93 - 5
D391 5254	Photointerruptor:PF2286P475	175 - 12
D391 5254	Photointerruptor:PF2286P475	119 - 18
D391 5254	Photointerruptor:PF2286P475	161 - 9
D391 5254	Photointerruptor:PF2286P475	129 - 3
D391 5254	Photointerruptor:PF2286P475	139 - 1
D391 5254	Photointerruptor:PF2286P475	177 - 3
D391 5254	Photointerruptor:PF2286P475	99 - 1
D391 5254	Photointerruptor:PF2286P475	103 - 7
D391 5254	Photointerruptor:PF2286P475	13 - 6
D391 5254	Photointerruptor:PF2286P475	137 - 1
D391 5254	Photointerruptor:PF2286P475	121 - 10
D391 5254	Photointerruptor:PF2286P475	141 - 1
D391 5254	Photointerruptor:PF2286P475	183 - 4
D391 5254	Photointerruptor:PF2286P475	117 - 6
D391 5254	Photointerruptor:PF2286P475	115 - 19
D391 5255	DC Stepper Motor:PF3091K335	43 - 17
D391 5256	DC Solenoid:PF4109K542	165 - 10
D391 5257	Interface Board:PF4140K614	69 - 4
D391 5258	Interface Board:PF4140K615	85 - 7
D391 5259	Interface Board:PF4140K616	83 - 11
D391 5260	Interface Board:PF4140K617	81 - 14

Part No.	Description	Page and Index No.
D391 5261	Interface Board:PF4140K618	93 - 12
D391 5262	Interface Board:PF4140K619	93 - 16
D391 5263	Interface Board:PF4140K620	93 - 10
D391 5264	Interface Board:PF4140K621	109 - 1
D391 5266	PCB:Service:PF4140K623	91 - 14
D391 5267	PCB:Switch:PF4140K624	5 - 4
D391 5268	PCB:LED:PF4140K628	115 - 18
D391 5269	DC Stepper Motor:PF4140K630	143 - 1
D391 5270	DC Stepper Motor:PF4140K631	67 - 11
D391 5270	DC Stepper Motor:PF4140K631	119 - 2
D391 5270	DC Stepper Motor:PF4140K631	47 - 17
D391 5270	DC Stepper Motor:PF4140K631	79 - 10
D391 5270	DC Stepper Motor:PF4140K631	61 - 5
D391 5270	DC Stepper Motor:PF4140K631	143 - 8
D391 5270	DC Stepper Motor:PF4140K631	105 - 1
D391 5271	DC Motor:PF4140K632	79 - 7
D391 5271	DC Motor:PF4140K632	61 - 8
D391 5272	DC Stepper Motor:PF4140K633	93 - 15
D391 5273	DC Motor:PF4140K634	119 - 20
D391 5273	DC Motor:PF4140K634	121 - 13
D391 5274	DC Solenoid:PF4140K635	113 - 14
D391 5275	DC Stepper Motor:PF4140K637	121 - 1
D391 5275	DC Stepper Motor:PF4140K637	109 - 8
D391 5275	DC Stepper Motor:PF4140K637	113 - 1
D391 5275	DC Stepper Motor:PF4140K637	13 - 15
D391 5275	DC Stepper Motor:PF4140K637	83 - 6
D391 5276	Keep Solenoid:PF4140K638	115 - 16
D391 5277	DC Motor:PF4140K643	83 - 7
D391 5277	DC Motor:PF4140K643	91 - 9
D391 5277	DC Motor:PF4140K643	93 - 7
D391 5277	DC Motor:PF4140K643	145 - 1
D391 5279	Power Supply Cord:NA:PF4140K712	187 - 1
D391 5280	PCB:Sensor:PF4140K903	165 - 1
D391 5281	Optics Sensor:Radiate:PF4140K905	151 - 3
D391 5281	Optics Sensor:Radiate:PF4140K905	165 - 11

Part No.	Description	Page and Index No.
D391 5281	Optics Sensor:Radiate:PF4140K905	157 - 11
D391 5281	Optics Sensor:Radiate:PF4140K905	103 - 6
D391 5282	Optics Sensor:Photo:PF4140K906	163 - 12
D391 5282	Optics Sensor:Photo:PF4140K906	165 - 12
D391 5282	Optics Sensor:Photo:PF4140K906	151 - 2
D391 5282	Optics Sensor:Photo:PF4140K906	103 - 4
D391 5283	Button:Release:PF4140K907	175 - 1
D391 5284	DC Stepper Motor:PF4140K915	165 - 7
D391 5285	DC Stepper Motor:PF4140K916	155 - 1
D391 5285	DC Stepper Motor:PF4140K916	69 - 16
D391 5285	DC Stepper Motor:PF4140K916	161 - 7
D391 5286	DC Stepper Motor:PF4140K917	157 - 3
D391 5286	DC Stepper Motor:PF4140K917	163 - 1
D391 5287	DC Motor:PF4140K918	169 - 3
D391 5288	Drawer:PF4140K956	175 - 3
D391 5289	Drawer:Tray:PF4140K957	177 - 21
D391 5295	Micro Switch:PF4140R123	115 - 10
D391 5296	DC Stepper Motor:PF4140R405	149 - 2
D391 5296	DC Stepper Motor:PF4140R405	167 - 2
D391 5296	DC Stepper Motor:PF4140R405	35 - 3
D391 5296	DC Stepper Motor:PF4140R405	75 - 10
D391 5296	DC Stepper Motor:PF4140R405	67 - 15
D391 5296	DC Stepper Motor:PF4140R405	165 - 5
D391 5296	DC Stepper Motor:PF4140R405	61 - 2
D391 5296	DC Stepper Motor:PF4140R405	101 - 1
D391 5296	DC Stepper Motor:PF4140R405	177 - 18
D391 5297	DC Fan Motor:PF4140R406	69 - 1
D391 5297	DC Fan Motor:PF4140R406	97 - 1
D391 5297	DC Fan Motor:PF4140R406	49 - 1
D391 5297	DC Fan Motor:PF4140R406	187 - 6
D391 5298	DC Fan Motor:PF4140R409	141 - 4
D391 5298	DC Fan Motor:PF4140R409	97 - 3
D391 5299	DC Solenoid:PF4140R411	175 - 6
D391 5300	Leak Breaker:PF4140R412	187 - 4
D391 5305	Power Supply Unit:PF4140R403B	187 - 9

Part No.	Description	Page and Index No.
D391 5311	Interface Cable:Inner Assembly:PF4155K201	187 - 10
D391 5312	Harness:Connectiong:PF4155K908	187 - 11
D391 5313	Harness:Registration:PF4140K681:Ass'y	113 - 19
D391 5314	Harness:Paper Feed Sensor:PF4140K782	147 - 14
D391 5500	PCB:Connecting:Ass'y	187 - 8
D391 5510	PCB:Main:Ass'y	185 - 3
D391 5520	PCB:Sub:Ass'y	185 - 2
D391 5530	PCB:Cutter:Ass'y	185 - 1
D391 5700	PCB:Paper Feed Unit:Ass'y	35 - 1
D391 5780	Photointerruptor:PF2286P475	23 - 14
D391 5780	Photointerruptor:PF2286P475	39 - 10
D391 5780	Photointerruptor:PF2286P475	37 - 2
D391 5780	Photointerruptor:PF2286P475	33 - 14
D391 5780	Photointerruptor:PF2286P475	31 - 6
D391 5780	Photointerruptor:PF2286P475	17 - 2
D391 5780	Photointerruptor:PF2286P475	21 - 10
D391 5780	Photointerruptor:PF2286P475	19 - 2
D391 5781	PCB:LED:PF3091K149	19 - 18
D391 5781	PCB:LED:PF3091K149	17 - 15
D391 5782	Positioning Sensor:PF3091K324	19 - 12
D391 5782	Positioning Sensor:PF3091K324	17 - 9
D391 5783	DC Stepper Motor:PF3091K330	39 - 5
D391 5784	Electromagnetic Clutch:PF3091K345	37 - 14
D391 5784	Electromagnetic Clutch:PF3091K345	39 - 16
D391 5785	DC Stepper Motor:PF3091P500	37 - 7
D391 5787	Harness:Cover:Upper:PF3091K312	21 - 17
D391 6500	Decal:Set:Glue	97 - 8
D391 6500	Decal:Set:Glue	99 - 12
D391 6500	Decal:Set:Glue	99 - 11
D391 6500	Decal:Set:Glue	97 - 9
D391 6510	Decal:Set:Lever:1	41 - 17
D391 6510	Decal:Set:Lever:1	45 - 10
D391 6510	Decal:Set:Lever:1	47 - 21
D391 6510	Decal:Set:Lever:1	133 - 15
D391 6510	Decal:Set:Lever:1	63 - 13

Part No.	Description	Page and Index No.
D391 6510	Decal:Set:Lever:1	125 - 13
D391 6510	Decal:Set:Lever:1	41 - 16
D391 6510	Decal:Set:Lever:1	115 - 21
D391 6520	Decal:Set:Lever:2	45 - 11
D391 6520	Decal:Set:Lever:2	3 - 14
D391 6530	Decal:Set:Paper Jam	7 - 13
D391 6530	Decal:Set:Paper Jam	97 - 7
D391 6530	Decal:Set:Paper Jam	5 - 11
D391 6530	Decal:Set:Paper Jam	167 - 8
D391 6530	Decal:Set:Paper Jam	5 - 10
D391 6530	Decal:Set:Paper Jam	3 - 11
D391 6530	Decal:Set:Paper Jam	3 - 12
D391 6530	Decal:Set:Paper Jam	41 - 15
D391 6540	Decal:Set:Paper Feed	21 - 16
D391 6540	Decal:Set:Paper Feed	19 - 28
D391 6540	Decal:Set:Paper Feed	19 - 27
D391 6540	Decal:Set:Paper Feed	17 - 27
D391 6540	Decal:Set:Paper Feed	17 - 26
D391 6546	Decal:Grip:MK1	27 - 24
D391 6547	Decal:Cover:Paper Feed	19 - 26
D391 6550	Decal:Set:Joint Unit	13 - 1
D391 6550	Decal:Set:Joint Unit	11 - 7
D391 6560	Decal:Caution:Press:1	163 - 26
D391 6561	Decal:Caution:Press:2	163 - 27
D391 6562	Decal:Caution:Cutter	165 - 16
D391 6563	Decal:H-Temp Warning:Glue	109 - 13
D391 6564	Decal:Caution:Paper Exit Sub-Unit	3 - 13
D391 6565	Decal:Caution:Power Supply Plug	5 - 12

Part No.	Description	Page and Index No.
B660 1111	Magnet Catch	13 - 3
B660 1111	Magnet Catch:13N:PF2214P393A	13 - 16
B660 1111	Magnet Catch	45 - 4
B660 1212	Lever:Coupling:PF4147P197A	13 - 20
B660 1436	Bracket:Ground Plate:PF4147P139A	13 - 19
B660 1651	Sensor Lever	43 - 13
B660 1651	Sensor Lever	41 - 12
B660 1768	Guide Plate:Connecting:PF4147P818A	9 - 18
B660 1795	Magnet Catch	99 - 4
B660 2815	Spacer:PF4099P337	67 - 6
B660 4161	Right Cover Sponge	9 - 2
B660 4511	Screw:030040FNBI	157 - 12
B660 4511	Screw:030040FNBI	163 - 13
B660 4521	Screw:030080FNBI	159 - 2
B660 4521	Screw:030080FNBI	163 - 24
B660 4572	Screw:040040FNBI	81 - 6
B660 4581	Screw:NS-SCR00080A	13 - 12
B660 4636	Spacer:PW060050	115 - 20
B660 4636	Spacer:PW060050	157 - 8
B660 4636	Spacer:PW060050	163 - 6
B660 4711	Parallel Pin:HP020080SCH	31 - 19
B660 4711	Parallel Pin:HP020080SCH	29 - 10
B660 4711	Parallel Pin:HP020080SCH	29 - 23
B660 4715	Parallel Pin:HP020120SCH	43 - 3
B660 4715	Parallel Pin:HP020120SCH	47 - 18
B660 4715	Parallel Pin:HP020120SCH	67 - 17
B660 4715	Parallel Pin:HP020120SCH	39 - 14
B660 4715	Parallel Pin:HP020120SCH	69 - 11
B660 4715	Parallel Pin:HP020120SCH	71 - 9
B660 4715	Parallel Pin:HP020120SCH	37 - 13
B660 4715	Parallel Pin:HP020120SCH	53 - 11
B660 4715	Parallel Pin:HP020120SCH	73 - 6
B660 4715	Parallel Pin:HP020120SCH	57 - 11
B660 4715	Parallel Pin:HP020120SCH	59 - 7
B660 4715	Parallel Pin:HP020120SCH	33 - 15

Part No.	Description	Page and Index No.
B660 4715	Parallel Pin:HP020120SCH	61 - 14
B660 4715	Parallel Pin:HP020120SCH	51 - 13
B660 4715	Parallel Pin:HP020120SCH	63 - 7
B660 4715	Parallel Pin:HP020120SCH	65 - 2
B660 4715	Parallel Pin:HP020120SCH	133 - 16
B660 4715	Parallel Pin:HP020120SCH	127 - 4
B660 4715	Parallel Pin:HP020120SCH	27 - 19
B660 4715	Parallel Pin:HP020120SCH	135 - 9
B660 4715	Parallel Pin:HP020120SCH	149 - 12
B660 4751	Nut:NT040FN2	33 - 9
B660 4811	External Circlip:NS-CLP00001A	21 - 12
B660 4811	External Circlip:NS-CLP00001A	31 - 14
B660 4815	External Circlip:NS-CLP00003A	59 - 5
B660 4815	External Circlip:NS-CLP00003A	13 - 7
B660 4815	External Circlip:NS-CLP00003A	65 - 17
B660 4815	External Circlip:NS-CLP00003A	29 - 20
B660 4815	External Circlip:NS-CLP00003A	27 - 11
B660 4815	External Circlip:NS-CLP00003A	31 - 15
B660 4815	External Circlip:NS-CLP00003A	127 - 12
B660 4815	External Circlip:NS-CLP00003A	23 - 6
B660 4815	External Circlip:NS-CLP00003A	43 - 20
B660 4821	External Circlip:NS-CLP00008A	117 - 10
B660 4821	External Circlip:NS-CLP00008A	127 - 5
B660 4831	Screw:NS-SCR00016A	101 - 2
B660 4831	Screw:NS-SCR00016A	31 - 2
B660 4831	Screw:NS-SCR00016A	21 - 14
B660 4831	Screw:NS-SCR00016A	29 - 4
B660 4831	Screw:NS-SCR00016A	29 - 6
B660 4831	Screw:NS-SCR00016A	33 - 13
B660 4835	Screw:NS-SCR00045A	71 - 11
B660 4835	Screw:NS-SCR00045A	171 - 6
B660 4835	Screw:NS-SCR00045A	179 - 7
B660 4835	Screw:NS-SCR00045A	91 - 12
B660 4835	Screw:NS-SCR00045A	181 - 8
B660 4835	Screw:NS-SCR00045A	97 - 4

Part No.	Description	Page and Index No.
B660 4835	Screw:NS-SCR00045A	3 - 20
B660 4835	Screw:NS-SCR00045A	31 - 1
B660 4835	Screw:NS-SCR00045A	23 - 12
B660 4835	Screw:NS-SCR00045A	27 - 6
B660 4835	Screw:NS-SCR00045A	5 - 6
B660 4835	Screw:NS-SCR00045A	15 - 9
B660 4835	Screw:NS-SCR00045A	29 - 2
B660 4835	Screw:NS-SCR00045A	15 - 6
B660 4835	Screw:NS-SCR00045A	13 - 9
B660 4835	Screw:NS-SCR00045A	21 - 15
B660 4835	Screw:NS-SCR00045A	9 - 1
B660 4835	Screw:NS-SCR00045A	7 - 14
B660 4835	Screw:NS-SCR00045A	37 - 8
B660 4835	Screw:NS-SCR00045A	7 - 9
B660 4835	Screw:NS-SCR00045A	5 - 17
B660 4835	Screw:NS-SCR00045A	41 - 10
B660 4835	Screw:NS-SCR00045A	47 - 16
B660 4841	Screw:NS-SCR00202A	11 - 11
B660 4846	Bushing:NS-MTL00004A	39 - 2
B660 4847	Bushing:NS-MTL00009A	27 - 8
B660 4847	Bushing:NS-MTL00009A	23 - 11
B660 4847	Bushing:NS-MTL00009A	29 - 12
B660 4847	Bushing:NS-MTL00009A	31 - 16
B660 4847	Bushing:NS-MTL00009A	33 - 11
B660 4847	Bushing:NS-MTL00009A	35 - 5
B660 4847	Bushing:NS-MTL00009A	37 - 10
B660 4847	Bushing:NS-MTL00009A	39 - 13
B660 5451	No.2 Entrance Sensor	117 - 3
B660 5451	No.2 Entrance Sensor	113 - 17
B660 5451	No.2 Entrance Sensor	59 - 19
B830 1135	Screw	13 - 8
B830 7511	Guide Plate:Connecting:Lower	9 - 19

Part No.	Description	Page and Index No.
0454 3006Q	Tapping Screw - M3x6	9 - 101

Part No.	Description	Page and Index No.