

SP C360DNw
(M0B0-TWN)
Parts Catalog

Parts change information sample

 **Add**

 **Update**

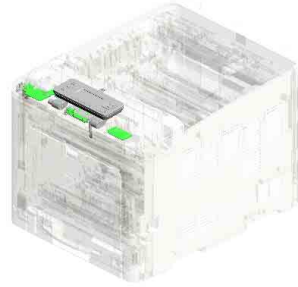
 **Delete**

Model	Product Code	PC Style
SP C360DNw	M0B0	3D
SP C360SFNw	D0A0	3D
SP C360SNw	D0AA	3D
SP C361SFNw	D0AB	3D
NFC Card Reader Type P14	M531	Traditional

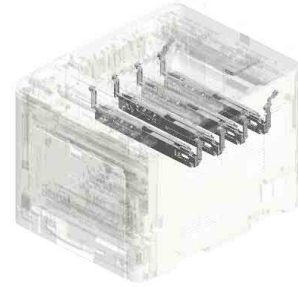
Unit All



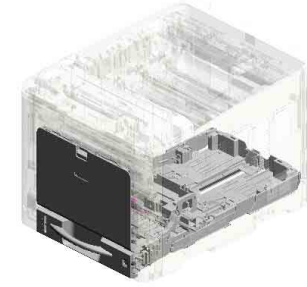
U001
EXTERIOR



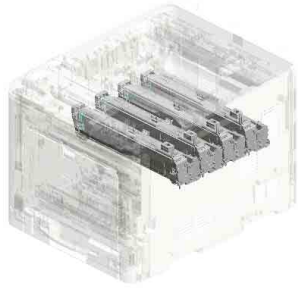
U002
OPERATION



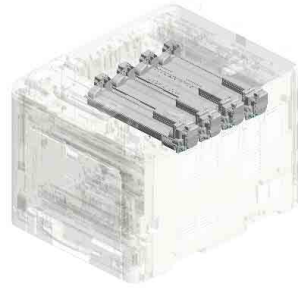
U003
LASER UNIT



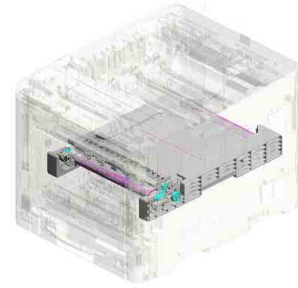
U004
PAPER FEED



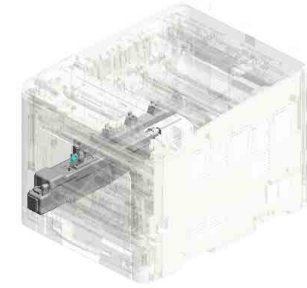
U005
PCU



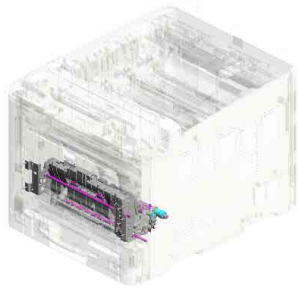
U006
DEVELOPMENT



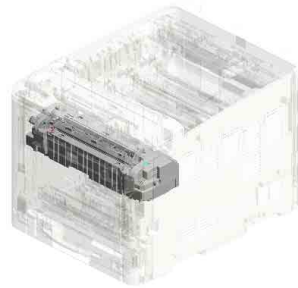
U007
ITB UNIT



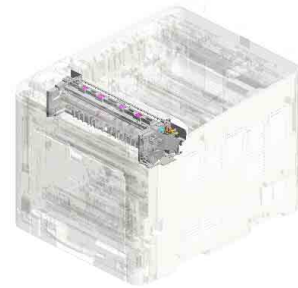
U008
USED TONER



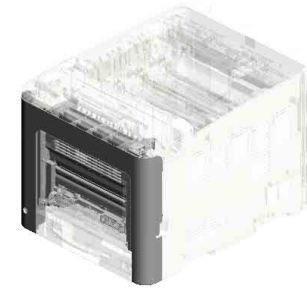
U009
PAPER TRANSPORT



U010
FUSING

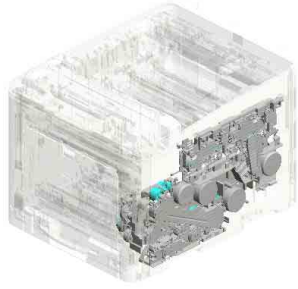


U011
PAPER EXIT

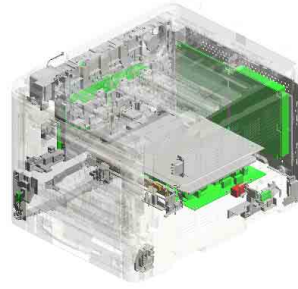


U012
DUPLEX

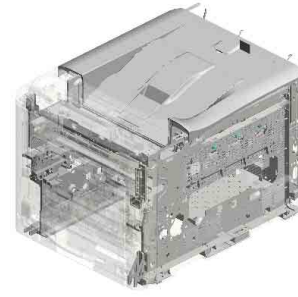
Unit All



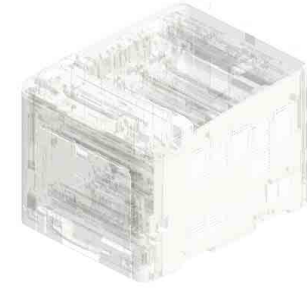
U013
MAIN DRIVE



U014
ELECTRICAL



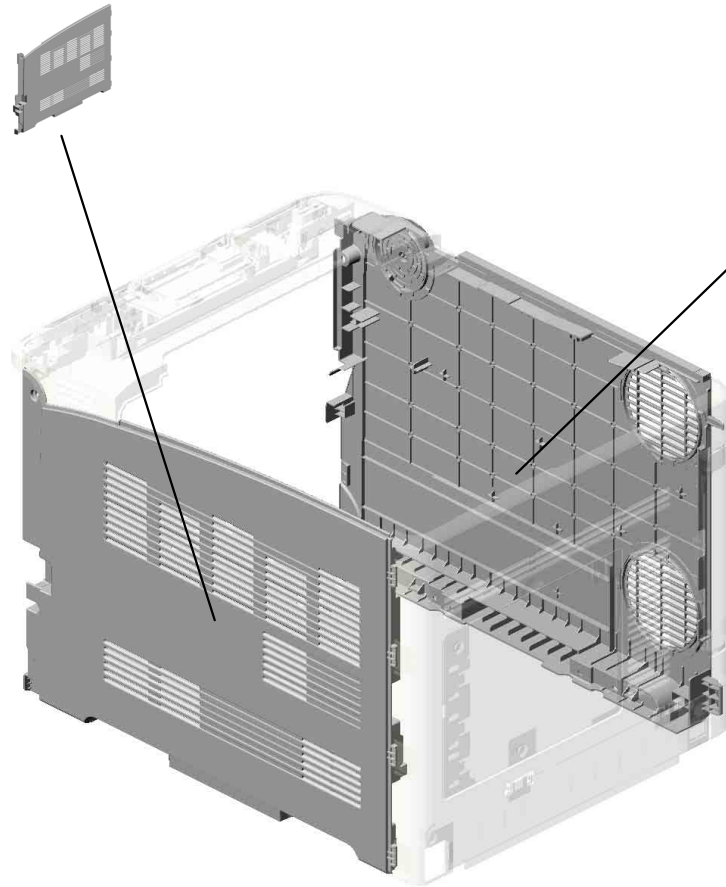
U015
MAIN FRAME



U016
ACCESSORIES

U001.EXTERIOR

U001_S002
M1111207
COVER:RIGHT:ASS'Y

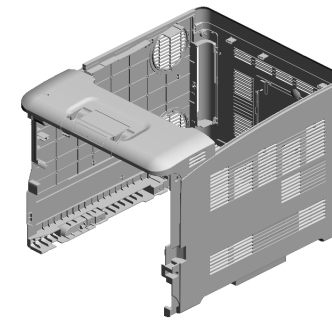


U001_S001
M0B01203
COVER:LEFT:ASS'Y

U001	U002	U003	U004	U005	U006	U007	U008	U009	U010	U011	U012	U013	U014	U015	U016
------	------	------	------	------	------	------	------	------	------	------	------	------	------	------	------

U001 EXTERIOR

- 6.M0B01270 COVER:OPERATION SUB-UNIT:UPPER
- 3.04583010N (x6) HEXAGON HEAD TAPPING SCREW:3 X10
- 21.M1111272 INNER COVER:EXIT
- 2.04543008Q (x12) TAPPING SCREW:3 X8
- 27.M1361285 COVER:REAR

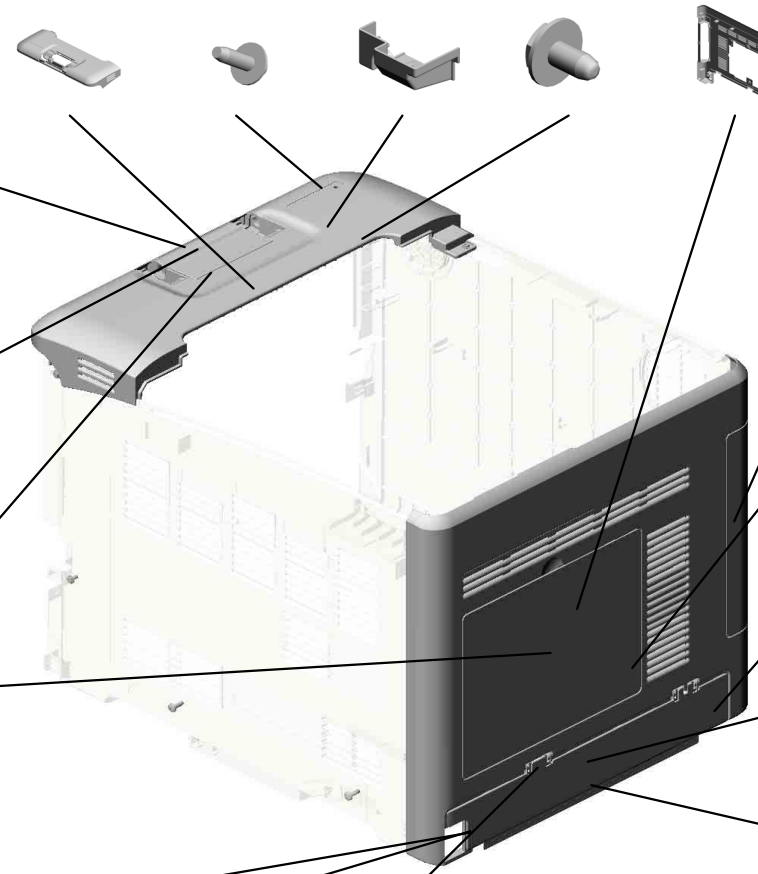


- 9.M0B01282 COVER:SD/USB

- 8.M0B01281 COVER:SD/USB:UPPER

- 7.M0B01273 COVER:OPERATION SUB-UNIT:LOWER

- 23.M1111282 COVER:HDD



- 24.M1111283 COVER:INTERFACE



- 1.04524012N (x6) BINDING SELF-TAPPING SCREW:4X12

- 25.M1111287 COVER:REAR:CONNECTOR

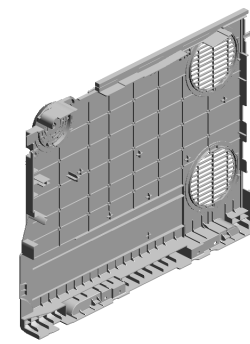
- 22.M1111281 COVER:REAR:CASSETTE

- 26.M1111294 SHEET:COVER:REAR:CASSETTE

- 14.M1091296 (x2) MAGNETIC:COVER:REAR
- 15.M1091297 (x2) SPACER:COVER:REAR:CASSETTE
- 13.M1091295 (x2) SEAL:COVER:REAR:CASSETTE

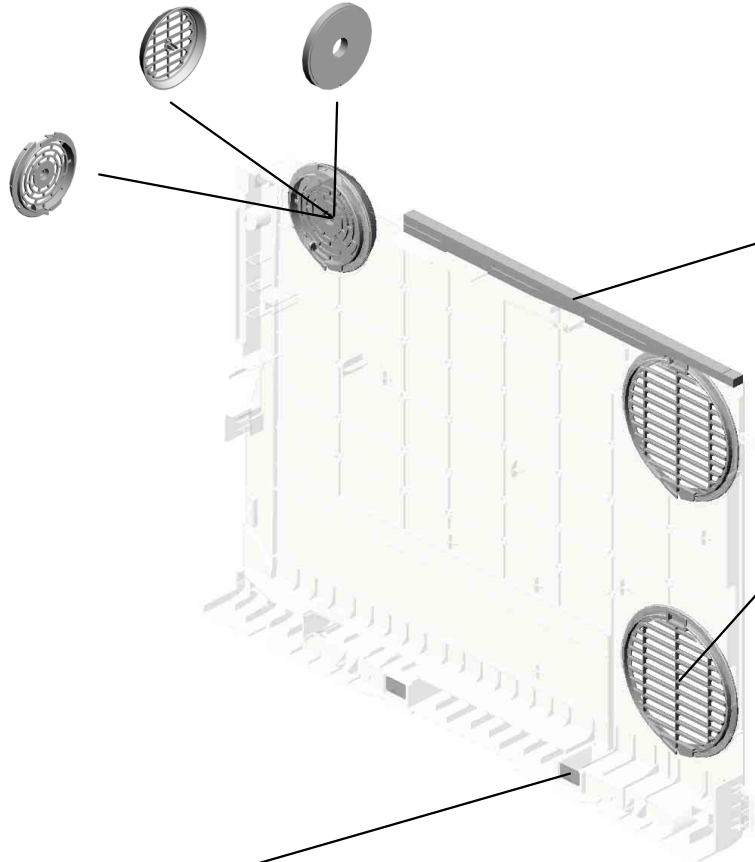
U001_S001
COVER:LEFT:ASS'Y

10.M1091206 11.M1091226
LOUVER:MM60:OU
TER FILTER:TVOC



5.M0B01203
COVER:LEFT:ASS'
Y

17.M1111204
LOUVER:INNER:AS
SY



12.M1091264
SEAL:COVER:LEFT

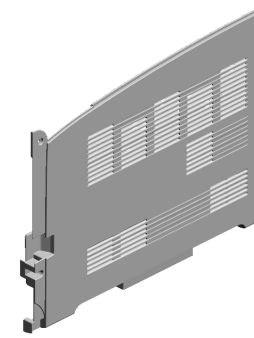
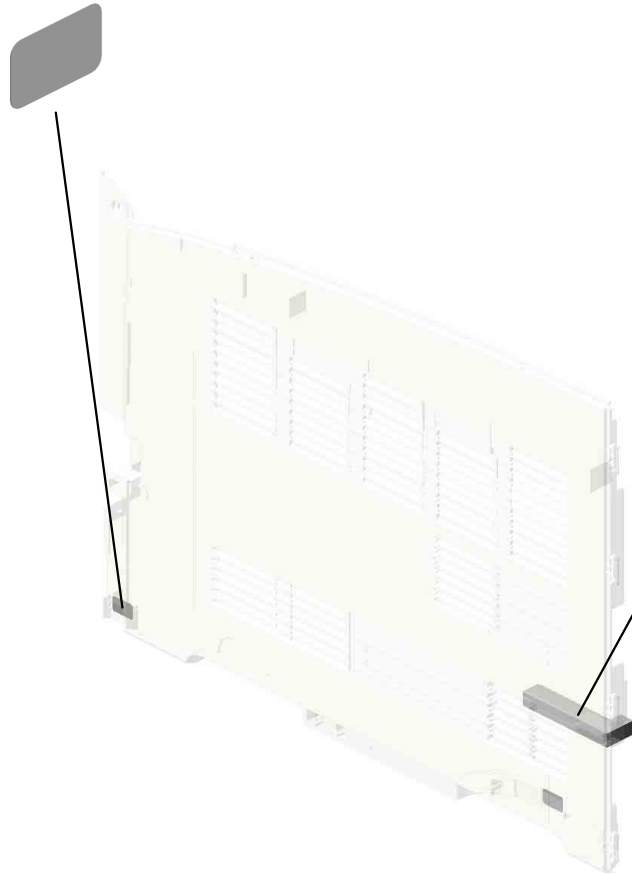
19.M1111261
(x2)
LOUVER:MM80

20.M1111262
(x2)
SEAL:COVER:GRIP
:I-GRAY

U001	U002	U003	U004	U005	U006	U007	U008	U009	U010	U011	U012	U013	U014	U015	U016
------	------	------	------	------	------	------	------	------	------	------	------	------	------	------	------

U001_S002
COVER:RIGHT:ASS'Y

20.M1111262
(x2)
SEAL:COVER:GRIP
:I-GRAY



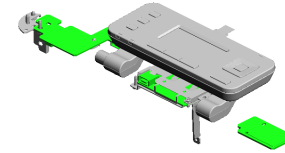
18.M1111207
COVER:RIGHT:AS
SY

16.M1095873
HEAT INSULATION
:DC BRUSHLESS M
OTOR:BLACK

U001	U002	U003	U004	U005	U006	U007	U008	U009	U010	U011	U012	U013	U014	U015	U016
------	------	------	------	------	------	------	------	------	------	------	------	------	------	------	------

U002 OPERATION

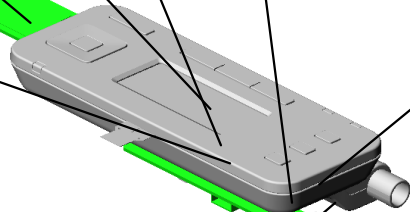
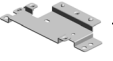
10.M0B01403 (TWN):OPERATION PANEL:ASS'Y
 9.M1361465 SHIELD PLATE:SD/USB:OPERATION S UB-UNIT
 1.04543006Q (x6) TAPPING SCREW - M3X6



5.M0B01475 PCB:NFC:ASS'Y



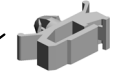
8.M1361462 GUIDE PLATE:SD/USB



2.04583010N (x5) HEXAGON HEAD TAPPING SCREW:3X10



3.11050758 CLAMP:LWSM-0306A



7.M1361279 GUIDE PLATE:COVER:PAPER EXIT S UB-UNIT



6.M0B01485 PCB:OPU:CONNECTING:ASS'Y



U003.LASER UNIT

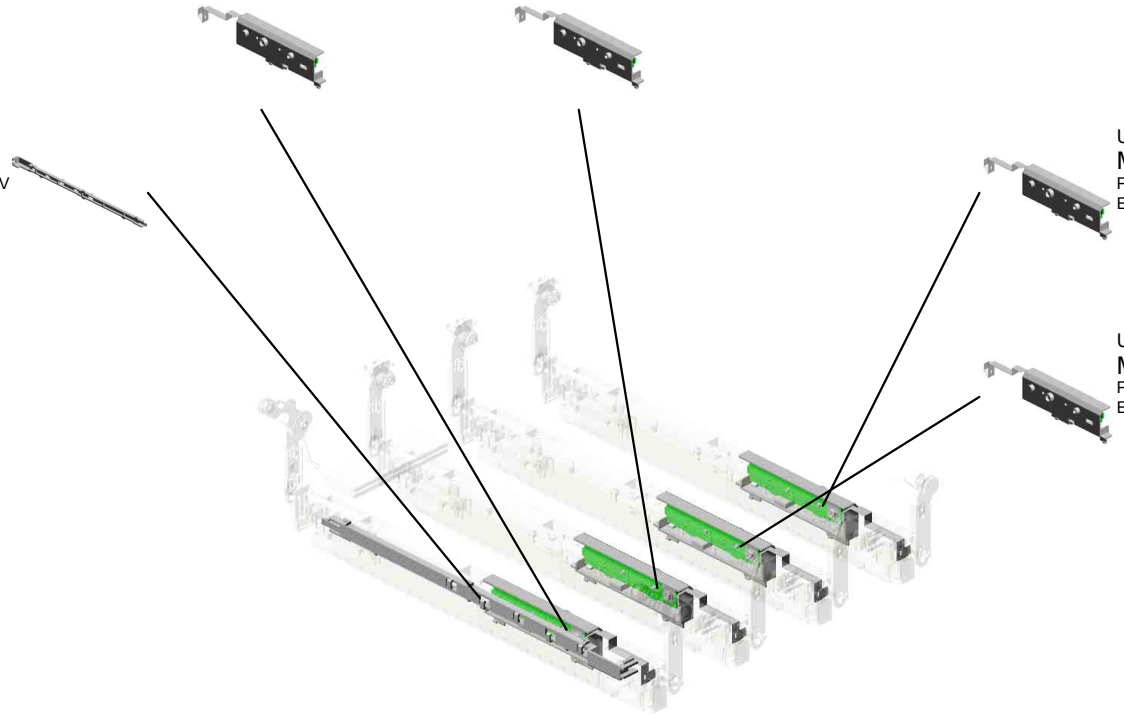
U003_S002
M1111861
PCB:SENSOR:TONER END S
ENSOR:ASS'Y

U003_S005
M1111861
PCB:SENSOR:TONER END S
ENSOR:ASS'Y

U003_S001
M0B01923
COVER:DISCHARGE LAMP:V
:ASS'Y

U003_S003
M1111861
PCB:SENSOR:TONER END S
ENSOR:ASS'Y

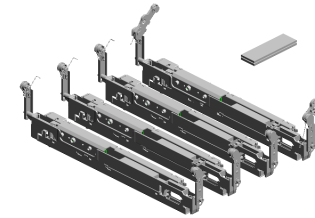
U003_S004
M1111861
PCB:SENSOR:TONER END S
ENSOR:ASS'Y



U001	U002	U003	U004	U005	U006	U007	U008	U009	U010	U011	U012	U013	U014	U015	U016
------	------	------	------	------	------	------	------	------	------	------	------	------	------	------	------

U003 LASER UNIT

- 6.M1091904 LINK:RIGHT:LED HEAD
- 8.M1091908 (x2) PIN:FIX:LINK:LED HEAD:1
- 14.M1095868 (x2) SPACER:FLAT CAB LE:LED HEAD
- 13.M1091941 (x3) STOPPER:TORSION SPRING:LED HEAD
- 18.M1111902 (x3) TORSION SPRING:LED HEAD:RIGHT



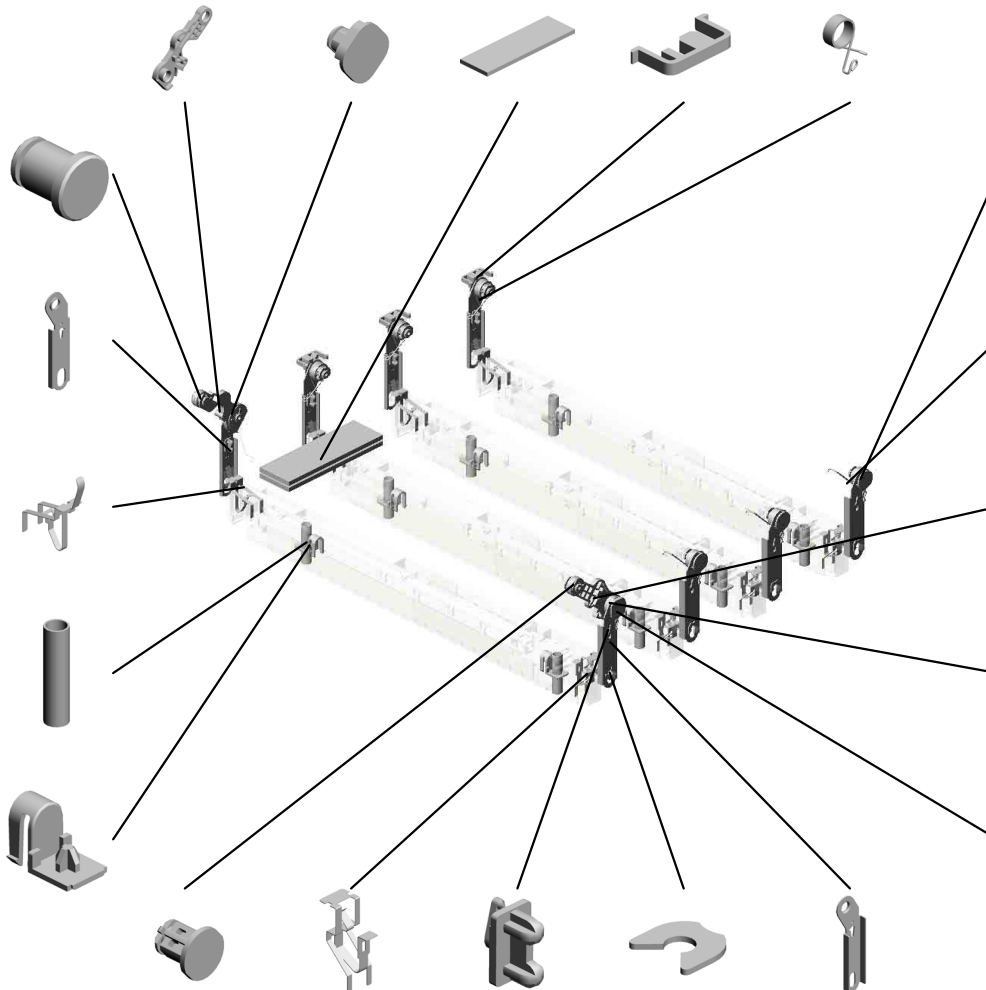
- 11.M1091932 PIN:EARTH:LED HEAD:K

- 10.M1091930 (x4) HINGE:RIGHT:LED HEAD

- 21.M1111913 (x4) GROUND PLATE:RIGHT:LED HEAD

- 22.M1111914 (x8) COMPRESSION SPRING:LED HEAD

- 23.M1111915 (x8) BRACKET:COIL SPRING:LED HEAD



- 12.M1091940 (x6) PIN:FIX:HINGE:LED HEAD

- 17.M1111901 (x3) TORSION SPRING:LED HEAD:LEFT

- 19.M1111903 LINK:LEFT:LED HEAD

- 3.08050104 (x14) RETAINING RINGS-E.SILENCER:DIA4

- 4.GA066040 TORSION SPRING:LEFT:LED HEAD:K

- 9.M1091909 PIN:FIX:LINK:LED HEAD:2

- 20.M1111912 (x4) GROUND PLATE:LEFT:LED HEAD

- 7.M1091907 (x8) BOSS:HINGE:RIGHT:LED HEAD

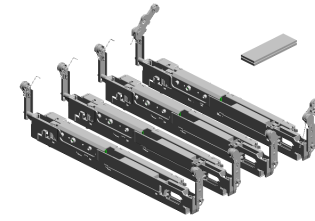
- 2.08050103 (x4) RETAINING RINGS-E.SILENCER:DIA3

- 16.M1111900 (x4) HINGE:LEFT:LED HEAD

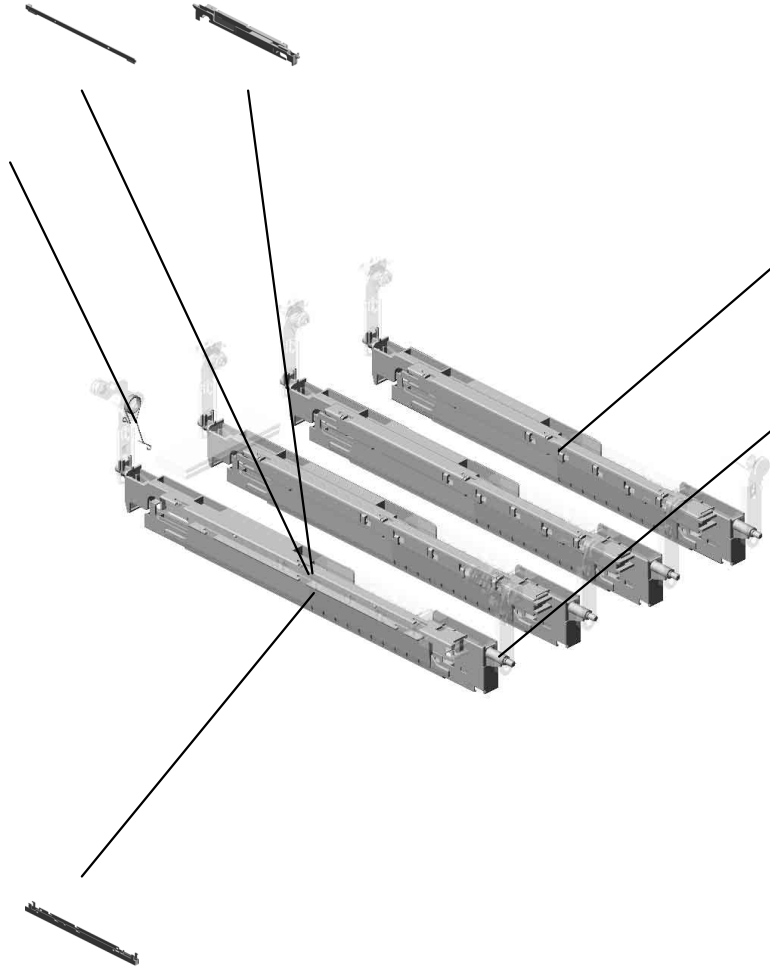
U003 LASER UNIT

27.M1111922 (x4)
DISCHARGE LAMP :V

25.M1111920 (x4)
HOLDER:LED HEA
D:V2

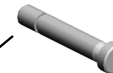


28.M1111933
TORSION SPRING:
LED HEAD:K:RIGH
T



26.M1111921
(x3)
COVER:DISCHARG
E LAMP:V

24.M1111916
(x4)
PIN:EARTH:LED H
EAD



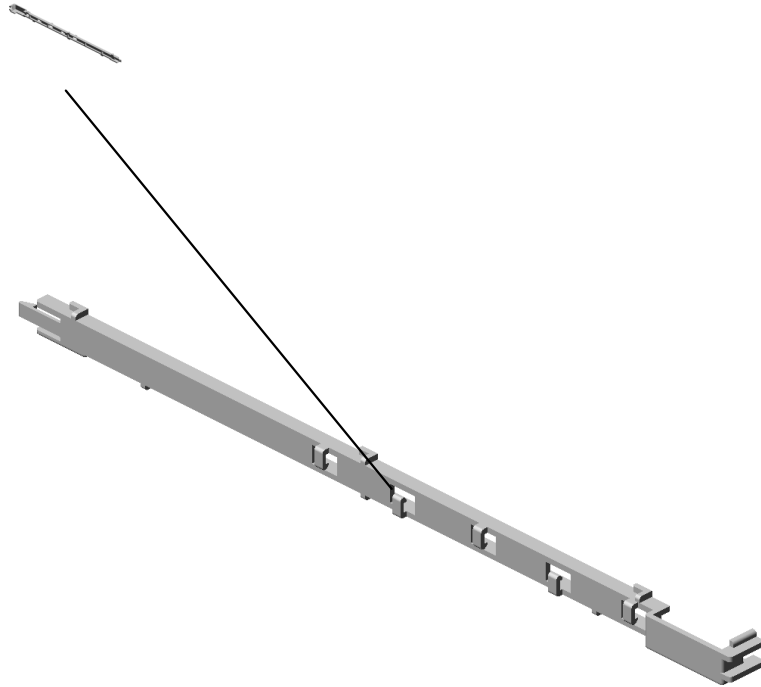
29.M1601900
(x4)
LED HEAD:1200DPI
:211.3MM

U003_S001
COVER:DISCHARGE LAMP:V:ASS'Y

26.M1111921
COVER:DISCHARG
E LAMP:V



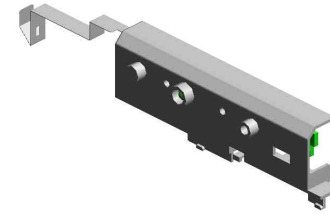
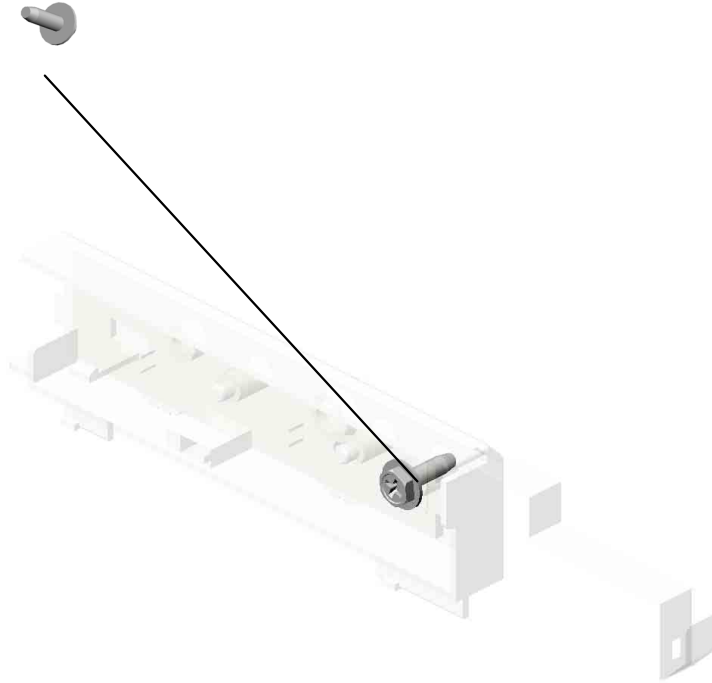
5.M0B01923
COVER:DISCHARG
E LAMP:V:ASS'Y



U001	U002	U003	U004	U005	U006	U007	U008	U009	U010	U011	U012	U013	U014	U015	U016
------	------	------	------	------	------	------	------	------	------	------	------	------	------	------	------

U003_S002
PCB:SENSOR:TONER END SENSOR:ASS'Y

1-04583010N
HEXAGON HEAD TAPPING SCREW:3
X10

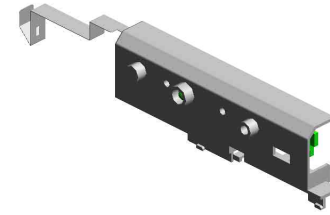
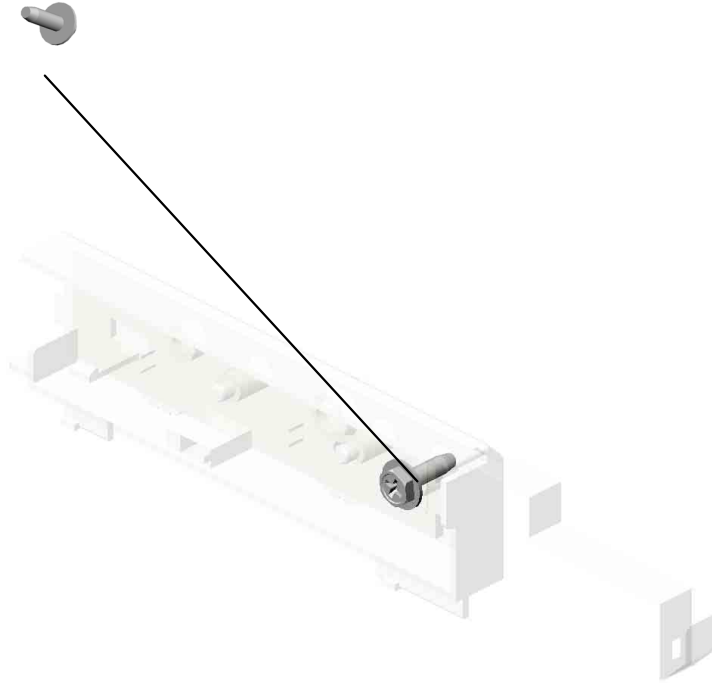


15.M1111861
PCB:SENSOR:TONER END SENSOR:
ASS'Y

U001	U002	U003	U004	U005	U006	U007	U008	U009	U010	U011	U012	U013	U014	U015	U016
------	------	------	------	------	------	------	------	------	------	------	------	------	------	------	------

U003_S003
PCB:SENSOR:TONER END SENSOR:ASS'Y

1-04583010N
HEXAGON HEAD TAPPING SCREW:3
X10

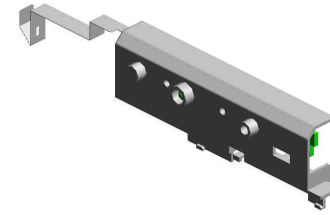
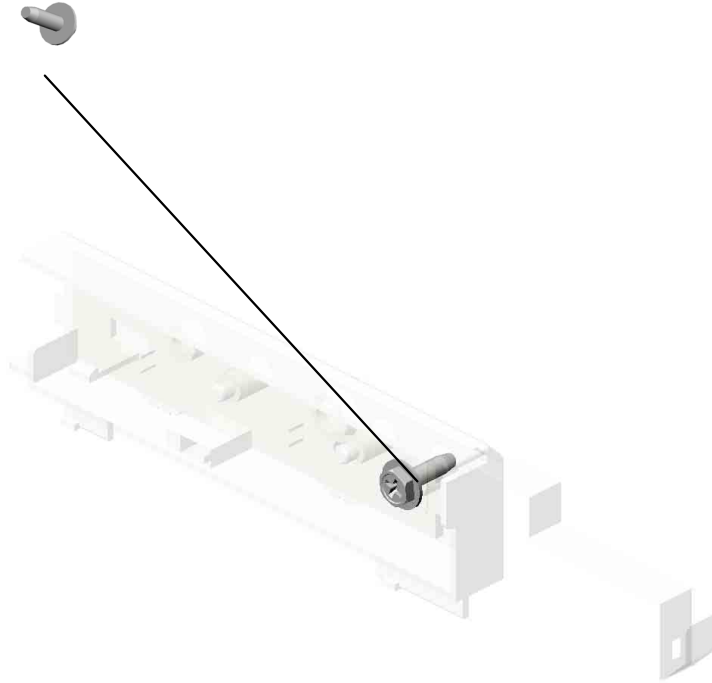


15.M1111861
PCB:SENSOR:TONER END SENSOR:
ASS'Y

U001	U002	U003	U004	U005	U006	U007	U008	U009	U010	U011	U012	U013	U014	U015	U016
------	------	------	------	------	------	------	------	------	------	------	------	------	------	------	------

U003_S004
PCB:SENSOR:TONER END SENSOR:ASS'Y

1-04583010N
HEXAGON HEAD TAPPING SCREW:3
X10

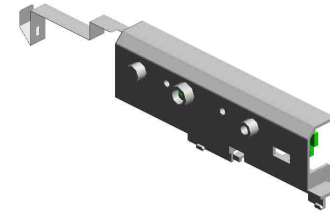
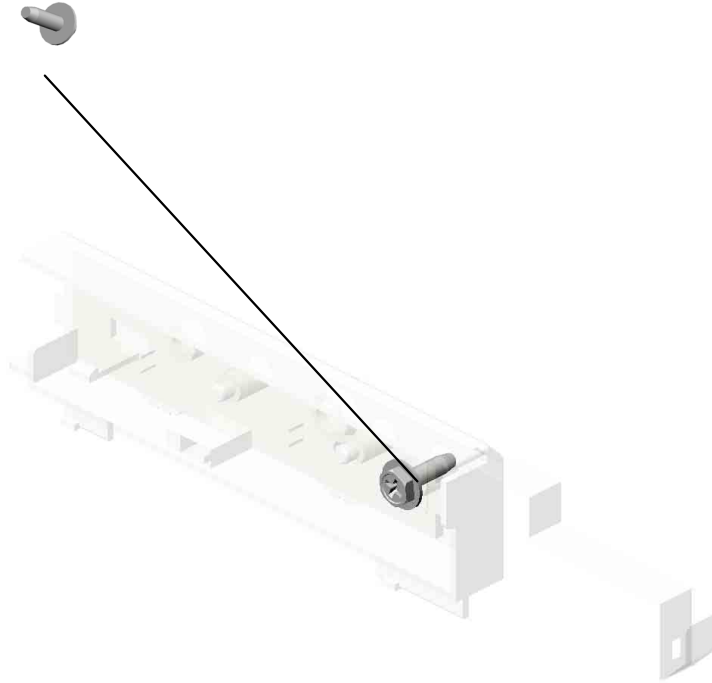


15.M1111861
PCB:SENSOR:TONER END SENSOR:
ASS'Y

U001	U002	U003	U004	U005	U006	U007	U008	U009	U010	U011	U012	U013	U014	U015	U016
------	------	------	------	------	------	------	------	------	------	------	------	------	------	------	------

U003_S005
PCB:SENSOR:TONER END SENSOR:ASS'Y

1-04583010N
HEXAGON HEAD TAPPING SCREW:3
X10



15.M1111861
PCB:SENSOR:TONER END SENSOR:
ASS'Y

U001	U002	U003	U004	U005	U006	U007	U008	U009	U010	U011	U012	U013	U014	U015	U016
------	------	------	------	------	------	------	------	------	------	------	------	------	------	------	------

U004.PAPER FEED

U004_S006
M1112801
MANUAL FEED TABLE:ASS'Y

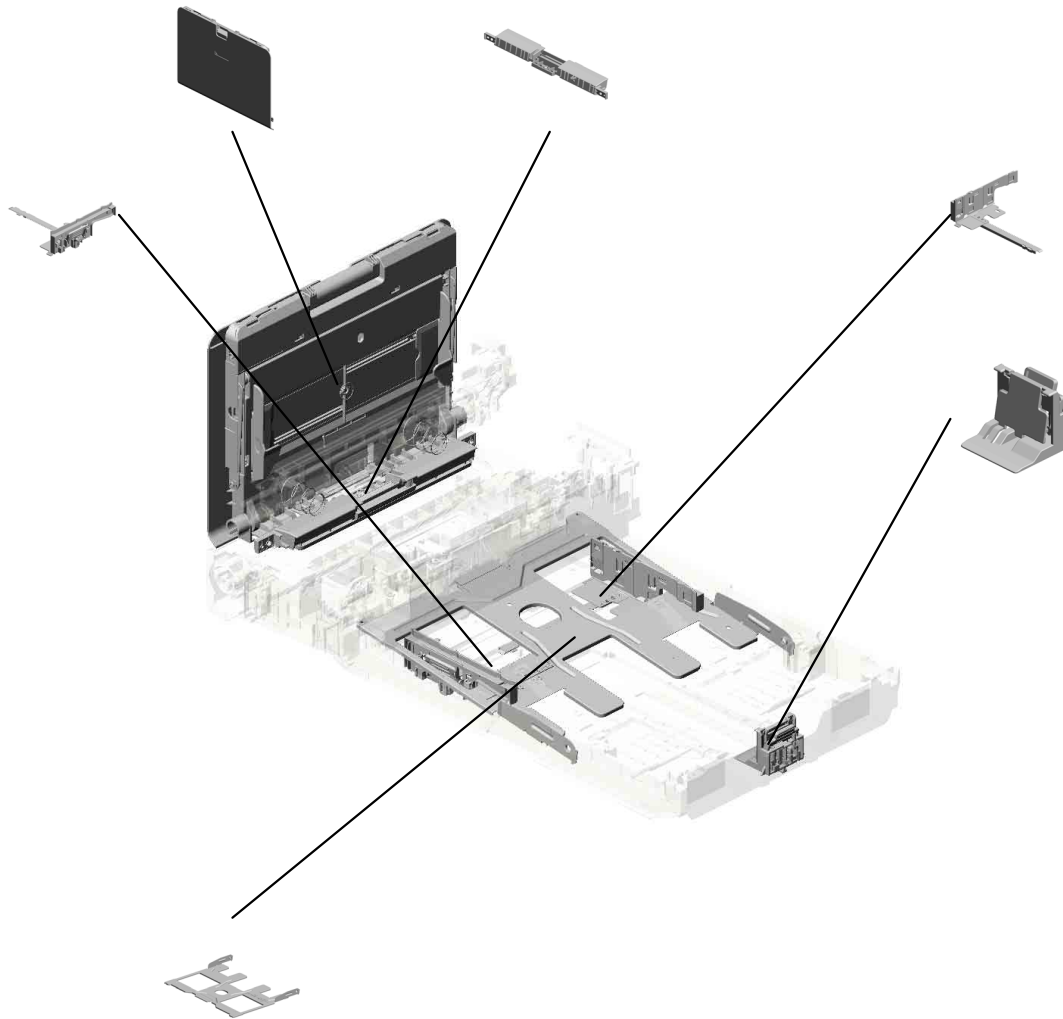
U004_S005
M0B02892
GUIDE PLATE:MANUAL FEE
D:LOWER:SUB-ASS'Y

U004_S004
M1112587
SIDE FENCE:RIGHT:250TYP
E:ASS'Y

U004_S003
M1112579
SIDE FENCE:LEFT:250TYPE:
ASS'Y

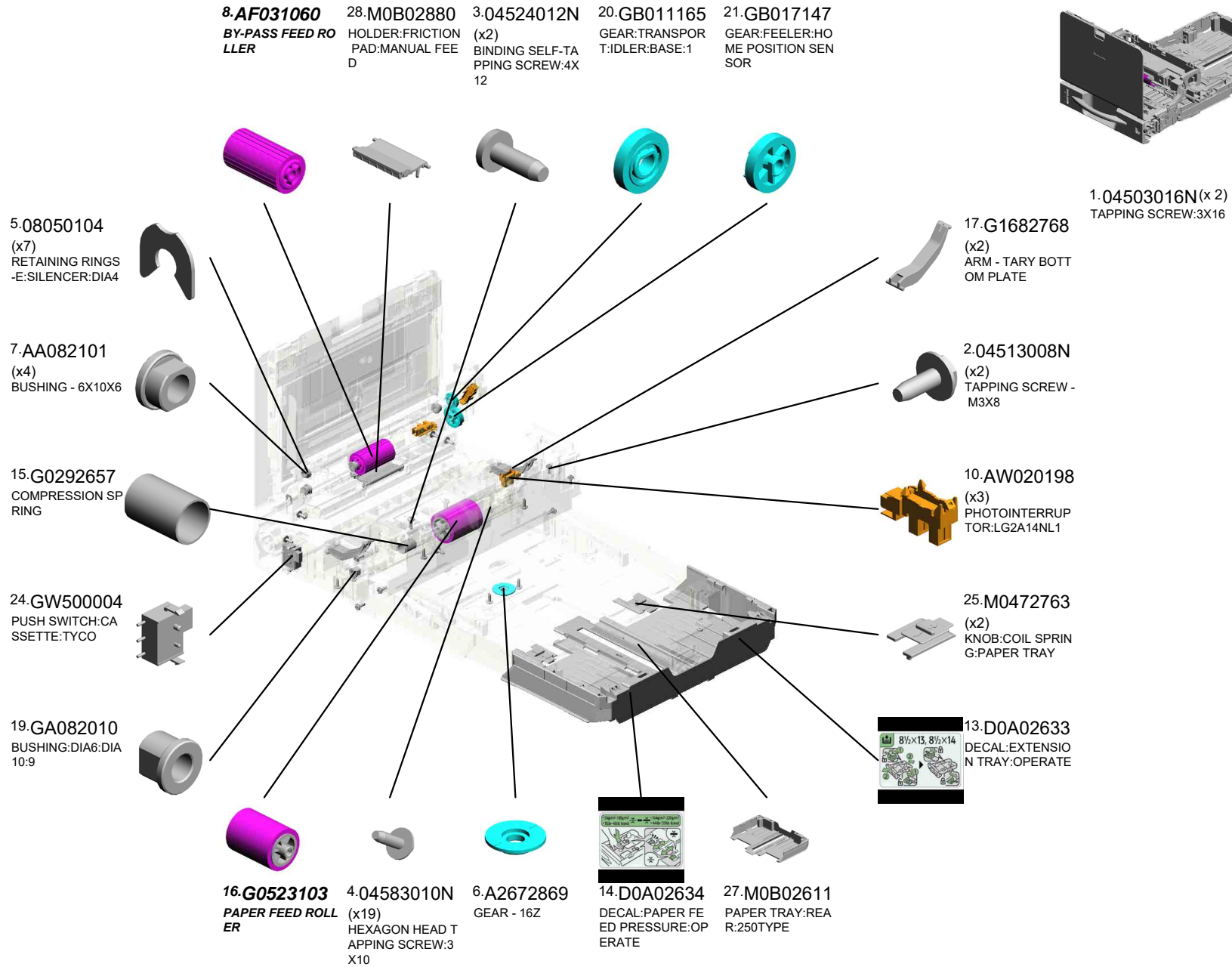
U004_S001
M1092616
END FENCE:ASS'Y

U004_S002
M1112575
TRAY BOTTOM PLATE:250TY
PE:ASS'Y



U001	U002	U003	U004	U005	U006	U007	U008	U009	U010	U011	U012	U013	U014	U015	U016
------	------	------	-------------	------	------	------	------	------	------	------	------	------	------	------	------

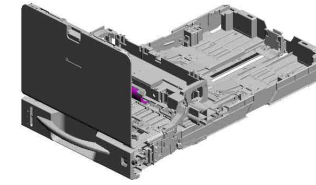
U004 PAPER FEED



U001	U002	U003	U004	U005	U006	U007	U008	U009	U010	U011	U012	U013	U014	U015	U016
------	------	------	------	------	------	------	------	------	------	------	------	------	------	------	------

U004 PAPER FEED

- 53.M1092859 SPRING PLATE:BR
AKE:CAM
- 56.M1112556 STAY:PAPER FEE
D
- 52.M1092852 COVER:HOME PO
SITION SENSOR
- 55.M1092867 TORSION SPRING:
FEELER:HOME PO
SITION SENSOR
- 37.M1092606 LEVER:PAPER VO
LUME SENSOR



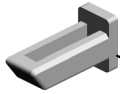
43.M1092641
SUPPORTER:INTE
RMEDIATE TRANS
FER:RIGHT



30.M1092559
PLAIN SHAFT BEA
RING:ASS'Y



41.M1092635
(x2)
SPACER:PAPER SI
ZE SENSOR BOAR
D:OUTER



58.M1112562
SHAFT:PAPER FEE
D



32.M1092566
(x2)
SPRING PLATE:PA
PER TRAY:ASS'Y



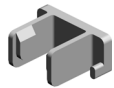
33.M1092574
SHEET:HOLDER:P
APER TRAY



57.M1112557
COVER:STAY:PAP
ER FEED



63.M1112598
STAY:SLIDER



42.M1092640
HOLDER:PINION



45.M1092657
(x2)
EXTENSION TRAY
SLIDE STOPPER



44.M1092642
SUPPORTER:INTE
RMEDIATE TRANS
FER:LEFT



31.M1092564
FEELER:PAPER E
ND SENSOR



62.M1112595
(x2)
COMPRESSION SP
RING:AUXILIARY:2
50TYPE



36.M1092598
(x2)
HOLDER:COIL SPR
ING:BASE

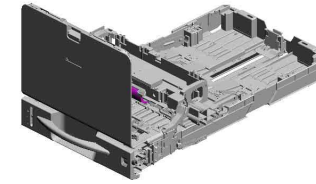


39.M1092621
STAY:END FENCE



U004 PAPER FEED

- 66.M1112612 DECAL:CAUTION:PAPER SET DIRECTION
- 75.M1112637 COVER:PAPER SIZE SENSOR BOARD
- 77.M1112647 DECAL:DIAL:PAPER SIZE SENSOR
- 73.M1112631 GRIP:PAPER TRAY
- 72.M1112630 COVER:PAPER TRAY



65.M1112604
DIAL:PAPER SIZE
SENSOR BOARD



68.M1112626
LEVER:PAPER SIZE
SENSOR BOARD



74.M1112636
SPACER:PAPER SIZE
SENSOR BOARD:MIDDLE



70.M1112628
COMPRESSION SPRING:PAPER SIZE
SENSOR



79.M1112658
SHEET:PAPER SIZE
SENSOR BOARD



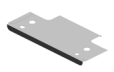
71.M1112629
GUIDE:PAPER TRAY:
FRONT



76.M1112639
PAPER TRAY:250T
TYPE:FRONT:GUIDE



82.M1112661
SPRING PLATE:PAPER TRAY:FRONT:
GUIDE



78.M1112652
COMPRESSION SPRING:SEPARATION



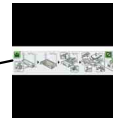
83.M1112675
FRICTION PAD:ADHESION



69.M1112627
(x2)
TENSION SPRING:
TRAY BOTTOM PLATE



67.M1112613
DECAL:PAPER SET
DIRECTION



81.M1112660
GROUND PLATE:BALLANCER



80.M1112659
(x4)
BALANCER:PAPER
FEED



64.M1112601
PAPER TRAY:250T
TYPE:FRONT

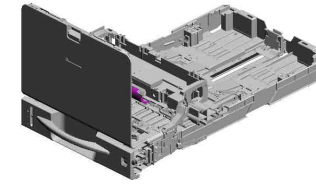


U004 PAPER FEED

85.M1112804 COVER:PAPER FE
ED ROLLER:MANU
AL FEED

88.M1112812 SHAFT:CAM:BASE:
MANUAL FEED

89.M1112825 FEELER:PAPER E
ND SENSOR:MANU
AL FEED



87.M1112810
SHAFT:DRIVE:MAN
UAL FEED

97.M1112855
CAM:BASE:MANUA
L FEED:RIGHT

96.M1112853
FEELER:HOME PO
SITION SENSOR

99.M1112866
ARM:SHAFT:CAM

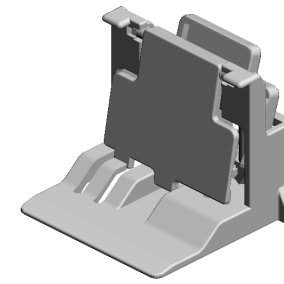
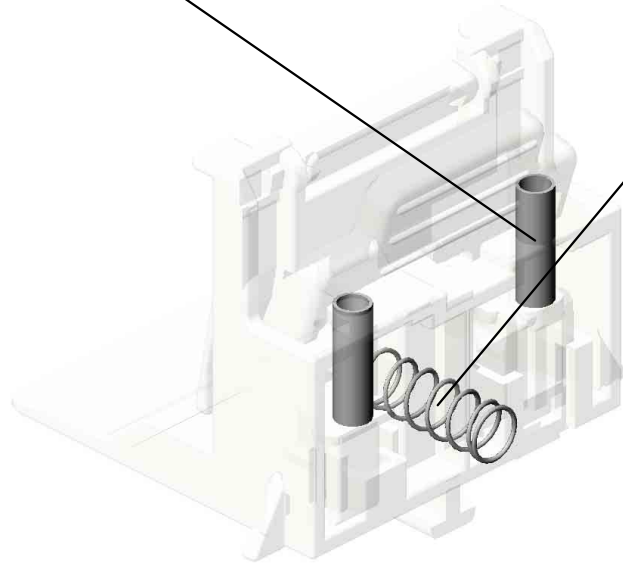
98.M1112857
SHAFT:BRAKE:CA
M

100.M1112876 COMPRESSION SP
RING:SEPARATIO
N:MANUAL FEED

86.M1112807 CAM:BASE:MANUA
L FEED:LEFT

U004_S001
END FENCE:ASS'Y

26.M0752610
(x2)
COMPRESSION SP
RING:LOCK:SIDE F
ENCE



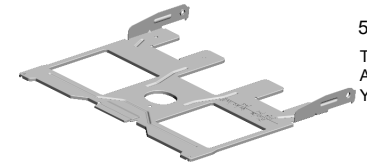
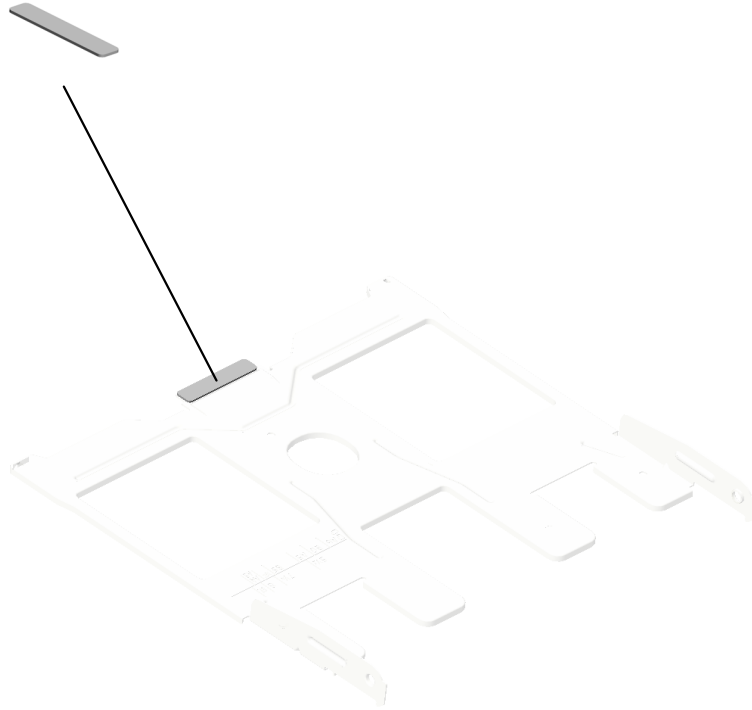
38.M1092616
END FENCE:ASS'Y

18.GA063084
COMPRESSION SP
RING:AUXILIARY:S
IDE FENCE

U001	U002	U003	U004	U005	U006	U007	U008	U009	U010	U011	U012	U013	U014	U015	U016
------	------	------	------	------	------	------	------	------	------	------	------	------	------	------	------

U004_S002
TRAY BOTTOM PLATE:250TYPE:ASS'Y

22.GF013001
BOTTOM PLATE P
AD

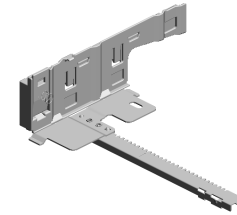


59.M1112575
TRAY BOTTOM PL
ATE:250TYPE:ASS'
Y

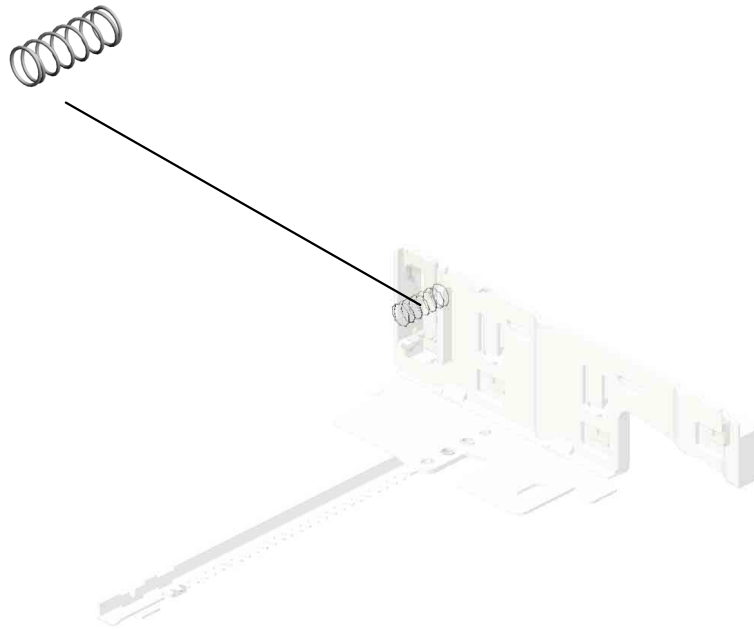
U001	U002	U003	U004	U005	U006	U007	U008	U009	U010	U011	U012	U013	U014	U015	U016
------	------	------	------	------	------	------	------	------	------	------	------	------	------	------	------

U004_S003
SIDE FENCE:LEFT:250TYPE:ASS'Y

18.GA063084
COMPRESSION SP
RING:AUXILIARY:S
IDE FENCE



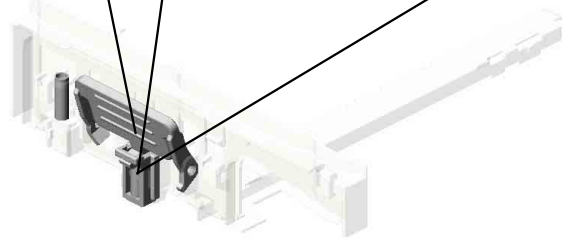
60.M1112579
SIDE FENCE:LEFT:
250TYPE:ASS'Y



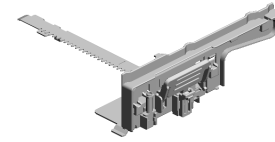
U001	U002	U003	U004	U005	U006	U007	U008	U009	U010	U011	U012	U013	U014	U015	U016
------	------	------	------	------	------	------	------	------	------	------	------	------	------	------	------

U004_S004
SIDE FENCE:RIGHT:250TYPE:ASS'Y

34.M1092589 26.M0752610
LEVER:LOCK:SIDE (x2)
FENCE COMPRESSION SP
RING:LOCK:SIDE F
ENCE



35.M1092592
PAWL:LOCK:SIDE
FENCE

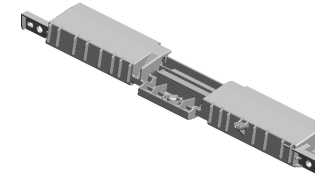


61.M1112587
SIDE FENCE:RIGH
T:250TYPE:ASS'Y

U001	U002	U003	U004	U005	U006	U007	U008	U009	U010	U011	U012	U013	U014	U015	U016
------	------	------	------	------	------	------	------	------	------	------	------	------	------	------	------

U004_S005
GUIDE PLATE:MANUAL FEED:LOWER:SUB-ASS'Y

4.04583010N
(x2)
HEXAGON HEAD TAPPING SCREW:3
X10



29.M0B02892
GUIDE PLATE:MAN
UAL FEED:LOWER:
SUB-ASS'Y



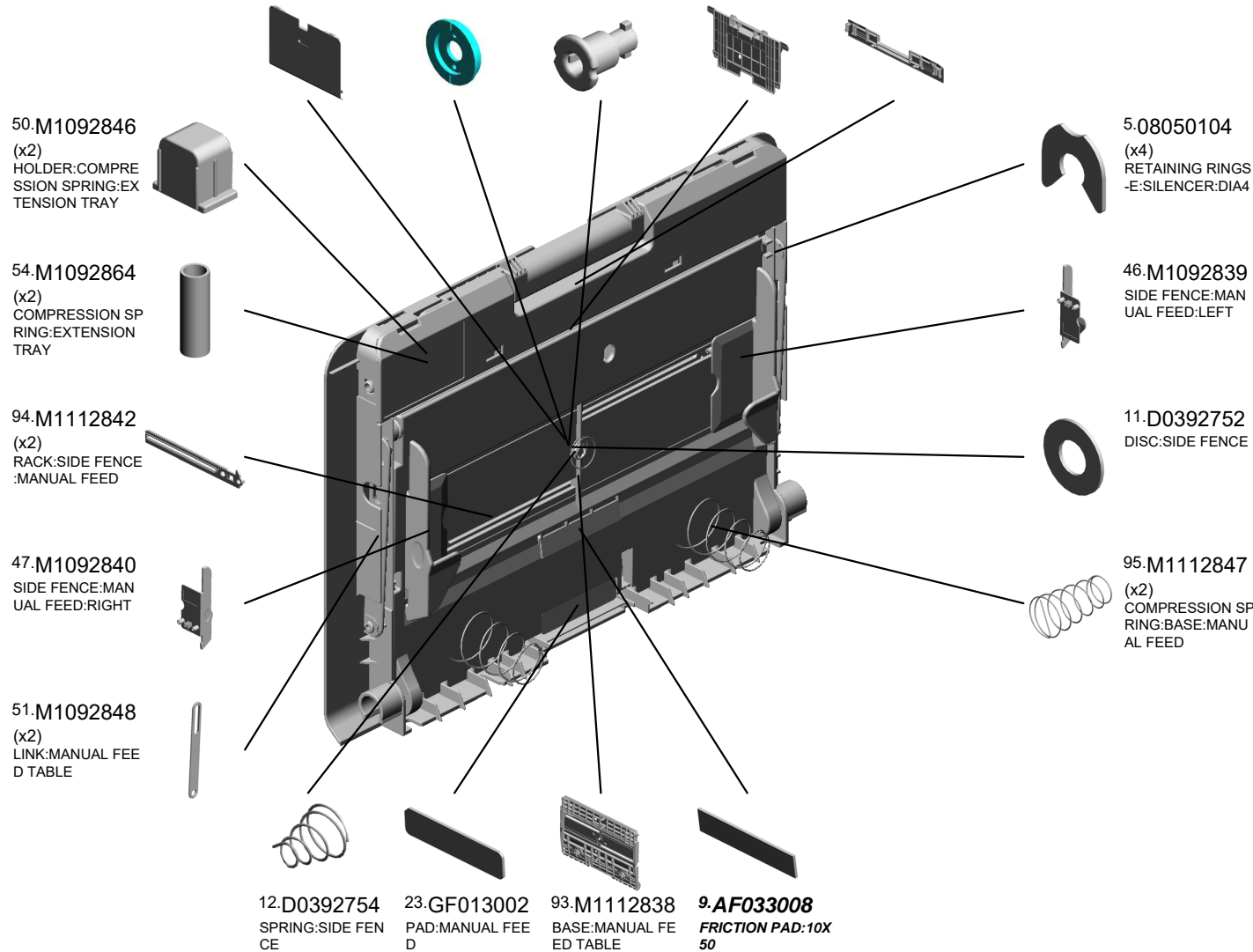
U001	U002	U003	U004	U005	U006	U007	U008	U009	U010	U011	U012	U013	U014	U015	U016
------	------	------	------	------	------	------	------	------	------	------	------	------	------	------	------

U004_S006
MANUAL FEED TABLE:ASS'Y

90.M1112834 COVER:MANUAL FEED TABLE
 48.M1092843 GEAR:SIDE FENCE
 49.M1092844 PIN:SIDE FENCE
 92.M1112836 EXTENSION TRAY:MANUAL FEED
 91.M1112835 COVER:EXTENSION TRAY:MANUAL FEED



84.M1112801
MANUAL FEED TABLE:ASS'Y



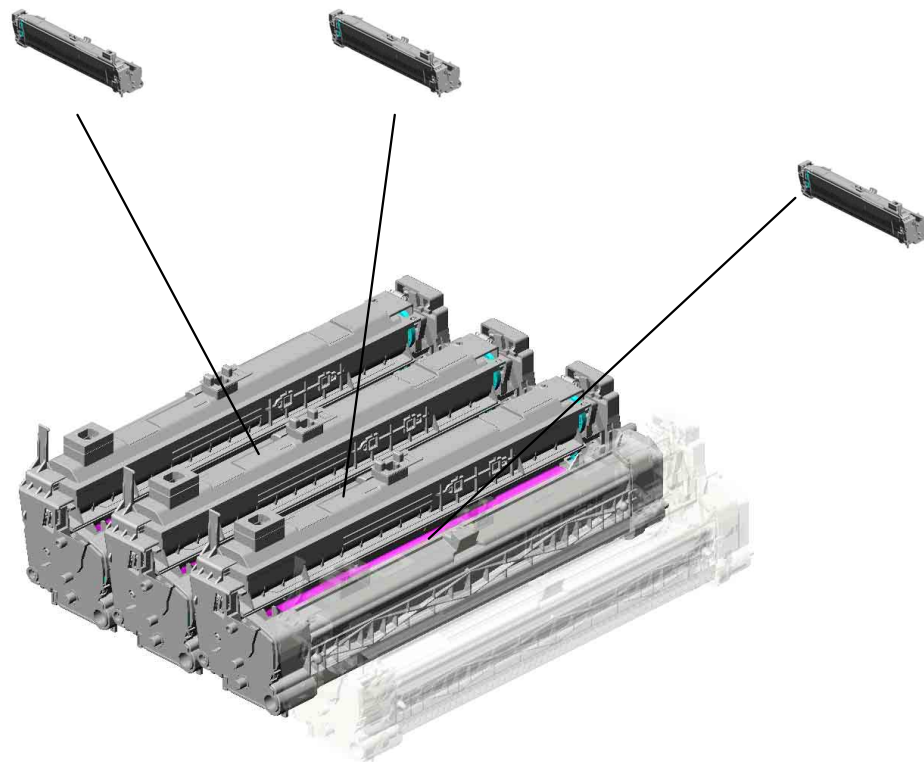
U001	U002	U003	U004	U005	U006	U007	U008	U009	U010	U011	U012	U013	U014	U015	U016
------	------	------	------	------	------	------	------	------	------	------	------	------	------	------	------

U005.PCU

U005 S001
M9080175
PCU:EXCHANGEABLE:Y:ASS
Y

U005 S003
M9080166
PCU:EXCHANGEABLE:M:AS
SY

U005 S002
M9080165
PCU:EXCHANGEABLE:C:ASS
Y

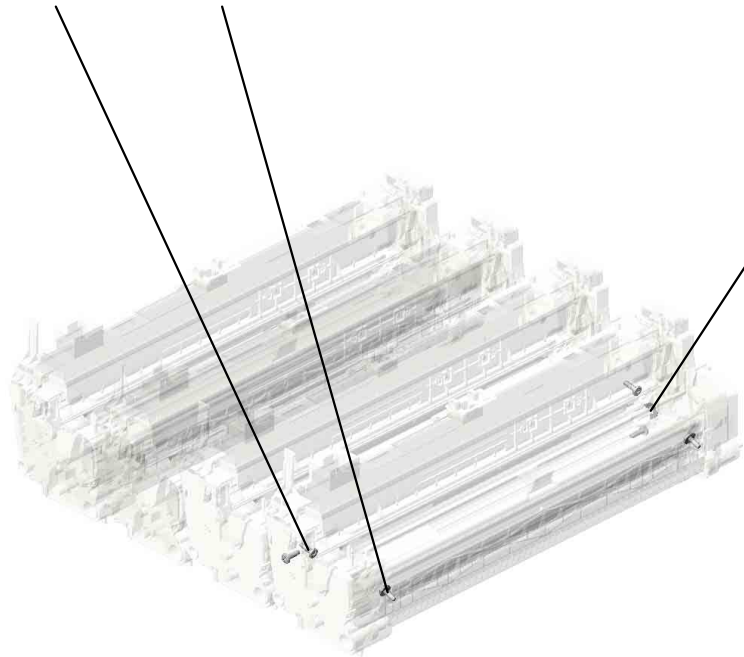


U001	U002	U003	U004	U005	U006	U007	U008	U009	U010	U011	U012	U013	U014	U015	U016
------	------	------	------	-------------	------	------	------	------	------	------	------	------	------	------	------

U005
PCU

2.04593010N (x4)
BINDING HEAD TAPPING SCREW:3X10

1.04583008N (x2)
HEXAGON HEAD TAPPING SCREW:3X8



3.08050104
RETAINING RINGS
-E:SILENCER:DIA4



3.08050104
(x2)
RETAINING RINGS
-E:SILENCER:DIA4

U001	U002	U003	U004	U005	U006	U007	U008	U009	U010	U011	U012	U013	U014	U015	U016
------	------	------	------	-------------	------	------	------	------	------	------	------	------	------	------	------

U005_S001
 PCU:EXCHANGEABLE:Y:ASS'Y

3-08050104 2-04593010N
 RETAINING RINGS (x4)
 -E:SILENCER:DIA4 BINDING HEAD TA
 PPING SCREW:3X
 10



7-M9080175
 [A]
 PCU:EXCHANGEA
 BLE:Y:ASS'Y
 201812-01 O/O



1-04583008N
 (x2)
 HEXAGON HEAD T
 APPING SCREW:3
 X8

3-08050104
 (x2)
 RETAINING RINGS
 -E:SILENCER:DIA4



M9080160
 [A]
 PCU:EXCHANGEA
 BLE:Y:ASS'Y
 201812-01 O/O

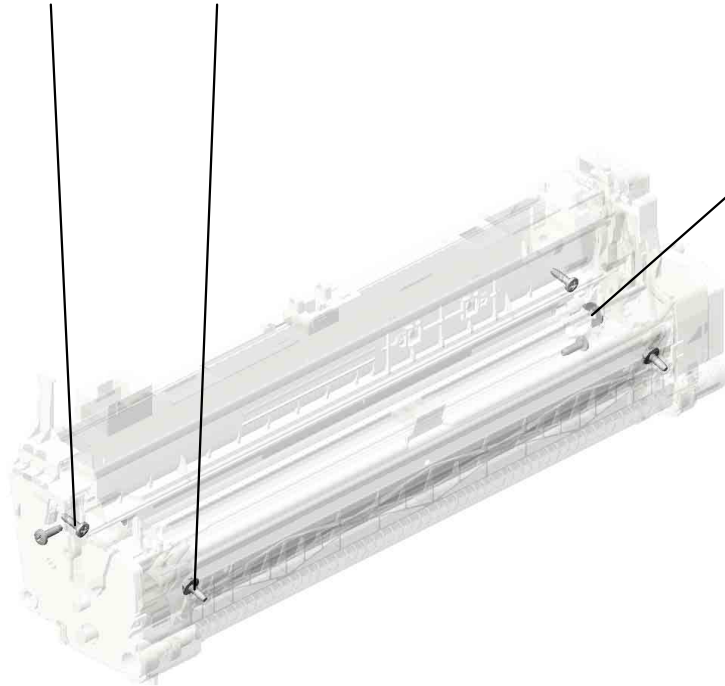
U001	U002	U003	U004	U005	U006	U007	U008	U009	U010	U011	U012	U013	U014	U015	U016
------	------	------	------	------	------	------	------	------	------	------	------	------	------	------	------

U005_S002
PCU:EXCHANGEABLE:C:ASS'Y

2.04593010N 1.04583008N
(x4) (x2)
BINDING HEAD TA HEXAGON HEAD T
PPING SCREW:3X APPING SCREW:3
10 X8



5.M9080165
PCU:EXCHANGEA
BLE:C:ASS'Y



3.08050104
RETAINING RINGS
-E:SILENCER:DIA4



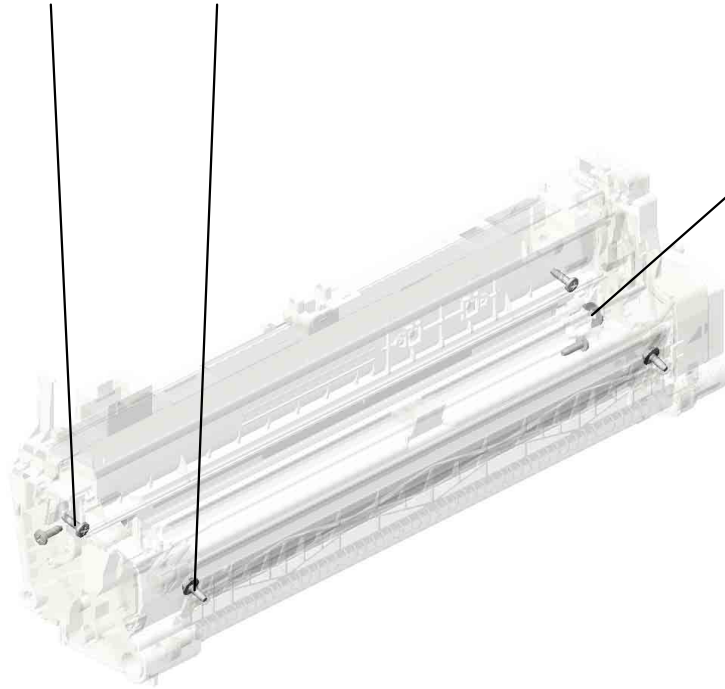
3.08050104
(x2)
RETAINING RINGS
-E:SILENCER:DIA4

U005_S003
PCU:EXCHANGEABLE:M:ASS'Y

2.04593010N 1.04583008N
(x4) (x2)
BINDING HEAD TA PPING SCREW:3X
10 HEXAGON HEAD T APPING SCREW:3
X8



6.M9080166
PCU:EXCHANGEA
BLE:M:ASS'Y



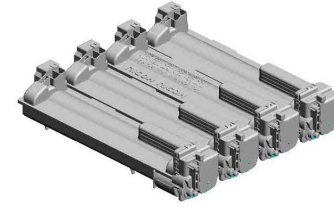
3.08050104
RETAINING RINGS
-E:SILENCER:DIA4



3.08050104
(x2)
RETAINING RINGS
-E:SILENCER:DIA4

U001	U002	U003	U004	U005	U006	U007	U008	U009	U010	U011	U012	U013	U014	U015	U016
------	------	------	------	------	------	------	------	------	------	------	------	------	------	------	------

U006
DEVELOPMENT

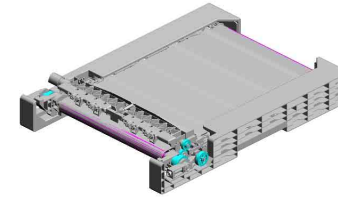


U001	U002	U003	U004	U005	U006	U007	U008	U009	U010	U011	U012	U013	U014	U015	U016
------	------	------	------	------	------	------	------	------	------	------	------	------	------	------	------

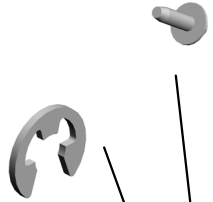
U007
ITB UNIT

1.04583010N
(x26)
HEXAGON HEAD TAPPING SCREW:3 X10

5.M1116011
[A]
CLEANING SUB-UNIT:INTERMEDIATE TRANSFER:ASS'Y
201911-01 X/O



2.07200030E
(x2)
RETAINING RING - M3



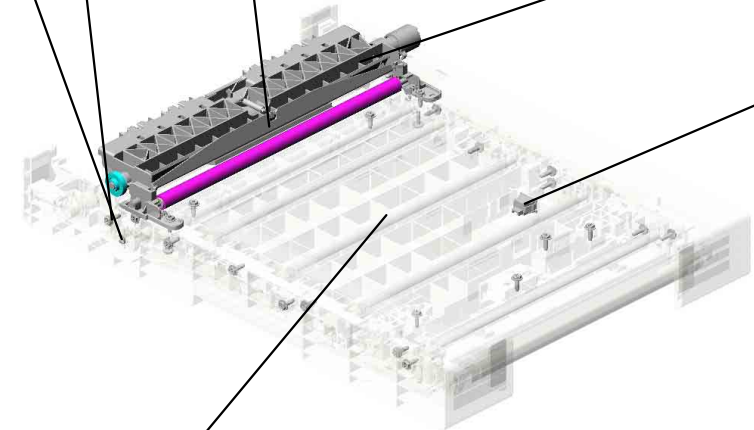
3.07200060E
RETAINING RING - M6



4.G0205626
PUSH SWITCH



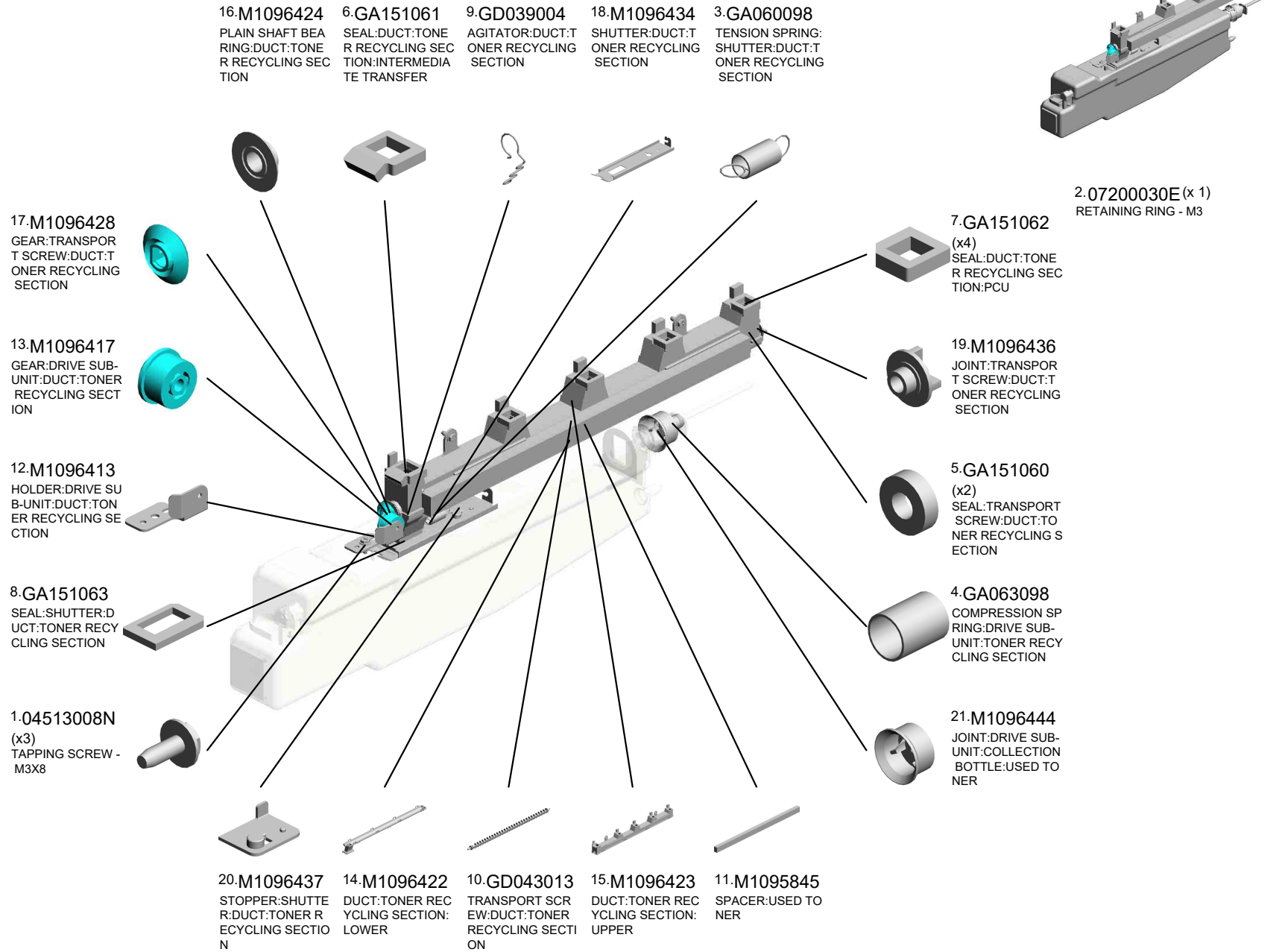
M1116010
[A]
CLEANING SUB-UNIT:INTERMEDIATE TRANSFER:ASS'Y
201911-01 X/O



~~6.M9080601
INTERMEDIATE TRANSFER SECTION:
MAINTENANCE:ASS'Y
201803-02~~

U001	U002	U003	U004	U005	U006	U007	U008	U009	U010	U011	U012	U013	U014	U015	U016
------	------	------	------	------	------	------	------	------	------	------	------	------	------	------	------

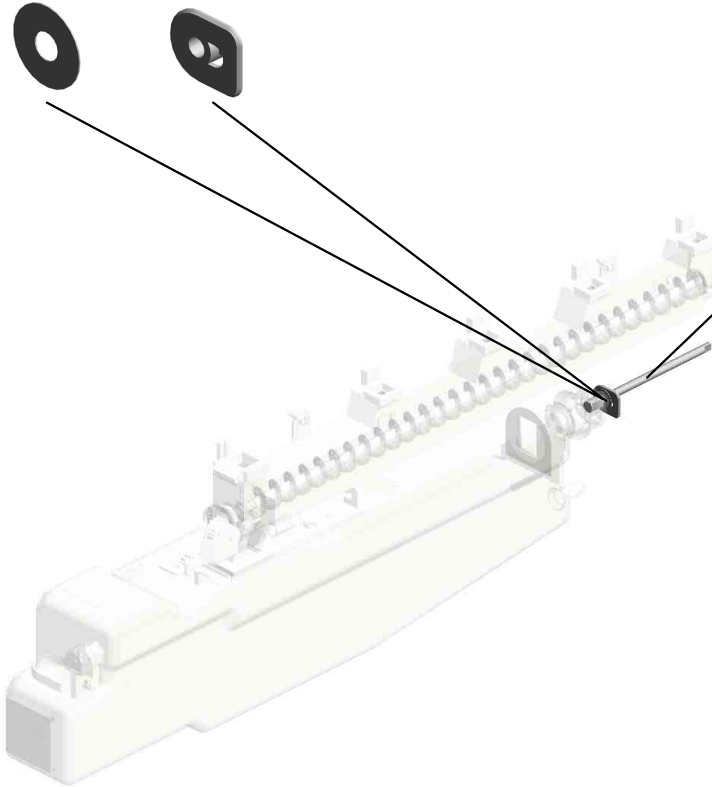
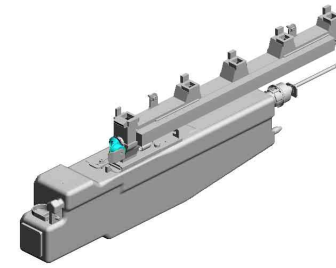
U008 USED TONER



U008
USED TONER

24.M1096448
SPACER:DIA12:0.2
5MM

22.M1096446
PLAIN SHAFT BEA
RING:DRIVE SUB-
UNIT:COLLECTION
BOTTLE

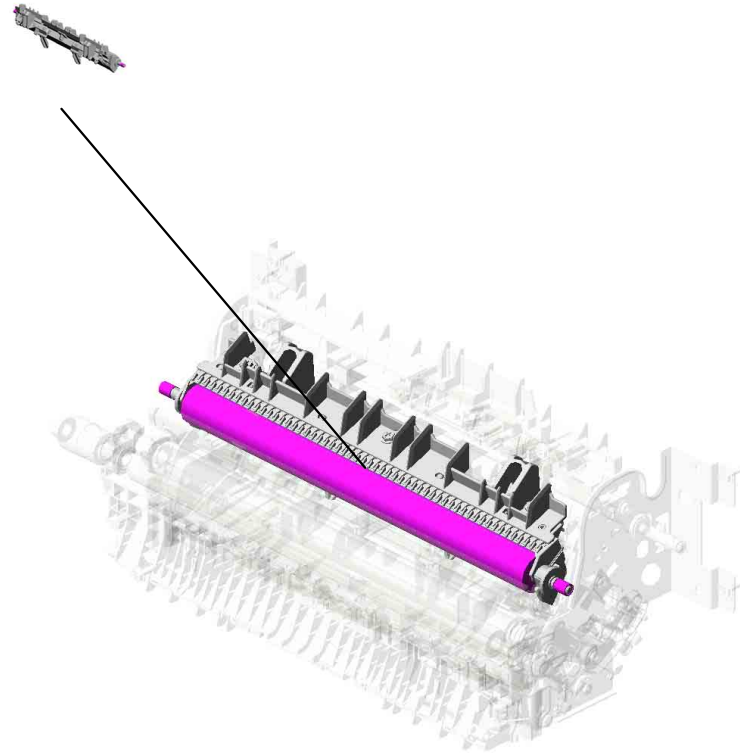


23.M1096447
SHAFT:DRIVE SUB
-UNIT:COLLECTIO
N BOTTLE:USED T
ONER:2

U001	U002	U003	U004	U005	U006	U007	U008	U009	U010	U011	U012	U013	U014	U015	U016
------	------	------	------	------	------	------	-------------	------	------	------	------	------	------	------	------

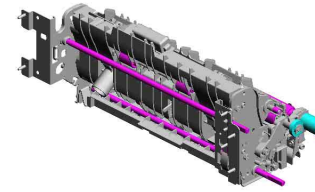
U009.PAPER TRANSPORT

U009 S001
M9080620
TRANSFER/SEPARATION UN
IT:SECOND:MAINTENANCE:
ASS'Y

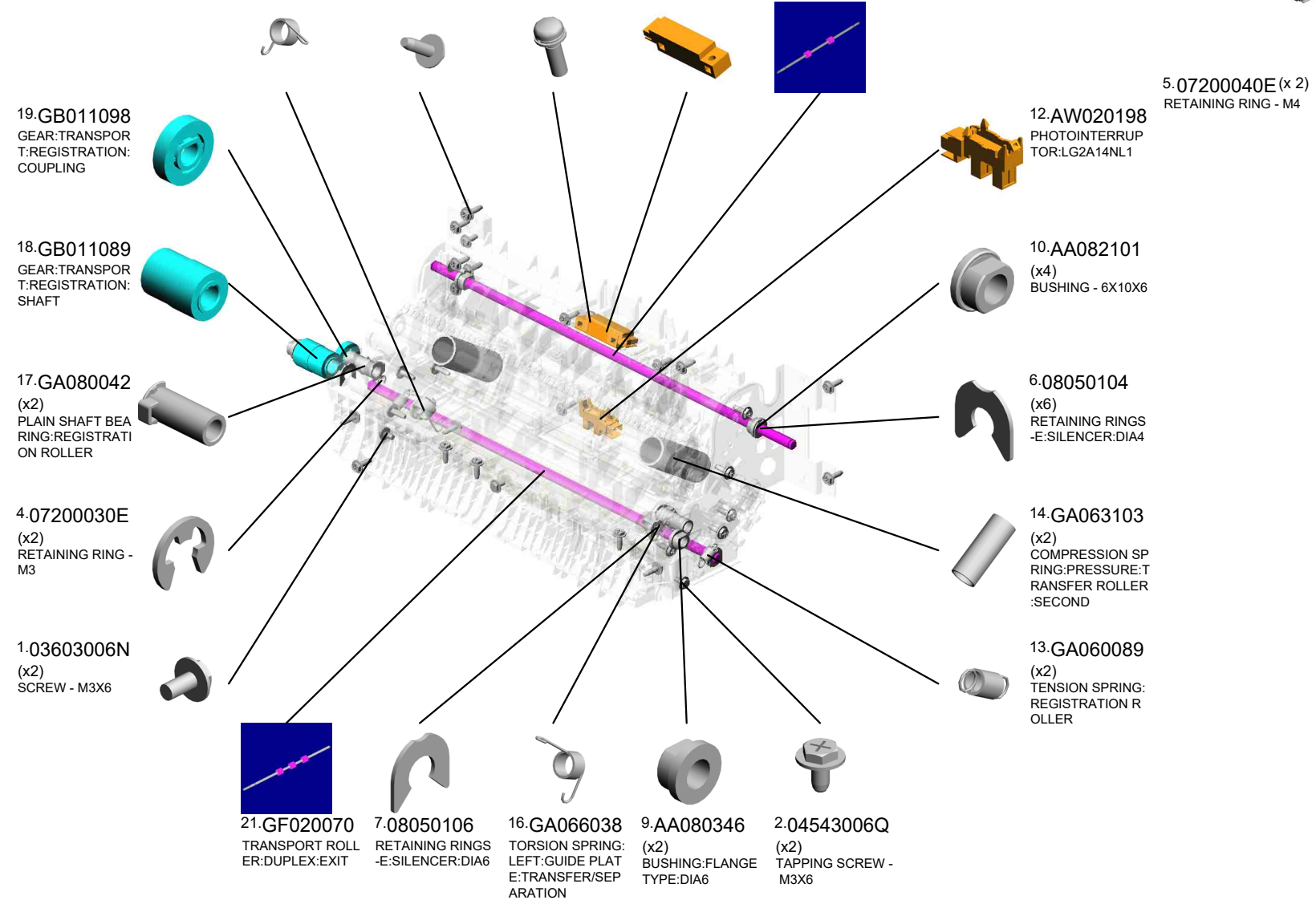


U001	U002	U003	U004	U005	U006	U007	U008	U009	U010	U011	U012	U013	U014	U015	U016
------	------	------	------	------	------	------	------	------	------	------	------	------	------	------	------

U009 PAPER TRANSPORT



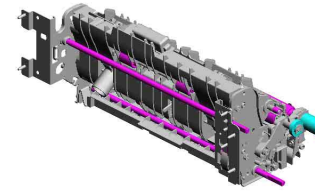
- 15.GA066037 TORSION SPRING: RIGHT:GUIDE PLATE:TRANSFER/SEPARATION
- 3.04583010N (x30) HEXAGON HEAD TAPPING SCREW:3 X10
- 8.09573012N SCREW - M3X12
- 11.AW010143 PHOTO REFLECTIVE SENSOR:PSR11 TL1R-C
- 20.GF020069 TRANSPORT ROLLER:DUPLIX:MIDDLE



U001	U002	U003	U004	U005	U006	U007	U008	U009	U010	U011	U012	U013	U014	U015	U016
------	------	------	------	------	------	------	------	------	------	------	------	------	------	------	------

U009 PAPER TRANSPORT

- 33.M1093926 (x2) LINK:REGISTRATION ROLLER:DRIVE
- 26.M0963989 RESISTOR:TRANSFER/SEPARATION
- 23.GF021007 REGISTRATION ROLLER:DRIVEN
- 22.GF020071 REGISTRATION ROLLER:DRIVE
- 28.M1093856 TORSION SPRING:FEELER:DUPLEX



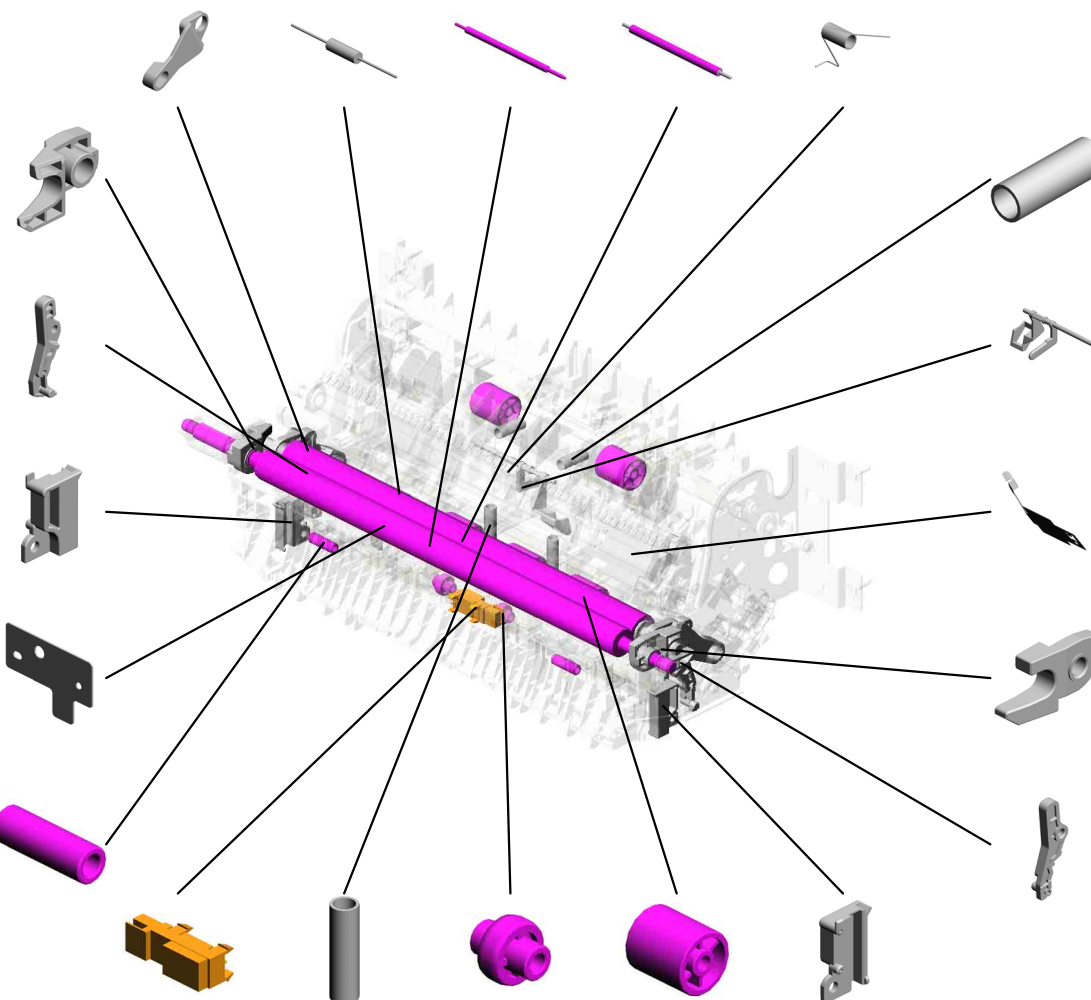
38.M1093953
PLAIN SHAFT BEARING:POSITIONING:REGISTRATION ROLLER:RIGHT

34.M1093927
PRESSURE PLATE:REGISTRATION ROLLER:DRIVE:RIGHT

30.M1093863
SUPPORTER:GUIDE PLATE:REGISTRATION ROLLER:RIGHT

37.M1093934
GROUND PLATE:GUIDE PLATE:REGISTRATION ROLLER:DRIVE

40.M1093983 (x2)
ROLLER:GUIDE:DIA5



31.M1093875 (x2)
COMPRESSION SPRING:DRIVEN ROLLER:DUPLEX:MIDDLE

27.M1093855
FEELER:DUPLEX

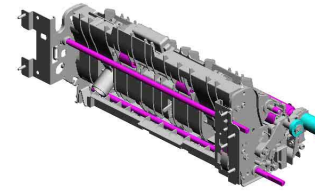
41.M1096259
ELECTRODE PLATE:ROLLER:SECOND:2

39.M1093954
PLAIN SHAFT BEARING:POSITIONING:REGISTRATION ROLLER:LEFT

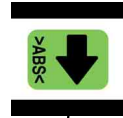
35.M1093932
PRESSURE PLATE:REGISTRATION ROLLER:DRIVE:LEFT

- 25.GW010007 PHOTO REFLECTION SENSOR:EXIT
- 32.M1093876 (x2) COMPRESSION SPRING:DRIVEN ROLLER:DUPLEX:EXIT
- 36.M1093933 (x2) ROLLER:GUIDE:DIA10
- 24.GF022026 (x5) ROLLER:TRANSPORT:DIA16
- 29.M1093862 SUPPORTER:GUIDE PLATE:REGISTRATION ROLLER:LEFT

U009 PAPER TRANSPORT



- 55.M1113873 BRACKET:ELECTR
MAGNETIC CLUT
CH:LOCK
- 42.M1096320 (x2)
COVER:COIL SPRI
NG:PRESSURE:TR
ANSFER ROLLER:
SECOND
- 51.M1111541 (x2)
DECAL:OPERATE:
LEVER
- 52.M1113852 HOUSING:TRANSP
ORT
- 44.M1096343 COVER:PAPER FE
ED SENSOR:FUSIN
G:ENTRANCE



- 43.M1096329 ELECTRODE PLAT
E:DISCHARGE:2

- 50.M1096380 (x2)
PLATE:TORSION S
PRING:TRANSFER/
SEPARATION

- 49.M1096375 ELECTRODE PLAT
E:EARTH:GUIDE:T
RANSFER/SEPARA
TION

- 60.M1113941 DISCHARGE BRUS
H:TRANSPORT:PE
EN

- 58.M1113930 SHEET:REGISTRA
TION:LONG

- 56.M1113921 GUIDE PLATE:REG
ISTRATION ROLLE
R:DRIVE

- 61.M1113942 (x2)
SHAFT:DRIVEN RO
LLER:TRANSPORT

- 53.M1113869 GUIDE PLATE:TRA
NSPORT:LOWER:A
DHESION

- 57.M1113922 SHEET:REGISTRA
TION

- 54.M1113872 HOLDER:FEELER:
DUPLEX

- 59.M1113937 COVER:HARNES:
DUPLEX

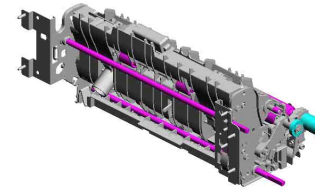
- 47.M1096353 ELECTRODE PLAT
E:ROLLER:SECON
D:3

- 45.M1096350 TERMINAL:BIAS:T
RANSFER/SEPARA
TION SECTION

- 48.M1096354 ELECTRODE:ROLL
ER:SECOND:4

- 46.M1096351 TERMINAL:ELECT
RODE PLATE:ROL
LER:SECOND

U009 PAPER TRANSPORT



- 74.M1116369 GUIDE PLATE:TRANSFER/SEPARATION:CONTACT POINT:RIGHT LOWER
- 72.M1116367 ELECTRODE:EARTH:HOUSING:TRANSPORT
- 70.M1116361 ELECTRODE PLATE:DISCHARGE:3
- 68.M1116322 GUIDE:FRONT:TRANSFER ROLLER:SECOND

- 75.M1116370 SPACER:GUIDE PLATE:TRANSFER/SEPARATION:RIGHT

- 76.M1116374 HOUSING:TORSION SPRING:RIGHT

- 67.M1113986 GUIDE PLATE:AUXILIARY:TRANSPORT ROLLER:CONNECTING:RIGHT

- 63.M1113961 GUIDE PLATE:REGISTRATION ROLLER:DRIVEN

- 65.M1113970 GUIDE PLATE:TRANSPORT ROLLER:CONNECTING:ADHESION

- 62.M1113955 BRACKET:SENSOR:SMALL

- 64.M1113964 BRACKET:REGISTRATION SENSOR

- 66.M1113985 GUIDE PLATE:AUXILIARY:TRANSPORT ROLLER:CONNECTING:LEFT

- 71.M1116366 ELECTRODE:EARTH:PAPER FEED SENSOR:FUSING

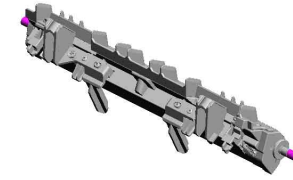
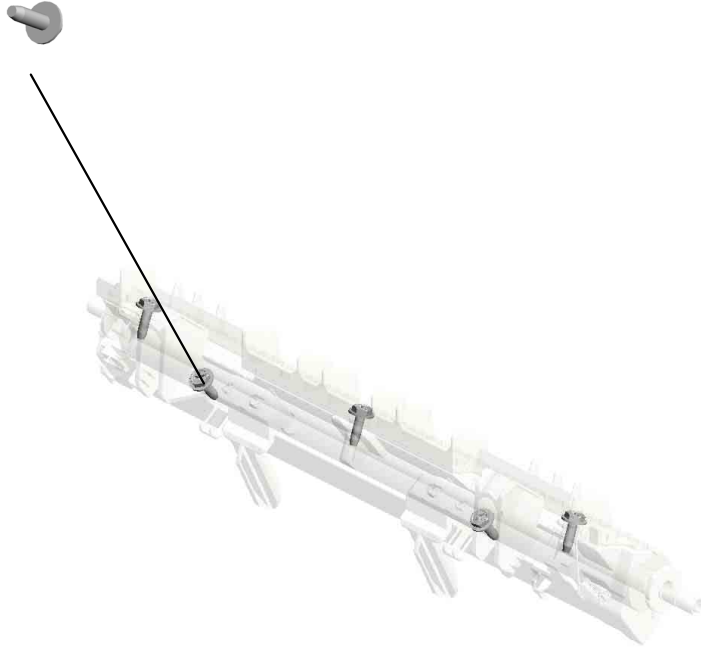
- 69.M1116324 SPACER:GUIDE PLATE:TRANSFER/SEPARATION:LEFT

- 73.M1116368 GUIDE PLATE:TRANSFER/SEPARATION:CONTACT POINT:LEFT LOWER

- 77.M1116379 HOUSING:TORSION SPRING:LEFT

U009_S001
TRANSFER/SEPARATION UNIT:SECOND:MAINTENANCE:ASS'Y

3.04583010N
(x5)
HEXAGON HEAD TAPPING SCREW:3
X10



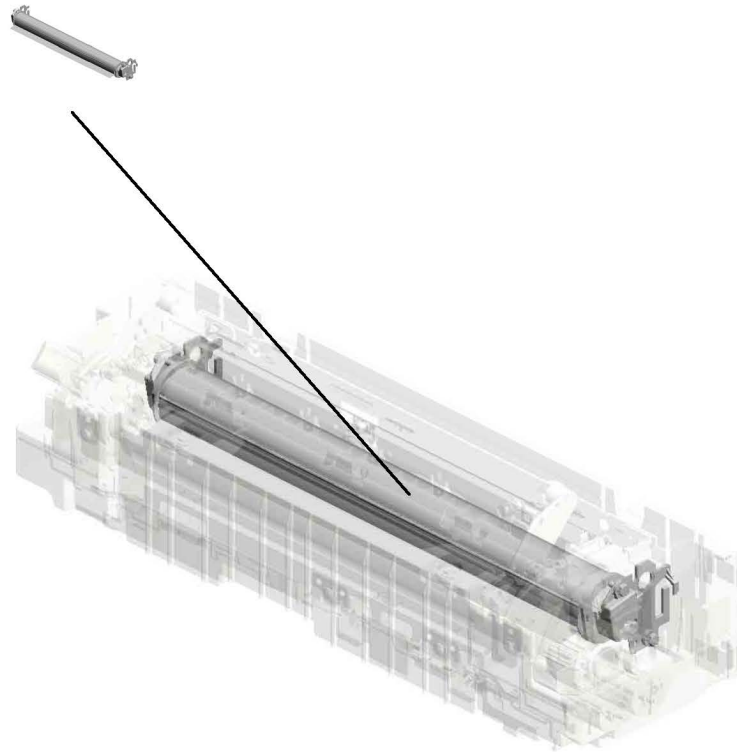
78.M9080620
TRANSFER/SEPARATION UNIT:SECOND:MAINTENANCE:ASS'Y

5.07200040E (x 2)
RETAINING RING - M4

U001	U002	U003	U004	U005	U006	U007	U008	U009	U010	U011	U012	U013	U014	U015	U016
------	------	------	------	------	------	------	------	------	------	------	------	------	------	------	------

U010.FUSING

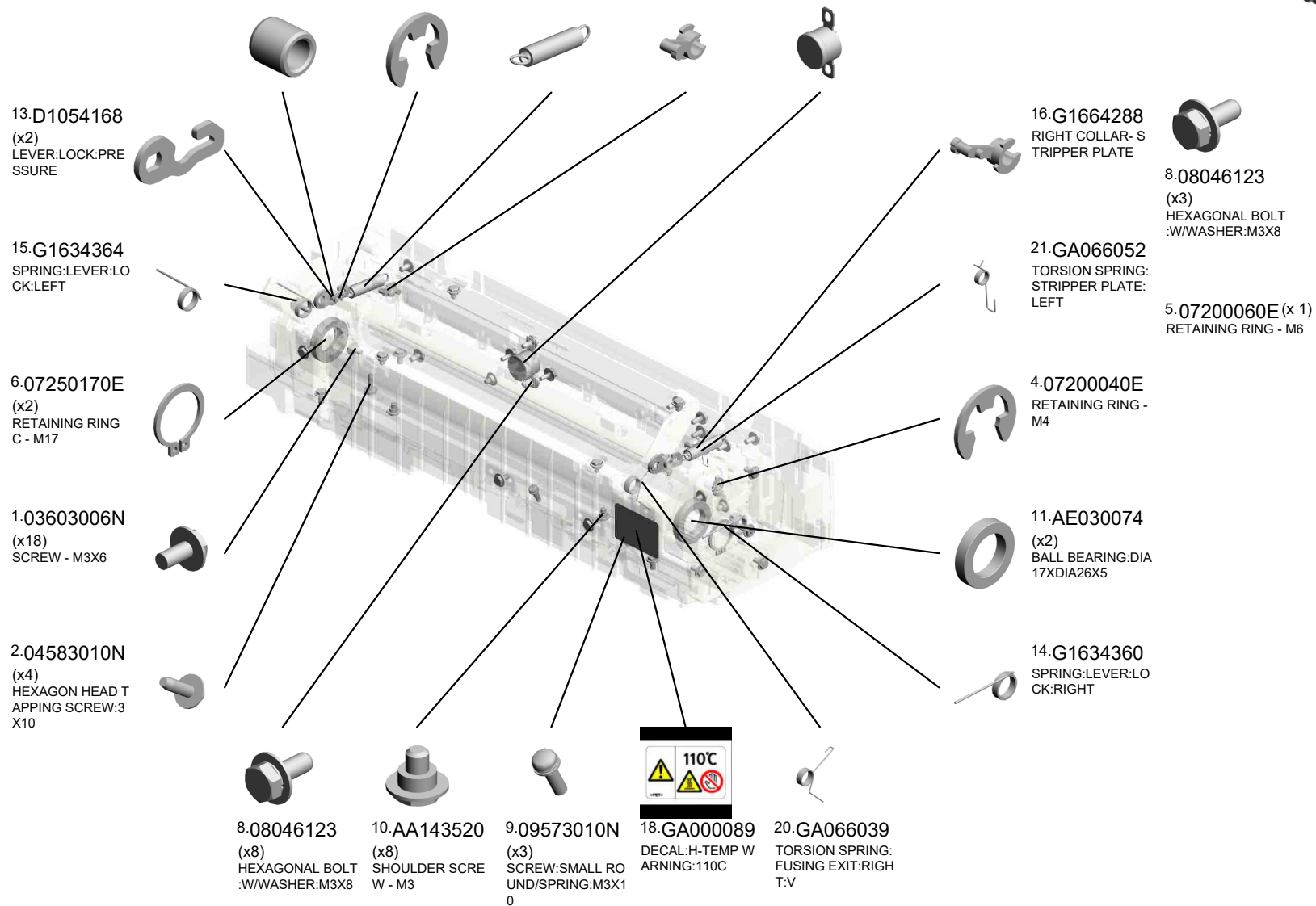
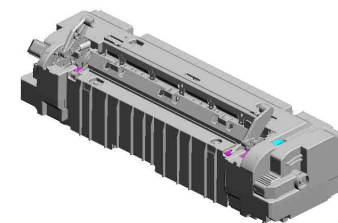
U010_S001
M1114070
BELT UNIT:ASSY



U001	U002	U003	U004	U005	U006	U007	U008	U009	U010	U011	U012	U013	U014	U015	U016
------	------	------	------	------	------	------	------	------	------	------	------	------	------	------	------

U010 FUSING

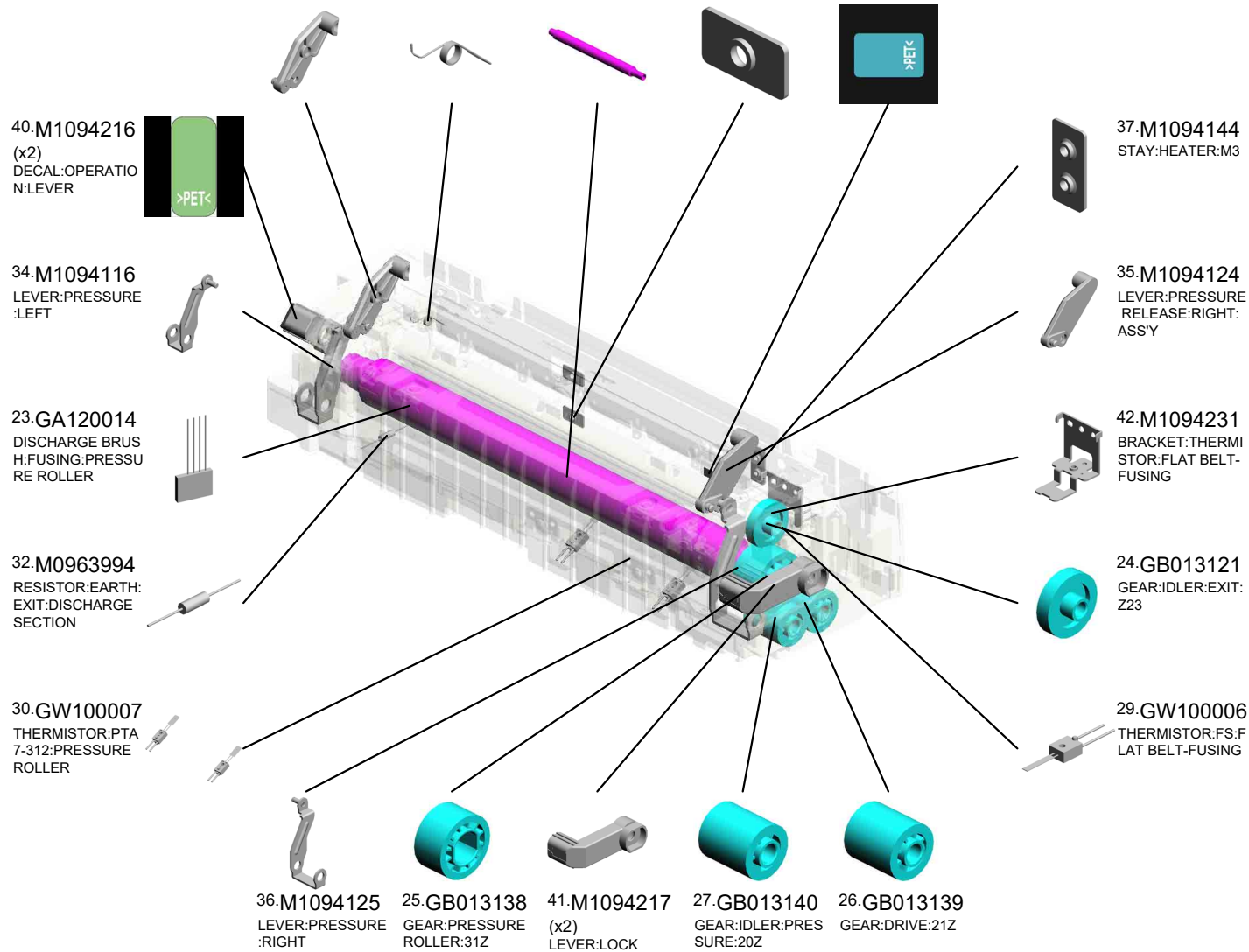
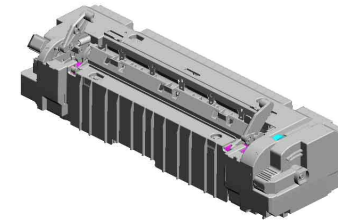
- 7.07330406 (x2) BUSHING - 4X6
- 3.07200030E (x4) RETAINING RING - M3
- 19.GA060092 (x2) TENSION SPRING: PRESSURE:V
- 17.G1664289 LEFT COLLAR- STRIPPER PLATE
- 12.AW110111 THERMOSTAT: MID DLE



U001	U002	U003	U004	U005	U006	U007	U008	U009	U010	U011	U012	U013	U014	U015	U016
------	------	------	------	------	------	------	------	------	------	------	------	------	------	------	------

U010 FUSING

- 33.M1094115 LEVER:PRESSURE RELEASE:LEFT:ASSY
- 22.GA066053 TORSION SPRING: STRIPPER PLATE: RIGHT
- 28.GE020018 PRESSURE ROLLER: DIA35.2
- 38.M1094151 (x2) STAY:THERMOSTAT
- 39.M1094181 DECAL:OPERATION SUB-UNIT:GUIDE PLATE

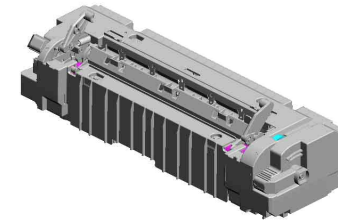


U010 FUSING

47.M1114148 HOUSING:THERM
OSTAT:UPPER

53.M1114214 FUSING COVER:U
PPER

49.M1114194 STRIPPER PLATE:
FUSING EXIT:COA
T



48.M1114180
GUIDE PLATE:EXIT
:FUSING



45.M1114099
GROUND PLATE:F
USING



52.M1114208
COVER:GROUND
PLATE



55.GX440022
(TWN):HEATER:10
7V:900W



46.M1114145
TERMINAL:HEATE
R



54.M1114219
BLOCK:FUSING UN
IT



50.M1114203
GUIDE PLATE:ENT
RANCE:FUSING

51.M1114207
FUSING COVER:L
OWER

58.M1114091
(x2)
BRACKET:THERMI
STOR:PRESSURE
ROLLER
201808-02 X/O



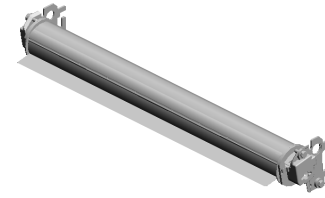
U001	U002	U003	U004	U005	U006	U007	U008	U009	U010	U011	U012	U013	U014	U015	U016
------	------	------	------	------	------	------	------	------	------	------	------	------	------	------	------

U010_S001
BELT UNIT:ASS'Y

8-08046123

(x4)

HEXAGONAL BOLT
:W/WASHER:M3X8



57.M1114070

[A]
BELT UNIT:ASS'Y
201805-01 X/O

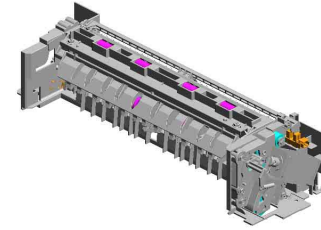


M1114050

[A]
BELT UNIT:ASS'Y
201805-01 X/O

U001	U002	U003	U004	U005	U006	U007	U008	U009	U010	U011	U012	U013	U014	U015	U016
------	------	------	------	------	------	------	------	------	------	------	------	------	------	------	------

U011 PAPER EXIT



- 12.G1634479 (x7) GEAR:IDLER:EXIT
- 4.08050103 RETAINING RINGS -E:SILENCER:DIA3
- 13.G1634489 GEAR:EXIT
- 11.G1634467 (x4) ROLLER:DRIVEN:DUPLIX
- 18.M1094451 (x2) COIL SPRING:PRESSURE:EXIT:INNER

14.G1634492
DC SOLENOID:PRESSURE FIT

2.04583010N
(x5)
HEXAGON HEAD TAPPING SCREW:3X10

1.03530040N
(x2)
SCREW - M3X4

6.11050758
(x2)
CLAMP:LWSM-0306A

3.08046123
(x2)
HEXAGONAL BOLT:WASHER:M3X8

19.M1094453
GEAR:REVERSE:EXIT

16.GF020067
EXIT ROLLER

15.G1664456
(x2)
GUIDE ROLLER - EXIT

10.G1022789
STOPPER:PHOTO INTERRUPTOR

8.AW020198
(x2)
PHOTO INTERRUPTOR:LG2A14NL1

9.D0094418
(x2)
STEPPED TAPPING SCREW - M3

5.08050104
(x2)
RETAINING RINGS -E:SILENCER:DIA4

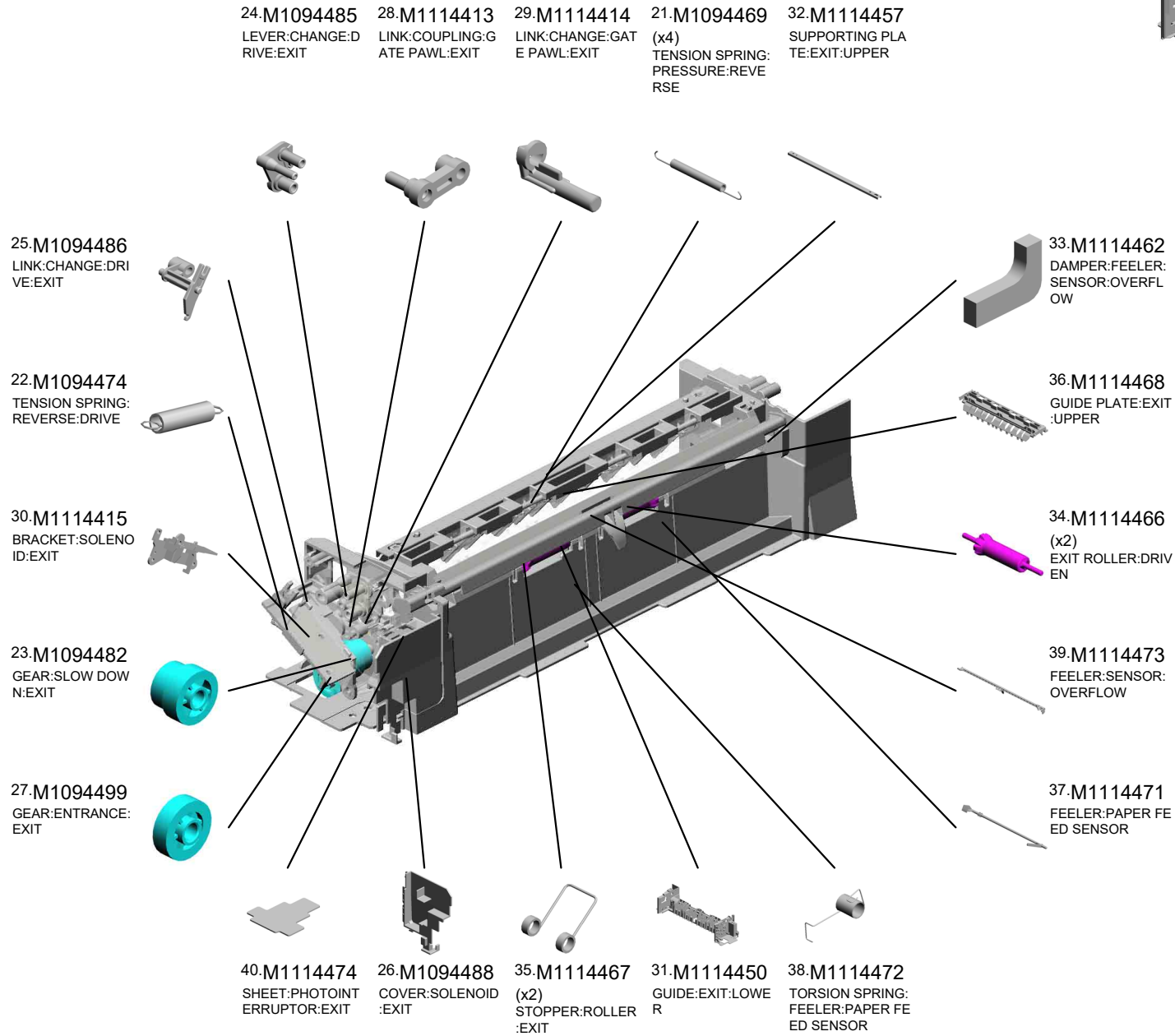
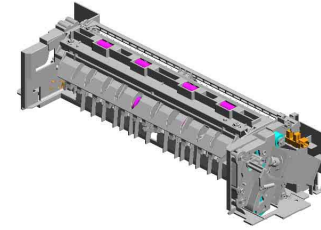
7.AA082174
(x2)
PLAIN SHAFT BEARING RING:6X10X9

20.M1094461
DAMPER:FEELER:SENSOR:OVERFLOW

17.M0963994
RESISTOR:EARTH:EXIT:DISCHARGE SECTION

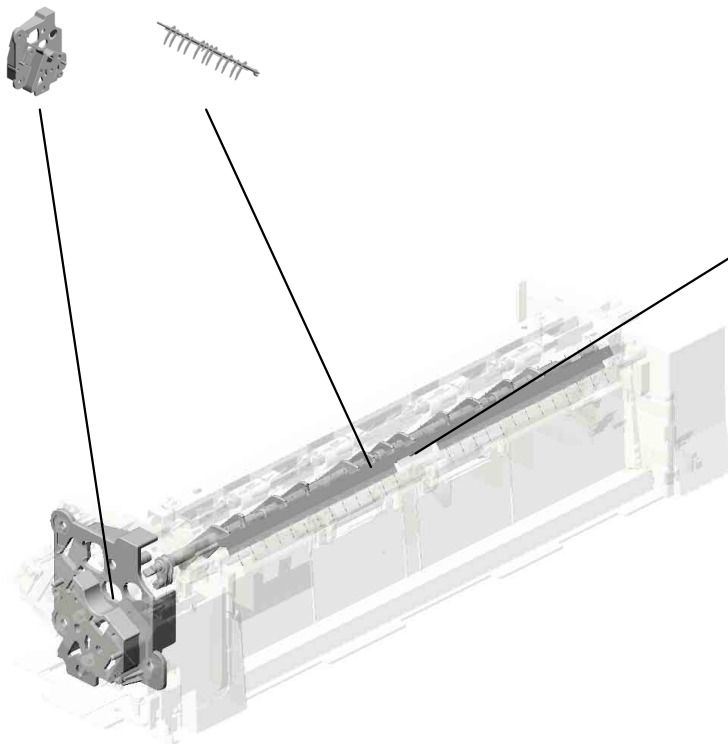
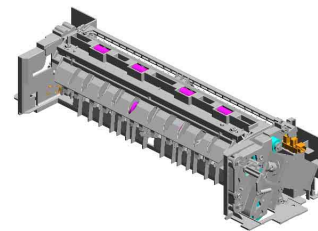
U001	U002	U003	U004	U005	U006	U007	U008	U009	U010	U011	U012	U013	U014	U015	U016
------	------	------	------	------	------	------	------	------	------	------	------	------	------	------	------

U011 PAPER EXIT



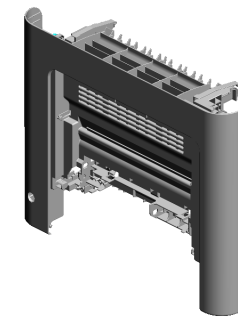
U011
PAPER EXIT

42.M1114483 41.M1114475
BRACKET:GEAR:E GATE PAWL:REVE
XIT RSE EXIT



43.M1114487
DISCHARGE BRUS
H:EXIT

U012 DUPLEX



- 3.04583010N (x14) HEXAGON HEAD TAPPING SCREW:3X10
- 12.GB011151 GEAR:PULLEY:DUPLEX:2
- 9.GA043031 SYNCHRONOUS BELT:S2M:4X316
- 6.AA082101 (x2) BUSHING - 6X10X6
- 11.GB011149 (x2) GEAR:TRANSPORT:IDLER:BASE:1

14.GF020068
TRANSPORT ROLLER:DUPLEX:ENTRANCE

7.B2234552
(x2) BUSHING:DIA4

8.D0394542
DRIVEN ROLLER:ENTRANCE:DUPLEX

20.M1094184
(x2) ROLLER:MIDDLE:FRUSING

2.04513008N
(x7) TAPPING SCREW - M3X8

4.07200030E
(x2) RETAINING RING - M3

17.M1091134
STEPPED SCREW: M4X:4.4

5.08050104
(x6) RETAINING RINGS -E:SILENCER:DIA4

16.M1091133
STEPPED SCREW: M3X:3.2

15.M1091132
LINK:STOPPER:COVER:FRONT

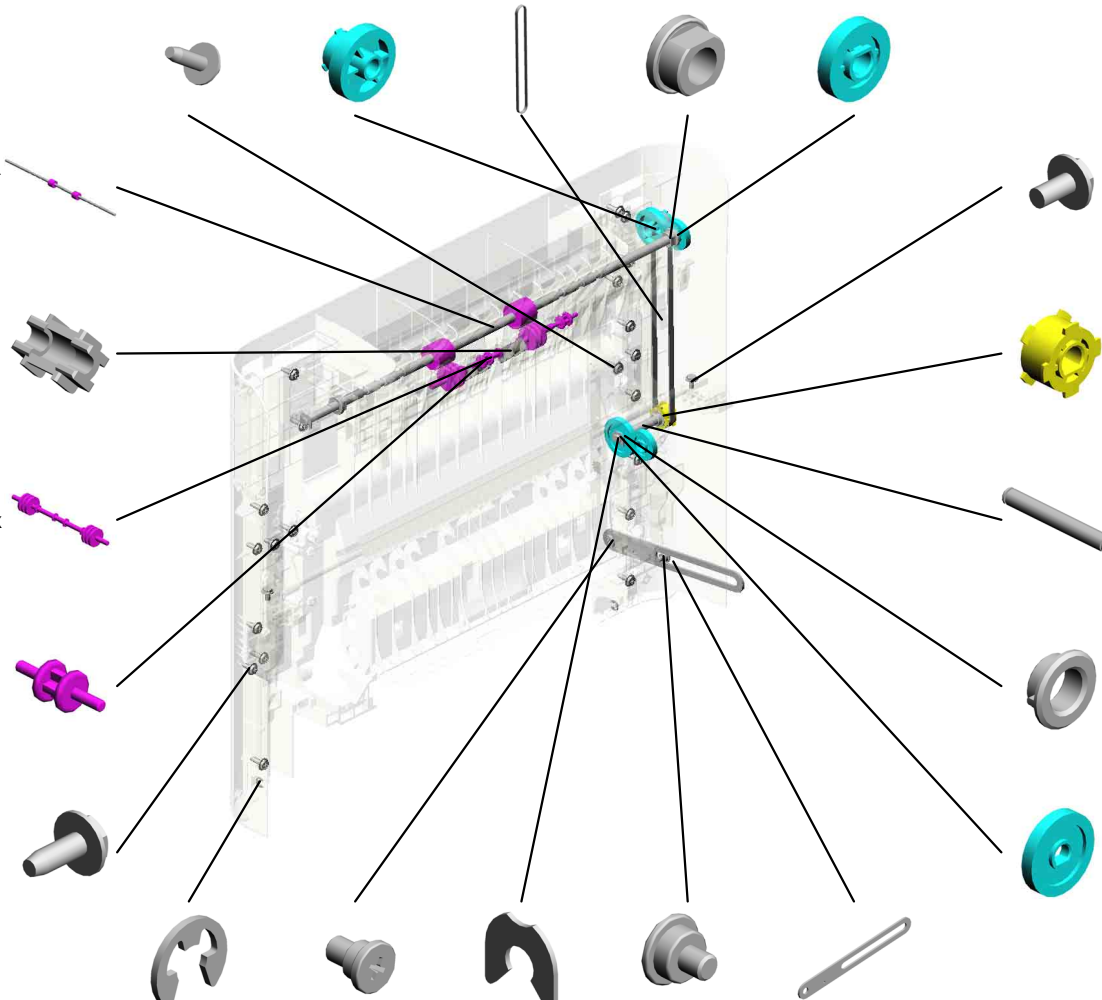
1.03603006N
(x2) SCREW - M3X6

18.M1091178
PULLEY:DUPLEX:1

10.GA148026
SHAFT:PULLEY:DUPLEX

19.M1091189
(x2) PLAIN SHAFT BEARING:DUPLEX

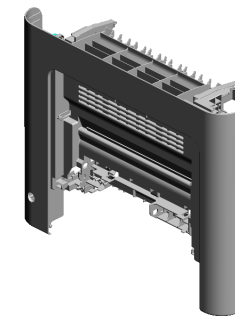
13.GB011166
GEAR:PULLEY:DUPLEX



U001	U002	U003	U004	U005	U006	U007	U008	U009	U010	U011	U012	U013	U014	U015	U016
------	------	------	------	------	------	------	------	------	------	------	------	------	------	------	------

U012 DUPLEX

- 21.M1094608 HOLDER:GUIDE PLATE:REVERSE:RIG
HT
- 37.M1114603 GUIDE PLATE:REV
ERSE
- 23.M1094618 (x2)
TENSION SPRING:
DRIVEN ROLLER:D
UPLEX:ENTRANCE
- 34.M1094646 (x6)
GUIDE:DUPLEX:EN
TRANCE
- 38.M1114609 (x2)
COMPRESSION SP
RING:GUIDE PLAT
E:REVERSE



- 22.M1094613 KNOB:TRANSPOR
T ROLLER:DUPLEX



- 33.M1094643 DECAL:PICK-UP P
APER JAM:DUPLE
X



- 28.M1094631 TORSION SPRING:
LOCK:COVER:FRO
NT



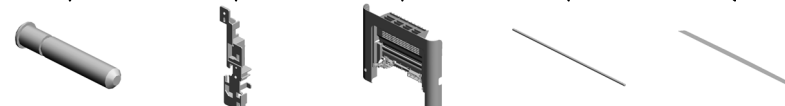
- 30.M1094636 HINGE:LOCK:COV
ER:FRONT



- 26.M1094628 HANDLE:COVER:F
RONT



- 35.M1094650 (x2)
FRONT COVER PI
N
- 29.M1094635 GUIDE:HARNESS:
RIGHT
- 36.M1114601 COVER:FRONT
- 40.M1114629 SHAFT:LOCK:COV
ER:FRONT
- 39.M1114624 (x2)
SHEET:DUPLEX:EX
IT



- 25.M1094620 HOLDER:GEAR:DU
PLEX UNIT:ASS'Y



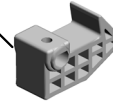
- 24.M1094619 (x2)
SHAFT:LINK:MANU
AL FEED TABLE



- 32.M1094640 HINGE:LOCK:COV
ER:FRONT:LEFT



- 27.M1094630 PAWL:LEFT

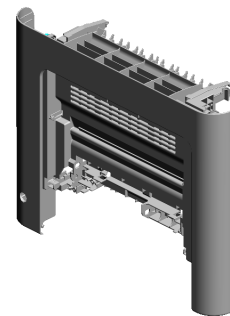
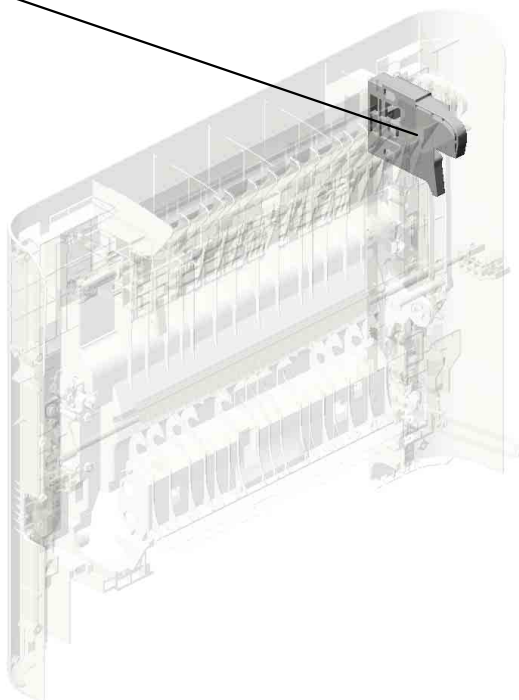


- 31.M1094638 GUIDE:HARNESS:L
EFT



U012
DUPLEX

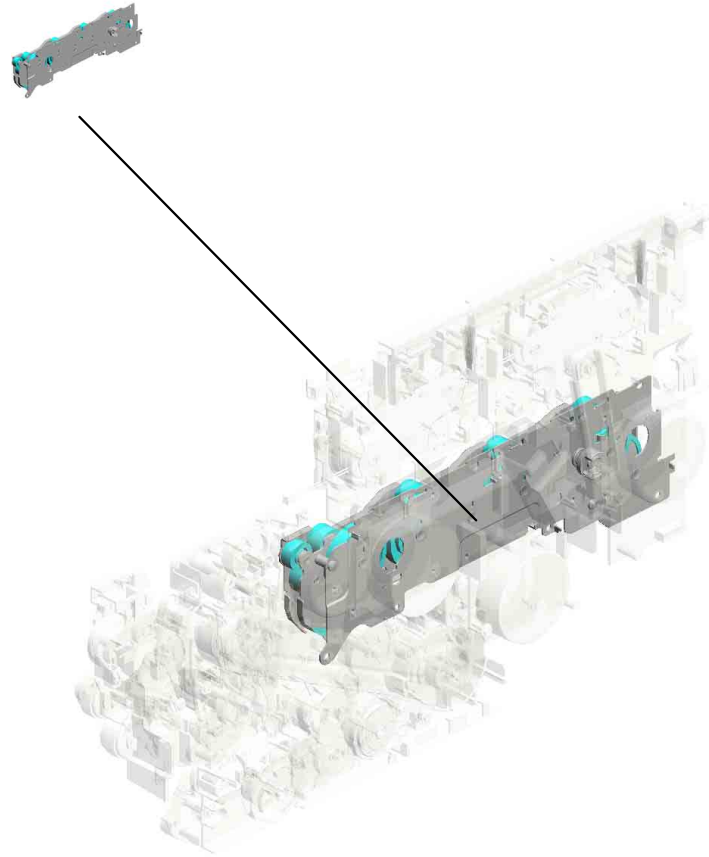
41.M1364607
HOLDER:GUIDE PL
ATE:REVERSE:LEF
T



U001	U002	U003	U004	U005	U006	U007	U008	U009	U010	U011	U012	U013	U014	U015	U016
------	------	------	------	------	------	------	------	------	------	------	------	------	------	------	------

U013.MAIN DRIVE

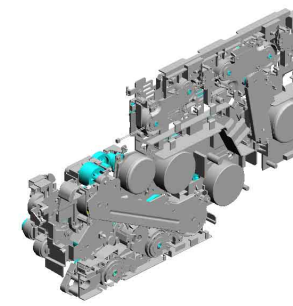
U013 S001
MOB01135
MECHANICAL DRIVE SECTIO
N:PHOTOCONDUCTOR:ASS'
Y



U001	U002	U003	U004	U005	U006	U007	U008	U009	U010	U011	U012	U013	U014	U015	U016
------	------	------	------	------	------	------	------	------	------	------	------	------	------	------	------

U013 MAIN DRIVE

- 7.04593010N BINDING HEAD TAPPING SCREW:3X10
- 5.04583008N HEXAGON HEAD TAPPING SCREW:3X8
- 20.GA148028 SHAFT:COUPLING: UPPER
- 6.04583010N (x21) HEXAGON HEAD TAPPING SCREW:3X10
- 9.08050104 (x12) RETAINING RINGS -E:SILENCER:DIA4



- 2.03603006N (x2) SCREW - M3X6

- 22.GB010144 GEAR:STEPPED:COUPLING:TRANSPORT

- 14.AA082173 (x2) PLAIN SHAFT BEARING:6X10X6

- 13.AA082170 (x2) PLAIN SHAFT BEARING:DIA4XDIA8X5:EG-1

- 19.GA148024 SHAFT:COUPLING:REGISTRATION

- 18.GA146139 SHAFT:TRANSPORT:CONNECTING
- 21.GB010143 GEAR:COUPLING:REGISTRATION
- 12.AA082101 (x3) BUSHING - 6X10X6
- 3.04513008N (x11) TAPPING SCREW - M3X8
- 10.09513008N (x2) SCREW:POLISHED ROUND:M3X8

- 11.12042612 (x2) MICRO SWITCH:D3V-16506-3C25

- 4.04543006Q (x34) TAPPING SCREW - M3X6

- 16.GA043041 SYNCHRONOUS BELT:T210

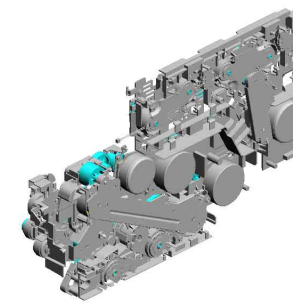
- 17.GA146123 SHAFT:TRANSPORT:ON-OFF

- 15.GA043040 SYNCHRONOUS BELT:FUSING:S3M

- 9.08050104 (x3) RETAINING RINGS -E:SILENCER:DIA4

- 8.07200040E (x 1) RETAINING RING - M4

U013 MAIN DRIVE



- 42.GB011158 GEAR:TRANSPOR
T:IDLER:DUPL
EX:MIDDLE
- 38.GB011152 GEAR:TRANSPOR
T:COUPLING
- 29.GB011099 GEAR:TRANSFER:
DRIVE:COUPLING
- 27.GB010156 GEAR:IDLER:COU
PLING:TRANSPOR
T:2
- 26.GB010155 GEAR:IDLER:COU
PLING:TRANSPOR
T:1

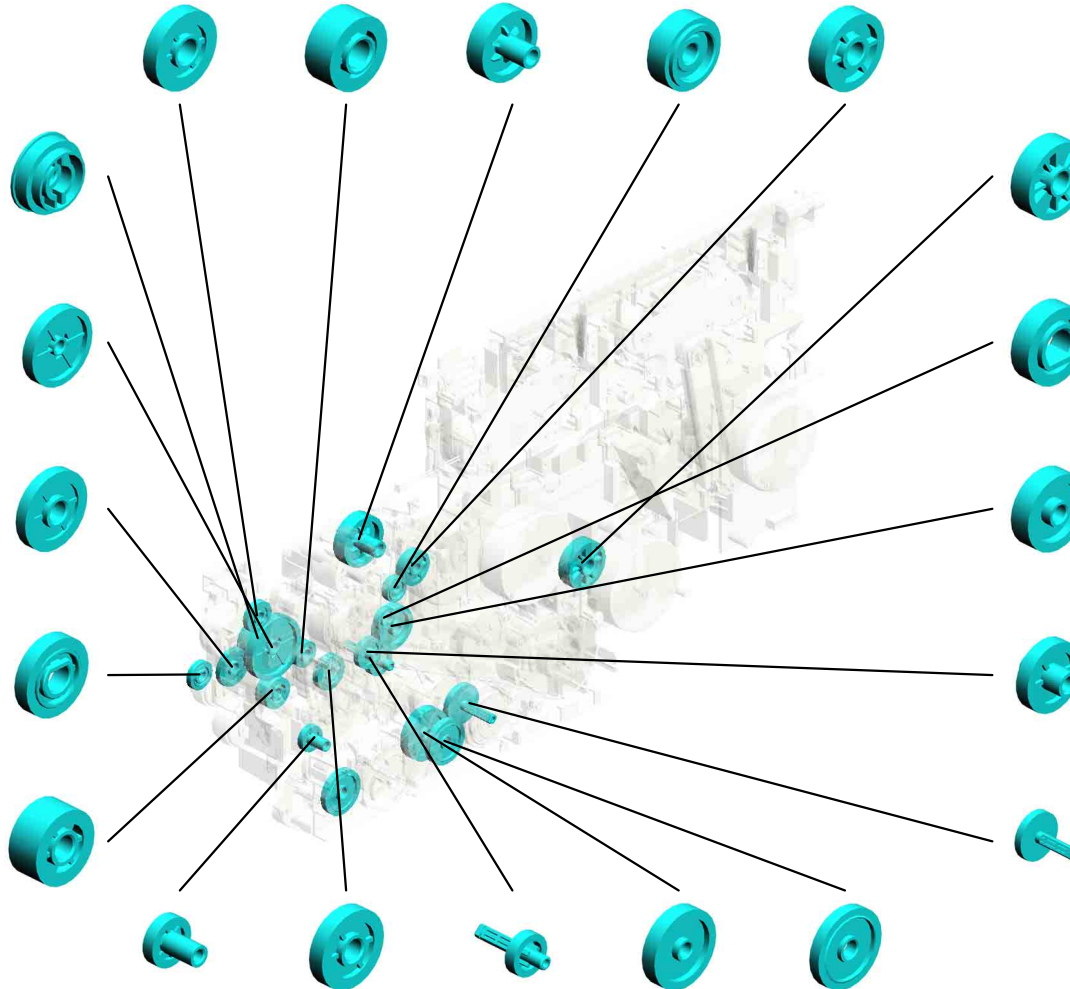
39.GB011153
GEAR:TRANSPOR
T:SLOW DOWN:DU
PLEX:2

40.GB011154
GEAR:TRANSPOR
T:SLOW DOWN:DU
PLEX:1

43.GB011164
GEAR:TRANSPOR
T:IDLER:1

44.GB011165
GEAR:TRANSPOR
T:IDLER:BASE:1

41.GB011156
GEAR:TRANSPOR
T:IDLER:DUPL
EX:EXIT



28.GB010242
GEAR:FUSING:MO
TOR:COUPLING

25.GB010149
GEAR:COUPLING:
UPPER

34.GB011142
GEAR:TRANSPOR
T:CLUTCH:IDLER

24.GB010148
GEAR:IDLER:TRAN
SPORT:COUPLING
:2

35.GB011143
GEAR:CLUTCH:OU
TPUT:ON-OFF

23.GB010147
GEAR:COUPLING:
SLOW DOWN:1

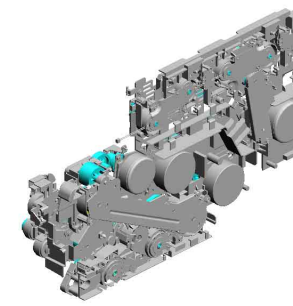
33.GB011141
GEAR:TRANSPOR
T:IDLER:1

32.GB011140
GEAR:CLUTCH:OU
TPUT:REGISTRATI
ON

37.GB011147
GEAR:TRANSPOR
T:IDLER:PAPER FE
ED

36.GB011145
(x2)
GEAR:TRANSPOR
T:IDLER:OUTER

U013 MAIN DRIVE



- 54.GB013132 GEAR:COUPLING:Y:SUPPLY
- 55.GB013134 GEAR:IDLER:Y:SUPPLY
- 56.GB013135 GEAR:SUPPLY:ELCTROMAGNETIC CLUTCH:YELLOW
- 51.GB013128 GEAR:TONER SUPPLY:IDLER:YM
- 50.GB013127 (x2) GEAR:IDLER:TONE R SUPPLY:CK

49.GB013122
GEAR:FUSING:COUPLING



48.GB013093
GEAR:FUSING:COUPLING - 30Z



67.GB017155
GEAR:SLOW DOWN:TRANSPORT:COUPLING:1



66.GB017153
GEAR:TRANSPORT:SLOW DOWN:INNER



65.GB017152
GEAR:TRANSPORT:IDLER:MANUAL FEED



68.GB017156
GEAR:SLOW DOWN:TRANSPORT:COUPLING:2



69.GB017157
GEAR:TRANSPORT:SLOW DOWN:OUTER



46.GB011196
GEAR:TRANSPORT:COUPLING:PAPER FEED



62.GB017141
GEAR:TRANSPORT:SLOW DOWN:PAPER FEED



61.GB017140
GEAR:ON-OFF:SLOW DOWN:1



57.GB013136 (x3)
GEAR:SUPPLY:ELCTROMAGNETIC CLUTCH



58.GB017135
GEAR:SUPPLY:PULLEY:2



63.GB017144
GEAR:FUSING:DRIVE:1



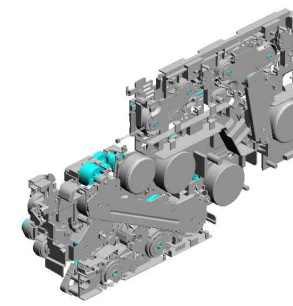
60.GB017139
GEAR:ON-OFF:SLOW DOWN:2



64.GB017146
GEAR:FUSING:PULLEY:1



U013 MAIN DRIVE



- 70.GB017164 GEAR:SLOW DOWN:DRIVE:COUPLING
- 88.M1091153 SPACER:MOTOR
- 71.GB017168 GEAR:TRANSFER:DRIVE
- 75.GX062173 DC BRUSHLESS MOTOR:TRANSFER:TRANSPORT:23W
- 76.GX202101 (x4) ELECTROMAGNETIC CLUTCH:SUPPLY:0.25NM

- 89.M1091160 (x2) SPACER:FUSING:SYNCHRONOUS BELT

- 77.GX202124 (x3) ELECTROMAGNETIC CLUTCH:0.35NM

- 79.GX202128 ELECTROMAGNETIC CLUTCH:MANUAL FEED:BASE:0.25NM

- 80.GX202129 ELECTROMAGNETIC CLUTCH:MANUAL FEED:0.25NM

- 81.GX202131 ELECTROMAGNETIC CLUTCH:0.45NM

- 83.M1091101 BRACKET:SUPPLY:SYNCHRONOUS BELT:ASSY

- 72.GX062154 DC BRUSHLESS MOTOR:PHOTOCONDUCTOR:BLACK:24W

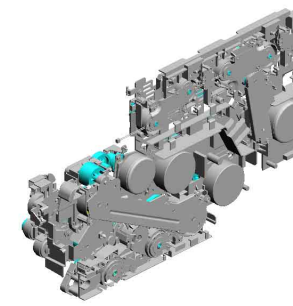
- 73.GX062156 DC BRUSHLESS MOTOR:PHOTOCONDUCTOR:COLLAR:43W

- 87.M1091120 BRACKET:FUSING:MOTOR:ASSY

- 74.GX062157 DC BRUSHLESS MOTOR:FUSING:23W

- 84.M1091113 BRACKET:GUIDE PLATE:REGISTRATION:CLUTCH
- 78.GX202126 ELECTROMAGNETIC CLUTCH:PAPER FEED:0.45NM
- 85.M1091116 BRACKET:TRANSPORT
- 86.M1091118 TIGHTENER:FUSING
- 90.M1091161 BRACKET:FUSING:GEAR

U013 MAIN DRIVE



- 94.M1091175 PULLEY:FUSING:COUPLING - 30Z
- 110.M1111121 BRACKET:TRANSFER:DRIVE:ASSY
- 108.M1111113 BRACKET:DRIVE:POSITIONING
- 105.M1095857 (x2) HEXAGON HEAD TAPPING SCREW:3 X10:DIA10
- 103.M1095818 SLIDER:MICRO SWITCH

97.M1091184
GROUND PLATE:FUSING:DRIVE SUB-UNIT

93.M1091174
BRACKET:DUPLIX:2

99.M1091188
BRACKET:DUPLIX:SWIVEL:ARM:2

101.M1091196
BRACKET:TRANSFER:ARM:ASSY

100.M1091195
BRACKET:SWIVEL:MAIN:GUIDE PLATE

109.M1111119
BRACKET:TRANSFER:INNER:FRONT

92.M1091173
BRACKET:TRANSFER:FRONT:2

96.M1091181 (x3) SPACER:DIA12:0.13MM

95.M1091180
BRACKET:TRANSFER:FRONT:2:COVER

106.M1111055
SHEET:HARNESS:BRACKET:FUSING:GEAR

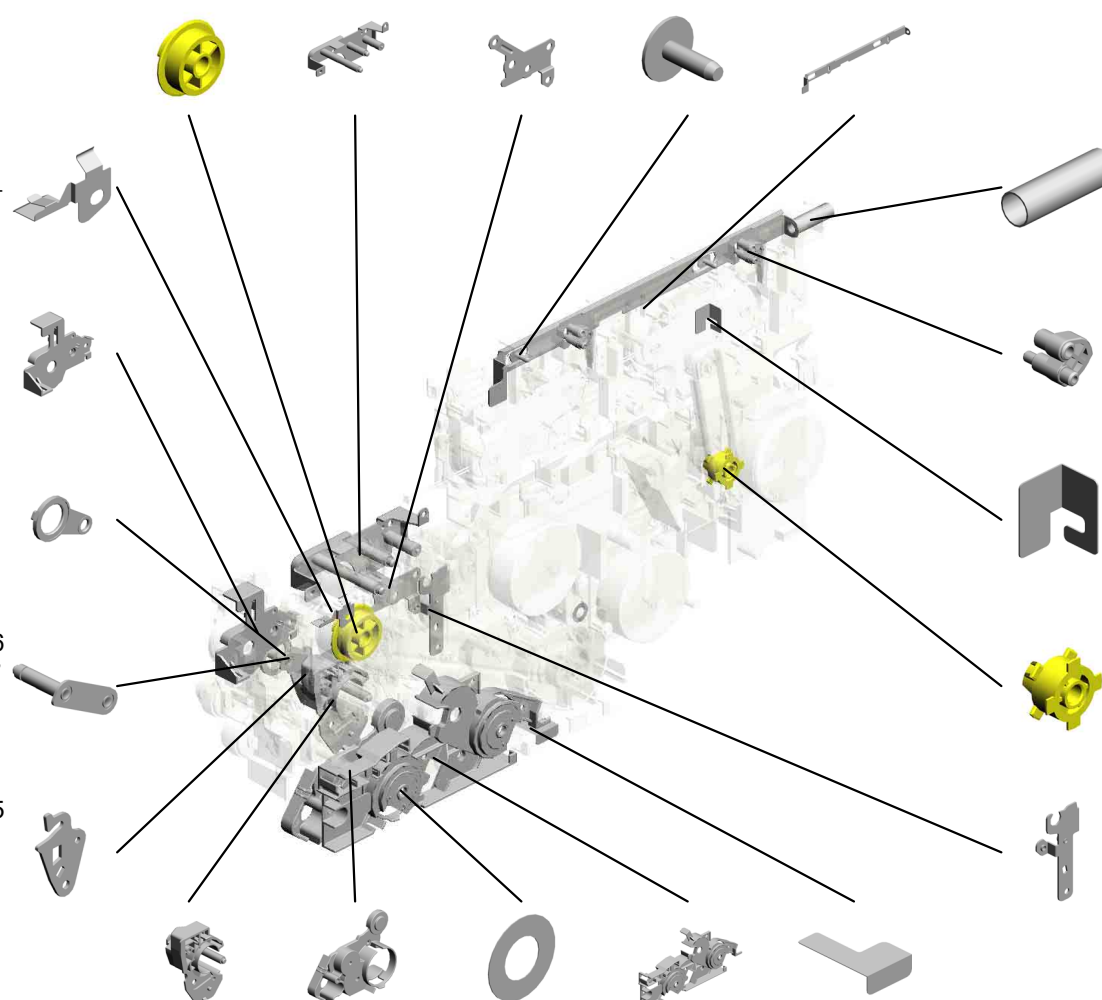
104.M1095819
COMPRESSION SPRING:LINK:SLIDE

102.M1095061 (x2) CAM:MICRO SWITCH

98.M1091185
SHEET:GUIDE:HARNESS:SUPPLY

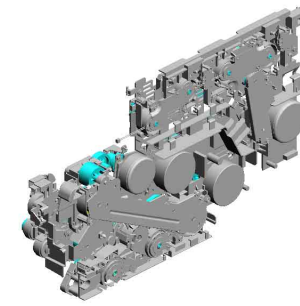
91.M1091166
PULLEY:TONER SUPPLY:DRIVE - 19Z

107.M1111111
BRACKET:GUARD:ASSY

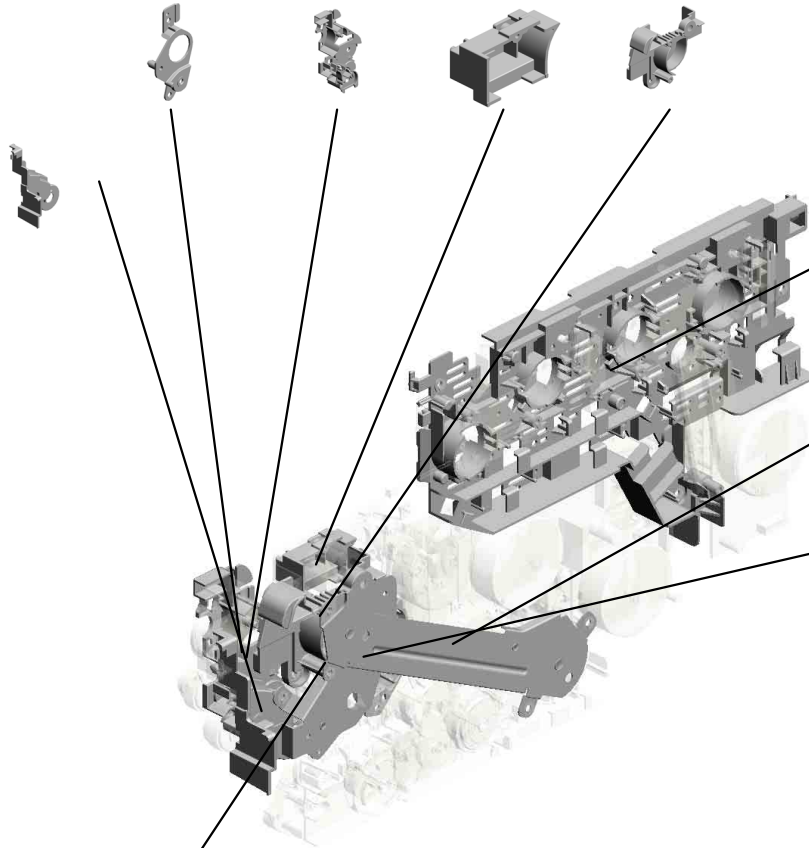


U013 MAIN DRIVE

117.M1111157 BRACKET:DUPLEX :GUIDE PLATE
 115.M1111150 BRACKET:DUPLEX
 119.M1115840 SHIELDING PLATE: DRIVE UNIT:TRAN SFER
 114.M1111147 BRACKET:FUSING: DRIVE:COUPLING



112.M1111143
BRACKET:COVER: DUPLEX



116.M1111155
BRACKET:DRIVE:T ONER SUPPLY:AS S'Y

113.M1111145
BRACKET:FUSING: DRIVE:ASS'Y

118.M1111164
BRACKET:TRANSP ORT:1

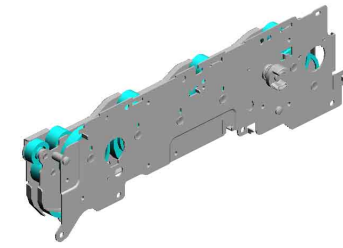
111.M1111124
BRACKET:COUPLI NG:TRANSPORT:PEEN

U001	U002	U003	U004	U005	U006	U007	U008	U009	U010	U011	U012	U013	U014	U015	U016
------	------	------	------	------	------	------	------	------	------	------	------	-------------	------	------	------

U013_S001

MECHANICAL DRIVE SECTION:PHOTOCONDUCTOR:ASS'Y

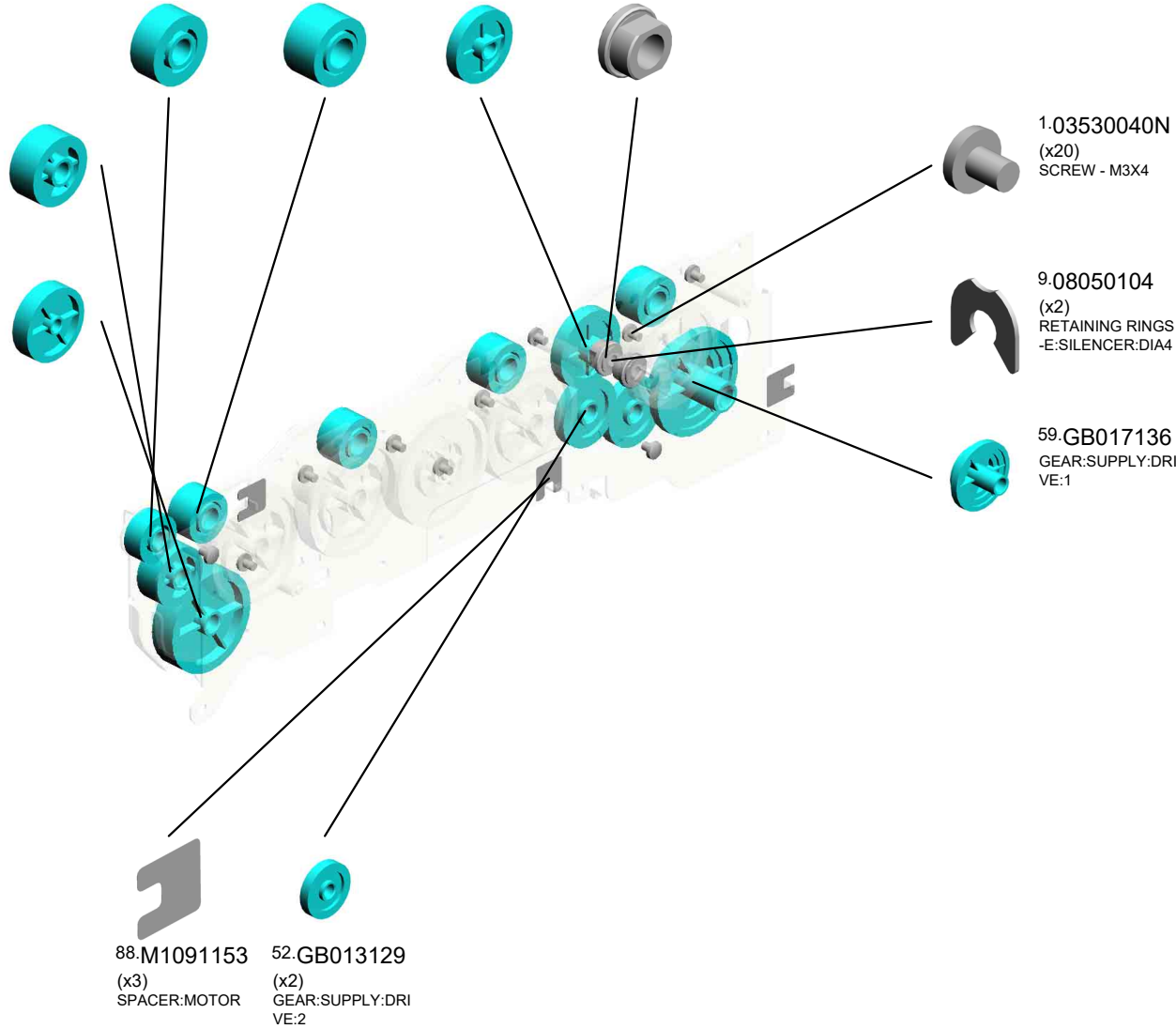
- 45.GB011169 GEAR:ON-OFF:1
- 47.GB012123 (x4) GEAR:PHOTOCONDUCTOR:DRIVE:COUPLING
- 53.GB013130 GEAR:SUPPLY:DRIVE:3
- 12.AA082101 (x2) BUSHING - 6X10X6



82.M0B01135
MECHANICAL DRIVE SECTION:PHOTOCONDUCTOR:ASS'Y

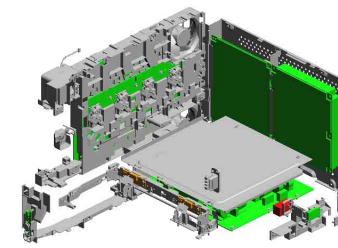
30.GB011138
GEAR:ON-OFF:2

31.GB011139
GEAR:ON-OFF:3



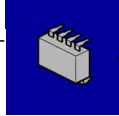
U001	U002	U003	U004	U005	U006	U007	U008	U009	U010	U011	U012	U013	U014	U015	U016
------	------	------	------	------	------	------	------	------	------	------	------	------	------	------	------

U014 ELECTRICAL



- 24.M0963989 RESISTOR:TRANS FER/SEPARATION
- 3.04513008N (x10) TAPPING SCREW - M3X8
- 2.03603006N (x4) SCREW - M3X6
- 20.GW010009 (x2) DENSITY SENSOR
- 6.04583010N (x26) HEXAGON HEAD T APPING SCREW:3 X10

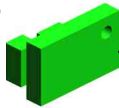
12.14077677
EEPROM:BR24T64- W



8.08046123
(x10)
HEXAGONAL BOLT :W/WASHER:M3X8



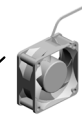
15.AW140016
TEMPERATURE & HUMIDITY SENSO R



1.03530040N
SCREW - M3X4



5.04543006Q
(x16)
TAPPING SCREW - M3X6

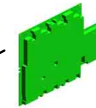


21.GX640025
DC FAN MOTOR:M M60:25MM:24V

10.11050723
CLAMPS:WES-050 7

13.AA143592
SCREW- M4X6

23.GZ300008
POWER PACK



3.04513008N(x 3)
TAPPING SCREW - M3X8
4.04522608N(x 2)
BINDING SELF-TAPPING SCREW:2.6X 8
5.04543006Q(x18)
TAPPING SCREW - M3X6

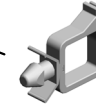
7.07200030E
RETAINING RING - M3



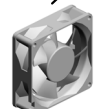
9.11050511
HARNESS CLAMP - LWS-0306ZC



11.11050763
CLAMP:LWS-1211A



5.04543006Q
TAPPING SCREW - M3X6
201807-01 X/O



16.AX640199
(x2)
FAN:MM80:25MM:D C 2.16W



18.G1022789
STOPPER:PHOTOI NTERRUPTOR



14.AW020198
PHOTOINTERRUP TOR:LG2A14NL1

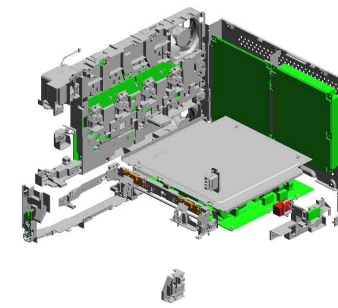


17.G0205626
PUSH SWITCH

U001	U002	U003	U004	U005	U006	U007	U008	U009	U010	U011	U012	U013	U014	U015	U016
------	------	------	------	------	------	------	------	------	------	------	------	------	------	------	------

U014 ELECTRICAL

- 30.M0B05808 BRACKET:WLAN
- 32.M0B05815 GUIDE PLATE:WLAN
- 28.M0B05241 PCB:CTL:S1V:ASS'Y
- 44.M1095758 CAM:DENSITY SENSOR:RIGHT
- 42.M1095752 (x2) STOPPER:DENSITY SENSOR



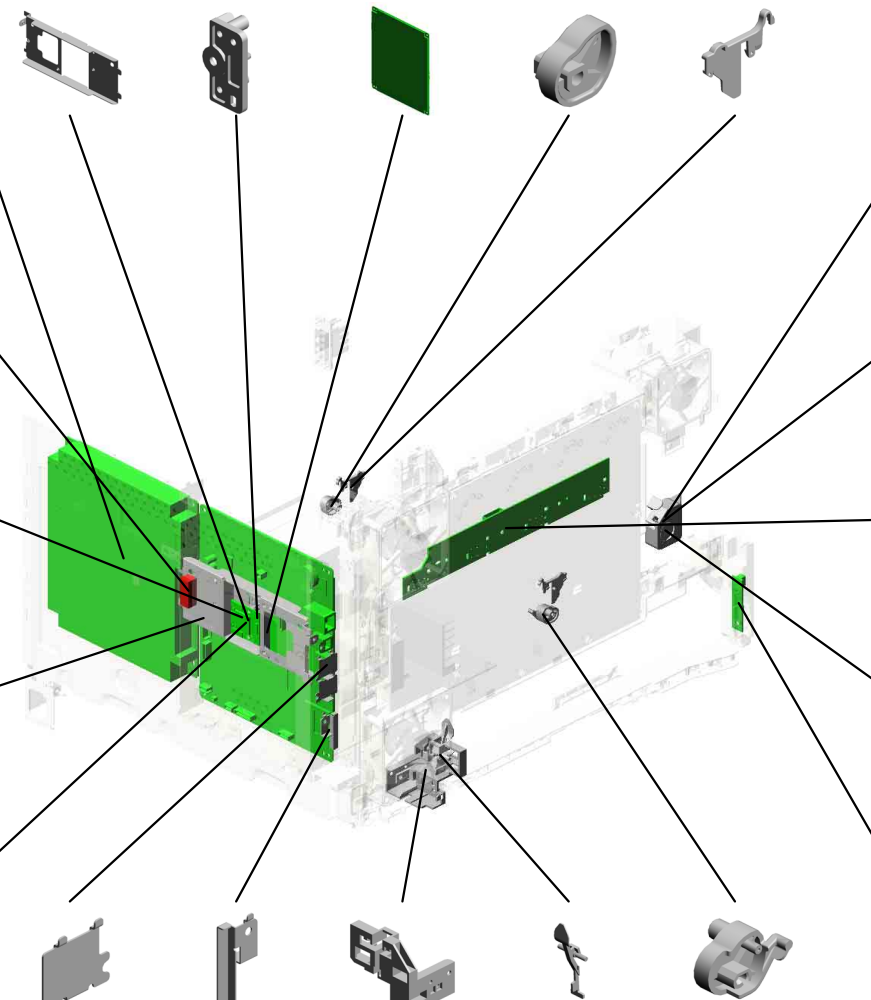
- 25.M0B05105 PCB:EGB:ASS'Y

- 27.M0B05230 GASKET:10X10X25

- 31.M0B05814 HOLDER:WLAN

- 37.M0B09590 NVRAM

- 26.M0B05221 MODULE:WLAN:WN3501M



- 34.M0B05852 PLATE:SPEAKER

- 33.M0B05851 HOLDER:SPEAKER

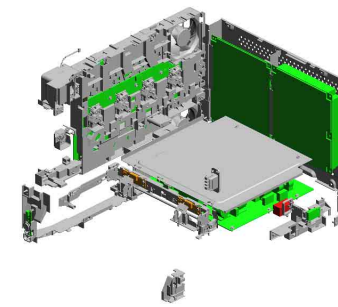
- 40.M1095321 PCB:TERMINAL:PCDU

- 29.M0B05249 SPEAKER

- 41.M1095541 PCB:DCSW

- 36.M0B05881 (x2) COVER:USB
- 35.M0B05863 COVER:SD-CARD
- 38.M1095051 BASE:SENSOR:COLLECTION BOTTLE
- 39.M1095052 FEELER:OVERFLOW:SENSOR:COLLECTION BOTTLE
- 43.M1095757 CAM:DENSITY SENSOR:LEFT

U014 ELECTRICAL



- 46.M1095760 (x2) COMPRESSION SPRING:DENSITY SENSOR
- 47.M1095770 (x29) TERMINAL:HIGH VOLTAGE
- 59.M1095800 (x12) COMPRESSION SPRING:NEW ARTICLE SENSOR
- 49.M1095772 (x4) HOLDER:TERMINAL:POWER PACK
- 58.M1095799 (x4) HOLDER:TERMINAL:NEW ARTICLE SENSOR

60.M1095801
GUIDE:HARNES:
RIGHT LOWER



48.M1095771
(x16)
COMPRESSION SPRING:PCU:POWER PACK



50.M1095776
GROUND PLATE:POWER PACK



61.M1095802
SHADEING PLATE:HARNES



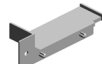
51.M1095781
BRACKET:INLET



64.M1095810
DUCT:FAN:POWER SUPPLY UNIT



55.M1095795
COVER:HIGH VOLTAGE:LOWER



52.M1095785
(x2)
CLEANER:DENSITY SENSOR



45.M1095759
(x2)
HOLDER:DENSITY SENSOR



53.M1095786
GUIDE:HARNES:L
EFT LOWER



63.M1095805
COIL SPRING:GUIDE PIN



62.M1095804
GUIDE PIN:DENSITY SENSOR:LEADING EDGE



57.M1095797
COVER:MAIN SWITCH



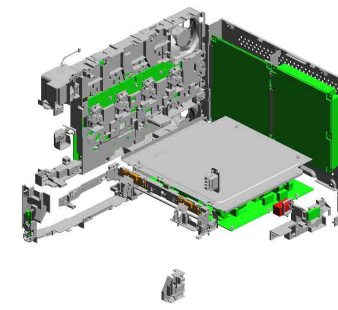
54.M1095794
STOPPER:LEVER:DENSITY SENSOR



56.M1095796
KEYTOP:MAIN SWITCH



U014 ELECTRICAL



- 66.M1095815 GUIDE:HARNESS:FRONT:RIGHT
- 80.M1115756 SHAFT:DENSITY SENSOR
- 69.M1095854 (x15) COMPRESSION SPRING:BASE:POWER PACK:2
- 79.M1115754 BRACKET:DENSITY SENSOR
- 81.M1115761 GUIDE:HARNESS:DENSITY SENSOR

- 85.M1115891 HOLDER:CLEANER:DENSITY SENSOR:RIGHT

- 74.M1095867 SPONGE:POWER SUPPLY UNIT:RIGHT

- 68.M1095842 GROUND PLATE:DENSITY SENSOR

- 72.M1095860 COMPRESSION SPRING:HVP:PCU:CONNECTING

- 83.M1115791 COVER:POWER SUPPLY UNIT

- 73.M1095864 (x2) SHEET:HARNESS:LEFT LOWER
- 78.M1095896 COMPRESSION SPRING:TRANSFER:HVP:2
- 77.M1095894 HOLDER:TERMINAL:POWER PACK:TRANSFER
- 70.M1095858 COMPRESSION SPRING:HVP:TRANSFER:CONNECTING
- 71.M1095859 LINK:DENSITY SENSOR

- 76.M1095891 DUCT:FAN:FUSING

- 75.M1095888 (x2) SEAL - 15X15X3MM

- 84.M1115888 (x2) CUSHION:FLAT BELT-TRANSFER

- 65.M1095813 INSULATING COVER:SEPARATION

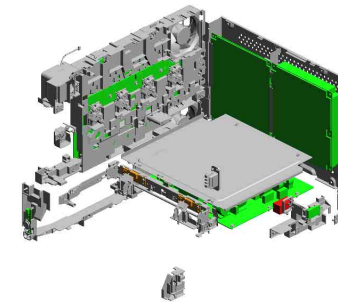
- 82.M1115784 HOLDER:CLEANER:DENSITY SENSOR:LEFT

U014 ELECTRICAL

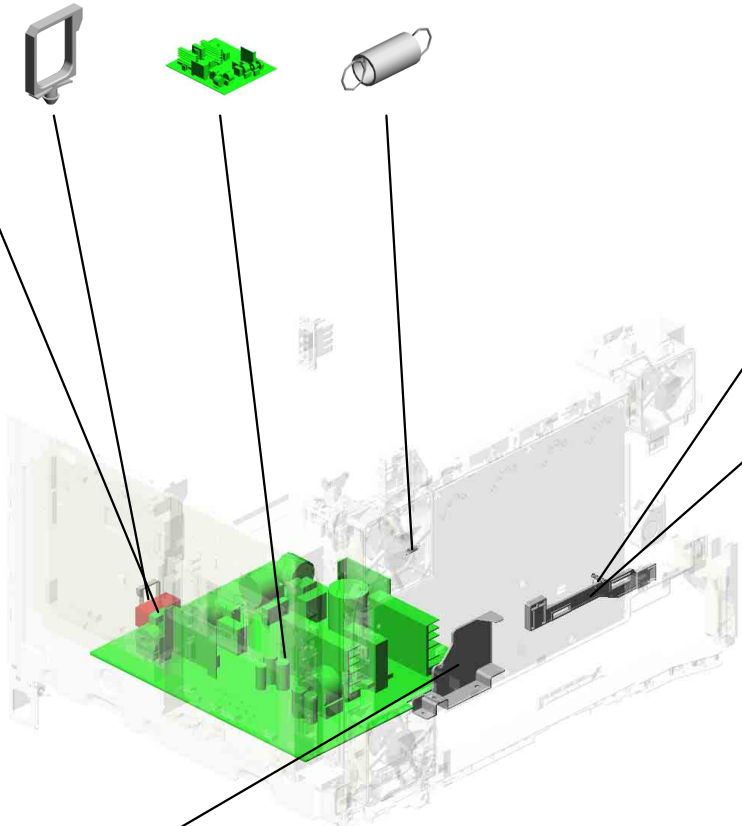
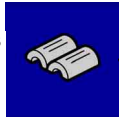
89.11050765 CLAMP:LWS-2218A
201711-01

91.GZ230094 (NA/TWN):POWER
SUPPLY UNIT:237
W

87.M1115894 TENSION SPRING:
DENSITY SENSOR



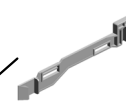
90.16072251
FERRITE CORE:K3
NF-75(N)BK0
201711-02



92.M1115838
COMPRESSION SP
RING:TRANSFORM
ER
201808-01 X/O



88.M1115895
LEVER:DENSITY S
ENSOR



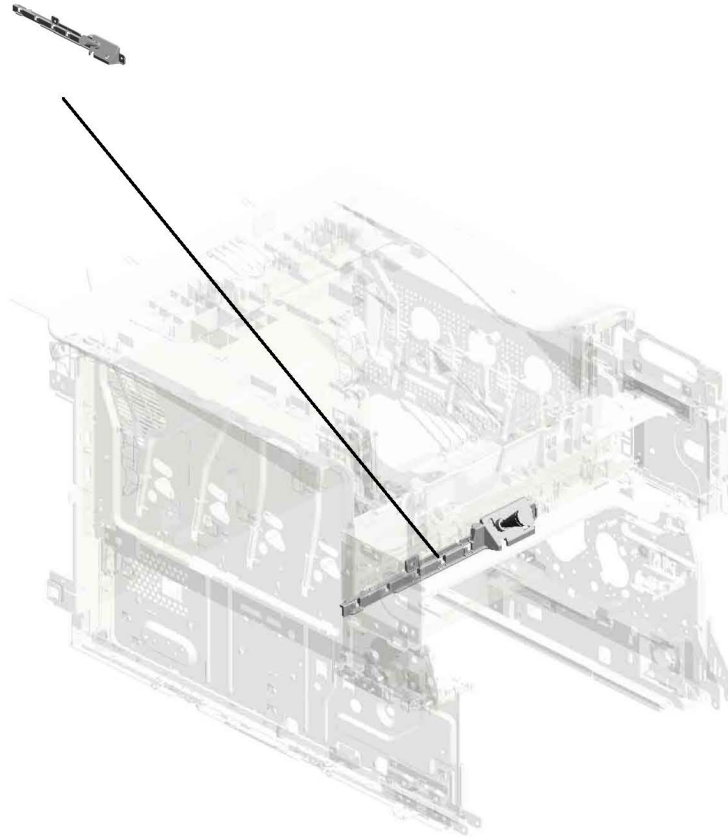
86.M1115893
HOLDER:HARNES
S:DENSITY SENSO
R



U001	U002	U003	U004	U005	U006	U007	U008	U009	U010	U011	U012	U013	U014	U015	U016
------	------	------	------	------	------	------	------	------	------	------	------	------	------	------	------

U015.MAIN FRAME

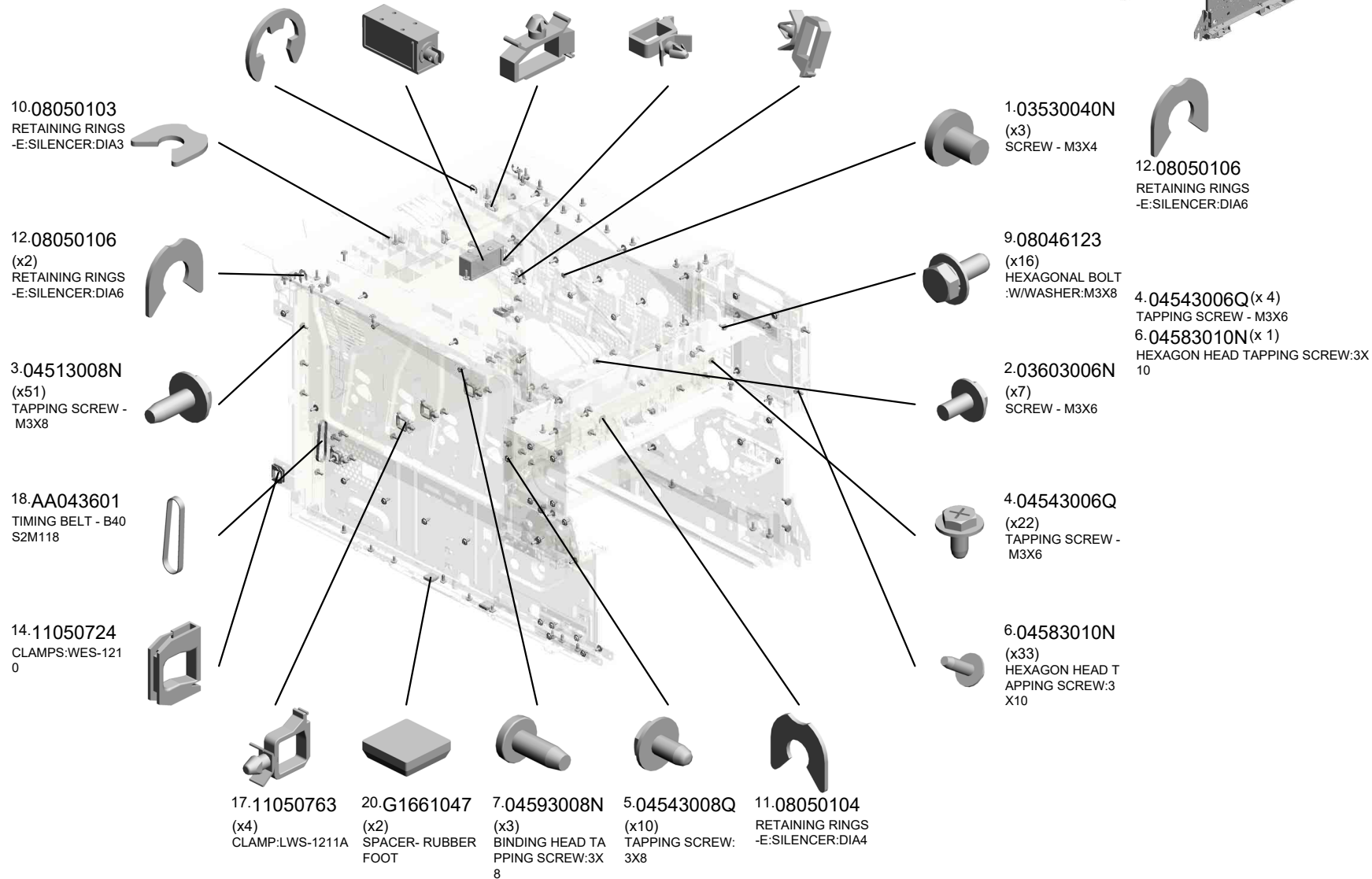
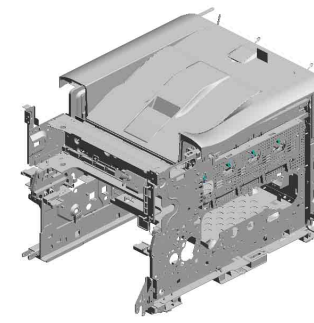
U015_S001
M1115822
THERMOPILE:FUSING:ASSY



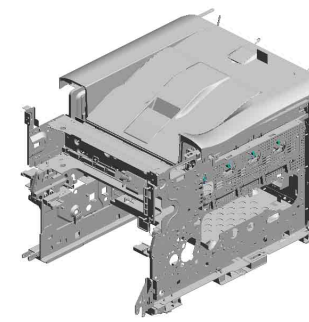
U001	U002	U003	U004	U005	U006	U007	U008	U009	U010	U011	U012	U013	U014	U015	U016
------	------	------	------	------	------	------	------	------	------	------	------	------	------	------	------

U015 MAIN FRAME

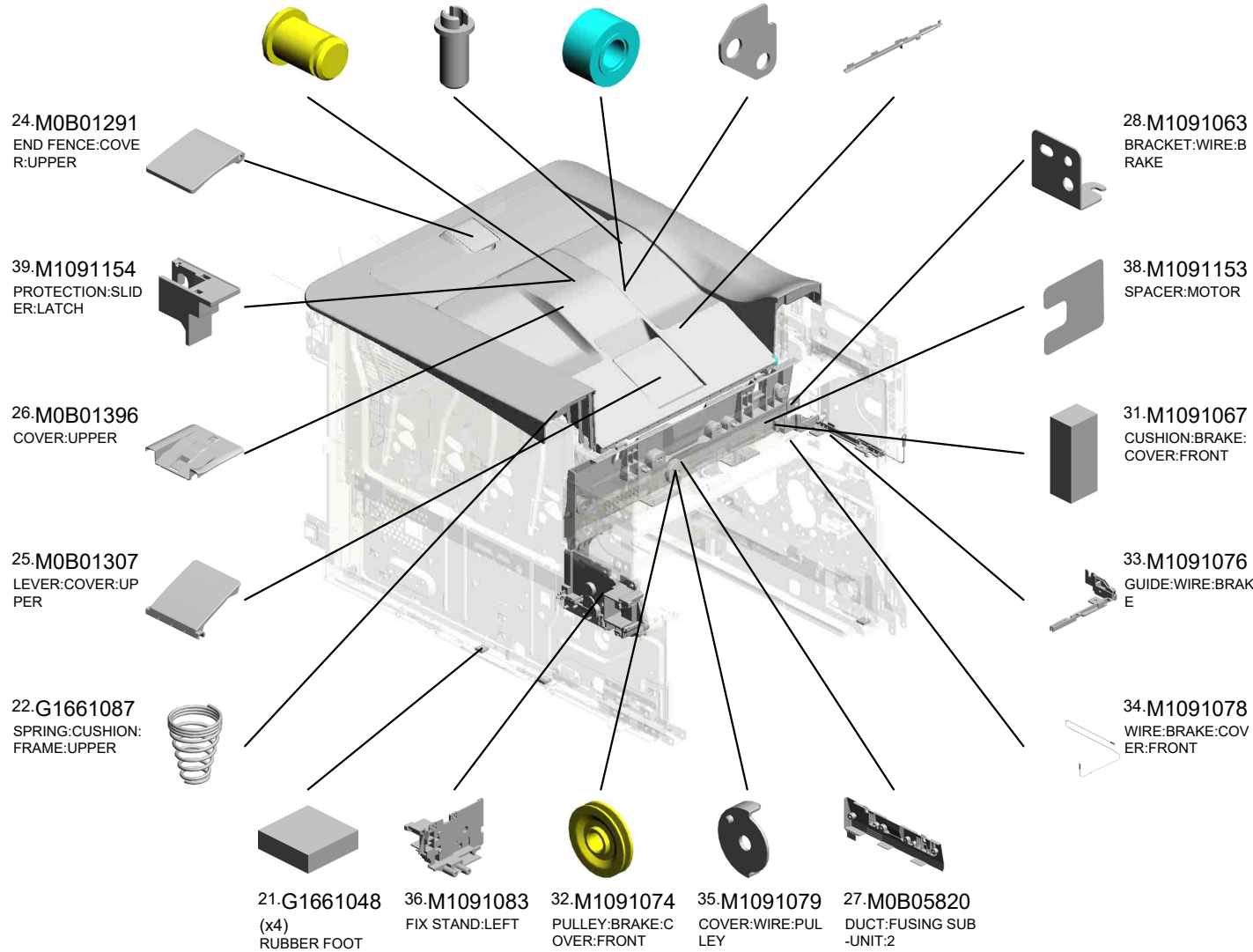
- 8.07200060E (x2) RETAINING RING - M6
- 19.G1634492 DC SOLENOID:PR ESS FIT
- 15.11050760 (x2) CLAMP:LWSM-051 1A
- 16.11050762 (x2) CLAMP:LWS-0711A
- 13.11050487 (x2) HARNESS CLAMP



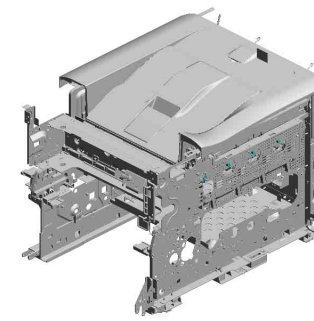
U015 MAIN FRAME



- 40.M1091216 PULLEY:SHUTTER: INNER COVER
- 23.G1661089 (x4) PIN:PLATE:DEVELOPMENT UNIT
- 29.M1091065 (x4) GEAR:IDLER:MIDDLE
- 30.M1091066 (x4) HOLDER:SUPPLY:DRIVE
- 37.M1091090 SLIDER:SHUTTER:TONER



U015 MAIN FRAME



- 54.M1091330 BRACKET:SOLENO
ID:SHUTTER
- 53.M1091327 BRACKET:SHUTTE
R:WIRE
- 51.M1091323 COIL SPRING:SHU
TTER:LOCK
- 52.M1091326 HINGE:COVER:MI
DLE
- 42.M1091268 (x2)
SHEET:COVER:UP
PER

44.M1091302
PIN:BRAKE

45.M1091303
HINGE:BRAKE

46.M1091308
(x2)
TORSION SPRING:
UPPER

47.M1091310
TORSION SPRING:
MIDDLE:LEFT

41.M1091256
BAND:COVER:UPP
ER

56.M1091338
(x3)
PLATE:COIL SPRIN
G:PCDU

60.M1091351
HOLDER:INTERME
DIATE TRANSFER:
RIGHT REAR

59.M1091348
(x2)
PROTECTION:SUP
PORTER

48.M1091313
WIRE:LOCK:COVE
R:UPPER

58.M1091346
SUPPORTER:INTE
RMEDIATE TRANS
FER:LEFT FRONT

49.M1091315
COIL SPRING:PLA
TE

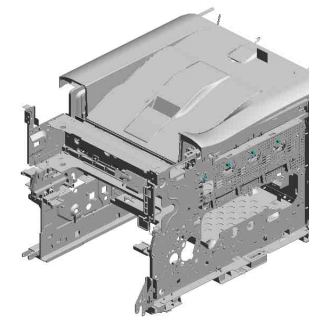
50.M1091322
PLATE:SHUTTER:T
ONER

55.M1091331
BRACKET:DRAWE
R:FUSING

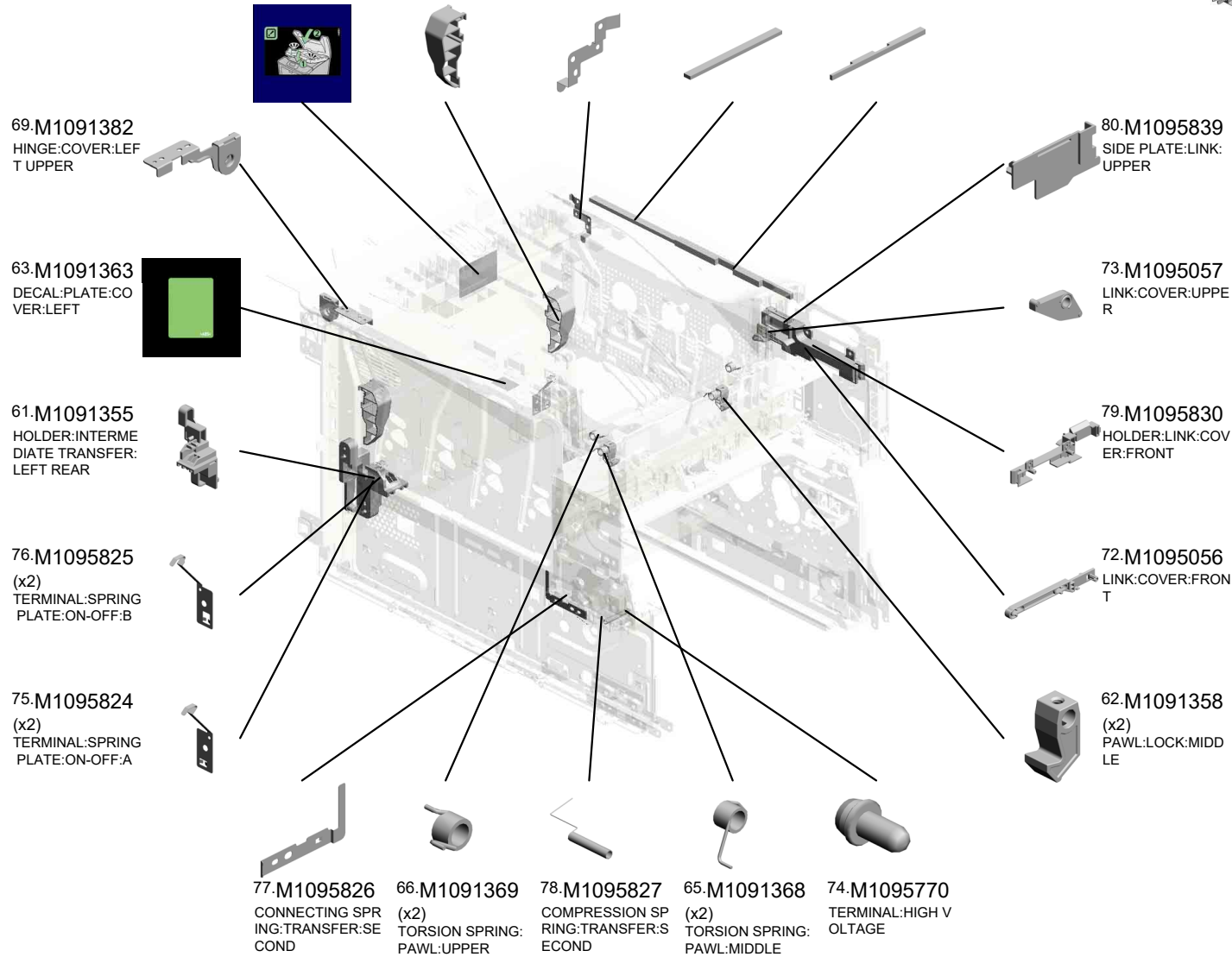
43.M1091301
COVER:WIRE:BRA
KE

57.M1091342
SUPPORTER:INTE
RMEDIATE TRANS
FER:RIGHT FRONT

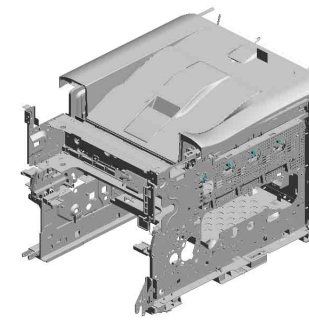
U015 MAIN FRAME



- 64.M1091365 DECAL:CAUTION:COVER
- 68.M1091377 (x2) GUIDE:PCDU:BK
- 67.M1091376 GROUND PLATE:LED:RIGHT REAR
- 71.M1091541 SOUND PROOFING MATERIAL:COVER:UPPER:2
- 70.M1091540 SOUND PROOFING MATERIAL:COVER:UPPER:1



U015 MAIN FRAME



- 101.M1111541 DECAL:OPERATE: LEVER
- 90.M1111089 (x4) PIN:PLATE:DEVELOPMENT UNIT
- 91.M1111257 SUPPORTING PLATE:COVER:UPPER
- 99.M1111376 (x4) HOLDER:PLATE:TONER CARTRIDGE
- 92.M1111258 (x4) COIL SPRING:TONER CARTRIDGE

96.M1111338
PLATE:COIL SPRING:PCDU:BLACK

85.M1096429
PULLEY:TRANSPORT SCREW:DUCT:TONER RECYCLING SECTION

84.M1095887
SEAL:USED TONER:R:B

83.M1095886
SEAL:USED TONER:R:A

86.M1096445
PULLEY:DRIVE SUB-UNIT:COLLECTION BOTTLE:USED TONER

82.M1095853
HEAT INSULATION:FUSING SUB-UNIT:USED TONER

81.M1095852
HEAT INSULATION:FUSING SUB-UNIT:LOWER LEFT

89.M1111077 (x2)
TENSION SPRING: BRAKE:COVER:FRONT

98.M1111367
SHAFT:PAWLDLE

88.M1111075
GUIDE:PULLEY:BRAKE

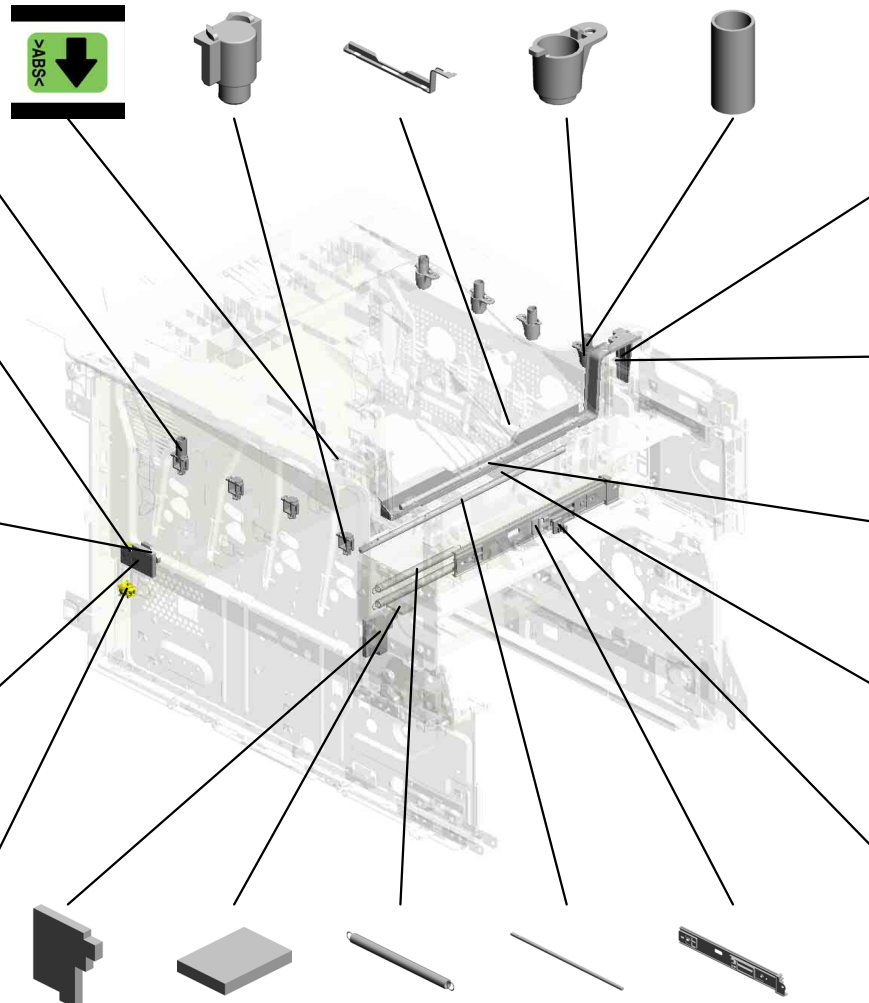
94.M1111311
PLATE:SAFETY SWITCH:COVER:UPPER

100.M1111540
DECAL:PLATE:COVER:RIGHT

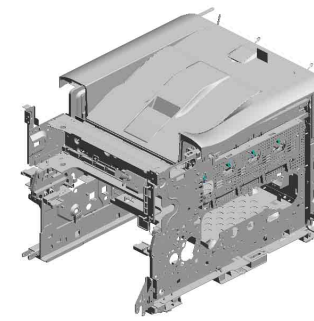
95.M1111319
SHAFT:LOCK:COVER:UPPER

97.M1111363
DECAL:COVER:PLATE:MIDDLE

87.M1111064
KEY:FUSING UNIT



U015 MAIN FRAME



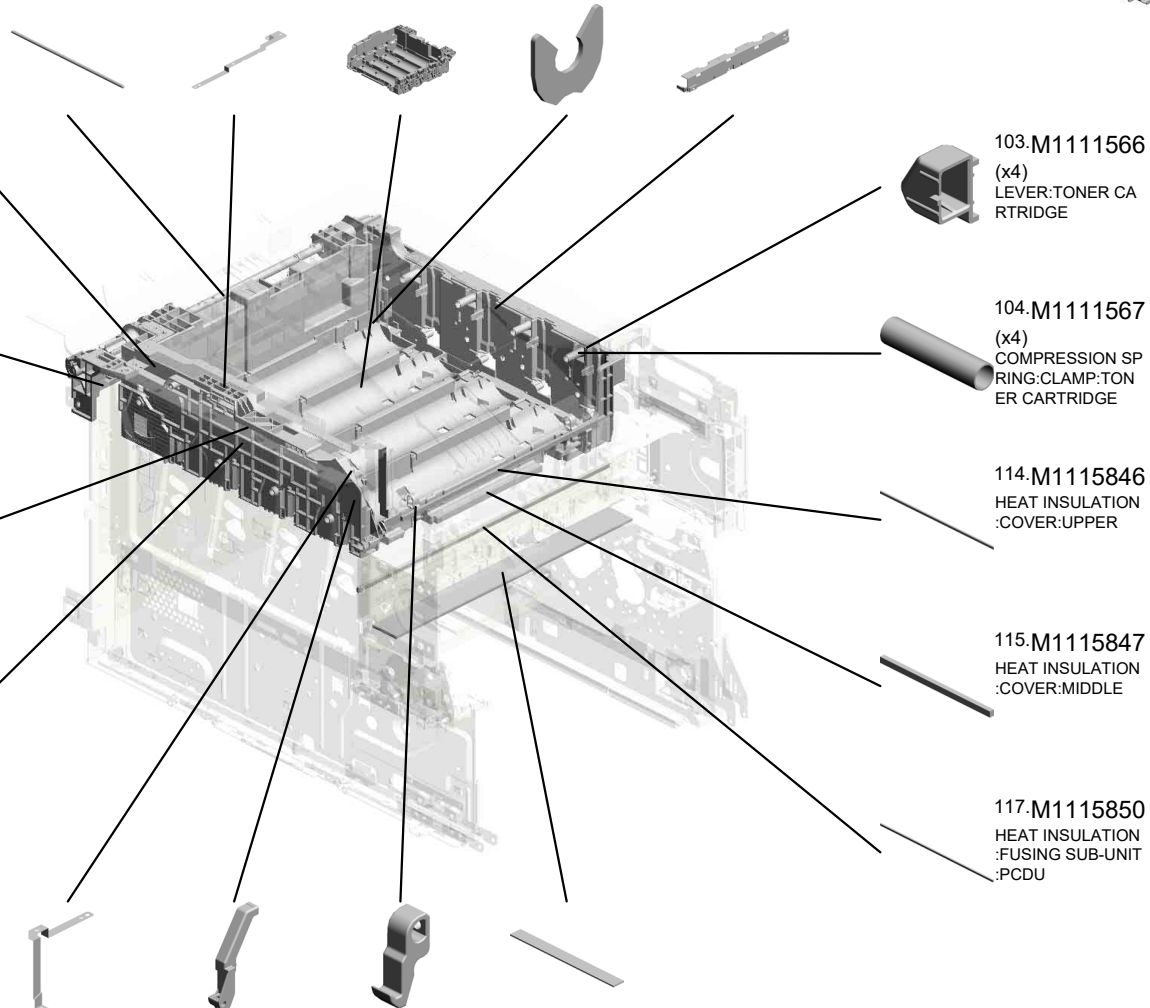
- 105.M1111593 SHAFT:COVER:MI
DDLE
- 111.M1115810 GROUND PLATE:C
OVER:UPPER
- 102.M1111563 COVER:MIDDLE
- 119.08050089 RETAINING RING -
M4
201804-01 X/O
- 109.M1111599 PLATE:GUIDE PIN:
TONER CARTRIDGE

108.M1111598
PLATE:GROUND P
LATE:TONER CAR
TRIDGE

120.M1091098
HINGE:LEFT REAR
:CONTACT POINT

106.M1111594
HOLDER:PCB:TON
ER CARTRIDGE

110.M1115317
PCB:TERMINAL:ID
CHIP



103.M1111566
(x4)
LEVER:TONER CA
RTRIDGE

104.M1111567
(x4)
COMPRESSION SP
RING:CLAMP:TON
ER CARTRIDGE

114.M1115846
HEAT INSULATION
:COVER:UPPER

115.M1115847
HEAT INSULATION
:COVER:MIDDLE

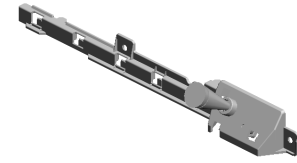
117.M1115850
HEAT INSULATION
:FUSING SUB-UNIT
:PCDU

- 112.M1115813 GROUND PLATE:C
OVER:UPPER:2
- 107.M1111595 LEVER:COVER:MI
DDLE
- 118.D0A01306 (x2)
PAWL:LOCK:COVE
R:UPPER
201803-01 O/O
- 116.M1115849 HEAT INSULATION
:BASE:FUSING SU
B-UNIT:LOWER

U001	U002	U003	U004	U005	U006	U007	U008	U009	U010	U011	U012	U013	U014	U015	U016
------	------	------	------	------	------	------	------	------	------	------	------	------	------	------	------

U015_S001
THERMOPILE:FUSING:ASS'Y

6.04583010N
HEXAGON HEAD TAPPING SCREW:3
X10

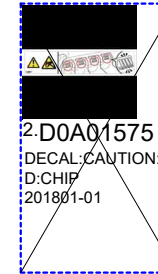
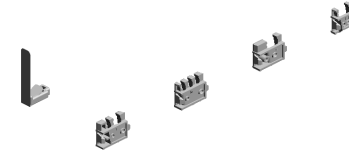


113.M1115822
THERMOPILE:FUSING:ASS'Y



U001	U002	U003	U004	U005	U006	U007	U008	U009	U010	U011	U012	U013	U014	U015	U016
------	------	------	------	------	------	------	------	------	------	------	------	------	------	------	------

U016
ACCESSORIES



2.D0A01575
DECAL:CAUTION:ID:CHIP
201801-01



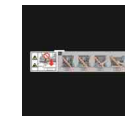
3.M0B01551
DECAL:NAME PLATE



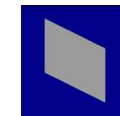
4.M0B01572
DECAL:SLOT:USB



5.M1011301
PLATE:LOGO:RICOH



6.M1091571
DECAL:CAUTION:TRANSFER BELT



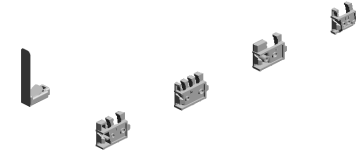
7.M1091948
CLEANER:LENS:LENS HEAD



10.M1122833
(TWN):DECAL:CAUTION:INKJET:MANUAL FEED

U001	U002	U003	U004	U005	U006	U007	U008	U009	U010	U011	U012	U013	U014	U015	U016
------	------	------	------	------	------	------	------	------	------	------	------	------	------	------	------

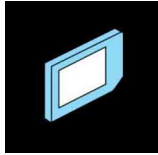
U016
ACCESSORIES



9. 11500478(x 1)
(TWN);POWER SUPPLY CODE:125V:15
A

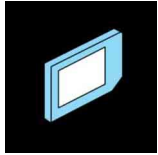
U001	U002	U003	U004	U005	U006	U007	U008	U009	U010	U011	U012	U013	U014	U015	U016
------	------	------	------	------	------	------	------	------	------	------	------	------	------	------	------

SPECIAL TOOLS



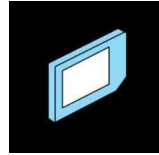
1. B6455030

SD-CARD:SERVICE PARTS:2GB:ASSY



2. B6455040

SD-CARD:SERVICE PARTS:8GB:ASSY



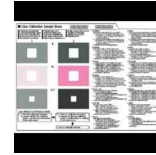
3. B6455060

SD-CARD:SERVICE PARTS:16GB:ASSY



4. C4019503

20X MAGNIFICATION SCOPE



5. M0B07480

SHEET:COLOR_CHART

Exclusive Parts

Number	Part Name	Group	ID
A2672869	GEAR - 16Z	U004	6
AA043601	TIMING BELT - B40S2M118	U015	18
AA080346	BUSHING:FLANGE TYPE:DIA6	U009	9
AA082101	BUSHING - 6X10X6	U004	7
		U009	10
		U012	6
		U013	12
		U013_S001	12
AA082170	PLAIN SHAFT BEARING:DIA4XDIA8X5:EG-1	U013	13
AA082173	PLAIN SHAFT BEARING:6X10X6	U013	14
AA082174	PLAIN SHAFT BEARING:6X10X9	U011	7
AA143520	SHOULDER SCREW - M3	U010	10
AA143592	SCREW- M4X6	U014	13
AE030074	BALL BEARING:DIA17XDIA26X5	U010	11
AF031060	BY-PASS FEED ROLLER	U004	8
AF033008	FRICTION PAD:10X50	U004_S006	9
AW010143	PHOTO REFLECTION SENSOR:PS R11TL1R-C	U009	11
AW020198	PHOTOINTERRUPTOR:LG2A14NL1	U004	10
		U009	12
		U011	8
		U014	14
AW110111	THERMOSTAT:MIDDLE	U010	12
AW140016	TEMPERATURE & HUMIDITY SENSOR	U014	15
AX640199	FAN:MM80:25MM:DC 2.16W	U014	16
B2234552	BUSHING:DIA4	U012	7
B6455030	SD-CARD:SERVICE PARTS:2GB:ASSY	SPECIAL TOOLS	1
B6455040	SD-CARD:SERVICE PARTS:8GB:ASSY	SPECIAL TOOLS	2
B6455060	SD-CARD:SERVICE PARTS:16GB:ASSY	SPECIAL TOOLS	3
C4019503	20X MAGNIFICATION SCOPE	SPECIAL TOOLS	4
D0094418	STEPPED TAPPING SCREW - M3	U011	9
D0392752	DISC:SIDE FENCE	U004_S006	11
D0392754	SPRING:SIDE FENCE	U004_S006	12

Number	Part Name	Group	ID
D0394542	DRIVEN ROLLER:ENTRANCE:DUPLEX	U012	8
D0A01306	PAWL:LOCK:COVER:UPPER	U015	118
D0A02633	DECAL:EXTENSION TRAY:OPERATE	U004	13
D0A02634	DECAL:PAPER FEED PRESSURE:OPERATE	U004	14
D1054168	LEVER:LOCK:PRESSURE	U010	13
G0205626	PUSH SWITCH	U007	4
		U014	17
G0292657	COMPRESSION SPRING	U004	15
G0523103	PAPER FEED ROLLER	U004	16
G1022789	STOPPER:PHOTOINTERRUPTOR	U011	10
		U014	18
G1634360	SPRING:LEVER:LOCK:RIGHT	U010	14
G1634364	SPRING:LEVER:LOCK:LEFT	U010	15
G1634467	ROLLER:DRIVEN:DUPLEX	U011	11
G1634479	GEAR:IDLER:EXIT	U011	12
G1634489	GEAR:EXIT	U011	13
G1634492	DC SOLENOID:PRESS FIT	U011	14
		U015	19
G1661047	SPACER- RUBBER FOOT	U015	20
G1661048	RUBBER FOOT	U015	21
G1661087	SPRING:CUSHION:FRAME:UPPER	U015	22
G1661089	PIN:PLATE:DEVELOPMENT UNIT	U015	23
G1664288	RIGHT COLLAR- STRIPPER PLATE	U010	16
G1664289	LEFT COLLAR- STRIPPER PLATE	U010	17
G1664456	GUIDE ROLLER - EXIT	U011	15
G1682768	ARM - TARY BOTTOM PLATE	U004	17
GA000089	DECAL:H-TEMP WARNING:110C	U010	18
GA043031	SYNCHRONOUS BELT:S2M:4X316	U012	9
GA043040	SYNCHRONOUS BELT:FUSING:S3M	U013	15
GA043041	SYNCHRONOUS BELT:T210	U013	16
GA060089	TENSION SPRING:REGISTRATION ROLLER	U009	13
GA060092	TENSION SPRING:PRESSURE:V	U010	19
GA060098	TENSION SPRING:SHUTTER:DUC	U008	3

Exclusive Parts

Number	Part Name	Group	ID
	T:TONER RECYCLING SECTION		
GA063084	COMPRESSION SPRING:AUXILIARY:SIDE FENCE	U004_S001	18
		U004_S003	18
GA063098	COMPRESSION SPRING:DRIVE SUB-UNIT:TONER RECYCLING SECTION	U008	4
GA063103	COMPRESSION SPRING:PRESSURE:TRANSFER ROLLER:SECOND	U009	14
GA066037	TORSION SPRING:RIGHT:GUIDE PLATE:TRANSFER/SEPARATION	U009	15
GA066038	TORSION SPRING:LEFT:GUIDE PLATE:TRANSFER/SEPARATION	U009	16
GA066039	TORSION SPRING:FUSING EXIT:RIGHT:V	U010	20
GA066040	TORSION SPRING:LEFT:LED HEAD:K	U003	4
GA066052	TORSION SPRING:STRIPPER PLATE:LEFT	U010	21
GA066053	TORSION SPRING:STRIPPER PLATE:RIGHT	U010	22
GA080042	PLAIN SHAFT BEARING:REGISTRATION ROLLER	U009	17
GA082010	BUSHING:DIA6:DIA10:9	U004	19
GA120014	DISCHARGE BRUSH:FUSING:PRESSURE ROLLER	U010	23
GA146123	SHAFT:TRANSPORT:ON-OFF	U013	17
GA146139	SHAFT:TRANSPORT:CONNECTING	U013	18
GA148024	SHAFT:COUPLING:REGISTRATION	U013	19
GA148026	SHAFT:PULLEY:DUPLEX	U012	10
GA148028	SHAFT:COUPLING:UPPER	U013	20
GA151060	SEAL:TRANSPORT SCREW:DUCT:TONER RECYCLING SECTION	U008	5
GA151061	SEAL:DUCT:TONER RECYCLING SECTION:INTERMEDIATE TRANSFER	U008	6
GA151062	SEAL:DUCT:TONER RECYCLING SECTION:PCU	U008	7

Number	Part Name	Group	ID
GA151063	SEAL:SHUTTER:DUCT:TONER RECYCLING SECTION	U008	8
GB010143	GEAR:COUPLING:REGISTRATION	U013	21
GB010144	GEAR:STEPPED:COUPLING:TRANSPORT	U013	22
GB010147	GEAR:COUPLING:SLOW DOWN:1	U013	23
GB010148	GEAR:IDLER:TRANSPORT:COUPLING:2	U013	24
GB010149	GEAR:COUPLING:UPPER	U013	25
GB010155	GEAR:IDLER:COUPLING:TRANSPORT:1	U013	26
GB010156	GEAR:IDLER:COUPLING:TRANSPORT:2	U013	27
GB010242	GEAR:FUSING:MOTOR:COUPLING	U013	28
GB011089	GEAR:TRANSPORT:REGISTRATION:SHAFT	U009	18
GB011098	GEAR:TRANSPORT:REGISTRATION:COUPLING	U009	19
GB011099	GEAR:TRANSFER:DRIVE:COUPLING	U013	29
GB011138	GEAR:ON-OFF:2	U013_S001	30
GB011139	GEAR:ON-OFF:3	U013_S001	31
GB011140	GEAR:CLUTCH:OUTPUT:REGISTRATION	U013	32
GB011141	GEAR:TRANSPORT:IDLER:1	U013	33
GB011142	GEAR:TRANSPORT:CLUTCH:IDLER	U013	34
GB011143	GEAR:CLUTCH:OUTPUT:ON-OFF	U013	35
GB011145	GEAR:TRANSPORT:IDLER:OUTER	U013	36
GB011147	GEAR:TRANSPORT:IDLER:PAPER FEED	U013	37
GB011149	GEAR:TRANSPORT:IDLER:BASE:1	U012	11
GB011151	GEAR:PULLEY:DUPLEX:2	U012	12
GB011152	GEAR:TRANSPORT:COUPLING	U013	38
GB011153	GEAR:TRANSPORT:SLOW DOWN:DUPLEX:2	U013	39
GB011154	GEAR:TRANSPORT:SLOW DOWN:DUPLEX:1	U013	40

Exclusive Parts

Number	Part Name	Group	ID
GB011156	GEAR:TRANSPORT:IDLER:DUPL X:EXIT	U013	41
GB011158	GEAR:TRANSPORT:IDLER:DUPL X:MIDDLE	U013	42
GB011164	GEAR:TRANSPORT:IDLER:1	U013	43
GB011165	GEAR:TRANSPORT:IDLER:BASE:1	U004	20
		U013	44
GB011166	GEAR:PULLEY:DUPLEX	U012	13
GB011169	GEAR:ON-OFF:1	U013_S001	45
GB011196	GEAR:TRANSPORT:COUPLING:PA PER FEED	U013	46
GB012123	GEAR:PHOTOCONDUCTOR:DRIVE :COUPLING	U013_S001	47
GB013093	GEAR:FUSING:COUPLING - 30Z	U013	48
GB013121	GEAR:IDLER:EXIT:Z23	U010	24
GB013122	GEAR:FUSING:COUPLING	U013	49
GB013127	GEAR:IDLER:TONER SUPPLY:CK	U013	50
GB013128	GEAR:TONER SUPPLY:IDLER:YM	U013	51
GB013129	GEAR:SUPPLY:DRIVE:2	U013_S001	52
GB013130	GEAR:SUPPLY:DRIVE:3	U013_S001	53
GB013132	GEAR:COUPLING:Y:SUPPLY	U013	54
GB013134	GEAR:IDLER:Y:SUPPLY	U013	55
GB013135	GEAR:SUPPLY:ELECTROMAGNET IC CLUTCH:YELLOW	U013	56
GB013136	GEAR:SUPPLY:ELECTROMAGNET IC CLUTCH	U013	57
GB013138	GEAR:PRESSURE ROLLER:31Z	U010	25
GB013139	GEAR:DRIVE:21Z	U010	26
GB013140	GEAR:IDLER:PRESSURE:20Z	U010	27
GB017135	GEAR:SUPPLY:PULLEY:2	U013	58
GB017136	GEAR:SUPPLY:DRIVE:1	U013_S001	59
GB017139	GEAR:ON-OFF:SLOW DOWN:2	U013	60
GB017140	GEAR:ON-OFF:SLOW DOWN:1	U013	61
GB017141	GEAR:TRANSPORT:SLOW DOWN: PAPER FEED	U013	62
GB017144	GEAR:FUSING:DRIVE:1	U013	63
GB017146	GEAR:FUSING:PULLEY:1	U013	64
GB017147	GEAR:FEELER:HOME POSITION S	U004	21

Number	Part Name	Group	ID
	ENSOR		
GB017152	GEAR:TRANSPORT:IDLER:MANUA L FEED	U013	65
GB017153	GEAR:TRANSPORT:SLOW DOWN:I NNER	U013	66
GB017155	GEAR:SLOW DOWN:TRANSPORT: COUPLING:1	U013	67
GB017156	GEAR:SLOW DOWN:TRANSPORT: COUPLING:2	U013	68
GB017157	GEAR:TRANSPORT:SLOW DOWN: OUTER	U013	69
GB017164	GEAR:SLOW DOWN:DRIVE:COUPL ING	U013	70
GB017168	GEAR:TRANSFER:DRIVE	U013	71
GD039004	AGITATOR:DUCT:TONER RECYCLI NG SECTION	U008	9
GD043013	TRANSPORT SCREW:DUCT:TONE R RECYCLING SECTION	U008	10
GE020018	PRESSURE ROLLER:DIA35.2	U010	28
GF013001	BOTTOM PLATE PAD	U004_S002	22
GF013002	PAD:MANUAL FEED	U004_S006	23
GF020067	EXIT ROLLER	U011	16
GF020068	TRANSPORT ROLLER:DUPLX:EN TRANCE	U012	14
GF020069	TRANSPORT ROLLER:DUPLX:MI DDLE	U009	20
GF020070	TRANSPORT ROLLER:DUPLX:EX IT	U009	21
GF020071	REGISTRATION ROLLER:DRIVE	U009	22
GF021007	REGISTRATION ROLLER:DRIVEN	U009	23
GF022026	ROLLER:TRANSPORT:DIA16	U009	24
GW010007	PHOTO REFLECTION SENSOR:EXI T	U009	25
GW010009	DENSITY SENSOR	U014	20
GW100006	THERMISTOR:FS:FLAT BELT-FUSI NG	U010	29
GW100007	THERMISTOR:PTA7-312:PRESSUR E ROLLER	U010	30

Exclusive Parts

Number	Part Name	Group	ID
GW500004	PUSH SWITCH:CASSETTE:TYCO	U004	24
GX062154	DC BRUSHLESS MOTOR:PHOTOCONDUCTOR:BLACK:24W	U013	72
GX062156	DC BRUSHLESS MOTOR:PHOTOCONDUCTOR:COLLAR:43W	U013	73
GX062157	DC BRUSHLESS MOTOR:FUSING:23W	U013	74
GX062173	DC BRUSHLESS MOTOR:TRANSFER:TRANSPORT:23W	U013	75
GX202101	ELECTROMAGNETIC CLUTCH:SUPPLY:0.25NM	U013	76
GX202124	ELECTROMAGNETIC CLUTCH:0.35NM	U013	77
GX202126	ELECTROMAGNETIC CLUTCH:PAPER FEED:0.45NM	U013	78
GX202128	ELECTROMAGNETIC CLUTCH:MANUAL FEED:BASE:0.25NM	U013	79
GX202129	ELECTROMAGNETIC CLUTCH:MANUAL FEED:0.25NM	U013	80
GX202131	ELECTROMAGNETIC CLUTCH:0.45N:M	U013	81
GX440022	(TWN):HEATER:107V:900W	U010	55
GX640025	DC FAN MOTOR:MM60:25MM:24V	U014	21
GZ230094	(NA/TWN):POWER SUPPLY UNIT:237W	U014	91
GZ300008	POWER PACK	U014	23
M0472763	KNOB:COIL SPRING:PAPER TRAY	U004	25
M0752610	COMPRESSION SPRING:LOCK:SIDE FENCE	U004_S001	26
		U004_S004	26
M0963989	RESISTOR:TRANSFER/SEPARATION	U009	26
		U014	24
M0963994	RESISTOR:EARTH:EXIT:DISCHARGE SECTION	U010	32
		U011	17
M0B01135	MECHANICAL DRIVE SECTION:PHOTOCONDUCTOR:ASS'Y	U013_S001	82
M0B01203	COVER:LEFT:ASS'Y	U001_S001	5
M0B01270	COVER:OPERATION SUB-UNIT:UPPER	U001	6

Number	Part Name	Group	ID
M0B01273	COVER:OPERATION SUB-UNIT:LOWER	U001	7
M0B01281	COVER:SD/USB:UPPER	U001	8
M0B01282	COVER:SD/USB	U001	9
M0B01291	END FENCE:COVER:UPPER	U015	24
M0B01307	LEVER:COVER:UPPER	U015	25
M0B01396	COVER:UPPER	U015	26
M0B01403	(TWN):OPERATION PANEL:ASS'Y	U002	10
M0B01475	PCB:NFC:ASS'Y	U002	5
M0B01485	PCB:OPU:CONNECTING:ASS'Y	U002	6
M0B01551	DECAL:NAME PLATE	U016	3
M0B01572	DECAL:SLOT:USB	U016	4
M0B01923	COVER:DISCHARGE LAMP:V:ASS'Y	U003_S001	5
M0B02611	PAPER TRAY:REAR:250TYPE	U004	27
M0B02880	HOLDER:FRICTION PAD:MANUAL FEED	U004	28
M0B02892	GUIDE PLATE:MANUAL FEED:LOWER:SUB-ASS'Y	U004_S005	29
M0B05105	PCB:EGB:ASS'Y	U014	25
M0B05221	MODULE:WLAN:WN3501M	U014	26
M0B05230	GASKET:10X10X25	U014	27
M0B05241	PCB:CTL:S1V:ASS'Y	U014	28
M0B05249	SPEAKER	U014	29
M0B05808	BRACKET:WLAN	U014	30
M0B05814	HOLDER:WLAN	U014	31
M0B05815	GUIDE PLATE:WLAN	U014	32
M0B05820	DUCT:FUSING SUB-UNIT:2	U015	27
M0B05851	HOLDER:SPEAKER	U014	33
M0B05852	PLATE:SPEAKER	U014	34
M0B05863	COVER:SD-CARD	U014	35
M0B05881	COVER:USB	U014	36
M0B07480	SHEET:COLOR_CHART	SPECIAL TOOLS	5
M0B09590	NVRAM	U014	37
M1011301	PLATE:LOGO:RIC	U016	5
M1091063	BRACKET:WIRE:BRAKE	U015	28
M1091065	GEAR:IDLER:MIDDLE	U015	29
M1091066	HOLDER:SUPPLY:DRIVE	U015	30

Exclusive Parts

Number	Part Name	Group	ID
M1091067	CUSHION:BRAKE:COVER:FRONT	U015	31
M1091074	PULLEY:BRAKE:COVER:FRONT	U015	32
M1091076	GUIDE:WIRE:BRAKE	U015	33
M1091078	WIRE:BRAKE:COVER:FRONT	U015	34
M1091079	COVER:WIRE:PULLEY	U015	35
M1091083	FIX STAND:LEFT	U015	36
M1091090	SLIDER:SHUTTER:TONER	U015	37
M1091098	HINGE:LEFT REAR:CONTACT POINT	U015	120
M1091101	BRACKET:SUPPLY:SYNCHRONOUS BELT:ASS'Y	U013	83
M1091113	BRACKET:GUIDE PLATE:REGISTRATION:CLUTCH	U013	84
M1091116	BRACKET:TRANSPORT	U013	85
M1091118	TIGHTENER:FUSING	U013	86
M1091120	BRACKET:FUSING:MOTOR:ASS'Y	U013	87
M1091132	LINK:STOPPER:COVER:FRONT	U012	15
M1091133	STEPPED SCREW:M3X:3.2	U012	16
M1091134	STEPPED SCREW:M4X:4.4	U012	17
M1091153	SPACER:MOTOR	U013	88
		U013_S001	88
		U015	38
M1091154	PROTECTION:SLIDER:LATCH	U015	39
M1091160	SPACER:FUSING:SYNCHRONOUS BELT	U013	89
M1091161	BRACKET:FUSING:GEAR	U013	90
M1091166	PULLEY:TONER SUPPLY:DRIVE - 19Z	U013	91
M1091173	BRACKET:TRANSPORT:2	U013	92
M1091174	BRACKET:DUPLEX:2	U013	93
M1091175	PULLEY:FUSING:COUPLING - 30Z	U013	94
M1091178	PULLEY:DUPLEX:1	U012	18
M1091180	BRACKET:TRANSPORT:2:COVER	U013	95
M1091181	SPACER:DIA12:0.13MM	U013	96
M1091184	GROUND PLATE:FUSING DRIVE SUB-UNIT	U013	97
M1091185	SHEET:GUIDE:HARNESS:SUPPLY	U013	98
M1091188	BRACKET:DUPLEX:SWIVEL:ARM:2	U013	99

Number	Part Name	Group	ID
M1091189	PLAIN SHAFT BEARING:DUPLEX	U012	19
M1091195	BRACKET:SWIVEL:MAIN:GUIDE PLATE	U013	100
M1091196	BRACKET:TRANSPORT:ARM:ASS'Y	U013	101
M1091206	LOUVER:MM60:OUTER	U001_S001	10
M1091216	PULLEY:SHUTTER:INNER COVER	U015	40
M1091226	FILTER:TVOC	U001_S001	11
M1091256	BAND:COVER:UPPER	U015	41
M1091264	SEAL:COVER:LEFT	U001_S001	12
M1091268	SHEET:COVER:UPPER	U015	42
M1091295	SEAL:COVER:REAR:CASSETTE	U001	13
M1091296	MAGNETIC:COVER:REAR	U001	14
M1091297	SPACER:COVER:REAR:CASSETTE	U001	15
M1091301	COVER:WIRE:BRAKE	U015	43
M1091302	PIN:BRAKE	U015	44
M1091303	HINGE:BRAKE	U015	45
M1091308	TORSION SPRING:UPPER	U015	46
M1091310	TORSION SPRING:MIDDLE:LEFT	U015	47
M1091313	WIRE:LOCK:COVER:UPPER	U015	48
M1091315	COIL SPRING:PLATE	U015	49
M1091322	PLATE:SHUTTER:TONER	U015	50
M1091323	COIL SPRING:SHUTTER:LOCK	U015	51
M1091326	HINGE:COVER:MIDDLE	U015	52
M1091327	BRACKET:SHUTTER:WIRE	U015	53
M1091330	BRACKET:SOLENOID:SHUTTER	U015	54
M1091331	BRACKET:DRAWER:FUSING	U015	55
M1091338	PLATE:COIL SPRING:PCDU	U015	56
M1091342	SUPPORTER:INTERMEDIATE TRANSFER:RIGHT FRONT	U015	57
M1091346	SUPPORTER:INTERMEDIATE TRANSFER:LEFT FRONT	U015	58
M1091348	PROTECTION:SUPPORTER	U015	59
M1091351	HOLDER:INTERMEDIATE TRANSFER:RIGHT REAR	U015	60
M1091355	HOLDER:INTERMEDIATE TRANSFER:LEFT REAR	U015	61
M1091358	PAWL:LOCK:MIDDLE	U015	62

Exclusive Parts

Number	Part Name	Group	ID
M1091363	DECAL:PLATE:COVER:LEFT	U015	63
M1091365	DECAL:CAUTION:COVER	U015	64
M1091368	TORSION SPRING:PAWL:MIDDLE	U015	65
M1091369	TORSION SPRING:PAWL:UPPER	U015	66
M1091376	GROUND PLATE:LED:RIGHT REAR	U015	67
M1091377	GUIDE:PCDU:BK	U015	68
M1091382	HINGE:COVER:LEFT UPPER	U015	69
M1091540	SOUND PROOFING MATERIAL:COVER:UPPER:1	U015	70
M1091541	SOUND PROOFING MATERIAL:COVER:UPPER:2	U015	71
M1091571	DECAL:CAUTION:TRANSFER BELT	U016	6
M1091904	LINK:RIGHT:LED HEAD	U003	6
M1091907	BOSS:HINGE:RIGHT:LED HEAD	U003	7
M1091908	PIN:FIX:LINK:LED HEAD:1	U003	8
M1091909	PIN:FIX:LINK:LED HEAD:2	U003	9
M1091930	HINGE:RIGHT:LED HEAD	U003	10
M1091932	PIN:EARTH:LED HEAD:K	U003	11
M1091940	PIN:FIX:HINGE:LED HEAD	U003	12
M1091941	STOPPER:TORSION SPRING:LED HEAD	U003	13
M1091948	CLEANER:LENS:LED HEAD	U016	7
M1092559	PLAIN SHAFT BEARING:ASS'Y	U004	30
M1092564	FEELER:PAPER END SENSOR	U004	31
M1092566	SPRING PLATE:PAPER TRAY:ASS'Y	U004	32
M1092574	SHEET:HOLDER:PAPER TRAY	U004	33
M1092589	LEVER:LOCK:SIDE FENCE	U004_S004	34
M1092592	PAWL:LOCK:SIDE FENCE	U004_S004	35
M1092598	HOLDER:COIL SPRING:BASE	U004	36
M1092606	LEVER:PAPER VOLUME SENSOR	U004	37
M1092616	END FENCE:ASS'Y	U004_S001	38
M1092621	STAY:END FENCE	U004	39
M1092635	SPACER:PAPER SIZE SENSOR BOARD:OUTER	U004	41
M1092640	HOLDER:PINION	U004	42
M1092641	SUPPORTER:INTERMEDIATE TRANSFER:RIGHT	U004	43

Number	Part Name	Group	ID
M1092642	SUPPORTER:INTERMEDIATE TRANSFER:LEFT	U004	44
M1092657	EXTENSION TRAY SLIDE STOPPER	U004	45
M1092839	SIDE FENCE:MANUAL FEED:LEFT	U004_S006	46
M1092840	SIDE FENCE:MANUAL FEED:RIGHT	U004_S006	47
M1092843	GEAR:SIDE FENCE	U004_S006	48
M1092844	PIN:SIDE FENCE	U004_S006	49
M1092846	HOLDER:COMPRESSION SPRING:EXTENSION TRAY	U004_S006	50
M1092848	LINK:MANUAL FEED TABLE	U004_S006	51
M1092852	COVER:HOME POSITION SENSOR	U004	52
M1092859	SPRING PLATE:BRAKE:CAM	U004	53
M1092864	COMPRESSION SPRING:EXTENSION TRAY	U004_S006	54
M1092867	TORSION SPRING:FEELER:HOME POSITION SENSOR	U004	55
M1093855	FEELER:DUPLEX	U009	27
M1093856	TORSION SPRING:FEELER:DUPLEX	U009	28
M1093862	SUPPORTER:GUIDE PLATE:REGISTRATION ROLLER:LEFT	U009	29
M1093863	SUPPORTER:GUIDE PLATE:REGISTRATION ROLLER:RIGHT	U009	30
M1093875	COMPRESSION SPRING:DRIVEN ROLLER:DUPLEX:MIDDLE	U009	31
M1093876	COMPRESSION SPRING:DRIVEN ROLLER:DUPLEX:EXIT	U009	32
M1093926	LINK:REGISTRATION ROLLER:DRIVE	U009	33
M1093927	PRESSURE PLATE:REGISTRATION ROLLER:DRIVE:RIGHT	U009	34
M1093932	PRESSURE PLATE:REGISTRATION ROLLER:DRIVE:LEFT	U009	35
M1093933	ROLLER:GUIDE:DIA10	U009	36
M1093934	GROUND PLATE:GUIDE PLATE:REGISTRATION ROLLER:DRIVE	U009	37

Exclusive Parts

Number	Part Name	Group	ID
M1093953	PLAIN SHAFT BEARING:POSITIONING:REGISTRATION ROLLER:RIGHT	U009	38
M1093954	PLAIN SHAFT BEARING:POSITIONING:REGISTRATION ROLLER:LEFT	U009	39
M1093983	ROLLER:GUIDE:DIA5	U009	40
M1094115	LEVER:PRESSURE RELEASE:LEFT:ASS'Y	U010	33
M1094116	LEVER:PRESSURE:LEFT	U010	34
M1094124	LEVER:PRESSURE RELEASE:RIGHT:ASS'Y	U010	35
M1094125	LEVER:PRESSURE:RIGHT	U010	36
M1094144	STAY:HEATER:M3	U010	37
M1094151	STAY:THERMOSTAT	U010	38
M1094181	DECAL:OPERATION SUB-UNIT:GUIDE PLATE	U010	39
M1094184	ROLLER:MIDDLE:FUSING	U012	20
M1094216	DECAL:OPERATION:LEVER	U010	40
M1094217	LEVER:LOCK	U010	41
M1094231	BRACKET:THERMISTOR:FLAT BELT-FUSING	U010	42
M1094451	COIL SPRING:PRESSURE:EXIT:INNER	U011	18
M1094453	GEAR:REVERSE:EXIT	U011	19
M1094461	DAMPER:FEELER:SENSOR:OVERFLOW	U011	20
M1094469	TENSION SPRING:PRESSURE:REVERSE	U011	21
M1094474	TENSION SPRING:REVERSE:DRIVE	U011	22
M1094482	GEAR:SLOW DOWN:EXIT	U011	23
M1094485	LEVER:CHANGE:DRIVE:EXIT	U011	24
M1094486	LINK:CHANGE:DRIVE:EXIT	U011	25
M1094488	COVER:SOLENOID:EXIT	U011	26
M1094499	GEAR:ENTRANCE:EXIT	U011	27
M1094608	HOLDER:GUIDE PLATE:REVERSE:RIGHT	U012	21
M1094613	KNOB:TRANSPORT ROLLER:DUPL	U012	22

Number	Part Name	Group	ID
	EX		
M1094618	TENSION SPRING:DRIVEN ROLLER:DUPLEX:ENTRANCE	U012	23
M1094619	SHAFT:LINK:MANUAL FEED TABLE	U012	24
M1094620	HOLDER:GEAR:DUPLEX UNIT:ASS'Y	U012	25
M1094628	HANDLE:COVER:FRONT	U012	26
M1094630	PAWL:LEFT	U012	27
M1094631	TORSION SPRING:LOCK:COVER:FRONT	U012	28
M1094635	GUIDE:HARNESS:RIGHT	U012	29
M1094636	HINGE:LOCK:COVER:FRONT	U012	30
M1094638	GUIDE:HARNESS:LEFT	U012	31
M1094640	HINGE:LOCK:COVER:FRONT:LEFT	U012	32
M1094643	DECAL:PICK-UP PAPER JAM:DUPL EX	U012	33
M1094646	GUIDE:DUPLEX:ENTRANCE	U012	34
M1094650	FRONT COVER PIN	U012	35
M1095051	BASE:SENSOR:COLLECTION BOTTLE	U014	38
M1095052	FEELER:OVERFLOW:SENSOR:COLLECTION BOTTLE	U014	39
M1095056	LINK:COVER:FRONT	U015	72
M1095057	LINK:COVER:UPPER	U015	73
M1095061	CAM:MICRO SWITCH	U013	102
M1095321	PCB:TERMINAL:PCDU	U014	40
M1095541	PCB:DCSW	U014	41
M1095752	STOPPER:DENSITY SENSOR	U014	42
M1095757	CAM:DENSITY SENSOR:LEFT	U014	43
M1095758	CAM:DENSITY SENSOR:RIGHT	U014	44
M1095759	HOLDER:DENSITY SENSOR	U014	45
M1095760	COMPRESSION SPRING:DENSITY SENSOR	U014	46
M1095770	TERMINAL:HIGH VOLTAGE	U014	47
		U015	74
M1095771	COMPRESSION SPRING:PCU:POWER PACK	U014	48

Exclusive Parts

Number	Part Name	Group	ID
M1095772	HOLDER:TERMINAL:POWER PACK	U014	49
M1095776	GROUND PLATE:POWER PACK	U014	50
M1095781	BRACKET:INLET	U014	51
M1095785	CLEANER:DENSITY SENSOR	U014	52
M1095786	GUIDE:HARNESS:LEFT LOWER	U014	53
M1095794	STOPPER:LEVER:DENSITY SENSOR	U014	54
M1095795	COVER:HIGH VOLTAGE:LOWER	U014	55
M1095796	KEYTOP:MAIN SWITCH	U014	56
M1095797	COVER:MAIN SWITCH	U014	57
M1095799	HOLDER:TERMINAL:NEW ARTICLE SENSOR	U014	58
M1095800	COMPRESSION SPRING:NEW ARTICLE SENSOR	U014	59
M1095801	GUIDE:HARNESS:RIGHT LOWER	U014	60
M1095802	SHADEING PLATE:HARNESS	U014	61
M1095804	GUIDE PIN:DENSITY SENSOR:LEADING EDGE	U014	62
M1095805	COIL SPRING:GUIDE PIN	U014	63
M1095810	DUCT:FAN:POWER SUPPLY UNIT	U014	64
M1095813	INSULATING COVER:SEPARATION	U014	65
M1095815	GUIDE:HARNESS:FRONT:RIGHT	U014	66
M1095818	SLIDER:MICRO SWITCH	U013	103
M1095819	COMPRESSION SPRING:LINK:SLIDE	U013	104
M1095824	TERMINAL:SPRING PLATE:ON-OFF:A	U015	75
M1095825	TERMINAL:SPRING PLATE:ON-OFF:B	U015	76
M1095826	CONNECTING SPRING:TRANSFER:SECOND	U015	77
M1095827	COMPRESSION SPRING:TRANSFER:SECOND	U015	78
M1095830	HOLDER:LINK:COVER:FRONT	U015	79
M1095839	SIDE PLATE:LINK:UPPER	U015	80
M1095842	GROUND PLATE:DENSITY SENSOR	U014	68
M1095845	SPACER:USED TONER	U008	11

Number	Part Name	Group	ID
M1095852	HEAT INSULATION:FUSING SUB-UNIT:LOWER LEFT	U015	81
M1095853	HEAT INSULATION:FUSING SUB-UNIT:USED TONER	U015	82
M1095854	COMPRESSION SPRING:BASE:POWER PACK:2	U014	69
M1095857	HEXAGON HEAD TAPPING SCREW:3X10:DIA10	U013	105
M1095858	COMPRESSION SPRING:HVP:TRANSFER:CONNECTING	U014	70
M1095859	LINK:DENSITY SENSOR	U014	71
M1095860	COMPRESSION SPRING:HVP:PCU:CONNECTING	U014	72
M1095864	SHEET:HARNESS:LEFT LOWER	U014	73
M1095867	SPONGE:POWER SUPPLY UNIT:RIGHT	U014	74
M1095868	SPACER:FLAT CABLE:LED HEAD	U003	14
M1095873	HEAT INSULATION:DC BRUSHLESS MOTOR:BLACK	U001_S002	16
M1095886	SEAL:USED TONER:A	U015	83
M1095887	SEAL:USED TONER:B	U015	84
M1095888	SEAL - 15X15X3MM	U014	75
M1095891	DUCT:FAN:FUSING	U014	76
M1095894	HOLDER:TERMINAL:POWER PACK:TRANSFER	U014	77
M1095896	COMPRESSION SPRING:TRANSFER:HVP:2	U014	78
M1096259	ELECTRODE PLATE:ROLLER:SECOND:2	U009	41
M1096320	COVER:COIL SPRING:PRESSURE:TRANSFER ROLLER:SECOND	U009	42
M1096329	ELECTRODE PLATE:DISCHARGE:2	U009	43
M1096343	COVER:PAPER FEED SENSOR:FUSING:ENTRANCE	U009	44
M1096350	TERMINAL:BIAS:TRANSFER/SEPARATION SECTION	U009	45
M1096351	TERMINAL:ELECTRODE PLATE:R	U009	46

Exclusive Parts

Number	Part Name	Group	ID
	OLLER:SECOND		
M1096353	ELECTRODE PLATE:ROLLER:SECOND:3	U009	47
M1096354	ELECTRODE:ROLLER:SECOND:4	U009	48
M1096375	ELECTRODE PLATE:EARTH:GUIDE:TRANSFER/SEPARATION	U009	49
M1096380	PLATE:TORSION SPRING:TRANSFER/SEPARATION	U009	50
M1096413	HOLDER:DRIVE SUB-UNIT:DUCT:TONER RECYCLING SECTION	U008	12
M1096417	GEAR:DRIVE SUB-UNIT:DUCT:TONER RECYCLING SECTION	U008	13
M1096422	DUCT:TONER RECYCLING SECTION:LOWER	U008	14
M1096423	DUCT:TONER RECYCLING SECTION:UPPER	U008	15
M1096424	PLAIN SHAFT BEARING:DUCT:TONER RECYCLING SECTION	U008	16
M1096428	GEAR:TRANSPORT SCREW:DUCT:TONER RECYCLING SECTION	U008	17
M1096429	PULLEY:TRANSPORT SCREW:DUCT:TONER RECYCLING SECTION	U015	85
M1096434	SHUTTER:DUCT:TONER RECYCLING SECTION	U008	18
M1096436	JOINT:TRANSPORT SCREW:DUCT:TONER RECYCLING SECTION	U008	19
M1096437	STOPPER:SHUTTER:DUCT:TONER RECYCLING SECTION	U008	20
M1096444	JOINT:DRIVE SUB-UNIT:COLLECTION BOTTLE:USED TONER	U008	21
M1096445	PULLEY:DRIVE SUB-UNIT:COLLECTION BOTTLE:USED TONER	U015	86
M1096446	PLAIN SHAFT BEARING:DRIVE SUB-UNIT:COLLECTION BOTTLE	U008	22
M1096447	SHAFT:DRIVE SUB-UNIT:COLLECTION BOTTLE:USED TONER:2	U008	23
M1096448	SPACER:DIA12:0.25MM	U008	24
M1111055	SHEET:HARNESS:BRACKET:FUSI	U013	106

Number	Part Name	Group	ID
	NG:GEAR		
M1111064	KEY:FUSING UNIT	U015	87
M1111075	GUIDE:PULLEY:BRAKE	U015	88
M1111077	TENSION SPRING:BRAKE:COVER:FRONT	U015	89
M1111089	PIN:PLATE:DEVELOPMENT UNIT	U015	90
M1111111	BRACKET:GUARD:ASS'Y	U013	107
M1111113	BRACKET:DRIVE:POSITIONING	U013	108
M1111119	BRACKET:TRANSPORT:INNER:FRONT	U013	109
M1111121	BRACKET:TRANSFER:DRIVE:ASS'Y	U013	110
M1111124	BRACKET:COUPLING:TRANSPORT:PEEN	U013	111
M1111143	BRACKET:COVER:DUPLEX	U013	112
M1111145	BRACKET:FUSING:DRIVE:ASS'Y	U013	113
M1111147	BRACKET:FUSING:DRIVE:COUPLING	U013	114
M1111150	BRACKET:DUPLEX	U013	115
M1111155	BRACKET:DRIVE:TONER SUPPLY:ASS'Y	U013	116
M1111157	BRACKET:DUPLEX:GUIDE PLATE	U013	117
M1111164	BRACKET:TRANSPORT:1	U013	118
M1111204	LOUVER:INNER:ASS'Y	U001_S001	17
M1111207	COVER:RIGHT:ASS'Y	U001_S002	18
M1111257	SUPPORTING PLATE:COVER:UPPER	U015	91
M1111258	COIL SPRING:TONER CARTRIDGE	U015	92
M1111261	LOUVER:MM80	U001_S001	19
M1111262	SEAL:COVER:GRIP:I-GRAY	U001_S001	20
		U001_S002	20
M1111272	INNER COVER:EXIT	U001	21
M1111281	COVER:REAR:CASSETTE	U001	22
M1111282	COVER:HDD	U001	23
M1111283	COVER:INTERFACE	U001	24
M1111287	COVER:REAR:CONNECTOR	U001	25
M1111294	SHEET:COVER:REAR:CASSETTE	U001	26
M1111311	PLATE:SAFETY SWITCH:COVER:U	U015	94

Exclusive Parts

Number	Part Name	Group	ID
	PPER		
M1111319	SHAFT:LOCK:COVER:UPPER	U015	95
M1111338	PLATE:COIL SPRING:PCDU:BLACK	U015	96
M1111363	DECAL:COVER:PLATE:MIDDLE	U015	97
M1111367	SHAFT:PAWL:MIDDLE	U015	98
M1111376	HOLDER:PLATE:TONER CARTRIDGE	U015	99
M1111540	DECAL:PLATE:COVER:RIGHT	U015	100
M1111541	DECAL:OPERATE:LEVER	U009	51
		U015	101
M1111563	COVER:MIDDLE	U015	102
M1111566	LEVER:TONER CARTRIDGE	U015	103
M1111567	COMPRESSION SPRING:CLAMP:TONER CARTRIDGE	U015	104
M1111593	SHAFT:COVER:MIDDLE	U015	105
M1111594	HOLDER:PCB:TONER CARTRIDGE	U015	106
M1111595	LEVER:COVER:MIDDLE	U015	107
M1111598	PLATE:GROUND PLATE:TONER CARTRIDGE	U015	108
M1111599	PLATE:GUIDE PIN:TONER CARTRIDGE	U015	109
M1111861	PCB:SENSOR:TONER END SENSOR:ASS'Y	U003_S002	15
		U003_S003	15
		U003_S004	15
		U003_S005	15
M1111900	HINGE:LEFT:LED HEAD	U003	16
M1111901	TORSION SPRING:LED HEAD:LEFT	U003	17
M1111902	TORSION SPRING:LED HEAD:RIGHT	U003	18
M1111903	LINK:LEFT:LED HEAD	U003	19
M1111912	GROUND PLATE:LEFT:LED HEAD	U003	20
M1111913	GROUND PLATE:RIGHT:LED HEAD	U003	21
M1111914	COMPRESSION SPRING:LED HEAD	U003	22
M1111915	BRACKET:COIL SPRING:LED HEAD	U003	23
M1111916	PIN:EARTH:LED HEAD	U003	24

Number	Part Name	Group	ID
M1111920	HOLDER:LED HEAD:V2	U003	25
M1111921	COVER:DISCHARGE LAMP:V	U003	26
		U003_S001	26
M1111922	DISCHARGE LAMP:V	U003	27
M1111933	TORSION SPRING:LED HEAD:K:RIGHT	U003	28
M1112556	STAY:PAPER FEED	U004	56
M1112557	COVER:STAY:PAPER FEED	U004	57
M1112562	SHAFT:PAPER FEED	U004	58
M1112575	TRAY BOTTOM PLATE:250TYPE:ASS'Y	U004_S002	59
M1112579	SIDE FENCE:LEFT:250TYPE:ASS'Y	U004_S003	60
M1112587	SIDE FENCE:RIGHT:250TYPE:ASS'Y	U004_S004	61
M1112595	COMPRESSION SPRING:AUXILIARY:250TYPE	U004	62
M1112598	STAY:SLIDER	U004	63
M1112601	PAPER TRAY:250TYPE:FRONT	U004	64
M1112604	DIAL:PAPER SIZE SENSOR BOARD	U004	65
M1112612	DECAL:CAUTION:PAPER SET DIRECTION	U004	66
M1112613	DECAL:PAPER SET DIRECTION	U004	67
M1112626	LEVER:PAPER SIZE SENSOR BOARD	U004	68
M1112627	TENSION SPRING:TRAY BOTTOM PLATE	U004	69
M1112628	COMPRESSION SPRING:PAPER SIZE SENSOR	U004	70
M1112629	GUIDE:PAPER TRAY:FRONT	U004	71
M1112630	COVER:PAPER TRAY	U004	72
M1112631	GRIP:PAPER TRAY	U004	73
M1112636	SPACER:PAPER SIZE SENSOR BOARD:MIDDLE	U004	74
M1112637	COVER:PAPER SIZE SENSOR BOARD	U004	75
M1112639	PAPER TRAY:250TYPE:FRONT:GUIDE	U004	76

Exclusive Parts

Number	Part Name	Group	ID
M1112647	DECAL:DIAL:PAPER SIZE SENSOR	U004	77
M1112652	COMPRESSION SPRING:SEPARATION	U004	78
M1112658	SHEET:PAPER SIZE SENSOR BOARD	U004	79
M1112659	BALANCER:PAPER FEED	U004	80
M1112660	GROUND PLATE:BALANCER	U004	81
M1112661	SPRING PLATE:PAPER TRAY:FRONT:GUIDE	U004	82
M1112675	FRICTION PAD:ADHESION	U004	83
M1112801	MANUAL FEED TABLE:ASS'Y	U004_S006	84
M1112804	COVER:PAPER FEED ROLLER:MANUAL FEED	U004	85
M1112807	CAM:BASE:MANUAL FEED:LEFT	U004	86
M1112810	SHAFT:DRIVE:MANUAL FEED	U004	87
M1112812	SHAFT:CAM:BASE:MANUAL FEED	U004	88
M1112825	FEELER:PAPER END SENSOR:MANUAL FEED	U004	89
M1112834	COVER:MANUAL FEED TABLE	U004_S006	90
M1112835	COVER:EXTENSION TRAY:MANUAL FEED	U004_S006	91
M1112836	EXTENSION TRAY:MANUAL FEED	U004_S006	92
M1112838	BASE:MANUAL FEED TABLE	U004_S006	93
M1112842	RACK:SIDE FENCE:MANUAL FEED	U004_S006	94
M1112847	COMPRESSION SPRING:BASE:MANUAL FEED	U004_S006	95
M1112853	FEELER:HOME POSITION SENSOR	U004	96
M1112855	CAM:BASE:MANUAL FEED:RIGHT	U004	97
M1112857	SHAFT:BRAKE:CAM	U004	98
M1112866	ARM:SHAFT:CAM	U004	99
M1112876	COMPRESSION SPRING:SEPARATION:MANUAL FEED	U004	100
M1113852	HOUSING:TRANSPORT	U009	52
M1113869	GUIDE PLATE:TRANSPORT:LOWER:ADHESION	U009	53
M1113872	HOLDER:FEELER:DUPLEX	U009	54
M1113873	BRACKET:ELECTROMAGNETIC CL	U009	55

Number	Part Name	Group	ID
	UTCH:LOCK		
M1113921	GUIDE PLATE:REGISTRATION ROLLER:DRIVE	U009	56
M1113922	SHEET:REGISTRATION	U009	57
M1113930	SHEET:REGISTRATION:LONG	U009	58
M1113937	COVER:HARNESS:DUPLEX	U009	59
M1113941	DISCHARGE BRUSH:TRANSPORT:PEEN	U009	60
M1113942	SHAFT:DRIVEN ROLLER:TRANSPORT	U009	61
M1113955	BRACKET:SENSOR:SMALL	U009	62
M1113961	GUIDE PLATE:REGISTRATION ROLLER:DRIVEN	U009	63
M1113964	BRACKET:REGISTRATION SENSOR	U009	64
M1113970	GUIDE PLATE:TRANSPORT ROLLER:CONNECTING:ADHESION	U009	65
M1113985	GUIDE PLATE:AUXILIARY:TRANSPORT ROLLER:CONNECTING:LEFT	U009	66
M1113986	GUIDE PLATE:AUXILIARY:TRANSPORT ROLLER:CONNECTING:RIGHT	U009	67
M1114070	BELT UNIT:ASS'Y	U010_S001	57
M1114091	BRACKET:THERMISTOR:PRESSURE ROLLER	U010	58
M1114099	GROUND PLATE:FUSING	U010	45
M1114145	TERMINAL:HEATER	U010	46
M1114148	HOUSING:THERMOSTAT:UPPER	U010	47
M1114180	GUIDE PLATE:EXIT:FUSING	U010	48
M1114194	STRIPPER PLATE:FUSING EXIT:COAT	U010	49
M1114203	GUIDE PLATE:ENTRANCE:FUSING	U010	50
M1114207	FUSING COVER:LOWER	U010	51
M1114208	COVER:GROUND PLATE	U010	52
M1114214	FUSING COVER:UPPER	U010	53
M1114219	BLOCK:FUSING UNIT	U010	54
M1114413	LINK:COUPLING:GATE PAWL:EXIT	U011	28
M1114414	LINK:CHANGE:GATE PAWL:EXIT	U011	29

Exclusive Parts

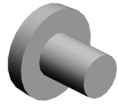
Number	Part Name	Group	ID
M1114415	BRACKET:SOLENOID:EXIT	U011	30
M1114450	GUIDE:EXIT:LOWER	U011	31
M1114457	SUPPORTING PLATE:EXIT:UPPER	U011	32
M1114462	DAMPER:FEELER:SENSOR:OVER FLOW	U011	33
M1114466	EXIT ROLLER:DRIVEN	U011	34
M1114467	STOPPER:ROLLER:EXIT	U011	35
M1114468	GUIDE PLATE:EXIT:UPPER	U011	36
M1114471	FEELER:PAPER FEED SENSOR	U011	37
M1114472	TORSION SPRING:FEELER:PAPER FEED SENSOR	U011	38
M1114473	FEELER:SENSOR:OVERFLOW	U011	39
M1114474	SHEET:PHOTOINTERRUPTOR:EXIT	U011	40
M1114475	GATE PAWL:REVERSE EXIT	U011	41
M1114483	BRACKET:GEAR:EXIT	U011	42
M1114487	DISCHARGE BRUSH:EXIT	U011	43
M1114601	COVER:FRONT	U012	36
M1114603	GUIDE PLATE:REVERSE	U012	37
M1114609	COMPRESSION SPRING:GUIDE PLATE:REVERSE	U012	38
M1114624	SHEET:DUPLEX:EXIT	U012	39
M1114629	SHAFT:LOCK:COVER:FRONT	U012	40
M1115317	PCB:TERMINAL:IDCHIP	U015	110
M1115754	BRACKET:DENSITY SENSOR	U014	79
M1115756	SHAFT:DENSITY SENSOR	U014	80
M1115761	GUIDE:HARNESS:DENSITY SENSOR	U014	81
M1115784	HOLDER:CLEANER:DENSITY SENSOR:LEFT	U014	82
M1115791	COVER:POWER SUPPLY UNIT	U014	83
M1115810	GROUND PLATE:COVER:UPPER	U015	111
M1115813	GROUND PLATE:COVER:UPPER:2	U015	112
M1115822	THERMOPILE:FUSING:ASS'Y	U015_S001	113
M1115838	COMPRESSION SPRING:TRANSFERMER	U014	92
M1115840	SHIELDING PLATE:DRIVE UNIT:TRANSFER	U013	119

Number	Part Name	Group	ID
M1115846	HEAT INSULATION:COVER:UPPER	U015	114
M1115847	HEAT INSULATION:COVER:MIDDLE	U015	115
M1115849	HEAT INSULATION:BASE:FUSING SUB-UNIT:LOWER	U015	116
M1115850	HEAT INSULATION:FUSING SUB-UNIT:PCDU	U015	117
M1115888	CUSHION:FLAT BELT-TRANSFER	U014	84
M1115891	HOLDER:CLEANER:DENSITY SENSOR:RIGHT	U014	85
M1115893	HOLDER:HARNESS:DENSITY SENSOR	U014	86
M1115894	TENSION SPRING:DENSITY SENSOR	U014	87
M1115895	LEVER:DENSITY SENSOR	U014	88
M1116011	CLEANING SUB-UNIT:INTERMEDIATE TRANSFER:ASS'Y	U007	5
M1116322	GUIDE:FRONT:TRANSFER ROLLER:SECOND	U009	68
M1116324	SPACER:GUIDE PLATE:TRANSFER/SEPARATION:LEFT	U009	69
M1116361	ELECTRODE PLATE:DISCHARGE:3	U009	70
M1116366	ELECTRODE:EARTH:PAPER FEED SENSOR:FUSING	U009	71
M1116367	ELECTRODE:EARTH:HOUSING:TRANSPORT	U009	72
M1116368	GUIDE PLATE:TRANSFER/SEPARATION:CONTACT POINT:LEFT LOWER	U009	73
M1116369	GUIDE PLATE:TRANSFER/SEPARATION:CONTACT POINT:RIGHT LOWER	U009	74
M1116370	SPACER:GUIDE PLATE:TRANSFER/SEPARATION:RIGHT	U009	75
M1116374	HOUSING:TORSION SPRING:RIGHT	U009	76
M1116379	HOUSING:TORSION SPRING:LEFT	U009	77

Exclusive Parts

Number	Part Name	Group	ID
M1122833	(TWN):DECAL:CAUTION:INKJET:MANUAL FEED	U016	10
M1361279	GUIDE PLATE:COVER:PAPER EXIT SUB-UNIT	U002	7
M1361285	COVER:REAR	U001	27
M1361462	GUIDE PLATE:SD/USB	U002	8
M1361465	SHIELD PLATE:SD/USB:OPERATION SUB-UNIT	U002	9
M1364607	HOLDER:GUIDE PLATE:REVERSE:LEFT	U012	41
M1601900	LED HEAD:1200DPI:211.3MM	U003	29
M9080165	PCU:EXCHANGEABLE:C:ASS'Y	U005_S002	5
M9080166	PCU:EXCHANGEABLE:M:ASS'Y	U005_S003	6
M9080175	PCU:EXCHANGEABLE:Y:ASS'Y	U005_S001	7
M9080620	TRANSFER/SEPARATION UNIT:SECOND:MAINTENANCE:ASS'Y	U009_S001	78

Standard Parts



03530040N
SCREW - M3X4



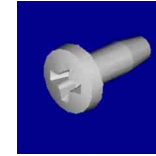
03603006N
SCREW - M3X6



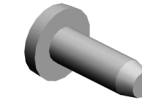
04503016N
TAPPING SCREW:3X16



04513008N
TAPPING SCREW - M3X8



04522608N
BINDING SELF-TAPPING SC
REW:2.6X8



04524012N
BINDING SELF-TAPPING SC
REW:4X12



04543006Q
TAPPING SCREW - M3X6



04543008Q
TAPPING SCREW:3X8



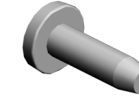
04583008N
HEXAGON HEAD TAPPING S
CREW:3X8



04583010N
HEXAGON HEAD TAPPING S
CREW:3X10



04593008N
BINDING HEAD TAPPING SC
REW:3X8



04593010N
BINDING HEAD TAPPING SC
REW:3X10



07200030E
RETAINING RING - M3



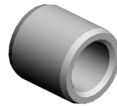
07200040E
RETAINING RING - M4



07200060E
RETAINING RING - M6



07250170E
RETAINING RING C - M17



07330406
BUSHING - 4X6



08046123
HEXAGONAL BOLT:W/WASH
ER:M3X8



08050089
RETAINING RING - M4



08050103
RETAINING RINGS-E:SILENC
ER:DIA3



08050104
RETAINING RINGS-E:SILENC
ER:DIA4



08050106
RETAINING RINGS-E:SILENC
ER:DIA6



09513008N
SCREW:POLISHED ROUND:
M3X8



09573010N
SCREW:SMALL ROUND/SPRI
NG:M3X10



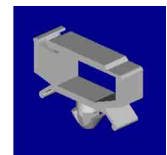
09573012N
SCREW - M3X12



11050487
HARNESS CLAMP



11050511
HARNESS CLAMP - LWS-030
6ZC



11050516
CLAMP

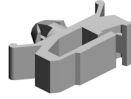
Standard Parts



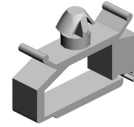
11050723
CLAMPS:WES-0507



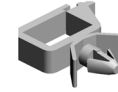
11050724
CLAMPS:WES-1210



11050758
CLAMP:LWSM-0306A



11050760
CLAMP:LWSM-0511A



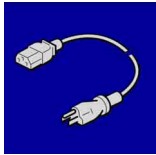
11050762
CLAMP:LWS-0711A



11050763
CLAMP:LWS-1211A



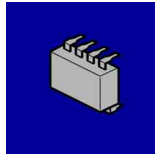
11050765
CLAMP:LWS-2218A



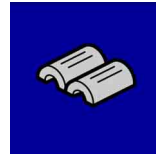
11500478
(TWN):POWER SUPPLY COD
E:125V:15A



12042612
MICRO SWITCH:D3V-16506-3
C25



14077677
EEPROM:BR24T64-W



16072251
FERRITE CORE:K3 NF-75(N)
BK0

PM Part List

Number	Part Name	Num	Group	ID
AF031060	BY-PASS FEED ROLLER	1	U004	8
AF033008	FRICTION PAD:10X50	1	U004_S006	9
G0523103	PAPER FEED ROLLER	1	U004	16
M1091226	FILTER:TVOG	1	U001_S001	11
M1112675	FRICTION PAD:ADHESION	1	U004	83
M9080165	PCU:EXCHANGEABLE:C:AS S'Y	1	U005_S002	5
M9080166	PCU:EXCHANGEABLE:M:AS S'Y	1	U005_S003	6
M9080175	PCU:EXCHANGEABLE:Y:ASS 'Y	1	U005_S001	7
M9080620	TRANSFER/SEPARATION U NIT:SECON:MAINTENANCE :ASS'Y	1	U009_S001	78

Design Change List

Number	Title	Set	Old Part		New Part		Index No.		Q'ty	Interchg		Reason	Cut-in S/N
			P/N	Name	P/N	Name	Group	ID		Indiv.	Set		
201911-01	1911 Modification	-	M1116010	CLEANING SUB-UNIT:INTERMEDIATE TRANSFER:ASS'Y	M1116011	CLEANING SUB-UNIT:INTERMEDIATE TRANSFER:ASS'Y	U007	5	1	X/O			
201902-01	1902 Modification	-			M1091098	HINGE:LEFT REAR:CONTACT POINT	U015	120	1				
201812-01	1812 Modification	-	M9080160	PCU:EXCHANGEABLE:Y:ASS'Y	M9080175	PCU:EXCHANGEABLE:Y:ASS'Y	U005_S001	7	1	O/O			
201808-01	1808 Modification	-	M1095838	COMPRESSION SPRING:TRANSFERMER	M1115838	COMPRESSION SPRING:TRANSFERMER	U014	92	1	X/O			
201808-02	1808 Modification	-	M1114089	BRACKET:THERMISTOR:PRESSURE ROLLER	M1114091	BRACKET:THERMISTOR:PRESSURE ROLLER	U010	58	2	X/O			
201807-01	1807 Modification	-	G1045141	KNOB SCREW:M3	04543006Q	TAPPING SCREW - M3X6	U014	5	1	X/O			
201805-01	1805 Modification	-	M1114050	BELT UNIT:ASS'Y	M1114070	BELT UNIT:ASS'Y	U010_S001	57	1	X/O			
201804-01	1804 Modification	-	08050104	RETAINING RINGS-E:SILENCER:DIAM4	08050089	RETAINING RING - M4	U015	119	1	X/O			
201803-01	1803 Modification	-	M1111305	PAWL:LOCK:COVER:UPPER	D0A01306	PAWL:LOCK:COVER:UPPER	U015	118	2	O/O			
201803-02	1803 Modification	-	M9080601	INTERMEDIATE TRANSFER SECTION:MAINTENANCE:ASS'Y			U007	6	1				
201801-01	1801 Modification	-	D0A01575	DECAL:CAUTION:ID:CHIP			U016	2	1				
201711-01	1711 Modification	-			11050765	CLAMP:LWS-221	U014	89	1				

Design Change List

Number	Title	Set	Old Part		New Part		Index No.		Q'ty	Interchg		Reason	Cut-in S/N
			P/N	Name	P/N	Name	Group	ID		Indiv.	Set		
		-				8A							
201711-02	1711 Modification	-			16072251	FERRITE CORE: K3 NF-75(N)BK0	U014	90	1				

