

SP C340DN
(M0AG)
Parts Catalog

Model	Product Code	PC Style
SP C340DN	M0AG	3D
SP C342DN	M0AH	3D
Paper Feed Unit TK1220	G849	3D
USB Device Server Option Type M19	D3BC	Traditional
IEEE 1284 Interface Board Type M19	D3C0	Traditional
XPS Direct Print Option Type P10	M500	Traditional
Camera Direct Print Card Type P10	M500	Traditional
Hard Disk Drive Option Type P10	M500	Traditional
VM CARD Type P8	M500	Traditional
IEEE 802.11 Interface Unit Type M24	M500	Traditional

Unit All



U001
EXTERIOR



U002
OPERATION



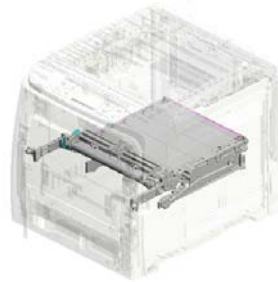
U003
LASER UNIT



U004
PAPER FEED



U005
PCU



U006
ITB UNIT



U007
USED TONER



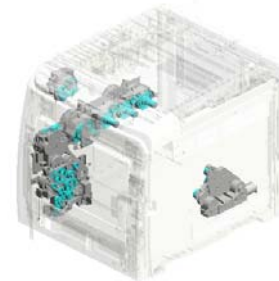
U008
PAPER TRANSPORT



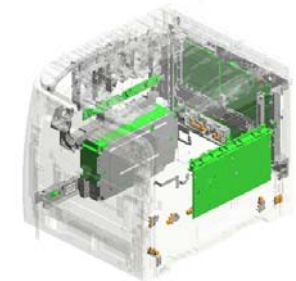
U009
FUSING



U010
PAPER EXIT

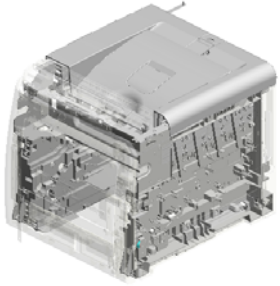


U011
MAIN DRIVE



U012
ELECTRICAL

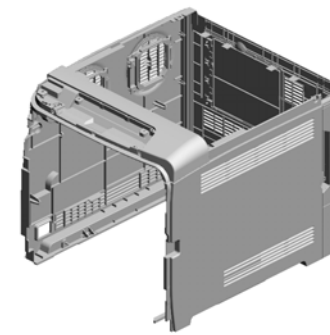
Unit All



U013
MAIN FRAME

U001 EXTERIOR

- 6.04543008Q (x5) TAPPING SCREW: M3X8
- 2.04503010N (x7) TAPPING SCREW - M3X10
- 14.M0751309 (x2) SEAL:GUIDE:LOUVER:LOWER
- 15.M0751315 (x2) SEAL:COVER:EXIT
- 7.11050758 CLAMP:LWSM-030 6A



1.03603006N (x6) SCREW - M3X6

18.M0AD0046 COVER:HDD:ASS'Y

17.M0AD0045 COVER:REAR:ASS'Y

9.G1631311 SEAL:COVER:LEFT :3

16.M0AD0044 COVER:CASSETTE :ASS'Y

4.04524010N (x2) BINDING SELF-TAPPING SCREW:4X10

10.G1631313 SEAL:COVER:LEFT :5

19.M0AD0047 COVER:LEFT:SUB-ASS'Y

13.M0751308 (x2) SEAL:GUIDE:LOUVER:UPPER

3.04504010N (x2) TAPPING SCREW: M4X10

4.04524010N (x 3) BINDING SELF-TAPPING SCREW:4X10

5.04543006Q TAPPING SCREW - M3X6

8.G1631259 INNER COVER:GUARD:SAFETY SWITCH

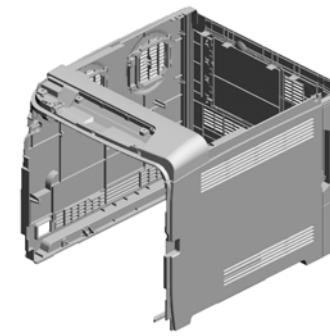
12.M0751252 (x2) SEAL:STOPPER:LOUVER

11.M0751251 (x2) GUIDE:LOUVER

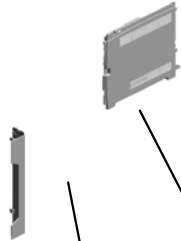
20.M0AD1253 (x2) LOUVER

U001 EXTERIOR

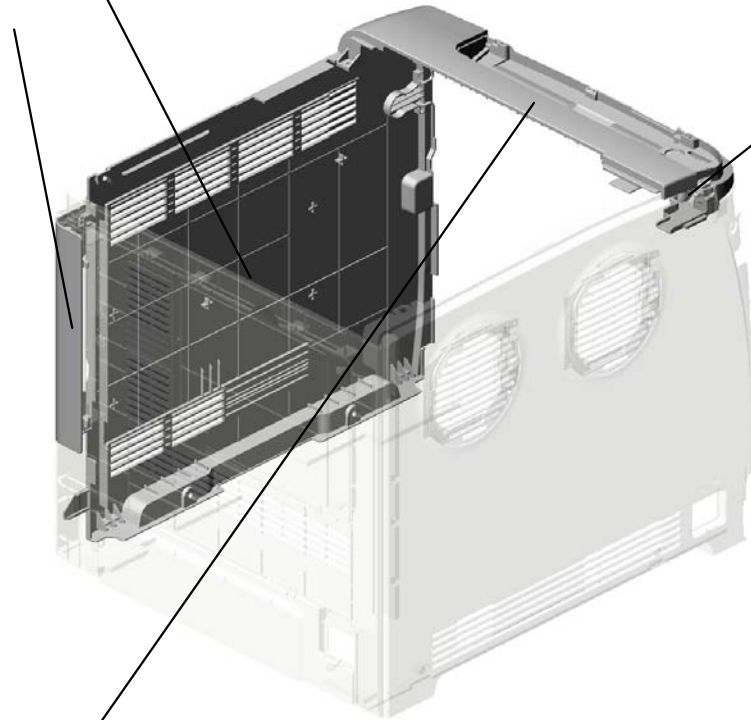
22.M0AD1273
COVER:RIGHT



21.M0AD1260
COVER:INTERFAC
E



24.M0AH1279
INNER COVER:EXI
T



23.M0AD1277
COVER:PAPER EXI
T SUB-UNIT



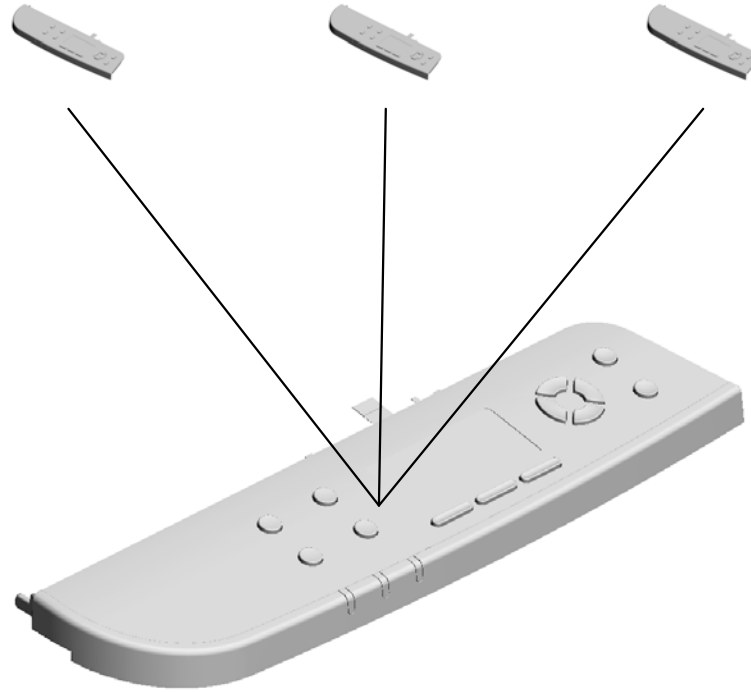
U001	U002	U003	U004	U005	U006	U007	U008	U009	U010	U011	U012	U013
------	------	------	------	------	------	------	------	------	------	------	------	------

U002.OPERATION

U002_S001
M0AG1402
(NA/EU):OPERATION PANEL:
4LINE:ASS'Y

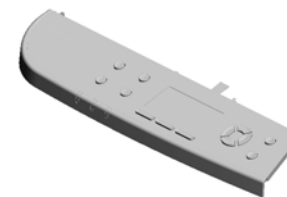
U002_S002
M0AG1402
(NA/EU):OPERATION PANEL:
4LINE:ASS'Y

U002_S003
M0AG1403
(CHN):OPERATION PANEL:4
LINE:ASS'Y



U001	U002	U003	U004	U005	U006	U007	U008	U009	U010	U011	U012	U013
------	------	------	------	------	------	------	------	------	------	------	------	------

U002
OPERATION

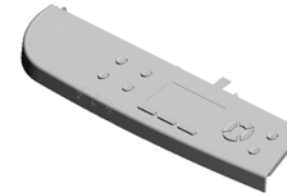


U001	U002	U003	U004	U005	U006	U007	U008	U009	U010	U011	U012	U013
------	------	------	------	------	------	------	------	------	------	------	------	------

U002_S001
(NA/EU):OPERATION PANEL:4LINE:ASS'Y

2.M0661461
KEYTOP:MENU

3.M0661465
KEYTOP:RESUME



6.M0AG1402
(NA/EU):OPERATIO
N PANEL:4LINE:AS
SY

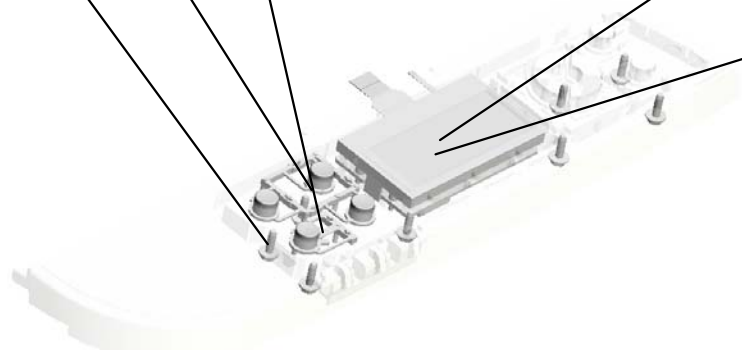
1.04503010N
(x8)
TAPPING SCREW -
M3X10



4.M0751498
LCD:STN:MV



5.M0AD1459
PCB:4LINE:OPU:AS
S'Y

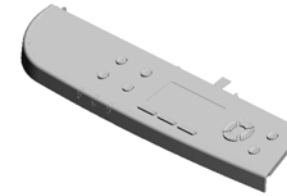


U001	U002	U003	U004	U005	U006	U007	U008	U009	U010	U011	U012	U013
------	-------------	------	------	------	------	------	------	------	------	------	------	------

U002_S002
(NA/EU):OPERATION PANEL:4LINE:ASS'Y

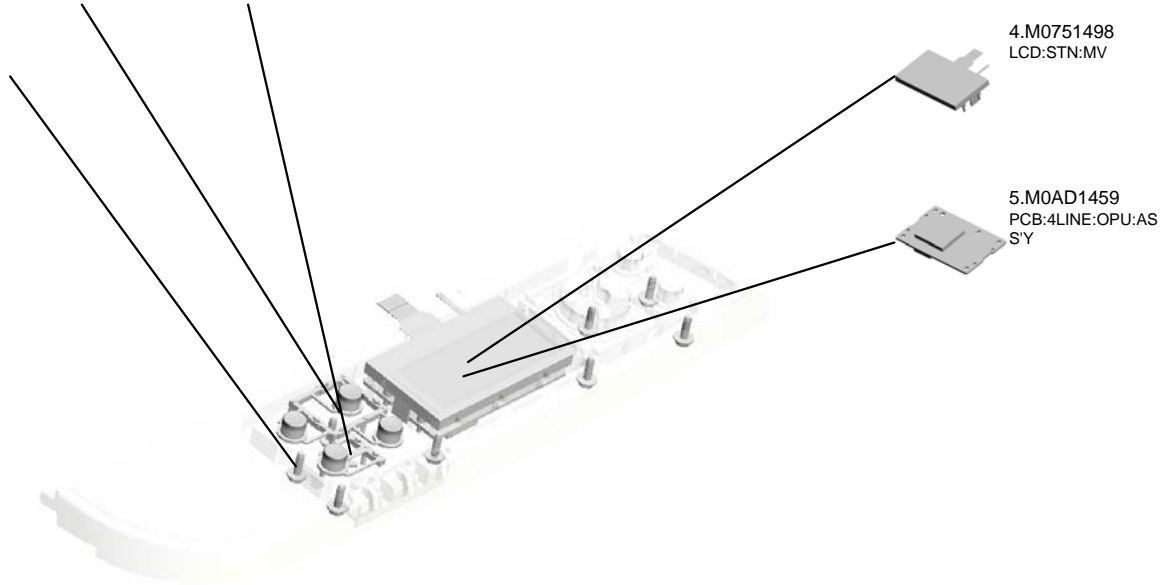
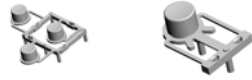
2.M0661461
KEYTOP:MENU

3.M0661465
KEYTOP:RESUME



6.M0AG1402
(NA/EU):OPERATIO
N PANEL:4LINE:AS
SY

1.04503010N
(x8)
TAPPING SCREW -
M3X10



4.M0751498
LCD:STN:MV

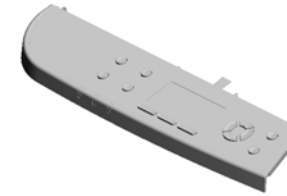
5.M0AD1459
PCB:4LINE:OPU:AS
S'Y

U001	U002	U003	U004	U005	U006	U007	U008	U009	U010	U011	U012	U013
------	-------------	------	------	------	------	------	------	------	------	------	------	------

U002_S003
(CHN):OPERATION PANEL:4LINE:ASS'Y

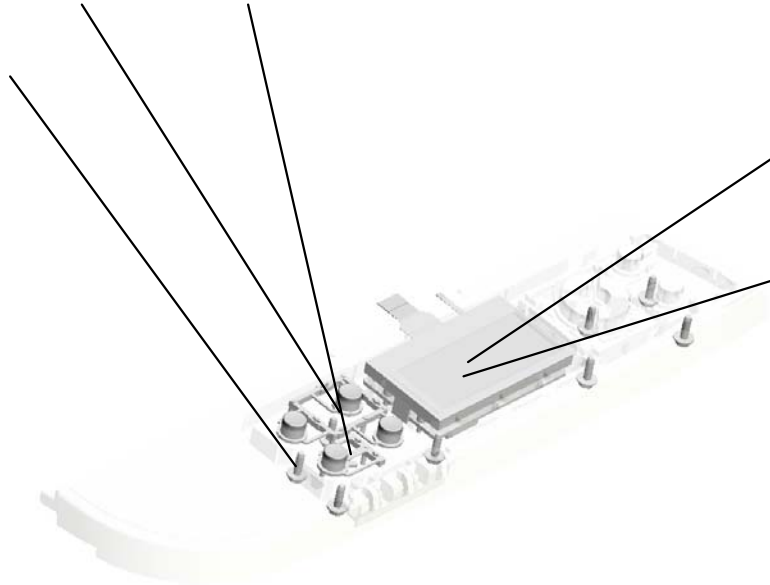
2.M0661461
KEYTOP:MENU

3.M0661465
KEYTOP:RESUME



7.M0AG1403
(CHN):OPERATION
PANEL:4LINE:ASS'
Y

1.04503010N
(x8)
TAPPING SCREW -
M3X10



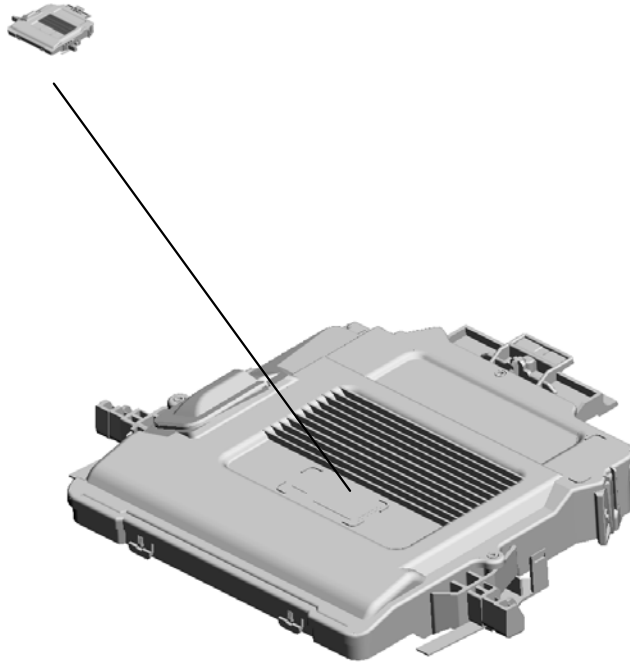
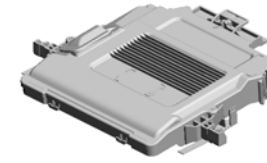
4.M0751498
(x2)
LCD:STN:MV

5.M0AD1459
PCB:4LINE:OPU:AS
S'Y

U001	U002	U003	U004	U005	U006	U007	U008	U009	U010	U011	U012	U013
------	-------------	------	------	------	------	------	------	------	------	------	------	------

U003
LASER UNIT

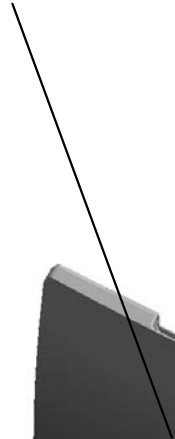
1.M0AD1851
IMAGING UNIT:AS
S'Y



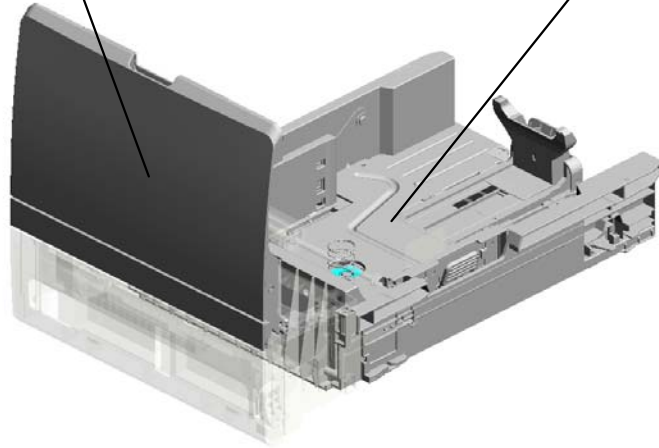
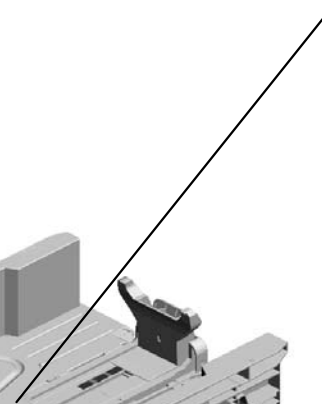
U001	U002	U003	U004	U005	U006	U007	U008	U009	U010	U011	U012	U013
------	------	------	------	------	------	------	------	------	------	------	------	------

U004.PAPER FEED

U004_S001
M0AD2845
TRAY:MANUAL FEED:ASS'Y



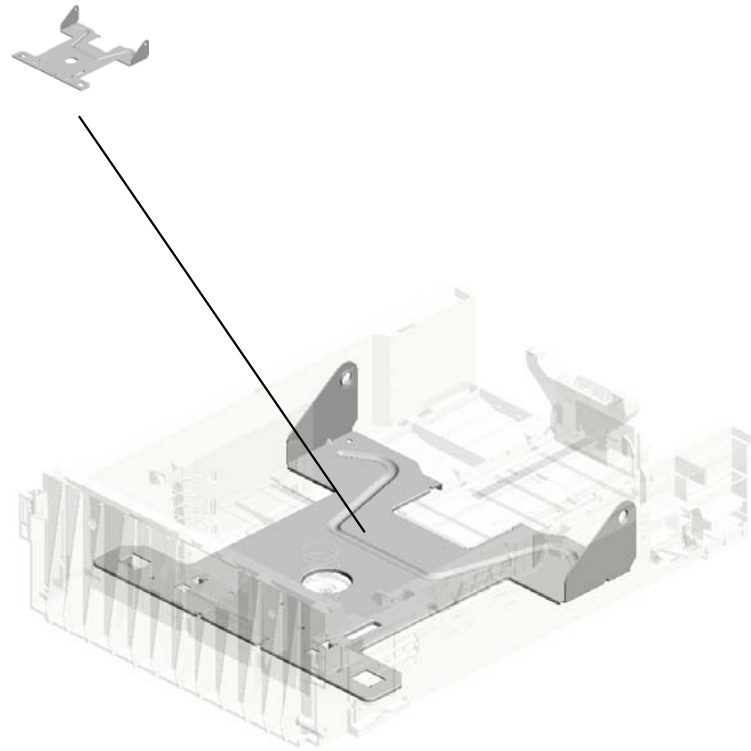
U004_S002
M0752550
CASSETTE:PAPER TRAY:AS
S'Y



U001	U002	U003	U004	U005	U006	U007	U008	U009	U010	U011	U012	U013
------	------	------	------	------	------	------	------	------	------	------	------	------

U004_S002.CASSETTE:PAPER TRAY:ASS'Y

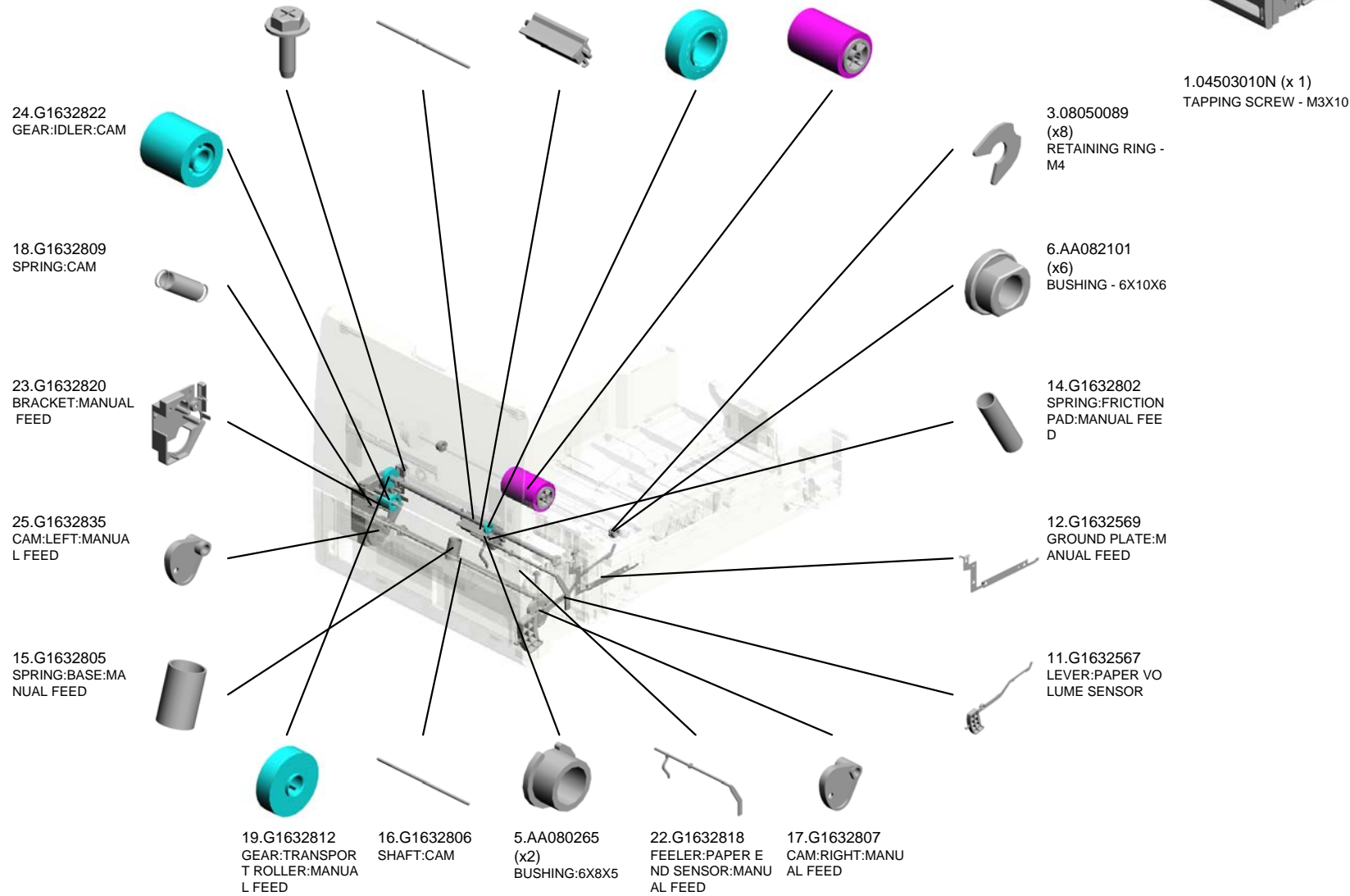
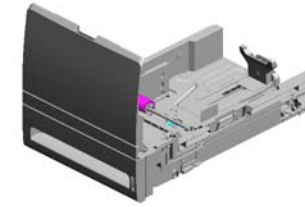
U004_S002_S001
M0752562
BASE



U001	U002	U003	U004	U005	U006	U007	U008	U009	U010	U011	U012	U013
------	------	------	------	------	------	------	------	------	------	------	------	------

U004 PAPER FEED

- 1.04503010N (x7) TAPPING SCREW - M3X10
- 20.G1632813 SHAFT:TRANSPORT:PAPER FEED ROLLER:PRESS FIT
- 13.G1632800 FRICTION PAD:ADHESION
- 21.G1632817 GEAR:IDLER:PAPER FEED ROLLER
- 7.AF031061 PAPER FEED ROLLER



U004 PAPER FEED

45.GX201121
MAGNETIC CLUTCH

33.G1632872
(x4)
SCREW:DIA4:12.5
MM

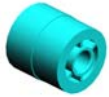
46.H5213355
C RING - PAPER FEED ROLLER

32.G1632871
SHAFT:TRANSPORT:PICKUP ROLLER

79.M0AD2870
GUIDE:MANUAL FEED:PAPER TRAY



26.G1632844
GEAR:IDLER:TRANSPORT:PAPER FEED ROLLER



67.M0752808
GEAR:CAM



36.G1632878
SHEET:DISCHARGE BRUSH:MANUAL FEED



42.GA148015
(x2)
PIN:ROLLER:TRAY BOTTOM PLATE:DI A2



35.G1632877
DISCHARGE BRUSH:MANUAL FEED



69.M0AD2552
CASSETTE COVER



71.M0AD2803
BASE:MANUAL FEED:ADHESION



70.M0AD2605
HOUSING:MANUAL FEED:PAPER TRAY



44.GF031005
(x2)
PAPER FEED ROLLER:MANUAL FEED



43.GF022006
(x2)
ROLLER:GUIDE:TRAY BOTTOM PLATE



80.M1982580
SHAFT:PAPER FEED ROLLER



68.M0752874
SHEET:DAMPING INSULATION:GUIDE:MANUAL FEED:M075



34.G1632873
DAMPING INSULATION:GUIDE:MANUAL FEED



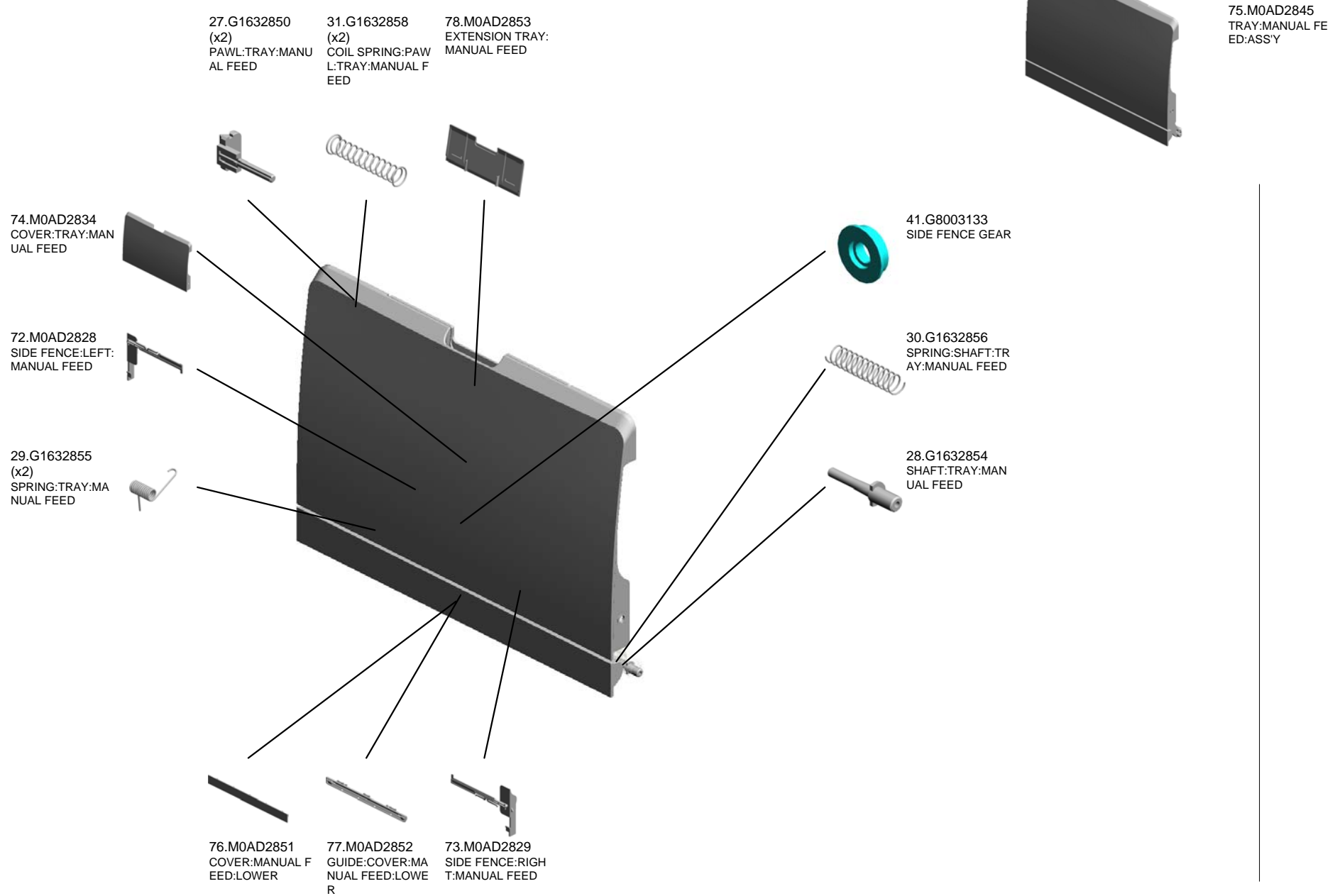
65.M0752624
DECAL:PAPER TRAY:SIDE FENCE



37.G1632879
GROUND PLATE:FEED ROLLER:MANUAL FEED

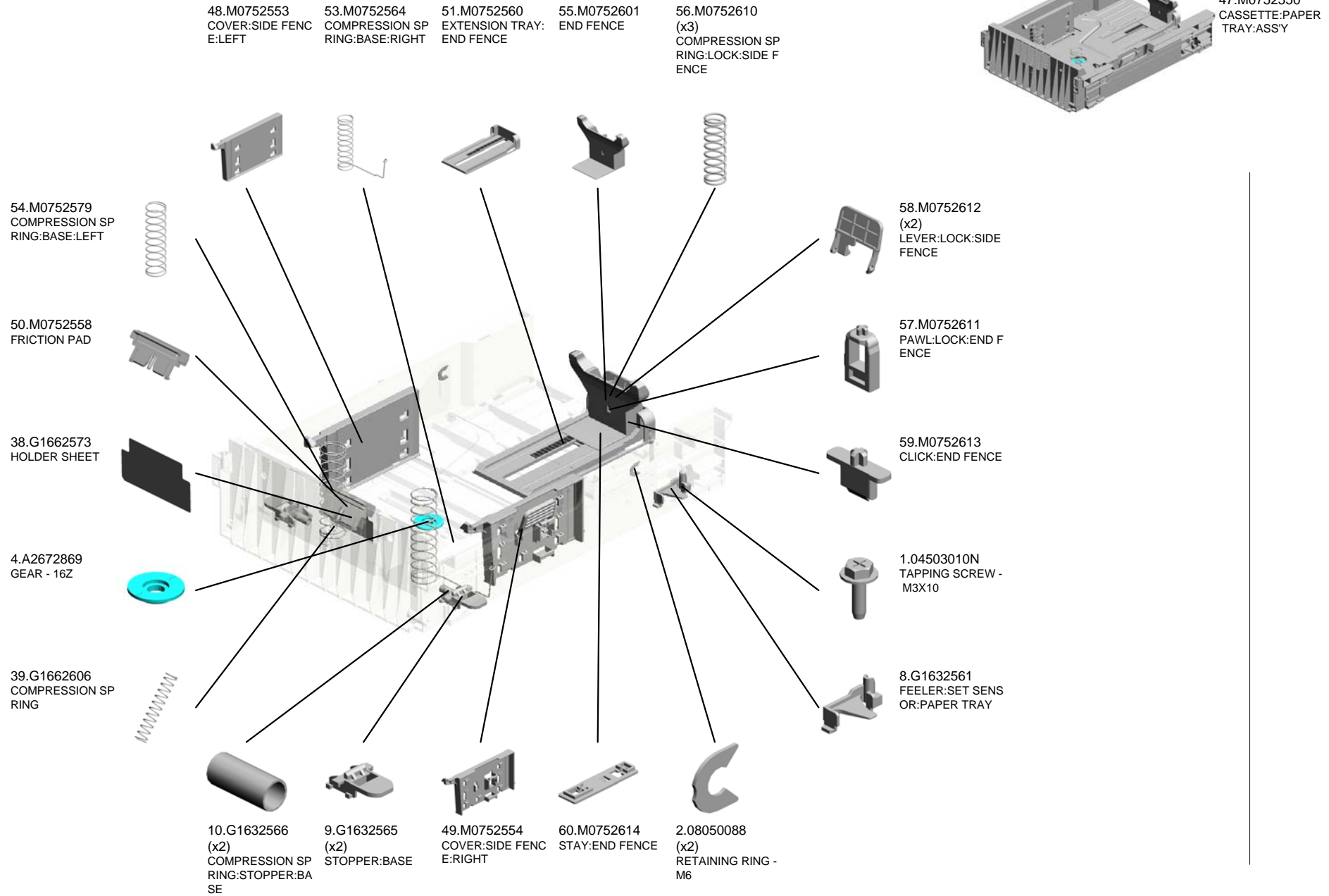


U004_S001
 TRAY:MANUAL FEED:ASS'Y



U001	U002	U003	U004	U005	U006	U007	U008	U009	U010	U011	U012	U013
------	------	------	------	------	------	------	------	------	------	------	------	------

U004_S002
CASSETTE:PAPER TRAY:ASS'Y



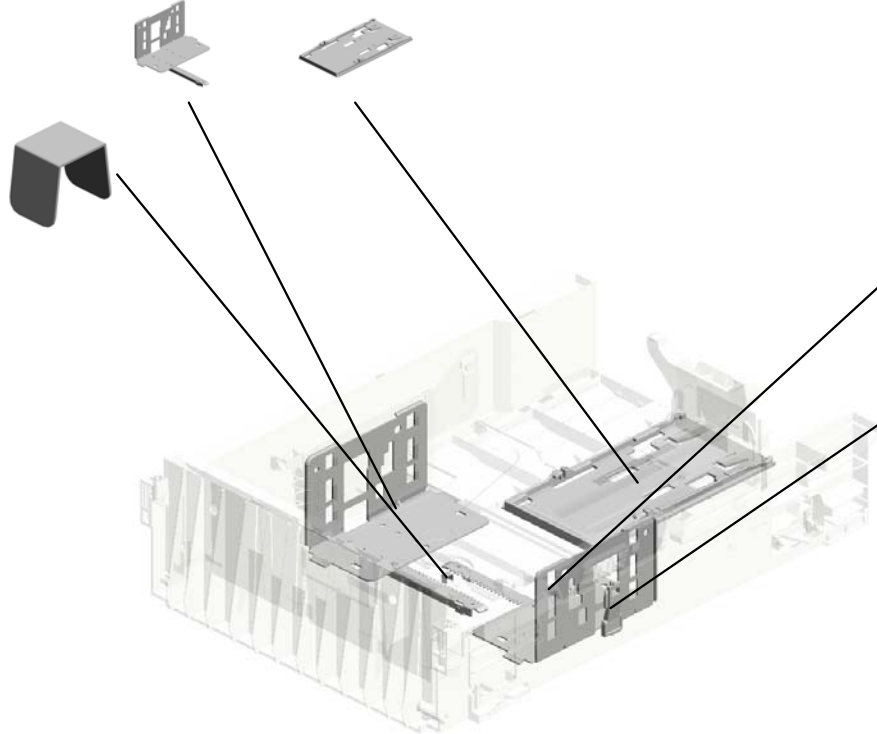
U004_S002
CASSETTE:PAPER TRAY:ASS'Y

62.M0752617
SIDE FENCE:LEFT
61.M0752615
PLATE:END FENC
E



47.M0752550
CASSETTE:PAPER
TRAY:ASS'Y

66.M0752625
RETAINER:PINION



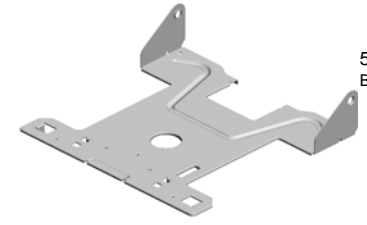
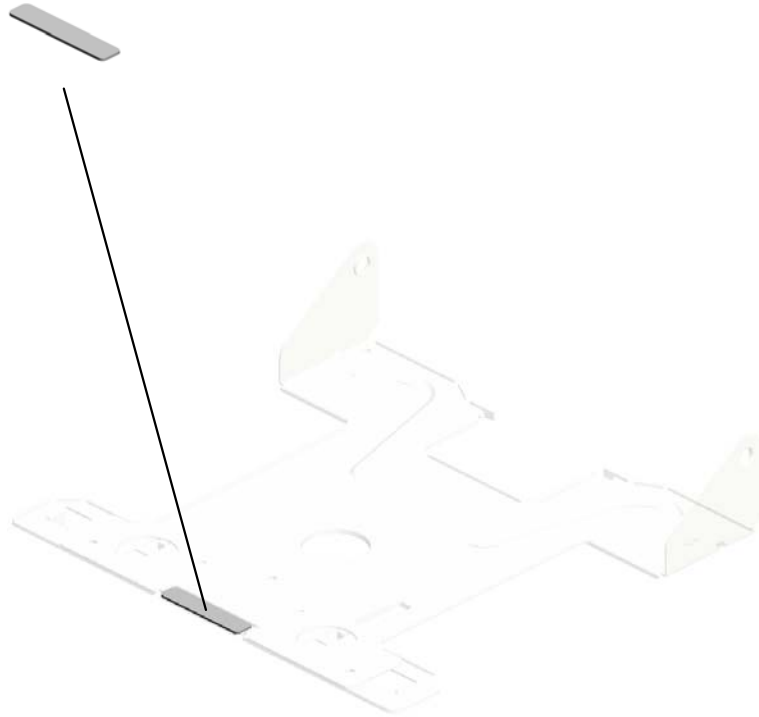
63.M0752621
SIDE FENCE:RIGH
T

64.M0752622
PAWL:LOCK:SIDE
FENCE

U001	U002	U003	U004	U005	U006	U007	U008	U009	U010	U011	U012	U013
------	------	------	------	------	------	------	------	------	------	------	------	------

U004_S002_S001
BASE

40.G5553069
BASEPAD



52.M0752562
BASE

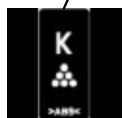
U001	U002	U003	U004	U005	U006	U007	U008	U009	U010	U011	U012	U013
------	------	------	------	------	------	------	------	------	------	------	------	------

U005
PCU

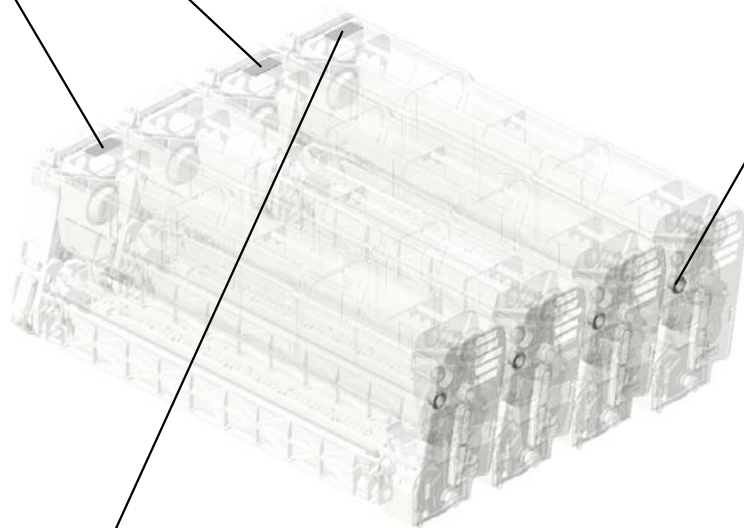
4.G1663334
DECAL - YELLOW



3.G1663333
DECAL - CYAN



2.G1663331
DECAL - BLACK



1.AA080265
(x4)
BUSHING:6X8X5



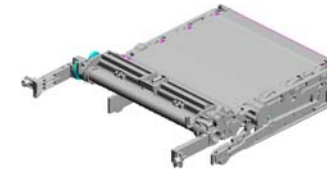
U001	U002	U003	U004	U005	U006	U007	U008	U009	U010	U011	U012	U013
------	------	------	------	------	------	------	------	------	------	------	------	------

U006 ITB UNIT

5.G1636196
SLIDER:FIX:INTER
MEDIATE TRANSFER:RIGHT

9.G1666099
(x2)
COMPRESSION SPRING

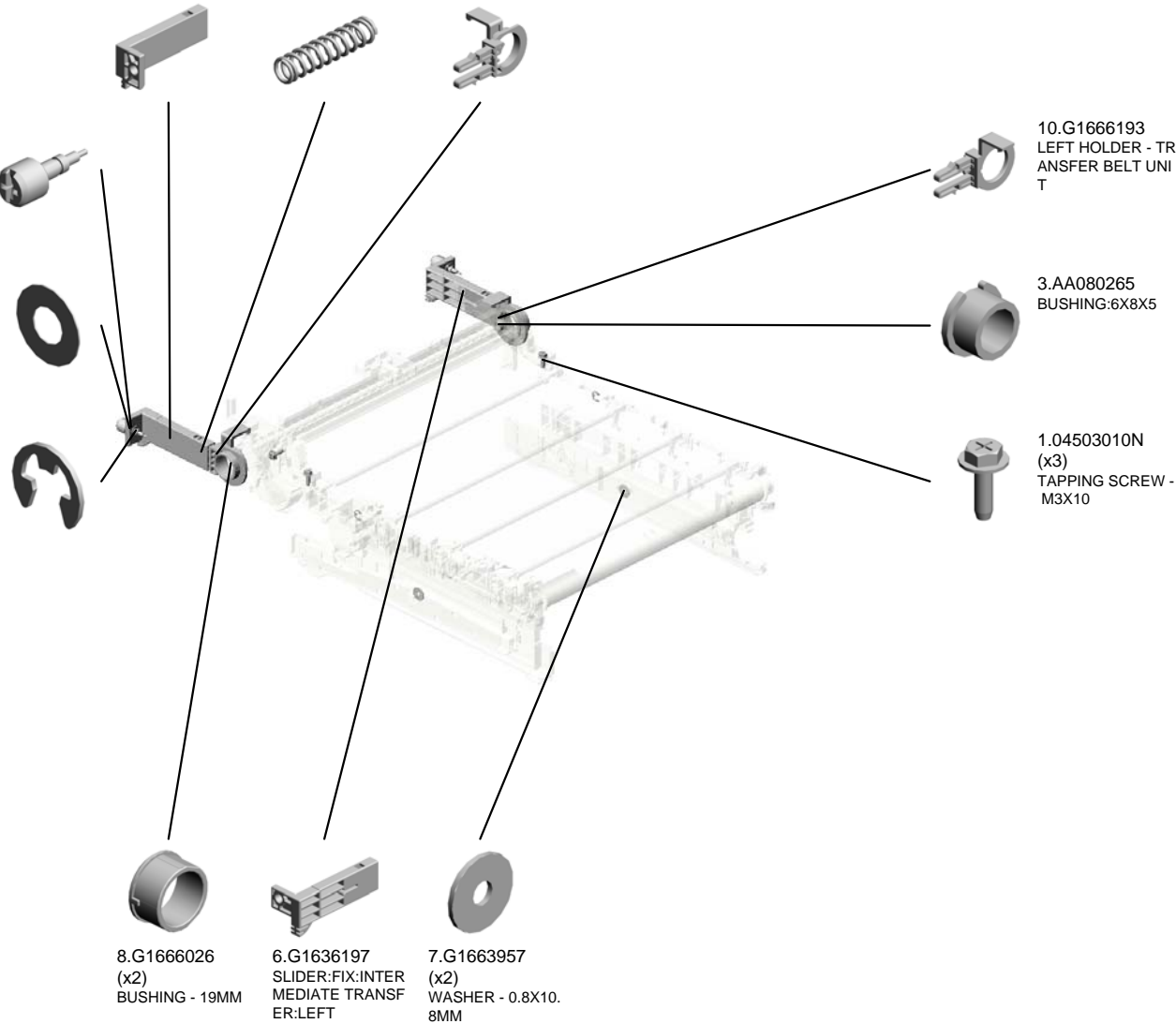
11.G1666194
RIGHT HOLDER - TRANSFER BELT UNIT



4.G1636119
(x2)
KNOB SCREW:FIX:INTERMEDIATE TRANSFER

12.H3103640
(x2)
SPACER

2.07200040E
(x4)
RETAINING RING - M4



10.G1666193
LEFT HOLDER - TRANSFER BELT UNIT

3.AA080265
BUSHING:6X8X5

1.04503010N
(x3)
TAPPING SCREW - M3X10

8.G1666026
(x2)
BUSHING - 19MM

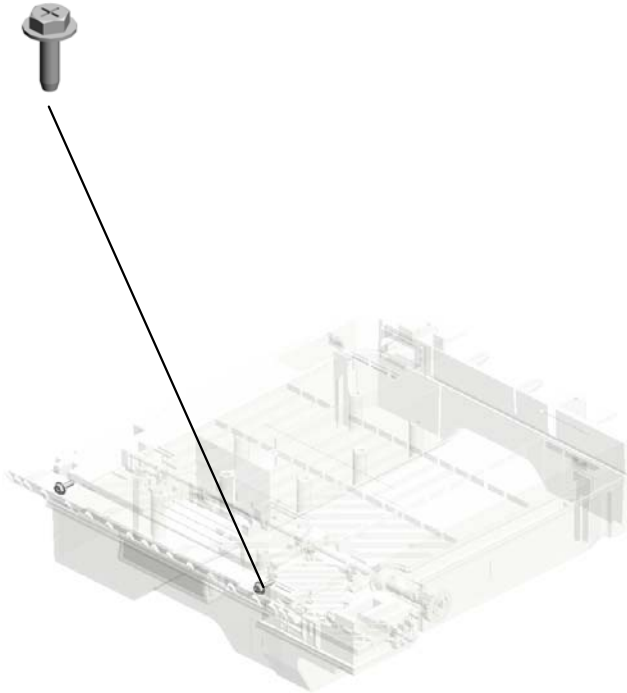
6.G1636197
SLIDER:FIX:INTERMEDIATE TRANSFER:LEFT

7.G1663957
(x2)
WASHER - 0.8X10.8MM

U001	U002	U003	U004	U005	U006	U007	U008	U009	U010	U011	U012	U013
------	------	------	------	------	------	------	------	------	------	------	------	------

U007
USED TONER

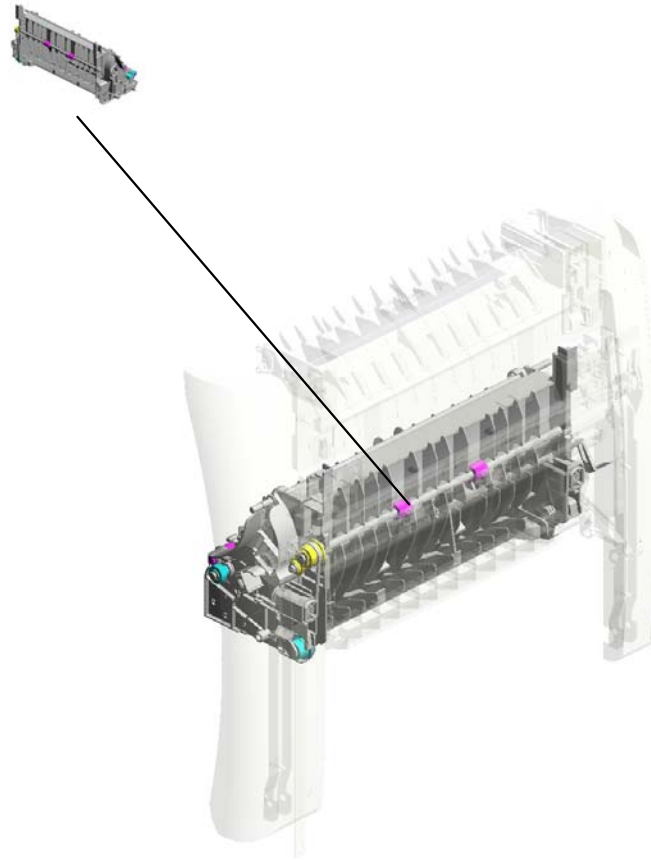
1.04503010N
(x2)
TAPPING SCREW -
M3X10



U001	U002	U003	U004	U005	U006	U007	U008	U009	U010	U011	U012	U013
------	------	------	------	------	------	------	------	------	------	------	------	------

U008.PAPER TRANSPORT

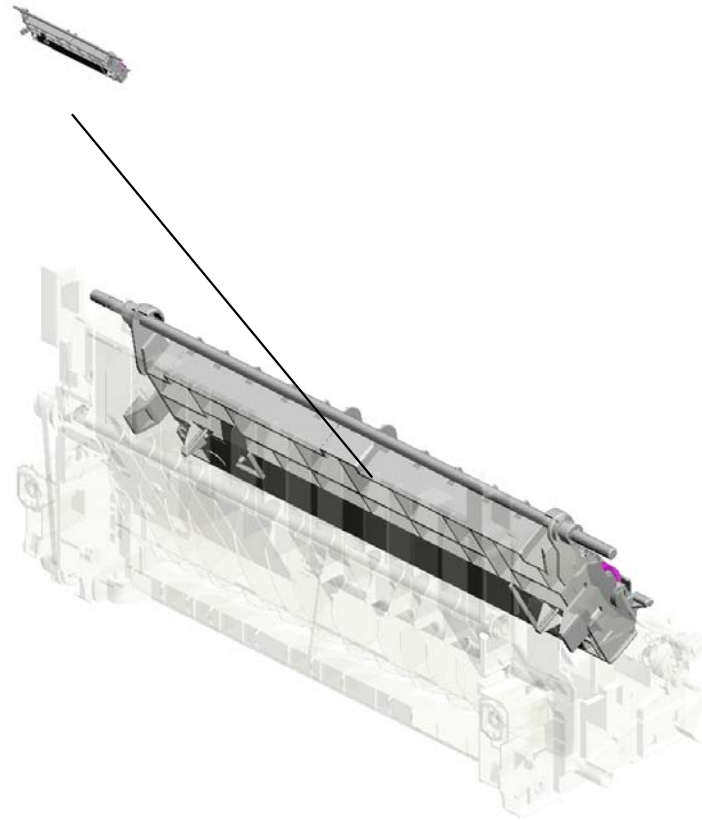
U008_S001
M8780195
HOUSING:TRANSPORT SUB-
UNIT:ASS'Y



U001	U002	U003	U004	U005	U006	U007	U008	U009	U010	U011	U012	U013
------	------	------	------	------	------	------	------	------	------	------	------	------

U008_S001.HOUSING:TRANSPORT SUB-UNIT:ASS'Y

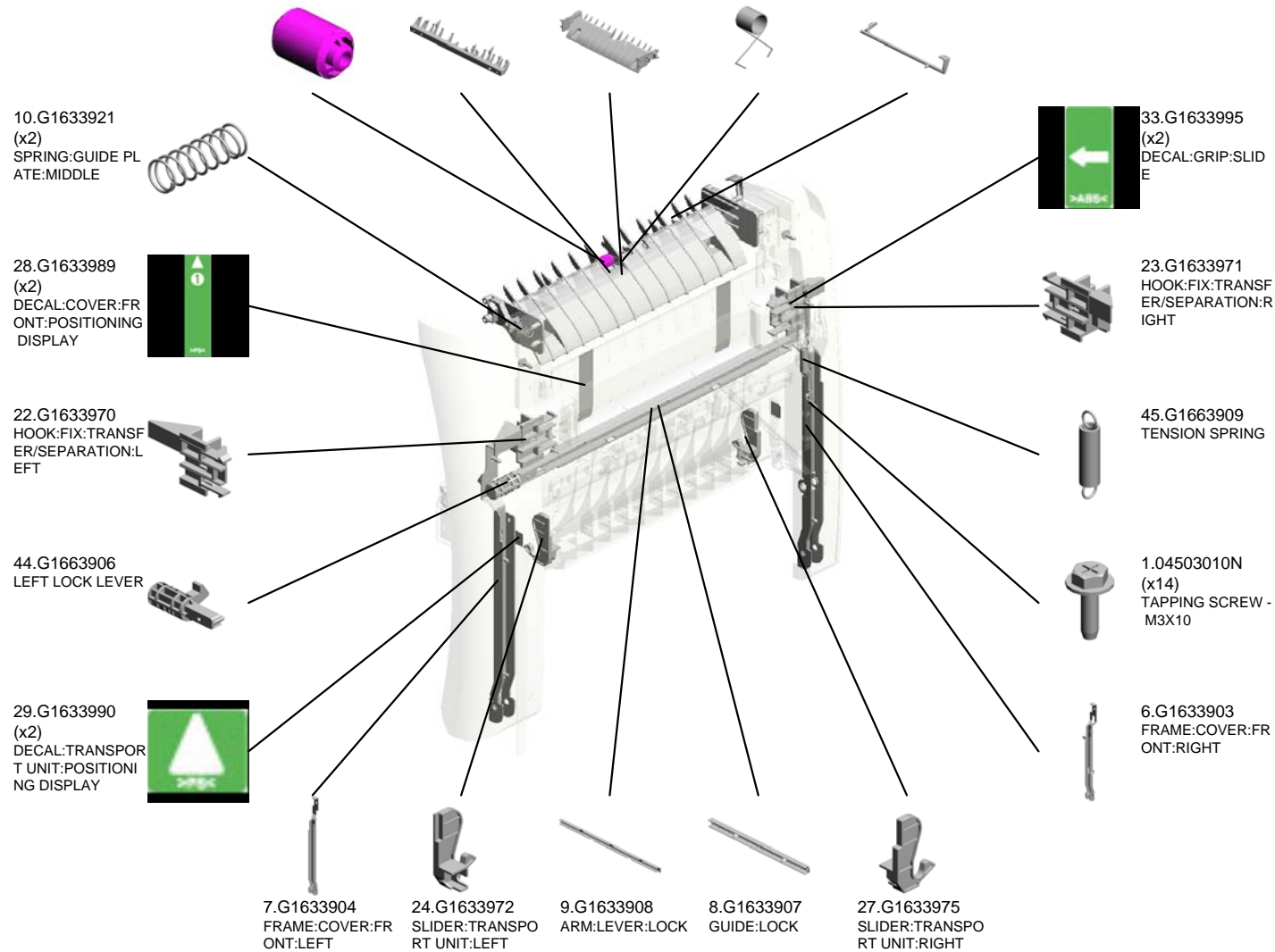
U008_S001_S001
M8780190
TRANSFER ROLLER SUB-AS
S'Y



U001	U002	U003	U004	U005	U006	U007	U008	U009	U010	U011	U012	U013
------	------	------	------	------	------	------	------	------	------	------	------	------

U008 PAPER TRANSPORT

- 46.G1663926 EXIT GUIDE ROLLER - MIDDLE
- 14.G1633927 GUIDE PLATE:EXIT :MIDDLE:INNER
- 13.G1633926 GUIDE PLATE:EXIT :MIDDLE
- 12.G1633925 TORSION SPRING: FEELER:PAPER FEED SENSOR
- 11.G1633924 FEELER:PAPER FEED SENSOR



U008 PAPER TRANSPORT

56.M0754607
(x2)
SPRING:PRESSUR
E:DUPLEX

58.M0AD1284
SEAL:COVER:FRO
NT

63.M0AD3935
DESIGN PLATE:CO
VER:FRONT:UPPE
R

60.M0AD3912
HOLDER:GUIDE PL
ATE:REVERSE:RIG
HT



61.M0AD3913
HOLDER:GUIDE PL
ATE:REVERSE:LEF
T

51.G1663972
(x2)
COMPRESSION SP
RING - GRIP

52.G1664606
(x2)
DUPLEX ROLLER

47.G1663927
STOPER BAND

62.M0AD3932
COVER:FRONT

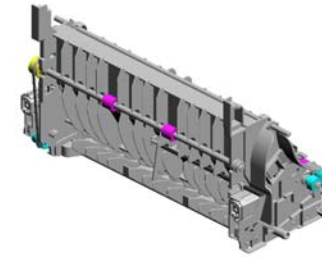
59.M0AD3905
LEVER:LOCK:RIG
HT

48.G1663928
BRAKE RACK - FR
ONT COVER

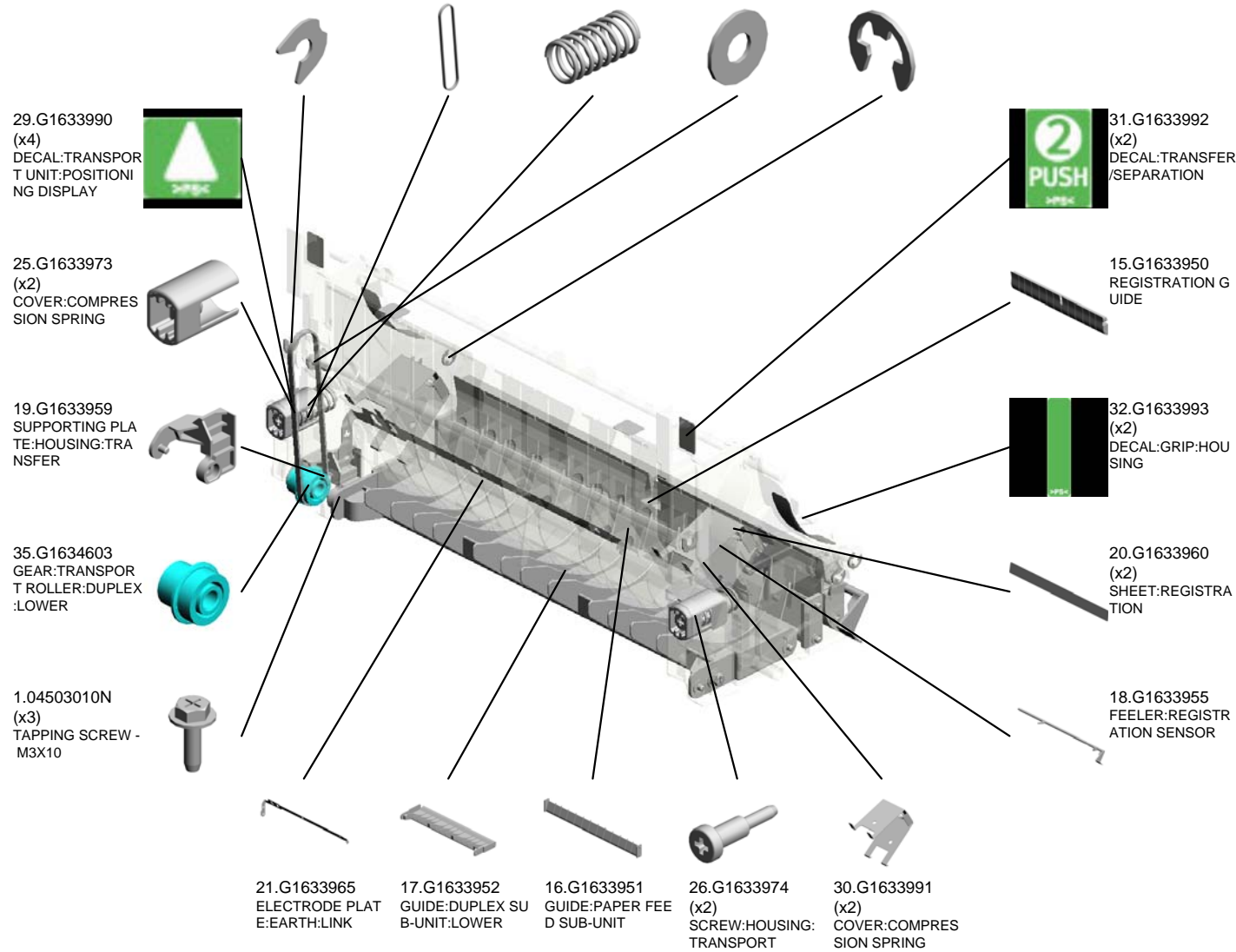
64.M0AD3936
DESIGN PLATE:CO
VER:FRONT:LOWE
R

U008_S001 HOUSING:TRANSPORT SUB-UNIT:ASS'Y

- 4.08050089 (x2) RETAINING RING - M4
- 5.B2384714 TIMING BELT - 30S 2M206
- 34.G1633997 (x2) COMPRESSION SPRING:HOUSING:TRANSPORT
- 2.07010030N WASHER DIA3
- 3.07200040E (x4) RETAINING RING - M4

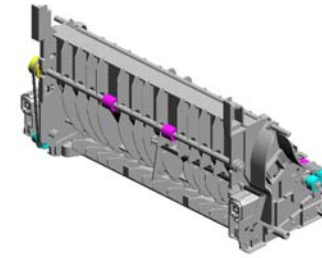


66.M8780195
HOUSING:TRANSPORT SUB-UNIT:ASS'Y



U008_S001
HOUSING:TRANSPORT SUB-UNIT:ASS'Y

50.G1663968 ELECTRODE PLATE - CONTACT POINT
 42.G1663865 (x2) GEAR - 14Z
 53.GA082015 (x6) PLAIN SHAFT BEARING: DIA6: DIA9: 7
 55.GF020052 TRANSPORT ROLLER: DUPLEX

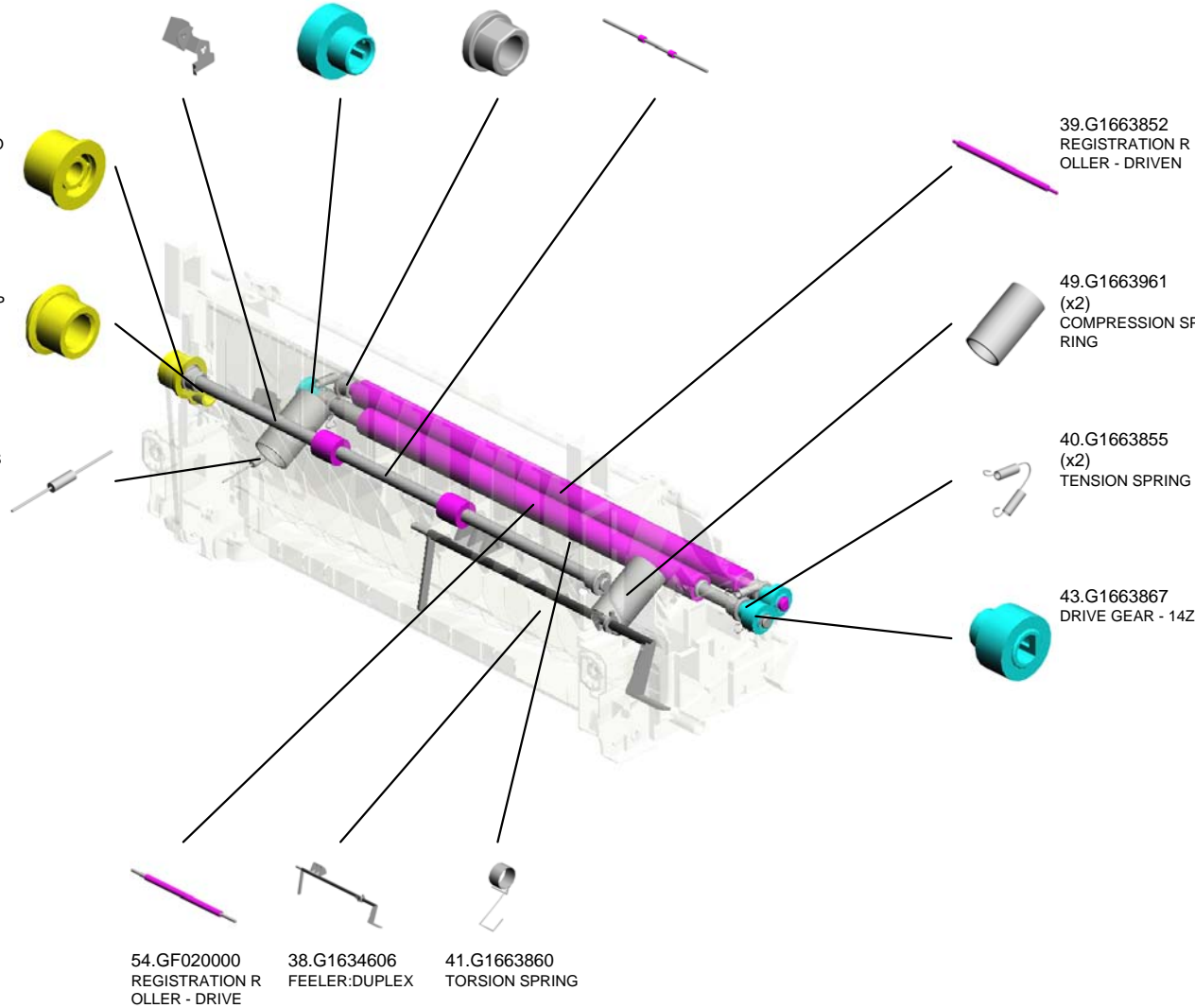


66.M8780195 HOUSING:TRANSPORT SUB-UNIT:ASS'Y

36.G1634604 PULLEY:TRANSPORT ROLLER:DUPLICATION

37.G1634605 BELT PULLEY:DUPLICATION

57.M0963989 RESISTOR:TRANSFER/SEPARATION



U008_S001_S001
TRANSFER ROLLER SUB-ASS'Y

3.07200040E
(x2)
RETAINING RING -
M4



1.04503010N
(x2)
TAPPING SCREW -
M3X10



65.M8780190
TRANSFER ROLLE
R SUB-ASS'Y

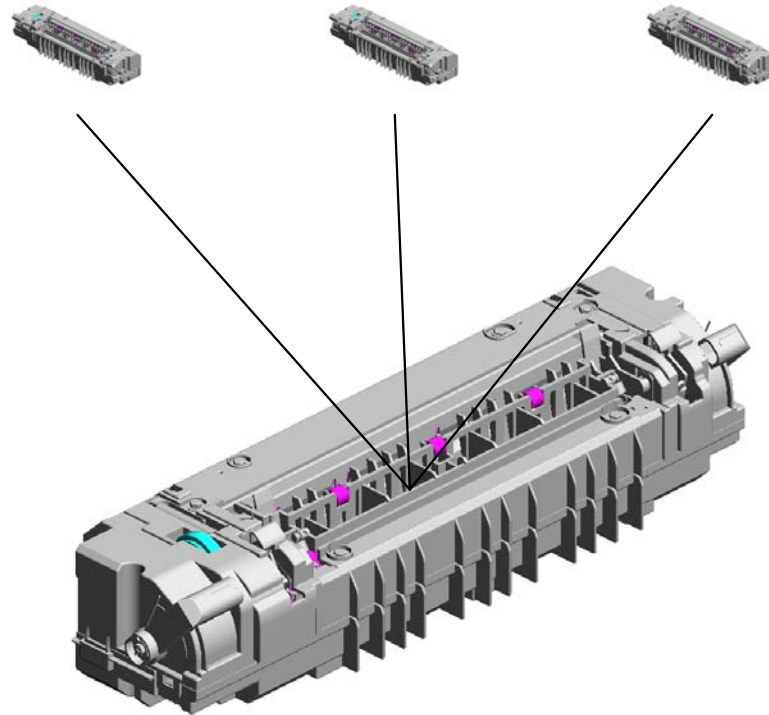
U001	U002	U003	U004	U005	U006	U007	U008	U009	U010	U011	U012	U013
------	------	------	------	------	------	------	------	------	------	------	------	------

U009.FUSING

U009_S001
M8780224
(EU/CHN):FUSING UNIT - 220
V

U009_S002
M8780224
(EU/CHN):FUSING UNIT - 220
V

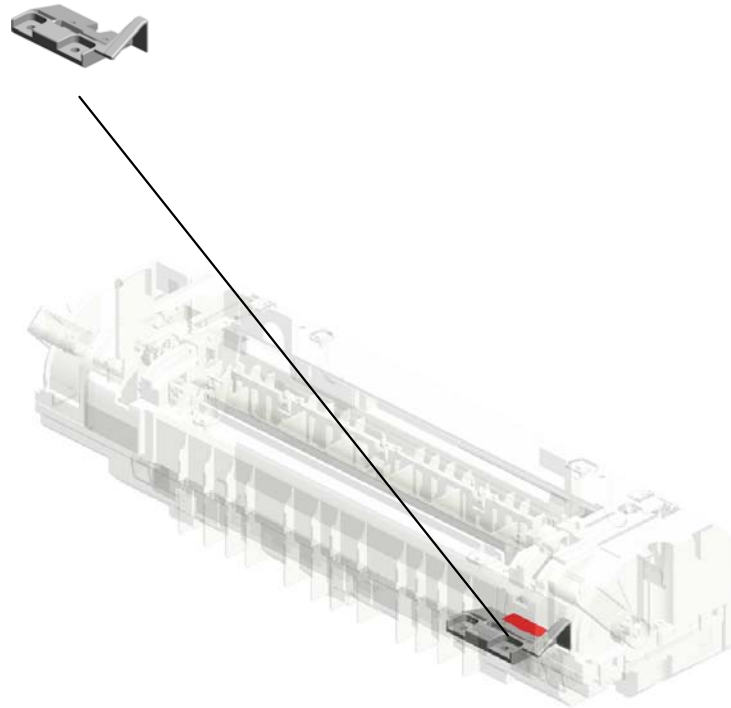
U009_S003
M8780214
(NA):FUSING UNIT - 120V



U001	U002	U003	U004	U005	U006	U007	U008	U009	U010	U011	U012	U013
------	------	------	------	------	------	------	------	------	------	------	------	------

U009_S001.(EU/CHN):FUSING UNIT - 220V

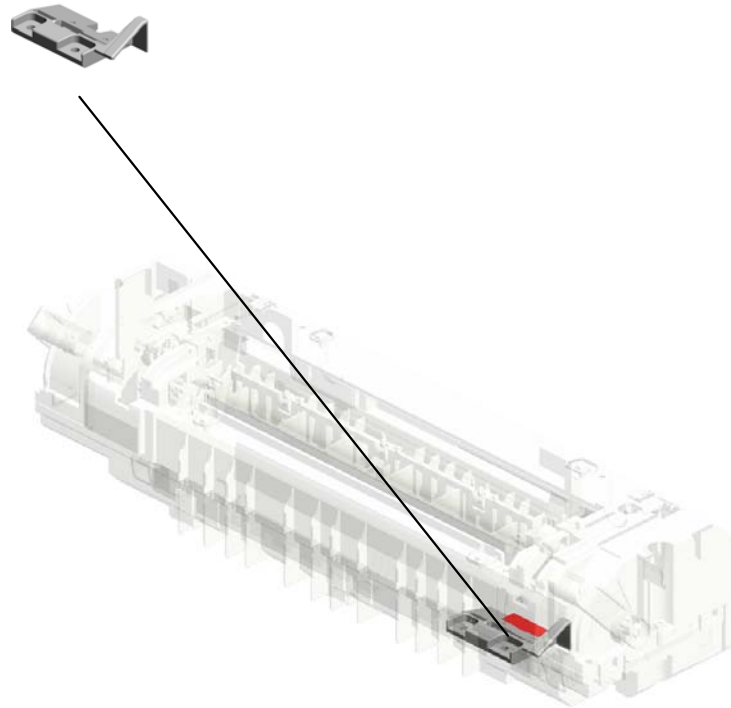
U009_S001_S001
M0754298
DISCHARGE BRUSH:ASS'Y



U001	U002	U003	U004	U005	U006	U007	U008	U009	U010	U011	U012	U013
------	------	------	------	------	------	------	------	------	------	------	------	------

U009_S002.(EU/CHN):FUSING UNIT - 220V

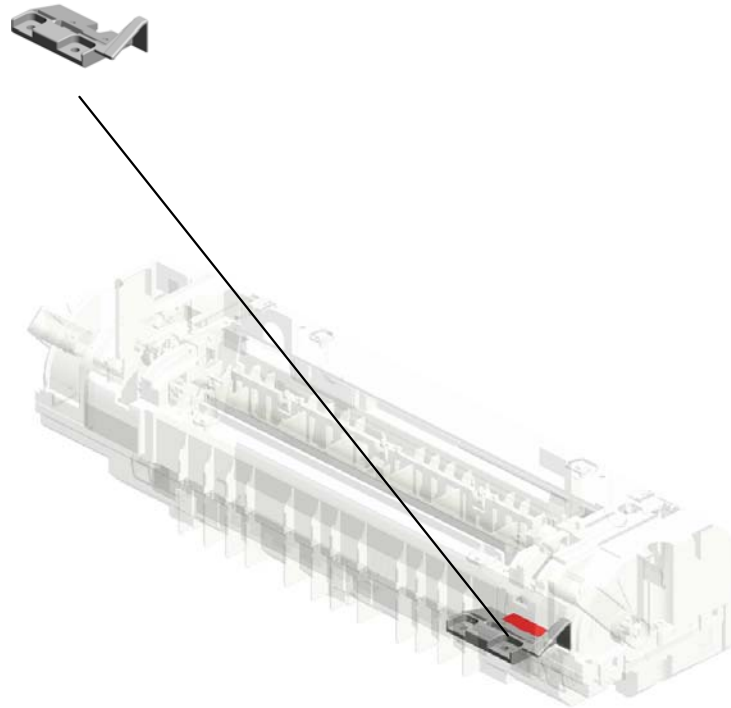
U009_S002_S001
M0754298
DISCHARGE BRUSH:ASS'Y



U001	U002	U003	U004	U005	U006	U007	U008	U009	U010	U011	U012	U013
------	------	------	------	------	------	------	------	------	------	------	------	------

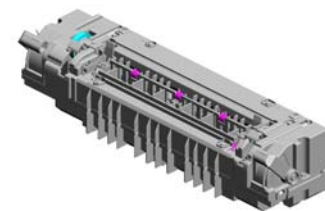
U009_S003.(NA):FUSING UNIT - 120V

U009_S003_S001
M0754298
DISCHARGE BRUSH:ASS'Y



U001	U002	U003	U004	U005	U006	U007	U008	U009	U010	U011	U012	U013
------	------	------	------	------	------	------	------	------	------	------	------	------

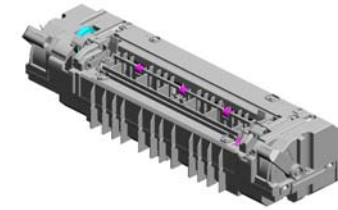
U009
FUSING



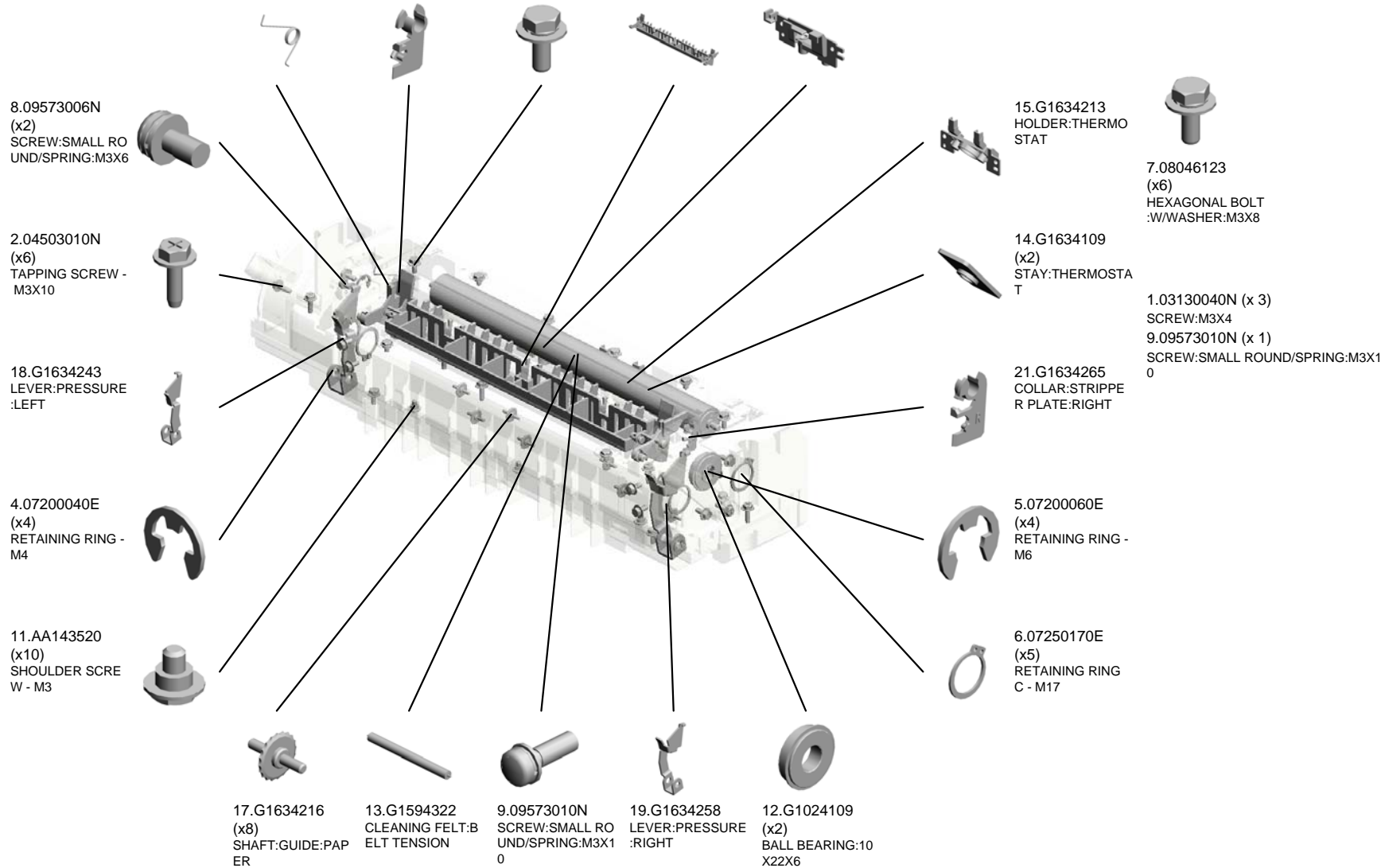
U001	U002	U003	U004	U005	U006	U007	U008	U009	U010	U011	U012	U013
------	------	------	------	------	------	------	------	------	------	------	------	------

U009_S001
(EU/CHN):FUSING UNIT - 220V

23.G1634276 TORSION SPRING:SEPARATION:LEFT
 20.G1634264 COLLAR:STRIPPER PLATE:LEFT
 7.08046123 (x24) HEXAGONAL BOLT :W/WASHER:M3X8
 22.G1634271 GUIDE PLATE:FUSING UNIT EXIT
 16.G1634214 FUSE HOLDER



69.M8780224
(EU/CHN):FUSING UNIT - 220V



U001	U002	U003	U004	U005	U006	U007	U008	U009	U010	U011	U012	U013
------	------	------	------	------	------	------	------	------	------	------	------	------

U009_S001
(EU/CHN):FUSING UNIT - 220V

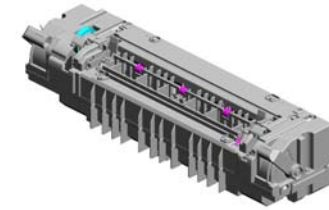
42.GB013075
GEAR:IDLER:DUPL
EX

39.G1664399
(x2)
DECAL:FUSING EX
IT:OPEN AND CLO
SE

28.G1634313
BRACKET:TERMIN
AL

41.GA063081
(x2)
COMPRESSION SP
RING:CLEANER

40.GA063080
(x2)
COMPRESSION SP
RING:BELT:TENSI
ON



69.M8780224
(EU/CHN):FUSING
UNIT - 220V

35.G1634364
SPRING:LEVER:LO
CK:LEFT

34.G1634363
LEVER:LOCK

25.G1634278
(x2)
SPRING:GUIDE PL
ATE:FUSING EXIT

43.GB013078
GEAR:IDLER:DRIV
E

38.G1664310
DECAL:WARNING (H
IGH TEMPERATU
RE):1:CUD



36.G1634374
GUIDE:HARNES:F
USING:LEFT

29.G1634341
COVER:LOWER

31.G1634356
COVER:UPPER

30.G1634347
FUSING ENTRANC
E GUIDE PLATE

32.G1634358
LEVER:LOCK:RIGH
T

26.G1634282
BRACKET:BELT TE
NSIONER

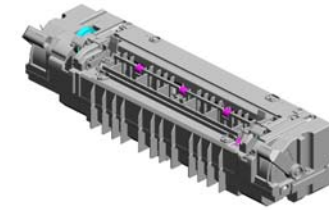
37.G1634375
GUIDE:HARNES:F
USING:RIGHT

24.G1634277
TORSION SPRING:
SEPARATION:RIG
HT

33.G1634360
SPRING:LEVER:LO
CK:RIGHT

27.G1634311
BRACKET:HEATER
:FUSING

U009_S001
(EU/CHN):FUSING UNIT - 220V



69.M8780224
(EU/CHN):FUSING
UNIT - 220V

- 61.M0754248 (x2) SPRING:PRESSURE:30N
- 52.GE031012 (x2) PLAIN SHAFT BEARING:CLEANING FELT
- 51.GE031011 (x2) PLAIN SHAFT BEARING:BELT TENSIONER
- 59.M0754142 (x3) ROLLER:MIDDLE:FUSING
- 64.M0754273 STRIPPER PLATE:COAT

62.M0754249
KNOB:LEVER:PRESSURE RELEASE:LEFT

45.GB013086
GEAR:HOT ROLLER:ROLLER CLUTCH:Z29

46.GB017055
GEAR:SLOW DOWN:PAPER FEED:1

44.GB013080
GEAR:IDLER:1

49.GE020011
PRESSURE ROLLER

48.GE010011
HOT ROLLER

60.M0754215
FUSING ENTRANCE GUIDE PLATE

58.M0754105
FUSING BELT

47.GE010006
HEAT ROLLER:DIA 20:COAT

57.GX450014
(EU/CHN):HEATER:230V:1000W

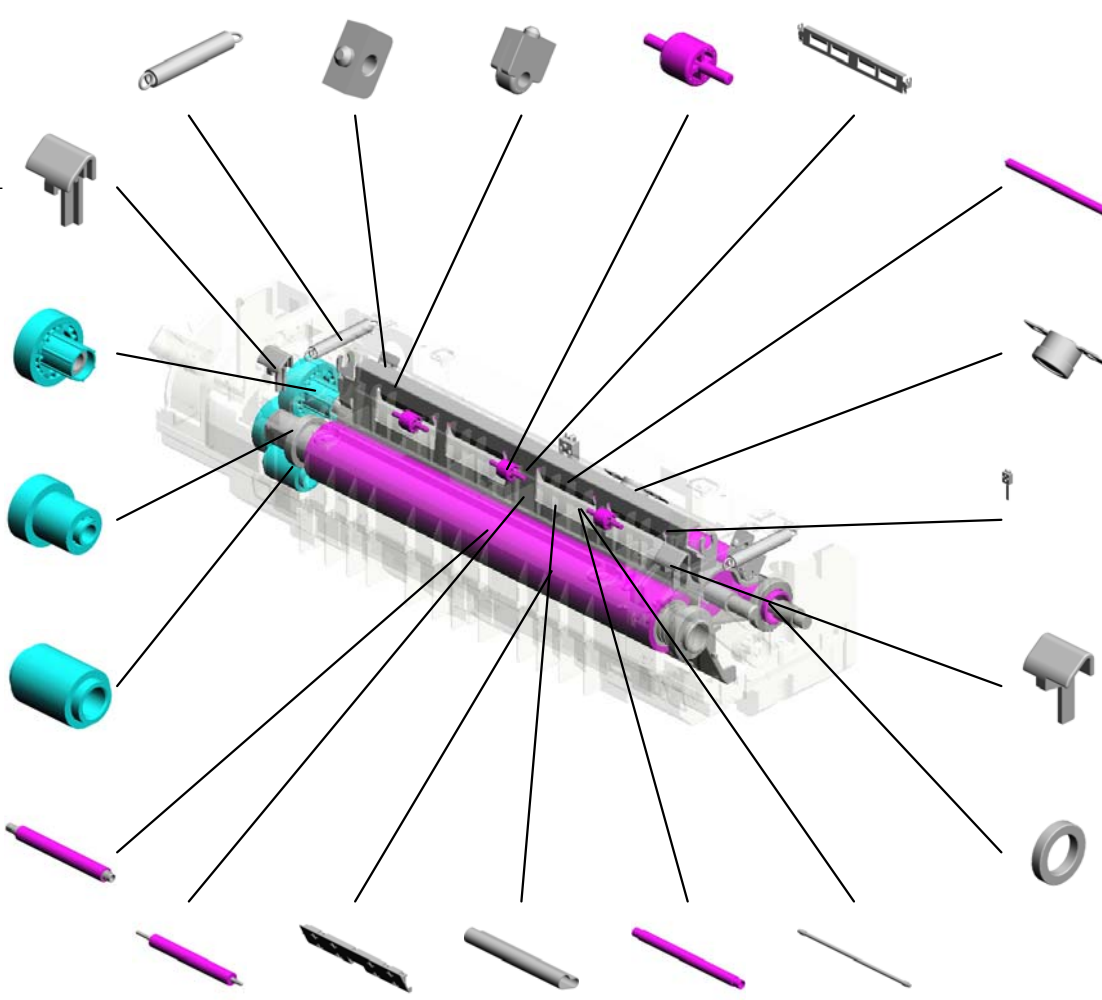
53.GE040010
ROLLER:BELT TENSIONER:FUSING BELT

55.GW110006
THERMOSTAT

54.GW100017
THERMISTOR:COUPLING

63.M0754250
KNOB:LEVER:PRESSURE RELEASE:RIGHT

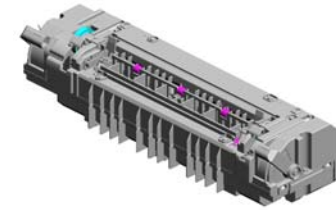
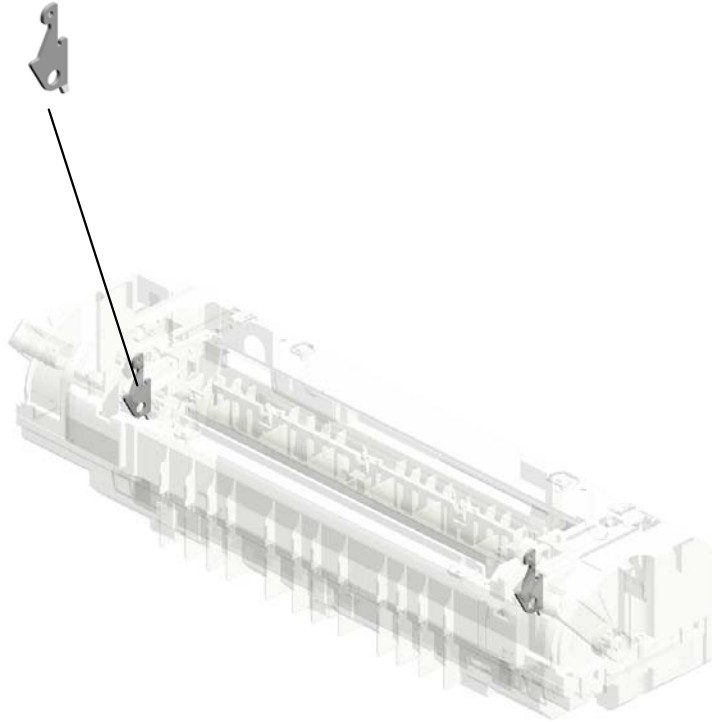
50.GE030008
(x4)
BALL BEARING:HOT ROLLER



U001	U002	U003	U004	U005	U006	U007	U008	U009	U010	U011	U012	U013
------	------	------	------	------	------	------	------	------	------	------	------	------

U009_S001
(EU/CHN):FUSING UNIT - 220V

66.M0754354
(x2)
LEVER:PRESSURE
RELEASE

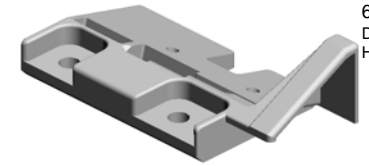


69.M8780224
(EU/CHN):FUSING
UNIT - 220V

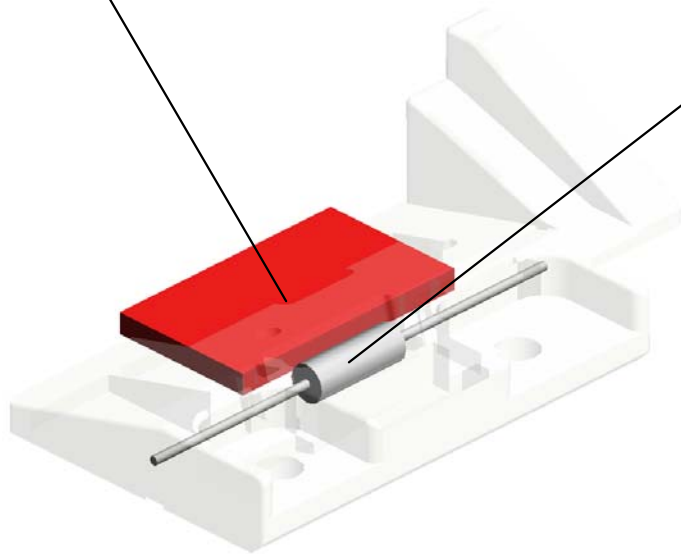
U001	U002	U003	U004	U005	U006	U007	U008	U009	U010	U011	U012	U013
------	------	------	------	------	------	------	------	------	------	------	------	------

U009_S001_S001
DISCHARGE BRUSH:ASS'Y

10.A4131670
ANTISTATIC BRUSH
H



65.M0754298
DISCHARGE BRUSH
H:ASS'Y



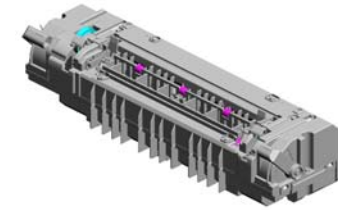
67.M0963989
RESISTOR:TRANS
FER/SEPARATION

3.04523006N (x 2)
BINDING SELF-TAPPING SCREW:3X6

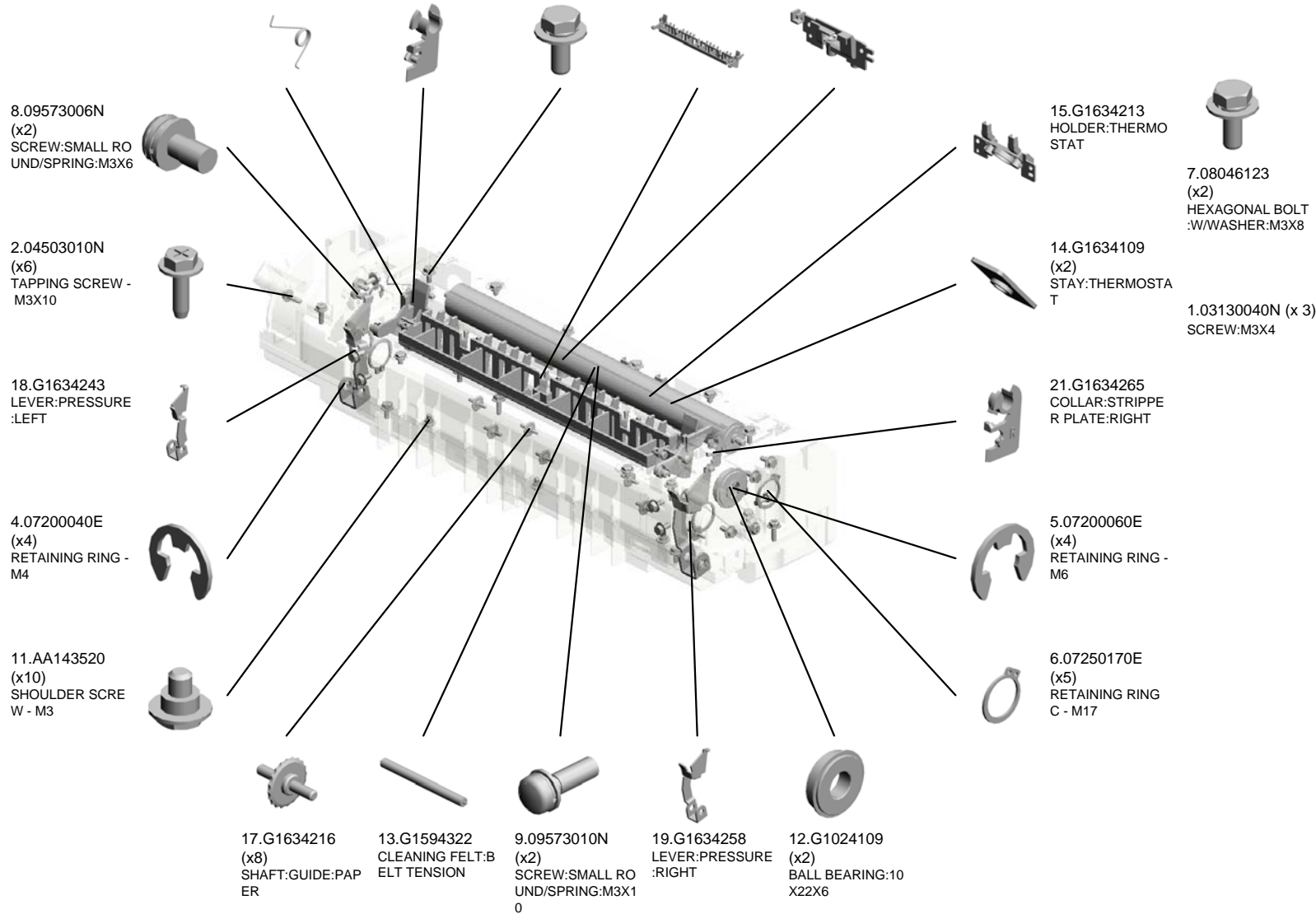
U001	U002	U003	U004	U005	U006	U007	U008	U009	U010	U011	U012	U013
------	------	------	------	------	------	------	------	------	------	------	------	------

U009_S002
(EU/CHN):FUSING UNIT - 220V

23.G1634276 TORSION SPRING:SEPARATION:LEFT
 20.G1634264 COLLAR:STRIPPER PLATE:LEFT
 7.08046123 (x28) HEXAGONAL BOLT :W/WASHER:M3X8
 22.G1634271 GUIDE PLATE:FUSING UNIT EXIT
 16.G1634214 FUSE HOLDER



69.M8780224
(EU/CHN):FUSING UNIT - 220V



U001	U002	U003	U004	U005	U006	U007	U008	U009	U010	U011	U012	U013
------	------	------	------	------	------	------	------	------	------	------	------	------

U009_S002 (EU/CHN):FUSING UNIT - 220V

42.GB013075
GEAR:IDLER:DUPL
EX

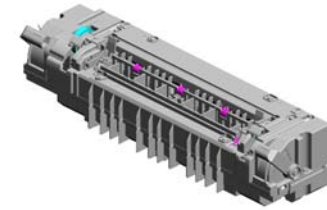
39.G1664399
(x2)
DECAL:FUSING EX
IT:OPEN AND CLO
SE

28.G1634313
BRACKET:TERMIN
AL

41.GA063081
(x2)
COMPRESSION SP
RING:CLEANER

40.GA063080
(x2)
COMPRESSION SP
RING:BELT:TENSI
ON

69.M8780224
(EU/CHN):FUSING
UNIT - 220V



35.G1634364
SPRING:LEVER:LO
CK:LEFT

34.G1634363
LEVER:LOCK

25.G1634278
(x2)
SPRING:GUIDE PL
ATE:FUSING EXIT

43.GB013078
GEAR:IDLER:DRIV
E

38.G1664310
DECAL:WARNING (H
IGH TEMPERATU
RE):1:CUD



36.G1634374
GUIDE:HARNES:F
USING:LEFT

29.G1634341
COVER:LOWER

31.G1634356
COVER:UPPER

30.G1634347
FUSING ENTRANC
E GUIDE PLATE

32.G1634358
LEVER:LOCK:RIGH
T

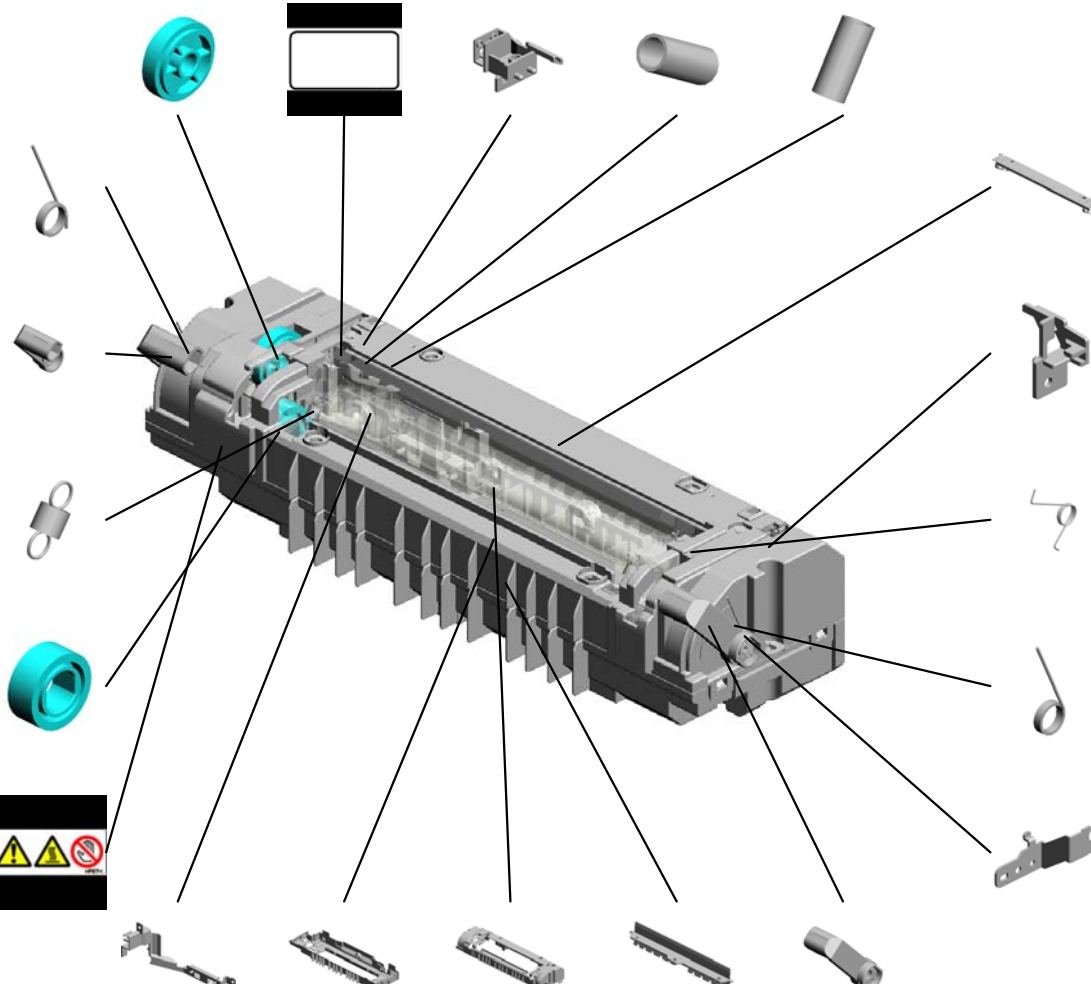
26.G1634282
BRACKET:BELT TE
NSIONER

37.G1634375
GUIDE:HARNES:F
USING:RIGHT

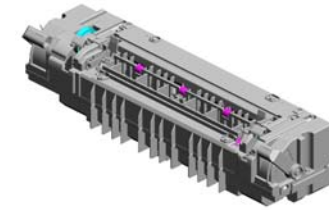
24.G1634277
TORSION SPRING:
SEPARATION:RIG
HT

33.G1634360
SPRING:LEVER:LO
CK:RIGHT

27.G1634311
BRACKET:HEATER
:FUSING



U009_S002
(EU/CHN):FUSING UNIT - 220V



69.M8780224
(EU/CHN):FUSING
UNIT - 220V

- 61.M0754248 (x2) SPRING:PRESSURE RELEASE:LEFT
- 52.GE031012 (x2) PLAIN SHAFT BEARING:CLEANING FELT
- 51.GE031011 (x2) PLAIN SHAFT BEARING:BELT TENSIONER
- 59.M0754142 (x3) ROLLER:MIDDLE:FUSING
- 64.M0754273 STRIPPER PLATE:COAT

62.M0754249
KNOB:LEVER:PRESSURE RELEASE:LEFT

45.GB013086
GEAR:HOT ROLLER:ROLLER CLUTCH:Z29

46.GB017055
GEAR:SLOW DOWN:PAPER FEED:1

44.GB013080
GEAR:IDLER:1

49.GE020011
PRESSURE ROLLER

48.GE010011
HOT ROLLER

60.M0754215
FUSING ENTRANCE GUIDE PLATE

58.M0754105
FUSING BELT

47.GE010006
HEAT ROLLER:DIAMETER:20:COAT

57.GX450014
(EU/CHN):HEATER:230V:1000W

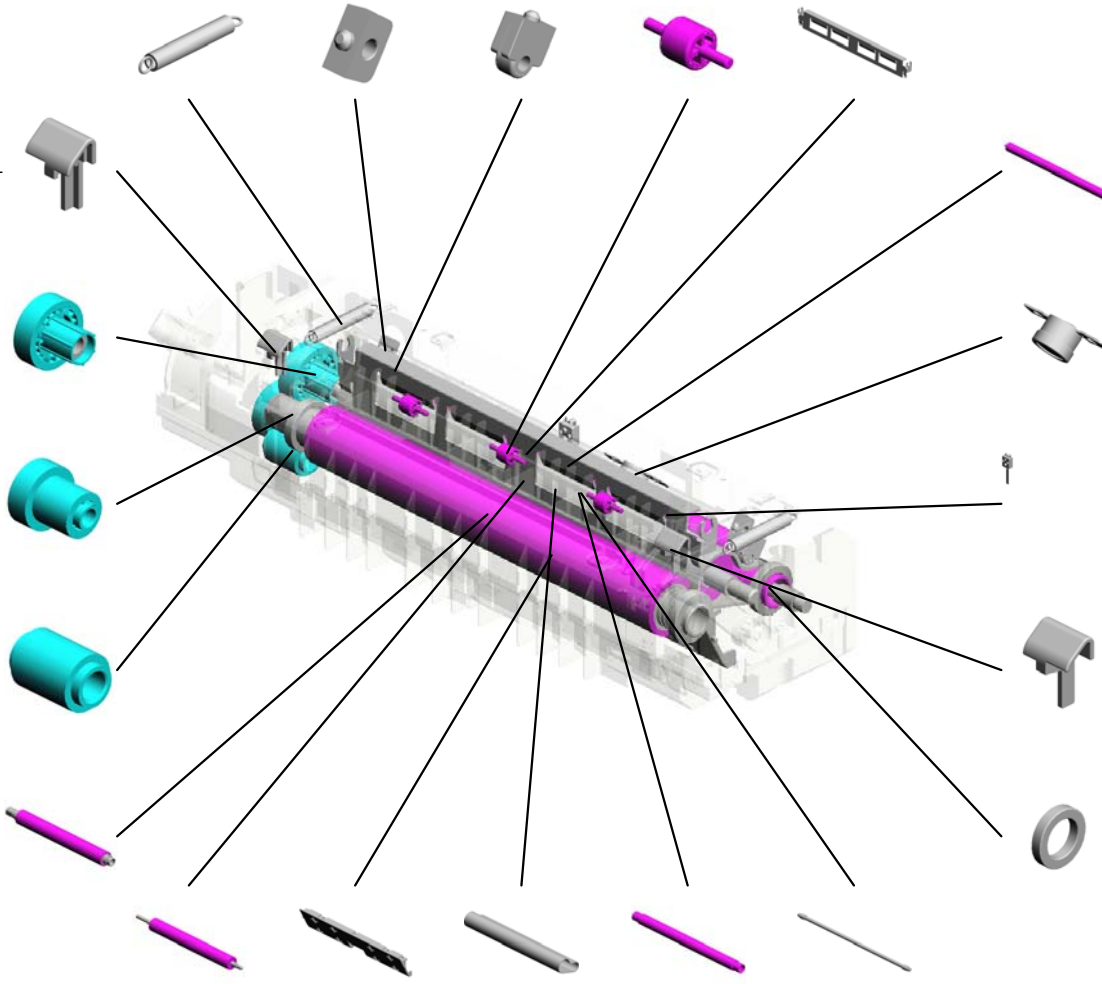
53.GE040010
ROLLER:BELT TENSIONER:FUSING BELT

55.GW110006
THERMOSTAT

54.GW100017
THERMISTOR:COUPLING

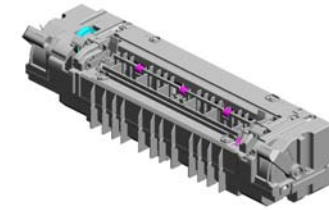
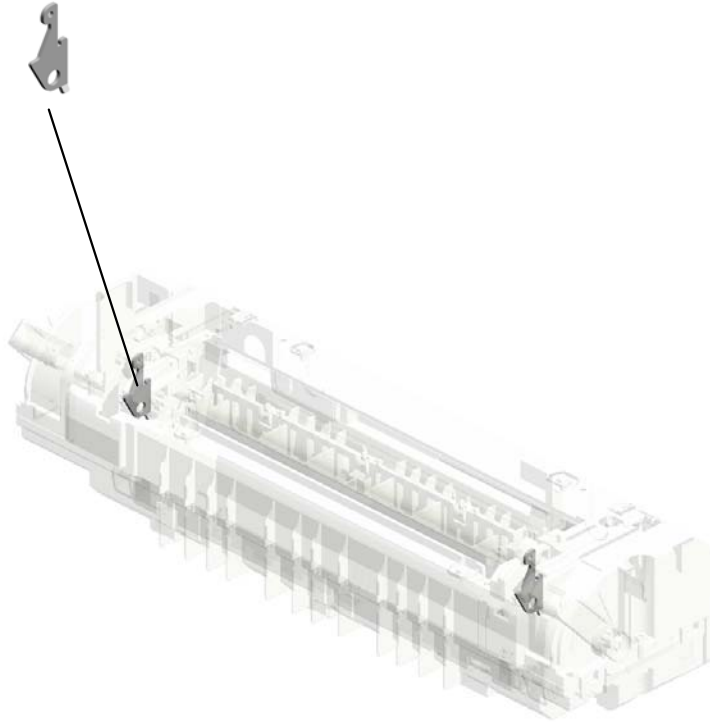
63.M0754250
KNOB:LEVER:PRESSURE RELEASE:RIGHT

50.GE030008
(x4)
BALL BEARING:HOT ROLLER



U009_S002
(EU/CHN):FUSING UNIT - 220V

66.M0754354
(x2)
LEVER:PRESSURE
RELEASE

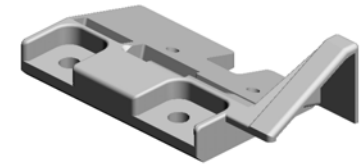


69.M8780224
(EU/CHN):FUSING
UNIT - 220V

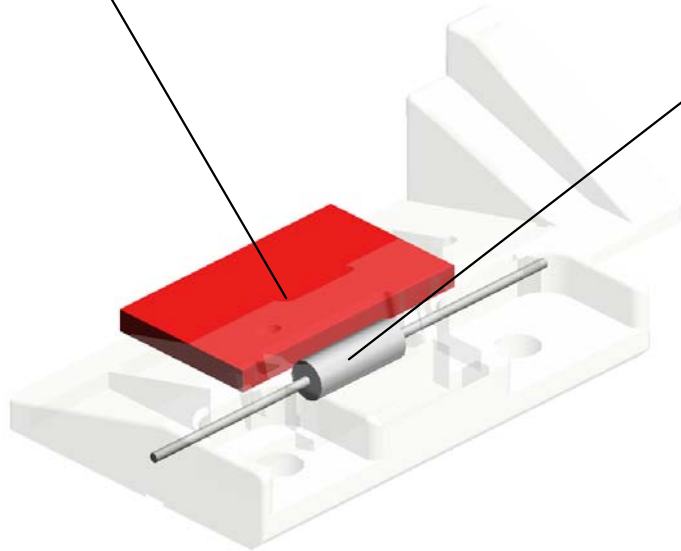
U001	U002	U003	U004	U005	U006	U007	U008	U009	U010	U011	U012	U013
------	------	------	------	------	------	------	------	------	------	------	------	------

U009_S002_S001
DISCHARGE BRUSH:ASS'Y

10.A4131670
ANTISTATIC BRUSH
H



65.M0754298
DISCHARGE BRUSH
H:ASS'Y



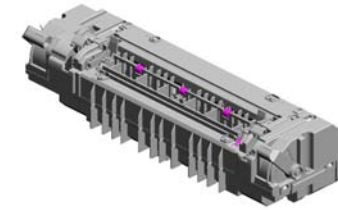
67.M0963989
RESISTOR:TRANS
FER/SEPARATION

3.04523006N (x 2)
BINDING SELF-TAPPING SCREW:3X6

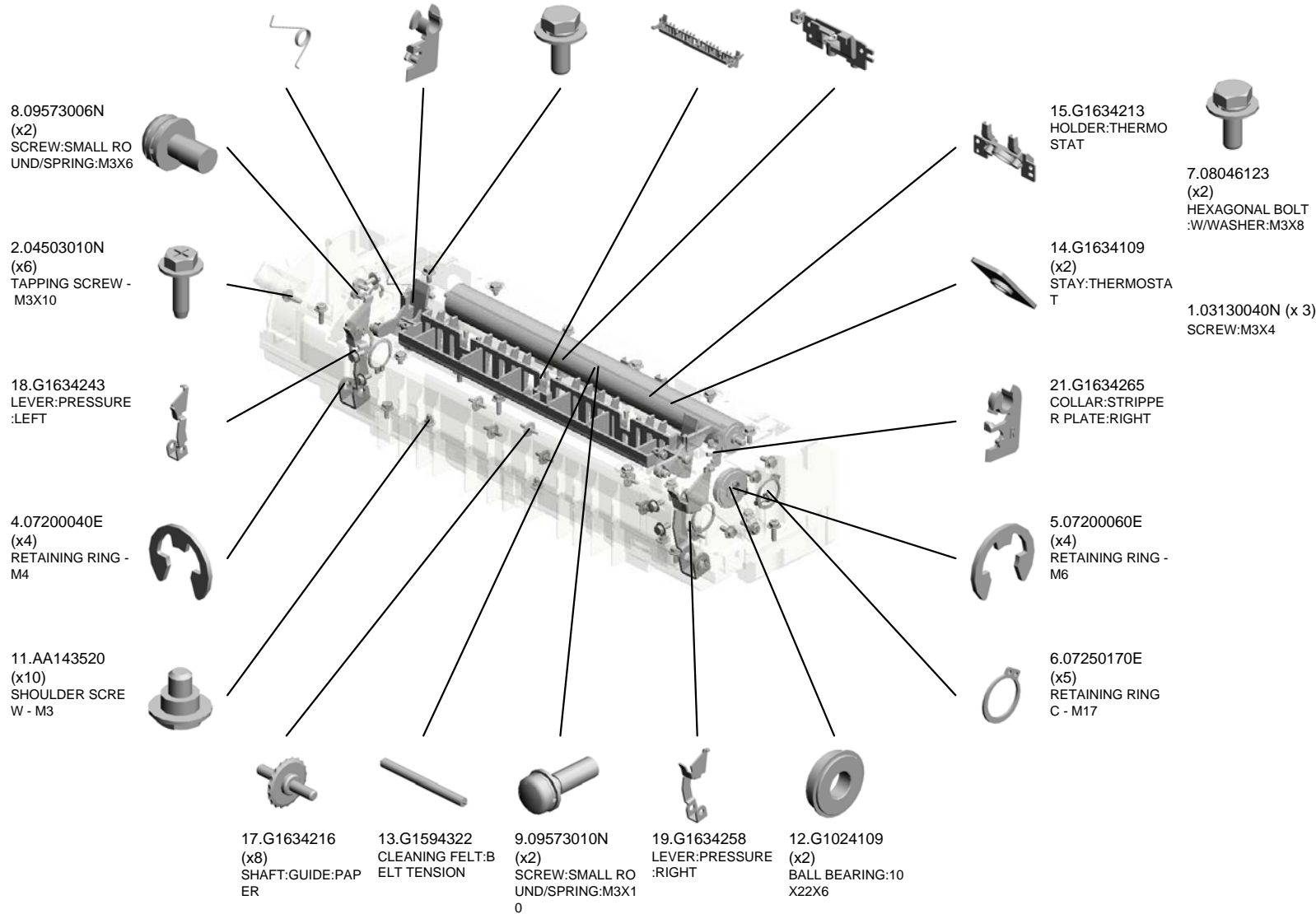
U001	U002	U003	U004	U005	U006	U007	U008	U009	U010	U011	U012	U013
------	------	------	------	------	------	------	------	------	------	------	------	------

U009_S003
(NA):FUSING UNIT - 120V

23.G1634276 TORSION SPRING: SEPARATION:LEFT
 20.G1634264 COLLAR:STRIPPE R PLATE:LEFT
 7.08046123 (x28) HEXAGONAL BOLT :W/WASHER:M3X8
 22.G1634271 GUIDE PLATE:FUSI NG EXIT
 16.G1634214 FUSE HOLDER

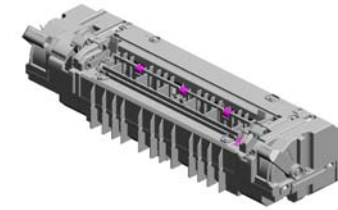


68.M8780214
(NA):FUSING UNIT - 120V



U001	U002	U003	U004	U005	U006	U007	U008	U009	U010	U011	U012	U013
------	------	------	------	------	------	------	------	------	------	------	------	------

U009_S003
(NA):FUSING UNIT - 120V



68.M8780214
(NA):FUSING UNIT
- 120V

- 42.GB013075 GEAR:IDLER:DUPL EX
- 39.G1664399 (x2) DECAL:FUSING EXIT:OPEN AND CLOSE
- 28.G1634313 BRACKET:TERMINAL
- 41.GA063081 (x2) COMPRESSION SPRING:CLEANER
- 40.GA063080 (x2) COMPRESSION SPRING:BELT TENSION

35.G1634364 SPRING:LEVER:LOCK:LEFT

34.G1634363 LEVER:LOCK

25.G1634278 (x2) SPRING:GUIDE PLATE:FUSING EXIT

43.GB013078 GEAR:IDLER:DRIVE

38.G1664310 DECAL:WARNING (HIGH TEMPERATURE):1:CUD



36.G1634374 GUIDE:HARNESS:USING:LEFT

29.G1634341 COVER:LOWER

31.G1634356 COVER:UPPER

30.G1634347 FUSING ENTRANCE GUIDE PLATE

32.G1634358 LEVER:LOCK:RIGHT

26.G1634282 BRACKET:BELT TENSIONER

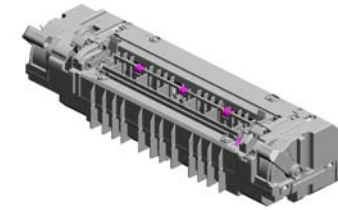
37.G1634375 GUIDE:HARNESS:USING:RIGHT

24.G1634277 TORSION SPRING:SEPARATION:RIGHT

33.G1634360 SPRING:LEVER:LOCK:RIGHT

27.G1634311 BRACKET:HEATER:FUSING

U009_S003
(NA):FUSING UNIT - 120V



68.M8780214
(NA):FUSING UNIT
- 120V

- 61.M0754248 (x2) SPRING:PRESSURE:30N
- 52.GE031012 (x2) PLAIN SHAFT BEARING:CLEANING FELT
- 51.GE031011 (x2) PLAIN SHAFT BEARING:BELT TENSIONER
- 59.M0754142 (x3) ROLLER:MIDDLE:FUSING
- 64.M0754273 STRIPPER PLATE:COAT

62.M0754249 KNOB:LEVER:PRESSURE RELEASE:LEFT

45.GB013086 GEAR:HOT ROLLER:ROLLER CLUTCH:Z29

46.GB017055 GEAR:SLOW DOWN:PAPER FEED:1

44.GB013080 GEAR:IDLER:1

49.GE020011 PRESSURE ROLLER

48.GE010011 HOT ROLLER

60.M0754215 FUSING ENTRANCE GUIDE PLATE

58.M0754105 FUSING BELT

47.GE010006 HEAT ROLLER:DIA 20:COAT

56.GX450012 (NA):HEATER:120V:1000W

53.GE040010 ROLLER:BELT TENSIONER:FUSING BELT

55.GW110006 THERMOSTAT

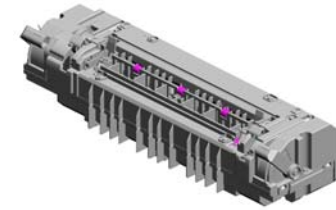
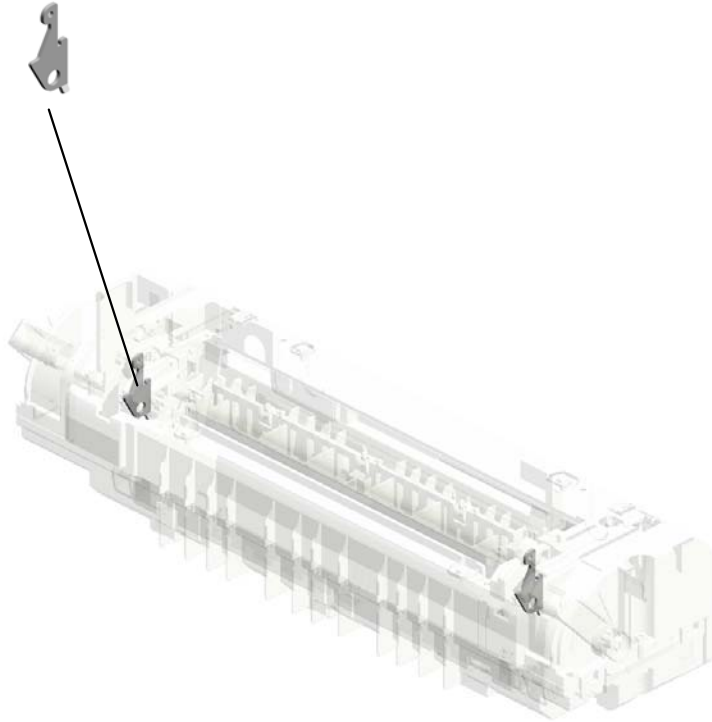
54.GW100017 THERMISTOR:COUPLING

63.M0754250 KNOB:LEVER:PRESSURE RELEASE:RIGHT

50.GE030008 (x4) BALL BEARING:HOT ROLLER

U009_S003
(NA):FUSING UNIT - 120V

66.M0754354
(x2)
LEVER:PRESSURE
RELEASE

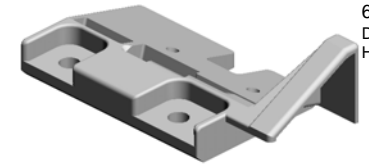


68.M8780214
(NA):FUSING UNIT
- 120V

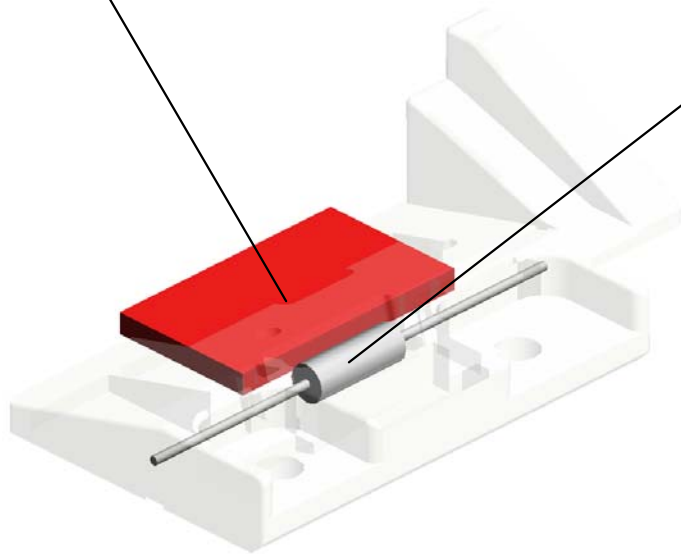
U001	U002	U003	U004	U005	U006	U007	U008	U009	U010	U011	U012	U013
------	------	------	------	------	------	------	------	------	------	------	------	------

U009_S003_S001
DISCHARGE BRUSH:ASS'Y

10.A4131670
ANTISTATIC BRUSH
H



65.M0754298
DISCHARGE BRUSH
H:ASS'Y

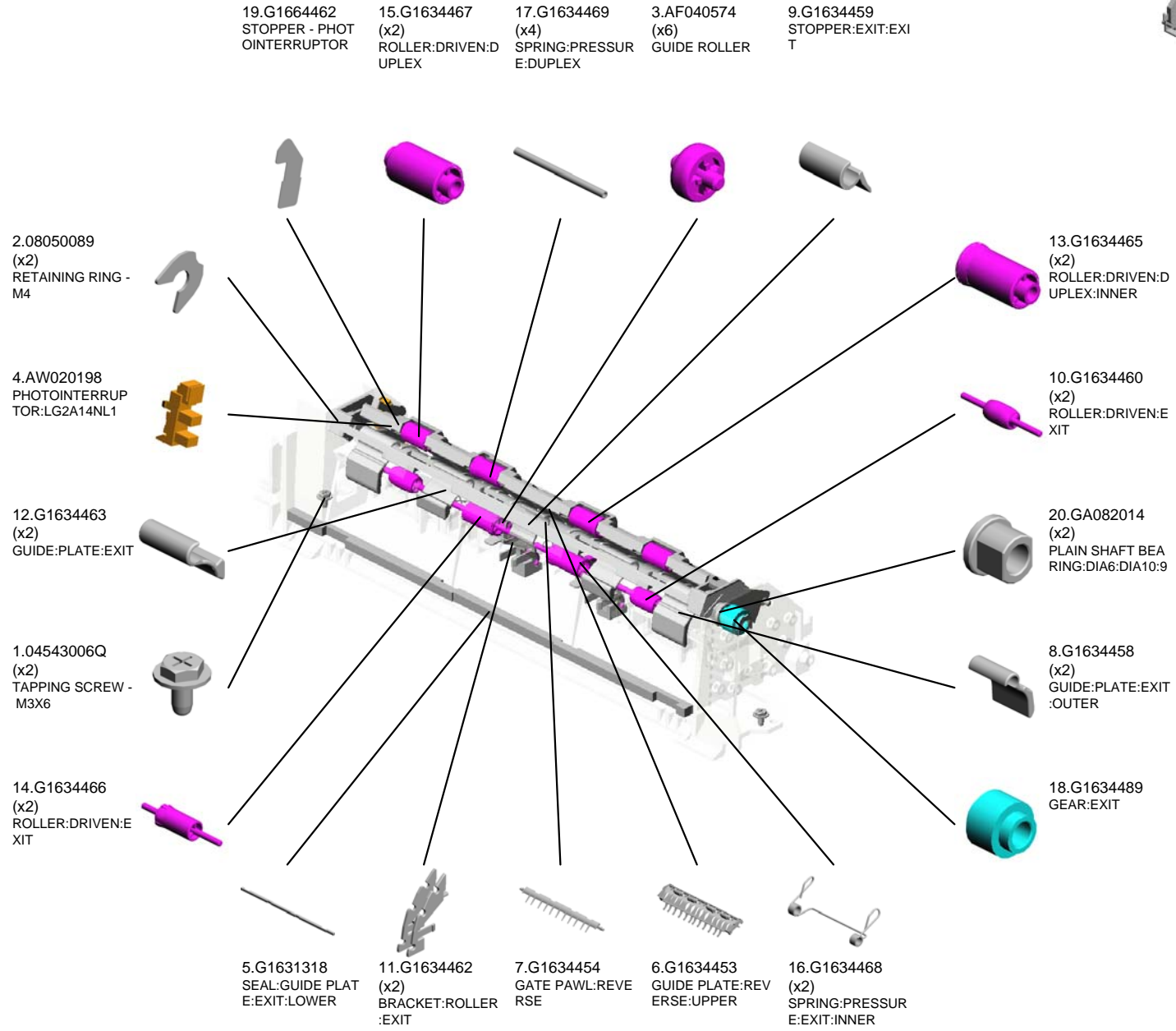
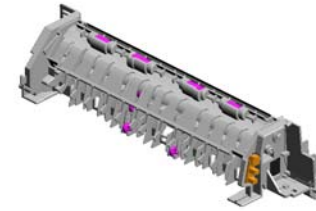


67.M0963989
RESISTOR:TRANS
FER/SEPARATION

3.04523006N (x 2)
BINDING SELF-TAPPING SCREW:3X6

U001	U002	U003	U004	U005	U006	U007	U008	U009	U010	U011	U012	U013
------	------	------	------	------	------	------	------	------	------	------	------	------

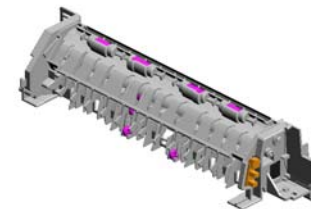
U010 PAPER EXIT



U001	U002	U003	U004	U005	U006	U007	U008	U009	U010	U011	U012	U013
------	------	------	------	------	------	------	------	------	------	------	------	------

U010 PAPER EXIT

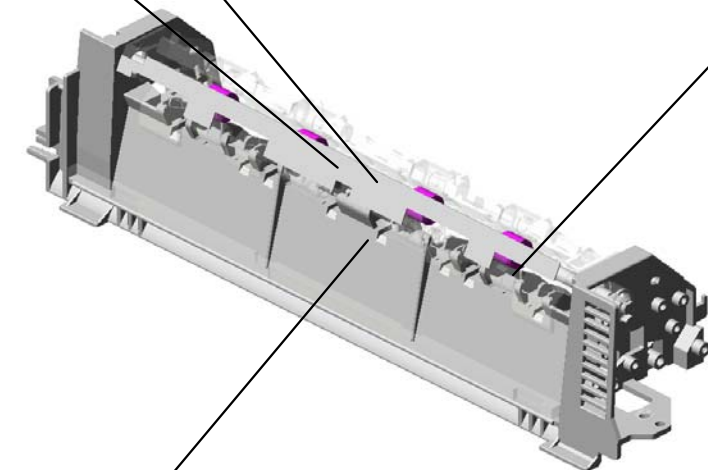
22.GF020040
EXIT ROLLER



21.GA120012
DISCHARGE BRUS
H:EXIT



24.M0754461
(x2)
SPRING:PRESSUR
E:EXIT:OUTER



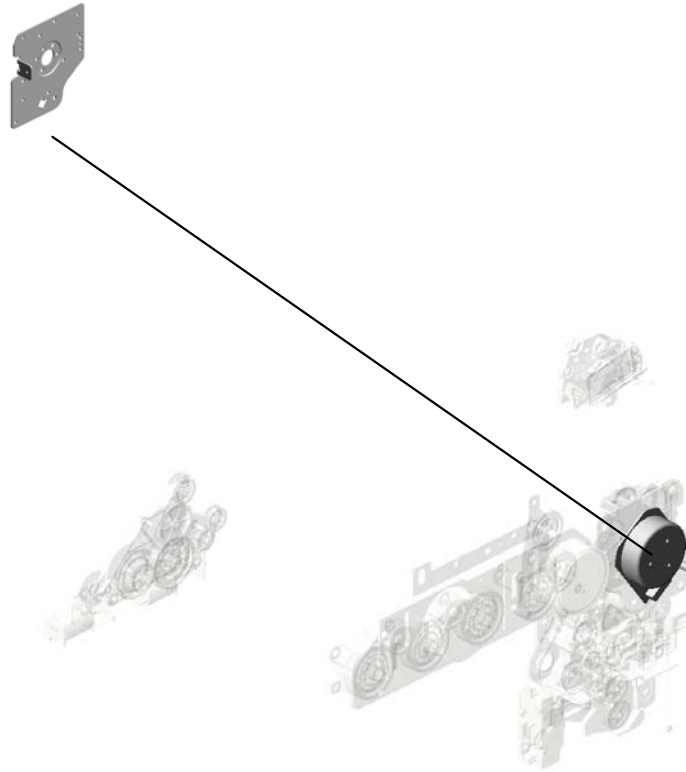
23.M0754451
GUIDE PLATE:EXIT
:LOWER



U001	U002	U003	U004	U005	U006	U007	U008	U009	U010	U011	U012	U013
------	------	------	------	------	------	------	------	------	------	------	------	------

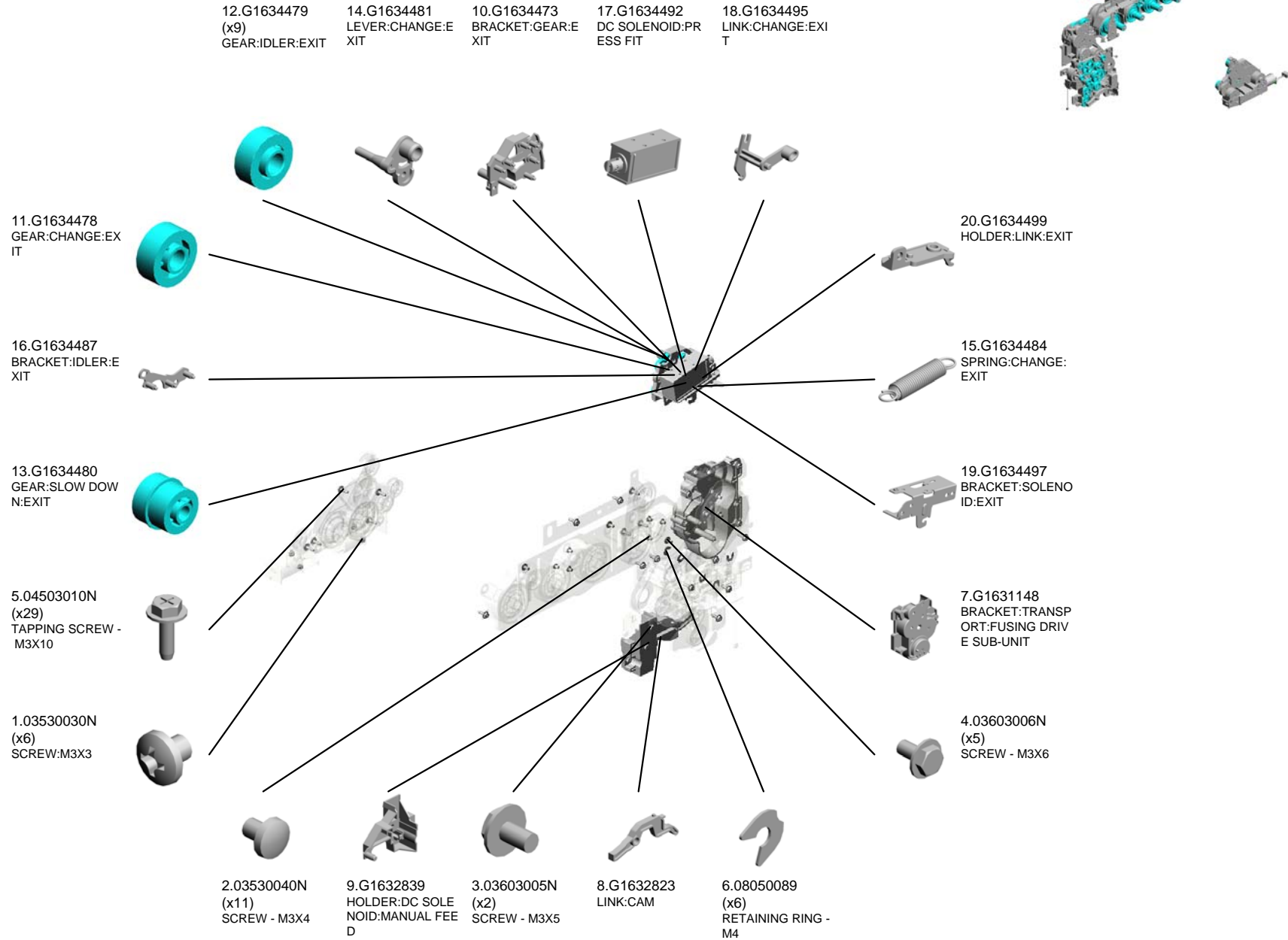
U011.MAIN DRIVE

U011_S001
M0AD1130
BRACKET:TRANSPORT:MOT
OR:SUB-ASS'Y



U001	U002	U003	U004	U005	U006	U007	U008	U009	U010	U011	U012	U013
------	------	------	------	------	------	------	------	------	------	------	------	------

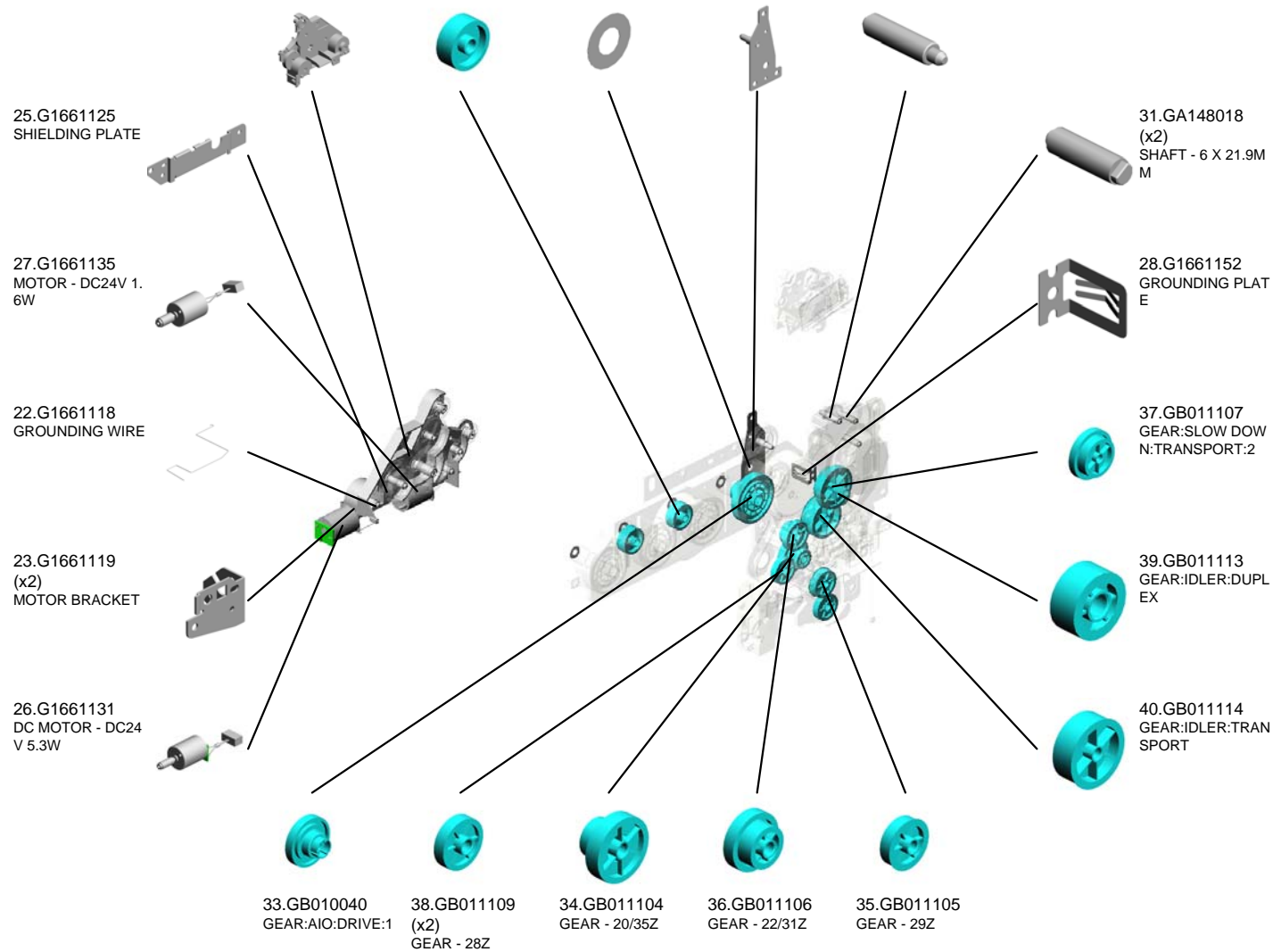
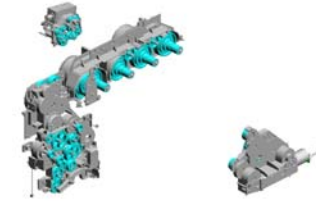
U011 MAIN DRIVE



U001	U002	U003	U004	U005	U006	U007	U008	U009	U010	U011	U012	U013
------	------	------	------	------	------	------	------	------	------	------	------	------

U011 MAIN DRIVE

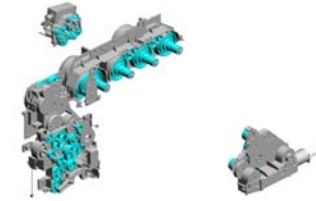
- 24.G1661123 FRAME - ON-OFF DRIVE UNIT
- 32.GB010039 (x2) GEAR:AIO:DRIVE:MIDDLE
- 29.GA132101 (x5) SPACER - 0.13 X 1 2MM
- 21.G1661111 FRAME - TRANSFER DRIVE UNIT
- 30.GA148016 SHAFT - 6 X 26.7MM



U001	U002	U003	U004	U005	U006	U007	U008	U009	U010	U011	U012	U013
------	------	------	------	------	------	------	------	------	------	------	------	------

U011 MAIN DRIVE

48.GB013115 GEAR - 21Z
 49.GB013117 GEAR - 19Z
 58.GB017123 (x3) GEAR:AIO:DRIVE
 57.GB017120 GEAR:AIO:JOINT:2
 45.GB012102 GEAR - 54Z



47.GB013114 GEAR - 35Z



56.GB017116 GEAR - 17/42Z



53.GB017112 GEAR - 21/73Z



54.GB017113 GEAR - 40/65Z



52.GB017111 (x2) GEAR - 16/51Z



59.GB017124 GEAR:TRANSFER:DRIVE:MIDDLE

60.GX061145 BRUSHLESS MOTOR:DC24V:28W

43.GB011118 REGIST DRIVE GEAR

44.GB011128 GEAR:SLOW DOWN:MANUAL FEED

42.GB011117 GEAR:CLUTCH:OUTPUT:MANUAL FEED



46.GB013079 GEAR:IDLER:FUSING

55.GB017115 GEAR:SLOW DOWN:FUSING:2

51.GB017107 GEAR:SLOW DOWN:FUSING:1

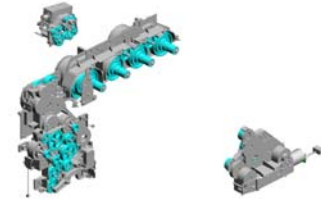
50.GB017106 GEAR:SLOW DOWN:TRANSPORT:1

41.GB011116 GEAR:CLUTCH:OUTPUT:DUPLIX

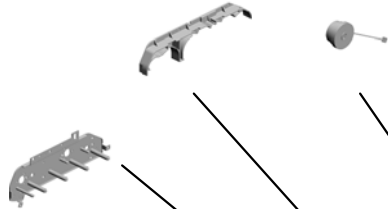


U011 MAIN DRIVE

66.M0751107 SHIELDING PLATE:
GEAR:2
63.GX201121 (x2)
MAGNETIC CLUTC
H



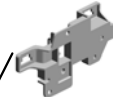
65.M0751105
BRACKET:MOTOR



61.GX061146
BRUSHLESS MOT
OR:DC24V:46W



68.M0751140
CLUTCH SHAFT H
OLDER



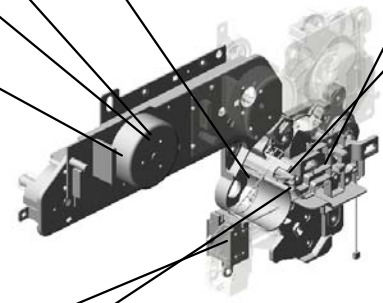
67.M0751139
BRACKET:TRANSP
ORT:PAPER FEED
DRIVE



69.M0752842
DC SOLENOID:MA
NUAL FEED



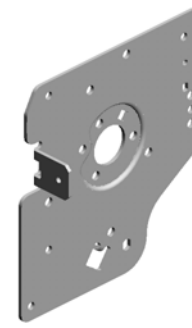
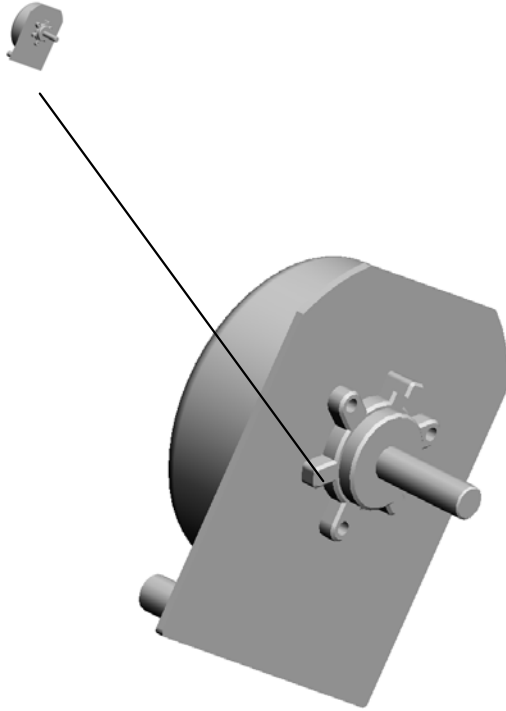
64.GX201122
MAGNETIC CLUTC
H:0.25N



U001	U002	U003	U004	U005	U006	U007	U008	U009	U010	U011	U012	U013
------	------	------	------	------	------	------	------	------	------	------	------	------

U011_S001
BRACKET:TRANSPORT:MOTOR:SUB-ASS'Y

62.GX061147
BRUSHLESS MOT
OR:DC24V:22W

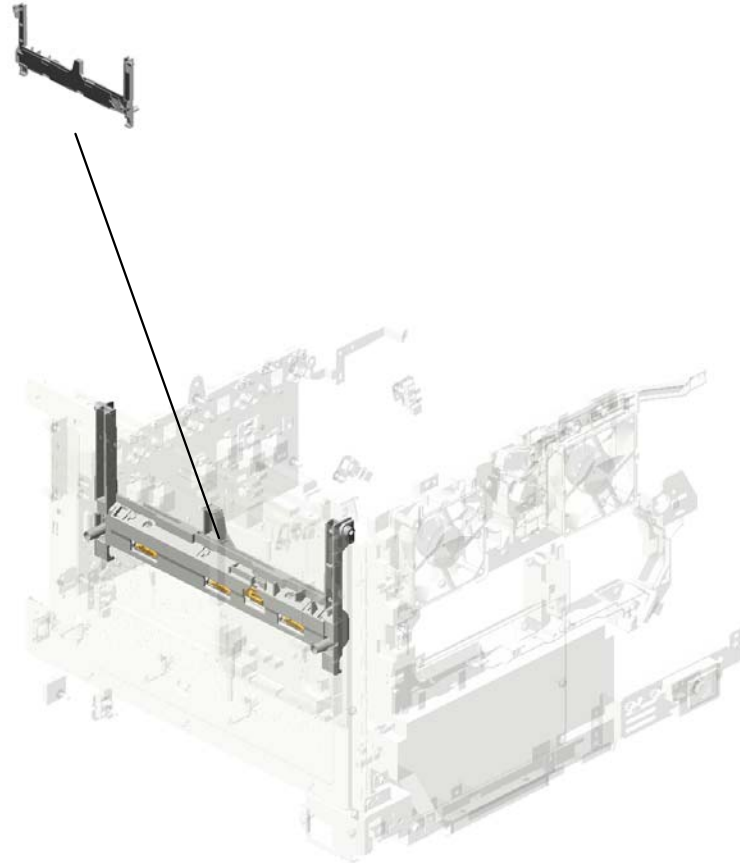


70.M0AD1130
BRACKET:TRANSP
ORT:MOTOR:SUB-
ASS'Y

U001	U002	U003	U004	U005	U006	U007	U008	U009	U010	U011	U012	U013
------	------	------	------	------	------	------	------	------	------	------	------	------

U012.ELECTRICAL

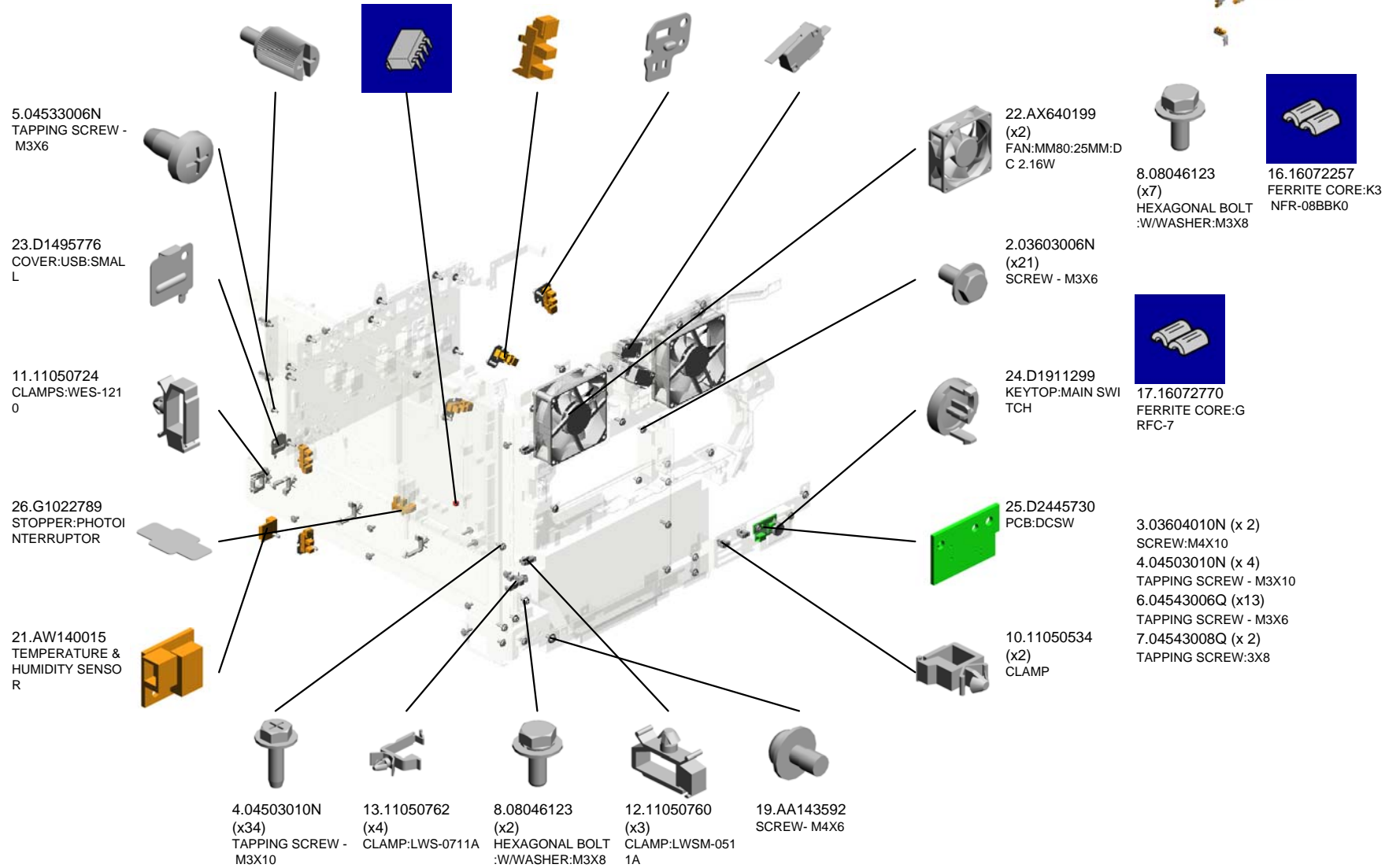
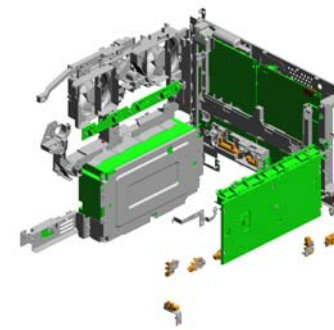
U012_S001
M1986003
DENSITY SENSOR:ASS'Y



U001	U002	U003	U004	U005	U006	U007	U008	U009	U010	U011	U012	U013
------	------	------	------	------	------	------	------	------	------	------	------	------

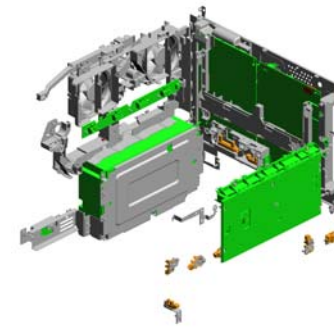
U012 ELECTRICAL

- 27.G1045141 (x2) KNOB SCREW:M3
- 15.14077935 EEPROM:BR24T16-W
- 20.AW020198 (x7) PHOTOINTERRUPTOR TOR:LG2A14NL1
- 28.G1631068 (x4) BRACKET - PHOTO INTERRUPTOR
- 14.12042612 (x3) MICRO SWITCH:D3 V-16506-3C25



U001	U002	U003	U004	U005	U006	U007	U008	U009	U010	U011	U012	U013
------	------	------	------	------	------	------	------	------	------	------	------	------

U012 ELECTRICAL



- 40.G1665708 2ND TERMINAL- T RANSFER
- 30.G1635728 (x4) SEAL:FAN:2
- 45.G1665733 LINK - SAFETY SW ITCH
- 48.G1665736 TENSION SPRING - SAFETY SWITCH
- 46.G1665734 TORSION SPRING - SAFETY SWITCH

42.G1665716 (x12) TERMINAL:AIO

31.G1635731 BASE:HIG HVOLTA GE:3

43.G1665725 HARNESS COVER

34.G1635756 GROUND PLATE:S HAFT:FRAME:REA R LEFT

29.G1632837 HOLDER:PAPER E ND SENSOR

35.G1636590 TERMINAL:SPRING PLATE:UPPER:NE W ARTICLE SENS OR

36.G1636591 TERMINAL:SPRING PLATE:LOWER:NE W ARTICLE SENS OR

41.G1665715 BRACKET - MAIN S WITCH

38.G1661059 DUCT

39.G1665280 TERMINAL BOARD

47.G1665735 LEVER:SAFETY S WITCH

44.G1665732 BRACKET SAFETY SWITCH

37.G1661058 EXIT DUCT

33.G1635754 GROUND PLATE:F RAME:FUSING

32.G1635751 HOLDER:RESISTO R:FUSING

U001	U002	U003	U004	U005	U006	U007	U008	U009	U010	U011	U012	U013
------	------	------	------	------	------	------	------	------	------	------	------	------

U012 ELECTRICAL

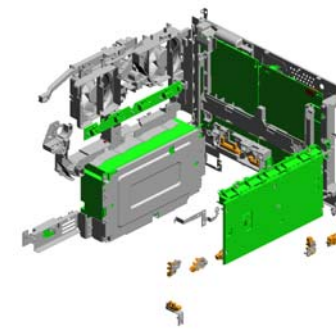
69.GZ300004
POWER PACK

50.G1665738
1ST TERMINAL - T
RANSFER

75.M0AD5712
COVER:HDD

70.M0185754
SCREW

74.M0AD5115
PCB:EGB:ASSY



52.G1666045
SPRING - FEELER

53.G1666046
SENSOR FEELER

54.G1666103
SENSOR HOLDER

65.G1666586
FEELER - SET SEN
SOR

66.G1666587
SENSOR BRACKE
T

64.G1666584
USED TONER SEN
SOR

63.G1666580
STOPPER SHEET -
PHOTOINTERRUP
TOR

55.G1666107
GROUNDING PLAT
E

72.M0755700
BRACKET:POWER
SUPPLY UNIT

68.GZ230076
(x2)
(EU/CHN):POWER
SUPPLY UNIT

49.G1665737
COMPRESSION SP
RING - SAFETY S
WITCH

51.G1665754
ARM:LINK:SAFETY
SWITCH

71.M0751252
SEAL:STOPPER:L
OUVER

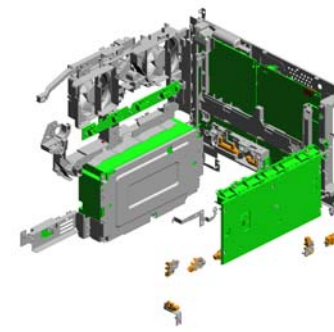
73.M0AD1110
GUIDE:HARNES:
ASSY

67.GZ230075
(NA)FPOWER SUP
PLY UNIT

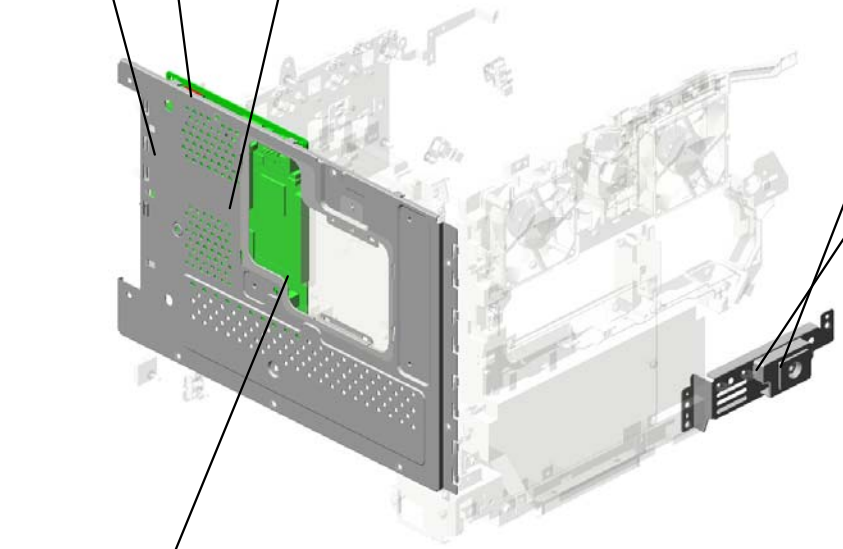
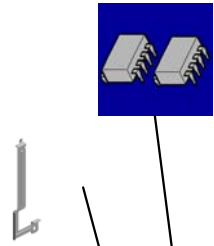
U012 ELECTRICAL

81.M0AG9590
NVRAM

80.M0AG5501
PCB:CTL:4LINE:SU
B-ASSY



79.M0AD5745
COVER:SD-CARD:
CONTROL BOARD



76.M0AD5714
COVER:MAIN SWIT
CH

77.M0AD5715
BRACKET:MAIN S
WITCH

78.M0AD5716
COVER:CONTROL
SECTION



U001	U002	U003	U004	U005	U006	U007	U008	U009	U010	U011	U012	U013
------	------	------	------	------	------	------	------	------	------	------	------	------

U012_S001
 DENSITY SENSOR:ASS'Y

60.G1666185
 GROUNDING PLATE - DENSITY SENSOR

62.G1666191
 CLEANER DECAL - DENSITY SENSOR

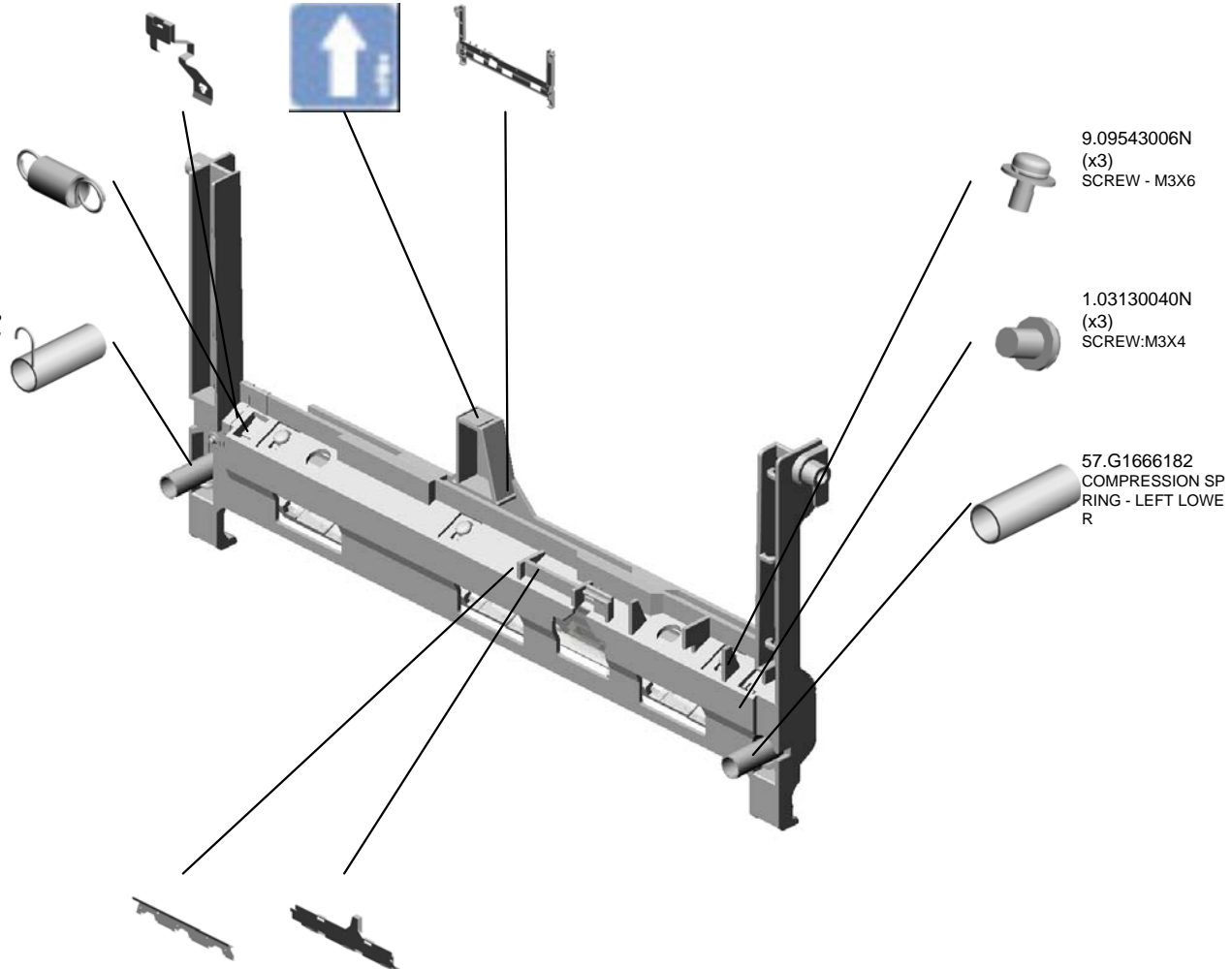
59.G1666184
 HOLDER - DENSITY SENSOR



82.M1986003
 DENSITY SENSOR: ASS'Y

18.AA063568
 PRESSURE SPRING

56.G1666181
 COMPRESSION SPRING - RIGHT LOWER



9.09543006N
 (x3)
 SCREW - M3X6

1.03130040N
 (x3)
 SCREW:M3X4

57.G1666182
 COMPRESSION SPRING - LEFT LOWER

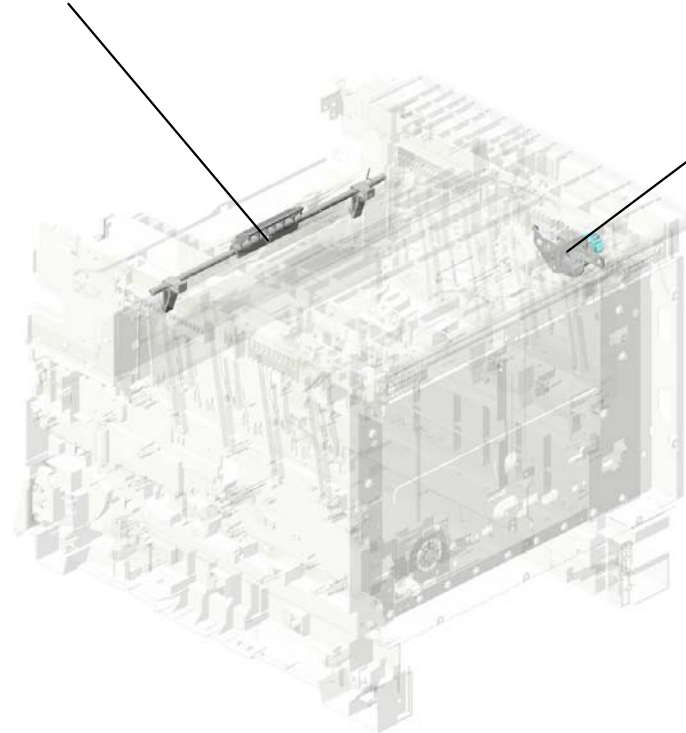
58.G1666183
 BRACKET - DENSITY SENSOR

61.G1666188
 CLEANER - DENSITY SENSOR

U001	U002	U003	U004	U005	U006	U007	U008	U009	U010	U011	U012	U013
------	------	------	------	------	------	------	------	------	------	------	------	------

U013.MAIN FRAME

U013_S002
M0AD1012
SHAFT:LOCK:ASS'Y



U013_S001
G1661240
BRAKE:COVER:UPPER



U001	U002	U003	U004	U005	U006	U007	U008	U009	U010	U011	U012	U013
------	------	------	------	------	------	------	------	------	------	------	------	------

U013 MAIN FRAME



- 5.04543006Q (x9) TAPPING SCREW - M3X6
- 4.04504010N (x16) TAPPING SCREW: M4X10
- 13.G1631096 GROUND PLATE:F RONT
- 2.04503010N (x42) TAPPING SCREW - M3X10
- 21.G1633954 GROUND PLATE:R EGISTRATION ROL LER

11.G1631059
TENSION SPRING:
BRAKE:COVER:FR
ONT

8.07200040E
(x3)
RETAINING RING -
M4

7.07200030E
(x2)
RETAINING RING -
M3

19.G1632577
SPRING:EARTH:PA
PER FEED

15.G1632572
BRACKET:RESIST
OR:BASE

16.G1632573
COMPRESSION SP
RING:EARTH:BASE

20.G1632578
SPRING:PAPER TR
AY:POSITIONING

18.G1632576
HOLDER:FEELER

17.G1632575
FEELER:PAPER E
ND SENSOR

6.04543008Q
(x21)
TAPPING SCREW:
3X8

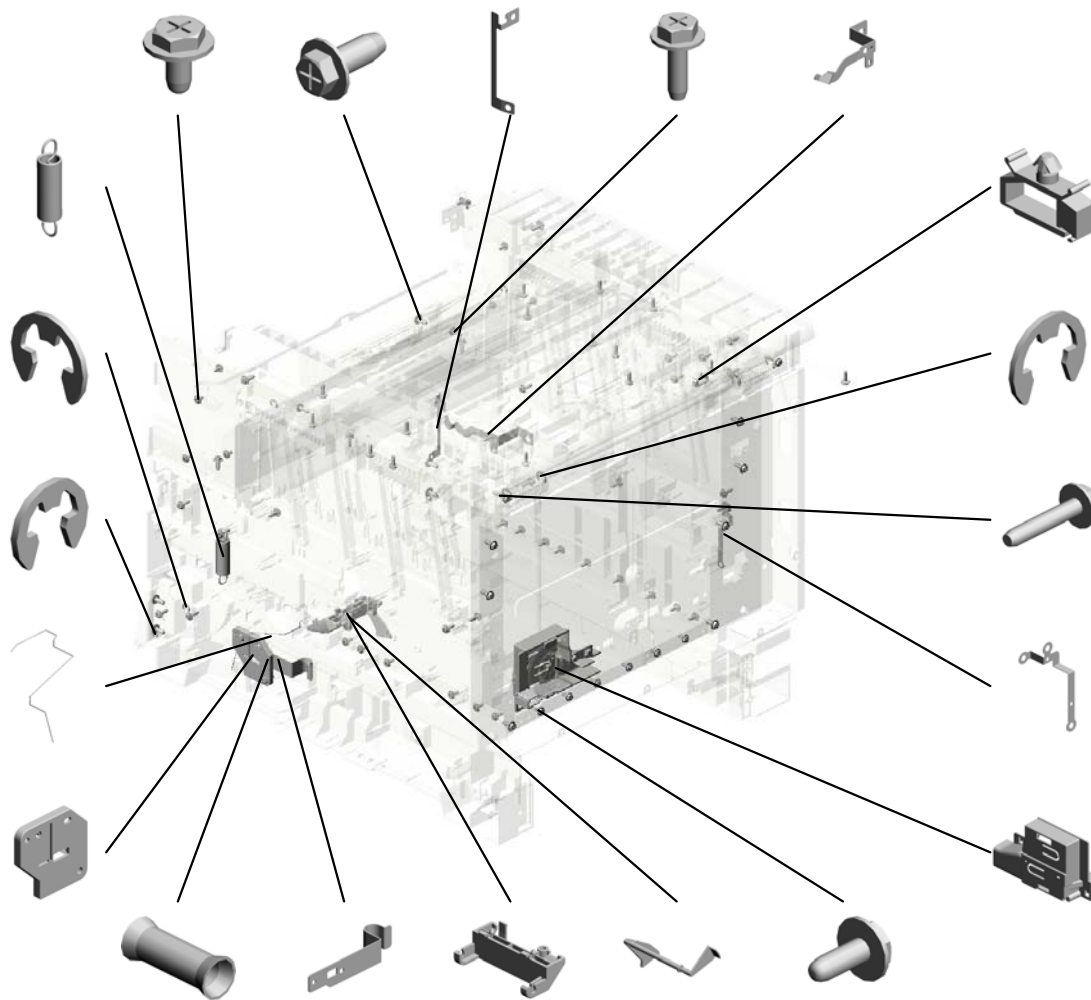
10.11050760
CLAMP:LW5M-051
1A

9.07200060E
(x4)
RETAINING RING -
M6

3.04503016N
(x2)
TAPPING SCREW:
3X16

14.G1631097
GROUND PLATE:AI
O:LEFT

12.G1631060
DUCT:FAN:SIROC
CO



U013 MAIN FRAME



35.G1661069 RACK SUPPORTER
 23.G1636199 PLATE NUT
 31.G1661065 CLUTCH SPRING
 22.G1635755 HOLDER:RESISTOR:EXIT
 34.G1661068 FUSING DUCT

30.G1661064 CLUTCH/BRAKE SPRING

24.G1661008 CLUTCH/BRAKE BRACKET

33.G1661067 GEAR - 14Z

28.G1661060 BASE:HINGE:COVER:FRONT

29.G1661061 (x2) PIN:HINGE

32.G1661066 CLUTCH/BRAKE CASE

25.G1661046 COLOR DECAL - MAGENTA

37.G1661071 FRAME:UPPER RIGHT

26.G1661047 (x4) SPACER - RUBBER FOOT

41.G1661080 TWIST SPRING - RIGHT

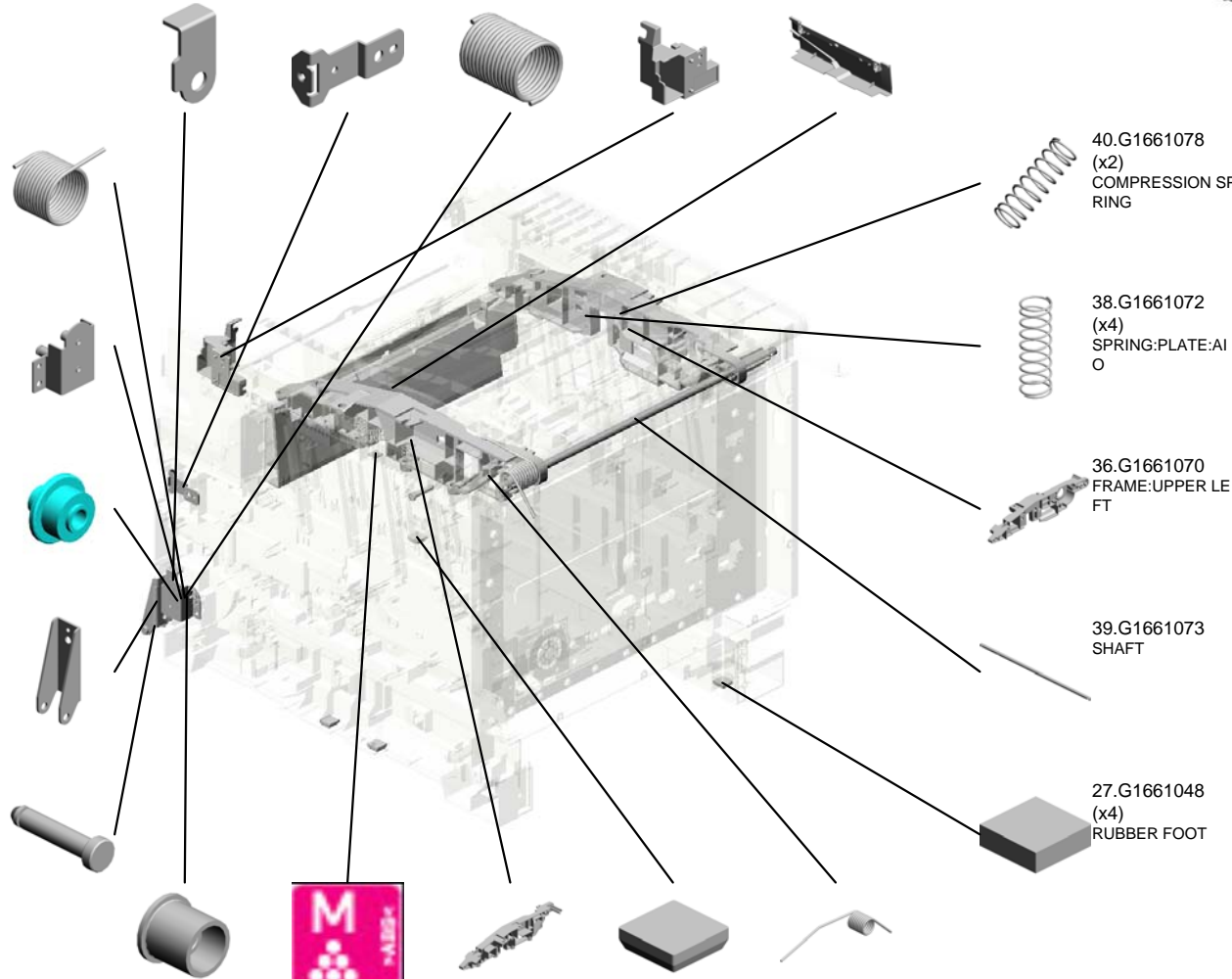
40.G1661078 (x2) COMPRESSION SPRING

38.G1661072 (x4) SPRING:PLATE:ALUMINUM

36.G1661070 FRAME:UPPER LEFT

39.G1661073 SHAFT

27.G1661048 (x4) RUBBER FOOT



U013 MAIN FRAME

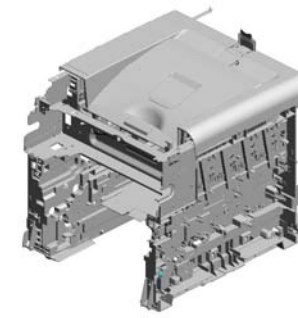
46.G1661088
UPPER FRONT DU
CT

43.G1661084
(x4)
SPRING:PLATE:AI
O:BLACK

65.G1665705
SHIELDING PLATE

45.G1661087
(x2)
SPRING:CUSHION:
FRAME:UPPER

54.G1661280
CUSHION - IMAGIN
G UNIT



60.G1663331
DECAL - BLACK



62.G1663334
DECAL - YELLOW



63.G1663957
WASHER - 0.8X10.
8MM



50.G1661093
GEAR - 20Z



64.G1663993
RESISTOR - 100M
OHM +-10% 0.5W



61.G1663333
DECAL - CYAN



49.G1661091
GROUND PLATE -
POWER SUPPLY U
NIT



66.G1665706
GHAFT:IMAGING UN
IT



44.G1661086
(x2)
BRACKET:OPTICA
L UNIT:FRAME:UP
PER



48.G1661090
GROUND PLATE -
DCHIP



53.G1661269
STOPPER BAND



55.G1661342
RACK:DAMPER



42.G1661081
TWIST SPRING - L
EFT



67.G1665724
HARNES CLAMP
HOLDER



47.G1661089
(x8)
PIN:PLATE:DEVEL
OPMENT UNIT



U013 MAIN FRAME

81.M1981085 SPRING PLATE:LS
U:POSITIONING

71.M0751060 BASE:HINGE:COV
ER:LEFT FRONT

75.M0AD1270 SLOPE:COVER:UP
PER

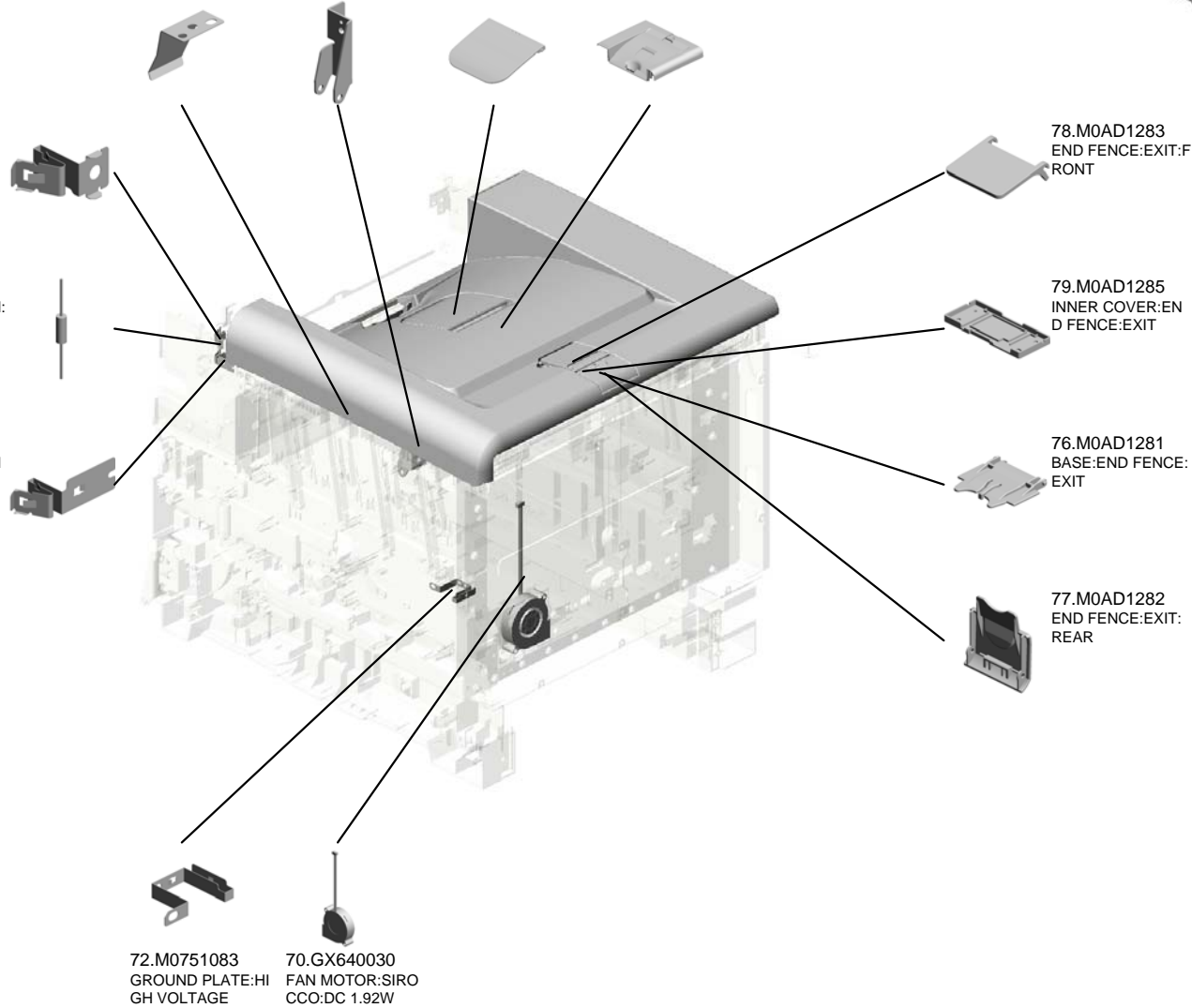
80.M0AD1300 COVER:UPPER



69.G1665758
GROUND PLATE -
OUTPUT

73.M0963994
RESISTOR:EARTH:
EXIT:DISCHARGE
SECTION

68.G1665757
GROUND PLATE -I
NPUT



78.M0AD1283
END FENCE:EXIT:F
RONT

79.M0AD1285
INNER COVER:EN
D FENCE:EXIT

76.M0AD1281
BASE:END FENCE:
EXIT

77.M0AD1282
END FENCE:EXIT:
REAR

72.M0751083
GROUND PLATE:HI
GH VOLTAGE

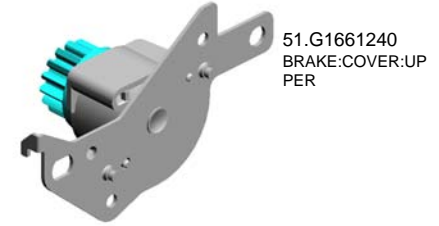
70.GX640030
FAN MOTOR:SIRO
CCO:DC 1.92W

U013_S001
BRAKE:COVER:UPPER

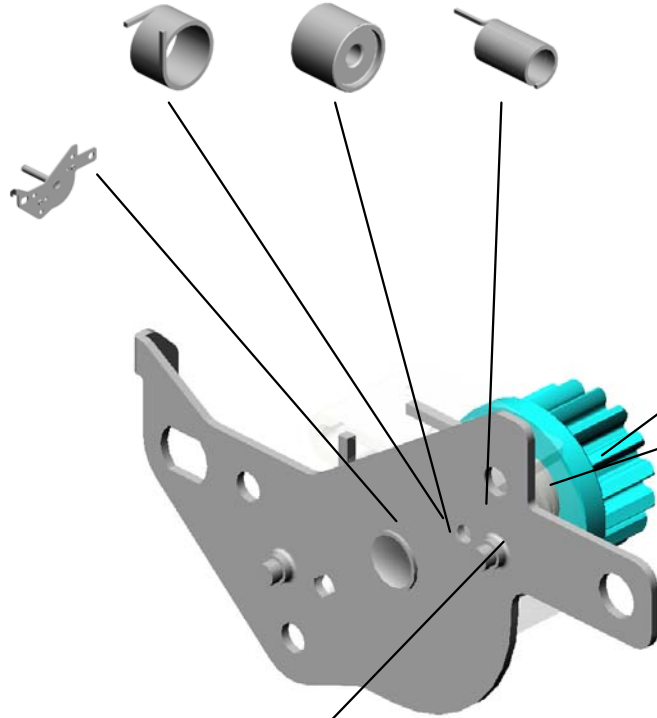
58.G1661386
BRAKE SPRING

56.G1661383
BRAKE COLLER

59.G1661387
CLUTCH SPRING



52.G1661241
BRAKE BRACKET



1.03603006N
(x2)
SCREW - M3X6

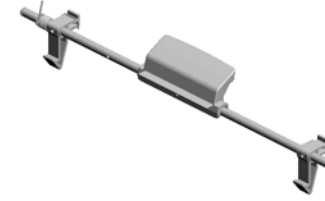
8.07200040E
RETAINING RING -
M4

57.G1661384
GEAR - 15Z

U001	U002	U003	U004	U005	U006	U007	U008	U009	U010	U011	U012	U013
------	------	------	------	------	------	------	------	------	------	------	------	------

U013_S002
SHAFT:LOCK:ASS'Y

8.07200040E
RETAINING RING -
M4

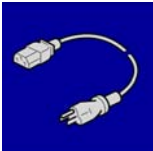


74.M0AD1012
SHAFT:LOCK:ASS'
Y

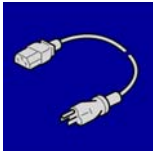


U001	U002	U003	U004	U005	U006	U007	U008	U009	U010	U011	U012	U013
------	------	------	------	------	------	------	------	------	------	------	------	------

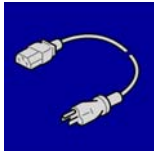
ACCESSORIES



1.11500460
(CHN):POWER SUPPLY CODE:250V:10A



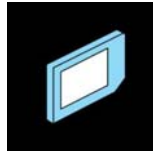
2.11500481
(NA):POWER SUPPLY CODE:125V:15A



3.11500482
(EU):POWER SUPPLY CODE:250V:10A



4.B6455010
SD-CARD:ASSY



5.B6455020
SD-CARD:SERVICE:1GB:ASSY



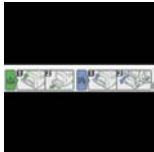
6.D1157520
DECAL:CAUTION:WEIGHT:29KG



7.G1631098
(x4)
KEY:AIO:MAIN ASSY:A



8.G1632862
DECAL:SIDE FENCE:MANUAL FEED



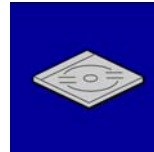
9.G1633937
DECAL:CAUTION:OPERATE:MANUAL FEED



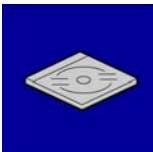
10.G1661390
CAUTION DECAL - TRANSFER BELT



11.M0AG1371
DECAL:NAME PLATE



12.M0AG6917
(NA):ACCESSORY:CD-ROM:ASSY



13.M0AG6927
(EU):ACCESSORY:CD-ROM:ASSY



14.M1011301
PLATE:LOGO:RIC

Exclusive Parts

Number	Part Name	Group	ID
A2672869	GEAR - 16Z	U004_S002	4
A4131670	ANTISTATIC BRUSH	U009_S001_S001	10
		U009_S002_S001	10
		U009_S003_S001	10
AA063568	PRESSURE SPRING	U012_S001	18
AA080265	BUSHING:6X8X5	U004	5
		U005	1
		U006	3
AA082101	BUSHING - 6X10X6	U004	6
AA143520	SHOULDER SCREW - M3	U009_S001	11
		U009_S002	11
		U009_S003	11
AA143592	SCREW- M4X6	U012	19
AF031061	PAPER FEED ROLLER	U004	7
AF040574	GUIDE ROLLER	U010	3
AW020198	PHOTOINTERRUPTOR:LG2A14NL 1	U010	4
		U012	20
AW140015	TEMPERATURE & HUMIDITY SEN SOR	U012	21
AX640199	FAN:MM80:25MM:DC 2.16W	U012	22
B2384714	TIMING BELT - 30S2M206	U008_S001	5
B6455010	SD-CARD:ASS'Y	ACCESSORIES	4
B6455020	SD-CARD:SERVICE:1GB:ASS'Y	ACCESSORIES	5
D1157520	DECAL:CAUTION:WEIGHT:29KG	ACCESSORIES	6
D1495776	COVER:USB:SMALL	U012	23
D1911299	KEYTOP:MAIN SWITCH	U012	24
D2445730	PCB:DCSW	U012	25
G1022789	STOPPER:PHOTOINTERRUPTOR	U012	26
G1024109	BALL BEARING:10X22X6	U009_S001	12
		U009_S002	12
		U009_S003	12
G1045141	KNOB SCREW:M3	U012	27
G1594322	CLEANING FELT:BELT TENSION	U009_S001	13
		U009_S002	13
		U009_S003	13
G1631059	TENSION SPRING:BRAKE:COVER: FRONT	U013	11
G1631060	DUCT:FAN:SIROCCO	U013	12

Number	Part Name	Group	ID
G1631068	BRACKET - PHOTOINTERRUPTOR	U012	28
G1631096	GROUND PLATE:FRONT	U013	13
G1631097	GROUND PLATE:AIO:LEFT	U013	14
G1631098	KEY:AIO:MAIN ASS'Y:A	ACCESSORIES	7
G1631148	BRACKET:TRANSPORT:FUSING D RIVE SUB-UNIT	U011	7
G1631259	INNER COVER:GUARD:SAFETY S WITCH	U001	8
G1631311	SEAL:COVER:LEFT:3	U001	9
G1631313	SEAL:COVER:LEFT:5	U001	10
G1631318	SEAL:GUIDE PLATE:EXIT:LOWER	U010	5
G1632561	FEELER:SET SENSOR:PAPER TRA Y	U004_S002	8
G1632565	STOPPER:BASE	U004_S002	9
G1632566	COMPRESSION SPRING:STOPPE R:BASE	U004_S002	10
G1632567	LEVER:PAPER VOLUME SENSOR	U004	11
G1632569	GROUND PLATE:MANUAL FEED	U004	12
G1632572	BRACKET:RESISTOR:BASE	U013	15
G1632573	COMPRESSION SPRING:EARTH:B ASE	U013	16
G1632575	FEELER:PAPER END SENSOR	U013	17
G1632576	HOLDER:FEELER	U013	18
G1632577	SPRING:EARTH:PAPER FEED	U013	19
G1632578	SPRING:PAPER TRAY:POSITIONIN G	U013	20
G1632800	FRICTION PAD:ADHESION	U004	13
G1632802	SPRING:FRICTION PAD:MANUAL F EED	U004	14
G1632805	SPRING:BASE:MANUAL FEED	U004	15
G1632806	SHAFT:CAM	U004	16
G1632807	CAM:RIGHT:MANUAL FEED	U004	17
G1632809	SPRING:CAM	U004	18
G1632812	GEAR:TRANSPORT ROLLER:MAN UAL FEED	U004	19
G1632813	SHAFT:TRANSPORT:PAPER FEED ROLLER:PRESS FIT	U004	20
G1632817	GEAR:IDLER:PAPER FEED ROLLE	U004	21

Exclusive Parts

Number	Part Name	Group	ID
	R		
G1632818	FEELER:PAPER END SENSOR:MANUAL FEED	U004	22
G1632820	BRACKET:MANUAL FEED	U004	23
G1632822	GEAR:IDLER:CAM	U004	24
G1632823	LINK:CAM	U011	8
G1632835	CAM:LEFT:MANUAL FEED	U004	25
G1632837	HOLDER:PAPER END SENSOR	U012	29
G1632839	HOLDER:DC SOLENOID:MANUAL FEED	U011	9
G1632844	GEAR:IDLER:TRANSPORT:PAPER FEED ROLLER	U004	26
G1632850	PAWL:TRAY:MANUAL FEED	U004_S001	27
G1632854	SHAFT:TRAY:MANUAL FEED	U004_S001	28
G1632855	SPRING:TRAY:MANUAL FEED	U004_S001	29
G1632856	SPRING:SHAFT:TRAY:MANUAL FEED	U004_S001	30
G1632858	COIL SPRING:PAWL:TRAY:MANUAL FEED	U004_S001	31
G1632862	DECAL:SIDE FENCE:MANUAL FEED	ACCESSORIES	8
G1632871	SHAFT:TRANSPORT:PICKUP ROLLER	U004	32
G1632872	SCREW:DIA4:12.5MM	U004	33
G1632873	DAMPING INSULATION:GUIDE:MANUAL FEED	U004	34
G1632877	DISCHARGE BRUSH:MANUAL FEED	U004	35
G1632878	SHEET:DISCHARGE BRUSH:MANUAL FEED	U004	36
G1632879	GROUND PLATE:FEED ROLLER:MANUAL FEED	U004	37
G1633903	FRAME:COVER:FRONT:RIGHT	U008	6
G1633904	FRAME:COVER:FRONT:LEFT	U008	7
G1633907	GUIDE:LOCK	U008	8
G1633908	ARM:LEVER:LOCK	U008	9
G1633921	SPRING:GUIDE PLATE:MIDDLE	U008	10
G1633924	FEELER:PAPER FEED SENSOR	U008	11

Number	Part Name	Group	ID
G1633925	TORSION SPRING:FEELER:PAPER FEED SENSOR	U008	12
G1633926	GUIDE PLATE:EXIT:MIDDLE	U008	13
G1633927	GUIDE PLATE:EXIT:MIDDLE:INNER	U008	14
G1633937	DECAL:CAUTION:OPERATE:MANUAL FEED	ACCESSORIES	9
G1633950	REGISTRATION GUIDE	U008_S001	15
G1633951	GUIDE:PAPER FEED SUB-UNIT	U008_S001	16
G1633952	GUIDE:DUPLEX SUB-UNIT:LOWER	U008_S001	17
G1633954	GROUND PLATE:REGISTRATION ROLLER	U013	21
G1633955	FEELER:REGISTRATION SENSOR	U008_S001	18
G1633959	SUPPORTING PLATE:HOUSING:TRANSFER	U008_S001	19
G1633960	SHEET:REGISTRATION	U008_S001	20
G1633965	ELECTRODE PLATE:EARTH:LINK	U008_S001	21
G1633970	HOOK:FIX:TRANSFER/SEPARATION:LEFT	U008	22
G1633971	HOOK:FIX:TRANSFER/SEPARATION:RIGHT	U008	23
G1633972	SLIDER:TRANSPORT UNIT:LEFT	U008	24
G1633973	COVER:COMPRESSION SPRING	U008_S001	25
G1633974	SCREW:HOUSING:TRANSPORT	U008_S001	26
G1633975	SLIDER:TRANSPORT UNIT:RIGHT	U008	27
G1633989	DECAL:COVER:FRONT:POSITIONING DISPLAY	U008	28
G1633990	DECAL:TRANSPORT UNIT:POSITIONING DISPLAY	U008	29
		U008_S001	29
G1633991	COVER:COMPRESSION SPRING	U008_S001	30
G1633992	DECAL:TRANSFER/SEPARATION	U008_S001	31
G1633993	DECAL:GRIP:HOUSING	U008_S001	32
G1633995	DECAL:GRIP:SLIDE	U008	33
G1633997	COMPRESSION SPRING:HOUSING:TRANSPORT	U008_S001	34
G1634109	STAY:THERMOSTAT	U009_S001	14
		U009_S002	14
		U009_S003	14
G1634213	HOLDER:THERMOSTAT	U009_S001	15

Exclusive Parts

Number	Part Name	Group	ID
		U009_S002	15
		U009_S003	15
G1634214	FUSE HOLDER	U009_S001	16
		U009_S002	16
		U009_S003	16
G1634216	SHAFT:GUIDE:PAPER	U009_S001	17
		U009_S002	17
		U009_S003	17
G1634243	LEVER:PRESSURE:LEFT	U009_S001	18
		U009_S002	18
		U009_S003	18
G1634258	LEVER:PRESSURE:RIGHT	U009_S001	19
		U009_S002	19
		U009_S003	19
G1634264	COLLAR:STRIPPER PLATE:LEFT	U009_S001	20
		U009_S002	20
		U009_S003	20
G1634265	COLLAR:STRIPPER PLATE:RIGHT	U009_S001	21
		U009_S002	21
		U009_S003	21
G1634271	GUIDE PLATE:FUSING EXIT	U009_S001	22
		U009_S002	22
		U009_S003	22
G1634276	TORSION SPRING:SEPARATION:LEFT	U009_S001	23
		U009_S002	23
		U009_S003	23
G1634277	TORSION SPRING:SEPARATION:RIGHT	U009_S001	24
		U009_S002	24
		U009_S003	24
G1634278	SPRING:GUIDE PLATE:FUSING EXIT	U009_S001	25
		U009_S002	25
		U009_S003	25
G1634282	BRACKET:BELT TENSIONER	U009_S001	26
		U009_S002	26
		U009_S003	26
G1634311	BRACKET:HEATER:FUSING	U009_S001	27
		U009_S002	27
		U009_S003	27

Number	Part Name	Group	ID
G1634313	BRACKET:TERMINAL	U009_S001	28
		U009_S002	28
		U009_S003	28
G1634341	COVER:LOWER	U009_S001	29
		U009_S002	29
		U009_S003	29
G1634347	FUSING ENTRANCE GUIDE PLATE	U009_S001	30
		U009_S002	30
		U009_S003	30
G1634356	COVER:UPPER	U009_S001	31
		U009_S002	31
		U009_S003	31
G1634358	LEVER:LOCK:RIGHT	U009_S001	32
		U009_S002	32
		U009_S003	32
G1634360	SPRING:LEVER:LOCK:RIGHT	U009_S001	33
		U009_S002	33
		U009_S003	33
G1634363	LEVER:LOCK	U009_S001	34
		U009_S002	34
		U009_S003	34
G1634364	SPRING:LEVER:LOCK:LEFT	U009_S001	35
		U009_S002	35
		U009_S003	35
G1634374	GUIDE:HARNESS:FUSING:LEFT	U009_S001	36
		U009_S002	36
		U009_S003	36
G1634375	GUIDE:HARNESS:FUSING:RIGHT	U009_S001	37
		U009_S002	37
		U009_S003	37
G1634453	GUIDE PLATE:REVERSE:UPPER	U010	6
G1634454	GATE PAWL:REVERSE	U010	7
G1634458	GUIDE:PLATE:EXIT:OUTER	U010	8
G1634459	STOPPER:EXIT:EXIT	U010	9
G1634460	ROLLER:DRIVEN:EXIT	U010	10
G1634462	BRACKET:ROLLER:EXIT	U010	11
G1634463	GUIDE:PLATE:EXIT	U010	12
G1634465	ROLLER:DRIVEN:DUPLEX:INNER	U010	13

Exclusive Parts

Number	Part Name	Group	ID
G1634466	ROLLER:DRIVEN:EXIT	U010	14
G1634467	ROLLER:DRIVEN:DUPLEX	U010	15
G1634468	SPRING:PRESSURE:EXIT:INNER	U010	16
G1634469	SPRING:PRESSURE:DUPLEX	U010	17
G1634473	BRACKET:GEAR:EXIT	U011	10
G1634478	GEAR:CHANGE:EXIT	U011	11
G1634479	GEAR:IDLER:EXIT	U011	12
G1634480	GEAR:SLOW DOWN:EXIT	U011	13
G1634481	LEVER:CHANGE:EXIT	U011	14
G1634484	SPRING:CHANGE:EXIT	U011	15
G1634487	BRACKET:IDLER:EXIT	U011	16
G1634489	GEAR:EXIT	U010	18
G1634492	DC SOLENOID:PRESS FIT	U011	17
G1634495	LINK:CHANGE:EXIT	U011	18
G1634497	BRACKET:SOLENOID:EXIT	U011	19
G1634499	HOLDER:LINK:EXIT	U011	20
G1634603	GEAR:TRANSPORT ROLLER:DUPL EX:LOWER	U008_S001	35
G1634604	PULLEY:TRANSPORT ROLLER:DU PLEX	U008_S001	36
G1634605	BELT PULLEY:DUPLEX	U008_S001	37
G1634606	FEELER:DUPLEX	U008_S001	38
G1635728	SEAL:FAN:2	U012	30
G1635731	BASE:HIGH VOLTAGE:3	U012	31
G1635751	HOLDER:RESISTOR:FUSING	U012	32
G1635754	GROUND PLATE:FRAME:FUSING	U012	33
G1635755	HOLDER:RESISTOR:EXIT	U013	22
G1635756	GROUND PLATE:SHAFT:FRAME:R EAR LEFT	U012	34
G1636119	KNOB SCREW:FIX:INTERMEDIATE TRANSFER	U006	4
G1636196	SLIDER:FIX:INTERMEDIATE TRAN SFER:RIGHT	U006	5
G1636197	SLIDER:FIX:INTERMEDIATE TRAN SFER:LEFT	U006	6
G1636199	PLATE NUT	U013	23
G1636590	TERMINAL:SPRING PLATE:UPPER :NEW ARTICLE SENSOR	U012	35

Number	Part Name	Group	ID
G1636591	TERMINAL:SPRING PLATE:LOWER :NEW ARTICLE SENSOR	U012	36
G1661008	CLUTCH/BRAKE BRAKET	U013	24
G1661046	COLOR DECAL - MAGENTA	U013	25
G1661047	SPACER- RUBBER FOOT	U013	26
G1661048	RUBBER FOOT	U013	27
G1661058	EXIT DUCT	U012	37
G1661059	DUCT	U012	38
G1661060	BASE:HINGE:COVER:FRONT	U013	28
G1661061	PIN:HINGE	U013	29
G1661064	CLUTCH/BRAKE SPRING	U013	30
G1661065	CLUTCH SPRING	U013	31
G1661066	CLUTCH/BRAKE CASE	U013	32
G1661067	GEAR - 14Z	U013	33
G1661068	FUSING DUCT	U013	34
G1661069	RACK SUPPORTER	U013	35
G1661070	FRAME:UPPER LEFT	U013	36
G1661071	FRAME:UPPER RIGHT	U013	37
G1661072	SPRING:PLATE:AIO	U013	38
G1661073	SHAFT	U013	39
G1661078	COMPRESSION SPRING	U013	40
G1661080	TWIST SPRING - RIGHT	U013	41
G1661081	TWIST SPRING - LEFT	U013	42
G1661084	SPRING:PLATE:AIO:BLACK	U013	43
G1661086	BRACKET:OPTICAL UNIT:FRAME: UPPER	U013	44
G1661087	SPRING:CUSHION:FRAME:UPPER	U013	45
G1661088	UPPER FRONT DUCT	U013	46
G1661089	PIN:PLATE:DEVELOPMENT UNIT	U013	47
G1661090	GROUND PLATE - DCHIP	U013	48
G1661091	GROUND PLATE - POWER SUPPL Y UNIT	U013	49
G1661093	GEAR - 20Z	U013	50
G1661111	FRAME - TRANSFER DRIVE UNIT	U011	21
G1661118	GROUNDING WIRE	U011	22
G1661119	MOTOR BRACKET	U011	23
G1661123	FRAME - ON-OFF DRIVE UNIT	U011	24
G1661125	SHIELDING PLATE	U011	25

Exclusive Parts

Number	Part Name	Group	ID
G1661131	DC MOTOR - DC24V 5.3W	U011	26
G1661135	MOTOR - DC24V 1.6W	U011	27
G1661152	GROUNDING PLATE	U011	28
G1661240	BRAKE:COVER:UPPER	U013_S001	51
G1661241	BRAKE BRACKET	U013_S001	52
G1661269	STOPPER BAND	U013	53
G1661280	CUSHION - IMAGING UNIT	U013	54
G1661342	RACK:DAMPER	U013	55
G1661383	BRAKE COLLER	U013_S001	56
G1661384	GEAR - 15Z	U013_S001	57
G1661386	BRAKE SPRING	U013_S001	58
G1661387	CLUTCH SPRING	U013_S001	59
G1661390	CAUTION DECAL - TRANSFER BELT	ACCESSORIES	10
G1662573	HOLDER SHEET	U004_S002	38
G1662606	COMPRESSION SPRING	U004_S002	39
G1663331	DECAL - BLACK	U005	2
		U013	60
G1663333	DECAL - CYAN	U005	3
		U013	61
G1663334	DECAL - YELLOW	U005	4
		U013	62
G1663852	REGISTRATION ROLLER - DRIVEN	U008_S001	39
G1663855	TENSION SPRING	U008_S001	40
G1663860	TORSION SPRING	U008_S001	41
G1663865	GEAR - 14Z	U008_S001	42
G1663867	DRIVE GEAR - 14Z	U008_S001	43
G1663906	LEFT LOCK LEVER	U008	44
G1663909	TENSION SPRING	U008	45
G1663926	EXIT GUIDE ROLLER - MIDDLE	U008	46
G1663927	STOPPER BAND	U008	47
G1663928	BRAKE RACK - FRONT COVER	U008	48
G1663957	WASHER - 0.8X10.8MM	U006	7
		U013	63
G1663961	COMPRESSION SPRING	U008_S001	49
G1663968	ELECTRODE PLATE - CONTACT POINT	U008_S001	50
G1663972	COMPRESSION SPRING - GRIP	U008	51

Number	Part Name	Group	ID
G1663993	RESISTOR - 100M OHM +/-10% 0.5W	U013	64
G1664310	DECAL:WARNING (HIGH TEMPERATURE):1:CUD	U009_S001	38
		U009_S002	38
		U009_S003	38
G1664399	DECAL:FUSING EXIT:OPEN AND CLOSE	U009_S001	39
		U009_S002	39
		U009_S003	39
G1664462	STOPPER - PHOTOINTERRUPTOR	U010	19
G1664606	DUPLEX ROLLER	U008	52
G1665280	TERMINAL BOARD	U012	39
G1665705	SHIELDING PLATE	U013	65
G1665706	GROUND PLATE:SHAFT:IMAGING UNIT	U013	66
G1665708	2ND TERMINAL- TRANSFER	U012	40
G1665715	BRACKET - MAIN SWITCH	U012	41
G1665716	TERMINAL:AIO	U012	42
G1665724	HARNESS CLAMP HOLDER	U013	67
G1665725	HARNESS COVER	U012	43
G1665732	BRACKET SAFETY SWITCH	U012	44
G1665733	LINK - SAFETY SWITCH	U012	45
G1665734	TORSION SPRING - SAFETY SWITCH	U012	46
G1665735	LEVER:SAFETY SWITCH	U012	47
G1665736	TENSION SPRING - SAFETY SWITCH	U012	48
G1665737	COMPRESSION SPRING - SAFETY SWITCH	U012	49
G1665738	1ST TERMINAL - TRANSFER	U012	50
G1665754	ARM:LINK:SAFETY SWITCH	U012	51
G1665757	GROUND PLATE -INPUT	U013	68
G1665758	GROUND PLATE - OUTPUT	U013	69
G1666026	BUSHING - 19MM	U006	8
G1666045	SPRING - FEELER	U012	52
G1666046	SENSOR FEELER	U012	53
G1666099	COMPRESSION SPRING	U006	9
G1666103	SENSOR HOLDER	U012	54
G1666107	GROUNDING PLATE	U012	55

Exclusive Parts

Number	Part Name	Group	ID
G1666181	COMPRESSION SPRING - RIGHT LOWER	U012_S001	56
G1666182	COMPRESSION SPRING - LEFT LOWER	U012_S001	57
G1666183	BRACKET - DENSITY SENSOR	U012_S001	58
G1666184	HOLDER - DENSITY SENSOR	U012_S001	59
G1666185	GROUNDING PLATE - DENSITY SENSOR	U012_S001	60
G1666188	CLEANER - DENSITY SENSOR	U012_S001	61
G1666191	CLEANER DECAL - DENSITY SENSOR	U012_S001	62
G1666193	LEFT HOLDER - TRANSFER BELT UNIT	U006	10
G1666194	RIGHT HOLDER - TRANSFER BELT UNIT	U006	11
G1666580	STOPPER SHEET - PHOTOINTERFEREPTOR	U012	63
G1666584	USED TONER SENSOR	U012	64
G1666586	FEELER - SET SENSOR	U012	65
G1666587	SENSOR BRACKET	U012	66
G5553069	BASEPAD	U004_S002_S001	40
G8003133	SIDE FENCE GEAR	U004_S001	41
GA063080	COMPRESSION SPRING:BELT:TENSION	U009_S001	40
		U009_S002	40
		U009_S003	40
GA063081	COMPRESSION SPRING:CLEANER	U009_S001	41
		U009_S002	41
		U009_S003	41
GA082014	PLAIN SHAFT BEARING:DIA6:DIA10:9	U010	20
GA082015	PLAIN SHAFT BEARING:DIA6:DIA9:7	U008_S001	53
GA120012	DISCHARGE BRUSH:EXIT	U010	21
GA132101	SPACER - 0.13 X 12MM	U011	29
GA148015	PIN:ROLLER:TRAY BOTTOM PLATE:DIA2	U004	42
GA148016	SHAFT - 6 X 26.7MM	U011	30
GA148018	SHAFT - 6 X 21.9MM	U011	31

Number	Part Name	Group	ID
GB010039	GEAR:AIO:DRIVE:MIDDLE	U011	32
GB010040	GEAR:AIO:DRIVE:1	U011	33
GB011104	GEAR - 20/35Z	U011	34
GB011105	GEAR - 29Z	U011	35
GB011106	GEAR - 22/31Z	U011	36
GB011107	GEAR:SLOW DOWN:TRANSPORT:2	U011	37
GB011109	GEAR - 28Z	U011	38
GB011113	GEAR:IDLER:DUPLEX	U011	39
GB011114	GEAR:IDLER:TRANSPORT	U011	40
GB011116	GEAR:CLUTCH:OUTPUT:DUPLEX	U011	41
GB011117	GEAR:CLUTCH:OUTPUT:MANUAL FEED	U011	42
GB011118	REGIST DRIVE GEAR	U011	43
GB011128	GEAR:SLOW DOWN:MANUAL FEED	U011	44
GB012102	GEAR - 54Z	U011	45
GB013075	GEAR:IDLER:DUPLEX	U009_S001	42
		U009_S002	42
		U009_S003	42
GB013078	GEAR:IDLER:DRIVE	U009_S001	43
		U009_S002	43
		U009_S003	43
GB013079	GEAR:IDLER:FUSING	U011	46
GB013080	GEAR:IDLER:1	U009_S001	44
		U009_S002	44
		U009_S003	44
GB013086	GEAR:HOT ROLLER:ROLLER CLUTCH:Z29	U009_S001	45
		U009_S002	45
		U009_S003	45
GB013114	GEAR - 35Z	U011	47
GB013115	GEAR - 21Z	U011	48
GB013117	GEAR - 19Z	U011	49
GB017055	GEAR:SLOW DOWN:PAPER FEED:1	U009_S001	46
		U009_S002	46
		U009_S003	46
GB017106	GEAR:SLOW DOWN:TRANSPORT:1	U011	50

Exclusive Parts

Number	Part Name	Group	ID
GB017107	GEAR:SLOW DOWN:FUSING:1	U011	51
GB017111	GEAR - 16/51Z	U011	52
GB017112	GEAR - 21/73Z	U011	53
GB017113	GEAR - 40/65Z	U011	54
GB017115	GEAR:SLOW DOWN:FUSING:2	U011	55
GB017116	GEAR - 17/42Z	U011	56
GB017120	GEAR:AIO:JOINT:2	U011	57
GB017123	GEAR:AIO:DRIVE	U011	58
GB017124	GEAR:TRANSFER:DRIVE:MIDDLE	U011	59
GE010006	HEAT ROLLER:DIA20:COAT	U009_S001	47
		U009_S002	47
		U009_S003	47
GE010011	HOT ROLLER	U009_S001	48
		U009_S002	48
		U009_S003	48
GE020011	PRESSURE ROLLER	U009_S001	49
		U009_S002	49
		U009_S003	49
GE030008	BALL BEARING:HOT ROLLER	U009_S001	50
		U009_S002	50
		U009_S003	50
GE031011	PLAIN SHAFT BEARING:BELT TENSIONER	U009_S001	51
		U009_S002	51
		U009_S003	51
GE031012	PLAIN SHAFT BEARING:CLEANING FELT	U009_S001	52
		U009_S002	52
		U009_S003	52
GE040010	ROLLER:BELT TENSIONER:FUSING BELT	U009_S001	53
		U009_S002	53
		U009_S003	53
GF020000	REGISTRATION ROLLER - DRIVE	U008_S001	54
GF020040	EXIT ROLLER	U010	22
GF020052	TRANSPORT ROLLER:DUPLEX	U008_S001	55
GF022006	ROLLER:GUIDE:TRAY BOTTOM PLATE	U004	43
GF031005	PAPER FEED ROLLER:MANUAL FEED	U004	44
GW100017	THERMISTOR:COUPLING	U009_S001	54

Number	Part Name	Group	ID
		U009_S002	54
		U009_S003	54
GW110006	THERMOSTAT	U009_S001	55
		U009_S002	55
		U009_S003	55
GX061145	BRUSHLESS MOTOR:DC24V:26W	U011	60
GX061146	BRUSHLESS MOTOR:DC24V:46W	U011	61
GX061147	BRUSHLESS MOTOR:DC24V:22W	U011_S001	62
GX201121	MAGNETIC CLUTCH	U004	45
		U011	63
GX201122	MAGNETIC CLUTCH:0.25N	U011	64
GX450012	(NA):HEATER:120V:1000W	U009_S003	56
GX450014	(EU/CHN):HEATER:230V:1000W	U009_S001	57
		U009_S002	57
GX640030	FAN MOTOR:SIROCCO:DC 1.92W	U013	70
GZ230075	(NA)FPOWER SUPPLY UNIT	U012	67
GZ230076	(EU/CHN):POWER SUPPLY UNIT	U012	68
GZ300004	POWER PACK	U012	69
H3103640	SPACER	U006	12
H5213355	C RING - PAPER FEED ROLLER	U004	46
M0185754	SCREW	U012	70
M0661461	KEYTOP:MENU	U002_S001	2
		U002_S002	2
		U002_S003	2
M0661465	KEYTOP:RESUME	U002_S001	3
		U002_S002	3
		U002_S003	3
M0751060	BASE:HINGE:COVER:LEFT FRONT	U013	71
M0751083	GROUND PLATE:HIGH VOLTAGE	U013	72
M0751105	BRACKET:MOTOR	U011	65
M0751107	SHIELDING PLATE:GEAR:2	U011	66
M0751139	BRACKET:TRANSPORT:PAPER FEED DRIVE	U011	67
M0751140	CLUTCH SHAFT HOLDER	U011	68
M0751251	GUIDE:LOUVER	U001	11
M0751252	SEAL:STOPPER:LOUVER	U001	12
		U012	71
M0751308	SEAL:GUIDE:LOUVER:UPPER	U001	13

Exclusive Parts

Number	Part Name	Group	ID
M0751309	SEAL:GUIDE:LOUVER:LOWER	U001	14
M0751315	SEAL:COVER:EXIT	U001	15
M0751498	LCD:STN:MV	U002_S001	4
		U002_S002	4
		U002_S003	4
M0752550	CASSETTE:PAPER TRAY:ASS'Y	U004_S002	47
M0752553	COVER:SIDE FENCE:LEFT	U004_S002	48
M0752554	COVER:SIDE FENCE:RIGHT	U004_S002	49
M0752558	FRICTION PAD	U004_S002	50
M0752560	EXTENSION TRAY:END FENCE	U004_S002	51
M0752562	BASE	U004_S002_S001	52
M0752564	COMPRESSION SPRING:BASE:RIGHT	U004_S002	53
M0752579	COMPRESSION SPRING:BASE:LEFT	U004_S002	54
M0752601	END FENCE	U004_S002	55
M0752610	COMPRESSION SPRING:LOCK:SIDE FENCE	U004_S002	56
M0752611	PAWL:LOCK:END FENCE	U004_S002	57
M0752612	LEVER:LOCK:SIDE FENCE	U004_S002	58
M0752613	CLICK:END FENCE	U004_S002	59
M0752614	STAY:END FENCE	U004_S002	60
M0752615	PLATE:END FENCE	U004_S002	61
M0752617	SIDE FENCE:LEFT	U004_S002	62
M0752621	SIDE FENCE:RIGHT	U004_S002	63
M0752622	PAWL:LOCK:SIDE FENCE	U004_S002	64
M0752624	DECAL:PAPER TRAY:SIDE FENCE	U004	65
M0752625	RETAINER:PINION	U004_S002	66
M0752808	GEAR:CAM	U004	67
M0752842	DC SOLENOID:MANUAL FEED	U011	69
M0752874	SHEET:DAMPING INSULATION:GUIDE:MANUAL FEED:M075	U004	68
M0754105	FUSING BELT	U009_S001	58
		U009_S002	58
		U009_S003	58
M0754142	ROLLER:MIDDLE:FUSING	U009_S001	59
		U009_S002	59
		U009_S003	59

Number	Part Name	Group	ID
M0754215	FUSING ENTRANCE GUIDE PLATE	U009_S001	60
		U009_S002	60
		U009_S003	60
M0754248	SPRING:PRESSURE:30N	U009_S001	61
		U009_S002	61
		U009_S003	61
M0754249	KNOB:LEVER:PRESSURE RELEASE:LEFT	U009_S001	62
		U009_S002	62
		U009_S003	62
M0754250	KNOB:LEVER:PRESSURE RELEASE:RIGHT	U009_S001	63
		U009_S002	63
		U009_S003	63
M0754273	STRIPPER PLATE:COAT	U009_S001	64
		U009_S002	64
		U009_S003	64
M0754298	DISCHARGE BRUSH:ASS'Y	U009_S001_S001	65
		U009_S002_S001	65
		U009_S003_S001	65
M0754354	LEVER:PRESSURE RELEASE	U009_S001	66
		U009_S002	66
		U009_S003	66
M0754451	GUIDE PLATE:EXIT:LOWER	U010	23
M0754461	SPRING:PRESSURE:EXIT:OUTER	U010	24
M0754607	SPRING:PRESSURE:DUPLEX	U008	56
M0755700	BRACKET:POWER SUPPLY UNIT	U012	72
M0963989	RESISTOR:TRANSFER/SEPARATION	U008_S001	57
		U009_S001_S001	67
		U009_S002_S001	67
		U009_S003_S001	67
M0963994	RESISTOR:EARTH:EXIT:DISCHARGE SECTION	U013	73
M0AD0044	COVER:CASSETTE:ASS'Y	U001	16
M0AD0045	COVER:REAR:ASS'Y	U001	17
M0AD0046	COVER:HDD:ASS'Y	U001	18
M0AD0047	COVER:LEFT:SUB-ASS'Y	U001	19
M0AD1012	SHAFT:LOCK:ASS'Y	U013_S002	74
M0AD1110	GUIDE:HARNESS:ASS'Y	U012	73
M0AD1130	BRACKET:TRANSPORT:MOTOR:S	U011_S001	70

Exclusive Parts

Number	Part Name	Group	ID
	UB-ASS'Y		
M0AD1253	LOUVER	U001	20
M0AD1260	COVER:INTERFACE	U001	21
M0AD1270	SLOPE:COVER:UPPER	U013	75
M0AD1273	COVER:RIGHT	U001	22
M0AD1277	COVER:PAPER EXIT SUB-UNIT	U001	23
M0AD1281	BASE:END FENCE:EXIT	U013	76
M0AD1282	END FENCE:EXIT:REAR	U013	77
M0AD1283	END FENCE:EXIT:FRONT	U013	78
M0AD1284	SEAL:COVER:FRONT	U008	58
M0AD1285	INNER COVER:END FENCE:EXIT	U013	79
M0AD1300	COVER:UPPER	U013	80
M0AD1459	PCB:4LINE:OPU:ASS'Y	U002_S001	5
		U002_S002	5
		U002_S003	5
M0AD1851	IMAGING UNIT:ASS'Y	U003	1
M0AD2552	CASSETTE COVER	U004	69
M0AD2605	HOUSING:MANUAL FEED:PAPER TRAY	U004	70
M0AD2803	BASE:MANUAL FEED:ADHESION	U004	71
M0AD2828	SIDE FENCE:LEFT:MANUAL FEED	U004_S001	72
M0AD2829	SIDE FENCE:RIGHT:MANUAL FEE D	U004_S001	73
M0AD2834	COVER:TRAY:MANUAL FEED	U004_S001	74
M0AD2845	TRAY:MANUAL FEED:ASS'Y	U004_S001	75
M0AD2851	COVER:MANUAL FEED:LOWER	U004_S001	76
M0AD2852	GUIDE:COVER:MANUAL FEED:LOWER	U004_S001	77
M0AD2853	EXTENSION TRAY:MANUAL FEED	U004_S001	78
M0AD2870	GUIDE:MANUAL FEED:PAPER TRAY	U004	79
M0AD3905	LEVER:LOCK:RIGHT	U008	59
M0AD3912	HOLDER:GUIDE PLATE:REVERSE:RIGHT	U008	60
M0AD3913	HOLDER:GUIDE PLATE:REVERSE:LEFT	U008	61
M0AD3932	COVER:FRONT	U008	62
M0AD3935	DESIGN PLATE:COVER:FRONT:UP	U008	63

Number	Part Name	Group	ID
	PER		
M0AD3936	DESIGN PLATE:COVER:FRONT:LOWER	U008	64
M0AD5115	PCB:EGB:ASS'Y	U012	74
M0AD5712	COVER:HDD	U012	75
M0AD5714	COVER:MAIN SWITCH	U012	76
M0AD5715	BRACKET:MAIN SWITCH	U012	77
M0AD5716	COVER:CONTROL SECTION	U012	78
M0AD5745	COVER:SD-CARD:CONTROL BOARD	U012	79
M0AG1371	DECAL:NAME PLATE	ACCESSORIES	11
M0AG1402	(NA/EU):OPERATION PANEL:4LINE:ASS'Y	U002_S001	6
		U002_S002	6
M0AG1403	(CHN):OPERATION PANEL:4LINE:ASS'Y	U002_S003	7
M0AG5501	PCB:CTL:4LINE:SUB-ASS'Y	U012	80
M0AG6917	(NA):ACCESSORY:CD-ROM:ASS'Y	ACCESSORIES	12
M0AG6927	(EU):ACCESSORY:CD-ROM:ASS'Y	ACCESSORIES	13
M0AG9590	NVRAM	U012	81
M0AH1279	INNER COVER:EXIT	U001	24
M1011301	PLATE:LOGO:RIC	ACCESSORIES	14
M1981085	SPRING PLATE:LSU:POSITIONING	U013	81
M1982580	SHAFT:PAPER FEED ROLLER	U004	80
M1986003	DENSITY SENSOR:ASS'Y	U012_S001	82
M8780190	TRANSFER ROLLER SUB-ASS'Y	U008_S001_S001	65
M8780195	HOUSING:TRANSPORT SUB-UNIT:ASS'Y	U008_S001	66
M8780214	(NA):FUSING UNIT - 120V	U009_S003	68
M8780224	(EU/CHN):FUSING UNIT - 220V	U009_S001	69
		U009_S002	69

Standard Parts



03130040N
SCREW:M3X4



03530030N
SCREW:M3X3



03530040N
SCREW - M3X4



03603005N
SCREW - M3X5



03603006N
SCREW - M3X6



03604010N
SCREW:M4X10



04503010N
TAPPING SCREW - M3X10



04503016N
TAPPING SCREW:3X16



04504010N
TAPPING SCREW:M4X10



04523006N
BINDING SELF-TAPPING SCREW:3X6



04524010N
BINDING SELF-TAPPING SCREW:4X10



04533006N
TAPPING SCREW - M3X6



04543006Q
TAPPING SCREW - M3X6



04543008Q
TAPPING SCREW:3X8



07010030N
WASHER DIA3



07200030E
RETAINING RING - M3



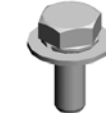
07200040E
RETAINING RING - M4



07200060E
RETAINING RING - M6



07250170E
RETAINING RING C - M17



08046123
HEXAGONAL BOLT:W/WASHER:M3X8



08050088
RETAINING RING - M6



08050089
RETAINING RING - M4



09543006N
SCREW - M3X6



09573006N
SCREW:SMALL ROUND/SPRING:M3X6



09573010N
SCREW:SMALL ROUND/SPRING:M3X10



11050534
CLAMP



11050724
CLAMPS:WES-1210



11050758
CLAMP:LWSM-0306A

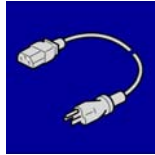
Standard Parts



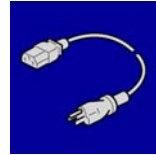
11050760
CLAMP:LWSM-0511A



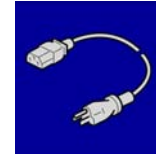
11050762
CLAMP:LWS-0711A



11500460
(CHN):POWER SUPPLY COD
E:250V:10A



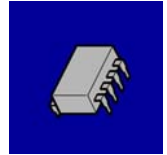
11500481
(NA):POWER SUPPLY CODE:
125V:15A



11500482
(EU):POWER SUPPLY CODE:
250V:10A



12042612
MICRO SWITCH:D3V-16506-3
C25



14077935
EEPROM:BR24T16-W



16072257
FERRITE CORE:K3 NFR-08B
BK0



16072770
FERRITE CORE:GRFC-7

