

Model Da-P1
(M187)
Parts Catalog

Parts change information sample

 **Add**

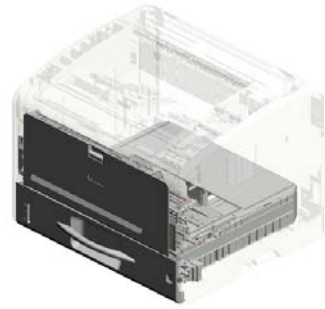
 **Update**

 **Delete**

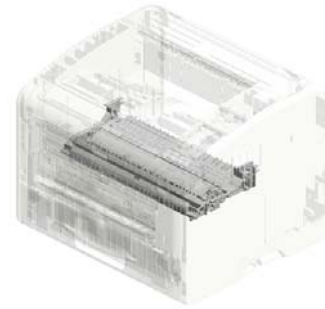
Unit All



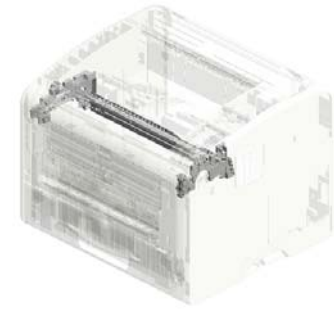
U001
EXTERIOR



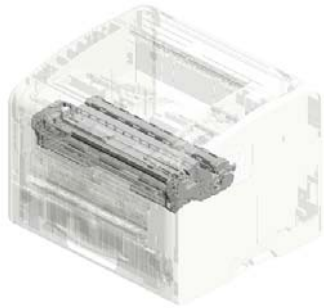
U002
PAPER FEED



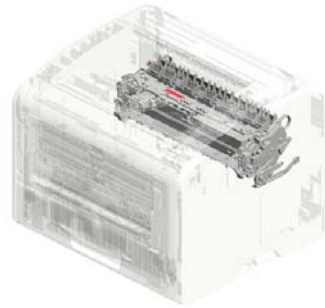
U003
TRANSFER/SEPARATION



U004
OPTICAL WRITING



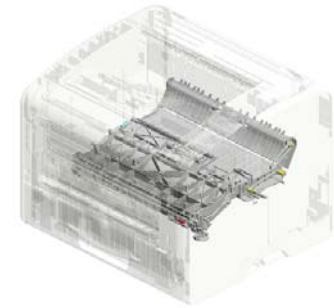
U005
PROCESSES AROUND PHOTOCONDUCTOR



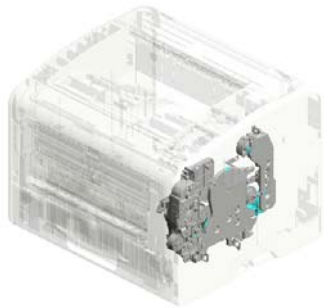
U006
FUSING



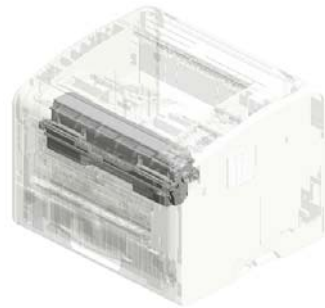
U007
PAPER EXIT



U008
DUPLEX



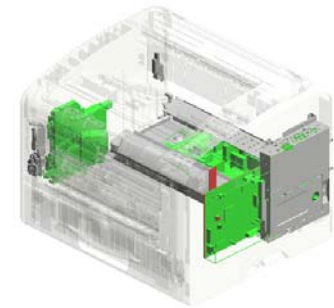
U009
MAIN DRIVE



U010
TONER SUPPLY

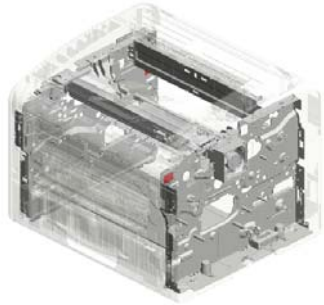


U011
OPERATION



U012
ELECTRICAL

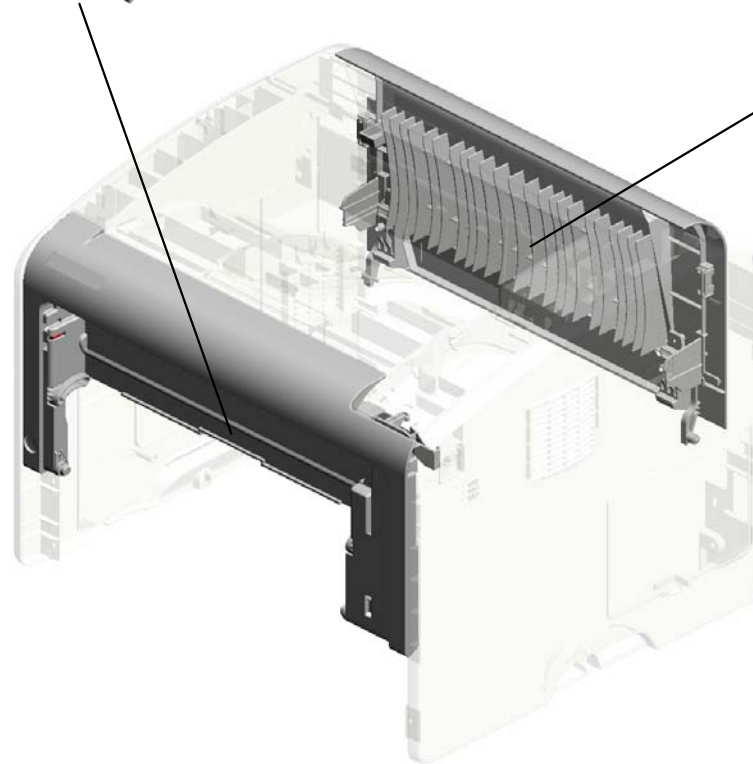
Unit All



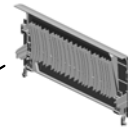
U013
MAIN FRAME

U001.EXTERIOR

U001_S001
M1871280
COVER:FRONT:DAI-P1D:ASS
Y



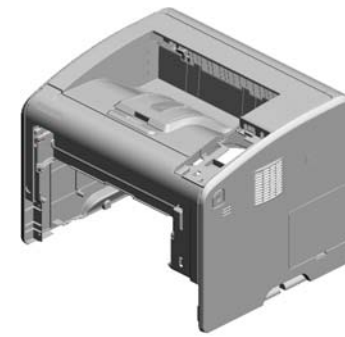
U001_S002
M1871290
COVER:REAR:DAI-P1D:ASS
Y



U001	U002	U003	U004	U005	U006	U007	U008	U009	U010	U011	U012	U013
------	------	------	------	------	------	------	------	------	------	------	------	------

U001 EXTERIOR

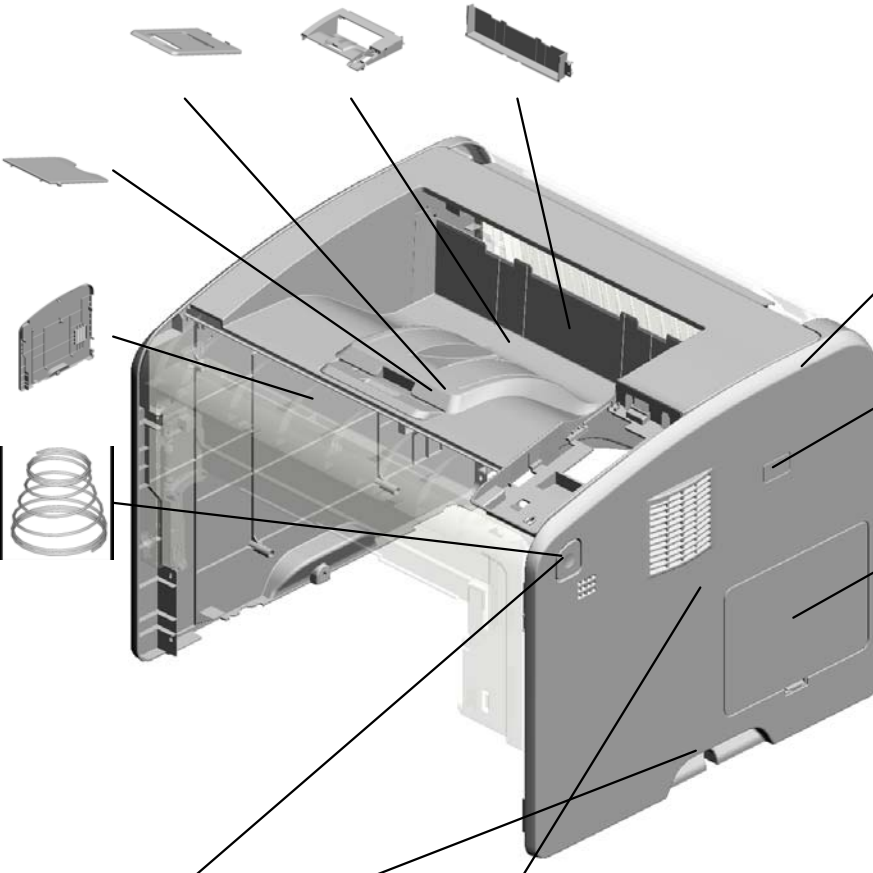
14.M1871272 EXTENSION TRAY: EXIT
 13.M1871271 COVER:UPPER:500
 15.M1871273 COVER:EXIT:INNER BACK



16.M1871279 EXTENSION TRAY: EXIT:SMALL

6.M1871251 COVER:LEFT

10.M1871263 COMPRESSION SPRING:COVER:RIGHT:BUTTON



~~24.M1871297 (x2) SHEET:COVER:A 201511-01~~



4.AA143853 (x2) FLAT FILLISTER HEAD TAPPING SCREW:M3X8

12.M1871265 CAP:TOTAL COUNTER

1.04513006N (x10) TAPPING SCREW - 3X6
 2.04513008N (x 2) TAPPING SCREW - M3X8
 3.04583008N (x 2) HEXAGON HEAD TAPPING SCREW:3X8

11.M1871264 COVER:RIGHT:SMALL

9.M1871262 COVER:BUTTON

~~25.M1871298 (x14) SHEET:COVER:B 201511-02~~

8.M1871261 COVER:RIGHT

U001_S001
COVER:FRONT:DAI-P1D:ASS'Y

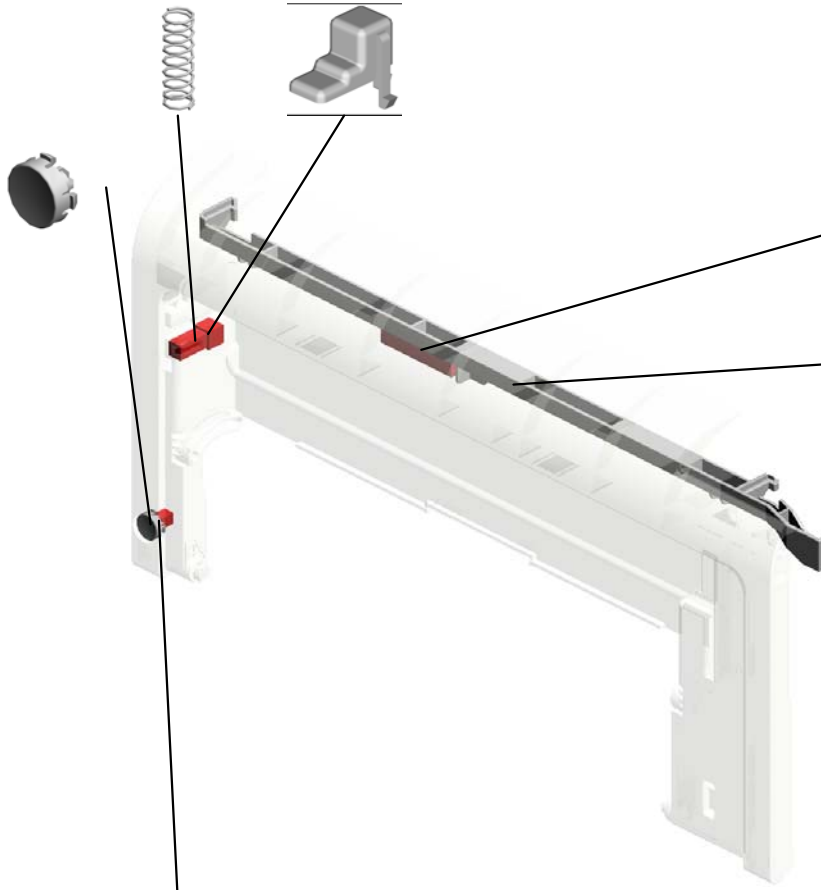
22.M1871289
COMPRESSION SP
RING:COVER:FRO
NT

21.M1871287
PLATE:COVER:FR
ONT



17.M1871280
COVER:FRONT:DA
I-P1D:ASSY

27.M1875820
BUTTON:MAIN SWI
TCH



19.M1871285
COIL SPRING:SUP
PORT STAY



20.M1871286
WIRE:DRIVE:JOINT

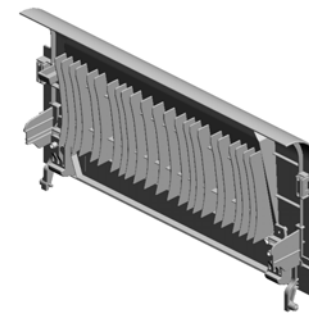
18.M1871284
SUPPORT STAY:C
OVER:FRONT

28.M1875823
COIL SPRING:MAI
N SWITCH

U001	U002	U003	U004	U005	U006	U007	U008	U009	U010	U011	U012	U013
------	------	------	------	------	------	------	------	------	------	------	------	------

U001_S002
COVER:REAR:DAI-P1D:ASS'Y

26.M1874492
(x2)
COIL SPRING:GUI
DE PLATE:EXIT:RE
AR



23.M1871290
COVER:REAR:DAI-
P1D:ASS'Y

7.M1871258
(x2)
PLATE:GUIDE PLA
TE:REAR



5.AG070517
(x2)
MAGNET CATCH:3
4N:ASS'Y



4.AA143853
FLAT FILLISTER H
EAD TAPPING SCR
EW:M3X8



3.04583008N
(x2)
HEXAGON HEAD T
APPING SCREW:3
X8

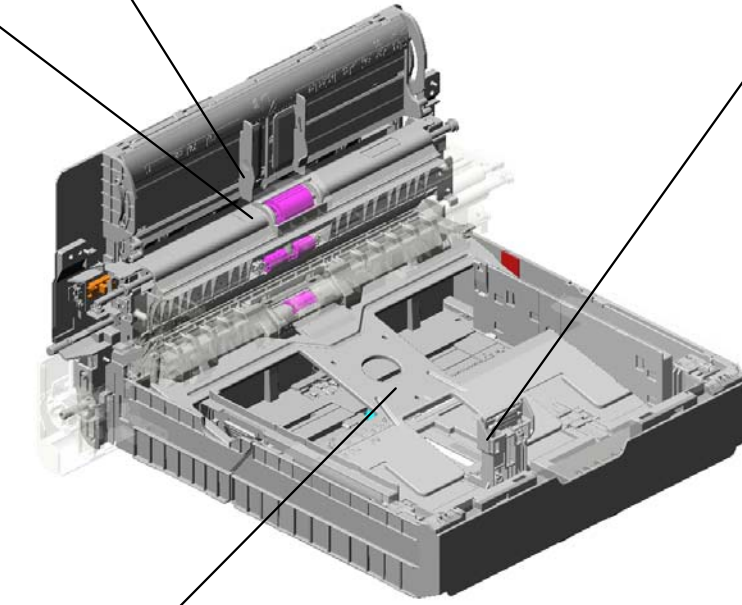
U001	U002	U003	U004	U005	U006	U007	U008	U009	U010	U011	U012	U013
------	------	------	------	------	------	------	------	------	------	------	------	------

U002.PAPER FEED

U002_S004
M1872702
TRAY:MANUAL FEED:ASS'Y

U002_S003
M1872701
MANUAL FEED UNIT:ASS'Y

U002_S001
M1872550
PAPER TRAY:REAR:500TYP
E:ASS'Y

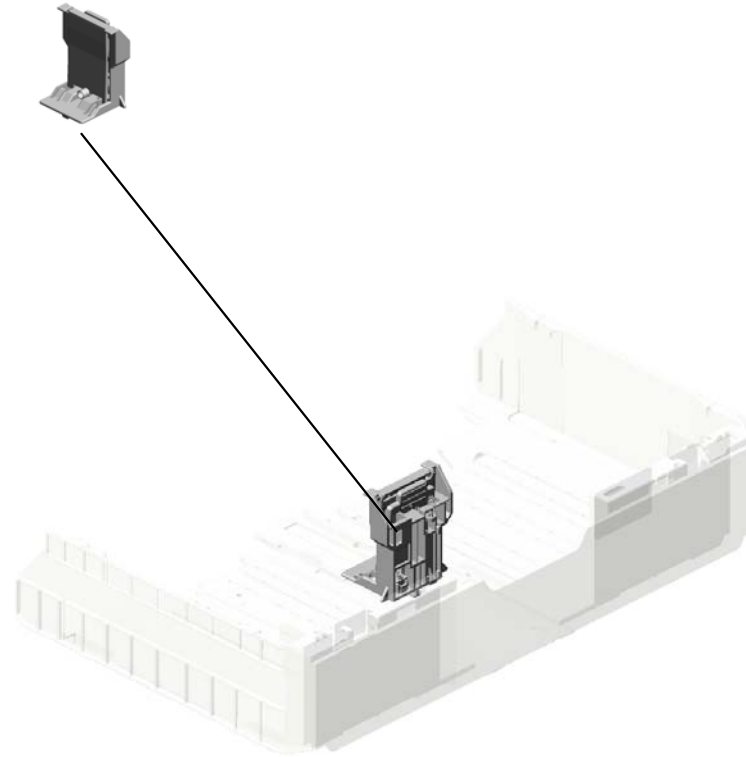


U002_S002
M1872605
PAPER TRAY:FRONT:500TY
PE:ASS'Y

U001	U002	U003	U004	U005	U006	U007	U008	U009	U010	U011	U012	U013
------	-------------	------	------	------	------	------	------	------	------	------	------	------

U002_S001.PAPER TRAY:REAR:500TYPE:ASS'Y

U002_S001_S001
M1872656
END FENCE:500TYPE:ASSY

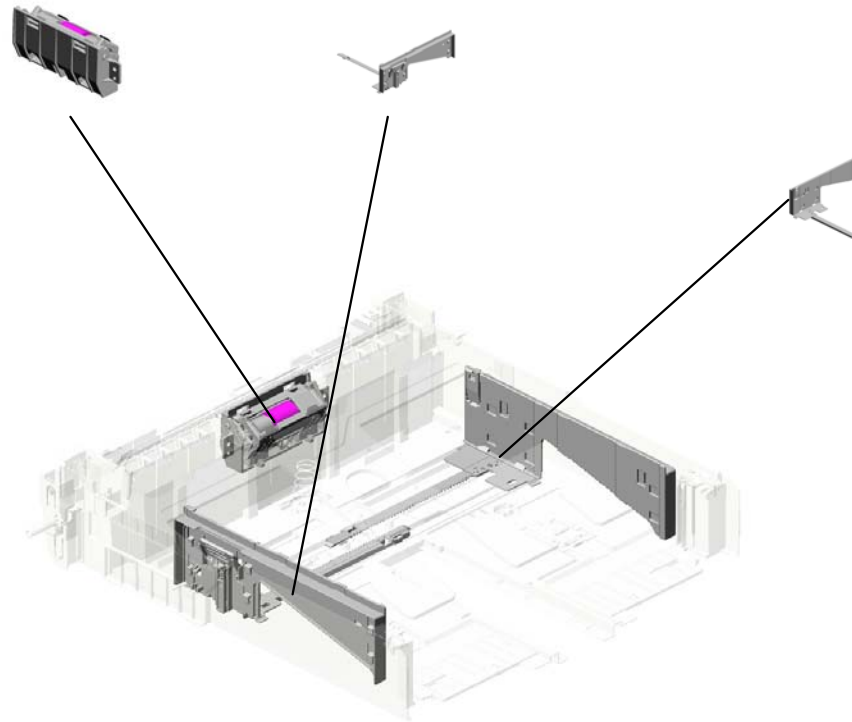


U001	U002	U003	U004	U005	U006	U007	U008	U009	U010	U011	U012	U013
------	-------------	------	------	------	------	------	------	------	------	------	------	------

U002_S002.PAPER TRAY:FRONT:500TYPE:ASS'Y

U002_S002_S001
M1872610
SEPARATOR:ASS'Y

U002_S002_S002
M1872641
SIDE FENCE:RIGHT:500TYP
E:ASS'Y



U002_S002_S003
M1872661
SIDE FENCE:LEFT:500TYPE:
ASS'Y

U001	U002	U003	U004	U005	U006	U007	U008	U009	U010	U011	U012	U013
------	-------------	------	------	------	------	------	------	------	------	------	------	------

U002 PAPER FEED

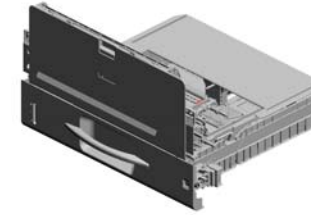
5.04583010N
(x20)
HEXAGON HEAD TAPPING SCREW:3X10

9.11050758
CLAMP:LWSM-0306A

1.04543006N
(x2)
TAPPING SCREW:ROUND POINT:3X6

7.08050104
(x4)
RETAINING RINGS-E:SILENCER:DIA4

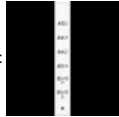
6.07200040E
(x2)
RETAINING RING-M4



56.M1872651
(-NA):DECAL:DIAL:PAPER SIZE SENSOR



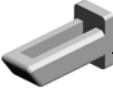
57.M1872652
(x2)
(-EU/-CHN):DECAL:DIAL:PAPER SIZE SENSOR



34.M1112604
DIAL:PAPER SIZE SENSOR BOARD



31.M1092635
(x2)
SPACER:PAPER SIZE SENSOR BOARD:OUTER



36.M1112636
SPACER:PAPER SIZE SENSOR BOARD:MIDDLE



24.GW500004
PUSH SWITCH:CASETTE:TYCO



30.M1092631
GRIP:PAPER TRAY



17.AW020198
PHOTOINTERRUPTOR:LG2A14NL1



22.GF031009
PAPER FEED ROLLER:BALANCER



23.GW010007
PHOTO REFLECTION SENSOR:EXIT



8.08050106
RETAINING RINGS-E:SILENCER:DIA6



7.08050104
RETAINING RINGS-E:SILENCER:DIA4



13.AA082175
(x2)
PLAIN SHAFT BEARING:8X12X7



12.AA082173
(x4)
PLAIN SHAFT BEARING:6X10X6



39.M1872590
(x2)
SPRING PLATE:PAPER TRAY:ASSY



2.04543006Q
(x2)
TAPPING SCREW-M3X6



U002 PAPER FEED

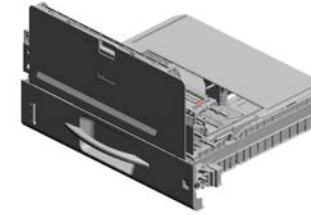
59.M1872654
DECAL:PAPER SE
T DIRECTION:RIGH
T

108.M1872811
ROLLER:CONNEC
TING:DRIVE:PAPE
R FEED

66.M1872692
COVER:PAPER TR
AY:500TYPE

107.M1872808
SPACER:ROLLER:
CONNECTING:PAP
ER FEED

58.M1872653
DECAL:PAPER SE
T DIRECTION:LEFT



106.M1872807
SHAFT:PAPER FEE
D

111.M1872817
GROUND PLATE:S
TAY:PAPER FEED:
RIGHT

114.M1872823
GROUND PLATE:P
APER FEED:UPPE
R

64.M1872683
LEVER:PAPER SIZ
E SENSOR BOARD

118.M1872842
SENSOR COVER:P
APER SIZE SENSO
R BOARD:500TYPE

116.M1872836
COVER:STAY:PAP
ER FEED:RIGHT

113.M1872822
FEELER:PAPER E
ND SENSOR

115.M1872831
GUIDE PLATE:PAP
ER FEED:ENTRAN
CE:ASS'Y

104.M1872805
STAY:PAPER FEE
D

109.M1872813
GUIDE PLATE:PAP
ER FEED:UPPER

110.M1872816
SHEET:STAY:PAPE
R FEED:UPPER

117.M1872837
COVER:STAY:PAP
ER FEED:LEFT

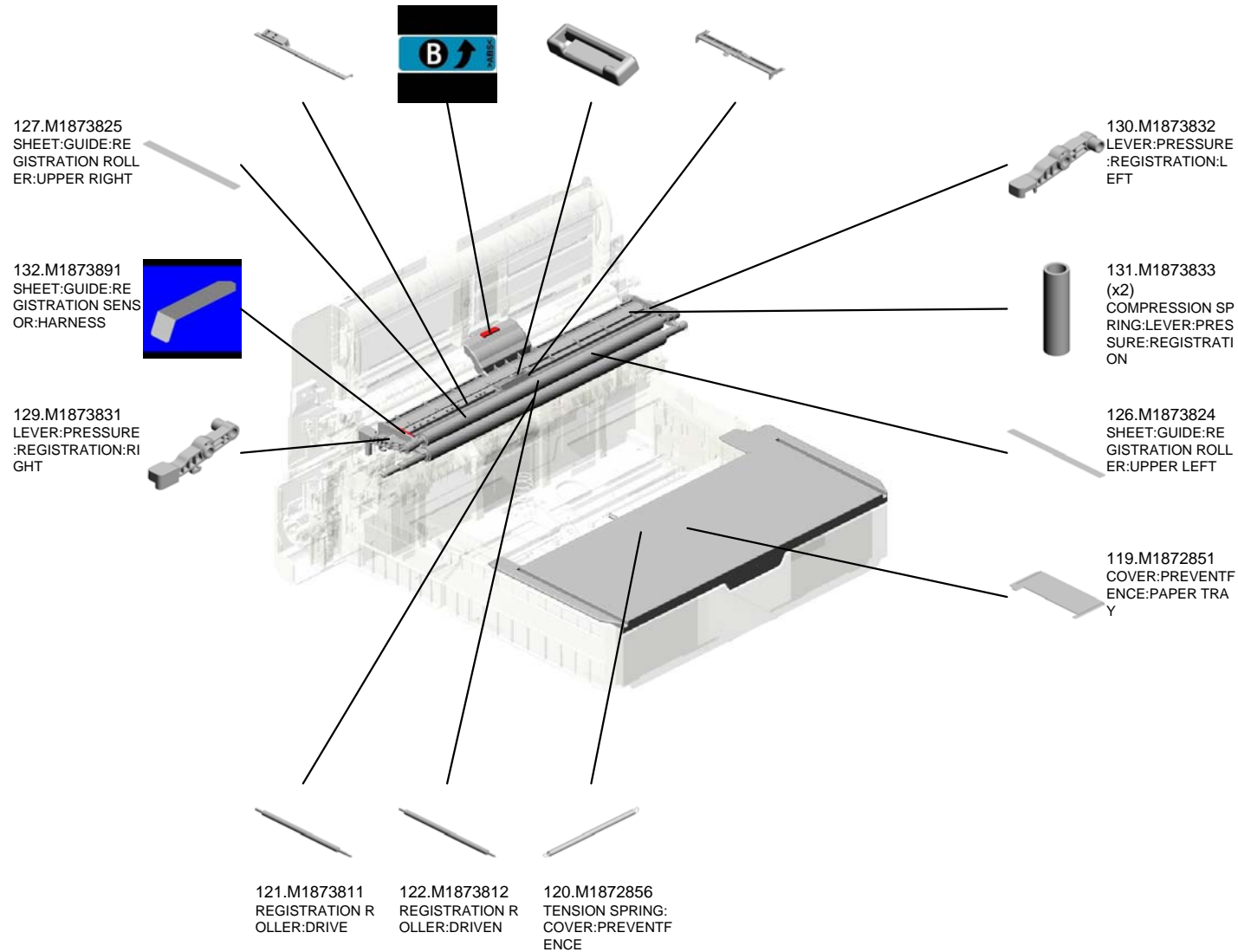
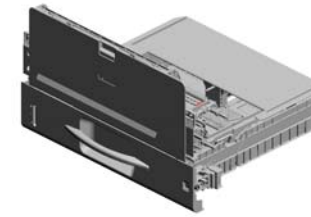
112.M1872818
COMPRESSION SP
RING:LEVER:PAPE
R FEED ROLLER

103.M1872803
LEVER:PAPER FEE
D ROLLER

105.M1872806
SHAFT:PLAIN SHA
FT BEARING:PAPE
R FEED ROLLER

U002 PAPER FEED

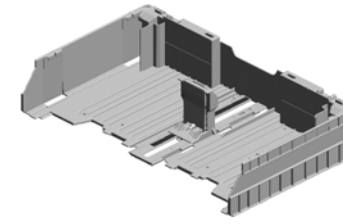
- 124.M1873822 COVER:GUIDE:REGISTRATION:UPPER
- 128.M1873826 DECAL:REGISTRATION GUIDE:GRIP
- 125.M1873823 STOPPER:SENSOR:PLATE
- 123.M1873821 GUIDE PLATE:REGISTRATION:UPPER



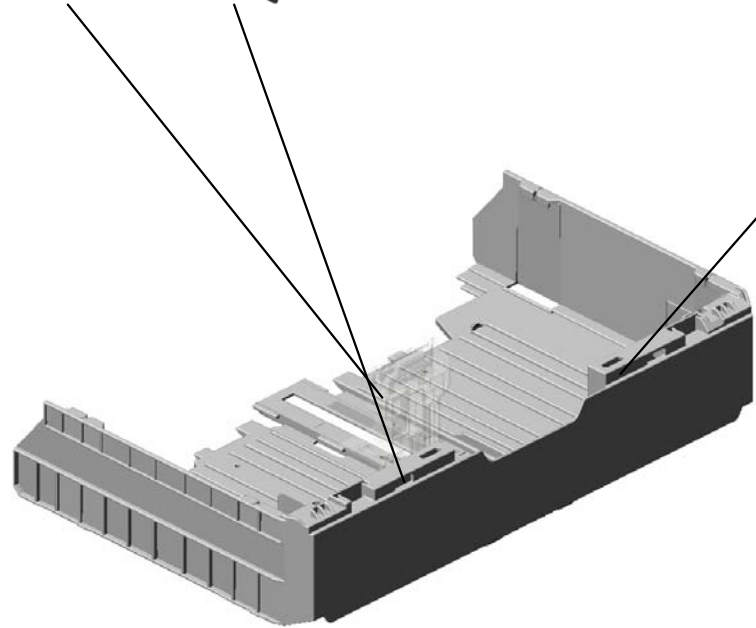
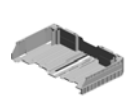
U002_S001
PAPER TRAY:REAR:500TYPE:ASS'Y

38.M1872554
PAPER TRAY:REA
R:500TYPE

60.M1872655
DECAL:PAPER FE
ED PRESSURE:OP
ERATE



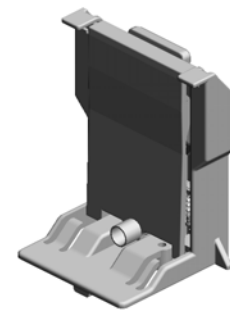
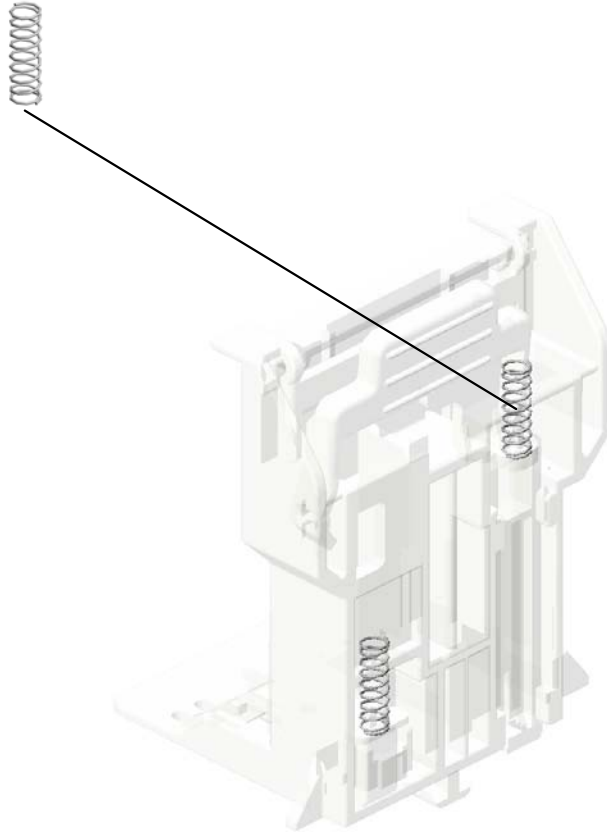
37.M1872550
PAPER TRAY:REA
R:500TYPE:ASS'Y



35.M1112633
DECAL:EXTENSIO
N TRAY:OPERATE

U002_S001_S001
END FENCE:500TYPE:ASS'Y

25.M0752610
(x2)
COMPRESSION SP
RING:LOCK:SIDE F
ENCE



61.M1872656
END FENCE:500TY
PE:ASS'Y

U001	U002	U003	U004	U005	U006	U007	U008	U009	U010	U011	U012	U013
------	-------------	------	------	------	------	------	------	------	------	------	------	------

U002_S002

PAPER TRAY:FRONT:500TYPE:ASS'Y

49.M1872624
SHEET:PAPER TR
AY:SEPARATE:500
TYPE

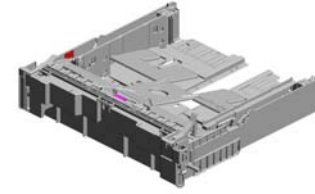
20.GA063086
COMPRESSION SP
RING:PAPER TRAY

11.A2672869
GEAR - 16Z

42.M1872606
LEVER:PAPER VO
LUME SENSOR:50
0TYPE

5.04583010N
(x6)
HEXAGON HEAD T
APPING SCREW:3
X10

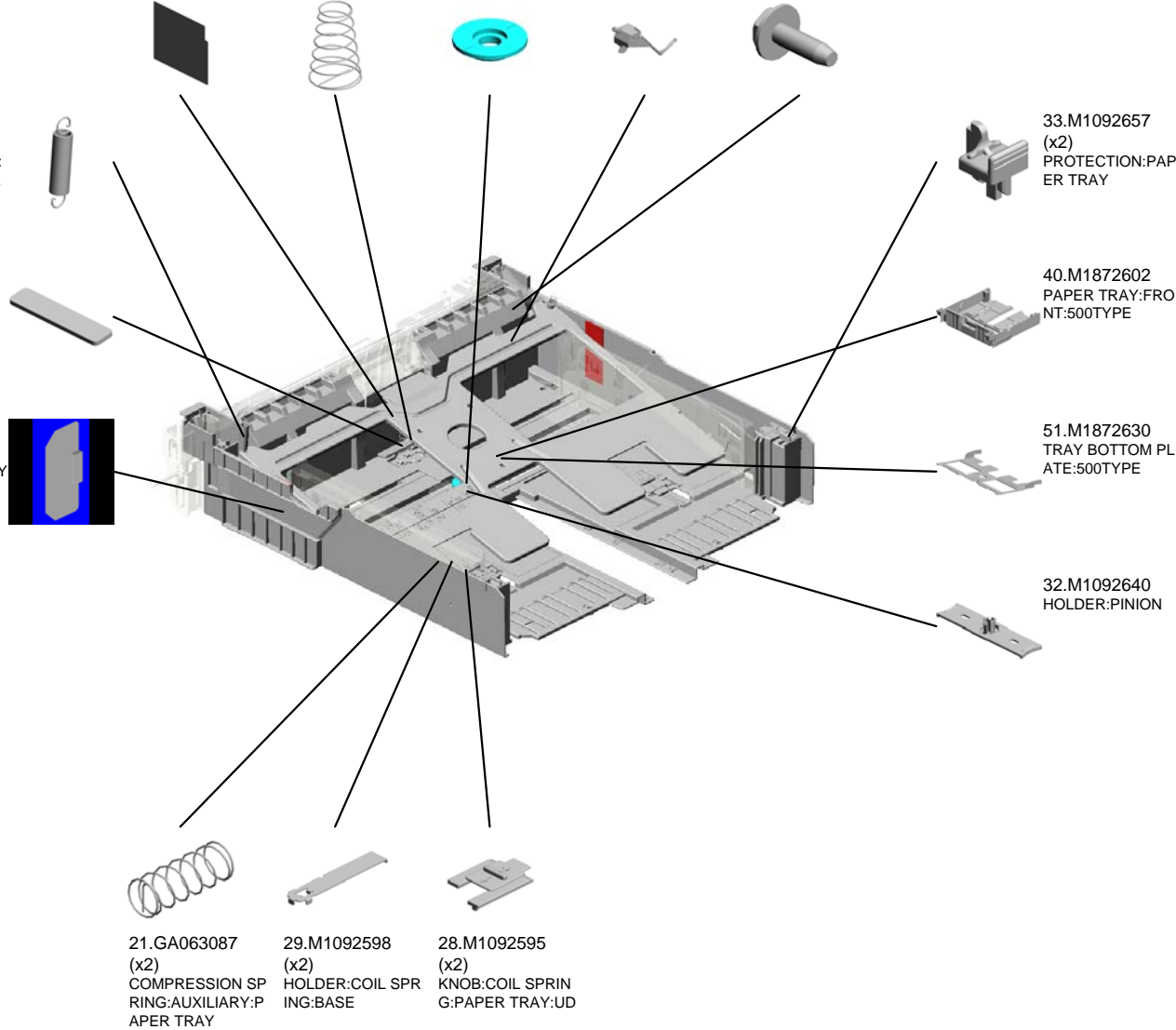
41.M1872605
PAPER TRAY:FRO
NT:500TYPE:ASS'Y



52.M1872637
(x2)
TENSION SPRING:
TRAY BOTTOM PL
ATE:500TYPE

55.M1872647
PAD:BASE:URETH
ANE:WHITE

65.M1872688
(x2)
SEAL:PAPER TRAY
:500



33.M1092657
(x2)
PROTECTION:PAP
ER TRAY

40.M1872602
PAPER TRAY:FRO
NT:500TYPE

51.M1872630
TRAY BOTTOM PL
ATE:500TYPE

32.M1092640
HOLDER:PINION

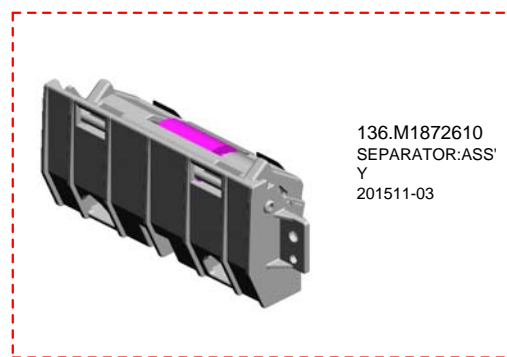
21.GA063087
(x2)
COMPRESSION SP
RING:AUXILIARY:P
APER TRAY

29.M1092598
(x2)
HOLDER:COIL SPR
ING:BASE

28.M1092595
(x2)
KNOB:COIL SPRIN
G:PAPER TRAY:UD

U002_S002_S001
SEPARATOR:ASS'Y

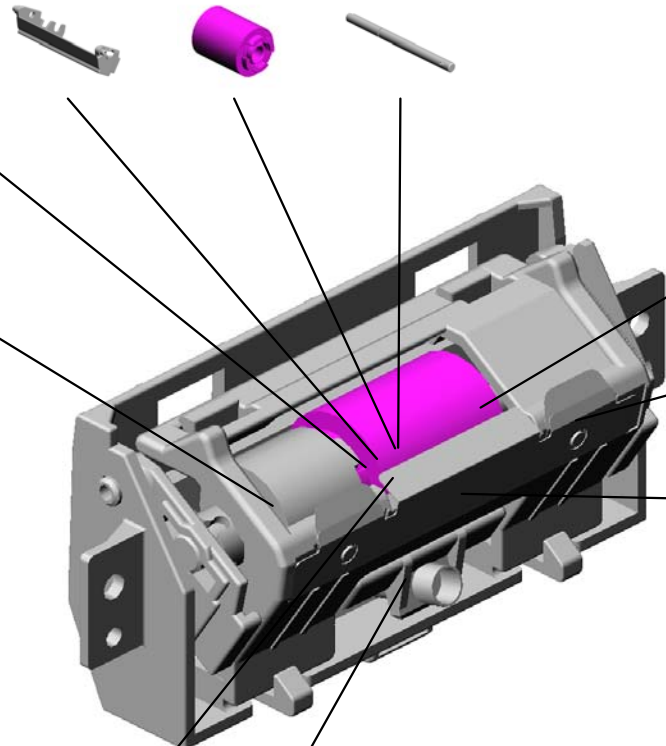
44.M1872612 BRACKET:PAPER FEED ROLLER:SEPARATE
 16.AF032094 PAPER FEED ROLLER:SEPARATE
 46.M1872614 SHAFT:PAPER FEED ROLLER:SEPARATE



136.M1872610
SEPARATOR:ASS'Y
201511-03

43.M1872611
BASE:PAPER FEED ROLLER:SEPARATE

18.D1292783
TORQUE LIMITER MECHANICAL CLUTCH:40MMN:DIA18



7.08050104
RETAINING RINGS
-E:SILENCER:DIA4

50.M1872625
(x2)
SHEET:SEPARATE
:AUXILIARY

48.M1872623
GUIDE:SEPARATE:
AUXILIARY

45.M1872613
COVER:PAPER FEED ROLLER:SEPARATE

47.M1872618
COMPRESSION SPRING:PRESSURE:SEPARATE:0.75N

U002_S002_S002

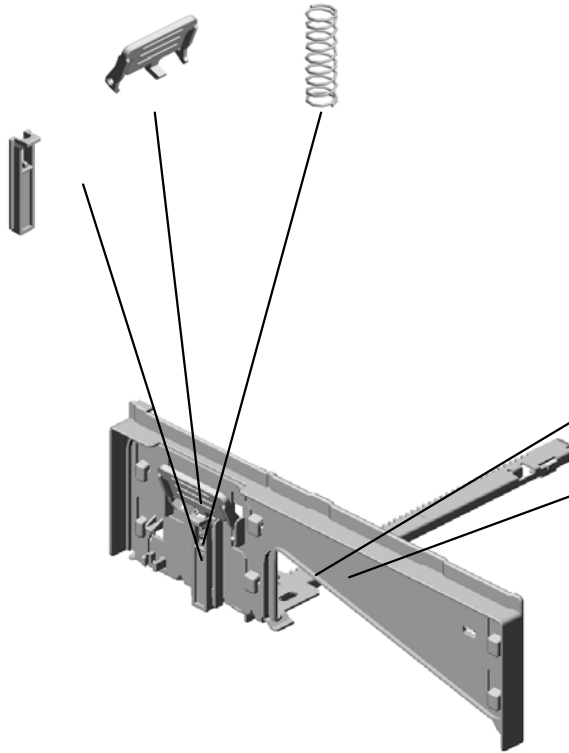
SIDE FENCE:RIGHT:500TYPE:ASS'Y

27.M1092589
LEVER:LOCK:SIDE
FENCE

25.M0752610
COMPRESSION SP
RING:LOCK:SIDE F
ENCE

53.M1872641
SIDE FENCE:RIGH
T:500TYPE:ASS'Y

133.M4062854
PAWL:LOCK:SIDE
FENCE



134.M4062855
COVER:SIDE FENC
E:RIGHT

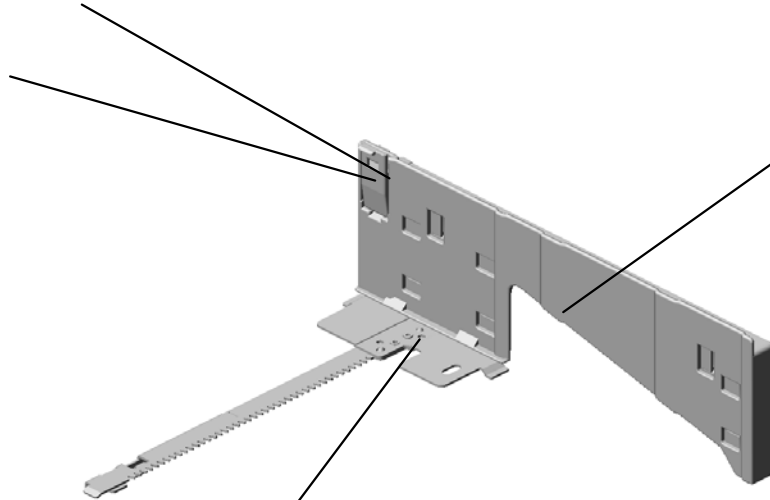
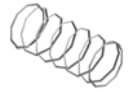
54.M1872642
SIDE FENCE:RIGH
T:500TYPE

U001	U002	U003	U004	U005	U006	U007	U008	U009	U010	U011	U012	U013
------	-------------	------	------	------	------	------	------	------	------	------	------	------

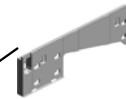
U002_S002_S003
SIDE FENCE:LEFT:500TYPE:ASS'Y

19.GA063084
COMPRESSION SP
RING:AUXILIARY:S
IDE FENCE

26.M1092584
PRESSURE PLATE
:SIDE FENCE:LEFT



135.M4062865
COVER:SIDE FENC
E:LEFT



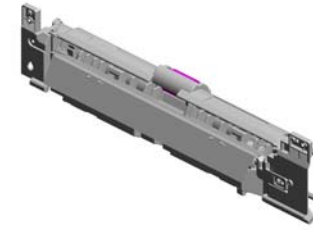
63.M1872662
SIDE FENCE:LEFT:
500TYPE



62.M1872661
SIDE FENCE:LEFT:
500TYPE:ASS'Y

U001	U002	U003	U004	U005	U006	U007	U008	U009	U010	U011	U012	U013
------	-------------	------	------	------	------	------	------	------	------	------	------	------

U002_S003
MANUAL FEED UNIT:ASS'Y



67.M1872701
MANUAL FEED UNIT:ASS'Y

72.M1872727
CAM:MANUAL FEED:RIGHT

75.M1872730
FEELER:PAPER FEED SENSOR:MANUAL FEED

73.M1872728
COVER:PAPER FEED ROLLER:MANUAL FEED

79.M1872737
HOLDER:FRICION PAD:MANUAL FEED

69.M1872721
SHAFT:PAPER FEED ROLLER:MANUAL FEED:PRESS FIT

78.M1872736
(x2)
COMPRESSION SPRING:BASE:MANUAL FEED

80.M1872740
FEELER:CAM:MANUAL FEED

7.08050104
(x3)
RETAINING RINGS:SEALER:DIA4

17.AW020198
(x2)
PHOTOINTERRUPTOR:LG2A14NL1

9.11050758
(x2)
CLAMP:LWSM-0306A

76.M1872732
PAD:BASE

74.M1872729
DAMPING INSULATION:MANUAL FEED

70.M1872723
PAPER FEED ROLLER:MANUAL FEED

77.M1872735
(x2)
HOLDER:CAM:BASE:MANUAL FEED

71.M1872726
CAM:MANUAL FEED:LEFT

3.04543008Q
(x4)
TAPPING SCREW:3X8

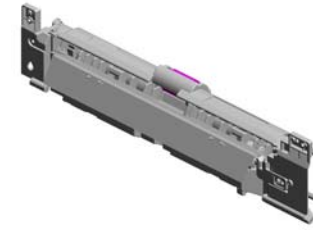
5.04583010N
(x6)
HEXAGON HEAD TAPPING SCREW:3X10

10.54472681
(x2)
SNAP RING

12.AA082173
(x4)
PLAIN SHAFT BEARING RING:6X10X6

4.04583008N
(x3)
HEXAGON HEAD TAPPING SCREW:3X8

U002_S003
MANUAL FEED UNIT:ASS'Y



67.M1872701
MANUAL FEED UNIT:ASS'Y

84.M1872752
DECAL:SET:PCDU:
RIGHT

90.M1872765
FRICTION PAD:MA
NUAL FEED

97.M1872772
COMPRESSION SP
RING:FRICTION PA
D:MANUAL FEED:3
.4N

96.M1872771
SHAFT:CAM:MANU
AL FEED

81.M1872741
COIL SPRING:FEE
LER:CAM:MANUAL
FEED

102.M1872778
SHEET:SENSOR C
OVER

85.M1872753
DECAL:SET:PCDU:
LEFT

82.M1872744
SPRING PLATE:HO
ME POSITION SEN
SOR:MANUAL FEE
D

100.M1872776
(x2)
PLAIN SHAFT BEA
RING:DIA5:CONNE
CTING

99.M1872775
SHAFT:CONNECTI
NG:DRIVEN:PAPE
R FEED

98.M1872774
ROLLER:DRIVEN:C
ONNECTING

83.M1872750
(x2)
COMPRESSION SP
RING:DRIVEN ROL
LER:CONNECTING

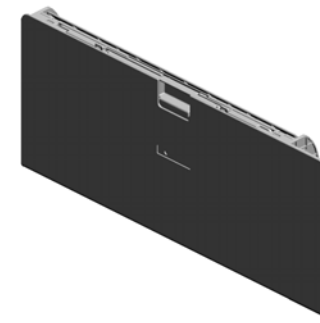
U001	U002	U003	U004	U005	U006	U007	U008	U009	U010	U011	U012	U013
------	-------------	------	------	------	------	------	------	------	------	------	------	------

U002_S004
 TRAY:MANUAL FEED:ASS'Y

93.M1872768 EXTENSION TRAY:
 NO.2:MANUAL FEED

92.M1872767 EXTENSION TRAY:
 NO.1:MANUAL FEED

91.M1872766 COVER:EXTENSION TRAY



68.M1872702
 TRAY:MANUAL FEED:ASS'Y

14.AA143846
 TAPPING SCREW:
 M3X6



87.M1872761
 SIDE FENCE:MANUAL FEED:RIGHT



15.AA143853
 (x2)
 FLAT FILLISTER HEAD TAPPING SCREW:M3X8



94.M1872769
 (x2)
 HOLDER:COMPRESSION SPRING:EXTENSION TRAY



95.M1872770
 (x2)
 COMPRESSION SPRING RING:EXTENSION TRAY:7N



89.M1872763
 (x2)
 RACK:SIDE FENCE



101.M1872777
 (x2)
 SPRING PLATE:SIDE FENCE:MANUAL FEED



88.M1872762
 GEAR:SIDE FENCE



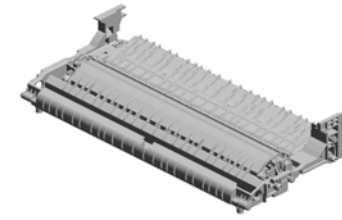
86.M1872760
 SIDE FENCE:MANUAL FEED:LEFT



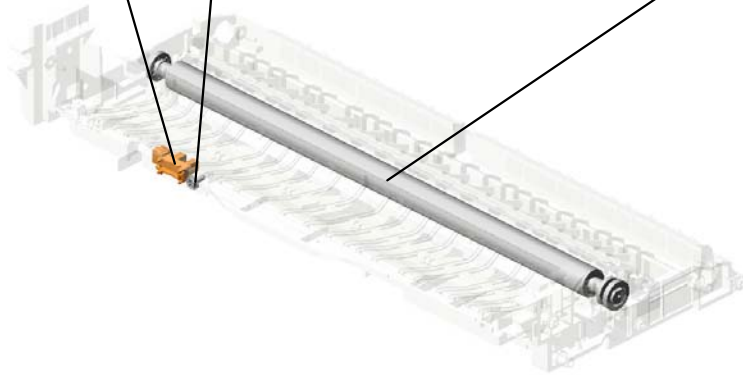
U003 TRANSFER/SEPARATION

2.AW020198
PHOTOINTERRUP
TOR:LG2A14NL1

1.04583008N
HEXAGON HEAD T
APPING SCREW:3
X8



3.M1876202
TRANSFER ROLLE
R:ASS'Y



U001	U002	U003	U004	U005	U006	U007	U008	U009	U010	U011	U012	U013
------	------	------	------	------	------	------	------	------	------	------	------	------

U004 OPTICAL WRITING

1.04543006Q
(x8)
TAPPING SCREW -
M3X6

7.M1871927
LINK:LED:RIGHT:B

11.M1871935
(x2)
COIL SPRING:LINK
:LED

12.M1871936
LEVER:LINK:LED:R
IGHT

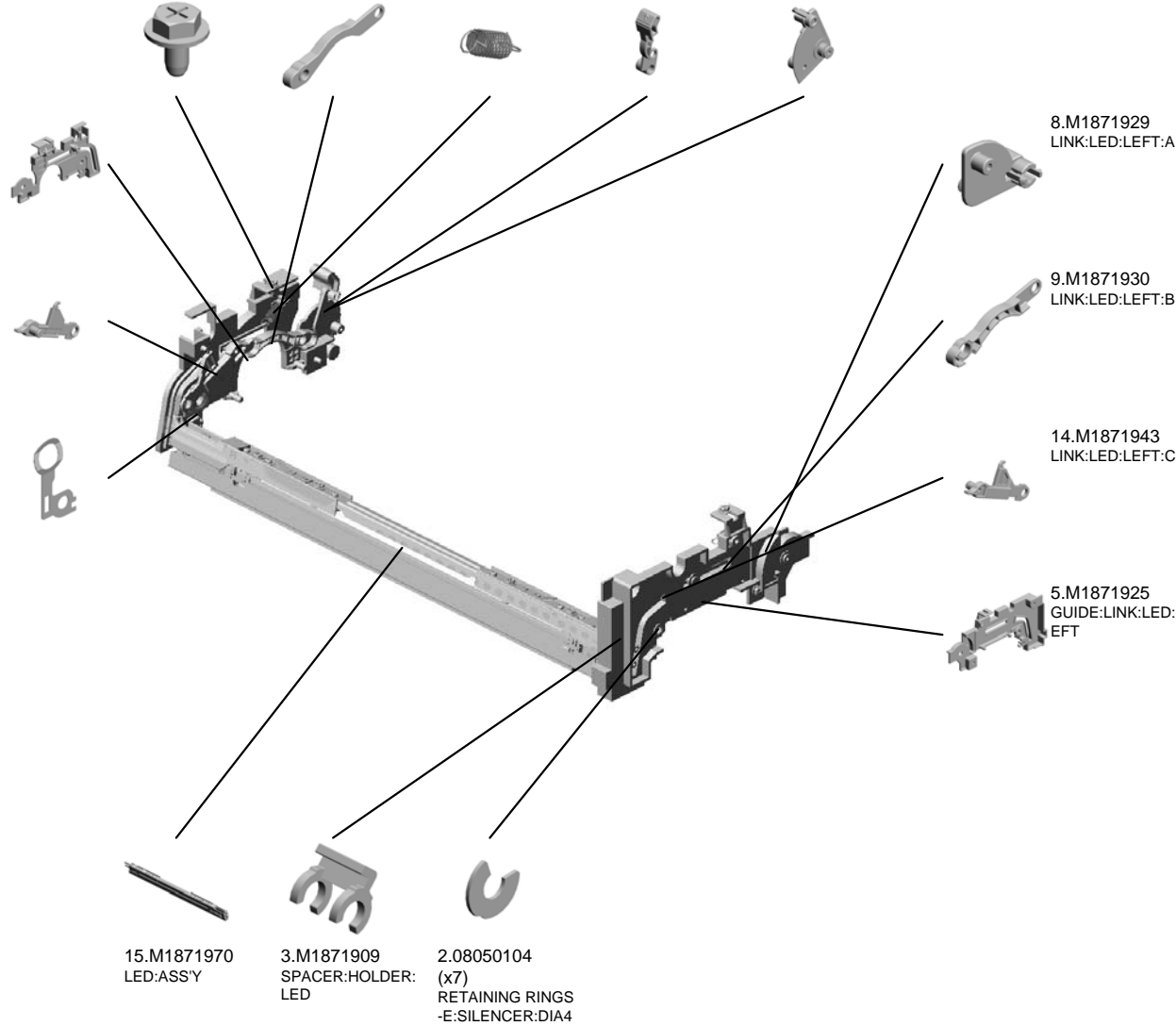
6.M1871926
LINK:LED:RIGHT:A



4.M1871924
GUIDE:LINK:LED:RI
GHT

13.M1871942
LINK:LED:RIGHT:C

10.M1871933
(x2)
GROUND PLATE:HI
NGE:LED



8.M1871929
LINK:LED:LEFT:A

2.08050104
(x2)
RETAINING RINGS
-E:SILENCER:DIA4

9.M1871930
LINK:LED:LEFT:B

14.M1871943
LINK:LED:LEFT:C

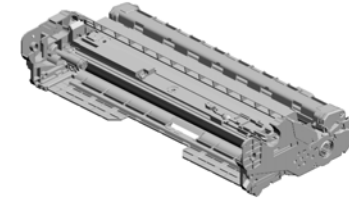
5.M1871925
GUIDE:LINK:LED:L
EFT

15.M1871970
LED:ASSY

3.M1871909
SPACER:HOLDER:
LED

2.08050104
(x7)
RETAINING RINGS
-E:SILENCER:DIA4

U005
PROCESSES AROUND PHOTOCONDUCTOR



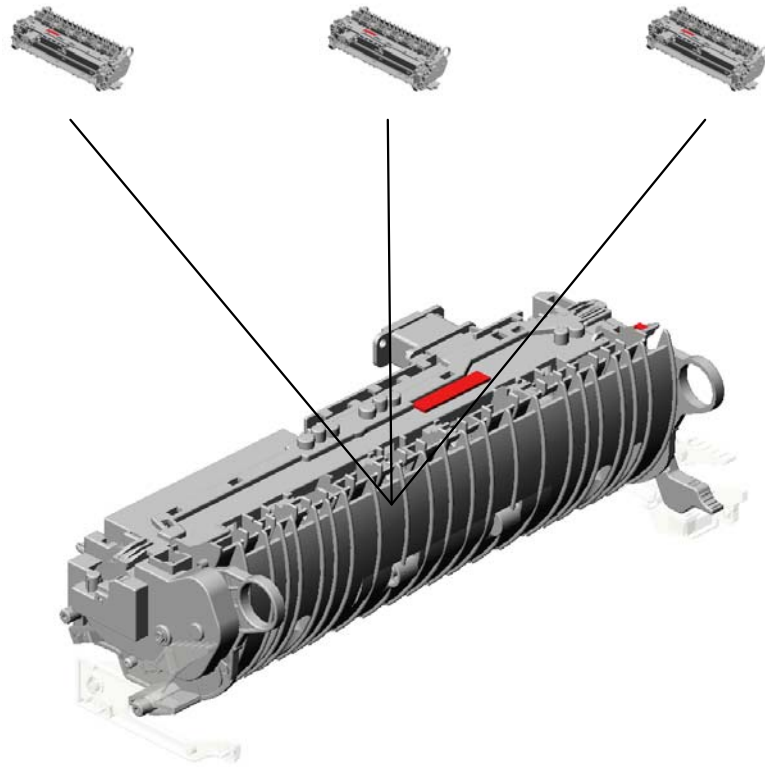
U001	U002	U003	U004	U005	U006	U007	U008	U009	U010	U011	U012	U013
------	------	------	------	------	------	------	------	------	------	------	------	------

U006.FUSING

U006_S001
M1874027
(-EU/-CHN):FUSING UNIT

U006_S002
M1874027
(-EU/-CHN):FUSING UNIT

U006_S003
M1874017
(-NA):FUSING UNIT



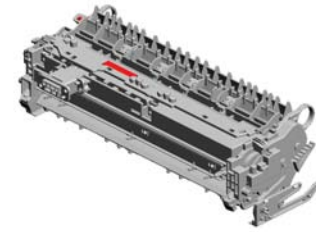
U001	U002	U003	U004	U005	U006	U007	U008	U009	U010	U011	U012	U013
------	------	------	------	------	-------------	------	------	------	------	------	------	------

U006 FUSING

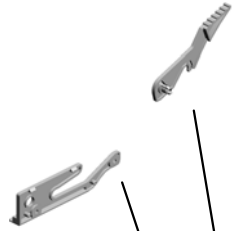
63.M1874352
LEVER:FUSING:RI
GHT

7.11050758
(x2)
CLAMP:LWSM-030
6A

65.M1874354
LEVER:FUSING:LE
FT



62.M1874351
GUIDE:FUSING:RI
GHT LOWER

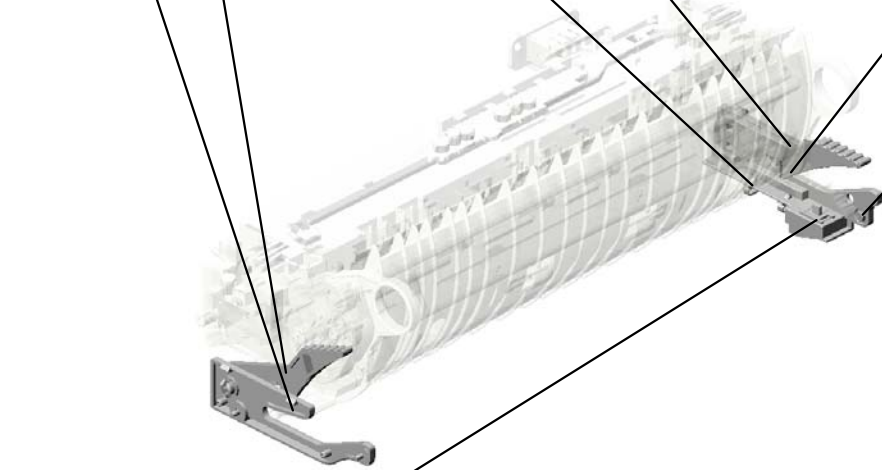


64.M1874353
GUIDE:FUSING:LE
FT LOWER



8.52152621
(x2)
SNAP RING - M6

1.04533006N
(x4)
TAPPING SCREW -
M3X6

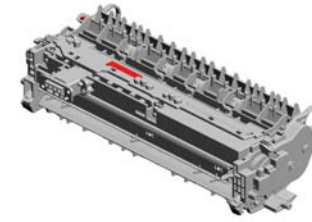


13.G0205626
PUSH SWITCH



U001	U002	U003	U004	U005	U006	U007	U008	U009	U010	U011	U012	U013
------	------	------	------	------	-------------	------	------	------	------	------	------	------

U006_S001 (-EU/-CHN):FUSING UNIT



19.M1874027
(-EU/-CHN):FUSING UNIT

- 21.M1874106 EXIT ROLLER:FUSING
- 12.D1204184 DECAL:H-TEMP WARNING:SMALL
- 15.M0124120 (x5) TENSION SPRING: PICKOFF PAWL
- 16.M0124281 (x2) RETAINING RINGS -C:HOT ROLLER
- 14.M0124055 (x2) RADIAL BALL BEARING:35X47X7

11.AW110110 THERMOSTAT

26.M1874121 GUIDE:DUPLX:FUSING

24.M1874113 SHAFT:LEVER:ENVELOPE

9.AA080313 (x2) DRIVEN ROLLER BUSHING

23.M1874112 LEVER:ENVELOPE:RIGHT

2.04583010N (x12) HEXAGON HEAD TAPPING SCREW:3X10

5.08053575 (x2) RADIAL BALL BEARING:DIA8XDIA16X5

25.M1874114 TORSION SPRING:LEVER

3.08046127 (x8) HEXAGONAL BOLT:DOUBLE SCREW:M3X8

22.M1874111 LEVER:ENVELOPE:LEFT

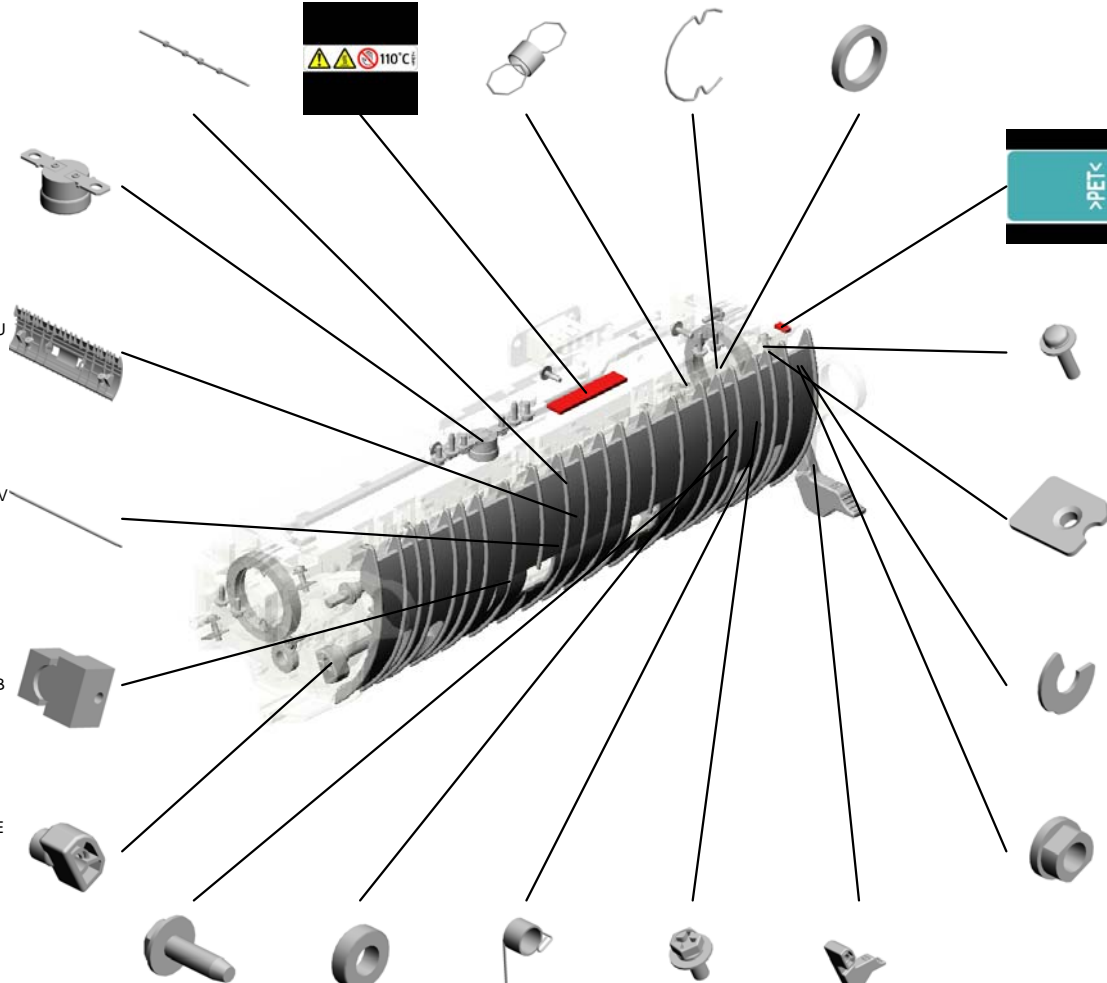
17.M1094181 DECAL:OPERATION SUB-UNIT:GUIDE PLATE

6.09543012N (x6) SCREW - M3X12

20.M1874102 (x5) FLAT NUT:FRAME

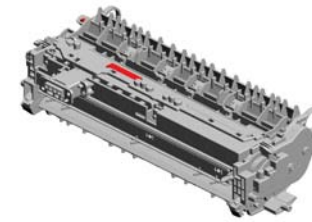
4.08050104 (x2) RETAINING RINGS -E:SILENCER:DIA4

10.AA082118 (x2) BUSHING - M6

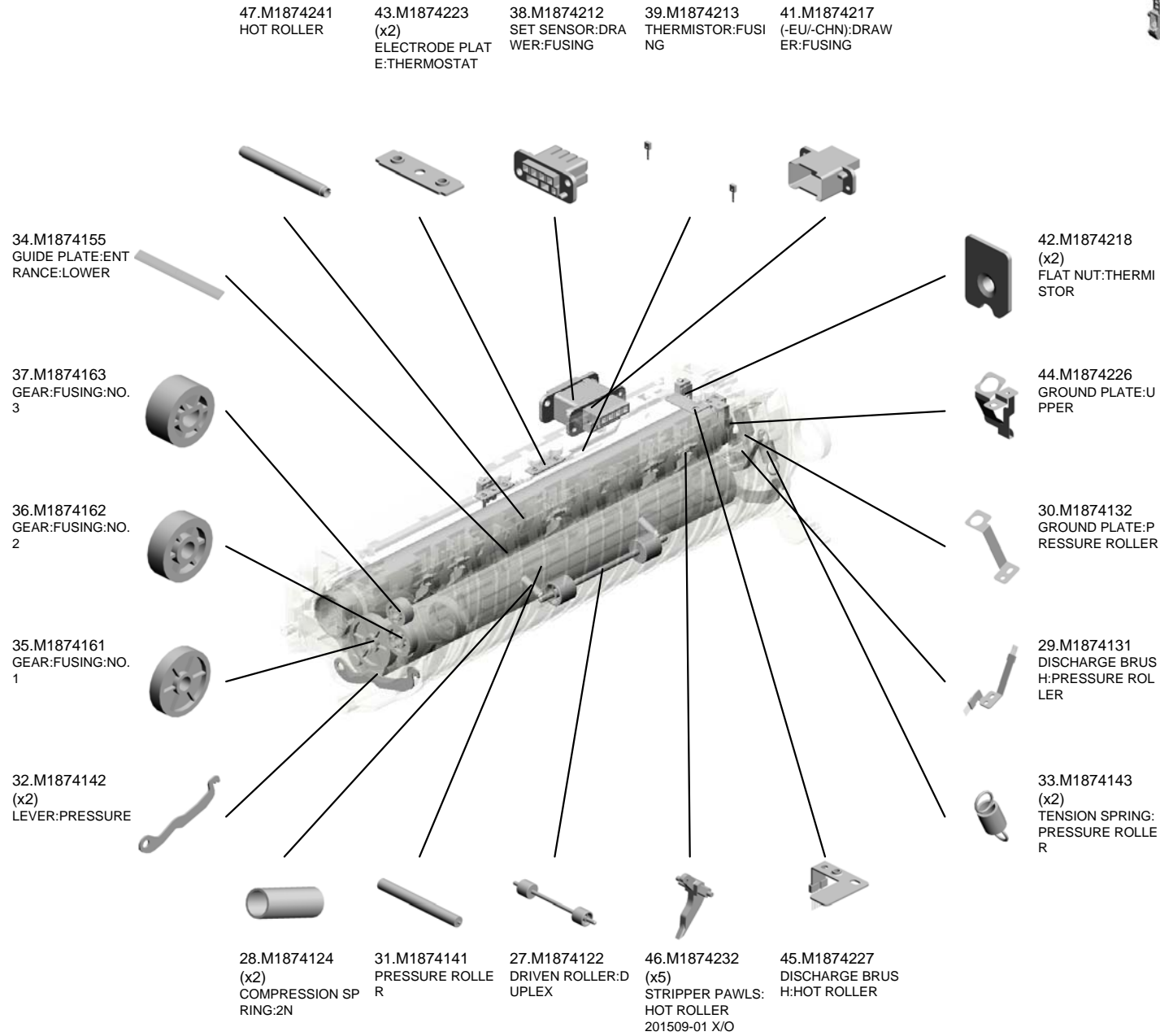


U001	U002	U003	U004	U005	U006	U007	U008	U009	U010	U011	U012	U013
------	------	------	------	------	------	------	------	------	------	------	------	------

U006_S001
(-EU/-CHN):FUSING UNIT



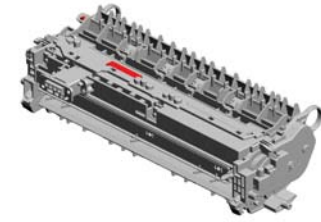
19.M1874027
(-EU/-CHN):FUSING UNIT



U001	U002	U003	U004	U005	U006	U007	U008	U009	U010	U011	U012	U013
------	------	------	------	------	------	------	------	------	------	------	------	------

U006_S001
(-EU/-CHN):FUSING UNIT

- 58.M1874313 (x4) HOLDER:EXIT ROLLER
- 59.M1874314 (x4) SUPPORTING PLATE:EXIT ROLLER
- 57.M1874312 (x4) SHAFT:EXIT ROLLER
- 56.M1874311 (x4) EXIT ROLLER
- 54.M1874261 (x4) GUIDE PLATE:ENTRANCE:UPPER



19.M1874027
(-EU/-CHN):FUSING UNIT

48.M1874242
GEAR:HOT ROLLER



51.M1874253
BRACKET:HEATER:RIGHT



61.M1874331
COVER:FUSING UNIT:RIGHT



60.M1874321
COVER:FUSING UNIT:LEFT



50.M1874252
BRACKET:HEATER:LEFT

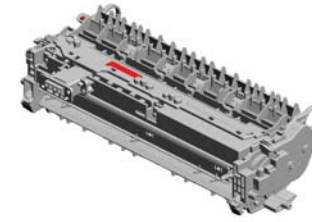


49.M1874243
THERMAL INSULATING BUSHING:HOT ROLLER



- 53.M1874257 (-EU/-CHN):HEATER:844W:227V:INFRARED
- 55.M1874301 GUIDE:EXIT:FUSING

U006_S002 (-EU/-CHN):FUSING UNIT



19.M1874027
(-EU/-CHN):FUSING UNIT

- 4.08050104 (x2) RETAINING RINGS -E:SILENCER:DIA4
- 2.04583010N (x12) HEXAGON HEAD TAPPING SCREW:3 X10
- 11.AW110110 THERMOSTAT
- 21.M1874106 EXIT ROLLER:FUSING
- 12.D1204184 DECAL:H-TEMP WARNING:SMALL

14.M0124055 (x2) RADIAL BALL BEARING:35X47X7

16.M0124281 (x2) RETAINING RINGS -C:HOT ROLLER

6.09543012N (x6) SCREW - M3X12

20.M1874102 (x7) FLAT NUT:FRAME

23.M1874112 LEVER:ENVELOPE:RIGHT

9.AA080313 (x2) DRIVEN ROLLER BUSHING

24.M1874113 SHAFT:LEVER:ENVELOPE

26.M1874121 GUIDE:DUPLX:FUSING

15.M0124120 (x5) TENSION SPRING: PICKOFF PAWL

25.M1874114 TORSION SPRING: LEVER



17.M1094181 DECAL:OPERATION SUB-UNIT:GUIDE PLATE

10.AA082118 (x2) BUSHING - M6

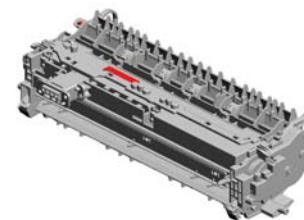
3.08046127 (x8) HEXAGONAL BOLT :DOUBLE SCREW: M3X8

5.08053575 (x2) RADIAL BALL BEARING: DIA8XDIA16X5

22.M1874111 LEVER:ENVELOPE:LEFT

U001	U002	U003	U004	U005	U006	U007	U008	U009	U010	U011	U012	U013
------	------	------	------	------	------	------	------	------	------	------	------	------

U006_S002
(-EU/-CHN):FUSING UNIT



19.M1874027
(-EU/-CHN):FUSING
UNIT

47.M1874241
HOT ROLLER

43.M1874223
(x2)
ELECTRODE PLAT
E:THERMOSTAT

38.M1874212
SET SENSOR:DRA
WER:FUSING

39.M1874213
THERMISTOR:FUSI
NG

41.M1874217
(-EU/-CHN):DRAW
ER:FUSING

37.M1874163
GEAR:FUSING:NO.
3

48.M1874242
GEAR:HOT ROLLE
R

36.M1874162
GEAR:FUSING:NO.
2

35.M1874161
GEAR:FUSING:NO.
1

32.M1874142
(x2)
LEVER:PRESSURE

34.M1874155
GUIDE PLATE:ENT
RANCE:LOWER

28.M1874124
(x2)
COMPRESSION SP
RING:2N

31.M1874141
PRESSURE ROLLE
R

27.M1874122
DRIVEN ROLLER:D
UPLEX

46.M1874232
(x5)
STRIPPER PAWLS:
HOT ROLLER
201509-01 X/O

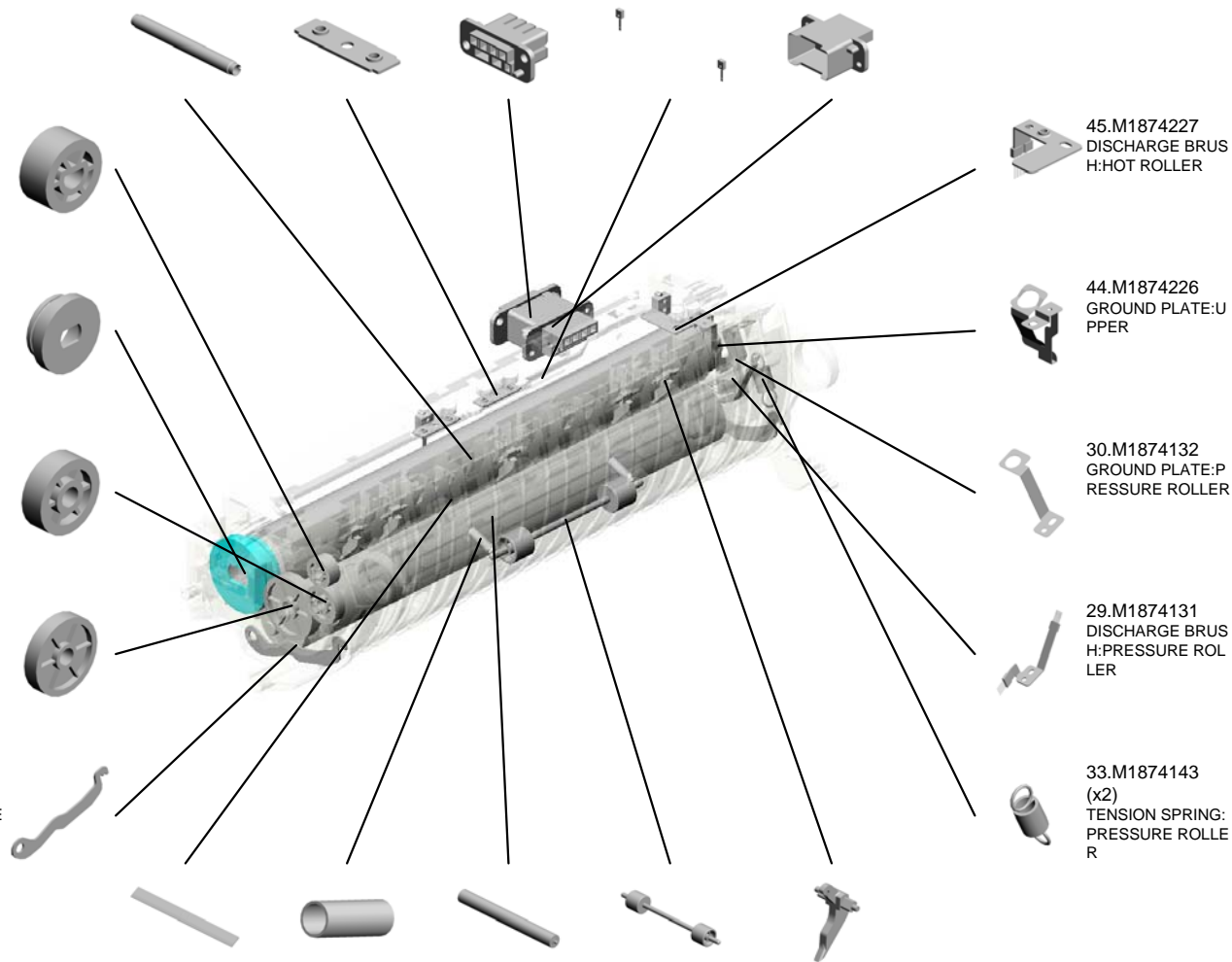
45.M1874227
DISCHARGE BRUS
H:HOT ROLLER

44.M1874226
GROUND PLATE:U
PPER

30.M1874132
GROUND PLATE:P
RESSURE ROLLER

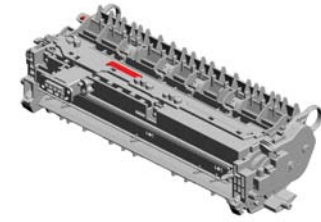
29.M1874131
DISCHARGE BRUS
H:PRESSURE ROL
LER

33.M1874143
(x2)
TENSION SPRING:
PRESSURE ROLLE
R



U006_S002
(-EU/-CHN):FUSING UNIT

59.M1874314 (x4) SUPPORTING PLATE:EXIT ROLLER
 57.M1874312 (x4) SHAFT:EXIT ROLLER
 56.M1874311 (x4) EXIT ROLLER
 54.M1874261 GUIDE PLATE:ENTRANCE:UPPER



19.M1874027 (-EU/-CHN):FUSING UNIT

58.M1874313 (x4) HOLDER:EXIT ROLLER

51.M1874253 BRACKET:HEATER:RIGHT

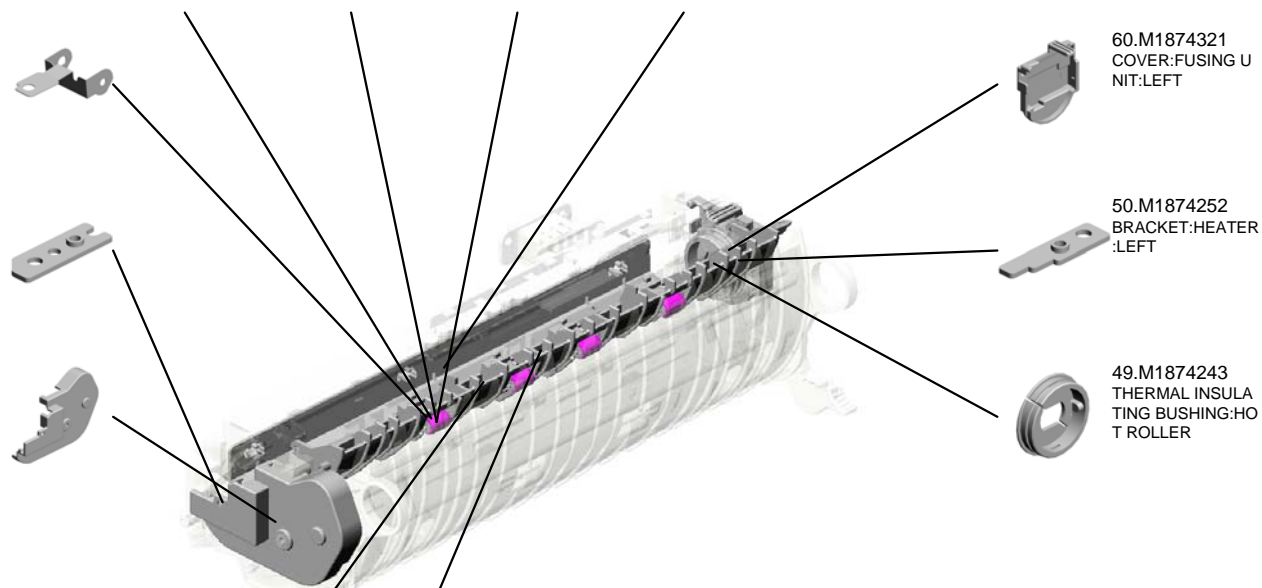
61.M1874331 COVER:FUSING UNIT:RIGHT



60.M1874321 COVER:FUSING UNIT:LEFT

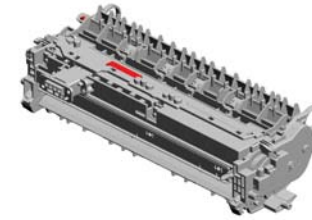
50.M1874252 BRACKET:HEATER:LEFT

49.M1874243 THERMAL INSULATING BUSHING:HOT ROLLER



53.M1874257 (-EU/-CHN):HEATER:844W:227V:INFRARED
 55.M1874301 GUIDE:EXIT:FUSING

U006_S003
(-NA):FUSING UNIT



18.M1874017
(-NA):FUSING UNIT

- 4.08050104 (x2) RETAINING RINGS -E:SILENCER:DIA4
- 2.04583010N (x12) HEXAGON HEAD TAPPING SCREW:3 X10
- 11.AW110110 THERMOSTAT
- 21.M1874106 EXIT ROLLER:FUSING
- 12.D1204184 DECAL:H-TEMP WARNING:SMALL

14.M0124055 (x2) RADIAL BALL BEARING:35X47X7

16.M0124281 (x2) RETAINING RINGS -C:HOT ROLLER

6.09543012N (x6) SCREW - M3X12

20.M1874102 (x7) FLAT NUT:FRAME

23.M1874112 LEVER:ENVELOPE:RIGHT

9.AA080313 (x2) DRIVEN ROLLER BUSHING

24.M1874113 SHAFT:LEVER:ENVELOPE

26.M1874121 GUIDE:DUPLX:FUSING

15.M0124120 (x5) TENSION SPRING: PICKOFF PAWL

25.M1874114 TORSION SPRING: LEVER

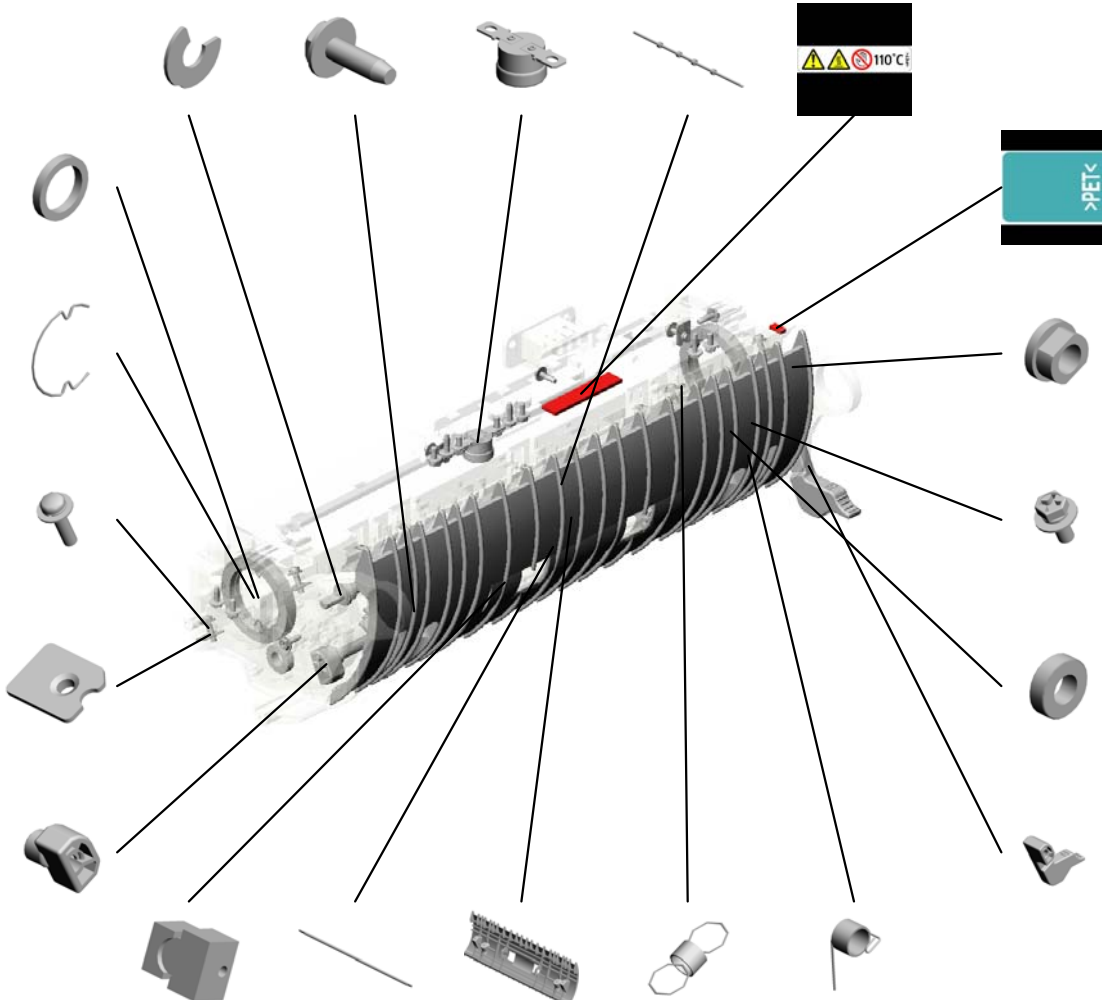
17.M1094181 DECAL:OPERATION SUB-UNIT:GUIDE PLATE

10.AA082118 (x2) BUSHING - M6

3.08046127 (x8) HEXAGONAL BOLT :DOUBLE SCREW: M3X8

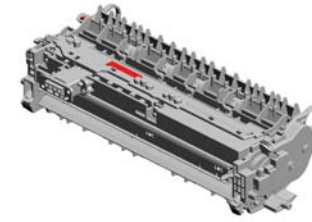
5.08053575 (x2) RADIAL BALL BEARING: DIA8XDIA16X5

22.M1874111 LEVER:ENVELOPE :LEFT



U001	U002	U003	U004	U005	U006	U007	U008	U009	U010	U011	U012	U013
------	------	------	------	------	------	------	------	------	------	------	------	------

U006_S003
(-NA):FUSING UNIT



18.M1874017
(-NA):FUSING UNIT

47.M1874241
HOT ROLLER

43.M1874223
(x2)
ELECTRODE PLAT
E:THERMOSTAT

38.M1874212
SET SENSOR:DRA
WER:FUSING

39.M1874213
THERMISTOR:FUSI
NG

40.M1874215
(-NA):DRAWER:FU
SING

37.M1874163
GEAR:FUSING:NO.
3



48.M1874242
GEAR:HOT ROLLE
R



36.M1874162
GEAR:FUSING:NO.
2



35.M1874161
GEAR:FUSING:NO.
1



32.M1874142
(x2)
LEVER:PRESSURE



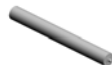
34.M1874155
GUIDE PLATE:ENT
RANCE:LOWER



28.M1874124
(x2)
COMPRESSION SP
RING:2N



31.M1874141
PRESSURE ROLLE
R



27.M1874122
DRIVEN ROLLER:D
UPLEX



46.M1874232
(x5)
STRIPPER PAWLS:
HOT ROLLER
201509-01 X/O



45.M1874227
DISCHARGE BRUS
H:HOT ROLLER



44.M1874226
GROUND PLATE:U
PPER



30.M1874132
GROUND PLATE:P
RESSURE ROLLER



29.M1874131
DISCHARGE BRUS
H:PRESSURE ROL
LER

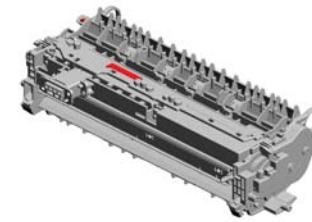


33.M1874143
(x2)
TENSION SPRING:
PRESSURE ROLLE
R



U006_S003
(-NA):FUSING UNIT

- 59.M1874314 (x4) SUPPORTING PLATE:EXIT ROLLER
- 57.M1874312 (x4) SHAFT:EXIT ROLLER
- 56.M1874311 (x4) EXIT ROLLER
- 54.M1874261 GUIDE PLATE:ENTRANCE:UPPER

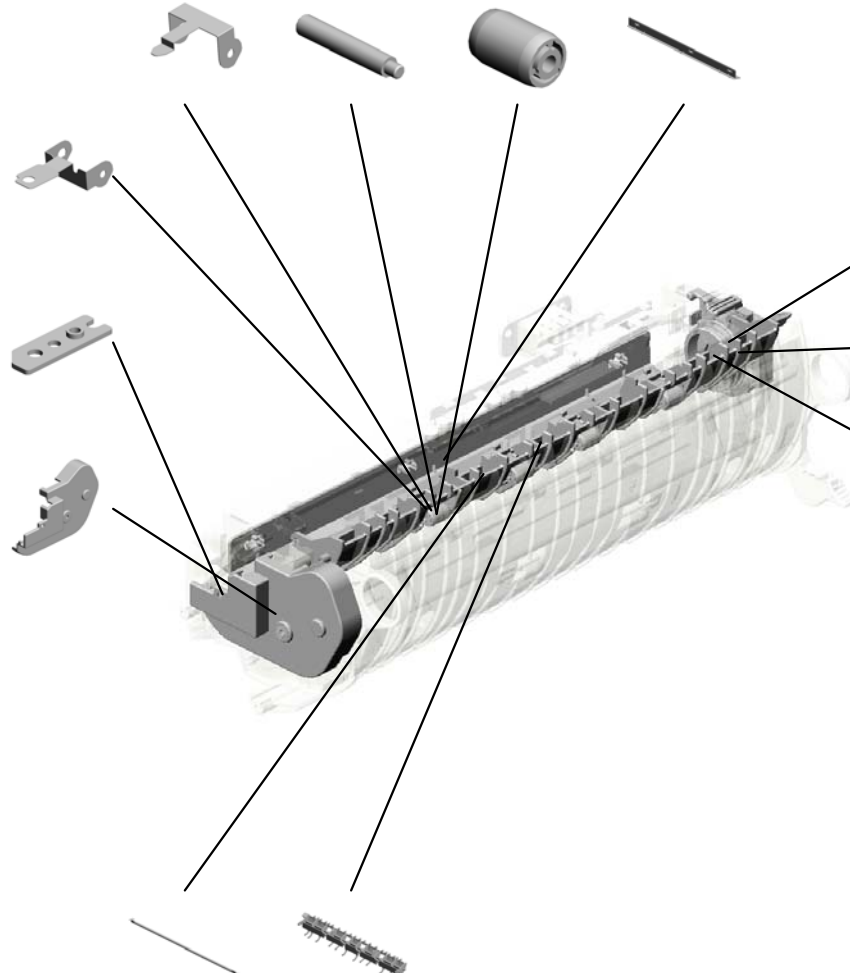


18.M1874017
(-NA):FUSING UNIT

58.M1874313 (x4) HOLDER:EXIT ROLLER

51.M1874253 BRACKET:HEATER:RIGHT

61.M1874331 COVER:FUSING UNIT:RIGHT



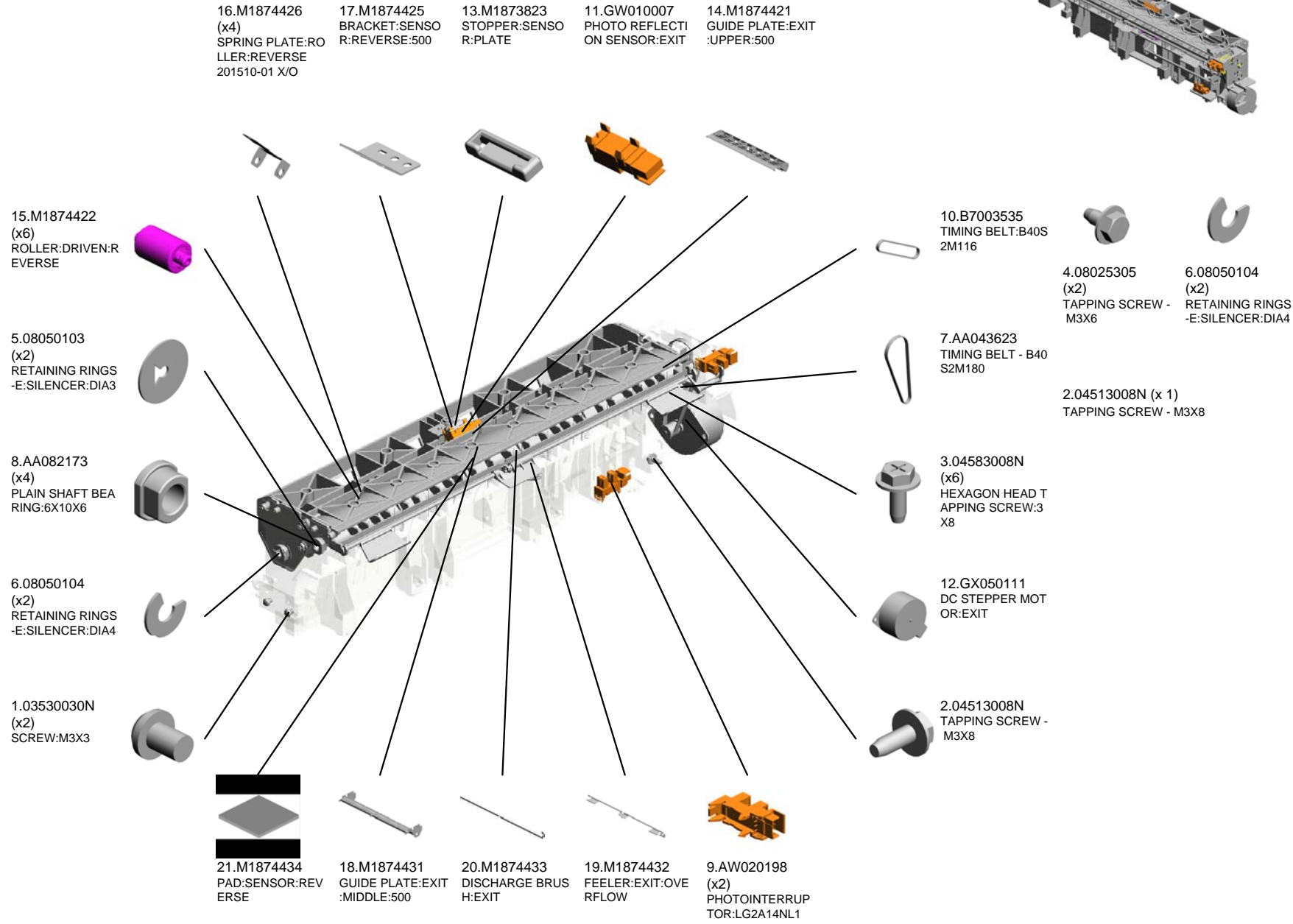
- 52.M1874255 (-NA):HEATER:844W:117V:INFRARED
- 55.M1874301 GUIDE:EXIT:FUSING

60.M1874321 COVER:FUSING UNIT:LEFT

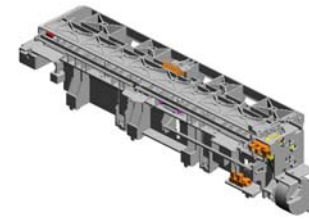
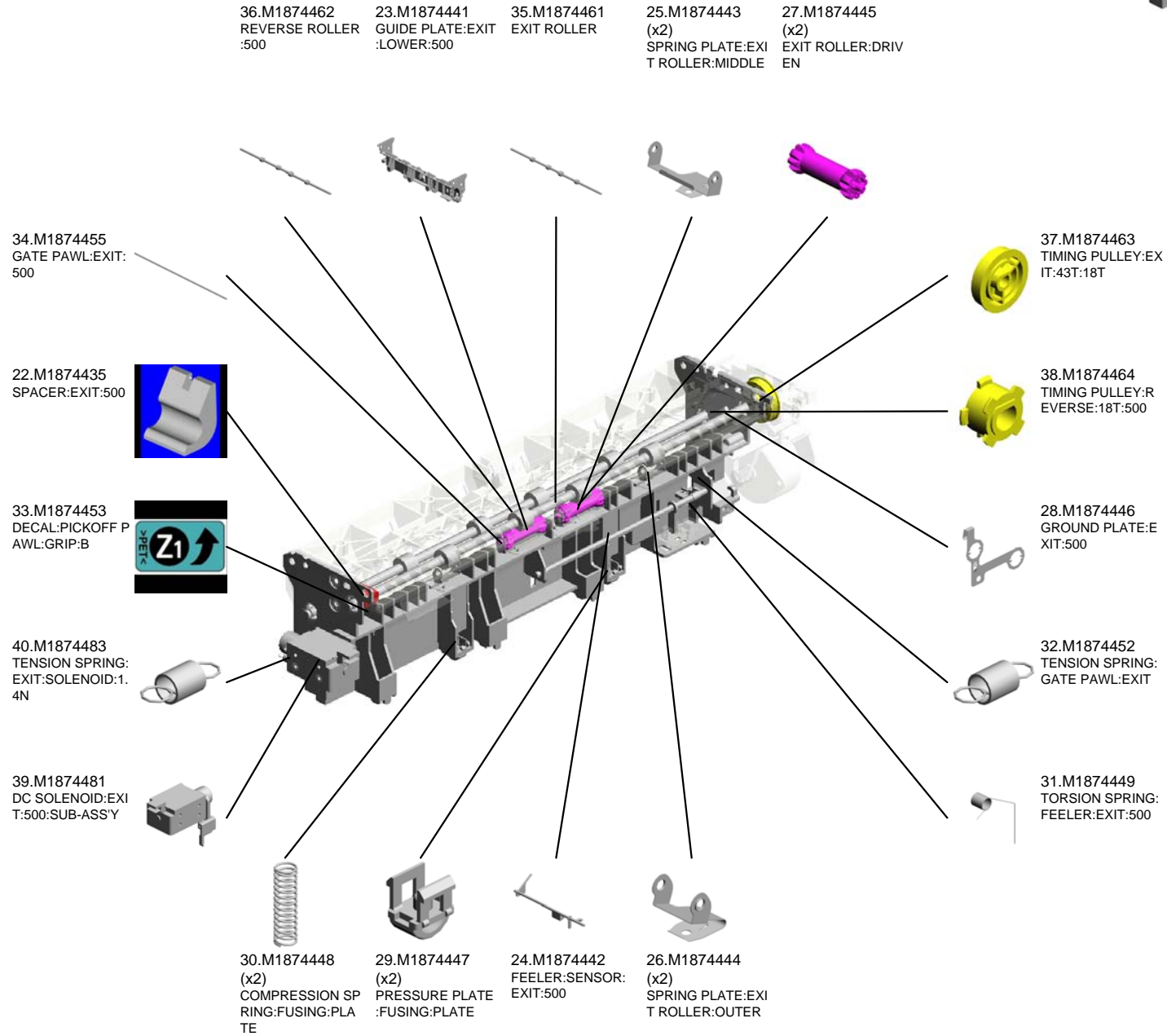
50.M1874252 BRACKET:HEATER:LEFT

49.M1874243 THERMAL INSULATING BUSHING:HOT ROLLER

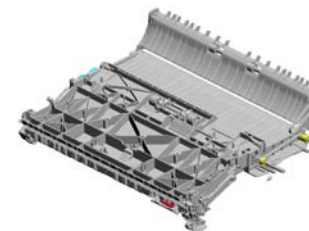
U007 PAPER EXIT



U007 PAPER EXIT



U008 DUPLEX



11.M1874862 (x2)
COMPRESSION SPRING:EXIT:DUPLEX

10.M1874861
DRIVEN ROLLER:EXIT:DUPLEX

18.M1874881
ROLLER:EXIT:DRIVER:DUPLEX

19.M1874882
GRIP:PICK-UP PAPER JAM:MIDDLE:DUPLEX

8.M1874851
GUIDE:UPPER:DUPLEX

12.M1874863 (x2)
PLAIN SHAFT BEARING:DRIVEN:DUPLEX:EXIT

2.04583010N (x10)
HEXAGON HEAD TAPPING SCREW:3X10

20.M1874883
GRIP:PICK-UP PAPER JAM:FRONT:DUPLEX

6.AA082173 (x6)
PLAIN SHAFT BEARING:6X10X6

17.M1874874
GROUND PLATE:FRONT:DUPLEX

5.AA043615
TIMING BELT:40S2M208

16.M1874871
GUIDE:FRONT:DUPLEX

4.AA043335
TIMING BELT:40S2M148

9.M1874854
FEELER:UPPER:DUPLEX

13.M1874866
DRIVEN ROLLER:CONNECTING:DUPLEX

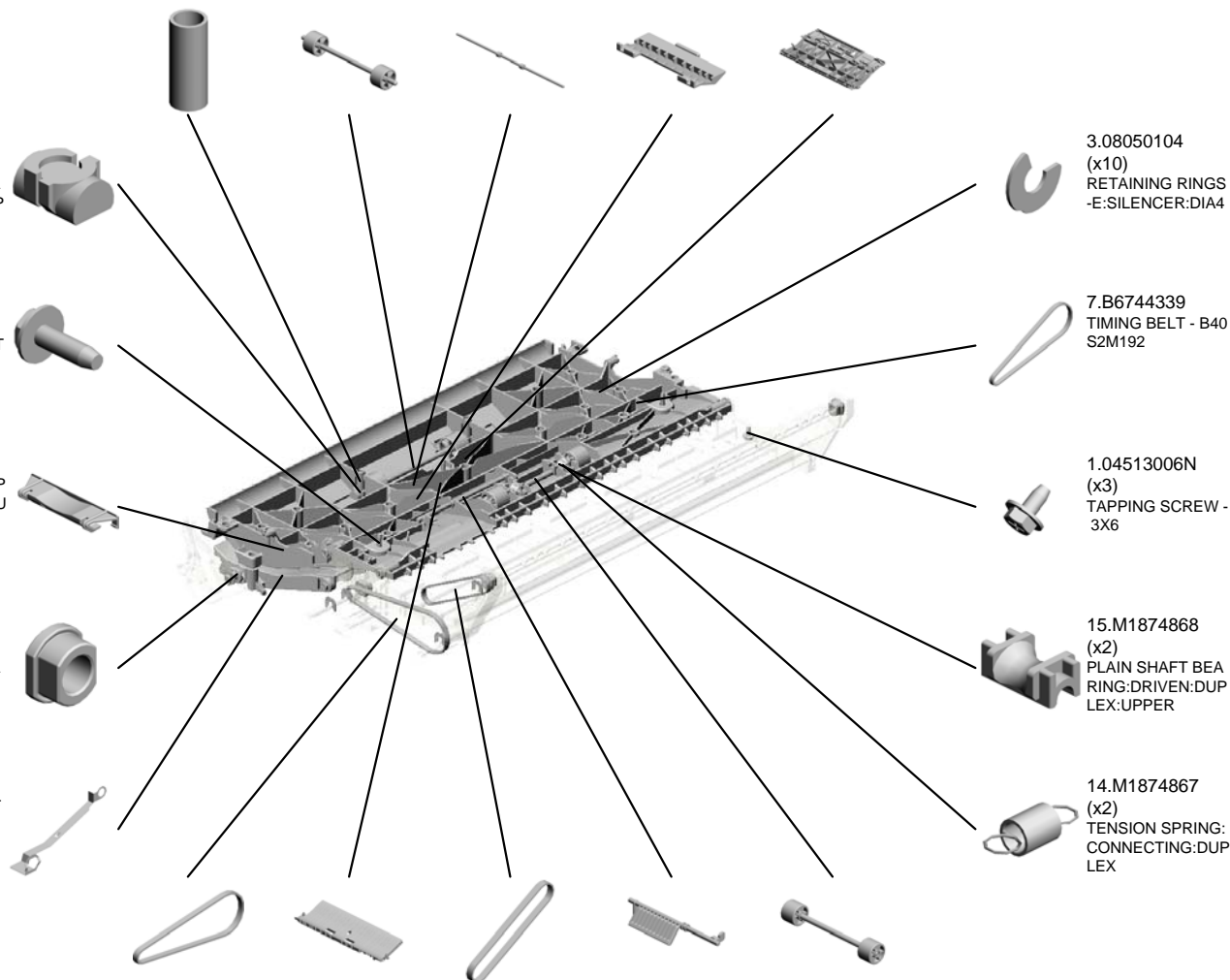
3.08050104 (x10)
RETAINING RINGS -E:SILENCER:DIA4

7.B6744339
TIMING BELT - B40S2M192

1.04513006N (x3)
TAPPING SCREW - 3X6

15.M1874868 (x2)
PLAIN SHAFT BEARING:DRIVEN:DUPLEX:UPPER

14.M1874867 (x2)
TENSION SPRING:CONNECTING:DUPLEX



U008 DUPLEX

- 29.M1874913 GROUND PLATE:C
ONNECTING:DUPL
EX
- 25.M1874891 HOOK:PICK-UP PA
PER JAM:FRONT:D
UPLX
- 21.M1874886 COMPRESSION SP
RING:HOOK:DUPL
EX
- 27.M1874897 PLATE:HOOK:DUP
LEX:LEFT
- 34.M1874924 (x3)
PULLEY:DRIVE:DU
PLEX:T18



24.M1874889
DECAL:DESIGN SK
ETCH:DUPLX:Z2



23.M1874888
LINK:PICK-UP PAP
ER JAM:FRONT:DU
PLEX



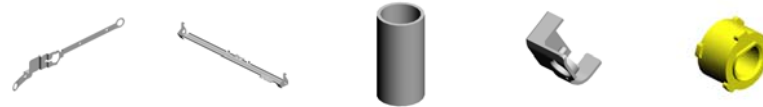
22.M1874887
LINK:PICK-UP PAP
ER JAM:FRAME:DU
PLEX



26.M1874894
PLATE:HOOK:DUP
LEX:RIGHT



30.M1874914
GROUND PLATE:C
ONNECTING:DUPL
EX:SMALL



35.M1874931
GEAR:IDLER:DUPL
EX:Z29



33.M1874922
GEAR:DRIVE:DUPL
EX:Z29



31.M1874917
PULLEY:GEAR:DU
PLEX:Z29T18



38.M1874961
ROLLER:ENTRANC
E:DRIVE:DUPLX



36.M1874951
GUIDE:REAR:DUPL
EX



39.M1874976
PULLEY:CONNECT
ING:DUPLX:T18



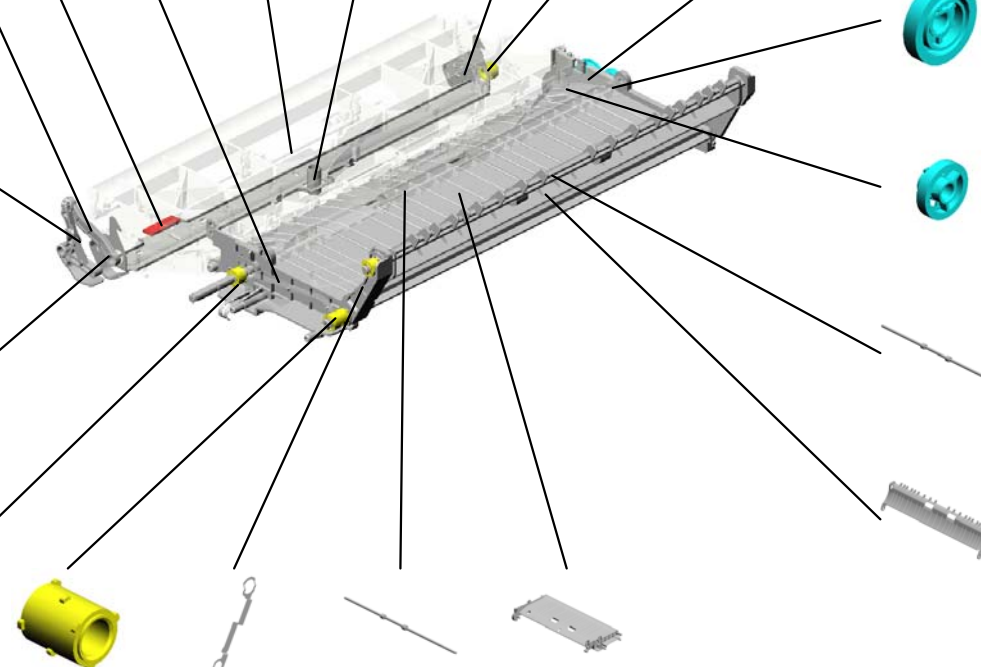
37.M1874953
GROUND PLATE:R
EAR:DUPLX



32.M1874921
ROLLER:CONNEC
TING:DRIVE:DUPL
EX

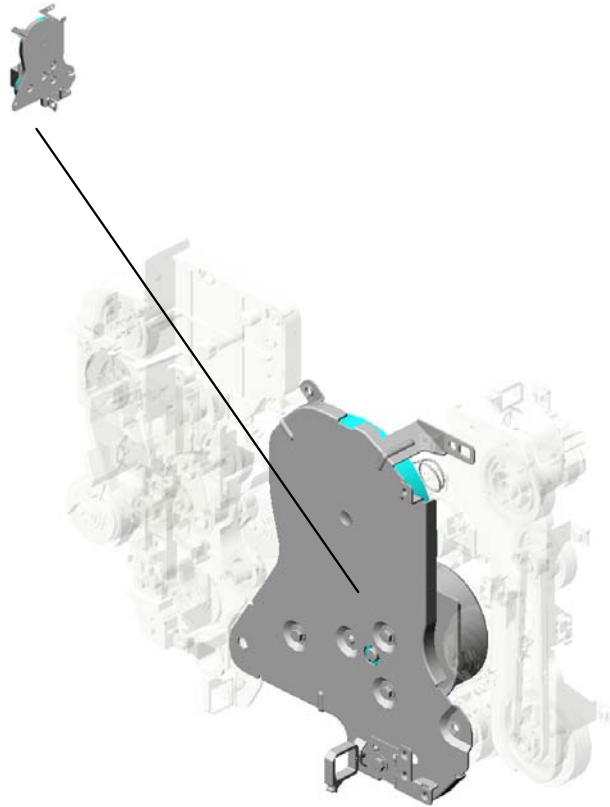


28.M1874911
GUIDE:CONNECT
ING:DUPLX



U009.MAIN DRIVE

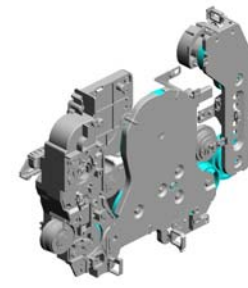
U009_S001
M1871190
DRIVE UNIT:DRUM:ASS'Y



U001	U002	U003	U004	U005	U006	U007	U008	U009	U010	U011	U012	U013
------	------	------	------	------	------	------	------	------	------	------	------	------

U009 MAIN DRIVE

16.54472681 (x4) SNAP RING
 3.04513006N (x2) TAPPING SCREW - 3X6
 6.04543008Q (x3) TAPPING SCREW: 3X8
 7.04583010N (x5) HEXAGON HEAD TAPPING SCREW:3 X10
 14.11050762 CLAMP:LWS-0711A



12.11050758 (x5) CLAMP:LWSM-030 6A

2.03603006N SCREW - M3X6

13.11050760 CLAMP:LWSM-051 1A

10.08050104 (x2) RETAINING RINGS -E:SILENCER:DIA4

25.GB010107 GEAR:DRIVE:PAPER FEED:NO.3

15.11050763 CLAMP:LWS-1211A

22.GB010104 GEAR:DRIVE:FUSION NO.2

9.08050097 RING SEPARATOR

23.GB010105 GEAR:DRIVE:FUSION NO.3

4.04533006N (x3) TAPPING SCREW - M3X6

5.04543006Q (x9) TAPPING SCREW - M3X6

27.GB011201 GEAR:DRIVE:FUSION NO.5

11.11050692 CLAMP:LES-0503

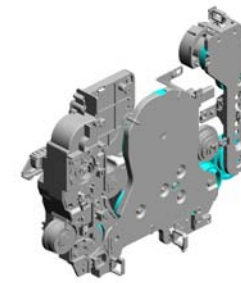
17.D7342289 SYNCHRONOUS BELT:40S3M234

26.GB011200 GEAR:DRIVE:FUSION NO.4

U001	U002	U003	U004	U005	U006	U007	U008	U009	U010	U011	U012	U013
------	------	------	------	------	------	------	------	------	------	------	------	------

U009 MAIN DRIVE

36.GB011217 GEAR:DRIVE:TONER SUPPLY:NO.4
 34.GB011215 GEAR:DRIVE:TONER SUPPLY:NO.2
 37.GB011218 GEAR:DRIVE:TONER SUPPLY:NO.5
 47.M1871154 HOLDER:DRIVE:TONER SUPPLY
 48.M1871155 LINK:DRIVE:TONER SUPPLY



39.GX200031 ELECTROMAGNET IC CLUTCH:0.45NM :PAPER FEED



35.GB011216 GEAR:DRIVE:TONER SUPPLY:NO.3



43.GX200035 ELECTROMAGNET IC CLUTCH:0.35NM :MANUAL FEED



46.M1871151 HOUSING:DRIVE:PAPER FEED



44.GX200036 ELECTROMAGNET IC CLUTCH:0.35NM :BASE



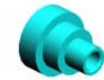
32.GB011212 GEAR:DRIVE:CONNECTING:NO.2



40.GX200032 ELECTROMAGNET IC CLUTCH:0.35NM :CONNECTING



45.GX200038 ELECTROMAGNET IC CLUTCH:0.45NM :PAPER FEED:39



31.GB011211 GEAR:DRIVE:CONNECTING:NO.1



30.GB011210 GEAR:DRIVE:PAPER FEED:NO.4



33.GB011214 GEAR:DRIVE:TONER SUPPLY:NO.1



29.GB011203 GEAR:DRIVE:FUSING:NO.7



28.GB011202 GEAR:DRIVE:FUSING:NO.6



41.GX200033 ELECTROMAGNET IC CLUTCH:0.45NM :REGISTRATION

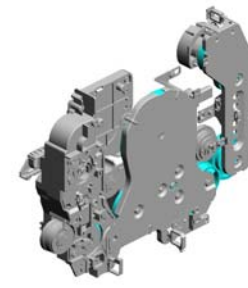


42.GX200034 ELECTROMAGNET IC CLUTCH:0.35NM :DUPLEX



U009 MAIN DRIVE

71.M1871229 PLAIN SHAFT BEARING
 52.M1871164 SHAFT:ELECTROMAGNETIC CLUTCH:TONER SUPPLY
 50.M1871157 COMPRESSION SPRING:DRIVE:TONE R SUPPLY
 49.M1871156 JOINT:DRIVE:TONER SUPPLY

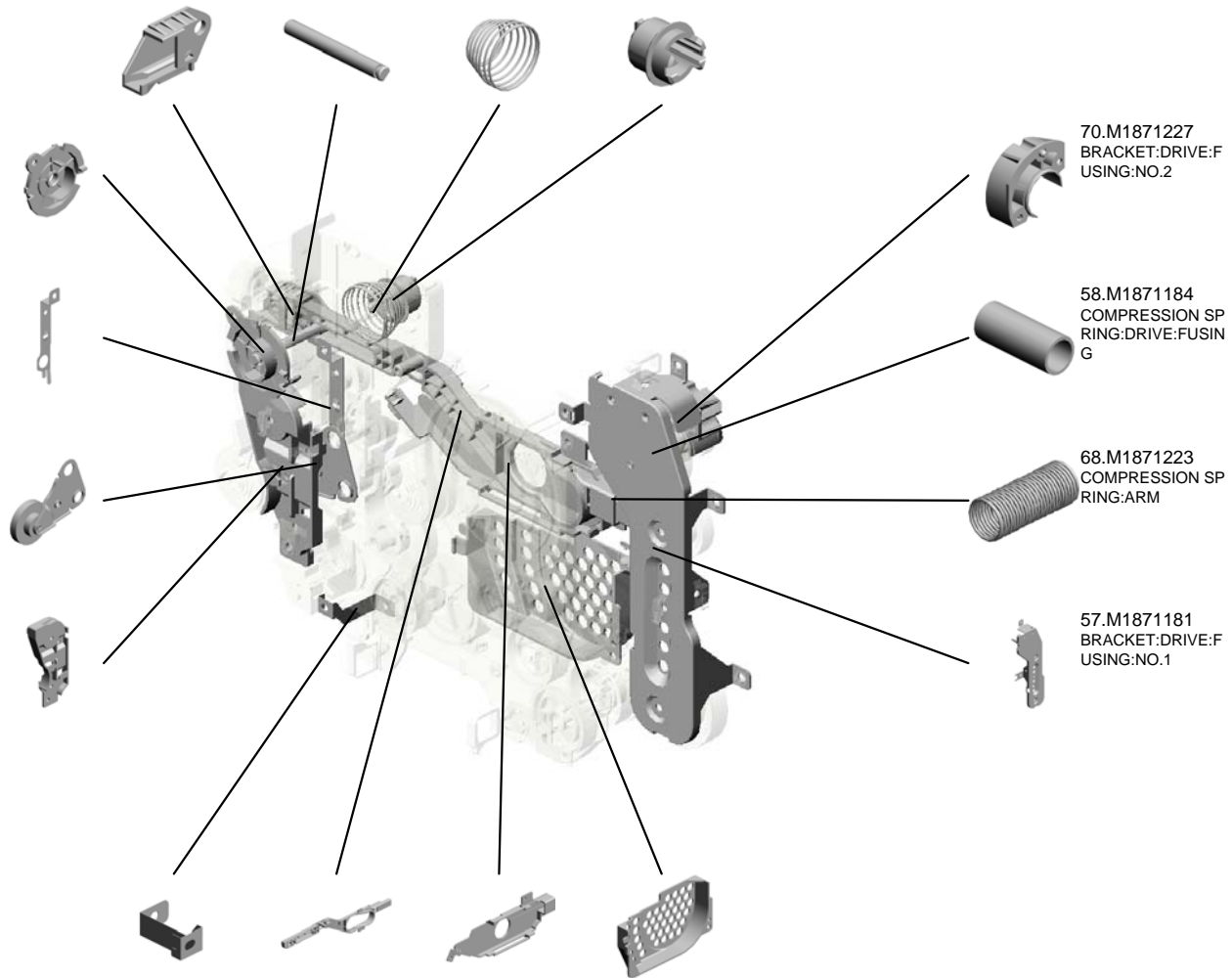


53.M1871167 COVER:DRIVE:TONER SUPPLY

55.M1871173 GROUND PLATE:BCU:NO.2

54.M1871170 BRACKET:DRIVE:CONNECTING

56.M1871176 GUIDE:HARNESSELECTROMAGNETIC CLUTCH



70.M1871227 BRACKET:DRIVE:FUSING:NO.2

58.M1871184 COMPRESSION SPRING:DRIVE:FUSING

68.M1871223 COMPRESSION SPRING:ARM

57.M1871181 BRACKET:DRIVE:FUSING:NO.1

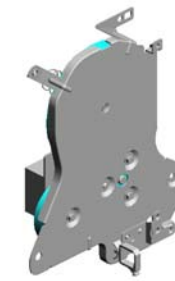
51.M1871161 GROUND PLATE:BCU:NO.1

66.M1871221 ARM:JOINT

67.M1871222 HOLDER:ARM:JOINT

69.M1871225 COVER:MOTOR

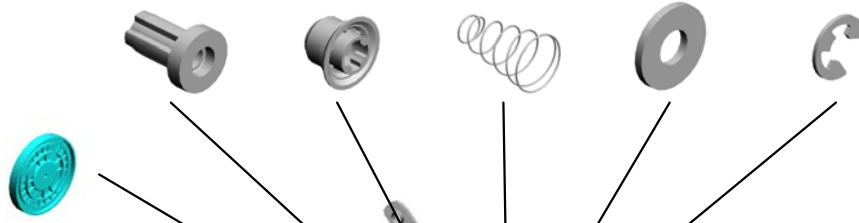
U009_S001
DRIVE UNIT:DRUM:ASS'Y



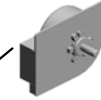
59.M1871190
DRIVE UNIT:DRUM
:ASS'Y

62.M1871209 BOSS:DRIVE:DRUM
64.M1871211 JOINT:DRIVE:DRUM
63.M1871210 COMPRESSION SPRING:DRIVE:DRUM
18.GA132000 SPACER:DIA4.2XDI
A10X1
8.07200025E RETAINING RING - M2.5

20.GB010101
GEAR:DRIVE:DRUM



38.GX060042
DC BRUSHLESS MOTOR:MAIN:34W



61.M1871206
BRACKET:DRIVE:DRUM



19.GB010100
(x2)
GEAR:DRIVE:DRUM:IDLER



24.GB010106
GEAR:DRIVE:PAPER FEED:NO.2



60.M1871193
BRACKET:DRIVE:MOTOR



2.03603006N
(x4)
SCREW - M3X6



1.03530040N
(x3)
SCREW - M3X4



21.GB010103
GEAR:DRIVE:FUSION:NG:NO.1



11.11050692
CLAMP:LES-0503



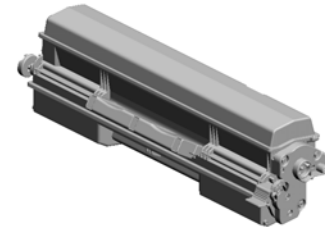
15.11050763
CLAMP:LWS-1211A



65.M1871216
BRACKET:BCU



U010
TONER SUPPLY



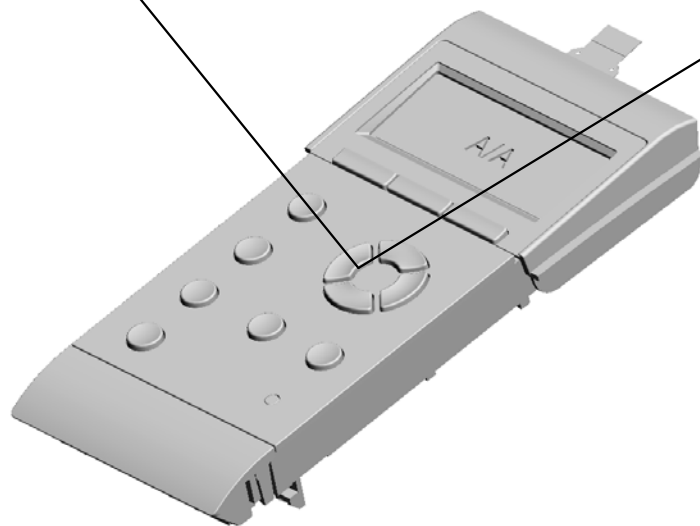
U001	U002	U003	U004	U005	U006	U007	U008	U009	U010	U011	U012	U013
------	------	------	------	------	------	------	------	------	------	------	------	------

U011 OPERATION

1.M1871401
(x2)
(-NA/-EU):OPERATI
ON PANEL:ASSY



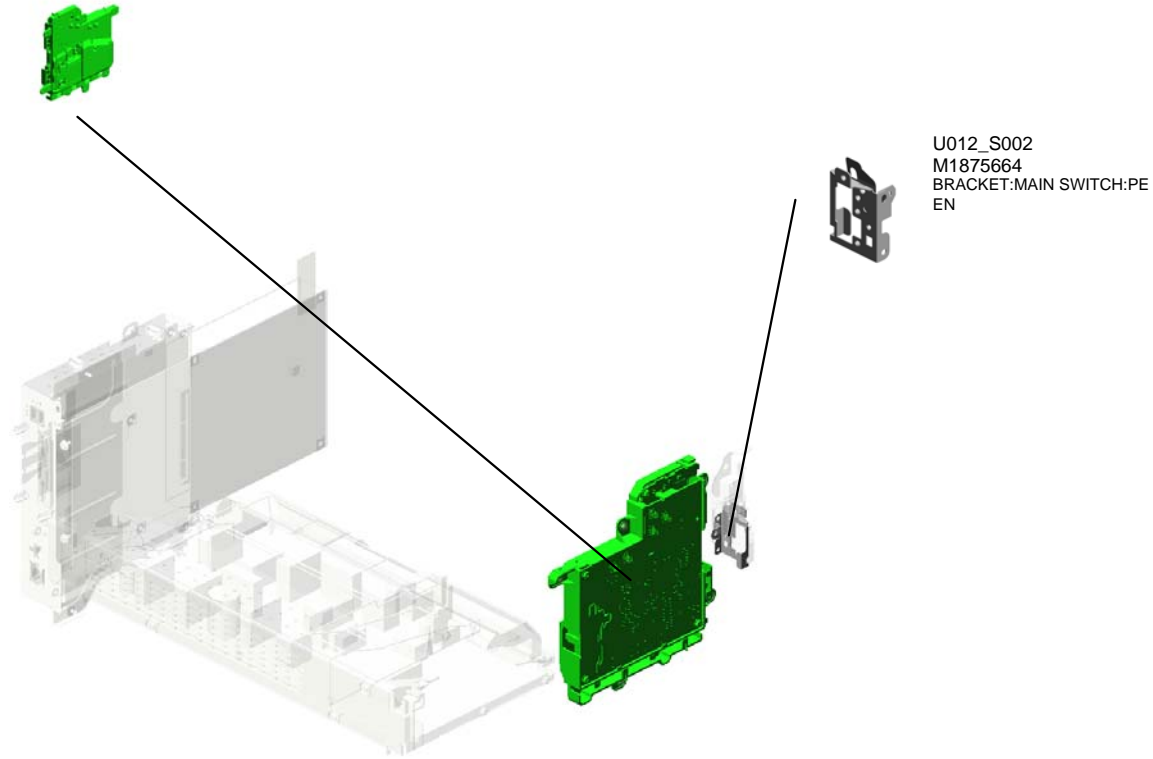
2.M1871403
(-CHN):OPERATIO
N PANEL:ASSY



U001	U002	U003	U004	U005	U006	U007	U008	U009	U010	U011	U012	U013
------	------	------	------	------	------	------	------	------	------	------	------	------

U012.ELECTRICAL

U012_S001
M1875630
POWER PACK:CDVT:ASS'Y

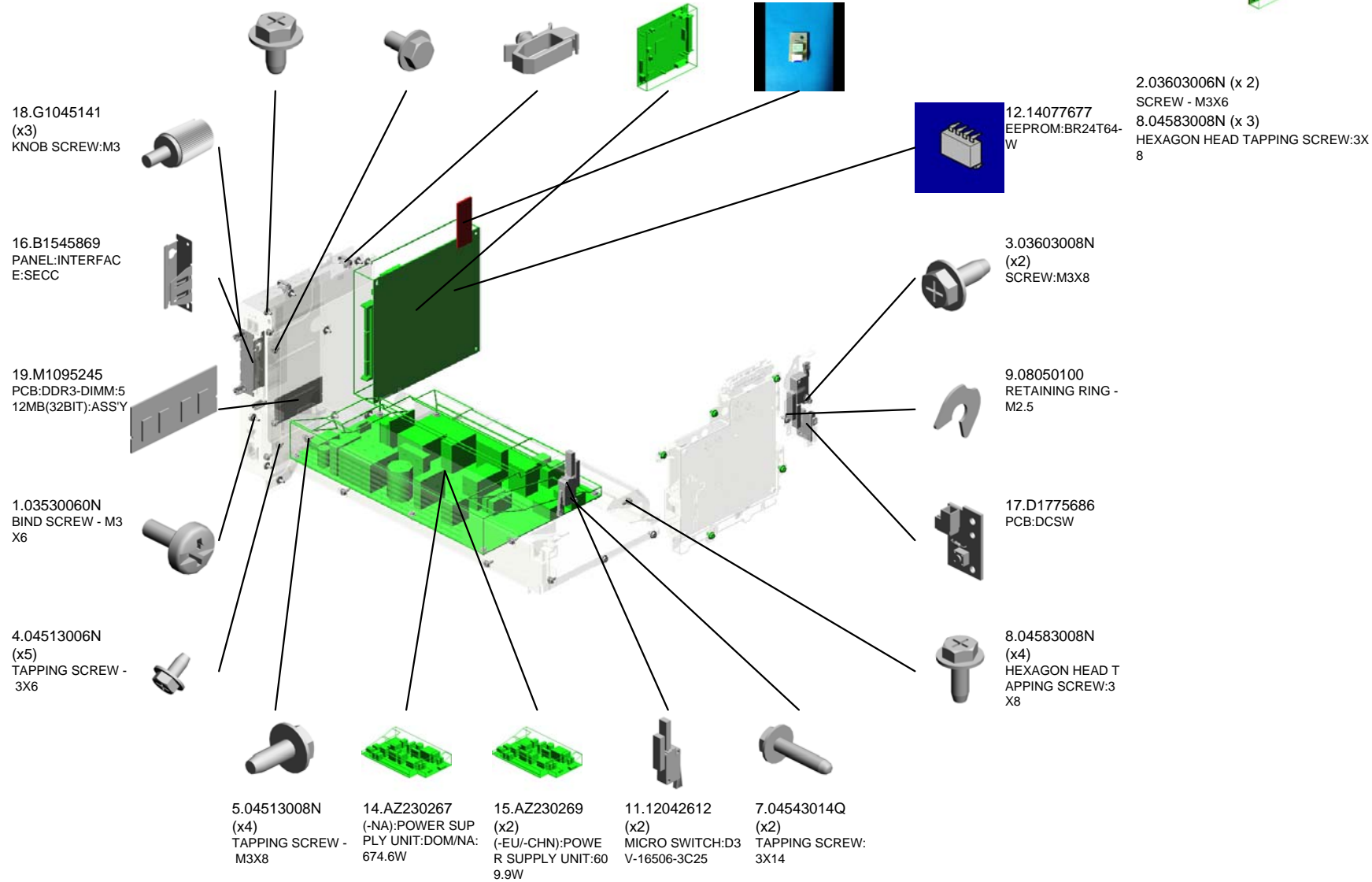
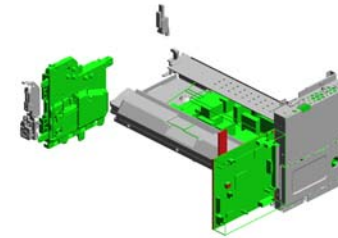


U012_S002
M1875664
BRACKET:MAIN SWITCH:PE
EN

U001	U002	U003	U004	U005	U006	U007	U008	U009	U010	U011	U012	U013
------	------	------	------	------	------	------	------	------	------	------	------	------

U012 ELECTRICAL

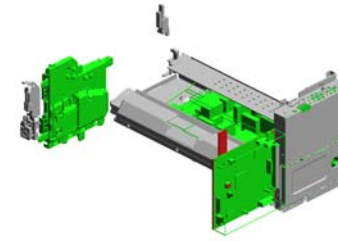
- 6.04543006Q (x9) TAPPING SCREW - M3X6
- 2.03603006N (x16) SCREW - M3X6
- 10.11050760 (x2) CLAMP:LWSM-051 1A
- 21.M1875013 PCB:BCU:ASS'Y
- 13.AW140016 TEMPERATURE & HUMIDITY SENSO R



U001	U002	U003	U004	U005	U006	U007	U008	U009	U010	U011	U012	U013
------	------	------	------	------	------	------	------	------	------	------	------	------

U012 ELECTRICAL

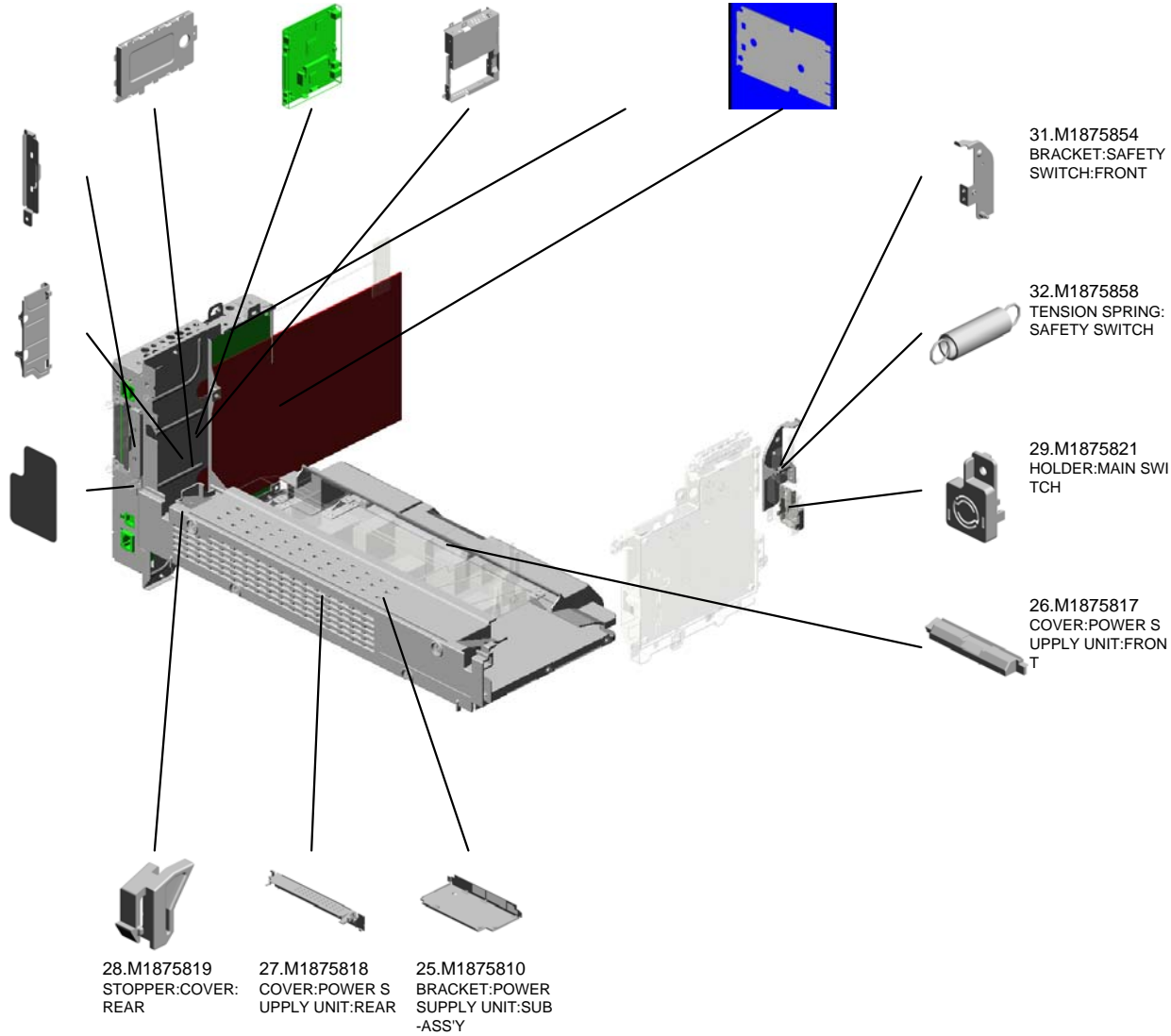
34.M1875863 COVER:C/T BOX:S
MALL
24.M1875792 PCB:CTL:DAI-P1D_
EXP:38CPM
33.M1875861 COVER:C/T BOX
39.M1879590 NV-RAM
38.M1875875 INSULATING SHEE
T:BCU



36.M1875868
COVER:SD-CARD

35.M1875866
BASE:C/T BOX

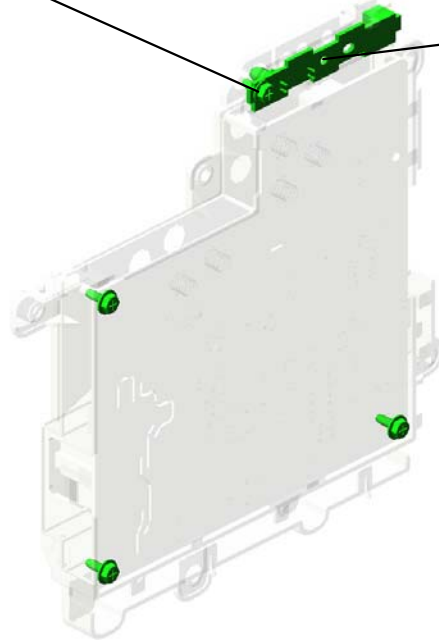
37.M1875869
DECAL:INTERFAC
E



U001 U002 U003 U004 U005 U006 U007 U008 U009 U010 U011 U012 U013

U012_S001
POWER PACK:CDVT:ASS'Y

8.04583008N
(x4)
HEXAGON HEAD TAPPING SCREW:3
X8



20.M1605120
PCB:SENSOR:TONER
END SENSOR

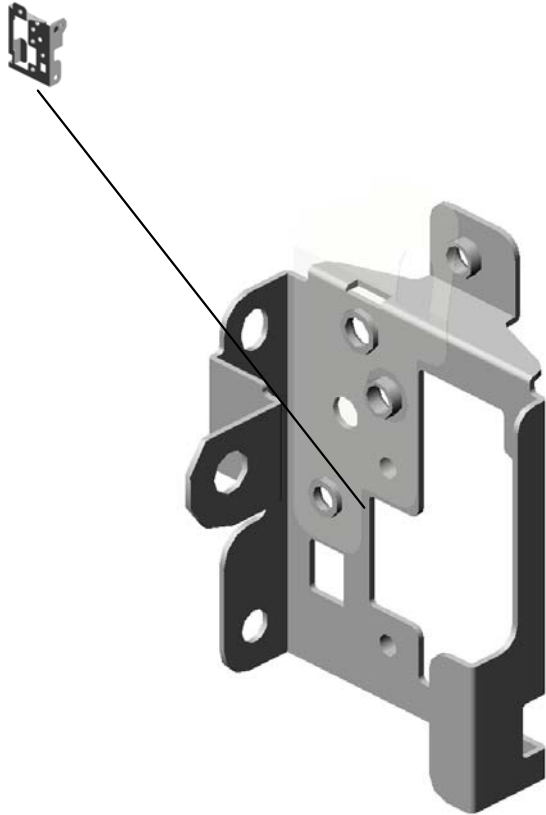


22.M1875630
POWER PACK:CDVT:ASS'Y

U001	U002	U003	U004	U005	U006	U007	U008	U009	U010	U011	U012	U013
------	------	------	------	------	------	------	------	------	------	------	------	------

U012_S002
BRACKET:MAIN SWITCH:PEEN

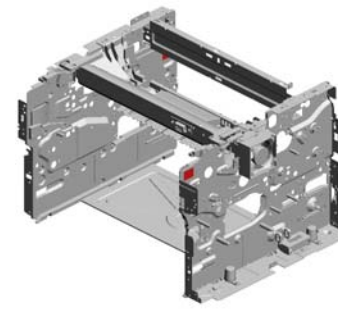
30.M1875822
BRACKET:SWITCH
:MAIN



23.M1875664
BRACKET:MAIN S
WITCH:PEEN

U001	U002	U003	U004	U005	U006	U007	U008	U009	U010	U011	U012	U013
------	------	------	------	------	------	------	------	------	------	------	------	------

U013 MAIN FRAME



- 17.GX640031 FAN MOTOR:DC:2.64W
- 3.04513020N (x2) TAPPING SCREW:3X20
- 22.M1871065 (x2) COIL SPRING:TIGHTENER:PCDU
- 10.11050724 CLAMPS:WES-1210
- 13.11050762 (x6) CLAMP:LWS-0711A

6.04583008N (x3) HEXAGON HEAD TAPPING SCREW:3X8

9.11050692 CLAMP:LES-0503

20.M1871063 GUIDE:PCDU:RIGHT UPPER

21.M1871064 TIGHTENER:PCDU:RIGHT

2.04513006N (x15) TAPPING SCREW - 3X6

4.04533006N (x17) TAPPING SCREW - M3X6

19.M1871062 GUIDE:PCDU:RIGHT LOWER

15.AH010017 (x2) RUBBER FOOT:H5

5.04543006Q (x4) TAPPING SCREW - M3X6

11.11050758 (x9) CLAMP:LWSM-0306A

23.M1871086 GUIDE:FUSING:RIGHT UPPER 201509-02 X/X

14.AA143592 SCREW- M4X6

12.11050760 (x4) CLAMP:LWSM-0511A

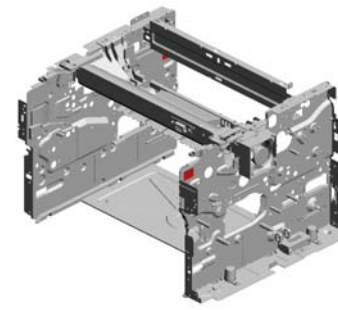
2.04513006N (x 1) TAPPING SCREW - 3X6
 5.04543006Q (x 2) TAPPING SCREW - M3X6
 7.04583010N (x 2) HEXAGON HEAD TAPPING SCREW:3X10
 8.11029431 (x 1) CONNECTOR:1-1612256-2

1.04503035N (x2) TAPPING SCREW:3X35

18.M1871057 DUCT:PCU

16.AX640222 DC FAN MOTOR:D C24V:MM60:25MM

U013 MAIN FRAME



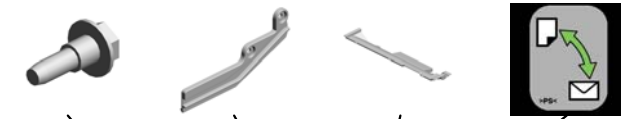
- 36.M1871082 (x2) STEPPED SCREW: M3:SECOND KIND: DRAWER
- 32.M1871087 GUIDE:FUSING:LEFT UPPER
- 35.M1871081 DUCT:UPPER
- 37.M1871084 DECAL:LEVER:ENVELOPE:FUSING

30.M1871075
GUIDE:PCDU:LEFT
UPPER

31.M1871076
TIGHTENER:PCDU:
LEFT

29.M1871074
GUIDE:PCDU:LEFT
LOWER

33.M1871078
GUIDE:PAPER TRAY:
LEFT



34.M1871080
BRACKET:CHIP:PC
DU

38.M1873360
(x2)
CONNECTOR:ID_C
HIP

26.M1871069
(x2)
COVER:SIDE PLATE:
PAPER TRAY

25.M1871068
(x3)
COVER:SIDE PLATE:
OPTION



39.M1873382
DECAL:OPERATE:
LOCK:TONER CARTRIDGE

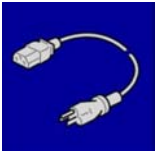
27.M1871070
(x6)
COVER:SIDE PLATE:
E:LOWER

24.M1871067
GUIDE:PAPER TRAY:
Y:RIGHT

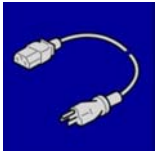
28.M1871071
BRACKET:CONNECTOR:OPTION



ACCESSORIES



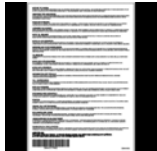
1.11500427
(-NA):POWER SUPPLY CODE:125V:1
5A



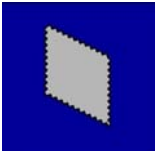
2.11500456
(-CHN):POWER SUPPLY CODE:250V:1
10A



3.11500458
(-EU):POWER SUPPLY CODE:250V:1
0A



4.D6457902
(x2)
(-NA/-EU):SEAL:CAUTION:20LANGUA
GES



5.M1091948
CLEANER:LENS:LED HEAD



6.M1871310
PLATE:LOGO:RIC:BIOMASS



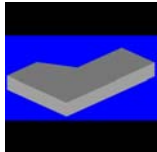
7.M1871311
DECAL:MISFEED REMOVAL



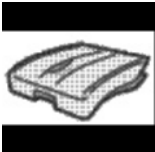
8.M1871312
DECAL:MISFEED REMOVAL:FUSING
UNIT



9.M1871317
(-NA):DECAL:CAUTION:PAPER_GRA
UNIT



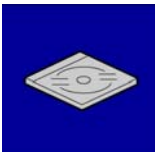
10.M1873376
SPONGE:COVER:FRONT



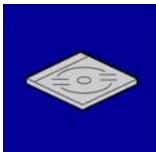
11.M1874494
(-CHN):TRAY:EXIT:MOVEABLE:ASS'Y



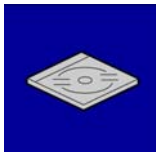
12.M1876855
DECALME PLATE:M187:EXP



13.M1898617
(-NA):ACCESSORY:CD-ROM:ASS'Y



14.M1898627
(-EU):ACCESSORY:CD-ROM:ASS'Y



15.M1898635
(-CHN):ACCESSORY:CD-ROM:ASS'Y

Exclusive Parts

Number	Part Name	Group	ID
52152621	SNAP RING - M6	U006	8
54472681	SNAP RING	U002_S003	10
		U009	16
A2672869	GEAR - 16Z	U002_S002	11
AA043335	TIMING BELT:40S2M148	U008	4
AA043615	TIMING BELT:40S2M208	U008	5
AA043623	TIMING BELT - B40S2M180	U007	7
AA080313	DRIVEN ROLLER BUSHING	U006_S001	9
		U006_S002	9
		U006_S003	9
AA082118	BUSHING - M6	U006_S001	10
		U006_S002	10
		U006_S003	10
AA082173	PLAIN SHAFT BEARING:6X10X6	U002	12
		U002_S003	12
		U007	8
		U008	6
AA082175	PLAIN SHAFT BEARING:8X12X7	U002	13
AA143592	SCREW- M4X6	U013	14
AA143846	TAPPING SCREW:M3X6	U002_S004	14
AA143853	FLAT FILLISTER HEAD TAPPING SCREW:M3X8	U001	4
		U001_S002	4
		U002_S004	15
AF032094	PAPER FEED ROLLER:SEPARATE	U002_S002_S001	16
AG070517	MAGNET CATCH:34N:ASS'Y	U001_S002	5
AH010017	RUBBER FOOT:H5	U013	15
AW020198	PHOTOINTERRUPTOR:LG2A14NL1	U002	17
		U002_S003	17
		U003	2
		U007	9
AW110110	THERMOSTAT	U006_S001	11
		U006_S002	11
		U006_S003	11
AW140016	TEMPERATURE & HUMIDITY SENSOR	U012	13
AX640222	DC FAN MOTOR:DC24V:MM60:25MM	U013	16
AZ230267	(-NA):POWER SUPPLY UNIT:DOM/	U012	14

Number	Part Name	Group	ID
	NA:674.6W		
AZ230269	(-EU/-CHN):POWER SUPPLY UNIT:609.9W	U012	15
B1545869	PANEL:INTERFACE:SECC	U012	16
B6744339	TIMING BELT - B40S2M192	U008	7
B7003535	TIMING BELT:B40S2M116	U007	10
D1204184	DECAL:H-TEMP WARNING:SMALL	U006_S001	12
		U006_S002	12
		U006_S003	12
D1292783	TORQUE LIMITER MECHANICAL CLUTCH:40MMM:DIA18	U002_S002_S001	18
D1775686	PCB:DCSW	U012	17
D6457902	(-NA/-EU):SEAL:CAUTION:20LANGUAGES	ACCESSORIES	4
D7342289	SYNCHRONOUS BELT:40S3M234	U009	17
G0205626	PUSH SWITCH	U006	13
G1045141	KNOB SCREW:M3	U012	18
GA063084	COMPRESSION SPRING:AUXILIARY:SIDE FENCE	U002_S002_S003	19
GA063086	COMPRESSION SPRING:PAPER TRAY	U002_S002	20
GA063087	COMPRESSION SPRING:AUXILIARY:PAPER TRAY	U002_S002	21
GA132000	SPACER:DIA4.2XDIA10X1	U009_S001	18
GB010100	GEAR:DRIVE:DRUM:IDLER	U009_S001	19
GB010101	GEAR:DRIVE:DRUM	U009_S001	20
GB010103	GEAR:DRIVE:FUSING:NO.1	U009_S001	21
GB010104	GEAR:DRIVE:FUSING:NO.2	U009	22
GB010105	GEAR:DRIVE:FUSING:NO.3	U009	23
GB010106	GEAR:DRIVE:PAPER FEED:NO.2	U009_S001	24
GB010107	GEAR:DRIVE:PAPER FEED:NO.3	U009	25
GB011200	GEAR:DRIVE:FUSING:NO.4	U009	26
GB011201	GEAR:DRIVE:FUSING:NO.5	U009	27
GB011202	GEAR:DRIVE:FUSING:NO.6	U009	28
GB011203	GEAR:DRIVE:FUSING:NO.7	U009	29
GB011210	GEAR:DRIVE:PAPER FEED:NO.4	U009	30
GB011211	GEAR:DRIVE:CONNECTING:NO.1	U009	31
GB011212	GEAR:DRIVE:CONNECTING:NO.2	U009	32

Exclusive Parts

Number	Part Name	Group	ID
GB011214	GEAR:DRIVE:TONER SUPPLY:NO.1	U009	33
GB011215	GEAR:DRIVE:TONER SUPPLY:NO.2	U009	34
GB011216	GEAR:DRIVE:TONER SUPPLY:NO.3	U009	35
GB011217	GEAR:DRIVE:TONER SUPPLY:NO.4	U009	36
GB011218	GEAR:DRIVE:TONER SUPPLY:NO.5	U009	37
GF031009	PAPER FEED ROLLER:BALANCER	U002	22
GW010007	PHOTO REFLECTION SENSOR:EXIT	U002	23
		U007	11
GW500004	PUSH SWITCH:CASSETTE:TYCO	U002	24
GX050111	DC STEPPER MOTOR:EXIT	U007	12
GX060042	DC BRUSHLESS MOTOR:MAIN:34W	U009_S001	38
GX200031	ELECTROMAGNETIC CLUTCH:0.45NM:PAPER FEED	U009	39
GX200032	ELECTROMAGNETIC CLUTCH:0.35NM:CONNECTING	U009	40
GX200033	ELECTROMAGNETIC CLUTCH:0.45NM:REGISTRATION	U009	41
GX200034	ELECTROMAGNETIC CLUTCH:0.35NM:DUPLEX	U009	42
GX200035	ELECTROMAGNETIC CLUTCH:0.35NM:MANUAL FEED	U009	43
GX200036	ELECTROMAGNETIC CLUTCH:0.35NM:BASE	U009	44
GX200038	ELECTROMAGNETIC CLUTCH:0.45NM:PAPER FEED:39	U009	45
GX640031	FAN MOTOR:DC:2.64W	U013	17
M0124055	RADIAL BALL BEARING:35X47X7	U006_S001	14
		U006_S002	14
		U006_S003	14
M0124120	TENSION SPRING:PICKOFF PAWL	U006_S001	15
		U006_S002	15
		U006_S003	15

Number	Part Name	Group	ID
M0124281	RETAINING RINGS-C:HOT ROLLER	U006_S001	16
		U006_S002	16
		U006_S003	16
M0752610	COMPRESSION SPRING:LOCK:SIDE FENCE	U002_S001_S001	25
		U002_S002_S002	25
M1091948	CLEANER:LENS:LED HEAD	ACCESSORIES	5
M1092584	PRESSURE PLATE:SIDE FENCE:LEFT	U002_S002_S003	26
M1092589	LEVER:LOCK:SIDE FENCE	U002_S002_S002	27
M1092595	KNOB:COIL SPRING:PAPER TRAY:UD	U002_S002	28
M1092598	HOLDER:COIL SPRING:BASE	U002_S002	29
M1092631	GRIP:PAPER TRAY	U002	30
M1092635	SPACER:PAPER SIZE SENSOR BOARD:OUTER	U002	31
M1092640	HOLDER:PINION	U002_S002	32
M1092657	PROTECTION:PAPER TRAY	U002_S002	33
M1094181	DECAL:OPERATION SUB-UNIT:GUIDE PLATE	U006_S001	17
		U006_S002	17
		U006_S003	17
M1095245	PCB:DDR3-DIMM:512MB(32BIT):ASSY	U012	19
M1112604	DIAL:PAPER SIZE SENSOR BOARD	U002	34
M1112633	DECAL:EXTENSION TRAY:OPERATE	U002_S001	35
M1112636	SPACER:PAPER SIZE SENSOR BOARD:MIDDLE	U002	36
M1605120	PCB:SENSOR:TONER END SENSOR	U012_S001	20
M1871057	DUCT:PCU	U013	18
M1871062	GUIDE:PCDU:RIGHT LOWER	U013	19
M1871063	GUIDE:PCDU:RIGHT UPPER	U013	20
M1871064	TIGHTENER:PCDU:RIGHT	U013	21
M1871065	COIL SPRING:TIGHTENER:PCDU	U013	22
M1871067	GUIDE:PAPER TRAY:RIGHT	U013	24
M1871068	COVER:SIDE PLATE:OPTION	U013	25
M1871069	COVER:SIDE PLATE:PAPER TRAY	U013	26

Exclusive Parts

Number	Part Name	Group	ID
M1871070	COVER:SIDE PLATE:LOWER	U013	27
M1871071	BRACKET:CONNECTOR:OPTION	U013	28
M1871074	GUIDE:PCDU:LEFT LOWER	U013	29
M1871075	GUIDE:PCDU:LEFT UPPER	U013	30
M1871076	TIGHTENER:PCDU:LEFT	U013	31
M1871078	GUIDE:PAPER TRAY:LEFT	U013	33
M1871080	BRACKET:CHIP:PCDU	U013	34
M1871081	DUCT:UPPER	U013	35
M1871082	STEPPED SCREW:M3:SECOND KIND:DRAWER	U013	36
M1871084	DECAL:LEVER:ENVELOPE:FUSING	U013	37
M1871086	GUIDE:FUSING:RIGHT UPPER	U013	23
M1871087	GUIDE:FUSING:LEFT UPPER	U013	32
M1871151	HOUSING:DRIVE:PAPER FEED	U009	46
M1871154	HOLDER:DRIVE:TONER SUPPLY	U009	47
M1871155	LINK:DRIVE:TONER SUPPLY	U009	48
M1871156	JOINT:DRIVE:TONER SUPPLY	U009	49
M1871157	COMPRESSION SPRING:DRIVE:TONER SUPPLY	U009	50
M1871161	GROUND PLATE:BCU:NO.1	U009	51
M1871164	SHAFT:ELECTROMAGNETIC CLUTCH:TONER SUPPLY	U009	52
M1871167	COVER:DRIVE:TONER SUPPLY	U009	53
M1871170	BRACKET:DRIVE:CONNECTING	U009	54
M1871173	GROUND PLATE:BCU:NO.2	U009	55
M1871176	GUIDE:HARNESS:ELECTROMAGNETIC CLUTCH	U009	56
M1871181	BRACKET:DRIVE:FUSING:NO.1	U009	57
M1871184	COMPRESSION SPRING:DRIVE:FUSING	U009	58
M1871190	DRIVE UNIT:DRUM:ASS'Y	U009_S001	59
M1871193	BRACKET:DRIVE:MOTOR	U009_S001	60
M1871206	BRACKET:DRIVE:DRUM	U009_S001	61
M1871209	BOSS:DRIVE:DRUM	U009_S001	62
M1871210	COMPRESSION SPRING:DRIVE:DRUM	U009_S001	63
M1871211	JOINT:DRIVE:DRUM	U009_S001	64

Number	Part Name	Group	ID
M1871216	BRACKET:BCU	U009_S001	65
M1871221	ARM:JOINT	U009	66
M1871222	HOLDER:ARM:JOINT	U009	67
M1871223	COMPRESSION SPRING:ARM	U009	68
M1871225	COVER:MOTOR	U009	69
M1871227	BRACKET:DRIVE:FUSING:NO.2	U009	70
M1871229	PLAIN SHAFT BEARING:ELECTROMAGNETIC CLUTCH:TONER SUPPLY	U009	71
M1871251	COVER:LEFT	U001	6
M1871258	PLATE:GUIDE PLATE:REAR	U001_S002	7
M1871261	COVER:RIGHT	U001	8
M1871262	COVER:BUTTON	U001	9
M1871263	COMPRESSION SPRING:COVER:RIGHT:BUTTON	U001	10
M1871264	COVER:RIGHT:SMALL	U001	11
M1871265	CAP:TOTAL COUNTER	U001	12
M1871271	COVER:UPPER:500	U001	13
M1871272	EXTENSION TRAY:EXIT	U001	14
M1871273	COVER:EXIT:INNER BACK	U001	15
M1871279	EXTENSION TRAY:EXIT:SMALL	U001	16
M1871280	COVER:FRONT:DAI-P1D:ASS'Y	U001_S001	17
M1871284	SUPPORT STAY:COVER:FRONT	U001_S001	18
M1871285	COIL SPRING:SUPPORT STAY	U001_S001	19
M1871286	WIRE:DRIVE:JOINT	U001_S001	20
M1871287	PLATE:COVER:FRONT	U001_S001	21
M1871289	COMPRESSION SPRING:COVER:FRONT	U001_S001	22
M1871290	COVER:REAR:DAI-P1D:ASS'Y	U001_S002	23
M1871310	PLATE:LOGO:RIC:BIOMASS	ACCESSORIES	6
M1871311	DECAL:MISFEED REMOVAL	ACCESSORIES	7
M1871312	DECAL:MISFEED REMOVAL:FUSING UNIT	ACCESSORIES	8
M1871317	(-NA):DECAL:CAUTION:PAPER_GRADE	ACCESSORIES	9
M1871401	(-NA/-EU):OPERATION PANEL:ASS'Y	U011	1
M1871403	(-CHN):OPERATION PANEL:ASS'Y	U011	2

Exclusive Parts

Number	Part Name	Group	ID
M1871909	SPACER:HOLDER:LED	U004	3
M1871924	GUIDE:LINK:LED:RIGHT	U004	4
M1871925	GUIDE:LINK:LED:LEFT	U004	5
M1871926	LINK:LED:RIGHT:A	U004	6
M1871927	LINK:LED:RIGHT:B	U004	7
M1871929	LINK:LED:LEFT:A	U004	8
M1871930	LINK:LED:LEFT:B	U004	9
M1871933	GROUND PLATE:HINGE:LED	U004	10
M1871935	COIL SPRING:LINK:LED	U004	11
M1871936	LEVER:LINK:LED:RIGHT	U004	12
M1871942	LINK:LED:RIGHT:C	U004	13
M1871943	LINK:LED:LEFT:C	U004	14
M1871970	LED:ASS'Y	U004	15
M1872550	PAPER TRAY:REAR:500TYPE:ASS'Y	U002_S001	37
M1872554	PAPER TRAY:REAR:500TYPE	U002_S001	38
M1872590	SPRING PLATE:PAPER TRAY:ASS'Y	U002	39
M1872602	PAPER TRAY:FRONT:500TYPE	U002_S002	40
M1872605	PAPER TRAY:FRONT:500TYPE:ASS'Y	U002_S002	41
M1872606	LEVER:PAPER VOLUME SENSOR:500TYPE	U002_S002	42
M1872610	SEPARATOR:ASS'Y	U002_S002_S001	136
M1872611	BASE:PAPER FEED ROLLER:SEPARATE	U002_S002_S001	43
M1872612	BRACKET:PAPER FEED ROLLER:SEPARATE	U002_S002_S001	44
M1872613	COVER:PAPER FEED ROLLER:SEPARATE	U002_S002_S001	45
M1872614	SHAFT:PAPER FEED ROLLER:SEPARATE	U002_S002_S001	46
M1872618	COMPRESSION SPRING:PRESSURE:SEPARATE:0.75N	U002_S002_S001	47
M1872623	GUIDE:SEPARATE:AUXILIARY	U002_S002_S001	48
M1872624	SHEET:PAPER TRAY:SEPARATE:500TYPE	U002_S002	49
M1872625	SHEET:SEPARATE:AUXILIARY	U002_S002_S001	50

Number	Part Name	Group	ID
M1872630	TRAY BOTTOM PLATE:500TYPE	U002_S002	51
M1872637	TENSION SPRING:TRAY BOTTOM PLATE:500TYPE	U002_S002	52
M1872641	SIDE FENCE:RIGHT:500TYPE:ASS'Y	U002_S002_S002	53
M1872642	SIDE FENCE:RIGHT:500TYPE	U002_S002_S002	54
M1872647	PAD:BASE:URETHANE:WHITE	U002_S002	55
M1872651	(-NA):DECAL:DIAL:PAPER SIZE SENSOR	U002	56
M1872652	(-EU/-CHN):DECAL:DIAL:PAPER SIZE SENSOR	U002	57
M1872653	DECAL:PAPER SET DIRECTION:LEFT	U002	58
M1872654	DECAL:PAPER SET DIRECTION:RIGHT	U002	59
M1872655	DECAL:PAPER FEED PRESSURE:OPERATE	U002_S001	60
M1872656	END FENCE:500TYPE:ASS'Y	U002_S001_S001	61
M1872661	SIDE FENCE:LEFT:500TYPE:ASS'Y	U002_S002_S003	62
M1872662	SIDE FENCE:LEFT:500TYPE	U002_S002_S003	63
M1872683	LEVER:PAPER SIZE SENSOR BOARD	U002	64
M1872688	SEAL:PAPER TRAY:500	U002_S002	65
M1872692	COVER:PAPER TRAY:500TYPE	U002	66
M1872701	MANUAL FEED UNIT:ASS'Y	U002_S003	67
M1872702	TRAY:MANUAL FEED:ASS'Y	U002_S004	68
M1872721	SHAFT:PAPER FEED ROLLER:MANUAL FEED:PRESS FIT	U002_S003	69
M1872723	PAPER FEED ROLLER:MANUAL FEED	U002_S003	70
M1872726	CAM:MANUAL FEED:LEFT	U002_S003	71
M1872727	CAM:MANUAL FEED:RIGHT	U002_S003	72
M1872728	COVER:PAPER FEED ROLLER:MANUAL FEED	U002_S003	73
M1872729	DAMPING INSULATION:MANUAL FEED	U002_S003	74
M1872730	FEELER:PAPER END SENSOR:MANUAL FEED	U002_S003	75

Exclusive Parts

Number	Part Name	Group	ID
M1872732	PAD:BASE	U002_S003	76
M1872735	HOLDER:CAM:BASE:MANUAL FEED	U002_S003	77
M1872736	COMPRESSION SPRING:BASE:MANUAL FEED	U002_S003	78
M1872737	HOLDER:FRICITION PAD:MANUAL FEED	U002_S003	79
M1872740	FEELER:CAM:MANUAL FEED	U002_S003	80
M1872741	COIL SPRING:FEELER:CAM:MANUAL FEED	U002_S003	81
M1872744	SPRING PLATE:HOME POSITION SENSOR:MANUAL FEED	U002_S003	82
M1872750	COMPRESSION SPRING:DRIVEN ROLLER:CONNECTING	U002_S003	83
M1872752	DECAL:SET:PCDU:RIGHT	U002_S003	84
M1872753	DECAL:SET:PCDU:LEFT	U002_S003	85
M1872760	SIDE FENCE:MANUAL FEED:LEFT	U002_S004	86
M1872761	SIDE FENCE:MANUAL FEED:RIGHT	U002_S004	87
M1872762	GEAR:SIDE FENCE	U002_S004	88
M1872763	RACK:SIDE FENCE	U002_S004	89
M1872765	FRICITION PAD:MANUAL FEED	U002_S003	90
M1872766	COVER:EXTENSION TRAY	U002_S004	91
M1872767	EXTENSION TRAY:NO.1:MANUAL FEED	U002_S004	92
M1872768	EXTENSION TRAY:NO.2:MANUAL FEED	U002_S004	93
M1872769	HOLDER:COMPRESSION SPRING:EXTENSION TRAY	U002_S004	94
M1872770	COMPRESSION SPRING:EXTENSION TRAY:7N	U002_S004	95
M1872771	SHAFT:CAM:MANUAL FEED	U002_S003	96
M1872772	COMPRESSION SPRING:FRICITION PAD:MANUAL FEED:3.4N	U002_S003	97
M1872774	ROLLER:DRIVEN:CONNECTING	U002_S003	98
M1872775	SHAFT:CONNECTING:DRIVEN:PAPER FEED	U002_S003	99
M1872776	PLAIN SHAFT BEARING:DIA5:CON	U002_S003	100

Number	Part Name	Group	ID
	CONNECTING		
M1872777	SPRING PLATE:SIDE FENCE:MANUAL FEED	U002_S004	101
M1872778	SHEET:SENSOR COVER	U002_S003	102
M1872803	LEVER:PAPER FEED ROLLER	U002	103
M1872805	STAY:PAPER FEED	U002	104
M1872806	SHAFT:PLAIN SHAFT BEARING:PAPER FEED ROLLER	U002	105
M1872807	SHAFT:PAPER FEED	U002	106
M1872808	SPACER:ROLLER:CONNECTING:PAPER FEED	U002	107
M1872811	ROLLER:CONNECTING:DRIVE:PAPER FEED	U002	108
M1872813	GUIDE PLATE:PAPER FEED:UPPER	U002	109
M1872816	SHEET:STAY:PAPER FEED:UPPER	U002	110
M1872817	GROUND PLATE:STAY:PAPER FEED:RIGHT	U002	111
M1872818	COMPRESSION SPRING:LEVER:PAPER FEED ROLLER	U002	112
M1872822	FEELER:PAPER END SENSOR	U002	113
M1872823	GROUND PLATE:PAPER FEED:UPPER	U002	114
M1872831	GUIDE PLATE:PAPER FEED:ENTRANCE:ASS'Y	U002	115
M1872836	COVER:STAY:PAPER FEED:RIGHT	U002	116
M1872837	COVER:STAY:PAPER FEED:LEFT	U002	117
M1872842	SENSOR COVER:PAPER SIZE SENSOR BOARD:500TYPE	U002	118
M1872851	COVER:PREVENTFENCE:PAPER TRAY	U002	119
M1872856	TENSION SPRING:COVER:PREVENTFENCE	U002	120
M1873360	CONNECTOR:ID_CHIP	U013	38
M1873376	SPONGE:COVER:FRONT	ACCESSORIES	10
M1873382	DECAL:OPERATE:LOCK:TONER CARTRIDGE	U013	39
M1873811	REGISTRATION ROLLER:DRIVE	U002	121

Exclusive Parts

Number	Part Name	Group	ID
M1873812	REGISTRATION ROLLER:DRIVEN	U002	122
M1873821	GUIDE PLATE:REGISTRATION:UP PER	U002	123
M1873822	COVER:GUIDE:REGISTRATION:UP PER	U002	124
M1873823	STOPPER:SENSOR:PLATE	U002	125
		U007	13
M1873824	SHEET:GUIDE:REGISTRATION RO LLER:UPPER LEFT	U002	126
M1873825	SHEET:GUIDE:REGISTRATION RO LLER:UPPER RIGHT	U002	127
M1873826	DECAL:REGISTRATION GUIDE:GR IP	U002	128
M1873831	LEVER:PRESSURE:REGISTRATIO N:RIGHT	U002	129
M1873832	LEVER:PRESSURE:REGISTRATIO N:LEFT	U002	130
M1873833	COMPRESSION SPRING:LEVER:P RESSURE:REGISTRATION	U002	131
M1873891	SHEET:GUIDE:REGISTRATION SE NSOR:HARNESS	U002	132
M1874017	(-NA):FUSING UNIT	U006_S003	18
M1874027	(-EU/-CHN):FUSING UNIT	U006_S001	19
		U006_S002	19
M1874102	FLAT NUT:FRAME	U006_S001	20
		U006_S002	20
		U006_S003	20
M1874106	EXIT ROLLER:FUSING	U006_S001	21
		U006_S002	21
		U006_S003	21
M1874111	LEVER:ENVELOPE:LEFT	U006_S001	22
		U006_S002	22
		U006_S003	22
M1874112	LEVER:ENVELOPE:RIGHT	U006_S001	23
		U006_S002	23
		U006_S003	23
M1874113	SHAFT:LEVER:ENVELOPE	U006_S001	24
		U006_S002	24

Number	Part Name	Group	ID
		U006_S003	24
M1874114	TORSION SPRING:LEVER	U006_S001	25
		U006_S002	25
		U006_S003	25
M1874121	GUIDE:DUPLEX:FUSING	U006_S001	26
		U006_S002	26
		U006_S003	26
M1874122	DRIVEN ROLLER:DUPLEX	U006_S001	27
		U006_S002	27
		U006_S003	27
M1874124	COMPRESSION SPRING:2N	U006_S001	28
		U006_S002	28
		U006_S003	28
M1874131	DISCHARGE BRUSH:PRESSURE R OLLER	U006_S001	29
		U006_S002	29
		U006_S003	29
M1874132	GROUND PLATE:PRESSURE ROLL ER	U006_S001	30
		U006_S002	30
		U006_S003	30
M1874141	PRESSURE ROLLER	U006_S001	31
		U006_S002	31
		U006_S003	31
M1874142	LEVER:PRESSURE	U006_S001	32
		U006_S002	32
		U006_S003	32
M1874143	TENSION SPRING:PRESSURE RO LLER	U006_S001	33
		U006_S002	33
		U006_S003	33
M1874155	GUIDE PLATE:ENTRANCE:LOWER	U006_S001	34
		U006_S002	34
		U006_S003	34
M1874161	GEAR:FUSING:NO.1	U006_S001	35
		U006_S002	35
		U006_S003	35
M1874162	GEAR:FUSING:NO.2	U006_S001	36
		U006_S002	36
		U006_S003	36
M1874163	GEAR:FUSING:NO.3	U006_S001	37

Exclusive Parts

Number	Part Name	Group	ID
		U006_S002	37
		U006_S003	37
M1874212	SET SENSOR:DRAWER:FUSING	U006_S001	38
		U006_S002	38
		U006_S003	38
M1874213	THERMISTOR:FUSING	U006_S001	39
		U006_S002	39
		U006_S003	39
M1874215	(-NA):DRAWER:FUSING	U006_S003	40
M1874217	(-EU/-CHN):DRAWER:FUSING	U006_S001	41
		U006_S002	41
M1874218	FLAT NUT:THERMISTOR	U006_S001	42
M1874223	ELECTRODE PLATE:THERMOSTA T	U006_S001	43
		U006_S002	43
		U006_S003	43
M1874226	GROUND PLATE:UPPER	U006_S001	44
		U006_S002	44
		U006_S003	44
M1874227	DISCHARGE BRUSH:HOT ROLLER	U006_S001	45
		U006_S002	45
		U006_S003	45
M1874232	STRIPPER PAWLS:HOT ROLLER	U006_S001	46
		U006_S002	46
		U006_S003	46
M1874241	HOT ROLLER	U006_S001	47
		U006_S002	47
		U006_S003	47
M1874242	GEAR:HOT ROLLER	U006_S001	48
		U006_S002	48
		U006_S003	48
M1874243	THERMAL INSULATING BUSHING: HOT ROLLER	U006_S001	49
		U006_S002	49
		U006_S003	49
M1874252	BRACKET:HEATER:LEFT	U006_S001	50
		U006_S002	50
		U006_S003	50
M1874253	BRACKET:HEATER:RIGHT	U006_S001	51
		U006_S002	51

Number	Part Name	Group	ID
		U006_S003	51
M1874255	(-NA):HEATER:844W:117V:INFRAR ED	U006_S003	52
M1874257	(-EU/-CHN):HEATER:844W:227V:IN FRARED	U006_S001	53
		U006_S002	53
M1874261	GUIDE PLATE:ENTRANCE:UPPER	U006_S001	54
		U006_S002	54
		U006_S003	54
M1874301	GUIDE:EXIT:FUSING	U006_S001	55
		U006_S002	55
		U006_S003	55
M1874311	EXIT ROLLER	U006_S001	56
		U006_S002	56
		U006_S003	56
M1874312	SHAFT:EXIT ROLLER	U006_S001	57
		U006_S002	57
		U006_S003	57
M1874313	HOLDER:EXIT ROLLER	U006_S001	58
		U006_S002	58
		U006_S003	58
M1874314	SUPPORTING PLATE:EXIT ROLLE R	U006_S001	59
		U006_S002	59
		U006_S003	59
M1874321	COVER:FUSING UNIT:LEFT	U006_S001	60
		U006_S002	60
		U006_S003	60
M1874331	COVER:FUSING UNIT:RIGHT	U006_S001	61
		U006_S002	61
		U006_S003	61
M1874351	GUIDE:FUSING:RIGHT LOWER	U006	62
M1874352	LEVER:FUSING:RIGHT	U006	63
M1874353	GUIDE:FUSING:LEFT LOWER	U006	64
M1874354	LEVER:FUSING:LEFT	U006	65
M1874421	GUIDE PLATE:EXIT:UPPER:500	U007	14
M1874422	ROLLER:DRIVEN:REVERSE	U007	15
M1874425	BRACKET:SENSOR:REVERSE:500	U007	17
M1874426	SPRING PLATE:ROLLER:REVERS E	U007	16

Exclusive Parts

Number	Part Name	Group	ID
M1874431	GUIDE PLATE:EXIT:MIDDLE:500	U007	18
M1874432	FEELER:EXIT:OVERFLOW	U007	19
M1874433	DISCHARGE BRUSH:EXIT	U007	20
M1874434	PAD:SENSOR:REVERSE	U007	21
M1874435	SPACER:EXIT:500	U007	22
M1874441	GUIDE PLATE:EXIT:LOWER:500	U007	23
M1874442	FEELER:SENSOR:EXIT:500	U007	24
M1874443	SPRING PLATE:EXIT ROLLER:MIDDLE	U007	25
M1874444	SPRING PLATE:EXIT ROLLER:OUTER	U007	26
M1874445	EXIT ROLLER:DRIVEN	U007	27
M1874446	GROUND PLATE:EXIT:500	U007	28
M1874447	PRESSURE PLATE:FUSING:PLATE	U007	29
M1874448	COMPRESSION SPRING:FUSING:PLATE	U007	30
M1874449	TORSION SPRING:FEELER:EXIT:500	U007	31
M1874452	TENSION SPRING:GATE PAWL:EXIT	U007	32
M1874453	DECAL:PICKOFF PAWL:GRIP:B	U007	33
M1874455	GATE PAWL:EXIT:500	U007	34
M1874461	EXIT ROLLER	U007	35
M1874462	REVERSE ROLLER:500	U007	36
M1874463	TIMING PULLEY:EXIT:43T:18T	U007	37
M1874464	TIMING PULLEY:REVERSE:18T:500	U007	38
M1874481	DC SOLENOID:EXIT:500:SUB-ASS'Y	U007	39
M1874483	TENSION SPRING:EXIT:SOLENOID:1.4N	U007	40
M1874492	COIL SPRING:GUIDE PLATE:EXIT:REAR	U001_S002	26
M1874494	(-CHN):TRAY:EXIT:MOVEABLE:ASS'Y	ACCESSORIES	11
M1874851	GUIDE:UPPER:DUPLEX	U008	8
M1874854	FEELER:UPPER:DUPLEX	U008	9
M1874861	DRIVEN ROLLER:EXIT:DUPLEX	U008	10

Number	Part Name	Group	ID
M1874862	COMPRESSION SPRING:EXIT:DUPLEX	U008	11
M1874863	PLAIN SHAFT BEARING:DRIVEN:DUPLEX:EXIT	U008	12
M1874866	DRIVEN ROLLER:CONNECTING:DUPLEX	U008	13
M1874867	TENSION SPRING:CONNECTING:DUPLEX	U008	14
M1874868	PLAIN SHAFT BEARING:DRIVEN:DUPLEX:UPPER	U008	15
M1874871	GUIDE:FRONT:DUPLEX	U008	16
M1874874	GROUND PLATE:FRONT:DUPLEX	U008	17
M1874881	ROLLER:EXIT:DRIVE:DUPLEX	U008	18
M1874882	GRIP:PICK-UP PAPER JAM:MIDDLE:DUPLEX	U008	19
M1874883	GRIP:PICK-UP PAPER JAM:FRONT:DUPLEX	U008	20
M1874886	COMPRESSION SPRING:HOOK:DUPLEX	U008	21
M1874887	LINK:PICK-UP PAPER JAM:FRAME:DUPLEX	U008	22
M1874888	LINK:PICK-UP PAPER JAM:FRONT:DUPLEX	U008	23
M1874889	DECAL:DESIGN SKETCH:DUPLEX:Z2	U008	24
M1874891	HOOK:PICK-UP PAPER JAM:FRONT:DUPLEX	U008	25
M1874894	PLATE:HOOK:DUPLEX:RIGHT	U008	26
M1874897	PLATE:HOOK:DUPLEX:LEFT	U008	27
M1874911	GUIDE:CONNECTING:DUPLEX	U008	28
M1874913	GROUND PLATE:CONNECTING:DUPLEX	U008	29
M1874914	GROUND PLATE:CONNECTING:DUPLEX:SMALL	U008	30
M1874917	PULLEY:GEAR:DUPLEX:Z29T18	U008	31
M1874921	ROLLER:CONNECTING:DRIVE:DUPLEX	U008	32
M1874922	GEAR:DRIVE:DUPLEX:Z29	U008	33

Exclusive Parts

Number	Part Name	Group	ID
M1874924	PULLEY:DRIVE:DUPLEX:T18	U008	34
M1874931	GEAR:IDLER:DUPLEX:Z29	U008	35
M1874951	GUIDE:REAR:DUPLEX	U008	36
M1874953	GROUND PLATE:REAR:DUPLEX	U008	37
M1874961	ROLLER:ENTRANCE:DRIVE:DUPL EX	U008	38
M1874976	PULLEY:CONNECTING:DUPLEX:T1 8	U008	39
M1875013	PCB:BCU:ASS'Y	U012	21
M1875630	POWER PACK:CDVT:ASS'Y	U012_S001	22
M1875664	BRACKET:MAIN SWITCH:PEEN	U012_S002	23
M1875792	PCB:CTL:DAI-P1D_EXP:38CPM	U012	24
M1875810	BRACKET:POWER SUPPLY UNIT:S UB-ASS'Y	U012	25
M1875817	COVER:POWER SUPPLY UNIT:FR ONT	U012	26
M1875818	COVER:POWER SUPPLY UNIT:RE AR	U012	27
M1875819	STOPPER:COVER:REAR	U012	28
M1875820	BUTTON:MAIN SWITCH	U001_S001	27
M1875821	HOLDER:MAIN SWITCH	U012	29
M1875822	BRACKET:SWITCH:MAIN	U012_S002	30
M1875823	COIL SPRING:MAIN SWITCH	U001_S001	28
M1875854	BRACKET:SAFETY SWITCH:FRON T	U012	31
M1875858	TENSION SPRING:SAFETY SWITC H	U012	32
M1875861	COVER:C/T BOX	U012	33
M1875863	COVER:C/T BOX:SMALL	U012	34
M1875866	BASE:C/T BOX	U012	35
M1875868	COVER:SD-CARD	U012	36
M1875869	DECAL:INTERFACE	U012	37
M1875875	INSULATING SHEET:BCU	U012	38
M1876202	TRANSFER ROLLER:ASS'Y	U003	3
M1876855	DECALME PLATE:M187:EXP	ACCESSORIES	12
M1879590	NV-RAM	U012	39
M1898617	(-NA):ACCESSORY:CD-ROM:ASS'Y	ACCESSORIES	13
M1898627	(-EU):ACCESSORY:CD-ROM:ASS'Y	ACCESSORIES	14

Number	Part Name	Group	ID
M1898635	(-CHN):ACCESSORY:CD-ROM:ASS Y	ACCESSORIES	15
M4062854	PAWL:LOCK:SIDE FENCE	U002_S002_S002	133
M4062855	COVER:SIDE FENCE:RIGHT	U002_S002_S002	134
M4062865	COVER:SIDE FENCE:LEFT	U002_S002_S003	135

Standard Parts



03530030N
SCREW:M3X3



03530040N
SCREW - M3X4



03530060N
BIND SCREW - M3X6



03603006N
SCREW - M3X6



03603008N
SCREW:M3X8



04503035N
TAPPING SCREW:3X35



04513006N
TAPPING SCREW - 3X6



04513008N
TAPPING SCREW - M3X8



04513020N
TAPPING SCREW:3X20



04533006N
TAPPING SCREW - M3X6



04543006N
TAPPING SCREW:ROUND POINT:3X6



04543006Q
TAPPING SCREW - M3X6



04543008Q
TAPPING SCREW:3X8



04543014Q
TAPPING SCREW:3X14



04583008N
HEXAGON HEAD TAPPING SCREW:3X8



04583010N
HEXAGON HEAD TAPPING SCREW:3X10



07200025E
RETAINING RING - M2.5



07200040E
RETAINING RING - M4



08025305
TAPPING SCREW - M3X6



08046127
HEXAGONAL BOLT:DOUBLE SCREW:M3X8



08050097
RING SEPARATOR



08050100
RETAINING RING - M2.5



08050103
RETAINING RINGS-E:SILENCER:DIA3



08050104
RETAINING RINGS-E:SILENCER:DIA4



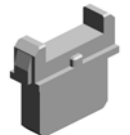
08050106
RETAINING RINGS-E:SILENCER:DIA6



08053575
RADIAL BALL BEARING:DIA8 XDIA16X5



09543012N
SCREW - M3X12



11029431
CONNECTOR:1-1612256-2

Standard Parts



11050692
CLAMP:LES-0503



11050724
CLAMPS:WES-1210



11050758
CLAMP:LWSM-0306A



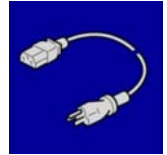
11050760
CLAMP:LWSM-0511A



11050762
CLAMP:LWS-0711A



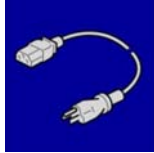
11050763
CLAMP:LWS-1211A



11500427
(-NA):POWER SUPPLY CODE
:125V:15A



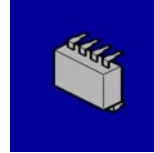
11500456
(-CHN):POWER SUPPLY COD
E:250V:10A



11500458
(-EU):POWER SUPPLY CODE
:250V:10A



12042612
MICRO SWITCH:D3V-16506-3
C25



14077677
EEPROM:BR24T64-W

PM Part List

Number	Part Name	Num	Group	ID
M1874017	(-NA):FUSING UNIT	1	U006_S003	18
M1874027	(-EU/-CHN):FUSING UNIT	2	U006_S001	19
			U006_S002	19
M1876202	TRANSFER ROLLER:ASS'Y	1	U003	3

Design Change List

Number	Title	Set	Old Part		New Part		Index No.		Q'ty	Interchg		Reason	Cut-in S/N
			P/N	Name	P/N	Name	Group	ID		Indiv.	Set		
201509-01	1509 Modification	-	M1874231	STRIPPER PAWLS:HOT ROLLER	M1874232	STRIPPER PAWLS:HOT ROLLER	U006_S001	46	5	X/O			Model Da-P1:
							U006_S002	46	5				
							U006_S003	46	5				
201509-02	1509 Modification	A	M1871066	GUIDE:FUSING:RIGHT UPPER	M1871086	GUIDE:FUSING:RIGHT UPPER	U013	23	1	X/X			Model Da-P1:
201509-03	1509 Modification	A	M1871077	GUIDE:FUSING:LEFT UPPER	M1871087	GUIDE:FUSING:LEFT UPPER	U013	32	1	X/X			Model Da-P1:
201510-01	1510 Modification	-	M1874423	SPRING PLATE:ROLLER:REVERSE	M1874426	SPRING PLATE:ROLLER:REVERSE	U007	16	4	X/O			Model Da-P1:
201511-01	1511 Modification	-	M1871297	SHEET:COVER:A			U001	24	2				Model Da-P1:
201511-02	1511 Modification	-	M1871298	SHEET:COVER:B			U001	25	14				Model Da-P1:
201511-03	1511 Modification	-			M1872610	SEPARATOR:ASSY	U002_S002_S001	136	1				Model Da-P1:

