



RICOH UNIVERSITY

Learning ♦ Knowledge ♦ Performance



M047
PARTS CATALOG

005631MIU

LANIER RICOH SAVIN



M047
PARTS CATALOG

LANIER
RICOH
SAVIN



RICOH UNIVERSITY

Learning ♦ Knowledge ♦ Performance

M047 PARTS CATALOG

005631MIU

LANIER RICOH SAVIN®

LEGEND

PRODUCT CODE	COMPANY			
	GESTETNER	LANIER	RICOH	SAVIN
M047	SP 6330N	LP235N	SP 6330N	MLP235n
G806	Duplex Unit TypeAD610			
G807	Envelope Feeder Type610			
M374	Paper Feed Unit PB3090			
M377	GW Options for M047			

DOCUMENTATION HISTORY

REV. NO.	DATE	COMMENTS
*	01/2010	Original Printing

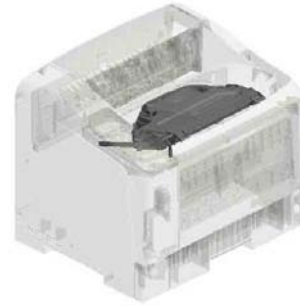
Unit All



U001
EXTERIOR



U002
OPERATION



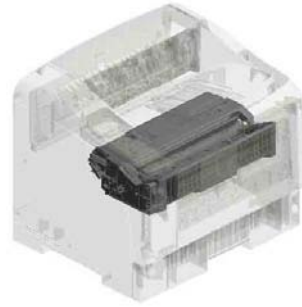
U003
LASER UNIT



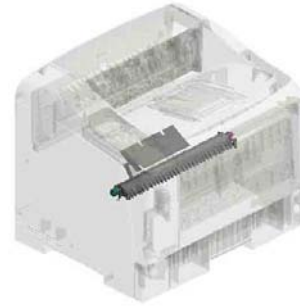
U004
PAPER FEED



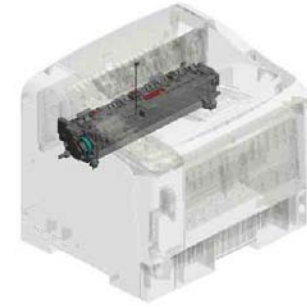
U005
MAIN FRAME



U006
AIO



U007
TRANSFER/SEPARATION



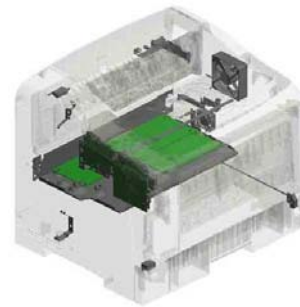
U008
FUSING



U009
PAPER EXIT



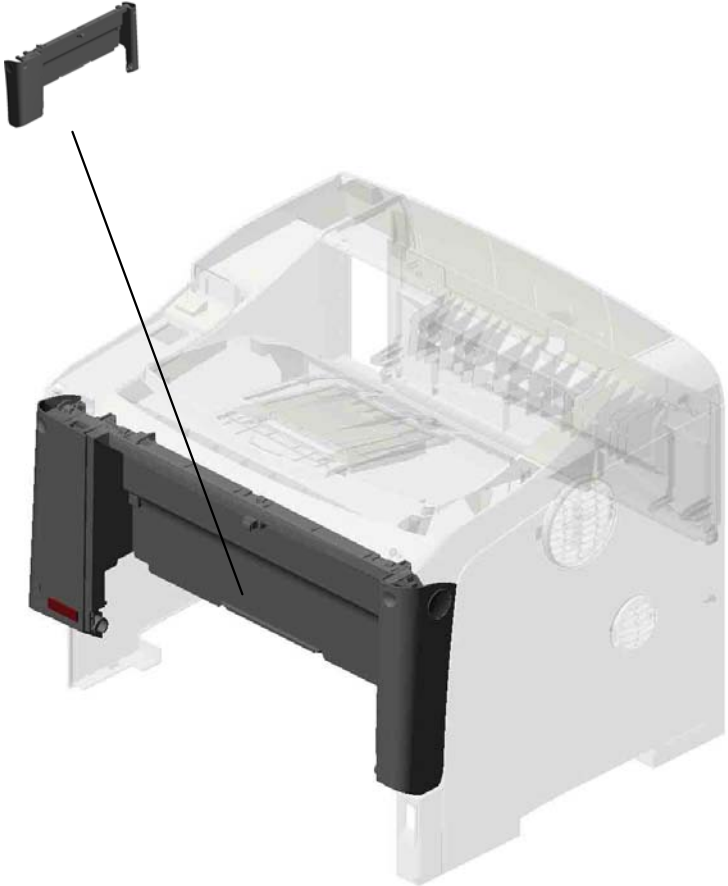
U010
CONTROLLER



U011
ELECTRICAL

U001.EXTERIOR

U001_S001
M0451202
FRONT COVER



U001 EXTERIOR

19.M0451253 EXTENSION TRAY: EXIT
 27.M0471265 COVER:UPPER:ST
 28.M0471266 COVER:UPPER:RE
 13.G1681206 REAR COVER
 ACK
 AR



23.M0471252
TRAY:EXIT:D

31.M0471340
COVER:LEFT

3.04513008N
(x2)
TAPPING SCREW -
M3X8

2.04504010N
(x4)
TAPPING SCREW:
M4X10

30.M0471330
COVER:RIGHT

20.M0451333
LOUVER

1.04503010N
TAPPING SCREW -
M3X10

22.M0451336
FILTER:POWER SU
PPLY UNIT

21.M0451335
LOUVER:POWER S
UPPLY UNIT:ABSO
RB NOZZLE

U001_S001 FRONT COVER

10.G0521544
SPRING PLATE - R
ECEPTACLE

9.G0521543
(x2)
STEP SCREW

8.G0521542
(x2)
COLLAR - RECEP
TACLE

17.G1681287
SHUTTER FEELER

1.04503010N
(x4)
TAPPING SCREW -
M3X10

18.M0451202
FRONT COVER

4.07200020E
(x2)
RETAINING RING -
M2

7.G0521541
(x2)
SPRING - RECEP
TACLE

6.G0521518
SPRING - LOCK LE
VER

14.G1681271
HARNES COVER

16.G1681286
DOOR LEVER

12.G0525362
RECEPTACLE - 99
RH144

5.AG071007
LATCH - BY PASS
FEED TABLE

15.G1681275
DECAL - MISFEED
REMOVAL

11.G0523356
SHEET - SOUNDP
ROOF



24.M0471262
DECAL:MODEL NA
ME PLATE:SAV:NA



25.M0471263
DECAL:MODEL NA
ME PLATE:GES:NA



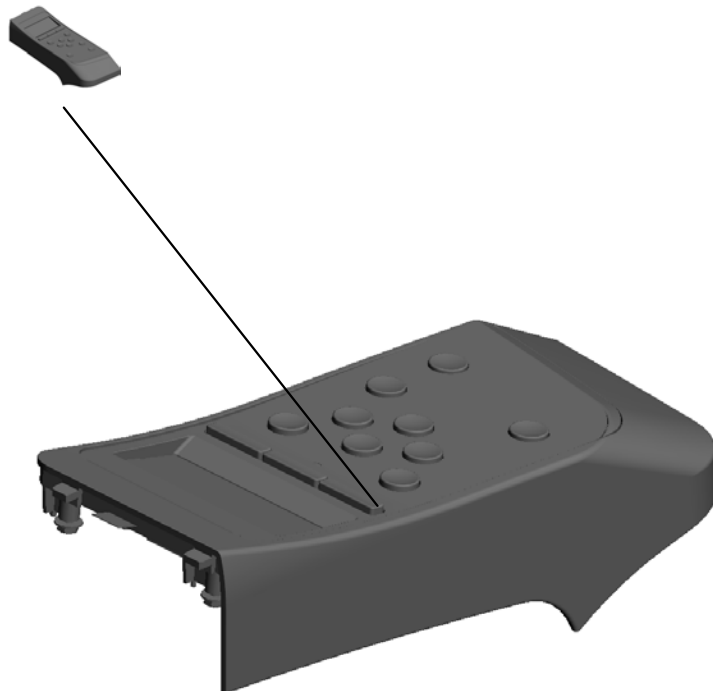
26.M0471264
DECAL:MODEL NA
ME PLATE:LAN:NA



29.M0471281
DECAL:NAME PLA
TE:RIC

U002 OPERATION

1.M0471453
OPERATION PANE
L



U003.LASER UNIT

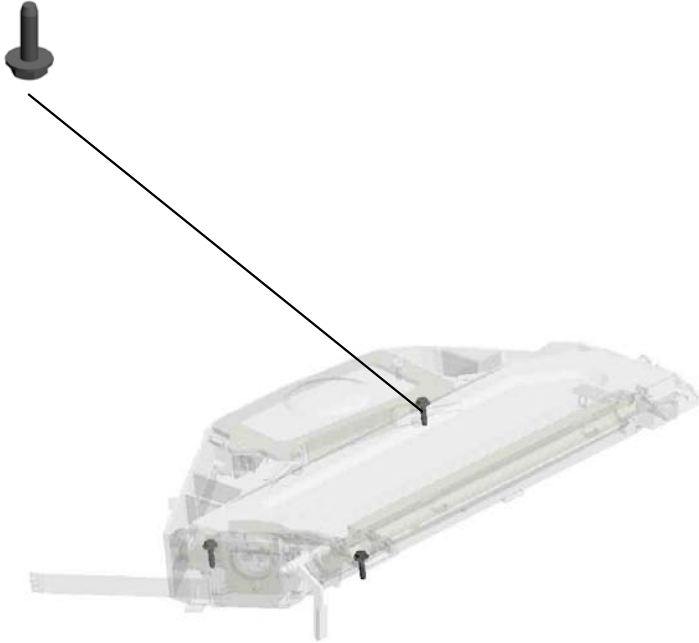
U003_S001
M0451900
LASER UNIT



U001	U002	U003	U004	U005	U006	U007	U008	U009	U010	U011
------	------	------	------	------	------	------	------	------	------	------

U003
LASER UNIT

2.04503012N
(x3)
TAPPING SCREW:
3X12



U003_S001 LASER UNIT

5.GX060029
POLYGON SCANN
ER MOTOR:DC24V
24W



6.M0451900
LASER UNIT

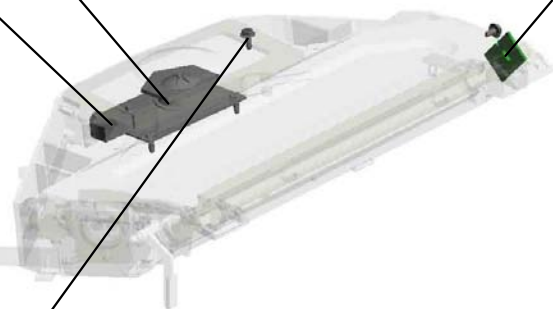
4.G0882775
SHIELD:HARNESS



3.G0525060
SYNCHRONIZATIO
N DETECTOR



1.04503008N
(x6)
TAPPING SCREW -
M3X8



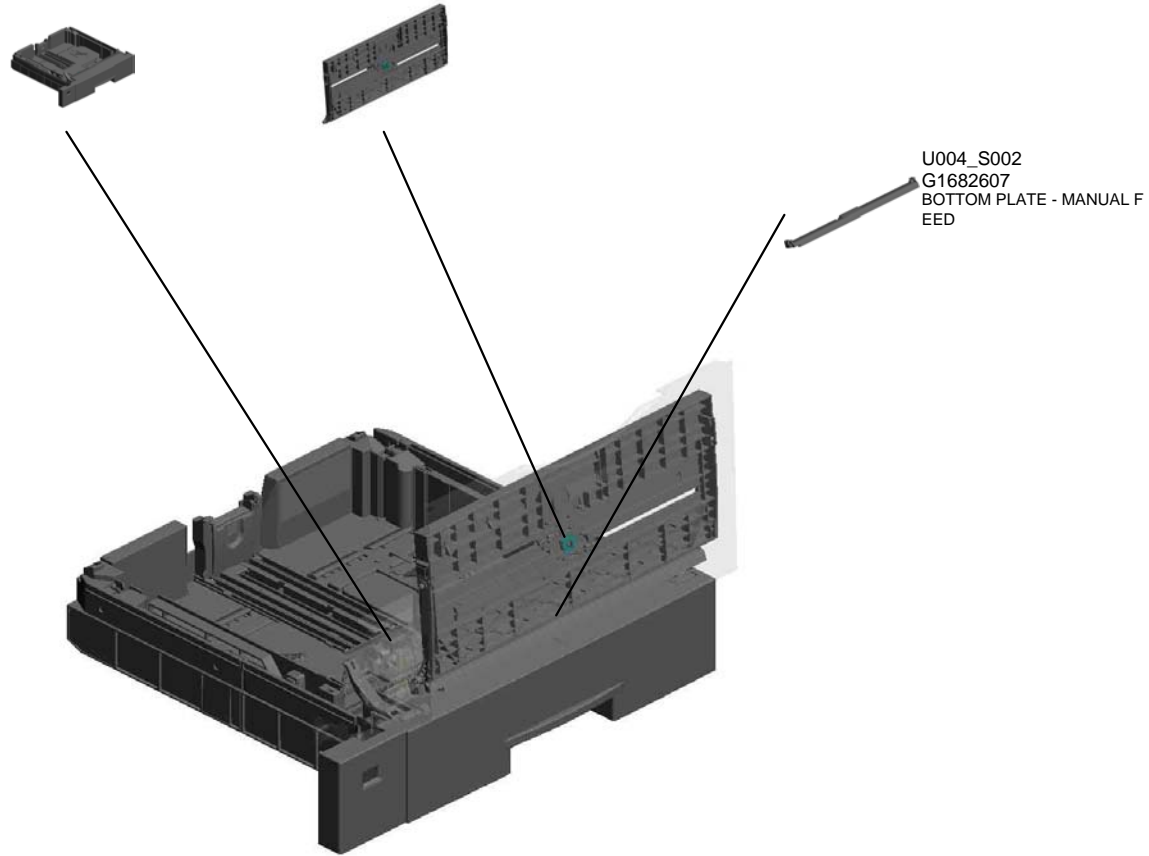
U001	U002	U003	U004	U005	U006	U007	U008	U009	U010	U011
------	------	------	------	------	------	------	------	------	------	------

U004.PAPER FEED

U004_S003
M0472665
PAPER TRAY:ASSY

U004_S001
G1682560
MANUAL FEED TABLE - SUB
UNIT

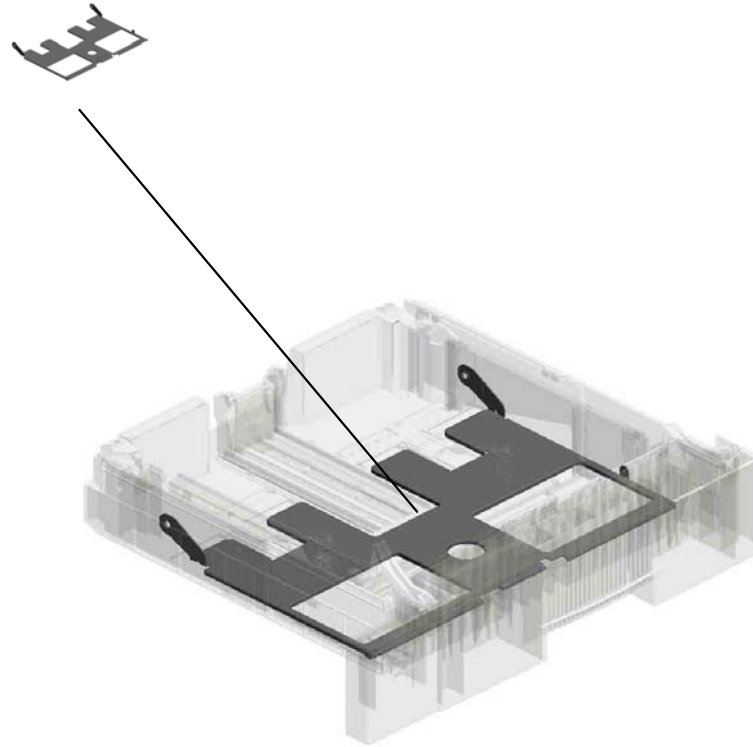
U004_S002
G1682607
BOTTOM PLATE - MANUAL F
EED



U001	U002	U003	U004	U005	U006	U007	U008	U009	U010	U011
------	------	------	------	------	------	------	------	------	------	------

U004_S003.PAPER TRAY:ASS'Y

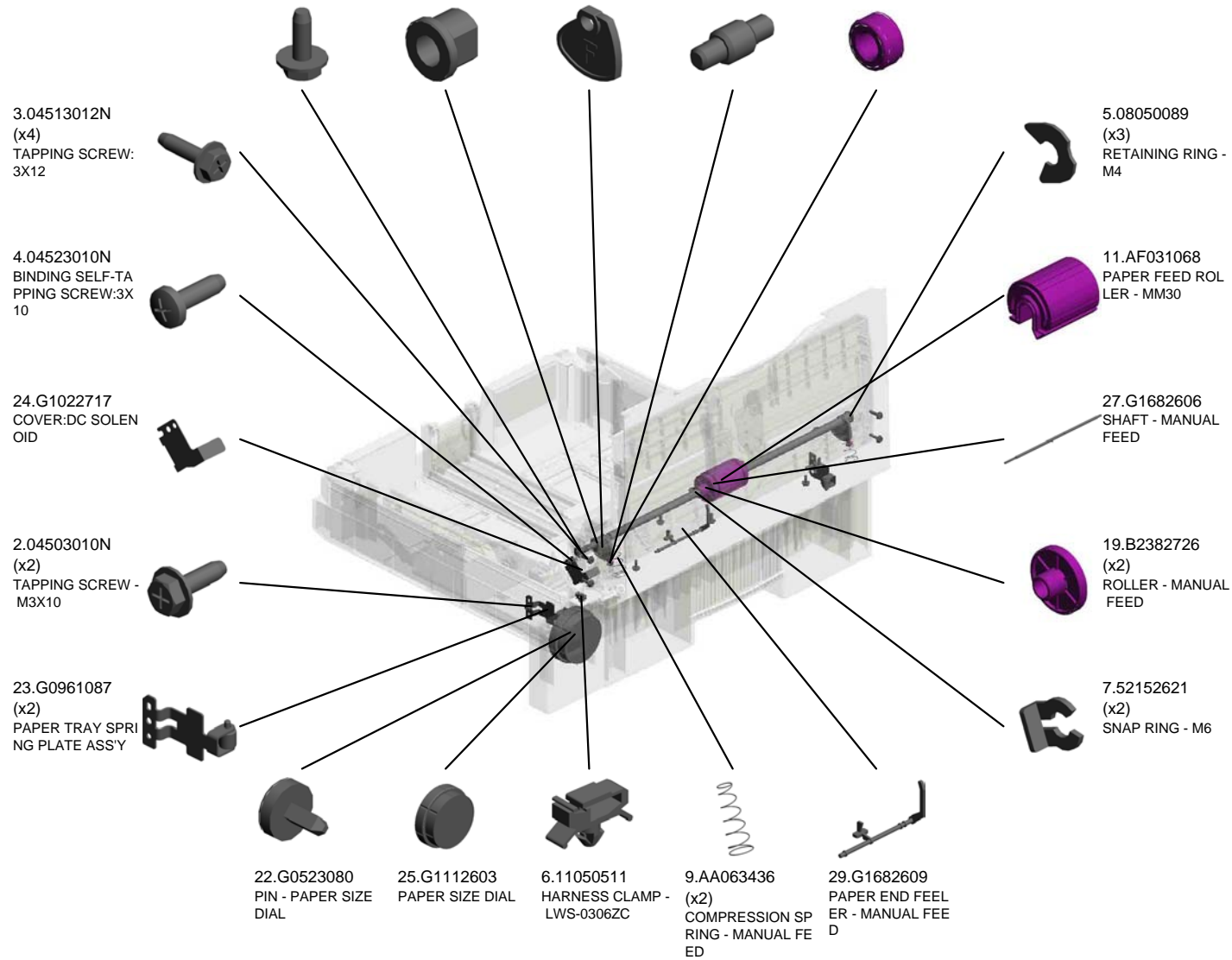
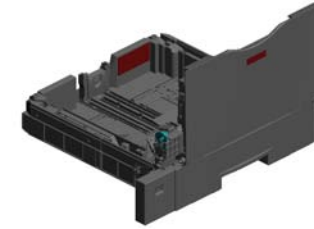
U004_S003_S001
M0472740
TRAY BOTTOM PLATE



U001	U002	U003	U004	U005	U006	U007	U008	U009	U010	U011
------	------	------	------	------	------	------	------	------	------	------

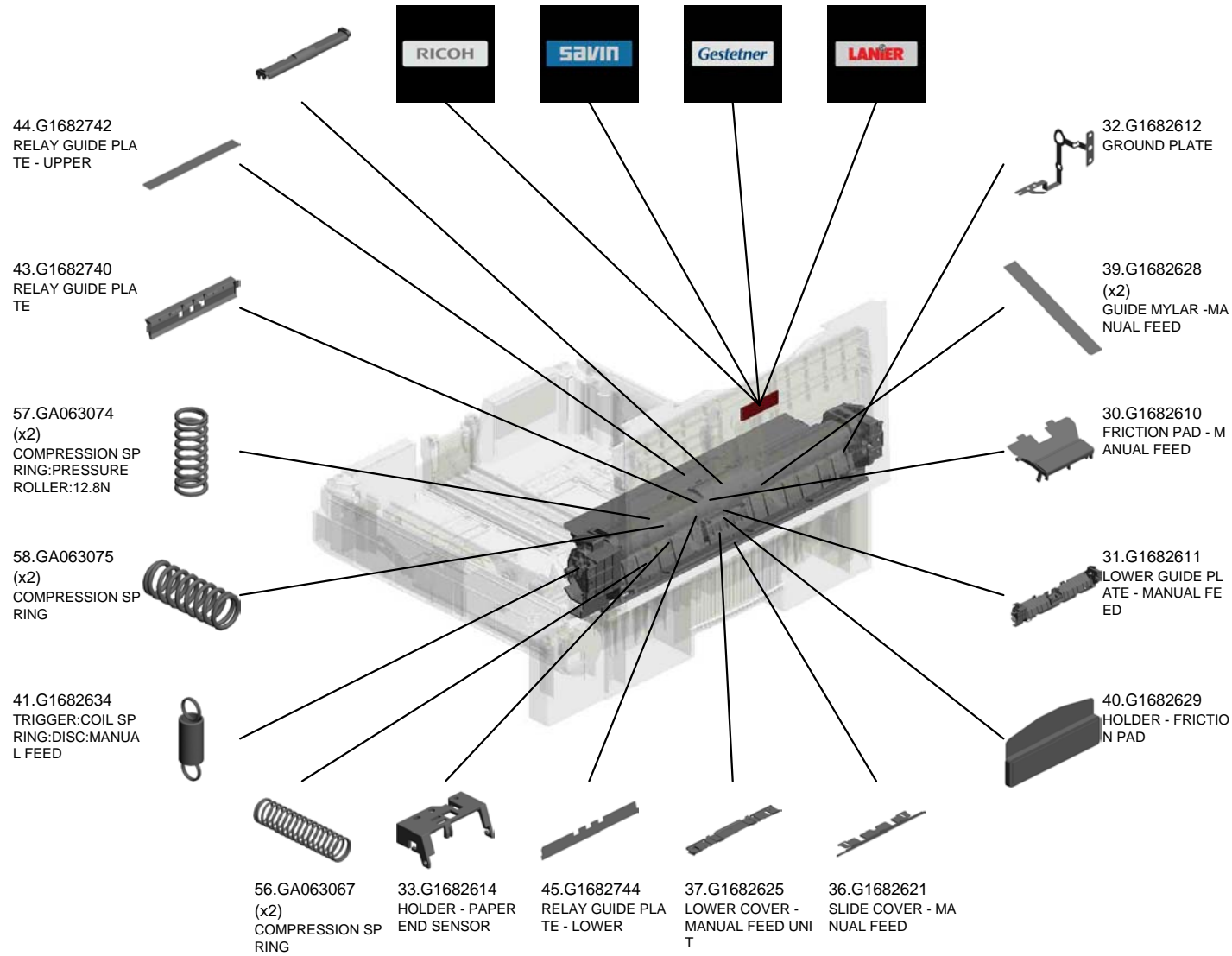
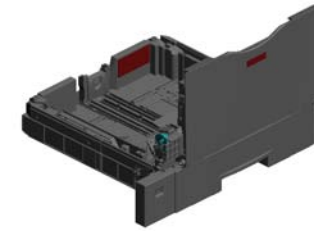
U004 PAPER FEED

- 1.04503008N (x7) TAPPING SCREW - M3X8
- 10.AA082058 (x2) BUSHING - 6X10X9 MM
- 16.B2382712 (x2) CAM - MANUAL FEED
- 17.B2382719 (x2) PIN
- 18.B2382725 (x2) ROLLER - TRAY BOTTOM PLATE



U004 PAPER FEED

42.G1682700 UPPER GUIDE PLATE - MANUAL FEED
 48.G1900410 LOGO:TYPE:RICOH :P3
 51.GA001051 PLATE:LOGO:SVN
 52.GA001052 PLATE:LOGO:GES
 53.GA001056 PLATE:LOGO:LAN

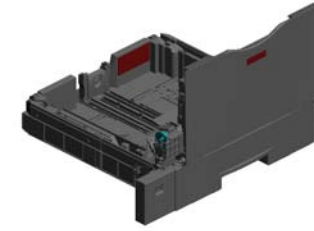


U004 PAPER FEED

77.M0472788
DECAL:PAPER FEED PRESSURE

63.GA080041
(x4)
ROULER BUSHING

67.GF020059
PRESSURE ROLLER:MANUAL FEED



64.GB013073
GEAR - 32Z



69.GX110021
DC SOLENOID:24V
:9.6W



70.M0452561
COVER:MANUAL FEED TABLE:ASSY



66.GF020058
PRESSURE ROLLER:MAIN



59.GA063079
COMPRESSION SPRING - 31.5MM



68.GW020020
PHOTOINTERRUPTOR:LG248NL1

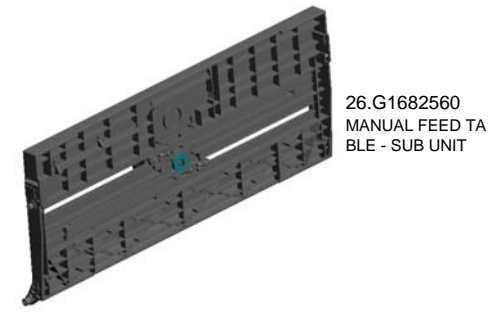


62.GA066022
SPRING - PAPER END FEELER



U004_S001 MANUAL FEED TABLE - SUB UNIT

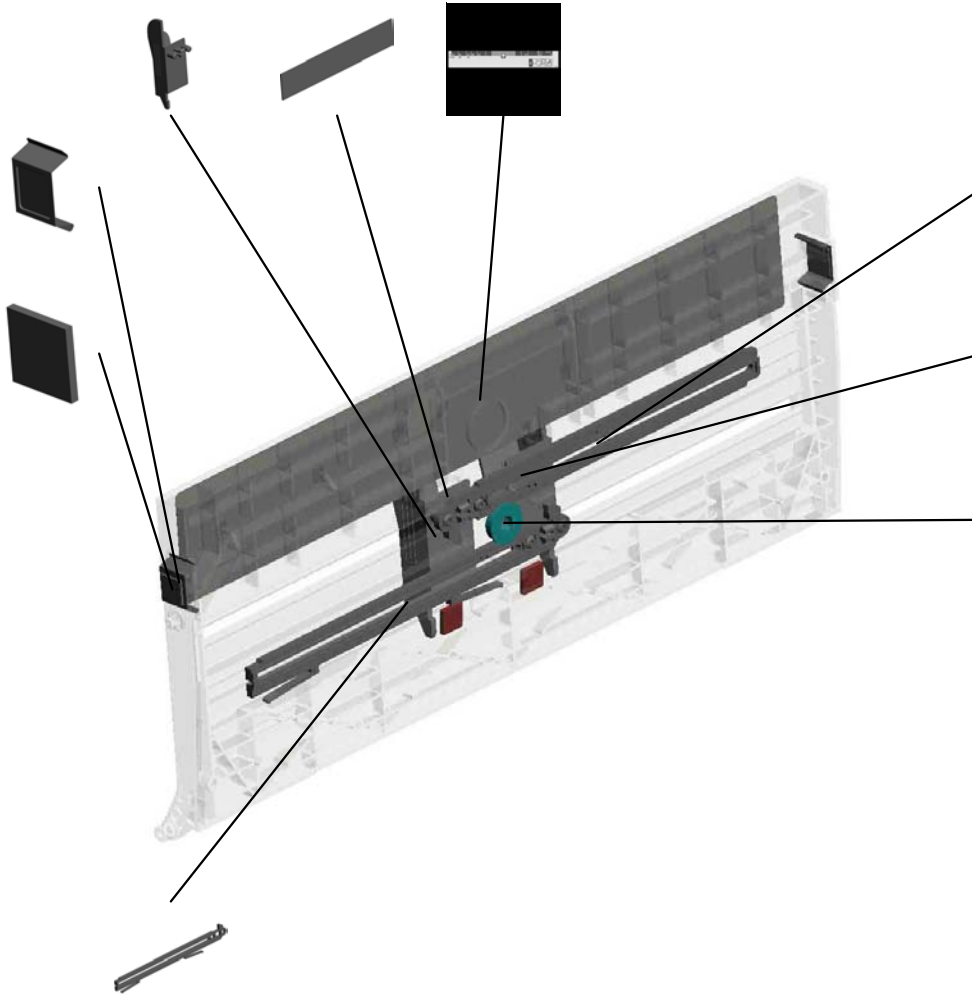
12.B0392631 FRONT SIDE FENCE
 38.G1682626 (x2) SPACER- SIDE FENCE
 54.GA003210 DECAL - SIZE INDICATION



26.G1682560
 MANUAL FEED TABLE - SUB UNIT

34.G1682619 (x2) SPACER BRACKET

35.G1682620 (x4) SPACER - MANUAL FEED TABLE



14.B0392637 RACK - FRONT SIDE FENCE

13.B0392632 REAR SIDE FENCE

20.G0123050 SIDE FENCE GEAR

15.B0392638 RACK - REAR SIDE FENCE

U004_S002
BOTTOM PLATE - MANUAL FEED

65.GF013001
BOTTOM PLATE P
AD

28.G1682607
BOTTOM PLATE -
MANUAL FEED



U001	U002	U003	U004	U005	U006	U007	U008	U009	U010	U011
------	------	------	------	------	------	------	------	------	------	------

U004_S003
PAPER TRAY:ASS'Y

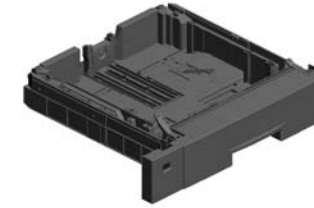
75.M0472770
PAPER TRAY:FRO
NT

21.G0292609
(x2)
CASSETTE PROTE
CTION

73.M0472763
(x2)
KNOB:COIL SPRIN
G:PAPER TRAY

74.M0472764
(x2)
HOLDER:COIL SPR
ING:PAPER TRAY

61.GA063087
(x2)
COMPRESSION SP
RING:AUXILIARY:P
APER TRAY



71.M0472665
PAPER TRAY:ASS'
Y

82.M0472810
END FENCE:ASS'Y

79.M0472802
PAPER TRAY:REA
R

49.G3993087
LABEL:PROTECTI
ON

80.M0472803
SIDE FENCE:LEFT:
ASS'Y

55.GA060082
(x2)
TENSION SPRING:
PAPER TRAY:38M
M

8.A2672869
GEAR - 16Z

76.M0472785
DECAL:PAPER SE
T DIRECTION

60.GA063086
COMPRESSION SP
RING:PAPER TRAY

46.G1682766
FRICTION PAD - C
ASSETTE

78.M0472801
COVER:PAPER TR
AY

47.G1682768
(x2)
ARM - TARY BOTT
OM PLATE

81.M0472806
SIDE FENCE:RIGH
T:ASS'Y

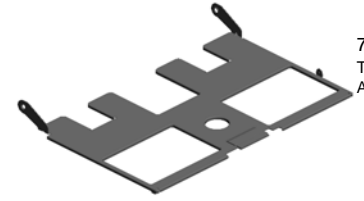
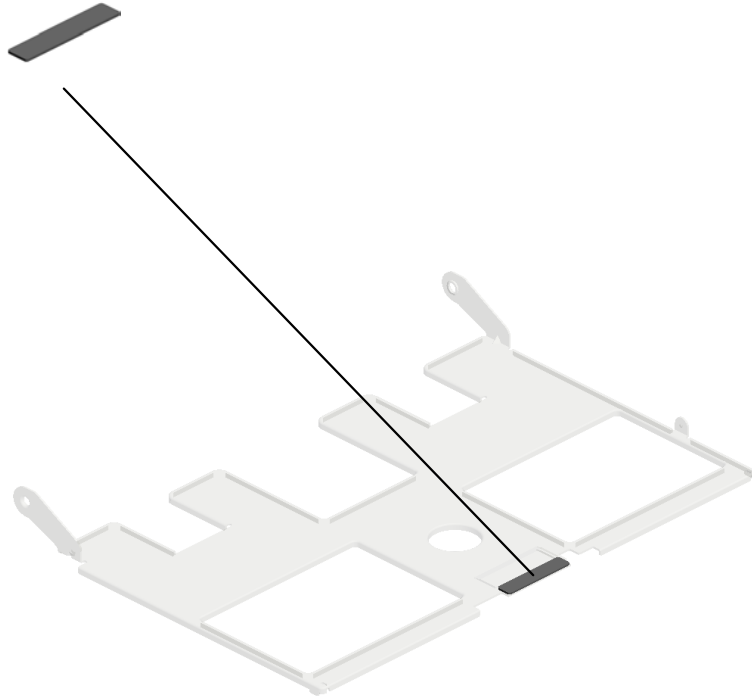
83.M0472814
ARM:PAPER VOLU
ME SENSOR:PAPE
R TRAY

2.04503010N
(x2)
TAPPING SCREW -
M3X10

50.G8003147
PRESSURE SPRIN
G - 2.8N

U004_S003_S001
TRAY BOTTOM PLATE

65.GF013001
BOTTOM PLATE P
AD

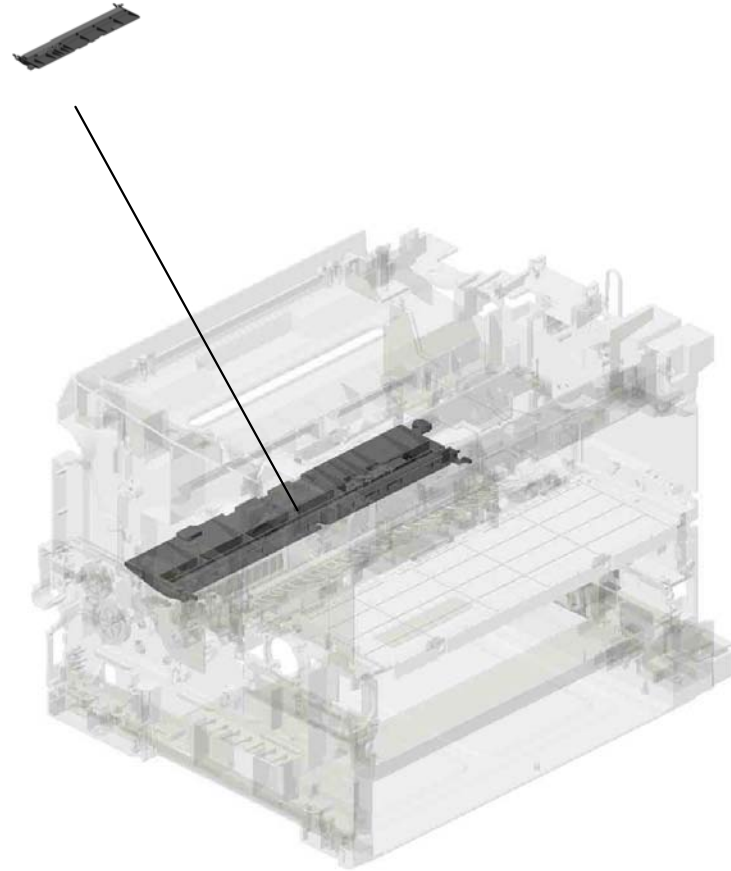


72.M0472740
TRAY BOTTOM PL
ATE

U001	U002	U003	U004	U005	U006	U007	U008	U009	U010	U011
------	------	------	------	------	------	------	------	------	------	------

U005.MAIN FRAME

U005_S001
G1682590
UPPER GUIDE - REGISTRATI
ON



U001	U002	U003	U004	U005	U006	U007	U008	U009	U010	U011
------	------	------	------	------	------	------	------	------	------	------

U005 MAIN FRAME



- 11.11025195 CONNECTOR - 5P
- 1.04503010N (x39) TAPPING SCREW - M3X10
- 8.08050089 (x4) RETAINING RING - M4
- 19.52033105 NYLON RIVET
- 18.11050534 (x3) CLAMP

12.11050310
HARNESS CLAMP -
LWS-1S



10.10050890
(x2)
DECAL - TUV



9.08050100
RETAINING RING -
M2.5



7.08050088
(x6)
RETAINING RING -
M6



4.04513006N
TAPPING SCREW -
3X6



6.07076060N
BUSHING - 6X6MM



17.11050522
(x2)
EDGE SADDLE - L
ES0510



13.11050487
(x3)
HARNESS CLAMP



16.11050516
(x10)
CLAMP



2.04503012N
(x8)
TAPPING SCREW:
3X12



20.53531803
WAVE WASHER



14.11050489
(x5)
CLAMP:LWS-1316Z



3.04504010N
(x4)
TAPPING SCREW:
M4X10



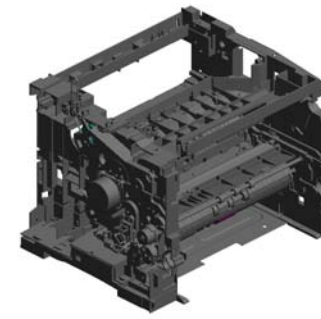
15.11050511
HARNESS CLAMP -
LWS-0306ZC



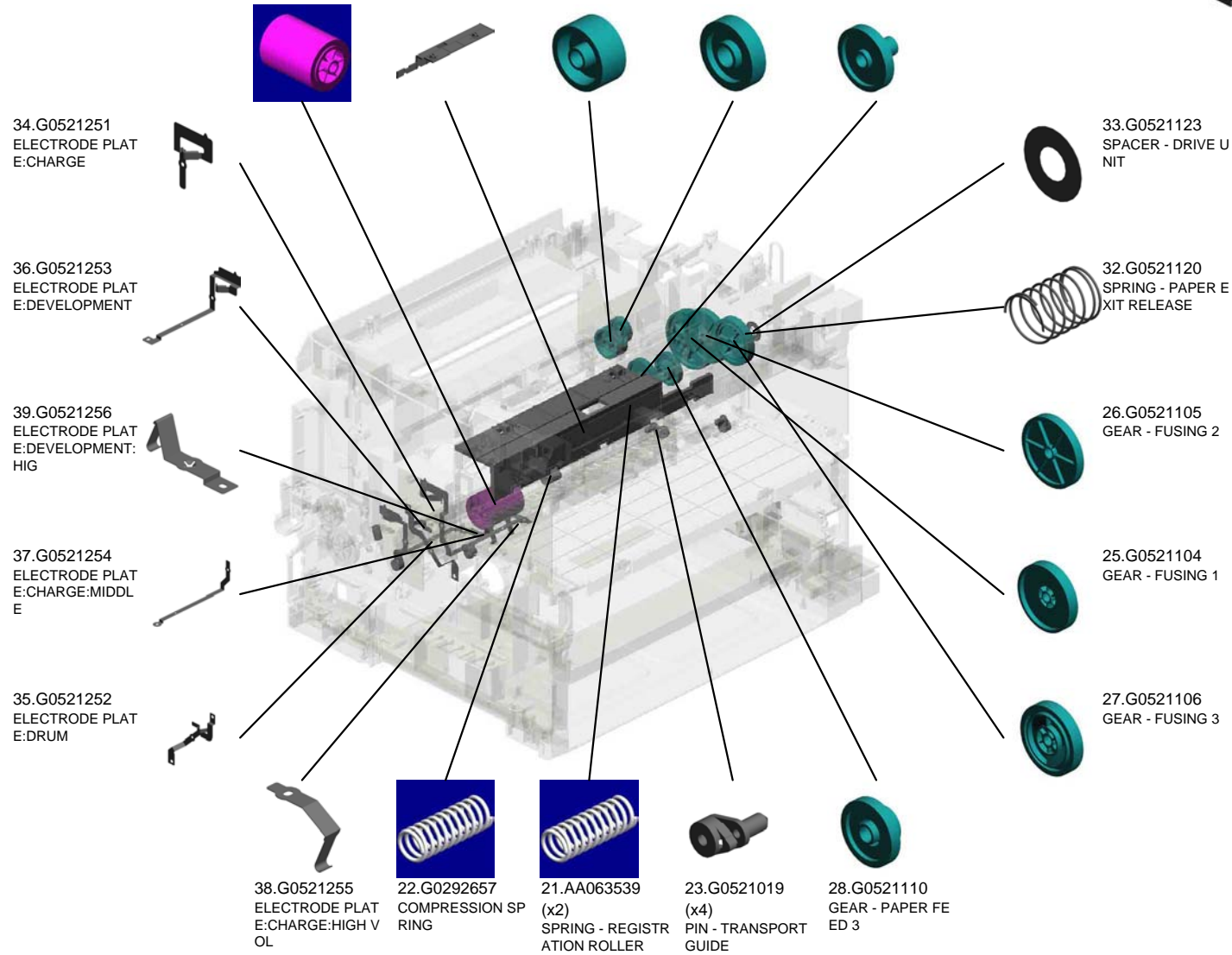
5.04513008N
(x2)
TAPPING SCREW -
M3X8



U005 MAIN FRAME



- 40.G0523103 PAPER FEED ROLLER
- 24.G0521022 FUSING STOPPER PLATE
- 31.G0521113 GEAR - PAPER FEED 6
- 30.G0521112 GEAR - PAPER FEED 5
- 29.G0521111 GEAR - PAPER FEED 4



U005 MAIN FRAME



- 58.G0763315 REGISTRATION GUIDE ROLLER
- 41.G0523128 BUSHING - PAPER FEED ROLLER
- 48.G0523345 REGISTRATION GUIDE SHEET1
- 42.G0523254 REGISTRATION FEELER
- 44.G0523258 LEFT BUSHING - REGISTRATION

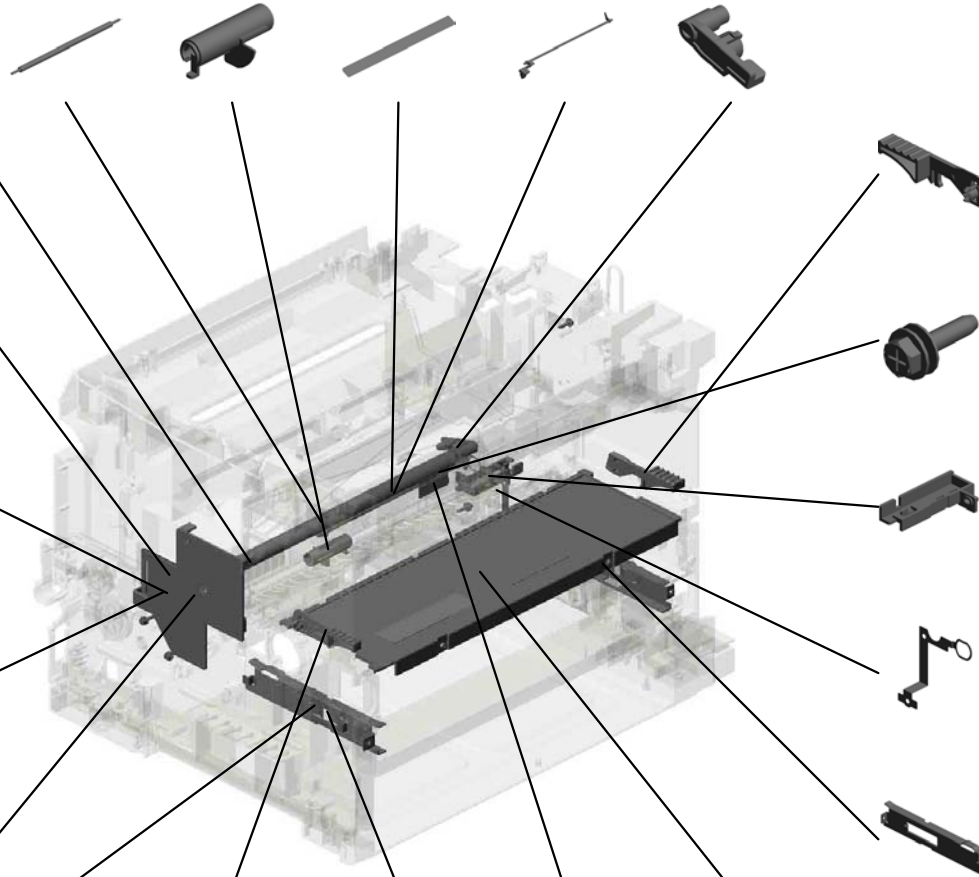
49.G0523346
REGISTRATION GUIDE SHEET2

60.G0963338
GROUND PLATE - REGISTRATION

43.G0523257
RIGHT BUSHING - REGISTRATION

51.G0523353
BEARING SHAFT - REGISTRATION

59.G0961257
COVER:WARNING (ELECTRICAL)



55.G0524697
LEFT FUSING LOCK LEVER

61.G1164159
(x5)
SCREW:M3X13

46.G0523323
REGISTRATION SENSOR BRACKET

47.G0523336
GROUND PLATE - REGISTRATION

57.G0761026
RAIL:DUPLEX:LEFT

56.G0761025
RIGHT DUPLEX GUIDE RAIL

54.G0524696
RIGHT FUSING LOCK LEVER

63.G1681048
(x2)
SPRING PLATE:RAIL:DUPLEX



62.G1281151
DECAL:WARNING (HIGH TEMPERATURE)

64.G1681051
COVER - POWER SUPPLY UNIT

U005 MAIN FRAME

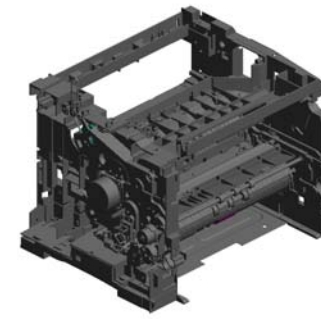
80.G1682603
(x2)
SUPPORTING PLATE:MANUAL FEED UNIT:MAIN

72.G1681093
COVER:DRAWER:FUSING

67.G1681068
BRACKET:DRAWER:FUSING UNIT

73.G1681105
HOUSING:DRIVE UNIT

68.G1681075
GROUND PLATE:BRACKET:DRAWER:FUSING



83.G1682650
STAY:COVER:UPPER



82.G1682648
STAY:PAPER FEED



84.G1682651
STAY:COVER:LOWER



78.G1682591
GROUND PLATE - PAPER FEED



81.G1682640
FEELER - PAPER FEED SENSOR



65.G1681064
TRANSPORT GUIDE



85.G1684140
DECAL - PAPER PRESSURE CHANGE



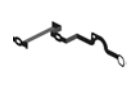
69.G1681078
STOPPER:CL: PAPER FEED



66.G1681067
INNER COVER:GEAR



79.G1682593
GROUND PLATE - PAPER FEED



75.G1681123
TIGHTENER



70.G1681079
COVER:CONNECTOR:HOLDER



74.G1681110
GEAR:OPC:ASSY



76.G1681125
SPACER:GEAR:PHOTOCONDUCTOR:NO.1

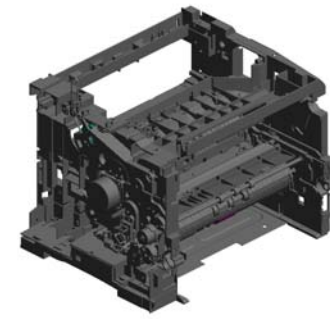


71.G1681080
SUPPORTER:HARNESS:MAIN



U005 MAIN FRAME

- 102.GF020047 REGISTRATION ROLLER - DRIVE
- 96.GB013072 GEAR - 17Z
- 95.GB013071 GEAR - 17Z
- 94.GB011123 GEAR - 60Z
- 97.GB017054 COUPLED GEAR - 28/107T



101.GF020044
TRANSPORT ROLLER - MANUAL FEED

100.GF020043
TRANSPORT ROLLER

92.GB011121
GEAR - 42Z

93.GB011122
GEAR - 52Z

103.GH010007
(x2)
RUBBER FOOT - F-006(P4070)N

90.GA140037
SHAFT - PAPER FEED

89.GA082010
(x3)
BUSHING: DIA6: DIA10:9

86.G1701117
SUPPORT BRACKET

98.GB030040
COUPLED PULLEY - 28/35Z

104.GW020020
(x4)
PHOTOINTERRUPTOR: LG248NL1

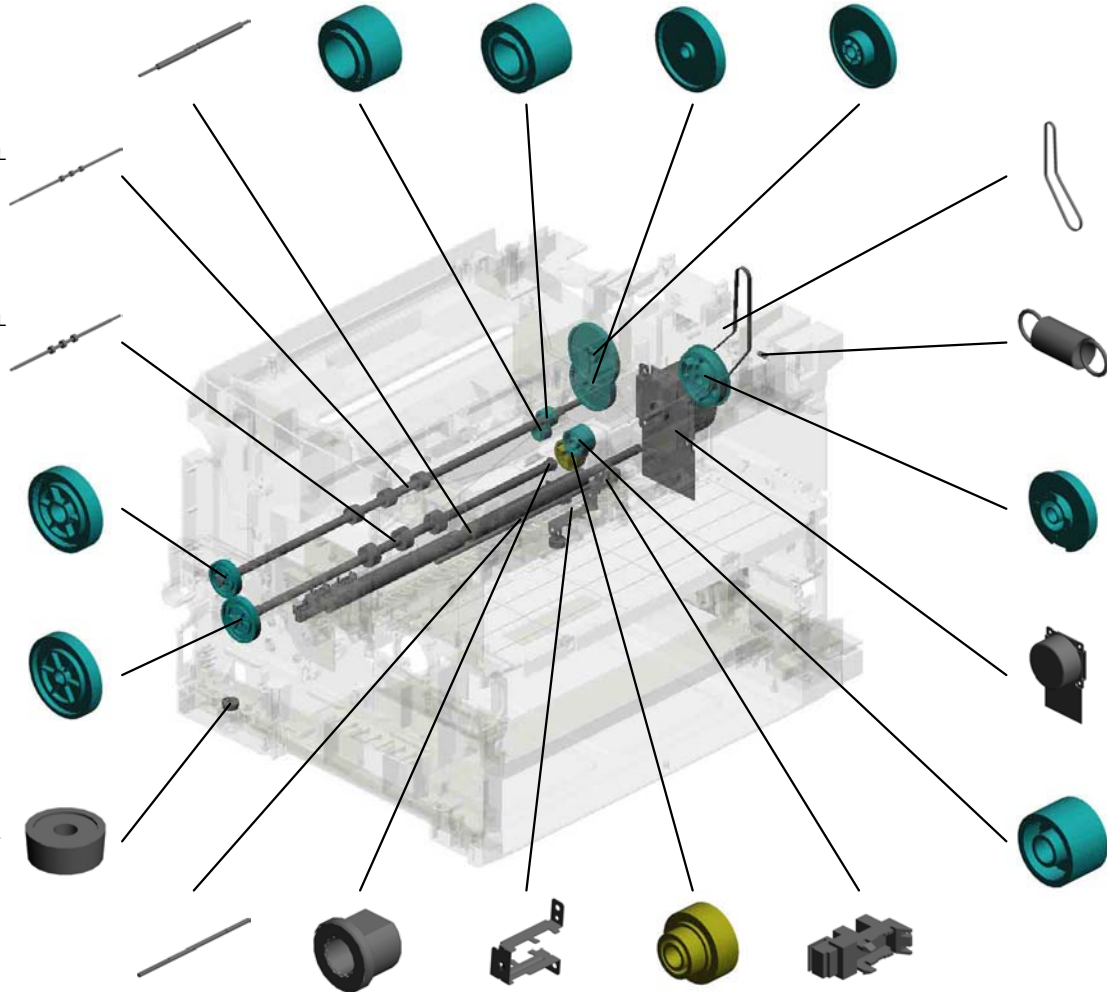
87.GA043031
SYNCHRONOUS BELT: S2M: 4X316

88.GA060081
TENSION SPRING: TIGHTENER: EXIT

99.GB030041
GEAR/PULLEY - 49/41Z

105.GX060028
BRUSHLESS MOTOR - DC 29.8W

91.GB011120
GEAR - 31Z



U005 MAIN FRAME

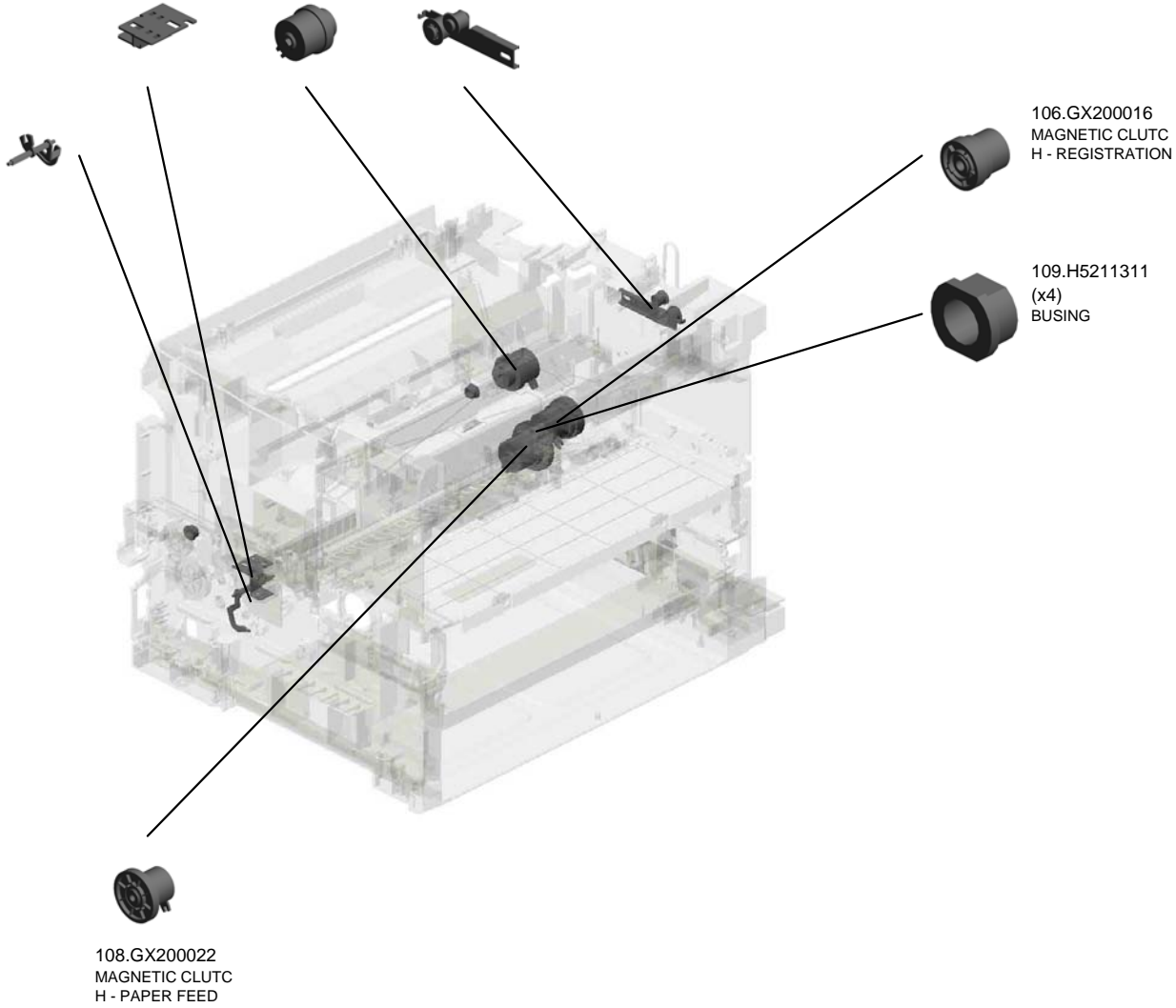
111.M0472906
BRACKET:PAPER
VOLUME SENSOR:
PAPER FEED

107.GX200018
MAGNETIC CLUTC
H - RELAY

110.M0471151
BRACKET:PULLEY:
TIGHTENER



112.M0472907
FEELER:PAPER V
OLUME SENSOR



U005_S001 UPPER GUIDE - REGISTRATION

53.G0523396
SPRING - TONER END
SENSOR



52.G0523390
TONER END SENS
OR



50.G0523351
DECAL - REGISTR
ATION

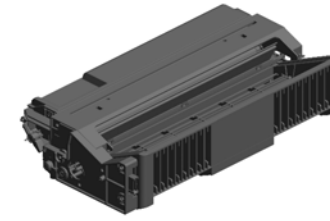
45.G0523267
FILM - REGISTRATI
ON



77.G1682590
UPPER GUIDE - RE
GISTRATION

U001	U002	U003	U004	U005	U006	U007	U008	U009	U010	U011
------	------	------	------	------	------	------	------	------	------	------

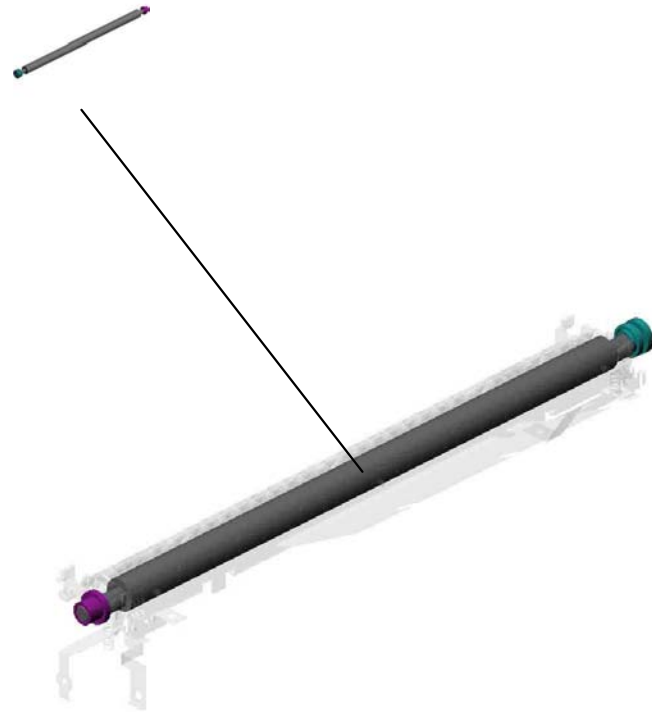
U006
AIO



U001	U002	U003	U004	U005	U006	U007	U008	U009	U010	U011
------	------	------	------	------	------	------	------	------	------	------

U007.TRANSFER/SEPARATION

U007_S001
G1116257
TRANSFER ROLLER:ASSY



U001	U002	U003	U004	U005	U006	U007	U008	U009	U010	U011
------	------	------	------	------	------	------	------	------	------	------

U007 TRANSFER/SEPARATION

3.G0523624 SEPARATION TERMINAL
10.G0523644 TRANSFER ROLLER GUIDE
9.G0523641 TRANSFER GUIDE SHEET
1.G0523621 SEPARATION PLATE



4.G0523625 RIGHT BUSHING - TRANSFER



2.G0523623 TRANSFER TERMINAL



5.G0523626 LEFT BUSHING - TRANSFER



6.G0523627 (x2) SPRING - TRANSFER



8.G0523629 PAPER TRANSPORT TERMINAL



11.G0763622 SEPARATION PLATE COVER

7.G0523628 GROUND PLATE - PAPER TRANSPORT



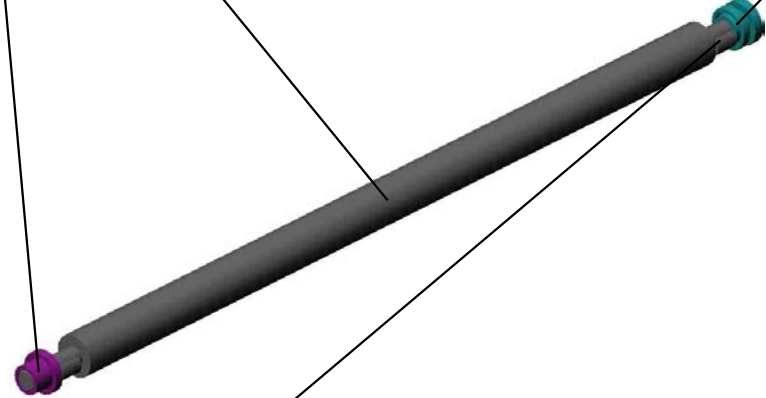
U007_S001
TRANSFER ROLLER:ASS'Y

12.G1116256
TRANSFER ROLLE
R

13.G1116257
TRANSFER ROLLE
R:ASS'Y

14.G1296251
POSITIONING ROL
LER - TRANSFER

15.G1296252
GEAR - TRANSFER
ROLLER



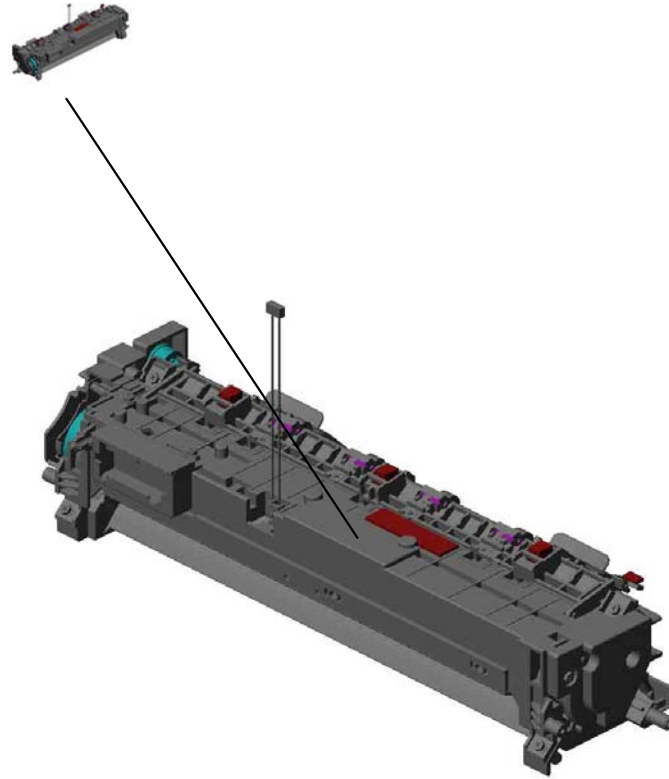
16.G1296255
(x2)
BUSHING



U001	U002	U003	U004	U005	U006	U007	U008	U009	U010	U011
------	------	------	------	------	------	------	------	------	------	------

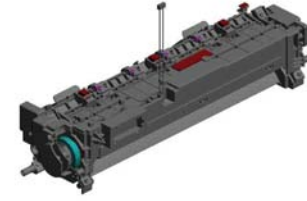
U008.FUSING

U008_S001
M0474051
FUSING UNIT:NA



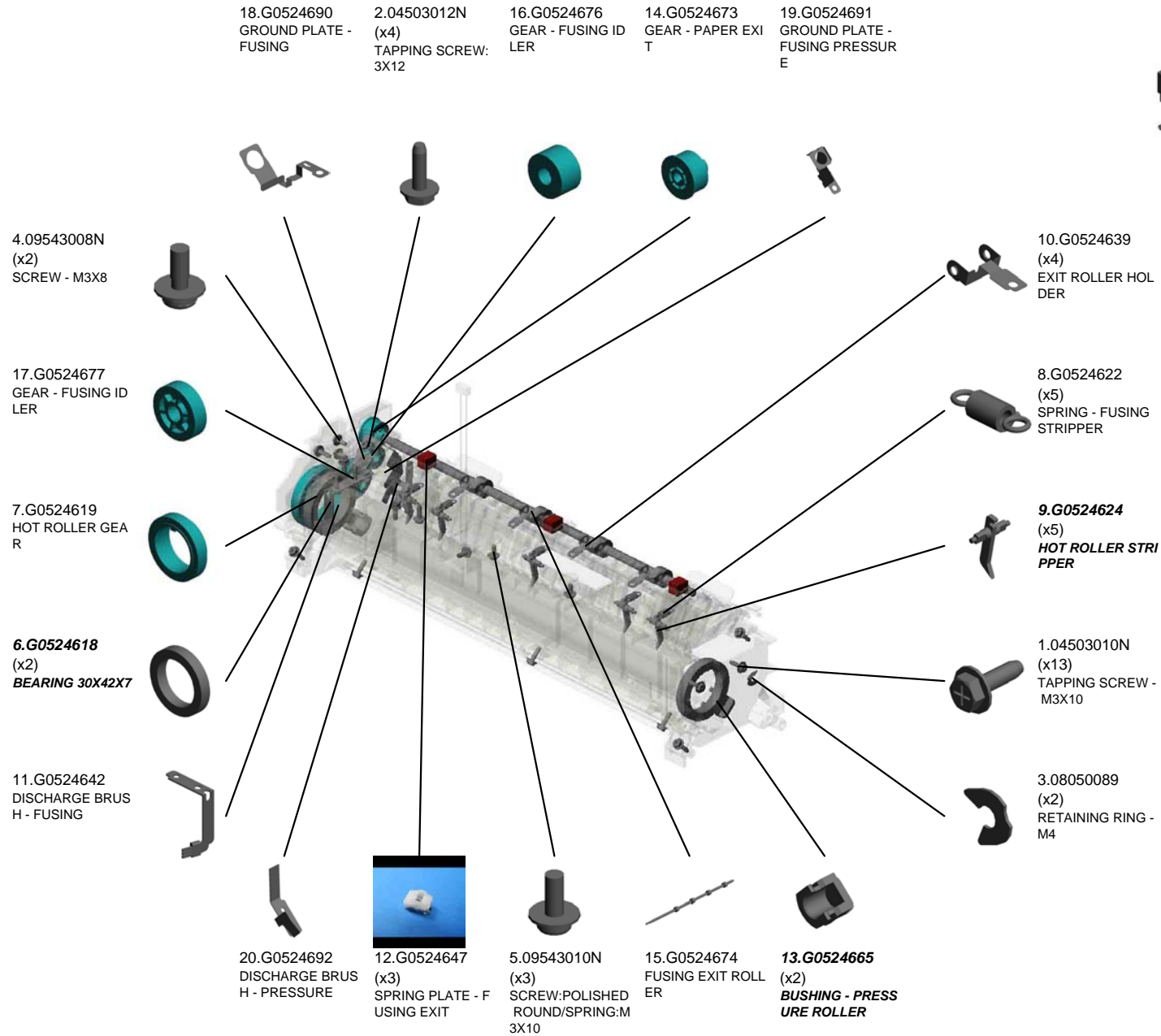
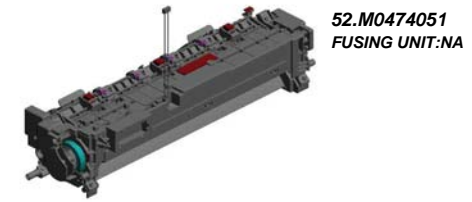
U001	U002	U003	U004	U005	U006	U007	U008	U009	U010	U011
------	------	------	------	------	------	------	------	------	------	------

U008
FUSING



U001	U002	U003	U004	U005	U006	U007	U008	U009	U010	U011
------	------	------	------	------	------	------	------	------	------	------

U008_S001
FUSING UNIT:NA



U008_S001
FUSING UNIT:NA

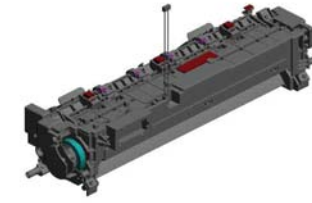
32.G1684122
LEFT LEVER - GUI
DE ROLLER

24.G0885544
HEATER 750W 120
V

37.G1684172
UPPER ENTRANR
ANCE GUIDE

27.G1114063
HOT ROLLER

35.G1684135
GUIDE PLATE:FUSI
NG EXIT:UPPER



52.M0474051
FUSING UNIT:NA

26.G0964698
LEFT FUSING COV
ER

40.G1684175
HARNESS HOLDE
R

38.G1684173
LEFT BRACKET - F
USING LAMP

21.G0524700
(x2)
EXTERNAL CIRCLI
P

30.G1684116
(x2)
PRESSURE ROLLE
R LEVER

29.G1684110
ENTRANCE GUIDE
PLATE - FUSING

34.G1684131
FRAME - HOT ROL
LER UNIT

22.G0884611
THERMOSTAT:190
C:ASS'Y

23.G0884656
**PRESSURE ROLLE
R**

28.G1684106
FRAME - PRESSU
RE ROLLER UNIT

25.G0964638
(x4)
EXIT ROLLER SUP
PORTING PLATE

31.G1684121
GUIDE ROLLER

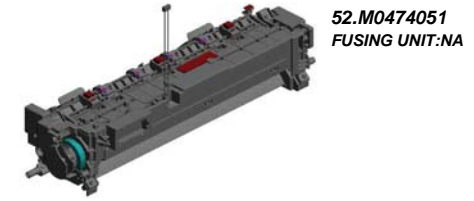
36.G1684171
RIGHT COVER - FU
SING UNIT

39.G1684174
RIGHT BRACKET -
FUSING LAMP

33.G1684123
RIGHT LEVER - GU
IDE ROLLER

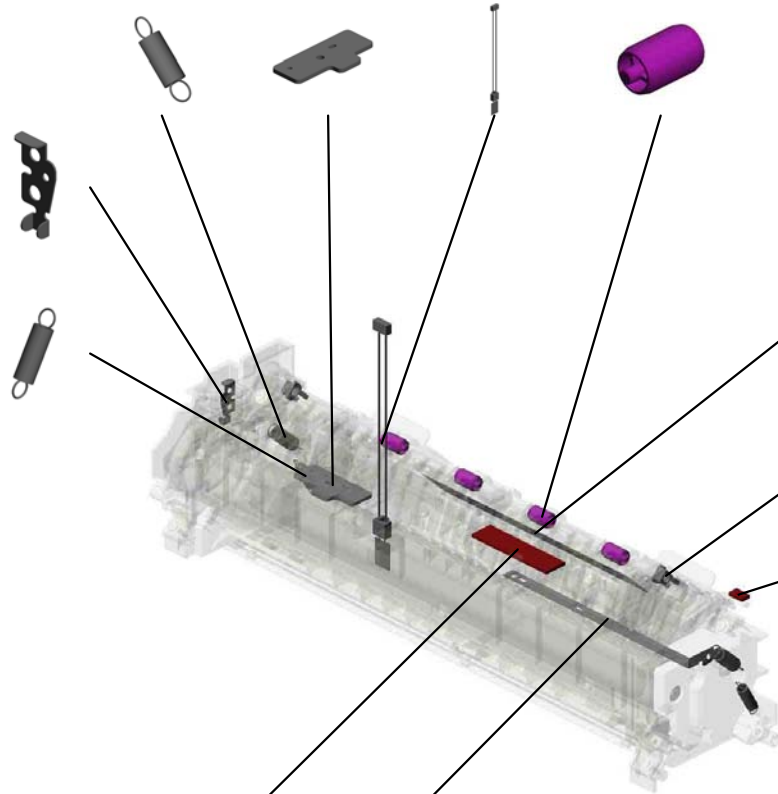
U008_S001
FUSING UNIT:NA

50.GA060075 (x2) PRESSURE SPRING
 41.G1684176 HARNESS HOLDER
 42.G1684178 FUSING THERMIST OR
 46.G8004854 (x4) EXIT ROLLER



44.G1684618
ELECTRODE:HEATER

49.GA060065
(x2)
SPRING - PAPER PRESSURE



47.GA000057
DECAL:H-TEMP WARNING:MANY LANGUAGES:CU

45.G8004851
(x2)
BUSHING

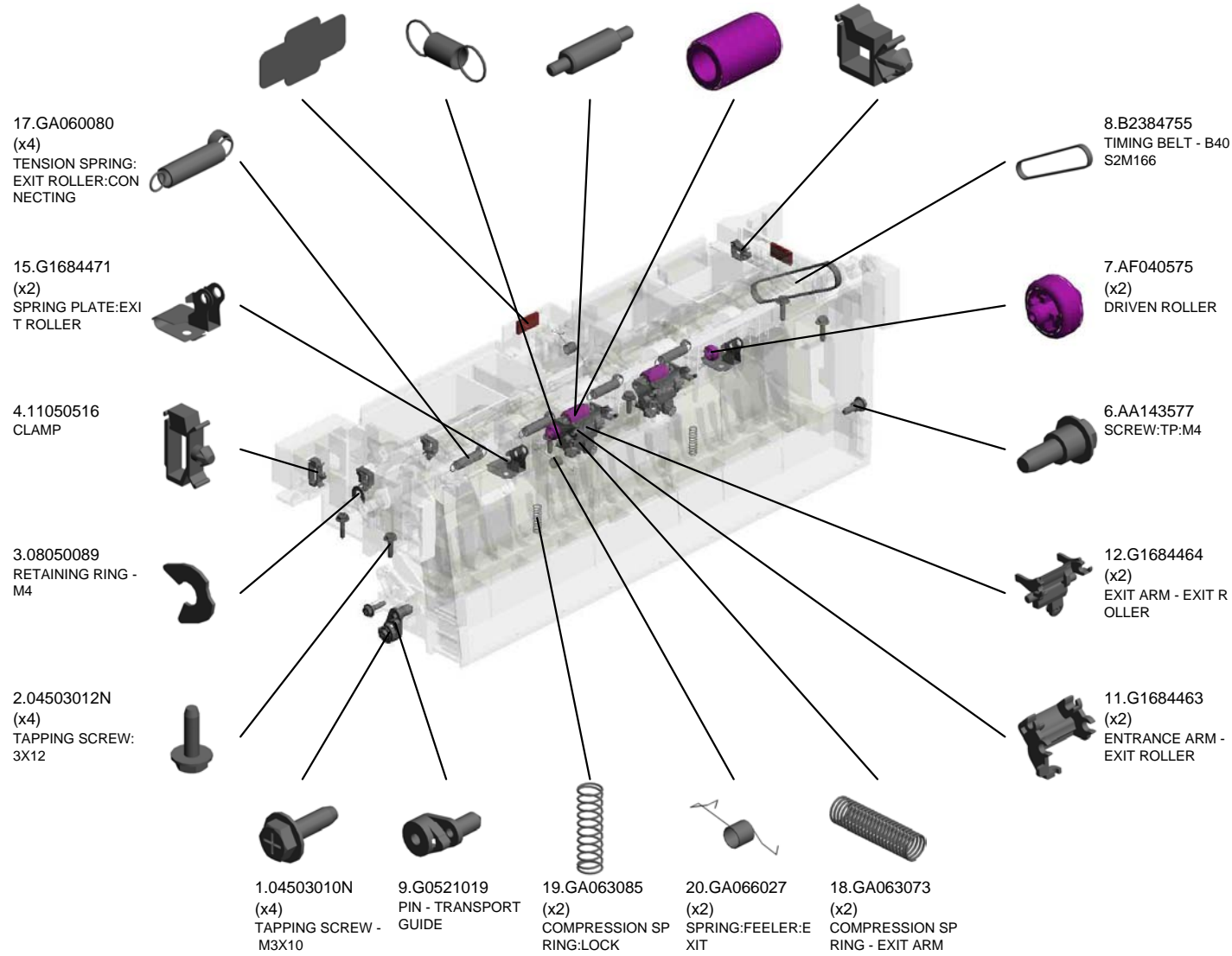
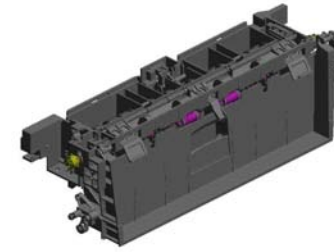
51.M0454100
DECAL:KNOB:GUIDE PLATE

48.GA000058
DECAL:H-TEMP WARNING:115&C:CU

43.G1684602
ELECTRODE PLATE:RIGHT

U009 PAPER EXIT

- 10.G1022789 (x2) STOPPER:PHOTO INTERRUPTOR
- 16.GA060069 (x2) TENSION SPRING - ENTRANCE ARM
- 13.G1684467 (x2) SHAFT:PRESSURE ROLLER:ENTRANCE
- 14.G1684470 (x2) PRESSURE ROLLER:ENTRANCE
- 5.11050534 (x3) CLAMP



U009 PAPER EXIT

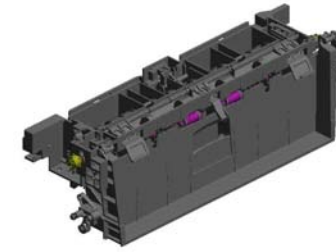
27.GW020020
(x3)
PHOTOINTERRUPTOR:LG248NL1

29.M0454470
HOLDER:FEELER:EXIT

26.GF040015
EXIT ROLLER:CONNECTING

33.M0474455
FEELER:EXIT:EXIT

30.M0474451
GUIDE PLATE:EXIT:UPPER



31.M0474452
(x2)
ROLLER:DRIVEN:DIAM10



38.M0474461
(x4)
ROLLER:DRIVEN



35.M0474457
SPACER:COVER:EXIT:LEFT



21.GA082010
(x4)
BUSHING:DIA6:DIA10:9



23.GB030044
(x2)
TIMING PULLEY:EXIT ROLLER:DRIVE



28.M0454469
FEELER:EXIT



37.M0474460
(x2)
HOLDER:ARM:PRESSURE



39.M0474462
(x2)
PRESSURE ROLLER:EXIT



40.M0474463
GRIP:LOCK



36.M0474458
COVER:EXIT



34.M0474456
SPACER:COVER:EXIT:RIGHT



24.GB030045
TIMING PULLEY:CONNECTING:S2M:18



32.M0474454
FEELER:EXHAUST SENSOR



25.GF040014
EXIT ROLLER

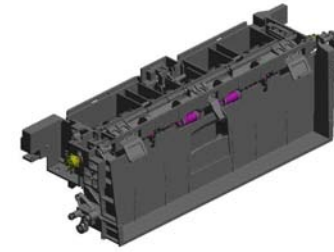


22.GA120013
DISCHARGE BRUSH:EXIT

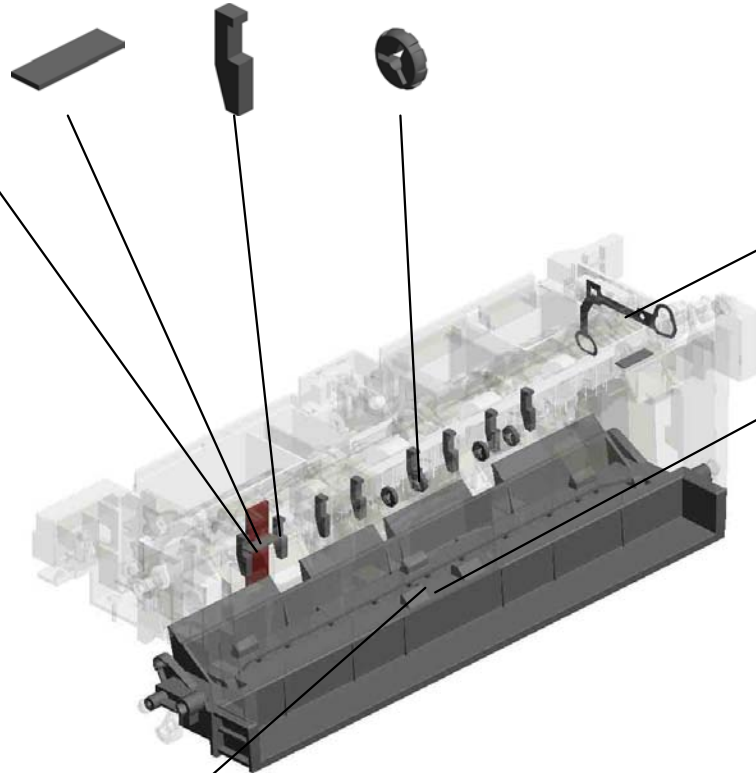
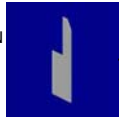


U009 PAPER EXIT

45.M0474468 (x2) CUSHION:FEELER:EXHAUST SENSOR
 44.M0474467 (x8) SPACER:EXIT:CONNECTING
 41.M0474464 (x4) RING:EXIT ROLLER:DRIVEN



47.M0474474 SHEET:EXIT:CONNECTING



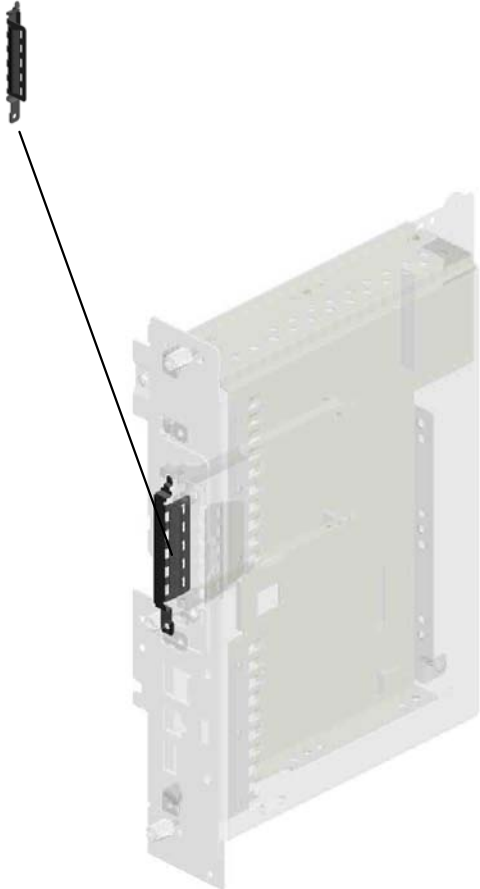
46.M0474473 GROUND PLATE:SHAFT:EXIT:CONNECTING

42.M0474465 GUIDE PLATE:EXIT:ENTRANCE

43.M0474466 FRAME:PRESSURE

U010.CONTROLLER

U010_S001
G1685115
SD-CARDCOVER



U001	U002	U003	U004	U005	U006	U007	U008	U009	U010	U011
------	------	------	------	------	------	------	------	------	------	------

U010 CONTROLLER

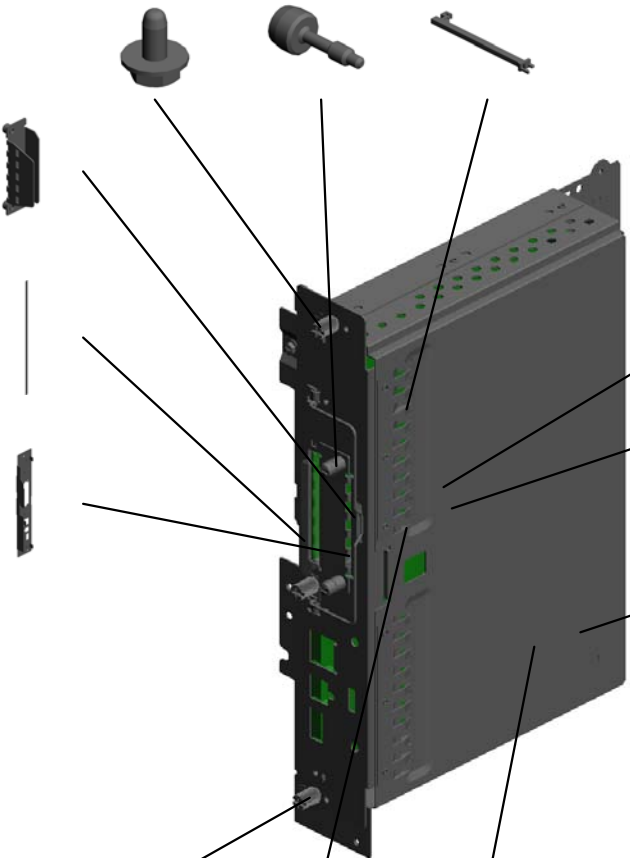
2.04543006Q (x2) TAPPING SCREW - M3X6
 6.B6225825 (x2) PANEL KNOB SCR EW
 9.G1085107 LEFT GUIDE 1



5.B1325836
 PANEL - INTERFAC
 E

14.M0455950
 GASKET:65TSV4-1

13.M0451106
 PANEL:CONTROL
 BOARD



15.M0475361
 PCB:CTL

7.G0761241
 CONTROLLER BRA
 CKET

1.04503010N
 (x2)
 TAPPING SCREW -
 M3X10

8.G1045141
 (x3)
 KNOB SCREW:M3

10.G1085108
 RIGHT GUIDE 1

3.14076732
 RAM:FM25L512-PG
 C(REV.AC):512K



U001	U002	U003	U004	U005	U006	U007	U008	U009	U010	U011
------	------	------	------	------	------	------	------	------	------	------

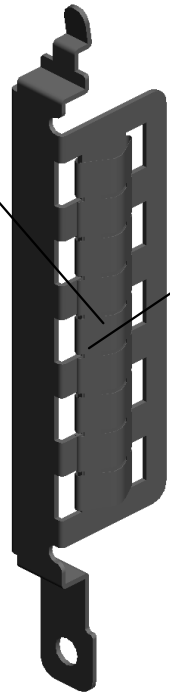
U010_S001
SD-CARDCOVER

4.B0706899
GROUND PLATE:P
ANEL

11.G1685115
SD-CARDCOVER



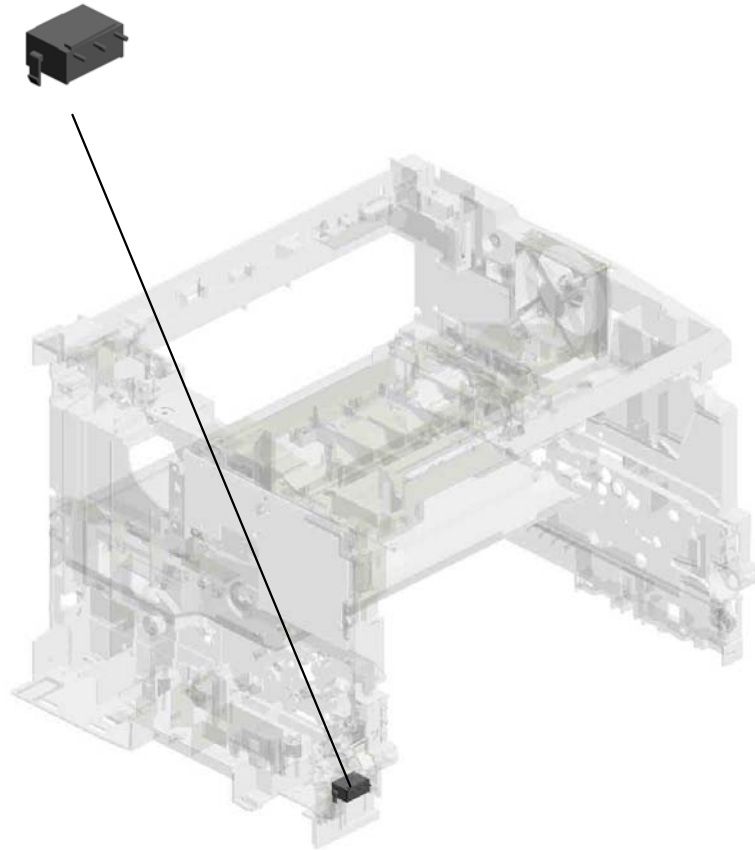
12.G1685118
CARD COVER



U001	U002	U003	U004	U005	U006	U007	U008	U009	U010	U011
------	------	------	------	------	------	------	------	------	------	------

U011.ELECTRICAL

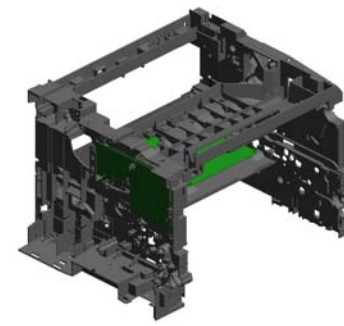
U011_S001
M0452540
PUSH SWITCH:CASSETTE:A
SS'Y



U001	U002	U003	U004	U005	U006	U007	U008	U009	U010	U011
------	------	------	------	------	------	------	------	------	------	------

U011 ELECTRICAL

- 15.G0521273
COMPRESSION SPRING:MICRO SWITCH:REAR
- 14.G0521272
BRACKET:MICRO SWITCH:REAR
- 6.04513014N
(x2)
TAPPING SCREW: 3X14
- 16.G1021193
(x2)
HEXAGONAL BOLT :DOUBLE:SCREW: ROUND POINT:M3 X7
- 3.04503035N
(x2)
TAPPING SCREW: 3X35



20.G1681071
BRACKET - POWER SUPPLY UNIT

7.04514006N
TAPPING SCREW - 4X6

1.04503010N
(x4)
TAPPING SCREW - M3X10

10.11050487
(x3)
HARNESS CLAMP

13.G0521261
GROUND PLATE:OPTICION TRAY

4.04513006N
(x3)
TAPPING SCREW - 3X6

11.12042521
(x3)
SWITCH:V-5F932DN

19.G1681065
BRACKET:LINK:MAIN SWITCH:PEEN

12.52062686
SNAP RING

8.04543006Q
(x7)
TAPPING SCREW - M3X6

2.04503025N
(x2)
TAPPING SCREW: 3X25

5.04513008N
TAPPING SCREW - M3X8

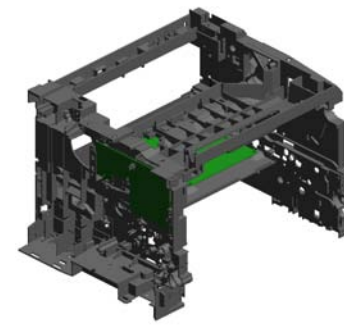
17.G1681061
LINK:MAIN SWITCH

18.G1681062
(x2)
BRACKET:MAIN SWITCH:COVER:PEEN

9.08050092
RETAINING RINGS -E:SILENCER:DIA3

U011 ELECTRICAL

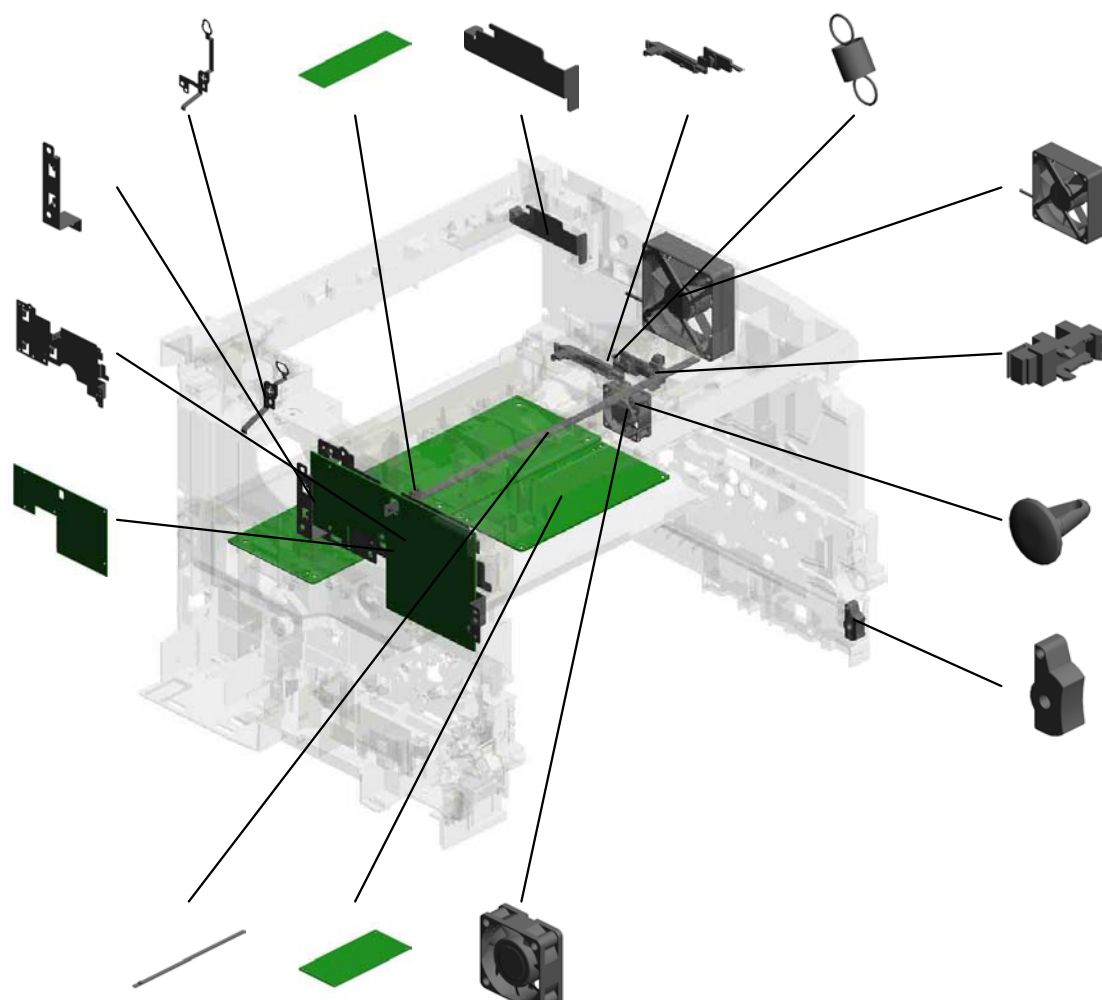
- 36.M0474472 GROUND PLATE:SHAFT:EXIT
- 29.GZ230043 DC POWER SUPPLY:136W:DOM/NA
- 33.M0451074 LEVER:SAFETY SWITCH:REAR
- 22.G1684125 FEELER - PAPER PRESSURE CHANGE
- 24.GA060066 SPRING - SENSOR FEELER



32.M0011156
COVER:EGB

31.M0011105
BRACKET:EGB

37.M0475011
PCB:EGB



28.GX645734
FAN:MM80

26.GW020020
PHOTOINTERRUPTOR:LG248NL1

34.M0451097
CAP:FAN

25.GA114003
COVER:SLIDE SWITCH:BLACK

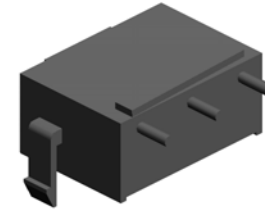
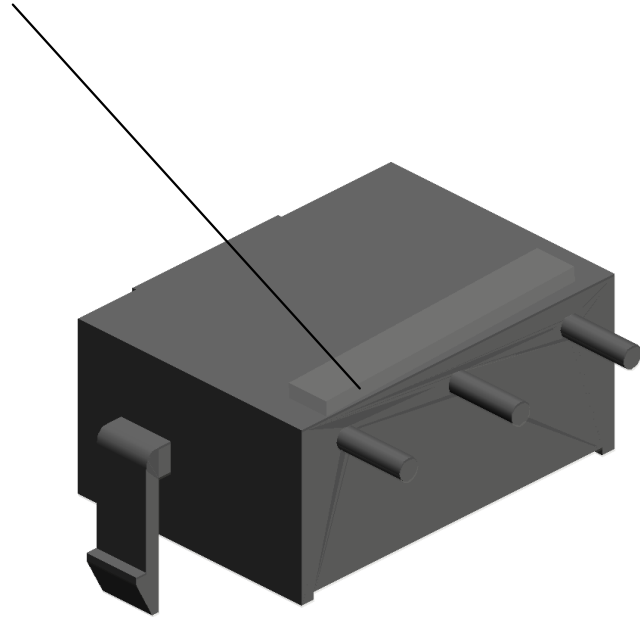
21.G1682050
DISCHARGE LAMP

30.GZ320014
POWER PACK - BATTERY

27.GX640028
FAN:MM40X15:NIDEC:H

U011_S001
PUSH SWITCH:CASSETTE:ASS'Y

23.G8003035
PUSH SWITCH:CA
SSETTE



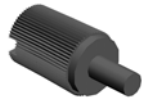
35.M0452540
PUSH SWITCH:CA
SSETTE:ASS'Y

U001	U002	U003	U004	U005	U006	U007	U008	U009	U010	U011
------	------	------	------	------	------	------	------	------	------	------

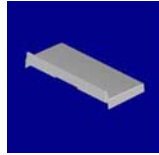
ACCESSORIES



1.11500415
POWER SUPPLY CODE:125V
:NA



2.G1045141
KNOB SCREW:M3



3.G1166651
COVER:PREVENTENCE SH
EET:PAPER



4.G1681072
BRACKET -GUIDE PIN

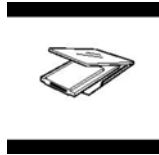
SPECIAL TOOLS



1.A0069104
Scanner Positioning Pin (4 pcs/
set)



2.B6455010
SD Card



3.B6456700
PCMCIA Card Adapter



4.B6456830
USB Reader/Writer

DECALS AND DOCUMENTS



1.10050890
DECAL - TUV



2.G0523351
DECAL - REGISTRATION



3.G1281151
DECAL:WARNING (HIGH TEM
PERATURE)



4.G1681275
DECAL - MISFEED REMOVAL



5.G1684140
DECAL - PAPER PRESSURE
CHANGE



6.G1900410
LOGOTYPE:RICOH:P3



7.GA001051
PLATE:LOGO:SVN



8.GA001052
PLATE:LOGO:GES



9.GA001056
PLATE:LOGO:LAN



10.GA003210
DECAL - SIZE INDICATION



11.M0454100
DECAL:KNOB:GUIDE PLATE



12.M0471262
DECAL:MODEL NAME PLATE
:SAV:NA



13.M0471263
DECAL:MODEL NAME PLATE
:GES:NA



14.M0471264
DECAL:MODEL NAME PLATE
:LAN:NA

DECALS AND DOCUMENTS



15.M0471281
DECAL:NAME PLATE:RIC



16.M0472785
DECAL:PAPER SET DIRECTI
ON



17.M0472788
DECAL:PAPER FEED PRESS
URE

Exclusive Parts

Number	Part Name	Group	ID
52033105	NYLON RIVET	U005	19
52062686	SNAP RING	U011	12
52152621	SNAP RING - M6	U004	7
53531803	WAVE WASHER	U005	20
A0069104	Scanner Positioning Pin (4 pcs/set)		
A2672869	GEAR - 16Z	U004_S003	8
AA063436	COMPRESSION SPRING - MANUA L FEED	U004	9
AA063539	SPRING - REGISTRATION ROLLER	U005	21
AA082058	BUSHING - 6X10X9MM	U004	10
AA143577	SCREW:TP:M4	U009	6
AF031068	PAPER FEED ROLLER - MM30	U004	11
AF040575	DRIVEN ROLLER	U009	7
AG071007	LATCH - BY PASS FEED TABLE	U001_S001	5
B0392631	FRONT SIDE FENCE	U004_S001	12
B0392632	REAR SIDE FENCE	U004_S001	13
B0392637	RACK - FRONT SIDE FENCE	U004_S001	14
B0392638	RACK - REAR SIDE FENCE	U004_S001	15
B0706899	GROUND PLATE:PANEL	U010_S001	4
B1325836	PANEL - INTERFACE	U010	5
B2382712	CAM - MANUAL FEED	U004	16
B2382719	PIN	U004	17
B2382725	ROLLER - TRAY BOTTOM PLATE	U004	18
B2382726	ROLLER - MANUAL FEED	U004	19
B2384755	TIMING BELT - B40S2M166	U009	8
B6225825	PANEL KNOB SCREW	U010	6
B6455010	SD Card		
B6456700	PCMCIA Card Adapter		
B6456830	USB Reader/Writer		
G0123050	SIDE FENCE GEAR	U004_S001	20
G0292609	CASSETTE PROTECTION	U004_S003	21
G0292657	COMPRESSION SPRING	U005	22
G0521019	PIN - TRANSPORT GUIDE	U005	23
		U009	9
G0521022	FUSING STOPPER PLATE	U005	24
G0521104	GEAR - FUSING 1	U005	25
G0521105	GEAR - FUSING 2	U005	26
G0521106	GEAR - FUSING 3	U005	27

Number	Part Name	Group	ID
G0521110	GEAR - PAPER FEED 3	U005	28
G0521111	GEAR - PAPER FEED 4	U005	29
G0521112	GEAR - PAPER FEED 5	U005	30
G0521113	GEAR - PAPER FEED 6	U005	31
G0521120	SPRING - PAPER EXIT RELEASE	U005	32
G0521123	SPACER - DRIVE UNIT	U005	33
G0521251	ELECTRODE PLATE:CHARGE	U005	34
G0521252	ELECTRODE PLATE:DRUM	U005	35
G0521253	ELECTRODE PLATE:DEVELOPME NT	U005	36
G0521254	ELECTRODE PLATE:CHARGE:MID DLE	U005	37
G0521255	ELECTRODE PLATE:CHARGE:HIG H VOL	U005	38
G0521256	ELECTRODE PLATE:DEVELOPME NT:HIG	U005	39
G0521261	GROUND PLATE:OPTION TRAY	U011	13
G0521272	BRACKET:MICRO SWITCH:REAR	U011	14
G0521273	COMPRESSION SPRING:MICRO S WITCH	U011	15
G0521518	SPRING - LOCK LEVER	U001_S001	6
G0521541	SPRING - RECEPTACLE	U001_S001	7
G0521542	COLLAR - RECEPTACLE	U001_S001	8
G0521543	STEP SCREW	U001_S001	9
G0521544	SPRING PLATE - RECEPTACLE	U001_S001	10
G0523080	PIN - PAPER SIZE DIAL	U004	22
G0523103	PAPER FEED ROLLER	U005	40
G0523128	BUSHING - PAPER FEED ROLLER	U005	41
G0523254	REGISTRATION FEELER	U005	42
G0523257	RIGHT BUSHING - REGISTRATION	U005	43
G0523258	LEFT BUSHING - REGISTRATION	U005	44
G0523267	FILM - REGISTRATION	U005_S001	45
G0523323	REGISTRATION SENSOR BRACKE T	U005	46
G0523336	GROUND PLATE - REGISTRATION	U005	47
G0523345	REGISTRATION GUIDE SHEET1	U005	48
G0523346	REGISTRATION GUIDE SHEET2	U005	49
G0523351	DECAL - REGISTRATION	U005_S001	50

Exclusive Parts

Number	Part Name	Group	ID
G0523353	BEARING SHAFT - REGISTRATION	U005	51
G0523356	SHEET - SOUNDPROOF	U001_S001	11
G0523390	TONER END SENSOR	U005_S001	52
G0523396	SPRING - TONER END SENSOR	U005_S001	53
G0523621	SEPARATION PLATE	U007	1
G0523623	TRANSFER TERMINAL	U007	2
G0523624	SEPARATION TERMINAL	U007	3
G0523625	RIGHT BUSHING - TRANSFER	U007	4
G0523626	LEFT BUSHING - TRANSFER	U007	5
G0523627	SPRING - TRANSFER	U007	6
G0523628	GROUND PLATE - PAPER TRANSPORT	U007	7
G0523629	PAPER TRANSPORT TERMINAL	U007	8
G0523641	TRANSFER GUIDE SHEET	U007	9
G0523644	TRANSFER ROLLER GUIDE	U007	10
G0524618	BEARING 30X42X7	U008_S001	6
G0524619	HOT ROLLER GEAR	U008_S001	7
G0524622	SPRING - FUSING STRIPPER	U008_S001	8
G0524624	HOT ROLLER STRIPPER	U008_S001	9
G0524639	EXIT ROLLER HOLDER	U008_S001	10
G0524642	DISCHARGE BRUSH - FUSING	U008_S001	11
G0524647	SPRING PLATE - FUSING EXIT	U008_S001	12
G0524665	BUSHING - PRESSURE ROLLER	U008_S001	13
G0524673	GEAR - PAPER EXIT	U008_S001	14
G0524674	FUSING EXIT ROLLER	U008_S001	15
G0524676	GEAR - FUSING IDLER	U008_S001	16
G0524677	GEAR - FUSING IDLER	U008_S001	17
G0524690	GROUND PLATE - FUSING	U008_S001	18
G0524691	GROUND PLATE - FUSING PRESSURE	U008_S001	19
G0524692	DISCHARGE BRUSH - PRESSURE	U008_S001	20
G0524696	RIGHT FUSING LOCK LEVER	U005	54
G0524697	LEFT FUSING LOCK LEVER	U005	55
G0524700	EXTERNAL CIRCLIP	U008_S001	21
G0525060	SYNCHRONIZATION DETECTOR	U003_S001	3
G0525362	RECEPTACLE - 99RH144	U001_S001	12
G0761025	RIGHT DUPLEX GUIDE RAIL	U005	56
G0761026	RAIL:DUPLEX:LEFT	U005	57

Number	Part Name	Group	ID
G0761241	CONTROLLER BRACKET	U010	7
G0763315	REGISTRATION GUIDE ROLLER	U005	58
G0763622	SEPARATION PLATE COVER	U007	11
G0882775	SHIELD:HARNESS	U003_S001	4
G0884611	THERMOSTAT:190C:ASS'Y	U008_S001	22
G0884656	PRESSURE ROLLER	U008_S001	23
G0885544	HEATER 750W 120V	U008_S001	24
G0961087	PAPER TRAY SPRING PLATE ASS'Y	U004	23
G0961257	COVER:WARNING (ELECTRICAL)	U005	59
G0963338	GROUND PLATE - REGISTRATION	U005	60
G0964638	EXIT ROLLER SUPPORTING PLATE	U008_S001	25
G0964698	LEFT FUSING COVER	U008_S001	26
G1021193	HEXAGONAL BOLT:DOUBLE:SCREW:ROUND POINT:M3X7	U011	16
G1022717	COVER:DC SOLENOID	U004	24
G1022789	STOPPER:PHOTOINTERRUPTOR	U009	10
G1045141	KNOB SCREW:M3	U010	8
G1085107	LEFT GUIDE 1	U010	9
G1085108	RIGHT GUIDE 1	U010	10
G1112603	PAPER SIZE DIAL	U004	25
G1114063	HOT ROLLER	U008_S001	27
G1116256	TRANSFER ROLLER	U007_S001	12
G1116257	TRANSFER ROLLER:ASS'Y	U007_S001	13
G1164159	SCREW:M3X13	U005	61
G1166651	COVER:PREVENTFENCE SHEET:PAPER		
G1281151	DECAL:WARNING (HIGH TEMPERATURE)	U005	62
G1296251	POSITIONING ROLLER - TRANSFER	U007_S001	14
G1296252	GEAR - TRANSFER ROLLER	U007_S001	15
G1296255	BUSHING	U007_S001	16
G1681048	SPRING PLATE:RAIL:DUPLEX	U005	63
G1681051	COVER - POWER SUPPLY UNIT	U005	64
G1681061	LINK:MAIN SWITCH	U011	17
G1681062	BRACKET:MAIN SWITCH:COVER:PAPER	U011	18

Exclusive Parts

Number	Part Name	Group	ID
	EEN		
G1681064	TRANSPORT GUIDE	U005	65
G1681065	BRACKET:LINK:MAIN SWITCH:PEE N	U011	19
G1681067	INNER COVER:GEAR	U005	66
G1681068	BRACKET:DRAWER:FUSING UNIT	U005	67
G1681071	BRACKET - POWER SUPPLY UNIT	U011	20
G1681072	BRACKET -GUIDE PIN		
G1681075	GROUND PLATE:BRACKET:DRAW ER:FUSING	U005	68
G1681078	STOPPER:CL:PAPER FEED	U005	69
G1681079	COVER:CONNECTOR:HOLDER	U005	70
G1681080	SUPPORTER:HARNESS:MAIN	U005	71
G1681093	COVER:DRAWER:FUSING	U005	72
G1681105	HOUSING:DRIVE UNIT	U005	73
G1681110	GEAR:OPC:ASS'Y	U005	74
G1681123	TIGHTENER	U005	75
G1681125	SPACER:GEAR:PHOTOCONDUCT OR:NO.1	U005	76
G1681206	REAR COVER	U001	13
G1681271	HARNESS COVER	U001_S001	14
G1681275	DECAL - MISFEED REMOVAL	U001_S001	15
G1681286	DOOR LEVER	U001_S001	16
G1681287	SHUTTER FEELER	U001_S001	17
G1682050	DISCHARGE LAMP	U011	21
G1682560	MANUAL FEED TABLE - SUB UNIT	U004_S001	26
G1682590	UPPER GUIDE - REGISTRATION	U005_S001	77
G1682591	GROUND PLATE - PAPER FEED	U005	78
G1682593	GROUND PLATE - PAPER FEED	U005	79
G1682603	SUPPORTING PLATE:MANUAL FE ED UNIT:MAIN	U005	80
G1682606	SHAFT - MANUAL FEED	U004	27
G1682607	BOTTOM PLATE - MANUAL FEED	U004_S002	28
G1682609	PAPER END FEELER - MANUAL FE ED	U004	29
G1682610	FRICTION PAD - MANUAL FEED	U004	30
G1682611	LOWER GUIDE PLATE - MANUAL F EED	U004	31

Number	Part Name	Group	ID
G1682612	GROUND PLATE	U004	32
G1682614	HOLDER - PAPER END SENSOR	U004	33
G1682619	SPACER BRACKET	U004_S001	34
G1682620	SPACER - MANUAL FEED TABLE	U004_S001	35
G1682621	SLIDE COVER - MANUAL FEED	U004	36
G1682625	LOWER COVER - MANUAL FEED U NIT	U004	37
G1682626	SPACER- SIDE FENCE	U004_S001	38
G1682628	GUIDE MYLAR -MANUAL FEED	U004	39
G1682629	HOLDER - FRICTION PAD	U004	40
G1682634	TRIGGER:COIL SPRING:DISC:MAN UAL FEED	U004	41
G1682640	FEELER - PAPER END SENSOR	U005	81
G1682648	STAY:PAPER FEED	U005	82
G1682650	STAY:COVER:UPPER	U005	83
G1682651	STAY:COVER:LOWER	U005	84
G1682700	UPPER GUIDE PLATE - MANUAL F EED	U004	42
G1682740	RELAY GUIDE PLATE	U004	43
G1682742	RELAY GUIDE PLATE - UPPER	U004	44
G1682744	RELAY GUIDE PLATE - LOWER	U004	45
G1682766	FRICTION PAD - CASSETTE	U004_S003	46
G1682768	ARM - TARY BOTTOM PLATE	U004_S003	47
G1684106	FRAME - PRESSURE ROLLER UNI T	U008_S001	28
G1684110	ENTRANCE GUIDE PLATE - FUSIN G	U008_S001	29
G1684116	PRESSURE ROLLER LEVER	U008_S001	30
G1684121	GUIDE ROLLER	U008_S001	31
G1684122	LEFT LEVER - GUIDE ROLLER	U008_S001	32
G1684123	RIGHT LEVER - GUIDE ROLLER	U008_S001	33
G1684125	FEELER - PAPER PRESSURE CHA NGE	U011	22
G1684131	FRAME - HOT ROLLER UNIT	U008_S001	34
G1684135	GUIDE PLATE:FUSING EXIT:UPPE R	U008_S001	35
G1684140	DECAL - PAPER PRESSURE CHAN GE	U005	85

Exclusive Parts

Number	Part Name	Group	ID
G1684171	RIGHT COVER - FUSING UNIT	U008_S001	36
G1684172	UPPER ENTRANCE GUIDE	U008_S001	37
G1684173	LEFT BRACKET - FUSING LAMP	U008_S001	38
G1684174	RIGHT BRACKET - FUSING LAMP	U008_S001	39
G1684175	HARNESS HOLDER	U008_S001	40
G1684176	HARNESS HOLDER	U008_S001	41
G1684178	FUSING THERMISTOR	U008_S001	42
G1684463	ENTRANCE ARM - EXIT ROLLER	U009	11
G1684464	EXIT ARM - EXIT ROLLER	U009	12
G1684467	SHAFT:PRESSURE ROLLER:ENTRANCE	U009	13
G1684470	PRESSURE ROLLER:ENTRANCE	U009	14
G1684471	SPRING PLATE:EXIT ROLLER	U009	15
G1684602	ELECTRODE PLATE:RIGHT	U008_S001	43
G1684618	ELECTRODE:HEATER	U008_S001	44
G1685115	SD-CARDCOVER	U010_S001	11
G1685118	CARD COVER	U010_S001	12
G1701117	SUPPORT BRACKET	U005	86
G1900410	LOGOTYPE:RICOH:P3	U004	48
G3993087	LABEL:PROTECTION	U004_S003	49
G8003035	PUSH SWITCH:CASSETTE	U011_S001	23
G8003147	PRESSURE SPRING - 2.8N	U004_S003	50
G8004851	BUSHING	U008_S001	45
G8004854	EXIT ROLLER	U008_S001	46
GA000057	DECAL:H-TEMP WARNING:MANY LANGUAGES:CUD	U008_S001	47
GA000058	DECAL:H-TEMP WARNING:115°C:CUD	U008_S001	48
GA001051	PLATE:LOGO:SVN	U004	51
GA001052	PLATE:LOGO:GES	U004	52
GA001056	PLATE:LOGO:LAN	U004	53
GA003210	DECAL - SIZE INDICATION	U004_S001	54
GA043031	SYNCHRONOUS BELT:S2M:4X316	U005	87
GA060065	SPRING - PAPER PRESSURE	U008_S001	49
GA060066	SPRING - SENSOR FEELER	U011	24
GA060069	TENSION SPRING - ENTRANCE ARM	U009	16
GA060075	PRESSURE SPRING	U008_S001	50

Number	Part Name	Group	ID
GA060080	TENSION SPRING:EXIT ROLLER:CONNECTING	U009	17
GA060081	TENSION SPRING:TIGHTENER:EXIT	U005	88
GA060082	TENSION SPRING:PAPER TRAY:38MM	U004_S003	55
GA063067	COMPRESSION SPRING	U004	56
GA063073	COMPRESSION SPRING - EXIT ARM	U009	18
GA063074	COMPRESSION SPRING:PRESSURE ROLLER:12.8N	U004	57
GA063075	COMPRESSION SPRING	U004	58
GA063079	COMPRESSION SPRING - 31.5MM	U004	59
GA063085	COMPRESSION SPRING:LOCK	U009	19
GA063086	COMPRESSION SPRING:PAPER TRAY	U004_S003	60
GA063087	COMPRESSION SPRING:AUXILIARY:PAPER TRAY	U004_S003	61
GA066022	SPRING - PAPER END FEELER	U004	62
GA066027	SPRING:FEELER:EXIT	U009	20
GA080041	ROLLER BUSHING	U004	63
GA082010	BUSHING:DIA6:DIA10:9	U005 U009	89 21
GA114003	COVER:SLIDE SWITCH:BLACK	U011	25
GA120013	DISCHARGE BRUSH:EXIT	U009	22
GA140037	SHAFT - PAPER FEED	U005	90
GB011120	GEAR - 31Z	U005	91
GB011121	GEAR - 42Z	U005	92
GB011122	GEAR - 52Z	U005	93
GB011123	GEAR - 60Z	U005	94
GB013071	GEAR - 17Z	U005	95
GB013072	GEAR - 17Z	U005	96
GB013073	GEAR - 32Z	U004	64
GB017054	COUPLED GEAR - 28/107T	U005	97
GB030040	COUPLED PULLEY - 28/35Z	U005	98
GB030041	GEAR/PULLEY - 49/41Z	U005	99
GB030044	TIMING PULLEY:EXIT ROLLER:DRIVE	U009	23

Exclusive Parts

Number	Part Name	Group	ID
GB030045	TIMING PULLEY:CONNECTING:S2 M:18	U009	24
GF013001	BOTTOM PLATE PAD	U004_S002	65
		U004_S003_S001	65
GF020043	TRANSPORT ROLLER	U005	100
GF020044	TRANSPORT ROLLER - MANUAL FEED	U005	101
GF020047	REGISTRATION ROLLER - DRIVE	U005	102
GF020058	PRESSURE ROLLER:MAIN	U004	66
GF020059	PRESSURE ROLLER:MANUAL FEED	U004	67
GF040014	EXIT ROLLER	U009	25
GF040015	EXIT ROLLER:CONNECTING	U009	26
GH010007	RUBBER FOOT - FF-006(P4070)N	U005	103
GW020020	PHOTOINTERRUPTOR:LG248NL1	U004	68
		U005	104
		U009	27
		U011	26
GX060028	BRUSHLESS MOTOR - DC 29.8W	U005	105
GX060029	POLYGON SCANNER MOTOR:DC24V 24W	U003_S001	5
GX110021	DC SOLENOID:24V:9.6W	U004	69
GX200016	MAGNETIC CLUTCH - REGISTRATION	U005	106
GX200018	MAGNETIC CLUTCH - RELAY	U005	107
GX200022	MAGNETIC CLUTCH - PAPER FEED	U005	108
GX640028	FAN:MM40X15:NIDEC:H	U011	27
GX645734	FAN:MM80	U011	28
GZ230043	DC POWER SUPPLY:136W:DOM/NA	U011	29
GZ320014	POWER PACK - BCT	U011	30
H5211311	BUSING	U005	109
M0011105	BRACKET:EGB	U011	31
M0011156	COVER:EGB	U011	32
M0451074	LEVER:SAFETY SWITCH:REAR	U011	33
M0451097	CAP:FAN	U011	34
M0451106	PANEL:CONTROL BOARD	U010	13

Number	Part Name	Group	ID
M0451202	FRONT COVER	U001_S001	18
M0451253	EXTENSION TRAY:EXIT	U001	19
M0451333	LOUVER	U001	20
M0451335	LOUVER:POWER SUPPLY UNIT:ABSORB NOZZLE	U001	21
M0451336	FILTER:POWER SUPPLY UNIT	U001	22
M0451900	LASER UNIT	U003_S001	6
M0452540	PUSH SWITCH:CASSETTE:ASS'Y	U011_S001	35
M0452561	COVER:MANUAL FEED TABLE:ASS'Y	U004	70
M0454100	DECAL:KNOB:GUIDE PLATE	U008_S001	51
M0454469	FEELER:EXIT	U009	28
M0454470	HOLDER:FEELER:EXIT	U009	29
M0455950	GASKET:65TSV4-1	U010	14
M0471151	BRACKET:PULLEY:TIGHTENER	U005	110
M0471252	TRAY:EXIT:D	U001	23
M0471262	DECAL:MODEL NAME PLATE:SAV:NA	U001_S001	24
M0471263	DECAL:MODEL NAME PLATE:GES:NA	U001_S001	25
M0471264	DECAL:MODEL NAME PLATE:LAN:NA	U001_S001	26
M0471265	COVER:UPPER:STACK	U001	27
M0471266	COVER:UPPER:REAR	U001	28
M0471281	DECAL:NAME PLATE:RIC	U001_S001	29
M0471330	COVER:RIGHT	U001	30
M0471340	COVER:LEFT	U001	31
M0471453	OPERATION PANEL	U002	1
M0472665	PAPER TRAY:ASS'Y	U004_S003	71
M0472740	TRAY BOTTOM PLATE	U004_S003_S001	72
M0472763	KNOB:COIL SPRING:PAPER TRAY	U004_S003	73
M0472764	HOLDER:COIL SPRING:PAPER TRAY	U004_S003	74
M0472770	PAPER TRAY:FRONT	U004_S003	75
M0472785	DECAL:PAPER SET DIRECTION	U004_S003	76
M0472788	DECAL:PAPER FEED PRESSURE	U004	77
M0472801	COVER:PAPER TRAY	U004_S003	78
M0472802	PAPER TRAY:REAR	U004_S003	79

Exclusive Parts

Number	Part Name	Group	ID
M0472803	SIDE FENCE:LEFT:ASS'Y	U004_S003	80
M0472806	SIDE FENCE:RIGHT:ASS'Y	U004_S003	81
M0472810	END FENCE:ASS'Y	U004_S003	82
M0472814	ARM:PAPER VOLUME SENSOR:PA PER TRAY	U004_S003	83
M0472906	BRACKET:PAPER VOLUME SENS OR:PAPER FEED	U005	111
M0472907	FEELER:PAPER VOLUME SENSOR	U005	112
M0474051	FUSING UNIT:NA	U008_S001	52
M0474451	GUIDE PLATE:EXIT:UPPER	U009	30
M0474452	ROLLER:DRIVEN:DIA10	U009	31
M0474454	FEELER:EXHAUST SENSOR	U009	32
M0474455	FEELER:EXIT:EXIT	U009	33
M0474456	SPACER:COVER:EXIT:RIGHT	U009	34
M0474457	SPACER:COVER:EXIT:LEFT	U009	35
M0474458	COVER:EXIT	U009	36
M0474460	HOLDER:ARM:PRESSURE	U009	37
M0474461	ROLLER:DRIVEN	U009	38
M0474462	PRESSURE ROLLER:EXIT	U009	39
M0474463	GRIP:LOCK	U009	40
M0474464	RING:EXIT ROLLER:DRIVEN	U009	41
M0474465	GUIDE PLATE:EXIT:ENTRANCE	U009	42
M0474466	FRAME:PRESSURE	U009	43
M0474467	SPACER:EXIT:CONNECTING	U009	44
M0474468	CUSHION:FEELER:EXHAUST SEN SOR	U009	45
M0474472	GROUND PLATE:SHAFT:EXIT	U011	36
M0474473	GROUND PLATE:SHAFT:EXIT:CON NECTING	U009	46
M0474474	SHEET:EXIT:CONNECTING	U009	47
M0475011	PCB:EGB	U011	37
M0475361	PCB:CTL	U010	15

Standard Parts



04503008N
TAPPING SCREW - M3X8



04503010N
TAPPING SCREW - M3X10



04503012N
TAPPING SCREW:3X12



04503025N
TAPPING SCREW:3X25



04503035N
TAPPING SCREW:3X35



04504010N
TAPPING SCREW:M4X10



04513006N
TAPPING SCREW - 3X6



04513008N
TAPPING SCREW - M3X8



04513012N
TAPPING SCREW:3X12



04513014N
TAPPING SCREW:3X14



04514006N
TAPPING SCREW - 4X6



04523010N
BINDING SELF-TAPPING SCREW:3X10



04543006Q
TAPPING SCREW - M3X6



07076060N
BUSHING - 6X6MM



07200020E
RETAINING RING - M2



08050088
RETAINING RING - M6



08050089
RETAINING RING - M4



08050092
RETAINING RINGS-E:SILENCER:DIA3



08050100
RETAINING RING - M2.5



09543008N
SCREW - M3X8



09543010N
SCREW:POLISHED ROUND/
SPRING:M3X10



10050890
DECAL - TUV



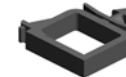
11025195
CONNECTOR - 5P



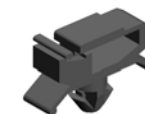
11050310
HARNESS CLAMP - LWS-1S



11050487
HARNESS CLAMP



11050489
CLAMP:LWS-1316Z



11050511
HARNESS CLAMP - LWS-030
6ZC



11050516
CLAMP