

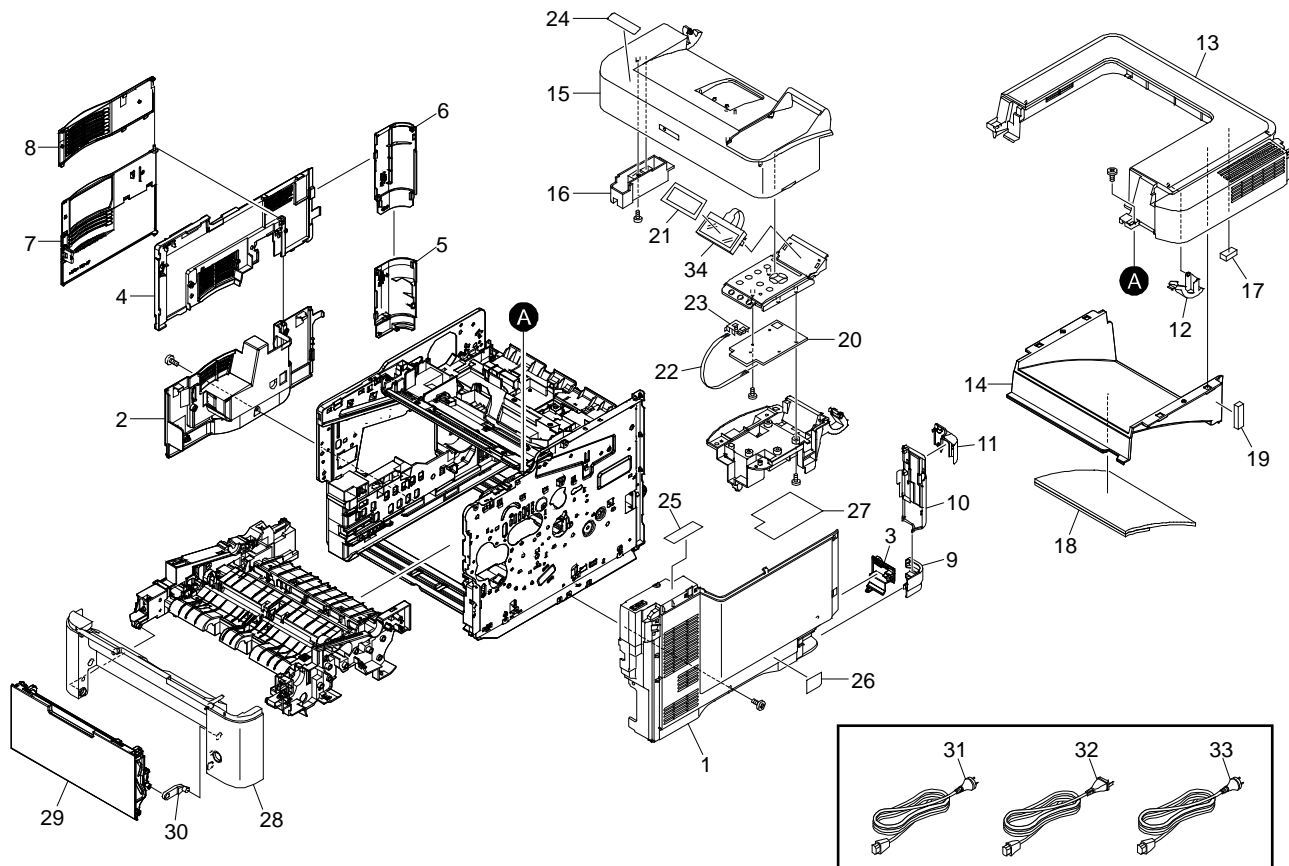
SP 5300DN/5310DN

PARTS CATALOG

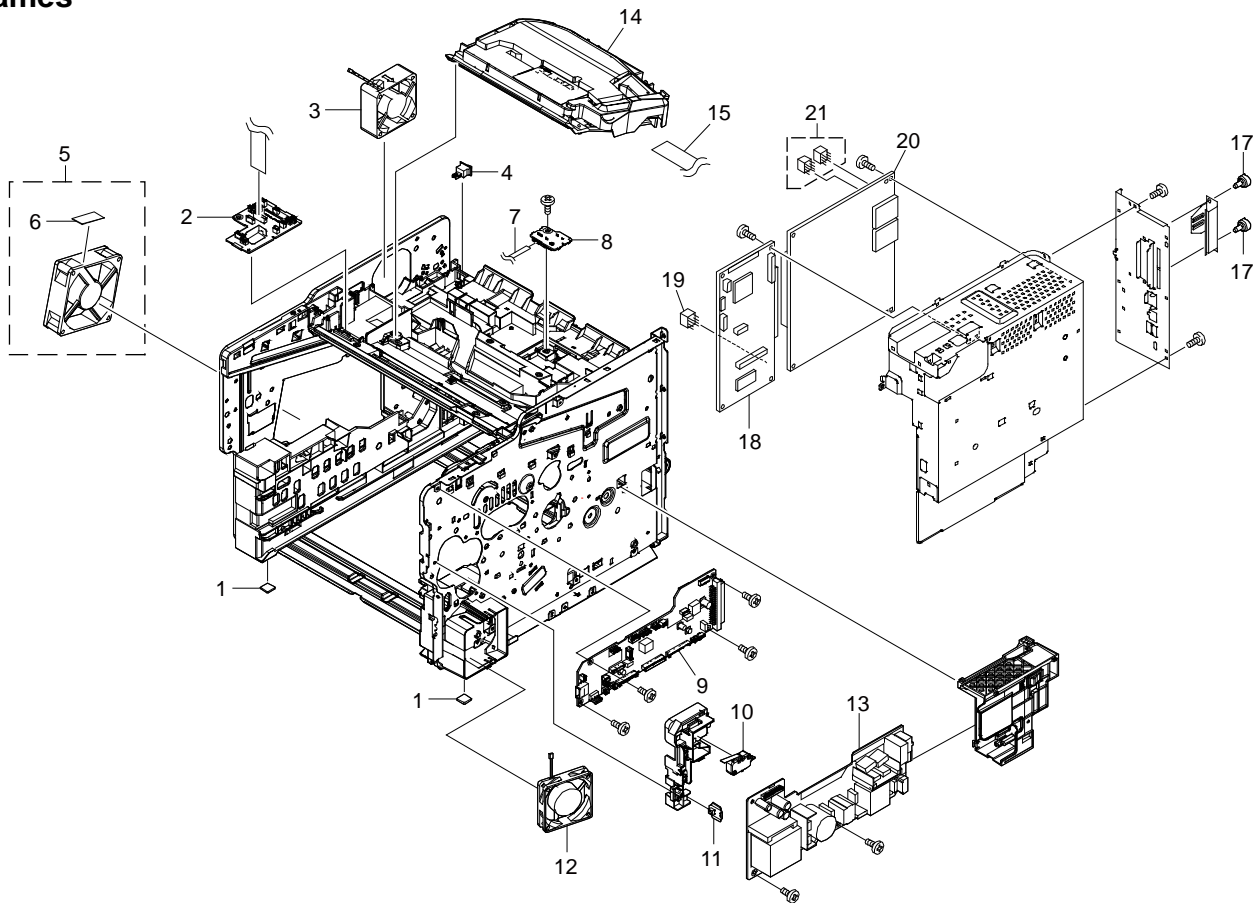
This catalog gives the numbers and names of parts on this machine.

1	Covers	3P
2	Frames	5P
3	Paper Cassette	7P
4	Paper Feed Section	9P
5	Drum Unit Section	11P
6	Developer Section	13P
7	Fusing Section	15P
8	Exit Section	17P
9	Drive Section	19P
	Parts Index	21P

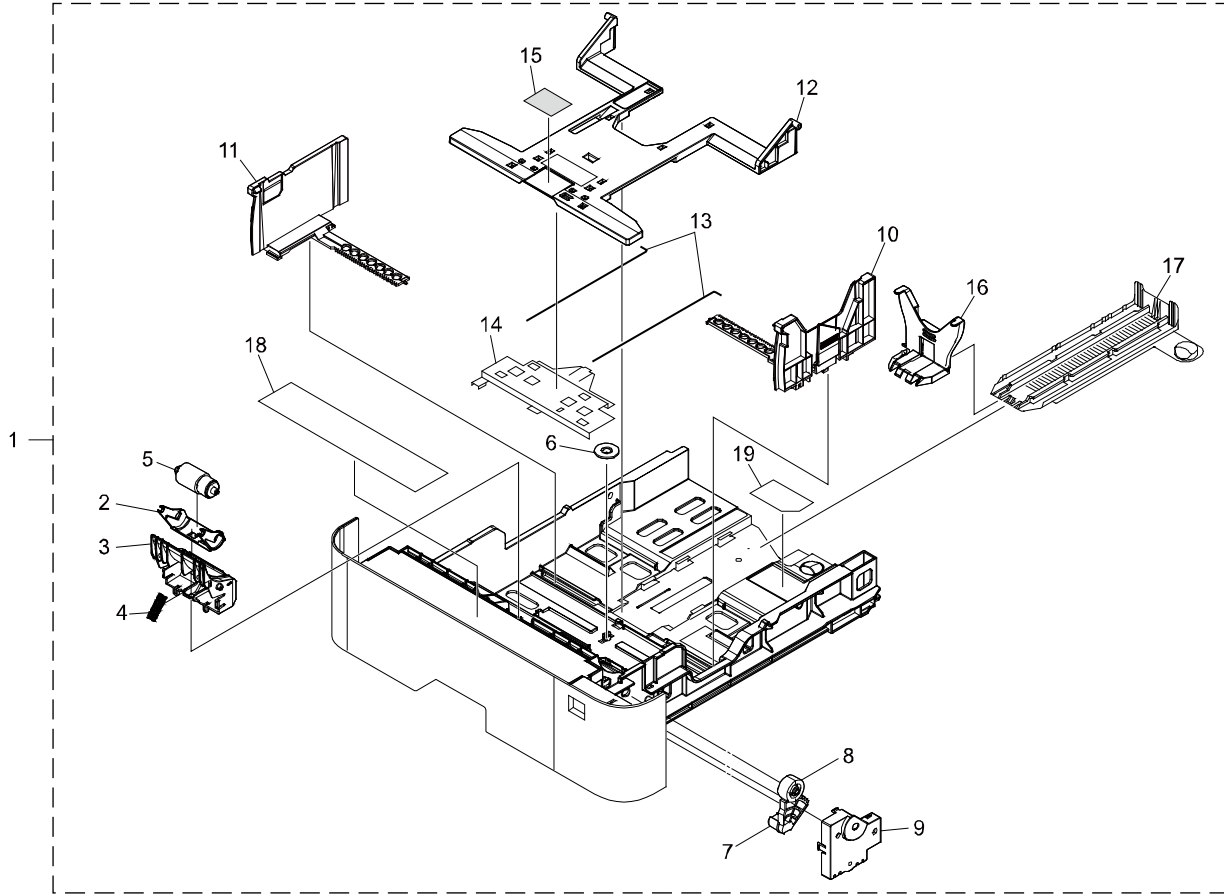
1.Covers



2. Frames



3. Paper Cassette

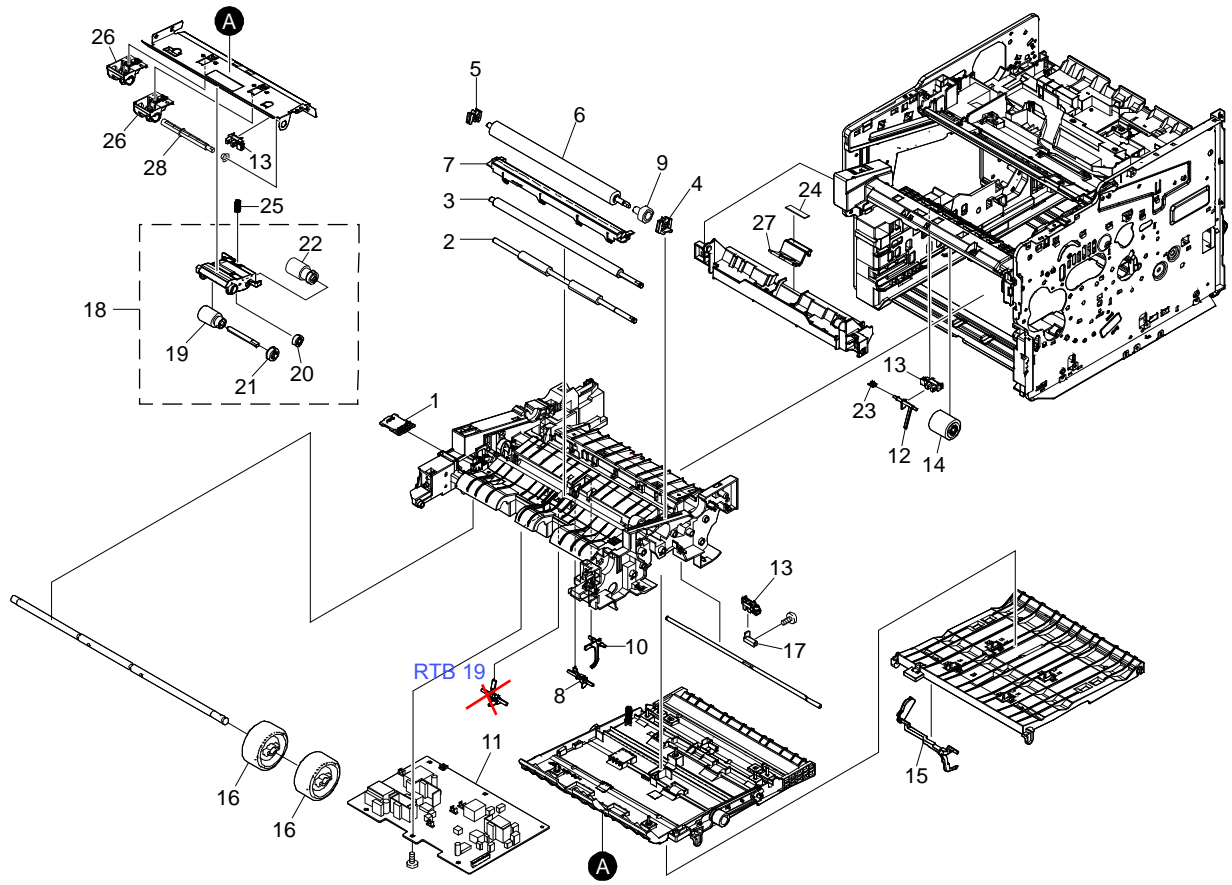


3. Paper Cassette

Index No.	Part No.	Description	Q'ty Per Assembly
1	M2812531	CASSETTE ASS'Y (CT-3160)	1
2	M2812536	HOLDER RETARD B	1
3	M2812530	GUIDE RETARD B	1
4	M2812524	SPRING RETARD B	1
5	M2812520	RETARD ROLLER ASSY	1
6	M2812537	GEAR CASSETTE	1
7	M2812523	GEAR Z48S LIFT	1
8	M2812522	GEAR Z15S JOINT	1
9	M2812529	COVER LIFT GEAR	1
10	M2812538	CURSOR RIGHT	1
11	M2812539	CURSOR LEFT	1
12	M2812525	CASSETTE BOTTOM	1
13	M2812535	WIRE CASSETTE BOTTOM	2
14	M2812534	PLATE BOTTOM	1
15	M2812521	PAD BOTTOM	1
16	M2812532	PARTS CURSOR END ASSY SP	1
17	M2812528	RAIL CURSOR END	1
18	M2818534	LABEL OPERATION CASSETTE	1
19	M2818535	LABEL OPERATION END	1

Index No.	Part No.	Description	Q'ty Per Assembly

4. Paper Feed Section

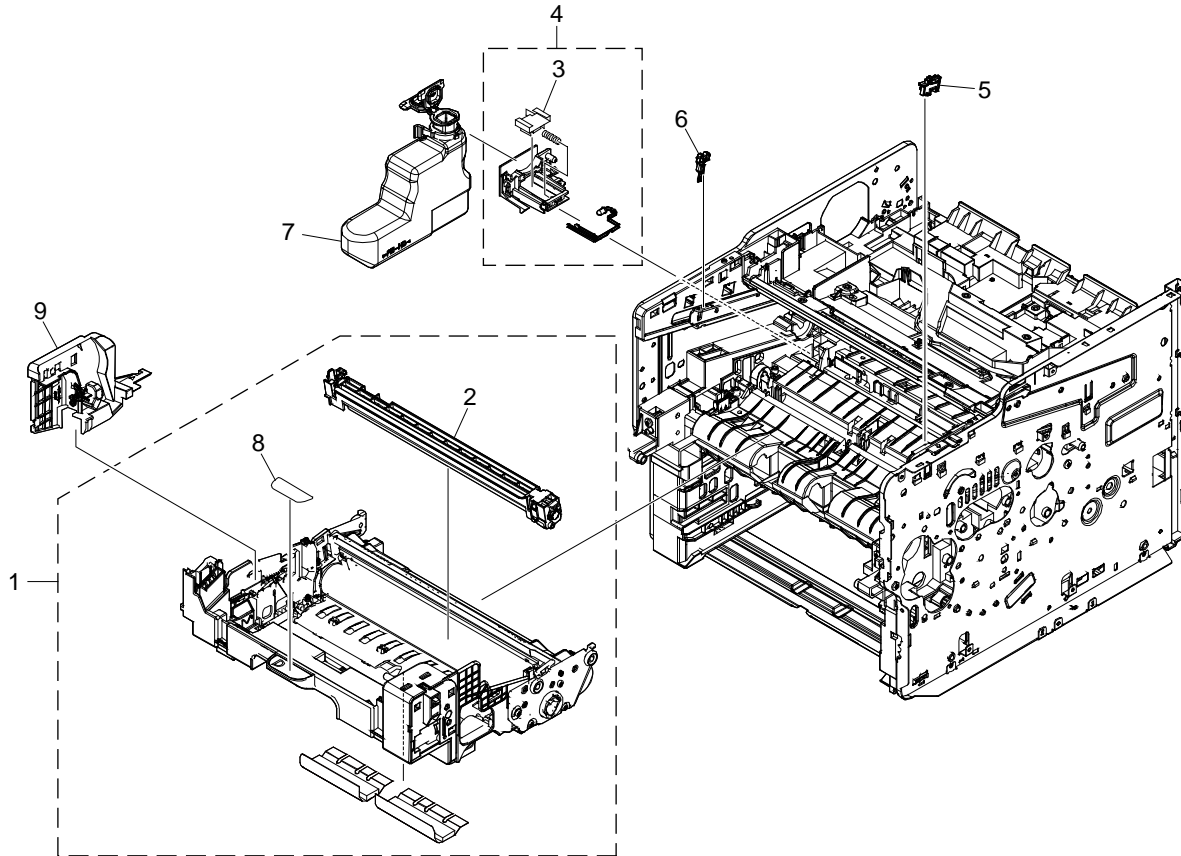


4. Paper Feed Section

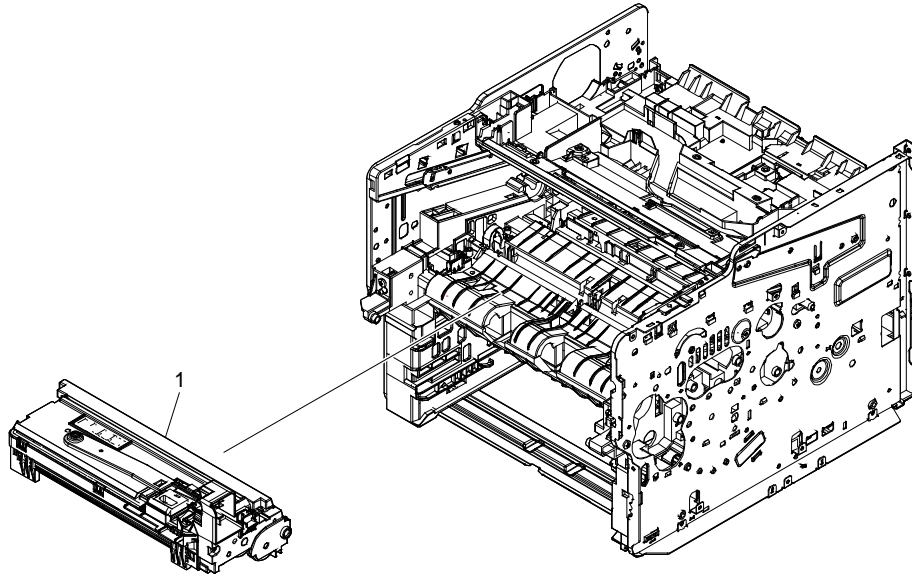
Index No.	Part No.	Description	Q'ty Per Assembly
1	M2811065	PARTS PWB ASSY DRUM CONNECT SP	1
2	M2812839	PARTS ROLLER REGIST LOW SP	1
3	M2812840	PARTS ROLLER REGIST UP SP	1
4	M2812828	BUSH TRANSFER R	1
5	M2812832	BUSH TRANSFER L	1
6	M2812838	PARTS ROLLER TRANSFER SP	1
7	M2812836	PARTS GUIDE PAPER CHUTE SP	1
8	M2812829	ACTUATOR IMAGE	1
9	M2812831	GEAR Z22R TC	1
10	M2812850	ACTUATOR DU	1
11	M2812837	PARTS UNIT HIGH VOLTAGE SP	1
12	M2811056	ACTUATOR MPF	1
13	M2812841	PARTS SENSOR OPT SP	3
14	M2811054	ROLLER M/P ASSY	1
15	M2812843	ACTUATOR PE	1
16	M2812834	ROLLER MIDDLE ASSY	2
17	M2812833	ACTUATOR ENVELOPE	1
18	M2812826	PARTS HOLDER FEED ASSY SP	1
19	M2812821	PULLEY FEED ASSY	1
20	M2812820	GEAR FEED Z26H	1
21	M2812822	GEAR FEED Z30H	1
22	M2812824	PULLEY PICKUP ASSY	1
23	M2811057	SPRING ACTUATOR MPF	1
24	M2812844	PAD SEPARATOR MPF	1
25	M2812849	SPRING PICKUP B	1
26	M2812827	GUIDE FEED SIDE	2
27	M2812846	HOLDER SEPARATION MPF	1
28	M2812823	SHAFT FEED R	1

Index No.	Part No.	Description	Q'ty Per Assembly

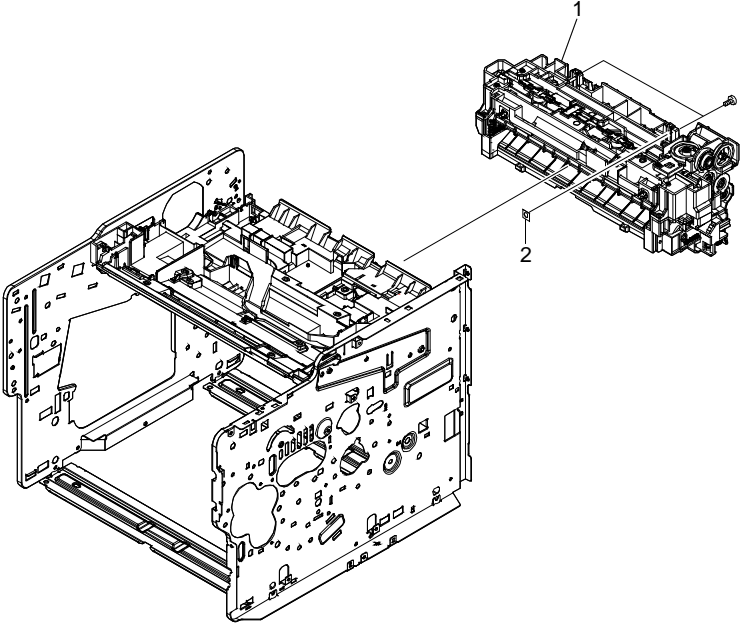
5. Drum Unit Section



6. Developer Section



7. Fusing Section

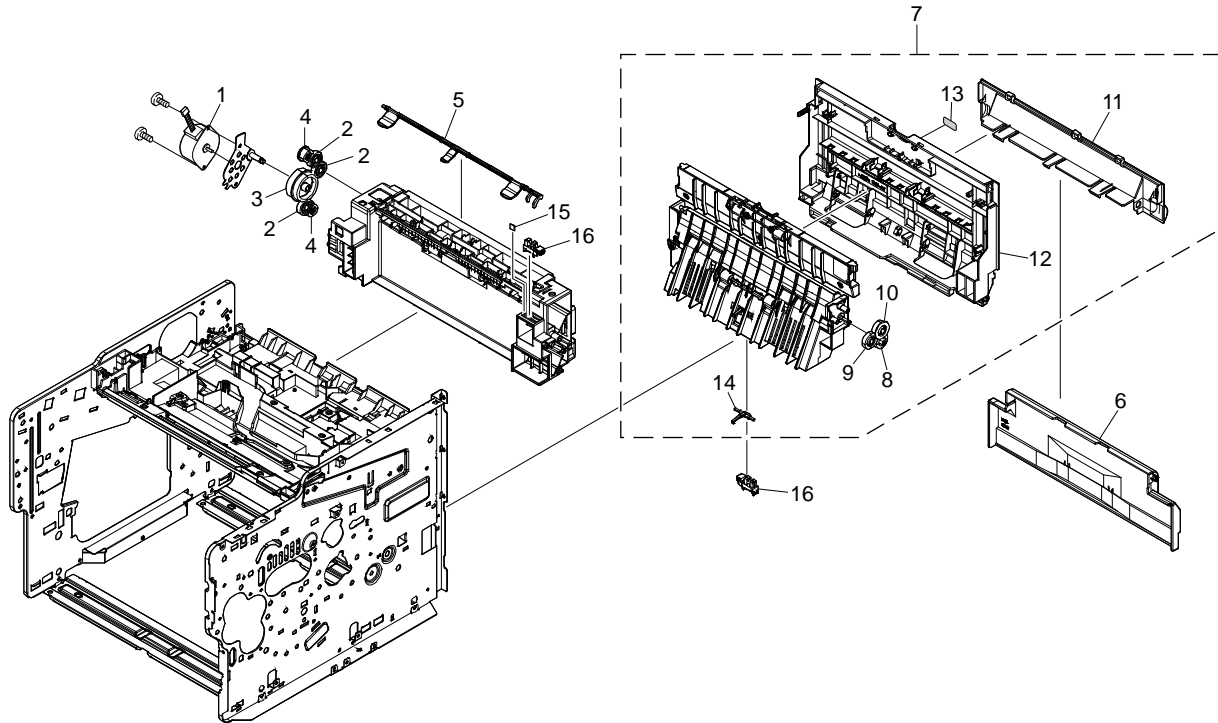


7. Fusing Section

Index No.	Part No.	Description	Q'ty Per Assembly
1	M2814060	FUSING UNIT (FK-3160(E)) (EU/AA)	1
1	M2814070	FUSING UNIT (FK-3160(U)) (NA)	1
2	M2811073	SPACER FUSER R	1

Index No.	Part No.	Description	Q'ty Per Assembly

8. Exit Section

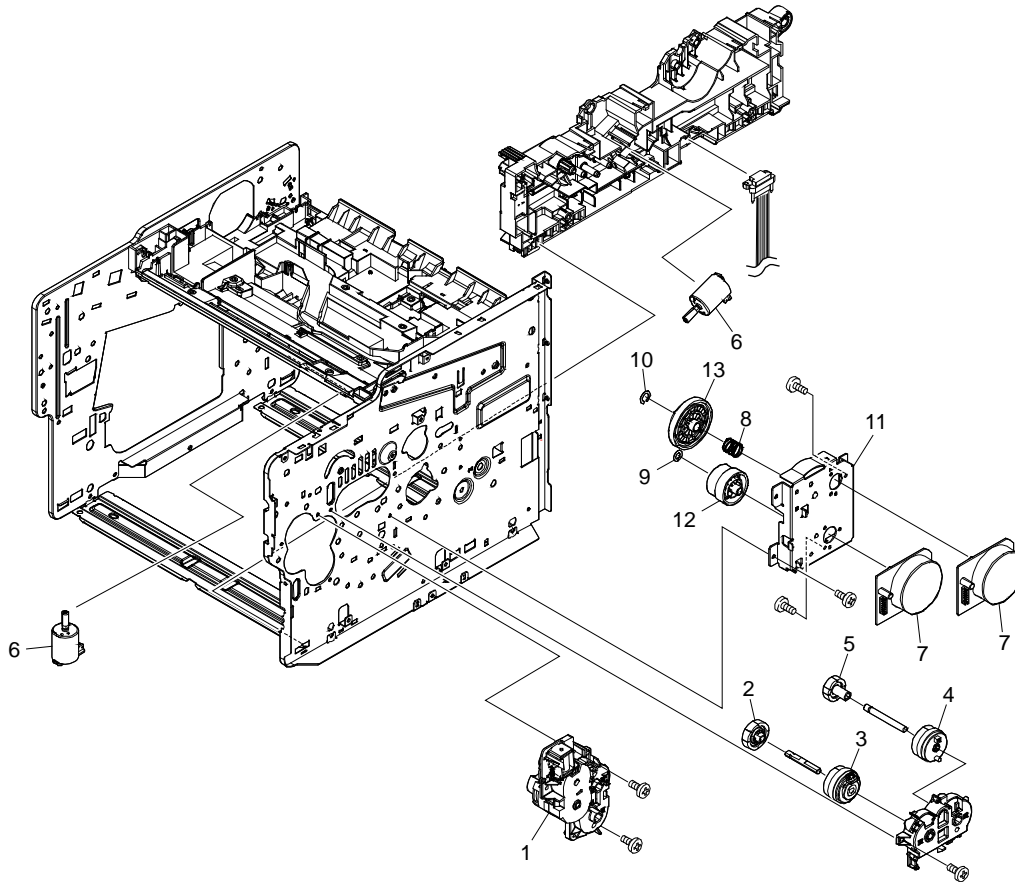


8. Exit Section

Index No.	Part No.	Description	Q'ty Per Assembly
1	M2814450	MOTOR EJECT	1
2	M2814453	GEAR Z22S	3
3	M2814451	GEAR Z66R-Z40S	1
4	M2814452	GEAR Z17S	2
5	M2814454	ACTUATOR OVERFLOW	1
6	M2811285	COVER CASSETTE	1
7	M2811298	PARTS COVER REAR ASSY SP	1
8	M2811273	GEAR Z20S	1
9	M2811276	GEAR Z22S B	1
10	M2811274	GEAR Z22S A	1
11	M2811284	COVER REAR LOW	1
12	M2811283	COVER REAR UP	1
13	M2811297	LABEL PUSH	1
14	M2811299	ACTUATOR DU	1
15	M2814455	SEAL EXIT C	1
16	M2812841	PARTS SENSOR OPT SP	2

Index No.	Part No.	Description	Q'ty Per Assembly

9. Drive Section



Parts Index

Parts Index

Part No.	Description	Page and Index No.
14077726	EEPROM:BR24T08-W	5-19
M2811050	INTER LOCK SWITCH	5-10
M2811051	SCREW BOX	5-17
M2811052	FAN LSU 60-25	5-3
M2811053	FOOT	5-1
M2811054	ROLLER M/P ASSY	9-14
M2811055	CLUTCH 50 Z35R	19-3
M2811056	ACTUATOR MPF	9-12
M2811057	SPRING ACTUATOR MPF	9-23
M2811058	GUIDE CONTAINER	5-16
M2811058	GUIDE CONTAINER	11-9
M2811059	GEAR Z26L DLP CLUTCH	19-5
M2811060	GEAR Z32L REG CL	19-2
M2811061	STOPPER PROCESS	11-5
M2811062	STOPPER PROCESS L	11-6
M2811063	PARTS FAN MOTOR ASSY SP	5-5
M2811064	PARTS PWB ASSY CONNECT-L SP	5-2
M2811065	PARTS PWB ASSY DRUM CONNECT SP	9-1
M2811066	PARTS PWB ASSY SWITCH SP	5-11
M2811067	PARTS PWB ASSY TH CONNECT SP	5-8
M2811068	PARTS DC MOTOR ASSY SP	19-6
M2811069	PARTS,FAN COOLING CONVEYING SP	5-12
M2811070	PARTS UNIT LOW VOLTAGE 100V SP(NA)	5-13
M2811071	PARTS UNIT LOW VOLTAGE 200V SP(EU/AA/CHN)	5-13
M2811072	SHEET FAN L	5-6
M2811073	SPACER FUSER R	15-2
M2811074	CONN.CORD ASSY S03737	5-7
M2811078	PARTS PWB ASSY ENGINE SP(M282)	5-9
M2811079	PARTS PWB ASSY ENGINE SP(M281)	5-9
M2811080	SW.PUSH	5-4
M2811120	CUT WASHER 5	19-9
M2811121	CUT WASHER 7	19-10
M2811122	PLATE DRIVE	19-11
M2811123	GEAR Z119R	19-13
M2811124	GEAR Z80R-Z36L	19-12

Part No.	Description	Page and Index No.
M2811125	SPRING COUPLING DRUM	19-8
M2811126	PARTS DRIVE FEED ASSY SP	19-1
M2811127	PARTS CLUTCH 20-2W Z35R	19-4
M2811128	PARTS MOTOR-BL W30 SP	19-7
M2811230	COVER TOP	3-13
M2811231	LID TOP	3-15
M2811232	COVER RIGHT	3-1
M2811233	COVER CONT UP	3-11
M2811234	COVER CONT MIDDLE	3-10
M2811235	COVER CONT LOW	3-9
M2811236	COVER FRONT	3-28
M2811239	COVER CABLE	3-12
M2811240	LID TOP B	3-16
M2811270	COVER RIGHT REAR	3-3
M2811271	SPONGE COVER TOP	3-18
M2811272	SPONGE TRAY REAR	3-19
M2811273	GEAR Z20S	17-8
M2811274	GEAR Z22S A	17-10
M2811275	SPONGE EXIT	3-17
M2811276	GEAR Z22S B	17-9
M2811278	TRAY TOP	3-14
M2811280	COVER LEFT UP	3-4
M2811281	COVER LEFT LOW	3-2
M2811283	COVER REAR UP	17-12
M2811284	COVER REAR LOW	17-11
M2811285	COVER CASSETTE	17-6
M2811290	COVER SIDE UP	3-8
M2811291	COVER SIDE LOW	3-7
M2811292	COVER LEFT UP REAR	3-6
M2811293	COVER LEFT LOW REAR	3-5
M2811297	LABEL PUSH	17-13
M2811298	PARTS COVER REAR ASSY SP	17-7
M2811299	ACTUATOR DU	17-14
M2811423	SHIELD LCD	3-23
M2811491	CONN.CORD ASSY FFC S04097 IPU-PANEL	3-22

Part No.	Description	Page and Index No.
M2811493	PARTS PWB ASSY SENSOR SP	3-21
M2811494	PARTS PWB ASSY PANEL SP	3-20
M2812520	RETARD ROLLER ASSY	7-5
M2812521	PAD BOTTOM	7-15
M2812522	GEAR Z15S JOINT	7-8
M2812523	GEAR Z48S LIFT	7-7
M2812524	SPRING RETARD B	7-4
M2812525	CASSETTE BOTTOM	7-12
M2812528	RAIL CURSOR END	7-17
M2812529	COVER LIFT GEAR	7-9
M2812530	GUIDE RETARD B	7-3
M2812531	CASSETTE ASS'Y (CT-3160)	7-1
M2812532	PARTS CURSOR END ASSY SP	7-16
M2812534	PLATE BOTTOM	7-14
M2812535	WIRE CASSETTE BOTTOM	7-13
M2812536	HOLDER RETARD B	7-2
M2812537	GEAR CASSETTE	7-6
M2812538	CURSOR RIGHT	7-10
M2812539	CURSOR LEFT	7-11
M2812820	GEAR FEED Z26H	9-20
M2812821	PULLEY FEED ASSY	9-19
M2812822	GEAR FEED Z30H	9-21
M2812823	SHAFT FEED R	9-28
M2812824	PULLEY PICKUP ASSY	9-22
M2812826	PARTS HOLDER FEED ASSY SP	9-18
M2812827	GUIDE FEED SIDE	9-26
M2812828	BUSH TRANSFER R	9-4
M2812829	ACTUATOR IMAGE	9-8
M2812831	GEAR Z22R TC	9-9
M2812832	BUSH TRANSFER L	9-5
M2812833	ACTUATOR ENVELOPE	9-17
M2812834	ROLLER MIDDLE ASSY	9-16
M2812835	PARTS TONER FULL DETECT ASSY SP	11-4
M2812836	PARTS GUIDE PAPER CHUTE SP	9-7
M2812837	PARTS UNIT HIGH VOLTAGE SP	9-11

Part No.	Description	Page and Index No.
M2812838	PARTS ROLLER TRANSFER SP	9-6
M2812839	PARTS ROLLER REGIST LOW SP	9-2
M2812840	PARTS ROLLER REGIST UP SP	9-3
M2812841	PARTS SENSOR OPT SP	9-13
M2812841	PARTS SENSOR OPT SP	17-16
M2812842	SHUTTER WASTE	11-3
M2812843	ACTUATOR PE	9-15
M2812844	PAD SEPARATOR MPF	9-24
M2812845	PARTS COVER MPF ASSY SP	3-29
M2812846	HOLDER SEPARATION MPF	9-27
M2812847	LEVER LINK	3-30
M2812849	SPRING PICKUP B	9-25
M2812850	ACTUATOR DU	9-10
M2813030	DEVELOPMENT UNIT (DV-3100)	13-1
M2813040	PCU (DK-3160)	11-1
M2813050	CHARGE ROLLER UNIT (MC-3160)	11-2
M2814060	FUSING UNIT (FK-3160(E)) (EU/AA)	15-1
M2814070	FUSING UNIT (FK-3160(U)) (NA)	15-1
M2814450	MOTOR EJECT	17-1
M2814451	GEAR Z66R-Z40S	17-3
M2814452	GEAR Z17S	17-4
M2814453	GEAR Z22S	17-2
M2814454	ACTUATOR OVERFLOW	17-5
M2814455	SEAL EXIT C	17-15
M2815020	PCB:IMAGE PROCESSING UNIT:ASS'Y	5-18
M2815541	PCB:CTL:M281:50PPM(M281)	5-20
M2815542	PCB:CTL:M282:60PPM(M282)	5-20
M2815565	IMAGING UNIT (LK-3230) (M282)	5-14
M2815566	IMAGING UNIT (LK-3200) (M281)	5-14
M2815567	POWER CORD(120)(NA)	3-31
M2815568	AC CORD ASSY(EU/AA)	3-32
M2815569	AC CORD ASSY /RVV 300/500(CHN)	3-33
M2815570	CONN.CORD ASSY S03860 CONT-APC FFC	5-15
M2816550	TONER COLLECTION BOTTLE (WT-3160)	11-7
M2818530	LABEL LEVER A	3-25

Part No.	Description	Page and Index No.
M2818531	LABEL MODEL P60(M282)	3-24
M2818532	LABEL DRAWER CAUTION	3-26
M2818533	SHEET LID TOP	3-27
M2818534	LABEL OPERATION CASSETTE	7-18
M2818535	LABEL OPERATION END	7-19
M2818536	LABEL DRUM UP	11-8
M2818537	LABEL MODEL P50(M281)	3-24
M2819590	NVRAM	5-21

Part No.	Description	Page and Index No.
----------	-------------	--------------------