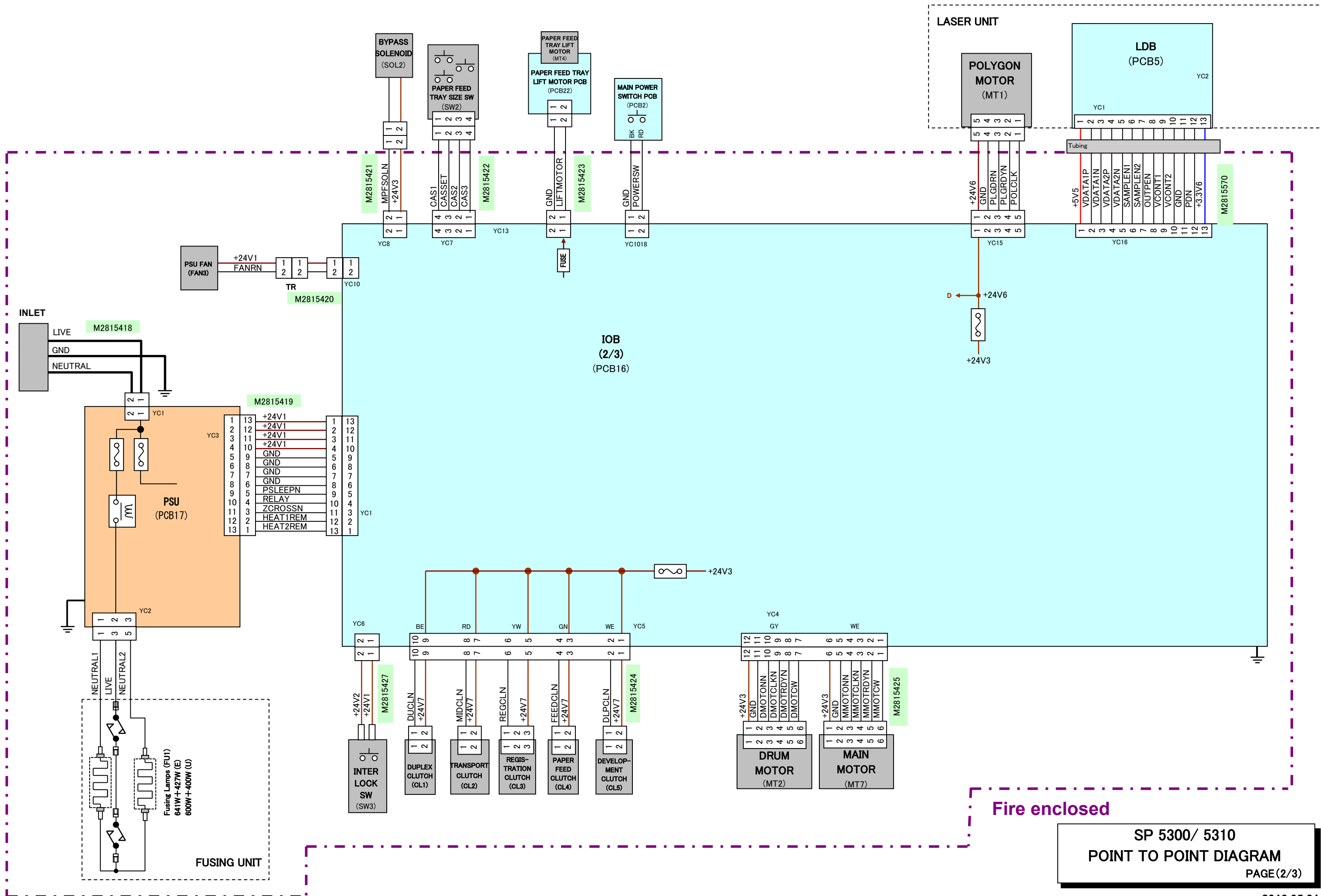
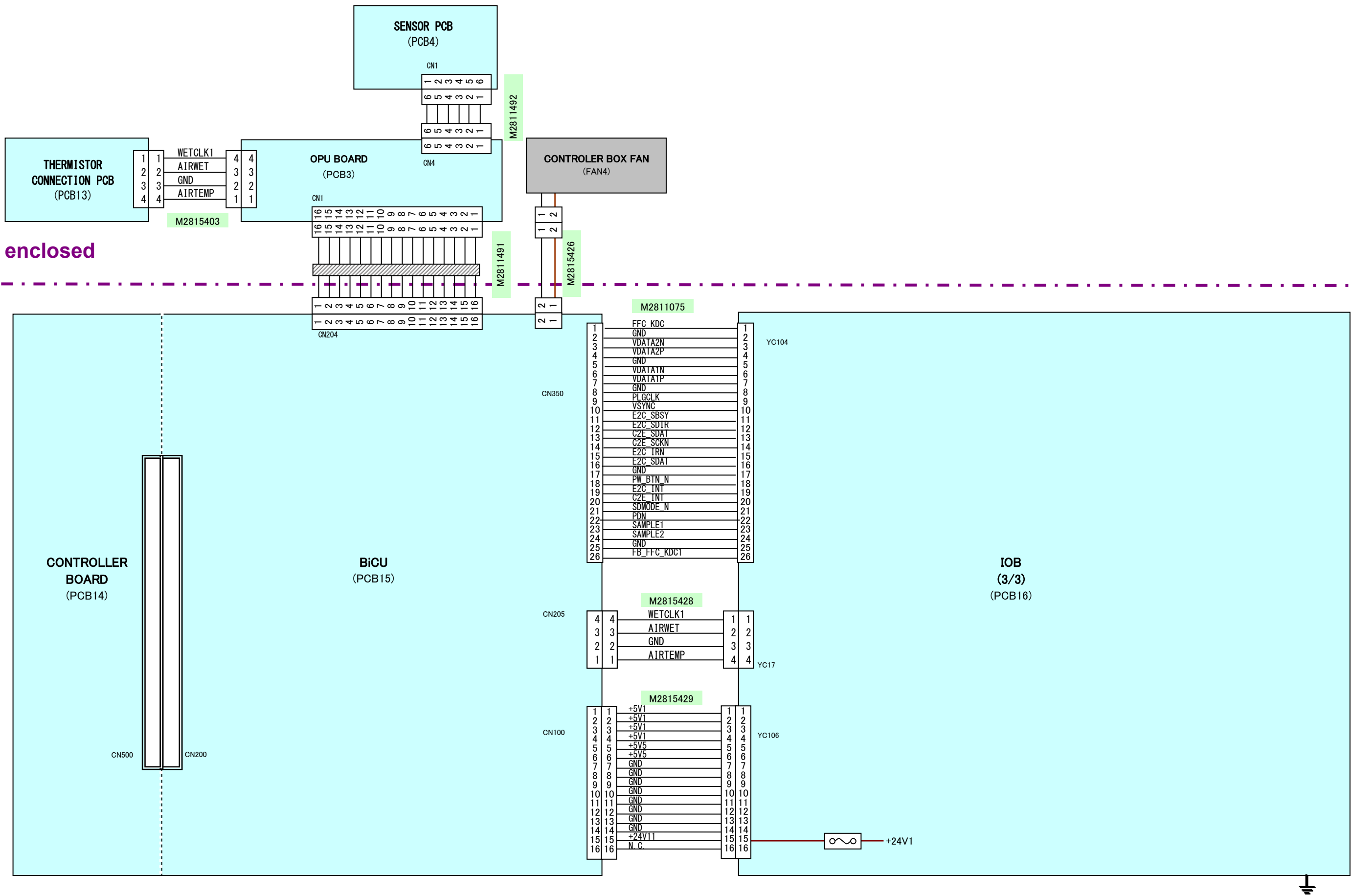


※ To facilitate connecting and disconnecting live wires (3 POINTS)



**SP 5300/ 5310**  
**POINT TO POINT DIAGRAM**  
 PAGE(2/3)



# SP 5300/5310 Component Layout (1/2)

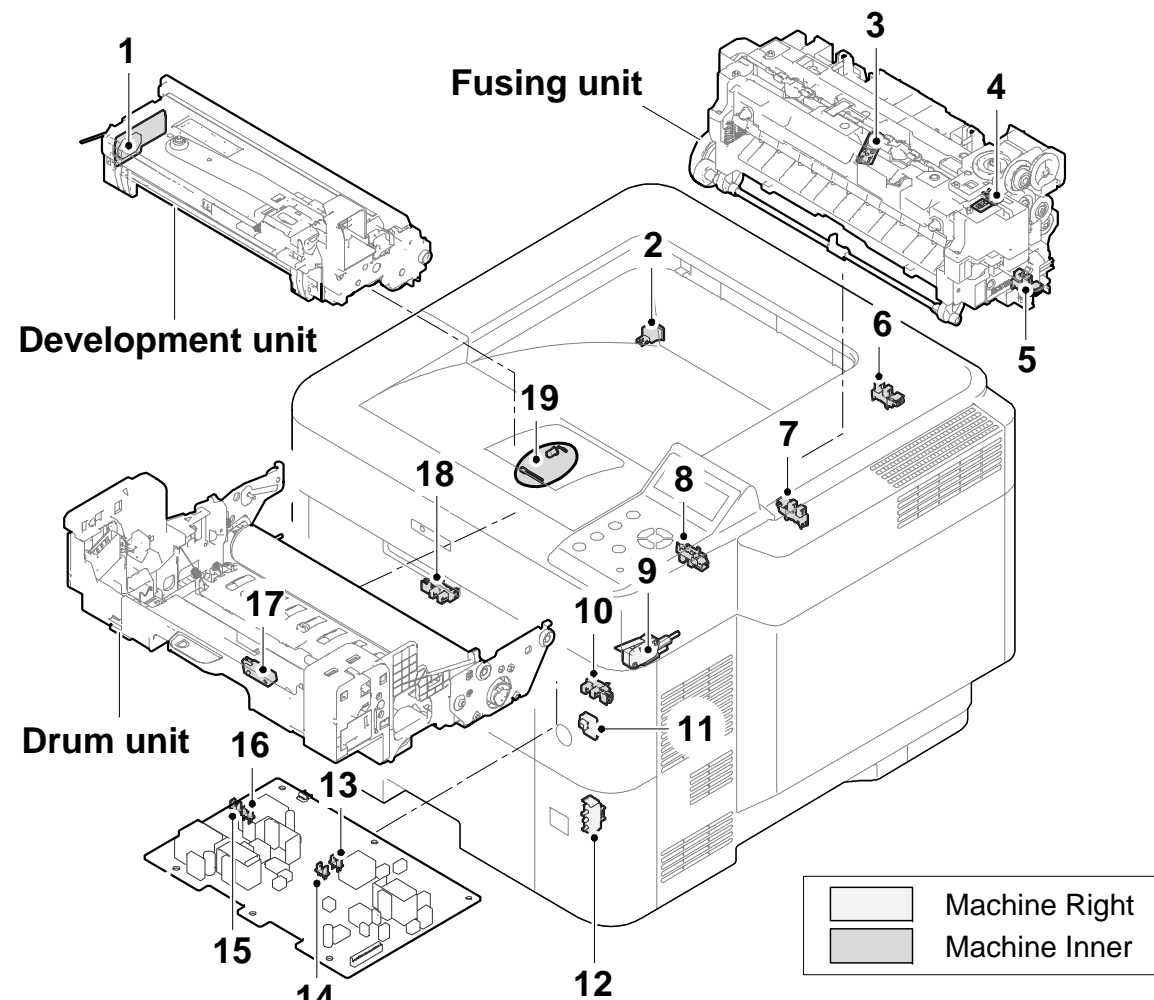


Fig.1

m281c9001.wmf

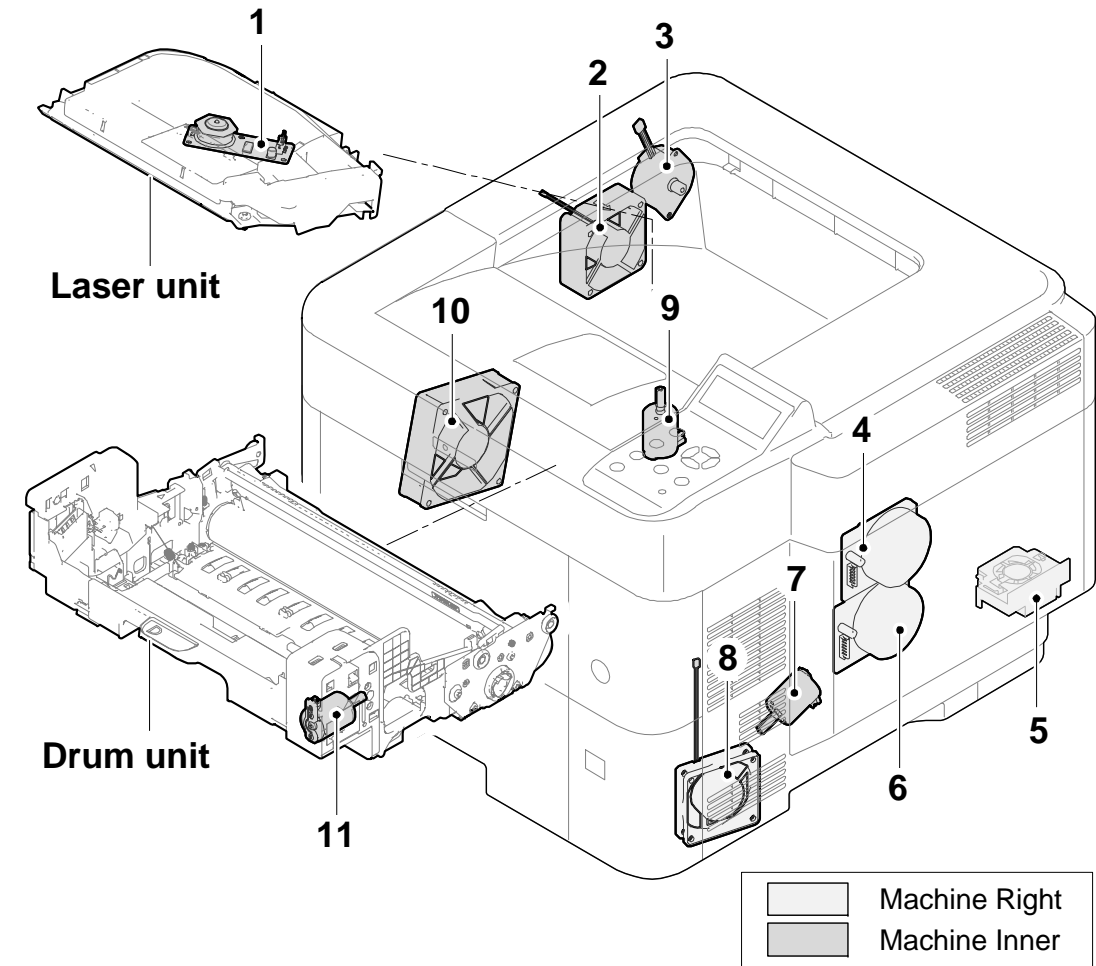


Fig.2

m281c9002.wmf

Symbol	Layout	Part Name
<b>Sensors</b>		
SEN1	Fig.1-10	Paper Feed Tray Limit Sensor
SEN2	Fig.1-6	Paper Exit Full Sensor
SEN3	Fig.1-18	Bypass Paper End Sensor
SEN4	Fig.1-8	Envelope Sensor
SEN5	Fig.1-16	Paper End Sensor 1
SEN6	Fig.1-15	Paper End Sensor 2
SEN7	Fig.1-17	Registration Sensor 1
SEN8	Fig.1-14	Registration Sensor 2
SEN9	Fig.1-5	Fusing Sensor
SEN10	Fig.1-7	Duplex Sensor 1
SEN11	Fig.1-13	Duplex Sensor 2
SEN12	Fig.1-19	Waste Toner Full Sensor
<b>Switches</b>		
SW1	Fig.1-2	Rear Cover Switch
SW2	Fig.1-12	Paper Feed Tray Size Switch
SW3	Fig.1-9	Interlock Switch

Symbol	Layout	Part Name
<b>PCB</b>		
PCB1	Fig.1-1	Toner Density Sensor PCB
PCB2	Fig.1-11	Main Power Switch PCB
<b>Motors</b>		
MT1	Fig.2-1	Polygon Motor
MT2	Fig.2-4	Drum Motor
MT3	Fig.2-11	Toner Supply Motor
MT4	Fig.2-7	Paper Feed Tray Lift Motor
MT5	Fig.2-9	Fusing Pressure Release Motor
MT6	Fig.2-3	Paper Exit Motor
MT7	Fig.2-6	Main Motor
<b>Fan Motors</b>		
FAN1	Fig.2-2	Laser Fan
FAN2	Fig.2-10	Development Fan
FAN3	Fig.2-8	PSU Fan
FAN4	Fig.2-5	Controller Box Fan

# SP 5300/5310 Component Layout (2/2)

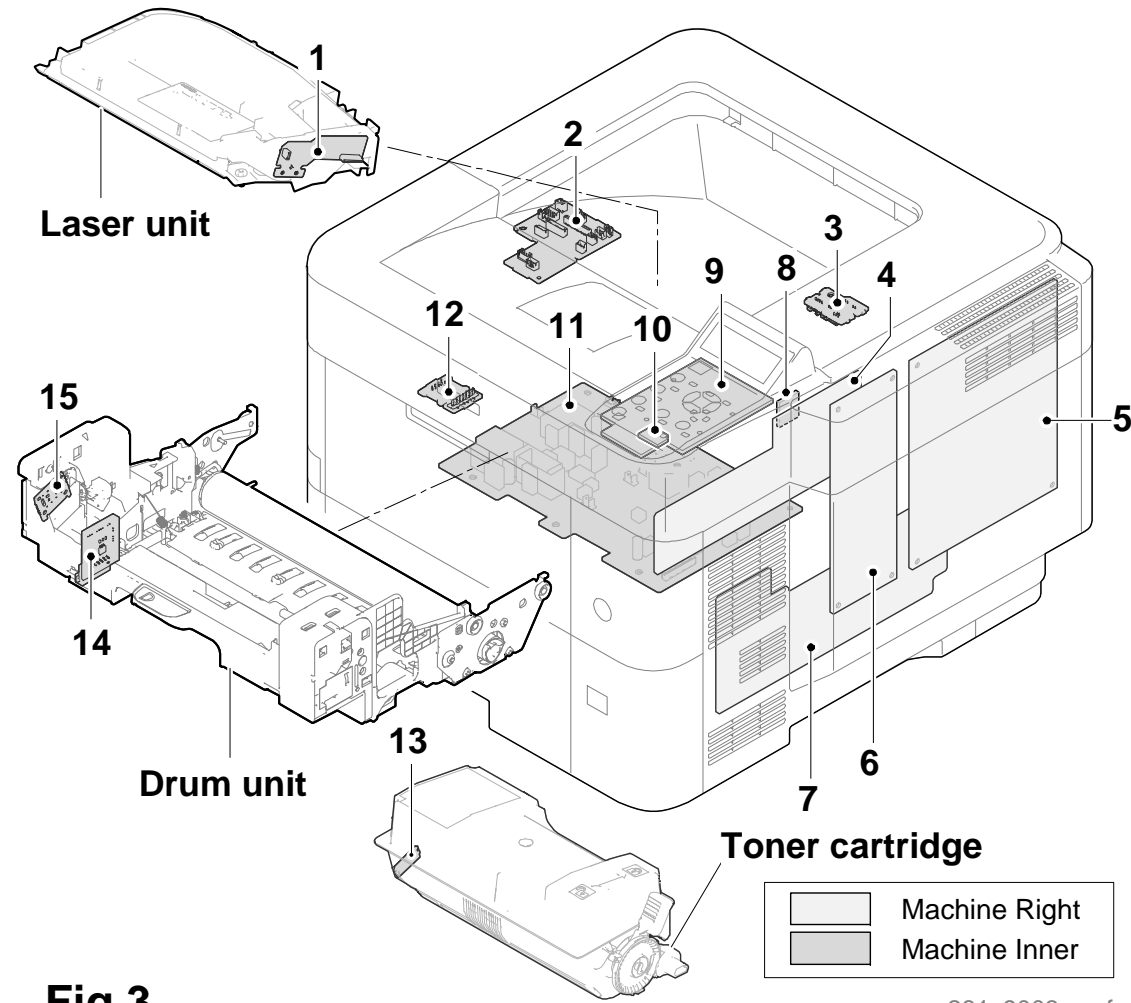


Fig.3

m281c9003.wmf

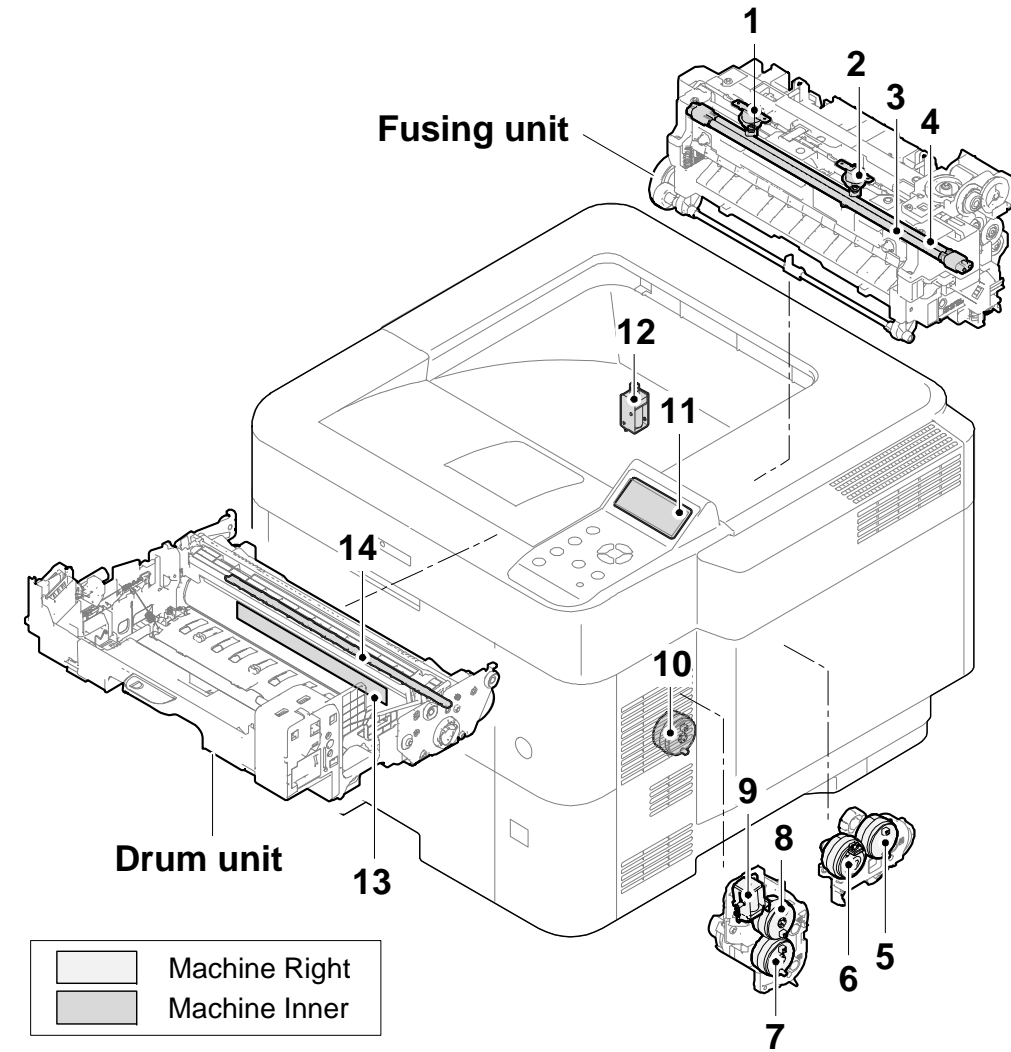


Fig.4

m281c9004.wmf

Symbol	Layout	Part Name
<b>PCBs</b>		
PCB3	Fig.3-9	OPU Board
PCB4	Fig.3-10	Sensor PCB
PCB5	Fig.3-1	LDB
PCB6	Fig.3-13	Toner Cartridge PCB
PCB7	Fig.3-15	Toner Cartridge Connection PCB
PCB8	-	Eraser PCB
PCB9	Fig.3-14	Drum PCB
PCB10	Fig.3-12	Drum Connection PCB
PCB11	Fig.4-13	Drum Heater PCB (Asia and Chinese Only)
PCB12	Fig.3-3	Thermostat Connection PCB
PCB13	Fig.3-8	Thermistor Connection PCB
PCB14	Fig.3-5	Controller Board
PCB15	Fig.3-6	BiCU
PCB16	Fig.3-4	IOB
PCB17	Fig.3-7	PSU
PCB18	Fig.3-11	Power Pack
PCB19	Fig.3-2	Connect-Left PCB

Symbol	Layout	Part Name
<b>PCBs</b>		
PCB20	-	Toner Motor PCB
PCB21	-	Fusing Pressure Release Motor PCB
PCB22	-	Paper Feed Tray Lift Motor PCB
<b>Clutches</b>		
CL1	Fig.4-10	Duplex Clutch
CL2	Fig.4-8	Transport Clutch
CL3	Fig.4-6	Registration Clutch
CL4	Fig.4-7	Paper Feed Clutch
CL5	Fig.4-5	Development Clutch
<b>Solenoids</b>		
SOL1	Fig.4-12	Inverter Solenoid
SOL2	Fig.4-9	Bypass Solenoid
<b>Lamp</b>		
FU1	Fig.4-3, 4-4	Fusing Lamp
<b>Thermostats</b>		
TS1	Fig.4-1	Fusing Thermostat 1 (End)
TS2	Fig.4-2	Fusing Thermostat 2 (Center)