

# SP 4510SF MP 401 SPF

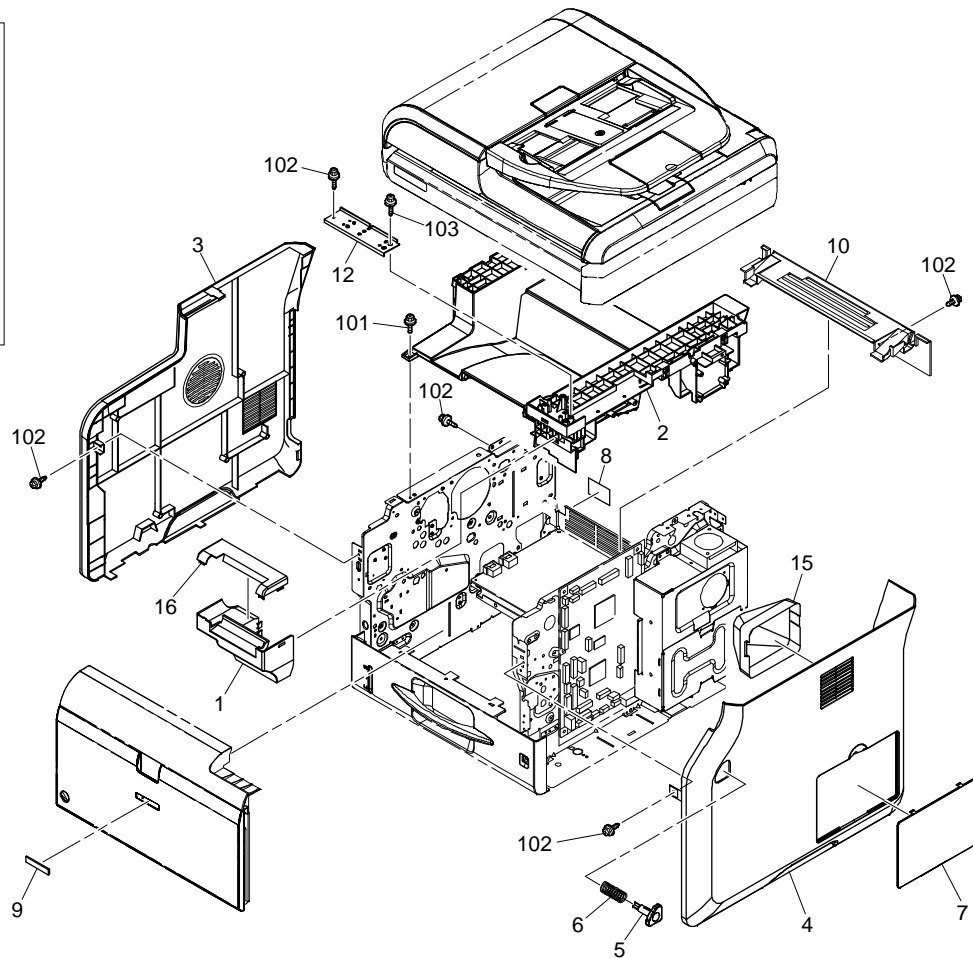
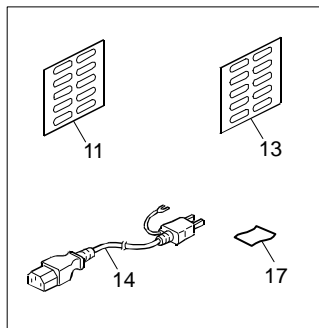
## PARTS CATALOG

This catalog gives the numbers and names of parts on this machine.

1. Exterior.....	1 P	17. Fusing Section 2.....	33 P
2. Operation Panel.....	3 P	18. Paper Exit Section.....	35 P
3. ADF Section 1.....	5 P	19. Duplex Section.....	37 P
4. ADF Section 2.....	7 P	20. Drive Section 1.....	39 P
5. ADF Section 3.....	9 P	21. Drive Section 2.....	41 P
6. ADF Section 4.....	11 P	22. Electrical Components Section.....	43 P
7. ADF Section 5.....	13 P	23. Main Frame Section.....	45 P
8. Optical Reading Section.....	15 P	24. Options.....	47 P
9. Optical Writing Section.....	17 P	25. Decal and Document.....	49 P
10. Manual Feed Section 1.....	19 P	26. Parts Index.....	51 P
11. Manual Feed Section 2.....	21 P		
12. Paper Feed 1.....	23 P		
13. Paper Feed 2.....	25 P		
14. Registration Roller.....	27 P		
15. Transfer.....	29 P		
16. Fusing Section 1.....	31 P		

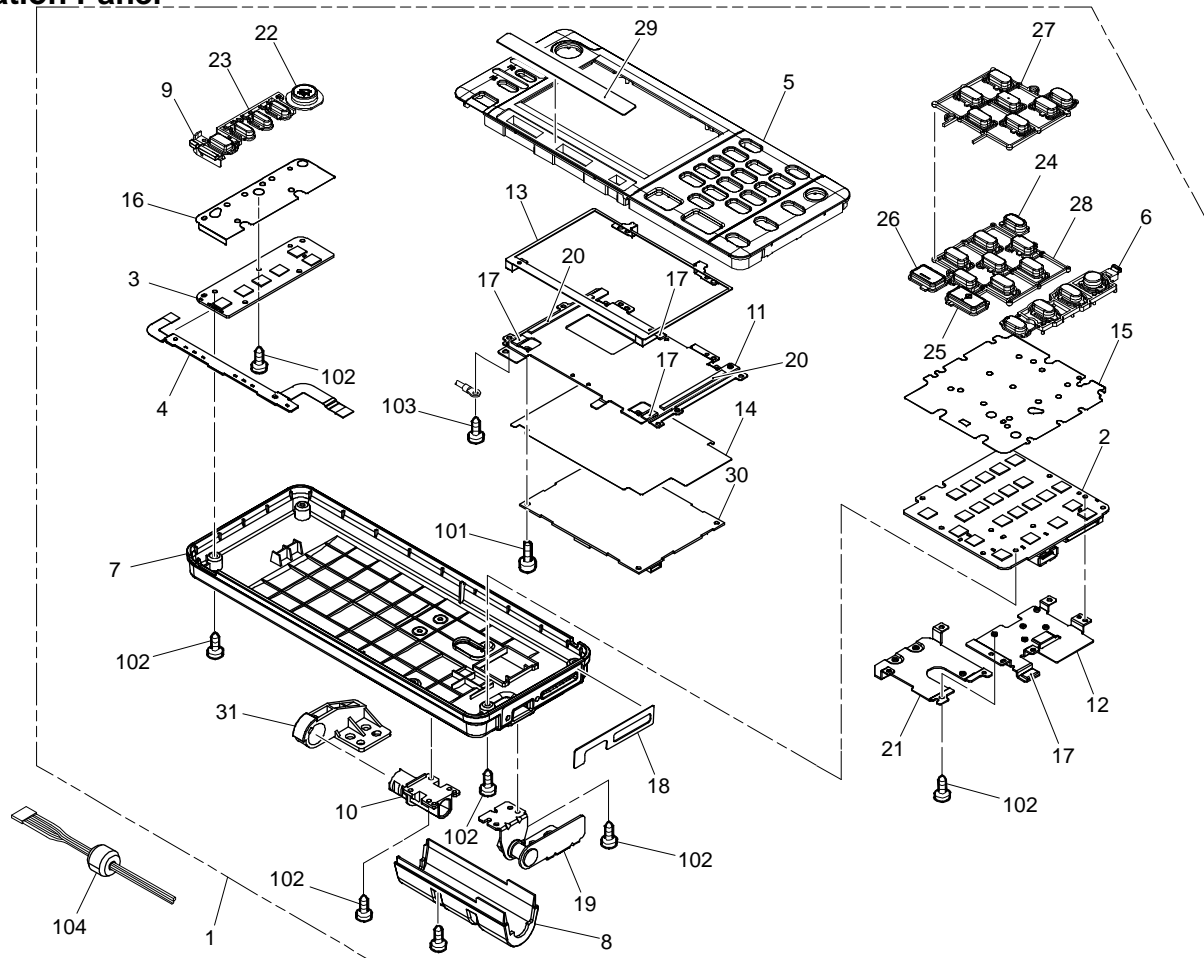


# 1. Exterior



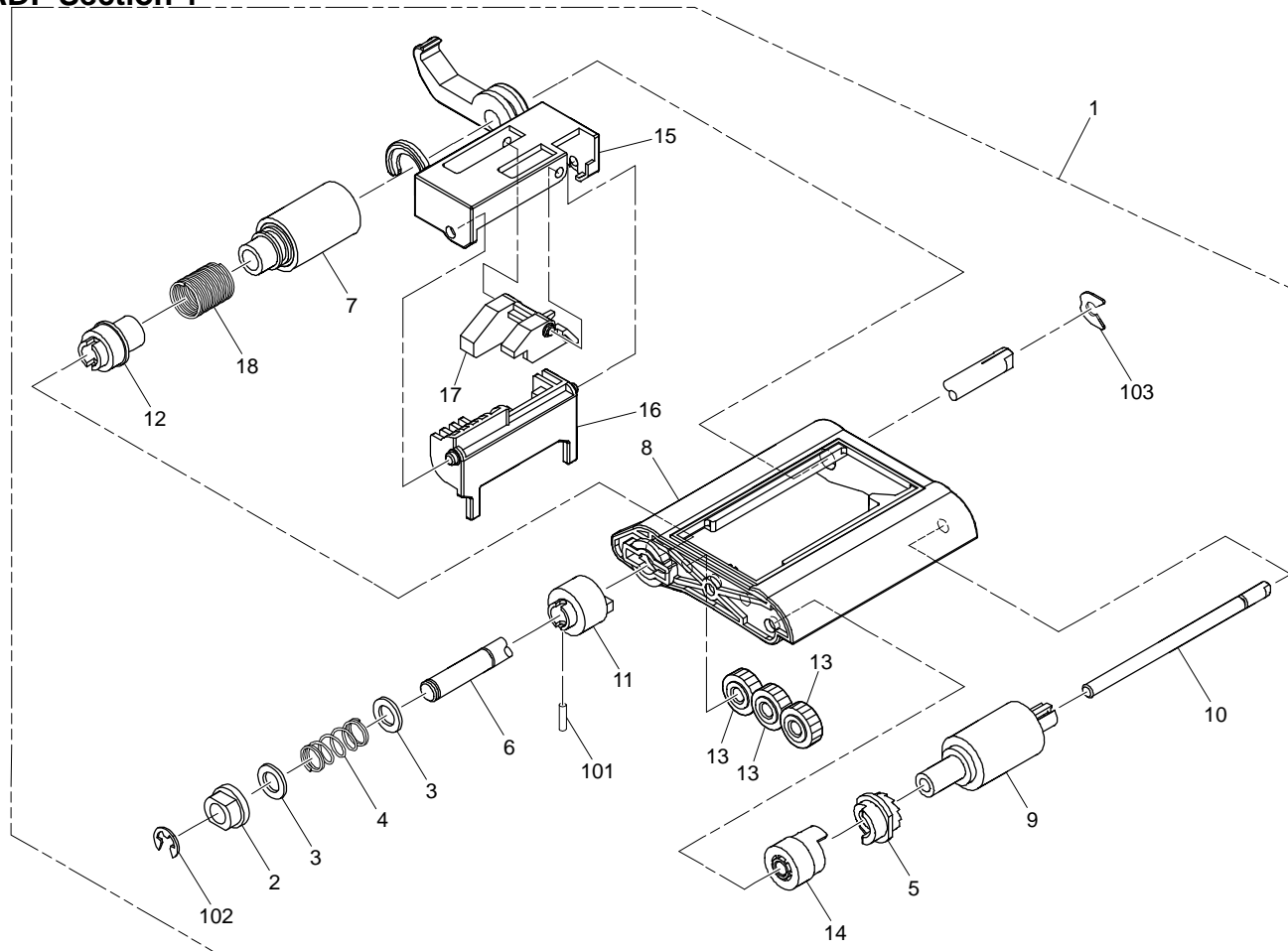


## 2. Operation Panel





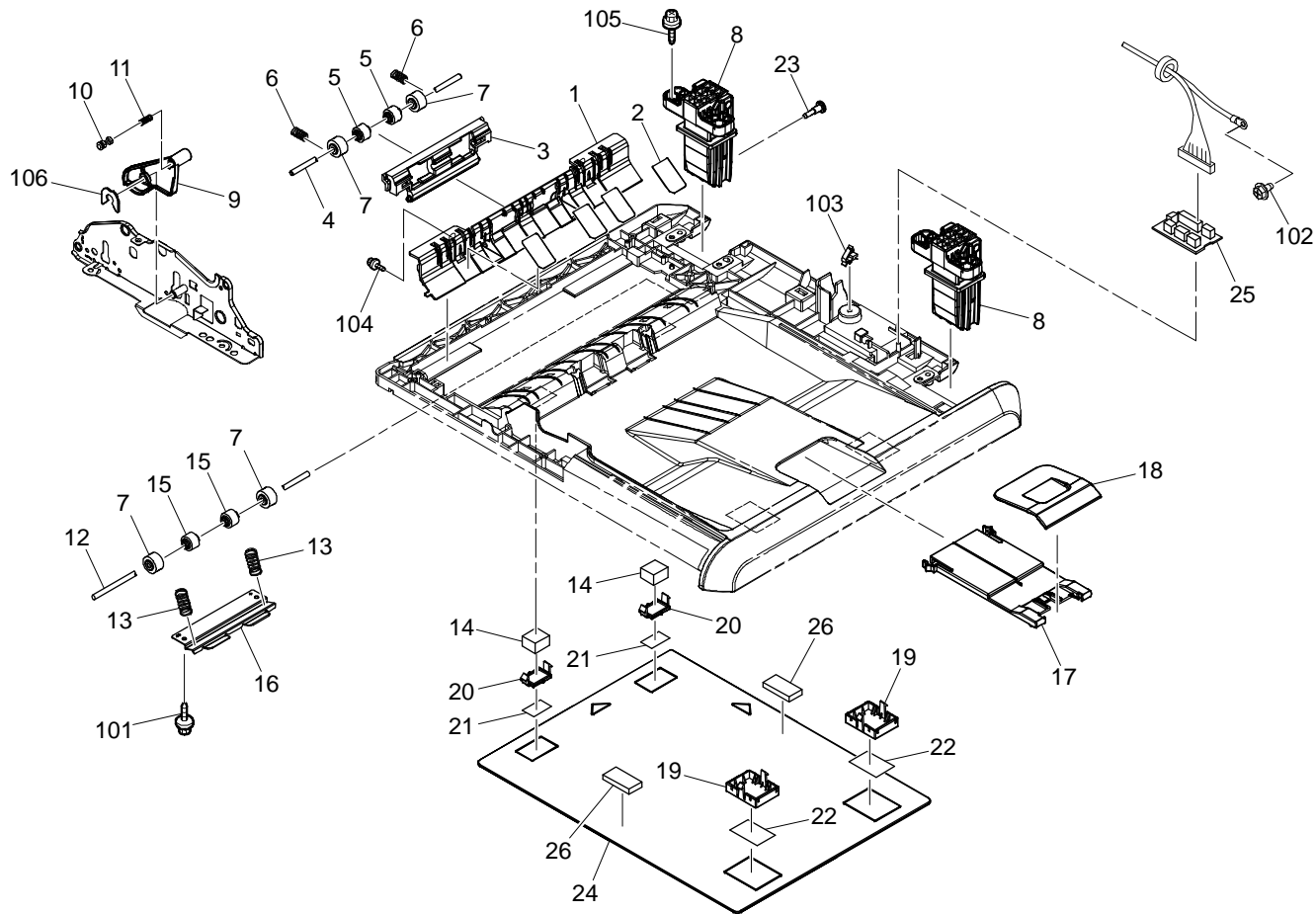
### 3. ADF Section 1





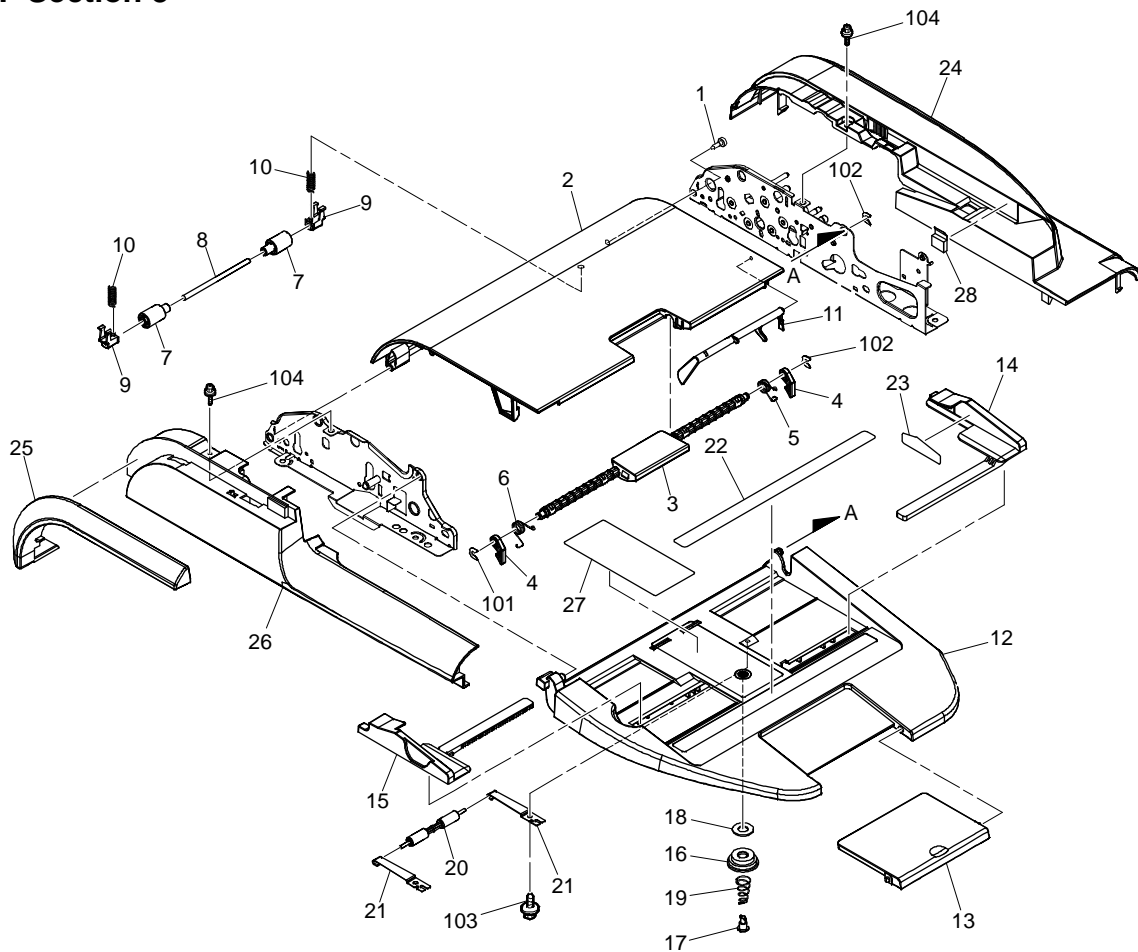


## 4. ADF Section 2



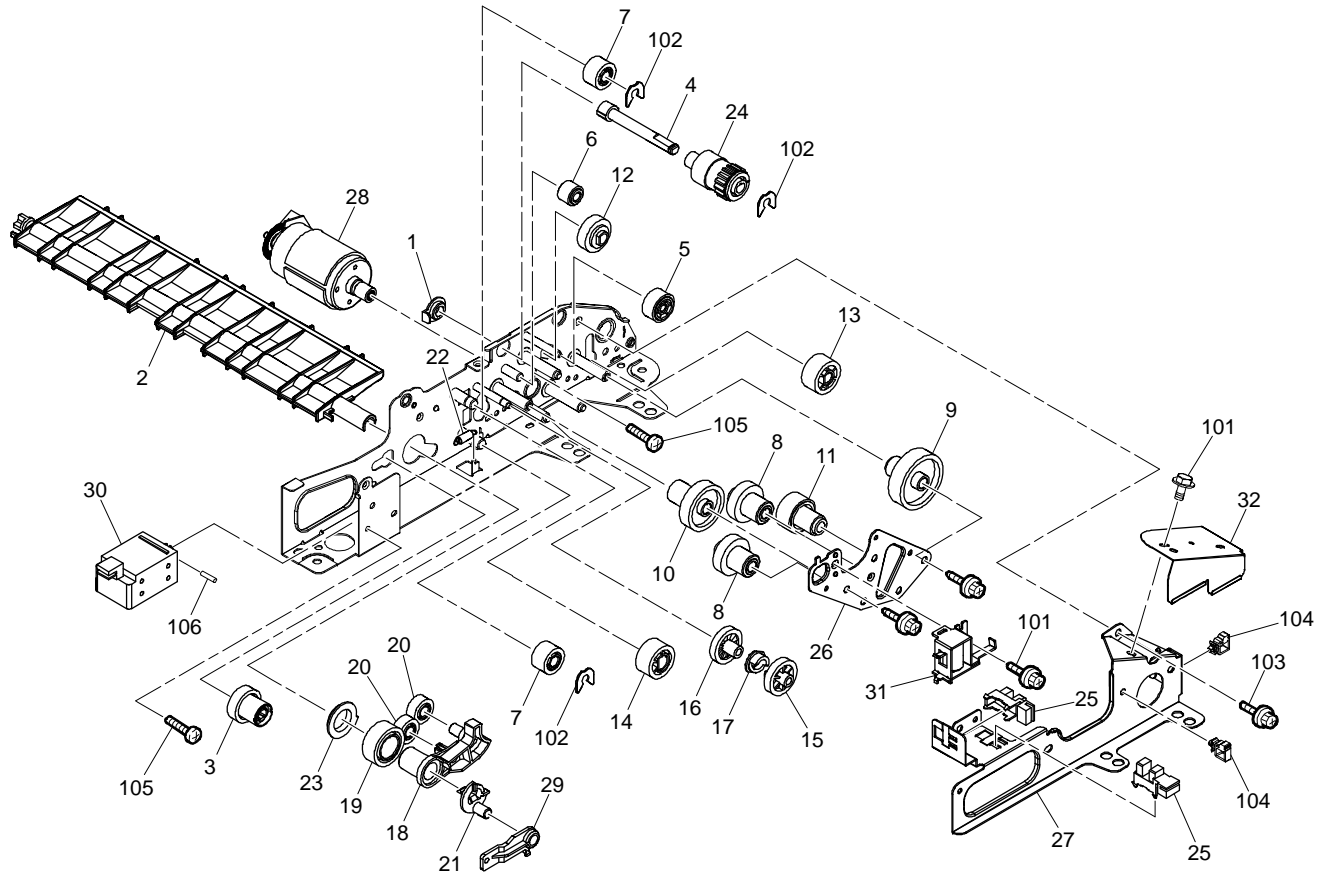


## 5. ADF Section 3



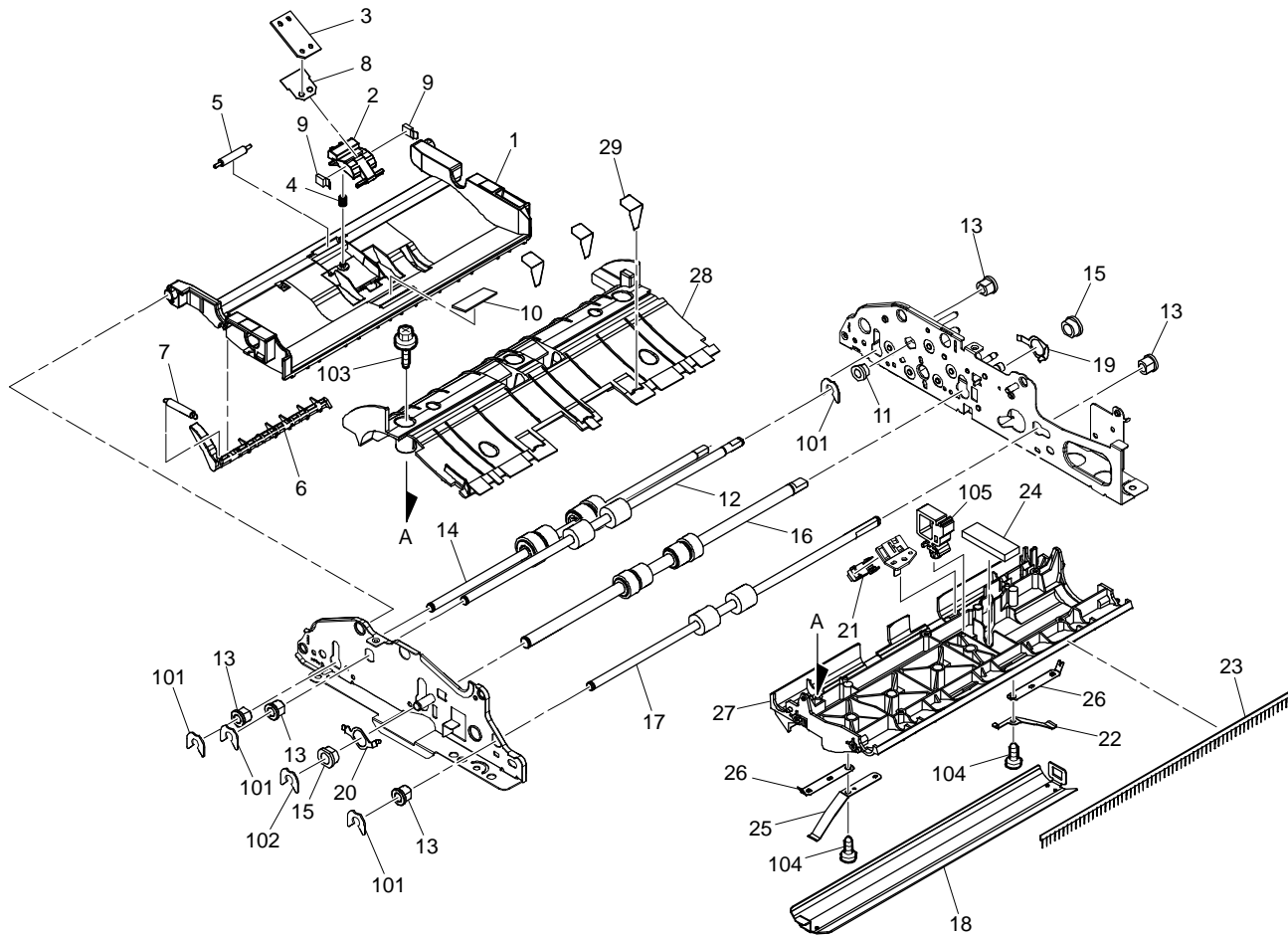


## 6. ADF Section 4





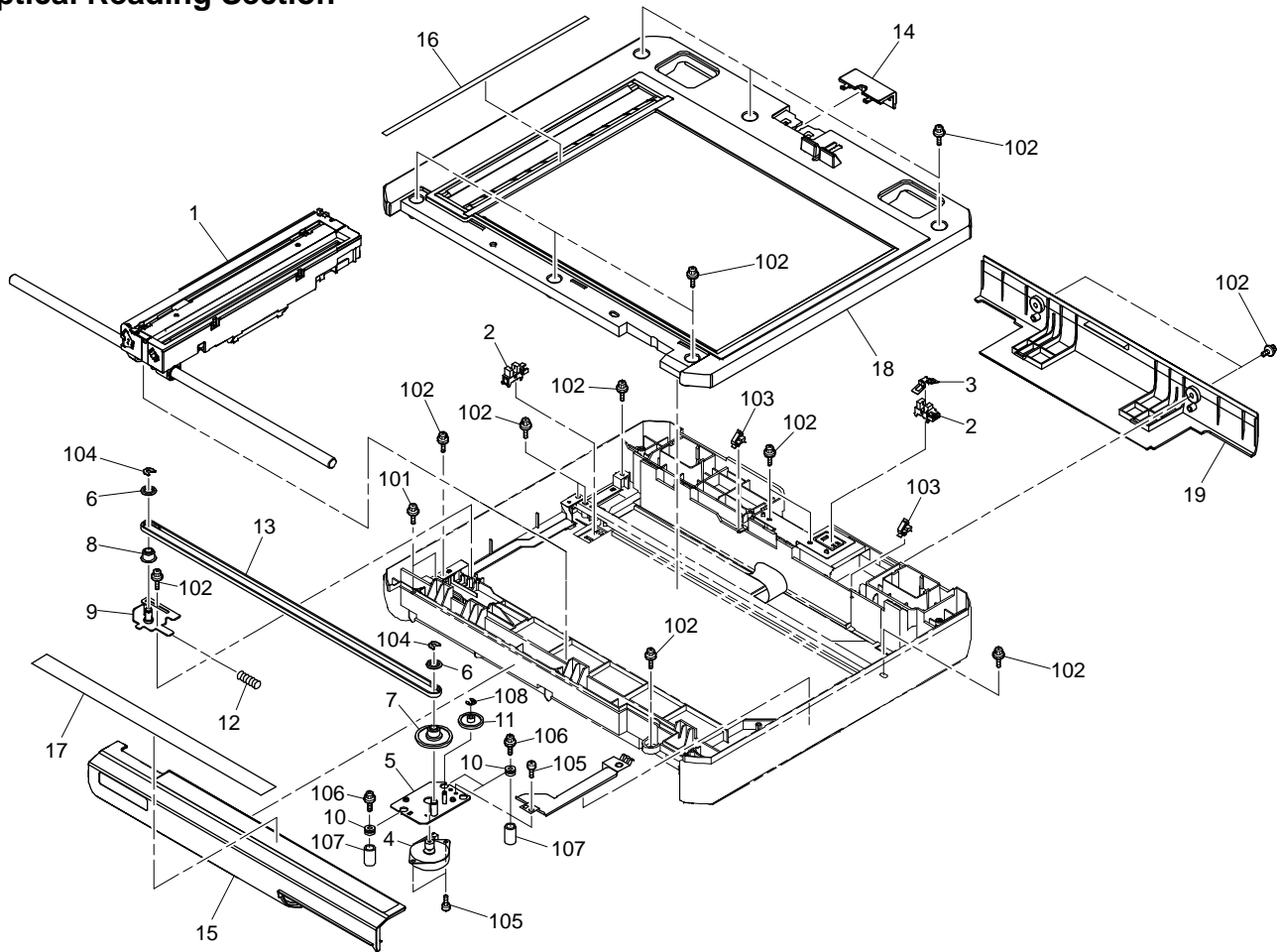
# 7. ADF Section 5





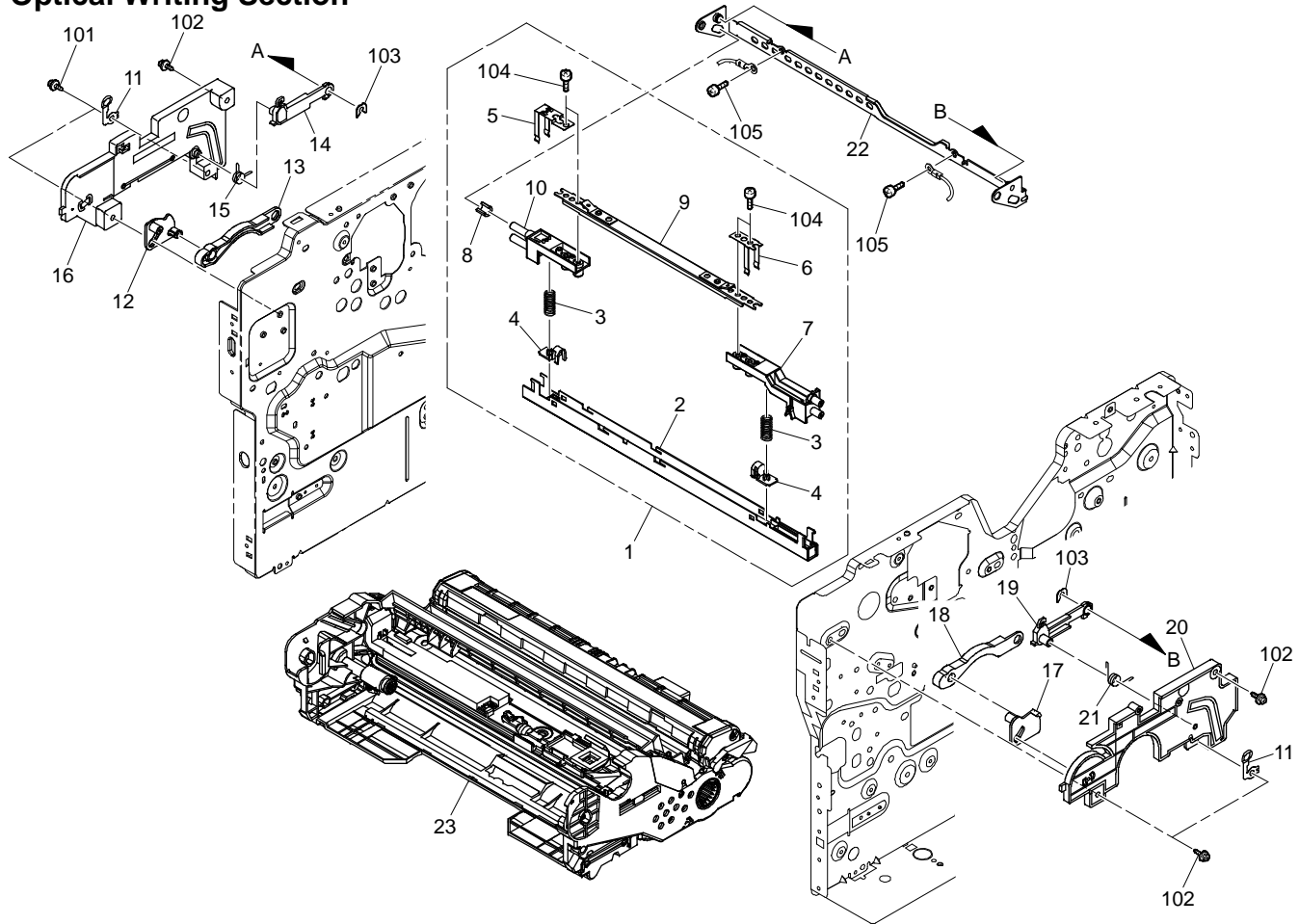


## 8. Optical Reading Section



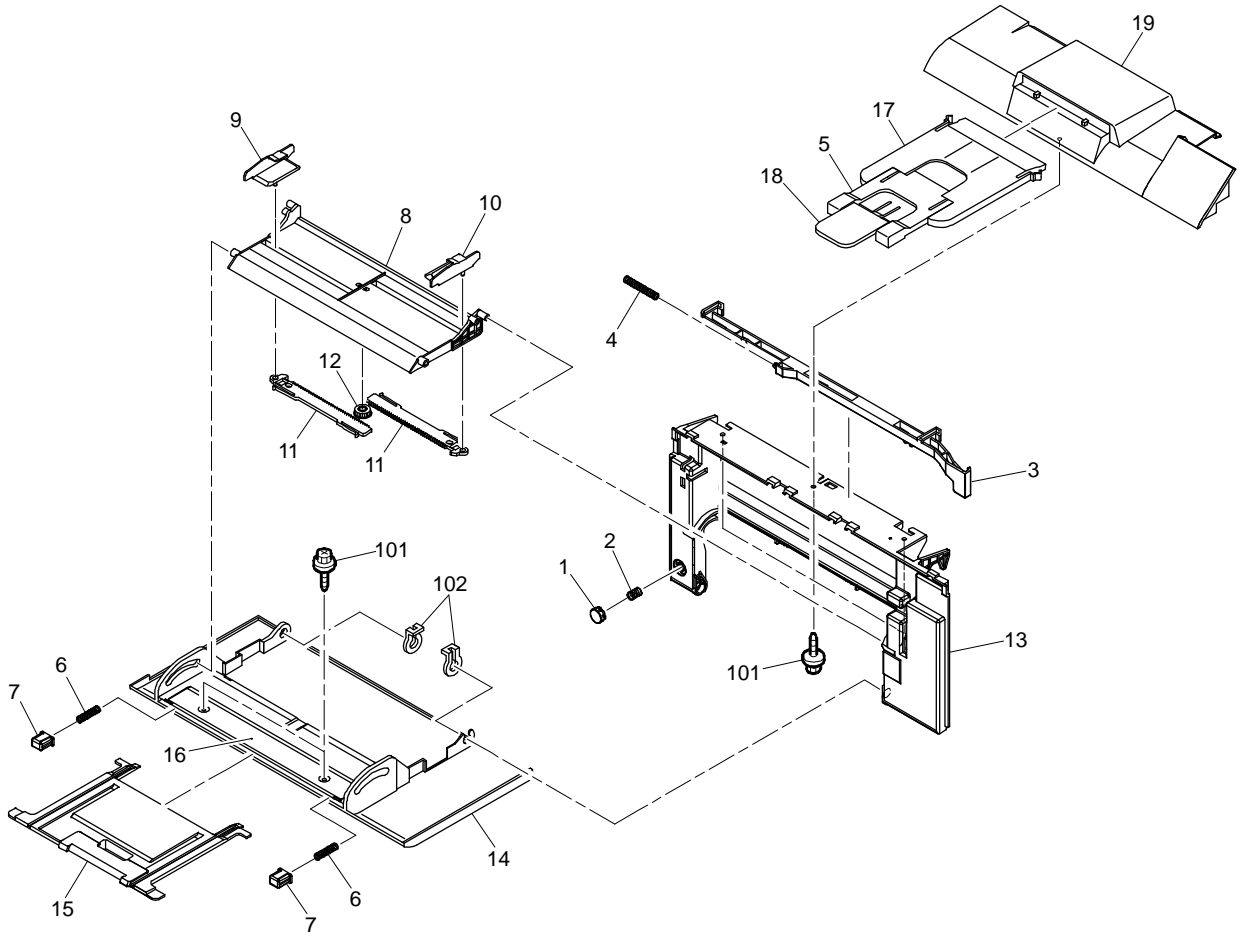


# 9. Optical Writing Section





# 10. Manual Feed Section 1



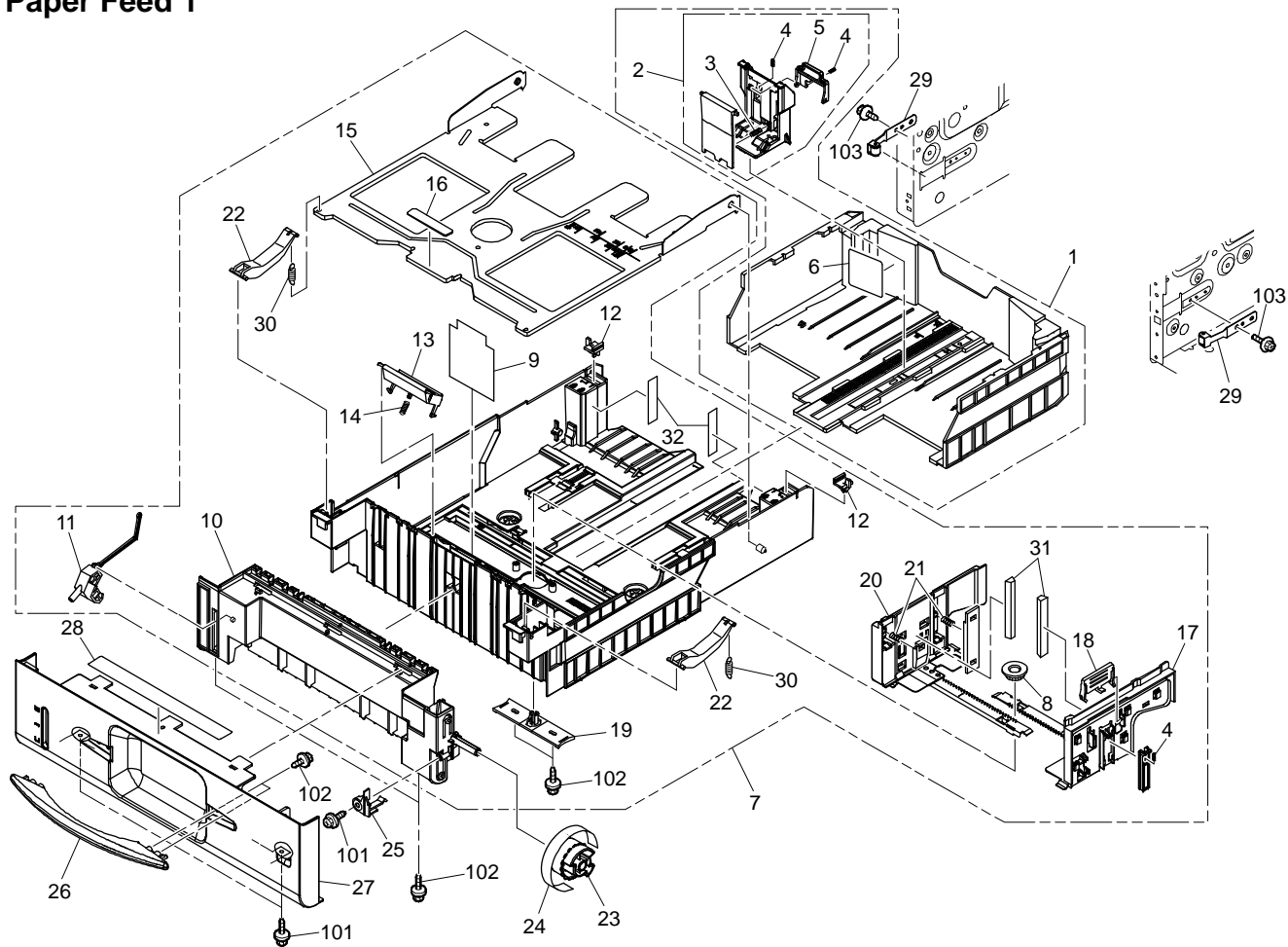






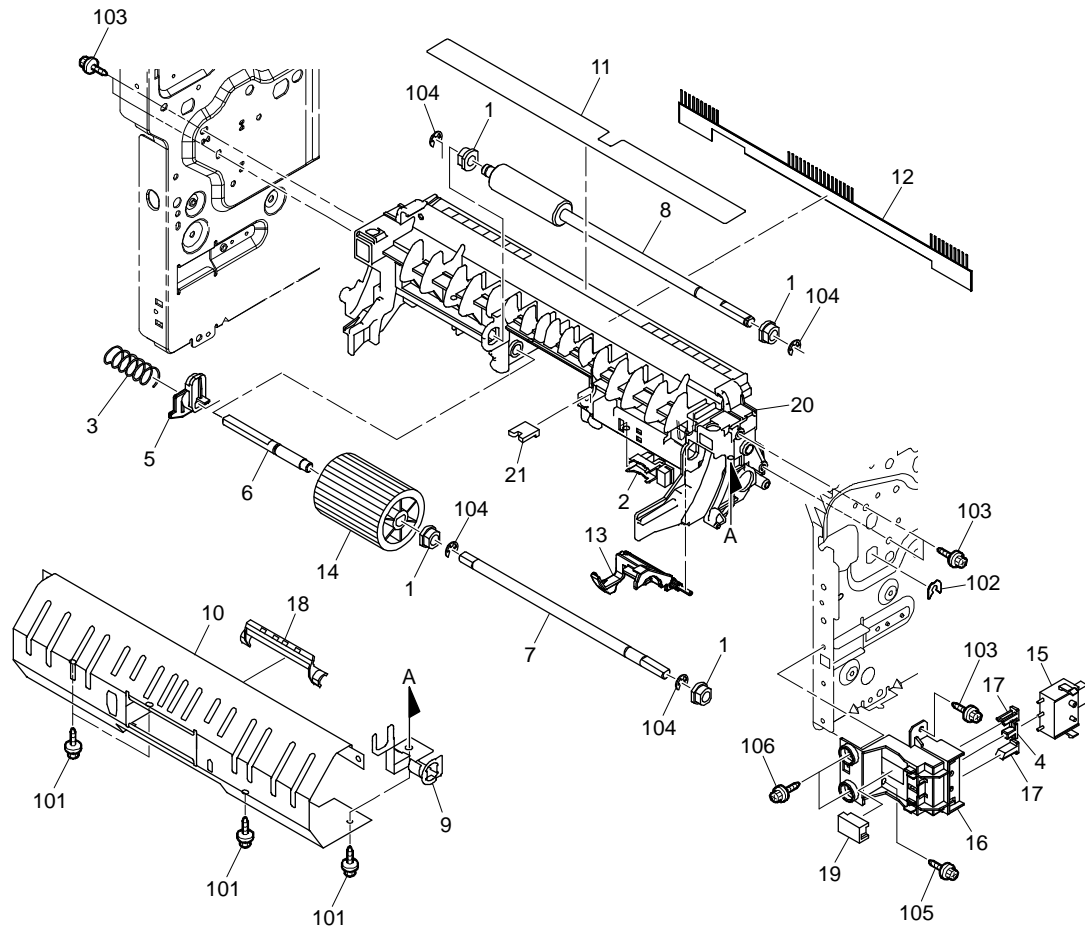


## 12. Paper Feed 1



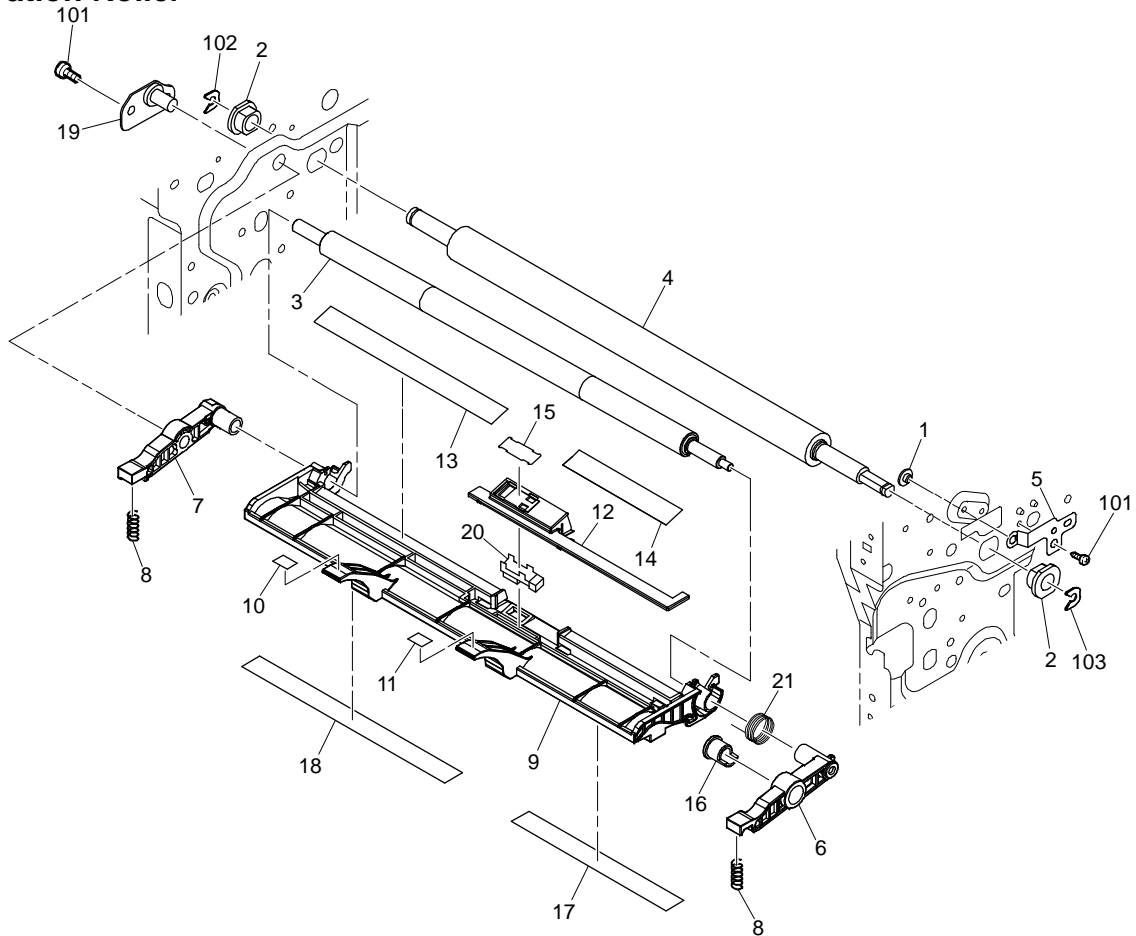


## 13. Paper Feed 2



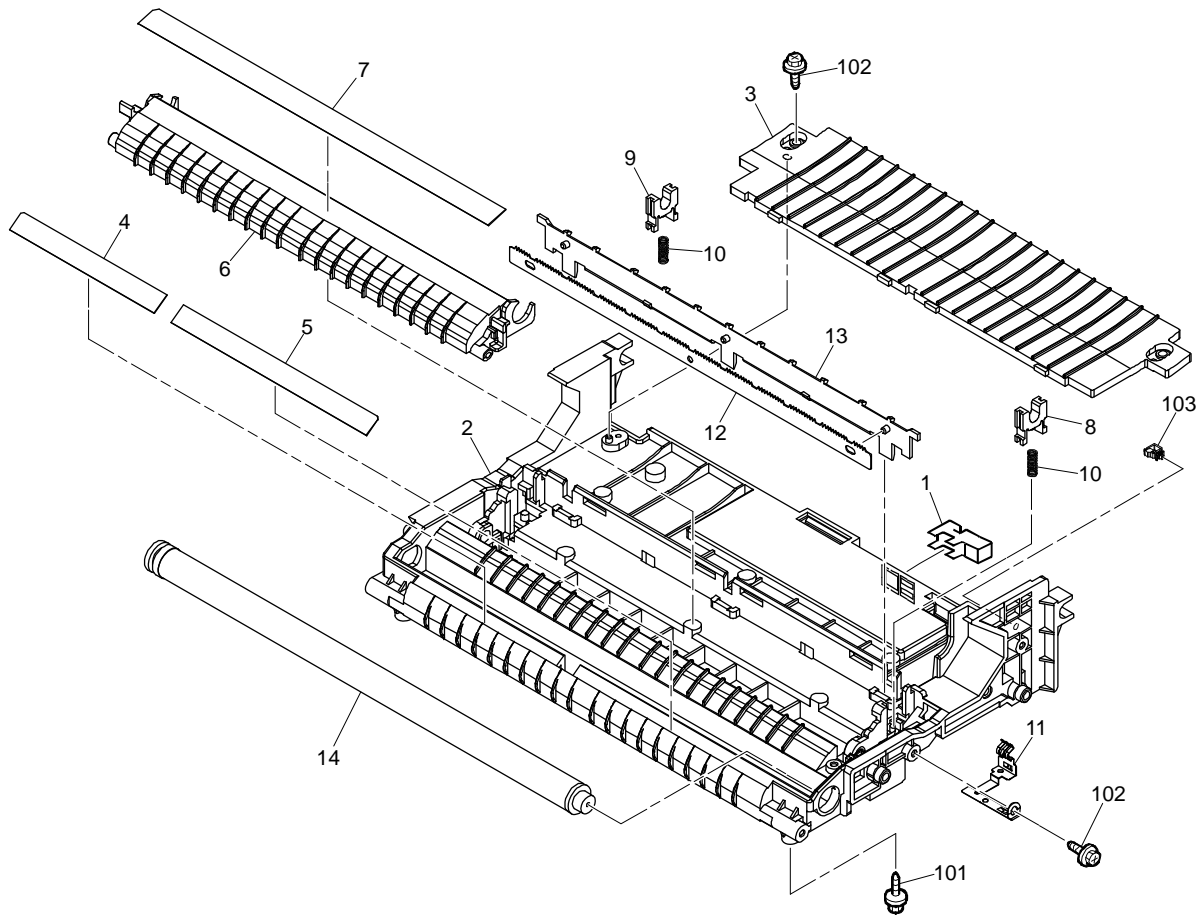


# 14. Registration Roller





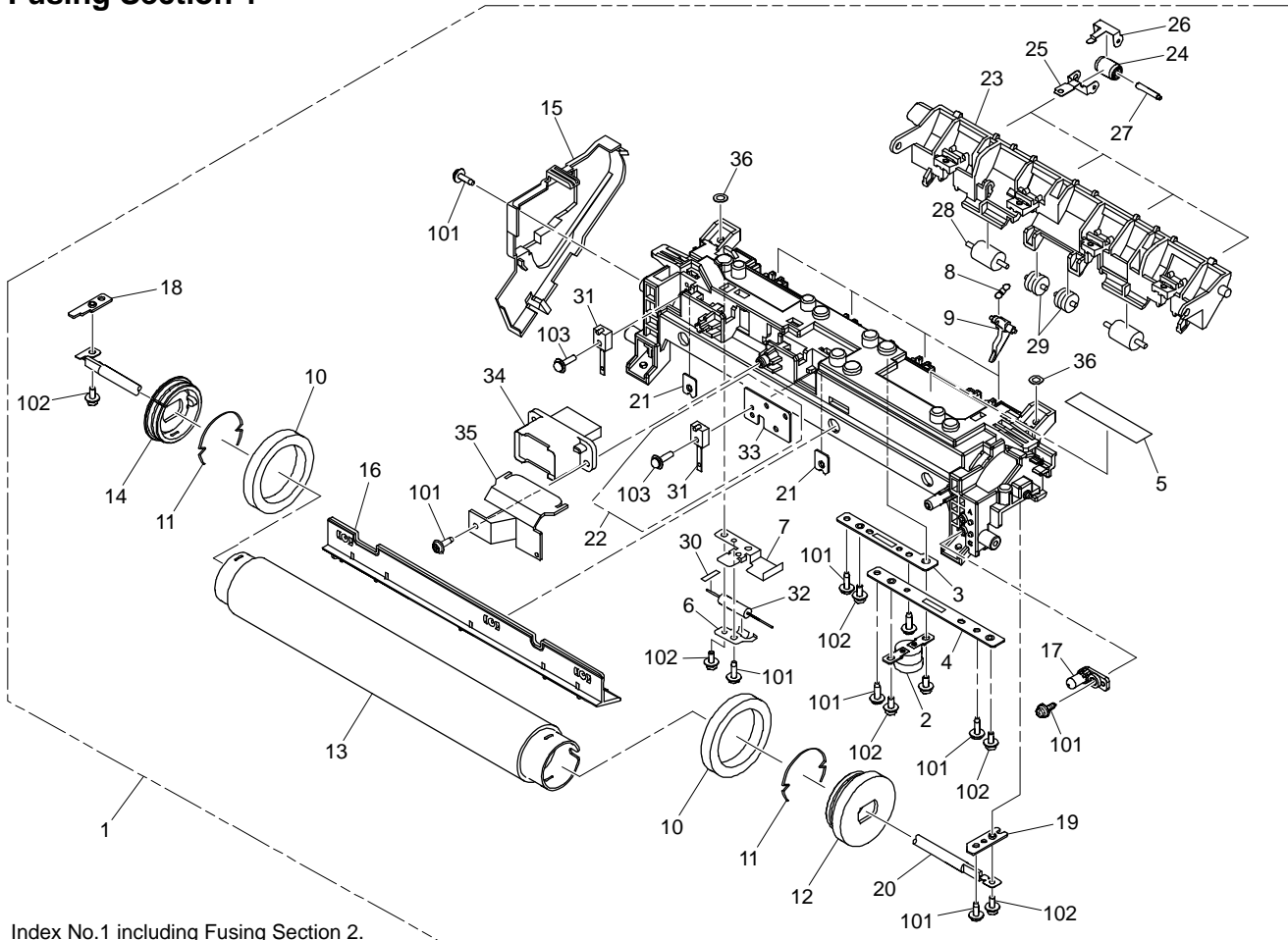
## 15. Transfer







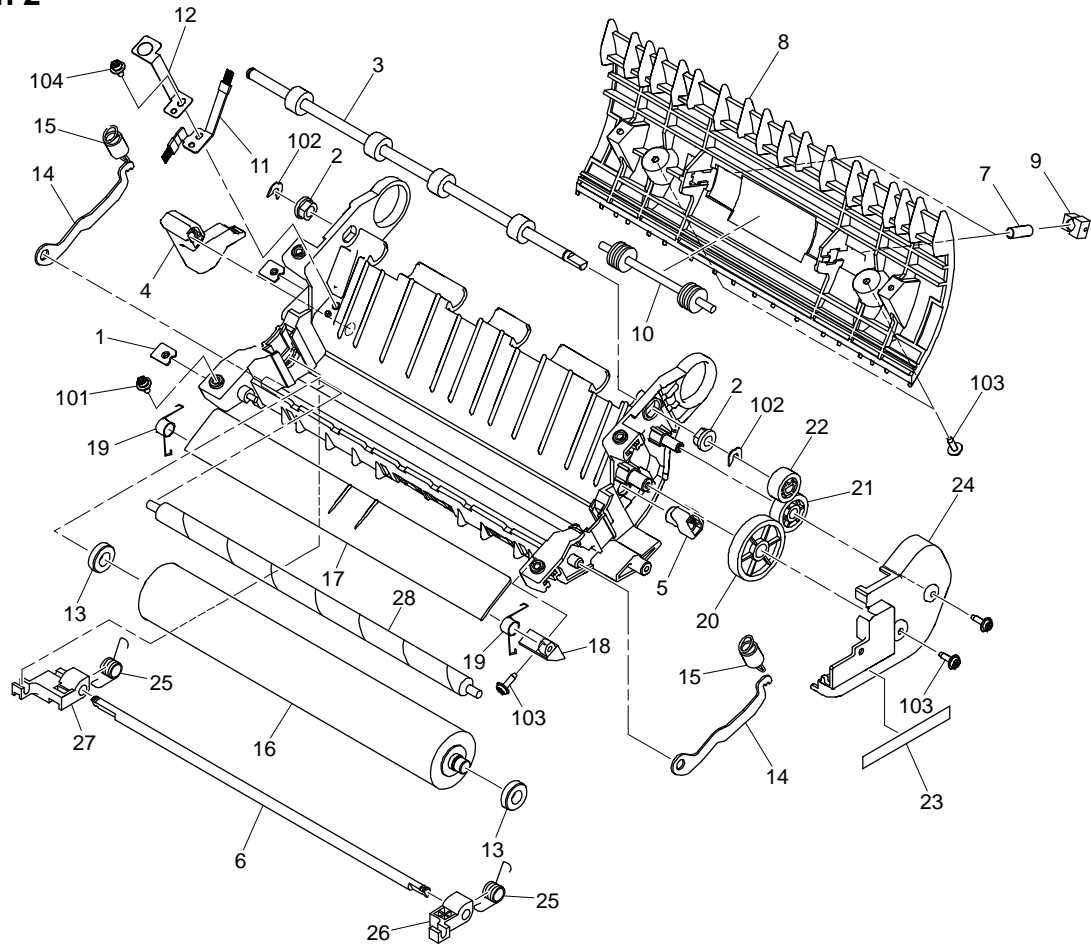
# 16. Fusing Section 1



Index No.1 including Fusing Section 2.

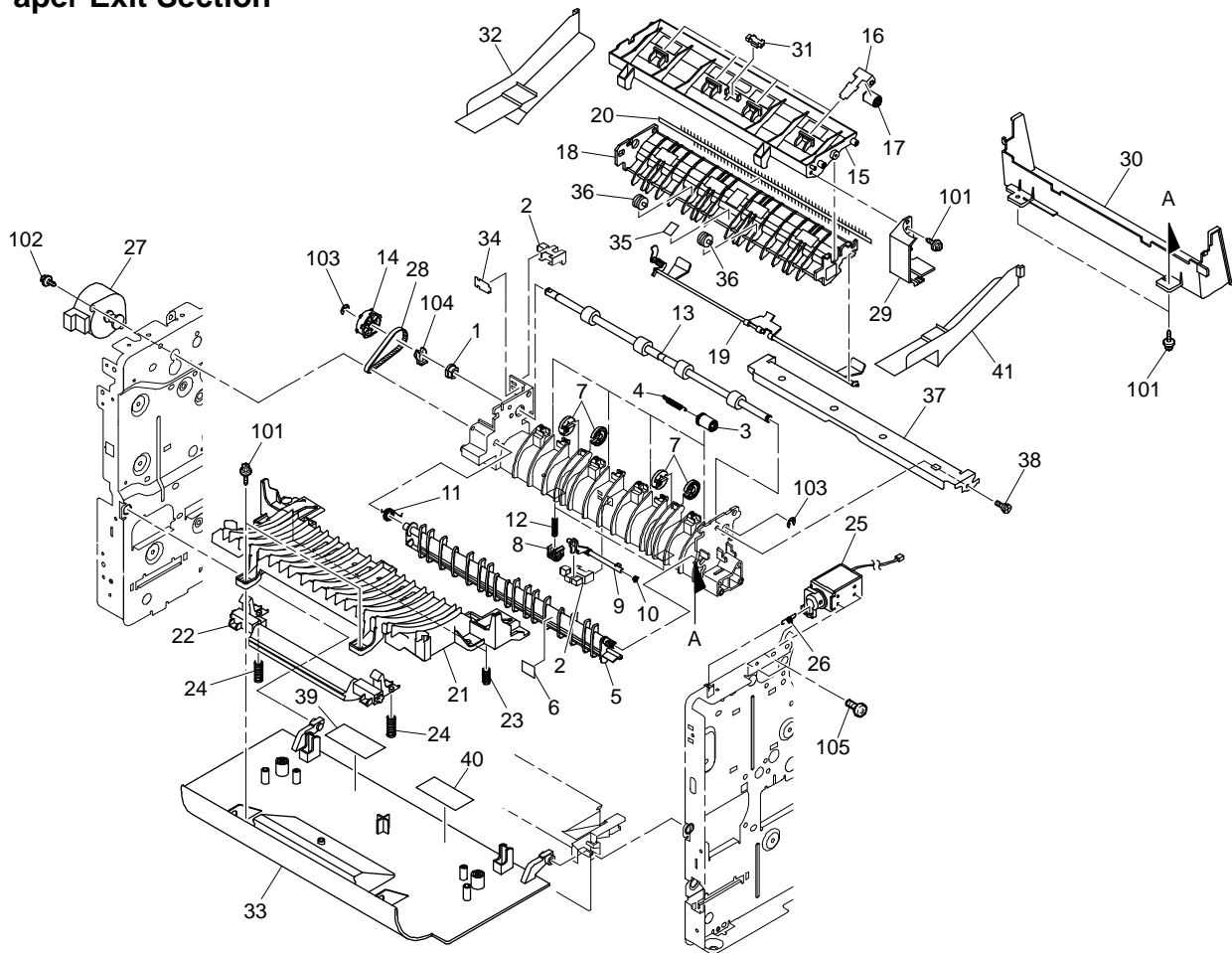


## 17. Fusing Section 2



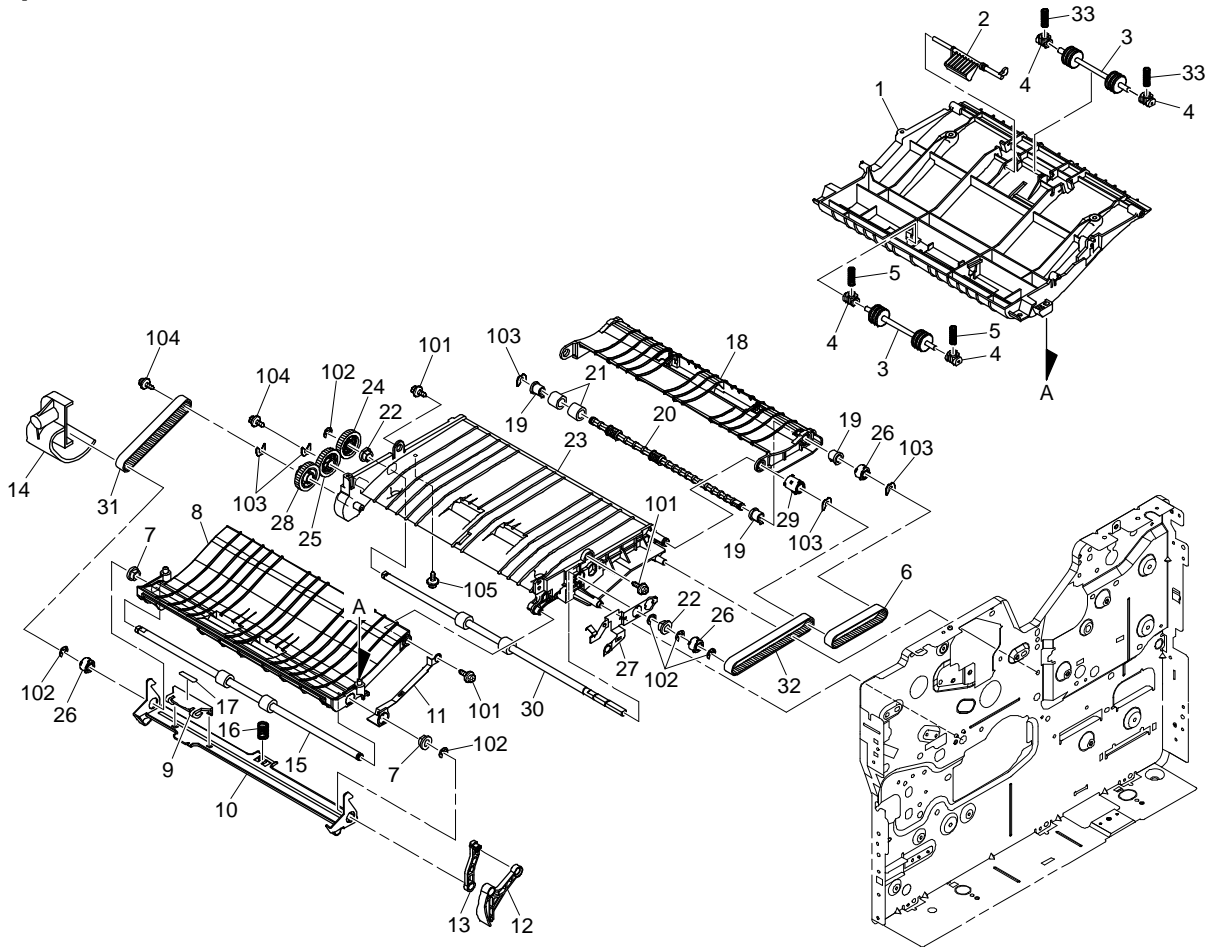


# 18. Paper Exit Section





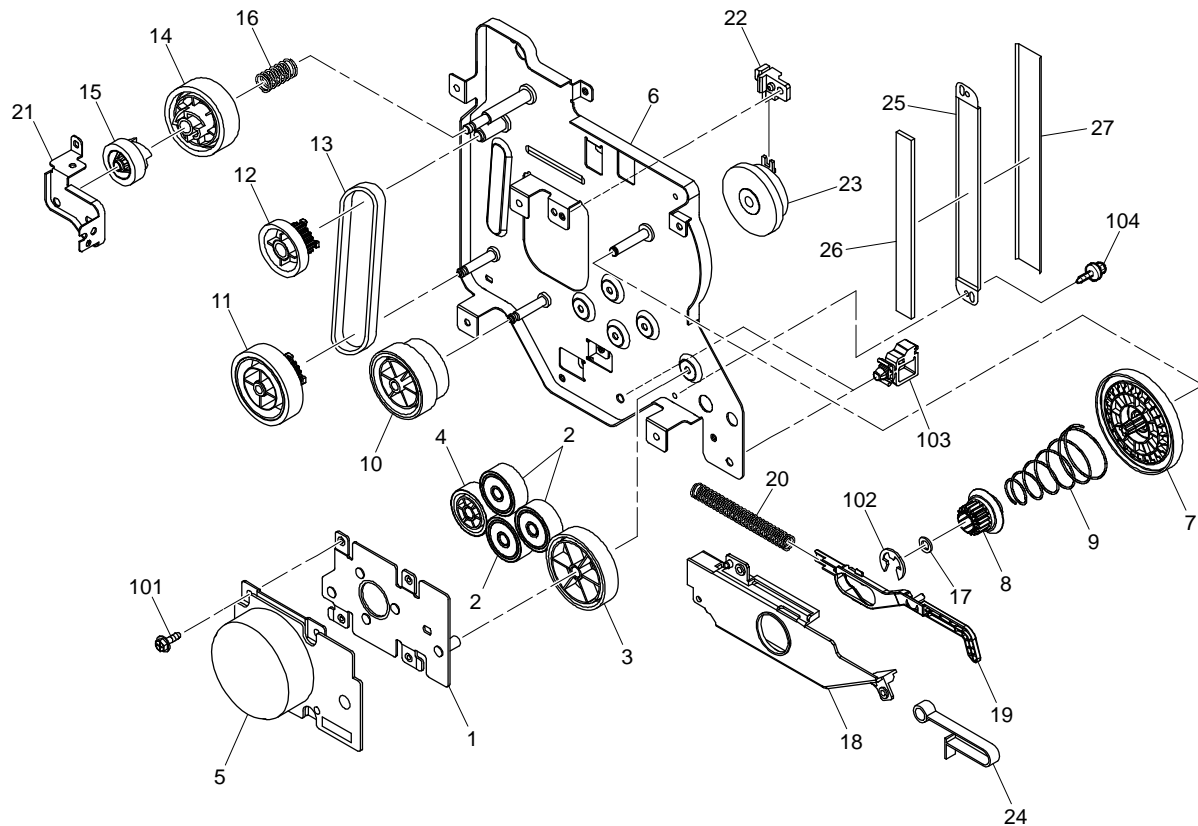
# 19. Duplex Section





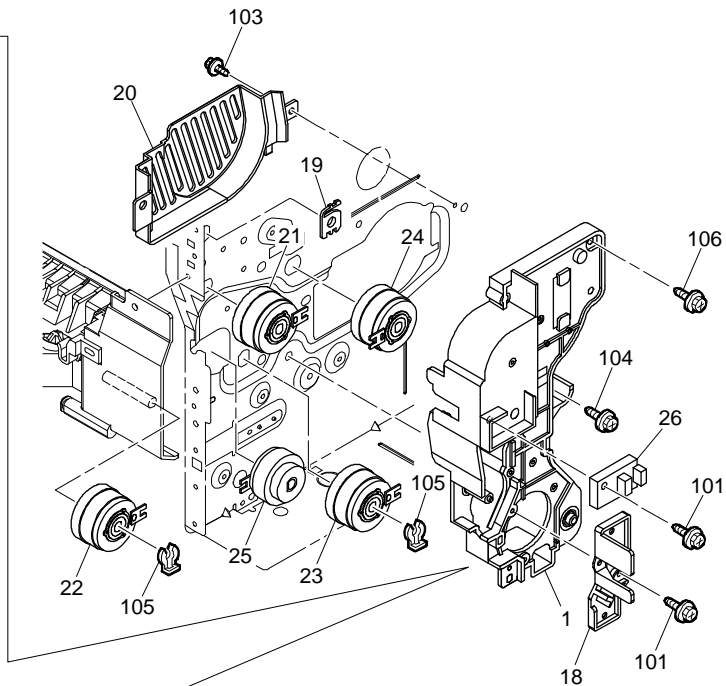
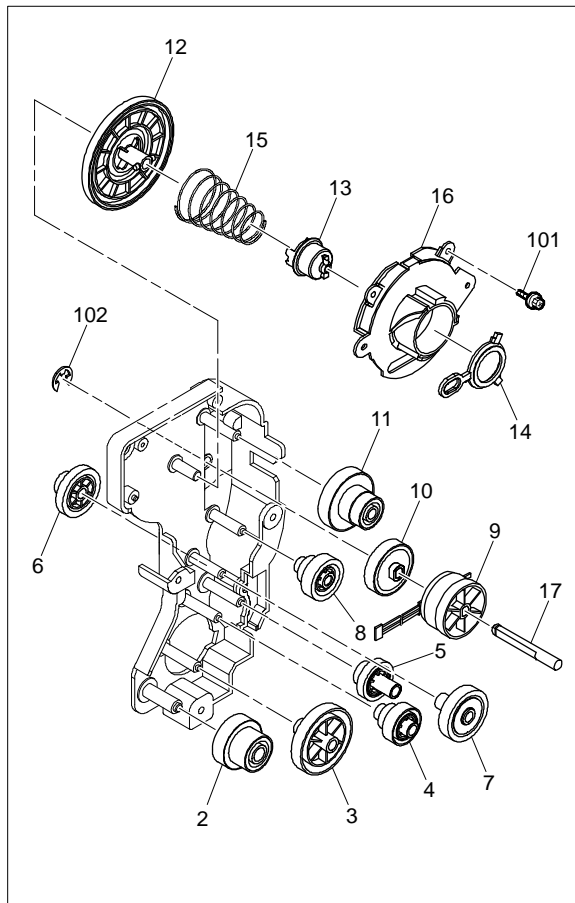


## 20. Drive Section 1



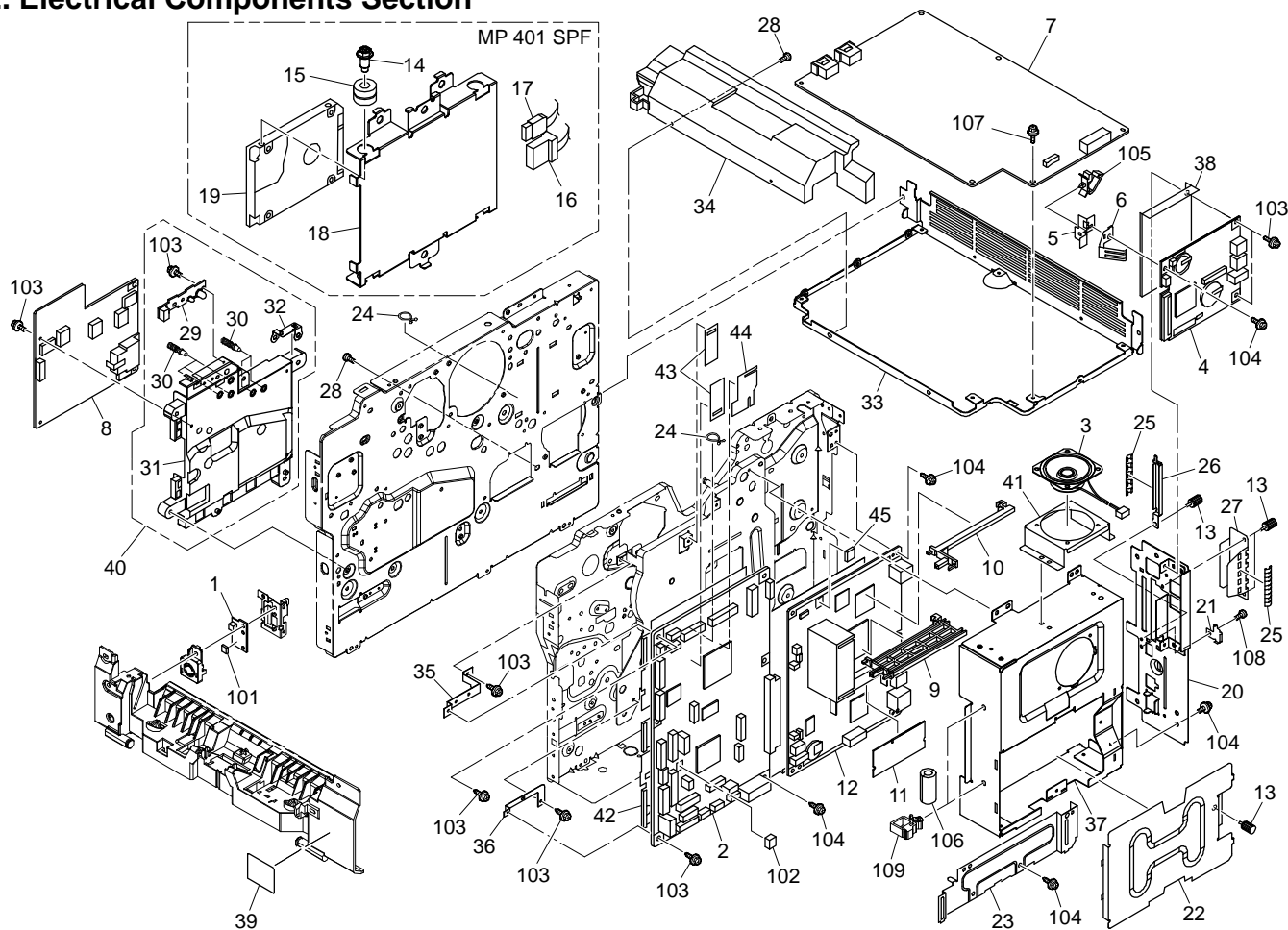


## 21. Drive Section 2



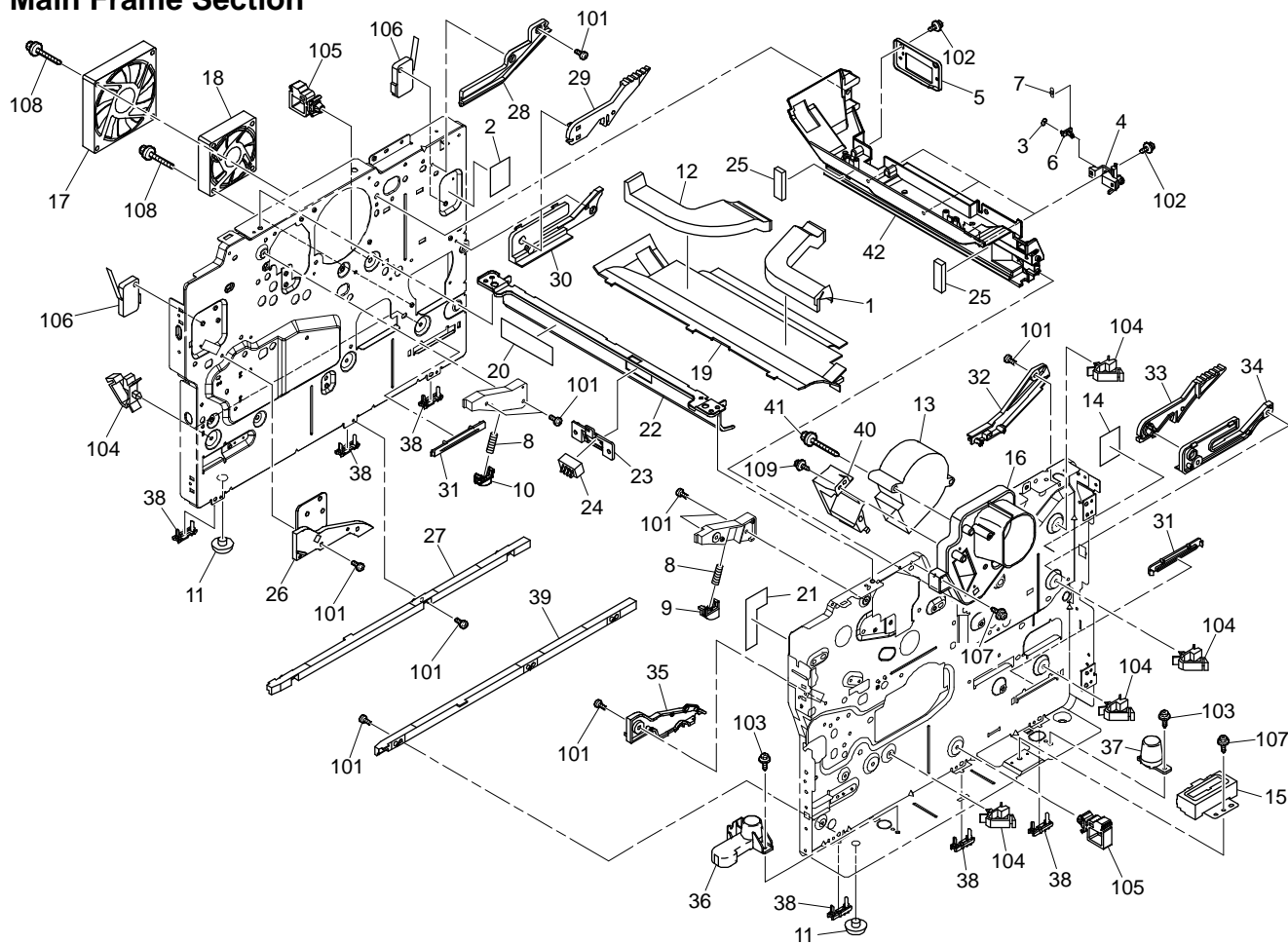


## 22. Electrical Components Section





## 23. Main Frame Section







## 24. Options

VM Card Type W



Unicode Font Package for SAP 100 Lisence



SD Card for Fonts Type D



SD card for NetWare printing Type M6



Browser unit Type M6



XPS Direct Print Option Type M6



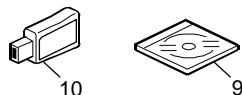
OCR Unit Type M2



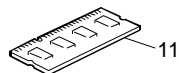
Data Overwrite Security Unit Type I



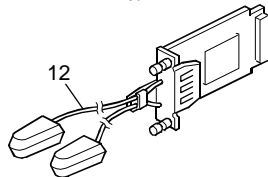
Bluetooth Interface Unit Type D



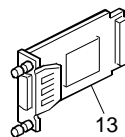
Memory Unit Type M1 1.5GB



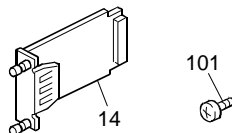
IEEE802.11 Interface Unit Type O



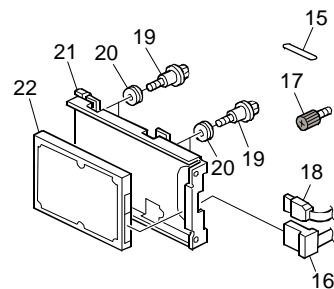
IEEE 1284 Interface Board Type A



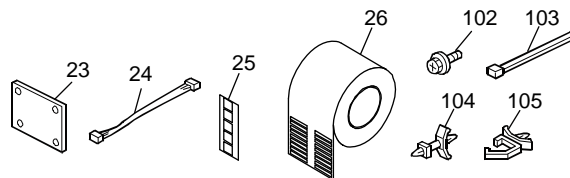
File Format Converter Type E



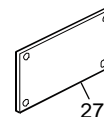
Hard Disk Drive Option Type P1



Optional Counter Interface Unit Type A



Copy Data Security Unit





# 25. Decal and Document

<p>1</p>	<p>2</p>	<p>3</p>	<p>16</p> <p>8 7/8</p> <p>5 7/8</p> <p>A5</p> <p>B5</p> <p>A4 A5</p>	<p>17</p> <p>8 7/8</p> <p>5 7/8</p>	<p>18</p> <div style="border: 1px solid black; padding: 5px;"> <p style="text-align: center;"><b>Attention</b></p> <ul style="list-style-type: none"> <li>Do not use thin originals</li> <li>The following will dry the exposure glass the strip of glass resulting in distorted copies and skewed images.                     <ul style="list-style-type: none"> <li>Originals with excess dust on them</li> <li>Originals pressed together</li> <li>Originals with correction fluid or ink that has not dried completely</li> </ul> </li> </ul> </div>
<p>4</p>	<p>8</p> <p>8 1/2 x 14</p> <p>A5</p> <p>A5</p> <p>A4</p> <p>8 1/2 x 11</p> <p>*</p>	<p>9</p> <p>Receive File    Communicating</p>			<p>19</p> <p>Copy    Copy</p> <p>Document Scan    Document Scan</p> <p>Facsimile    Facsimile</p> <p>Scanner    Scanner</p> <p>Printer    Printer</p>
<p>5</p>	<p>10</p>	<p>11</p>	<p>21</p>	<p>22</p>	<p>23</p> <p>*Apparaten skall anses vara till jorden utlagd.          *Apparaten ska följande ordet tillkommet.          *Lägg på följande sjuans anslutnings-          kontaktlinna vansterrtvar pådras.          *Lägg på följande sjuans anslutnings-          kontaktlinna vansterrtvar pådras.</p>
<p>6</p> <p>8 1/2 x 13, 8 1/2 x 14</p>	<p>13</p>	<p>12</p>	<p>24</p>		
<p>7</p>	<p>14</p>	<p>15</p>	<p>25</p>		
<p>26</p> <div style="border: 1px solid black; padding: 5px;"> <p><b>Attention</b></p> <p>Wipe the strip of glass with a cloth dampened with water or neutral detergent. Wait until it dries completely before using the ADF.</p> </div>	<div style="border: 1px solid black; padding: 5px;"> <p><b>Prohibited Copying</b></p> <p>Do not copy any item for which copying is prohibited by national or local law. Copying the following items is generally prohibited:</p> <ul style="list-style-type: none"> <li>Bank notes</li> <li>Passports</li> <li>Checks</li> <li>Bank drafts</li> <li>Revenue stamps</li> <li>Driver's licenses</li> <li>Bank drafts</li> <li>Stock certificates</li> </ul> </div>		<p>26</p>		



## 26. Parts Index

Part No.	Description	Page and Index No.
03130030N	PAN HEAD SCREW:M3X3	36 - 105
03130030N	SCREW-PC:M3x3	44 - 108
03130040N	PAN HEAD SCREW:M3X4	18 - 105
03520030N	SCREW:M2X3	4 - 101
03530040N	SCREW:M3X4	12 - 105
03530040N	SCREW:M3X4	16 - 105
03603006N	SCREW:M3X6	8 - 102
03603006N	SCREW:M3X6	10 - 104
03603006N	SCREW:M3X6	12 - 101
03603006N	SCREW:M3X6	16 - 101
03603006N	SCREW:M3X6	40 - 102
03603006N	SCREW:M3X6	42 - 103
03603006N	SCREW:M3X6	44 - 103
04503008N	TAPPING SCREW:3X8	10 - 103
04503008N	TAPPING SCREW:3X8	20 - 101
04503008N	TAPPING SCREW:3X8	22 - 101
04503008N	TAPPING SCREW:3X8	24 - 101
04503008N	TAPPING SCREW:3X8	26 - 103
04503008N	TAPPING SCREW:3X8	30 - 101
04503008N	TAPPING SCREW:3X8	36 - 101
04503008N	TAPPING SCREW:3X8	38 - 101
04503008N	TAPPING SCREW:3X8	42 - 101
04503008N	TAPPING SCREW:3X8	46 - 102
04503010N	TAPPING SCREW:3X10	2 - 103
04503010N	TAPPING SCREW:3X10	8 - 101
04503010N	TAPPING SCREW:3X10	14 - 103
04503010N	TAPPING SCREW:3X10	16 - 102
04503010N	TAPPING SCREW:3X10	24 - 102
04503010N	TAPPING SCREW:3X10	26 - 101
04503010N	TAPPING SCREW:3X10	30 - 102
04503010N	TAPPING SCREW:3X10	32 - 101
04503010N	TAPPING SCREW:3X10	34 - 103
04503010N	TAPPING SCREW:3X10	38 - 104
04503010N	TAPPING SCREW:3X10	42 - 106

Part No.	Description	Page and Index No.
04503010N	TAPPING SCREW:3X10	46 - 109
04503014N	TAPPING SCREW:3X14	16 - 106
04504012N	TAPPING SCREW:4X12	8 - 105
04513006N	TAPPING SCREW:3X6	2 - 102
04513006N	TAPPING SCREW:3X6	8 - 104
04513006N	TAPPING SCREW:3X6	18 - 101
04513006N	TAPPING SCREW:3X6	22 - 102
04513006N	TAPPING SCREW:3X6	26 - 105
04513006N	TAPPING SCREW:3X6	38 - 105
04513006N	TAPPING SCREW:3X6	40 - 101
04513006N	TAPPING SCREW:3X6	42 - 104
04513006N	TAPPING SCREW:3X6	46 - 107
04513006N	TAPPING SCREW:3X6	48 - 102
04513008N	TAPPING SCREW:3X8	2 - 101
04513028N	TAPPING SCREW:3X28	46 - 108
04514006N	TAPPING SCREW:4X6	44 - 104
04522006N	BINDING SELF-TAPPING SCREW:2X6	4 - 102
04522008P	BINDING SELF-TAPPING SCREW:2X8	4 - 103
04523008N	BINDING SELF-TAPPING SCREW:3X8	18 - 104
04523010N	BINDING SELF-TAPPING SCREW:3X10	14 - 104
04523010N	BINDING SELF-TAPPING SCREW:3X10	22 - 106
04523010N	BINDING SELF-TAPPING SCREW:3X10	36 - 102
04533006N	BINDING SELF TAPPING SCREW:3X6	28 - 101
04533006N	BINDING SELF TAPPING SCREW:3X6	40 - 104
04533006N	BINDING SELF TAPPING SCREW:3X6	46 - 101
04543006Q	TAPPING SCREW:3X6	12 - 103
04543006Q	TAPPING SCREW:3X6	18 - 102
04543006Q	TAPPING SCREW:3X6	22 - 103
04543006Q	TAPPING SCREW:3X6	24 - 103
04543006Q	TAPPING SCREW:3X6	26 - 106
04543006Q	TAPPING SCREW:3X6	46 - 103
06225080E	SPRING PIN:2.5X8	12 - 106
06320080G	PARALLEL PIN:2X8	6 - 101
07073050N	BUSHING:DIA3X5	16 - 107

Part No.	Description	Page and Index No.
07200025E	RETAINING RINGS-E:2.5	16 - 108
07200040E	RETAINING RINGS-E:4	6 - 102
07200040E	RETAINING RINGS-E:4	22 - 104
07200040E	RETAINING RINGS-E:4	26 - 104
07200040E	RETAINING RINGS-E:4	36 - 103
07200040E	RETAINING RINGS-E:4	38 - 102
07200040E	RETAINING RINGS-E:4	42 - 102
07200060E	RETAINING RINGS-E:6	14 - 102
08010212	FLAT SCREW:M3X4	48 - 101
08046123	HEXA BOLT:M3x8	44 - 102
08046127	HEXAGONAL BOLT:DOUBLE SCREW:M3X8	32 - 102
08046127	HEXAGONAL BOLT:DOUBLE SCREW:M3X8	34 - 104
08050088	RETAINING RINGS-E:SILENCER:DIA6	28 - 102
08050089	RETAINING RINGS-E:SILENCER:DIA4	6 - 103
08050089	RETAINING RINGS-E:SILENCER:DIA4	8 - 106
08050089	RETAINING RINGS-E:SILENCER:DIA4	10 - 102
08050089	RETAINING RINGS-E:SILENCER:DIA4	12 - 102
08050089	RETAINING RINGS-E:SILENCER:DIA4	14 - 101
08050089	RETAINING RINGS-E:SILENCER:DIA4	16 - 104
08050089	RETAINING RINGS-E:SILENCER:DIA4	18 - 103
08050089	RETAINING RINGS-E:SILENCER:DIA4	22 - 107
08050089	RETAINING RINGS-E:SILENCER:DIA4	26 - 102
08050089	RETAINING RINGS-E:SILENCER:DIA4	28 - 103
08050089	RETAINING RINGS-E:SILENCER:DIA4	34 - 102
08050089	RETAINING RINGS-E:SILENCER:DIA4	38 - 103
08050092	RETAINING RINGS-E:SILENCER:DIA3	10 - 101
09543012N	SCREW:POLISHED ROUND/SPRING:M3X12	32 - 103
09543012N	SCREW:POLISHED ROUND/SPRING:M3X12	34 - 101
11050046	WIRE BINDER	48 - 103
11050195	12.7MM-V-0	48 - 104
11050508	CLAMP:LWS-0711Z	48 - 105
11050534	CLAMP	8 - 103
11050534	CLAMP	12 - 104
11050534	CLAMP	14 - 105

Part No.	Description	Page and Index No.
11050758	CLAMP:LWSM-0306A	30 - 103
11050758	CLAMP:LWSM-0306A	44 - 105
11050758	CLAMP:LWSM-0306A	46 - 104
11050759	CLAMP:LWSM-0605A	16 - 103
11050762	CLAMP:LWS-0711A	46 - 105
11050763	CLAMP:LWS-1211A	40 - 103
11050763	CLAMP:LWS-1211Z	44 - 109
11500427	POWER SUPPLY CODE:125V:15A:NA	2 - 14
11500456	POWER SUPPLY CODE:250V:10A:CHN	2 - 14
11500458	POWER SUPPLY CODE:250V:10A:EU	2 - 14
12042555	TACTSWITCH:SKHVBB010	22 - 108
12042555	TACTSWITCH:SKHVBB010	44 - 101
12042612	MICROSWITCH:D3V-16506-3C25(10E)	46 - 106
14077677	EEPROM:BR24T64-W	44 - 102
16072246	FERRITE CORE:K3 NF-30-A(N)BK0	4 - 103
16072247	FERRITE CORE:K3 NF-55(N)BK0	44 - 106
52152621	SNAP RING - M6	20 - 102
54472681	SNAP RING	22 - 105
54472681	SNAP RING	36 - 104
54472681	SNAP RING	42 - 105
A1532117	ROLLER TERMINAL	28 - 1
AA000267	DECAL:EARTH:NE:ABS	2 - 8
AA000267	DECAL:EARTH:NE:ABS	52 - 23
AA063399	COMPRESSION SPRING:VERTICAL TRANSPORT	22 - 30
AA080249	PLAIN SHAFT BEARING:MM4:VERTICAL TRANSPORT	22 - 27
AA082058	PLAIN SHAFT BEARING - 6X10X9MM	38 - 7
AA082101	PLAIN SHAFT BEARING:MM6XMM10X6	6 - 2
AA082116	PLAIN SHAFT BEARING:MM8	28 - 2
AA082118	PLAIN SHAFT BEARING:MM6	14 - 11
AA082118	PLAIN SHAFT BEARING:MM6	22 - 1
AA082118	PLAIN SHAFT BEARING:MM6	26 - 1
AA082118	PLAIN SHAFT BEARING:MM6	34 - 2
AA082118	PLAIN SHAFT BEARING:MM6	36 - 1
AA082118	PLAIN SHAFT BEARING:MM6	38 - 22

Part No.	Description	Page and Index No.
AA132208	SPACER:DIA6	6 - 3
AA143592	SCREW:SPRING WASHER	44 - 28
AA143788	PIN:GUIDE PLATE:PAPER FEED	10 - 1
AA143848	FLANGED HEXAGONAL HEAD BOLT:HDD UNIT:M3X3	44 - 14
AA143848	FLANGED HEXAGONAL HEAD BOLT:HDD UNIT:M3X3	48 - 19
AA161125	BUSHING:HDD	44 - 15
AA161125	BUSHING:HDD	48 - 20
AE030083	RADIAL BALL BEARING:DIA6XDIA12X4	34 - 13
AF031092	PAPER FEED ROLLER:MANUAL FEED	22 - 31
AH010009	RUBBER FOOT:H5	46 - 11
AW010151	REFLECTION PHOTO SENSOR:PS122TL1-A	14 - 21
AW020198	PHOTOINTERRUPTOR:LG2A14NL1	22 - 2
AW020198	PHOTOINTERRUPTOR:LG2A14NL1	26 - 2
AW020198	PHOTOINTERRUPTOR:LG2A14NL1	30 - 1
AW020198	PHOTOINTERRUPTOR:LG2A14NL1	36 - 2
AW020203	PHOTOINTERRUPTOR:GP1A173LCS2F	12 - 25
AW020203	PHOTOINTERRUPTOR:GP1A173LCS2F	16 - 2
AW110101	THERMOSTAT:LOWER	32 - 2
AW140016	TEMPERATURE & HUMIDITY SENSOR	42 - 26
AX040272	DC STEPPER MOTOR:NMB	16 - 4
AZ230267	POWER SUPPLY UNIT:GIM-MF1:DOM/NA	44 - 7
AZ230269	POWER SUPPLY UNIT:GIM-MF1:EU/AA/CHN	44 - 7
AZ320187	POWER PACK:CDVT:GIM	44 - 8
B0394480	STEP SCREW	22 - 33
B0394480	STEP SCREW	36 - 38
B0706899	PANEL:GROUND PLATE	44 - 25
B0902742	ROLLER:PULL OUT:OPTION TRAY	22 - 28
B0902869	GEAR:16Z	24 - 8
B1541826	COVER:SENSOR:AKS	16 - 3
B2591119	TAPPING SCREW:M3X33	46 - 41
B2845050	SPEAKER:B284	44 - 3
B5955670	PCB:IEEE1284:ASSY	48 - 13
B8295106	PCB:ICIB-3	48 - 27
B8695701	IC:UNICODE	48 - 2

Part No.	Description	Page and Index No.
B8705102	PCB:MKB:AP-C1	48 - 23
B8705510	HARNESS:IOB:MKB	48 - 24
B8722421	PLAIN SHAFT BEARING:FEED	12 - 1
B8722526	SPRING:ROLLER CLUTCH	6 - 4
B8722529	COLLAR:PICKUP	6 - 5
B8722614	PLAIN SHAFT BEARING:R1	14 - 15
D0095891	RAIL:LEFT:FAX CONTROL UNIT	44 - 9
D0095899	RAIL:RIGHT:SMALL	44 - 10
D1171460	PCB:UWVGA:OP-R:ASSY	4 - 2
D1171465	PCB:UWVGA:OP-L:ASSY	4 - 3
D1171470	FPC:LED:ASSY	4 - 4
D1171501	COVER:REAR	4 - 7
D1171502	COVER:HINGE	4 - 8
D1171503	KEYTOP:HOME	4 - 22
D1171505	KEYTOP:LEFT	4 - 23
D1171508	KEYTOP:RESET SWITCH	4 - 24
D1171510	KEYTOP:START	4 - 25
D1171511	KEYTOP:STOP	4 - 26
D1171512	KEYTOP:RIGHT:BA	4 - 6
D1171513	LENS:FRONT	4 - 9
D1171514	SHAFT:CABLE	4 - 10
D1171516	BRACKET:LCDC	4 - 11
D1171517	BRACKET:HINGE	4 - 12
D1171518	SHADING PLATE:TOUCH PANEL	4 - 13
D1171519	SHEET:LCDC	4 - 14
D1171520	SHEET:OPR	4 - 15
D1171521	SHEET:OPL	4 - 16
D1171523	GASKET:LCD	4 - 17
D1171524	DECAL:FAX:NA	4 - 28
D1171524	DECAL:FAX:NA	52 - 9
D1171525	DECAL:SD/USB:NA	4 - 18
D1171525	DECAL:SD/USB:NA	52 - 5
D1171529	HINGE:GFN:ASSY	4 - 19
D1171530	SPACER:LCD	4 - 20

Part No.	Description	Page and Index No.
D1171533	HOLDER:HINGE:LEFT	4 - 21
D1171542	KEYTOP:10KEY:A:EU	4 - 27
D1171543	KEYTOP:10KEY:B:EU	4 - 28
D1171546	DECAL:FAX:CHN	4 - 29
D1171546	DECAL:FAX:CHN	52 - 5
D1171551	COVER:FRONT:NA (SP4510SF:NA/EU/AA)(MP401SPF:NA/AA)	4 - 5
D1171552	COVER:FRONT:EU (MP401SPF:EU)	4 - 5
D1171553	COVER:FRONT:CHN (SP4510SF:CHN)	4 - 5
D1171562	DECAL:DOC:NA	48 - 13
D1171567	DECAL:DOC:EU	48 - 14
D1171571	DECAL:FUNCTION:MULTI-LANGUAGE:NA	2 - 13
D1171571	DECAL:FUNCTION:MULTI-LANGUAGE:NA	52 - 19
D1171572	DECAL:FUNCTION:MULTI-LANGUAGE:EU	2 - 13
D1171572	DECAL:FUNCTION:MULTI-LANGUAGE:EU	52 - 20
D1171573	DECAL:FUNCTION:BLANK:MULTI-LANGUAGE	2 - 11
D1171573	DECAL:FUNCTION:BLANK:MULTI-LANGUAGE	52 - 20
D1171575	DECAL:DOC:CHN	48 - 15
D1171579	DECAL:FUNCTION:MULTI-LANGUAGE:CHN	2 - 13
D1171579	DECAL:FUNCTION:MULTI-LANGUAGE:CHN	52 - 20
D1171651	CARRIAGE:SCANNER:ASSY	16 - 1
D1171801	BRACKET:MOTOR:PEEN	16 - 5
D1171804	CAP:TIMING PULLEY	16 - 6
D1171805	GEAR:TIMING PULLEY:81-18:MITSUBOSHI	16 - 7
D1171806	PULLEY:IDLER	16 - 8
D1171807	BRACKET:IDLER:PEEN	16 - 9
D1171820	BUSHING:BRACKET	16 - 10
D1171826	GEAR:SLOW DOWN:53-19	16 - 11
D1171837	COIL SPRING:TENSION	16 - 12
D1172725	COMPRESSION SPRING:PAPER FEED:MANUAL FEED	22 - 29
D1204184	DECAL:H-TEMP WARNING:SMALL	32 - 5
D1204184	DECAL:H-TEMP WARNING:SMALL	52 - 7
D1495686	PCB:DCSW	22 - 3
D1495686	PCB:DCSW	44 - 1

Part No.	Description	Page and Index No.
D1665024	OCR Unit Type M2	48 - 7
D1825260	CABLE:HDD:SATA:POWER_3P:70	44 - 16
D1825260	CABLE:HDD:SATA:POWER_3P:70	48 - 16
D3620581	Data Overwrite Security Unit Type I	48 - 8
D3775603	PCB:MLB32:ASSY	48 - 13
D5665400	MODULE:BLUETOOTH:USB	48 - 10
D5667002	CD-ROM:BLUETOOTH:OI:EXP:ASSY	48 - 9
D6060028	SCREW:HINGE	8 - 23
D6061113	SHAFT:EXIT:DRIVEN	8 - 12
D6061114	COMPRESSION SPRING:EXIT:DRIVEN	8 - 13
D6061116	CUSHION:PRESSURE PLATE	8 - 14
D6061117	ROLLER:DRIVEN:EXIT	8 - 15
D6061118	HOLDER:COMPRESSION SPRING:EXIT ROLLER	8 - 16
D6061410	GUIDE PLATE:SCANNING:FRONT LOWER	8 - 1
D6061411	SHEET:SCANNING:FRONT LOWER	8 - 2
D6061413	LEVER:DRIVEN:SCANNING	8 - 3
D6061414	SHAFT:DRIVEN:SCANNING	8 - 4
D6061415	ROLLER:DRIVEN:SCANNING	8 - 5
D6061416	COMPRESSION SPRING:SCANNING:DRIVEN	8 - 6
D6061420	ROLLER:AUXILIARY:ASSY	8 - 7
D6061510	HINGE:DOCUMENT FEEDER	8 - 8
D6061610	LEVER:MISFEED REMOVAL	8 - 9
D6061611	PIN:MISFEED REMOVAL	8 - 10
D6061612	COIL SPRING:MISFEED REMOVAL	8 - 11
D6062101	SHAFT:PAPER FEED UNIT:ASSY	6 - 6
D6062111	FEED ROLLER	6 - 7
D6062113	PICKUP ROLLER	6 - 9
D6062114	SHAFT:PICKUP	6 - 10
D6062115	TORQUE LIMITER MECHANICAL CLUTCH:FEED	6 - 11
D6062116	GEAR:FEED	6 - 12
D6062117	GEAR:IDLER:FEED	6 - 13
D6062118	GEAR:PICKUP	6 - 14
D6062119	ARM:PAPER STOPPER	6 - 15
D6062120	PAPER STOPPER	6 - 16



Part No.	Description	Page and Index No.
D6062121	LINK:PAPER STOPPER	6 - 17
D6062122	HOLDER:PICKUP ROLLER	6 - 8
D6062200	PAPER FEED UNIT:ASSY	6 - 1
D6063110	GUIDE PLATE:PAPER FEED	14 - 1
D6063111	HOLDER:FRICTION PAD	14 - 2
D6063112	FRICTION PAD	14 - 3
D6063114	COMPRESSION SPRING:SEPARATION	14 - 4
D6063115	ROLLER:SEPARATION	14 - 5
D6063116	LEVER:PRESSURE RELEASE:SEPARATION	14 - 6
D6063117	TENSION SPRING:PRESSURE RELEASE:SEPARATION:4.5N	14 - 7
D6063118	SHEET:SEPARATION	14 - 8
D6063119	CUSHION:SEPARATION	14 - 9
D6063211	SPRING PLATE:GUIDE:EXPOSURE GLASS:INNER BACK	14 - 22
D6063212	DISCHARGE BRUSH:EXIT	14 - 23
D6063214	CUSHION:CORE	14 - 24
D6063215	SPRING PLATE:GUIDE:EXPOSURE GLASS:FRONT	14 - 25
D6063216	SPRING PLATE:DISCHARGE:EXPOSURE GLASS	14 - 26
D6063410	TRANSPORT ROLLER:PULL OUT	14 - 12
D6063510	TRANSPORT ROLLER:SCANNING:ASS'Y	14 - 14
D6063610	TRANSPORT ROLLER:EXIT ROLLER:ASS'Y	14 - 16
D6063710	TRANSPORT ROLLER:REVERSE	14 - 17
D6063810	GUIDE PLATE:SCANNING	14 - 18
D6063811	SPRING PLATE:DISCHARGE:INNER BACK	14 - 19
D6063812	SPRING PLATE:DISCHARGE:FRONT	14 - 20
D6063813	GATE PAWL:REVERSE	12 - 2
D6064110	TORQUE LIMITER:REVERSE ROLLER	12 - 3
D6064111	SHAFT:PAPER FEED:COUPLING	12 - 4
D6064112	GEAR:IDLER:SEPARATION SUB-UNIT	12 - 5
D6064113	GEAR:IDLER:PULL OUT	12 - 6
D6064114	GEAR:IDLER:NO.4	12 - 7
D6064115	GEAR:SLOW DOWN:MOTOR	12 - 8
D6064116	GEAR:SLOW DOWN:SCANNING	12 - 9
D6064117	GEAR:SLOW DOWN:EXIT	12 - 10

Part No.	Description	Page and Index No.
D6064118	GEAR:SLOW DOWN:PULL OUT	12 - 11
D6064119	GEAR:ROLLER:PULL OUT	12 - 12
D6064120	GEAR:ROLLER:SCANNING	12 - 13
D6064121	GEAR:ROLLER:EXIT	12 - 14
D6064122	GEAR:IDLER:MECHANICAL ROLLER CLUTCH:UPPER POSITION	12 - 15
D6064123	GEAR:IDLER:MECHANICAL ROLLER CLUTCH:LOWER	12 - 16
D6064124	COLLAR:REVERSE	12 - 17
D6064125	ARM:SWIVEL:REVERSE	12 - 18
D6064126	GEAR:SWIVEL:CONTACT POINT:REVERSE	12 - 19
D6064127	GEAR:SWIVEL:REVERSE	12 - 20
D6064128	LEVER:GATE PAWL	12 - 21
D6064129	LINK:GATE PAWL:REVERSE	12 - 29
D6064131	BUSHING:REVERSE	12 - 23
D6064132	TENSION SPRING:GATE PAWL:REVERSE	12 - 22
D6064150	MECHANICAL SPRING CLUTCH:PAPER FEED:ASS'Y	12 - 24
D6064310	BRACKET:DRIVE	12 - 26
D6064311	BRACKET:DRIVE SUB-UNIT	12 - 27
D6064340	DC MOTOR:MULTI	12 - 28
D6064510	COVER:PAPER FEED	10 - 2
D6064511	LEVER:COVER:PAPER FEED	10 - 3
D6064512	PAWL:COVER:PAPER FEED	10 - 4
D6064513	TORSION SPRING:COVER:PAPER FEED:INNER BACK	10 - 5
D6064515	ROLLER:DRIVEN:SHORT	10 - 7
D6064516	SHAFT:ROLLER:PULL OUT	10 - 8
D6064517	BUSHING:DIA4	10 - 9
D6064519	FEELER:ORIGINAL SENSOR	10 - 11
D6064520	TORSION SPRING:COVER:PAPER FEED:FRONT	10 - 6
D6064521	COMPRESSION SPRING:DRIVEN ROLLER:PULL OUT	10 - 10
D6064610	ORIGINAL TABLE	10 - 12
D6064612	SIDE FENCE:INNER BACK	10 - 14
D6064613	SIDE FENCE:FRONT	10 - 15
D6064614	GEAR:SIDE FENCE	10 - 16
D6064615	PIN:SIDE FENCE	10 - 17

Part No.	Description	Page and Index No.
D6064616	DISC:SIDE FENCE	10 - 18
D6064617	COIL SPRING:SIDE FENCE:ARDF:12N	10 - 19
D6064618	ROLLER:REVERSE:DRIVEN	10 - 20
D6064619	SPRING PLATE:REVERSE:PRESSURE	10 - 21
D6064621	EXTENSION TRAY	10 - 13
D6064622	CUSHION:ORIGINAL TABLE:LE20	10 - 28
D6065110	PCB:DFRB	8 - 25
D6066031	DECAL:ORIGINAL SCALE	10 - 22
D6066031	DECAL:ORIGINAL SCALE	52 - 16
D6066032	DECAL:SIDE FENCE	10 - 23
D6066032	DECAL:SIDE FENCE	52 - 15
D6415054	SD-CARD:FONTSD:11A:EXP:ASSY	48 - 3
G1045141	KNOB SCREW:M3x4	44 - 13
G1045141	KNOB SCREW:M3	48 - 17
G1685118	COVER:CARD	44 - 26
GA063082	COMPRESSION SPRING:PRESSURE:END FENCE	24 - 3
GA063084	COMPRESSION SPRING:AUXILIARY:SIDE FENCE	24 - 21
GA082010	PLAIN SHAFT BEARING:DIA6:DIA10:9	14 - 13
GF013001	PAD:BASE	24 - 16
GW010007	REFLECTION PHOTO SENSOR:EXIT	28 - 20
GW010007	REFLECTION PHOTO SENSOR:EXIT	36 - 31
GW500004	PUSH SWITCH:CASSETTE:TYCO	26 - 15
GX110023	DC SOLENOID:24V:REVERSE	12 - 30
GX110024	DC SOLENOID:MECHANICAL SPRING CLUTCH:PAPER FEED UNIT	12 - 31
H5211350	PAD - PICK-UP	14 - 10
H5554492	DECAL:ROHS:CHN:10:20MM	48 - 25
H5554496	LABEL:ROHS:CHN:DATE:40MM	48 - 26
M0124055	RADIAL BALL BEARING:35X47X7	32 - 10
M0124281	RETAINING RINGS-C:HOT ROLLER	32 - 11
M0212609	STOPPER:CASSETTE	24 - 12
M0212816	COMPRESSION SPRING:PAPER FEED	26 - 3
M0214619	COMPRESSION SPRING:2N	34 - 7
M0214620	SHEET:FIX:SENSOR	36 - 34

Part No.	Description	Page and Index No.
M0261710	DECAL:SCALE:LEFT:NA	52 - 17
M0261718	DECAL:SCALE:LEFT:EU	16 - 16
M0261718	DECAL:SCALE:LEFT:EU	56 - 26
M0521069	DC FAN MOTOR:AIO	46 - 13
M0521210	PLATE:LOGO:RIC	2 - 9
M0524301	DECAL:BARCODE:FUSING UNIT	34 - 23
M0524301	DECAL:BARCODE:FUSING UNIT	52 - 10
M0526938	DECAL:CAUTION:MASS:P1	52 - 4
M0752610	COMPRESSION SPRING:LOCK:SIDE FENCE	24 - 4
M1091948	CLEANER:LENS:LED HEAD	2 - 17
M1295245	PCB:DDR3-DIMM:RC-A:1.5GB:ASSY (MP 401 SPF)	44 - 11
M1295245	PCB:DDR3-DIMM:RC-A:1.5GB:ASSY	48 - 11
M1305245	PCB:DDR3-DIMM:RC-C:1GB:ASSY (SP 4510SF)	44 - 11
M1600129	PCU:CLICK:SERVICE:EXP (MF 401SPF)	18 - 23
M1601020	STAY:FRAME:REAR (SP4510SF)	46 - 42
M1601028	DECAL-DISCHARGE:HIGH TEMPERATURE:WARNING	46 - 20
M1601028	DECAL-DISCHARGE:HIGH TEMPERATURE:WARNING	52 - 13
M1601035	DUCT:EXIT:RIGHT:MF	46 - 1
M1601036	DUCT:EXIT:LEFT	46 - 12
M1601044	PICKOFF PAWL:MAIN	46 - 3
M1601045	BRACKET:HOLDER:PICKOFFPAWL	46 - 4
M1601047	SEAL:STAY:FRAME:REAR:B	46 - 25
M1601056	STAY:FRAME:FRONT	46 - 22
M1601059	DECAL:H-TEMP WARNING	46 - 14
M1601059	DECAL:H-TEMP WARNING	52 - 1
M1601061	GUIDE:PCU:LEFT LOWER	46 - 26
M1601062	TIGHTENER:PCU:LEFT	46 - 10
M1601063	COIL SPRING:TIGHTENER:PCU	46 - 8
M1601064	GUIDE:PCU:RIGHT LOWER	46 - 35
M1601066	TIGHTENER:PCU:RIGHT	46 - 9
M1601067	GUIDE:TRAY:LEFT	46 - 27
M1601068	GUIDE:TRAY:RIGHT	46 - 39
M1601071	GUIDE:FUSING:LEFT UPPER	46 - 28
M1601072	GUIDE:FUSING:LEFT LOWER	46 - 30

Part No.	Description	Page and Index No.
M1601073	LEVER:FUSING:LEFT	46 - 29
M1601075	GUIDE:FUSING:RIGHT UPPER	46 - 32
M1601076	GUIDE:FUSING:RIGHT LOWER	46 - 34
M1601077	LEVER:FUSING:RIGHT	46 - 33
M1601078	BRACKET:RAM BOARD:PCU	46 - 23
M1601079	DUCT:PCU:MF	46 - 19
M1601080	BRACKET:DRAWER:FUSING	46 - 5
M1601082	BRACKET:MAIN SWITCH	22 - 4
M1601083	HOLDER:MAIN SWITCH	22 - 5
M1601084	KEY:BUTTON:MAIN SWITCH	20 - 1
M1601085	COIL SPRING:MAIN SWITCH	20 - 2
M1601091	BRACKET:CONNECTOR:PAPER BANK	46 - 15
M1601092	HOLDER:PICKOFF PAWL:MAIN	46 - 6
M1601093	COIL SPRING:HOLDER:PICKOFF PAWL	46 - 7
M1601094	COVER:FRAME:PAPER BANK	46 - 37
M1601095	COVER:FRAME:TRAY	46 - 31
M1601096	COVER:FRAME:LOWER	46 - 38
M1601097	COVER:DUCT:1:FAN:MF1D	46 - 16
M1601098	COVER:DUCT:2:FAN:MF1D	46 - 40
M1601101	BRACKET:MOTOR:ASS'Y	40 - 1
M1601105	GEAR:MOTOR:DRIVE	40 - 2
M1601106	GEAR:PAPER FEED:NO.1	40 - 3
M1601107	GEAR:DUPLEX:NO.1	40 - 4
M1601108	DC BRUSHLESS MOTOR:MAIN	40 - 5
M1601111	BRACKET:MAIN:ASS'Y	40 - 6
M1601121	GEAR:DRUM:NO.2	40 - 7
M1601122	JOINT:DRUM	40 - 8
M1601123	COIL SPRING:DRUM	40 - 9
M1601124	GEAR:DUPLEX UNIT:NO.2	40 - 10
M1601125	PULLEY:FUSING:NO.1	40 - 11
M1601126	PULLEY:FUSING:NO.2	40 - 12
M1601127	SYNCHRONOUS BELT:FUSING:S3M	40 - 13
M1601128	GEAR:FUSING:NO.1	40 - 14
M1601129	GEAR:FUSING:NO.2	40 - 15

Part No.	Description	Page and Index No.
M1601130	COIL SPRING:FUSING	40 - 16
M1601131	HOLDER:SPLINE:JOINT	40 - 17
M1601135	GUIDE:LINK:MAIN	40 - 18
M1601136	LINK:MAIN	40 - 19
M1601137	COIL SPRING:MAIN	40 - 20
M1601138	BUSHING:TONER SUPPLY:ELECTROMAGNETIC CLUTCH	42 - 19
M1601139	LINK:FRONT	40 - 24
M1601141	HOUSING:PAPER FEED	42 - 1
M1601142	GEAR:PAPER FEED:NO.2	42 - 2
M1601143	GEAR:PAPER FEED:NO.3	42 - 3
M1601144	GEAR:TRANSFER:NO.1	42 - 4
M1601145	GEAR:TRANSFER:NO.2	42 - 5
M1601146	GEAR:MANUAL FEED TABLE:NO.1	42 - 6
M1601147	GEAR:MANUAL FEED:NO.1	42 - 7
M1601148	GEAR:MANUAL FEED:NO.2	42 - 8
M1601149	ELECTROMAGNETIC CLUTCH:TONER SUPPLY	42 - 9
M1601150	GEAR:TONER SUPPLY:NO.1	42 - 10
M1601151	GEAR:TONER SUPPLY:NO.2	42 - 11
M1601152	GEAR:TONER SUPPLY:NO.3	42 - 12
M1601153	JOINT:TONER	42 - 13
M1601154	GUIDE:JOINT:TONER	42 - 14
M1601155	COIL SPRING:TONER SUPPLY	42 - 15
M1601156	HOUSING:JOINT:TONER	42 - 16
M1601157	SHAFT:TONER SUPPLY	42 - 17
M1601158	GUIDE:GEAR:MANUAL FEED TABLE	42 - 18
M1601161	COVER:MOTOR	42 - 20
M1601162	BRACKET:FUSING	40 - 21
M1601163	GUIDE:ELECTROMAGNETIC CLUTCH	40 - 22
M1601171	BKT:DAMPER	40 - 25
M1601172	PAD:DAMPER	40 - 26
M1601173	MYLAR:BKT:DAMPER	40 - 27
M1601181	ELECTROMAGNETIC CLUTCH:DUPLEX UNIT	40 - 23
M1601182	ELECTROMAGNETIC CLUTCH:MANUAL FEED	42 - 21

Part No.	Description	Page and Index No.
M1601183	ELECTROMAGNETIC CLUTCH:MANUAL FEED:TRAY BOTTOM PLATE	42 - 22
M1601184	ELECTROMAGNETIC CLUTCH:PAPER FEED	42 - 23
M1601185	ELECTROMAGNETIC CLUTCH:REGISTRATION	42 - 24
M1601186	ELECTROMAGNETIC CLUTCH:CONNECTING	42 - 25
M1601192	DC FAN MOTOR:60X25	46 - 18
M1601194	DC FAN MOTOR:80X25	46 - 17
M1601197	COVER:BANKHOLE:FRONT	46 - 36
M1601198	DECAL:LEVER:SEPARATOR:TONER CARTRIDGE	46 - 21
M1601198	DECAL:LEVER:SEPARATOR:TONER CARTRIDGE	52 - 2
M1601210	COVER:LEFT:MF1D:ASSY	2 - 3
M1601220	COVER:RIGHT:MF1D:ASSY	2 - 4
M1601222	COVER:BUTTON:DOOR:MF	2 - 5
M1601223	COIL SPRING:BUTTON:DOOR:MF	2 - 6
M1601224	COVER:RIGHT:EXPAND:MF	2 - 7
M1601228	COVER:DUCT:MF	2 - 15
M1601230	COVER:UPPER:MF1D:ASSY	2 - 2
M1601235	COVER:UPPER:OPERATION SUB-UNIT:MF1D	2 - 16
M1601236	COVER:LOWER:OPERATION SUB-UNIT:MF1D	2 - 1
M1601245	BRACKET:SUPPORT:OPERATION SUB-UNIT	2 - 12
M1601421	OPERATION SUB-UNIT:GI-MF:NA:ASSY (SP4510SF:NA/EU/AA)(MP401SPF:NA/AA)	4 - 1
M1601422	OPERATION SUB-UNIT:GI-MF:EU:ASSY (MP401SPF:EU)	4 - 1
M1601424	OPERATION SUB-UNIT:GI-MF:CHN:ASSY (SP4510SF:CHN)	4 - 1
M1601431	PCB:LDCARFT:GIMF:ASSY	4 - 30
M1601531	BRACKET:HINGE:LEFT:GI-MF	4 - 30
M1601657	ORIGINAL TRAY:SCANNER:ASSY	16 - 18
M1601704	DECAL:CAUTION:ORIGINAL:ENGLISH	16 - 17
M1601704	DECAL:CAUTION:ORIGINAL:ENGLISH	52 - 26
M1601705	DECAL:CAUTION:ORIGINAL:CHINESE	16 - 17
M1601705	DECAL:CAUTION:ORIGINAL:CHINESE	52 - 18
M1601745	COVER:SCANNER:REAR	16 - 19
M1601746	COVER:SCANNER:UPPER REAR	16 - 14

Part No.	Description	Page and Index No.
M1601810	SYNCHRONOUS BELT:S2M:383	16 - 13
M1601840	COVER:SCANNER:FRONT:ASSY	16 - 15
M1601850	OPTICAL WRITING UNIT:ASSY	18 - 1
M1601900	LED HEAD:1200DPI:211.3MM	18 - 2
M1601901	COIL SPRING:HOLDER:LED	18 - 3
M1601902	HOLDER:COIL SPRING:LED	18 - 4
M1601903	GROUND PLATE:LED:A:LEFT	18 - 5
M1601904	GROUND PLATE:LED:A:RIGHT	18 - 6
M1601905	GROUND PLATE:LED:B	18 - 11
M1601906	HOLDER:LED:RIGHT	18 - 7
M1601907	HINGE:LED:ASSY	18 - 22
M1601910	LINK:LED:A:LEFT	18 - 12
M1601911	LINK:LED:B:LEFT	18 - 13
M1601912	LINK:LED:C:LEFT	18 - 14
M1601913	LINK:LED:A:RIGHT	18 - 17
M1601914	LINK:LED:B:RIGHT	18 - 18
M1601915	LINK:LED:C:RIGHT	18 - 19
M1601916	SPACER:HOLDER:LED	18 - 8
M1601917	COIL SPRING:LINK:LED:LEFT	18 - 15
M1601918	GUIDE:LINK:LED:LEFT	18 - 16
M1601919	GUIDE:LINK:LED:RIGHT	18 - 20
M1601926	FRAME:HOLDER:LED:ASSY	18 - 9
M1601928	COIL SPRING:LINK:LED:RIGHT	18 - 21
M1601934	DECAL:OPERATE:LEVER:LED	44 - 39
M1601936	HOLDER:LED:LEFT	18 - 10
M1602550	PAPER TRAY:REAR:500 SHEET FEED UNIT:ASSY	24 - 1
M1602560	END FENCE:500 SHEET FEED UNIT:ASSY	24 - 2
M1602563	LEVER:LOCK:END FENCE	24 - 5
M1602572	DECAL:OPERATION INSTRUCTIONS:TRAY:REAR	24 - 6
M1602572	DECAL:OPERATION INSTRUCTIONS:TRAY:REAR	52 - 6
M1602581	BRACKET:SENSOR:PAPER SIZE SENSOR:500 SHEET FEED UNIT	26 - 16
M1602582	COVER:PSU HARNESS:CONNECTOR:SENSOR BKT	26 - 19
M1602590	TIGHTENER:SPRING PLATE:TRAY:ASSY	24 - 29

Part No.	Description	Page and Index No.
M1602600	PAPER TRAY:FRONT:500 SHEET FEED UNIT:SUB-ASS'Y	24 - 7
M1602602	SHEET:HOLDER:500 SHEET FEED UNIT:FRONT	24 - 9
M1602605	GUIDE:PAPER TRAY:500 SHEET FEED UNIT:FRONT	24 - 10
M1602606	INDICATOR:PAPER VOLUME SENSOR:PAPER TRAY:500 SHEET FEED UNIT	24 - 11
M1602607	SEAL:PAPER TRAY:REAR:EU/CHN	24 - 32
M1602608	SEAL:PAPER TRAY:REAR:NA	24 - 32
M1602620	HOLDER:FRICION PAD:ADHESION	24 - 13
M1602623	COMPRESSION SPRING:SEPARATION	24 - 14
M1602627	TENSION SPRING:TRAY BOTTOM PLATE:500 SHEET FEED UNIT	24 30
M1602630	TRAY BOTTOM PLATE:ADHESION	24 - 15
M1602631	GRIP:PAPER TRAY	24 - 26
M1602635	SPACER:SENSOR:PAPER SIZE SENSOR:OUTER	26 - 17
M1602636	SPACER:SENSOR:PAPER SIZE SENSOR:MIDDLE	26 - 4
M1602640	SIDE FENCE:RIGHT:500 SHEET FEED UNIT:ASS'Y	24 - 17
M1602641	HOLDER:PINION	24 - 19
M1602655	LEVER:LOCK:SIDE FENCE:TRAY	24 - 18
M1602660	SIDE FENCE:LEFT:500 SHEET FEED UNIT:ASS'Y	24 - 20
M1602666	SHEET:SPONGE:SIDE FENCE:500TYPE	24 - 31
M1602668	ARM:TRAY BOTTOM PLATE	24 - 22
M1602682	DECAL:DIAL:PAPER SIZE SENSOR:TRAY:EXP	24 - 24
M1602682	DECAL:DIAL:PAPER SIZE SENSOR:TRAY:EXP	52 - 8
M1602683	CLICK:DIAL:PAPER SIZE SENSOR:TRAY	24 - 25
M1602687	DIAL:PAPER SIZE SENSOR:TRAY:EXP:ASS'Y	24 - 23
M1602691	COVER:TRAY:500 SHEET FEED UNIT:FRONT	24 - 27
M1602693	DECAL:PAPER SET DIRECTION	24 - 28
M1602693	DECAL:PAPER SET DIRECTION	52 - 14
M1602706	TRAY BOTTOM PLATE:MANUAL FEED:ASS'Y	22 - 6
M1602707	HOLDER:FRICION PAD:MANUAL FEED:ASS'Y	22 - 11
M1602710	COVER:DOOR:FRONT:MIDDLE	20 - 13
M1602711	COVER:MANUAL FEED	20 - 14
M1602712	LINK:LATCH:DOOR:FRONT	20 - 3
M1602713	COIL SPRING:LATCH:DOOR:FRONT	20 - 4

Part No.	Description	Page and Index No.
M1602715	BASE:PAPER TRAY:MANUAL FEED	20 - 8
M1602721	GUIDE:SIDE FENCE:LEFT:MANUAL FEED	20 - 9
M1602722	GUIDE:SIDE FENCE:RIGHT:MANUAL FEED	20 - 10
M1602723	GEAR:RACK:SIDE FENCE:MANUAL FEED	20 - 11
M1602724	GEAR:PIVOT	20 - 12
M1602730	GUIDE:STAY:MANUAL FEED	22 - 12
M1602731	GUIDE:SUB:STAY:MANUAL FEED	22 - 13
M1602733	LINK:BASE:SILENCER	22 - 7
M1602734	GUIDE:LEFT:TRAY BOTTOM PLATE	22 - 8
M1602735	GUIDE:RIGHT:TRAY BOTTOM PLATE	22 - 9
M1602737	MYLAR:CLEANER:MID ROLLER DRIVEN	22 - 32
M1602741	SHAFT:SILENCER	22 - 14
M1602742	CAM:SILENCER:LEFT	22 - 15
M1602743	CAM:SILENCER:RIGHT	22 - 16
M1602744	SPRING PLATE:HOME POSITION SENSOR:SILENCER	22 - 17
M1602745	LINK:FEELER:HOME POSITION SENSOR:SILENCER	22 - 18
M1602746	COIL SPRING:FEELER:SILENCER	22 - 19
M1602747	GROUND PLATE:MANUAL FEED	22 - 20
M1602751	SHEET:ENTRANCE:MIDDLE:ROLLER	22 - 21
M1602752	SHEET:EXIT:STAY:MANUAL FEED	22 - 22
M1602754	COIL SPRING:FRICION PAD	22 - 23
M1602755	PAD:BASE	22 - 10
M1602760	SHAFT:PICKUP:MANUAL FEED	22 - 24
M1602762	GUIDE:UPPER:MANUAL FEED	22 - 25
M1602763	LINK:FEELER:PAPER END	22 - 26
M1602773	EXTENSION TRAY:MANUAL FEED	20 - 15
M1602774	COIL SPRING:LATCH:COVER:MANUAL FEED	20 - 6
M1602775	HOLDER:COMPRESSION SPRING:EXTENSION TRAY	20 - 7
M1602776	COVER:EXTENSION TRAY:MANUAL FEED	20 - 16
M1602784	EXTENSION TRAY:INNER:2	20 - 5
M1602788	SEAL:TRAY BOTTOM PLATE:MANUAL FEED:SIDE	22 - 34
M1602791	COVER:EXTENSION TRAY:MIDDLE	20 - 17
M1602792	COVER:STOPPER:EXTENSION TRAY	20 - 18
M1602793	COVER:FRONT:UPPER:MF	20 - 19

Part No.	Description	Page and Index No.
M1602795	GROUND PLATE:MAIN SWITCH	22 - 35
M1602801	STAY:PAPER TRAY	26 - 20
M1602802	PLAIN SHAFT BEARING:SUPPORT:CONNECTION:ROLLER	26 - 21
M1602803	LEVER:PRESSURE RELEASE:FEED ROLLER	26 - 5
M1602804	SHAFT:PRESSURE RELEASE:FEED ROLLER:DIA6	26 - 6
M1602807	SHAFT:ROLLER:PAPER TRAY:DIA6	26 - 7
M1602811	ROLLER:CONNECTING:PAPER TRAY:STAY	26 - 8
M1602812	GROUND PLATE:PAPER TRAY:STAY	26 - 9
M1602813	GUIDE:COVER:STAY:PAPER TRAY:FRONT	26 - 10
M1602814	GUIDE:TRANSFER:AUXILIARY	26 - 18
M1602816	SHEET:REGISTRATION GUIDE:STAY:UPPER	26 - 11
M1602819	DISCHARGE BRUSH:FEED PAPER AGAIN:STAY:REAR	26 - 12
M1602822	FEELER:PAPER END SENSOR:PAPER TRAY:STAY	26 - 13
M1602830	ROLLER:PAPER FEED:ASS'Y	26 - 14
M1602900	REGISTRATION ROLLER:DRIVEN	28 - 3
M1602901	REGISTRATION ROLLER:DRIVE	28 - 4
M1602902	GROUND PLATE:REGISTRATION ROLLER:DRIVEN	28 - 5
M1602903	LEVER:PRESSURE:REGISTRATION ROLLER:RIGHT	28 - 6
M1602904	LEVER:PRESSURE:REGISTRATION ROLLER:LEFT	28 - 7
M1602905	COIL SPRING:REGISTRATION ROLLER:PRESSURE:LEVER	28 - 8
M1602906	GUIDE:REGISTRATION ROLLER:UPPER	28 - 9
M1602907	DECAL:REGISTRATION:GUIDE:LEFT UPPER	28 - 10
M1602907	DECAL:REGISTRATION:GUIDE:LEFT UPPER	52 - 21
M1602908	DECAL:REGISTRATION ROLLER:GUIDE:UPPER	28 - 11
M1602908	DECAL:REGISTRATION ROLLER:GUIDE:UPPER	52 - 22
M1602909	COVER:REGISTRATION ROLLER:GUIDE:UPPER	28 - 12
M1602912	TORSION SPRING:REGISTRATION:GUIDE RIHGT	28 - 21
M1602917	SHEET:REGISTRATION ROLLER:HOLDER:SENSOR	28 - 15
M1602919	CAP:REGISTRATION ROLLER:LEVER:RIGHT	28 - 16
M1602922	SEAL:CLEANER:REGISTRATION:LEFT	28 - 13
M1602923	SEAL:CLEANER:REGISTRATION:RIGHT	28 - 14
M1602924	SHEET:REGISTRATION:DUPLEX:ENTRANCE:RIGHT	28 - 17
M1602925	SHEET:REGISTRATION:DUPLEX:ENTRANCE:LEFT	28 - 18
M1602929	STUD:BRACKET:REGISTRATION:LEFT:ASS'Y	28 - 19

Part No.	Description	Page and Index No.
M1603852	SHEET:GUIDE:REGISTRATION:ENTRANCE:LEFT	30 - 4
M1603853	SHEET:GUIDE:REGISTRATION:ENTRANCE:RIGHT	30 - 5
M1603854	GUIDE:TRANSFER ROLLER	30 - 6
M1603855	SHEET:GUIDE:TRANSFER ROLLER	30 - 7
M1603856	BUSHING:TRANSFER ROLLER:LEFT	30 - 8
M1603857	BUSHING:TRANSFER ROLLER:RIGHT	30 - 9
M1603858	COIL SPRING:TRANSFER ROLLER	30 - 10
M1603859	GROUND PLATE:ELECTRODE PLATE:SEPARATION	30 - 11
M1603860	ELECTRODE PLATE:SEPARATION	30 - 12
M1603865	COVER:ELECTRODE PLATE:SEPARATION:2	30 - 13
M1603866	GUIDE:EXIT:STAY:TRANSFER:2	30 - 3
M1603870	STAY:TRANSFER	30 - 2
M1604017	FUSING UNIT:NA (NA)	32 - 1
M1604028	FUSING UNIT:EU (EU/CHN)	32 - 1
M1604053	FLAT NUT:FRAME	34 - 1
M1604055	EXIT ROLLER:FUSING	34 - 3
M1604057	LEVER:ENVELOPE:LEFT	34 - 4
M1604058	LEVER:ENVELOPE:RIGHT	34 - 5
M1604059	SHAFT:LEVER:ENVELOPE	34 - 6
M1604061	GUIDE:DUPLEX:FUSING	34 - 8
M1604063	DISCHARGE BRUSH:PRESSURE ROLLER	34 - 11
M1604064	GROUND PLATE:PRESSURE ROLLER	34 - 12
M1604065	CLEANING ROLLER:ASS'Y	34 - 28
M1604073	TENSION SPRING:PRESSURE ROLLER	34 - 15
M1604074	LEVER:PRESSURE	34 - 14
M1604077	FUSING ENTRANCE GUIDE PLATE:LOWER	34 - 17
M1604079	BRACKET:FUSING ENTRANCE GUIDE PLATE:RIGHT	34 - 18
M1604080	COIL SPRING:CLEANING ROLLER:PRESSURE ROLLER	34 - 25
M1604083	BUSHING:FUSING CLEANING ROLLER:RIGHT	34 - 26
M1604084	BUSHING:FUSING CLEANING ROLLER:LEFT	34 - 27
M1604085	TORSION SPRING:FUSING ENTRANCE GUIDE PLATE	34 - 19
M1604086	GEAR:HOT ROLLER	32 - 12
M1604087	GEAR:IDLER:DIA35:FUSING	34 - 20
M1604088	GEAR:IDLER:DIA20:FUSING	34 - 21

Part No.	Description	Page and Index No.
M1604089	GEAR:IDLER:DIA18:FUSING EXIT	34 - 22
M1604090	PLAIN SHAFT BEARING:MM4	34 - 9
M1604091	DRIVEN ROLLER:DUPLEX	34 - 10
M1604096	PRESSURE ROLLER:DIA34	34 - 16
M1604102	THERMISTOR:FUSING	32 - 31
M1604103	FLAT NUT:THERMISTOR	32 - 21
M1604106	ELECTRODE PLATE:LEFT	32 - 3
M1604107	ELECTRODE PLATE:RIGHT	32 - 4
M1604113	PICKOFF PAWL:HOT ROLLER	32 - 9
M1604114	TENSION SPRING:PICKOFF PAWL	32 - 8
M1604118	THERMAL INSULATING BUSHING:HOT ROLLER	32 - 14
M1604119	HOT ROLLER:DIA30	32 - 13
M1604121	BRACKET:HEATER:LEFT	32 - 18
M1604122	BRACKET:HEATER:RIGHT	32 - 19
M1604126	SEPARATOR:FUSING	32 - 17
M1604130	FUSING ENTRANCE GUIDE PLATE:UPPER	32 - 16
M1604133	FELT WICK:EARTH:HOT ROLLER	32 - 30
M1604134	BRACKET:THERMISTOR	32 - 33
M1604138	GROUND PLATE:HOT ROLLER	32 - 6
M1604139	RESISTOR:1GOHM	32 - 32
M1604140	BRACKET:GROUND PLATE:HOT ROLLER	32 - 7
M1604141	WASHER:DIA10.1:DIA6.0:0.6T	32 - 36
M1604151	GUIDE PLATE:FUSING EXIT	32 - 23
M1604154	EXIT ROLLER:FUSING EXIT	32 - 24
M1604155	HOLDER:EXIT ROLLER	32 - 25
M1604156	SPRING PLATE:EXIT ROLLER	32 - 26
M1604157	ROLLER:MIDDLE:FUSING:DIA11	32 - 28
M1604158	ROLLER:MIDDLE:FUSING:DIA11	32 - 29
M1604159	SHAFT:EXIT ROLLER:FUSING EXIT	32 - 27
M1604171	COVER:FUSING:LEFT	32 - 15
M1604172	COVER:FUSING:RIGHT	34 - 24
M1604173	CAP:THERMISTOR	32 - 35
M1604204	HEATER:820W:227V:EU/CHN	32 - 20
M1604205	HEATER:820W:117V:NA	32 - 20

Part No.	Description	Page and Index No.
M1604211	DRAWER:FUSING:EU (EU/CHN)	32 - 34
M1604212	DRAWER:FUSING:NA (NA)	32 - 34
M1604216	THERMISTOR:FUSING:ASS'Y	32 - 22
M1604248	DECAL:ENVELOPE:LEVER:FUSER	46 - 2
M1604248	DECAL:ENVELOPE:LEVER:FUSER	52 - 3
M1604418	GUIDE_REVERSE_LEFT	36 - 41
M1604419	GUIDE_REVERSE_RIGHT	36 - 32
M1604436	DC SOLENOID:EXIT:ASS'Y	36 - 25
M1604441	INNER COVER:EXIT:LEFT:MF1D	36 - 29
M1604446	DC STEPPER MOTOR:EXIT	36 - 27
M1604447	SYNCHRONOUS BELT:EXIT	36 - 28
M1604452	BRACKET:REVERSE GUIDE	36 - 37
M1604453	COVER:UPPER:EXIT:MF1D	36 - 30
M1604457	ROLLER:IDLER:EXIT:MF1D	36 - 3
M1604459	COIL SPRING:ROLLER:EXIT:MF1D	36 - 4
M1604460	GUIDE:GATE	36 - 5
M1604461	DECAL:GATE:EXIT	36 - 6
M1604461	DECAL:GATE:EXIT	52 - 11
M1604463	RING:DECURA:EXIT	36 - 7
M1604464	PRESSURE PLATE:FUSING:GUIDE	36 - 8
M1604465	FEELER:EXIT	36 - 9
M1604466	COIL SPRING:FEELER:EXIT	36 - 10
M1604467	COIL SPRING:GUIDE:GATE	36 - 11
M1604468	COIL SPRING:PRESSURE PLATE	36 - 12
M1604470	SHAFT:ROLLER:EXIT:MF1D	36 - 13
M1604471	PULLEY:ROLLER:EXIT	36 - 14
M1604479	COIL SPRING:DC SOLENOID:GATE	36 - 26
M1604480	GUIDE:UPPER:EXIT	36 - 15
M1604481	SPRING PLATE:UPPER:EXIT	36 - 16
M1604482	ROLLER:IDLER:EXIT:UPPER	36 - 17
M1604483	SHEET:OPPOSED:SENSOR	36 - 35
M1604484	GUIDE:MIDDLE:EXIT	36 - 18
M1604486	FEELER:OVERFLOW:PAPER FEED SENSOR:MF1D	36 - 19
M1604488	ANTISTATIC BRUSH:EXIT	36 - 20

Part No.	Description	Page and Index No.
M1604489	ROLLER:IDLER:MIDDLE:GUIDE	36 - 36
M1604490	COVER:REAR:MF1D	36 - 33
M1604491	GUIDE:REAR:EXIT	36 - 21
M1604493	LEVER:DOOR:EXIT:MF1D	36 - 22
M1604494	DECAL:LEFT:COVER:REAR	36 - 39
M1604494	DECAL:LEFT:COVER:REAR	52 - 24
M1604495	DECAL:RIGHT:COVER:REAR	36 - 40
M1604495	DECAL:RIGHT:COVER:REAR	52 - 25
M1604497	COIL SPRING:GUIDE:REAR:EXIT	36 - 23
M1604498	COIL SPRING:LEVER:DOOR:EXIT	36 - 24
M1604601	GUIDE:UPPER:DUPLX UNIT	38 - 1
M1604603	FEELER:UPPER:DUPLX UNIT	38 - 2
M1604605	SHAFT:IDLER:UPPER:ASSY	38 - 3
M1604607	BUSHING:IDLER:DIA4	38 - 4
M1604611	COIL SPRING:IDLER:DUPLX UNIT	38 - 5
M1604614	COIL SPRING:MIDDLE:DUPLX UNIT	38 - 33
M1604621	GUIDE:FRONT:DUPLX UNIT	38 - 8
M1604622	GRIP:FRONT:DUPLX UNIT	38 - 9
M1604623	HOOK:FRONT:DUPLX UNIT	38 - 10
M1604624	GROUND PLATE:FRONT:DUPLX UNIT	38 - 11
M1604625	LINK:FRAME:DUPLX UNIT	38 - 12
M1604626	LINK:FRONT:DUPLX UNIT	38 - 13
M1604627	DAMPER:FRONT:DUPLX UNIT	38 - 14
M1604631	SHAFT:FRONT:DUPLX UNIT	38 - 15
M1604633	COMPRESSION SPRING:HOOK:DUPLX UNIT	38 - 16
M1604635	DECAL:HANDLE:DUPLX UNIT	38 - 17
M1604635	DECAL:HANDLE:DUPLX UNIT	52 - 12
M1604641	GUIDE:REAR:DUPLX UNIT	38 - 18
M1604643	BUSHING:DIA6	38 - 19
M1604644	SHAFT:REAR:ASSY	38 - 20
M1604645	RUBBER BUSHING:SHAFT:REAR	38 - 21
M1604661	GUIDE:MIDDLE:DUPLX UNIT	38 - 23
M1604662	GEAR:DRIVE:DUPLX UNIT	38 - 24
M1604663	GEAR:IDLER:DUPLX UNIT	38 - 25

Part No.	Description	Page and Index No.
M1604664	PULLEY:DRIVE:DUPLX UNIT	38 - 26
M1604666	GROUND PLATE:MIDDLE:DUPLX UNIT	38 - 27
M1604667	PULLEY:GEAR:DUPLX UNIT	38 - 28
M1604668	PULLEY:NO.2:DUPLX UNIT	38 - 29
M1604671	SHAFT:MIDDLE:DUPLX UNIT	38 - 30
M1604672	SYNCHRONOUS BELT:FRONT:DUPLX UNIT	38 - 31
M1604673	SYNCHRONOUS BELT:FUSING:DUPLX UNIT	38 - 32
M1604674	SYNCHRONOUS BELT:REAR:DUPLX UNIT	38 - 6
M1604856	EXTENSION TRAY:EXIT:ARDF	8 - 17
M1604857	END FENCE:EXIT:ARDF	8 - 18
M1604866	COVER:REAR:ARDF	10 - 24
M1604872	COVER:FRONT:LEFT UPPER:ARDF	10 - 25
M1604873	COVER:FRONT:ARDF	10 - 26
M1604896	DECAL:ORIGINAL TABLE:NA	10 - 27
M1604896	DECAL:ORIGINAL TABLE:NA	52 - 18
M1604897	DECAL:ORIGINAL TABLE:CHN	10 - 27
M1604897	DECAL:ORIGINAL TABLE:CHN	52 - 19
M1604901	PRESSURE PLATE	8 - 24
M1604902	CUSHION:PRESSURE PLATE:MIDDLE	8 - 26
M1604912	SHIELD PLATE:FILTER:ARDF	12 - 32
M1604922	GUIDE PLATE:TRANSPORT	14 - 27
M1604925	GUIDE PLATE:REVERSE	14 - 28
M1604926	SHEET:PAPER EXIT SUB-UNIT	14 - 29
M1605010	PCB:BICU:GMF-1:ASSY	44 - 2
M1605022	POWER PACK:ASSY	44 - 40
M1605120	PCB:SENSOR:TONER END SENSOR	44 - 29
M1605192	PCB:GWFCU3.8L:NA:ASSY	44 - 4
M1605194	PCB:GWFCU3.8L:EU/CHN:ASSY	44 - 4
M1605240	CABLE:HDD:SATA:RED:102	44 - 17
M1605240	CABLE:HDD:SATA:RED:102	48 - 18
M1605500	BRACKET:LVPS:MF	44 - 33
M1605501	COVER:FRONT:LVPS	44 - 34
M1605502	COVER:MIDDLE REAR:LVPS	2 - 10
M1605506	BRACKET:HVPS	44 - 31



