

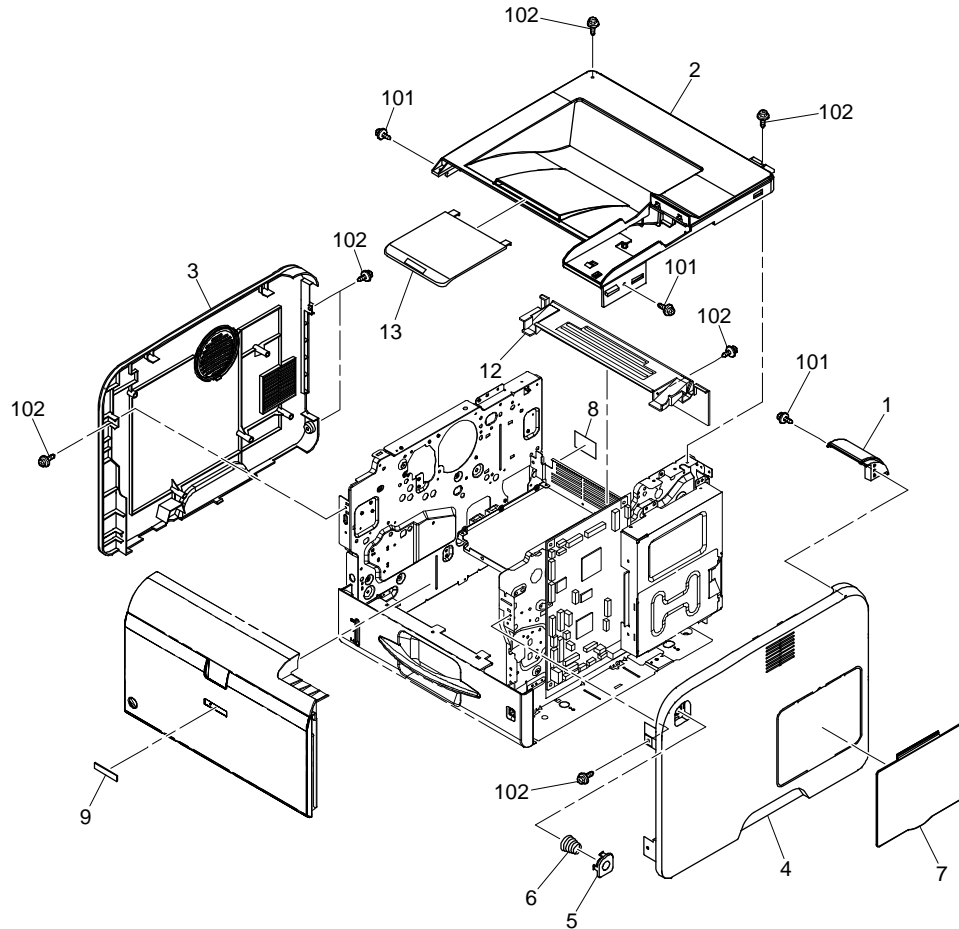
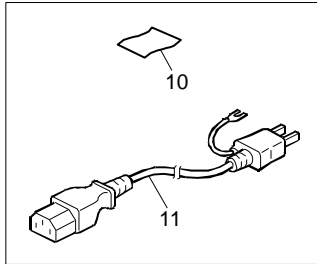
SP 4510DN SP 4520DN

PARTS CATALOG

This catalog gives the numbers and names of parts on this machine.

1. Exterior (SP 4510DN).....	1 P	17. Drive Section 2.....	33 P
2. Exterior (SP 4520DN).....	3 P	18. Electrical Components Section.....	35 P
3. Operation Panel (SP 4510DN).....	5 P	19. Main Frame Section.....	37 P
4. Operation Panel (SP 4520DN).....	7 P	20. Options.....	39 P
5. Optical Writing Section.....	9 P	21. Decal and Document.....	41 P
6. Manual Feed Section 1.....	11 P	22. Parts Index.....	43 P
7. Manual Feed Section 2.....	13 P		
8. Paper Feed 1.....	15 P		
9. Paper Feed 2.....	17 P		
10. Registration Roller.....	19 P		
11. Transfer.....	21 P		
12. Fusing Section 1.....	23 P		
13. Fusing Section 2.....	25 P		
14. Paper Exit Section.....	27 P		
15. Duplex Section.....	29 P		
16. Drive Section 1.....	31 P		

1. Exterior (SP 4510DN)



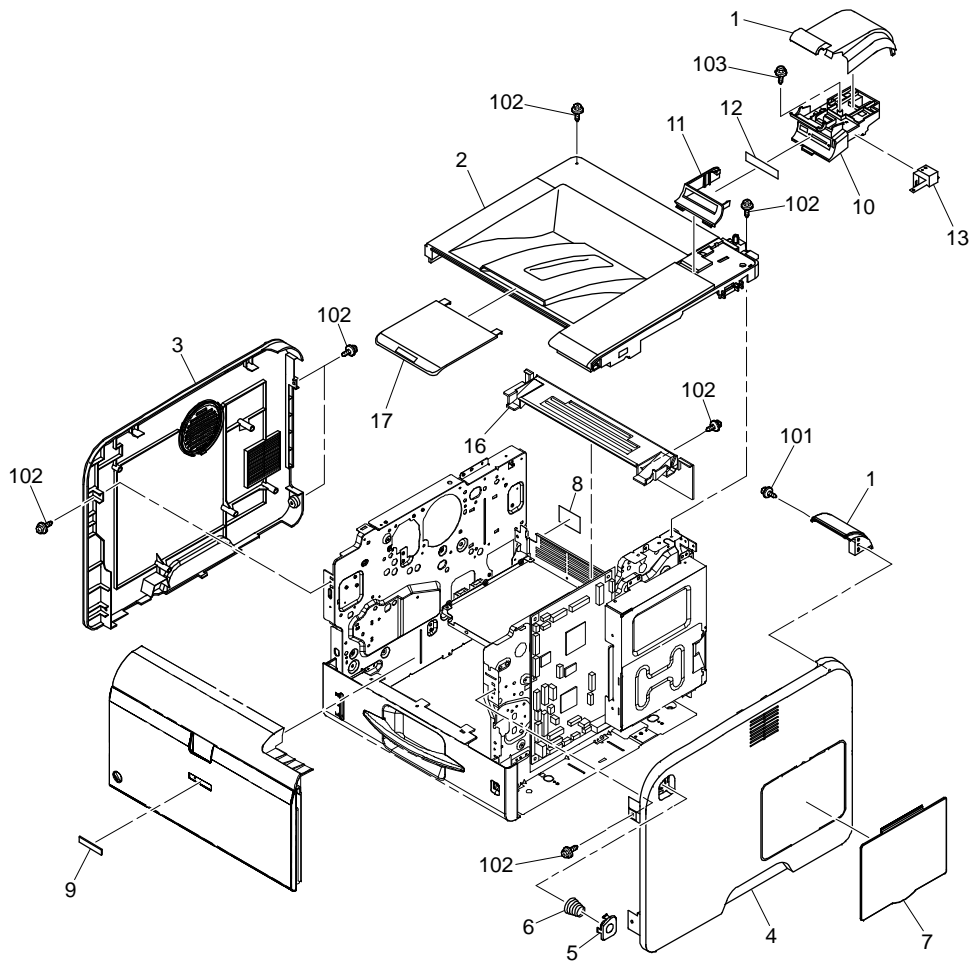
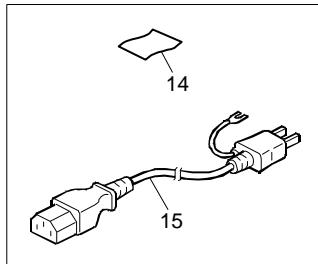
1. Exterior (SP 4510DN)

Index No.	Part No.	Description	Q'ty Per Assembly
1	M1581221	COVER:RIGHT REAR:P1_C	1
2	M1581230	COVER:UPPER:P1_C:ASS'Y	1
3	M1591210	COVER:LEFT:P1_CD:ASS'Y	1
4	M1591220	COVER:RIGHT:P1_CD:ASS'Y	1
5	M1591222	COVER:BUTTON:DOOR:P1_CD	1
6	M1591223	COIL SPRING:BUTTON:DOOR:P1_CD	1
7	M1591224	COVER:RIGHT:EXPAND:P	1
8	AA000267	DECAL:EARTH:NE:ABS	1
9	M0521210	PLATE:LOGO:RIC	1
10	M1091948	CLEANER:LENS:LED HEAD	1
11	11500427	POWER SUPPLY CODE:125V:15A:NA	1
11	11500456	POWER SUPPLY CODE:250V:10A:CHN	1
11	11500458	POWER SUPPLY CODE:250V:10A:EU	1
12	M1605502	COVER:MIDDLE REAR:LVPS	1
13	M1591232	COVER:EXTENSION TRAY:P1_CD	1



Index No.	Part No.	Description	Q'ty Per Assembly
101	04503008N	TAPPING SCREW:3X8	
102	04513006N	TAPPING SCREW:3X6	

2. Exterior (SP 4520DN)

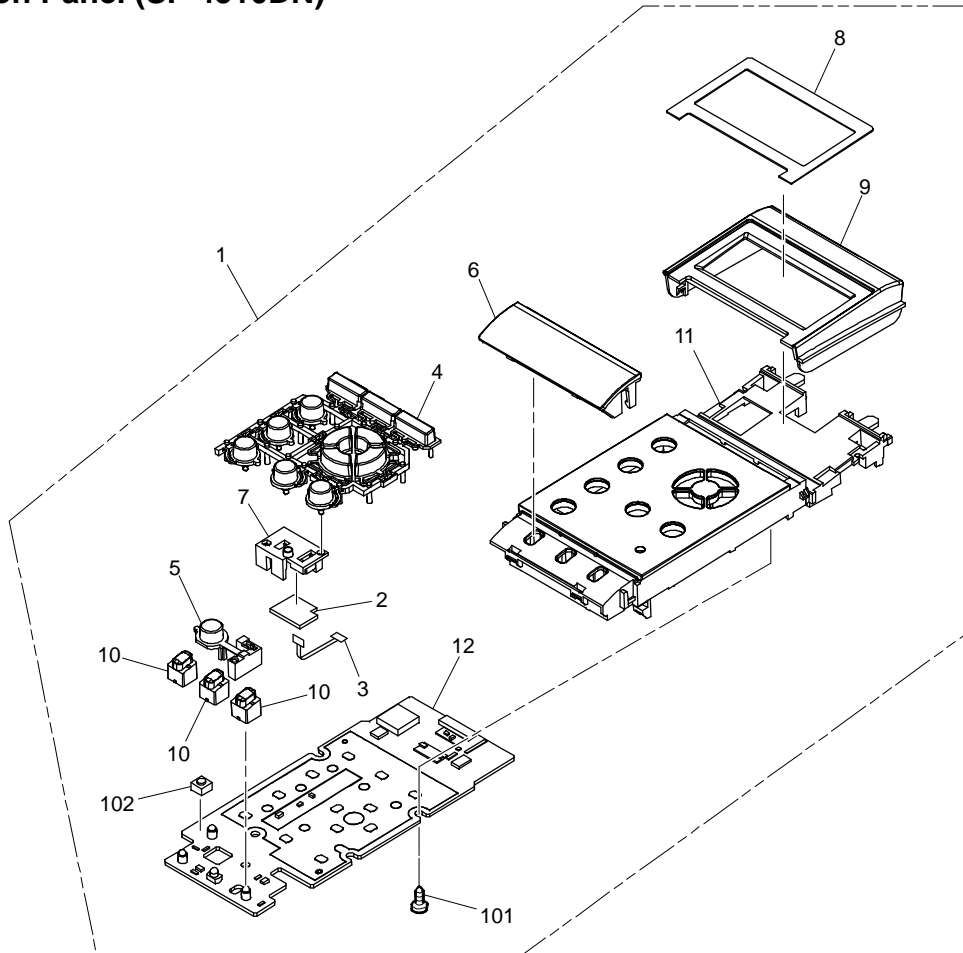


2. Exterior (SP 4520DN)


Index No.	Part No.	Description	Q'ty Per Assembly
1	M1591234	COVER:UPPER FRONT:OP:P1_D	1
2	M1591230	COVER:UPPER:P1_D:ASS'Y	1
3	M1591210	COVER:LEFT:P1_CD:ASS'Y	1
4	M1591220	COVER:RIGHT:P1_CD:ASS'Y	1
5	M1591222	COVER:BUTTON:DOOR:P1_CD	1
6	M1591223	COIL SPRING:BUTTON:DOOR:P1_CD	1
7	M1591224	COVER:RIGHT:EXPAND:P	1
8	AA000267	DECAL:EARTH:NE:ABS	1
9	M0521210	PLATE:LOGO:RIC	1
10	M1591233	HOUSING:OPERATION SUB-UNIT:P1_D	1
11	M1591235	COVER:OPERATION SUB-UNIT:P1_D	1
12	M1591236	DECAL:SD/USB	1
13	M1591241	GROUND PLATE:OP:P1_D	1
14	M1091948	CLEANER:LENS:LED HEAD	1
15	11500427	POWER SUPPLY CODE:125V:15A:NA	1
15	11500458	POWER SUPPLY CODE:250V:10A:EU	1
16	M1605502	COVER:MIDDLE REAR:LVPS	1
17	M1591232	COVER:EXTENSION TRAY:P1_CD	1

Index No.	Part No.	Description	Q'ty Per Assembly
101	04503008N	TAPPING SCREW:3X8	
102	04513006N	TAPPING SCREW:3X6	
103	04513008N	TAPPING SCREW:3X8	

3. Operation Panel (SP 4510DN)

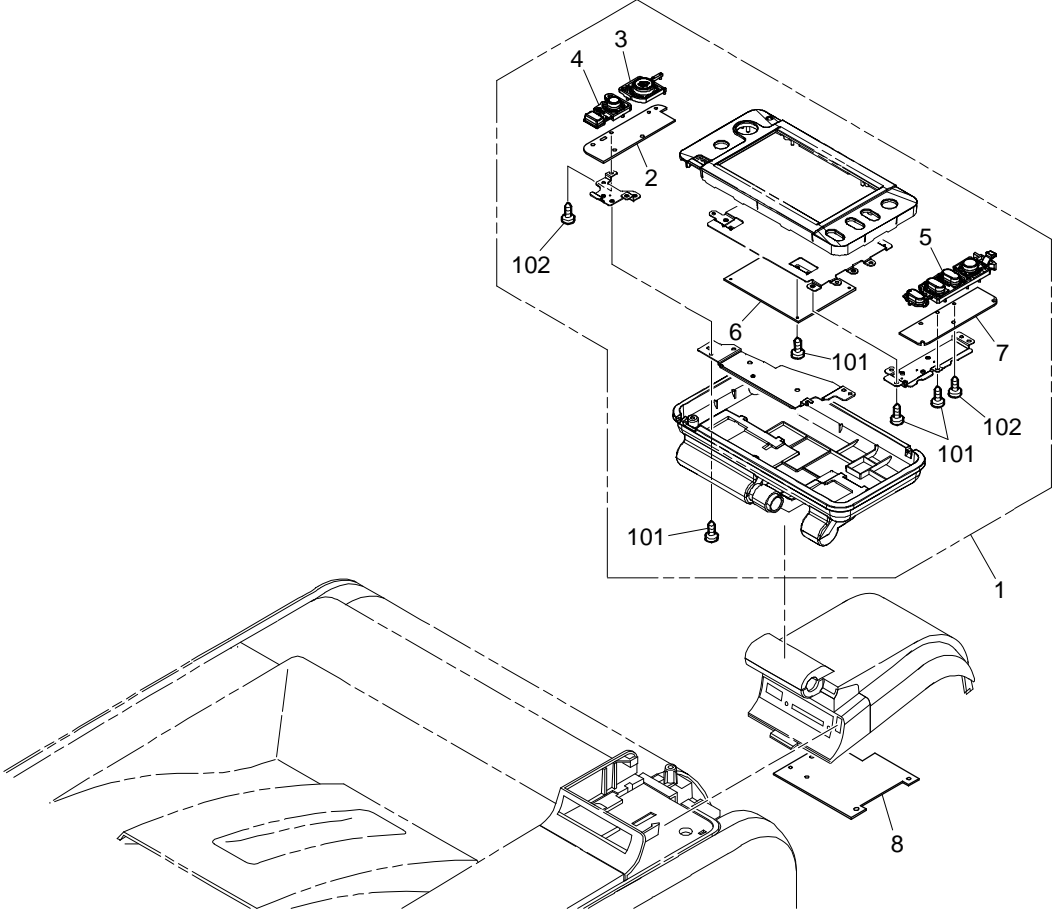


3. Operation Panel (SP 4510DN)



Index No.	Part No.	Description	Q'ty Per Assembly
1	M1581401	OPERATION SUB-UNIT:GIMLET-P1C:NA:ASS'Y	1
1	M1581404	OPERATION SUB-UNIT:GIMLET-P1C:CHN:ASS'Y	1
2	M1291470	PCB:4.3-P:SENSOR:ASS'Y	1
3	M1291485	CABLE:FFC:SENSOR	1
4	M1581452	KEYTOP:MAIN	1
5	M1581453	KEYTOP:RESUME	1
6	M1581455	LENS:LED	1
7	M1581456	LENS:SENSOR	1
8	M1581457	SHEET:OPERATION SUB-UNIT:LCD	1
9	M1581458	COVER:LCD	1
10	M1581459	LENS:INSIDE	3
11	M1581451	COVER:OPERATION SUB-UNIT:GIMLET-P1C:NA	1
11	M1581464	COVER:OPERATION SUB-UNIT:GIMLET-P1C:CHN	1
12	M1581470	PCB:GIMLET-P1C:OPU	1
			

Index No.	Part No.	Description	Q'ty Per Assembly
101	04523010N	BINDING SELF-TAPPING SCREW:3X10	
102	12042555	TACTSWITCH:SKHVBBD010	

4. Operation Panel (SP 4520DN)

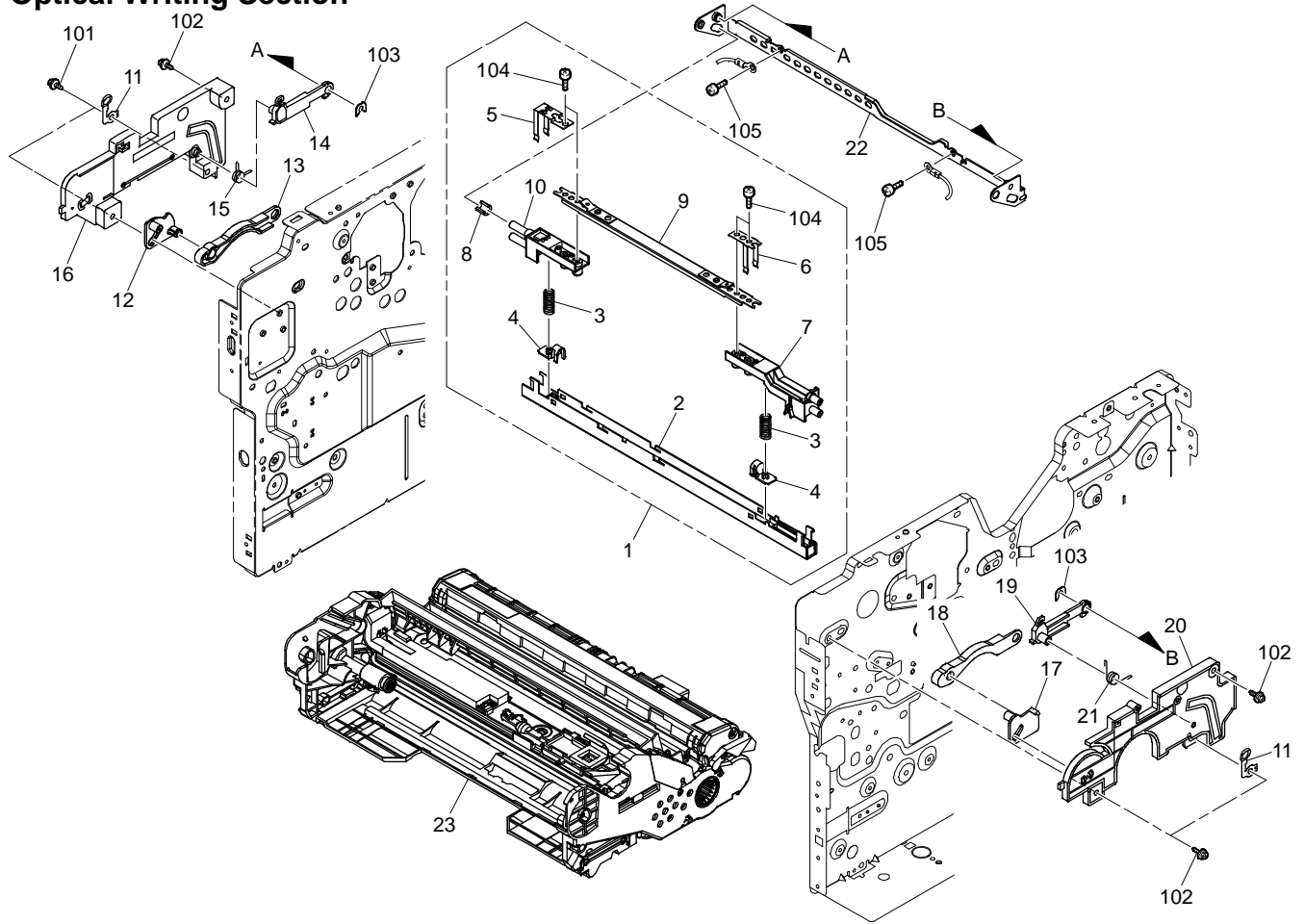


4. Operation Panel (SP 4520DN)

Index No.	Part No.	Description	Q'ty Per Assembly
	M1591411	OPERATION SUB-UNIT:GM-P1D:EXP:ASS'Y	1
	M1291465	PCB:4.3-P:OP-L:ASS'Y	1
3	M1291503	KEYTOP:HOME	1
4	M1291504	KEYTOP:SUS	1
5	M1291529	KEYTOP:RIGHT:BA	1
6	M1591450	PCB:LCD CAR2FT:GIMP1:ASS'Y	1
7	M1591464	PCB:4.3-GIM:OP-R:ASS'Y	1
8	M1591440	PCB:HOPE-AIR:GIM-P1D	1
			

Index No.	Part No.	Description	Q'ty Per Assembly
101	03520030N	SCREW:M2X3	
102	04522006N	BINDING SELF-TAPPING SCREW:2X6	

5. Optical Writing Section



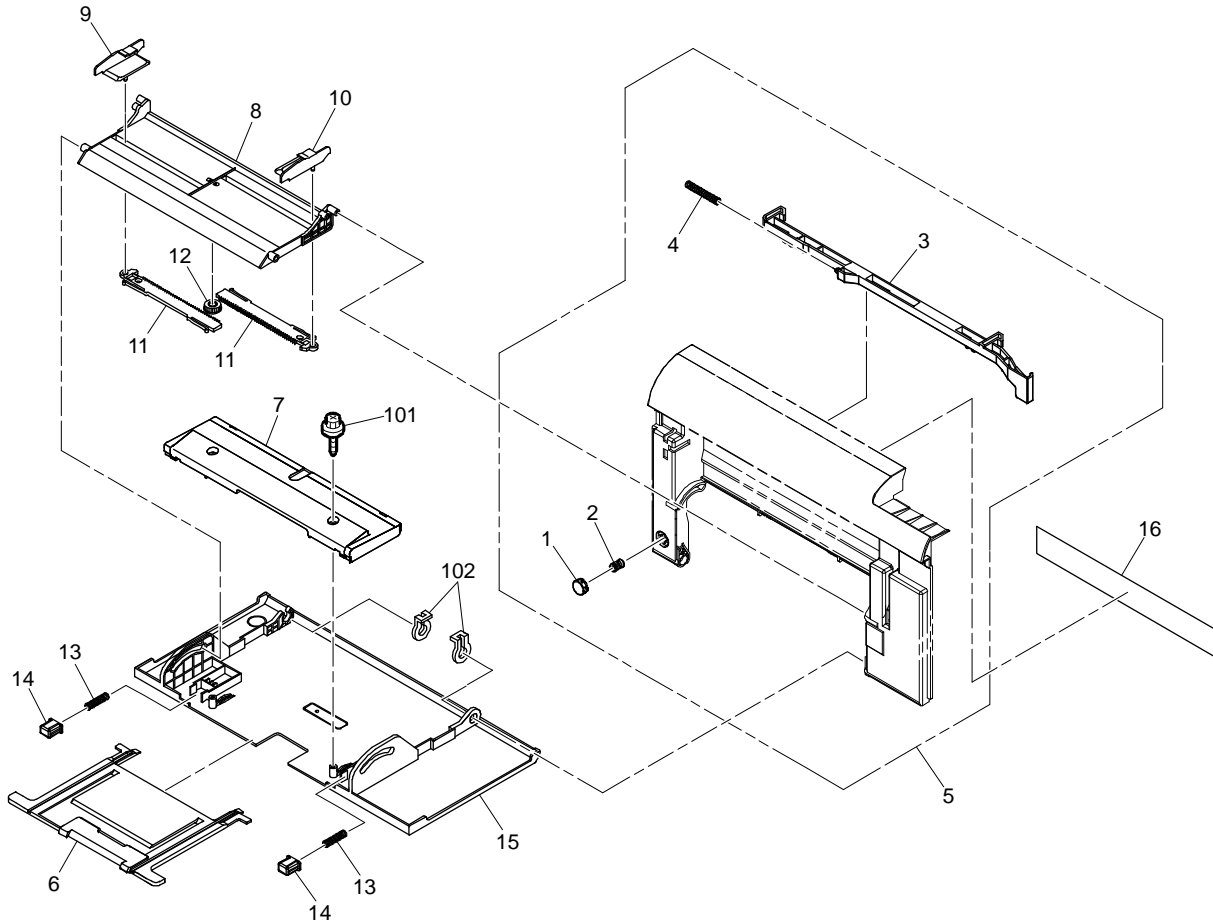
5. Optical Writing Section

Index No.	Part No.	Description	Q'ty Per Assembly
1	M1601850	OPTICAL WRITING UNIT:ASS'Y	1
2	M1601900	LED HEAD:1200DPI:211.3MM	1
3	M1601901	COIL SPRING:HOLDER:LED	2
4	M1601902	HOLDER:COIL SPRING:LED	2
5	M1601903	GROUND PLATE:LED:A:LEFT	1
6	M1601904	GROUND PLATE:LED:A:RIGHT	1
7	M1601906	HOLDER:LED:RIGHT	1
8	M1601916	SPACER:HOLDER:LED	1
9	M1601926	FRAME:HOLDER:LED:ASS'Y	1
10	M1601936	HOLDER:LED:LEFT	1
11	M1601905	GROUND PLATE:LED:B	2
12	M1601910	LINK:LED:A:LEFT	1
13	M1601911	LINK:LED:B:LEFT	1
14	M1601912	LINK:LED:C:LEFT	1
15	M1601917	COIL SPRING:LINK:LED:LEFT	1
16	M1601918	GUIDE:LINK:LED:LEFT	1
17	M1601913	LINK:LED:A:RIGHT	1
18	M1601914	LINK:LED:B:RIGHT	1
19	M1601915	LINK:LED:C:RIGHT	1
20	M1601919	GUIDE:LINK:LED:RIGHT	1
21	M1601928	COIL SPRING:LINK:LED:RIGHT	1
22	M1601907	HINGE:LED:ASS'Y	1
23	M1600129	PCU:CLICK:SERVICE:EXP	1

Index No.	Part No.	Description	Q'ty Per Assembly
101	04513006N	TAPPING SCREW:3X6	
102	04543006Q	TAPPING SCREW:3X6	
103	08050089	RETAINING RINGS-E:SILENCER:DIA4	
104	04523008N	BINDING SELF-TAPPING SCREW:3X8	
105	03130040N	PAN HEAD SCREW:M3X4	



6. Manual Feed Section 1

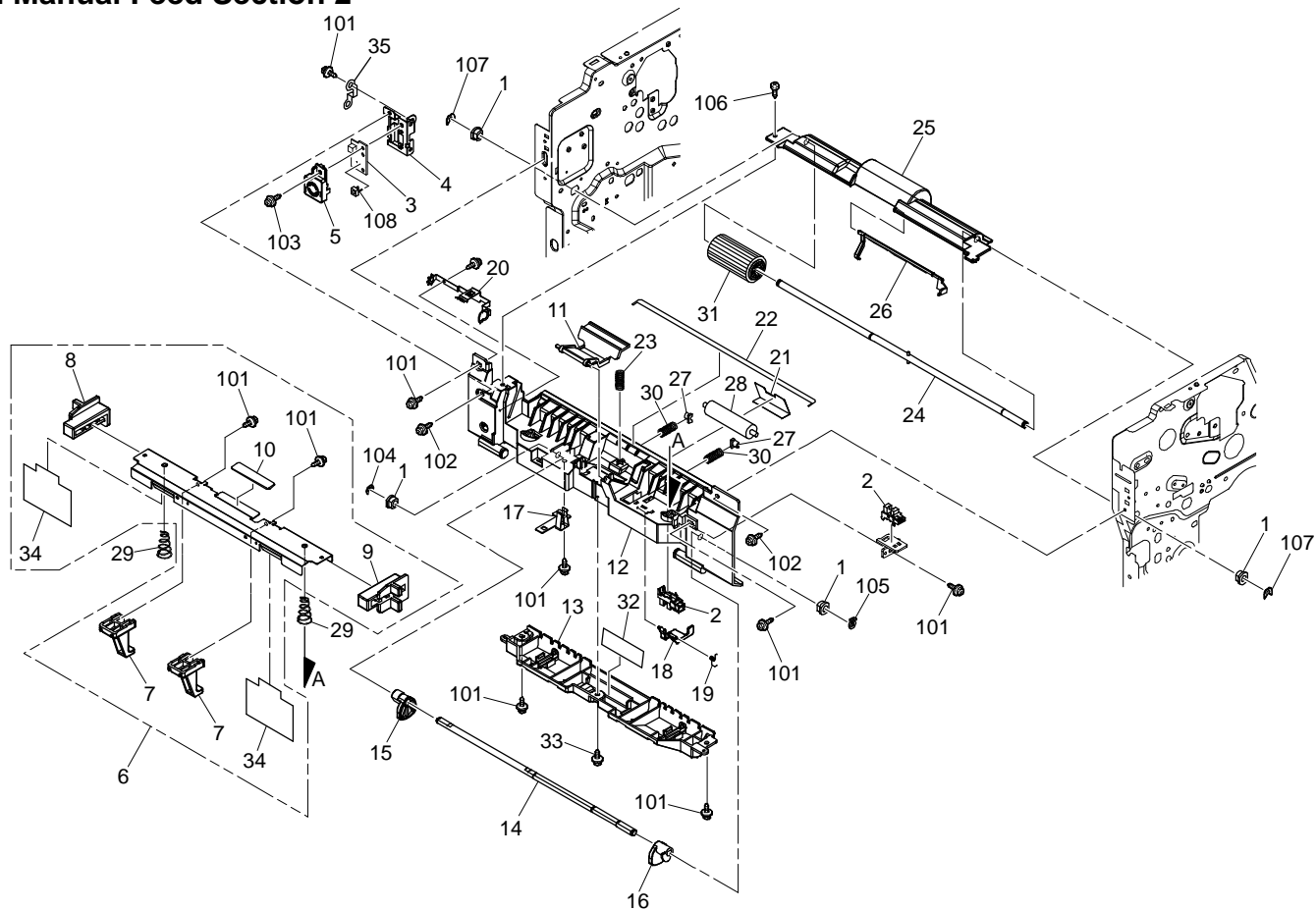


6. Manual Feed Section 1

Index No.	Part No.	Description	Q'ty Per Assembly
1	M1601084	KEY:BUTTON:MAIN SWITCH	1
2	M1601085	COIL SPRING:MAIN SWITCH	1
3	M1602712	LINK:LATCH:DOOR:FRONT	1
4	M1602713	COIL SPRING:LATCH:DOOR:FRONT	1
5	M1592700	DOOR:FRONT:INNER:P1CD	1
6	M1592773	LINK:EXTENSION TRAY:MANUAL FEED:P1CD	1
7	M1592776	COVER:EXTENSION TRAY:MANUAL FEED:P1CD	1
8	M1602715	BASE:PAPER TRAY:MANUAL FEED	1
9	M1602721	GUIDE:SIDE FENCE:LEFT:MANUAL FEED	1
10	M1602722	GUIDE:SIDE FENCE:RIGHT:MANUAL FEED	1
11	M1602723	GEAR:RACK:SIDE FENCE:MANUAL FEED	2
12	M1602724	GEAR:PIVOT	1
13	M1602774	COIL SPRING:LATCH:COVER:MANUAL FEED	2
14	M1602775	HOLDER:COMPRESSION SPRING:EXTENSION TRAY	2
15	M1592711	COVER:MANUAL FEED:P1CD	1
16	M1582799	DECAL:PICK-UP PAPER JAM (SP 4510DN)	1

Index No.	Part No.	Description	Q'ty Per Assembly
101	04503008N	TAPPING SCREW:3X8	
102	52152621	SNAP RING - M6	

7. Manual Feed Section 2

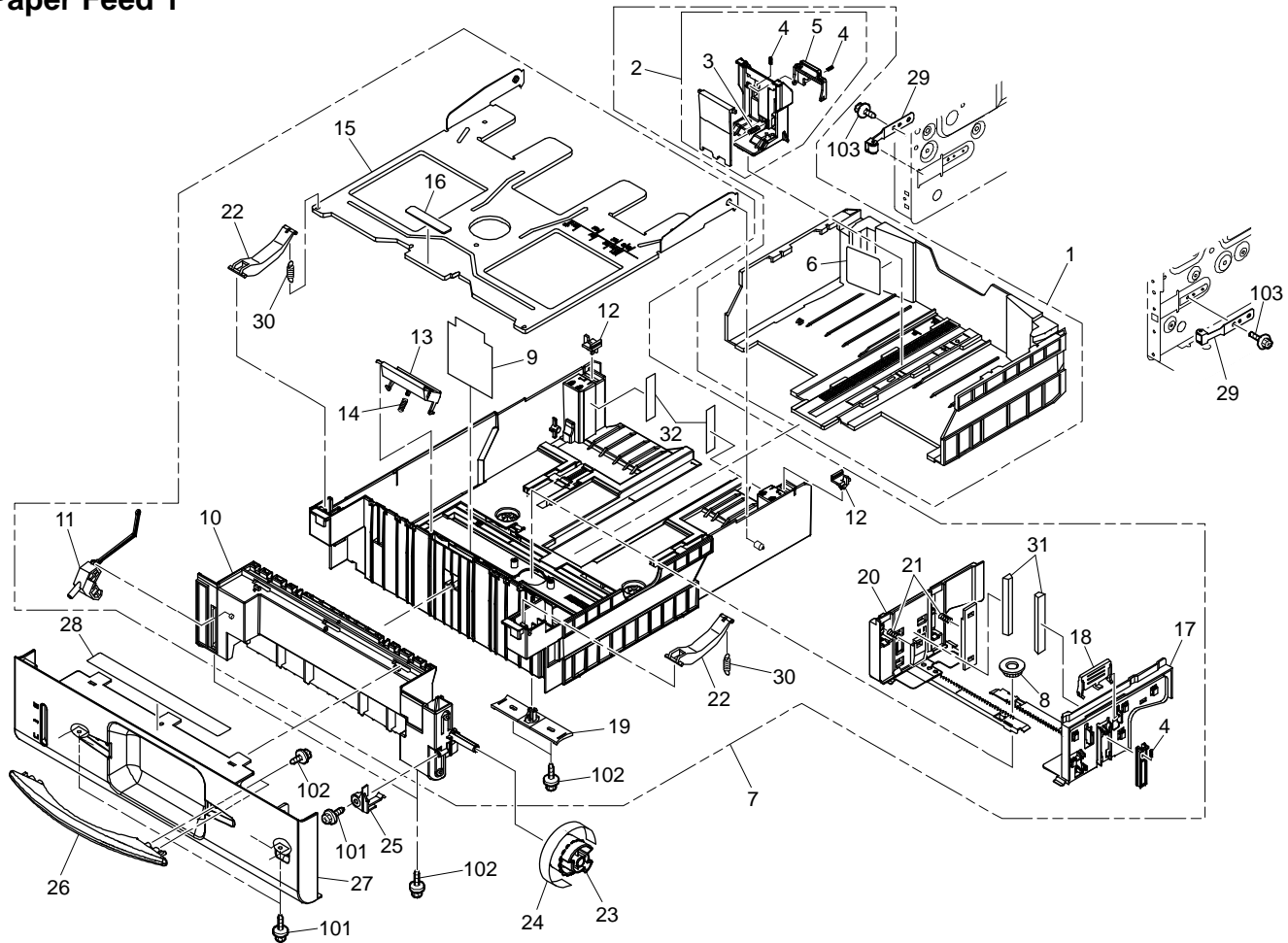


7. Manual Feed Section 2

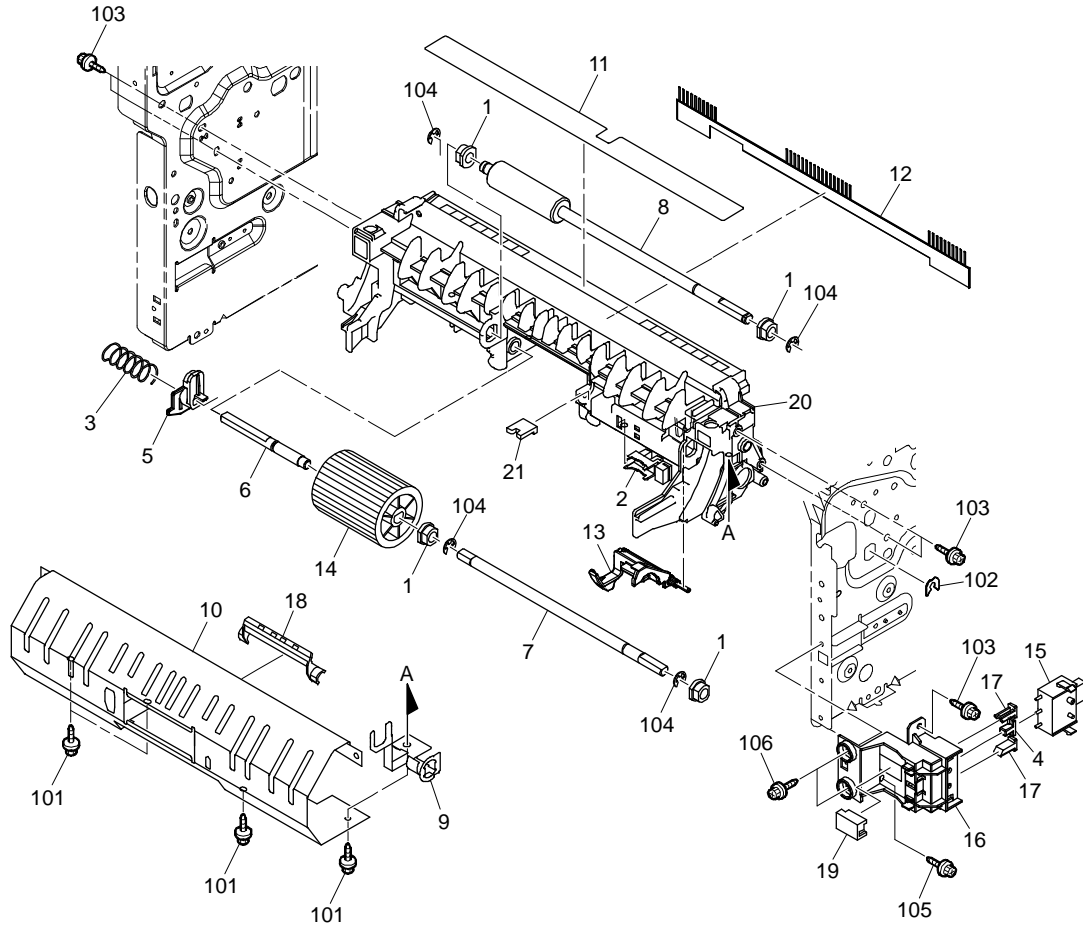
Index No.	Part No.	Description	Q'ty Per Assembly
1	AA082118	PLAIN SHAFT BEARING:MM6	2
2	AW020198	PHOTOINTERRUPTOR:LG2A14NL1	2
3	D1495686	PCB:DCSW	1
4	M1601082	BRACKET:MAIN SWITCH	1
5	M1601083	HOLDER:MAIN SWITCH	1
6	M1602706	TRAY BOTTOM PLATE:MANUAL FEED:ASS'Y	1
7	M1602733	LINK:BASE:SILENCER	2
8	M1602734	GUIDE:LEFT:TRAY BOTTOM PLATE	1
9	M1602735	GUIDE:RIGHT:TRAY BOTTOM PLATE	1
10	M1602755	PAD:BASE	1
11	M1602707	HOLDER:FRICION PAD:MANUAL FEED:ASS'Y	1
12	M1602730	GUIDE:STAY:MANUAL FEED	1
3	M1602731	GUIDE:SUB:STAY:MANUAL FEED	1
4	M1602741	SHAFT:SILENCER	1
15	M1602742	CAM:SILENCER:LEFT	1
16	M1602743	CAM:SILENCER:RIGHT	1
17	M1602744	SPRING PLATE:HOME POSITION SENSOR:SILENCER	1
18	M1602745	LINK:FEELER:HOME POSITION SENSOR:SILENCER	1
19	M1602746	COIL SPRING:FEELER:SILENCER	1
20	M1602747	GROUND PLATE:MANUAL FEED	1
21	M1602751	SHEET:ENTRANCE:MIDDLE:ROLLER	1
22	M1602752	SHEET:EXIT:STAY:MANUAL FEED	1
23	M1602754	COIL SPRING:FRICION PAD	1
24	M1602760	SHAFT:PICKUP:MANUAL FEED	1
25	M1602762	GUIDE:UPPER:MANUAL FEED	1
26	M1602763	LINK:FEELER:PAPER END	1
27	AA080249	PLAIN SHAFT BEARING:MM4:VERTICAL TRANSPORT	2
28	B0902742	ROLLER:PULL OUT:OPTION TRAY	1
29	D1172725	COMPRESSION SPRING:PAPER FEED:MANUAL FEED	2
30	AA063399	COMPRESSION SPRING:VERTICAL TRANSPORT	2
31	AF031092	PAPER FEED ROLLER:MANUAL FEED	1
32	M1602737	MYLAR:CLEANER:MID ROLLER DRIVEN	1
33	B0394480	STEP SCREW	1
34	M1602788	SEAL:TRAY BOTTOM PLATE:MANUAL FEED:SIDE	2

Index No.	Part No.	Description	Q'ty Per Assembly
35	M1602795	GROUND PLATE:MAIN SWITCH	1
101	04503008N	TAPPING SCREW:3X8	
102	04513006N	TAPPING SCREW:3X6	
103	04543006Q	TAPPING SCREW:3X6	
104	07200040E	RETAINING RINGS-E:4	
105	54472681	SNAP RING	
106	04523010N	BINDING SELF-TAPPING SCREW:3X10	
107	08050089	RETAINING RINGS-E:SILENCER:DIA4	
108	12042555	TACTSWITCH:SKHVBBD010	

8. Paper Feed 1



9. Paper Feed 2

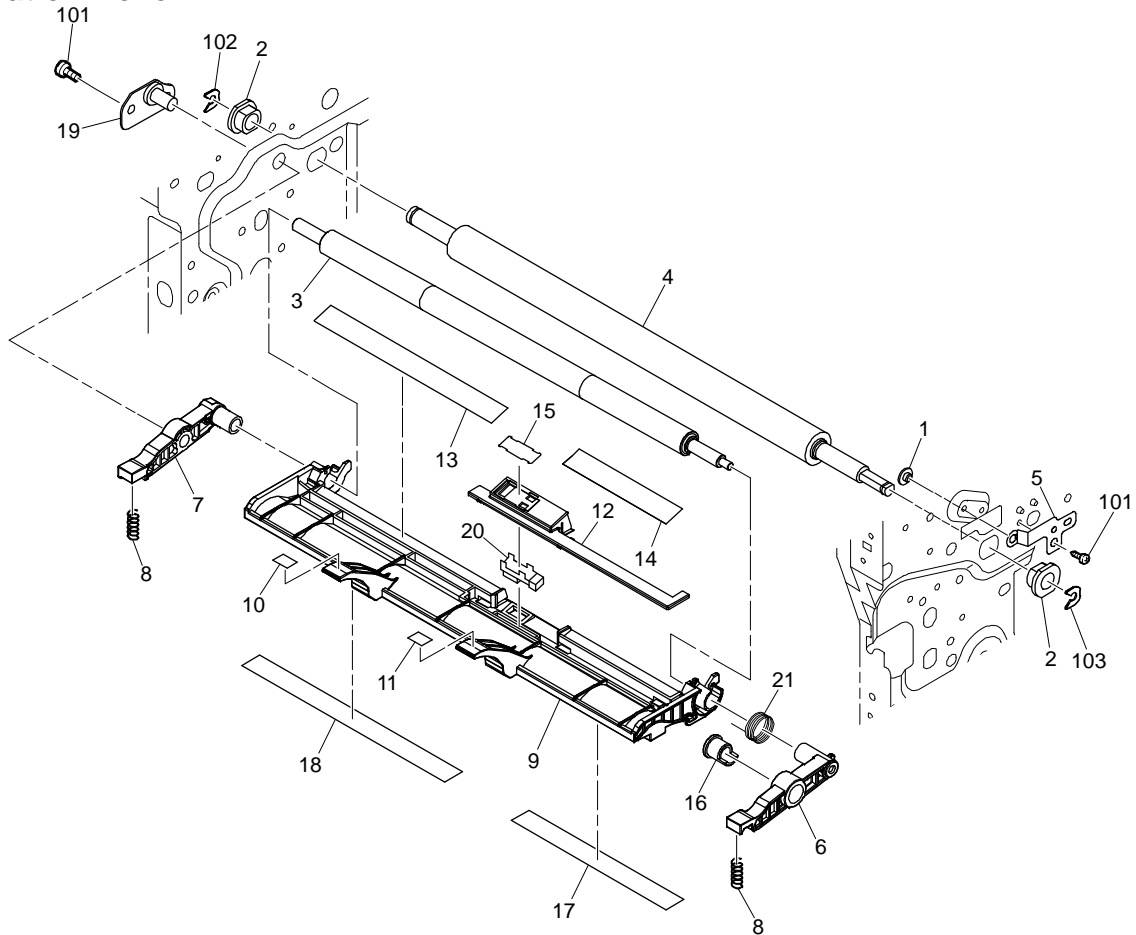


9. Paper Feed 2

Index No.	Part No.	Description	Q'ty Per Assembly
1	AA082118	PLAIN SHAFT BEARING:MM6	4
2	AW020198	PHOTOINTERRUPTOR:LG2A14NL1	1
3	M0212816	COMPRESSION SPRING:PAPER FEED	1
4	M1602636	SPACER:SENSOR:PAPER SIZE SENSOR:MIDDLE	1
5	M1602803	LEVER:PRESSURE RELEASE:FEED ROLLER	1
6	M1602804	SHAFT:PRESSURE RELEASE:FEED ROLLER:DIA6	1
7	M1602807	SHAFT:ROLLER:PAPER TRAY:DIA6	1
8	M1602811	ROLLER:CONNECTING:PAPER TRAY:STAY	1
9	M1602812	GROUND PLATE:PAPER TRAY:STAY	1
10	M1602813	GUIDE:COVER:STAY:PAPER TRAY:FRONT	1
11	M1602816	SHEET:REGISTRATION GUIDE:STAY:UPPER	1
12	M1602819	DISCHARGE BRUSH:FEED PAPER AGAIN:STAY:REAR	1
13	M1602822	FEELER:PAPER END SENSOR:PAPER TRAY:STAY	1
14	M1602830	ROLLER:PAPER FEED:ASS'Y	1
15	GW500004	PUSH SWITCH:CASSETTE:TYCO	1
16	M1602581	BRACKET:SENSOR:PAPER SIZE SENSOR:500 SHEET FEED UNIT	1
17	M1602635	SPACER:SENSOR:PAPER SIZE SENSOR:OUTER	2
18	M1602814	GUIDE:TRANSFER:AUXILIARY	1
19	M1602582	COVER:PSU HARNESS:CONNECTOR:SENSOR BKT	1
20	M1602801	STAY:PAPER TRAY	1
21	M1602802	PLAIN SHAFT BEARING:SUPPORT:CONNECTION:ROLLER	1

Index No.	Part No.	Description	Q'ty Per Assembly
101	04503010N	TAPPING SCREW:3X10	
102	08050089	RETAINING RINGS-E:SILENCER:DIA4	
103	04503008N	TAPPING SCREW:3X8	
104	07200040E	RETAINING RINGS-E:4	
105	04513006N	TAPPING SCREW:3X6	
106	04543006Q	TAPPING SCREW:3X6	

10. Registration Roller

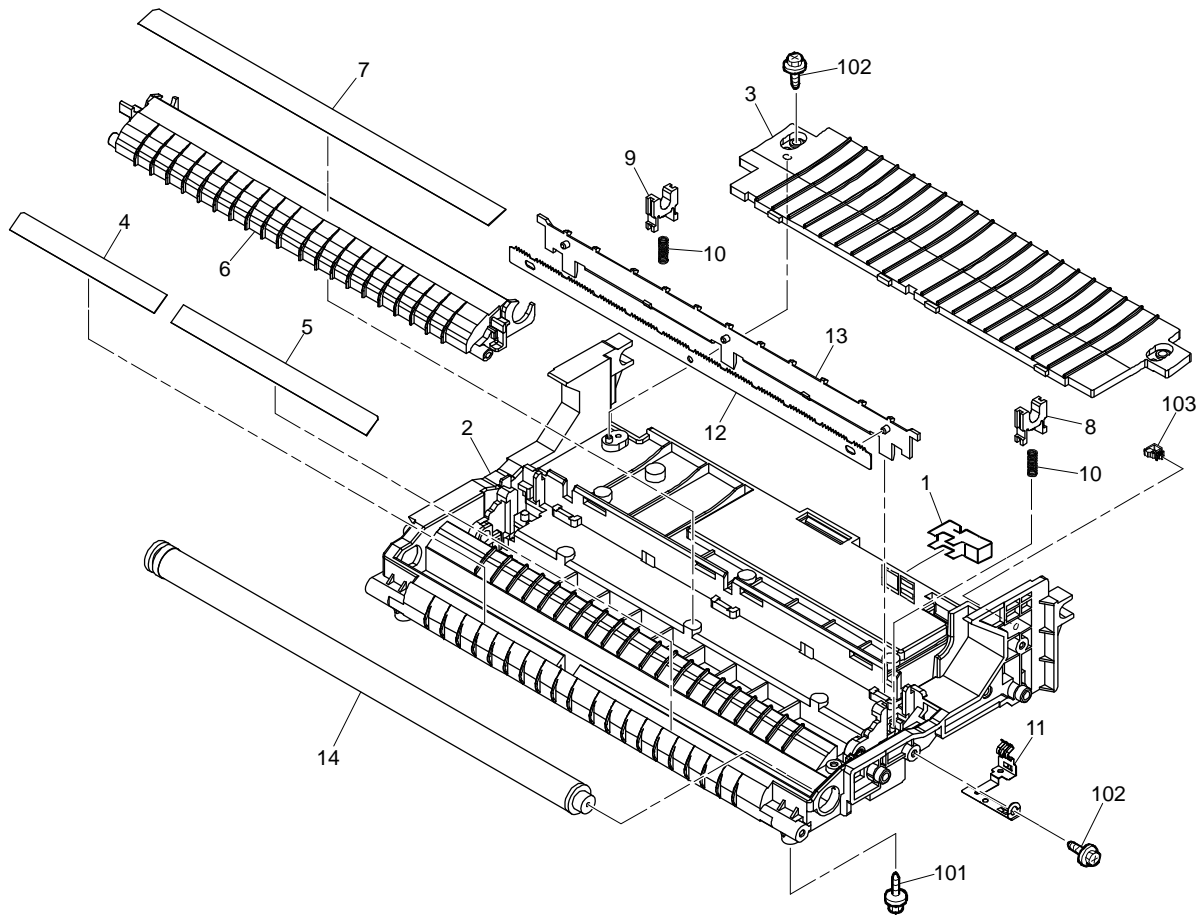


10. Registration Roller

Index No.	Part No.	Description	Q'ty Per Assembly
1	A1532117	ROLLER TERMINAL	1
2	AA082116	PLAIN SHAFT BEARING:MM8	2
3	M1602900	REGISTRATION ROLLER:DRIVEN	1
4	M1602901	REGISTRATION ROLLER:DRIVE	1
5	M1602902	GROUND PLATE:REGISTRATION ROLLER:DRIVEN	1
6	M1602903	LEVER:PRESSURE:REGISTRATION ROLLER:RIGHT	1
7	M1602904	LEVER:PRESSURE:REGISTRATION ROLLER:LEFT	1
8	M1602905	COIL SPRING:REGISTRATION ROLLER:PRESSURE:LEVER	2
9	M1602906	GUIDE:REGISTRATION ROLLER:UPPER	1
10	M1602907	DECAL:REGISTRATION:GUIDE:LEFT UPPER	1
11	M1602908	DECAL:REGISTRATION ROLLER:GUIDE:UPPER	1
12	M1602909	COVER:REGISTRATION ROLLER:GUIDE:UPPER	1
13	M1602922	SEAL:CLEANER:REGISTRATION:LEFT	1
14	M1602923	SEAL:CLEANER:REGISTRATION:RIGHT	1
15	M1602917	SHEET:REGISTRATION ROLLER:HOLDER:SENSOR	1
16	M1602919	CAP:REGISTRATION ROLLER:LEVER:RIGHT	1
17	M1602924	SHEET:REGISTRATION:DUPLEX:ENTRANCE:RIGHT	1
18	M1602925	SHEET:REGISTRATION:DUPLEX:ENTRANCE:LEFT	1
19	M1602929	STUD:BRACKET:REGISTRATION:LEFT:ASS'Y	1
20	GW010007	REFLECTION PHOTO SENSOR:EXIT	1
21	M1602912	TORSION SPRING:REGISTRATION:GUIDE RIHGT	1

Index No.	Part No.	Description	Q'ty Per Assembly
101	04533006N	BINDING SELF TAPPING SCREW:3X6	
102	08050088	RETAINING RINGS-E:SILENCER:DIA6	
103	08050089	RETAINING RINGS-E:SILENCER:DIA4	

11. Transfer

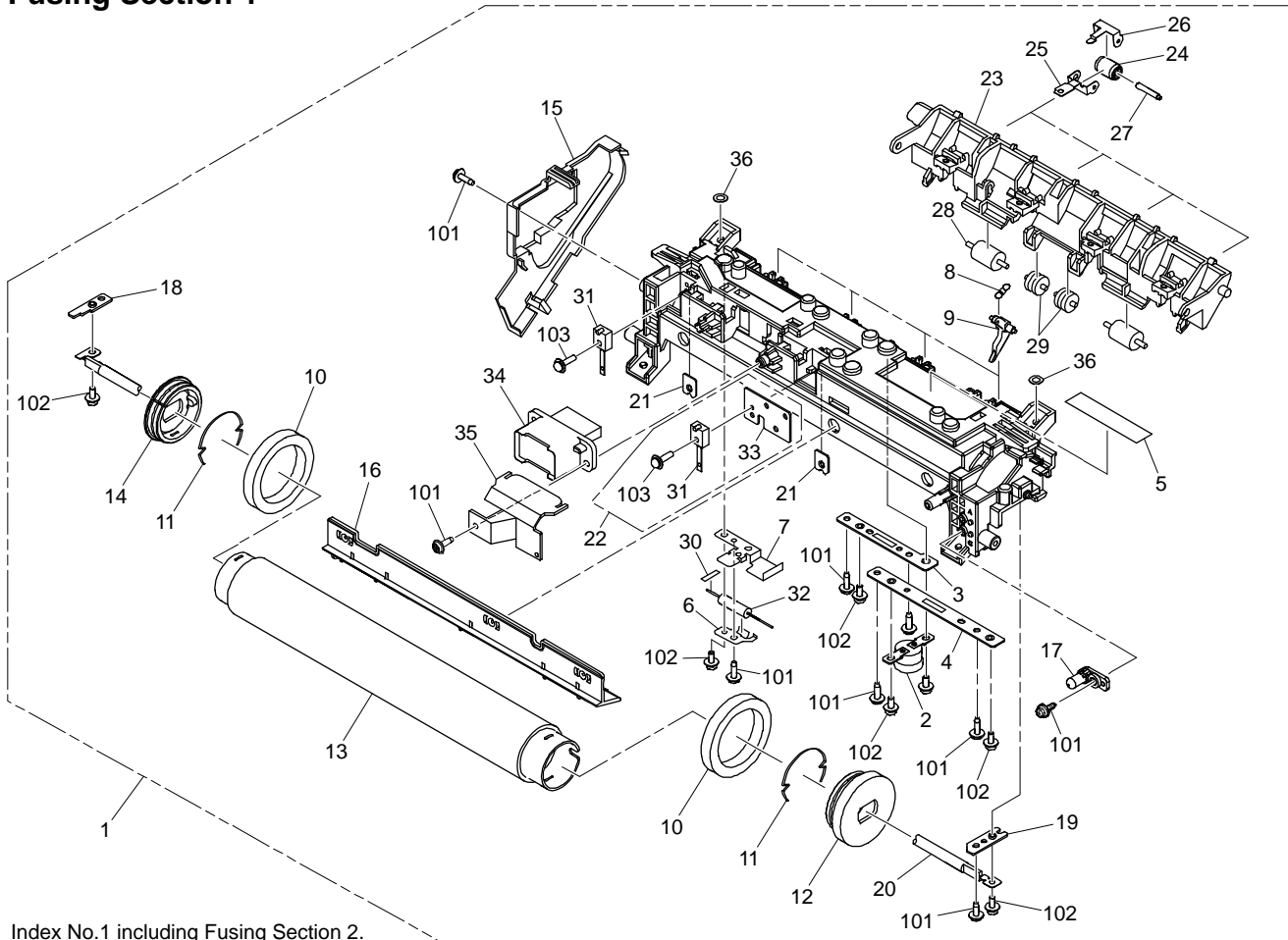


11. Transfer

Index No.	Part No.	Description	Q'ty Per Assembly
1	AW020198	PHOTOINTERRUPTOR:LG2A14NL1	1
2	M1603870	STAY:TRANSFER	1
3	M1603866	GUIDE:EXIT:STAY:TRANSFER:2	1
4	M1603852	SHEET:GUIDE:REGISTRATION:ENTRANCE:LEFT	1
5	M1603853	SHEET:GUIDE:REGISTRATION:ENTRANCE:RIGHT	1
	M1603854	GUIDE:TRANSFER ROLLER	1
	M1603855	SHEET:GUIDE:TRANSFER ROLLER	1
8	M1603856	BUSHING:TRANSFER ROLLER:LEFT	1
9	M1603857	BUSHING:TRANSFER ROLLER:RIGHT	1
10	M1603858	COIL SPRING:TRANSFER ROLLER	2
11	M1603859	GROUND PLATE:ELECTRODE PLATE:SEPARATION	1
12	M1603860	ELECTRODE PLATE:SEPARATION	1
13	M1603865	COVER:ELECTRODE PLATE:SEPARATION:2	1
14	M1606250	TRANSFER ROLLER:ASS'Y	1

Index No.	Part No.	Description	Q'ty Per Assembly
101	04503008N	TAPPING SCREW:3X8	
102	04503010N	TAPPING SCREW:3X10	
103	11050758	CLAMP:LWSM-0306A	

12. Fusing Section 1



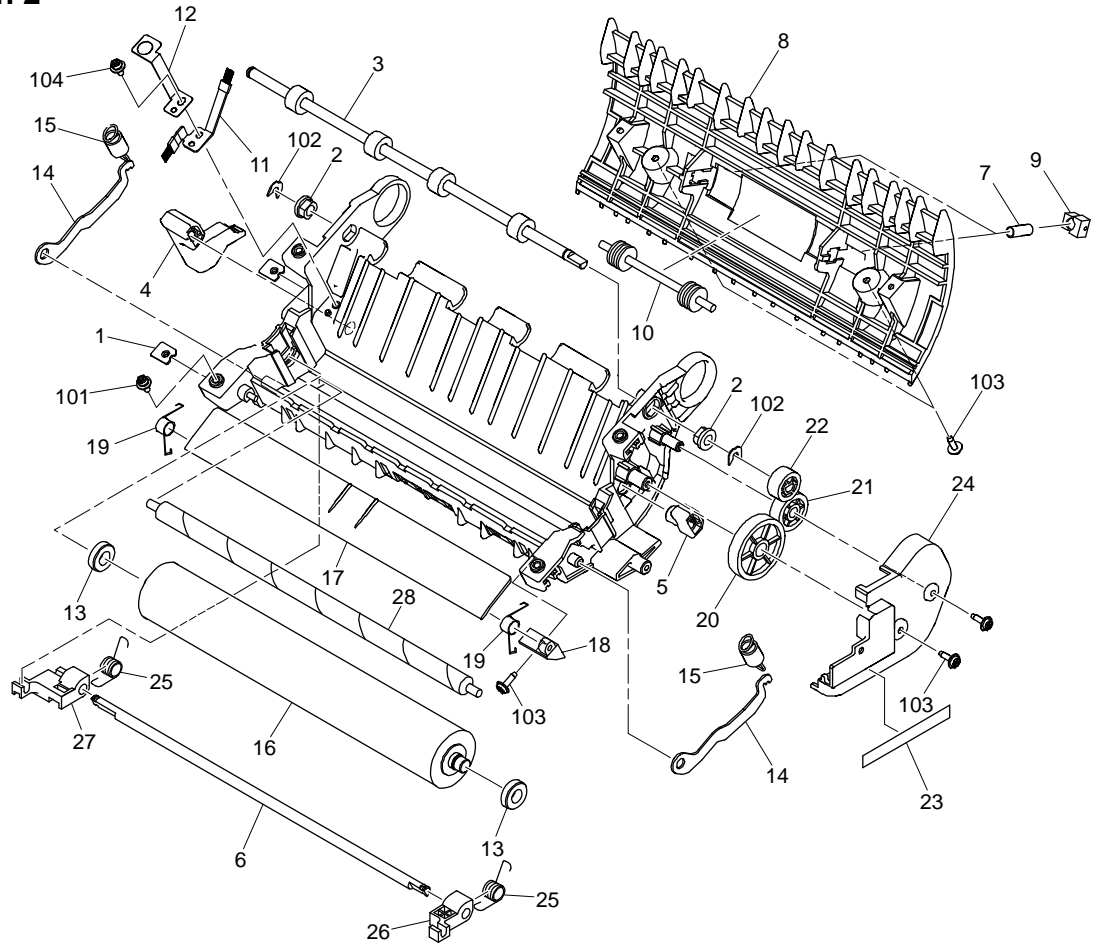
Index No.1 including Fusing Section 2.

12. Fusing Section 1

Index No.	Part No.	Description	Q'ty Per Assembly
1	M1604017	FUSING UNIT:NA (NA)	1
1	M1604028	FUSING UNIT:EU (EU/CHN)	1
2	AW110101	THERMOSTAT:LOWER	1
3	M1604106	ELECTRODE PLATE:LEFT	1
4	M1604107	ELECTRODE PLATE:RIGHT	1
5	D1204184	DECAL:H-TEMP WARNING:SMALL	1
6	M1604138	GROUND PLATE:HOT ROLLER	1
7	M1604140	BRACKET:GROUND PLATE:HOT ROLLER	1
8	M1604114	TENSION SPRING:PICKOFF PAWL	4
9	M1604113	PICKOFF PAWL:HOT ROLLER	4
10	M0124055	RADIAL BALL BEARING:35X47X7	2
11	M0124281	RETAINING RINGS-C:HOT ROLLER	2
12	M1604086	GEAR:HOT ROLLER	1
13	M1604119	HOT ROLLER:DIA30	1
14	M1604118	THERMAL INSULATING BUSHING:HOT ROLLER	1
15	M1604171	COVER:FUSING:LEFT	1
16	M1604130	FUSING ENTRANCE GUIDE PLATE:UPPER	1
17	M1604126	SEPARATOR:FUSING	1
18	M1604121	BRACKET:HEATER:LEFT	1
19	M1604122	BRACKET:HEATER:RIGHT	1
20	M1604204	HEATER:820W:227V:EU/CHN	1
20	M1604205	HEATER:820W:117V:NA	1
21	M1604103	FLAT NUT:THERMISTOR	2
22	M1604216	THERMISTOR:FUSING:ASS'Y	1
23	M1604151	GUIDE PLATE:FUSING EXIT	1
24	M1604154	EXIT ROLLER:FUSING EXIT	4
25	M1604155	HOLDER:EXIT ROLLER	4
26	M1604156	SPRING PLATE:EXIT ROLLER	4
27	M1604159	SHAFT:EXIT ROLLER:FUSING EXIT	1
28	M1604157	ROLLER:MIDDLE:FUSING:DIA11	2
29	M1604158	ROLLER:MIDDLE:FUSING:DIA11	2
30	M1604133	FELT WICK:EARTH:HOT ROLLER	1
31	M1604102	THERMISTOR:FUSING	1
32	M1604139	RESISTOR:1GOHM	1

Index No.	Part No.	Description	Q'ty Per Assembly
33	M1604134	BRACKET:THERMISTOR	1
34	M1604211	DRAWER:FUSING:EU (EU/CHN)	1
34	M1604212	DRAWER:FUSING:NA (NA)	1
35	M1604173	CAP:THERMISTOR	1
36	M1604141	WASHER:DIA10.1:DIA6.0:0.6T	2
101	04503010N	TAPPING SCREW:3X10	
102	08046127	HEXAGONAL BOLT:DOUBLE SCREW:M3X8	
103	09543012N	SCREW:POLISHED ROUND/SPRING:M3X12	

13. Fusing Section 2

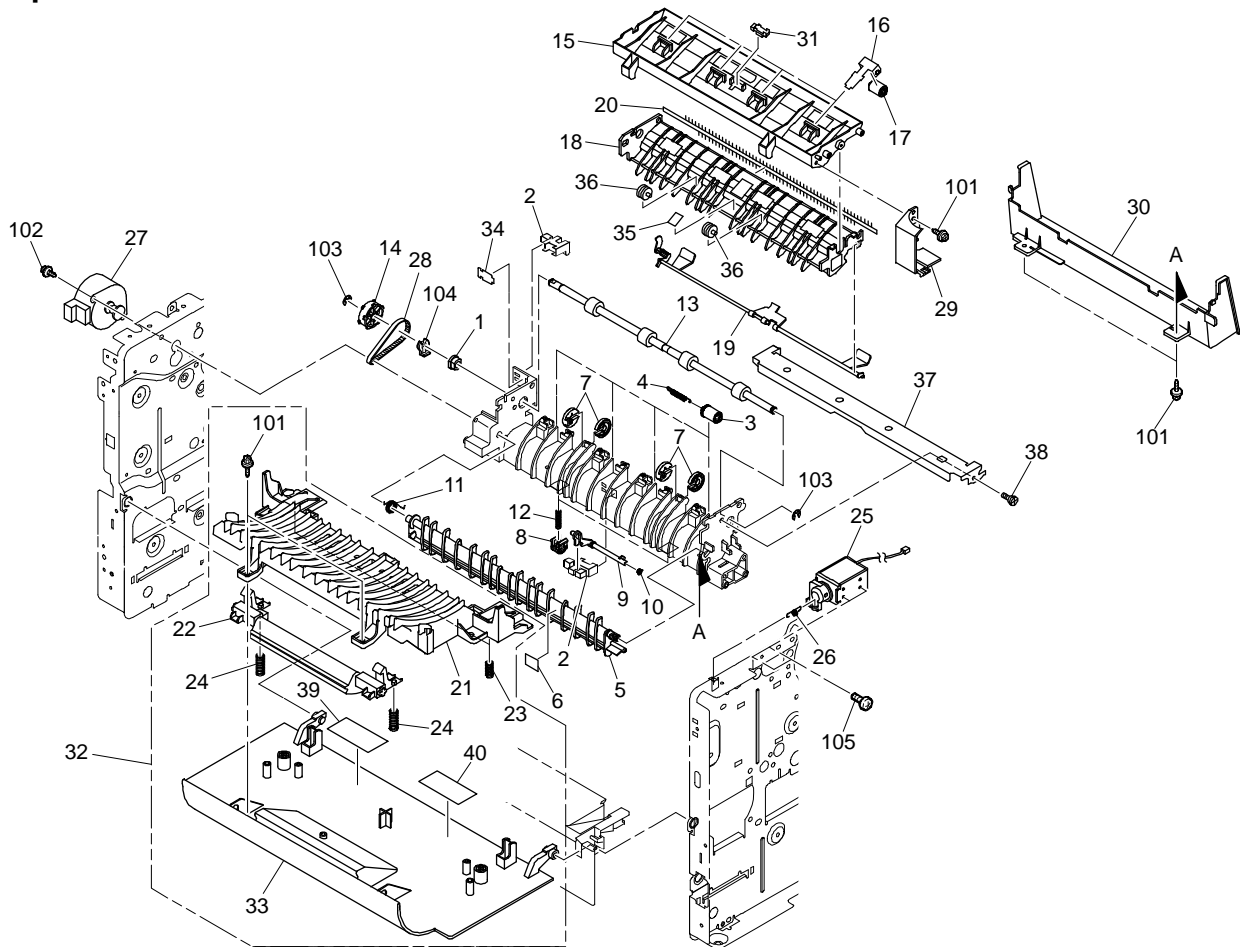


13. Fusing Section 2

Index No.	Part No.	Description	Q'ty Per Assembly
1	M1604053	FLAT NUT:FRAME	5
2	AA082118	PLAIN SHAFT BEARING:MM6	2
3	M1604055	EXIT ROLLER:FUSING	1
4	M1604057	LEVER:ENVELOPE:LEFT	1
5	M1604058	LEVER:ENVELOPE:RIGHT	1
6	M1604059	SHAFT:LEVER:ENVELOPE	1
7	M0214619	COMPRESSION SPRING:2N	2
8	M1604061	GUIDE:DUPLEX:FUSING	1
9	M1604090	PLAIN SHAFT BEARING:MM4	2
10	M1604091	DRIVEN ROLLER:DUPLEX	1
11	M1604063	DISCHARGE BRUSH:PRESSURE ROLLER	1
12	M1604064	GROUND PLATE:PRESSURE ROLLER	1
13	AE030083	RADIAL BALL BEARING:DIA6XDIA12X4	2
14	M1604074	LEVER:PRESSURE	2
15	M1604073	TENSION SPRING:PRESSURE ROLLER	2
16	M1604096	PRESSURE ROLLER:DIA34	1
17	M1604077	FUSING ENTRANCE GUIDE PLATE:LOWER	1
18	M1604079	BRACKET:FUSING ENTRANCE GUIDE PLATE:RIGHT	1
19	M1604085	TORSION SPRING:FUSING ENTRANCE GUIDE PLATE	2
20	M1604087	GEAR:IDLER:DIA35:FUSING	1
21	M1604088	GEAR:IDLER:DIA20:FUSING	1
22	M1604089	GEAR:IDLER:DIA18:FUSING EXIT	1
23	M0524301	DECAL:BARCODE:FUSING UNIT	2
24	M1604172	COVER:FUSING:RIGHT	1
25	M1604080	COIL SPRING:CLEANING ROLLER:PRESSURE ROLLER	2
26	M1604083	BUSHING:FUSING CLEANING ROLLER:RIGHT	1
27	M1604084	BUSHING:FUSING CLEANING ROLLER:LEFT	1
28	M1604065	CLEANING ROLLER:ASS'Y	1

Index No.	Part No.	Description	Q'ty Per Assembly
101	09543012N	SCREW:POLISHED ROUND/SPRING:M3X12	
102	08050089	RETAINING RINGS-E:SILENCER:DIA4	
103	04503010N	TAPPING SCREW:3X10	
104	08046127	HEXAGONAL BOLT:DOUBLE SCREW:M3X8	

14. Paper Exit Section

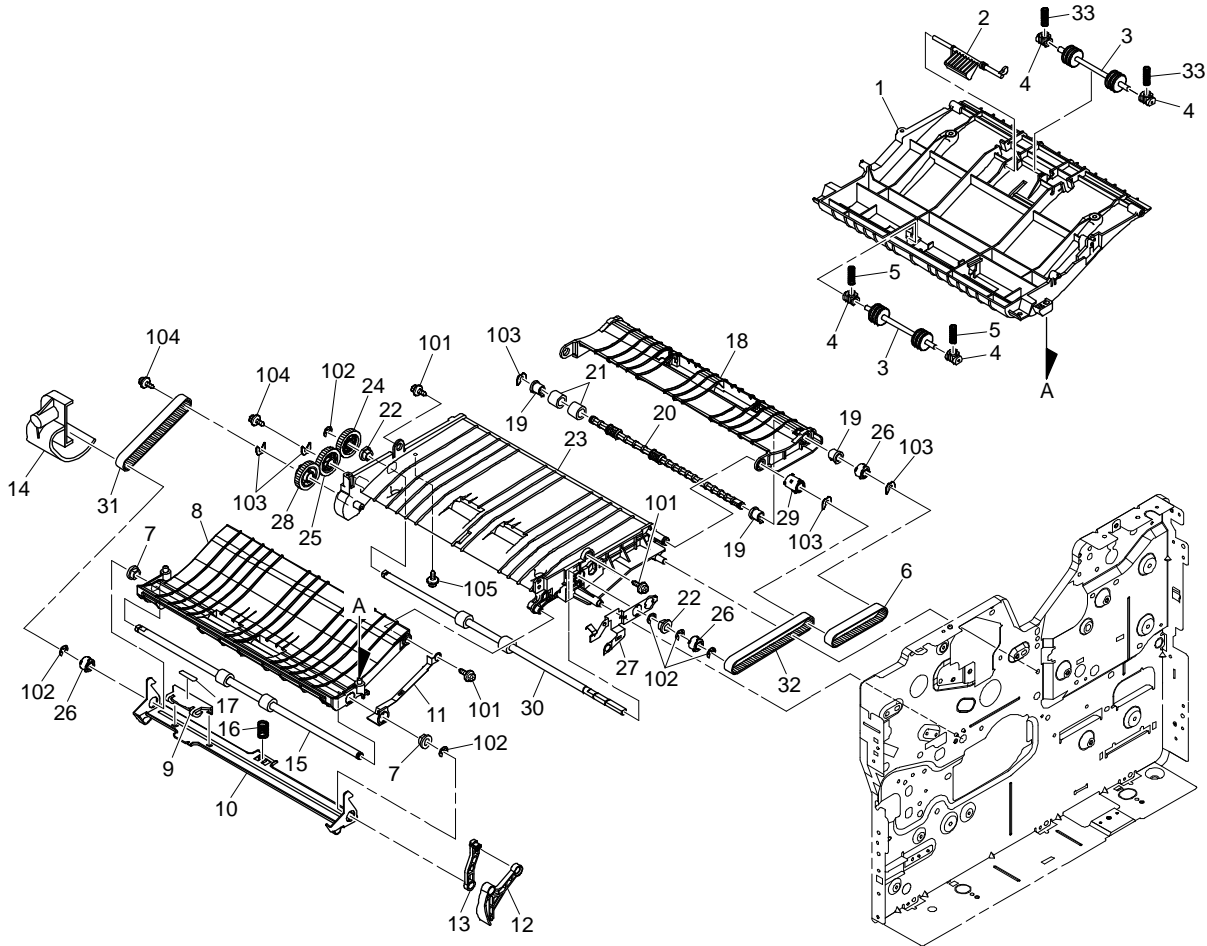


14. Paper Exit Section

Index No.	Part No.	Description	Q'ty Per Assembly
1	AA082118	PLAIN SHAFT BEARING:MM6	1
2	AW020198	PHOTOINTERRUPTOR:LG2A14NL1	2
3	M1604457	ROLLER:IDLER:EXIT:MF1D	4
4	M1604459	COIL SPRING:ROLLER:EXIT:MF1D	4
5	M1604460	GUIDE:GATE	1
6	M1604461	DECAL:GATE:EXIT	1
7	M1604463	RING:DECURA:EXIT	6
8	M1604464	PRESSURE PLATE:FUSING:GUIDE	2
9	M1604465	FEELER:EXIT	1
10	M1604466	COIL SPRING:FEELER:EXIT	1
11	M1604467	COIL SPRING:GUIDE:GATE	1
12	M1604468	COIL SPRING:PRESSURE PLATE	2
13	M1604470	SHAFT:ROLLER:EXIT:MF1D	1
14	M1604471	PULLEY:ROLLER:EXIT	1
15	M1604480	GUIDE:UPPER:EXIT	1
16	M1604481	SPRING PLATE:UPPER:EXIT	4
17	M1604482	ROLLER:IDLER:EXIT:UPPER	4
18	M1604484	GUIDE:MIDDLE:EXIT	1
19	M1604485	FEELER:OVERFLOW:EXIT	1
20	M1604488	ANTISTATIC BRUSH:EXIT	1
21	M1604491	GUIDE:REAR:EXIT	1
22	M1604493	LEVER:DOOR:EXIT:MF1D	1
23	M1604497	COIL SPRING:GUIDE:REAR:EXIT	2
24	M1604498	COIL SPRING:LEVER:DOOR:EXIT	2
25	M1604436	DC SOLENOID:EXIT:ASSY	1
26	M1604479	COIL SPRING:DC SOLENOID:GATE	1
27	M1604446	DC STEPPER MOTOR:EXIT	1
28	M1604447	SYNCHRONOUS BELT:EXIT	1
29	M1604441	INNER COVER:EXIT:LEFT:MF1D	1
30	M1604453	COVER:UPPER:EXIT:MF1D	1
31	GW010007	REFLECTION PHOTO SENSOR:EXIT	1
32	M1594406	DOOR:EXIT:P1CD:ASSY	1
33	M1594490	COVER:REAR:P1CD	1
34	M0214620	MYLAR:HOLD:SENSOR	1

Index No.	Part No.	Description	Q'ty Per Assembly
35	M1604483	SHEET:OPPOSITE:SENSOR	1
36	M1604489	ROLLER:IDLE:MIDDLE:GUIDE	2
37	M1604452	BRACKET:REVERSE GUIDE	1
38	B0394480	STEP SCREW	2
39	M1604494	DECAL:LEFT:COVER:REAR	1
40	M1604495	DECAL:RIGHT:COVER:REAR	1
101	04503008N	TAPPING SCREW:3X8	
102	04523010N	BINDING SELF-TAPPING SCREW:3X10	
103	07200040E	RETAINING RINGS-E:4	
104	54472681	SNAP RING	
105	03130030N	PAN HEAD SCREW:M3X3	

15. Duplex Section



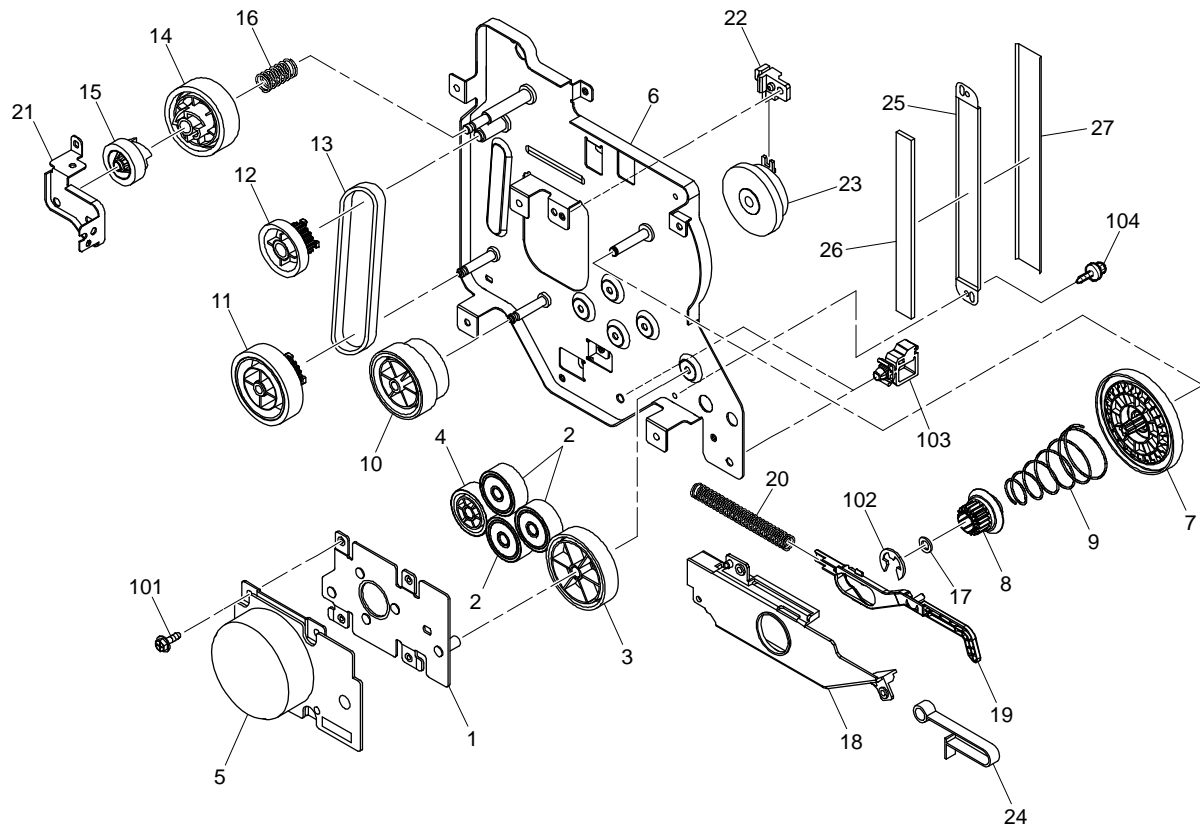
15. Duplex Section

Index No.	Part No.	Description	Q'ty Per Assembly
1	M1604601	GUIDE:UPPER:DUPLEX UNIT	1
2	M1604603	FEELER:UPPER:DUPLEX UNIT	1
3	M1604605	SHAFT:IDLER:UPPER:ASSY	2
4	M1604607	BUSHING IDLER DIA 4	4
5	M1604611	COIL SPRING IDLER DUPLEX UNIT	2
6	M1604674	SYNCHRONOUS BELT:REAR:DUPLEX UNIT	1
7	AA082058	PLAIN SHAFT BEARING - 6X10X9MM	2
8	M1604621	GUIDE:FRONT:DUPLEX UNIT	1
9	M1604622	GRIP:FRONT:DUPLEX UNIT	1
10	M1604623	HOOK:FRONT:DUPLEX UNIT	1
11	M1604624	GROUND PLATE:FRONT:DUPLEX UNIT	1
12	M1604625	LINK:FRAME:DUPLEX UNIT	1
13	M1604626	LINK:FRONT:DUPLEX UNIT	1
14	M1604627	DAMPER:FRONT:DUPLEX UNIT	1
15	M1604631	SHAFT:FRONT:DUPLEX UNIT	1
16	M1604633	COMPRESSION SPRING:HOOK:DUPLEX UNIT	1
17	M1604635	DECAL:HANDLE:DUPLEX UNIT	1
18	M1604641	GUIDE:REAR:DUPLEX UNIT	1
19	M1604643	BUSHING:DIA6	3
20	M1604644	SHAFT:REAR:ASSY	1
21	M1604645	RUBBER BUSHING:SHAFT:REAR	2
22	AA082118	PLAIN SHAFT BEARING:MM6	2
23	M1604661	GUIDE:MIDDLE:DUPLEX UNIT	1
24	M1604662	GEAR:DRIVE:DUPLEX UNIT	1
25	M1604663	GEAR:IDLER:DUPLEX UNIT	1
26	M1604664	PULLEY:DRIVE:DUPLEX UNIT	3
27	M1604666	GROUND PLATE:MIDDLE:DUPLEX UNIT	1
28	M1604667	PULLEY:GEAR:DUPLEX UNIT	1
29	M1604668	PULLEY:NO.2:DUPLEX UNIT	1
30	M1604671	SHAFT:MIDDLE:DUPLEX UNIT	1
31	M1604672	SYNCHRONOUS BELT:FRONT:DUPLEX UNIT	1
32	M1604673	SYNCHRONOUS BELT:FUSING:DUPLEX UNIT	1
33	M1604614	COIL SPRING:MIDDLE:DUPLEX UNIT	2

Index No.	Part No.	Description	Q'ty Per Assembly
101	04503008N	TAPPING SCREW:3X8	
102	07200040E	RETAINING RINGS-E:4	
103	08050089	RETAINING RINGS-E:SILENCER:DIA4	
104	04503010N	TAPPING SCREW:3X10	
105	04513006N	TAPPING SCREW:3X6	



16. Drive Section 1

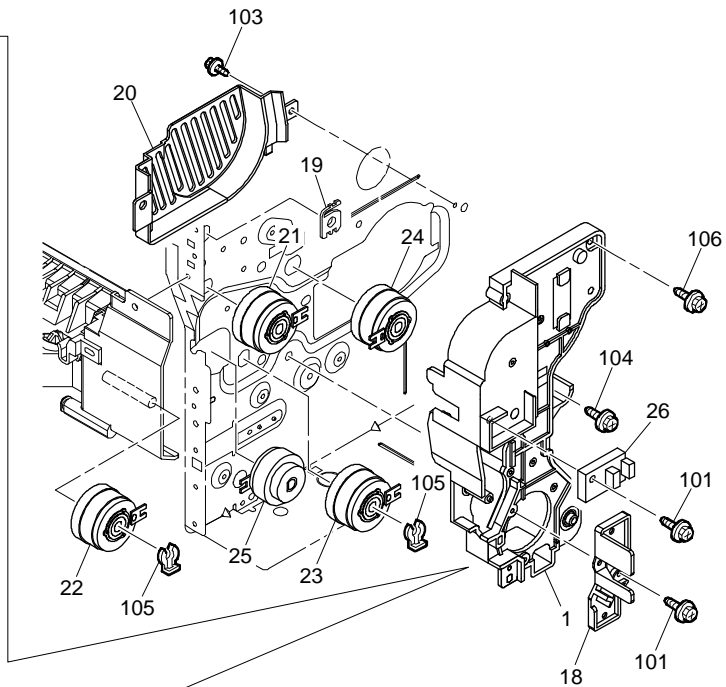
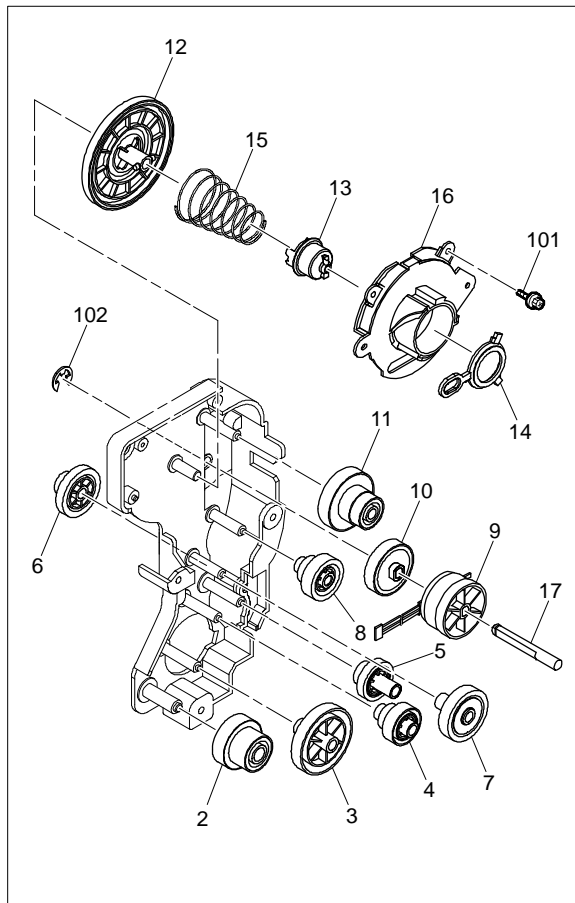


16. Drive Section 1

Index No.	Part No.	Description	Q'ty Per Assembly
1	M1601101	BRACKET:MOTOR:ASS'Y	1
2	M1601105	GEAR:MOTOR:DRIVE	3
3	M1601106	GEAR:PAPER FEED:NO.1	1
4	M1601107	GEAR:DUPLEX:NO.1	1
5	M1601108	DC BRUSHLESS MOTOR:MAIN	1
6	M1601111	BRACKET:MAIN:ASS'Y	1
7	M1601121	GEAR:DRUM:NO.2	1
8	M1601122	JOINT:DRUM	1
9	M1601123	COIL SPRING:DRUM	1
10	M1601124	GEAR:DUPLEX UNIT:NO.2	1
11	M1601125	PULLEY:FUSING:NO.1	1
12	M1601126	PULLEY:FUSING:NO.2	1
13	M1601127	SYNCHRONOUS BELT:FUSING:S3M	1
14	M1601128	GEAR:FUSING:NO.1	1
15	M1601129	GEAR:FUSING:NO.2	1
16	M1601130	COIL SPRING:FUSING	1
17	M1601131	HOLDER:SPLINE:JOINT	1
18	M1601135	GUIDE:LINK:MAIN	1
19	M1601136	LINK:MAIN	1
20	M1601137	COIL SPRING:MAIN	1
21	M1601162	BRACKET:FUSING	1
22	M1601163	GUIDE:ELECTROMAGNETIC CLUTCH	1
23	M1601181	ELECTROMAGNETIC CLUTCH:DUPLEX UNIT	1
24	M1601139	LINK:FRONT	1
25	M1601171	BKT:DAMPER	1
26	M1601172	PAD:DAMPER	1
27	M1601173	MYLAR:BKT:DAMPER	1

Index No.	Part No.	Description	Q'ty Per Assembly
101	04513006N	TAPPING SCREW:3X6	
102	03603006N	SCREW:M3X6	
103	11050763	CLAMP:LWS-1211A	
104	04533006N	BINDING SELF TAPPING SCREW:3X6	

17. Drive Section 2

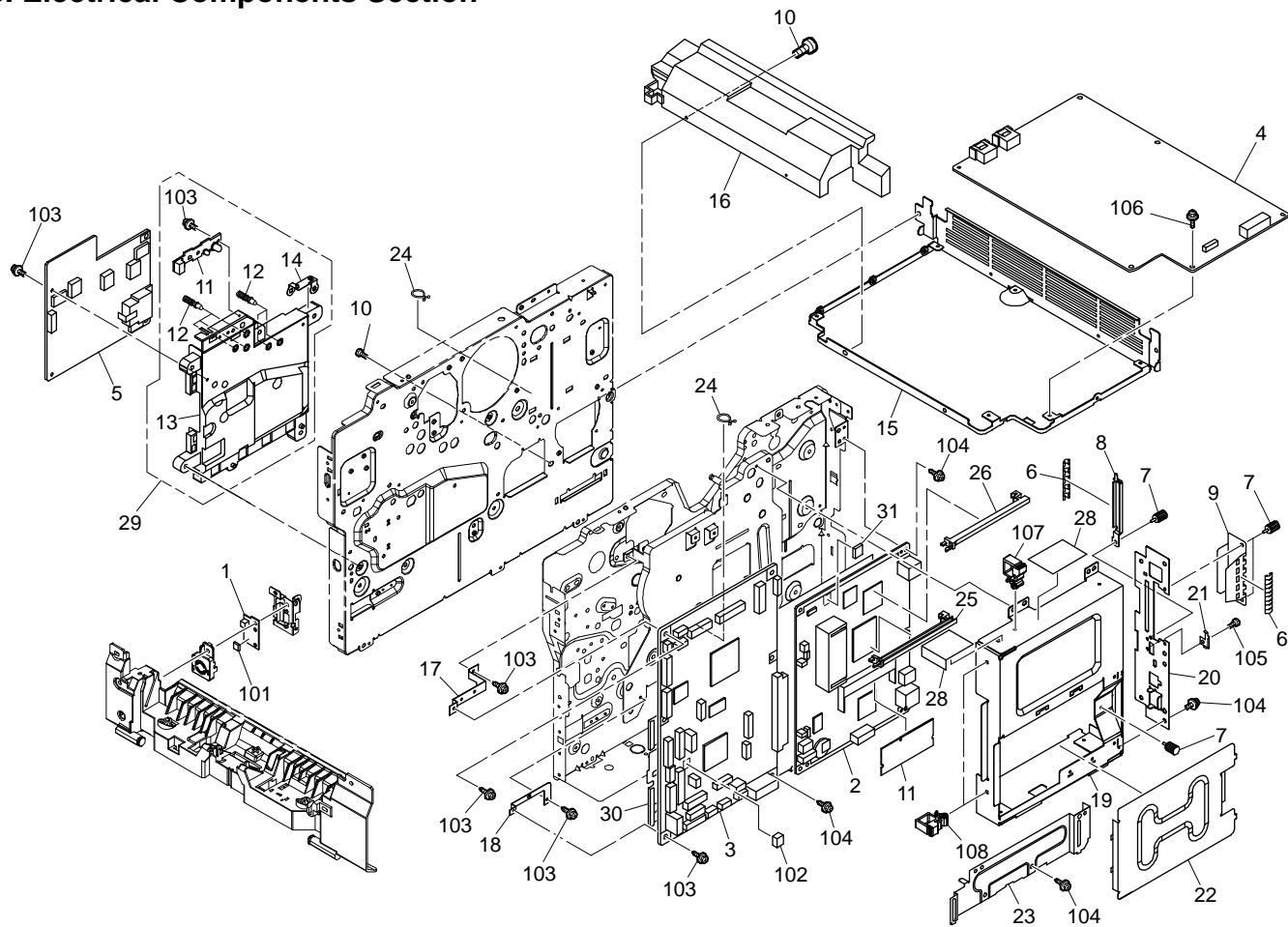


17. Drive Section 2

Index No.	Part No.	Description	Q'ty Per Assembly
1	M1601141	HOUSING:PAPER FEED	1
2	M1601142	GEAR:PAPER FEED:NO.2	1
3	M1601143	GEAR:PAPER FEED:NO.3	1
4	M1601144	GEAR:TRANSFER:NO.1	1
5	M1601145	GEAR:TRANSFER:NO.2	1
6	M1601146	GEAR:MANUAL FEED TABLE:NO.1	1
7	M1601147	GEAR:MANUAL FEED:NO.1	1
8	M1601148	GEAR:MANUAL FEED:NO.2	1
9	M1601149	ELECTROMAGNETIC CLUTCH:TONER SUPPLY	1
10	M1601150	GEAR:TONER SUPPLY:NO.1	1
11	M1601151	GEAR:TONER SUPPLY:NO.2	1
12	M1601152	GEAR:TONER SUPPLY:NO.3	1
13	M1601153	JOINT:TONER	1
14	M1601154	GUIDE:JOINT:TONER	1
15	M1601155	COIL SPRING:TONER SUPPLY	1
16	M1601156	HOUSING:JOINT:TONER	1
17	M1601157	SHAFT:TONER SUPPLY	1
18	M1601158	GUIDE:GEAR:MANUAL FEED TABLE	1
19	M1601138	BUSHING:TONER SUPPLY:ELECTROMAGNETIC CLUTCH	1
20	M1601161	COVER:MOTOR	1
21	M1601182	ELECTROMAGNETIC CLUTCH:MANUAL FEED	1
22	M1601183	ELECTROMAGNETIC CLUTCH:MANUAL FEED:TRAY BOTTOM PLATE	1
23	M1601184	ELECTROMAGNETIC CLUTCH:PAPER FEED	1
24	M1601185	ELECTROMAGNETIC CLUTCH:REGISTRATION	1
25	M1601186	ELECTROMAGNETIC CLUTCH:CONNECTING	1
26	AW140016	TEMPERATURE & HUMIDITY SENSOR	1

Index No.	Part No.	Description	Q'ty Per Assembly
101	04503008N	TAPPING SCREW:3X8	
102	07200040E	RETAINING RINGS-E:4	
103	03603006N	SCREW:M3X6	
104	04513006N	TAPPING SCREW:3X6	
105	54472681	SNAP RING	
106	04503010N	TAPPING SCREW:3X10	

18. Electrical Components Section

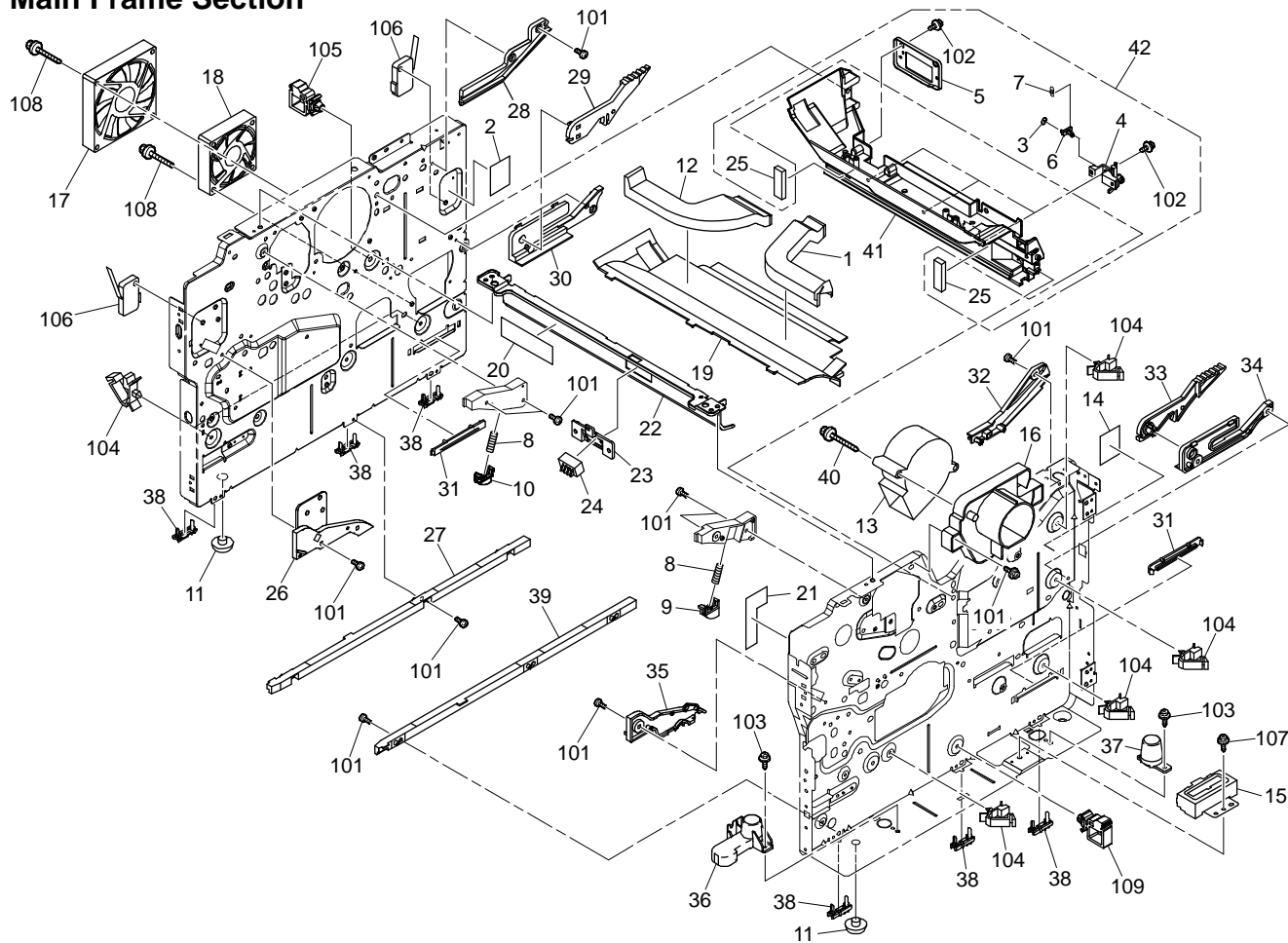


18. Electrical Components Section

Index No.	Part No.	Description	Q'ty Per Assembly
1	D1495686	PCB:DCSW	1
2	M1585792	PCB:CTL:GIM-P1C_EXP:40CPM (SP4510DN)	1
2	M1595791	PCB:CTL:EXP:40CPM (SP4520DN)	1
3	M1595010	PCB:BCU:GP-1:ASSY	1
4	AZ230267	POWER SUPPLY UNIT:GIM-MF1:DOM/NA	1
4	AZ230269	POWER SUPPLY UNIT:GIM-MF1:EU/AA/CHN	1
5	AZ320187	POWER PACK:CDVT:GIM	1
6	B0706899	PANEL:GROUND PLATE	2
7	G1045141	KNOB SCREW:M3	4
8	G1685118	COVER:CARD	1
9	M1605520	PANEL_INTERFACE	1
10	AA143592	SCREW:SPRING WASHER	1
11	M1605120	PCB:SENSOR:TONER END SENSOR	1
12	M1605507	SPRING:HIGH VOLTAGE:ASSY	5
13	M1605506	BRACKET:HVPS	1
14	M1605515	EARTH PLATE:HVPS:LEFT UPPER	1
15	M1605500	BRACKET:LVPS:MF	1
16	M1605501	COVER:FRONT:LVPS	1
17	M1605518	EARTH PLATE:BICU:LEFT MIDDLE	1
18	M1605519	EARTH PLATE:BICU:LEFT LOWER	1
19	M1595510	BOX_CONTROLLER_P1cd	1
20	M1595512	PANEL_CONTROLLER_P1cd	1
21	M1605527	COVER_USB	1
22	M1595511	COVER_CONTROLLER_P1cd	1
23	M1605528	BRACKET:EMI:MF1D	1
24	M1605555	CLAMP:TWISTLOCK	2
25	G1085107	GUIDE:1:LEFT	1
26	G1085108	GUIDE:1:RIGHT	1
27	M1095245	PCB:DDR3-DIMM:512MB(32BIT):ASSY	1
28	M1595532	SHEET:EMI:P1D (SP 4520DN)	2
29	M1605022	POWER PACK:ASSY	1
30	M1595533	SHEET:INSULATION:P1CD	1
31	M1589590	NVRAM: ZERO COUNTER	1

Index No.	Part No.	Description	Q'ty Per Assembly
101	12042555	TACTSWITCH:SKHV/BBD010	
102	14077677	EEPROM:BR24T64-W	
103	04503008N	TAPPING SCREW:3X8	
104	04513006N	TAPPING SCREW:3X6	
105	03130030N	SCREW:PC:M3x3	
106	08046123	HEXA BOLT:M3x8	
107	11050762	CLAMP:LWS-0711A	
108	11050763	CLAMP:LWS-1211Z	

19. Main Frame Section



20. Options

VM Card Type W



SD Card for Fonts Type D



SD card for NetWare printing Type P1



XPS Direct Print Option Type P1



IPDS Direct Print Option Type P1



OCR Unit Type M2



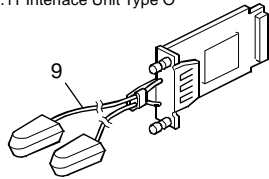
Browser unit Type P1



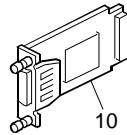
Unicode Font Package for SAP 100 Licence



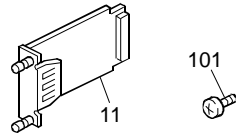
IEEE 802.11 Interface Unit Type O



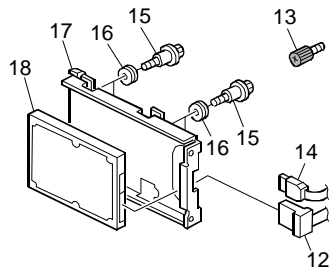
IEEE 1284 Interface Board Type A



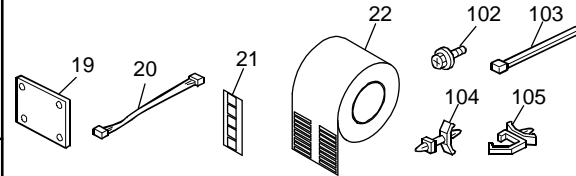
File Format Converter Type E



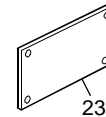
Hard Disk Drive Option Type P1



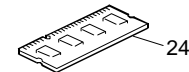
Optional Counter Interface Unit Type A




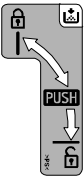

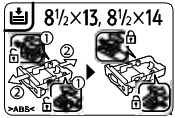

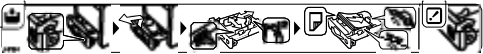








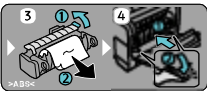

Copy Data Security Unit



Memory Unit Type N1 1.0GB



21. Decal and Document

<p>1</p> 	<p>2</p> 	<p>3</p> 	<p>4</p> 	
<p>5</p> 	<p>6</p> 		<p>7</p> 	
	<p>8</p> 	<p>9</p> 	<p>10</p> 	
	<p>11</p> 	<p>12</p> 	<p>13</p> <p>•Apparaten skall anslutas till jordet uttag. •Apparaten må tillkoplas jordet stikkontakt. •Läite on liitettävä suojamaaditus- kosketti (milla varustettuun pistorasialtiin).</p> 	<p>14</p> 
	<p>15</p> 		<p>16</p> 	
	Empty row for additional labels			

22. Parts Index

Part No.	Description	Page and Index No.
03130030N	PAN HEAD SCREW:M3X3	28 - 105
03130030N	SCREW:PC:M3x3	36 - 105
03130040N	PAN HEAD SCREW:M3X4	10 - 105
03520030N	SCREW:M2X3	8 - 101
03603006N	SCREW:M3X6	32 - 102
03603006N	SCREW:M3X6	34 - 103
04503008N	TAPPING SCREW:3X8	2 - 101
04503008N	TAPPING SCREW:3X8	4 - 101
04503008N	TAPPING SCREW:3X8	12 - 101
04503008N	TAPPING SCREW:3X8	14 - 101
04503008N	TAPPING SCREW:3X8	16 - 101
04503008N	TAPPING SCREW:3X8	18 - 103
04503008N	TAPPING SCREW:3X8	22 - 101
04503008N	TAPPING SCREW:3X8	28 - 101
04503008N	TAPPING SCREW:3X8	30 - 101
04503008N	TAPPING SCREW:3X8	34 - 101
04503008N	TAPPING SCREW:3X8	36 - 103
04503008N	TAPPING SCREW:3X8	38 - 102
04503010N	TAPPING SCREW:3X10	16 - 102
04503010N	TAPPING SCREW:3X10	18 - 101
04503010N	TAPPING SCREW:3X10	22 - 102
04503010N	TAPPING SCREW:3X10	24 - 101
04503010N	TAPPING SCREW:3X10	26 - 103
04503010N	TAPPING SCREW:3X10	30 - 104
04503010N	TAPPING SCREW:3X10	34 - 106
04513006N	TAPPING SCREW:3X6	2 - 102
04513006N	TAPPING SCREW:3X6	4 - 102
04513006N	TAPPING SCREW:3X6	10 - 101
04513006N	TAPPING SCREW:3X6	14 - 102
04513006N	TAPPING SCREW:3X6	18 - 105
04513006N	TAPPING SCREW:3X6	30 - 105
04513006N	TAPPING SCREW:3X6	32 - 101
04513006N	TAPPING SCREW:3X6	34 - 104
04513006N	TAPPING SCREW:3X6	36 - 104

Part No.	Description	Page and Index No.
04513006N	TAPPING SCREW:3X6	38 - 107
04513006N	TAPPING SCREW:3X6	40 - 102
04513008N	TAPPING SCREW:3X8	4 - 103
04513020N	TAPPING SCREW:3X20	38 - 108
04522006N	BINDING SELF-TAPPING SCREW:2X6	8 - 102
04523008N	BINDING SELF-TAPPING SCREW:3X8	10 - 104
04523010N	BINDING SELF-TAPPING SCREW:3X10	6 - 101
04523010N	BINDING SELF-TAPPING SCREW:3X10	14 - 106
04523010N	BINDING SELF-TAPPING SCREW:3X10	28 - 102
04533006N	BINDING SELF TAPPING SCREW:3X6	20 - 101
04533006N	BINDING SELF TAPPING SCREW:3X6	32 - 104
04533006N	BINDING SELF TAPPING SCREW:3X6	38 - 101
04543006Q	TAPPING SCREW:3X6	10 - 102
04543006Q	TAPPING SCREW:3X6	14 - 103
04543006Q	TAPPING SCREW:3X6	16 - 103
04543006Q	TAPPING SCREW:3X6	18 - 106
04543006Q	TAPPING SCREW:3X6	38 - 103
07200040E	RETAINING RINGS-E:4	14 - 104
07200040E	RETAINING RINGS-E:4	18 - 104
07200040E	RETAINING RINGS-E:4	28 - 103
07200040E	RETAINING RINGS-E:4	30 - 102
07200040E	RETAINING RINGS-E:4	34 - 102
08010212	FLAT SCREW:M3X4	40 - 101
08046123	HEXA BOLT:M3x8	36 - 106
08046127	HEXAGONAL BOLT:DOUBLE SCREW:M3X8	24 - 102
08046127	HEXAGONAL BOLT:DOUBLE SCREW:M3X8	26 - 104
08050088	RETAINING RINGS-E:SILENCER:DIA6	20 - 102
08050089	RETAINING RINGS-E:SILENCER:DIA4	10 - 103
08050089	RETAINING RINGS-E:SILENCER:DIA4	14 - 107
08050089	RETAINING RINGS-E:SILENCER:DIA4	18 - 102
08050089	RETAINING RINGS-E:SILENCER:DIA4	20 - 103
08050089	RETAINING RINGS-E:SILENCER:DIA4	26 - 102
08050089	RETAINING RINGS-E:SILENCER:DIA4	30 - 103
09543012N	SCREW:POLISHED ROUND/SPRING:M3X12	24 - 103

Part No.	Description	Page and Index No.
09543012N	SCREW:POLISHED ROUND/SPRING:M3X12	26 - 101
11050046	WIRE BINDER	40 - 103
11050195	12.7MM-V-0	40 - 104
11050508	CLAMP:LWS-0711Z	40 - 105
11050758	CLAMP:LWSM-0306A	22 - 103
11050758	CLAMP:LWSM-0306A	38 - 104
11050762	CLAMP:LWS-0711A	36 - 107
11050762	CLAMP:LWS-0711A	38 - 105
11050763	CLAMP:LWS-1211A	32 - 103
11050763	CLAMP:LWS-1211Z	36 - 108
11050763	CLAMP:LWS-1211A	38 - 109
11500427	POWER SUPPLY CODE:125V:15A:NA	2 - 11
11500427	POWER SUPPLY CODE:125V:15A:NA	4 - 15
11500456	POWER SUPPLY CODE:250V:10A:CHN	2 - 11
11500458	POWER SUPPLY CODE:250V:10A:EU	2 - 11
11500458	POWER SUPPLY CODE:250V:10A:EU	4 - 15
12042555	TACTSWITCH:SKHVBB010	6 - 102
12042555	TACTSWITCH:SKHVBB010	14 - 108
12042555	TACTSWITCH:SKHVBB010	36 - 101
12042612	MICROSWITCH:D3V-16506-3C25(10E)	38 - 106
14077677	EEPROM:BR24T64-W	36 - 102
52152621	SNAP RING - M6	12 - 102
54472681	SNAP RING	14 - 105
54472681	SNAP RING	28 - 104
54472681	SNAP RING	34 - 105
A1532117	ROLLER TERMINAL	20 - 1
AA000267	DECAL:EARTH:NE:ABS	2 - 8
AA000267	DECAL:EARTH:NE:ABS	4 - 8
AA000267	DECAL:EARTH:NE:ABS	44 - 13
AA063399	COMPRESSION SPRING:VERTICAL TRANSPORT	14 - 30
AA080249	PLAIN SHAFT BEARING:MM4:VERTICAL TRANSPORT	14 - 27
AA082058	PLAIN SHAFT BEARING - 6X10X9MM	30 - 7
AA082116	PLAIN SHAFT BEARING:MM8	20 - 2
AA082118	PLAIN SHAFT BEARING:MM6	14 - 1

Part No.	Description	Page and Index No.
AA082118	PLAIN SHAFT BEARING:MM6	18 - 1
AA082118	PLAIN SHAFT BEARING:MM6	26 - 2
AA082118	PLAIN SHAFT BEARING:MM6	28 - 1
AA082118	PLAIN SHAFT BEARING:MM6	30 - 22
AA143592	SCREW:SPRING WASHER	36 - 10
AA143848	FLANGED HEXAGONAL HEAD BOLT:HDD UNIT:M3X3	40 - 15
AA161125	BUSHING:HDD	40 - 16
AE030083	RADIAL BALL BEARING:DIA6XDIA12X4	26 - 13
AF031092	PAPER FEED ROLLER:MANUAL FEED	14 - 31
AH010009	RUBBER FOOT:H5	38 - 11
AW020198	PHOTOINTERRUPTOR:LG2A14NL1	14 - 2
AW020198	PHOTOINTERRUPTOR:LG2A14NL1	18 - 2
AW020198	PHOTOINTERRUPTOR:LG2A14NL1	22 - 1
AW020198	PHOTOINTERRUPTOR:LG2A14NL1	28 - 2
AW110101	THERMOSTAT:LOWER	24 - 2
AW140016	TEMPERATURE & HUMIDITY SENSOR	34 - 26
AZ230267	POWER SUPPLY UNIT:GIM-MF1:DOM/NA	36 - 4
AZ230269	POWER SUPPLY UNIT:GIM-MF1:EU/AA/CHN	36 - 4
AZ320187	POWER PACK:CDVT:GIM	36 - 5
B0394480	STEP SCREW	14 - 33
B0394480	STEP SCREW	28 - 38
B0706899	PANEL:GROUND PLATE	36 - 6
B0902742	ROLLER:PULL OUT:OPTION TRAY	14 - 28
B0902869	GEAR:16Z	16 - 8
B2591119	TAPPING SCREW:M3X33	38 - 40
B5955670	PCB:IEEE1284:ASS'Y	40 - 10
B8295106	PCB:ICIB-3	40 - 23
B8695701	IC:UNICODE	40 - 8
B8705102	PCB:MKB:AP-C1	40 - 19
B8705510	HARNESS:JOB:MKB	40 - 20
D1172725	COMPRESSION SPRING:PAPER FEED:MANUAL FEED	14 - 29
D1204184	DECAL:H-TEMP WARNING:SMALL	24 - 5
D1204184	DECAL:H-TEMP WARNING:SMALL	44 - 7
D1495686	PCB:DCSW	14 - 3

Part No.	Description	Page and Index No.
D1495686	PCB:DCSW	36 - 1
D1665024	OCR Unit Type M2	40 - 6
D1825260	CABLE:HDD:SATA:POWER_3P:70	40 - 12
D3775603	PCB:MLB32:ASS'Y	40 - 11
D6415054	SD-CARD:FONTSD:11A:EXP:ASS'Y	40 - 2
G1045141	KNOB SCREW:M3	36 - 7
G1045141	KNOB SCREW:M3	40 - 13
G1085107	GUIDE:1:LEFT	36 - 25
G1085108	GUIDE:1:RIGHT	36 - 26
G1685118	COVER:CARD	36 - 8
GA063082	COMPRESSION SPRING:PRESSURE:END FENCE	16 - 3
GA063084	COMPRESSION SPRING:AUXILIARY:SIDE FENCE	16 - 21
GF013001	PAD:BASE	16 - 16
GW010007	REFLECTION PHOTO SENSOR:EXIT	20 - 20
GW010007	REFLECTION PHOTO SENSOR:EXIT	28 - 31
GW500004	PUSH SWITCH:CASSETTE:TYCO	18 - 15
H5554492	DECAL:ROHS:CHN:10:20MM	40 - 21
H5554496	LABEL:ROHS:CHN:DATE:40MM	40 - 22
M0124055	RADIAL BALL BEARING:35X47X7	24 - 10
M0124281	RETAINING RINGS-C:HOT ROLLER	24 - 11
M0212609	STOPPER:CASSETTE	16 - 12
M0212816	COMPRESSION SPRING:PAPER FEED	18 - 3
M0214619	COMPRESSION SPRING:2N	26 - 7
M0214620	MYLAR:HOLD:SENSOR	28 - 34
M0521069	DC FAN MOTOR:AIO	38 - 13
M0521210	PLATE:LOGO:RIC	2 - 9
M0521210	PLATE:LOGO:RIC	4 - 9
M0524301	DECAL:BARCODE:FUSING UNIT	26 - 23
M0524301	DECAL:BARCODE:FUSING UNIT	44 - 8
M0752610	COMPRESSION SPRING:LOCK:SIDE FENCE	16 - 4
M1091948	CLEANER:LENS:LED HEAD	2 - 10
M1091948	CLEANER:LENS:LED HEAD	4 - 14
M1095245	PCB:DDR3-DIMM:512MB(32BIT):ASS'Y	36 - 27
M1291465	PCB:4.3-P:OP-L:ASS'Y	8 - 2

Part No.	Description	Page and Index No.
M1291470	PCB:4.3-P:SENSOR:ASS'Y	6 - 2
M1291485	CABLE:FFC:SENSOR	6 - 3
M1291503	KEYTOP:HOME	8 - 3
M1291504	KEYTOP:SUS	8 - 4
M1291529	KEYTOP:RIGHT:BA	8 - 5
M1305245	PCB:DDR3-DIMM:RC-C:1GB:ASS'Y	40 - 24
M1581221	COVER:RIGHT REAR:P1_C	2 - 1
M1581230	COVER:UPPER:P1_C:ASS'Y	2 - 2
M1581401	OPERATION SUB-UNIT:GIMLET-P1C:NA:ASS'Y	6 - 1
M1581404	OPERATION SUB-UNIT:GIMLET-P1C:CHN:ASS'Y	6 - 1
M1581451	COVER:OPERATION SUB-UNIT:GIMLET-P1C:NA	6 - 11
M1581452	KEYTOP:MAIN	6 - 4
M1581453	KEYTOP:RESUME	6 - 5
M1581455	LENS:LED	6 - 6
M1581456	LENS:SENSOR	6 - 7
M1581457	SHEET:OPERATION SUB-UNIT:LCD	6 - 8
M1581458	COVER:LCD	6 - 9
M1581459	LENS:INSIDE	6 - 10
M1581464	COVER:OPERATION SUB-UNIT:GIMLET-P1C:CHN	6 - 11
M1581470	PCB:GIMLET-P1C:OPU	6 - 12
M1582799	DECAL:PICK-UP PAPER JAM (SP 4510DN)	12 - 16
M1585792	PCB:CTL:GIM-P1C_EXP:40CPM (SP4510DN)	36 - 2
M1589590	NVRAM: ZERO COUNTER	36 - 31
M1591035	DUCT:EXIT:RIGHT:P	38 - 1
M1591079	DUCT:PCDU:P	38 - 19
M1591097	COVER:DUCT:FAN:P1CD	38 - 16
M1591193	DC FAN MOTOR:60X15	38 - 18
M1591210	COVER:LEFT:P1_CD:ASS'Y	2 - 3
M1591210	COVER:LEFT:P1_CD:ASS'Y	4 - 3
M1591220	COVER:RIGHT:P1_CD:ASS'Y	2 - 4
M1591220	COVER:RIGHT:P1_CD:ASS'Y	4 - 4
M1591222	COVER:BUTTON:DOOR:P1_CD	2 - 5
M1591222	COVER:BUTTON:DOOR:P1_CD	4 - 5
M1591223	COIL SPRING:BUTTON:DOOR:P1_CD	2 - 6

Part No.	Description	Page and Index No.
M1591223	COIL SPRING:BUTTON:DOOR:P1_CD	4 - 6
M1591224	COVER:RIGHT:EXPAND:P	2 - 7
M1591224	COVER:RIGHT:EXPAND:P	4 - 7
M1591230	COVER:UPPER:P1_D:ASSY	4 - 2
M1591232	COVER:EXTENSION TRAY:P1_CD	2 - 13
M1591232	COVER:EXTENSION TRAY:P1_CD	4 - 17
M1591233	HOUSING:OPERATION SUB-UNIT:P1_D	4 - 10
M1591234	COVER:UPPER FRONT:OP:P1_D	4 - 1
M1591235	COVER:OPERATION SUB-UNIT:P1_D	4 - 11
M1591236	DECAL:SD/USB	4 - 12
M1591241	GROUND PLATE:OP:P1_D	4 - 13
M1591411	OPERATION SUB-UNIT:GM-P1D:EXP:ASSY	8 - 1
M1591440	PCB:HOPE-AIR:GIM-P1D	8 - 8
M1591450	PCB:LCD CAR2FT:GIMP1:ASSY	8 - 6
M1591464	PCB:4.3-GIM:OP-R:ASSY	8 - 7
M1592700	DOOR:FRONT:INNER:P1CD	12 - 5
M1592711	COVER:MANUAL FEED:P1CD	12 - 15
M1592773	LINK:EXTENSION TRAY:MANUAL FEED:P1CD	12 - 6
M1592776	COVER:EXTENSION TRAY:MANUAL FEED:P1CD	12 - 7
M1594406	DOOR:EXIT:P1CD:ASSY	28 - 32
M1594490	COVER:REAR:P1CD	28 - 33
M1595010	PCB:BCU:GP-1:ASSY	36 - 3
M1595510	BOX_CONTROLLER_P1cd	36 - 19
M1595511	COVER_CONTROLLER_P1cd	36 - 22
M1595512	PANEL_CONTROLLER_P1cd	36 - 20
M1595532	SHEET:EMI:P1D (SP 4520DN)	36 - 28
M1595533	SHEET:INSULATION:P1CD	36 - 30
M1595791	PCB:CTL:EXP:40CPM (SP4520DN)	36 - 2
M1600129	PCU:CLICK:SERVICE:EXP	10 - 23
M1601020	STAY:FRAME:REAR (SP4510DN)	38 - 41
M1601028	DECAL:DISCHARGE:HIG HIGH TEMPERATURE:WARNING	38 - 20
M1601028	DECAL:DISCHARGE:HIG HIGH TEMPERATURE:WARNING	44 - 16
M1601036	DUCT:EXIT:LEFT	38 - 12
M1601040	STAY:FRAME:REAR:ASSY	38 - 42

Part No.	Description	Page and Index No.
M1601044	PICKOFF PAWL:MAIN	38 - 3
M1601045	BRACKET:HOLDER:PICKOFFPAWL	38 - 4
M1601047	SEAL:STAY:FRAME:REAR:B	38 - 25
M1601056	STAY:FRAME:FRONT	38 - 22
M1601059	DECAL:H-TEMP WARNING	38 - 14
M1601059	DECAL:H-TEMP WARNING	44 - 1
M1601061	GUIDE:PCU:LEFT LOWER	38 - 26
M1601062	TIGHTENER:PCU:LEFT	38 - 10
M1601063	COIL SPRING:TIGHTENER:PCU	38 - 8
M1601064	GUIDE:PCU:RIGHT LOWER	38 - 35
M1601066	TIGHTENER:PCU:RIGHT	38 - 9
M1601067	GUIDE:TRAY:LEFT	38 - 27
M1601068	GUIDE:TRAY:RIGHT	38 - 39
M1601071	GUIDE:FUSING:LEFT UPPER	38 - 28
M1601072	GUIDE:FUSING:LEFT LOWER	38 - 30
M1601073	LEVER:FUSING:LEFT	38 - 29
M1601075	GUIDE:FUSING:RIGHT UPPER	38 - 32
M1601076	GUIDE:FUSING:RIGHT LOWER	38 - 34
M1601077	LEVER:FUSING:RIGHT	38 - 33
M1601078	BRACKET:RAM BOARD:PCU	38 - 23
M1601080	BRACKET:DRAWER:FUSING	38 - 5
M1601082	BRACKET:MAIN SWITCH	14 - 4
M1601083	HOLDER:MAIN SWITCH	14 - 5
M1601084	KEY:BUTTON:MAIN SWITCH	12 - 1
M1601085	COIL SPRING:MAIN SWITCH	12 - 2
M1601091	BRACKET:CONNECTOR:PAPER BANK	38 - 15
M1601092	HOLDER:PICKOFF PAWL:MAIN	38 - 6
M1601093	COIL SPRING:HOLDER:PICKOFF PAWL	38 - 7
M1601094	COVER:FRAME:PAPER BANK	38 - 37
M1601095	COVER:FRAME:TRAY	38 - 31
M1601096	COVER:FRAME:LOWER	38 - 38
M1601101	BRACKET:MOTOR:ASSY	32 - 1
M1601105	GEAR:MOTOR:DRIVE	32 - 2
M1601106	GEAR:PAPER FEED:NO.1	32 - 3

Part No.	Description	Page and Index No.
M1601107	GEAR:DUPLEX:NO.1	32 - 4
M1601108	DC BRUSHLESS MOTOR:MAIN	32 - 5
M1601111	BRACKET:MAIN:ASS'Y	32 - 6
M1601121	GEAR:DRUM:NO.2	32 - 7
M1601122	JOINT:DRUM	32 - 8
M1601123	COIL SPRING:DRUM	32 - 9
M1601124	GEAR:DUPLEX UNIT:NO.2	32 - 10
M1601125	PULLEY:FUSING:NO.1	32 - 11
M1601126	PULLEY:FUSING:NO.2	32 - 12
M1601127	SYNCHRONOUS BELT:FUSING:S3M	32 - 13
M1601128	GEAR:FUSING:NO.1	32 - 14
M1601129	GEAR:FUSING:NO.2	32 - 15
M1601130	COIL SPRING:FUSING	32 - 16
M1601131	HOLDER:SPLINE:JOINT	32 - 17
M1601135	GUIDE:LINK:MAIN	32 - 18
M1601136	LINK:MAIN	32 - 19
M1601137	COIL SPRING:MAIN	32 - 20
M1601138	BUSHING:TONER SUPPLY:ELECTROMAGNETIC CLUTCH	34 - 19
M1601139	LINK:FRONT	32 - 24
M1601141	HOUSING:PAPER FEED	34 - 1
M1601142	GEAR:PAPER FEED:NO.2	34 - 2
M1601143	GEAR:PAPER FEED:NO.3	34 - 3
M1601144	GEAR:TRANSFER:NO.1	34 - 4
M1601145	GEAR:TRANSFER:NO.2	34 - 5
M1601146	GEAR:MANUAL FEED TABLE:NO.1	34 - 6
M1601147	GEAR:MANUAL FEED:NO.1	34 - 7
M1601148	GEAR:MANUAL FEED:NO.2	34 - 8
M1601149	ELECTROMAGNETIC CLUTCH:TONER SUPPLY	34 - 9
M1601150	GEAR:TONER SUPPLY:NO.1	34 - 10
M1601151	GEAR:TONER SUPPLY:NO.2	34 - 11
M1601152	GEAR:TONER SUPPLY:NO.3	34 - 12
M1601153	JOINT:TONER	34 - 13
M1601154	GUIDE:JOINT:TONER	34 - 14
M1601155	COIL SPRING:TONER SUPPLY	34 - 15

Part No.	Description	Page and Index No.
M1601156	HOUSING:JOINT:TONER	34 - 16
M1601157	SHAFT:TONER SUPPLY	34 - 17
M1601158	GUIDE:GEAR:MANUAL FEED TABLE	34 - 18
M1601161	COVER:MOTOR	34 - 20
M1601162	BRACKET:FUSING	32 - 21
M1601163	GUIDE:ELECTROMAGNETIC CLUTCH	32 - 22
M1601171	BKT:DAMPER	32 - 25
M1601172	PAD:DAMPER	32 - 26
M1601173	MYLAR:BKT:DAMPER	32 - 27
M1601181	ELECTROMAGNETIC CLUTCH:DUPLEX UNIT	32 - 23
M1601182	ELECTROMAGNETIC CLUTCH:MANUAL FEED	34 - 21
M1601183	ELECTROMAGNETIC CLUTCH:MANUAL FEED:TRAY BOTTOM PLATE	34 - 22
M1601184	ELECTROMAGNETIC CLUTCH:PAPER FEED	34 - 23
M1601185	ELECTROMAGNETIC CLUTCH:REGISTRATION	34 - 24
M1601186	ELECTROMAGNETIC CLUTCH:CONNECTING	34 - 25
M1601197	COVER:BANKHOLE:FRONT	38 - 36
M1601198	DECAL:LEVER:SEPARATOR:TONER CARTRIDGE	38 - 21
M1601198	DECAL:LEVER:SEPARATOR:TONER CARTRIDGE	44 - 2
M1601850	OPTICAL WRITING UNIT:ASS'Y	10 - 1
M1601900	LED HEAD:1200DPI:211.3MM	10 - 2
M1601901	COIL SPRING:HOLDER:LED	10 - 3
M1601902	HOLDER:COIL SPRING:LED	10 - 4
M1601903	GROUND PLATE:LED:A:LEFT	10 - 5
M1601904	GROUND PLATE:LED:A:RIGHT	10 - 6
M1601905	GROUND PLATE:LED:B	10 - 11
M1601906	HOLDER:LED:RIGHT	10 - 7
M1601907	HINGE:LED:ASS'Y	10 - 22
M1601910	LINK:LED:A:LEFT	10 - 12
M1601911	LINK:LED:B:LEFT	10 - 13
M1601912	LINK:LED:C:LEFT	10 - 14
M1601913	LINK:LED:A:RIGHT	10 - 17
M1601914	LINK:LED:B:RIGHT	10 - 18
M1601915	LINK:LED:C:RIGHT	10 - 19

Part No.	Description	Page and Index No.
M1601916	SPACER:HOLDER:LED	10 - 8
M1601917	COIL SPRING:LINK:LED:LEFT	10 - 15
M1601918	GUIDE:LINK:LED:LEFT	10 - 16
M1601919	GUIDE:LINK:LED:RIGHT	10 - 20
M1601926	FRAME:HOLDER:LED:ASSY	10 - 9
M1601928	COIL SPRING:LINK:LED:RIGHT	10 - 21
M1601936	HOLDER:LED:LEFT	10 - 10
M1602550	PAPER TRAY:REAR:500 SHEET FEED UNIT:ASSY	16 - 1
M1602560	END FENCE:500 SHEET FEED UNIT:ASSY	16 - 2
M1602563	LEVER:LOCK:END FENCE	16 - 5
M1602572	DECAL:OPERATION INSTRUCTIONS:TRAY:REAR	16 - 6
M1602572	DECAL:OPERATION INSTRUCTIONS:TRAY:REAR	44 - 4
M1602581	BRACKET:SENSOR:PAPER SIZE SENSOR:500 SHEET FEED UNIT	18 - 16
M1602582	COVER:PSU HARNESS:CONNECTOR:SENSOR BKT	18 - 19
M1602590	TIGHTENER:SPRING PLATE:TRAY:ASSY	16 - 29
M1602600	PAPER TRAY:FRONT:500 SHEET FEED UNIT:SUB-ASSY	16 - 7
M1602602	SHEET:HOLDER:500 SHEET FEED UNIT:FRONT	16 - 9
M1602605	GUIDE:PAPER TRAY:500 SHEET FEED UNIT:FRONT	16 - 10
M1602606	INDICATOR:PAPER VOLUME SENSOR:PAPER TRAY:500 SHEET FEED UNIT	16 - 11
M1602607	SEAL:TRAY:REAR:EU/CHN	16 - 32
M1602608	SEAL:TRAY:REAR:NA	16 - 32
M1602620	HOLDER:FRICTION PAD:ADHESION	16 - 13
M1602623	COMPRESSION SPRING:SEPARATION	16 - 14
M1602627	TENSION SPRING:TRAY BOTTOM PLATE:500 SHEET FEED UNIT	16 - 30
M1602630	TRAY BOTTOM PLATE:ADHESION	16 - 15
M1602631	GRIP:PAPER TRAY	16 - 26
M1602635	SPACER:SENSOR:PAPER SIZE SENSOR:OUTER	18 - 17
M1602636	SPACER:SENSOR:PAPER SIZE SENSOR:MIDDLE	18 - 4
M1602640	SIDE FENCE:RIGHT:500 SHEET FEED UNIT:ASSY	16 - 17
M1602641	HOLDER:PINION	16 - 19
M1602655	LEVER:LOCK:SIDE FENCE:TRAY	16 - 18

Part No.	Description	Page and Index No.
M1602660	SIDE FENCE:LEFT:500 SHEET FEED UNIT:ASSY	16 - 20
M1602666	SHEET:SPONGE:SIDE FENCE:500TYPE	16 - 31
M1602668	ARM:TRAY BOTTOM PLATE	16 - 22
M1602682	DECAL:DIAL:PAPER SIZE SENSOR:TRAY:EXP	16 - 24
M1602682	DECAL:DIAL:PAPER SIZE SENSOR:TRAY:EXP	44 - 5
M1602683	CLICK:DIAL:PAPER SIZE SENSOR:TRAY	16 - 25
M1602687	DIAL:PAPER SIZE SENSOR:TRAY:EXP:ASSY	16 - 23
M1602691	COVER:TRAY:500 SHEET FEED UNIT:FRONT	16 - 27
M1602693	DECAL:PAPER SET DIRECTION	16 - 28
M1602693	DECAL:PAPER SET DIRECTION	44 - 6
M1602706	TRAY BOTTOM PLATE:MANUAL FEED:ASSY	14 - 6
M1602707	HOLDER:FRICTION PAD:MANUAL FEED:ASSY	14 - 11
M1602712	LINK:LATCH:DOOR:FRONT	12 - 3
M1602713	COIL SPRING:LATCH:DOOR:FRONT	12 - 4
M1602715	BASE:PAPER TRAY:MANUAL FEED	12 - 8
M1602721	GUIDE:SIDE FENCE:LEFT:MANUAL FEED	12 - 9
M1602722	GUIDE:SIDE FENCE:RIGHT:MANUAL FEED	12 - 10
M1602723	GEAR:RACK:SIDE FENCE:MANUAL FEED	12 - 11
M1602724	GEAR:PIVOT	12 - 12
M1602730	GUIDE:STAY:MANUAL FEED	14 - 12
M1602731	GUIDE:SUB:STAY:MANUAL FEED	14 - 13
M1602733	LINK:BASE:SILENCER	14 - 7
M1602734	GUIDE:LEFT:TRAY BOTTOM PLATE	14 - 8
M1602735	GUIDE:RIGHT:TRAY BOTTOM PLATE	14 - 9
M1602737	MYLAR:CLEANER:MID ROLLER DRIVEN	14 - 32
M1602741	SHAFT:SILENCER	14 - 14
M1602742	CAM:SILENCER:LEFT	14 - 15
M1602743	CAM:SILENCER:RIGHT	14 - 16
M1602744	SPRING PLATE:HOME POSITION SENSOR:SILENCER	14 - 17
M1602745	LINK:FEELER:HOME POSITION SENSOR:SILENCER	14 - 18
M1602746	COIL SPRING:FEELER:SILENCER	14 - 19
M1602747	GROUND PLATE:MANUAL FEED	14 - 20
M1602751	SHEET:ENTRANCE:MIDDLE:ROLLER	14 - 21
M1602752	SHEET:EXIT:STAY:MANUAL FEED	14 - 22

Part No.	Description	Page and Index No.
M1602754	COIL SPRING:FRICION PAD	14 - 23
M1602755	PAD:BASE	14 - 10
M1602760	SHAFT:PICKUP:MANUAL FEED	14 - 24
M1602762	GUIDE:UPPER:MANUAL FEED	14 - 25
M1602763	LINK:FEELER:PAPER END	14 - 26
M1602774	COIL SPRING:LATCH:COVER:MANUAL FEED	12 - 13
M1602775	HOLDER:COMPRESSION SPRING:EXTENSION TRAY	12 - 14
M1602788	SEAL:TRAY BOTTOM PLATE:MANUAL FEED:SIDE	14 - 34
M1602795	GROUND PLATE:MAIN SWITCH	14 - 35
M1602801	STAY:PAPER TRAY	18 - 20
M1602802	PLAIN SHAFT BEARING:SUPPORT:CONNECTION:ROLLER	18 - 21
M1602803	LEVER:PRESSURE RELEASE:FEED ROLLER	18 - 5
M1602804	SHAFT:PRESSURE RELEASE:FEED ROLLER:DIA6	18 - 6
M1602807	SHAFT:ROLLER:PAPER TRAY:DIA6	18 - 7
M1602811	ROLLER:CONNECTING:PAPER TRAY:STAY	18 - 8
M1602812	GROUND PLATE:PAPER TRAY:STAY	18 - 9
M1602813	GUIDE:COVER:STAY:PAPER TRAY:FRONT	18 - 10
M1602814	GUIDE:TRANSFER:AUXILIARY	18 - 18
M1602816	SHEET:REGISTRATION GUIDE:STAY:UPPER	18 - 11
M1602819	DISCHARGE BRUSH:FEED PAPER AGAIN:STAY:REAR	18 - 12
M1602822	FEELER:PAPER END SENSOR:PAPER TRAY:STAY	18 - 13
M1602830	ROLLER:PAPER FEED:ASS'Y	18 - 14
M1602900	REGISTRATION ROLLER:DRIVEN	20 - 3
M1602901	REGISTRATION ROLLER:DRIVE	20 - 4
M1602902	GROUND PLATE:REGISTRATION ROLLER:DRIVEN	20 - 5
M1602903	LEVER:PRESSURE:REGISTRATION ROLLER:RIGHT	20 - 6
M1602904	LEVER:PRESSURE:REGISTRATION ROLLER:LEFT	20 - 7
M1602905	COIL SPRING:REGISTRATION ROLLER:PRESSURE:LEVER	20 - 8
M1602906	GUIDE:REGISTRATION ROLLER:UPPER	20 - 9
M1602907	DECAL:REGISTRATION:GUIDE:LEFT UPPER	20 - 10
M1602907	DECAL:REGISTRATION:GUIDE:LEFT UPPER	44 - 11
M1602908	DECAL:REGISTRATION ROLLER:GUIDE:UPPER	20 - 11
M1602908	DECAL:REGISTRATION ROLLER:GUIDE:UPPER	44 - 12
M1602909	COVER:REGISTRATION ROLLER:GUIDE:UPPER	20 - 12

Part No.	Description	Page and Index No.
M1602912	TORSION SPRING:REGISTRATION:GUIDE RIHGT	20 - 21
M1602917	SHEET:REGISTRATION ROLLER:HOLDER:SENSOR	20 - 15
M1602919	CAP:REGISTRATION ROLLER:LEVER:RIGHT	20 - 16
M1602922	SEAL:CLEANER:REGISTRATION:LEFT	20 - 13
M1602923	SEAL:CLEANER:REGISTRATION:RIGHT	20 - 14
M1602924	SHEET:REGISTRATION:DUPLEX:ENTRANCE:RIGHT	20 - 17
M1602925	SHEET:REGISTRATION:DUPLEX:ENTRANCE:LEFT	20 - 18
M1602929	STUD:BRACKET:REGISTRATION:LEFT:ASS'Y	20 - 19
M1603852	SHEET:GUIDE:REGISTRATION:ENTRANCE:LEFT	22 - 4
M1603853	SHEET:GUIDE:REGISTRATION:ENTRANCE:RIGHT	22 - 5
M1603854	GUIDE:TRANSFER ROLLER	22 - 6
M1603855	SHEET:GUIDE:TRANSFER ROLLER	22 - 7
M1603856	BUSHING:TRANSFER ROLLER:LEFT	22 - 8
M1603857	BUSHING:TRANSFER ROLLER:RIGHT	22 - 9
M1603858	COIL SPRING:TRANSFER ROLLER	22 - 10
M1603859	GROUND PLATE:ELECTRODE PLATE:SEPARATION	22 - 11
M1603860	ELECTRODE PLATE:SEPARATION	22 - 12
M1603865	COVER:ELECTRODE PLATE:SEPARATION:2	22 - 13
M1603866	GUIDE:EXIT:STAY:TRANSFER:2	22 - 3
M1603870	STAY:TRANSFER	22 - 2
M1604017	FUSING UNIT:NA (NA)	24 - 1
M1604028	FUSING UNIT:EU (EU/CHN)	24 - 1
M1604053	FLAT NUT:FRAME	26 - 1
M1604055	EXIT ROLLER:FUSING	26 - 3
M1604057	LEVER:ENVELOPE:LEFT	26 - 4
M1604058	LEVER:ENVELOPE:RIGHT	26 - 5
M1604059	SHAFT:LEVER:ENVELOPE	26 - 6
M1604061	GUIDE:DUPLEX:FUSING	26 - 8
M1604063	DISCHARGE BRUSH:PRESSURE ROLLER	26 - 11
M1604064	GROUND PLATE:PRESSURE ROLLER	26 - 12
M1604065	CLEANING ROLLER:ASS'Y	26 - 28
M1604073	TENSION SPRING:PRESSURE ROLLER	26 - 15
M1604074	LEVER:PRESSURE	26 - 14
M1604077	FUSING ENTRANCE GUIDE PLATE:LOWER	26 - 17

Part No.	Description	Page and Index No.
M1604079	BRACKET:FUSING ENTRANCE GUIDE PLATE:RIGHT	26 - 18
M1604080	COIL SPRING:CLEANING ROLLER:PRESSURE ROLLER	26 - 25
M1604083	BUSHING:FUSING CLEANING ROLLER:RIGHT	26 - 26
M1604084	BUSHING:FUSING CLEANING ROLLER:LEFT	26 - 27
M1604085	TORSION SPRING:FUSING ENTRANCE GUIDE PLATE	26 - 19
M1604086	GEAR:HOT ROLLER	24 - 12
M1604087	GEAR:IDLER:DIA35:FUSING	26 - 20
M1604088	GEAR:IDLER:DIA20:FUSING	26 - 21
M1604089	GEAR:IDLER:DIA18:FUSING EXIT	26 - 22
M1604090	PLAIN SHAFT BEARING:MM4	26 - 9
M1604091	DRIVEN ROLLER:DUPLX	26 - 10
M1604096	PRESSURE ROLLER:DIA34	26 - 16
M1604102	THERMISTOR:FUSING	24 - 31
M1604103	FLAT NUT:THERMISTOR	24 - 21
M1604106	ELECTRODE PLATE:LEFT	24 - 3
M1604107	ELECTRODE PLATE:RIGHT	24 - 4
M1604113	PICKOFF PAWL:HOT ROLLER	24 - 9
M1604114	TENSION SPRING:PICKOFF PAWL	24 - 8
M1604118	THERMAL INSULATING BUSHING:HOT ROLLER	24 - 14
M1604119	HOT ROLLER:DIA30	24 - 13
M1604121	BRACKET:HEATER:LEFT	24 - 18
M1604122	BRACKET:HEATER:RIGHT	24 - 19
M1604126	SEPARATOR:FUSING	24 - 17
M1604130	FUSING ENTRANCE GUIDE PLATE:UPPER	24 - 16
M1604133	FELT WICK:EARTH:HOT ROLLER	24 - 30
M1604134	BRACKET:THERMISTOR	24 - 33
M1604138	GROUND PLATE:HOT ROLLER	24 - 6
M1604139	RESISTOR:1GOHM	24 - 32
M1604140	BRACKET:GROUND PLATE:HOT ROLLER	24 - 7
M1604141	WASHER:DIA10.1:DIA6.0:0.6T	24 - 36
M1604151	GUIDE PLATE:FUSING EXIT	24 - 23
M1604154	EXIT ROLLER:FUSING EXIT	24 - 24
M1604155	HOLDER:EXIT ROLLER	24 - 25
M1604156	SPRING PLATE:EXIT ROLLER	24 - 26

Part No.	Description	Page and Index No.
M1604157	ROLLER:MIDDLE:FUSING:DIA11	24 - 28
M1604158	ROLLER:MIDDLE:FUSING:DIA11	24 - 29
M1604159	SHAFT:EXIT ROLLER:FUSING EXIT	24 - 27
M1604171	COVER:FUSING:LEFT	24 - 15
M1604172	COVER:FUSING:RIGHT	26 - 24
M1604173	CAP:THERMISTOR	24 - 35
M1604204	HEATER:820W:227V:EU/CHN	24 - 20
M1604205	HEATER:820W:117V:NA	24 - 20
M1604211	DRAWER:FUSING:EU (EU/CHN)	24 - 34
M1604212	DRAWER:FUSING:NA (NA)	24 - 34
M1604216	THERMISTOR:FUSING:ASSY	24 - 22
M1604248	DECAL:ENVELOPE:LEVER:FUSER	38 - 2
M1604248	DECAL:ENVELOPE:LEVER:FUSER	44 - 3
M1604436	DC SOLENOID:EXIT:ASSY	28 - 25
M1604441	INNER COVER:EXIT:LEFT:MF1D	28 - 29
M1604446	DC STEPPER MOTOR:EXIT	28 - 27
M1604447	SYNCHRONOUS BELT:EXIT	28 - 28
M1604452	BRACKET:REVERSE GUIDE	28 - 37
M1604453	COVER:UPPER:EXIT:MF1D	28 - 30
M1604457	ROLLER:IDLER:EXIT:MF1D	28 - 3
M1604459	COIL SPRING:ROLLER:EXIT:MF1D	28 - 4
M1604460	GUIDE:GATE	28 - 5
M1604461	DECAL:GATE:EXIT	28 - 6
M1604461	DECAL:GATE:EXIT	44 - 9
M1604463	RING:DECURA:EXIT	28 - 7
M1604464	PRESSURE PLATE:FUSING:GUIDE	28 - 8
M1604465	FEELER:EXIT	28 - 9
M1604466	COIL SPRING:FEELER:EXIT	28 - 10
M1604467	COIL SPRING:GUIDE:GATE	28 - 11
M1604468	COIL SPRING:PRESSURE PLATE	28 - 12
M1604470	SHAFT:ROLLER:EXIT:MF1D	28 - 13
M1604471	PULLEY:ROLLER:EXIT	28 - 14
M1604479	COIL SPRING:DC SOLENOID:GATE	28 - 26
M1604480	GUIDE:UPPER:EXIT	28 - 15

Part No.	Description	Page and Index No.
M1604481	SPRING PLATE:UPPER:EXIT	28 - 16
M1604482	ROLLER:IDLER:EXIT:UPPER	28 - 17
M1604483	SHEET:OPPOSITE:SENSOR	28 - 35
M1604484	GUIDE:MIDDLE:EXIT	28 - 18
M1604485	FEELER:OVERFLOW:EXIT	28 - 19
M1604488	ANTISTATIC BRUSH:EXIT	28 - 20
M1604489	ROLLER:IDLE:MIDDLE:GUIDE	28 - 36
M1604491	GUIDE:REAR:EXIT	28 - 21
M1604493	LEVER:DOOR:EXIT:MF1D	28 - 22
M1604494	DECAL:LEFT:COVER:REAR	28 - 39
M1604494	DECAL:LEFT:COVER:REAR	44 - 14
M1604495	DECAL:RIGHT:COVER:REAR	28 - 40
M1604495	DECAL:RIGHT:COVER:REAR	44 - 15
M1604497	COIL SPRING:GUIDE:REAR:EXIT	28 - 23
M1604498	COIL SPRING:LEVER:DOOR:EXIT	28 - 24
M1604601	GUIDE:UPPER:DUPLEX UNIT	30 - 1
M1604603	FEELER:UPPER:DUPLEX UNIT	30 - 2
M1604605	SHAFT:IDLER:UPPER:ASSY	30 - 3
M1604607	BUSHING IDLER DIA 4	30 - 4
M1604611	COIL SPRING IDLER DUPLEX UNIT	30 - 5
M1604614	COIL SPRING:MIDDLE:DUPLEX UNIT	30 - 33
M1604621	GUIDE:FRONT:DUPLEX UNIT	30 - 8
M1604622	GRIP:FRONT:DUPLEX UNIT	30 - 9
M1604623	HOOK:FRONT:DUPLEX UNIT	30 - 10
M1604624	GROUND PLATE:FRONT:DUPLEX UNIT	30 - 11
M1604625	LINK:FRAME:DUPLEX UNIT	30 - 12
M1604626	LINK:FRONT:DUPLEX UNIT	30 - 13
M1604627	DAMPER:FRONT:DUPLEX UNIT	30 - 14
M1604631	SHAFT:FRONT:DUPLEX UNIT	30 - 15
M1604633	COMPRESSION SPRING:HOOK:DUPLEX UNIT	30 - 16
M1604635	DECAL:HANDLE:DUPLEX UNIT	30 - 17
M1604635	DECAL:HANDLE:DUPLEX UNIT	44 - 10
M1604641	GUIDE:REAR:DUPLEX UNIT	30 - 18
M1604643	BUSHING:DIA6	30 - 19

Part No.	Description	Page and Index No.
M1604644	SHAFT:REAR:ASSY	30 - 20
M1604645	RUBBER BUSHING:SHAFT:REAR	30 - 21
M1604661	GUIDE:MIDDLE:DUPLEX UNIT	30 - 23
M1604662	GEAR:DRIVE:DUPLEX UNIT	30 - 24
M1604663	GEAR:IDLER:DUPLEX UNIT	30 - 25
M1604664	PULLEY:DRIVE:DUPLEX UNIT	30 - 26
M1604666	GROUND PLATE:MIDDLE:DUPLEX UNIT	30 - 27
M1604667	PULLEY:GEAR:DUPLEX UNIT	30 - 28
M1604668	PULLEY:NO.2:DUPLEX UNIT	30 - 29
M1604671	SHAFT:MIDDLE:DUPLEX UNIT	30 - 30
M1604672	SYNCHRONOUS BELT:FRONT:DUPLEX UNIT	30 - 31
M1604673	SYNCHRONOUS BELT:FUSING:DUPLEX UNIT	30 - 32
M1604674	SYNCHRONOUS BELT:REAR:DUPLEX UNIT	30 - 6
M1605022	POWER PACK:ASSY	36 - 29
M1605120	PCB:SENSOR:TONER END SENSOR	36 - 11
M1605240	CABLE:HDD:SATA:RED:102	40 - 14
M1605500	BRACKET:LVPS:MF	36 - 15
M1605501	COVER:FRONT:LVPS	36 - 16
M1605502	COVER:MIDDLE REAR:LVPS	2 - 12
M1605502	COVER:MIDDLE REAR:LVPS	4 - 16
M1605506	BRACKET:HVPS	36 - 13
M1605507	SPRING:HIGH VOLTAGE:ASSY	36 - 12
M1605513	BRACKET:HDD:MF1D	40 - 17
M1605515	EARTH PLATE:HVPS:LEFT UPPER	36 - 14
M1605518	EARTH PLATE:BICU:LEFT MIDDLE	36 - 17
M1605519	EARTH PLATE:BICU:LEFT LOWER	36 - 18
M1605520	PANEL_INTERFACE	36 - 9
M1605527	COVER_USB	36 - 21
M1605528	BRACKET:EMI:MF1D	36 - 23
M1605555	CLAMP:TWISTLOCK	36 - 24
M1606250	TRANSFER ROLLER:ASSY	22 - 14
M1611020	STAY:FRAME:REAR (SP4520DN)	38 - 41
M1711191	DC FAN MOTOR:80X15:P1A	38 - 17
M1873360	CONNECTOR:ID_CHIP	38 - 24

