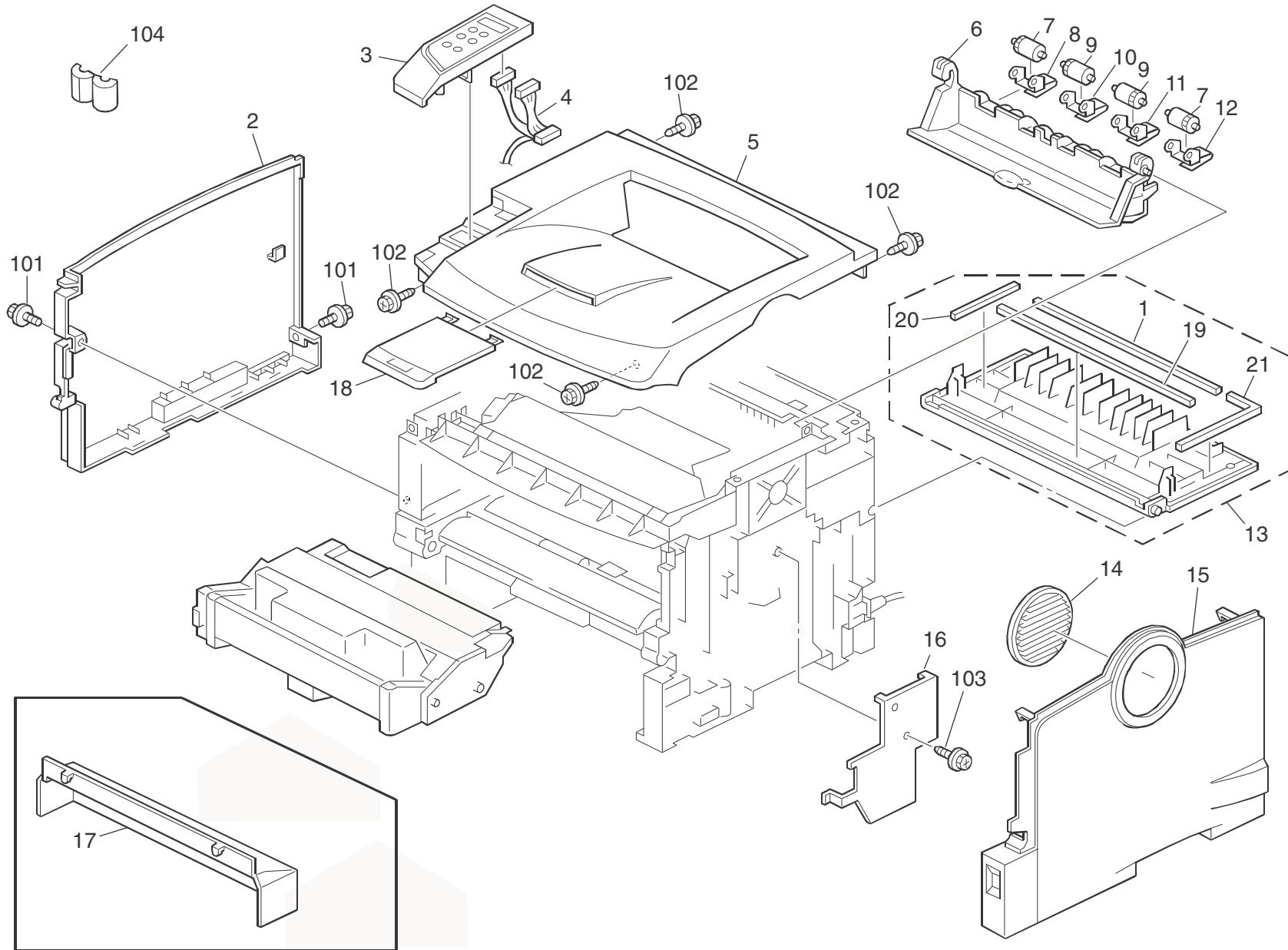


M080
PARTS LOCATION AND LIST

This section shows you the part numbers and descriptions used on this machine.

1.Exterior 1 (M080)

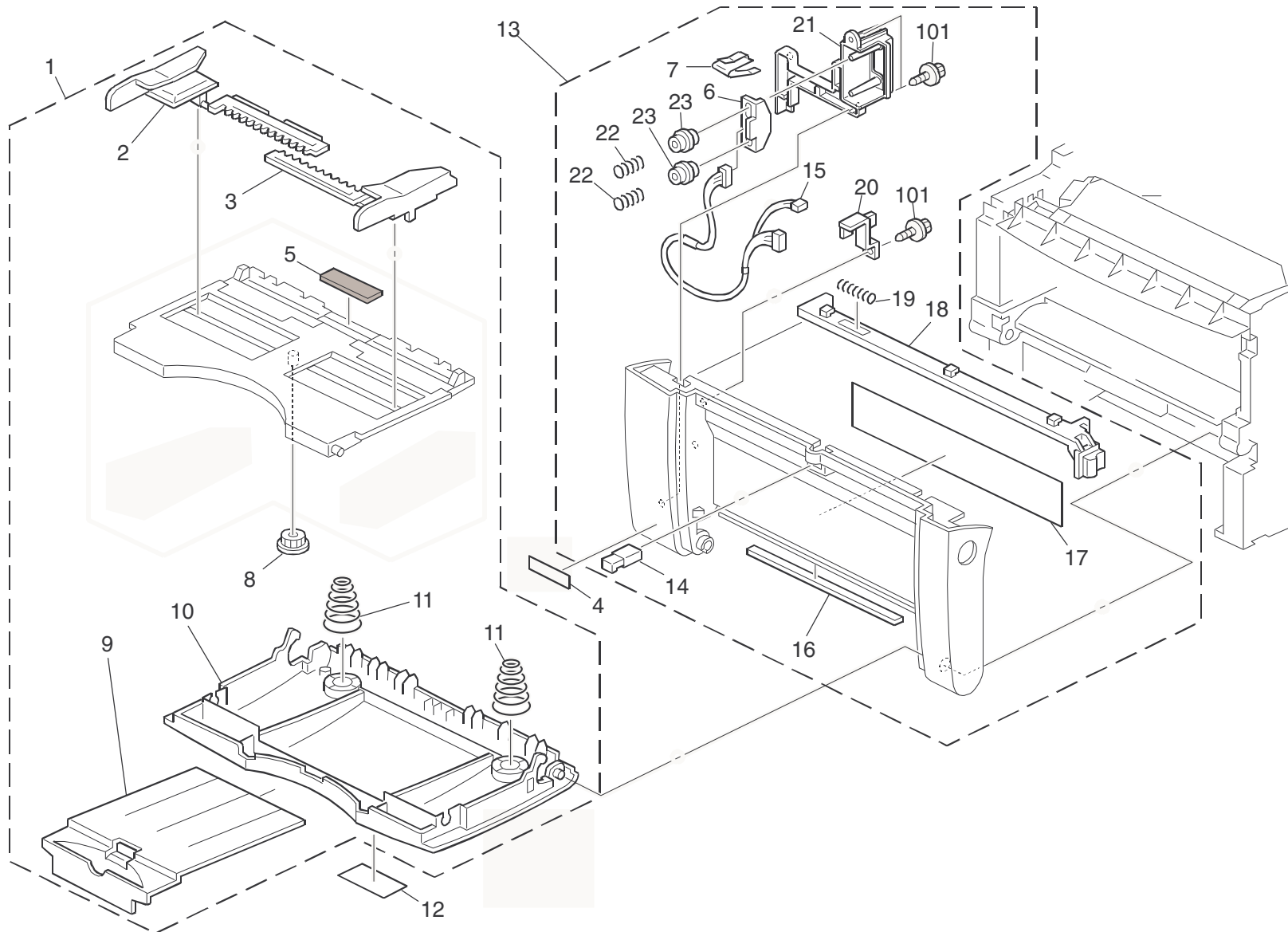


1.Exterior 1 (M080)

Index No.	Part No.	Description	Q'ty Per Assembly
1	G175 1258	Upper Seal - Rear Cover	1
2	G175 1253	Left Cover	1
3	M080 1401	Operation Panel	1
3	M080 1402	Operation Panel: Chn: Ass'y	1
4	M080 5403	Harness: Exit: Sensor	1
5	M079 1250	Cover: Upper	1
6	M079 1261	Cover: Exit	1
7	G093 4875	Exit Roller: Machine Or Copier	2
8	G052 4871	Left Holder - Exit Driven Roller	1
9	G052 4873	Outer Exit Cover Roller	2
10	G052 4876	Left Spring Plate	1
11	G052 4877	Right Spring Plate	1
12	G052 4872	Right Holder - Exit Driven Roller	1
13	M079 1303	Cover: Rear: Ass'y	1
14	G175 1651	Louver	1
15	G175 1650	Right Cover	1
16	G096 1257	Warning Cover (Electrical)	1
17	M080 3111	Cassette Cover	1
18	M079 1251	Guide: Slide: Exit	1
19	M079 1255	Seal: Lower: Cover: Rear	1
20	G175 1256	Left Seal - Rear Cover	1
21	G175 1257	Right Seal - Rear Cover	1

Index No.	Part No.	Description	Q'ty Per Assembly
101	0451 3006N	Tapping Screw - 3x6	
102	0450 4010N	Tapping Screw: M4x10	
103	0450 3008N	Tapping Screw - M3x8	
104	1607 2247	Ferrite Core: K3 Nf-55(n)bk0	

2.Exterior 2 (M080)

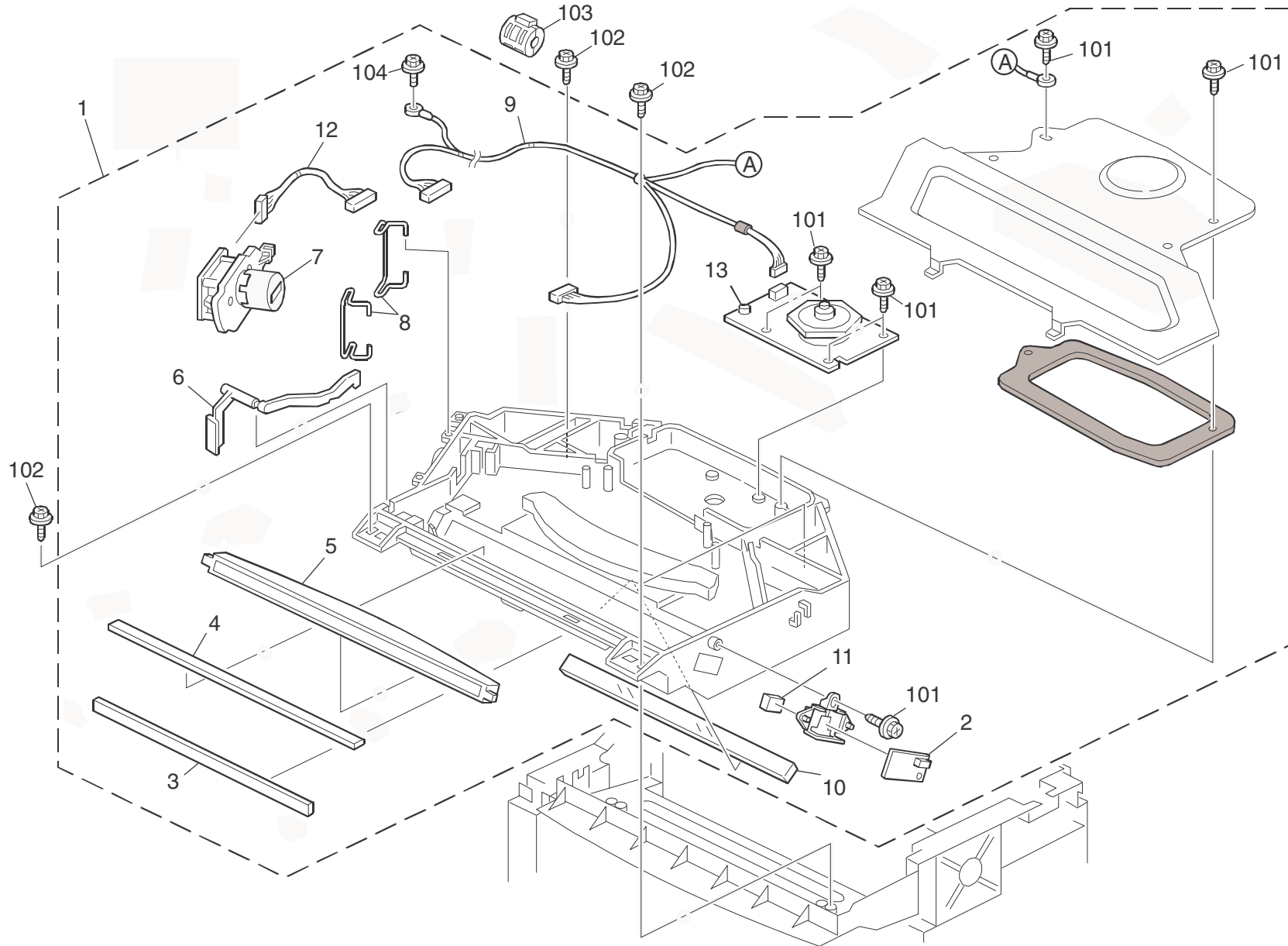


2.Exterior 2 (M080)

Index No.	Part No.	Description	Q'ty Per Assembly
1	M079 3271	Manual Feed Table: L: Ass'y	1
2	M079 3277	Side Fence: Manual Feed: Left	1
3	M079 3276	Side Fence: Manual Feed: Right	1
4	M080 1261	Decal: Model Name Plate: RIC	1
4	M080 1265	Decal: Model Name Plate: P3: Nas	1
4	M080 1262	Decal: Model Name Plate: P3: Sav	1
4	M080 1266	Decal: Model Name Plate: P3: REX	1
4	M080 1268	Decal: Model Name Plate: P3: GES	1
4	M080 1264	Decal: Model Name Plate: P3: LAN	1
5	5215 2713	Bottom Plate Pad	1
6	G052 5362	Receptacle - 99RH144	1
7	G052 1544	Spring Plate - Receptacle	1
8	G800 3133	Side Fence Gear	1
9	G175 3342	Extension Tray: Manual Feed: L	1
10	G175 3272	Cover: Manual Feed Table	1
11	G052 3278	Spring - Bypass	2
12	G176 0410	Logo: Ricoh	1
12	J007 1511	Logotype: GES	1
12	J007 1512	Logotype: NSA	1
12	J007 1513	Logotype: REX	1
12	GA00 1051	Plate: Logo: SVN	1
12	GA00 1056	Plate: Logo: LAN	1
13	G175 1260	Front Door	1
14	AG07 1007	Latch - By Pass Feed Table	1
15	G175 3539	Thermistor- Transfer	1
16	G052 3356	Sheet - Soundproof	1
17	G096 1551	Misfeed Removal Decal	1
18	G175 1516	Door Lever	1
19	G052 1525	Compression Spring: Lever	1
20	G096 1517	Shutter Feeler	1
21	G175 1251	Harness Cover	1
22	G052 1541	Spring - Receptacle	2
23	G052 1542	Collar - Receptacle	2

Index No.	Part No.	Description	Q'ty Per Assembly
101	0450 3008N	Tapping Screw - M3x8	

3.LD Unit (M080)

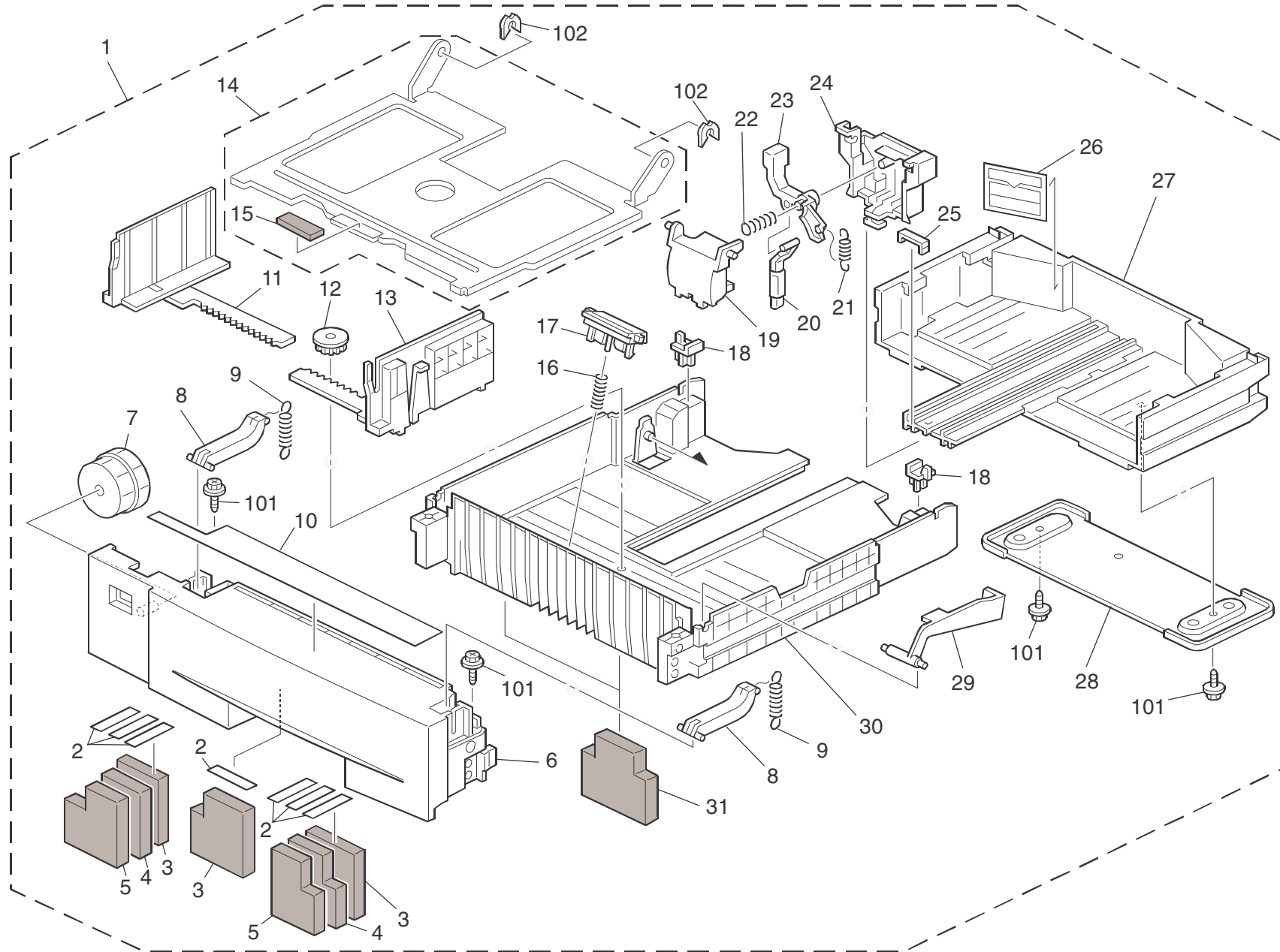


3.LD Unit (M080)

Index No.	Part No.	Description	Q'ty Per Assembly
1	M001 1904	Imaging Unit	1
2	G052 5060	Synchronization Detector	1
3	GC03 0026	Mirror - 1	1
4	GC03 0027	Mirror - 2	1
5	GC02 5010	DTL	1
6	G052 2780	Shutter - LD	1
7	M001 1915	Laser Diode Unit	1
8	G052 2763	LD Holder	2
9	G168 5403	Harness - Polygon Mirror Motor	1
10	G129 1902	Shield Glass	1
11	G029 1975	Cylindrical Lens	1
12	M001 5410	Harness: LDB	1
13	GX06 0029	Polygon Scanner Motor: DC24V 24W	1

Index No.	Part No.	Description	Q'ty Per Assembly
101	0450 3008N	Tapping Screw - M3x8	
102	0450 3012N	Tapping Screw: 3x12	
103	1607 1714	Ferrite Core: RFC-6	
104	0451 3006N	Tapping Screw - 3x6	

4.Paper Tray (M080)

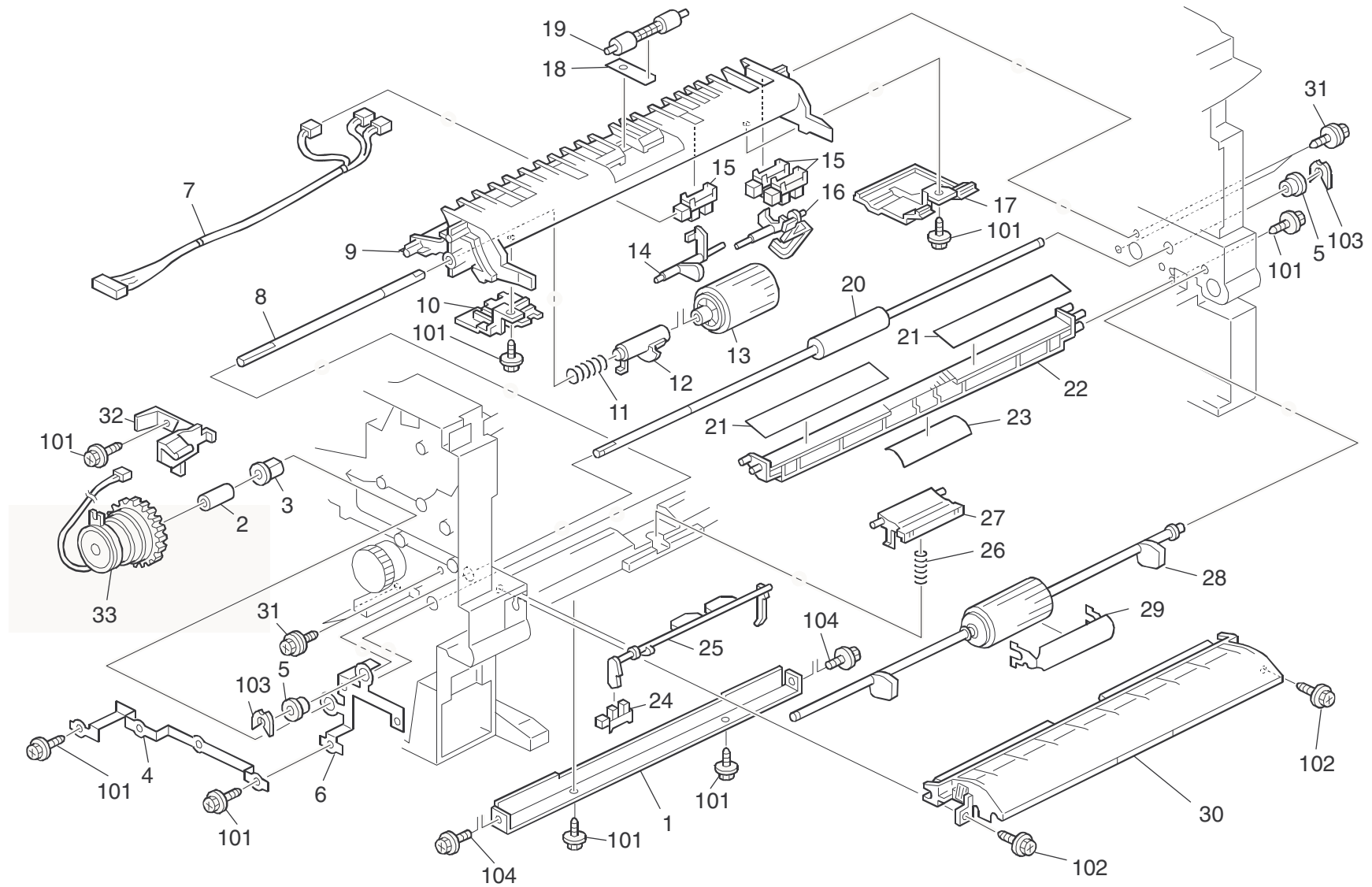


4.Paper Tray (M080)

Index No.	Part No.	Description	Q'ty Per Assembly
1	G175 3050	Paper Tray Unit	1
2	G096 3094	Tape - Sheet : Tray	7
3	G360 3091	Tray Sheet 1	3
4	G360 3092	Tray Sheet 2	2
5	G360 3093	Tray Sheet 3	2
6	G096 3052	Paper Tray Cover	1
7	G096 3075	Paper Size Sensor Board	1
8	G096 3071	Paper Tray Arm	2
9	G096 3083	Spring Tension	2
10	G096 3144	Paper Set Direction Label	1
11	G096 3055	Left Side Fence	1
12	A267 2869	Gear - 16Z	1
13	G096 3056	Right Side Fence	1
14	G175 2818	Tray Bottom Plate	1
15	G555 3069	Basepad	1
16	G096 3084	Separation Compression Spring	1
17	G096 3066	Friction Pad Adhesion	1
18	G029 2609	Cassette Protection	2
19	G096 3088	End Fence Pressure	1
20	G096 3087	End Fence Protection	1
21	G096 3090	End Fence Tension Spring 12N	1
22	G096 3089	End Fence Compression Spring 3.5N	1
23	G096 3086	End Fence Lever	1
24	G096 3085	End Fence	1
25	G096 3063	Paper Tray Cap	1
26	G096 3078	Protection Label	1
27	G096 3060	Rear Paper Tray	1
28	G096 3065	Paper Tray Supporting Plate	1
29	G096 3070	Paper Volume Sensor Board	1
30	G096 3051	Paper Tray	1
31	G175 3058	Traysheet	2

Index No.	Part No.	Description	Q'ty Per Assembly
101	0450 3008N	Tapping Screw - M3x8	
102	0805 0089	Retaining Ring - M4	

5.Paper Registration 1 (M080)

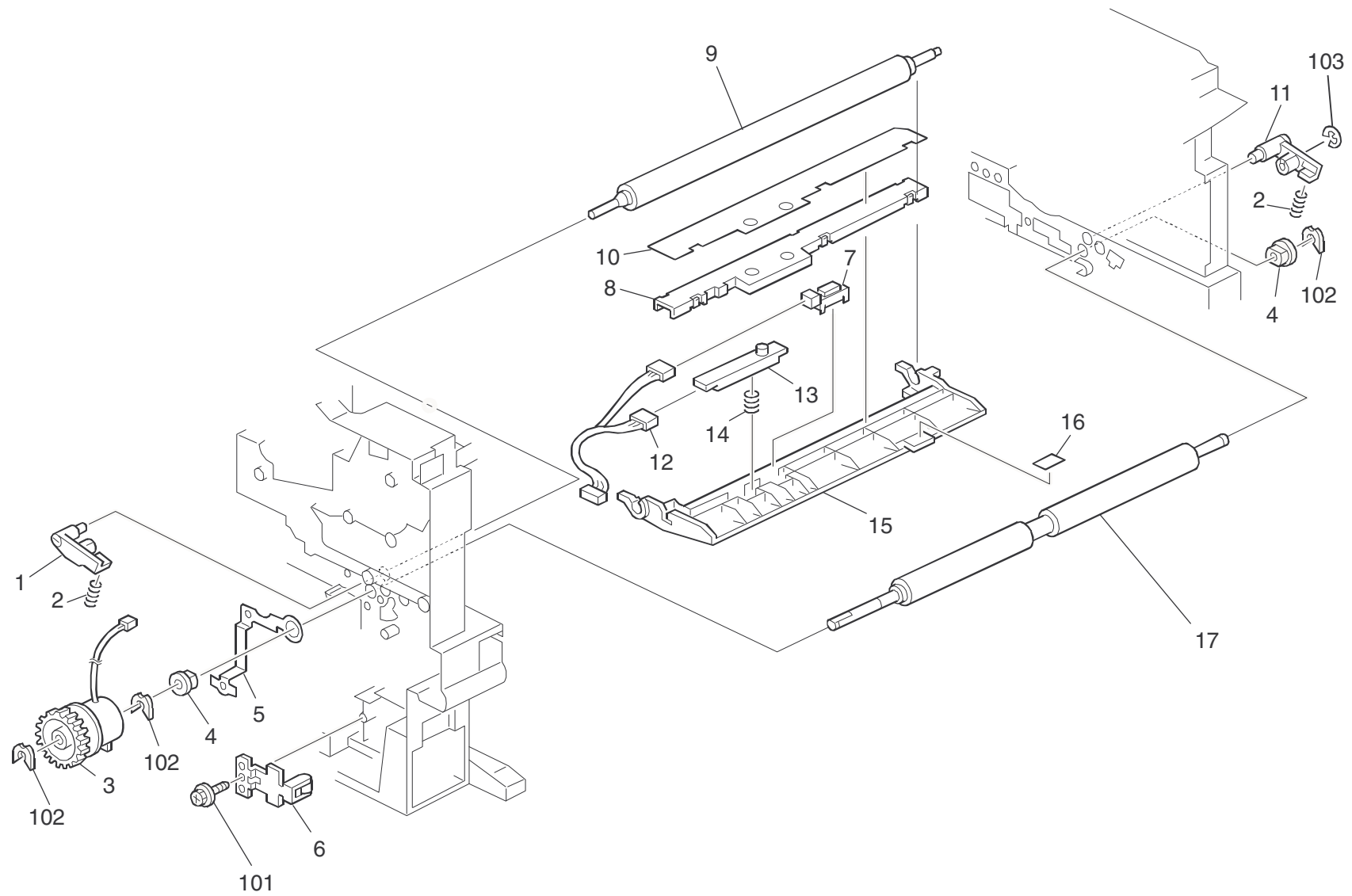


5.Paper Registration 1 (M080)

Index No.	Part No.	Description	Q'ty Per Assembly
1	G096 3301	Support Plate Stay : Bypass	1
2	G175 3138	Spacer - Paper Feed	1
3	AA08 2075	Bushing - M6	1
4	M079 2558	Ground Plate: Auxiliary: Paper Feed: P3A	1
5	AA08 2058	Bushing - 6x10x9mm	2
6	G096 3335	Paper Feed Ground Plate	1
7	G175 5400	Interface Harness - FST	1
8	G096 3101	Paper Feed Shaft	1
9	G096 3100	Paper Feed Stay	1
10	G096 3106	Left Stay Cover	1
11	G029 2657	Compression Spring	1
12	G052 3106	Bushing - Paper Feed Roller	1
13	G052 3103	Paper Feed Roller	1
14	G096 3104	Paper End Sensor Feeler	1
15	AW02 0141	Photointerruptor	3
16	G096 3105	Paper Volume Sensor Feeler	1
17	G096 3107	Right Stay Cover	1
18	G052 3304	Spring Plate - Paper Transport	1
19	G052 3303	Paper Transport Roller	1
20	G175 3332	Relay Roller	1
21	G096 3306	Connecting Guide Roller	2
22	G096 3294	Connecting Guide Plate	1
23	G052 3307	Transport Guide Mylar	1
24	GW02 0020	Photointerruptor: LG248NL1	1
25	G175 3286	Manual Feed Feeler	1
26	G096 3292	Spring - Manual Feed	1
27	G175 3290	Friction Pad - Manual Feed	1
28	M079 2552	Paper Feed Roller: Manual Feed	1
29	G175 2767	Feed Roller Cover	1
30	G096 3280	Manual Feed Frame	1
31	G116 4159	Screw: M3x13	4
32	G175 3139	Magnetic Clutch Stopper	1
33	G175 2587	Paper Feed Clutch	1

Index No.	Part No.	Description	Q'ty Per Assembly
101	0450 3008N	Tapping Screw - M3x8	
102	0450 3010N	Tapping Screw - M3x10	
103	0805 0089	Retaining Ring - M4	
104	0451 3008N	Tapping Screw - M3x8	

6.Paper Registration 2 (M080)

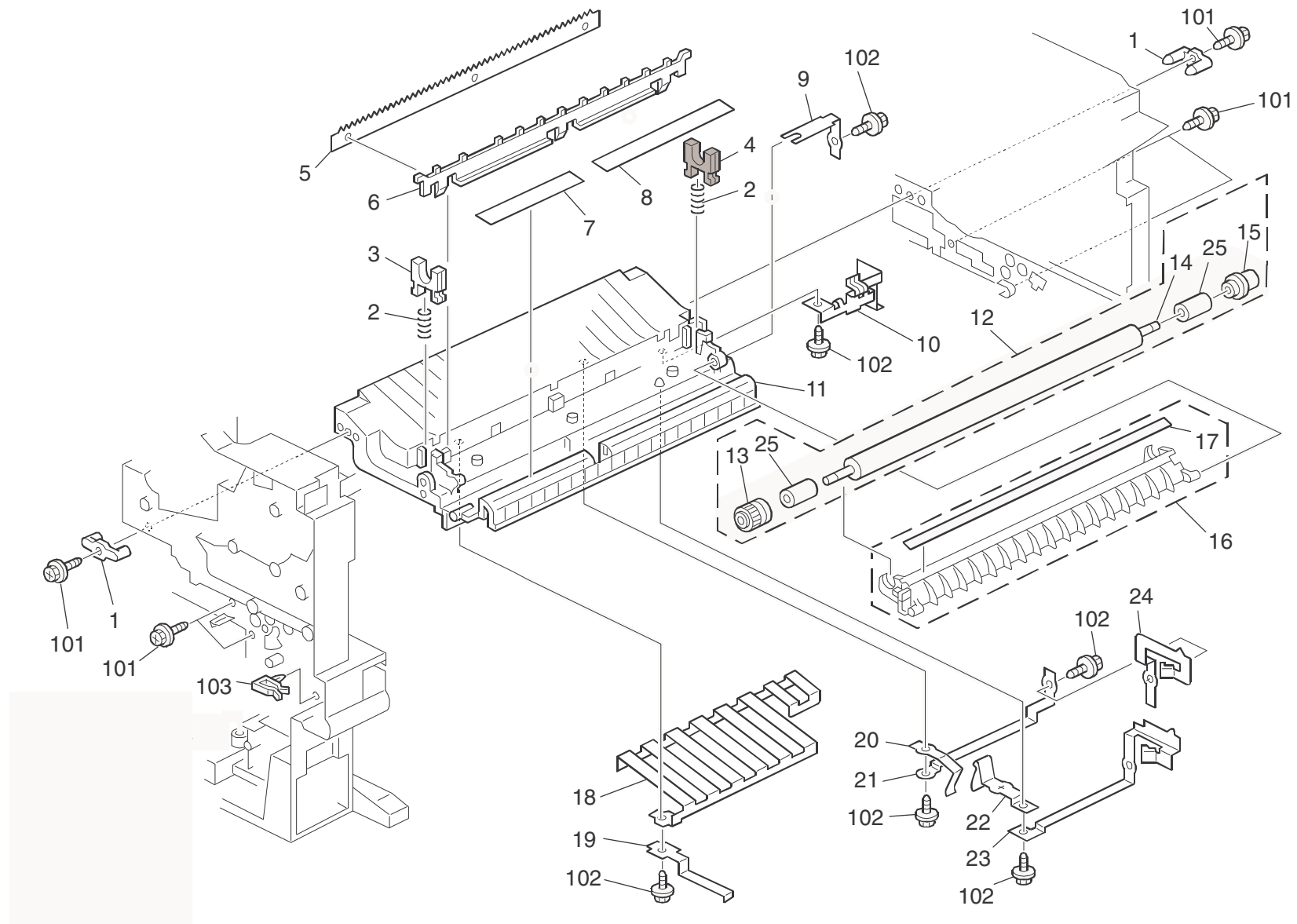


6.Paper Registration 2 (M080)

Index No.	Part No.	Description	Q'ty Per Assembly
1	G052 3258	Left Bushing - Registration	1
2	AA06 3539	Spring - Registration Roller	2
3	G175 2585	Magnetic Clutch - Registration	1
4	AA08 2144	Bushing - 8x12x7	2
5	G096 3336	Registration Drive Ground Plate	1
6	G096 1087	Paper Tray Spring Plate Ass'y	1
7	G175 2551	Photosensor	1
8	G175 3268	Registration Sensor Bracket	1
9	G096 3315	Driven Registration Roller Mm14	1
10	G175 3267	Cleaner Film - Registration	1
11	M079 2561	Right Bushing - Registration	1
12	M001 5407	Harness: Sensor: Connecting	1
13	G052 3390	Toner End Sensor	1
14	G052 3396	Spring - Toner End Sensor	1
15	G175 3266	Upper Guide Plate - Registration	1
16	G052 3351	Decal - Registration	1
17	G175 3316	Registration Roller - Drive	1

Index No.	Part No.	Description	Q'ty Per Assembly
101	0450 3012N	Tapping Screw: 3x12	
102	0805 0088	Retaining Ring - M6	
103	0720 0025E	Retaining Ring - M2.5	

7.Transfer Section (M080)

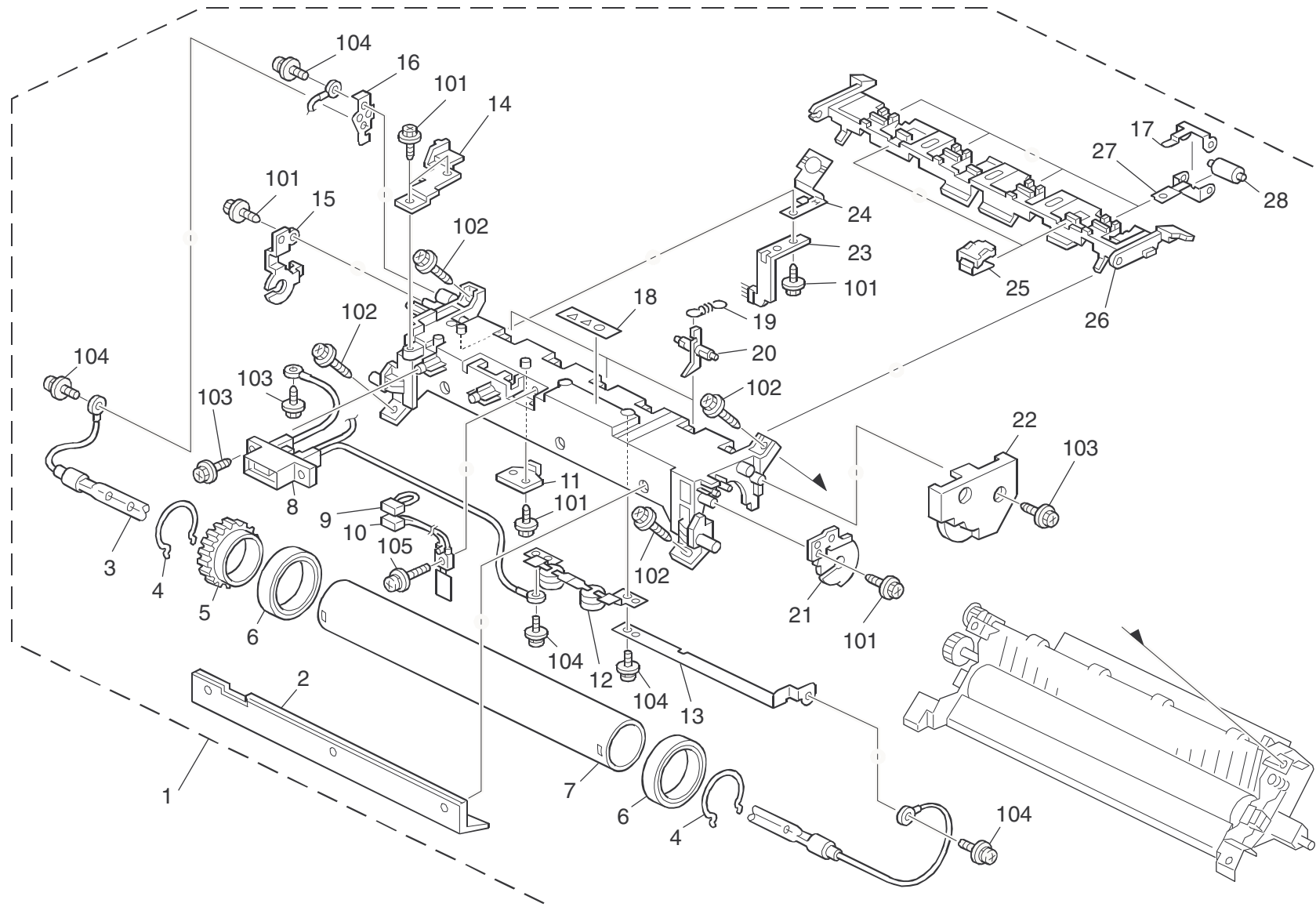


7.Transfer Section (M080)

Index No.	Part No.	Description	Q'ty Per Assembly
1	G096 1019	Transport Guide Pin	2
2	G052 3627	Spring - Transfer	2
3	G052 3626	Left Bushing - Transfer	1
4	G052 3625	Right Bushing - Transfer	1
5	G096 3621	Separation Electrode Plate	1
6	G096 3622	Electrode Plate Cover	1
7	G096 3345	Registration Guide	1
8	G096 3346	Registration Guide Long	1
9	G052 3623	Transfer Terminal	1
10	G052 3624	Separation Terminal	1
11	G096 1018	Transport Guide	1
12	G129 6260	Transfer Roller Ass'y	1
13	G129 6252	Gear - Transfer Roller	1
14	G129 6257	Transfer Roller	1
15	G129 6251	Positioning Roller - Transfer	1
16	G096 3640	Transfer Guide Plate Ass'y	1
17	G096 3641	Transfer Guide Plate Sheet	1
18	G096 3628	Transport Guide Ground Plate	1
19	G096 3629	Transport Terminal Guide	1
20	G052 1255	Charge Terminal - High Voltage	1
21	G052 1254	Inner Terminal - Charge	1
22	G052 1256	Development Terminal - High Voltage	1
23	G052 1253	Development Terminal	1
24	G052 1251	Charge Terminal	1
25	G129 6255	Bushing	2

Index No.	Part No.	Description	Q'ty Per Assembly
101	0450 3012N	Tapping Screw: 3x12	
102	0450 3008N	Tapping Screw - M3x8	
103	1105 0267	Harness Clamp - YMC-10-0	

8.Fusing Unit 1 (M080)

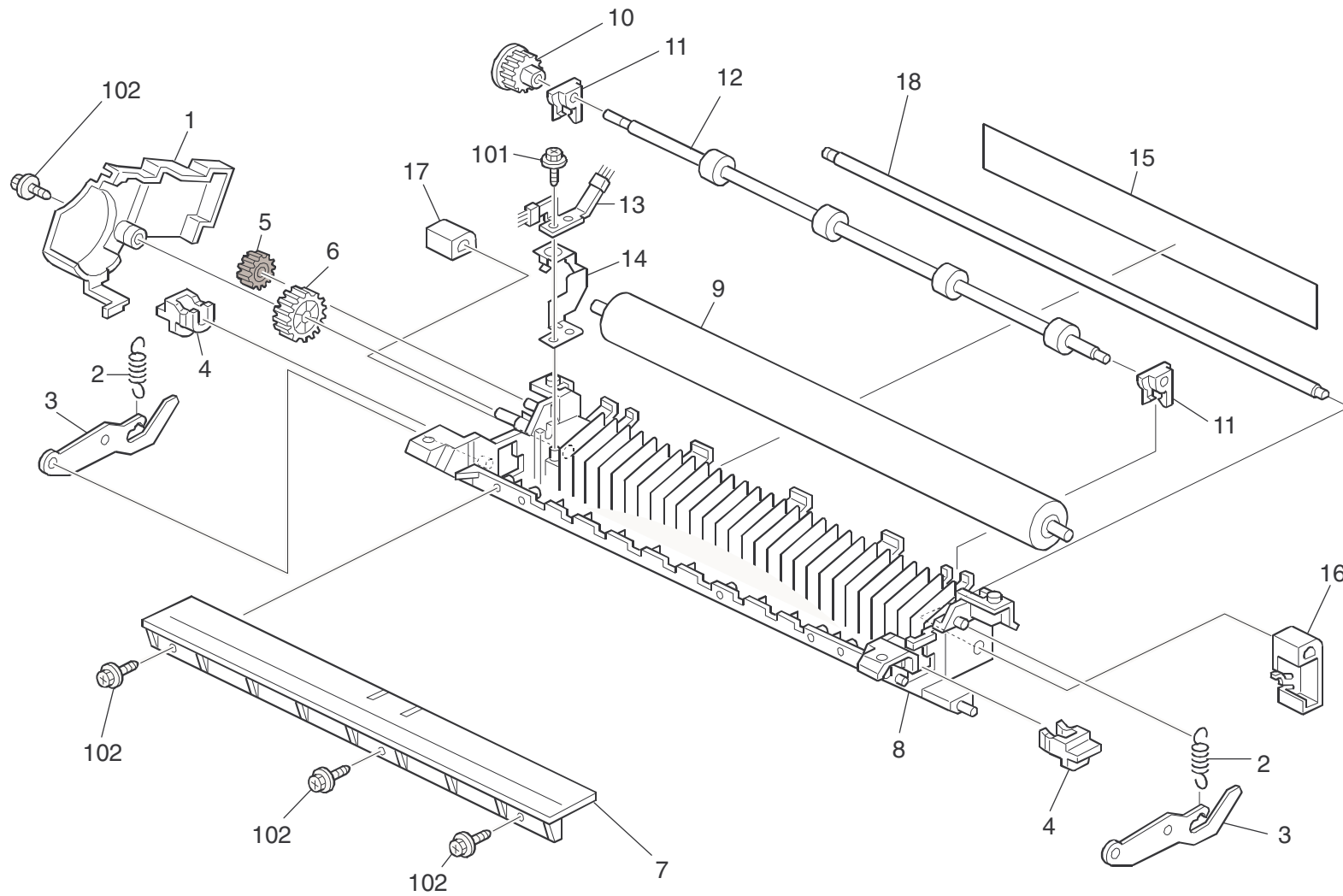


8.Fusing Unit 1 (M080)

Index No.	Part No.	Description	Q'ty Per Assembly
1	G175 4118	Fusing Unit: NA: Ass'y	1
1	G176 4127	Fusing Unit: EU: Ass'y	1
2	G175 4644	Entrance Guide Plate - Upper	1
3	G175 0180	Heater - 765W 120V	1
3	G175 0179	Heater - 765W 230V	1
4	G052 4700	External Circlip	2
5	G175 4619	Gear - 41Z	1
6	G052 4618	Bearing 30x42x7	2
7	G175 4063	Hot Roller	1
8	G175 5500	Fusingdrawer - NA	1
8	G175 5510	Fusingdrawer - 230V	1
9	G175 5520	Harness - Fusing Unit Set 120V	1
9	G175 5521	Harness - Fusing Set 230V	1
10	G096 5501	Fusing Thermistor	1
11	G175 4625	Holder Plate - Fusing Harness	1
12	G096 4611	Thermostat Ass'y	1
13	G175 4602	Electrode Plate - Right	1
14	G096 4695	Upper Harness Plate	1
15	G096 4615	Left Fusing Lampbracket	1
16	G088 4618	Electrode: Heater	1
17	G096 4638	Exit Roller Supporting Plate	4
18	GA00 0058	Decal: H-Temp Warning: 115: CUD	1
19	G052 4622	Spring - Fusing Stripper	3
20	G052 4624	Hot Roller Stripper	3
21	G096 4616	Right Heater Bracket	1
22	G096 4692	Fusing Right Cover	1
23	G175 4642	Discharge Brush - Bearing	1
24	G175 4690	Ground Plate - Fusing	1
25	G052 4647	Spring Plate - Fusing Exit	2
26	G096 4635	Upper Fusing Exit Guide Plate	1
27	G052 4639	Exit Roller Holder	4
28	G800 4854	Exit Roller	4

Index No.	Part No.	Description	Q'ty Per Assembly
101	0450 3008N	Tapping Screw - M3x8	
102	0450 3012N	Tapping Screw: 3x12	
103	0450 3010N	Tapping Screw - M3x10	
104	0954 3008N	Screw - M3x8	
105	0954 3010N	Screw: Polished Round/Spring: M3x10	

9.Fusing Unit 2 (M080)

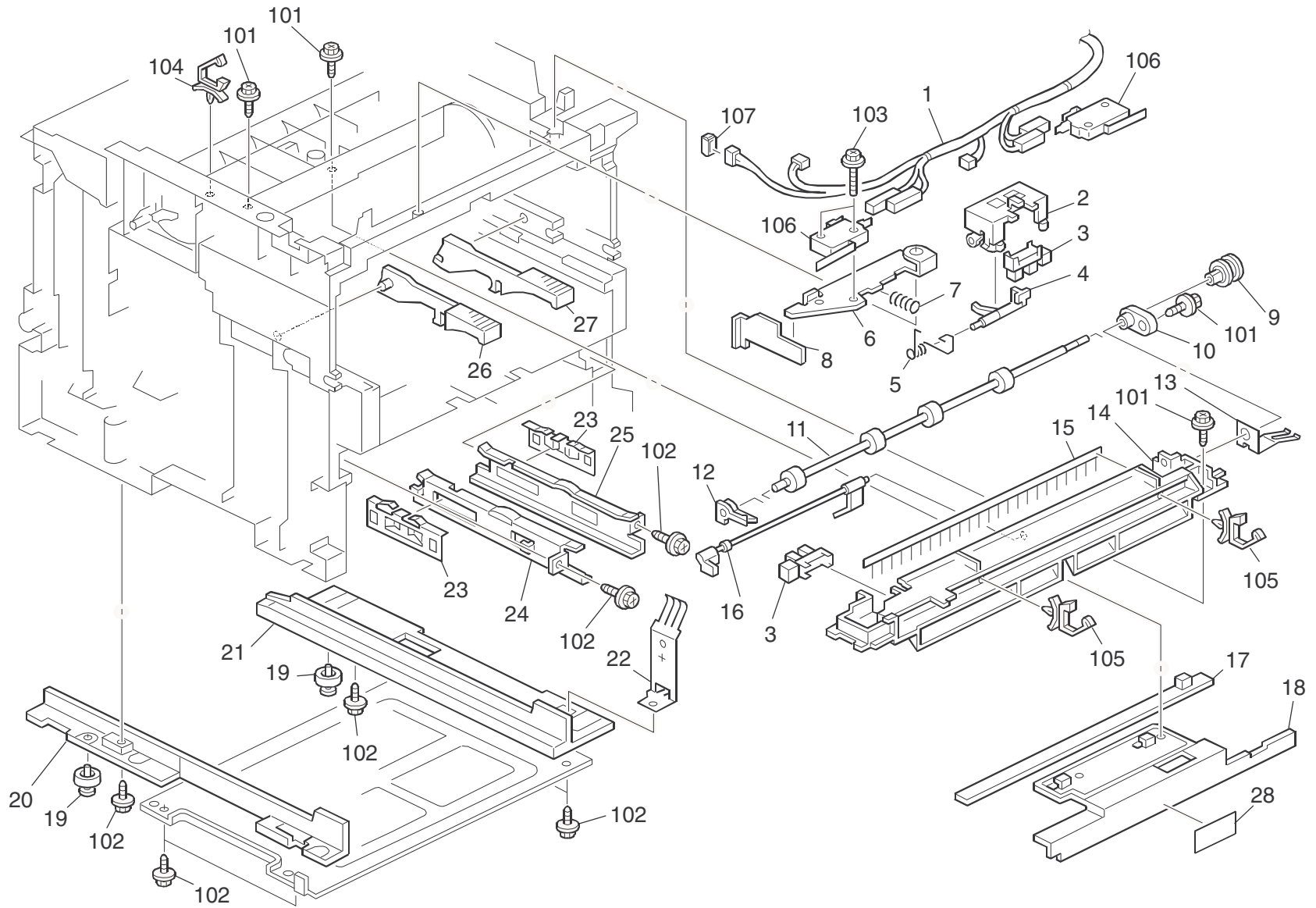


9.Fusing Unit 2 (M080)

Index No.	Part No.	Description	Q'ty Per Assembly
1	G175 4698	Fusing Left Cover	1
2	G129 4102	Pressure Spring - Fusing	2
3	G175 4662	Pressure Roller Lever	2
4	G052 4665	Bushing - Pressure Roller	2
5	G052 4676	Gear - Fusing Idler	1
6	G052 4677	Gear - Fusing Idler	1
7	G175 4681	Fusing Entrance Guide Plate	1
8	G175 4650	Pressure Frame	1
9	G175 0126	Pressure Roller	1
10	G175 4673	Gear - 15Z	1
11	G800 4851	Bushing	2
12	G096 4674	Fusing Exit Roller	1
13	G052 4692	Discharge Brush - Pressure	1
14	G052 4691	Ground Plate - Fusing Pressure	1
15	G175 4693	Decal - High Temperature	1
16	G175 4183	Right Pressure Lever	1
17	G175 4182	Left Pressure Lever	1
18	G175 4181	Pressure Lever Shaft	1

Index No.	Part No.	Description	Q'ty Per Assembly
101	0450 3008N	Tapping Screw - M3x8	
102	0450 3010N	Tapping Screw - M3x10	

10.Paper Exit (M080)

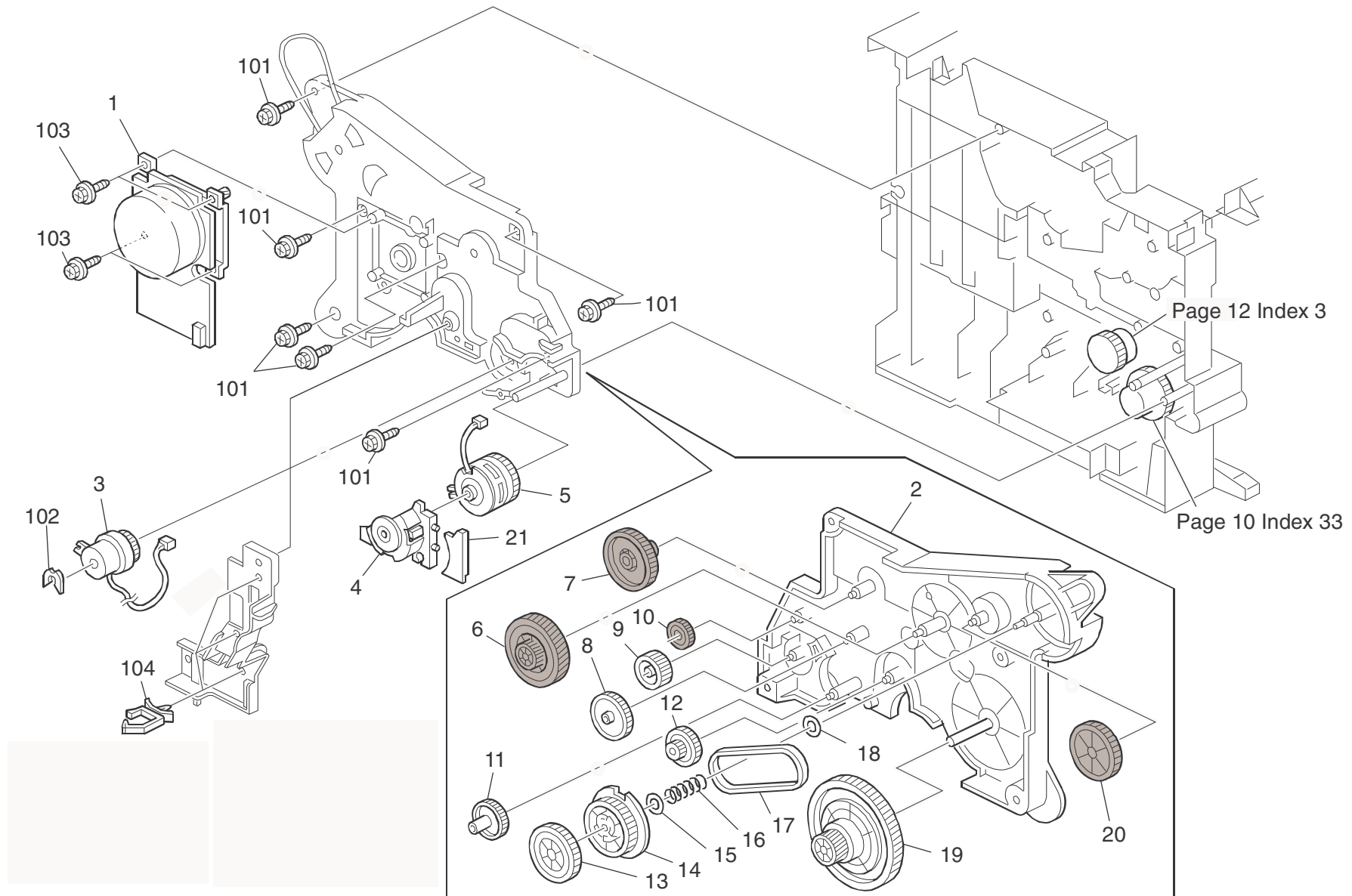


10.Paper Exit (M080)

Index No.	Part No.	Description	Q'ty Per Assembly
1	M080 5403	Harness: Exit: Sensor	1
2	G052 1044	Exit Feeler Holder	1
3	GW02 0020	Photointerruptor: LG248NL1	2
4	G052 1042	Fusing Exit Feeler	1
5	G052 1046	Spring - Fusing Exit Feeler	1
6	G052 1272	Rear Cover Sw Bracket	1
7	G052 1273	Spring - Micro Switch	1
8	M079 1274	Lever: Micro Switch: Rear	1
9	G052 4855	Pulley - Paper Exit	1
10	G052 1049	Bushing - Paper Exit	1
11	G096 4850	Exit Roller	1
12	G800 4851	Bushing	1
13	G096 1262	Exit Roller Ground Plate	1
14	G096 1041	Exit Bracket	1
15	G096 4888	Exit Brush Discharge	1
16	G096 1043	Exhaust Sensor Feeler	1
17	G129 3522	Discharge Lamp: Cassis	1
18	G175 1032	Heat Insulating Plate - Front	1
19	GH01 0007	Rubber Foot - FF-006(P4070)N	2
20	M080 1081	Rail: Paper Tray: Right	1
21	M080 1082	Rail: Paper Tray: Left	1
22	G052 1027	Base Ground Plate	1
23	G052 1027	Spring Plate - Duplex Rail	2
24	G096 1021	Right Duplex Rail	1
25	G096 1022	Left Duplex Rail	1
26	G052 4696	Right Fusing Lock Lever	1
27	G052 4697	Left Fusing Lock Lever	1
28	GA00 0059	Decal: Warning (High Temperature): Small	1

Index No.	Part No.	Description	Q'ty Per Assembly
101	0450 3008N	Tapping Screw - M3x8	
102	0450 3012N	Tapping Screw: 3x12	
103	0451 3014N	Tapping Screw: 3x14	
104	1105 0487	Harness Clamp	
105	1105 0516	Clamp	
106	1204 2521	Micro Switch	
107	1102 4559	Connector - 3P	

11. Drive Section (M080)

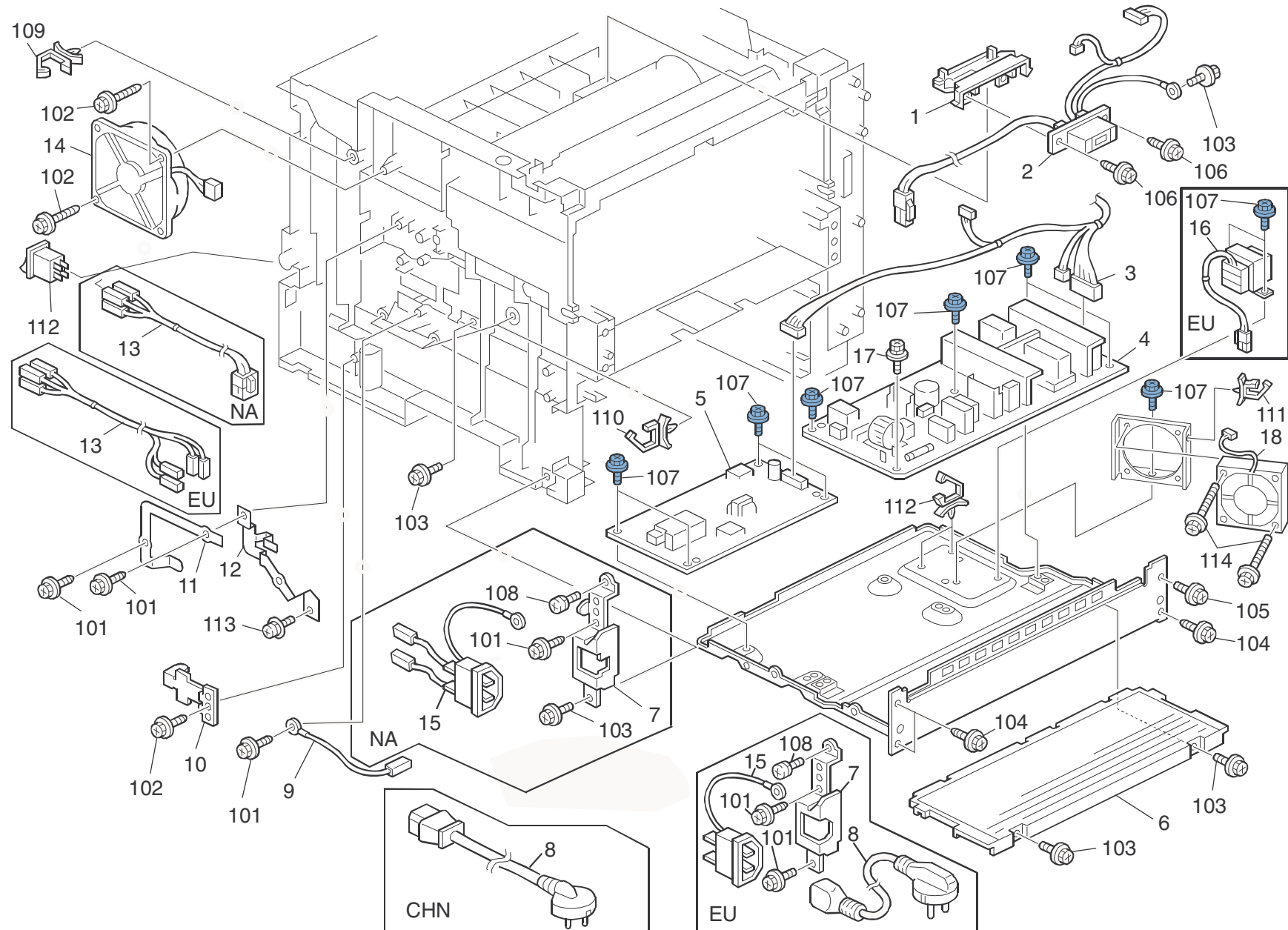


11. Drive Section (M080)

Index No.	Part No.	Description	Q'ty Per Assembly
1	M001 1050	Brushless Motor: DC24V: 31W	1
2	M001 1122	Housing: Drive Unit	1
3	G175 3209	Magnetic Clutch	1
4	G175 2554	Spring Clutch Bracket	1
5	G129 2551	Magnetic Clutch: 1turn: Z41	1
6	G052 1104	Gear - Fusing 1	1
7	G052 1108	Gear - Paper Feed 1	1
8	G052 1109	Gear - Paper Feed 2	1
9	G052 1113	Gear - Paper Feed 6	1
10	G052 1112	Gear - Paper Feed 5	1
11	G052 1111	Gear - Paper Feed 4	1
12	G052 1110	Gear - Paper Feed 3	1
13	G175 1106	Gear - 45Z	1
14	G052 1107	Gear - Pulley - Fusing	1
15	5353 1803	Wave Washer	1
16	G052 1120	Spring - Paper Exit Release	1
17	G052 1121	Drive Belt	1
18	G052 1123	Spacer - Drive Unit	1
19	G088 1103	Gear: PCU	1
20	G052 1105	Gear - Fusing 2	1
21	G175 2555	Harness Holder	1

Index No.	Part No.	Description	Q'ty Per Assembly
101	0450 3010N	Tapping Screw - M3x10	
102	0805 0089	Retaining Ring - M4	
103	0450 4010N	Tapping Screw: M4x10	
104	1105 0489	Harness Clamp - LWS 1316	

12.Electrical Section 1 (M080)

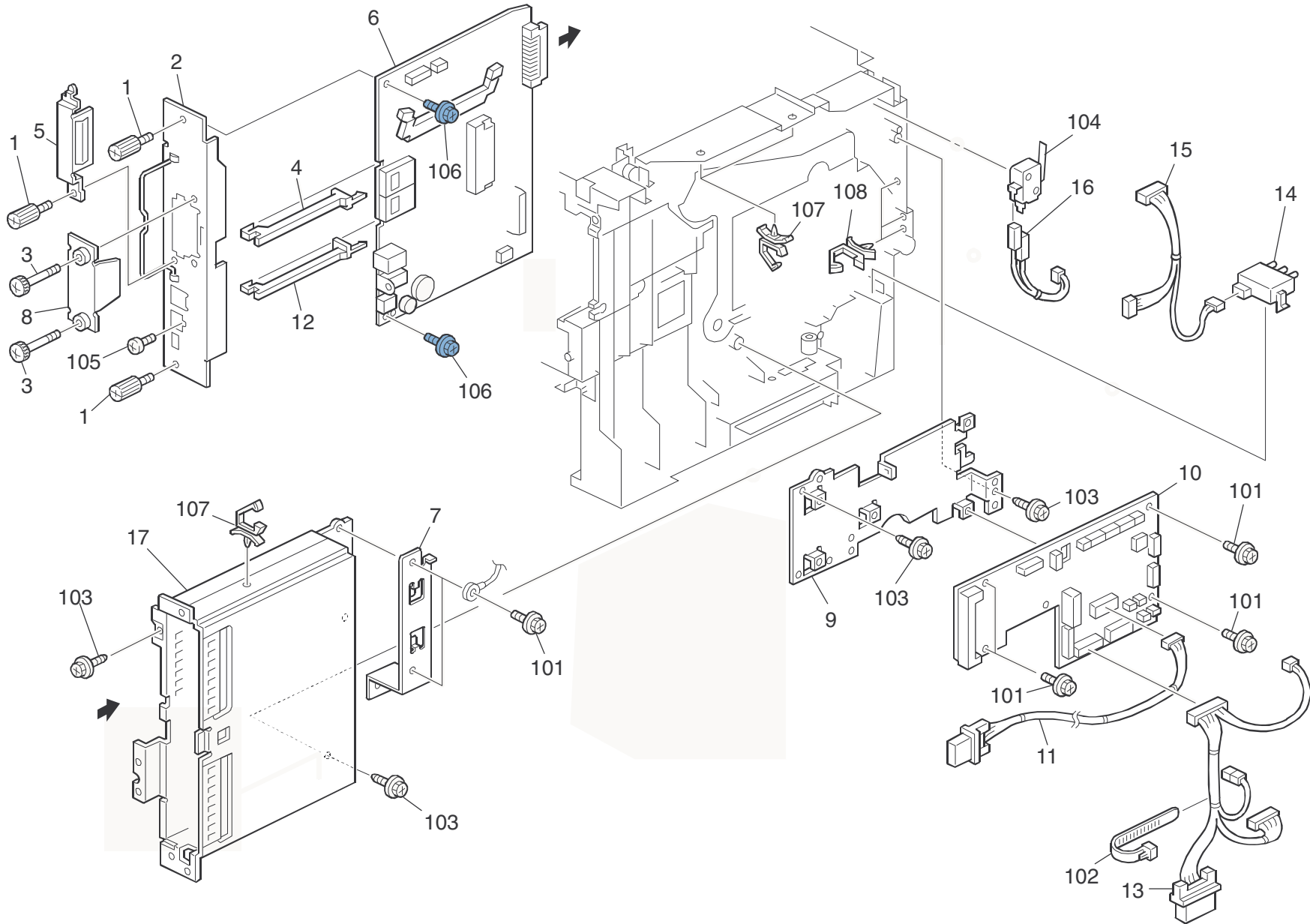


12.Electrical Section 1 (M080)

Index No.	Part No.	Description	Q'ty Per Assembly
1	G175 1056	Drawer Bracket - Fusing	1
2	M001 5404	Harness: Fusing: NA	1
2	M001 5409	Harness: Fusing: EU	1
3	M080 5400	Harness: Power Source	1
4	GZ23 0039	DC Power Supply: 136W: DOM/NA	1
4	GZ23 0040	DC Power Supply: 136W: EU/AA	1
5	GZ32 0014	Power Pack - BCT	1
6	G096 1031	Lower Fusing Heat Insulating Plate	1
7	M080 1271	Inlet Bracket	1
8	G102 5502	Power Supply Cord: EU	1
8	GZ00 0005	Power Cord - 230V (CHN)	1
9	G111 5419	Harness - Power Pack	1
10	G096 1087	Paper Tray Spring Plate Ass'y	1
11	G096 3338	Ground Plate - Registration	1
12	G052 1252	Drum Terminal	1
13	M001 5412	Harness: Main Switch: DOM/NA	1
13	M001 5413	Harness: Main Switch: EU	1
14	G129 1051	Fan Motor MM92: 24V	1
15	G110 5501	Inlet: JPN: Ass'y	1
15	G096 5506	Inlet - EU	1
16	G129 5205	Choke Coil	1
17	G102 1193	Hexagonal Bolt: Double: Screw: Round Point: M3x7	1
18	GX64 0029	Fan: MM40x15: Nidec: L	1

Index No.	Part No.	Description	Q'ty Per Assembly
101	0450 3008N	Tapping Screw - M3x8	
102	0450 3012N	Tapping Screw: 3x12	
103	0451 3006N	Tapping Screw - 3x6	
104	0450 3008N	Tapping Screw - M3x8	
105	0451 4006N	Tapping Screw - 4x6	
106	0450 4010N	Tapping Screw: M4x10	
107	0454 3006Q	Tapping Screw - M3x6	
108	0950 4006N	Screw - M4x6	
109	1105 0487	Harness Clamp	
110	1105 0488	Harness Clamp	
111	1105 0534	Clamp	
112	1204 2537	Rocker Switch: AC250V/10A: Black	
113	0954 3006N	Screw - M3x6	
114	0451 3020N	Tapping Screw: 3x20	

13.Electrical Section 2 (M080)

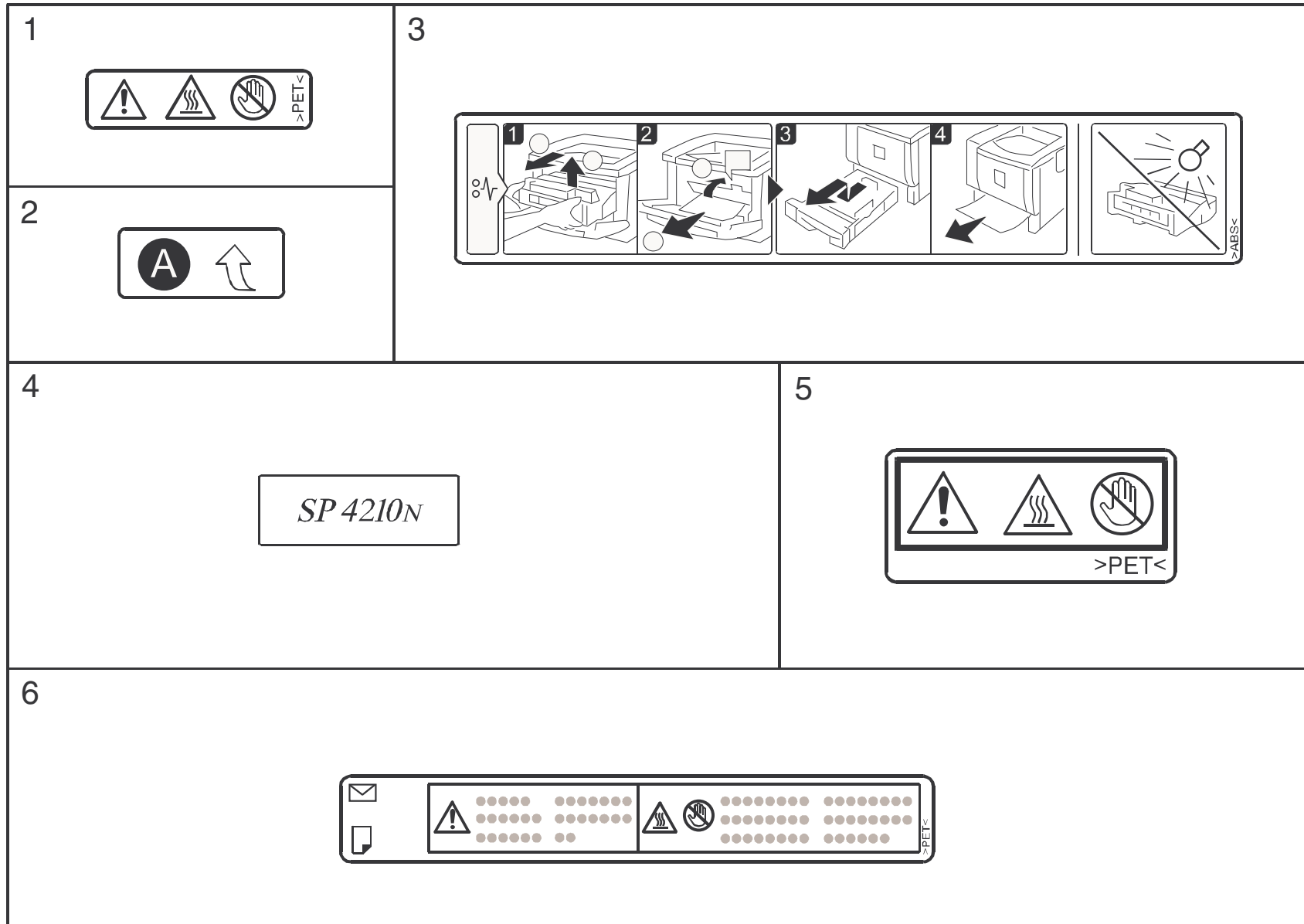


13.Electrical Section 2 (M080)









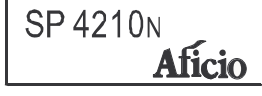
Index No.	Part No.	Description	Q'ty Per Assembly
1	G104 5141	Knob Screw: M3	3
2	M001 1106	Panel: Control Board: Ass'y	1
3	B622 5825	Panel Knob Screw	2
4	G108 5107	Left Guide 1	1
5	G168 5115	SD-Cardcover	1
6	M080 5363	PCB: CTL: EXP: Ass'y	1
7	M001 1156	Cover: EGB	1
8	B132 5836	Panel - Interface	1
9	M001 1105	Bracket: EGB	1
10	M080 5010	PCB: EGB: Ass'y	1
11	M001 5401	Harness: Duplex: Option	1
12	G108 5108	Right Guide 1	1
13	M001 5406	Harness -Paper Feed	1
14	G800 3035	Push SW - Paper Size	1
15	M001 5405	Harness: Motor: Sensor	1
16	G175 5410	Safety Switch Harness	1
17	G096 1241	Control Board Bracket Ass'y	1

Index No.	Part No.	Description	Q'ty Per Assembly
101	0451 3006N	Tapping Screw - 3x6	
102	1105 0720	Wire Binder: RF100	
103	0450 3008N	Tapping Screw - M3x8	
104	1204 2521	Micro Switch	
105	0353 0040N	Screw - M3x4	
106	0454 3006Q	Tapping Screw - M3x6	
107	1105 0487	Harness Clamp	
108	1105 0516	Clamp	

14.Decals and Documents (M080)



14.Decals and Documents (M080)

7 	10 	13 
8 	11 	14 
9 	12 	15 

14.Decals and Documents (M080)

16 <div data-bbox="423 363 669 448" style="border: 1px solid black; padding: 5px; text-align: center;"><i>MLP37n</i></div>	19 <div data-bbox="981 363 1240 453" style="border: 1px solid black; padding: 5px; text-align: center;">SP 4210N Aficio</div>	
17 <div data-bbox="421 751 680 842" style="border: 1px solid black; padding: 5px; text-align: center;">SP 4210N Aficio</div>	20 <div data-bbox="983 748 1243 839" style="border: 1px solid black; padding: 5px; text-align: center;"><i>LP37N</i></div>	
18 <div data-bbox="418 1137 678 1228" style="border: 1px solid black; padding: 5px; text-align: center;">SP 4210N</div>		

14.Decals and Documents (M080)

Index No.	Part No.	Description	Q'ty Per Assembly
1	GA00 0058	Decal: H-Temp Warning: 115: CUD	1
2	G052 3351	Decal - Registration	1
3	G096 1551	Misfeed Removal Decal	1
4	M001 1250	Decal: Caution: 17Kg	1
5	GA00 0059	Decal: Warning (High Temperature): Small	1
6	G175 4693	Decal - High Temperature	1
7	G176 0410	Logo: Ricoh	1
8	GA00 1051	Plate: Logo: SVN	1
9	J007 1511	Logotype: GES	1
10	GA00 1056	Plate: Logo: LAN	1
11	J007 1511	Logotype: GES	1
12	J007 1512	Logotype: NSA	1
13	J007 1513	Logotype: REX	1
14	M080 1261	Decal: Model Name Plate: RIC	1
15	M080 1262	Decal: Model Name: SAV	1
16	M080 1265	Decal: Model Name: NAS	1
17	M080 1266	Decal: Model Name: REX	1
18	M080 1264	Decal: Model Name: LAN: NA	1
19	M080 1268	Decal: Model Name: GES: EU	1
20	AA00 1477	Decal: Energy-star	1

Index No.	Part No.	Description	Q'ty Per Assembly