

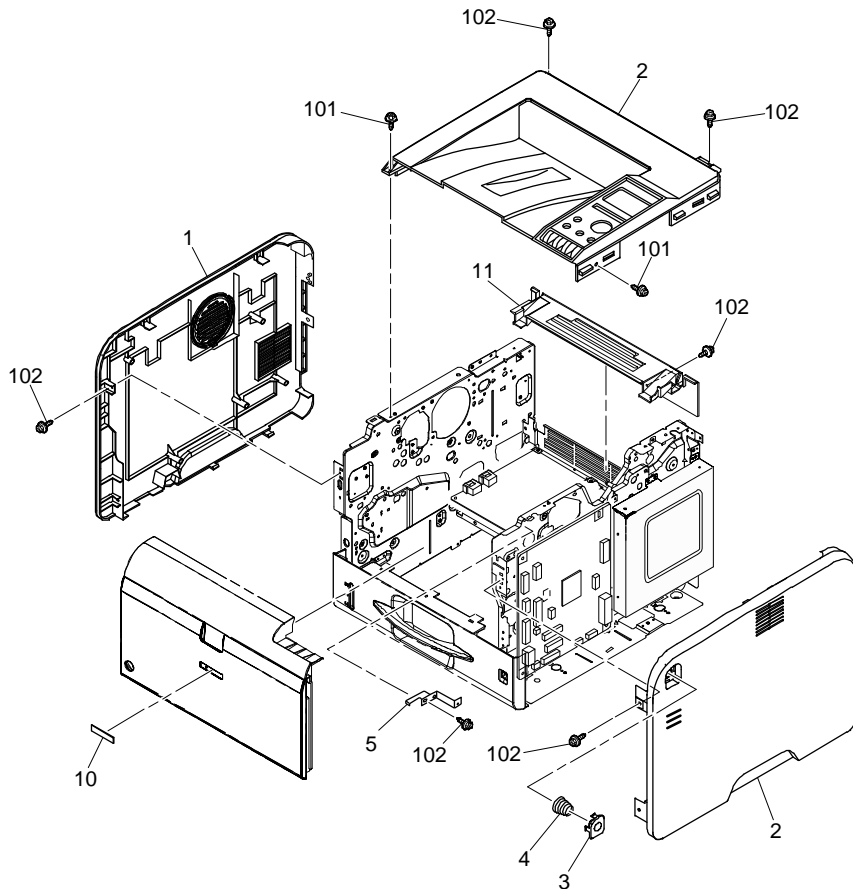
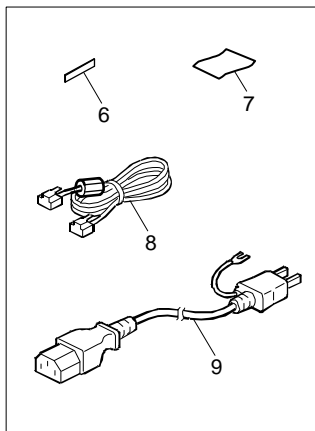
RICOH SP 3600DN

PARTS CATALOG

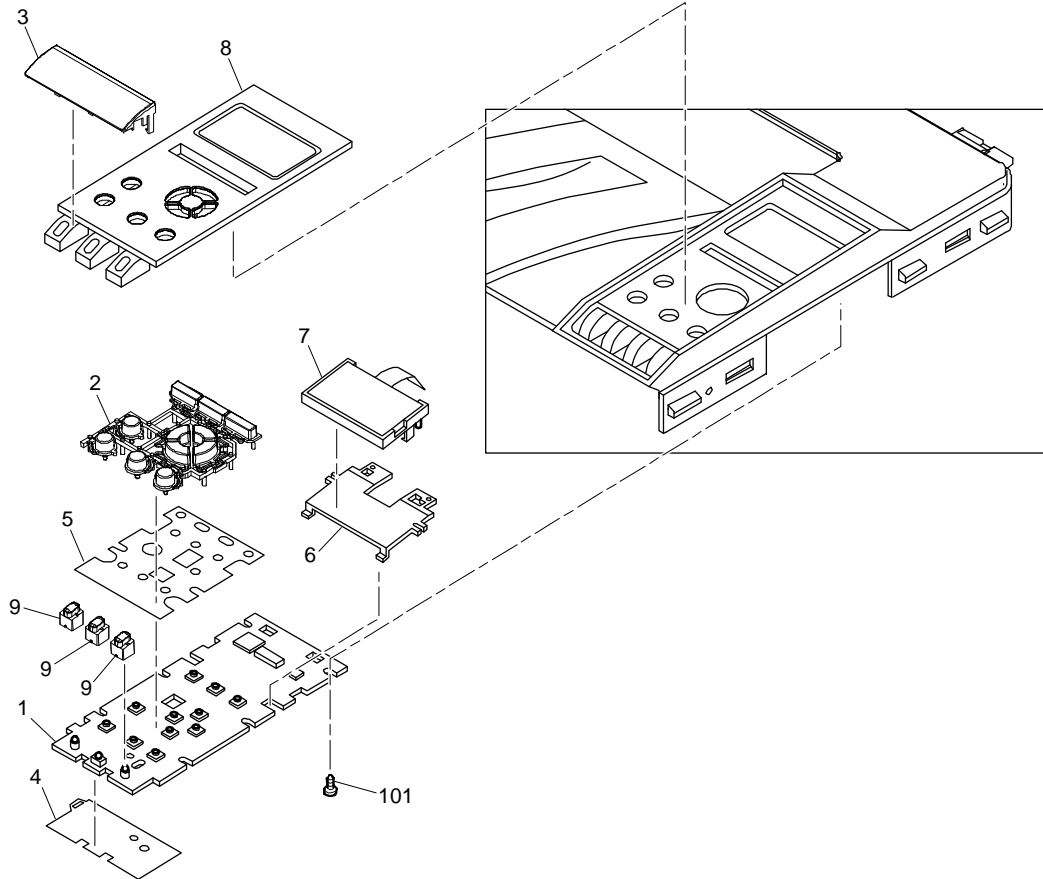
This catalog gives the numbers and names of parts on this machine.

1. Exterior.....	1 P	18. Parts Index	35 P
2. Operation Panel.....	3 P		
3. Optical Writing Section.....	5 P		
4. Manual Feed Section 1	7 P		
5. Manual Feed Section 2	9 P		
6. Paper Feed 1	11 P		
7. Paper Feed 2	13 P		
8. Registration Roller	15 P		
9. Transfer.....	17 P		
10. Fusing Section 1	19 P		
11. Fusing Section 2	21 P		
12. Paper Exit Section	23 P		
13. Duplex Section.....	25 P		
14. Drive Section 1.....	27 P		
15. Drive Section 2.....	29 P		
16. Electrical Components Section	31 P		
17. Main Frame Section.....	33 P		

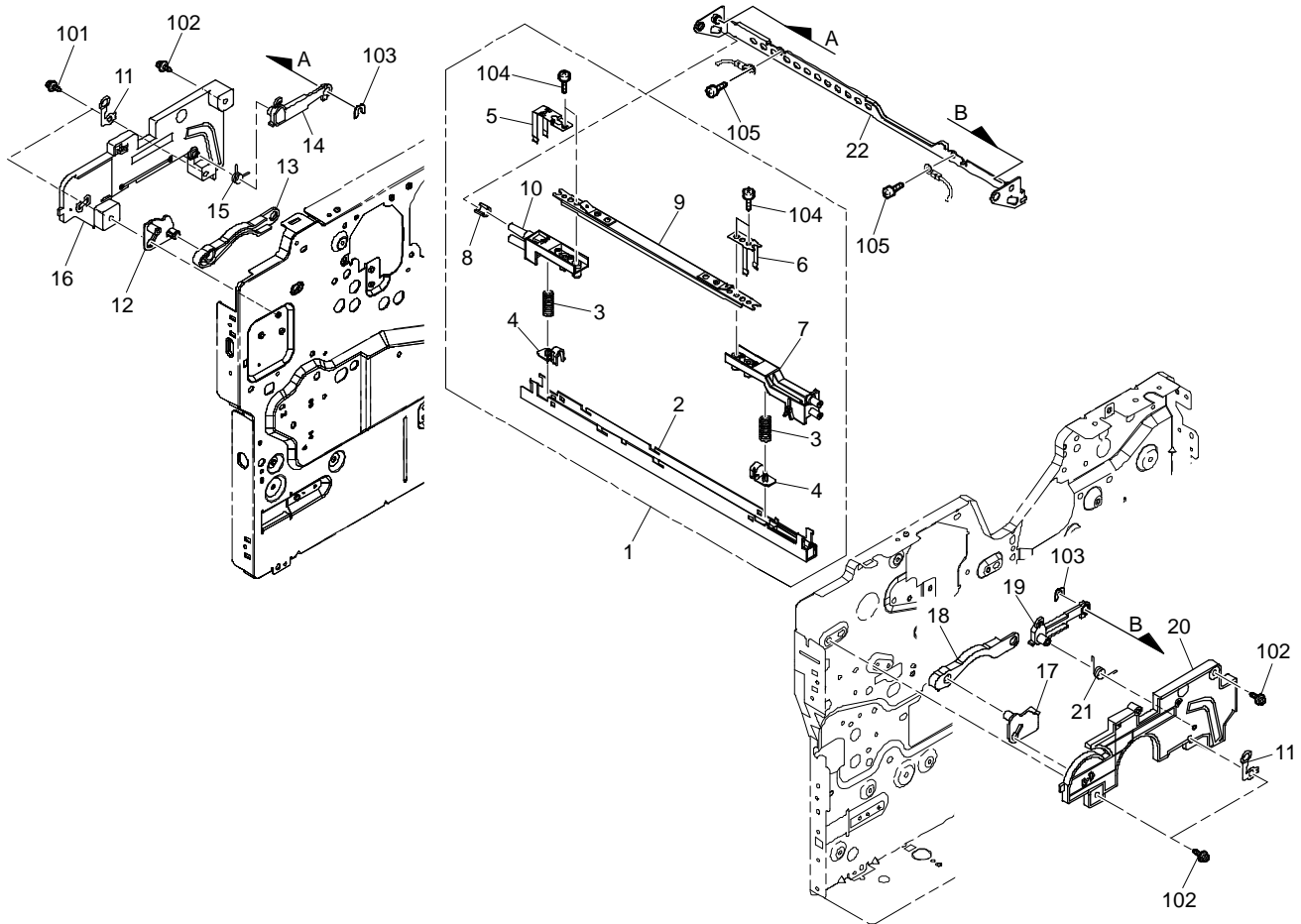
1. Exterior



2. Operation Panel



3. Optical Writing Section

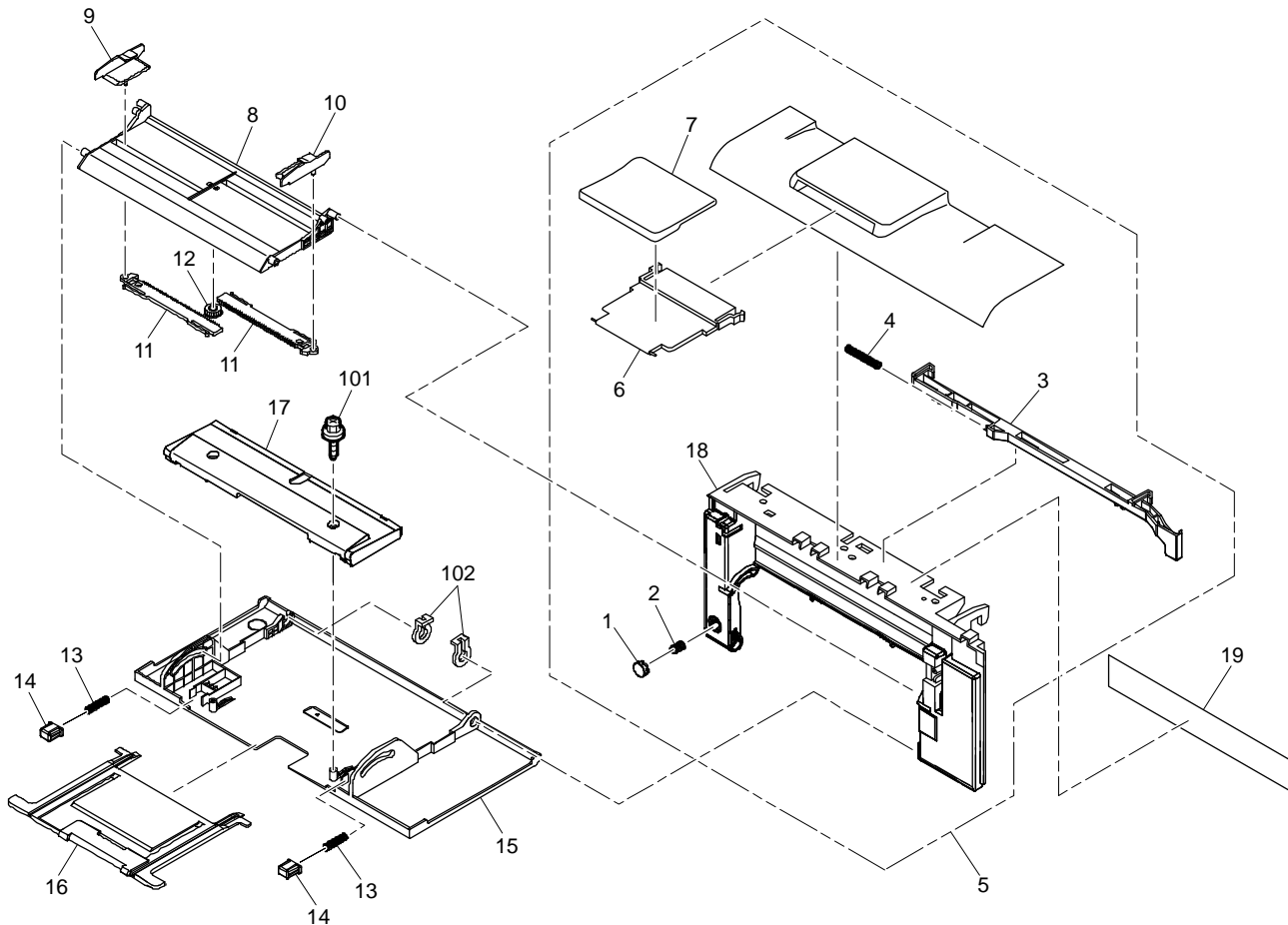


3. Optical Writing Section

Index No.	Part No.	Description	Q'ty Per Assembly
1	M1601850	OPTICAL WRITING UNIT:ASS'Y	1
2	M1601900	LED HEAD:1200DPI:211.3MM	1
3	M1601901	COIL SPRING:HOLDER:LED	2
4	M1601902	HOLDER:COIL SPRING:LED	2
5	M1601903	GROUND PLATE:LED:A:LEFT	1
6	M1601904	GROUND PLATE:LED:A:RIGHT	1
7	M1601906	HOLDER:LED:RIGHT	1
8	M1601916	SPACER:HOLDER:LED	1
9	M1601926	FRAME:HOLDER:LED:ASS'Y	1
10	M1601936	HOLDER:LED:LEFT	1
11	M1601905	GROUND PLATE:LED:B	2
12	M1601910	LINK:LED:A:LEFT	1
13	M1601911	LINK:LED:B:LEFT	1
14	M1601912	LINK:LED:C:LEFT	1
15	M1601917	COIL SPRING:LINK:LED:LEFT	1
16	M1601918	GUIDE:LINK:LED:LEFT	1
17	M1601913	LINK:LED:A:RIGHT	1
18	M1601914	LINK:LED:B:RIGHT	1
19	M1601915	LINK:LED:C:RIGHT	1
20	M1601919	GUIDE:LINK:LED:RIGHT	1
21	M1601928	COIL SPRING:LINK:LED:RIGHT	1
22	M1601907	HINGE:LED:ASS'Y	1

Index No.	Part No.	Description	Q'ty Per Assembly
101	04513006N	TAPPING SCREW:3X6	
102	04543006Q	TAPPING SCREW:3X6	
103	08050089	RETAINING RINGS-E:SILENCER:DIA4	
104	04523008N	BINDING SELF-TAPPING SCREW:3X8	
105	03130040N	PAN HEAD SCREW:M3X4	

4. Manual Feed Section 1

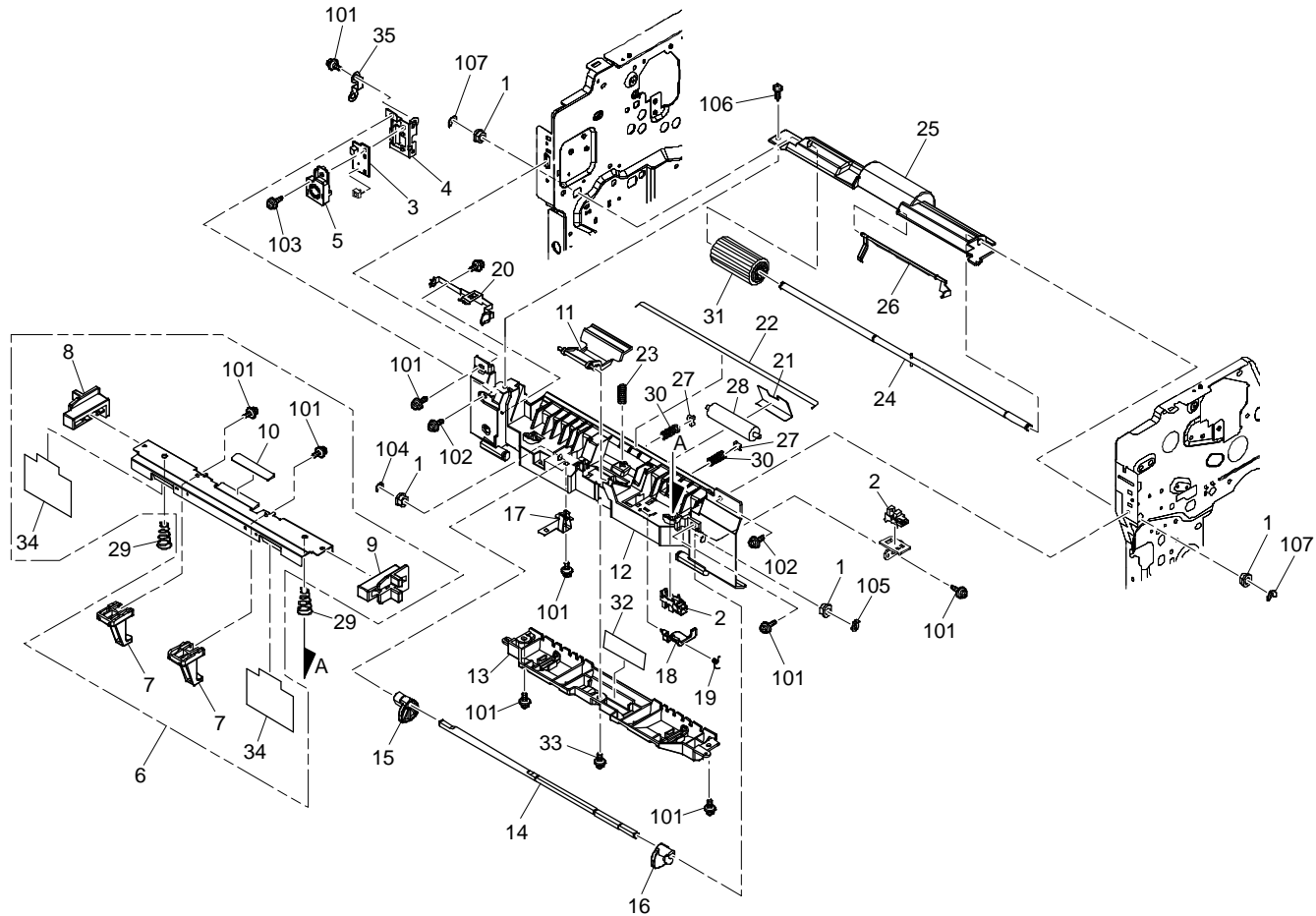


4. Manual Feed Section 1

Index No.	Part No.	Description	Q'ty Per Assembly
1	M1601084	KEY:BUTTON:MAIN SWITCH	1
2	M1601085	COIL SPRING:MAIN SWITCH	1
3	M1602712	LINK:LATCH:DOOR:FRONT	1
4	M1602713	COIL SPRING:LATCH:DOOR:FRONT	1
5	M1712700	DOOR:FRONT:INNER:P1A:ASS'Y	1
6	M1712791	COVER:EXTENSION TRAY:INNER:P1A	1
7	M1712792	COVER:EXTENSION TRAY:2:P1A	1
8	M1602715	BASE:PAPER TRAY:MANUAL FEED	1
9	M1602721	GUIDE:SIDE FENCE:LEFT:MANUAL FEED	1
10	M1602722	GUIDE:SIDE FENCE:RIGHT:MANUAL FEED	1
11	M1602723	GEAR:RACK:SIDE FENCE:MANUAL FEED	2
12	M1602724	GEAR:PIVOT	1
13	M1602774	COIL SPRING:LATCH:COVER:MANUAL FEED	2
14	M1602775	HOLDER:COMPRESSION SPRING:EXTENSION TRAY	2
15	M1602711	COVER:MANUAL FEED	1
16	M1602773	EXTENSION TRAY:MANUAL FEED	1
17	M1602776	COVER:EXTENSION TRAY:MANUAL FEED	1
18	M1602710	COVER:DOOR:FRONT:MIDDLE	1
19	M1712799	DECAL:PICK-UP PAPER JAM	1

Index No.	Part No.	Description	Q'ty Per Assembly
101	04503008N	TAPPING SCREW:3X8	
102	52152621	SNAP RING - M6	

5. Manual Feed Section 2

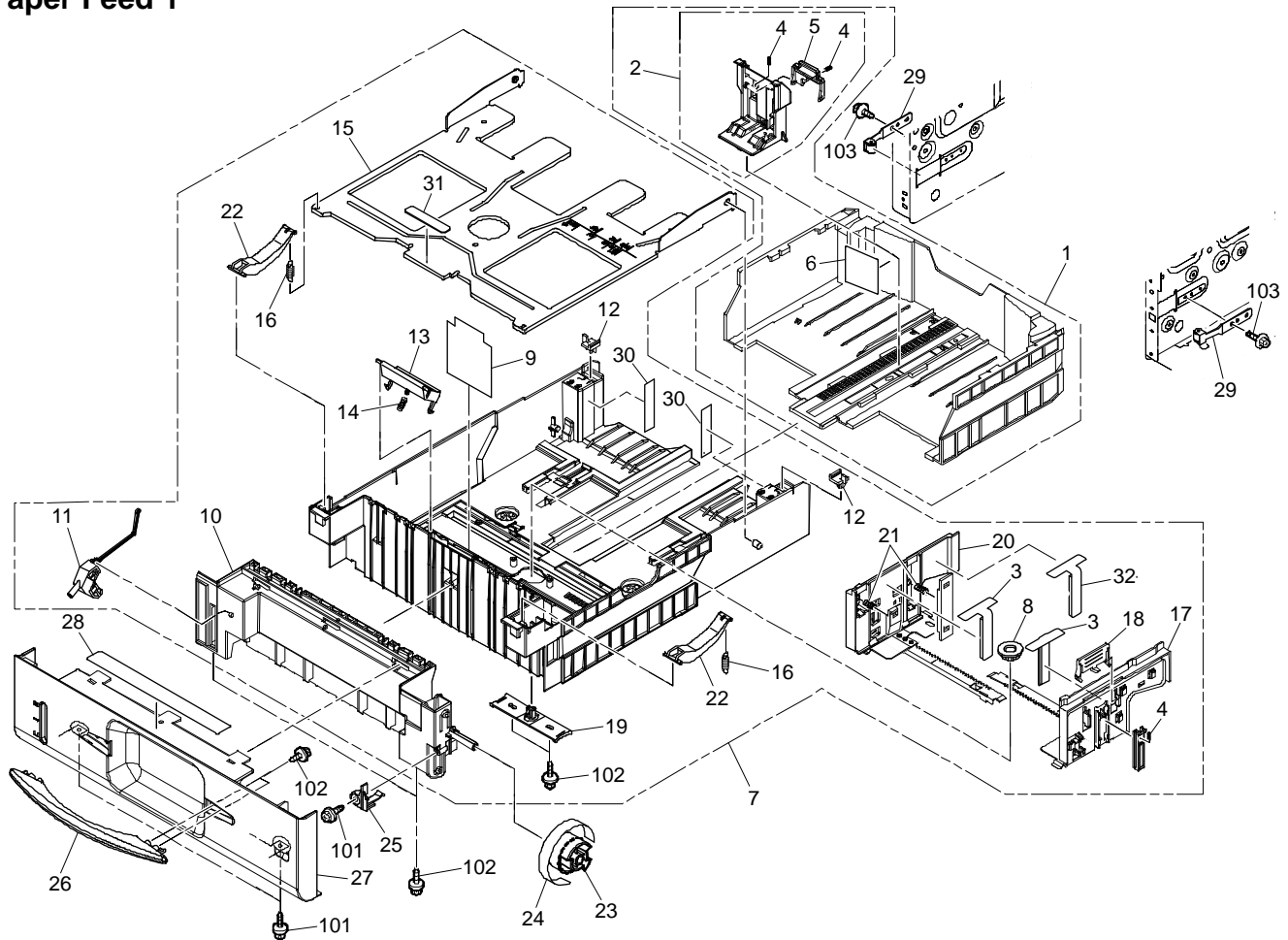


5. Manual Feed Section 2

Index No.	Part No.	Description	Q'ty Per Assembly
1	AA082118	PLAIN SHAFT BEARING:MM6	2
2	AW020198	PHOTOINTERRUPTOR:LG2A14NL1	2
3	D1495686	PCB:DCSW	1
4	M1601082	BRACKET:MAIN SWITCH	1
5	M1601083	HOLDER:MAIN SWITCH	1
6	M1602706	TRAY BOTTOM PLATE:MANUAL FEED:ASS'Y	1
7	M1602733	LINK:BASE:SILENCER	2
8	M1602734	GUIDE:LEFT:TRAY BOTTOM PLATE	1
9	M1602735	GUIDE:RIGHT:TRAY BOTTOM PLATE	1
10	M1602755	PAD:BASE	1
11	M1602707	HOLDER:FRICTION PAD:MANUAL FEED:ASS'Y	1
12	M1602730	GUIDE:STAY:MANUAL FEED	1
13	M1602731	GUIDE:SUB:STAY:MANUAL FEED	1
14	M1602741	SHAFT:SILENCER	1
15	M1602742	CAM:SILENCER:LEFT	1
16	M1602743	CAM:SILENCER:RIGHT	1
17	M1602744	SPRING PLATE:HOME POSITION SENSOR:SILENCER	1
18	M1602745	LINK:FEELER:HOME POSITION SENSOR:SILENCER	1
19	M1602746	COIL SPRING:FEELER:SILENCER	1
20	M1602747	GROUND PLATE:MANUAL FEED	1
21	M1602751	SHEET:ENTRANCE:MIDDLE:ROLLER	1
22	M1602752	SHEET:EXIT:STAY:MANUAL FEED	1
23	M1602754	COIL SPRING:FRICTION PAD	1
24	M1602760	SHAFT:PICKUP:MANUAL FEED	1
25	M1602762	GUIDE:UPPER:MANUAL FEED	1
26	M1602763	LINK:FEELER:PAPER END	1
27	AA080249	PLAIN SHAFT BEARING:MM4:VERTICAL TRANSPORT	2
28	B0902742	ROLLER:PULL OUT:OPTION TRAY	1
29	D1172725	COMPRESSION SPRING:PAPER FEED:MANUAL FEED	2
30	AA063399	COMPRESSION SPRING:VERTICAL TRANSPORT	2
31	AF031092	PAPER FEED ROLLER:MANUAL FEED	1
32	M1602737	SEAL:CLEANER:ROLLER:CONNECTING	1
33	B0394480	SCREW:DIA5	1
34	M1602788	SEAL:TRAY BOTTOM PLATE:MANUAL FEED:SIDE	2

Index No.	Part No.	Description	Q'ty Per Assembly
35	M1602795	GROUND PLATE:MAIN SWITCH	1
101	04503008N	TAPPING SCREW:3X8	
102	04513006N	TAPPING SCREW:3X6	
103	04543006Q	TAPPING SCREW:3X6	
104	07200040E	RETAINING RINGS-E:4	
105	54472681	SNAP RING	
106	04523010N	BINDING SELF-TAPPING SCREW:3X10	
107	08050089	RETAINING RINGS-E:SILENCER:DIA4	

6. Paper Feed 1

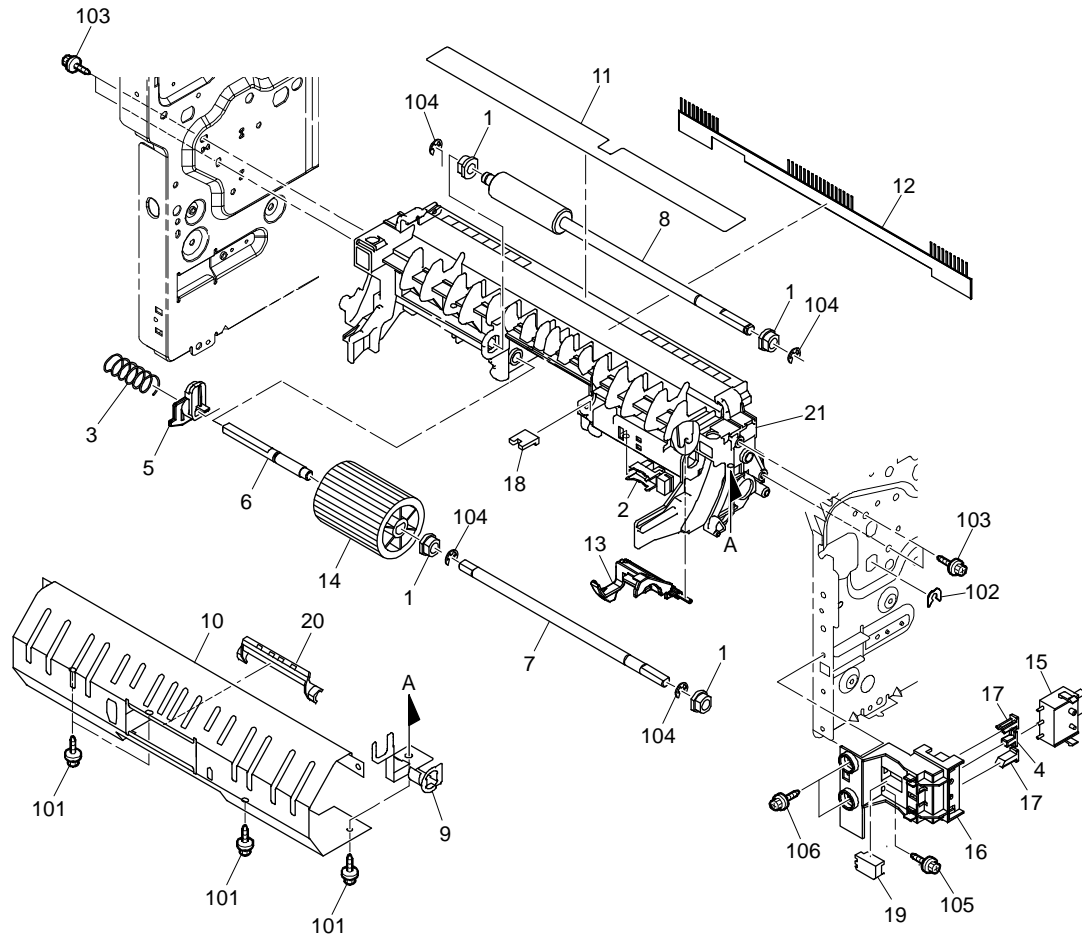


6. Paper Feed 1

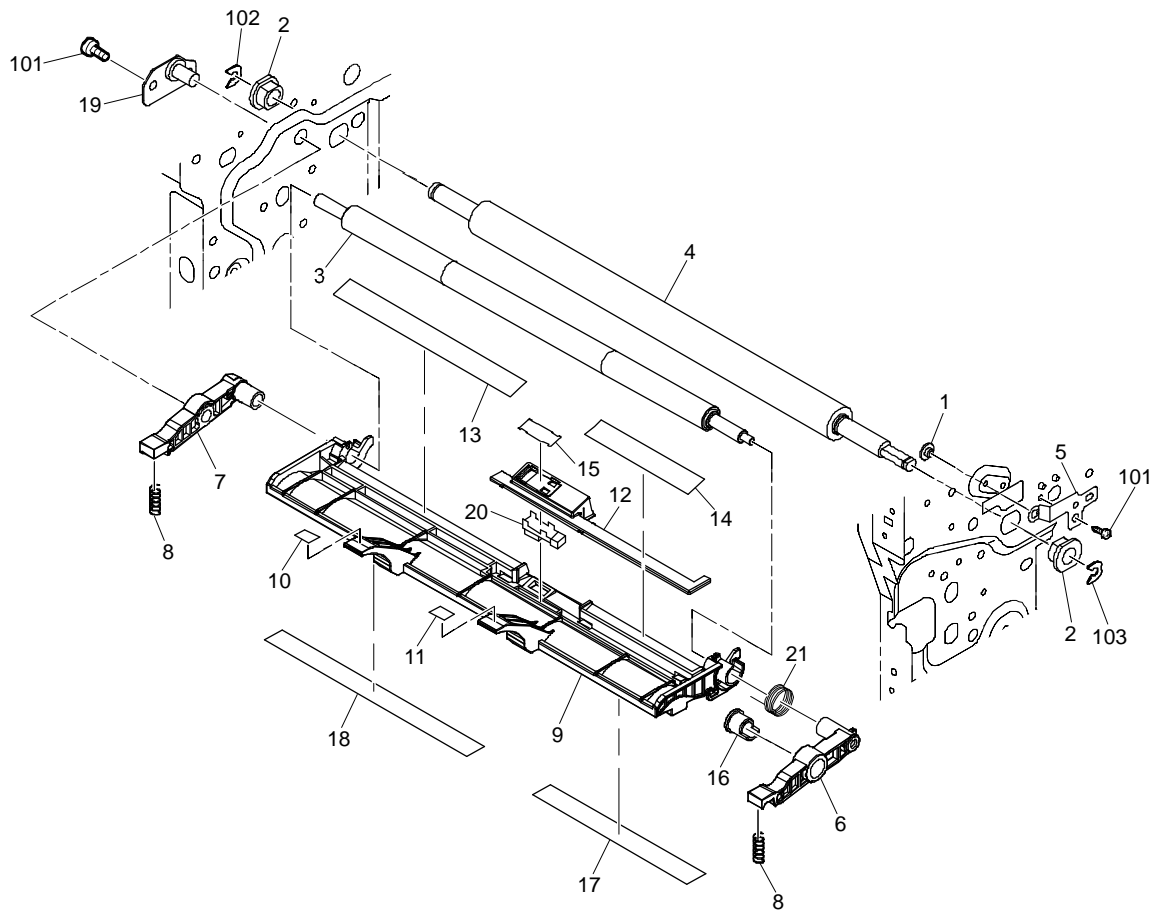
Index No.	Part No.	Description	Q'ty Per Assembly
1	M1712550	PAPER TRAY:REAR:250 SHEET FEED UNIT:ASS'Y	1
2	M1712560	END FENCE:250 SHEET FEED UNIT:ASS'Y	1
3	M1712666	SHEET:SPONGE:SIDE FENCE:250 SHEET FEED UNIT	1
4	M0752610	COMPRESSION SPRING:LOCK:SIDE FENCE	3
5	M1602563	LEVER:LOCK:END FENCE	1
6	M1602572	DECAL:OPERATION INSTRUCTIONS:TRAY:REAR	1
7	M1712600	PAPER TRAY:FRONT:250 SHEET FEED UNIT:SUB-ASS'Y	1
8	B0902869	GEAR:16Z	1
9	M1712602	SHEET:HOLDER:250 SHEET FEED UNIT:FRONT	1
10	M1712605	GUIDE:PAPER TRAY:250 SHEET FEED UNIT:FRONT	1
11	M1712606	INDICATOR:PAPER VOLUME SENSOR:PAPER TRAY:250 SHEET FEED UNIT	1
12	M0212609	STOPPER:CASSETTE	2
13	M1602620	HOLDER:FRICITION PAD:ADHESION	1
14	M1602623	COMPRESSION SPRING:SEPARATION	1
15	M1602630	TRAY BOTTOM PLATE:ADHESION	1
16	M1712627	TENSION SPRING:TRAY BOTTOM PLATE:250 SHEET FEED UNIT	2
17	M1712640	SIDE FENCE:RIGHT:250 SHEET FEED UNIT:ASS'Y	1
18	M1602655	LEVER:LOCK:SIDE FENCE:TRAY	1
19	M1602641	HOLDER:PINION	1
20	M1712660	SIDE FENCE:LEFT:250 SHEET FEED UNIT:ASS'Y	1
21	GA063084	COMPRESSION SPRING:AUXILIARY:SIDE FENCE	2
22	M1602668	ARM:TRAY BOTTOM PLATE	2
23	M1602680	DIAL:PAPER SIZE SENSOR:TRAY:CHN:ASS'Y	1
	M1602687	DIAL:PAPER SIZE SENSOR:TRAY:EXP:ASS'Y	1
24	M1602681	DECAL:DIAL:PAPER SIZE SENSOR:TRAY:CHN	1
	M1602682	DECAL:DIAL:PAPER SIZE SENSOR:TRAY:EXP	1
25	M1602683	CLICK:DIAL:PAPER SIZE SENSOR:TRAY	1
26	M1602631	GRIP:PAPER TRAY	1
27	M1712691	COVER:TRAY:250 SHEET FEED UNIT:FRONT	1
28	M1602693	DECAL:PAPER SET DIRECTION	1
29	M1602590	TIGHTENER:SPRING PLATE:TRAY:ASS'Y	2
30	M1712607	SEAL:TRAY:REAR:EU,CHN:250 SHEET FEED UNIT	2

Index No.	Part No.	Description	Q'ty Per Assembly
30	M1712608	SEAL:TRAY:REAR:NA:250 SHEET FEED UNIT	2
31	GF013001	PAD:BASE	1
32	M1712675	SEAL:SIDE FENCE:LEFT REAR	1
101	04503008N	TAPPING SCREW:3X8	
102	04503010N	TAPPING SCREW:3X10	
103	04543006Q	TAPPING SCREW:3X6	

7. Paper Feed 2



8. Registration Roller

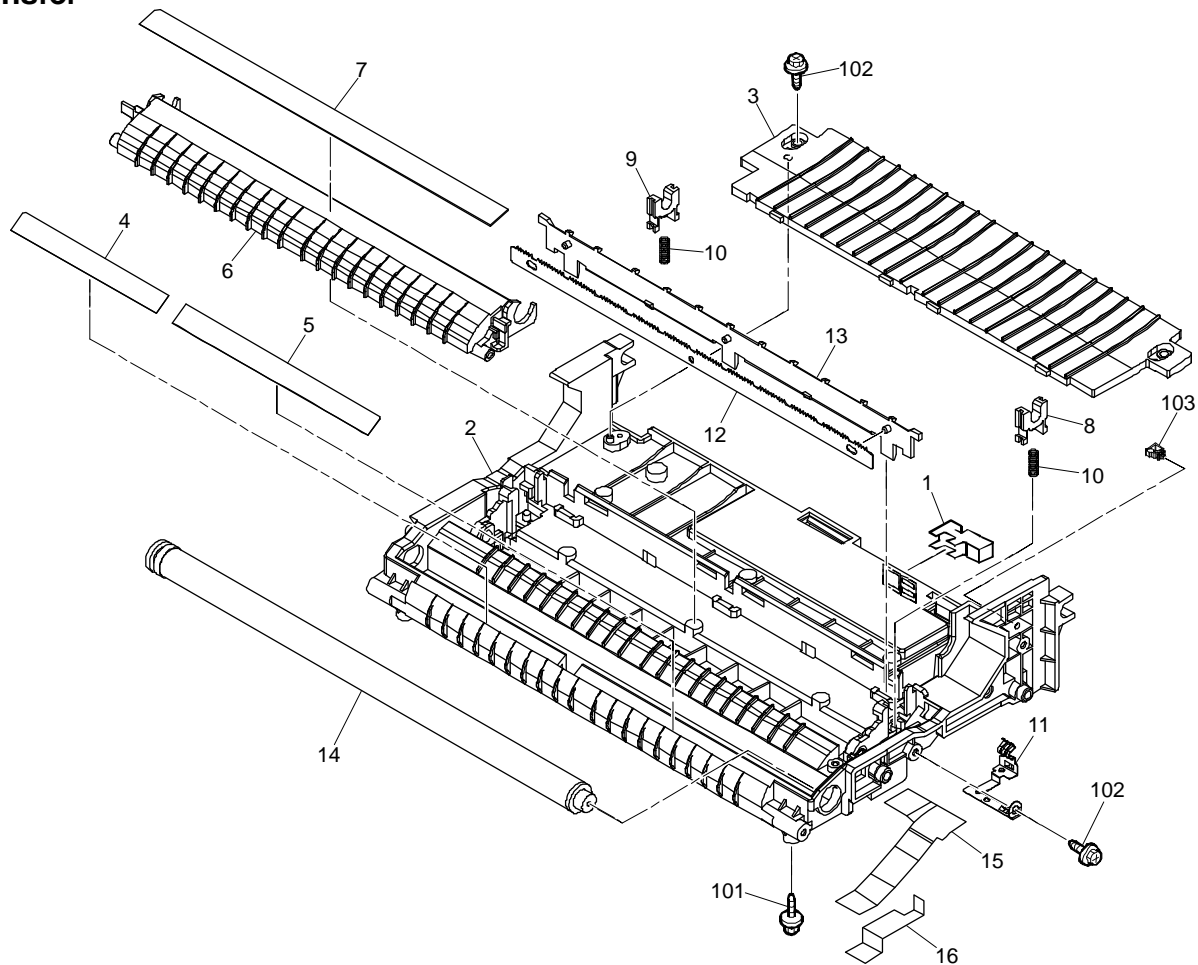


8. Registration Roller



Index No.	Part No.	Description	Q'ty Per Assembly
1	A1532117	ROLLER TERMINAL	1
2	AA082116	PLAIN SHAFT BEARING:MM8	2
3	M1602900	REGISTRATION ROLLER:DRIVEN	1
4	M1602901	REGISTRATION ROLLER:DRIVE	1
5	M1602902	GROUND PLATE:REGISTRATION ROLLER:DRIVEN	1
6	M1602903	LEVER:PRESSURE:REGISTRATION ROLLER:RIGHT	1
7	M1602904	LEVER:PRESSURE:REGISTRATION ROLLER:LEFT	1
8	M1602905	COIL SPRING:REGISTRATION ROLLER:PRESSURE:LEVER	2
9	M1602906	GUIDE:REGISTRATION ROLLER:UPPER	1
10	M1602907	DECAL:REGISTRATION:GUIDE:LEFT UPPER	1
11	M1602908	DECAL:REGISTRATION ROLLER:GUIDE:UPPER	1
12	M1602909	COVER:REGISTRATION ROLLER:GUIDE:UPPER	1
13	M1602922	SEAL:CLEANER:REGISTRATION ROLLER:LEFT	1
14	M1602923	SEAL:CLEANER:REGISTRATION ROLLER:RIGHT	1
15	M1602917	SHEET:REGISTRATION ROLLER:HOLDER:SENSOR	1
16	M1602919	CAP:REGISTRATION ROLLER:LEVER:RIGHT	1
17	M1602924	INSULATING SHEET:REGISTRATION:GUIDE:DUPLEX:RIGHT	1
18	M1602925	INSULATING SHEET:REGISTRATION:GUIDE:DUPLEX:LEFT	1
19	M1602929	STUD:BRACKET:REGISTRATION:LEFT:ASS'Y	1
20	GW010007	REFLECTION PHOTO SENSOR:EXIT	1
21	M1602912	TORSION SPRING:REGISTRATION ROLLER:GUIDE:RIGHT	1

Index No.	Part No.	Description	Q'ty Per Assembly
101	04533006N	BINDING SELF TAPPING SCREW:3X6	
102	08050088	RETAINING RINGS-E:SILENCER:DIA6	
103	08050089	RETAINING RINGS-E:SILENCER:DIA4	

9. Transfer

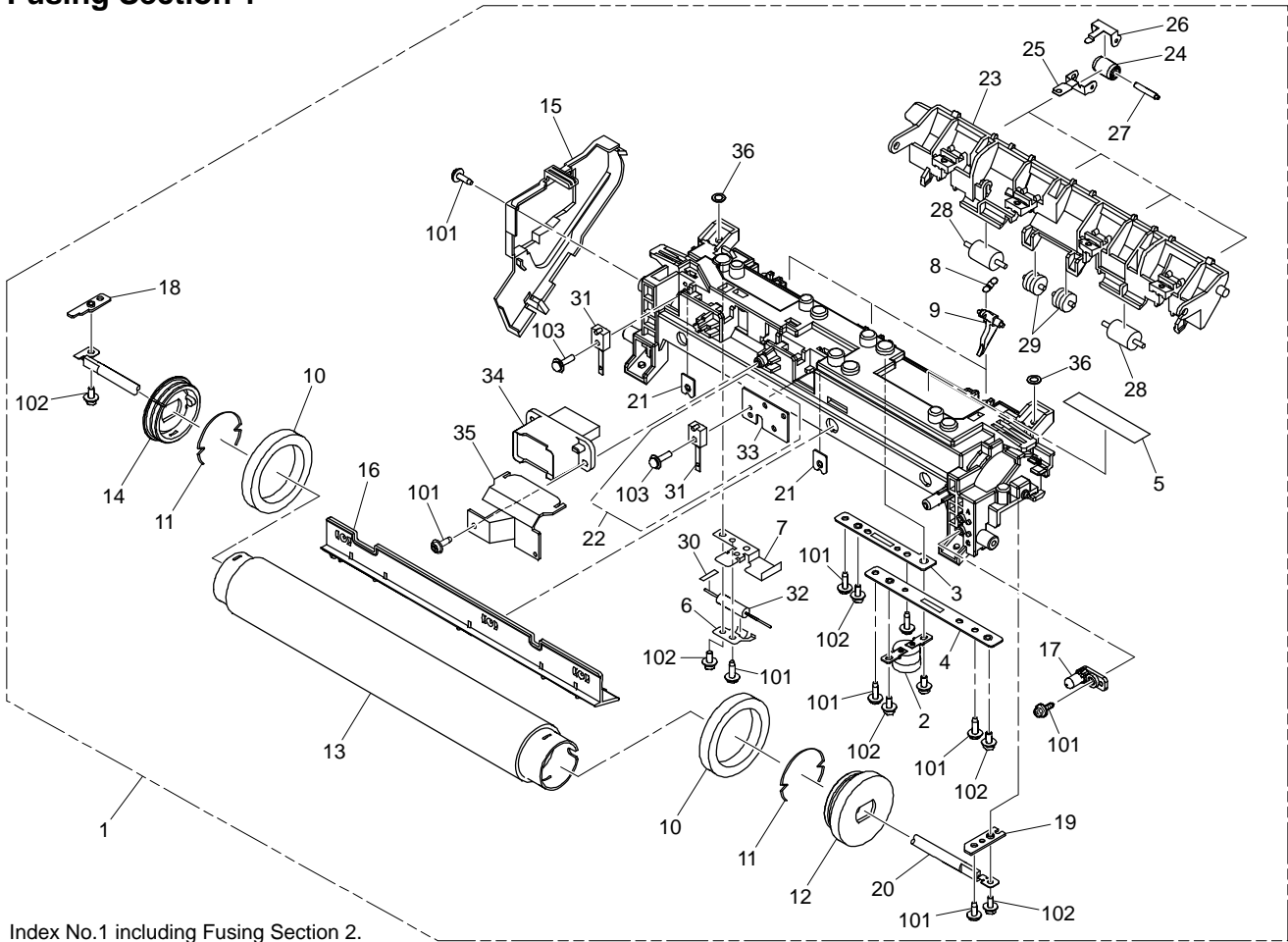


9. Transfer

Index No.	Part No.	Description	Q'ty Per Assembly
1	AW020198	PHOTOINTERRUPTOR:LG2A14NL1	1
2	M1603870	STAY:TRANSFER	1
3	M1603866	GUIDE:EXIT:STAY:TRANSFER:2	1
4	M1603852	SHEET:GUIDE:REGISTRATION:ENTRANCE:LEFT	1
5	M1603853	SHEET:GUIDE:REGISTRATION:ENTRANCE:RIGHT	1
6	M1603854	GUIDE:TRANSFER ROLLER	1
7	M1603855	SHEET:GUIDE:TRANSFER ROLLER	1
8	M1603856	BUSHING:TRANSFER ROLLER:LEFT	1
9	M1603857	BUSHING:TRANSFER ROLLER:RIGHT	1
10	M1603858	COIL SPRING:TRANSFER ROLLER	2
11	M1603859	GROUND PLATE:ELECTRODE PLATE:SEPARATION	1
12	M1603860	ELECTRODE PLATE:SEPARATION	1
13	M1603865	COVER:ELECTRODE PLATE:SEPARATION	1
14	M1606250	TRANSFER ROLLER:ASS'Y	1
15	M1603862	SEAL:COVER:TRANSFER	1
16	M1603863	SEAL:TONER CATCHPAN	1
			
			

Index No.	Part No.	Description	Q'ty Per Assembly
101	04503008N	TAPPING SCREW:3X8	
102	04503010N	TAPPING SCREW:3X10	
103	11050758	CLAMP:LWSM-0306A	

10. Fusing Section 1



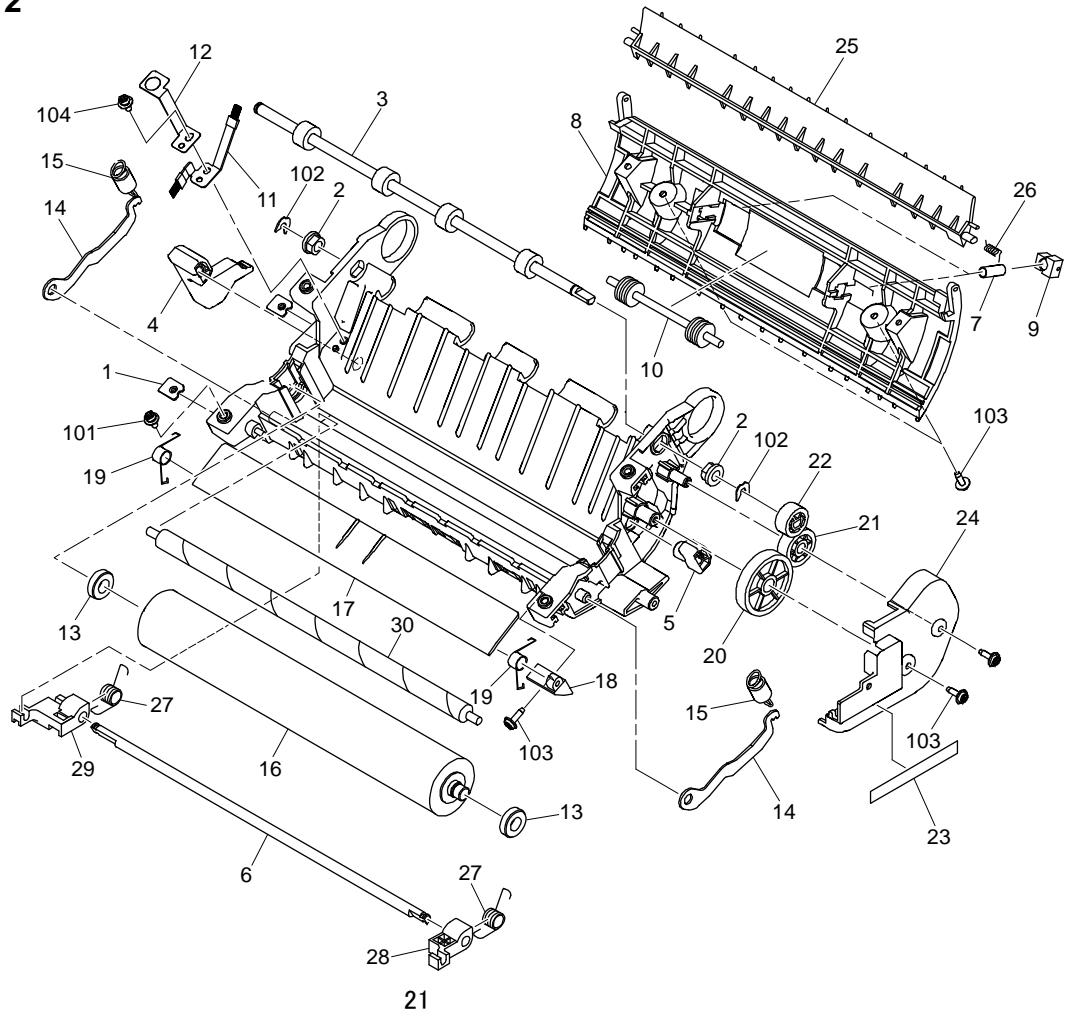
Index No.1 including Fusing Section 2.

10. Fusing Section 1

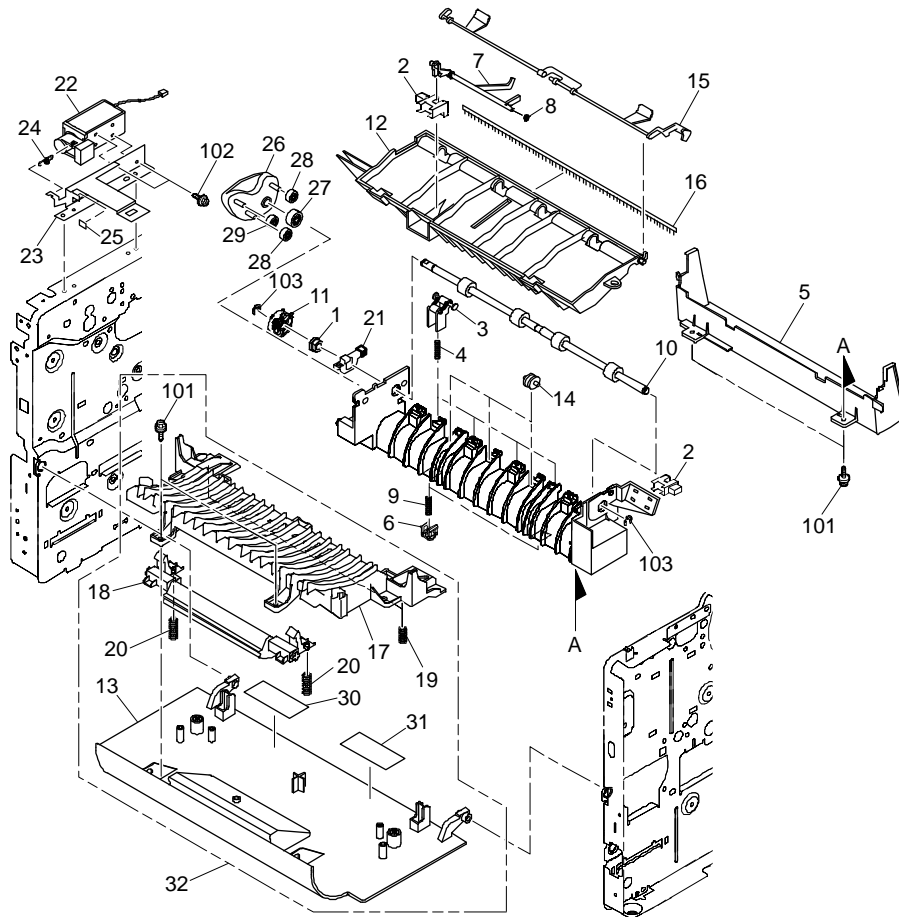
Index No.	Part No.	Description	Q'ty Per Assembly
1	M1714017	FUSING UNIT:NA:30PPM	1
	M1714028	FUSING UNIT:EU:30PPM	1
2	AW110101	THERMOSTAT:LOWER	1
3	M1604106	ELECTRODE PLATE:LEFT	1
4	M1604107	ELECTRODE PLATE:RIGHT	1
5	D1204184	DECAL:H-TEMP WARNING:SMALL	1
6	M1604138	GROUND PLATE:HOT ROLLER	1
7	M1604140	BRACKET:GROUND PLATE:HOT ROLLER	1
8	M1604114	TENSION SPRING:PICKOFF PAWL	3
9	M1604113	PICKOFF PAWL:HOT ROLLER	3
10	M0124055	RADIAL BALL BEARING:35X47X7	2
11	M0124281	RETAINING RINGS-C:HOT ROLLER	2
12	M1604086	GEAR:HOT ROLLER	1
13	M1604119	HOT ROLLER:DIA30	1
14	M1604118	THERMAL INSULATING BUSHING:HOT ROLLER	1
15	M1604171	COVER:FUSING:LEFT	1
16	M1604130	FUSING ENTRANCE GUIDE PLATE:UPPER	1
17	M1604126	SEPARATOR:FUSING	1
18	M1604121	BRACKET:HEATER:LEFT	1
19	M1604122	BRACKET:HEATER:RIGHT	1
20	M1604207	HEATER:740W:227V (CHN/EU)	1
20	M1604208	HEATER:740W:117V	1
21	M1604103	FLAT NUT:THERMISTOR	2
22	M1604216	THERMISTOR:FUSING:ASS'Y	1
23	M1604151	GUIDE PLATE:FUSING EXIT	1
24	M1604154	EXIT ROLLER:FUSING EXIT	4
25	M1604155	HOLDER:EXIT ROLLER	4
26	M1604156	SPRING PLATE:EXIT ROLLER	4
27	M1604159	SHAFT:EXIT ROLLER:FUSING EXIT	1
28	M1604157	ROLLER:MIDDLE:FUSING:DIA11	2
29	M1604158	ROLLER:MIDDLE:FUSING:DIA11	2
30	M1604133	FELT WICK:EARTH:HOT ROLLER	1
31	M1604102	THERMISTOR:FUSING	1
32	M1604139	RESISTOR:1GOHM	1

Index No.	Part No.	Description	Q'ty Per Assembly
33	M1604134	BRACKET:THERMISTOR	1
34	M1604211	DRAWER:FUSING:EU	1
	M1604212	DRAWER:FUSING:NA	1
35	M1604173	CAP:THERMISTOR	1
36	M1604141	WASHER:DIA10.1:DIA6.0:0.6T	2
101	04503010N	TAPPING SCREW:3X10	
102	08046127	HEXAGONAL BOLT:DOUBLE SCREW:M3X8	
103	09543010N	SCREW:POLISHED ROUND/SPRING:M3X10	

11. Fusing Section 2



12. Paper Exit Section

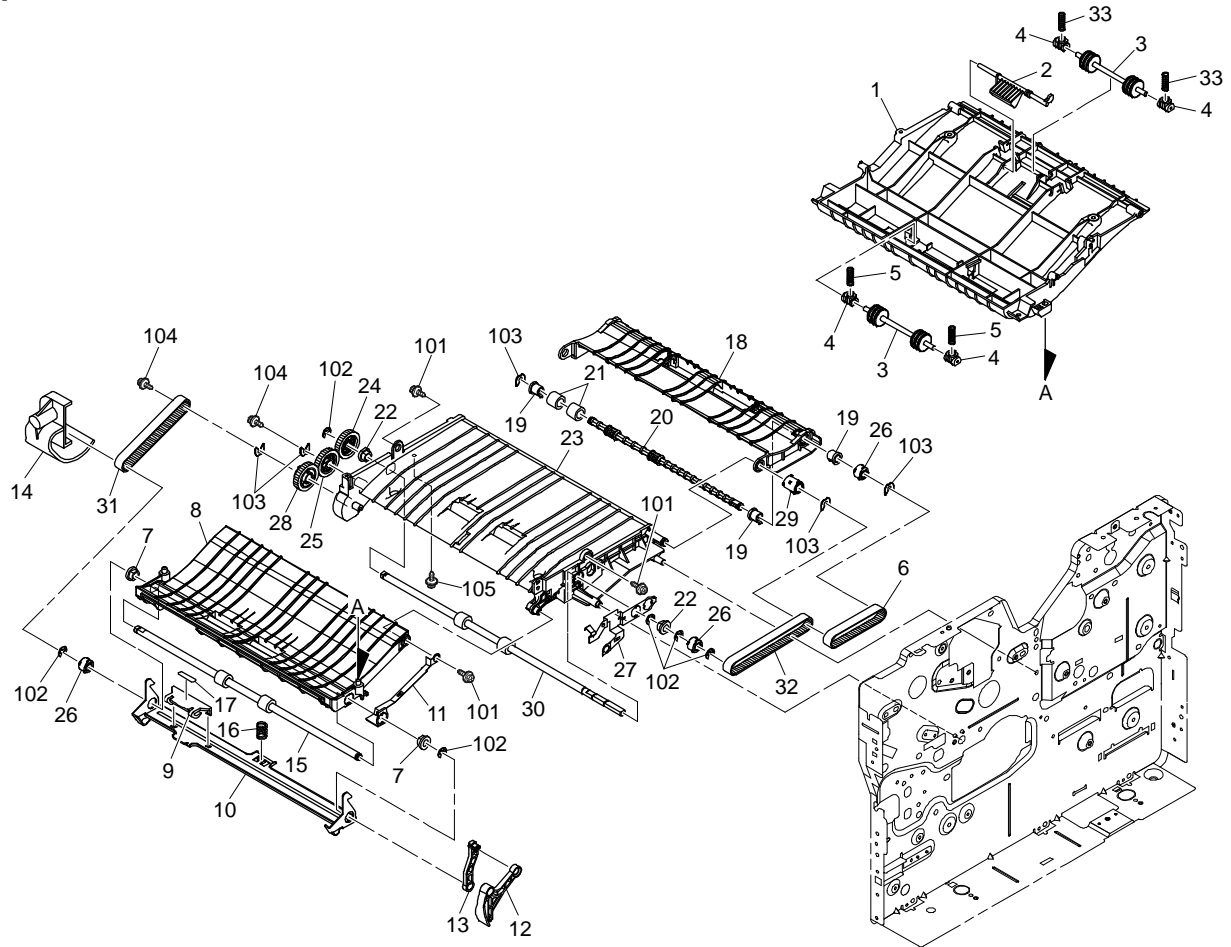


12. Paper Exit Section

Index No.	Part No.	Description	Q'ty Per Assembly
1	AA082118	PLAIN SHAFT BEARING:MM6	1
2	AW020198	PHOTOINTERRUPTOR:LG2A14NL1	2
3	M1714421	ROLLER:IDLER:EXIT:P1A:ASS'Y	4
4	M1714459	COIL SPRING:ROLLER:EXIT:P1A	4
5	M1714453	COVER:UPPER:EXIT:P1A	1
6	M1604464	PRESSURE PLATE:FUSING:GUIDE	2
7	M1714486	FEELER:EXIT:P1A	1
8	M1714487	COIL SPRING:FEELER:EXIT:P1A	1
9	M1604468	COIL SPRING:PRESSURE PLATE	2
10	M1714470	SHAFT:ROLLER:EXIT:P1A	1
11	M1714471	GEAR:ROLLER:EXIT	1
12	M1714480	GUIDE:UPPER:EXIT:P1A	1
13	M1714490	COVER:REAR:P1A	1
14	M1604489	ROLLER:IDLER:MIDDLE:GUIDE	3
15	M1714485	FEELER:OVERFLOW:EXHAUST SENSOR:P1A	1
16	M1714488	ANTISTATIC BRUSH:EXIT:P1A	1
17	M1714491	GUIDE:REAR:EXIT:P1A	1
18	M1714493	LEVER:DOOR:EXIT:P1A	1
19	M1604497	COIL SPRING:GUIDE:REAR:EXIT	2
20	M1604498	COIL SPRING:LEVER:DOOR:EXIT	2
21	M1714472	GROUND PLATE:ROLLER:EXIT:P1A	1
22	M1714460	DC SOLENOID:REVERSE	1
23	M1714462	BRACKET:DC SOLENOID:REVERSE	1
24	M1714463	COIL SPRING:DC SOLENOID:REVERSE	1
25	M1714469	DAMPER:DC SOLENOID:REVERSE	1
26	M1714475	LEVER:SHIFT:EXIT	1
27	M1714476	GEAR:INPUT:EXIT	1
28	M1714477	GEAR:SHIFT:GAP:EXIT	2
29	M1714478	GEAR:SHIFT:EXIT	1
30	M1604494	DECAL:LEFT:COVER:REAR	1
31	M1604495	DECAL:RIGHT:COVER:REAR	1
32	M1714406	COVER:REAR:P1A	1

Index No.	Part No.	Description	Q'ty Per Assembly
101	04503010N	TAPPING SCREW:3X10	
102	03130030N	PAN HEAD SCREW:M3X3	
103	07200040E	RETAINING RINGS-E:4	

13. Duplex Section

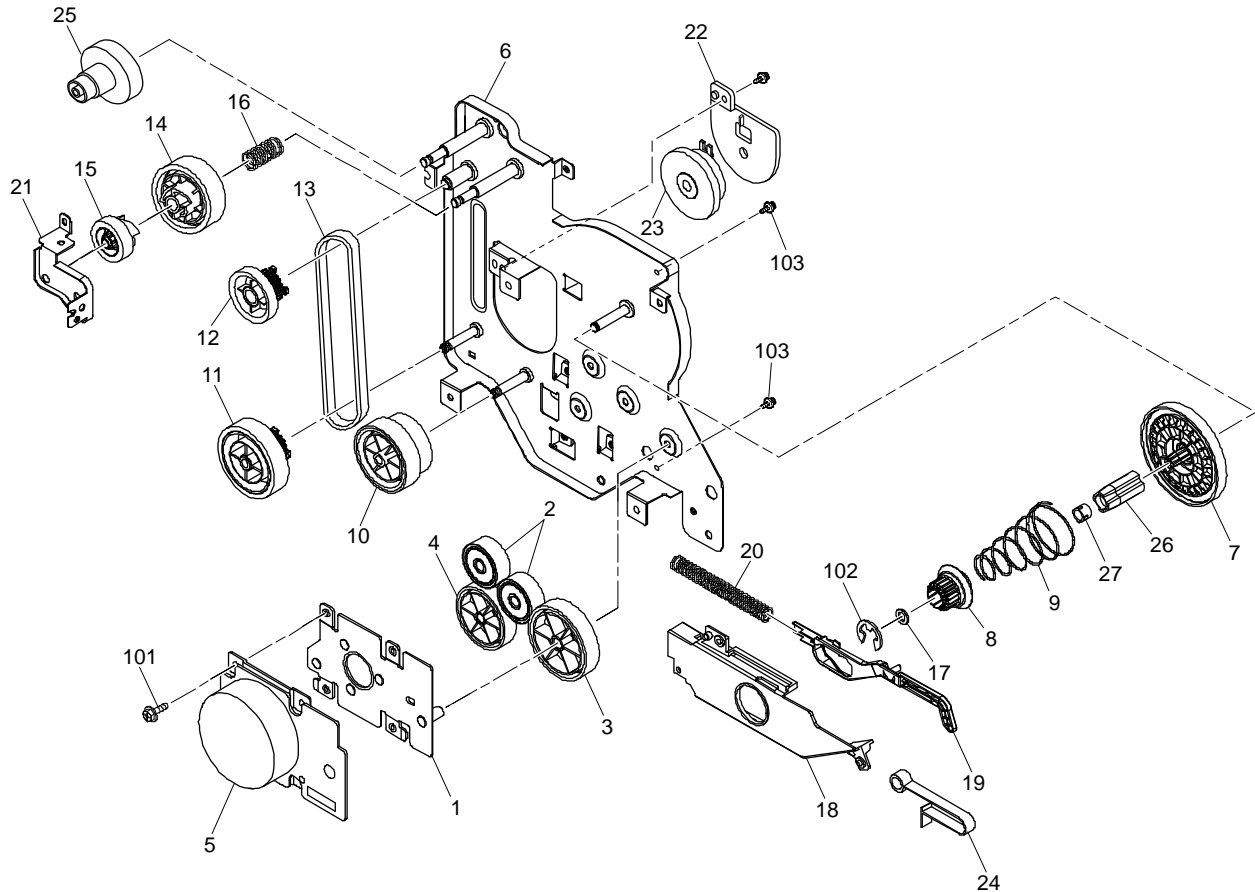


13. Duplex Section

Index No.	Part No.	Description	Q'ty Per Assembly
1	M1604601	GUIDE:UPPER:DUPLEX UNIT	1
2	M1604603	FEELER:UPPER:DUPLEX UNIT	1
3	M1604605	SHAFT:IDLER:UPPER:ASSY	2
4	M1604607	BUSHING:IDLER:DIA4	4
5	M1604611	COIL SPRING:IDLER:DUPLEX UNIT	2
6	M1604674	SYNCHRONOUS BELT:REAR:DUPLEX UNIT	1
7	AA082058	PLAIN SHAFT BEARING - 6X10X9MM	2
8	M1604621	GUIDE:FRONT:DUPLEX UNIT	1
9	M1604622	GRIP:FRONT:DUPLEX UNIT	1
10	M1604623	HOOK:FRONT:DUPLEX UNIT	1
11	M1604624	GROUND PLATE:FRONT:DUPLEX UNIT	1
12	M1604625	LINK:FRAME:DUPLEX UNIT	1
13	M1604626	LINK:FRONT:DUPLEX UNIT	1
14	M1604627	DAMPER:FRONT:DUPLEX UNIT	1
15	M1604631	SHAFT:FRONT:DUPLEX UNIT	1
16	M1604633	COMPRESSION SPRING:HOOK:DUPLEX UNIT	1
17	M1604635	DECAL:HANDLE:DUPLEX UNIT	1
18	M1604641	GUIDE:REAR:DUPLEX UNIT	1
19	M1604643	BUSHING:DIA6	3
20	M1604644	SHAFT:REAR:ASSY	1
21	M1604645	RUBBER BUSHING:SHAFT:REAR	2
22	AA082118	PLAIN SHAFT BEARING:MM6	2
23	M1604661	GUIDE:MIDDLE:DUPLEX UNIT	1
24	M1604662	GEAR:DRIVE:DUPLEX UNIT	1
25	M1604663	GEAR:IDLER:DUPLEX UNIT	1
26	M1604664	PULLEY:DRIVE:DUPLEX UNIT	3
27	M1604666	GROUND PLATE:MIDDLE:DUPLEX UNIT	1
28	M1604667	PULLEY:GEAR:DUPLEX UNIT	1
29	M1604668	PULLEY:NO.2:DUPLEX UNIT	1
30	M1604671	SHAFT:MIDDLE:DUPLEX UNIT	1
31	M1604672	SYNCHRONOUS BELT:FRONT:DUPLEX UNIT	1
32	M1604673	SYNCHRONOUS BELT:FUSING:DUPLEX UNIT	1
33	M1604614	COIL SPRING:MIDDLE:DUPLEX UNIT	2

Index No.	Part No.	Description	Q'ty Per Assembly
101	04503008N	TAPPING SCREW:3X8	
102	07200040E	RETAINING RINGS-E:4	
103	08050089	RETAINING RINGS-E:SILENCER:DIA4	
104	04503010N	TAPPING SCREW:3X10	
105	04513006N	TAPPING SCREW:3X6	

14. Drive Section 1

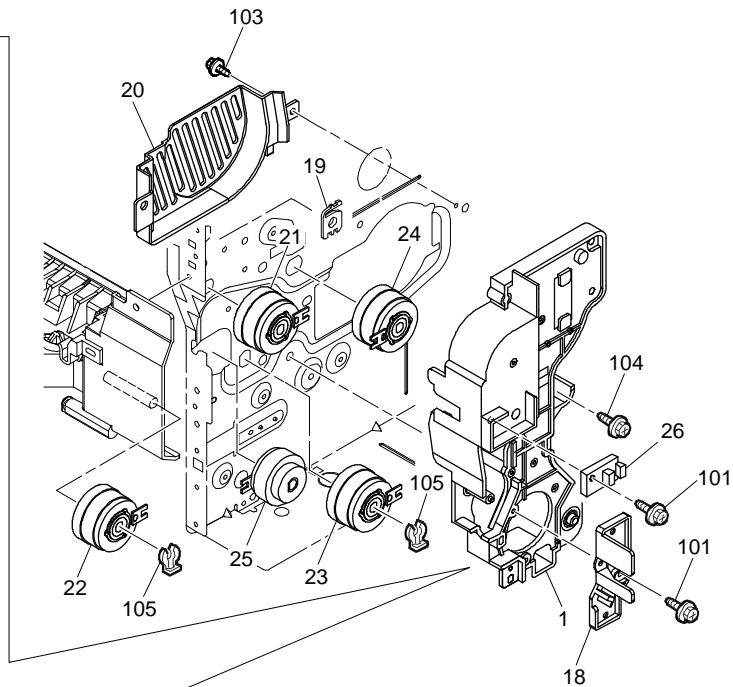
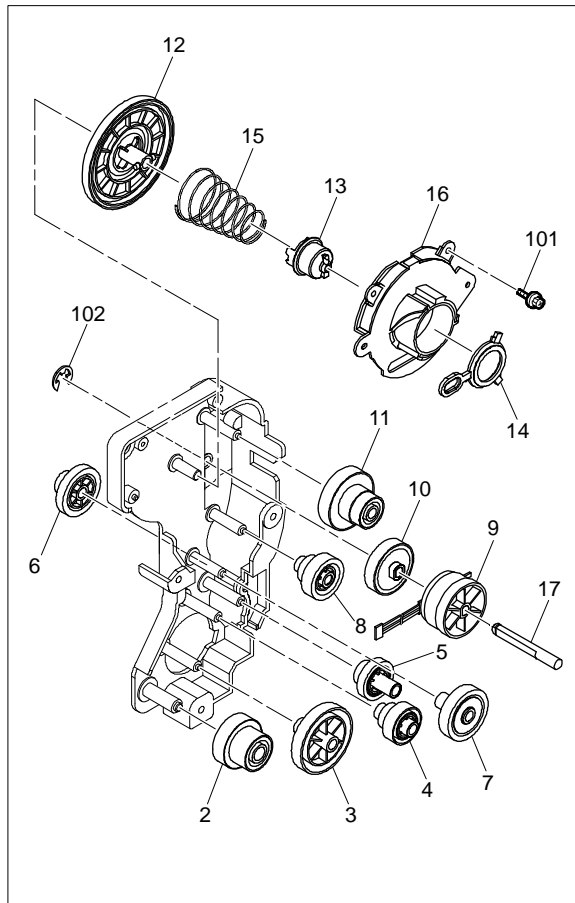


14. Drive Section 1

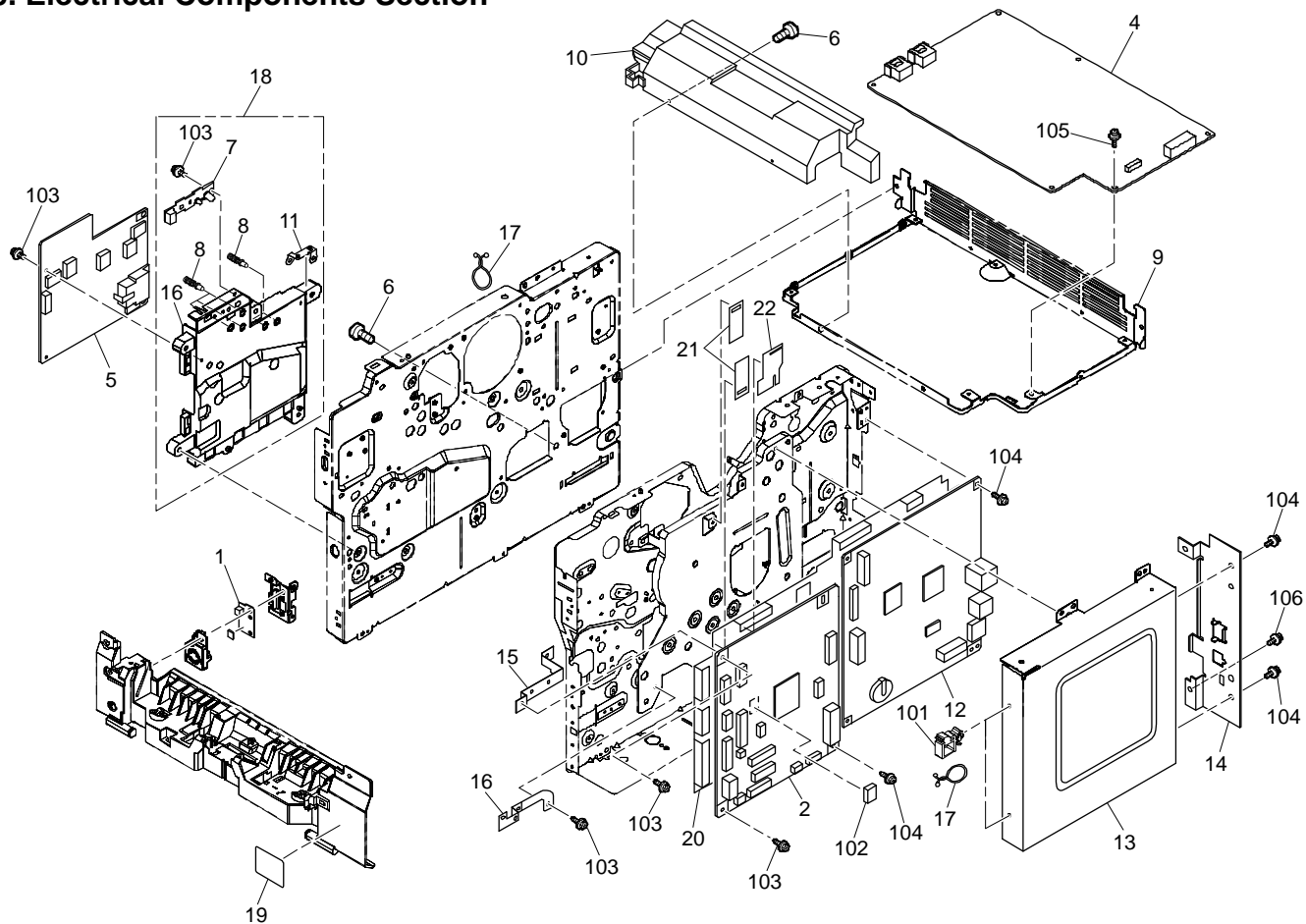
Index No.	Part No.	Description	Q'ty Per Assembly
1	M1601101	BRACKET:MOTOR:ASS'Y	1
2	M1601105	GEAR:MOTOR:DRIVE	2
3	M1601106	GEAR:PAPER FEED:NO.1	1
4	M1601107	GEAR:DUPLEX:NO.1	1
5	M1711108	DC BRUSHLESS MOTOR:MAIN:P1A	1
6	M1711111	BRACKET:MAIN:P1A:ASS'Y	1
7	M1711121	GEAR:DRUM:NO.2:P1A	1
8	M1711122	JOINT:DRUM:P1A	1
9	M1601123	COIL SPRING:DRUM	1
10	M1601124	GEAR:DUPLEX UNIT:NO.2	1
11	M1601125	PULLEY:FUSING:NO.1	1
12	M1601126	PULLEY:FUSING:NO.2	1
13	M1601127	SYNCHRONOUS BELT:FUSING:S3M	1
14	M1601128	GEAR:FUSING:NO.1	1
15	M1601129	GEAR:FUSING:NO.2	1
16	M1601130	COIL SPRING:FUSING	1
17	M1601131	HOLDER:SPLINE:JOINT	1
18	M1601135	GUIDE:LINK:MAIN	1
19	M1601136	LINK:MAIN	1
20	M1601137	COIL SPRING:MAIN	1
21	M1601162	BRACKET:FUSING	1
22	M1601163	GUIDE:ELECTROMAGNETIC CLUTCH	1
23	M1601181	ELECTROMAGNETIC CLUTCH:DUPLEX UNIT	1
24	M1601139	LINK:FRONT	1
25	M1711132	GEAR:EXIT	1
26	M1711133	SHAFT:MIDDLE:JOINT	1
27	M1711134	BUSHING:JOINT	1

Index No.	Part No.	Description	Q'ty Per Assembly
101	04513006N	TAPPING SCREW:3X6	
102	07200030E	RETAINING RINGS-E:3	
103	04533006N	BINDING SELF TAPPING SCREW:3X6	

15. Drive Section 2



16. Electrical Components Section

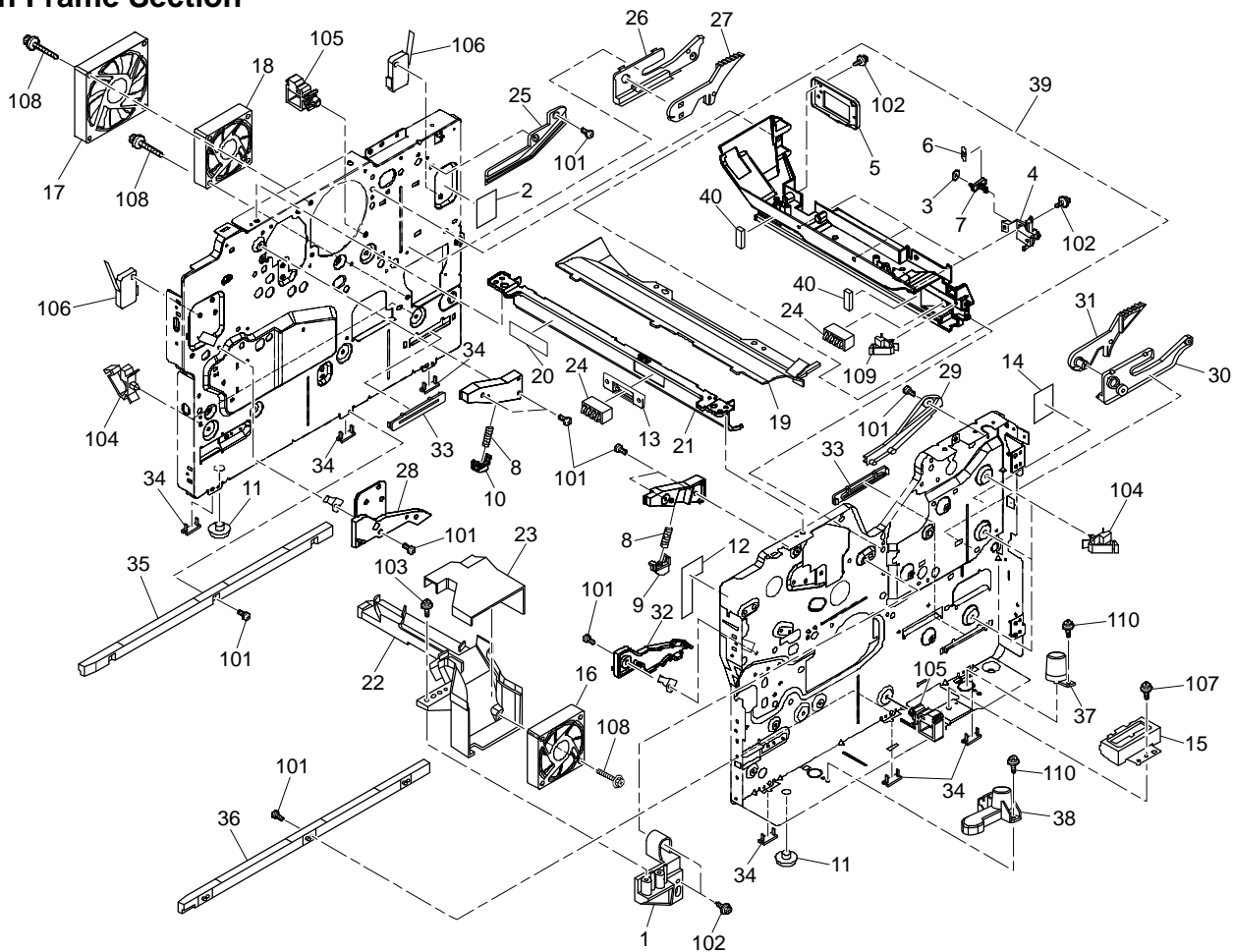


16. Electrical Components Section

Index No.	Part No.	Description	Q'ty Per Assembly
1	D1495686	PCB:DCSW	1
2	M1605508	COIL SPRING:TERMINAL:POWER PACK	5
3	M1715010	PCB:BCU:ASSY	1
4	AZ230267	POWER SUPPLY UNIT:DOM/NA:674.6W	1
	AZ230269	POWER SUPPLY UNIT:EU/AA/CHN:609.9W	1
5	AZ320187	POWER PACK:CDVT:GIM	1
6	AA143592	SCREW:4X6	1
7	M1605120	PCB:SENSOR:TNER END SENSOR	1
8	M1605507	TERMINAL:POWER PACK:ASSY	1
9	M1605500	BRACKET:POWER SUPPLY UNIT	1
10	M1605501	COVER:FRONT:POWER SUPPLY UNIT	1
11	M1605506	BRACKET:POWER PACK	1
12	M1715706	PCB:CTL:KIBO:GIM-P1A:ASSY	1
13	M1715510	C/T BOX:P1A	1
14	M1715512	PANEL:C/T BOX:P1A	1
15	M1715518	BRACKET:BCU:LEFT MIDDLE	1
16	M1715519	BRACKET:BCU:LEFT LOWER	1
17	M1605555	CLAMP:TWISTLOCK	2
18	M1605022	POWER PACK:ASSY	1
19	M1601934	DECAL:OPERATE:LEVER:LED	1
20	M1715533	SHEET:INSULATION:KIBO	1
21	M1715534	SHEET:INSULATION:AUX:KIBO	2
22	M1715535	SHEET:INSULATION:AUX2:KIBO	1

Index No.	Part No.	Description	Q'ty Per Assembly
101	11050762	CLAMP:LWS-0711A	
102	14077677	EEPROM:BR24T64-W	
103	04503008N	TAPPING SCREW:3X8	
104	04513006N	TAPPING SCREW:3X6	
105	08046123	HEXAGONAL BOLT:W/WASHER:M3X8	
106	03130030N	PAN HEAD SCREW:M3X3	

17. Main Frame Section



17. Main Frame Section

Index No.	Part No.	Description	Q'ty Per Assembly
1	M1711037	BRACKET:DUCT:SUB:FAN:MAIN	1
2	M1604248	DECAL:ENVELOPE:LEVER:FUSER	1
3	M1601044	PICKOFF PAWL:MAIN	3
4	M1601045	BRACKET:HOLDER:PICKOFFPAWL	3
5	M1601080	BRACKET:DRAWER:FUSING	1
6	M1601092	HOLDER:PICKOFF PAWL:MAIN	3
7	M1601093	COIL SPRING:HOLDER:PICKOFF PAWL	3
8	M1601063	COIL SPRING:TIGHTENER:PCU	2
9	M1601066	TIGHTENER:PCU:RIGHT	1
10	M1601062	TIGHTENER:PCU:LEFT	1
11	AH010009	RUBBER FOOT:H5	2
12	M1601198	DECAL:LEVER:SEPARATOR:TONER CARTRIDGE	1
13	M1601078	BRACKET:RAM BOARD:PCU	1
14	M1601059	DECAL:H-TEMP WARNING	1
15	M1601091	BRACKET:CONNECTOR:PAPER BANK	1
16	M1711193	DC FAN MOTOR:60X15:P1A	1
17	M1711191	DC FAN MOTOR:80X15:P1A	1
18	GX640031	FAN:MM60X15:DO6R24TH	1
19	M1711079	DUCT:PCDU:P1A	1
20	M1601028	DECAL:DISCHARGE:HIGH TEMPERATURE:WARNING	1
21	M1601056	STAY:FRAME:FRONT	1
22	M1711038	DUCT:SUB:FAN:LOWER	1
23	M1711039	DUCT:SUB:FAN:UPPER	1
24	M1873360	CONNECTOR:ID_CHIP	2
25	M1601071	GUIDE:FUSING:LEFT UPPER	1
26	M1601072	GUIDE:FUSING:LEFT LOWER	1
27	M1601073	LEVER:FUSING:LEFT	1
28	M1601061	GUIDE:PCU:LEFT LOWER	1
29	M1601075	GUIDE:FUSING:RIGHT UPPER	1
30	M1601076	GUIDE:FUSING:RIGHT LOWER	1
31	M1601077	LEVER:FUSING:RIGHT	1
32	M1601064	GUIDE:PCU:RIGHT LOWER	1
33	M1601095	COVER:FRAME:TRAY	2
34	M1601096	COVER:FRAME:LOWER	6

Index No.	Part No.	Description	Q'ty Per Assembly
35	M1601067	GUIDE:TRAY:LEFT	1
36	M1601068	GUIDE:TRAY:RIGHT	1
37	M1601094	COVER:FRAME:PAPER BANK	1
38	M1601197	COVER:BANKHOLE:FRONT	1
39	M1601040	STAY:FRAME:REAR:ASS'Y	1
40	M1601047	SEAL:STAY:FRAME:REAR:B	2
41			
101	04533006N	BINDING SELF TAPPING SCREW:3X6	
102	04503008N	TAPPING SCREW:3X8	
103	04503010N	TAPPING SCREW:3X10	
104	11050758	CLAMP:LWSM-0306A	
105	11050762	CLAMP:LWS-0711A	
106	12042612	MICROSWITCH:D3V-16506-3C25(10E)	
107	04513006N	TAPPING SCREW:3X6	
108	04513020N	TAPPING SCREW:3X20	
109	11050760	CLAMP:LWSM-0511A	
110	04543006Q	TAPPING SCREW:3X6	
41			
42			
43			
44			
45			
46			
47			
48			
49			
50			
51			
52			
53			
54			
55			
56			
57			
58			
59			
60			
61			
62			
63			
64			
65			
66			
67			
68			
69			
70			
71			
72			
73			
74			
75			
76			
77			
78			
79			
80			
81			
82			
83			
84			
85			
86			
87			
88			
89			
90			
91			
92			
93			
94			
95			
96			
97			
98			
99			
100			

18. Parts Index

Part No.	Description	Page and Index No.
03130030N	PAN HEAD SCREW:M3X3	24 - 102
03130030N	PAN HEAD SCREW:M3X3	32 - 106
03130040N	PAN HEAD SCREW:M3X4	6 - 105
03603006N	SCREW:M3X6	30 - 103
04503008N	TAPPING SCREW:3X8	2 - 101
04503008N	TAPPING SCREW:3X8	8 - 101
04503008N	TAPPING SCREW:3X8	10 - 101
04503008N	TAPPING SCREW:3X8	12 - 101
04503008N	TAPPING SCREW:3X8	14 - 103
04503008N	TAPPING SCREW:3X8	18 - 101
04503008N	TAPPING SCREW:3X8	26 - 101
04503008N	TAPPING SCREW:3X8	30 - 101
04503008N	TAPPING SCREW:3X8	32 - 103
04503008N	TAPPING SCREW:3X8	34 - 102
04503010N	TAPPING SCREW:3X10	12 - 102
04503010N	TAPPING SCREW:3X10	14 - 101
04503010N	TAPPING SCREW:3X10	18 - 102
04503010N	TAPPING SCREW:3X10	20 - 101
04503010N	TAPPING SCREW:3X10	22 - 103
04503010N	TAPPING SCREW:3X10	24 - 101
04503010N	TAPPING SCREW:3X10	26 - 104
04503010N	TAPPING SCREW:3X10	34 - 103
04513006N	TAPPING SCREW:3X6	2 - 102
04513006N	TAPPING SCREW:3X6	6 - 101
04513006N	TAPPING SCREW:3X6	10 - 102
04513006N	TAPPING SCREW:3X6	14 - 105
04513006N	TAPPING SCREW:3X6	26 - 105
04513006N	TAPPING SCREW:3X6	28 - 101
04513006N	TAPPING SCREW:3X6	30 - 104
04513006N	TAPPING SCREW:3X6	32 - 104
04513006N	TAPPING SCREW:3X6	34 - 107
04513020N	TAPPING SCREW:3X20	34 - 108
04523008N	BINDING SELF-TAPPING SCREW:3X8	6 - 104
04523010N	BINDING SELF-TAPPING SCREW:3X10	4 - 101

Part No.	Description	Page and Index No.
04523010N	BINDING SELF-TAPPING SCREW:3X10	10 - 106
04533006N	BINDING SELF TAPPING SCREW:3X6	16 - 101
04533006N	BINDING SELF TAPPING SCREW:3X6	28 - 103
04533006N	BINDING SELF TAPPING SCREW:3X6	34 - 101
04543006Q	TAPPING SCREW:3X6	6 - 102
04543006Q	TAPPING SCREW:3X6	10 - 103
04543006Q	TAPPING SCREW:3X6	12 - 103
04543006Q	TAPPING SCREW:3X6	14 - 106
04543006Q	TAPPING SCREW:3X6	34 - 110
07200030E	RETAINING RINGS-E:3	28 - 102
07200040E	RETAINING RINGS-E:4	10 - 104
07200040E	RETAINING RINGS-E:4	14 - 104
07200040E	RETAINING RINGS-E:4	24 - 103
07200040E	RETAINING RINGS-E:4	26 - 102
07200040E	RETAINING RINGS-E:4	30 - 102
08046123	HEXAGONAL BOLT:W/WASHER:M3X8	32 - 105
08046127	HEXAGONAL BOLT:DOUBLE SCREW:M3X8	20 - 102
08046127	HEXAGONAL BOLT:DOUBLE SCREW:M3X8	22 - 104
08050088	RETAINING RINGS-E:SILENCER:DIA6	16 - 102
08050089	RETAINING RINGS-E:SILENCER:DIA4	6 - 103
08050089	RETAINING RINGS-E:SILENCER:DIA4	10 - 107
08050089	RETAINING RINGS-E:SILENCER:DIA4	14 - 102
08050089	RETAINING RINGS-E:SILENCER:DIA4	16 - 103
08050089	RETAINING RINGS-E:SILENCER:DIA4	22 - 102
08050089	RETAINING RINGS-E:SILENCER:DIA4	26 - 103
09543010N	SCREW:POLISHED ROUND/SPRING:M3X10	20 - 103
09543014N	SCREW:POLISHED ROUND/SPRING:M3X14	22 - 101
11050758	CLAMP:LWSM-0306A	18 - 103
11050758	CLAMP:LWSM-0306A	34 - 104
11050760	CLAMP:LWSM-0511A	34 - 109
11050762	CLAMP:LWS-0711A	32 - 101
11050762	CLAMP:LWS-0711A	34 - 105
11500456	POWER SUPPLY CODE:250V:10A:CHN	2 - 9
11500463	POWER SUPPLY CODE:125V:13A:NA	2 - 9

Part No.	Description	Page and Index No.
11500465	POWER SUPPLY CODE:250V:10A:EU	2 - 9
12042612	MICROSWITCH:D3V-16506-3C25(10E)	34 - 106
14077677	EEPROM:BR24T64-W	32 - 102
52152621	SNAP RING - M6	8 - 102
54472681	SNAP RING	10 - 105
54472681	SNAP RING	30 - 105
A1532117	ROLLER TERMINAL	16 - 1
AA063399	COMPRESSION SPRING:VERTICAL TRANSPORT	10 - 30
AA080249	PLAIN SHAFT BEARING:MM4:VERTICAL TRANSPORT	10 - 27
AA082058	PLAIN SHAFT BEARING - 6X10X9MM	26 - 7
AA082116	PLAIN SHAFT BEARING:MM8	16 - 2
AA082118	PLAIN SHAFT BEARING:MM6	10 - 1
AA082118	PLAIN SHAFT BEARING:MM6	14 - 1
AA082118	PLAIN SHAFT BEARING:MM8	22 - 2
AA082118	PLAIN SHAFT BEARING:MM6	24 - 1
AA082118	PLAIN SHAFT BEARING:MM6	26 - 22
AA143592	SCREW:4X6	32 - 6
AE030083	RADIAL BALL BEARING:DIA6XDIA12X4	22 - 13
AF031092	PAPER FEED ROLLER:MANUAL FEED	10 - 31
AH010009	RUBBER FOOT:H5	34 - 11
AW020198	PHOTOINTERRUPTOR:LG2A14NL1	10 - 2
AW020198	PHOTOINTERRUPTOR:LG2A14NL1	14 - 2
AW020198	PHOTOINTERRUPTOR:LG2A14NL1	18 - 1
AW020198	PHOTOINTERRUPTOR:LG2A14NL1	24 - 2
AW110101	THERMOSTAT:LOWER	20 - 2
AW140016	TEMPERATURE & HUMIDITY SENSOR	30 - 26
AZ230267	POWER SUPPLY UNIT:DOM/NA:674.6W	32 - 4
AZ230269	POWER SUPPLY UNIT:EU/AA/CHN:609.9W	32 - 4
AZ320187	POWER PACK:CDVT:GIM	32 - 5
B0394480	SCREW:DIA5	10 - 33
B0902742	ROLLER:PULL OUT:OPTION TRAY	10 - 28
B0902869	GEAR:16Z	12 - 8
D1172725	COMPRESSION SPRING:PAPER FEED:MANUAL FEED	10 - 29
D1204184	DECAL:H-TEMP WARNING:SMALL	20 - 5

Part No.	Description	Page and Index No.
D1495686	PCB:DCSW	10 - 3
D1495686	PCB:DCSW	32 - 1
GA063084	COMPRESSION SPRING:AUXILIARY:SIDE FENCE	12 - 21
GF013001	PAD:BASE	12 - 31
GW010007	REFLECTION PHOTO SENSOR:EXIT	16 - 20
GW500004	PUSH SWITCH:CASSETTE:TYCO	14 - 15
GX640031	FAN:MM60X15:DO6R24TH	34 - 18
H4524105	MODULER CORD:6PIN-6PIN	2 - 8
H5235350	MODULER CORD:NA	2 - 8
M0124055	RADIAL BALL BEARING:35X47X7	20 - 10
M0124281	RETAINING RINGS-C:HOT ROLLER	20 - 11
M0212609	STOPPER:CASSETTE	12 - 12
M0212816	COMPRESSION SPRING:PAPER FEED	14 - 3
M0214619	COMPRESSION SPRING:2N	22 - 7
M0521210	PLATE:LOGO:RIC	2 - 10
M0524301	DECAL:BARCODE:FUSING UNIT	22 - 23
M0752610	COMPRESSION SPRING:LOCK:SIDE FENCE	12 - 4
M1091948	CLEANER:LENS:LED HEAD	2 - 7
M1581497	LCD:GIMLET-P1C:MV	4 - 7
M1591222	COVER:BUTTON:DOOR:M158/M159	2 - 3
M1591223	COIL SPRING:BUTTON:DOOR:M158/M159	2 - 4
M1601028	DECAL:DISCHARGE:HIG HIGH TEMPERATURE:WARNING	34 - 20
M1601040	STAY:FRAME:REAR:ASS'Y	34 - 39
M1601044	PICKOFF PAWL:MAIN	34 - 3
M1601045	BRACKET:HOLDER:PICKOFFPAWL	34 - 4
M1601047	SEAL:STAY:FRAME:REAR:B	34 - 40
M1601056	STAY:FRAME:FRONT	34 - 21
M1601059	DECAL:H-TEMP WARNING	34 - 14
M1601061	GUIDE:PCU:LEFT LOWER	34 - 28
M1601062	TIGHTENER:PCU:LEFT	34 - 10
M1601063	COIL SPRING:TIGHTENER:PCU	34 - 8
M1601064	GUIDE:PCU:RIGHT LOWER	34 - 32
M1601066	TIGHTENER:PCU:RIGHT	34 - 9
M1601067	GUIDE:TRAY:LEFT	34 - 35

Part No.	Description	Page and Index No.
M1601068	GUIDE:TRAY:RIGHT	34 - 36
M1601071	GUIDE:FUSING:LEFT UPPER	34 - 25
M1601072	GUIDE:FUSING:LEFT LOWER	34 - 26
M1601073	LEVER:FUSING:LEFT	34 - 27
M1601075	GUIDE:FUSING:RIGHT UPPER	34 - 29
M1601076	GUIDE:FUSING:RIGHT LOWER	34 - 30
M1601077	LEVER:FUSING:RIGHT	34 - 31
M1601078	BRACKET:RAM BOARD:PCU	34 - 13
M1601080	BRACKET:DRAWER:FUSING	34 - 5
M1601082	BRACKET:MAIN SWITCH	10 - 4
M1601083	HOLDER:MAIN SWITCH	10 - 5
M1601084	KEY:BUTTON:MAIN SWITCH	8 - 1
M1601085	COIL SPRING:MAIN SWITCH	8 - 2
M1601091	BRACKET:CONNECTOR:PAPER BANK	34 - 15
M1601092	HOLDER:PICKOFF PAWL:MAIN	34 - 6
M1601093	COIL SPRING:HOLDER:PICKOFF PAWL	34 - 7
M1601094	COVER:FRAME:PAPER BANK	34 - 37
M1601095	COVER:FRAME:TRAY	34 - 33
M1601096	COVER:FRAME:LOWER	34 - 34
M1601101	BRACKET:MOTOR:ASS'Y	28 - 1
M1601105	GEAR:MOTOR:DRIVE	28 - 2
M1601106	GEAR:PAPER FEED:NO.1	28 - 3
M1601107	GEAR:DUPLEX:NO.1	28 - 4
M1601123	COIL SPRING:DRUM	28 - 9
M1601124	GEAR:DUPLEX UNIT:NO.2	28 - 10
M1601125	PULLEY:FUSING:NO.1	28 - 11
M1601126	PULLEY:FUSING:NO.2	28 - 12
M1601127	SYNCHRONOUS BELT:FUSING:S3M	28 - 13
M1601128	GEAR:FUSING:NO.1	28 - 14
M1601129	GEAR:FUSING:NO.2	28 - 15
M1601130	COIL SPRING:FUSING	28 - 16
M1601131	HOLDER:SPLINE:JOINT	28 - 17
M1601135	GUIDE:LINK:MAIN	28 - 18
M1601136	LINK:MAIN	28 - 19

Part No.	Description	Page and Index No.
M1601137	COIL SPRING:MAIN	28 - 20
M1601138	BUSHING:TONER SUPPLY:ELECTROMAGNETIC CLUTCH	30 - 19
M1601139	LINK:FRONT	28 - 24
M1601141	HOUSING:PAPER FEED	30 - 1
M1601142	GEAR:PAPER FEED:NO.2	30 - 2
M1601143	GEAR:PAPER FEED:NO.3	30 - 3
M1601144	GEAR:TRANSFER:NO.1	30 - 4
M1601145	GEAR:TRANSFER:NO.2	30 - 5
M1601146	GEAR:MANUAL FEED TABLE:NO.1	30 - 6
M1601147	GEAR:MANUAL FEED:NO.1	30 - 7
M1601148	GEAR:MANUAL FEED:NO.2	30 - 8
M1601149	ELECTROMAGNETIC CLUTCH:TONER SUPPLY	30 - 9
M1601150	GEAR:TONER SUPPLY:NO.1	30 - 10
M1601151	GEAR:TONER SUPPLY:NO.2	30 - 11
M1601152	GEAR:TONER SUPPLY:NO.3	30 - 12
M1601153	JOINT:TONER	30 - 13
M1601154	GUIDE:JOINT:TONER	30 - 14
M1601155	COIL SPRING:TONER SUPPLY	30 - 15
M1601156	HOUSING:JOINT:TONER	30 - 16
M1601157	SHAFT:TONER SUPPLY	30 - 17
M1601158	GUIDE:GEAR:MANUAL FEED TABLE	30 - 18
M1601161	COVER:MOTOR	30 - 20
M1601162	BRACKET:FUSING	28 - 21
M1601163	GUIDE:ELECTROMAGNETIC CLUTCH	28 - 22
M1601181	ELECTROMAGNETIC CLUTCH:DUPLEX UNIT	28 - 23
M1601182	ELECTROMAGNETIC CLUTCH:MANUAL FEED	30 - 21
M1601183	ELECTROMAGNETIC CLUTCH:MANUAL FEED:TRAY BOTTOM PLATE	30 - 22
M1601184	ELECTROMAGNETIC CLUTCH:PAPER FEED	30 - 23
M1601185	ELECTROMAGNETIC CLUTCH:REGISTRATION	30 - 24
M1601186	ELECTROMAGNETIC CLUTCH:CONNECTING	30 - 25
M1601197	COVER:BANKHOLE:FRONT	34 - 38
M1601198	DECAL:LEVER:SEPARATOR:TONER CARTRIDGE	34 - 12
M1601850	OPTICAL WRITING UNIT:ASS'Y	6 - 1

Part No.	Description	Page and Index No.
M1601900	LED HEAD:1200DPI:211.3MM	6 - 2
M1601901	COIL SPRING:HOLDER:LED	6 - 3
M1601902	HOLDER:COIL SPRING:LED	6 - 4
M1601903	GROUND PLATE:LED:A:LEFT	6 - 5
M1601904	GROUND PLATE:LED:A:RIGHT	6 - 6
M1601905	GROUND PLATE:LED:B	6 - 11
M1601906	HOLDER:LED:RIGHT	6 - 7
M1601907	HINGE:LED:ASS'Y	6 - 22
M1601910	LINK:LED:A:LEFT	6 - 12
M1601911	LINK:LED:B:LEFT	6 - 13
M1601912	LINK:LED:C:LEFT	6 - 14
M1601913	LINK:LED:A:RIGHT	6 - 17
M1601914	LINK:LED:B:RIGHT	6 - 18
M1601915	LINK:LED:C:RIGHT	6 - 19
M1601916	SPACER:HOLDER:LED	6 - 8
M1601917	COIL SPRING:LINK:LED:LEFT	6 - 15
M1601918	GUIDE:LINK:LED:LEFT	6 - 16
M1601919	GUIDE:LINK:LED:RIGHT	6 - 20
M1601926	FRAME:HOLDER:LED:ASS'Y	6 - 9
M1601928	COIL SPRING:LINK:LED:RIGHT	6 - 21
M1601934	DECAL:OPERATE:LEVER:LED	32 - 19
M1601936	HOLDER:LED:LEFT	6 - 10
M1602563	LEVER:LOCK:END FENCE	12 - 5
M1602572	DECAL:OPERATION INSTRUCTIONS:TRAY:REAR	12 - 6
M1602582	COVER:CONNECTOR:PAPER SIZE SENSOR:BRACKET	14 - 19
M1602590	TIGHTENER:SPRING PLATE:TRAY:ASS'Y	12 - 29
M1602620	HOLDER:FRICTION PAD:ADHESION	12 - 13
M1602623	COMPRESSION SPRING:SEPARATION	12 - 14
M1602630	TRAY BOTTOM PLATE:ADHESION	12 - 15
M1602631	GRIP:PAPER TRAY	12 - 26
M1602635	SPACER:SENSOR:PAPER SIZE SENSOR:OUTER	14 - 17
M1602636	SPACER:SENSOR:PAPER SIZE SENSOR:MIDDLE	14 - 4
M1602641	HOLDER:PINION	12 - 19
M1602655	LEVER:LOCK:SIDE FENCE:TRAY	12 - 18

Part No.	Description	Page and Index No.
M1602668	ARM:TRAY BOTTOM PLATE	12 - 22
M1602680	DIAL:PAPER SIZE SENSOR:TRAY:CHN:ASS'Y	12 - 23
M1602681	DECAL:DIAL:PAPER SIZE SENSOR:TRAY:CHN	12 - 24
M1602682	DECAL:DIAL:PAPER SIZE SENSOR:TRAY:EXP	12 - 24
M1602683	CLICK:DIAL:PAPER SIZE SENSOR:TRAY	12 - 25
M1602687	DIAL:PAPER SIZE SENSOR:TRAY:EXP:ASS'Y	12 - 23
M1602693	DECAL:PAPER SET DIRECTION	12 - 28
M1602706	TRAY BOTTOM PLATE:MANUAL FEED:ASS'Y	10 - 6
M1602707	HOLDER:FRICTION PAD:MANUAL FEED:ASS'Y	10 - 11
M1602710	COVER:DOOR:FRONT:MIDDLE	8 - 18
M1602711	COVER:MANUAL FEED	8 - 15
M1602712	LINK:LATCH:DOOR:FRONT	8 - 3
M1602713	COIL SPRING:LATCH:DOOR:FRONT	8 - 4
M1602715	BASE:PAPER TRAY:MANUAL FEED	8 - 8
M1602721	GUIDE:SIDE FENCE:LEFT:MANUAL FEED	8 - 9
M1602722	GUIDE:SIDE FENCE:RIGHT:MANUAL FEED	8 - 10
M1602723	GEAR:RACK:SIDE FENCE:MANUAL FEED	8 - 11
M1602724	GEAR:PIVOT	8 - 12
M1602730	GUIDE:STAY:MANUAL FEED	10 - 12
M1602731	GUIDE:SUB:STAY:MANUAL FEED	10 - 13
M1602733	LINK:BASE:SILENCER	10 - 7
M1602734	GUIDE:LEFT:TRAY BOTTOM PLATE	10 - 8
M1602735	GUIDE:RIGHT:TRAY BOTTOM PLATE	10 - 9
M1602737	SEAL:CLEANER:ROLLER:CONNECTING	10 - 32
M1602741	SHAFT:SILENCER	10 - 14
M1602742	CAM:SILENCER:LEFT	10 - 15
M1602743	CAM:SILENCER:RIGHT	10 - 16
M1602744	SPRING PLATE:HOME POSITION SENSOR:SILENCER	10 - 17
M1602745	LINK:FEELER:HOME POSITION SENSOR:SILENCER	10 - 18
M1602746	COIL SPRING:FEELER:SILENCER	10 - 19
M1602747	GROUND PLATE:MANUAL FEED	10 - 20
M1602751	SHEET:ENTRANCE:MIDDLE:ROLLER	10 - 21
M1602752	SHEET:EXIT:STAY:MANUAL FEED	10 - 22
M1602754	COIL SPRING:FRICTION PAD	10 - 23

Part No.	Description	Page and Index No.
M1602755	PAD:BASE	10 - 10
M1602760	SHAFT:PICKUP:MANUAL FEED	10 - 24
M1602762	GUIDE:UPPER:MANUAL FEED	10 - 25
M1602763	LINK:FEELER:PAPER END	10 - 26
M1602773	EXTENSION TRAY:MANUAL FEED	8 - 16
M1602774	COIL SPRING:LATCH:COVER:MANUAL FEED	8 - 13
M1602775	HOLDER:COMPRESSION SPRING:EXTENSION TRAY	8 - 14
M1602776	COVER:EXTENSION TRAY:MANUAL FEED	8 - 17
M1602788	SEAL:TRAY BOTTOM PLATE:MANUAL FEED:SIDE	10 - 34
M1602795	GROUND PLATE:MAIN SWITCH	10 - 35
M1602801	STAY:PAPER TRAY	14 - 21
M1602802	PLAIN SHAFT BEARING:SUPPORT:CONNECTION:ROLLER	14 - 18
M1602803	LEVER:PRESSURE RELEASE:FEED ROLLER	14 - 5
M1602804	SHAFT:PRESSURE RELEASE:FEED ROLLER:DIA6	14 - 6
M1602807	SHAFT:ROLLER:PAPER TRAY:DIA6	14 - 7
M1602811	ROLLER:CONNECTING:PAPER TRAY:STAY	14 - 8
M1602812	GROUND PLATE:PAPER TRAY:STAY	14 - 9
M1602813	GUIDE:COVER:STAY:PAPER TRAY:FRONT	14 - 10
M1602814	GUIDE:TRANSFER:AUXILIARY	14 - 20
M1602816	SHEET:REGISTRATION GUIDE:STAY:UPPER	14 - 11
M1602819	DISCHARGE BRUSH:FEED PAPER AGAIN:STAY:REAR	14 - 12
M1602822	FEELER:PAPER END SENSOR:PAPER TRAY:STAY	14 - 13
M1602830	ROLLER:PAPER FEED:ASS'Y	14 - 14
M1602900	REGISTRATION ROLLER:DRIVEN	16 - 3
M1602901	REGISTRATION ROLLER:DRIVE	16 - 4
M1602902	GROUND PLATE:REGISTRATION ROLLER:DRIVEN	16 - 5
M1602903	LEVER:PRESSURE:REGISTRATION ROLLER:RIGHT	16 - 6
M1602904	LEVER:PRESSURE:REGISTRATION ROLLER:LEFT	16 - 7
M1602905	COIL SPRING:REGISTRATION ROLLER:PRESSURE:LEVER	16 - 8
M1602906	GUIDE:REGISTRATION ROLLER:UPPER	16 - 9
M1602907	DECAL:REGISTRATION:GUIDE:LEFT UPPER	16 - 10
M1602908	DECAL:REGISTRATION ROLLER:GUIDE:UPPER	16 - 11
M1602909	COVER:REGISTRATION ROLLER:GUIDE:UPPER	16 - 12
M1602912	TORSION SPRING:REGISTRATION ROLLER:GUIDE:RIGHT	16 - 21

Part No.	Description	Page and Index No.
M1602917	SHEET:REGISTRATION ROLLER:HOLDER:SENSOR	16 - 15
M1602919	CAP:REGISTRATION ROLLER:LEVER:RIGHT	16 - 16
M1602922	SEAL:CLEANER:REGISTRATION ROLLER:LEFT	16 - 13
M1602923	SEAL:CLEANER:REGISTRATION ROLLER:RIGHT	16 - 14
M1602924	INSULATING SHEET:REGISTRATION:GUIDE:DUPLEX:RIGHT	16 - 17
M1602925	INSULATING SHEET:REGISTRATION:GUIDE:DUPLEX:LEFT	16 - 18
M1602929	STUD:BRACKET:REGISTRATION:LEFT:ASS'Y	16 - 19
M1603852	SHEET:GUIDE:REGISTRATION:ENTRANCE:LEFT	18 - 4
M1603853	SHEET:GUIDE:REGISTRATION:ENTRANCE:RIGHT	18 - 5
M1603854	GUIDE:TRANSFER ROLLER	18 - 6
M1603855	SHEET:GUIDE:TRANSFER ROLLER	18 - 7
M1603856	BUSHING:TRANSFER ROLLER:LEFT	18 - 8
M1603857	BUSHING:TRANSFER ROLLER:RIGHT	18 - 9
M1603858	COIL SPRING:TRANSFER ROLLER	18 - 10
M1603859	GROUND PLATE:ELECTRODE PLATE:SEPARATION	18 - 11
M1603860	ELECTRODE PLATE:SEPARATION	18 - 12
M1603862	SEAL:COVER:TRANSFER	18 - 15
M1603863	SEAL:TONER CATCHPAN	18 - 16
M1603865	COVER:ELECTRODE PLATE:SEPARATION	18 - 13
M1603866	GUIDE:EXIT:STAY:TRANSFER:2	18 - 3
M1603870	STAY:TRANSFER	18 - 2
M1604053	FLAT NUT:FRAME	22 - 1
M1604055	EXIT ROLLER:FUSING	22 - 3
M1604057	LEVER:ENVELOPE:LEFT	22 - 4
M1604058	LEVER:ENVELOPE:RIGHT	22 - 5
M1604059	SHAFT:LEVER:ENVELOPE	22 - 6
M1604063	DISCHARGE BRUSH:PRESSURE ROLLER	22 - 11
M1604064	GROUND PLATE:PRESSURE ROLLER	22 - 12
M1604065	CLEANING ROLLER:ASS'Y	22 - 30
M1604073	TENSION SPRING:PRESSURE ROLLER	22 - 15
M1604074	LEVER:PRESSURE	22 - 14
M1604077	FUSING ENTRANCE GUIDE PLATE:LOWER	22 - 17
M1604079	BRACKET:FUSING ENTRANCE GUIDE PLATE:RIGHT	22 - 18
M1604080	COIL SPRING:CLEANING ROLLER:PRESSURE ROLLER	22 - 27

Part No.	Description	Page and Index No.
M1604083	BUSHING:FUSING CLEANING ROLLER:RIGHT	22 - 28
M1604084	BUSHING:FUSING CLEANING ROLLER:LEFT	22 - 29
M1604085	TORSION SPRING:FUSING ENTRANCE GUIDE PLATE	22 - 19
M1604086	GEAR:HOT ROLLER	20 - 12
M1604087	GEAR:IDLER:DIA35:FUSING	22 - 20
M1604088	GEAR:IDLER:DIA20:FUSING	22 - 21
M1604089	GEAR:IDLER:DIA18:FUSING EXIT	22 - 22
M1604090	PLAIN SHAFT BEARING:MM4	22 - 9
M1604091	DRIVEN ROLLER:DUPLIX	22 - 10
M1604096	PRESSURE ROLLER:DIA34	22 - 16
M1604102	THERMISTOR:FUSING	20 - 31
M1604103	FLAT NUT:THERMISTOR	20 - 21
M1604106	ELECTRODE PLATE:LEFT	20 - 3
M1604107	ELECTRODE PLATE:RIGHT	20 - 4
M1604113	PICKOFF PAWL:HOT ROLLER	20 - 9
M1604114	TENSION SPRING:PICKOFF PAWL	20 - 8
M1604118	THERMAL INSULATING BUSHING:HOT ROLLER	20 - 14
M1604119	HOT ROLLER:DIA30	20 - 13
M1604121	BRACKET:HEATER:LEFT	20 - 18
M1604122	BRACKET:HEATER:RIGHT	20 - 19
M1604126	SEPARATOR:FUSING	20 - 17
M1604130	FUSING ENTRANCE GUIDE PLATE:UPPER	20 - 16
M1604133	FELT WICK:EARTH:HOT ROLLER	20 - 30
M1604134	BRACKET:THERMISTOR	20 - 33
M1604138	GROUND PLATE:HOT ROLLER	20 - 6
M1604139	RESISTOR:1GOHM	20 - 32
M1604140	BRACKET:GROUND PLATE:HOT ROLLER	20 - 7
M1604141	WASHER:DIA10.1:DIA6.0:0.6T	20 - 36
M1604151	GUIDE PLATE:FUSING EXIT	20 - 23
M1604154	EXIT ROLLER:FUSING EXIT	20 - 24
M1604155	HOLDER:EXIT ROLLER	20 - 25
M1604156	SPRING PLATE:EXIT ROLLER	20 - 26
M1604157	ROLLER:MIDDLE:FUSING:DIA11	20 - 28
M1604158	ROLLER:MIDDLE:FUSING:DIA11	20 - 29

Part No.	Description	Page and Index No.
M1604159	SHAFT:EXIT ROLLER:FUSING EXIT	20 - 27
M1604171	COVER:FUSING:LEFT	20 - 15
M1604172	COVER:FUSING:RIGHT	22 - 24
M1604173	CAP:THERMISTOR	20 - 35
M1604207	HEATER:740W:227V (CHN/EU)	20 - 20
M1604208	HEATER:740W:117V	20 - 20
M1604211	DRAWER:FUSING:EU	20 - 34
M1604212	DRAWER:FUSING:NA	20 - 34
M1604216	THERMISTOR:FUSING:ASS'Y	20 - 22
M1604248	DECAL:ENVELOPE:LEVER:FUSER	34 - 2
M1604464	PRESSURE PLATE:FUSING:GUIDE	24 - 6
M1604468	COIL SPRING:PRESSURE PLATE	24 - 9
M1604489	ROLLER:IDLER:MIDDLE:GUIDE	24 - 14
M1604494	DECAL:LEFT:COVER:REAR	24 - 30
M1604495	DECAL:RIGHT:COVER:REAR	24 - 31
M1604497	COIL SPRING:GUIDE:REAR:EXIT	24 - 19
M1604498	COIL SPRING:LEVER:DOOR:EXIT	24 - 20
M1604601	GUIDE:UPPER:DUPLIX UNIT	26 - 1
M1604603	FEELER:UPPER:DUPLIX UNIT	26 - 2
M1604605	SHAFT:IDLER:UPPER:ASS'Y	26 - 3
M1604607	BUSHING:IDLER:DIA4	26 - 4
M1604611	COIL SPRING:IDLER:DUPLIX UNIT	26 - 5
M1604614	COIL SPRING:MIDDLE:DUPLIX UNIT	26 - 33
M1604621	GUIDE:FRONT:DUPLIX UNIT	26 - 8
M1604622	GRIP:FRONT:DUPLIX UNIT	26 - 9
M1604623	HOOK:FRONT:DUPLIX UNIT	26 - 10
M1604624	GROUND PLATE:FRONT:DUPLIX UNIT	26 - 11
M1604625	LINK:FRAME:DUPLIX UNIT	26 - 12
M1604626	LINK:FRONT:DUPLIX UNIT	26 - 13
M1604627	DAMPER:FRONT:DUPLIX UNIT	26 - 14
M1604631	SHAFT:FRONT:DUPLIX UNIT	26 - 15
M1604633	COMPRESSION SPRING:HOOK:DUPLIX UNIT	26 - 16
M1604635	DECAL:HANDLE:DUPLIX UNIT	26 - 17
M1604641	GUIDE:REAR:DUPLIX UNIT	26 - 18

Part No.	Description	Page and Index No.
M1604643	BUSHING:DIA6	26 - 19
M1604644	SHAFT:REAR:ASSY	26 - 20
M1604645	RUBBER BUSHING:SHAFT:REAR	26 - 21
M1604661	GUIDE:MIDDLE:DUPEX UNIT	26 - 23
M1604662	GEAR:DRIVE:DUPEX UNIT	26 - 24
M1604663	GEAR:IDLER:DUPEX UNIT	26 - 25
M1604664	PULLEY:DRIVE:DUPEX UNIT	26 - 26
M1604666	GROUND PLATE:MIDDLE:DUPEX UNIT	26 - 27
M1604667	PULLEY:GEAR:DUPEX UNIT	26 - 28
M1604668	PULLEY:NO.2:DUPEX UNIT	26 - 29
M1604671	SHAFT:MIDDLE:DUPEX UNIT	26 - 30
M1604672	SYNCHRONOUS BELT:FRONT:DUPEX UNIT	26 - 31
M1604673	SYNCHRONOUS BELT:FUSING:DUPEX UNIT	26 - 32
M1604674	SYNCHRONOUS BELT:REAR:DUPEX UNIT	26 - 6
M1605022	POWER PACK:ASSY	32 - 18
M1605120	PCB:SENSOR:TONER END SENSOR	32 - 7
M1605500	BRACKET:POWER SUPPLY UNIT	32 - 9
M1605501	COVER:FRONT:POWER SUPPLY UNIT	32 - 10
M1605502	COVER:MIDDLE REAR:POWER SUPPLY UNIT	2 - 11
M1605506	BRACKET:POWER PACK	32 - 11
M1605507	TERMINAL:POWER PACK:ASSY	32 - 8
M1605508	COIL SPRING:TERMINAL:POWER PACK	32 - 2
M1605555	CLAMP:TWISTLOCK	32 - 17
M1606250	TRANSFER ROLLER:ASSY	18 - 14
M1711037	BRACKET:DUCT:SUB:FAN:MAIN	34 - 1
M1711038	DUCT:SUB:FAN:LOWER	34 - 22
M1711039	DUCT:SUB:FAN:UPPER	34 - 23
M1711079	DUCT:PCDU:P1A	34 - 19
M1711108	DC BRUSHLESS MOTOR:MAIN:P1A	28 - 5
M1711111	BRACKET:MAIN:P1A:ASSY	28 - 6
M1711121	GEAR:DRUM:NO.2:P1A	28 - 7
M1711122	JOINT:DRUM:P1A	28 - 8
M1711132	GEAR:EXIT	28 - 25
M1711133	SHAFT:MIDDLE:JOINT	28 - 26

Part No.	Description	Page and Index No.
M1711134	BUSHING:JOINT	28 - 27
M1711191	DC FAN MOTOR:80X15:P1A	34 - 17
M1711193	DC FAN MOTOR:60X15:P1A	34 - 16
M1711210	COVER:LEFT:P1A:ASSY	2 - 1
M1711221	COVER:RIGHT:P1A	2 - 2
M1711241	BRACKET:SUPPORT:COVER:UPPER	2 - 5
M1711452	KEYTOP:MAIN	4 - 2
M1711453	LENS:OPERATION SUB-UNIT	4 - 3
M1711454	SHEET:HARNESS	4 - 4
M1711455	SHEET:PREVENTFENCE	4 - 5
M1711456	SUPPORTER:COVER:LCD	4 - 6
M1711464	COVER:OPERATION SUB-UNIT:NA/EU:SUB-ASSY	4 - 8
M1711465	COVER:OPERATION SUB-UNIT:CHN:SUB-ASSY	4 - 8
M1711466	LENS:LED	4 - 9
M1711470	PCB:GIMLET-P1A:OPU	4 - 1
M1712550	PAPER TRAY:REAR:250 SHEET FEED UNIT:ASSY	12 - 1
M1712560	END FENCE:250 SHEET FEED UNIT:ASSY	12 - 2
M1712581	BRACKET:SENSOR:PAPER SIZE SENSOR:250 SHEET FEED UNIT	14 - 16
M1712600	PAPER TRAY:FRONT:250 SHEET FEED UNIT:SUB-ASSY	12 - 7
M1712602	SHEET:HOLDER:250 SHEET FEED UNIT:FRONT	12 - 9
M1712605	GUIDE:PAPER TRAY:250 SHEET FEED UNIT:FRONT	12 - 10
M1712606	INDICATOR:PAPER VOLUME SENSOR:PAPER TRAY:250 SHEET FEED UNIT	12 - 11
M1712607	SEAL:TRAY:REAR:EU,CHN:250 SHEET FEED UNIT	12 - 30
M1712608	SEAL:TRAY:REAR:NA:250 SHEET FEED UNIT	12 - 30
M1712627	TENSION SPRING:TRAY BOTTOM PLATE:250 SHEET FEED UNIT	12 - 16
M1712640	SIDE FENCE:RIGHT:250 SHEET FEED UNIT:ASSY	12 - 17
M1712660	SIDE FENCE:LEFT:250 SHEET FEED UNIT:ASSY	12 - 20
M1712666	SHEET:SPONGE:SIDE FENCE:250 SHEET FEED UNIT	12 - 3
M1712675	SEAL:SIDE FENCE:LEFT REAR	12 - 32
M1712691	COVER:TRAY:250 SHEET FEED UNIT:FRONT	12 - 27
M1712700	DOOR:FRONT:INNER:P1A:ASSY	8 - 5

Part No.	Description	Page and Index No.
M1712791	COVER:EXTENSION TRAY:INNER:P1A	8 - 6
M1712792	COVER:EXTENSION TRAY:2:P1A	8 - 7
M1712799	DECAL:PICK-UP PAPER JAM	8 - 19
M1714017	FUSING UNIT:NA:30PPM	20 - 1
M1714028	FUSING UNIT:EU:30PPM	20 - 1
M1714061	GUIDE:DUPLEX:FUSING:P1A	22 - 8
M1714062	GATE PLATE:FUSING:P1A	22 - 25
M1714063	TORSION SPRING:GATE PLATE:FUSING:P1A	22 - 26
M1714406	COVER:REAR:P1A	24 - 32
M1714421	ROLLER:IDLER:EXIT:P1A:ASS'Y	24 - 3
M1714453	COVER:UPPER:EXIT:P1A	24 - 5
M1714459	COIL SPRING:ROLLER:EXIT:P1A	24 - 4
M1714460	DC SOLENOID:REVERSE	24 - 22
M1714462	BRACKET:DC SOLENOID:REVERSE	24 - 23
M1714463	COIL SPRING:DC SOLENOID:REVERSE	24 - 24
M1714469	DAMPER:DC SOLENOID:REVERSE	24 - 25
M1714470	SHAFT:ROLLER:EXIT:P1A	24 - 10
M1714471	GEAR:ROLLER:EXIT	24 - 11
M1714472	GROUND PLATE:ROLLER:EXIT:P1A	24 - 21
M1714475	LEVER:SHIFT:EXIT	24 - 26
M1714476	GEAR:INPUT:EXIT	24 - 27
M1714477	GEAR:SHIFT:GAP:EXIT	24 - 28
M1714478	GEAR:SHIFT:EXIT	24 - 29
M1714480	GUIDE:UPPER:EXIT:P1A	24 - 12
M1714485	FEELER:OVERFLOW:EXHAUST SENSOR:P1A	24 - 15
M1714486	FEELER:EXIT:P1A	24 - 7
M1714487	COIL SPRING:FEELER:EXIT:P1A	24 - 8
M1714488	ANTISTATIC BRUSH:EXIT:P1A	24 - 16
M1714490	COVER:REAR:P1A	24 - 13
M1714491	GUIDE:REAR:EXIT:P1A	24 - 17
M1714493	LEVER:DOOR:EXIT:P1A	24 - 18
M1715010	PCB:BCU:ASS'Y	32 - 3
M1715510	C/T BOX:P1A	32 - 13
M1715512	PANEL:C/T BOX:P1A	32 - 14

Part No.	Description	Page and Index No.
M1715518	BRACKET:BCU:LEFT MIDDLE	32 - 15
M1715519	BRACKET:BCU:LEFT LOWER	32 - 16
M1715533	SHEET:INSULATION:KIBO	32 - 20
M1715534	SHEET:INSULATION:AUX:KIBO	32 - 21
M1715535	SHEET:INSULATION:AUX2:KIBO	32 - 22
M1715706	PCB:CTL:KIBO:GIM:P1A:ASSY	32 - 12
M1716641	DECAL:MODEL NAME PLATE:SP_3600DN	2 - 6
M1873360	CONNECTOR:ID_CHIP	34 - 24