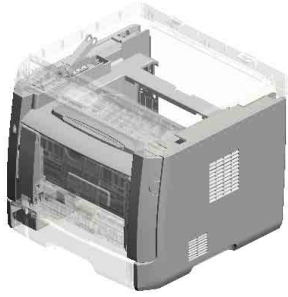


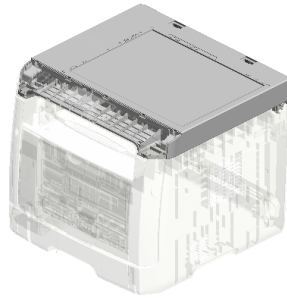
SP 325SFNw/377SFNwX
(M289/M0BD)
Parts Catalog

| Model | Product Code | PC Style |
|-------------|--------------|-------------|
| SP 320DN | M0A7 | 3D |
| SP 325DNw | M287 | 3D |
| SP 377DNwX | M0BB | 3D |
| SP 320SN | M0A8 | 3D |
| SP 325SNw | M288 | 3D |
| SP 377SNwX | M0BC | 3D |
| SP 320SFN | M0A9 | 3D |
| SP 325SFNw | M289 | 3D |
| SP 377SFNwX | M0BD | 3D |
| ARDF | M2891601 | Traditional |

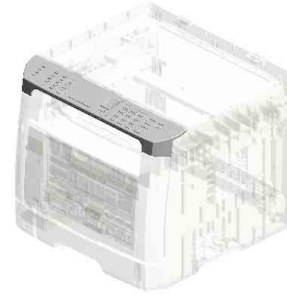
Unit All



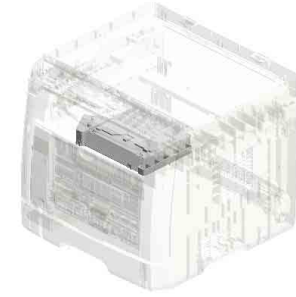
U001
EXTERIOR



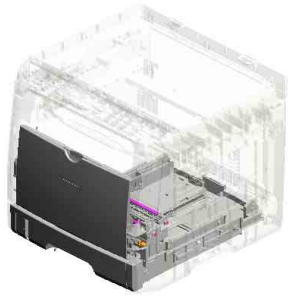
U002
ARDF/SCANNER



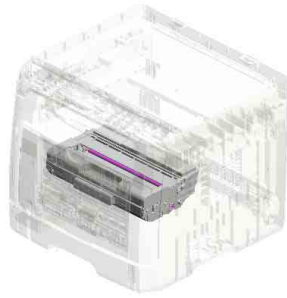
U003
OPERATION



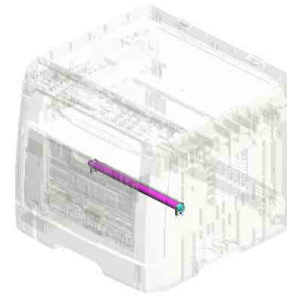
U004
LASER UNIT



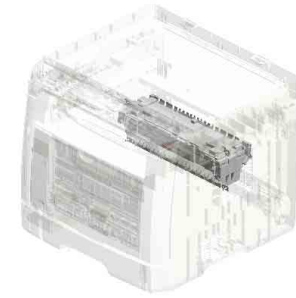
U005
PAPER FEED



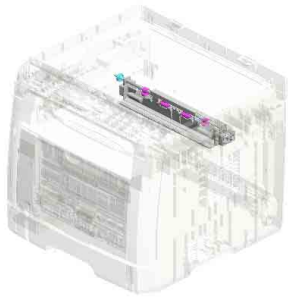
U006
PCU



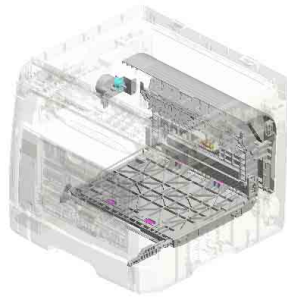
U007
TRANSFER/SEPARATION



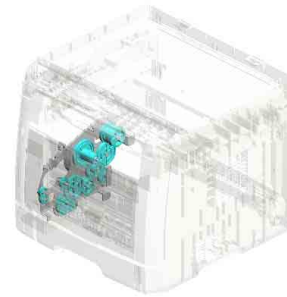
U008
FUSING



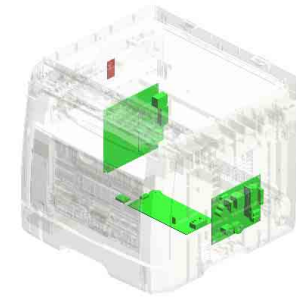
U009
PAPER EXIT



U010
DUPLEX

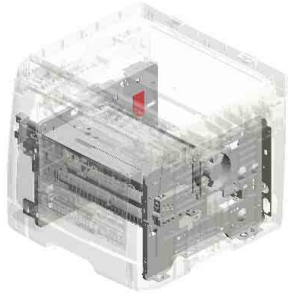


U011
MAIN DRIVE



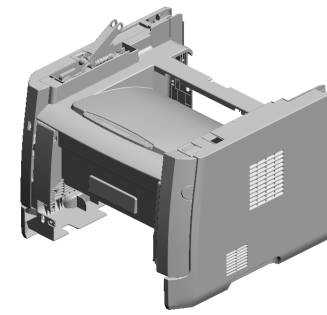
U012
ELECTRICAL

Unit All



U013
MAIN FRAME

U001 EXTERIOR



- 4.04513008N (x4) TAPPING SCREW - M3X8
- 7.AG070514 MAGNET CATCH
- 13.M1561250 COVER:UPPER:MF P
- 14.M1561254 SHAFT:TURN:SCA NNER:LEFT
- 12.M1561240 EXTENSION TRAY: MF:ASSY

- 15.M1561256 SHAFT:TURN:SCA NNER:RIGHT

- 2.04503012N (x4) TAPPING SCREW: 3X12

- 16.M1561259 (x3) (EU/AA/NA/TWN):C OVER:REAR MIDDLE

- 17.M1561260 (CHN):COVER:REAR MIDDLE

- 20.M2871370 COVER:REAR LOWER

- 3.04513006N (x6) TAPPING SCREW - 3X6

- 6.11050761 CLAMP:LWS-0511A

- 18.M1561272 COIL SPRING:SCA NNER

- 11.M1341386 RAIL:STOPPER:SCA NNER:OPEN AND CLOSE

- 9.M1180501 SPEAKER:M118

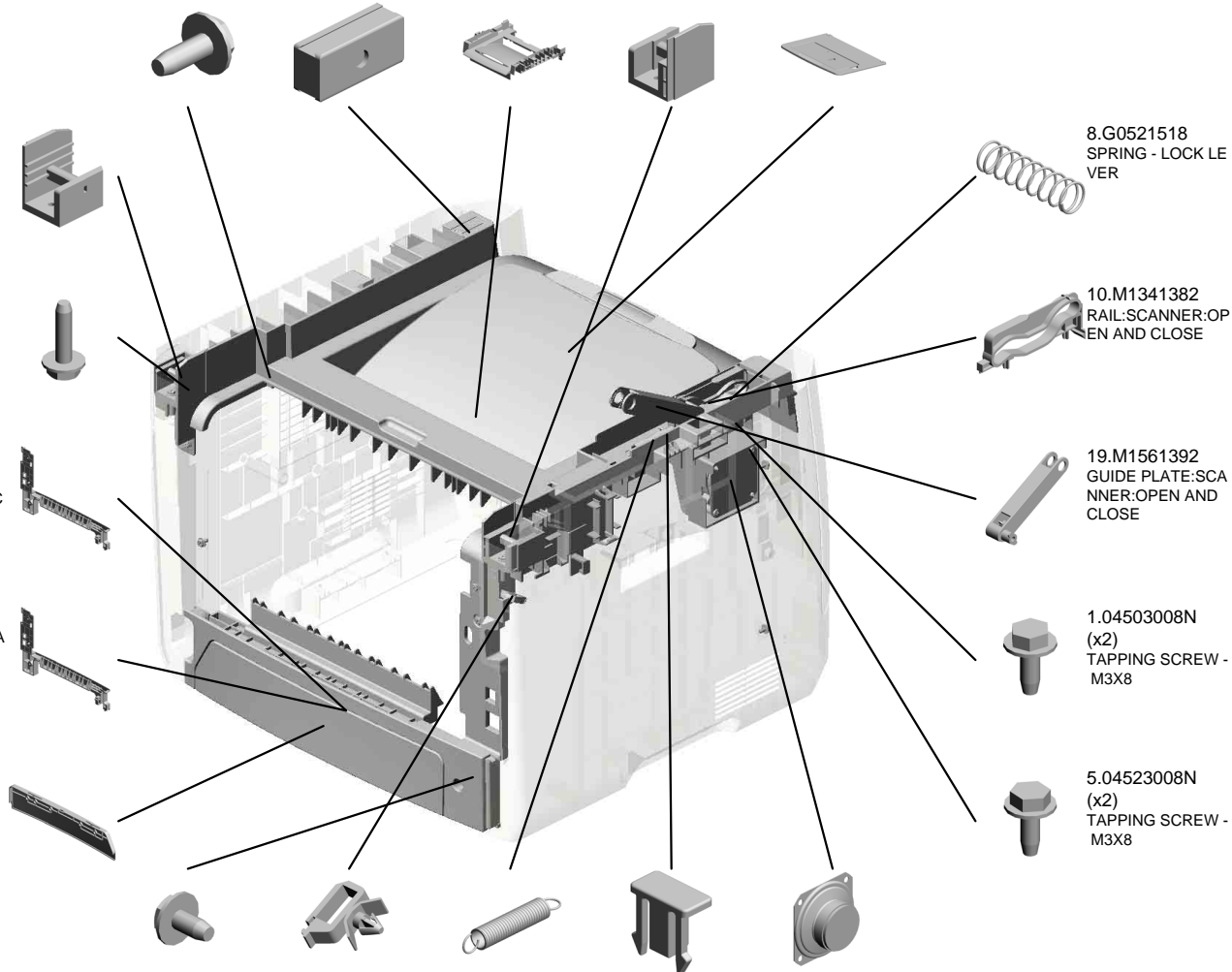
- 8.G0521518 SPRING - LOCK LEVER

- 10.M1341382 RAIL:SCANNER:OPEN AND CLOSE

- 19.M1561392 GUIDE PLATE:SCA NNER:OPEN AND CLOSE

- 1.04503008N (x2) TAPPING SCREW - M3X8

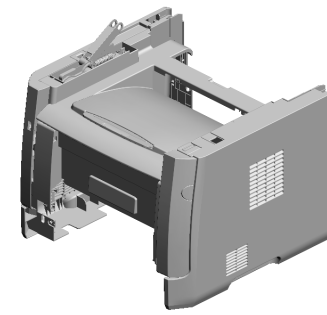
- 5.04523008N (x2) TAPPING SCREW - M3X8



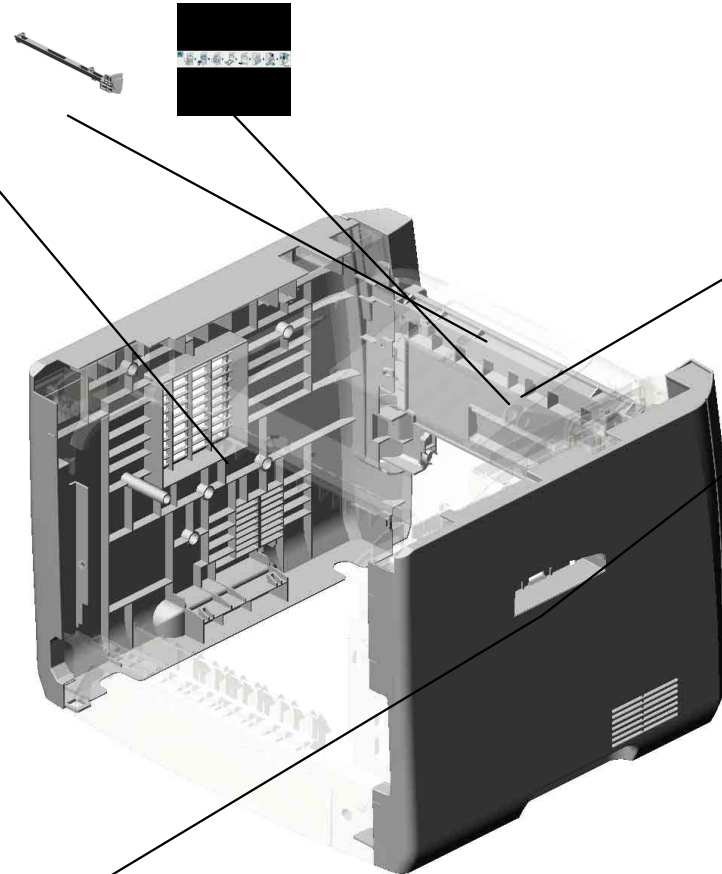
U001 EXTERIOR

23.M2891252
BUTTON

21.M2882632
DECAL:PICK-UP P
APER JAM



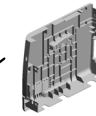
25.M2891255
COVER:SIDE PLAT
E:RIGHT



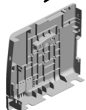
22.M2891251
COVER:FRONT



24.M2891253
(x3)
(EU/AA/NA/TWN):C
OVER:SIDE PLATE:
LEFT

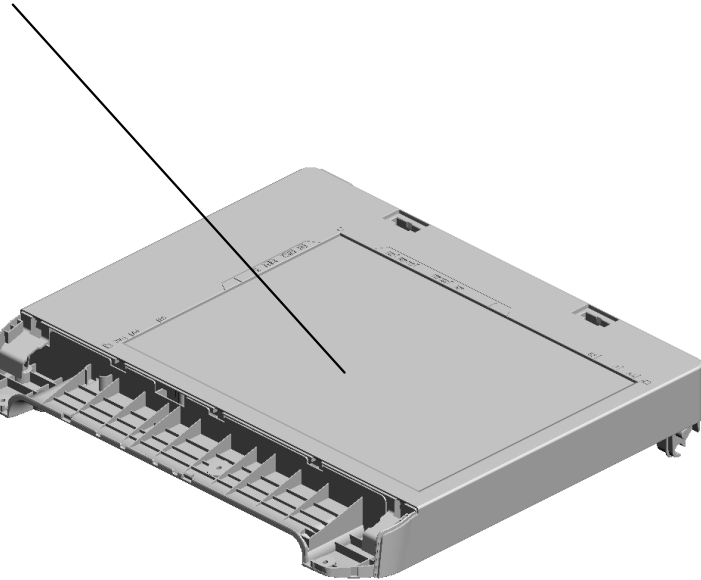
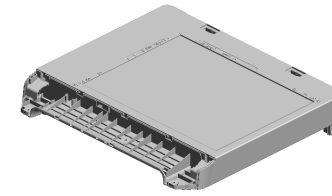


26.M2891264
(CHN):COVER:SID
E PLATE:LEFT



U002
ARDF/SCANNER

1.M2881600
SCANNER:ASSY



See 2D parts catalog
for the components of
the ARDF.

2.Note
See 2D parts catalog
for the components of
the ARDF.

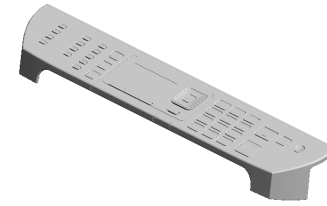
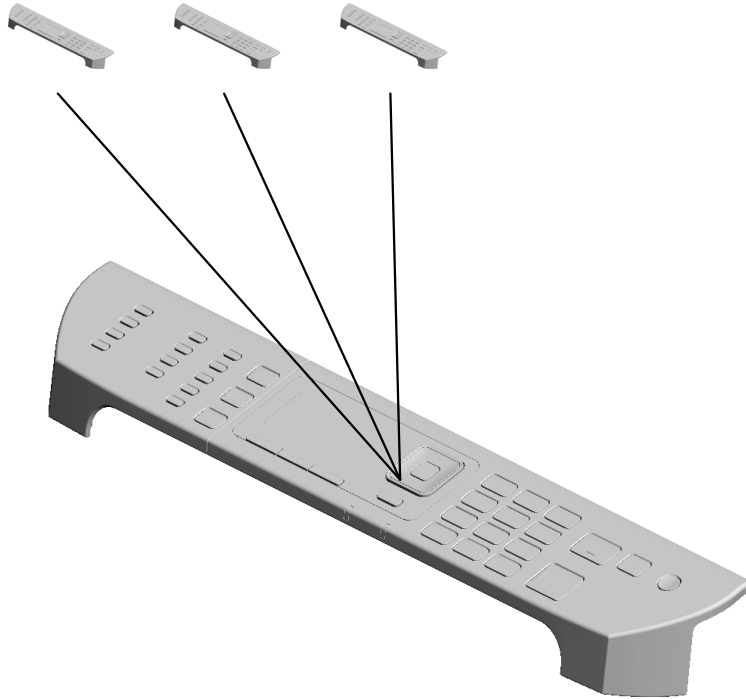
| | | | | | | | | | | | | |
|------|------|------|------|------|------|------|------|------|------|------|------|------|
| U001 | U002 | U003 | U004 | U005 | U006 | U007 | U008 | U009 | U010 | U011 | U012 | U013 |
|------|------|------|------|------|------|------|------|------|------|------|------|------|

U003 OPERATION

2.M2891402
(x2)
(EU/AA/NA):OPERATION PANEL:4IN1:ASS'Y

3.M2891403
(TWN):OPERATION PANEL:4IN1:ASS'Y

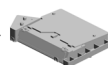
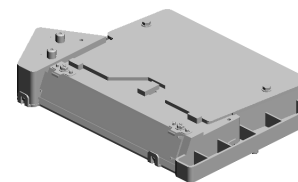
4.M2891404
(CHN):OPERATION PANEL:4IN1:ASS'Y



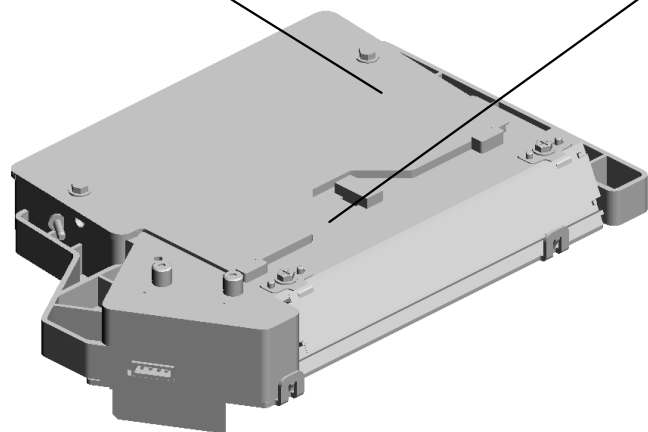
1.04503010N (x 3)
TAPPING SCREW - M3X10

U004
LASER UNIT

1.04543008Q
(x3)
TAPPING SCREW:
3X8



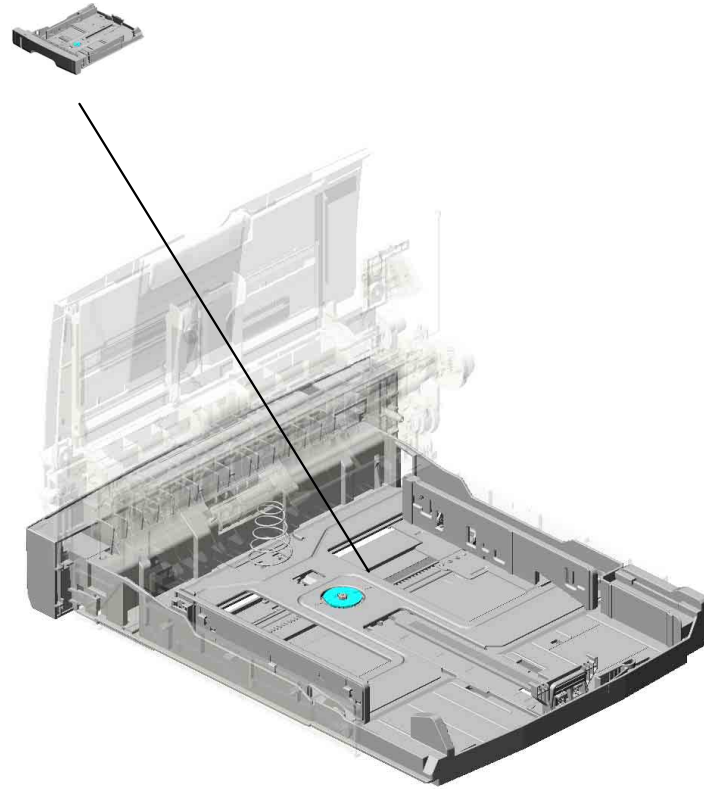
2.M2871851
OPTICAL WRITING
UNIT:ASSY



| | | | | | | | | | | | | |
|------|------|------|------|------|------|------|------|------|------|------|------|------|
| U001 | U002 | U003 | U004 | U005 | U006 | U007 | U008 | U009 | U010 | U011 | U012 | U013 |
|------|------|------|------|------|------|------|------|------|------|------|------|------|

U005.PAPER FEED

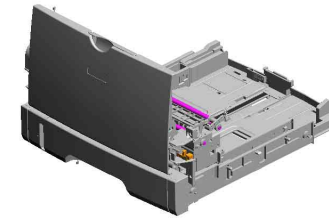
U005_S001
M2872505
PAPER TRAY:ASSY



| | | | | | | | | | | | | |
|------|------|------|------|-------------|------|------|------|------|------|------|------|------|
| U001 | U002 | U003 | U004 | U005 | U006 | U007 | U008 | U009 | U010 | U011 | U012 | U013 |
|------|------|------|------|-------------|------|------|------|------|------|------|------|------|

U005 PAPER FEED

- 10.G0123050 SIDE FENCE GEAR
- 12.G0292767 BY-PASS FEED COVER
- 28.M0122702 ROLLER:INTERFACEDRIVEN
- 4.04523010N BINDING SELF-TAPPING SCREW:3X10
- 13.G1022717 COVER:DC SOLENOID



17.GF013001
BOTTOM PLATE PAD

29.M0122705
(x2)
SPRING:ROLLER

8.AW020198
(x3)
PHOTOINTERRUPTOR:LG2A14NL1

14.G1022789
STOPPER:PHOTOINTERRUPTOR

1.04503008N
(x2)
TAPPING SCREW - M3X8

11.G0201160
(x2)
SNAP RING

26.M0122673
RAIL:PAPER TRAY: RIGHT

15.G1272627
PAPER FEED ROLLER - MM32

27.M0122701
ROLLER:INTERFACEDRIVE

25.M0122668
SHAFT:PAPER FEED:ASSY

6.A1532117
ROLLER TERMINAL

7.AA143520
SHOULDER SCREW - M3

5.08050104
(x7)
RETAINING RINGS -E:SILENCER:DIA4

3.04513006N (x 3)
TAPPING SCREW - 3X6

24.M0122631
CLOTH:EARTH:PA PER FEED

3.04513006N
(x5)
TAPPING SCREW - 3X6

9.D1272514
(x3)
ELECTROMAGNETIC CLUTCH:3.5T:MANUAL FEED

U005 PAPER FEED

48.M0122833
DECAL:SIDE FENC
E:MANUAL FEED

40.M0122743
DECAL:GUIDE PLA
TE:TRANSPORT:U
PPER

49.M0122859
GUIDE PLATE:UPP
ER:MANUAL FEED

45.M0122816
FRICTION PAD:HO
LDER:MANUAL FE
ED:ASS'Y

44.M0122806
SHEET:GUIDE:MA
NUAL FEED SUB-U
NIT



46.M0122824
FEELER:MANUAL
FEED



43.M0122753
(x2)
BUSHING:ROLLER:
DRIVEN



42.M0122745
GROUND PLATE:D
RIVEN



34.M0122722
(x2)
SPRING:ROLLER:R
EGISTRATION



37.M0122730
BUSHING:REGIS
TRATION:DRIVEN:R
IGHT



31.M0122715
GUIDE PLATE:TRA
NSPORT:UPPER



33.M0122719
REGISTRATION R
OLLER:DRIVEN



32.M0122718
REGISTRATION R
OLLER:DRIVE



35.M0122723
FEELER:REGISTR
ATION:SENSOR



41.M0122744
(x2)
GUIDE:REGISTRAT
ION



47.M0122830
MECHANICAL SPRI
NG CLUTCH:MANU
AL FEED



39.M0122742
GROUND PLATE:D
RIVEN:REGISTRAT
ION ROLLER



30.M0122711
BUSHING:REGIS
TRATION:DRIVEN:L
EFT



38.M0122741
GROUND PLATE:D
RIVE:REGISTRATI
ON ROLLER

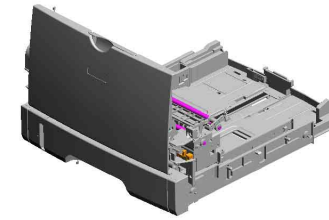


36.M0122725
SPRING:FEELER:R
EGISTRATION



U005 PAPER FEED

67.M1542879 EXTENSION TRAY: MANUAL FEED
 83.M2872871 COVER:MANUAL FEED TABLE
 85.M2872876 SIDE FENCE:MANUAL FEED:LEFT
 65.M1542815 DECAL:FEED PAPER AGAIN:PREVENTION

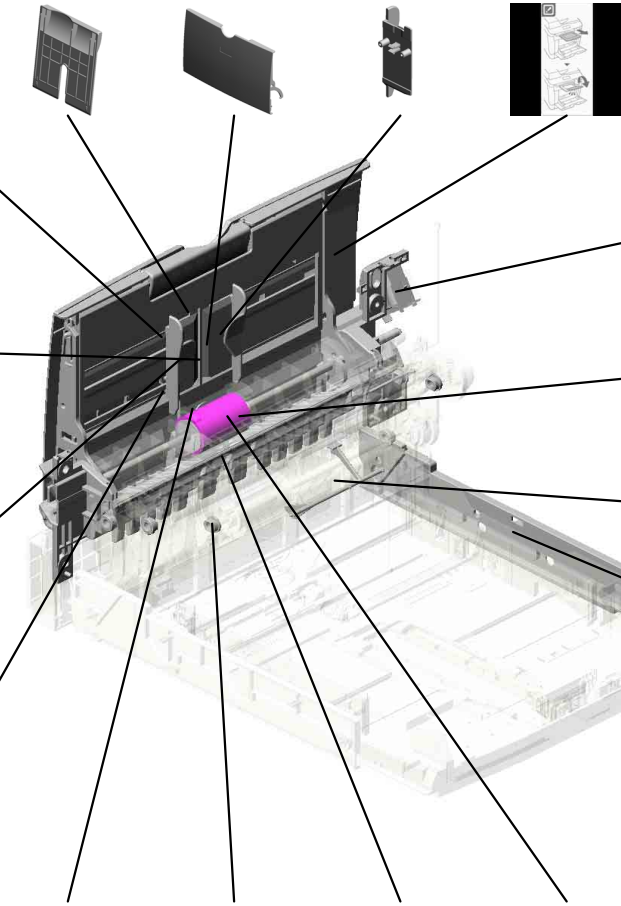


86.M2872878 (x2) RACK:MANUAL FEED

88.M2872881 BASE:MANUAL FEED TABLE

84.M2872875 SIDE FENCE:MANUAL FEED:RIGHT

87.M2872879 (x2) COMPRESSION SPRING:SIDE FENCE:MANUAL FEED



66.M1542831 DC SOLENOID:9.6W:24V

50.M0122860 PAPER FEED ROLLER:MANUAL FEED

82.M2872671 FEELER:PAPER END SENSOR

58.M1162672 RAIL:PAPER TRAY:LEFT

51.M0122874 COMPRESSION SPRING:MANUAL FEED

53.M0124488 (x6) BUSHING:DIA6XDI A10X6

52.M0122880 COMPRESSION SPRING:SEPARATION

64.M1542805 GUIDE PLATE:MANUAL FEED:LOWER

U005_S001 PAPER TRAY:ASS'Y

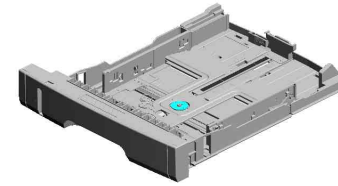
60.M1542618
DECAL:PAPER TR
AY:FRONT

21.M0122605
FRICTION PAD:AD
HESION

23.M0122613
COMPRESSION SP
RING:SEPARATIO
N

22.M0122612
COMPRESSION SP
RING:TRAY BOTTO
M PLATE

62.M1542640
COVER:PAPER TR
AY:LEFT



68.M2872505
PAPER TRAY:ASS'
Y

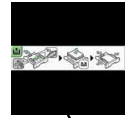
61.M1542629
COVER:PAPER TR
AY:MIDDLE

17.GF013001
BOTTOM PLATE P
AD

63.M1542641
COVER:PAPER TR
AY:RIGHT

16.GA063084
COMPRESSION SP
RING:AUXILIARY:S
IDE FENCE

55.M1092584
PRESSURE PLATE
:SIDE FENCE:LEFT



59.M1542616
LEVER:PAPER VO
LUME SENSOR

56.M1092589
LEVER:LOCK:SIDE
FENCE

54.M0752610
(x4)
COMPRESSION SP
RING:LOCK:SIDE F
ENCE

57.M1092592
PAWL:LOCK:SIDE
FENCE

18.M0122590
COIL SPRING:EAR
TH

19.M0122603
STOPPER:BASE P
LATE

20.M0122604
SPRING:RELEASE:
TRAY BOTTOM PL
ATE

2.04504008N
TAPPING SCREW -
M4X8

70.M2872611
TRAY:BASE

69.M2872589
PAPER TRAY:REA
R



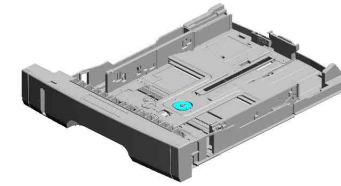
U005_S001
PAPER TRAY:ASS'Y

81.M2872636
GEAR:16Z

72.M2872615
SIDE FENCE:LEFT

77.M2872624
(x2)
CLICK:SIDE FENC
E

73.M2872618
COVER:SIDE FENC
E:LEFT



68.M2872505
PAPER TRAY:ASS'
Y

74.M2872620
SIDE FENCE:RIGH
T

75.M2872622
COVER:SIDE FENC
E:RIGHT

79.M2872626
DECAL:EXTENSIO
N TRAY

78.M2872625
LEVER:LOCK:EXTE
NSION TRAY

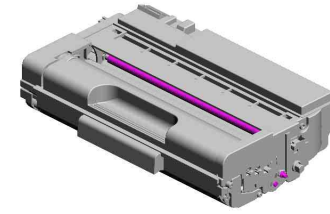
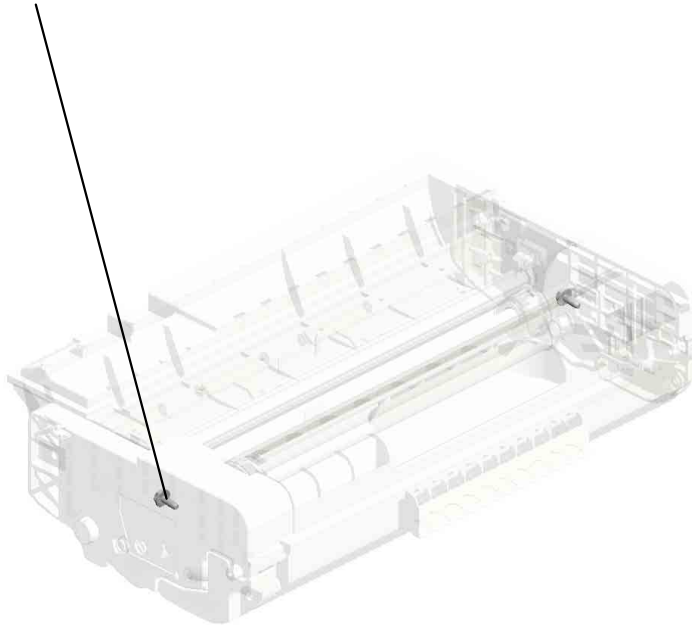
71.M2872612
END FENCE

80.M2872627
LEVER:LOCK:END
FENCE

76.M2872623
PAWL:LOCK:END F
ENCE

U006
PCU

1.04503008N
(x2)
TAPPING SCREW -
M3X8



1.04503008N (x 4)
TAPPING SCREW - M3X8
2.04523010N (x 2)
BINDING SELF-TAPPING SCREW:3X10

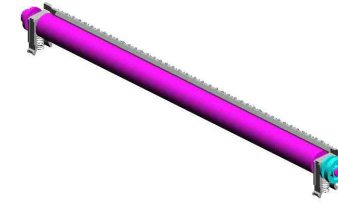
| | | | | | | | | | | | | |
|------|------|------|------|------|-------------|------|------|------|------|------|------|------|
| U001 | U002 | U003 | U004 | U005 | U006 | U007 | U008 | U009 | U010 | U011 | U012 | U013 |
|------|------|------|------|------|-------------|------|------|------|------|------|------|------|

U007 TRANSFER/SEPARATION

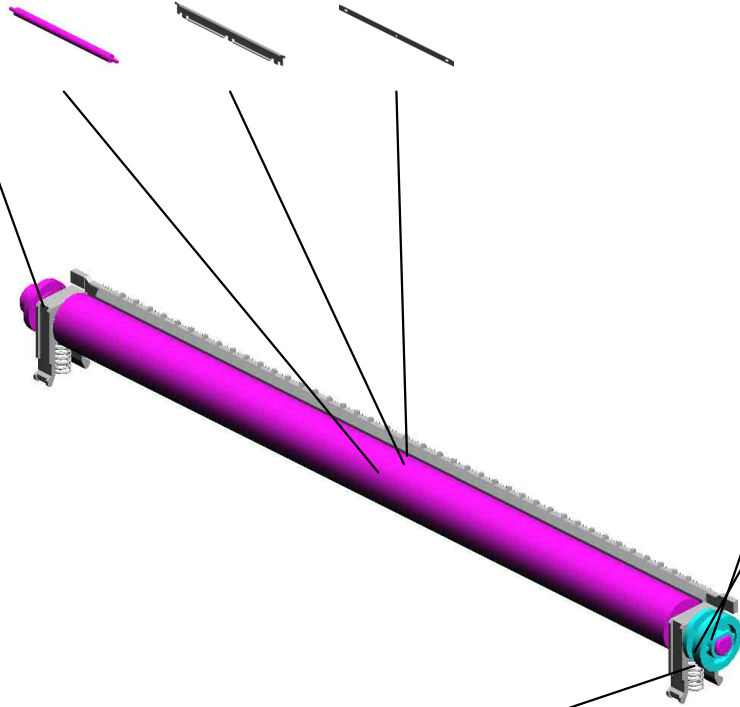
6.M1016250
TRANSFER ROLLER
R

5.M0126260
COVER:ELECTRO
DE PLATE

7.M1016259
ELECTRODE PLAT
E:SEPARATION



4.M0126256
ROLLER:POSITION
ING:TRANSFER R
OLLER



3.M0126255
GEAR:TRANSFER
ROLLER



1.M0126252
(x2)
BUSHING:TRANSF
ER ROLLER:RIGHT

2.M0126254
(x2)
SPRING:TRANSFE
R ROLLER

| | | | | | | | | | | | | |
|------|------|------|------|------|------|------|------|------|------|------|------|------|
| U001 | U002 | U003 | U004 | U005 | U006 | U007 | U008 | U009 | U010 | U011 | U012 | U013 |
|------|------|------|------|------|------|------|------|------|------|------|------|------|

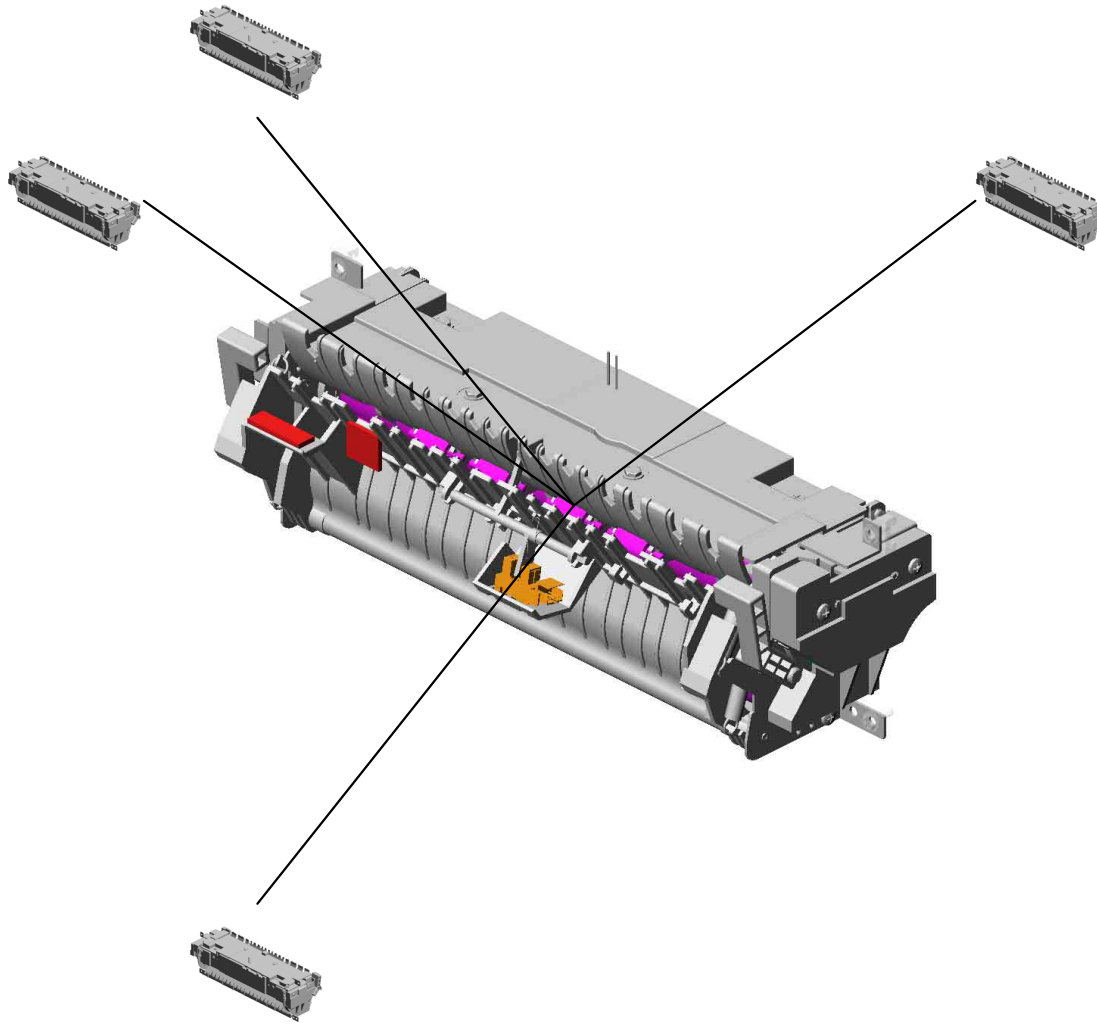
U008.FUSING

U008_S001
M2874031
(EU/AA):FUSING UNIT:ASSY

U008_S002
M2874030
(NA):FUSING UNIT:ASSY

U008_S003
M2874049
(TWN):FUSING UNIT:ASSY

U008_S004
M2874033
(CHN):FUSING UNIT:ASSY



| | | | | | | | | | | | | |
|------|------|------|------|------|------|------|------|------|------|------|------|------|
| U001 | U002 | U003 | U004 | U005 | U006 | U007 | U008 | U009 | U010 | U011 | U012 | U013 |
|------|------|------|------|------|------|------|------|------|------|------|------|------|

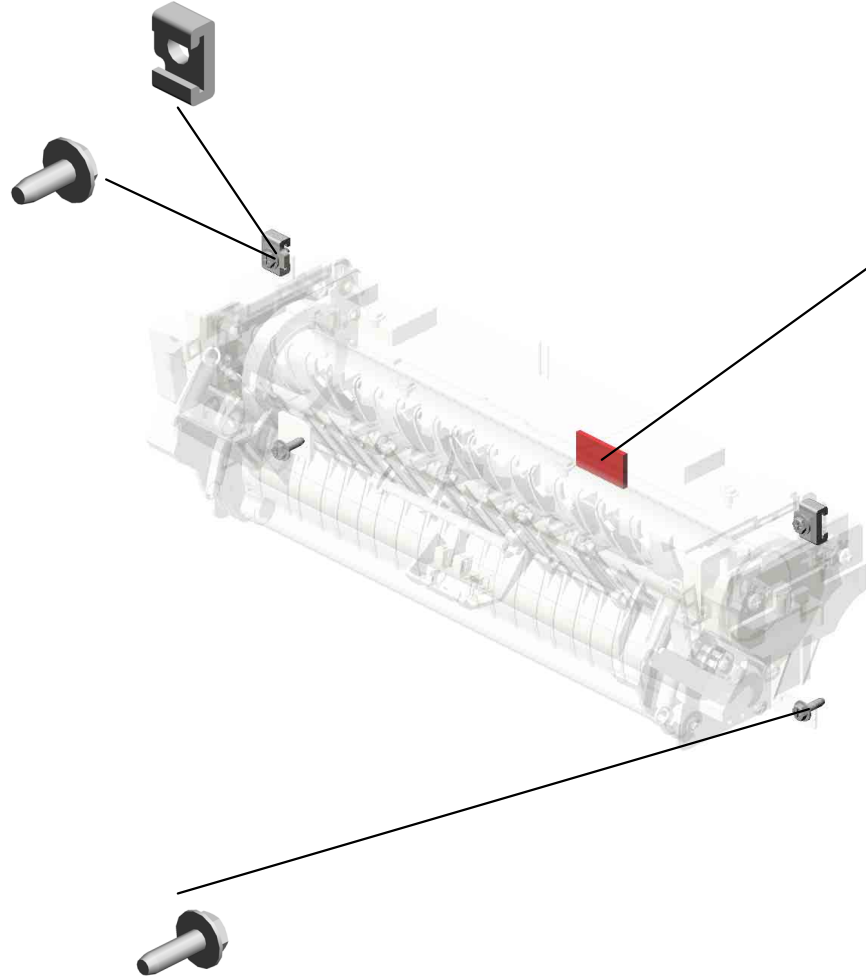
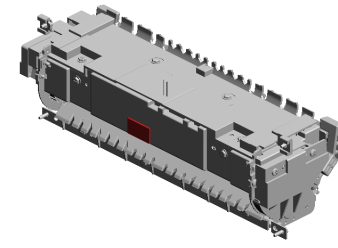
U008 FUSING

36.M0124270
(x2)
THERMAL INSULATING BUSHING:FUSING UNIT

4.04513008N
(x2)
TAPPING SCREW - M3X8

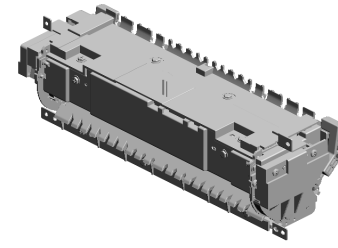
47.M0124699
DECAL:WARNING (HIGH TEMPERATURE):FRONT

2.04503010N
(x2)
TAPPING SCREW - M3X10



| | | | | | | | | | | | | |
|------|------|------|------|------|------|------|-------------|------|------|------|------|------|
| U001 | U002 | U003 | U004 | U005 | U006 | U007 | U008 | U009 | U010 | U011 | U012 | U013 |
|------|------|------|------|------|------|------|-------------|------|------|------|------|------|

U008_S001
(EU/AA):FUSING UNIT:ASS'Y



49.M2874031
(EU/AA):FUSING U
NIT:ASS'Y

11.AA143520 (x7) SHOULDER SCRE W - M3
 9.08046127 (x4) HEXAGONAL BOLT :DOUBLE SCREW: M3X8
 10.09543010N SCREW:POLISHED ROUND/SPRING:M 3X10
 13.AW110116 THERMOSTAT
 18.M0124120 (x3) TENSION SPRING: PICKOFF PAWL

1.03603006N (x11) SCREW - M3X6

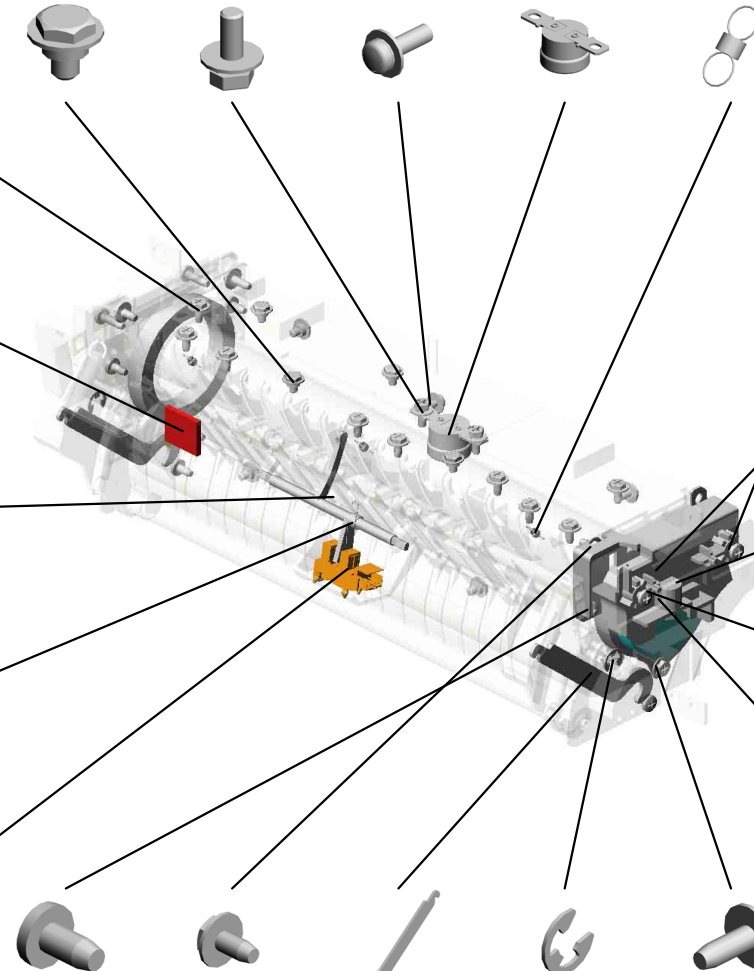
14.G1274328 DECAL - HIGH TEM PERATURE



19.M0124135 FEELER:PAPER FE ED SENSOR

17.M0124109 SPRING:FEELER: E XIT

12.AW020198 PHOTOINTERRUP TOR:LG2A14NL1



8.08025318 (x4) (EU/AA/NA/CHN):BI NDING HEAD TAPP ING SCREW:ES:3X 10

20.M0124186 COVER:LEFT UPP ER:ASS'Y

22.M0124204 LEVER:LEFT:FRAM E:FUSING

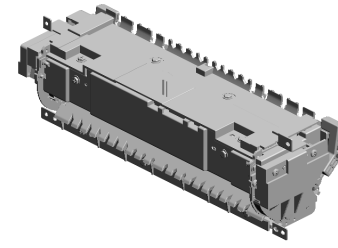
16.M0124055 (x2) RADIAL BALL BEA RING:35X47X7

15.M0124053 GEAR:HOT ROLLE R

5.04533006N (x6) TAPPING SCREW - M3X6
 3.04513006N (x2) TAPPING SCREW - 3X6
 21.M0124202 (x2) LEVER:PRESSURE
 7.07200040E (x2) RETAINING RING - M4
 4.04513008N (x4) TAPPING SCREW - M3X8

| | | | | | | | | | | | | |
|------|------|------|------|------|------|------|------|------|------|------|------|------|
| U001 | U002 | U003 | U004 | U005 | U006 | U007 | U008 | U009 | U010 | U011 | U012 | U013 |
|------|------|------|------|------|------|------|------|------|------|------|------|------|

U008_S001
(EU/AA):FUSING UNIT:ASS'Y



49.M2874031
(EU/AA):FUSING UNIT:ASSY

42.M0124287 COVER:RIGHT UPPER:FUSING
39.M0124281 (x2) RETAINING RINGS-C:HOT ROLLER
32.M0124223 THERMAL INSULATING BUSHING:HOTT ROLLER
23.M0124205 LEVER:RIGHT:FRA ME:FUSING
43.M0124292 FUSING COVER:UPPER

25.M0124211 PLATE NUT:HEATER

35.M0124266 COVER:RIGHT LOWER:FUSING

40.M0124284 LEVER:PRESSURE:LEFT

27.M0124213 (x2) BUSHING:PRESSURE ROLLER

28.M0124215 GUIDE PLATE:EXIT

34.M0124253 PRESSURE ROLLER:DIA30

38.M0124279 CLEANING ROLLER:ASSY

30.M0124217 FUSING ENTRANCE GUIDE PLATE:LOWER

33.M0124229 (x2) TENSION SPRING:FUSING:PRESSURE

29.M0124216 (x2) TENSION SPRING:FUSING:GUIDE PLATE

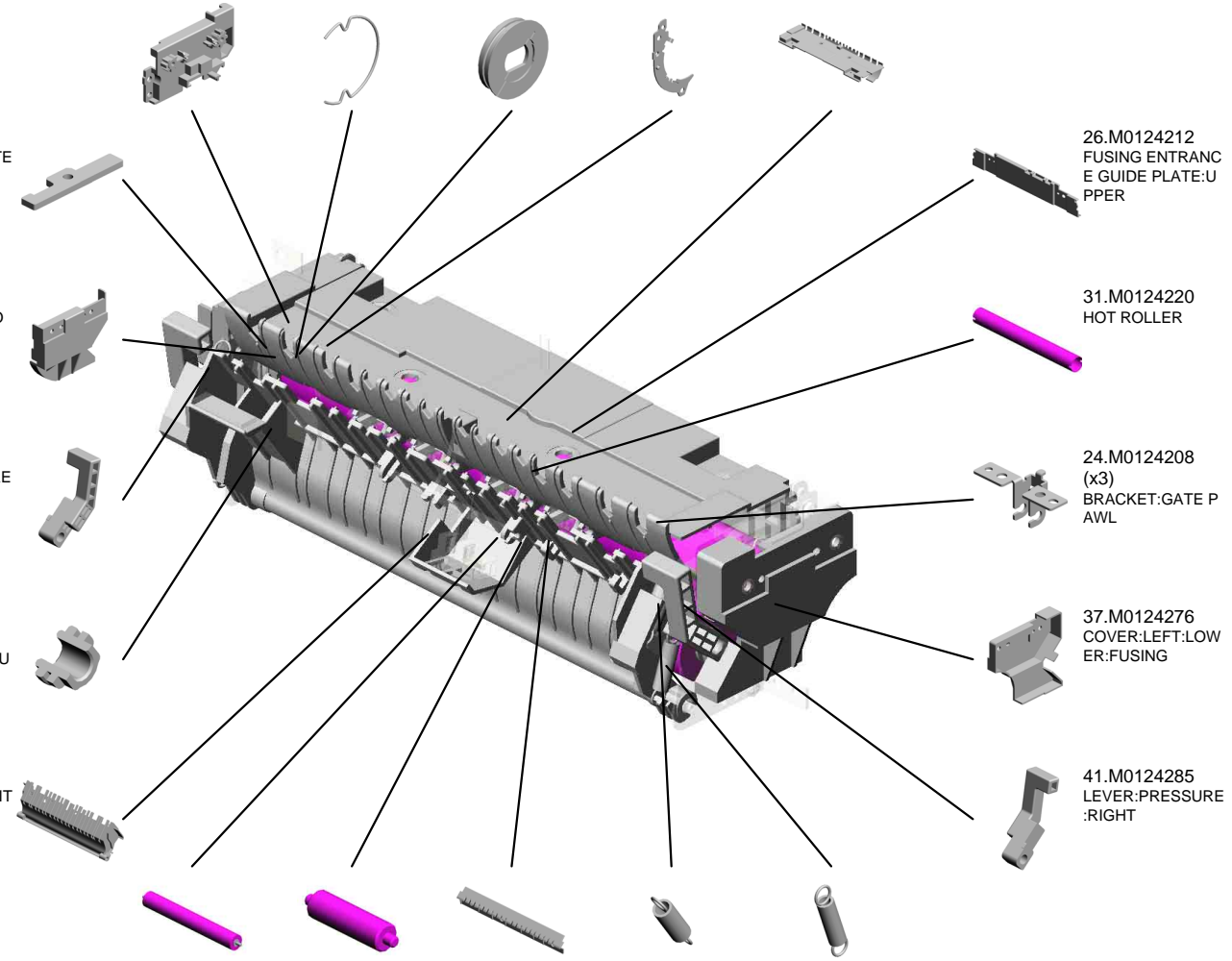
26.M0124212 FUSING ENTRANCE GUIDE PLATE:UPPER

31.M0124220 HOT ROLLER

24.M0124208 (x3) BRACKET:GATE PLATE

37.M0124276 COVER:LEFT:LOWER:FUSING

41.M0124285 LEVER:PRESSURE:RIGHT

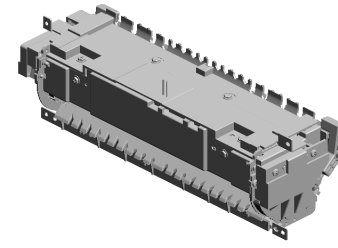


U008_S001
(EU/AA):FUSING UNIT:ASS'Y

45.M0124295
GROUND PLATE:ASS'Y

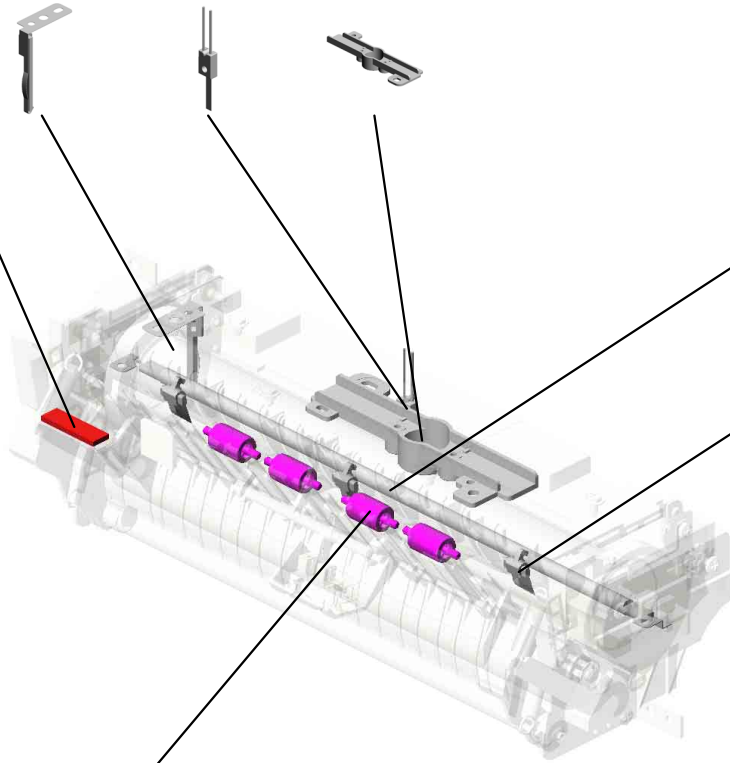
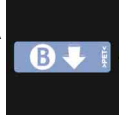
57.M2874263
THERMISTOR

56.M2874234
HOUSING:THERM
OSTAT:ASS'Y



49.M2874031
(EU/AA):FUSING U
NIT:ASS'Y

46.M0124603
DECAL:GUIDE PLA
TE:B



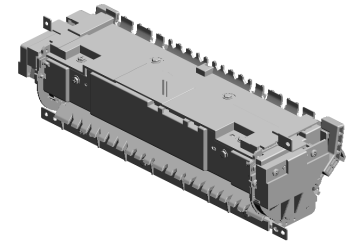
54.M2874221
(EU/AA/CHN):HEAT
ER:700W:220V:INF
RARED

52.M2874206
(x3)
STRIPPER PAWLS

44.M0124293
(x4)
EXIT ROLLER:EXIT
:FUSING

| | | | | | | | | | | | | |
|------|------|------|------|------|------|------|------|------|------|------|------|------|
| U001 | U002 | U003 | U004 | U005 | U006 | U007 | U008 | U009 | U010 | U011 | U012 | U013 |
|------|------|------|------|------|------|------|------|------|------|------|------|------|

U008_S002
(NA):FUSING UNIT:ASS'Y



48.M2874030
(NA):FUSING UNIT:
ASS'Y

- 11.AA143520 (x7) SHOULDER SCREW - M3
- 9.08046127 (x4) HEXAGONAL BOLT :DOUBLE SCREW: M3X8
- 10.09543010N SCREW:POLISHED ROUND/SPRING:M 3X10
- 13.AW110116 THERMOSTAT
- 18.M0124120 (x3) TENSION SPRING: PICKOFF PAWL

1.03603006N (x11) SCREW - M3X6



14.G1274328 DECAL - HIGH TEMPERATURE



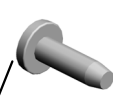
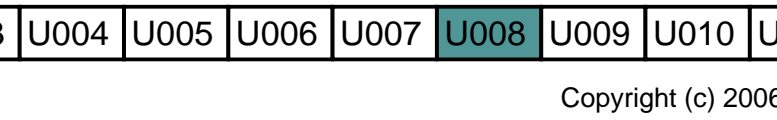
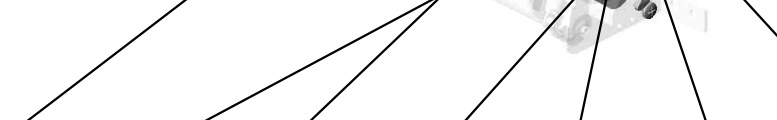
19.M0124135 FEELER:PAPER FEED SENSOR



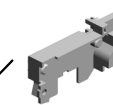
17.M0124109 SPRING:FEELER:EXIT



12.AW020198 PHOTOINTERRUPTOR:LG2A14NL1



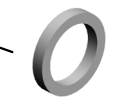
8.08025318 (x4) (EU/AA/NA/CHN):BINDING HEAD TAPPING SCREW:ES:3X10



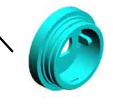
20.M0124186 COVER:LEFT UPPER:ASS'Y



22.M0124204 LEVER:LEFT:FRAME:FUSING



16.M0124055 (x2) RADIAL BALL BEARING:35X47X7



15.M0124053 GEAR:HOT ROLLER

5.04533006N (x6) TAPPING SCREW - M3X6

3.04513006N (x2) TAPPING SCREW - 3X6

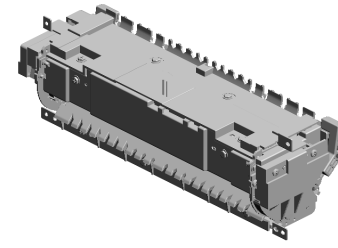
21.M0124202 (x2) LEVER:PRESSURE

7.07200040E (x2) RETAINING RING - M4

4.04513008N (x4) TAPPING SCREW - M3X8

| | | | | | | | | | | | | |
|------|------|------|------|------|------|------|------|------|------|------|------|------|
| U001 | U002 | U003 | U004 | U005 | U006 | U007 | U008 | U009 | U010 | U011 | U012 | U013 |
|------|------|------|------|------|------|------|------|------|------|------|------|------|

U008_S002
(NA):FUSING UNIT:ASS'Y



48.M2874030
(NA):FUSING UNIT:
ASS'Y

42.M0124287 COVER:RIGHT UP
PER:FUSING
39.M0124281 (x2)
RETAINING RINGS
-C:HOT ROLLER
32.M0124223 THERMAL INSULA
TING BUSHING:HO
T ROLLER
23.M0124205 LEVER:RIGHT:FRA
ME:FUSING
43.M0124292 FUSING COVER:U
PPER

25.M0124211
PLATE NUT:HEATE
R

35.M0124266
COVER:RIGHT LO
WER:FUSING

40.M0124284
LEVER:PRESSURE
:LEFT

27.M0124213
(x2)
BUSHING:PRESSU
RE ROLLER

28.M0124215
GUIDE PLATE:EXIT

34.M0124253
PRESSURE ROLLE
R:DIA30

38.M0124279
CLEANING ROLLE
R:ASS'Y

30.M0124217
FUSING ENTRANC
E GUIDE PLATE:LO
WER

33.M0124229
(x2)
TENSION SPRING:
FUSING:PRESSUR
E

29.M0124216
(x2)
TENSION SPRING:
FUSING:GUIDE PL
ATE

26.M0124212
FUSING ENTRANC
E GUIDE PLATE:U
PPER

31.M0124220
HOT ROLLER

24.M0124208
(x3)
BRACKET:GATE P
AWL

37.M0124276
COVER:LEFT:LOW
ER:FUSING

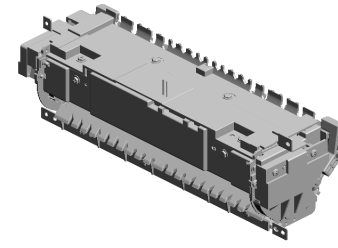
41.M0124285
LEVER:PRESSURE
:RIGHT

U008_S002
(NA):FUSING UNIT:ASS'Y

45.M0124295
GROUND PLATE:ASS'Y

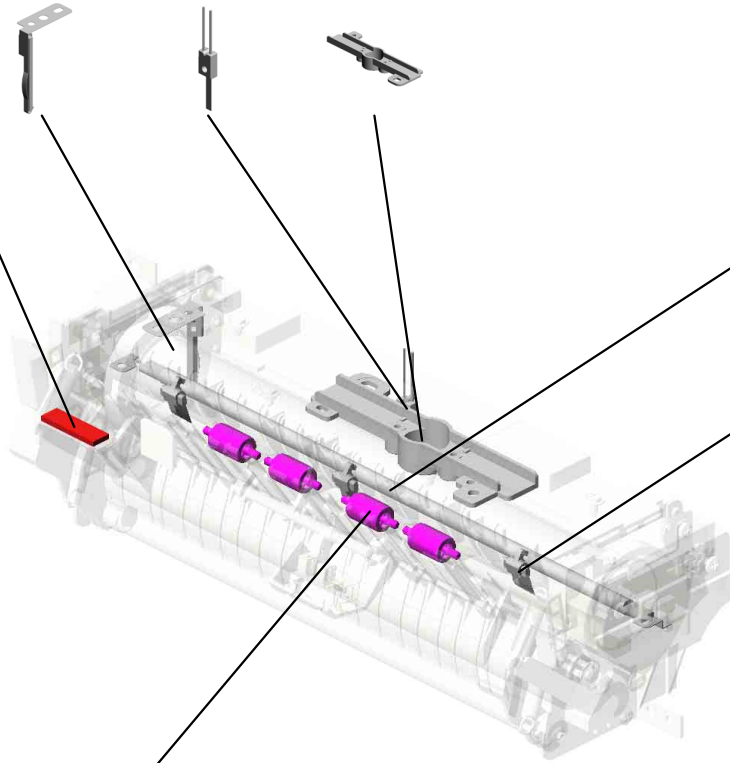
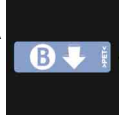
57.M2874263
THERMISTOR

56.M2874234
HOUSING:THERM
OSTAT:ASS'Y



48.M2874030
(NA):FUSING UNIT:
ASS'Y

46.M0124603
DECAL:GUIDE PLATE:B



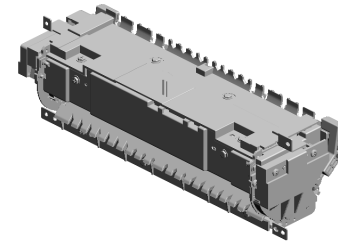
53.M2874220
(NA):HEATER:700
W:120V:INFRARED

52.M2874206
(x3)
STRIPPER PAWLS

44.M0124293
(x4)
EXIT ROLLER:EXIT
:FUSING

| | | | | | | | | | | | | |
|------|------|------|------|------|------|------|------|------|------|------|------|------|
| U001 | U002 | U003 | U004 | U005 | U006 | U007 | U008 | U009 | U010 | U011 | U012 | U013 |
|------|------|------|------|------|------|------|------|------|------|------|------|------|

U008_S003
(TWN):FUSING UNIT:ASS'Y



51.M2874049
(TWN):FUSING UNIT:ASS'Y

- 11.AA143520 (x7) SHOULDER SCREW - M3
- 9.08046127 (x4) HEXAGONAL BOLT :DOUBLE SCREW: M3X8
- 10.09543010N SCREW:POLISHED ROUND/SPRING:M 3X10
- 13.AW110116 THERMOSTAT
- 18.M0124120 (x3) TENSION SPRING: PICKOFF PAWL

1.03603006N (x11) SCREW - M3X6

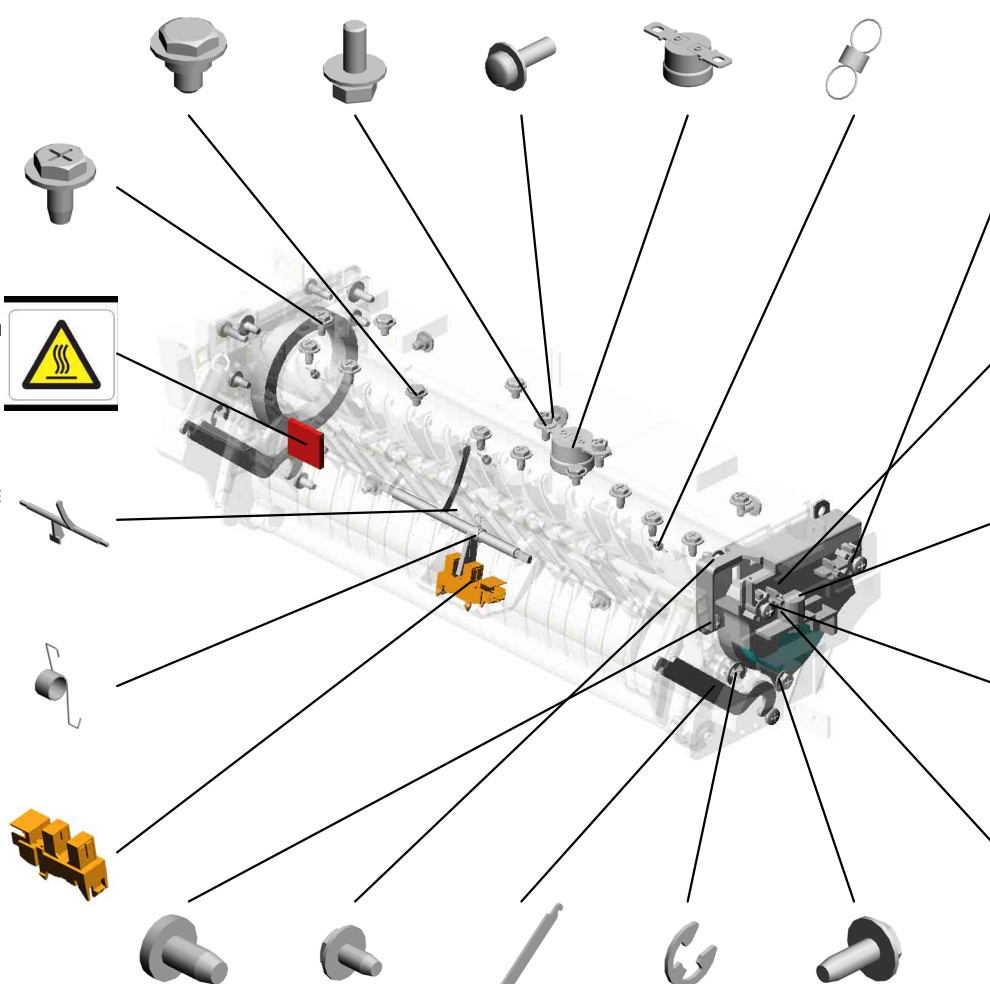
14.G1274328 DECAL - HIGH TEMPERATURE



19.M0124135 FEELER:PAPER FEED SENSOR

17.M0124109 SPRING:FEELER:EXIT

12.AW020198 PHOTOINTERRUPTOR:LG2A14NL1



6.04593010N (x4) (TWN):BINDING HEAD TAPPING SCREW:3X10

20.M0124186 COVER:LEFT UPPER:ASS'Y

22.M0124204 LEVER:LEFT:FRAME:FUSING

16.M0124055 (x2) RADIAL BALL BEARING:35X47X7

15.M0124053 GEAR:HOT ROLLER

5.04533006N (x6) TAPPING SCREW - M3X6

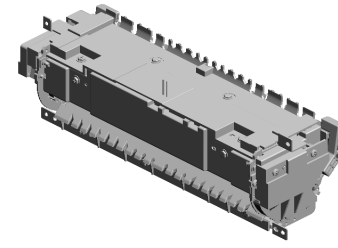
3.04513006N (x2) TAPPING SCREW - 3X6

21.M0124202 (x2) LEVER:PRESSURE

7.07200040E (x2) RETAINING RING - M4

4.04513008N (x4) TAPPING SCREW - M3X8

U008_S003
(TWN):FUSING UNIT:ASS'Y



51.M2874049
(TWN):FUSING UNIT:ASS'Y

42.M0124287 COVER:RIGHT UPPER:FUSING
39.M0124281 (x2) RETAINING RINGS-C:HOT ROLLER
32.M0124223 THERMAL INSULATING BUSHING:HOTT ROLLER
23.M0124205 LEVER:RIGHT:FRA ME:FUSING
43.M0124292 FUSING COVER:UPPER

25.M0124211 PLATE NUT:HEATER

35.M0124266 COVER:RIGHT LOWER:FUSING

40.M0124284 LEVER:PRESSURE:LEFT

27.M0124213 (x2) BUSHING:PRESSURE ROLLER

28.M0124215 GUIDE PLATE:EXIT

34.M0124253 PRESSURE ROLLER:DIA30

38.M0124279 CLEANING ROLLER:ASSY

30.M0124217 FUSING ENTRANCE GUIDE PLATE:LOWER

33.M0124229 (x2) TENSION SPRING:FUSING:PRESSURE

29.M0124216 (x2) TENSION SPRING:FUSING:GUIDE PLATE

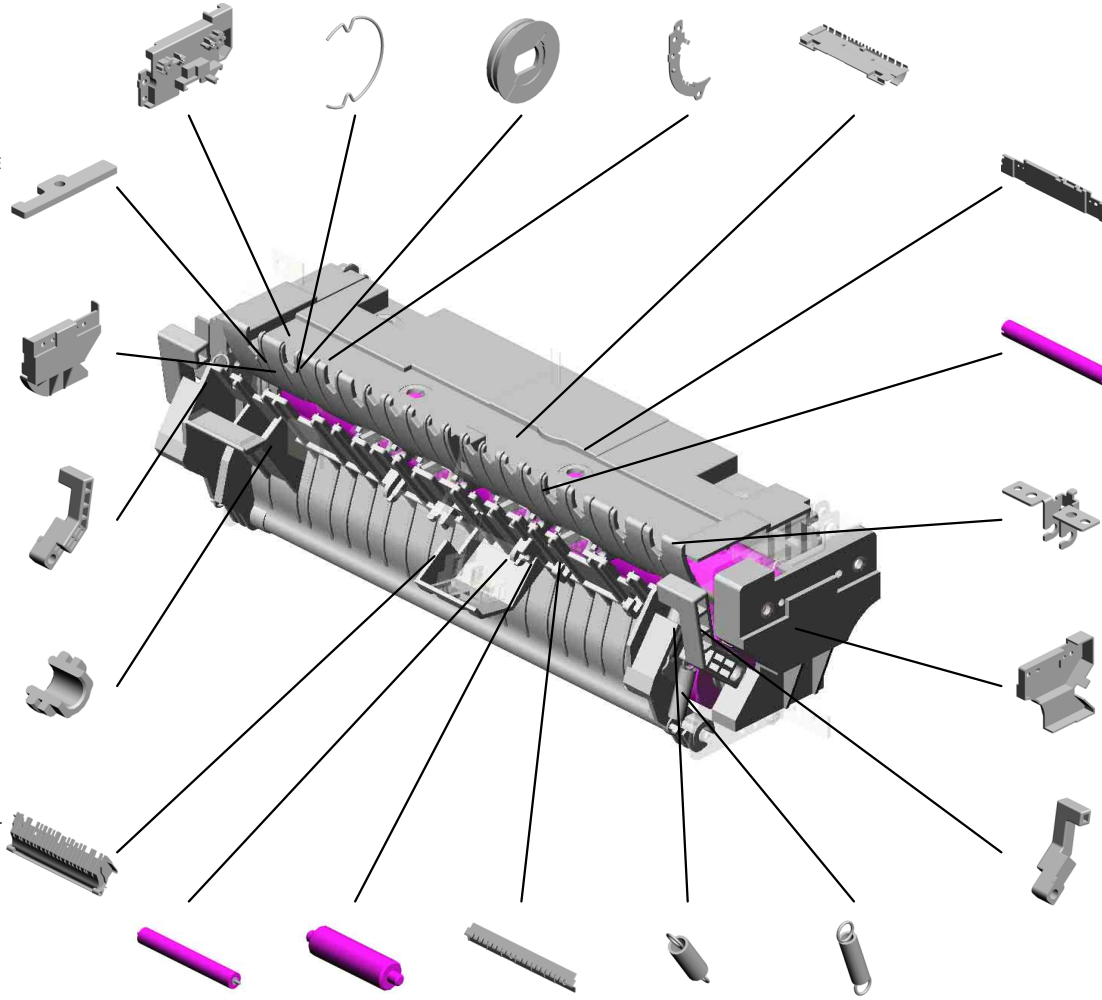
26.M0124212 FUSING ENTRANCE GUIDE PLATE:UPPER

31.M0124220 HOT ROLLER

24.M0124208 (x3) BRACKET:GATE PLATE

37.M0124276 COVER:LEFT:LOWER:FUSING

41.M0124285 LEVER:PRESSURE:RIGHT

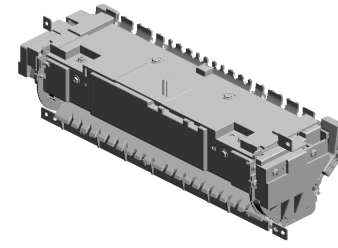


U008_S003
(TWN):FUSING UNIT:ASS'Y

45.M0124295
GROUND PLATE:ASS'Y

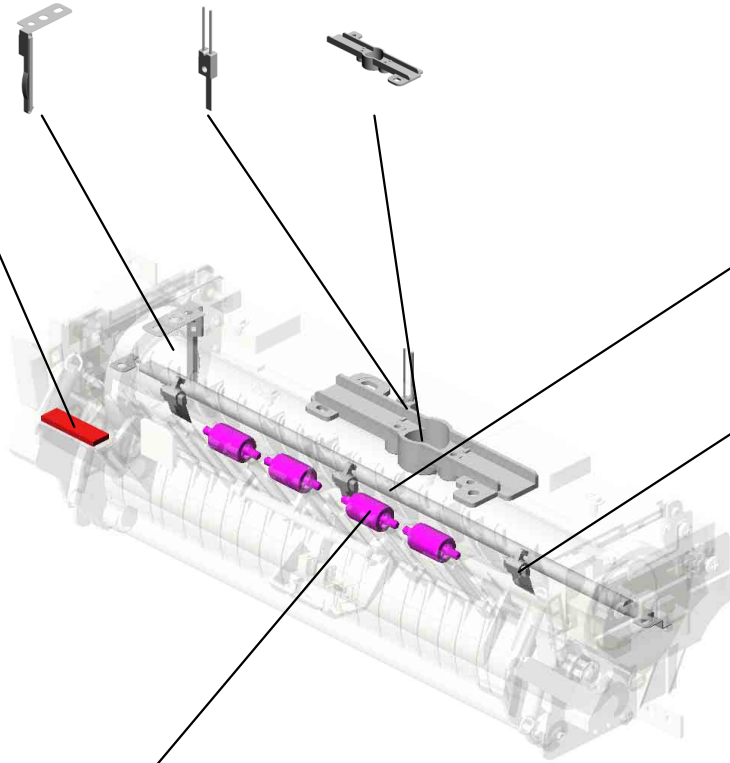
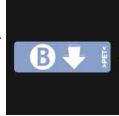
57.M2874263
THERMISTOR

56.M2874234
HOUSING:THERM
OSTAT:ASS'Y



51.M2874049
(TWN):FUSING UNI
T:ASS'Y

46.M0124603
DECAL:GUIDE PLA
TE:B



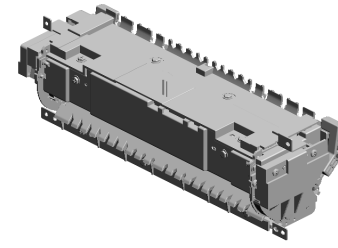
55.M2874229
(TWN):HEATER:70
0W:110V

52.M2874206
(x3)
STRIPPER PAWLS

44.M0124293
(x4)
EXIT ROLLER:EXIT
:FUSING

| | | | | | | | | | | | | |
|------|------|------|------|------|------|------|------|------|------|------|------|------|
| U001 | U002 | U003 | U004 | U005 | U006 | U007 | U008 | U009 | U010 | U011 | U012 | U013 |
|------|------|------|------|------|------|------|------|------|------|------|------|------|

U008_S004
(CHN):FUSING UNIT:ASS'Y



50.M2874033
(CHN):FUSING UNIT:ASS'Y

- 11.AA143520 (x7) SHOULDER SCREW - M3
- 10.09543010N SCREW:POLISHED ROUND/SPRING:M 3X10
- 13.AW110116 THERMOSTAT
- 9.08046127 (x4) HEXAGONAL BOLT :DOUBLE SCREW: M3X8
- 18.M0124120 (x3) TENSION SPRING: PICKOFF PAWL

1.03603006N (x11) SCREW - M3X6

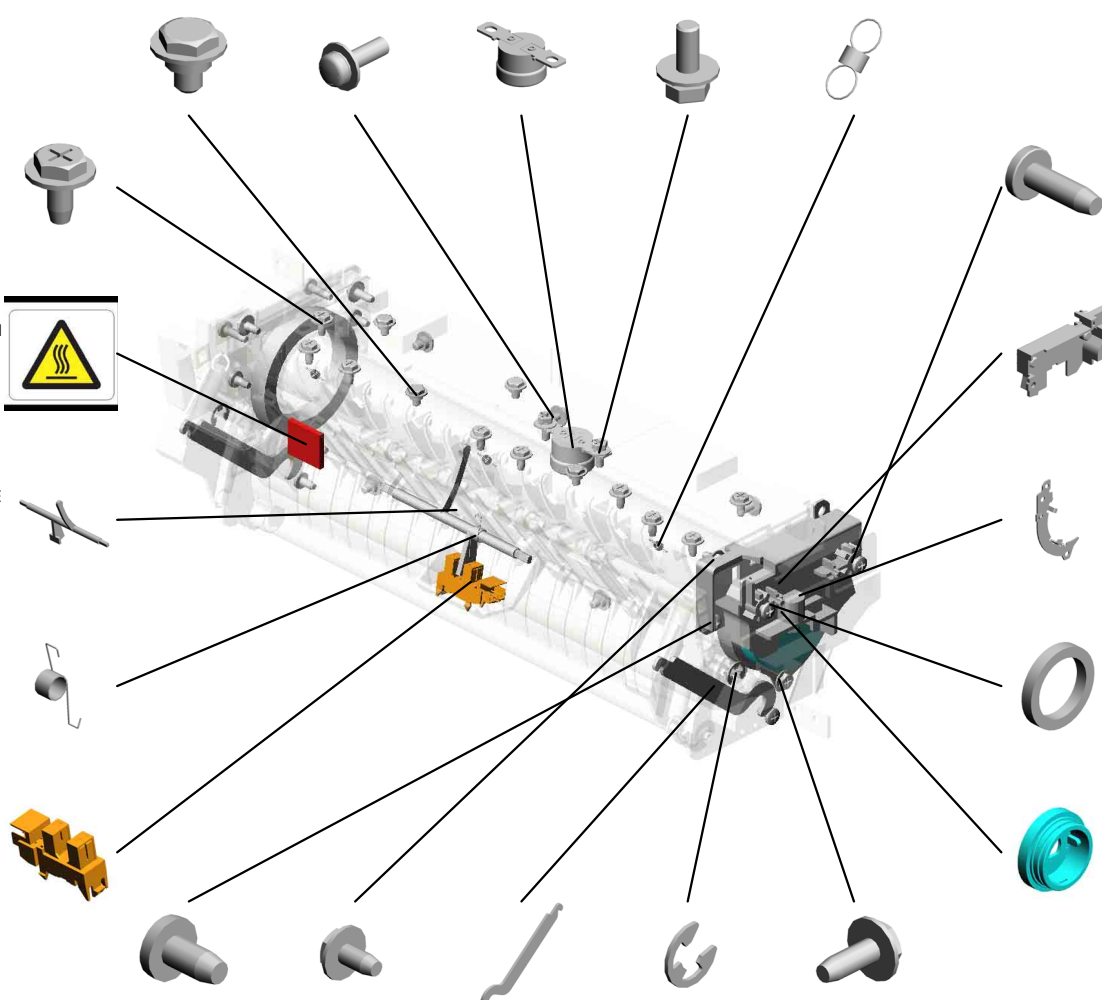


14.G1274328 DECAL - HIGH TEMPERATURE

19.M0124135 FEELER:PAPER FEED SENSOR

17.M0124109 SPRING:FEELER:EXIT

12.AW020198 PHOTOINTERRUPTOR:LG2A14NL1



8.08025318 (x4) (EU/AA/NA/CHN):BINDING HEAD TAPPING SCREW:ES:3X10

20.M0124186 COVER:LEFT UPPER:ASS'Y

22.M0124204 LEVER:LEFT:FRAME:FUSING

16.M0124055 (x2) RADIAL BALL BEARING:35X47X7

15.M0124053 GEAR:HOT ROLLER

5.04533006N (x6) TAPPING SCREW - M3X6

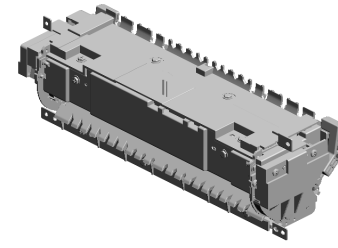
3.04513006N (x2) TAPPING SCREW - 3X6

21.M0124202 (x2) LEVER:PRESSURE

7.07200040E (x2) RETAINING RING - M4

4.04513008N (x4) TAPPING SCREW - M3X8

U008_S004
(CHN):FUSING UNIT:ASS'Y



50.M2874033
(CHN):FUSING UNIT:ASS'Y

42.M0124287 COVER:RIGHT UPPER:FUSING
39.M0124281 (x2) RETAINING RINGS-C:HOT ROLLER
32.M0124223 THERMAL INSULATING BUSHING:HOTT ROLLER
23.M0124205 LEVER:RIGHT:FRA ME:FUSING
43.M0124292 FUSING COVER:UPPER

25.M0124211 PLATE NUT:HEATER

35.M0124266 COVER:RIGHT LOWER:FUSING

40.M0124284 LEVER:PRESSURE:LEFT

27.M0124213 (x2) BUSHING:PRESSURE ROLLER

28.M0124215 GUIDE PLATE:EXIT

34.M0124253 PRESSURE ROLLER:DIA30

38.M0124279 CLEANING ROLLER:ASSY

30.M0124217 FUSING ENTRANCE GUIDE PLATE:LOWER

33.M0124229 (x2) TENSION SPRING:FUSING:PRESSURE

29.M0124216 (x2) TENSION SPRING:FUSING:GUIDE PLATE

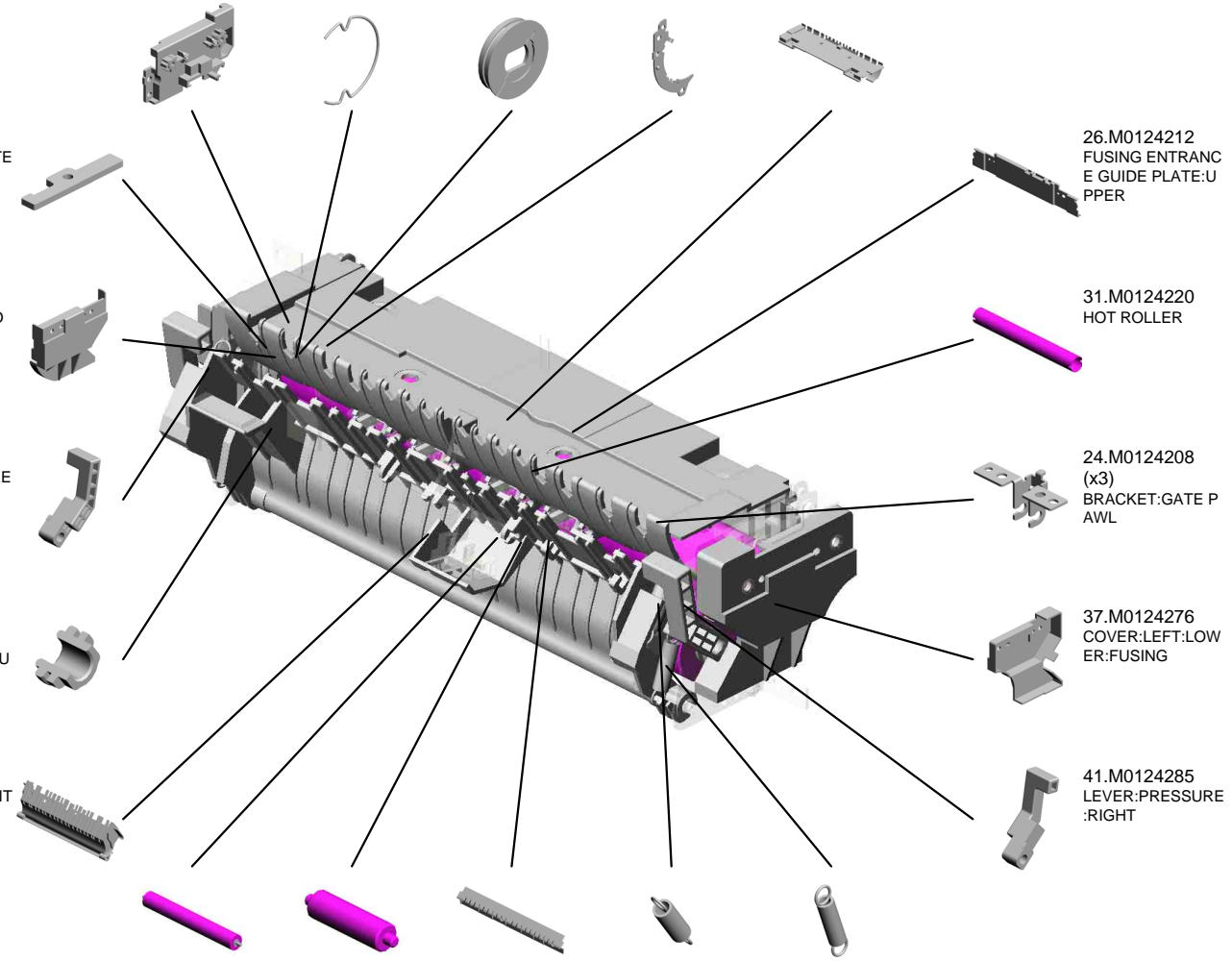
26.M0124212 FUSING ENTRANCE GUIDE PLATE:UPPER

31.M0124220 HOT ROLLER

24.M0124208 (x3) BRACKET:GATE PLATE

37.M0124276 COVER:LEFT:LOWER:FUSING

41.M0124285 LEVER:PRESSURE:RIGHT

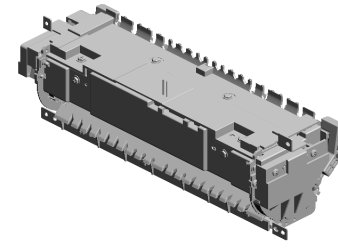


U008_S004
(CHN):FUSING UNIT:ASS'Y

45.M0124295
GROUND PLATE:ASS'Y

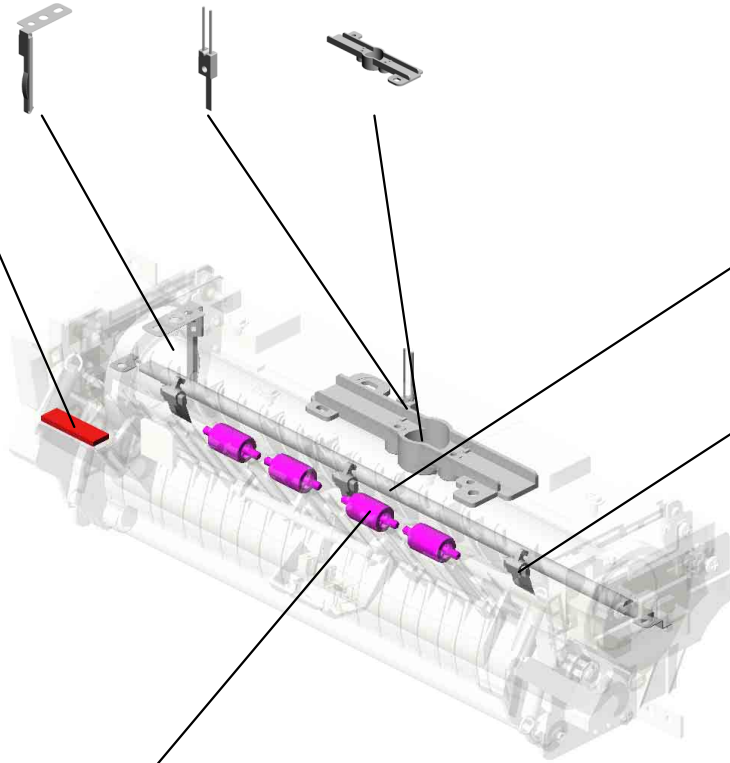
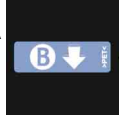
57.M2874263
THERMISTOR

56.M2874234
HOUSING:THERM
OSTAT:ASS'Y



50.M2874033
(CHN):FUSING UNI
T:ASS'Y

46.M0124603
DECAL:GUIDE PLA
TE:B



54.M2874221
(EU/AA/CHN):HEAT
ER:700W:220V:INF
RARED

52.M2874206
(x3)
STRIPPER PAWLS

44.M0124293
(x4)
EXIT ROLLER:EXIT
:FUSING

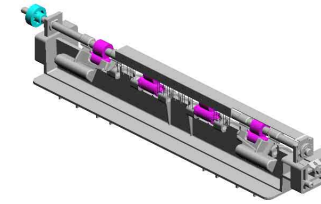
| | | | | | | | | | | | | |
|------|------|------|------|------|------|------|------|------|------|------|------|------|
| U001 | U002 | U003 | U004 | U005 | U006 | U007 | U008 | U009 | U010 | U011 | U012 | U013 |
|------|------|------|------|------|------|------|------|------|------|------|------|------|

U009 PAPER EXIT

2.07200040E (x2)
RETAINING RING - M4

6.M0124488 (x2)
BUSHING:DIA6XDI A10X6

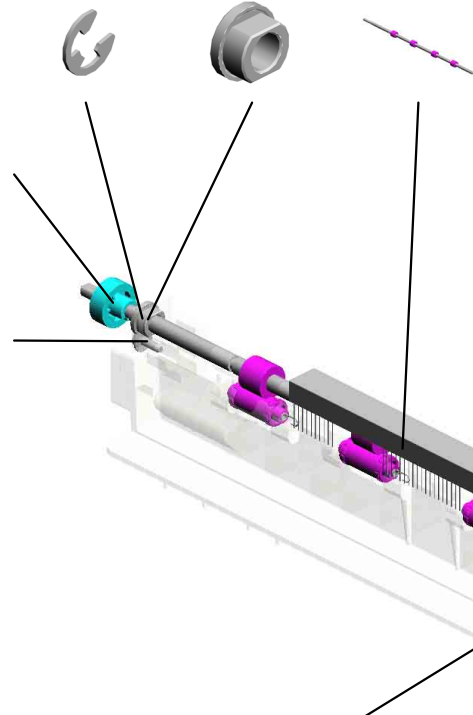
8.M0134470 (x2)
EXIT ROLLER:DUPLEX



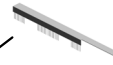
7.M0134455
GEAR:DRIVE:EXIT ROLLER



1.04503008N (x2)
TAPPING SCREW - M3X8



5.M0124458
DISCHARGE BRUSH:EXIT:ASS'Y DRAWING



3.M0124453 (x4)
EXIT ROLLER



9.M1544499
GROUND PLATE:EXIT ROLLER

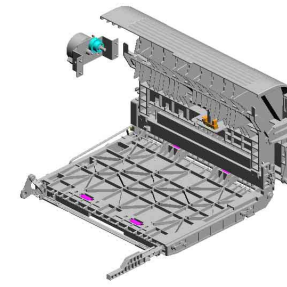


4.M0124454 (x4)
SPRING:EXIT ROLLER:EXIT



| | | | | | | | | | | | | |
|------|------|------|------|------|------|------|------|------|------|------|------|------|
| U001 | U002 | U003 | U004 | U005 | U006 | U007 | U008 | U009 | U010 | U011 | U012 | U013 |
|------|------|------|------|------|------|------|------|------|------|------|------|------|

U010 DUPLEX



- 10.M0134610 GEAR:DRIVE:DUPL
EX
- 3.04533006N (x2)
TAPPING SCREW -
M3X6
- 6.08050104 (x7)
RETAINING RINGS
-E:SILENCER:DIA4
- 4.04543006Q (x4)
TAPPING SCREW -
M3X6
- 16.M0134661 STOPPER:TRANSP
ORT SUB-UNIT:DU
PLEX

11.M0134611
BRACKET:DRIVE:DUPL
EX:ASSY

2.04503010N
(x2)
TAPPING SCREW -
M3X10

1.04503008N
(x4)
TAPPING SCREW -
M3X8

7.08050106
RETAINING RINGS
-E:SILENCER:DIA6

15.M0134635
SPRING:OPEN AN
D CLOSE:RIGHT

12.M0134622
(x4)
EXIT ROLLER:DUPL
EX

14.M0134624
(x2)
SPRING:EXIT:NO.2

9.M0124488
(x4)
BUSHING:DIA6XDI
A10X6

19.M0134666
SHAFT:COVER:SW
ITCHBACK:OPEN A
ND CLOSE

5.07200040E
(x2)
RETAINING RING -
M4

18.M0134664
GUIDE PLATE:VER
TICAL TRANSPOR
T:UPPER

20.M0134667
SPRING:COVER:S
WITCHBACK:OPEN
AND CLOSE

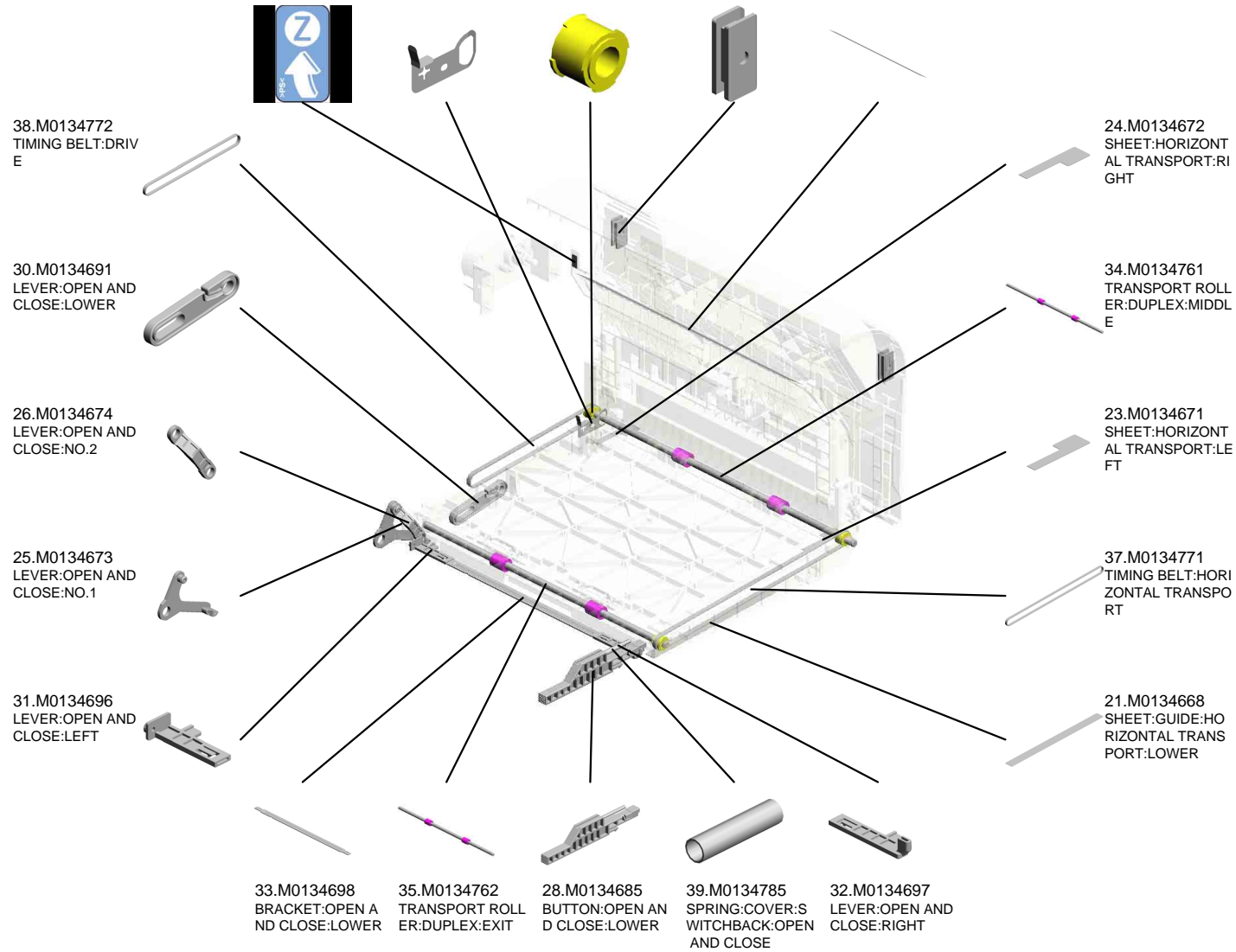
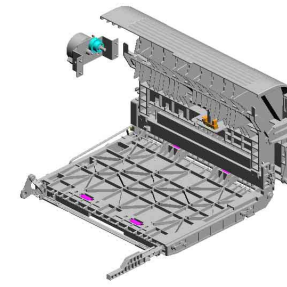
8.AW020198
PHOTOINTERRUP
TOR:LG2A14NL1

17.M0134663
GUIDE PLATE:VER
TICAL TRANSPOR
T:LOWER

13.M0134623
(x2)
SPRING:EXIT

U010 DUPLEX

- 40.M0134794 DECAL:GUIDE PLATE:VERTICAL TRANSPORT:UPPER
- 29.M0134688 GROUND PLATE:HORIZONTAL TRANSPORT:REAR
- 36.M0134765 (x3) PULLEY:TRANSPORT
- 22.M0134669 (x2) MAGNET CATCH:ASSY
- 27.M0134684 SHEET:DUPLEX

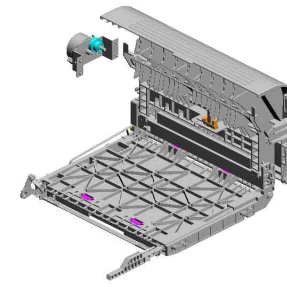


U010 DUPLEX

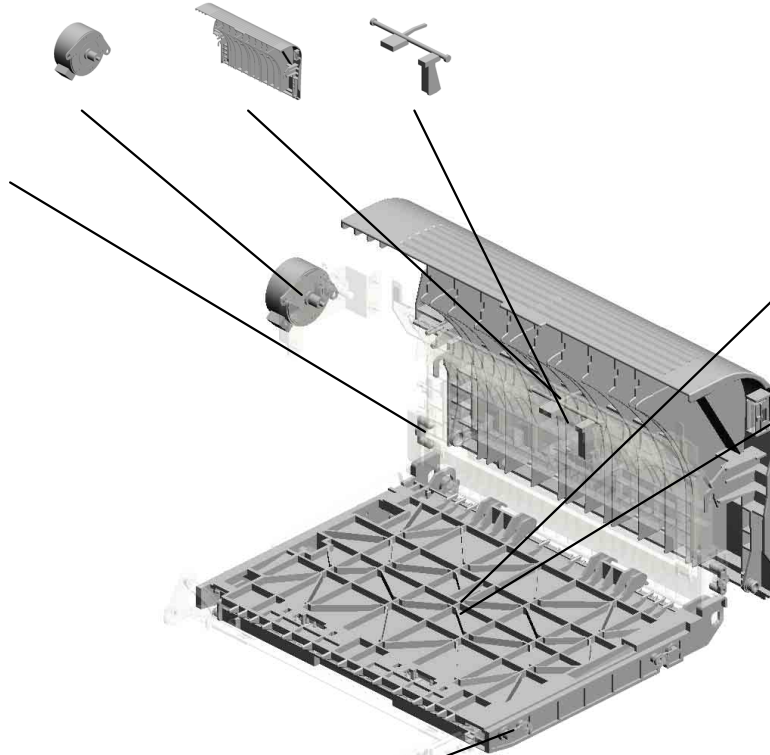
43.M1540265
STEPPER MOTOR

42.M1174662
COVER:SWITCHBA
CK:OPEN AND CL
OSE

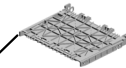
41.M0134797
FEELER:SENSOR:
VERTICAL TRANS
PORT



46.M2874719
(x2)
PIN:GUIDE:TRANS
PORT



44.M1544694
GUIDE:HORIZONT
AL TRANSPORT:U
PPER



45.M1544695
GUIDE:HORIZONT
AL TRANSPORT:L
OWER



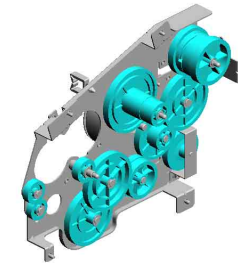
47.M2874895
(x4)
PIN:GUIDE:UPPER



| | | | | | | | | | | | | |
|------|------|------|------|------|------|------|------|------|------|------|------|------|
| U001 | U002 | U003 | U004 | U005 | U006 | U007 | U008 | U009 | U010 | U011 | U012 | U013 |
|------|------|------|------|------|------|------|------|------|------|------|------|------|

U011 MAIN DRIVE

9.M0121117 GEAR:DRIVE:DRUM
2.04543006Q TAPPING SCREW - M3X6
7.11050758 CLAMP:LWSM-030 6A
8.G0521120 SPRING - PAPER EXIT RELEASE
11.M0121120 GEAR:DRIVE:FUSION:NG:NO.3



5.11050197 WIRE SADDLE



1.04513006N (x10) TAPPING SCREW - 3X6



12.M0121123 GEAR:DRIVE:PAPER FEED:NO.3



16.M0121172 GEAR:DRIVE:MANUAL FEED SECTION:NO.2



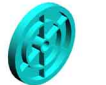
15.M0121171 GEAR:DRIVE:MANUAL FEED SECTION:NO.1



6.11050568 CLAMP:LWSS-0504



20.M1161122 GEAR:DRIVE:PAPER FEED:NO.2



14.M0121150 BRUSHLESS MOTOR:DC 36.7W



19.M1161121 GEAR:DRIVE:PAPER FEED:NO.1



18.M1161118 GEAR:DRIVE:FUSION:NG:NO.1



13.M0121128 GEAR:DRIVE:FUSION:NG:NO.4



3.07200040E RETAINING RING - M4



10.M0121119 GEAR:DRIVE:FUSION:NG:NO.2



4.08050104 (x6) RETAINING RINGS -E:SILENCER:DIA4

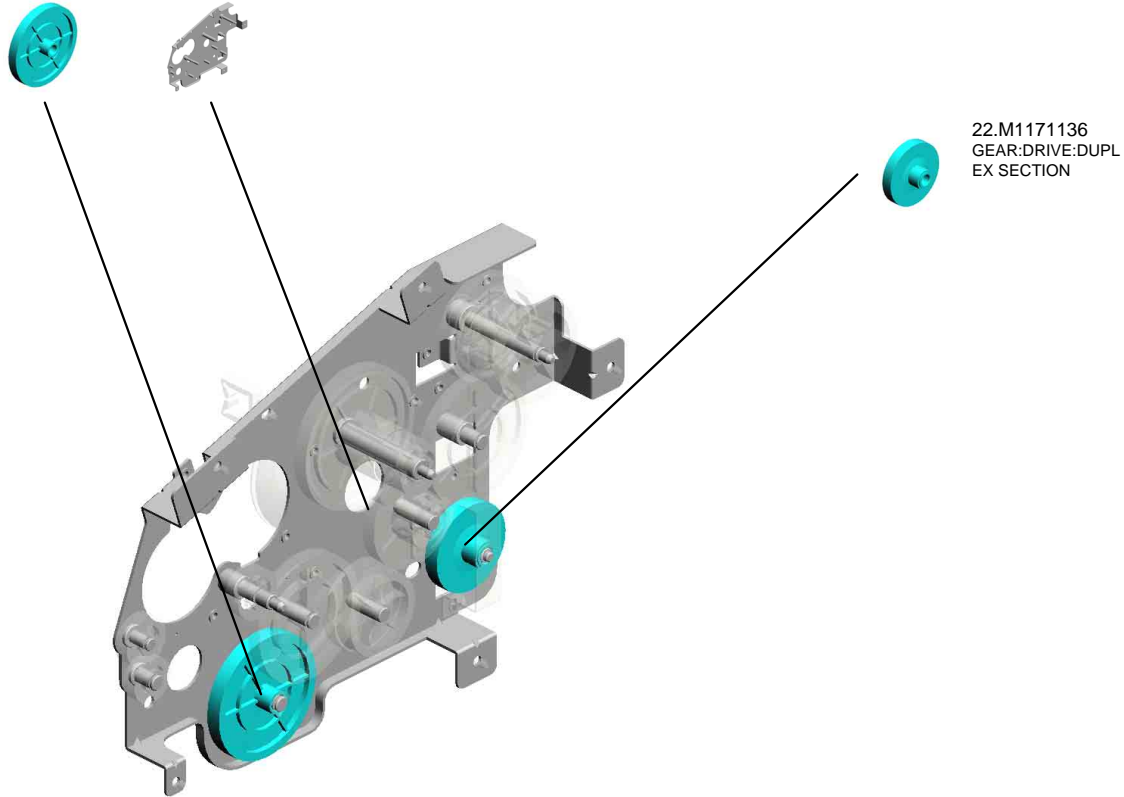
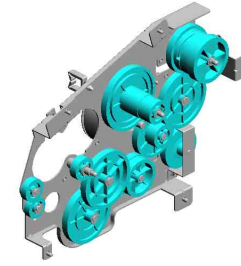


17.M0131178 BRACKET:DRIVE:DUPLICATION



U011
MAIN DRIVE

21.M1161124 23.M1541177
GEAR:DRIVE:PAPE CASE:DRIVE:ASS'Y
R FEED:NO.4



22.M1171136
GEAR:DRIVE:DUPL
EX SECTION

| | | | | | | | | | | | | |
|------|------|------|------|------|------|------|------|------|------|------|------|------|
| U001 | U002 | U003 | U004 | U005 | U006 | U007 | U008 | U009 | U010 | U011 | U012 | U013 |
|------|------|------|------|------|------|------|------|------|------|------|------|------|

U012 ELECTRICAL

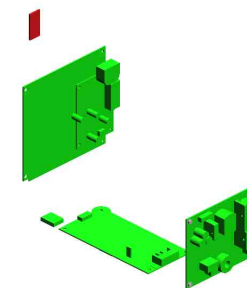
5.M2875001
PCB:WIFI

10.M2895061
(EU/AA):PCB:FAX:ASSY

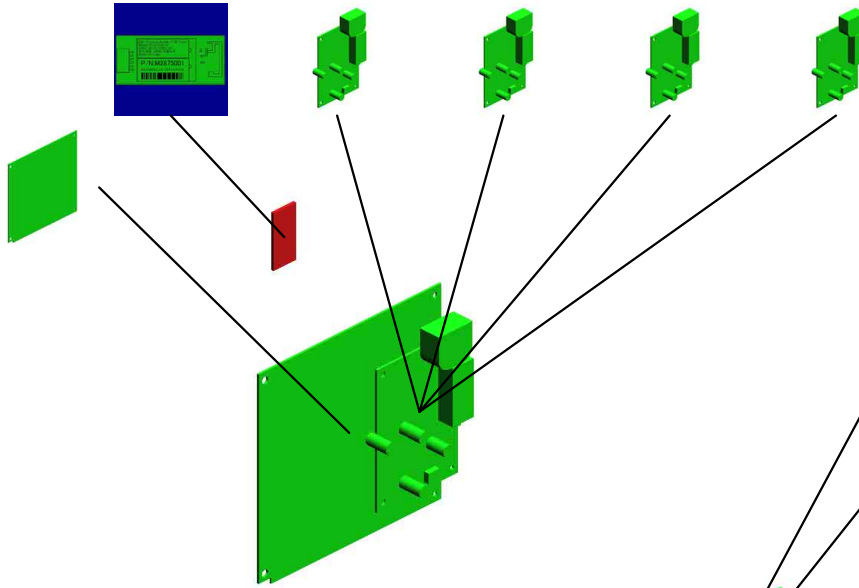
11.M2895062
(NA):PCB:FAX:ASSY

12.M2895063
(CHN):PCB:FAX:ASSY

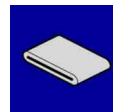
13.M2895064
(TWN):PCB:FAX:ASSY



9.M2895052
PCB:ECBCTL:4IN1:ASSY

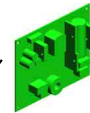


7.M2875312
(EU/AA):POWER SUPPLY UNIT:ASSY



3.16072774
FERRITE CORE:K3FF

6.M2875311
(CHN):POWER SUPPLY UNIT:ASSY

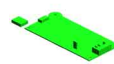


1.04513006N (x 4)
TAPPING SCREW - 3X6

2.04543006Q
(x4)
TAPPING SCREW - M3X6



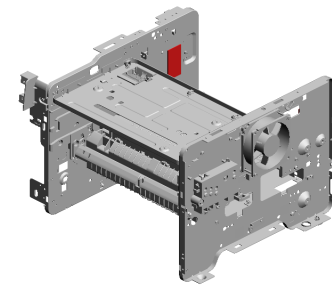
4.M1545402
POWER PACK:ASSY



8.M2875313
(x2)
(NA/TWN):POWER SUPPLY UNIT:ASSY



U013 MAIN FRAME



- 11.11050760 (x8) CLAMP:LWSM-051 1A
- 18.M0121040 CASE:DISCHARGE LAMP
- 8.11050568 CLAMP:LWSS-0504
- 3.04513014N TAPPING SCREW: 3X14
- 2.04513006N (x21) TAPPING SCREW - 3X6

5.04543006Q (x5) TAPPING SCREW - M3X6

19.M0121063 (x4) TERMINAL:CHARGE

20.M0121065 CASE:TERMINAL

14.AX640199 FAN:MM80:25MM:D C 2.16W

4.04513030N (x2) TAPPING SCREW: 3X30

9.11050598 CLAMP:LWSS-1N

7.09504006N SCREW - M4X6

10.11050758 (x8) CLAMP:LWSM-030 6A

1.04503008N (x12) TAPPING SCREW - M3X8

12.11050762 (x2) CLAMP:LWS-0711A

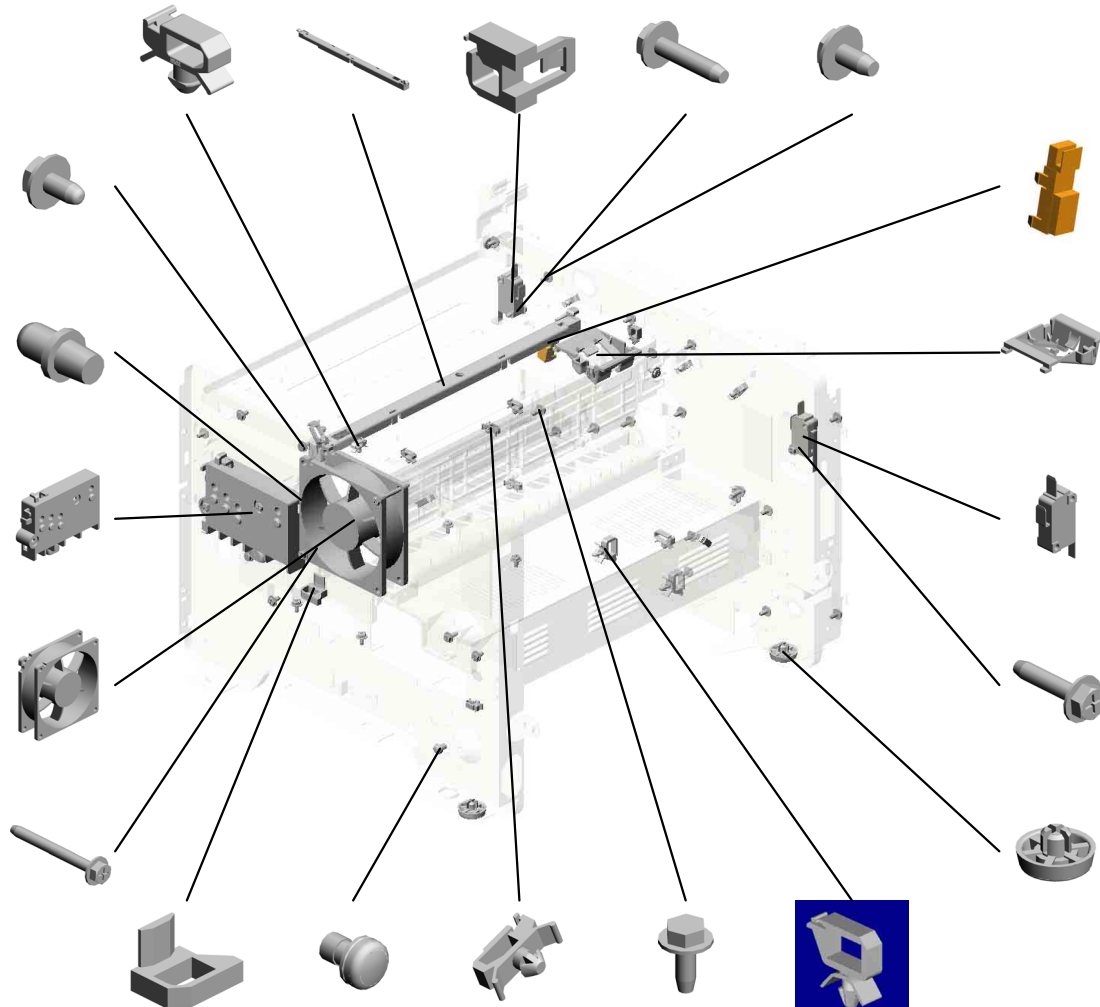
16.GW010007 PHOTO REFLECTI ON SENSOR:EXIT

17.M0121037 TONER BOTTLE:C ASE

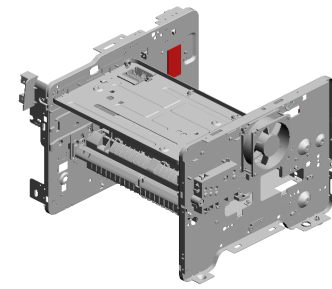
13.12042612 (x2) MICRO SWITCH:D3 V-16506-3C25

6.04543014Q TAPPING SCREW: 3X14

15.G0271180 (x2) RUBBER FOOT - G F



U013 MAIN FRAME



32.M2881089
CASE:USB

28.M0BB1100
(x2)
(EU/AA/NA/F(M0BD
);HEAT INSULATIN
G PLATE:FUSING:F
RONT:TYPE A

29.M1541099
(D289):HEAT INSU
LATING PLATE:FU
SING:FRONT:TYPE
A

30.M1542056
DISCHARGE LAMP

22.M0121088
COIL SPRING:RAIL
:RIGHT

21.M0121066
(x4)
SPRING:TERMINAL
:CHARGE

25.M0124120
(x3)
TENSION SPRING:
PICKOFF PAWL

26.M0124601
DECAL:LEVER:EN
VELOPE:LEFT

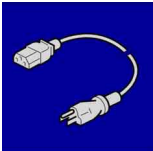
31.M2871043
COVER:U CONVEY
ER BELT:DUPLX

27.M0124602
DECAL:LEVER:EN
VELOPE:RIGHT

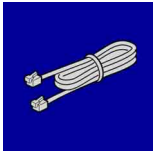
24.M0121097
(x3)
SUPPORTER:PAP
E R:TRANSPORT

23.M0121089
(x3)
GUIDE:PAPER:LEA
DING EDGE

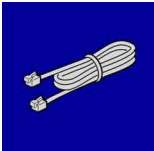
ACCESSORIES



1.11500478
(TWN):POWER SUPPLY CODE:125V:15A



2.H4524105 (x2)
(EU/AA/CHN):MODULER CORD:6PIN-6PIN



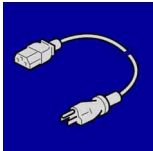
3.H5235350 (x2)
(NA/TWN):TELEPHONE CABLE



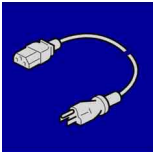
4.M0BD0431 (x2)
(EU/AA/NA):(M0BD):MODEL NAME PLATE:SP325SFNW:



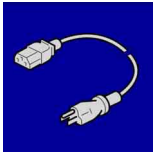
5.M1011301
PLATE:LOGO:RIC



6.M1015799
(CHN):POWER SUPPLY CORD



7.M1545697
(NA):POWER SUPPLY CORD:125V:10A



8.M1545699
(EU/AA):POWER SUPPLY CORD:250V:10A



9.M1560452
(CHN):HOLDER:HAND SET



10.M1560462
(CHN):HAND SET:SUB-ASSY



11.M2890431
(M289):MODEL NAME PLATE:SP325SFNW

Exclusive Parts

| Number | Part Name | Group | ID |
|----------|---|-----------|----|
| A1532117 | ROLLER TERMINAL | U005 | 6 |
| AA143520 | SHOULDER SCREW - M3 | U005 | 7 |
| | | U008_S001 | 11 |
| | | U008_S002 | 11 |
| | | U008_S003 | 11 |
| | | U008_S004 | 11 |
| AG070514 | MAGNET CATCH | U001 | 7 |
| AW020198 | PHOTOINTERRUPTOR:LG2A14NL 1 | U005 | 8 |
| | | U008_S001 | 12 |
| | | U008_S002 | 12 |
| | | U008_S003 | 12 |
| | | U008_S004 | 12 |
| | | U010 | 8 |
| AW110116 | THERMOSTAT | U008_S001 | 13 |
| | | U008_S002 | 13 |
| | | U008_S003 | 13 |
| | | U008_S004 | 13 |
| AX640199 | FAN:MM80:25MM:DC 2.16W | U013 | 14 |
| D1272514 | ELECTROMAGNETIC CLUTCH:3.5 T:MANUAL FEED | U005 | 9 |
| G0123050 | SIDE FENCE GEAR | U005 | 10 |
| G0201160 | SNAP RING | U005 | 11 |
| G0271180 | RUBBER FOOT - GF | U013 | 15 |
| G0292767 | BY-PASS FEED COVER | U005 | 12 |
| G0521120 | SPRING - PAPER EXIT RELEASE | U011 | 8 |
| G0521518 | SPRING - LOCK LEVER | U001 | 8 |
| G1022717 | COVER:DC SOLENOID | U005 | 13 |
| G1022789 | STOPPER:PHOTOINTERRUPTOR | U005 | 14 |
| G1272627 | PAPER FEED ROLLER - MM32 | U005 | 15 |
| G1274328 | DECAL - HIGH TEMPERATURE | U008_S001 | 14 |
| | | U008_S002 | 14 |
| | | U008_S003 | 14 |
| | | U008_S004 | 14 |
| GA063084 | COMPRESSION SPRING:AUXILIAR Y:SIDE FENCE | U005_S001 | 16 |
| GF013001 | BOTTOM PLATE PAD | U005 | 17 |
| | | U005_S001 | 17 |
| GW010007 | PHOTO REFLECTION SENSOR:EXI | U013 | 16 |

| Number | Part Name | Group | ID |
|----------|--|-------------|----|
| | T | | |
| H4524105 | (EU/AA/CHN):MODULER CORD:6PI N-6PIN | ACCESSORIES | 2 |
| H5235350 | (NA/TWN):TELEPHONE CABLE | ACCESSORIES | 3 |
| M0121037 | TONER BOTTLE:CASE | U013 | 17 |
| M0121040 | CASE:DISCHARGE LAMP | U013 | 18 |
| M0121063 | TERMINAL:CHARGE | U013 | 19 |
| M0121065 | CASE:TERMINAL | U013 | 20 |
| M0121066 | SPRING:TERMINAL:CHARGE | U013 | 21 |
| M0121088 | COIL SPRING:RAIL:RIGHT | U013 | 22 |
| M0121089 | GUIDE:PAPER:LEADING EDGE | U013 | 23 |
| M0121097 | SUPPORTER:PAPER:TRANSPORT | U013 | 24 |
| M0121117 | GEAR:DRIVE:DRUM | U011 | 9 |
| M0121119 | GEAR:DRIVE:FUSING:NO.2 | U011 | 10 |
| M0121120 | GEAR:DRIVE:FUSING:NO.3 | U011 | 11 |
| M0121123 | GEAR:DRIVE:PAPER FEED:NO.3 | U011 | 12 |
| M0121128 | GEAR:DRIVE:FUSING:NO.4 | U011 | 13 |
| M0121150 | BRUSHLESS MOTOR:DC 36.7W | U011 | 14 |
| M0121171 | GEAR:DRIVE:MANUAL FEED SECT ION:NO.1 | U011 | 15 |
| M0121172 | GEAR:DRIVE:MANUAL FEED SECT ION:NO.2 | U011 | 16 |
| M0122590 | COIL SPRING:EARTH | U005_S001 | 18 |
| M0122603 | STOPPER:BASE PLATE | U005_S001 | 19 |
| M0122604 | SPRING:RELEASE:TRAY BOTTOM PLATE | U005_S001 | 20 |
| M0122605 | FRICTION PAD:ADHESION | U005_S001 | 21 |
| M0122612 | COMPRESSION SPRING:TRAY BO TTOM PLATE | U005_S001 | 22 |
| M0122613 | COMPRESSION SPRING:SEPARAT ION | U005_S001 | 23 |
| M0122631 | CLOTH:EARTH:PAPER FEED | U005 | 24 |
| M0122668 | SHAFT:PAPER FEED:ASS'Y | U005 | 25 |
| M0122673 | RAIL:PAPER TRAY:RIGHT | U005 | 26 |
| M0122701 | ROLLER:INTERFACE:DRIVE | U005 | 27 |
| M0122702 | ROLLER:INTERFACE:DRIVEN | U005 | 28 |
| M0122705 | SPRING:ROLLER | U005 | 29 |
| M0122711 | BUSHING:REGISTRATION:DRIVEN | U005 | 30 |

Exclusive Parts

| Number | Part Name | Group | ID |
|----------|---|-----------|----|
| | :LEFT | | |
| M0122715 | GUIDE PLATE:TRANSPORT:UPPER | U005 | 31 |
| M0122718 | REGISTRATION ROLLER:DRIVE | U005 | 32 |
| M0122719 | REGISTRATION ROLLER:DRIVEN | U005 | 33 |
| M0122722 | SPRING:ROLLER:REGISTRATION | U005 | 34 |
| M0122723 | FEELER:REGISTRATION:SENSOR | U005 | 35 |
| M0122725 | SPRING:FEELER:REGISTRATION | U005 | 36 |
| M0122730 | BUSHING:REGISTRATION:DRIVEN:RIGHT | U005 | 37 |
| M0122741 | GROUND PLATE:DRIVE:REGISTRATION ROLLER | U005 | 38 |
| M0122742 | GROUND PLATE:DRIVEN:REGISTRATION ROLLER | U005 | 39 |
| M0122743 | DECAL:GUIDE PLATE:TRANSPORT:UPPER | U005 | 40 |
| M0122744 | GUIDE:REGISTRATION | U005 | 41 |
| M0122745 | GROUND PLATE:DRIVEN | U005 | 42 |
| M0122753 | BUSHING:ROLLER:DRIVEN | U005 | 43 |
| M0122806 | SHEET:GUIDE:MANUAL FEED SUB-UNIT | U005 | 44 |
| M0122816 | FRICTION PAD:HOLDER:MANUAL FEED:ASS'Y | U005 | 45 |
| M0122824 | FEELER:MANUAL FEED | U005 | 46 |
| M0122830 | MECHANICAL SPRING CLUTCH:MANUAL FEED | U005 | 47 |
| M0122833 | DECAL:SIDE FENCE:MANUAL FEED | U005 | 48 |
| M0122859 | GUIDE PLATE:UPPER:MANUAL FEED | U005 | 49 |
| M0122860 | PAPER FEED ROLLER:MANUAL FEED | U005 | 50 |
| M0122874 | COMPRESSION SPRING:MANUAL FEED | U005 | 51 |
| M0122880 | COMPRESSION SPRING:SEPARATION | U005 | 52 |
| M0124053 | GEAR:HOT ROLLER | U008_S001 | 15 |
| | | U008_S002 | 15 |

| Number | Part Name | Group | ID |
|----------|-----------------------------|-----------|----|
| | | U008_S003 | 15 |
| | | U008_S004 | 15 |
| M0124055 | RADIAL BALL BEARING:35X47X7 | U008_S001 | 16 |
| | | U008_S002 | 16 |
| | | U008_S003 | 16 |
| | | U008_S004 | 16 |
| M0124109 | SPRING:FEELER:EXIT | U008_S001 | 17 |
| | | U008_S002 | 17 |
| | | U008_S003 | 17 |
| | | U008_S004 | 17 |
| M0124120 | TENSION SPRING:PICKOFF PAWL | U008_S001 | 18 |
| | | U008_S002 | 18 |
| | | U008_S003 | 18 |
| | | U008_S004 | 18 |
| | | U013 | 25 |
| M0124135 | FEELER:PAPER FEED SENSOR | U008_S001 | 19 |
| | | U008_S002 | 19 |
| | | U008_S003 | 19 |
| | | U008_S004 | 19 |
| M0124186 | COVER:LEFT UPPER:ASS'Y | U008_S001 | 20 |
| | | U008_S002 | 20 |
| | | U008_S003 | 20 |
| | | U008_S004 | 20 |
| M0124202 | LEVER:PRESSURE | U008_S001 | 21 |
| | | U008_S002 | 21 |
| | | U008_S003 | 21 |
| | | U008_S004 | 21 |
| M0124204 | LEVER:LEFT:FRAME:FUSING | U008_S001 | 22 |
| | | U008_S002 | 22 |
| | | U008_S003 | 22 |
| | | U008_S004 | 22 |
| M0124205 | LEVER:RIGHT:FRAME:FUSING | U008_S001 | 23 |
| | | U008_S002 | 23 |
| | | U008_S003 | 23 |
| | | U008_S004 | 23 |
| M0124208 | BRACKET:GATE PAWL | U008_S001 | 24 |
| | | U008_S002 | 24 |
| | | U008_S003 | 24 |

Exclusive Parts

| Number | Part Name | Group | ID |
|----------|---|-----------|----|
| | | U008_S004 | 24 |
| M0124211 | PLATE NUT:HEATER | U008_S001 | 25 |
| | | U008_S002 | 25 |
| | | U008_S003 | 25 |
| | | U008_S004 | 25 |
| | | | |
| M0124212 | FUSING ENTRANCE GUIDE PLATE :UPPER | U008_S001 | 26 |
| | | U008_S002 | 26 |
| | | U008_S003 | 26 |
| | | U008_S004 | 26 |
| M0124213 | BUSHING:PRESSURE ROLLER | U008_S001 | 27 |
| | | U008_S002 | 27 |
| | | U008_S003 | 27 |
| | | U008_S004 | 27 |
| M0124215 | GUIDE PLATE:EXIT | U008_S001 | 28 |
| | | U008_S002 | 28 |
| | | U008_S003 | 28 |
| | | U008_S004 | 28 |
| M0124216 | TENSION SPRING:FUSING:GUIDE PLATE | U008_S001 | 29 |
| | | U008_S002 | 29 |
| | | U008_S003 | 29 |
| | | U008_S004 | 29 |
| M0124217 | FUSING ENTRANCE GUIDE PLATE :LOWER | U008_S001 | 30 |
| | | U008_S002 | 30 |
| | | U008_S003 | 30 |
| | | U008_S004 | 30 |
| M0124220 | HOT ROLLER | U008_S001 | 31 |
| | | U008_S002 | 31 |
| | | U008_S003 | 31 |
| | | U008_S004 | 31 |
| M0124223 | THERMAL INSULATING BUSHING: HOT ROLLER | U008_S001 | 32 |
| | | U008_S002 | 32 |
| | | U008_S003 | 32 |
| | | U008_S004 | 32 |
| M0124229 | TENSION SPRING:FUSING:PRESS URE | U008_S001 | 33 |
| | | U008_S002 | 33 |
| | | U008_S003 | 33 |
| | | U008_S004 | 33 |
| M0124253 | PRESSURE ROLLER:DIA30 | U008_S001 | 34 |

| Number | Part Name | Group | ID |
|----------|--|-----------|----|
| | | U008_S002 | 34 |
| | | U008_S003 | 34 |
| | | U008_S004 | 34 |
| M0124266 | COVER:RIGHT LOWER:FUSING | U008_S001 | 35 |
| | | U008_S002 | 35 |
| | | U008_S003 | 35 |
| | | U008_S004 | 35 |
| M0124270 | THERMAL INSULATING BUSHING: FUSING UNIT | U008 | 36 |
| M0124276 | COVER:LEFT:LOWER:FUSING | U008_S001 | 37 |
| | | U008_S002 | 37 |
| | | U008_S003 | 37 |
| | | U008_S004 | 37 |
| M0124279 | CLEANING ROLLER:ASS'Y | U008_S001 | 38 |
| | | U008_S002 | 38 |
| | | U008_S003 | 38 |
| | | U008_S004 | 38 |
| M0124281 | RETAINING RINGS-C:HOT ROLLE R | U008_S001 | 39 |
| | | U008_S002 | 39 |
| | | U008_S003 | 39 |
| | | U008_S004 | 39 |
| M0124284 | LEVER:PRESSURE:LEFT | U008_S001 | 40 |
| | | U008_S002 | 40 |
| | | U008_S003 | 40 |
| | | U008_S004 | 40 |
| M0124285 | LEVER:PRESSURE:RIGHT | U008_S001 | 41 |
| | | U008_S002 | 41 |
| | | U008_S003 | 41 |
| | | U008_S004 | 41 |
| M0124287 | COVER:RIGHT UPPER:FUSING | U008_S001 | 42 |
| | | U008_S002 | 42 |
| | | U008_S003 | 42 |
| | | U008_S004 | 42 |
| M0124292 | FUSING COVER:UPPER | U008_S001 | 43 |
| | | U008_S002 | 43 |
| | | U008_S003 | 43 |
| | | U008_S004 | 43 |
| M0124293 | EXIT ROLLER:EXIT:FUSING | U008_S001 | 44 |

Exclusive Parts

| Number | Part Name | Group | ID |
|----------|--|-----------|----|
| | | U008_S002 | 44 |
| | | U008_S003 | 44 |
| | | U008_S004 | 44 |
| M0124295 | GROUND PLATE:ASS'Y | U008_S001 | 45 |
| | | U008_S002 | 45 |
| | | U008_S003 | 45 |
| | | U008_S004 | 45 |
| M0124453 | EXIT ROLLER | U009 | 3 |
| M0124454 | SPRING:EXIT ROLLER:EXIT | U009 | 4 |
| M0124458 | DISCHARGE BRUSH:EXIT:ASS'Y DRAWING | U009 | 5 |
| M0124488 | BUSHING:DIA6XDIA10X6 | U005 | 53 |
| | | U009 | 6 |
| | | U010 | 9 |
| M0124601 | DECAL:LEVER:ENVELOPE:LEFT | U013 | 26 |
| M0124602 | DECAL:LEVER:ENVELOPE:RIGHT | U013 | 27 |
| M0124603 | DECAL:GUIDE PLATE:B | U008_S001 | 46 |
| | | U008_S002 | 46 |
| | | U008_S003 | 46 |
| | | U008_S004 | 46 |
| M0124699 | DECAL:WARNING (HIGH TEMPERATURE):FRONT | U008 | 47 |
| M0126252 | BUSHING:TRANSFER ROLLER:RIGHT | U007 | 1 |
| M0126254 | SPRING:TRANSFER ROLLER | U007 | 2 |
| M0126255 | GEAR:TRANSFER ROLLER | U007 | 3 |
| M0126256 | ROLLER:POSITIONING:TRANSFER ROLLER | U007 | 4 |
| M0126260 | COVER:ELECTRODE PLATE | U007 | 5 |
| M0131178 | BRACKET:DRIVE:DUPLEX | U011 | 17 |
| M0134455 | GEAR:DRIVE:EXIT ROLLER | U009 | 7 |
| M0134470 | EXIT ROLLER:DUPLEX | U009 | 8 |
| M0134610 | GEAR:DRIVE:DUPLEX | U010 | 10 |
| M0134611 | BRACKET:DRIVE:DUPLEX:ASS'Y | U010 | 11 |
| M0134622 | EXIT ROLLER:DUPLEX | U010 | 12 |
| M0134623 | SPRING:EXIT | U010 | 13 |
| M0134624 | SPRING:EXIT:NO.2 | U010 | 14 |
| M0134635 | SPRING:OPEN AND CLOSE:RIGHT | U010 | 15 |

| Number | Part Name | Group | ID |
|----------|--|-------|----|
| M0134661 | STOPPER:TRANSPORT SUB-UNIT:DUPLEX | U010 | 16 |
| M0134663 | GUIDE PLATE:VERTICAL TRANSPORT:LOWER | U010 | 17 |
| M0134664 | GUIDE PLATE:VERTICAL TRANSPORT:UPPER | U010 | 18 |
| M0134666 | SHAFT:COVER:SWITCHBACK:OPEN AND CLOSE | U010 | 19 |
| M0134667 | SPRING:COVER:SWITCHBACK:OPEN AND CLOSE | U010 | 20 |
| M0134668 | SHEET:GUIDE:HORIZONTAL TRANSPORT:LOWER | U010 | 21 |
| M0134669 | MAGNET CATCH:ASS'Y | U010 | 22 |
| M0134671 | SHEET:HORIZONTAL TRANSPORT:LEFT | U010 | 23 |
| M0134672 | SHEET:HORIZONTAL TRANSPORT:RIGHT | U010 | 24 |
| M0134673 | LEVER:OPEN AND CLOSE:NO.1 | U010 | 25 |
| M0134674 | LEVER:OPEN AND CLOSE:NO.2 | U010 | 26 |
| M0134684 | SHEET:DUPLEX | U010 | 27 |
| M0134685 | BUTTON:OPEN AND CLOSE:LOWER | U010 | 28 |
| M0134688 | GROUND PLATE:HORIZONTAL TRANSPORT:REAR | U010 | 29 |
| M0134691 | LEVER:OPEN AND CLOSE:LOWER | U010 | 30 |
| M0134696 | LEVER:OPEN AND CLOSE:LEFT | U010 | 31 |
| M0134697 | LEVER:OPEN AND CLOSE:RIGHT | U010 | 32 |
| M0134698 | BRACKET:OPEN AND CLOSE:LOWER | U010 | 33 |
| M0134761 | TRANSPORT ROLLER:DUPLEX:MIDDLE | U010 | 34 |
| M0134762 | TRANSPORT ROLLER:DUPLEX:EXIT | U010 | 35 |
| M0134765 | PULLEY:TRANSPORT | U010 | 36 |
| M0134771 | TIMING BELT:HORIZONTAL TRANSPORT | U010 | 37 |
| M0134772 | TIMING BELT:DRIVE | U010 | 38 |
| M0134785 | SPRING:COVER:SWITCHBACK:OPEN | U010 | 39 |

Exclusive Parts

| Number | Part Name | Group | ID |
|----------|---|-------------|----|
| | EN AND CLOSE | | |
| M0134794 | DECAL:GUIDE PLATE:VERTICAL TRANSPORT:UPPER | U010 | 40 |
| M0134797 | FEELER:SENSOR:VERTICAL TRANSPORT | U010 | 41 |
| M0752610 | COMPRESSION SPRING:LOCK:SIDE FENCE | U005_S001 | 54 |
| M0BB1100 | (EU/AA/NA):(M0BD):HEAT INSULATING PLATE:FUSING:FRONT:TYPE A | U013 | 28 |
| M0BD0431 | (EU/AA/NA):(M0BD):MODEL NAME PLATE:SP325SFNW: | ACCESSORIES | 4 |
| M1011301 | PLATE:LOGO:RIC | ACCESSORIES | 5 |
| M1015799 | (CHN):POWER SUPPLY CORD | ACCESSORIES | 6 |
| M1016250 | TRANSFER ROLLER | U007 | 6 |
| M1016259 | ELECTRODE PLATE:SEPARATION | U007 | 7 |
| M1092584 | PRESSURE PLATE:SIDE FENCE:LEFT | U005_S001 | 55 |
| M1092589 | LEVER:LOCK:SIDE FENCE | U005_S001 | 56 |
| M1092592 | PAWL:LOCK:SIDE FENCE | U005_S001 | 57 |
| M1161118 | GEAR:DRIVE:FUSING:NO.1 | U011 | 18 |
| M1161121 | GEAR:DRIVE:PAPER FEED:NO.1 | U011 | 19 |
| M1161122 | GEAR:DRIVE:PAPER FEED:NO.2 | U011 | 20 |
| M1161124 | GEAR:DRIVE:PAPER FEED:NO.4 | U011 | 21 |
| M1162672 | RAIL:PAPER TRAY:LEFT | U005 | 58 |
| M1171136 | GEAR:DRIVE:DUPLEX SECTION | U011 | 22 |
| M1174662 | COVER:SWITCHBACK:OPEN AND CLOSE | U010 | 42 |
| M1180501 | SPEAKER:M118 | U001 | 9 |
| M1341382 | RAIL:SCANNER:OPEN AND CLOSE | U001 | 10 |
| M1341386 | RAIL:STOPPER:SCANNER:OPEN AND CLOSE | U001 | 11 |
| M1540265 | STEPPER MOTOR | U010 | 43 |
| M1541099 | (D289):HEAT INSULATING PLATE:FUSING:FRONT:TYPE A | U013 | 29 |
| M1541177 | CASE:DRIVE:ASS'Y | U011 | 23 |
| M1542056 | DISCHARGE LAMP | U013 | 30 |
| M1542616 | LEVER:PAPER VOLUME SENSOR | U005_S001 | 59 |

| Number | Part Name | Group | ID |
|----------|------------------------------------|-------------|----|
| M1542618 | DECAL:PAPER TRAY:FRONT | U005_S001 | 60 |
| M1542629 | COVER:PAPER TRAY:MIDDLE | U005_S001 | 61 |
| M1542640 | COVER:PAPER TRAY:LEFT | U005_S001 | 62 |
| M1542641 | COVER:PAPER TRAY:RIGHT | U005_S001 | 63 |
| M1542805 | GUIDE PLATE:MANUAL FEED:LOWER | U005 | 64 |
| M1542815 | DECAL:FEED PAPER AGAIN:PREVENTION | U005 | 65 |
| M1542831 | DC SOLENOID:9.6W:24V | U005 | 66 |
| M1542879 | EXTENSION TRAY:MANUAL FEED | U005 | 67 |
| M1544499 | GROUND PLATE:EXIT ROLLER | U009 | 9 |
| M1544694 | GUIDE:HORIZONTAL TRANSPORT:UPPER | U010 | 44 |
| M1544695 | GUIDE:HORIZONTAL TRANSPORT:LOWER | U010 | 45 |
| M1545402 | POWER PACK:ASS'Y | U012 | 4 |
| M1545697 | (NA):POWER SUPPLY CORD:125V:10A | ACCESSORIES | 7 |
| M1545699 | (EU/AA):POWER SUPPLY CORD:250V:10A | ACCESSORIES | 8 |
| M1560452 | (CHN):HOLDER:HAND SET | ACCESSORIES | 9 |
| M1560462 | (CHN):HAND SET:SUB-ASS'Y | ACCESSORIES | 10 |
| M1561240 | EXTENSION TRAY:MF:ASS'Y | U001 | 12 |
| M1561250 | COVER:UPPER:MFP | U001 | 13 |
| M1561254 | SHAFT:TURN:SCANNER:LEFT | U001 | 14 |
| M1561256 | SHAFT:TURN:SCANNER:RIGHT | U001 | 15 |
| M1561259 | (EU/AA/NA/TWN):COVER:REAR MIDDLE | U001 | 16 |
| M1561260 | (CHN):COVER:REAR MIDDLE | U001 | 17 |
| M1561272 | COIL SPRING:SCANNER | U001 | 18 |
| M1561392 | GUIDE PLATE:SCANNER:OPEN AND CLOSE | U001 | 19 |
| M2871043 | COVER:U CONVEYER BELT:DUPLICATE | U013 | 31 |
| M2871370 | COVER:REAR LOWER | U001 | 20 |
| M2871851 | OPTICAL WRITING UNIT:ASS'Y | U004 | 2 |
| M2872505 | PAPER TRAY:ASS'Y | U005_S001 | 68 |
| M2872589 | PAPER TRAY:REAR | U005_S001 | 69 |

Exclusive Parts

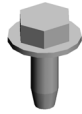
| Number | Part Name | Group | ID |
|----------|---|-----------|----|
| M2872611 | TRAY:BASE | U005_S001 | 70 |
| M2872612 | END FENCE | U005_S001 | 71 |
| M2872615 | SIDE FENCE:LEFT | U005_S001 | 72 |
| M2872618 | COVER:SIDE FENCE:LEFT | U005_S001 | 73 |
| M2872620 | SIDE FENCE:RIGHT | U005_S001 | 74 |
| M2872622 | COVER:SIDE FENCE:RIGHT | U005_S001 | 75 |
| M2872623 | PAWL:LOCK:END FENCE | U005_S001 | 76 |
| M2872624 | CLICK:SIDE FENCE | U005_S001 | 77 |
| M2872625 | LEVER:LOCK:EXTENSION TRAY | U005_S001 | 78 |
| M2872626 | DECAL:EXTENSION TRAY | U005_S001 | 79 |
| M2872627 | LEVER:LOCK:END FENCE | U005_S001 | 80 |
| M2872636 | GEAR:16Z | U005_S001 | 81 |
| M2872671 | FEELER:PAPER END SENSOR | U005 | 82 |
| M2872871 | COVER:MANUAL FEED TABLE | U005 | 83 |
| M2872875 | SIDE FENCE:MANUAL FEED:RIGHT | U005 | 84 |
| M2872876 | SIDE FENCE:MANUAL FEED:LEFT | U005 | 85 |
| M2872878 | RACK:MANUAL FEED | U005 | 86 |
| M2872879 | COMPRESSION SPRING:SIDE FENCE:MANUAL FEED | U005 | 87 |
| M2872881 | BASE:MANUAL FEED TABLE | U005 | 88 |
| M2874030 | (NA):FUSING UNIT:ASS'Y | U008_S002 | 48 |
| M2874031 | (EU/AA):FUSING UNIT:ASS'Y | U008_S001 | 49 |
| M2874033 | (CHN):FUSING UNIT:ASS'Y | U008_S004 | 50 |
| M2874049 | (TWN):FUSING UNIT:ASS'Y | U008_S003 | 51 |
| M2874206 | STRIPPER PAWLS | U008_S001 | 52 |
| | | U008_S002 | 52 |
| | | U008_S003 | 52 |
| | | U008_S004 | 52 |
| M2874220 | (NA):HEATER:700W:120V:INFRARED | U008_S002 | 53 |
| M2874221 | (EU/AA/CHN):HEATER:700W:220V:INFRARED | U008_S001 | 54 |
| | | U008_S004 | 54 |
| M2874229 | (TWN):HEATER:700W:110V | U008_S003 | 55 |
| M2874234 | HOUSING:THERMOSTAT:ASS'Y | U008_S001 | 56 |
| | | U008_S002 | 56 |
| | | U008_S003 | 56 |
| | | U008_S004 | 56 |

| Number | Part Name | Group | ID |
|----------|--|-------------|----|
| M2874263 | THERMISTOR | U008_S001 | 57 |
| | | U008_S002 | 57 |
| | | U008_S003 | 57 |
| | | U008_S004 | 57 |
| M2874719 | PIN:GUIDE:TRANSPORT | U010 | 46 |
| M2874895 | PIN:GUIDE:UPPER | U010 | 47 |
| M2875001 | PCB:WIFI | U012 | 5 |
| M2875311 | (CHN):POWER SUPPLY UNIT:ASS'Y | U012 | 6 |
| M2875312 | (EU/AA):POWER SUPPLY UNIT:ASS'Y | U012 | 7 |
| M2875313 | (NA/TWN):POWER SUPPLY UNIT:ASS'Y | U012 | 8 |
| M2881089 | CASE:USB | U013 | 32 |
| M2881600 | SCANNER:ASS'Y | U002 | 1 |
| M2882632 | DECAL:PICK-UP PAPER JAM | U001 | 21 |
| M2890431 | (M289):MODEL NAME PLATE:SP325SFNW | ACCESSORIES | 11 |
| M2891251 | COVER:FRONT | U001 | 22 |
| M2891252 | BUTTON | U001 | 23 |
| M2891253 | (EU/AA/NA/TWN):COVER:SIDE PLATE:LEFT | U001 | 24 |
| M2891255 | COVER:SIDE PLATE:RIGHT | U001 | 25 |
| M2891264 | (CHN):COVER:SIDE PLATE:LEFT | U001 | 26 |
| M2891402 | (EU/AA/NA):OPERATION PANEL:4IN1:ASS'Y | U003 | 2 |
| M2891403 | (TWN):OPERATION PANEL:4IN1:ASS'Y | U003 | 3 |
| M2891404 | (CHN):OPERATION PANEL:4IN1:ASS'Y | U003 | 4 |
| M2895052 | PCB:ECBCTL:4IN1:ASS'Y | U012 | 9 |
| M2895061 | (EU/AA):PCB:FAX:ASS'Y | U012 | 10 |
| M2895062 | (NA):PCB:FAX:ASS'Y | U012 | 11 |
| M2895063 | (CHN):PCB:FAX:ASS'Y | U012 | 12 |
| M2895064 | (TWN):PCB:FAX:ASS'Y | U012 | 13 |
| Note | See 2D parts catalog for the components of the ARDF. | U002 | 2 |

Standard Parts



03603006N
SCREW - M3X6



04503008N
TAPPING SCREW - M3X8



04503010N
TAPPING SCREW - M3X10



04503012N
TAPPING SCREW:3X12



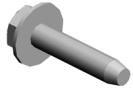
04504008N
TAPPING SCREW - M4X8



04513006N
TAPPING SCREW - 3X6



04513008N
TAPPING SCREW - M3X8



04513014N
TAPPING SCREW:3X14



04513030N
TAPPING SCREW:3X30



04523008N
TAPPING SCREW - M3X8



04523010N
BINDING SELF-TAPPING SCREW:3X10



04533006N
TAPPING SCREW - M3X6



04543006Q
TAPPING SCREW - M3X6



04543008Q
TAPPING SCREW:3X8



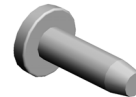
04543014Q
TAPPING SCREW:3X14



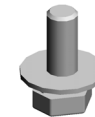
04593010N
(TWN):BINDING HEAD TAPPING SCREW:3X10



07200040E
RETAINING RING - M4



08025318
(EU/AA/NA/CHN):BINDING HEAD TAPPING SCREW:ES:3X10



08046127
HEXAGONAL BOLT:DOUBLE SCREW:M3X8



08050104
RETAINING RINGS-E:SILENCER:DIA4



08050106
RETAINING RINGS-E:SILENCER:DIA6



09504006N
SCREW - M4X6



09543010N
SCREW:POLISHED ROUND/SPRING:M3X10



11050197
WIRE SADDLE



11050568
CLAMP:LWSS-0504



11050598
CLAMP:LWSS-1N



11050758
CLAMP:LWSM-0306A

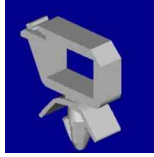


11050760
CLAMP:LWSM-0511A

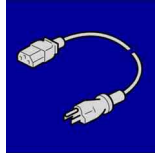
Standard Parts



11050761
CLAMP:LWS-0511A



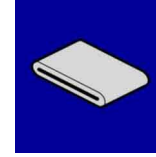
11050762
CLAMP:LWS-0711A



11500478
(TWN):POWER SUPPLY COD
E:125V:15A



12042612
MICRO SWITCH:D3V-16506-3
C25



16072774
FERRITE CORE:K3 FF

