

Pro C901/C901S(D095/M077)

PARTS CATALOG

First edition, October 2010

Ricoh Company, LTD.

Pro C901/C901S(D095/M077)

PARTS CATALOG

This catalog gives the numbers and names of parts on this machine.

Pro C901/C901S(D095/M077)	(D095/M077)
LCIT RT5050	(D532)
Fuser Unit Air Separator Type C901	(M390)
Color Controller E-41/E-81	(M391/M392)

Pro C901/C901S(D095/M077)

Input Document Property ModelCode

PARTS CATALOG

This catalog gives the numbers and names of parts on this machine.

Locations of Unit.....	2		
1.Exterior 1 (D095/M077)	26	21.Paper Registration 6 (D095/M077).....	66
2.Exterior 2 (D095/M077)	28	22.Paper Registration 7 (D095/M077).....	68
3.Exterior 3 (D095/M077)	30	23.Paper Registration 8 (D095/M077).....	70
4.Exterior 4 (D095/M077)	32	24.Paper Registration 9 (D095/M077).....	72
5.Operation Panel 1 (D095/M077)	34	25.Paper Registration 10 (D095/M077)	74
6.Operation Panel 2 (D095/M077)	36	26.Paper Registration 11 (D095/M077)	76
7.Operation Panel 3 (D095/M077)	38	27.Paper Registration 12 (D095/M077)	78
8.Tandem Tray 1 (D095/M077)	40	28.Toner Supply 1 (D095/M077)	80
9.Tandem Tray 2 (D095/M077)	42	29.Toner Supply 2 (D095/M077)	82
10.Tandem Tray 3 (D095/M077)	44	30.Toner Supply 3 (D095/M077)	84
11.Universal Tray (D095/M077)	46	31.Toner Supply 4 (D095/M077)	86
12.Paper Feed Unit 1 (D095/M077)	48	32.Laser Unit 1 (D095/M077)	88
13.Paper Feed Unit 2 (D095/M077)	50	33.Laser Unit 2 (D095/M077)	90
14.Paper Feed Unit 3 (D095/M077)	52	34.PCDU 1 (D095/M077)	92
15.Vertical Transport (D095/M077)	54	35.PCDU 2 (D095/M077)	94
16.Paper Registration 1 (D095/M077)	56	36.PCDU 3 (D095/M077)	96
17.Paper Registration 2 (D095/M077)	58	37.PCDU 4 (D095/M077)	98
18.Paper Registration 3 (D095/M077)	60	38.Transfer Belt Unit 1 (D095/M077)	100
19.Paper Registration 4 (D095/M077)	62	39.Transfer Belt Unit 2 (D095/M077)	102
20.Paper Registration 5 (D095/M077)	64	40.Transfer Belt Unit 3 (D095/M077)	104

October 1, 2010

Input Document Property ModelCode

PARTS CATALOG

This catalog gives the numbers and names of parts on this machine.

41.Transfer Belt Unit 4 (D095/M077)	106	61.Paper Exit Section 3 (D095/M077).....	146
42.Transfer Belt Unit 5 (D095/M077)	108	62.Paper Exit Section 4 (D095/M077).....	148
43.Transfer Belt Unit 6 (D095/M077)	110	63.Paper Exit Section 5 (D095/M077).....	150
44.Transfer Belt Unit 7 (D095/M077)	112	64.Paper Exit Section 6 (D095/M077).....	152
45.Transfer Belt Unit 8 (D095/M077)	114	65.Paper Exit Section 7 (D095/M077).....	154
46.Transfer Belt Unit 9 (D095/M077)	116	66.Paper Exit Section 8 (D095/M077).....	156
47.Transfer Belt Unit 10 (D095/M077)	118	67.Paper Exit Section 9 (D095/M077).....	158
48.Transfer Belt Cleaning 1 (D095/M077)	120	68.Paper Exit Section 10 (D095/M077).....	160
49.Transfer Belt Cleaning 2 (D095/M077)	122	69.Paper Exit Section 11 (D095/M077).....	162
50.Transfer Roller Unit (D095/M077)	124	70.Paper Exit Section 12 (D095/M077).....	164
51.Paper Transfer (D095/M077)	126	71.Paper Exit Section 13 (D095/M077).....	166
52.Fusing Unit 1 (D095/M077)	128	72.Used Toner Section 1 (D095/M077)	168
53.Fusing Unit 2 (D095/M077)	130	73.Used Toner Section 2 (D095/M077)	170
54.Fusing Unit 3 (D095/M077)	132	74.Drive Section 1 (D095/M077)	172
55.Fusing Unit 4 (D095/M077)	134	75.Drive Section 2 (D095/M077)	174
56.Fusing Unit 5 (D095/M077)	136	76.Drive Section 3 (D095/M077)	176
57.Fusing Unit 6 (D095/M077)	138	77.Drive Section 4 (D095/M077)	178
58.Fusing Unit 7 (D095/M077)	140	78.Drive Section 5 (D095/M077)	180
59.Paper Exit Section 1 (D095/M077)	142	79.Drive Section 6 (D095/M077)	182
60.Paper Exit Section 2 (D095/M077)	144	80.Electrical Section 1 (D095/M077).....	184

October 1, 2010

Input Document Property ModelCode

PARTS CATALOG

This catalog gives the numbers and names of parts on this machine.

81.Electrical Section 2 (D095/M077)	186	101.Frame Section 6 (D095/M077)	226
82.Electrical Section 3 (D095/M077)	188	102.Accessory (D095/M077)	228
83.Electrical Section 4 (D095/M077)	190	103.Exterior 1 (D095)	230
84.Electrical Section 5 (D095/M077)	192	104.Exterior 2 (D095)	232
85.Electrical Section 6 (D095/M077)	194	105.Exterior 3 (D095)	234
86.Electrical Section 7 (D095/M077)	196	106.ADF 1 (D095)	236
87.Electrical Section 8 (D095/M077)	198	107.ADF 2 (D095)	238
88.Electrical Section 9 (D095/M077)	200	108.ADF 3 (D095)	240
89.Electrical Section 10 (D095/M077)	202	109.ADF 4 (D095)	242
90.Electrical Section 11 (D095/M077)	204	110.ADF 5 (D095)	244
91.Electrical Section 12 (D095/M077)	206	111.ADF 6 (D095)	246
92.Electrical Section 13 (D095/M077)	208	112.ADF 7 (D095)	248
93.Electrical Section 14 (D095/M077)	210	113.ADF 8 (D095)	250
94.Electrical Section 15 (D095/M077)	212	114.ADF 9 (D095)	252
95.Electrical Section 16 (D095/M077)	214	115.ADF 10 (D095)	254
96.Frame Section 1 (D095/M077)	216	116.Optics Section 1 (D095)	256
97.Frame Section 2 (D095/M077)	218	117.Optics Section 2 (D095)	258
98.Frame Section 3 (D095/M077)	220	118.Optics Section 3 (D095)	260
99.Frame Section 4 (D095/M077)	222	119.Optics Section 4 (D095)	262
100.Frame Section 5 (D095/M077)	224	120.Optics Section 5 (D095)	264

October 1, 2010

Input Document Property ModelCode

PARTS CATALOG

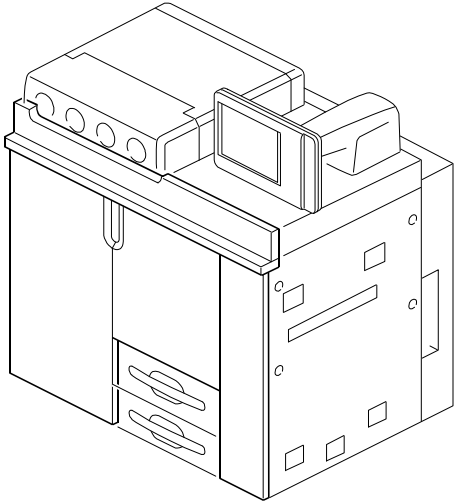
This catalog gives the numbers and names of parts on this machine.

121.Paper Tray 1 (D095)	266	141.IO Board 1 (D095/M077)	306
122.Paper Tray 2 (D095)	268	142.IO Board 2 (D095/M077)	322
123.Paper Tray 3 (D095)	270	143.IPU Board (D095/M077)	336
124.Paper Tray 4 (D095)	272	144.Controller Board (D095/M077)	342
125.Paper Tray 5 (D095)	274	145.Decals and Documents (D095/M077)	364
126.Paper Tray 6 (D095)	276	146.Special Tools (D095/M077)	376
127.Paper Tray 7 (D095)	278	Parts Index	380
128.Paper Tray 8 (D095)	280		
129.Paper Feed Section 1 (D095)	282		
130.Paper Feed Section 2 (D095)	284		
131.Transfer Section 1 (D095)	286		
132.Transfer Section 2 (D095)	288		
133.Transfer Section 3 (D095)	290		
134.Transfer Section 4 (D095)	292		
135.Drive Section 1 (D095)	294		
136.Drive Section 2 (D095)	296		
137.Electrical Section (D095)	298		
138.Frame Section 1 (D095)	300		
139.Frame Section 2 (D095)	302		
140.Frame Section 3 (D095)	304		

October 1, 2010

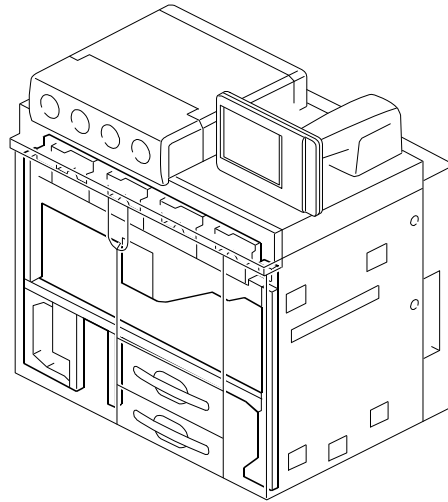
LOCATIONS OF UNITS

1. Exterior 1 (D095/M077)



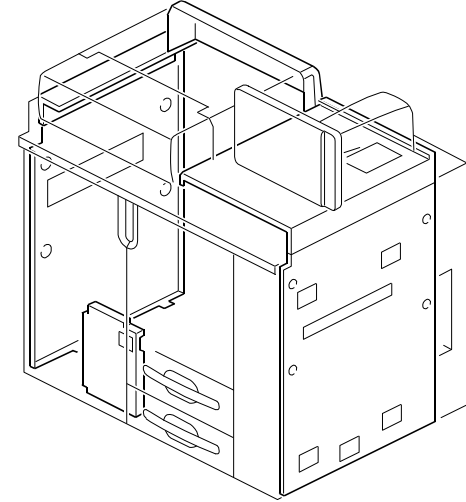
See Page 27

2. Exterior 2 (D095/M077)



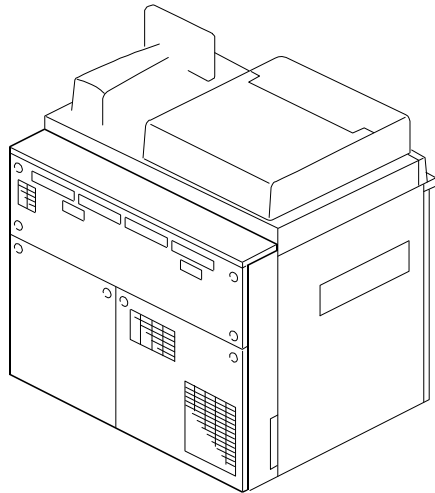
See Page 29

3. Exterior 3 (D095/M077)



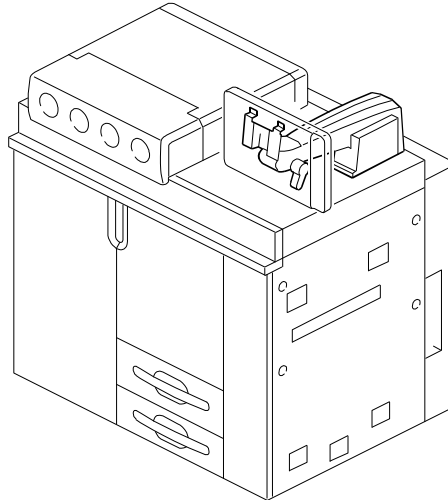
See Page 31

4. Exterior 4 (D095/M077)



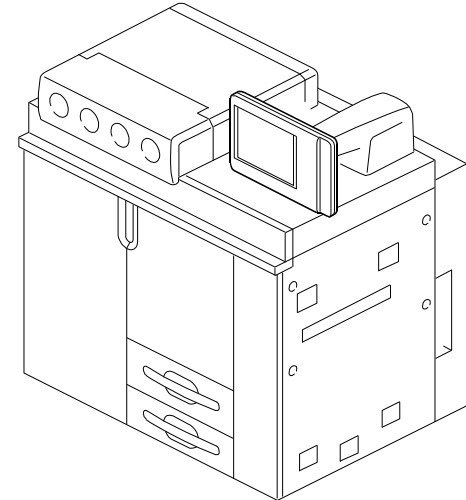
See Page 33

5. Operation Panel 1 (D095/M077)



See Page 35

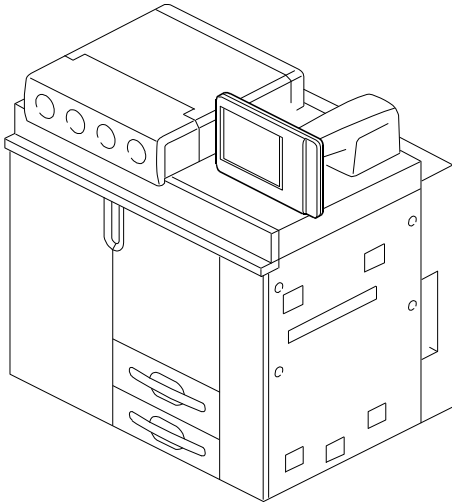
6. Operation Panel 2 (D095/M077)



See Page 37

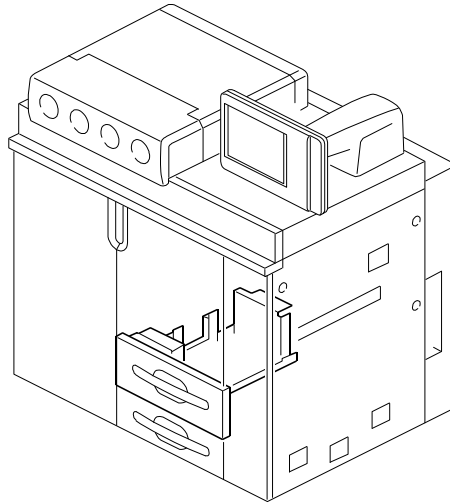
LOCATIONS OF UNITS

7. Operation Panel 3 (D095/M077)



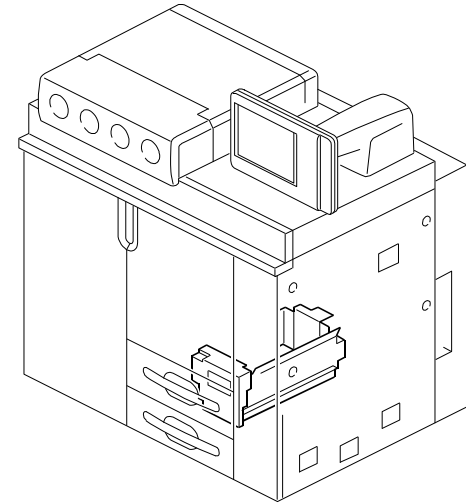
See Page 39

8. Tandem Tray 1 (D095/M077)



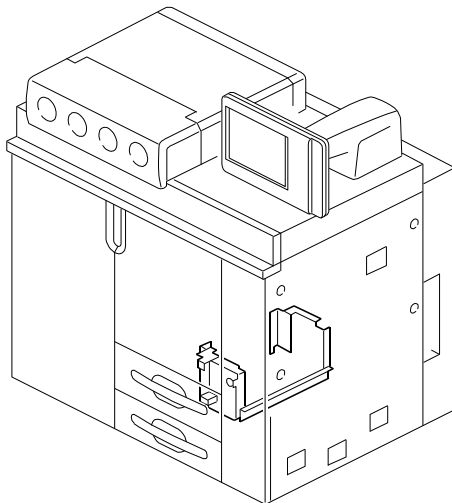
See Page 41

9. Tandem Tray 2 (D095/M077)



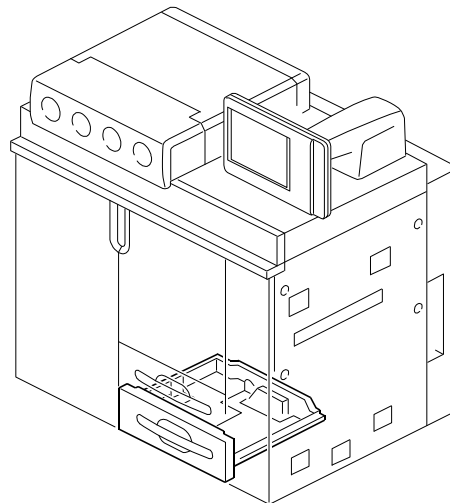
See Page 43

10. Tandem Tray 3 (D095/M077)



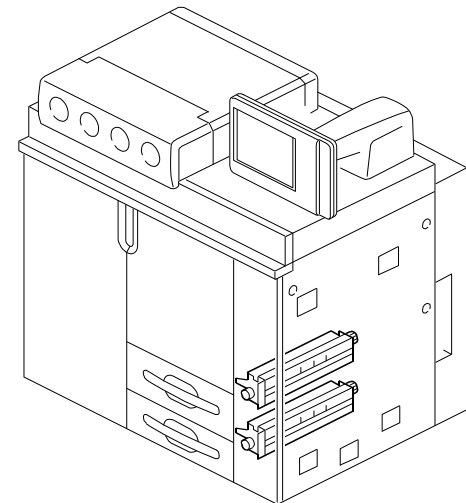
See Page 45

11. Universal Tray (D095/M077)



See Page 47

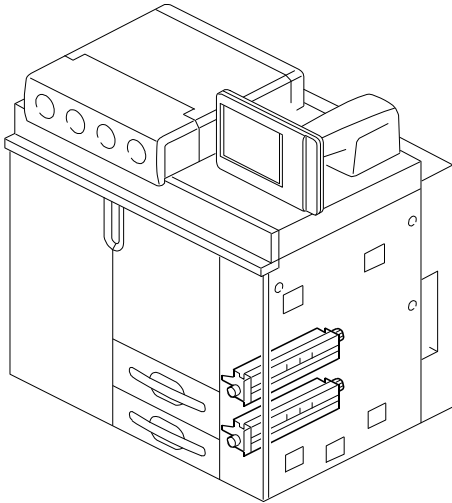
12. Paper Feed Unit 1 (D095/M077)



See Page 49

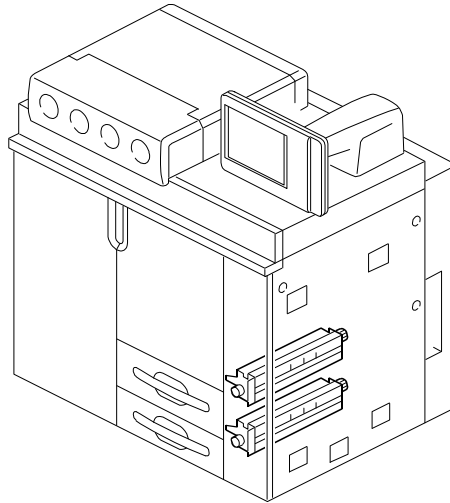
LOCATIONS OF UNITS

13. Paper Feed Unit 2 (D095/M077)



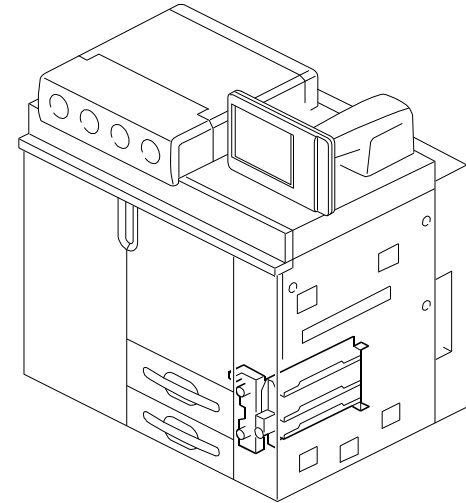
See Page 51

14. Paper Feed Unit 3 (D095/M077)



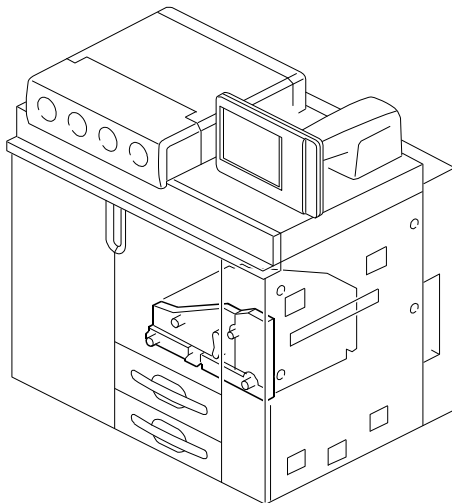
See Page 53

15. Vertical Transport (D095/M077)



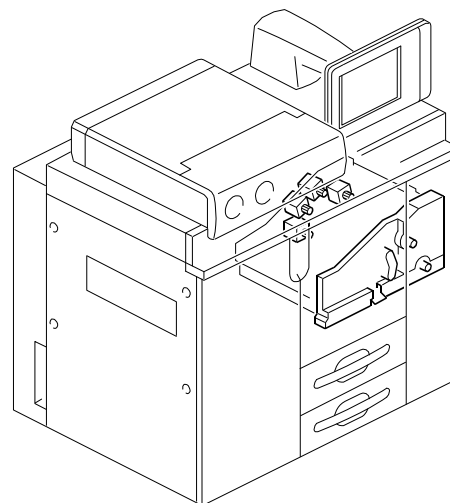
See Page 55

16. Paper Registration 1 (D095/M077)



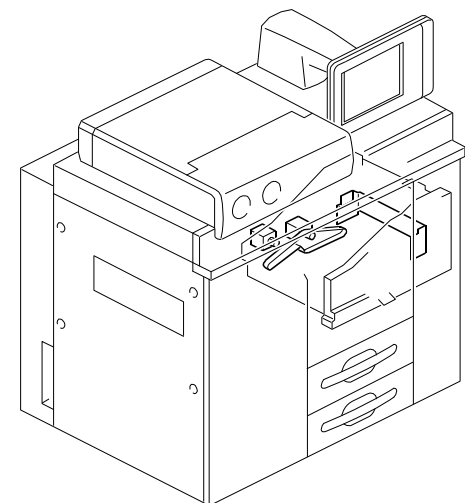
See Page 57

17. Paper Registration 2 (D095/M077)



See Page 59

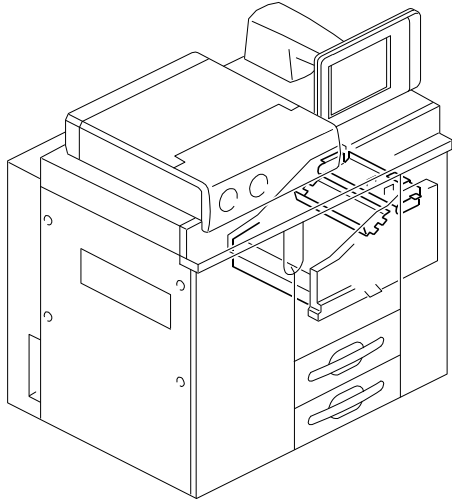
18. Paper Registration 3 (D095/M077)



See Page 61

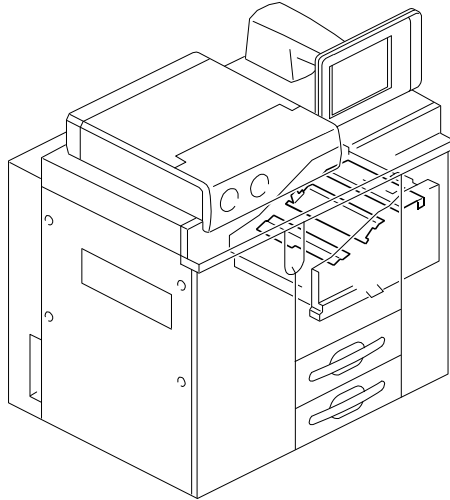
LOCATIONS OF UNITS

19. Paper Registration 4 (D095/M077)



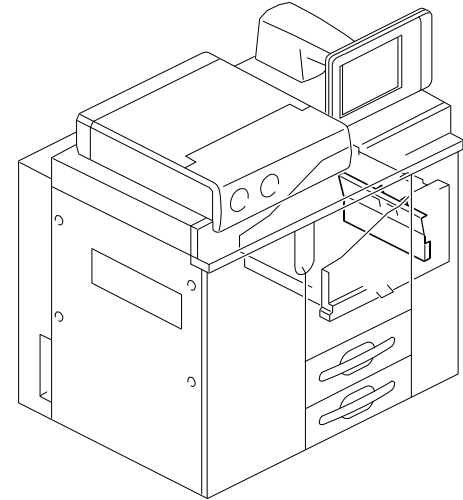
See Page 63

20. Paper Registration 5 (D095/M077)



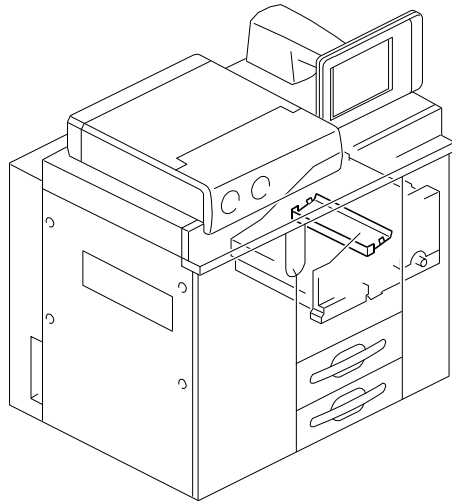
See Page 65

21. Paper Registration 6 (D095/M077)



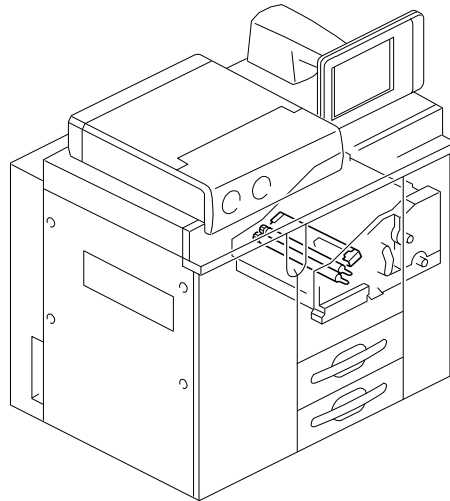
See Page 67

22. Paper Registration 7 (D095/M077)



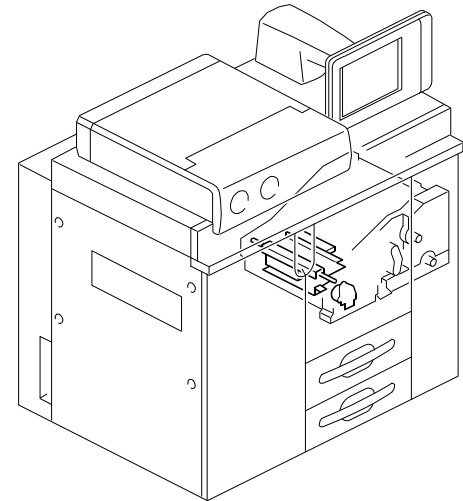
See Page 69

23. Paper Registration 8 (D095/M077)



See Page 71

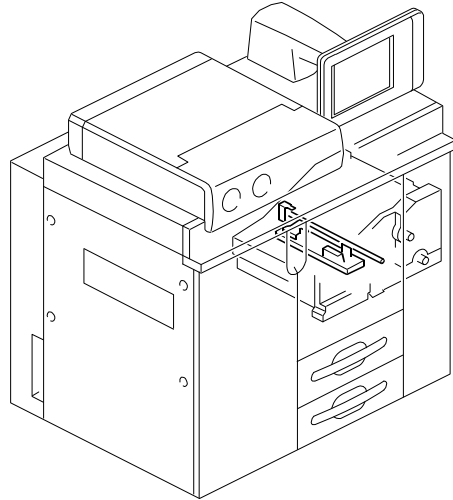
24. Paper Registration 9 (D095/M077)



See Page 73

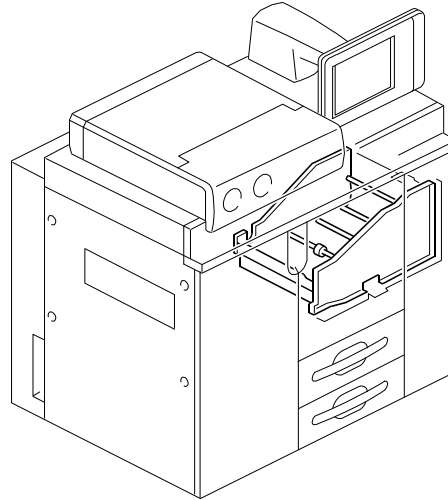
LOCATIONS OF UNITS

25. Paper Registration 10 (D095/M077)



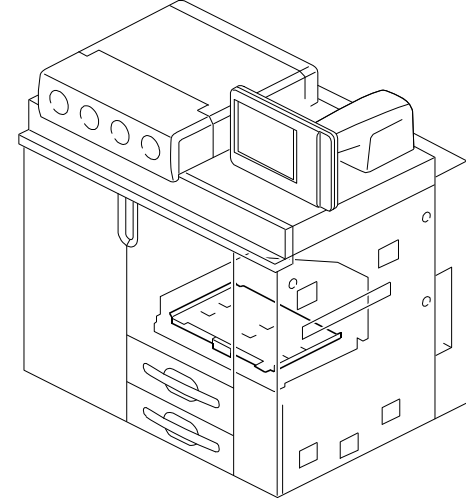
See Page 75

26. Paper Registration 11 (D095/M077)



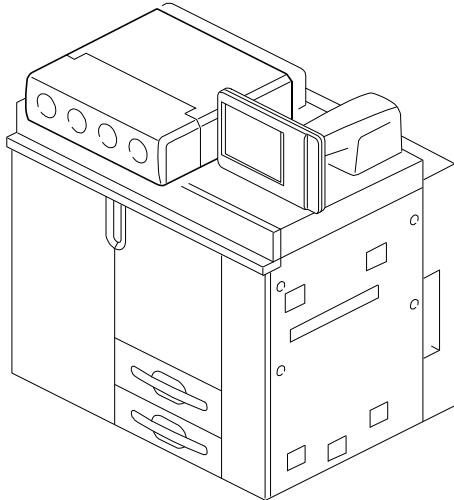
See Page 77

27. Paper Registration 12 (D095/M077)



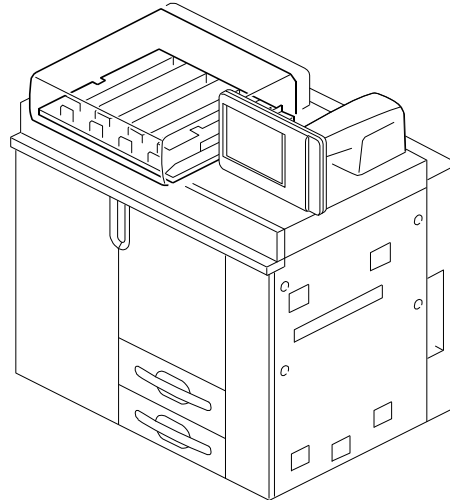
See Page 79

28. Toner Supply 1 (D095/M077)



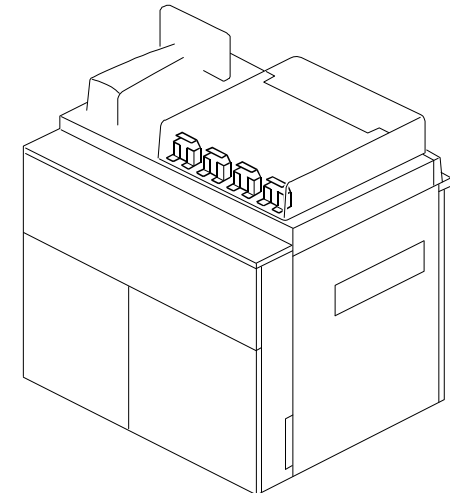
See Page 81

29. Toner Supply 2 (D095/M077)



See Page 83

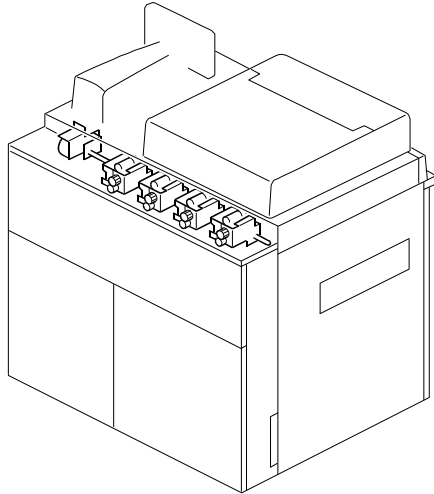
30. Toner Supply 3 (D095/M077)



See Page 85

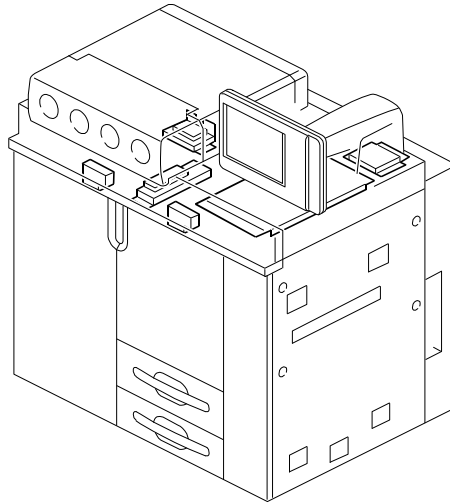
LOCATIONS OF UNITS

31. Toner Supply 4 (D095/M077)



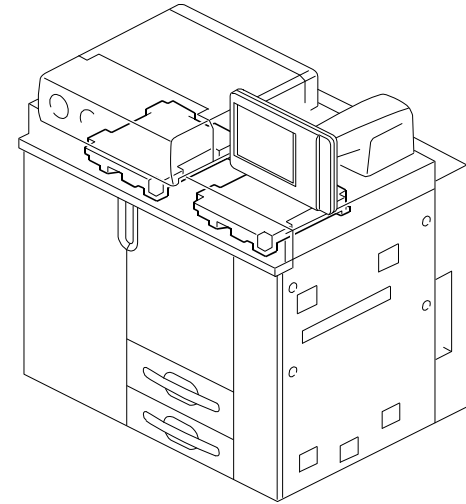
See Page 87

32. Laser Unit 1 (D095/M077)



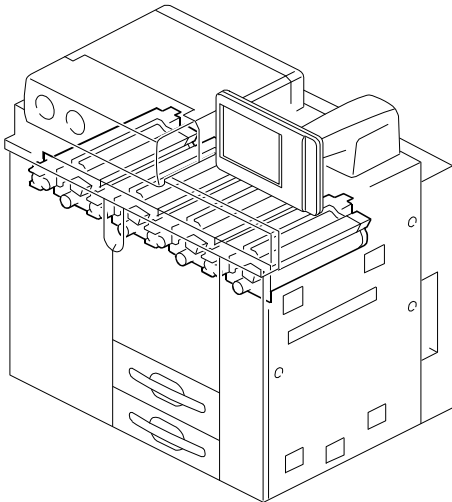
See Page 89

33. Laser Unit 2 (D095/M077)



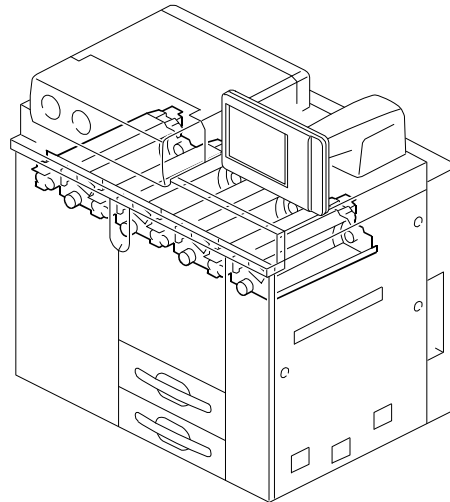
See Page 91

34. PCDU 1 (D095/M077)



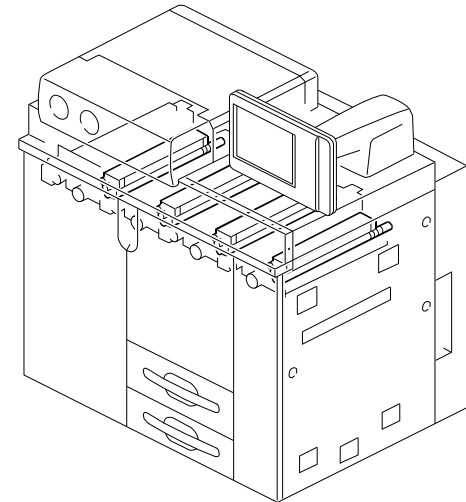
See Page 93

35. PCDU 2 (D095/M077)



See Page 95

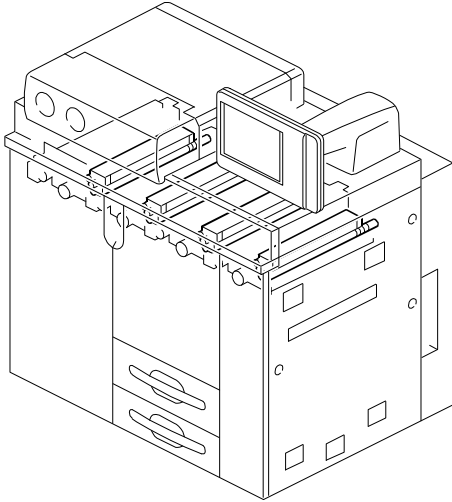
36. PCDU 3 (D095/M077)



See Page 97

LOCATIONS OF UNITS

37. PCDU 4 (D095/M077)



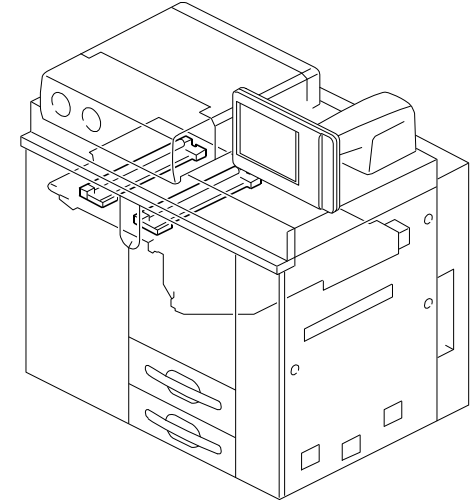
See Page 99

38. Transfer Belt Unit 1 (D095/M077)



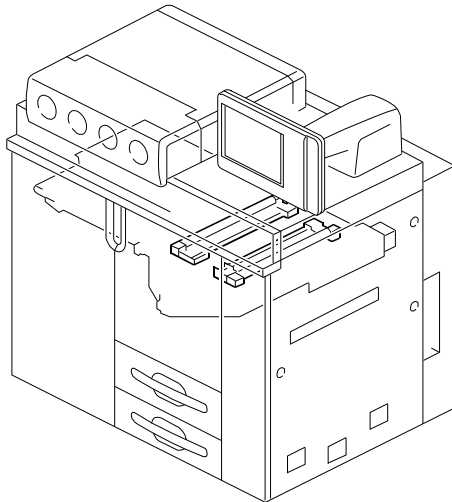
See Page 101

39. Transfer Belt Unit 2 (D095/M077)



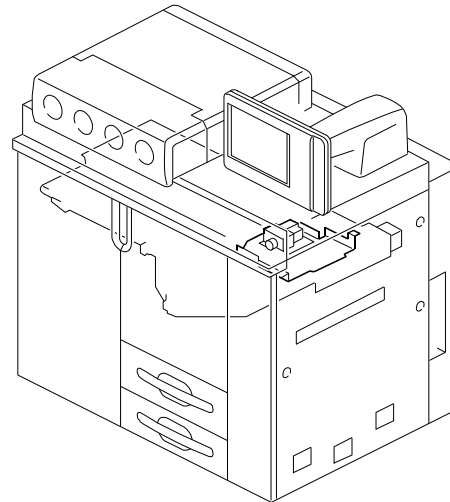
See Page 103

40. Transfer Belt Unit 3 (D095/M077)



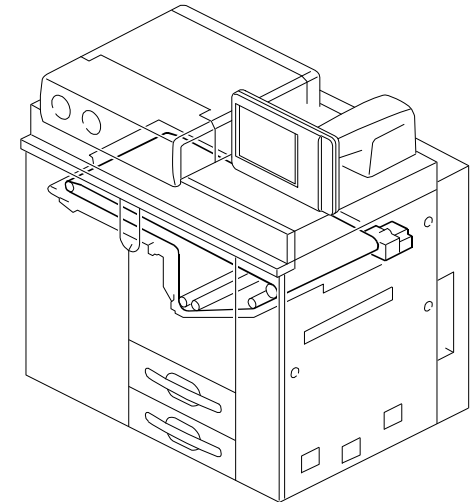
See Page 105

41. Transfer Belt Unit 4 (D095/M077)



See Page 107

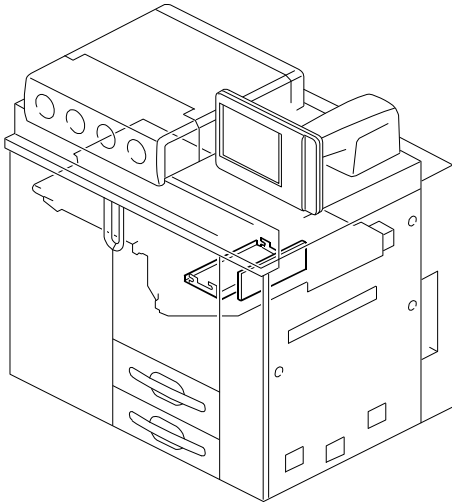
42. Transfer Belt Unit 5 (D095/M077)



See Page 109

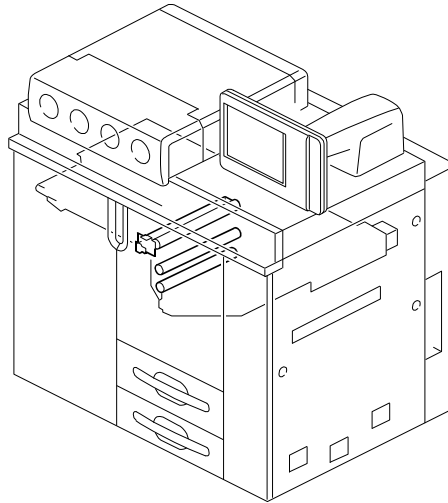
LOCATIONS OF UNITS

43. Transfer Belt Unit 6 (D095/M077)



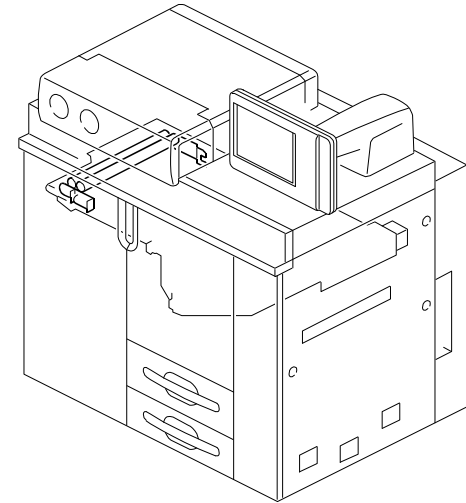
See Page 111

44. Transfer Belt Unit 7 (D095/M077)



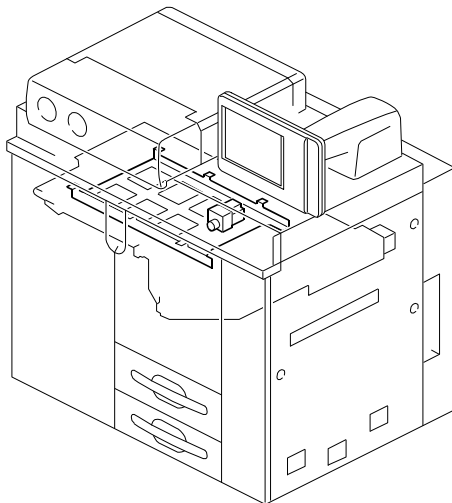
See Page 113

45. Transfer Belt Unit 8 (D095/M077)



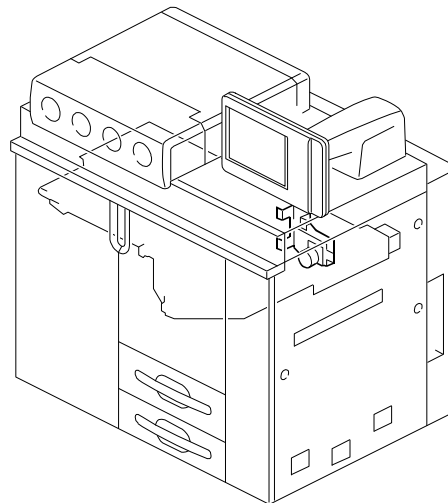
See Page 115

46. Transfer Belt Unit 9 (D095/M077)



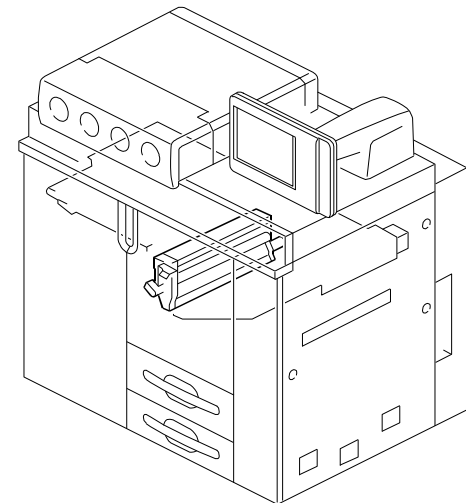
See Page 117

47. Transfer Belt Unit 10 (D095/M077)



See Page 119

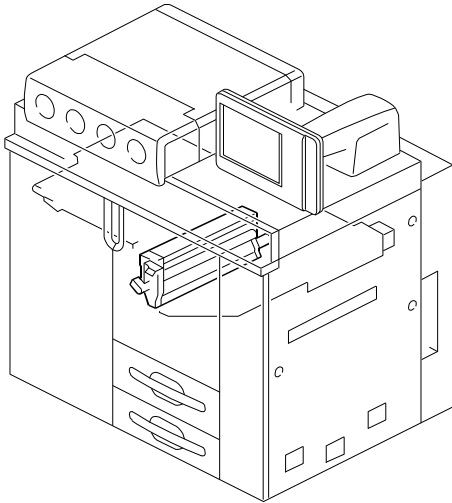
48. Transfer Belt Cleaning 1 (D095/M077)



See Page 121

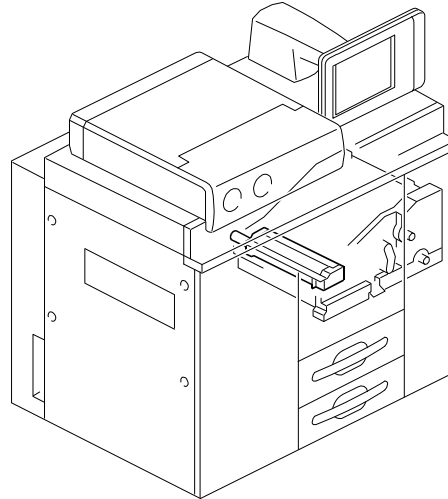
LOCATIONS OF UNITS

49. Transfer Belt Cleaning 2 (D095/M077)



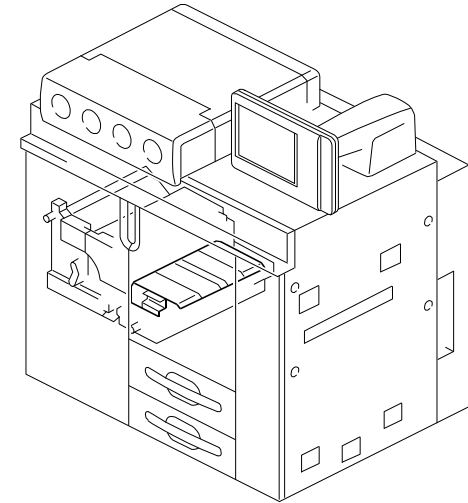
See Page 123

50. Transfer Roller Unit (D095/M077)



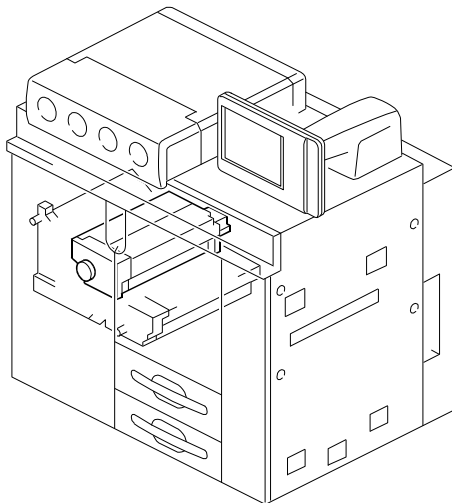
See Page 125

51. Paper Transfer (D095/M077)



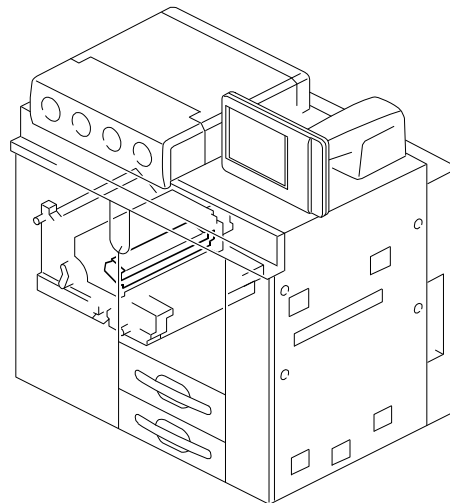
See Page 127

52. Fusing Unit 1 (D095/M077)



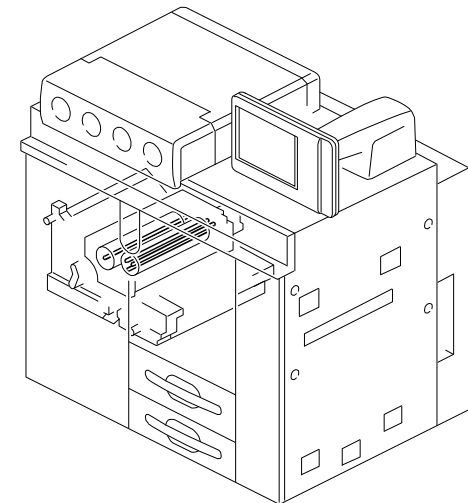
See Page 129

53. Fusing Unit 2 (D095/M077)



See Page 131

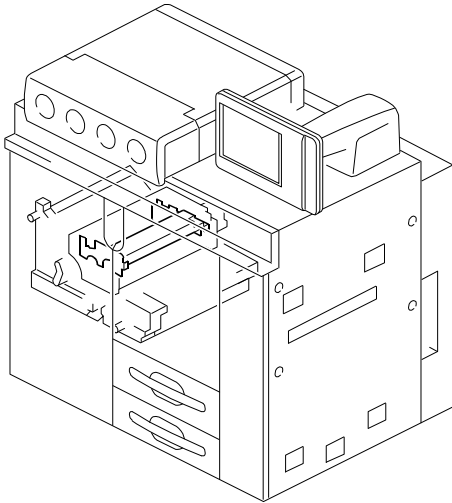
54. Fusing Unit 3 (D095/M077)



See Page 133

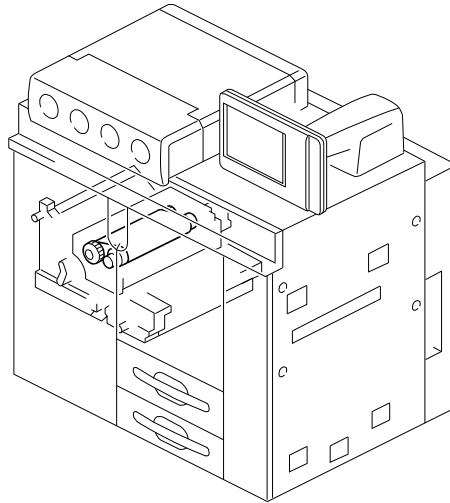
LOCATIONS OF UNITS

55. Fusing Unit 4 (D095/M077)



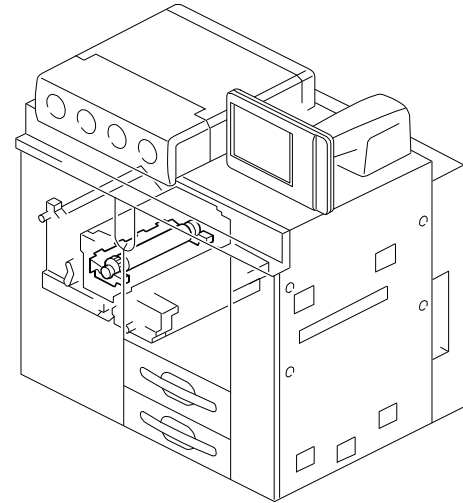
See Page 135

56. Fusing Unit 5 (D095/M077)



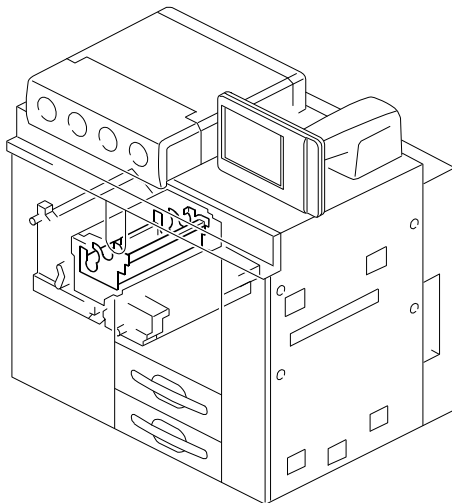
See Page 137

57. Fusing Unit 6 (D095/M077)



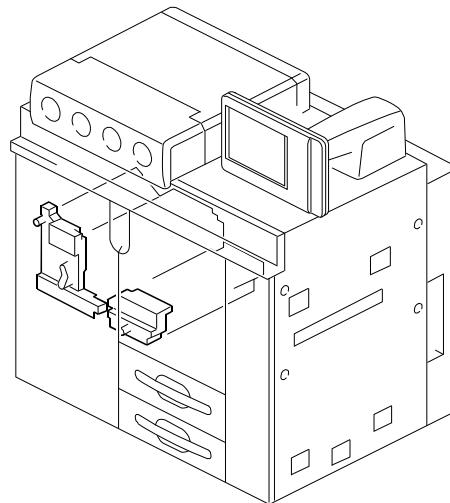
See Page 139

58. Fusing Unit 7 (D095/M077)



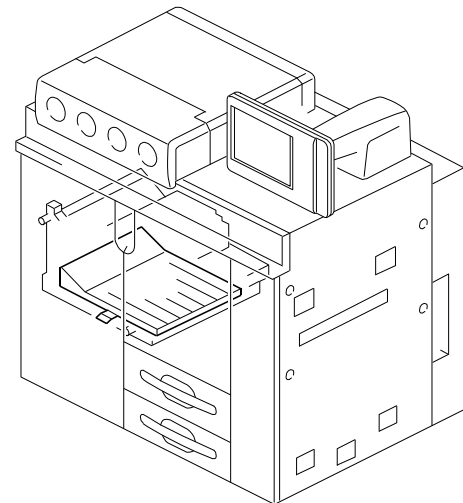
See Page 141

59. Paper Exit Section 1 (D095/M077)



See Page 143

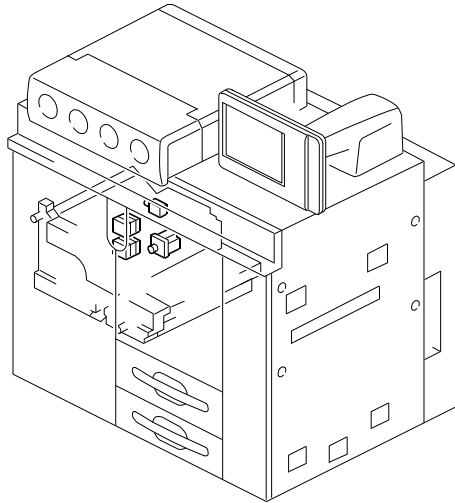
60. Paper Exit Section 2 (D095/M077)



See Page 145

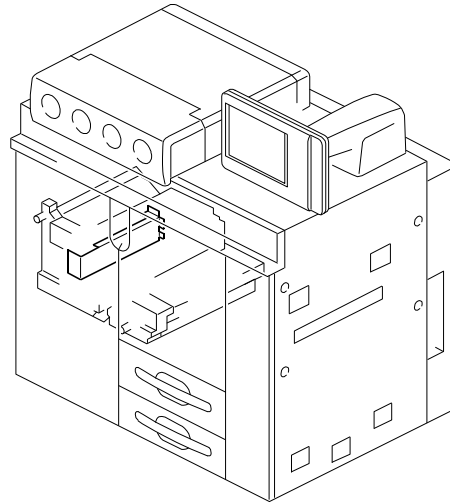
LOCATIONS OF UNITS

61. Paper Exit Section 3 (D095/M077)



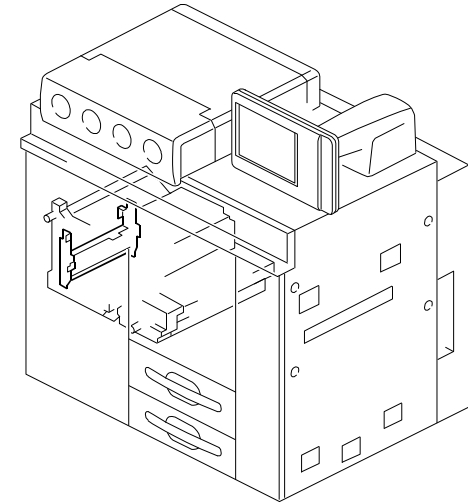
See Page 147

62. Paper Exit Section 4 (D095/M077)



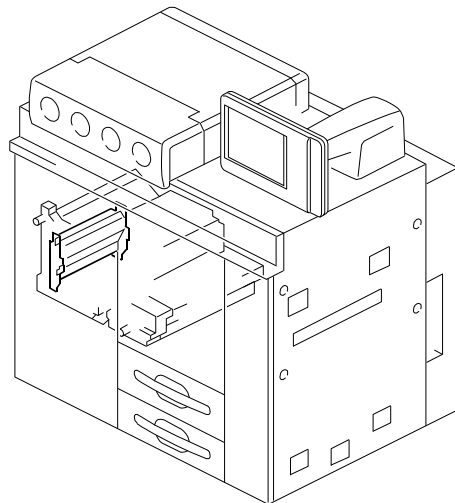
See Page 149

63. Paper Exit Section 5 (D095/M077)



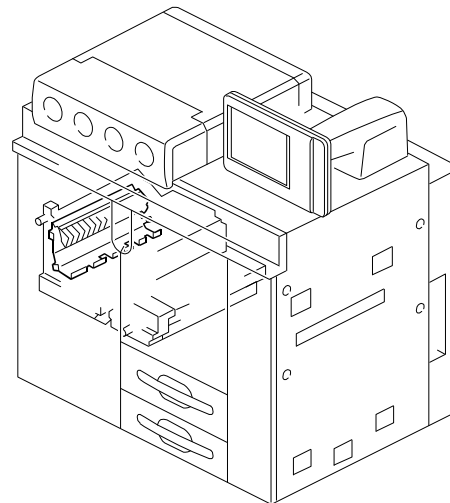
See Page 151

64. Paper Exit Section 6 (D095/M077)



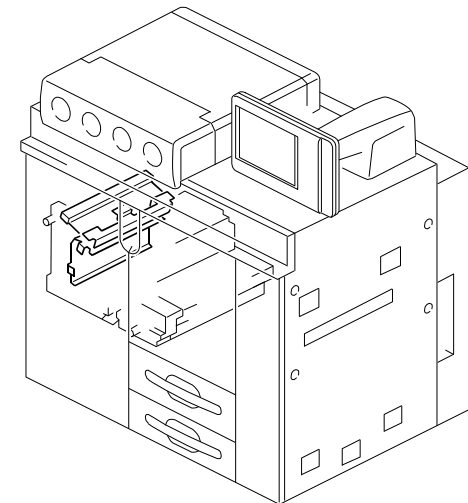
See Page 153

65. Paper Exit Section 7 (D095/M077)



See Page 155

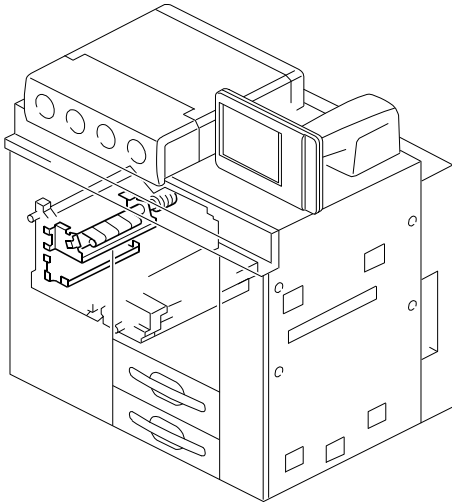
66. Paper Exit Section 8 (D095/M077)



See Page 157

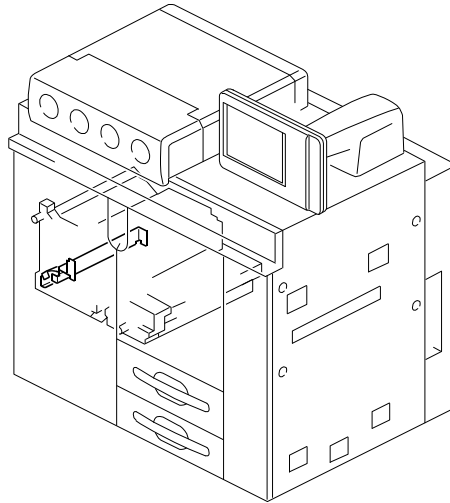
LOCATIONS OF UNITS

67. Paper Exit Section 9 (D095/M077)



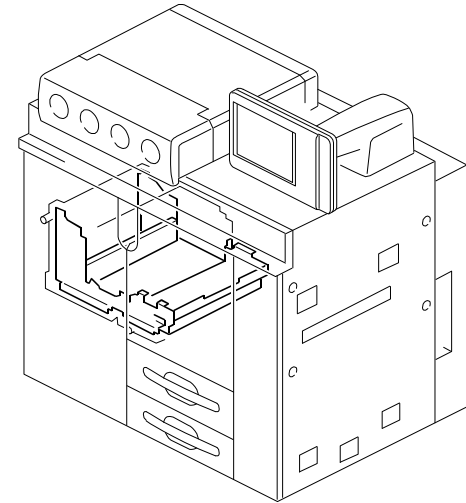
See Page 159

68. Paper Exit Section 10 (D095/M077)



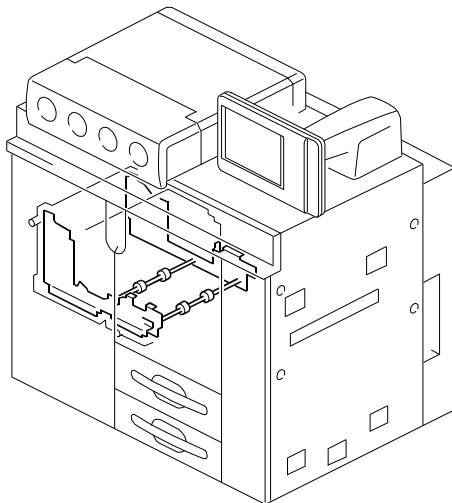
See Page 161

69. Paper Exit Section 11 (D095/M077)



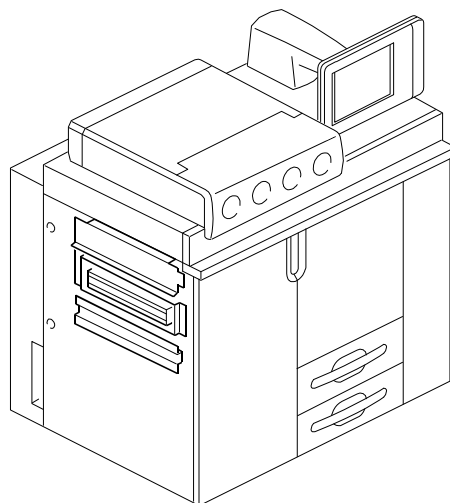
See Page 163

70. Paper Exit Section 12 (D095/M077)



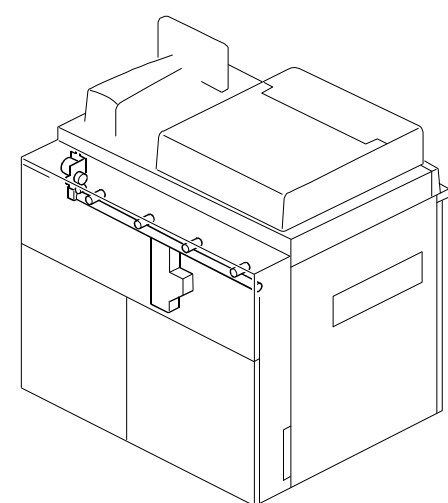
See Page 165

71. Paper Exit Section 13 (D095/M077)



See Page 167

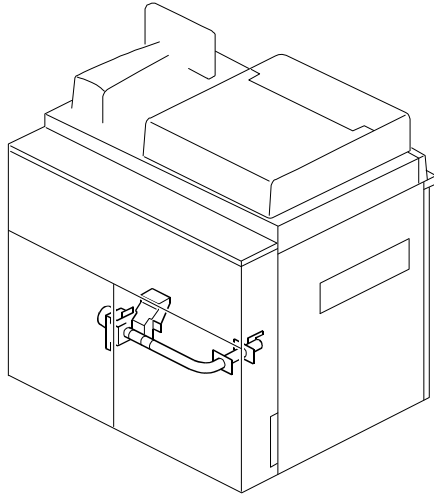
72. Used Toner Section 1 (D095/M077)



See Page 169

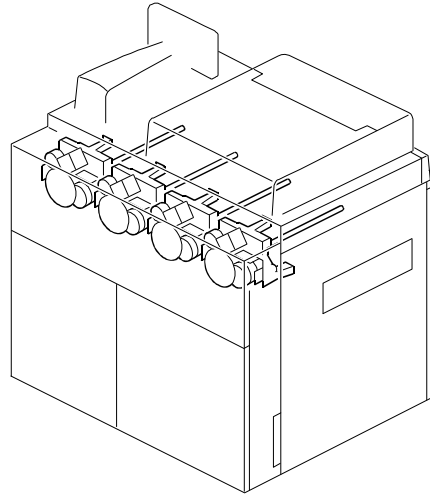
LOCATIONS OF UNITS

73. Used Toner Section 2 (D095/M077)



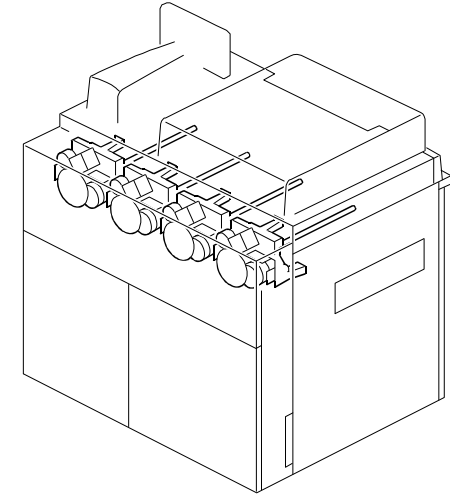
See Page 171

74. Drive Section 1 (D095/M077)



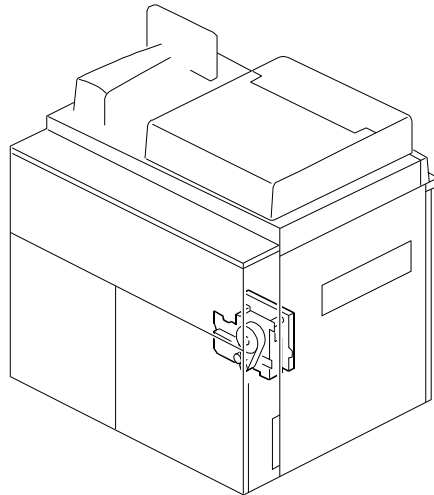
See Page 173

75. Drive Section 2 (D095/M077)



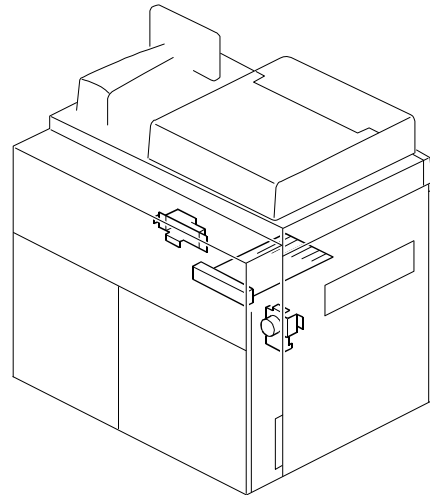
See Page 175

76. Drive Section 3 (D095/M077)



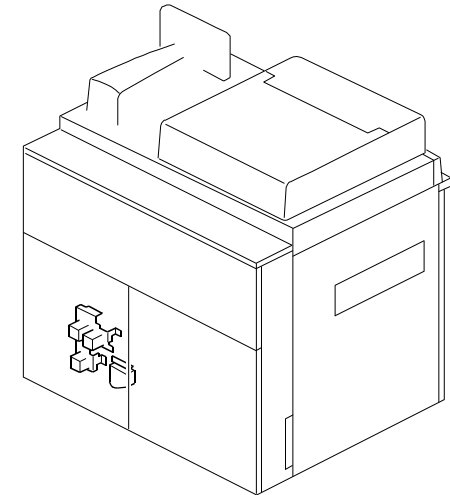
See Page 177

77. Drive Section 4 (D095/M077)



See Page 179

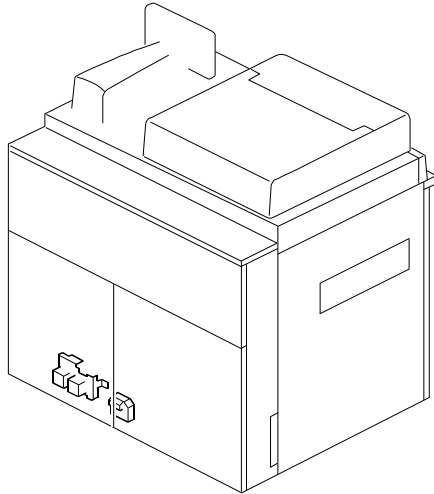
78. Drive Section 5 (D095/M077)



See Page 181

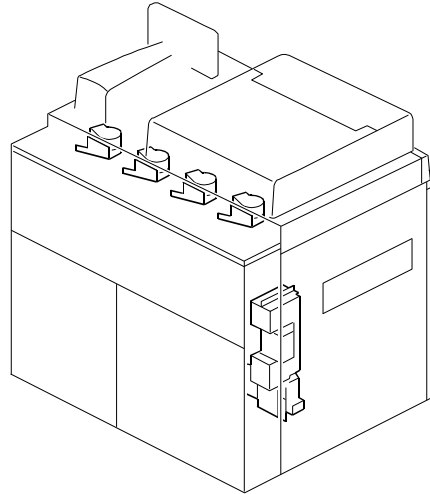
LOCATIONS OF UNITS

79. Drive Section 6 (D095/M077)



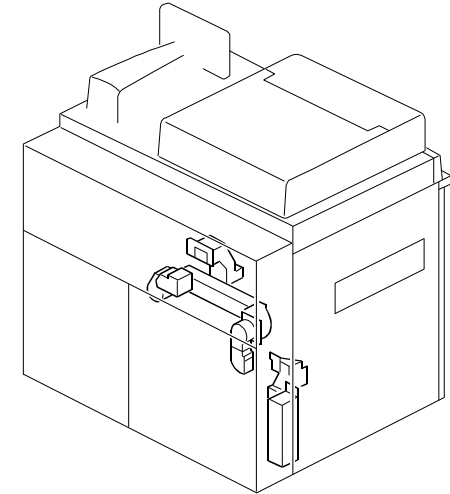
See Page 183

80. Electrical Section 1 (D095/M077)



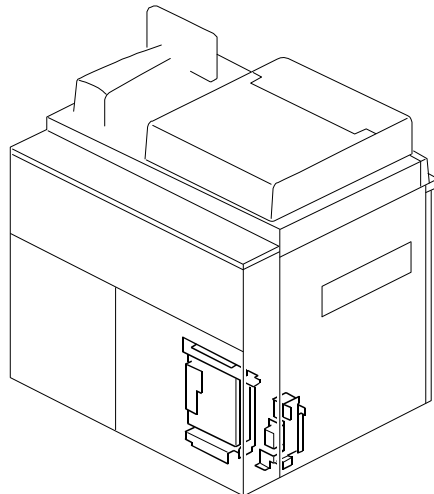
See Page 185

81. Electrical Section 2 (D095/M077)



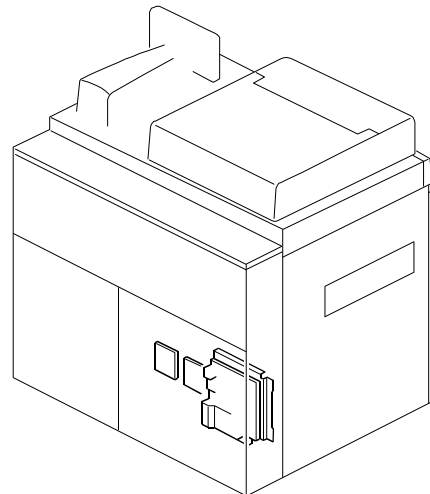
See Page 187

82. Electrical Section 3 (D095/M077)



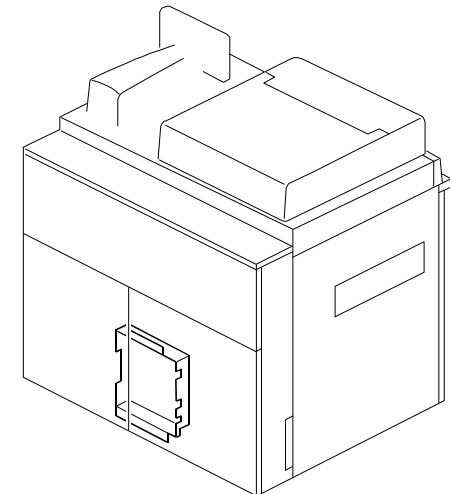
See Page 189

83. Electrical Section 4 (D095/M077)



See Page 191

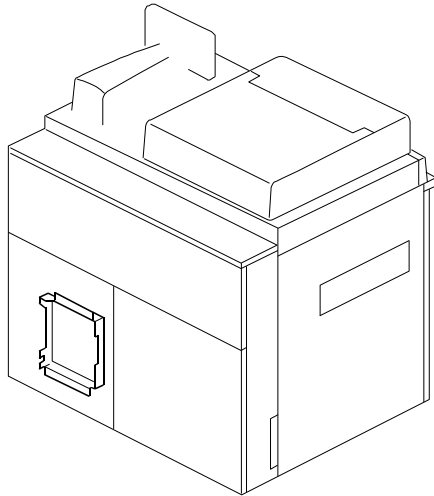
84. Electrical Section 5 (D095/M077)



See Page 193

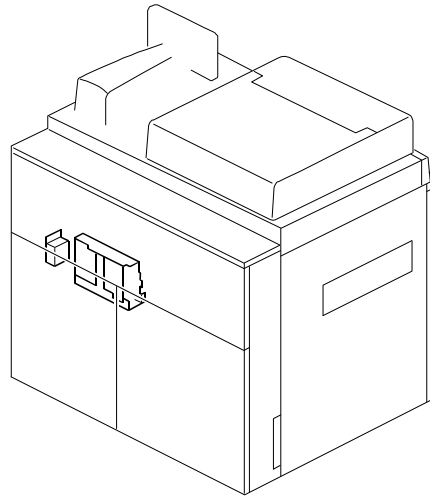
LOCATIONS OF UNITS

85. Electrical Section 6 (D095/M077)



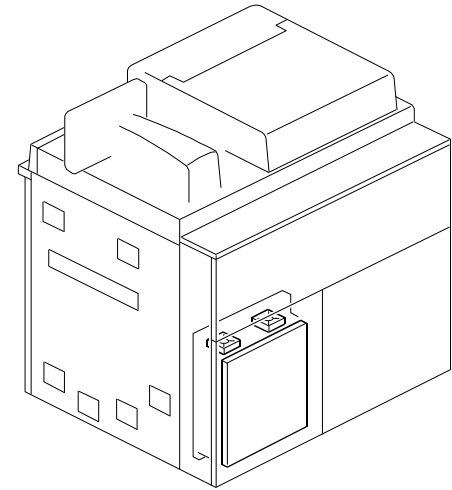
See Page 195

86. Electrical Section 7 (D095/M077)



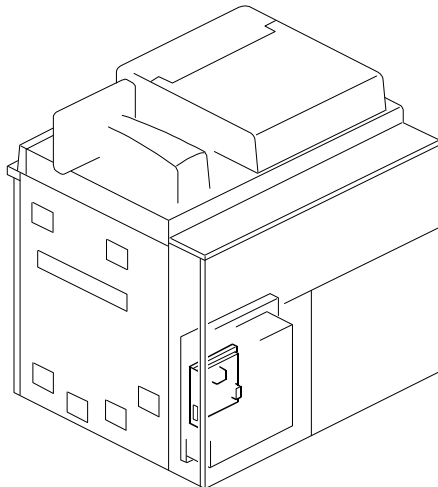
See Page 197

87. Electrical Section 8 (D095/M077)



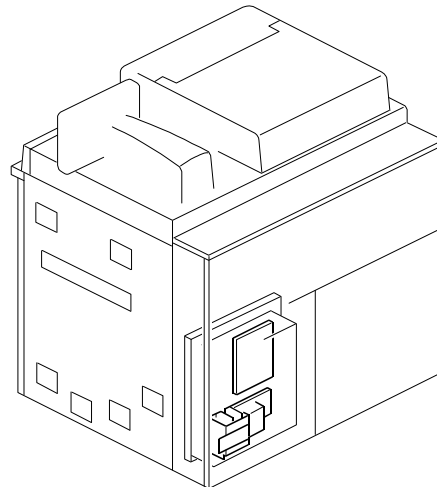
See Page 199

88. Electrical Section 9 (D095/M077)



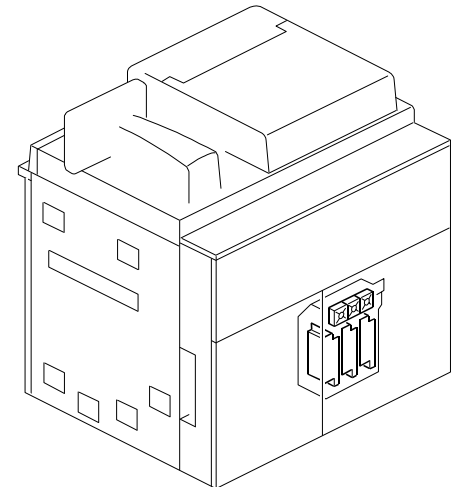
See Page 201

89. Electrical Section 10 (D095/M077)



See Page 203

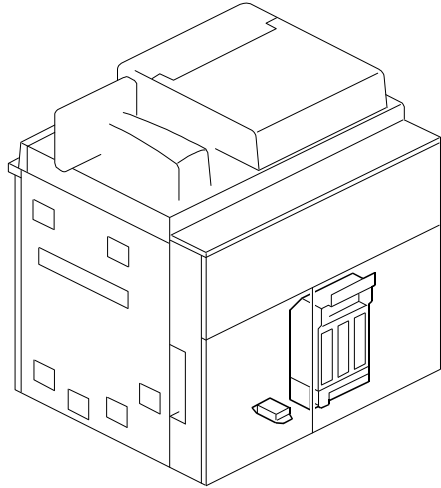
90. Electrical Section 11 (D095/M077)



See Page 205

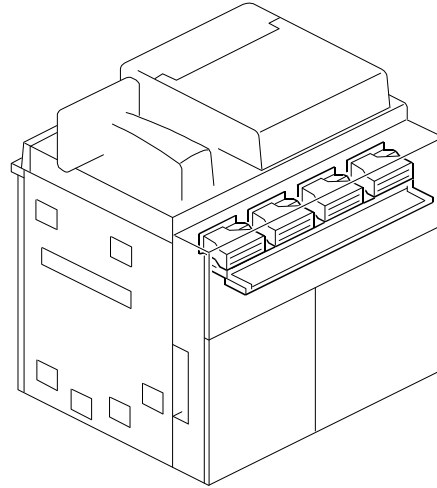
LOCATIONS OF UNITS

91. Electrical Section 12 (D095/M077)



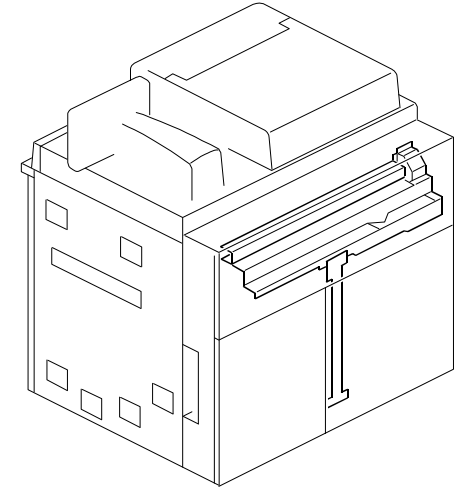
See Page 207

92. Electrical Section 13 (D095/M077)



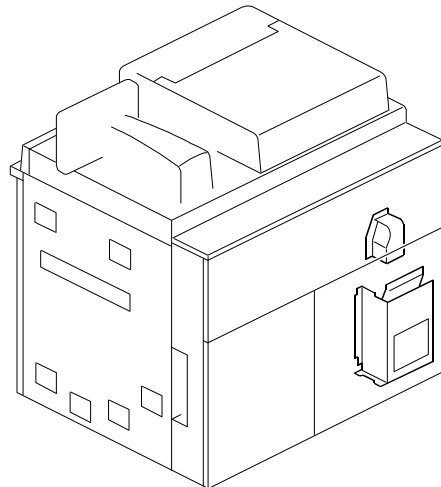
See Page 209

93. Electrical Section 14 (D095/M077)



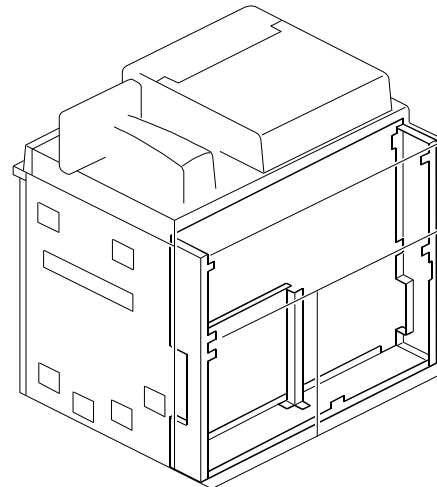
See Page 211

94. Electrical Section 15 (D095/M077)



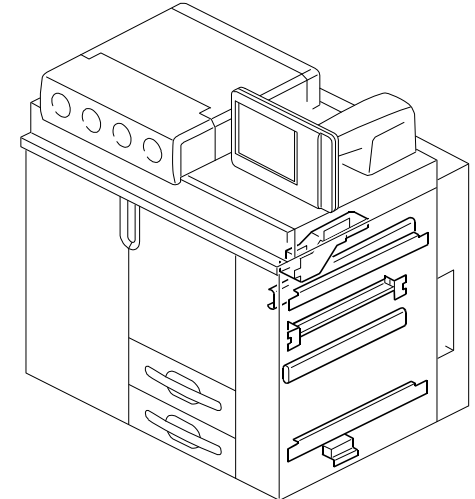
See Page 213

95. Electrical Section 16 (D095/M077)



See Page 215

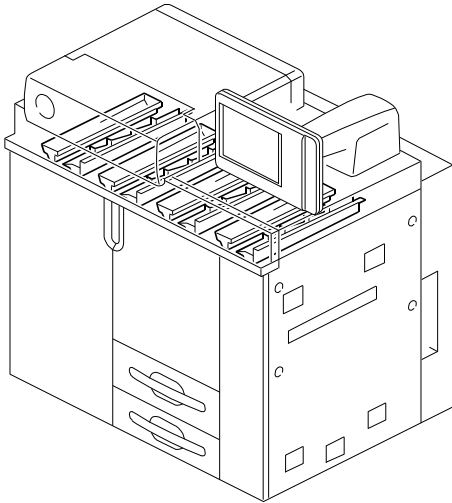
96. Frame Section 1 (D095/M077)



See Page 217

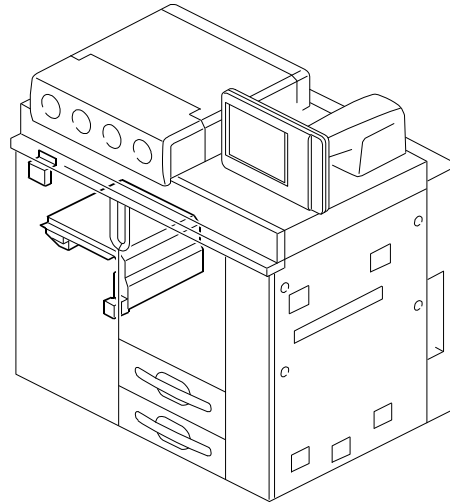
LOCATIONS OF UNITS

97. Frame Section 2 (D095/M077)



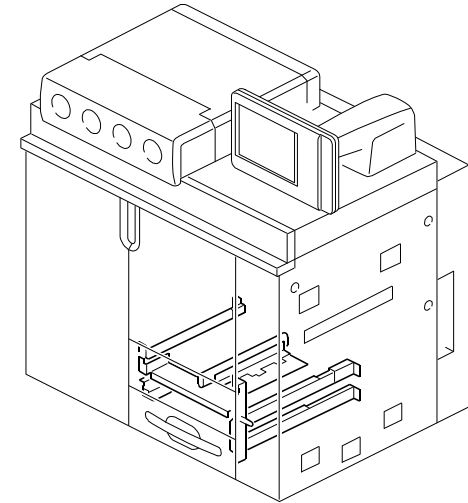
See Page 219

98. Frame Section 3 (D095/M077)



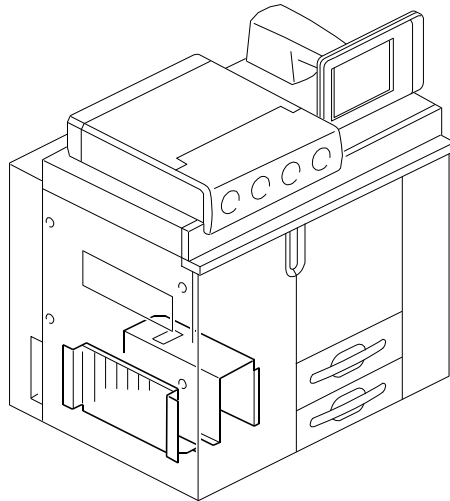
See Page 221

100. Frame Section 5 (D095/M077)



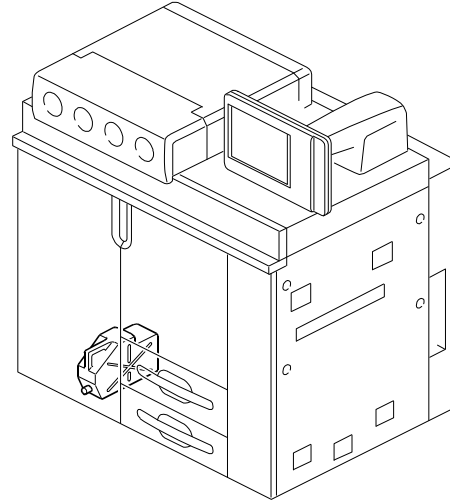
See Page 225

101. Frame Section 6 (D095/M077)



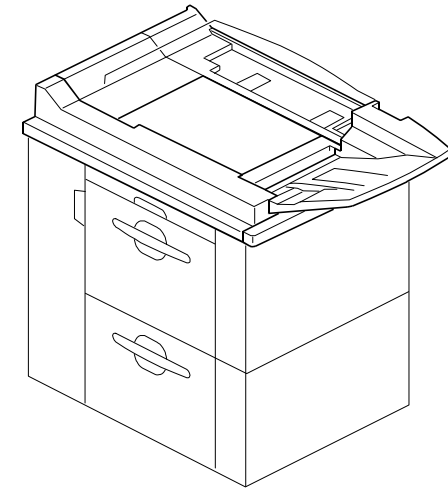
See Page 227

102. Accessory (D095/M077)



See Page 229

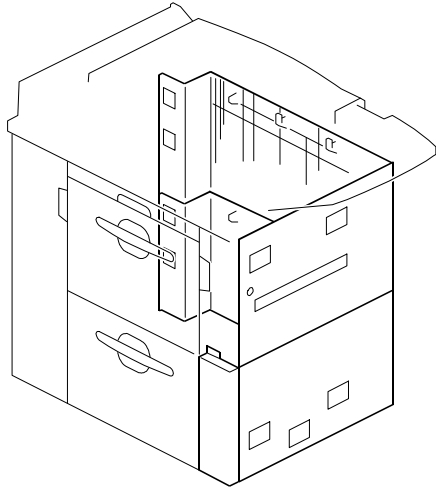
103. Exterior 1 (D095)



See Page 231

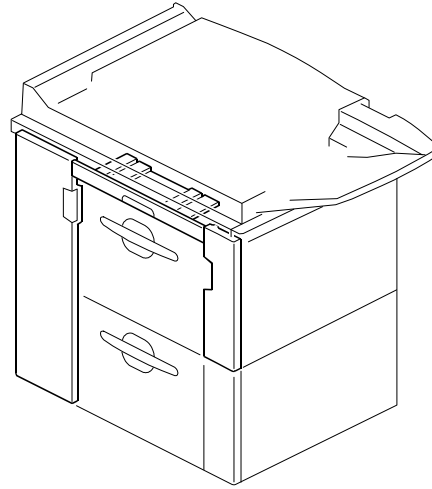
LOCATIONS OF UNITS

104. Exterior 2 (D095)



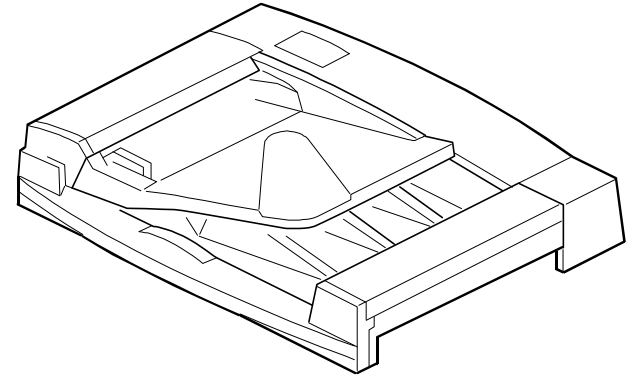
See Page 233

105. Exterior 3 (D095)



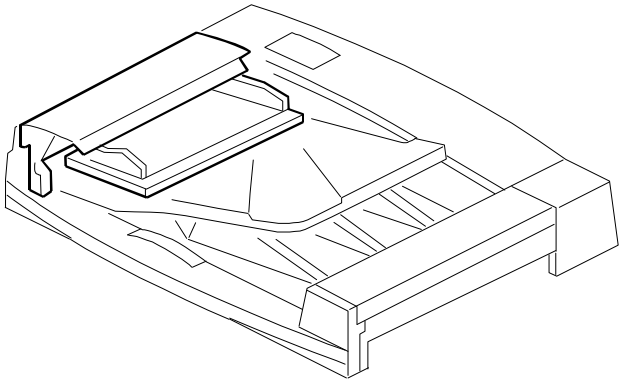
See Page 235

106. ADF 1 (D095)



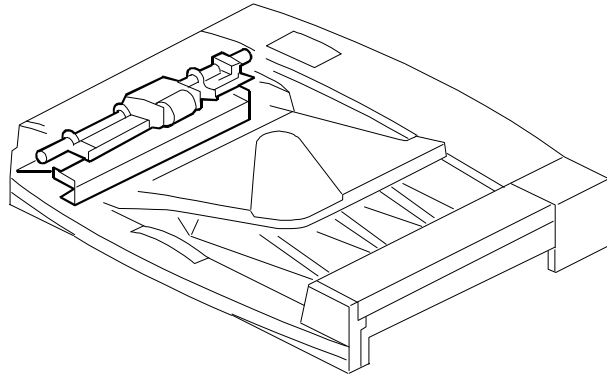
See Page 237

107. ADF 2 (D095)



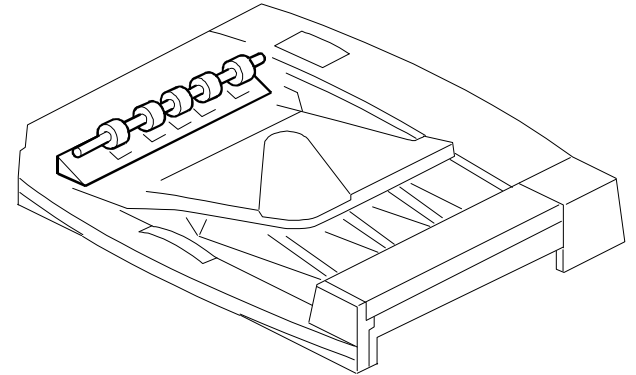
See Page 239

108. ADF 3 (D095)



See Page 241

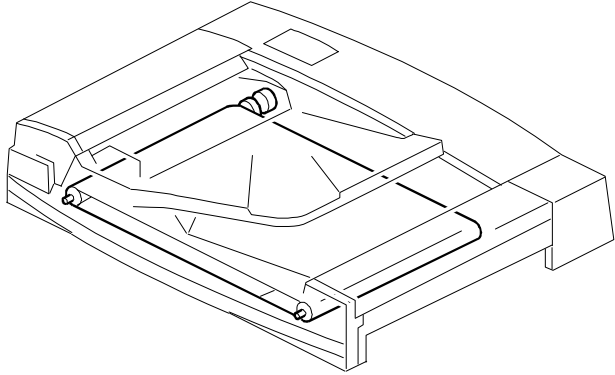
109. ADF 4 (D095)



See Page 243

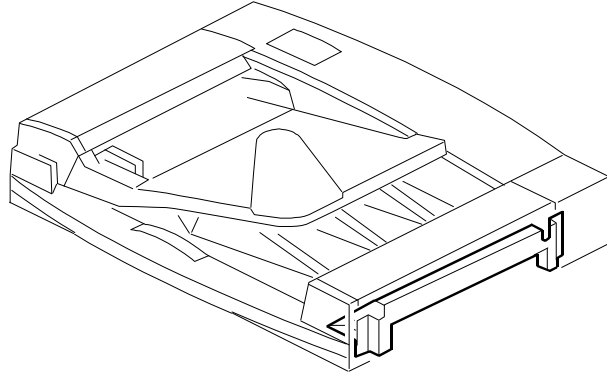
LOCATIONS OF UNITS

110. ADF 5 (D095)



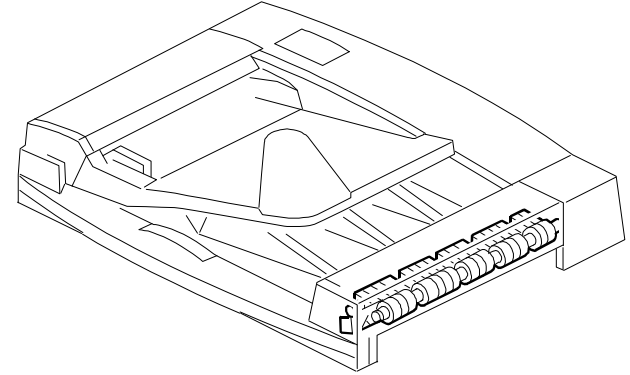
See Page 245

111. ADF 6 (D095)



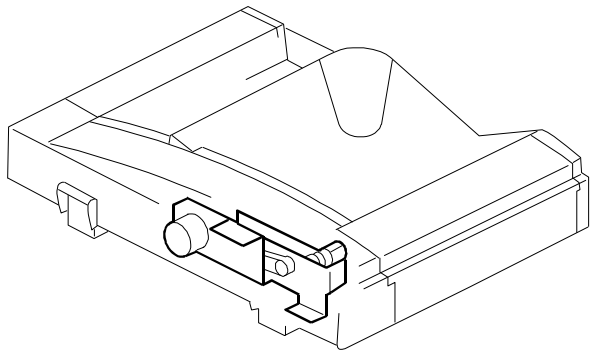
See Page 247

112. ADF 7 (D095)



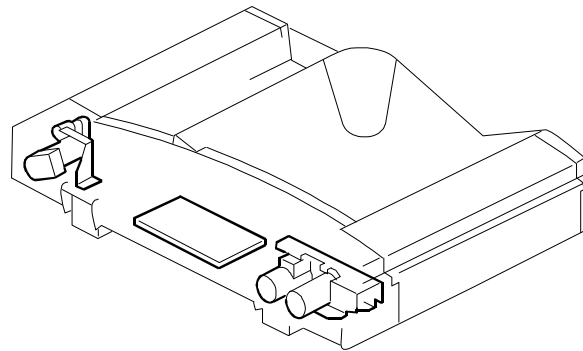
See Page 249

113. ADF 8 (D095)



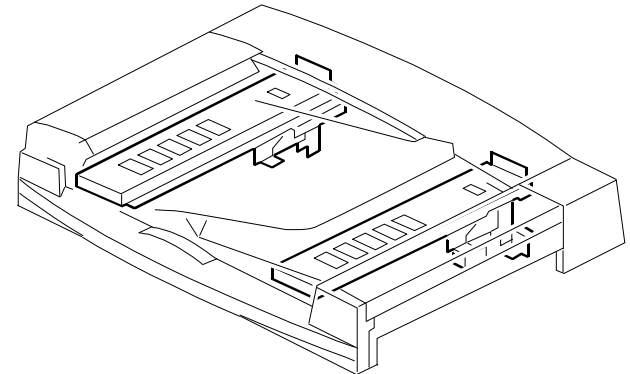
See Page 251

114. ADF 9 (D095)



See Page 253

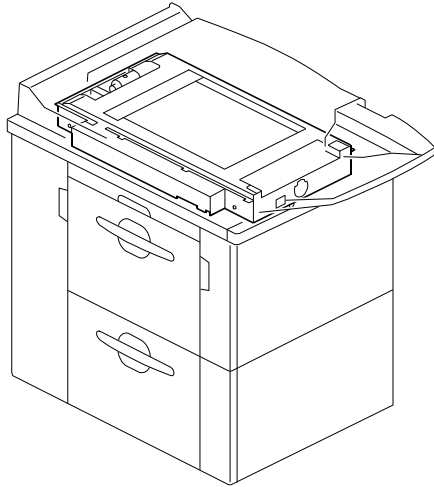
115. ADF 10 (D095)



See Page 255

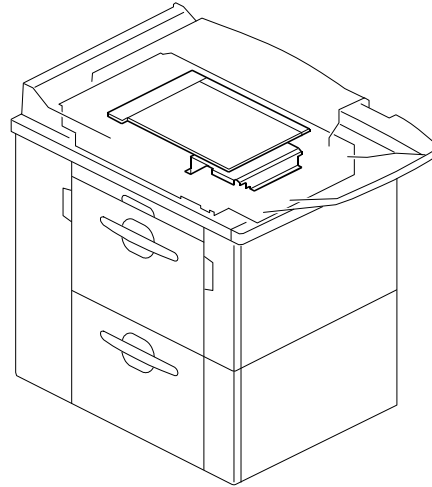
LOCATIONS OF UNITS

116. Optics Section 1 (D095)



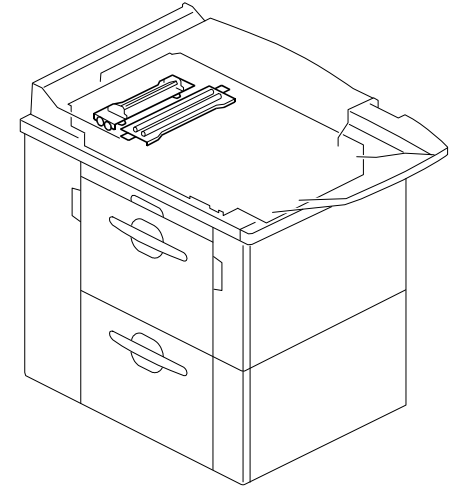
See Page 257

117. Optics Section 2 (D095)



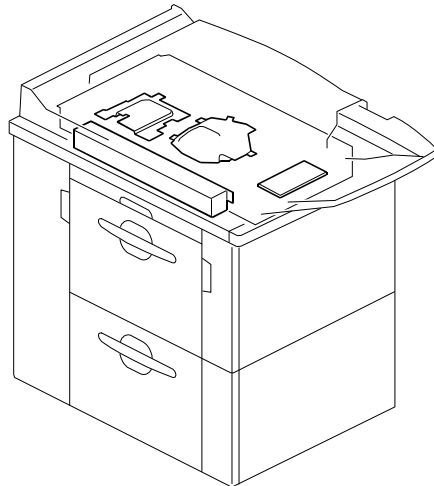
See Page 259

118. Optics Section 3 (D095)



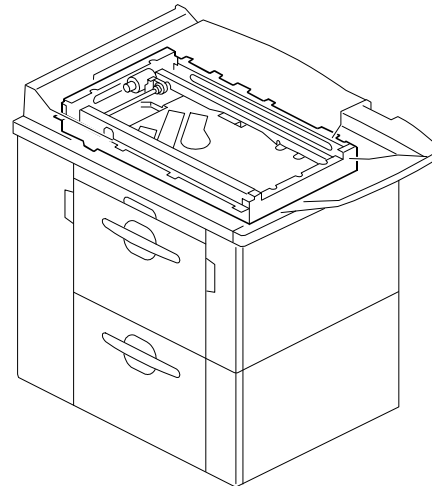
See Page 261

119. Optics Section 4 (D095)



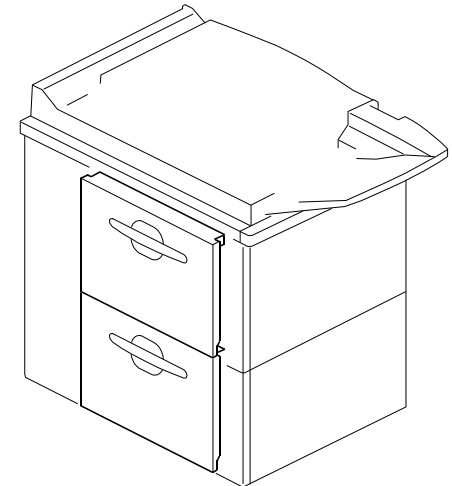
See Page 263

120. Optics Section 5 (D095)



See Page 265

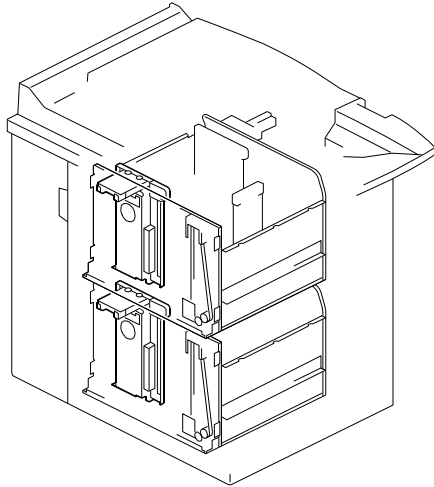
121. Paper Tray 1 (D095)



See Page 267

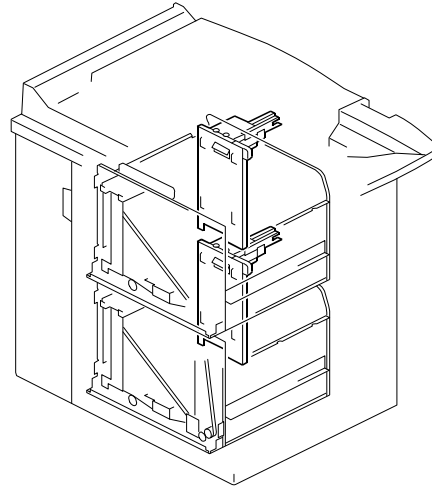
LOCATIONS OF UNITS

122. Paper Tray 2 (D095)



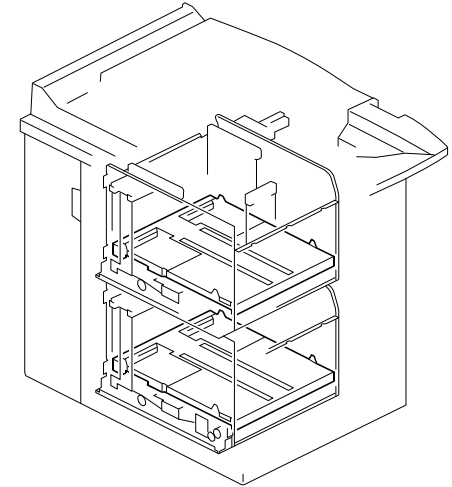
See Page 269

123. Paper Tray 3 (D095)



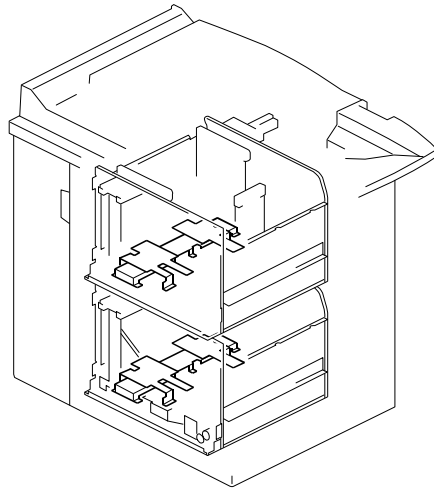
See Page 271

124. Paper Tray 4 (D095)



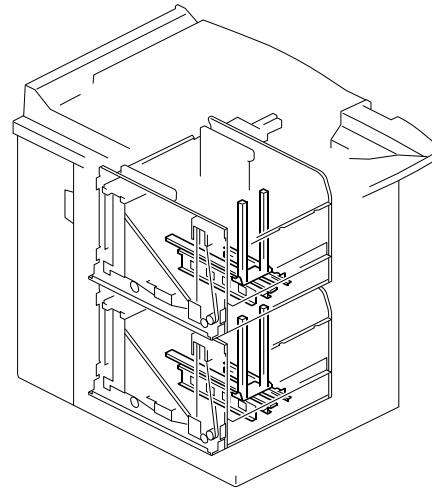
See Page 273

125. Paper Tray 5 (D095)



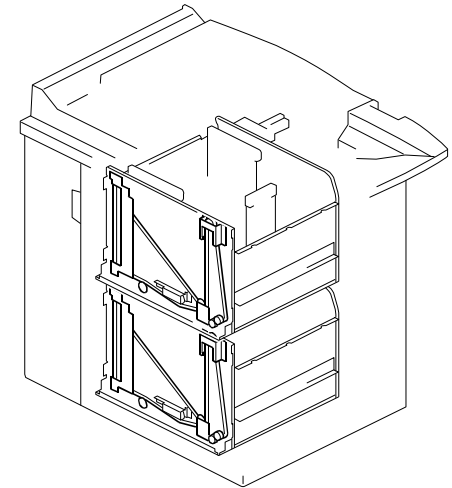
See Page 275

126. Paper Tray 6 (D095)



See Page 277

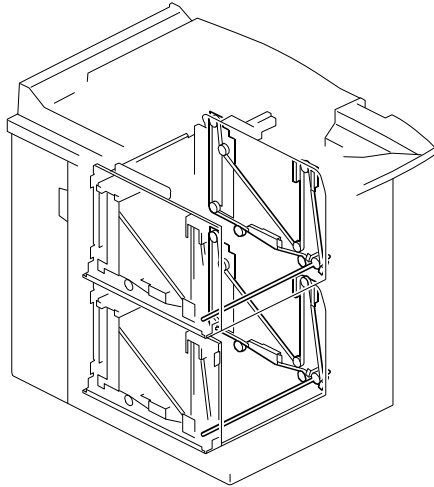
127. Paper Tray 7 (D095)



See Page 279

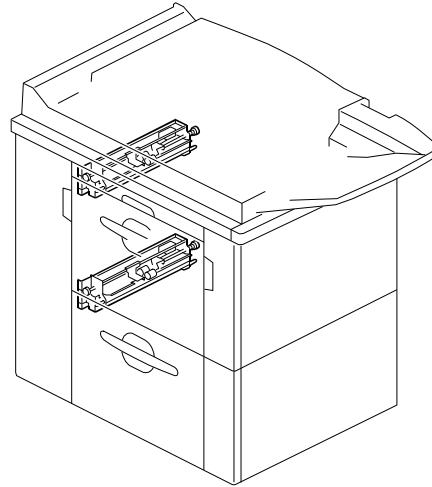
LOCATIONS OF UNITS

128. Paper Tray 8 (D095)



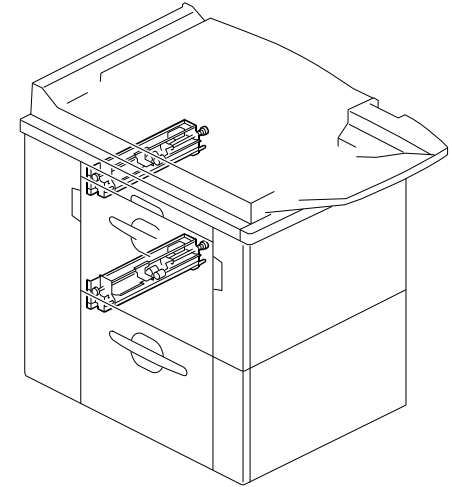
See Page 281

129. Paper Feed Section 1 (D095)



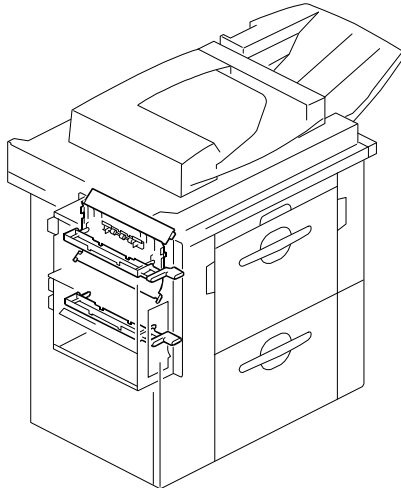
See Page 283

130. Paper Feed Section 2 (D095)



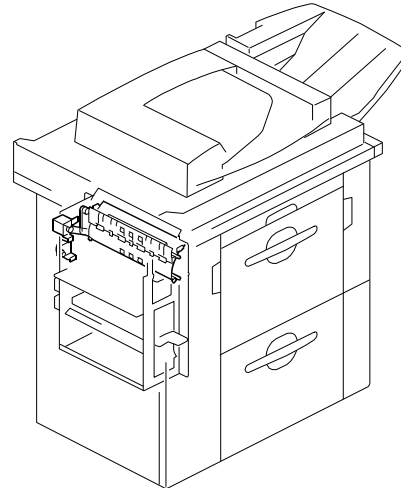
See Page 285

131. Transfer Section 1 (D095)



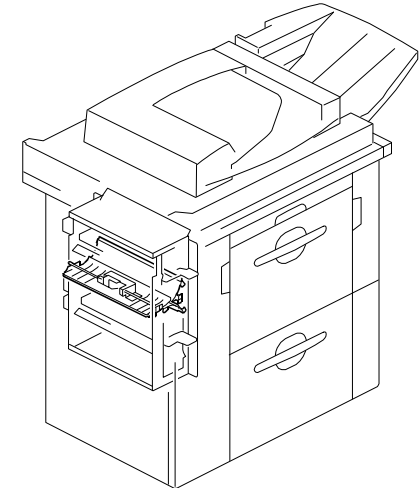
See Page 287

132. Transfer Section 2 (D095)



See Page 289

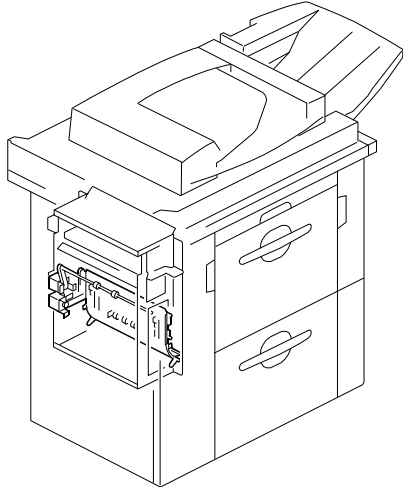
133. Transfer Section 3 (D095)



See Page 291

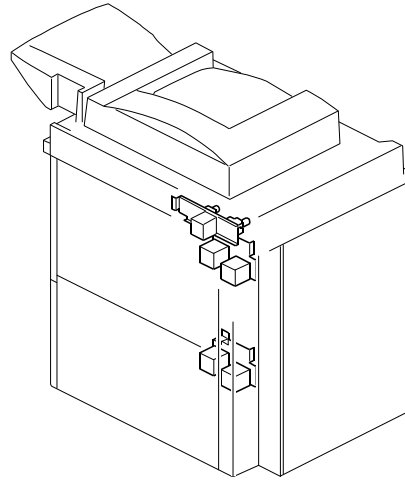
LOCATIONS OF UNITS

134. Transfer Section 4 (D095)



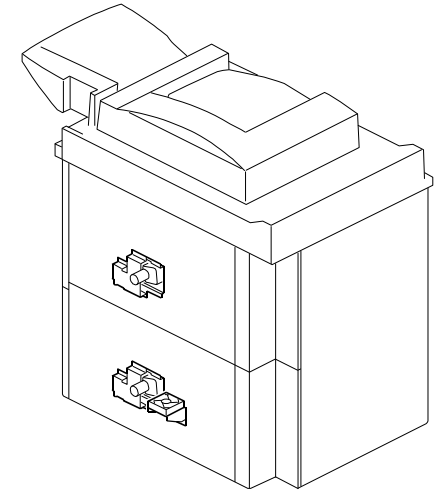
See Page 293

135. Drive Section 1 (D095)



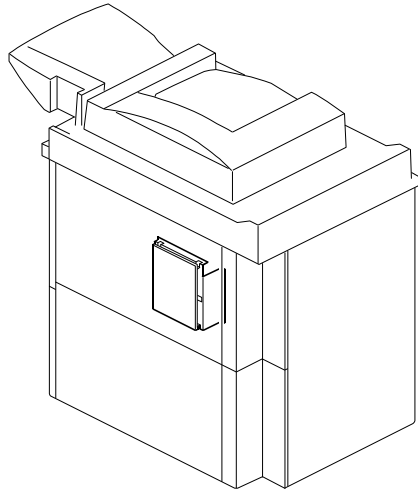
See Page 295

136. Drive Section 2 (D095)



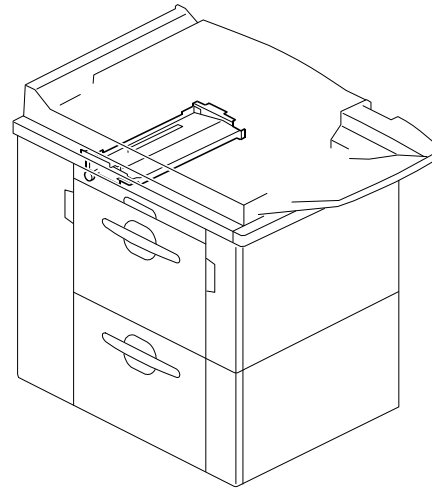
See Page 297

137. Electrical Section (D095)



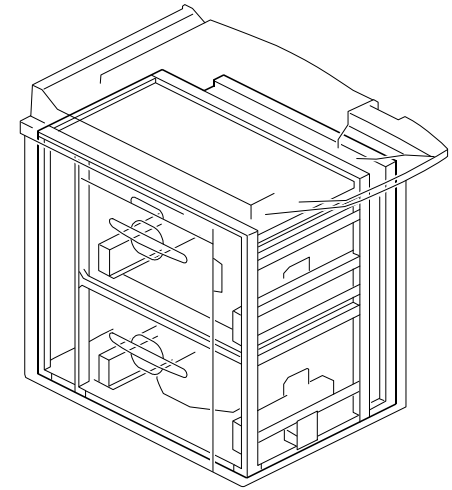
See Page 299

138. Frame Section 1 (D095)



See Page 301

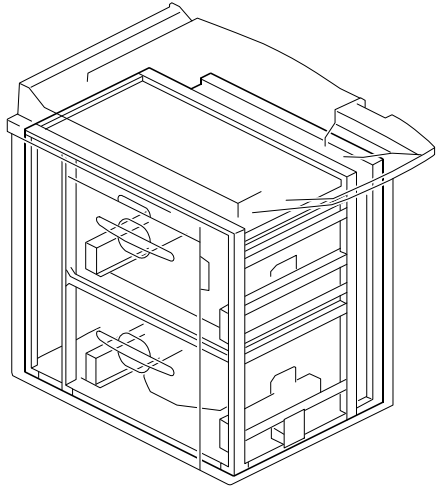
139. Frame Section 2 (D095)



See Page 303

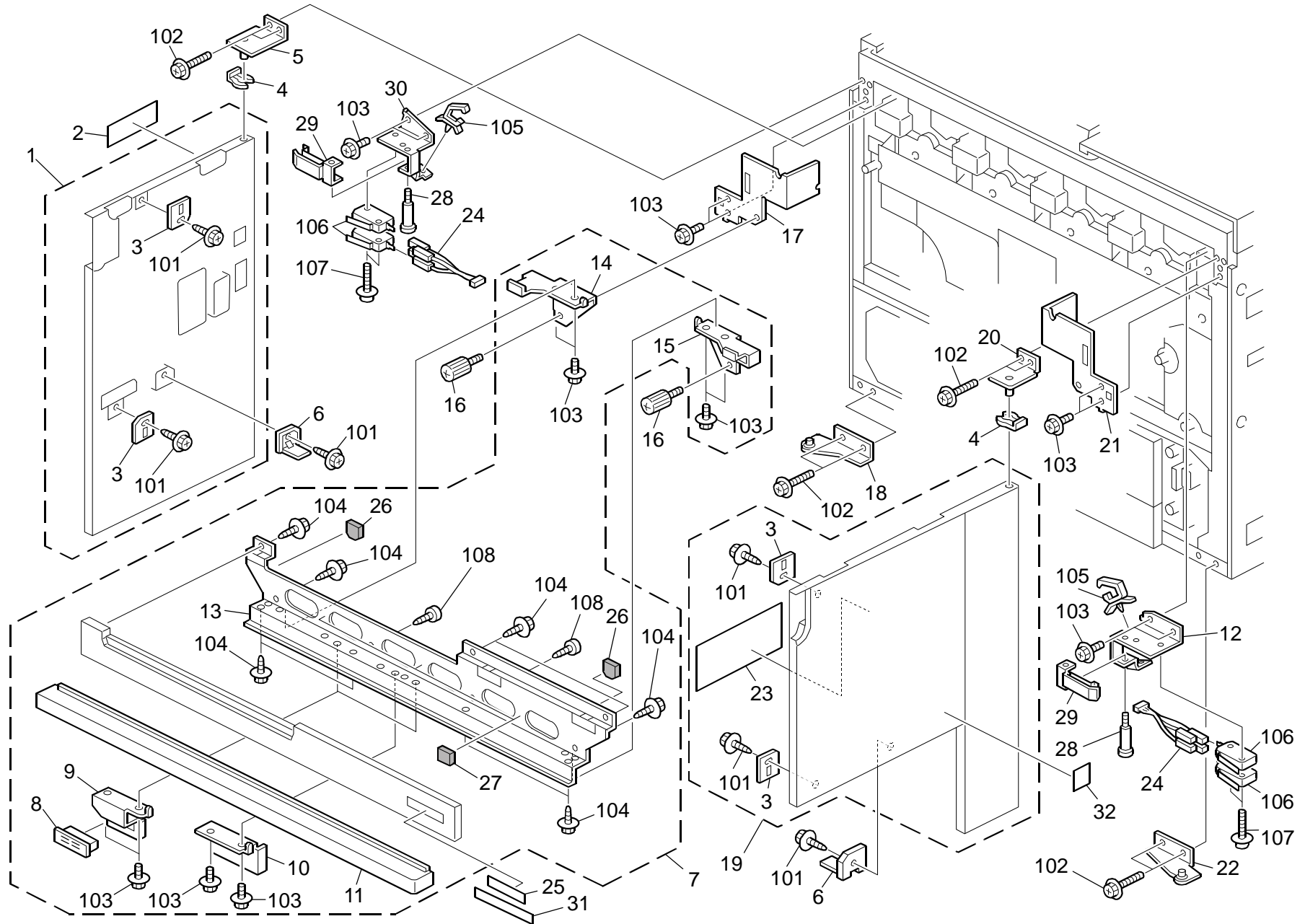
LOCATIONS OF UNITS

140. Frame Section 3 (D095)



See Page 305

1.Exterior 1 (D095/M077)

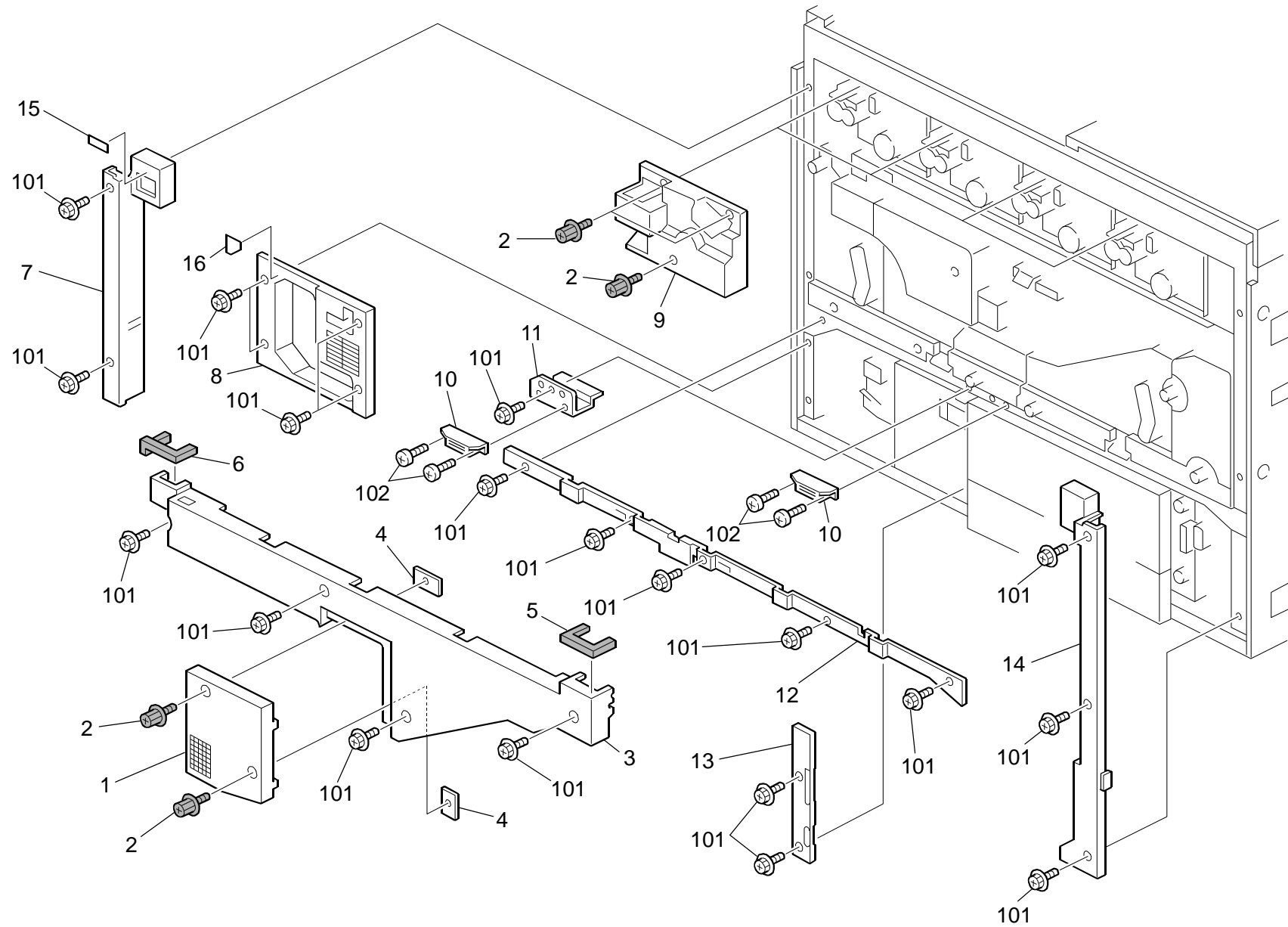


1.Exterior 1 (D095/M077)

Index No.	Part No.	Description	Q'ty Per Assembly
1	G178 1554	Door:Front Left	1
2	G178 1620	Panel:Logo:Printing:INF	1
3	G178 1553	Bracket:Door Catch	4
4	5447 2681	Snap Ring	2
5	G178 1560	Hinge:Door:Left Upper:Ass'y	1
6	B234 1293	Lever - Safety Switch	2
7	M077 1584	Cover:Upper Front:Ass'y	1
8	AG07 0007	Magnet Catch	2
9	G178 1608	Bracket:Door Catch:Upper Front	2
10	G178 1588	Stopper:Door:Upper	1
11	G178 1586	Cover:Upper Middle	1
12	G178 1606	Bracket:Safety Switch:Right	1
13	G178 1584	Bracket:Cover:Upper Middle:Ass'y	1
14	G178 1594	Stay:Cover:Upper Middle:Left	1
15	G178 1595	Stay:Cover:Upper Middle:Right	1
16	B714 3115	Knob Screw:Document Feeder:Fix	2
17	G178 1596	Guide Plate:Cover:Upper Front:Left	1
18	G178 1563	Hinge:Door:Left Lower:Ass'y	1
19	M077 1554	Door:Right Front:Ass'y	1
20	G178 1565	Hinge:Door:Right Upper:Ass'y	1
21	G178 1597	Guide Plate:Cover:Upper Front:Right	1
22	G178 1568	Hinge:Door:Right Lower:Ass'y	1
23	M077 1550	Decal:Main:Pick-up Paper Jam	1
24	G178 5893	Harness:Upper Front:Cover:Switch: Connecting	2
25	D046 4921	Panel:Logo:GES	1
25	D046 4924	Panel:Logo:Nashua	1
25	D046 4925	Panel:Logo:REX	1
25	D095 1658	Plate:Name Plate:C901s	1
25	M077 1658	Plate:Name Plate:C901	1
26	G178 1592	Cushion:Cover:Upper Front	2
27	G178 1582	Cushion:Cover:Upper Middle	3
28	AA14 3797	Connector Guide Pin	2
29	G178 1602	Arm:Safety Switch:Upper:Ass'y	2
30	G178 1601	Bracket:Safety Switch:Left	1

Index No.	Part No.	Description	Q'ty Per Assembly
31	M077 1651	Decal:Graphic Arts Edition	1
32	AA00 1477	Decal:Enerty-Star	1
101	0450 4010N	Tapping Screw:M4x10	
102	0451 4012N	Tapping Screw:4x12	
103	0451 4008N	Tapping Screw:4x8	
104	0450 4008N	Tapping Screw - M4x8	
105	1105 0516	Clamp	
106	1204 2521	Micro Switch	
107	0954 3025N	Screw:Polished Round/Spring:M3x25	
108	0452 4008N	Tapping Screw:M4x8	

2.Exterior 2 (D095/M077)

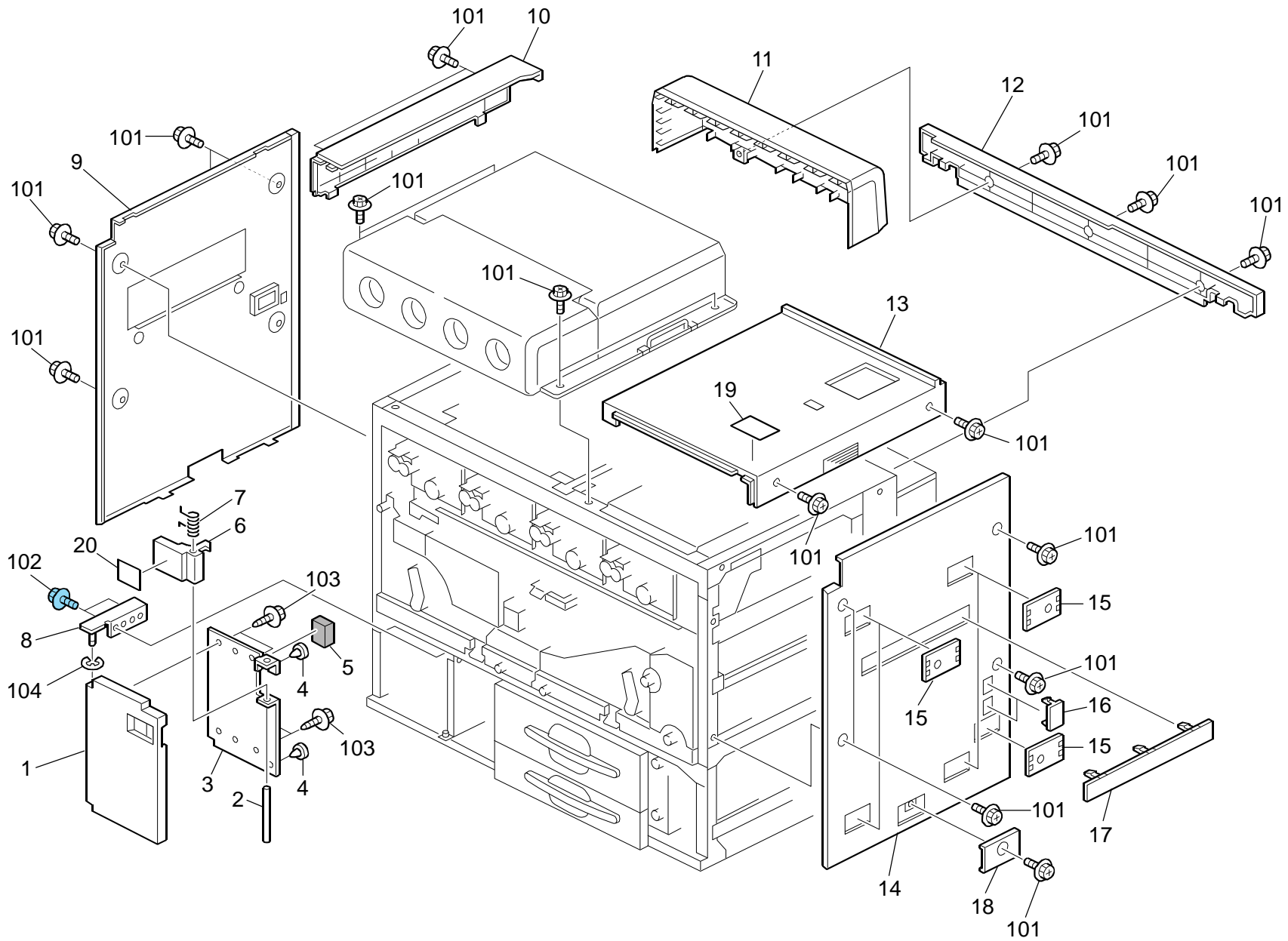


2.Exterior 2 (D095/M077)

Index No.	Part No.	Description	Q'ty Per Assembly
1	G178 6698	Inner Cover:Belt Cleaning	1
2	B234 2390	Flanged Hexagonal Head Bolt:M4x8	14
3	G178 6318	Inner Cover:Intermediate Transfer	1
4	G178 6309	Plate Nut:Inner Cover:1st Transfer	2
5	G178 6313	Seal:Inner Cover:1st Transfer:Right	1
6	G178 6335	Seal:Inner Cover:1st Transfer:Left	1
7	G178 1623	Inner Cover:Main:Left	1
8	M077 7270	Inner Cover:Duct:Left Lower	1
9	G178 3243	Inner Cover: Around The Photoconductor:Ass'y	4
10	AG07 0504	Magnet Catch:44.1n	2
11	G178 1571	Bracket:Door Catch:Front Left	1
12	G178 1621	Inner Cover:Main:Middle	1
13	G178 1624	Inner Cover:Main:Middle Lower	1
14	G178 1622	Inner Cover:Main:Right	1
15	G178 1626	Decal:Main Switch	1
16	G178 5077	Decal:E	1

Index No.	Part No.	Description	Q'ty Per Assembly
101	0451 4008N	Tapping Screw:4x8	
102	0314 0080N	Philips Pan Head Screw - M4x8	

3.Exterior 3 (D095/M077)

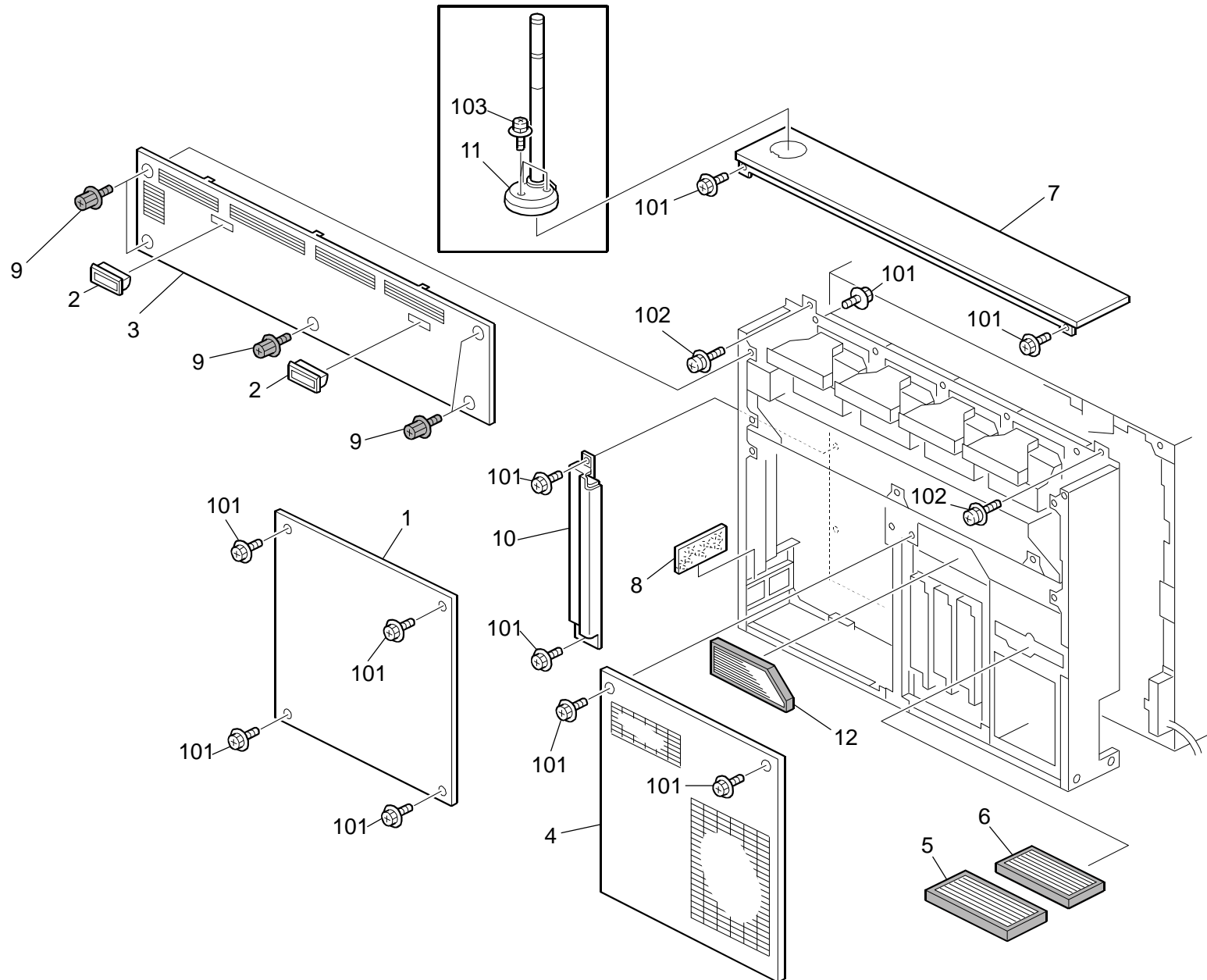


3.Exterior 3 (D095/M077)

Index No.	Part No.	Description	Q'ty Per Assembly
1	G178 6952	Cover:Front:Toner Collection	1
2	G178 7036	Shaft:Latch:Toner Collection	1
3	G178 7032	Cover:Latch:Toner Collection	1
4	G178 7667	Rubber Foot	2
5	G178 7034	Cushion:Collection Bottle	1
6	G178 7033	Door:Latch:Toner Collection	1
7	G178 7017	Spring:Latch	1
8	G178 7061	Stay:Door:Toner Collection	1
9	G178 1611	Cover:Main:Left:Ass'y	1
10	M077 1591	Cover:Upper:Left	1
11	G178 1649	Cover:Toner Supply:Rear	1
12	M077 1598	Cover:Upper:Rear	1
13	M077 1590	Cover:Upper:Right	1
14	G178 1628	Cover:Main:Right:Coat	1
15	B070 1312	Cap:Joint:Large Capacity Tray	5
16	B065 1341	Connector Cap	2
17	B234 1313	Cover - Large Capacity Tray	1
18	G178 1616	Cover:Connector:LCT:Coat	1
19	B132 1562	Decal - Inkjet:Paper	1
20	G178 7814	Decal:Collection Bottle:Door	1

Index No.	Part No.	Description	Q'ty Per Assembly
101	0451 4008N	Tapping Screw:4x8	
102	0454 4008Q	Tapping Screw - M4x8	
103	0450 4010N	Tapping Screw:M4x10	
104	0720 0040E	Retaining Ring - M4	

4.Exterior 4 (D095/M077)

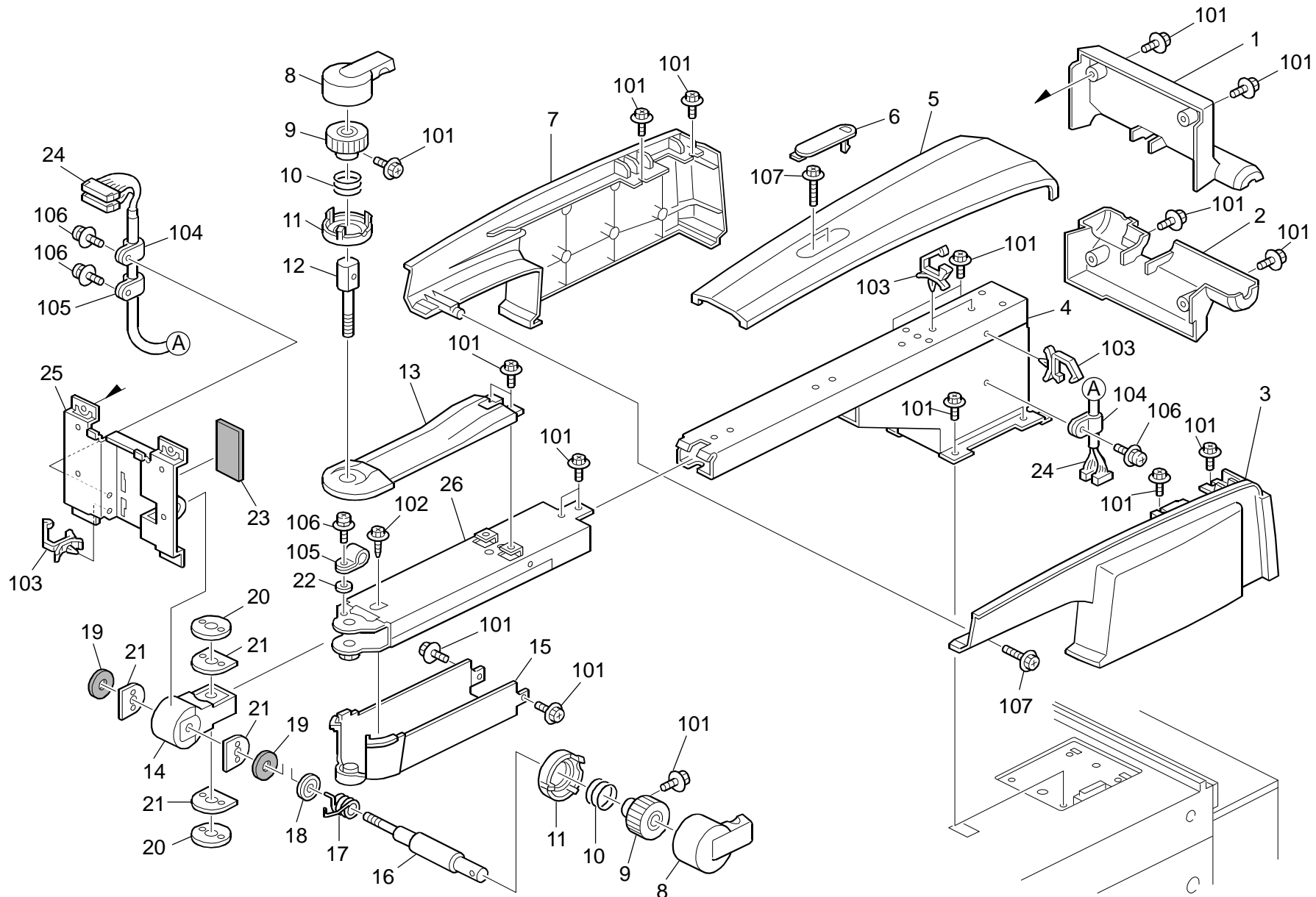


4.Exterior 4 (D095/M077)

Index No.	Part No.	Description	Q'ty Per Assembly
1	M064 1672	Cover:Control Unit:Left Lower:Coat	1
2	G178 1676	Grip:Cover:Control Unit	1
3	G178 1670	Cover:Control Unit:Rear Upper:Coat	1
4	M077 1143	Cover:Control Unit:Right Lower:Sub-ass'y	1
5	G178 7306	Ozone Filter:SCA-750/950	1
6	G178 7290	Ozone Filter:Fusing	1
7	M077 1165	Cover:Control Unit:Upper:Coat	1
8	G178 7239	Filter:Entrance	1
9	B234 2390	Flanged Hexagonal Head Bolt:M4x8	1
10	G178 1197	Cover:C/T Box:Interface	1
11	M077 1860	Tube Type Lamp:Ass'y	1
12	M077 7272	Ozone Filter:SCA-750/750:Middle	1

Index No.	Part No.	Description	Q'ty Per Assembly
101	0451 4008N	Tapping Screw:4x8	
102	0954 5014N	Screw - M5x14	
103	0954 3008N	Screw - M3x8	

5.Operation Panel 1 (D095/M077)

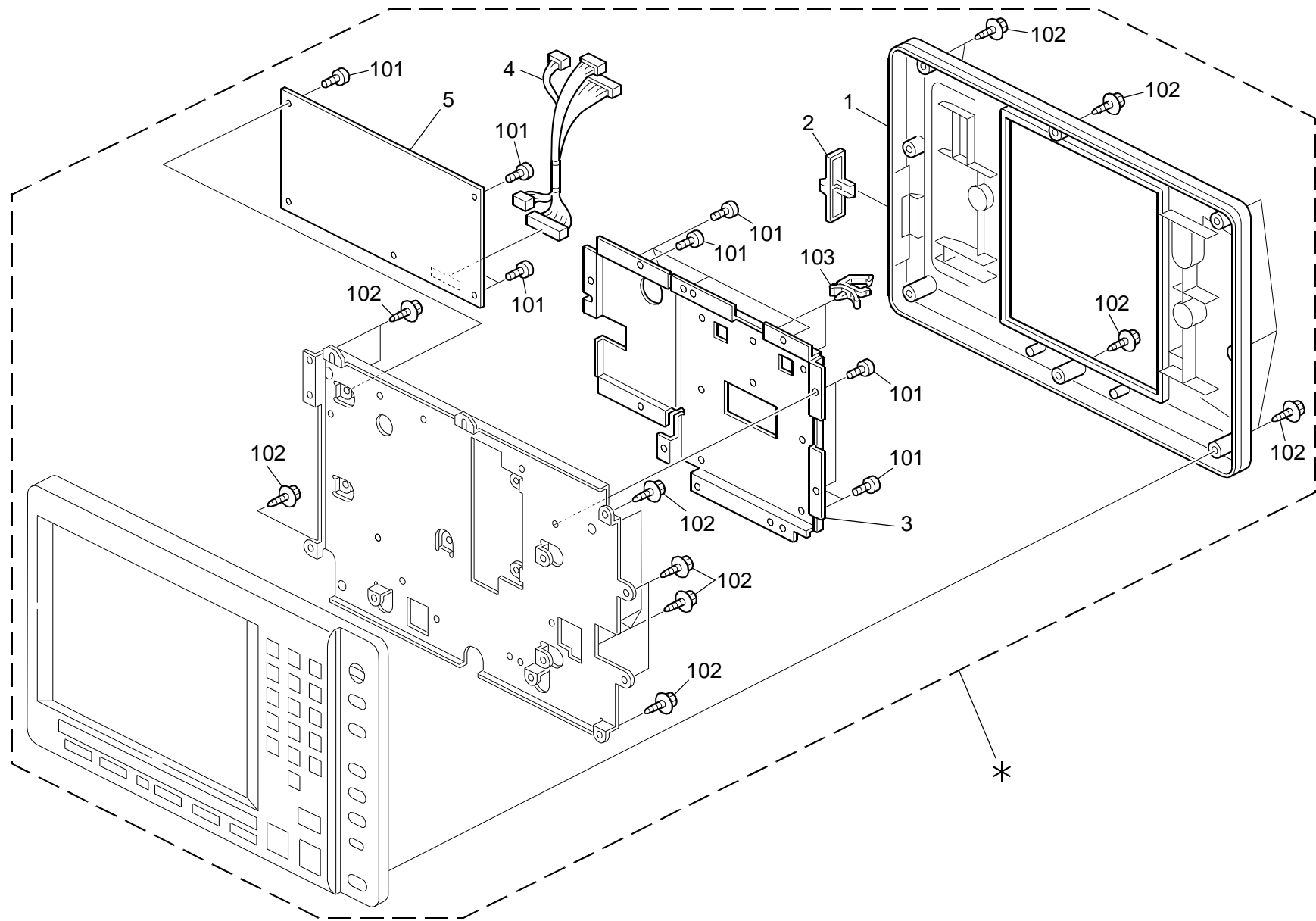


5.Operation Panel 1 (D095/M077)

Index No.	Part No.	Description	Q'ty Per Assembly
1	M077 1696	Cover:Operation Sub-unit:Panel:Upper:1.5	1
2	M077 1697	Cover:Operation Sub-unit:Panel:Lower:1.5	1
3	M077 1690	Cover:Operation Sub-unit:Left:1.5	1
4	G178 1786	Arm:Operation Sub-unit:Welding	1
5	M077 1694	Cover:Operation Sub-unit:Upper:1.5	1
6	M077 1687	Cover:Operation Sub-unit:Upper:Small:1.5	1
7	M077 1691	Cover:Operation Sub-unit:Right:1.5	1
8	M077 1681	Handle:Operation Sub-unit:Upper:1.5	2
9	G178 1699	Knob:Operation Sub-unit	2
10	G178 1682	Coil Spring:OPERATION PANEL:HANDLE	2
11	M077 1685	Handle:Operation Sub-unit:Lower:1.5	2
12	G178 1771	Shaft:Knob:Arm:Small	1
13	M077 1692	Cover:Operation Sub-unit:Arm:Upper:1.5	1
14	M077 1759	Shaft:Turn:1.5	1
15	M077 1695	Cover:Operation Sub-unit:Arm:Lower:1.5	1
16	G178 1722	Shaft:Knob:Operation Sub-unit	1
17	G178 1678	Spring:Balancer:Cover:Operation Sub-unit	1
18	G178 1689	Stay:Operation Sub-unit:Washer	1
19	G178 1757	Bracket Shoe:Operation Sub-unit	2
20	G178 1762	Stay:Turn	2
21	G178 1686	Holder:Fix	4
22	G178 1769	Washer:M4	1
23	G178 1655	Brake:Turn:Upper Lower	1
24	M077 5520	Harness:IPU-OPU:I/F:No.2	1
25	G178 1773	Arm:Turn:Upper Lower:Welding	1
26	G178 1774	Arm:Turn:Left And Right:Welding	1

Index No.	Part No.	Description	Q'ty Per Assembly
101	0451 4008N	Tapping Screw:4x8	
102	0450 4010N	Tapping Screw:M4x10	
103	1105 0487	Harness Clamp	
104	1105 0529	Nylon Clamp-EMT-3N	
105	1105 0009	Nylon Clamp - 5N	
106	0954 4012N	Screw:Polished Round/Spring:M4x12	
107	0451 4012N	Tapping Screw:4x12	

6.Operation Panel 2 (D095/M077)

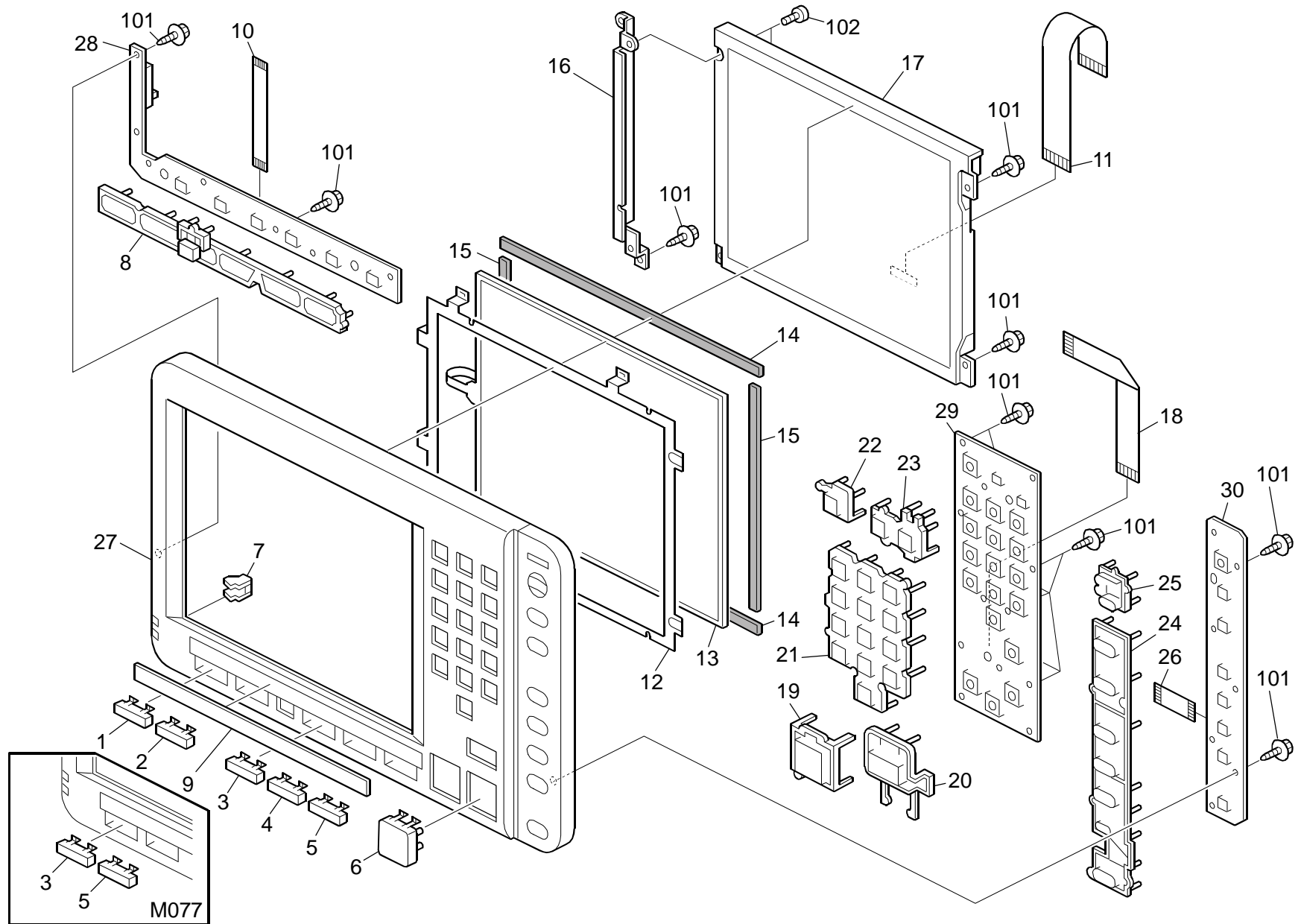


6.Operation Panel 2 (D095/M077)

Index No.	Part No.	Description	Q'ty Per Assembly
*	D095 1765	Operation Panel:NA (D095)	1
*	D095 1766	Operation Panel:EU/AA (D095)	1
*	M077 1855	Operation Panel:NA (M077)	1
*	M077 1856	Operation Panel:EU/AA (M077)	1
1	M077 1765	Cover:Rear	1
2	M077 1766	Knob:Variable Resistor	1
3	M077 1785	Bracket:Stay:Arm	1
4	M077 1835	Harness:Operation Sub-unit: Ipu-led:Connecting	1
5	M077 6341	PCB:OPU:NA:M077	1
5	M077 6342	PCB:OPU:EU/AA:M077	1
5	M077 6352	PCB:OPU:EU/AA:D095	1
6	M077 1784	Back Plate:OPU	1
7	D095 1757	Cover:Front:C:NA (D095)	1
7	D095 1761	Cover:Front:C:EU/AA (D095)	1
7	M077 1786	Cover:Front:P:NA (M077)	1
7	M077 1791	Cover:Front:P:EU/AA (M077)	1

Index No.	Part No.	Description	Q'ty Per Assembly
101	0353 0060N	Bind Screw - M3x6	
102	0450 3010N	Tapping Screw - M3x10	
103	1105 0582	Clamp:RBWS-0510D-V0	

7.Operation Panel 3 (D095/M077)

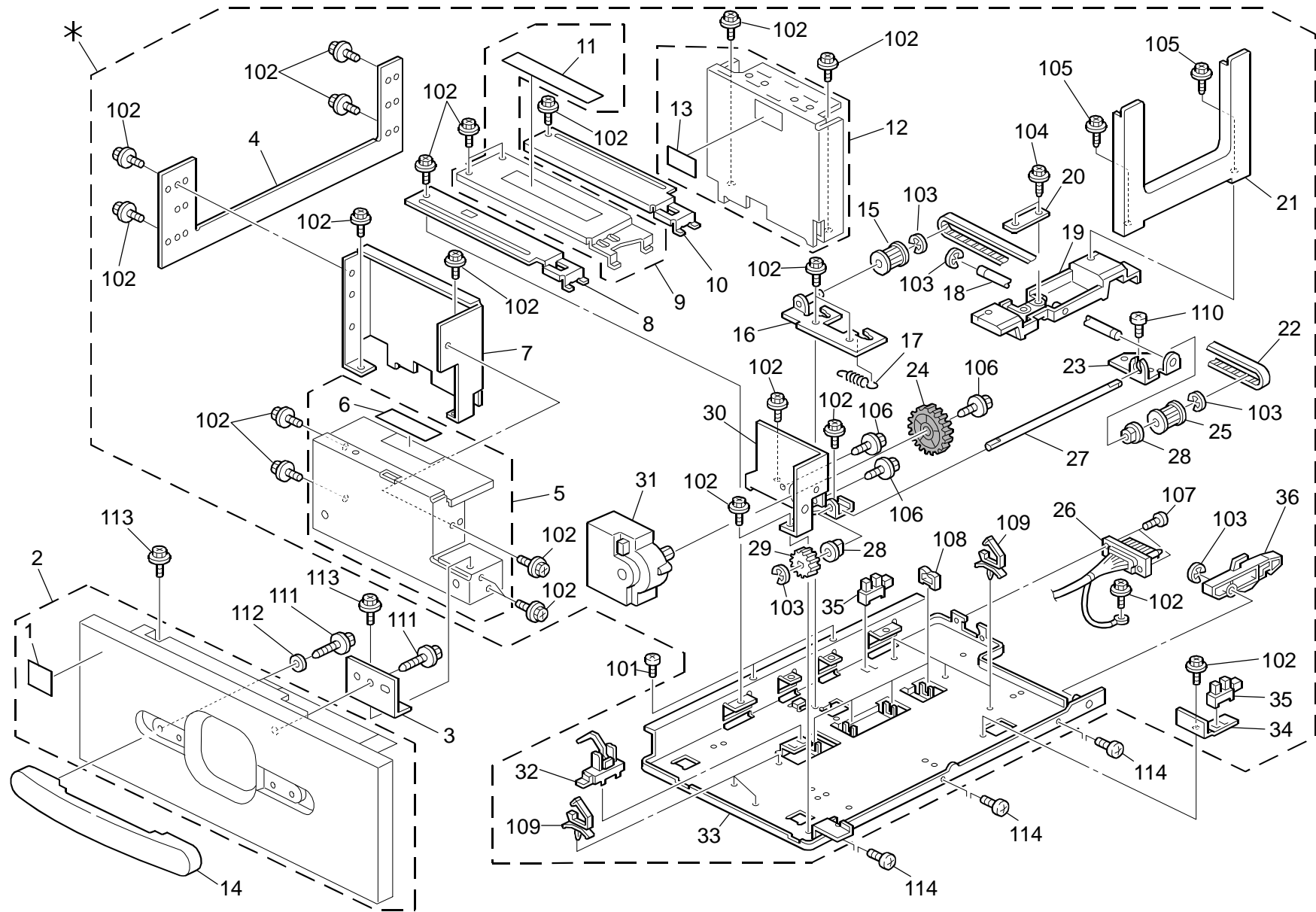


7.Operation Panel 3 (D095/M077)

Index No.	Part No.	Description	Q'ty Per Assembly
1	D095 1771	Keytop:Copy (D095)	1
2	D095 1772	Keytop:Doc (D095)	1
3	M077 1774	Keytop:Printer (M077)	1
4	D095 1773	Keytop:Scanner (D095)	1
5	M077 1778	Keytop:Blank	1
6	M077 1767	Keytop:Start	1
7	M077 1781	Lens:Input	1
8	D095 1787	Keytop:Reservation:Spacer (D095)	1
8	M077 1772	Spacer:Application:P (M077)	1
9	M077 1780	Plate:Application (EU)	1
9	M077 1790	Plate:Application:P:NA (M077)	1
10	M077 1827	Cable:FFC:OPU:Key-Appli	1
11	M077 1828	Cable:FFC:OPU:LCD	1
12	M077 1783	Shadeing Plate:Touch Panel	1
13	M077 1800	Touch Panel:10.4inch	1
14	B234 1542	Spacer - Touch Panel L	2
15	B234 1543	Spacer - Touch Panel S	2
16	M077 1782	Bracket:LCD	1
17	M077 1810	LCD:10.4SVGA-LED	1
18	M077 1826	Cable:FFC:OPU:Key-Main	1
19	D095 1789	Keytop:Stop	1
20	D095 1788	Keytop:Try Print	1
20	M077 1773	Spacer:Start:P	1
21	M077 1768	Keytop:10key	1
22	M077 1789	Keytop:Reset Switch:EXP	1
23	D095 1790	Keytop:Interrupt	1
24	D095 1786	Keytop:Option:C	1
24	M077 1771	Keytop:Option:P	1
25	M077 1770	Keytop:Power Source	1
26	M077 1829	Cable:FFC:Key-Main:Key-Sub	1

Index No.	Part No.	Description	Q'ty Per Assembly
101	0450 3010N	Tapping Screw - M3x10	
102	0353 0060N	Bind Screw - M3x6	

8.Tandem Tray 1 (D095/M077)

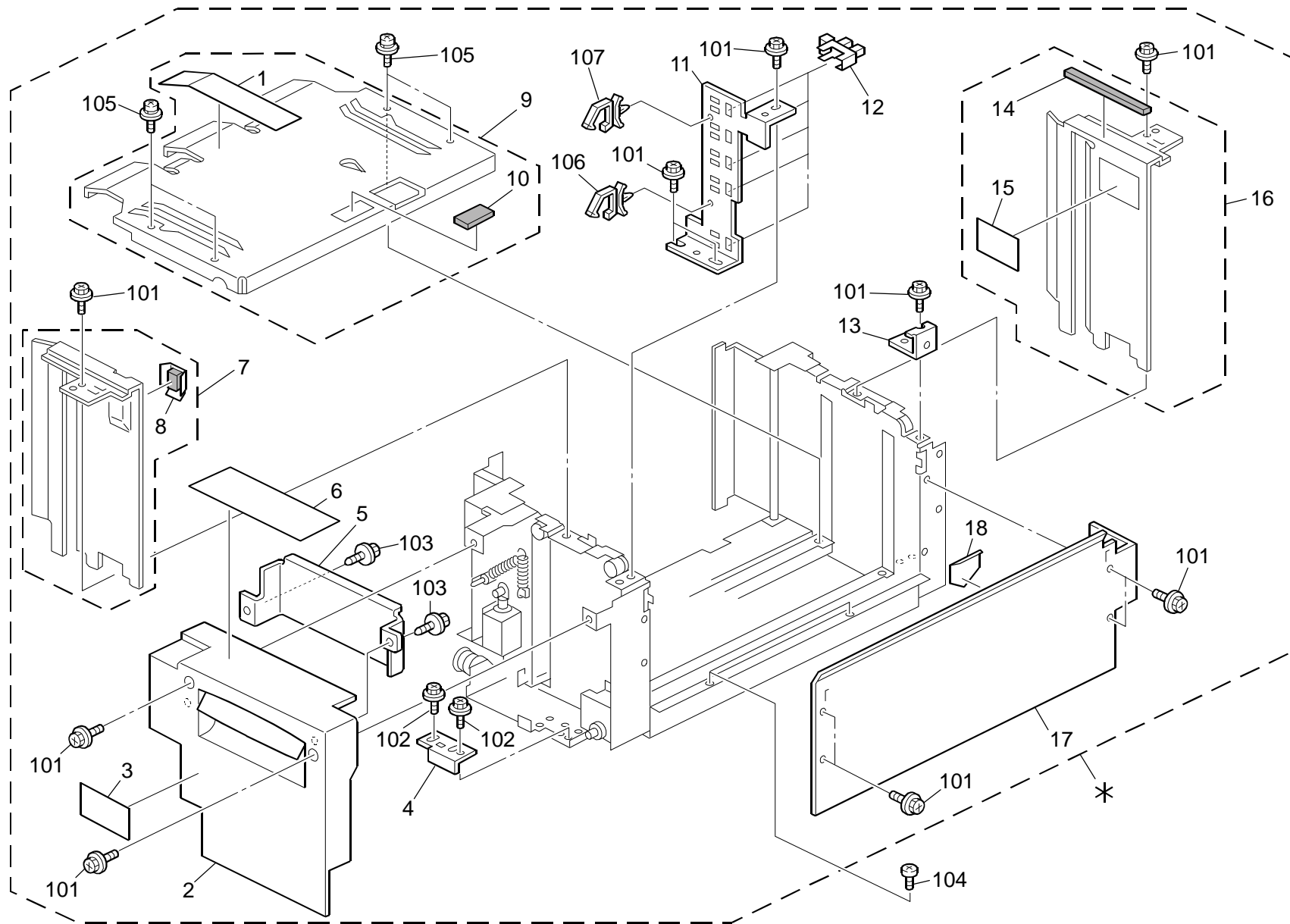


8.Tandem Tray 1 (D095/M077)

Index No.	Part No.	Description	Q'ty Per Assembly
*	B234 6611	Tandem LCT Unit - Left DOM	1
1	G178 2962	Decal:Tray:Design Sketch1	1
2	G178 2965	Cover:Tandem Tray:Decal:Adhesion	1
3	G178 2978	Bracket:Cover:Tandem LCT	1
4	A294 6645	Left Side Plate	1
5	B070 6516	Bracket:Cover:Tandem Lct:Ass'y	1
6	B065 6846	Decal - Paper Set - Left	1
7	A294 6643	Left Front Fence	1
8	B234 7540	Tray Bottom Plate:Left Front	1
9	B098 6639	Tray Bottom Plate:Left Middle:Ass'y	1
10	B132 7541	Tray Bottom Plate:Left Rear	1
11	A096 6678	Decal - Left Paper Set	1
12	A294 6630	Left Rear Fence	1
13	AA00 1508	Decal:Side Fence:40x30	1
14	G178 2942	Grip:Front:Paper Tray	1
15	AB03 3085	Timing Pulley - 15T	1
16	B247 6951	Bracket:Pulley:Driven:Ass'y	1
17	AA06 0987	Tension Spring:Timing Belt:10n	1
18	B247 6950	Shaft:Slider:Back Fence	1
19	B132 7564	Slider:Back Fence:Left	1
20	B065 6823	Timing Belt Cover	1
21	B132 7561	Back Fence:Left	1
22	AA04 3271	Timing Belt S3m 196t	1
23	B065 6830	Pulley Bracket	1
24	AB01 9475	Gear - 48T	1
25	AB03 3084	Timing Pulley - 15T	1
26	B070 5473	DC Harness - Left	1
27	AA14 0686	Shaft - Timing Pulley	1
28	5053 0447	Bushing - 6mm	2
29	AB01 3798	Gear - Z18	1
30	B070 6666	Left DC Motor Bracket	1
31	AX04 0145	DC Motor:Tandem LCT	1
32	AW02 0163	Paper Feed Sensor	1
33	B247 6970	Base:Tandem Lct:Left:Ass'y	1
34	B065 6831	Sensor Bracket	1

Index No.	Part No.	Description	Q'ty Per Assembly
35	AW02 0145	Photointerruptor:Flat	2
36	A248 6615	Coupling Lever - Left	1
101	0354 0040N	Screw-M4x4	
102	0451 4006N	Tapping Screw - 4x6	
103	0720 0040E	Retaining Ring - M4	
104	0450 4008N	Tapping Screw - M4x8	
105	0450 4010N	Tapping Screw:M4x10	
106	0450 3008N	Tapping Screw - M3x8	
107	0313 0080N	Pan Head Screw:M3x8	
108	1105 0328	Harness Clamp - ES-0505	
109	1105 0516	Clamp	
110	0453 4006N	Binding Self Tapping Screw:4x6	
111	0456 4012N	Tapping Screw:Wp:4x12	
112	0701 0040N	Washer:Dia4	
113	0451 4008N	Tapping Screw:4x8	
114	0314 0060N	Screw - M4x6	

9.Tandem Tray 2 (D095/M077)

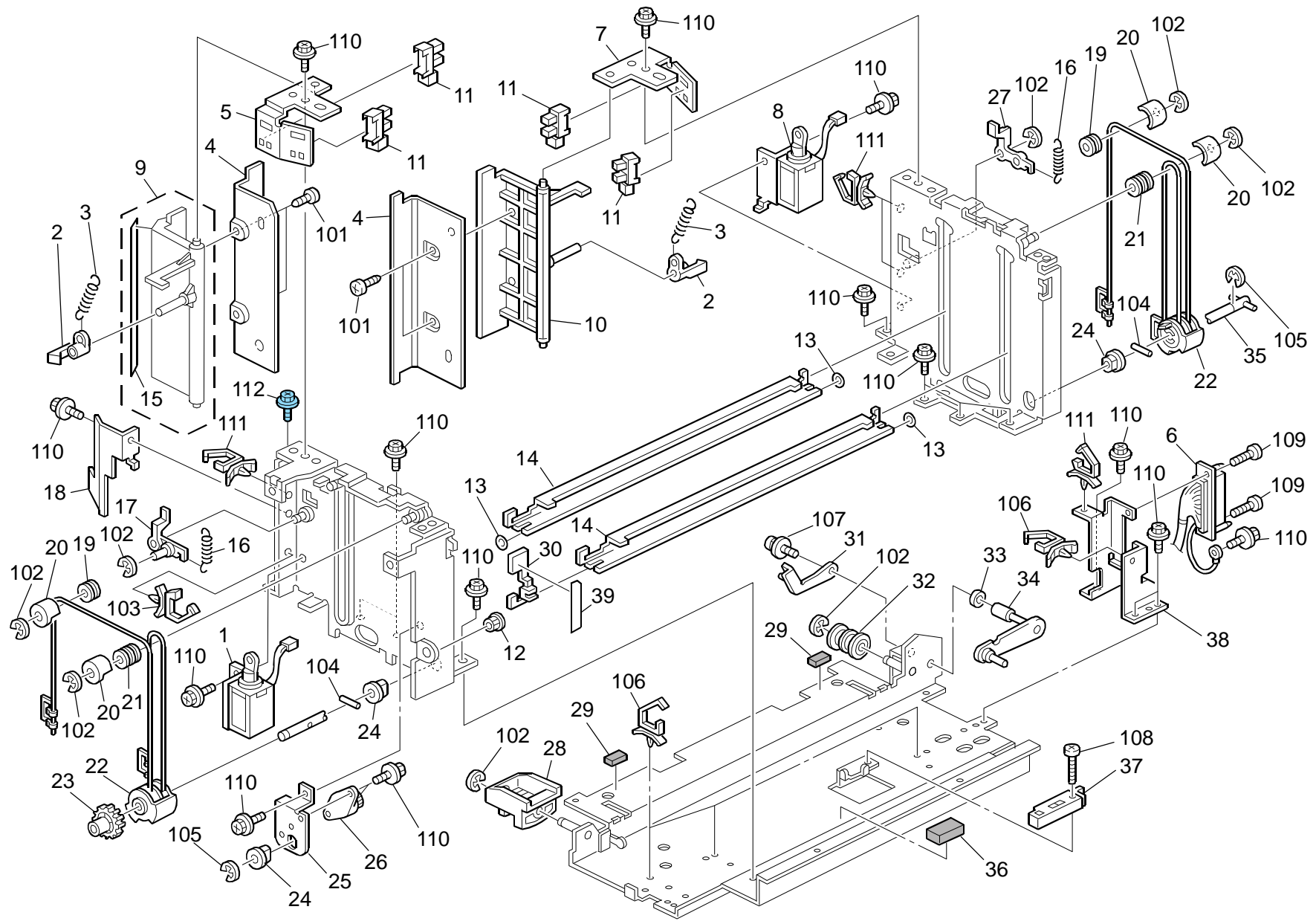


9.Tandem Tray 2 (D095/M077)

Index No.	Part No.	Description	Q'ty Per Assembly
*	M077 2945	Tandem Lct:Right:NA:Ass'y	1
*	M077 2941	Tandem Lct:Right:EU/AA:Ass'y	1
1	A096 6677	Decal - Right Paper Set	1
2	B132 7586	Inner Cover:Tandem LCT	1
3	D062 6878	Decal:Caution Chart:Tandem LCT	1
4	B065 6859	Right Stopper	1
5	B065 6875	Protection -inner Cover	1
6	B065 6877	Decal - Paper Set - Right	1
7	B234 6686	Side Fence - Right Front	1
8	D059 6690	Plate:Paper:Ass'y	1
9	B234 6680	Base:Tandem LCT:Right:Adhesion	1
10	5201 2858	Friction Pad	1
11	B234 6606	Sensor Bracket	1
12	AW02 0145	Photointerruptor:Flat	5
13	B247 6695	Guide:Misfeed Removal:Paper Tray	1
14	B475 6855	Shield:Tandem Lct:Rear Right	1
15	AA00 1509	Decal:Side Fence:16x30	1
16	B234 6691	Side Fence:Tandem Lct:Right:Ass'y	1
17	B234 6667	Side Plate - Side	1
18	G178 2979	Guide:Middle:Paper Tray	1

Index No.	Part No.	Description	Q'ty Per Assembly
101	0451 4008N	Tapping Screw:4x8	
102	0451 4006N	Tapping Screw - 4x6	
103	0450 4008N	Tapping Screw - M4x8	
104	0354 0040N	Screw-M4x4	
105	0951 4006N	Screw:Polished Round:M4x6	
106	1105 0488	Harness Clamp	
107	1105 0534	Clamp	

10.Tandem Tray 3 (D095/M077)

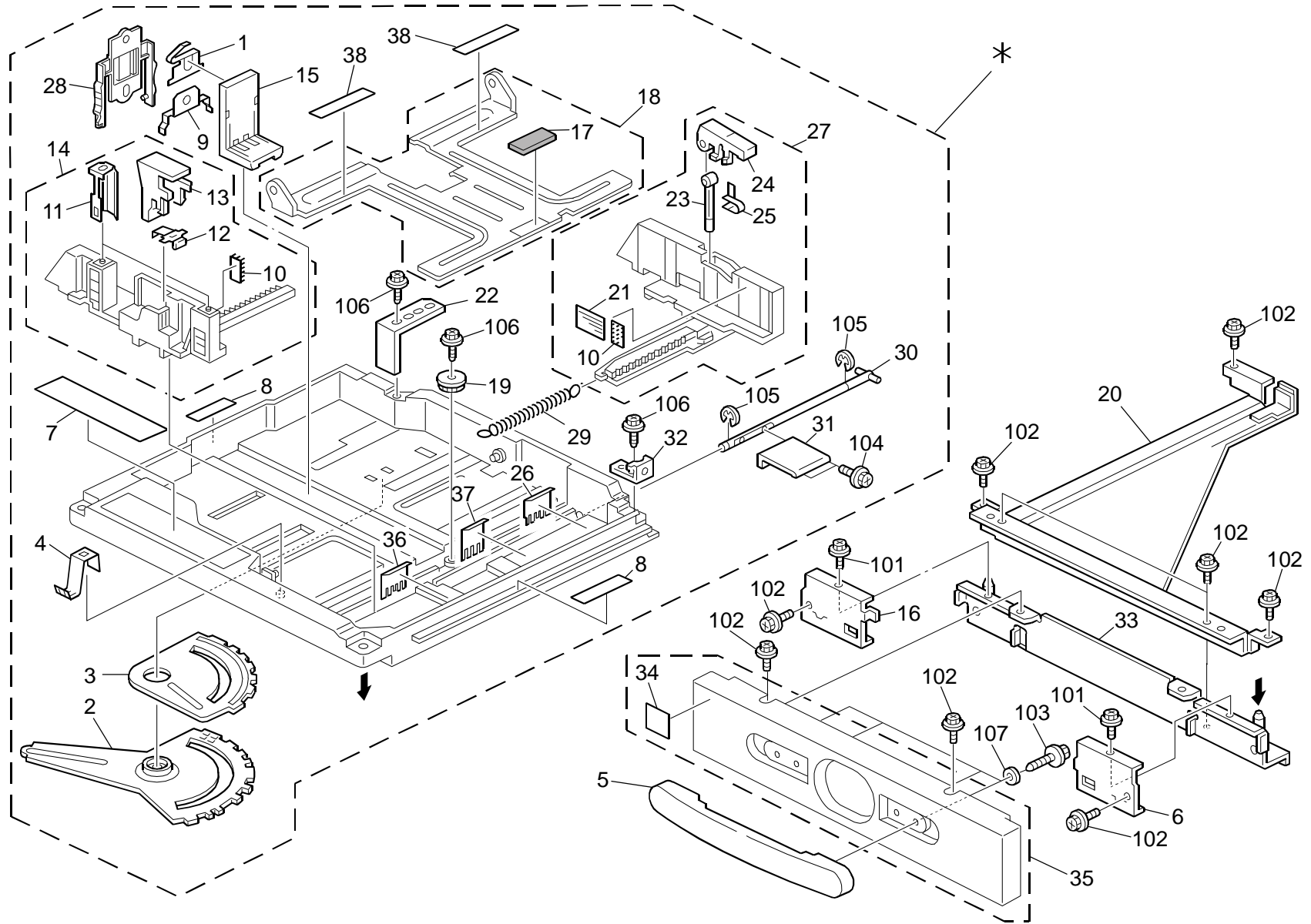


10.Tandem Tray 3 (D095/M077)

Index No.	Part No.	Description	Q'ty Per Assembly
1	B132 7547	DC Solenoid:End Fence:Front:Ass'y	1
2	A248 6713	Hook - Tension Spring	2
3	AA06 0757	Tension Spring - Long	2
4	B234 6630	Guide Plate - End Fence	2
5	D014 6626	Bracket:On Off Detector:Front	1
6	B234 5673	Harness - Tandem LCT Right	1
7	D014 6627	Bracket:On Off Detector:Rear	1
8	B132 7571	DC Solenoid:End Fence:Rear:Ass'y	1
9	B234 6612	End Fence - Front	1
10	B234 6625	End Fence - Rear	1
11	AW02 0145	Photointerruptor:Flat	4
12	B234 6141	Positioning Sleeve - Inner Back	1
13	A248 6694	Wire Ring	3
14	B065 6870	Stay -rightbase	2
15	A294 6713	Shield - Front Side Fence	1
16	AA06 0758	Tension Spring - Short	2
17	B070 6683	Lever:Release:Front	1
18	B070 6667	End Fence Cover Front	1
19	AB03 2058	Wire Pulley - M10	2
20	A248 6695	Guide - Pulley	4
21	AB03 2719	Pulley - M10	2
22	B132 7550	Cover:Pulley:Drive Were	2
23	AB01 3781	Gear - 30Z	1
24	5053 0223	Bushing - 8mm	3
25	B065 6872	Oil Damper Bracket	1
26	B247 6901	Oil Damper:Fall	1
27	B070 6684	Lever:Release:Rear	1
28	A294 6655	Front Roller - Slide Rail	1
29	AA16 1130	Cushion - Small	2
30	A294 6690	Feeler - Paper Height Sensor	1
31	B065 6864	Small Lever	1
32	AF02 2105	Roller - Slide Rail	1
33	AA13 2203	Spacer - 6mm	1
34	B065 6862	Large Lever	1
35	A248 6687	Right Drive Shaft	1

Index No.	Part No.	Description	Q'ty Per Assembly
36	AA16 1129	Cushion - Large	1
37	AW01 0113	Sensor	1
38	B132 7575	Bracket:Connector:Tandem LCT	1
39	B065 6717	Paper Volume Shield Plate	1
101	0452 3006N	Binding Self-tapping Screw:3x6	
102	0720 0040E	Retaining Ring - M4	
103	1105 0511	Harness Clamp - LWS-0306ZC	
104	0633 0200G	Pin - M3x20	
105	0720 0060E	Retaining Ring - M6	
106	1105 0488	Harness Clamp	
107	0951 3006N	Screw - M3x6	
108	0313 0120N	Pan Head Screw:M3x12	
109	0313 0080N	Pan Head Screw:M3x8	
110	0451 4008N	Tapping Screw:4x8	
111	1105 0534	Clamp	
112	0454 4008Q	Tapping Screw - M4x8	

11. Universal Tray (D095/M077)

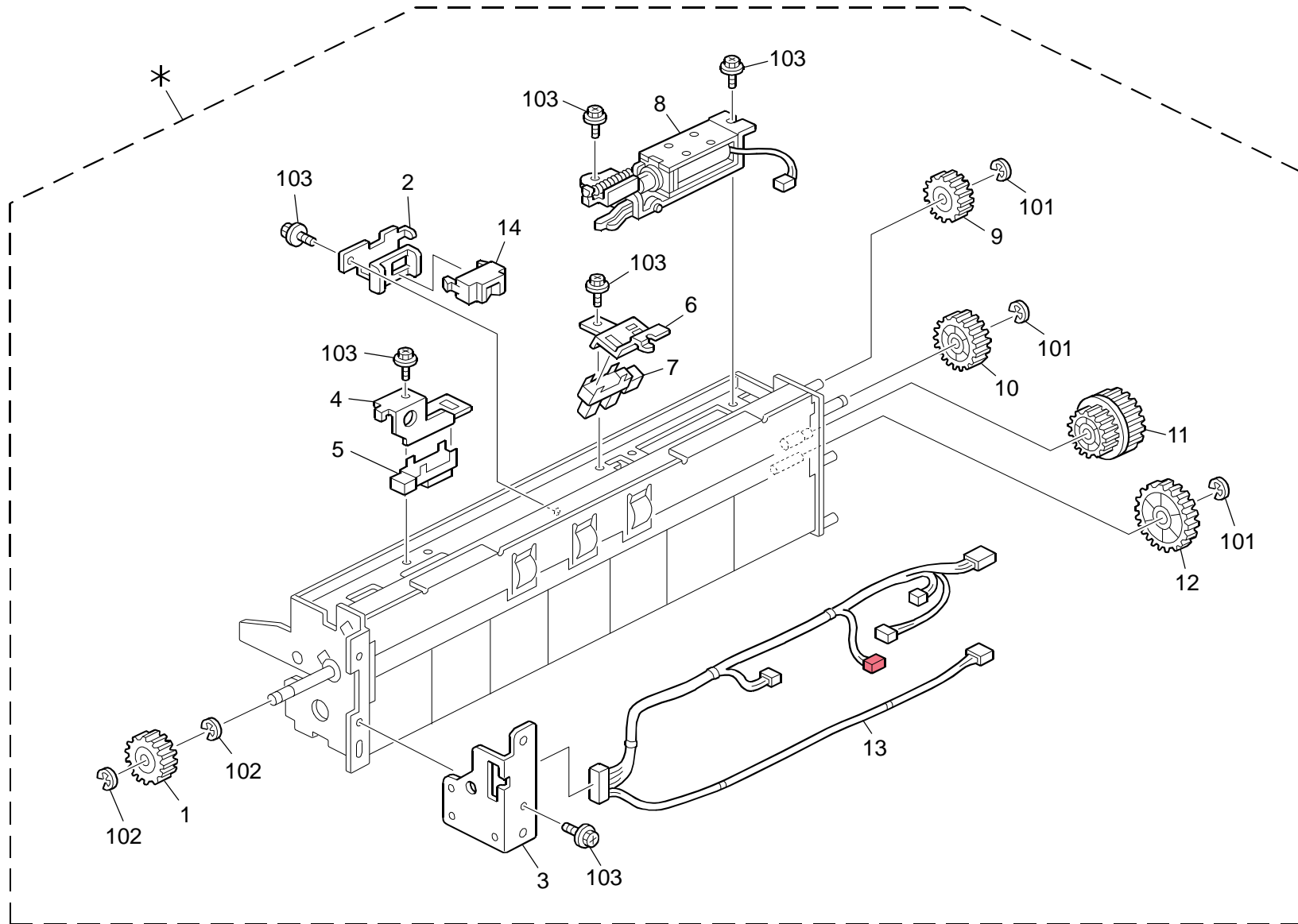


11.Universal Tray (D095/M077)

Index No.	Part No.	Description	Q'ty Per Assembly
*	B234 6771	Paper Tray:Universal:DOM:Ass'y	1
1	D014 6785	Spring Plate:Arm:End Fence:Lock	1
2	B181 6780	Link:End Fence:Paper Size Sensor:Ass'y	1
3	B181 6789	Link:Side Fence:Paper Size Sensor	1
4	B132 6798	Spring Plate:Paper Tray:Earth	1
5	G178 2942	Grip:Front:Paper Tray	1
6	B065 6588	Right Support Plate	1
7	D014 6786	Decal:Paper Set Direction	1
8	B065 6545	Decal - Positioning	2
9	D014 6784	Spring Plate:End Fence	1
10	B234 2864	Pad:Cleaner	2
11	B132 6791	Plate:Side Fence	2
12	A134 2978	Spring Plate	1
13	B065 6538	Positioning Stopper Lever	1
14	B132 6793	Side Fence:Front:Ass'y	1
15	AF01 7033	End Fence	1
16	B065 6589	Left Support Plate	1
17	AF01 3005	Bottom Plate Pad	1
18	B132 6785	Tray Bottom Plate:Ass'y	1
19	AB01 2327	Gear:16Z	1
20	B065 6591	Paper Tray Holder Base	1
21	B223 2873	Decal - Side Fence Rear	1
22	B132 6797	Side Fence:Rear:Auxiliary	1
23	A267 2859	Side Fence Stopper	1
24	A267 2860	Rear Lever Stopper	1
25	A267 2857	Spring Plate - Side Fence	1
26	B234 6497	Guide:Rear:Paper Tray	1
27	B234 6490	Side Fence:Rear:Ass'y	1
28	D014 6783	Arm:End Fence:Lock	1
29	AA06 0961	Tension Spring:Side Fence:Rear	1
30	B065 6524	Bottom Plate Lift Shaft	1
31	B065 6526	Lift Lever	1
32	B247 6695	Guide:Misfeed Removal:Paper Tray	1
33	B065 6581	Paper Tray Holder Stay	1
34	G178 2963	Decal:Tray:Design Sketch2	1

Index No.	Part No.	Description	Q'ty Per Assembly
35	G178 2964	Cover:Universal:Decal:Adhesion	1
36	B234 6495	Guide:Front:Paper Tray	1
37	D059 6496	Guide:Middle:Paper Tray	1
38	B234 6498	Sheet:Tray Bottom Plate	2
101	0451 3008N	Tapping Screw - M3x8	
102	0451 4008N	Tapping Screw:4x8	
103	0456 4012N	Tapping Screw:Wp:4x12	
104	0360 4008N	Screw - M4x8	
105	0720 0060E	Retaining Ring - M6	
106	0450 4008N	Tapping Screw - M4x8	
107	0701 0040N	Washer:Dia4	

12.Paper Feed Unit 1 (D095/M077)

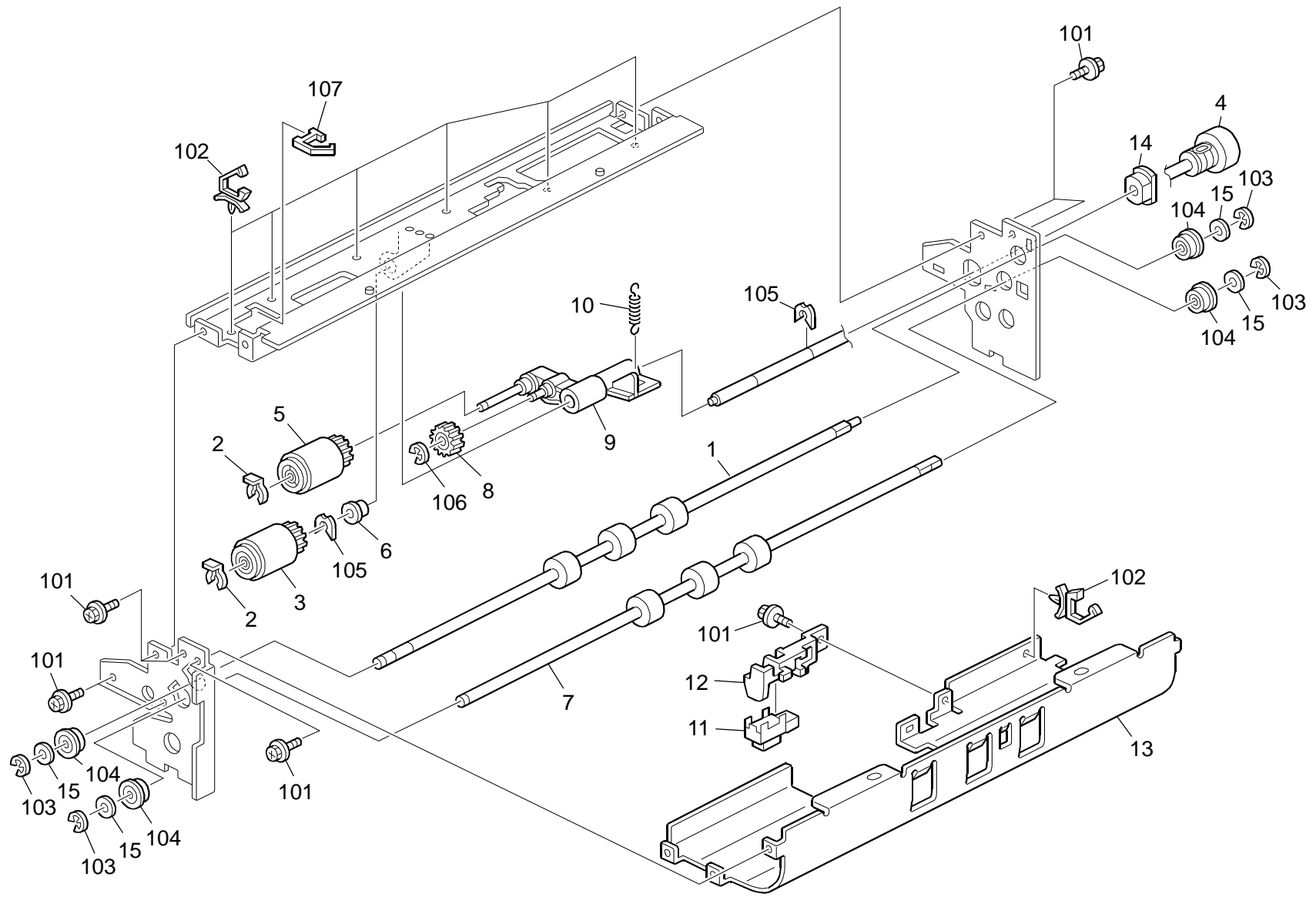


12.Paper Feed Unit 1 (D095/M077)

Index No.	Part No.	Description	Q'ty Per Assembly
*	B234 6200	Paper Feed Unit	2
1	BB01 3007	Gear - 20Z	1
2	B234 6286	Sensor Bracket - Vertical Transport	1
3	B234 6208	Paper Feed Unit Stay	1
4	B234 6287	Sensor Bracket - Paper Feed	1
5	AW01 0107	Paper Feed Sensor	1
6	B234 6288	Bsensor Bracket - Sensor	1
7	AW02 0145	Photointerruptor:Flat	1
8	B234 6282	Pickup DC Solenoid	1
9	BB01 3010	Gear - 18Z	1
10	BB01 3019	Gear - 23Z	1
11	AB01 7771	Gear:Transport Roller:Input:Z23/Z28	1
12	BB01 3008	Gear - 31Z	1
13	B234 5670	Harness - Paper Feed Unit	1
14	AW01 0122	Paper Feed Sensor	1

Index No.	Part No.	Description	Q'ty Per Assembly
101	0720 0060E	Retaining Ring - M6	
102	0720 0040E	Retaining Ring - M4	
103	0451 4006N	Tapping Screw - 4x6	

13.Paper Feed Unit 2 (D095/M077)

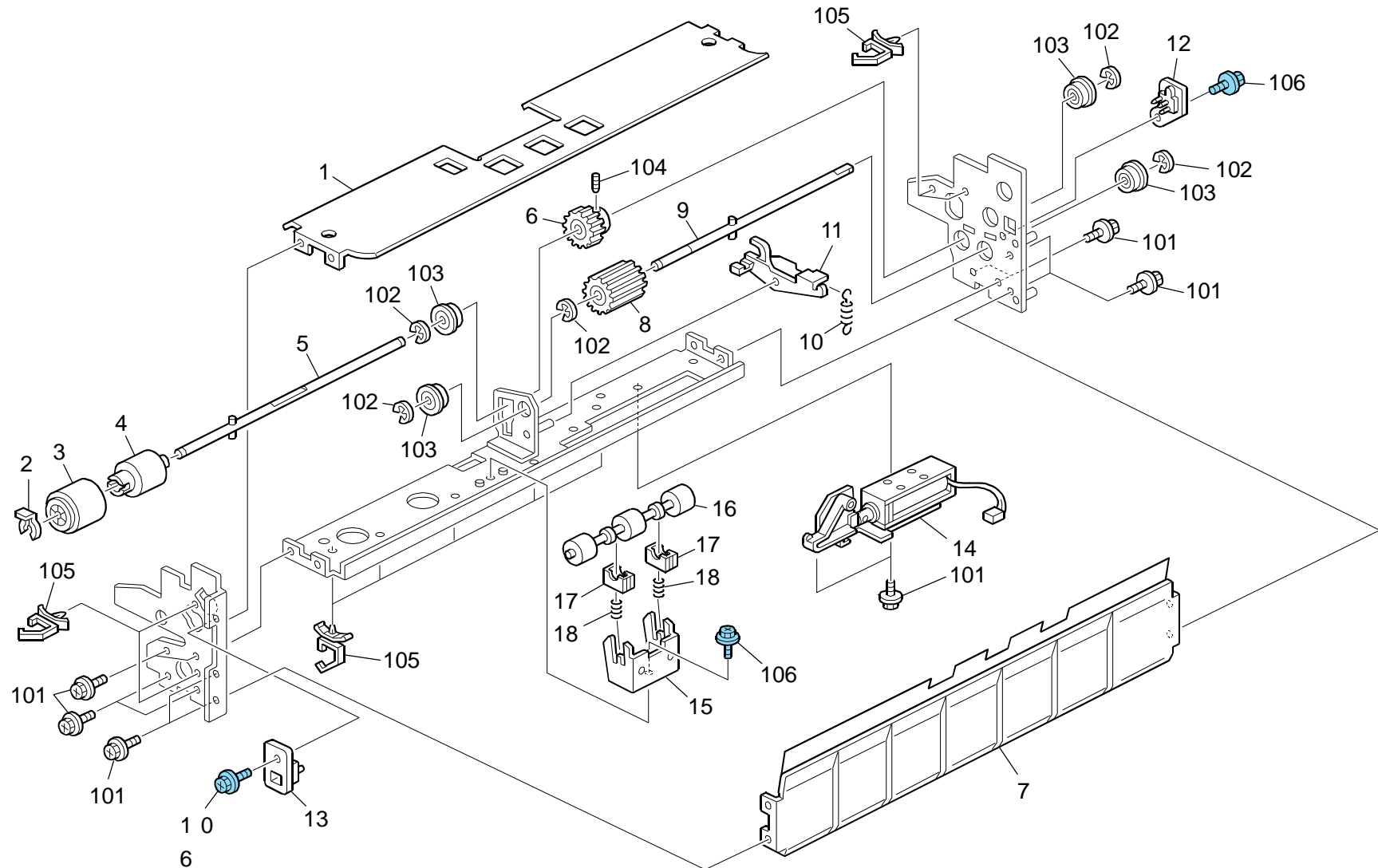


13.Paper Feed Unit 2 (D095/M077)

Index No.	Part No.	Description	Q'ty Per Assembly
1	AF02 0724	Transport Roller:Grip:No.1:Drive	1
2	5447 2681	Snap Ring	2
3	AF03 1080	Paper Feed Roller:Feed	1
4	B234 6272	Feed Shaft	1
5	AF03 0080	Paper Feed Roller:Pickup	1
6	B234 2624	Ball Bearing - 8x12x5	1
7	AF02 0725	Transport Roller:Grip:No.2:Drive	1
8	5447 2706	Gear - 15T	1
9	B234 6275	Pickup Arm	1
10	AA06 0523	Pick-up Pressure Sping	1
11	AW01 0107	Paper Feed Sensor	1
12	B065 6345	Paper End Sensor Bracket	1
13	B234 6254	Guide Plate - Feed	1
14	AA08 3009	Clutch Roller - 8x18x11	1
15	AA13 2228	Spacer - 1mm	4

Index No.	Part No.	Description	Q'ty Per Assembly
101	0451 4006N	Tapping Screw - 4x6	
102	1105 0511	Harness Clamp - LWS-0306ZC	
103	0720 0060E	Retaining Ring - M6	
104	0741 3708	Ball Bearing - 8x12x3.5mm	
105	0805 0088	Retaining Ring - M6	
106	0720 0040E	Retaining Ring - M4	
107	1105 0551	Clamp:LES-0505	

14.Paper Feed Unit 3 (D095/M077)

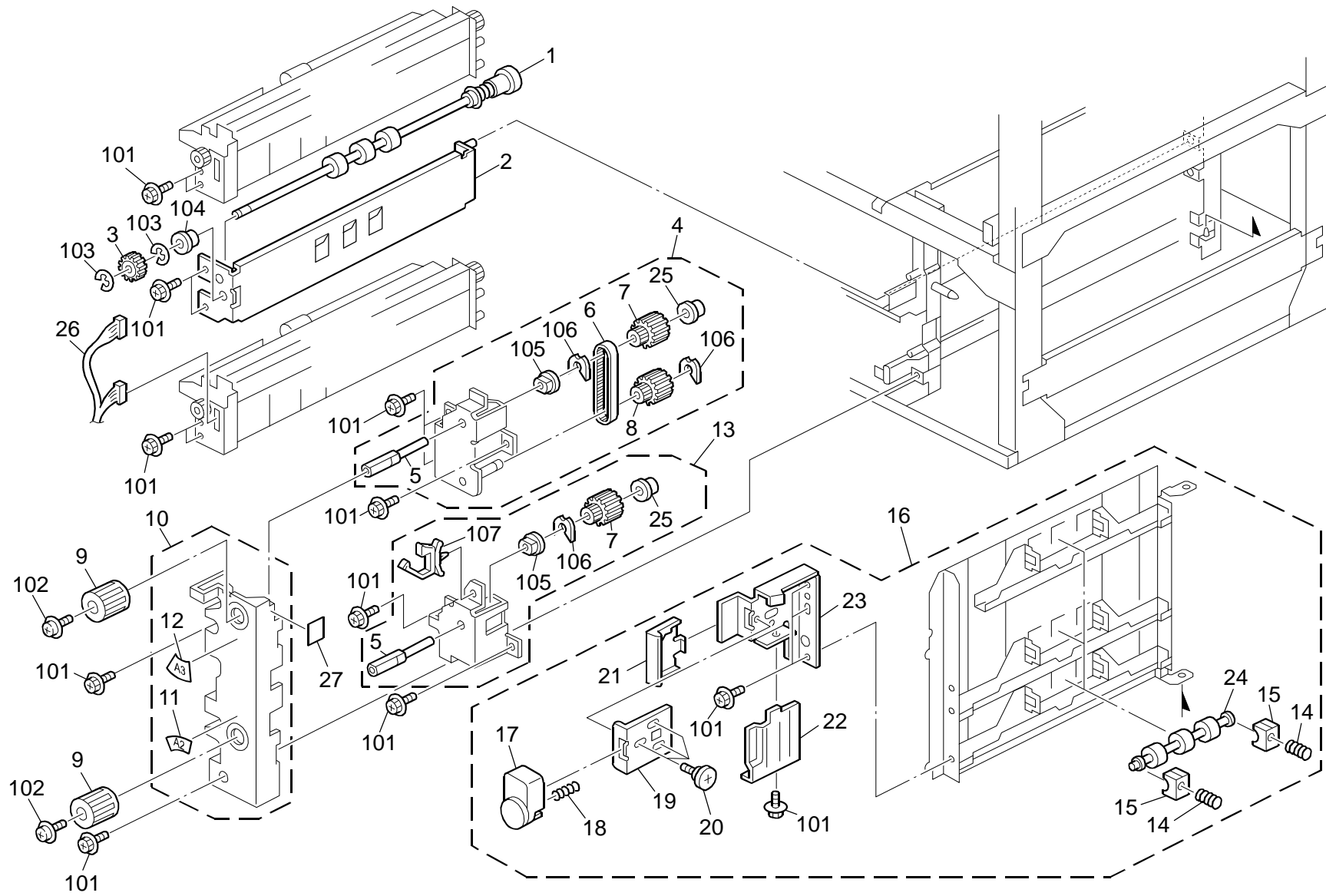


14.Paper Feed Unit 3 (D095/M077)

Index No.	Part No.	Description	Q'ty Per Assembly
1	B234 6253	Guide Plate - Reverse	1
2	5447 2681	Snap Ring	1
3	AF03 2080	Paper Feed Roller:Separate	1
4	B234 6301	Torque Limiter:75mN m	1
5	B234 6223	Driven Reverse Shaft	1
6	AB01 1591	Gear:Reverse	1
7	B234 6245	Guide Plate - Vertical Transport	1
8	AB01 1392	Drive Reverse Gear - 24Z	1
9	B234 6222	Reverse Drive Shaft	1
10	AA06 1000	Spring - 1.42n	1
11	B234 6212	Reverse Lever	1
12	B234 6256	Guide - Rear	1
13	B234 6255	Guide - Front	1
14	B234 6231	DC Solenoid:Reverse:Ass'y	1
15	B234 6242	Guide - Roller:Driven Pressure	1
16	AF02 0672	Transport Roller - Driven	1
17	AA08 4059	Ball Bearing Holder	2
18	AA06 3674	Spring - 8n	2

Index No.	Part No.	Description	Q'ty Per Assembly
101	0451 4006N	Tapping Screw - 4x6	
102	0720 0040E	Retaining Ring - M4	
103	0741 3506	Ball Bearing - 6x12x4 mm	
104	0573 0030E	Hexagon Headless Set Screw - M3x3	
105	1105 0511	Harness Clamp - LWS-0306ZC	
106	0454 4006Q	Tapping Screw:4x6	

15.Vertical Transport (D095/M077)

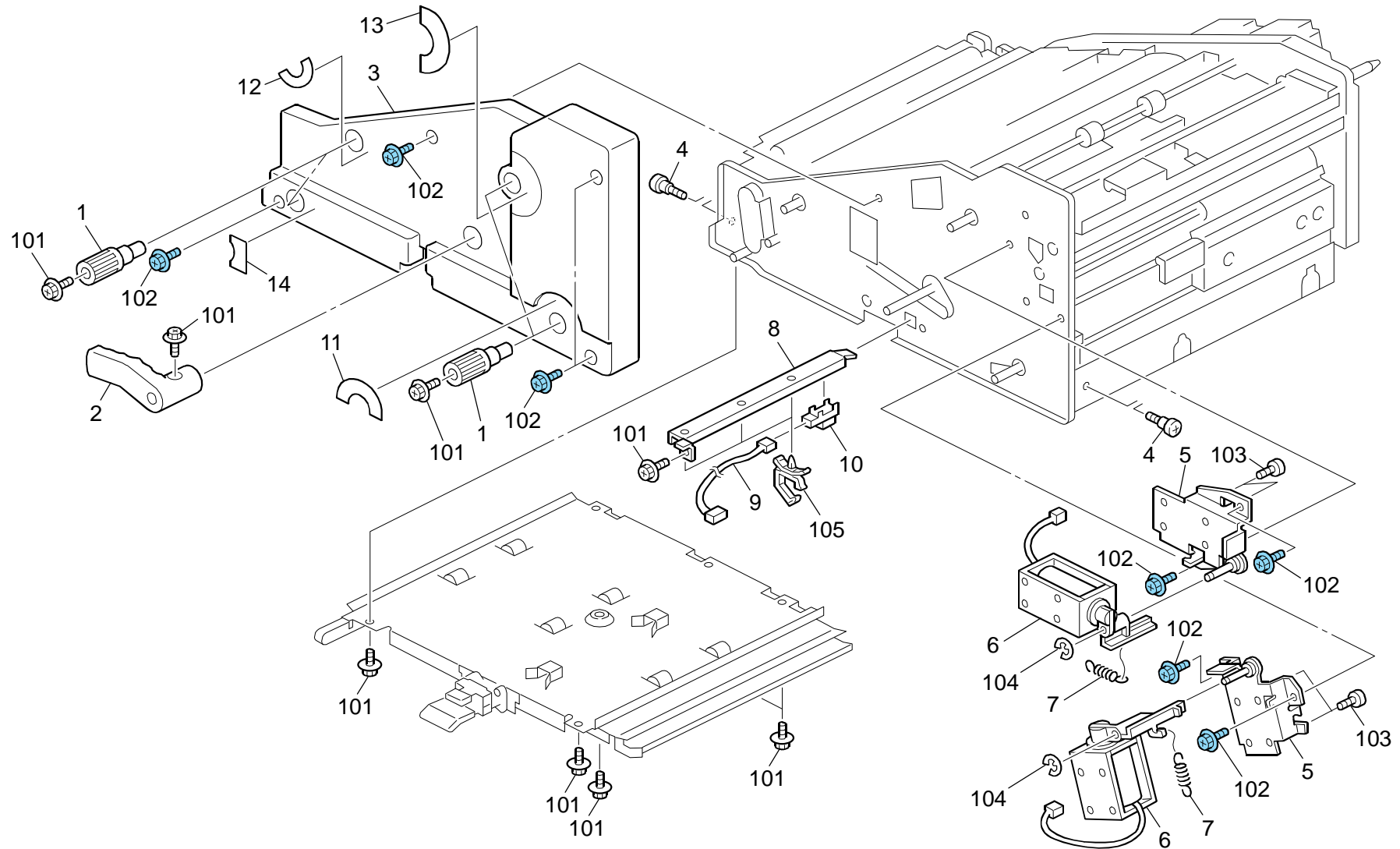


15.Vertical Transport (D095/M077)

Index No.	Part No.	Description	Q'ty Per Assembly
1	B234 6360	Transport Roller:Joint Unit:Ass'y	1
2	B234 6355	Guide Plate - Joint Unit	1
3	BB01 3007	Gear - 20Z	1
4	G178 2952	Bracket:Misfeed Removal:Upper:Ass'y	1
5	AA14 3570	Misfeed Removal Shaft	2
6	B700 3305	Timing Belt:B40S2M152	1
7	AB01 7726	Gear/timing Pulley - 20Z/20T	2
8	AB01 7725	Gear/timing Pulley - 20Z/20T	1
9	AG05 0101	Knob - Misfeed Removal	2
10	G178 2966	Inner Cover:Decal:Adhesion	1
11	G178 2954	Decal:Knob:Rotation Direction:A2	1
12	G178 2961	Decal:Knob:Rotation Direction:A3	1
13	G178 2953	Bracket:Misfeed Removal:Lower:Ass'y	1
14	AA06 3679	Spring - 10N	6
15	AA08 4059	Ball Bearing Holder	6
16	G178 2922	Vertical Transport Unit	1
17	B065 6428	Release Button - Vertical Transport	1
18	AA06 3878	Spring	1
19	G178 2916	Lever:Release:Vertical Transport	1
20	AA14 3560	Stepped Screw - M4	3
21	B234 6424	Release Grip	1
22	B234 6427	Cover:Release:Vertical Transport	1
23	G178 2926	Bracket:Release:Vertical Transport	1
24	AF02 2166	Transport Roller - Driven	3
25	AA08 0265	Bushing:6x8x5	2
26	G178 5891	Harness:Paper Feed Unit:Connecting	1
27	G178 2977	Seal:Inner Cover:Front	

Index No.	Part No.	Description	Q'ty Per Assembly
101	0451 4008N	Tapping Screw:4x8	
102	0951 4008N	Screw:Polished Round:M4x8	
103	0720 0060E	Retaining Ring - M6	
104	0741 3708	Ball Bearing - 8x12x3.5mm	
105	0805 3386	Bushing - 8mm	
106	0805 0088	Retaining Ring - M6	
107	1105 0516	Clamp	

16. Paper Registration 1 (D095/M077)

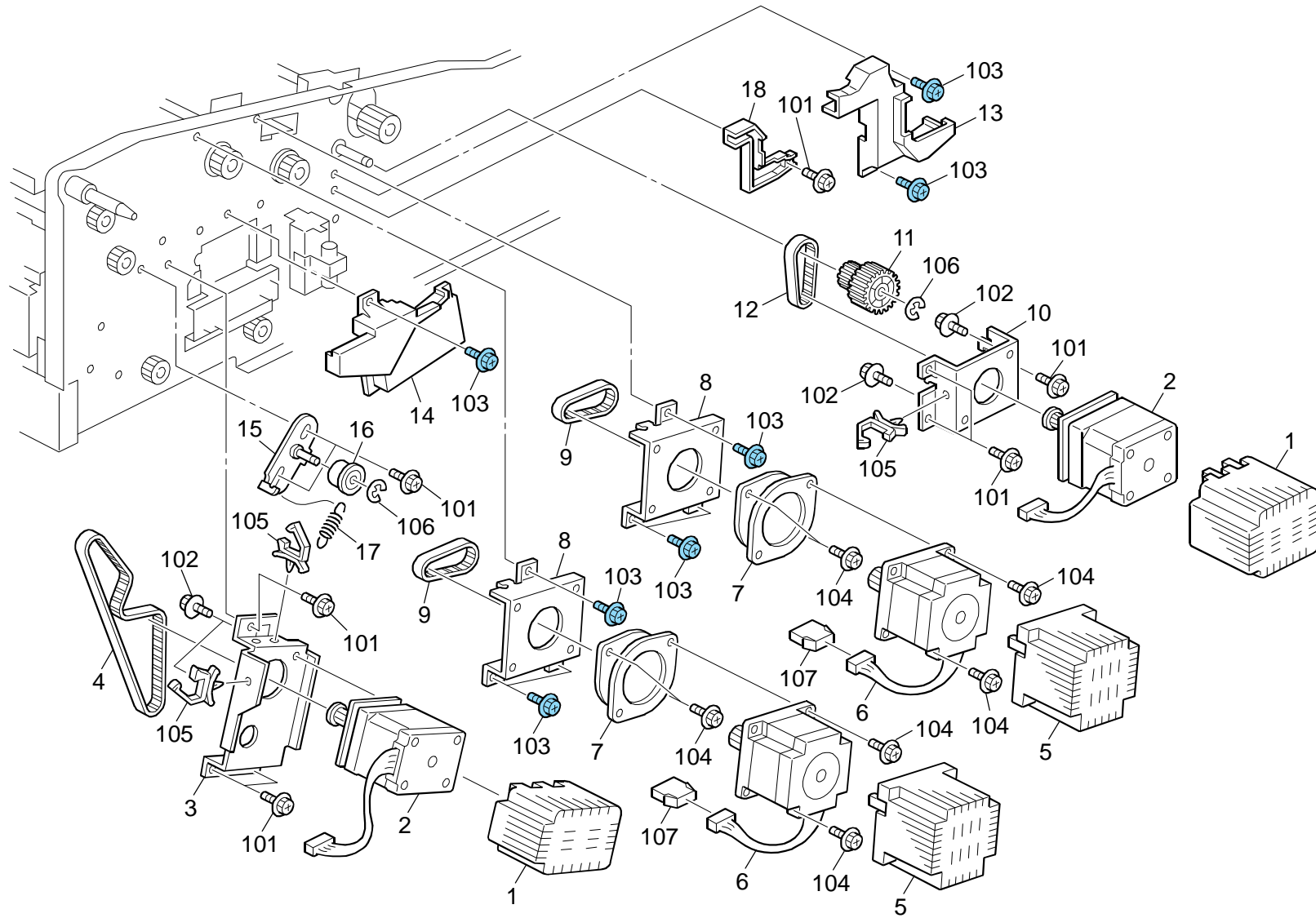


16.Paper Registration 1 (D095/M077)

Index No.	Part No.	Description	Q'ty Per Assembly
1	AG05 0100	Knob - Transport Roller	4
2	G178 7686	Lever:Pull Out:Transport	1
3	G178 7683	Inner Cover:Registration:Uni	1
4	G178 7793	Screw:Registration:Fix	2
5	G178 7464	Holder:Solenoid	2
6	G178 7751	DC Solenoid	2
7	G178 7647	Tension Spring:Solenoid	2
8	G178 4737	Bracket:Sensor:Duplex:No.2	1
9	G178 5779	Harness:Transport:Reverse:Sensor	1
10	AW01 0107	Paper Feed Sensor	1
11	G178 7689	Decal:Knob:Rotation Direction:B1	1
12	G178 7691	Decal:Knob:Rotation Direction:B6	1
13	G178 7692	Decal:Knob:Rotation Direction:B2	1
14	G178 7693	Decal:Knob:Rotation Direction:Z3	1

Index No.	Part No.	Description	Q'ty Per Assembly
101	0451 4008N	Tapping Screw:4x8	
102	0454 4008Q	Tapping Screw - M4x8	
103	0353 0040N	Screw - M3x4	
104	0720 0030E	Retaining Ring - M3	
105	1105 0511	Harness Clamp - LWS-0306ZC	

17.Paper Registration 2 (D095/M077)

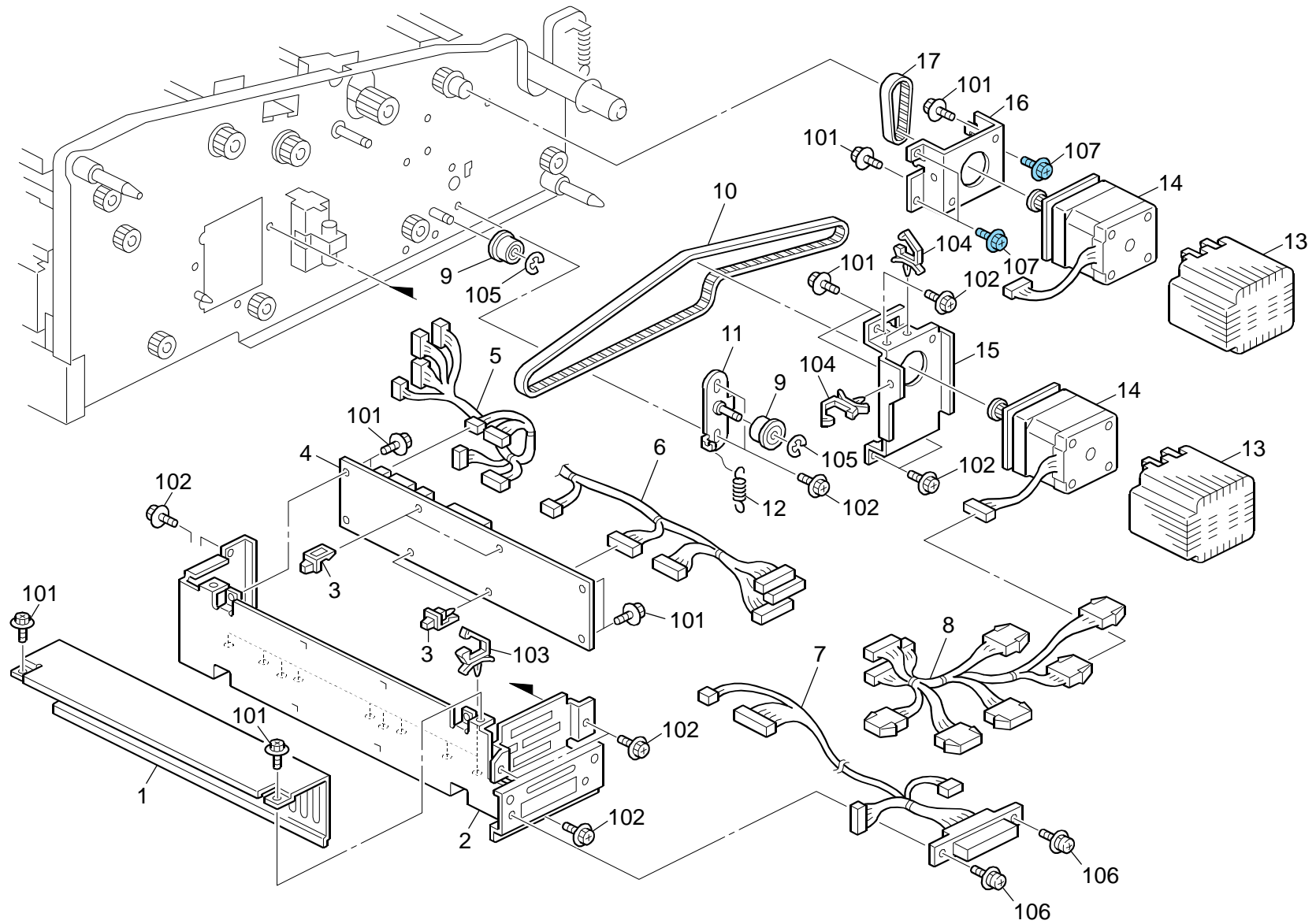


17.Paper Registration 2 (D095/M077)

Index No.	Part No.	Description	Q'ty Per Assembly
1	G178 7694	Cover:DC Stepper Motor:MM42	2
2	B132 6655	Stepper Motor:Paper Feed Unit:Ass'y	2
3	G178 7488	Bracket:Stepper Motor:MM42	1
4	AA04 3955	Timing Belt - 60S2M434	1
5	G178 4900	Cover:Dc Stepper Motor:MM56	2
6	AX04 0157	Stepper Motor DC1.68V 6.7W	2
7	AA16 1122	Motor Cushion	2
8	G178 7384	Bracket:Stepper Motor:MM56	2
9	AA04 3308	Timing Belt - S2M114 9MM	2
10	G178 7400	Holder:Stepper Motor	1
11	G178 7781	Gear:Pulley	1
12	AA04 3621	Timing Belt - 60S2M156	1
13	G178 7727	Cover:Cable:Right	1
14	G178 7723	Cover:Cable	1
15	G178 7489	Bracket:Pulley:Peen	1
16	AB03 0310	Tightener Pulley	1
17	G178 7656	Tension Spring:Tensioner	1
18	G178 7546	Guide:Cable	1

Index No.	Part No.	Description	Q'ty Per Assembly
101	0451 4008N	Tapping Screw:4x8	
102	0451 3006N	Tapping Screw - 3x6	
103	0454 4008Q	Tapping Screw - M4x8	
104	0451 4010N	Tapping Screw:4x10	
105	1105 0511	Harness Clamp - LWS-0306ZC	
106	0720 0040E	Retaining Ring - M4	
107	1102 6263	Connector - 6P	

18.Paper Registration 3 (D095/M077)

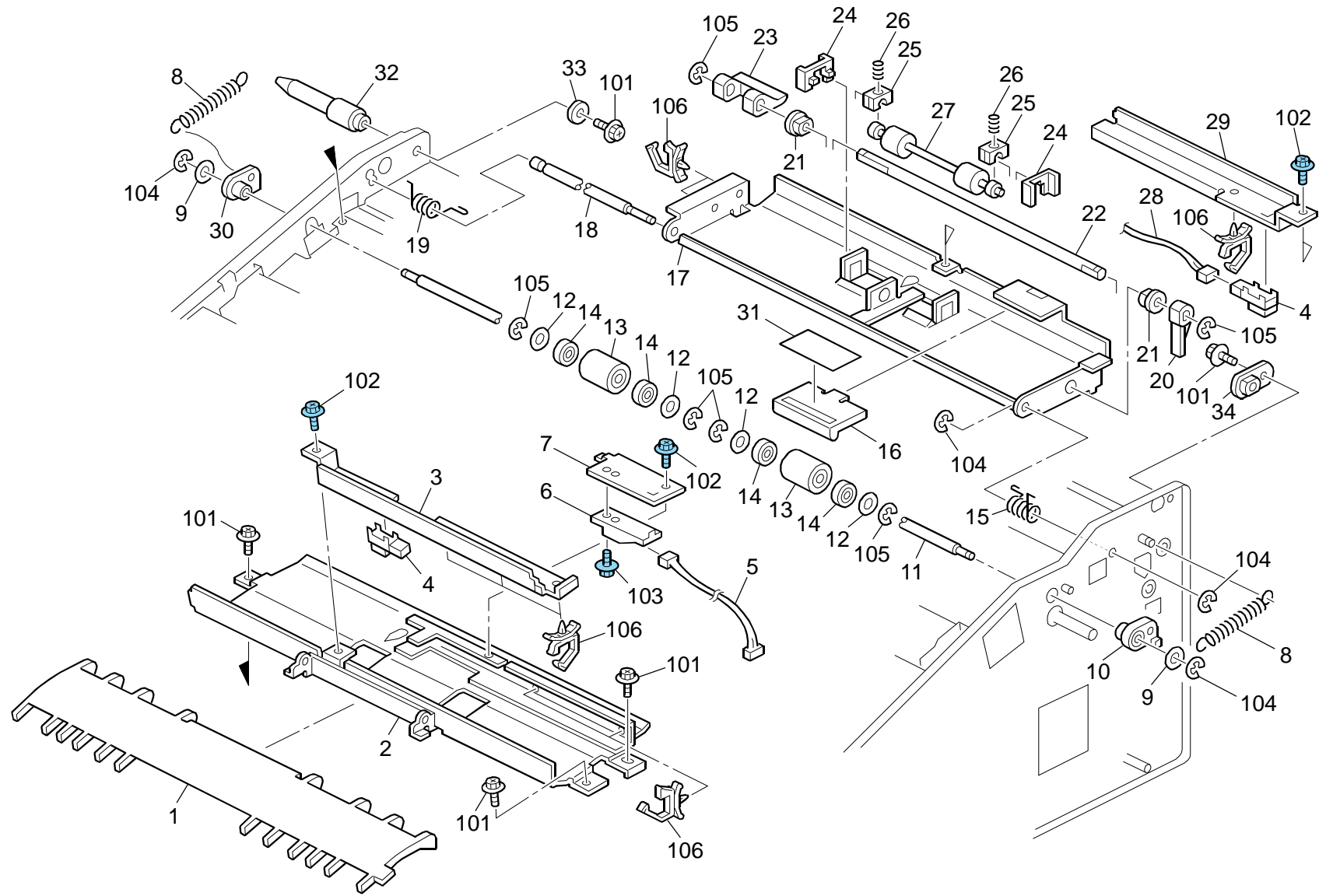


18.Paper Registration 3 (D095/M077)

Index No.	Part No.	Description	Q'ty Per Assembly
1	G178 7685	Cover:PCB	1
2	G178 7468	Holder:PCB:Connecting	1
3	G178 7668	Spacer:7907032:Base	3
4	G178 7706	PCB:Rcb	1
5	G178 5790	Harness:Registration:Sensor:No.1	1
6	G178 5791	Harness:Registration:Motor:No.1	1
7	G178 5659	Harness:Registration:Drawer	1
8	G178 5787	Harness:Registration:Motor:No.2	1
9	AB03 0310	Tightener Pulley	2
10	G178 7772	Timing Belt:60S2M:668	1
11	G178 7489	Bracket:Pulley:Peen	1
12	G178 7656	Tension Spring:Tensioner	1
13	G178 7694	Cover:DC Stepper Motor:MM42	2
14	B132 6655	Stepper Motor:Paper Feed Unit:Ass'y	2
15	G178 7488	Bracket:Stepper Motor:MM42	1
16	G178 7400	Holder:Stepper Motor	1
17	B702 7210	Timing Belt:B60S2M122	1

Index No.	Part No.	Description	Q'ty Per Assembly
101	0451 3006N	Tapping Screw - 3x6	
102	0451 4008N	Tapping Screw:4x8	
103	1105 0508	Harness Clamp - LWS-0711	
104	1105 0511	Harness Clamp - LWS-0306ZC	
105	0720 0040E	Retaining Ring - M4	
106	0954 3008N	Screw - M3x8	
107	0454 4008Q	Tapping Screw - M4x8	

19. Paper Registration 4 (D095/M077)

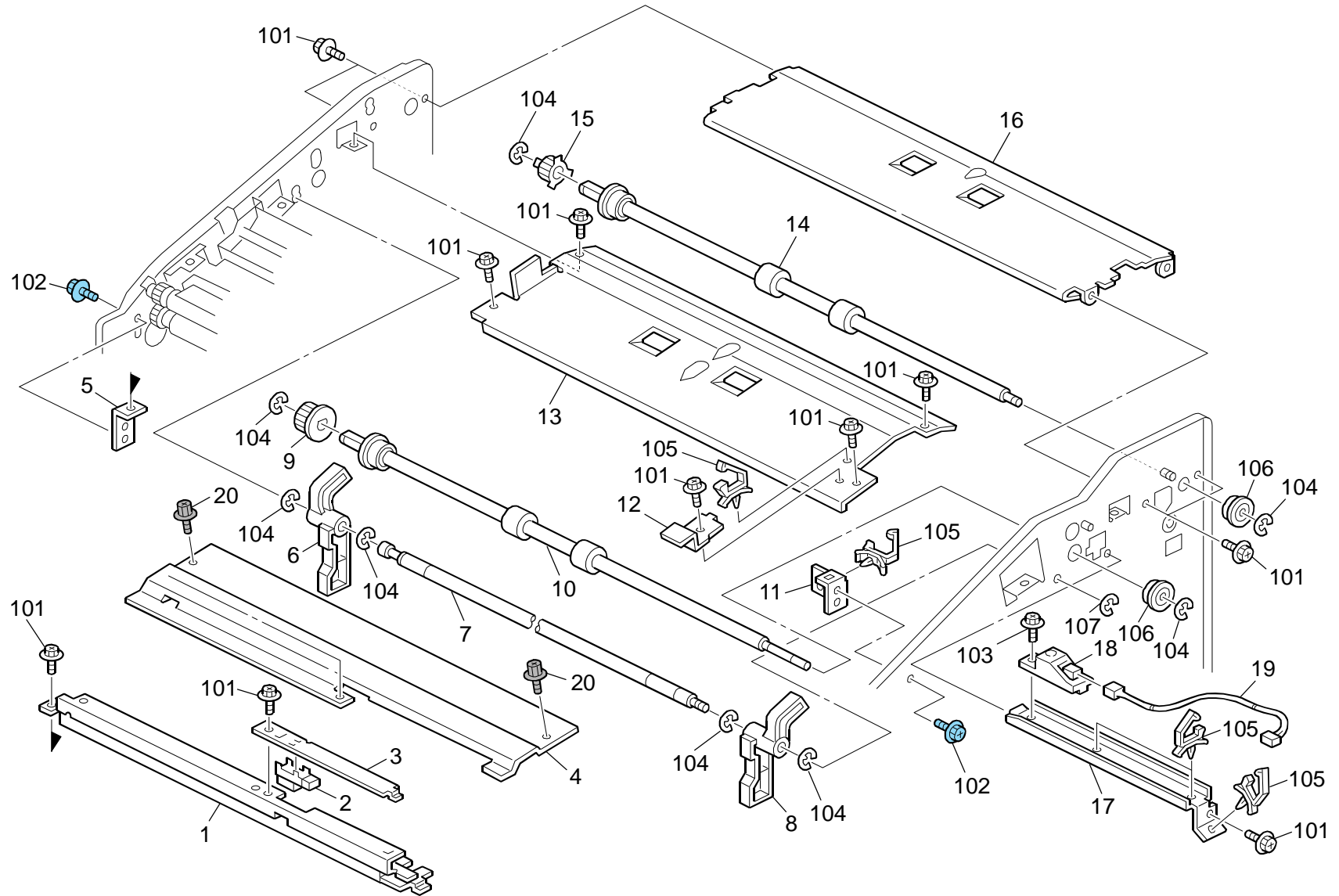


19.Paper Registration 4 (D095/M077)

Index No.	Part No.	Description	Q'ty Per Assembly
1	G178 7741	Arm:Guide	1
2	G178 7537	Guide Plate:Registration:F Upper	1
3	G178 7420	Holder:Sensor:Transport Roller	1
4	AW01 0107	Paper Feed Sensor	2
5	G178 5797	Harness:Double Feed Sensor:Photo	1
6	AW00 0011	Optics Sensor:Photo	1
7	G178 7404	Holder:Double Feed Sensor:Upper	1
8	G178 7652	Tension Spring:Transport Roller	2
9	H072 2220	Spacer - M6x10	2
10	B234 2628	Ball Bearing - Front	1
11	G178 7396	Shaft:Driven:On-off	1
12	G178 7664	Spacer	4
13	G178 7660	Pressure Roller:Transport Roller	2
14	G060 2296	Ball Bearing:8x16x5mm	4
15	G178 7459	Spring:Paper Feed Sub-unit:Front	1
16	B234 6424	Release Grip	1
17	G178 7455	Guide Plate:Entrance:Upper	1
18	G178 7609	Hinge:Shaft	1
19	G178 7460	Spring:Paper Feed Sub-unit:Rear	1
20	G178 7452	Lever:Link:Transport Roller	1
21	AA08 2104	Bushing - 8x12x7	2
22	G178 7454	Shaft:On-Off:Roller	1
23	G178 7453	Arm:On-Off:Transport Roller	1
24	G178 7790	Holder:Roller:On-off	2
25	AA08 4059	Ball Bearing Holder	2
26	AA06 3678	Spring - 3.5N	2
27	AF02 2171	Transport Roller:Driven:DIA18x2	1
28	G178 5786	Harness:Entrance Sensor:I/F	1
29	G178 7458	Holder:Sensor:Entrance	1
30	B234 2629	Ball Bearing - Rear	1
31	G178 7682	Decal:Grip:Open And Close:B5	1
32	G178 7441	Positioning Pin:Transport Unit	1
33	G178 7670	Washer:455554	1
34	G178 7743	Boss:Positioning Pin:Transport Unit:No.1	1

Index No.	Part No.	Description	Q'ty Per Assembly
101	0451 4008N	Tapping Screw:4x8	
102	0454 4008Q	Tapping Screw - M4x8	
103	0454 3006Q	Tapping Screw - M3x6	
104	0720 0040E	Retaining Ring - M4	
105	0720 0060E	Retaining Ring - M6	
106	1105 0511	Harness Clamp - LWS-0306ZC	

20.Paper Registration 5 (D095/M077)

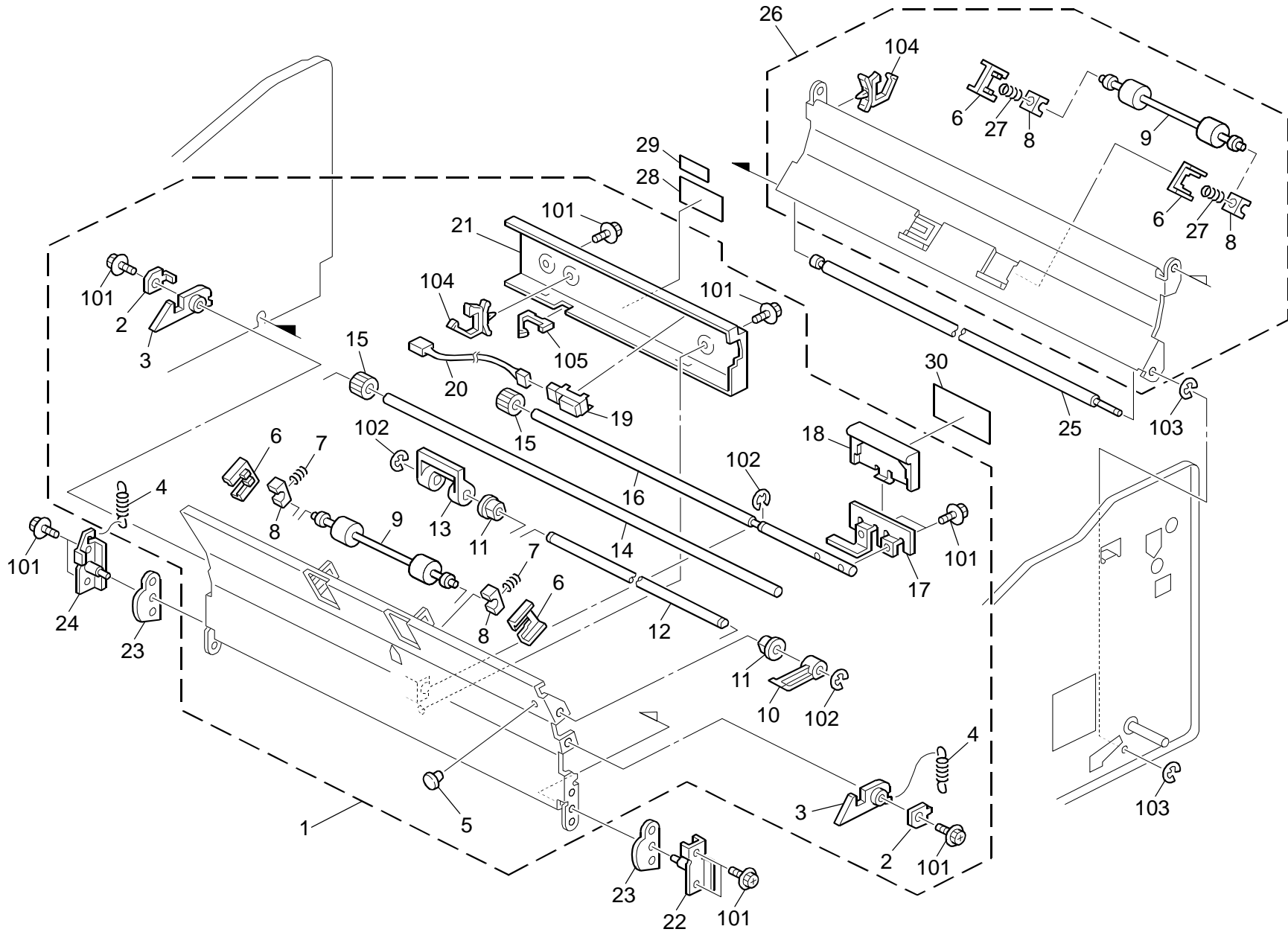


20.Paper Registration 5 (D095/M077)

Index No.	Part No.	Description	Q'ty Per Assembly
1	G178 7758	Guide Plate:Registration:Exit	1
2	AW01 0107	Paper Feed Sensor	1
3	G178 7418	Holder:Sensor:Exit	1
4	G178 7383	Cover:Registration:Uni	1
5	G178 7526	Bracket:Fix:Guide Plate:Rear	1
6	G178 7391	Arm:Cam:Transport Roller:Rear	1
7	G178 7398	Shaft:Contact Point:Arm	1
8	G178 7390	Arm:Cam:Transport Roller:Front	1
9	B234 6506	Timing Pulley - 30T	1
10	M077 7471	Transport Roller:Timing:Press Fit	1
11	G178 7527	Bracket:Fix:Guide Plate:Front	1
12	G178 7421	Bracket:Bearing:Guide:Rear	1
13	G178 7408	Guide Plate:Registration:F Lower	1
14	M077 7473	Transport Roller:Duplex:Press Fit	1
15	AB03 0802	Timing Pulley - 24T	1
16	G178 7762	Guide Plate:Entrance:Lower	1
17	G178 7405	Holder:Double Feed Sensor:Lower	1
18	AX56 0011	LED	1
19	G178 5796	Harness:Double Feed Sensor:Radiate	1
20	B234 2390	Flanged Hexagonal Head Bolt:M4x8	2

Index No.	Part No.	Description	Q'ty Per Assembly
101	0451 4008N	Tapping Screw:4x8	
102	0454 4008Q	Tapping Screw - M4x8	
103	0451 3006N	Tapping Screw - 3x6	
104	0720 0060E	Retaining Ring - M6	
105	1105 0511	Harness Clamp - LWS-0306ZC	
106	0741 3808	Ball Bearing - 8x16x5mm	
107	0720 0040E	Retaining Ring - M4	

21.Paper Registration 6 (D095/M077)

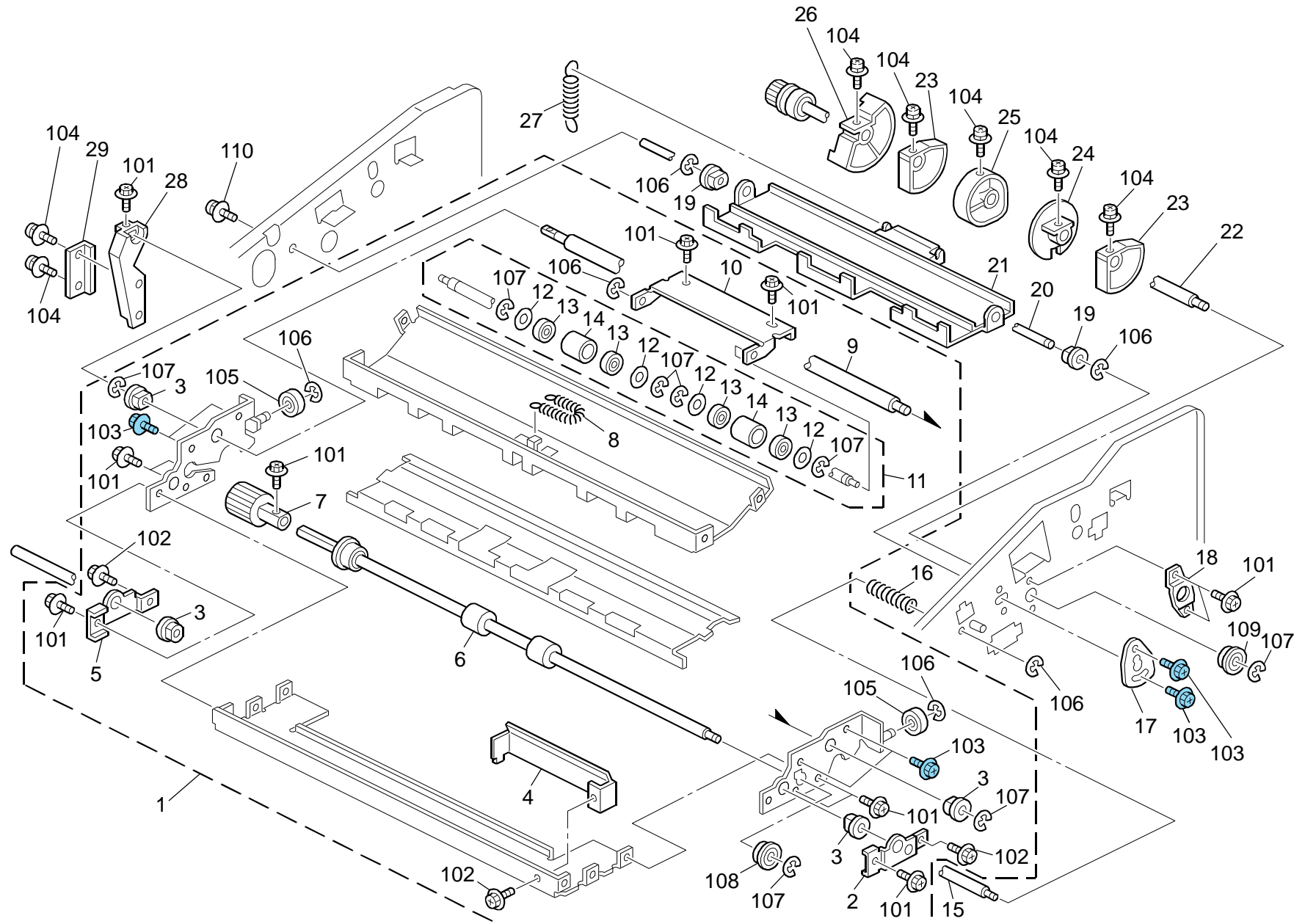


21.Paper Registration 6 (D095/M077)

Index No.	Part No.	Description	Q'ty Per Assembly
1	M077 7580	Guide:Vertical Transport:Right Upper:Ass'y	1
2	G178 7606	Bracket:Holder:Latch	2
3	G178 7605	Hook:Latch	2
4	G178 7654	Tension Spring:7062125	2
5	G178 7667	Rubber Foot	1
6	G178 7790	Holder:Roller:On-Off	4
7	AA06 3678	Spring - 3.5N	2
8	AA08 4059	Ball Bearing Holder	4
9	M077 4862	Transport Roller:Driven:Duplex:DIA18x2	2
10	G178 7616	Link:Lever:No.2	1
11	AA08 2104	Bushing - 8x12x7	2
12	G178 7454	Shaft:On-off:Roller	1
13	G178 7453	Arm:On-off:Transport Roller	1
14	G178 7607	Shaft:Latch:Hinge	1
15	G178 7688	Gear:Guide Plate:Open And Close	2
16	G178 7687	Shaft:Lever:Open And Close	1
17	G178 7608	Bracket:Lever	1
18	B234 6424	Release Grip	1
19	AW01 0107	Paper Feed Sensor	1
20	G178 5795	Harness:Regist:Entrance Sensor	1
21	G178 7617	Cover:Entrance:Sensor	1
22	G178 7610	Holder:Hinge	1
23	G178 7615	Cam:Guide Plate	2
24	G178 7613	Holder:Hinge	1
25	G178 7609	Hinge:Shaft	1
26	M077 7579	Guide Plate:Vertical Transport: Right Lower:Ass'y	1
27	AA06 3675	Spring - 5N	2
28	G178 7680	Decal:Transport Unit:Caution	1
29	D355 4572	Decal:Paper Tray:Warning	1
30	G178 7681	Decal:Grip:Open And Close:B4	1

Index No.	Part No.	Description	Q'ty Per Assembly
101	0451 4008N	Tapping Screw:4x8	
102	0720 0060E	Retaining Ring - M6	
103	0720 0040E	Retaining Ring - M4	
104	1105 0511	Harness Clamp - LWS-0306ZC	
105	1105 0522	Edge Saddle - LES0510	

22.Paper Registration 7 (D095/M077)

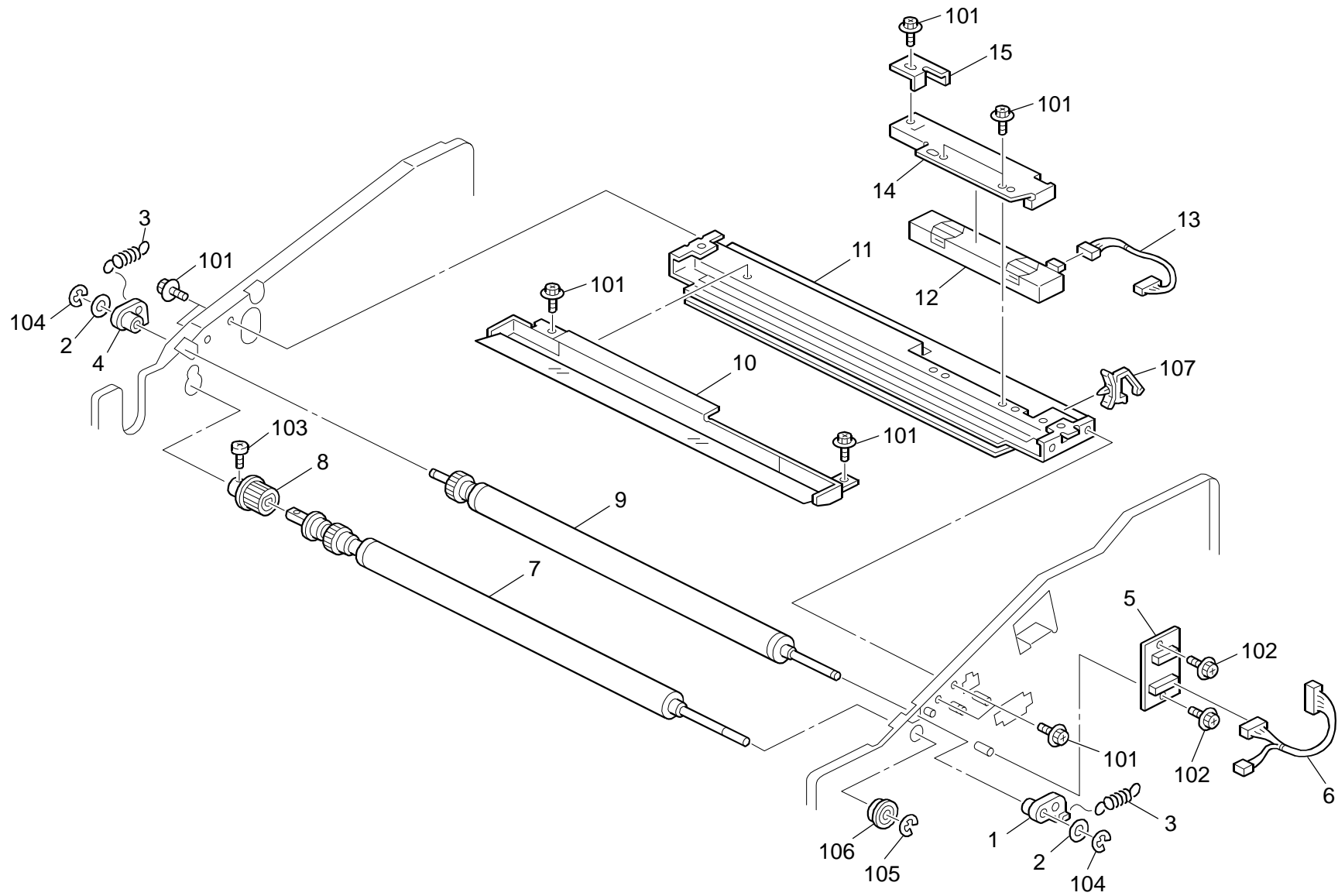


22.Paper Registration 7 (D095/M077)

Index No.	Part No.	Description	Q'ty Per Assembly
1	M077 7482	Swing Unit:Ass'y	1
2	G178 7367	Holder:Shift:Spring	1
3	AA08 2104	Bushing - 8x12x7	4
4	G178 7370	Duct:Shift	1
5	G178 7368	Holder:Shift:Bearing	1
6	M077 7472	Transport Roller:Shift:Press Fit	1
7	G178 7717	Gear:Shift:Roller	1
8	G178 7649	Spring:Pressure Roller:Shift	1
9	G178 7364	Shaft:Shift:Take Shejter	1
10	G178 7365	Arm:Shift:Roller	1
11	G178 7715	Drive Roller:Registration:Ass'y	1
12	G178 7664	Spacer	4
13	G060 2296	Ball Bearing:8x16x5mm	4
14	G178 7660	Pressure Roller:Transport Roller	2
15	G178 7358	Shaft:Shift	1
16	G178 7646	Compression Spring:Shift	1
17	G178 7474	Plate:Adjusting Pin:Gate Pawl	1
18	G178 7480	Holder:Bearing:Cam	1
19	AA08 2101	Bushing - 6x10x6	2
20	G178 7387	Shaft:Gate Pawl	1
21	G178 7540	Gate Pawl:Welding	1
22	G178 7766	Shaft:Cam	1
23	G178 7389	Cam:Transport Roller	2
24	G178 7392	Disc:Sensor:Cam	1
25	G178 7386	Cam:Gate Pawl	1
26	G178 7395	Cam:Transport Roller:Shift	1
27	G178 7653	Tension Spring:Cam:On-off	1
28	G178 7372	Arm:Shift:Take Shejter	1
29	G178 7373	Guide:Arm:Shift	1

Index No.	Part No.	Description	Q'ty Per Assembly
101	0451 4008N	Tapping Screw:4x8	
102	0451 3006N	Tapping Screw - 3x6	
103	0454 4008Q	Tapping Screw - M4x8	
104	0954 3008N	Screw - M3x8	
105	0740 3906	Ball Bearing - 6x15x5	
106	0720 0040E	Retaining Ring - M4	
107	0720 0060E	Retaining Ring - M6	
108	0741 3808	Ball Bearing - 8x16x5mm	
109	0741 3006	Ball Bearing - 6x17x6mm	
110	0954 3006N	Screw - M3x6	

23.Paper Registration 8 (D095/M077)

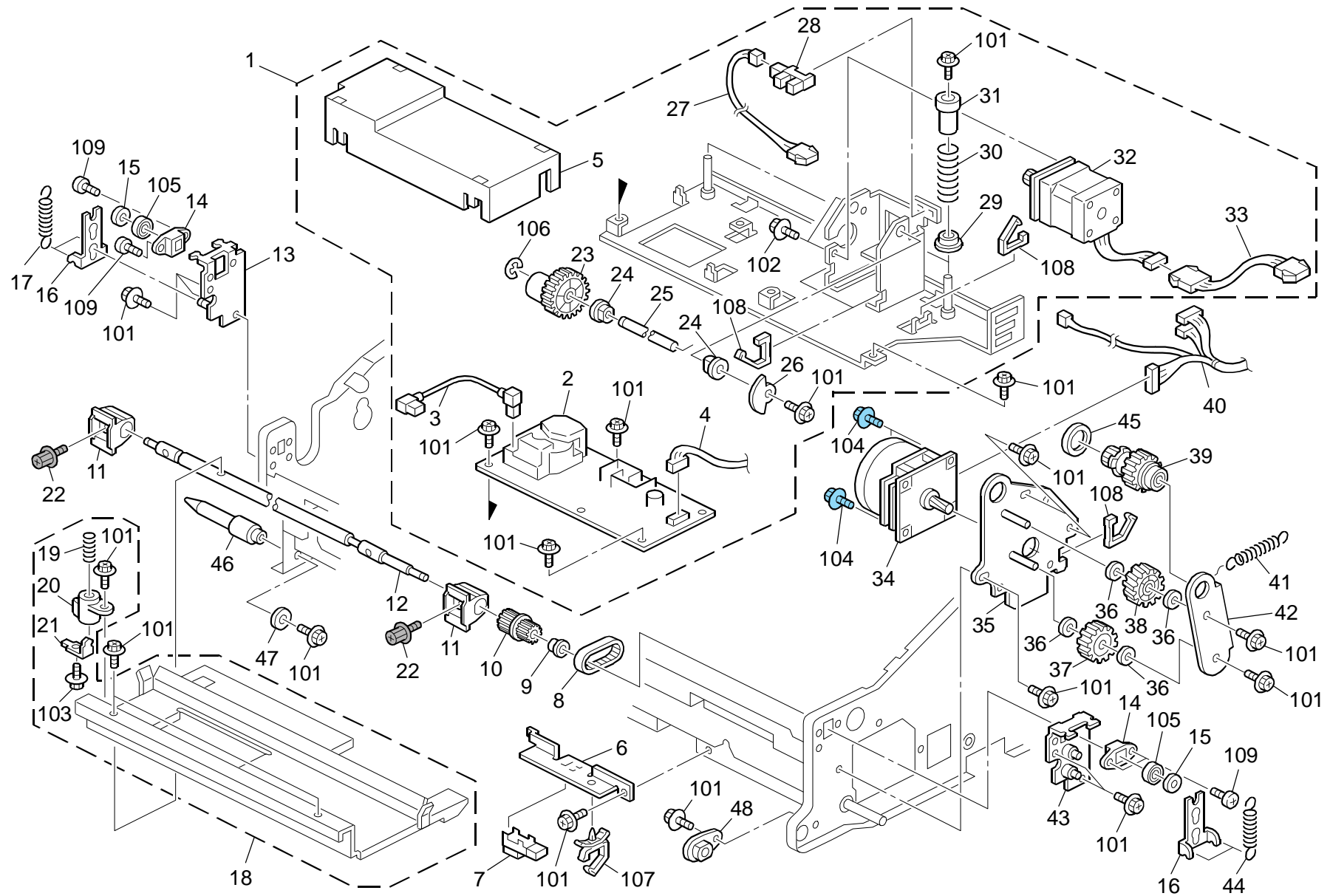


23.Paper Registration 8 (D095/M077)

Index No.	Part No.	Description	Q'ty Per Assembly
1	B234 2628	Ball Bearing - Front	1
2	H072 2220	Spacer - M6x10	2
3	G178 7651	Tension Spring:Registration	2
4	B234 2629	Ball Bearing - Rear	1
5	B234 5280	PCB CRB	1
6	G178 5756	Harness:Registration:Crb:Connecting	1
7	G178 7564	Registration Roller:Drive	1
8	AB03 0803	Timing Pulley - 25T	1
9	G178 7565	Registration Roller:Driven	1
10	G178 7572	Scraper:Ass'y	1
11	G178 7423	Guide Plate:Registration:Rear Upper	1
12	B234 2750	Contact Image Sensor	1
13	G178 5671	Harness:Registration:CRB:Sensor	1
14	G178 7414	Bracket:Positioning Sensor	1
15	G178 7413	Stay:Positioning Sensor	1

Index No.	Part No.	Description	Q'ty Per Assembly
101	0451 4008N	Tapping Screw:4x8	
102	0451 3006N	Tapping Screw - 3x6	
103	0353 0050N	Screw-M3x5	
104	0720 0040E	Retaining Ring - M4	
105	0720 0060E	Retaining Ring - M6	
106	0741 3808	Ball Bearing - 8x16x5mm	
107	1105 0534	Clamp	

24.Paper Registration 9 (D095/M077)

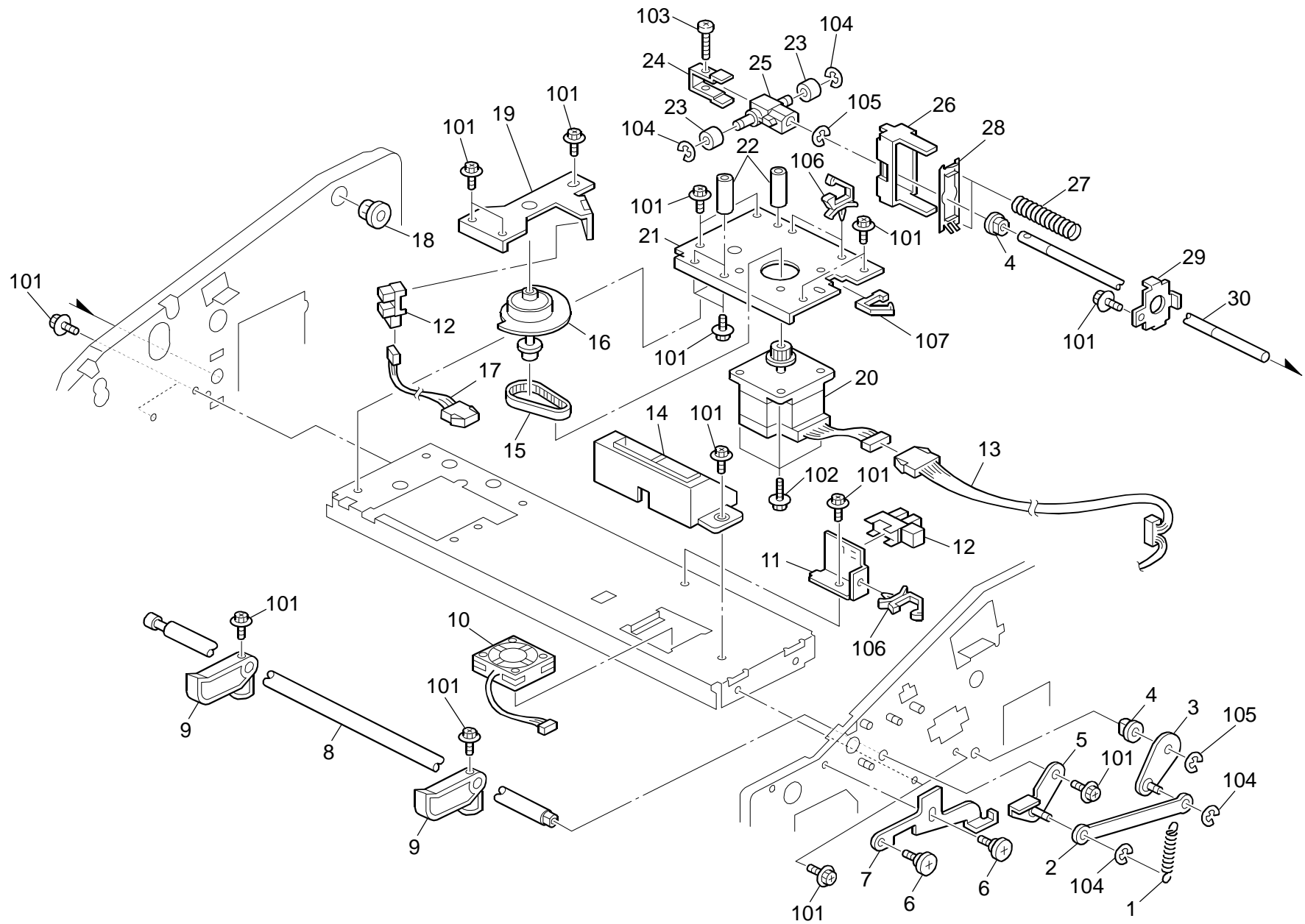


24.Paper Registration 9 (D095/M077)

Index No.	Part No.	Description	Q'ty Per Assembly
1	G178 6830	Base:On-Off:Ass'y	1
2	AZ31 0029	Power Pack:D	1
3	G178 5765	Harness:T/S:Power Pack:High Voltage	1
4	G178 5661	Harness:T/S Power Pack:I/F	1
5	B132 1220	Cover:Base:Pull Out	1
6	G178 7475	Holder:Sensor:Duplex Unit	1
7	AW01 0107	Paper Feed Sensor	1
8	G178 6852	Synchronous Belt:80S3M144	1
9	G178 6884	Bushing:Transfer Drive	1
10	G178 6882	Gear:Pulley:Ass'y	1
11	G178 7446	Stopper:Lock:Transfer	2
12	G178 7448	Shaft:Contact Point:Transfer	1
13	G178 6893	Pressure Plate:Rear:Peen	1
14	G178 6865	Housing:Bearing:On-Off	2
15	G178 6895	Spacer:Shaft:On-Off	2
16	G178 6889	Pressure Plate:Slide	2
17	G178 4087	Tension Spring:Transfer:Second	2
18	M077 1034	Frame:On-off:Transfer Roller:Ass'y	1
19	G178 6871	Compression Spring	1
20	G178 6857	Socket:Housing	1
21	G178 6858	Plate:Terminal	1
22	B234 2390	Flanged Hexagonal Head Bolt:M4x8	2
23	G178 6837	Cam:On-Off:Automatic	1
24	AA08 2104	Bushing - 8x12x7	2
25	G178 6836	Shaft:Cam:On-Off:Automatic	1
26	G178 6839	Plate:Positioning Sensor:On-Off	1
27	G178 5753	Harness:T/S:Transfer Roller:Sensor	1
28	AW02 0145	Photointerruptor:Flat	1
29	G178 6849	Sleeve:Spring:On-Off	2
30	G178 6872	Compression Spring:Transfer:On-Off	2
31	G178 6843	Collar:Spring:On-Off	2
32	G178 6868	Stepper Motor:DC 5.75W	1
33	G178 5750	Harness:T/S:Transfer Roller:Motor	1
34	M077 1360	DC Motor:MM63:24W	1
35	G178 6821	Plate:Motor:Drive:Ass'y	1

Index No.	Part No.	Description	Q'ty Per Assembly
36	AA13 2111	Spacer - 8x12x0.5	4
37	G178 6824	Gear:Idler:No.1	1
38	M077 1354	Gear:Idler:No.2:Press Fit	1
39	G178 6846	Gear:Motor:No.2:Ass'y	1
40	G178 5788	Harness:Registration:Sensor:No.2	1
41	G178 6876	Tension Spring:Belt Tension:60N	1
42	G178 6835	Holder:Shaft:Drive	1
43	G178 6892	Pressure Plate:Front:Peen	1
44	G178 7834	Tension Spring:Transfer:10N	2
45	G178 6850	Spacer:Pulley:Transfer Drive	1
46	G178 7441	Positioning Pin:Transport Unit	1
47	G178 7670	Washer:455554	1
48	G178 7744	Boss:Positioning Pin:Transport Unit:No.2	1
101	0451 4008N	Tapping Screw:4x8	
102	0451 3006N	Tapping Screw - 3x6	
103	0450 3008N	Tapping Screw - M3x8	
104	0454 4008Q	Tapping Screw - M4x8	
105	0740 3705	Bushing - 5x8x2.5	
106	0720 0050E	Retaining Ring - M5	
107	1105 0511	Harness Clamp - LWS-0306ZC	
108	1105 0522	Edge Saddle - LES0510	
109	0353 0040N	Screw - M3x4	

25.Paper Registration 10 (D095/M077)

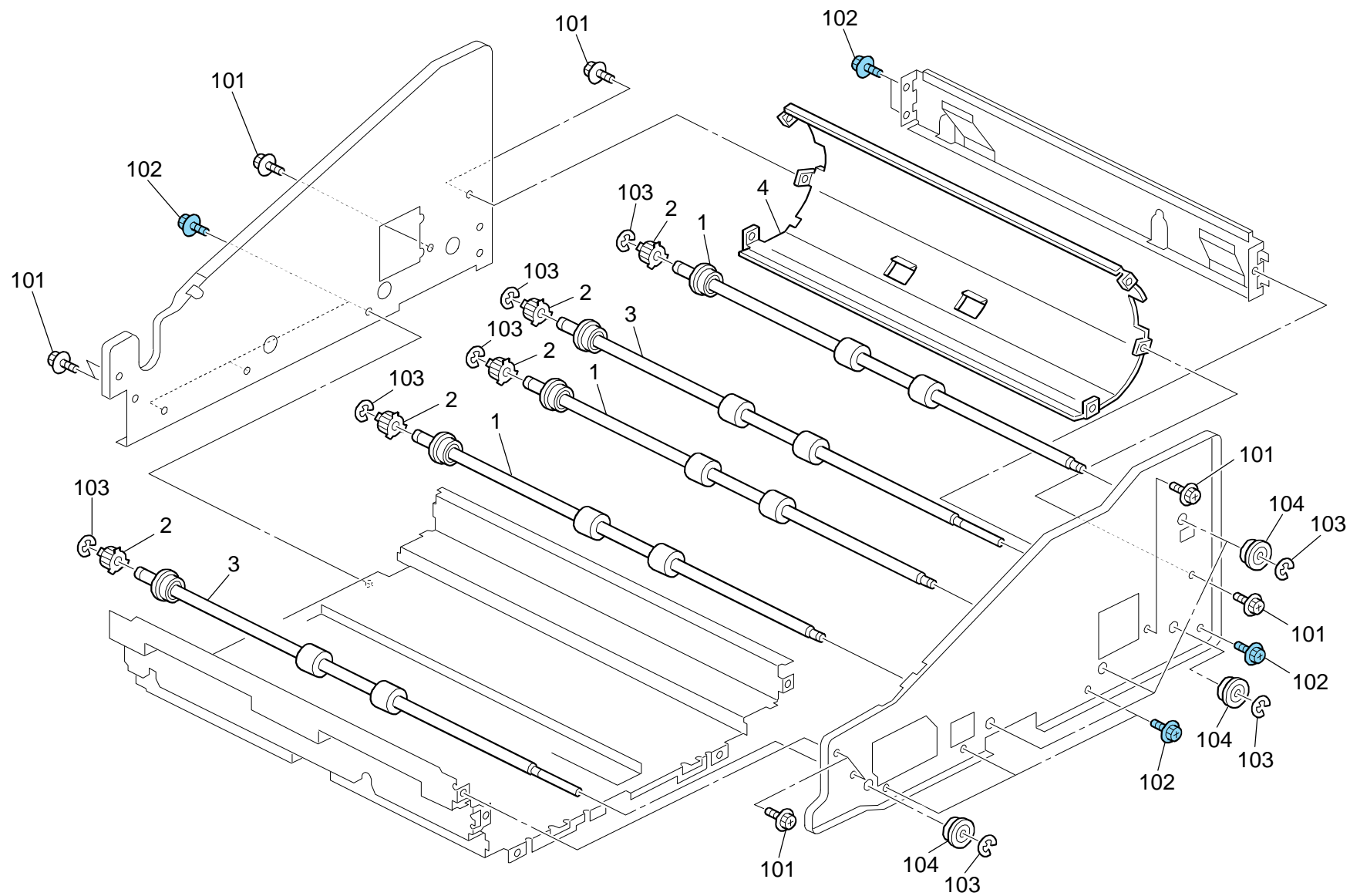


25.Paper Registration 10 (D095/M077)

Index No.	Part No.	Description	Q'ty Per Assembly
1	G178 7655	Tension Spring:Link	1
2	G178 7445	Link:Handle:Middle	1
3	G178 7437	Link:Handle:Right	1
4	AA08 2104	Bushing - 8x12x7	2
5	G178 7434	Link:Handle:Left	1
6	C238 2573	Stepped Screw	2
7	G178 7450	Link:Lock:Transfer	1
8	G178 7439	Shaft:On-Off:Transfer	1
9	G178 7447	Cam:On-Off:Transfer	2
10	AX64 0149	Fan Motor:MM40:15mm	1
11	G178 7399	Holder:Sensor:Cam	1
12	AW02 0145	Photointerruptor:Flat	2
13	G178 5666	Harness:Registration:Motor:No.3	1
14	G178 7740	Duct:CIS:Fan	1
15	AA04 3476	Timing Belt 160 S2M8	1
16	G178 7555	Shaft:Shift:Cam:Press Fit	1
17	G178 5858	Harness:Registration:Shift:Sensor	1
18	G178 7665	Bushing	1
19	G178 7704	Holder:Stepper Motor:Shift	1
20	AX04 0157	Stepper Motor DC1.68V 6.7W	1
21	G178 7477	Holder:Stepper Motor:Shift	1
22	G178 7764	Stand:Pin:Shift	3
23	AA13 2300	Roller:Lock:Pull Out	2
24	B132 1224	Supporting Plate:Bracket:Lock	1
25	B132 1183	Bracket:Lock	1
26	G178 4759	Bracket:Lock:Exit	1
27	G178 4818	Spring:Pull Out:Lock:Exit	2
28	B132 1221	Holder:Spring:Pull Out	1
29	G178 7788	Holder:Handle:Latch:Spring	1
30	G178 7449	Shaft:Lock:Lever	1

Index No.	Part No.	Description	Q'ty Per Assembly
101	0451 4008N	Tapping Screw:4x8	
102	0451 4012N	Tapping Screw:4x12	
103	0314 0180N	Pan Head Screw:M4x18	
104	0720 0040E	Retaining Ring - M4	
105	0720 0060E	Retaining Ring - M6	
106	1105 0511	Harness Clamp - LWS-0306ZC	
107	1105 0522	Edge Saddle - LES0510	

26.Paper Registration 11 (D095/M077)

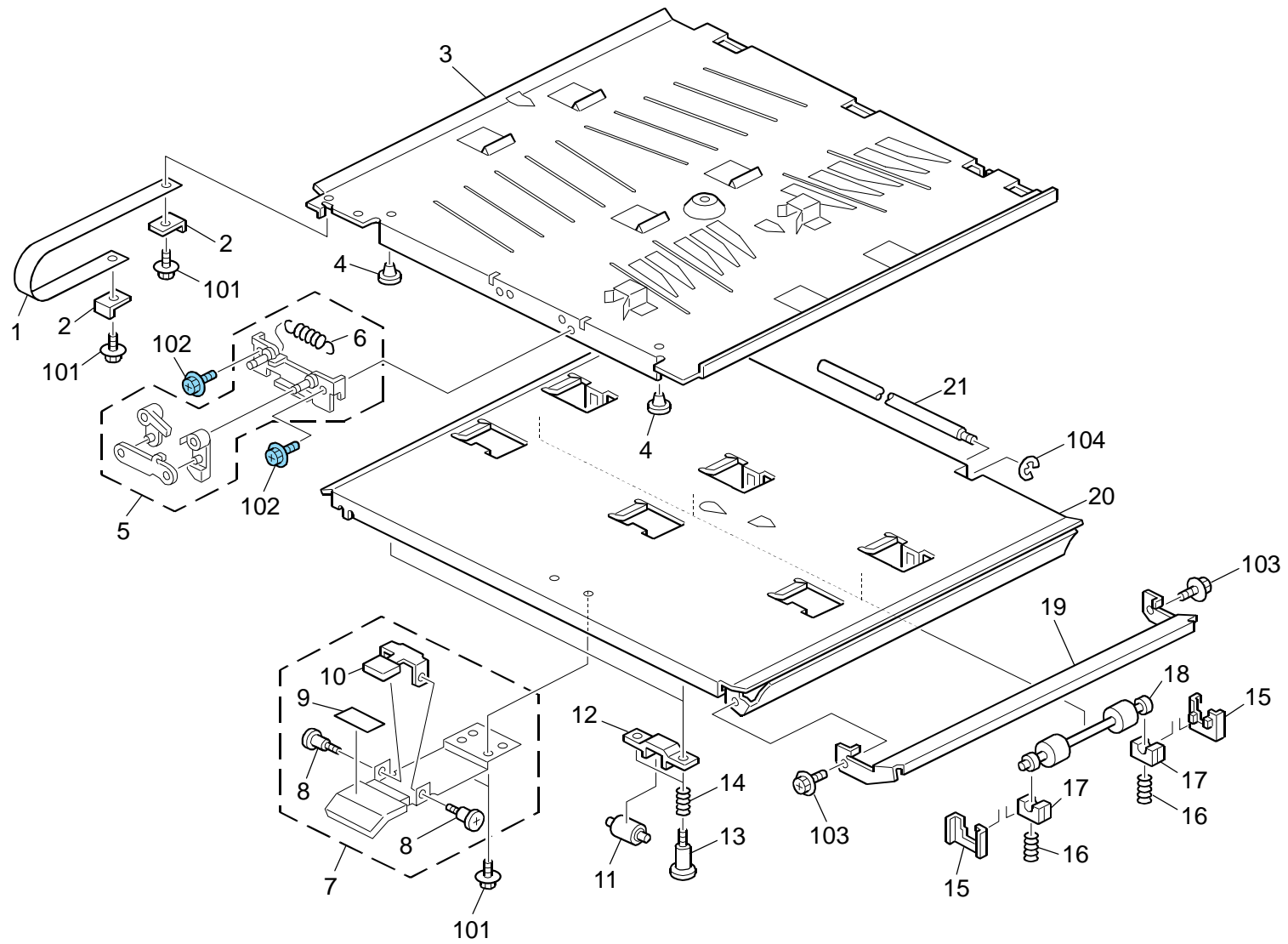


26.Paper Registration 11 (D095/M077)

Index No.	Part No.	Description	Q'ty Per Assembly
1	M077 7473	Transport Roller:Duplex:Press Fit	3
2	AB03 0802	Timing Pulley - 24T	5
3	M077 7474	Transport Roller:Duplex:Knob:Press Fit	2
4	G178 7520	Guide Plate:Vertical Transport:Left	1

Index No.	Part No.	Description	Q'ty Per Assembly
101	0451 4008N	Tapping Screw:4x8	
102	0454 4008Q	Tapping Screw - M4x8	
103	0720 0060E	Retaining Ring - M6	
104	0741 3808	Ball Bearing - 8x16x5mm	

27. Paper Registration 12 (D095/M077)

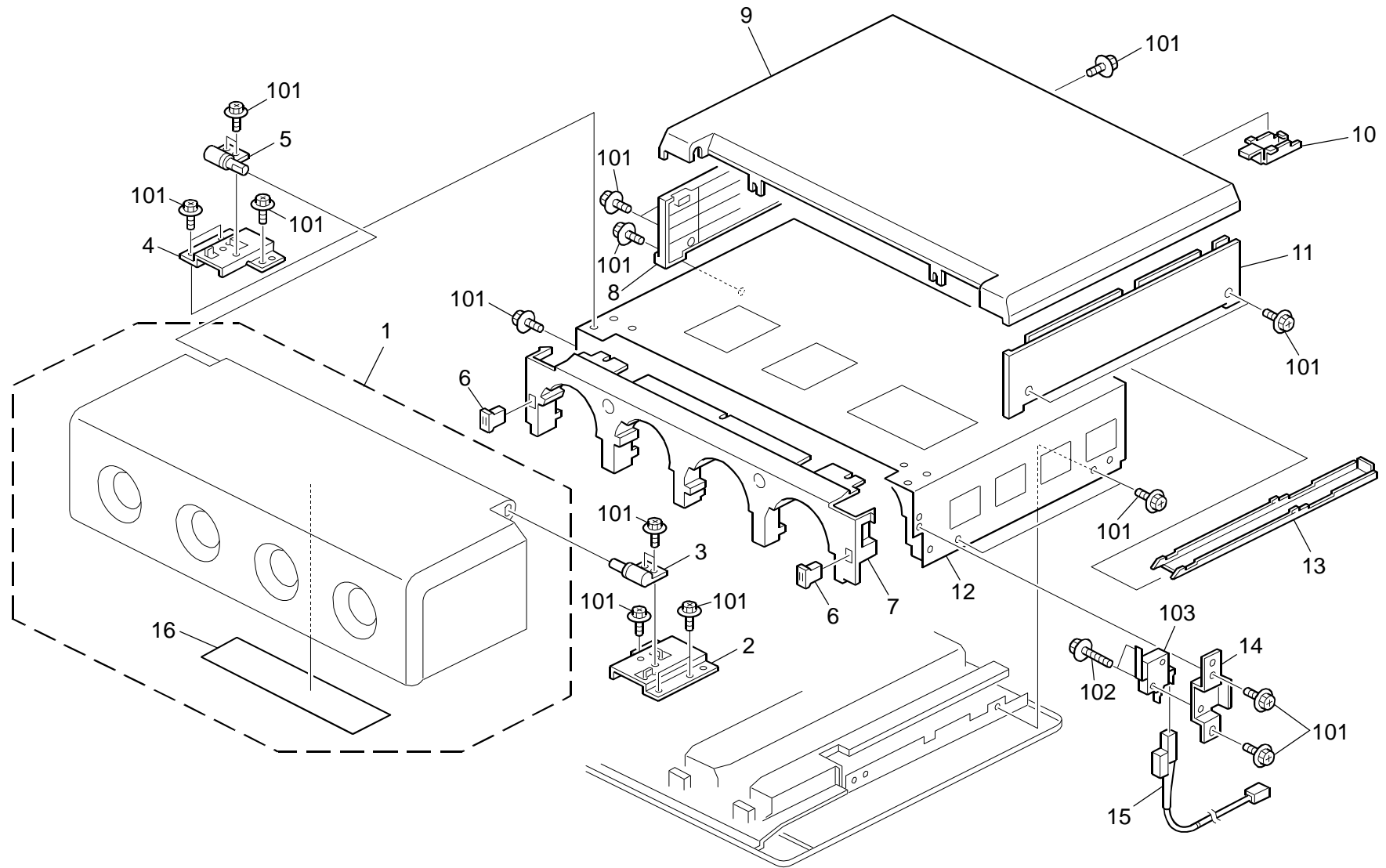


27.Paper Registration 12 (D095/M077)

Index No.	Part No.	Description	Q'ty Per Assembly
1	A096 4928	Guide Plate Band	1
2	G178 7618	Plate:Fix:Band	2
3	G178 7501	Guide Plate:Duplex:Upper	1
4	G178 7667	Rubber Foot	2
5	G178 7633	Hook:Guide Plate:Duplex:Ass'y	1
6	G178 7650	Tension Spring:Latch:Duplex	1
7	G178 7637	Grip:Duplex:Open And Close:Ass'y	1
8	AA14 3811	Stepped Screw - M3x4	2
9	G178 7684	Decal:Lever:Guide Plate:Z4	1
10	B065 4933	Guide Plate Lever Hook	1
11	AF02 2067	Guide Stopper Roller	2
12	A229 4727	Guide Plate Pressure Holder	2
13	AA14 3828	Screw:Fly Wheel	4
14	AA06 3581	Compression Spring	4
15	G178 7790	Holder:Roller:On-Off	6
16	AA06 3674	Spring - 8N	6
17	AA08 4059	Ball Bearing Holder	6
18	M077 4862	Transport Roller:Driven:Duplex:DIA18x2	3
19	G178 7499	Guide Plate:Duplex:Lower Right	1
20	G178 7494	Guide Plate:Duplex:Lower	1
21	G178 7493	Shaft:Hinge:Duplex	1

Index No.	Part No.	Description	Q'ty Per Assembly
101	0451 4008N	Tapping Screw:4x8	
102	0454 4008Q	Tapping Screw - M4x8	
103	0451 3006N	Tapping Screw - 3x6	
104	0720 0040E	Retaining Ring - M4	

28.Toner Supply 1 (D095/M077)

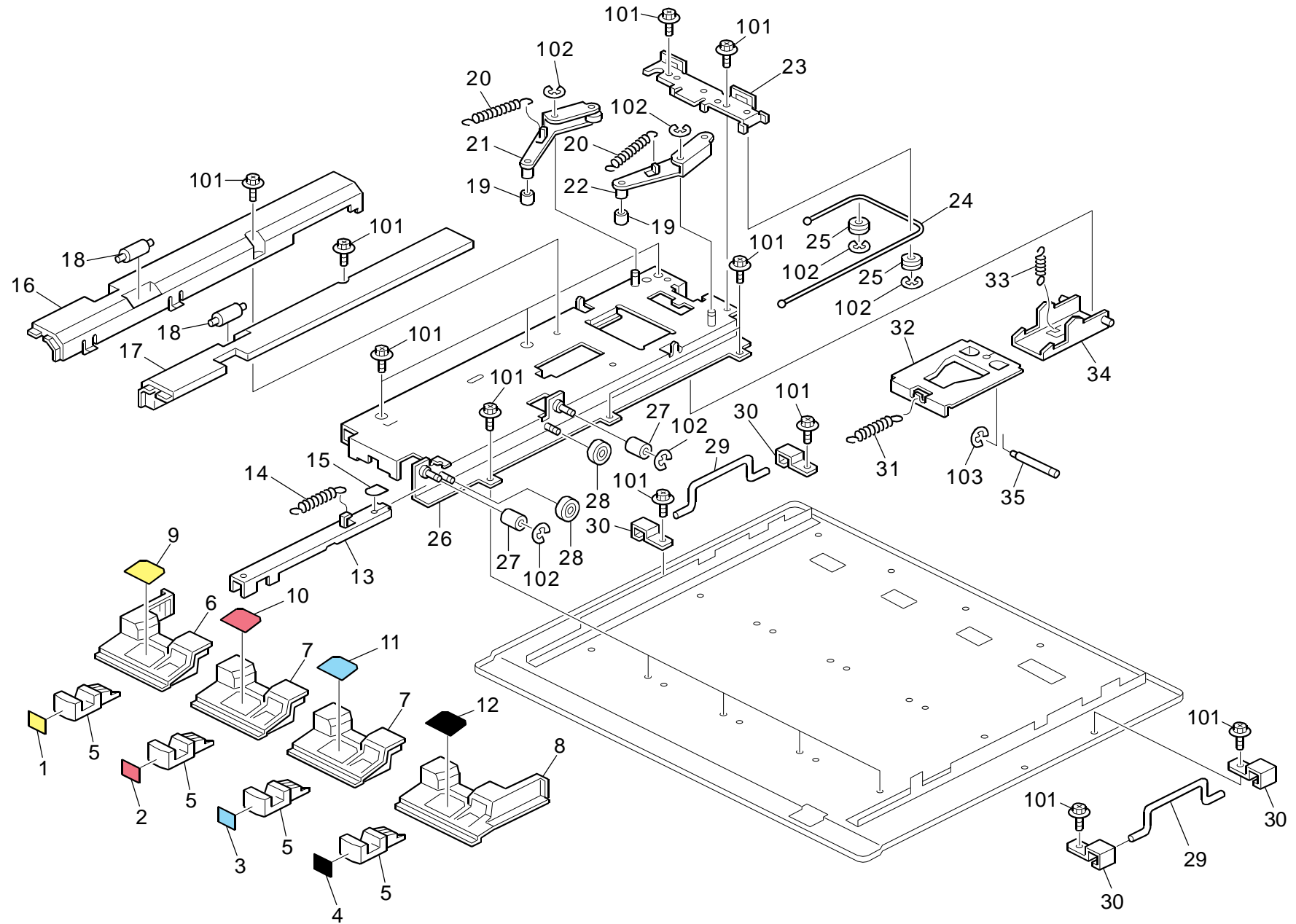


28.Toner Supply 1 (D095/M077)

Index No.	Part No.	Description	Q'ty Per Assembly
1	G178 1546	Cover:Toner Supply:Front:Ass'y	1
2	G178 1637	Bracket:Hinge:Front Right	1
3	G178 1635	Hinge:Toner Supply:Front Right	1
4	G178 1638	Bracket:Hinge:Front Left	1
5	G178 1636	Hinge:Toner Supply:Front Left	1
6	AA02 1031	Magnetic Catch	2
7	G178 1648	Cover:Toner Supply:Entrance	1
8	G178 1647	Cover:Toner Supply:Left Middle	1
9	G178 1645	Cover:Toner Supply:Middle Upper	1
10	G178 1651	Plate:Cover:Upper	1
11	G178 1646	Cover:Toner Supply:Right Middle	1
12	G178 1640	Bracket:Toner Supply:Middle:Ass'y	1
13	G178 1650	Guide:Toner Bottle:Upper	4
14	G178 1644	Bracket:Micro Switch	1
15	G178 5759	Harness:Toner:Hopper:Cover:Switch	1
16	G178 1653	Decal:Exchangeable:Toner Bottle	1

Index No.	Part No.	Description	Q'ty Per Assembly
101	0451 4008N	Tapping Screw:4x8	
102	0451 3014N	Tapping Screw:3x14	
103	1204 2521	Micro Switch	

29.Toner Supply 2 (D095/M077)

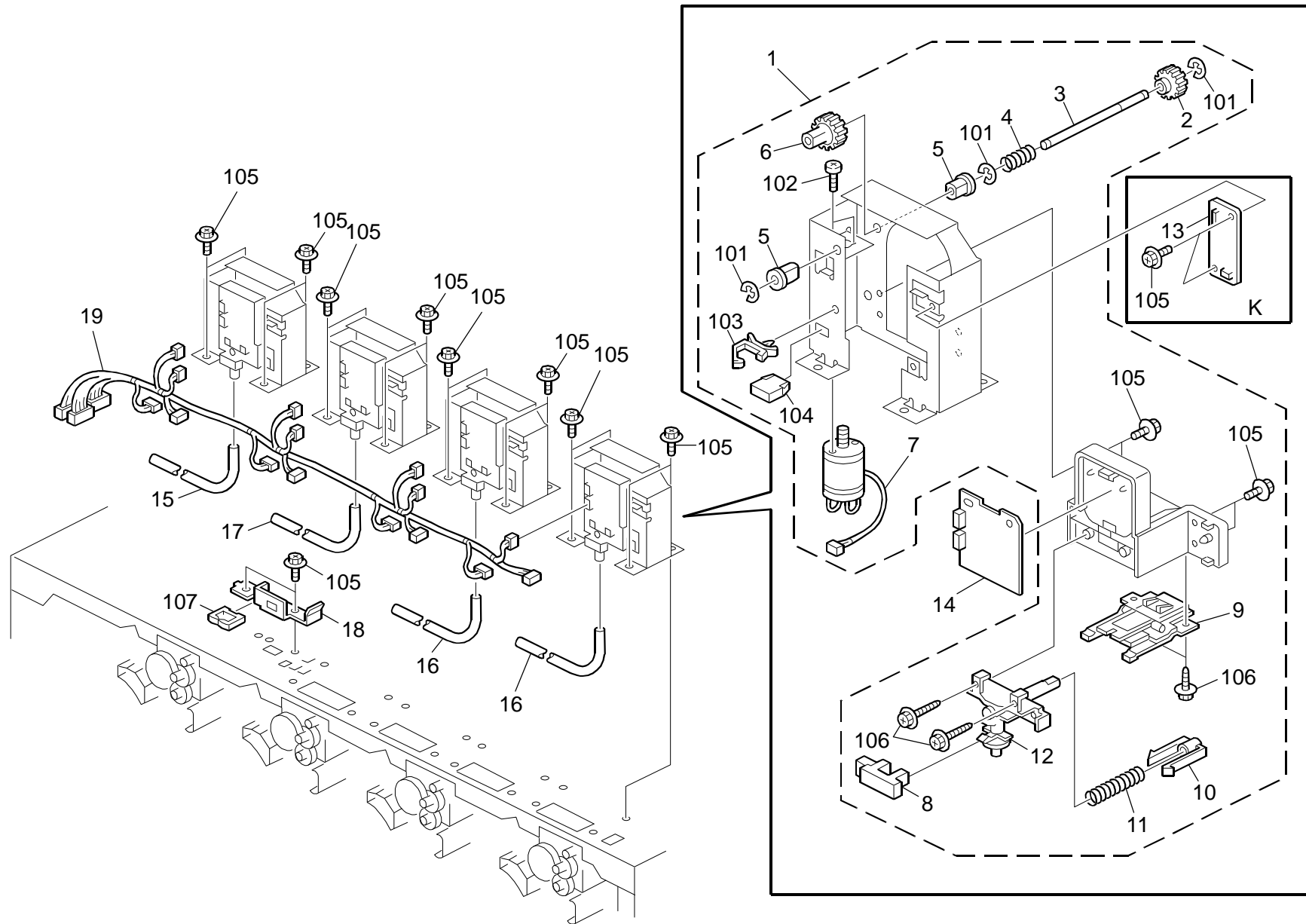


29.Toner Supply 2 (D095/M077)

Index No.	Part No.	Description	Q'ty Per Assembly
1	G178 7808	Decal:Colored Display:Lever:Y	1
2	G178 7806	Decal:Colored Display:Lever:M	1
3	G178 7807	Decal:Colored Display:Lever:C	1
4	G178 7805	Decal:Colored Display:Lever:BK	1
5	G178 3535	Grip:Release	4
6	G178 3538	Guide:Toner Bottle:Front Left	1
7	G178 3536	Guide:Toner Bottle:Front	2
8	G178 3537	Guide:Toner Bottle:Front Right	1
9	G178 7803	Decal:Colored Display:Cover:Y	1
10	G178 7801	Decal:Colored Display:Cover:M	1
11	G178 7802	Decal:Colored Display:Cover:C	1
12	G178 7800	Decal:Colored Display:Cover:BK	1
13	G178 3530	Stay:Release	4
14	G178 3592	Tension Spring:Release:Lever	4
15	G166 3278	Seal:Toner Hopper:Recycle Machine	4
16	G178 3542	Guide:Toner Bottle:Left	4
17	G178 3541	Guide:Toner Bottle:Right	4
18	G178 3543	Roller:Plate:Toner Bottle	8
19	G178 3517	Roller:Release	8
20	G178 3590	Tension Spring:Lever:Pressure	8
21	G178 3512	Lever:Pressure:Left:Ass'y	4
22	G178 3510	Lever:Pressure:Right:Ass'y	4
23	G178 3525	Bracket:Roller:Wire:Ass'y	4
24	G178 3534	Wire:Release:Lever	4
25	AB03 2058	Wire Pulley - M10	8
26	G178 3505	Bracket:Holder:Ass'y	4
27	B302 4239	Guide Roller	8
28	G178 3532	Roller:Lever:Guide	8
29	B132 2366	Lever:Drum Stay:Left	2
30	G178 3503	Plate:Lever	4
31	G178 3591	Tension Spring:Slider:Pressure	4
32	G178 3520	Bracket:Slider	4
33	G178 3593	Tension Spring:Stopper	4
34	G178 3522	Bracket:Stopper:Ass'y	4
35	G178 3521	Shaft:Plate:Release Plate	4

Index No.	Part No.	Description	Q'ty Per Assembly
101	0451 4008N	Tapping Screw:4x8	
102	0720 0040E	Retaining Ring - M4	
103	0720 0030E	Retaining Ring - M3	

30.Toner Supply 3 (D095/M077)

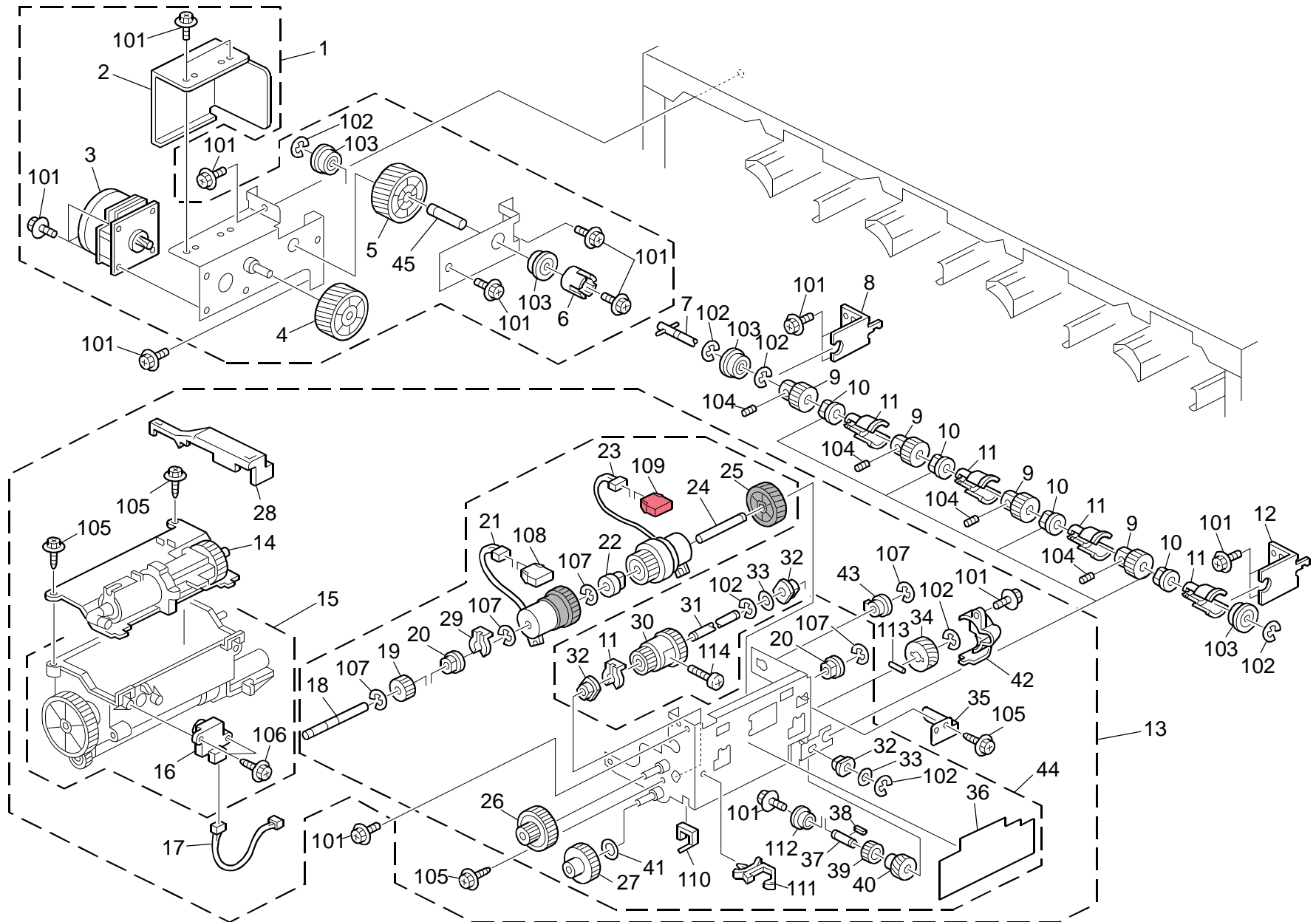


30.Toner Supply 3 (D095/M077)

Index No.	Part No.	Description	Q'ty Per Assembly
1	M077 3136	Toner Supply Sub-unit:Drive:Ass'y	4
2	G178 3553	Gear:Drive:Toner Bottle:Z14	1
3	G178 3552	Shaft:Drive:Toner Bottle	1
4	G178 3594	Spring:Drive:Toner Bottle	1
5	AA08 2075	Bushing - M6	2
6	AB01 2008	Gear - 23Z	1
7	B234 3372	DC Motor:Toner Bottle:DC21V 5.85W	1
8	AW02 0185	Toner End Sensor	1
9	B223 3334	Holder:Stopper:Shutter:Ass'y	1
10	B223 3207	Shutter:Nozzle	1
11	B223 3208	Spring:Shutter:Nozzle	1
12	G178 3555	Nozzle:Toner Supply:Ass'y	1
13	G178 5931	PCB:RFID:RW-CPU:Ass'y	1
14	G178 5934	PCB:RFID:RW-AFE(K):Ass'y	1
14	G178 5936	PCB:RFID:RW-AFE(C):Ass'y	1
14	G178 5937	PCB:RFID:RW-AFE(M):Ass'y	1
14	G178 5938	PCB:RFID:RW-AFE(Y):Ass'y	1
15	G178 3195	Tube:Toner Supply:Black	1
16	G178 3197	Tube:Toner Supply:Magenta	1
17	G178 3198	Tube:Toner Supply:Cyan	1
18	G178 1629	Bracket:Connecting:Micro Switch	1
19	G178 5885	Harness:Toner Bottle	1

Index No.	Part No.	Description	Q'ty Per Assembly
101	0720 0040E	Retaining Ring - M4	
102	0312 5050N	Screw - M2.5x5	
103	1105 0508	Harness Clamp - LWS-0711	
104	1102 6245	Relay Connector - 2P	
105	0451 4008N	Tapping Screw:4x8	
106	0450 3012N	Tapping Screw:3x12	
107	1105 0328	Harness Clamp - ES-0505	

31.Toner Supply 4 (D095/M077)

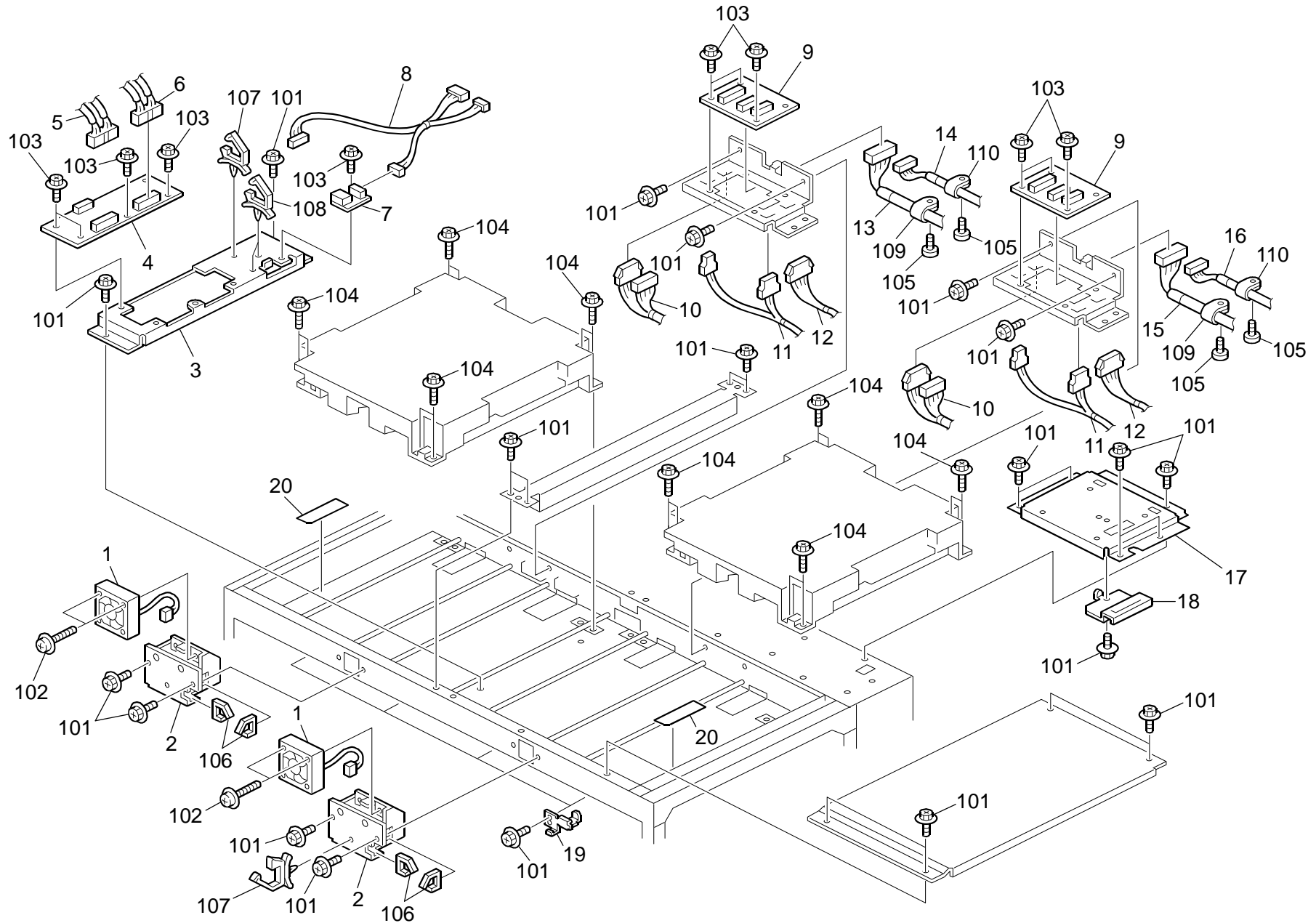


31.Toner Supply 4 (D095/M077)

Index No.	Part No.	Description	Q'ty Per Assembly
1	G178 3193	DC Motor:Toner Supply:Ass'y	1
2	G178 3227	Cover:Motor:Drive:Toner Supply	1
3	AX06 0280	DC Motor:MM63:24W	1
4	G178 3215	Gear:Drive:Idler:Ass'y	1
5	G178 3181	Gear:Drive:Motor:Toner Supply	1
6	G178 3208	Joint:Toner Supply	1
7	G178 3176	Shaft:Drive:Toner Supply:Ass'y	1
8	G178 3207	Holder:Left:Drive:Toner Supply	1
9	G178 3108	Gear:Drive:Toner Supply	4
10	AA08 2104	Bushing - 8x12x7	4
11	M077 3261	End Ring:Toner Supply Sub-unit	5
12	G178 3179	Holder:Right:Drive:Toner Supply	1
13	M077 3194	Toner Supply Sub-unit:Ass'y	1
14	M077 3192	Case:Upper:Toner Supply:Ass'y	1
15	G178 3190	Case:Lower:Toner Supply:Ass'y	1
16	GW23 0001	Toner End Sensor	1
17	G178 5824	Harness:Sensor:Connecting	1
18	G178 3174	Shaft:Magnetic Clutch:Toner Supply	1
19	G178 3150	Gear:Magnetic Clutch:Toner Supply	1
20	AA08 2101	Bushing - 6x10x6	2
21	G178 3186	Magnetic Clutch:Toner Supply Unit:Ass'y	1
22	AA08 2140	Bushing:Drive:Supply:MM6	1
23	AX20 0284	Magnetic Clutch:0.4N M:Z32:MM6	1
24	B132 3344	Shaft:Magnetic Clutch:Drive:Rotor	1
25	B132 3348	Gear:Drive:Rotor:Supply	1
26	G178 3151	Gear:Magnetic Clutch:Idler:Upper	1
27	G178 3159	Gear:Idler:Lower:Toner Supply	1
28	M077 3167	Cover:Gear:Toner Supply	1
29	5447 2681	Snap Ring	1
30	B132 3223	Gear:21/32Z	1
31	G178 3175	Shaft:Right:Drive:Toner Supply	1
32	AA08 2078	Bushing - 8mm	3
33	G178 7664	Spacer	2
34	G178 3119	Gear:Front Upper:Drive:Toner Supply	1
35	G178 3160	Ground Plate:Toner Supply	1

Index No.	Part No.	Description	Q'ty Per Assembly
36	G178 3187	Seal:Bracket:Toner Supply	1
37	G178 3274	Shaft:Front Lower:Drive:Toner Supply	1
38	G178 4081	Key:3x3x10	1
39	G178 3272	Gear:Front:Drive:Toner Supplr	1
40	G178 3273	Gear:Front Lower:Drive:Toner Supplr	1
41	G178 3127	O-Ring:5.8mm	1
42	G178 3126	Cover:Front:Drive:Toner Supply	1
43	B004 4438	Bushing	1
44	G178 3191	Bracket:Toner Supply:Sub:Ass'y	1
45	G178 3180	Shaft:Drive:Motor:Toner Supply	1
101	0451 4008N	Tapping Screw:4x8	
102	0720 0060E	Retaining Ring - M6	
103	0742 3808	Ball Bearing - 8x16x5	
104	0593 0140E	Hexagonal Set Screw:M3x14	
105	0450 3010N	Tapping Screw - M3x10	
106	0456 3008N	Tapping Screw - M3x8	
107	0720 0040E	Retaining Ring - M4	
108	1102 6245	Relay Connector - 2P	
109	1102 6259	Connector - 2P	
110	1105 0551	Clamp:LES-0505	
111	1105 0511	Harness Clamp - LWS-0306ZC	
112	0740 3808	Ball Bearing - 8x16x5mm	
113	0633 0140G	Parallel Pin - 3x14	
114	0354 0080N	Screw:M4x8	

32.Laser Unit 1 (D095/M077)

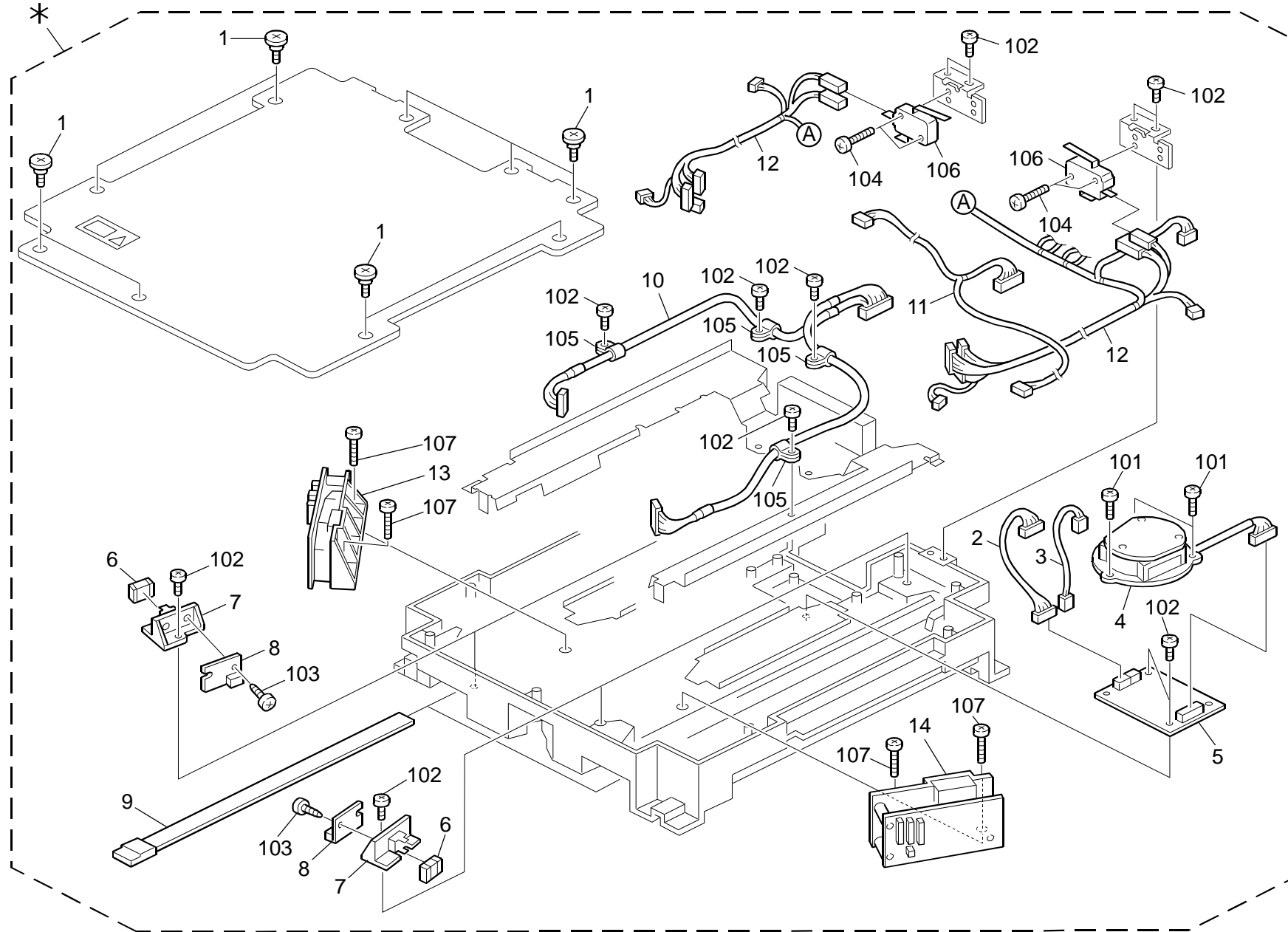


32.Laser Unit 1 (D095/M077)

Index No.	Part No.	Description	Q'ty Per Assembly
1	AX64 0149	Fan Motor:MM40:15mm	2
2	G178 7216	Duct:Imaging Unit:Front	2
3	G178 2553	Holder:Electric Potential Sensor	1
4	B132 5415	Base:Electric Potential Sensor	1
5	M077 5547	Harness:Electric Potential Sensor: CK:Connecting	1
6	M077 5546	Harness:Electric Potential Sensor: YM:Connecting	1
7	AW14 0015	Temperature & Humidity Sensor	1
8	G178 5812	Harness:Potential Sensor:I/F	1
9	G178 2180	PCB:OPI	2
10	G178 5836	Harness:IPU-LD:I/F:(3)	2
11	M077 5544	Harness:Power Source:IOB1-IOB2-LD	2
12	G178 5801	Harness:IOB1:Motor	2
13	G178 5680	Harness:IPU-LD:I/F:(1):MY	1
14	G178 5681	Harness:IPU-LD:I/F:(2):MY	1
15	G178 5677	Harness:IPU-LD:I/F:(1):KC	1
16	G178 5678	Harness:IPU-LD:I/F:(2):KC	1
17	G178 1797	Supporting Plate:Arm	1
18	M077 1715	Holder:Connector	1
19	G178 2163	Hook:Shield Glass	4
20	G178 2204	Decal:Laser Diode:3R	2

Index No.	Part No.	Description	Q'ty Per Assembly
101	0451 4008N	Tapping Screw:4x8	
102	0951 3020N	Screw:Polished Round:M3x20	
103	0451 3006N	Tapping Screw - 3x6	
104	0451 4012N	Tapping Screw:4x12	
105	0353 0060N	Bind Screw - M3x6	
106	1105 0551	Clamp:LES-0505	
107	1105 0511	Harness Clamp - LWS-0306ZC	
108	1105 0516	Clamp	
109	1105 0559	Clamp:EMT-5N	
110	1105 0529	Nylon Clamp-EMT-3N	

33.Laser Unit 2 (D095/M077)

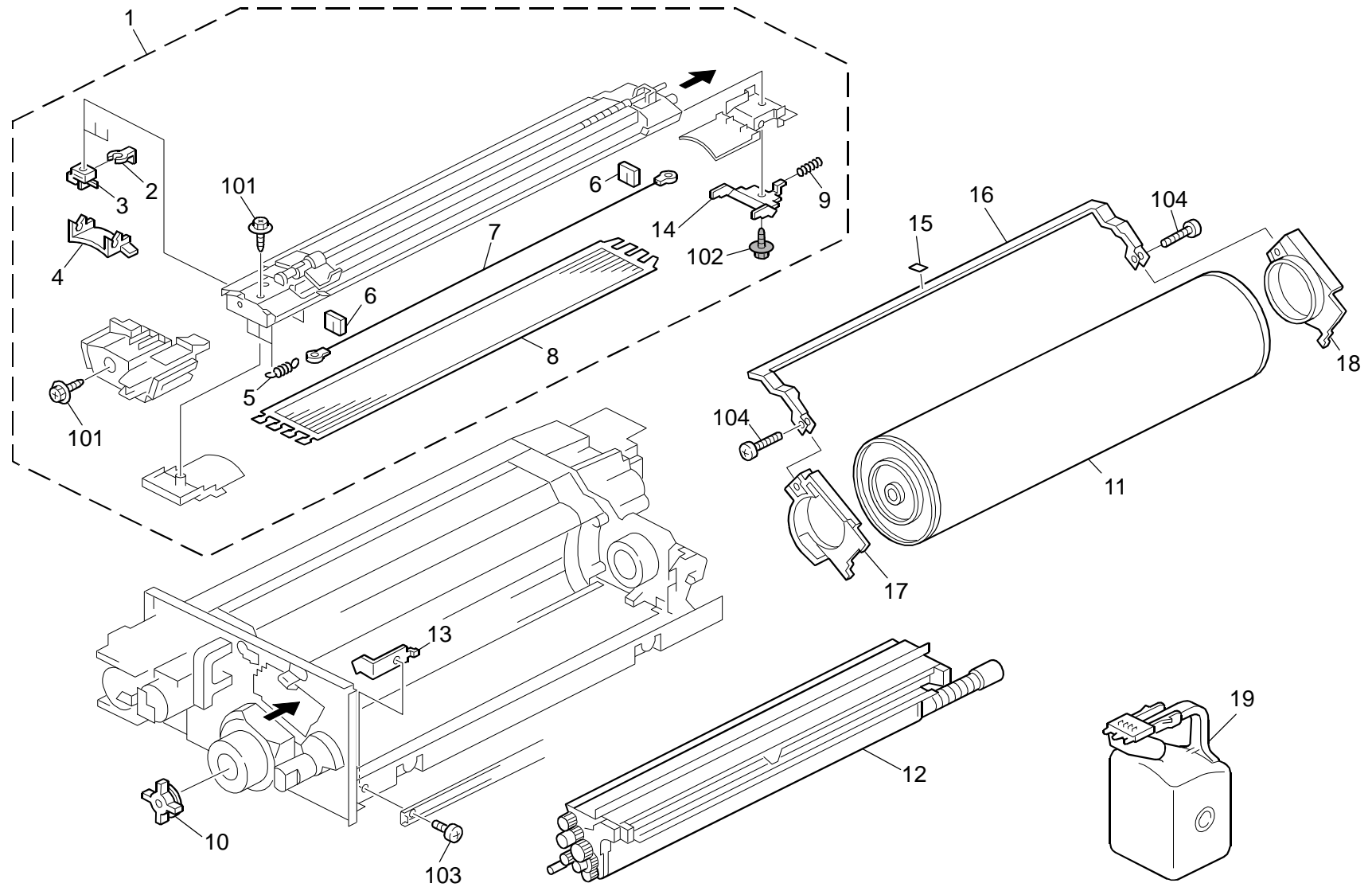


33.Laser Unit 2 (D095/M077)

Index No.	Part No.	Description	Q'ty Per Assembly
*	G178 2035	Laser Unit:Ass'y	2
1	5447 2768	Stepped Screw - M3	9
2	G178 5840	Harness:Motor Control Board:I/F:(1)	1
3	G178 5686	Harness:Motor Control Board:I/F:(2)	1
4	G178 2051	Polygon Mirror Motor:DC 26.4W	1
5	B234 5380	Motor Control Board	1
6	G029 1975	Cylindrical Lens	2
7	A294 1942	Holder - Sync Detector Board	2
8	B234 5365	PCB Sync Detector	2
9	G178 2151	Shield Glass:Ass'y	2
10	G178 5688	Harness:Optics:LD:I/F:(2)	1
11	G178 5691	Harness:Optics:ADJ:Motor:No.1	1
12	G178 5838	Harness:Optics:LD:I/F:(1)	1
13	G178 2041	Laser Diode Unit:MK:Ass'y	1
14	G178 2042	Laser Diode Unit:YC:Ass'y	1

Index No.	Part No.	Description	Q'ty Per Assembly
101	0354 0080N	Screw:M4x8	
102	0353 0060N	Bind Screw - M3x6	
103	0452 3006N	Binding Self-tapping Screw:3x6	
104	0353 0140N	Screw:M3x14	
105	1105 0530	Nylon Clamp-EMT-4N	
106	1204 2521	Micro Switch	
107	0353 0100N	Screw-M3x10	

34.PCDU 1 (D095/M077)



34.PCDU 1 (D095/M077)

Index No.	Part No.	Description	Q'ty Per Assembly
1	G178 2455	Charge Corona:Ass'y	4
2	G178 2522	Ring:Slider	3
3	G178 2510	Cleaner:Corona Wire:Ass'y	3
4	G178 2507	Cleaner:Grid:Ass'y	1
5	G178 2605	Tension Spring:Corona Wire	3
6	G178 2502	Cushion:Corona Wire	6
7	G178 2501	Corona Wire:Charge Corona	3
8	G178 2500	Grid:Charge Corona	1
9	B234 2125	Spring:Terminal:Grid	1
10	G178 3448	Knob Screw:Drum	4
11	D016 9510	Photoconductor:DIA100	4
12	M077 3600	Cleaning Unit:Drum	4
13	G178 3223	Plate:Stopper:Development Unit	4
14	G178 2519	Stay:Grid	1
15	B234 3177	Decal:Positioning Display:Development	1
16	G178 2712	Grip:Drum:Remover/Install:Ass'y	1
17	G178 2718	Holder:Drum:Remover/Install:Front	1
18	G178 2719	Holder:Drum:Remover/Install:Rear	1
19	M077 9640	Developer Black	1
19	M077 9660	Developer Cyan	1
19	M077 9670	Developer Magenta	1
19	M077 9680	Developer Yellow	1

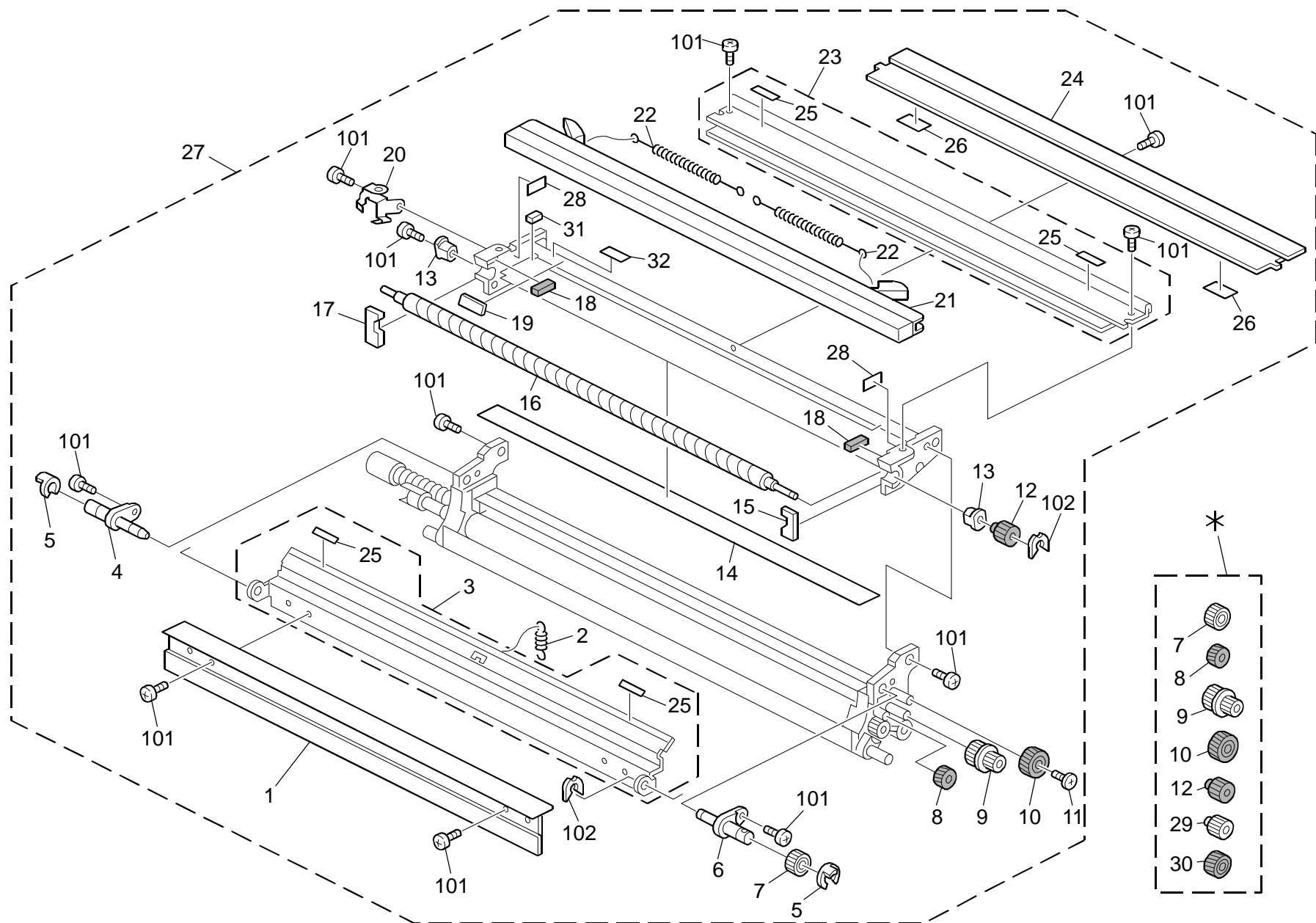
Index No.	Part No.	Description	Q'ty Per Assembly
101	0450 3008N	Tapping Screw - M3x8	
102	0450 3010P	Tapping Screw:3x10	
103	0353 0060N	Bind Screw - M3x6	
104	0354 0120N	Screw M4x12	

35.PCDU 2 (D095/M077)

Index No.	Part No.	Description	Q'ty Per Assembly
*	M077 3290	Development Unit:Yellow	1
*	M077 3292	Development Unit:Cyan	1
*	M077 3291	Development Unit:Magenta	1
*	M077 3293	Development Unit:Black	1
1	G178 3343	Cover:Lower:Development Unit	1
2	G178 3762	Lever:Positioning:Cleaning	1
3	M077 3235	Density Sensor:Development	1
4	B234 2327	Grip - Tray Unit	1
5	M077 3457	Cover:Upper:Development Unit:Ass'y	1
6	B234 3177	Decal:Positioning Display:Development	1
7	G178 3469	Sponge:Cover:Case:Upper	1
8	M077 3452	Entrance Seal:Front:Development	1
9	M077 3453	Entrance Seal:Rear:Development	1
10	G178 3137	Cover:Gear:Development Unit:Ass'y	1
11	AW02 0145	Photointerruptor:Flat	1
12	G178 3330	Gear:Idler:Development Roller:Ass'y	1
13	G178 3354	Shielding Plate:Sensor:Development Roller	1
14	G178 3332	Gear:Development Roller	2
15	G178 3232	Terminal:Development Roller	1
16	G178 3356	Gear:Joint:Development Unit	2
17	G178 3305	Gear:Transport Screw:NO.2	1
18	M077 5525	Harness:Development Unit:Pcl:Connecting	1
19	G178 3311	Gear:Idler:Transport Screw:Lower	1
20	G178 3309	Gear:Idler:Transport Screw:Upper	1
21	G178 3304	Gear:Transport Screw:No.1	1
22	G178 3313	Gear:Idler:Exhaust:Development Unit	1
23	G178 3315	Gear:Exhaust:Development Unit:No.1	1
24	M077 5503	Harness:Development Unit:Sensor:Y	1
24	M077 5504	Harness:Development Unit:Sensor:M	1
24	M077 5505	Harness:Development Unit:Sensor:C	1
24	M077 5506	Harness:Development Unit:Sensor:K	1
25	G178 3345	Holder: Bearing:No.2	1
26	G178 3459	Shutter:Exhaust:Development Unit	1
27	G178 3456	Spring:Shutter:Exhaust	1
28	G178 3362	Gear:Exhaust:Development Unit:No.2	1

Index No.	Part No.	Description	Q'ty Per Assembly
29	G178 3359	Gear:Exhaust:Development Unit:No.3	1
30	G178 3308	Gear:Transport Screw:No.3	1
31	M077 2626	Discharge Lamp:Ass'y	1
32	G178 3496	Toner Catchpan:Development Unit	1
101	0353 0060N	Bind Screw - M3x6	
102	0451 3006N	Tapping Screw - 3x6	
103	0450 3008N	Tapping Screw - M3x8	
104	0451 3010N	Tapping Screw:3x10	
105	0451 4008N	Tapping Screw:4x8	
106	0450 4012N	Tapping Screw:4x12	
107	0954 4008N	Screw - M4x8	
108	0632 0200G	Parallel Pin:2x20	
109	1105 0511	Harness Clamp - LWS-0306ZC	
110	0633 0140G	Parallel Pin - 3x14	
111	0805 3497	Bushing - 8x12x3.5mm	
112	0720 0040E	Retaining Ring - M4	
113	0807 4138	Washer (100pcs/set)	
114	0802 5191	Tapping Screw P:DIA3x5	
115	0633 0120G	Parallel Pin - 3x12	
116	0353 0040N	Screw - M3x4	

36.PCDU 3 (D095/M077)

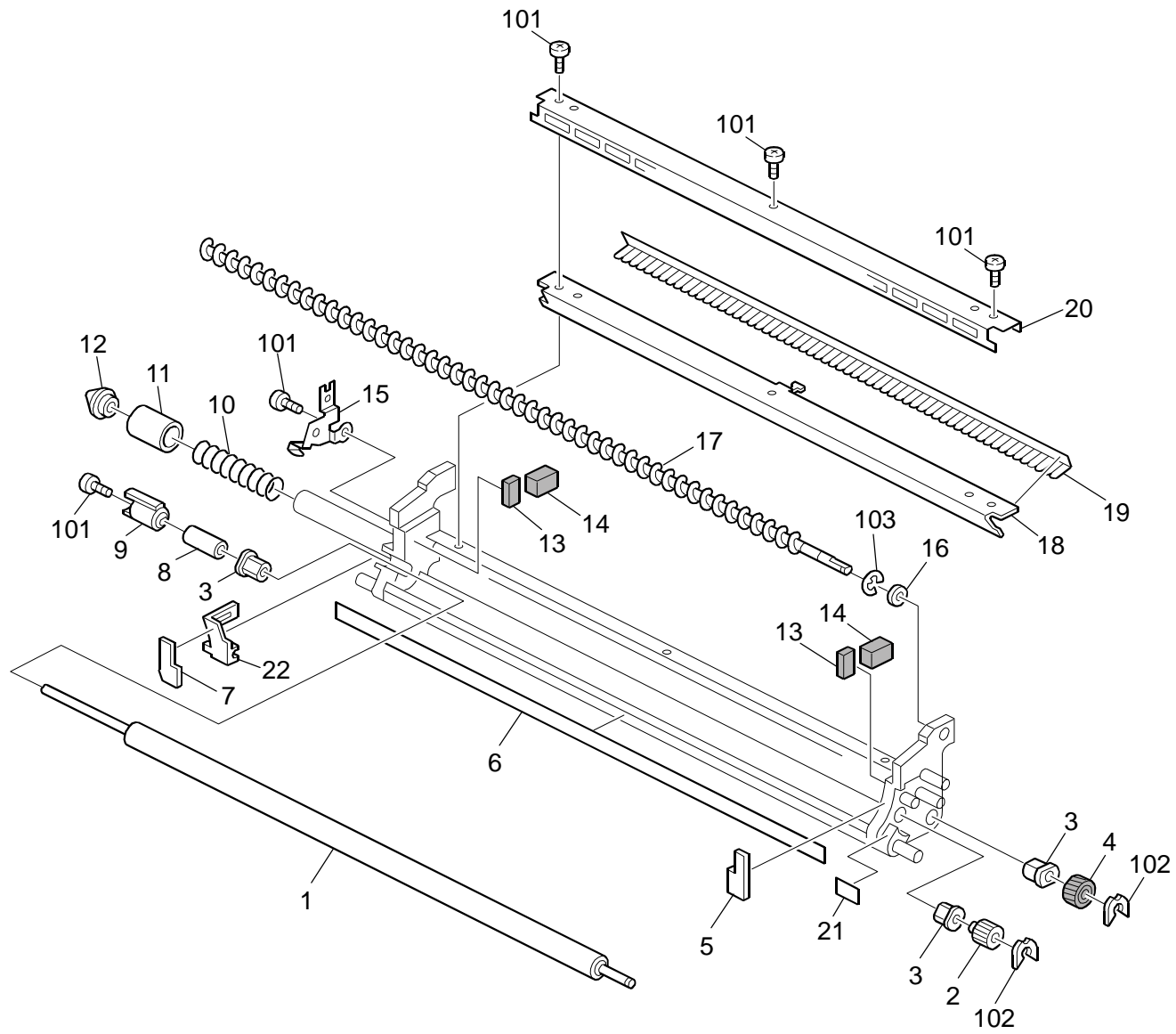


36.PCDU 3 (D095/M077)

Index No.	Part No.	Description	Q'ty Per Assembly
*	G178 3699	Gear Kit:Cleaning Unit	4
1	M077 3659	Cleaning Blade:Drum	1
2	G178 3687	Tension Spring:Cleaning Blade	1
3	G178 3709	Bracket:Cleaning Blade:Adhesion	1
4	G178 3685	Holder:Shaft:Cleaning Blade:Rear	1
5	G178 3695	Retaining Rings-e:Guide	2
6	G178 3682	Holder:Shaft:Cleaning Blade:Front	1
7	G178 3746	Gear:Idler:Shaft:Apply	1
8	G178 3741	Gear:Idler:Z16:Apply	1
9	G178 3743	Gear:Idler:Z22-16:Apply	1
10	G178 3745	Gear:Idler:Z27:Apply	1
11	AA14 3573	Shoulder Screw - M4x4	1
12	G178 3747	Gear:Apply:Brush:Apply	1
13	G178 3713	Bushing:Apply	2
14	G178 3675	Seal:Bracket:Blade:Behind	1
15	G178 3723	Seal:Apply:Front	1
16	GD04 2011	Brush Roller:Apply	1
17	G178 3724	Seal:Apply:Rear	1
18	G178 3725	Seal:Apply:Small	2
19	G178 3734	Guide Plate:Arm	1
20	G178 3702	Ground Plate:Apply	1
21	G178 3731	Coating Bar:Ass'y	1
22	M077 3783	Tension Spring:Coating Bar:8N	2
23	G178 3708	Blade:Apply:Adhesion	1
24	G178 3720	Cover:Coating Bar	1
25	G178 3740	Decal:Grip	4
26	G178 3706	Sheet:Coating Bar:1	2
27	M077 3600	Cleaning Unit:Drum	4
28	G178 3707	Sheet:Coating Bar:2	2
29	G178 3742	Gear:Brush Roller:Apply	1
30	G178 3744	Gear:Toner Collection Coil:Apply	1
31	G178 3781	Guide:Coating Bar	1
32	M077 3767	Decal:Cleaning Unit:M077/D095	1

Index No.	Part No.	Description	Q'ty Per Assembly
101	0353 0060N	Bind Screw - M3x6	
102	0805 0089	Retaining Ring - M4	

37.PCDU 4 (D095/M077)

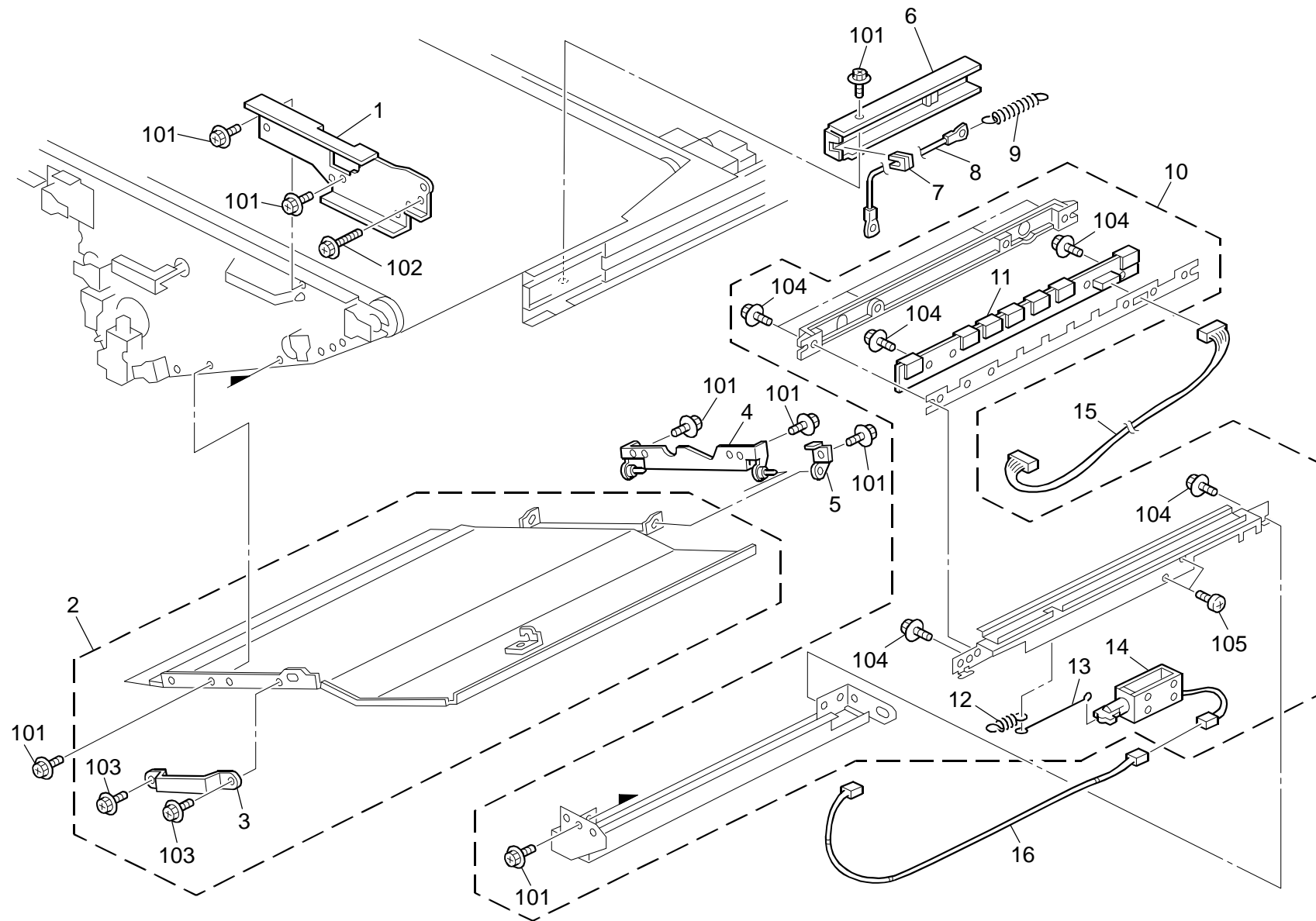


37.PCDU 4 (D095/M077)

Index No.	Part No.	Description	Q'ty Per Assembly
1	GD04 2009	Brush Roller:Cleaning	1
2	G178 3742	Gear:Brush Roller:Apply	1
3	AA08 2117	Bushing - M6	3
4	G178 3744	Gear:Toner Collection Coil:Apply	1
5	G178 3692	Seal:Casing:Front	1
6	G178 3698	Entrance Seal:Drum Cleaning	1
7	G178 3693	Seal:Casing:Rear	1
8	G178 3678	Spacer:Brush Roller	1
9	G178 3679	Joint:Drive:Cleaning	1
10	G178 3670	Spring:Toner Catchpan	1
11	G178 3671	Toner Catchpan:Pipe	1
12	G178 3672	Cap:Pipe:Discharge Used Toner	1
13	G178 3657	Seal:Behind:Small	2
14	G178 3656	Seal:Behind:Large	2
15	G178 3658	Ground Plate:Cleaning	1
16	AA13 2208	Spacer - M6	1
17	G178 3664	Toner Collection Coil:Cleaning	1
18	G178 3673	Bracket:Vibrating Plate	1
19	G178 3674	Vibrating Plate:Collection Coil	1
20	G178 3728	Bracket:Seal:Brush Roller	1
21	G178 3780	Sheet:Stand:Seal	1
22	G178 3691	Holder:Side Plate:Rear	1

Index No.	Part No.	Description	Q'ty Per Assembly
101	0353 0060N	Bind Screw - M3x6	
102	0805 0089	Retaining Ring - M4	
103	0720 0040E	Retaining Ring - M4	

38. Transfer Belt Unit 1 (D095/M077)

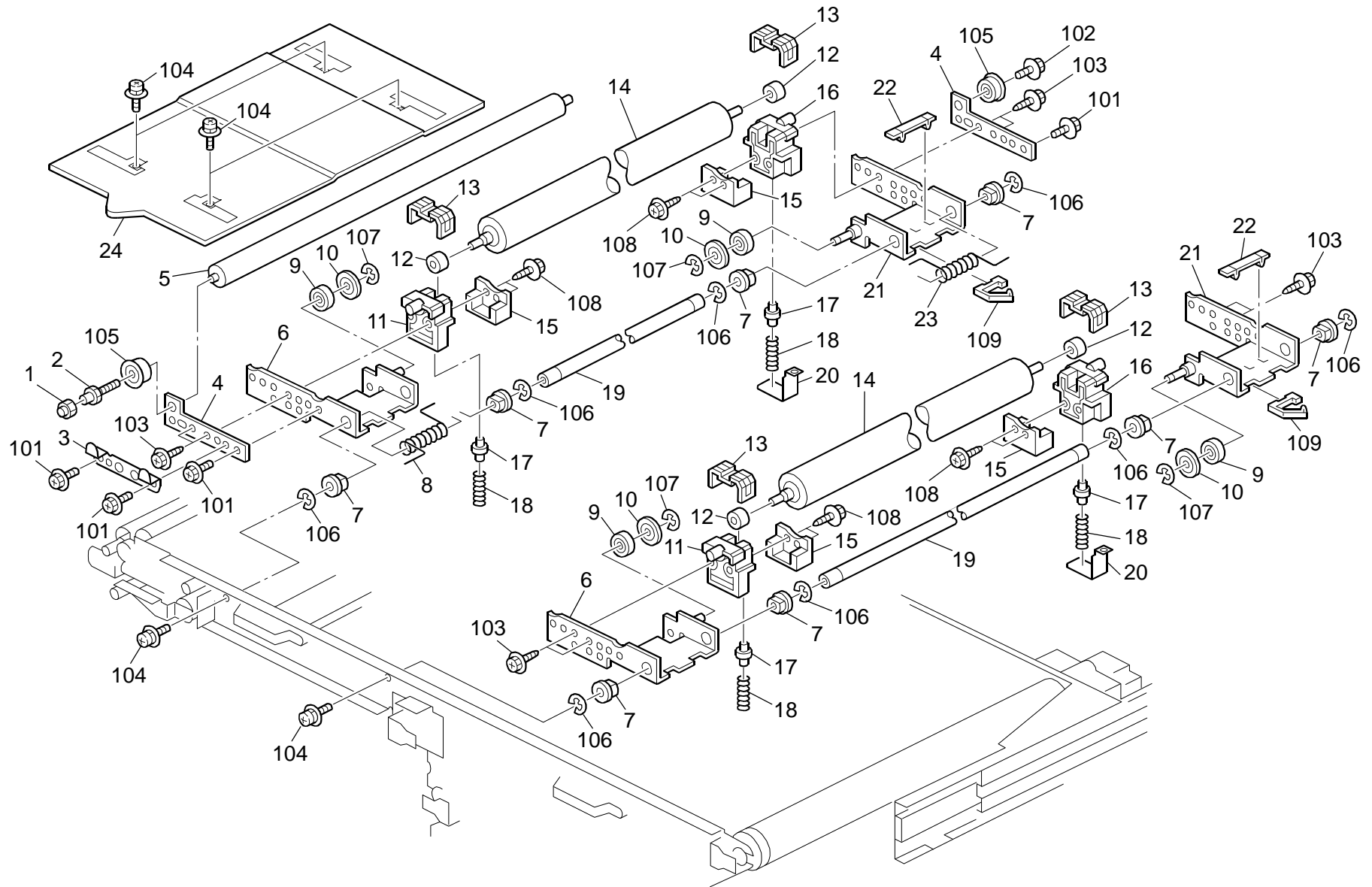


38.Transfer Belt Unit 1 (D095/M077)

Index No.	Part No.	Description	Q'ty Per Assembly
1	G178 6368	Bracket:Positioning:Right	1
2	M077 6720	Cover:Intermediate Transfer:Ass'y	1
3	B712 5605	Grip:Application	1
4	G178 6541	Cover:1st Transfer:Hinge	1
5	G178 6482	Stopper:Bracket:Cover:1st Transfer	1
6	G178 6392	Housing:Lower:Cover	1
7	G178 6393	Sleeve:Wire:Lower:Cover	1
8	G178 6394	Wire:Stopper:Lower:Cover	1
9	G178 6443	Coil Spring:Stopper:Lower:Cover	1
10	D016 6444	Density Sensor:TM:Ass'y	1
11	D016 6498	Density Sensor	1
12	AA06 0151	Tension Spring:Shutter:Sensor:TM	1
13	D016 6445	Hook:Shutter:Sensor:TM	1
14	G178 6452	DC Solenoid:Shutter:Density Sensor:Ass'y	1
15	G178 5714	Harness:Density Sensor	1
16	G178 5781	Harness:Shutter:Solenoid	1

Index No.	Part No.	Description	Q'ty Per Assembly
101	0451 4008N	Tapping Screw:4x8	
102	0451 4012N	Tapping Screw:4x12	
103	0451 3006N	Tapping Screw - 3x6	
104	0451 3008N	Tapping Screw - M3x8	
105	0312 5040N	Pan Head Screw:M2.5x4	

39.Transfer Belt Unit 2 (D095/M077)

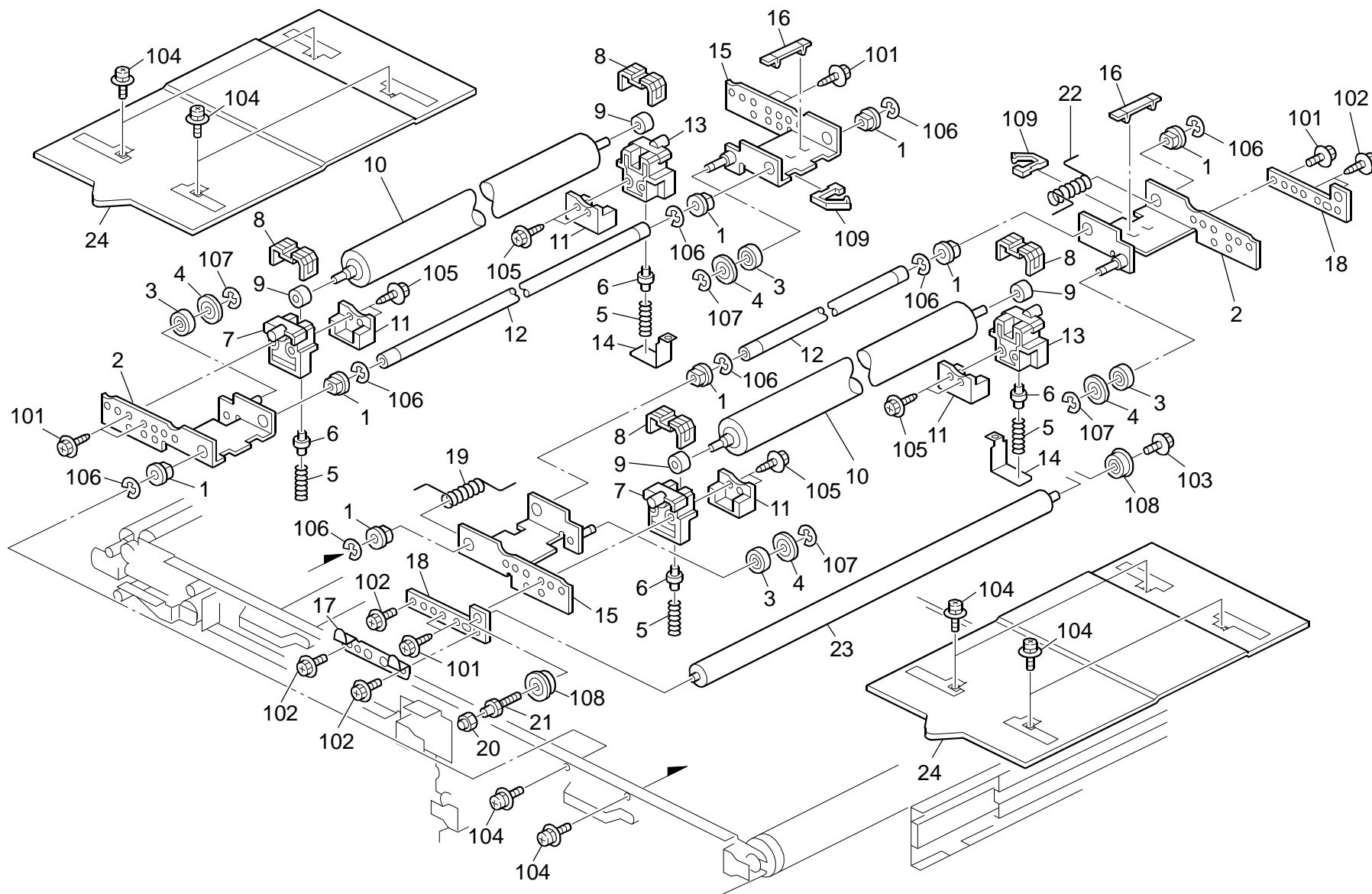


39.Transfer Belt Unit 2 (D095/M077)

Index No.	Part No.	Description	Q'ty Per Assembly
1	G178 3232	Terminal:Development Roller	1
2	G178 6371	Bolt:Transfer:Fix:Pressure Roller	1
3	G178 6424	Plate:Transfer:Ground Wire	1
4	M077 6366	Holder:Transfer:Pressure Roller	2
5	G178 6429	Pressure Roller:Transfer	1
6	G178 6486	Holder:Transfer:Front	2
7	5053 0419	Bushing - 10mm	8
8	G178 6377	Spring:Transfer:Front	1
9	G060 2296	Ball Bearing:8x16x5mm	4
10	G178 6468	Guide:Transfer:Bearing	4
11	G178 6438	Block:High Voltage:Transfer:Front	2
12	G178 6305	Shaft:Transfer	4
13	G178 6426	Cover:Transfer	4
14	G178 6302	Roller:Intermediate Transfer	2
15	G178 6421	Holder:High Voltage:Transfer	4
16	G178 6439	Block:High Voltage:Transfer:Rear	2
17	G178 6423	Terminal:High Voltage:Transfer	4
18	M077 6334	Compression Spring:Transfer Roller:2.62N	4
19	G178 6379	Shaft:Fix:Transfer	2
20	G178 6420	Terminal:High Voltage:Transfer	2
21	G178 6487	Holder:Transfer:Rear	2
22	R013 1053	Clamp:FCR-15	2
23	G178 6378	Spring:Transfer:Rear	1
24	D016 6508	Electrode Plate:Intermediate Transfer	1

Index No.	Part No.	Description	Q'ty Per Assembly
101	0451 4008N	Tapping Screw:4x8	
102	0451 3006N	Tapping Screw - 3x6	
103	0450 4010N	Tapping Screw:M4x10	
104	0954 4008N	Screw - M4x8	
105	0741 3706	Ball Bearing - 6x10x3	
106	0720 0080E	Retaining Ring - M8	
107	0720 0060E	Retaining Ring - M6	
108	0450 3010N	Tapping Screw - M3x10	
109	1105 0551	Clamp:LES-0505	

40.Transfer Belt Unit 3 (D095/M077)

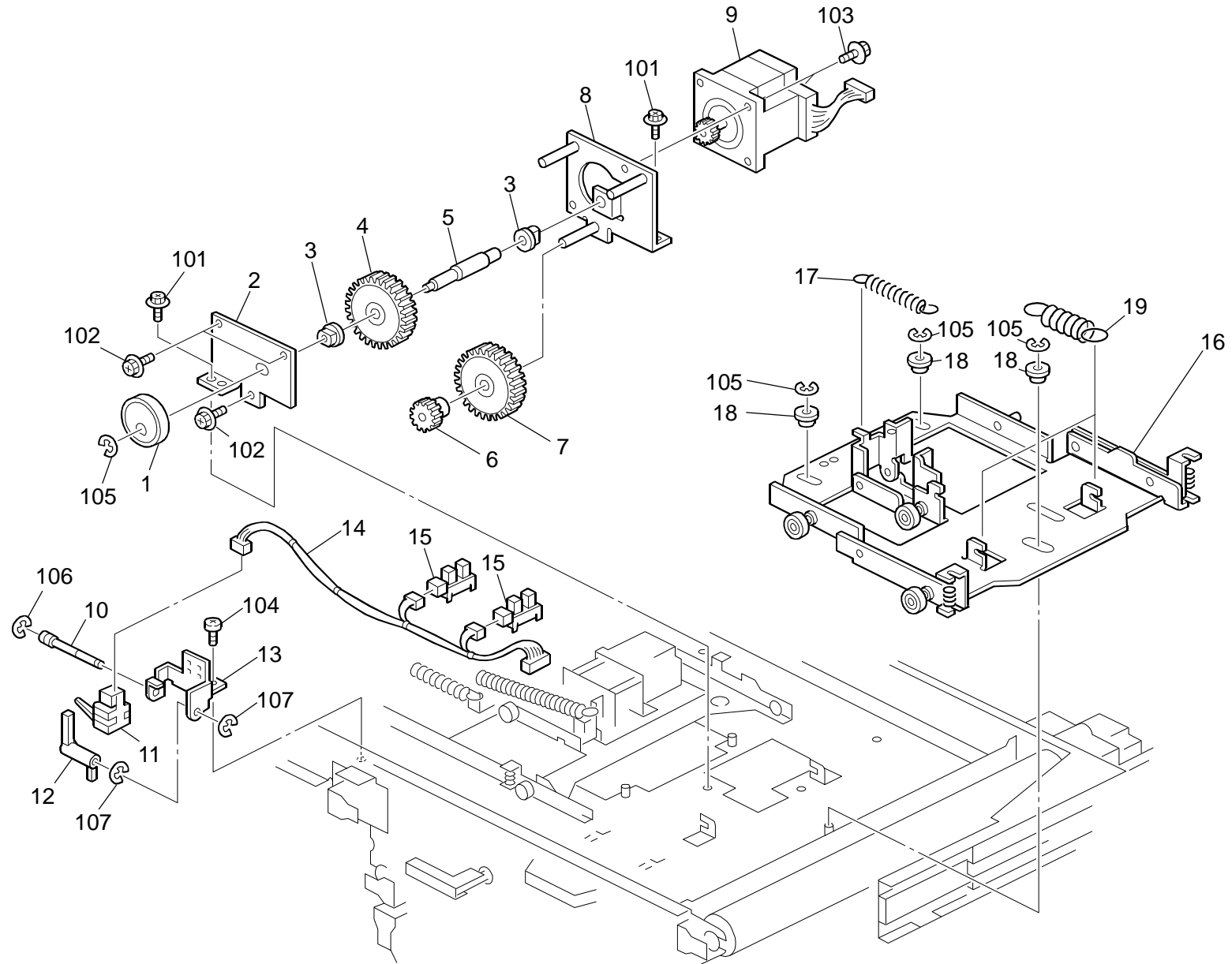


40.Transfer Belt Unit 3 (D095/M077)

Index No.	Part No.	Description	Q'ty Per Assembly
1	5053 0419	Bushing - 10mm	8
2	G178 6486	Holder:Transfer:Front	2
3	G060 2296	Ball Bearing:8x16x5mm	4
4	G178 6468	Guide:Transfer:Bearing	4
5	M077 6334	Compression Spring:Transfer Roller:2.62N	4
6	G178 6423	Terminal:High Voltage:Transfer	4
7	G178 6438	Block:High Voltage:Transfer:Front	2
8	G178 6426	Cover:Transfer	4
9	G178 6305	Shaft:Transfer	4
10	G178 6302	Roller:Intermediate Transfer	2
11	G178 6421	Holder:High Voltage:Transfer	4
12	G178 6379	Shaft:Fix:Transfer	2
13	G178 6439	Block:High Voltage:Transfer:Rear	2
14	G178 6420	Terminal:High Voltage:Transfer	2
15	G178 6487	Holder:Transfer:Rear	2
16	R013 1053	Clamp:FCR-15	2
17	G178 6424	Plate:Transfer:Ground Wire	1
18	M077 6366	Holder:Transfer:Pressure Roller	2
19	G178 6378	Spring:Transfer:Rear	1
20	G178 3232	Terminal:Development Roller	1
21	G178 6371	Bolt:Transfer:Fix:Pressure Roller	1
22	G178 6377	Spring:Transfer:Front	1
23	G178 6429	Pressure Roller:Transfer	1
24	D016 6508	Electrode Plate:Intermediate Transfer	2

Index No.	Part No.	Description	Q'ty Per Assembly
101	0450 4010N	Tapping Screw:M4x10	
102	0451 4008N	Tapping Screw:4x8	
103	0451 3006N	Tapping Screw - 3x6	
104	0954 4008N	Screw - M4x8	
105	0450 3010N	Tapping Screw - M3x10	
106	0720 0080E	Retaining Ring - M8	
107	0720 0060E	Retaining Ring - M6	
108	0741 3706	Ball Bearing - 6x10x3	
109	1105 0551	Clamp:LES-0505	

41.Transfer Belt Unit 4 (D095/M077)

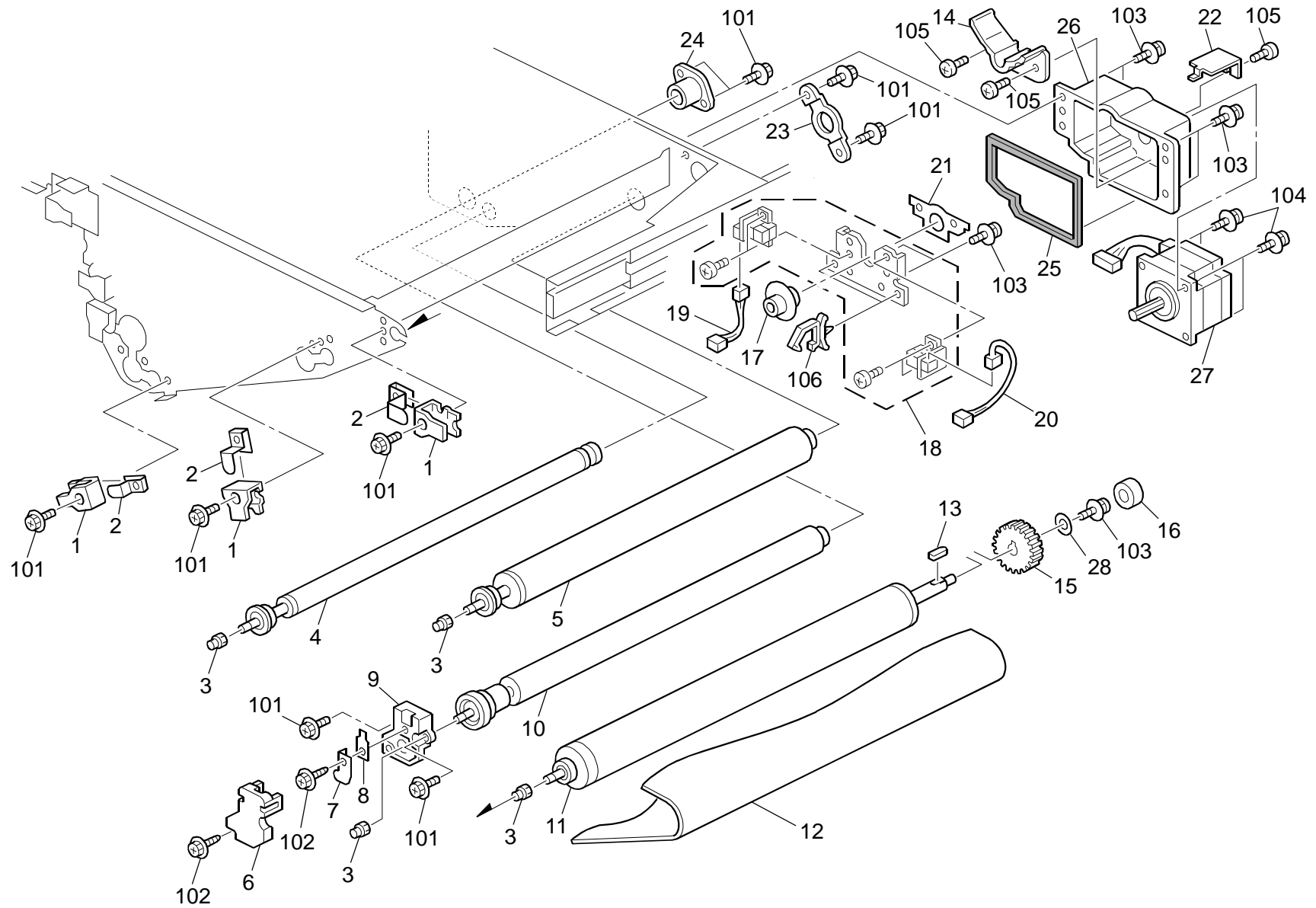


41.Transfer Belt Unit 4 (D095/M077)

Index No.	Part No.	Description	Q'ty Per Assembly
1	G178 6485	Cam	1
2	G178 6380	Holder:On-off:Motor:Front	1
3	AA08 2104	Bushing - 8x12x7	2
4	G178 6349	Gear:On-Off:Cam	1
5	G178 6381	Shaft:On-Off:Cam	1
6	G178 6348	Gear:On-Off:No.2	1
7	G178 6347	Gear:On-Off:No.1	1
8	G178 6483	Holder:Motor	1
9	G178 6484	Stepper Motor:DC 6.7W	1
10	G178 6464	Shaft:Transfer Belt	1
11	AW02 0149	Paper Feed Sensor	1
12	G178 6463	Lever:Transfer Belt	1
13	G178 6465	Holder:Transfer Belt	1
14	G178 5857	Harness:1st Transfer:Sensor:UP F	1
15	AW02 0145	Photointerruptor:Flat	2
16	G178 6511	Slide Rail:On-off:Black:Ass'y	1
17	G178 6327	Tension Spring:1st Transfer:32.6N	1
18	G178 6469	Bushing:Slide Rail	3
19	G178 6328	Tension Spring:1st Transfer:12.2N	1

Index No.	Part No.	Description	Q'ty Per Assembly
101	0451 4008N	Tapping Screw:4x8	
102	0451 3006N	Tapping Screw - 3x6	
103	0451 4012N	Tapping Screw:4x12	
104	0354 0040N	Screw-M4x4	
105	0720 0040E	Retaining Ring - M4	
106	0720 0030E	Retaining Ring - M3	
107	0720 0020E	Retaining Ring - M2	

42.Transfer Belt Unit 5 (D095/M077)

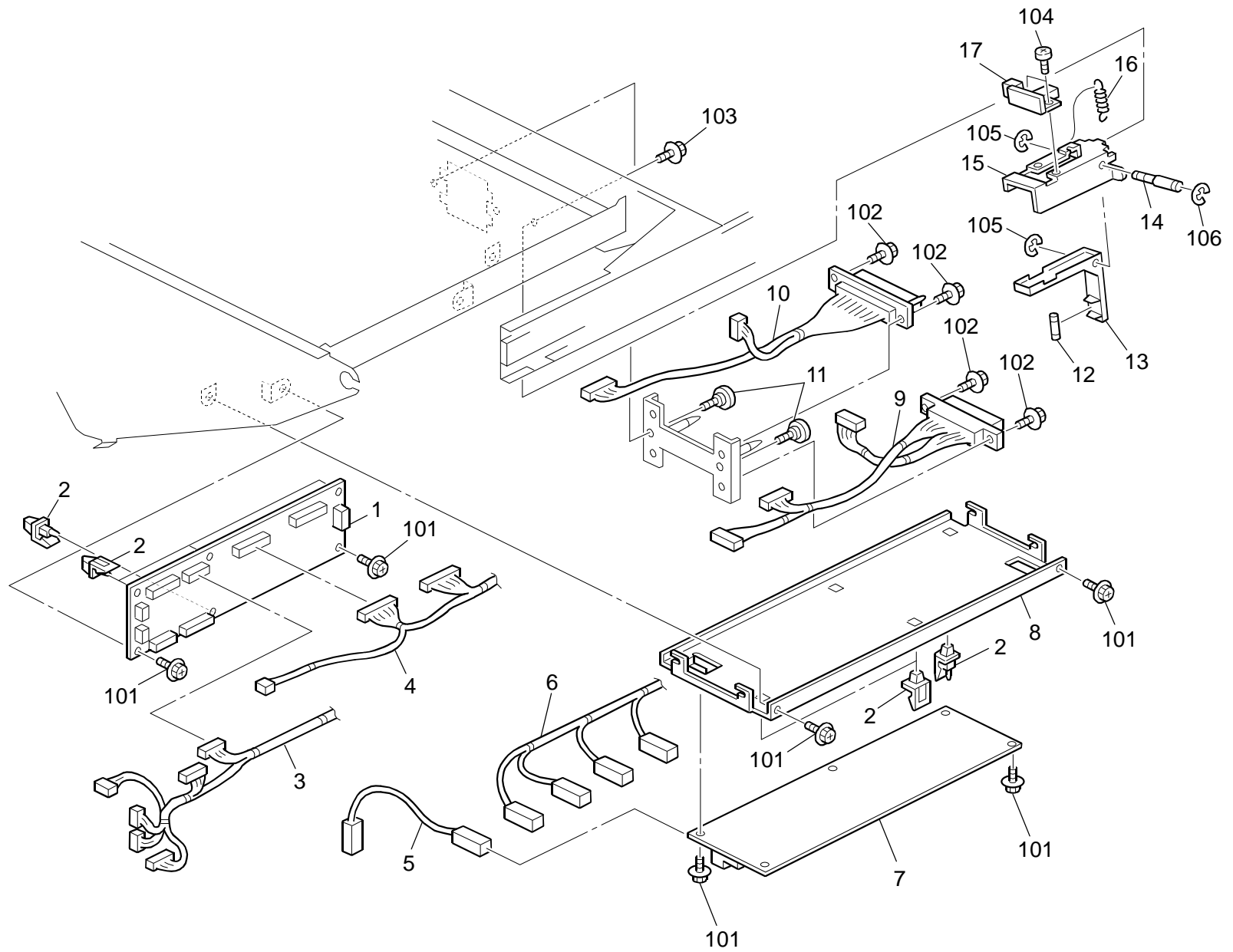


42.Transfer Belt Unit 5 (D095/M077)

Index No.	Part No.	Description	Q'ty Per Assembly
1	G178 6353	Holder:Ground Plate:Roller	3
2	G178 6361	Plate:Ground Plate:Roller	3
3	G178 3232	Terminal:Development Roller	4
4	G178 6504	Transfer Roller:Opposed:F Roller	1
5	G178 6502	Roller:Driven	1
6	G178 6326	Cover:High Voltage	1
7	G178 6315	Spring Plate:High Voltage	1
8	G178 6316	Terminal:High Voltage	1
9	G178 6312	Housing:High Voltage	1
10	G178 6505	Transfer Roller:No.2:Opposed	1
11	G178 4091	Roller:Drive:Intermediate Transfer: Press Fit	1
12	M077 6255	Belt:Image Transfer	1
13	G178 4081	Key:3x3x10	1
14	G178 4071	Pan:Grease:Drive Roller	1
15	G178 6401	Gear:Drive:1st Transfer	1
16	G178 4075	Spacer:Ball Bearing:Drive Roller	1
17	G178 4086	Encoder:Ass'y	1
18	G178 6875	Encoder:Sensor:Intermediate Transfer	1
19	G178 5887	Harness:1st Transfer:Turn:Sensor:2	1
20	G178 5784	Harness:1st Transfer:Turn:Sensor:1	1
21	G178 6385	Seal:Encoder	1
22	G178 4072	Cover:Grease:Drive Roller	1
23	G178 4073	Collar:Drive Roller	1
24	G178 6319	Cap:High Voltage	1
25	G178 4076	Seal:Housing	1
26	G178 4080	Housing:Drive Roller:Press Fit	1
27	GX05 0010	DC Stepper Motor:5.56W	1
28	C257 7051	Washer:DIA4.5xDIA14x1T:T:T	1

Index No.	Part No.	Description	Q'ty Per Assembly
101	0451 4008N	Tapping Screw:4x8	
102	0450 3008N	Tapping Screw - M3x8	
103	0954 4008N	Screw - M4x8	
104	0954 4012N	Screw:Polished Round/Spring:M4x12	
105	0353 0060N	Bind Screw - M3x6	
106	1105 0511	Harness Clamp - LWS-0306ZC	

43.Transfer Belt Unit 6 (D095/M077)

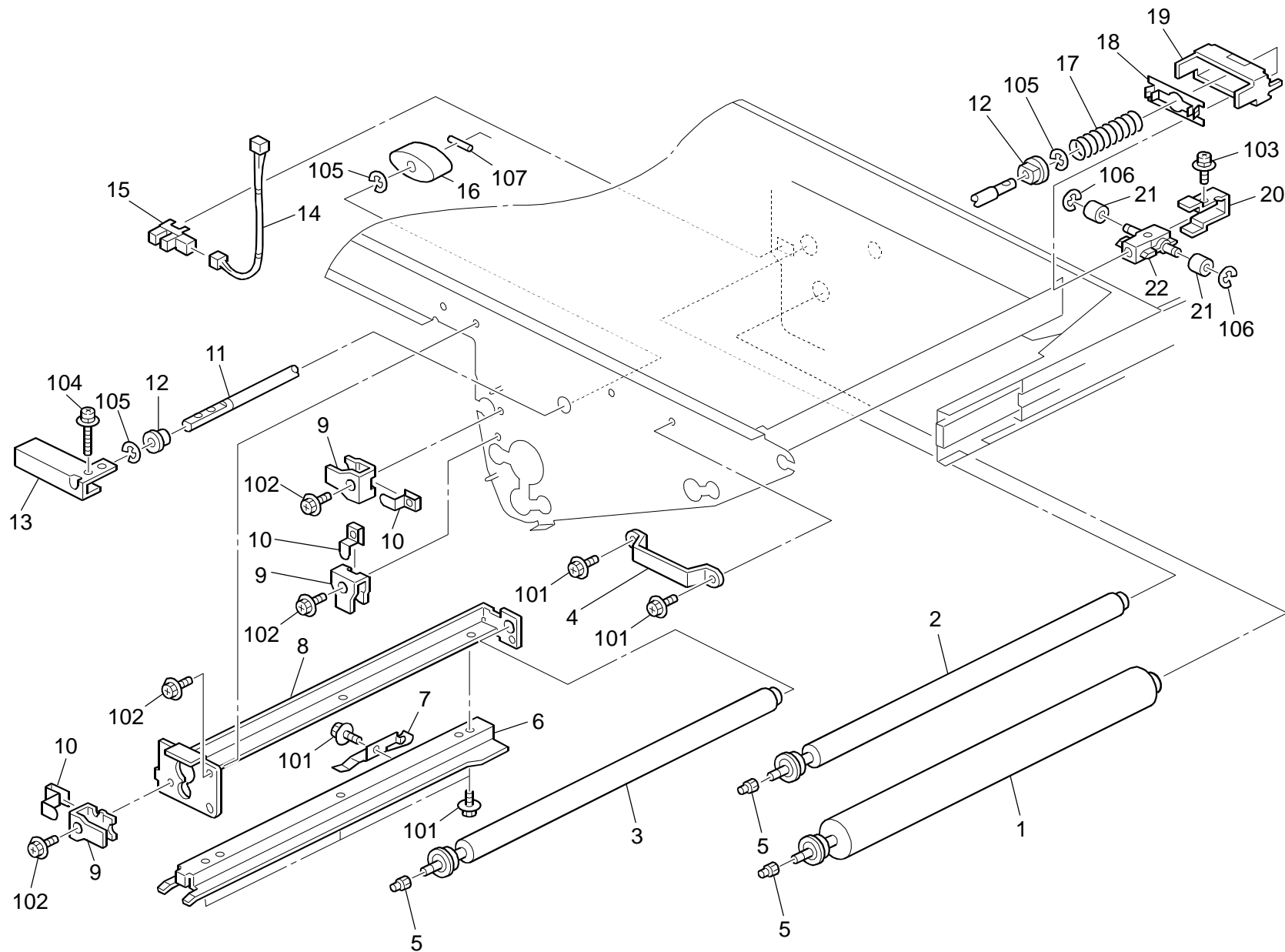


43.Transfer Belt Unit 6 (D095/M077)

Index No.	Part No.	Description	Q'ty Per Assembly
1	G178 4097	PCB:TRB	1
2	G178 7668	Spacer:7907032:Base	7
3	G178 5851	Harness:1st Transfer:Sensor	1
4	G178 5850	Harness:1st Transfer:Motor	1
5	G178 5764	Harness:High Voltage:2nd:Transfer	1
6	G178 5760	Harness:High Voltage:1st:Transfer	1
7	M077 5490	Power Pack:Transfer	1
8	G178 6460	Holder:Transfer:Power Pack	1
9	G178 5651	Harness:1st Transfer:Drawer:B:No.2	1
10	G178 5711	Harness:1st Transfer:Drawer:A:No.1	1
11	5206 2684	Shoulder Screw - M3	2
12	G178 6471	Roller:Positioning Sensor:T Belt	1
13	G178 4089	Lever:Positioning Sensor	1
14	G178 6399	Shaft:Positioning Sensor:T Belt	1
15	G178 6398	Holder:Positioning Sensor:T Belt	1
16	G178 6322	Tension Spring	1
17	G178 6310	Positioning Sensor	1

Index No.	Part No.	Description	Q'ty Per Assembly
101	0451 3006N	Tapping Screw - 3x6	
102	0451 3010N	Tapping Screw:3x10	
103	0451 4008N	Tapping Screw:4x8	
104	0353 0060N	Bind Screw - M3x6	
105	0720 0040E	Retaining Ring - M4	
106	0720 0050E	Retaining Ring - M5	

44.Transfer Belt Unit 7 (D095/M077)

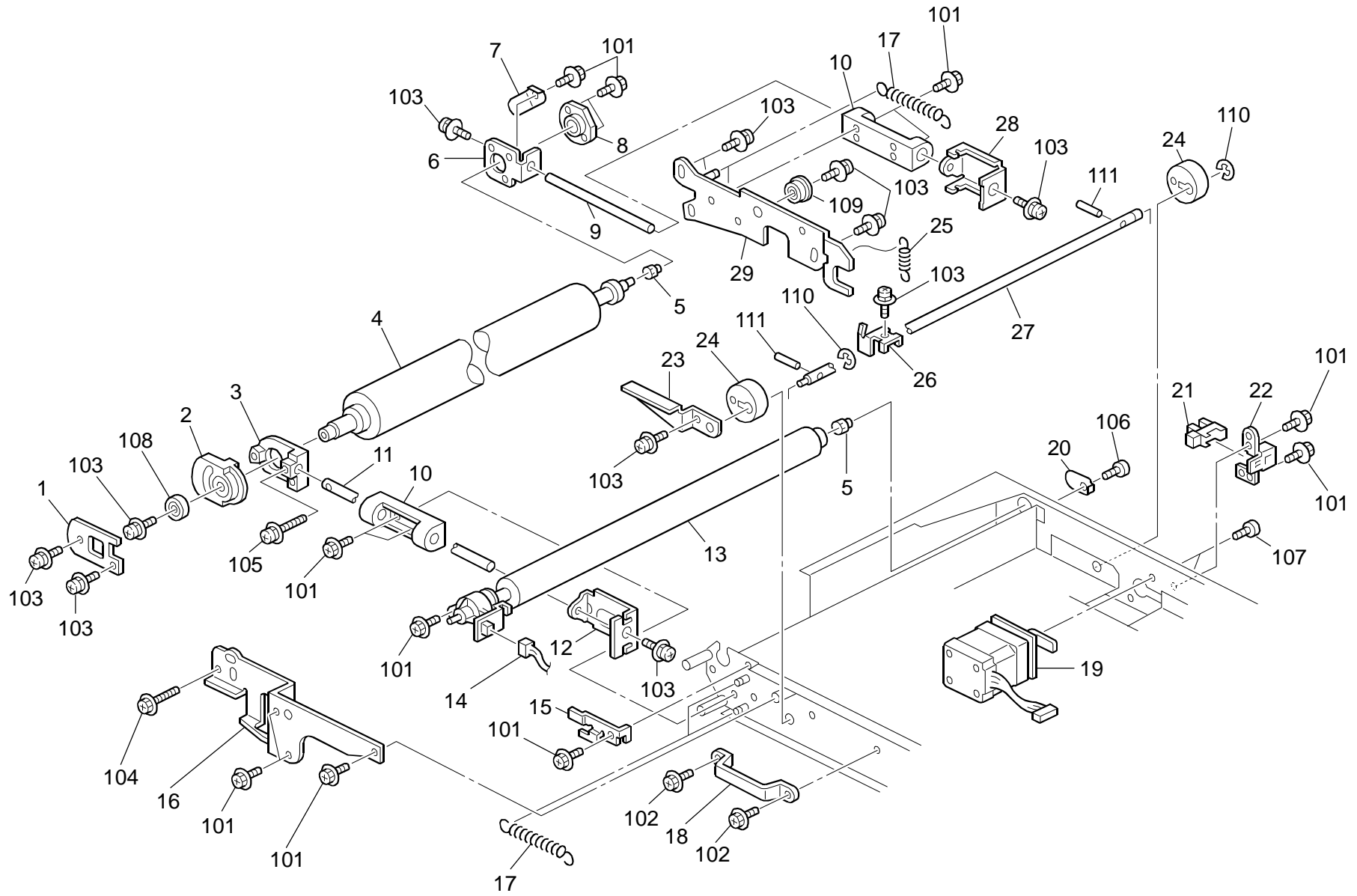


44.Transfer Belt Unit 7 (D095/M077)

Index No.	Part No.	Description	Q'ty Per Assembly
1	G178 6503	Roller:Belt Cleaner:Opposed	1
2	G178 6502	Roller:Driven	1
3	D016 4056	Roller:Driven:Opposed	1
4	B712 5605	Grip:Application	1
5	G178 3232	Terminal:Development Roller	3
6	G178 6664	Rail:Belt Cleaning	1
7	G178 6665	Ground Plate:Rail:Belt Cleaning	1
8	G178 6360	Holder:Transfer Belt:Opposed:Roller	1
9	G178 6353	Holder:Ground Plate:Roller	3
10	G178 6361	Plate:Ground Plate:Roller	3
11	G178 6384	Shaft:Pull Out:1st Transfer	1
12	5053 0419	Bushing - 10mm	2
13	G178 6337	Lever:Drawer	1
14	G178 5782	Harness:T Belt:Cleaner:Sensor	1
15	AW02 0145	Photointerruptor:Flat	1
16	G178 6336	Cam:Drawer	1
17	AA06 3951	Compression Spring	1
18	G178 6329	Holder:Spring:Pull Out	1
19	B132 1190	Bracket:Release:Lock	1
20	B132 1224	Supporting Plate:Bracket:Lock	1
21	AA13 2300	Roller:Lock:Pull Out	2
22	B132 1183	Bracket:Lock	1

Index No.	Part No.	Description	Q'ty Per Assembly
101	0451 3006N	Tapping Screw - 3x6	
102	0451 4008N	Tapping Screw:4x8	
103	0951 4020N	Screw - M4x20	
104	0954 4012N	Screw:Polished Round/Spring:M4x12	
105	0720 0080E	Retaining Ring - M8	
106	0720 0040E	Retaining Ring - M4	
107	0633 0160G	Parallel Pin - 3x16mm	

45.Transfer Belt Unit 8 (D095/M077)

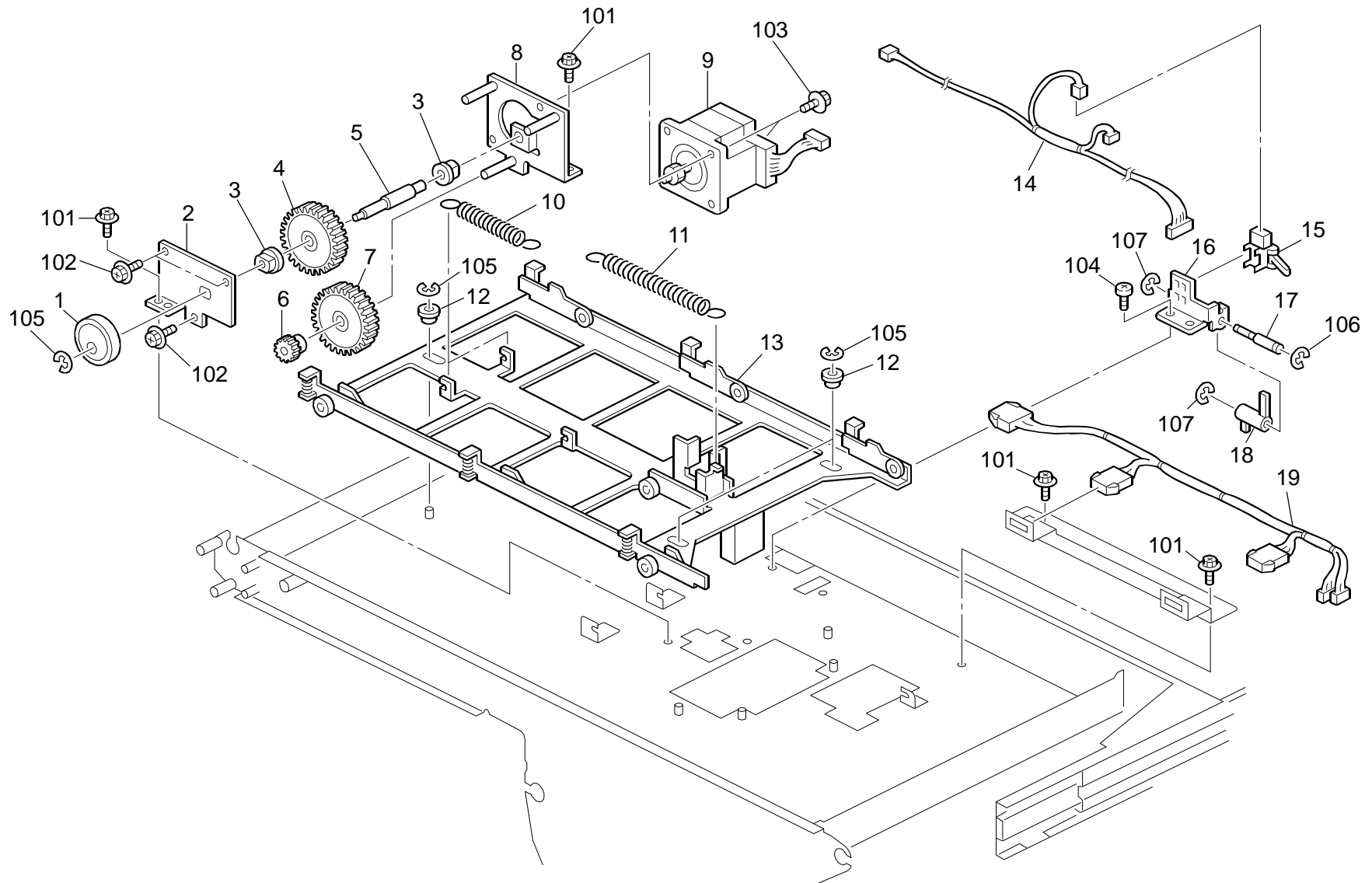


45.Transfer Belt Unit 8 (D095/M077)

Index No.	Part No.	Description	Q'ty Per Assembly
1	G178 4052	Plate:Housing:Flat Belt-transfer	1
2	G178 4051	Housing:Ball Bearing:1st Transfer	1
3	G178 4050	Holder:Bracket:Front	1
4	G178 6445	Roller:Flat Belt-transfer	1
5	G178 3232	Terminal:Development Roller	2
6	G178 6391	Bracket:Shaft:Transfer Belt:Rear	1
7	G178 6351	Plate:Ground Plate:T Belt	1
8	G178 6446	Holder: Bearing	1
9	G178 6387	Shaft:Arm:Transfer Belt	1
10	G178 6500	Housing:Control:Transfer Belt	2
11	G178 4053	Shaft:Arm:Flat Belt-transfer:Front	1
12	G178 6402	Hook:Arm:Spring:Front	1
13	G178 6342	Roller:Encoder:Ass'y	1
14	G178 5854	Harness:1st Transfer:Turn:Sensor:3	1
15	G178 6359	Stopper:Roller:Encoder:Thrust	1
16	G178 6367	Bracket:Positioning:Left	1
17	G178 6327	Tension Spring:1st Transfer:32.6N	4
18	B712 5605	Grip:Application	1
19	G178 6497	Stepper Motor:DC 5.75W	1
20	G178 6448	Plate:Ground Plate:Driven Roller	1
21	AW02 0145	Photointerruptor:Flat	1
22	G178 6389	Holder:Sensor:Control:Transfer Belt	1
23	G178 6414	Lever:Release:Tension	1
24	G178 6415	Cam:Release:Tension	2
25	G178 7648	Tension Spring:Latch:Duplex	1
26	G178 6447	Plate:Fix:Shaft	1
27	G178 6416	Shaft:Release:Tension	1
28	G178 6403	Hook:Arm:Spring:Rear	1
29	G178 6496	Vibrating Plate:Transfer Belt	1

Index No.	Part No.	Description	Q'ty Per Assembly
101	0451 4008N	Tapping Screw:4x8	
102	0451 3006N	Tapping Screw - 3x6	
103	0954 4008N	Screw - M4x8	
104	0451 4012N	Tapping Screw:4x12	
105	0954 4012N	Screw:Polished Round/Spring:M4x12	
106	0354 0040N	Screw-M4x4	
107	0353 0060N	Bind Screw - M3x6	
108	0740 3908	Ball Bearing - 8x19x6	
109	0741 3706	Ball Bearing - 6x10x3	
110	0720 0060E	Retaining Ring - M6	
111	0633 0120G	Parallel Pin - 3x12	

46. Transfer Belt Unit 9 (D095/M077)

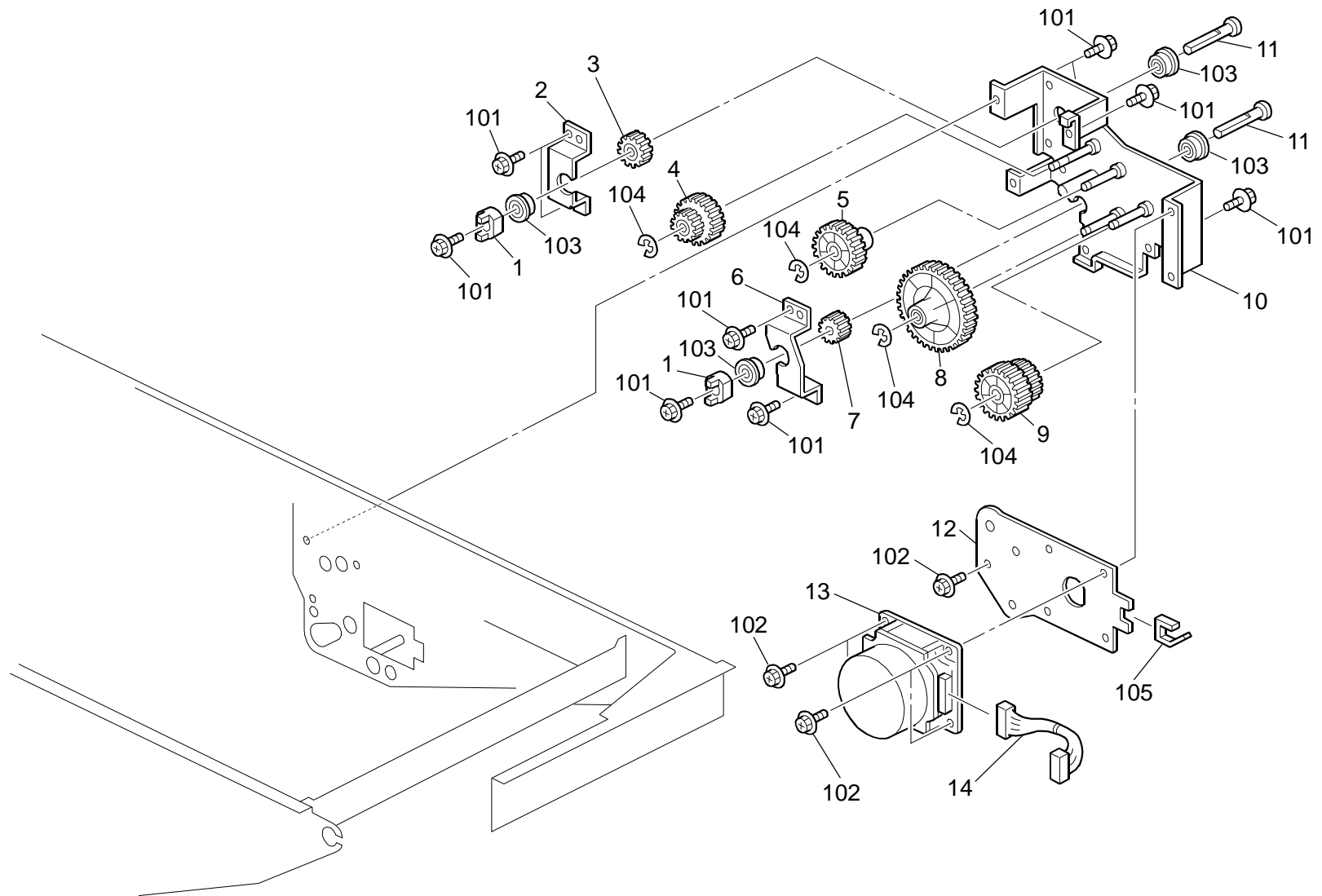


46.Transfer Belt Unit 9 (D095/M077)

Index No.	Part No.	Description	Q'ty Per Assembly
1	G178 6485	Cam	1
2	G178 6380	Holder:On-off:Motor:Front	1
3	AA08 2104	Bushing - 8x12x7	2
4	G178 6349	Gear:On-Off:Cam	1
5	G178 6381	Shaft:On-Off:Cam	1
6	G178 6348	Gear:On-Off:No.2	1
7	G178 6347	Gear:On-Off:No.1	1
8	G178 6483	Holder:Motor	1
9	G178 6484	Stepper Motor:DC 6.7W	1
10	G178 6330	Tension Spring:1st Transfer:28.1N	1
11	G178 6333	Tension Spring:1st Transfer:59.1N	1
12	G178 6469	Bushing:Slide Rail	3
13	G178 6513	Slide Rail:On-Off:Collar:Ass'y	1
14	G178 5856	Harness:1st Transfer:Sensor:Up R	1
15	AW02 0149	Paper Feed Sensor	1
16	G178 6465	Holder:Transfer Belt	1
17	G178 6464	Shaft:Transfer Belt	1
18	G178 6463	Lever:Transfer Belt	1
19	G178 5855	Harness:1st Transfer:Motor:Upper	1

Index No.	Part No.	Description	Q'ty Per Assembly
101	0451 4008N	Tapping Screw:4x8	
102	0451 3006N	Tapping Screw - 3x6	
103	0451 4012N	Tapping Screw:4x12	
104	0354 0040N	Screw-M4x4	
105	0720 0040E	Retaining Ring - M4	
106	0720 0030E	Retaining Ring - M3	
107	0720 0020E	Retaining Ring - M2	

47. Transfer Belt Unit 10 (D095/M077)

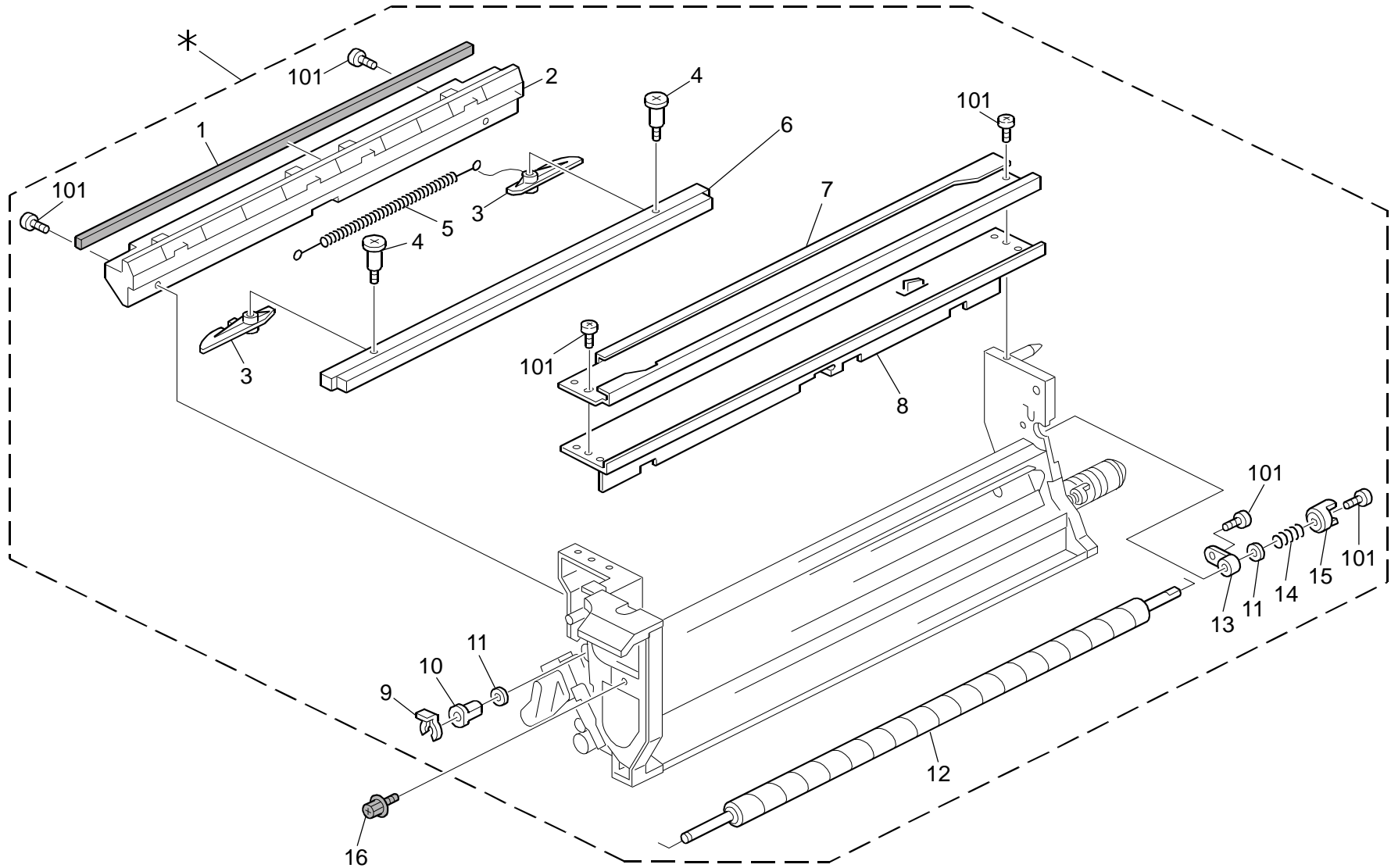


47.Transfer Belt Unit 10 (D095/M077)

Index No.	Part No.	Description	Q'ty Per Assembly
1	G178 6679	Joint:Drive:Brush Roller	2
2	G178 6672	Bracket:Joint:Upper	1
3	GB01 1131	Gear:Drive:Brush Roller:Upper	1
4	GB01 7134	Gear:Idler:40Z:42Z	1
5	GB01 0140	Gear:Idler:68Z	1
6	G178 6671	Bracket:Joint:Lower	1
7	GB01 1132	Gear:Drive:Brush Roller:Lower	1
8	GB01 1130	Gear:Idler:64Z	1
9	GB01 7133	Gear:Idler:60Z:31Z	1
10	G178 6666	Bracket:Drive:Cleaning:Ass'y	1
11	G178 6673	Shaft:Joint:Brush Roller	2
12	G178 6674	Bracket:Motor:Belt Cleaning	1
13	AX06 0281	DC Motor:MM56:15W	1
14	G178 5785	Harness:T Belt:Cleaner:Motor	1

Index No.	Part No.	Description	Q'ty Per Assembly
101	0451 3006N	Tapping Screw - 3x6	
102	0451 3008N	Tapping Screw - M3x8	
103	0741 3506	Ball Bearing - 6x12x4 mm	
104	0720 0040E	Retaining Ring - M4	
105	1105 0551	Clamp:LES-0505	

48. Transfer Belt Cleaning 1 (D095/M077)

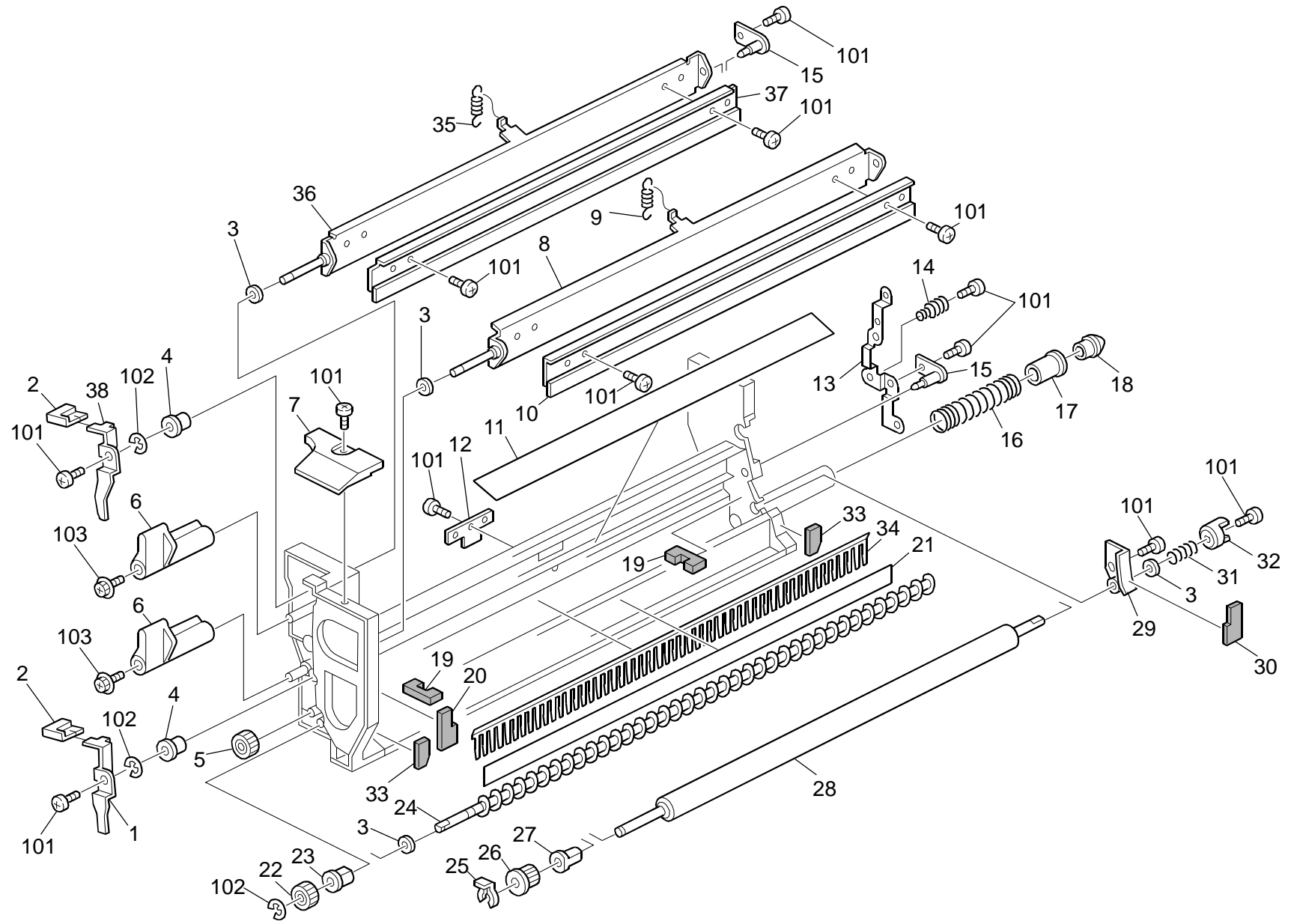


48.Transfer Belt Cleaning 1 (D095/M077)

Index No.	Part No.	Description	Q'ty Per Assembly
*	M077 6560	Cleaning Unit:Intermediate Transfer:Ass'y	1
1	GA15 1039	Seal:Case:Coating Bar	1
2	G178 6693	Case:Coating Bar:Belt Cleaning	1
3	M077 6694	Arm:Pressure:Coating Bar	2
4	AA14 3561	Screw - MM3:M2.5	2
5	M077 6696	Tension Spring:Coating Bar:8N	1
6	G178 6690	Coating Bar:Belt Cleaning:Ass'y	1
7	G178 6657	Guide:Rail:Belt Cleaning	1
8	G178 6658	Stay:Upper:Ass'y	1
9	5447 2681	Snap Ring	1
10	AA08 2095	Bushing - Toner Collection Coil	1
11	AA13 2208	Spacer - M6	2
12	GD04 2008	Brush Roller:Apply:1st Transfer	1
13	GA08 2012	Bushing:Brush Roller:Rear	1
14	GA06 3076	Compression Spring:Brush Roller	1
15	G178 6679	Joint:Drive:Brush Roller	1
16	B234 2390	Flanged Hexagonal Head Bolt:M4x8	1

Index No.	Part No.	Description	Q'ty Per Assembly
101	0353 0060N	Bind Screw - M3x6	

49. Transfer Belt Cleaning 2 (D095/M077)

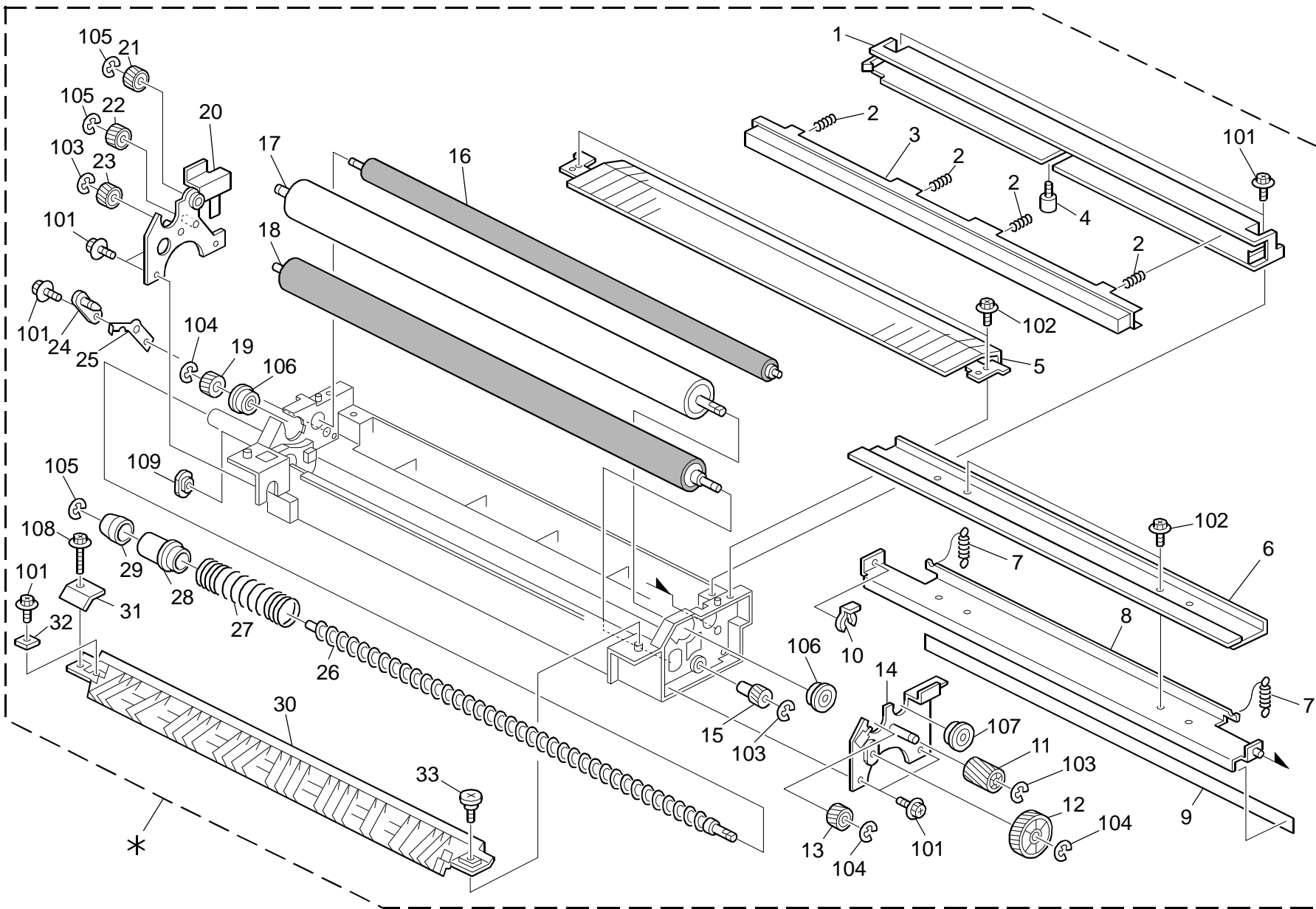


49.Transfer Belt Cleaning 2 (D095/M077)

Index No.	Part No.	Description	Q'ty Per Assembly
1	G178 6619	Release Plate:Blade:Lower	1
2	G178 6621	Cover:Release Plate:Blade	2
3	AA13 2208	Spacer - M6	4
4	B132 2264	Bushing:Terminal	2
5	GB01 1085	Gear:Idler:Toner Collection Coil	1
6	G178 6620	Lever:Release:Blade	2
7	G178 6656	Grip:Belt Cleaning	1
8	G178 6613	Bracket:Cleaning Blade:1st Transfer	1
9	GA06 0077	Spring:Blade:1st Transfer:7.1N	1
10	GD04 1027	Cleaning Blade: Intermediate Transfer:Ass'y	1
11	GA15 0010	Seal:Blade	1
12	G178 6652	Hook:Cleaning Blade:Lower	1
13	G178 6655	Ground Plate:Belt Cleaning	1
14	GA06 3078	Compression Spring:Belt Cleaning	1
15	G178 6616	Pin:Positioning:Blade:1st Transfer	2
16	GA06 3077	Spring:Shutter:Used Toner	1
17	G178 6648	Shutter:Discharge Used Toner	1
18	G178 6649	Stopper:Shutter:Used Toner	1
19	GA15 1040	Seal:Holder:Side	2
20	GA15 2031	Seal:Belt Cleaning:Front	1
21	G178 6568	Entrance Seal:Belt Cleaning	1
22	GB01 1086	Gear:Toner Collection Coil	1
23	AA08 2075	Bushing - M6	1
24	GD04 3008	Toner Collection Coil:Belt Cleaning	1
25	5447 2681	Snap Ring	1
26	GB01 1084	Gear:Brush Roller:1st Transfer	1
27	AA08 2095	Bushing - Toner Collection Coil	1
28	GD04 2007	Brush Roller:Intermediate Transfer	1
29	G178 6633	Bushing:Brush Roller:1st Transfer	1
30	GA15 2032	Seal:Belt Cleaning:Rear	1
31	GA06 3076	Compression Spring:Brush Roller	1
32	G178 6679	Joint:Drive:Brush Roller	1
33	GA15 2033	Seal:Belt Cleaning:Entrance:Side	2
34	M077 6608	Agitator:Cleaning:Intermediate Transfer	1

Index No.	Part No.	Description	Q'ty Per Assembly
35	GA06 0085	Coil Spring:Blade:Apply: Intermediate Transfer	1
36	M077 6639	Bracket:Cleaning Blade:Apply:Ass'y	1
37	GD04 1029	Cleaning Blade:Apply: Intermediate Transfer:Ass'y	1
38	M077 6629	Release Plate:Blade:Upper	1
101	0353 0060N	Bind Screw - M3x6	
102	0720 0040E	Retaining Ring - M4	
103	0451 3006N	Tapping Screw - 3x6	

50. Transfer Roller Unit (D095/M077)

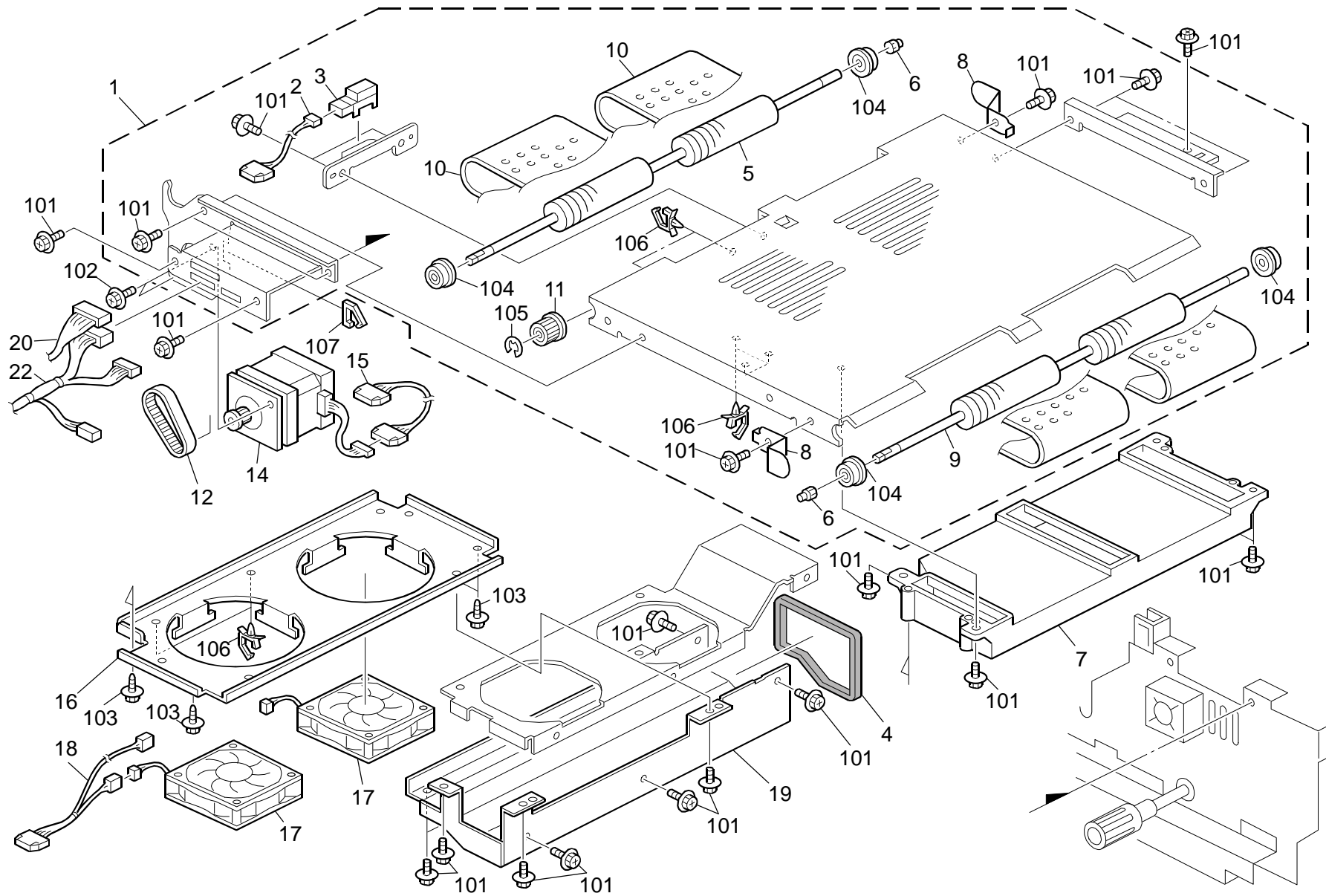


50.Transfer Roller Unit (D095/M077)

Index No.	Part No.	Description	Q'ty Per Assembly
*	M077 6715	Transfer Unit	1
1	G178 4018	Case:Coating Bar:Transfer Roller	1
2	G178 4009	Coil Spring:Coating Bar:0.55N	4
3	G178 6767	Coating Bar:Transfer Roller	1
4	G178 4017	Pin:Coating Bar	1
5	G178 6800	Guide:Entrance:Transfer Roller:Ass'y	1
6	G178 6759	Blade:Transfer Roller	1
7	G178 6819	Tension Spring:Blade:Transfer Roller	2
8	G178 6812	Base:Blade:Ass'y	1
9	G178 6828	Sheet:Seal:Blade:Lower	1
10	5206 2686	Snap Ring	1
11	G178 3951	Gear:Idler:Transfer Roller	1
12	G178 3952	Gear:Brush Roller	1
13	G178 3950	Gear:Transfer Roller	1
14	G178 4015	Holder:Transfer Roller:Front:Ass'y	1
15	G178 6789	Gear:Discharge Used Toner	1
16	G178 6887	Brush Roller:Coating Bar	1
17	M077 6755	Transfer Roller	1
18	G178 6757	Brush Roller:Transfer Roller	1
19	G178 6877	Gear:Transfer Roller:Rear	1
20	G178 4016	Holder:Transfer Roller:Rear:Ass'y	1
21	G178 6891	Gear:Idler:Transfer Roller:Right	1
22	G178 6879	Gear:Idler:Transfer Roller:Left	1
23	G178 6890	Gear:Coating Bar:Brush Roller	1
24	G178 4006	Pin:Positioning:Blade:Trans Roller	1
25	G178 4010	Ground Plate:Transfer Roller:Rear	1
26	G178 6775	Collection Coil:Toner:Ass'y	1
27	G178 4019	Spring:Shutter:Toner Collection	1
28	G178 6899	Shutter:Discharge Used Toner	1
29	G178 4020	Stopper:Shutter:Toner Collection	1
30	G178 6718	Separation Unit	1
31	G178 6856	Cover:Terminal:Electrode Plate	1
32	G178 6851	Spacer:Electrode Plate	1
33	C229 2561	Stepped Screw	1

Index No.	Part No.	Description	Q'ty Per Assembly
101	0451 3006N	Tapping Screw - 3x6	
102	0451 4008N	Tapping Screw:4x8	
103	0720 0040E	Retaining Ring - M4	
104	0720 0050E	Retaining Ring - M5	
105	0720 0030E	Retaining Ring - M3	
106	0805 3511	Bushing 8mm	
107	0741 3505	Ball Bearing - 5x10x4	
108	0451 3010N	Tapping Screw:3x10	
109	0741 3808	Ball Bearing - 8x16x5mm	

51.Paper Transfer (D095/M077)

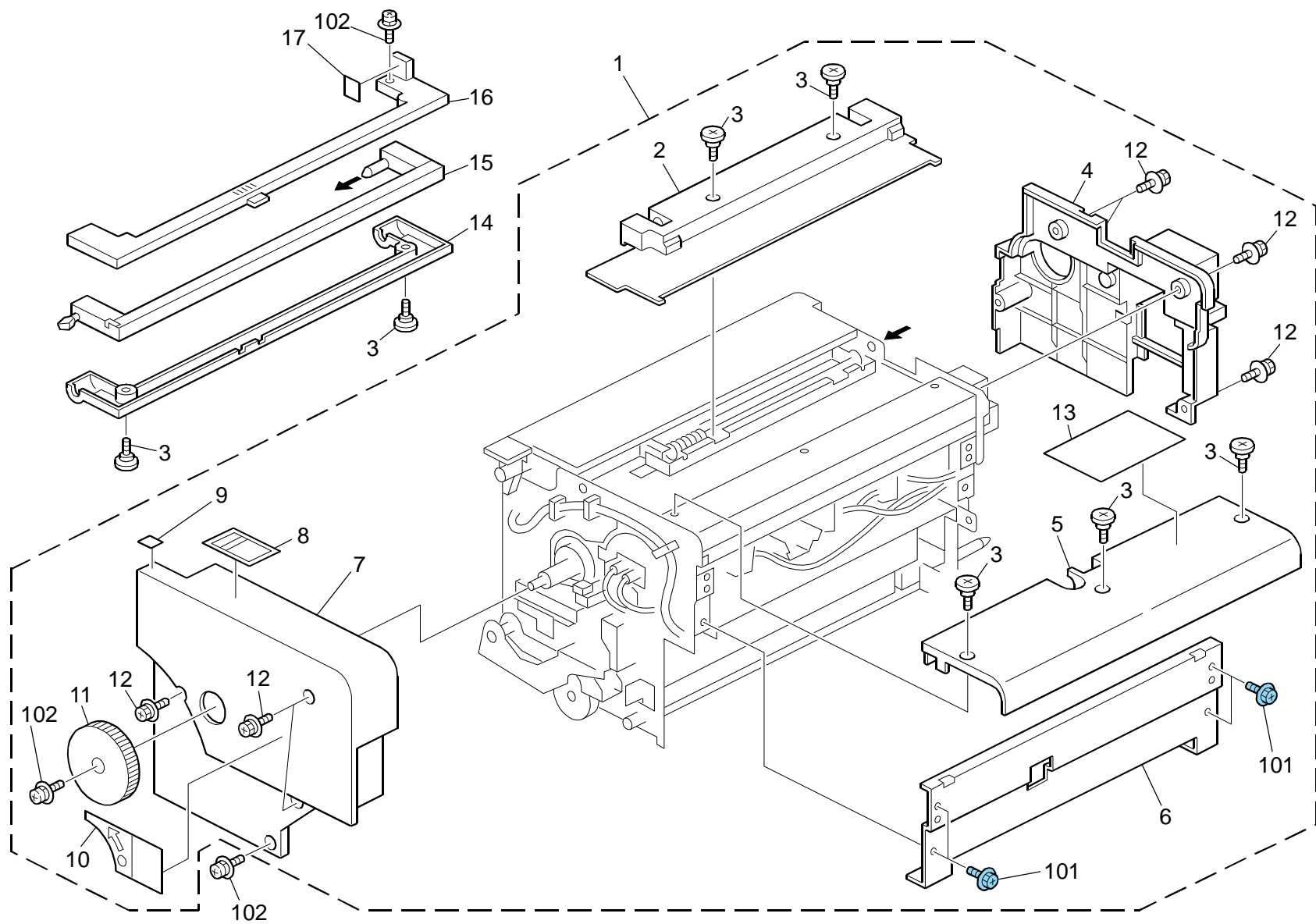


51.Paper Transfer (D095/M077)

Index No.	Part No.	Description	Q'ty Per Assembly
1	M077 3855	Separation/transport Section:Belt:Ass'y	1
2	G178 5744	Harness:Separation/Transport:Sensor	1
3	AW01 0107	Paper Feed Sensor	1
4	M077 3874	Seal:Duct	1
5	G178 3894	Drive Roller:Separation/Transport	1
6	G178 3232	Terminal:Development Roller	2
7	M077 3873	Chamber:No.2	1
8	G178 3879	Ground Plate:Separation/Transport	2
9	G178 3893	Driven Roller:Separation/Transport	1
10	M077 3896	Transport Belt:Separation/Transport	2
11	G178 3870	Timing Pulley:T30	1
12	G178 4636	Timing Belt:S2M134_67	1
13	M077 5533	Harness:Pdb:Sensor:(1):No.2	1
14	B132 6655	Stepper Motor:Paper Feed Unit:Ass'y	1
15	G178 5745	Harness:Separation/Transport:Motor	1
16	M077 3875	Holder:Fan	1
17	AX64 0159	Fan Motor MM80	2
18	G178 5743	Harness:Separation/Transport:Fan	1
19	M077 3876	Holder:Fan:No.2	1
20	G178 5794	Harness:Transport:Motor 2	1

Index No.	Part No.	Description	Q'ty Per Assembly
101	0451 4008N	Tapping Screw:4x8	
102	0451 3006N	Tapping Screw - 3x6	
103	0450 4010N	Tapping Screw:M4x10	
104	7413 506	Ball Bearing - 6x12x4 mm	
105	0720 0050E	Retaining Ring - M5	
106	1105 0511	Harness Clamp - LWS-0306ZC	
107	1105 0522	Edge Saddle - LES0510	

52.Fusing Unit 1 (D095/M077)



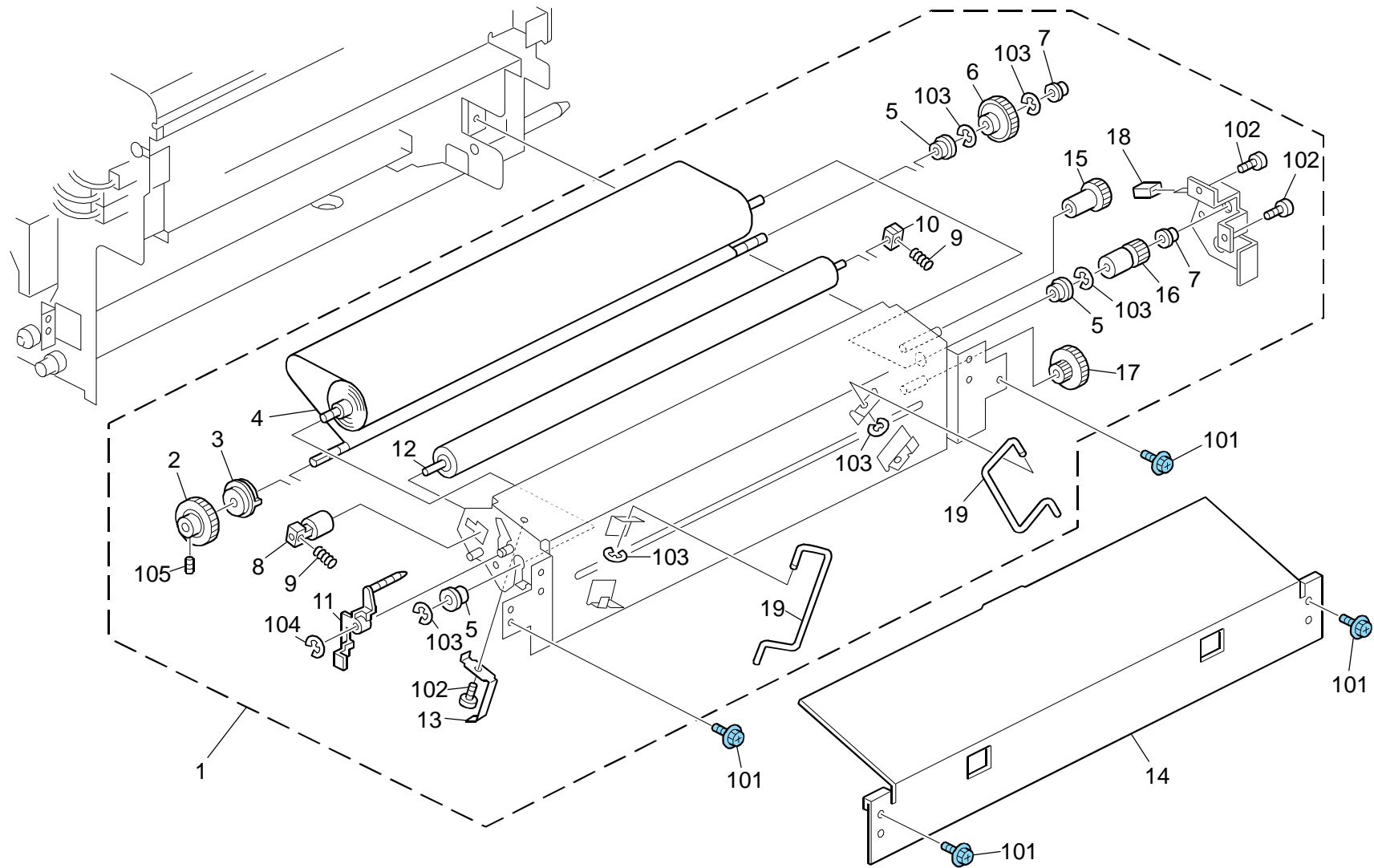
52.Fusing Unit 1 (D095/M077)



Index No.	Part No.	Description	Q'ty Per Assembly
1	M077 4024	Fusing Unit:NA	1
1	M077 4025	Fusing Unit:EU	1
2	M077 4057	Cover:Fusing Unit:Upper:Middle:Ass'y	1
3	AA14 3801	Screw:M4:Exterior	6
4	M077 4055	Cover:Fusing Unit:Rear	1
5	M077 4072	Cover:Fusing Unit:Upper:Right:Ass'y	1
6	M077 4063	Cover:Stay:Heat Roller:Ass'y	1
7	M077 4053	Cover:Front	1
8	M077 4320	Decal:H-temp Warning:Fusing Unit	1
9	G178 4216	Decal:Positioning:Fusing Unit	1
10	D016 4245	Decal:Rotation Direction:Knob:Hot Roller	1
11	D016 4244	Knob:Fusing:Mechanical Roller Clutch	1
12	G832 7900	Screw:Spring Washer:Round Point:M4x10	7
13	M077 4325	Decal:H-temp Warning:Fusing Unit	1
14	M077 4246	Cover:Handle:Lower	1
15	M077 4241	Handle:Fusing Unit	1
16	M077 4245	Cover:Handle:Upper	1
17	M077 4233	Decal:Caution:Handle	1

Index No.	Part No.	Description	Q'ty Per Assembly
101	0454 4008Q	Tapping Screw - M4x8	
102	0954 4008N	Screw - M4x8	

53.Fusing Unit 2 (D095/M077)

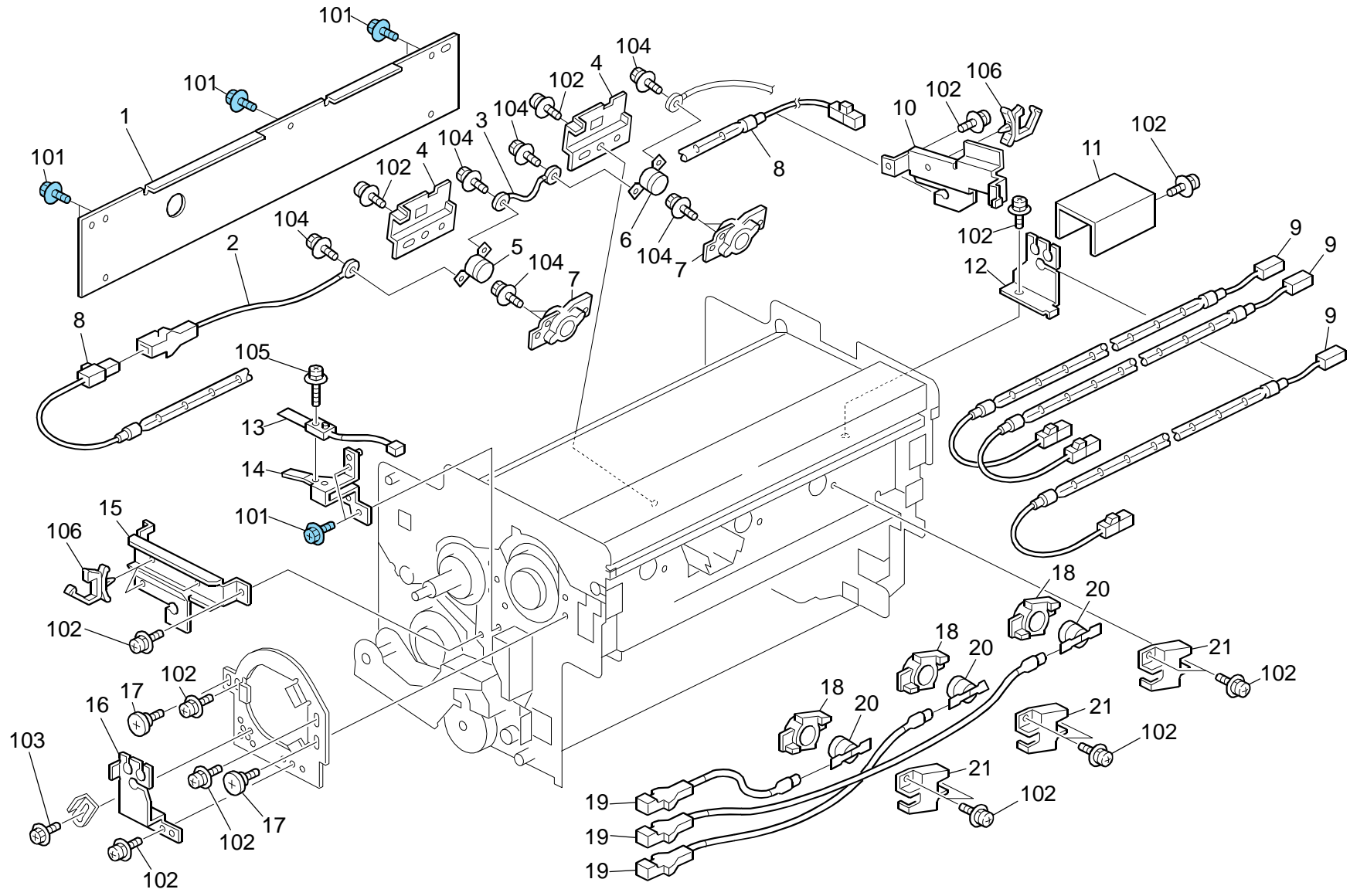


53.Fusing Unit 2 (D095/M077)

Index No.	Part No.	Description	Q'ty Per Assembly
1	M077 4181	Cleaning Unit:Pressure Roller	1
2	M077 4161	Gear:Z50:Rolling	1
3	D009 4388	Roller Clutch	1
4	AE04 5061	Web:Ass'y	1
5	AA08 0356	Bushing - 6mm	3
6	AB01 0185	Gear:Rolling	1
7	AA08 0354	Bushing - 6mm	2
8	M077 4200	Mechanical Roller Clutch:Roller	1
9	AA06 3696	Compression Spring:Web:30N	2
10	D074 4302	Plain Shaft Bearing:Roller:Rear	1
11	M077 4204	Feeler:Web	1
12	AE04 0082	Roller:Cleaning Felt:Plate	1
13	M077 4217	Spring Plate:Cleaning Unit:Fusing	1
14	M077 4179	Fusing Entrance Guide Plate	1
15	AB01 0175	Gear - 24Z	1
16	AB01 0186	Gear:Oil Supply Roller	1
17	AB01 0174	Gear - 20Z/50Z	1
18	B065 4247	Brake Pad	1
19	M077 4159	Grip:Cleaning Unit	2

Index No.	Part No.	Description	Q'ty Per Assembly
101	0454 4008Q	Tapping Screw - M4x8	
102	0353 0040N	Screw - M3x4	
103	0720 0040E	Retaining Ring - M4	
104	0720 0020E	Retaining Ring - M2	

54.Fusing Unit 3 (D095/M077)

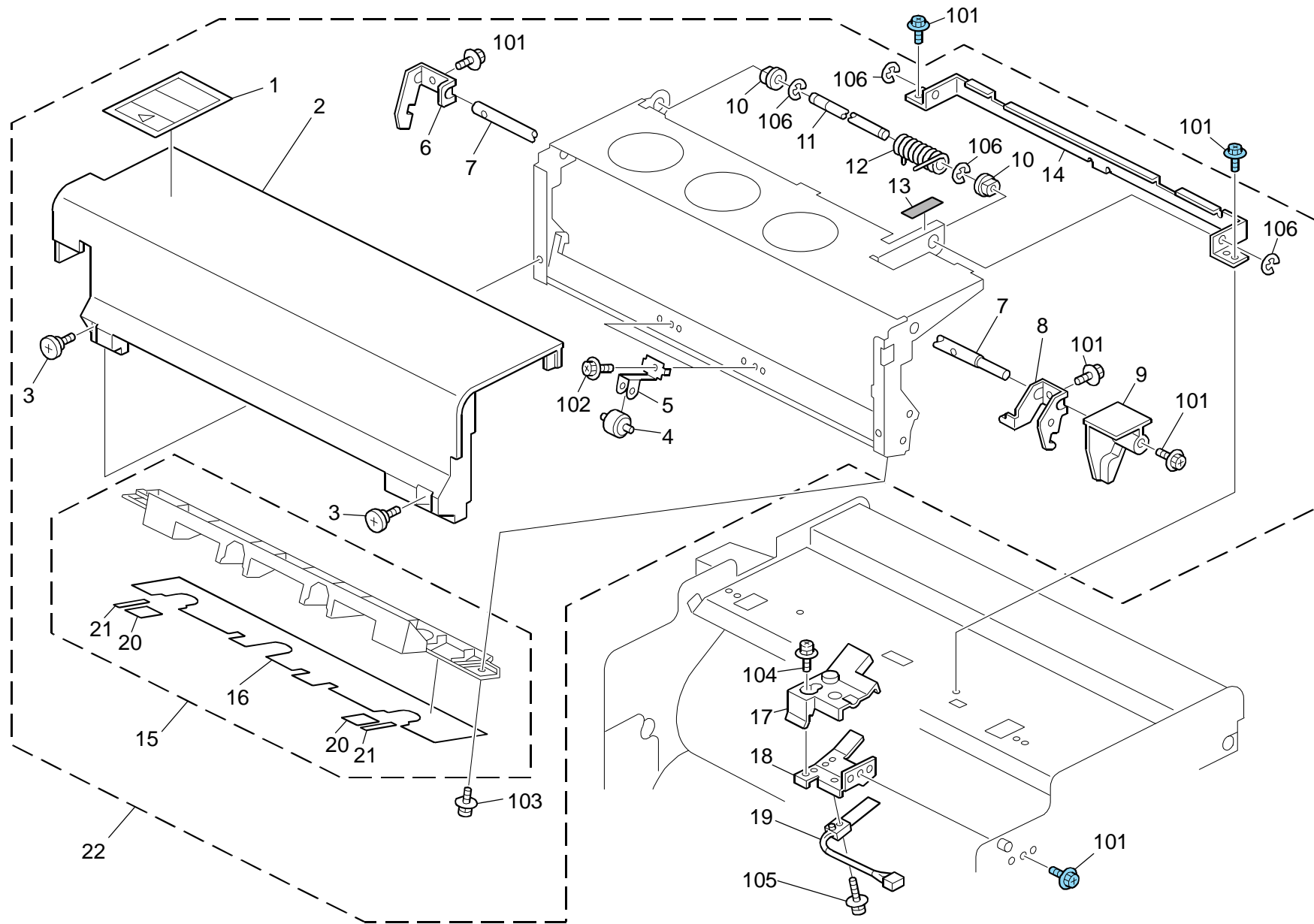


54.Fusing Unit 3 (D095/M077)

Index No.	Part No.	Description	Q'ty Per Assembly
1	M077 4138	Cover:Stay:Pressure Roller	1
2	M077 4134	Harness:Fusing:Heater:No.2	1
3	M077 4135	Harness:Fusing:Heater:No.3	1
4	M077 4141	Cover:Thermostat:Pressure Roller	2
5	AW11 0087	Thermostat:159C	1
6	AW11 0086	Thermostat:160C	1
7	M077 4133	Housing:Thermostat	2
8	G178 4458	Heater:208V:1000W:Pressure Roller:NA	1
8	G178 4521	Heater:230V:1000W:Pressure Roller:EU	1
9	AX43 0161	Heater:208V:1000W:Heat Roller:NA	3
9	AX43 0162	Heater:230V:1000W:Heat Roller:EU/AA	3
10	M077 4469	Heater Holder:Pressure Roller:Rear	1
11	M077 4475	Plate:Rear:Heat Shield	1
12	M077 4457	Heater Holder:Heat Roller:Rear	1
13	G178 4499	Thermistor:Fusing Unit	1
14	M077 4430	Holder:Thermistor:Core	1
15	G178 4227	Holder:Harness:Front	1
16	M077 4418	Heater Holder:Heat Roller:Front	1
17	AA14 3822	Stepped Screw - M3.5	2
18	M077 4069	Holder:Thermostat:Heat Roller	3
19	M077 4070	Harness:Fusing:Heater:No.1	1
20	G178 7959	Thermostat:190C:250V:10A	3
21	G178 7960	Cover:Thermostat:Heat Roller	3

Index No.	Part No.	Description	Q'ty Per Assembly
101	0454 4008Q	Tapping Screw - M4x8	
102	0954 4008N	Screw - M4x8	
103	0360 3006N	Screw - M3x6	
104	0804 6123	Hexagonal Bolt:W/Washer:M3x8	
105	0954 3010N	Screw:Polished Round/Spring:M3x10	
106	1105 0511	Harness Clamp - LWS-0306ZC	

55.Fusing Unit 4 (D095/M077)

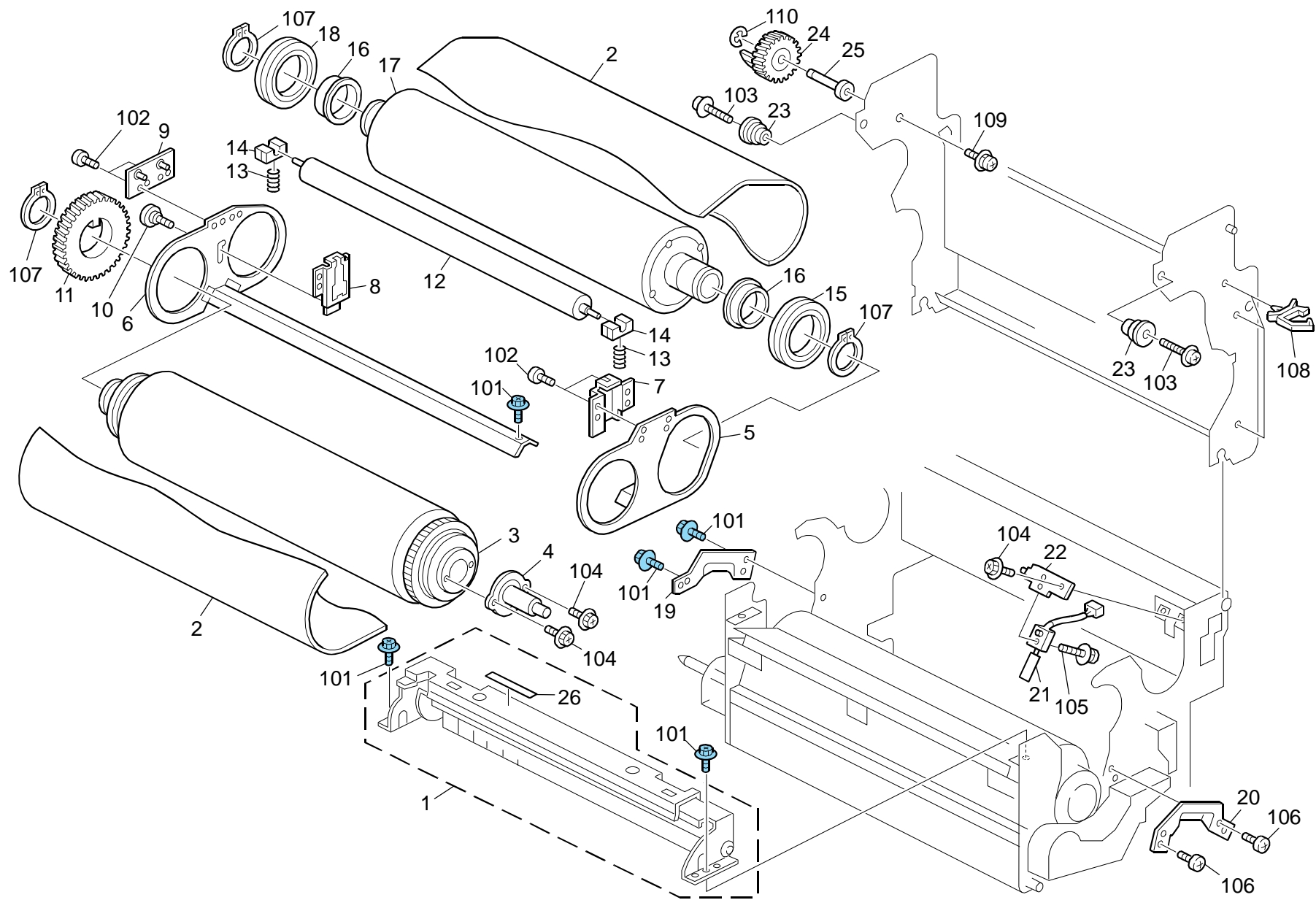


55.Fusing Unit 4 (D095/M077)

Index No.	Part No.	Description	Q'ty Per Assembly
1	M077 4321	Decal:Warning (Removal And Installation): Fusing Unit	1
2	M077 4316	Cover:Paper Exit:Upper:Ass'y	1
3	AA14 3801	Screw:M4:Exterior	2
4	AF04 0561	Fusing Exit Roller - Upper	2
5	A294 4164	Roller Spring Plate	2
6	G178 4236	Hook:Rear:Cover:Paper Exit Sub-unit	1
7	G178 4237	Shaft:Open/close:Cover:Paper Exit	1
8	G178 4235	Hook:Front:Cover:Paper Exit Sub-unit	1
9	G178 4232	Lever:Open/close:Cover:Paper Exit	1
10	AA08 0308	Bushing - 8mm	2
11	M077 4307	Shaft:Contact Point:Paper Exit Sub-unit:Cover	1
12	G178 4273	Spring:Balancer:Front	1
13	G178 7853	Sheet:Fiber:Stay	1
14	M077 4308	Bracket:Contact Point:Paper Exit Sub-unit: Cover	1
15	M077 4331	Guide:Paper Exit:Upper:Ass'y	1
16	M077 4315	Sheet:Guide Plate:Exit:Upper	1
17	M077 4546	Cover:Thermistor:Hot Roller	1
18	M077 4344	Holder:Thermistor:Hot Roller	1
19	G178 4499	Thermistor:Fusing Unit	1
20	M077 4330	Sheet:Guide Plate:Exit:Inner	2
21	M077 4329	Sheet:Guide Plate:Exit:Outer	2
22	M077 4302	Cover:Upper:Exit:Fusing:Ass'y	1

Index No.	Part No.	Description	Q'ty Per Assembly
101	0454 4008Q	Tapping Screw - M4x8	
102	0360 4008N	Screw - M4x8	
103	0954 4008N	Screw - M4x8	
104	0954 3008N	Screw - M3x8	
105	0954 3010N	Screw:Polished Round/Spring:M3x10	
106	0720 0060E	Retaining Ring - M6	

56.Fusing Unit 5 (D095/M077)



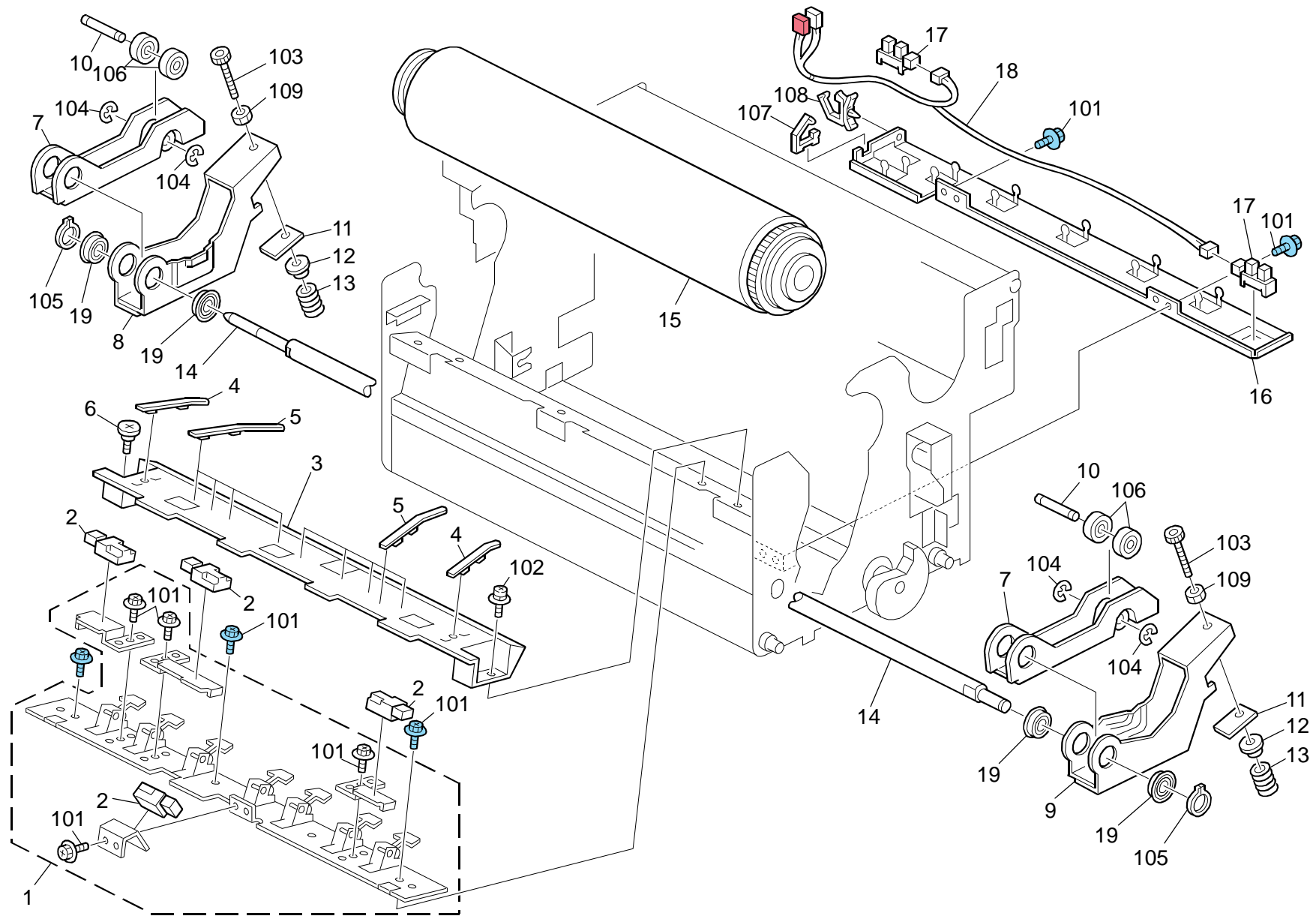
56.Fusing Unit 5 (D095/M077)



Index No.	Part No.	Description	Q'ty Per Assembly
1	M077 4491	Stripper Plate:Ass'y	1
2	M077 4101	Fusing Belt:DIA146.7	1
3	M077 4105	Hot Roller	1
4	M077 4124	Stay:Shaft:Knob:Hot Roller:Peen	1
5	M077 4112	Side Plate:Belt Unit:Front	1
6	M077 4115	Side Plate:Belt Unit:Rear	1
7	M077 4121	Bracket:Belt Tension:Front	1
8	M077 4122	Bracket:Belt Tension:Rear	1
9	M077 4118	Bracket:Positioning:Belt Tension	1
10	AA14 3867	Screw:DIA4:M3	1
11	G178 7892	Gear:Z70:Hot Roller	1
12	AE04 0081	Roller:Belt Tension	1
13	AA06 1045	Compression Spring:Belt Tension	2
14	AA08 0373	Plain Shaft Bearing:Belt Tension	2
15	AE03 0079	Ball Bearing:DIA40xDIA62x12	1
16	AE03 2021	Bushing - 34.3x39.9x15.5	2
17	M077 4111	Heat Roller	1
18	AE03 0031	Ball Bearing - 40x62x12	1
19	M077 4472	Stopper:Pressure Roller:Rear	1
20	M077 4432	Stopper:Pressure Roller:Front	1
21	G178 4499	Thermistor:Fusing Unit	1
22	G178 4351	Holder:Thermistor	1
23	G178 4242	Pin:Frame:Front:Fusing Unit	2
24	G178 7894	Gear:Z38:Joint:Ass'y	1
25	G178 7934	Shaft:Gear:Roller:Drive	1
26	M077 4327	Decal:H-temp Warning:Fusing Exit	1

Index No.	Part No.	Description	Q'ty Per Assembly
101	0454 4008Q	Tapping Screw - M4x8	
102	0353 0050N	Screw-M3x5	
103	0951 5014N	Screw:Polished Round:M5x14	
104	0360 4008N	Screw - M4x8	
105	0954 3010N	Screw:Polished Round/Spring:M3x10	
106	0353 0060N	Bind Screw - M3x6	
107	0805 0098	Ring - M35	
108	1105 0487	Harness Clamp	
109	0954 5012N	Screw:Polished Round/Spring:M5x12	
110	0725 0100E	Retaining Ring C - M10	

57.Fusing Unit 6 (D095/M077)

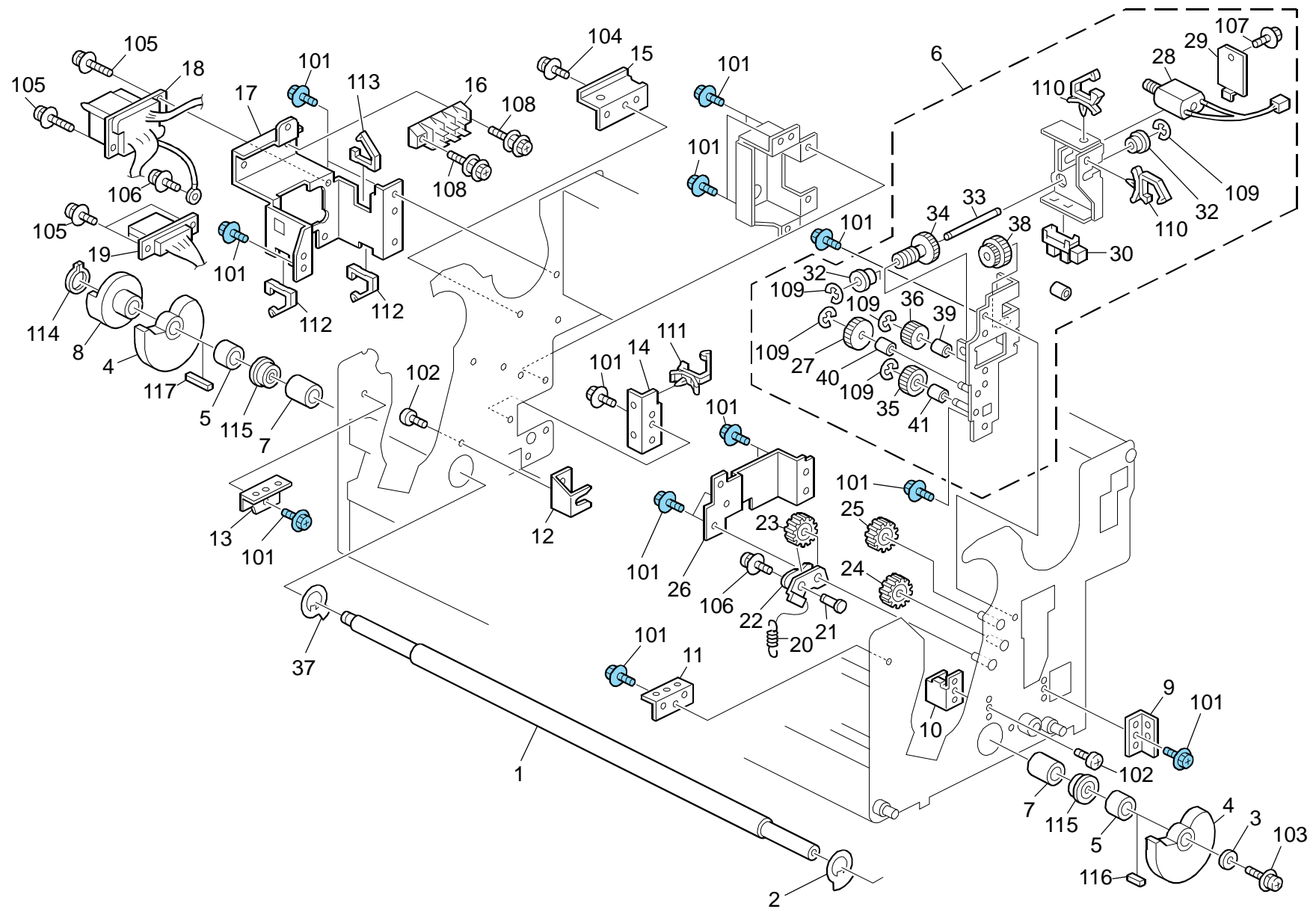


57.Fusing Unit 6 (D095/M077)

Index No.	Part No.	Description	Q'ty Per Assembly
1	M077 4531	Pickoff Pawl:Pressure Roller:Ass'y	1
2	G178 7900	Distance Measuring Sensor	4
3	M077 4237	Guide Plate:Fusing Exit:Lower	1
4	M077 4239	Guide:Fusing Exit:Both Ends	2
5	M077 4238	Guide:Fusing Exit:Middle	9
6	C244 4426	Shoulder Screw	1
7	M077 4156	Arm:Pressure Sub-unit	2
8	M077 4165	Arm:Pressure Sub-unit:Lower Rear	1
9	M077 4155	Arm:Pressure Sub-unit:Lower Front	1
10	M077 4154	Shaft:Cam Follower	2
11	M077 4153	Supporting Plate:Arm	2
12	M077 4163	Cap:Coil Spring:Pressure Sub-unit	2
13	AA06 1041	Compression Spring:Pressure Sub-unit	2
14	M077 4140	Shaft:Pressure:Arm	1
15	M077 4150	Pressure Roller	1
16	M077 4222	Sensor Cable:Stay:Welding	1
17	AW02 0160	Paper Feed Sensor	2
18	M077 4225	Harness:Fusing Unit:Sensor:Connecting	1
19	AA08 1020	Plain Shaft Bearing:DIA12xDIA20x8	4

Index No.	Part No.	Description	Q'ty Per Assembly
101	0454 4008Q	Tapping Screw - M4x8	
102	0954 4008N	Screw - M4x8	
103	0595 0250E	Hexagonal Set Screw:M5x25	
104	0720 0040E	Retaining Ring - M4	
105	0725 0120E	Retaining Ring C - M12	
106	0740 3906	Ball Bearing - 6x15x5	
107	1105 0518	Edge Saddle - LES-1010	
108	1105 0487	Harness Clamp	

58.Fusing Unit 7 (D095/M077)

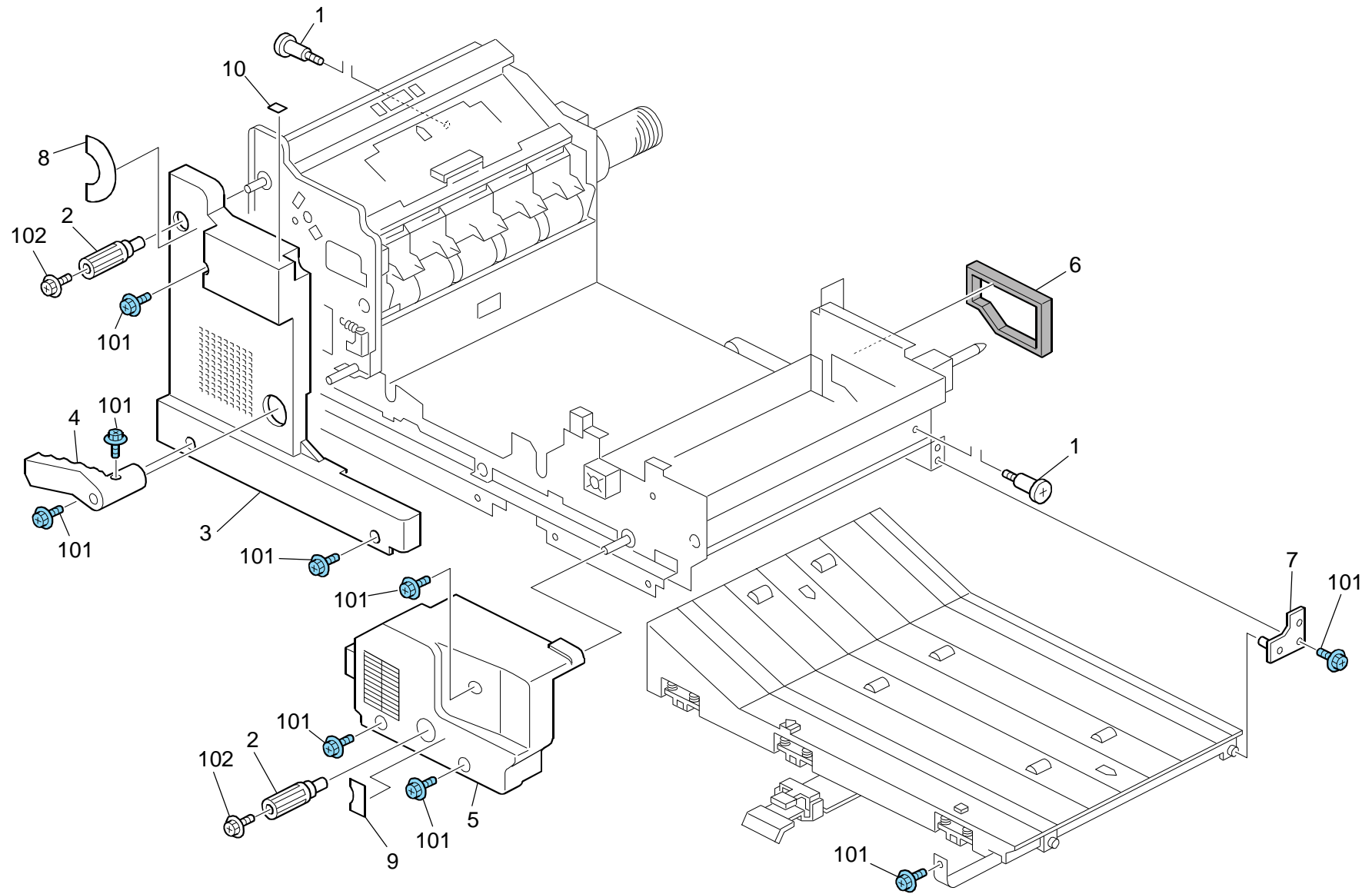


58.Fusing Unit 7 (D095/M077)


Index No.	Part No.	Description	Q'ty Per Assembly
1	M077 4175	Shaft:O/C	1
2	M077 4176	Feeler:Positioning Sensor:O/C:Front	1
3	G178 4525	Washer:DIA5.5xDIA16x2	1
4	M077 4174	Cam:O/C	2
5	M077 4172	Collar:O/C:1	2
6	M077 4206	Drive Unit:Cleaning Unit	1
7	M077 4173	Collar:O/C:2	2
8	M077 4171	Joint:O/C:Fusing Unit	1
9	M077 4427	Bracket:Web:Front	1
10	M077 4421	Bracket:Positioning:Web:Front	1
11	M077 4425	Bracket:Stripper Plate:Front	1
12	M077 4461	Bracket:Positioning:Web:Rear	1
13	M077 4455	Bracket:Stripper Plate	1
14	M077 4465	Bracket:Web:Rear	1
15	M077 4458	Base:Heater Holder:Heat Roller:Rear	1
16	A247 4249	Connector - 3P	1
17	M077 4231	Stand:Connector:Heater	1
18	M077 4257	Harness:Fusing:Drawer:AC:No.3	1
19	M077 4262	Harness:Fusing:Sensor:NA	1
19	M077 4272	Harness:Fusing:Sensor:EU/AA	1
20	AA06 1072	Spring:Idler	1
21	M077 4435	Shaft:Idler:Swivel	1
22	M077 4436	Bracket:Gear:Swivel	1
23	AB01 0196	Gear:M1Z17:Ass'y	1
24	AB01 0195	Gear:M1Z19:Ass'y	1
25	AB01 0194	Gear:M1Z20:Ass'y	1
26	M077 4437	Supporting Plate:Gear:Idler	1
27	AB01 0182	Gear:Slow Down:Cleaning Unit:4	1
28	AX04 0167	Motor:DC5V 0.71W	1
29	M077 4203	Bracket:Plate:DC Motor	1
30	AW02 0150	Photointerruptor:Flat:7mm	1
31	M077 4207	Holder:Dc Motor	1
32	AA08 0355	Bushing - 7mm	2
33	M077 4312	Shaft:Worm Gear	1
34	AB01 0180	Gear:Slow Down:Cleaning Unit:2	1

Index No.	Part No.	Description	Q'ty Per Assembly
35	AB01 0183	Gear:Slow Down:Cleaning Unit:5	1
36	AB01 0181	Gear:Slow Down:Cleaning Unit:3	1
37	M077 4177	Feeler:Positioning Sensor:O/C:Rear	1
38	AB01 0179	Gear:Slow Down:Cleaning Unit:1	1
39	AA08 0370	Plain Shaft Bearing:DIA5	1
40	AA08 0372	Plain Shaft Bearing:DIA4:2	1
41	AA08 0371	Plain Shaft Bearing:DIA4:1	1
101	0454 4008Q	Tapping Screw - M4x8	
102	0353 0050N	Screw-M3x5	
103	0954 5010N	Screw:Polished Round/Spring:M5x10	
104	0954 4008N	Screw - M4x8	
105	0957 3010N	Screw:Small Round/Spring:M3x10	
106	0360 3006N	Screw - M3x6	
107	0360 4008N	Screw - M4x8	
108	0801 0238	Hexagon Head Bolt:Double Screw:M4x14	
109	0720 0030E	Retaining Ring - M3	
110	1105 0516	Clamp	
111	1105 0511	Harness Clamp - LWS-0306ZC	
112	1105 0522	Edge Saddle - LES0510	
113	1105 0518	Edge Saddle - LES-1010	
114	0725 0100E	Retaining Ring C - M10	
115	0742 3012	Ball Bearing:DIA12xDIA28x8	
116	0930 0400A	Palarel Key	
117	0930 0404A	Parallel Key:4x4x25	

59.Paper Exit Section 1 (D095/M077)

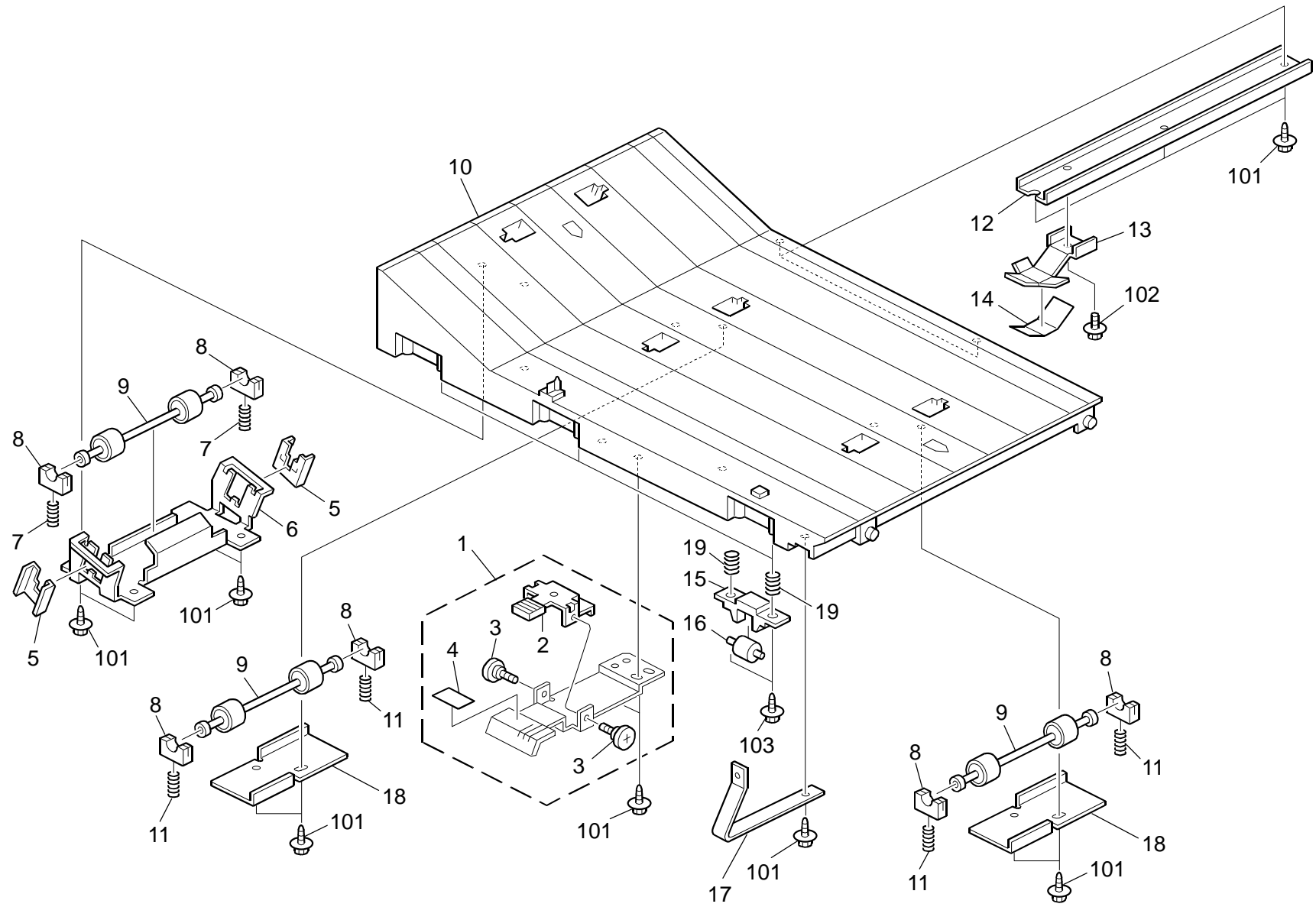


59.Paper Exit Section 1 (D095/M077)

Index No.	Part No.	Description	Q'ty Per Assembly
1	G178 4909	Screw:Transport	1
2	AG05 0100	Knob - Transport Roller	1
3	G178 4843	Inner Cover:Paper Exit Unit:Left	1
4	G178 4847	Lever:Pull Out:Transport	1
5	M077 4660	Inner Cover:Paper Exit Unit:Right	1
6	G178 3880	Seal:Form:Transport	2
7	G178 4870	Plate:Contact Point:Duplex	1
8	G178 5074	Decal:Knob:Rotation Direction:C1	1
9	G178 5076	Decal:Knob:Rotation Direction:Z2	1
10	G178 4216	Decal:Positioning:Fusing Unit	1
			

Index No.	Part No.	Description	Q'ty Per Assembly
101	0454 4008Q	Tapping Screw - M4x8	
102	0451 4010N	Tapping Screw:4x10	

60.Paper Exit Section 2 (D095/M077)

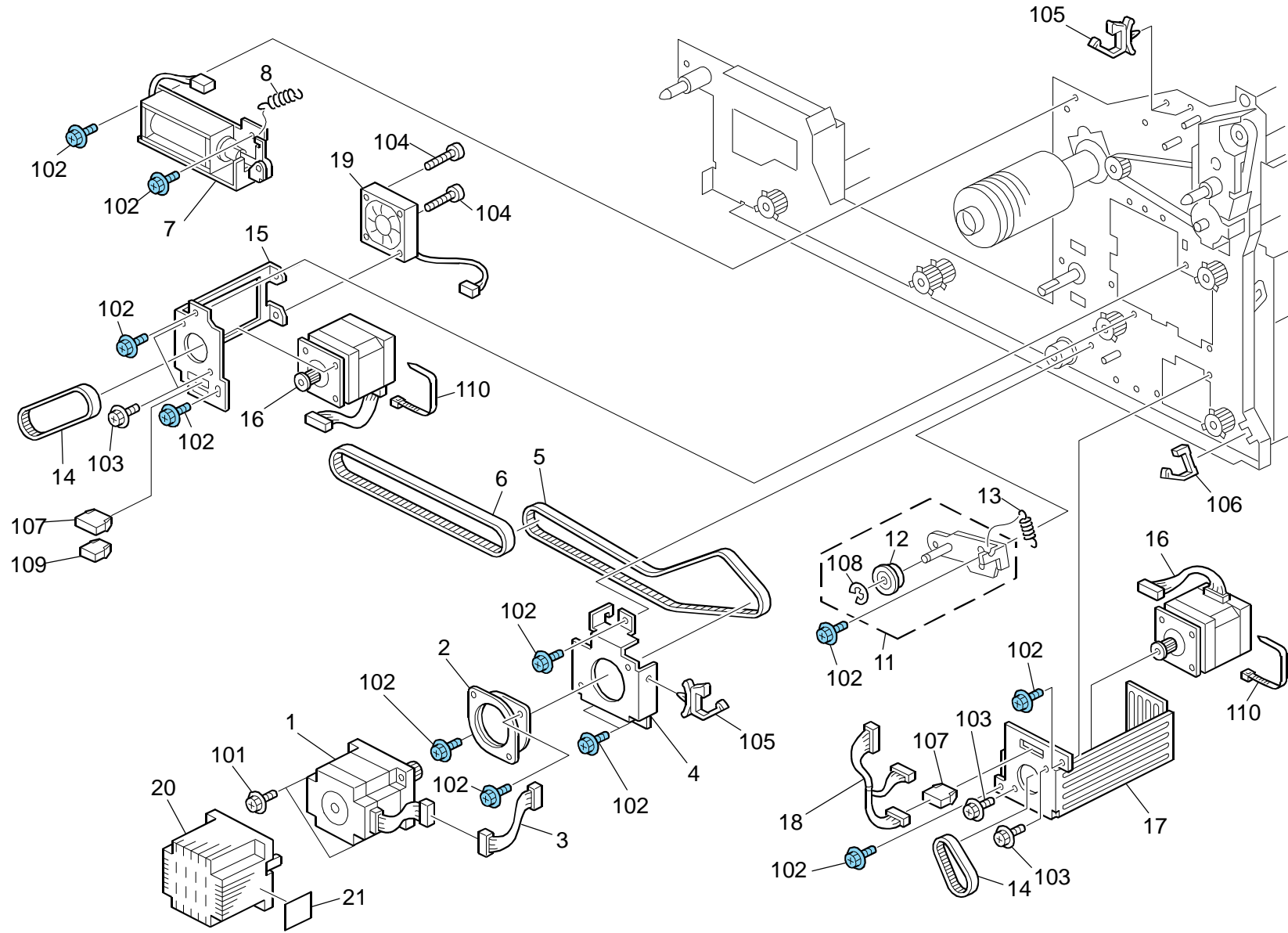


60.Paper Exit Section 2 (D095/M077)

Index No.	Part No.	Description	Q'ty Per Assembly
1	G178 4652	Grip:Duplex:Open And Close:Ass'y	2
2	B065 4933	Guide Plate Lever Hook	2
3	AA14 3811	Inner Cover:Paper Exit Unit:Left	1
4	G178 5075	Decal:Lever:Guide Plate:Z1	1
5	G178 7790	Holder:Roller:On-Off	1
6	G178 4686	Bracket:Compression Spring:Duplex	1
7	AA06 3674	Spring - 8N	1
8	AA08 4059	Ball Bearing Holder	1
9	M077 4862	Transport Roller:Driven:Duplex:DIA18x2	1
10	G178 4650	Guide Plate:Duplex:Open/Close:Lower	1
11	AA06 3675	Spring - 5N	4
12	G178 4651	Supporting Plate:Guide Plate	2
13	G178 4890	Spring Plate:Duplex:Guide:Lower	2
14	G178 4895	Sheet:Duplex:Spring Plate	2
15	G178 4808	Bracket:Pressure:Roller	3
16	AF02 2067	Guide Stopper Roller	3
17	A096 4928	Guide Plate Band	1
18	G178 4907	Holder:Pressure Roller:Duplex	2
19	G178 4817	Spring:Pressure:Roller:Duplex	6

Index No.	Part No.	Description	Q'ty Per Assembly
101	0450 4010N	Tapping Screw:M4x10	
102	0451 3006N	Tapping Screw - 3x6	
103	0450 3008N	Tapping Screw - M3x8	

61.Paper Exit Section 3 (D095/M077)

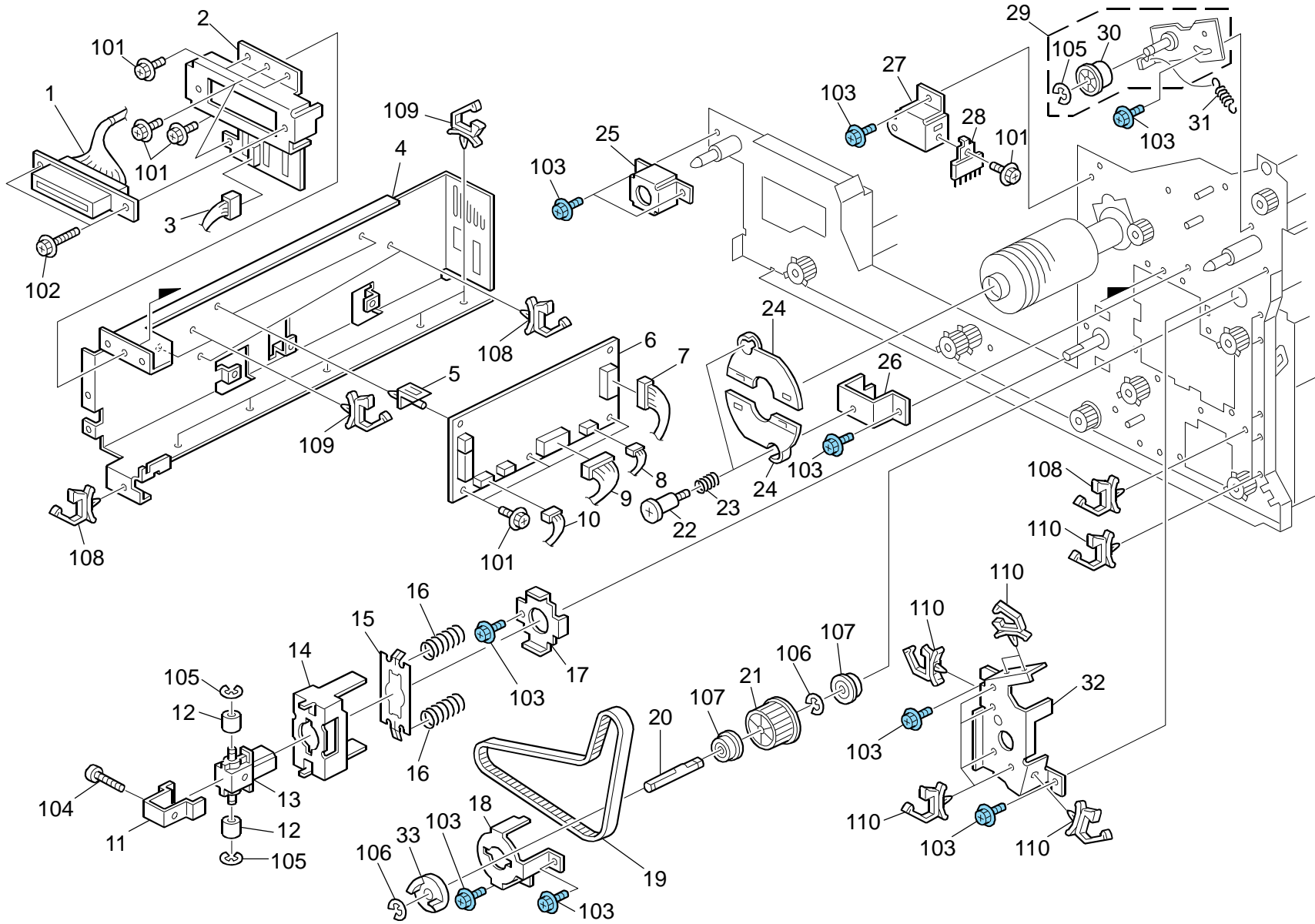


61.Paper Exit Section 3 (D095/M077)

Index No.	Part No.	Description	Q'ty Per Assembly
1	AX04 0157	Stepper Motor DC1.68V 6.7W	1
2	AA16 1122	Motor Cushion	1
3	G178 5849	Harness:Return:Motor	2
4	G178 4622	Bracket:Motor:Duplex	1
5	G178 4637	Timing Belt:S2M:460	2
6	G178 4729	Timing Belt:S2M:400	1
7	G178 4715	Bracket:Exit:DCSOL:Ass'y	2
8	G178 4793	Spring:Reverse:Gate	6
9	G178 4900	Cover:Dc Stepper Motor:MM56	1
10	G178 5082	Decal:H-temp Warning:Motor:Cover	1
11	G178 4816	Belt Tensioner:Duplex:Ass'y	4
12	AB03 0310	Tightener Pulley	1
13	G178 4795	Spring:Tensioner:Duplex	1
14	G178 4636	Timing Belt:S2M134_67	1
15	G178 4888	Bracket:Motor:Reverse	3
16	B132 6655	Stepper Motor:Paper Feed Unit:Ass'y	3
17	G178 4887	Bracket:Motor:Switchback	1
18	G178 5859	Harness:Reverse:Switchback:Motor	2
19	G178 4901	Fan Motor:DC 1.92W	6

Index No.	Part No.	Description	Q'ty Per Assembly
101	0450 4010N	Tapping Screw:M4x10	
102	0454 4008Q	Tapping Screw - M4x8	
103	0451 3006N	Tapping Screw - 3x6	
104	0353 0250N	Screw:M3x25	
105	1105 0511	Harness Clamp - LWS-0306ZC	
106	1105 0522	Edge Saddle - LES0510	
107	1102 6249	Relay Connector - 6P	
108	0720 0040E	Retaining Ring - M4	
109	1102 6246	Relay Connector - 3P	
110	1105 0046	Harness Band	

62.Paper Exit Section 4 (D095/M077)

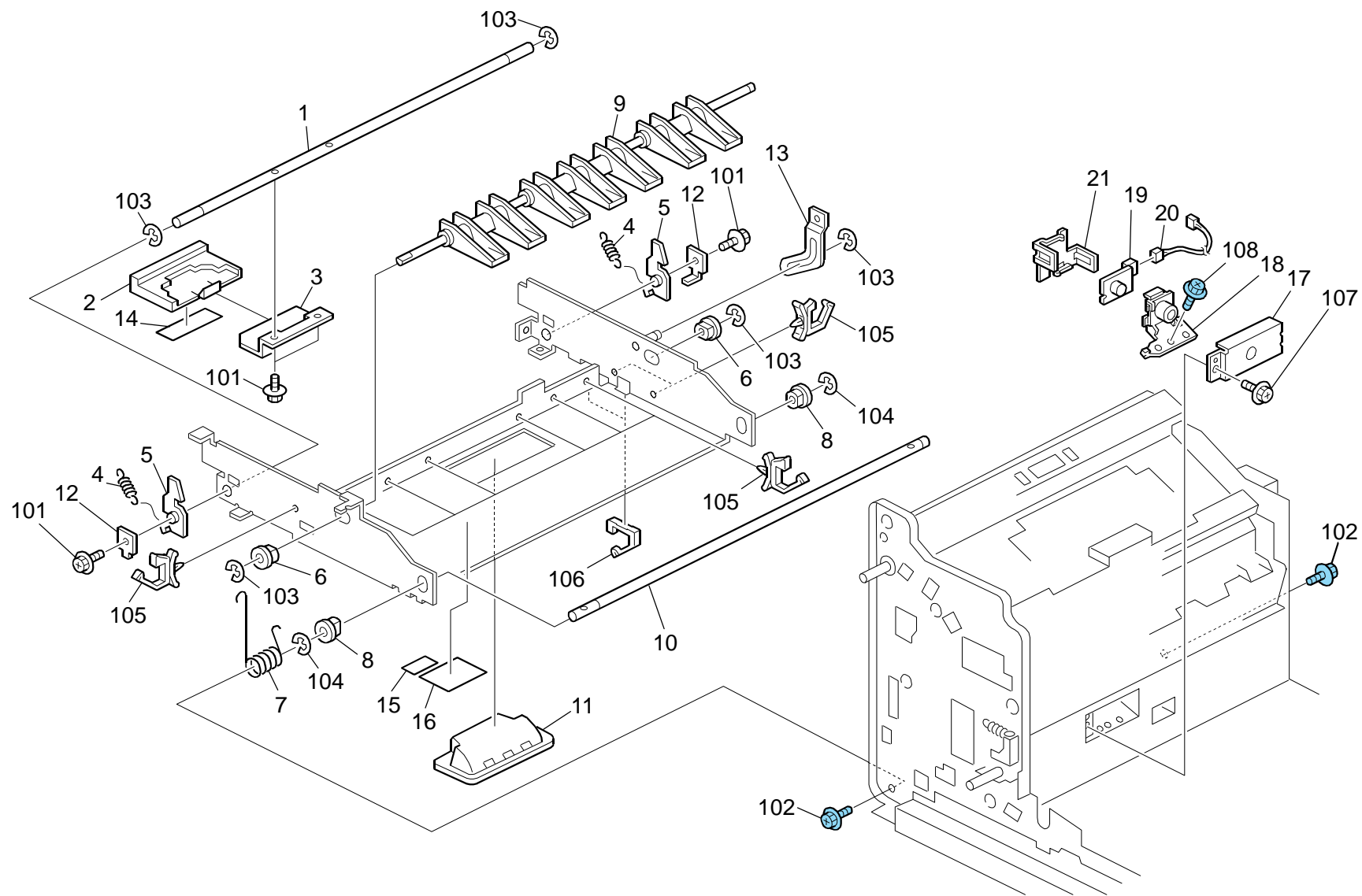


62.Paper Exit Section 4 (D095/M077)

Index No.	Part No.	Description	Q'ty Per Assembly
1	G178 5629	Harness:Exit:Reverse:Drawer	1
2	G178 4615	Bracket:Drawer	1
3	M077 5513	Harness:Pdb:Sensor:(2):No.2	1
4	G178 4614	Bracket:Base	1
5	G178 7668	Spacer:7907032:Base	2
6	M077 4920	PCB:PDB	1
7	G178 5843	Harness:Pdb:Sensor:(1):No.1	1
8	G178 5635	Harness:Transport:Motor 1	1
9	M077 5845	Harness:Pdb:Motor:Connecting	1
10	G178 5844	Harness:Pdb:Sensor:(2):No.1	1
11	B132 1224	Supporting Plate:Bracket:Lock	1
12	AA13 2300	Roller:Lock:Pull Out	2
13	B132 1183	Bracket:Lock	1
14	G178 4759	Bracket:Lock:Exit	1
15	B132 1221	Holder:Spring:Pull Out	1
16	G178 4818	Spring:Pull Out:Lock:Exit	2
17	G178 4848	Holder:Handle:Latch:Spring	1
18	G178 4627	Bracket:Coupling:Brushless Motor	1
19	G178 4635	Timing Belt:S3M:399	1
20	M077 4684	Shaft:Drive:Coupling:Exit	1
21	AB03 0805	Pulley:Coupling:30T	1
22	AA14 3444	Stepped Screw	2
23	H072 2216	Compression Spring	2
24	B234 4258	Cap:Heat Pipe	2
25	G178 4754	Supporting Plate:Stud:Lower	1
26	G178 4724	Bracket:Cap:Heat Pipe:Lower	1
27	G178 4723	Bracket:Cap:Heat Pipe:Upper	1
28	AA12 0097	Antistatic Brush	1
29	G178 4633	Belt Tensioner:Exit:Ass'y	1
30	AB03 0310	Tightener Pulley	1
31	G178 4794	Spring:Tensioner:Exit	1
32	G178 4753	Supporting Plate:Stud:Upper	1
33	D059 4399	Joint:Paper Exit Unit:Main	1

Index No.	Part No.	Description	Q'ty Per Assembly
101	0451 3006N	Tapping Screw - 3x6	
102	0451 3010N	Tapping Screw:3x10	
103	0454 4008Q	Tapping Screw - M4x8	
104	0314 0180N	Pan Head Screw:M4x18	
105	0720 0040E	Retaining Ring - M4	
106	0720 0060E	Retaining Ring - M6	
107	0741 3808	Ball Bearing - 8x16x5mm	
108	1105 0487	Harness Clamp	
109	1105 0488	Harness Clamp	
110	1105 0511	Harness Clamp - LWS-0306ZC	

63.Paper Exit Section 5 (D095/M077)

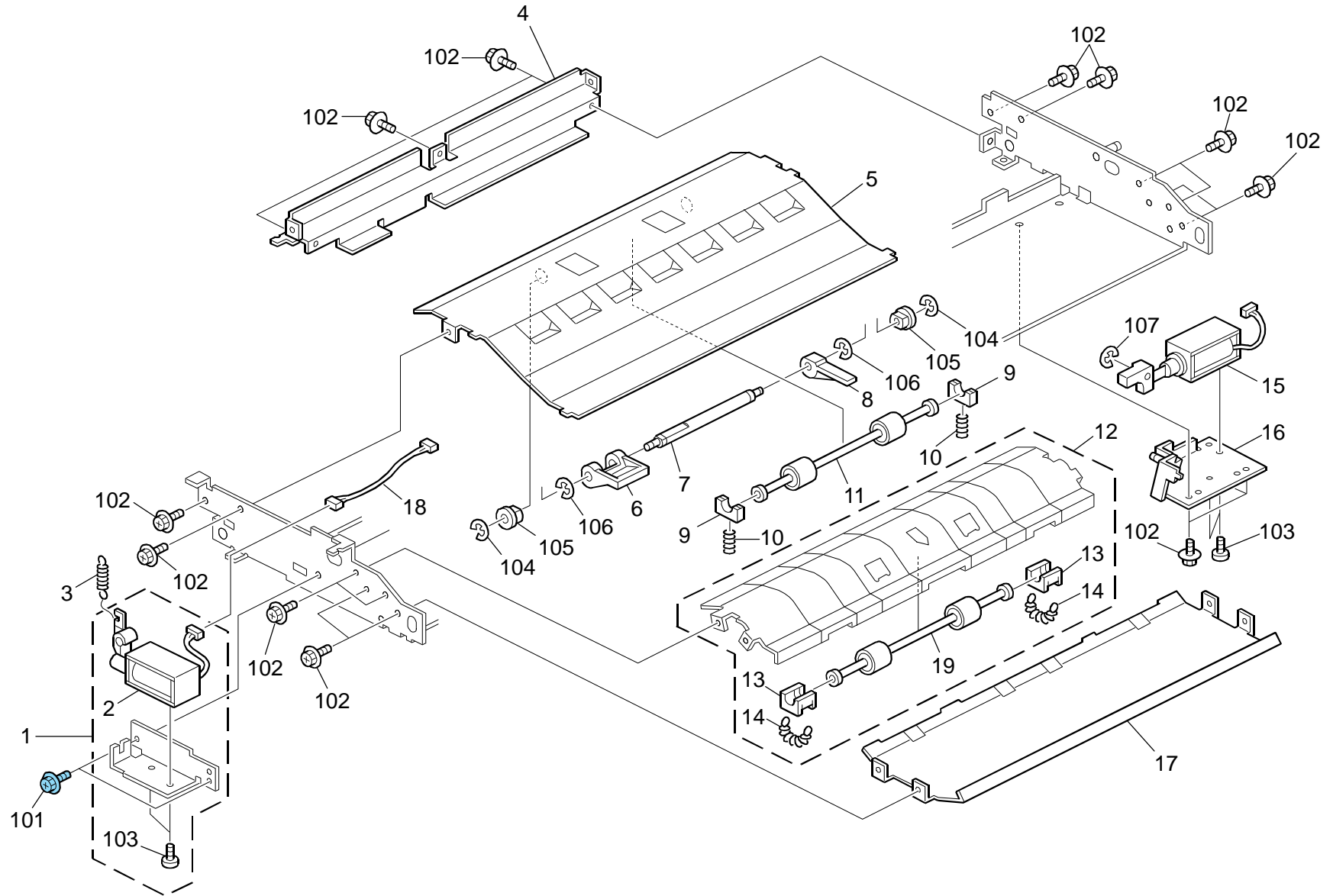


63.Paper Exit Section 5 (D095/M077)

Index No.	Part No.	Description	Q'ty Per Assembly
1	G178 4682	Shaft:Lock:Reverse	1
2	B234 6424	Release Grip	1
3	G178 4752	Handle:Lock:Frame:Lower	1
4	G178 4908	Coil Spring:Left Lower:Lock	2
5	G178 4815	Lever:Lock:Left Lower:Frame	2
6	AA08 2101	Bushing - 6x10x6	2
7	G178 4838	Spring:Open And Close:Left Lower	1
8	AA08 2104	Bushing - 8x12x7	2
9	G178 4840	Gate Pawl:Switchback	1
10	G178 4680	Shaft:Contact Point:Left Lower	1
11	G178 4881	Grip:Exit:Left Lower	1
12	G178 4828	Stay:Lock:Lever:Left Lower	2
13	G178 4813	Stopper:Left Lower:Frame	1
14	G178 5083	Decal:Grip:Open And Close:D4	1
15	G178 5081	Decal:Paper Exit Unit:Caution	1
16	D355 4572	Decal:Paper Tray:Warning	1
17	M077 4650	Cover:Thermopile:Pressure Roller	1
18	B223 4332	Holder:Thermopile	1
19	AW10 0106	Thermopile	1
20	M077 5527	Harness:PDB:Thermopile:Connecting	1
21	B223 4331	Cover:Thermopile	1

Index No.	Part No.	Description	Q'ty Per Assembly
101	0451 3006N	Tapping Screw - 3x6	
102	0454 4008Q	Tapping Screw - M4x8	
103	0720 0040E	Retaining Ring - M4	
104	0720 0060E	Retaining Ring - M6	
105	1105 0511	Harness Clamp - LWS-0306ZC	
106	1105 0522	Edge Saddle - LES0510	
107	0451 4008N	Tapping Screw:4x8	
108	0454 3006Q	Tapping Screw - M3x6	

64.Paper Exit Section 6 (D095/M077)

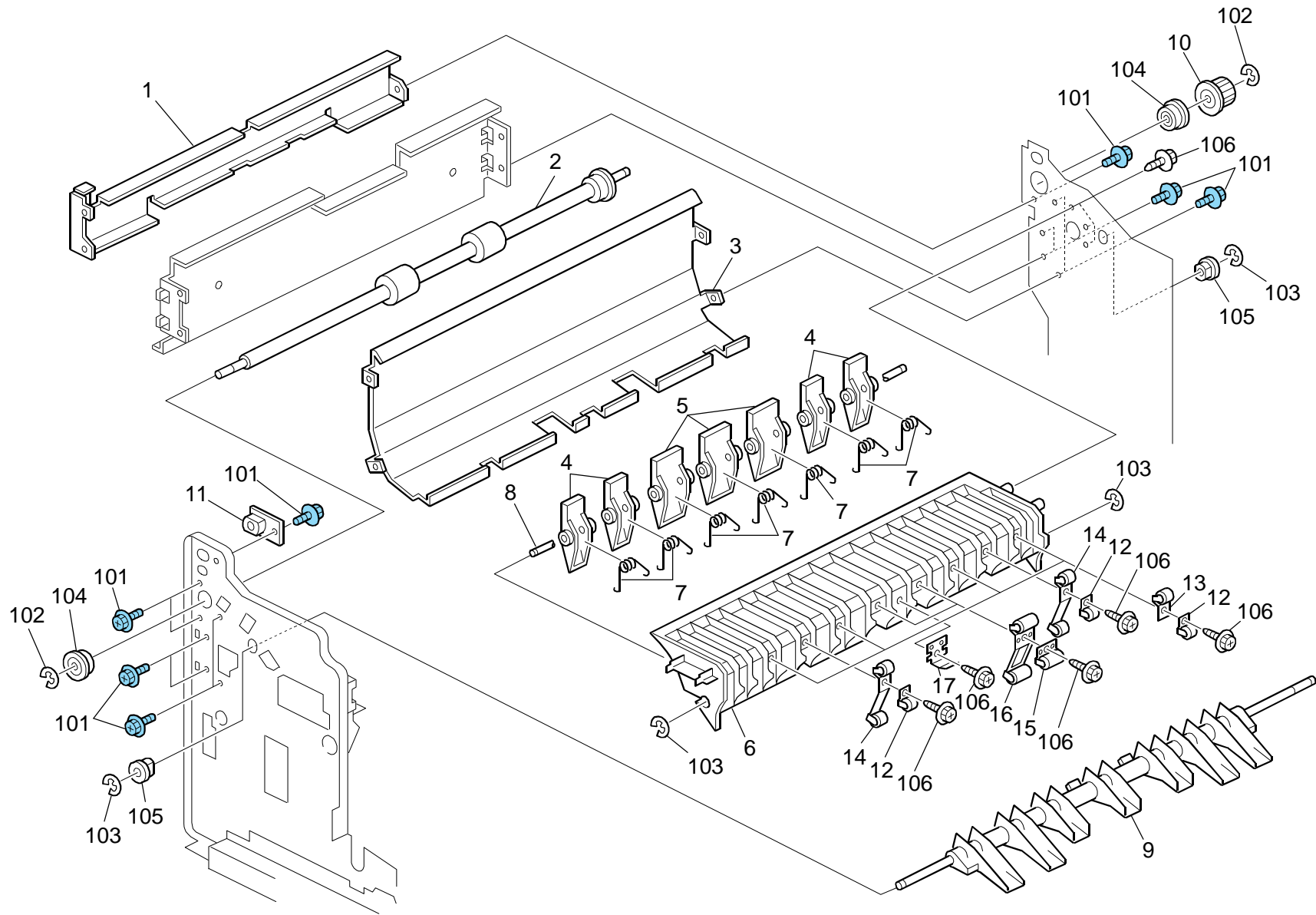


64.Paper Exit Section 6 (D095/M077)

Index No.	Part No.	Description	Q'ty Per Assembly
1	G178 4696	Bracket:DC Solenoid:Switchback	1
2	G178 4774	DC Solenoid:Link:Switchback:Ass'y	1
3	G178 4798	Spring:Switchback:Gate	1
4	G178 4791	Bracket:Left Lower:Frame	1
5	G178 4675	Guide:Reverse:Entrance:Welding	1
6	G178 7453	Arm:On-Off:Transport Roller	1
7	G178 4692	Shaft:Arm:Reverse	1
8	G178 7452	Lever:Link:Transport Roller	1
9	AA08 4059	Ball Bearing Holder	2
10	G178 4822	Spring:Pressure:0.8n:DIA0.65	2
11	M379 1627	Transport Roller:Driven	2
12	M077 4824	Guide:Switchback:Left:Ass'y	1
13	B234 4858	Driven Roller Holder	2
14	G178 6870	Tension Spring	2
15	G178 4775	DC Solenoid:Reverse Roller:Link	1
16	G178 4672	Bracket:Lever:Reverse:Peen	1
17	G178 4677	Guide:Reverse:Lower	1
18	G178 5776	Harness:Switchback:Solenoid	1
19	M077 4862	Transport Roller:Driven:Duplex:DIA18x2	1

Index No.	Part No.	Description	Q'ty Per Assembly
101	0454 4008Q	Tapping Screw - M4x8	
102	0451 3006N	Tapping Screw - 3x6	
103	0353 0040N	Screw - M3x4	
104	0720 0040E	Retaining Ring - M4	
105	0805 3384	Bushing - 5mm	
106	0720 0060E	Retaining Ring - M6	
107	0720 0030E	Retaining Ring - M3	

65.Paper Exit Section 7 (D095/M077)

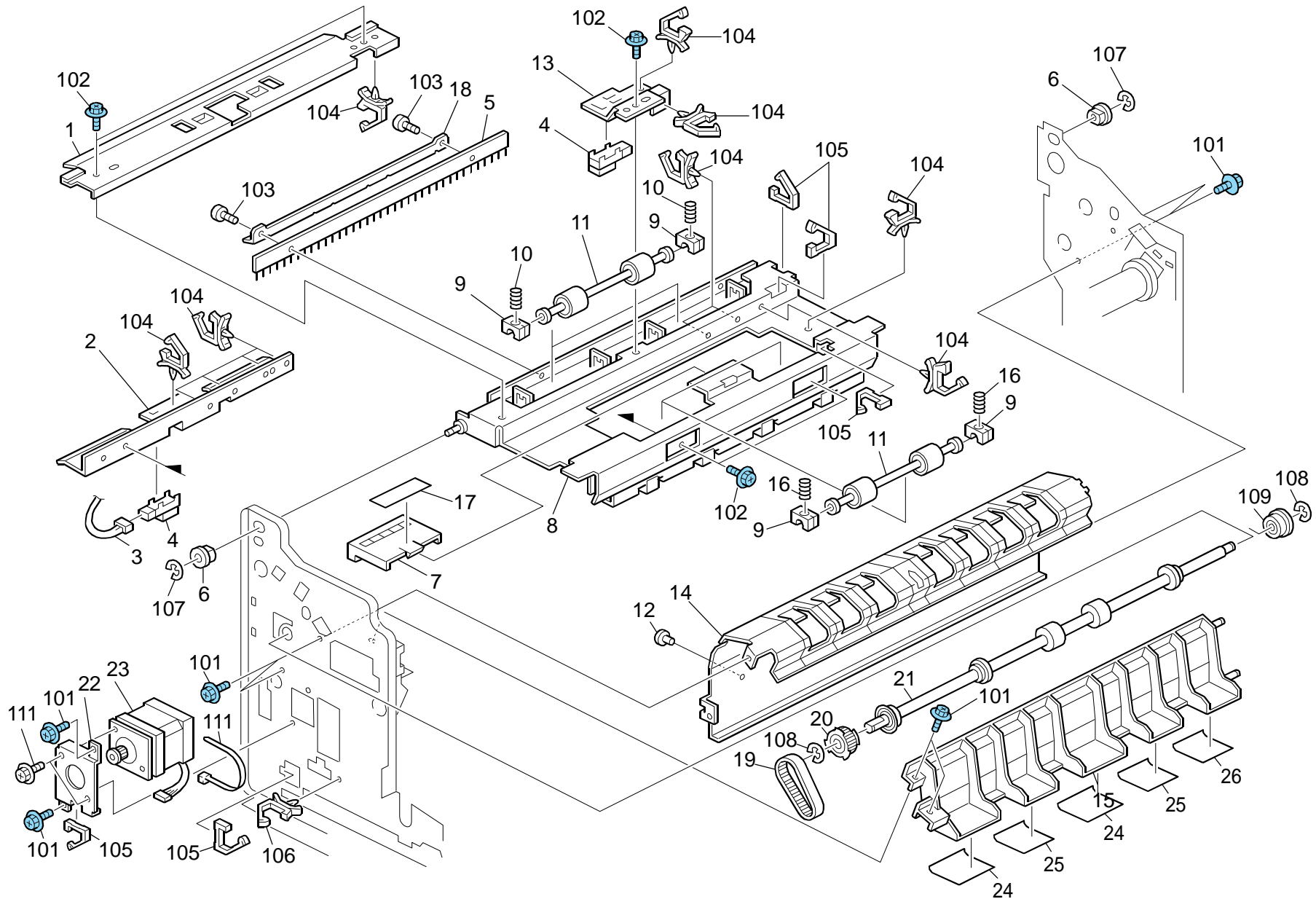


65.Paper Exit Section 7 (D095/M077)

Index No.	Part No.	Description	Q'ty Per Assembly
1	G178 4657	Bracket:Stopper:Frame:Upper	1
2	M077 4946	Exit Roller	1
3	G178 4648	Guide:Exit:Lower	1
4	G178 4713	Gate:W15:Reverse:Upper	4
5	G178 4712	Gate:W19:Reverse:Upper	3
6	G178 4641	Guide:Middle:Reverse:Entrance	1
7	G178 4734	Spring:Reverse:Gate	7
8	G178 4710	Shaft:Gate:Reverse:Upper	1
9	G178 4846	Gate Pawl:Reverse:Paper Exit Unit	1
10	AB03 0081	Pulley - 20Z	1
11	G178 7743	Boss:Positioning Pin:Transport Unit:No.1	1
12	M077 4669	Roller:Gate:W9:Middle	6
13	M077 4671	Roller:Gate:W9:Upper	4
14	M077 4678	Roller:Gate:W9:Peen	2
15	M077 4670	Roller:Gate:W20:Middle	2
16	M077 4679	Roller:Gate:W20:Peen	2
17	M077 4735	Stopper:Exit:Gate	1

Index No.	Part No.	Description	Q'ty Per Assembly
101	0454 4008Q	Tapping Screw - M4x8	
102	0720 0060E	Retaining Ring - M6	
103	0720 0040E	Retaining Ring - M4	
104	0741 3808	Ball Bearing - 8x16x5mm	
105	0805 3384	Bushing - 5mm	
106	0450 4010N	Tapping Screw:M4x10	

66.Paper Exit Section 8 (D095/M077)

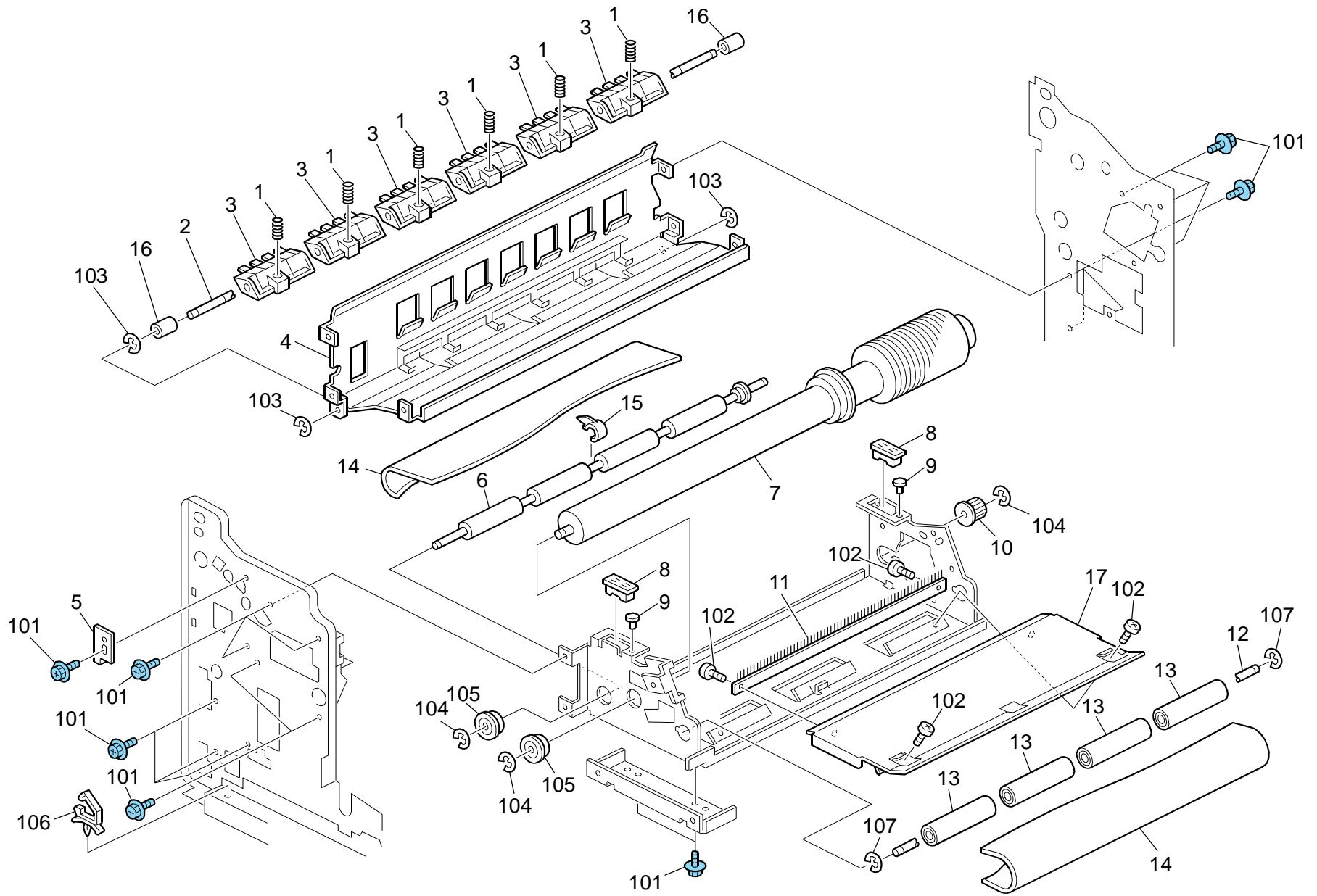


66.Paper Exit Section 8 (D095/M077)

Index No.	Part No.	Description	Q'ty Per Assembly
1	G178 4658	Cover:Upper:Frame	1
2	M077 4619	Bracket:Reverse:Entrance:Sensor	1
3	G178 5728	Harness:Reverse:Sensor	1
4	AW01 0107	Paper Feed Sensor	2
5	G178 4835	Discharge Brush:Exit	1
6	AA08 2104	Bushing - 8x12x7	2
7	B234 6424	Release Grip	1
8	M077 4618	Guide:Exit:Upper	1
9	AA08 4059	Ball Bearing Holder	6
10	AA06 3675	Spring - 5N	6
11	M379 1627	Transport Roller:Driven	2
12	G178 4852	Rubber Foot:7086082	1
13	M077 4662	Bracket:Exit:Sensor	1
14	M077 4613	Guide:Reverse:Entrance:Right	1
15	G178 4755	Guide:Cooling:Entrance	1
16	AA06 3680	Pressure Spring - 5x10.5	1
17	G178 5078	Decal:Grip:Open And Close:D2	1
18	G178 4656	Guide Plate:Paper Exit Unit:Exit	1
19	AA04 2552	Timing Belt - B60S2M176	1
20	AB03 0810	Timing Pulley - 28T	1
21	M077 4611	Drive Roller:Reverse:Entrance	1
22	M077 4605	Bracket:Motor:Reverse:Connecting	1
23	B132 6655	Stepper Motor:Paper Feed Unit:Ass'y	1
24	M077 4695	Sheet:Guide:Exit:No.3	2
25	M077 4694	Sheet:Guide:Exit:No.2	2
26	M077 4693	Sheet:Guide:Exit:No.1	1

Index No.	Part No.	Description	Q'ty Per Assembly
101	0454 4008Q	Tapping Screw - M4x8	
102	0454 3006Q	Tapping Screw - M3x6	
103	0354 0060N	Screw-M4x6	
104	1105 0511	Harness Clamp - LWS-0306ZC	
105	1105 0522	Edge Saddle - LES0510	
106	1105 0487	Harness Clamp	
107	0720 0040E	Retaining Ring - M4	
108	0720 0060E	Retaining Ring - M6	
109	0741 3808	Ball Bearing - 8x16x5mm	
110	0451 3006N	Tapping Screw - 3x6	

67.Paper Exit Section 9 (D095/M077)

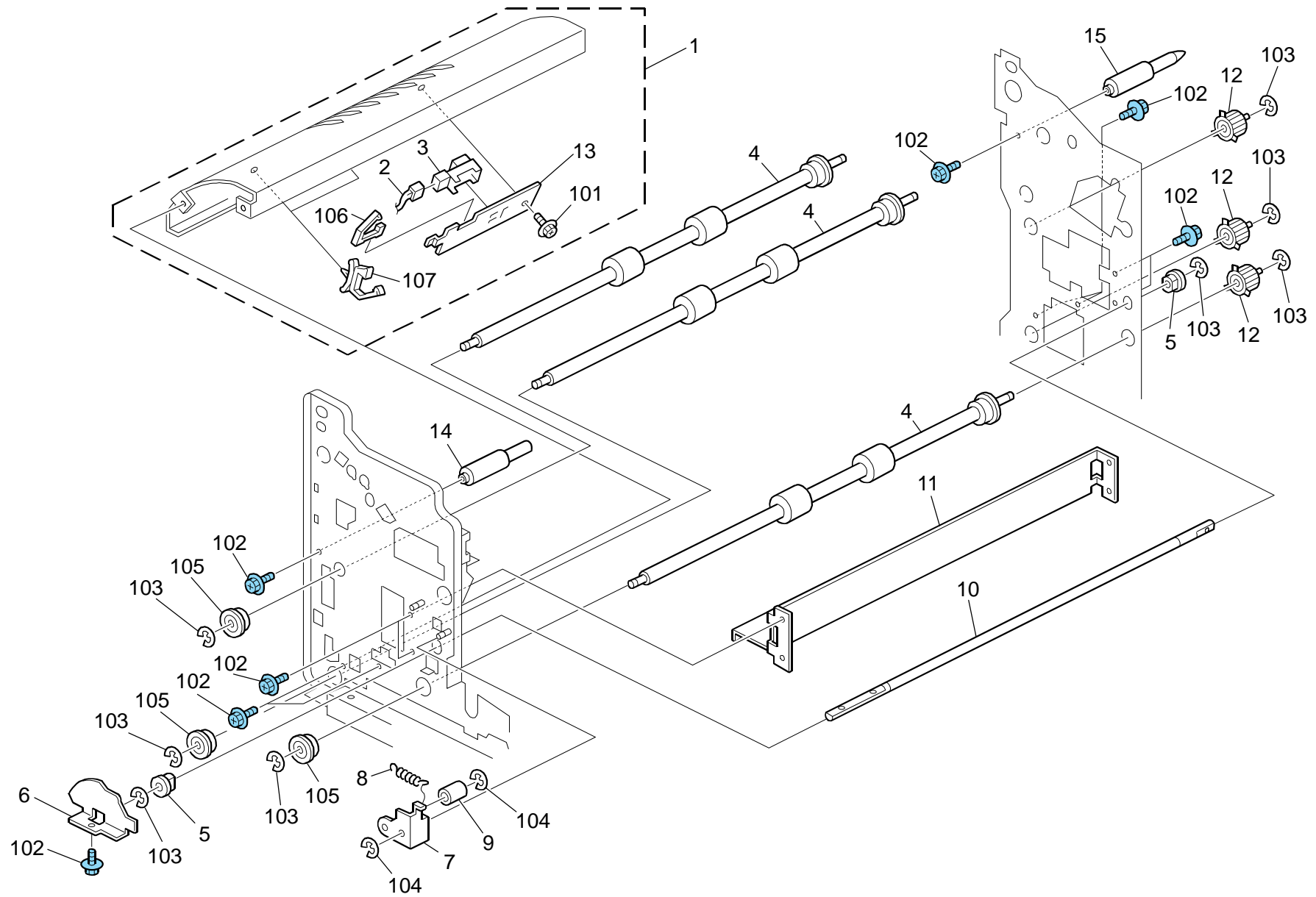


67.Paper Exit Section 9 (D095/M077)

Index No.	Part No.	Description	Q'ty Per Assembly
1	G178 4849	Compression Spring:472192	6
2	G178 4918	Shaft:Gate:Switchback:Lower	1
3	G178 4853	Gate Pawl:N217910	6
4	G178 4727	Guide:Switchback:Upper:Peen	1
5	G178 4880	Bracket:Middle:Guide	1
6	M077 4641	Transport Roller:Cooling Unit:Exit	1
7	G178 4814	Transport Roller:Heat Pipe:DIA30.4	1
8	AG07 0515	Magnet Catch:13N	2
9	G178 4852	Rubber Foot:7086082	2
10	AB03 0081	Pulley - 20Z	1
11	B234 4460	Discharge Brush - L=341 SUS	1
12	M077 4609	Shaft:Cooling:Entrance	1
13	M077 4642	Transport Roller:Cooling:Entrance	4
14	M077 4821	Transport Belt:Cooling	1
15	G178 4917	Stopper:Shaft:Flat Conveyer Belt	1
16	H110 3157	Roller:Belt Tensioner	2
17	M077 4645	Holder:Exit:Discharge	1

Index No.	Part No.	Description	Q'ty Per Assembly
101	0454 4008Q	Tapping Screw - M4x8	
102	0354 0060N	Screw-M4x6	
103	0720 0040E	Retaining Ring - M4	
104	0720 0060E	Retaining Ring - M6	
105	0741 3808	Ball Bearing - 8x16x5mm	
106	1105 0511	Harness Clamp - LWS-0306ZC	
107	0720 0080E	Retaining Ring - M8	

68.Paper Exit Section 10 (D095/M077)

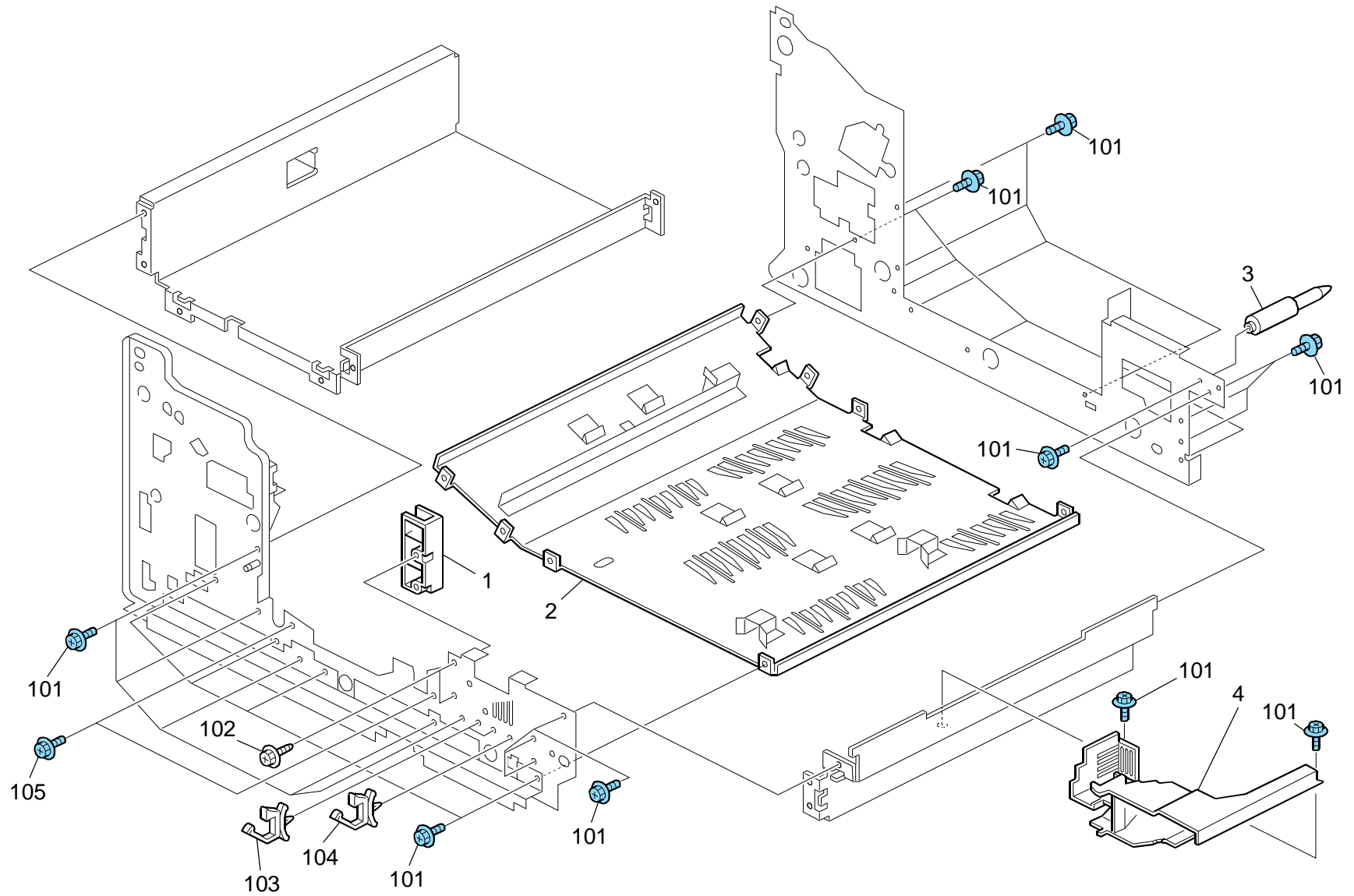


68.Paper Exit Section 10 (D095/M077)

Index No.	Part No.	Description	Q'ty Per Assembly
1	G178 4698	Guide Plate:Duplex:Entrance:Ass'y	1
2	G178 5778	Harness:Switchback:Sensor	1
3	AW01 0107	Paper Feed Sensor	1
4	G178 4944	Transport Roller:Reverse:Press Fit	3
5	AA08 2104	Bushing - 8x12x7	2
6	G178 4801	Cam:Latch:Handle	1
7	G178 4802	Lever:Latch:Handle	1
8	G178 7651	Tension Spring:Registration	1
9	AA13 2300	Roller:Lock:Pull Out	1
10	G178 4623	Shaft:Lock:Lever	1
11	G178 4725	Bracket:Auxiliary:Base:Exit	1
12	AB03 0802	Timing Pulley - 24T	3
13	G178 4826	Bracket:Switchback:Sensor	1
14	G178 4787	Pin:Left Lower:Lock	1
15	G178 4758	Stud:Positioning:Rear	1

Index No.	Part No.	Description	Q'ty Per Assembly
101	0451 3006N	Tapping Screw - 3x6	
102	0454 4008Q	Tapping Screw - M4x8	
103	0720 0060E	Retaining Ring - M6	
104	0720 0040E	Retaining Ring - M4	
105	0741 3808	Ball Bearing - 8x16x5mm	
106	1105 0522	Edge Saddle - LES0510	
107	1105 0511	Harness Clamp - LWS-0306ZC	

69.Paper Exit Section 11 (D095/M077)

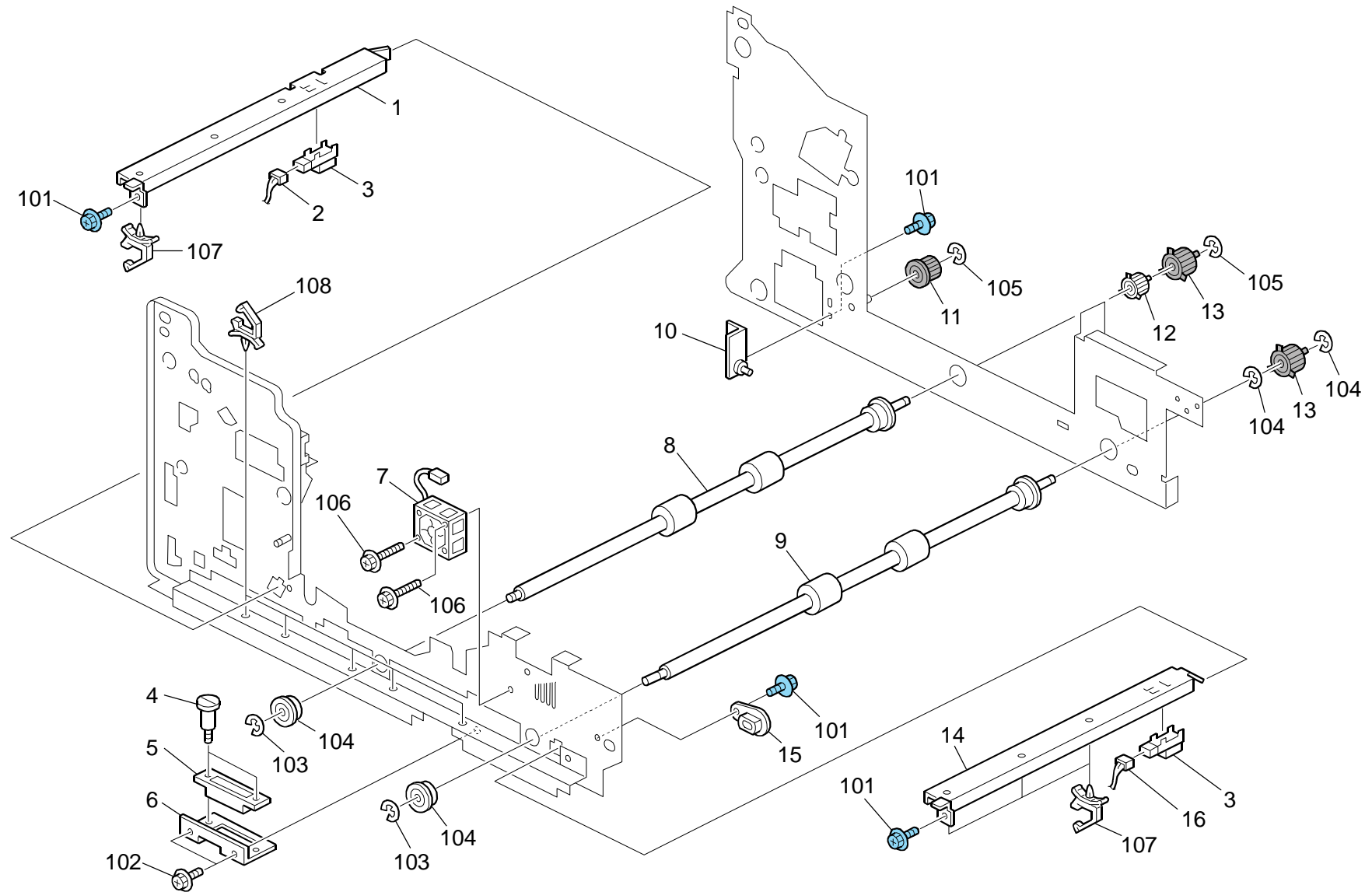


69.Paper Exit Section 11 (D095/M077)

Index No.	Part No.	Description	Q'ty Per Assembly
1	G178 4878	Rail:Fusing Unit:Insert	1
2	G178 4644	Guide Plate:Duplex:Open/Close:Upper	1
3	G178 4758	Stud:Positioning:Rear	1
4	M077 4634	Duct:Reverse:Cooling	1

Index No.	Part No.	Description	Q'ty Per Assembly
101	0454 4008Q	Tapping Screw - M4x8	
102	0450 4010N	Tapping Screw:M4x10	
103	1105 0487	Harness Clamp	
104	1105 0511	Harness Clamp - LWS-0306ZC	
105	0454 3006Q	Tapping Screw - M3x6	

70.Paper Exit Section 12 (D095/M077)

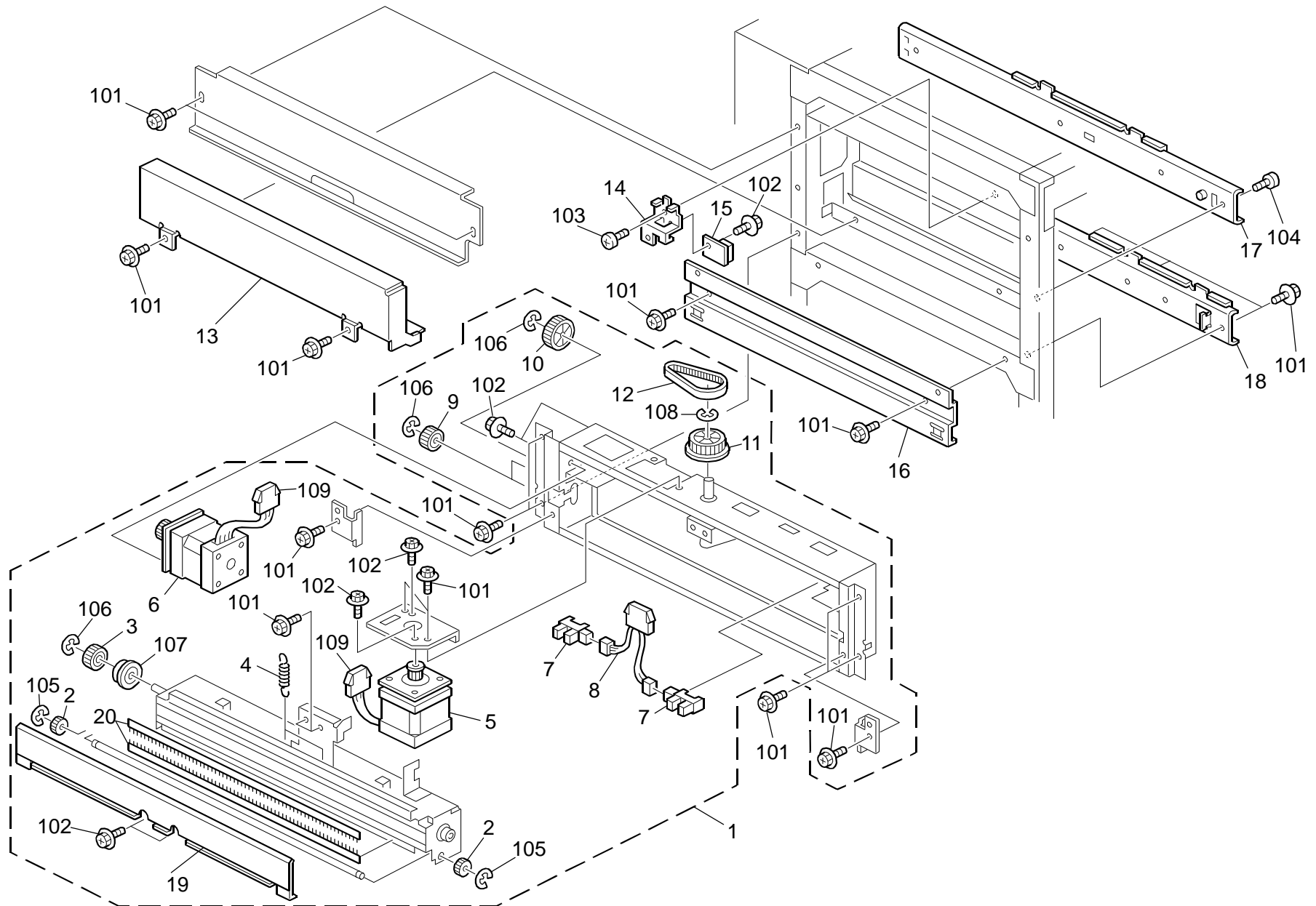


70.Paper Exit Section 12 (D095/M077)

Index No.	Part No.	Description	Q'ty Per Assembly
1	G178 4736	Bracket:Sensor:Duplex:No.1	1
2	G178 5779	Harness:Transport:Reverse:Sensor	2
3	AW01 0107	Paper Feed Sensor	2
4	G178 4916	Screw:Round Point	2
5	AA02 1034	Magnetic	1
6	G178 4669	Bracket:Magnet Catch:Duplex	1
7	AX64 0150	Fan Motor:MM60:25mm:DC24V 4.8W	1
8	M077 4604	Transport Roller:Duplex	1
9	M077 4603	Transport Roller:Duplex:Knob	1
10	G178 4868	Bracket:Contact Point:Duplex	1
11	G178 4842	Pulley:Exit:T26	1
12	AB03 0802	Timing Pulley - 24T	1
13	G178 4912	Pulley:S2M:30T	2
14	G178 4737	Bracket:Sensor:Duplex:No.2	1
15	G178 7744	Boss:Positioning Pin:Transport Unit:No.2	1
16	M077 5524	Harness:Transport:Reverse:Sensor	1

Index No.	Part No.	Description	Q'ty Per Assembly
101	0454 4008Q	Tapping Screw - M4x8	
102	0451 4008N	Tapping Screw:4x8	
103	0720 0060E	Retaining Ring - M6	
104	7413 808	Ball Bearing - 8x16x5mm	
105	0720 0040E	Retaining Ring - M4	
106	0451 4030N	Tapping Screw:M4x30	
107	1105 0511	Harness Clamp - LWS-0306ZC	
108	1105 0487	Harness Clamp	

71.Paper Exit Section 13 (D095/M077)

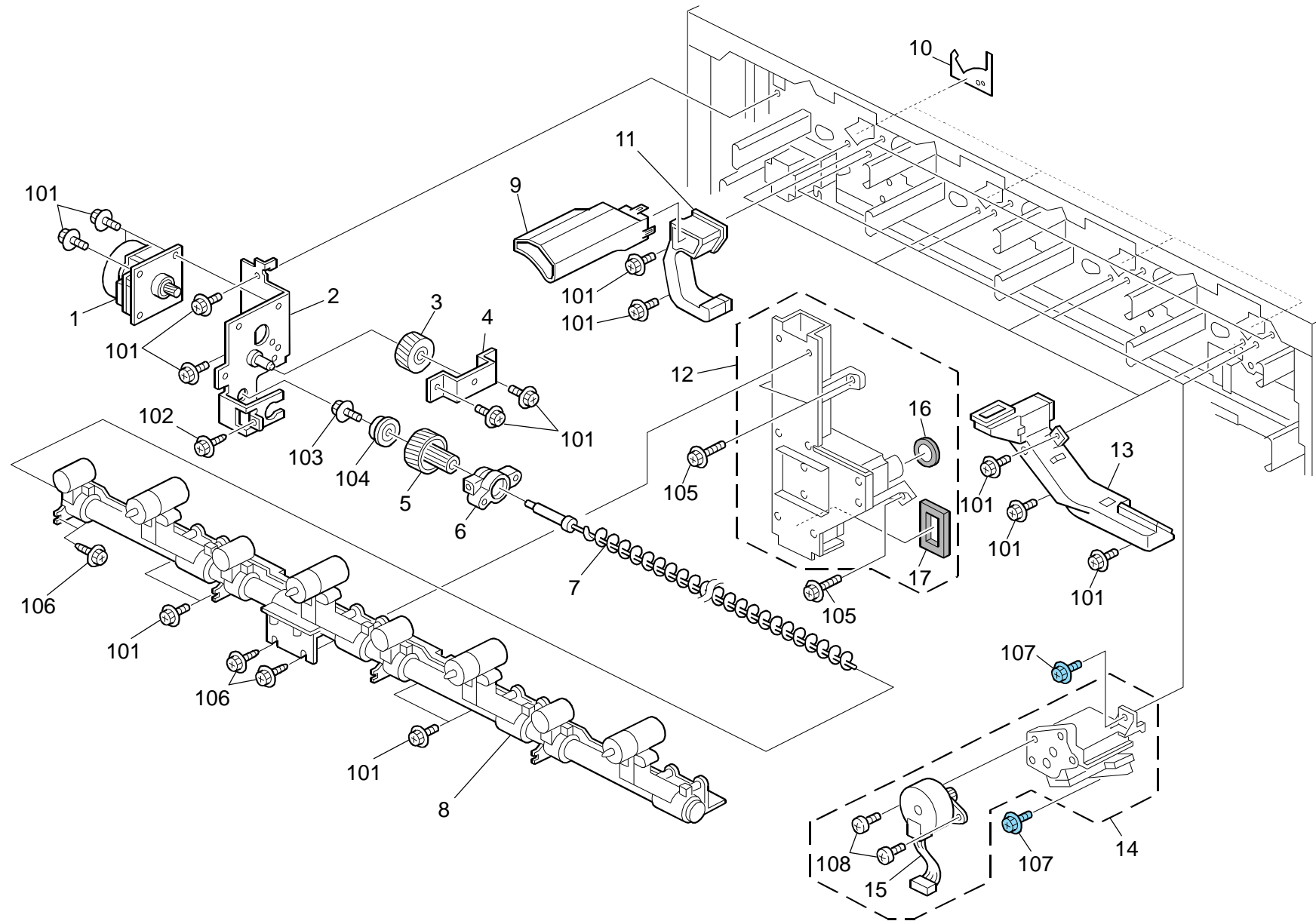


71.Paper Exit Section 13 (D095/M077)

Index No.	Part No.	Description	Q'ty Per Assembly
1	G178 5191	Decura Unit:Ass'y	1
2	G178 5030	Gear:Z14/M0.8	2
3	G178 5029	Gear:Decura:Z20/M1	1
4	G178 5068	Coil Spring:Decura:Plate	2
5	B132 6655	Stepper Motor:Paper Feed Unit:Ass'y	1
6	G178 5019	DC Stepper Motor:5.75W	1
7	AW02 0145	Photointerruptor:Flat	2
8	G178 5879	Harness:Decura:Positioning Sensor	1
9	G178 5012	Gear:Z22/M1	2
10	G178 5013	Gear:Z33/M1	1
11	G178 5017	Pulley:S2M-Z60	1
12	G178 5023	Timing Belt:S2M190	1
13	G178 7172	Duct:1st Transfer:Left	1
14	G178 5474	Bracket:Temp & Humidity Sensor	1
15	AW14 0015	Temperature & Humidity Sensor	1
16	G178 5067	Finishing Section:Stay	1
17	G178 6506	Slide Rail:Intermediate Transfer	1
18	G178 4746	Slide Rail:Exit	1
19	G178 5089	Cover:Decura:Ass'y	1
20	B301 1216	Discharge Brush	2

Index No.	Part No.	Description	Q'ty Per Assembly
101	0451 4008N	Tapping Screw:4x8	
102	0451 3006N	Tapping Screw - 3x6	
103	0354 0050N	Screw - M4x5	
104	0354 0060N	Screw-M4x6	
105	0720 0030E	Retaining Ring - M3	
106	0720 0040E	Retaining Ring - M4	
107	0741 3506	Ball Bearing - 6x12x4 mm	
108	0720 0050E	Retaining Ring - M5	
109	1102 6249	Relay Connector - 6P	

72.Used Toner Section 1 (D095/M077)

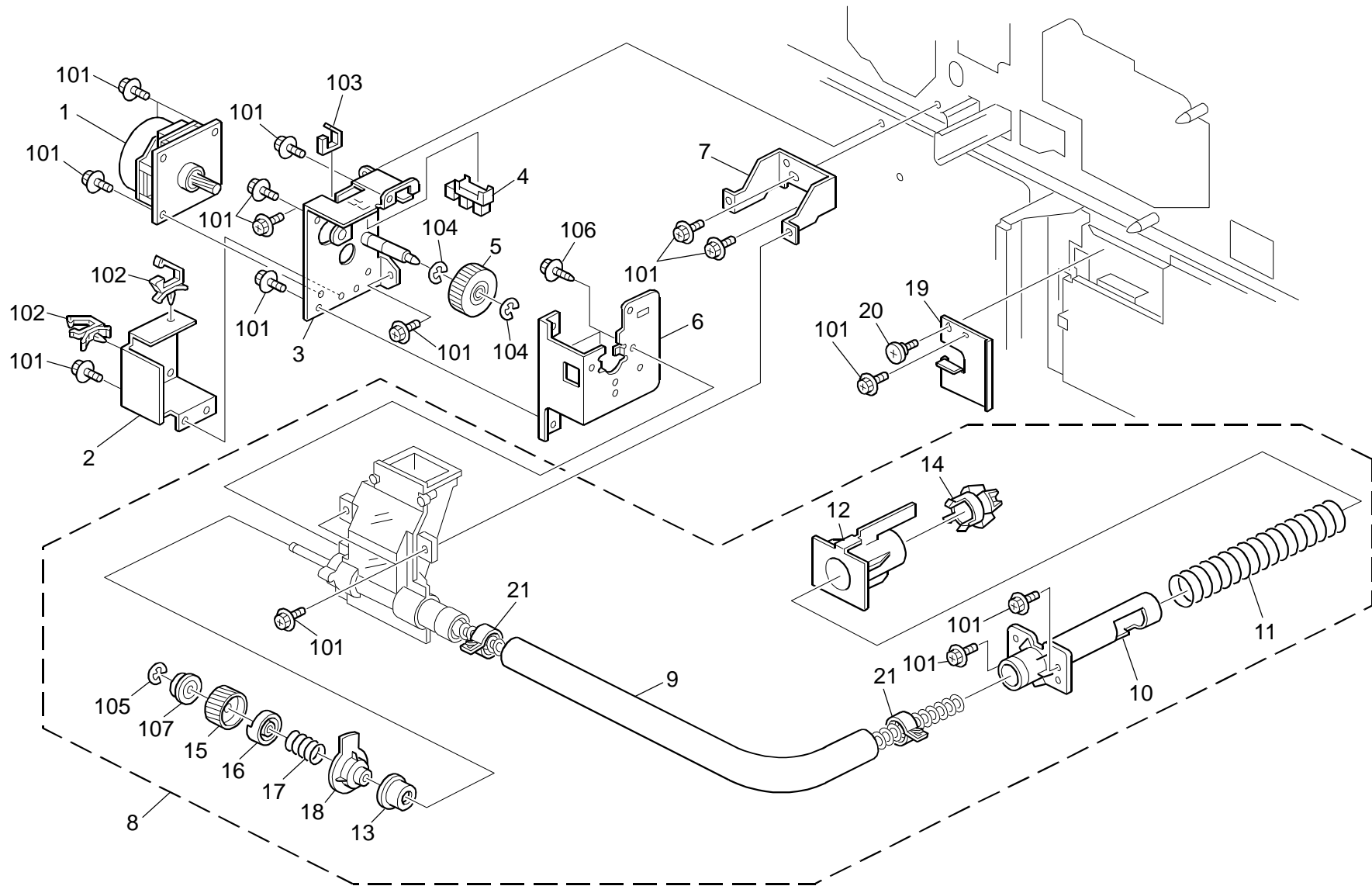


72.Used Toner Section 1 (D095/M077)

Index No.	Part No.	Description	Q'ty Per Assembly
1	AX06 0281	DC Motor:MM56:15W	1
2	G178 7027	Holder:Motor:Upper:Toner Collection	1
3	G178 7817	Gear:Idler:Toner Recycling:Upper:Ass'y	1
4	G178 6997	Holder:Gear:Upper:Toner Collection	1
5	G178 6955	Gear:Drive:Auger	1
6	G178 6980	Housing: Bearing: Drive	1
7	G178 6981	Auger:Upper:Toner Collection	1
8	G178 6905	Toner Collection Unit:Upper	1
9	G178 1376	Duct:O3:Rear:Ass'y	4
10	G178 1352	Seal:O3	4
11	G178 1337	Duct:O3:Development:Charge:Ass'y	4
12	G178 6907	Toner Recycling Unit:V Transport:Up	1
13	G178 1331	Duct:Development:Charge:Ass'y	4
14	G178 1392	Cleaner:Charge:Drive:Ass'y	4
15	B700 5804	Stepper Motor:DIA42:Z17:Ass'y	1
16	G178 7094	Seal:Case:Lengthwise	1
17	G178 7093	Seal:Case:Lower:Toner Collection	1

Index No.	Part No.	Description	Q'ty Per Assembly
101	0451 4008N	Tapping Screw:4x8	
102	0450 3008N	Tapping Screw - M3x8	
103	0451 3006N	Tapping Screw - 3x6	
104	0741 3506	Ball Bearing - 6x12x4 mm	
105	0451 4012N	Tapping Screw:4x12	
106	0450 4010N	Tapping Screw:M4x10	
107	0454 4008Q	Tapping Screw - M4x8	
108	0453 3006N	Tapping Screw - M3x6	

73.Used Toner Section 2 (D095/M077)

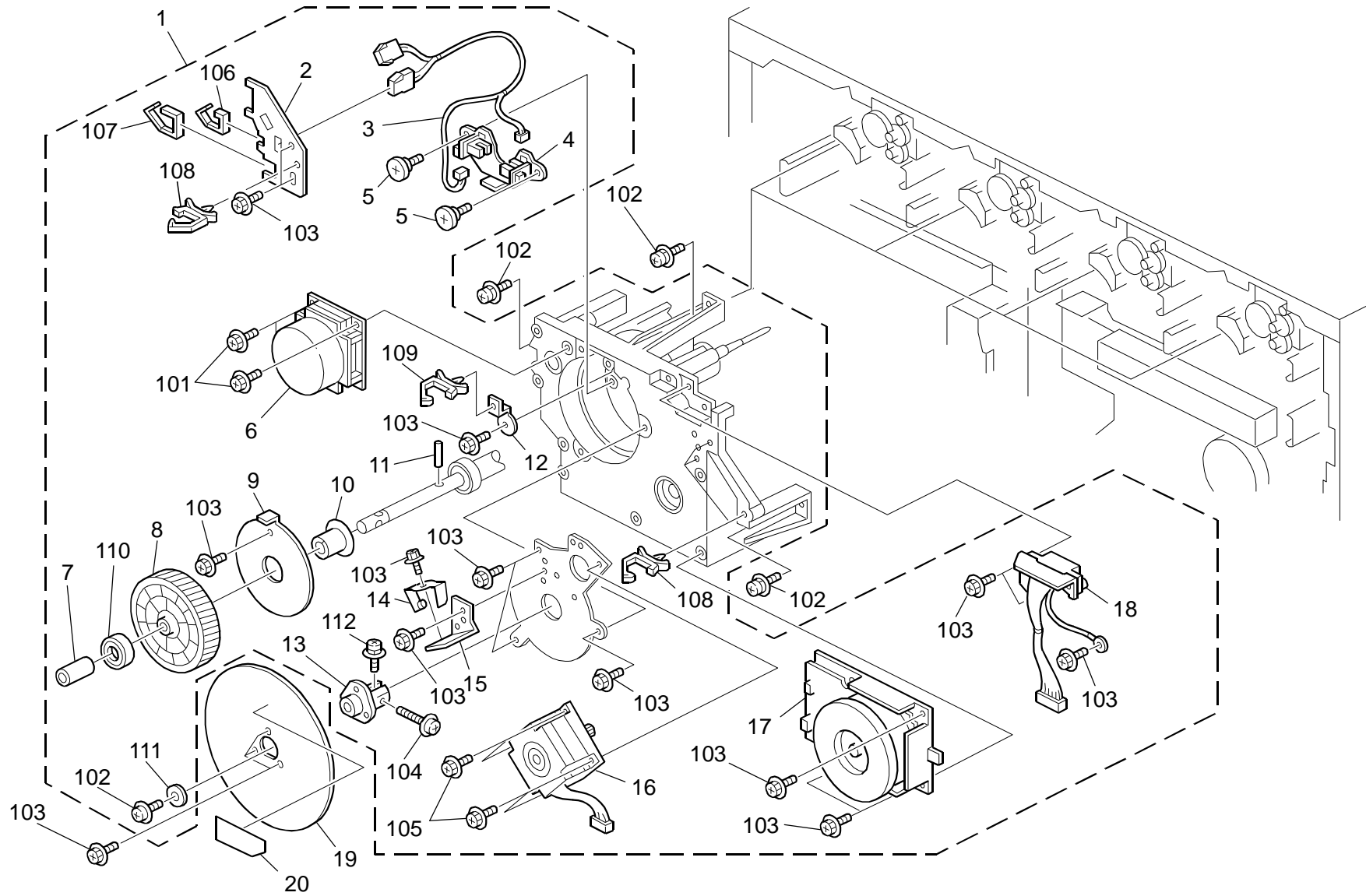


73.Used Toner Section 2 (D095/M077)

Index No.	Part No.	Description	Q'ty Per Assembly
1	AX06 0281	DC Motor:MM56:15W	1
2	G178 7048	Plate:Holder:Housing	1
3	G178 6974	Holder:Motor:Lower	1
4	AW02 0145	Photointerruptor:Flat	1
5	G178 7817	Gear:Idler:Toner Recycling:Upper:Ass'y	1
6	G178 6977	Holder:Bearing:No.1:Toner Collection	1
7	G178 7086	Stay:Lengthwise:Lower	1
8	G178 6911	Toner Recycling Unit:Ver. Transport:Lower	1
9	G178 6965	Tube:Toner Recycling	1
10	G178 7056	Pipe:No.1:Horizontal Transport	1
11	G178 7070	Spring:Shutter:Toner Collection	1
12	G178 7018	Shutter:Toner Collection	1
13	G178 6999	Holder:Bearing:Toner Collection	1
14	G178 7077	Cap:Pipe:Bottle:Toner Collection	1
15	G178 7021	Gear:Drive:Toner Collection:Upper	1
16	G178 6990	Torque Limiter	1
17	G178 7829	Compression Spring:Toner Recycling	1
18	G178 7082	Plate:Sensor:Toner Collection	1
19	G178 7092	Cover:Toner Collection	1
20	AA14 3545	Screw:M4	1
21	G178 7816	Stopper:Pipe:Toner Recycling	2

Index No.	Part No.	Description	Q'ty Per Assembly
101	0451 4008N	Tapping Screw:4x8	
102	1105 0511	Harness Clamp - LWS-0306ZC	
103	1105 0551	Clamp:LES-0505	
104	0720 0080E	Retaining Ring - M8	
105	0720 0040E	Retaining Ring - M4	
106	0450 4010N	Tapping Screw:M4x10	
107	0741 3506	Ball Bearing - 6x12x4 mm	

74. Drive Section 1 (D095/M077)

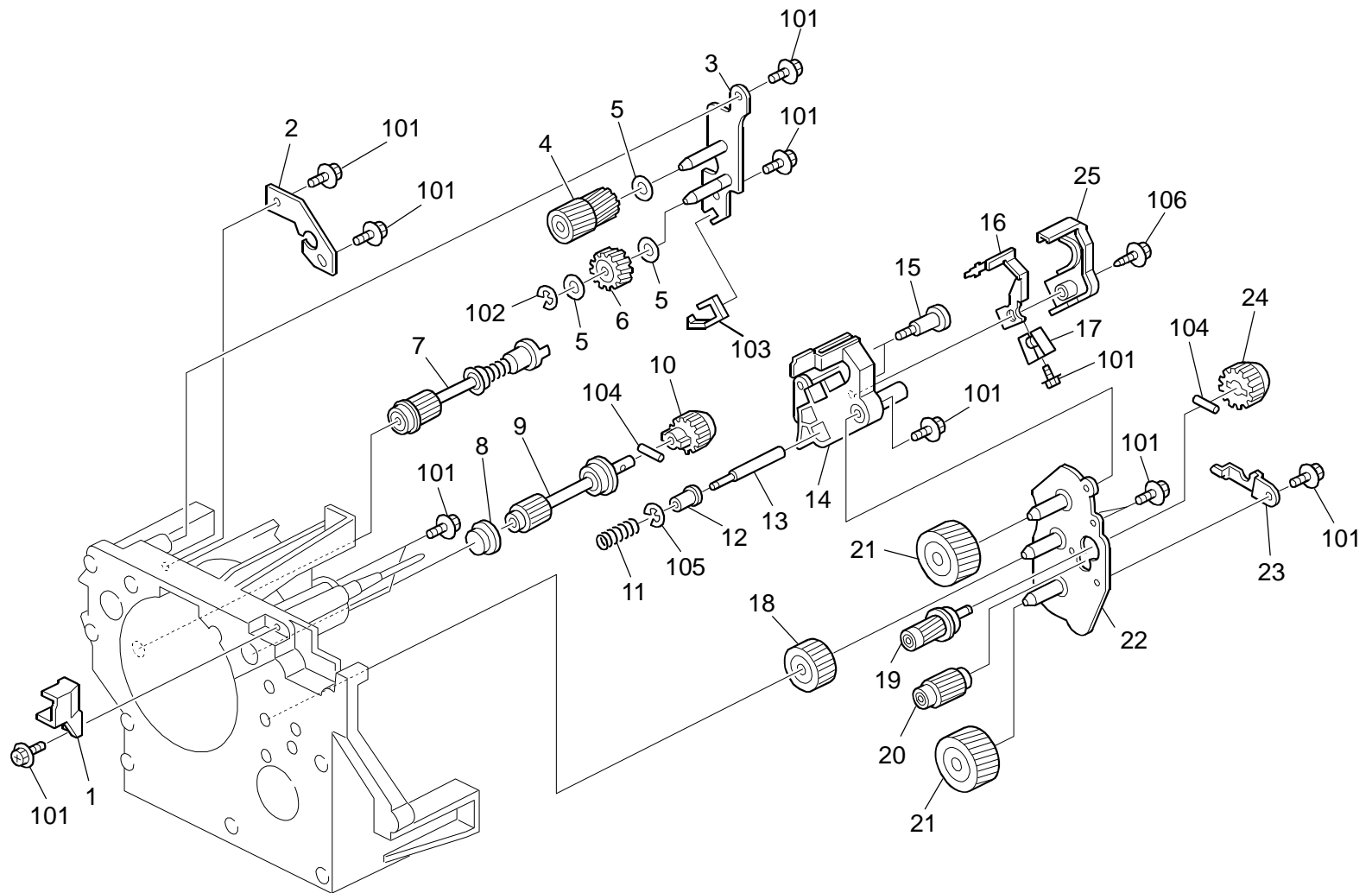


74.Drive Section 1 (D095/M077)

Index No.	Part No.	Description	Q'ty Per Assembly
1	M077 1280	Drive Unit:Around The Photoconductor:Ass'y	4
2	G178 1343	Plate:Holder:Slide Rail	1
3	G178 5596	Harness:Drum:Turn:Sensor	1
4	G178 1329	Encoder:Sensor:Drum:Ass'y	1
5	AA14 3801	Screw:M4:Exterior	2
6	M077 1270	DC Motor:MM56:15W	1
7	G178 1271	Spacer:Shaft:Drum	1
8	G178 1273	Gear:Drum Drive Sub-unit:Z168	1
9	G178 1267	Cover:Encoder:Sensor	1
10	G178 1265	Encoder:Ass'y	1
11	G178 1364	Parallel Pin:7033515:4x16	1
12	G178 1384	Holder:Bearing:Drum Shaft	1
13	B234 1118	Fly Wheel Flange	1
14	G178 1268	Antistatic Brush:Drum	1
15	G178 1269	Holder:Antistatic Brush:Drum	1
16	GX05 0009	Stepper Motor - DC 4.56W	1
17	M077 1255	DC Motor:DIA87:47W	1
18	M077 1281	Drawer:Connector:Development:Ass'y	1
19	G178 1289	Fly Wheel:Drum	4
20	G178 2204	Decal:Laser Diode:3R	4

Index No.	Part No.	Description	Q'ty Per Assembly
101	0451 3008N	Tapping Screw - M3x8	
102	0954 4008N	Screw - M4x8	
103	0451 4008N	Tapping Screw:4x8	
104	0951 4020N	Screw - M4x20	
105	0451 4010N	Tapping Screw:4x10	
106	1105 0551	Clamp:LES-0505	
107	1105 0518	Edge Saddle - LES-1010	
108	1105 0487	Harness Clamp	
109	1105 0511	Harness Clamp - LWS-0306ZC	
110	0740 3012	Ball Bearing - 12x28x8	
111	0701 0050N	Washer:DIA5	
112	0954 4010N	Screw:Polished Round/Spring:M4x10	

75.Drive Section 2 (D095/M077)

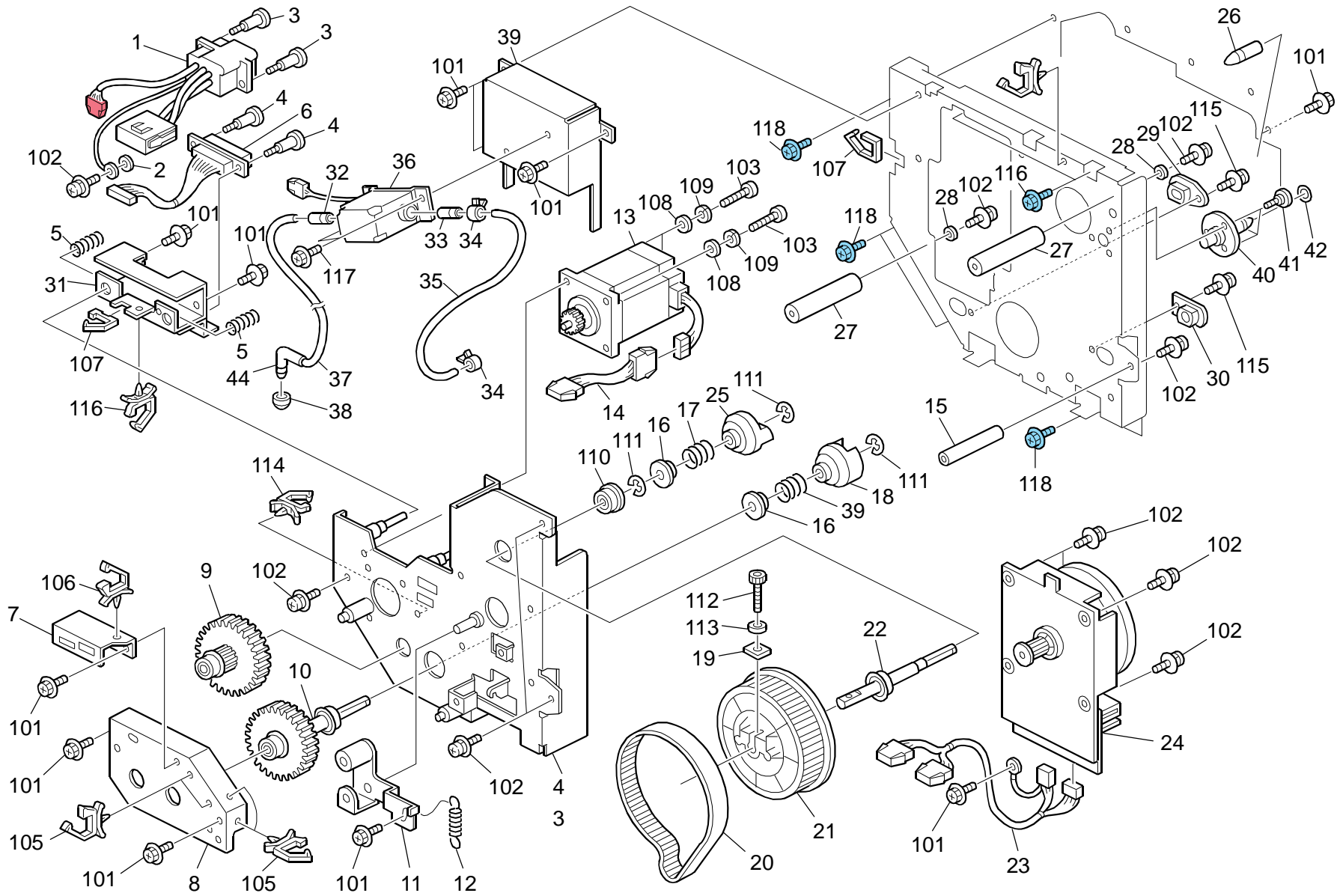


75. Drive Section 2 (D095/M077)

Index No.	Part No.	Description	Q'ty Per Assembly
1	M077 1264	Case:Terminal:Development Vias	1
2	G178 1252	Holder:Cleaner:Shaft:Drive	1
3	G178 1281	Holder:Idler:Shaft:Ass'y	1
4	G178 1327	Gear:Idler:Upper:Ass'y	1
5	G178 7664	Spacer	3
6	G178 1328	Gear:Idler:Lower:Ass'y	1
7	G178 1362	Shaft:Drive:Cleaner:Ass'y	1
8	G178 1294	Insulator:Rear:Bearing	1
9	G178 1358	Magnetic Roller:Joint:Gear:Ass'y	1
10	G178 1307	Joint:Development Roller:Drive	1
11	G178 1366	Compression Spring	1
12	G178 1303	Collar:Bias:Development Roller	1
13	G178 1304	Shaft:Terminal:Bias	1
14	M077 1265	Holder:Bias:Development Roller	1
15	AA14 3801	Screw:M4:Exterior	2
16	M077 1260	Terminal:Development Bias	1
17	G178 1280	Antistatic Brush:Roller:Development	1
18	G178 1388	Gear:Idler:Z57:Development:Ass'y	1
19	G178 1357	Joint:Transport Screw:No.2:Ass'y	1
20	G178 1314	Gear:Idler:Z31:Ass'y	1
21	G178 1389	Gear:Idler:Z66:Lower:Ass'y	2
22	G178 1317	Cover:Gear:Stand:Ass'y	1
23	G178 1346	Holder:Bearing	1
24	G178 1291	Joint:Transport Screw:No.2	1
25	M077 1266	Cover:Bias:Development Roller	1

Index No.	Part No.	Description	Q'ty Per Assembly
101	0451 4008N	Tapping Screw:4x8	
102	0720 0060E	Retaining Ring - M6	
103	1105 0551	Clamp:LES-0505	
104	0633 0140G	Parallel Pin - 3x14	
105	0720 0020E	Retaining Ring - M2	
106	0450 4008N	Tapping Screw - M4x8	

76.Drive Section 3 (D095/M077)

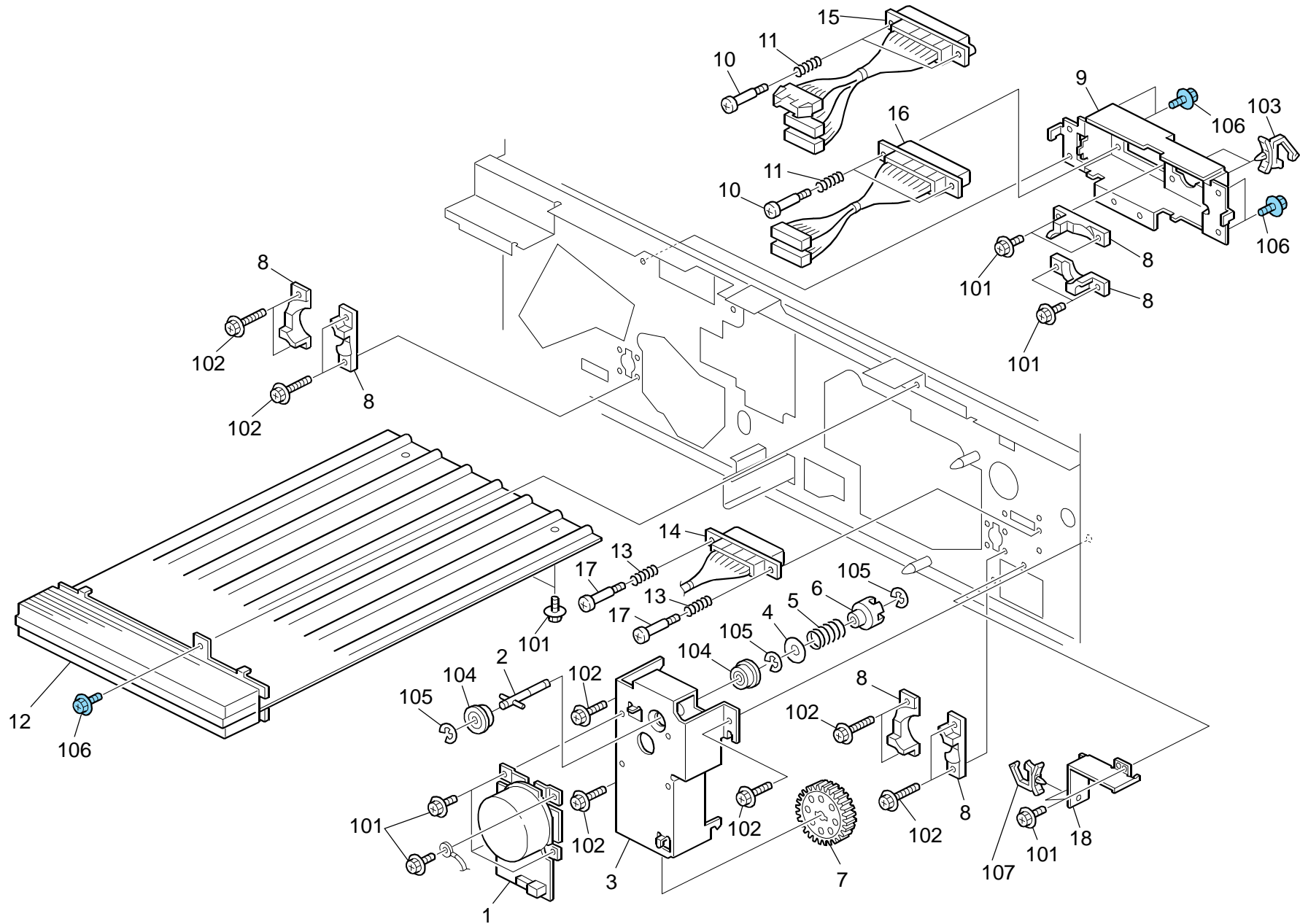


76. Drive Section 3 (D095/M077)

Index No.	Part No.	Description	Q'ty Per Assembly
1	G178 5502	Harness:Fusing:Drawer:AC:No.2	1
2	G178 1769	Washer:M4	1
3	AA14 3792	Screw:Drawer	2
4	AA14 3379	Stepped Screw	2
5	G178 1478	Compression Spring:Drawer	2
6	M077 5509	Harness:Fusing:Sensor:Connecting	1
7	G178 1441	Holder:Connector	1
8	G178 1437	Cover:Idler:Gear:O/C	1
9	G178 1457	Gear:Idler:DC Motor:O/C:Ass'y	1
10	M077 1424	Gear:Fusing Drive Sub-unit:O/C:Ass'y	1
11	G178 1470	Belt Tensioner:Ass'y	1
12	G178 1475	Tension Spring:7062126	1
13	G178 1433	Stepping Motor - DC 9.52W	1
14	G178 5871	Harness:Motor:BR-O/C	1
15	G178 1444	Shaft:Fix:O/C:Base	1
16	A079 1203	Fusing Drive Stopper	2
17	B234 1132	Spring:Joint:Fusing	2
18	G178 1493	Joint:O/C:Main	1
19	G178 1440	Washer:Pulley:Shaft:Fusing Drive	1
20	G178 1472	Timing Belt:S3M:402	1
21	G178 1447	Pulley:DC Motor:Fusing Drive	1
22	M077 1423	Shaft:Drive:Fusing Drive Sub-unit:Ass'y	1
23	G178 5815	Harness:Hr:Motor	1
24	M077 1430	Brushless Motor:DC:60W	1
25	A079 1201	Fusing Drive Joint	1
26	M077 1400	Shaft:Positioning:Fusing Drive Sub-unit:Base	2
27	G178 1490	Shaft:Fix:O/C:Base:2	2
28	G178 7670	Washer:455554	2
29	G178 7744	Boss:Positioning Pin:Transport Unit:No.2	1
30	G178 7743	Boss:Positioning Pin:Transport Unit:No.1	1
31	M077 1404	Holder:Drawer:Welding	1
32	M077 1427	Joint:Tube:ltype:APIG10-8	1
33	M077 1416	Joint:Electromagnet Valve: Fusing Drive Sub-unit	1
34	G178 7895	Clip:HOSE:DIA10	1

Index No.	Part No.	Description	Q'ty Per Assembly
35	M077 1415	Hose:Fusing Drive Sub-unit	1
36	M077 1426	Electromagnet Valve: Fusing Drive Sub-unit:Ass'y	1
37	M390 1135	Tube:DIA10:Connection	1
38	M077 1418	Joint:Tube:Fix:PpF8	1
39	M077 1411	Coil Spring:Joint:Fusing	1
40	M077 1414	Joint:Hose:Fusing Drive Sub-unit	1
41	AA14 3870	Stepped Screw	3
42	M077 4281	O-Ring:DIA7.8	1
43	M077 1406	Holder:DC Motor	1
44	M390 1143	Joint:Tube:Ltype:Pv10	1
101	0451 4008N	Tapping Screw:4x8	
102	0954 4008N	Screw - M4x8	
103	0314 0120N	Screw - M4x12	
104	1105 0551	Clamp:LES-0505	
105	1105 0511	Harness Clamp - LWS-0306ZC	
106	1105 0508	Harness Clamp - LWS-0711	
107	1105 0518	Edge Saddle - LES-1010	
108	0708 0040N	Washer - DIA4	
109	0703 0040N	Spring Washer:DIA4	
110	0741 3810	Ball Bearing:10x19x7mm	
111	0720 0080E	Retaining Ring - M8	
112	0595 0140E	Hexagon Bolt - M5x14	
113	0703 0050N	Spring Washer:Dia5	
114	1105 0516	Clamp	
115	0954 4012N	Screw:Polished Round/Spring:M4x12	
116	1105 0487	Harness Clamp	
117	0451 3006N	Tapping Screw - 3x6	
118	0454 4008Q	Tapping Screw - M4x8	

77.Drive Section 4 (D095/M077)

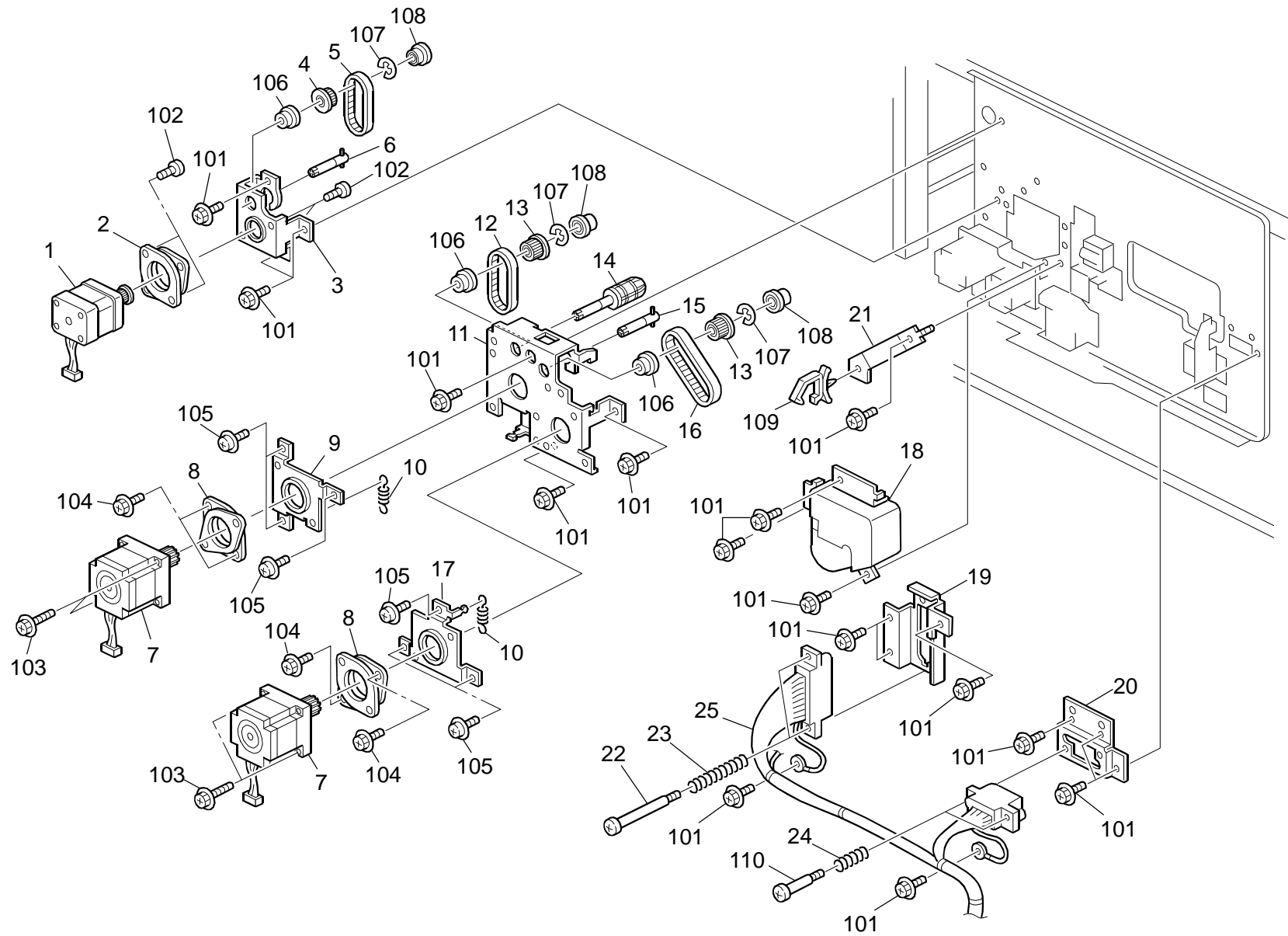


77. Drive Section 4 (D095/M077)

Index No.	Part No.	Description	Q'ty Per Assembly
1	B234 4325	Brushless Motor DC24V 20W	1
2	M077 4682	Shaft:Drive:Coupling:Press Fit	1
3	G178 4744	Bracket:Motor:Exit	1
4	B234 4320	Holder:Compression Spring:Joint	1
5	M077 4685	Compression Spring:Joint:10N	1
6	D059 4398	Joint:Paper Exit Unit:Drive	1
7	B234 4428	Gear - 66Z	1
8	G178 1122	Guide:Lock:Transport Unit	6
9	G178 6332	Holder:Drawer:Main	1
10	AA14 3797	Connector Guide Pin	4
11	G178 4061	Compression Spring:Drawer:1st Transfer	4
12	G178 7151	Heat Pipe:Ass'y	1
13	G178 4866	Compression Spring:Exit:Connector	2
14	M077 5508	Harness:lob2:Sensor:(1)	1
15	G178 5710	Harness:1st Transfer:Drawer:A	1
16	G178 5837	Harness:1st Transfer:Drawer:B:I/F	1
17	G178 7515	Connector Guide Pin:Connector	2
18	M077 7274	Guide:Harness:Main:Left Rear	1

Index No.	Part No.	Description	Q'ty Per Assembly
101	0451 4008N	Tapping Screw:4x8	
102	0451 4012N	Tapping Screw:4x12	
103	1105 0489	Harness Clamp - LWS 1316	
104	0741 3808	Ball Bearing - 8x16x5mm	
105	0720 0060E	Retaining Ring - M6	
106	0454 4008Q	Tapping Screw - M4x8	
107	1105 0487	Harness Clamp	

78. Drive Section 5 (D095/M077)

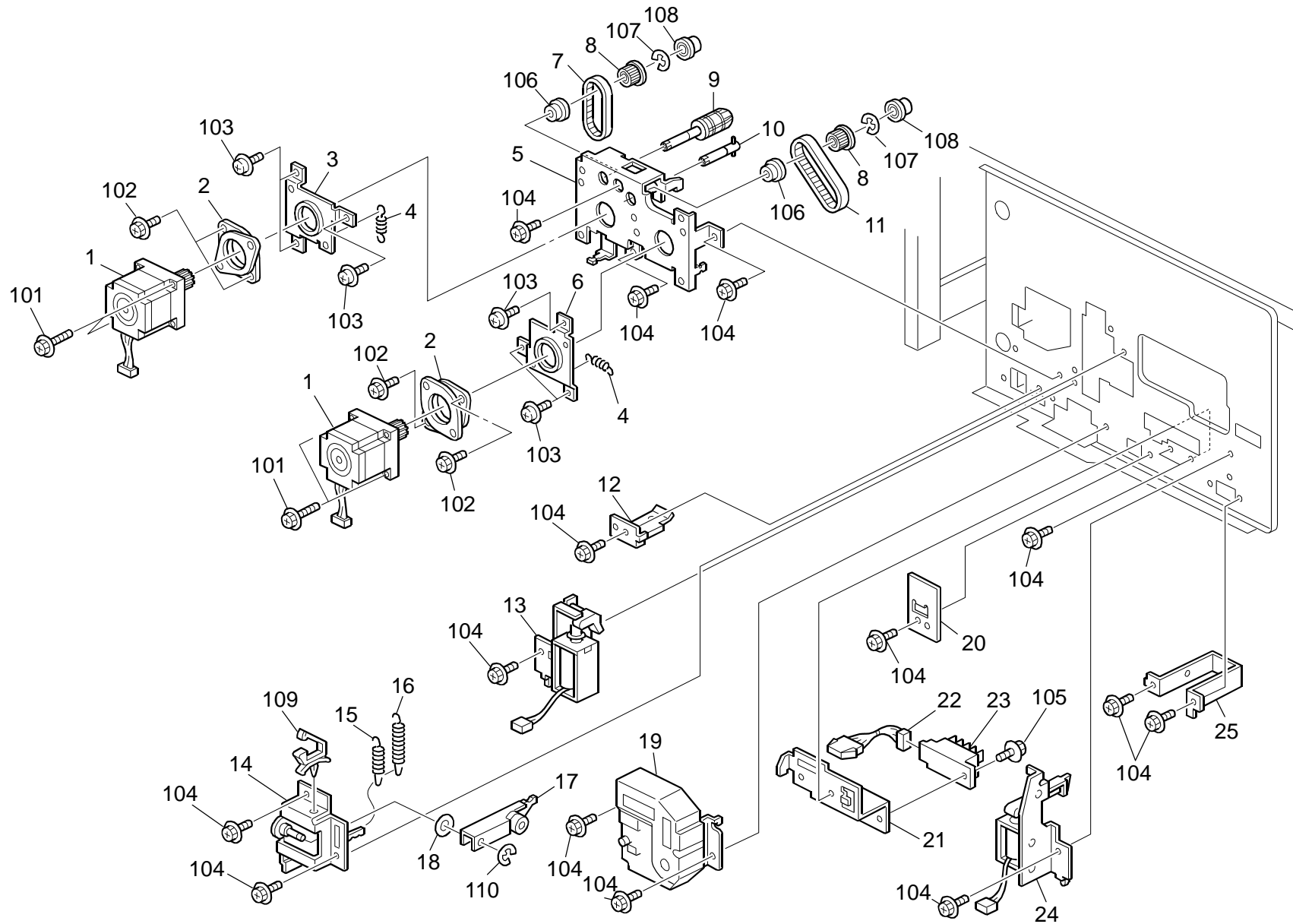


78. Drive Section 5 (D095/M077)

Index No.	Part No.	Description	Q'ty Per Assembly
1	AX04 0158	Stepper Motor DC2.64V 6.3W	1
2	A232 4666	Cushion - Stepper Motor	1
3	B234 6520	Bracket	1
4	B234 6507	Timing Pulley - 25T	1
5	B234 6523	Timing Belt - S2M100	1
6	B234 6543	Drive Shaft	1
7	AX04 0157	Stepper Motor DC1.68V 6.7W	2
8	AA16 1122	Motor Cushion	2
9	B234 6512	Tightener Bracket	1
10	B234 6508	Tension Spring	2
11	B234 6510	Tandem LCT Bracket	1
12	B234 6514	Timing Belt - S2M126	1
13	B234 6506	Timing Pulley - 30T	2
14	B234 6542	Grip Drive Shaft	1
15	B234 6541	Feed Drive Shaft	1
16	B234 6513	Timing Belt - S2M180	1
17	B234 6511	Tightener Bracket	1
18	B132 6759	DC Motor:Rise:Tandem Lct:Ass'y	1
19	B132 6764	Bracket:Connector:Right	1
20	B132 6763	Bracket:Connector:Left	1
21	B234 6565	Harness Clamp Bracket	1
22	AA14 3550	Screw:DIA4:M3	2
23	AA06 3583	Spring	2
24	AA06 3268	Connector Spring	2
25	G178 5835	Harness:I0B2:Sensor:2	1

Index No.	Part No.	Description	Q'ty Per Assembly
101	0451 4008N	Tapping Screw:4x8	
102	0353 0050N	Screw-M3x5	
103	0451 4010N	Tapping Screw:4x10	
104	0451 4006N	Tapping Screw - 4x6	
105	0951 4006N	Screw:Polished Round:M4x6	
106	0741 3708	Ball Bearing - 8x12x3.5mm	
107	0720 0060E	Retaining Ring - M6	
108	0742 3808	Ball Bearing - 8x16x5	
109	1105 0487	Harness Clamp	
110	0803 0058	Stepped Screw	

79.Drive Section 6 (D095/M077)

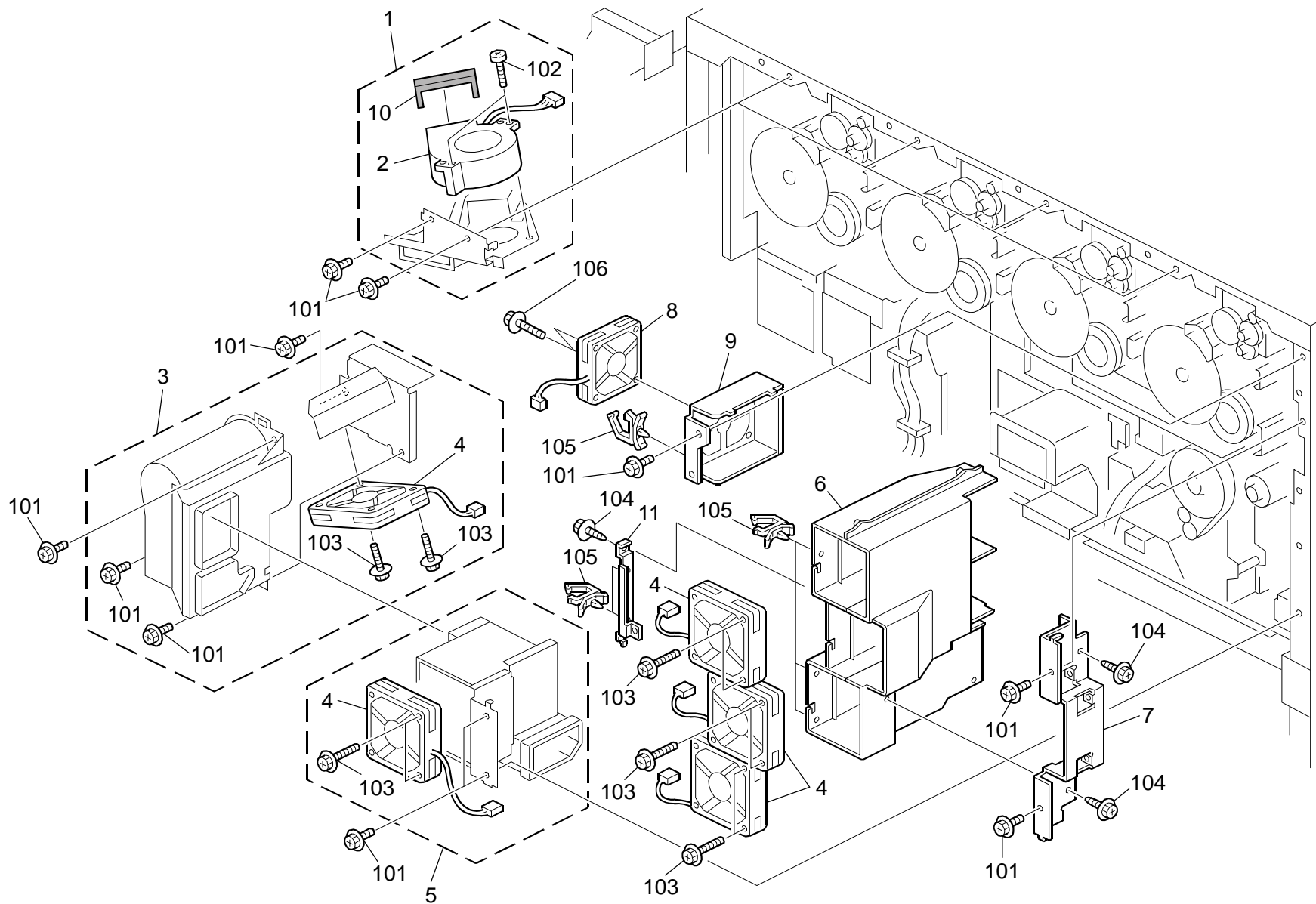


79. Drive Section 6 (D095/M077)

Index No.	Part No.	Description	Q'ty Per Assembly
1	AX04 0157	Stepper Motor DC1.68V 6.7W	2
2	AA16 1122	Motor Cushion	2
3	B234 6532	Tightener Bracket	1
4	B234 6508	Tension Spring	2
5	B234 6530	Bracket	1
6	B234 6531	Tightener Bracket	1
7	B234 6514	Timing Belt - S2M126	1
8	B234 6506	Timing Pulley - 30T	2
9	B234 6542	Grip Drive Shaft	1
10	B234 6541	Feed Drive Shaft	1
11	B234 6533	Timing Belt - S2M152	1
12	B234 6120	Bracket:Positioning:Paper Tray	1
13	B132 6762	DC Solenoid:Coupling:Ass'y	1
14	B132 6726	Bracket:Arm:Ass'y	1
15	B247 6754	Lock Spring - Small	1
16	B247 6753	Lock Spring - Large	1
17	B065 6769	Lock Arm	1
18	AA13 2203	Spacer - 6mm	1
19	AX04 0254	DC Motor:Rising Tray:Ass'y	1
20	G178 2924	Cover:Safety:Paper Size Sensor	1
21	B234 6151	Paper Size Sensor Bracket	1
22	B234 5671	Harness - Paper Size Sensor	1
23	AW50 0010	Push Switch	1
24	B132 6765	DC Solenoid:Lock:Ass'y	1
25	B065 6172	Paper Tray Stopper	1

Index No.	Part No.	Description	Q'ty Per Assembly
101	0451 4010N	Tapping Screw:4x10	
102	0451 4006N	Tapping Screw - 4x6	
103	0951 4006N	Screw:Polished Round:M4x6	
104	0451 4008N	Tapping Screw:4x8	
105	0451 3008N	Tapping Screw - M3x8	
106	0741 3708	Ball Bearing - 8x12x3.5mm	
107	0720 0060E	Retaining Ring - M6	
108	0742 3808	Ball Bearing - 8x16x5	
109	1105 0488	Harness Clamp	
110	0720 0040E	Retaining Ring - M4	

80.Electrical Section 1 (D095/M077)

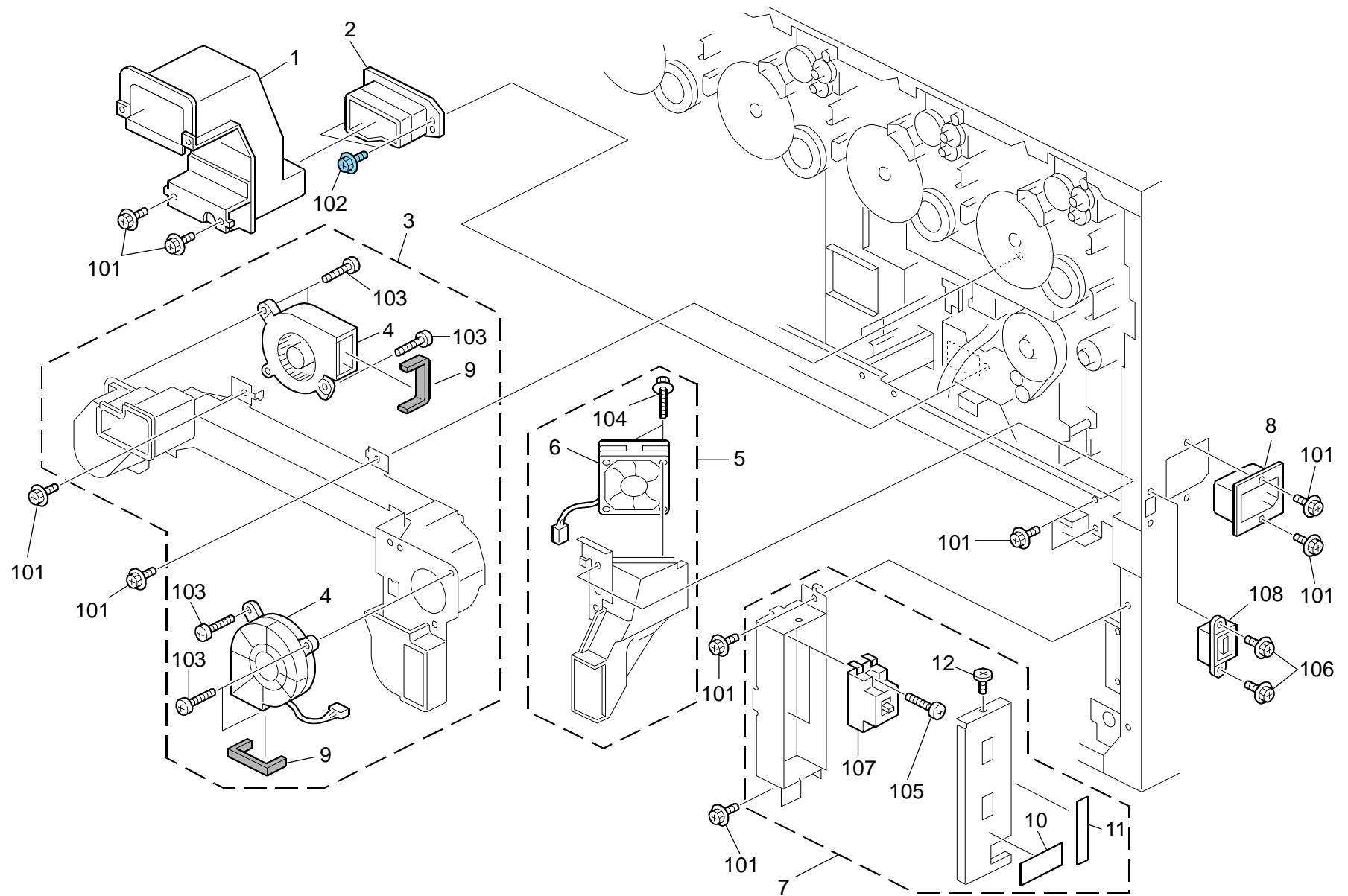


80.Electrical Section 1 (D095/M077)

Index No.	Part No.	Description	Q'ty Per Assembly
1	G178 7140	Duct:Charge Corona:Main:Ass'y	4
2	GX65 0002	Fan:Sirocco:DC 9.36W	1
3	M077 7190	Duct:Heat Pipe:Exit:Ass'y	1
4	AX64 0159	Fan Motor MM80	5
5	G178 7192	Duct:Heat Pipe:Exit:Exit:Ass'y	1
6	G178 7160	Duct:Paper Exit Sub-unit:Rear	1
7	G178 7163	Bracket:Duct:Paper Exit	1
8	GX64 0024	Fan Motor - DC 3.12W	1
9	G178 7218	Bracket:Fan:Exhaust:Rear	1
10	AA15 3182	Seal:Fan:Charge Corona:Main	1
11	G178 7179	Guide:Harness:Duct:Paper Exit	1

Index No.	Part No.	Description	Q'ty Per Assembly
101	0451 4008N	Tapping Screw:4x8	
102	0354 0400N	Screw:M4x40	
103	0360 4030N	Screw:M4x30	
104	0450 4008N	Tapping Screw - M4x8	
105	1105 0511	Harness Clamp - LWS-0306ZC	
106	0451 4030N	Tapping Screw:M4x30	

81.Electrical Section 2 (D095/M077)

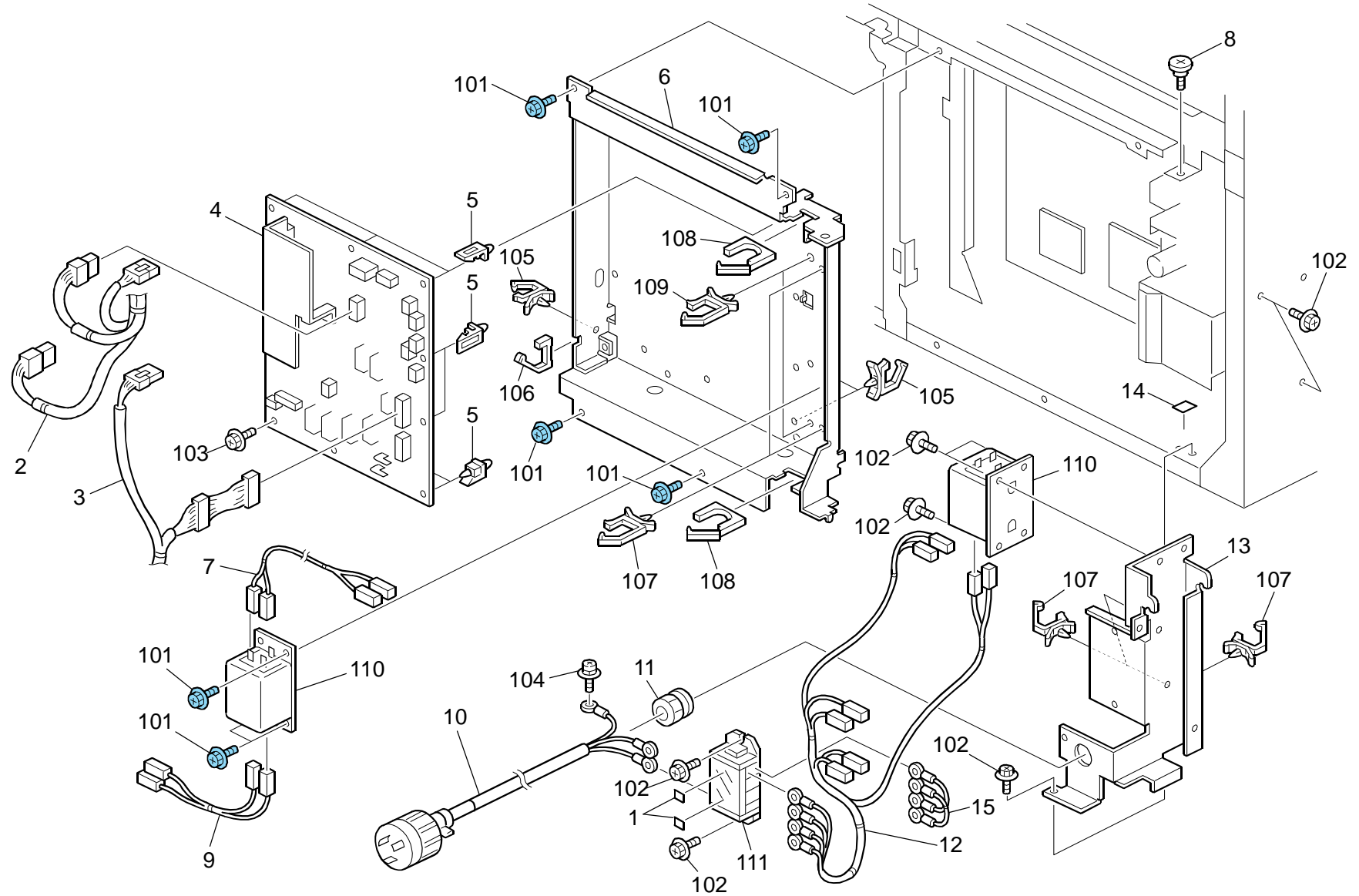


81.Electrical Section 2 (D095/M077)

Index No.	Part No.	Description	Q'ty Per Assembly
1	G178 7205	Duct:Transport Belt:Main:Ass'y	1
2	G178 7210	Duct:Transport Belt:Main:Exit:Ass'y	1
3	G178 7143	Duct:Heat Pipe:Fusing:Ass'y	1
4	AX65 0041	Fan Motor:Sirocco	2
5	M077 7288	Duct:Fan:Fusing/Paper Exit Unit: Rear:Ass'y	1
6	GX64 0024	Fan Motor - DC 3.12W	1
7	G178 5470	Leak Breaker:Ass'y	1
8	G178 7193	Duct:Heat Pipe:Exit:Entrance	1
9	AA15 3178	Seal:Fan:Heat Pipe:Fusing	2
10	G178 7845	Decal:Warning:Earth	1
11	G178 7847	Decal:Leak Breaker:Caption	1
12	5918 3040	Shoulder Screw - M4	1

Index No.	Part No.	Description	Q'ty Per Assembly
101	0451 4008N	Tapping Screw:4x8	
102	0454 4008Q	Tapping Screw - M4x8	
103	0353 0080N	Screw:M3x8	
104	0451 4030N	Tapping Screw:M4x30	
105	0434 0200N	Pan Self-tapping Screw:4x20	
106	0451 3008N	Tapping Screw - M3x8	
107	1107 1281	Fuse:BJS2012F2	
108	G178 5869	Connector - 54679-1615	

82.Electrical Section 3 (D095/M077)

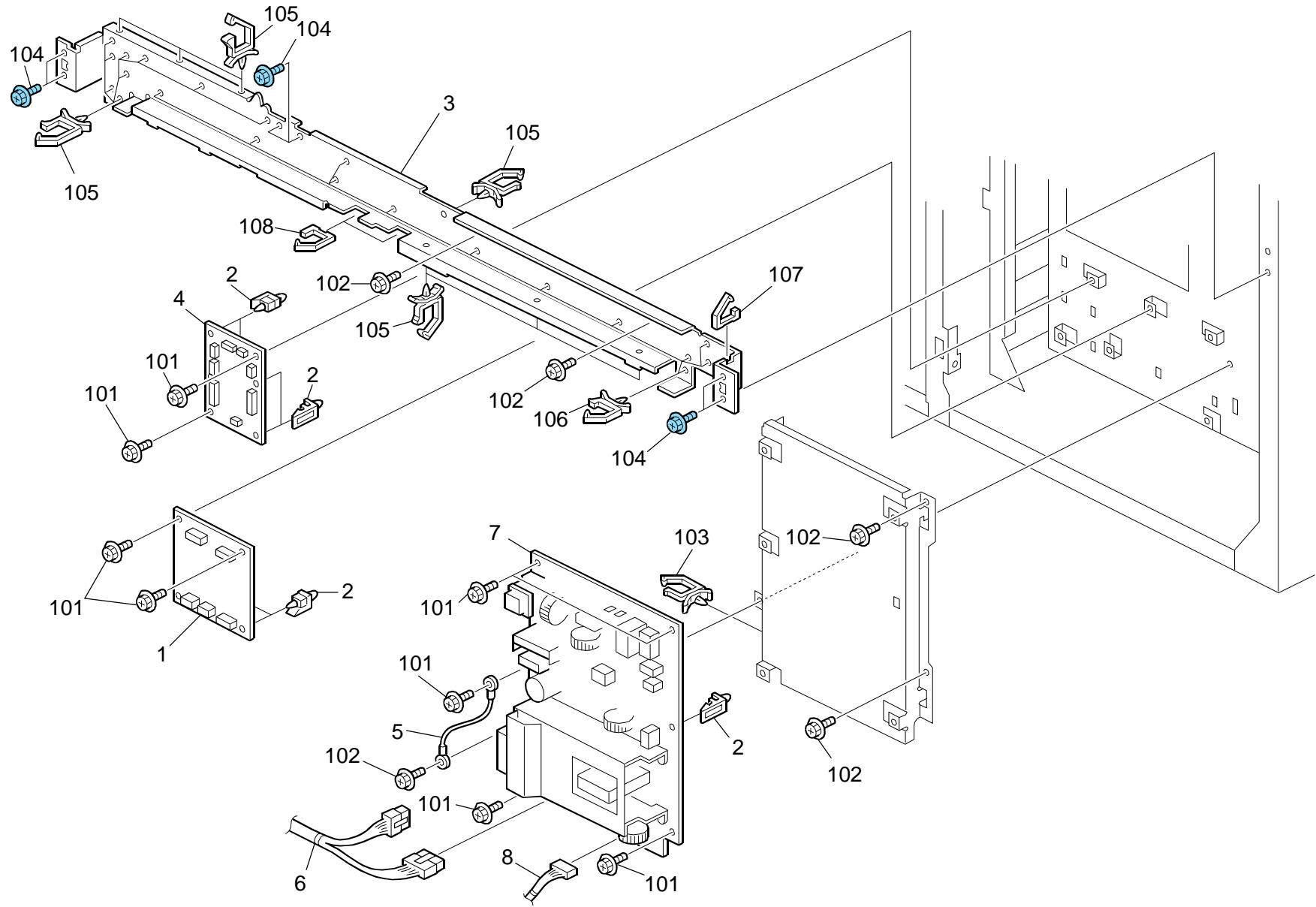


82.Electrical Section 3 (D095/M077)

Index No.	Part No.	Description	Q'ty Per Assembly
1	G178 8442	Decal:Terminal:Neutral	1
2	M077 5532	Harness:AC:Fusing:PSU-G	2
3	G178 5699	Harness:AC:Main Switch	1
4	G178 5403	PCB:AC Drive:DOM	1
4	G178 5404	PCB:AC Drive:NA	1
5	G178 7668	Spacer:7907032:Base	8
6	G178 5462	Bracket:AC Drive	1
7	G178 5826	Harness:AC:Noise Filter:2	1
8	AA14 3129	Shoulder Screw - Front Cover	1
9	G178 5698	Harness:AC:Drive	1
10	G178 5841	Cable:AC:Power Supply Plug:NA	1
10	G178 5842	Cable:AC:Power Supply Plug:EU	1
11	G178 5437	Power Cord Bushing	1
12	G178 5696	Harness:AC:Leak Breaker	1
13	G178 5464	Bracket:Terminal:Block	1
14	AA00 1190	Decal - Ground	1
15	G178 5748	Harness:Main:AC:Short Circuit	1

Index No.	Part No.	Description	Q'ty Per Assembly
101	0454 4008Q	Tapping Screw - M4x8	
102	0451 4008N	Tapping Screw:4x8	
103	0451 3006N	Tapping Screw - 3x6	
104	0954 5010N	Screw:Polished Round/Spring:M5x10	
105	1105 0516	Clamp	
106	1105 0522	Edge Saddle - LES0510	
107	1105 0488	Harness Clamp	
108	1105 0599	Clamp:LESR-25	
109	1105 0490	Harness Clamp - IWS-2218	
110	1607 1799	Filter - SUP-ET20-ER-0	
111	1100 2123	Terminal:KT60-4J(UL/CSA/EN)-RC2308	

83.Electrical Section 4 (D095/M077)

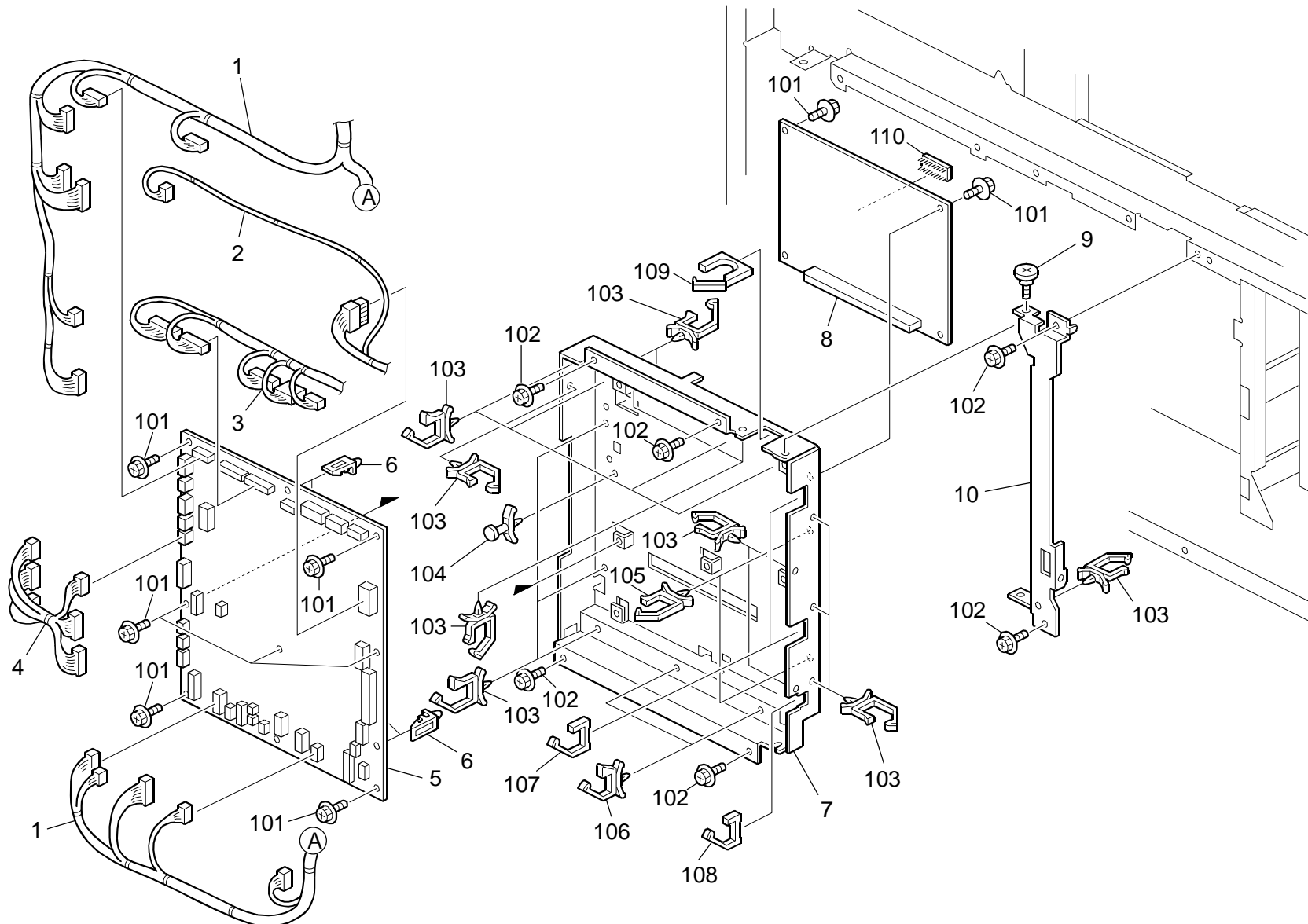


83.Electrical Section 4 (D095/M077)

Index No.	Part No.	Description	Q'ty Per Assembly
1	G178 5287	PCB:FIB	1
2	G178 7668	Spacer:7907032:Base	7
3	G178 1105	Bracket:Harness:Middle Rear	1
4	G178 5304	PCB:RB	1
5	G178 5832	Harness:PSU-G:FG	1
6	G178 5899	Harness:Power Source:FIB-PSU-G	1
7	GZ23 0060	Power Supply Unit:G-P3:EU/AA	1
8	M077 5531	Harness:PSU-G:I/F:Connecting	1

Index No.	Part No.	Description	Q'ty Per Assembly
101	0451 3008N	Tapping Screw - M3x8	
102	0451 4008N	Tapping Screw:4x8	
103	1105 0487	Harness Clamp	
104	0454 4008Q	Tapping Screw - M4x8	
105	1105 0489	Harness Clamp - LWS 1316	
106	1105 0488	Harness Clamp	
107	1105 0518	Edge Saddle - LES-1010	
108	1105 0544	Edge Saddle:LES-2017	

84.Electrical Section 5 (D095/M077)



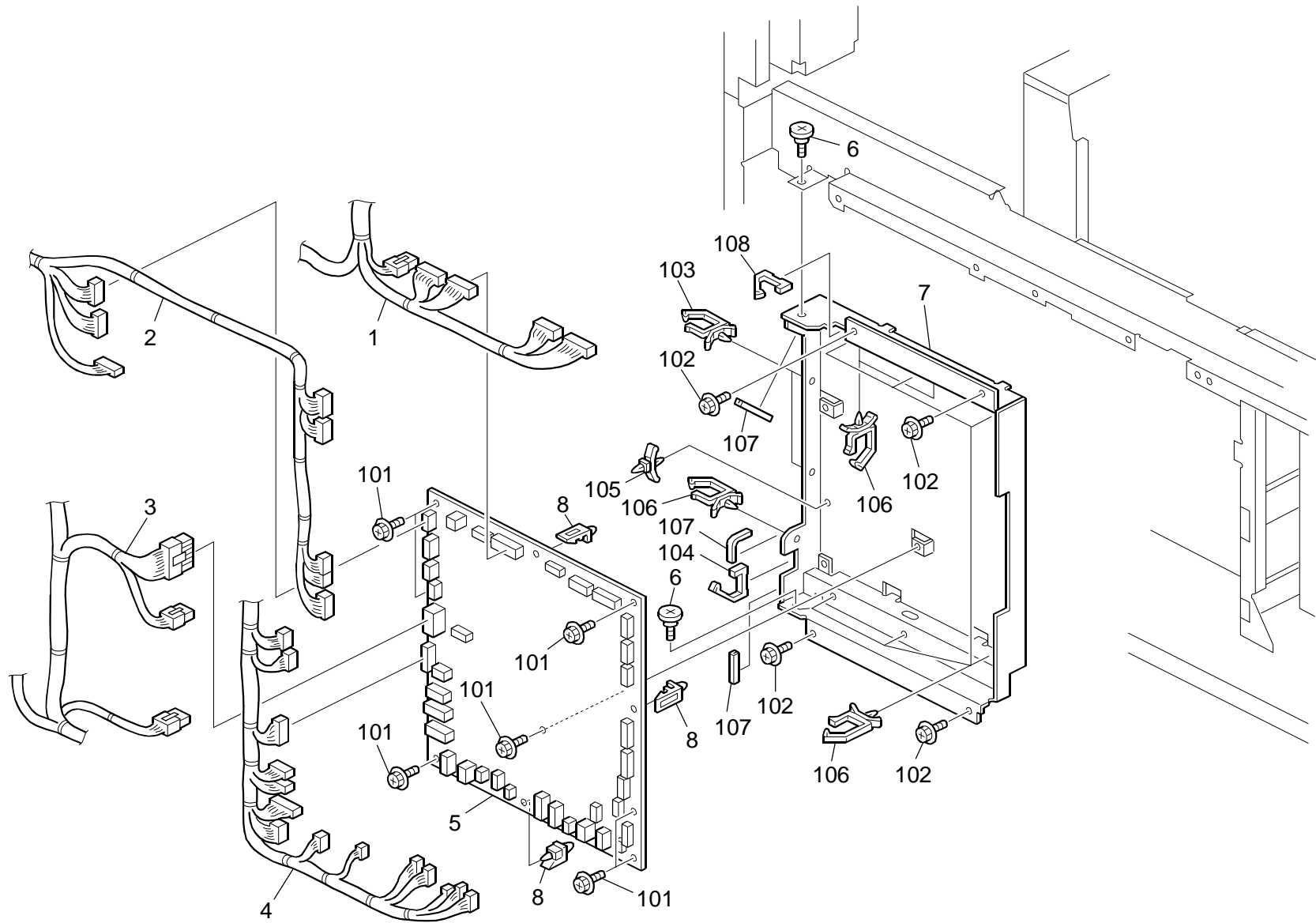
84.Electrical Section 5 (D095/M077)

Index No.	Part No.	Description	Q'ty Per Assembly
1	M077 5508	Harness:IOB2:Sensor:(1)	1
2	M077 5544	Harness:Power Source:IOB1-IOB2-LD	1
3	M077 5514	Harness:IOB2:Motor	1
4	G178 5806	Harness:IOB1-IOB2:I/F	1
5	M077 5294	PCB:IOB2	1
6	G178 7668	Spacer:7907032:Base	4
7	G178 5453	Bracket:IOB:BCU	1
8	D095 5340	PCB:BCU:Ass'y	1
8	M077 5300	PCB:BCU:Sub-ass'y	1
9	AA14 3560	Stepped Screw - M4	1
10	G178 5454	Bracket:Hinge:IOB	1

Index No.	Part No.	Description	Q'ty Per Assembly
101	0451 3006N	Tapping Screw - 3x6	
102	0451 4008N	Tapping Screw:4x8	
103	1105 0488	Harness Clamp	
104	1105 0410	KGPS-6S(V0)	
105	1105 0490	Harness Clamp - IWS-2218	
106	1105 0489	Harness Clamp - LWS 1316	
107	1105 0544	Edge Saddle:LES-2017	
108	1105 0518	Edge Saddle - LES-1010	
109	1105 0599	Clamp:LESR-25	
110	1407 5856	RAM - FM18I08-70-P	



85.Electrical Section 6 (D095/M077)

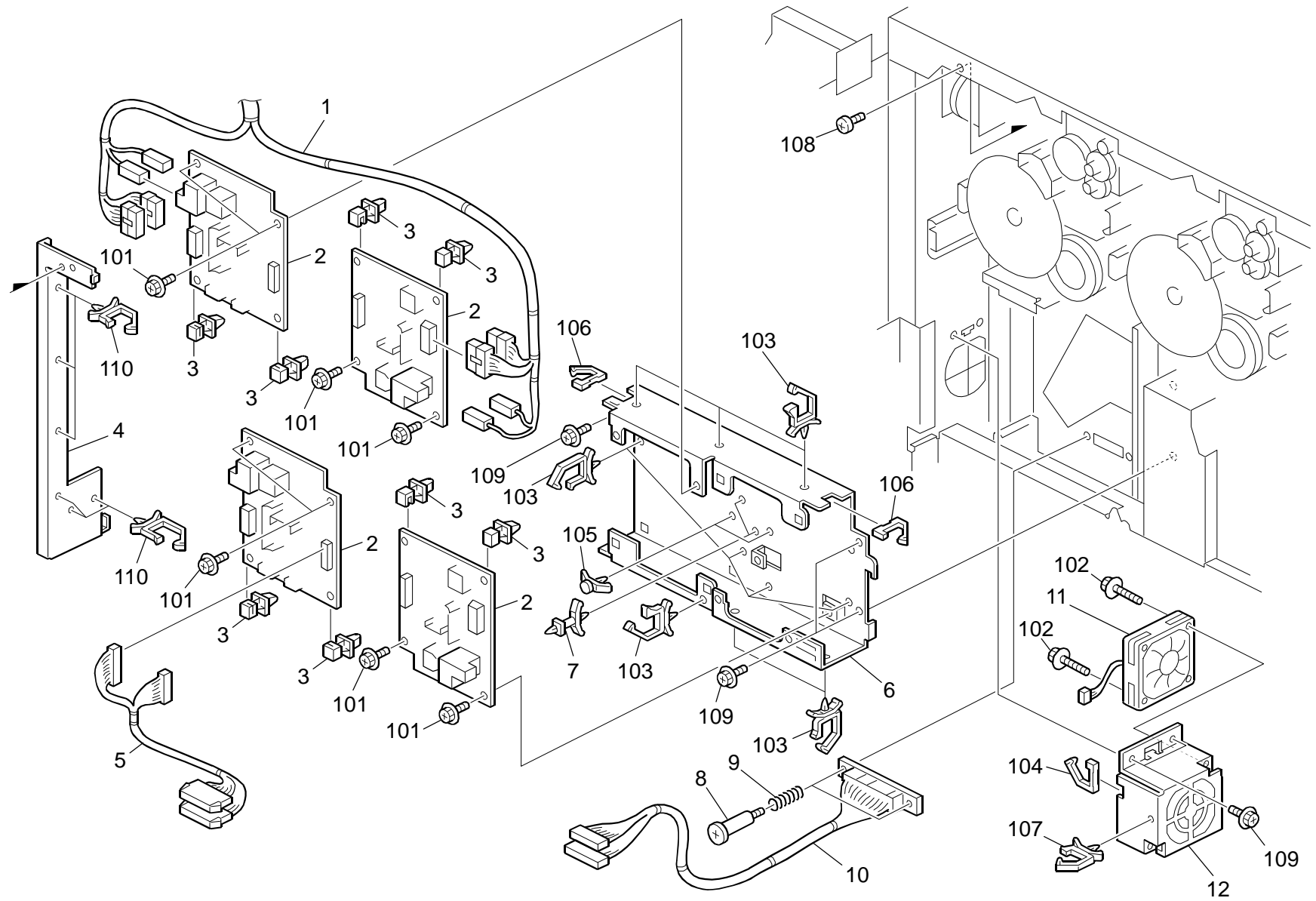


85.Electrical Section 6 (D095/M077)

Index No.	Part No.	Description	Q'ty Per Assembly
1	G178 5801	Harness:IOB1:Motor	1
2	M077 5501	Harness:IOB1:Sensor:(1)	1
3	M077 5544	Harness:Power Source:IOB1-IOB2-LD	1
4	G178 5513	Harness:IOB1:Sensor:(2)	1
5	M077 5291	PCB:IOB1	1
6	AA14 3560	Stepped Screw - M4	2
7	G178 5438	Bracket:IOB	1
8	G178 7668	Spacer:7907032:Base	3

Index No.	Part No.	Description	Q'ty Per Assembly
101	0451 3006N	Tapping Screw - 3x6	
102	0451 4008N	Tapping Screw:4x8	
103	1105 0490	Harness Clamp - IWS-2218	
104	1105 0544	Edge Saddle:LES-2017	
105	1105 0193	Locking Support	
106	1105 0488	Harness Clamp	
107	1106 0924	Bushing:JKR-40	
108	1105 0521	Clamp - LES-1017	

86.Electrical Section 7 (D095/M077)

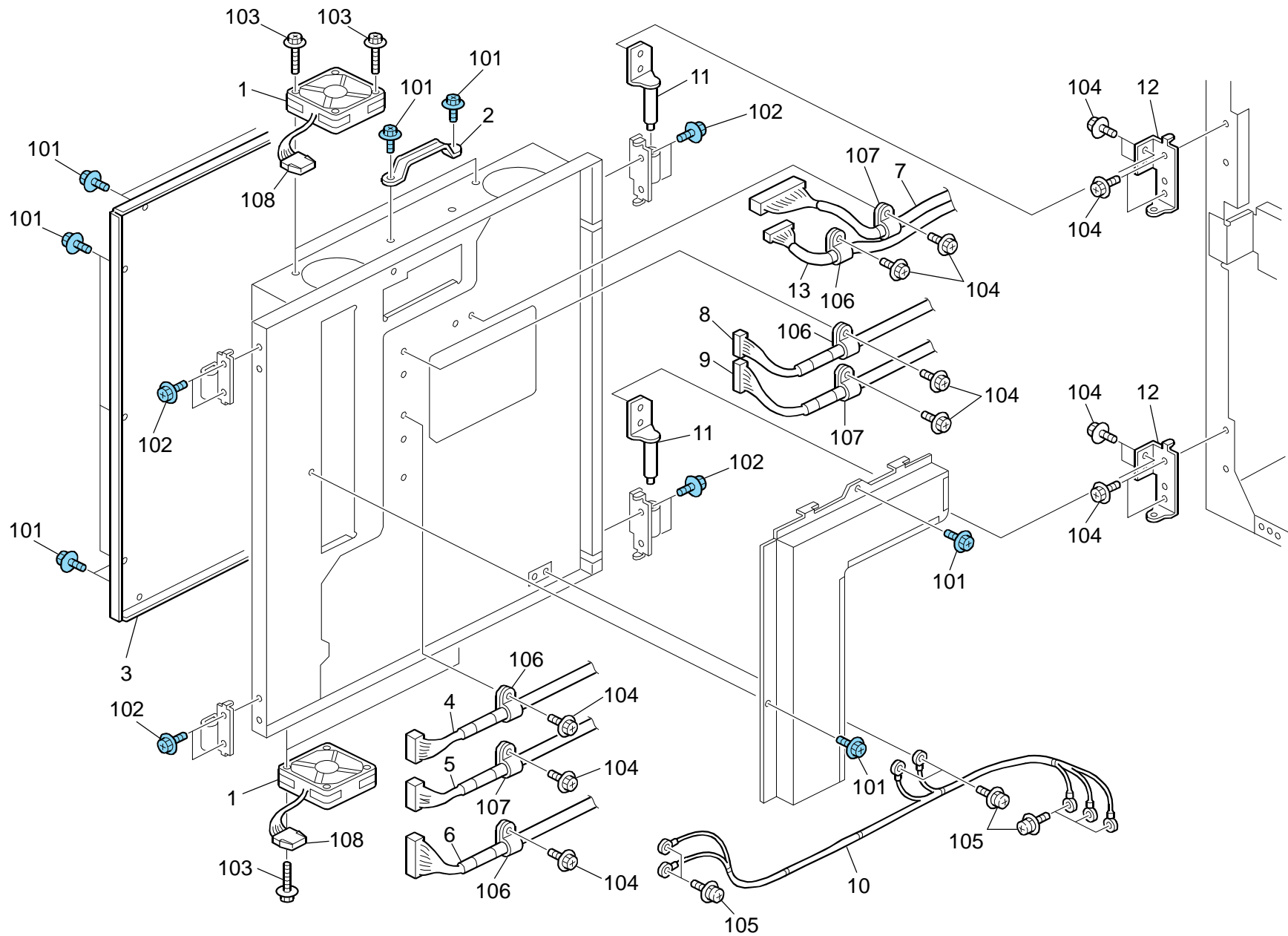


86.Electrical Section 7 (D095/M077)

Index No.	Part No.	Description	Q'ty Per Assembly
1	G178 5828	Harness:High Voltage:CGB	1
2	G178 5469	Power Pack:Charge	4
3	G178 5412	Holder:Base	8
4	G178 5447	Bracket:Harness:Charge Corona	1
5	G178 5827	Harness:Power Pack:KM:Connecting	1
6	G178 5468	Bracket:Power Pack:Charge Corona	1
7	G178 5413	Spacer:KGLS-22S	2
8	G178 7515	Connector Guide Pin:Connector	2
9	G178 4866	Compression Spring:Exit:Connector	2
10	G178 5512	Harness:Registration:Drawer:No.2	1
11	GX64 0024	Fan Motor - DC 3.12W	1
12	G178 1146	Bracket:Fan:Registration:Rear	1

Index No.	Part No.	Description	Q'ty Per Assembly
101	0451 3006N	Tapping Screw - 3x6	
102	0451 4030N	Tapping Screw:M4x30	
103	1105 0487	Harness Clamp	
104	1105 0551	Clamp:LES-0505	
105	1105 0409	KGPS-4S(V0)	
106	1105 0518	Edge Saddle - LES-1010	
107	1105 0511	Harness Clamp - LWS-0306ZC	
108	0313 0060N	Screw - M3x6	
109	0451 4008N	Tapping Screw:4x8	
110	1105 0489	Harness Clamp - LWS 1316	

87.Electrical Section 8 (D095/M077)

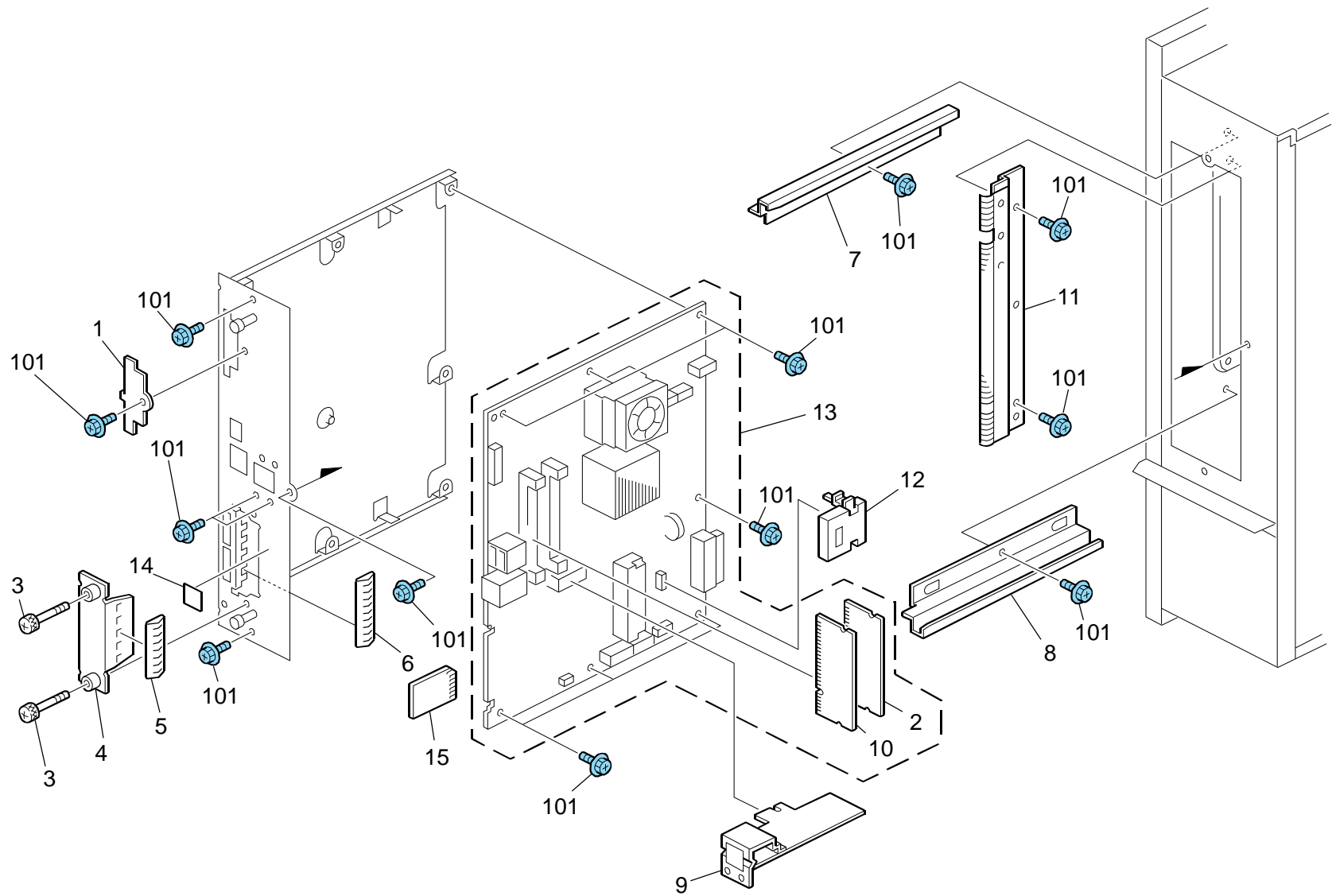


87.Electrical Section 8 (D095/M077)

Index No.	Part No.	Description	Q'ty Per Assembly
1	GX64 0024	Fan Motor - DC 3.12W	4
2	B712 5605	Grip:Application	1
3	G178 6201	Cover:C/T Box	1
4	G178 5678	Harness:IPU-LD:I/F:(2):KC	1
5	G178 5677	Harness:IPU-LD:I/F:(1):KC	1
6	G178 5683	Harness:IPU-SBU:I/F	1
7	G178 5524	Harness:BCU-IPU:I/F:No.1	1
8	G178 5681	Harness:IPU-LD:I/F:(2):MY	1
9	G178 5680	Harness:IPU-LD:I/F:(1):MY	1
10	G178 5769	Harness:Earth:Control Unit	1
11	G178 1199	Hinge:Main:Peen	2
12	G178 1200	Hinge:Main:Holder	2
13	G178 5525	Harness:BCU-IPU:I/F:No.2	1

Index No.	Part No.	Description	Q'ty Per Assembly
101	0454 3006Q	Tapping Screw - M3x6	
102	0454 4008Q	Tapping Screw - M4x8	
103	0451 4030N	Tapping Screw:M4x30	
104	0451 4008N	Tapping Screw:4x8	
105	0954 4008N	Screw - M4x8	
106	1105 0529	Nylon Clamp-EMT-3N	
107	1105 0559	Clamp:EMT-5N	
108	1102 6246	Relay Connector - 3P	

88.Electrical Section 9 (D095/M077)

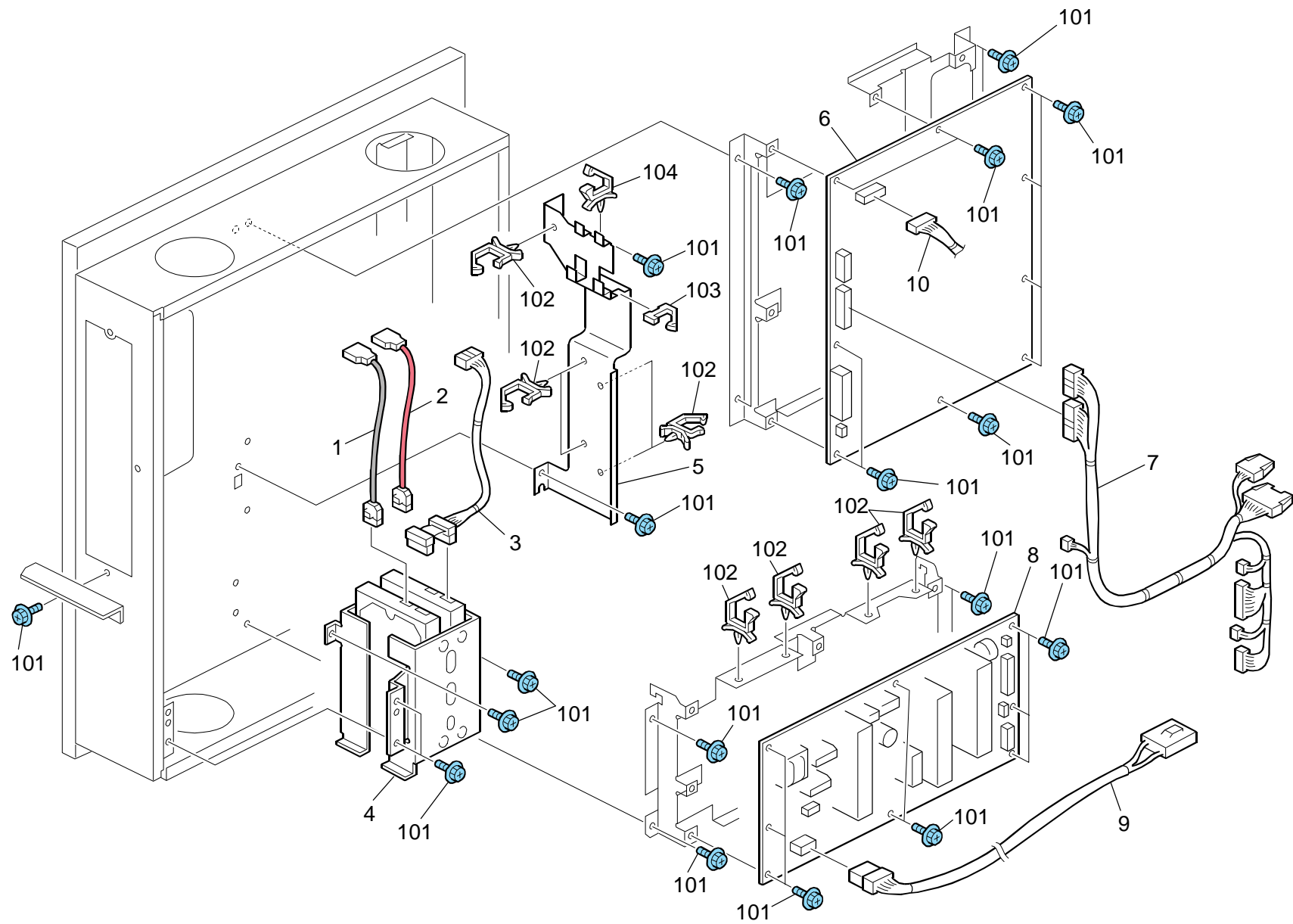


88.Electrical Section 9 (D095/M077)

Index No.	Part No.	Description	Q'ty Per Assembly
1	B132 5925	Cover:Connector:Control Board	1
2	G178 6072	PCB:PC4200:RAWCard-A:1GB	1
2	G178 6076	PCB:PC4200:RAWCard-F:2GB:Ass'y	1
3	AA14 1008	Panel Knob Screw	2
4	B132 5836	Panel - Interface	1
5	B070 6899	Ground Plate:Panel	1
6	B070 6877	Large Drum Stay Ground Plate	1
7	D014 5952	Supporter:Upper	1
8	D014 5953	Supporter:Lower	1
9	G178 6033	PCB:Gigaethernet:Pcie	1
10	G178 6062	PCB:PC4200:RAWCard-C:512MB	1
11	B132 5807	Ground Plate:Base:Control Board	1
12	D095 9590	NVRAM	1
12	M077 9590	NVRAM	1
13	D095 6022	PCB:Cont:Aries-C15:Ass'y	1
13	M077 6022	PCB:Cont:EX1:Ass'y:AA	1
13	M077 6032	PCB:Cont:Ex1:Ass'y	1
14	G178 6207	Decal:Caption:Interface	1
15	M077 6008	SD-Card:ZoffyV4:DOM/EXP:Ass'Y	1

Index No.	Part No.	Description	Q'ty Per Assembly
101	0454 3006Q	Tapping Screw - M3x6	

89.Electrical Section 10 (D095/M077)

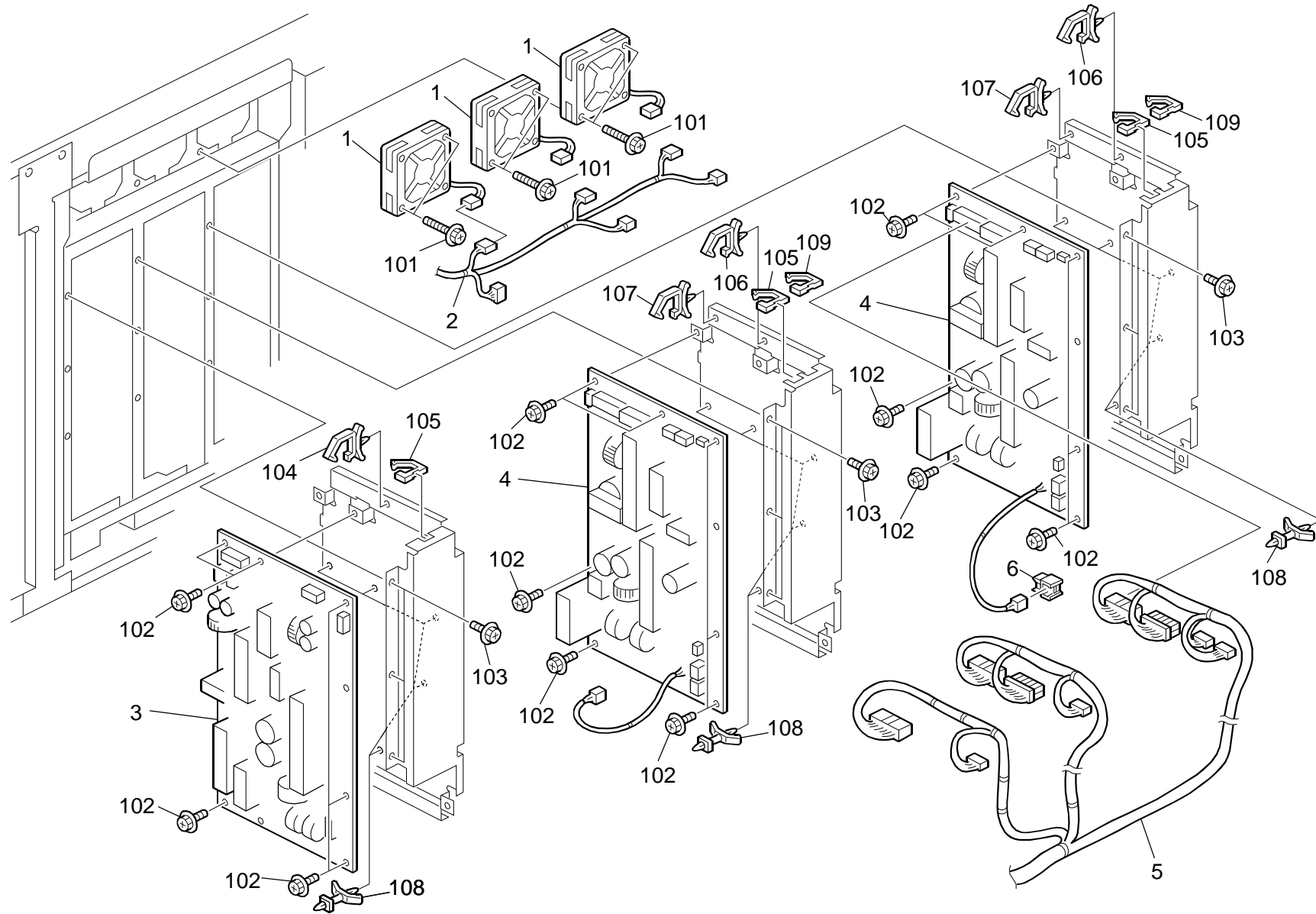


89.Electrical Section 10 (D095/M077)

Index No.	Part No.	Description	Q'ty Per Assembly
1	B234 5527	Cable:HDD:S-ATA:Gray:Rohs	1
2	B234 5526	Cable:HDD:S-ATA:Red:Rohs	1
3	G178 6042	Cable:HDD:S-ATA:Power:Aegis	1
4	M077 6215	HDD:Sub-ass'y	1
5	G178 6249	Holder:Clamp	1
6	G178 5260	PCB:Image Processing Unit	1
7	M077 5515	Harness:Control Unit:PSU-C-IPU:Connecting	1
8	AZ23 0242	Power Supply Unit:124.5W	1
9	M077 5516	Harness:AC:Power Source:PSU-C:Connecting	1
10	M077 5538	Harness:IPU-OPU:I/F:No.1	1

Index No.	Part No.	Description	Q'ty Per Assembly
101	0454 3006Q	Tapping Screw - M3x6	
102	1105 0488	Harness Clamp	
103	1105 0522	Edge Saddle - LES0510	
104	1105 0511	Harness Clamp - LWS-0306ZC	

90.Electrical Section 11 (D095/M077)

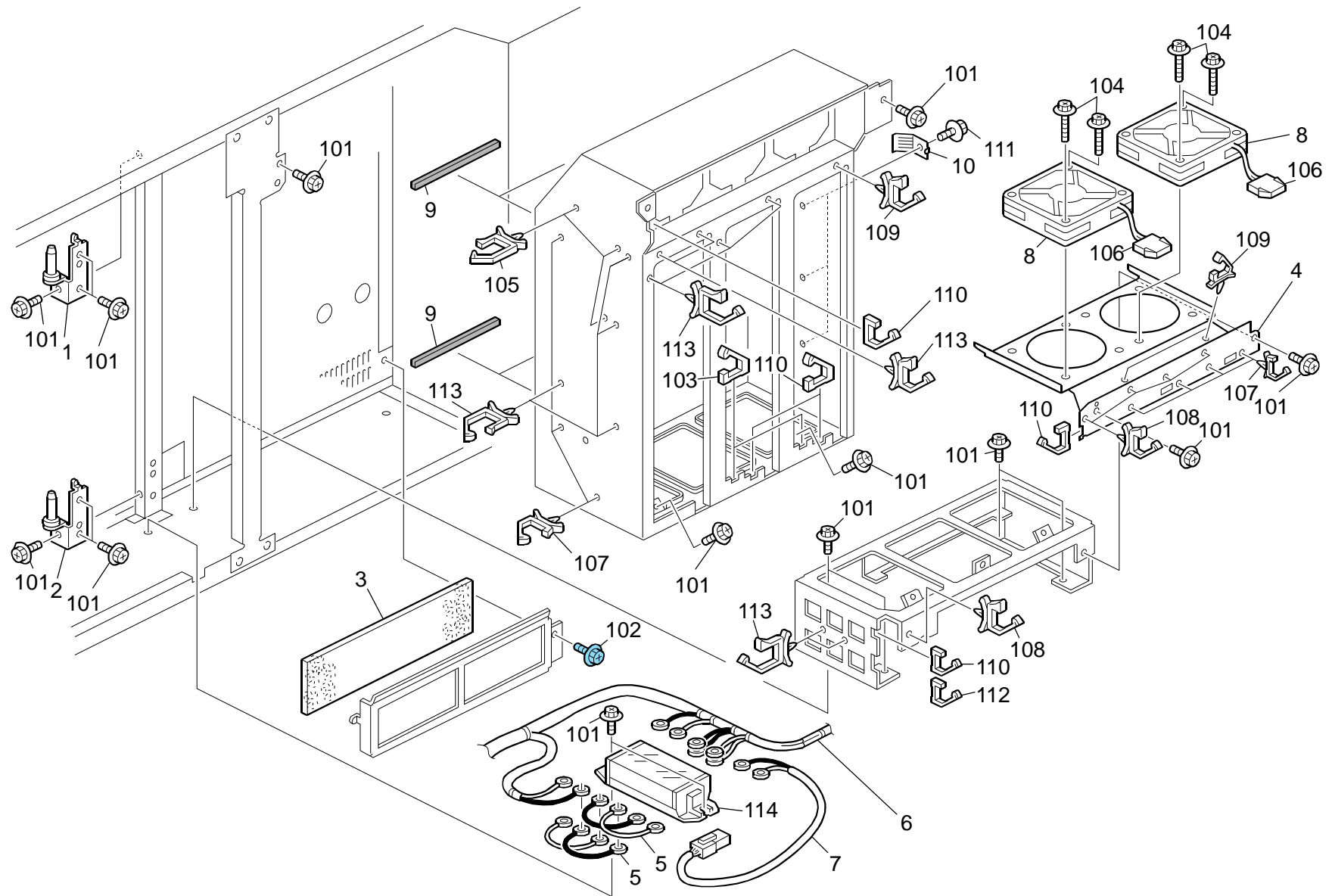


90.Electrical Section 11 (D095/M077)

Index No.	Part No.	Description	Q'ty Per Assembly
1	GX64 0024	Fan Motor - DC 3.12W	3
2	M077 5534	Harness:Power Supply Unit:Trigger:Fan	1
3	AZ25 0046	Power Supply Unit:BC3:Engine-B	1
4	AZ25 0045	Power Supply Unit:BC3:Engine-A	2
5	G178 5894	Harness:Power Source:Control Unit	1
6	G178 6209	Cap:Power Supply Unit:Engine-A:AC	1

Index No.	Part No.	Description	Q'ty Per Assembly
101	0451 4030N	Tapping Screw:M4x30	
102	0451 3006N	Tapping Screw - 3x6	
103	0451 4008N	Tapping Screw:4x8	
104	1105 0487	Harness Clamp	
105	1105 0518	Edge Saddle - LES-1010	
106	1105 0488	Harness Clamp	
107	1105 0516	Clamp	
108	1105 0637	Harness Clamp - KGLS-10RT(V0)	
109	1105 0521	Clamp - LES-1017	

91.Electrical Section 12 (D095/M077)

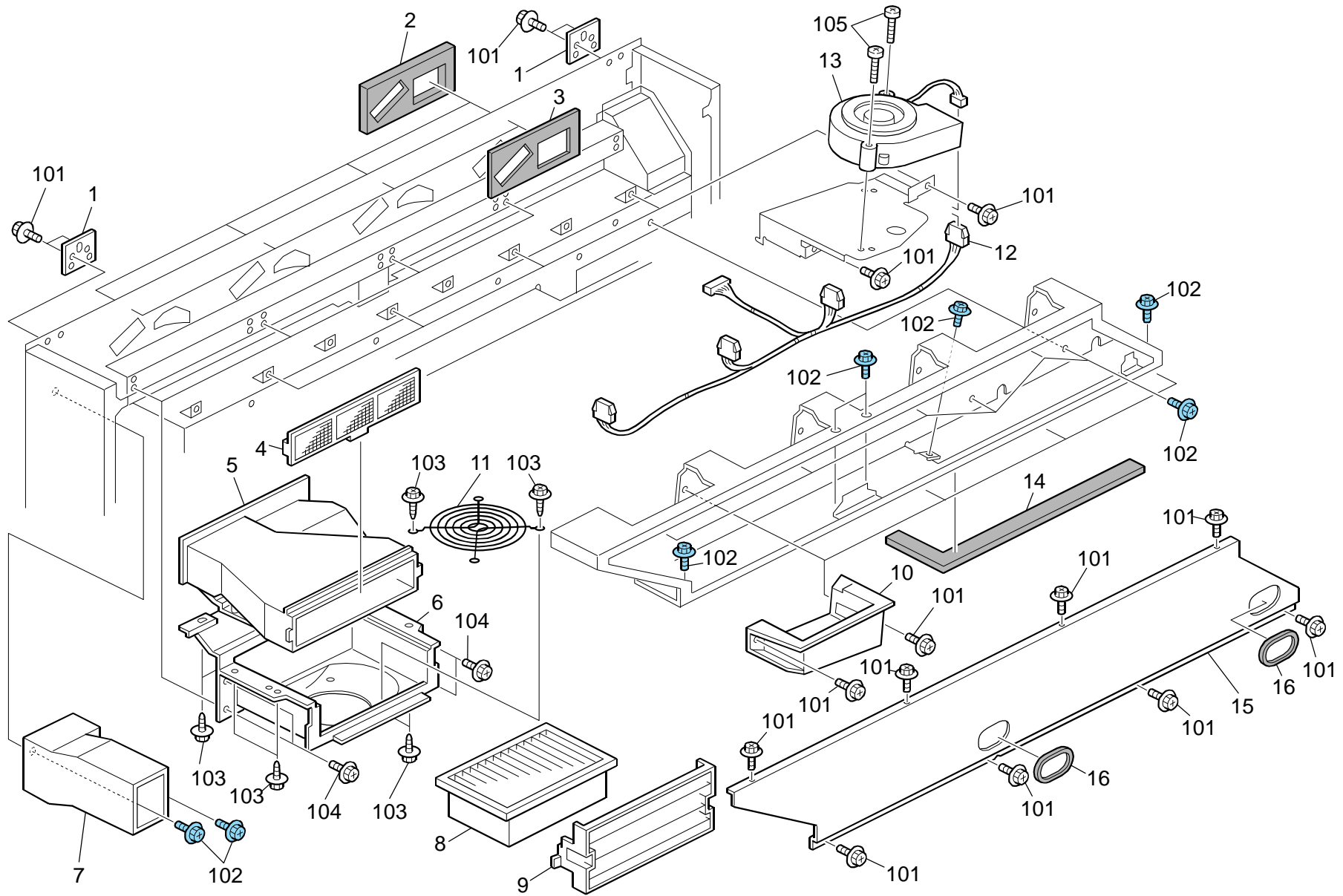


91.Electrical Section 12 (D095/M077)

Index No.	Part No.	Description	Q'ty Per Assembly
1	G178 1165	Hinge:Pin:Upper:Peen	1
2	G178 1195	Hinge:Pin:Lower:Peen	1
3	M077 7243	Filter:Entrance:Power Supply Unit	1
4	M077 6210	Holder:Fan:Lower	1
5	G178 5729	Harness:AC:Short Circuit:Control Unit	1
6	M077 5521	Harness:AC:Control Unit	1
7	M077 5535	Harness:AC:TB:Transformer	1
8	GX64 0024	Fan Motor - DC 3.12W	2
9	B188 1391	Gasket:5x10x100	4
10	G178 6191	Ground Plate:Power Supply Unit	3

Index No.	Part No.	Description	Q'ty Per Assembly
101	0451 4008N	Tapping Screw:4x8	
102	0454 4008Q	Tapping Screw - M4x8	
103	1105 0518	Edge Saddle - LES-1010	
104	0451 4030N	Tapping Screw:M4x30	
105	1105 0490	Harness Clamp - IWS-2218	
106	1102 6246	Relay Connector - 3P	
107	1105 0516	Clamp	
108	1105 0508	Harness Clamp - LWS-0711	
109	1105 0511	Harness Clamp - LWS-0306ZC	
110	1105 0522	Edge Saddle - LES0510	
111	0451 3006N	Tapping Screw - 3x6	
112	1105 0521	Clamp - LES-1017	
113	1105 0488	Harness Clamp	

92.Electrical Section 13 (D095/M077)

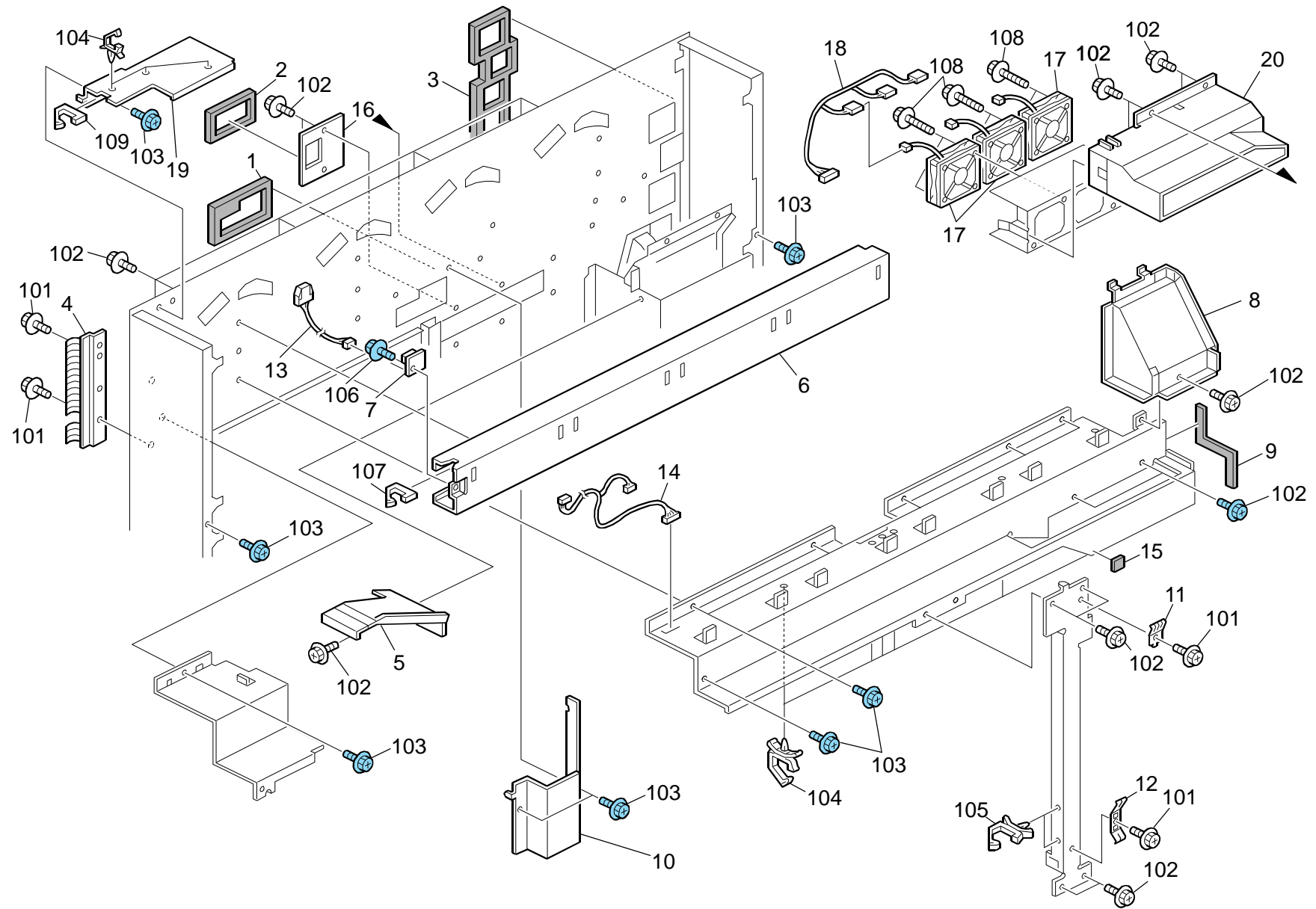


92.Electrical Section 13 (D095/M077)

Index No.	Part No.	Description	Q'ty Per Assembly
1	G178 1174	Plate:Control Unit:Install	2
2	G178 7229	Seal:Case:Filter	4
3	G178 7294	Seal:Control Unit:Rear	4
4	G178 7286	Filter:Entrance:Development	4
5	G178 7235	Case:Filter:Preventfence:Upper	4
6	M077 7236	Case:Filter:Preventfence:Lower	4
7	G178 7252	Duct:Entrance:Left	1
8	G178 7258	Filter:Preventfence	4
9	G178 7148	Cover:Filter:Preventfence	4
10	G178 7250	Duct:Sirocco:Sub-ass'y	4
11	M077 1189	Guard:Fan:Preventfence:Upper	1
12	M077 5539	Harness:Sirocco:Tube Type Lamp	1
13	G178 7149	Fan:Sirocco:DC 21.6W	4
14	G178 7129	Seal:Stay:Middle:Upper	1
15	M077 7308	Duct:Inner Cover	1
16	M077 7309	Seal:Duct:Install	1

Index No.	Part No.	Description	Q'ty Per Assembly
101	0451 4008N	Tapping Screw:4x8	
102	0454 4008Q	Tapping Screw - M4x8	
103	0450 4008N	Tapping Screw - M4x8	
104	0451 4010N	Tapping Screw:4x10	
105	0354 0450N	Screw:M4x45	

93.Electrical Section 14 (D095/M077)

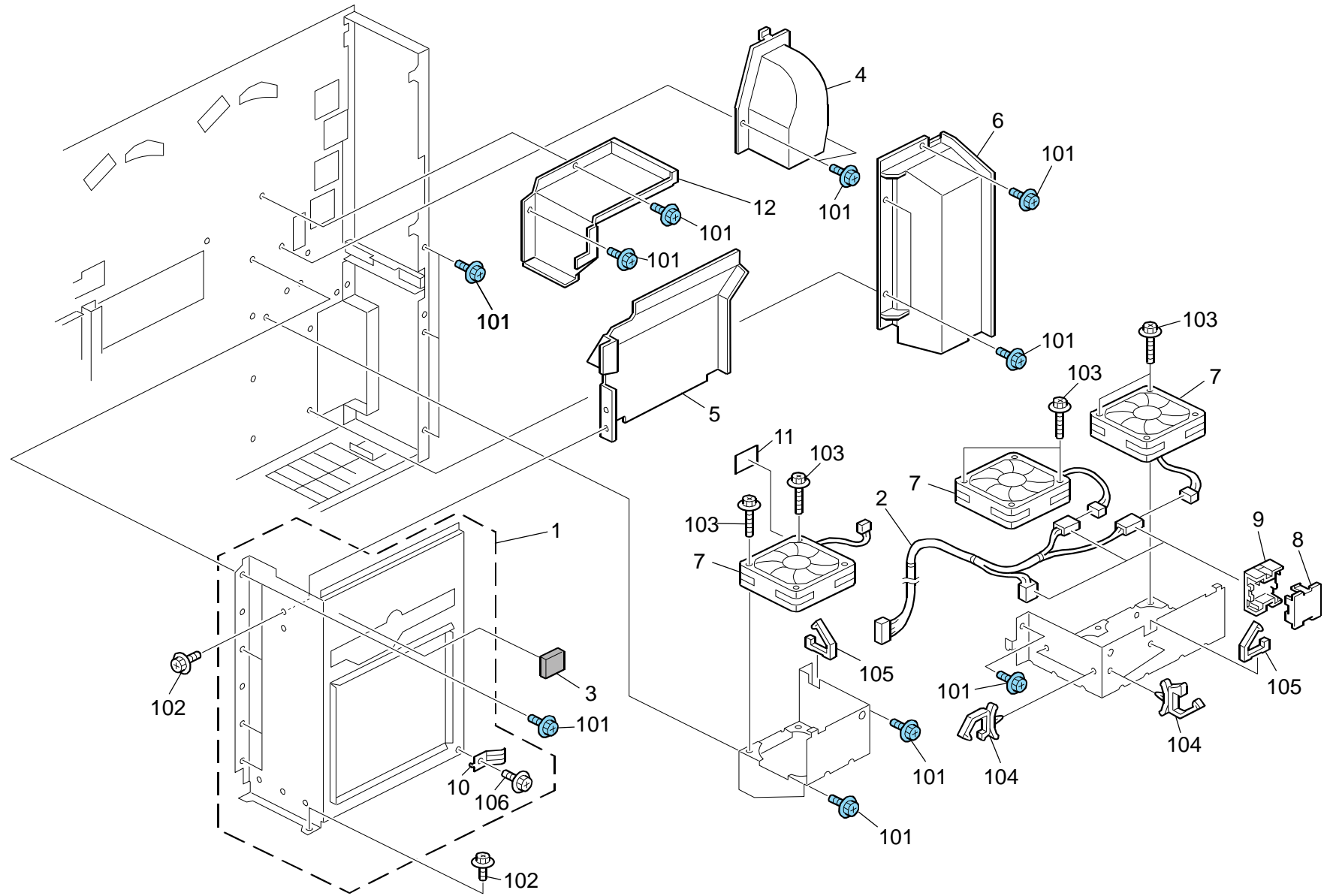


93.Electrical Section 14 (D095/M077)

Index No.	Part No.	Description	Q'ty Per Assembly
1	G178 7288	Seal:Heat Pipe	1
2	G178 7168	Seal:Transport:Exhaust	1
3	G178 7299	Seal:Main:Fan	1
4	B132 5807	Ground Plate:Base:Control Board	1
5	M077 7258	Seal:Duct:Cover:Lower:Sub-ass'y	1
6	G178 7266	Bracket:Case:Filter	1
7	AW14 0015	Temperature & Humidity Sensor	1
8	G178 7279	Duct:Exhaust:Upper:Sub-ass'y	1
9	G178 7130	Seal:Stay:Middle:Right	1
10	G178 7251	Duct:Entrance:Middle	1
11	A294 1838	Ground Plate - Lens Stay	1
12	G178 6192	Ground Plate:Stay:Front	1
13	M077 5545	Harness:Temperature & Humidity Sensor: Connecting	1
14	M077 5543	Harness:Tube Type Lamp:Connecting	1
15	G178 7212	Seal:Duct:Ozone Filter:Left Front	1
16	M077 7267	Cover:Transport:Exhaust	1
17	GX64 0024	Fan Motor - DC 3.12W	3
18	M077 5517	Harness:Cooling:Fan:Rear	1
19	M077 1132	Holder:Harness:Indication System	1
20	M077 5517	Harness:Cooling:Fan:Rear	1

Index No.	Part No.	Description	Q'ty Per Assembly
101	0451 3006N	Tapping Screw - 3x6	
102	0451 4008N	Tapping Screw:4x8	
103	0454 4008Q	Tapping Screw - M4x8	
104	1105 0511	Harness Clamp - LWS-0306ZC	
105	1105 0508	Harness Clamp - LWS-0711	
106	0454 3006Q	Tapping Screw - M3x6	
107	1105 0692	Clamp:LES-0503	
108	0451 4030N	Tapping Screw:M4x30	
109	1105 0522	Edge Saddle - LES0510	

94.Electrical Section 15 (D095/M077)

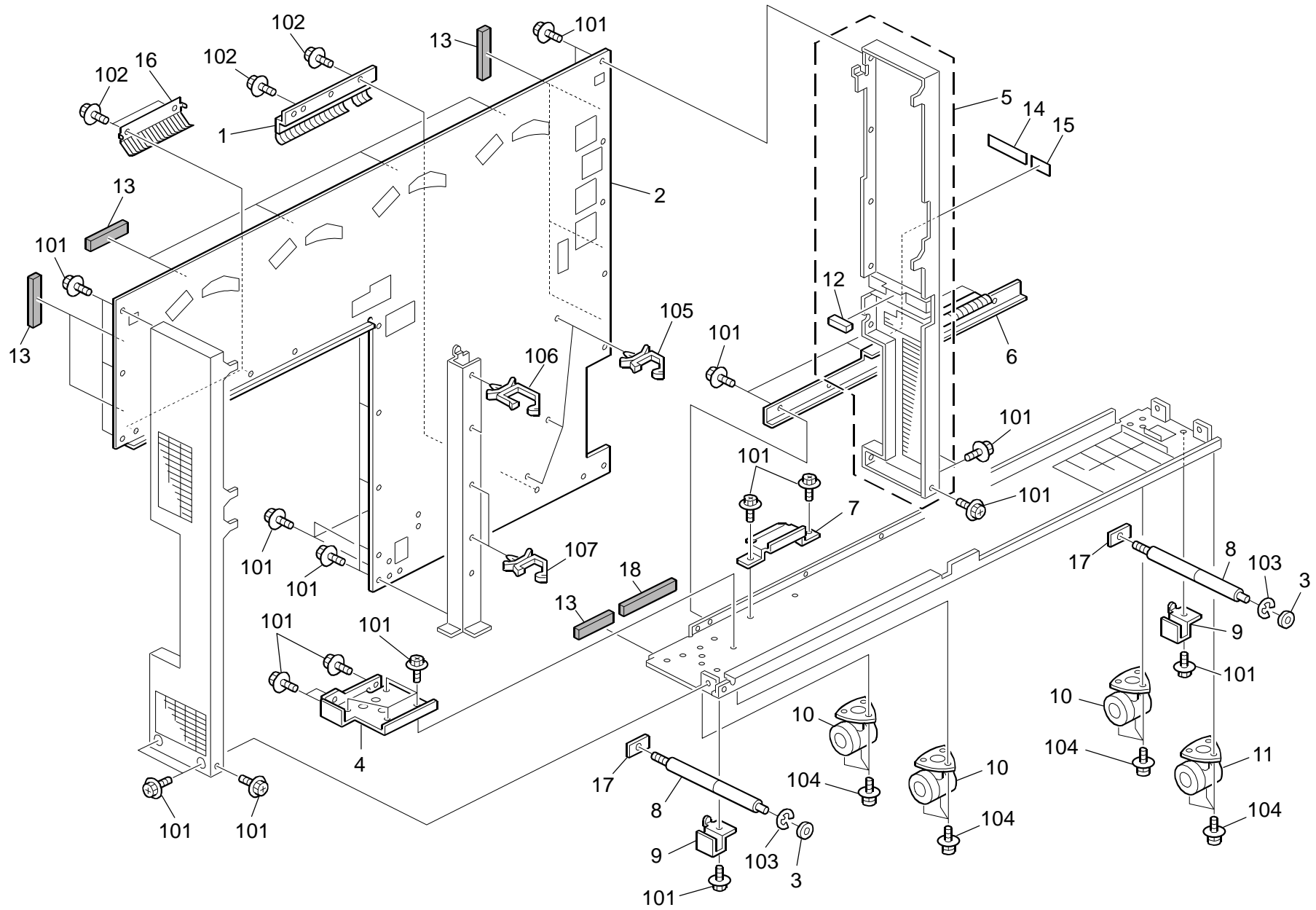


94.Electrical Section 15 (D095/M077)

Index No.	Part No.	Description	Q'ty Per Assembly
1	G178 7187	Duct:Ozone Filter:Sub-ass'y	1
2	G178 5875	Harness:Hr:Exhaust:Fan	1
3	G178 7212	Seal:Duct:Ozone Filter:Left Front	1
4	G178 7265	Duct:Sirocco:Exhaust	1
5	M077 7255	Separation Plate:Ozone Filter:Sub-ass'y	1
6	G178 1169	Cover:Leak Breaker	1
7	GX64 0024	Fan Motor - DC 3.12W	3
8	G178 7166	Cover:Connector:Fan:Upper	3
9	G178 7164	Cover:Connector:Fan:Lower	3
10	A294 1838	Ground Plate - Lens Stay	1
11	G178 7307	Sheet:Fan:Cable	1
12	M077 7250	Separation Plate:Duct:Exhaust:Sub-Ass'y	1

Index No.	Part No.	Description	Q'ty Per Assembly
101	0454 4008Q	Tapping Screw - M4x8	
102	0451 4008N	Tapping Screw:4x8	
103	0451 4030N	Tapping Screw:M4x30	
104	1105 0511	Harness Clamp - LWS-0306ZC	
105	1105 0522	Edge Saddle - LES0510	
106	0451 3006N	Tapping Screw - 3x6	

95.Electrical Section 16 (D095/M077)

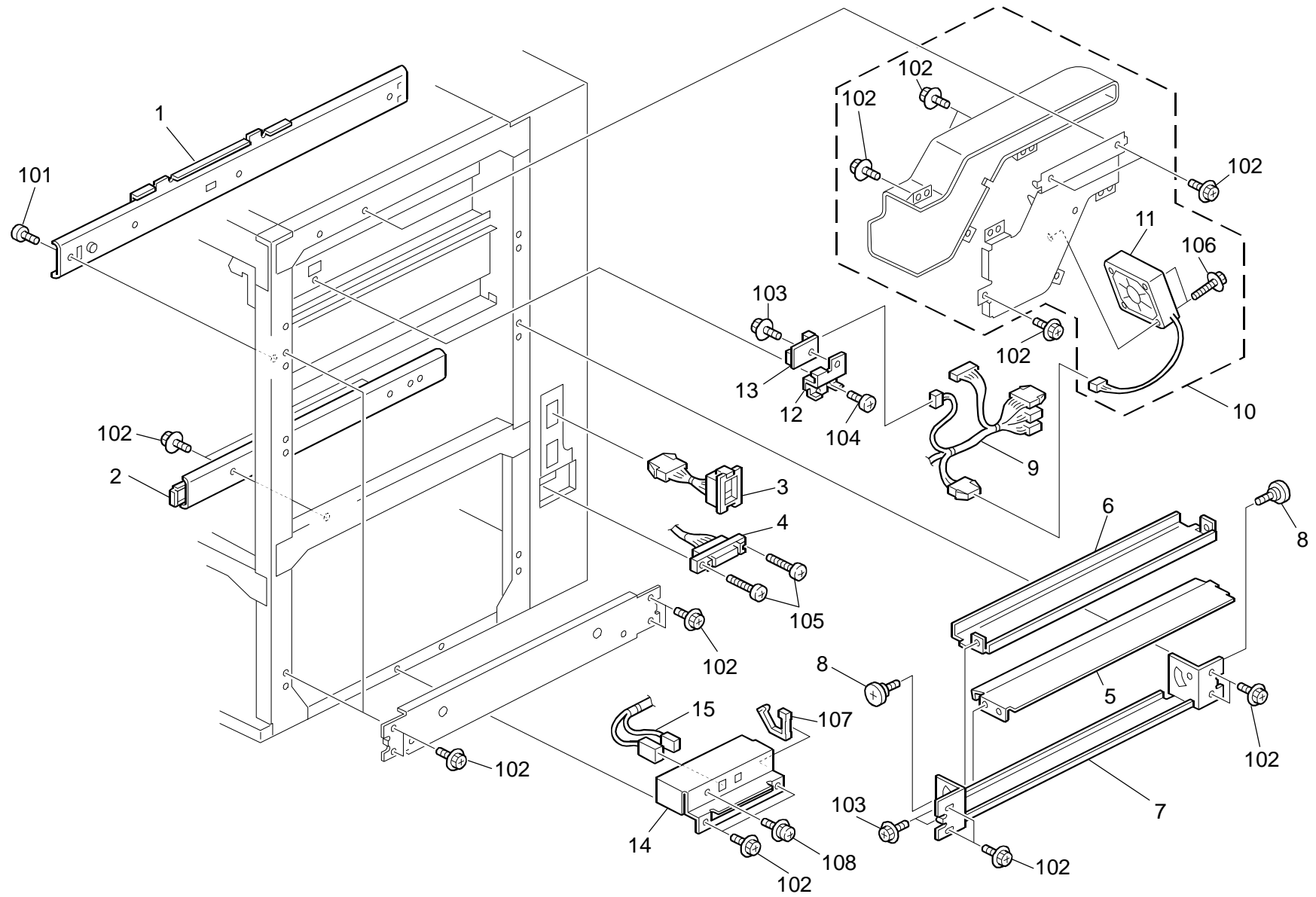


95.Electrical Section 16 (D095/M077)

Index No.	Part No.	Description	Q'ty Per Assembly
1	B132 5807	Ground Plate:Base:Control Board	1
2	G178 1184	Plate:Control Unit:Rear	1
3	AA13 2142	Spacer - M8	2
4	G178 1192	Guide Plate:Frame	1
5	G178 1144	Cover:Control Unit:Right:Sub-ass'y	1
6	G178 1230	Ground Plate:C/T Box:Peen	1
7	G178 1152	Stopper:C/T Box:Lower	1
8	M077 1191	Full Dug Point Screw:Base:Lower	2
9	G178 1189	Holder:Screw:Base:Lower	2
10	AH01 2035	Caster - 980N	3
11	C632 1194	Caster:Stopper	1
12	G178 7208	Seal:Duct:Ozone Filter:Left/Right	1
13	B275 1186	Gasket:Tray:IPU/MCU:Upper	1
14	AA00 0203	Gasket:Tray:IPU/MCU:Upper	9
15	AA00 0548	Ground Plate:C/T Box:Upper	2
16	G178 6193	Ground Plate:C/T Box:Upper	2
17	M077 1192	Plain Washer:Base:Lower	2
18	M077 7279	Gasket:Control Unit:Base:Rear	1

Index No.	Part No.	Description	Q'ty Per Assembly
101	0451 4008N	Tapping Screw:4x8	
102	0451 3006N	Tapping Screw - 3x6	
103	0720 0050E	Retaining Ring - M5	
104	0954 5014N	Screw - M5x14	
105	1105 0516	Clamp	
106	1105 0490	Harness Clamp - IWS-2218	
107	1105 0488	Harness Clamp	

96.Frame Section 1 (D095/M077)

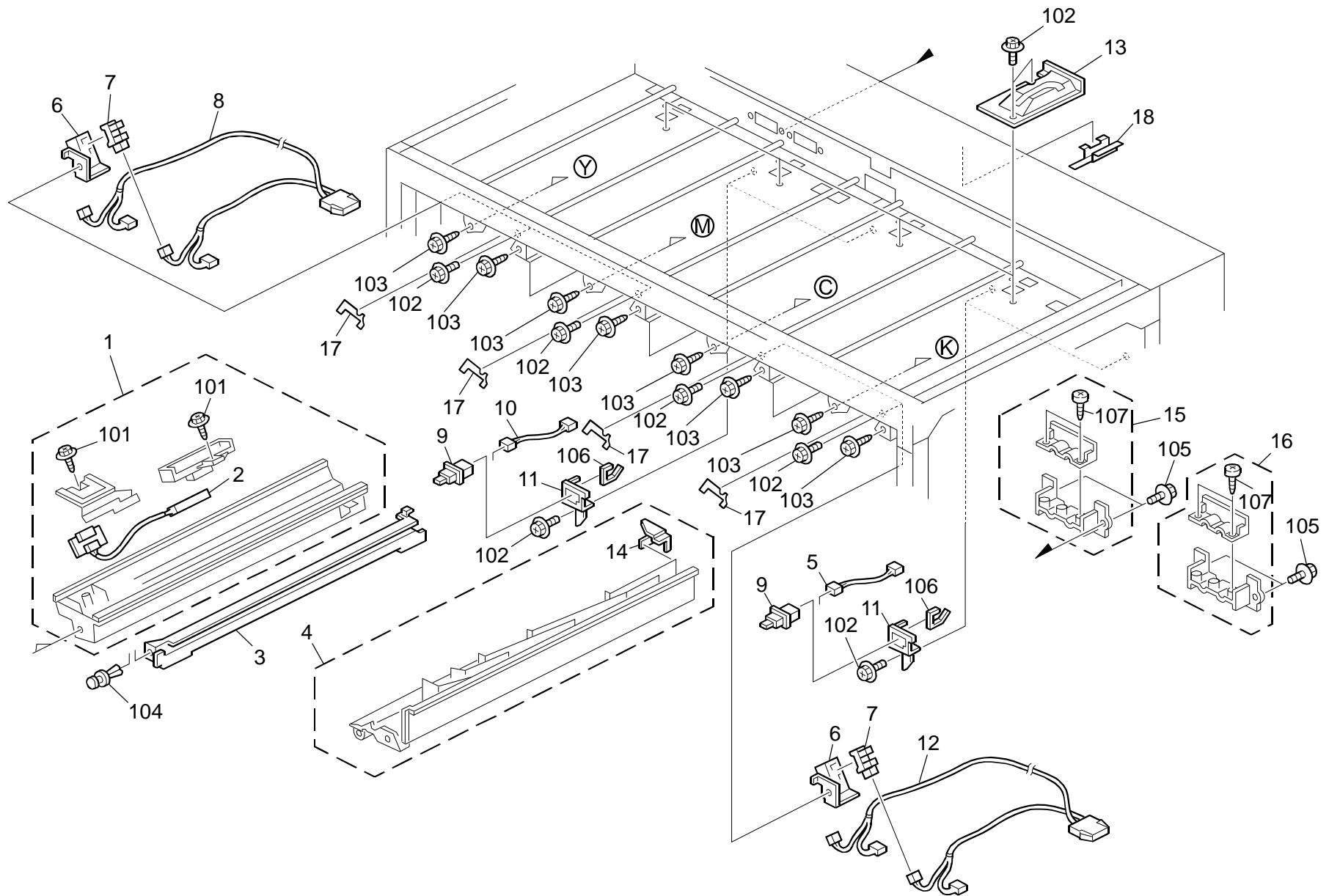


96.Frame Section 1 (D095/M077)

Index No.	Part No.	Description	Q'ty Per Assembly
1	G178 6506	Slide Rail:Intermediate Transfer	1
2	B234 4490	Slide Rail - Fusing/Paper Exit Unit	1
3	D059 5632	Harness:Power Source:Large Capacity Tray: Connecting	1
4	G178 5683	Harness:lpu-sbu:l/F	1
5	G178 7786	Guide:Entrance:Upper:Lower	1
6	G178 7785	Guide:Entrance:LCT:Upper	1
7	G178 7784	Bracket:Guide:Paper Feed	1
8	AA14 3801	Screw:M4:Exterior	2
9	G178 5889	Harness:Opt:Fan:Connecting	1
10	G178 7111	Duct:Right Upper:Main:Ass'y	1
11	AX64 0150	Fan Motor:MM60:25mm:DC24V 4.8W	1
12	G178 5474	Bracket:Temp & Humidity Sensor	1
13	AW14 0015	Temperature & Humidity Sensor	1
14	G178 5409	Bracket:Connector:LCT:AC-IF	1
15	G178 5699	Harness:AC:Main Switch	1

Index No.	Part No.	Description	Q'ty Per Assembly
101	0354 0060N	Screw-M4x6	
102	0451 4008N	Tapping Screw:4x8	
103	0451 3006N	Tapping Screw - 3x6	
104	0354 0050N	Screw - M4x5	
105	8010 213	Screw - M2.6x8	
106	0360 4030N	Screw:M4x30	
107	1105 0521	Clamp - LES-1017	
108	0954 4008N	Screw - M4x8	

97.Frame Section 2 (D095/M077)

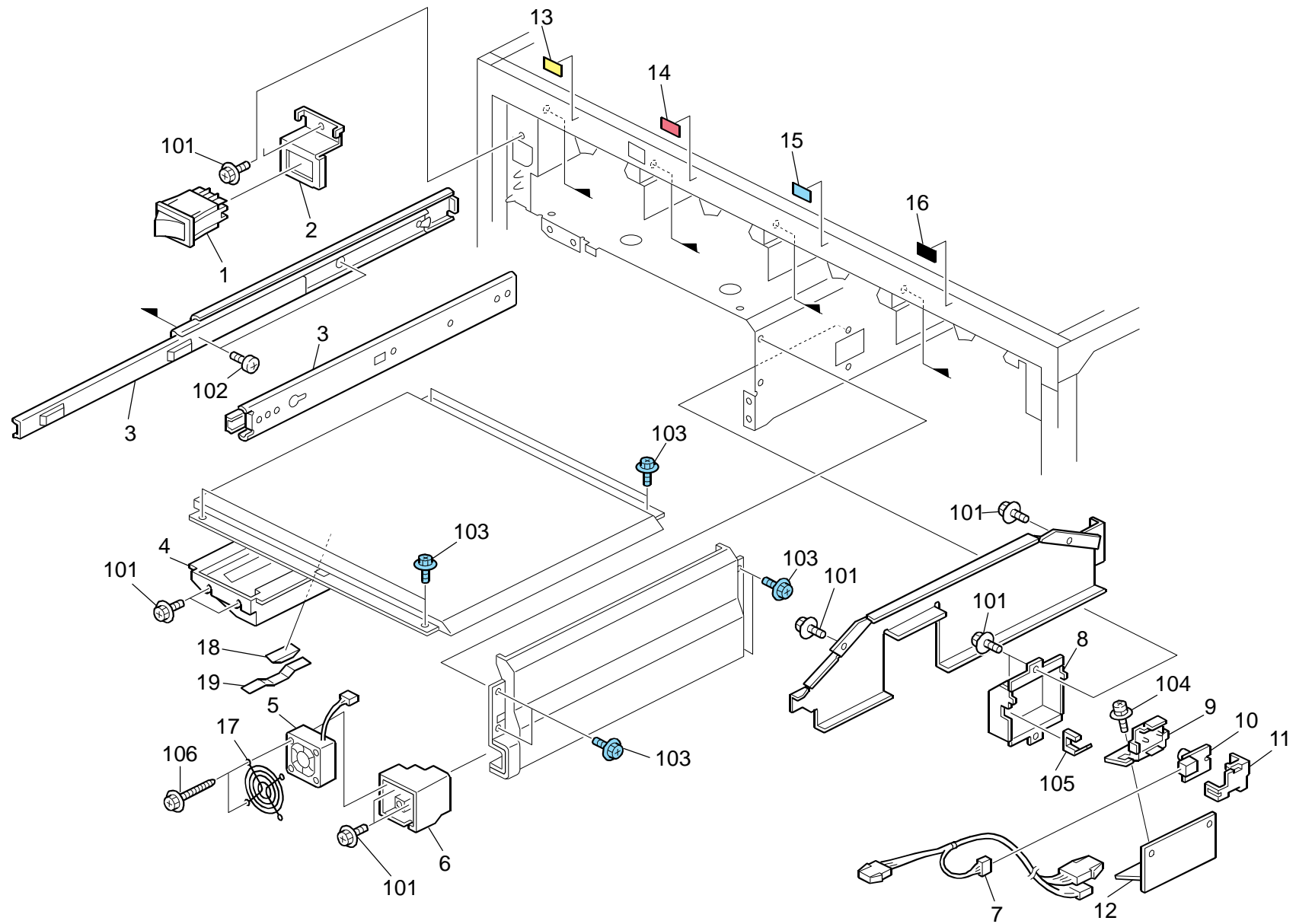


97.Frame Section 2 (D095/M077)

Index No.	Part No.	Description	Q'ty Per Assembly
1	G178 2619	Duct:Charge:Left Lower:Black	1
1	G178 2620	Duct:Charge:Left Lower:Magenta	1
1	G178 2621	Duct:Charge:Left Lower:Cyan	1
1	G178 2622	Duct:Charge:Left Lower:Yellow	1
2	G178 2549	Electric Potential Sensor	1
3	G178 2541	Guide:Charge Corona:Left:Ass'y	4
4	M077 2625	Duct:Charge:Right:Ass'y	4
5	G178 5872	Harness:Drum:Cl:Set:CK	2
6	G178 2528	Bracket:Home Position Sensor	4
7	AW02 0145	Photointerruptor:Flat	4
8	M077 5536	Harness:Charge:Sensor:YM	1
9	AW50 0023	Push Switch	4
10	G178 5863	Harness:Drum:Cl:Set:MY	2
11	G178 3752	Bracket:Push Switch	4
12	M077 5537	Harness:Charge:Sensor:CK	1
13	G178 2565	Duct:Charge:Left Upper:Ass'y	4
14	G178 2623	Holder:Duct:Entrance	1
15	G178 2197	Holder:Harness:Lde Control:No.1	1
16	G178 2198	Holder:Harness:Ld Control:No.2	1
17	G178 2547	Seal:Charge Corona:Frame:Front	4
18	M077 1162	Cover:Harness:Protection	1

Index No.	Part No.	Description	Q'ty Per Assembly
101	0450 3008N	Tapping Screw - M3x8	
102	0451 4008N	Tapping Screw:4x8	
103	0450 4010N	Tapping Screw:M4x10	
104	1005 0734	Nylon Rivet - NRP355	
105	0451 3006N	Tapping Screw - 3x6	
106	1105 0551	Clamp:LES-0505	
107	0452 3010N	Relay Connector - 2P	

98.Frame Section 3 (D095/M077)

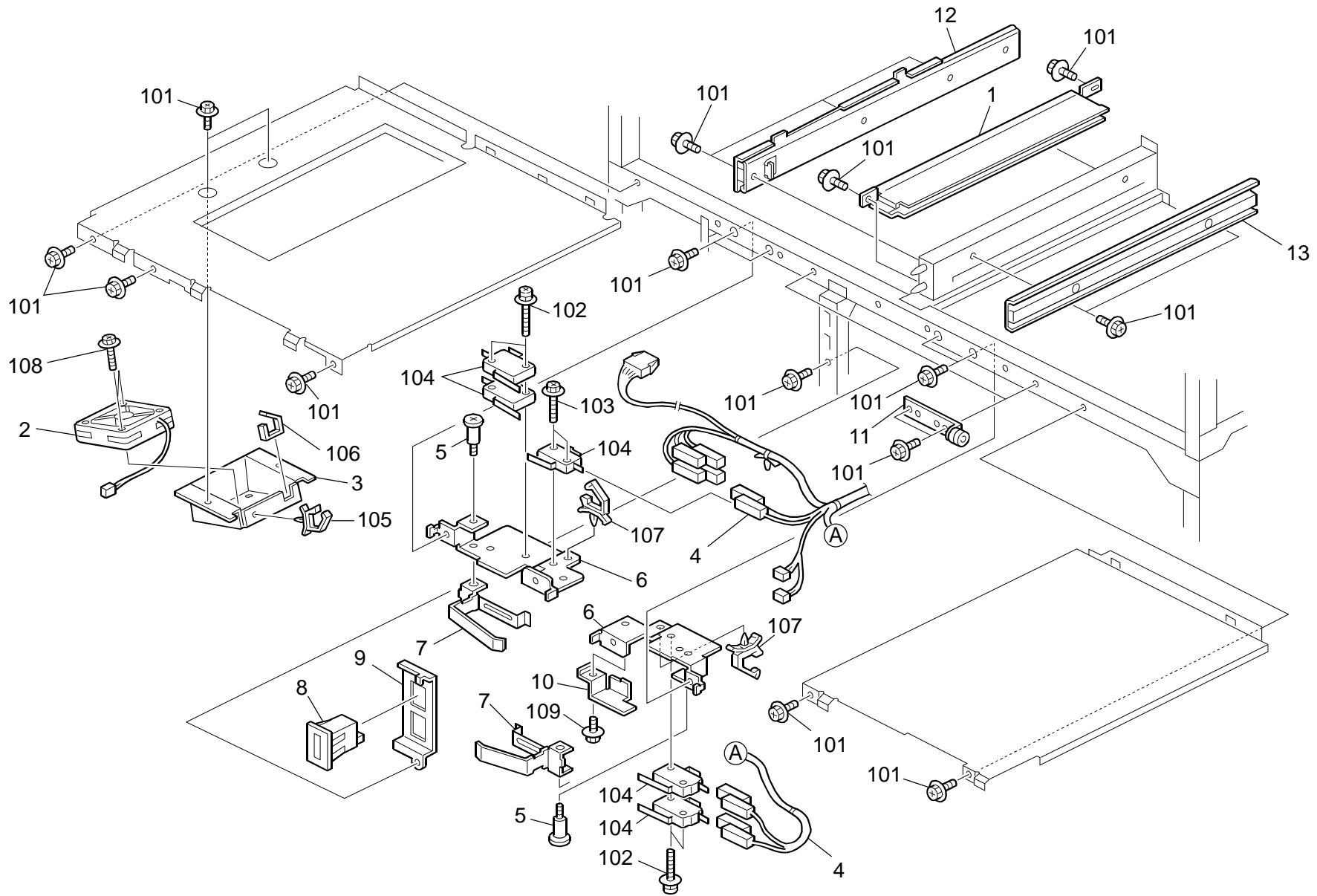


98.Frame Section 3 (D095/M077)

Index No.	Part No.	Description	Q'ty Per Assembly
1	G178 5488	Main Switch:Main	1
2	G178 5494	Bracket:Main Switch	1
3	G178 1139	Slide Rail:Development Unit	8
4	G178 7167	Duct:Paper Exit Sub-unit:Upper	1
5	AX64 0150	Fan Motor:MM60:25mm:DC24V 4.8W	1
6	G178 7175	Duct:Fan:1st Transfer:Lower	1
7	G178 5817	Harness:1st Transfer:Lower:Fan:I/F	1
8	M077 4226	Case:Thermopile	1
9	B223 4332	Holder:Thermopile	1
10	AW10 0106	Thermopile	1
11	B223 4331	Cover:Thermopile	1
12	M077 4227	Holder:Thermopile:Heat Roller:Welding	1
13	GA00 3020	Decal:Development Unit:Display:Y	1
14	GA00 3021	Decal:Development Unit:Display:M	1
15	GA00 3022	Decal:Development Unit:Display:C	1
16	GA00 3023	Decal:Development Unit:Display:K	1
17	G178 7176	Guard:Fan:1st Transfer:Lower	1
18	G178 4933	Sponge:Duct:Paper Exit Sub-unit:Upper	1
19	G178 4932	Seal:Duct:Paper Exit Sub-unit:Upper	1
20	M077 1195	Cover:Harness:Fusing Unit:Right Sideways	1

Index No.	Part No.	Description	Q'ty Per Assembly
101	0451 4008N	Tapping Screw:4x8	
102	0354 0040N	Screw-M4x4	
103	0454 4008Q	Tapping Screw - M4x8	
104	0954 3006N	Screw - M3x6	
105	1105 0551	Clamp:LES-0505	
106	0450 4035N	Tapping Screw:4x35	

99.Frame Section 4 (D095/M077)

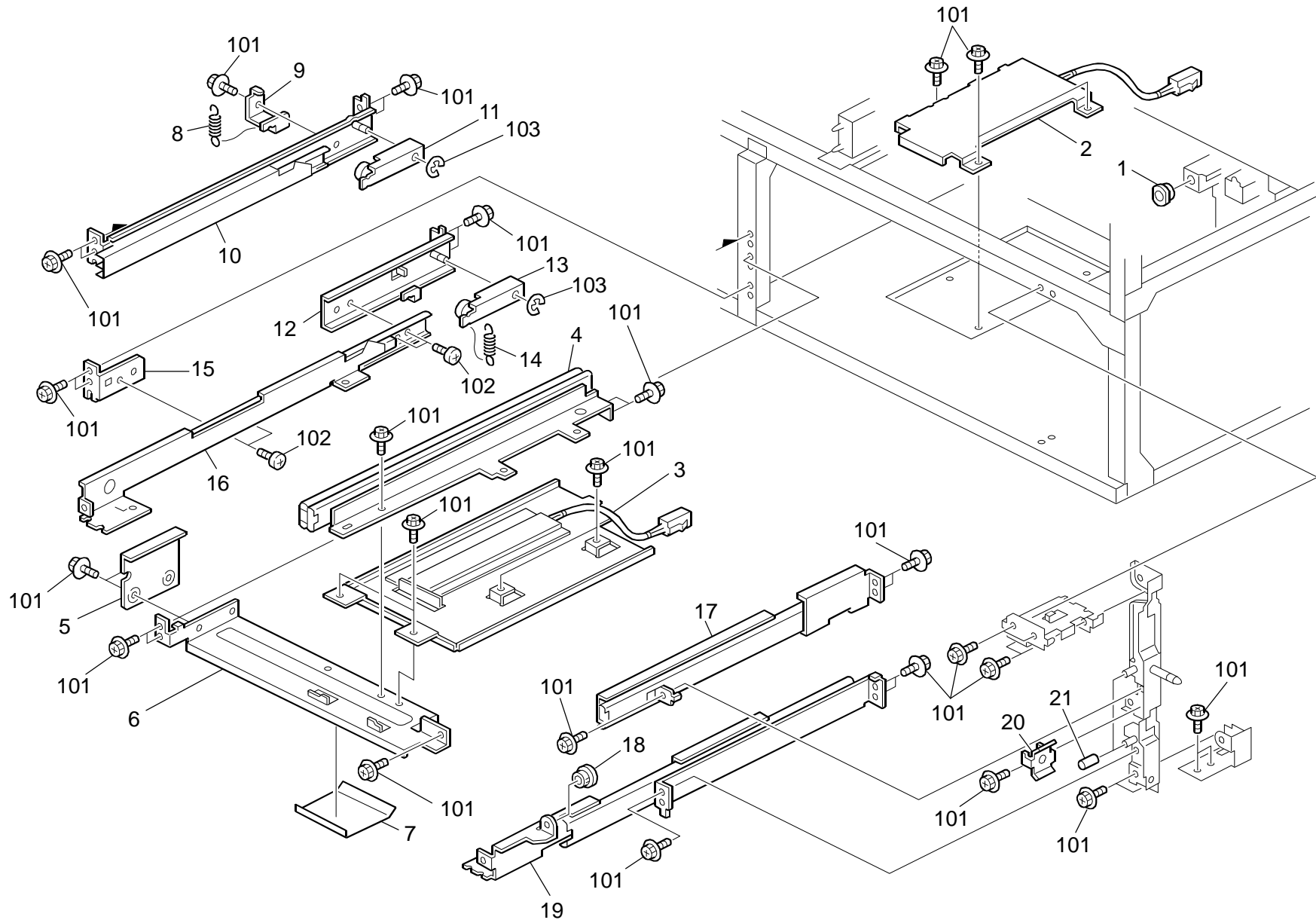


99.Frame Section 4 (D095/M077)

Index No.	Part No.	Description	Q'ty Per Assembly
1	G178 4719	Guide Plate:Duplex:Middle	1
2	GX64 0024	Fan Motor - DC 3.12W	1
3	G178 7220	Bracket:Fan:Duplex:Left Lower	1
4	G178 5713	Harness:Door Switch:Counter:I/F	1
5	AA14 3797	Connector Guide Pin	2
6	G178 5499	Bracket:Safety Switch:Front	2
7	G178 5493	Lever:Safety Switch:Front	2
8	AX31 0045	Total Counter:7Fig:24V	2
9	G178 5476	Bracket:Total Counter:Main	1
10	G178 5414	Cover:Safety Switch:Front Right	1
11	G178 4653	Bracket:Holder:Duplex:Ass'y	2
12	G178 4746	Slide Rail:Exit	1
13	B234 4490	Slide Rail - Fusing/Paper Exit Unit	1

Index No.	Part No.	Description	Q'ty Per Assembly
101	0451 4008N	Tapping Screw:4x8	
102	0954 3025N	Screw:Polished Round/Spring:M3x25	
103	0451 3014N	Tapping Screw:3x14	
104	1204 2521	Micro Switch	
105	1105 0511	Harness Clamp - LWS-0306ZC	
106	1105 0551	Clamp:LES-0505	
107	1105 0487	Harness Clamp	
108	0451 4030N	Tapping Screw:M4x30	
109	0451 3006N	Tapping Screw - 3x6	

100.Frame Section 5 (D095/M077)

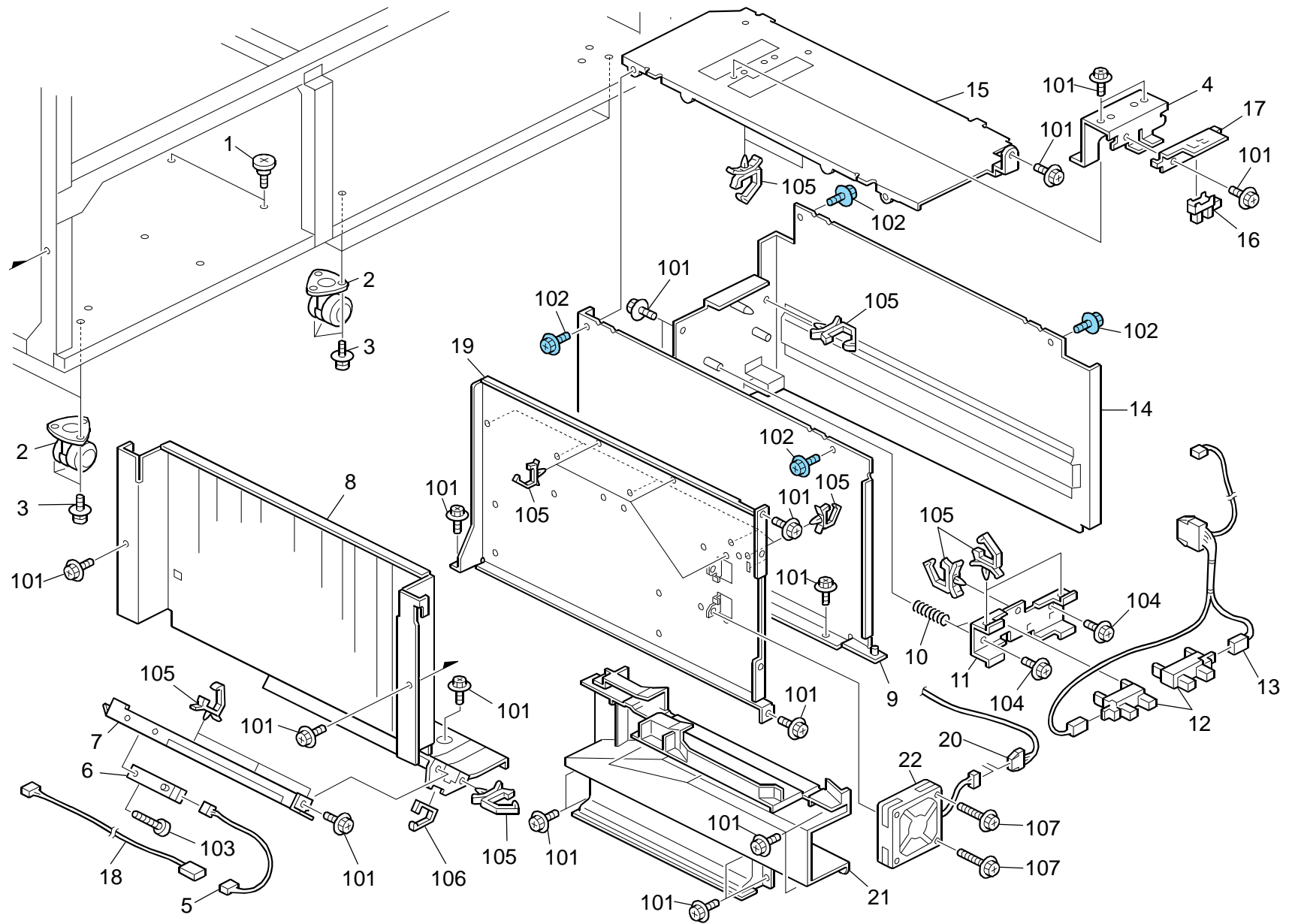


100.Frame Section 5 (D095/M077)

Index No.	Part No.	Description	Q'ty Per Assembly
1	B234 6141	Positioning Sleeve - Inner Back	1
2	B234 6191	Heater Unit - Lower	1
3	B234 6190	Heater Unit - Upper	1
4	B234 6138	Rail - Tandem LCT	1
5	B065 6777	Supporting Plate	1
6	B234 6169	Stay - Tandem LCT	1
7	AA15 0406	Seal - Misfeed Removal	1
8	AA06 0761	Spring	1
9	B132 6742	Left Rail Bracket	1
10	B234 6160	Tandem LCT Rail - Left	1
11	B065 6135	Lock Arm - Tandem Tray	1
12	B234 6173	Rail Stay - Left	1
13	B065 6136	Tray Lock Arm	1
14	AA06 0534	Tray Lock Spring - 19mm	1
15	B234 6170	Slide Rail Bracket - Left	1
16	B132 6692	Slide Rail:Left:Sub-ass'y	1
17	B132 7591	Rail:Paper Tray:Ass'y	1
18	B234 6188	Slide Sleeve Positioning	1
19	B234 6181	Slide Rail - Right	1
20	B234 6125	Harness Guide Bracket	1
21	B004 2995	Cap - Positioning	2

Index No.	Part No.	Description	Q'ty Per Assembly
101	0451 4008N	Tapping Screw:4x8	
102	0314 0060N	Screw - M4x6	
103	0720 0040E	Retaining Ring - M4	

101.Frame Section 6 (D095/M077)

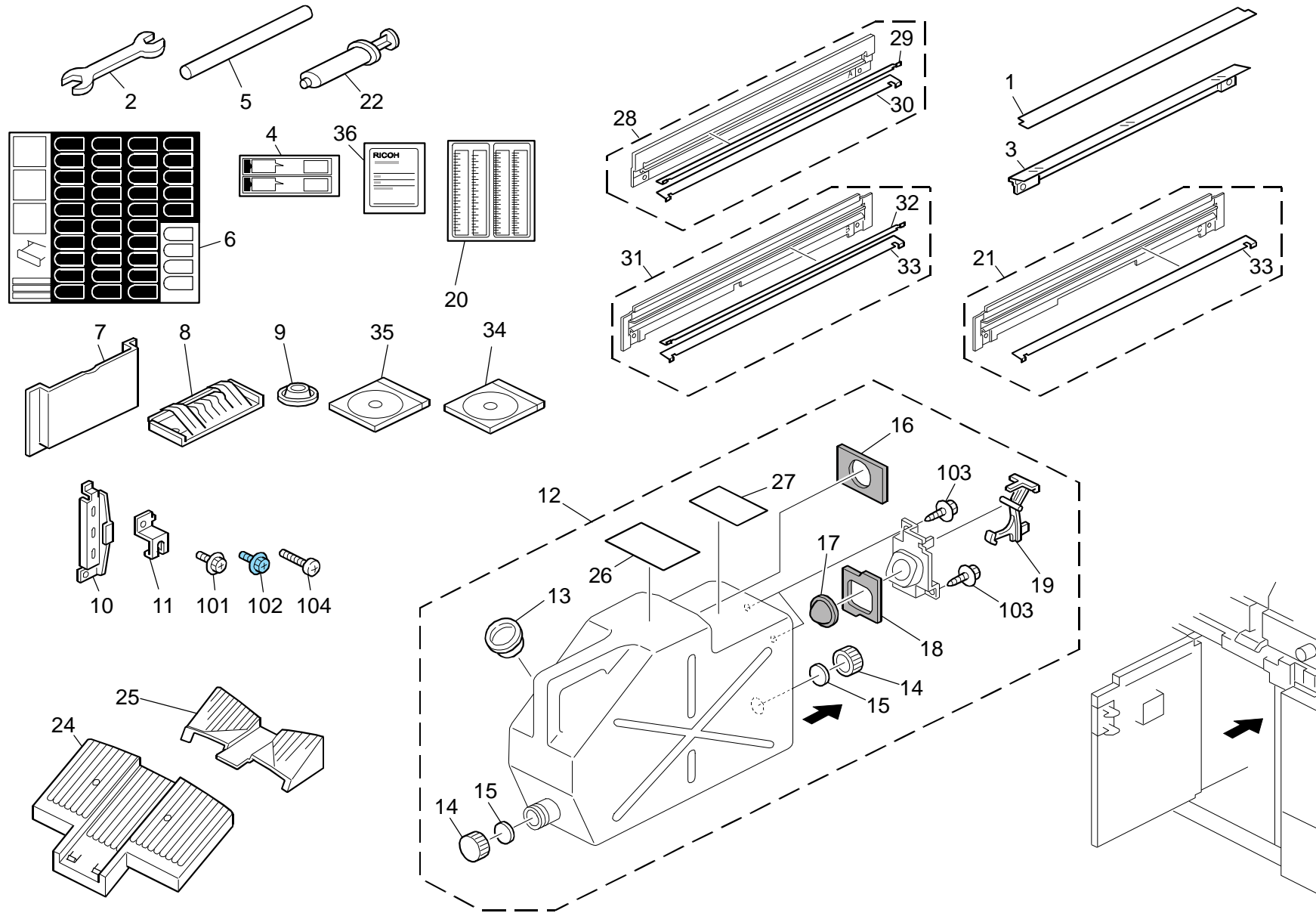


101.Frame Section 6 (D095/M077)

Index No.	Part No.	Description	Q'ty Per Assembly
1	AA14 3545	Screw:M4	2
2	AH01 2031	Caster:1470N	6
3	G178 1138	Screw With Washer:M6x14	18
4	G178 7076	Plate:Pipe:Stopper:Toner Collection	1
5	G178 5779	Harness:Transport:Reverse:Sensor	1
6	AW01 0127	Paper Feed Sensor	1
7	G178 4877	Bracket:Sensor:Receiving Sub-unit	1
8	G178 4767	Guide:Exit:Receiving Sub-unit	1
9	G178 7013	Cover:Collection Bottle:Left	1
10	G178 7004	Spring	2
11	G178 6972	Bracket:Sensor:Toner Collection	1
12	AW02 0164	Oil End Sensor	2
13	G178 5646	Harness:Used Toner Sensor	1
14	G178 7011	Cover:Right:Toner Collection	1
15	G178 6961	Cover:Collection Bottle:Upper	1
16	AW02 0145	Photointerruptor:Flat	1
17	G178 7080	Holder:Sensor:Toner Collection	1
18	G178 5868	Harness:Switchback:Lower:Sensor:I/F	1
19	M077 7277	Duct:Stand:Lower	1
20	M077 5522	Harness:Base:Lower:Fan	1
21	M077 7278	Duct:Base:Lower	1
22	GX64 0024	Fan Motor - DC 3.12W	1

Index No.	Part No.	Description	Q'ty Per Assembly
101	0451 4008N	Tapping Screw:4x8	
102	0454 4008Q	Tapping Screw - M4x8	
103	0353 0100N	Screw-M3x10	
104	0451 3006N	Tapping Screw - 3x6	
105	1105 0511	Harness Clamp - LWS-0306ZC	
106	1105 0522	Edge Saddle - LES0510	
107	0451 4030N	Tapping Screw:M4x30	

102.Accessory (D095/M077)

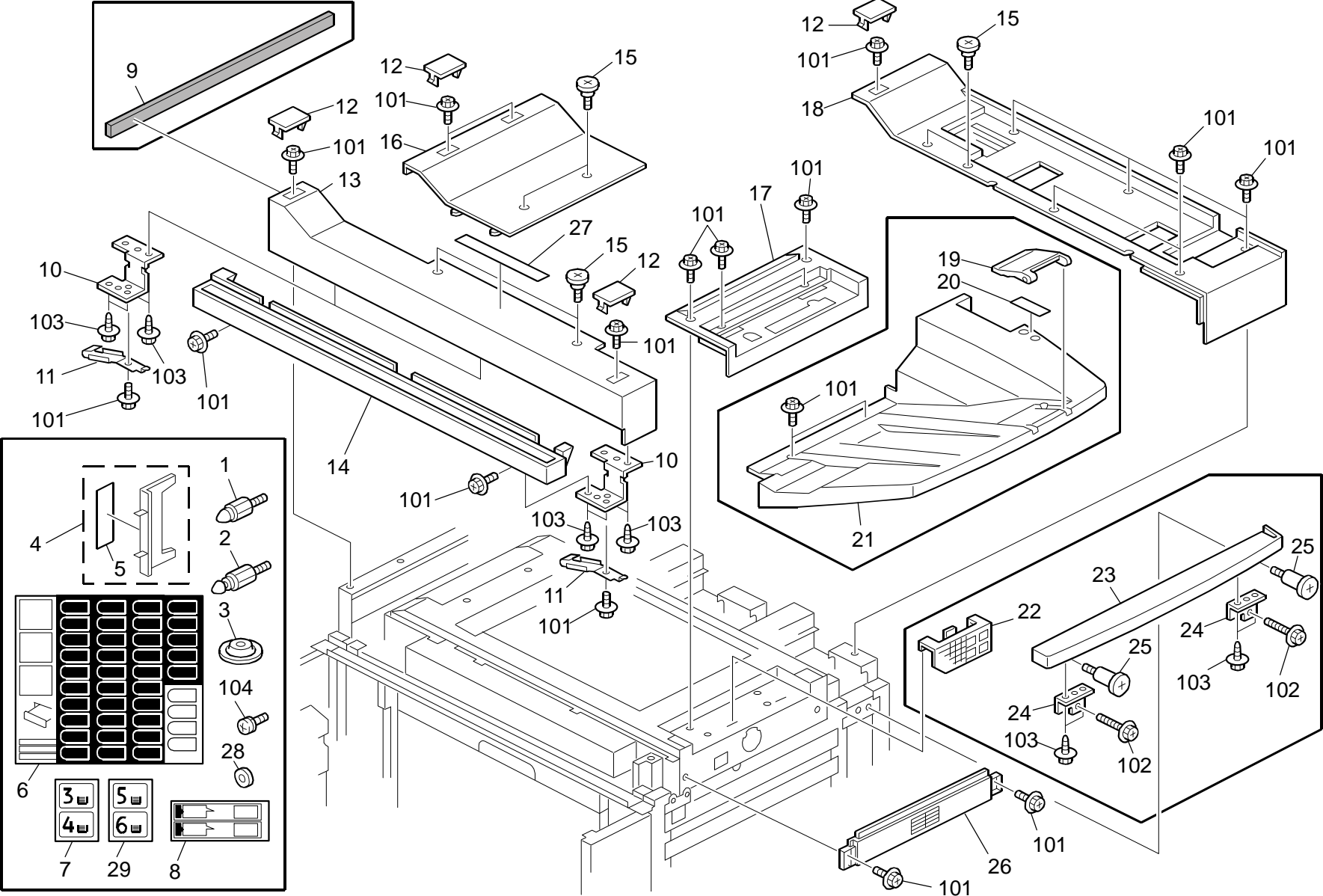


102.Accessory (D095/M077)

Index No.	Part No.	Description	Q'ty Per Assembly
1	G178 5066	Sheet:Finishing Section:Upper	1
2	G178 8350	Wrench:Hexagonal Bolt	1
3	G178 5063	Guide Plate:Finishing Section:2	1
4	B070 1307	Decal:Paper Set Direction	1
5	G178 4155	Guide:Heater	1
6	G178 2958	Decal:Size Indication:Multi-language	1
7	B027 8521	O/i Holder - Assembly	1
8	G178 5444	Ground Plate:Main:Lower:Ass'y	1
9	G178 1141	Holder:Stand:M20	4
10	D014 5973	Cover:SD-Card	1
11	D377 5852	Bracket:NIC:VC2:Engine	1
12	G178 6973	Collection Bottle:Ass'y	1
13	B132 6594	Cap:Tank:DIA35	1
14	A134 2380	Toner Collection Bottle Cap	2
15	G178 7819	Seal:Cap:Collection Bottle	2
16	G178 6975	Seal:Collection Bottle	1
17	G178 6954	Seal:Feeler:Dual Faces Tepe	2
18	G178 7815	Seal:Bottle:Feeler	2
19	G178 6971	Feeler:Toner Collection	2
20	D355 1375	Decal:Paper Tray:Scale	1
21	M077 4710	Guide Plate:Ass'y	1
22	G178 3185	Dispenser:6ML	1
24	B830 3333	Tray:Slide	1
25	G178 8356	Tray:Slide	1
26	G178 7812	Decal:Collection Bottle:No.1	1
27	G178 7813	Decal:Collection Bottle:No.2	1
28	G178 5099	Guide Plate:Ass'y	1
29	G178 5106	Sheet:Guide Plate:Upper	1
30	G178 5107	Sheet:Guide Plate:Lower	1
31	G178 5101	Guide Plate:Ass'y	1
32	G178 5103	Sheet:Guide Plate:Upper	1
33	G178 5104	Sheet:Guide Plate:Lower	1
34	AA00 2262	CD-ROM:Manual:RICOH_Admin:Ass'y	1
35	G178 1679	DVD-ROM:User_Soft:AGP1:EXP:Ass'y	1

Index No.	Part No.	Description	Q'ty Per Assembly
101	0451 4008N	Tapping Screw:4x8	
102	0454 3006Q	Tapping Screw - M3x6	
103	0450 3010P	Tapping Screw:3x10	
104	0354 0080N	Screw:M4x8	

103.Exterior 1 (D095)

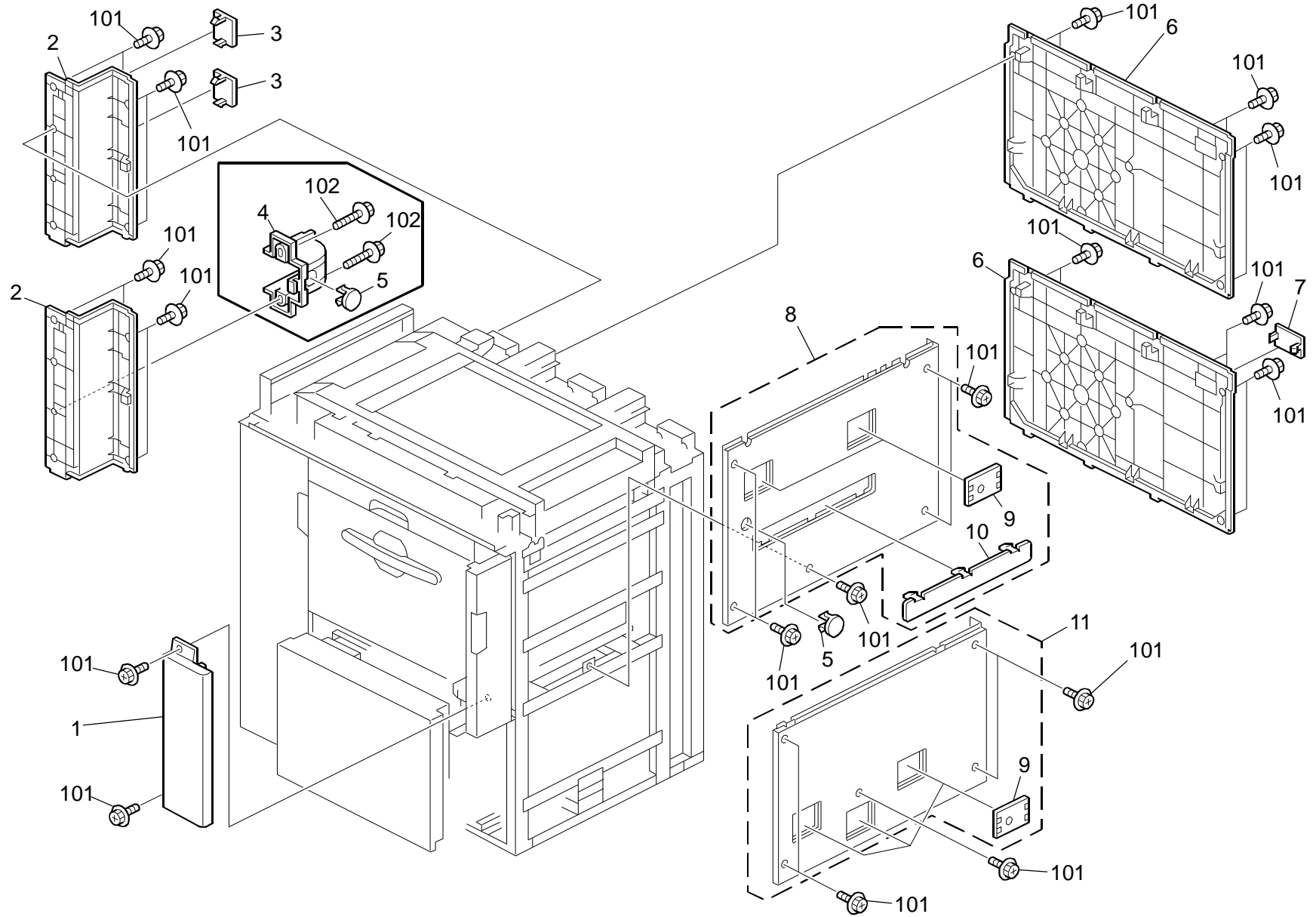


103.Exterior 1 (D095)

Index No.	Part No.	Description	Q'ty Per Assembly
1	B832 1101	Positioning Pin - Lower	2
2	B832 1100	Positioning Pin - Upper	2
3	B132 1226	Holder:Stand	4
4	D355 2784	End Fence:Tab:Ass'y	1
5	D350 1322	Decal:End Fence:Tab	1
6	G178 2958	Decal:Size Indication:Multi-Language	1
7	D355 4575	Decal:Paper Tray:LCT	1
8	B070 1307	Decal:Paper Set Direction	2
9	B832 1371	Spacer Cushion	1
10	D016 1983	Bracket:Fix:Cover:Scanner:Upper Front	3
11	D016 1116	Spring Plate:Earth:Lock	3
12	D095 1260	Cap:Cover:SCA	5
13	D095 1978	Cover:Upper:Scanner	1
14	D016 1977	Cover:Upper Front:Scanner	1
15	AA14 3560	Stepped Screw - M4	6
16	D095 1979	Cover:Upper Left:Scanner	1
17	D095 1251	Cover:Upper Right	1
18	D095 1980	Cover:Upper Rear:Scanner	1
19	B234 1263	Stopper - ADF Exit Tray	1
20	D016 1994	Decal:Tray:Exit:ADF	1
21	B234 1265	Tray:Exit:ADF	1
22	B234 1845	Filter:Ass'y	1
23	D355 1371	Cover:Upper:Extension	1
24	D016 1372	Bracket:Cover:Extension	2
25	B706 1859	Screw:Slider:Lock	2
26	D095 1981	Cover:Upper Right:Louver	1
27	D095 1341	Decal:Caution:Original:English	1
28	D002 5998	Washer:DIA4.5:DIA10	1
29	D379 4575	Decal:Paper Tray:Coupling	1

Index No.	Part No.	Description	Q'ty Per Assembly
101	0451 4008N	Tapping Screw:4x8	
102	0451 4020N	Tapping Screw - M4x20	
103	0450 4008N	Tapping Screw - M4x8	
104	0954 4008N	Screw - M4x8	

104.Exterior 2 (D095)

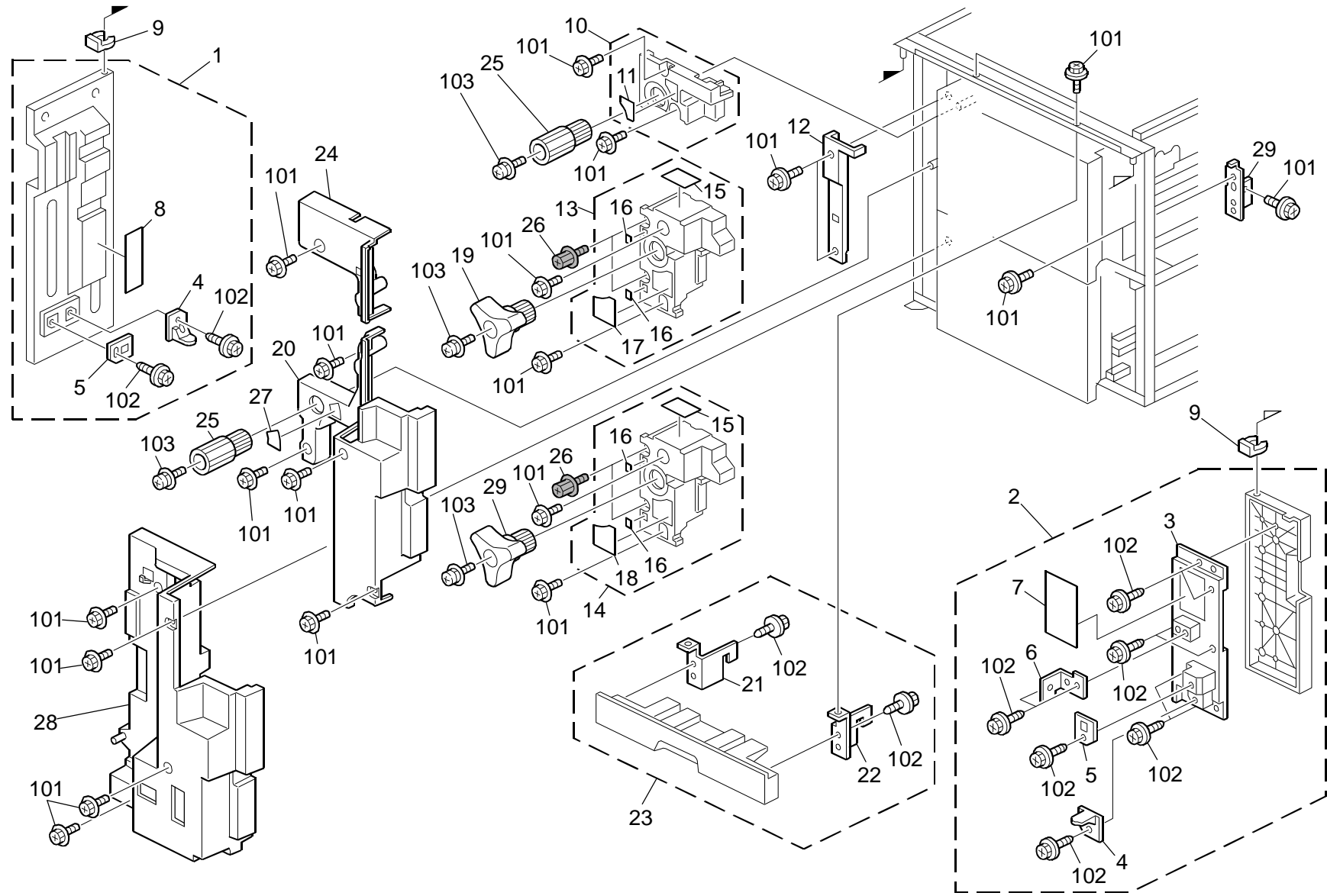


104.Exterior 2 (D095)

Index No.	Part No.	Description	Q'ty Per Assembly
1	D355 1345	Cover:Front Right:Lower	1
2	D355 1327	Cover:Rear Left	2
3	B065 1343	Ncu Cap	2
4	D016 1988	Cover:Interface Cable:Copyer	1
5	B065 1299	Cap:Mm22	2
6	D355 1326	Cover:Rear Middle	2
7	B065 1341	Connector Cap	1
8	D355 1321	Cover:Right Upper:Ass'y	1
9	B070 1312	Cap:Joint:Large Capacity Tray	5
10	B234 1313	Cover - Large Capacity Tray	1
11	D355 1323	Cover:Right Lower:Ass'y	1

Index No.	Part No.	Description	Q'ty Per Assembly
101	0451 4008N	Tapping Screw:4x8	
102	0360 4016N	Screw:M4x16	

105.Exterior 3 (D095)

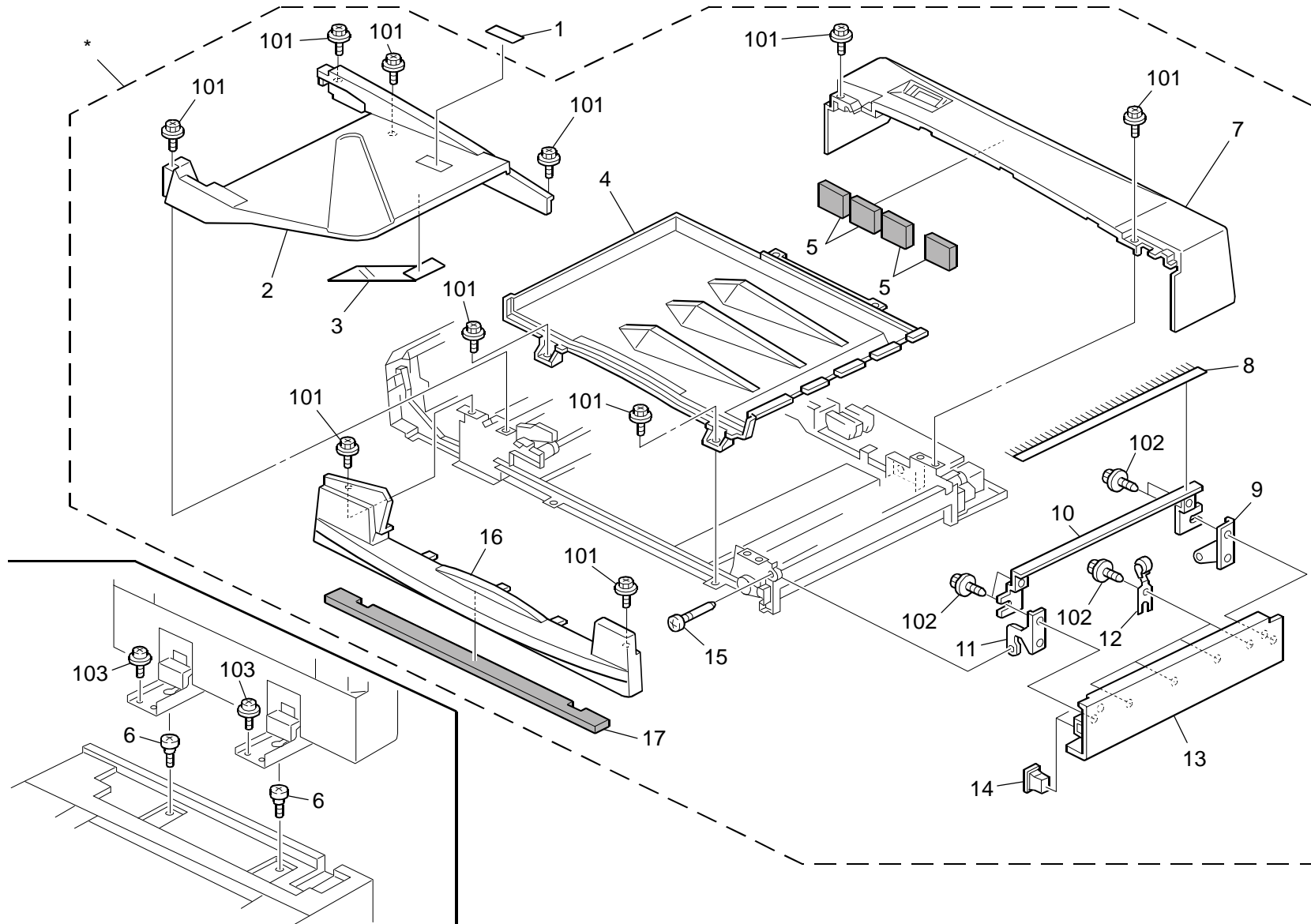


105.Exterior 3 (D095)

Index No.	Part No.	Description	Q'ty Per Assembly
1	D532 1331	Cover:Front Left:Open And Close:Ass'y	1
2	D532 1338	Cover:Front Right:Open And Close:Ass'y	1
3	D355 1340	Spacer:Cover:Front Right:Open And Close	1
4	D355 1333	Shielding Plate:Safety Switch:Door	4
5	B234 1296	Plate:Magnet Catch	2
6	D355 1344	Bracket:Stopper:Door:Front Right	1
7	D532 1352	Decal:Misfeed Removal:Right	1
8	D532 1350	Decal:Misfeed Removal:Left	1
9	5447 2681	Snap Ring	2
10	D532 1320	Inner Cover:Horizontal:Exit:Ass'y	1
11	D532 1314	Decal:Knob:Transport:Middle Upper	1
12	D355 1303	Inner Cover:Middle Upper	1
13	D532 1318	Inner Cover:Paper Feed:Upper:Ass'y	1
14	D532 1319	Inner Cover:Paper Feed:Lower:Ass'y	1
15	D532 1317	Decal:H-temp Warning:Paper Feed Unit	2
16	D453 1335	Decal:TCRU	4
17	D532 1313	Decal:Knob:Paper Feed Unit:Upper	1
18	D532 1315	Decal:Knob:Paper Feed Unit:Lower	1
19	D532 3846	Knob:Misfeed Removal	2
20	D532 1304	Inner Cover:Left Middle	1
21	D355 1139	Bracket:Fix:Transport Unit:Left	1
22	D355 1138	Bracket:Fix:Transport Unit:Right	1
23	D355 3090	Transport Unit:Horizontal:Exterior:Ass'y	1
24	D016 1991	Inner Cover:Left Upper:-C	1
25	D355 3846	Knob:Misfeed Removal	2
26	B234 2390	Flanged Hexagonal Head Bolt:M4x8	4
27	D355 1307	Decal:Knob:Left Middle	1
28	D532 1305	Inner Cover:Left Lower	1
29	D355 1185	Bracket:Fix:Cover:Right Front	1

Index No.	Part No.	Description	Q'ty Per Assembly
101	0451 4008N	Tapping Screw:4x8	
102	0450 4008N	Tapping Screw - M4x8	
103	0954 4010N	Screw:Polished Round/Spring:M4x10	

106.ADF 1 (D095)

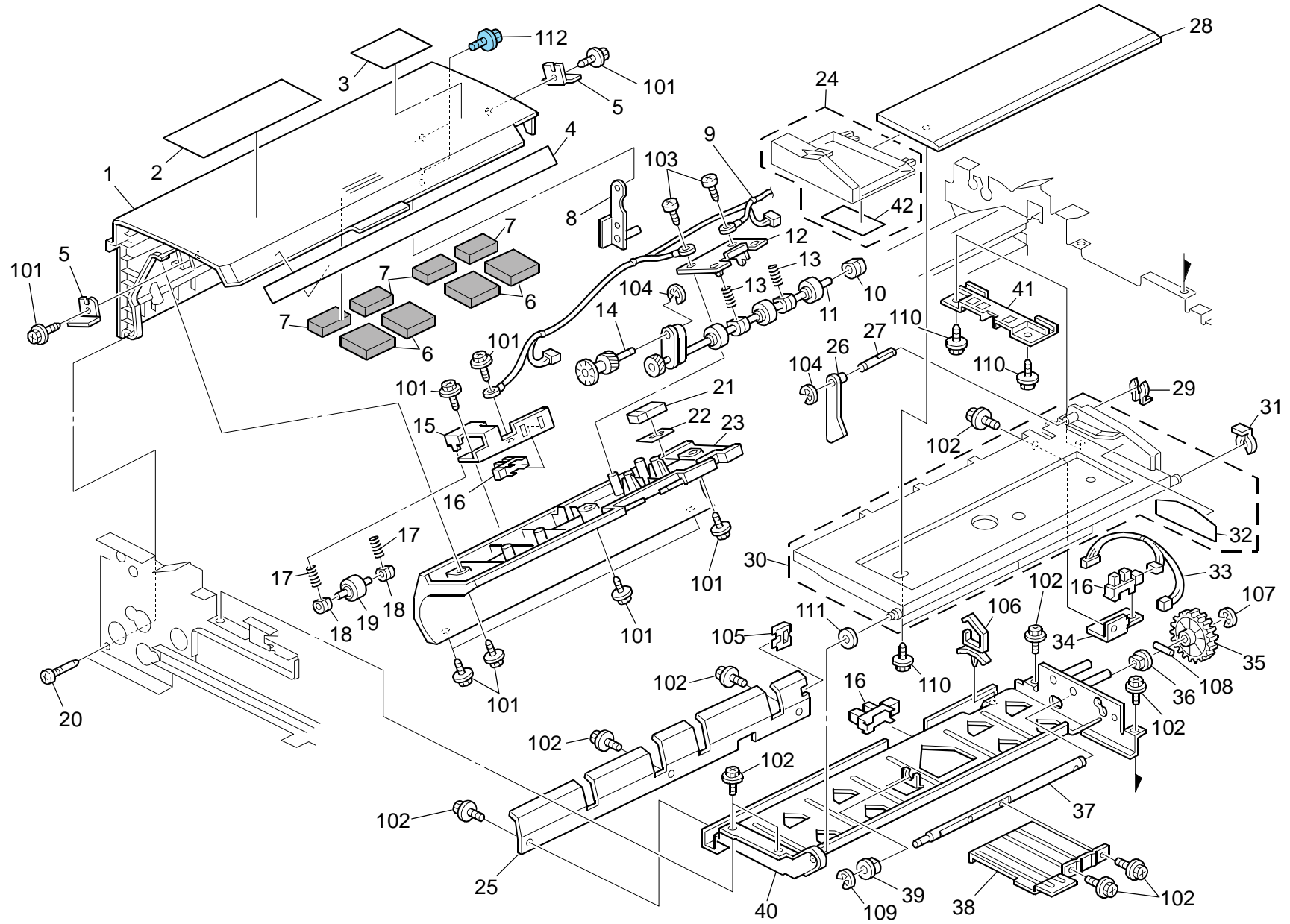


106.ADF 1 (D095)

Index No.	Part No.	Description	Q'ty Per Assembly
*	B234 7001	ARDF:Unit	1
1	B477 4431	Decal - Original Table	1
2	B301 1822	Original Table:RIC:Printing	1
3	B301 1835	Original Holder	1
4	B301 1796	Cover:Original Table:Lower:RIC	1
5	B301 4428	Sound Proofing Material - Rear	4
6	A859 7211	Stepped Screw	2
7	B301 1726	Cover:Rear:RIC:Ass'y	1
8	B301 1919	Discharge Brush - Exit	1
9	A806 3261	Inner Back Cover Bracket	1
10	A806 3266	Discharge Brush Bracket	1
11	A806 3251	Exit Cover Bracket	1
12	A663 1241	Exit Roller:Driven :AS	4
13	B301 1786	Cover:Exit:RIC	1
14	B352 2650	Magnet Catch - 5N	2
15	AA14 3788	Pin:Guide Plate:Paper Feed	1
16	B301 1716	Cover:Front	1
17	B301 4415	Sound Proofing Material - Front Lower	1

Index No.	Part No.	Description	Q'ty Per Assembly
101	0451 3008N	Tapping Screw - M3x8	
102	0450 4012N	Tapping Screw:4x12	
103	0951 5008N	Screw:Polished Round:M5x8	

107.ADF 2 (D095)

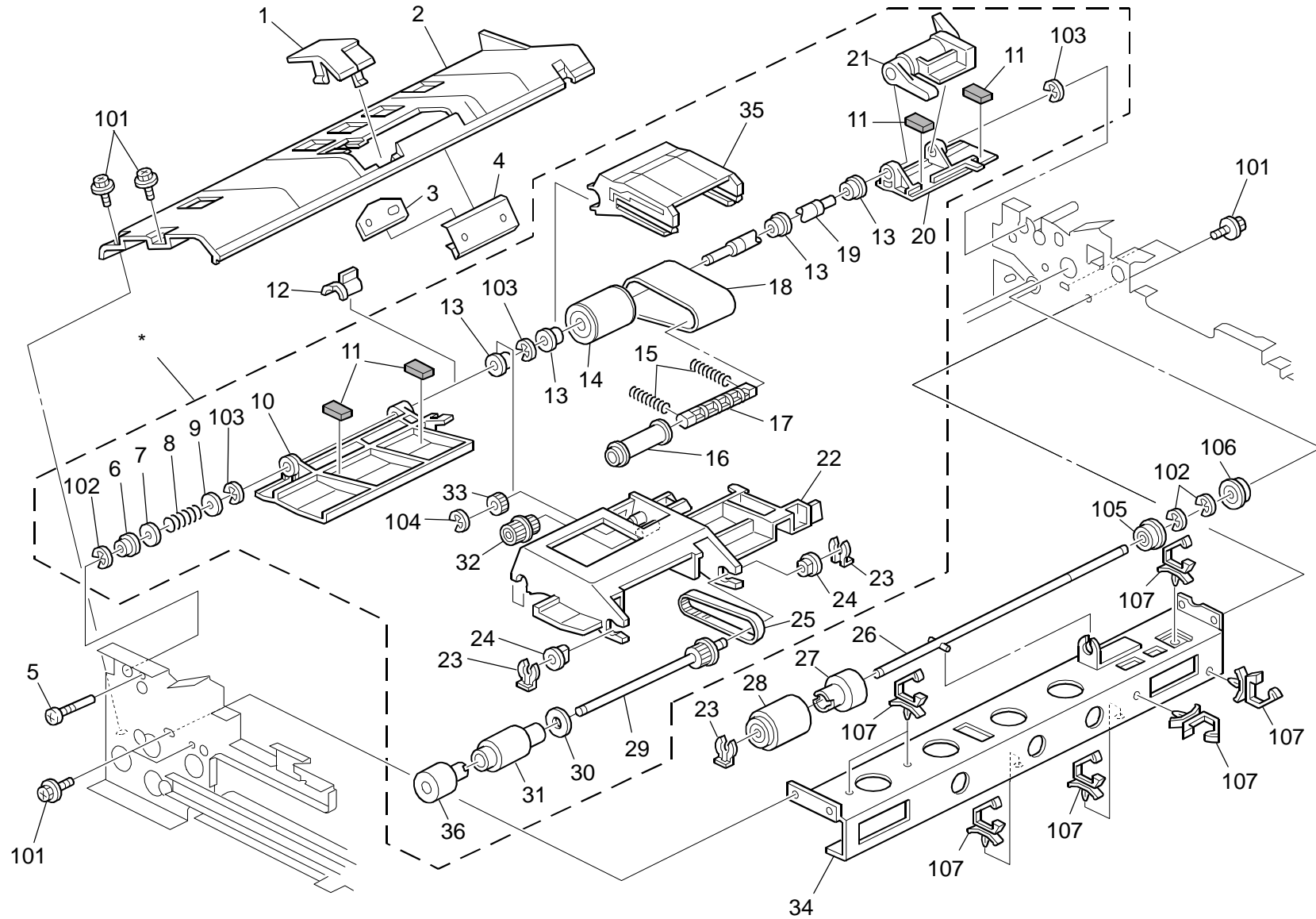


107.ADF 2 (D095)

Index No.	Part No.	Description	Q'ty Per Assembly
1	B301 1766	Paper Feed Cover	1
2	B301 4316	Decal: Misfeed Removal	1
3	B301 4357	Decal: Caution: Paper Feed	1
4	B301 4336	Decal: Size: Original: RIC	1
5	A806 1371	Magnet Catch - Paper Feed Cover	2
6	B301 4426	Sound Proofing Material - Right	4
7	B301 4427	Sound Proofing Material - Left	4
8	A806 1361	Cover Bracket	1
9	B301 5406	Harness: Connecting: Sensor: Pull Out	1
10	A680 1661	Bushing - 4mm	1
11	B301 1191	Pull-out Driven Roller	1
12	A806 1181	Pressure Roller Bracket - Pull Out	1
13	B301 4211	Spring	2
14	B301 1195	Gear - 19Z	1
15	B301 1188	Sensor Bracket	1
16	AW02 0141	Photointerruptor	3
17	B301 4222	Spring	2
18	B301 1192	Bushing - 4x6x6	2
19	B301 1198	Pull-out Driven Roller-front	1
20	AA14 3788	Pin: Guide Plate: Paper Feed	1
21	AW01 0109	Photo Reflection Sensor: PS117ED1	1
22	A806 4251	Grounding Plate	1
23	B301 1171	Pulley Cover	1
24	B301 1876	Side Fence: Table: Ass'y	1
25	A806 1335	Original Table Guide Plate	1
26	B301 1351	Original Feeler	1
27	A806 1353	Feeler Stud	1
28	G564 4151	Rail - Side Fence	1
29	5206 2686	Snap Ring	1
30	B301 1852	Base: Original Table: RIC: Ass'y	1
31	5215 2621	Snap Ring - M6	1
32	B477 4311	Decal - Original Base	1
33	B301 5290	Harness: Sensor: Original: Connecting	1
34	A806 1356	Original Sensor Bracket	1
35	A806 2281	Gear - Z47	1

Index No.	Part No.	Description	Q'ty Per Assembly
36	5053 0223	Bushing - 8mm	1
37	A806 1346	Base Shaft	1
38	A806 1342	Base Lever	1
39	5053 0447	Bushing - 6mm	1
40	B301 1341	Stay: Original Table: Ass'y	1
41	B301 1875	Hook: Harness: Base	1
42	A376 4599	Side Fence Pad	1
101	0450 4008N	Tapping Screw - M4x8	
102	0451 3008N	Tapping Screw - M3x8	
103	0452 4008N	Tapping Screw: M4x8	
104	0720 0030E	Retaining Ring - M3	
105	1105 0328	Harness Clamp - ES-0505	
106	1105 0623	Clamp - LBWS-0206S-V0	
107	0720 0060E	Retaining Ring - M6	
108	0632 0140G	Parallel Pin	
109	0720 0040E	Retaining Ring - M4	
110	0450 3008N	Tapping Screw - M3x8	
111	0807 4138	Washer (100pcs/set)	
112	0454 3008Q	Tapping Screw: 3x8	

108.ADF 3 (D095)

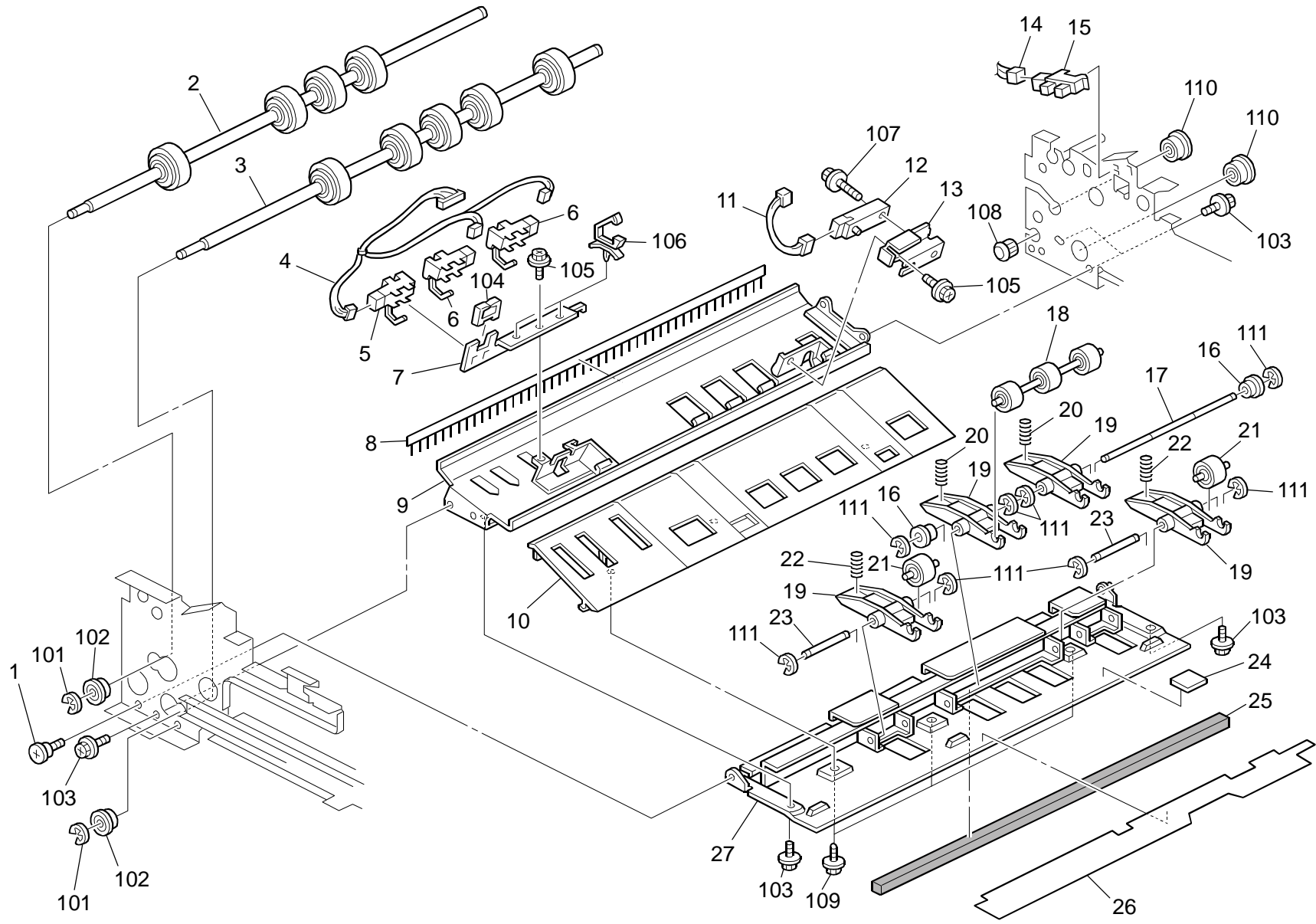


108.ADF 3 (D095)

Index No.	Part No.	Description	Q'ty Per Assembly
*	B301 1282	Shaft:Separation:Drive:Ass'y	1
1	A806 1152	Upper Guide Plate	1
2	A806 1153	Upper Guide Plate	1
3	B301 1155	Separation Support Pad	1
4	B301 1156	Separation Pad Holder	1
5	AA14 3789	Shaft:Cleaner	1
6	B301 1286	Bushing - 6x10x6	1
7	A418 1158	Spacer - M6.5x1	1
8	AA06 3435	Compression Spring:Paper Feed:Joint	1
9	AA13 2013	Spacer	1
10	A806 1161	Entrance Guide Plate - Front	1
11	A806 1163	Guide Plate Cushion	4
12	A680 1621	Feed-in Unit Stopper	1
13	A628 1225	Bushing - 8mm	4
14	A806 1293	Feed Belt Drive Roller	1
15	A806 4261	Spring Belt Guide Roller	2
16	A806 1294	Feed Belt Driven Roller	1
17	A806 1298	Transport Belt Roller Shaft	1
18	A806 1295	Feed Belt	1
19	A806 1282	Separation Drive Shaft	1
20	A806 1162	Entrance Guide Plate - Inner	1
21	A806 1328	Release Lever	1
22	B301 1314	Pick-up Roller Bracket	1
23	5447 2681	Snap Ring	3
24	5053 0447	Bushing - 6mm	2
25	A806 4118	Timing Belt - B40S2M148	1
26	B301 2511	Reverse Roller Shaft	1
27	A294 6700	Torque Limiter - 53mNxm	1
28	A859 2241	Reverse Roller	1
29	A806 2153	Timing Pulley - T27 S2M	1
30	AA13 2171	Spacer - 6x20x1	1
31	B477 2225	Pick-up Roller	1
32	A806 2151	Timing Pulley - T19/Z23 S2M/M0.6	1
33	A806 2271	Gear - Z18	1
34	A806 1141	Reverse Roller Stay	1

Index No.	Part No.	Description	Q'ty Per Assembly
35	A806 1292	Feed Belt Bracket	1
36	B477 2226	Pickup Roller:Coupling	1
101	0451 3008N	Tapping Screw - M3x8	
102	0720 0040E	Retaining Ring - M4	
103	0720 0060E	Retaining Ring - M6	
104	0720 0030E	Retaining Ring - M3	
105	0741 3706	Ball Bearing - 6x10x3	
106	0741 3506	Ball Bearing - 6x12x4 mm	
107	1105 0623	Clamp - LBWS-0206S-V0	

109.ADF 4 (D095)

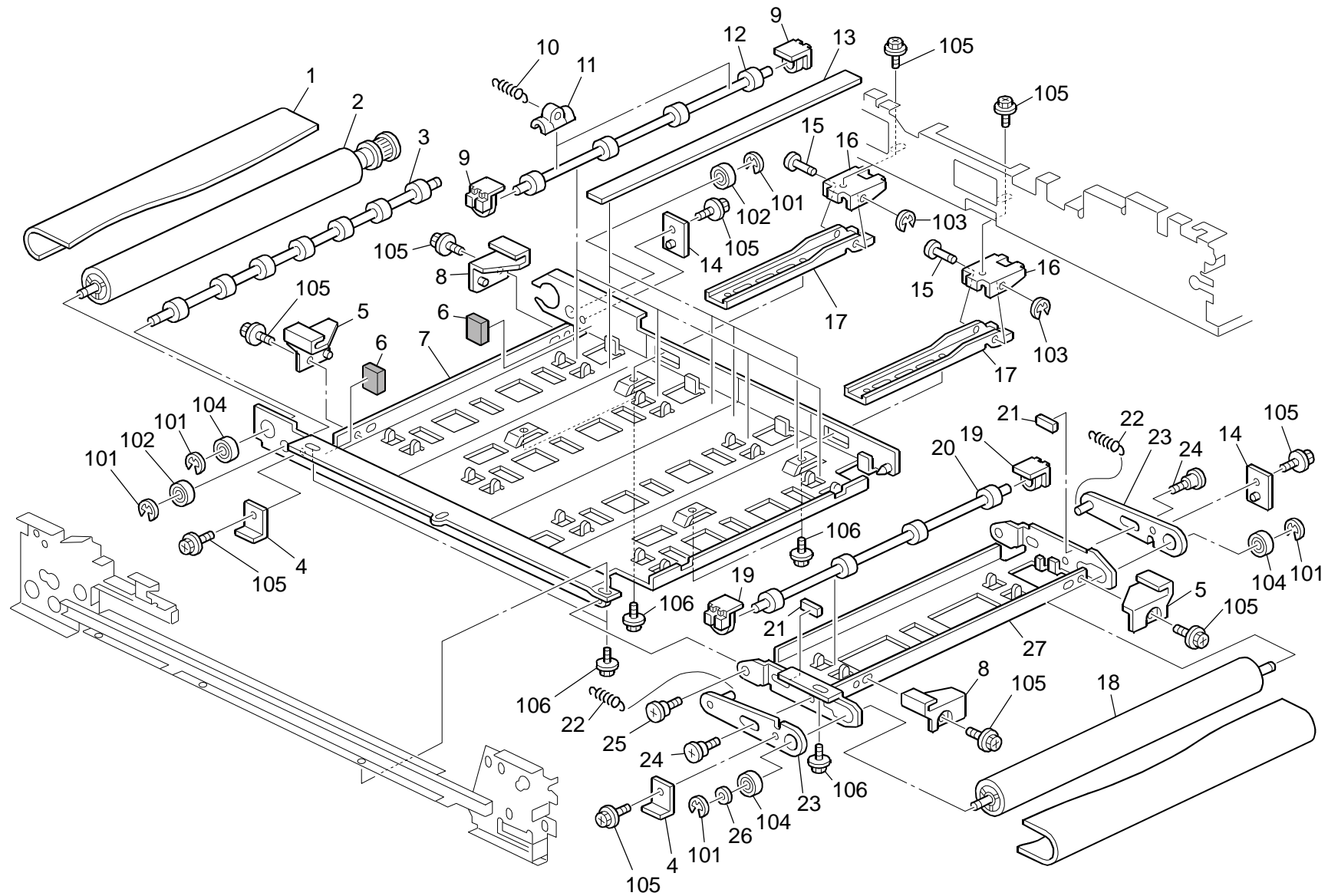


109.ADF 4 (D095)

Index No.	Part No.	Description	Q'ty Per Assembly
1	AA14 3857	Screw - M4x5	1
2	A806 1271	Pull Out Drive Roller	1
3	A806 1276	Transport Drive Roller	1
4	B301 5246	Harness:Sensor:Paper Size Sensor:Connecting	1
5	AW02 0155	Photointerruptor:Paper Size Sensor	1
6	AW02 0154	Photointerruptor:Entrance	2
7	A806 1226	Paper Size Sensor Bracket	1
8	B301 1216	Discharge Brush	1
9	A806 1211	Middle Guide Plate	1
10	A806 1241	Lower Guide Plate	1
11	B301 5245	Harness:Registration Sensor:Connecting	1
12	AW01 0109	Photo Reflection Sensor:PS117ED1	1
13	A806 1221	Registration Sensor Bracket	1
14	B301 5234	Harness:Sensor:Paper Feed:Connecting	1
15	AW02 0141	Photointerruptor	1
16	5324 1658	Bushing- 4x8x4.5mm	2
17	A806 1256	Middle Shaft - Roller Arm	1
18	A806 1261	Middle Driven Roller	1
19	A806 1251	Transport Roller Arm	4
20	A806 4221	Compression Spring	2
21	A806 1266	Driven Roller	2
22	B301 4226	Spring	2
23	A806 1257	Roller Arm Shaft	2
24	A422 1063	Seal - 0.7x13x20	1
25	B301 4417	Sound Proofing Material - Left Right	1
26	B301 1247	Entrance Guide	1
27	B301 1232	Base:Paper Feed	1

Index No.	Part No.	Description	Q'ty Per Assembly
101	0720 0040E	Retaining Ring - M4	
102	0741 3506	Ball Bearing - 6x12x4 mm	
103	0451 3008N	Tapping Screw - M3x8	
104	1105 0328	Harness Clamp - ES-0505	
105	0451 3006N	Tapping Screw - 3x6	
106	1105 0623	Clamp - LBWS-0206S-V0	
107	0451 3012N	Tapping Screw:3x12	
108	1106 0193	Bushing - 7.9mm	
109	0450 3008N	Tapping Screw - M3x8	
110	0742 3808	Ball Bearing - 8x16x5	
111	0720 0030E	Retaining Ring - M3	

110.ADF 5 (D095)

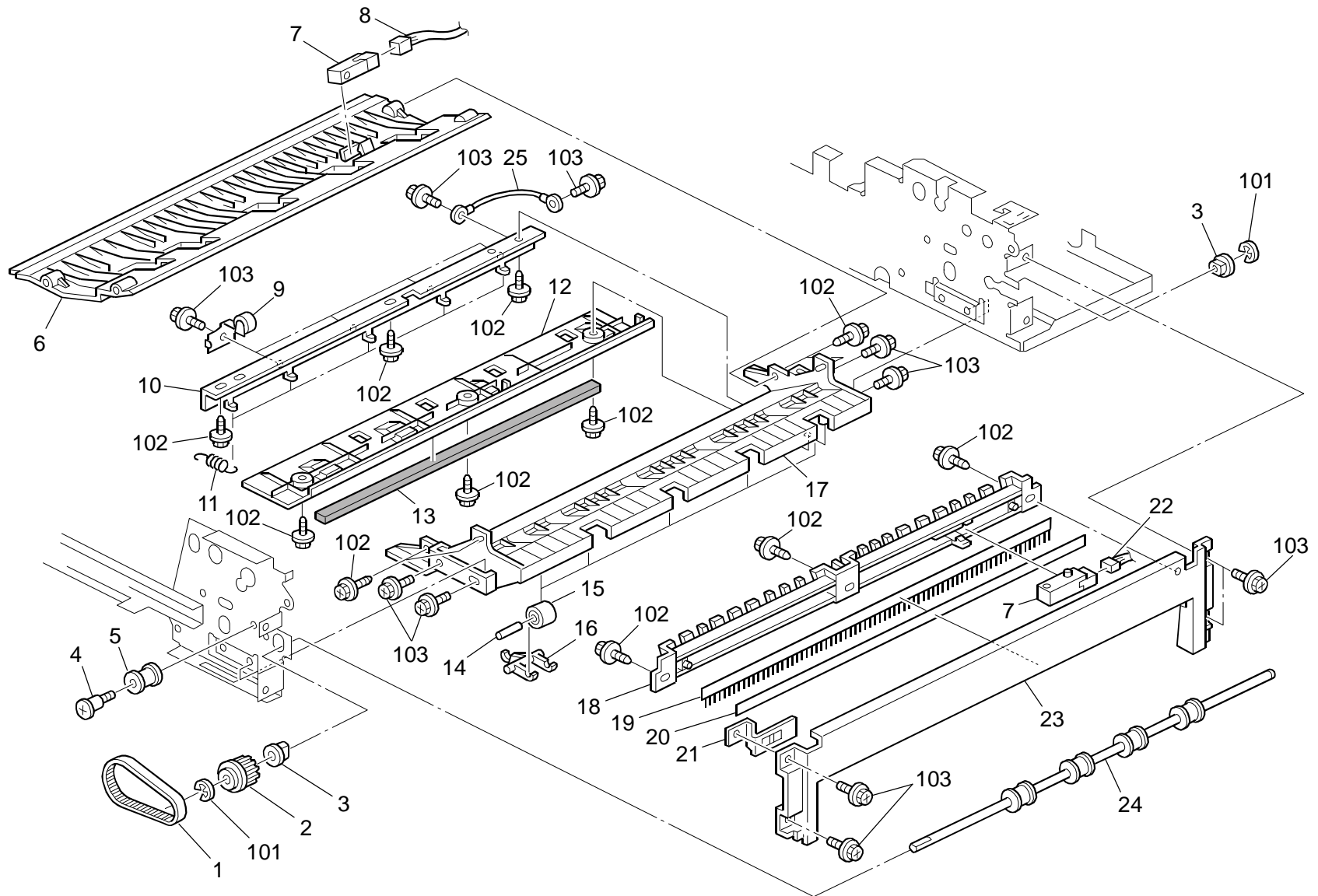


110.ADF 5 (D095)

Index No.	Part No.	Description	Q'ty Per Assembly
1	B301 1442	Transport Belt	1
2	B301 1432	Belt Drive Roller	1
3	B301 1451	Belt Pressure Roller	1
4	B301 1449	Front Spacer	2
5	B301 1443	Transport Belt Stopper - Front	2
6	B301 1141	Rubber Cushion	2
7	B301 1412	Transport Belt Plate	1
8	B301 1444	Transport Belt Stopper - Rear	2
9	A610 2136	Bushing	8
10	AA06 2587	Tension Spring:Pressure	8
11	A610 2132	Pressure Bushing	8
12	B301 1481	Belt Pressure Roller	4
13	B301 4431	Vibration Absorbing Pad	4
14	B301 1445	Rear Spacer	2
15	A680 1443	Arm Shaft	2
16	A680 1446	Transport Unit Arm	2
17	A548 1442	Transport Arm	2
18	B301 1436	Transport Belt Roller	1
19	A610 2137	Pressure Roller Bushing	2
20	B301 2161	Roller:Pressure:Belt:MM24	1
21	AA16 1138	Cushion - 1.1	2
22	AA06 2345	Tension Spring	2
23	B301 1491	Tension Bracket	2
24	AA14 3831	Screw	2
25	B188 3575	Screw:Lever:Release:Blade	1
26	A028 7878	Arm Spacer	1
27	B301 1422	Transport Stay	1

Index No.	Part No.	Description	Q'ty Per Assembly
101	0720 0040E	Retaining Ring - M4	
102	0741 3706	Ball Bearing - 6x10x3	
103	0720 0030E	Retaining Ring - M3	
104	0741 3506	Ball Bearing - 6x12x4 mm	
105	0451 3008N	Tapping Screw - M3x8	
106	0451 4006N	Tapping Screw - 4x6	

111.ADF 6 (D095)

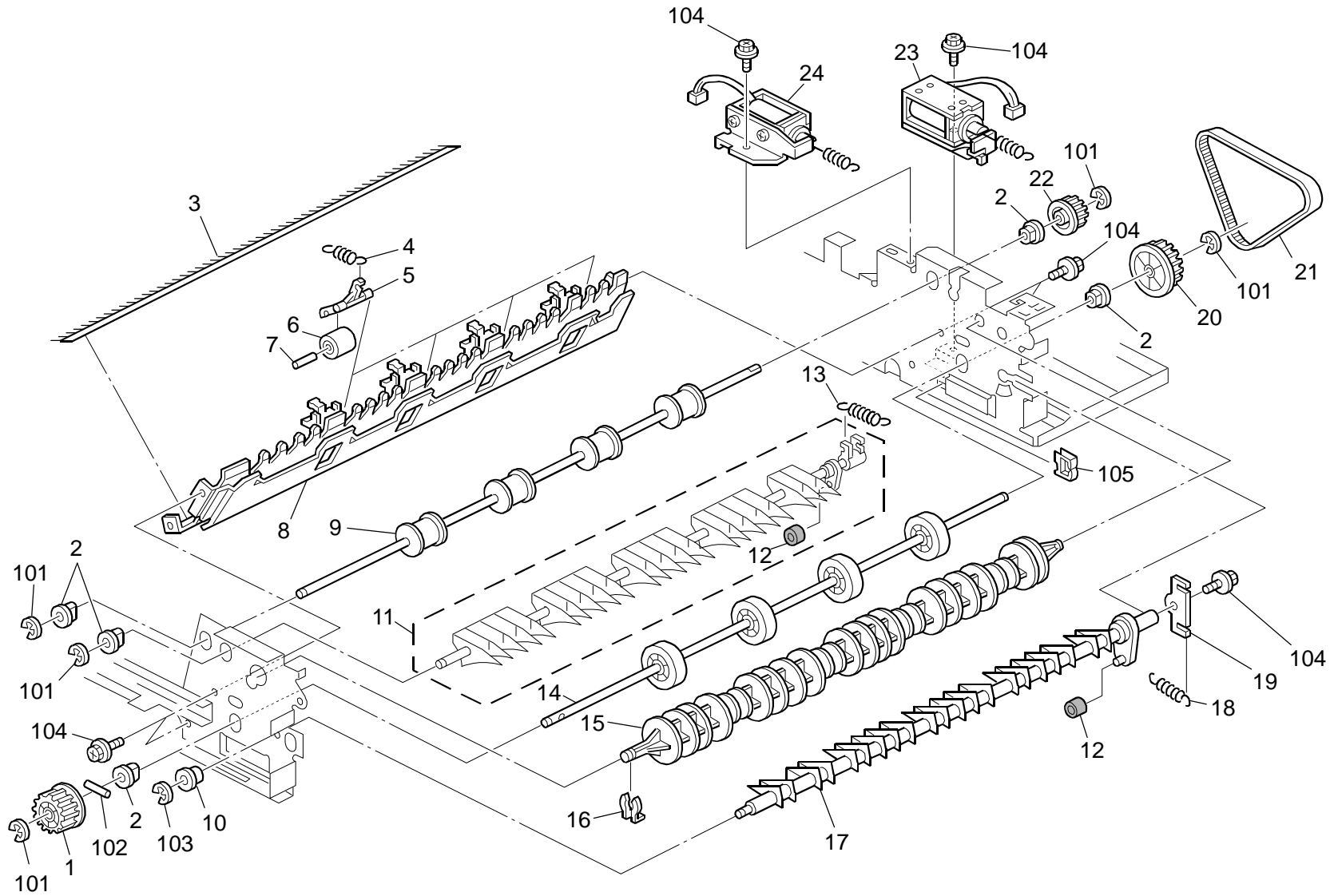


111.ADF 6 (D095)

Index No.	Part No.	Description	Q'ty Per Assembly
1	AA04 3548	Timing Belt - B40S3M150	1
2	A806 3281	Timing Pulley - T14 S3M	1
3	5053 0447	Bushing - 6mm	2
4	AA14 3842	Screw:DIA6:14.5:M4	1
5	A351 3459	Idler	1
6	B301 3161	Left Exit Guide	1
7	AW01 0109	Photo Reflection Sensor:PS117ED1	2
8	B301 5256	Harness:Sensor:Exit:Connecting	1
9	A806 3151	Driven Exit Roller	4
10	A806 3142	Guide Plate Bracket	1
11	B301 3135	Spring	5
12	A806 3171	Lower Exit Cover	1
13	B301 4417	Sound Proofing Material - Left Right	1
14	B301 3185	Driven Roller Shaft	5
15	B301 3184	Reverse Driven Roller	5
16	A548 1234	Driven Roller Arm	5
17	B301 3132	Lower Guide Plate	1
18	A806 3211	Right Exit Guide Plate	1
19	B301 1919	Discharge Brush - Exit	1
20	A806 3222	Seal	1
21	A806 3221	Exit Ground Plate	1
22	B301 5253	Harness:Sensor:Reverse:Connecting	1
23	B301 1926	Cover:Right	1
24	A806 3111	Drive Exit Roller	1
25	B301 5476	Harness:Earth:Exit	1

Index No.	Part No.	Description	Q'ty Per Assembly
101	0720 0040E	Retaining Ring - M4	
102	0450 3008N	Tapping Screw - M3x8	
103	0451 3008N	Tapping Screw - M3x8	

112.ADF 7 (D095)

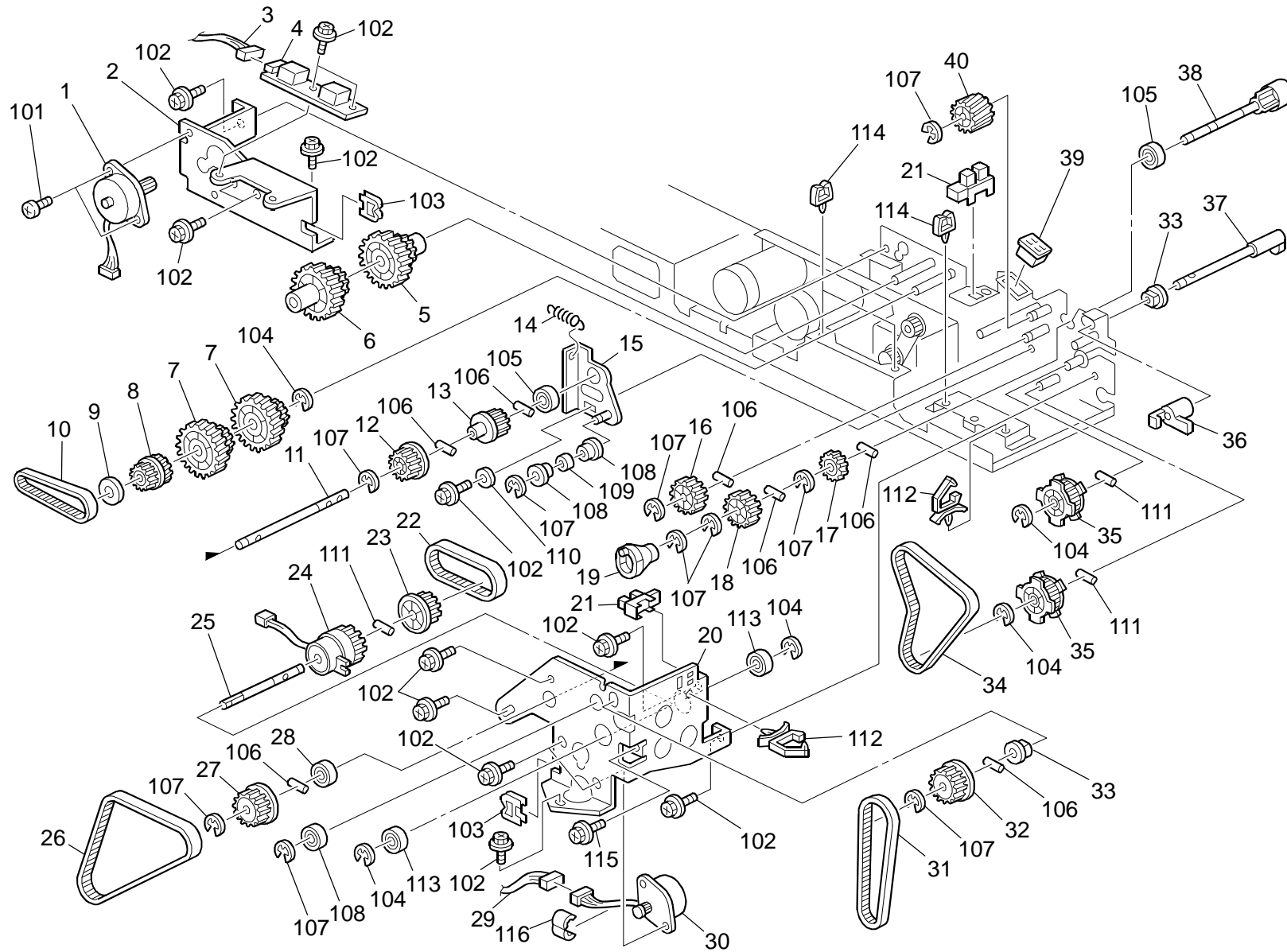


112.ADF 7 (D095)

Index No.	Part No.	Description	Q'ty Per Assembly
1	A680 2321	Pulley - 30T	1
2	5053 0447	Bushing - 6mm	5
3	B301 3188	Discharge Brush	1
4	B301 3186	Spring	4
5	A548 1234	Driven Roller Arm	4
6	B301 3184	Reverse Driven Roller	4
7	B301 3185	Driven Roller Shaft	4
8	B301 3181	Invertor Guide Plate	1
9	A548 1261	Exit Roller	1
10	5324 1658	Bushing- 4x8x4.5mm	1
11	A548 1320	Inverter Gate Plate	1
12	A548 1317	Lever Cushion	2
13	AA06 2589	Tension Spring:Reverse	1
14	B301 3271	Reverse Drive Roller	1
15	A548 1231	Guide Roller	1
16	5215 2621	Snap Ring - M6	1
17	B301 3191	Exit Junction Gate	1
18	AA06 2588	Tension Spring:Exit	1
19	B301 3192	Lever - Exit Junction Gate	1
20	B301 3286	Pulley - 30Z	1
21	AA04 3547	Timing Belt - B40S3M213	1
22	A548 2137	Timing Pulley - 18Z	1
23	B301 3311	Reverse DC Solenoid	1
24	B301 3301	Paper Exit Solenoid	1

Index No.	Part No.	Description	Q'ty Per Assembly
101	0720 0040E	Retaining Ring - M4	
102	0632 0120G	Parallel Pin - 2x12	
103	0720 0030E	Retaining Ring - M3	
104	0451 3008N	Tapping Screw - M3x8	
105	1105 0328	Harness Clamp - ES-0505	

113.ADF 8 (D095)

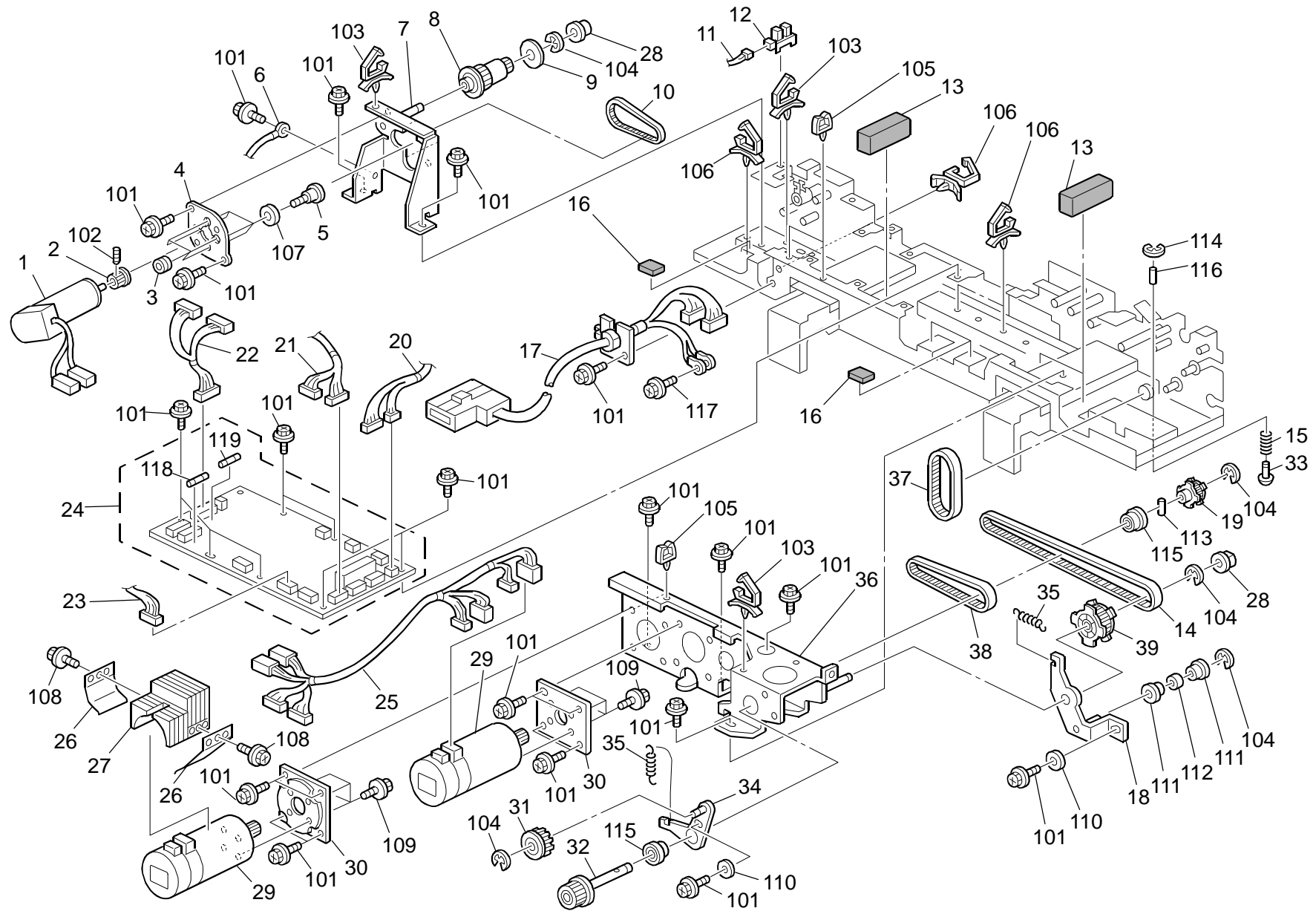


113.ADF 8 (D095)

Index No.	Part No.	Description	Q'ty Per Assembly
1	B652 2911	Stepper Motor:Base:Rise:Ass'y	1
2	B301 2367	Motor Bracket	1
3	B301 5271	Harness:Display	1
4	B301 5190	PCB Display	1
5	A806 2285	Gear - Z20/Z47	1
6	A806 2287	Gear - Z20/Z47	1
7	A806 2283	Gear - Z20/Z47	2
8	A806 2161	Timing Pulley - T30/Z20 S2M/M0.8	1
9	AA13 2152	Spacer - 8x20x1	1
10	A806 4117	Timing Belt - B40S2M158	1
11	B301 2122	Shaft	1
12	B301 2213	Pulley - 20Z	1
13	B301 2211	Pulley - 20/19Z	1
14	AA06 0590	Pressure Spring	1
15	B301 2281	Tension Bracket	1
16	B301 2221	Gear - 31Z	1
17	B301 2244	Gear - 23Z	1
18	B301 2243	Gear - 29Z	1
19	A806 2244	Separation Shaft Stopper	1
20	B301 2336	Side Plate	1
21	AW02 0141	Photointerruptor	2
22	AA04 3535	Timing Belt - B60S3M195	1
23	B301 2273	Pulley - 32Z	1
24	AX20 0294	Magnetic Clutch - 38Z	1
25	B301 2271	Shaft	1
26	AA04 3534	Timing Belt - B60S3M216	1
27	B301 2123	Pulley - 24Z	1
28	A859 2230	Ball Bearing - 6x13x5	1
29	B301 5221	Harness:Motor:Pick Up	1
30	AX04 0139	Stepper Motor:MM42:0.95A:9.5V	1
31	AA04 3537	Timing Belt - B40S2M206	1
32	B301 2141	Pulley - 39Z	1
33	5053 0447	Bushing - 6mm	2
34	AA04 3536	Timing Belt - B60S3M279	1
35	B301 2261	Pulley - 36Z	2

Index No.	Part No.	Description	Q'ty Per Assembly
36	A680 2262	Feeler - Pick-up Roller Cam	1
37	B301 2422	Cam - Pick-up Roller	1
38	B301 2242	Shaft	1
39	AG07 0515	Magnet Catch:13n	1
40	B301 2222	Gear - 20Z	1
101	0353 0050N	Screw-M3x5	
102	0451 3008N	Tapping Screw - M3x8	
103	1105 0328	Harness Clamp - ES-0505	
104	0720 0060E	Retaining Ring - M6	
105	0741 3506	Ball Bearing - 6x12x4 mm	
106	0632 0120G	Parallel Pin - 2x12	
107	0720 0040E	Retaining Ring - M4	
108	0741 3706	Ball Bearing - 6x10x3	
109	0805 3507	Bushing - 6mm	
110	0701 0030N	Washer DIA3	
111	0632 0160G	Parallel Pin-m2x16	
112	1105 0623	Clamp - LBWS-0206S-V0	
113	0742 3808	Ball Bearing - 8x16x5	
114	1105 0231	Clamp	
115	0451 3010N	Tapping Screw:3x10	
116	1607 0623	Ferrite Core - TFC-16-8-13	

114.ADF 9 (D095)

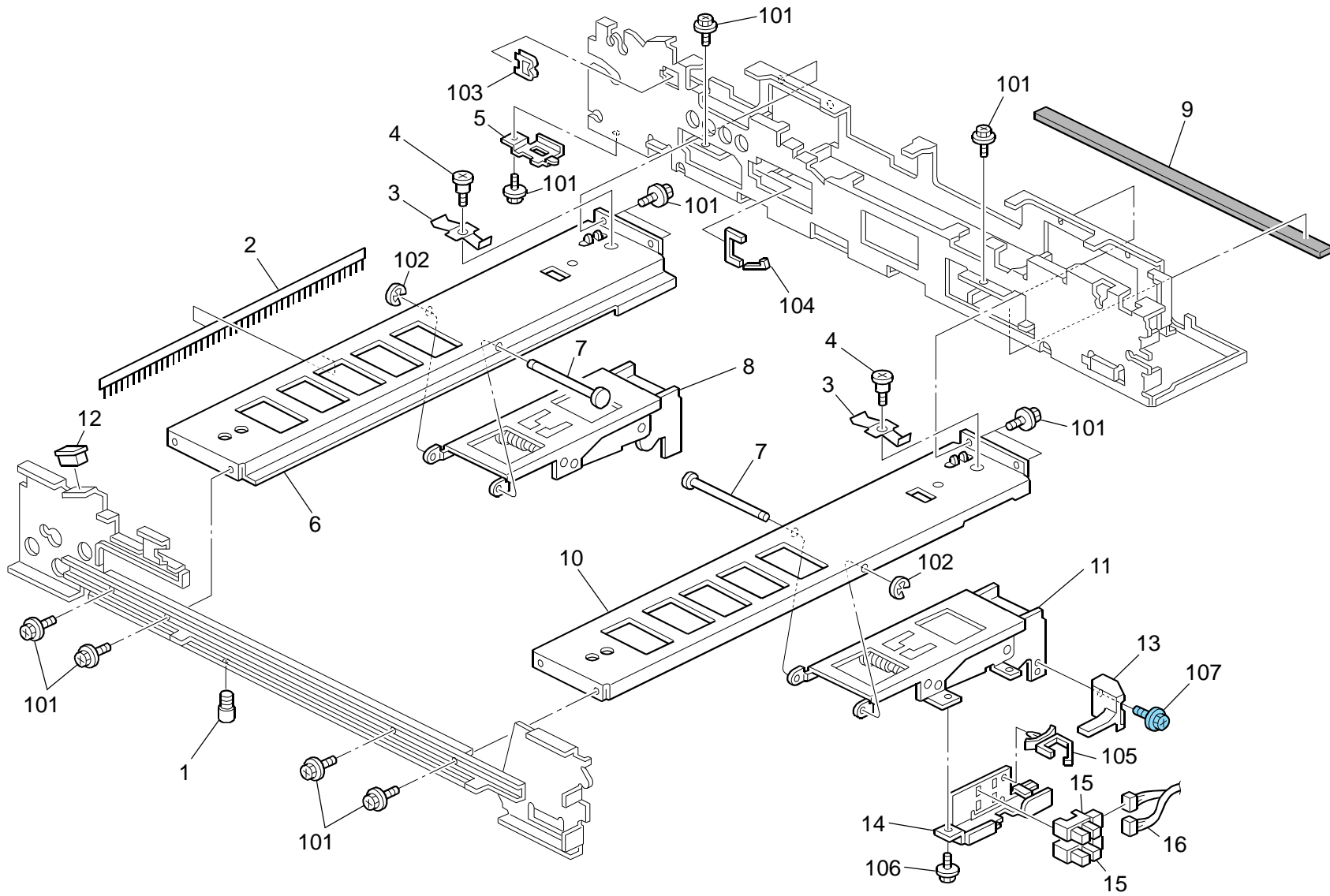


114.ADF 9 (D095)

Index No.	Part No.	Description	Q'ty Per Assembly
1	AX06 0321	DC Motor 24V 27W	1
2	A610 3532	Timing Pulley - 18Z	1
3	B301 3246	Motor Bushing - 4x9x5.2	4
4	B301 3345	Exit Motor Guide Plate	1
5	AA14 3379	Stepped Screw	4
6	B301 5476	Harness:Earth:Exit	1
7	B301 3341	Exit Motor Bracket	1
8	A680 2311	Pulley - 18T/32T	1
9	A300 3812	Spacer - 6x22x1.5	1
10	AA04 3539	Timing Belt - B40S2M104	1
11	B301 5253	Harness:Sensor:Reverse:Connecting	1
12	AW02 0141	Photointerruptor	1
13	B301 4418	Sound Proofing Material - Hinge Side	3
14	AA04 3546	Timing Belt - B60S2M474	1
15	B652 1134	Compression Spring	1
16	B301 1141	Rubber Cushion	3
17	B301 5280	Harness:Interface:Ass'y	1
18	B301 2376	Tension Bracket	1
19	B301 2111	Pulley - 30Z	1
20	B301 5232	Harness:Paper Feed Sub-unit:Rear	1
21	B301 5247	Harness:Paper Feed Sub-unit:Middle	1
22	B301 5255	Harness:Paper Exit Sub-unit	1
23	B301 5261	Harness:Sensor:On Off Detector	1
24	B301 5100	PCB ADF Main Control	1
25	B301 5211	Harness:Dc Motor	1
26	B301 2320	Heat Sink Holder	2
27	B301 2319	Heat Sink - DC Motor	1
28	5936 2321	Rubber Bushing - Vibration Damper	2
29	AX06 0320	DC Motor:54w	2
30	B301 2172	Cushion	2
31	AB03 0354	Pulley - 20T	1
32	B301 2113	Pulley - 19Z	1
33	B652 1133	Shaft:Slider	1
34	B301 2327	Holder Bracket	1
35	AA06 0590	Pressure Spring	2

Index No.	Part No.	Description	Q'ty Per Assembly
36	B301 2371	Motor Bracket	1
37	AA04 3538	Timing Belt - B60S3M174	1
38	AA04 3533	Timing Belt - B0S2M256	1
39	B301 2231	Pulley - 58/20Z	1
101	0451 3008N	Tapping Screw - M3x8	
102	0574 0050E	Hexagon Headless Set Screw - M4x5	
103	1105 0623	Clamp - LBWS-0206S-V0	
104	0720 0040E	Retaining Ring - M4	
105	1105 0231	Clamp	
106	1105 0516	Clamp	
107	0807 3035	Washer - 4.1x10x0.5	
108	0451 3005N	Tapping Screw:M3x5	
109	0451 4006N	Tapping Screw - 4x6	
110	0701 0030N	Washer DIA3	
111	0741 3706	Ball Bearing - 6x10x3	
112	0805 3507	Bushing - 6mm	
113	0632 0120G	Parallel Pin - 2x12	
114	0720 0030E	Retaining Ring - M3	
115	7423 906	Ball Bearing - 6x14x5mm	
116	0707 4060N	Bushing:Dia4x6	
117	0451 4008N	Tapping Screw:4x8	
118	1107 1066	Fuse:ET-5A	
119	1107 1065	Fuse:ET-4A	

115.ADF 10 (D095)

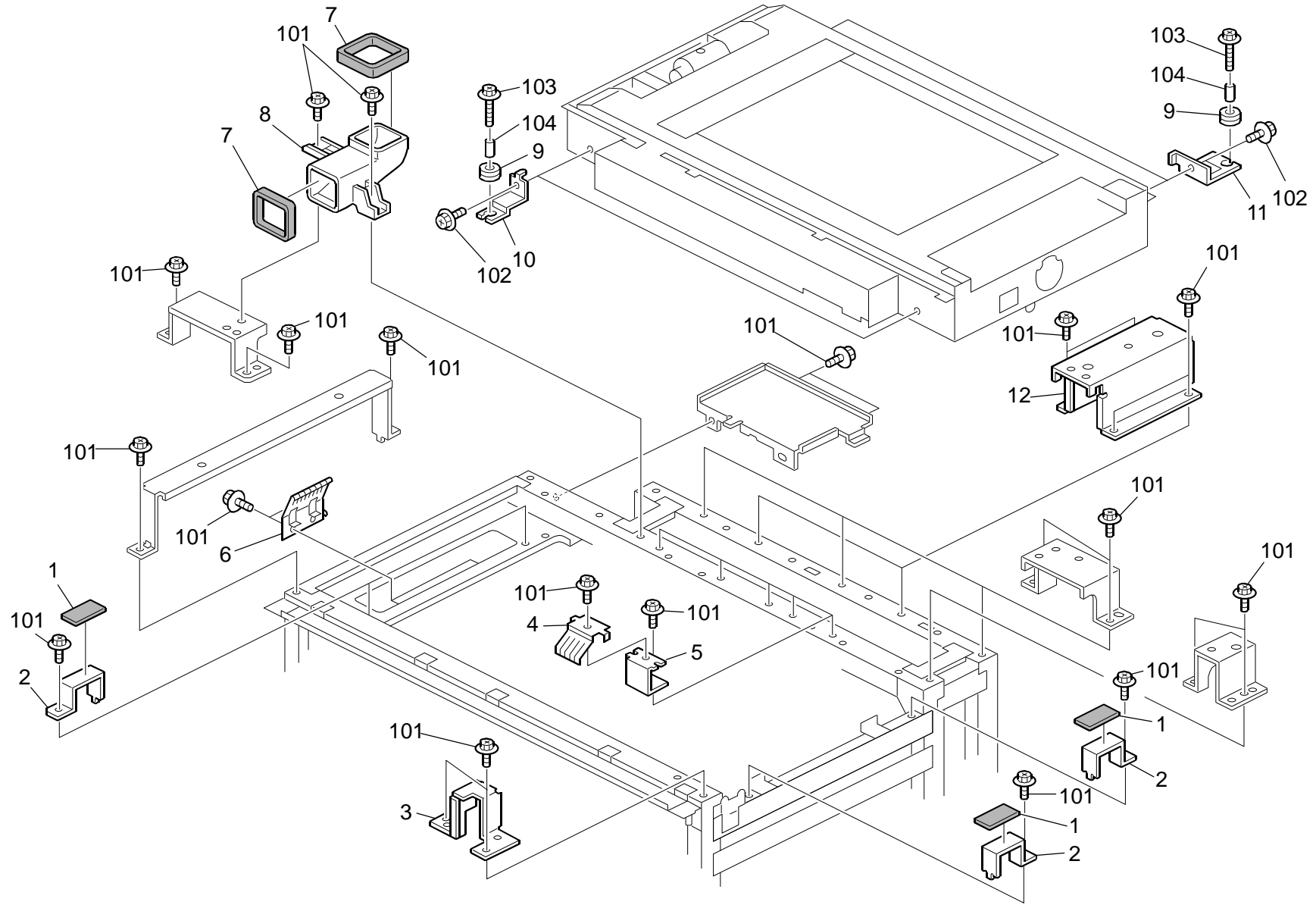


115.ADF 10 (D095)

Index No.	Part No.	Description	Q'ty Per Assembly
1	5410 1291	Pin	1
2	B652 3157	Discharge Brush:Long	1
3	B301 1136	Spring Plate - 0.4mm	2
4	AA14 3832	Release Spring Holder	2
5	B301 1137	Pulley Cover	1
6	B301 1631	Rear Side Plate	1
7	A806 1135	Contact Point Shaft	2
8	B301 1550	Hinge - Left	1
9	B301 4416	Sound Proofing Material - Rear Lower	1
10	B301 1633	Right Stay	1
11	B301 1560	Hinge - Right	1
12	AG07 0515	Magnet Catch:13N	1
13	A548 1531	Safety Switch Feeler	1
14	B301 1543	Sensor Bracket	1
15	AW02 0141	Photointerruptor	2
16	B301 5261	Harness:Sensor:On Off Detector	1

Index No.	Part No.	Description	Q'ty Per Assembly
101	0451 3008N	Tapping Screw - M3x8	
102	0720 0030E	Retaining Ring - M3	
103	1105 0328	Harness Clamp - ES-0505	
104	1105 0334	Edge - 17	
105	1105 0623	Clamp - LBWS-0206S-V0	
106	0451 4006N	Tapping Screw - 4x6	
107	0454 4008Q	Tapping Screw - M4x8	

116.Optics Section 1 (D095)

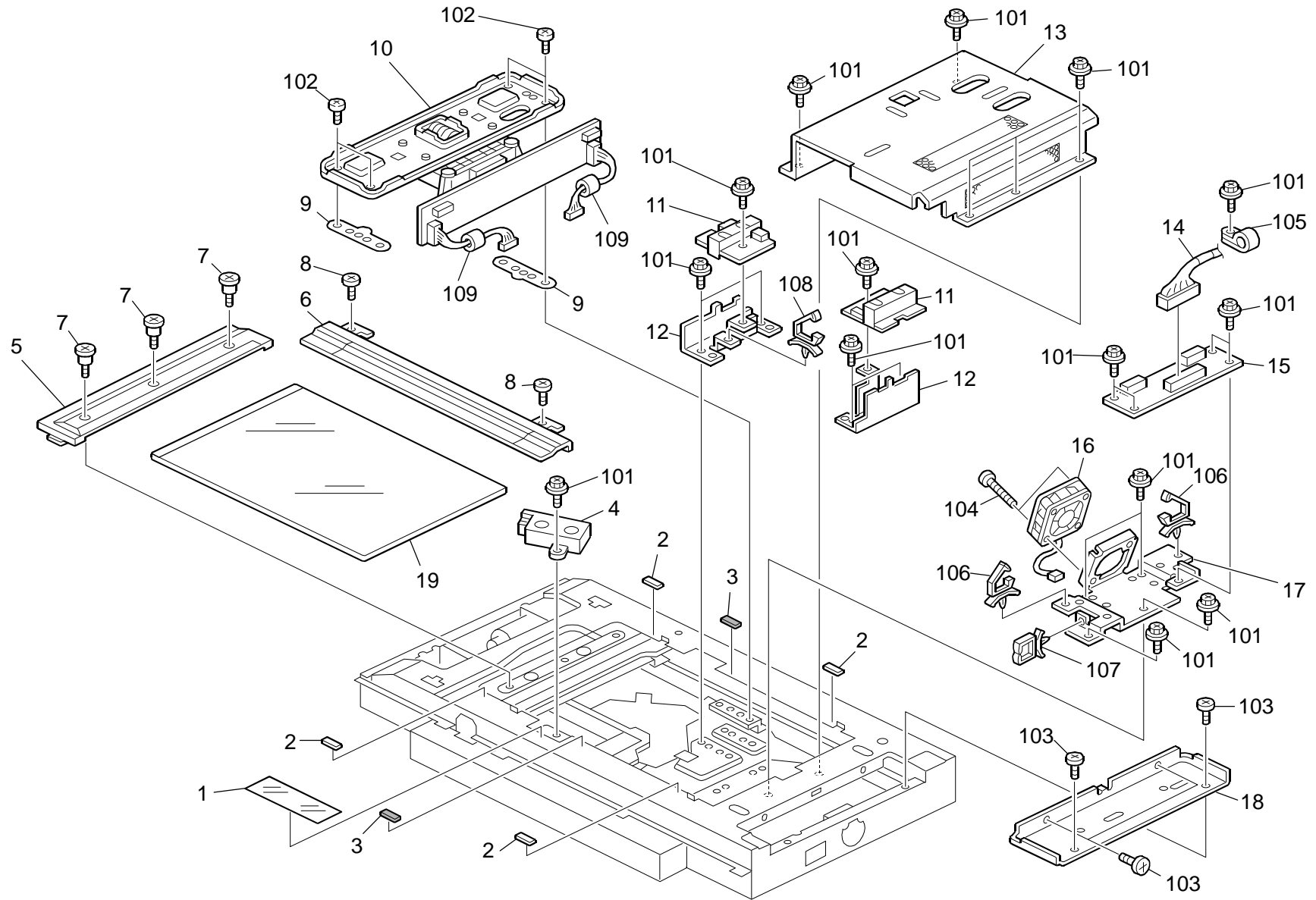


116.Optics Section 1 (D095)

Index No.	Part No.	Description	Q'ty Per Assembly
1	D016 1951	Buffer:Image Reading Unit:Base	4
2	D016 1952	Holder:Image Reading Unit:Base	4
3	D016 1099	Bracket:Upper Front:Cover	1
4	A294 1837	Ground Plate - Rear Frame	5
5	D016 1171	Bracket:Ground Plate	5
6	A294 1836	Ground Plate - Left Frame	2
7	B234 7597	Shield:Duct:Front	2
8	D016 1134	Duct:Scanner Unit	1
9	AA16 1104	Cushion - Motor	4
10	A294 1673	Front Stay	2
11	B234 1690	Image Reading Unit Stay:Frame - Rear	2
12	D016 1172	Holder:ADF	2

Index No.	Part No.	Description	Q'ty Per Assembly
101	0451 4008N	Tapping Screw:4x8	
102	0451 4006N	Tapping Screw - 4x6	
103	0451 4012N	Tapping Screw:4x12	
104	0707 4050N	Bushing - 4x5	

117.Optics Section 2 (D095)

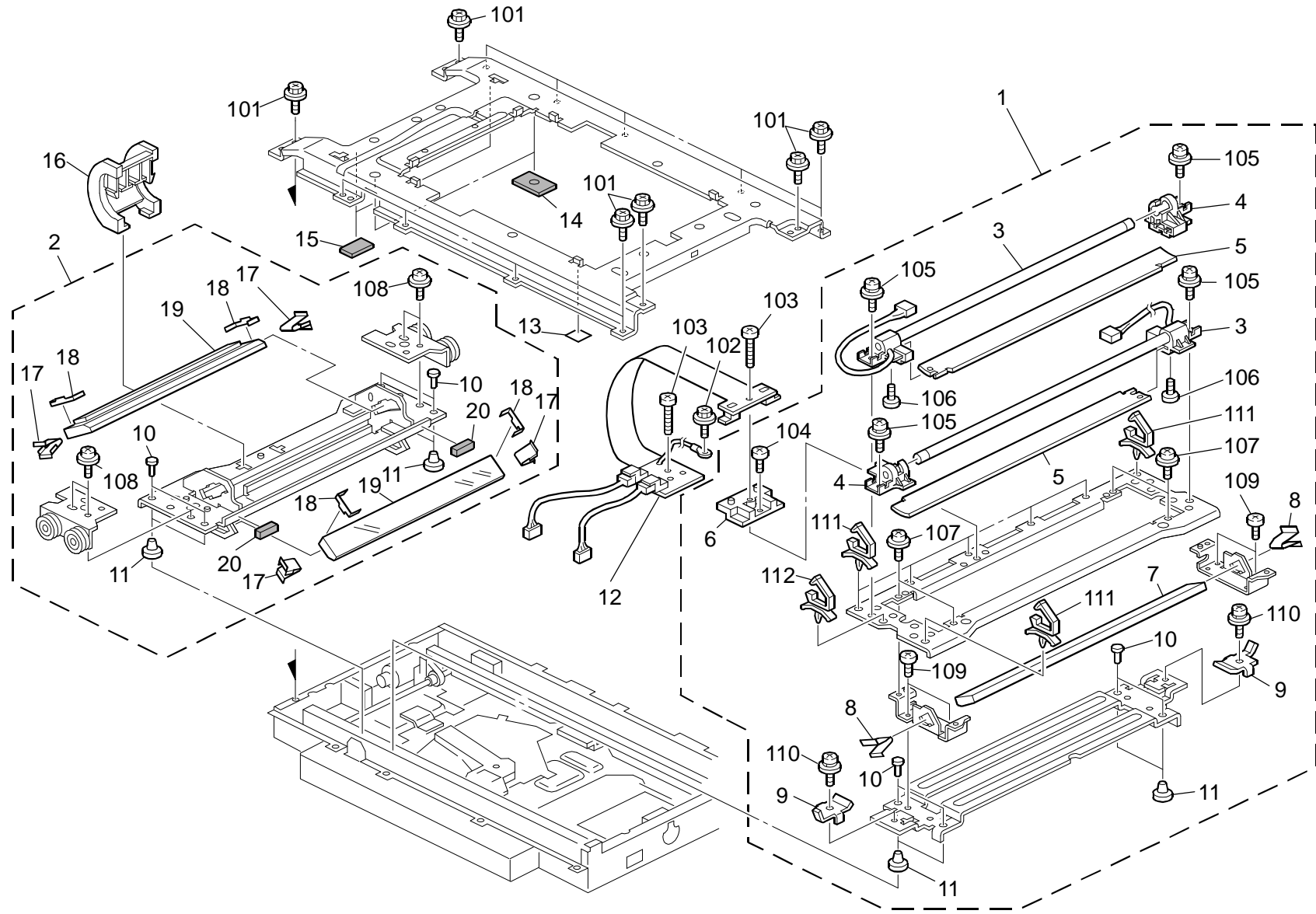


117.Optics Section 2 (D095)

Index No.	Part No.	Description	Q'ty Per Assembly
1	A294 1788	Sheet - Upper Frame	1
2	AA16 1138	Cushion - 1.1	4
3	A176 1737	Exposure Glass Cushion	2
4	AW01 0130	Original Sensor:H=3-80	1
5	AC04 2188	Scale:Left	1
6	D095 1995	Scale:Rear	1
7	5206 2684	Shoulder Screw - M3	3
8	AA14 3573	Shoulder Screw - M4x4	2
9	B234 1782	Lens Unit Stay Spacer	2
10	D059 1721	Image Scanning Board:Ass'y	1
11	AW01 0116	Original Sensor:H=1-66	2
12	B234 1747	Original Sensor Holder	2
13	B234 1779	Cover - Lens SBU	1
14	D016 5168	Interface Cable:Scanner:LVDS	1
15	B234 5107	PCB CNB	1
16	GX64 0028	Fan Motor DC24V 1.92W	1
17	B234 1766	Cnb Bracket	1
18	A294 1799	Right Stay - Optical Housing	1
19	B070 1790	Exposure Glass:Ass'y	1

Index No.	Part No.	Description	Q'ty Per Assembly
101	0360 3006N	Screw - M3x6	
102	0314 0080N	Philips Pan Head Screw - M4x8	
103	0354 0060N	Screw-M4x6	
104	0354 0200N	Screw:M4x20	
105	1105 0530	Nylon Clamp-EMT-4N	
106	1105 0508	Harness Clamp - LWS-0711	
107	1105 0650	Clamp - MS-0709	
108	1105 0487	Harness Clamp	
109	1607 0912	Ferrite Core:TR-25-15-12	

118.Optics Section 3 (D095)

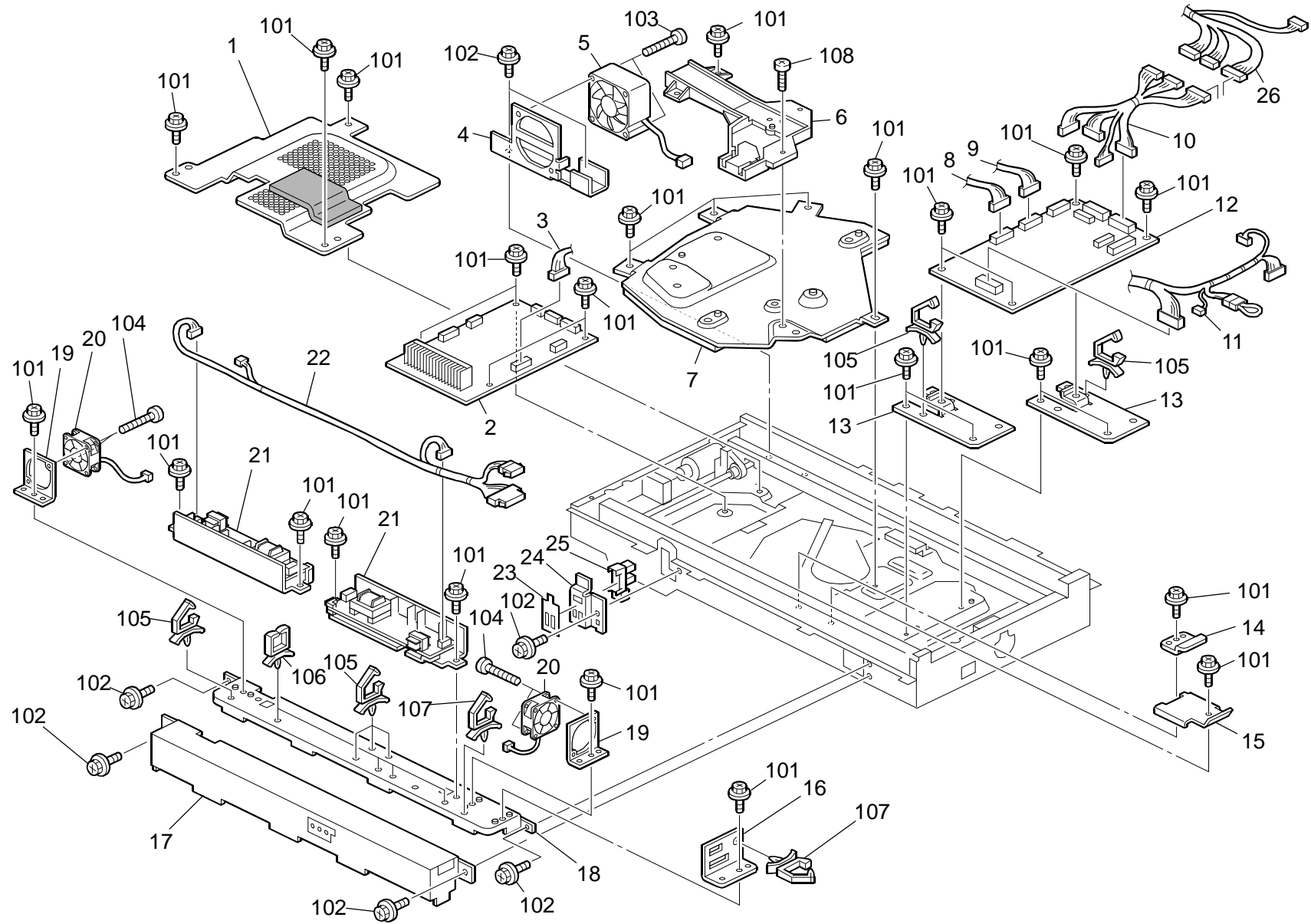


118.Optics Section 3 (D095)

Index No.	Part No.	Description	Q'ty Per Assembly
1	B234 1701	Scanner No.1 Unit	1
2	B234 1732	Scanner No.2 Unit	1
3	AX51 0011	Xenon Lamp	2
4	B234 1712	Lamp Holder - Rear	2
5	B234 1707	Reflector	2
6	B234 1713	Harness Holder No.1	1
7	B234 1706	Mirror No.1	1
8	A193 1767	1st Mirror Holder	2
9	B234 1709	Wire Stay	2
10	B132 1820	Scanner Shoe Pin	8
11	A069 1883	Shoe - Scanner	8
12	B234 5500	Flexible Board - Xenon Lamp	1
13	B234 1681	Seal:Harness	2
14	B234 1688	Cushion:Scanner:No.1:Upper	2
15	B234 1793	Cushion:Scanner:No.2:Upper	2
16	B234 1630	Guide:Harness:No.2:Unit	1
17	G404 2810	Spring Plate - 2nd Mirror	4
18	B234 1751	Guard - 2nd Mirror	4
19	B234 1640	Mirror No.2	2
20	A294 1743	Cushion - 5x20x4	2

Index No.	Part No.	Description	Q'ty Per Assembly
101	0451 4006N	Tapping Screw - 4x6	
102	0360 3006N	Screw - M3x6	
103	0313 0120N	Pan Head Screw:M3x12	
104	0313 0060N	Screw - M3x6	
105	0954 3008N	Screw - M3x8	
106	0452 2004N	Screw - 2x4	
107	0951 3006N	Screw - M3x6	
108	0951 3004N	Screw:Polished Round:M3x4	
109	0453 3006N	Tapping Screw - M3x6	
110	0954 4008N	Screw - M4x8	
111	1105 0511	Harness Clamp - LWS-0306ZC	
112	1105 0534	Clamp	

119.Optics Section 4 (D095)

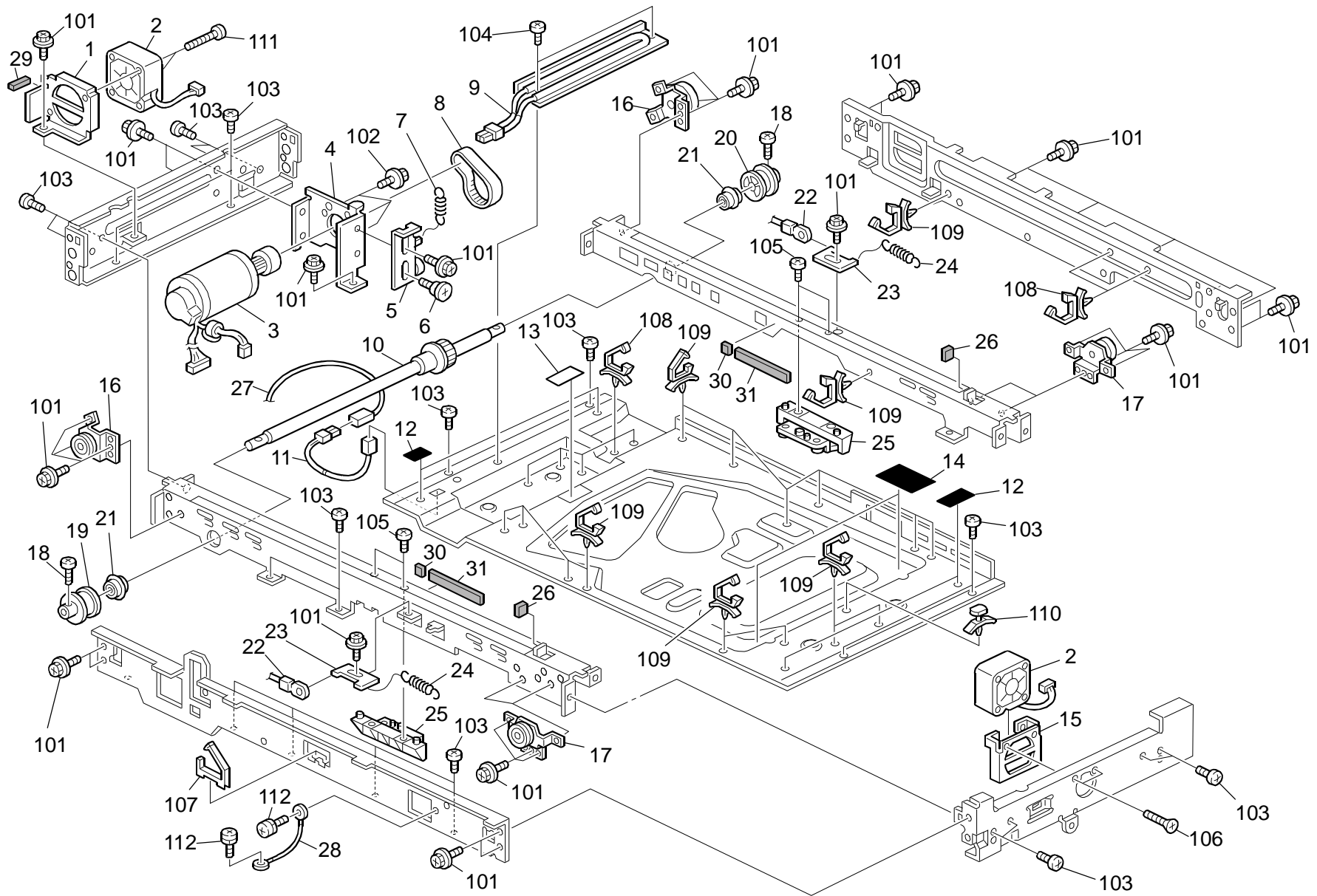


119.Optics Section 4 (D095)

Index No.	Part No.	Description	Q'ty Per Assembly
1	B234 1669	Cover - IC	1
2	D059 5116	PCB:MCU	1
3	D059 5153	Harness:Mcu:Sensor	1
4	B234 1765	Fan Motor Bracket	1
5	GX64 0021	Fan Motor DC24V 1.92W	1
6	B234 1744	Harness Guide	1
7	D059 1811	Cover:Laser Diode Unit: Polygon Mirror Motor:Ass'y	1
8	D059 5156	Harness:SBU:Power Source	1
9	D059 5157	Harness:SBU	1
10	D059 5152	Harness:Scanner:Main	1
11	D059 5158	Harness:SIB:Fan	1
12	D059 5122	PCB:SIB	1
13	B234 1697	SIB Bracket	2
14	B234 1674	Cover Plate - Sync Detector Board	1
15	B234 1817	Cover - Sync Detector Board	1
16	B234 1696	Duct Bracket	1
17	B234 1670	Stabilizer Duct	1
18	B234 1676	Stabilizer Bracket	1
19	B234 1699	Fan Motor Bracket	2
20	GX64 0028	Fan Motor DC24V 1.92W	2
21	AZ50 0071	Stabilizer	2
22	D059 5160	Harness:Lamp Regulator	1
23	A267 1820	Sheet - Photointerrupter	1
24	B234 1825	Home Position Sensor Bracket	1
25	AW02 0160	Paper Feed Sensor	1
26	D095 5320	Harness:Scanner:Connecting	1

Index No.	Part No.	Description	Q'ty Per Assembly
101	0360 3006N	Screw - M3x6	
102	0451 4006N	Tapping Screw - 4x6	
103	0354 0300N	Screw:M4x30	
104	0354 0200N	Screw:M4x20	
105	1105 0487	Harness Clamp	
106	1105 0650	Clamp - MS-0709	
107	1105 0488	Harness Clamp	
108	0313 0120N	Pan Head Screw:M3x12	

120.Optics Section 5 (D095)

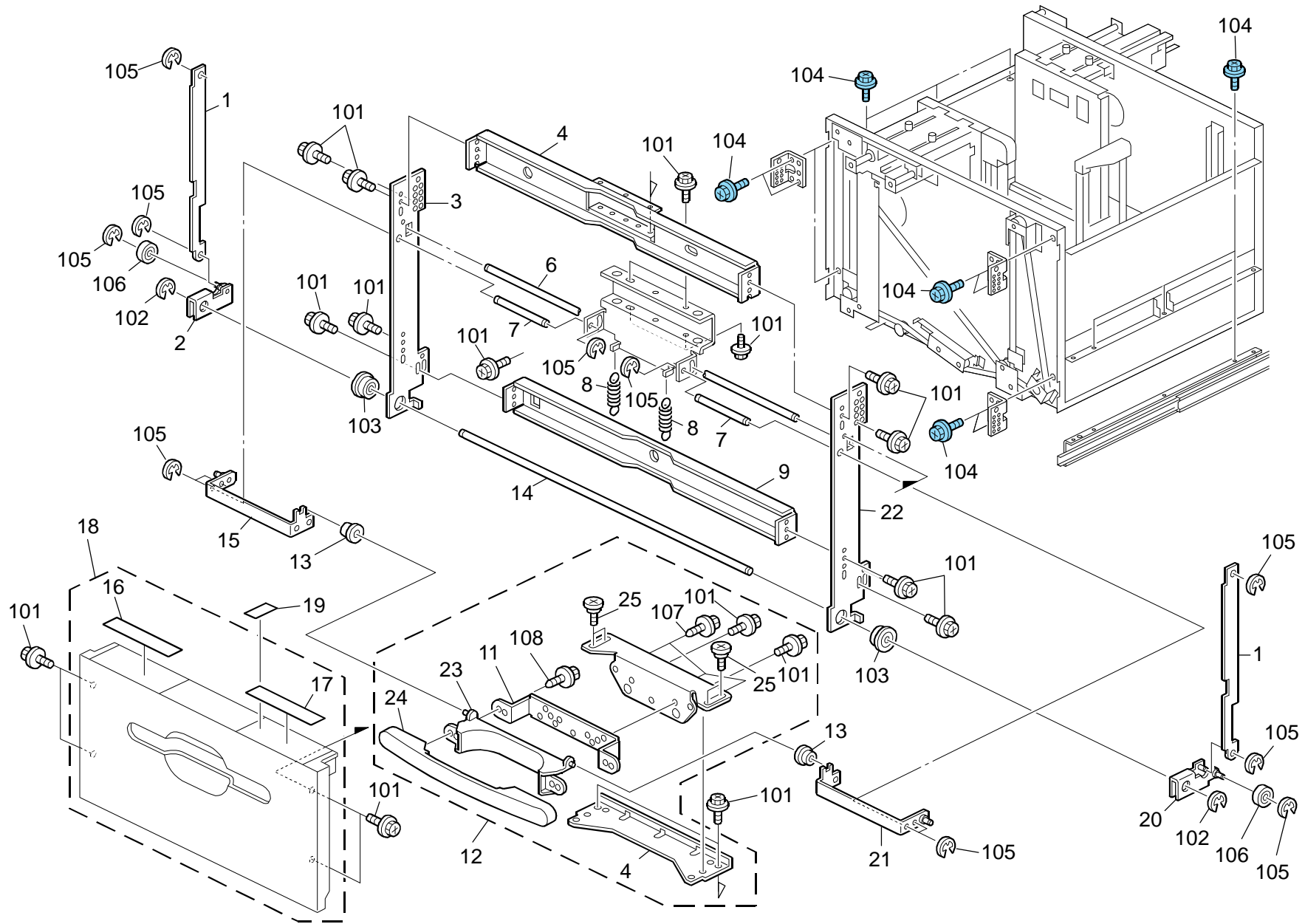


120.Optics Section 5 (D095)

Index No.	Part No.	Description	Q'ty Per Assembly
1	B234 1764	Fan Motor Bracket	1
2	GX64 0021	Fan Motor DC24V 1.92W	2
3	B234 1774	DC Motor:Scanner:DC27V 50W	1
4	B234 1748	Scanner Motor Bracket	1
5	A294 1752	Pulley:Tension:Timing Belt:Ass'y	1
6	AA14 3802	Screw:6x1.7	1
7	A294 1756	Spring - Scanner Motor	1
8	A294 1747	Timing Belt - Scanner	1
9	AX40 0012	Heater - 230V/18W	1
10	B234 1749	Scanner Drive Shaft	1
11	D016 5326	Harness:Heater:Scanner:Connecting:Ass'y	1
12	AA15 0332	Seal - 0.19x18x22	5
13	A294 1667	Sheet - Optical Housing	1
14	B234 1687	Sheet:S10:T0.075	2
15	B234 1828	Scanning Fan Bracket	1
16	B234 1723	Scanner Pulley Bracket - Left	2
17	B234 1683	Scanner Pulley Bracket	4
18	B132 1719	Screw:Mechanical Drive Section	2
19	AB03 2069	Pulley	1
20	AB03 2070	Pulley	1
21	A193 1829	Ball Bearing - M8	2
22	B234 1759	Drive Were	2
23	B234 1746	Tension Wire Bracket	2
24	B234 1758	Tension Spring	2
25	B234 1781	Holder Lensstay Lens Unit	2
26	A294 1688	Cushion	2
27	D016 5341	Harness:Scanner:Heater:Ass'y	1
28	B132 1896	Ground Wire:Scanner	1
29	A294 1743	Cushion - 5x20x4	1
30	D059 1838	Gasket:Cover:Rail	2
31	D059 1839	Gasket:Stay:Rail	2

Index No.	Part No.	Description	Q'ty Per Assembly
101	0451 4006N	Tapping Screw - 4x6	
102	0451 4008N	Tapping Screw:4x8	
103	0453 4006N	Binding Self Tapping Screw:4x6	
104	0314 0060N	Screw - M4x6	
105	0314 0080N	Philips Pan Head Screw - M4x8	
106	0324 0300N	Screw - M4x30	
107	1105 0522	Edge Saddle - LES0510	
108	1105 0488	Harness Clamp	
109	1105 0487	Harness Clamp	
110	1106 0383	Supporter - P.C.B.	
111	0354 0300N	Screw:M4x30	
112	0950 4008N	Screw:Spring Washer:M4x8	

121.Paper Tray 1 (D095)

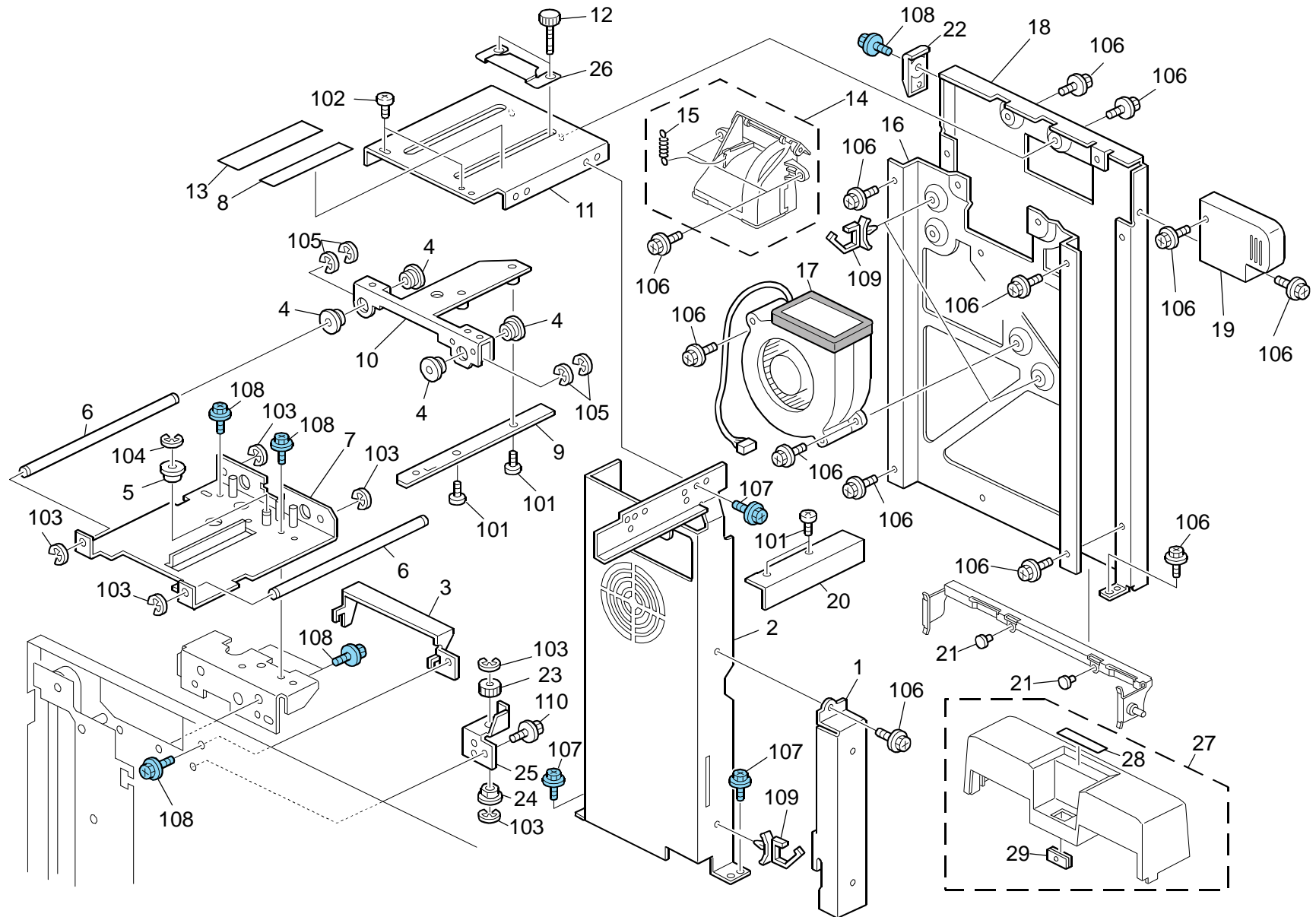


121.Paper Tray 1 (D095)

Index No.	Part No.	Description	Q'ty Per Assembly
1	B834 3386	Link Handle	2
2	D453 3400	Guide:Stopper:Left	1
3	B834 3395	Plate - Left	1
4	B834 3283	Stay:Main	1
5	B834 3376	Plate:Handle	1
6	B834 3438	Link Shaft	1
7	B834 3384	Contact Point Shaft	2
8	H516 3666	Spring - 19.6mm	2
9	B834 3378	Stay	1
10	D355 2751	Plate:Grip:Joint	1
11	D355 2753	Plate:Grip	1
12	D355 1384	Grip:Paper Tray:Ass'y	1
13	B834 3312	Collar	2
14	D453 4449	Shaft:Link:Pierce	1
15	B834 3379	Arm:Swivel:Left:Peen	1
16	D532 1321	Decal:Paper:Supply	1
17	D532 1323	Decal:Holter:Set	1
18	D532 1387	Cover:Paper Tray:Ass'y	1
19	D016 1311	Decal:Paper Tray:Slow Set	1
20	D453 3425	Guide:Stopper:Right	1
21	B834 3385	Arm - Right	1
22	B834 3396	Plate - Right	1
23	D355 1382	Grip:Rear:Paper Tray	1
24	G178 2942	Grip:Front:Paper Tray	1
25	AA14 3852	Screw	4

Index No.	Part No.	Description	Q'ty Per Assembly
101	0451 4008N	Tapping Screw:4x8	
102	0720 0060E	Retaining Ring - M6	
103	0742 3808	Ball Bearing - 8x16x5	
104	0454 4008Q	Tapping Screw - M4x8	
105	0720 0040E	Retaining Ring - M4	
106	0740 3506	Ball Bearing - 6x12x4 Mm	
107	0450 4008N	Tapping Screw - M4x8	
108	0456 4012N	Tapping Screw:WP:4x12	

122.Paper Tray 2 (D095)

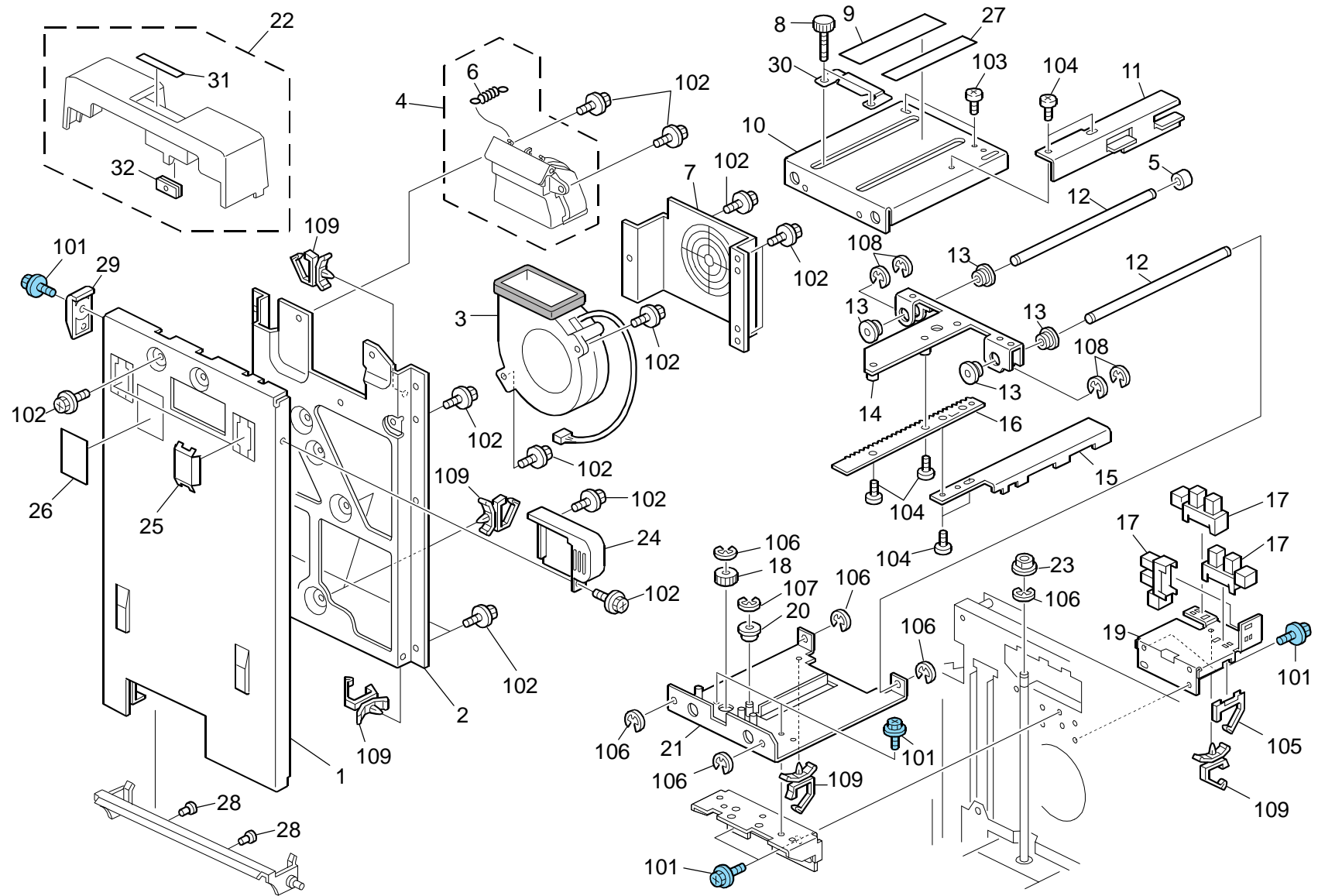


122.Paper Tray 2 (D095)

Index No.	Part No.	Description	Q'ty Per Assembly
1	D532 3462	Cover:Blower:Harness	1
2	D532 3459	Guard:Blower:Front	1
3	D350 4517	Guard:Tray:Side Fence	1
4	B834 3350	Bushing - 6x10x6.5	4
5	B834 3312	Collar	1
6	B834 3368	Slide Shaft - Upper	2
7	B834 3363	Holder:Upper Front	1
8	D532 1396	Decal:Side Fence:Size Indication:Front	1
9	D350 3345	Rack:Upper	1
10	B834 3341	Guide:Upper Front	1
11	D532 3337	Cover:Upper Front	1
12	D532 2877	Knob Screw:Tray:Guide:Green	2
13	D532 1394	Decal:Side Fence:Scale:Front	1
14	D355 3365	Duct:Upper Front:Blower:Ass'y	1
15	AA06 0858	DC Solenoid Spring	1
16	D355 4652	Supporting Plate:Side Fence:Front	1
17	D532 5515	DC Fan Motor:25.2W	1
18	D532 4656	Side Fence:Front	1
19	B834 4153	Side Fence Grip	1
20	D532 3342	Cover:Rack:Upper Front	1
21	D355 4608	Spacer:Side Fence:Push Rivet	2
22	D355 4654	Cover:Side Fence	1
23	B834 3316	Gear - 13Z	1
24	AA08 2101	Bushing - 6x10x6	1
25	D532 3315	Plate:Upper:Front	1
26	D532 2887	Plate:Turn:Prevention	1
27	D532 4650	Tray:Base:Auxiliary:Ass'y	1
28	D532 4636	Decal:Base:Auxiliary:Holder	1
29	AG07 0514	Magnet Catch	1

Index No.	Part No.	Description	Q'ty Per Assembly
101	0453 3006N	Tapping Screw - M3x6	
102	0453 4006N	Binding Self Tapping Screw:4x6	
103	0720 0040E	Retaining Ring - M4	
104	0720 0030E	Retaining Ring - M3	
105	0720 0080E	Retaining Ring - M8	
106	0451 4008N	Tapping Screw:4x8	
107	0454 4006Q	Tapping Screw:4x6	
108	0454 4008Q	Tapping Screw - M4x8	
109	1105 0511	Harness Clamp - LWS-0306ZC	
110	0451 4006N	Tapping Screw - 4x6	

123.Paper Tray 3 (D095)

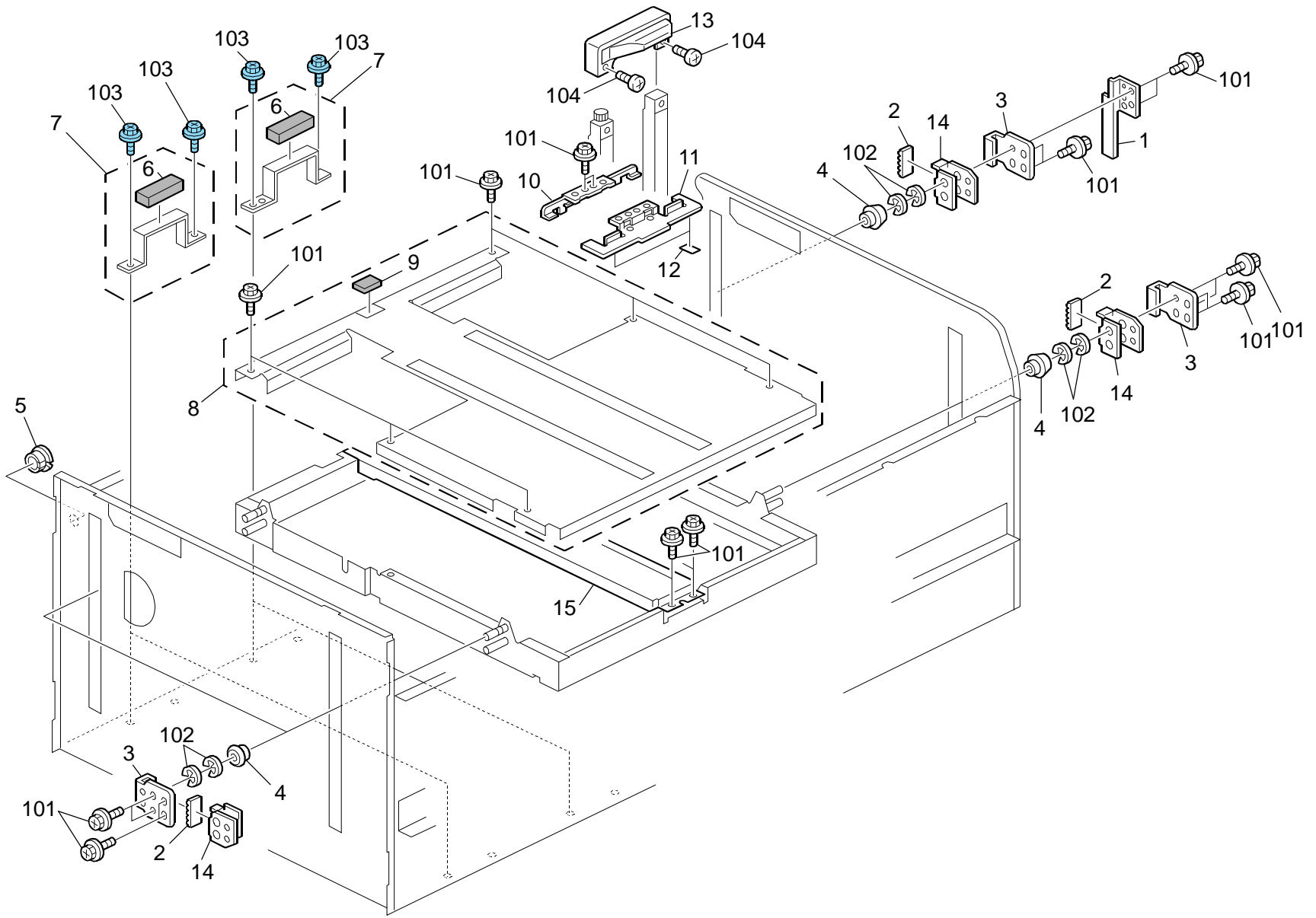


123.Paper Tray 3 (D095)

Index No.	Part No.	Description	Q'ty Per Assembly
1	D532 4665	Side Fence:Rear	1
2	D355 4662	Supporting Plate:Side Fence:Rear	1
3	D532 5515	DC Fan Motor:25.2W	1
4	D355 3375	Duct:Upper Rear:Blower:Ass'y	1
5	C236 3237	Collar 6x11.2x1.5	1
6	AA06 0858	DC Solenoid Spring	1
7	D355 3461	Guard:Blower:Rear	1
8	D532 2877	Knob Screw:Tray:Guide:Green	2
9	D532 1395	Decal:Side Fence:Scale:Rear	1
10	D532 3358	Cover:Upper Rear	1
11	B834 4743	Feeler - Paper Size Sensor No.2	1
12	B834 3368	Slide Shaft - Upper	2
13	B834 3350	Bushing - 6x10x6.5	4
14	B834 3343	Guide:Upper Rear	1
15	B834 4742	Feeler - Paper Size Sensor No.1	1
16	B834 3345	Rack:Upper	1
17	AW02 0160	Paper Feed Sensor	3
18	B834 3316	Gear - 13Z	1
19	B834 4741	Paper Size Sensor Bracket	1
20	B834 3312	Collar	1
21	B834 3364	Holder:Upper Rear	1
22	D532 4650	Tray:Base:Auxiliary:Ass'y	1
23	AA08 2101	Bushing - 6x10x6	1
24	B834 4163	Side Fence Grip - Rear	1
25	D453 2777	Plate:Auxiliary:Small:Adhesion	2
26	D355 2674	Decal - Paper Volume	1
27	D532 1397	Decal:Side Fence:Size Indication:Rear	1
28	D355 4608	Spacer:Side Fence:Push Rivet	2
29	D355 4654	Cover:Side Fence	1
30	D532 2887	Plate:Turn:Prevention	1
31	D532 4636	Decal:Base:Auxiliary:Holder	1
32	AG07 0514	Magnet Catch	1

Index No.	Part No.	Description	Q'ty Per Assembly
101	0454 4008Q	Tapping Screw - M4x8	
102	0451 4008N	Tapping Screw:4x8	
103	0453 4006N	Binding Self Tapping Screw:4x6	
104	0453 3006N	Tapping Screw - M3x6	
105	1105 0522	Edge Saddle - LES0510	
106	0720 0040E	Retaining Ring - M4	
107	0720 0030E	Retaining Ring - M3	
108	0720 0080E	Retaining Ring - M8	
109	1105 0511	Harness Clamp - LWS-0306ZC	

124.Paper Tray 4 (D095)

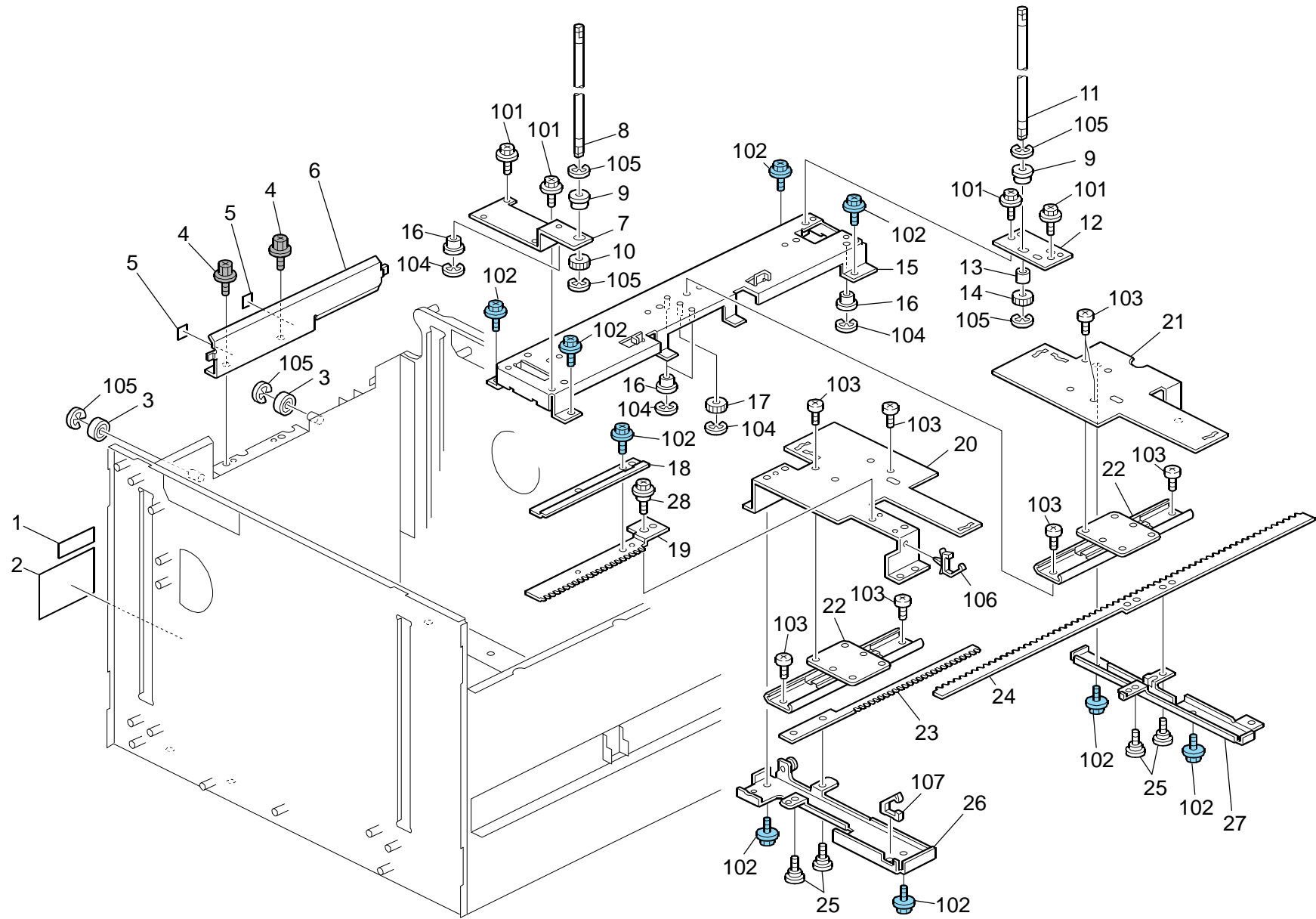


124.Paper Tray 4 (D095)

Index No.	Part No.	Description	Q'ty Per Assembly
1	D355 4568	Feeler:Paper Volume Sensor	1
2	C563 3116	Belt Joint	4
3	D355 3232	Bracket:Timing Belt:Rear	4
4	A335 4351	Guide Roller	4
5	B234 6141	Positioning Sleeve - Inner Back	1
6	B834 4032	Cushion:Tray:No.1	4
7	B834 2715	Tray Cushion Holder	4
8	D355 4640	Tray Bottom Plate:Adhesion	1
9	5201 2858	Friction Pad	1
10	D355 4579	Guide:End Fence:Left	1
11	D355 4578	Guide:End Fence:Right	1
12	B834 3490	Spacer - Side Fence	2
13	D355 4591	Grip:End Fence:Ass'y	1
14	B834 3231	Timing Belt Holder - Rear	4
15	D355 4624	Stay:Middle:Paper Tray	1

Index No.	Part No.	Description	Q'ty Per Assembly
101	0451 4008N	Tapping Screw:4x8	
102	0720 0060E	Retaining Ring - M6	
103	0454 4008Q	Tapping Screw - M4x8	
104	0453 4006N	Binding Self Tapping Screw:4x6	

125.Paper Tray 5 (D095)

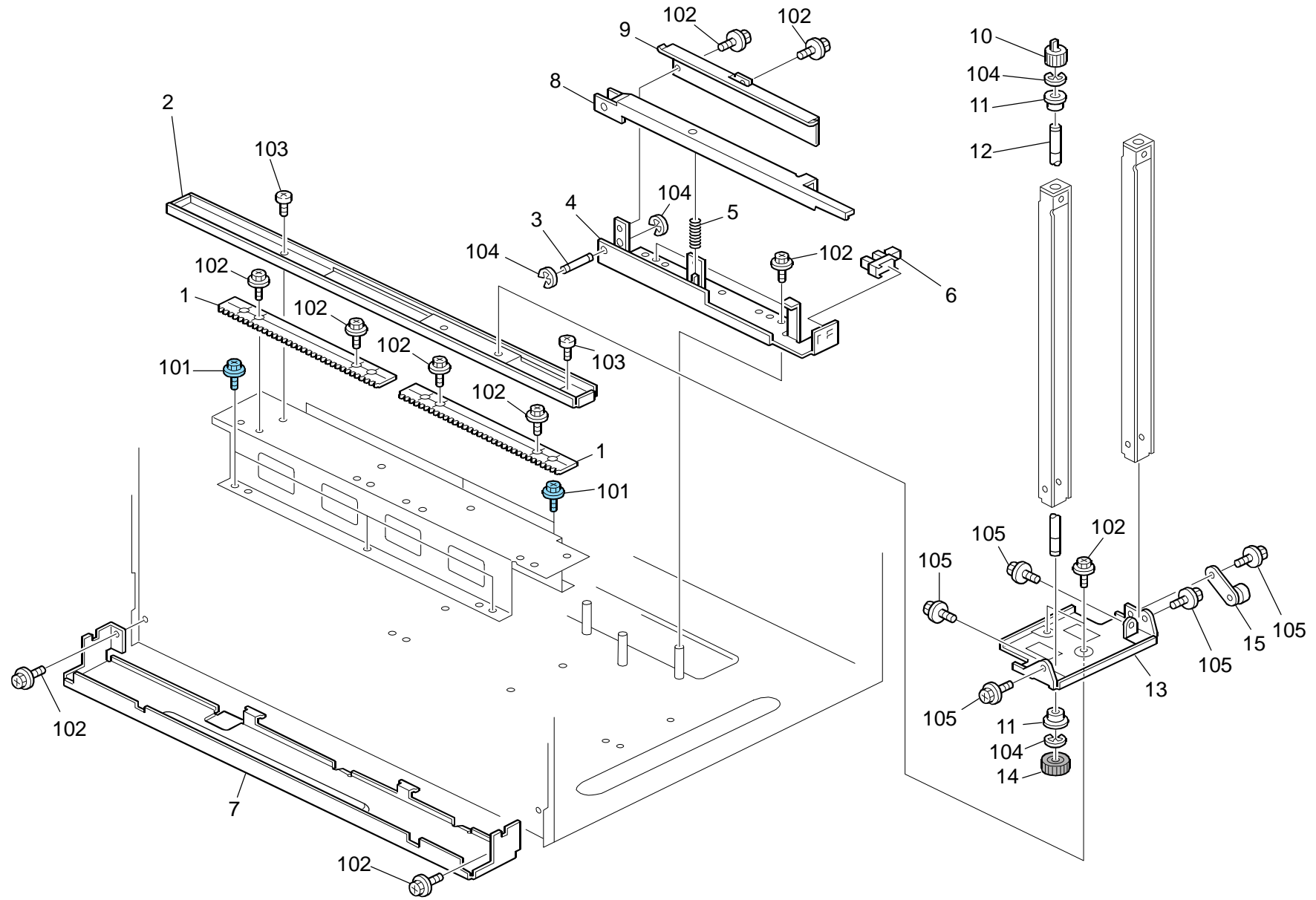


125.Paper Tray 5 (D095)

Index No.	Part No.	Description	Q'ty Per Assembly
1	D355 4574	Decal:Paper Tray:Caution	1
2	D355 4572	Decal:Paper Tray:Warning	1
3	6754 2866	Roller - Positioning Guide	2
4	B234 2390	Flanged Hexagonal Head Bolt:M4x8	2
5	D453 1335	Decal:TCRU	2
6	D453 3439	Drum Stay:Paper Feed:Upper	1
7	D532 3380	Plate:Lower Front:Install:Peen	1
8	D532 3344	Shaft:Coupling:Front:No.2	1
9	AA08 2101	Bushing - 6x10x6	2
10	B834 3316	Gear - 13Z	1
11	D532 3346	Shaft:Coupling:Rear:No.2	1
12	B834 3318	Plate:Lower	1
13	A697 1606	Spacer - 6x12x2.7mm	1
14	B834 3316	Gear - 13Z	1
15	D532 3301	Base:Side Fence:Lower:Peen	1
16	B834 3312	Collar	3
17	B834 3315	Gear - 13Z	1
18	D532 3341	Cover:Rack:Lower Front	1
19	D532 3331	Rack:Middle Front	1
20	D532 4649	Bracket:Install:Slide Rail:Front	1
21	D532 4659	Bracket:Install:Slide Rail:Rear	1
22	D532 1125	Slide Rail:Tray:Side Fence	2
23	D532 3313	Rack:Front Lower	1
24	B834 4696	Rack - Rear Lower	1
25	C612 1803	Screw:Encoder:A4991378B	4
26	D532 3306	Bracket:Side Fence:Lower Front:Peen	1
27	D532 3310	Bracket:Side Fence:Lower Rear	1
28	AA14 3790	Screw:Contact Point	1

Index No.	Part No.	Description	Q'ty Per Assembly
101	0451 4008N	Tapping Screw:4x8	
102	0454 4008Q	Tapping Screw - M4x8	
103	0453 4006N	Binding Self Tapping Screw:4x6	
104	0720 0030E	Retaining Ring - M3	
105	0720 0040E	Retaining Ring - M4	
106	1105 0511	Harness Clamp - LWS-0306ZC	
107	1105 0522	Edge Saddle - LES0510	

126.Paper Tray 6 (D095)

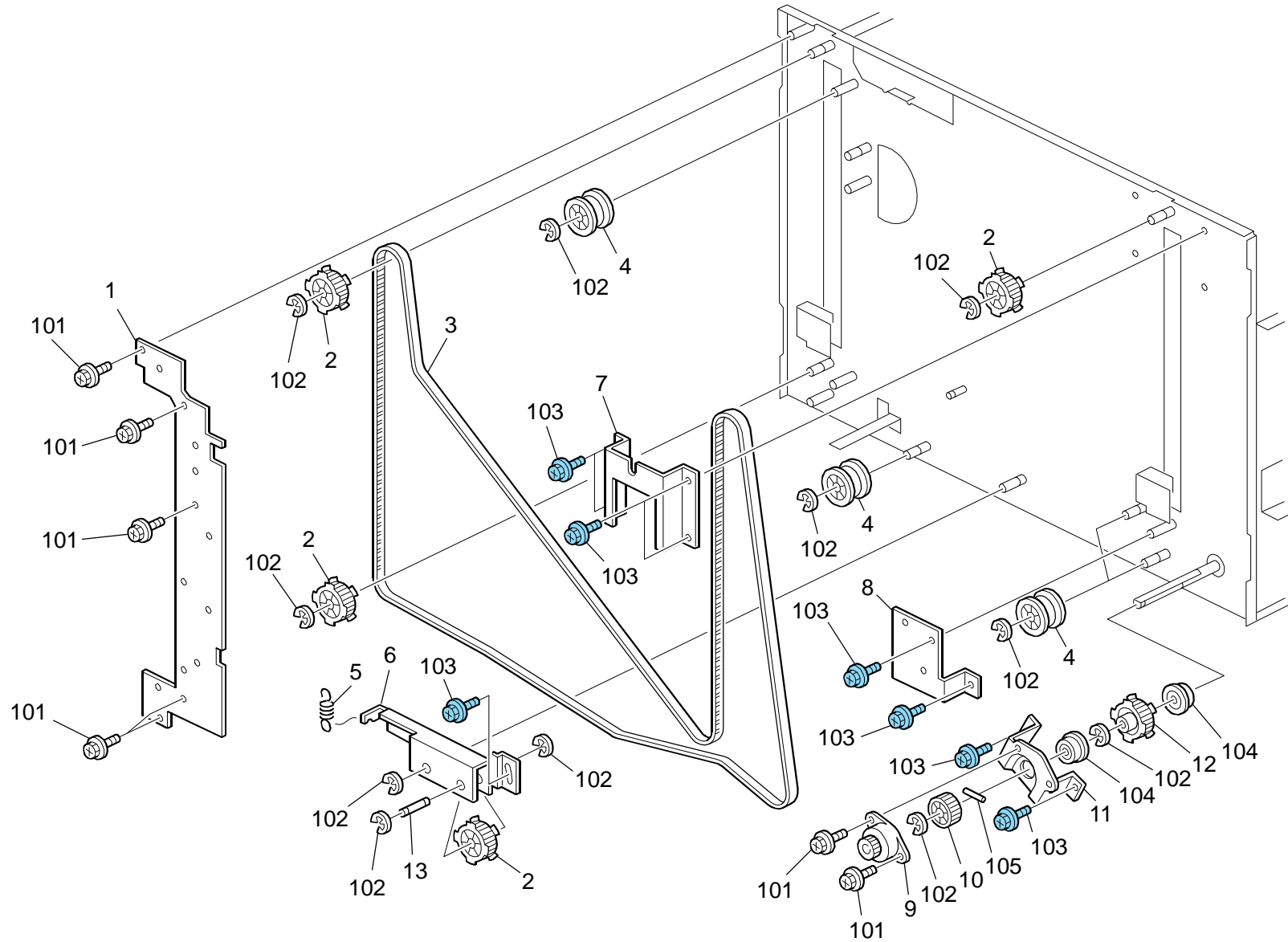


126.Paper Tray 6 (D095)

Index No.	Part No.	Description	Q'ty Per Assembly
1	D355 4593	Rack:Base:End Fence	2
2	B834 3065	Slide Rail - End Fence	1
3	B834 4595	Contact Point Shaft - Long	1
4	D355 3168	Bracket:Paper Size Sensor:Long	1
5	G052 1518	Spring - Lock Lever	1
6	AW02 0160	Paper Feed Sensor	1
7	D355 2718	Separation Plate:Drive Unit	1
8	B834 4594	Shielding Plate - Long	1
9	D355 3169	Plate:Paper Size Sensor	1
10	A294 4156	Gear - 23Z	1
11	H085 1109	Bushing - M6x5	2
12	D355 4597	Shaft:End Fence:Coupling	1
13	D355 4587	Bracket:End Fence	1
14	A228 3613	Gear - 20Z	1
15	D355 4565	Bracket:Paper Size Sensor:Roller:Peen	1

Index No.	Part No.	Description	Q'ty Per Assembly
101	0454 4008Q	Tapping Screw - M4x8	
102	0451 4008N	Tapping Screw:4x8	
103	0453 4006N	Binding Self Tapping Screw:4x6	
104	0720 0040E	Retaining Ring - M4	
105	0451 4006N	Tapping Screw - 4x6	

127.Paper Tray 7 (D095)

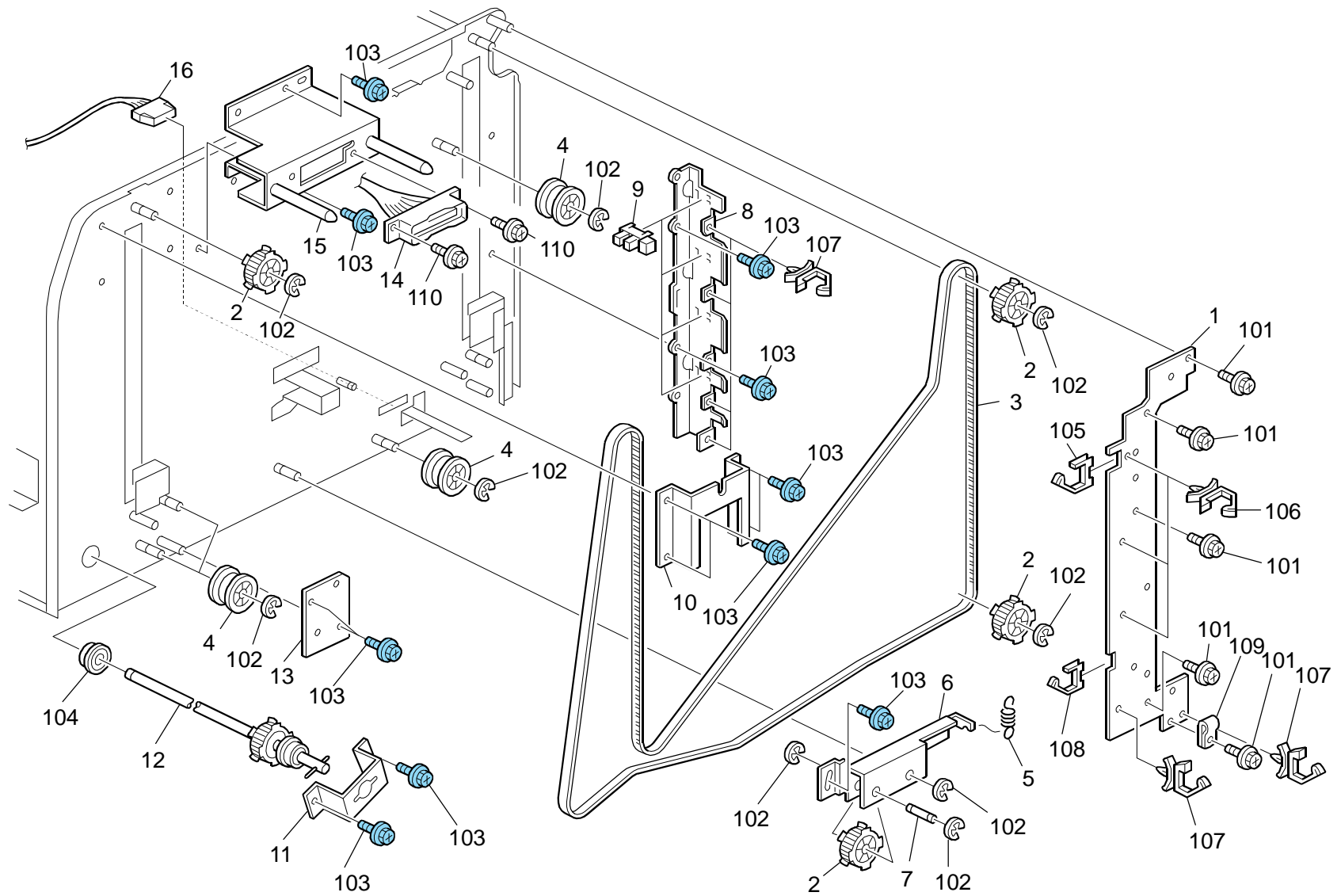


127.Paper Tray 7 (D095)

Index No.	Part No.	Description	Q'ty Per Assembly
1	B834 4563	Plate	1
2	B834 4557	Timing Pulley:Drive:No.2:Ass'y	4
3	B834 4572	Timing Belt - B100S5M2000	1
4	D355 4558	Tensioner:No.2:Ass'y	4
5	AA06 0840	Pressure Spring - 29N	1
6	B834 3245	Tension Bracket No.2 - Front	1
7	B834 3237	Bracket - Front	1
8	B834 4564	Holder - Front	1
9	B834 3493	Oil Damper:0.2N	1
10	D355 4140	Gear - 24Z	1
11	D355 4564	Bracket:Drive:Front Lower	1
12	B834 4565	Timing Pulley - 20T	1
13	B834 4568	Stud	1

Index No.	Part No.	Description	Q'ty Per Assembly
101	0451 4008N	Tapping Screw:4x8	
102	0720 0060E	Retaining Ring - M6	
103	0454 4008Q	Tapping Screw - M4x8	
104	0742 3808	Ball Bearing - 8x16x5	
105	0633 0140G	Parallel Pin - 3x14	

128.Paper Tray 8 (D095)

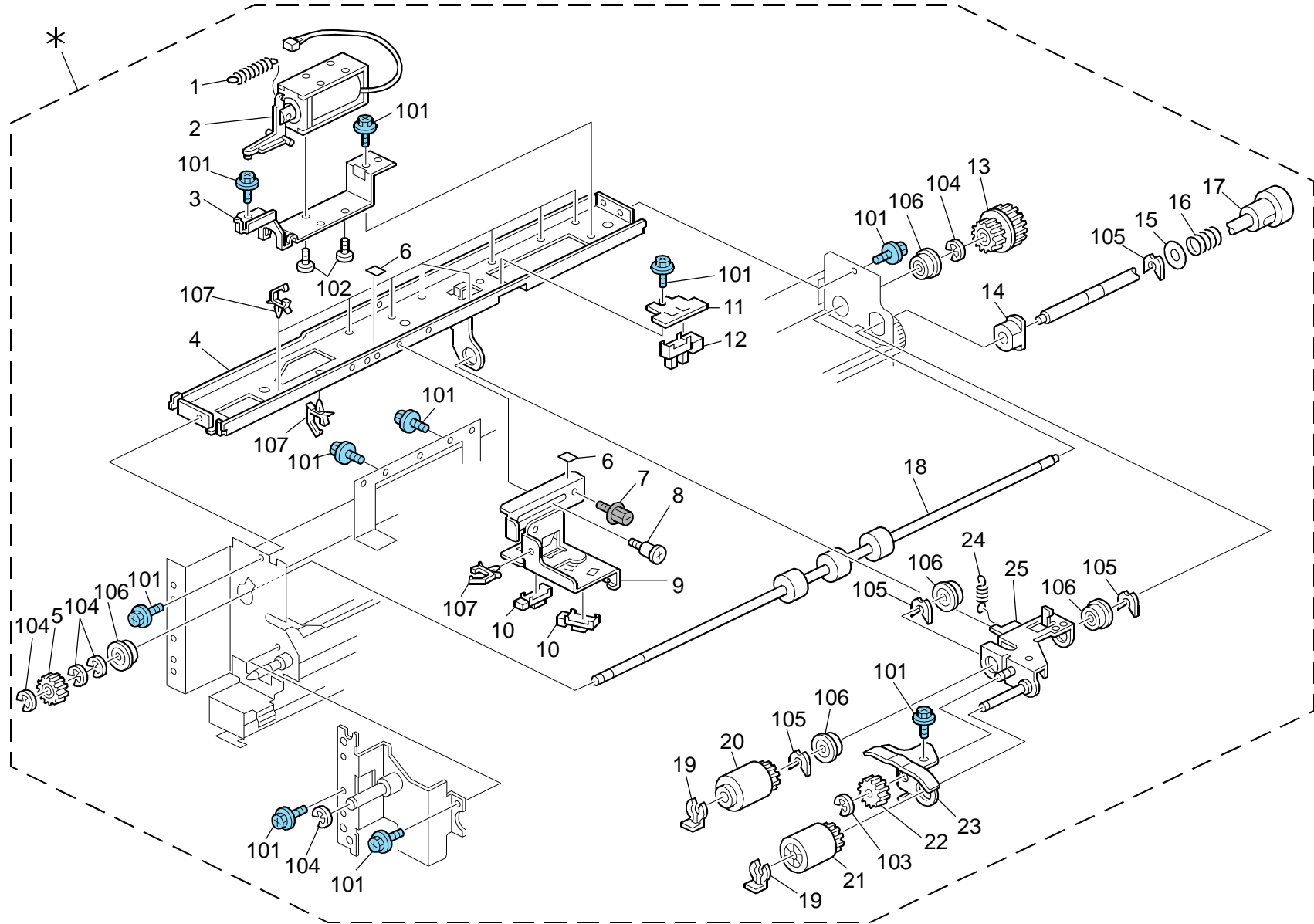


128.Paper Tray 8 (D095)

Index No.	Part No.	Description	Q'ty Per Assembly
1	B834 4563	Plate	1
2	B834 4557	Timing Pulley:Drive:No.2:Ass'y	4
3	B834 4572	Timing Belt - B100S5M2000	1
4	D355 4558	Tensioner:No.2:Ass'y	4
5	AA06 0840	Pressure Spring - 29N	1
6	B834 4566	Tension Bracket No.2 - Rear	1
7	B834 4568	Stud	1
8	D355 4556	Bracket:Paper Volume Sensor	1
9	AW02 0160	Paper Feed Sensor	4
10	B834 3248	Bracket - Rear	1
11	D355 4563	Drive Bracket - Rear Lower	1
12	D355 4531	Shaft:Main:Drive	1
13	D355 4534	Holder:Driven:Rear	1
14	D516 5325	Harness:Connecting:Tray:F2:Ass'y	1
15	D516 4880	Bracket:Drawer:Connector	1
16	D532 5327	Harness:Dc Fan Motor:Ass'y	1

Index No.	Part No.	Description	Q'ty Per Assembly
101	0451 4008N	Tapping Screw:4x8	
102	0720 0060E	Retaining Ring - M6	
103	0454 4008Q	Tapping Screw - M4x8	
104	0742 3808	Ball Bearing - 8x16x5	
105	1105 0518	Edge Saddle - LES-1010	
106	1105 0487	Harness Clamp	
107	1105 0511	Harness Clamp - LWS-0306ZC	
108	1105 0522	Edge Saddle - LES0510	
109	1105 0008	Nylon Clamp - 2N	
110	0451 3008N	Tapping Screw - M3x8	

129.Paper Feed Section 1 (D095)

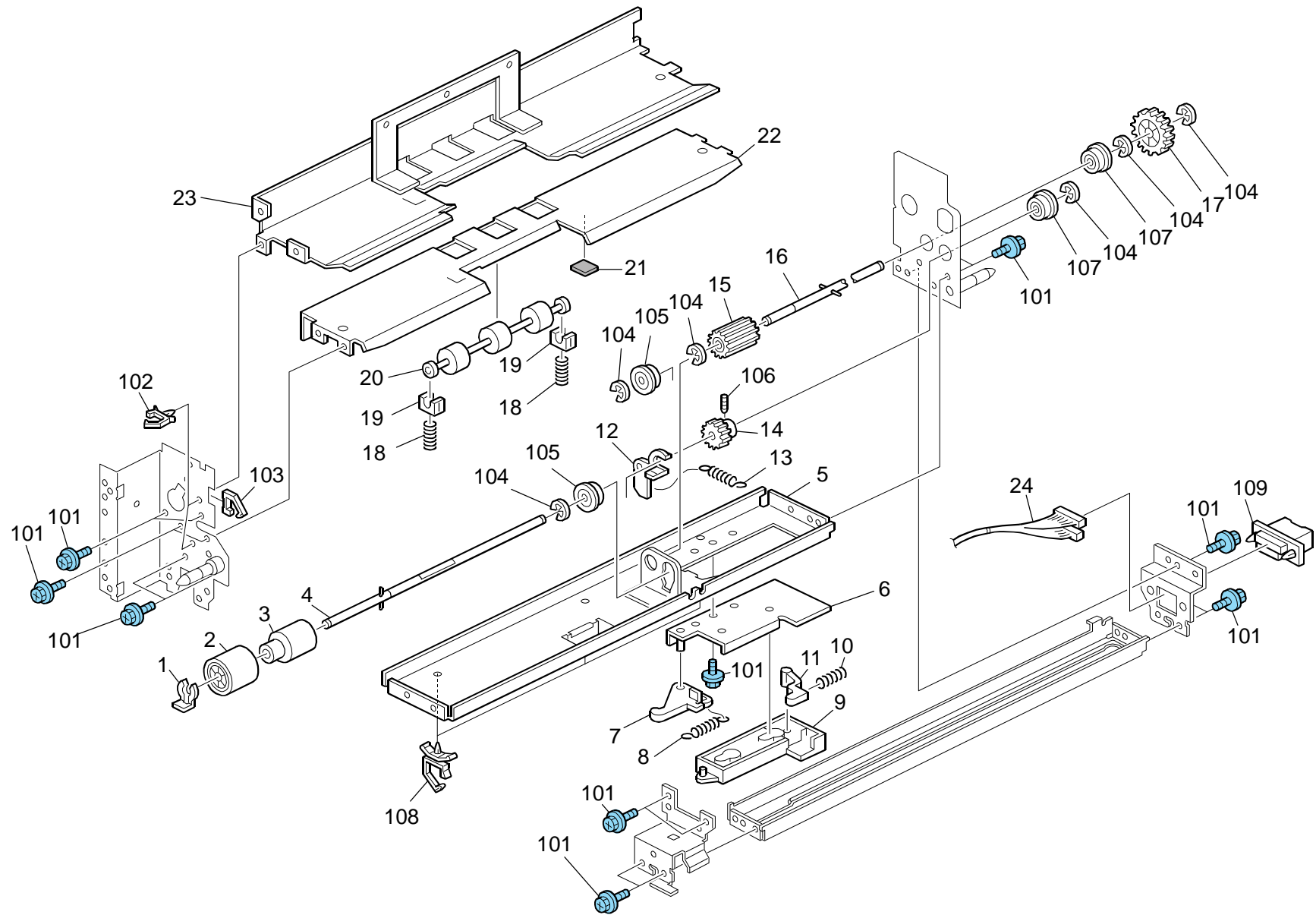


129.Paper Feed Section 1 (D095)

Index No.	Part No.	Description	Q'ty Per Assembly
*	D532 2500	Paper Feed Unit	1
1	AA06 6676	Tension Spring:Pickup:Pressure Release	1
2	D516 2581	Swing Unit:Lever:Ass'y	1
3	D516 2863	Bracket:Dc Solenoid:Pickup	1
4	B832 2569	Stay:Feed:Peen	1
5	AB01 1478	Gear - 18Z	1
6	D453 1335	Decal:TCRU	1
7	B234 2390	Flanged Hexagonal Head Bolt:M4x8	1
8	AA14 3812	Screw - Scale	1
9	D516 2575	Bracket:Paper Feed Unit:Sensor:Welding	1
10	AW01 0107	Paper Feed Sensor	2
11	B512 2714	Bracket:Rise:Sensor	1
12	AW02 0160	Paper Feed Sensor	1
13	AB01 7724	Gear - 23Z/28Z	1
14	AA08 3015	Roller Clutch	1
15	B132 4119	Spacer:Gear:Idler	1
16	AA06 3204	Compression Spring	1
17	D453 2586	Shaft:Feed Roller:Ass'y	1
18	D516 2501	Transport Roller:Grip	1
19	D059 2620	Retaining Rings-C	2
20	AF03 1041	Feed Roller - Bypass Feed	1
21	AF03 0071	Pick-up Roller	1
22	5447 2706	Gear - 15T	1
23	D452 2573	Cover:Paper Feed Roller	1
24	AA06 6677	Tension Spring	1
25	D452 2574	Arm:Pickup	1

Index No.	Part No.	Description	Q'ty Per Assembly
101	0454 4008Q	Tapping Screw - M4x8	
102	0353 0040N	Screw - M3x4	
103	0720 0040E	Retaining Ring - M4	
104	0720 0060E	Retaining Ring - M6	
105	0805 0088	Retaining Ring - M6	
106	0741 3708	Ball Bearing - 8x12x3.5mm	
107	1105 0511	Harness Clamp - LWS-0306ZC	

130.Paper Feed Section 2 (D095)

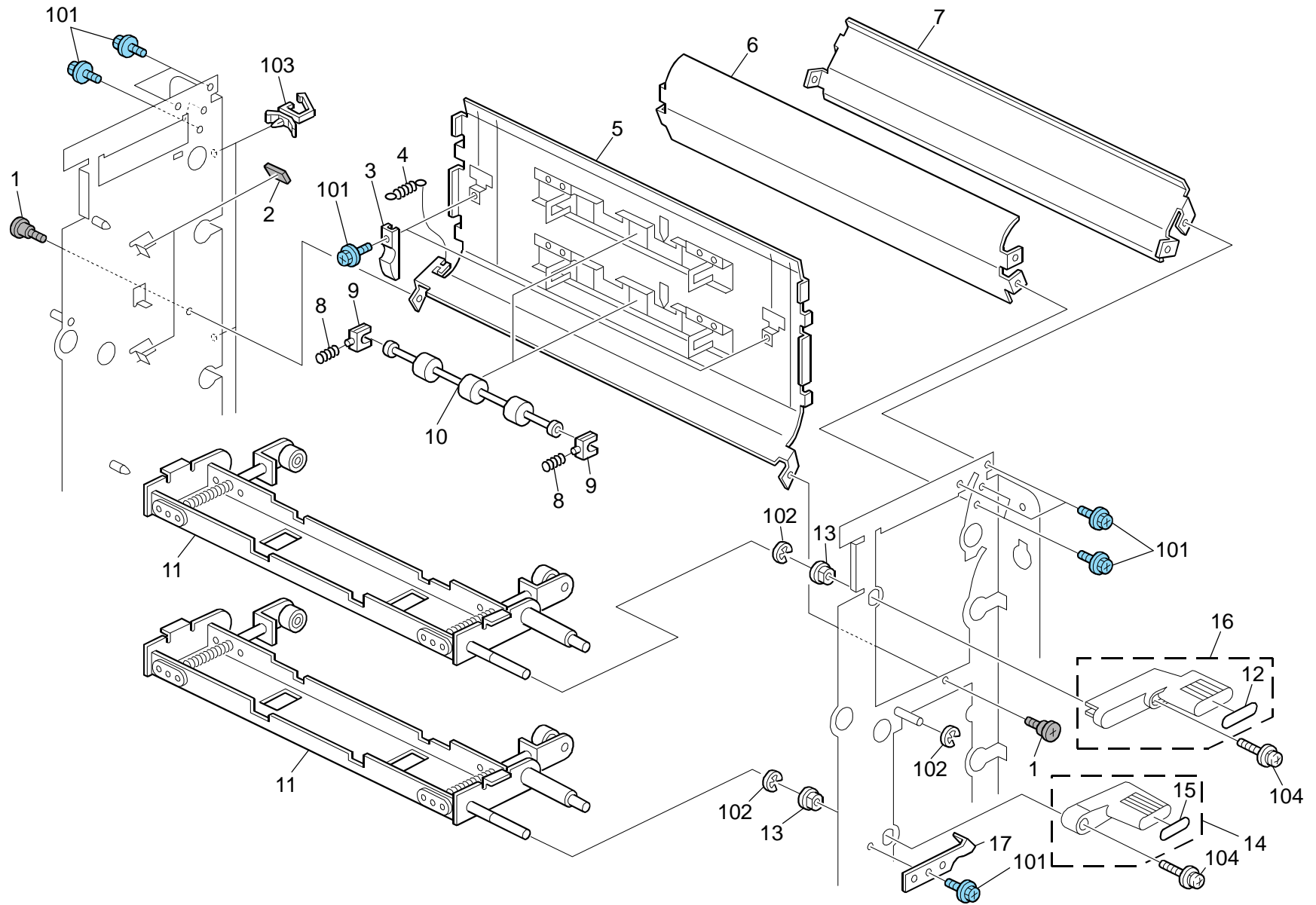


130.Paper Feed Section 2 (D095)

Index No.	Part No.	Description	Q'ty Per Assembly
1	D059 2620	Retaining Rings-C	1
2	AF03 2041	Separation Roller - Bypass Feed	1
3	B234 6301	Torque Limiter:75mN m	1
4	D516 2553	Shaft:Driven:Reverse:Ass'y	1
5	B832 2541	Stay	1
6	D355 2551	Bracket:Reverse:Release	1
7	B303 2559	Lever:Pressure Release:Reverse	1
8	D355 2559	Tension Spring:Reverse	1
9	D355 2554	Hook:Reverse:Pressure	1
10	D355 2563	Compression Spring:Reverse: Pressure:Auxiliary	1
11	D355 2556	Lever:Reverse:Pressure:Swivel	1
12	B303 2556	Reverse Pressure Lever	1
13	B833 2567	Tension Spring	1
14	AB01 1591	Gear:Reverse	1
15	AB01 1392	Drive Reverse Gear - 24Z	1
16	B234 6222	Reverse Drive Shaft	1
17	BB01 3008	Gear - 31Z	1
18	B833 2565	Compression Spring	2
19	AA08 4059	Ball Bearing Holder	2
20	D355 3803	Transport Roller:Driven	1
21	A229 2692	Damping Insulation	1
22	B832 2535	Reverse Guide Plate	1
23	B834 2520	Feed Guide Plate	1
24	D532 5312	Harness:Paper Feed Unit:Ass'y	1

Index No.	Part No.	Description	Q'ty Per Assembly
101	0451 4008N	Tapping Screw:4x8	
102	1105 0511	Harness Clamp - LWS-0306ZC	
103	1105 0522	Edge Saddle - LES0510	
104	0720 0040E	Retaining Ring - M4	
105	0741 3506	Ball Bearing - 6x12x4 mm	
106	0573 0030E	Hexagon Headless Set Screw - M3x3	
107	0741 3706	Ball Bearing - 6x10x3	
108	1105 0534	Clamp	
109	1102 9785	Connector:55949-1819	

131.Transfer Section 1 (D095)

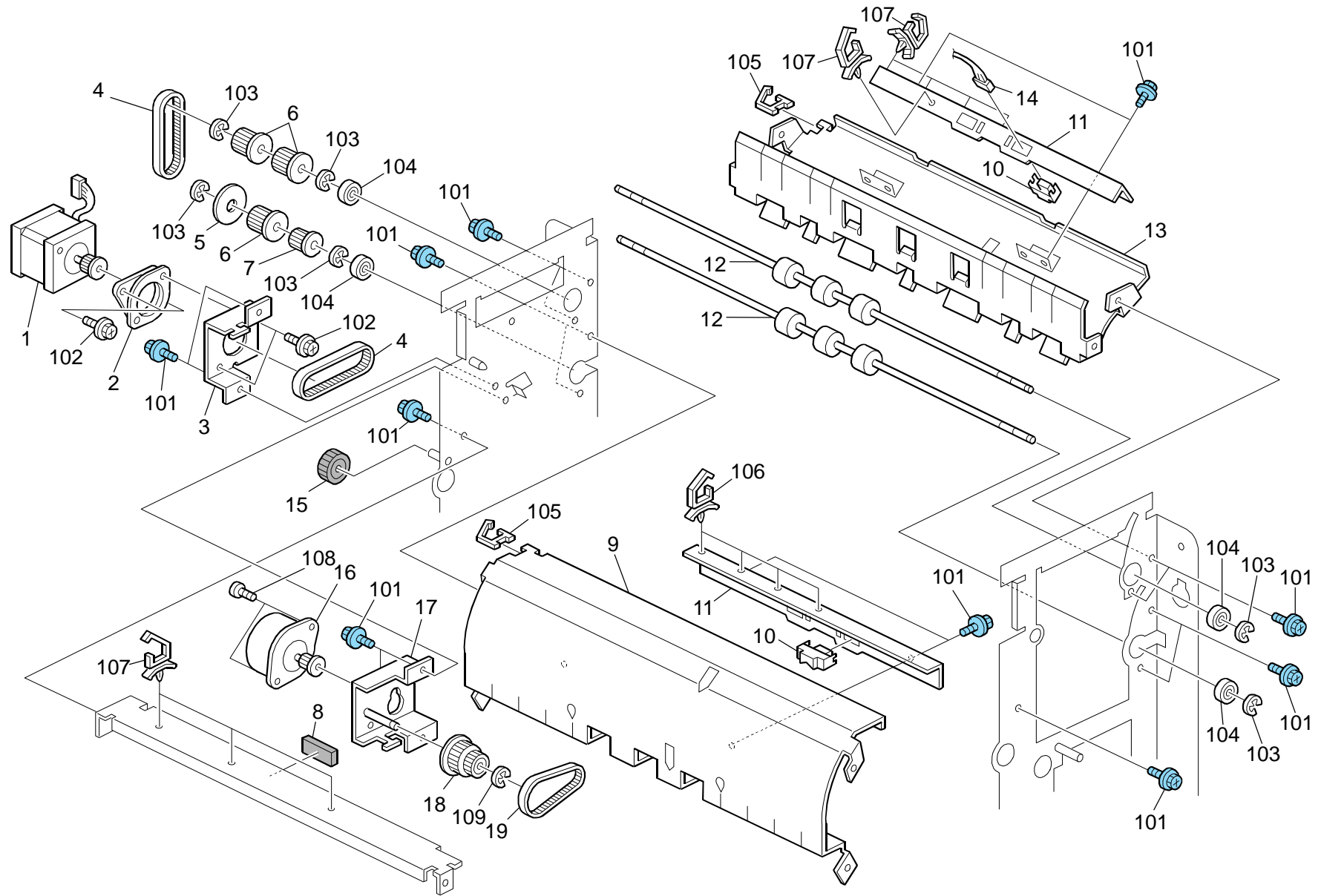


131.Transfer Section 1 (D095)

Index No.	Part No.	Description	Q'ty Per Assembly
1	D355 3897	Screw:M4:3M	2
2	D355 3809	Cushion:Stay	2
3	D355 3828	Holder:Stay:Guide Plate	2
4	D355 3857	Tension Spring:Guide Plate:12N	1
5	D355 3832	Guide Plate:Upper:Open And Close:Peen	1
6	D355 3859	Guide Plate:Horizontal Transport:Lower	1
7	D355 3873	Guide Plate:Horizontal Transport:Upper	1
8	AA06 6675	Compression Spring	4
9	AA08 4059	Ball Bearing Holder	4
10	D355 3803	Transport Roller:Driven	2
11	D355 3567	Handle:Ass'y	2
12	D355 3891	Decal:U1:Lever:Operate:Display	1
13	AA08 2070	Bushing - 8x16x7	2
14	D355 3894	Lever:Misfeed Removal:Ass'y	1
15	D355 3892	Decal:U3:Lever:Operate:Display	1
16	D355 3893	Lever:Misfeed Removal:Ass'y	1
17	D355 3885	Stopper:Frame	1

Index No.	Part No.	Description	Q'ty Per Assembly
101	0454 4008Q	Tapping Screw - M4x8	
102	0720 0060E	Retaining Ring - M6	
103	1105 0511	Harness Clamp - LWS-0306ZC	
104	0954 4010N	Screw:Polished Round/Spring:M4x10	

132.Transfer Section 2 (D095)

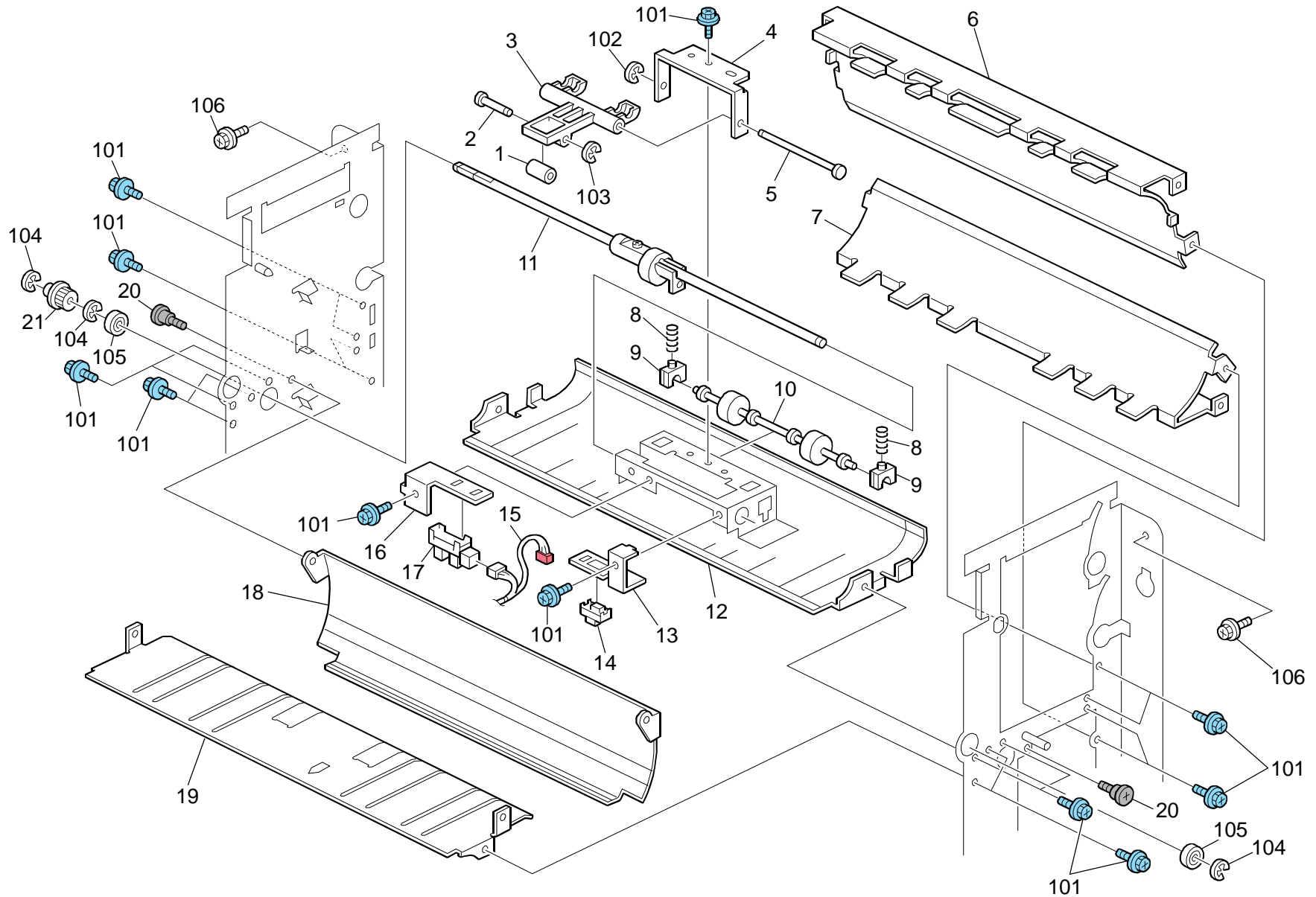


132.Transfer Section 2 (D095)

Index No.	Part No.	Description	Q'ty Per Assembly
1	AX04 0158	Stepper Motor DC2.64V 6.3W	1
2	A232 4666	Cushion - Stepper Motor	1
3	D355 3821	Bracket:Stepper Motor	1
4	D355 3874	Timing Belt:60S2M210	2
5	A017 2988	Ring	1
6	B234 6506	Timing Pulley - 30T	3
7	B234 6507	Timing Pulley - 25T	1
8	B832 3909	Bracket Cushion	1
9	D355 3841	Guide Plate:Upper Paper Feed:Lower:Peen	1
10	AW01 0122	Paper Feed Sensor	2
11	D355 3998	Bracket:Sensor:Transport	2
12	D355 3806	Drive Roller:Transport:CW	2
13	D355 3845	Guide Plate:Upper Paper Feed:Upper:Peen	1
14	D355 5312	Harness:Sensor:F1:Vertical Transport:Ass'y	1
15	B132 3350	Gear:Idler:Transport Screw:Small	1
16	AX06 0333	Stepper Motor DC2.4V 13W	1
17	D355 3829	Bracket:Stepper Motor:Peen	1
18	B835 2825	Gear - 29Z/36T	1
19	B835 2826	Timing Belt - B60S2M110	1

Index No.	Part No.	Description	Q'ty Per Assembly
101	0454 4008Q	Tapping Screw - M4x8	
102	0360 3006N	Screw - M3x6	
103	0720 0060E	Retaining Ring - M6	
104	0742 3808	Ball Bearing - 8x16x5	
105	1105 0551	Clamp:LES-0505	
106	1105 0534	Clamp	
107	1105 0511	Harness Clamp - LWS-0306ZC	
108	0453 3006N	Tapping Screw - M3x6	
109	0720 0040E	Retaining Ring - M4	

133.Transfer Section 3 (D095)

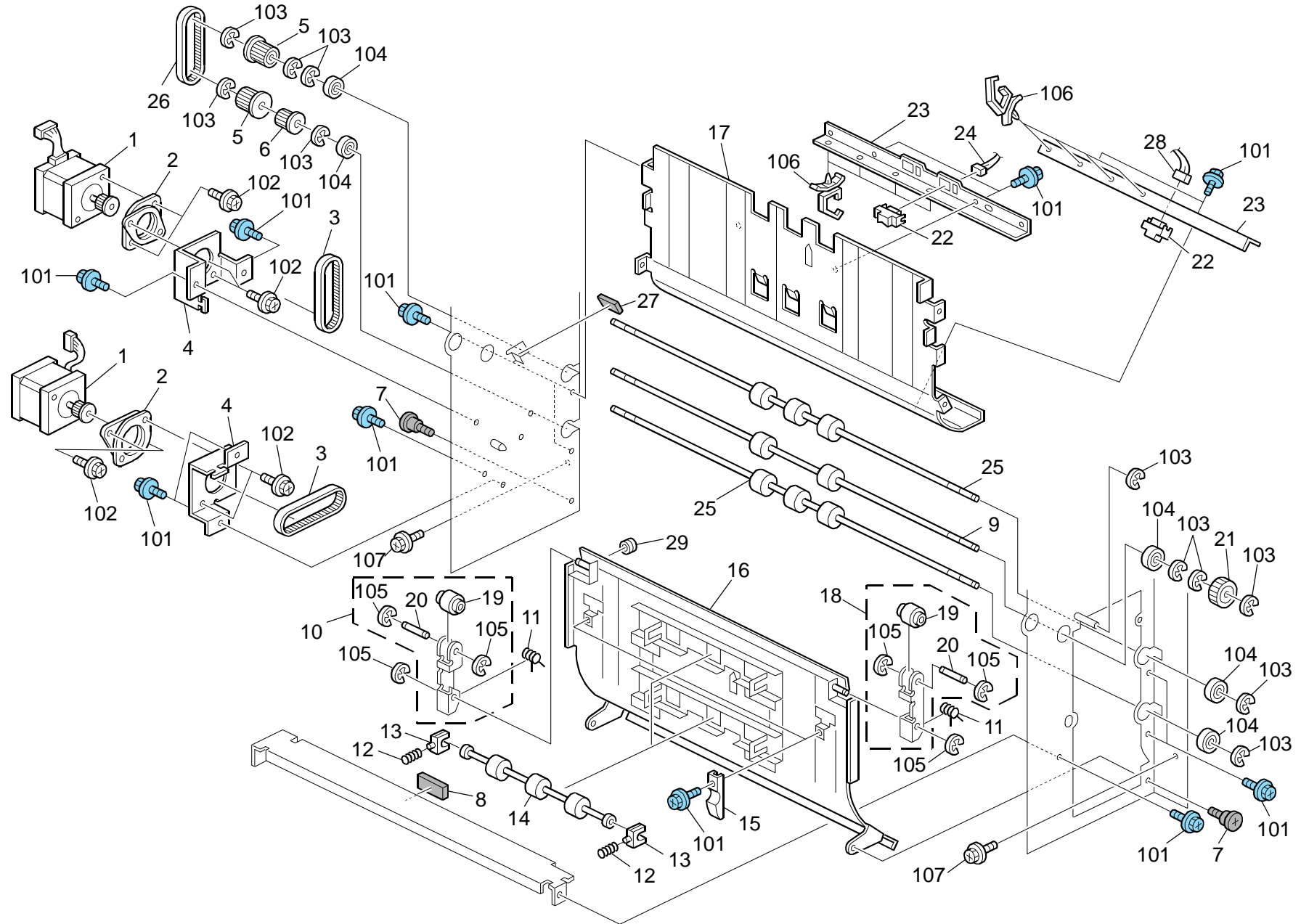


133.Transfer Section 3 (D095)

Index No.	Part No.	Description	Q'ty Per Assembly
1	D355 3882	Roller:Pressure Release	1
2	D355 3886	Shaft:Arm:On-Off	1
3	D355 3889	Arm:On-Off	1
4	D355 3883	Bracket:Arm	1
5	B234 4842	Shaft:Arm:On-Off	1
6	D355 3872	Guide Plate:Middle Lower	1
7	D355 3851	Guide Plate:Middle Upper	1
8	B234 4818	Compression Spring	2
9	AA08 4059	Ball Bearing Holder	2
10	D355 3804	Transport Roller:Release:Driven	1
11	D355 3853	Shaft:Cam:Pickup Roller:Ass'y	1
12	D355 3830	Guide Plate:Middle Upper:Exit:Peen	1
13	D355 3836	Bracket:Pressure Release: Photo Reflection Sensor	1
14	AW01 0122	Paper Feed Sensor	1
15	D355 5314	Harness:Sensor:Exit:Ass'y	1
16	D355 3837	Bracket:Pressure Release: Photointerruptor:Flat	1
17	AW02 0145	Photointerruptor:Flat	1
18	D355 3877	Guide Plate:Middle Lower:Open And Close	1
19	D355 3823	Guide Plate:Middle Lower:Exit	1
20	D355 3897	Screw:M4:3M	2
21	B835 2790	Gear - 14Z	1

Index No.	Part No.	Description	Q'ty Per Assembly
101	0454 4008Q	Tapping Screw - M4x8	
102	0720 0030E	Retaining Ring - M3	
103	0720 0020E	Retaining Ring - M2	
104	0720 0040E	Retaining Ring - M4	
105	0741 3906	Bushing - M6	
106	0451 4008N	Tapping Screw:4x8	

134.Transfer Section 4 (D095)

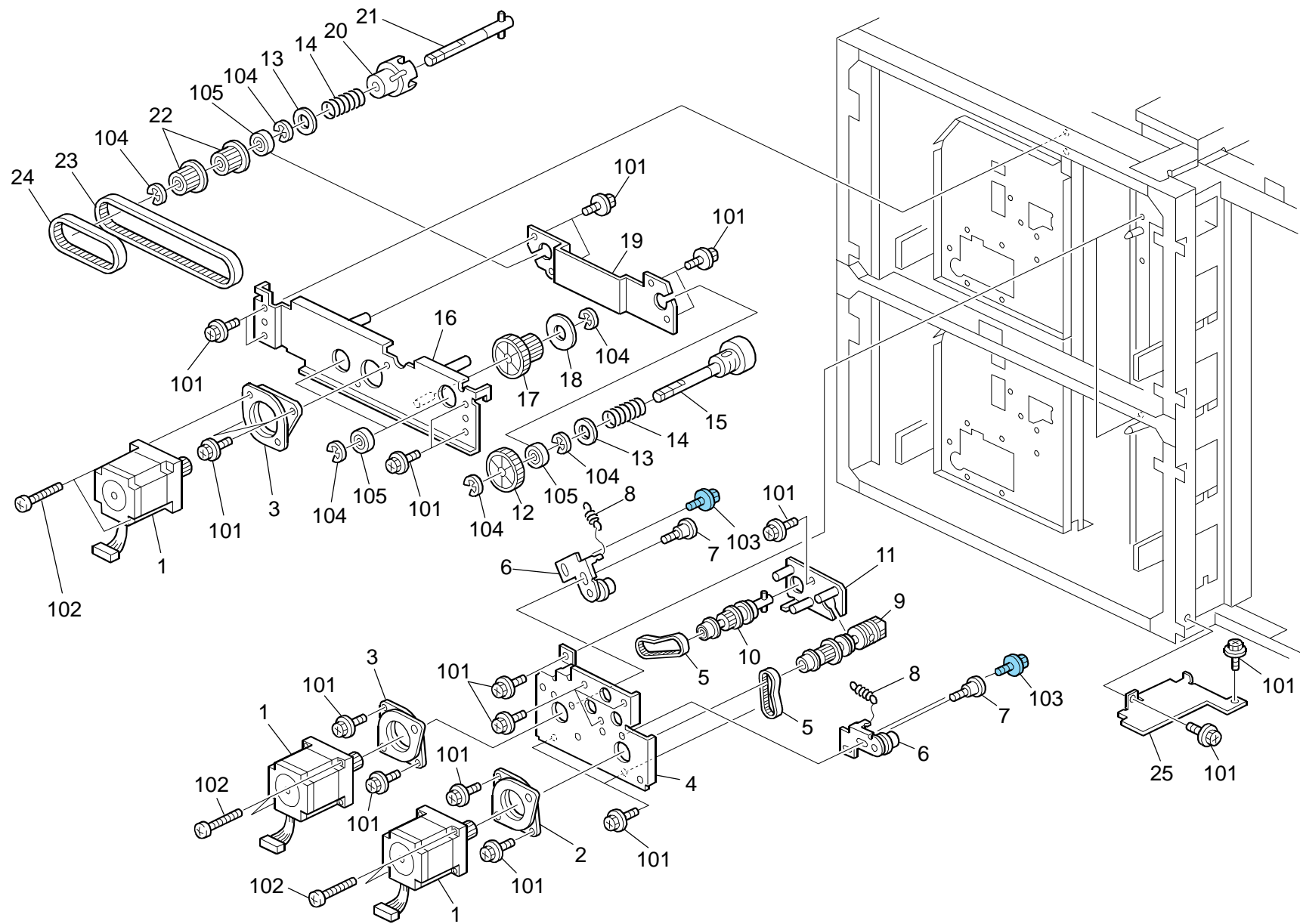


134.Transfer Section 4 (D095)

Index No.	Part No.	Description	Q'ty Per Assembly
1	AX04 0158	Stepper Motor DC2.64V 6.3W	2
2	A232 4666	Cushion - Stepper Motor	2
3	D355 3874	Timing Belt:60S2M210	2
4	D355 3821	Bracket:Stepper Motor	2
5	B234 6506	Timing Pulley - 30T	2
6	B234 6507	Timing Pulley - 25T	2
7	D355 3897	Screw:M4:3M	2
8	B832 3909	Bracket Cushion	1
9	D355 3805	Drive Roller:Transport:Exit	1
10	D355 3840	Bracket:Detent:Ass'y	1
11	D355 3858	Torsion Spring:Guide Plate:16n	2
12	AA06 6675	Compression Spring	4
13	AA08 4059	Ball Bearing Holder	4
14	D355 3803	Transport Roller:Driven	2
15	D355 3828	Holder:Stay:Guide Plate	2
16	D355 3850	Guide Plate:Lower Left:Open And Close:Peen	1
17	D355 3842	Guide Plate:Lower Right:Paper Tray:No.2:Peen	1
18	D355 3810	Bracket:Detent:Right:Ass'y	1
19	D355 1196	Roller:Detent	2
20	G363 1105	Detent Roller Shaft	2
21	D355 3817	Gear:Drive:Grip:Z22	1
22	AW01 0122	Paper Feed Sensor	2
23	D355 3998	Bracket:Sensor:Transport	2
24	D355 5313	Harness:Sensor:F2:Vertical Transport:Ass'y	1
25	D355 3807	Drive Roller:Transport:CCW	2
26	D355 3875	Timing Belt:60S2M224	1
27	D355 3809	Cushion:Stay	1
28	D355 5311	Harness:Sensor:Transport:Ass'y	1
29	J502 3127	Bushing:Stepper Motor	1

Index No.	Part No.	Description	Q'ty Per Assembly
101	0454 4008Q	Tapping Screw - M4x8	
102	0360 3006N	Screw - M3x6	
103	0720 0060E	Retaining Ring - M6	
104	0742 3808	Ball Bearing - 8x16x5	
105	0720 0030E	Retaining Ring - M3	
106	1105 0511	Harness Clamp - LWS-0306ZC	
107	0451 4008N	Tapping Screw:4x8	

135.Drive Section 1 (D095)

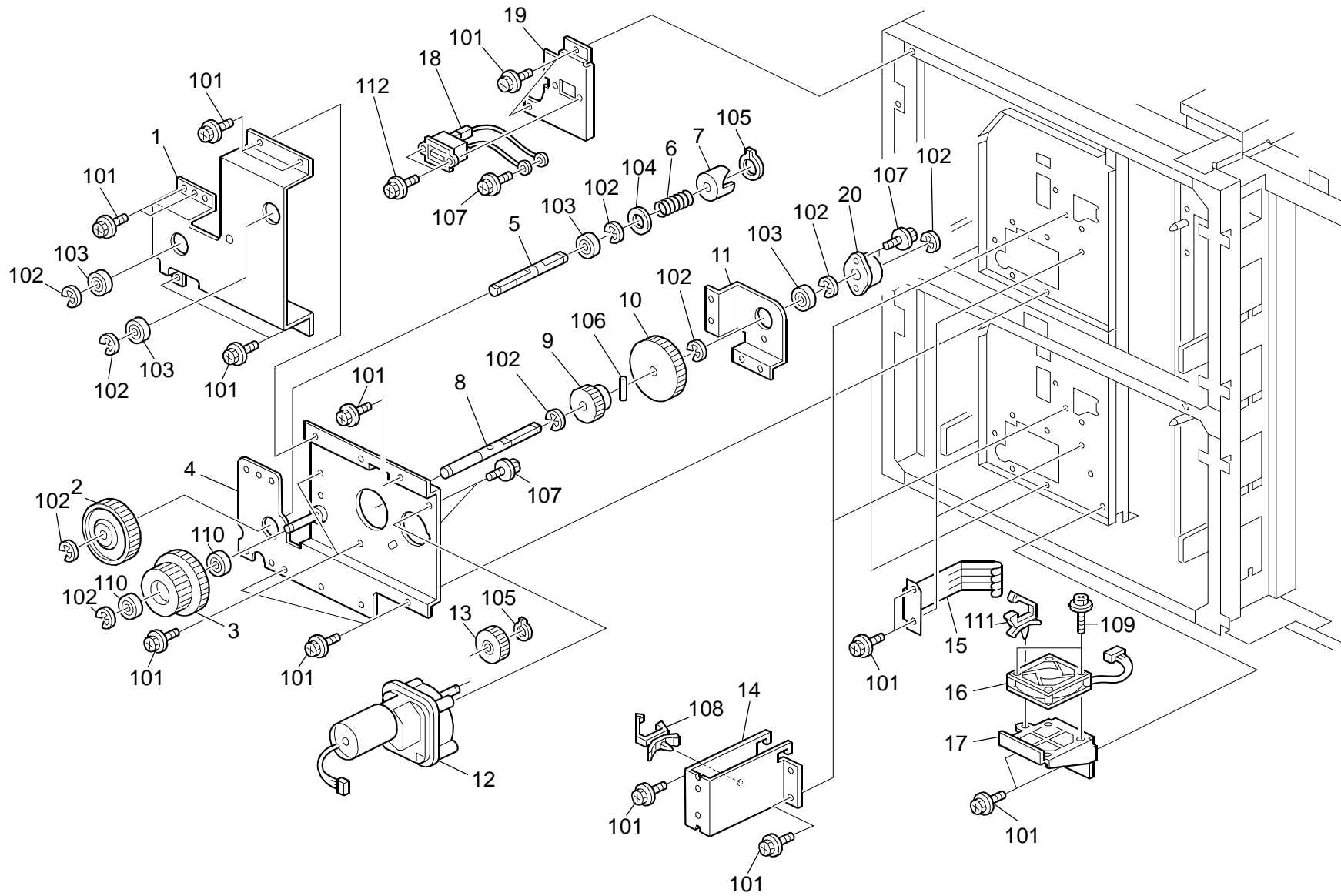


135.Drive Section 1 (D095)

Index No.	Part No.	Description	Q'ty Per Assembly
1	AX04 0157	Stepper Motor DC1.68V 6.7W	5
2	B802 1622	Stepper Motor Damper	2
3	AA16 1122	Motor Cushion	3
4	B834 1725	Paper Feed Unit Drive Bracket	2
5	AA04 2550	Timing Belt - S2M138	4
6	B832 1750	Tension Bracket	4
7	AA14 3562	Screw:M4:DIA6x1.2	4
8	B234 6508	Tension Spring	4
9	B834 1730	Grip Drive Shaft	2
10	B834 1740	Shaft	2
11	B834 1718	Bracket	2
12	AB01 3654	Gear - 30Z	1
13	B125 3230	Spacer - 0.3	2
14	D355 1167	Compression Spring:Joint:Drive	2
15	D355 1168	Joint:Horizontal Transport:Drive:Shaft:Ass'y	1
16	D355 1159	Bracket:Horizontal Transport:Drive:Rear:Peen	1
17	B834 3885	Gear/pulley - 31Z/31T	1
18	AA13 2205	Spacer - Timing Belt	1
19	D355 1157	Bracket:Horizontal Transport:Drive:Front	1
20	D355 1137	Joint:Transport Unit	1
21	D355 1136	Shaft:Horizontal Transport:Drive:Ass'y	1
22	B234 6506	Timing Pulley - 30T	2
23	D355 1197	Timing Belt:60S2M286	1
24	B835 2977	Timing Belt - B40S2M150	1
25	D355 1328	Bracket:Cover:Rear Left	1

Index No.	Part No.	Description	Q'ty Per Assembly
101	0451 4008N	Tapping Screw:4x8	
102	0314 0080N	Philips Pan Head Screw - M4x8	
103	0454 4006Q	Tapping Screw:4x6	
104	0720 0060E	Retaining Ring - M6	
105	0742 3808	Ball Bearing - 8x16x5	

136.Drive Section 2 (D095)

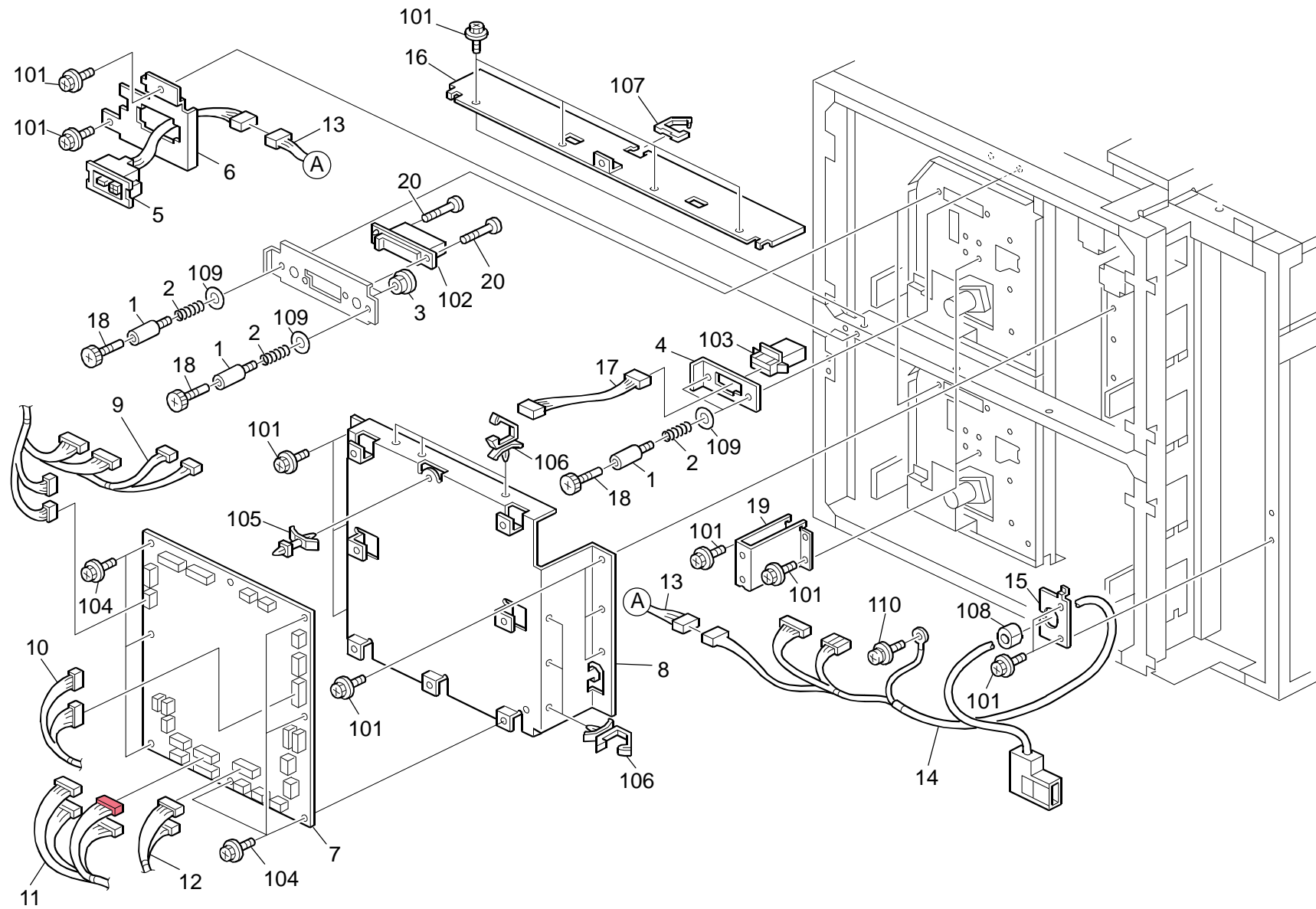


136.Drive Section 2 (D095)

Index No.	Part No.	Description	Q'ty Per Assembly
1	D355 4934	Plate:Drive:Rear	2
2	B834 3203	Gear - 48Z	2
3	B834 4547	Gear - 36Z/60Z	2
4	D355 4931	Plate:Drive:Middle	2
5	D355 4548	Shaft:Main:Drive	2
6	B834 4388	Compression Spring	2
7	B303 1185	Metal Joint	2
8	D355 4539	Shaft:Gear:Drive	2
9	B834 3214	Gear - 30Z	2
10	B834 3217	Gear - 60Z	2
11	D532 4933	Plate:Drive:Rear:Peen	2
12	AX04 0229	DC Motor 24V 21.6W	2
13	D355 3214	Gear - 30Z	2
14	D355 1096	Bracket:Cover:Rear	2
15	D355 4915	Spring Plate:Earth:Tray	2
16	GX64 0024	Fan Motor - DC 3.12W	1
17	D355 1172	Bracket:Cooling Unit	1
18	D016 5323	Harness:Ground Wire:Interface: Document Feeder	1
19	D016 1133	Bracket:Plug:ADF	1
20	D532 4936	Mechanical Roller Clutch:2.0N	1

Index No.	Part No.	Description	Q'ty Per Assembly
101	0451 4008N	Tapping Screw:4x8	
102	0720 0060E	Retaining Ring - M6	
103	0742 3808	Ball Bearing - 8x16x5	
104	0708 0080N	Washer-dia8	
105	0727 0080E	Retaining Ring - M8	
106	0633 0140G	Parallel Pin - 3x14	
107	0451 3006N	Tapping Screw - 3x6	
108	1105 0487	Harness Clamp	
109	0451 4030N	Tapping Screw:M4x30	
110	0740 3008	Ball Bearing - 8x22x7	
111	1105 0511	Harness Clamp - LWS-0306ZC	
112	0360 3006N	Screw - M3x6	

137.Electrical Section (D095)

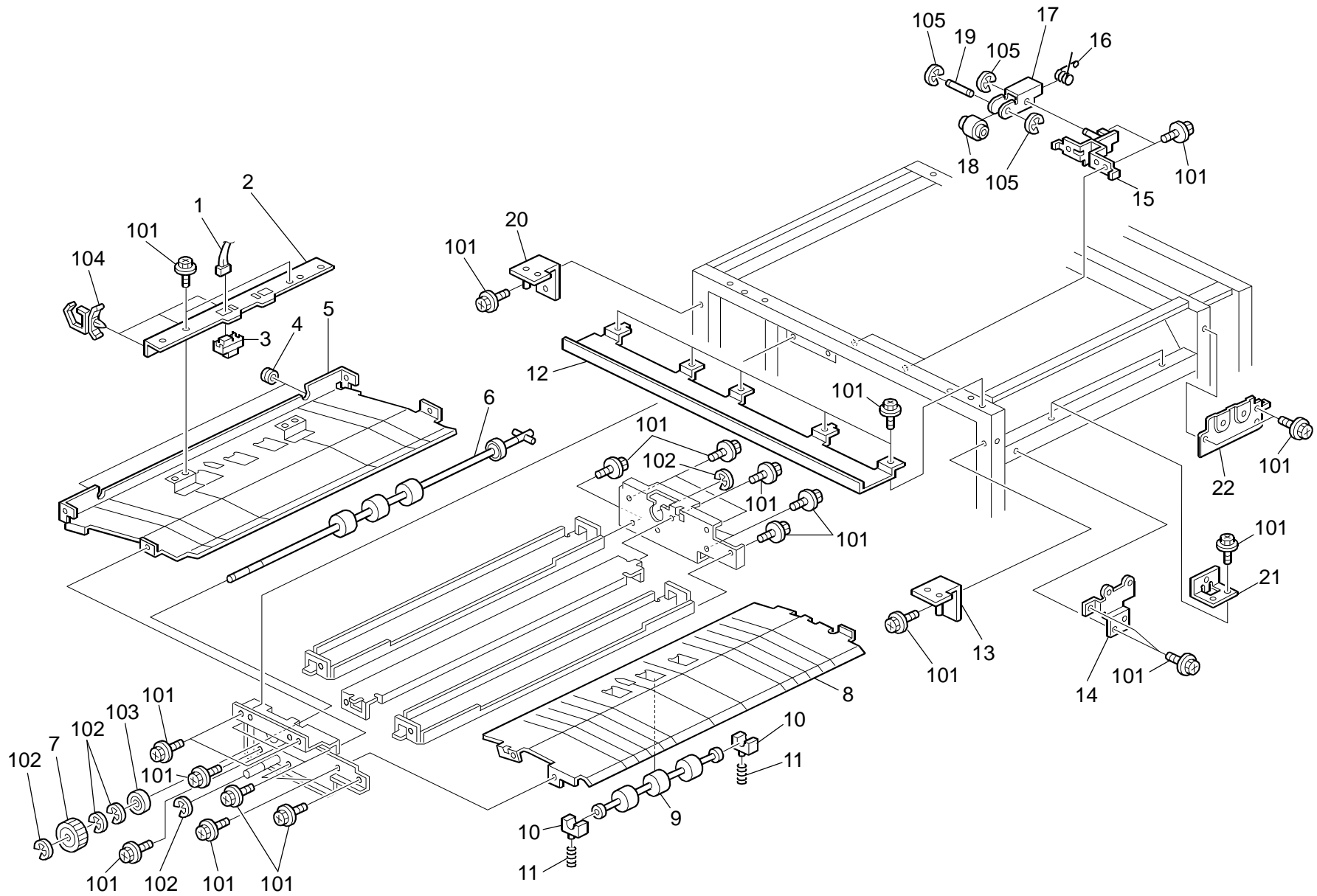


137.Electrical Section (D095)

Index No.	Part No.	Description	Q'ty Per Assembly
1	B834 1101	Shaft:Drawer:Connector	6
2	D355 4875	Compression Spring	6
3	B234 6141	Positioning Sleeve - Inner Back	4
4	D355 1152	Bracket:Drawer:Connector	1
5	D355 5331	Harness:Power Source:Connecting: Large Capacity Tray	1
6	D355 1143	Bracket:Plug:Coupling	1
7	D532 5111	PCB:LCT:Main	1
8	D355 1174	Bracket:PCB	1
9	D532 5301	Harness:Main:Drawer:Ass'y	1
10	D355 5303	Harness:Main:Motor:Ass'y	1
11	D532 5302	Harness:Main:Paper Feed:Ass'y	1
12	D355 5304	Harness:Safety Switch:Ass'y	1
13	D355 5330	Harness:Data:Connecting: Large Capacity Tray	1
14	D355 5300	Harness:Interface:Main:Ass'y	1
15	D355 1132	Bracket:Power Supply Cord	1
16	D355 1181	Bracket:Harness Clamp:Peen	1
17	D355 5319	Harness:Horizontal Transport:Connecting: Ass'y	1
18	B834 1102	Screw:Drawer:Connector	6
19	D355 1096	Bracket:Cover:Rear	2
20	D453 4876	Screw:Drawer:Connector	4

Index No.	Part No.	Description	Q'ty Per Assembly
101	0451 4008N	Tapping Screw:4x8	
102	1103 4750	Connector:39R-RWZV-K2GG-P2(LF)(SN)	
103	1102 9430	Connector:Drawer:1612257-7	
104	0451 3006N	Tapping Screw - 3x6	
105	1105 0194	PCB Stud	
106	1105 0488	Harness Clamp	
107	1105 0518	Edge Saddle - LES-1010	
108	1105 0022	Cord Stopper - AWG 18/16 UL	
109	0701 0060N	Washer DIA6	
110	0951 4008N	Screw:Polished Round:M4x8	

138.Frame Section 1 (D095)

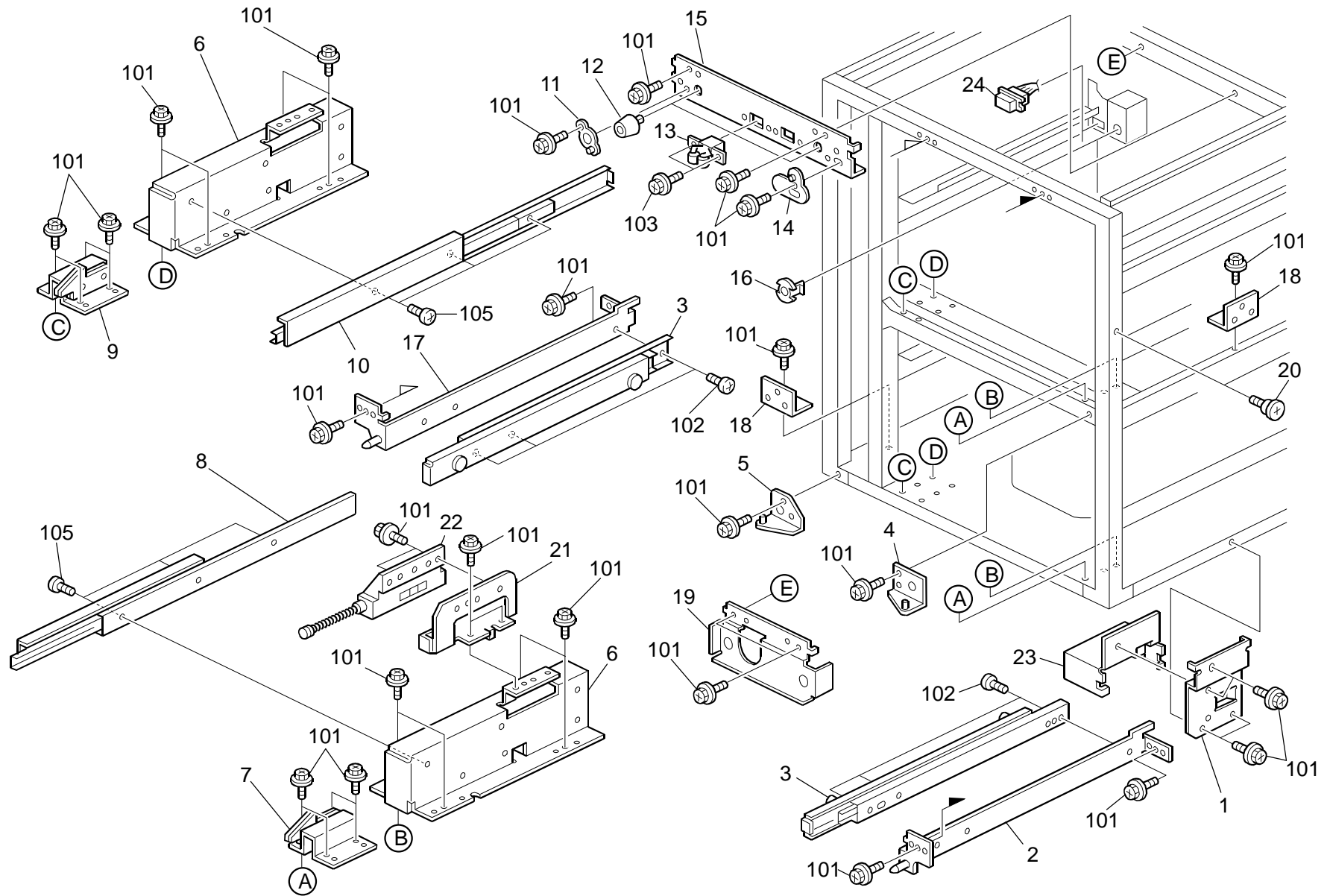


138.Frame Section 1 (D095)

Index No.	Part No.	Description	Q'ty Per Assembly
1	D355 5309	Harness:Sensor:Horizontal Transport: Exit:Ass'y	1
2	D355 3998	Bracket:Sensor:Transport	1
3	AW01 0122	Paper Feed Sensor	1
4	J502 3127	Bushing:Stepper Motor	2
5	D355 3993	Guide Plate:Joint Unit:Upper:Peen	1
6	D355 3995	Transport Roller:Joint Unit:Ass'y	1
7	AB01 1478	Gear - 18Z	1
8	D355 3990	Guide Plate:Joint Unit:Lower:Peen	1
9	D355 3803	Transport Roller:Driven	1
10	AA08 4059	Ball Bearing Holder	2
11	AA06 6675	Compression Spring	2
12	D355 1366	Bracket:Fix:Cover:Upper Front	1
13	D355 1341	Hinge:Cover:Front Right:Upper:Peen	1
14	D355 1372	Bracket:Fix:Cover:Extension:Front	1
15	D355 1102	Bracket:Detent:Peen	1
16	D355 1195	Torsion Spring:Detent:8N	1
17	D355 1198	Bracket:Detent	1
18	D355 1196	Roller:Detent	1
19	G363 1105	Detent Roller Shaft	1
20	D355 1334	Hinge:Cover:Front Left:Upper:Peen	1
21	D355 1043	Bracket:Fix:Transport Unit	2
22	D355 1373	Bracket:Fix:Cover:Extension:Rear	1

Index No.	Part No.	Description	Q'ty Per Assembly
101	0451 4008N	Tapping Screw:4x8	
102	0720 0060E	Retaining Ring - M6	
103	0742 3808	Ball Bearing - 8x16x5	
104	1105 0511	Harness Clamp - LWS-0306ZC	
105	0720 0030E	Retaining Ring - M3	

139.Frame Section 2 (D095)

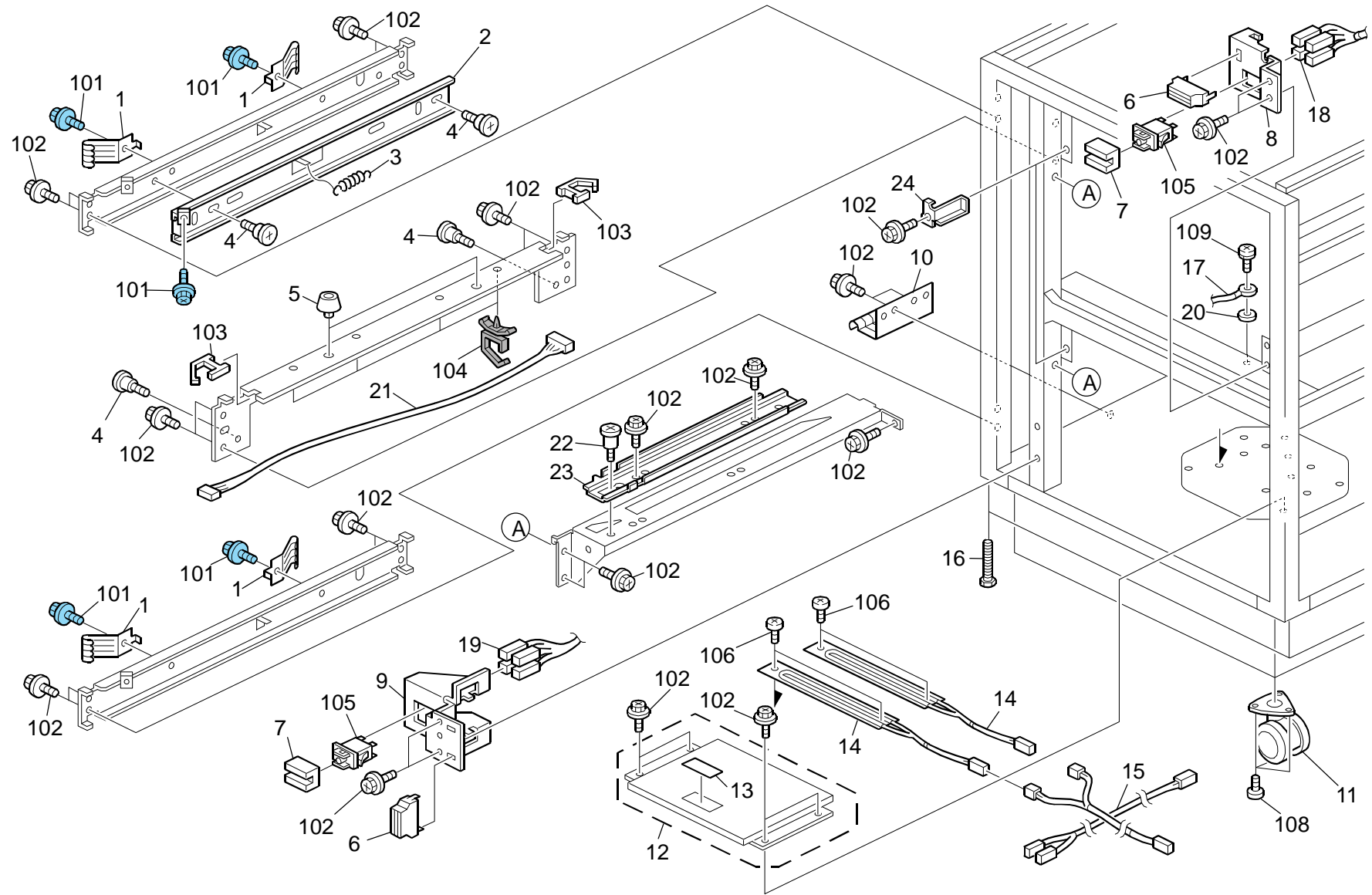


139.Frame Section 2 (D095)

Index No.	Part No.	Description	Q'ty Per Assembly
1	B234 7559	Connector Bracket	1
2	D355 1122	Bracket:Slide Rail:Right:Peen	1
3	D355 3958	Slide Rail:Transport Unit	2
4	D355 1342	Hinge:Cover:Front Right:Lower:Peen	1
5	D355 1336	Hinge:Cover:Front Left:Lower:Peen	1
6	D355 1173	Bracket:Slide Rail	4
7	D355 1015	Bracket:Holder:Stopper:Right:Ass'y	2
8	B834 1155	Slide Rail - Right Middle	2
9	D355 1016	Bracket:Holder:Stopper:Left:Ass'y	2
10	B834 1145	Slide Rail - Left Middle	2
11	B512 1078	Positioning Pin:Guide:Rear	1
12	G570 1540	Rubber Foot H=10	2
13	B600 1082	Holder:Paper Tray	1
14	B512 1079	Positioning Pin:Guide:Front	1
15	D355 1164	Bracket:Horizontal Transport Unit: Receive Plate:Rear	1
16	B234 6141	Positioning Sleeve - Inner Back	2
17	D355 1121	Bracket:Slide Rail:Left:Peen	1
18	D355 1058	Bracket:Frame:Base	2
19	D355 1163	Bracket:Joint Unit:Receive Plate:Rear	1
20	AA14 0912	Screw - 8x14x2.8	2
21	D355 1902	Bracket:Tray:Stopper	2
22	D355 1162	Damper:Tray:Lock:Right	2
23	D355 1191	Cover:Heater:Connector	1
24	D452 5311	Harness:Connecting:Paper Feed Unit	1

Index No.	Part No.	Description	Q'ty Per Assembly
101	0451 4008N	Tapping Screw:4x8	
102	0453 3008N	Binding Self Tapping Screw:3x8	
103	0451 3008N	Tapping Screw - M3x8	
104	1105 0487	Harness Clamp	
105	0453 4008N	Binding Self Tapping Screw:4x8	

140.Frame Section 3 (D095)



140.Frame Section 3 (D095)

Index No.	Part No.	Description	Q'ty Per Assembly
1	B303 1116	Grounding Plate	4
2	D355 1114	Slider:Lock	1
3	AA06 6671	Lock Spring	1
4	AA14 0912	Screw - 8x14x2.8	4
5	GH01 0007	Rubber Foot - FF-006(P4070)N	2
6	AG07 1012	Magnet Catch:Ass'y	2
7	D355 1325	Cover:Push Switch	2
8	D355 1349	Bracket:Safety Switch:Right	1
9	D355 1347	Bracket:Safety Switch:Left	1
10	D355 1183	Ground Plate:Lower	1
11	AH01 2031	Caster:1470N	6
12	D355 1144	Cover:Dehumidifier:Heater	1
13	D532 1147	Decal:H-Temp Warning	1
14	AX40 0012	Heater - 230V/18W	2
15	D355 5340	Harness:Connecting:Heater:Ass'y	1
16	AA14 3798	Hexagonal Bolt:M12x35	4
17	D355 5317	Harness:Earth:Ass'y	1
18	D355 5304	Harness:Safety Switch:Ass'y	1
19	D355 5305	Harness:Safety Switch:Connecting:Exit	1
20	D002 5998	Washer:DIA4.5:DIA10	1
21	D355 5308	Harness:Sensor:Connecting: Vertical Transport	1
22	B706 1859	Screw:Slider:Lock	2
23	D453 1074	Guide:Paper Feed Unit:Middle	2
24	D453 1079	Stopper:Paper Feed Unit	2

Index No.	Part No.	Description	Q'ty Per Assembly
101	0454 4008Q	Tapping Screw - M4x8	
102	0451 4008N	Tapping Screw:4x8	
103	1105 0522	Edge Saddle - LES0510	
104	1105 0600	Clamp:LWSM-0306-2M	
105	1204 2382	Interlock Switch - Fail-CA22	
106	0314 0060N	Screw - M4x6	
107	1105 0518	Edge Saddle - LES-1010	
108	0951 6012N	Screw - M6x12	
109	0954 4008N	Screw - M4x8	
110	1105 0487	Harness Clamp	

141.IO Board 1 (D095/M077)

CAPACITOR

SYMBOL NO.	INDEX NO.	SYMBOL NO.	INDEX NO.	SYMBOL NO.	INDEX NO.	SYMBOL NO.	INDEX NO.	SYMBOL NO.	INDEX NO.	SYMBOL NO.	INDEX NO.	SYMBOL NO.	INDEX NO.
C1	204	C11	203	C21	206	C31	203	C41	204	C101	203	C111	203
---	---	C12	207	---	---	C32	203	C42	204	C102	207	C112	207
C3	204	C13	207	C23	196	C33	207	C43	204	C103	203	C113	203
---	---	C14	207	C24	209	C34	207	C44	204	C104	207	C114	207
C5	204	C15	207	C25	201	C35	207	C45	204	C105	203	C115	203
---	---	C16	207	C26	207	C36	207	C46	204	C106	207	C116	207
C7	204	C17	207	C27	200	C37	207	C47	204	C107	203	C117	203
---	---	C18	206	C28	200	C38	207	C48	204	C108	207	---	---
C9	203	C19	206	---	---	C39	204	C49	204	C109	203	---	---
C10	205	C20	206	C30	203	C40	204	---	---	C110	207	C120	196

CAPACITOR

SYMBOL NO.	INDEX NO.	SYMBOL NO.	INDEX NO.	SYMBOL NO.	INDEX NO.	SYMBOL NO.	INDEX NO.	SYMBOL NO.	INDEX NO.	SYMBOL NO.	INDEX NO.	SYMBOL NO.	INDEX NO.
C121	196	C131	207	C141	207	C151	207	C161	207	C171	207	C181	213
C122	196	C132	203	C142	203	C152	202	---	---	C172	207	C182	213
---	---	C133	203	C143	203	C153	207	C163	207	C173	203	C183	203
---	---	C134	207	C144	207	C154	202	C164	207	C174	203	C184	213
C125	203	C135	207	C145	211	C155	207	C165	207	C175	203	C185	203
C126	203	C136	207	C146	218	---	---	---	---	C176	203	C186	213
C127	207	C137	203	C147	210	---	---	C167	207	---	---	C187	203
C128	207	C138	203	C148	207	C158	207	C168	207	C178	203	C188	213
C129	207	C139	203	C149	207	C159	202	C169	207	C179	213	C189	203
C130	207	---	---	---	---	C160	202	C170	207	C180	203	C190	213

141.IO Board 1 (D095/M077)

CAPACITOR

SYMBOL NO.	INDEX NO.	SYMBOL NO.	INDEX NO.	SYMBOL NO.	INDEX NO.	SYMBOL NO.	INDEX NO.	SYMBOL NO.	INDEX NO.	SYMBOL NO.	INDEX NO.	SYMBOL NO.	INDEX NO.
C191	203	C201	213	---	---	C221	210	C231	198	C241	213	C251	203
C192	257	C202	203	---	---	C222	210	C232	198	C242	203	C252	213
C193	257	C203	213	C213	195	C223	210	C233	213	---	---	C253	203
---	---	C204	203	C214	196	C224	210	C234	203	C244	203	C254	213
C195	203	C205	213	C215	196	C225	210	C235	213	C245	213	C255	203
C196	213	C206	203	C216	196	C226	207	C236	203	C246	203	C256	213
C197	203	C207	213	C217	195	C227	203	C237	213	C247	213	C257	203
C198	213	C208	203	C218	210	C228	213	C238	203	C248	213	---	---
C199	213	---	---	C219	210	C229	203	C239	213	C249	203	C259	207
C200	203	---	---	C220	210	C230	213	C240	203	C250	213	C260	207

CAPACITOR

SYMBOL NO.	INDEX NO.	SYMBOL NO.	INDEX NO.	SYMBOL NO.	INDEX NO.	SYMBOL NO.	INDEX NO.	SYMBOL NO.	INDEX NO.	SYMBOL NO.	INDEX NO.	SYMBOL NO.	INDEX NO.
C261	207	C271	207	C281	207	C291	217	C301	203	C311	213	C321	203
C262	196	C272	207	C282	207	---	---	C302	203	C312	213	C322	213
C263	204	C273	203	C283	207	---	---	C303	213	C313	203	C323	213
C264	204	C274	203	C284	207	C294	203	C304	213	C314	207	C324	207
C265	204	C275	207	C285	194	C295	205	C305	213	C315	207	C325	207
C266	204	C276	207	C286	212	C296	197	C306	213	C316	207	C326	207
C267	204	C277	207	C287	217	C297	203	C307	213	C317	203	C327	207
C268	204	C278	207	C288	206	C298	199	C308	213	C318	203	C328	207
C269	204	C279	207	C289	208	C299	203	C309	207	C319	203	C329	213
C270	204	C280	207	C290	206	C300	207	C310	207	C320	203	C330	213

141.IO Board 1 (D095/M077)

CAPACITOR

SYMBOL NO.	INDEX NO.
C331	213
C332	213
C333	213
C334	213
C335	203
C336	207
C337	203
C338	203
C339	203
C340	203

SYMBOL NO.	INDEX NO.
C341	203
C342	203
C343	203
C344	203
C345	203
C346	203
C347	203
C348	203
C349	203
C350	203

SYMBOL NO.	INDEX NO.
C351	203
C352	207
C353	203
C354	203
C355	203
C356	203
C357	207
C358	203
C359	203
C360	203

SYMBOL NO.	INDEX NO.
C361	207
C362	207
C363	207
C364	203
C365	207
C366	207

CA

SYMBOL NO.	INDEX NO.
CA1	215
---	---
---	---
---	---
---	---
---	---
---	---
---	---
---	---
---	---

SYMBOL NO.	INDEX NO.
CA101	215
CA102	215
CA103	215
CA104	215
CA105	216
CA106	216
CA107	214
CA108	216
CA109	216
CA110	216

SYMBOL NO.	INDEX NO.
CA111	216
CA112	216
CA113	216
CA114	214
CA115	214
CA116	214
---	---
CA118	215
CA119	215
CA120	214

CA

SYMBOL NO.	INDEX NO.
CA121	215
CA122	215
CA123	215
CA124	215
CA125	219
CA126	219
CA127	215
CA128	215
CA129	215
CA130	215

SYMBOL NO.	INDEX NO.
CA131	215
CA132	215
CA133	215
CA134	214
CA135	214
CA136	214
CA137	214
CA138	215
CA139	215
CA140	215

SYMBOL NO.	INDEX NO.
CA141	215
CA142	215
---	---
---	---
---	---
---	---
---	---
---	---
---	---
---	---

CONNECTOR

SYMBOL NO.	INDEX NO.
CN231	126
CN232	128
CN233	123
CN234	135
CN235	134
CN236	109
CN237	110
CN238	108
CN239	126
CN240	104

SYMBOL NO.	INDEX NO.
CN241	107
CN242	127
CN243	130
CN244	122
CN245	111
CN246	133
CN247	105
CN248	122
CN249	123
CN250	136

SYMBOL NO.	INDEX NO.
CN251	124
CN252	106
CN253	129
CN254	120
CN255	114
CN256	125
CN257	124
CN258	115
CN259	129
CN260	131

SYMBOL NO.	INDEX NO.
CN261	132
CN262	119
CN263	123
CN270	121
CN272	117
CN275	116
CN276	112
CN277	119
CN278	114
CN280	113

141.IO Board 1 (D095/M077)

CAPACITOR

SYMBOL NO.	INDEX NO.
C331	213
C332	213
C333	213
C334	213
C335	203
C336	207
C337	203
C338	203
C339	203
C340	203

SYMBOL NO.	INDEX NO.
C341	203
C342	203
C343	203
C344	203
C345	203
C346	203
C347	203
C348	203
C349	203
C350	203

SYMBOL NO.	INDEX NO.
C351	203
C352	207
C353	203
C354	203
C355	203
C356	203
C357	207
C358	203
C359	203
C360	203

SYMBOL NO.	INDEX NO.
C361	207
C362	207
C363	207
C364	203
C365	207
C366	207

CA

SYMBOL NO.	INDEX NO.
CA1	215
---	---
---	---
---	---
---	---
---	---
---	---
---	---
---	---
---	---

SYMBOL NO.	INDEX NO.
CA101	215
CA102	215
CA103	215
CA104	215
CA105	216
CA106	216
CA107	214
CA108	216
CA109	216
CA110	216

SYMBOL NO.	INDEX NO.
CA111	216
CA112	216
CA113	216
CA114	214
CA115	214
CA116	214
---	---
CA118	215
CA119	215
CA120	214

CA

SYMBOL NO.	INDEX NO.
CA121	215
CA122	215
CA123	215
CA124	215
CA125	219
CA126	219
CA127	215
CA128	215
CA129	215
CA130	215

SYMBOL NO.	INDEX NO.
CA131	215
CA132	215
CA133	215
CA134	214
CA135	214
CA136	214
CA137	214
CA138	215
CA139	215
CA140	215

SYMBOL NO.	INDEX NO.
CA141	215
CA142	215

CONNECTOR

SYMBOL NO.	INDEX NO.
CN231	126
CN232	128
CN233	123
CN234	135
CN235	134
CN236	109
CN237	110
CN238	108
CN239	126
CN240	104

SYMBOL NO.	INDEX NO.
CN241	107
CN242	127
CN243	130
CN244	122
CN245	111
CN246	133
CN247	105
CN248	122
CN249	123
CN250	136

SYMBOL NO.	INDEX NO.
CN251	124
CN252	106
CN253	129
CN254	120
CN255	114
CN256	125
CN257	124
CN258	115
CN259	129
CN260	131

SYMBOL NO.	INDEX NO.
CN261	132
CN262	119
CN263	123
CN270	121
CN272	117
CN275	116
CN276	112
CN277	119
CN278	114
CN280	113

141.IO Board 1 (D095/M077)

CONNECTOR DIODE

SYMBOL NO.	INDEX NO.
CN281	118
CN282	115

SYMBOL NO.	INDEX NO.
D1	155
D2	155
D3	155
D4	155
D5	155
D6	155
D7	155
D8	155
D9	155
D10	155

SYMBOL NO.	INDEX NO.
D11	155
D12	155
---	---
D14	155
D15	155
D16	155
D17	155
D18	155
D19	155
D20	155

SYMBOL NO.	INDEX NO.
D21	155
D22	155
D23	153
D24	153
---	---
---	---
---	---
---	---
D30	153

SYMBOL NO.	INDEX NO.
D31	153
D32	153
D33	153
D34	153
D35	153
D36	153
D37	153
D38	153
D39	153
D40	153

SYMBOL NO.	INDEX NO.
D41	153
D42	153
D43	153
D44	153
D45	153
D46	153
D47	153
D48	153
D49	153
D50	153

SYMBOL NO.	INDEX NO.
D51	153
---	---
---	---
---	---
---	---
---	---
---	---
---	---
---	---
---	---

DIODE

SYMBOL NO.	INDEX NO.
---	---
---	---
---	---
---	---
---	---
D106	153
D107	153
D108	153
D109	153
---	---

SYMBOL NO.	INDEX NO.
---	---
---	---
---	---
---	---
---	---
---	---
D138	152
D139	152
D140	152

SYMBOL NO.	INDEX NO.
D141	152
D142	153
D143	153
D144	153
D145	153
D146	153
D147	153
D148	153
D149	153
D150	154

SYMBOL NO.	INDEX NO.
D151	153
D152	153
D153	153
D154	153
D155	155
D156	154
D157	155
D158	153
D159	153
D160	153

SYMBOL NO.	INDEX NO.
D161	153
D162	153
D163	153

FIL

SYMBOL NO.	INDEX NO.
FIL1	220

FUSE

SYMBOL NO.	INDEX NO.
FU1	137
FU2	142
FU3	140
---	---
---	---
---	---
---	---
---	---
---	---
---	---
---	---

SYMBOL NO.	INDEX NO.
FU21	140
FU22	140
FU23	140
---	---
---	---
---	---
---	---
---	---
---	---
---	---
---	---

141.IO Board 1 (D095/M077)

FUSE

SYMBOL NO.	INDEX NO.
---	---
FU102	139
---	---
---	---
---	---
---	---
---	---
---	---
FU109	138
---	---

SYMBOL NO.	INDEX NO.
---	---
---	---
FU203	141
FU204	141
FU205	143
---	---
FU206	141
FU207	141
FU208	142
---	---
FU210	141

IC

SYMBOL NO.	INDEX NO.
IC1	163
IC2	180
IC3	162
IC4	162
IC5	178
---	---
IC6	177
IC7	171
IC8	164
IC9	159
---	---

SYMBOL NO.	INDEX NO.
IC11	158
IC12	168
IC13	171
IC14	171
IC15	171
---	---
IC16	159
IC17	159
IC18	159
IC19	159
---	---

SYMBOL NO.	INDEX NO.
IC101	173
IC102	173
IC103	173
IC104	173
IC105	174
---	---
IC106	174
IC107	174
IC108	174
---	---
IC110	160

SYMBOL NO.	INDEX NO.
IC111	160
IC112	164
IC113	164
IC114	165
IC115	165
---	---
IC116	165
IC117	160
IC118	160
IC119	165
IC120	164

SYMBOL NO.	INDEX NO.
IC121	160
IC122	160
---	---
---	---
IC125	179
---	---
IC126	179
---	---
IC128	159
IC129	166
IC130	167

IC

SYMBOL NO.	INDEX NO.
IC131	161
IC132	169
IC133	176
IC134	169
---	---
---	---
---	---
IC137	172
IC138	169
IC139	169
---	---

SYMBOL NO.	INDEX NO.
IC141	172
IC142	179
IC143	179
IC144	179
IC145	179
---	---
---	---
IC147	170
IC148	160
IC149	179
IC150	164

SYMBOL NO.	INDEX NO.
IC151	164
IC152	158
IC153	158
IC154	164
IC155	164
---	---
IC156	166
IC157	158
IC158	158
IC159	171
IC160	158

SYMBOL NO.	INDEX NO.
IC161	171
IC162	171
IC163	171
IC164	171
IC165	171
---	---
IC166	159
IC167	160

LED

SYMBOL NO.	INDEX NO.
LED101	157
LED102	157
LED103	157
LED104	157
LED105	157
---	---
LED106	157
LED107	157
LED108	157
LED109	157
LED110	157

SYMBOL NO.	INDEX NO.
LED111	157

OSC

SYMBOL NO.	INDEX NO.
OSC101	183

Q

SYMBOL NO.	INDEX NO.
Q1	150
Q2	150
Q3	151
Q4	150
Q5	151
---	---
---	---
Q6	151
Q7	151
Q8	151
Q9	151
Q10	151

141.IO Board 1 (D095/M077)

Q

SYMBOL NO.	INDEX NO.
Q11	151
Q12	151
Q13	151
Q14	150
---	---
---	---
---	---
---	---
---	---

SYMBOL NO.	INDEX NO.
Q101	151
Q102	151
Q103	151
Q104	151
Q105	151
---	---
Q106	151
Q107	151
Q108	151
Q109	151
Q110	151

SYMBOL NO.	INDEX NO.
Q111	151
Q112	151
Q113	151
Q114	147
Q115	144
---	---
Q116	149
Q117	147
Q118	147
Q119	146
Q120	145

SYMBOL NO.	INDEX NO.
Q121	146
Q122	145
Q123	146
Q124	145
Q125	146
---	---
Q126	145
---	---
---	---
Q129	151
Q130	151

SYMBOL NO.	INDEX NO.
Q131	147
Q132	148
Q133	151
Q134	145

RESISTOR

SYMBOL NO.	INDEX NO.
---	---
---	---
R3	245
R4	245
---	---
---	---
R7	245
R8	245
R9	238
R10	238

SYMBOL NO.	INDEX NO.
R11	233
R12	233
R13	232
R14	245
R15	244
---	---
R16	236
R17	231
R18	254
R19	242
R20	242

RESISTOR

SYMBOL NO.	INDEX NO.
R21	238
R22	238
R23	233
R24	233
R25	232
---	---
R26	245
R27	244
R28	236
R29	231
R30	254

SYMBOL NO.	INDEX NO.
R31	242
R32	242
R33	238
R34	238
R35	233
---	---
R36	233
R37	232
R38	245
R39	244
R40	236

SYMBOL NO.	INDEX NO.
R41	231
R42	254
R43	242
R44	242
R45	238
---	---
R46	238
R47	233
R48	233
R49	232
R50	245

SYMBOL NO.	INDEX NO.
R51	244
R52	236
R53	231
R54	254
R55	242
---	---
R56	242
R57	239
R58	239
R59	239
R60	239

SYMBOL NO.	INDEX NO.
R61	239
R62	239
R63	239
R64	239
R65	239
---	---
R66	233
R67	233
R68	239
R69	233
R70	233

SYMBOL NO.	INDEX NO.
R71	239
R72	233
R73	233
R74	239
R75	239
---	---
R76	239
R77	239
R78	239
R79	239
R80	233

SYMBOL NO.	INDEX NO.
R81	233
R82	233
R83	232
R84	233
R85	233
---	---
R86	184
R87	184
R88	233
R89	242
R90	242

141.IO Board 1 (D095/M077)

RESISTOR

SYMBOL NO.	INDEX NO.	SYMBOL NO.	INDEX NO.	SYMBOL NO.	INDEX NO.	SYMBOL NO.	INDEX NO.	SYMBOL NO.	INDEX NO.	SYMBOL NO.	INDEX NO.	SYMBOL NO.	INDEX NO.
R91	242	---	---	---	---	R121	240	R131	233	R141	236	R151	232
R92	184	R102	233	R112	233	R122	231	R132	239	R142	249	R152	245
R93	184	---	---	---	---	R123	233	R133	245	R143	250	R153	232
R94	244	R104	233	R114	233	R124	233	R134	251	R144	246	R154	233
R95	244	---	---	---	---	R125	239	R135	231	R145	236	R155	233
---	---	R106	233	R116	233	R126	233	---	---	R146	233	R156	233
---	---	---	---	---	---	R127	233	R137	244	R147	236	R157	233
R98	185	R108	233	---	---	R128	233	R138	246	R148	249	R158	233
R99	239	---	---	R119	233	R129	233	R139	233	R149	250	R159	250
R100	233	R110	233	R120	232	R130	233	R140	236	R150	245	R160	249

RESISTOR

SYMBOL NO.	INDEX NO.	SYMBOL NO.	INDEX NO.	SYMBOL NO.	INDEX NO.	SYMBOL NO.	INDEX NO.	SYMBOL NO.	INDEX NO.	SYMBOL NO.	INDEX NO.	SYMBOL NO.	INDEX NO.
R161	236	R171	233	R181	233	R191	233	R201	231	R211	233	---	---
R162	233	R172	233	R182	233	R192	233	R202	231	R212	233	---	---
R163	236	R173	232	R183	239	---	---	R203	231	R213	233	R223	233
R164	246	R174	245	R184	233	R194	233	R204	255	R214	233	R224	185
R165	250	R175	232	R185	233	R195	233	R205	245	---	---	R225	186
R166	249	R176	245	R186	233	---	---	R206	255	R216	245	R226	233
R167	236	R177	233	R187	239	R197	232	R207	245	---	---	---	---
R168	236	R178	233	R188	233	R198	232	R208	255	R218	245	R228	233
R169	233	R179	233	R189	233	R199	233	R209	245	---	---	R229	186
R170	246	R180	233	R190	233	R200	233	R210	233	R220	245	R230	232

141.IO Board 1 (D095/M077)

RESISTOR

SYMBOL NO.	INDEX NO.	SYMBOL NO.	INDEX NO.	SYMBOL NO.	INDEX NO.	SYMBOL NO.	INDEX NO.	SYMBOL NO.	INDEX NO.	SYMBOL NO.	INDEX NO.	SYMBOL NO.	INDEX NO.
R231	232	---	---	---	---	R261	231	R271	227	R281	244	R291	232
R232	233	R242	232	---	---	R262	231	R272	227	R282	244	R292	232
R233	231	---	---	---	---	R263	255	R273	227	R283	233	R293	232
R234	233	---	---	R254	233	R264	245	R274	227	R284	232	R294	232
R235	231	R245	235	R255	233	R265	245	R275	243	R285	233	R295	234
R236	239	R246	238	R256	251	R266	245	R276	230	R286	232	R296	233
R237	233	---	---	R257	228	R267	255	R277	230	R287	233	R297	233
R238	233	R248	233	R258	233	R268	255	R278	229	R288	232	R298	234
---	---	---	---	R259	244	R269	227	R279	244	R289	233	R299	234
R240	186	R250	233	R260	231	R270	227	R280	244	R290	232	R300	233

RESISTOR

SYMBOL NO.	INDEX NO.	SYMBOL NO.	INDEX NO.	SYMBOL NO.	INDEX NO.	SYMBOL NO.	INDEX NO.	SYMBOL NO.	INDEX NO.	SYMBOL NO.	INDEX NO.	SYMBOL NO.	INDEX NO.
R301	234	R311	233	R321	232	---	---	R341	233	R351	241	R361	233
R302	233	R312	233	R322	235	R332	186	R342	233	R352	241	R362	241
R303	232	R313	235	R323	233	---	---	R343	233	R353	241	R363	241
---	---	R314	232	R324	233	R334	237	R344	233	R354	241	R364	233
R305	233	R315	232	R325	235	R335	233	R345	233	R355	233	R365	233
R306	233	---	---	R326	232	R336	232	R346	233	R356	233	R366	242
---	---	R317	233	---	---	R337	185	R347	233	R357	233	R367	233
R308	232	R318	233	R328	185	R338	242	R348	233	R358	233	R368	242
R309	232	---	---	R329	233	R339	242	R349	241	R359	233	R369	233
R310	235	R320	232	---	---	R340	238	R350	241	R360	233	---	---

141.IO Board 1 (D095/M077)

RESISTOR

SYMBOL NO.	INDEX NO.	SYMBOL NO.	INDEX NO.	SYMBOL NO.	INDEX NO.	SYMBOL NO.	INDEX NO.	SYMBOL NO.	INDEX NO.	SYMBOL NO.	INDEX NO.	SYMBOL NO.	INDEX NO.
---	---	R381	237	R391	237	R401	233	---	---	R421	232	---	---
---	---	R382	233	R392	237	R402	231	R412	233	R422	233	R432	233
R373	233	R383	231	R393	233	R403	233	R413	233	R423	233	R433	233
R374	233	R384	233	R394	237	R404	231	R414	233	R424	233	R434	233
R375	238	R385	231	R395	237	R405	233	R415	233	R425	233	R435	233
R376	233	R386	233	R396	233	R406	233	R416	233	R426	233	R436	233
R377	233	R387	233	R397	237	---	---	R417	233	R427	233	R437	233
R378	238	R388	238	R398	237	R408	233	---	---	R428	233	R438	233
R379	238	R389	237	R399	233	R409	232	---	---	R429	233	R439	233
R380	237	R390	233	R400	237	R410	233	R420	233	---	---	---	---

RESISTOR

SYMBOL NO.	INDEX NO.	SYMBOL NO.	INDEX NO.	SYMBOL NO.	INDEX NO.	SYMBOL NO.	INDEX NO.	SYMBOL NO.	INDEX NO.	SYMBOL NO.	INDEX NO.	SYMBOL NO.	INDEX NO.
---	---	R451	256	R461	244	R471	247	R481	247	R491	233	R501	245
---	---	R452	247	---	---	R472	244	---	---	R492	233	R502	245
---	---	R453	244	R463	253	R473	253	---	---	R493	232	R503	231
R444	244	---	---	R464	248	R474	248	---	---	R494	232	R504	231
---	---	R455	256	R465	252	R475	252	---	---	R495	238	R505	231
---	---	R456	247	R466	247	R476	247	---	---	R496	255	R506	231
R447	256	R457	244	R467	244	R477	244	---	---	R497	255	---	---
R448	247	---	---	R468	253	R478	253	R488	255	R498	255	---	---
R449	244	R459	256	R469	248	R479	248	R489	242	R499	245	---	---
---	---	R460	247	R470	252	R480	252	R490	233	R500	245	---	---

141.IO Board 1 (D095/M077)

RESISTOR

SYMBOL NO.	INDEX NO.	SYMBOL NO.	INDEX NO.	SYMBOL NO.	INDEX NO.	SYMBOL NO.	INDEX NO.	SYMBOL NO.	INDEX NO.	SYMBOL NO.	INDEX NO.	SYMBOL NO.	INDEX NO.
R511	244	R521	233	R531	239	---	---	R551	232	R561	233	REG101	175
R512	244	R522	231	R532	185	R542	233	R552	237	R562	231	REG102	182
R513	244	---	---	R533	185	R543	233	R553	233	R563	231	REG103	181
---	---	---	---	R534	233	R544	239	R554	233	R564	233		
R515	233	R525	227	R535	233	R545	233	R555	231	---	---		
R516	231	R526	233	R536	233	R546	233	R556	226	R566	233		
R517	255	R527	233	R537	233	R547	231	R557	226	---	---		
R518	245	R528	233	R538	233	R548	231	R558	233	R568	233		
R519	232	R529	233	R539	233	R549	232	R559	233				
R520	240	R530	239	R540	233	---	---	R560	233				

REG

RN

SYMBOL NO.	INDEX NO.	SYMBOL NO.	INDEX NO.	SYMBOL NO.	INDEX NO.	SYMBOL NO.	INDEX NO.	SYMBOL NO.	INDEX NO.	SYMBOL NO.	INDEX NO.	SYMBOL NO.	INDEX NO.
RN1	222	RN101	187	RN111	187	RN121	222	RN131	221	RN141	187	RN151	225
RN2	222	RN102	187	---	---	RN122	187	RN132	187	RN142	187	RN152	225
RN3	224	RN103	187	RN113	222	RN123	222	RN133	192	RN143	222	RN153	191
RN4	222	RN104	187	RN114	222	RN124	187	RN134	187	RN144	193	RN154	221
RN5	223	RN105	187	RN115	224	RN125	221	---	---	RN145	225	RN155	221
RN6	223	RN106	187	RN116	222	RN126	189	RN136	190	RN146	187	---	---
RN7	223	RN107	187	RN117	222	RN127	221	RN137	187	RN147	187	RN157	224
RN8	223	RN108	187	RN118	224	RN128	188	---	---	RN148	193	RN158	222
---	---	---	---	RN119	222	RN129	189	---	---	RN149	187	RN159	192
---	---	RN110	187	RN120	223	RN130	223	RN140	190	RN150	193	RN160	192

141.IO Board 1 (D095/M077)

RN

SYMBOL NO.	INDEX NO.
RN161	189
RN162	188
RN163	224
RN164	222
RN165	222
RN166	224
RN167	222
RN168	222
RN169	224
RN170	222

SYMBOL NO.	INDEX NO.
RN171	222
RN172	224
RN173	222
RN174	222
RN175	224
RN176	222
RN177	222
RN178	224
RN179	222
RN180	222

SYMBOL NO.	INDEX NO.
RN181	187
RN182	190
RN183	187
RN184	187
RN185	187
RN186	223
RN187	222
RN188	187
RN189	223
RN190	222

SYMBOL NO.	INDEX NO.
RN191	222
RN192	222
RN193	223
RN194	223
RN195	188
RN196	222
RN197	187
RN198	221
RN199	187
---	---

SYMBOL NO.	INDEX NO.
---	---
RN202	187
RN203	187
RN204	187
RN205	187
RN206	187
RN207	187
RN208	190
RN209	187
RN210	187

SYMBOL NO.	INDEX NO.
RN211	190
RN212	223
RN213	187

TP

SYMBOL NO.	INDEX NO.
TP1	102
TP2	102
TP3	102
TP4	102
---	---
---	---
---	---
---	---
---	---
---	---

TP

SYMBOL NO.	INDEX NO.
TP101	101
TP102	101
TP103	101
---	---
TP105	103
---	---
TP107	103
TP108	103
TP109	103
TP110	103

SYMBOL NO.	INDEX NO.
TP111	103
TP112	103
TP113	103
TP114	103
TP115	103
TP116	103
TP117	103
TP118	103
TP119	103
TP120	103

SYMBOL NO.	INDEX NO.
TP121	103
TP122	103
TP123	103
TP124	103
TP125	103
---	---
---	---
TP128	103
TP129	103
TP130	103

SYMBOL NO.	INDEX NO.
TP131	103
TP132	103
---	---
---	---
---	---
TP136	103
TP137	101
TP138	102
TP139	102
TP140	102

SYMBOL NO.	INDEX NO.
TP141	102
TP142	103
TP143	102
TP144	102
TP145	102
TP146	102
---	---
TP148	101
---	---
TP150	101

SYMBOL NO.	INDEX NO.
TP151	102
TP152	102
TP153	102
TP154	102
TP155	102
TP156	102
TP157	101
---	---
TP159	101
TP160	103

SYMBOL NO.	INDEX NO.
TP161	103
TP162	103
TP163	103
TP164	103
TP165	103
TP166	103
TP167	103
TP168	103
TP169	103
TP170	103

141.IO Board 1 (D095/M077)

TP

SYMBOL NO.	INDEX NO.
TP171	103
TP172	103
TP173	103
TP174	103
TP175	101
TP176	102
TP177	102
TP178	103
TP179	102
TP180	102

SYMBOL NO.	INDEX NO.
TP181	102
TP182	102
TP183	102
TP184	102
TP185	103
TP186	103
TP187	102
TP188	103
TP189	102
TP190	102

SYMBOL NO.	INDEX NO.
TP191	102
TP192	103
TP193	102
TP194	103
TP195	103
TP196	103
TP197	103
TP198	102
TP199	102
TP200	103

SYMBOL NO.	INDEX NO.
TP201	103
TP202	103
TP203	103
TP204	101
TP205	102
TP206	102
TP207	102
TP208	102
TP209	103
TP210	102

SYMBOL NO.	INDEX NO.
TP211	102
TP212	101
TP213	102
TP214	103
TP215	102
TP216	103
TP217	102
TP218	103
TP219	103
---	---

SYMBOL NO.	INDEX NO.
---	---
TP222	101

ZD

SYMBOL NO.	INDEX NO.
ZD101	156
ZD102	156
ZD103	156
ZD104	156

141.IO Board 1 (D095/M077)

Index No.	Part No.	Description	Q'ty Per Assembly
*	M077 5291	PCB:IOB1	1

Index No.	Part No.	Description	Q'ty Per Assembly
101	1100 1621	Test Pin:ST-1-2	
102	1100 1829	Test Pin:RCTCBK	
103	1100 1841	Test Pin:RCUCBK	
104	1102 5301	Connector	
105	1102 5303	3.5:Connector:ST:4P	
106	1102 5326	Connector:B04P-XL-HDS(LF)(SN)	
107	1102 6305	Connector:53324-1260	
108	1102 6398	Connector:53313-2065	
109	1102 6400	Connector:53313-2465	
110	1102 6401	Connector:53313-2665	
111	1102 6414	Connector:B16P-XL-HDS(LF)(SN)	
112	1102 6296	Connector:53324-0360	
113	1102 6301	Connector:53324-0860	
114	1102 8470	Connector:55447-0680	
115	1102 8471	Connector:55447-0780	
116	1102 8473	Connector - 55447-0910	
117	1102 8474	Connector:55447-1080	
118	1102 8475	Connector:55447-1180	
119	1102 8476	Connector:55447-1280	
120	1102 8477	Connector:55447-1380	
121	1102 8479	Connector:55447-1580	
122	1102 8485	Connector:55451-2270	
123	1102 8486	Connector:55451-2470	
124	1102 8487	Connector:55451-2670	
125	1102 8488	Connector:55451-2870	
126	1102 8491	Connector:55451-3470	
127	1102 8492	Connector:55451-3670	
128	1102 8494	Connector:55451-4070	
129	1102 9547	Connector:55451-1870	
130	1103 3663	Connector:55451-1670	
131	1103 3992	Connector	
132	1103 3996	Connector	
133	1103 4000	Connector	
134	1103 4003	Connector	
135	1103 4004	Connector	

Index No.	Part No.	Description	Q'ty Per Assembly
136	1103 4010	Connector	
137	1109 0010	Fuse:RXEF375	
138	1109 0015	Fuse:SMD050F	
139	1109 0020	Fuse:SMD150F/33	
140	1109 0027	Fuse:RXEF020	
141	1109 0050	Fuse:RUEF500	
142	1109 0055	Fuse:RUEF400	
143	1109 0074	Fuse:RUEF300	
144	1400 0443	Transistor:DTB114EK	
145	1400 0774	Transistor:DTA144TE	
146	1400 0911	Transistor:DTC144TE	
147	1400 1012	Transistor:2SD2656	
148	1400 1188	Transistor:2SB1694	
149	1401 1135	FET:2SK3019	
150	1401 1301	FET:2SK2615	
151	1401 1359	FET:HAT2217C-E	
152	1402 1041	Diode:DA204U	
153	1402 1336	Diode:1SS355	
154	1402 1343	Diode:RB160L-40	
155	1402 1587	Diode - RB060	
156	1402 1649	Diode:PTZ24B	
157	1403 0953	LED:SML-310MT	
158	1407 2187	TTLIC:SN74LS07NS	
159	1407 2218	TTLIC:SN74LS06NS	
160	1407 2231	Driver:TD62308AFG(5)	
161	1407 4399	CMOS Logic:TC74VHC245FT(K)	
162	1407 5346	CMOS Logic:SN74LV74APW	
163	1407 5347	CMOS Logic:SN74LV08APW	
164	1407 5351	CMOS Logic:SN74LV14APW	
165	1407 5376	CMOS Logic:SN74LV32APW	
166	1407 5469	CMOS Logic:SN74LV07APW	
167	1407 5713	CMOS Logic:SN74LV06APW	
168	1407 6631	Clock Generator:ICS180M-53LF	
169	1407 6759	Custom IC:EIO	
170	1407 5787	ISDNAccess Contorller:PSB3186F-V1.4	

Index No.	Part No.	Description	Q'ty Per Assembly
171	1407 7000	CMOS Logic:TC74VHC541FT(K)	
172	1407 7005	CMOS Logic:TC74VHCT244AFT(K)	
173	1407 7349	Motor Control IC:SLA7072MPRT	
174	1407 7350	Motor Control IC:SLA7073MPRT	
175	1408 1627	Series Regulator:TA78L12F	
176	1408 1641	D/A Converter:BU2505FV	
177	1408 1779	IC:R3112Q281A-FA	
178	1408 1826	IC:R3112Q421A-FA	
179	1408 2007	Operational Amplifier:LM324PW	
180	1408 2029	Comparator:LM2901PW	
181	1408 2284	Series Regulator:BH30MA3WHFV	
182	1408 2393	Series Regulator:R1172H331B-F	
183	1503 1274	Crystal Oscillator:19.85MHz	
184	1600 1564	Resistor:3 Ω:±5%:2W	
185	1601 5391	Resistor	
186	1601 5941	Resistor:120 Ω:±5%:2W	
187	1601 7887	Resistor Array:10K Ω:±5%:1/16W:4Number	
188	1601 7896	Resistor Array:56Ω:±5%:1/16W:4Number	
189	1601 7898	Resistor Array:33 Ω:±5%:1/16W:4Number	
190	1601 7909	Resistor Array:10 Ω:±5%:1/16W:4Number	
191	1601 7943	Resistor Array:68 Ω:±5%:1/16W:4Number	
192	1601 7959	Resistor Array:1K Ω:±5%:1/16W:4Number	
193	1601 7983	Resistor Array:2.2K Ω:±5%:1/16W:4Number	
194	1604 4733	Capacitor - 100μF±20% 10V	
195	1604 4893	Resistor - 100μF±20%:25V	
196	1604 5375	Capacitor:220UF:±20%:50V	
197	1604 5632	Capacitor:10UF:±20%:50V	
198	1605 1202	Capacitor:15pF:±5%:50V	
199	1605 1206	Capacitor:47pF:±5%:50V	
200	1605 1208	Capacitor:100pF:±5%:50V	
201	1605 1212	Capacitor:470pF:±10%:50V	
202	1605 1214	Capacitor:1000pF:±10%:50V	
203	1605 1221	Capacitor:0.1UF:+80-20%:16V	
204	1605 1225	Capacitor:0.1UF:±10%:50V	
205	1605 1234	Capacitor:4700pF:±10%:50V	

Index No.	Part No.	Description	Q'ty Per Assembly
206	1605 1240	Capacitor:0.01UF:±10%:25V	
207	1605 1303	Capacitor:0.01UF:+80-20%:50V	
208	1605 1306	Capacitor:1UF:±10%:10V	
209	1605 1347	Capacitor:1UF:+80-20%:16V	
210	1605 1353	Capacitor:0.1UF:±10%:25V	
211	1605 1396	Capacitor:0.33UF:±10%:50V	
212	1605 1406	Capacitor:10UF:±10%:6.3V	
213	1605 1447	Capacitor:470pF:±5%:50V	
214	1605 1479	Capacitor:47pF:±10%:50V	
215	1605 1483	Capacitor:0.01UF:±20%:25V	
216	1605 1530	Capacitor:10PF:±1pF:50V	
217	1605 1563	Capacitor:10UF:±10%:10V	
218	1605 1710	Capacitor:10UF:±10%:25V	
219	1606 2084	Capacitor	
220	1607 1124	Filter:BLM18AG471SN1B	
221	1609 0005	Resistor Array:33 Ω:±5%:1/16W:8Number	
222	1609 0006	Resistor Array:10K Ω:±5%:1/16W:8Number	
223	1609 0016	Resistor Array:56 Ω:±5%:1/16W:8Number	
224	1609 0020	Resistor Array:10 Ω:±5%:1/16W:8Number	
225	1609 0095	Resistor Array:220 Ω:±5%:1/16W:4Number	
226	1633 0000	Resistor:0Ω:2125	
227	1650 2432	Resistor:4.3K Ω:±5%:1/4W:3216	
228	1650 4102	Resistor:1K Ω:±5%:1/10W:1608	
229	1650 4221	Resistor:220 Ω:±5%:1/10W:1608	
230	1650 4561	Resistor:560 Ω:±5%:1/10W:1608	
231	1650 5100	Resistor:10 Ω:±5%:1/16W:1005	
232	1650 5102	Resistor:1K Ω:±5%:1/16W:1005	
233	1650 5103	Resistor:10K Ω:±5%:1/16W:1005	
234	1650 5104	Resistor:100K Ω:±5%:1/16W:1005	
235	1650 5105	Resistor:1M Ω:±5%:1/16W:1005	
236	1650 5154	Resistor:150K Ω:±5%:1/16W:1005	
237	1650 5222	Resistor:2.2K Ω:±5%:1/16W:1005	
238	1650 5330	Resistor:33 Ω:±5%:1/16W:1005	
239	1650 5472	Resistor:4.7K Ω:±5%:1/16W:1005	
240	1650 5473	Resistor:47K Ω:±5%:1/16W:1005	

Index No.	Part No.	Description	Q'ty Per Assembly
241	1650 5511	Resistor:510 Ω:±5%:1/16W:1005	
242	1650 5560	Resistor:56 Ω:±5%:1/16W:1005	
243	1654 2051	Resistor:2.05K Ω:±1%:1/10W:1608	
244	1655 0000	Resistor:0 Ω:1005	
245	1655 1002	Resistor:10K Ω:±1%:1/16W:1005	
246	1655 1402	Resistor:14K Ω:±1%:1/16W:1005	
247	1655 1501	Resistor:1.5K Ω:±1%:1/16W:1005	
248	1655 1540	Resistor:154 Ω:±1%:1/16W:1005	
249	1655 1601	Resistor:1.6K Ω:±1%:1/16W:1005	
250	1655 1801	Resistor:1.8K Ω:±1%:1/16W:1005	
251	1655 3001	Resistor:3K Ω:±1%:1/16W:1005	
252	1655 3161	Resistor:3.16K Ω:±1%:1/16W:1005	
253	1655 5499	Resistor:54.9 Ω:±1%:1/16W:1005	
254	1655 6801	Resistor:6.8K Ω:±1%:1/16W:1005	
255	1655 6982	Resistor:69.8K Ω:±1%:1/16W:1005	
256	1655 8459	Resistor:84.5 Ω:±1%:1/16W:1005	
257	1660 8104	Capacitor:0.1UF:+80-20%:25V	

142.IO Board 2 (D095/M077)

CAPACITOR

SYMBOL NO.	INDEX NO.	SYMBOL NO.	INDEX NO.	SYMBOL NO.	INDEX NO.	SYMBOL NO.	INDEX NO.	SYMBOL NO.	INDEX NO.	SYMBOL NO.	INDEX NO.	SYMBOL NO.	INDEX NO.
C101	209	C111	209	---	---	C131	202	C141	201	C151	209	C161	209
C102	209	C112	213	---	---	---	---	C142	209	C152	209	C162	209
---	---	C113	209	---	---	C133	202	C143	209	C153	209	C163	208
---	---	C114	213	---	---	C134	202	C144	209	C154	209	C164	208
---	---	C115	209	---	---	C135	202	C145	209	C155	209	C165	209
C106	213	C116	213	C126	213	---	---	C146	209	C156	207	C166	209
C107	209	C117	209	---	---	---	---	C147	203	C157	204	C167	208
C108	213	C118	213	---	---	C138	208	C148	201	C158	213	C168	209
C109	209	C119	209	C129	213	C139	209	C149	204	C159	209	C169	208
C110	213	---	---	C130	209	C140	213	C150	213	C160	209	C170	213

CAPACITOR

SYMBOL NO.	INDEX NO.	SYMBOL NO.	INDEX NO.	SYMBOL NO.	INDEX NO.	SYMBOL NO.	INDEX NO.	SYMBOL NO.	INDEX NO.	SYMBOL NO.	INDEX NO.	SYMBOL NO.	INDEX NO.
C171	204	C181	209	C191	209	C201	209	C211	209	C221	209	C231	208
C172	209	C182	209	C192	213	C202	208	C212	208	C222	208	C232	208
C173	209	C183	213	C193	209	C203	209	C213	208	---	---	C233	209
C174	209	C184	202	C194	209	C204	208	C214	209	C224	208	C234	209
C175	209	C185	209	C195	209	C205	209	C215	214	C225	209	C235	209
C176	208	C186	211	C196	213	C206	209	C216	212	C226	212	C236	208
C177	209	C187	213	---	---	C207	209	C217	209	C227	214	C237	208
C178	204	C188	213	C198	211	C208	208	C218	208	C228	209	C238	208
C179	208	C189	204	---	---	C209	208	C219	208	C229	209	C239	208
C180	209	C190	209	C200	213	C210	209	---	---	C230	209	C240	209

142.IO Board 2 (D095/M077)

CAPACITOR

SYMBOL NO.	INDEX NO.	SYMBOL NO.	INDEX NO.	SYMBOL NO.	INDEX NO.	SYMBOL NO.	INDEX NO.	SYMBOL NO.	INDEX NO.	SYMBOL NO.	INDEX NO.	SYMBOL NO.	INDEX NO.
C241	208	C251	208	C261	208	C271	209	C281	218	C291	205	C301	213
C242	209	C252	209	C262	209	C272	209	C282	209	C292	205	C302	213
C243	208	C253	209	C263	209	---	---	C283	209	C293	211	C303	209
C244	208	C254	206	C264	208	C274	208	C284	209	C294	208	C304	209
C245	207	C255	209	C265	208	C275	209	C285	203	C295	205	C305	209
C246	208	C256	209	C266	209	C276	208	C286	211	C296	205	C306	209
C247	209	C257	209	C267	208	C277	209	C287	211	C297	205	C307	209
C248	206	C258	209	C268	209	C278	205	C288	209	C298	211	C308	213
C249	209	C259	209	C269	208	C279	215	C289	205	C299	205	---	---
C250	209	C260	209	C270	208	C280	201	C290	205	C300	209	C310	209

CAPACITOR

SYMBOL NO.	INDEX NO.	SYMBOL NO.	INDEX NO.	SYMBOL NO.	INDEX NO.	SYMBOL NO.	INDEX NO.	SYMBOL NO.	INDEX NO.	SYMBOL NO.	INDEX NO.	SYMBOL NO.	INDEX NO.
C311	213	C321	213	C331	209	C341	209	C351	211	C361	209	C371	204
C312	209	C322	209	C332	213	C342	209	C352	209	C362	211	---	---
C313	209	C323	209	C333	213	C343	209	C353	209	C363	208	C373	213
C314	209	C324	209	C334	213	C344	209	C354	211	C364	208	C374	211
C315	213	C325	209	C335	209	C345	204	C355	211	C365	210	C375	213
C316	209	C326	209	C336	203	C346	208	C356	209	---	---	C376	211
C317	209	C327	213	C337	213	C347	208	C357	209	C367	210	C377	209
C318	209	C328	209	C338	209	C348	208	C358	209	C368	209	---	---
C319	209	C329	213	---	---	C349	208	C359	209	C369	209	C379	209
C320	209	C330	213	---	---	C350	209	C360	213	C370	210	C380	213

142.IO Board 2 (D095/M077)

CAPACITOR

SYMBOL NO.	INDEX NO.
C381	209
C382	204
C383	202
---	---
---	---
C386	203
C387	209
C388	209
C389	209
C390	209

SYMBOL NO.	INDEX NO.
C391	209
C392	207
C393	214
C394	208
C395	207
C396	207
C397	207
C398	209
C399	213
C400	209

SYMBOL NO.	INDEX NO.
C401	211
C402	209
C403	213
C404	213
---	---
---	---
---	---
---	---
---	---
---	---

SYMBOL NO.	INDEX NO.
C411	211
---	---
C413	209
C414	213
---	---
---	---
---	---
---	---
---	---
---	---

SYMBOL NO.	INDEX NO.
C421	211
---	---
---	---
---	---
---	---
---	---
---	---
---	---
---	---
---	---

SYMBOL NO.	INDEX NO.
---	---
---	---
---	---
---	---
---	---
---	---
---	---
---	---
C500	213

CA

SYMBOL NO.	INDEX NO.
CA101	216
CA102	216
CA103	216
CA104	216
CA105	216
CA106	216
CA107	216
CA108	216
CA109	216
CA110	217

CA

SYMBOL NO.	INDEX NO.
CA111	217
CA112	217
CA113	217
---	---
CA115	217
CA116	217
CA117	219
CA118	219
CA119	219
CA120	219

SYMBOL NO.	INDEX NO.
CA121	219
CA122	219
CA123	219
CA124	219
CA125	219
CA126	217
CA127	219
CA128	217
CA129	217
CA130	217

CONNECTOR

SYMBOL NO.	INDEX NO.
CA131	217
CA132	217
CA133	217
CA134	217
CA135	217
CA136	217
CA137	217
CA138	217
CA139	217
CA140	217

SYMBOL NO.	INDEX NO.
CA141	217
---	---
CA143	216
CA144	216
---	---
CA146	216
CA147	216
---	---
CA149	217
CA150	216

SYMBOL NO.	INDEX NO.
CA161	217

CONNECTOR

SYMBOL NO.	INDEX NO.
CN301	135
CN302	120
CN303	126
CN304	124
CN305	116
CN306	115
CN307	117
CN308	134
---	---
CN310	133

SYMBOL NO.	INDEX NO.
CN311	134
CN312	130
CN313	128
CN314	119
CN315	114
CN316	125
CN317	122
CN318	127
CN319	110
CN320	130

142.IO Board 2 (D095/M077)

CONNECTOR

SYMBOL NO.	INDEX NO.
---	---
CN322	112
CN323	118
CN324	123
CN325	105
CN326	107
CN327	111
CN328	129
CN329	121
---	---

SYMBOL NO.	INDEX NO.
CN331	107
CN332	109
---	---
CN334	131
CN335	113
CN336	132
CN337	104
---	---
---	---
---	---

SYMBOL NO.	INDEX NO.
CN351	106
CN352	108
---	---
CN354	104
---	---
---	---
---	---
---	---
---	---

SYMBOL NO.	INDEX NO.
---	---
---	---
---	---
CN394	114
CN395	106
CN396	106

DIODE

SYMBOL NO.	INDEX NO.
D101	162
D102	159
D103	161
D104	163
D105	158
D106	158
D107	163
D108	157
D109	158
D110	158

SYMBOL NO.	INDEX NO.
D111	163
D112	161
D113	161
D114	161
D115	161
D116	159
D117	159
D118	159
D119	159
D120	159

SYMBOL NO.	INDEX NO.
D121	159
D122	159
D123	159
D124	159
D125	159
D126	159
D127	162
D128	162
D129	159
D130	159

DIODE

SYMBOL NO.	INDEX NO.
D131	159
D132	159
D133	162
D134	159
D135	159
D136	159
---	---
D138	159
D139	159
D140	160

SYMBOL NO.	INDEX NO.
---	---
D142	162
D143	162
---	---
D145	160
---	---
---	---
D148	159
D149	159
D150	162

SYMBOL NO.	INDEX NO.
D151	163
D152	162
D153	159
D154	162
---	---
---	---
---	---
---	---
---	---
D160	162

SYMBOL NO.	INDEX NO.
D161	159
D162	159
D163	159
---	---
---	---
---	---
---	---
---	---
---	---

SYMBOL NO.	INDEX NO.
---	---
---	---
---	---
---	---
---	---
---	---
---	---
---	---
D200	162

SYMBOL NO.	INDEX NO.
D201	159
D202	159

FIL

SYMBOL NO.	INDEX NO.
FIL101	220

FUSE

SYMBOL NO.	INDEX NO.
---	---
---	---
---	---
---	---
FU105	136
FU106	137
FU107	136
---	---
---	---
---	---

142.IO Board 2 (D095/M077)

FUSE

SYMBOL NO.	INDEX NO.
FU201	138
FU202	138
FU203	138
FU204	139

IC

SYMBOL NO.	INDEX NO.
IC101	183
---	---
IC103	183
IC104	183
IC105	183
IC106	183
IC107	183
IC108	183
IC109	182
---	---

SYMBOL NO.	INDEX NO.
---	---
---	---
---	---
IC114	170
IC115	167
IC116	186
IC117	186
IC118	175
IC119	174
IC120	180

SYMBOL NO.	INDEX NO.
IC121	174
IC122	180
IC123	179
IC124	178
IC125	173
IC126	178
IC127	179
IC128	190
IC129	179
IC130	172

SYMBOL NO.	INDEX NO.
IC131	174
IC132	170
IC133	180
IC134	178
IC135	168
IC136	178
IC137	180
IC138	170
IC139	184
IC140	181

SYMBOL NO.	INDEX NO.
IC141	184
IC142	171
IC143	173
IC144	172
IC145	187
IC146	180
IC147	180
IC148	185
IC149	173
IC150	172

SYMBOL NO.	INDEX NO.
IC151	169
IC152	173
IC153	168
IC154	168
IC155	168
IC156	185
IC157	185
IC158	173
IC159	180
IC160	179

IC

SYMBOL NO.	INDEX NO.
IC161	189
IC162	169
---	---
IC164	167
IC165	180
IC166	180
IC167	169
IC168	173
IC169	176
IC170	177

SYMBOL NO.	INDEX NO.
IC171	188
IC172	174
---	---
---	---
---	---
---	---
---	---
---	---
---	---
---	---

SYMBOL NO.	INDEX NO.
IC181	180

LED

SYMBOL NO.	INDEX NO.
LED101	164
LED102	164
LED103	164
LED104	164
LED105	164
LED106	164
LED107	165
LED108	166
LED109	164
LED110	166

SYMBOL NO.	INDEX NO.
LED111	166
LED112	165
LED113	166
LED114	166
LED115	166

OSC

SYMBOL NO.	INDEX NO.
OSC101	193

Q

SYMBOL NO.	INDEX NO.
Q101	156
Q102	145
---	---
---	---
---	---
---	---
---	---
Q107	145
Q108	145
---	---
---	---

142.IO Board 2 (D095/M077)

Q

SYMBOL NO.	INDEX NO.	SYMBOL NO.	INDEX NO.	SYMBOL NO.	INDEX NO.	SYMBOL NO.	INDEX NO.	SYMBOL NO.	INDEX NO.	SYMBOL NO.	INDEX NO.	SYMBOL NO.	INDEX NO.
---	---	Q121	154	Q131	147	Q141	156	Q151	156	R1	235	R101	235
Q112	145	Q122	147	Q132	146	Q142	153	Q152	156	---	---	---	---
Q113	145	Q123	150	Q133	146	Q143	156	Q153	144	---	---	R103	235
---	---	Q124	152	Q134	146	Q144	143	Q154	149	---	---	---	---
---	---	Q125	152	Q135	146	Q145	155	Q155	149	R5	235	---	---
Q116	145	Q126	154	Q136	146	Q146	148	Q156	156	R6	235	---	---
---	---	Q127	151	Q137	146	Q147	142	Q157	156	---	---	R107	235
Q118	152	Q128	147	Q138	146	Q148	147	Q161	156	---	---	---	---
Q119	152	Q129	147	Q139	156	Q149	148	Q162	154	---	---	R109	235
Q120	154	Q130	147	Q140	156	Q150	142	Q200	156	---	---	---	---

RESISTOR

RESISTOR

SYMBOL NO.	INDEX NO.	SYMBOL NO.	INDEX NO.	SYMBOL NO.	INDEX NO.	SYMBOL NO.	INDEX NO.	SYMBOL NO.	INDEX NO.	SYMBOL NO.	INDEX NO.	SYMBOL NO.	INDEX NO.
R111	235	R121	248	R131	274	R141	233	R151	274	R161	263	R171	272
---	---	R122	238	R132	226	R142	226	---	---	---	---	R172	269
R113	235	R123	257	---	---	R143	259	---	---	R163	275	---	---
---	---	R124	274	R134	257	---	---	---	---	R164	260	R174	265
---	---	R125	227	R135	234	R145	276	---	---	R165	263	---	---
---	---	R126	263	---	---	---	---	---	---	---	---	R176	274
---	---	R127	261	---	---	---	---	---	---	---	---	---	---
---	---	R128	275	---	---	R148	271	R158	257	---	---	R178	276
---	---	R129	227	---	---	R149	267	---	---	R169	259	R179	276
R120	234	---	---	---	---	R150	270	R160	261	R170	262	R180	260

142.IO Board 2 (D095/M077)

RESISTOR

SYMBOL NO.	INDEX NO.	SYMBOL NO.	INDEX NO.	SYMBOL NO.	INDEX NO.	SYMBOL NO.	INDEX NO.	SYMBOL NO.	INDEX NO.	SYMBOL NO.	INDEX NO.	SYMBOL NO.	INDEX NO.
R181	263	---	---	---	---	---	---	R221	235	R231	235	R241	252
---	---	R192	226	---	---	R212	239	R222	234	R232	235	---	---
R183	226	---	---	---	---	R213	257	R223	235	R233	235	R243	235
---	---	R194	226	---	---	R214	235	---	---	R234	235	---	---
---	---	R195	226	R205	240	R215	235	R225	238	R235	235	R245	235
---	---	R196	226	---	---	R216	233	R226	235	R236	243	R246	252
---	---	---	---	---	---	R217	274	R227	235	R237	233	R247	251
R188	226	---	---	---	---	R218	235	R228	235	---	---	R248	233
R189	233	---	---	R209	240	R219	239	R229	235	R239	235	R249	232
R190	257	---	---	R210	240	R220	235	R230	235	R240	251	---	---

RESISTOR

SYMBOL NO.	INDEX NO.	SYMBOL NO.	INDEX NO.	SYMBOL NO.	INDEX NO.	SYMBOL NO.	INDEX NO.	SYMBOL NO.	INDEX NO.	SYMBOL NO.	INDEX NO.	SYMBOL NO.	INDEX NO.
---	---	R261	233	R271	274	---	---	R291	235	R301	234	R311	235
R252	234	R262	235	---	---	R282	233	R292	247	R302	257	R312	235
R253	233	R263	247	R273	235	R283	250	R293	247	R303	257	R313	235
R254	235	R264	235	R274	235	R284	242	R294	235	R304	241	---	---
R255	235	R265	257	R275	257	R285	247	R295	235	R305	235	R315	234
R256	233	R266	233	R276	234	R286	233	R296	235	---	---	R316	234
R257	247	R267	256	R277	235	R287	235	---	---	---	---	R317	273
R258	235	R268	233	R278	235	R288	235	R298	253	R308	234	R318	247
R259	250	R269	235	---	---	R289	235	R299	251	R309	247	R319	233
R260	247	---	---	---	---	R290	235	R300	234	R310	247	R320	247

142.IO Board 2 (D095/M077)

RESISTOR

SYMBOL NO.	INDEX NO.	SYMBOL NO.	INDEX NO.	SYMBOL NO.	INDEX NO.	SYMBOL NO.	INDEX NO.	SYMBOL NO.	INDEX NO.	SYMBOL NO.	INDEX NO.	SYMBOL NO.	INDEX NO.
---	---	R331	235	R341	247	R351	233	---	---	R371	242	R381	242
R322	233	R332	236	---	---	R352	248	R362	248	R372	235	R382	234
---	---	R333	235	---	---	R353	235	R363	248	R373	235	R383	268
R324	233	R334	235	R344	242	R354	248	R364	235	R374	242	R384	235
R325	249	---	---	R345	247	R355	248	R365	234	R375	242	R385	235
---	---	---	---	R346	247	R356	248	R366	268	R376	235	R386	235
---	---	---	---	---	---	R357	248	R367	234	R377	235	R387	235
---	---	R338	234	R348	235	R358	248	R368	268	R378	242	R388	235
R329	234	---	---	R349	248	R359	242	R369	235	R379	242	R389	247
---	---	---	---	R350	248	R360	248	R370	235	R380	242	R390	235

RESISTOR

SYMBOL NO.	INDEX NO.	SYMBOL NO.	INDEX NO.	SYMBOL NO.	INDEX NO.	SYMBOL NO.	INDEX NO.	SYMBOL NO.	INDEX NO.	SYMBOL NO.	INDEX NO.	SYMBOL NO.	INDEX NO.
R391	235	R401	255	R411	247	R421	237	R431	235	---	---	R451	235
R392	242	R402	233	R412	245	R422	235	R432	234	R442	235	R452	235
R393	234	---	---	R413	235	R423	235	R433	234	---	---	R453	247
R394	268	R404	235	R414	235	R424	234	---	---	R444	235	R454	234
R395	239	R405	235	R415	235	R425	235	R435	234	R445	237	R455	247
R396	239	R406	237	R416	235	R426	234	R436	237	R446	237	R456	234
R397	231	R407	237	R417	237	R427	237	R437	237	R447	235	R457	234
R398	237	R408	231	R418	237	R428	237	R438	237	R448	234	R458	234
R399	235	R409	235	R419	237	R429	235	R439	235	R449	235	R459	234
R400	233	R410	247	R420	237	R430	234	---	---	R450	242	R460	234

142.IO Board 2 (D095/M077)

RESISTOR

SYMBOL NO.	INDEX NO.	SYMBOL NO.	INDEX NO.	SYMBOL NO.	INDEX NO.	SYMBOL NO.	INDEX NO.	SYMBOL NO.	INDEX NO.	SYMBOL NO.	INDEX NO.	SYMBOL NO.	INDEX NO.
R461	234	R471	246	R481	234	---	---	R501	235	R511	194	R521	264
R462	234	R472	246	R482	235	R492	268	R502	239	R512	235	R522	233
R463	234	R473	246	R483	235	R493	235	R503	235	R513	239	R523	235
R464	268	R474	235	R484	233	R494	235	R504	228	R514	239	R524	235
R465	245	R475	235	R485	228	R495	235	R505	228	R515	257	R525	235
R466	245	---	---	R486	228	R496	235	R506	228	R516	245	R526	257
---	---	R477	235	R487	228	R497	235	R507	264	R517	235	R527	256
R468	245	R478	242	R488	228	R498	235	R508	194	R518	264	R528	229
R469	235	R479	234	R489	234	R499	245	R509	194	R519	257	R529	235
R470	246	R480	268	R490	235	R500	239	R510	194	---	---	R530	233

RESISTOR

SYMBOL NO.	INDEX NO.	SYMBOL NO.	INDEX NO.	SYMBOL NO.	INDEX NO.	SYMBOL NO.	INDEX NO.	SYMBOL NO.	INDEX NO.	SYMBOL NO.	INDEX NO.	SYMBOL NO.	INDEX NO.
R531	235	R541	233	R551	234	R561	235	R571	235	R581	235	---	---
R532	230	R542	235	R552	244	R562	235	R572	239	R582	235	R592	249
---	---	R543	266	---	---	R563	235	R573	239	R583	235	R593	235
R534	235	R544	235	R554	235	---	---	---	---	R584	239	---	---
R535	239	R545	234	R555	235	---	---	---	---	R585	239	---	---
R536	244	R546	235	R556	235	---	---	---	---	R586	235	R596	235
R537	258	R547	235	R557	245	R567	235	---	---	---	---	R597	235
R538	235	R548	235	R558	235	---	---	---	---	---	---	R598	242
R539	234	R549	230	R559	235	R569	235	R579	235	R589	235	---	---
R540	234	R550	235	R560	235	R570	235	R580	235	R590	235	---	---

142.IO Board 2 (D095/M077)

RESISTOR

SYMBOL NO.	INDEX NO.	SYMBOL NO.	INDEX NO.	SYMBOL NO.	INDEX NO.	SYMBOL NO.	INDEX NO.	SYMBOL NO.	INDEX NO.	SYMBOL NO.	INDEX NO.	SYMBOL NO.	INDEX NO.
R601	233	R611	234	R621	255	R631	235	R641	235	---	---	R701	245
R602	235	R612	255	R622	245	R632	235	R642	235	---	---	R702	235
R603	242	R613	234	R623	245	R633	235	R643	194	---	---	R703	235
R604	242	R614	234	R624	235	R634	235	R644	235	---	---	R704	235
R605	242	R615	255	R625	234	R635	235	R645	235	---	---	R705	233
R606	242	R616	234	R626	235	R636	235	R646	235	---	---	---	---
R607	235	R617	255	R627	235	R637	233	---	---	---	---	---	---
R608	242	---	---	R628	233	R638	233	---	---	---	---	R708	235
R609	235	R619	255	R629	235	R639	235	---	---	---	---	R709	235
R610	235	---	---	R630	235	R640	235	---	---	R700	235	R710	235

RESISTOR

SYMBOL NO.	INDEX NO.	SYMBOL NO.	INDEX NO.	SYMBOL NO.	INDEX NO.	SYMBOL NO.	INDEX NO.	SYMBOL NO.	INDEX NO.	SYMBOL NO.	INDEX NO.	SYMBOL NO.	INDEX NO.
R711	235	R721	235	---	---	R741	254	R751	233	REG101	191	RN101	195
---	---	---	---	R732	239	R742	251	R752	233	REG102	192	RN102	195
R713	235	R723	235	---	---	R743	258	R753	233	---	---	---	---
---	---	R724	235	R734	226	R744	256	R754	234	---	---	RN104	195
R715	235	---	---	---	---	R745	233	R755	235	---	---	---	---
---	---	---	---	R736	245	R746	256	---	---	---	---	---	---
---	---	R727	240	R737	234	R747	257	---	---	---	---	RN107	195
---	---	R728	235	---	---	R748	233	---	---	---	---	RN108	195
---	---	R729	235	---	---	R749	235	---	---	---	---	RN109	195
---	---	R730	235	---	---	---	---	---	---	---	---	RN110	195

REG

SYMBOL NO.	INDEX NO.
REG101	191
REG102	192

RN

SYMBOL NO.	INDEX NO.
RN101	195
RN102	195
---	---
RN104	195
---	---
---	---
RN107	195
RN108	195
RN109	195
RN110	195

142.IO Board 2 (D095/M077)

RN

SYMBOL NO.	INDEX NO.	SYMBOL NO.	INDEX NO.	SYMBOL NO.	INDEX NO.	SYMBOL NO.	INDEX NO.	SYMBOL NO.	INDEX NO.	SYMBOL NO.	INDEX NO.	SYMBOL NO.	INDEX NO.
RN111	195	RN121	200	RN131	196	RN141	195	RN151	222	RN161	196	RN171	195
RN112	195	RN122	225	RN132	195	RN142	222	RN152	195	RN162	221	RN172	222
---	---	RN123	200	RN133	195	RN143	222	RN153	195	RN163	221	RN173	222
RN114	195	RN124	196	RN134	196	RN144	224	RN154	224	RN164	195	RN174	195
---	---	RN125	222	RN135	222	---	---	RN155	221	RN165	195	RN175	224
RN116	195	RN126	222	RN136	222	RN146	223	RN156	197	RN166	222	RN176	222
RN117	200	RN127	221	RN137	224	RN147	195	RN157	221	RN167	222	RN177	222
RN118	195	RN128	195	RN138	195	RN148	223	RN158	196	RN168	195	RN178	221
RN119	221	RN129	196	RN139	221	RN149	222	RN159	221	RN169	199	RN179	221
RN120	195	RN130	195	RN140	221	RN150	198	RN160	221	RN170	199	RN180	197

RN

SYMBOL NO.	INDEX NO.	SYMBOL NO.	INDEX NO.	SYMBOL NO.	INDEX NO.	SYMBOL NO.	INDEX NO.	SYMBOL NO.	INDEX NO.
RN181	197	RN191	195	RN201	195	---	---	RN221	195
RN182	224	RN192	222	RN202	222	RN212	225	RN222	195
RN183	224	RN193	222	RN203	222	RN213	195	RN223	197
RN184	224	RN194	222	RN204	221	RN214	200	RN224	196
RN185	195	RN195	197	RN205	221	---	---	RN225	195
RN186	195	RN196	199	---	---	---	---		
RN187	222	RN197	224	RN207	195	---	---		
RN188	222	RN198	195	RN208	195	---	---		
RN189	222	RN199	222	---	---	---	---		
RN190	195	RN200	224	---	---	---	---		

SW

SYMBOL NO.	INDEX NO.
SW101	141
SW102	140
SW103	140

TP

SYMBOL NO.	INDEX NO.
TP101	101
TP102	101
TP103	101
TP104	101
TP105	103
TP106	103
TP107	103
TP108	103
---	---
TP110	103

142.IO Board 2 (D095/M077)

TP

SYMBOL NO.	INDEX NO.	SYMBOL NO.	INDEX NO.	SYMBOL NO.	INDEX NO.	SYMBOL NO.	INDEX NO.	SYMBOL NO.	INDEX NO.	SYMBOL NO.	INDEX NO.	SYMBOL NO.	INDEX NO.
TP111	103	TP121	103	TP131	103	TP141	103	---	---	TP161	103	TP171	103
---	---	---	---	---	---	TP142	103	TP152	103	TP162	103	TP172	103
---	---	---	---	TP133	101	TP143	103	TP153	101	TP163	103	TP173	101
---	---	TP124	103	TP134	103	TP144	103	TP154	101	TP164	103	TP174	103
---	---	TP125	103	TP135	103	---	---	---	---	TP165	103	TP175	103
---	---	TP126	103	TP136	103	---	---	TP156	103	TP166	103	---	---
TP117	103	TP127	103	---	---	TP147	103	TP157	103	TP167	103	TP177	103
TP118	103	TP128	103	---	---	TP148	103	TP158	103	TP168	103	TP178	103
TP119	103	TP129	103	TP139	103	TP149	103	TP159	103	TP169	103	TP179	103
TP120	103	TP130	103	TP140	103	TP150	103	TP160	103	TP170	103	TP180	103

TP

SYMBOL NO.	INDEX NO.	SYMBOL NO.	INDEX NO.	SYMBOL NO.	INDEX NO.	SYMBOL NO.	INDEX NO.	SYMBOL NO.	INDEX NO.	SYMBOL NO.	INDEX NO.	SYMBOL NO.	INDEX NO.
TP181	103	TP191	101	TP201	103	---	---	TP221	103	TP231	101	TP241	103
TP182	103	TP192	102	TP202	103	---	---	TP222	103	TP232	101	TP242	103
TP183	103	TP193	101	TP203	103	---	---	TP223	103	TP233	103	---	---
TP184	103	TP194	103	TP204	102	TP214	103	TP224	103	TP234	101	TP244	103
---	---	TP195	103	TP205	103	TP215	103	TP225	103	TP235	101	---	---
TP186	103	TP196	103	TP206	103	TP216	103	TP226	103	TP236	103	---	---
TP187	103	TP197	103	TP207	103	TP217	103	TP227	103	TP237	103	---	---
---	---	TP198	103	TP208	102	TP218	103	TP228	102	TP238	103	---	---
TP189	103	TP199	102	TP209	103	TP219	103	TP229	102	TP239	103	---	---
TP190	101	TP200	103	TP210	101	TP220	103	TP230	103	---	---	---	---

142.IO Board 2 (D095/M077)

Index No.	Part No.	Description	Q'ty Per Assembly
*	M077 5294	PCB:IOB2	1
101	1100 1621	Test Pin:ST-1-2	
102	1100 1829	Test Pin:RCTCBK	
103	1100 1841	Test Pin:RCUCBK	
104	1102 5301	Connector	
105	1102 5328	Connector:B12P-XL-HDS(LF)(SN)	
106	1102 6297	Connector:53324-0460	
107	1102 6299	Connector:53324-0660	
108	1102 6302	Connector - 9P	
109	1102 6305	Connector:53324-1260	
110	1102 6307	Connector:53324-1460	
111	1102 6400	Connector:53313-2465	
112	1102 6891	Connector:53313-5065	
113	1102 8157	Connector:53375-0510	
114	1102 8470	Connector:55447-0680	
115	1102 8471	Connector:55447-0780	
116	1102 8474	Connector:55447-1080	
117	1102 8477	Connector:55447-1380	
118	1102 8481	Connector:55447-1780	
119	1102 8482	Connector:55447-1880	
120	1102 8486	Connector:55451-2470	
121	1102 8487	Connector:55451-2670	
122	1102 8488	Connector:55451-2870	
123	1102 8490	Connector:55451-3270	
124	1102 8491	Connector:55451-3470	
125	1102 8492	Connector:55451-3670	
126	1102 8494	Connector:55451-4070	
127	1102 9518	Connector:55451-2070	
128	1103 3663	Connector:55451-1670	
129	1103 3723	Connector:53258-0649	
130	1103 3990	Connector	
131	1103 3992	Connector	
132	1103 4002	Connector	
133	1103 4005	Connector	

Index No.	Part No.	Description	Q'ty Per Assembly
134	1103 4010	Connector	
135	1103 4076	Connector:TX14-200R-10ST-N1E	
136	1109 0032	Fuse:MINISMDC020F	
137	1109 0049	Fuse:MINISMDC050F	
138	1109 0050	Fuse:RUEF500	
139	1109 0055	Fuse:RUEF400	
140	1204 2464	Switch:SKHMQKE010	
141	1204 2563	Dip Switch:CHS-08B	
142	1400 0443	Transistor:DTB114EK	
143	1400 0715	Transistor:2SB1197KR	
144	1400 0770	Transistor:DTA144EE	
145	1400 0911	Transistor:DTC144TE	
146	1400 0953	Transistor:2SC4081S	
147	1400 0968	Transistor:DTA123JUA	
148	1400 1012	Transistor:2SD2656	
149	1400 1156	Transistor:RT1N141M-T111	
150	1400 1187	Transistor:2SD2701	
151	1400 1281	Transistor:2SC4155A-T111	
152	1400 1303	Transistor:ISA1602AM1-T111	
153	1401 1135	FET:2SK3019	
154	1401 1233	FET:SSM3J14T	
155	1401 1301	FET:2SK2615	
156	1401 1359	FET:HAT2217C-E	
157	1402 1057	Diode:DAP202U	
158	1402 1322	Diode-Array:DAN202U	
159	1402 1336	Diode:1SS355	
160	1402 1343	Diode:RB160L-40	
161	1402 1584	Diode:DAN217U	
162	1402 1587	Diode - RB060	
163	1402 1748	Diode:RB481K	
164	1403 0953	LED:SML-310MT	
165	1403 0978	LED:SML-310DT	
166	1403 0996	LED:SML-310VT	
167	1407 1535	Driver:TD62308APG(5)	
168	1407 2187	TTLIC:SN74LS07NS	

Index No.	Part No.	Description	Q'ty Per Assembly
169	1407 2218	TTLIC:SN74LS06NS	
170	1407 2231	Driver:TD62308AFG(5)	
171	1407 4687	Motor Control IC:TA8083FG(5,RICO)	
172	1407 5349	IC:SN74LV4066APW	
173	1407 5351	CMOS Logic:SN74LV14APW	
174	1407 5469	CMOS Logic:SN74LV07APW	
175	1407 5713	CMOS Logic:SN74LV06APW	
176	1407 6050	CMOS LOGIC:TC74VHC08FT(K)	
177	1407 6631	Clock Generator:ICS180M-53LF	
178	1407 6759	Custom IC:EIO	
179	1407 6995	CMOS Logic:TC74VHC244FT(K)	
180	1407 7000	CMOS Logic:TC74VHC541FT(K)	
181	1407 7005	CMOS Logic:TC74VHCT244AFT(K)	
182	1407 7349	Motor Control IC:SLA7072MPRT	
183	1407 7350	Motor Control IC:SLA7073MPRT	
184	1408 0826	IC:TA8428K(5,S)	
185	1408 1550	Operational Amplifier:LM2902PW	
186	1408 1641	D/A Converter:BU2505FV	
187	1408 1653	Operational Amplifier:LMV324IPW	
188	1408 1779	IC:R3112Q281A-FA	
189	1408 1826	IC:R3112Q421A-FA	
190	1408 2029	Comparator:LM2901PW	
191	1408 2284	Series Regulator:BH30MA3WHFV	
192	1408 2393	Series Regulator:R1172H331B-F	
193	1503 1274	Crystal Oscillator:19.85MHz	
194	1601 5697	Resistor:220 Ω : \pm 5%:1W	
195	1601 7887	Resistor Array:10K Ω : \pm 5%:1/16W:4Number	
196	1601 7898	Resistor Array:33 Ω : \pm 5%:1/16W:4Number	
197	1601 7909	Resistor Array:10 Ω : \pm 5%:1/16W:4Number	
198	1601 7943	Resistor Array:68 Ω : \pm 5%:1/16W:4Number	
199	1601 7959	Resistor Array:1K Ω : \pm 5%:1/16W:4Number	
200	1601 7983	Resistor Array:2.2K Ω : \pm 5%:1/16W:4Number	
201	1604 4925	Capacitor:100UF: \pm 20%:10V	
202	1604 5375	Capacitor:220UF: \pm 20%:50V	
203	1604 5660	Capacitor:100UF: \pm 20%:50V	

Index No.	Part No.	Description	Q'ty Per Assembly
204	1605 1148	Capacitor:0.1UF:+80-20%:50V	
205	1605 1200	Capacitor:10PF: \pm 0.5pF:50V	
206	1605 1202	Capacitor:15pF: \pm 5%:50V	
207	1605 1206	Capacitor:47pF: \pm 5%:50V	
208	1605 1212	Capacitor:470pF: \pm 10%:50V	
209	1605 1221	Capacitor:0.1UF:+80-20%:16V	
210	1605 1225	Capacitor:0.1UF: \pm 10%:50V	
211	1605 1234	Capacitor:4700pF: \pm 10%:50V	
212	1605 1240	Capacitor:0.01UF: \pm 10%:25V	
213	1605 1303	Capacitor:0.01UF:+80-20%:50V	
214	1605 1306	Capacitor:1UF: \pm 10%:10V	
215	1605 1406	Capacitor:10UF: \pm 10%:6.3V	
216	1605 1479	Capacitor:47pF: \pm 10%:50V	
217	1605 1483	Capacitor:0.01UF: \pm 20%:25V	
218	1605 1563	Capacitor:10UF: \pm 10%:10V	
219	1606 8041	Resistor Array - CKCA43CH1H10	
220	1607 1124	Filter:BLM18AG471SN1B	
221	1609 0005	Resistor Array:33 Ω : \pm 5%:1/16W:8Number	
222	1609 0006	Resistor Array:10K Ω : \pm 5%:1/16W:8Number	
223	1609 0016	Resistor Array:56 Ω : \pm 5%:1/16W:8Number	
224	1609 0020	Resistor Array:10 Ω : \pm 5%:1/16W:8Number	
225	1609 0095	Resistor Array:220 Ω : \pm 5%:1/16W:4Number	
226	1634 0000	Resistor:0 Ω :1608	
227	1650 2432	Resistor:4.3K Ω : \pm 5%:1/4W:3216	
228	1650 2680	Resistor:68 Ω : \pm 5%:1/4W:3216	
229	1650 3100	Resistor:10 Ω : \pm 5%:1/8W:2125	
230	1650 3222	Resistor:2.2K Ω : \pm 5%:1/8W:2125	
231	1650 3331	Resistor:330 Ω : \pm 5%:1/8W:2125	
232	1650 4103	Resistor:10K Ω : \pm 5%:1/10W:1608	
233	1650 5100	Resistor:10 Ω : \pm 5%:1/16W:1005	
234	1650 5102	Resistor:1K Ω : \pm 5%:1/16W:1005	
235	1650 5103	Resistor:10K Ω : \pm 5%:1/16W:1005	
236	1650 5105	Resistor:1M Ω : \pm 5%:1/16W:1005	
237	1650 5154	Resistor:150K Ω : \pm 5%:1/16W:1005	
238	1650 5221	Resistor:220 Ω : \pm 5%:1/16W:1005	

Index No.	Part No.	Description	Q'ty Per Assembly
239	1650 5222	Resistor:2.2K Ω : \pm 5%:1/16W:1005	
240	1650 5223	Resistor:22K Ω : \pm 5%:1/16W:1005	
241	1650 5302	Resistor:3K Ω : \pm 5%:1/16W:1005	
242	1650 5330	Resistor:33 Ω : \pm 5%:1/16W:1005	
243	1650 5332	Resistor:3.3K Ω : \pm 5%:1/16W:1005	
244	1650 5393	Resistor:39K Ω : \pm 5%:1/16W:1005	
245	1650 5472	Resistor:4.7K Ω : \pm 5%:1/16W:1005	
246	1650 5511	Resistor:510 Ω : \pm 5%:1/16W:1005	
247	1650 5560	Resistor:56 Ω : \pm 5%:1/16W:1005	
248	1650 5561	Resistor:560 Ω : \pm 5%:1/16W:1005	
249	1650 5680	Resistor:68 Ω : \pm 5%:1/16W:1005	
250	1650 5684	Resistor:680K Ω : \pm 5%:1/16W:1005	
251	1654 1002	Resistor:10K Ω : \pm 1%:1/10W:1608	
252	1654 2871	Resistor:2.87K Ω : \pm 1%:1/10W:1608	
253	1654 6041	Chip Resistor:6.04K Ω : \pm 1%:1/10W	
254	1654 6341	Resistor:6.34K Ω : \pm 1%:1/10W:1608	
255	1655 0000	Resistor:0 Ω :1005	
256	1655 1001	Resistor:1K Ω : \pm 1%:1/16W:1005	
257	1655 1002	Resistor:10K Ω : \pm 1%:1/16W:1005	
258	1655 1003	Resistor:100K Ω : \pm 1%:1/16W:1005	
259	1655 1181	Resistor:1.18K Ω : \pm 1%:1/16W:1005	
260	1655 1430	Resistor:143 Ω : \pm 1%:1/16W:1005	
261	1655 1600	Resistor:160 Ω : \pm 1%:1/16W:1005	
262	1655 1780	Resistor:178 Ω : \pm 1%:1/16W:1005	
263	1655 1801	Resistor:1.8K Ω : \pm 1%:1/16W:1005	
264	1655 1802	Resistor:18K Ω : \pm 1%:1/16W:1005	
265	1655 1820	Resistor:182 Ω : \pm 1%:1/16W:1005	
266	1655 2002	Resistor:20K Ω : \pm 1%:1/16W:1005	
267	1655 2200	Resistor:220 Ω : \pm 1%:1/16W:1005	
268	1655 2202	Resistor:22K Ω : \pm 1%:1/16W:1005	
269	1655 3161	Resistor:3.16K Ω : \pm 1%:1/16W:1005	
270	1655 3301	Resistor:3.3K Ω : \pm 1%:1/16W:1005	
271	1655 3740	Resistor:374 Ω : \pm 1%:1/16W:1005	
272	1655 3749	Resistor:37.4 Ω : \pm 1%:1/16W:1005	
273	1655 6809	Resistor:68 Ω : \pm 1%:1/16W:1005	

Index No.	Part No.	Description	Q'ty Per Assembly
274	1655 6982	Resistor:69.8K Ω : \pm 1%:1/16W:1005	
275	1655 7159	Resistor:71.5 Ω : \pm 1%:1/16W:1005	
276	1655 7879	Resistor:78.7 Ω : \pm 1%:1/16W:1005	

143.IPU Board (D095/M077)

CAPACITOR

SYMBOL NO.	INDEX NO.	SYMBOL NO.	INDEX NO.	SYMBOL NO.	INDEX NO.	SYMBOL NO.	INDEX NO.	SYMBOL NO.	INDEX NO.	SYMBOL NO.	INDEX NO.	SYMBOL NO.	INDEX NO.
C1	187	C11	182	C21	187	C31	187	C41	187	C51	184	C61	187
---	---	C12	194	C22	187	C32	187	C42	186	C52	184	C62	187
---	---	C13	182	C23	179	C33	187	C43	183	C53	184	C63	187
---	---	C14	193	---	---	C34	187	C44	187	C54	197	C64	187
C5	176	C15	198	C25	197	C35	187	C45	186	C55	184	C65	183
---	---	C16	202	C26	184	C36	187	C46	183	C56	184	C66	183
C7	202	C17	202	C27	197	C37	187	---	---	C57	187	C67	186
C8	202	---	---	C28	184	C38	186	---	---	C58	192	C68	186
C9	198	C19	187	C29	197	C39	195	C49	179	C59	196	C69	187
C10	193	C20	187	C30	184	---	---	C50	187	---	---	C70	187

CAPACITOR

SYMBOL NO.	INDEX NO.	SYMBOL NO.	INDEX NO.	SYMBOL NO.	INDEX NO.	SYMBOL NO.	INDEX NO.	SYMBOL NO.	INDEX NO.	SYMBOL NO.	INDEX NO.	SYMBOL NO.	INDEX NO.
C71	190	C81	184	C91	194	C101	195	C111	187	---	---	C131	184
C72	251	C82	184	C92	187	C102	186	C112	184	C122	190	C132	184
C73	187	C83	184	C93	191	C103	187	C113	184	C123	251	C133	184
C74	184	C84	184	---	---	C104	184	C114	187	C124	184	C134	184
C75	184	C85	184	C95	183	C105	187	C115	190	C125	184	C135	184
C76	187	C86	184	C96	186	C106	184	C116	187	C126	184	C136	184
C77	187	C87	184	C97	187	---	---	C117	187	C127	184	---	---
C78	196	C88	184	C98	181	C108	181	C118	251	---	---	C138	184
C79	184	C89	184	C99	181	C109	187	---	---	C129	184	C139	184
C80	184	C90	184	C100	181	C110	179	---	---	C130	184	C140	184

143.IPU Board (D095/M077)

CAPACITOR

SYMBOL NO.	INDEX NO.	SYMBOL NO.	INDEX NO.	SYMBOL NO.	INDEX NO.	SYMBOL NO.	INDEX NO.	SYMBOL NO.	INDEX NO.	SYMBOL NO.	INDEX NO.	SYMBOL NO.	INDEX NO.
---	---	C151	187	C161	178	C171	251	C181	184	---	---	C201	187
C142	175	C152	184	C162	194	C172	187	---	---	C192	180	C202	190
C143	202	C153	187	C163	187	C173	184	C183	184	C193	193	C203	251
C144	202	C154	190	C164	196	C174	187	C184	184	C194	182	C204	187
---	---	C155	184	C165	195	C175	196	C185	184	C195	182	C205	184
C146	198	C156	184	C166	186	C176	192	C186	189	C196	193	C206	184
---	---	C157	249	---	---	C177	184	C187	189	C197	187	C207	184
C148	202	C158	249	C168	179	C178	184	C188	189	C198	187	C208	184
C149	202	C159	249	C169	187	C179	184	---	---	C199	198	C209	184
C150	198	C160	249	C170	184	C180	187	C190	175	C200	187	C210	184

CAPACITOR

SYMBOL NO.	INDEX NO.	SYMBOL NO.	INDEX NO.	SYMBOL NO.	INDEX NO.	SYMBOL NO.	INDEX NO.	SYMBOL NO.	INDEX NO.	SYMBOL NO.	INDEX NO.	SYMBOL NO.	INDEX NO.
C211	184	C221	187	C231	191	C241	187	C251	182	---	---	C271	184
C212	184	C222	187	C232	177	C242	184	C252	182	C262	184	---	---
C213	184	C223	187	---	---	C243	184	C253	187	C263	184	C273	182
C214	184	C224	184	C234	187	C244	184	C254	187	C264	184	C274	182
C215	187	C225	187	C235	187	---	---	C255	187	C265	184	C275	182
C216	187	C226	190	C236	187	---	---	C256	190	C266	184	C276	182
C217	187	C227	184	C237	187	C247	182	C257	251	C267	184	C277	182
C218	187	C228	187	C238	179	C248	187	C258	184	C268	184	C278	182
C219	187	C229	251	C239	187	C249	182	C259	184	C269	184	C279	182
C220	187	C230	187	C240	184	C250	186	C260	184	C270	184	C280	182

143.IPU Board (D095/M077)

CAPACITOR

SYMBOL NO.	INDEX NO.	SYMBOL NO.	INDEX NO.	SYMBOL NO.	INDEX NO.	SYMBOL NO.	INDEX NO.	SYMBOL NO.	INDEX NO.	SYMBOL NO.	INDEX NO.	SYMBOL NO.	INDEX NO.
C281	182	C291	182	C301	186	C311	182	---	---	C331	249	C341	182
C282	182	C292	182	C302	182	C312	182	C322	184	C332	182	C342	193
C283	182	C293	182	C303	182	C313	187	C323	187	---	---	---	---
C284	182	C294	182	C304	182	C314	183	C324	190	C334	184	C344	187
C285	182	C295	182	C305	182	C315	182	C325	251	C335	187	---	---
C286	182	C296	182	C306	182	C316	193	C326	184	C336	184	C346	194
C287	182	C297	182	C307	182	---	---	C327	189	C337	182	C347	198
C288	191	C298	182	C308	182	C318	198	C328	249	C338	187	C348	202
C289	182	C299	182	C309	182	C319	202	C329	249	C339	187	C349	202
C290	182	C300	182	C310	182	C320	202	C330	249	C340	183	---	---

CAPACITOR

SYMBOL NO.	INDEX NO.	SYMBOL NO.	INDEX NO.	SYMBOL NO.	INDEX NO.	SYMBOL NO.	INDEX NO.	SYMBOL NO.	INDEX NO.	SYMBOL NO.	INDEX NO.	SYMBOL NO.	INDEX NO.
---	---	C361	202	C371	189	---	---	C391	183	---	---	C411	186
C352	182	C362	202	C372	189	---	---	C392	187	---	---	C412	187
C353	182	C363	202	C373	194	C383	187	C393	183	C403	195	C413	184
C354	193	---	---	---	---	---	---	C394	183	C404	195	C414	188
C355	193	---	---	C375	187	---	---	C395	187	C405	187	C415	187
C356	187	C366	187	C376	186	---	---	C396	182	C406	187	C416	184
C357	194	C367	196	C377	186	---	---	C397	182	C407	184	C417	187
C358	198	C368	192	C378	187	---	---	C398	182	C408	199	C418	187
C359	198	C369	187	C379	186	---	---	---	---	C409	187	C419	184
C360	202	C370	189	---	---	C390	183	C400	187	C410	184	C420	196

143.IPU Board (D095/M077)

Index No.	Part No.	Description	Q'ty Per Assembly
*	G178 5260	PCB:Image Processing Unit	1

Index No.	Part No.	Description	Q'ty Per Assembly
101	1102 6295	Connector:53324-0260	
102	1102 6299	Connector:53324-0660	
103	1102 6394	Connector:53313-1265	
104	1102 6592	Connector	
105	1102 6596	Connector	
106	1102 6842	Connector:53314-6065	
107	1102 6895	Connector:53314-4065	
108	1102 8358	Connector:WR-100P-VF60-N1	
109	1102 8479	Connector:55447-1580	
110	1102 9725	Connector:IMSA-9201B-1-05T-GF	
111	1103 3167	Connector:FH12-28S-0.5SH(89)	
112	1103 3168	Connector:FH12-30S-0.5SH(89)	
113	1103 3174	Connector:FH12-40S-0.5SH(89)	
114	1103 3176	Connector:FH12-45S-0.5SH(89)	
115	1103 3178	Connector:FH12-50S-0.5SH(89)	
116	1103 3947	Connector:WB4S140HA1	
117	1103 4002	Connector	
118	1103 4006	Connector	
119	1103 4008	Connector	
120	1103 4010	Connector	
121	1109 0042	Fuse:MINISMDC150F	
122	1204 2774	Dip Switch	
123	1204 2775	Dip Switch	
124	1400 0571	Transistor:2SA1577	
125	1400 0948	Transistor:DTC143ZE	
126	1400 0993	Transistor:DTC143TUA	
127	1401 1414	FET:SI3433BDV-E3	
128	1402 1546	Diode - RB081	
129	1402 2039	Diode:RSX301LA-30	
130	1403 0953	LED:SML-310MT	
131	1403 0978	LED:SML-310DT	
132	1407 2187	TTLIC:SN74LS07NS	
133	1407 4399	CMOS Logic:TC74VHC245FT(K)	
134	1407 4804	CMOS Logic:TC7SH08FU	
135	1407 5011	CMOS Logic:TC7WH74FU	

Index No.	Part No.	Description	Q'ty Per Assembly
136	1407 5196	CMOS Logic:TC7SZ125FU	
137	1407 5351	CMOS Logic:SN74LV14APW	
138	1407 5373	CMOS Logic:SN74LV21APW	
139	1407 5394	CMOS Logic:SN74LV138APW	
140	1407 5397	Clock Generator:ICS9112AM-16LF	
141	1407 5713	CMOS Logic:SN74LV06APW	
142	1407 6447	Custom IC:GAVD Type-W	
143	1407 6520	Custom IC:GARAC-C	
144	1407 6613	Clock Generator:ICS7152M-01LF	
145	1407 6641	Custom IC:LEO	
146	1407 6642	Clock Generator:ICS7151M-40LF	
147	1407 6677	CMOS Logic:TC7SET14FU	
148	1407 6803	CMOS Logic:TC7SZ07FU	
149	1407 6804	CMOS Logic:TC7SG17FU	
150	1407 6813	CMOS Logic:TC7WZ02FK	
151	1407 6824	CMOS Logic:TC7WG125FK	
152	1407 7190	Controller:RB5V871A	
153	1407 6893	CMOS Logic:TC7WG17FU	
154	1407 6995	CMOS Logic:TC74VHC244FT(K)	
155	1407 7000	CMOS Logic:TC74VHC541FT(K)	
156	1407 7005	CMOS Logic:TC74VHCT244AFT(K)	
157	1408 1653	Operational Amplifier:LMV324IPW	
158	1408 1669	Series Regulator:R1170H331B-F	
159	1408 1826	IC:R3112Q421A-FA	
160	1408 1850	Series Regulator:R1170H181B-F	
161	1408 2024	IC:R3112Q261A-FA	
162	1408 2088	IC:LTC3701EGN#TRPBF	
163	1408 2247	Series Regulator:R1114N181B-F	
164	1408 2462	Series Regulator:BH18MA3WHFV	
165	1503 1010	Crystal Oscillator:50MHz	
166	1503 1062	Crystal Oscillator:18.8MHz	
167	1503 1143	Crystal Oscillator:35MHz	
168	1503 1157	Crystal Oscillator:50MHz	
169	1600 1880	Resistor:25M Ω : \pm 1%:1W	
170	1600 1946	Resistor:33M Ω : \pm 1%:1W	

Index No.	Part No.	Description	Q'ty Per Assembly
171	1601 7752	Resistor:10K Ω : \pm 5%:4	
172	1601 7759	Resistor Array	
173	1601 7867	Resistor:33 Ω : \pm 5%:1/16W:4Number	
174	1601 7871	Resistor:68 Ω : \pm 5%:1/16W:4Number	
175	1604 4365	Capacitor	
176	1604 4728	Capacitor:100UF: \pm 20%:16V	
177	1604 5402	Capacitor:100UF: \pm 20%:50V	
178	1604 5403	Capacitor:220UF: \pm 20%:35V	
179	1604 5713	Capacitor:220UF: \pm 20%:6.3V	
180	1605 1200	Capacitor:10PF: \pm 0.5pF:50V	
181	1605 1205	Capacitor:33pF: \pm 5%:50V	
182	1605 1208	Capacitor:100pF: \pm 5%:50V	
183	1605 1212	Capacitor:470pF: \pm 10%:50V	
184	1605 1214	Capacitor:1000pF: \pm 10%:50V	
185	1605 1224	Capacitor:4.7UF: \pm 10%:6.3V	
186	1605 1240	Capacitor:0.01UF: \pm 10%:25V	
187	1605 1289	Capacitor:0.1UF: \pm 10%:10V	
188	1605 1291	Capacitor:2.2UF: \pm 10%:10V	
189	1605 1296	Capacitor:330pF: \pm 10%:50V	
190	1605 1299	Capacitor:56pF: \pm 5%:50V	
191	1605 1303	Capacitor:0.01UF: \pm 80-20%:50V	
192	1605 1306	Capacitor:1UF: \pm 10%:10V	
193	1605 1354	Capacitor:1200pF: \pm 5%:50V	
194	1605 1358	Capacitor:10UF: \pm 10%:10V	
195	1605 1406	Capacitor:10UF: \pm 10%:6.3V	
196	1605 1427	Capacitor:1UF: \pm 10%:6.3V	
197	1605 1451	Capacitor:0.47UF: \pm 10%:6.3V	
198	1605 1474	Capacitor:47UF: \pm 20%:6.3V	
199	1605 1547	Capacitor:2.2UF: \pm 10%:6.3V	
200	1605 1585	Capacitor:4.7UF: \pm 10%:6.3V	
201	1605 1586	Capacitor:10UF: \pm 10%:16V	
202	1605 1587	Capacitor:22UF: \pm 20%:6.3V	
203	1607 0861	Filter BK2125HS101	
204	1607 1002	Filter:NFE31PT222Z1E9B	
205	1607 1108	Filter:BLM21PG220SN1B	

Index No.	Part No.	Description	Q'ty Per Assembly
206	1607 1405	Inductor:SLF10145-101M1R0-pF	
207	1607 1556	Inductor:RLF7030-1R5N6R1	
208	1607 1567	Filter:MPZ2012S101A	
209	1607 1666	Inductor:RLF7030-3R3M4R1	
210	1607 1680	Inductor:SLF6028-6R8M1R5-pF	
211	1607 1827	Inductor:RLF7030-2R2M5R4	
212	1609 0005	Resistor Array:33 Ω:±5%:1/16W:8Number	
213	1609 0006	Resistor Array:10K Ω:±5%:1/16W:8Number	
214	1609 0007	Resistor Array:68 Ω:±5%:1/16W:8Number	
215	1609 0027	Resistor Array:100K Ω:±5%:1/16W:8Number	
216	1610 1734	Resistor:0.02 Ω:±1%:1W	
217	1610 1961	Resistor:68M Ω:±1%:1W	
218	1610 2021	Resistor:15MΩ:±1%:1W	
219	1634 0000	Resistor:0Ω:1608	
220	1650 4100	Resistor:10 Ω:±5%:1/10W:1608	
221	1650 4101	Resistor:100 Ω:±5%:1/10W:1608	
222	1650 4102	Resistor:1K Ω:±5%:1/10W:1608	
223	1650 4103	Resistor:10K Ω:±5%:1/10W:1608	
224	1650 4104	Resistor:100K Ω:±5%:1/10W:1608	
225	1650 4163	Resistor:16K Ω:±5%:1/10W:1608	
226	1650 4303	Resistor:30K Ω:±5%:1/10W:1608	
227	1650 4330	Resistor:33 Ω:±5%:1/10W:1608	
228	1650 4332	Resistor:3.3K Ω:±5%:1/10W:1608	
229	1650 4333	Resistor:33K Ω:±5%:1/10W:1608	
230	1650 4471	Resistor:470 Ω:±5%:1/10W:1608	
231	1650 4472	Resistor:4.7K Ω:±5%:1/10W:1608	
232	1650 4680	Resistor:68 Ω:±5%:1/10W:1608	
233	1650 4751	Resistor:750 Ω:±5%:1/10W:1608	
234	1654 1152	Resistor:11.5K Ω:±1%:1/10W:1608	
235	1654 1301	Resistor:1.3K Ω:±1%:1/10W:1608	
236	1654 1800	Resistor:180 Ω:±1%:1/10W:1608	
237	1654 1801	Resistor:1.8K Ω:±1%:1/10W:1608	
238	1654 2400	Resistor:240 Ω:±1%:1/10W:1608	
239	1654 2402	Resistor:24K Ω:±1%:1/10W:1608	
240	1654 3002	Resistor:30K Ω:±1%:1/10W:1608	

Index No.	Part No.	Description	Q'ty Per Assembly
241	1654 3572	Resistor:35.7K Ω:±1%:1/10W:1608	
242	1654 4222	Resistor:42.2K Ω:±1%:1/10W:1608	
243	1654 4701	Resistor:4.7K Ω:±1%:1/10W:1608	
244	1654 6800	Resistor:680 Ω:±1%:1/10W:1608	
245	1654 7872	Resistor:78.7K Ω:±1%:1/10W:1608	
246	1654 8200	Resistor:820 Ω:±1%:1/10W:1608	
247	1654 8452	Resistor:84.5K Ω:±1%:1/10W:1608	
248	1660 2331	Capacitor:330pF:±5%:50V	
249	1660 2470	Capacitor:47pF:±5%:50V	
250	1660 4332	Capacitor:3300pF:±10%:50V	
251	1660 4682	Capacitor:6800pF:±10%:50V	

144.Controller Board (D095/M077)

BAT

SYMBOL NO.	INDEX NO.
BAT1	115

CAPACITOR

SYMBOL NO.	INDEX NO.
---	---
---	---
---	---
---	---
C5	205
---	---
C7	205
---	---
C9	213
C10	222

SYMBOL NO.	INDEX NO.
C11	205
C12	222
C13	202
C14	205
C15	205
---	---
C16	213
C17	205
C18	199
C19	205
C20	205

SYMBOL NO.	INDEX NO.
C21	205
C22	222
---	---
C24	205
C25	226
---	---
C26	226
C27	205
C28	205
C29	205
---	---

SYMBOL NO.	INDEX NO.
---	---
C32	203
C33	213
---	---
C35	222
---	---
C36	220
C37	207
C38	222
---	---
C40	222

SYMBOL NO.	INDEX NO.
C41	222
C42	213
C43	205
C44	205
---	---
---	---
C47	213
C48	222
C49	205
---	---

SYMBOL NO.	INDEX NO.
C51	213
---	---
C53	199
C54	205
---	---
---	---
C56	222
C57	222
C58	219
---	---
C60	222

CAPACITOR

SYMBOL NO.	INDEX NO.
C61	219
---	---
C63	205
C64	205
C65	222
---	---
C66	222
C67	220
C68	222
C69	222
C70	222

SYMBOL NO.	INDEX NO.
C71	205
C72	220
C73	222
C74	222
C75	222
---	---
C76	205
C77	222
C78	222
C79	222
---	---

SYMBOL NO.	INDEX NO.
C81	222
C82	205
C83	202
C84	220
C85	222
---	---
C86	220
C87	202
C88	222
C89	222
C90	222

SYMBOL NO.	INDEX NO.
C91	206
C92	205
C93	205
C94	222
C95	196
---	---
C97	205
C98	220
C99	205
---	---

SYMBOL NO.	INDEX NO.
C101	205
C102	205
---	---
C104	213
C105	213
---	---
C106	218
C107	196
C108	218
---	---
---	---

SYMBOL NO.	INDEX NO.
C111	213
C112	213
C113	222
C114	222
C115	213
---	---
C116	218
C117	218
C118	220
C119	205
C120	222

SYMBOL NO.	INDEX NO.
C121	213
---	---
C123	222
C124	220
C125	205
---	---
C126	224
C127	209
C128	225
C129	202
C130	202

144.Controller Board (D095/M077)

CAPACITOR

SYMBOL NO.	INDEX NO.	SYMBOL NO.	INDEX NO.	SYMBOL NO.	INDEX NO.	SYMBOL NO.	INDEX NO.	SYMBOL NO.	INDEX NO.	SYMBOL NO.	INDEX NO.	SYMBOL NO.	INDEX NO.
---	---	C141	222	C151	213	C161	198	C171	222	C181	208	C191	222
C132	213	C142	222	C152	205	C162	198	C172	222	C182	220	C192	205
---	---	C143	205	C153	222	C163	222	C173	222	---	---	C193	207
C134	205	C144	222	---	---	C164	224	C174	202	---	---	C194	220
---	---	---	---	---	---	C165	222	---	---	C185	205	---	---
C136	213	C146	205	---	---	---	---	C176	222	C186	213	---	---
---	---	C147	211	---	---	---	---	---	---	C187	222	---	---
---	---	C148	205	C158	222	---	---	C178	208	C188	222	C198	222
---	---	C149	224	C159	222	---	---	C179	208	C189	222	C199	205
C140	222	C150	213	C160	222	C170	222	C180	208	C190	222	C200	197

CAPACITOR

SYMBOL NO.	INDEX NO.	SYMBOL NO.	INDEX NO.	SYMBOL NO.	INDEX NO.	SYMBOL NO.	INDEX NO.	SYMBOL NO.	INDEX NO.	SYMBOL NO.	INDEX NO.	SYMBOL NO.	INDEX NO.
C201	197	C211	202	C221	222	---	---	C241	208	C251	208	C261	195
C202	213	C212	222	C222	208	C232	205	---	---	C252	208	C262	195
---	---	C213	222	C223	222	C233	222	C243	222	C253	208	C263	195
C204	222	C214	222	---	---	C234	222	C244	222	C254	216	C264	195
C205	205	C215	202	C225	222	C235	222	C245	222	C255	222	C265	195
C206	205	---	---	C226	205	C236	199	C246	222	C256	216	C266	195
C207	203	C217	213	C227	221	C237	221	C247	222	---	---	C267	195
---	---	C218	205	C228	224	C238	205	C248	222	C258	222	C268	213
C209	203	C219	222	C229	224	C239	222	C249	217	C259	202	C269	222
---	---	C220	215	C230	219	C240	219	C250	217	C260	195	---	---

144.Controller Board (D095/M077)

CAPACITOR

SYMBOL NO.	INDEX NO.	SYMBOL NO.	INDEX NO.	SYMBOL NO.	INDEX NO.	SYMBOL NO.	INDEX NO.	SYMBOL NO.	INDEX NO.	SYMBOL NO.	INDEX NO.	SYMBOL NO.	INDEX NO.
C271	201	C281	202	C291	221	C301	222	C311	222	C321	222	C331	205
C272	199	C282	226	C292	201	C302	221	C312	217	---	---	C332	222
C273	219	C283	210	C293	202	C303	201	C313	217	C323	222	C333	222
C274	202	C284	205	C294	222	C304	214	C314	198	---	---	C334	222
C275	222	C285	214	C295	219	C305	226	C315	198	C325	205	C335	222
C276	211	---	---	C296	220	C306	205	C316	222	C326	200	C336	200
C277	222	---	---	C297	215	C307	205	C317	222	C327	202	C337	205
C278	221	---	---	---	---	C308	201	C318	222	C328	222	C338	222
C279	201	C289	222	C299	205	C309	202	C319	222	C329	202	C339	226
C280	222	C290	205	C300	222	C310	222	C320	222	C330	219	C340	222

CAPACITOR

SYMBOL NO.	INDEX NO.	SYMBOL NO.	INDEX NO.	SYMBOL NO.	INDEX NO.	SYMBOL NO.	INDEX NO.	SYMBOL NO.	INDEX NO.	SYMBOL NO.	INDEX NO.	SYMBOL NO.	INDEX NO.
C341	222	C351	201	---	---	C371	222	C381	213	C391	213	C401	205
C342	222	---	---	C362	222	C372	205	C382	205	C392	222	C402	213
C343	222	C353	221	C363	218	---	---	C383	213	C393	213	C403	222
C344	222	C354	205	C364	213	C374	222	C384	213	C394	213	C404	213
C345	222	---	---	C365	205	C375	199	C385	205	C395	205	C405	213
C346	205	C356	213	C366	222	C376	222	C386	222	C396	222	C406	222
C347	205	C357	222	C367	222	C377	199	---	---	C397	222	C407	222
C348	222	---	---	C368	205	C378	213	C388	213	C398	222	C408	222
C349	219	C359	218	C369	205	C379	222	C389	222	C399	213	C409	205
C350	219	C360	205	C370	222	C380	205	C390	205	C400	222	C410	205

144.Controller Board (D095/M077)

CAPACITOR

SYMBOL NO.	INDEX NO.	SYMBOL NO.	INDEX NO.	SYMBOL NO.	INDEX NO.	SYMBOL NO.	INDEX NO.	SYMBOL NO.	INDEX NO.	SYMBOL NO.	INDEX NO.	SYMBOL NO.	INDEX NO.
C411	205	C421	209	C431	205	C441	218	C451	212	C461	213	C471	205
C412	222	C422	213	C432	205	C442	222	C452	213	C462	213	C472	222
C413	222	C423	222	C433	222	C443	222	C453	222	C463	213	C473	213
C414	212	C424	222	C434	222	C444	222	C454	222	C464	213	C474	222
C415	203	C425	213	C435	213	C445	213	C455	212	C465	222	C475	222
C416	225	C426	205	C436	213	C446	223	C456	196	C466	222	C476	222
C417	222	C427	222	C437	222	C447	205	C457	213	C467	213	C477	222
C418	213	C428	218	C438	213	C448	222	C458	222	C468	196	C478	222
C419	213	C429	205	C439	222	C449	222	C459	213	C469	222	C479	222
C420	212	C430	222	C440	222	C450	205	C460	213	C470	222	C480	222

CAPACITOR

SYMBOL NO.	INDEX NO.	SYMBOL NO.	INDEX NO.	SYMBOL NO.	INDEX NO.	SYMBOL NO.	INDEX NO.	SYMBOL NO.	INDEX NO.	SYMBOL NO.	INDEX NO.	SYMBOL NO.	INDEX NO.
C481	222	C491	202	C501	222	C511	213	C521	222	C531	222	C541	224
C482	222	C492	220	C502	222	---	---	C522	222	C532	222	C542	222
C483	222	C493	213	C503	222	C513	222	C523	222	C533	222	C543	205
C484	205	C494	222	C504	222	C514	222	C524	222	C534	222	C544	224
C485	202	C495	222	C505	222	C515	222	C525	205	C535	222	C545	222
C486	222	C496	222	---	---	C516	213	C526	222	C536	222	C546	222
C487	222	C497	222	---	---	C517	205	C527	222	C537	222	C547	222
C488	222	C498	222	---	---	C518	205	C528	222	C538	205	C548	222
C489	205	C499	222	C509	222	C519	205	C529	222	C539	222	C549	222
C490	222	C500	205	C510	222	C520	222	C530	222	C540	222	C550	222

144.Controller Board (D095/M077)

CAPACITOR

SYMBOL NO.	INDEX NO.	SYMBOL NO.	INDEX NO.	SYMBOL NO.	INDEX NO.	SYMBOL NO.	INDEX NO.	SYMBOL NO.	INDEX NO.	SYMBOL NO.	INDEX NO.	SYMBOL NO.	INDEX NO.
C551	222	C561	222	C571	214	C581	222	C591	222	C601	205	C611	217
C552	222	C562	222	C572	214	C582	202	C592	224	C602	205	C612	222
C553	222	C563	205	C573	220	C583	222	C593	222	C603	222	C613	213
C554	222	C564	205	C574	205	C584	213	C594	208	C604	222	C614	220
C555	222	C565	205	C575	224	C585	213	C595	208	C605	222	C615	222
C556	224	C566	222	C576	222	C586	208	C596	208	C606	205	C616	213
C557	205	C567	216	---	---	C587	213	C597	205	C607	205	C617	213
C558	222	C568	205	---	---	C588	208	C598	222	C608	213	C618	213
C559	222	C569	213	---	---	C589	208	C599	222	C609	222	C619	213
C560	220	C570	213	---	---	C590	208	C600	205	C610	222	C620	213

CAPACITOR

SYMBOL NO.	INDEX NO.	SYMBOL NO.	INDEX NO.	SYMBOL NO.	INDEX NO.	SYMBOL NO.	INDEX NO.	SYMBOL NO.	INDEX NO.	SYMBOL NO.	INDEX NO.	SYMBOL NO.	INDEX NO.
C621	213	C631	222	C641	205	C651	213	C661	222	---	---	C681	208
C622	213	C632	205	---	---	C652	213	C662	202	C672	222	C682	208
C623	202	C633	205	C643	205	C653	222	C663	205	C673	224	C683	208
C624	222	C634	222	C644	213	C654	222	C664	222	C674	222	C684	208
C625	222	C635	222	C645	220	C655	222	C665	222	C675	213	C685	208
C626	222	C636	205	C646	213	C656	222	C666	205	C676	213	C686	208
---	---	C637	213	C647	213	C657	222	C667	202	C677	222	C687	208
C628	213	C638	224	C648	213	C658	205	---	---	C678	222	---	---
C629	213	C639	222	C649	213	C659	222	---	---	C679	208	C689	222
C630	222	C640	222	C650	213	C660	213	---	---	C680	208	C690	217

144.Controller Board (D095/M077)

CAPACITOR

SYMBOL NO.	INDEX NO.	SYMBOL NO.	INDEX NO.	SYMBOL NO.	INDEX NO.	SYMBOL NO.	INDEX NO.	SYMBOL NO.	INDEX NO.	SYMBOL NO.	INDEX NO.	SYMBOL NO.	INDEX NO.
C691	213	C701	213	C711	213	C721	222	C731	205	C741	222	C751	205
C692	222	C702	213	C712	213	C722	202	C732	205	C742	222	C752	205
C693	222	C703	224	C713	213	C723	205	C733	205	C743	222	C753	219
C694	205	C704	213	C714	202	C724	213	C734	222	C744	222	---	---
---	---	C705	213	C715	213	C725	213	C735	222	C745	222	C755	205
C696	202	C706	213	C716	205	C726	205	C736	222	C746	222	C756	205
C697	202	C707	213	C717	202	C727	222	C737	222	C747	222	C757	204
C698	202	C708	213	C718	205	C728	205	C738	222	C748	222	C758	220
C699	222	C709	213	C719	222	C729	205	C739	222	C749	213	C759	222
---	---	C710	213	C720	202	C730	202	C740	222	C750	205	C760	208

CAPACITOR

SYMBOL NO.	INDEX NO.	SYMBOL NO.	INDEX NO.	SYMBOL NO.	INDEX NO.	SYMBOL NO.	INDEX NO.	SYMBOL NO.	INDEX NO.	SYMBOL NO.	INDEX NO.	SYMBOL NO.	INDEX NO.
C761	221	---	---	C781	224	C791	222	C801	202	C811	222	C821	204
---	---	C772	208	---	---	C792	208	C802	202	C812	220	C822	222
C763	205	C773	224	C783	213	C793	208	C803	222	C813	219	C823	222
C764	204	C774	222	C784	208	C794	222	C804	222	C814	222	C824	222
C765	222	C775	205	C785	205	C795	222	C805	222	C815	222	C825	222
C766	205	C776	213	C786	222	C796	222	C806	222	C816	222	C826	222
C767	205	C777	208	C787	222	C797	222	C807	219	C817	222	C827	222
C768	205	C778	222	C788	222	C798	222	C808	205	C818	205	C828	222
C769	220	C779	208	C789	224	C799	219	C809	205	C819	222	C829	222
---	---	C780	213	C790	205	C800	202	C810	222	C820	221	C830	222

144.Controller Board (D095/M077)

CAPACITOR

SYMBOL NO.	INDEX NO.
C831	222
C832	222
C833	222
C834	222
C835	222
---	---
C836	202
C837	221
C838	205
---	---
---	---

SYMBOL NO.	INDEX NO.
---	---
C842	214
---	---
---	---
---	---
C846	202
C847	205
C848	222
C849	213
C850	213

SYMBOL NO.	INDEX NO.
C851	213
C852	205
---	---
---	---
---	---
---	---
---	---
---	---
C857	198
C858	198
C859	219
---	---

SYMBOL NO.	INDEX NO.
---	---
---	---
---	---
---	---
---	---
---	---
---	---
C917	222
C918	222
C919	213
C920	205

SYMBOL NO.	INDEX NO.
C921	208

CONNECTOR

SYMBOL NO.	INDEX NO.
---	---
CN2	108
---	---
---	---
---	---
---	---
CN6	107
---	---
CN8	102
---	---
CN10	110

SYMBOL NO.	INDEX NO.
CN11	105
CN12	104
CN13	104
CN14	108
---	---
---	---
CN17	106
CN18	106
---	---
---	---

CONNECTOR

SYMBOL NO.	INDEX NO.
CN21	101
CN22	103
---	---
---	---
---	---
---	---
---	---
---	---
---	---
CN30	111

SYMBOL NO.	INDEX NO.
CN31	109

DIODE

SYMBOL NO.	INDEX NO.
D1	132
---	---
D3	129
D4	130
D5	131
---	---
D7	128
---	---
---	---
D10	132

SYMBOL NO.	INDEX NO.
D11	128
---	---
D13	131
D14	131
D15	131
---	---
D17	130
D18	130
D19	132
D20	131

SYMBOL NO.	INDEX NO.
D21	128
D22	131

D_SW

SYMBOL NO.	INDEX NO.
D_SW1	114
---	---
D_SW3	114

FH

SYMBOL NO.	INDEX NO.
FH1	113
FH2	112
FH3	113

FIL

SYMBOL NO.	INDEX NO.
---	---
---	---
FIL3	231
FIL4	229
FIL5	227
---	---
FIL6	229
FIL7	231
FIL8	234
---	---
FIL10	231

144.Controller Board (D095/M077)

FIL

SYMBOL NO.	INDEX NO.
FIL11	231
FIL12	231
FIL13	231
FIL14	231
FIL15	231
---	---
FIL17	227
FIL18	227
---	---
FIL20	228

SYMBOL NO.	INDEX NO.
FIL21	228
FIL22	229
FIL23	228
---	---
FIL25	229
---	---
FIL26	228
FIL27	229
FIL28	229

IC

SYMBOL NO.	INDEX NO.
IC1	159
IC2	164
IC3	164
IC4	141
IC5	164
---	---
IC6	164
IC7	142
---	---
IC9	181
---	---

SYMBOL NO.	INDEX NO.
IC11	164
IC12	167
IC13	147
IC14	160
IC15	181
---	---
IC16	159
---	---
IC18	149
IC19	177
IC20	165

SYMBOL NO.	INDEX NO.
IC21	182
---	---
---	---
IC24	148
IC25	138
---	---
IC26	182
IC27	152
IC28	164
IC29	173
IC30	155

SYMBOL NO.	INDEX NO.
IC31	140
IC32	153
IC33	3
IC34	162
IC35	166
---	---
IC36	159
---	---
IC38	151
IC39	150
---	---

SYMBOL NO.	INDEX NO.
IC41	155
IC42	156
IC43	139
---	---
IC45	173
---	---
IC46	175
IC47	159
IC48	169
IC49	154
IC50	143

IC

SYMBOL NO.	INDEX NO.
IC51	179
IC52	144
IC53	161
IC54	164
---	---
---	---
IC56	168
---	---
IC58	171
IC59	318
---	---

SYMBOL NO.	INDEX NO.
---	---
IC62	142
---	---
IC64	174
IC65	163
---	---
IC67	155
IC68	159
---	---
---	---
---	---

SYMBOL NO.	INDEX NO.
---	---
IC72	176
IC73	155
---	---
IC75	161
---	---
IC76	155
IC77	161
IC78	155
---	---
---	---

SYMBOL NO.	INDEX NO.
---	---
---	---
---	---
IC84	138
IC85	145
---	---
IC86	159
IC87	157
IC88	172
IC89	164
---	---

SYMBOL NO.	INDEX NO.
---	---
IC92	171
---	---
IC94	164
IC95	149
---	---
---	---
IC97	146
IC98	146
IC99	141
IC100	164

SYMBOL NO.	INDEX NO.
IC101	164
IC102	158
IC103	175

ICS

SYMBOL NO.	INDEX NO.
---	---
---	---
---	---
ICS34	4
ICS35	2

144.Controller Board (D095/M077)

L

SYMBOL NO.	INDEX NO.
L1	232
L2	239
L3	236
L4	235
L5	240
L6	233
L7	233
L8	240
---	---
L10	238

LED

SYMBOL NO.	INDEX NO.
L11	237
L12	238
L13	232
L14	232
L15	232
L16	237
L17	230

SYMBOL NO.	INDEX NO.
LED1	135
LED2	135
LED3	135
LED4	135
LED5	135
LED6	135
LED7	135
LED8	135
LED9	135
LED10	133

SYMBOL NO.	INDEX NO.
LED11	136
LED12	134
LED13	134
LED14	134
LED15	134

MS

SYMBOL NO.	INDEX NO.
MS1	1
MS2	1
MS3	1
MS4	1

OSC

SYMBOL NO.	INDEX NO.
OSC1	183
OSC2	185
OSC3	188
---	---
OSC5	184
OSC6	187
OSC7	185
OSC8	186

Q

SYMBOL NO.	INDEX NO.
Q1	117
---	---
---	---
---	---
Q5	118
Q6	117
Q7	118
Q8	118
Q9	118
Q10	118

Q

SYMBOL NO.	INDEX NO.
Q11	118
Q12	118
Q13	127
Q14	122
Q15	118
---	---
---	---
Q18	127
Q19	118
Q20	124

SYMBOL NO.	INDEX NO.
Q21	127
Q22	117
Q23	124
Q24	117
Q25	118
---	---
Q27	126
Q28	119
---	---
---	---

SYMBOL NO.	INDEX NO.
---	---
---	---
---	---
Q34	118
---	---
Q36	120
Q37	122
Q38	125
Q39	120
Q40	118

SYMBOL NO.	INDEX NO.
Q41	118
Q42	118
Q43	118
Q44	116
Q45	118
Q46	117
Q47	118
Q48	118
Q49	123
Q50	123

SYMBOL NO.	INDEX NO.
Q51	117
Q52	118
Q53	118
Q54	118
Q55	118
Q56	118
Q57	118
Q58	118
Q59	118
---	---

SYMBOL NO.	INDEX NO.
Q61	118
---	---
Q63	118
Q64	118
Q65	121
Q66	118
---	---
Q68	117
Q69	118
---	---

SYMBOL NO.	INDEX NO.
Q71	118
Q72	118

144.Controller Board (D095/M077)

RESISTOR

SYMBOL NO.	INDEX NO.	SYMBOL NO.	INDEX NO.	SYMBOL NO.	INDEX NO.	SYMBOL NO.	INDEX NO.	SYMBOL NO.	INDEX NO.	SYMBOL NO.	INDEX NO.	SYMBOL NO.	INDEX NO.
---	---	R11	298	R21	292	R31	292	R41	256	R51	259	R61	259
R2	259	R12	292	R22	256	R32	292	R42	267	---	---	R62	258
R3	259	---	---	R23	260	R33	292	---	---	R53	277	R63	258
---	---	---	---	R24	256	R34	292	R44	298	R54	275	R64	246
R5	292	R15	259	R25	262	---	---	R45	259	R55	298	R65	277
R6	256	R16	259	---	---	---	---	R46	292	R56	276	R66	259
R7	256	R17	259	R27	276	R37	259	R47	292	R57	277	---	---
R8	259	R18	259	---	---	R38	292	R48	258	R58	259	R68	260
R9	298	R19	259	R29	259	R39	298	R49	256	R59	259	---	---
R10	259	R20	298	R30	249	R40	256	R50	260	R60	259	R70	273

RESISTOR

SYMBOL NO.	INDEX NO.	SYMBOL NO.	INDEX NO.	SYMBOL NO.	INDEX NO.	SYMBOL NO.	INDEX NO.	SYMBOL NO.	INDEX NO.	SYMBOL NO.	INDEX NO.	SYMBOL NO.	INDEX NO.
---	---	R81	258	R91	283	---	---	R111	259	R121	298	R131	292
R72	259	---	---	---	---	R102	292	R112	292	R122	314	R132	259
R73	259	---	---	---	---	R103	265	R113	259	R123	314	R133	298
---	---	R84	256	---	---	R104	265	R114	259	R124	314	R134	271
R75	258	R85	310	---	---	R105	259	R115	259	R125	314	R135	259
R76	256	---	---	R96	256	R106	260	R116	260	R126	256	R136	259
R77	259	---	---	R97	256	R107	256	R117	314	R127	315	R137	259
---	---	---	---	R98	259	R108	256	R118	314	R128	298	R138	246
---	---	---	---	R99	293	R109	257	R119	259	R129	259	---	---
---	---	---	---	R100	280	R110	259	R120	298	---	---	R140	292

144.Controller Board (D095/M077)

RESISTOR

SYMBOL NO.	INDEX NO.	SYMBOL NO.	INDEX NO.	SYMBOL NO.	INDEX NO.	SYMBOL NO.	INDEX NO.	SYMBOL NO.	INDEX NO.	SYMBOL NO.	INDEX NO.	SYMBOL NO.	INDEX NO.
R141	270	---	---	R161	248	---	---	---	---	R191	292	R201	301
R142	259	---	---	R162	259	R172	314	R182	307	R192	292	R202	301
R143	292	R153	292	R163	314	R173	258	R183	247	R193	292	R203	301
R144	250	R154	259	R164	246	R174	292	R184	247	R194	259	R204	301
R145	259	---	---	R165	314	R175	314	R185	247	R195	307	R205	259
R146	292	---	---	R166	267	---	---	R186	292	R196	259	R206	289
R147	259	R157	298	R167	259	R177	258	R187	281	R197	301	R207	259
R148	256	---	---	R168	314	---	---	R188	278	R198	301	R208	307
R149	314	R159	257	R169	259	R179	247	R189	257	R199	301	R209	292
R150	302	R160	259	R170	314	---	---	R190	298	R200	301	R210	292

RESISTOR

SYMBOL NO.	INDEX NO.	SYMBOL NO.	INDEX NO.	SYMBOL NO.	INDEX NO.	SYMBOL NO.	INDEX NO.	SYMBOL NO.	INDEX NO.	SYMBOL NO.	INDEX NO.	SYMBOL NO.	INDEX NO.
R211	259	R221	292	R231	292	R241	292	R251	262	R261	256	R271	304
R212	259	R222	259	R232	259	R242	292	R252	259	R262	292	R272	285
R213	292	R223	259	R233	292	R243	257	---	---	R263	265	R273	262
R214	292	R224	292	---	---	R244	259	---	---	R264	259	R274	262
R215	292	R225	292	R235	292	R245	292	---	---	---	---	R275	259
R216	292	R226	292	R236	292	R246	292	---	---	---	---	R276	261
R217	292	R227	301	R237	259	R247	292	R257	281	---	---	R277	276
R218	292	R228	301	R238	292	R248	262	---	---	---	---	R278	292
R219	292	R229	304	R239	278	R249	258	R259	292	---	---	R279	292
R220	292	R230	262	R240	292	R250	292	R260	262	---	---	R280	292

144.Controller Board (D095/M077)

RESISTOR

SYMBOL NO.	INDEX NO.	SYMBOL NO.	INDEX NO.	SYMBOL NO.	INDEX NO.	SYMBOL NO.	INDEX NO.	SYMBOL NO.	INDEX NO.	SYMBOL NO.	INDEX NO.	SYMBOL NO.	INDEX NO.
R281	292	R291	301	R301	309	R311	259	R321	277	---	---	R341	277
R282	292	R292	285	R302	309	R312	256	R322	259	R332	259	R342	277
R283	292	R293	301	R303	259	---	---	---	---	R333	277	R343	260
R284	292	R294	301	R304	292	R314	277	R324	258	R334	259	R344	292
R285	292	R295	301	R305	256	R315	260	R325	277	R335	259	R345	292
R286	307	R296	304	R306	259	---	---	R326	259	R336	277	R346	292
R287	301	R297	307	R307	307	R317	259	R327	292	R337	260	R347	292
R288	301	R298	309	R308	277	R318	260	R328	258	R338	292	R348	259
R289	301	R299	258	R309	307	R319	292	R329	260	R339	259	---	---
R290	301	R300	274	R310	277	---	---	R330	259	R340	259	---	---

RESISTOR

SYMBOL NO.	INDEX NO.	SYMBOL NO.	INDEX NO.	SYMBOL NO.	INDEX NO.	SYMBOL NO.	INDEX NO.	SYMBOL NO.	INDEX NO.	SYMBOL NO.	INDEX NO.	SYMBOL NO.	INDEX NO.
R351	311	R361	259	R371	296	R381	298	---	---	R401	259	R411	296
R352	260	R362	307	R372	296	---	---	---	---	R402	259	R412	296
R353	298	R363	307	R373	263	R383	307	R393	259	R403	246	R413	296
R354	262	R364	307	R374	309	R384	292	R394	260	R404	292	---	---
R355	259	R365	277	R375	261	R385	277	R395	259	---	---	R415	296
---	---	R366	277	---	---	R386	277	R396	259	R406	260	R416	256
---	---	R367	277	R377	256	R387	260	R397	260	R407	259	---	---
R358	258	R368	277	R378	259	R388	268	---	---	---	---	R418	256
R359	258	---	---	---	---	R389	268	R399	245	R409	256	R419	296
R360	259	R370	298	R380	262	---	---	---	---	R410	292	R420	296

144.Controller Board (D095/M077)

RESISTOR

SYMBOL NO.	INDEX NO.	SYMBOL NO.	INDEX NO.	SYMBOL NO.	INDEX NO.	SYMBOL NO.	INDEX NO.	SYMBOL NO.	INDEX NO.	SYMBOL NO.	INDEX NO.	SYMBOL NO.	INDEX NO.
R421	266	R431	259	R441	306	R451	256	---	---	R471	256	R481	273
R422	296	R432	296	R442	301	R452	306	---	---	R472	256	R482	298
R423	247	R433	301	R443	301	R453	309	R463	256	R473	274	R483	258
R424	247	R434	259	R444	298	R454	309	R464	298	R474	274	R484	258
R425	247	R435	259	R445	306	R455	309	R465	296	R475	273	R485	298
R426	247	R436	258	---	---	R456	309	R466	274	R476	247	R486	298
R427	296	---	---	R447	260	R457	301	---	---	R477	298	R487	265
R428	301	R438	296	R448	308	---	---	R468	292	R478	246	R488	298
R429	296	R439	296	R449	308	---	---	---	---	R479	246	R489	246
R430	301	R440	301	R450	301	---	---	R470	292	R480	246	R490	292

RESISTOR

SYMBOL NO.	INDEX NO.	SYMBOL NO.	INDEX NO.	SYMBOL NO.	INDEX NO.	SYMBOL NO.	INDEX NO.	SYMBOL NO.	INDEX NO.	SYMBOL NO.	INDEX NO.	SYMBOL NO.	INDEX NO.
---	---	R501	298	R511	265	R521	288	R531	246	---	---	R551	276
R492	258	R502	287	R512	265	R522	246	R532	300	R542	307	R552	261
R493	284	R503	269	R513	265	R523	253	R533	246	---	---	---	---
R494	246	R504	260	R514	265	---	---	R534	246	---	---	---	---
---	---	R505	286	R515	265	R525	256	R535	246	R545	256	R555	274
R496	272	---	---	R516	265	---	---	---	---	R546	259	R556	256
R497	316	---	---	R517	265	---	---	---	---	R547	262	R557	259
R498	295	---	---	R518	265	R528	256	---	---	R548	259	R558	256
R499	291	---	---	R519	246	---	---	---	---	R549	292	R559	256
R500	260	R510	265	R520	246	---	---	---	---	R550	259	R560	301

144.Controller Board (D095/M077)

RESISTOR

SYMBOL NO.	INDEX NO.	SYMBOL NO.	INDEX NO.	SYMBOL NO.	INDEX NO.	SYMBOL NO.	INDEX NO.	SYMBOL NO.	INDEX NO.	SYMBOL NO.	INDEX NO.	SYMBOL NO.	INDEX NO.
R561	292	---	---	R581	259	R591	301	R601	301	R611	292	R621	292
R562	256	R572	256	R582	301	R592	292	R602	247	R612	259	R622	292
R563	292	R573	256	R583	292	R593	256	R603	292	R613	292	R623	292
R564	256	R574	258	---	---	R594	292	R604	301	R614	259	R624	259
R565	292	R575	292	---	---	R595	258	R605	292	R615	259	R629	259
R566	292	R576	256	R586	259	R596	259	R606	292	R616	292	R630	302
R567	301	R577	256	R587	259	---	---	R607	301	R617	292	R632	292
R568	292	R578	292	R588	256	R598	259	---	---	---	---	R634	276
R569	301	R579	256	R589	299	R599	259	---	---	---	---	R636	258
R570	292	R580	259	R590	292	R600	292	R610	292	---	---	R637	298
										---	---	R638	259

RESISTOR

SYMBOL NO.	INDEX NO.	SYMBOL NO.	INDEX NO.	SYMBOL NO.	INDEX NO.	SYMBOL NO.	INDEX NO.	SYMBOL NO.	INDEX NO.	SYMBOL NO.	INDEX NO.	SYMBOL NO.	INDEX NO.
---	---	R641	276	---	---	---	---	R671	259	R681	256	R691	256
---	---	R642	276	---	---	R662	256	R672	259	R682	256	R692	256
---	---	R643	292	---	---	R663	256	R673	259	---	---	R693	264
---	---	R644	276	R654	262	R664	292	R674	292	R684	256	R694	295
---	---	R645	260	R655	256	R665	292	R675	259	R685	256	R695	261
---	---	R646	246	R656	292	R666	256	R676	256	R686	258	R696	258
---	---	R647	287	R657	259	R667	259	R677	256	R687	259	R697	305
---	---	R648	317	R658	256	R668	292	R678	259	---	---	R698	307
R639	298	---	---	R659	267	R669	259	R679	259	R689	259	R699	259
R640	256	---	---	---	---	R670	259	R680	292	R690	292	R700	259

144.Controller Board (D095/M077)

RESISTOR

SYMBOL NO.	INDEX NO.	SYMBOL NO.	INDEX NO.	SYMBOL NO.	INDEX NO.	SYMBOL NO.	INDEX NO.	SYMBOL NO.	INDEX NO.	SYMBOL NO.	INDEX NO.	SYMBOL NO.	INDEX NO.
R701	256	---	---	---	---	R731	259	R741	314	---	---	R761	259
R702	256	R712	307	R722	259	R732	314	R742	259	R752	307	R762	259
R703	256	R713	256	R723	259	R733	314	---	---	R753	303	---	---
R704	259	R714	275	R724	259	R734	314	---	---	R754	303	R764	259
---	---	R715	312	R725	259	R735	306	R745	259	R755	303	R765	298
R706	259	R716	307	---	---	R736	281	R746	279	R756	303	R766	314
R707	259	R717	256	---	---	R737	314	R747	247	R757	303	R767	314
R708	259	R718	259	R728	259	---	---	R748	307	R758	303	R768	259
R709	256	R719	259	R729	258	R739	306	---	---	R759	303	R769	259
R710	259	R720	259	R730	258	R740	314	R750	256	R760	303	---	---

RESISTOR

SYMBOL NO.	INDEX NO.	SYMBOL NO.	INDEX NO.	SYMBOL NO.	INDEX NO.	SYMBOL NO.	INDEX NO.	SYMBOL NO.	INDEX NO.	SYMBOL NO.	INDEX NO.	SYMBOL NO.	INDEX NO.
R771	314	R781	298	R791	259	R801	298	R811	277	R821	292	---	---
R772	259	R782	257	R792	304	R802	292	R812	277	R822	292	---	---
R773	259	R783	314	R793	258	R803	258	R813	277	R823	292	---	---
R774	259	R784	314	R794	258	R804	292	R814	277	R824	292	---	---
R775	259	R785	259	R795	259	R805	256	R815	277	R825	292	---	---
R776	258	R786	259	R796	254	R806	258	R816	277	R826	259	R836	257
R777	273	R787	259	R797	258	R807	292	R817	277	R827	292	R837	273
R778	255	R788	314	R798	258	R808	254	R818	277	R828	292	---	---
R779	259	---	---	---	---	R809	257	R819	277	R829	298	R839	259
R780	292	---	---	R800	258	R810	277	R820	277	---	---	R840	259

144.Controller Board (D095/M077)

RESISTOR

SYMBOL NO.	INDEX NO.	SYMBOL NO.	INDEX NO.	SYMBOL NO.	INDEX NO.	SYMBOL NO.	INDEX NO.	SYMBOL NO.	INDEX NO.	SYMBOL NO.	INDEX NO.	SYMBOL NO.	INDEX NO.
R841	259	R851	256	R861	292	R871	299	R881	254	---	---	R901	258
R842	281	---	---	R862	259	R872	275	---	---	---	---	R902	258
R843	292	---	---	---	---	R873	265	---	---	R893	259	R903	258
R844	259	---	---	R864	259	---	---	---	---	R894	298	R904	297
---	---	R855	292	R865	259	R875	275	---	---	R895	292	R905	297
R846	292	R856	292	R866	292	R876	259	---	---	---	---	R906	313
R847	249	R857	248	R867	259	---	---	R887	298	R897	298	---	---
R848	307	R858	249	R868	259	---	---	R888	298	R898	259	R908	298
R849	259	R859	292	R869	309	---	---	R889	259	R899	258	R909	292
---	---	---	---	R870	309	R880	259	---	---	R900	258	R910	259

RESISTOR

SYMBOL NO.	INDEX NO.	SYMBOL NO.	INDEX NO.	SYMBOL NO.	INDEX NO.	SYMBOL NO.	INDEX NO.	SYMBOL NO.	INDEX NO.	SYMBOL NO.	INDEX NO.	SYMBOL NO.	INDEX NO.
---	---	---	---	---	---	R941	298	R951	259	R961	259	---	---
---	---	---	---	R932	243	---	---	---	---	R962	277	R972	303
---	---	R923	259	R933	260	R943	307	---	---	R963	259	R973	256
---	---	R924	298	R934	260	R944	313	R954	256	R964	259	R974	258
---	---	R925	298	R935	298	R945	256	R955	259	R965	258	R975	259
R916	298	R926	259	R936	309	---	---	R956	277	R966	303	---	---
R917	259	R927	292	R937	259	R947	298	R957	259	R967	256	R977	277
R918	292	R928	256	---	---	R948	259	R958	256	R968	290	R978	260
R919	259	---	---	R939	292	R949	259	R959	256	---	---	R979	307
R920	259	---	---	R940	259	R950	256	R960	259	R970	298	R980	256

144.Controller Board (D095/M077)

RESISTOR

SYMBOL NO.	INDEX NO.	SYMBOL NO.	INDEX NO.	SYMBOL NO.	INDEX NO.	SYMBOL NO.	INDEX NO.	SYMBOL NO.	INDEX NO.	SYMBOL NO.	INDEX NO.	SYMBOL NO.	INDEX NO.
R981	259	R991	256	R1001	307	R1011	307	R1021	307	R1031	259	R1041	292
---	---	R992	256	R1002	307	R1012	307	R1022	307	R1032	298	R1042	292
R983	277	R993	277	R1003	307	R1013	307	R1023	307	R1033	307	R1043	292
R984	259	R994	259	R1004	307	R1014	307	R1024	307	R1034	259	R1044	292
R985	256	R995	256	R1005	307	R1015	307	R1025	307	R1035	277	R1045	292
R986	259	R996	256	R1006	307	R1016	307	R1026	307	R1036	277	R1046	292
---	---	R997	256	R1007	307	R1017	307	R1027	259	R1037	277	R1047	262
R988	259	R998	277	R1008	307	R1018	307	R1028	262	R1038	292	R1048	292
R989	256	R999	260	R1009	307	R1019	307	R1029	259	R1039	292	R1049	292
R990	256	R1000	262	R1010	307	R1020	307	R1030	292	R1040	292	R1050	260

RESISTOR

SYMBOL NO.	INDEX NO.	SYMBOL NO.	INDEX NO.	SYMBOL NO.	INDEX NO.	SYMBOL NO.	INDEX NO.	SYMBOL NO.	INDEX NO.	SYMBOL NO.	INDEX NO.	SYMBOL NO.	INDEX NO.
R1051	277	R1061	259	R1071	259	R1081	258	---	---	R1101	274	R1111	292
R1052	260	R1062	260	---	---	R1082	258	R1092	298	R1102	258	R1112	292
R1053	259	R1063	259	R1073	259	R1083	259	R1093	296	R1103	298	R1113	292
R1054	277	R1064	259	R1074	307	---	---	R1094	296	R1104	306	R1114	292
R1055	256	R1065	259	R1075	306	---	---	R1095	296	R1105	258	---	---
R1056	259	R1066	298	R1076	274	---	---	R1096	259	R1106	259	R1116	257
R1057	259	R1067	259	R1077	274	R1087	314	R1097	274	R1107	307	R1117	257
R1058	259	R1068	307	---	---	---	---	R1098	298	---	---	R1118	292
R1059	260	---	---	R1079	259	---	---	R1099	256	R1109	274	R1119	292
R1060	259	R1070	259	---	---	R1090	246	R1100	259	R1110	257	R1120	292

144.Controller Board (D095/M077)

RESISTOR

SYMBOL NO.	INDEX NO.	SYMBOL NO.	INDEX NO.	SYMBOL NO.	INDEX NO.	SYMBOL NO.	INDEX NO.	SYMBOL NO.	INDEX NO.	SYMBOL NO.	INDEX NO.	SYMBOL NO.	INDEX NO.
R1121	292	R1131	298	R1141	274	R1151	307	R1161	307	R1171	282	---	---
R1122	292	---	---	R1142	274	R1152	307	R1162	307	R1172	298	---	---
R1123	258	R1133	298	R1143	307	R1153	307	R1163	307	R1173	274	R1183	256
R1124	292	R1134	274	R1144	307	R1154	307	---	---	R1174	274	---	---
R1125	259	R1135	274	R1145	307	R1155	307	R1165	307	R1175	282	---	---
R1126	274	R1136	296	R1146	307	R1156	307	R1166	307	---	---	R1186	256
R1127	259	R1137	274	R1147	307	R1157	307	R1167	307	R1177	251	---	---
---	---	---	---	R1148	307	R1158	307	R1168	307	R1178	275	R1188	256
R1129	307	---	---	R1149	307	R1159	307	R1169	307	R1179	292	R1189	298
R1130	259	R1140	274	R1150	307	R1160	307	R1170	244	---	---	R1190	298

RESISTOR

SYMBOL NO.	INDEX NO.	SYMBOL NO.	INDEX NO.	SYMBOL NO.	INDEX NO.	SYMBOL NO.	INDEX NO.	SYMBOL NO.	INDEX NO.	SYMBOL NO.	INDEX NO.	SYMBOL NO.	INDEX NO.
---	---	R1201	259	R1211	292	R1221	298	---	---	---	---	R1251	247
R1192	298	R1202	259	R1212	292	R1222	306	R1232	246	R1242	262	R1252	247
R1193	298	R1203	259	R1213	292	R1223	306	R1233	262	---	---	R1253	292
---	---	---	---	R1214	292	R1224	306	---	---	---	---	---	---
R1195	260	---	---	R1215	292	R1225	292	---	---	R1245	246	---	---
R1196	298	R1206	256	R1216	292	---	---	---	---	R1246	246	---	---
R1197	252	---	---	---	---	---	---	---	---	R1247	259	---	---
R1198	257	---	---	R1218	258	R1228	292	---	---	R1248	247	---	---
R1199	247	---	---	R1219	260	R1229	292	---	---	---	---	R1259	246
R1200	259	---	---	R1220	298	R1230	292	---	---	---	---	R1260	246

TP

144.Controller Board (D095/M077)

RESISTOR

SYMBOL NO.	INDEX NO.
R1261	246
R1262	247
R1263	259
---	---
---	---
R1266	256
---	---
R1268	246
R1269	256
R1270	294

SYMBOL NO.	INDEX NO.
---	---
---	---
R1273	247
---	---
---	---
---	---
R1277	274
---	---
---	---
---	---

SYMBOL NO.	INDEX NO.
---	---
---	---
R1283	258
---	---
R1285	256
---	---
R1286	256
---	---
---	---
---	---
---	---

SYMBOL NO.	INDEX NO.
---	---
---	---
---	---
---	---
---	---
---	---
---	---
---	---
R1300	292

SYMBOL NO.	INDEX NO.
R1301	292
R1302	292
R1303	292

REG

SYMBOL NO.	INDEX NO.
REG1	178
REG2	180
REG3	170

RN

SYMBOL NO.	INDEX NO.
RN1	193
RN2	193
RN3	193
RN4	193
RN5	193
RN6	193
RN7	193
RN8	193
RN9	193
RN10	190

RN

SYMBOL NO.	INDEX NO.
RN11	190
RN12	190
RN13	190
RN14	192
RN15	190
RN16	192
RN17	192
RN18	192
RN19	192
RN20	189

SYMBOL NO.	INDEX NO.
RN21	242
RN22	189
RN23	189
RN24	189
RN25	189
RN26	189
RN27	189
RN28	189
RN29	189
RN30	189

SYMBOL NO.	INDEX NO.
RN31	189
RN32	189
RN33	189
RN34	189
RN35	189
RN36	189
RN37	189
RN38	189
RN39	189
RN40	189

SYMBOL NO.	INDEX NO.
RN41	189
RN42	189
RN43	189
RN44	189
RN45	189
RN46	192
RN47	192
RN48	192
RN49	194
RN50	241

SYMBOL NO.	INDEX NO.
---	---
---	---
---	---
---	---
---	---
---	---
---	---
---	---
---	---
RN100	191

SYMBOL NO.	INDEX NO.
RN101	191
RN102	191
RN103	191
RN104	191
RN105	191
RN106	191
RN107	191
RN108	191
RN109	191
RN110	191

V

SYMBOL NO.	INDEX NO.
V1	137

144.Controller Board (D095/M077)

Index No.	Part No.	Description	Q'ty Per Assembly
*	D095 6022	PCB:Cont:Aries-C15:Ass'y	1
*	M077 6022	PCB:Cont:EX1:Ass'y:AA	1
*	M077 6032	PCB:Cont:EX1:Ass'y	1
1	B132 5794	Hook:Heat Sink: MCH	1
2	D029 5720	Heat Sink:EX1:GMCH:Coolermaster	1
3	D095 6008	Flash Memory:BIOS:EX1:ARIES15	1
4	G178 6016	Heat Sink:EX1:PEN	1

Index No.	Part No.	Description	Q'ty Per Assembly
101	1102 5303	3.5:Connector:ST:4P	
102	1102 7615	Connector:B8B-XH-A(LF)(SN)	
103	1102 7635	Connector:53398-0219	
104	1102 9336	Connector:FPS009Z-2300-0	
105	1102 9887	Connector:52588-3075	
106	1103 3481	Connector:67800-8005	
107	1103 3497	Connector:87715-9002	
108	1103 3865	Connector:29 6406 200 101 856+	
109	1103 3964	Connector:WB4P140HA1	
110	1103 3965	Connector:6605444-6	
111	1103 4137	Connector:UAR64-8K5J00	
112	1107 1095	Fuse - SST 2	
113	1109 0042	Fuse:MINISMDC150F	
114	1204 2622	Dip Switch:CHS-08TB1	
115	1206 0122	Lithium Cell:CR2450/V1A	
116	1400 0714	Transistor:2SD1781KR	
117	1400 1248	Transistor:2SC5342SF	
118	1401 0902	FET:2SK1590-A	
119	1401 1222	FET:HAT2068R-E	
120	1401 1234	FET:SSM3J02T	
121	1401 1235	FET:HAT2071R-E	
122	1401 1296	FET:TPC8115	
123	1401 1317	FET:HAT2197R-E	
124	1401 1318	FET:HAT2198R-E	
125	1401 1320	FET:TPC8107	
126	1401 1411	FET:HAT2195R-E	
127	1401 1414	FET:SI3433BDV-E3	
128	1402 1530	Diode:RB520S-30	
129	1402 1537	Diode:RB751S-40	
130	1402 1565	Diode:RB521S-30	
131	1402 1995	Diode:SDS511	
132	1402 2001	Diode: SX34	
133	1403 0953	LED:SML-310MT	
134	1403 0978	LED:SML-310DT	
135	1403 1131	LED:SML-311UT	

Index No.	Part No.	Description	Q'ty Per Assembly
136	1403 1168	LED:SML-311YT	
137	1404 1048	Varistor:SRV05-4.TCT	
138	1407 4804	CMOS Logic:TC7SH08FU	
139	1407 4840	IC - TC7SH04FU	
140	1407 5009	CMOS Logic:TC7SET04FU	
141	1407 5010	IC - TC7SET08FU	
142	1407 5107	CMOS Logic:TC7W66FU	
143	1407 5189	CMOS Logic:TC7SZ00FU	
144	1407 5192	CMOS Logic:TC7SZ04FU	
145	1407 5194	CMOS Logic:TC7SZ32FU	
146	1407 5196	CMOS Logic:TC7SZ125FU	
147	1407 5482	IC - SN74LVC07APW	
148	1407 5523	EEPROM:M24C01-WMN6P(REV.S/W/G)	
149	1407 5531	CMOS Logic:TC7WH14FU	
150	1407 6127	Clock Generator:ICS960008AFLF	
151	1407 6517	Custom IC:WHISTLE	
152	1407 6536	ICH6-MNH82801FBM(SL89K)	
153	1407 6676	Clock Generator:ICS954206BGLF	
154	1407 6683	LAN Controller LSI:BCM5461A1KpFG	
155	1407 6751	CMOS Logic:HD74LV1GW07ACM	
156	1407 6774	CMOS Logic:TC7WZ08FK	
157	1407 6778	CMOS LOGIC:TC7SH02FU	
158	1407 6802	CMOS Logic:TC7PA04FU	
159	1407 6803	CMOS Logic:TC7SZ07FU	
160	1407 6824	CMOS Logic:TC7WG125FK	
161	1407 6853	CMOS Logic:HD74LV1GW17ACM	
162	1407 6915	CPU:LE80536LC0172M(SL89N)	
163	1407 6944	USB Controller IC:ST72681/R21	
164	1407 6957	CMOS Logic:TC7SH17FU	
165	1407 7005	CMOS Logic:TC74VHCT244AFT(K)	
166	1407 7029	GMCH:QG82915GME(SLA9K)	
167	1407 7232	Custom IC:VEENA	
168	1407 7234	Clock Generator:ICS960023CGLF	
169	1407 7290	Controller:ST19NP18ER28PVLR	
170	1408 1668	Series Regulator:R1170H251B-F	

Index No.	Part No.	Description	Q'ty Per Assembly
171	1408 1778	IC:R3112Q101A-FA	
172	1408 1779	IC:R3112Q281A-FA	
173	1408 1788	IC:R3112Q091A-FA	
174	1408 1826	IC:R3112Q421A-FA	
175	1408 1839	IC:R3112Q211A-FA	
176	1408 2305	Reset IC:BU4242FVE	
177	1408 2350	IC:R1211D002B-FA	
178	1408 2458	DC/DC Converter:LTC3407EMSE-2#PBF	
179	1408 2463	DDR Terminator:TPS51116PWPG4	
180	1408 2464	DC/DC Converter:MAX1907AETL+	
181	1408 2637	DC/DC Converter:MPD5S027	
182	1408 2638	DC/DC Converter:MPD6S023	
183	1503 0773	Crystal Oscillator:32.768KHz:7pF	
184	1503 1138	Crystal Oscillator:48MHz	
185	1503 1146	Crystal Oscillator:14.31818MHz	
186	1503 1363	Crystal Oscillator:12MHz	
187	1503 1367	Crystal Oscillator:25MHz	
188	1503 1368	Crystal Oscillator:25MHz	
189	1601 7887	Resistor Array:10K Ω : \pm 5%:1/16W:4Number	
190	1601 7896	Resistor Array:56 Ω : \pm 5%:1/16W:4Number	
191	1601 7898	Resistor Array:33 Ω : \pm 5%:1/16W:4Number	
192	1601 7909	Resistor Array:10 Ω : \pm 5%:1/16W:4Number	
193	1601 7913	Resistor 22 Ω \pm 5% 1/32W	
194	1601 7914	Resistor Array:47 Ω : \pm 5%:1/16W:4Number	
195	1605 1195	Capacitor:4PF: \pm 0.25pF:50V	
196	1605 1197	Capacitor:6PF: \pm 0.5pF:50V	
197	1605 1199	Capacitor:8PF: \pm 0.5pF:50V	
198	1605 1200	Capacitor:10PF: \pm 0.5pF:50V	
199	1605 1204	Capacitor:22pF: \pm 5%:50V	
200	1605 1207	Capacitor:68pF: \pm 5%:50V	
201	1605 1208	Capacitor:100pF: \pm 5%:50V	
202	1605 1214	Capacitor:1000pF: \pm 10%:50V	
203	1605 1216	Capacitor:2200pF: \pm 10%:50V	
204	1605 1234	Capacitor:4700pF: \pm 10%:50V	
205	1605 1240	Capacitor:0.01UF: \pm 10%:25V	

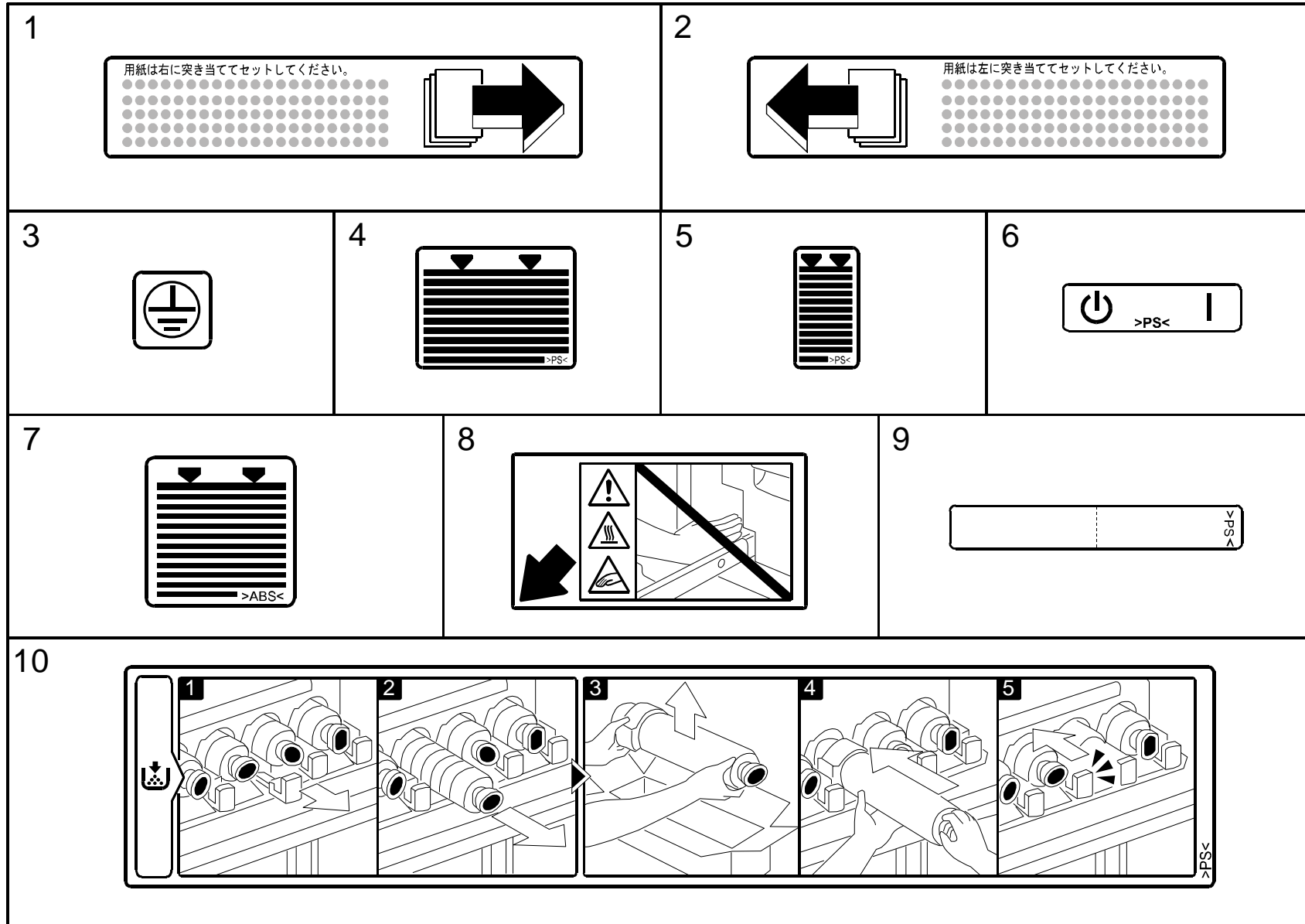
Index No.	Part No.	Description	Q'ty Per Assembly
206	1605 1275	Capacitor:820pF:±5%:50V	
207	1605 1288	Capacitor:220pF:±5%:50V	
208	1605 1291	Capacitor:2.2UF:±10%:10V	
209	1605 1299	Capacitor:56pF:±5%:50V	
210	1605 1300	Capacitor:270pF:±5%:50V	
211	1605 1367	Capacitor:0.033UF:±10%:16V	
212	1605 1387	Capacitor:0.68UF:±10%:10V	
213	1605 1406	Capacitor:10UF:±10%:6.3V	
214	1605 1419	Capacitor:4.7UF:±10%:16V	
215	1605 1428	Capacitor:0.22UF:±10%:6.3V	
216	1605 1447	Capacitor:470pF:±5%:50V	
217	1605 1450	Capacitor:22UF:±10%:6.3V	
218	1605 1453	Capacitor:0.022UF:±10%:16V	
219	1605 1464	Capacitor:10UF:±20%:25V	
220	1605 1465	Resistor - 1μF±10% 25V	
221	1605 1544	Capacitor:330pF:±5%:50V	
222	1605 1583	Capacitor:0.1UF:±10%:16V	
223	1605 1635	Capacitor:0.47UF:±10%:25V	
224	1605 1689	Capacitor:100UF:±20%:6.3V	
225	1605 1695	Capacitor:1200pF:±10%:50V	
226	1606 2319	Capacitor:100UF:±20%:6.3V	
227	1607 0810	Filter:BK2125HS121	
228	1607 1061	Filter:BLM18PG300SN1B	
229	1607 1108	Filter:BLM21PG220SN1B	
230	1607 1228	Inductor:SLF7045-4R7M2R0-pF	
231	1607 1316	Filter:FBMJ1608HS280NT	
232	1607 1388	Inductor:LB2518B1R0M	
233	1607 1438	Choke Coil:DLW21SN121SQ2B	
234	1607 1489	Filter:MMZ1608B301C	
235	1607 1651	Inductor:HM73-101R0LF	
236	1607 1657	Inductor:HM73-10R68LF	
237	1607 1744	Inductor:LQH32CNR15M33B	
238	1607 1853	Inductor:LB2518B100M	
239	1607 1854	Inductor:CDRH4D18C-1R1N	
240	1607 1974	Inductor:VLCF4020-2R2N1R7	

Index No.	Part No.	Description	Q'ty Per Assembly
241	1609 0005	Resistor Array:33 Ω:±5%:1/16W:8Number	
242	1609 0006	Resistor Array:10K Ω:±5%:1/16W:8Number	
243	1610 1417	Resistor:0.5 Ω:±5%:1/8W:1608	
244	1610 1804	Resistor:0.006 Ω:±1%:1W	
245	1610 2116	Resistor:1.5M Ω:±1%:1W:6432	
246	1633 0000	Resistor:0Ω:2125	
247	1634 0000	Resistor:0Ω:1608	
248	1650 4109	Resistor:1 Ω:±5%:1/10W:1608	
249	1650 4229	Resistor:2.2 Ω:±5%:1/10W:1608	
250	1650 5106	Resistor:10M Ω:±5%:1/16W:1005	
251	1650 5309	Resistor:3 Ω:±5%:1/16W:1005	
252	1650 5519	Resistor:5.1 Ω:±5%:1/16W:1005	
253	1653 1009	Resistor:10 Ω:±1%:1/8W:2125	
254	1654 1000	Resistor:100 Ω:±1%:1/10W:1608	
255	1654 1009	Resistor:10 Ω:±1%:1/10W:1608	
256	1655 0000	Resistor:0 Ω:1005	
257	1655 1000	Resistor:100 Ω:±1%:1/16W:1005	
258	1655 1001	Resistor:1K Ω:±1%:1/16W:1005	
259	1655 1002	Resistor:10K Ω:±1%:1/16W:1005	
260	1655 1003	Resistor:100K Ω:±1%:1/16W:1005	
261	1655 1004	Resistor:1M Ω:±1%:1/16W:1005	
262	1655 1009	Resistor:10 Ω:±1%:1/16W:1005	
263	1655 1102	Resistor:11K Ω:±1%:1/16W:1005	
264	1655 1132	Resistor:11.3K Ω:±1%:1/16W:1005	
265	1655 1201	Resistor:1.2K Ω:±1%:1/16W:1005	
266	1655 1241	Resistor:1.24K Ω:±1%:1/16W:1005	
267	1655 1300	Resistor:130 Ω:±1%:1/16W:1005	
268	1655 1501	Resistor:1.5K Ω:±1%:1/16W:1005	
269	1655 1502	Resistor:15K Ω:±1%:1/16W:1005	
270	1655 1692	Resistor:16.9K Ω:±1%:1/16W:1005	
271	1655 1803	Resistor:180K Ω:±1%:1/16W:1005	
272	1655 1963	Resistor:196K Ω:±1%:1/16W:1005	
273	1655 2000	Resistor:200 Ω:±1%:1/16W:1005	
274	1655 2001	Resistor:2K Ω:±1%:1/16W:1005	
275	1655 2002	Resistor:20K Ω:±1%:1/16W:1005	

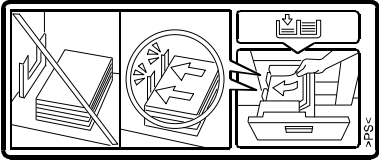
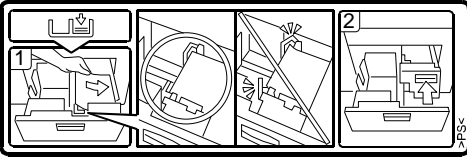
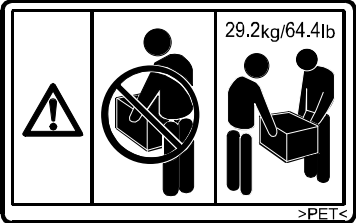
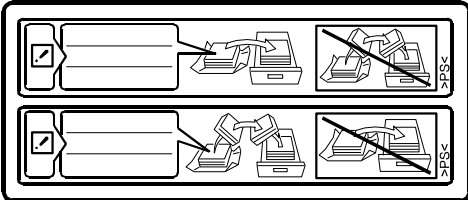

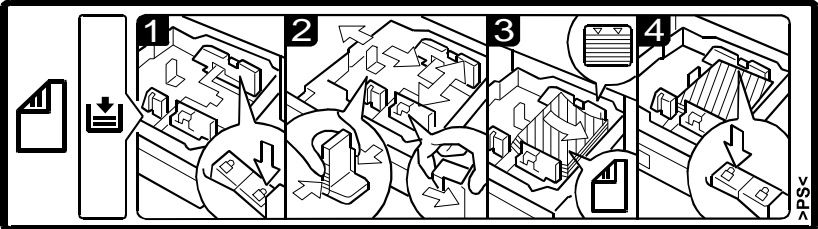
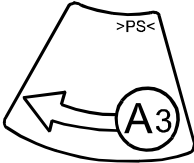
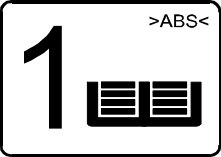

Index No.	Part No.	Description	Q'ty Per Assembly
276	1655 2201	Resistor:2.2K Ω : \pm 1%:1/16W:1005	
277	1655 2209	Resistor:22 Ω : \pm 1%:1/16W:1005	
278	1655 2210	Resistor:221 Ω : \pm 1%:1/16W:1005	
279	1655 2269	Resistor:22.6 Ω : \pm 1%:1/16W:1005	
280	1655 2432	Resistor:24.3K Ω : \pm 1%:1/16W:1005	
281	1655 2499	Resistor:24.9 Ω : \pm 1%:1/16W:1005	
282	1655 2700	Resistor:270 Ω : \pm 1%:1/16W:1005	
283	1655 2701	Resistor:2.7K Ω : \pm 1%:1/16W:1005	
284	1655 2741	Resistor:2.74K Ω : \pm 1%:1/16W:1005	
285	1655 2749	Resistor:27.4 Ω : \pm 1%:1/16W:1005	
286	1655 2802	Resistor:28K Ω : \pm 1%:1/16W:1005	
287	1655 3002	Resistor:30K Ω : \pm 1%:1/16W:1005	
288	1655 3013	Resistor:301K Ω : \pm 1%:1/16W:1005	
289	1655 3242	Resistor:32.4K Ω : \pm 1%:1/16W:1005	
290	1655 3302	Resistor:33K Ω : \pm 1%:1/16W:1005	
291	1655 3303	Resistor:330K Ω : \pm 1%:1/16W:1005	
292	1655 3309	Resistor:33 Ω : \pm 1%:1/16W:1005	
293	1655 3601	Resistor:3.6K Ω : \pm 1%:1/16W:1005	
294	1655 3602	Resistor:36K Ω : \pm 1%:1/16W:1005	
295	1655 3903	Resistor:390K Ω : \pm 1%:1/16W:1005	
296	1655 3909	Resistor:39 Ω : \pm 1%:1/16W:1005	
297	1655 4029	Resistor:40.2 Ω : \pm 1%:1/16W:1005	
298	1655 4701	Resistor:4.7K Ω : \pm 1%:1/16W:1005	
299	1655 4750	Resistor:475 Ω : \pm 1%:1/16W:1005	
300	1655 4992	Resistor:49.9K Ω : \pm 1%:1/16W:1005	
301	1655 4999	Resistor:49.9 Ω : \pm 1%:1/16W:1005	
302	1655 5101	Resistor:5.1K Ω : \pm 1%:1/16W:1005	
303	1655 5109	Resistor:51 Ω : \pm 1%:1/16W:1005	
304	1655 5499	Resistor:54.9 Ω : \pm 1%:1/16W:1005	
305	1655 5600	Resistor:560 Ω : \pm 1%:1/16W:1005	
306	1655 5602	Resistor:56K Ω : \pm 1%:1/16W:1005	
307	1655 5609	Resistor:56 Ω : \pm 1%:1/16W:1005	
308	1655 6043	Resistor:604K Ω : \pm 1%:1/16W:1005	
309	1655 6800	Resistor:680 Ω : \pm 1%:1/16W:1005	
310	1655 6801	Resistor:6.8K Ω : \pm 1%:1/16W:1005	

Index No.	Part No.	Description	Q'ty Per Assembly
311	1655 6809	Resistor:68 Ω : \pm 1%:1/16W:1005	
312	1655 7509	Resistor:75 Ω : \pm 1%:1/16W:1005	
313	1655 8069	Resistor:80.6 Ω : \pm 1%:1/16W:1005	
314	1655 8201	Resistor:8.2K Ω : \pm 1%:1/16W:1005	
315	1655 8209	Resistor:82 Ω : \pm 1%:1/16W:1005	
316	1655 8873	Resistor:887K Ω : \pm 1%:1/16W:1005	
317	1655 9101	Resistor:9.1K Ω : \pm 1%:1/16W:1005	
318	1906 0120	Nand Flash:1G:X8:30NS:3.3V:2KB	

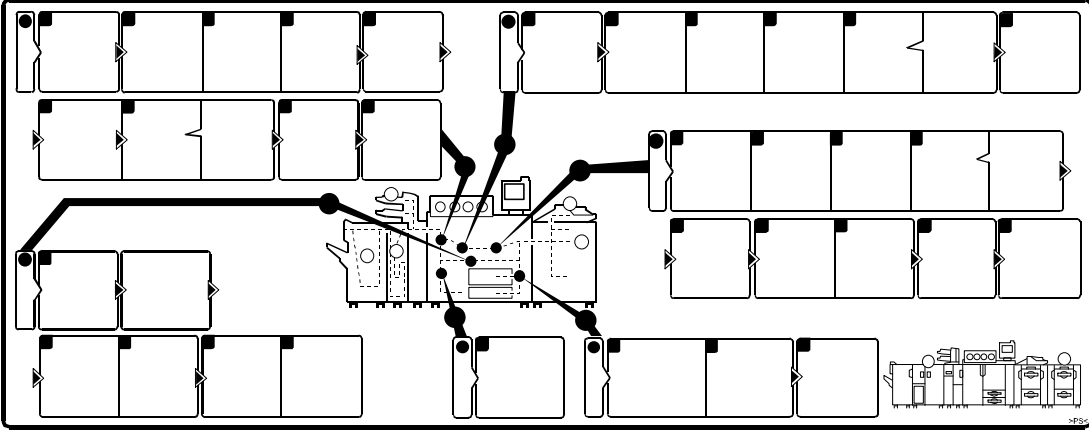
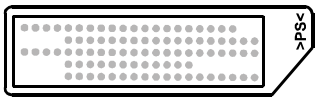

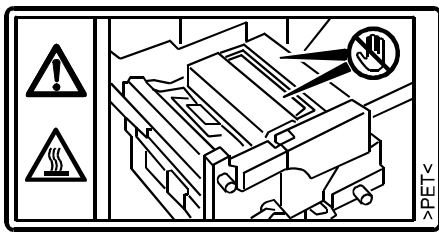
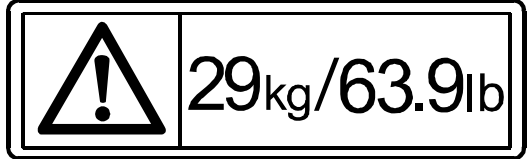
145.Decals and Documents (D095/M077)



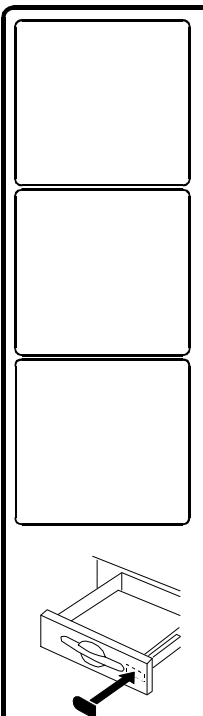
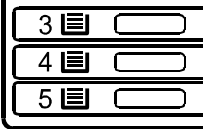
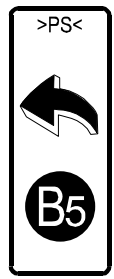
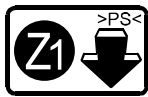
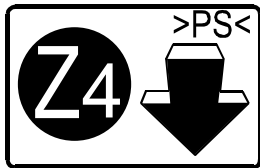



145.Decals and Documents (D095/M077)

<p>11</p> 	<p>12</p> 	<p>13</p> 
<p>14</p> 	<p>15</p> 	<p>16</p> 
<p>17</p> 	<p>18</p> 	<p>19</p> 

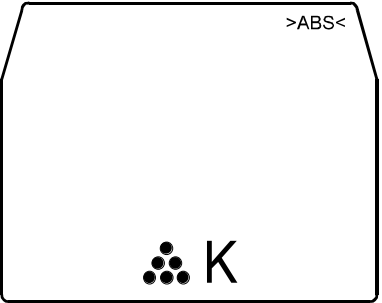
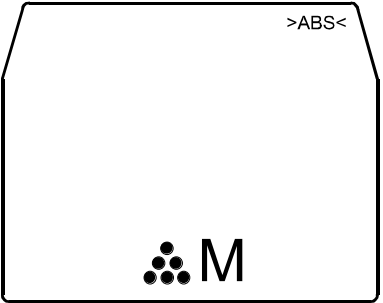

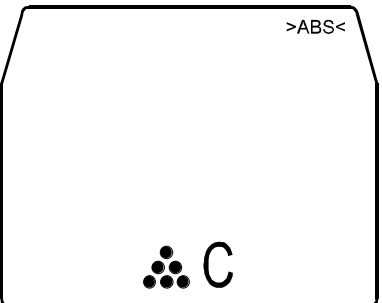
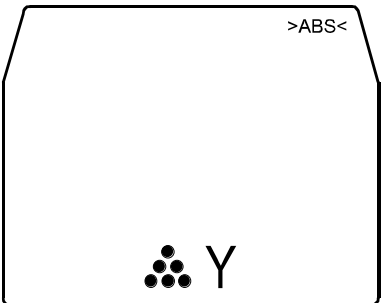

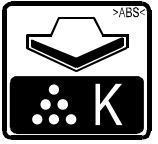
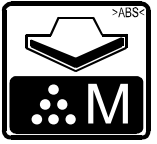
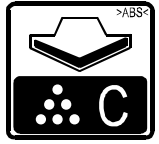
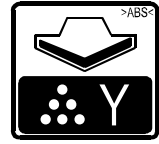
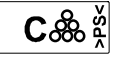

145.Decals and Documents (D095/M077)

<p>20</p> 	<p>21</p> 			
<p>23</p> 	<p>24</p> 			
<p>25</p> <table border="1" data-bbox="436 1189 1108 1308"> <tr> <td> Main Haupt Principal メイン </td> <td> Heater Erhitzer Chauffe ヒーター </td> <td>>PS<</td> </tr> </table>	Main Haupt Principal メイン	Heater Erhitzer Chauffe ヒーター	>PS<	<p>26</p> 
Main Haupt Principal メイン	Heater Erhitzer Chauffe ヒーター	>PS<		

145.Decals and Documents (D095/M077)

<p>27</p>   <table border="1" data-bbox="571 255 1321 1133"> <tr> <td>A4</td><td>A3</td><td>5½×8½</td><td>8½×14</td></tr> <tr> <td>A4</td><td>A3</td><td>7¼×10½</td><td>8½×14</td></tr> <tr> <td>8½×11</td><td>SRA3</td><td>10½×7¼</td><td>11×17</td></tr> <tr> <td>8½×11</td><td>SRA3</td><td>8×13</td><td>11×17</td></tr> <tr> <td>B4</td><td>B5</td><td>8¼×13</td><td>12×18</td></tr> <tr> <td>B4</td><td>B5</td><td>8½×11</td><td></td></tr> <tr> <td>A4</td><td>B5</td><td>8½×11</td><td></td></tr> <tr> <td>A4</td><td>B5</td><td>11×8½</td><td></td></tr> <tr> <td>A4</td><td>A5</td><td>11×8½</td><td></td></tr> <tr> <td>A4</td><td>A5</td><td>8½×13</td><td></td></tr> </table>	A4	A3	5½×8½	8½×14	A4	A3	7¼×10½	8½×14	8½×11	SRA3	10½×7¼	11×17	8½×11	SRA3	8×13	11×17	B4	B5	8¼×13	12×18	B4	B5	8½×11		A4	B5	8½×11		A4	B5	11×8½		A4	A5	11×8½		A4	A5	8½×13		<p>30</p>  <p>31</p>  <p>32</p>  <p>33</p> 
A4	A3	5½×8½	8½×14																																						
A4	A3	7¼×10½	8½×14																																						
8½×11	SRA3	10½×7¼	11×17																																						
8½×11	SRA3	8×13	11×17																																						
B4	B5	8¼×13	12×18																																						
B4	B5	8½×11																																							
A4	B5	8½×11																																							
A4	B5	11×8½																																							
A4	A5	11×8½																																							
A4	A5	8½×13																																							
<p>28</p> 	<p>29</p> 																																								

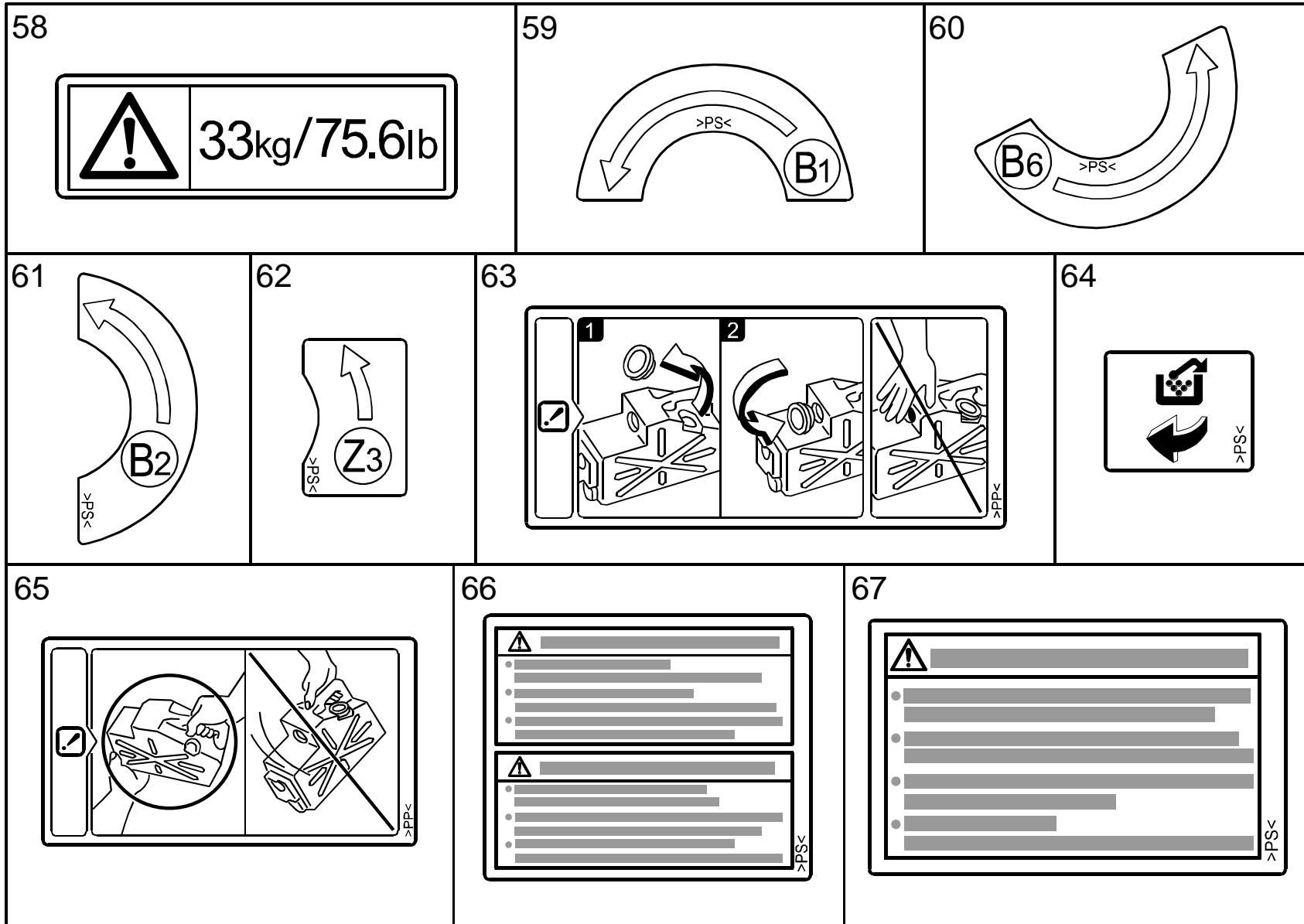
145.Decals and Documents (D095/M077)

34 	35 	38 	
36 	37 	39 	
42 	43 	44 	45 
40 	41 		

145.Decals and Documents (D095/M077)

<p>46</p>	<p>47</p>	<p>49</p>		
<p>50</p>	<p>52</p>			
<p>51</p>				
<p>53</p>	<p>54</p>	<p>55</p>	<p>56</p>	<p>57</p>

145.Decals and Documents (D095/M077)

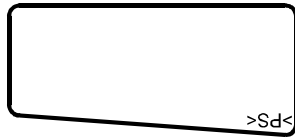


145.Decals and Documents (D095/M077)

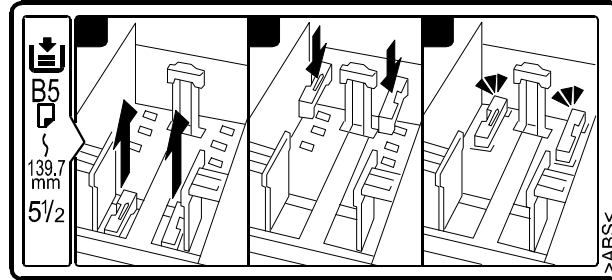
<p>68</p>	<p>69</p>	<p>71</p> <div style="border: 1px solid black; padding: 5px; margin-bottom: 5px; text-align: center;">Face UP</div> <div style="border: 1px solid black; padding: 5px; margin-bottom: 5px; text-align: center;">Face imprimée dessus</div> <div style="border: 1px solid black; padding: 5px; margin-bottom: 5px; text-align: center;">Mit der Schriftseite nach oben</div> <div style="border: 1px solid black; padding: 5px; margin-bottom: 5px; text-align: center;">Faccia in su</div> <div style="border: 1px solid black; padding: 5px; margin-bottom: 5px; text-align: center;">Boca arriba</div>
<p>72</p>		
<p>73</p>	<p>75</p>	
<p>74</p>		

145.Decals and Documents (D095/M077)

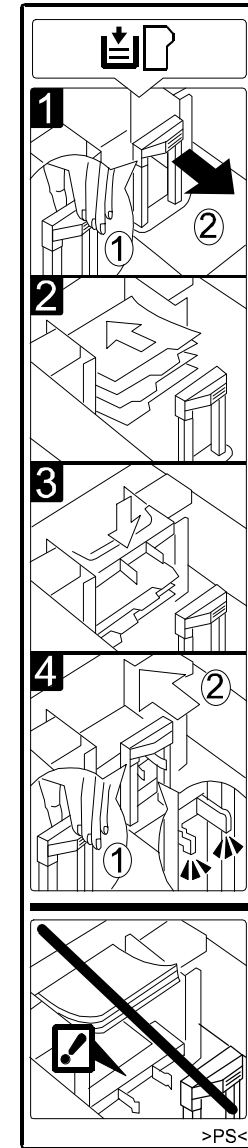
76



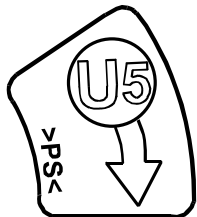
77



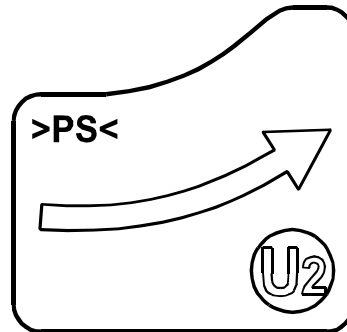
78



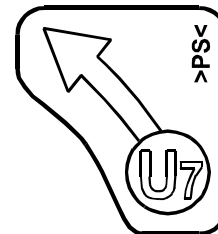
79



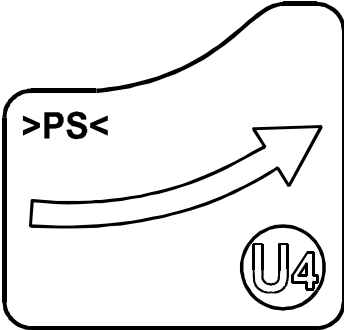
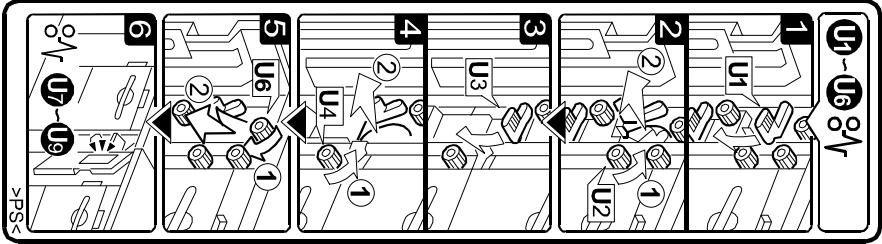
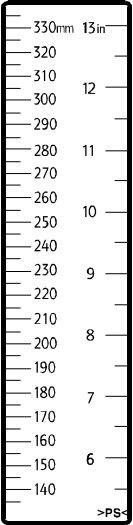
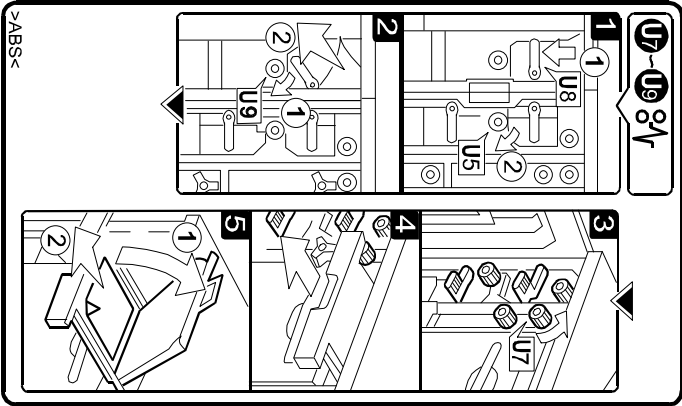
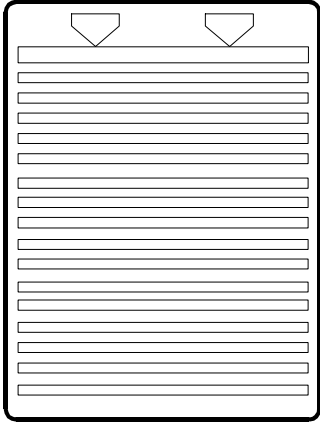
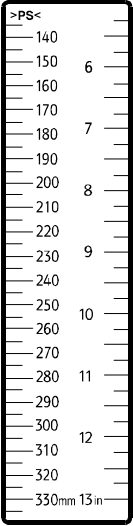
80





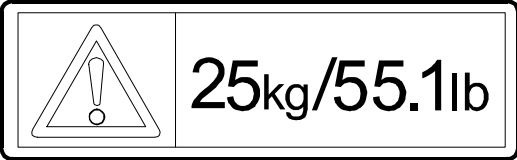
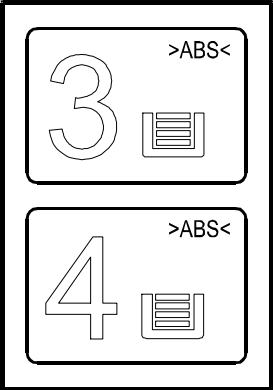
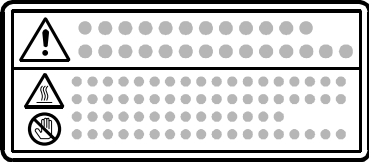
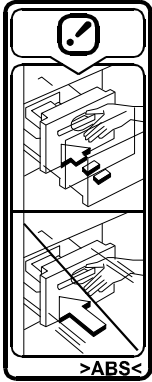
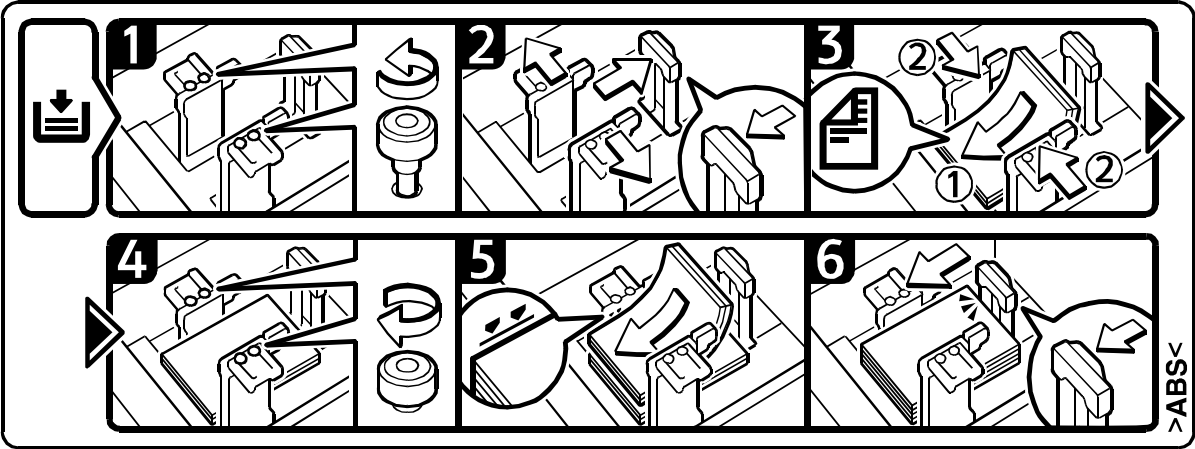
81



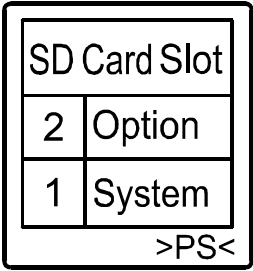
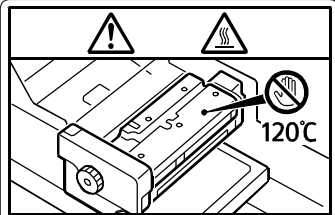



145.Decals and Documents (D095/M077)

<p>82</p> 	<p>83</p> 	<p>86</p> 
<p>84</p> 	<p>85</p> 	<p>87</p> 

145.Decals and Documents (D095/M077)

88 	89 	90 
91 	92 	93 
94 		

145.Decals and Documents (D095/M077)

<p>95</p> <p>English</p> <p>Prohibited Copying</p> <p>Do not copy any item for which copying is prohibited by national or local law. Copying the following items is generally prohibited: ●Bank notes ●Passports ●Checks ●Bonds ●Revenue stamps ●Driver's licenses ●Bank drafts ●Stock certificates</p> <p>>ABS<</p>		
<p>96</p> 	<p>99</p>  <p> <ul style="list-style-type: none"> •When replacing the Fusing Unit, turn the main power switch off and wait at least 30 minutes before proceeding with the replacement. •Wenn Sie die Fixiereinheit austauschen, schalten Sie den Hauptschalter aus und warten Sie mindestens 30 Minuten, bevor Sie mit dem Austausch fortfahren. •Mettre l'appareil hors tension et attendre au moins 30 minutes avant de remplacer l'unité de fusion. •Per la sostituzione del gruppo fusore, spegnere la macchina e aspettare almeno 30 minuti prima di procedere con la sostituzione. •Al sustituir la unidad de fusión, apague el interruptor principal y espere al menos 30 minutos antes de proceder con la sustitución. •定着ユニット交換の際は、主電源を切って、30分以上経過してから作業してください。 </p> <p>>PET<</p>	<p>100</p>  <p>>PET<</p>
<p>97</p> 		
<p>98</p> 	<p>101</p> <p>Graphic Arts Edition</p>	

145.Decals and Documents (D095/M077)

Index No.	Part No.	Description	Q'ty Per Assembly
1	A096 6677	Decal - Right Paper Set	1
2	A096 6678	Decal - Left Paper Set	1
3	AA00 1190	Decal - Ground	1
4	AA00 1508	Decal:Side Fence:40x30	1
5	AA00 1509	Decal:Side Fence:16x30	1
6	G178 1626	Decal:Main Switch	1
7	B223 2873	Decal - Side Fence Rear	1
8	D062 6878	Decal:Caution Chart:Tandem LCT	1
9	B065 6545	Decal - Positioning	1
10	G178 1653	Decal:Exchangeable:Toner Bottle	1
11	B065 6846	Decal - Paper Set - Left	1
12	B065 6877	Decal - Paper Set - Right	1
13	M077 4321	Decal:Warning:Fusing Unit	1
14	B070 1307	Decal:Paper Set Direction	1
15	B234 3177	Decal:Positioning Display:Development	1
16	D014 6786	Decal:Paper Set Direction	1
17	G178 2961	Decal:Knob:Rotation Direction:A3	1
18	G178 2962	Decal:Tray:Design Sketch1	1
19	G178 2963	Decal:Tray:Design Sketch2	1
20	M077 1550	Decal:Main:Pick-up Paper Jam	1
21	G178 2204	Decal:Laser Diode:3R	1
22	G178 2954	Decal:Knob:Rotation Direction:A2	1
23	D016 0490	Decal:Fiery:Server:ENG	1
23	D450 1053	Decal:Fiery:Server:ENG	1
24	M077 4320	Decal:H-temp Warning:Fusing Unit	1
25	G178 7847	Decal:Leak Breaker:Caption	1
26	G178 5081	Decal:Paper Exit Unit:Caution	1
27	G178 2958	Decal:Size Indication:Multi-language	1
28	G178 7681	Decal:Grip:Open And Close:B4	1
29	G178 4216	Decal:Positioning:Fusing Unit	1
30	G178 7682	Decal:Grip:Open And Close:B5	1
31	G178 5075	Decal:Lever:Guide Plate:Z1	1
32	G178 7684	Decal:Lever:Guide Plate:Z4	1
33	G178 5083	Decal:Grip:Open And Close:D4	1
34	G178 7800	Decal:Colored Display:Cover:Bk	1

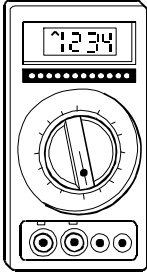
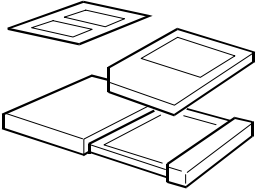
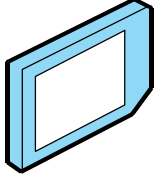
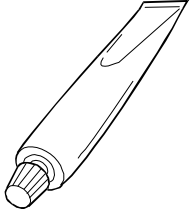
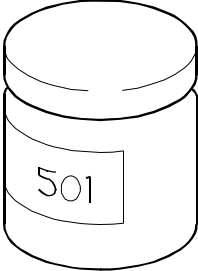
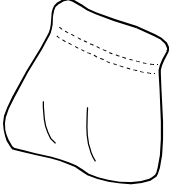
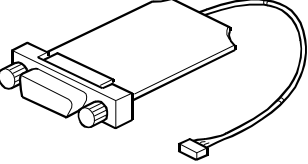
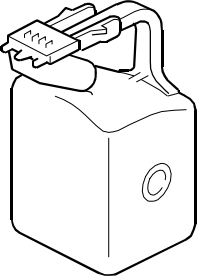
Index No.	Part No.	Description	Q'ty Per Assembly
35	G178 7801	Decal:Colored Display:Cover:M	1
36	G178 7802	Decal:Colored Display:Cover:C	1
37	G178 7803	Decal:Colored Display:Cover:Y	1
38	GA00 3020	Decal:Development Unit:Display:Y	1
39	GA00 3021	Decal:Development Unit:Display:M	1
40	GA00 3022	Decal:Development Unit:Display:C	1
41	GA00 3023	Decal:Development Unit:Display:K	1
42	G178 7805	Decal:Colored Display:Lever:Bk	1
43	G178 7806	Decal:Colored Display:Lever:M	1
44	G178 7807	Decal:Colored Display:Lever:C	1
45	G178 7808	Decal:Colored Display:Lever:Y	1
46	B132 1562	Decal - Inkjet:Paper	1
47	D532 4636	Decal:Base:Auxiliary:Holder	1
48	G178 3740	Decal:Grip	1
49	D355 4572	Decal:Paper Tray:Warning	1
50	D453 1335	Decal:TCRU	1
51	D532 1317	Decal:H-temp Warning:Paper Feed Unit	1
52	D355 1375	Decal:Paper Tray:Scale	1
53	G178 5074	Decal:Knob:Rotation Direction:C1	1
54	G178 5076	Decal:Knob:Rotation Direction:Z2	1
55	G178 5077	Decal:E	1
56	G178 5078	Decal:Grip:Open And Close:D2	1
57	G178 5082	Decal:H-temp Warning:Motor:Cover	1
58	G178 7680	Decal:Transport Unit:Caution	1
59	G178 7689	Decal:Knob:Rotation Direction:B1	1
60	G178 7691	Decal:Knob:Rotation Direction:B6	1
61	G178 7692	Decal:Knob:Rotation Direction:B2	1
62	G178 7693	Decal:Knob:Rotation Direction:Z3	1
63	G178 7812	Decal:Collection Bottle:No.1	1
64	G178 7814	Decal:Collection Bottle:Door	1
65	G178 7813	Decal:Collection Bottle:No.2	1
66	G178 7840	Decal:Warning	1
67	G178 7845	Decal:Warning:Earth	1
68	B301 4316	Decal:Misfeed Removal	1
69	B301 4357	Decal:Caution:Paper Feed	1



Index No.	Part No.	Description	Q'ty Per Assembly
70	B477 4311	Decal - Original Base	1
71	B477 4431	Decal - Original Table	1
72	B301 4336	Decal:Size:Original:RIC	1
73	D532 1396	Decal:Side Fence:Size Indication:Front	1
74	D532 1397	Decal:Side Fence:Size Indication:Rear	1
75	D016 4245	Decal:Rotation Direction:Knob:Hot Roller	1
76	D016 1994	Decal:Tray:Exit:ADF	1
77	D532 1322	Decal:Holder:Set	1
78	D350 1322	Decal:End Fence:Tab	1
79	D355 1307	Decal:Knob:Left Middle	1
80	D532 1313	Decal:Knob:Paper Feed Unit:Upper	1
81	D532 1314	Decal:Knob:Transport:Middle Upper	1
82	D532 1315	Decal:Knob:Paper Feed Unit:Lower	1
83	D532 1350	Decal:Misfeed Removal:Left	1
84	D532 1352	Decal:Misfeed Removal:Right	1
85	D355 2674	Decal - Paper Volume	1
86	D532 1394	Decal:Side Fence:Scale:Front	1
87	D532 1395	Decal:Side Fence:Scale:Rear	1
88	D355 3891	Decal:U1:Lever:Operate:Display	1
89	D355 3892	Decal:U3:Lever:Operate:Display	1
90	D355 4574	Decal:Paper Tray:Caution	1
91	D355 4575	Decal:Paper Tray:LCT	1
92	GA00 0036	Decal - (High Temperature) Left	1
93	D016 1311	Decal:Paper Tray:Slow Set	1
94	D532 1321	Decal:Paper:Supply	1
95	D095 1341	Decal:Caution:Original:English	1
96	G178 6207	Decal:Caption:Interface	1
97	G178 8442	Decal:Terminal:Neutral	1
98	M077 4233	Decal:Caution:Handle	1
99	M077 4325	Decal:H-temp Warning:Fusing Unit	1
100	M077 4327	Decal:H-temp Warning:Fusing Exit	1
101	M077 1651	Decal:Graphic Arts Edition	1

Index No.	Part No.	Description	Q'ty Per Assembly
-----------	----------	-------------	-------------------

146.Special Tools (D095/M077)

1 	2 	3 	4 
5 	6 	7 	8 

146.Special Tools (D095/M077)

Index No.	Part No.	Description	Q'ty Per Assembly
1	A029 9387	Digital Multimeter - FLUKE87	1
2	B645 5010	SD-Card:Ass'y	1
3	M077 9503	Test Print Tool V2	1
4	A257 9300	Grease - Barrierta S552R	1
5	5203 9502	Grease 501	1

Index No.	Part No.	Description	Q'ty Per Assembly
6	B132 9700	Drum Setting Powder Pad Applicator	1
7	G178 5397	PCB:SIFB:CROSS	1
8	G178 3115	Empty Bottle:Developer:Ass'y	1

Parts Index

PM Parts Index

Section Name	Part No.	Description in Service Manual	Description in Parts Catalog	Q'ty Per Assembly	Page and Index No.
Exterior 4 (D095/M077)	G178 7306	Ozone Filter:CBO-1000M	Ozone Filter:SCA-750/950	1	33 - 5
	G178 7290	Ozone Filter 800M	Ozone Filter:Fusing	1	33 - 6
Paper Feed Unit 2 (D095/M077)	AF03 1080	Paper Feed Roller:Feed	Paper Feed Roller:Feed	2	51 - 3
	AF03 0080	Paper Feed Roller:Pickup	Paper Feed Roller:Pickup	2	51 - 5
Paper Feed Unit 3 (D095/M077)	AF03 2080	Paper Feed Roller:Separate	Paper Feed Roller:Separate	2	53 - 3
PCDU 1 (D095/M077)	G178 2455	Charge Corona:Ass'y	Charge Corona:Ass'y	4	93 - 1
PCDU 3 (D095/M077)	G178 3699	Drum Cleaning Gear Unit	Gear Kit:Cleaning Unit	1	97 - *
	M077 3659	Cleaning Blade:Drum	Cleaning Blade:Drum	1	97 - 1
PCDU 4 (D095/M077)	GD04 2011	Brush Roller:Apply	Brush Roller:Apply	1	97 - 16
	G178 3731	Drum Lubricant Bar	Coating Bar:Ass'y	1	97 - 21
	G178 3708	Blade:Apply:Ass'y	Blade:Apply:Adhesion	1	97 - 23
	GD04 2009	Brush Roller:Cleaning	Brush Roller:Cleaning	1	99 - 1
Transfer Belt Unit 2 (D095/M077)	G178 6302	Roller:Intermediate Transfer	Roller:Intermediate Transfer	2	103 - 14
Transfer Belt Unit 3 (D095/M077)	G178 6302	Roller:Intermediate Transfer	Roller:Intermediate Transfer	2	105 - 10
Transfer Belt Unit 5 (D095/M077)	G178 6505	Transfer Roller:No.2:Opposed	Transfer Roller:No.2:Opposed	1	109 - 10
Transfer Belt Cleaning 1 (D095/M077)	G178 6690	Coating Bar:Belt Cleaning:Ass'y	Coating Bar:Belt Cleaning:Ass'y	1	121 - 6
	GD04 2008	Brush Roller:Apply:1st Transfer	Brush Roller:Apply:1st Transfer	1	121 - 12
Transfer Belt Cleaning 2 (D095/M077)	GD04 1027	Cleaning Blade:1st Transfer	Cleaning Blade:		
	GD04 2007	Brush Roller:Intermediate Transfer	Intermediate Transfer:Ass'y	1	123 - 10
Transfer Roller Unit (D095/M077)	G178 6767	Coating Bar:Transfer Roller	Brush Roller:Intermediate Transfer	1	123 - 28
	G178 6759	Blade:Transfer Roller	Coating Bar:Transfer Roller	1	125 - 3
	G178 6887	Brush Roller:Coating Bar	Blade:Transfer Roller	1	125 - 6
	M077 6755	Transfer Roller	Brush Roller:Coating Bar	1	125 - 16
	G178 6757	Brush Roller:Transfer Roller	Transfer Roller	1	125 - 17
	G178 6718	Discharge Plate	Brush Roller:Transfer Roller	1	125 - 18
	AE04 5061	Web:Ass'y	Separation Unit	1	125 - 30
Fusing Unit 2 (D095/M077)	G178 4499	Heating Roller Thermistor	Web:Ass'y	1	131 - 4
Fusing Unit 3 (D095/M077)	G178 4499	Heating Roller Thermistor	Thermistor:Fusing Unit	1	133 - 13
Fusing Unit 4 (D095/M077)	M077 4105	Hot Roller	Thermistor:Fusing Unit	1	135 - 19
Fusing Unit 5 (D095/M077)	G178 7892	Fuser Gear Z70	Hot Roller	1	137 - 3
	AA08 0373	Plain Shaft Bearing:Belt Tension	Gear:Z70:Hot Roller	1	137 - 11
	G178 4499	Heating Roller Thermistor	Plain Shaft Bearing:Belt Tension	1	129 - 14
	M077 4531	Pressure Roller Stripper Pawl Unit	Thermistor:Fusing Unit	1	137 - 21
Fusing Unit 6 (D095/M077)	M077 4150	Pressure Roller	Pickoff Pawl:Pressure Roller:Ass'y	1	139 - 1
			Pressure Roller	1	139 - 15

Section Name	Part No.	Description in Service Manual	Description in Parts Catalog	Q'ty Per Assembly	Page and Index No.
Electrical Section 13 (D095/M077)	G178 7258	Dust Filter	Filter:Preventfence	4	209 - 8
ADF 3 (D095/M077)	A806 1295	Feed Belt	Feed Belt	1	245 - 18
	A859 2241	Separation Roller	Reverse Roller	1	245 - 28
	B477 2225	Pick-up Roller	Pick-up Roller	1	245 - 31
ADF 5 (D095/M077)	B301 1442	Transport Belt	Transport Belt	1	249 - 1
Optics Section 2 (D095/M077)	B070 1790	Exposure Glass:Ass'y	Exposure Glass:Ass'y	1	263 - 19
Paper Feed Section 1 (D095/M077)	AF03 1041	Paper Feed Roller (Tray 3 and 4)	Feed Roller - Bypass Feed	1	287 - 20
	AF03 0071	Pick-up Roller (Tray 3 and 4)	Pick-up Roller	1	287 - 21
Paper Feed Section 2 (D095/M077)	AF03 2041	Separation Rollers (Tray 1 to Tray	Separation Roller - Bypass Feed	2	289 - 2

Parts Index

Part No.	Description	Page and Index No.
D095 1251	Cover:Upper Right	231 - 17
D095 1260	Cap:Cover:SCA	231 - 12
D095 1341	Decal:Caution:Original:English	375 - 95
D095 1341	Decal:Caution:Original:English	231 - 27
D095 1658	Plate:Name Plate:C901s	27 - 25
D095 1757	Cover:Front:C:NA (D095)	37 - 7
D095 1761	Cover:Front:C:EU/AA (D095)	37 - 7
D095 1765	Operation Panel:NA (D095)	37 - *
D095 1766	Operation Panel:EU/AA (D095)	37 - *
D095 1771	Keytop:Copy (D095)	39 - 1
D095 1772	Keytop:Doc (D095)	39 - 2
D095 1773	Keytop:Scanner (D095)	39 - 4
D095 1786	Keytop:Option:C	39 - 24
D095 1787	Keytop:Reservation:Spacer (D095)	39 - 8
D095 1788	Keytop:Try Print	39 - 20
D095 1789	Keytop:Stop	39 - 19
D095 1790	Keytop:Interrupt	39 - 23
D095 1978	Cover:Upper:Scanner	231 - 13
D095 1979	Cover:Upper Left:Scanner	231 - 16
D095 1980	Cover:Upper Rear:Scanner	231 - 18
D095 1981	Cover:Upper Right:Louver	231 - 26
D095 1995	Scale:Rear	259 - 6
D095 5320	Harness:Scanner:Connecting	263 - 26
D095 5340	PCB:BCU:Ass'y	193 - 8
D095 6008	Flash Memory:BIOS:EX1:ARIES15	361 - 3
D095 6022	PCB:Cont:Aries-C15:Ass'y	361 - *
D095 6022	PCB:Cont:Aries-C15:Ass'y	201 - 13
D095 9590	NVRAM	201 - 12
M077 1034	Frame:On-off:Transfer Roller:Ass'y	73 - 18
M077 1132	Holder:Harness:Indication System	211 - 19
M077 1143	Cover:Control Unit:Right Lower:Sub-ass'y	33 - 4
M077 1162	Cover:Harness:Protection	219 - 18
M077 1165	Cover:Control Unit:Upper:Coat	33 - 7
M077 1189	Guard:Fan:Preventfence:Upper	209 - 11
M077 1191	Full Dug Point Screw:Base:Lower	215 - 8

Part No.	Description	Page and Index No.
M077 1192	Plain Washer:Base:Lower	215 - 17
M077 1195	Cover:Harness:Fusing Unit:Right Sideways	221 - 20
M077 1255	DC Motor:DIA87:47W	173 - 17
M077 1260	Terminal:Development Bias	175 - 16
M077 1264	Case:Terminal:Development Vias	175 - 1
M077 1265	Holder:Bias:Development Roller	175 - 14
M077 1266	Cover:Bias:Development Roller	175 - 25
M077 1270	DC Motor:MM56:15W	173 - 6
M077 1280	Drive Unit:Around The Photoconductor:Ass'y	173 - 1
M077 1281	Drawer:Connector:Development:Ass'y	173 - 18
M077 1354	Gear:Idler:No.2:Press Fit	73 - 38
M077 1360	DC Motor:MM63:24W	73 - 34
M077 1400	Shaft:Positioning:Fusing Drive Sub-unit:Base	177 - 26
M077 1404	Holder:Drawer:Welding	177 - 31
M077 1406	Holder:DC Motor	177 - 43
M077 1411	Coil Spring:Joint:Fusing	177 - 39
M077 1414	Joint:Hose:Fusing Drive Sub-unit	177 - 40
M077 1415	Hose:Fusing Drive Sub-unit	177 - 35
M077 1416	Joint:Electromagnet Valve: Fusing Drive Sub-unit	177 - 33
M077 1418	Joint:Tube:Fix:PPF8	177 - 38
M077 1423	Shaft:Drive:Fusing Drive Sub-unit:Ass'y	177 - 22
M077 1424	Gear:Fusing Drive Sub-unit:O/C:Ass'y	177 - 10
M077 1426	Electromagnet Valve: Fusing Drive Sub-unit:Ass'y	177 - 36
M077 1427	Joint:Tube:Itype:APIG10-8	177 - 32
M077 1430	Brushless Motor:DC:60W	177 - 24
M077 1550	Decal:Main:Pick-up Paper Jam	375 - 20
M077 1550	Decal:Main:Pick-up Paper Jam	27 - 23
M077 1554	Door:Right Front:Ass'y	27 - 19
M077 1584	Cover:Upper Front:Ass'y	27 - 7
M077 1590	Cover:Upper:Right	31 - 13
M077 1591	Cover:Upper:Left	31 - 10
M077 1598	Cover:Upper:Rear	31 - 12
M077 1651	Decal:Graphic Arts Edition	27 - 31

Part No.	Description	Page and Index No.
M077 1651	Decal:Graphic Arts Edition	375 - 101
M077 1658	Plate:Name Plate:C901	27 - 25
M077 1681	Handle:Operation Sub-unit:Upper:1.5	35 - 8
M077 1685	Handle:Operation Sub-unit:Lower:1.5	35 - 11
M077 1687	Cover:Operation Sub-unit:Upper:Small:1.5	35 - 6
M077 1690	Cover:Operation Sub-unit:Left:1.5	35 - 3
M077 1691	Cover:Operation Sub-unit:Right:1.5	35 - 7
M077 1692	Cover:Operation Sub-unit:Arm:Upper:1.5	35 - 13
M077 1694	Cover:Operation Sub-unit:Upper:1.5	35 - 5
M077 1695	Cover:Operation Sub-unit:Arm:Lower:1.5	35 - 15
M077 1696	Cover:Operation Sub-unit:Panel:Upper:1.5	35 - 1
M077 1697	Cover:Operation Sub-unit:Panel:Lower:1.5	35 - 2
M077 1715	Holder:Connector	89 - 18
M077 1759	Shaft:Turn:1.5	35 - 14
M077 1765	Cover:Rear	37 - 1
M077 1766	Knob:Variable Resistor	37 - 2
M077 1767	Keytop:Start	39 - 6
M077 1768	Keytop:10key	39 - 21
M077 1770	Keytop:Power Source	39 - 25
M077 1771	Keytop:Option:P	39 - 24
M077 1772	Spacer:Application:P (M077)	39 - 8
M077 1773	Spacer:Start:P	39 - 20
M077 1774	Keytop:Printer (M077)	39 - 3
M077 1778	Keytop:Blank	39 - 5
M077 1780	Plate:Application (EU)	39 - 9
M077 1781	Lens:Input	39 - 7
M077 1782	Bracket:LCD	39 - 16
M077 1783	Shadeing Plate:Touch Panel	39 - 12
M077 1784	Back Plate:OPU	37 - 6
M077 1785	Bracket:Stay:Arm	37 - 3
M077 1786	Cover:Front:P:NA (M077)	37 - 7
M077 1789	Keytop:Reset Switch:EXP	39 - 22
M077 1790	Plate:Application:P:NA (M077)	39 - 9
M077 1791	Cover:Front:P:EU/AA (M077)	37 - 7
M077 1800	Touch Panel:10.4inch	39 - 13

Part No.	Description	Page and Index No.
M077 1810	LCD:10.4SVGA-LED	39 - 17
M077 1826	Cable:FFC:OPU:Key-Main	39 - 18
M077 1827	Cable:FFC:OPU:Key-Appli	39 - 10
M077 1828	Cable:FFC:OPU:LCD	39 - 11
M077 1829	Cable:FFC:Key-Main:Key-Sub	39 - 26
M077 1835	Harness:Operation Sub-unit:lpu-led:Connecting	37 - 4
M077 1855	Operation Panel:NA (M077)	37 - *
M077 1856	Operation Panel:EU/AA (M077)	37 - *
M077 1860	Tube Type Lamp:Ass'y	33 - 11
M077 2560	Guide Plate:Electric Potential Sensor:Ass'y	89 - 21
M077 2625	Duct:Charge:Right:Ass'y	219 - 4
M077 2626	Discharge Lamp:Ass'y	95 - 31
M077 2941	Tandem Lct:Right:EU/AA:Ass'y	43 - *
M077 2945	Tandem Lct:Right:NA:Ass'y	43 - *
M077 3136	Toner Supply Sub-unit:Drive:Ass'y	85 - 1
M077 3167	Cover:Gear:Toner Supply	87 - 28
M077 3192	Case:Upper:Toner Supply:Ass'y	87 - 14
M077 3194	Toner Supply Sub-unit:Ass'y	87 - 13
M077 3235	Density Sensor:Development	95 - 3
M077 3261	End Ring:Toner Supply Sub-unit	87 - 11
M077 3290	Development Unit:Yellow	95 - *
M077 3291	Development Unit:Magenta	95 - *
M077 3292	Development Unit:Cyan	95 - *
M077 3293	Development Unit:Black	95 - *
M077 3452	Entrance Seal:Front:Development	95 - 8
M077 3453	Entrance Seal:Rear:Development	95 - 9
M077 3457	Cover:Upper:Development Unit:Ass'y	95 - 5
M077 3600	Cleaning Unit:Drum	93 - 12
M077 3600	Cleaning Unit:Drum	97 - 27
M077 3659	Cleaning Blade:Drum	97 - 1
M077 3767	Decal:Cleaning Unit:M077/D095	97 - 32
M077 3783	Tension Spring:Coating Bar:8N	97 - 22
M077 3855	Separation/transport Section:Belt:Ass'y	127 - 1
M077 3873	Chamber:No.2	127 - 7
M077 3874	Seal:Duct	127 - 4

Part No.	Description	Page and Index No.
M077 3875	Holder:Fan	127 - 16
M077 3876	Holder:Fan:No.2	127 - 19
M077 3896	Transport Belt:Separotion/Transport	127 - 10
M077 4024	Fusing Unit:NA	129 - 1
M077 4025	Fusing Unit:EU	129 - 1
M077 4053	Cover:Front	129 - 7
M077 4055	Cover:Fusing Unit:Rear	129 - 4
M077 4057	Cover:Fusing Unit:Upper:Middle:Ass'y	129 - 2
M077 4063	Cover:Stay:Heat Roller:Ass'y	129 - 6
M077 4069	Holder:Thermostat:Heat Roller	133 - 18
M077 4070	Harness:Fusing:Heater:No.1	133 - 19
M077 4072	Cover:Fusing Unit:Upper:Right:Ass'y	129 - 5
M077 4101	Fusing Belt:DIA146.7	137 - 2
M077 4105	Hot Roller	137 - 3
M077 4111	Heat Roller	137 - 17
M077 4112	Side Plate:Belt Unit:Front	137 - 5
M077 4115	Side Plate:Belt Unit:Rear	137 - 6
M077 4118	Bracket:Positioning:Belt Tension	137 - 9
M077 4121	Bracket:Belt Tension:Front	137 - 7
M077 4122	Bracket:Belt Tension:Rear	137 - 8
M077 4124	Stay:Shaft:Knob:Hot Roller:Peen	137 - 4
M077 4133	Housing:Thermostat	133 - 7
M077 4134	Harness:Fusing:Heater:No.2	133 - 2
M077 4135	Harness:Fusing:Heater:No.3	133 - 3
M077 4138	Cover:Stay:Pressure Roller	133 - 1
M077 4140	Shaft:Pressure:Arm	139 - 14
M077 4141	Cover:Thermostat:Pressure Roller	133 - 4
M077 4150	Pressure Roller	139 - 15
M077 4153	Supporting Plate:Arm	139 - 11
M077 4154	Shaft:Cam Follower	139 - 10
M077 4155	Arm:Pressure Sub-unit:Lower Front	139 - 9
M077 4156	Arm:Pressure Sub-unit	139 - 7
M077 4159	Grip:Cleaning Unit	131 - 19
M077 4161	Gear:Z50:Rolling	131 - 2
M077 4163	Cap:Coil Spring:Pressure Sub-unit	139 - 12

Part No.	Description	Page and Index No.
M077 4165	Arm:Pressure Sub-unit:Lower Rear	139 - 8
M077 4171	Joint:O/C:Fusing Unit	141 - 8
M077 4172	Collar:O/C:1	141 - 5
M077 4173	Collar:O/C:2	141 - 7
M077 4174	Cam:O/C	141 - 4
M077 4175	Shaft:O/C	141 - 1
M077 4176	Feeler:Positioning Sensor:O/C:Front	141 - 2
M077 4177	Feeler:Positioning Sensor:O/C:Rear	141 - 37
M077 4179	Fusing Entrance Guide Plate	131 - 14
M077 4181	Cleaning Unit:Pressure Roller	131 - 1
M077 4200	Mechanical Roller Clutch:Roller	131 - 8
M077 4203	Bracket:Plate:DC Motor	141 - 29
M077 4204	Feeler:Web	131 - 11
M077 4206	Drive Unit:Cleaning Unit	141 - 6
M077 4207	Holder:Dc Motor	141 - 31
M077 4217	Spring Plate:Cleaning Unit:Fusing	131 - 13
M077 4222	Sensor Cable:Stay:Welding	139 - 16
M077 4225	Harness:Fusing Unit:Sensor:Connecting	139 - 18
M077 4226	Case:Thermopile	221 - 8
M077 4227	Holder:Thermopile:Heat Roller:Welding	221 - 12
M077 4231	Stand:Connector:Heater	141 - 17
M077 4233	Decal:Caution:Handle	375 - 98
M077 4233	Decal:Caution:Handle	129 - 17
M077 4237	Guide Plate:Fusing Exit:Lower	139 - 3
M077 4238	Guide:Fusing Exit:Middle	139 - 5
M077 4239	Guide:Fusing Exit:Both Ends	139 - 4
M077 4241	Handle:Fusing Unit	129 - 15
M077 4245	Cover:Handle:Upper	129 - 16
M077 4246	Cover:Handle:Lower	129 - 14
M077 4257	Harness:Fusing:Drawer:AC:No.3	141 - 18
M077 4262	Harness:Fusing:Sensor:NA	141 - 19
M077 4272	Harness:Fusing:Sensor:EU/AA	141 - 19
M077 4281	O-Ring:DIA7.8	177 - 42
M077 4302	Cover:Upper:Exit:Fusing:Ass'y	135 - 22
M077 4307	Shaft>Contact Point:Paper Exit Sub-unit:Cover	135 - 11

Part No.	Description	Page and Index No.
M077 4308	Bracket:Contact Point:Paper Exit Sub-unit: Cover	135 - 14
M077 4312	Shaft:Worm Gear	141 - 33
M077 4315	Sheet:Guide Plate:Exit:Upper	135 - 16
M077 4316	Cover:Paper Exit:Upper:Ass'y	135 - 2
M077 4320	Decal:H-temp Warning:Fusing Unit	375 - 24
M077 4320	Decal:H-temp Warning:Fusing Unit	129 - 8
M077 4321	Decal:Warning (Removal And Installation): Fusing Unit	135 - 1
M077 4321	Decal:Warning:Fusing Unit	375 - 13
M077 4325	Decal:H-temp Warning:Fusing Unit	375 - 99
M077 4325	Decal:H-temp Warning:Fusing Unit	129 - 13
M077 4327	Decal:H-temp Warning:Fusing Exit	375 -100
M077 4327	Decal:H-temp Warning:Fusing Exit	137 - 26
M077 4329	Sheet:Guide Plate:Exit:Outer	135 - 21
M077 4330	Sheet:Guide Plate:Exit:Inner	135 - 20
M077 4331	Guide:Paper Exit:Upper:Ass'y	135 - 15
M077 4344	Holder:Thermistor:Hot Roller	135 - 18
M077 4418	Heater Holder:Heat Roller:Front	133 - 16
M077 4421	Bracket:Positioning:Web:Front	141 - 10
M077 4425	Bracket:Stripper Plate:Front	141 - 11
M077 4427	Bracket:Web:Front	141 - 9
M077 4430	Holder:Thermistor:Core	133 - 14
M077 4432	Stopper:Pressure Roller:Front	137 - 20
M077 4435	Shaft:Idler:Swivel	141 - 21
M077 4436	Bracket:Gear:Swivel	141 - 22
M077 4437	Supporting Plate:Gear:Idler	141 - 26
M077 4455	Bracket:Stripper Plate	141 - 13
M077 4457	Heater Holder:Heat Roller:Rear	133 - 12
M077 4458	Base:Heater Holder:Heat Roller:Rear	141 - 15
M077 4461	Bracket:Positioning:Web:Rear	141 - 12
M077 4465	Bracket:Web:Rear	141 - 14
M077 4469	Heater Holder:Pressure Roller:Rear	133 - 10
M077 4472	Stopper:Pressure Roller:Rear	137 - 19

Part No.	Description	Page and Index No.
M077 4475	Plate:Rear:Heat Shield	133 - 11
M077 4491	Stripper Plate:Ass'y	137 - 1
M077 4531	Pickoff Pawl:Pressure Roller:Ass'y	139 - 1
M077 4546	Cover:Thermistor:Hot Roller	135 - 17
M077 4603	Transport Roller:Duplex:Knob	165 - 9
M077 4604	Transport Roller:Duplex	165 - 8
M077 4605	Bracket:Motor:Reverse:Connecting	157 - 22
M077 4609	Shaft:Cooling:Entrance	159 - 12
M077 4611	Drive Roller:Reverse:Entrance	157 - 21
M077 4613	Guide:Reverse:Entrance:Right	157 - 14
M077 4618	Guide:Exit:Upper	157 - 8
M077 4619	Bracket:Reverse:Entrance:Sensor	157 - 2
M077 4634	Duct:Reverse:Cooling	163 - 4
M077 4641	Transport Roller:Cooling Unit:Exit	159 - 6
M077 4642	Transport Roller:Cooling:Entrance	159 - 13
M077 4645	Holder:Exit:Discharge	159 - 17
M077 4650	Cover:Thermopile:Pressure Roller	151 - 17
M077 4660	Inner Cover:Paper Exit Unit:Right	143 - 5
M077 4662	Bracket:Exit:Sensor	157 - 13
M077 4669	Roller:Gate:W9:Middle	155 - 12
M077 4670	Roller:Gate:W20:Middle	155 - 15
M077 4671	Roller:Gate:W9:Upper	155 - 13
M077 4678	Roller:Gate:W9:Peen	155 - 14
M077 4679	Roller:Gate:W20:Peen	155 - 16
M077 4682	Shaft:Drive:Coupling:Press Fit	179 - 2
M077 4684	Shaft:Drive:Coupling:Exit	149 - 20
M077 4685	Compression Spring:Joint:10N	179 - 5
M077 4693	Sheet:Guide:Exit:No.1	157 - 26
M077 4694	Sheet:Guide:Exit:No.2	157 - 25
M077 4695	Sheet:Guide:Exit:No.3	157 - 24
M077 4710	Guide Plate:Ass'y	229 - 21
M077 4735	Stopper:Exit:Gate	155 - 17
M077 4821	Transport Belt:Cooling	159 - 14
M077 4824	Guide:Switchback:Left:Ass'y	153 - 12
M077 4862	Transport Roller:Driven:Duplex:DIA18x2	145 - 9

Part No.	Description	Page and Index No.
M077 4862	Transport Roller:Driven:Duplex:DIA18x2	79 - 18
M077 4862	Transport Roller:Driven:Duplex:DIA18x2	153 - 19
M077 4862	Transport Roller:Driven:Duplex:DIA18x2	67 - 9
M077 4920	PCB:PDB	149 - 6
M077 4946	Exit Roller	155 - 2
M077 5291	PCB:IOB1	319 - *
M077 5291	PCB:IOB1	195 - 5
M077 5294	PCB:IOB2	333 - *
M077 5294	PCB:IOB2	193 - 5
M077 5300	PCB:BCU:Sub-ass'y	193 - 8
M077 5490	Power Pack:Transfer	111 - 7
M077 5501	Harness:IOB1:Sensor:(1)	195 - 2
M077 5503	Harness:Development Unit:Sensor:Y	95 - 24
M077 5504	Harness:Development Unit:Sensor:M	95 - 24
M077 5505	Harness:Development Unit:Sensor:C	95 - 24
M077 5506	Harness:Development Unit:Sensor:K	95 - 24
M077 5508	Harness:IOB2:Sensor:(1)	193 - 1
M077 5508	Harness:lob2:Sensor:(1)	179 - 14
M077 5509	Harness:Fusing:Sensor:Connecting	177 - 6
M077 5513	Harness:Pdb:Sensor:(2):No.2	149 - 3
M077 5514	Harness:IOB2:Motor	193 - 3
M077 5515	Harness:Control Unit:PSU-C-IPU:Connecting	203 - 7
M077 5516	Harness:AC:Power Source:PSU-C:Connecting	203 - 9
M077 5517	Harness:Cooling:Fan:Rear	211 - 18
M077 5517	Harness:Cooling:Fan:Rear	211 - 20
M077 5520	Harness:IPU-OPU:I/F:No.2	35 - 24
M077 5521	Harness:AC:Control Unit	207 - 6
M077 5522	Harness:Base:Lower:Fan	227 - 20
M077 5524	Harness:Transport:Reverse:Sensor	165 - 16
M077 5525	Harness:Development Unit:Pcl:Connecting	95 - 18
M077 5527	Harness:PDB:Thermopile:Connecting	151 - 20
M077 5531	Harness:PSU-G:I/F:Connecting	191 - 8
M077 5532	Harness:AC:Fusing:PSU-G	189 - 2
M077 5533	Harness:Pdb:Sensor:(1):No.2	127 - 13
M077 5534	Harness:Power Supply Unit:Trigger:Fan	205 - 2

Part No.	Description	Page and Index No.
M077 5535	Harness:AC:TB:Transformer	207 - 7
M077 5536	Harness:Charge:Sensor:YM	219 - 8
M077 5537	Harness:Charge:Sensor:CK	219 - 12
M077 5538	Harness:IPU-OPU:I/F:No.1	203 - 10
M077 5539	Harness:Sirocco:Tube Type Lamp	209 - 12
M077 5543	Harness:Tube Type Lamp:Connecting	211 - 14
M077 5544	Harness:Power Source:IOB1-IOB2-LD	89 - 11
M077 5544	Harness:Power Source:IOB1-IOB2-LD	195 - 3
M077 5544	Harness:Power Source:IOB1-IOB2-LD	193 - 2
M077 5545	Harness:Temperature & Humidity Sensor:Connecting	211 - 13
M077 5546	Harness:Electric Potential Sensor:YM:Connecting	89 - 6
M077 5547	Harness:Electric Potential Sensor:CK:Connecting	89 - 5
M077 5845	Harness:Pdb:Motor:Connecting	149 - 9
M077 6008	SD-Card:ZoffyV4:DOM/EXP:Ass'Y	201 - 15
M077 6022	PCB:Cont:EX1:Ass'y:AA	201 - 13
M077 6022	PCB:Cont:EX1:Ass'y:AA	361 - *
M077 6032	PCB:Cont:EX1:Ass'y	201 - 13
M077 6032	PCB:Cont:EX1:Ass'y	361 - *
M077 6210	Holder:Fan:Lower	207 - 4
M077 6215	HDD:Sub-ass'y	203 - 4
M077 6255	Belt:Image Transfer	109 - 12
M077 6334	Compression Spring:Transfer Roller:2.62N	105 - 5
M077 6334	Compression Spring:Transfer Roller:2.62N	103 - 18
M077 6341	PCB:OPU:NA:M077	37 - 5
M077 6342	PCB:OPU:EU/AA:M077	37 - 5
M077 6352	PCB:OPU:EU/AA:D095	37 - 5
M077 6366	Holder:Transfer:Pressure Roller	105 - 18
M077 6366	Holder:Transfer:Pressure Roller	103 - 4
M077 6560	Cleaning Unit:Intermediate Transfer:Ass'y	121 - *
M077 6608	Agitator:Cleaning:Intermediate Transfer	123 - 34
M077 6629	Release Plate:Blade:Upper	123 - 38
M077 6639	Bracket:Cleaning Blade:Apply:Ass'y	123 - 36

Part No.	Description	Page and Index No.
M077 6694	Arm:Pressure:Coating Bar	121 - 3
M077 6696	Tension Spring:Coating Bar:8N	121 - 5
M077 6715	Transfer Unit	125 - *
M077 6720	Cover:Intermediate Transfer:Ass'y	101 - 2
M077 6755	Transfer Roller	125 - 17
M077 7190	Duct:Heat Pipe:Exit:Ass'y	185 - 3
M077 7236	Case:Filter:Preventfence:Lower	209 - 6
M077 7243	Filter:Entrance:Power Supply Unit	207 - 3
M077 7250	Separation Plate:Duct:Exhaust:Sub-Ass'y	213 - 12
M077 7255	Separation Plate:Ozone Filter:Sub-ass'y	213 - 5
M077 7258	Seal:Duct:Cover:Lower:Sub-ass'y	211 - 5
M077 7267	Cover:Transport:Exhaust	211 - 16
M077 7270	Inner Cover:Duct:Left Lower	29 - 8
M077 7272	Ozone Filter:SCA-750/750:Middle	33 - 12
M077 7274	Guide:Harness:Main:Left Rear	179 - 18
M077 7277	Duct:Stand:Lower	227 - 19
M077 7278	Duct:Base:Lower	227 - 21
M077 7279	Gasket:Control Unit:Base:Rear	215 - 18
M077 7288	Duct:Fan:Fusing/Paper Exit Unit: Rear:Ass'y	187 - 5
M077 7308	Duct:Inner Cover	209 - 15
M077 7309	Seal:Duct:Install	209 - 16
M077 7471	Transport Roller:Timing:Press Fit	65 - 10
M077 7472	Transport Roller:Shift:Press Fit	69 - 6
M077 7473	Transport Roller:Duplex:Press Fit	77 - 1
M077 7473	Transport Roller:Duplex:Press Fit	65 - 14
M077 7474	Transport Roller:Duplex:Knob:Press Fit	77 - 3
M077 7482	Swing Unit:Ass'y	69 - 1
M077 7579	Guide Plate:Vertical Transport: Right Lower:Ass'y	67 - 26
M077 7580	Guide:Vertical Transport:Right Upper:Ass'y	67 - 1
M077 9503	Test Print Tool V2	377 - 3
M077 9590	NVRAM	201 - 12
M077 9640	Developer Black	93 - 19
M077 9660	Developer Cyan	93 - 19

Part No.	Description	Page and Index No.
M077 9670	Developer Magenta	93 - 19
M077 9680	Developer Yellow	93 - 19

Part No.	Description	Page and Index No.
A017 2988	Ring	289 - 5
A028 7878	Arm Spacer	245 - 26
A029 9387	Digital Multimeter - FLUKE87	377 - 1
A069 1883	Shoe - Scanner	261 - 11
A079 1201	Fusing Drive Joint	177 - 25
A079 1203	Fusing Drive Stopper	177 - 16
A096 4928	Guide Plate Band	79 - 1
A096 4928	Guide Plate Band	145 - 17
A096 6677	Decal - Right Paper Set	43 - 1
A096 6677	Decal - Right Paper Set	375 - 1
A096 6678	Decal - Left Paper Set	375 - 2
A096 6678	Decal - Left Paper Set	41 - 11
A134 2380	Toner Collection Bottle Cap	229 - 14
A134 2978	Spring Plate	47 - 12
A176 1737	Exposure Glass Cushion	259 - 3
A193 1767	1st Mirror Holder	261 - 8
A193 1829	Ball Bearing - M8	265 - 21
A228 3613	Gear - 20Z	277 - 14
A229 2692	Damping Insulation	285 - 21
A229 4727	Guide Plate Pressure Holder	79 - 12
A232 4666	Cushion - Stepper Motor	293 - 2
A232 4666	Cushion - Stepper Motor	289 - 2
A232 4666	Cushion - Stepper Motor	181 - 2
A247 4249	Connector - 3P	141 - 16
A248 6615	Coupling Lever - Left	41 - 36
A248 6687	Right Drive Shaft	45 - 35
A248 6694	Wire Ring	45 - 13
A248 6695	Guide - Pulley	45 - 20
A248 6713	Hook - Tension Spring	45 - 2
A257 9300	Grease - Barrierta S552R	377 - 4
A267 1820	Sheet - Photointerrupter	263 - 23
A267 2857	Spring Plate - Side Fence	47 - 25
A267 2859	Side Fence Stopper	47 - 23
A267 2860	Rear Lever Stopper	47 - 24
A294 1667	Sheet - Optical Housing	265 - 13

Part No.	Description	Page and Index No.
A294 1673	Front Stay	257 - 10
A294 1688	Cushion	265 - 26
A294 1743	Cushion - 5x20x4	261 - 20
A294 1743	Cushion - 5x20x4	265 - 29
A294 1747	Timing Belt - Scanner	265 - 8
A294 1752	Pulley:Tension:Timing Belt:Ass'y	265 - 5
A294 1756	Spring - Scanner Motor	265 - 7
A294 1788	Sheet - Upper Frame	259 - 1
A294 1799	Right Stay - Optical Housing	259 - 18
A294 1836	Ground Plate - Left Frame	257 - 6
A294 1837	Ground Plate - Rear Frame	257 - 4
A294 1838	Ground Plate - Lens Stay	211 - 11
A294 1838	Ground Plate - Lens Stay	213 - 10
A294 1942	Holder - Sync Detector Board	91 - 7
A294 4156	Gear - 23Z	277 - 10
A294 4164	Roller Spring Plate	135 - 5
A294 6630	Left Rear Fence	41 - 12
A294 6643	Left Front Fence	41 - 7
A294 6645	Left Side Plate	41 - 4
A294 6655	Front Roller - Slide Rail	45 - 28
A294 6690	Feeler - Paper Height Sensor	45 - 30
A294 6700	Torque Limiter - 53mNxm	241 - 27
A294 6713	Shield - Front Side Fence	45 - 15
A300 3812	Spacer - 6x22x1.5	253 - 9
A335 4351	Guide Roller	273 - 4
A351 3459	Idler	247 - 5
A376 4599	Side Fence Pad	239 - 42
A418 1158	Spacer - M6.5x1	241 - 7
A422 1063	Seal - 0.7x13x20	243 - 24
A548 1231	Guide Roller	249 - 15
A548 1234	Driven Roller Arm	247 - 16
A548 1234	Driven Roller Arm	249 - 5
A548 1261	Exit Roller	249 - 9
A548 1317	Lever Cushion	249 - 12
A548 1320	Inverter Gate Plate	249 - 11

Part No.	Description	Page and Index No.
A548 1442	Transport Arm	245 - 17
A548 1531	Safety Switch Feeler	255 - 13
A548 2137	Timing Pulley - 18Z	249 - 22
A610 2132	Pressure Bushing	245 - 11
A610 2136	Bushing	245 - 9
A610 2137	Pressure Roller Bushing	245 - 19
A610 3532	Timing Pulley - 18Z	253 - 2
A628 1225	Bushing - 8mm	241 - 13
A663 1241	Exit Roller:Driven :AS	237 - 12
A680 1443	Arm Shaft	245 - 15
A680 1446	Transport Unit Arm	245 - 16
A680 1621	Feed-in Unit Stopper	241 - 12
A680 1661	Bushing - 4mm	239 - 10
A680 2262	Feeler - Pick-up Roller Cam	251 - 36
A680 2311	Pulley - 18T/32T	253 - 8
A680 2321	Pulley - 30T	249 - 1
A697 1606	Spacer - 6x12x2.7mm	275 - 13
A806 1135	Contact Point Shaft	255 - 7
A806 1141	Reverse Roller Stay	241 - 34
A806 1152	Upper Guide Plate	241 - 1
A806 1153	Upper Guide Plate	241 - 2
A806 1161	Entrance Guide Plate - Front	241 - 10
A806 1162	Entrance Guide Plate - Inner	241 - 20
A806 1163	Guide Plate Cushion	241 - 11
A806 1181	Pressure Roller Bracket - Pull Out	239 - 12
A806 1211	Middle Guide Plate	243 - 9
A806 1221	Registration Sensor Bracket	243 - 13
A806 1226	Paper Size Sensor Bracket	243 - 7
A806 1241	Lower Guide Plate	243 - 10
A806 1251	Transport Roller Arm	243 - 19
A806 1256	Middle Shaft - Roller Arm	243 - 17
A806 1257	Roller Arm Shaft	243 - 23
A806 1261	Middle Driven Roller	243 - 18
A806 1266	Driven Roller	243 - 21
A806 1271	Pull Out Drive Roller	243 - 2

Part No.	Description	Page and Index No.
A806 1276	Transport Drive Roller	243 - 3
A806 1282	Separation Drive Shaft	241 - 19
A806 1292	Feed Belt Bracket	241 - 35
A806 1293	Feed Belt Drive Roller	241 - 14
A806 1294	Feed Belt Driven Roller	241 - 16
A806 1295	Feed Belt	241 - 18
A806 1298	Transport Belt Roller Shaft	241 - 17
A806 1328	Release Lever	241 - 21
A806 1335	Original Table Guide Plate	239 - 25
A806 1342	Base Lever	239 - 38
A806 1346	Base Shaft	239 - 37
A806 1353	Feeler Stud	239 - 27
A806 1356	Original Sensor Bracket	239 - 34
A806 1361	Cover Bracket	239 - 8
A806 1371	Magnet Catch - Paper Feed Cover	239 - 5
A806 2151	Timing Pulley - T19/Z23 S2M/M0.6	241 - 32
A806 2153	Timing Pulley - T27 S2M	241 - 29
A806 2161	Timing Pulley - T30/Z20 S2M/M0.8	251 - 8
A806 2244	Separation Shaft Stopper	251 - 19
A806 2271	Gear - Z18	241 - 33
A806 2281	Gear - Z47	239 - 35
A806 2283	Gear - Z20/Z47	251 - 7
A806 2285	Gear - Z20/Z47	251 - 5
A806 2287	Gear - Z20/Z47	251 - 6
A806 3111	Drive Exit Roller	247 - 24
A806 3142	Guide Plate Bracket	247 - 10
A806 3151	Driven Exit Roller	247 - 9
A806 3171	Lower Exit Cover	247 - 12
A806 3211	Right Exit Guide Plate	247 - 18
A806 3221	Exit Ground Plate	247 - 21
A806 3222	Seal	247 - 20
A806 3251	Exit Cover Bracket	237 - 11
A806 3261	Inner Back Cover Bracket	237 - 9
A806 3266	Discharge Brush Bracket	237 - 10
A806 3281	Timing Pulley - T14 S3M	247 - 2

Part No.	Description	Page and Index No.
A806 4117	Timing Belt - B40S2M158	251 - 10
A806 4118	Timing Belt - B40S2M148	241 - 25
A806 4221	Compression Spring	243 - 20
A806 4251	Grounding Plate	239 - 22
A806 4261	Spring Belt Guide Roller	241 - 15
A859 2230	Ball Bearing - 6x13x5	251 - 28
A859 2241	Reverse Roller	241 - 28
A859 7211	Stepped Screw	237 - 6
B004 2995	Cap - Positioning	225 - 21
B004 4438	Bushing	87 - 43
B027 8521	O/i Holder - Assembly	229 - 7
B065 1299	Cap:Mm22	233 - 5
B065 1341	Connector Cap	31 - 16
B065 1341	Connector Cap	233 - 7
B065 1343	Ncu Cap	233 - 3
B065 4247	Brake Pad	131 - 18
B065 4933	Guide Plate Lever Hook	79 - 10
B065 4933	Guide Plate Lever Hook	145 - 2
B065 6135	Lock Arm - Tandem Tray	225 - 11
B065 6136	Tray Lock Arm	225 - 13
B065 6172	Paper Tray Stopper	183 - 25
B065 6345	Paper End Sensor Bracket	51 - 12
B065 6428	Release Button - Vertical Transport	55 - 17
B065 6524	Bottom Plate Lift Shaft	47 - 30
B065 6526	Lift Lever	47 - 31
B065 6538	Positioning Stopper Lever	47 - 13
B065 6545	Decal - Positioning	47 - 8
B065 6545	Decal - Positioning	375 - 9
B065 6581	Paper Tray Holder Stay	47 - 33
B065 6588	Right Support Plate	47 - 6
B065 6589	Left Support Plate	47 - 16
B065 6591	Paper Tray Holder Base	47 - 20
B065 6717	Paper Volume Shield Plate	45 - 39
B065 6769	Lock Arm	183 - 17
B065 6777	Supporting Plate	225 - 5

Part No.	Description	Page and Index No.
B065 6823	Timing Belt Cover	41 - 20
B065 6830	Pulley Bracket	41 - 23
B065 6831	Sensor Bracket	41 - 34
B065 6846	Decal - Paper Set - Left	375 - 11
B065 6846	Decal - Paper Set - Left	41 - 6
B065 6859	Right Stopper	43 - 4
B065 6862	Large Lever	45 - 34
B065 6864	Small Lever	45 - 31
B065 6870	Stay -rightbase	45 - 14
B065 6872	Oil Damper Bracket	45 - 25
B065 6875	Protection -inner Cover	43 - 5
B065 6877	Decal - Paper Set - Right	43 - 6
B065 6877	Decal - Paper Set - Right	375 - 12
B070 1307	Decal:Paper Set Direction	229 - 4
B070 1307	Decal:Paper Set Direction	375 - 14
B070 1307	Decal:Paper Set Direction	231 - 8
B070 1312	Cap:Joint:Large Capacity Tray	233 - 9
B070 1312	Cap:Joint:Large Capacity Tray	31 - 15
B070 1790	Exposure Glass:Ass'y	259 - 19
B070 5473	DC Harness - Left	41 - 26
B070 6516	Bracket:Cover:Tandem Lct:Ass'y	41 - 5
B070 6666	Left DC Motor Bracket	41 - 30
B070 6667	End Fence Cover Front	45 - 18
B070 6683	Lever:Release:Front	45 - 17
B070 6684	Lever:Release:Rear	45 - 27
B070 6877	Large Drum Stay Ground Plate	201 - 6
B070 6899	Ground Plate:Panel	201 - 5
B098 6639	Tray Bottom Plate:Left Middle:Ass'y	41 - 9
B125 3230	Spacer - 0.3	295 - 13
B132 1183	Bracket:Lock	149 - 13
B132 1183	Bracket:Lock	75 - 25
B132 1183	Bracket:Lock	113 - 22
B132 1190	Bracket:Release:Lock	113 - 19
B132 1220	Cover:Base:Pull Out	73 - 5
B132 1221	Holder:Spring:Pull Out	149 - 15

Part No.	Description	Page and Index No.
B132 1221	Holder:Spring:Pull Out	75 - 28
B132 1224	Supporting Plate:Bracket:Lock	75 - 24
B132 1224	Supporting Plate:Bracket:Lock	113 - 20
B132 1224	Supporting Plate:Bracket:Lock	149 - 11
B132 1226	Holder:Stand	231 - 3
B132 1562	Decal - Inkjet:Paper	375 - 46
B132 1562	Decal - Inkjet:Paper	31 - 19
B132 1719	Screw:Mechanical Drive Section	265 - 18
B132 1820	Scanner Shoe Pin	261 - 10
B132 1896	Ground Wire:Scanner	265 - 28
B132 2264	Bushing:Terminal	123 - 4
B132 2366	Lever:Drum Stay:Left	83 - 29
B132 3223	Gear:21/32Z	87 - 30
B132 3344	Shaft:Magnetic Clutch:Drive:Rotor	87 - 24
B132 3348	Gear:Drive:Rotor:Supply	87 - 25
B132 3350	Gear:Idler:Transport Screw:Small	289 - 15
B132 4119	Spacer:Gear:Idler	283 - 15
B132 5415	Base:Electric Potential Sensor	89 - 4
B132 5794	Hook:Heat Sinker:MCH	361 - 1
B132 5807	Ground Plate:Base:Control Board	201 - 11
B132 5807	Ground Plate:Base:Control Board	211 - 4
B132 5807	Ground Plate:Base:Control Board	215 - 1
B132 5836	Panel - Interface	201 - 4
B132 5925	Cover:Connector:Control Board	201 - 1
B132 6594	Cap:Tank:DIA35	229 - 13
B132 6655	Stepper Motor:Paper Feed Unit:Ass'y	147 - 16
B132 6655	Stepper Motor:Paper Feed Unit:Ass'y	61 - 14
B132 6655	Stepper Motor:Paper Feed Unit:Ass'y	59 - 2
B132 6655	Stepper Motor:Paper Feed Unit:Ass'y	127 - 14
B132 6655	Stepper Motor:Paper Feed Unit:Ass'y	167 - 5
B132 6655	Stepper Motor:Paper Feed Unit:Ass'y	157 - 23
B132 6692	Slide Rail:Left:Sub-ass'y	225 - 16
B132 6726	Bracket:Arm:Ass'y	183 - 14
B132 6742	Left Rail Bracket	225 - 9
B132 6759	DC Motor:Rise:Tandem Lct:Ass'y	181 - 18

Part No.	Description	Page and Index No.
B132 6762	DC Solenoid:Coupling:Ass'y	183 - 13
B132 6763	Bracket:Connector:Left	181 - 20
B132 6764	Bracket:Connector:Right	181 - 19
B132 6765	DC Solenoid:Lock:Ass'y	183 - 24
B132 6785	Tray Bottom Plate:Ass'y	47 - 18
B132 6791	Plate:Side Fence	47 - 11
B132 6793	Side Fence:Front:Ass'y	47 - 14
B132 6797	Side Fence:Rear:Auxiliary	47 - 22
B132 6798	Spring Plate:Paper Tray:Earth	47 - 4
B132 7541	Tray Bottom Plate:Left Rear	41 - 10
B132 7547	DC Solenoid:End Fence:Front:Ass'y	45 - 1
B132 7550	Cover:Pulley:Drive Were	45 - 22
B132 7561	Back Fence:Left	41 - 21
B132 7564	Slider:Back Fence:Left	41 - 19
B132 7571	DC Solenoid:End Fence:Rear:Ass'y	45 - 8
B132 7575	Bracket:Connector:Tandem LCT	45 - 38
B132 7586	Inner Cover:Tandem LCT	43 - 2
B132 7591	Rail:Paper Tray:Ass'y	225 - 17
B132 9700	Drum Setting Powder Pad Applicator	377 - 6
B181 6780	Link:End Fence:Paper Size Sensor:Ass'y	47 - 2
B181 6789	Link:Side Fence:Paper Size Sensor	47 - 3
B188 1391	Gasket:5x10x100	207 - 9
B188 3575	Screw:Lever:Release:Blade	245 - 25
B223 2873	Decal - Side Fence Rear	375 - 7
B223 2873	Decal - Side Fence Rear	47 - 21
B223 3207	Shutter:Nozzle	85 - 10
B223 3208	Spring:Shutter:Nozzle	85 - 11
B223 3334	Holder:Stopper:Shutter:Ass'y	85 - 9
B223 4331	Cover:Thermopile	221 - 11
B223 4331	Cover:Thermopile	151 - 21
B223 4332	Holder:Thermopile	221 - 9
B223 4332	Holder:Thermopile	151 - 18
B234 1118	Fly Wheel Flange	173 - 13
B234 1132	Spring:Joint:Fusing	177 - 17
B234 1263	Stopper - ADF Exit Tray	231 - 19

Part No.	Description	Page and Index No.
B234 1265	Tray:Exit:ADF	231 - 21
B234 1293	Lever - Safety Switch	27 - 6
B234 1296	Plate:Magnet Catch	235 - 5
B234 1313	Cover - Large Capacity Tray	233 - 10
B234 1313	Cover - Large Capacity Tray	31 - 17
B234 1542	Spacer - Touch Panel L	39 - 14
B234 1543	Spacer - Touch Panel S	39 - 15
B234 1630	Guide:Harness:No.2:Unit	261 - 16
B234 1640	Mirror No.2	261 - 19
B234 1669	Cover - IC	263 - 1
B234 1670	Stabilizer Duct	263 - 17
B234 1674	Cover Plate - Sync Detector Board	263 - 14
B234 1676	Stabilizer Bracket	263 - 18
B234 1681	Seal:Harness	261 - 13
B234 1683	Scanner Pulley Bracket	265 - 17
B234 1687	Sheet:S10:T0.075	265 - 14
B234 1688	Cushion:Scanner:No.1:Upper	261 - 14
B234 1690	Image Reading Unit Stay:Frame - Rear	257 - 11
B234 1696	Duct Bracket	263 - 16
B234 1697	SIB Bracket	263 - 13
B234 1699	Fan Motor Bracket	263 - 19
B234 1701	Scanner No.1 Unit	261 - 1
B234 1706	Mirror No.1	261 - 7
B234 1707	Reflector	261 - 5
B234 1709	Wire Stay	261 - 9
B234 1712	Lamp Holder - Rear	261 - 4
B234 1713	Harness Holder No.1	261 - 6
B234 1723	Scanner Pulley Bracket - Left	265 - 16
B234 1732	Scanner No.2 Unit	261 - 2
B234 1744	Harness Guide	263 - 6
B234 1746	Tension Wire Bracket	265 - 23
B234 1747	Original Sensor Holder	259 - 12
B234 1748	Scanner Motor Bracket	265 - 4
B234 1749	Scanner Drive Shaft	265 - 10
B234 1751	Guard - 2nd Mirror	261 - 18

Part No.	Description	Page and Index No.
B234 1758	Tension Spring	265 - 24
B234 1759	Drive Were	265 - 22
B234 1764	Fan Motor Bracket	265 - 1
B234 1765	Fan Motor Bracket	263 - 4
B234 1766	Cnb Bracket	259 - 17
B234 1774	DC Motor:Scanner:DC27V 50W	265 - 3
B234 1779	Cover - Lens SBU	259 - 13
B234 1781	Holder Lensstay Lens Unit	265 - 25
B234 1782	Lens Unit Stay Spacer	259 - 9
B234 1793	Cushion:Scanner:No.2:Upper	261 - 15
B234 1817	Cover - Sync Detector Board	263 - 15
B234 1825	Home Position Sensor Bracket	263 - 24
B234 1828	Scanning Fan Bracket	265 - 15
B234 1845	Filter:Ass'y	231 - 22
B234 2125	Spring:Terminal:Grid	93 - 9
B234 2327	Grip - Tray Unit	95 - 4
B234 2390	Flanged Hexagonal Head Bolt:M4x8	73 - 22
B234 2390	Flanged Hexagonal Head Bolt:M4x8	283 - 7
B234 2390	Flanged Hexagonal Head Bolt:M4x8	275 - 4
B234 2390	Flanged Hexagonal Head Bolt:M4x8	65 - 20
B234 2390	Flanged Hexagonal Head Bolt:M4x8	235 - 26
B234 2390	Flanged Hexagonal Head Bolt:M4x8	121 - 16
B234 2390	Flanged Hexagonal Head Bolt:M4x8	33 - 9
B234 2390	Flanged Hexagonal Head Bolt:M4x8	29 - 2
B234 2624	Ball Bearing - 8x12x5	51 - 6
B234 2628	Ball Bearing - Front	71 - 1
B234 2628	Ball Bearing - Front	63 - 10
B234 2629	Ball Bearing - Rear	71 - 4
B234 2629	Ball Bearing - Rear	63 - 30
B234 2750	Contact Image Sensor	71 - 12
B234 2864	Pad:Cleaner	47 - 10
B234 3177	Decal:Positioning Display:Development	375 - 15
B234 3177	Decal:Positioning Display:Development	93 - 15
B234 3177	Decal:Positioning Display:Development	95 - 6
B234 3372	DC Motor:Toner Bottle:DC21V 5.85W	85 - 7

Part No.	Description	Page and Index No.
B234 4258	Cap:Heat Pipe	149 - 24
B234 4320	Holder:Compression Spring:Joint	179 - 4
B234 4325	Brushless Motor DC24V 20W	179 - 1
B234 4428	Gear - 66Z	179 - 7
B234 4460	Discharge Brush - L=341 SUS	159 - 11
B234 4490	Slide Rail - Fusing/Paper Exit Unit	217 - 2
B234 4490	Slide Rail - Fusing/Paper Exit Unit	223 - 13
B234 4818	Compression Spring	291 - 8
B234 4842	Shaft:Arm:On-Off	291 - 5
B234 4858	Driven Roller Holder	153 - 13
B234 5107	PCB CNB	259 - 15
B234 5280	PCB CRB	71 - 5
B234 5365	PCB Sync Detector	91 - 8
B234 5380	Motor Control Board	91 - 5
B234 5500	Flexible Board - Xenon Lamp	261 - 12
B234 5526	Cable:HDD:S-ATA:Red:Rohs	203 - 2
B234 5527	Cable:HDD:S-ATA:Gray:Rohs	203 - 1
B234 5670	Harness - Paper Feed Unit	49 - 13
B234 5671	Harness - Paper Size Sensor	183 - 22
B234 5673	Harness - Tandem LCT Right	45 - 6
B234 6120	Bracket:Positioning:Paper Tray	183 - 12
B234 6125	Harness Guide Bracket	225 - 20
B234 6138	Rail - Tandem LCT	225 - 4
B234 6141	Positioning Sleeve - Inner Back	273 - 5
B234 6141	Positioning Sleeve - Inner Back	45 - 12
B234 6141	Positioning Sleeve - Inner Back	303 - 16
B234 6141	Positioning Sleeve - Inner Back	225 - 1
B234 6141	Positioning Sleeve - Inner Back	299 - 3
B234 6151	Paper Size Sensor Bracket	183 - 21
B234 6160	Tandem LCT Rail - Left	225 - 10
B234 6169	Stay - Tandem LCT	225 - 6
B234 6170	Slide Rail Bracket - Left	225 - 15
B234 6173	Rail Stay - Left	225 - 12
B234 6181	Slide Rail - Right	225 - 19
B234 6188	Slide Sleeve Positioning	225 - 18

Part No.	Description	Page and Index No.
B234 6190	Heater Unit - Upper	225 - 3
B234 6191	Heater Unit - Lower	225 - 2
B234 6200	Paper Feed Unit	49 - *
B234 6208	Paper Feed Unit Stay	49 - 3
B234 6212	Reverse Lever	53 - 11
B234 6222	Reverse Drive Shaft	285 - 16
B234 6222	Reverse Drive Shaft	53 - 9
B234 6223	Driven Reverse Shaft	53 - 5
B234 6231	DC Solenoid:Reverse:Ass'y	53 - 14
B234 6242	Guide - Roller:Driven Pressure	53 - 15
B234 6245	Guide Plate - Vertical Transport	53 - 7
B234 6253	Guide Plate - Reverse	53 - 1
B234 6254	Guide Plate - Feed	51 - 13
B234 6255	Guide - Front	53 - 13
B234 6256	Guide - Rear	53 - 12
B234 6272	Feed Shaft	51 - 4
B234 6275	Pickup Arm	51 - 9
B234 6282	Pickup DC Solenoid	49 - 8
B234 6286	Sensor Bracket - Vertical Transport	49 - 2
B234 6287	Sensor Bracket - Paper Feed	49 - 4
B234 6288	Bsensor Bracket - Sensor	49 - 6
B234 6301	Torque Limiter:75mN m	285 - 3
B234 6301	Torque Limiter:75mN m	53 - 4
B234 6355	Guide Plate - Joint Unit	55 - 2
B234 6360	Transport Roller:Joint Unit:Ass'y	55 - 1
B234 6424	Release Grip	67 - 18
B234 6424	Release Grip	55 - 21
B234 6424	Release Grip	63 - 16
B234 6424	Release Grip	157 - 7
B234 6424	Release Grip	151 - 2
B234 6427	Cover:Release:Vertical Transport	55 - 22
B234 6490	Side Fence:Rear:Ass'y	47 - 27
B234 6495	Guide:Front:Paper Tray	47 - 36
B234 6497	Guide:Rear:Paper Tray	47 - 26
B234 6498	Sheet:Tray Bottom Plate	47 - 38

Part No.	Description	Page and Index No.
B234 6506	Timing Pulley - 30T	183 - 8
B234 6506	Timing Pulley - 30T	293 - 5
B234 6506	Timing Pulley - 30T	181 - 13
B234 6506	Timing Pulley - 30T	65 - 9
B234 6506	Timing Pulley - 30T	289 - 6
B234 6506	Timing Pulley - 30T	295 - 22
B234 6507	Timing Pulley - 25T	181 - 4
B234 6507	Timing Pulley - 25T	289 - 7
B234 6507	Timing Pulley - 25T	293 - 6
B234 6508	Tension Spring	183 - 4
B234 6508	Tension Spring	181 - 10
B234 6508	Tension Spring	295 - 8
B234 6510	Tandem LCT Bracket	181 - 11
B234 6511	Tightener Bracket	181 - 17
B234 6512	Tightener Bracket	181 - 9
B234 6513	Timing Belt - S2M180	181 - 16
B234 6514	Timing Belt - S2M126	183 - 7
B234 6514	Timing Belt - S2M126	181 - 12
B234 6520	Bracket	181 - 3
B234 6523	Timing Belt - S2M100	181 - 5
B234 6530	Bracket	183 - 5
B234 6531	Tightener Bracket	183 - 6
B234 6532	Tightener Bracket	183 - 3
B234 6533	Timing Belt - S2M152	183 - 11
B234 6541	Feed Drive Shaft	183 - 10
B234 6541	Feed Drive Shaft	181 - 15
B234 6542	Grip Drive Shaft	183 - 9
B234 6542	Grip Drive Shaft	181 - 14
B234 6543	Drive Shaft	181 - 6
B234 6565	Harness Clamp Bracket	181 - 21
B234 6606	Sensor Bracket	43 - 11
B234 6611	Tandem LCT Unit - Left DOM	41 - *
B234 6612	End Fence - Front	45 - 9
B234 6625	End Fence - Rear	45 - 10
B234 6630	Guide Plate - End Fence	45 - 4

Part No.	Description	Page and Index No.
B234 6667	Side Plate - Side	43 - 17
B234 6680	Base:Tandem LCT:Right:Adhesion	43 - 9
B234 6686	Side Fence - Right Front	43 - 7
B234 6691	Side Fence:Tandem Lct:Right:Ass'y	43 - 16
B234 6771	Paper Tray:Universal:DOM:Ass'y	47 - *
B234 7001	ARDF:Unit	237 - *
B234 7540	Tray Bottom Plate:Left Front	41 - 8
B234 7559	Connector Bracket	303 - 1
B234 7597	Shield:Duct:Front	257 - 7
B247 6695	Guide:Misfeed Removal:Paper Tray	43 - 13
B247 6695	Guide:Misfeed Removal:Paper Tray	47 - 32
B247 6753	Lock Spring - Large	183 - 16
B247 6754	Lock Spring - Small	183 - 15
B247 6901	Oil Damper:Fall	45 - 26
B247 6950	Shaft:Slider:Back Fence	41 - 18
B247 6951	Bracket:Pulley:Driven:Ass'y	41 - 16
B247 6970	Base:Tandem Lct:Left:Ass'y	41 - 33
B275 1186	Gasket:Tray:IPU/MCU:Upper	215 - 13
B301 1136	Spring Plate - 0.4mm	255 - 3
B301 1137	Pulley Cover	255 - 5
B301 1141	Rubber Cushion	253 - 16
B301 1141	Rubber Cushion	245 - 6
B301 1155	Separation Support Pad	241 - 3
B301 1156	Separation Pad Holder	241 - 4
B301 1171	Pulley Cover	239 - 23
B301 1188	Sensor Bracket	239 - 15
B301 1191	Pull-out Driven Roller	239 - 11
B301 1192	Bushing - 4x6x6	239 - 18
B301 1195	Gear - 19Z	239 - 14
B301 1198	Pull-out Driven Roller-front	239 - 19
B301 1216	Discharge Brush	243 - 8
B301 1216	Discharge Brush	167 - 20
B301 1232	Base:Paper Feed	243 - 27
B301 1247	Entrance Guide	243 - 26
B301 1282	Shaft:Separation:Drive:Ass'y	241 - *

Part No.	Description	Page and Index No.
B301 1286	Bushing - 6x10x6	241 - 6
B301 1314	Pick-up Roller Bracket	241 - 22
B301 1341	Stay:Original Table:Ass'y	239 - 40
B301 1351	Original Feeler	239 - 26
B301 1412	Transport Belt Plate	245 - 7
B301 1422	Transport Stay	245 - 27
B301 1432	Belt Drive Roller	245 - 2
B301 1436	Transport Belt Roller	245 - 18
B301 1442	Transport Belt	245 - 1
B301 1443	Transport Belt Stopper - Front	245 - 5
B301 1444	Transport Belt Stopper - Rear	245 - 8
B301 1445	Rear Spacer	245 - 14
B301 1449	Front Spacer	245 - 4
B301 1451	Belt Pressure Roller	245 - 3
B301 1481	Belt Pressure Roller	245 - 12
B301 1491	Tension Bracket	245 - 23
B301 1543	Sensor Bracket	255 - 14
B301 1550	Hinge - Left	255 - 8
B301 1560	Hinge - Right	255 - 11
B301 1631	Rear Side Plate	255 - 6
B301 1633	Right Stay	255 - 10
B301 1716	Cover:Front	237 - 16
B301 1726	Cover:Rear:RIC:Ass'y	237 - 7
B301 1766	Paper Feed Cover	239 - 1
B301 1786	Cover:Exit:RIC	237 - 13
B301 1796	Cover:Original Table:Lower:RIC	237 - 4
B301 1822	Original Table:RIC:Printing	237 - 2
B301 1835	Original Holder	237 - 3
B301 1852	Base:Original Table:RIC:Ass'y	239 - 30
B301 1875	Hook:Harness:Base	239 - 41
B301 1876	Side Fence:Table:Ass'y	239 - 24
B301 1919	Discharge Brush - Exit	237 - 8
B301 1919	Discharge Brush - Exit	247 - 19
B301 1926	Cover:Right	247 - 23
B301 2111	Pulley - 30Z	253 - 19

Part No.	Description	Page and Index No.
B301 2113	Pulley - 19Z	253 - 32
B301 2122	Shaft	251 - 11
B301 2123	Pulley - 24Z	251 - 27
B301 2141	Pulley - 39Z	251 - 32
B301 2161	Roller:Pressure:Belt:MM24	245 - 20
B301 2172	Cushion	253 - 30
B301 2211	Pulley - 20/19Z	251 - 13
B301 2213	Pulley - 20Z	251 - 12
B301 2221	Gear - 31Z	251 - 16
B301 2222	Gear - 20Z	251 - 40
B301 2231	Pulley - 58/20Z	253 - 39
B301 2242	Shaft	251 - 38
B301 2243	Gear - 29Z	251 - 18
B301 2244	Gear - 23Z	251 - 17
B301 2261	Pulley - 36Z	251 - 35
B301 2271	Shaft	251 - 25
B301 2273	Pulley - 32Z	251 - 23
B301 2281	Tension Bracket	251 - 15
B301 2319	Heat Sink - DC Motor	253 - 27
B301 2320	Heat Sink Holder	253 - 26
B301 2327	Holder Bracket	253 - 34
B301 2336	Side Plate	251 - 20
B301 2367	Motor Bracket	251 - 2
B301 2371	Motor Bracket	253 - 36
B301 2376	Tension Bracket	253 - 18
B301 2422	Cam - Pick-up Roller	251 - 37
B301 2511	Reverse Roller Shaft	241 - 26
B301 3132	Lower Guide Plate	247 - 17
B301 3135	Spring	247 - 11
B301 3161	Left Exit Guide	247 - 6
B301 3181	Invertor Guide Plate	249 - 8
B301 3184	Reverse Driven Roller	247 - 15
B301 3184	Reverse Driven Roller	249 - 6
B301 3185	Driven Roller Shaft	247 - 14
B301 3185	Driven Roller Shaft	249 - 7

Part No.	Description	Page and Index No.
B301 3186	Spring	249 - 4
B301 3188	Discharge Brush	249 - 3
B301 3191	Exit Junction Gate	249 - 17
B301 3192	Lever - Exit Junction Gate	249 - 19
B301 3246	Motor Bushing - 4x9x5.2	253 - 3
B301 3271	Reverse Drive Roller	249 - 14
B301 3286	Pulley - 30Z	249 - 20
B301 3301	Paper Exit Solenoid	249 - 24
B301 3311	Reverse DC Solenoid	249 - 23
B301 3341	Exit Motor Bracket	253 - 7
B301 3345	Exit Motor Guide Plate	253 - 4
B301 4211	Spring	239 - 13
B301 4222	Spring	239 - 17
B301 4226	Spring	243 - 22
B301 4316	Decal: Misfeed Removal	239 - 2
B301 4316	Decal: Misfeed Removal	375 - 68
B301 4336	Decal: Size: Original: RIC	239 - 4
B301 4336	Decal: Size: Original: RIC	375 - 72
B301 4357	Decal: Caution: Paper Feed	375 - 69
B301 4357	Decal: Caution: Paper Feed	239 - 3
B301 4415	Sound Proofing Material - Front Lower	237 - 17
B301 4416	Sound Proofing Material - Rear Lower	255 - 9
B301 4417	Sound Proofing Material - Left Right	243 - 25
B301 4417	Sound Proofing Material - Left Right	247 - 13
B301 4418	Sound Proofing Material - Hinge Side	253 - 13
B301 4426	Sound Proofing Material - Right	239 - 6
B301 4427	Sound Proofing Material - Left	239 - 7
B301 4428	Sound Proofing Material - Rear	237 - 5
B301 4431	Vibration Absorbing Pad	245 - 13
B301 5100	PCB ADF Main Control	253 - 24
B301 5190	PCB Display	251 - 4
B301 5211	Harness: Dc Motor	253 - 25
B301 5221	Harness: Motor: Pick Up	251 - 29
B301 5232	Harness: Paper Feed Sub-unit: Rear	253 - 20
B301 5234	Harness: Sensor: Paper Feed: Connecting	243 - 14

Part No.	Description	Page and Index No.
B301 5245	Harness: Registration Sensor: Connecting	243 - 11
B301 5246	Harness: Sensor: Paper Size Sensor: Connecting	243 - 4
B301 5247	Harness: Paper Feed Sub-unit: Middle	253 - 21
B301 5253	Harness: Sensor: Reverse: Connecting	247 - 22
B301 5253	Harness: Sensor: Reverse: Connecting	253 - 11
B301 5255	Harness: Paper Exit Sub-unit	253 - 22
B301 5256	Harness: Sensor: Exit: Connecting	247 - 8
B301 5261	Harness: Sensor: On Off Detector	255 - 16
B301 5261	Harness: Sensor: On Off Detector	253 - 23
B301 5271	Harness: Display	251 - 3
B301 5280	Harness: Interface: Ass'y	253 - 17
B301 5290	Harness: Sensor: Original: Connecting	239 - 33
B301 5406	Harness: Connecting: Sensor: Pull Out	239 - 9
B301 5476	Harness: Earth: Exit	247 - 25
B301 5476	Harness: Earth: Exit	253 - 6
B302 4239	Guide Roller	83 - 27
B303 1116	Grounding Plate	305 - 1
B303 1185	Metal Joint	297 - 7
B303 2556	Reverse Pressure Lever	285 - 12
B303 2559	Lever: Pressure Release: Reverse	285 - 7
B352 2650	Magnet Catch - 5N	237 - 14
B475 6855	Shield: Tandem Lct: Rear Right	43 - 14
B477 2225	Pick-up Roller	241 - 31
B477 2226	Pickup Roller: Coupling	241 - 36
B477 4311	Decal - Original Base	239 - 32
B477 4311	Decal - Original Base	375 - 70
B477 4431	Decal - Original Table	237 - 1
B477 4431	Decal - Original Table	375 - 71
B512 1078	Positioning Pin: Guide: Rear	303 - 11
B512 1079	Positioning Pin: Guide: Front	303 - 14
B512 2714	Bracket: Rise: Sensor	283 - 11
B600 1082	Holder: Paper Tray	303 - 13
B645 5010	SD-Card: Ass'y	377 - 2
B652 1133	Shaft: Slider	253 - 33
B652 1134	Compression Spring	253 - 15

Part No.	Description	Page and Index No.
B652 2911	Stepper Motor:Base:Rise:Ass'y	251 - 1
B652 3157	Discharge Brush:Long	255 - 2
B700 3305	Timing Belt:B40S2M152	55 - 6
B700 5804	Stepper Motor:DIA42:Z17:Ass'y	169 - 15
B702 7210	Timing Belt:B60S2M122	61 - 17
B706 1859	Screw:Slider:Lock	231 - 25
B706 1859	Screw:Slider:Lock	305 - 22
B712 5605	Grip:Application	113 - 4
B712 5605	Grip:Application	115 - 18
B712 5605	Grip:Application	101 - 3
B712 5605	Grip:Application	199 - 2
B714 3115	Knob Screw:Document Feeder:Fix	27 - 16
B802 1622	Stepper Motor Damper	295 - 2
B830 3333	Tray:Slide	229 - 24
B832 1100	Positioning Pin - Upper	231 - 2
B832 1101	Positioning Pin - Lower	231 - 1
B832 1371	Spacer Cushion	231 - 9
B832 1750	Tension Bracket	295 - 6
B832 2535	Reverse Guide Plate	285 - 22
B832 2541	Stay	285 - 5
B832 2569	Stay:Feed:Peen	283 - 4
B832 3909	Bracket Cushion	289 - 8
B832 3909	Bracket Cushion	293 - 8
B833 2565	Compression Spring	285 - 18
B833 2567	Tension Spring	285 - 13
B834 1101	Shaft:Drawer:Connector	299 - 1
B834 1102	Screw:Drawer:Connector	299 - 18
B834 1145	Slide Rail - Left Middle	303 - 10
B834 1155	Slide Rail - Right Middle	303 - 8
B834 1718	Bracket	295 - 11
B834 1725	Paper Feed Unit Drive Bracket	295 - 4
B834 1730	Grip Drive Shaft	295 - 9
B834 1740	Shaft	295 - 10
B834 2520	Feed Guide Plate	285 - 23
B834 2715	Tray Cushion Holder	273 - 7

Part No.	Description	Page and Index No.
B834 3065	Slide Rail - End Fence	277 - 2
B834 3203	Gear - 48Z	297 - 2
B834 3214	Gear - 30Z	297 - 9
B834 3217	Gear - 60Z	297 - 10
B834 3231	Timing Belt Holder - Rear	273 - 14
B834 3237	Bracket - Front	279 - 7
B834 3245	Tension Bracket No.2 - Front	279 - 6
B834 3248	Bracket - Rear	281 - 10
B834 3283	Stay:Main	267 - 4
B834 3312	Collar	269 - 5
B834 3312	Collar	271 - 20
B834 3312	Collar	275 - 16
B834 3312	Collar	267 - 13
B834 3315	Gear - 13Z	275 - 17
B834 3316	Gear - 13Z	271 - 18
B834 3316	Gear - 13Z	275 - 14
B834 3316	Gear - 13Z	269 - 23
B834 3316	Gear - 13Z	275 - 10
B834 3318	Plate:Lower	275 - 12
B834 3341	Guide:Upper Front	269 - 10
B834 3343	Guide:Upper Rear	271 - 14
B834 3345	Rack:Upper	271 - 16
B834 3350	Bushing - 6x10x6.5	271 - 13
B834 3350	Bushing - 6x10x6.5	269 - 4
B834 3363	Holder:Upper Front	269 - 7
B834 3364	Holder:Upper Rear	271 - 21
B834 3368	Slide Shaft - Upper	269 - 6
B834 3368	Slide Shaft - Upper	271 - 12
B834 3376	Plate:Handle	267 - 5
B834 3378	Stay	267 - 9
B834 3379	Arm:Swivel:Left:Peen	267 - 15
B834 3384	Contact Point Shaft	267 - 7
B834 3385	Arm - Right	267 - 21
B834 3386	Link Handle	267 - 1
B834 3395	Plate - Left	267 - 3

Part No.	Description	Page and Index No.
B834 3396	Plate - Right	267 - 22
B834 3438	Link Shaft	267 - 6
B834 3490	Spacer - Side Fence	273 - 12
B834 3493	Oil Damper:0.2N	279 - 9
B834 3885	Gear/pulley - 31Z/31T	295 - 17
B834 4032	Cushion:Tray:No.1	273 - 6
B834 4153	Side Fence Grip	269 - 19
B834 4163	Side Fence Grip - Rear	271 - 24
B834 4388	Compression Spring	297 - 6
B834 4547	Gear - 36Z/60Z	297 - 3
B834 4557	Timing Pulley:Drive:No.2:Ass'y	279 - 2
B834 4557	Timing Pulley:Drive:No.2:Ass'y	281 - 2
B834 4563	Plate	279 - 1
B834 4563	Plate	281 - 1
B834 4564	Holder - Front	279 - 8
B834 4565	Timing Pulley - 20T	279 - 12
B834 4566	Tension Bracket No.2 - Rear	281 - 6
B834 4568	Stud	281 - 7
B834 4568	Stud	279 - 13
B834 4572	Timing Belt - B100S5M2000	279 - 3
B834 4572	Timing Belt - B100S5M2000	281 - 3
B834 4594	Shielding Plate - Long	277 - 8
B834 4595	Contact Point Shaft - Long	277 - 3
B834 4696	Rack - Rear Lower	275 - 24
B834 4741	Paper Size Sensor Bracket	271 - 19
B834 4742	Feeler - Paper Size Sensor No.1	271 - 15
B834 4743	Feeler - Paper Size Sensor No.2	271 - 11
B835 2790	Gear - 14Z	291 - 21
B835 2825	Gear - 29Z/36T	289 - 18
B835 2826	Timing Belt - B60S2M110	289 - 19
B835 2977	Timing Belt - B40S2M150	295 - 24
C229 2561	Stepped Screw	125 - 33
C236 3237	Collar 6x11.2x1.5	271 - 5
C238 2573	Stepped Screw	75 - 6
C244 4426	Shoulder Screw	139 - 6

Part No.	Description	Page and Index No.
C257 7051	Washer:DIA4.5xDIA14x1T:T:T	109 - 28
C563 3116	Belt Joint	273 - 2
C612 1803	Screw:Encoder:A4991378B	275 - 25
C632 1194	Caster:Stopper	215 - 11
D002 5998	Washer:DIA4.5:DIA10	305 - 20
D002 5998	Washer:DIA4.5:DIA10	231 - 28
D009 4388	Roller Clutch	131 - 3
D014 5952	Supporter:Upper	201 - 7
D014 5953	Supporter:Lower	201 - 8
D014 5973	Cover:SD-Card	229 - 10
D014 6626	Bracket:On Off Detector:Front	45 - 5
D014 6627	Bracket:On Off Detector:Rear	45 - 7
D014 6783	Arm:End Fence:Lock	47 - 28
D014 6784	Spring Plate:End Fence	47 - 9
D014 6785	Spring Plate:Arm:End Fence:Lock	47 - 1
D014 6786	Decal:Paper Set Direction	375 - 16
D014 6786	Decal:Paper Set Direction	47 - 7
D016 0490	Decal:Fiery:Server:ENG	375 - 23
D016 1099	Bracket:Upper Front:Cover	257 - 3
D016 1116	Spring Plate:Earth:Lock	231 - 11
D016 1133	Bracket:Plug:ADF	297 - 19
D016 1134	Duct:Scanner Unit	257 - 8
D016 1171	Bracket:Ground Plate	257 - 5
D016 1172	Holder:ADF	257 - 12
D016 1311	Decal:Paper Tray:Slow Set	267 - 19
D016 1311	Decal:Paper Tray:Slow Set	375 - 93
D016 1372	Bracket:Cover:Extension	231 - 24
D016 1951	BuFfer:Image Reading Unit:Base	257 - 1
D016 1952	Holder:Image Reading Unit:Base	257 - 2
D016 1977	Cover:Upper Front:Scanner	231 - 14
D016 1983	Bracket:Fix:Cover:Scanner:Upper Front	231 - 10
D016 1988	Cover:Interface Cable:Copyer	233 - 4
D016 1991	Inner Cover:Left Upper:-C	235 - 24
D016 1994	Decal:Tray:Exit:ADF	231 - 20
D016 1994	Decal:Tray:Exit:ADF	375 - 76

Part No.	Description	Page and Index No.
D016 4056	Roller:Driven:Opposed	113 - 3
D016 4244	Knob:Fusing:Mechanical Roller Clutch	129 - 11
D016 4245	Decal:Rotation Direction:Knob:Hot Roller	129 - 10
D016 4245	Decal:Rotation Direction:Knob:Hot Roller	375 - 75
D016 5168	Interface Cable:Scanner:LVDS	259 - 14
D016 5323	Harness:Ground Wire:Interface: Document Feeder	297 - 18
D016 5326	Harness:Heater:Scanner:Connecting:Ass'y	265 - 11
D016 5341	Harness:Scanner:Heater:Ass'y	265 - 27
D016 6444	Density Sensor:TM:Ass'y	101 - 10
D016 6445	Hook:Shutter:Sensor:TM	101 - 13
D016 6498	Density Sensor	101 - 11
D016 6508	Electrode Plate:Intermediate Transfer	105 - 24
D016 6508	Electrode Plate:Intermediate Transfer	103 - 24
D016 9510	Photoconductor:DIA100	93 - 11
D029 5720	Heat Sink:EX1:GMCH:Coolermaster	361 - 2
D046 4921	Panel:Logo:GES	27 - 25
D046 4924	Panel:Logo:Nashua	27 - 25
D046 4925	Panel:Logo:REX	27 - 25
D059 1721	Image Scanning Board:Ass'y	259 - 10
D059 1811	Cover:Laser Diode Unit: Polygon Mirror Motor:Ass'y	263 - 7
D059 1838	Gasket:Cover:Rail	265 - 30
D059 1839	Gasket:Stay:Rail	265 - 31
D059 2620	Retaining Rings-C	283 - 19
D059 2620	Retaining Rings-C	285 - 1
D059 4398	Joint:Paper Exit Unit:Drive	179 - 6
D059 4399	Joint:Paper Exit Unit:Main	149 - 33
D059 5116	PCB:MCU	263 - 2
D059 5122	PCB:SIB	263 - 12
D059 5152	Harness:Scanner:Main	263 - 10
D059 5153	Harness:Mcu:Sensor	263 - 3
D059 5156	Harness:SBU:Power Source	263 - 8
D059 5157	Harness:SBU	263 - 9
D059 5158	Harness:SIB:Fan	263 - 11

Part No.	Description	Page and Index No.
D059 5160	Harness:Lamp Regulator	263 - 22
D059 5632	Harness:Power Source:Large Capacity Tray: Connecting	217 - 3
D059 6496	Guide:Middle:Paper Tray	47 - 37
D059 6690	Plate:Paper:Ass'y	43 - 8
D062 6878	Decal:Caution Chart:Tandem LCT	43 - 3
D062 6878	Decal:Caution Chart:Tandem LCT	375 - 8
D074 4302	Plain Shaft Bearing:Roller:Rear	131 - 10
D350 1322	Decal:End Fence:Tab	231 - 5
D350 1322	Decal:End Fence:Tab	375 - 78
D350 3345	Rack:Upper	269 - 9
D350 4517	Guard:Tray:Side Fence	269 - 3
D355 1015	Bracket:Holder:Stopper:Right:Ass'y	303 - 7
D355 1016	Bracket:Holder:Stopper:Left:Ass'y	303 - 9
D355 1043	Bracket:Fix:Transport Unit	301 - 21
D355 1058	Bracket:Frame:Base	303 - 18
D355 1096	Bracket:Cover:Rear	297 - 14
D355 1096	Bracket:Cover:Rear	299 - 19
D355 1102	Bracket:Detent:Peen	301 - 15
D355 1114	Slider:Lock	305 - 2
D355 1121	Bracket:Slide Rail:Left:Peen	303 - 17
D355 1122	Bracket:Slide Rail:Right:Peen	303 - 2
D355 1132	Bracket:Power Supply Cord	299 - 15
D355 1136	Shaft:Horizontal Transport:Drive:Ass'y	295 - 21
D355 1137	Joint:Transport Unit	295 - 20
D355 1138	Bracket:Fix:Transport Unit:Right	235 - 22
D355 1139	Bracket:Fix:Transport Unit:Left	235 - 21
D355 1143	Bracket:Plug:Coupling	299 - 6
D355 1144	Cover:Dehumidifier:Heater	305 - 12
D355 1152	Bracket:Drawer:Connector	299 - 4
D355 1157	Bracket:Horizontal Transport:Drive:Front	295 - 19
D355 1159	Bracket:Horizontal Transport:Drive:Rear:Peen	295 - 16
D355 1162	Damper:Tray:Lock:Right	303 - 22
D355 1163	Bracket:Joint Unit:Receive Plate:Rear	303 - 19

Part No.	Description	Page and Index No.
D355 1164	Bracket:Horizontal Transport Unit: Receive Plate:Rear	303 - 15
D355 1167	Compression Spring:Joint:Drive	295 - 14
D355 1168	Joint:Horizontal Transport:Drive:Shaft:Ass'y	295 - 15
D355 1172	Bracket:Cooling Unit	297 - 17
D355 1173	Bracket:Slide Rail	303 - 6
D355 1174	Bracket:PCB	299 - 8
D355 1181	Bracket:Harness Clamp:Peen	299 - 16
D355 1183	Ground Plate:Lower	305 - 10
D355 1185	Bracket:Fix:Cover:Right Front	235 - 29
D355 1191	Cover:Heater:Connector	303 - 23
D355 1195	Torsion Spring:Detent:8N	301 - 16
D355 1196	Roller:Detent	293 - 19
D355 1196	Roller:Detent	301 - 18
D355 1197	Timing Belt:60S2M286	295 - 23
D355 1198	Bracket:Detent	301 - 17
D355 1303	Inner Cover:Middle Upper	235 - 12
D355 1307	Decal:Knob:Left Middle	375 - 79
D355 1307	Decal:Knob:Left Middle	235 - 27
D355 1321	Cover:Right Upper:Ass'y	233 - 8
D355 1323	Cover:Right Lower:Ass'y	233 - 11
D355 1325	Cover:Push Switch	305 - 7
D355 1326	Cover:Rear Middle	233 - 6
D355 1327	Cover:Rear Left	233 - 2
D355 1328	Bracket:Cover:Rear Left	295 - 25
D355 1333	Shielding Plate:Safety Switch:Door	235 - 4
D355 1334	Hinge:Cover:Front Left:Upper:Peen	301 - 20
D355 1336	Hinge:Cover:Front Left:Lower:Peen	303 - 5
D355 1340	Spacer:Cover:Front Right:Open And Close	235 - 3
D355 1341	Hinge:Cover:Front Right:Upper:Peen	301 - 13
D355 1342	Hinge:Cover:Front Right:Lower:Peen	303 - 4
D355 1344	Bracket:Stopper:Door:Front Right	235 - 6
D355 1345	Cover:Front Right:Lower	233 - 1
D355 1347	Bracket:Safety Switch:Left	305 - 9
D355 1349	Bracket:Safety Switch:Right	305 - 8

Part No.	Description	Page and Index No.
D355 1366	Bracket:Fix:Cover:Upper Front	301 - 12
D355 1371	Cover:Upper:Extension	231 - 23
D355 1372	Bracket:Fix:Cover:Extension:Front	301 - 14
D355 1373	Bracket:Fix:Cover:Extension:Rear	301 - 22
D355 1375	Decal:Paper Tray:Scale	375 - 52
D355 1375	Decal:Paper Tray:Scale	229 - 20
D355 1382	Grip:Rear:Paper Tray	267 - 23
D355 1384	Grip:Paper Tray:Ass'y	267 - 12
D355 1902	Bracket:Tray:Stopper	303 - 21
D355 2551	Bracket:Reverse:Release	285 - 6
D355 2554	Hook:Reverse:Pressure	285 - 9
D355 2556	Lever:Reverse:Pressure:Swivel	285 - 11
D355 2559	Tension Spring:Reverse	285 - 8
D355 2563	Compression Spring:Reverse:Pressure:Auxiliary	285 - 10
D355 2674	Decal - Paper Volume	271 - 26
D355 2674	Decal - Paper Volume	375 - 85
D355 2718	Separation Plate:Drive Unit	277 - 7
D355 2751	Plate:Grip:Joint	267 - 10
D355 2753	Plate:Grip	267 - 11
D355 2784	End Fence:Tab:Ass'y	231 - 4
D355 3090	Transport Unit:Horizontal:Exterior:Ass'y	235 - 23
D355 3168	Bracket:Paper Size Sensor:Long	277 - 4
D355 3169	Plate:Paper Size Sensor	277 - 9
D355 3214	Gear - 30Z	297 - 13
D355 3232	Bracket:Timing Belt:Rear	273 - 3
D355 3365	Duct:Upper Front:Blower:Ass'y	269 - 14
D355 3375	Duct:Upper Rear:Blower:Ass'y	271 - 4
D355 3461	Guard:Blower:Rear	271 - 7
D355 3567	Handle:Ass'y	287 - 11
D355 3803	Transport Roller:Driven	287 - 10
D355 3803	Transport Roller:Driven	293 - 14
D355 3803	Transport Roller:Driven	285 - 20
D355 3803	Transport Roller:Driven	301 - 9
D355 3804	Transport Roller:Release:Driven	291 - 10
D355 3805	Drive Roller:Transport:Exit	293 - 9

Part No.	Description	Page and Index No.
D355 3806	Drive Roller:Transport:CW	289 - 12
D355 3807	Drive Roller:Transport:CCW	293 - 25
D355 3809	Cushion:Stay	287 - 2
D355 3809	Cushion:Stay	293 - 27
D355 3810	Bracket:Detent:Right:Ass'y	293 - 18
D355 3817	Gear:Drive:Grip:Z22	293 - 21
D355 3821	Bracket:Stepper Motor	289 - 3
D355 3821	Bracket:Stepper Motor	293 - 4
D355 3823	Guide Plate:Middle Lower:Exit	291 - 19
D355 3828	Holder:Stay:Guide Plate	293 - 15
D355 3828	Holder:Stay:Guide Plate	287 - 3
D355 3829	Bracket:Stepper Motor:Peen	289 - 17
D355 3830	Guide Plate:Middle Upper:Exit:Peen	291 - 12
D355 3832	Guide Plate:Upper:Open And Close:Peen	287 - 5
D355 3836	Bracket:Pressure Release: Photo Reflection Sensor	291 - 13
D355 3837	Bracket:Pressure Release: Photointerruptor:Flat	291 - 16
D355 3840	Bracket:Detent:Ass'y	293 - 10
D355 3841	Guide Plate:Upper Paper Feed:Lower:Peen	289 - 9
D355 3842	Guide Plate:Lower Right:Paper Tray:No.2:Peen	293 - 17
D355 3845	Guide Plate:Upper Paper Feed:Upper:Peen	289 - 13
D355 3846	Knob:Misfeed Removal	235 - 25
D355 3850	Guide Plate:Lower Left:Open And Close:Peen	293 - 16
D355 3851	Guide Plate:Middle Upper	291 - 7
D355 3853	Shaft:Cam:Pickup Roller:Ass'y	291 - 11
D355 3857	Tension Spring:Guide Plate:12N	287 - 4
D355 3858	Torsion Spring:Guide Plate:16n	293 - 11
D355 3859	Guide Plate:Horizontal Transport:Lower	287 - 6
D355 3872	Guide Plate:Middle Lower	291 - 6
D355 3873	Guide Plate:Horizontal Transport:Upper	287 - 7
D355 3874	Timing Belt:60S2M210	293 - 3
D355 3874	Timing Belt:60S2M210	289 - 4
D355 3875	Timing Belt:60S2M224	293 - 26
D355 3877	Guide Plate:Middle Lower:Open And Close	291 - 18

Part No.	Description	Page and Index No.
D355 3882	Roller:Pressure Release	291 - 1
D355 3883	Bracket:Arm	291 - 4
D355 3885	Stopper:Frame	287 - 17
D355 3886	Shaft:Arm:On-Off	291 - 2
D355 3889	Arm:On-Off	291 - 3
D355 3891	Decal:U1:Lever:Operate:Display	375 - 88
D355 3891	Decal:U1:Lever:Operate:Display	287 - 12
D355 3892	Decal:U3:Lever:Operate:Display	375 - 89
D355 3892	Decal:U3:Lever:Operate:Display	287 - 15
D355 3893	Lever:Misfeed Removal:Ass'y	287 - 16
D355 3894	Lever:Misfeed Removal:Ass'y	287 - 14
D355 3897	Screw:M4:3M	287 - 1
D355 3897	Screw:M4:3M	291 - 20
D355 3897	Screw:M4:3M	293 - 7
D355 3958	Slide Rail:Transport Unit	303 - 3
D355 3990	Guide Plate:Joint Unit:Lower:Peen	301 - 8
D355 3993	Guide Plate:Joint Unit:Upper:Peen	301 - 5
D355 3995	Transport Roller:Joint Unit:Ass'y	301 - 6
D355 3998	Bracket:Sensor:Transport	301 - 2
D355 3998	Bracket:Sensor:Transport	289 - 11
D355 3998	Bracket:Sensor:Transport	293 - 23
D355 4140	Gear - 24Z	279 - 10
D355 4531	Shaft:Main:Drive	281 - 12
D355 4534	Holder:Driven:Rear	281 - 13
D355 4539	Shaft:Gear:Drive	297 - 8
D355 4548	Shaft:Main:Drive	297 - 5
D355 4556	Bracket:Paper Volume Sensor	281 - 8
D355 4558	Tensioner:No.2:Ass'y	281 - 4
D355 4558	Tensioner:No.2:Ass'y	279 - 4
D355 4563	Drive Bracket - Rear Lower	281 - 11
D355 4564	Bracket:Drive:Front Lower	279 - 11
D355 4565	Bracket:Paper Size Sensor:Roller:Peen	277 - 15
D355 4568	Feeler:Paper Volume Sensor	273 - 1
D355 4572	Decal:Paper Tray:Warning	275 - 2
D355 4572	Decal:Paper Tray:Warning	151 - 16

Part No.	Description	Page and Index No.
D355 4572	Decal:Paper Tray:Warning	67 - 29
D355 4572	Decal:Paper Tray:Warning	375 - 49
D355 4574	Decal:Paper Tray:Caution	275 - 1
D355 4574	Decal:Paper Tray:Caution	375 - 90
D355 4575	Decal:Paper Tray:LCT	375 - 91
D355 4575	Decal:Paper Tray:LCT	231 - 7
D355 4578	Guide:End Fence:Right	273 - 11
D355 4579	Guide:End Fence:Left	273 - 10
D355 4587	Bracket:End Fence	277 - 13
D355 4591	Grip:End Fence:Ass'y	273 - 13
D355 4593	Rack:Base:End Fence	277 - 1
D355 4597	Shaft:End Fence:Coupling	277 - 12
D355 4608	Spacer:Side Fence:Push Rivet	269 - 21
D355 4608	Spacer:Side Fence:Push Rivet	271 - 28
D355 4624	Stay:Middle:Paper Tray	273 - 15
D355 4640	Tray Bottom Plate:Adhesion	273 - 8
D355 4652	Supporting Plate:Side Fence:Front	269 - 16
D355 4654	Cover:Side Fence	269 - 22
D355 4654	Cover:Side Fence	271 - 29
D355 4662	Supporting Plate:Side Fence:Rear	271 - 2
D355 4875	Compression Spring	299 - 2
D355 4915	Spring Plate:Earth:Tray	297 - 15
D355 4931	Plate:Drive:Middle	297 - 4
D355 4934	Plate:Drive:Rear	297 - 1
D355 5300	Harness:Interface:Main:Ass'y	299 - 14
D355 5303	Harness:Main:Motor:Ass'y	299 - 10
D355 5304	Harness:Safety Switch:Ass'y	299 - 12
D355 5304	Harness:Safety Switch:Ass'y	305 - 18
D355 5305	Harness:Safety Switch:Connecting:Exit	305 - 19
D355 5308	Harness:Sensor:Connecting: Vertical Transport	305 - 21
D355 5309	Harness:Sensor:Horizontal Transport: Exit:Ass'y	301 - 1
D355 5311	Harness:Sensor:Transport:Ass'y	293 - 28
D355 5312	Harness:Sensor:F1:Vertical Transport:Ass'y	289 - 14

Part No.	Description	Page and Index No.
D355 5313	Harness:Sensor:F2:Vertical Transport:Ass'y	293 - 24
D355 5314	Harness:Sensor:Exit:Ass'y	291 - 15
D355 5317	Harness:Earth:Ass'y	305 - 17
D355 5319	Harness:Horizontal Transport:Connecting: Ass'y	299 - 17
D355 5330	Harness:Data:Connecting: Large Capacity Tray	299 - 13
D355 5331	Harness:Power Source:Connecting: Large Capacity Tray	299 - 5
D355 5340	Harness:Connecting:Heater:Ass'y	305 - 15
D377 5852	Bracket:NIC:VC2:Engine	229 - 11
D379 4575	Decal:Paper Tray:Coupling	231 - 29
D450 1053	Decal:Fiery:Server:ENG	375 - 23
D452 2573	Cover:Paper Feed Roller	283 - 23
D452 2574	Arm:Pickup	283 - 25
D452 5311	Harness:Connecting:Paper Feed Unit	303 - 24
D453 1074	Guide:Paper Feed Unit:Middle	305 - 23
D453 1079	Stopper:Paper Feed Unit	305 - 24
D453 1335	Decal:TCRU	275 - 5
D453 1335	Decal:TCRU	235 - 16
D453 1335	Decal:TCRU	375 - 50
D453 1335	Decal:TCRU	283 - 6
D453 2586	Shaft:Feed Roller:Ass'y	283 - 17
D453 2777	Plate:Auxiliary:Small:Adhesion	271 - 25
D453 3400	Guide:Stopper:Left	267 - 2
D453 3425	Guide:Stopper:Right	267 - 20
D453 3439	Drum Stay:Paper Feed:Upper	275 - 6
D453 4449	Shaft:Link:Pierce	267 - 14
D453 4876	Screw:Drawer:Connector	299 - 20
D516 2501	Transport Roller:Grip	283 - 18
D516 2553	Shaft:Driven:Reverse:Ass'y	285 - 4
D516 2575	Bracket:Paper Feed Unit:Sensor:Welding	283 - 9
D516 2581	Swing Unit:Lever:Ass'y	283 - 2
D516 2863	Bracket:Dc Solenoid:Pickup	283 - 3
D516 4880	Bracket:Drawer:Connector	281 - 15

Part No.	Description	Page and Index No.
D516 5325	Harness:Connecting:Tray:F2:Ass'y	281 - 14
D532 1125	Slide Rail:Tray:Side Fence	275 - 22
D532 1147	Decal:H-Temp Warning	305 - 13
D532 1304	Inner Cover:Left Middle	235 - 20
D532 1305	Inner Cover:Left Lower	235 - 28
D532 1313	Decal:Knob:Paper Feed Unit:Upper	375 - 80
D532 1313	Decal:Knob:Paper Feed Unit:Upper	235 - 17
D532 1314	Decal:Knob:Transport:Middle Upper	375 - 81
D532 1314	Decal:Knob:Transport:Middle Upper	235 - 11
D532 1315	Decal:Knob:Paper Feed Unit:Lower	375 - 82
D532 1315	Decal:Knob:Paper Feed Unit:Lower	235 - 18
D532 1317	Decal:H-temp Warning:Paper Feed Unit	375 - 51
D532 1317	Decal:H-temp Warning:Paper Feed Unit	235 - 15
D532 1318	Inner Cover:Paper Feed:Upper:Ass'y	235 - 13
D532 1319	Inner Cover:Paper Feed:Lower:Ass'y	235 - 14
D532 1320	Inner Cover:Horizontal:Exit:Ass'y	235 - 10
D532 1321	Decal:Paper:Supply	375 - 94
D532 1321	Decal:Paper:Supply	267 - 16
D532 1322	Decal:Holder:Set	375 - 77
D532 1323	Decal:Holter:Set	267 - 17
D532 1331	Cover:Front Left:Open And Close:Ass'y	235 - 1
D532 1338	Cover:Front Right:Open And Close:Ass'y	235 - 2
D532 1350	Decal:Misfeed Removal:Left	235 - 8
D532 1350	Decal:Misfeed Removal:Left	375 - 83
D532 1352	Decal:Misfeed Removal:Right	375 - 84
D532 1352	Decal:Misfeed Removal:Right	235 - 7
D532 1387	Cover:Paper Tray:Ass'y	267 - 18
D532 1394	Decal:Side Fence:Scale:Front	269 - 13
D532 1394	Decal:Side Fence:Scale:Front	375 - 86
D532 1395	Decal:Side Fence:Scale:Rear	375 - 87
D532 1395	Decal:Side Fence:Scale:Rear	271 - 9
D532 1396	Decal:Side Fence:Size Indication:Front	375 - 73
D532 1396	Decal:Side Fence:Size Indication:Front	269 - 8
D532 1397	Decal:Side Fence:Size Indication:Rear	375 - 74
D532 1397	Decal:Side Fence:Size Indication:Rear	271 - 27

Part No.	Description	Page and Index No.
D532 2500	Paper Feed Unit	283 - *
D532 2877	Knob Screw:Tray:Guide:Green	271 - 8
D532 2877	Knob Screw:Tray:Guide:Green	269 - 12
D532 2887	Plate:Turn:Prevention	271 - 30
D532 2887	Plate:Turn:Prevention	269 - 26
D532 3301	Base:Side Fence:Lower:Peen	275 - 15
D532 3306	Bracket:Side Fence:Lower Front:Peen	275 - 26
D532 3310	Bracket:Side Fence:Lower Rear	275 - 27
D532 3313	Rack:Front Lower	275 - 23
D532 3315	Plate:Upper:Front	269 - 25
D532 3331	Rack:Middle Front	275 - 19
D532 3337	Cover:Upper Front	269 - 11
D532 3341	Cover:Rack:Lower Front	275 - 18
D532 3342	Cover:Rack:Upper Front	269 - 20
D532 3344	Shaft:Coupling:Front:No.2	275 - 8
D532 3346	Shaft:Coupling:Rear:No.2	275 - 11
D532 3358	Cover:Upper Rear	271 - 10
D532 3380	Plate:Lower Front:Install:Peen	275 - 7
D532 3459	Guard:Blower:Front	269 - 2
D532 3462	Cover:Blower:Harness	269 - 1
D532 3846	Knob:Misfeed Removal	235 - 19
D532 4636	Decal:Base:Auxiliary:Holder	271 - 31
D532 4636	Decal:Base:Auxiliary:Holder	375 - 47
D532 4636	Decal:Base:Auxiliary:Holder	269 - 28
D532 4649	Bracket:Install:Slide Rail:Front	275 - 20
D532 4650	Tray:Base:Auxiliary:Ass'y	269 - 27
D532 4650	Tray:Base:Auxiliary:Ass'y	271 - 22
D532 4656	Side Fence:Front	269 - 18
D532 4659	Bracket:Install:Slide Rail:Rear	275 - 21
D532 4665	Side Fence:Rear	271 - 1
D532 4933	Plate:Drive:Rear:Peen	297 - 11
D532 4936	Mechanical Roller Clutch:2.0N	297 - 20
D532 5111	PCB:LCT:Main	299 - 7
D532 5301	Harness:Main:Drawer:Ass'y	299 - 9
D532 5302	Harness:Main:Paper Feed:Ass'y	299 - 11

Part No.	Description	Page and Index No.
D532 5312	Harness:Paper Feed Unit:Ass'y	285 - 24
D532 5327	Harness:Dc Fan Motor:Ass'y	281 - 16
D532 5515	DC Fan Motor:25.2W	269 - 17
D532 5515	DC Fan Motor:25.2W	271 - 3
G029 1975	Cylindrical Lens	91 - 6
G052 1518	Spring - Lock Lever	277 - 5
G060 2296	Ball Bearing:8x16x5mm	63 - 14
G060 2296	Ball Bearing:8x16x5mm	69 - 13
G060 2296	Ball Bearing:8x16x5mm	103 - 9
G060 2296	Ball Bearing:8x16x5mm	105 - 3
G166 3278	Seal:Toner Hopper:Recycle Machine	83 - 15
G178 1105	Bracket:Harness:Middle Rear	191 - 3
G178 1122	Guide:Lock:Transport Unit	179 - 8
G178 1138	Screw With Washer:M6x14	227 - 3
G178 1139	Slide Rail:Development Unit	221 - 3
G178 1141	Holder:Stand:M20	229 - 9
G178 1144	Cover:Control Unit:Right:Sub-ass'y	215 - 5
G178 1146	Bracket:Fan:Registration:Rear	197 - 12
G178 1152	Stopper:C/T Box:Lower	215 - 7
G178 1165	Hinge:Pin:Upper:Peen	207 - 1
G178 1169	Cover:Leak Breaker	213 - 6
G178 1174	Plate:Control Unit:Install	209 - 1
G178 1184	Plate:Control Unit:Rear	215 - 2
G178 1189	Holder:Screw:Base:Lower	215 - 9
G178 1192	Guide Plate:Frame	215 - 4
G178 1195	Hinge:Pin:Lower:Peen	207 - 2
G178 1197	Cover:C/T Box:Interface	33 - 10
G178 1199	Hinge:Main:Peen	199 - 11
G178 1200	Hinge:Main:Holder	199 - 12
G178 1230	Ground Plate:C/T Box:Peen	215 - 6
G178 1252	Holder:Cleaner:Shaft:Drive	175 - 2
G178 1265	Encoder:Ass'y	173 - 10
G178 1267	Cover:Encoder:Sensor	173 - 9
G178 1268	Antistatic Brush:Drum	173 - 14
G178 1269	Holder:Antistatic Brush:Drum	173 - 15

Part No.	Description	Page and Index No.
G178 1271	Spacer:Shaft:Drum	173 - 7
G178 1273	Gear:Drum Drive Sub-unit:Z168	173 - 8
G178 1280	Antistatic Brush:Roller:Development	175 - 17
G178 1281	Holder:Idler:Shaft:Ass'y	175 - 3
G178 1289	Fly Wheel:Drum	173 - 19
G178 1291	Joint:Transport Screw:No.2	175 - 24
G178 1294	Insulator:Rear: Bearing	175 - 8
G178 1303	Collar:Bias:Development Roller	175 - 12
G178 1304	Shaft:Terminal:Bias	175 - 13
G178 1307	Joint:Development Roller:Drive	175 - 10
G178 1314	Gear:Idler:Z31:Ass'y	175 - 20
G178 1317	Cover:Gear:Stand:Ass'y	175 - 22
G178 1327	Gear:Idler:Upper:Ass'y	175 - 4
G178 1328	Gear:Idler:Lower:Ass'y	175 - 6
G178 1329	Encoder:Sensor:Drum:Ass'y	173 - 4
G178 1331	Duct:Development:Charge:Ass'y	169 - 13
G178 1337	Duct:O3:Development:Charge:Ass'y	169 - 11
G178 1343	Plate:Holder:Slide Rail	173 - 2
G178 1346	Holder: Bearing	175 - 23
G178 1352	Seal:O3	169 - 10
G178 1357	Joint:Transport Screw:No.2:Ass'y	175 - 19
G178 1358	Magnetic Roller:Joint:Gear:Ass'y	175 - 9
G178 1362	Shaft:Drive:Cleaner:Ass'y	175 - 7
G178 1364	Parallel Pin:7033515:4x16	173 - 11
G178 1366	Compression Spring	175 - 11
G178 1376	Duct:O3:Rear:Ass'y	169 - 9
G178 1384	Holder: Bearing:Drum Shaft	173 - 12
G178 1388	Gear:Idler:Z57:Development:Ass'y	175 - 18
G178 1389	Gear:Idler:Z66:Lower:Ass'y	175 - 21
G178 1392	Cleaner:Charge:Drive:Ass'y	169 - 14
G178 1433	Stepping Motor - DC 9.52W	177 - 13
G178 1437	Cover:Idler:Gear:O/C	177 - 8
G178 1440	Washer:Pulley:Shaft:Fusing Drive	177 - 19
G178 1441	Holder:Connector	177 - 7
G178 1444	Shaft:Fix:O/C:Base	177 - 15

Part No.	Description	Page and Index No.
G178 1447	Pulley:DC Motor:Fusing Drive	177 - 21
G178 1457	Gear:Idler:DC Motor:O/C:Ass'y	177 - 9
G178 1470	Belt Tensioner:Ass'y	177 - 11
G178 1472	Timing Belt:S3M:402	177 - 20
G178 1475	Tension Spring:7062126	177 - 12
G178 1478	Compression Spring:Drawer	177 - 5
G178 1490	Shaft:Fix:O/C:Base:2	177 - 27
G178 1493	Joint:O/C:Main	177 - 18
G178 1546	Cover:Toner Supply:Front:Ass'y	81 - 1
G178 1553	Bracket:Door Catch	27 - 3
G178 1554	Door:Front Left	27 - 1
G178 1560	Hinge:Door:Left Upper:Ass'y	27 - 5
G178 1563	Hinge:Door:Left Lower:Ass'y	27 - 18
G178 1565	Hinge:Door:Right Upper:Ass'y	27 - 20
G178 1568	Hinge:Door:Right Lower:Ass'y	27 - 22
G178 1571	Bracket:Door Catch:Front Left	29 - 11
G178 1582	Cushion:Cover:Upper Middle	27 - 27
G178 1584	Bracket:Cover:Upper Middle:Ass'y	27 - 13
G178 1586	Cover:Upper Middle	27 - 11
G178 1588	Stopper:Door:Upper	27 - 10
G178 1592	Cushion:Cover:Upper Front	27 - 26
G178 1594	Stay:Cover:Upper Middle:Left	27 - 14
G178 1595	Stay:Cover:Upper Middle:Right	27 - 15
G178 1596	Guide Plate:Cover:Upper Front:Left	27 - 17
G178 1597	Guide Plate:Cover:Upper Front:Right	27 - 21
G178 1601	Bracket:Safety Switch:Left	27 - 30
G178 1602	Arm:Safety Switch:Upper:Ass'y	27 - 29
G178 1606	Bracket:Safety Switch:Right	27 - 12
G178 1608	Bracket:Door Catch:Upper Front	27 - 9
G178 1611	Cover:Main:Left:Ass'y	31 - 9
G178 1616	Cover:Connector:LCT:Coat	31 - 18
G178 1620	Panel:Logo:Printing:INF	27 - 2
G178 1621	Inner Cover:Main:Middle	29 - 12
G178 1622	Inner Cover:Main:Right	29 - 14
G178 1623	Inner Cover:Main:Left	29 - 7

Part No.	Description	Page and Index No.
G178 1624	Inner Cover:Main:Middle Lower	29 - 13
G178 1626	Decal:Main Switch	375 - 6
G178 1626	Decal:Main Switch	29 - 15
G178 1628	Cover:Main:Right:Coat	31 - 14
G178 1629	Bracket:Connecting:Micro Switch	85 - 18
G178 1635	Hinge:Toner Supply:Front Right	81 - 3
G178 1636	Hinge:Toner Supply:Front Left	81 - 5
G178 1637	Bracket:Hinge:Front Right	81 - 2
G178 1638	Bracket:Hinge:Front Left	81 - 4
G178 1640	Bracket:Toner Supply:Middle:Ass'y	81 - 12
G178 1644	Bracket:Micro Switch	81 - 14
G178 1645	Cover:Toner Supply:Middle Upper	81 - 9
G178 1646	Cover:Toner Supply:Right Middle	81 - 11
G178 1647	Cover:Toner Supply:Left Middle	81 - 8
G178 1648	Cover:Toner Supply:Entrance	81 - 7
G178 1649	Cover:Toner Supply:Rear	31 - 11
G178 1650	Guide:Toner Bottle:Upper	81 - 13
G178 1651	Plate:Cover:Upper	81 - 10
G178 1653	Decal:Exchangeable:Toner Bottle	375 - 10
G178 1653	Decal:Exchangeable:Toner Bottle	81 - 16
G178 1655	Brake:Turn:Upper Lower	35 - 23
G178 1670	Cover:Control Unit:Rear Upper:Coat	33 - 3
G178 1676	Grip:Cover:Control Unit	33 - 2
G178 1678	Spring:Balancer:Cover:Operation Sub-unit	35 - 17
G178 1679	DVD-ROM:User_Soft:AGP1:EXP:Ass'y	229 - 35
G178 1682	Coil Spring:OPERATION PANEL:HANDLE	35 - 10
G178 1686	Holder:Fix	35 - 21
G178 1689	Stay:Operation Sub-unit:Washer	35 - 18
G178 1699	Knob:Operation Sub-unit	35 - 9
G178 1722	Shaft:Knob:Operation Sub-unit	35 - 16
G178 1757	Bracket Shoe:Operation Sub-unit	35 - 19
G178 1762	Stay:Turn	35 - 20
G178 1769	Washer:M4	177 - 2
G178 1769	Washer:M4	35 - 22
G178 1771	Shaft:Knob:Arm:Small	35 - 12

Part No.	Description	Page and Index No.
G178 1773	Arm:Turn:Upper Lower:Welding	35 - 25
G178 1774	Arm:Turn:Left And Right:Welding	35 - 26
G178 1786	Arm:Operation Sub-unit:Welding	35 - 4
G178 1797	Supporting Plate:Arm	89 - 17
G178 2035	Laser Unit:Ass'y	91 - *
G178 2041	Laser Diode Unit:MK:Ass'y	91 - 13
G178 2042	Laser Diode Unit:YC:Ass'y	91 - 14
G178 2051	Polygon Mirror Motor:DC 26.4W	91 - 4
G178 2151	Shield Glass:Ass'y	91 - 9
G178 2163	Hook:Shield Glass	89 - 19
G178 2180	PCB:OPI	89 - 9
G178 2197	Holder:Harness:Lde Control:No.1	219 - 15
G178 2198	Holder:Harness:Ld Control:No.2	219 - 16
G178 2204	Decal:Laser Diode:3R	375 - 21
G178 2204	Decal:Laser Diode:3R	173 - 20
G178 2204	Decal:Laser Diode:3R	89 - 20
G178 2455	Charge Corona:Ass'y	93 - 1
G178 2500	Grid:Charge Corona	93 - 8
G178 2501	Corona Wire:Charge Corona	93 - 7
G178 2502	Cushion:Corona Wire	93 - 6
G178 2507	Cleaner:Grid:Ass'y	93 - 4
G178 2510	Cleaner:Corona Wire:Ass'y	93 - 3
G178 2519	Stay:Grid	93 - 14
G178 2522	Ring:Slider	93 - 2
G178 2528	Bracket:Home Position Sensor	219 - 6
G178 2541	Guide:Charge Corona:Left:Ass'y	219 - 3
G178 2547	Seal:Charge Corona:Frame:Front	219 - 17
G178 2549	Electric Potential Sensor	219 - 2
G178 2553	Holder:Electric Potential Sensor	89 - 3
G178 2565	Duct:Charge:Left Upper:Ass'y	219 - 13
G178 2605	Tension Spring:Corona Wire	93 - 5
G178 2619	Duct:Charge:Left Lower:Black	219 - 1
G178 2620	Duct:Charge:Left Lower:Magenta	219 - 1
G178 2621	Duct:Charge:Left Lower:Cyan	219 - 1
G178 2622	Duct:Charge:Left Lower:Yellow	219 - 1

Part No.	Description	Page and Index No.
G178 2623	Holder:Duct:Entrance	219 - 14
G178 2712	Grip:Drum:Remover/Install:Ass'y	93 - 16
G178 2718	Holder:Drum:Remover/Install:Front	93 - 17
G178 2719	Holder:Drum:Remover/Install:Rear	93 - 18
G178 2916	Lever:Release:Vertical Transport	55 - 19
G178 2922	Vertical Transport Unit	55 - 16
G178 2924	Cover:Safety:Paper Size Sensor	183 - 20
G178 2926	Bracket:Release:Vertical Transport	55 - 23
G178 2942	Grip:Front:Paper Tray	47 - 5
G178 2942	Grip:Front:Paper Tray	267 - 24
G178 2942	Grip:Front:Paper Tray	41 - 14
G178 2952	Bracket:Misfeed Removal:Upper:Ass'y	55 - 4
G178 2953	Bracket:Misfeed Removal:Lower:Ass'y	55 - 13
G178 2954	Decal:Knob:Rotation Direction:A2	55 - 11
G178 2954	Decal:Knob:Rotation Direction:A2	375 - 22
G178 2958	Decal:Size Indication:Multi-language	375 - 27
G178 2958	Decal:Size Indication:Multi-Language	231 - 6
G178 2958	Decal:Size Indication:Multi-language	229 - 6
G178 2961	Decal:Knob:Rotation Direction:A3	375 - 17
G178 2961	Decal:Knob:Rotation Direction:A3	55 - 12
G178 2962	Decal:Tray:Design Sketch1	41 - 1
G178 2962	Decal:Tray:Design Sketch1	375 - 18
G178 2963	Decal:Tray:Design Sketch2	47 - 34
G178 2963	Decal:Tray:Design Sketch2	375 - 19
G178 2964	Cover:Universal:Decal:Adhesion	47 - 35
G178 2965	Cover:Tandem Tray:Decal:Adhesion	41 - 2
G178 2966	Inner Cover:Decal:Adhesion	55 - 10
G178 2977	Seal:Inner Cover:Front	55 - 27
G178 2978	Bracket:Cover:Tandem LCT	41 - 3
G178 2979	Guide:Middle:Paper Tray	43 - 18
G178 3108	Gear:Drive:Toner Supply	87 - 9
G178 3115	Empty Bottle:Developer:Ass'y	377 - 8
G178 3119	Gear:Front Upper:Drive:Toner Supply	87 - 34
G178 3126	Cover:Front:Drive:Toner Supply	87 - 42
G178 3127	O-Ring:5.8mm	87 - 41

Part No.	Description	Page and Index No.
G178 3137	Cover:Gear:Development Unit:Ass'y	95 - 10
G178 3150	Gear:Magnetic Clutch:Toner Supply	87 - 19
G178 3151	Gear:Magnetic Clutch:Idler:Upper	87 - 26
G178 3159	Gear:Idler:Lower:Toner Supply	87 - 27
G178 3160	Ground Plate:Toner Supply	87 - 35
G178 3174	Shaft:Magnetic Clutch:Toner Supply	87 - 18
G178 3175	Shaft:Right:Drive:Toner Supply	87 - 31
G178 3176	Shaft:Drive:Toner Supply:Ass'y	87 - 7
G178 3179	Holder:Right:Drive:Toner Supply	87 - 12
G178 3180	Shaft:Drive:Motor:Toner Supply	87 - 45
G178 3181	Gear:Drive:Motor:Toner Supply	87 - 5
G178 3185	Dispenser:6ML	229 - 22
G178 3186	Magnetic Clutch:Toner Supply Unit:Ass'y	87 - 21
G178 3187	Seal:Bracket:Toner Supply	87 - 36
G178 3190	Case:Lower:Toner Supply:Ass'y	87 - 15
G178 3191	Bracket:Toner Supply:Sub:Ass'y	87 - 44
G178 3193	DC Motor:Toner Supply:Ass'y	87 - 1
G178 3195	Tube:Toner Supply:Black	85 - 15
G178 3197	Tube:Toner Supply:Magenta	85 - 16
G178 3198	Tube:Toner Supply:Cyan	85 - 17
G178 3207	Holder:Left:Drive:Toner Supply	87 - 8
G178 3208	Joint:Toner Supply	87 - 6
G178 3215	Gear:Drive:Idler:Ass'y	87 - 4
G178 3223	Plate:Stopper:Development Unit	93 - 13
G178 3227	Cover:Motor:Drive:Toner Supply	87 - 2
G178 3232	Terminal:Development Roller	109 - 3
G178 3232	Terminal:Development Roller	105 - 20
G178 3232	Terminal:Development Roller	127 - 6
G178 3232	Terminal:Development Roller	113 - 5
G178 3232	Terminal:Development Roller	95 - 15
G178 3232	Terminal:Development Roller	103 - 1
G178 3232	Terminal:Development Roller	115 - 5
G178 3243	Inner Cover:Around The Photoconductor:Ass'y	29 - 9
G178 3272	Gear:Front:Drive:Toner Supplr	87 - 39
G178 3273	Gear:Front Lower:Drive:Toner Supplr	87 - 40

Part No.	Description	Page and Index No.
G178 3274	Shaft:Front Lower:Drive:Toner Supply	87 - 37
G178 3304	Gear:Transport Screw:No.1	95 - 21
G178 3305	Gear:Transport Screw:NO.2	95 - 17
G178 3308	Gear:Transport Screw:No.3	95 - 30
G178 3309	Gear:Idler:Transport Screw:Upper	95 - 20
G178 3311	Gear:Idler:Transport Screw:Lower	95 - 19
G178 3313	Gear:Idler:Exhaust:Development Unit	95 - 22
G178 3315	Gear:Exhaust:Development Unit:No.1	95 - 23
G178 3330	Gear:Idler:Development Roller:Ass'y	95 - 12
G178 3332	Gear:Development Roller	95 - 14
G178 3343	Cover:Lower:Development Unit	95 - 1
G178 3345	Holder: Bearing:No.2	95 - 25
G178 3354	Shielding Plate:Sensor:Development Roller	95 - 13
G178 3356	Gear:Joint:Development Unit	95 - 16
G178 3359	Gear:Exhaust:Development Unit:No.3	95 - 29
G178 3362	Gear:Exhaust:Development Unit:No.2	95 - 28
G178 3448	Knob Screw:Drum	93 - 10
G178 3456	Spring:Shutter:Exhaust	95 - 27
G178 3459	Shutter:Exhaust:Development Unit	95 - 26
G178 3469	Sponge:Cover:Case:Upper	95 - 7
G178 3496	Toner Catchpan:Development Unit	95 - 32
G178 3503	Plate:Lever	83 - 30
G178 3505	Bracket:Holder:Ass'y	83 - 26
G178 3510	Lever:Pressure:Right:Ass'y	83 - 22
G178 3512	Lever:Pressure:Left:Ass'y	83 - 21
G178 3517	Roller:Release	83 - 19
G178 3520	Bracket:Slider	83 - 32
G178 3521	Shaft:Plate:Release Plate	83 - 35
G178 3522	Bracket:Stopper:Ass'y	83 - 34
G178 3525	Bracket:Roller:Wire:Ass'y	83 - 23
G178 3530	Stay:Release	83 - 13
G178 3532	Roller:Lever:Guide	83 - 28
G178 3534	Wire:Release:Lever	83 - 24
G178 3535	Grip:Release	83 - 5
G178 3536	Guide:Toner Bottle:Front	83 - 7

Part No.	Description	Page and Index No.
G178 3537	Guide:Toner Bottle:Front Right	83 - 8
G178 3538	Guide:Toner Bottle:Front Left	83 - 6
G178 3541	Guide:Toner Bottle:Right	83 - 17
G178 3542	Guide:Toner Bottle:Left	83 - 16
G178 3543	Roller:Plate:Toner Bottle	83 - 18
G178 3552	Shaft:Drive:Toner Bottle	85 - 3
G178 3553	Gear:Drive:Toner Bottle:Z14	85 - 2
G178 3555	Nozzle:Toner Supply:Ass'y	85 - 12
G178 3590	Tension Spring:Lever:Pressure	83 - 20
G178 3591	Tension Spring:Slider:Pressure	83 - 31
G178 3592	Tension Spring:Release:Lever	83 - 14
G178 3593	Tension Spring:Stopper	83 - 33
G178 3594	Spring:Drive:Toner Bottle	85 - 4
G178 3656	Seal:Behind:Large	99 - 14
G178 3657	Seal:Behind:Small	99 - 13
G178 3658	Ground Plate:Cleaning	99 - 15
G178 3664	Toner Collection Coil:Cleaning	99 - 17
G178 3670	Spring:Toner Catchpan	99 - 10
G178 3671	Toner Catchpan:Pipe	99 - 11
G178 3672	Cap:Pipe:Discharge Used Toner	99 - 12
G178 3673	Bracket:Vibrating Plate	99 - 18
G178 3674	Vibrating Plate:Collection Coil	99 - 19
G178 3675	Seal:Bracket:Blade:Behind	97 - 14
G178 3678	Spacer:Brush Roller	99 - 8
G178 3679	Joint:Drive:Cleaning	99 - 9
G178 3682	Holder:Shaft:Cleaning Blade:Front	97 - 6
G178 3685	Holder:Shaft:Cleaning Blade:Rear	97 - 4
G178 3687	Tension Spring:Cleaning Blade	97 - 2
G178 3691	Holder:Side Plate:Rear	99 - 22
G178 3692	Seal:Casing:Front	99 - 5
G178 3693	Seal:Casing:Rear	99 - 7
G178 3695	Retaining Rings-e:Guide	97 - 5
G178 3698	Entrance Seal:Drum Cleaning	99 - 6
G178 3699	Gear Kit:Cleaning Unit	97 - *
G178 3702	Ground Plate:Apply	97 - 20

Part No.	Description	Page and Index No.
G178 3706	Sheet:Coating Bar:1	97 - 26
G178 3707	Sheet:Coating Bar:2	97 - 28
G178 3708	Blade:Apply:Adhesion	97 - 23
G178 3709	Bracket:Cleaning Blade:Adhesion	97 - 3
G178 3713	Bushing:Apply	97 - 13
G178 3720	Cover:Coating Bar	97 - 24
G178 3723	Seal:Apply:Front	97 - 15
G178 3724	Seal:Apply:Rear	97 - 17
G178 3725	Seal:Apply:Small	97 - 18
G178 3728	Bracket:Seal:Brush Roller	99 - 20
G178 3731	Coating Bar:Ass'y	97 - 21
G178 3734	Guide Plate:Arm	97 - 19
G178 3740	Decal:Grip	97 - 25
G178 3740	Decal:Grip	375 - 48
G178 3741	Gear:Idler:Z16:Apply	97 - 8
G178 3742	Gear:Brush Roller:Apply	97 - 29
G178 3742	Gear:Brush Roller:Apply	99 - 2
G178 3743	Gear:Idler:Z22-16:Apply	97 - 9
G178 3744	Gear:Toner Collection Coil:Apply	97 - 30
G178 3744	Gear:Toner Collection Coil:Apply	99 - 4
G178 3745	Gear:Idler:Z27:Apply	97 - 10
G178 3746	Gear:Idler:Shaft:Apply	97 - 7
G178 3747	Gear:Apply:Brush:Apply	97 - 12
G178 3752	Bracket:Push Switch	219 - 11
G178 3762	Lever:Positioning:Cleaning	95 - 2
G178 3780	Sheet:Stand:Seal	99 - 21
G178 3781	Guide:Coating Bar	97 - 31
G178 3870	Timing Pulley:T30	127 - 11
G178 3879	Ground Plate:Separation/Transport	127 - 8
G178 3880	Seal:Form:Transport	143 - 6
G178 3893	Driven Roller:Separation/Transport	127 - 9
G178 3894	Drive Roller:Separation/Transport	127 - 5
G178 3950	Gear:Transfer Roller	125 - 13
G178 3951	Gear:Idler:Transfer Roller	125 - 11
G178 3952	Gear:Brush Roller	125 - 12

Part No.	Description	Page and Index No.
G178 4006	Pin:Positioning:Blade:Trans Roller	125 - 24
G178 4009	Coil Spring:Coating Bar:0.55N	125 - 2
G178 4010	Ground Plate:Transfer Roller:Rear	125 - 25
G178 4015	Holder:Transfer Roller:Front:Ass'y	125 - 14
G178 4016	Holder:Transfer Roller:Rear:Ass'y	125 - 20
G178 4017	Pin:Coating Bar	125 - 4
G178 4018	Case:Coating Bar:Transfer Roller	125 - 1
G178 4019	Spring:Shutter:Toner Collection	125 - 27
G178 4020	Stopper:Shutter:Toner Collection	125 - 29
G178 4050	Holder:Bracket:Front	115 - 3
G178 4051	Housing:Ball Bearing:1st Transfer	115 - 2
G178 4052	Plate:Housing:Flat Belt-transfer	115 - 1
G178 4053	Shaft:Arm:Flat Belt-transfer:Front	115 - 11
G178 4061	Compression Spring:Drawer:1st Transfer	179 - 11
G178 4071	Pan:Grease:Drive Roller	109 - 14
G178 4072	Cover:Grease:Drive Roller	109 - 22
G178 4073	Collar:Drive Roller	109 - 23
G178 4075	Spacer:Ball Bearing:Drive Roller	109 - 16
G178 4076	Seal:Housing	109 - 25
G178 4080	Housing:Drive Roller:Press Fit	109 - 26
G178 4081	Key:3x3x10	109 - 13
G178 4081	Key:3x3x10	87 - 38
G178 4086	Encoder:Ass'y	109 - 17
G178 4087	Tension Spring:Transfer:Second	73 - 17
G178 4089	Lever:Positioning Sensor	111 - 13
G178 4091	Roller:Drive:Intermediate Transfer: Press Fit	109 - 11
G178 4097	PCB:TRB	111 - 1
G178 4155	Guide:Heater	229 - 5
G178 4216	Decal:Positioning:Fusing Unit	143 - 10
G178 4216	Decal:Positioning:Fusing Unit	129 - 9
G178 4216	Decal:Positioning:Fusing Unit	375 - 29
G178 4227	Holder:Harness:Front	133 - 15
G178 4232	Lever:Open/close:Cover:Paper Exit	135 - 9
G178 4235	Hook:Front:Cover:Paper Exit Sub-unit	135 - 8

Part No.	Description	Page and Index No.
G178 4236	Hook:Rear:Cover:Paper Exit Sub-unit	135 - 6
G178 4237	Shaft:Open/close:Cover:Paper Exit	135 - 7
G178 4242	Pin:Frame:Front:Fusing Unit	137 - 23
G178 4273	Spring:Balancer:Front	135 - 12
G178 4351	Holder:Thermistor	137 - 22
G178 4458	Heater:208V:1000W:Pressure Roller:NA	133 - 8
G178 4499	Thermistor:Fusing Unit	135 - 19
G178 4499	Thermistor:Fusing Unit	137 - 21
G178 4499	Thermistor:Fusing Unit	133 - 13
G178 4521	Heater:230V:1000W:Pressure Roller:EU	133 - 8
G178 4525	Washer:DIA5.5xDIA16x2	141 - 3
G178 4614	Bracket:Base	149 - 4
G178 4615	Bracket:Drawer	149 - 2
G178 4622	Bracket:Motor:Duplex	147 - 4
G178 4623	Shaft:Lock:Lever	161 - 10
G178 4627	Bracket:Coupling:Brushless Motor	149 - 18
G178 4633	Belt Tensioner:Exit:Ass'y	149 - 29
G178 4635	Timing Belt:S3M:399	149 - 19
G178 4636	Timing Belt:S2M134_67	147 - 14
G178 4636	Timing Belt:S2M134_67	127 - 12
G178 4637	Timing Belt:S2M:460	147 - 5
G178 4641	Guide:Middle:Reverse:Entrance	155 - 6
G178 4644	Guide Plate:Duplex:Open/Close:Upper	163 - 2
G178 4648	Guide:Exit:Lower	155 - 3
G178 4650	Guide Plate:Duplex:Open/Close:Lower	145 - 10
G178 4651	Supporting Plate:Guide Plate	145 - 12
G178 4652	Grip:Duplex:Open And Close:Ass'y	145 - 1
G178 4653	Bracket:Holder:Duplex:Ass'y	223 - 11
G178 4656	Guide Plate:Paper Exit Unit:Exit	157 - 18
G178 4657	Bracket:Stopper:Frame:Upper	155 - 1
G178 4658	Cover:Upper:Frame	157 - 1
G178 4669	Bracket:Magnet Catch:Duplex	165 - 6
G178 4672	Bracket:Lever:Reverse:Peen	153 - 16
G178 4675	Guide:Reverse:Entrance:Welding	153 - 5
G178 4677	Guide:Reverse:Lower	153 - 17

Part No.	Description	Page and Index No.
G178 4680	Shaft:Contact Point:Left Lower	151 - 10
G178 4682	Shaft:Lock:Reverse	151 - 1
G178 4686	Bracket:Compression Spring:Duplex	145 - 6
G178 4692	Shaft:Arm:Reverse	153 - 7
G178 4696	Bracket:DC Solenoid:Switchback	153 - 1
G178 4698	Guide Plate:Duplex:Entrance:Ass'y	161 - 1
G178 4710	Shaft:Gate:Reverse:Upper	155 - 8
G178 4712	Gate:W19:Reverse:Upper	155 - 5
G178 4713	Gate:W15:Reverse:Upper	155 - 4
G178 4715	Bracket:Exit:DCSOL:Ass'y	147 - 7
G178 4719	Guide Plate:Duplex:Middle	223 - 1
G178 4723	Bracket:Cap:Heat Pipe:Upper	149 - 27
G178 4724	Bracket:Cap:Heat Pipe:Lower	149 - 26
G178 4725	Bracket:Auxiliary:Base:Exit	161 - 11
G178 4727	Guide:Switchback:Upper:Peen	159 - 4
G178 4729	Timing Belt:S2M:400	147 - 6
G178 4734	Spring:Reverse:Gate	155 - 7
G178 4736	Bracket:Sensor:Duplex:No.1	165 - 1
G178 4737	Bracket:Sensor:Duplex:No.2	165 - 14
G178 4737	Bracket:Sensor:Duplex:No.2	57 - 8
G178 4744	Bracket:Motor:Exit	179 - 3
G178 4746	Slide Rail:Exit	223 - 12
G178 4746	Slide Rail:Exit	167 - 18
G178 4752	Handle:Lock:Frame:Lower	151 - 3
G178 4753	Supporting Plate:Stud:Upper	149 - 32
G178 4754	Supporting Plate:Stud:Lower	149 - 25
G178 4755	Guide:Cooling:Entrance	157 - 15
G178 4758	Stud:Positioning:Rear	161 - 15
G178 4758	Stud:Positioning:Rear	163 - 3
G178 4759	Bracket:Lock:Exit	75 - 26
G178 4759	Bracket:Lock:Exit	149 - 14
G178 4767	Guide:Exit:Receiving Sub-unit	227 - 8
G178 4774	DC Solenoid:Link:Switchback:Ass'y	153 - 2
G178 4775	DC Solenoid:Reverse Roller:Link	153 - 15
G178 4787	Pin:Left Lower:Lock	161 - 14

Part No.	Description	Page and Index No.
G178 4791	Bracket:Left Lower:Frame	153 - 4
G178 4793	Spring:Reverse:Gate	147 - 8
G178 4794	Spring:Tensioner:Exit	149 - 31
G178 4795	Spring:Tensioner:Duplex	147 - 13
G178 4798	Spring:Switchback:Gate	153 - 3
G178 4801	Cam:Latch:Handle	161 - 6
G178 4802	Lever:Latch:Handle	161 - 7
G178 4808	Bracket:Pressure:Roller	145 - 15
G178 4813	Stopper:Left Lower:Frame	151 - 13
G178 4814	Transport Roller:Heat Pipe:DIA30.4	159 - 7
G178 4815	Lever:Lock:Left Lower:Frame	151 - 5
G178 4816	Belt Tensioner:Duplex:Ass'y	147 - 11
G178 4817	Spring:Pressure:Roller:Duplex	145 - 19
G178 4818	Spring:Pull Out:Lock:Exit	149 - 16
G178 4818	Spring:Pull Out:Lock:Exit	75 - 27
G178 4822	Spring:Pressure:0.8n:DIA0.65	153 - 10
G178 4826	Bracket:Switchback:Sensor	161 - 13
G178 4828	Stay:Lock:Lever:Left Lower	151 - 12
G178 4835	Discharge Brush:Exit	157 - 5
G178 4838	Spring:Open And Close:Left Lower	151 - 7
G178 4840	Gate Pawl:Switchback	151 - 9
G178 4842	Pulley:Exit:T26	165 - 11
G178 4843	Inner Cover:Paper Exit Unit:Left	143 - 3
G178 4846	Gate Pawl:Reverse:Paper Exit Unit	155 - 9
G178 4847	Lever:Pull Out:Transport	143 - 4
G178 4848	Holder:Handle:Latch:Spring	149 - 17
G178 4849	Compression Spring:472192	159 - 1
G178 4852	Rubber Foot:7086082	157 - 12
G178 4852	Rubber Foot:7086082	159 - 9
G178 4853	Gate Pawl:N217910	159 - 3
G178 4866	Compression Spring:Exit:Connector	179 - 13
G178 4866	Compression Spring:Exit:Connector	197 - 9
G178 4868	Bracket:Contact Point:Duplex	165 - 10
G178 4870	Plate:Contact Point:Duplex	143 - 7
G178 4877	Bracket:Sensor:Receiving Sub-unit	227 - 7

Part No.	Description	Page and Index No.
G178 4878	Rail:Fusing Unit:Insert	163 - 1
G178 4880	Bracket:Middle:Guide	159 - 5
G178 4881	Grip:Exit:Left Lower	151 - 11
G178 4887	Bracket:Motor:Switchback	147 - 17
G178 4888	Bracket:Motor:Reverse	147 - 15
G178 4890	Spring Plate:Duplex:Guide:Lower	145 - 13
G178 4895	Sheet:Duplex:Spring Plate	145 - 14
G178 4900	Cover:Dc Stepper Motor:MM56	147 - 9
G178 4900	Cover:Dc Stepper Motor:MM56	59 - 5
G178 4901	Fan Motor:DC 1.92W	147 - 19
G178 4907	Holder:Pressure Roller:Duplex	145 - 18
G178 4908	Coil Spring:Left Lower:Lock	151 - 4
G178 4909	Screw:Transport	143 - 1
G178 4912	Pulley:S2M:30T	165 - 13
G178 4916	Screw:Round Point	165 - 4
G178 4917	Stopper:Shaft:Flat Conveyer Belt	159 - 15
G178 4918	Shaft:Gate:Switchback:Lower	159 - 2
G178 4932	Seal:Duct:Paper Exit Sub-unit:Upper	221 - 19
G178 4933	Sponge:Duct:Paper Exit Sub-unit:Upper	221 - 18
G178 4944	Transport Roller:Reverse:Press Fit	161 - 4
G178 5012	Gear:Z22/M1	167 - 9
G178 5013	Gear:Z33/M1	167 - 10
G178 5017	Pulley:S2M-Z60	167 - 11
G178 5019	DC Stepper Motor:5.75W	167 - 6
G178 5023	Timing Belt:S2M190	167 - 12
G178 5029	Gear:Decura:Z20/M1	167 - 3
G178 5030	Gear:Z14/M0.8	167 - 2
G178 5063	Guide Plate:Finishing Section:2	229 - 3
G178 5066	Sheet:Finishing Section:Upper	229 - 1
G178 5067	Finishing Section:Stay	167 - 16
G178 5068	Coil Spring:Decura:Plate	167 - 4
G178 5074	Decal:Knob:Rotation Direction:C1	375 - 53
G178 5074	Decal:Knob:Rotation Direction:C1	143 - 8
G178 5075	Decal:Lever:Guide Plate:Z1	145 - 4
G178 5075	Decal:Lever:Guide Plate:Z1	375 - 31

Part No.	Description	Page and Index No.
G178 5076	Decal:Knob:Rotation Direction:Z2	143 - 9
G178 5076	Decal:Knob:Rotation Direction:Z2	375 - 54
G178 5077	Decal:E	375 - 55
G178 5077	Decal:E	29 - 16
G178 5078	Decal:Grip:Open And Close:D2	157 - 17
G178 5078	Decal:Grip:Open And Close:D2	375 - 56
G178 5081	Decal:Paper Exit Unit:Caution	375 - 26
G178 5081	Decal:Paper Exit Unit:Caution	151 - 15
G178 5082	Decal:H-temp Warning:Motor:Cover	375 - 57
G178 5082	Decal:H-temp Warning:Motor:Cover	147 - 10
G178 5083	Decal:Grip:Open And Close:D4	375 - 33
G178 5083	Decal:Grip:Open And Close:D4	151 - 14
G178 5089	Cover:Decura:Ass'y	167 - 19
G178 5099	Guide Plate:Ass'y	229 - 28
G178 5101	Guide Plate:Ass'y	229 - 31
G178 5103	Sheet:Guide Plate:Upper	229 - 32
G178 5104	Sheet:Guide Plate:Lower	229 - 33
G178 5106	Sheet:Guide Plate:Upper	229 - 29
G178 5107	Sheet:Guide Plate:Lower	229 - 30
G178 5191	Decura Unit:Ass'y	167 - 1
G178 5260	PCB:Image Processing Unit	339 - *
G178 5260	PCB:Image Processing Unit	203 - 6
G178 5287	PCB:FIB	191 - 1
G178 5304	PCB:RB	191 - 4
G178 5397	PCB:SIFB:CROSS	377 - 7
G178 5403	PCB:AC Drive:DOM	189 - 4
G178 5404	PCB:AC Drive:NA	189 - 4
G178 5409	Bracket:Connector:LCT:AC-IF	217 - 14
G178 5412	Holder:Base	197 - 3
G178 5413	Spacer:KGLS-22S	197 - 7
G178 5414	Cover:Safety Switch:Front Right	223 - 10
G178 5437	Power Cord Bushing	189 - 11
G178 5438	Bracket:IOB	195 - 7
G178 5444	Ground Plate:Main:Lower:Ass'y	229 - 8
G178 5447	Bracket:Harness:Charge Corona	197 - 4

Part No.	Description	Page and Index No.
G178 5453	Bracket:IOB:BCU	193 - 7
G178 5454	Bracket:Hinge:IOB	193 - 10
G178 5462	Bracket:AC Drive	189 - 6
G178 5464	Bracket:Terminal:Block	189 - 13
G178 5468	Bracket:Power Pack:Charge Corona	197 - 6
G178 5469	Power Pack:Charge	197 - 2
G178 5470	Leak Breaker:Ass'y	187 - 7
G178 5474	Bracket:Temp & Humidity Sensor	167 - 14
G178 5474	Bracket:Temp & Humidity Sensor	217 - 12
G178 5476	Bracket:Total Counter:Main	223 - 9
G178 5488	Main Switch:Main	221 - 1
G178 5493	Lever:Safety Switch:Front	223 - 7
G178 5494	Bracket:Main Switch	221 - 2
G178 5499	Bracket:Safety Switch:Front	223 - 6
G178 5502	Harness:Fusing:Drawer:AC:No.2	177 - 1
G178 5512	Harness:Registration:Drawer:No.2	197 - 10
G178 5513	Harness:IOB1:Sensor:(2)	195 - 4
G178 5524	Harness:BCU-IPU:I/F:No.1	199 - 7
G178 5525	Harness:BCU-IPU:I/F:No.2	199 - 13
G178 5596	Harness:Drum:Turn:Sensor	173 - 3
G178 5629	Harness:Exit:Reverse:Drawer	149 - 1
G178 5635	Harness:Transport:Motor 1	149 - 8
G178 5646	Harness:Used Toner Sensor	227 - 13
G178 5651	Harness:1st Transfer:Drawer:B:No.2	111 - 9
G178 5659	Harness:Registration:Drawer	61 - 7
G178 5661	Harness:T/S Power Pack:I/F	73 - 4
G178 5666	Harness:Registration:Motor:No.3	75 - 13
G178 5671	Harness:Registration:CRB:Sensor	71 - 13
G178 5677	Harness:IPU-LD:I/F:(1):KC	89 - 15
G178 5677	Harness:IPU-LD:I/F:(1):KC	199 - 5
G178 5678	Harness:IPU-LD:I/F:(2):KC	199 - 4
G178 5678	Harness:IPU-LD:I/F:(2):KC	89 - 16
G178 5680	Harness:IPU-LD:I/F:(1):MY	89 - 13
G178 5680	Harness:IPU-LD:I/F:(1):MY	199 - 9
G178 5681	Harness:IPU-LD:I/F:(2):MY	89 - 14

Part No.	Description	Page and Index No.
G178 5681	Harness:IPU-LD:I/F:(2):MY	199 - 8
G178 5683	Harness:IPU-SBU:I/F	199 - 6
G178 5683	Harness:lpu-sbu:I/F	217 - 4
G178 5686	Harness:Motor Control Board:I/F:(2)	91 - 3
G178 5688	Harness:Optics:LD:I/F:(2)	91 - 10
G178 5691	Harness:Optics:ADJ:Motor:No.1	91 - 11
G178 5696	Harness:AC:Leak Breaker	189 - 12
G178 5698	Harness:AC:Drive	189 - 9
G178 5699	Harness:AC:Main Switch	189 - 3
G178 5699	Harness:AC:Main Switch	217 - 15
G178 5710	Harness:1st Transfer:Drawer:A	179 - 15
G178 5711	Harness:1st Transfer:Drawer:A:No.1	111 - 10
G178 5713	Harness:Door Switch:Counter:I/F	223 - 4
G178 5714	Harness:Density Sensor	101 - 15
G178 5728	Harness:Reverse:Sensor	157 - 3
G178 5729	Harness:AC:Short Circuit:Control Unit	207 - 5
G178 5743	Harness:Separation/Transport:Fan	127 - 18
G178 5744	Harness:Separation/Transport:Sensor	127 - 2
G178 5745	Harness:Separation/Transport:Motor	127 - 15
G178 5748	Harness:Main:AC:Short Circuit	189 - 15
G178 5750	Harness:T/S:Transfer Roller:Motor	73 - 33
G178 5753	Harness:T/S:Transfer Roller:Sensor	73 - 27
G178 5756	Harness:Registration:CrB:Connecting	71 - 6
G178 5759	Harness:Toner:Hopper:Cover:Switch	81 - 15
G178 5760	Harness:High Voltage:1st:Transfer	111 - 6
G178 5764	Harness:High Voltage:2nd:Transfer	111 - 5
G178 5765	Harness:T/S:Power Pack:High Voltage	73 - 3
G178 5769	Harness:Earth:Control Unit	199 - 10
G178 5776	Harness:Switchback:Solenoid	153 - 18
G178 5778	Harness:Switchback:Sensor	161 - 2
G178 5779	Harness:Transport:Reverse:Sensor	227 - 5
G178 5779	Harness:Transport:Reverse:Sensor	165 - 2
G178 5779	Harness:Transport:Reverse:Sensor	57 - 9
G178 5781	Harness:Shutter:Solenoid	101 - 16
G178 5782	Harness:T Belt:Cleaner:Sensor	113 - 14

Part No.	Description	Page and Index No.
G178 5784	Harness:1st Transfer:Turn:Sensor:1	109 - 20
G178 5785	Harness:T Belt:Cleaner:Motor	119 - 14
G178 5786	Harness:Entrance Sensor:I/F	63 - 28
G178 5787	Harness:Registration:Motor:No.2	61 - 8
G178 5788	Harness:Registration:Sensor:No.2	73 - 40
G178 5790	Harness:Registration:Sensor:No.1	61 - 5
G178 5791	Harness:Registration:Motor:No.1	61 - 6
G178 5794	Harness:Transport:Motor 2	127 - 20
G178 5795	Harness:Regist:Entrance Sensor	67 - 20
G178 5796	Harness:Double Feed Sensor:Radiate	65 - 19
G178 5797	Harness:Double Feed Sensor:Photo	63 - 5
G178 5801	Harness:IOB1:Motor	195 - 1
G178 5801	Harness:IOB1:Motor	89 - 12
G178 5806	Harness:IOB1-IOB2:I/F	193 - 4
G178 5812	Harness:Potential Sensor:I/F	89 - 8
G178 5815	Harness:Hr:Motor	177 - 23
G178 5817	Harness:1st Transfer:Lower:Fan:I/F	221 - 7
G178 5824	Harness:Sensor:Connecting	87 - 17
G178 5826	Harness:AC:Noise Filter:2	189 - 7
G178 5827	Harness:Power Pack:KM:Connecting	197 - 5
G178 5828	Harness:High Voltage:CGB	197 - 1
G178 5832	Harness:PSU-G:FG	191 - 5
G178 5835	Harness:IOB2:Sensor:2	181 - 25
G178 5836	Harness:IPU-LD:I/F:(3)	89 - 10
G178 5837	Harness:1st Transfer:Drawer:B:I/F	179 - 16
G178 5838	Harness:Optics:LD:I/F:(1)	91 - 12
G178 5840	Harness:Motor Control Board:I/F:(1)	91 - 2
G178 5841	Cable:AC:Power Supply Plug:NA	189 - 10
G178 5842	Cable:AC:Power Supply Plug:EU	189 - 10
G178 5843	Harness:Pdb:Sensor:(1):No.1	149 - 7
G178 5844	Harness:Pdb:Sensor:(2):No.1	149 - 10
G178 5849	Harness:Return:Motor	147 - 3
G178 5850	Harness:1st Transfer:Motor	111 - 4
G178 5851	Harness:1st Transfer:Sensor	111 - 3
G178 5854	Harness:1st Transfer:Turn:Sensor:3	115 - 14

Part No.	Description	Page and Index No.
G178 5855	Harness:1st Transfer:Motor:Upper	117 - 19
G178 5856	Harness:1st Transfer:Sensor:Up R	117 - 14
G178 5857	Harness:1st Transfer:Sensor:UP F	107 - 14
G178 5858	Harness:Registration:Shift:Sensor	75 - 17
G178 5859	Harness:Reverse:Switchback:Motor	147 - 18
G178 5863	Harness:Drum:Cl:Set:MY	219 - 10
G178 5868	Harness:Switchback:Lower:Sensor:I/F	227 - 18
G178 5869	Connector - 54679-1615	187 -108
G178 5871	Harness:Motor:BR-O/C	177 - 14
G178 5872	Harness:Drum:Cl:Set:CK	219 - 5
G178 5875	Harness:Hr:Exhaust:Fan	213 - 2
G178 5879	Harness:Decura:Positioning Sensor	167 - 8
G178 5885	Harness:Toner Bottle	85 - 19
G178 5887	Harness:1st Transfer:Turn:Sensor:2	109 - 19
G178 5889	Harness:Opt:Fan:Connecting	217 - 9
G178 5891	Harness:Paper Feed Unit:Connecting	55 - 26
G178 5893	Harness:Upper Front:Cover:Switch:Connecting	27 - 24
G178 5894	Harness:Power Source:Control Unit	205 - 5
G178 5899	Harness:Power Source:FIB-PSU-G	191 - 6
G178 5931	PCB:RFID:RW-CPU:Ass'y	85 - 13
G178 5934	PCB:RFID:RW-AFE(K):Ass'y	85 - 14
G178 5936	PCB:RFID:RW-AFE(C):Ass'y	85 - 14
G178 5937	PCB:RFID:RW-AFE(M):Ass'y	85 - 14
G178 5938	PCB:RFID:RW-AFE(Y):Ass'y	85 - 14
G178 6016	Heat Sinker:EX1:PEN	361 - 4
G178 6033	PCB:Gigaethernet:PCie	201 - 9
G178 6042	Cable:HDD:S-ATA:Power:Aegis	203 - 3
G178 6062	PCB:PC4200:RAWCard-C:512MB	201 - 10
G178 6072	PCB:PC4200:RAWCard-A:1GB	201 - 2
G178 6076	PCB:PC4200:RAWCard-F:2GB:Ass'y	201 - 2
G178 6191	Ground Plate:Power Supply Unit	207 - 10
G178 6192	Ground Plate:Stay:Front	211 - 12
G178 6193	Ground Plate:C/T Box:Upper	215 - 16
G178 6201	Cover:C/T Box	199 - 3

Part No.	Description	Page and Index No.
G178 6207	Decal:Caption:Interface	201 - 14
G178 6207	Decal:Caption:Interface	375 - 96
G178 6209	Cap:Power Supply Unit:Engine-A:AC	205 - 6
G178 6249	Holder:Clamp	203 - 5
G178 6302	Roller:Intermediate Transfer	105 - 10
G178 6302	Roller:Intermediate Transfer	103 - 14
G178 6305	Shaft:Transfer	105 - 9
G178 6305	Shaft:Transfer	103 - 12
G178 6309	Plate Nut:Inner Cover:1st Transfer	29 - 4
G178 6310	Positioning Sensor	111 - 17
G178 6312	Housing:High Voltage	109 - 9
G178 6313	Seal:Inner Cover:1st Transfer:Right	29 - 5
G178 6315	Spring Plate:High Voltage	109 - 7
G178 6316	Terminal:High Voltage	109 - 8
G178 6318	Inner Cover:Intermediate Transfer	29 - 3
G178 6319	Cap:High Voltage	109 - 24
G178 6322	Tension Spring	111 - 16
G178 6326	Cover:High Voltage	109 - 6
G178 6327	Tension Spring:1st Transfer:32.6N	107 - 17
G178 6327	Tension Spring:1st Transfer:32.6N	115 - 17
G178 6328	Tension Spring:1st Transfer:12.2N	107 - 19
G178 6329	Holder:Spring:Pull Out	113 - 18
G178 6330	Tension Spring:1st Transfer:28.1N	117 - 10
G178 6332	Holder:Drawer:Main	179 - 9
G178 6333	Tension Spring:1st Transfer:59.1N	117 - 11
G178 6335	Seal:Inner Cover:1st Transfer:Left	29 - 6
G178 6336	Cam:Drawer	113 - 16
G178 6337	Lever:Drawer	113 - 13
G178 6342	Roller:Encoder:Ass'y	115 - 13
G178 6347	Gear:On-Off:No.1	117 - 7
G178 6347	Gear:On-Off:No.1	107 - 7
G178 6348	Gear:On-Off:No.2	117 - 6
G178 6348	Gear:On-Off:No.2	107 - 6
G178 6349	Gear:On-Off:Cam	117 - 4
G178 6349	Gear:On-Off:Cam	107 - 4

Part No.	Description	Page and Index No.
G178 6351	Plate:Ground Plate:T Belt	115 - 7
G178 6353	Holder:Ground Plate:Roller	109 - 1
G178 6353	Holder:Ground Plate:Roller	113 - 9
G178 6359	Stopper:Roller:Encoder:Thrust	115 - 15
G178 6360	Holder:Transfer Belt:Opposed:Roller	113 - 8
G178 6361	Plate:Ground Plate:Roller	113 - 10
G178 6361	Plate:Ground Plate:Roller	109 - 2
G178 6367	Bracket:Positioning:Left	115 - 16
G178 6368	Bracket:Positioning:Right	101 - 1
G178 6371	Bolt:Transfer:Fix:Pressure Roller	103 - 2
G178 6371	Bolt:Transfer:Fix:Pressure Roller	105 - 21
G178 6377	Spring:Transfer:Front	103 - 8
G178 6377	Spring:Transfer:Front	105 - 22
G178 6378	Spring:Transfer:Rear	103 - 23
G178 6378	Spring:Transfer:Rear	105 - 19
G178 6379	Shaft:Fix:Transfer	103 - 19
G178 6379	Shaft:Fix:Transfer	105 - 12
G178 6380	Holder:On-off:Motor:Front	107 - 2
G178 6380	Holder:On-off:Motor:Front	117 - 2
G178 6381	Shaft:On-Off:Cam	117 - 5
G178 6381	Shaft:On-Off:Cam	107 - 5
G178 6384	Shaft:Pull Out:1st Transfer	113 - 11
G178 6385	Seal:Encoder	109 - 21
G178 6387	Shaft:Arm:Transfer Belt	115 - 9
G178 6389	Holder:Sensor:Control:Transfer Belt	115 - 22
G178 6391	Bracket:Shaft:Transfer Belt:Rear	115 - 6
G178 6392	Housing:Lower:Cover	101 - 6
G178 6393	Sleeve:Wire:Lower:Cover	101 - 7
G178 6394	Wire:Stopper:Lower:Cover	101 - 8
G178 6398	Holder:Positioning Sensor:T Belt	111 - 15
G178 6399	Shaft:Positioning Sensor:T Belt	111 - 14
G178 6401	Gear:Drive:1st Transfer	109 - 15
G178 6402	Hook:Arm:Spring:Front	115 - 12
G178 6403	Hook:Arm:Spring:Rear	115 - 28
G178 6414	Lever:Release:Tension	115 - 23

Part No.	Description	Page and Index No.
G178 6415	Cam:Release:Tension	115 - 24
G178 6416	Shaft:Release:Tension	115 - 27
G178 6420	Terminal:High Voltage:Transfer	105 - 14
G178 6420	Terminal:High Voltage:Transfer	103 - 20
G178 6421	Holder:High Voltage:Transfer	103 - 15
G178 6421	Holder:High Voltage:Transfer	105 - 11
G178 6423	Terminal:High Voltage:Transfer	103 - 17
G178 6423	Terminal:High Voltage:Transfer	105 - 6
G178 6424	Plate:Transfer:Ground Wire	105 - 17
G178 6424	Plate:Transfer:Ground Wire	103 - 3
G178 6426	Cover:Transfer	105 - 8
G178 6426	Cover:Transfer	103 - 13
G178 6429	Pressure Roller:Transfer	103 - 5
G178 6429	Pressure Roller:Transfer	105 - 23
G178 6438	Block:High Voltage:Transfer:Front	105 - 7
G178 6438	Block:High Voltage:Transfer:Front	103 - 11
G178 6439	Block:High Voltage:Transfer:Rear	105 - 13
G178 6439	Block:High Voltage:Transfer:Rear	103 - 16
G178 6443	Coil Spring:Stopper:Lower:Cover	101 - 9
G178 6445	Roller:Flat Belt-transfer	115 - 4
G178 6446	Holder: Bearing	115 - 8
G178 6447	Plate:Fix:Shaft	115 - 26
G178 6448	Plate:Ground Plate:Driven Roller	115 - 20
G178 6452	DC Solenoid:Shutter:Density Sensor:Ass'y	101 - 14
G178 6460	Holder:Transfer:Power Pack	111 - 8
G178 6463	Lever:Transfer Belt	117 - 18
G178 6463	Lever:Transfer Belt	107 - 12
G178 6464	Shaft:Transfer Belt	107 - 10
G178 6464	Shaft:Transfer Belt	117 - 17
G178 6465	Holder:Transfer Belt	117 - 16
G178 6465	Holder:Transfer Belt	107 - 13
G178 6468	Guide:Transfer: Bearing	105 - 4
G178 6468	Guide:Transfer: Bearing	103 - 10
G178 6469	Bushing:Slide Rail	117 - 12
G178 6469	Bushing:Slide Rail	107 - 18

Part No.	Description	Page and Index No.
G178 6471	Roller:Positioning Sensor:T Belt	111 - 12
G178 6482	Stopper:Bracket:Cover:1st Transfer	101 - 5
G178 6483	Holder:Motor	107 - 8
G178 6483	Holder:Motor	117 - 8
G178 6484	Stepper Motor:DC 6.7W	107 - 9
G178 6484	Stepper Motor:DC 6.7W	117 - 9
G178 6485	Cam	107 - 1
G178 6485	Cam	117 - 1
G178 6486	Holder:Transfer:Front	105 - 2
G178 6486	Holder:Transfer:Front	103 - 6
G178 6487	Holder:Transfer:Rear	103 - 21
G178 6487	Holder:Transfer:Rear	105 - 15
G178 6496	Vibrating Plate:Transfer Belt	115 - 29
G178 6497	Stepper Motor:DC 5.75W	115 - 19
G178 6500	Housing:Control:Transfer Belt	115 - 10
G178 6502	Roller:Driven	109 - 5
G178 6502	Roller:Driven	113 - 2
G178 6503	Roller:Belt Cleaner:Opposed	113 - 1
G178 6504	Transfer Roller:Opposed:F Roller	109 - 4
G178 6505	Transfer Roller:No.2:Opposed	109 - 10
G178 6506	Slide Rail:Intermediate Transfer	217 - 1
G178 6506	Slide Rail:Intermediate Transfer	167 - 17
G178 6511	Slide Rail:On-off:Black:Ass'y	107 - 16
G178 6513	Slide Rail:On-Off:Collar:Ass'y	117 - 13
G178 6541	Cover:1st Transfer:Hinge	101 - 4
G178 6568	Entrance Seal:Belt Cleaning	123 - 21
G178 6613	Bracket:Cleaning Blade:1st Transfer	123 - 8
G178 6616	Pin:Positioning:Blade:1st Transfer	123 - 15
G178 6619	Release Plate:Blade:Lower	123 - 1
G178 6620	Lever:Release:Blade	123 - 6
G178 6621	Cover:Release Plate:Blade	123 - 2
G178 6633	Bushing:Brush Roller:1st Transfer	123 - 29
G178 6648	Shutter:Discharge Used Toner	123 - 17
G178 6649	Stopper:Shutter:Used Toner	123 - 18
G178 6652	Hook:Cleaning Blade:Lower	123 - 12

Part No.	Description	Page and Index No.
G178 6655	Ground Plate:Belt Cleaning	123 - 13
G178 6656	Grip:Belt Cleaning	123 - 7
G178 6657	Guide:Rail:Belt Cleaning	121 - 7
G178 6658	Stay:Upper:Ass'y	121 - 8
G178 6664	Rail:Belt Cleaning	113 - 6
G178 6665	Ground Plate:Rail:Belt Cleaning	113 - 7
G178 6666	Bracket:Drive:Cleaning:Ass'y	119 - 10
G178 6671	Bracket:Joint:Lower	119 - 6
G178 6672	Bracket:Joint:Upper	119 - 2
G178 6673	Shaft:Joint:Brush Roller	119 - 11
G178 6674	Bracket:Motor:Belt Cleaning	119 - 12
G178 6679	Joint:Drive:Brush Roller	121 - 15
G178 6679	Joint:Drive:Brush Roller	123 - 32
G178 6679	Joint:Drive:Brush Roller	119 - 1
G178 6690	Coating Bar:Belt Cleaning:Ass'y	121 - 6
G178 6693	Case:Coating Bar:Belt Cleaning	121 - 2
G178 6698	Inner Cover:Belt Cleaning	29 - 1
G178 6718	Separation Unit	125 - 30
G178 6757	Brush Roller:Transfer Roller	125 - 18
G178 6759	Blade:Transfer Roller	125 - 6
G178 6767	Coating Bar:Transfer Roller	125 - 3
G178 6775	Collection Coil:Toner:Ass'y	125 - 26
G178 6789	Gear:Discharge Used Toner	125 - 15
G178 6800	Guide:Entrance:Transfer Roller:Ass'y	125 - 5
G178 6812	Base:Blade:Ass'y	125 - 8
G178 6819	Tension Spring:Blade:Transfer Roller	125 - 7
G178 6821	Plate:Motor:Drive:Ass'y	73 - 35
G178 6824	Gear:Idler:No.1	73 - 37
G178 6828	Sheet:Seal:Blade:Lower	125 - 9
G178 6830	Base:On-Off:Ass'y	73 - 1
G178 6835	Holder:Shaft:Drive	73 - 42
G178 6836	Shaft:Cam:On-Off:Automatic	73 - 25
G178 6837	Cam:On-Off:Automatic	73 - 23
G178 6839	Plate:Positioning Sensor:On-Off	73 - 26
G178 6843	Collar:Spring:On-Off	73 - 31

Part No.	Description	Page and Index No.
G178 6846	Gear:Motor:No.2:Ass'y	73 - 39
G178 6849	Sleeve:Spring:On-Off	73 - 29
G178 6850	Spacer:Pulley:Transfer Drive	73 - 45
G178 6851	Spacer:Electrode Plate	125 - 32
G178 6852	Synchronous Belt:80S3M144	73 - 8
G178 6856	Cover:Terminal:Electrode Plate	125 - 31
G178 6857	Socket:Housing	73 - 20
G178 6858	Plate:Terminal	73 - 21
G178 6865	Housing:Bearing:On-Off	73 - 14
G178 6868	Stepper Motor:DC 5.75W	73 - 32
G178 6870	Tension Spring	153 - 14
G178 6871	Compression Spring	73 - 19
G178 6872	Compression Spring:Transfer:On-Off	73 - 30
G178 6875	Encoder:Sensor:Intermediate Transfer	109 - 18
G178 6876	Tension Spring:Belt Tension:60N	73 - 41
G178 6877	Gear:Transfer Roller:Rear	125 - 19
G178 6879	Gear:Idler:Transfer Roller:Left	125 - 22
G178 6882	Gear:Pulley:Ass'y	73 - 10
G178 6884	Bushing:Transfer Drive	73 - 9
G178 6887	Brush Roller:Coating Bar	125 - 16
G178 6889	Pressure Plate:Slide	73 - 16
G178 6890	Gear:Coating Bar:Brush Roller	125 - 23
G178 6891	Gear:Idler:Transfer Roller:Right	125 - 21
G178 6892	Pressure Plate:Front:Peen	73 - 43
G178 6893	Pressure Plate:Rear:Peen	73 - 13
G178 6895	Spacer:Shaft:On-Off	73 - 15
G178 6899	Shutter:Discharge Used Toner	125 - 28
G178 6905	Toner Collection Unit:Upper	169 - 8
G178 6907	Toner Recycling Unit:V Transport:Up	169 - 12
G178 6911	Toner Recycling Unit:Ver. Transport:Lower	171 - 8
G178 6952	Cover:Front:Toner Collection	31 - 1
G178 6954	Seal:Feeler:Dual Faces Tepe	229 - 17
G178 6955	Gear:Drive:Auger	169 - 5
G178 6961	Cover:Collection Bottle:Upper	227 - 15
G178 6965	Tube:Toner Recycling	171 - 9

Part No.	Description	Page and Index No.
G178 6971	Feeler:Toner Collection	229 - 19
G178 6972	Bracket:Sensor:Toner Collection	227 - 11
G178 6973	Collection Bottle:Ass'y	229 - 12
G178 6974	Holder:Motor:Lower	171 - 3
G178 6975	Seal:Collection Bottle	229 - 16
G178 6977	Holder:Bearing:No.1:Toner Collection	171 - 6
G178 6980	Housing:Bearing:Drive	169 - 6
G178 6981	Auger:Upper:Toner Collection	169 - 7
G178 6990	Torque Limiter	171 - 16
G178 6997	Holder:Gear:Upper:Toner Collection	169 - 4
G178 6999	Holder:Bearing:Toner Collection	171 - 13
G178 7004	Spring	227 - 10
G178 7011	Cover:Right:Toner Collection	227 - 14
G178 7013	Cover:Collection Bottle:Left	227 - 9
G178 7017	Spring:Latch	31 - 7
G178 7018	Shutter:Toner Collection	171 - 12
G178 7021	Gear:Drive:Toner Collection:Upper	171 - 15
G178 7027	Holder:Motor:Upper:Toner Collection	169 - 2
G178 7032	Cover:Latch:Toner Collection	31 - 3
G178 7033	Door:Latch:Toner Collection	31 - 6
G178 7034	Cushion:Collection Bottle	31 - 5
G178 7036	Shaft:Latch:Toner Collection	31 - 2
G178 7048	Plate:Holder:Housing	171 - 2
G178 7056	Pipe:No.1:Horizontal Transport	171 - 10
G178 7061	Stay:Door:Toner Collection	31 - 8
G178 7070	Spring:Shutter:Toner Collection	171 - 11
G178 7076	Plate:Pipe:Stopper:Toner Collection	227 - 4
G178 7077	Cap:Pipe:Bottle:Toner Collection	171 - 14
G178 7080	Holder:Sensor:Toner Collection	227 - 17
G178 7082	Plate:Sensor:Toner Collection	171 - 18
G178 7086	Stay:Lengthwise:Lower	171 - 7
G178 7092	Cover:Toner Collection	171 - 19
G178 7093	Seal:Case:Lower:Toner Collection	169 - 17
G178 7094	Seal:Case:Lengthwise	169 - 16
G178 7111	Duct:Right Upper:Main:Ass'y	217 - 10

Part No.	Description	Page and Index No.
G178 7129	Seal:Stay:Middle:Upper	209 - 14
G178 7130	Seal:Stay:Middle:Right	211 - 9
G178 7140	Duct:Charge Corona:Main:Ass'y	185 - 1
G178 7143	Duct:Heat Pipe:Fusing:Ass'y	187 - 3
G178 7148	Cover:Filter:Preventfence	209 - 9
G178 7149	Fan:Sirocco:DC 21.6W	209 - 13
G178 7151	Heat Pipe:Ass'y	179 - 12
G178 7160	Duct:Paper Exit Sub-unit:Rear	185 - 6
G178 7163	Bracket:Duct:Paper Exit	185 - 7
G178 7164	Cover:Connector:Fan:Lower	213 - 9
G178 7166	Cover:Connector:Fan:Upper	213 - 8
G178 7167	Duct:Paper Exit Sub-unit:Upper	221 - 4
G178 7168	Seal:Transport:Exhaust	211 - 2
G178 7172	Duct:1st Transfer:Left	167 - 13
G178 7175	Duct:Fan:1st Transfer:Lower	221 - 6
G178 7176	Guard:Fan:1st Transfer:Lower	221 - 17
G178 7179	Guide:Harness:Duct:Paper Exit	185 - 11
G178 7187	Duct:Ozone Filter:Sub-ass'y	213 - 1
G178 7192	Duct:Heat Pipe:Exit:Exit:Ass'y	185 - 5
G178 7193	Duct:Heat Pipe:Exit:Entrance	187 - 8
G178 7205	Duct:Transport Belt:Main:Ass'y	187 - 1
G178 7208	Seal:Duct:Ozone Filter:Left/Right	215 - 12
G178 7210	Duct:Transport Belt:Main:Exit:Ass'y	187 - 2
G178 7212	Seal:Duct:Ozone Filter:Left Front	211 - 15
G178 7212	Seal:Duct:Ozone Filter:Left Front	213 - 3
G178 7216	Duct:Imaging Unit:Front	89 - 2
G178 7218	Bracket:Fan:Exhaust:Rear	185 - 9
G178 7220	Bracket:Fan:Duplex:Left Lower	223 - 3
G178 7229	Seal:Case:Filter	209 - 2
G178 7235	Case:Filter:Preventfence:Upper	209 - 5
G178 7239	Filter:Entrance	33 - 8
G178 7250	Duct:Sirocco:Sub-ass'y	209 - 10
G178 7251	Duct:Entrance:Middle	211 - 10
G178 7252	Duct:Entrance:Left	209 - 7
G178 7258	Filter:Preventfence	209 - 8

Part No.	Description	Page and Index No.
G178 7265	Duct:Sirocco:Exhaust	213 - 4
G178 7266	Bracket:Case:Filter	211 - 6
G178 7279	Duct:Exhaust:Upper:Sub-ass'y	211 - 8
G178 7286	Filter:Entrance:Development	209 - 4
G178 7288	Seal:Heat Pipe	211 - 1
G178 7290	Ozone Filter:Fusing	33 - 6
G178 7294	Seal:Control Unit:Rear	209 - 3
G178 7299	Seal:Main:Fan	211 - 3
G178 7306	Ozone Filter:SCA-750/950	33 - 5
G178 7307	Sheet:Fan:Cable	213 - 11
G178 7358	Shaft:Shift	69 - 15
G178 7364	Shaft:Shift:Take Shejter	69 - 9
G178 7365	Arm:Shift:Roller	69 - 10
G178 7367	Holder:Shift:Spring	69 - 2
G178 7368	Holder:Shift:Bearing	69 - 5
G178 7370	Duct:Shift	69 - 4
G178 7372	Arm:Shift:Take Shejter	69 - 28
G178 7373	Guide:Arm:Shift	69 - 29
G178 7383	Cover:Registration:Uni	65 - 4
G178 7384	Bracket:Stepper Motor:MM56	59 - 8
G178 7386	Cam:Gate Pawl	69 - 25
G178 7387	Shaft:Gate Pawl	69 - 20
G178 7389	Cam:Transport Roller	69 - 23
G178 7390	Arm:Cam:Transport Roller:Front	65 - 8
G178 7391	Arm:Cam:Transport Roller:Rear	65 - 6
G178 7392	Disc:Sensor:Cam	69 - 24
G178 7395	Cam:Transport Roller:Shift	69 - 26
G178 7396	Shaft:Driven:On-off	63 - 11
G178 7398	Shaft>Contact Point:Arm	65 - 7
G178 7399	Holder:Sensor:Cam	75 - 11
G178 7400	Holder:Stepper Motor	59 - 10
G178 7400	Holder:Stepper Motor	61 - 16
G178 7404	Holder:Double Feed Sensor:Upper	63 - 7
G178 7405	Holder:Double Feed Sensor:Lower	65 - 17
G178 7408	Guide Plate:Registration:F Lower	65 - 13

Part No.	Description	Page and Index No.
G178 7413	Stay:Positioning Sensor	71 - 15
G178 7414	Bracket:Positioning Sensor	71 - 14
G178 7418	Holder:Sensor:Exit	65 - 3
G178 7420	Holder:Sensor:Transport Roller	63 - 3
G178 7421	Bracket:Bearing:Guide:Rear	65 - 12
G178 7423	Guide Plate:Registration:Rear Upper	71 - 11
G178 7434	Link:Handle:Left	75 - 5
G178 7437	Link:Handle:Right	75 - 3
G178 7439	Shaft:On-Off:Transfer	75 - 8
G178 7441	Positioning Pin:Transport Unit	73 - 46
G178 7441	Positioning Pin:Transport Unit	63 - 32
G178 7445	Link:Handle:Middle	75 - 2
G178 7446	Stopper:Lock:Transfer	73 - 11
G178 7447	Cam:On-Off:Transfer	75 - 9
G178 7448	Shaft>Contact Point:Transfer	73 - 12
G178 7449	Shaft:Lock:Lever	75 - 30
G178 7450	Link:Lock:Transfer	75 - 7
G178 7452	Lever:Link:Transport Roller	153 - 8
G178 7452	Lever:Link:Transport Roller	63 - 20
G178 7453	Arm:On-Off:Transport Roller	153 - 6
G178 7453	Arm:On-Off:Transport Roller	63 - 23
G178 7453	Arm:On-off:Transport Roller	67 - 13
G178 7454	Shaft:On-off:Roller	67 - 12
G178 7454	Shaft:On-Off:Roller	63 - 22
G178 7455	Guide Plate:Entrance:Upper	63 - 17
G178 7458	Holder:Sensor:Entrance	63 - 29
G178 7459	Spring:Paper Feed Sub-unit:Front	63 - 15
G178 7460	Spring:Paper Feed Sub-unit:Rear	63 - 19
G178 7464	Holder:Solenoid	57 - 5
G178 7468	Holder:PCB:Connecting	61 - 2
G178 7474	Plate:Adjusting Pin:Gate Pawl	69 - 17
G178 7475	Holder:Sensor:Duplex Unit	73 - 6
G178 7477	Holder:Stepper Motor:Shift	75 - 21
G178 7480	Holder:Bearing:Cam	69 - 18
G178 7488	Bracket:Stepper Motor:MM42	59 - 3

Part No.	Description	Page and Index No.
G178 7488	Bracket:Stepper Motor:MM42	61 - 15
G178 7489	Bracket:Pulley:Peen	59 - 15
G178 7489	Bracket:Pulley:Peen	61 - 11
G178 7493	Shaft:Hinge:Duplex	79 - 21
G178 7494	Guide Plate:Duplex:Lower	79 - 20
G178 7499	Guide Plate:Duplex:Lower Right	79 - 19
G178 7501	Guide Plate:Duplex:Upper	79 - 3
G178 7515	Connector Guide Pin:Connector	197 - 8
G178 7515	Connector Guide Pin:Connector	179 - 17
G178 7520	Guide Plate:Vertical Transport:Left	77 - 4
G178 7526	Bracket:Fix:Guide Plate:Rear	65 - 5
G178 7527	Bracket:Fix:Guide Plate:Front	65 - 11
G178 7537	Guide Plate:Registration:F Upper	63 - 2
G178 7540	Gate Pawl:Welding	69 - 21
G178 7546	Guide:Cable	59 - 18
G178 7555	Shaft:Shift:Cam:Press Fit	75 - 16
G178 7564	Registration Roller:Drive	71 - 7
G178 7565	Registration Roller:Driven	71 - 9
G178 7572	Scraper:Ass'y	71 - 10
G178 7605	Hook:Latch	67 - 3
G178 7606	Bracket:Holder:Latch	67 - 2
G178 7607	Shaft:Latch:Hinge	67 - 14
G178 7608	Bracket:Lever	67 - 17
G178 7609	Hinge:Shaft	63 - 18
G178 7609	Hinge:Shaft	67 - 25
G178 7610	Holder:Hinge	67 - 22
G178 7613	Holder:Hinge	67 - 24
G178 7615	Cam:Guide Plate	67 - 23
G178 7616	Link:Lever:No.2	67 - 10
G178 7617	Cover:Entrance:Sensor	67 - 21
G178 7618	Plate:Fix:Band	79 - 2
G178 7633	Hook:Guide Plate:Duplex:Ass'y	79 - 5
G178 7637	Grip:Duplex:Open And Close:Ass'y	79 - 7
G178 7646	Compression Spring:Shift	69 - 16
G178 7647	Tension Spring:Solenoid	57 - 7

Part No.	Description	Page and Index No.
G178 7648	Tension Spring:Latch:Duplex	115 - 25
G178 7649	Spring:Pressure Roller:Shift	69 - 8
G178 7650	Tension Spring:Latch:Duplex	79 - 6
G178 7651	Tension Spring:Registration	161 - 8
G178 7651	Tension Spring:Registration	71 - 3
G178 7652	Tension Spring:Transport Roller	63 - 8
G178 7653	Tension Spring:Cam:On-off	69 - 27
G178 7654	Tension Spring:7062125	67 - 4
G178 7655	Tension Spring:Link	75 - 1
G178 7656	Tension Spring:Tensioner	59 - 17
G178 7656	Tension Spring:Tensioner	61 - 12
G178 7660	Pressure Roller:Transport Roller	63 - 13
G178 7660	Pressure Roller:Transport Roller	69 - 14
G178 7664	Spacer	175 - 5
G178 7664	Spacer	87 - 33
G178 7664	Spacer	63 - 12
G178 7664	Spacer	69 - 12
G178 7665	Bushing	75 - 18
G178 7667	Rubber Foot	67 - 5
G178 7667	Rubber Foot	79 - 4
G178 7667	Rubber Foot	31 - 4
G178 7668	Spacer:7907032:Base	111 - 2
G178 7668	Spacer:7907032:Base	189 - 5
G178 7668	Spacer:7907032:Base	191 - 2
G178 7668	Spacer:7907032:Base	61 - 3
G178 7668	Spacer:7907032:Base	193 - 6
G178 7668	Spacer:7907032:Base	195 - 8
G178 7668	Spacer:7907032:Base	149 - 5
G178 7670	Washer:455554	177 - 28
G178 7670	Washer:455554	73 - 47
G178 7670	Washer:455554	63 - 33
G178 7680	Decal:Transport Unit:Caution	375 - 58
G178 7680	Decal:Transport Unit:Caution	67 - 28
G178 7681	Decal:Grip:Open And Close:B4	67 - 30
G178 7681	Decal:Grip:Open And Close:B4	375 - 28

Part No.	Description	Page and Index No.
G178 7682	Decal:Grip:Open And Close:B5	63 - 31
G178 7682	Decal:Grip:Open And Close:B5	375 - 30
G178 7683	Inner Cover:Registration:Uni	57 - 3
G178 7684	Decal:Lever:Guide Plate:Z4	79 - 9
G178 7684	Decal:Lever:Guide Plate:Z4	375 - 32
G178 7685	Cover:PCB	61 - 1
G178 7686	Lever:Pull Out:Transport	57 - 2
G178 7687	Shaft:Lever:Open And Close	67 - 16
G178 7688	Gear:Guide Plate:Open And Close	67 - 15
G178 7689	Decal:Knob:Rotation Direction:B1	375 - 59
G178 7689	Decal:Knob:Rotation Direction:B1	57 - 11
G178 7691	Decal:Knob:Rotation Direction:B6	375 - 60
G178 7691	Decal:Knob:Rotation Direction:B6	57 - 12
G178 7692	Decal:Knob:Rotation Direction:B2	375 - 61
G178 7692	Decal:Knob:Rotation Direction:B2	57 - 13
G178 7693	Decal:Knob:Rotation Direction:Z3	375 - 62
G178 7693	Decal:Knob:Rotation Direction:Z3	57 - 14
G178 7694	Cover:DC Stepper Motor:MM42	59 - 1
G178 7694	Cover:DC Stepper Motor:MM42	61 - 13
G178 7704	Holder:Stepper Motor:Shift	75 - 19
G178 7706	PCB:Rcb	61 - 4
G178 7715	Drive Roller:Registration:Ass'y	69 - 11
G178 7717	Gear:Shift:Roller	69 - 7
G178 7723	Cover:Cable	59 - 14
G178 7727	Cover:Cable:Right	59 - 13
G178 7740	Duct:CIS:Fan	75 - 14
G178 7741	Arm:Guide	63 - 1
G178 7743	Boss:Positioning Pin:Transport Unit:No.1	63 - 34
G178 7743	Boss:Positioning Pin:Transport Unit:No.1	177 - 30
G178 7743	Boss:Positioning Pin:Transport Unit:No.1	155 - 11
G178 7744	Boss:Positioning Pin:Transport Unit:No.2	177 - 29
G178 7744	Boss:Positioning Pin:Transport Unit:No.2	73 - 48
G178 7744	Boss:Positioning Pin:Transport Unit:No.2	165 - 15
G178 7751	DC Solenoid	57 - 6
G178 7758	Guide Plate:Registration:Exit	65 - 1

Part No.	Description	Page and Index No.
G178 7762	Guide Plate:Entrance:Lower	65 - 16
G178 7764	Stand:Pin:Shift	75 - 22
G178 7766	Shaft:Cam	69 - 22
G178 7772	Timing Belt:60S2M:668	61 - 10
G178 7781	Gear:Pulley	59 - 11
G178 7784	Bracket:Guide:Paper Feed	217 - 7
G178 7785	Guide:Entrance:LCT:Upper	217 - 6
G178 7786	Guide:Entrance:Upper:Lower	217 - 5
G178 7788	Holder:Handle:Latch:Spring	75 - 29
G178 7790	Holder:Roller:On-off	63 - 24
G178 7790	Holder:Roller:On-Off	67 - 6
G178 7790	Holder:Roller:On-Off	145 - 5
G178 7790	Holder:Roller:On-Off	79 - 15
G178 7793	Screw:Registration:Fix	57 - 4
G178 7800	Decal:Colored Display:Cover:Bk	375 - 34
G178 7800	Decal:Colored Display:Cover:BK	83 - 12
G178 7801	Decal:Colored Display:Cover:M	375 - 35
G178 7801	Decal:Colored Display:Cover:M	83 - 10
G178 7802	Decal:Colored Display:Cover:C	83 - 11
G178 7802	Decal:Colored Display:Cover:C	375 - 36
G178 7803	Decal:Colored Display:Cover:Y	83 - 9
G178 7803	Decal:Colored Display:Cover:Y	375 - 37
G178 7805	Decal:Colored Display:Lever:Bk	375 - 42
G178 7805	Decal:Colored Display:Lever:BK	83 - 4
G178 7806	Decal:Colored Display:Lever:M	375 - 43
G178 7806	Decal:Colored Display:Lever:M	83 - 2
G178 7807	Decal:Colored Display:Lever:C	375 - 44
G178 7807	Decal:Colored Display:Lever:C	83 - 3
G178 7808	Decal:Colored Display:Lever:Y	375 - 45
G178 7808	Decal:Colored Display:Lever:Y	83 - 1
G178 7812	Decal:Collection Bottle:No.1	375 - 63
G178 7812	Decal:Collection Bottle:No.1	229 - 26
G178 7813	Decal:Collection Bottle:No.2	229 - 27
G178 7813	Decal:Collection Bottle:No.2	375 - 65
G178 7814	Decal:Collection Bottle:Door	375 - 64

Part No.	Description	Page and Index No.
G178 7814	Decal:Collection Bottle:Door	31 - 20
G178 7815	Seal:Bottle:Feeler	229 - 18
G178 7816	Stopper:Pipe:Toner Recycling	171 - 21
G178 7817	Gear:Idler:Toner Recycling:Upper:Ass'y	171 - 5
G178 7817	Gear:Idler:Toner Recycling:Upper:Ass'y	169 - 3
G178 7819	Seal:Cap:Collection Bottle	229 - 15
G178 7829	Compression Spring:Toner Recycling	171 - 17
G178 7834	Tension Spring:Transfer:10N	73 - 44
G178 7840	Decal:Warning	375 - 66
G178 7845	Decal:Warning:Earth	375 - 67
G178 7845	Decal:Warning:Earth	187 - 10
G178 7847	Decal:Leak Breaker:Caption	375 - 25
G178 7847	Decal:Leak Breaker:Caption	187 - 11
G178 7853	Sheet:Fiber:Stay	135 - 13
G178 7892	Gear:Z70:Hot Roller	137 - 11
G178 7894	Gear:Z38:Joint:Ass'y	137 - 24
G178 7895	Clip:HOSE:DIA10	177 - 34
G178 7900	Distance Measuring Sensor	139 - 2
G178 7934	Shaft:Gear:Roller:Drive	137 - 25
G178 7959	Thermostat:190C:250V:10A	133 - 20
G178 7960	Cover:Thermostat:Heat Roller	133 - 21
G178 8350	Wrench:Hexagonal Bolt	229 - 2
G178 8356	Tray:Slide	229 - 25
G178 8442	Decal:Terminal:Neutral	375 - 97
G178 8442	Decal:Terminal:Neutral	189 - 1
G363 1105	Detent Roller Shaft	293 - 20
G363 1105	Detent Roller Shaft	301 - 19
G404 2810	Spring Plate - 2nd Mirror	261 - 17
G564 4151	Rail - Side Fence	239 - 28
G570 1540	Rubber Foot H=10	303 - 12
G832 7900	Screw:Spring Washer:Round Point:M4x10	129 - 12
H072 2216	Compression Spring	149 - 23
H072 2220	Spacer - M6x10	63 - 9
H072 2220	Spacer - M6x10	71 - 2
H085 1109	Bushing - M6x5	277 - 11

Part No.	Description	Page and Index No.
H110 3157	Roller:Belt Tensioner	159 - 16
H516 3666	Spring - 19.6mm	267 - 8
J502 3127	Bushing:Stepper Motor	293 - 29
J502 3127	Bushing:Stepper Motor	301 - 4
M064 1672	Cover:Control Unit:Left Lower:Coat	33 - 1
M379 1627	Transport Roller:Driven	153 - 11
M379 1627	Transport Roller:Driven	157 - 11
M390 1135	Tube:DIA10:Connection	177 - 37
M390 1143	Joint:Tube:Ltype:Pv10	177 - 44
R013 1053	Clamp:FCR-15	103 - 22
R013 1053	Clamp:FCR-15	105 - 16

Part No.	Description	Page and Index No.
AA00 0203	Gasket:Tray:IPU/MCU:Upper	215 - 14
AA00 0548	Ground Plate:C/T Box:Upper	215 - 15
AA00 1190	Decal - Ground	375 - 3
AA00 1190	Decal - Ground	189 - 14
AA00 1477	Decal:Enerty-Star	27 - 32
AA00 1508	Decal:Side Fence:40x30	375 - 4
AA00 1508	Decal:Side Fence:40x30	41 - 13
AA00 1509	Decal:Side Fence:16x30	375 - 5
AA00 1509	Decal:Side Fence:16x30	43 - 15
AA00 2262	CD-ROM:Manual:RICOH_Admin:Ass'y	229 - 34
AA02 1031	Magnetic Catch	81 - 6
AA02 1034	Magnetic	165 - 5
AA04 2550	Timing Belt - S2M138	295 - 5
AA04 2552	Timing Belt - B60S2M176	157 - 19
AA04 3271	Timing Belt S3m 196t	41 - 22
AA04 3308	Timing Belt - S2M114 9MM	59 - 9
AA04 3476	Timing Belt 160 S2M8	75 - 15
AA04 3533	Timing Belt - B0S2M256	253 - 38
AA04 3534	Timing Belt - B60S3M216	251 - 26
AA04 3535	Timing Belt - B60S3M195	251 - 22
AA04 3536	Timing Belt - B60S3M279	251 - 34
AA04 3537	Timing Belt - B40S2M206	251 - 31
AA04 3538	Timing Belt - B60S3M174	253 - 37
AA04 3539	Timing Belt - B40S2M104	253 - 10
AA04 3546	Timing Belt - B60S2M474	253 - 14
AA04 3547	Timing Belt - B40S3M213	249 - 21
AA04 3548	Timing Belt - B40S3M150	247 - 1
AA04 3621	Timing Belt - 60S2M156	59 - 12
AA04 3955	Timing Belt - 60S2M434	59 - 4
AA06 0151	Tension Spring:Shutter:Sensor:TM	101 - 12
AA06 0523	Pick-up Pressure Sping	51 - 10
AA06 0534	Tray Lock Spring - 19mm	225 - 14
AA06 0590	Pressure Spring	251 - 14
AA06 0590	Pressure Spring	253 - 35
AA06 0757	Tension Spring - Long	45 - 3

Part No.	Description	Page and Index No.
AA06 0758	Tension Spring - Short	45 - 16
AA06 0761	Spring	225 - 8
AA06 0840	Pressure Spring - 29N	279 - 5
AA06 0840	Pressure Spring - 29N	281 - 5
AA06 0858	DC Solenoid Spring	269 - 15
AA06 0858	DC Solenoid Spring	271 - 6
AA06 0961	Tension Spring:Side Fence:Rear	47 - 29
AA06 0987	Tension Spring:Timing Belt:10n	41 - 17
AA06 1000	Spring - 1.42n	53 - 10
AA06 1041	Compression Spring:Pressure Sub-unit	139 - 13
AA06 1045	Compression Spring:Belt Tension	137 - 13
AA06 1072	Spring:Idler	141 - 20
AA06 2345	Tension Spring	245 - 22
AA06 2587	Tension Spring:Pressure	245 - 10
AA06 2588	Tension Spring:Exit	249 - 18
AA06 2589	Tension Spring:Reverse	249 - 13
AA06 3204	Compression Spring	283 - 16
AA06 3268	Connector Spring	181 - 24
AA06 3435	Compression Spring:Paper Feed:Joint	241 - 8
AA06 3581	Compression Spring	79 - 14
AA06 3583	Spring	181 - 23
AA06 3674	Spring - 8n	53 - 18
AA06 3674	Spring - 8N	79 - 16
AA06 3674	Spring - 8N	145 - 7
AA06 3675	Spring - 5N	145 - 11
AA06 3675	Spring - 5N	157 - 10
AA06 3675	Spring - 5N	67 - 27
AA06 3678	Spring - 3.5N	67 - 7
AA06 3678	Spring - 3.5N	63 - 26
AA06 3679	Spring - 10N	55 - 14
AA06 3680	Pressure Spring - 5x10.5	157 - 16
AA06 3696	Compression Spring:Web:30N	131 - 9
AA06 3878	Spring	55 - 18
AA06 3951	Compression Spring	113 - 17
AA06 6671	Lock Spring	305 - 3

Part No.	Description	Page and Index No.
AA06 6675	Compression Spring	293 - 12
AA06 6675	Compression Spring	301 - 11
AA06 6675	Compression Spring	287 - 8
AA06 6676	Tension Spring:Pickup:Pressure Release	283 - 1
AA06 6677	Tension Spring	283 - 24
AA08 0265	Bushing:6x8x5	55 - 25
AA08 0308	Bushing - 8mm	135 - 10
AA08 0354	Bushing - 6mm	131 - 7
AA08 0355	Bushing - 7mm	141 - 32
AA08 0356	Bushing - 6mm	131 - 5
AA08 0370	Plain Shaft Bearing:DIA5	141 - 39
AA08 0371	Plain Shaft Bearing:DIA4:1	141 - 41
AA08 0372	Plain Shaft Bearing:DIA4:2	141 - 40
AA08 0373	Plain Shaft Bearing:Belt Tension	137 - 14
AA08 1020	Plain Shaft Bearing:DIA12xDIA20x8	139 - 19
AA08 2070	Bushing - 8x16x7	287 - 13
AA08 2075	Bushing - M6	123 - 23
AA08 2075	Bushing - M6	85 - 5
AA08 2078	Bushing - 8mm	87 - 32
AA08 2095	Bushing - Toner Collection Coil	121 - 10
AA08 2095	Bushing - Toner Collection Coil	123 - 27
AA08 2101	Bushing - 6x10x6	269 - 24
AA08 2101	Bushing - 6x10x6	275 - 9
AA08 2101	Bushing - 6x10x6	87 - 20
AA08 2101	Bushing - 6x10x6	271 - 23
AA08 2101	Bushing - 6x10x6	69 - 19
AA08 2101	Bushing - 6x10x6	151 - 6
AA08 2104	Bushing - 8x12x7	161 - 5
AA08 2104	Bushing - 8x12x7	67 - 11
AA08 2104	Bushing - 8x12x7	151 - 8
AA08 2104	Bushing - 8x12x7	107 - 3
AA08 2104	Bushing - 8x12x7	69 - 3
AA08 2104	Bushing - 8x12x7	87 - 10
AA08 2104	Bushing - 8x12x7	73 - 24
AA08 2104	Bushing - 8x12x7	117 - 3

Part No.	Description	Page and Index No.
AA08 2104	Bushing - 8x12x7	157 - 6
AA08 2104	Bushing - 8x12x7	75 - 4
AA08 2104	Bushing - 8x12x7	63 - 21
AA08 2117	Bushing - M6	99 - 3
AA08 2140	Bushing:Drive:Supply:MM6	87 - 22
AA08 3009	Clutch Roller - 8x18x11	51 - 14
AA08 3015	Roller Clutch	283 - 14
AA08 4059	Ball Bearing Holder	63 - 25
AA08 4059	Ball Bearing Holder	67 - 8
AA08 4059	Ball Bearing Holder	291 - 9
AA08 4059	Ball Bearing Holder	287 - 9
AA08 4059	Ball Bearing Holder	285 - 19
AA08 4059	Ball Bearing Holder	55 - 15
AA08 4059	Ball Bearing Holder	153 - 9
AA08 4059	Ball Bearing Holder	145 - 8
AA08 4059	Ball Bearing Holder	157 - 9
AA08 4059	Ball Bearing Holder	301 - 10
AA08 4059	Ball Bearing Holder	53 - 17
AA08 4059	Ball Bearing Holder	79 - 17
AA08 4059	Ball Bearing Holder	293 - 13
AA12 0097	Antistatic Brush	149 - 28
AA13 2013	Spacer	241 - 9
AA13 2111	Spacer - 8x12x0.5	73 - 36
AA13 2142	Spacer - M8	215 - 3
AA13 2152	Spacer - 8x20x1	251 - 9
AA13 2171	Spacer - 6x20x1	241 - 30
AA13 2203	Spacer - 6mm	183 - 18
AA13 2203	Spacer - 6mm	45 - 33
AA13 2205	Spacer - Timing Belt	295 - 18
AA13 2208	Spacer - M6	123 - 3
AA13 2208	Spacer - M6	121 - 11
AA13 2208	Spacer - M6	99 - 16
AA13 2228	Spacer - 1mm	51 - 15
AA13 2300	Roller:Lock:Pull Out	113 - 21
AA13 2300	Roller:Lock:Pull Out	149 - 12

Part No.	Description	Page and Index No.
AA13 2300	Roller:Lock:Pull Out	75 - 23
AA13 2300	Roller:Lock:Pull Out	161 - 9
AA14 0686	Shaft - Timing Pulley	41 - 27
AA14 0912	Screw - 8x14x2.8	305 - 4
AA14 0912	Screw - 8x14x2.8	303 - 20
AA14 1008	Panel Knob Screw	201 - 3
AA14 3129	Shoulder Screw - Front Cover	189 - 8
AA14 3379	Stepped Screw	177 - 4
AA14 3379	Stepped Screw	253 - 5
AA14 3444	Stepped Screw	149 - 22
AA14 3545	Screw:M4	227 - 1
AA14 3545	Screw:M4	171 - 20
AA14 3550	Screw:DIA4:M3	181 - 22
AA14 3560	Stepped Screw - M4	231 - 15
AA14 3560	Stepped Screw - M4	193 - 9
AA14 3560	Stepped Screw - M4	55 - 20
AA14 3560	Stepped Screw - M4	195 - 6
AA14 3561	Screw - MM3:M2.5	121 - 4
AA14 3562	Screw:M4:DIA6x1.2	295 - 7
AA14 3570	Misfeed Removal Shaft	55 - 5
AA14 3573	Shoulder Screw - M4x4	97 - 11
AA14 3573	Shoulder Screw - M4x4	259 - 8
AA14 3788	Pin:Guide Plate:Paper Feed	239 - 20
AA14 3788	Pin:Guide Plate:Paper Feed	237 - 15
AA14 3789	Shaft:Cleaner	241 - 5
AA14 3790	Screw:Contact Point	275 - 28
AA14 3792	Screw:Drawer	177 - 3
AA14 3797	Connector Guide Pin	27 - 28
AA14 3797	Connector Guide Pin	179 - 10
AA14 3797	Connector Guide Pin	223 - 5
AA14 3798	Hexagonal Bolt:M12x35	305 - 16
AA14 3801	Screw:M4:Exterior	129 - 3
AA14 3801	Screw:M4:Exterior	135 - 3
AA14 3801	Screw:M4:Exterior	217 - 8
AA14 3801	Screw:M4:Exterior	175 - 15

Part No.	Description	Page and Index No.
AA14 3801	Screw:M4:Exterior	173 - 5
AA14 3802	Screw:6x1.7	265 - 6
AA14 3811	Inner Cover:Paper Exit Unit:Left	145 - 3
AA14 3811	Stepped Screw - M3x4	79 - 8
AA14 3812	Screw - Scale	283 - 8
AA14 3822	Stepped Screw - M3.5	133 - 17
AA14 3828	Screw:Fly Wheel	79 - 13
AA14 3831	Screw	245 - 24
AA14 3832	Release Spring Holder	255 - 4
AA14 3842	Screw:DIA6:14.5:M4	247 - 4
AA14 3852	Screw	267 - 25
AA14 3857	Screw - M4x5	243 - 1
AA14 3867	Screw:DIA4:M3	137 - 10
AA14 3870	Stepped Screw	177 - 41
AA15 0332	Seal - 0.19x18x22	265 - 12
AA15 0406	Seal - Misfeed Removal	225 - 7
AA15 3178	Seal:Fan:Heat Pipe:Fusing	187 - 9
AA15 3182	Seal:Fan:Charge Corona:Main	185 - 10
AA16 1104	Cushion - Motor	257 - 9
AA16 1122	Motor Cushion	183 - 2
AA16 1122	Motor Cushion	181 - 8
AA16 1122	Motor Cushion	295 - 3
AA16 1122	Motor Cushion	59 - 7
AA16 1122	Motor Cushion	147 - 2
AA16 1129	Cushion - Large	45 - 36
AA16 1130	Cushion - Small	45 - 29
AA16 1138	Cushion - 1.1	245 - 21
AA16 1138	Cushion - 1.1	259 - 2
AB01 0174	Gear - 20Z/50Z	131 - 17
AB01 0175	Gear - 24Z	131 - 15
AB01 0179	Gear:Slow Down:Cleaning Unit:1	141 - 38
AB01 0180	Gear:Slow Down:Cleaning Unit:2	141 - 34
AB01 0181	Gear:Slow Down:Cleaning Unit:3	141 - 36
AB01 0182	Gear:Slow Down:Cleaning Unit:4	141 - 27
AB01 0183	Gear:Slow Down:Cleaning Unit:5	141 - 35

Part No.	Description	Page and Index No.
AB01 0185	Gear:Rolling	131 - 6
AB01 0186	Gear:Oil Supply Roller	131 - 16
AB01 0194	Gear:M1Z20:Ass'y	141 - 25
AB01 0195	Gear:M1Z19:Ass'y	141 - 24
AB01 0196	Gear:M1Z17:Ass'y	141 - 23
AB01 1392	Drive Reverse Gear - 24Z	53 - 8
AB01 1392	Drive Reverse Gear - 24Z	285 - 15
AB01 1478	Gear - 18Z	283 - 5
AB01 1478	Gear - 18Z	301 - 7
AB01 1591	Gear:Reverse	285 - 14
AB01 1591	Gear:Reverse	53 - 6
AB01 2008	Gear - 23Z	85 - 6
AB01 2327	Gear:16Z	47 - 19
AB01 3654	Gear - 30Z	295 - 12
AB01 3781	Gear - 30Z	45 - 23
AB01 3798	Gear - Z18	41 - 29
AB01 7724	Gear - 23Z/28Z	283 - 13
AB01 7725	Gear/timing Pulley - 20Z/20T	55 - 8
AB01 7726	Gear/timing Pulley - 20Z/20T	55 - 7
AB01 7771	Gear:Transport Roller:Input:Z23/Z28	49 - 11
AB01 9475	Gear - 48T	41 - 24
AB03 0081	Pulley - 20Z	155 - 10
AB03 0081	Pulley - 20Z	159 - 10
AB03 0310	Tightener Pulley	149 - 30
AB03 0310	Tightener Pulley	147 - 12
AB03 0310	Tightener Pulley	59 - 16
AB03 0310	Tightener Pulley	61 - 9
AB03 0354	Pulley - 20T	253 - 31
AB03 0802	Timing Pulley - 24T	165 - 12
AB03 0802	Timing Pulley - 24T	65 - 15
AB03 0802	Timing Pulley - 24T	77 - 2
AB03 0802	Timing Pulley - 24T	161 - 12
AB03 0803	Timing Pulley - 25T	71 - 8
AB03 0805	Pulley:Coupling:30T	149 - 21
AB03 0810	Timing Pulley - 28T	157 - 20

Part No.	Description	Page and Index No.
AB03 2058	Wire Pulley - M10	83 - 25
AB03 2058	Wire Pulley - M10	45 - 19
AB03 2069	Pulley	265 - 19
AB03 2070	Pulley	265 - 20
AB03 2719	Pulley - M10	45 - 21
AB03 3084	Timing Pulley - 15T	41 - 25
AB03 3085	Timing Pulley - 15T	41 - 15
AC04 2188	Scale:Left	259 - 5
AE03 0031	Ball Bearing - 40x62x12	137 - 18
AE03 0079	Ball Bearing:DIA40xDIA62x12	137 - 15
AE03 2021	Bushing - 34.3x39.9x15.5	137 - 16
AE04 0081	Roller:Belt Tension	137 - 12
AE04 0082	Roller:Cleaning Felt:Plate	131 - 12
AE04 5061	Web:Ass'y	131 - 4
AF01 3005	Bottom Plate Pad	47 - 17
AF01 7033	End Fence	47 - 15
AF02 0672	Transport Roller - Driven	53 - 16
AF02 0724	Transport Roller:Grip:No.1:Drive	51 - 1
AF02 0725	Transport Roller:Grip:No.2:Drive	51 - 7
AF02 2067	Guide Stopper Roller	79 - 11
AF02 2067	Guide Stopper Roller	145 - 16
AF02 2105	Roller - Slide Rail	45 - 32
AF02 2166	Transport Roller - Driven	55 - 24
AF02 2171	Transport Roller:Driven:DIA18x2	63 - 27
AF03 0071	Pick-up Roller	283 - 21
AF03 0080	Paper Feed Roller:Pickup	51 - 5
AF03 1041	Feed Roller - Bypass Feed	283 - 20
AF03 1080	Paper Feed Roller:Feed	51 - 3
AF03 2041	Separation Roller - Bypass Feed	285 - 2
AF03 2080	Paper Feed Roller:Separate	53 - 3
AF04 0561	Fusing Exit Roller - Upper	135 - 4
AG05 0100	Knob - Transport Roller	143 - 2
AG05 0100	Knob - Transport Roller	57 - 1
AG05 0101	Knob - Misfeed Removal	55 - 9
AG07 0007	Magnet Catch	27 - 8

Part No.	Description	Page and Index No.
AG07 0504	Magnet Catch:44.1n	29 - 10
AG07 0514	Magnet Catch	271 - 32
AG07 0514	Magnet Catch	269 - 29
AG07 0515	Magnet Catch:13N	255 - 12
AG07 0515	Magnet Catch:13N	159 - 8
AG07 0515	Magnet Catch:13n	251 - 39
AG07 1012	Magnet Catch:Ass'y	305 - 6
AH01 2031	Caster:1470N	227 - 2
AH01 2031	Caster:1470N	305 - 11
AH01 2035	Caster - 980N	215 - 10
AW00 0011	Optics Sensor:Photo	63 - 6
AW01 0107	Paper Feed Sensor	63 - 4
AW01 0107	Paper Feed Sensor	165 - 3
AW01 0107	Paper Feed Sensor	161 - 3
AW01 0107	Paper Feed Sensor	73 - 7
AW01 0107	Paper Feed Sensor	157 - 4
AW01 0107	Paper Feed Sensor	127 - 3
AW01 0107	Paper Feed Sensor	67 - 19
AW01 0107	Paper Feed Sensor	49 - 5
AW01 0107	Paper Feed Sensor	283 - 10
AW01 0107	Paper Feed Sensor	65 - 2
AW01 0107	Paper Feed Sensor	51 - 11
AW01 0107	Paper Feed Sensor	57 - 10
AW01 0109	Photo Reflection Sensor:PS117ED1	239 - 21
AW01 0109	Photo Reflection Sensor:PS117ED1	243 - 12
AW01 0109	Photo Reflection Sensor:PS117ED1	247 - 7
AW01 0113	Sensor	45 - 37
AW01 0116	Original Sensor:H=1-66	259 - 11
AW01 0122	Paper Feed Sensor	293 - 22
AW01 0122	Paper Feed Sensor	289 - 10
AW01 0122	Paper Feed Sensor	301 - 3
AW01 0122	Paper Feed Sensor	291 - 14
AW01 0122	Paper Feed Sensor	49 - 14
AW01 0127	Paper Feed Sensor	227 - 6
AW01 0130	Original Sensor:H=3-80	259 - 4

Part No.	Description	Page and Index No.
AW02 0141	Photointerruptor	253 - 12
AW02 0141	Photointerruptor	243 - 15
AW02 0141	Photointerruptor	255 - 15
AW02 0141	Photointerruptor	239 - 16
AW02 0141	Photointerruptor	251 - 21
AW02 0145	Photointerruptor:Flat	43 - 12
AW02 0145	Photointerruptor:Flat	49 - 7
AW02 0145	Photointerruptor:Flat	107 - 15
AW02 0145	Photointerruptor:Flat	227 - 16
AW02 0145	Photointerruptor:Flat	171 - 4
AW02 0145	Photointerruptor:Flat	45 - 11
AW02 0145	Photointerruptor:Flat	41 - 35
AW02 0145	Photointerruptor:Flat	73 - 28
AW02 0145	Photointerruptor:Flat	113 - 15
AW02 0145	Photointerruptor:Flat	115 - 21
AW02 0145	Photointerruptor:Flat	219 - 7
AW02 0145	Photointerruptor:Flat	95 - 11
AW02 0145	Photointerruptor:Flat	167 - 7
AW02 0145	Photointerruptor:Flat	75 - 12
AW02 0145	Photointerruptor:Flat	291 - 17
AW02 0149	Paper Feed Sensor	117 - 15
AW02 0149	Paper Feed Sensor	107 - 11
AW02 0150	Photointerruptor:Flat:7mm	141 - 30
AW02 0154	Photointerruptor:Entrance	243 - 6
AW02 0155	Photointerruptor:Paper Size Sensor	243 - 5
AW02 0160	Paper Feed Sensor	283 - 12
AW02 0160	Paper Feed Sensor	281 - 9
AW02 0160	Paper Feed Sensor	263 - 25
AW02 0160	Paper Feed Sensor	277 - 6
AW02 0160	Paper Feed Sensor	271 - 17
AW02 0160	Paper Feed Sensor	139 - 17
AW02 0163	Paper Feed Sensor	41 - 32
AW02 0164	Oil End Sensor	227 - 12
AW02 0185	Toner End Sensor	85 - 8
AW10 0106	Thermopile	221 - 10

Part No.	Description	Page and Index No.
AW10 0106	Thermopile	151 - 19
AW11 0086	Thermostat:160C	133 - 6
AW11 0087	Thermostat:159C	133 - 5
AW14 0015	Temperature & Humidity Sensor	217 - 13
AW14 0015	Temperature & Humidity Sensor	167 - 15
AW14 0015	Temperature & Humidity Sensor	211 - 7
AW14 0015	Temperature & Humidity Sensor	89 - 7
AW50 0010	Push Switch	183 - 23
AW50 0023	Push Switch	219 - 9
AX04 0139	Stepper Motor:MM42:0.95A:9.5V	251 - 30
AX04 0145	DC Motor:Tandem LCT	41 - 31
AX04 0157	Stepper Motor DC1.68V 6.7W	181 - 7
AX04 0157	Stepper Motor DC1.68V 6.7W	147 - 1
AX04 0157	Stepper Motor DC1.68V 6.7W	295 - 1
AX04 0157	Stepper Motor DC1.68V 6.7W	59 - 6
AX04 0157	Stepper Motor DC1.68V 6.7W	183 - 1
AX04 0157	Stepper Motor DC1.68V 6.7W	75 - 20
AX04 0158	Stepper Motor DC2.64V 6.3W	293 - 1
AX04 0158	Stepper Motor DC2.64V 6.3W	289 - 1
AX04 0158	Stepper Motor DC2.64V 6.3W	181 - 1
AX04 0167	Motor:DC5V 0.71W	141 - 28
AX04 0229	DC Motor 24V 21.6W	297 - 12
AX04 0254	DC Motor:Rising Tray:Ass'y	183 - 19
AX06 0280	DC Motor:MM63:24W	87 - 3
AX06 0281	DC Motor:MM56:15W	171 - 1
AX06 0281	DC Motor:MM56:15W	119 - 13
AX06 0281	DC Motor:MM56:15W	169 - 1
AX06 0320	DC Motor:54w	253 - 29
AX06 0321	DC Motor 24V 27W	253 - 1
AX06 0333	Stepper Motor DC2.4V 13W	289 - 16
AX20 0284	Magnetic Clutch:0.4N M:Z32:MM6	87 - 23
AX20 0294	Magnetic Clutch - 38Z	251 - 24
AX31 0045	Total Counter:7Fig:24V	223 - 8
AX40 0012	Heater - 230V/18W	305 - 14
AX40 0012	Heater - 230V/18W	265 - 9

Part No.	Description	Page and Index No.
AX43 0161	Heater:208V:1000W:Heat Roller:NA	133 - 9
AX43 0162	Heater:230V:1000W:Heat Roller:EU/AA	133 - 9
AX51 0011	Xenon Lamp	261 - 3
AX56 0011	LED	65 - 18
AX64 0149	Fan Motor:MM40:15mm	75 - 10
AX64 0149	Fan Motor:MM40:15mm	89 - 1
AX64 0150	Fan Motor:MM60:25mm:DC24V 4.8W	221 - 5
AX64 0150	Fan Motor:MM60:25mm:DC24V 4.8W	165 - 7
AX64 0150	Fan Motor:MM60:25mm:DC24V 4.8W	217 - 11
AX64 0159	Fan Motor MM80	185 - 4
AX64 0159	Fan Motor MM80	127 - 17
AX65 0041	Fan Motor:Sirocco	187 - 4
AZ23 0242	Power Supply Unit:124.5W	203 - 8
AZ25 0045	Power Supply Unit:BC3:Engine-A	205 - 4
AZ25 0046	Power Supply Unit:BC3:Engine-B	205 - 3
AZ31 0029	Power Pack:D	73 - 2
AZ50 0071	Stabilizer	263 - 21
BB01 3007	Gear - 20Z	55 - 3
BB01 3007	Gear - 20Z	49 - 1
BB01 3008	Gear - 31Z	49 - 12
BB01 3008	Gear - 31Z	285 - 17
BB01 3010	Gear - 18Z	49 - 9
BB01 3019	Gear - 23Z	49 - 10
GA00 0036	Decal - (High Temperature) Left	375 - 92
GA00 3020	Decal:Development Unit:Display:Y	221 - 13
GA00 3020	Decal:Development Unit:Display:Y	375 - 38
GA00 3021	Decal:Development Unit:Display:M	221 - 14
GA00 3021	Decal:Development Unit:Display:M	375 - 39
GA00 3022	Decal:Development Unit:Display:C	221 - 15
GA00 3022	Decal:Development Unit:Display:C	375 - 40
GA00 3023	Decal:Development Unit:Display:K	375 - 41
GA00 3023	Decal:Development Unit:Display:K	221 - 16
GA06 0077	Spring:Blade:1st Transfer:7.1N	123 - 9
GA06 0085	Coil Spring:Blade:Apply:	

Part No.	Description	Page and Index No.
	Intermediate Transfer	123 - 35
GA06 3076	Compression Spring:Brush Roller	121 - 14
GA06 3076	Compression Spring:Brush Roller	123 - 31
GA06 3077	Spring:Shutter:Used Toner	123 - 16
GA06 3078	Compression Spring:Belt Cleaning	123 - 14
GA08 2012	Bushing:Brush Roller:Rear	121 - 13
GA15 0010	Seal:Blade	123 - 11
GA15 1039	Seal:Case:Coating Bar	121 - 1
GA15 1040	Seal:Holder:Side	123 - 19
GA15 2031	Seal:Belt Cleaning:Front	123 - 20
GA15 2032	Seal:Belt Cleaning:Rear	123 - 30
GA15 2033	Seal:Belt Cleaning:Entrance:Side	123 - 33
GB01 0140	Gear:Idler:68Z	119 - 5
GB01 1084	Gear:Brush Roller:1st Transfer	123 - 26
GB01 1085	Gear:Idler:Toner Collection Coil	123 - 5
GB01 1086	Gear:Toner Collection Coil	123 - 22
GB01 1130	Gear:Idler:64Z	119 - 8
GB01 1131	Gear:Drive:Brush Roller:Upper	119 - 3
GB01 1132	Gear:Drive:Brush Roller:Lower	119 - 7
GB01 7133	Gear:Idler:60Z:31Z	119 - 9
GB01 7134	Gear:Idler:40Z:42Z	119 - 4
GD04 1027	Cleaning Blade:Intermediate Transfer:Ass'y	123 - 10
GD04 1029	Cleaning Blade:Apply: Intermediate Transfer:Ass'y	123 - 37
GD04 2007	Brush Roller:Intermediate Transfer	123 - 28
GD04 2008	Brush Roller:Apply:1st Transfer	121 - 12
GD04 2009	Brush Roller:Cleaning	99 - 1
GD04 2011	Brush Roller:Apply	97 - 16
GD04 3008	Toner Collection Coil:Belt Cleaning	123 - 24
GH01 0007	Rubber Foot - FF-006(P4070)N	305 - 5
GW23 0001	Toner End Sensor	87 - 16
GX05 0009	Stepper Motor - DC 4.56W	173 - 16
GX05 0010	DC Stepper Motor:5.56W	109 - 27
GX64 0021	Fan Motor DC24V 1.92W	263 - 5
GX64 0021	Fan Motor DC24V 1.92W	265 - 2

Part No.	Description	Page and Index No.
GX64 0024	Fan Motor - DC 3.12W	207 - 8
GX64 0024	Fan Motor - DC 3.12W	185 - 8
GX64 0024	Fan Motor - DC 3.12W	187 - 6
GX64 0024	Fan Motor - DC 3.12W	197 - 11
GX64 0024	Fan Motor - DC 3.12W	199 - 1
GX64 0024	Fan Motor - DC 3.12W	205 - 1
GX64 0024	Fan Motor - DC 3.12W	297 - 16
GX64 0024	Fan Motor - DC 3.12W	211 - 17
GX64 0024	Fan Motor - DC 3.12W	213 - 7
GX64 0024	Fan Motor - DC 3.12W	223 - 2
GX64 0024	Fan Motor - DC 3.12W	227 - 22
GX64 0028	Fan Motor DC24V 1.92W	263 - 20
GX64 0028	Fan Motor DC24V 1.92W	259 - 16
GX65 0002	Fan:Sirocco:DC 9.36W	185 - 2
GZ23 0060	Power Supply Unit:G-P3:EU/AA	191 - 7
0312 5040N	Pan Head Screw:M2.5x4	101 -105

Part No.	Description	Page and Index No.
0312 5050N	Screw - M2.5x5	85 - 102
0313 0060N	Screw - M3x6	261 -104
0313 0060N	Screw - M3x6	197 -108
0313 0080N	Pan Head Screw:M3x8	45 - 109
0313 0080N	Pan Head Screw:M3x8	41 - 107
0313 0120N	Pan Head Screw:M3x12	45 - 108
0313 0120N	Pan Head Screw:M3x12	263 -108
0313 0120N	Pan Head Screw:M3x12	261 -103
0314 0060N	Screw - M4x6	225 -102
0314 0060N	Screw - M4x6	305 -106
0314 0060N	Screw - M4x6	265 -104
0314 0060N	Screw - M4x6	41 - 114
0314 0080N	Philips Pan Head Screw - M4x8	29 - 102
0314 0080N	Philips Pan Head Screw - M4x8	259 -102
0314 0080N	Philips Pan Head Screw - M4x8	265 -105
0314 0080N	Philips Pan Head Screw - M4x8	295 -102
0314 0120N	Screw - M4x12	177 -103
0314 0180N	Pan Head Screw:M4x18	149 -104
0314 0180N	Pan Head Screw:M4x18	75 - 103
0324 0300N	Screw - M4x30	265 -106
0353 0040N	Screw - M3x4	95 - 116
0353 0040N	Screw - M3x4	73 - 109
0353 0040N	Screw - M3x4	131 -102
0353 0040N	Screw - M3x4	283 -102
0353 0040N	Screw - M3x4	153 -103
0353 0040N	Screw - M3x4	57 - 103
0353 0050N	Screw-M3x5	251 -101
0353 0050N	Screw-M3x5	137 -102
0353 0050N	Screw-M3x5	71 - 103
0353 0050N	Screw-M3x5	141 -102
0353 0050N	Screw-M3x5	181 -102
0353 0060N	Bind Screw - M3x6	121 -101
0353 0060N	Bind Screw - M3x6	115 -107
0353 0060N	Bind Screw - M3x6	91 - 102
0353 0060N	Bind Screw - M3x6	111 -104

Part No.	Description	Page and Index No.
0353 0060N	Bind Screw - M3x6	109 -105
0353 0060N	Bind Screw - M3x6	89 - 105
0353 0060N	Bind Screw - M3x6	137 -106
0353 0060N	Bind Screw - M3x6	123 -101
0353 0060N	Bind Screw - M3x6	93 - 103
0353 0060N	Bind Screw - M3x6	37 - 101
0353 0060N	Bind Screw - M3x6	95 - 101
0353 0060N	Bind Screw - M3x6	99 - 101
0353 0060N	Bind Screw - M3x6	97 - 101
0353 0060N	Bind Screw - M3x6	39 - 102
0353 0080N	Screw:M3x8	187 -103
0353 0100N	Screw-M3x10	227 -103
0353 0100N	Screw-M3x10	91 - 107
0353 0140N	Screw:M3x14	91 - 104
0353 0250N	Screw:M3x25	147 -104
0354 0040N	Screw-M4x4	41 - 101
0354 0040N	Screw-M4x4	117 -104
0354 0040N	Screw-M4x4	43 - 104
0354 0040N	Screw-M4x4	115 -106
0354 0040N	Screw-M4x4	107 -104
0354 0040N	Screw-M4x4	221 -102
0354 0050N	Screw - M4x5	217 -104
0354 0050N	Screw - M4x5	167 -103
0354 0060N	Screw-M4x6	159 -102
0354 0060N	Screw-M4x6	167 -104
0354 0060N	Screw-M4x6	217 -101
0354 0060N	Screw-M4x6	157 -103
0354 0060N	Screw-M4x6	259 -103
0354 0080N	Screw:M4x8	87 - 114
0354 0080N	Screw:M4x8	229 -104
0354 0080N	Screw:M4x8	91 - 101
0354 0120N	Screw M4x12	93 - 104
0354 0200N	Screw:M4x20	263 -104
0354 0200N	Screw:M4x20	259 -104
0354 0300N	Screw:M4x30	263 -103

Part No.	Description	Page and Index No.
0354 0300N	Screw:M4x30	265 -111
0354 0400N	Screw:M4x40	185 -102
0354 0450N	Screw:M4x45	209 -105
0360 3006N	Screw - M3x6	297 -112
0360 3006N	Screw - M3x6	141 -106
0360 3006N	Screw - M3x6	293 -102
0360 3006N	Screw - M3x6	289 -102
0360 3006N	Screw - M3x6	133 -103
0360 3006N	Screw - M3x6	261 -102
0360 3006N	Screw - M3x6	263 -101
0360 3006N	Screw - M3x6	259 -101
0360 4008N	Screw - M4x8	137 -104
0360 4008N	Screw - M4x8	135 -102
0360 4008N	Screw - M4x8	47 - 104
0360 4008N	Screw - M4x8	141 -107
0360 4016N	Screw:M4x16	233 -102
0360 4030N	Screw:M4x30	185 -103
0360 4030N	Screw:M4x30	217 -106
0434 0200N	Pan Self-tapping Screw:4x20	187 -105
0450 3008N	Tapping Screw - M3x8	243 -109
0450 3008N	Tapping Screw - M3x8	239 -110
0450 3008N	Tapping Screw - M3x8	41 - 106
0450 3008N	Tapping Screw - M3x8	73 - 103
0450 3008N	Tapping Screw - M3x8	247 -102
0450 3008N	Tapping Screw - M3x8	95 - 103
0450 3008N	Tapping Screw - M3x8	145 -103
0450 3008N	Tapping Screw - M3x8	93 - 101
0450 3008N	Tapping Screw - M3x8	219 -101
0450 3008N	Tapping Screw - M3x8	109 -102
0450 3008N	Tapping Screw - M3x8	169 -102
0450 3010N	Tapping Screw - M3x10	105 -105
0450 3010N	Tapping Screw - M3x10	103 -108
0450 3010N	Tapping Screw - M3x10	37 - 102
0450 3010N	Tapping Screw - M3x10	39 - 101
0450 3010N	Tapping Screw - M3x10	87 - 105

Part No.	Description	Page and Index No.
0450 3010P	Tapping Screw:3x10	229 -103
0450 3010P	Tapping Screw:3x10	93 - 102
0450 3012N	Tapping Screw:3x12	85 - 106
0450 4008N	Tapping Screw - M4x8	185 -104
0450 4008N	Tapping Screw - M4x8	235 -102
0450 4008N	Tapping Screw - M4x8	239 -101
0450 4008N	Tapping Screw - M4x8	43 - 103
0450 4008N	Tapping Screw - M4x8	47 - 106
0450 4008N	Tapping Screw - M4x8	41 - 104
0450 4008N	Tapping Screw - M4x8	267 -107
0450 4008N	Tapping Screw - M4x8	27 - 104
0450 4008N	Tapping Screw - M4x8	175 -106
0450 4008N	Tapping Screw - M4x8	209 -103
0450 4008N	Tapping Screw - M4x8	231 -103
0450 4010N	Tapping Screw:M4x10	171 -106
0450 4010N	Tapping Screw:M4x10	155 -106
0450 4010N	Tapping Screw:M4x10	127 -103
0450 4010N	Tapping Screw:M4x10	27 - 101
0450 4010N	Tapping Screw:M4x10	219 -103
0450 4010N	Tapping Screw:M4x10	145 -101
0450 4010N	Tapping Screw:M4x10	147 -101
0450 4010N	Tapping Screw:M4x10	163 -102
0450 4010N	Tapping Screw:M4x10	31 - 103
0450 4010N	Tapping Screw:M4x10	35 - 102
0450 4010N	Tapping Screw:M4x10	105 -101
0450 4010N	Tapping Screw:M4x10	169 -106
0450 4010N	Tapping Screw:M4x10	103 -103
0450 4010N	Tapping Screw:M4x10	41 - 105
0450 4012N	Tapping Screw:4x12	237 -102
0450 4012N	Tapping Screw:4x12	95 - 106
0450 4035N	Tapping Screw:4x35	221 -106
0451 3005N	Tapping Screw:M3x5	253 -108
0451 3006N	Tapping Screw - 3x6	123 -103
0451 3006N	Tapping Screw - 3x6	113 -101
0451 3006N	Tapping Screw - 3x6	207 -111

Part No.	Description	Page and Index No.
0451 3006N	Tapping Screw - 3x6	79 - 103
0451 3006N	Tapping Screw - 3x6	177 -117
0451 3006N	Tapping Screw - 3x6	115 -102
0451 3006N	Tapping Screw - 3x6	153 -102
0451 3006N	Tapping Screw - 3x6	189 -103
0451 3006N	Tapping Screw - 3x6	117 -102
0451 3006N	Tapping Screw - 3x6	119 -101
0451 3006N	Tapping Screw - 3x6	297 -107
0451 3006N	Tapping Screw - 3x6	223 -109
0451 3006N	Tapping Screw - 3x6	193 -101
0451 3006N	Tapping Screw - 3x6	111 -101
0451 3006N	Tapping Screw - 3x6	145 -102
0451 3006N	Tapping Screw - 3x6	125 -101
0451 3006N	Tapping Screw - 3x6	59 - 102
0451 3006N	Tapping Screw - 3x6	213 -106
0451 3006N	Tapping Screw - 3x6	147 -103
0451 3006N	Tapping Screw - 3x6	195 -101
0451 3006N	Tapping Screw - 3x6	127 -102
0451 3006N	Tapping Screw - 3x6	69 - 102
0451 3006N	Tapping Screw - 3x6	205 -102
0451 3006N	Tapping Screw - 3x6	215 -102
0451 3006N	Tapping Screw - 3x6	89 - 103
0451 3006N	Tapping Screw - 3x6	197 -101
0451 3006N	Tapping Screw - 3x6	217 -103
0451 3006N	Tapping Screw - 3x6	299 -104
0451 3006N	Tapping Screw - 3x6	157 -110
0451 3006N	Tapping Screw - 3x6	105 -103
0451 3006N	Tapping Screw - 3x6	73 - 102
0451 3006N	Tapping Screw - 3x6	243 -105
0451 3006N	Tapping Screw - 3x6	103 -102
0451 3006N	Tapping Screw - 3x6	101 -103
0451 3006N	Tapping Screw - 3x6	211 -101
0451 3006N	Tapping Screw - 3x6	149 -101
0451 3006N	Tapping Screw - 3x6	71 - 102
0451 3006N	Tapping Screw - 3x6	227 -104

Part No.	Description	Page and Index No.
0451 3006N	Tapping Screw - 3x6	65 - 103
0451 3006N	Tapping Screw - 3x6	95 - 102
0451 3006N	Tapping Screw - 3x6	219 -105
0451 3006N	Tapping Screw - 3x6	169 -103
0451 3006N	Tapping Screw - 3x6	61 - 101
0451 3006N	Tapping Screw - 3x6	107 -102
0451 3006N	Tapping Screw - 3x6	151 -101
0451 3006N	Tapping Screw - 3x6	167 -102
0451 3006N	Tapping Screw - 3x6	161 -101
0451 3008N	Tapping Screw - M3x8	247 -103
0451 3008N	Tapping Screw - M3x8	241 -101
0451 3008N	Tapping Screw - M3x8	281 -110
0451 3008N	Tapping Screw - M3x8	245 -105
0451 3008N	Tapping Screw - M3x8	253 -101
0451 3008N	Tapping Screw - M3x8	243 -103
0451 3008N	Tapping Screw - M3x8	183 -105
0451 3008N	Tapping Screw - M3x8	187 -106
0451 3008N	Tapping Screw - M3x8	239 -102
0451 3008N	Tapping Screw - M3x8	173 -101
0451 3008N	Tapping Screw - M3x8	47 - 101
0451 3008N	Tapping Screw - M3x8	237 -101
0451 3008N	Tapping Screw - M3x8	251 -102
0451 3008N	Tapping Screw - M3x8	101 -104
0451 3008N	Tapping Screw - M3x8	191 -101
0451 3008N	Tapping Screw - M3x8	255 -101
0451 3008N	Tapping Screw - M3x8	303 -103
0451 3008N	Tapping Screw - M3x8	119 -102
0451 3008N	Tapping Screw - M3x8	249 -104
0451 3010N	Tapping Screw:3x10	95 - 104
0451 3010N	Tapping Screw:3x10	125 -108
0451 3010N	Tapping Screw:3x10	149 -102
0451 3010N	Tapping Screw:3x10	251 -115
0451 3010N	Tapping Screw:3x10	111 -102
0451 3012N	Tapping Screw:3x12	243 -107
0451 3014N	Tapping Screw:3x14	223 -103

Part No.	Description	Page and Index No.
0451 3014N	Tapping Screw:3x14	81 - 102
0451 4006N	Tapping Screw - 4x6	269 -110
0451 4006N	Tapping Screw - 4x6	263 -102
0451 4006N	Tapping Screw - 4x6	51 - 101
0451 4006N	Tapping Screw - 4x6	53 - 101
0451 4006N	Tapping Screw - 4x6	183 -102
0451 4006N	Tapping Screw - 4x6	41 - 102
0451 4006N	Tapping Screw - 4x6	277 -105
0451 4006N	Tapping Screw - 4x6	253 -109
0451 4006N	Tapping Screw - 4x6	257 -102
0451 4006N	Tapping Screw - 4x6	181 -104
0451 4006N	Tapping Screw - 4x6	49 - 103
0451 4006N	Tapping Screw - 4x6	255 -106
0451 4006N	Tapping Screw - 4x6	43 - 102
0451 4006N	Tapping Screw - 4x6	265 -101
0451 4006N	Tapping Screw - 4x6	261 -101
0451 4006N	Tapping Screw - 4x6	245 -106
0451 4008N	Tapping Screw:4x8	113 -102
0451 4008N	Tapping Screw:4x8	115 -101
0451 4008N	Tapping Screw:4x8	165 -102
0451 4008N	Tapping Screw:4x8	213 -102
0451 4008N	Tapping Screw:4x8	167 -101
0451 4008N	Tapping Screw:4x8	197 -109
0451 4008N	Tapping Screw:4x8	253 -117
0451 4008N	Tapping Screw:4x8	81 - 101
0451 4008N	Tapping Screw:4x8	109 -101
0451 4008N	Tapping Screw:4x8	77 - 101
0451 4008N	Tapping Screw:4x8	79 - 101
0451 4008N	Tapping Screw:4x8	67 - 101
0451 4008N	Tapping Screw:4x8	33 - 101
0451 4008N	Tapping Screw:4x8	173 -103
0451 4008N	Tapping Screw:4x8	265 -102
0451 4008N	Tapping Screw:4x8	227 -101
0451 4008N	Tapping Screw:4x8	111 -103
0451 4008N	Tapping Screw:4x8	229 -101

Part No.	Description	Page and Index No.
0451 4008N	Tapping Screw:4x8	295 -101
0451 4008N	Tapping Screw:4x8	43 - 101
0451 4008N	Tapping Screw:4x8	45 - 110
0451 4008N	Tapping Screw:4x8	59 - 101
0451 4008N	Tapping Screw:4x8	169 -101
0451 4008N	Tapping Screw:4x8	225 -101
0451 4008N	Tapping Screw:4x8	305 -102
0451 4008N	Tapping Screw:4x8	87 - 101
0451 4008N	Tapping Screw:4x8	35 - 101
0451 4008N	Tapping Screw:4x8	281 -101
0451 4008N	Tapping Screw:4x8	299 -101
0451 4008N	Tapping Screw:4x8	85 - 105
0451 4008N	Tapping Screw:4x8	191 -102
0451 4008N	Tapping Screw:4x8	275 -101
0451 4008N	Tapping Screw:4x8	83 - 101
0451 4008N	Tapping Screw:4x8	279 -101
0451 4008N	Tapping Screw:4x8	303 -101
0451 4008N	Tapping Screw:4x8	29 - 101
0451 4008N	Tapping Screw:4x8	117 -101
0451 4008N	Tapping Screw:4x8	69 - 101
0451 4008N	Tapping Screw:4x8	277 -102
0451 4008N	Tapping Screw:4x8	89 - 101
0451 4008N	Tapping Screw:4x8	179 -101
0451 4008N	Tapping Screw:4x8	297 -101
0451 4008N	Tapping Screw:4x8	151 -107
0451 4008N	Tapping Screw:4x8	215 -101
0451 4008N	Tapping Screw:4x8	189 -102
0451 4008N	Tapping Screw:4x8	125 -102
0451 4008N	Tapping Screw:4x8	27 - 103
0451 4008N	Tapping Screw:4x8	301 -101
0451 4008N	Tapping Screw:4x8	211 -102
0451 4008N	Tapping Screw:4x8	293 -107
0451 4008N	Tapping Screw:4x8	233 -101
0451 4008N	Tapping Screw:4x8	175 -101
0451 4008N	Tapping Screw:4x8	127 -101

Part No.	Description	Page and Index No.
0451 4008N	Tapping Screw:4x8	217 -102
0451 4008N	Tapping Screw:4x8	195 -102
0451 4008N	Tapping Screw:4x8	63 - 101
0451 4008N	Tapping Screw:4x8	95 - 105
0451 4008N	Tapping Screw:4x8	207 -101
0451 4008N	Tapping Screw:4x8	171 -101
0451 4008N	Tapping Screw:4x8	71 - 101
0451 4008N	Tapping Screw:4x8	221 -101
0451 4008N	Tapping Screw:4x8	223 -101
0451 4008N	Tapping Screw:4x8	257 -101
0451 4008N	Tapping Screw:4x8	47 - 102
0451 4008N	Tapping Screw:4x8	61 - 102
0451 4008N	Tapping Screw:4x8	181 -101
0451 4008N	Tapping Screw:4x8	205 -103
0451 4008N	Tapping Screw:4x8	231 -101
0451 4008N	Tapping Screw:4x8	271 -102
0451 4008N	Tapping Screw:4x8	193 -102
0451 4008N	Tapping Screw:4x8	273 -101
0451 4008N	Tapping Screw:4x8	219 -102
0451 4008N	Tapping Screw:4x8	41 - 113
0451 4008N	Tapping Screw:4x8	285 -101
0451 4008N	Tapping Screw:4x8	107 -101
0451 4008N	Tapping Screw:4x8	269 -106
0451 4008N	Tapping Screw:4x8	187 -101
0451 4008N	Tapping Screw:4x8	55 - 101
0451 4008N	Tapping Screw:4x8	209 -101
0451 4008N	Tapping Screw:4x8	75 - 101
0451 4008N	Tapping Screw:4x8	105 -102
0451 4008N	Tapping Screw:4x8	57 - 101
0451 4008N	Tapping Screw:4x8	183 -104
0451 4008N	Tapping Screw:4x8	267 -101
0451 4008N	Tapping Screw:4x8	291 -106
0451 4008N	Tapping Screw:4x8	185 -101
0451 4008N	Tapping Screw:4x8	235 -101
0451 4008N	Tapping Screw:4x8	65 - 101

Part No.	Description	Page and Index No.
0451 4008N	Tapping Screw:4x8	199 -104
0451 4008N	Tapping Screw:4x8	103 -101
0451 4008N	Tapping Screw:4x8	177 -101
0451 4008N	Tapping Screw:4x8	73 - 101
0451 4008N	Tapping Screw:4x8	31 - 101
0451 4008N	Tapping Screw:4x8	101 -101
0451 4010N	Tapping Screw:4x10	59 - 104
0451 4010N	Tapping Screw:4x10	209 -104
0451 4010N	Tapping Screw:4x10	183 -101
0451 4010N	Tapping Screw:4x10	143 -102
0451 4010N	Tapping Screw:4x10	181 -103
0451 4010N	Tapping Screw:4x10	173 -105
0451 4012N	Tapping Screw:4x12	115 -104
0451 4012N	Tapping Screw:4x12	27 - 102
0451 4012N	Tapping Screw:4x12	89 - 104
0451 4012N	Tapping Screw:4x12	117 -103
0451 4012N	Tapping Screw:4x12	179 -102
0451 4012N	Tapping Screw:4x12	101 -102
0451 4012N	Tapping Screw:4x12	107 -103
0451 4012N	Tapping Screw:4x12	75 - 102
0451 4012N	Tapping Screw:4x12	257 -103
0451 4012N	Tapping Screw:4x12	169 -105
0451 4012N	Tapping Screw:4x12	35 - 107
0451 4020N	Tapping Screw - M4x20	231 -102
0451 4030N	Tapping Screw:M4x30	187 -104
0451 4030N	Tapping Screw:M4x30	199 -103
0451 4030N	Tapping Screw:M4x30	297 -109
0451 4030N	Tapping Screw:M4x30	165 -106
0451 4030N	Tapping Screw:M4x30	213 -103
0451 4030N	Tapping Screw:M4x30	205 -101
0451 4030N	Tapping Screw:M4x30	223 -108
0451 4030N	Tapping Screw:M4x30	227 -107
0451 4030N	Tapping Screw:M4x30	185 -106
0451 4030N	Tapping Screw:M4x30	211 -108
0451 4030N	Tapping Screw:M4x30	207 -104

Part No.	Description	Page and Index No.
0451 4030N	Tapping Screw:M4x30	197 -102
0452 2004N	Screw - 2x4	261 -106
0452 3006N	Binding Self-tapping Screw:3x6	91 - 103
0452 3006N	Binding Self-tapping Screw:3x6	45 - 101
0452 3010N	Relay Connector - 2P	219 -107
0452 4008N	Tapping Screw:M4x8	27 - 108
0452 4008N	Tapping Screw:M4x8	239 -103
0453 3006N	Tapping Screw - M3x6	169 -108
0453 3006N	Tapping Screw - M3x6	271 -104
0453 3006N	Tapping Screw - M3x6	269 -101
0453 3006N	Tapping Screw - M3x6	289 -108
0453 3006N	Tapping Screw - M3x6	261 -109
0453 3008N	Binding Self Tapping Screw:3x8	303 -102
0453 4006N	Binding Self Tapping Screw:4x6	271 -103
0453 4006N	Binding Self Tapping Screw:4x6	277 -103
0453 4006N	Binding Self Tapping Screw:4x6	41 - 110
0453 4006N	Binding Self Tapping Screw:4x6	273 -104
0453 4006N	Binding Self Tapping Screw:4x6	275 -103
0453 4006N	Binding Self Tapping Screw:4x6	265 -103
0453 4006N	Binding Self Tapping Screw:4x6	269 -102
0453 4008N	Binding Self Tapping Screw:4x8	303 -105
0454 3006Q	Tapping Screw - M3x6	163 -105
0454 3006Q	Tapping Screw - M3x6	199 -101
0454 3006Q	Tapping Screw - M3x6	201 -101
0454 3006Q	Tapping Screw - M3x6	211 -106
0454 3006Q	Tapping Screw - M3x6	203 -101
0454 3006Q	Tapping Screw - M3x6	157 -102
0454 3006Q	Tapping Screw - M3x6	229 -102
0454 3006Q	Tapping Screw - M3x6	63 - 103
0454 3006Q	Tapping Screw - M3x6	151 -108
0454 3008Q	Tapping Screw:3x8	239 -112
0454 4006Q	Tapping Screw:4x6	53 - 106
0454 4006Q	Tapping Screw:4x6	295 -103
0454 4006Q	Tapping Screw:4x6	269 -107
0454 4008Q	Tapping Screw - M4x8	191 -104

Part No.	Description	Page and Index No.
0454 4008Q	Tapping Screw - M4x8	279 -103
0454 4008Q	Tapping Screw - M4x8	153 -101
0454 4008Q	Tapping Screw - M4x8	213 -101
0454 4008Q	Tapping Screw - M4x8	305 -101
0454 4008Q	Tapping Screw - M4x8	267 -104
0454 4008Q	Tapping Screw - M4x8	141 -101
0454 4008Q	Tapping Screw - M4x8	189 -101
0454 4008Q	Tapping Screw - M4x8	151 -102
0454 4008Q	Tapping Screw - M4x8	277 -101
0454 4008Q	Tapping Screw - M4x8	187 -102
0454 4008Q	Tapping Screw - M4x8	291 -101
0454 4008Q	Tapping Screw - M4x8	281 -103
0454 4008Q	Tapping Screw - M4x8	283 -101
0454 4008Q	Tapping Screw - M4x8	69 - 103
0454 4008Q	Tapping Screw - M4x8	155 -101
0454 4008Q	Tapping Screw - M4x8	129 -101
0454 4008Q	Tapping Screw - M4x8	131 -101
0454 4008Q	Tapping Screw - M4x8	287 -101
0454 4008Q	Tapping Screw - M4x8	133 -101
0454 4008Q	Tapping Screw - M4x8	227 -102
0454 4008Q	Tapping Screw - M4x8	157 -101
0454 4008Q	Tapping Screw - M4x8	289 -101
0454 4008Q	Tapping Screw - M4x8	137 -101
0454 4008Q	Tapping Screw - M4x8	135 -101
0454 4008Q	Tapping Screw - M4x8	199 -102
0454 4008Q	Tapping Screw - M4x8	271 -101
0454 4008Q	Tapping Screw - M4x8	161 -102
0454 4008Q	Tapping Screw - M4x8	159 -101
0454 4008Q	Tapping Screw - M4x8	293 -101
0454 4008Q	Tapping Screw - M4x8	207 -102
0454 4008Q	Tapping Screw - M4x8	139 -101
0454 4008Q	Tapping Screw - M4x8	73 - 104
0454 4008Q	Tapping Screw - M4x8	163 -101
0454 4008Q	Tapping Screw - M4x8	273 -103
0454 4008Q	Tapping Screw - M4x8	77 - 102

Part No.	Description	Page and Index No.
0454 4008Q	Tapping Screw - M4x8	79 - 102
0454 4008Q	Tapping Screw - M4x8	177 - 118
0454 4008Q	Tapping Screw - M4x8	57 - 102
0454 4008Q	Tapping Screw - M4x8	143 - 101
0454 4008Q	Tapping Screw - M4x8	179 - 106
0454 4008Q	Tapping Screw - M4x8	275 - 102
0454 4008Q	Tapping Screw - M4x8	269 - 108
0454 4008Q	Tapping Screw - M4x8	255 - 107
0454 4008Q	Tapping Screw - M4x8	147 - 102
0454 4008Q	Tapping Screw - M4x8	59 - 103
0454 4008Q	Tapping Screw - M4x8	31 - 102
0454 4008Q	Tapping Screw - M4x8	209 - 102
0454 4008Q	Tapping Screw - M4x8	45 - 112
0454 4008Q	Tapping Screw - M4x8	61 - 107
0454 4008Q	Tapping Screw - M4x8	63 - 102
0454 4008Q	Tapping Screw - M4x8	221 - 103
0454 4008Q	Tapping Screw - M4x8	165 - 101
0454 4008Q	Tapping Screw - M4x8	149 - 103
0454 4008Q	Tapping Screw - M4x8	169 - 107
0454 4008Q	Tapping Screw - M4x8	65 - 102
0454 4008Q	Tapping Screw - M4x8	211 - 103
0456 3008N	Tapping Screw - M3x8	87 - 106
0456 4012N	Tapping Screw:Wp:4x12	47 - 103
0456 4012N	Tapping Screw:WP:4x12	267 - 108
0456 4012N	Tapping Screw:Wp:4x12	41 - 111
0573 0030E	Hexagon Headless Set Screw - M3x3	285 - 106
0573 0030E	Hexagon Headless Set Screw - M3x3	53 - 104
0574 0050E	Hexagon Headless Set Screw - M4x5	253 - 102
0593 0140E	Hexagonal Set Screw:M3x14	87 - 104
0595 0140E	Hexagon Bolt - M5x14	177 - 112
0595 0250E	Hexagonal Set Screw:M5x25	139 - 103
0632 0120G	Parallel Pin - 2x12	251 - 106
0632 0120G	Parallel Pin - 2x12	253 - 113
0632 0120G	Parallel Pin - 2x12	249 - 102
0632 0140G	Parallel Pin	239 - 108

Part No.	Description	Page and Index No.
0632 0160G	Parallel Pin-m2x16	251 - 111
0632 0200G	Parallel Pin:2x20	95 - 108
0633 0120G	Parallel Pin - 3x12	115 - 111
0633 0120G	Parallel Pin - 3x12	95 - 115
0633 0140G	Parallel Pin - 3x14	95 - 110
0633 0140G	Parallel Pin - 3x14	279 - 105
0633 0140G	Parallel Pin - 3x14	87 - 113
0633 0140G	Parallel Pin - 3x14	175 - 104
0633 0140G	Parallel Pin - 3x14	297 - 106
0633 0160G	Parallel Pin - 3x16mm	113 - 107
0633 0200G	Pin - M3x20	45 - 104
0701 0030N	Washer DIA3	253 - 110
0701 0030N	Washer DIA3	251 - 110
0701 0040N	Washer:Dia4	47 - 107
0701 0040N	Washer:Dia4	41 - 112
0701 0050N	Washer:DIA5	173 - 111
0701 0060N	Washer DIA6	299 - 109
0703 0040N	Spring Washer:DIA4	177 - 109
0703 0050N	Spring Washer:Dia5	177 - 113
0707 4050N	Bushing - 4x5	257 - 104
0707 4060N	Bushing:Dia4x6	253 - 116
0708 0040N	Washer - DIA4	177 - 108
0708 0080N	Washer-dia8	297 - 104
0720 0020E	Retaining Ring - M2	175 - 105
0720 0020E	Retaining Ring - M2	107 - 107
0720 0020E	Retaining Ring - M2	117 - 107
0720 0020E	Retaining Ring - M2	291 - 103
0720 0020E	Retaining Ring - M2	131 - 104
0720 0030E	Retaining Ring - M3	125 - 105
0720 0030E	Retaining Ring - M3	57 - 104
0720 0030E	Retaining Ring - M3	107 - 106
0720 0030E	Retaining Ring - M3	291 - 102
0720 0030E	Retaining Ring - M3	275 - 104
0720 0030E	Retaining Ring - M3	245 - 103
0720 0030E	Retaining Ring - M3	239 - 104

Part No.	Description	Page and Index No.
0720 0030E	Retaining Ring - M3	269 -104
0720 0030E	Retaining Ring - M3	249 -103
0720 0030E	Retaining Ring - M3	153 -107
0720 0030E	Retaining Ring - M3	301 -105
0720 0030E	Retaining Ring - M3	255 -102
0720 0030E	Retaining Ring - M3	83 - 103
0720 0030E	Retaining Ring - M3	243 -111
0720 0030E	Retaining Ring - M3	167 -105
0720 0030E	Retaining Ring - M3	253 -114
0720 0030E	Retaining Ring - M3	241 -104
0720 0030E	Retaining Ring - M3	271 -107
0720 0030E	Retaining Ring - M3	117 -106
0720 0030E	Retaining Ring - M3	141 -109
0720 0030E	Retaining Ring - M3	293 -105
0720 0040E	Retaining Ring - M4	99 - 103
0720 0040E	Retaining Ring - M4	87 - 107
0720 0040E	Retaining Ring - M4	283 -103
0720 0040E	Retaining Ring - M4	147 -108
0720 0040E	Retaining Ring - M4	31 - 104
0720 0040E	Retaining Ring - M4	249 -101
0720 0040E	Retaining Ring - M4	269 -103
0720 0040E	Retaining Ring - M4	51 - 106
0720 0040E	Retaining Ring - M4	239 -109
0720 0040E	Retaining Ring - M4	149 -105
0720 0040E	Retaining Ring - M4	155 -103
0720 0040E	Retaining Ring - M4	113 -106
0720 0040E	Retaining Ring - M4	95 - 112
0720 0040E	Retaining Ring - M4	41 - 103
0720 0040E	Retaining Ring - M4	69 - 106
0720 0040E	Retaining Ring - M4	53 - 102
0720 0040E	Retaining Ring - M4	251 -107
0720 0040E	Retaining Ring - M4	285 -104
0720 0040E	Retaining Ring - M4	247 -101
0720 0040E	Retaining Ring - M4	59 - 106
0720 0040E	Retaining Ring - M4	71 - 104

Part No.	Description	Page and Index No.
0720 0040E	Retaining Ring - M4	183 -110
0720 0040E	Retaining Ring - M4	49 - 102
0720 0040E	Retaining Ring - M4	243 -101
0720 0040E	Retaining Ring - M4	159 -103
0720 0040E	Retaining Ring - M4	131 -103
0720 0040E	Retaining Ring - M4	275 -105
0720 0040E	Retaining Ring - M4	241 -102
0720 0040E	Retaining Ring - M4	107 -105
0720 0040E	Retaining Ring - M4	63 - 104
0720 0040E	Retaining Ring - M4	153 -104
0720 0040E	Retaining Ring - M4	139 -104
0720 0040E	Retaining Ring - M4	151 -103
0720 0040E	Retaining Ring - M4	271 -106
0720 0040E	Retaining Ring - M4	225 -103
0720 0040E	Retaining Ring - M4	277 -104
0720 0040E	Retaining Ring - M4	117 -105
0720 0040E	Retaining Ring - M4	253 -104
0720 0040E	Retaining Ring - M4	75 - 104
0720 0040E	Retaining Ring - M4	291 -104
0720 0040E	Retaining Ring - M4	65 - 107
0720 0040E	Retaining Ring - M4	267 -105
0720 0040E	Retaining Ring - M4	171 -105
0720 0040E	Retaining Ring - M4	61 - 105
0720 0040E	Retaining Ring - M4	125 -103
0720 0040E	Retaining Ring - M4	167 -106
0720 0040E	Retaining Ring - M4	161 -104
0720 0040E	Retaining Ring - M4	157 -107
0720 0040E	Retaining Ring - M4	289 -109
0720 0040E	Retaining Ring - M4	111 -105
0720 0040E	Retaining Ring - M4	119 -104
0720 0040E	Retaining Ring - M4	165 -105
0720 0040E	Retaining Ring - M4	79 - 104
0720 0040E	Retaining Ring - M4	83 - 102
0720 0040E	Retaining Ring - M4	67 - 103
0720 0040E	Retaining Ring - M4	85 - 101

Part No.	Description	Page and Index No.
0720 0040E	Retaining Ring - M4	45 - 102
0720 0040E	Retaining Ring - M4	123 -102
0720 0040E	Retaining Ring - M4	245 -101
0720 0050E	Retaining Ring - M5	73 - 106
0720 0050E	Retaining Ring - M5	167 -108
0720 0050E	Retaining Ring - M5	125 -104
0720 0050E	Retaining Ring - M5	111 -106
0720 0050E	Retaining Ring - M5	215 -103
0720 0050E	Retaining Ring - M5	127 -105
0720 0060E	Retaining Ring - M6	183 -107
0720 0060E	Retaining Ring - M6	297 -102
0720 0060E	Retaining Ring - M6	155 -102
0720 0060E	Retaining Ring - M6	181 -107
0720 0060E	Retaining Ring - M6	283 -104
0720 0060E	Retaining Ring - M6	69 - 107
0720 0060E	Retaining Ring - M6	49 - 101
0720 0060E	Retaining Ring - M6	135 -106
0720 0060E	Retaining Ring - M6	293 -103
0720 0060E	Retaining Ring - M6	149 -106
0720 0060E	Retaining Ring - M6	47 - 105
0720 0060E	Retaining Ring - M6	103 -107
0720 0060E	Retaining Ring - M6	161 -103
0720 0060E	Retaining Ring - M6	105 -107
0720 0060E	Retaining Ring - M6	267 -102
0720 0060E	Retaining Ring - M6	71 - 105
0720 0060E	Retaining Ring - M6	45 - 105
0720 0060E	Retaining Ring - M6	287 -102
0720 0060E	Retaining Ring - M6	301 -102
0720 0060E	Retaining Ring - M6	289 -103
0720 0060E	Retaining Ring - M6	241 -103
0720 0060E	Retaining Ring - M6	63 - 105
0720 0060E	Retaining Ring - M6	273 -102
0720 0060E	Retaining Ring - M6	175 -102
0720 0060E	Retaining Ring - M6	159 -104
0720 0060E	Retaining Ring - M6	239 -107

Part No.	Description	Page and Index No.
0720 0060E	Retaining Ring - M6	115 -110
0720 0060E	Retaining Ring - M6	165 -103
0720 0060E	Retaining Ring - M6	65 - 104
0720 0060E	Retaining Ring - M6	251 -104
0720 0060E	Retaining Ring - M6	75 - 105
0720 0060E	Retaining Ring - M6	279 -102
0720 0060E	Retaining Ring - M6	153 -106
0720 0060E	Retaining Ring - M6	67 - 102
0720 0060E	Retaining Ring - M6	151 -104
0720 0060E	Retaining Ring - M6	77 - 103
0720 0060E	Retaining Ring - M6	295 -104
0720 0060E	Retaining Ring - M6	55 - 103
0720 0060E	Retaining Ring - M6	87 - 102
0720 0060E	Retaining Ring - M6	281 -102
0720 0060E	Retaining Ring - M6	179 -105
0720 0060E	Retaining Ring - M6	51 - 103
0720 0060E	Retaining Ring - M6	157 -108
0720 0080E	Retaining Ring - M8	271 -108
0720 0080E	Retaining Ring - M8	171 -104
0720 0080E	Retaining Ring - M8	177 -111
0720 0080E	Retaining Ring - M8	113 -105
0720 0080E	Retaining Ring - M8	103 -106
0720 0080E	Retaining Ring - M8	269 -105
0720 0080E	Retaining Ring - M8	105 -106
0720 0080E	Retaining Ring - M8	159 -107
0725 0100E	Retaining Ring C - M10	141 -114
0725 0100E	Retaining Ring C - M10	137 -110
0725 0120E	Retaining Ring C - M12	139 -105
0727 0080E	Retaining Ring - M8	297 -105
0740 3008	Ball Bearing - 8x22x7	297 -110
0740 3012	Ball Bearing - 12x28x8	173 -110
0740 3506	Ball Bearing - 6x12x4 Mm	267 -106
0740 3705	Bushing - 5x8x2.5	73 - 105
0740 3808	Ball Bearing - 8x16x5mm	87 - 112
0740 3906	Ball Bearing - 6x15x5	69 - 105

Part No.	Description	Page and Index No.
0740 3906	Ball Bearing - 6x15x5	139 -106
0740 3908	Ball Bearing - 8x19x6	115 -108
0741 3006	Ball Bearing - 6x17x6mm	69 - 109
0741 3505	Ball Bearing - 5x10x4	125 -107
0741 3506	Ball Bearing - 6x12x4 mm	285 -105
0741 3506	Ball Bearing - 6x12x4 mm	119 -103
0741 3506	Ball Bearing - 6x12x4 mm	53 - 103
0741 3506	Ball Bearing - 6x12x4 mm	251 -105
0741 3506	Ball Bearing - 6x12x4 mm	167 -107
0741 3506	Ball Bearing - 6x12x4 mm	169 -104
0741 3506	Ball Bearing - 6x12x4 mm	241 -106
0741 3506	Ball Bearing - 6x12x4 mm	243 -102
0741 3506	Ball Bearing - 6x12x4 mm	171 -107
0741 3506	Ball Bearing - 6x12x4 mm	245 -104
0741 3706	Ball Bearing - 6x10x3	253 -111
0741 3706	Ball Bearing - 6x10x3	251 -108
0741 3706	Ball Bearing - 6x10x3	285 -107
0741 3706	Ball Bearing - 6x10x3	241 -105
0741 3706	Ball Bearing - 6x10x3	115 -109
0741 3706	Ball Bearing - 6x10x3	105 -108
0741 3706	Ball Bearing - 6x10x3	245 -102
0741 3706	Ball Bearing - 6x10x3	103 -105
0741 3708	Ball Bearing - 8x12x3.5mm	283 -106
0741 3708	Ball Bearing - 8x12x3.5mm	183 -106
0741 3708	Ball Bearing - 8x12x3.5mm	181 -106
0741 3708	Ball Bearing - 8x12x3.5mm	51 - 104
0741 3708	Ball Bearing - 8x12x3.5mm	55 - 104
0741 3808	Ball Bearing - 8x16x5mm	155 -104
0741 3808	Ball Bearing - 8x16x5mm	149 -107
0741 3808	Ball Bearing - 8x16x5mm	157 -109
0741 3808	Ball Bearing - 8x16x5mm	65 - 106
0741 3808	Ball Bearing - 8x16x5mm	69 - 108
0741 3808	Ball Bearing - 8x16x5mm	161 -105
0741 3808	Ball Bearing - 8x16x5mm	71 - 106
0741 3808	Ball Bearing - 8x16x5mm	179 -104

Part No.	Description	Page and Index No.
0741 3808	Ball Bearing - 8x16x5mm	77 - 104
0741 3808	Ball Bearing - 8x16x5mm	159 -105
0741 3808	Ball Bearing - 8x16x5mm	125 -109
0741 3810	Ball Bearing:10x19x7mm	177 -110
0741 3906	Bushing - M6	291 -105
0742 3012	Ball Bearing:DIA12xDIA28x8	141 -115
0742 3808	Ball Bearing - 8x16x5	281 -104
0742 3808	Ball Bearing - 8x16x5	295 -105
0742 3808	Ball Bearing - 8x16x5	293 -104
0742 3808	Ball Bearing - 8x16x5	267 -103
0742 3808	Ball Bearing - 8x16x5	279 -104
0742 3808	Ball Bearing - 8x16x5	289 -104
0742 3808	Ball Bearing - 8x16x5	243 -110
0742 3808	Ball Bearing - 8x16x5	87 - 103
0742 3808	Ball Bearing - 8x16x5	251 -113
0742 3808	Ball Bearing - 8x16x5	297 -103
0742 3808	Ball Bearing - 8x16x5	181 -108
0742 3808	Ball Bearing - 8x16x5	301 -103
0742 3808	Ball Bearing - 8x16x5	183 -108
0801 0238	Hexagon Head Bolt:Double Screw:M4x14	141 -108
0802 5191	Tapping Screw P:DIA3x5	95 - 114
0803 0058	Stepped Screw	181 -110
0804 6123	Hexagonal Bolt:W/Washer:M3x8	133 -104
0805 0088	Retaining Ring - M6	283 -105
0805 0088	Retaining Ring - M6	55 - 106
0805 0088	Retaining Ring - M6	51 - 105
0805 0089	Retaining Ring - M4	97 - 102
0805 0089	Retaining Ring - M4	99 - 102
0805 0098	Ring - M35	137 -107
0805 3384	Bushing - 5mm	153 -105
0805 3384	Bushing - 5mm	155 -105
0805 3386	Bushing - 8mm	55 - 105
0805 3497	Bushing - 8x12x3.5mm	95 - 111
0805 3507	Bushing - 6mm	253 -112
0805 3507	Bushing - 6mm	251 -109

Part No.	Description	Page and Index No.
0805 3511	Bushing 8mm	125 -106
0807 3035	Washer - 4.1x10x0.5	253 -107
0807 4138	Washer (100pcs/set)	239 -111
0807 4138	Washer (100pcs/set)	95 - 113
0930 0400A	Palarel Key	141 -116
0930 0404A	Parallel Key:4x4x25	141 -117
0950 4008N	Screw:Spring Washer:M4x8	265 -112
0951 3004N	Screw:Polished Round:M3x4	261 -108
0951 3006N	Screw - M3x6	45 - 107
0951 3006N	Screw - M3x6	261 -107
0951 3020N	Screw:Polished Round:M3x20	89 - 102
0951 4006N	Screw:Polished Round:M4x6	183 -103
0951 4006N	Screw:Polished Round:M4x6	181 -105
0951 4006N	Screw:Polished Round:M4x6	43 - 105
0951 4008N	Screw:Polished Round:M4x8	299 -110
0951 4008N	Screw:Polished Round:M4x8	55 - 102
0951 4020N	Screw - M4x20	173 -104
0951 4020N	Screw - M4x20	113 -103
0951 5008N	Screw:Polished Round:M5x8	237 -103
0951 5014N	Screw:Polished Round:M5x14	137 -103
0951 6012N	Screw - M6x12	305 -108
0954 3006N	Screw - M3x6	221 -104
0954 3006N	Screw - M3x6	69 - 110
0954 3008N	Screw - M3x8	261 -105
0954 3008N	Screw - M3x8	33 - 103
0954 3008N	Screw - M3x8	135 -104
0954 3008N	Screw - M3x8	69 - 104
0954 3008N	Screw - M3x8	61 - 106
0954 3010N	Screw:Polished Round/Spring:M3x10	133 -105
0954 3010N	Screw:Polished Round/Spring:M3x10	137 -105
0954 3010N	Screw:Polished Round/Spring:M3x10	135 -105
0954 3025N	Screw:Polished Round/Spring:M3x25	223 -102
0954 3025N	Screw:Polished Round/Spring:M3x25	27 - 107
0954 4008N	Screw - M4x8	133 -102
0954 4008N	Screw - M4x8	261 -110

Part No.	Description	Page and Index No.
0954 4008N	Screw - M4x8	139 -102
0954 4008N	Screw - M4x8	135 -103
0954 4008N	Screw - M4x8	199 -105
0954 4008N	Screw - M4x8	141 -104
0954 4008N	Screw - M4x8	305 -109
0954 4008N	Screw - M4x8	217 -108
0954 4008N	Screw - M4x8	231 -104
0954 4008N	Screw - M4x8	129 -102
0954 4008N	Screw - M4x8	173 -102
0954 4008N	Screw - M4x8	115 -103
0954 4008N	Screw - M4x8	177 -102
0954 4008N	Screw - M4x8	109 -103
0954 4008N	Screw - M4x8	95 - 107
0954 4008N	Screw - M4x8	105 -104
0954 4008N	Screw - M4x8	103 -104
0954 4010N	Screw:Polished Round/Spring:M4x10	173 -112
0954 4010N	Screw:Polished Round/Spring:M4x10	287 -104
0954 4010N	Screw:Polished Round/Spring:M4x10	235 -103
0954 4012N	Screw:Polished Round/Spring:M4x12	35 - 106
0954 4012N	Screw:Polished Round/Spring:M4x12	177 -115
0954 4012N	Screw:Polished Round/Spring:M4x12	109 -104
0954 4012N	Screw:Polished Round/Spring:M4x12	113 -104
0954 4012N	Screw:Polished Round/Spring:M4x12	115 -105
0954 5010N	Screw:Polished Round/Spring:M5x10	141 -103
0954 5010N	Screw:Polished Round/Spring:M5x10	189 -104
0954 5012N	Screw:Polished Round/Spring:M5x12	137 -109
0954 5014N	Screw - M5x14	33 - 102
0954 5014N	Screw - M5x14	215 -104
0957 3010N	Screw:Small Round/Spring:M3x10	141 -105
1005 0734	Nylon Rivet - NRP355	219 -104
1100 1621	Test Pin:ST-1-2	319 -101
1100 1621	Test Pin:ST-1-2	333 -101
1100 1829	Test Pin:RCTCBK	319 -102
1100 1829	Test Pin:RCTCBK	333 -102
1100 1841	Test Pin:RCUCBK	319 -103

Part No.	Description	Page and Index No.
1100 1841	Test Pin:RCUCBK	333 -103
1100 2123	Terminal:KT60-4J(UL/CSA/EN)-RC2308	189 -111
1102 5301	Connector	319 -104
1102 5301	Connector	333 -104
1102 5303	3.5:Connector:ST:4P	361 -101
1102 5303	3.5:Connector:ST:4P	319 -105
1102 5326	Connector:B04P-XL-HDS(LF)(SN)	319 -106
1102 5328	Connector:B12P-XL-HDS(LF)(SN)	333 -105
1102 6245	Relay Connector - 2P	87 - 108
1102 6245	Relay Connector - 2P	85 - 104
1102 6246	Relay Connector - 3P	199 -108
1102 6246	Relay Connector - 3P	147 -109
1102 6246	Relay Connector - 3P	207 -106
1102 6249	Relay Connector - 6P	147 -107
1102 6249	Relay Connector - 6P	167 -109
1102 6259	Connector - 2P	87 - 109
1102 6263	Connector - 6P	59 - 107
1102 6295	Connector:53324-0260	339 -101
1102 6296	Connector:53324-0360	319 -112
1102 6297	Connector:53324-0460	333 -106
1102 6299	Connector:53324-0660	333 -107
1102 6299	Connector:53324-0660	339 -102
1102 6301	Connector:53324-0860	319 -113
1102 6302	Connector - 9P	333 -108
1102 6305	Connector:53324-1260	319 -107
1102 6305	Connector:53324-1260	333 -109
1102 6307	Connector:53324-1460	333 -110
1102 6394	Connector:53313-1265	339 -103
1102 6398	Connector:53313-2065	319 -108
1102 6400	Connector:53313-2465	333 -111
1102 6400	Connector:53313-2465	319 -109
1102 6401	Connector:53313-2665	319 -110
1102 6414	Connector:B16P-XL-HDS(LF)(SN)	319 -111
1102 6592	Connector	339 -104
1102 6596	Connector	339 -105

Part No.	Description	Page and Index No.
1102 6842	Connector:53314-6065	339 -106
1102 6891	Connector:53313-5065	333 -112
1102 6895	Connector:53314-4065	339 -107
1102 7615	Connector:B8B-XH-A(LF)(SN)	361 -102
1102 7635	Connector:53398-0219	361 -103
1102 8157	Connector:53375-0510	333 -113
1102 8358	Connector:WR-100P-VF60-N1	339 -108
1102 8470	Connector:55447-0680	333 -114
1102 8470	Connector:55447-0680	319 -114
1102 8471	Connector:55447-0780	319 -115
1102 8471	Connector:55447-0780	333 -115
1102 8473	Connector - 55447-0910	319 -116
1102 8474	Connector:55447-1080	319 -117
1102 8474	Connector:55447-1080	333 -116
1102 8475	Connector:55447-1180	319 -118
1102 8476	Connector:55447-1280	319 -119
1102 8477	Connector:55447-1380	333 -117
1102 8477	Connector:55447-1380	319 -120
1102 8479	Connector:55447-1580	339 -109
1102 8479	Connector:55447-1580	319 -121
1102 8481	Connector:55447-1780	333 -118
1102 8482	Connector:55447-1880	333 -119
1102 8485	Connector:55451-2270	319 -122
1102 8486	Connector:55451-2470	333 -120
1102 8486	Connector:55451-2470	319 -123
1102 8487	Connector:55451-2670	333 -121
1102 8487	Connector:55451-2670	319 -124
1102 8488	Connector:55451-2870	333 -122
1102 8488	Connector:55451-2870	319 -125
1102 8490	Connector:55451-3270	333 -123
1102 8491	Connector:55451-3470	319 -126
1102 8491	Connector:55451-3470	333 -124
1102 8492	Connector:55451-3670	333 -125
1102 8492	Connector:55451-3670	319 -127
1102 8494	Connector:55451-4070	319 -128

Part No.	Description	Page and Index No.
1102 8494	Connector:55451-4070	333 -126
1102 9336	Connector:FPS009Z-2300-0	361 -104
1102 9430	Connector:Drawer:1612257-7	299 -103
1102 9518	Connector:55451-2070	333 -127
1102 9547	Connector:55451-1870	319 -129
1102 9725	Connector:IMSA-9201B-1-05T-GF	339 -110
1102 9785	Connector:55949-1819	285 -109
1102 9887	Connector:52588-3075	361 -105
1103 3167	Connector:FH12-28S-0.5SH(89)	339 -111
1103 3168	Connector:FH12-30S-0.5SH(89)	339 -112
1103 3174	Connector:FH12-40S-0.5SH(89)	339 -113
1103 3176	Connector:FH12-45S-0.5SH(89)	339 -114
1103 3178	Connector:FH12-50S-0.5SH(89)	339 -115
1103 3481	Connector:67800-8005	361 -106
1103 3497	Connector:87715-9002	361 -107
1103 3663	Connector:55451-1670	319 -130
1103 3663	Connector:55451-1670	333 -128
1103 3723	Connector:53258-0649	333 -129
1103 3865	Connector:29 6406 200 101 856+	361 -108
1103 3947	Connector:WB4S140HA1	339 -116
1103 3964	Connector:WB4P140HA1	361 -109
1103 3965	Connector:6605444-6	361 -110
1103 3990	Connector	333 -130
1103 3992	Connector	319 -131
1103 3992	Connector	333 -131
1103 3996	Connector	319 -132
1103 4000	Connector	319 -133
1103 4002	Connector	339 -117
1103 4002	Connector	333 -132
1103 4003	Connector	319 -134
1103 4004	Connector	319 -135
1103 4005	Connector	333 -133
1103 4006	Connector	339 -118
1103 4008	Connector	339 -119
1103 4010	Connector	319 -136

Part No.	Description	Page and Index No.
1103 4010	Connector	339 -120
1103 4010	Connector	333 -134
1103 4076	Connector:TX14-200R-10ST-N1E	333 -135
1103 4137	Connector:UAR64-8K5J00	361 -111
1103 4750	Connector:39R-RWZV-K2GG-P2(LF)(SN)	299 -102
1105 0008	Nylon Clamp - 2N	281 -109
1105 0009	Nylon Clamp - 5N	35 - 105
1105 0022	Cord Stopper - AWG 18/16 UL	299 -108
1105 0046	Harness Band	147 -110
1105 0193	Locking Support	195 -105
1105 0194	PCB Stud	299 -105
1105 0231	Clamp	251 -114
1105 0231	Clamp	253 -105
1105 0328	Harness Clamp - ES-0505	251 -103
1105 0328	Harness Clamp - ES-0505	249 -105
1105 0328	Harness Clamp - ES-0505	41 - 108
1105 0328	Harness Clamp - ES-0505	239 -105
1105 0328	Harness Clamp - ES-0505	243 -104
1105 0328	Harness Clamp - ES-0505	85 - 107
1105 0328	Harness Clamp - ES-0505	255 -103
1105 0334	Edge - 17	255 -104
1105 0409	KGPS-4S(V0)	197 -105
1105 0410	KGPS-6S(V0)	193 -104
1105 0487	Harness Clamp	265 -109
1105 0487	Harness Clamp	305 -110
1105 0487	Harness Clamp	179 -107
1105 0487	Harness Clamp	263 -105
1105 0487	Harness Clamp	35 - 103
1105 0487	Harness Clamp	137 -108
1105 0487	Harness Clamp	303 -104
1105 0487	Harness Clamp	181 -109
1105 0487	Harness Clamp	223 -107
1105 0487	Harness Clamp	281 -106
1105 0487	Harness Clamp	177 -116
1105 0487	Harness Clamp	173 -108

1105 0487	Harness Clamp	149 -108	1105 0508	Harness Clamp - LWS-0711	85 - 103
1105 0487	Harness Clamp	191 -103	1105 0508	Harness Clamp - LWS-0711	211 -105
1105 0487	Harness Clamp	197 -103	1105 0508	Harness Clamp - LWS-0711	259 -106
1105 0487	Harness Clamp	157 -106	1105 0508	Harness Clamp - LWS-0711	177 -106
1105 0487	Harness Clamp	297 -108	1105 0508	Harness Clamp - LWS-0711	61 - 103
1105 0487	Harness Clamp	163 -103	1105 0511	Harness Clamp - LWS-0306ZC	127 -106
1105 0487	Harness Clamp	165 -108	1105 0511	Harness Clamp - LWS-0306ZC	149 -110
1105 0487	Harness Clamp	139 -108	1105 0511	Harness Clamp - LWS-0306ZC	297 -111
1105 0487	Harness Clamp	259 -108	1105 0511	Harness Clamp - LWS-0306ZC	285 -102
1105 0487	Harness Clamp	205 -104	1105 0511	Harness Clamp - LWS-0306ZC	53 - 105
1105 0488	Harness Clamp	265 -108	1105 0511	Harness Clamp - LWS-0306ZC	147 -105
1105 0488	Harness Clamp	195 -106	1105 0511	Harness Clamp - LWS-0306ZC	165 -107
1105 0488	Harness Clamp	183 -109	1105 0511	Harness Clamp - LWS-0306ZC	287 -103
1105 0488	Harness Clamp	149 -109	1105 0511	Harness Clamp - LWS-0306ZC	87 - 111
1105 0488	Harness Clamp	203 -102	1105 0511	Harness Clamp - LWS-0306ZC	271 -109
1105 0488	Harness Clamp	205 -106	1105 0511	Harness Clamp - LWS-0306ZC	281 -107
1105 0488	Harness Clamp	43 - 106	1105 0511	Harness Clamp - LWS-0306ZC	159 -106
1105 0488	Harness Clamp	263 -107	1105 0511	Harness Clamp - LWS-0306ZC	151 -105
1105 0488	Harness Clamp	193 -103	1105 0511	Harness Clamp - LWS-0306ZC	51 - 102
1105 0488	Harness Clamp	299 -106	1105 0511	Harness Clamp - LWS-0306ZC	223 -105
1105 0488	Harness Clamp	45 - 106	1105 0511	Harness Clamp - LWS-0306ZC	89 - 107
1105 0488	Harness Clamp	191 -106	1105 0511	Harness Clamp - LWS-0306ZC	301 -104
1105 0488	Harness Clamp	215 -107	1105 0511	Harness Clamp - LWS-0306ZC	95 - 109
1105 0488	Harness Clamp	189 -107	1105 0511	Harness Clamp - LWS-0306ZC	227 -105
1105 0488	Harness Clamp	207 -113	1105 0511	Harness Clamp - LWS-0306ZC	161 -107
1105 0489	Harness Clamp - LWS 1316	193 -106	1105 0511	Harness Clamp - LWS-0306ZC	173 -109
1105 0489	Harness Clamp - LWS 1316	179 -103	1105 0511	Harness Clamp - LWS-0306ZC	197 -107
1105 0489	Harness Clamp - LWS 1316	191 -105	1105 0511	Harness Clamp - LWS-0306ZC	141 -111
1105 0489	Harness Clamp - LWS 1316	197 -110	1105 0511	Harness Clamp - LWS-0306ZC	109 -106
1105 0490	Harness Clamp - IWS-2218	193 -105	1105 0511	Harness Clamp - LWS-0306ZC	283 -107
1105 0490	Harness Clamp - IWS-2218	195 -103	1105 0511	Harness Clamp - LWS-0306ZC	163 -104
1105 0490	Harness Clamp - IWS-2218	207 -105	1105 0511	Harness Clamp - LWS-0306ZC	59 - 105
1105 0490	Harness Clamp - IWS-2218	189 -109	1105 0511	Harness Clamp - LWS-0306ZC	65 - 105
1105 0490	Harness Clamp - IWS-2218	215 -106	1105 0511	Harness Clamp - LWS-0306ZC	203 -104
1105 0508	Harness Clamp - LWS-0711	207 -108	1105 0511	Harness Clamp - LWS-0306ZC	275 -106

Part No.	Description	Page and Index No.
1105 0511	Harness Clamp - LWS-0306ZC	63 - 106
1105 0511	Harness Clamp - LWS-0306ZC	67 - 104
1105 0511	Harness Clamp - LWS-0306ZC	269 -109
1105 0511	Harness Clamp - LWS-0306ZC	61 - 104
1105 0511	Harness Clamp - LWS-0306ZC	157 -104
1105 0511	Harness Clamp - LWS-0306ZC	73 - 107
1105 0511	Harness Clamp - LWS-0306ZC	293 -106
1105 0511	Harness Clamp - LWS-0306ZC	45 - 103
1105 0511	Harness Clamp - LWS-0306ZC	171 -102
1105 0511	Harness Clamp - LWS-0306ZC	75 - 106
1105 0511	Harness Clamp - LWS-0306ZC	207 -109
1105 0511	Harness Clamp - LWS-0306ZC	177 -105
1105 0511	Harness Clamp - LWS-0306ZC	133 -106
1105 0511	Harness Clamp - LWS-0306ZC	261 -111
1105 0511	Harness Clamp - LWS-0306ZC	211 -104
1105 0511	Harness Clamp - LWS-0306ZC	289 -107
1105 0511	Harness Clamp - LWS-0306ZC	57 - 105
1105 0511	Harness Clamp - LWS-0306ZC	185 -105
1105 0511	Harness Clamp - LWS-0306ZC	213 -104
1105 0516	Clamp	89 - 108
1105 0516	Clamp	253 -106
1105 0516	Clamp	55 - 107
1105 0516	Clamp	41 - 109
1105 0516	Clamp	207 -107
1105 0516	Clamp	205 -107
1105 0516	Clamp	189 -105
1105 0516	Clamp	27 - 105
1105 0516	Clamp	215 -105
1105 0516	Clamp	177 -114
1105 0516	Clamp	141 -110
1105 0518	Edge Saddle - LES-1010	281 -105
1105 0518	Edge Saddle - LES-1010	205 -105
1105 0518	Edge Saddle - LES-1010	207 -103
1105 0518	Edge Saddle - LES-1010	177 -107
1105 0518	Edge Saddle - LES-1010	197 -106

Part No.	Description	Page and Index No.
1105 0518	Edge Saddle - LES-1010	141 -113
1105 0518	Edge Saddle - LES-1010	191 -107
1105 0518	Edge Saddle - LES-1010	139 -107
1105 0518	Edge Saddle - LES-1010	299 -107
1105 0518	Edge Saddle - LES-1010	305 -107
1105 0518	Edge Saddle - LES-1010	173 -107
1105 0518	Edge Saddle - LES-1010	193 -108
1105 0521	Clamp - LES-1017	205 -109
1105 0521	Clamp - LES-1017	195 -108
1105 0521	Clamp - LES-1017	207 -112
1105 0521	Clamp - LES-1017	217 -107
1105 0522	Edge Saddle - LES0510	141 -112
1105 0522	Edge Saddle - LES0510	151 -106
1105 0522	Edge Saddle - LES0510	127 -107
1105 0522	Edge Saddle - LES0510	285 -103
1105 0522	Edge Saddle - LES0510	147 -106
1105 0522	Edge Saddle - LES0510	305 -103
1105 0522	Edge Saddle - LES0510	265 -107
1105 0522	Edge Saddle - LES0510	227 -106
1105 0522	Edge Saddle - LES0510	281 -108
1105 0522	Edge Saddle - LES0510	161 -106
1105 0522	Edge Saddle - LES0510	203 -103
1105 0522	Edge Saddle - LES0510	213 -105
1105 0522	Edge Saddle - LES0510	211 -109
1105 0522	Edge Saddle - LES0510	157 -105
1105 0522	Edge Saddle - LES0510	75 - 107
1105 0522	Edge Saddle - LES0510	207 -110
1105 0522	Edge Saddle - LES0510	73 - 108
1105 0522	Edge Saddle - LES0510	271 -105
1105 0522	Edge Saddle - LES0510	189 -106
1105 0522	Edge Saddle - LES0510	67 - 105
1105 0522	Edge Saddle - LES0510	275 -107
1105 0529	Nylon Clamp-EMT-3N	199 -106
1105 0529	Nylon Clamp-EMT-3N	89 - 110
1105 0529	Nylon Clamp-EMT-3N	35 - 104

Part No.	Description	Page and Index No.
1105 0530	Nylon Clamp-EMT-4N	91 - 105
1105 0530	Nylon Clamp-EMT-4N	259 -105
1105 0534	Clamp	71 - 107
1105 0534	Clamp	289 -106
1105 0534	Clamp	45 - 111
1105 0534	Clamp	285 -108
1105 0534	Clamp	261 -112
1105 0534	Clamp	43 - 107
1105 0544	Edge Saddle:LES-2017	191 -108
1105 0544	Edge Saddle:LES-2017	193 -107
1105 0544	Edge Saddle:LES-2017	195 -104
1105 0551	Clamp:LES-0505	223 -106
1105 0551	Clamp:LES-0505	171 -103
1105 0551	Clamp:LES-0505	119 -105
1105 0551	Clamp:LES-0505	197 -104
1105 0551	Clamp:LES-0505	105 -109
1105 0551	Clamp:LES-0505	103 -109
1105 0551	Clamp:LES-0505	51 - 107
1105 0551	Clamp:LES-0505	175 -103
1105 0551	Clamp:LES-0505	173 -106
1105 0551	Clamp:LES-0505	89 - 106
1105 0551	Clamp:LES-0505	221 -105
1105 0551	Clamp:LES-0505	219 -106
1105 0551	Clamp:LES-0505	177 -104
1105 0551	Clamp:LES-0505	289 -105
1105 0551	Clamp:LES-0505	87 - 110
1105 0559	Clamp:EMT-5N	199 -107
1105 0559	Clamp:EMT-5N	89 - 109
1105 0582	Clamp:RBWS-0510D-V0	37 - 103
1105 0599	Clamp:LESR-25	189 -108
1105 0599	Clamp:LESR-25	193 -109
1105 0600	Clamp:LWSM-0306-2M	305 -104
1105 0623	Clamp - LBWS-0206S-V0	255 -105
1105 0623	Clamp - LBWS-0206S-V0	239 -106
1105 0623	Clamp - LBWS-0206S-V0	241 -107

Part No.	Description	Page and Index No.
1105 0623	Clamp - LBWS-0206S-V0	243 -106
1105 0623	Clamp - LBWS-0206S-V0	251 -112
1105 0623	Clamp - LBWS-0206S-V0	253 -103
1105 0637	Harness Clamp - KGLS-10RT(V0)	205 -108
1105 0650	Clamp - MS-0709	259 -107
1105 0650	Clamp - MS-0709	263 -106
1105 0692	Clamp:LES-0503	211 -107
1106 0193	Bushing - 7.9mm	243 -108
1106 0383	Supporter - P.C.B.	265 -110
1106 0924	Bushing:JKR-40	195 -107
1107 1065	Fuse:ET-4A	253 -119
1107 1066	Fuse:ET-5A	253 -118
1107 1095	Fuse - SST 2	361 -112
1107 1281	Fuse:BJS2012F2	187 -107
1109 0010	Fuse:RXEF375	319 -137
1109 0015	Fuse:SMD050F	319 -138
1109 0020	Fuse:SMD150F/33	319 -139
1109 0027	Fuse:RXEF020	319 -140
1109 0032	Fuse:MINISMDC020F	333 -136
1109 0042	Fuse:MINISMDC150F	339 -121
1109 0042	Fuse:MINISMDC150F	361 -113
1109 0049	Fuse:MINISMDC050F	333 -137
1109 0050	Fuse:RUEF500	333 -138
1109 0050	Fuse:RUEF500	319 -141
1109 0055	Fuse:RUEF400	319 -142
1109 0055	Fuse:RUEF400	333 -139
1109 0074	Fuse:RUEF300	319 -143
1204 2382	Interlock Switch - Fail-CA22	305 -105
1204 2464	Switch:SKHMQKE010	333 -140
1204 2521	Micro Switch	81 - 103
1204 2521	Micro Switch	91 - 106
1204 2521	Micro Switch	223 -104
1204 2521	Micro Switch	27 - 106
1204 2563	Dip Switch:CHS-08B	333 -141
1204 2622	Dip Switch:CHS-08TB1	361 -114

Part No.	Description	Page and Index No.
1204 2774	Dip Switch	339 -122
1204 2775	Dip Switch	339 -123
1206 0122	Lithium Cell:CR2450/V1A	361 -115
1400 0443	Transistor:DTB114EK	333 -142
1400 0443	Transistor:DTB114EK	319 -144
1400 0571	Transistor:2SA1577	339 -124
1400 0714	Transistor:2SD1781KR	361 -116
1400 0715	Transistor:2SB1197KR	333 -143
1400 0770	Transistor:DTA144EE	333 -144
1400 0774	Transistor:DTA144TE	319 -145
1400 0911	Transistor:DTC144TE	319 -146
1400 0911	Transistor:DTC144TE	333 -145
1400 0948	Transistor:DTC143ZE	339 -125
1400 0953	Transistor:2SC4081S	333 -146
1400 0968	Transistor:DTA123JUA	333 -147
1400 0993	Transistor:DTC143TUA	339 -126
1400 1012	Transistor:2SD2656	333 -148
1400 1012	Transistor:2SD2656	319 -147
1400 1156	Transistor:RT1N141M-T111	333 -149
1400 1187	Transistor:2SD2701	333 -150
1400 1188	Transistor:2SB1694	319 -148
1400 1248	Transistor:2SC5342SF	361 -117
1400 1281	Transistor:2SC4155A-T111	333 -151
1400 1303	Transistor:ISA1602AM1-T111	333 -152
1401 0902	FET:2SK1590-A	361 -118
1401 1135	FET:2SK3019	333 -153
1401 1135	FET:2SK3019	319 -149
1401 1222	FET:HAT2068R-E	361 -119
1401 1233	FET:SSM3J14T	333 -154
1401 1234	FET:SSM3J02T	361 -120
1401 1235	FET:HAT2071R-E	361 -121
1401 1296	FET:TPC8115	361 -122
1401 1301	FET:2SK2615	333 -155
1401 1301	FET:2SK2615	319 -150
1401 1317	FET:HAT2197R-E	361 -123

Part No.	Description	Page and Index No.
1401 1318	FET:HAT2198R-E	361 -124
1401 1320	FET:TPC8107	361 -125
1401 1359	FET:HAT2217C-E	319 -151
1401 1359	FET:HAT2217C-E	333 -156
1401 1411	FET:HAT2195R-E	361 -126
1401 1414	FET:SI3433BDV-E3	339 -127
1401 1414	FET:SI3433BDV-E3	361 -127
1402 1041	Diode:DA204U	319 -152
1402 1057	Diode:DAP202U	333 -157
1402 1322	Diode-Array:DAN202U	333 -158
1402 1336	Diode:1SS355	333 -159
1402 1336	Diode:1SS355	319 -153
1402 1343	Diode:RB160L-40	319 -154
1402 1343	Diode:RB160L-40	333 -160
1402 1530	Diode:RB520S-30	361 -128
1402 1537	Diode:RB751S-40	361 -129
1402 1546	Diode - RB081	339 -128
1402 1565	Diode:RB521S-30	361 -130
1402 1584	Diode:DAN217U	333 -161
1402 1587	Diode - RB060	319 -155
1402 1587	Diode - RB060	333 -162
1402 1649	Diode:PTZ24B	319 -156
1402 1748	Diode:RB481K	333 -163
1402 1995	Diode:SDS511	361 -131
1402 2001	Diode:SX34	361 -132
1402 2039	Diode:RSX301LA-30	339 -129
1403 0953	LED:SML-310MT	319 -157
1403 0953	LED:SML-310MT	339 -130
1403 0953	LED:SML-310MT	333 -164
1403 0953	LED:SML-310MT	361 -133
1403 0978	LED:SML-310DT	339 -131
1403 0978	LED:SML-310DT	333 -165
1403 0978	LED:SML-310DT	361 -134
1403 0996	LED:SML-310VT	333 -166
1403 1131	LED:SML-311UT	361 -135

Part No.	Description	Page and Index No.
1403 1168	LED:SML-311YT	361 -136
1404 1048	Varistor:SRV05-4.TCT	361 -137
1407 1535	Driver:TD62308APG(5)	333 -167
1407 2187	TTLIC:SN74LS07NS	339 -132
1407 2187	TTLIC:SN74LS07NS	333 -168
1407 2187	TTLIC:SN74LS07NS	319 -158
1407 2218	TTLIC:SN74LS06NS	333 -169
1407 2218	TTLIC:SN74LS06NS	319 -159
1407 2231	Driver:TD62308AFG(5)	319 -160
1407 2231	Driver:TD62308AFG(5)	333 -170
1407 4399	CMOS Logic:TC74VHC245FT(K)	319 -161
1407 4399	CMOS Logic:TC74VHC245FT(K)	339 -133
1407 4687	Motor Control IC:TA8083FG(5,RICO)	333 -171
1407 4804	CMOS Logic:TC7SH08FU	361 -138
1407 4804	CMOS Logic:TC7SH08FU	339 -134
1407 4840	IC - TC7SH04FU	361 -139
1407 5009	CMOS Logic:TC7SET04FU	361 -140
1407 5010	IC - TC7SET08FU	361 -141
1407 5011	CMOS Logic:TC7WH74FU	339 -135
1407 5107	CMOS Logic:TC7W66FU	361 -142
1407 5189	CMOS Logic:TC7SZ00FU	361 -143
1407 5192	CMOS Logic:TC7SZ04FU	361 -144
1407 5194	CMOS Logic:TC7SZ32FU	361 -145
1407 5196	CMOS Logic:TC7SZ125FU	339 -136
1407 5196	CMOS Logic:TC7SZ125FU	361 -146
1407 5346	CMOS Logic:SN74LV74APW	319 -162
1407 5347	CMOS Logic:SN74LV08APW	319 -163
1407 5349	IC:SN74LV4066APW	333 -172
1407 5351	CMOS Logic:SN74LV14APW	333 -173
1407 5351	CMOS Logic:SN74LV14APW	339 -137
1407 5351	CMOS Logic:SN74LV14APW	319 -164
1407 5373	CMOS Logic:SN74LV21APW	339 -138
1407 5376	CMOS Logic:SN74LV32APW	319 -165
1407 5394	CMOS Logic:SN74LV138APW	339 -139
1407 5397	Clock Generator:ICS9112AM-16LF	339 -140

Part No.	Description	Page and Index No.
1407 5469	CMOS Logic:SN74LV07APW	319 -166
1407 5469	CMOS Logic:SN74LV07APW	333 -174
1407 5482	IC - SN74LVC07APW	361 -147
1407 5523	EEPROM:M24C01-WMN6P(REV.S/W/G)	361 -148
1407 5531	CMOS Logic:TC7WH14FU	361 -149
1407 5713	CMOS Logic:SN74LV06APW	333 -175
1407 5713	CMOS Logic:SN74LV06APW	339 -141
1407 5713	CMOS Logic:SN74LV06APW	319 -167
1407 5787	ISDNAccess Contorller:PSB3186F-V1.4	319 -170
1407 5856	RAM - FM18I08-70-P	193 -110
1407 6050	CMOS LOGIC:TC74VHC08FT(K)	333 -176
1407 6127	Clock Generator:ICS960008AFLF	361 -150
1407 6447	Custom IC:GAVD Type-W	339 -142
1407 6517	Custom IC:WHISTLE	361 -151
1407 6520	Custom IC:GARAC-C	339 -143
1407 6536	ICH6-MNH82801FBM(SL89K)	361 -152
1407 6613	Clock Generator:ICS7152M-01LF	339 -144
1407 6631	Clock Generator:ICS180M-53LF	319 -168
1407 6631	Clock Generator:ICS180M-53LF	333 -177
1407 6641	Custom IC:LEO	339 -145
1407 6642	Clock Generator:ICS7151M-40LF	339 -146
1407 6676	Clock Generator:ICS954206BGLF	361 -153
1407 6677	CMOS Logic:TC7SET14FU	339 -147
1407 6683	LAN Controller LSI:BCM5461A1KPFG	361 -154
1407 6751	CMOS Logic:HD74LV1GW07ACM	361 -155
1407 6759	Custom IC:EIO	333 -178
1407 6759	Custom IC:EIO	319 -169
1407 6774	CMOS Logic:TC7WZ08FK	361 -156
1407 6778	CMOS LOGIC:TC7SH02FU	361 -157
1407 6802	CMOS Logic:TC7PA04FU	361 -158
1407 6803	CMOS Logic:TC7SZ07FU	361 -159
1407 6803	CMOS Logic:TC7SZ07FU	339 -148
1407 6804	CMOS Logic:TC7SG17FU	339 -149
1407 6813	CMOS Logic:TC7WZ02FK	339 -150
1407 6824	CMOS Logic:TC7WG125FK	361 -160

Part No.	Description	Page and Index No.
1407 6824	CMOS Logic:TC7WG125FK	339 -151
1407 6853	CMOS Logic:HD74LV1GW17ACM	361 -161
1407 6893	CMOS Logic:TC7WG17FU	339 -153
1407 6915	CPU:LE80536LC0172M(SL89N)	361 -162
1407 6944	USB Controller IC:ST72681/R21	361 -163
1407 6957	CMOS Logic:TC7SH17FU	361 -164
1407 6995	CMOS Logic:TC74VHC244FT(K)	333 -179
1407 6995	CMOS Logic:TC74VHC244FT(K)	339 -154
1407 7000	CMOS Logic:TC74VHC541FT(K)	319 -171
1407 7000	CMOS Logic:TC74VHC541FT(K)	339 -155
1407 7000	CMOS Logic:TC74VHC541FT(K)	333 -180
1407 7005	CMOS Logic:TC74VHCT244AFT(K)	339 -156
1407 7005	CMOS Logic:TC74VHCT244AFT(K)	319 -172
1407 7005	CMOS Logic:TC74VHCT244AFT(K)	361 -165
1407 7005	CMOS Logic:TC74VHCT244AFT(K)	333 -181
1407 7029	GMCH:QG82915GME(SLA9K)	361 -166
1407 7190	Controller:RB5V871A	339 -152
1407 7232	Custom IC:VEENA	361 -167
1407 7234	Clock Generator:ICS960023CGLF	361 -168
1407 7290	Controller:ST19NP18ER28PVLR	361 -169
1407 7349	Motor Control IC:SLA7072MPRT	333 -182
1407 7349	Motor Control IC:SLA7072MPRT	319 -173
1407 7350	Motor Control IC:SLA7073MPRT	319 -174
1407 7350	Motor Control IC:SLA7073MPRT	333 -183
1408 0826	IC:TA8428K(5,S)	333 -184
1408 1550	Operational Amplifier:LM2902PW	333 -185
1408 1627	Series Regulator:TA78L12F	319 -175
1408 1641	D/A Converter:BU2505FV	333 -186
1408 1641	D/A Converter:BU2505FV	319 -176
1408 1653	Operational Amplifier:LMV324IPW	339 -157
1408 1653	Operational Amplifier:LMV324IPW	333 -187
1408 1668	Series Regulator:R1170H251B-F	361 -170
1408 1669	Series Regulator:R1170H331B-F	339 -158
1408 1778	IC:R3112Q101A-FA	361 -171
1408 1779	IC:R3112Q281A-FA	361 -172

Part No.	Description	Page and Index No.
1408 1779	IC:R3112Q281A-FA	319 -177
1408 1779	IC:R3112Q281A-FA	333 -188
1408 1788	IC:R3112Q091A-FA	361 -173
1408 1826	IC:R3112Q421A-FA	319 -178
1408 1826	IC:R3112Q421A-FA	361 -174
1408 1826	IC:R3112Q421A-FA	333 -189
1408 1826	IC:R3112Q421A-FA	339 -159
1408 1839	IC:R3112Q211A-FA	361 -175
1408 1850	Series Regulator:R1170H181B-F	339 -160
1408 2007	Operational Amplifier:LM324PW	319 -179
1408 2024	IC:R3112Q261A-FA	339 -161
1408 2029	Comparator:LM2901PW	333 -190
1408 2029	Comparator:LM2901PW	319 -180
1408 2088	IC:LTC3701EGN#TRPBF	339 -162
1408 2247	Series Regulator:R1114N181B-F	339 -163
1408 2284	Series Regulator:BH30MA3WHFV	333 -191
1408 2284	Series Regulator:BH30MA3WHFV	319 -181
1408 2305	Reset IC:BU4242FVE	361 -176
1408 2350	IC:R1211D002B-FA	361 -177
1408 2393	Series Regulator:R1172H331B-F	319 -182
1408 2393	Series Regulator:R1172H331B-F	333 -192
1408 2458	DC/DC Converter:LTC3407EMSE-2#PBF	361 -178
1408 2462	Series Regulator:BH18MA3WHFV	339 -164
1408 2463	DDR Terminator:TPS51116PWPG4	361 -179
1408 2464	DC/DC Converter:MAX1907AETL+	361 -180
1408 2637	DC/DC Converter:MPD5S027	361 -181
1408 2638	DC/DC Converter:MPD6S023	361 -182
1503 0773	Crystal Oscillator:32.768KHz:7PF	361 -183
1503 1010	Crystal Oscillator:50MHz	339 -165
1503 1062	Crystal Oscillator:18.8MHz	339 -166
1503 1138	Crystal Oscillator:48MHz	361 -184
1503 1143	Crystal Oscillator:35MHz	339 -167
1503 1146	Crystal Oscillator:14.31818MHz	361 -185
1503 1157	Crystal Oscillator:50MHz	339 -168
1503 1274	Crystal Oscillator:19.85MHz	319 -183

Part No.	Description	Page and Index No.
1503 1274	Crystal Oscillator:19.85MHz	333 -193
1503 1363	Crystal Oscillator:12MHz	361 -186
1503 1367	Crystal Oscillator:25MHz	361 -187
1503 1368	Crystal Oscillator:25MHz	361 -188
1600 1564	Resistor:3 Ω:±5%:2W	319 -184
1600 1880	Resistor:25M Ω:±1%:1W	339 -169
1600 1946	Resistor:33M Ω:±1%:1W	339 -170
1601 5391	Resistor	319 -185
1601 5697	Resistor:220 Ω:±5%:1W	333 -194
1601 5941	Resistor:120 Ω:±5%:2W	319 -186
1601 7752	Resistor:10KΩ:±5%:4	339 -171
1601 7759	Resistor Array	339 -172
1601 7867	Resistor:33Ω:±5%:1/16W:4Number	339 -173
1601 7871	Resistor:68Ω:±5%:1/16W:4Number	339 -174
1601 7887	Resistor Array:10K Ω:±5%:1/16W:4Number	333 -195
1601 7887	Resistor Array:10K Ω:±5%:1/16W:4Number	319 -187
1601 7887	Resistor Array:10K Ω:±5%:1/16W:4Number	361 -189
1601 7896	Resistor Array:56Ω:±5%:1/16W:4Number	319 -188
1601 7896	Resistor Array:56Ω:±5%:1/16W:4Number	361 -190
1601 7898	Resistor Array:33 Ω:±5%:1/16W:4Number	333 -196
1601 7898	Resistor Array:33 Ω:±5%:1/16W:4Number	319 -189
1601 7898	Resistor Array:33 Ω:±5%:1/16W:4Number	361 -191
1601 7909	Resistor Array:10 Ω:±5%:1/16W:4Number	333 -197
1601 7909	Resistor Array:10 Ω:±5%:1/16W:4Number	361 -192
1601 7909	Resistor Array:10 Ω:±5%:1/16W:4Number	319 -190
1601 7913	Resistor 22 Ω ±5% 1/32W	361 -193
1601 7914	Resistor Array:47 Ω:±5%:1/16W:4Number	361 -194
1601 7943	Resistor Array:68 Ω:±5%:1/16W:4Number	319 -191
1601 7943	Resistor Array:68 Ω:±5%:1/16W:4Number	333 -198
1601 7959	Resistor Array:1K Ω:±5%:1/16W:4Number	319 -192
1601 7959	Resistor Array:1K Ω:±5%:1/16W:4Number	333 -199
1601 7983	Resistor Array:2.2K Ω:±5%:1/16W:4Number	333 -200
1601 7983	Resistor Array:2.2K Ω:±5%:1/16W:4Number	319 -193
1604 4365	Capacitor	339 -175
1604 4728	Capacitor:100μF:±20%:16V	339 -176

Part No.	Description	Page and Index No.
1604 4733	Capacitor - 100μF ±20% 10V	319 -194
1604 4893	Resistor - 100μF ±20%:25V	319 -195
1604 4925	Capacitor:100μF:±20%:10V	333 -201
1604 5375	Capacitor:220μF:±20%:50V	319 -196
1604 5375	Capacitor:220μF:±20%:50V	333 -202
1604 5402	Capacitor:100μF:±20%:50V	339 -177
1604 5403	Capacitor:220μF:±20%:35V	339 -178
1604 5632	Capacitor:10μF:±20%:50V	319 -197
1604 5660	Capacitor:100μF:±20%:50V	333 -203
1604 5713	Capacitor:220μF:±20%:6.3V	339 -179
1605 1148	Capacitor:0.1μF:+80-20%:50V	333 -204
1605 1195	Capacitor:4PF:±0.25PF:50V	361 -195
1605 1197	Capacitor:6PF:±0.5PF:50V	361 -196
1605 1199	Capacitor:8PF:±0.5PF:50V	361 -197
1605 1200	Capacitor:10PF:±0.5PF:50V	339 -180
1605 1200	Capacitor:10PF:±0.5PF:50V	333 -205
1605 1200	Capacitor:10PF:±0.5PF:50V	361 -198
1605 1202	Capacitor:15PF:±5%:50V	319 -198
1605 1202	Capacitor:15PF:±5%:50V	333 -206
1605 1204	Capacitor:22PF:±5%:50V	361 -199
1605 1205	Capacitor:33PF:±5%:50V	339 -181
1605 1206	Capacitor:47PF:±5%:50V	319 -199
1605 1206	Capacitor:47PF:±5%:50V	333 -207
1605 1207	Capacitor:68PF:±5%:50V	361 -200
1605 1208	Capacitor:100PF:±5%:50V	361 -201
1605 1208	Capacitor:100PF:±5%:50V	339 -182
1605 1208	Capacitor:100PF:±5%:50V	319 -200
1605 1212	Capacitor:470PF:±10%:50V	319 -201
1605 1212	Capacitor:470PF:±10%:50V	339 -183
1605 1212	Capacitor:470PF:±10%:50V	333 -208
1605 1214	Capacitor:1000PF:±10%:50V	361 -202
1605 1214	Capacitor:1000PF:±10%:50V	319 -202
1605 1214	Capacitor:1000PF:±10%:50V	339 -184
1605 1216	Capacitor:2200PF:±10%:50V	361 -203
1605 1221	Capacitor:0.1μF:+80-20%:16V	319 -203

Part No.	Description	Page and Index No.
1605 1221	Capacitor:0.1μF:+80-20%:16V	333 -209
1605 1224	Capacitor:4.7μF:±10%:6.3V	339 -185
1605 1225	Capacitor:0.1μF:±10%:50V	319 -204
1605 1225	Capacitor:0.1μF:±10%:50V	333 -210
1605 1234	Capacitor:4700PF:±10%:50V	319 -205
1605 1234	Capacitor:4700PF:±10%:50V	361 -204
1605 1234	Capacitor:4700PF:±10%:50V	333 -211
1605 1240	Capacitor:0.01μF:±10%:25V	333 -212
1605 1240	Capacitor:0.01μF:±10%:25V	339 -186
1605 1240	Capacitor:0.01μF:±10%:25V	361 -205
1605 1240	Capacitor:0.01μF:±10%:25V	319 -206
1605 1275	Capacitor:820PF:±5%:50V	361 -206
1605 1288	Capacitor:220PF:±5%:50V	361 -207
1605 1289	Capacitor:0.1μF:±10%:10V	339 -187
1605 1291	Capacitor:2.2μF:±10%:10V	361 -208
1605 1291	Capacitor:2.2μF:±10%:10V	339 -188
1605 1296	Capacitor:330PF:±10%:50V	339 -189
1605 1299	Capacitor:56PF:±5%:50V	339 -190
1605 1299	Capacitor:56PF:±5%:50V	361 -209
1605 1300	Capacitor:270PF:±5%:50V	361 -210
1605 1303	Capacitor:0.01μF:+80-20%:50V	319 -207
1605 1303	Capacitor:0.01μF:+80-20%:50V	333 -213
1605 1303	Capacitor:0.01μF:+80-20%:50V	339 -191
1605 1306	Capacitor:1μF:±10%:10V	339 -192
1605 1306	Capacitor:1μF:±10%:10V	319 -208
1605 1306	Capacitor:1μF:±10%:10V	333 -214
1605 1347	Capacitor:1μF:+80-20%:16V	319 -209
1605 1353	Capacitor:0.1μF:±10%:25V	319 -210
1605 1354	Capacitor:1200PF:±5%:50V	339 -193
1605 1358	Capacitor:10μF:±10%:10V	339 -194
1605 1367	Capacitor:0.033μF:±10%:16V	361 -211
1605 1387	Capacitor:0.68μF:±10%:10V	361 -212
1605 1396	Capacitor:0.33μF:±10%:50V	319 -211
1605 1406	Capacitor:10μF:±10%:6.3V	319 -212
1605 1406	Capacitor:10μF:±10%:6.3V	333 -215

Part No.	Description	Page and Index No.
1605 1406	Capacitor:10μF:±10%:6.3V	339 -195
1605 1406	Capacitor:10μF:±10%:6.3V	361 -213
1605 1419	Capacitor:4.7μF:±10%:16V	361 -214
1605 1427	Capacitor:1μF:±10%:6.3V	339 -196
1605 1428	Capacitor:0.22μF:±10%:6.3V	361 -215
1605 1447	Capacitor:470PF:±5%:50V	319 -213
1605 1447	Capacitor:470PF:±5%:50V	361 -216
1605 1450	Capacitor:22μF:±10%:6.3V	361 -217
1605 1451	Capacitor:0.47μF:±10%:6.3V	339 -197
1605 1453	Capacitor:0.022μF:±10%:16V	361 -218
1605 1464	Capacitor:10μF:±20%:25V	361 -219
1605 1465	Resistor - 1μF ±10% 25V	361 -220
1605 1474	Capacitor:47μF:±20%:6.3V	339 -198
1605 1479	Capacitor:47PF:±10%:50V	319 -214
1605 1479	Capacitor:47PF:±10%:50V	333 -216
1605 1483	Capacitor:0.01μF:±20%:25V	319 -215
1605 1483	Capacitor:0.01μF:±20%:25V	333 -217
1605 1530	Capacitor:10PF:±1PF:50V	319 -216
1605 1544	Capacitor:330PF:±5%:50V	361 -221
1605 1547	Capacitor:2.2μF:±10%:6.3V	339 -199
1605 1563	Capacitor:10μF:±10%:10V	333 -218
1605 1563	Capacitor:10μF:±10%:10V	319 -217
1605 1583	Capacitor:0.1μF:±10%:16V	361 -222
1605 1585	Capacitor:4.7μF:±10%:6.3V	339 -200
1605 1586	Capacitor:10μF:±10%:16V	339 -201
1605 1587	Capacitor:22μF:±20%:6.3V	339 -202
1605 1635	Capacitor:0.47μF:±10%:25V	361 -223
1605 1689	Capacitor:100μF:±20%:6.3V	361 -224
1605 1695	Capacitor:1200PF:±10%:50V	361 -225
1605 1710	Capacitor:10μF:±10%:25V	319 -218
1606 2084	Capacitor	319 -219
1606 2319	Capacitor:100μF:±20%:6.3V	361 -226
1606 8041	Resistor Array - CKCA43CH1H10	333 -219
1607 0623	Ferrite Core - TFC-16-8-13	251 -116
1607 0810	Filter:BK2125HS121	361 -227

Part No.	Description	Page and Index No.
1607 0861	Filter BK2125HS101	339 -203
1607 0912	Ferrite Core:TR-25-15-12	259 -109
1607 1002	Filter:NFE31PT222Z1E9B	339 -204
1607 1061	Filter:BLM18PG300SN1B	361 -228
1607 1108	Filter:BLM21PG220SN1B	361 -229
1607 1108	Filter:BLM21PG220SN1B	339 -205
1607 1124	Filter:BLM18AG471SN1B	319 -220
1607 1124	Filter:BLM18AG471SN1B	333 -220
1607 1228	Inductor:SLF7045-4R7M2R0-PF	361 -230
1607 1316	Filter:FBMJ1608HS280NT	361 -231
1607 1388	Inductor:LB2518B1R0M	361 -232
1607 1405	Inductor:SLF10145-101M1R0-PF	339 -206
1607 1438	Choke Coil:DLW21SN121SQ2B	361 -233
1607 1489	Filter:MMZ1608B301C	361 -234
1607 1556	Inductor:RLF7030-1R5N6R1	339 -207
1607 1567	Filter:MPZ2012S101A	339 -208
1607 1651	Inductor:HM73-101R0LF	361 -235
1607 1657	Inductor:HM73-10R68LF	361 -236
1607 1666	Inductor:RLF7030-3R3M4R1	339 -209
1607 1680	Inductor:SLF6028-6R8M1R5-PF	339 -210
1607 1744	Inductor:LQH32CNR15M33B	361 -237
1607 1799	Filter - SUP-ET20-ER-0	189 -110
1607 1827	Inductor:RLF7030-2R2M5R4	339 -211
1607 1853	Inductor:LB2518B100M	361 -238
1607 1854	Inductor:CDRH4D18C-1R1N	361 -239
1607 1974	Inductor:VLCF4020-2R2N1R7	361 -240
1609 0005	Resistor Array:33 Ω : \pm 5%:1/16W:8Number	333 -221
1609 0005	Resistor Array:33 Ω : \pm 5%:1/16W:8Number	361 -241
1609 0005	Resistor Array:33 Ω : \pm 5%:1/16W:8Number	319 -221
1609 0005	Resistor Array:33 Ω : \pm 5%:1/16W:8Number	339 -212
1609 0006	Resistor Array:10K Ω : \pm 5%:1/16W:8Number	333 -222
1609 0006	Resistor Array:10K Ω : \pm 5%:1/16W:8Number	361 -242
1609 0006	Resistor Array:10K Ω : \pm 5%:1/16W:8Number	319 -222
1609 0006	Resistor Array:10K Ω : \pm 5%:1/16W:8Number	339 -213
1609 0007	Resistor Array:68 Ω : \pm 5%:1/16W:8Number	339 -214

Part No.	Description	Page and Index No.
1609 0016	Resistor Array:56 Ω : \pm 5%:1/16W:8Number	333 -223
1609 0016	Resistor Array:56 Ω : \pm 5%:1/16W:8Number	319 -223
1609 0020	Resistor Array:10 Ω : \pm 5%:1/16W:8Number	319 -224
1609 0020	Resistor Array:10 Ω : \pm 5%:1/16W:8Number	333 -224
1609 0027	Resistor Array:100K Ω : \pm 5%:1/16W:8Number	339 -215
1609 0095	Resistor Array:220 Ω : \pm 5%:1/16W:4Number	319 -225
1609 0095	Resistor Array:220 Ω : \pm 5%:1/16W:4Number	333 -225
1610 1417	Resistor:0.5 Ω : \pm 5%:1/8W:1608	361 -243
1610 1734	Resistor:0.02 Ω : \pm 1%:1W	339 -216
1610 1804	Resistor:0.006 Ω : \pm 1%:1W	361 -244
1610 1961	Resistor:68M Ω : \pm 1%:1W	339 -217
1610 2021	Resistor:15M Ω : \pm 1%:1W	339 -218
1610 2116	Resistor:1.5M Ω : \pm 1%:1W:6432	361 -245
1633 0000	Resistor:0 Ω :2125	319 -226
1633 0000	Resistor:0 Ω :2125	361 -246
1634 0000	Resistor:0 Ω :1608	333 -226
1634 0000	Resistor:0 Ω :1608	339 -219
1634 0000	Resistor:0 Ω :1608	361 -247
1650 2432	Resistor:4.3K Ω : \pm 5%:1/4W:3216	319 -227
1650 2432	Resistor:4.3K Ω : \pm 5%:1/4W:3216	333 -227
1650 2680	Resistor:68 Ω : \pm 5%:1/4W:3216	333 -228
1650 3100	Resistor:10 Ω : \pm 5%:1/8W:2125	333 -229
1650 3222	Resistor:2.2K Ω : \pm 5%:1/8W:2125	333 -230
1650 3331	Resistor:330 Ω : \pm 5%:1/8W:2125	333 -231
1650 4100	Resistor:10 Ω : \pm 5%:1/10W:1608	339 -220
1650 4101	Resistor:100 Ω : \pm 5%:1/10W:1608	339 -221
1650 4102	Resistor:1K Ω : \pm 5%:1/10W:1608	319 -228
1650 4102	Resistor:1K Ω : \pm 5%:1/10W:1608	339 -222
1650 4103	Resistor:10K Ω : \pm 5%:1/10W:1608	333 -232
1650 4103	Resistor:10K Ω : \pm 5%:1/10W:1608	339 -223
1650 4104	Resistor:100K Ω : \pm 5%:1/10W:1608	339 -224
1650 4109	Resistor:1 Ω : \pm 5%:1/10W:1608	361 -248
1650 4163	Resistor:16K Ω : \pm 5%:1/10W:1608	339 -225
1650 4221	Resistor:220 Ω : \pm 5%:1/10W:1608	319 -229
1650 4229	Resistor:2.2 Ω : \pm 5%:1/10W:1608	361 -249

Part No.	Description	Page and Index No.
1650 4303	Resistor:30K Ω : \pm 5%:1/10W:1608	339 -226
1650 4330	Resistor:33 Ω : \pm 5%:1/10W:1608	339 -227
1650 4332	Resistor:3.3K Ω : \pm 5%:1/10W:1608	339 -228
1650 4333	Resistor:33K Ω : \pm 5%:1/10W:1608	339 -229
1650 4471	Resistor:470 Ω : \pm 5%:1/10W:1608	339 -230
1650 4472	Resistor:4.7K Ω : \pm 5%:1/10W:1608	339 -231
1650 4561	Resistor:560 Ω : \pm 5%:1/10W:1608	319 -230
1650 4680	Resistor:68 Ω : \pm 5%:1/10W:1608	339 -232
1650 4751	Resistor:750 Ω : \pm 5%:1/10W:1608	339 -233
1650 5100	Resistor:10 Ω : \pm 5%:1/16W:1005	319 -231
1650 5100	Resistor:10 Ω : \pm 5%:1/16W:1005	333 -233
1650 5102	Resistor:1K Ω : \pm 5%:1/16W:1005	319 -232
1650 5102	Resistor:1K Ω : \pm 5%:1/16W:1005	333 -234
1650 5103	Resistor:10K Ω : \pm 5%:1/16W:1005	333 -235
1650 5103	Resistor:10K Ω : \pm 5%:1/16W:1005	319 -233
1650 5104	Resistor:100K Ω : \pm 5%:1/16W:1005	319 -234
1650 5105	Resistor:1M Ω : \pm 5%:1/16W:1005	333 -236
1650 5105	Resistor:1M Ω : \pm 5%:1/16W:1005	319 -235
1650 5106	Resistor:10M Ω : \pm 5%:1/16W:1005	361 -250
1650 5154	Resistor:150K Ω : \pm 5%:1/16W:1005	333 -237
1650 5154	Resistor:150K Ω : \pm 5%:1/16W:1005	319 -236
1650 5221	Resistor:220 Ω : \pm 5%:1/16W:1005	333 -238
1650 5222	Resistor:2.2K Ω : \pm 5%:1/16W:1005	333 -239
1650 5222	Resistor:2.2K Ω : \pm 5%:1/16W:1005	319 -237
1650 5223	Resistor:22K Ω : \pm 5%:1/16W:1005	333 -240
1650 5302	Resistor:3K Ω : \pm 5%:1/16W:1005	333 -241
1650 5309	Resistor:3 Ω : \pm 5%:1/16W:1005	361 -251
1650 5330	Resistor:33 Ω : \pm 5%:1/16W:1005	319 -238
1650 5330	Resistor:33 Ω : \pm 5%:1/16W:1005	333 -242
1650 5332	Resistor:3.3K Ω : \pm 5%:1/16W:1005	333 -243
1650 5393	Resistor:39K Ω : \pm 5%:1/16W:1005	333 -244
1650 5472	Resistor:4.7K Ω : \pm 5%:1/16W:1005	319 -239
1650 5472	Resistor:4.7K Ω : \pm 5%:1/16W:1005	333 -245
1650 5473	Resistor:47K Ω : \pm 5%:1/16W:1005	319 -240
1650 5511	Resistor:510 Ω : \pm 5%:1/16W:1005	333 -246

Part No.	Description	Page and Index No.
1650 5511	Resistor:510 Ω : \pm 5%:1/16W:1005	319 -241
1650 5519	Resistor:5.1 Ω : \pm 5%:1/16W:1005	361 -252
1650 5560	Resistor:56 Ω : \pm 5%:1/16W:1005	319 -242
1650 5560	Resistor:56 Ω : \pm 5%:1/16W:1005	333 -247
1650 5561	Resistor:560 Ω : \pm 5%:1/16W:1005	333 -248
1650 5680	Resistor:68 Ω : \pm 5%:1/16W:1005	333 -249
1650 5684	Resistor:680K Ω : \pm 5%:1/16W:1005	333 -250
1653 1009	Resistor:10 Ω : \pm 1%:1/8W:2125	361 -253
1654 1000	Resistor:100 Ω : \pm 1%:1/10W:1608	361 -254
1654 1002	Resistor:10K Ω : \pm 1%:1/10W:1608	333 -251
1654 1009	Resistor:10 Ω : \pm 1%:1/10W:1608	361 -255
1654 1152	Resistor:11.5K Ω : \pm 1%:1/10W:1608	339 -234
1654 1301	Resistor:1.3K Ω : \pm 1%:1/10W:1608	339 -235
1654 1800	Resistor:180 Ω : \pm 1%:1/10W:1608	339 -236
1654 1801	Resistor:1.8K Ω : \pm 1%:1/10W:1608	339 -237
1654 2051	Resistor:2.05K Ω : \pm 1%:1/10W:1608	319 -243
1654 2400	Resistor:240 Ω : \pm 1%:1/10W:1608	339 -238
1654 2402	Resistor:24K Ω : \pm 1%:1/10W:1608	339 -239
1654 2871	Resistor:2.87K Ω : \pm 1%:1/10W:1608	333 -252
1654 3002	Resistor:30K Ω : \pm 1%:1/10W:1608	339 -240
1654 3572	Resistor:35.7K Ω : \pm 1%:1/10W:1608	339 -241
1654 4222	Resistor:42.2K Ω : \pm 1%:1/10W:1608	339 -242
1654 4701	Resistor:4.7K Ω : \pm 1%:1/10W:1608	339 -243
1654 6041	Chip Resistor:6.04K Ω : \pm 1%:1/10W	333 -253
1654 6341	Resistor:6.34K Ω : \pm 1%:1/10W:1608	333 -254
1654 6800	Resistor:680 Ω : \pm 1%:1/10W:1608	339 -244
1654 7872	Resistor:78.7K Ω : \pm 1%:1/10W:1608	339 -245
1654 8200	Resistor:820 Ω : \pm 1%:1/10W:1608	339 -246
1654 8452	Resistor:84.5K Ω : \pm 1%:1/10W:1608	339 -247
1655 0000	Resistor:0 Ω :1005	361 -256
1655 0000	Resistor:0 Ω :1005	319 -244
1655 0000	Resistor:0 Ω :1005	333 -255
1655 1000	Resistor:100 Ω : \pm 1%:1/16W:1005	361 -257
1655 1001	Resistor:1K Ω : \pm 1%:1/16W:1005	361 -258
1655 1001	Resistor:1K Ω : \pm 1%:1/16W:1005	333 -256

Part No.	Description	Page and Index No.
1655 1002	Resistor:10K Ω : \pm 1%:1/16W:1005	361 -259
1655 1002	Resistor:10K Ω : \pm 1%:1/16W:1005	319 -245
1655 1002	Resistor:10K Ω : \pm 1%:1/16W:1005	333 -257
1655 1003	Resistor:100K Ω : \pm 1%:1/16W:1005	333 -258
1655 1003	Resistor:100K Ω : \pm 1%:1/16W:1005	361 -260
1655 1004	Resistor:1M Ω : \pm 1%:1/16W:1005	361 -261
1655 1009	Resistor:10 Ω : \pm 1%:1/16W:1005	361 -262
1655 1102	Resistor:11K Ω : \pm 1%:1/16W:1005	361 -263
1655 1132	Resistor:11.3K Ω : \pm 1%:1/16W:1005	361 -264
1655 1181	Resistor:1.18K Ω : \pm 1%:1/16W:1005	333 -259
1655 1201	Resistor:1.2K Ω : \pm 1%:1/16W:1005	361 -265
1655 1241	Resistor:1.24K Ω : \pm 1%:1/16W:1005	361 -266
1655 1300	Resistor:130 Ω : \pm 1%:1/16W:1005	361 -267
1655 1402	Resistor:14K Ω : \pm 1%:1/16W:1005	319 -246
1655 1430	Resistor:143 Ω : \pm 1%:1/16W:1005	333 -260
1655 1501	Resistor:1.5K Ω : \pm 1%:1/16W:1005	319 -247
1655 1501	Resistor:1.5K Ω : \pm 1%:1/16W:1005	361 -268
1655 1502	Resistor:15K Ω : \pm 1%:1/16W:1005	361 -269
1655 1540	Resistor:154 Ω : \pm 1%:1/16W:1005	319 -248
1655 1600	Resistor:160 Ω : \pm 1%:1/16W:1005	333 -261
1655 1601	Resistor:1.6K Ω : \pm 1%:1/16W:1005	319 -249
1655 1692	Resistor:16.9K Ω : \pm 1%:1/16W:1005	361 -270
1655 1780	Resistor:178 Ω : \pm 1%:1/16W:1005	333 -262
1655 1801	Resistor:1.8K Ω : \pm 1%:1/16W:1005	333 -263
1655 1801	Resistor:1.8K Ω : \pm 1%:1/16W:1005	319 -250
1655 1802	Resistor:18K Ω : \pm 1%:1/16W:1005	333 -264
1655 1803	Resistor:180K Ω : \pm 1%:1/16W:1005	361 -271
1655 1820	Resistor:182 Ω : \pm 1%:1/16W:1005	333 -265
1655 1963	Resistor:196K Ω : \pm 1%:1/16W:1005	361 -272
1655 2000	Resistor:200 Ω : \pm 1%:1/16W:1005	361 -273
1655 2001	Resistor:2K Ω : \pm 1%:1/16W:1005	361 -274
1655 2002	Resistor:20K Ω : \pm 1%:1/16W:1005	333 -266
1655 2002	Resistor:20K Ω : \pm 1%:1/16W:1005	361 -275
1655 2200	Resistor:220 Ω : \pm 1%:1/16W:1005	333 -267
1655 2201	Resistor:2.2K Ω : \pm 1%:1/16W:1005	361 -276

Part No.	Description	Page and Index No.
1655 2202	Resistor:22K Ω : \pm 1%:1/16W:1005	333 -268
1655 2209	Resistor:22 Ω : \pm 1%:1/16W:1005	361 -277
1655 2210	Resistor:221 Ω : \pm 1%:1/16W:1005	361 -278
1655 2269	Resistor:22.6 Ω : \pm 1%:1/16W:1005	361 -279
1655 2432	Resistor:24.3K Ω : \pm 1%:1/16W:1005	361 -280
1655 2499	Resistor:24.9 Ω : \pm 1%:1/16W:1005	361 -281
1655 2700	Resistor:270 Ω : \pm 1%:1/16W:1005	361 -282
1655 2701	Resistor:2.7K Ω : \pm 1%:1/16W:1005	361 -283
1655 2741	Resistor:2.74K Ω : \pm 1%:1/16W:1005	361 -284
1655 2749	Resistor:27.4 Ω : \pm 1%:1/16W:1005	361 -285
1655 2802	Resistor:28K Ω : \pm 1%:1/16W:1005	361 -286
1655 3001	Resistor:3K Ω : \pm 1%:1/16W:1005	319 -251
1655 3002	Resistor:30K Ω : \pm 1%:1/16W:1005	361 -287
1655 3013	Resistor:301K Ω : \pm 1%:1/16W:1005	361 -288
1655 3161	Resistor:3.16K Ω : \pm 1%:1/16W:1005	319 -252
1655 3161	Resistor:3.16K Ω : \pm 1%:1/16W:1005	333 -269
1655 3242	Resistor:32.4K Ω : \pm 1%:1/16W:1005	361 -289
1655 3301	Resistor:3.3K Ω : \pm 1%:1/16W:1005	333 -270
1655 3302	Resistor:33K Ω : \pm 1%:1/16W:1005	361 -290
1655 3303	Resistor:330K Ω : \pm 1%:1/16W:1005	361 -291
1655 3309	Resistor:33 Ω : \pm 1%:1/16W:1005	361 -292
1655 3601	Resistor:3.6K Ω : \pm 1%:1/16W:1005	361 -293
1655 3602	Resistor:36K Ω : \pm 1%:1/16W:1005	361 -294
1655 3740	Resistor:374 Ω : \pm 1%:1/16W:1005	333 -271
1655 3749	Resistor:37.4 Ω : \pm 1%:1/16W:1005	333 -272
1655 3903	Resistor:390K Ω : \pm 1%:1/16W:1005	361 -295
1655 3909	Resistor:39 Ω : \pm 1%:1/16W:1005	361 -296
1655 4029	Resistor:40.2 Ω : \pm 1%:1/16W:1005	361 -297
1655 4701	Resistor:4.7K Ω : \pm 1%:1/16W:1005	361 -298
1655 4750	Resistor:475 Ω : \pm 1%:1/16W:1005	361 -299
1655 4992	Resistor:49.9K Ω : \pm 1%:1/16W:1005	361 -300
1655 4999	Resistor:49.9 Ω : \pm 1%:1/16W:1005	361 -301
1655 5101	Resistor:5.1K Ω : \pm 1%:1/16W:1005	361 -302
1655 5109	Resistor:51 Ω : \pm 1%:1/16W:1005	361 -303
1655 5499	Resistor:54.9 Ω : \pm 1%:1/16W:1005	361 -304

Part No.	Description	Page and Index No.
1655 5499	Resistor:54.9 Ω:±1%:1/16W:1005	319 -253
1655 5600	Resistor:560 Ω:±1%:1/16W:1005	361 -305
1655 5602	Resistor:56K Ω:±1%:1/16W:1005	361 -306
1655 5609	Resistor:56 Ω:±1%:1/16W:1005	361 -307
1655 6043	Resistor:604K Ω:±1%:1/16W:1005	361 -308
1655 6800	Resistor:680 Ω:±1%:1/16W:1005	361 -309
1655 6801	Resistor:6.8K Ω:±1%:1/16W:1005	319 -254
1655 6801	Resistor:6.8K Ω:±1%:1/16W:1005	361 -310
1655 6809	Resistor:68 Ω:±1%:1/16W:1005	333 -273
1655 6809	Resistor:68 Ω:±1%:1/16W:1005	361 -311
1655 6982	Resistor:69.8K Ω:±1%:1/16W:1005	319 -255
1655 6982	Resistor:69.8K Ω:±1%:1/16W:1005	333 -274
1655 7159	Resistor:71.5 Ω:±1%:1/16W:1005	333 -275
1655 7509	Resistor:75 Ω:±1%:1/16W:1005	361 -312
1655 7879	Resistor:78.7 Ω:±1%:1/16W:1005	333 -276
1655 8069	Resistor:80.6 Ω:±1%:1/16W:1005	361 -313
1655 8201	Resistor:8.2K Ω:±1%:1/16W:1005	361 -314
1655 8209	Resistor:82 Ω:±1%:1/16W:1005	361 -315
1655 8459	Resistor:84.5 Ω:±1%:1/16W:1005	319 -256
1655 8873	Resistor:887K Ω:±1%:1/16W:1005	361 -316
1655 9101	Resistor:9.1K Ω:±1%:1/16W:1005	361 -317
1660 2331	Capacitor:330PF:±5%:50V	339 -248
1660 2470	Capacitor:47PF:±5%:50V	339 -249
1660 4332	Capacitor:3300PF:±10%:50V	339 -250
1660 4682	Capacitor:6800PF:±10%:50V	339 -251
1660 8104	Capacitor:0.1μF:+80-20%:25V	319 -257
1906 0120	Nand Flash:1G:X8:30NS:3.3V:2KB	361 -318
5053 0223	Bushing - 8mm	239 - 36

Part No.	Description	Page and Index No.
5053 0223	Bushing - 8mm	45 - 24
5053 0419	Bushing - 10mm	103 - 7
5053 0419	Bushing - 10mm	113 - 12
5053 0419	Bushing - 10mm	105 - 1
5053 0447	Bushing - 6mm	241 - 24
5053 0447	Bushing - 6mm	247 - 3
5053 0447	Bushing - 6mm	249 - 2
5053 0447	Bushing - 6mm	239 - 39
5053 0447	Bushing - 6mm	251 - 33
5053 0447	Bushing - 6mm	41 - 28
5201 2858	Friction Pad	273 - 9
5201 2858	Friction Pad	43 - 10
5203 9502	Grease 501	377 - 5
5206 2684	Shoulder Screw - M3	111 - 11
5206 2684	Shoulder Screw - M3	259 - 7
5206 2686	Snap Ring	125 - 10
5206 2686	Snap Ring	239 - 29
5215 2621	Snap Ring - M6	249 - 16
5215 2621	Snap Ring - M6	239 - 31
5324 1658	Bushing- 4x8x4.5mm	249 - 10
5324 1658	Bushing- 4x8x4.5mm	243 - 16
5410 1291	Pin	255 - 1
5447 2681	Snap Ring	27 - 4
5447 2681	Snap Ring	241 - 23
5447 2681	Snap Ring	235 - 9
5447 2681	Snap Ring	123 - 25
5447 2681	Snap Ring	121 - 9
5447 2681	Snap Ring	87 - 29
5447 2681	Snap Ring	53 - 2
5447 2681	Snap Ring	51 - 2
5447 2706	Gear - 15T	51 - 8
5447 2706	Gear - 15T	283 - 22
5447 2768	Stepped Screw - M3	91 - 1
5918 3040	Shoulder Screw - M4	187 - 12
5936 2321	Rubber Bushing - Vibration Damper	253 - 28

Part No.	Description	Page and Index No.
6754 2866	Roller - Positioning Guide	275 - 3
7413 506	Ball Bearing - 6x12x4 mm	127 -104
7413 808	Ball Bearing - 8x16x5mm	165 -104
7423 906	Ball Bearing - 6x14x5mm	253 -115
8010 213	Screw - M2.6x8	217 -105

Part No.	Description	Page and Index No.
----------	-------------	--------------------