



RICOH UNIVERSITY

Learning ♦ Knowledge ♦ Performance



D016/D097G178/M078
PARTS CATALOG

004341MIU

LANIER RICOH SAVIN



**D016/D097/G178/M078
PARTS CATALOG**

**LANIER
RICOH
IMB5**



RICOH UNIVERSITY

Learning ♦ Knowledge ♦ Performance

D016/D097/G178/M078 PARTS CATALOG

004341MIU

LANIER RICOH SAVIN®

It is the reader's responsibility when discussing the information contained within this document to maintain a level of confidentiality that is in the best interest of Ricoh Americas Corporation and its member companies.

**NO PART OF THIS DOCUMENT MAY BE REPRODUCED IN ANY
FASHION AND DISTRIBUTED WITHOUT THE PRIOR
PERMISSION OF RICOH AMERICAS CORPORATION.**

All product names, domain names or product illustrations, including desktop images, used in this document are trademarks, registered trademarks or the property of their respective companies.

They are used throughout this book in an informational or editorial fashion only and for the benefit of such companies. No such use, or the use of any trade name, or web site is intended to convey endorsement or other affiliation with Ricoh products.

LEGEND

PRODUCT CODE	COMPANY			
	GESTETNER	LANIER	RICOH	SAVIN
D016	Pro C900s	Pro C900s	Pro C900s	Pro C900s
D097	Pro C720s	Pro C720s	Pro C720s	Pro C720s
G178	Pro C900	Pro C900	Pro C900	Pro C900
M078	Pro C720	Pro C720	Pro C720	Pro C720
B331	A3/11 x 17 Tray Unit TK5000			
B499	Tab Sheet Holder Type 3260			
B660-57/66/67	Z-Folding Unit ZF4000			
B830	Finisher SR5000			
B831	Punch Unit PU5000			
B831-05	Cooling Fan Unit Type 5000			
B832	LCIT RT5000			
B833	Multi Bypass Tray BY5000			
B835	Cover Interposer Tray CI5010			
B836	Booklet Finisher BK5000			
B870/D377	Optional Counter Interface Unit Type A/Data OverWriteSecurity Unit H			
D355	LCIT RT5020			
D364	High Capacity Stacker SK5000			
D379	Bridge Unit BU5000			
M379	Buffer Pass Unit			

DOCUMENTATION HISTORY

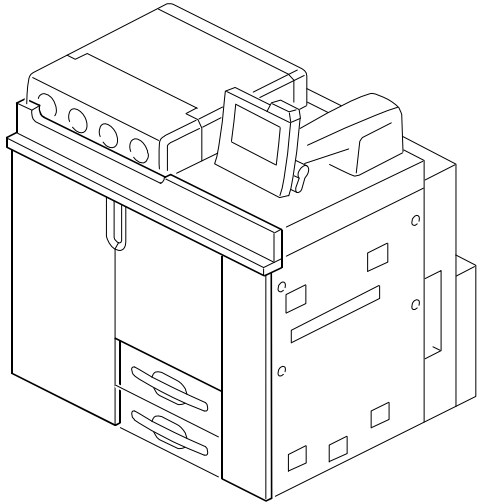
REV. NO.	DATE	COMMENTS
*	02/2009	Original Printing
1	06/2009	Combined G178 and D016
2	02/2010	Added D097 and M078

D016/D097/G178/M078
PARTS LOCATION AND LIST

This section instructs you as to the numbers and names of parts on this machine.

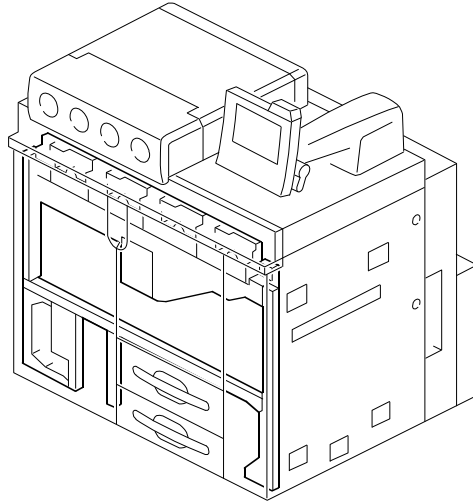
LOCATIONS OF UNITS

1. Exterior 1 (D016/D097/G178/M078)



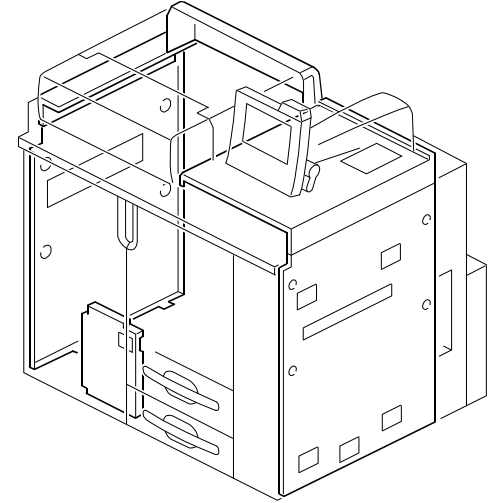
See Page 27

2. Exterior 2 (D016/D097/G178/M078)



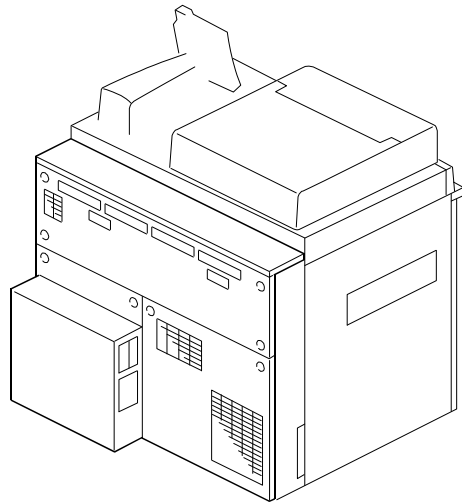
See Page 29

3. Exterior 3 (D016/D097/G178/M078)



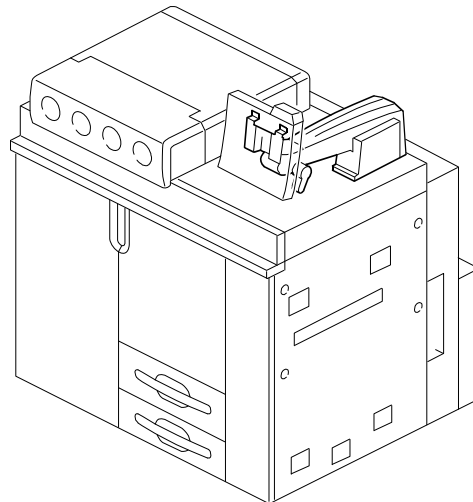
See Page 31

4. Exterior 4 (D016/D097/G178/M078)



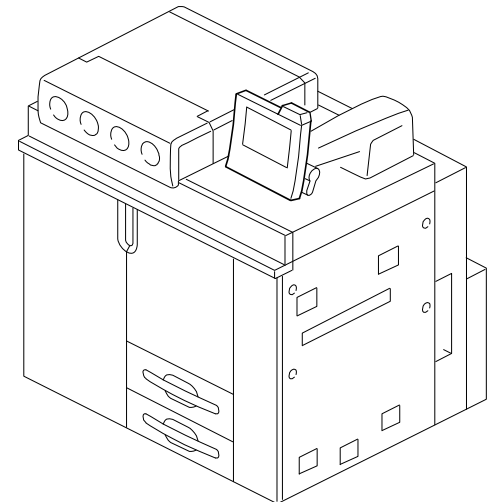
See Page 33

5. Operation Panel 1 (D016/D097/G178/M078)



See Page 35

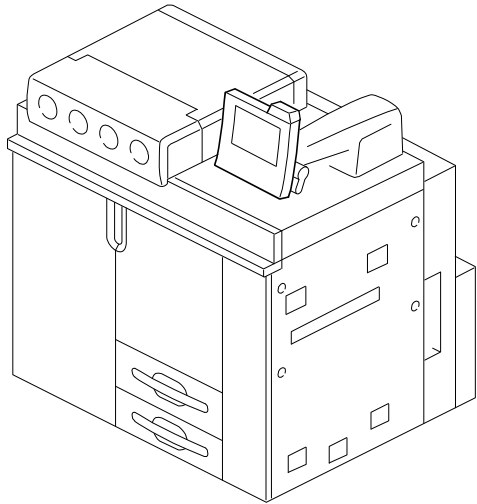
6. Operation Panel 2 (D016/D097/G178/M078)



See Page 37

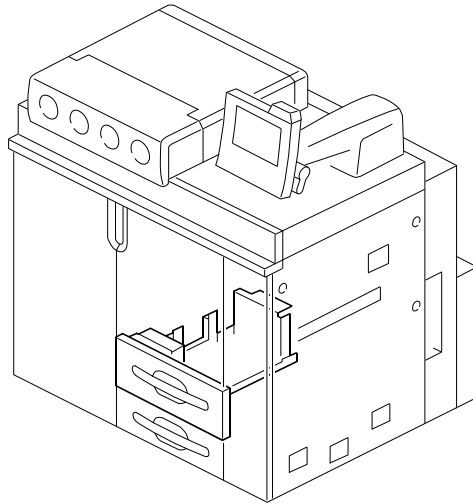
LOCATIONS OF UNITS

7. Operation Panel 3 (D016/D097/G178/M078)



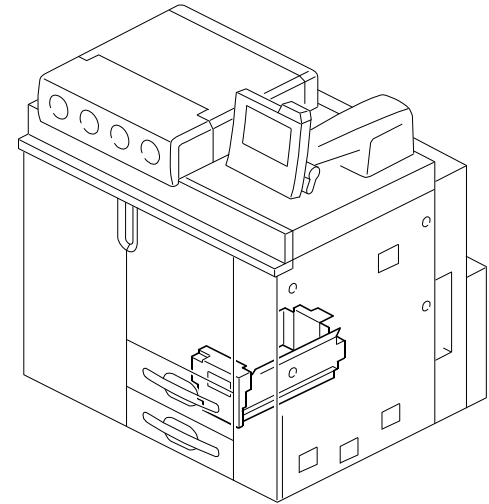
See Page 39

8. Tandem Tray 1 (D016/D097/G178/M078)



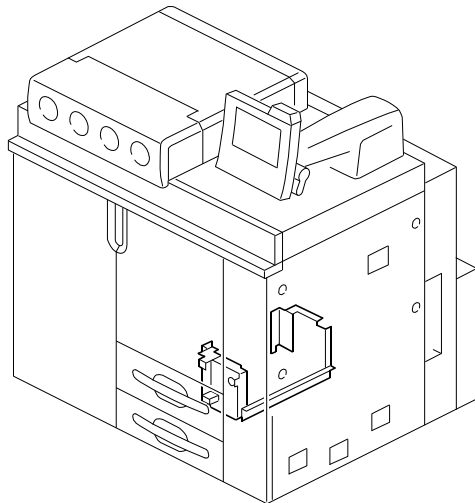
See Page 41

9. Tandem Tray 2 (D016/D097/G178/M078)



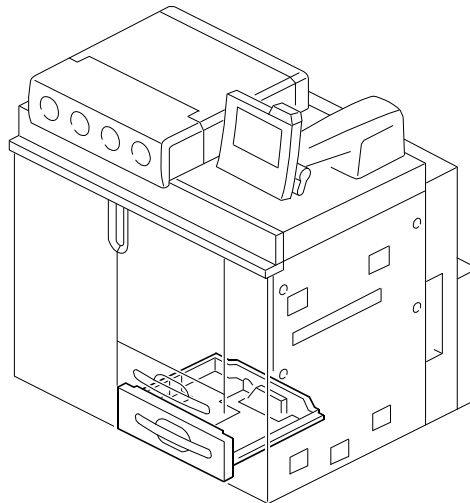
See Page 43

10. Tandem Tray 3 (D016/D097/G178/M078)



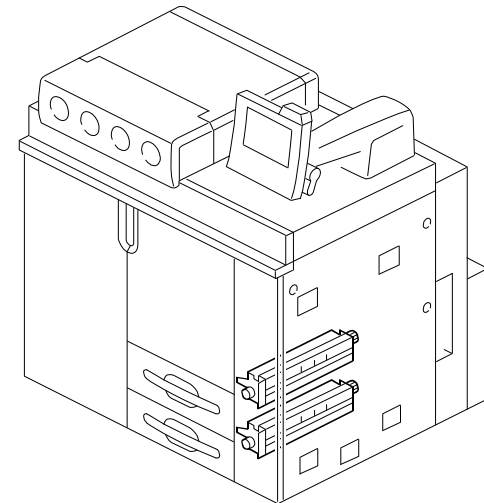
See Page 45

11. Universal Tray (D016/D097/G178/M078)



See Page 47

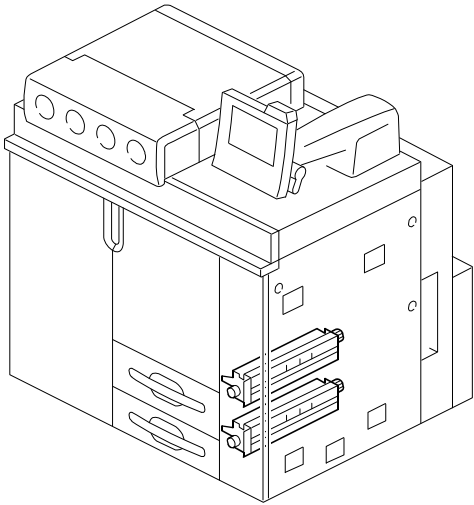
12. Paper Feed Unit 1 (D016/D097/G178/M078)



See Page 49

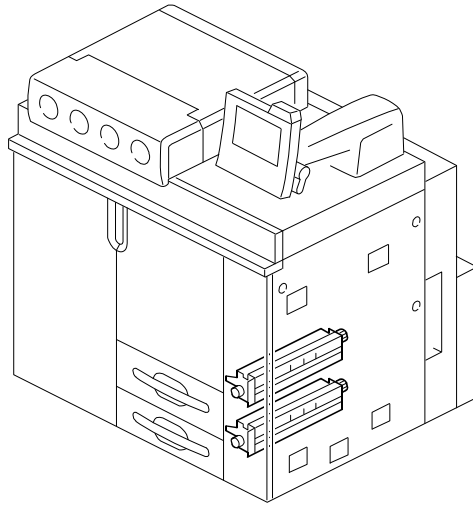
LOCATIONS OF UNITS

13. Paper Feed Unit 2 (D016/D097/G178/M078)



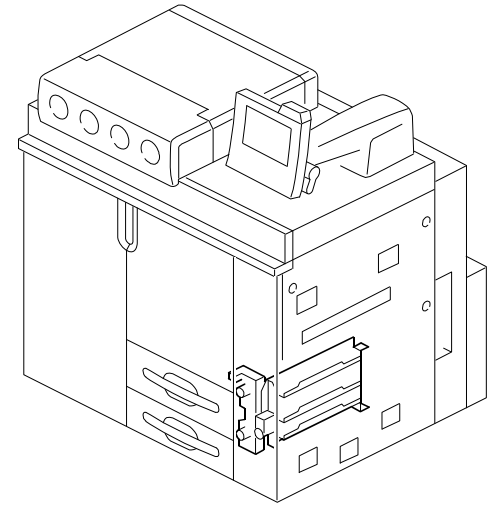
See Page 51

14. Paper Feed Unit 3 (D016/D097/G178/M078)



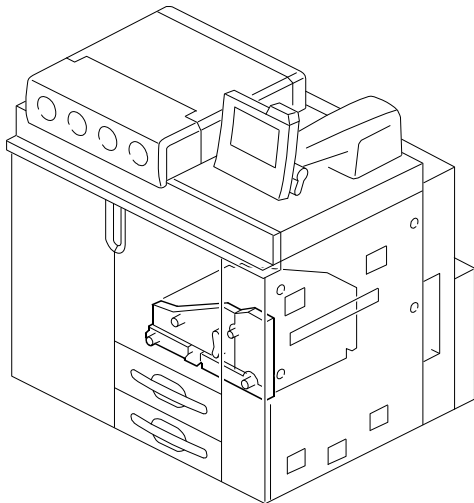
See Page 53

15. Vertical Transport (D016/D097/G178/M078)



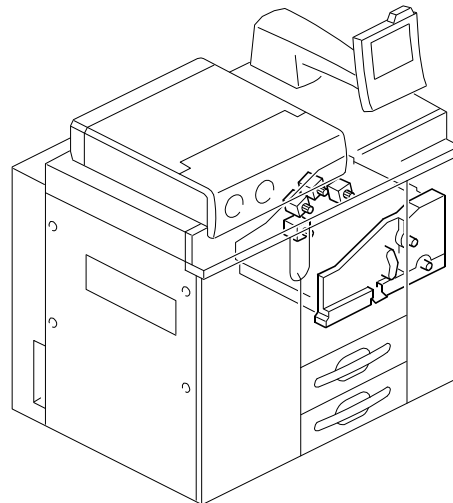
See Page 55

16. Paper Registration 1 (D016/D097/G178/M078)



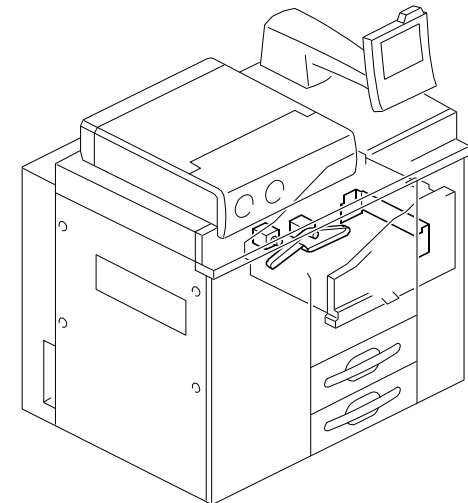
See Page 57

17. Paper Registration 2 (D016/D097/G178/M078)



See Page 59

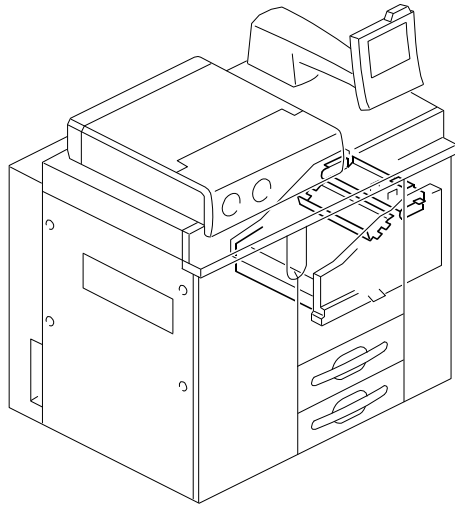
18. Paper Registration 3 (D016/D097/G178/M078)



See Page 61

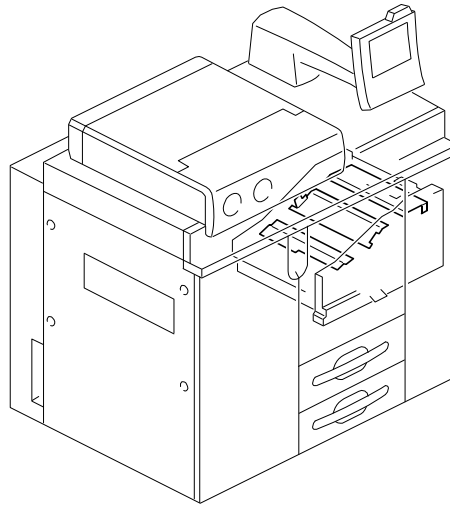
LOCATIONS OF UNITS

19. Paper Registration 4 (D016/D097/G178/M078)



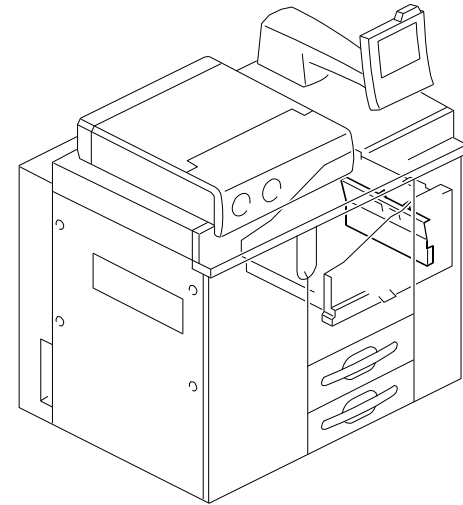
See Page 63

20. Paper Registration 5 (D016/D097/G178/M078)



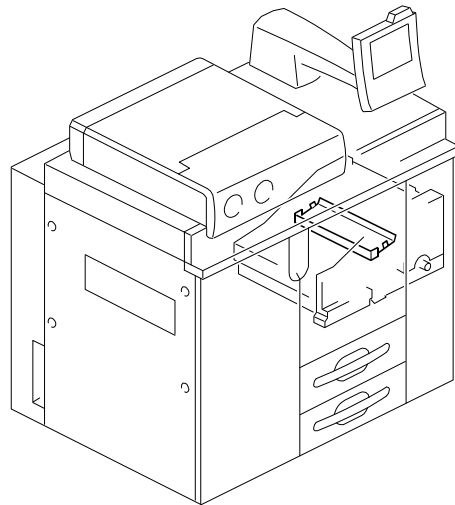
See Page 65

21. Paper Registration 6 (D016/D097/G178/M078)



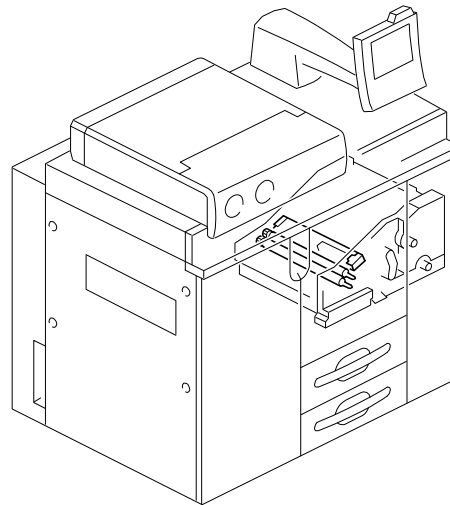
See Page 67

22. Paper Registration 7 (D016/D097/G178/M078)



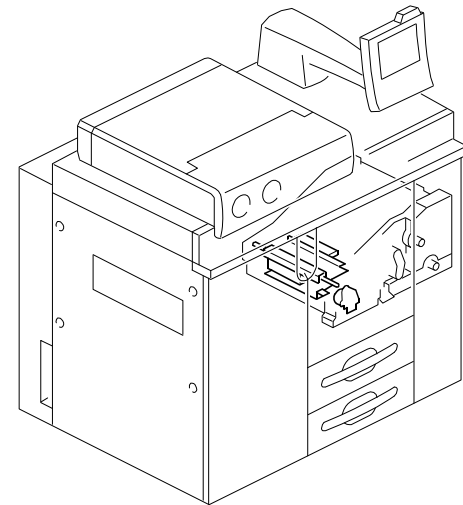
See Page 69

23. Paper Registration 8 (D016/D097/G178/M078)



See Page 71

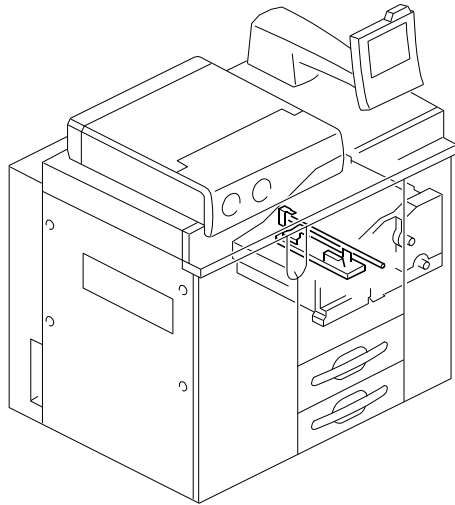
24. Paper Registration 9 (D016/D097/G178/M078)



See Page 73

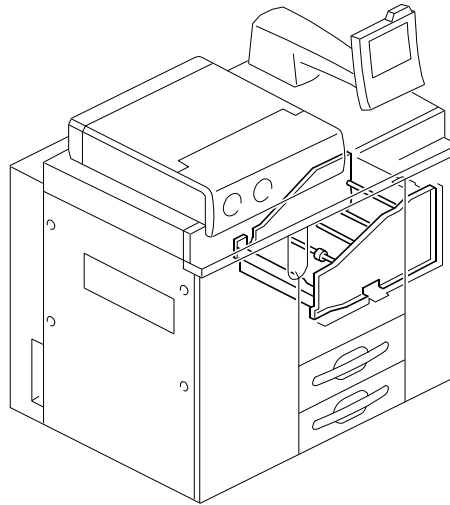
LOCATIONS OF UNITS

25. Paper Registration 10 (D016/D097/G178/M078)



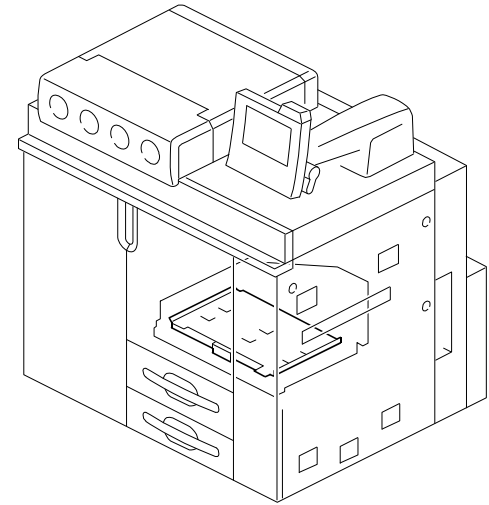
See Page 75

26. Paper Registration 11 (D016/D097/G178/M078)



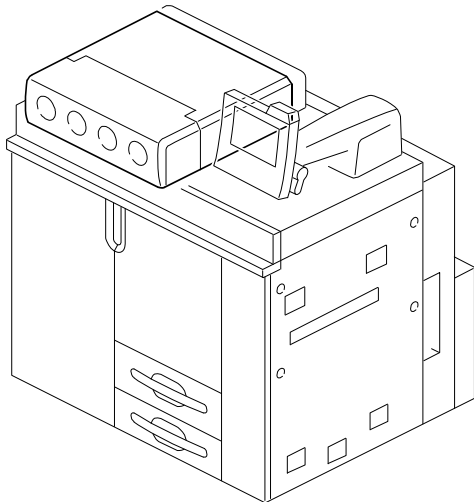
See Page 77

27. Paper Registration 12 (D016/D097/G178/M078)



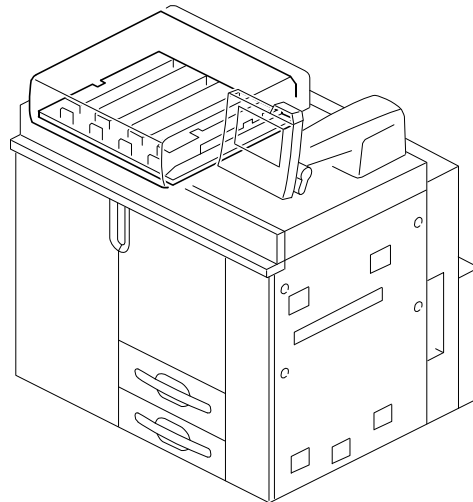
See Page 79

28. Toner Supply 1 (D016/D097/G178/M078)



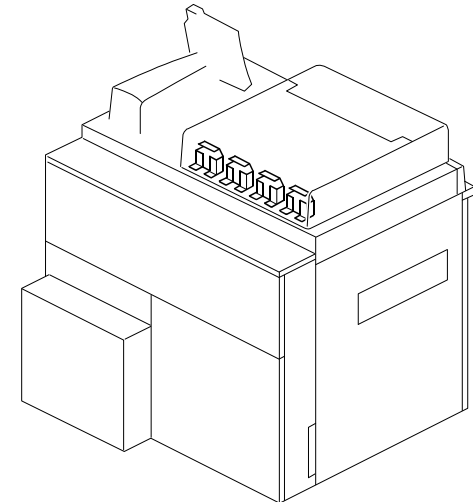
See Page 81

29. Toner Supply 2 (D016/D097/G178/M078)



See Page 83

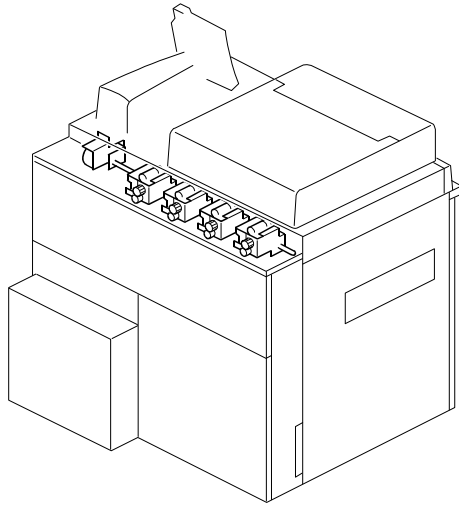
30. Toner Supply 3 (D016/D097/G178/M078)



See Page 85

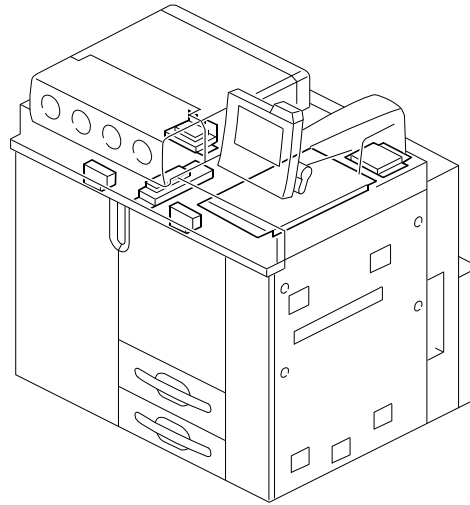
LOCATIONS OF UNITS

31. Toner Supply 4 (D016/G178)



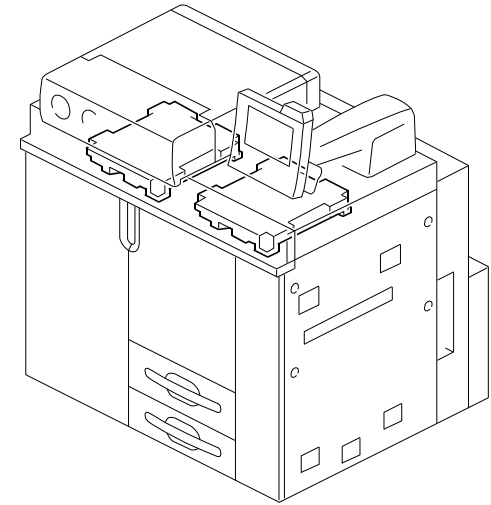
See Page 87

32. Laser Unit 1 (D016/G178)



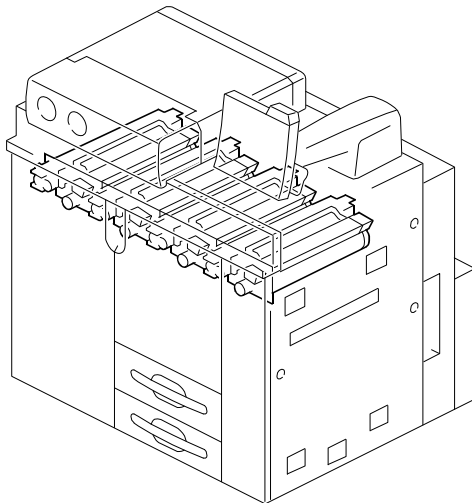
See Page 89

33. Laser Unit 2 (D016/G178)



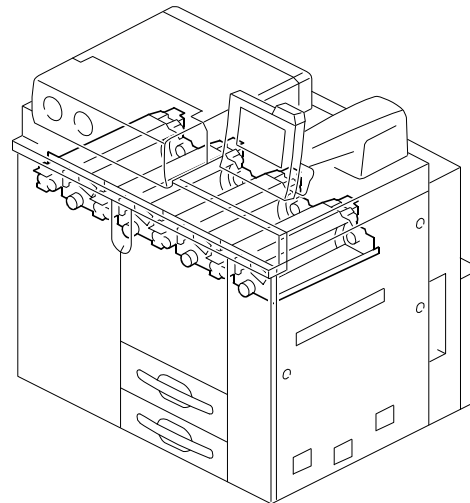
See Page 91

34. PCDU 1 (D016/G178)



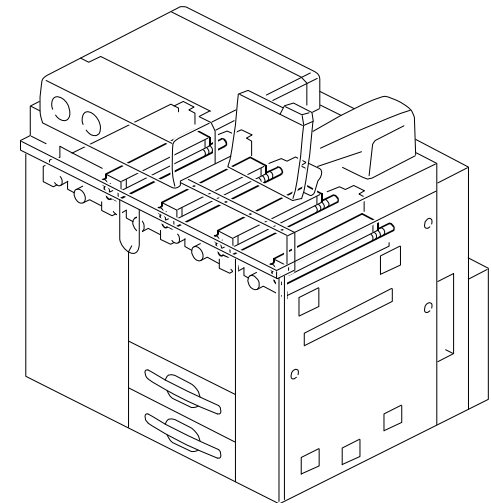
See Page 93

35. PCDU 2 (D016/G178)



See Page 95

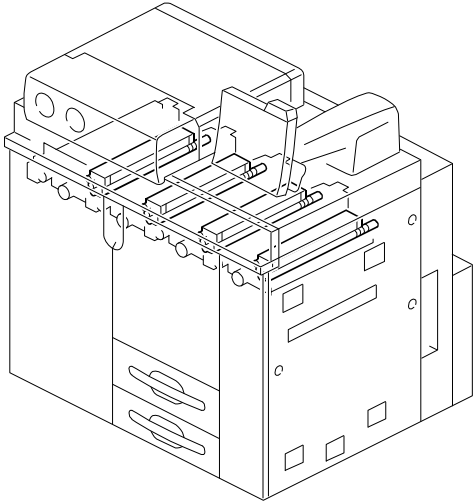
36. PCDU 3 (D016/G178)



See Page 97

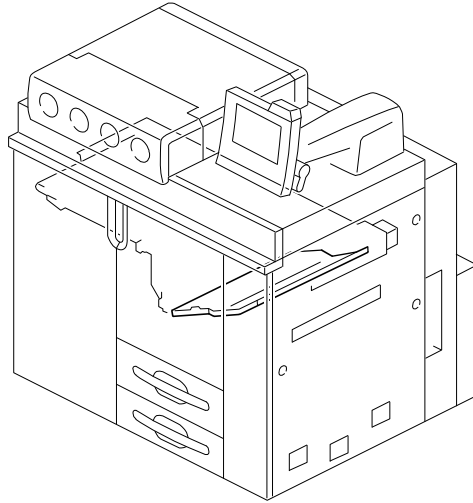
LOCATIONS OF UNITS

37. PCDU 4 (D016/D097/G178/M078)



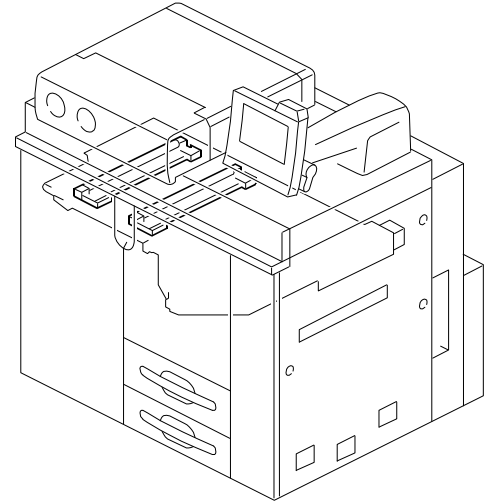
See Page 99

38. Transfer Belt Unit 1 (D016/D097/G178/M078)



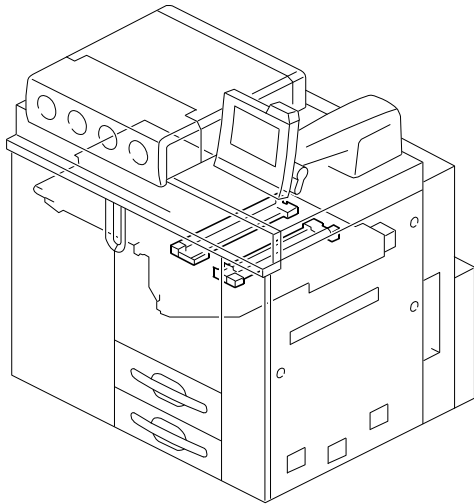
See Page 101

39. Transfer Belt Unit 2 (D016/D097/G178/M078)



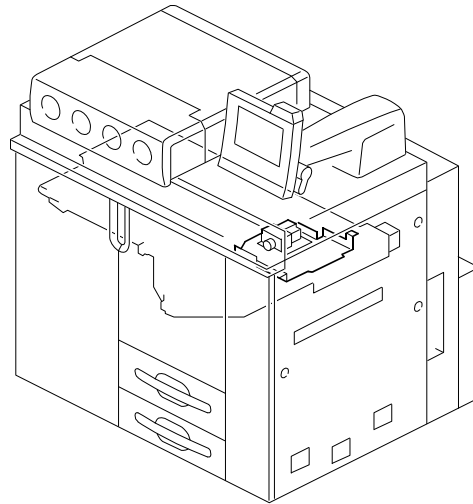
See Page 103

40. Transfer Belt Unit 3 (D016/D097/G178/M078)



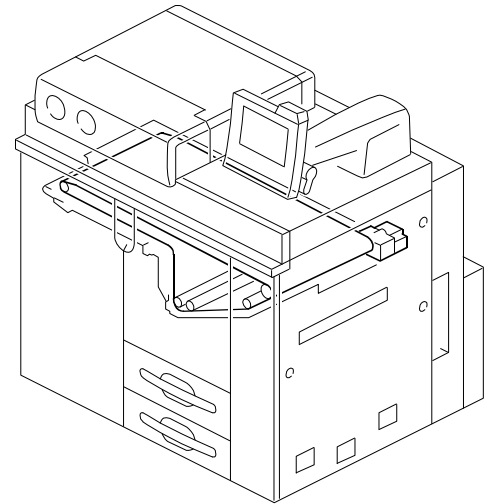
See Page 105

41. Transfer Belt Unit 4 (D016/D097/G178/M078)



See Page 107

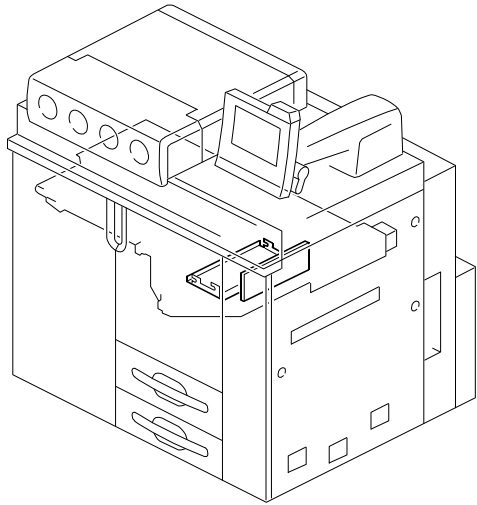
42. Transfer Belt Unit 5 (D016/D097/G178/M078)



See Page 109

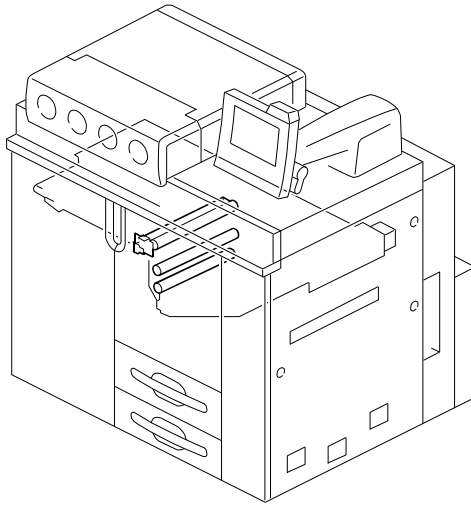
LOCATIONS OF UNITS

43. Transfer Belt Unit 6 (D016/D097/G178/M078)



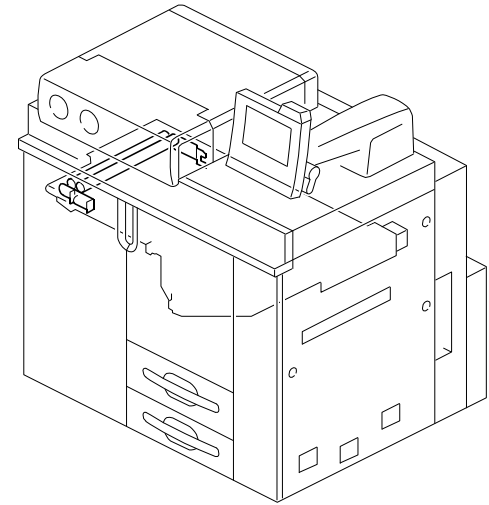
See Page 111

44. Transfer Belt Unit 7 (D016/D097/G178/M078)



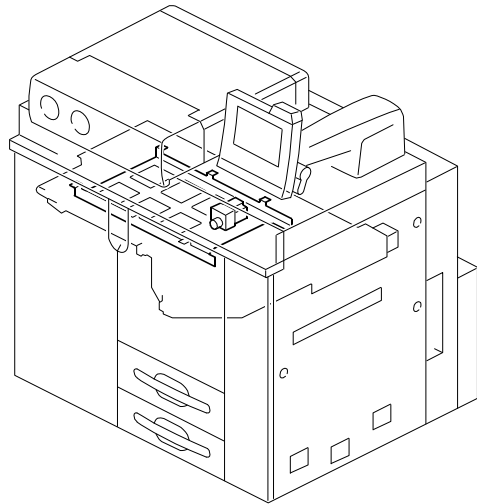
See Page 113

45. Transfer Belt Unit 8 (D016/D097/G178/M078)



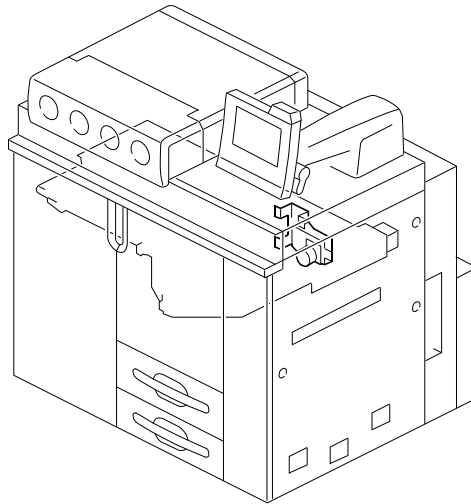
See Page 115

46. Transfer Belt Unit 9 (D016/D097/G178/M078)



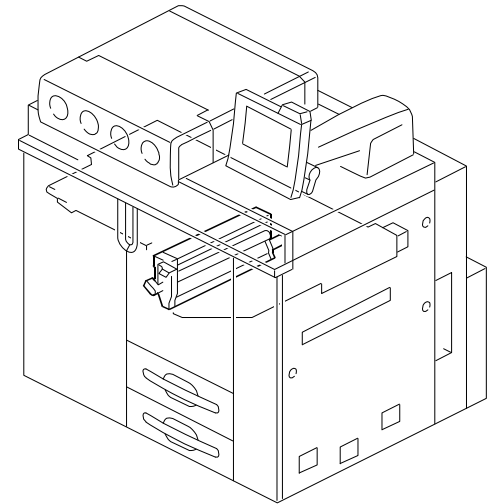
See Page 117

47. Transfer Belt Unit 10 (D016/D097/G178/M078)



See Page 119

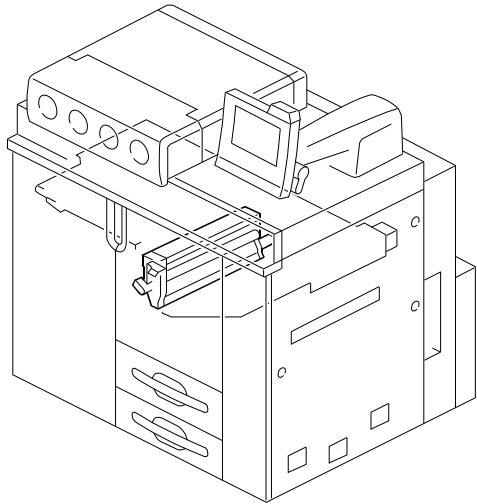
48. Transfer Belt Cleaning 1 (D016/D097/G178/M078)



See Page 121

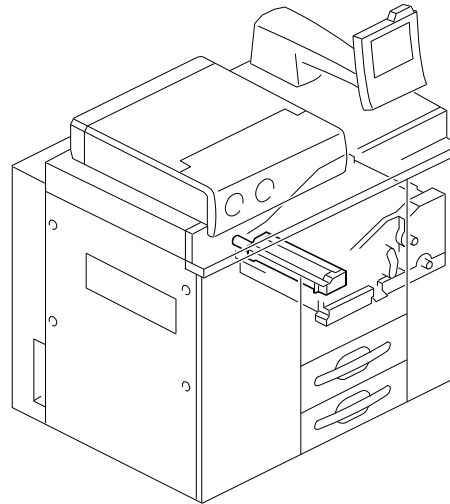
LOCATIONS OF UNITS

49. Transfer Belt Cleaning 2



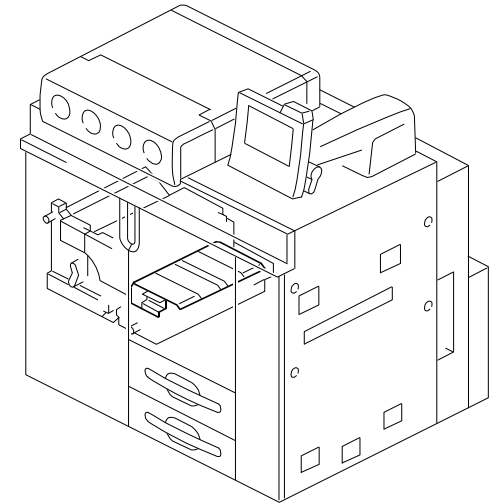
See Page 123

50. Transfer Roller Unit



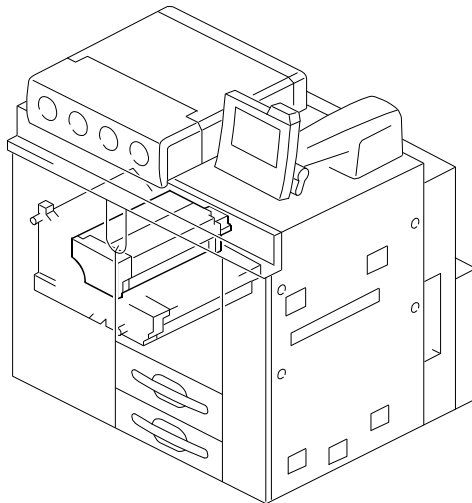
See Page 125

51. Paper Transfer



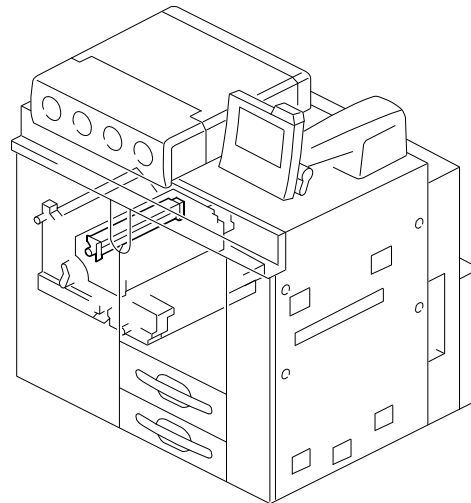
See Page 127

52. Fusing Unit 1 (D016/D097/G178/M078)



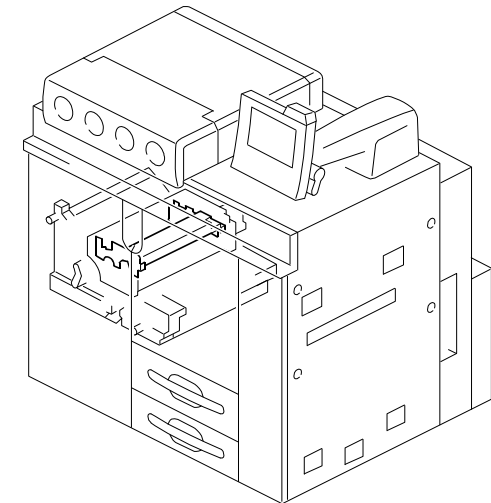
See Page 129

53. Fusing Unit 2 (D016/D097/G178/M078)



See Page 131

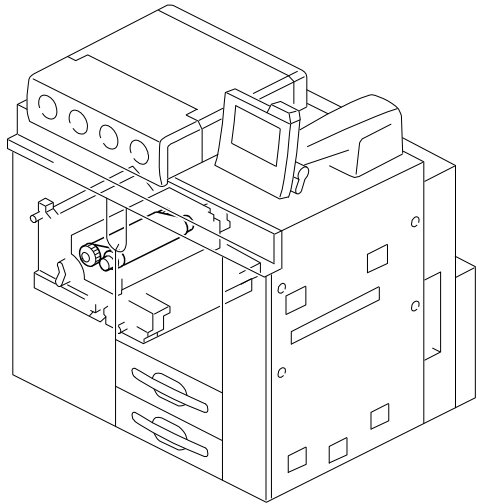
54. Fusing Unit 3 (D016/D097/G178/M078)



See Page 133

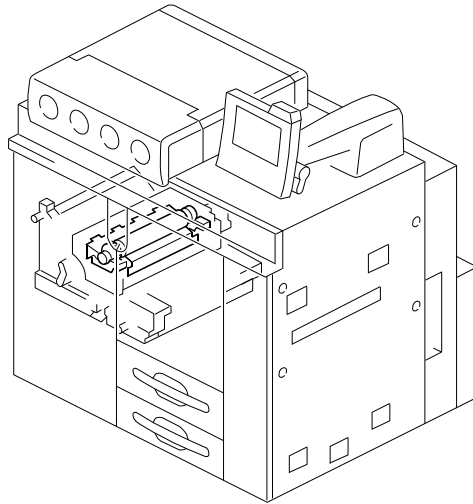
LOCATIONS OF UNITS

55. Fusing Unit 4 (D016/D097/G178/M078)



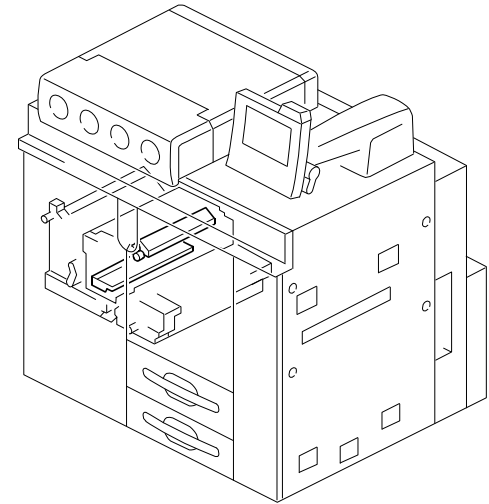
See Page 135

56. Fusing Unit 5 (D016/D097/G178/M078)



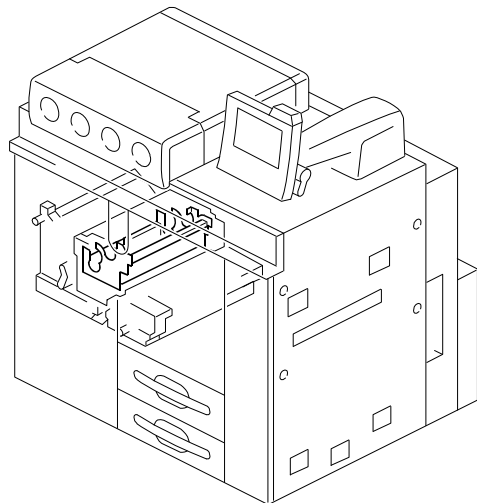
See Page 137

57. Fusing Unit 6 (D016/D097/G178/M078)



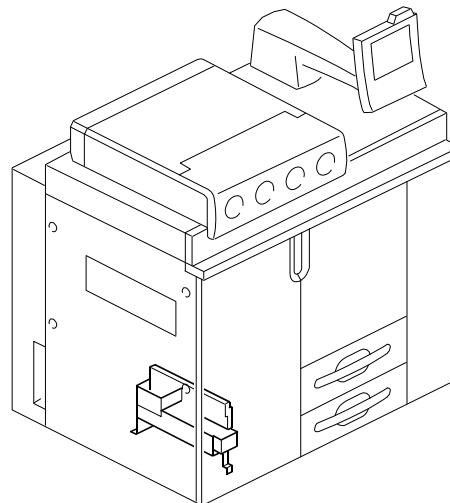
See Page 139

58. Fusing Unit 7 (D016/D097/G178/M078)



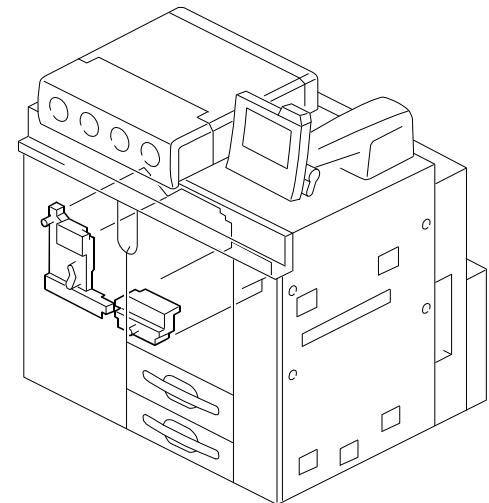
See Page 141

59. Oil Tank Section (D016/D097/G178/M078)



See Page 143

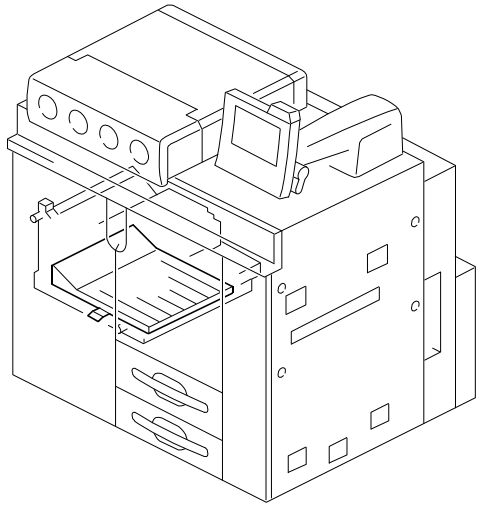
60. Paper Exit Section 1 (D016/D097/G178/M078)



See Page 145

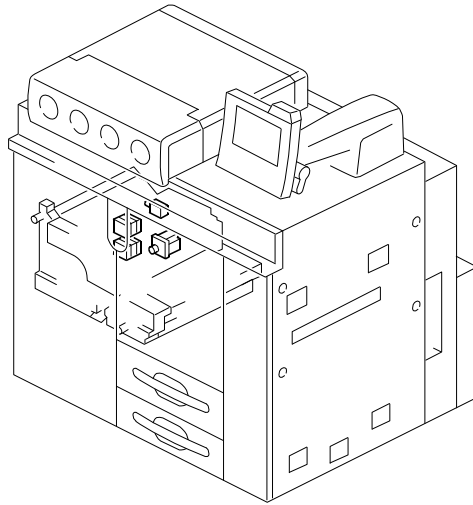
LOCATIONS OF UNITS

61. Paper Exit Section 2 (D016/D097/G178/M078)



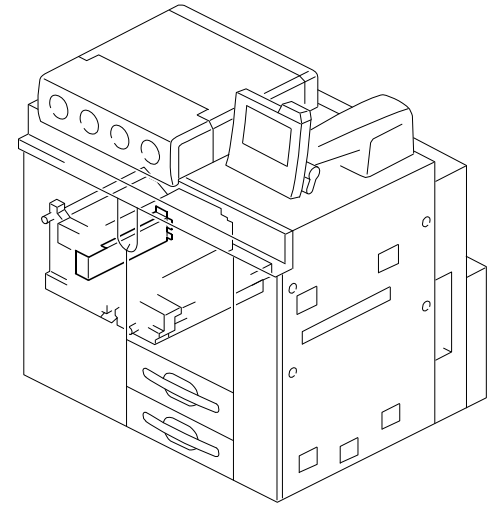
See Page 147

62. Paper Exit Section 3 (D016/D097/G178/M078)



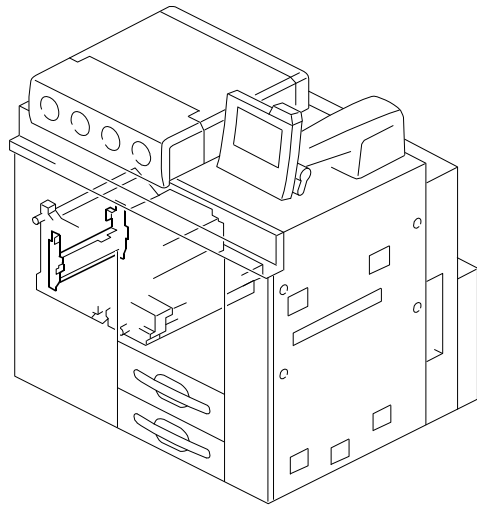
See Page 149

63. Paper Exit Section 4 (D016/D097/G178/M078)



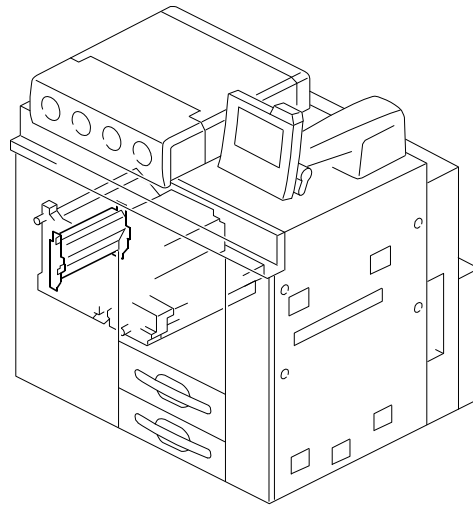
See Page 151

64. Paper Exit Section 5 (D016/D097/G178/M078)



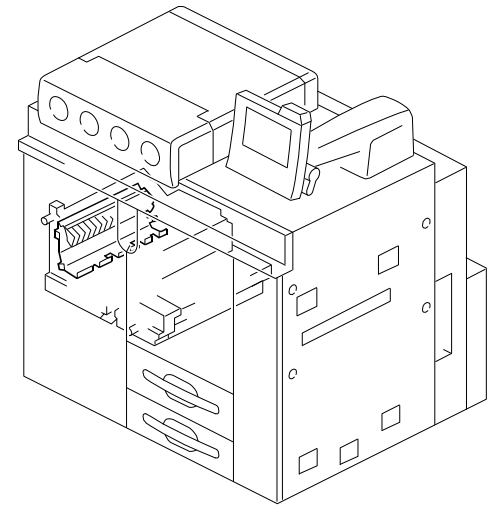
See Page 153

65. Paper Exit Section 6 (D016/D097/G178/M078)



See Page 155

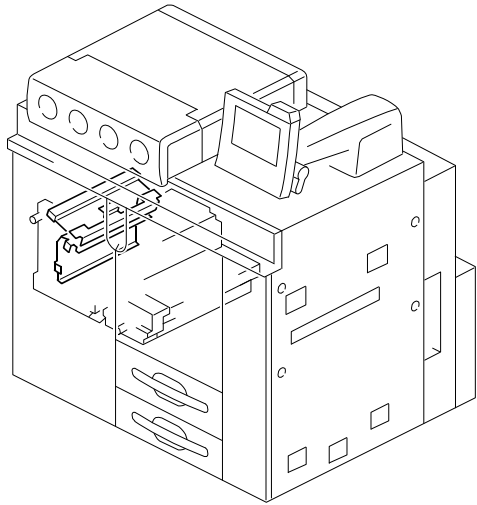
66. Paper Exit Section 7 (D016/D097/G178/M078)



See Page 157

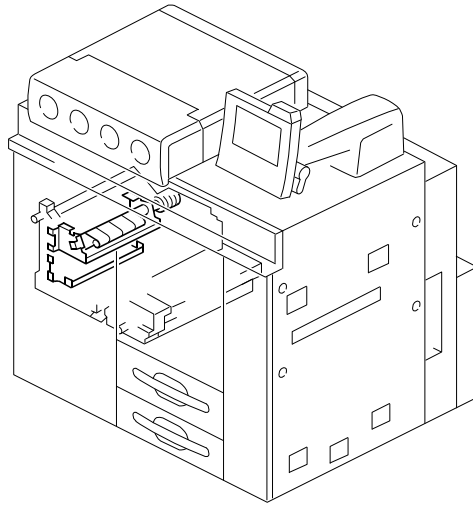
LOCATIONS OF UNITS

67. Paper Exit Section 8 (D016/D097/G178/M078)



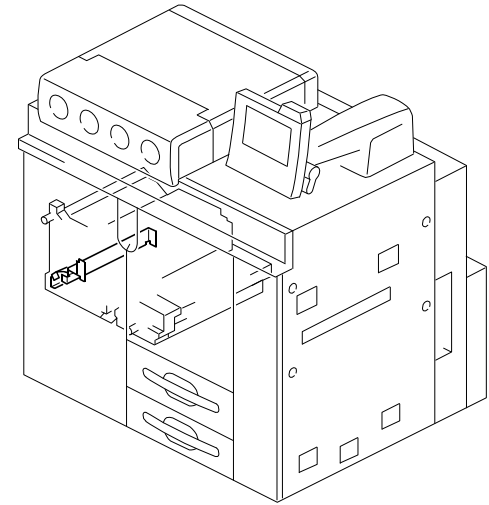
See Page 159

68. Paper Exit Section 9 (D016/D097/G178/M078)



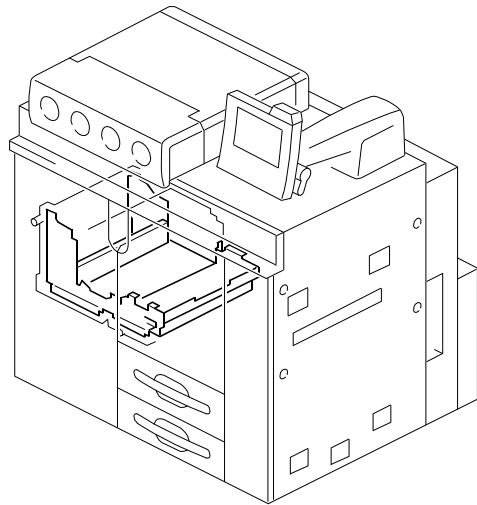
See Page 161

69. Paper Exit Section 10 (D016/D097/G178/M078)



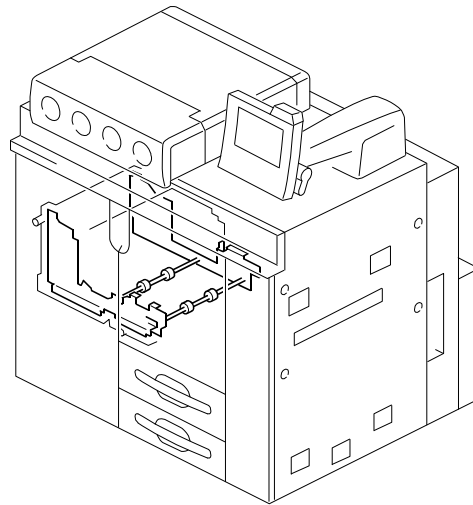
See Page 163

70. Paper Exit Section 11 (D016/D097/G178/M078)



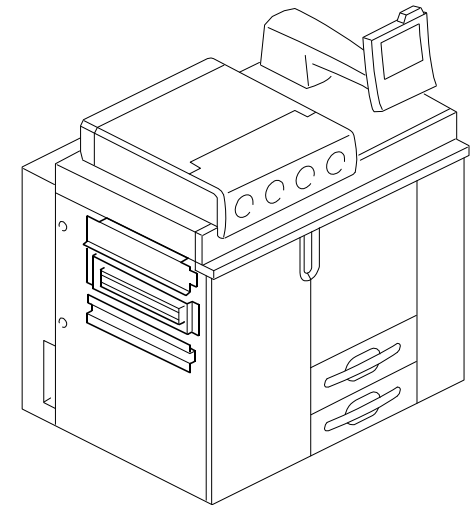
See Page 165

71. Paper Exit Section 12 (D016/D097/G178/M078)



See Page 167

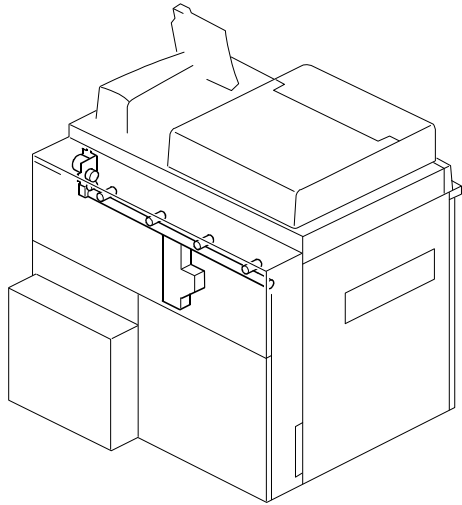
72. Paper Exit Section 13 (D016/D097/G178/M078)



See Page 169

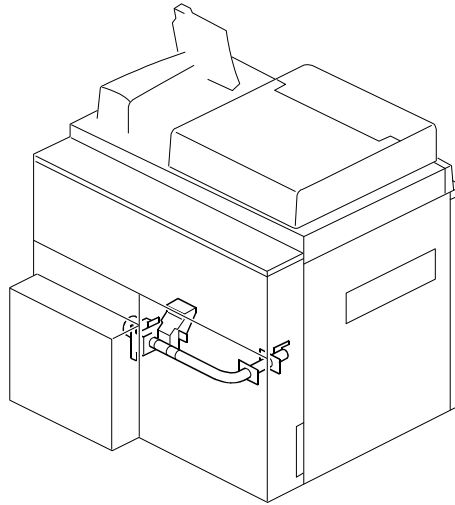
LOCATIONS OF UNITS

73. Used Toner Section 1 (D016/D097/G178/M078)



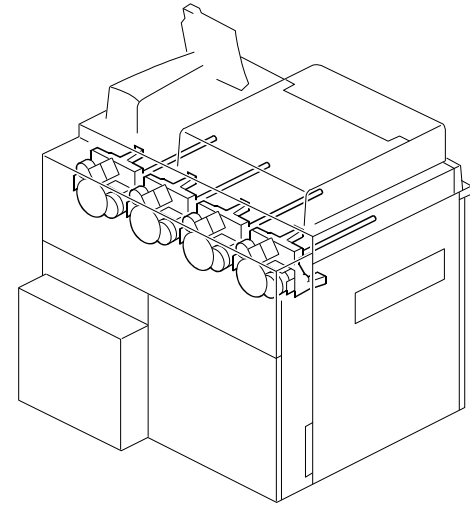
See Page 171

74. Used Toner Section 2 (D016/D097/G178/M078)



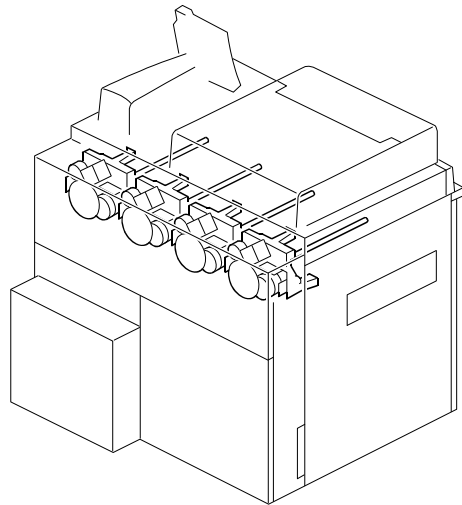
See Page 173

75. Drive Section 1 (D016/D097/G178/M078)



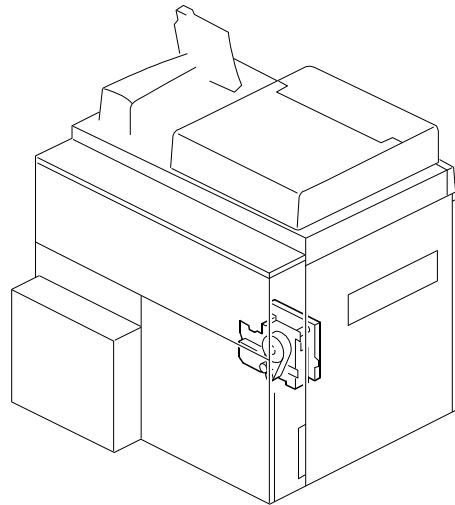
See Page 175

76. Drive Section 2 (D016/D097/G178/M078)



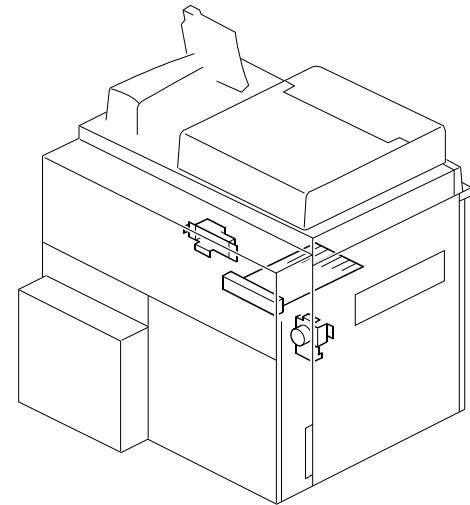
See Page 177

77. Drive Section 3 (D016/D097/G178/M078)



See Page 179

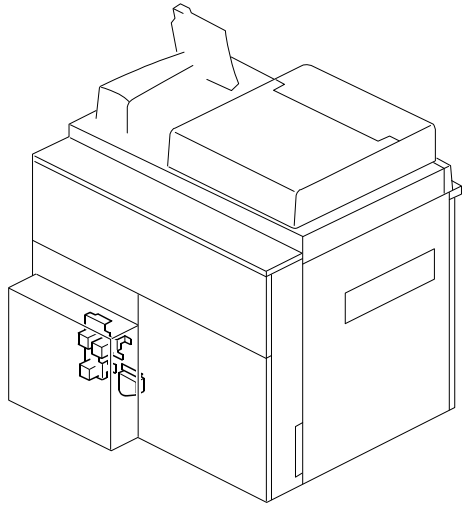
78. Drive Section 4 (D016/D097/G178/M078)



See Page 181

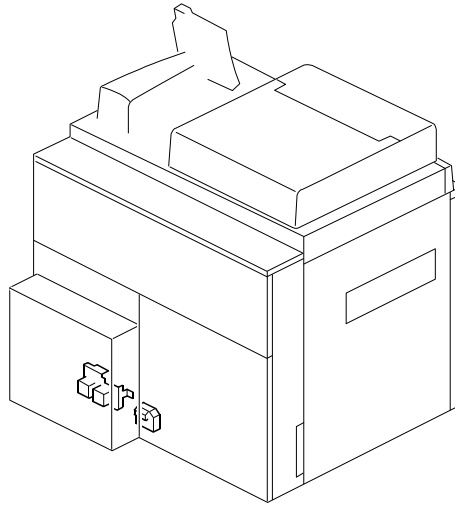
LOCATIONS OF UNITS

79. Drive Section 5 (D016/D097/G178/M078)



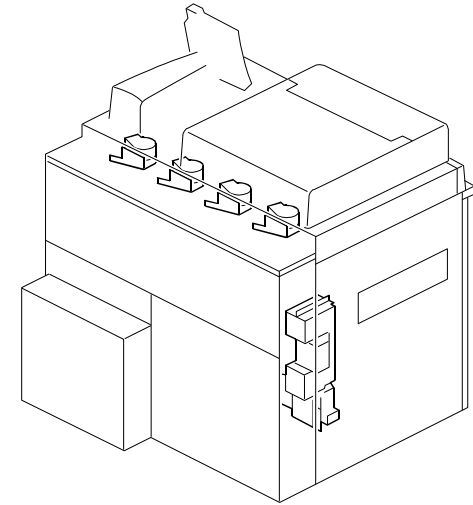
See Page 183

80. Drive Section 6 (D016/D097/G178/M078)



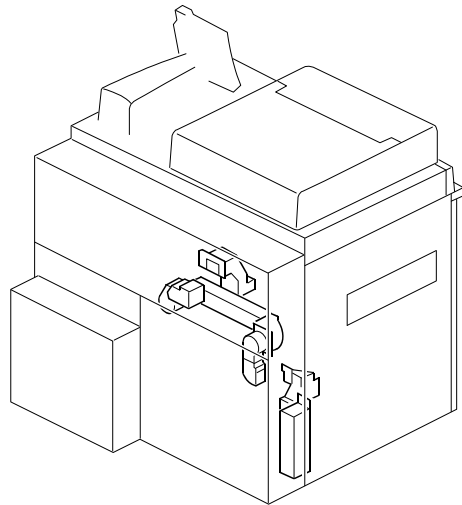
See Page 185

81. Electrical Section 1 (D016/D097/G178/M078)



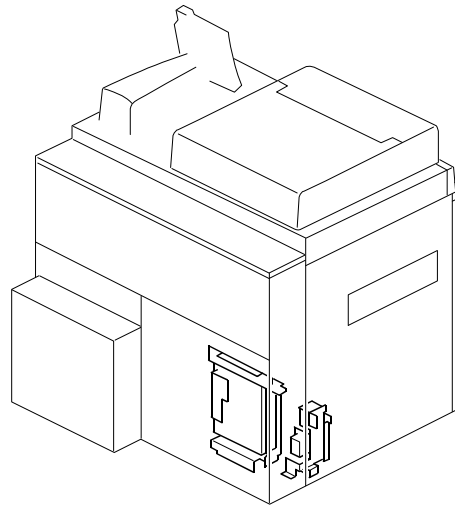
See Page 187

82. Electrical Section 2 (D016/D097/G178/M078)



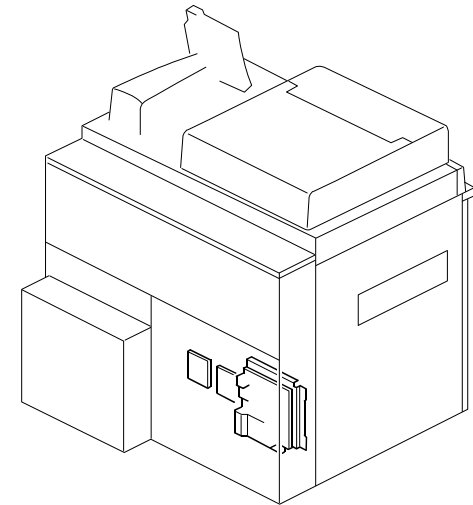
See Page 189

83. Electrical Section 3 (D016/D097/G178/M078)



See Page 191

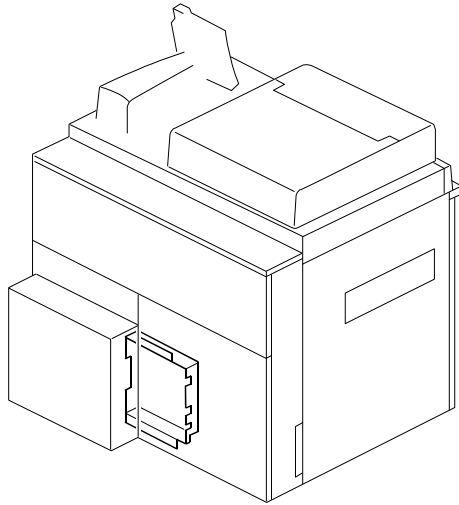
84. Electrical Section 4 (D016/D097/G178/M078)



See Page 193

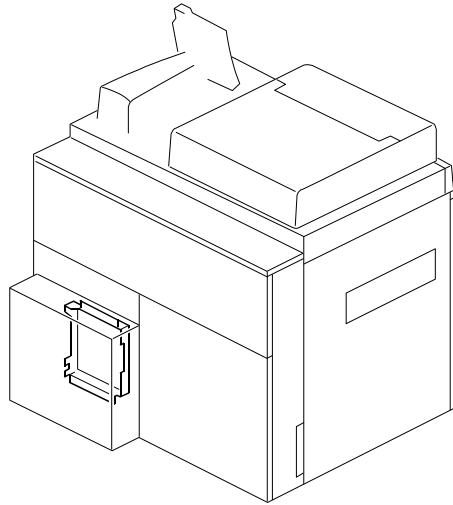
LOCATIONS OF UNITS

85. Electrical Section 5 (D016/D097/G178/M078)



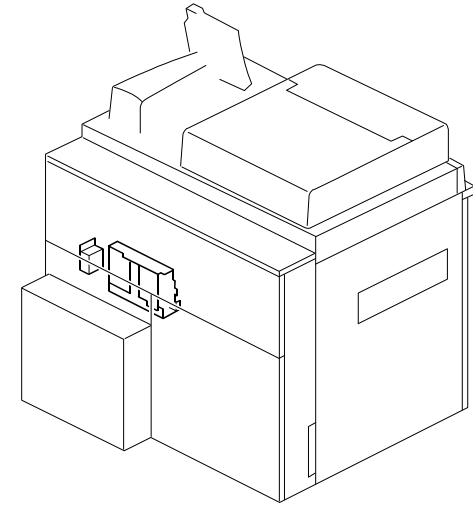
See Page 195

86. Electrical Section 6 (D016/D097/G178/M078)



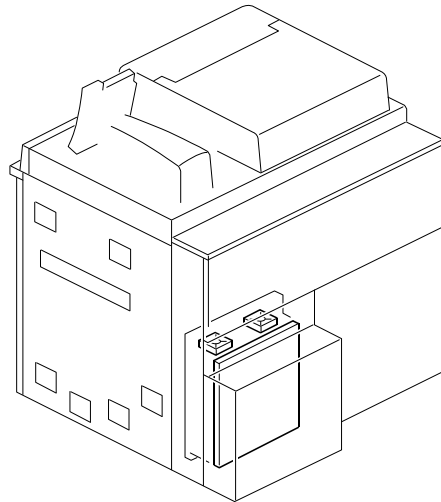
See Page 197

87. Electrical Section 7 (D016/D097/G178/M078)



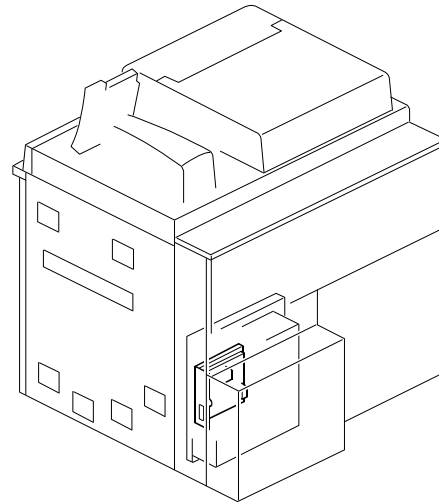
See Page 199

88. Electrical Section 8 (D016/D097/G178/M078)



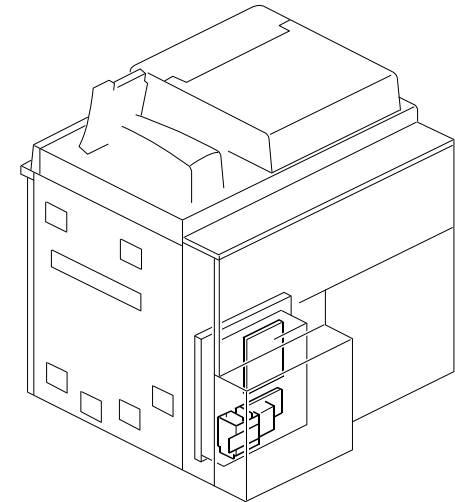
See Page 201

89. Electrical Section 9 (D016/D097/G178/M078)



See Page 203

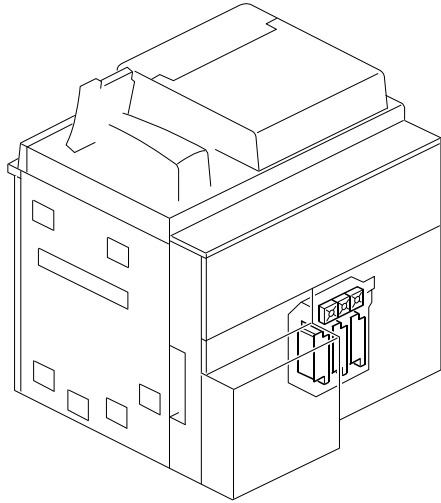
90. Electrical Section 10 (D016/D097/G178/M078)



See Page 205

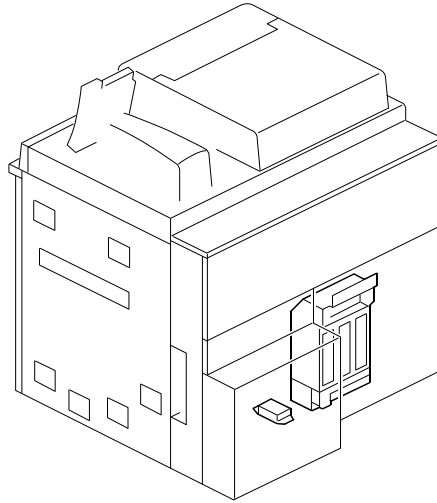
LOCATIONS OF UNITS

91. Electrical Section 11 (D016/D097/G178/M078)



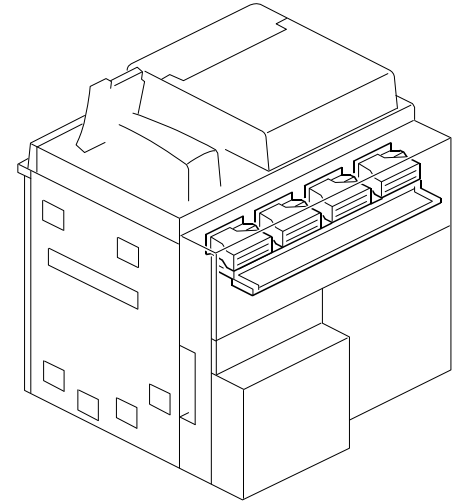
See Page 207

92. Electrical Section 12 (D016/D097/G178/M078)



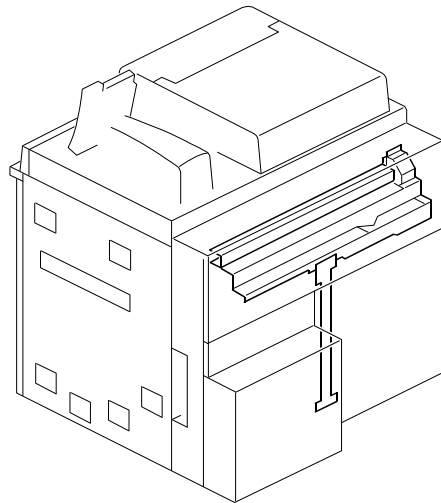
See Page 209

93. Electrical Section 13 (D016/D097/G178/M078)



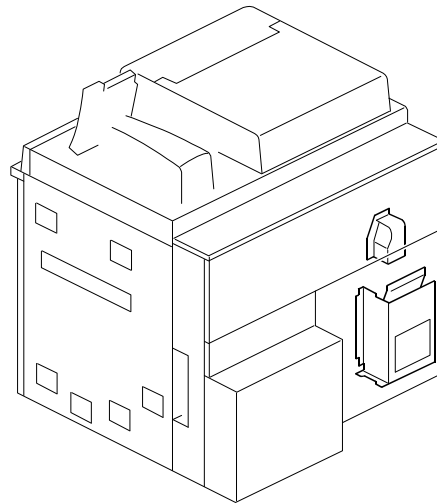
See Page 211

94. Electrical Section 14 (D016/D097/G178/M078)



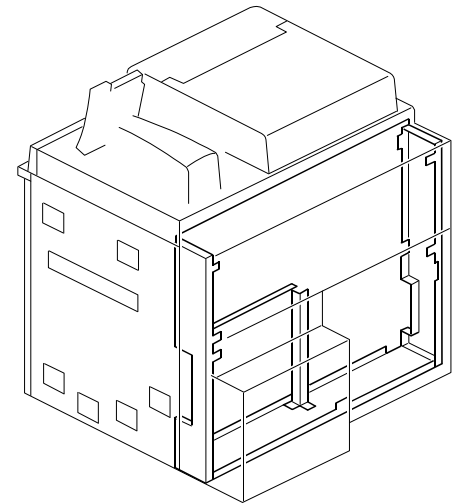
See Page 213

95. Electrical Section 15 (D016/D097/G178/M078)



See Page 215

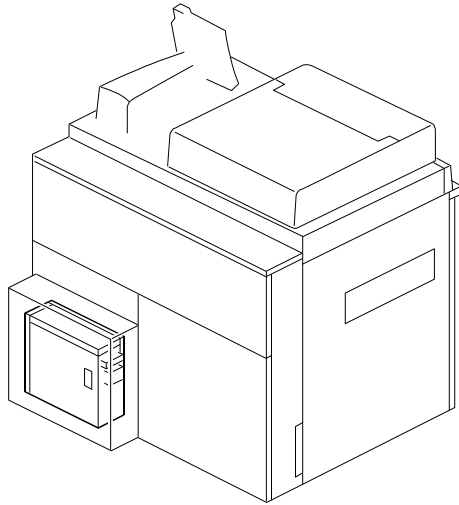
96. Electrical Section 16 (D016/D097/G178/M078)



See Page 217

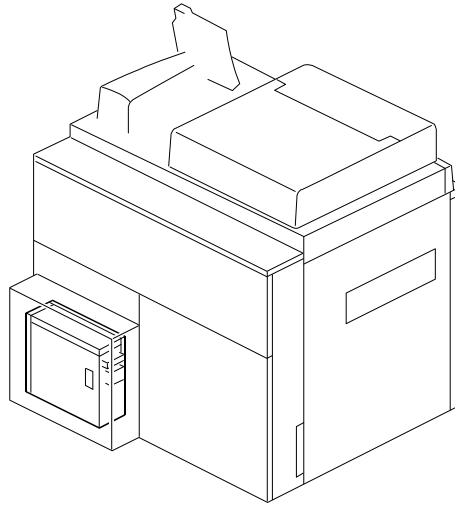
LOCATIONS OF UNITS

97. Controller Section 1 (D016/D097/G178/M078)



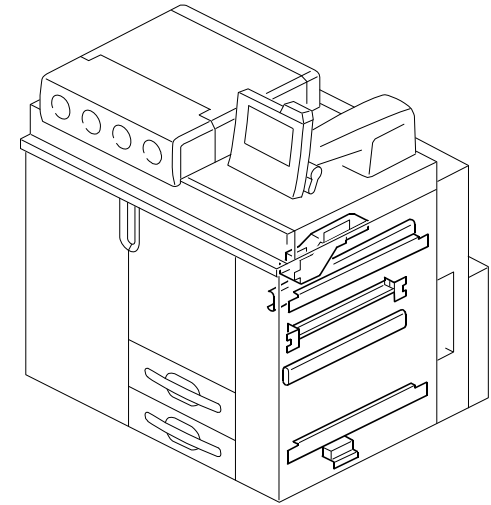
See Page 219

98. Controller Section 2 (D016/D097/G178/M078)



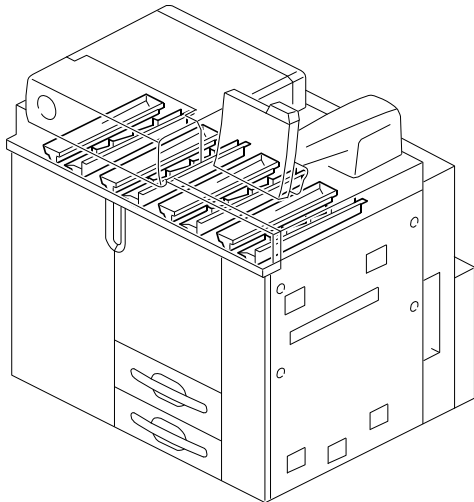
See Page 221

100. Frame Section 1 (D016/D097/G178/M078)



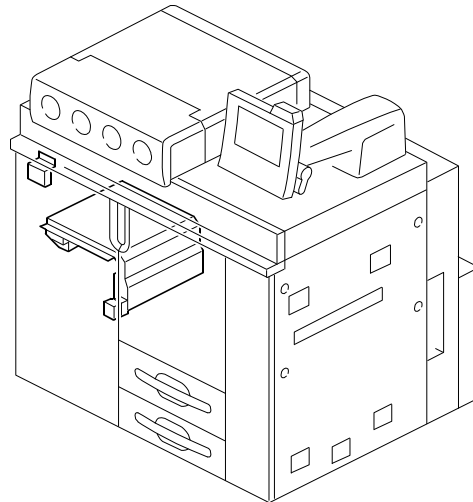
See Page 223

100. Frame Section 2 (D016/D097/G178/M078)



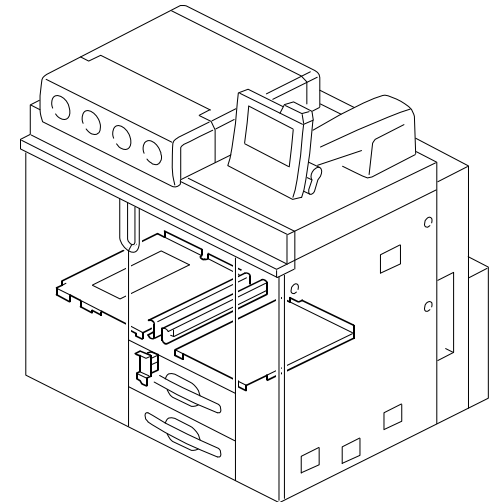
See Page 225

101. Frame Section 3 (D016/D097/G178/M078)



See Page 227

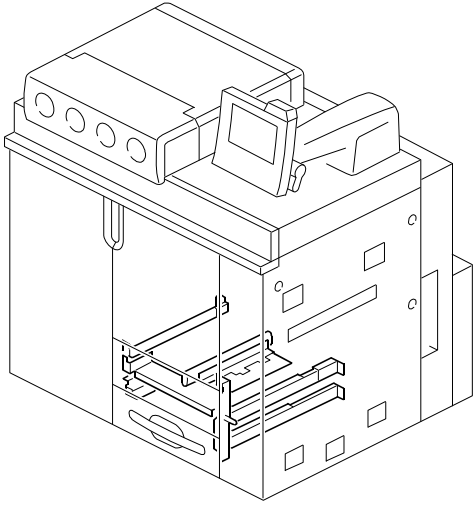
102. Frame Section 4 (D016/D097/G178/M078)



See Page 229

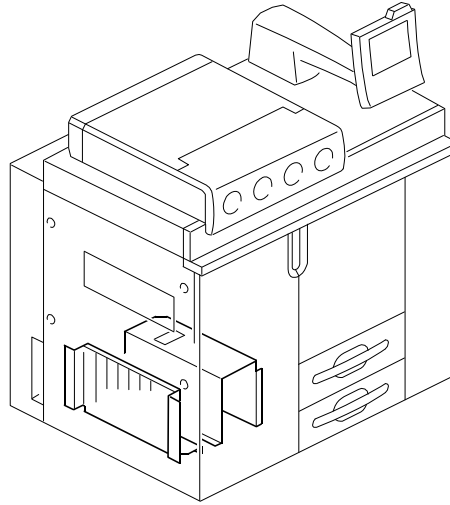
LOCATIONS OF UNITS

103. Frame Section 5 (D016/D097/G178/M078)



See Page 231

104. Frame Section 6 (D016/D097/G178/M078)



See Page 233

D016/D097/G178/M078 PARTS CATALOG

TABLE OF CONTENTS

D016/D097/G178/M078 PARTS LOCATION AND LIST

Locations of Unit..... 2

1.Exterior 1 (D016/D097/G178/M078).....	20
2.Exterior 2 (D016/D097/G178/M078).....	22
3.Exterior 3 (D016/D097/G178/M078).....	24
4.Exterior 4 (D016/D097/G178/M078).....	26
5.Operation Panel 1 (D016/D097/G178/M078).....	28
6.Operation Panel 2 (D016/D097/G178/M078).....	30
7.Operation Panel 3 (D016/D097/G178/M078).....	32
8.Tandem Tray 1 (D016/D097/G178/M078).....	34
9.Tandem Tray 2 (D016/D097/G178/M078).....	36
10.Tandem Tray 3 (D016/D097/G178/M078).....	38
11.Universal Tray (D016/D097/G178/M078).....	40
12.Paper Feed Unit 1 (D016/D097/G178/M078).....	42
13.Paper Feed Unit 2 (D016/D097/G178/M078).....	44
14.Paper Feed Unit 3 (D016/D097/G178/M078).....	46
15.Vertical Transport (D016/D097/G178/M078).....	48
16.Paper Registration 1 (D016/D097/G178/M078).....	50
17.Paper Registration 2 (D016/D097/G178/M078).....	52
18.Paper Registration 3 (D016/D097/G178/M078).....	54
19.Paper Registration 4 (D016/D097/G178/M078).....	56
20.Paper Registration 5 (D016/D097/G178/M078).....	58
21.Paper Registration 6 (D016/D097/G178/M078).....	60
22.Paper Registration 7 (D016/D097/G178/M078).....	62
23.Paper Registration 8 (D016/D097/G178/M078).....	64
24.Paper Registration 9 (D016/D097/G178/M078).....	66
25.Paper Registration 10 (D016/D097/G178/M078) ...	68

26.Paper Registration 11 (D016/D097/G178/M078).....	70
27.Paper Registration 12 (D016/D097/G178/M078).....	72
28.Toner Supply 1 (D016/D097/G178/M078).....	74
29.Toner Supply 2 (D016/D097/G178/M078).....	76
30.Toner Supply 3 (D016/D097/G178/M078).....	78
31.Toner Supply 4 (D016/D097/G178/M078).....	80
32.Laser Unit 1 (D016/D097/G178/M078).....	82
33.Laser Unit 2 (D016/D097/G178/M078).....	84
34.PCDU 1 (D016/D097/G178/M078).....	86
35.PCDU 2 (D016/D097/G178/M078).....	88
36.PCDU 3 (D016/D097/G178/M078).....	90
37.PCDU 4 (D016/D097/G178/M078).....	92
38.Transfer Belt Unit 1 (D016/D097/G178/M078).....	94
39.Transfer Belt Unit 2 (D016/D097/G178/M078).....	96
40.Transfer Belt Unit 3 (D016/D097/G178/M078).....	98
41.Transfer Belt Unit 4 (D016/D097/G178/M078).....	100
42.Transfer Belt Unit 5 (D016/D097/G178/M078).....	102
43.Transfer Belt Unit 6 (D016/D097/G178/M078).....	104
44.Transfer Belt Unit 7 (D016/D097/G178/M078).....	106
45.Transfer Belt Unit 8 (D016/D097/G178/M078).....	108
46.Transfer Belt Unit 9 (D016/D097/G178/M078).....	110
47.Transfer Belt Unit 10 (D016/D097/G178/M078).....	112
48.Transfer Belt Cleaning 1 (D016/D097/G178/M078).....	114
49.Transfer Belt Cleaning 2 (D016/D097/G178/M078).....	116
50.Transfer Roller Unit (D016/D097/G178/M078).....	118
51.Paper Transfer (D016/D097/G178/M078).....	120
52.Fusing Unit 1 (D016/D097/G178/M078).....	122

53.Fusing Unit 2 (D016/D097/G178/M078).....	124	86.Electrical Section 6 (D016/D097/G178/M078)	190
54.Fusing Unit 3 (D016/D097/G178/M078).....	126	87.Electrical Section 7 (D016/D097/G178/M078)	192
55.Fusing Unit 4 (D016/D097/G178/M078).....	128	88.Electrical Section 8 (D016/D097/G178/M078)	194
56.Fusing Unit 5 (D016/D097/G178/M078).....	130	89.Electrical Section 9 (D016/D097/G178/M078)	196
57.Fusing Unit 6 (D016/D097/G178/M078).....	132	90.Electrical Section 10 (D016/D097/G178/M078)	198
58.Fusing Unit 7 (D016/D097/G178/M078).....	134	91.Electrical Section 11 (D016/D097/G178/M078)	200
59.Oil Tank Section (D016/D097/G178/M078)	136	92.Electrical Section 12 (D016/D097/G178/M078)	202
60.Paper Exit Section 1 (D016/D097/G178/M078)	138	93.Electrical Section 13 (D016/D097/G178/M078)	204
61.Paper Exit Section 2 (D016/D097/G178/M078)	140	94.Electrical Section 14 (D016/D097/G178/M078)	206
62.Paper Exit Section 3 (D016/D097/G178/M078)	142	95.Electrical Section 15 (D016/D097/G178/M078)	208
63.Paper Exit Section 4 (D016/D097/G178/M078)	144	96.Electrical Section 16 (D016/D097/G178/M078)	210
64.Paper Exit Section 5 (D016/D097/G178/M078)	146	97.Controller Section 1 (D016/D097/G178/M078)	212
65.Paper Exit Section 6 (D016/D097/G178/M078)	148	98.Controller Section 2 (D016/D097/G178/M078)	214
66.Paper Exit Section 7 (D016/D097/G178/M078)	150	99.Frame Section 1 (D016/D097/G178/M078)	216
67.Paper Exit Section 8 (D016/D097/G178/M078)	152	100.Frame Section 2 (D016/D097/G178/M078)	218
68.Paper Exit Section 9 (D016/D097/G178/M078)	154	101.Frame Section 3 (D016/D097/G178/M078)	220
69.Paper Exit Section 10 (D016/D097/G178/M078)	156	102.Frame Section 4 (D016/D097/G178/M078)	222
70.Paper Exit Section 11 (D016/D097/G178/M078)	158	103.Frame Section 5 (D016/D097/G178/M078)	224
71.Paper Exit Section 12 (D016/D097/G178/M078)	160	104.Frame Section 6 (D016/D097/G178/M078)	226
72.Paper Exit Section 13 (D016/D097/G178/M078)	162	105.Accessory (D016/D097/G178/M078)	228
73.Used Toner Section 1 (D016/D097/G178/M078).....	164	106.Exterior 1 (D016/D097)	230
74.Used Toner Section 2 (D016/D097/G178/M078).....	166	107.Exterior 2 (D016/D097)	232
75.Drive Section 1 (D016/D097/G178/M078)	168	108.Exterior 3 (D016/D097)	234
76.Drive Section 2 (D016/D097/G178/M078)	170	109.ADF 1 (D016/D097).....	236
77.Drive Section 3 (D016/D097/G178/M078)	172	110.ADF 2 (D016/D097).....	238
78.Drive Section 4 (D016/D097/G178/M078)	174	111.ADF 3 (D016/D097).....	240
79.Drive Section 5 (D016/D097/G178/M078)	176	112.ADF 4 (D016/D097).....	242
80.Drive Section 6 (D016/D097/G178/M078)	178	113.ADF 5 (D016/D097).....	244
81.Electrical Section 1 (D016/D097/G178/M078)	180	114.ADF 6 (D016/D097).....	246
82.Electrical Section 2 (D016/D097/G178/M078)	182	115.ADF 7 (D016/D097).....	248
83.Electrical Section 3 (D016/D097/G178/M078)	184	116.ADF 8 (D016/D097).....	250
84.Electrical Section 4 (D016/D097/G178/M078)	186	117.ADF 9 (D016/D097).....	252
85.Electrical Section 5 (D016/D097/G178/M078).....	188	118.ADF 10 (D016/D097).....	254

119.Optics Section 1 (D016/D097)	256
120.Optics Section 2 (D016/D097)	258
121.Optics Section 3 (D016/D097)	260
122.Optics Section 4 (D016/D097)	262
123.Optics Section 5 (D016/D097)	264
124.Paper Tray 1 (D016/D097).....	266
125.Paper Tray 2 (D016/D097).....	268
126.Paper Tray 3 (D016/D097).....	270
127.Paper Tray 4 (D016/D097).....	272
128.Paper Tray 5 (D016/D097).....	274
129.Paper Tray 6 (D016/D097).....	276
130.Paper Tray 7 (D016/D097).....	278
131.Paper Tray 8 (D016/D097).....	280
132.Paper Feed Section 1 (D016/D097)	282
133.Paper Feed Section 2 (D016/D097)	284
134.Transfer Section 1 (D016/D097).....	286
135.Transfer Section 2 (D016/D097).....	288
136.Transfer Section 3 (D016/D097).....	290
137.Transfer Section 4 (D016/D097).....	292
138.Drive Section 1 (D016/D097).....	294
139.Drive Section 2 (D016/D097).....	296
140.Electrical Section (D016/D097).....	298
141.Frame Section 1 (D016/D097).....	300
142.Frame Section 2 (D016/D097).....	302
143.Frame Section 3 (D016/D097).....	304
144.IO Board 1 (D016/D097/G178/M078)	306
145.IO Board 2 (D016/D097/G178/M078)	320
146.IPU Board (D016/D097/G178/M078).....	334
147.Controller Board (G178/M078)	358
148.Controller Board (D016/D097)	380
149.Decals and Documents (D016/D097/G178/M078) ..	402
150.Special Tools (D016/D097/G178/M078).....	414

D016/D097/G178/M078 PARTS INDEX

PARTS INDEX	2
--------------------------	----------

A3/11 x 17 TRAY UNIT TK5000 B331-11 PARTS

LOCATION AND LIST

1.Paper Tray 1 (B331-11).....	2
2.Paper Tray 2 (B331-11).....	4

A3/11 x 17 TRAY UNIT TK5000 B331-11 PARTS INDEX

PARTS INDEX	2
--------------------------	----------

TAB SHEET HOLDER TYPE 3260 B499 PARTS

LOCATION AND LIST

1.Tab Sheet Holder (B499).....	2
--------------------------------	---

TAB SHEET HOLDER TYPE 3260 B499 PARTS INDEX

PARTS INDEX	2
--------------------------	----------

Z-FOLDING UNIT ZF4000 B660-57/66/67 PARTS

LOCATION AND LIST

1.Exterior (B66057)	2
2.Paper Transfer 1 (B66057).....	4
3.Paper Transfer 2 (B66057).....	6
4.Folder Section 1 (B66057).....	8
5.Folder Section 2 (B66057).....	10
6.Folder Section 3 (B66057).....	12
7.Folder Section 4 (B66057).....	14
8.Folder Section 5 (B66057).....	16
9.Folder Section 6 (B66057).....	18
10.Drive Section (B66057)	20
11.Electricalsection (B66057).....	22
12.Frame Section (B66057)	24

Z-FOLDING UNIT ZF4000 B660-57/66/67 PARTS INDEX	
PARTS INDEX	2

FINISHER SR5000 B830 PARTS LOCATION AND LIST

1.Exterior (B830)	6
2.Staple Tray 1 (B830)	8
3.Staple Tray 2 (B830)	10
4.Staple Tray 3 (B830)	12
5.Staple Tray 4 (B830)	14
6.Staple Tray 5 (B830)	16
7.Staple Tray 6 (B830)	18
8.Staple Tray 7 (B830)	20
9.Staple Tray 8 (B830)	22
10.Stapler Unit (B830).....	24
11.Staple Transport 1 (B830).....	26
12.Staple Transport 2 (B830).....	28
13.Staple Transport 3 (B830).....	30
14.Staple Transport 4 (B830).....	32
15.Staple Transport 5 (B830).....	34
16.Paper Exit Section 1 (B830).....	36
17.Paper Exit Section 2 (B830).....	38
18.Paper Exit Section 3 (B830).....	40
19.Tray Drive Section 1 (B830).....	42
20.Tray Drive Section 2 (B830).....	44
21.Frame Section 2 (B830)	46
22.Drive Section 1 (B830)	48
23.Drive Section 2 (B830)	50
24.Drive Section 3 (B830)	52
25.Electrical Section (B830).....	54
26.Frame Section 1 (B830)	56
27.Frame Section 2 (B830)	58
28.Decal And Document (B830)	60

FINISHER SR5000 B830 PARTS INDEX	
PARTS INDEX	2

PUNCH UNIT PU5000 B831 PARTS LOCATION AND LIST

1.Punch Unit (B831).....	2
--------------------------	---

PUNCH UNIT PU5000 B831 PARTS INDEX	
PARTS INDEX	2

COOLING FAN UNIT TYPE 5000 B831-05 PARTS LOCATION AND LIST

1.Cooling Fan Unit (B831).....	2
--------------------------------	---

COOLING FAN UNIT TYPE 5000 B831-05 PARTS INDEX	
PARTS INDEX	2

LCIT RT5000 B832 PARTS LOCATION AND LIST

1.Exterior (B832)	2
2.1st/2nd Tray Unit 1 (B832)	4
3.1st/2nd Tray Unit 2 (B832)	6
4.3rd Tray Unit 1 (B832).....	8
5.3rd Tray Unit 2 (B832).....	10
6.Paper Registration 1 (B832).....	12
7.Paper Registration 2 (B832).....	14
8.Transport Section 1 (B832)	16
9.Transport Section 2 (B832)	18
10.Transport Section 3 (B832)	20
11.Drive Section (B832)	22
12.Electrical Section (B832).....	24
13.Frame 1 (B832)	26
14.Frame 2 (B832)	28

15.Frame 3 (B832).....	30
16.Decals And Documents (B832)	32

LCIT RT5000 B832 PARTS INDEX	
PARTS INDEX.....	2

**MULTI BYPASS TRAY BY5000 B833 PARTS
LOCATION AND LIST**

1.Exterior (B833).....	2
2.Original Tray 1 (B833)	4
3.Original Tray 2 (B833)	6
4.Original Feed 1 (B833)	8
5.Original Feed 2 (B833)	10
6.Original Transfer (B833)	12
7.Drive And Electrical (B833).....	14
8.Frame Section (B833).....	16

MULTI BYPASS TRAY BY5000 B833 PARTS INDEX	
PARTS INDEX.....	2

**COVER INTERPOSER TRAY CI5000 B835 PARTS
LOCATION AND LIST**

1.Exterior (B835).....	2
2.Original Tray 1 (B835)	4
3.Original Tray 2 (B835)	6
4.Original Feed 1 (B835)	8
5.Original Feed 2 (B835)	10
6.Original Feed 3 (B835)	12
7.Original Transfer 1 (B835)	14
8.Original Transfer 2 (B835)	16
9.Original Transfer 3 (B835)	18
10.Electrical And Drive 1 (B835).....	20
11.Electrical And Drive 2 (B835).....	22

12.Frame Section 1 (B835).....	24
13.Frame Section 2 (B835).....	26

COVER INTERPOSER TRAY CI5000 B835 PARTS INDEX	
PARTS INDEX.....	2

**BOOKLET FINISHER BK5000 B836 PARTS
LOCATION AND LIST**

1.Exterior (B836).....	2
2.Paper Transfer 1 (B836)	4
3.Paper Transfer 2 (B836)	6
4.Paper Transfer 3 (B836)	8
5.Staple Transfer Section 1 (B836)	10
6.Staple Transfer Section 2 (B836)	12
7.Staple Tray 1 (B836).....	14
8.Staple Tray 2 (B836).....	16
9.Staple Tray 3 (B836).....	18
10.Staple Tray 4 (B836).....	20
11.Staple Tray 5 (B836).....	22
12.Paper Crimp Section 1 (B836).....	24
13.Paper Crimp Section 2 (B836).....	26
14.Paper Crimp Section 3 (B836).....	28
15.Drive Section (B836).....	30
16.Electrical Section 1 (B836)	32
17.Electrical Section 2 (B836)	34
18.Frame Section (B836).....	36
19.Decals And Documents (B836)	38

BOOKLET FINISHER BK5000 B836 PARTS INDEX	
PARTS INDEX.....	2

**OPTIONAL COUNTER INTERFACE UNIT TYPE
A/DATA OVERWRITE SECURITY UNIT H B870/D377
PARTS LOCATION AND LIST**

1.Controller Options (B870/D377) 2

**OPTIONAL COUNTER INTERFACE UNIT TYPE
A/DATA OVERWRITE SECURITY UNIT H B870/D377
PARTS INDEX
PARTS INDEX..... 2**

LCIT RT5020 D355 PARTS LOCATION AND LIST

1.Exterior 1 (D355) 2
2.Exterior 2 (D355) 4
3.Paper Tray 1 (D355)..... 6
4.Paper Tray 2 (D355)..... 8
5.Paper Tray 3 (D355)..... 10
6.Paper Tray 4 (D355)..... 12
7.Paper Tray 5 (D355)..... 14
8.Paper Tray 6 (D355)..... 16
9.Paper Tray 7 (D355)..... 18
10.Paper Tray 8 (D355)..... 20
11.Paper Feed Section 1 (D355)..... 22
12.Paper Feed Section 2 (D355)..... 24
13.Transfer Section 1 (D355) 26
14.Transfer Section 2 (D355) 28
15.Transfer Section 3 (D355) 30
16.Transfer Section 4 (D355) 32
17.Transfer Section 5 (D355) 34
18.Drive Section 1 (D355) 36
19.Drive Section 2 (D355) 38
20.Electrical Section (D355) 40
21.Frame Section 1 (D355) 42
22.Frame Section 2 (D355) 44
23.Frame Section 3 (D355) 46

24.Decals And Documents (D355)..... 48

**LCIT RT5020 D355 PARTS INDEX
PARTS INDEX..... 2**

**HIGH CAPACITY STACKER SK5000 D364 PARTS
LOCATION AND LIST**

1.Electrical Section (D364) 2
2.Paper Transport Unit (D364) 8
3.Shift Unit (D364) 14
4.Side Jogger (D364)..... 18
5.Paper Exit (D364) 22
6.Lead Edge Jogger (D364) 26
7.Exterior (D364) 30
8.Accessories 1 (D364) 32
9.Accessories 2 (D364) 34

**HIGH CAPACITY STACKER SK5000 D364 PARTS
INDEX
PARTS INDEX..... 2**

**BRIDGE UNIT BU5000 D379 PARTS LOCATION AND
LIST**

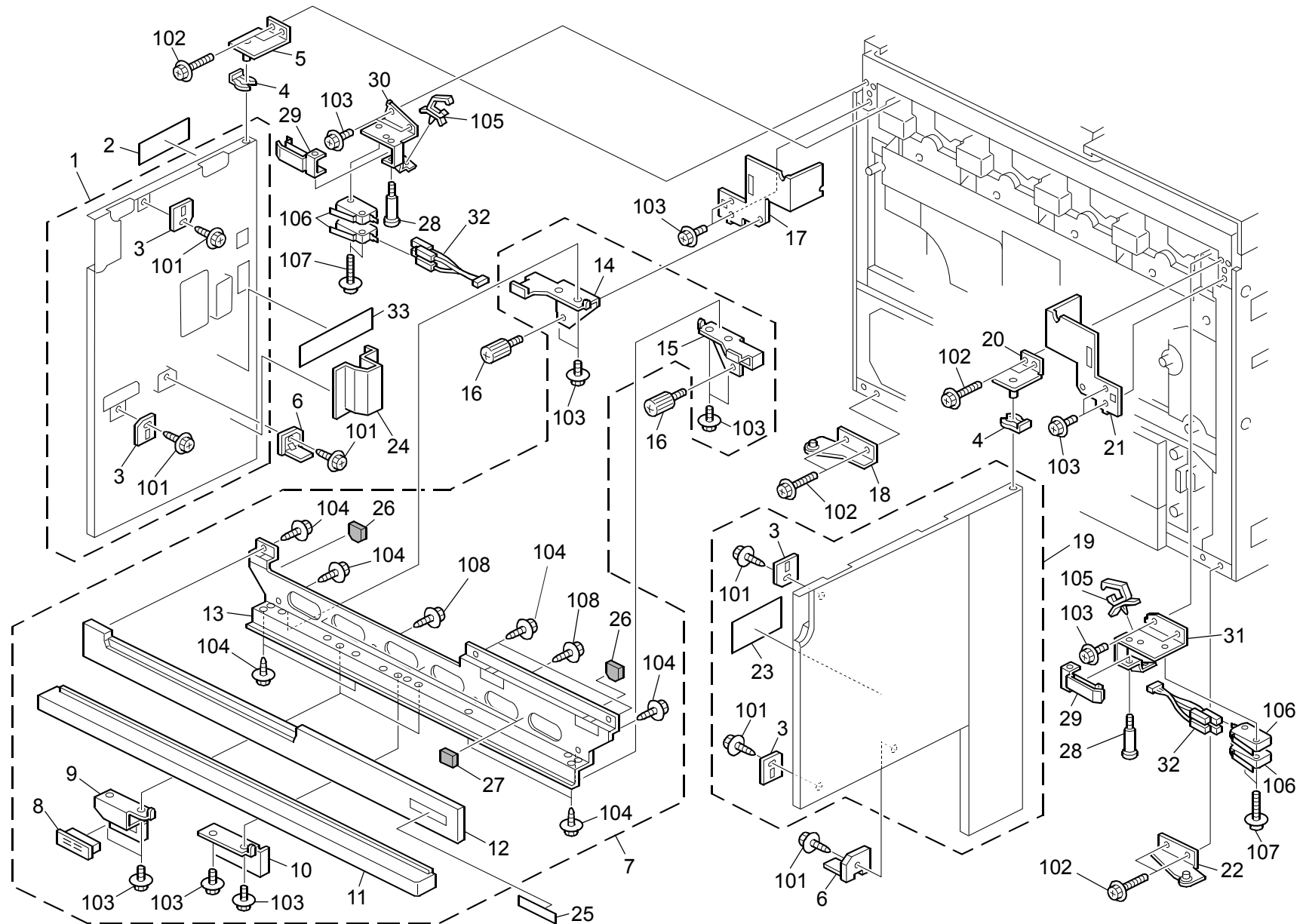
1.Bridge Unit 1 (D379)..... 2
2.Bridge Unit 2 (D379)..... 4
3.Bridge Unit 3 (D379)..... 6
4.Bridge Unit 4 (D379)..... 8
5.Bridge Unit 5 (D379)..... 10
6.Bridge Unit 6 (D379)..... 12
7.Bridge Unit 7 (D379)..... 14

**BRIDGE UNIT BU5000 D379 PARTS INDEX
PARTS INDEX..... 2**

BUFFER PASS UNIT (M379) PARTS LOCATION AND LIST

1.Exterior 1 (M379)..... 2
2.Exterior 2 (M379)..... 4
3.Paper Transfer 1 (M379) 6
4.Paper Transfer 2 (M379) 8
5.Paper Transfer 3 (M379) 10
6.Paper Transfer 4 (M379) 12
7.Paper Transfer 5 (M379) 14
8.Paper Transfer 6 (M379) 16
9.Paper Transfer 7 (M379) 18
10.Electrical Section 1 (M379)..... 20
11.Electrical Section 2 (M379)..... 22
12.Electrical Section 3 (M379)..... 24
13.Electrical Section 4 (M379)..... 26
14.Frame Section (M379)..... 28

BUFFER PASS UNIT (M379) PARTS INDEX
PARTS INDEX..... 2



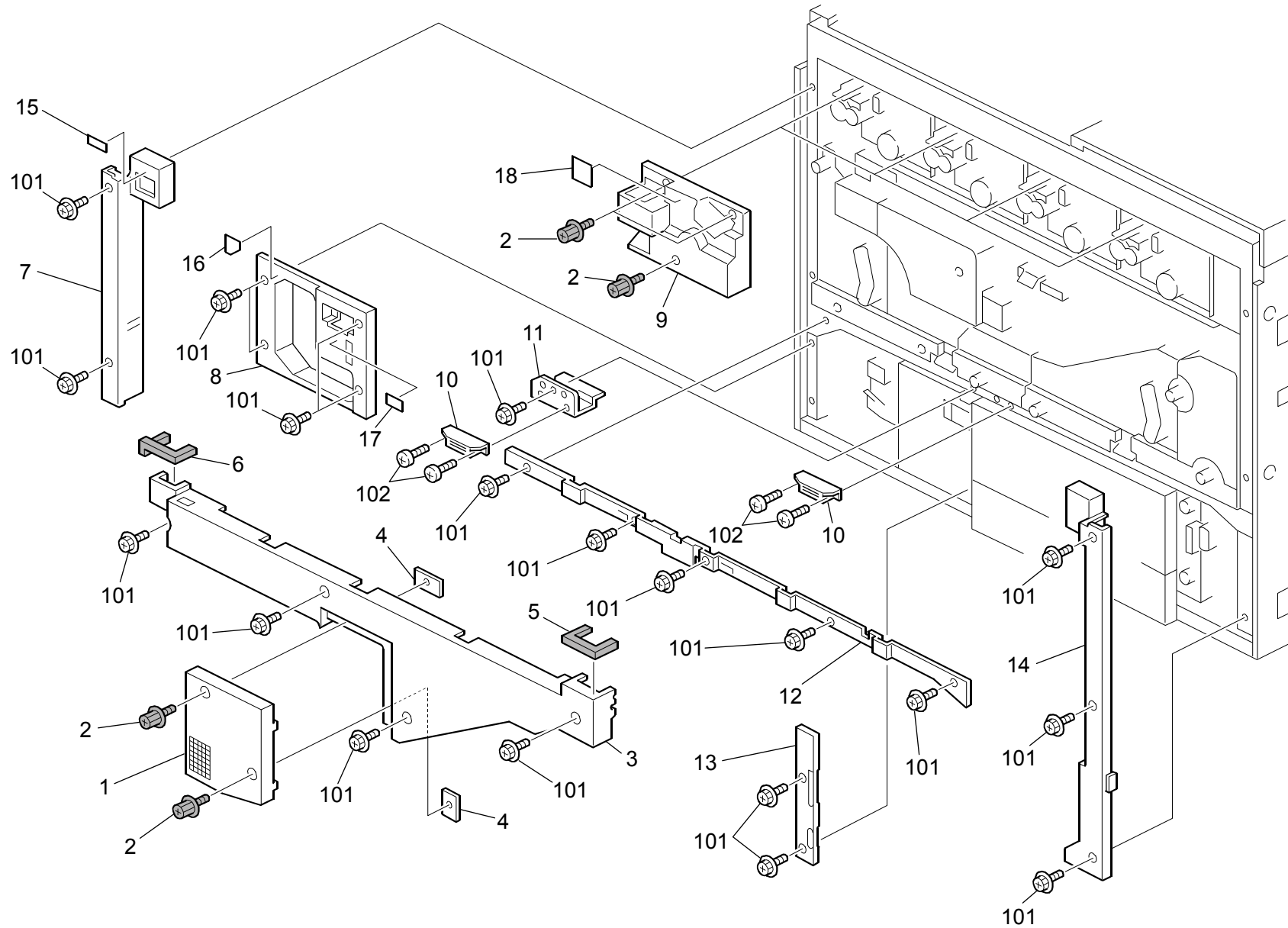
1.Exterior 1 (D016/D097/G178/M078)

Rev. 10/11/2010

Index No.	Part No.	Description	Q'ty Per Assembly
1	G178 1554	Door: Front Left [TSB G178-080]	1
2	G178 1615	Panel: Logo: Ricoh	1
3	G178 1553	Bracket: Door Catch	4
4	5447 2681	Snap Ring	2
5	G178 1560	Hinge: Door: Left Upper: Ass'y	1
6	B234 1293	Lever - Safety Switch	2
7	G178 1583	Cover: Upper Front: Ass'y	1
8	AG07 0007	Magnet Catch	2
9	G178 1608	Bracket: Door Catch: Upper Front	2
10	G178 1588	Stopper: Door: Upper	1
11	G178 1586	Cover: Upper Middle	1
12	G178 1585	Cover: Upper Front	1
13	G178 1584	Bracket: Cover: Upper Middle: Ass'y	1
14	G178 1594	Stay: Cover: Upper Middle: Left	1
15	G178 1595	Stay: Cover: Upper Middle: Right	1
16	B714 3115	Knob Screw: Document Feeder: Fix	2
17	G178 1596	Guide Plate: Cover: Upper Front: Left	1
18	G178 1563	Hinge: Door: Left Lower: Ass'y	1
19	G178 1556	Door: Front Right [TSB G178-080]	1
20	G178 1565	Hinge: Door: Right Upper: Ass'y	1
21	G178 1597	Guide Plate: Cover: Upper Front: Right	1
22	G178 1568	Hinge: Door: Right Lower: Ass'y	1
23	G178 1076	Decal: Main: Pick-up Paper Jam [TSB G178-080]	1
24	G178 1580	Holder: Sheet: Fusing: Ass'y	1
25	G178 1658	Plate: Name Plate: C900	1
25	D016 1658	Plate: Name Plate: C900S	1
25	M078 1658	Plate: Name Plate: C720	1
25	D097 1658	Plate: Name Plate: C720S	1
26	G178 1592	Cushion: Cover: Upper Front	2
27	G178 1582	Cushion: Cover: Upper Middle	3
28	AA14 3797	Connector Guide Pin	2
29	G178 1602	Arm: Safety Switch: Upper: Ass'y	2
30	G178 1601	Bracket: Safety Switch: Left	1
31	G178 1606	Bracket: Safety Switch: Right	1
32	G178 5893	Harness: Upper Front: Cover: Switch: Connecting	2

Index No.	Part No.	Description	Q'ty Per Assembly
33	G178 7912	Decal: Oil Supply	1
101	0450 4010N	Tapping Screw: M4x10	
102	0451 4012N	Tapping Screw: 4x12	
103	0451 4008N	Tapping Screw: 4x8	
104	0450 4008N	Tapping Screw - M4x8 [TSB#061]	9
105	1105 0516	Clamp	
106	1204 2521	Micro Switch	
107	0954 3025N	Screw: Polished Round/Spring: M3x25	
108	04524008N	Tapping Screw: M4X8 [TSB#061]	2

2.Exterior 2 (D016/D097/G178/M078)



2.Exterior 2 (D016/D097/G178/M078)

Index No.	Part No.	Description	Q'ty Per Assembly
1	G178 6698	Inner Cover: Belt Cleaning	1
2	B234 2390	Flanged Hexagonal Head Bolt: M4x8	14
3	G178 6318	Inner Cover: Intermediate Transfer	1
4	G178 6309	Plate Nut: Inner Cover: 1st Transfer	2
5	G178 6313	Seal: Inner Cover: 1st Transfer: Right	1
6	G178 6335	Seal: Inner Cover: 1st Transfer: Left	1
7	G178 1623	Inner Cover: Main: Left	1
8	D016 4266	Cover: Oil Supply Sub-unit [TSB G178-080]	1
9	G178 3243	Inner Cover: Around The Photoconductor: Ass'y	4
10	AG07 0504	Magnet Catch: 44.1N	2
11	G178 1571	Bracket: Door Catch: Front Left	1
12	G178 1621	Inner Cover: Main: Middle	1
13	G178 1624	Inner Cover: Main: Middle Lower	1
14	G178 1622	Inner Cover: Main: Right	1
15	G178 1626	Decal: Main Switch	1
16	G178 5077	Decal: E	1
17	G178 4217	Decal: Oil: Overflow: Oil Tank	1
18	G178 7840	Decal: Warning	1

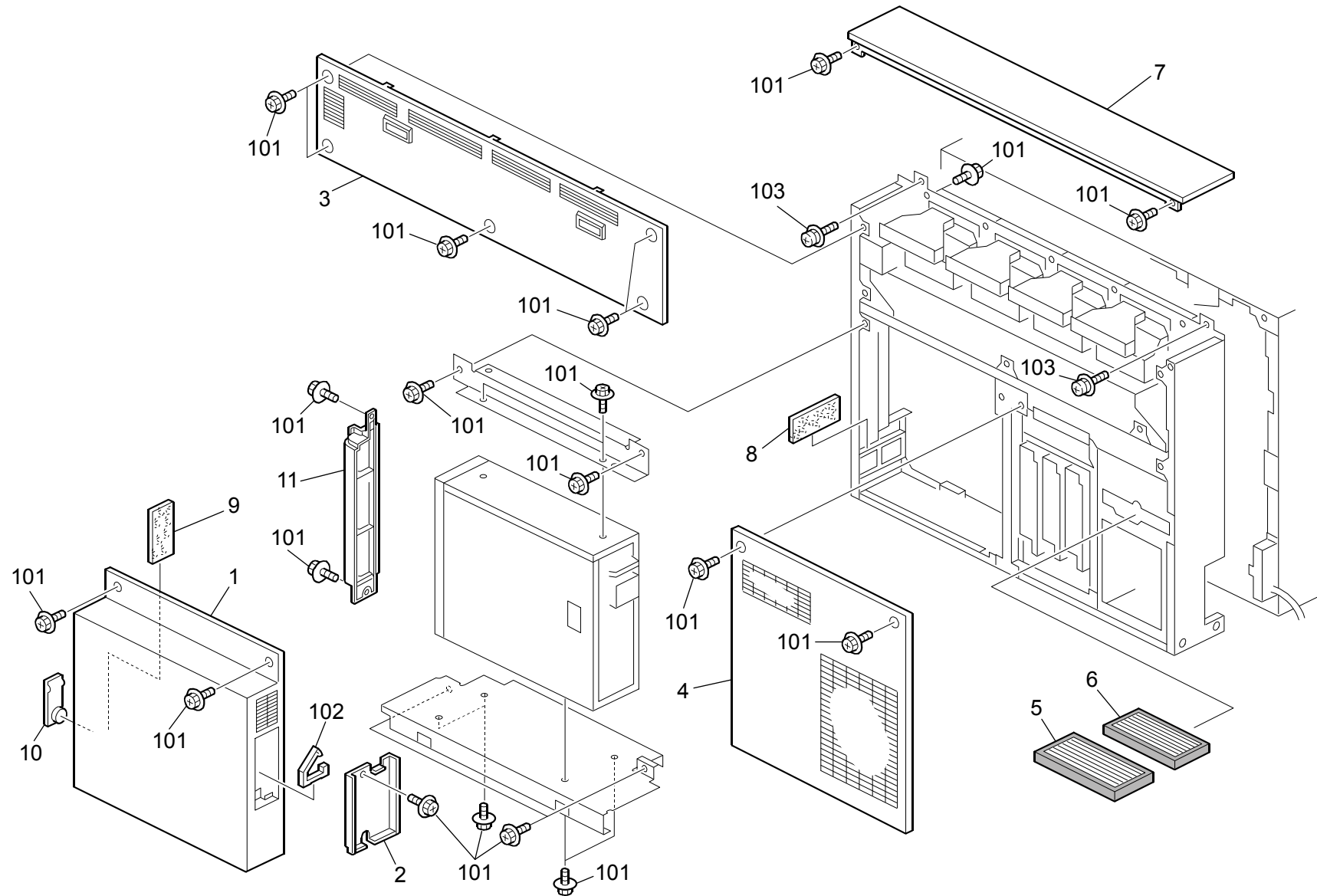
Index No.	Part No.	Description	Q'ty Per Assembly
101	0451 4008N	Tapping Screw: 4x8	
102	0314 0080N	Philips Pan Head Screw - M4x8	

3.Exterior 3 (D016/D097/G178/M078)

Index No.	Part No.	Description	Q'ty Per Assembly
1	G178 6952	Cover: Front: Toner Collection	1
2	G178 7036	Shaft: Latch: Toner Collection	1
3	G178 7032	Cover: Latch: Toner Collection	1
4	G178 7667	Rubber Foot	2
5	G178 7034	Cushion: Collection Bottle	1
6	G178 7033	Door: Latch: Toner Collection	1
7	G178 7017	Spring: Latch	1
8	G178 7061	Stay: Door: Toner Collection	1
9	G178 1611	Cover: Main: Left: Ass'y	1
10	G178 1591	Cover: Upper: Left	1
11	G178 1649	Cover: Toner Supply: Rear	1
12	G178 1598	Cover: Upper: Rear	1
13	G178 1590	Cover: Upper: Right	1
14	G178 1628	Cover: Main: Right: Coat	1
15	B070 1312	Cap: Joint: Large Capacity Tray	5
16	B065 1341	Connector Cap	2
17	B234 1313	Cover - Large Capacity Tray	1
18	G178 1616	Cover: Connector: LCT: Coat	1
19	B132 1562	Decal - Inkjet: Paper	1
20	G178 7814	Decal: Collection Bottle: Door	1

Index No.	Part No.	Description	Q'ty Per Assembly
101	0451 4008N	Tapping Screw: 4x8	
102	0454 4008Q	Tapping Screw - M4x8	
103	0450 4010N	Tapping Screw: M4x10	
104	0720 0040E	Retaining Ring - M4	

4.Exterior 4 (D016/D097/G178/M078)

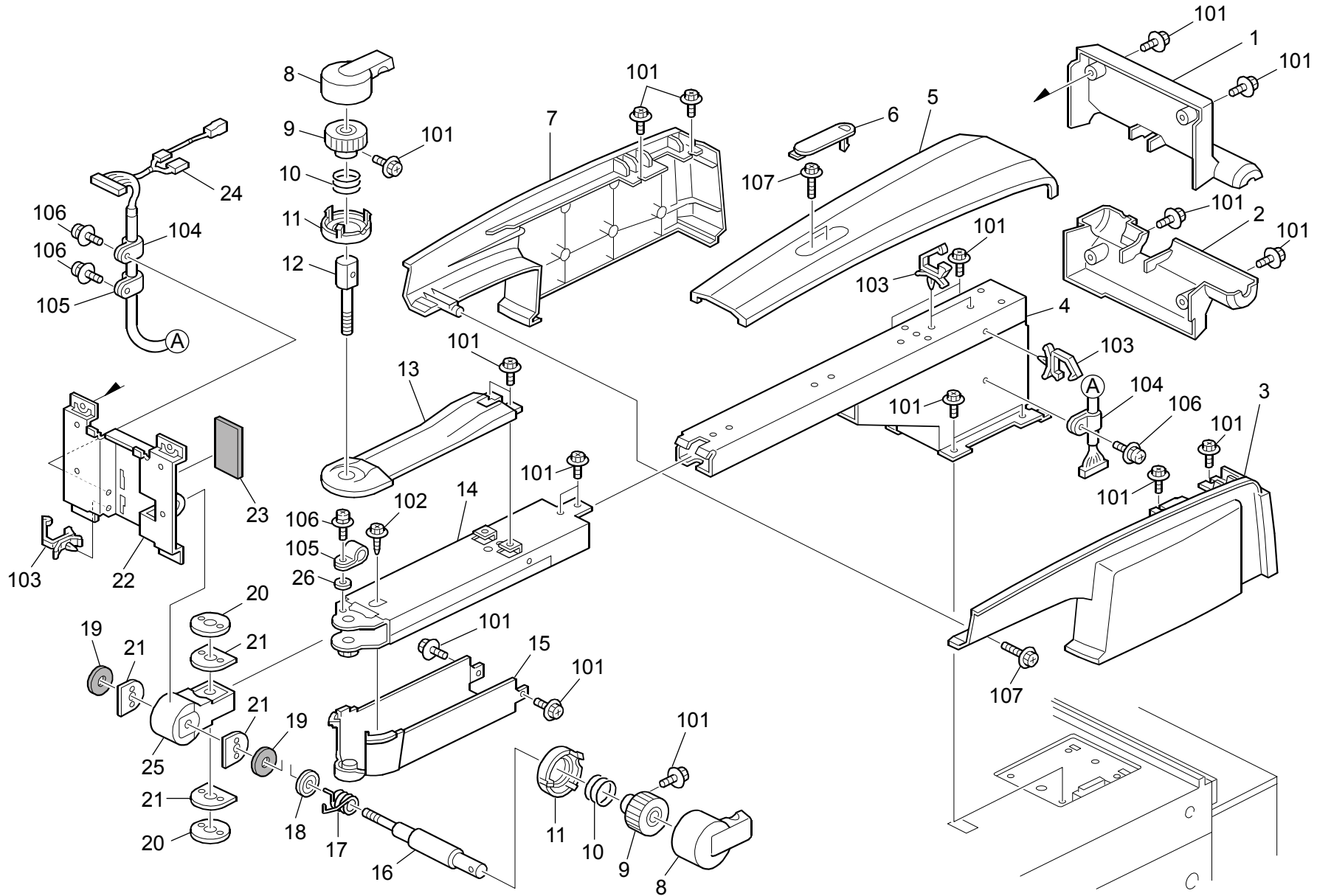


4.Exterior 4 (D016/D097/G178/M078)

Index No.	Part No.	Description	Q'ty Per Assembly
1	G178 1672	Cover: Control Unit: Left Lower: Coat	1
2	G178 1675	Cover: EFI: Connector: Coat	1
3	G178 1154	Cover: Control Unit: Rear Upper	1
4	G178 1143	Cover: Control Unit: Right Lower: Sub-ass'y <i>[TSB G178-032]</i>	1
5	G178 7306	Ozone Filter: SCA-750/950 [TSB G178-067]	1
6	G178 7290	Ozone Filter: Fusing [TSB G178-001]	1
7	G178 1157	Cover: Control Unit: Upper: Coat	1
8	G178 7239	Filter: Entrance	1
9	G178 7238	Filter: Entrance: EFI	1
10	G178 1677	Cover: EFI: Switch	1
11	G178 1197	Cover: C/T Box: Interface	1
12	G178 6192	Ground Plate: Stay: Front <i>[TSB G178-032]</i>	1
13	A294 1838	Ground Plate: Lenst Stay <i>[TSB G178-032]</i>	

Index No.	Part No.	Description	Q'ty Per Assembly
101	0451 4008N	Tapping Screw: 4x8	
102	1105 0518	Edge Saddle - LES-1010	
103	0954 5014N	Screw - M5x14	

5.Operation Panel 1 (D016/D097/G178/M078)



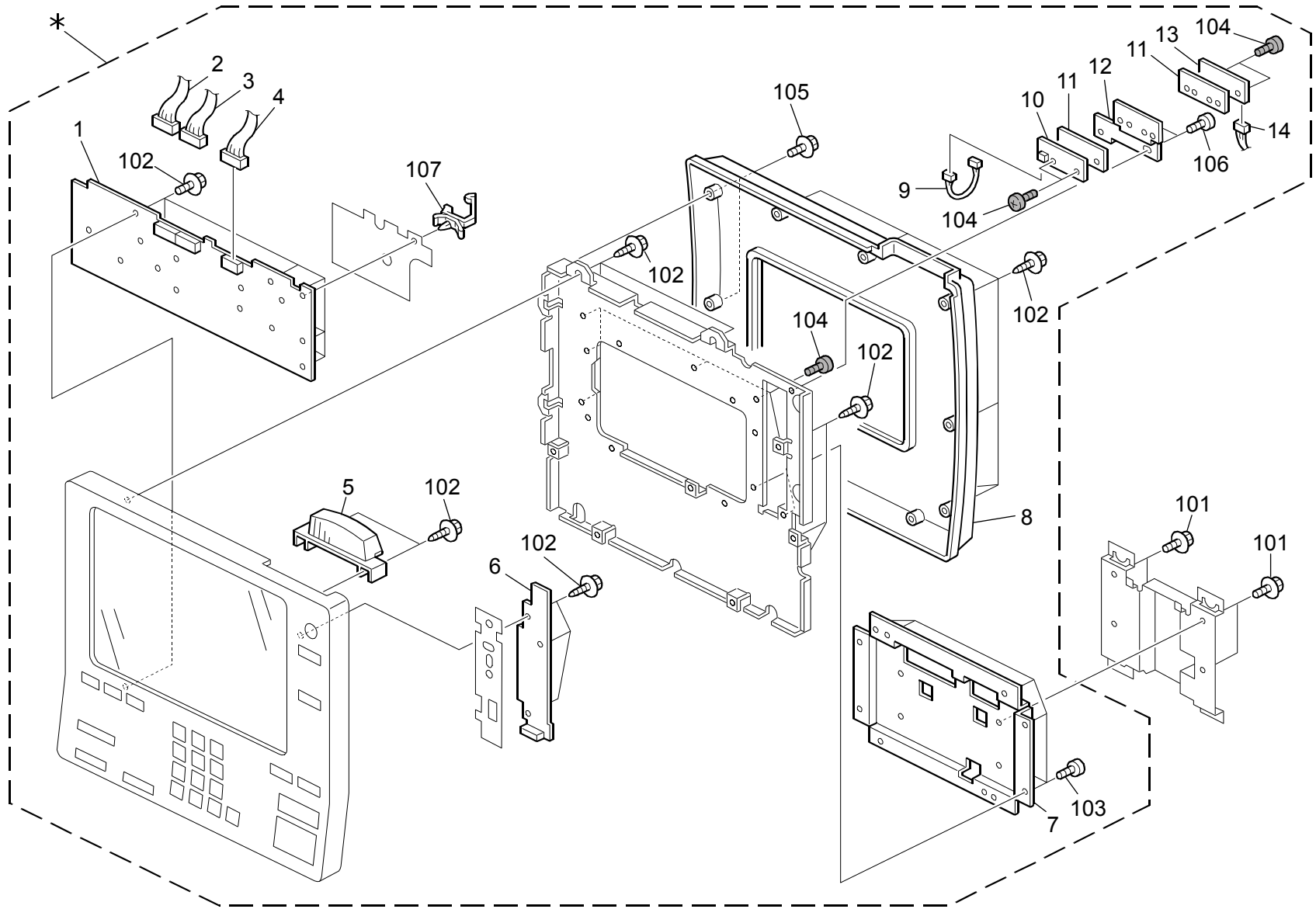
5.Operation Panel 1 (D016/D097/G178/M078)

Rev. 10/12/2010

Index No.	Part No.	Description	Q'ty Per Assembly
1	G178 1696	Cover: Operation Sub-Unit: Panel: Upper	1
2	G178 1697	Cover: Operation Sub-Unit: Panel: Lower	1
3	G178 1690	Cover: Operation Sub-Unit: Left	1
4	G178 1786	Arm: Operation Sub-Unit: Welding	1
5	G178 1694	Cover: Operation Sub-Unit: Upper	1
6	G178 1687	Cover: Operation Sub-Unit: Upper: Small	1
7	G178 1691	Cover: Operation Sub-Unit: Right	1
8	G178 1681	Handle: Operation Sub-Unit: Upper	2
9	G178 1699	Knob: Operation Sub-Unit	2
10	G178 1682	Coil Spring: Operation Panel: Handle	2
11	G178 1685	Handle: Operation Sub-Unit: Lower	2
12	G178 1771	Shaft: Knob: Arm: Small [TSB#067]	1
13	G178 1692	Cover: Operation Sub-Unit: Arm: Upper	1
14	G178 1774	Arm: Turn: Left And Right: Welding [TSB#067]	1
15	G178 1695	Cover: Operation Sub-Unit: Arm: Lower	1
16	G178 1772	Shaft: Knob: Operation Sub-Unit [TSB#067]	1
17	G178 1678	Spring: Balancer: Cover: Operation Sub-Unit	1
18	G178 1689	Stay: Operation Sub-Unit: Washer	1
19	G178 1757	Bracket Shoe: Operation Sub-Unit	2
20	G178 1762	Stay: Turn	2
21	G178 1686	Holder: Fix	4
22	G178 1773	Arm: Turn: Upper Lower: Welding [TSB#067]	1
23	G178 1655	Brake: Turn: Upper Lower	1
24	G178 5833	Harness: IPU-OPU: I/F: No.2	1
25	G178 1765	Shaft: Turn	1
26	G178 1769	Washer: M4	1

Index No.	Part No.	Description	Q'ty Per Assembly
101	0451 4008N	Tapping Screw: 4x8	
102	0450 4010N	Tapping Screw: M4x10	
103	1105 0487	Harness Clamp	
104	1105 0528	Nylon Clamp - EMT-2N	
105	1105 0176	Nylon Clamp	
106	0954 4012N	Screw: Polished Round/Spring: M4x12	
107	0451 4012N	Tapping Screw: 4x12	

6.Operation Panel 2 (D016/D097/G178/M078)

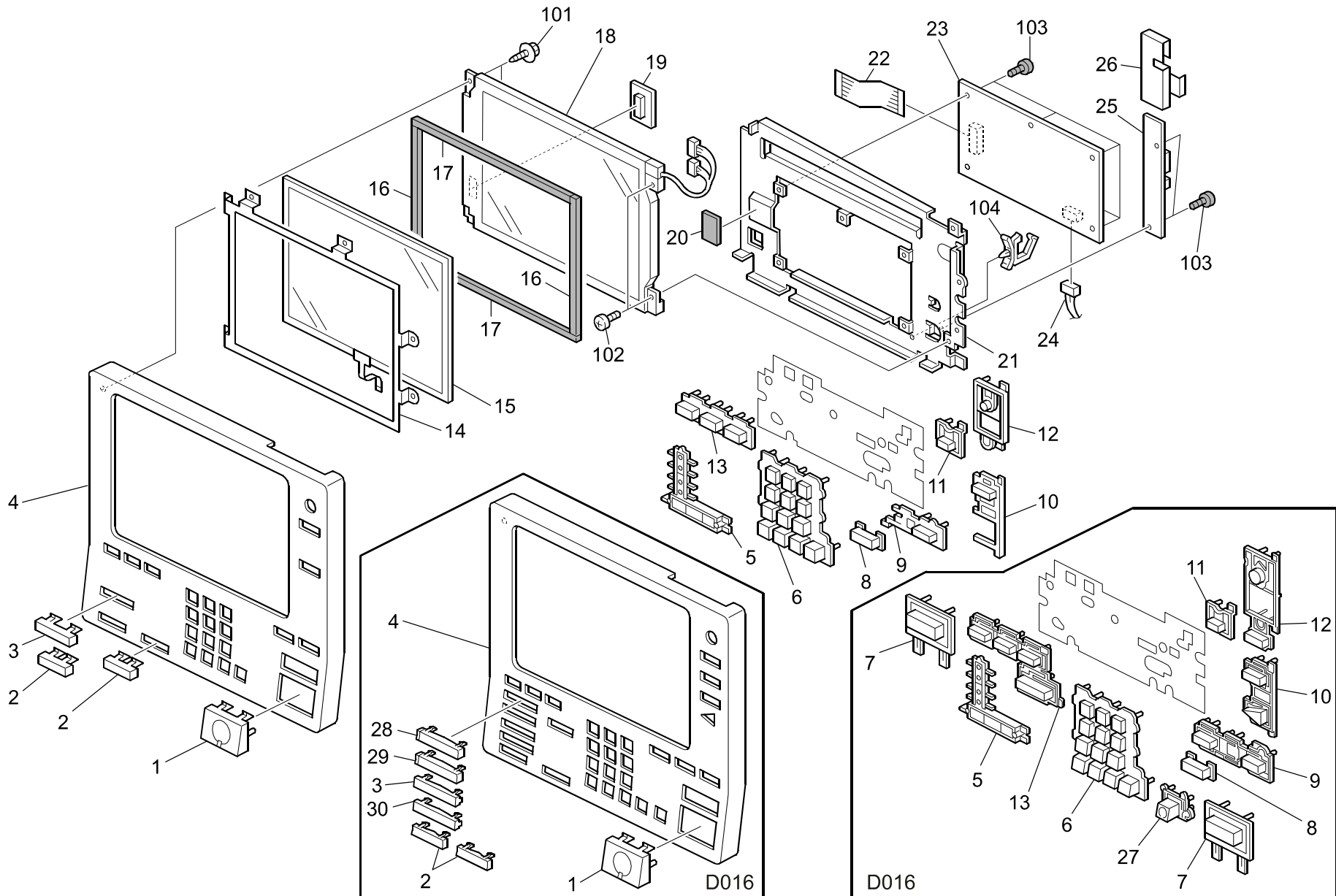


6.Operation Panel 2 (D016/D097/G178/M078)

Index No.	Part No.	Description	Q'ty Per Assembly
*	G178 1857	Operation Sub-unit: G178: NA: Ass'y	1
*	G178 1859	Operation Sub-unit: D016: NA: Ass'y	1
*	G178 1858	Operation Sub-unit: G178: EU: Ass'y	1
*	G178 1860	Operation Sub-unit: D016: EU: Ass'y	1
*	G178 1748	Operation Sub-unit: G178: AA	1
*	G178 1749	Operation Sub-unit: D0166: AA	1
1	G178 1801	PCB: Key: Main: P1: Ass'y	1
1	G178 1800	PCB: Key: Main: C1: Ass'y	1
2	G178 1804	Harness: Keymain: 16	1
3	G178 1805	Harness: Keymain: 18	1
4	G178 1806	Harness: Keysub	1
5	B234 1504	Cover - Pilot Lamp	1
6	B234 1463	PCB Key Sub	1
7	G178 1848	Bracket: Stay: Arm	1
8	B234 1502	Cover: Rear	1
9	B234 1477	Harness - LED	1
10	B234 1466	PCB LED F	1
11	B234 1538	Sheet: Heat	2
12	B234 1535	LED Heat Sink	1
13	B234 1469	PCB LED R	1
14	G178 1807	Harness: Pat: LED	1

Index No.	Part No.	Description	Q'ty Per Assembly
101	0451 4008N	Tapping Screw: 4x8	
102	0450 3010N	Tapping Screw - M3x10	
103	0354 0050N	Screw - M4x5	
104	0353 0040P	Screw - M3x4	
105	0360 3005N	Screw - M3x5	
106	0353 0060N	Bind Screw - M3x6	
107	1105 0511	Harness Clamp - LWS-0306ZC	

7.Operation Panel 3 (D016/D097/G178/M078)



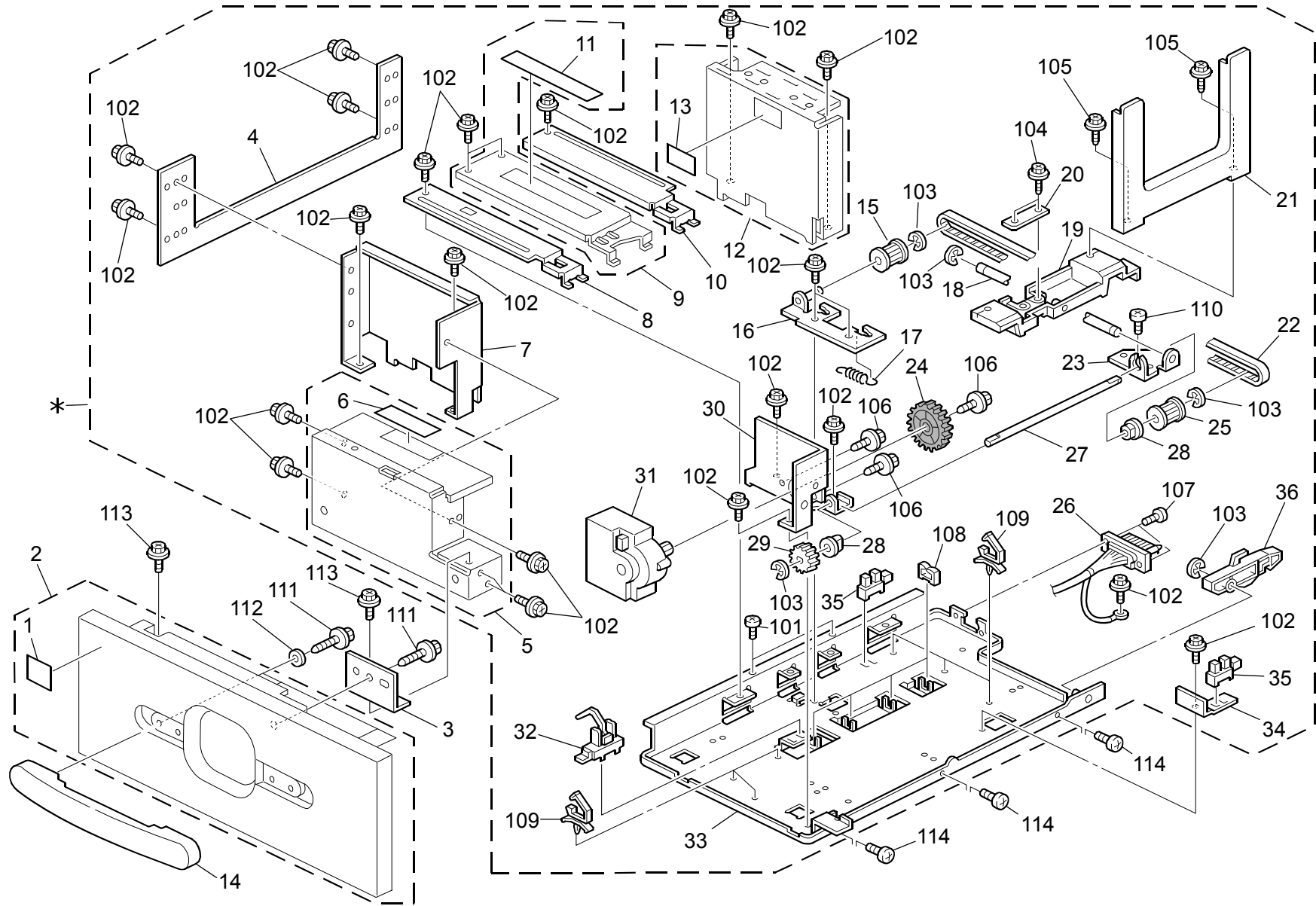
7.Operation Panel 3 (D016/D097/G178/M078)

Rev. 11/18/2010

Index No.	Part No.	Description	Q'ty Per Assembly
1	B234 1505	Keytop - Start	1
2	G178 1841	Keytop: Application: Blank: S: BR	2
3	G178 1844	Keytop: Printer: EFI: G178	1
3	B234 1582	Keytop - EFI Normal	1
3	B234 1571	Keytop - Printer NA E80 or C80 [TSB#066]	1
3	B234 1577	Keytop - Printer EU	1
4	G178 1854	Cover: Front: Design Plate:G178_NA: Ass'y	1
4	G178 1853	Cover: Front: NA D016	1
4	G178 1856	Cover: Front: EU	1
4	G178 1855	Cover: Front: EU	1
5	B234 1515	Keytop - Spacer Application	1
6	B234 1507	Keytop - 10key	1
7	B234 1506	Keytop - Stop	1
8	B234 1559	Keytop - Reset Switch	1
9	G178 1838	Keytop: Program: G178	1
9	B234 1517	Keytop - Program D016	1
10	G178 1840	Keytop: Language: Change: G178	1
10	B234 1520	Keytop - Interrupt D016	1
11	B234 1521	Keytop - Login_Logout	1
12	G178 1839	Keytop: Power Source: G178	1
12	B234 1519	Keytop - Power Source D016	1
13	G178 1837	Keytop: Counter: G178	1
13	B234 1558	Keytop - Counter NA D016	1
13	B234 1568	Keytop - Counter EU	1
14	B234 1531	Shading Plate	1
15	B234 1479	Touch Panel S-VGA	1
16	B234 1543	Spacer - Touch Panel S	2
17	B234 1542	Spacer - Touch Panel L	2
18	RC01 0070	LCD - LQ104S1DG21A	1
19	B234 1472	PCB LCD	1
20	B234 1544	Cushion - Plate LCDPCB	1
21	G178 1849	Bracket: LCD	1
22	G178 1809	Cable: FFC: LCD	1
23	G178 5942	PCB: OPU: NA: Ass'y G178	1
23	G178 5962	PCB: OPU: NA: Ass'y D016	1

Index No.	Part No.	Description	Q'ty Per Assembly
23	G178 5943	PCB: OPU: EU: Ass'y	1
23	G178 5963	PCB: OPU: C1: EU: Ass'y	1
24	G178 1808	Harness: INV	1
25	B234 1480	Invertor S-VGA	1
26	B234 1539	Insulator - Invertor	1
27	B234 1508	Keytop - Try Print	1
28	B234 1569	Keytop - Copy NA	1
28	B234 1575	Keytop - Copy EU	1
29	B234 1570	Keytop - DOCBOX NA	1
29	B234 1576	Keytop - DOCBOX EU	1
30	B234 1572	Keytop - Scanner NA	1
30	B234 1578	Keytop - Scanner EU	1
101	0450 3010N	Tapping Screw - M3x10	
102	0353 0060N	Bind Screw - M3x6	
103	0353 0040P	Screw - M3x4	
104	1105 0511	Harness Clamp - LWS-0306ZC	

8.Tandem Tray 1 (D016/D097/G178/M078)

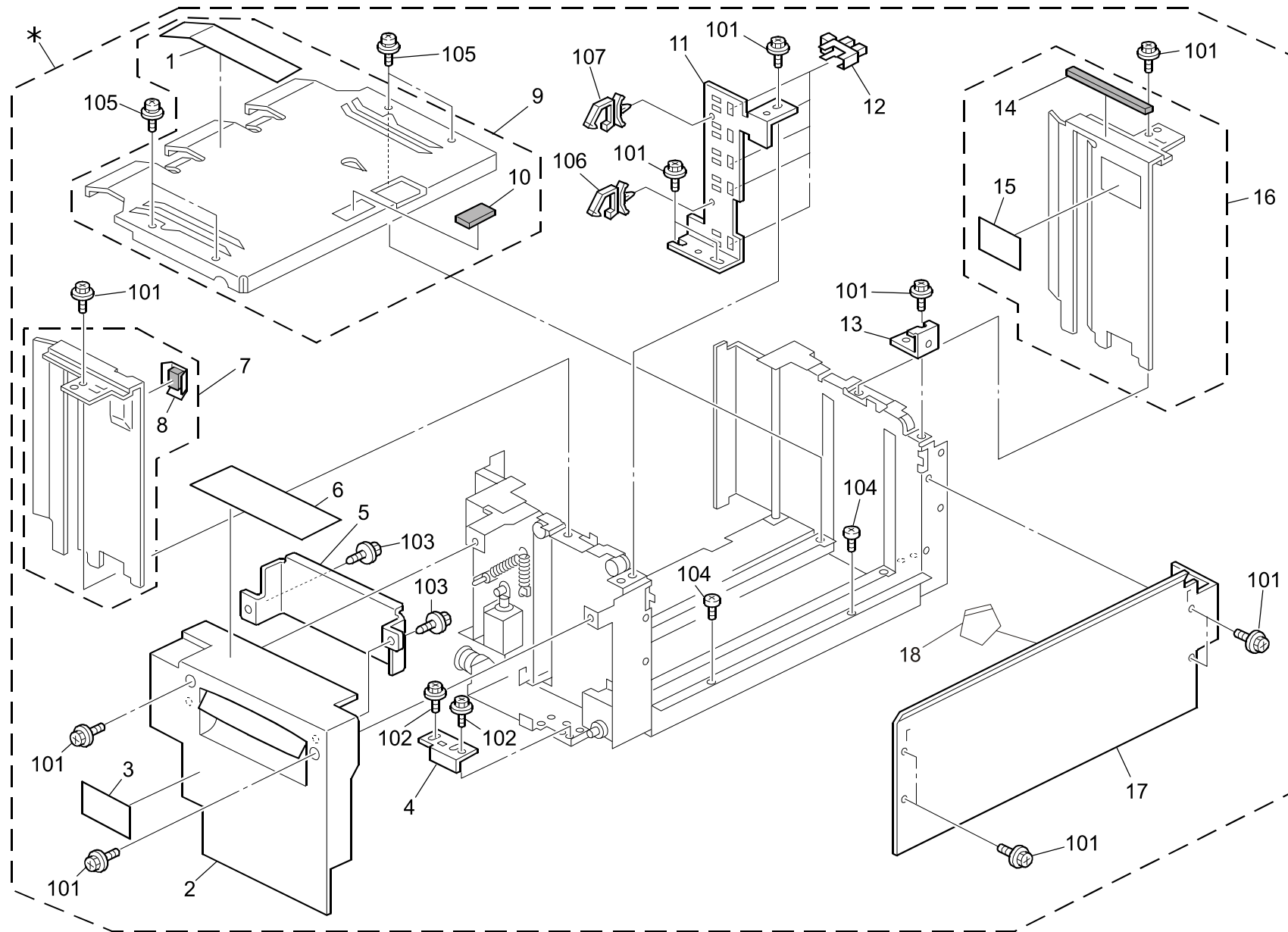


8.Tandem Tray 1 (D016/D097/G178/M078)

Index No.	Part No.	Description	Q'ty Per Assembly
*	B234 6616	Tandem LCT Unit – Left NA	1
*	B234 6611	Tandem LCT Unit - Left Japan	1
1	G178 2962	Decal: Tray: Design Sketch1	1
2	G178 2965	Cover: Tandem Tray: Decal: Adhesion	1
3	G178 2978	Bracket: Cover: Tandem LCT [TSB G178-070]	1
4	A294 6645	Left Side Plate	1
5	B070 6516	Bracket: Cover: Tandem LCT: Ass'y	1
6	B065 6846	Decal - Paper Set - Left	1
7	A294 6643	Left Front Fence	1
8	B234 7540	Tray Bottom Plate: Left Front	1
9	B098 6639	Tray Bottom Plate: Left Middle: Ass'y	1
10	B132 7541	Tray Bottom Plate: Left Rear	1
11	A096 6678	Decal - Left Paper Set	1
12	A294 6630	Left Rear Fence	1
13	AA00 1508	Decal: Side Fence: 40x30	1
14	G178 2942	Grip: Front: Paper Tray	1
15	AB03 3085	Timing Pulley - 15T	1
16	B247 6951	Bracket: Pulley: Driven: Ass'y	1
17	AA06 0987	Tension Spring: Timing Belt: 10N	1
18	B247 6950	Shaft: Slider: Back Fence	1
19	B132 7564	Slider: Back Fence: Left	1
20	B065 6823	Timing Belt Cover	1
21	B132 7561	Back Fence: Left	1
22	AA04 3271	Timing Belt S3M 196T	1
23	B065 6830	Pulley Bracket	1
24	AB01 9475	Gear - 48T	1
25	AB03 3084	Timing Pulley - 15T	1
26	B070 5473	DC Harness - Left	1
27	AA14 0686	Shaft - Timing Pulley	1
28	5053 0447	Bushing - 6mm	2
29	AB01 3798	Gear - Z18	1
30	B070 6666	Left DC Motor Bracket	1
31	AX04 0145	DC Motor: Tandem LCT	1
32	AW02 0163	Paper Feed Sensor	1
33	B247 6970	Base: Tandem LCT: Left: Ass'y	1

Index No.	Part No.	Description	Q'ty Per Assembly
34	B065 6831	Sensor Bracket	1
35	AW02 0145	Photointerruptor: Flat	2
36	A248 6615	Coupling Lever - Left	1
101	0354 0040N	Screw-M4x4	
102	0451 4006N	Tapping Screw - 4x6	
103	0720 0040E	Retaining Ring - M4	
104	0450 4008N	Tapping Screw - M4x8	
105	0450 4010N	Tapping Screw: M4x10	
106	0450 3008N	Tapping Screw - M3x8	
107	0313 0080N	Pan Head Screw: M3x8	
108	1105 0328	Harness Clamp - ES-0505	
109	1105 0516	Clamp	
110	0453 4006N	Binding Self Tapping Screw: 4x6	
111	0456 4012N	Tapping Screw: WP: 4x12	
112	0701 0040N	Washer: DIA4	
113	0451 4008N	Tapping Screw: 4x8	
114	0314 0060N	Screw - M4x6	

9.Tandem Tray 2 (D016/D097/G178/M078)



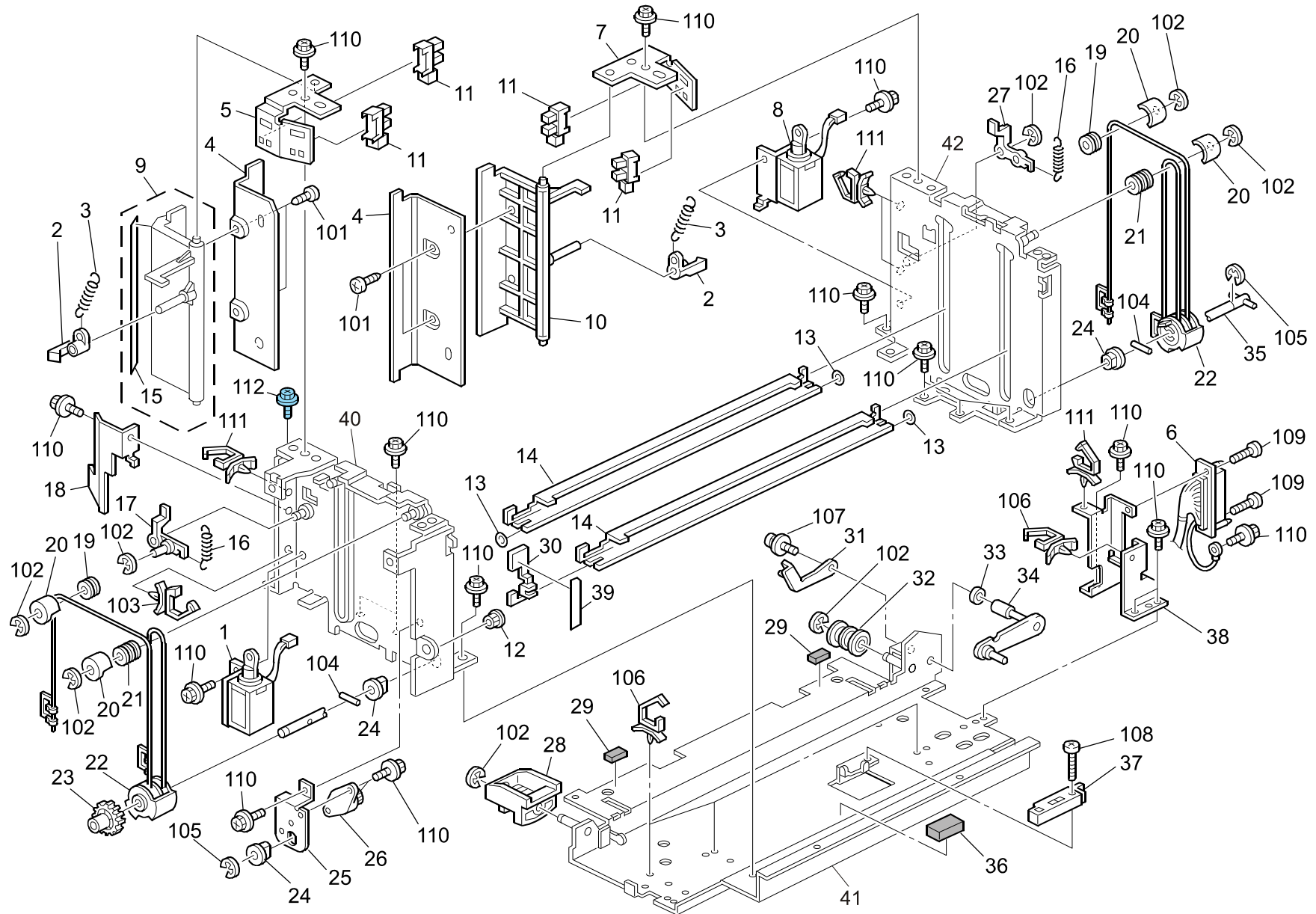
9.Tandem Tray 2 (D016/D097/G178/M078)

Rev. 04/27/2010

Index No.	Part No.	Description	Q'ty Per Assembly
*	G178 2982	Tandem LCT Unit – Right NA [TSB G178-080]	1
*	B234 6610	Tandem LCT Unit - Right Japan	1
1	A096 6677	Decal - Right Paper Set	1
2	B132 7586	Inner Cover: Tandem LCT	1
3	AA00 2246	Decal - Caution	1
4	B065 6859	Right Stopper	1
5	B065 6875	Protection -Inner Cover	1
6	B065 6877	Decal - Paper Set - Right	1
7	B234 6686	Side Fence - Right Front	1
8	D059 6690	Plate: Paper: Ass'y	1
9	B234 6680	Base: Tandem Lct: Right: Adhesion	1
10	5201 2858	Friction Pad	1
11	B234 6606	Sensor Bracket	1
12	AW02 0145	Photointerruptor: Flat	5
13	B247 6695	Guide: Misfeed Removal: Paper Tray	1
14	B475 6855	Shield: Tandem LCT: Rear Right	1
15	AA00 1509	Decal: Side Fence: 16x30	1
16	B234 6691	Side Fence: Tandem Lct: Right: Ass'y	1
17	B234 6667	Side Plate - Side	1
18	G178 2979	Guide: Middle: Paper Tray [TSB G178-080]	1

Index No.	Part No.	Description	Q'ty Per Assembly
101	0451 4008N	Tapping Screw: 4x8	
102	0451 4006N	Tapping Screw - 4x6	
103	0450 4008N	Tapping Screw - M4x8	
104	0354 0040N	Screw-M4x4	
105	0951 4006N	Screw: Polished Round: M4x6	
106	1105 0488	Harness Clamp	
107	1105 0534	Clamp	

10. Tandem Tray 3 (D016/D097/G178/M078)



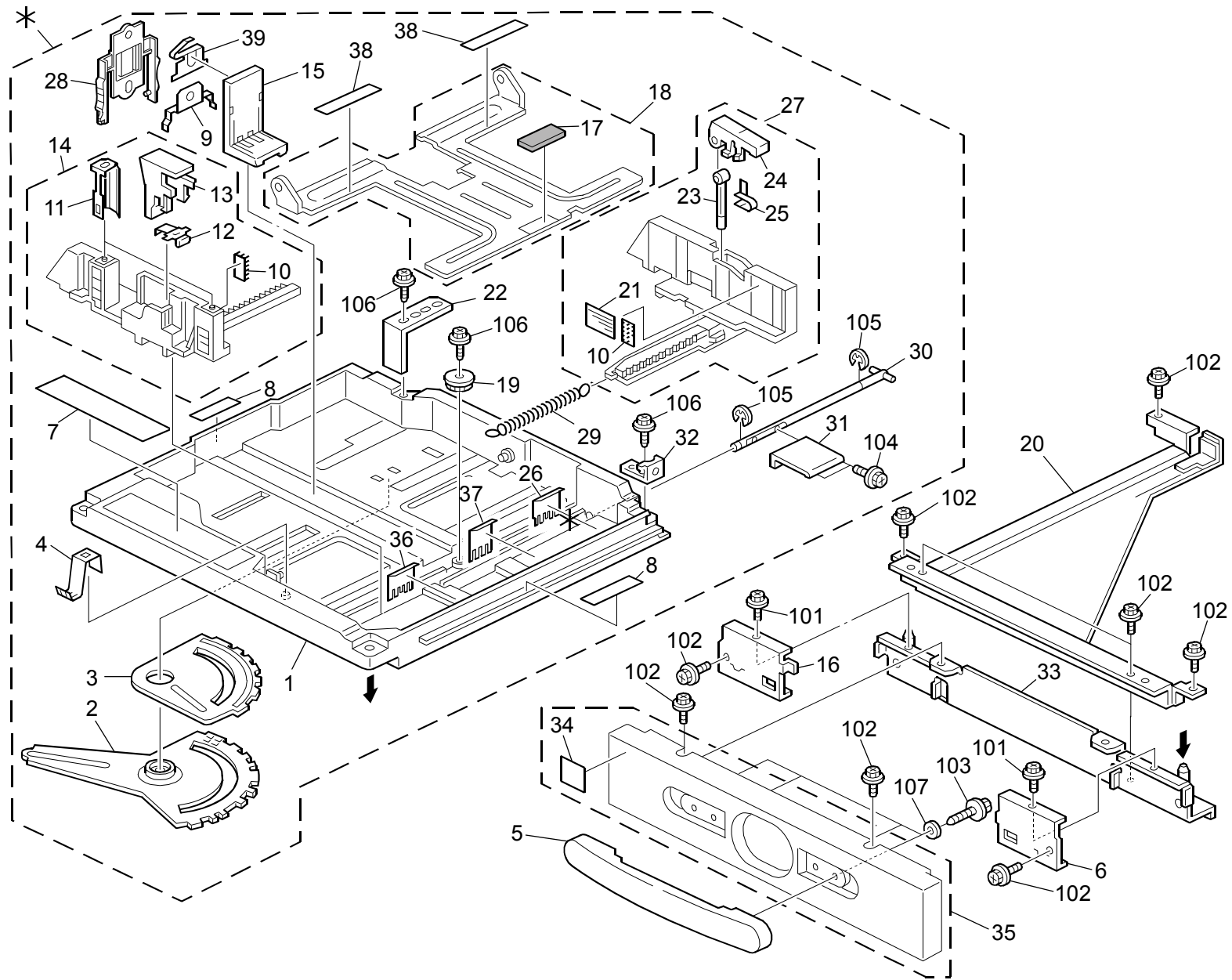
10.Tandem Tray 3 (D016/D097/G178/M078)

Rev. 04/28/2010

Index No.	Part No.	Description	Q'ty Per Assembly
1	B132 7547	DC Solenoid: End Fence: Front: Ass'y	1
2	A248 6713	Hook - Tension Spring	2
3	AA06 0757	Tension Spring - Long	2
4	B234 6630	Guide Plate - End Fence	2
5	D014 6626	Bracket: On Off Detector: Front	1
6	B234 5673	Harness - Tandem LCT Right	1
7	D014 6627	Bracket: On Off Detector: Rear	1
8	B132 7571	DC Solenoid: End Fence: Rear: Ass'y	1
9	B234 6612	End Fence - Front	1
10	B234 6625	End Fence - Rear	1
11	AW02 0145	Photointerruptor: Flat	4
12	B234 6141	Positioning Sleeve - Inner Back	1
13	A248 6694	Wire Ring	3
14	B065 6870	Stay - Rightbase	2
15	A294 6713	Shield - Front Side Fence	1
16	AA06 0758	Tension Spring - Short	2
17	B070 6683	Lever: Release: Front	1
18	B070 6667	End Fence Cover Front	1
19	AB03 2058	Wire Pulley - M10	2
20	A248 6695	Guide - Pulley	4
21	AB03 2719	Pulley - M10	2
22	B132 7550	Cover: Pulley: Drive Were	2
23	AB01 3781	Gear - 30Z	1
24	5053 0223	Bushing - 8mm	3
25	B065 6872	Oil Damper Bracket	1
26	B247 6901	Oil Damper: Fall	1
27	B070 6684	Lever: Release: Rear	1
28	A294 6655	Front Roller - Slide Rail	1
29	AA16 1130	Cushion - Small	2
30	A294 6690	Feeler - Paper Height Sensor	1
31	B065 6864	Small Lever	1
32	AF02 2105	Roller - Slide Rail	1
33	AA13 2203	Spacer - 6mm	1
34	B065 6862	Large Lever	1
35	A248 6687	Right Drive Shaft	1

Index No.	Part No.	Description	Q'ty Per Assembly
36	AA16 1129	Cushion - Large	1
37	AW01 0113	Sensor	1
38	B132 7575	Bracket: Connector: Tandem LCT	1
39	B065 6717	Paper Volume Shield Plate	1
40	B234 6668	Side Plate: Tandem LCT: Right Front: Ass'y	1
41	B132 7545	Base: Tandem LCT: Right: Welding	1
42	B234 6676	Side Plate: Tandem LCT: Right Rear: Ass'y	1
101	0452 3006N	Binding Self-Tapping Screw: 3x6	
102	0720 0040E	Retaining Ring - M4	
103	1105 0511	Harness Clamp - LWS-0306ZC	
104	0633 0200G	Pin - M3x20	
105	0720 0060E	Retaining Ring - M6	
106	1105 0488	Harness Clamp	
107	0951 3006N	Screw - M3x6	
108	0313 0120N	Pan Head Screw: M3x12	
109	0313 0080N	Pan Head Screw: M3x8	
110	0451 4008N	Tapping Screw: 4x8	
111	1105 0534	Clamp	
112	0454 4008Q	Tapping Screw - M4x8	

11.Universal Tray (D016/D097/G178/M078)



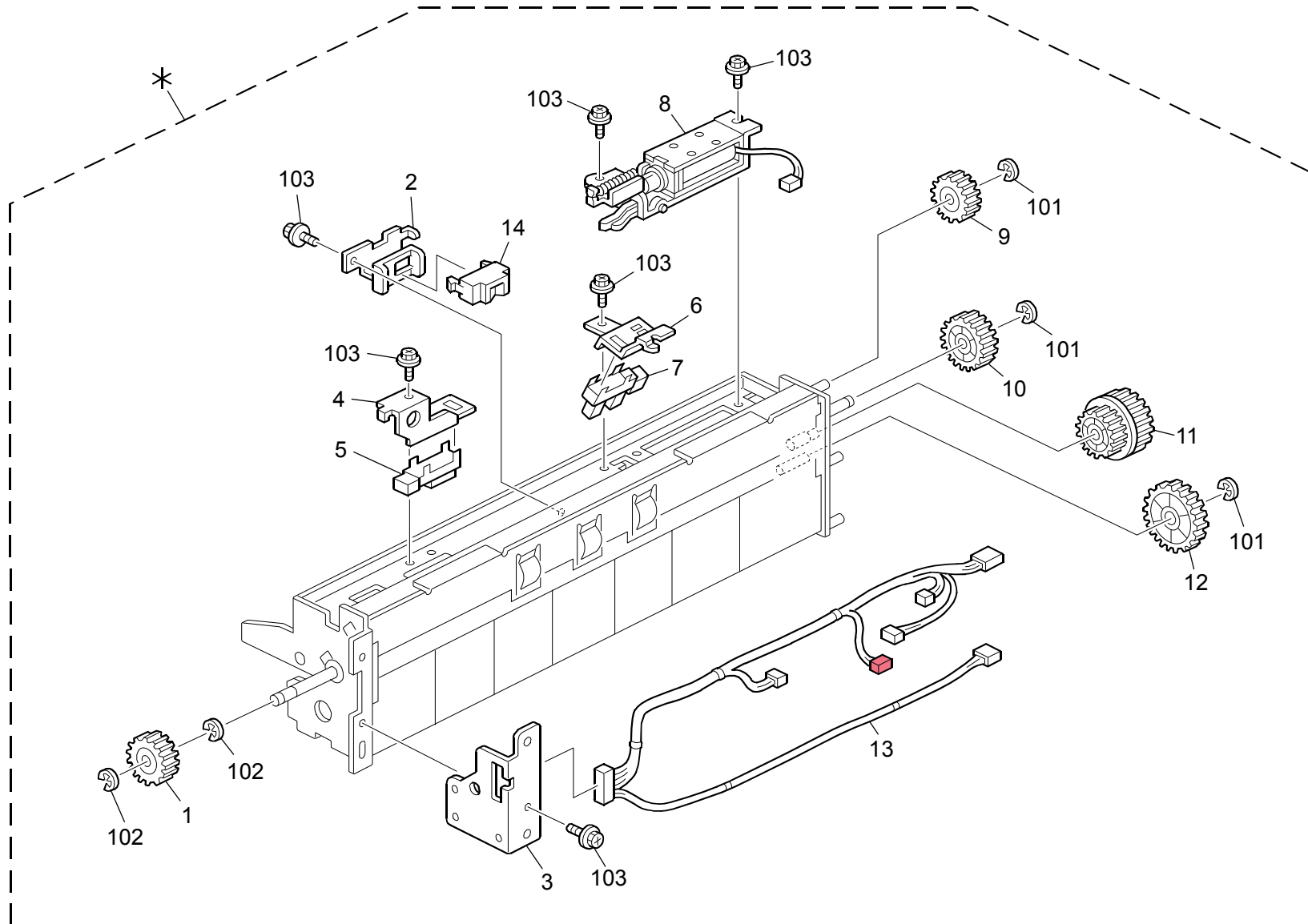
11.Universal Tray (D016/D097/G178/M078)

Rev. 09/22/2010

Index No.	Part No.	Description	Q'ty Per Assembly
*	B234 6771	Paper Tray: Universal: DOM: Ass'y	1
1	AF01 0097	Paper Tray: Universal: Remover/Install	1
2	B181 6780	Link: End Fence: Paper Size Sensor: Ass'y	1
3	B181 6789	Link: Side Fence: Paper Size Sensor	1
4	B132 6798	Spring Plate: Paper Tray: Earth	1
5	G178 2942	Grip: Front: Paper Tray	1
6	B065 6588	Right Support Plate	1
7	D014 6786	Decal: Paper Set Direction	1
8	B065 6545	Decal - Positioning	2
9	D014 6784	Spring Plate: End Fence	1
10	B234 2864	Pad: Cleaner	2
11	B132 6791	Plate: Side Fence	2
12	A134 2978	Spring Plate	1
13	B065 6538	Positioning Stopper Lever	1
14	B132 6793	Side Fence: Front: Ass'y	1
15	AF01 7033	End Fence	1
16	B065 6589	Left Support Plate	1
17	AF01 3005	Bottom Plate Pad	1
18	B132 6785	Tray Bottom Plate: Ass'y	1
19	AB01 2327	Gear: 16Z	1
20	B065 6591	Paper Tray Holder Base	1
21	B223 2873	Decal - Side Fence Rear	1
22	B132 6797	Side Fence: Rear: Auxiliary	1
23	A267 2859	Side Fence Stopper	1
24	A267 2860	Rear Lever Stopper	1
25	A267 2857	Spring Plate - Side Fence	1
26	B234 6497	Guide: Rear: Paper Tray	1
27	B234 6490	Side Fence: Rear: Ass'y	1
28	D014 6783	Arm: End Fence: Lock	1
29	AA06 0961	Tension Spring: Side Fence: Rear	1
30	B065 6524	Bottom Plate Lift Shaft	1
31	B065 6526	Lift Lever	1
32	B247 6695	Guide: Misfeed Removal: Paper Tray	1
33	B065 6581	Paper Tray Holder Stay	1
34	G178 2963	Decal: Tray: Design Sketch2	1

Index No.	Part No.	Description	Q'ty Per Assembly
35	G178 2964	Cover: Universal: Decal: Adhesion	1
36	B234 6495	Guide: Front: Paper Tray	1
37	D059 6496	Guide: Middle: Paper Tray	1
38	B234 6498	Sheet: Tray Bottom Plate	2
39	D014 6785	Spring Plate: Arm: End Fence: Lock	1
101	0451 3008N	Tapping Screw - M3x8	
102	0451 4008N	Tapping Screw: 4x8	
103	0456 4012N	Tapping Screw: WP: 4x12	
104	0360 4008N	Screw - M4x8	
105	0720 0060E	Retaining Ring - M6	
106	0450 4008N	Tapping Screw - M4x8	
107	0701 0040N	Washer: DIA4	

12.Paper Feed Unit 1 (D016/D097/G178/M078)

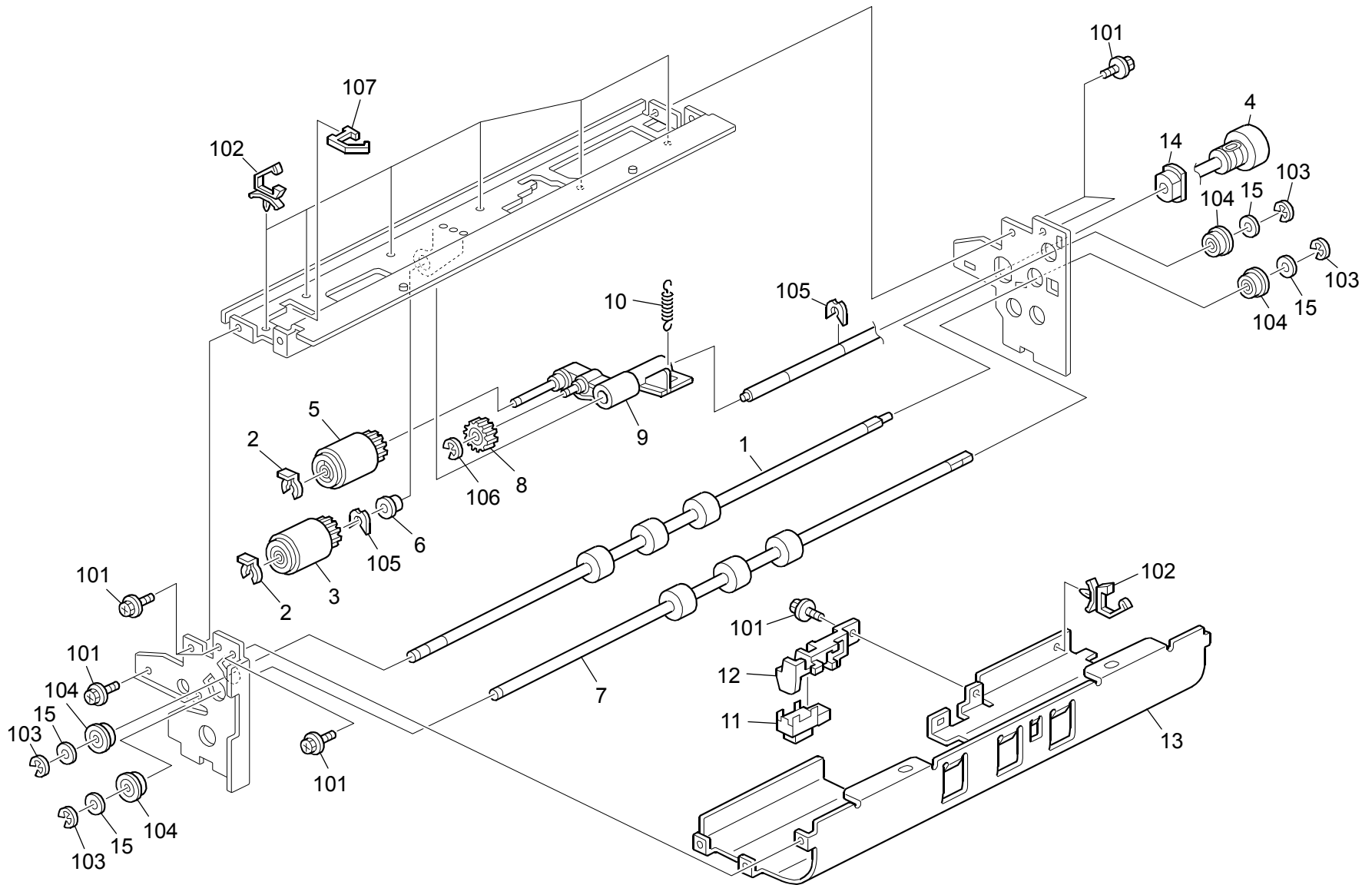


12.Paper Feed Unit 1 (D016/D097/G178/M078)

Index No.	Part No.	Description	Q'ty Per Assembly
*	B234 6200	Paper Feed Unit	2
1	BB01 3007	Gear - 20Z	1
2	B234 6286	Sensor Bracket - Vertical Transport	1
3	B234 6208	Paper Feed Unit Stay	1
4	B234 6287	Sensor Bracket - Paper Feed	1
5	AW01 0107	Paper Feed Sensor	1
6	B234 6288	Bsensor Bracket - Sensor	1
7	AW02 0145	Photointerruptor: Flat	1
8	B234 6282	Pickup DC Solenoid	1
9	BB01 3010	Gear - 18Z	1
10	BB01 3019	Gear - 23Z	1
11	AB01 7771	Gear: Transport Roller: Input: Z23/Z28	1
12	BB01 3008	Gear - 31Z	1
13	B234 5670	Harness - Paper Feed Unit	1
14	AW01 0122	Paper Feed Sensor	1

Index No.	Part No.	Description	Q'ty Per Assembly
101	0720 0060E	Retaining Ring - M6	
102	0720 0040E	Retaining Ring - M4	
103	0451 4006N	Tapping Screw - 4x6	

13.Paper Feed Unit 2 (D016/D097/G178/M078)

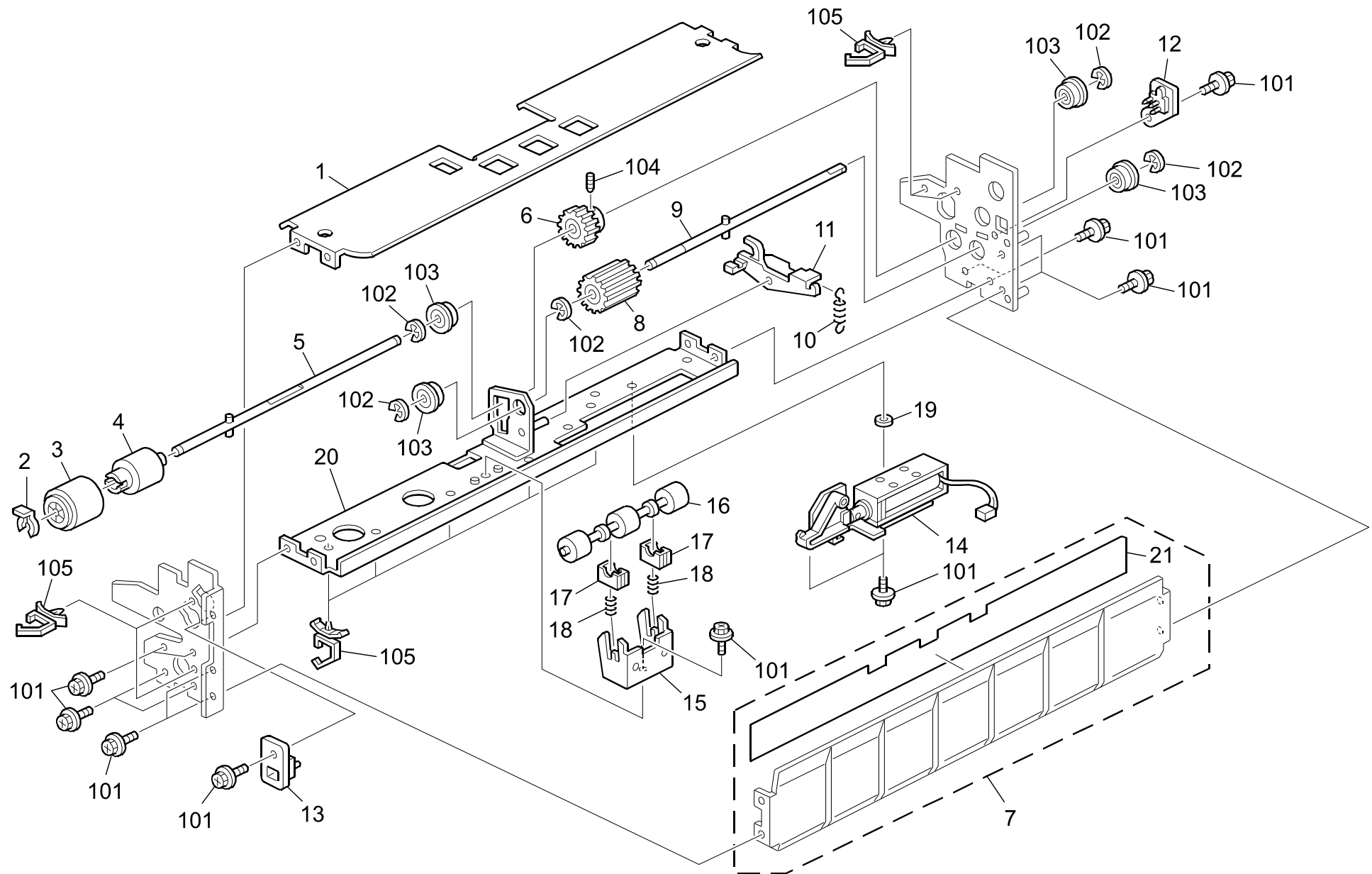


13.Paper Feed Unit 2 (D016/D097/G178/M078)

Index No.	Part No.	Description	Q'ty Per Assembly
1	AF02 0724	Transport Roller: Grip: No.1: Drive	1
2	5447 2681	Snap Ring	2
3	AF03 1080	Paper Feed Roller: Feed	1
4	B234 6272	Feed Shaft	1
5	AF03 0080	Paper Feed Roller: Pickup	1
6	B234 2624	Ball Bearing - 8x12x5	1
7	AF02 0725	Transport Roller: Grip: No.2: Drive	1
8	5447 2706	Gear - 15T	1
9	B234 6275	Pickup Arm	1
10	AA06 0523	Pick-up Pressure Spring	1
11	AW01 0107	Paper Feed Sensor	1
12	B065 6345	Paper End Sensor Bracket	1
13	B234 6254	Guide Plate - Feed	1
14	AA08 3009	Clutch Roller - 8x18x11	1
15	AA13 2228	Spacer - 1mm	4

Index No.	Part No.	Description	Q'ty Per Assembly
101	0451 4006N	Tapping Screw - 4x6	
102	1105 0511	Harness Clamp - LWS-0306ZC	
103	0720 0060E	Retaining Ring - M6	
104	0741 3708	Ball Bearing - 8x12x3.5mm	
105	0805 0088	Retaining Ring - M6	
106	0720 0040E	Retaining Ring - M4	
107	1105 0551	Clamp: LES-0505	

14.Paper Feed Unit 3 (D016/D097/G178/M078)



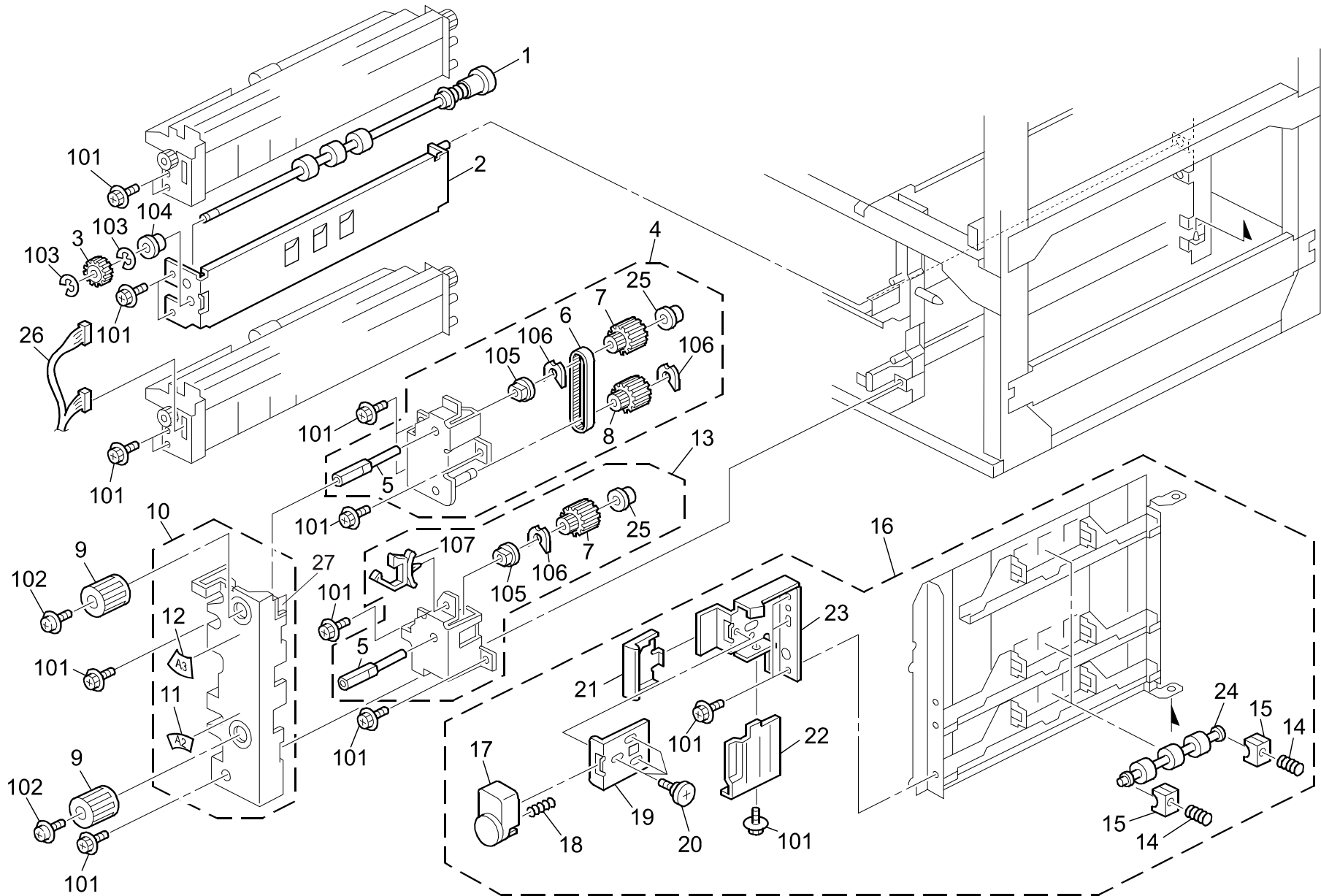
14.Paper Feed Unit 3 (D016/D097/G178/M078)

Index No.	Part No.	Description	Q'ty Per Assembly
1	B234 6253	Guide Plate - Reverse	1
2	5447 2681	Snap Ring	1
3	AF03 2080	Paper Feed Roller: Separate	1
4	B234 6301	Torque Limiter: 75mN m	1
5	B234 6223	Driven Reverse Shaft	1
6	AB01 1591	Gear: Reverse	1
7	B234 6245	Guide Plate - Vertical Transport	1
8	AB01 1392	Drive Reverse Gear - 24Z	1
9	B234 6222	Reverse Drive Shaft	1
10	AA06 1000	Spring - 1.42N	1
11	B234 6212	Reverse Lever	1
12	B234 6256	Guide - Rear	1
13	B234 6255	Guide - Front	1
14	B234 6231	DC Solenoid: Reverse: Ass'y	1
15	B234 6242	Guide - Roller: Driven Pressure	1
16	AF02 0672	Transport Roller - Driven	1
17	AA08 4059	Ball Bearing Holder	2
18	AA06 3674	Spring - 8N	2
20	B234 6215	Stay: Reverse: Ass'y	1
21	AA15 0280	Seal: Guide Plate: Vertical Transport	1

Index No.	Part No.	Description	Q'ty Per Assembly
101	0451 4006N	Tapping Screw - 4x6	
102	0720 0040E	Retaining Ring - M4	
103	0741 3506	Ball Bearing - 6x12x4 mm	
104	0573 0030E	Hexagon Headless Set Screw - M3x3	
105	1105 0511	Harness Clamp - LWS-0306ZC	

15.Vertical Transport (D016/D097/G178/M078)

Rev. 06/11/2009



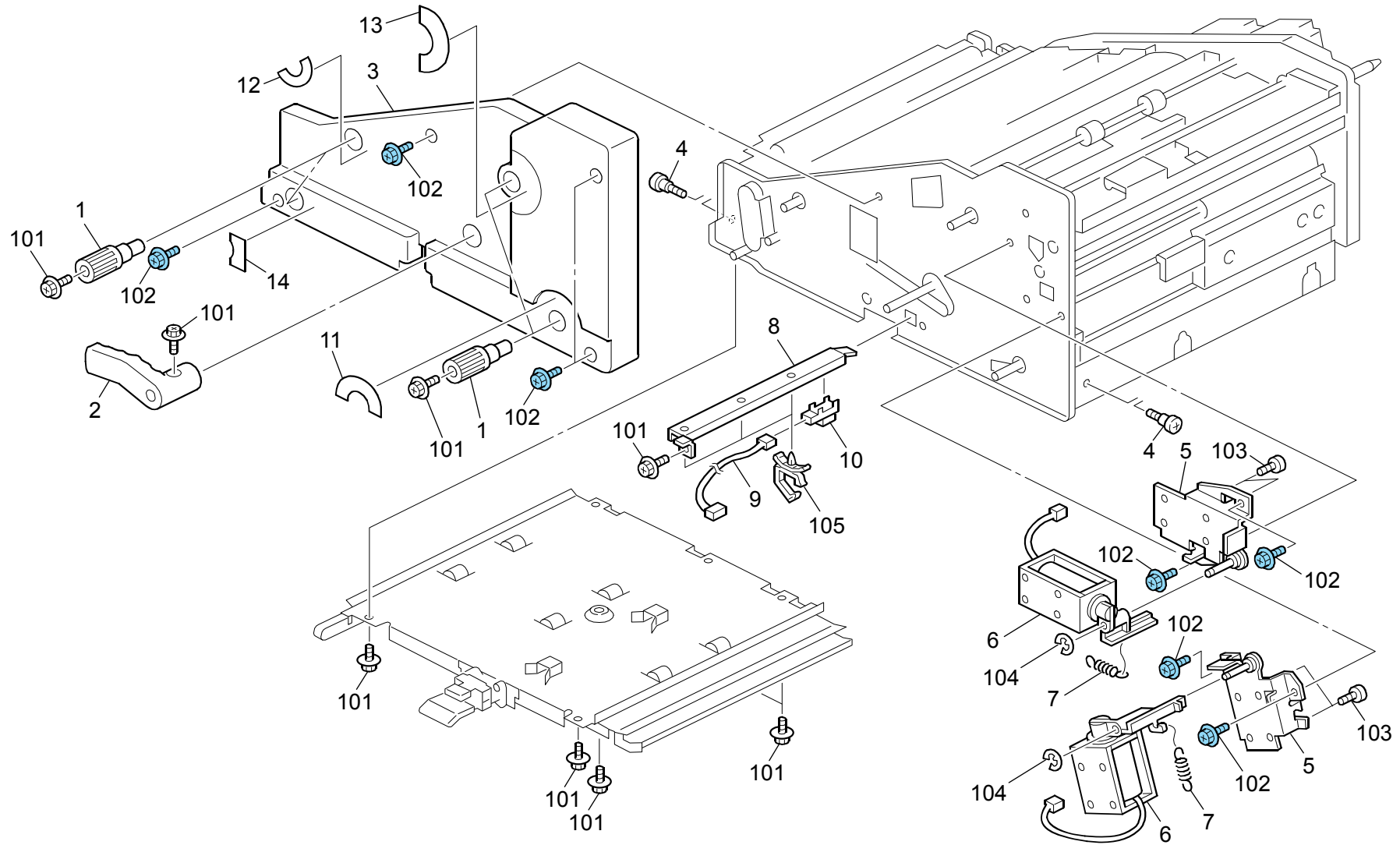
15.Vertical Transport (D016/D097/G178/M078)

Rev. 06/11/2009

Index No.	Part No.	Description	Q'ty Per Assembly
1	B234 6360	Transport Roller: Joint Unit: Ass'y	1
2	B234 6355	Guide Plate - Joint Unit	1
3	BB01 3007	Gear - 20Z	1
4	G178 2952	Bracket: Misfeed Removal: Upper: Ass'y	1
5	AA14 3570	Misfeed Removal Shaft	2
6	B700 3305	Timing Belt: B40S2M152	1
7	AB01 7726	Gear/Timing Pulley - 20Z/20T	2
8	AB01 7725	Gear/Timing Pulley - 20Z/20T	1
9	AG05 0101	Knob - Misfeed Removal	2
10	G178 2966	Inner Cover: Decal: Adhesion	1
11	G178 2954	Decal: Knob: Rotation Direction: A2	1
12	G178 2961	Decal: Knob: Rotation Direction: A3	1
13	G178 2953	Bracket: Misfeed Removal: Lower: Ass'y	1
14	AA06 3679	Spring - 10N	6
15	AA08 4059	Ball Bearing Holder	6
16	G178 2922	Vertical Transport Unit	1
17	B065 6428	Release Button - Vertical Transport	1
18	AA06 3878	Spring	1
19	G178 2916	Lever: Release: Vertical Transport	1
20	AA14 3560	Stepped Screw - M4	3
21	B234 6424	Release Grip	1
22	B234 6427	Cover: Release: Vertical Transport	1
23	G178 2926	Bracket: Release: Vertical Transport	1
24	AF02 2166	Transport Roller - Driven	3
25	AA08 0265	Bushing: 6x8x5	2
26	G178 5891	Harness: Paper Feed Unit: Connecting	1
27	G178 2977	Seal: Inner Cover: Front	1
		[TSB G178-087 D016-016]	

Index No.	Part No.	Description	Q'ty Per Assembly
101	0451 4008N	Tapping Screw: 4x8	
102	0951 4008N	Screw: Polished Round: M4x8	
103	0720 0060E	Retaining Ring - M6	
104	0741 3708	Ball Bearing - 8x12x3.5mm	
105	0805 3386	Bushing - 8mm	
106	0805 0088	Retaining Ring - M6	
107	1105 0516	Clamp	

16.Paper Registration 1 (D016/D097/G178/M078)

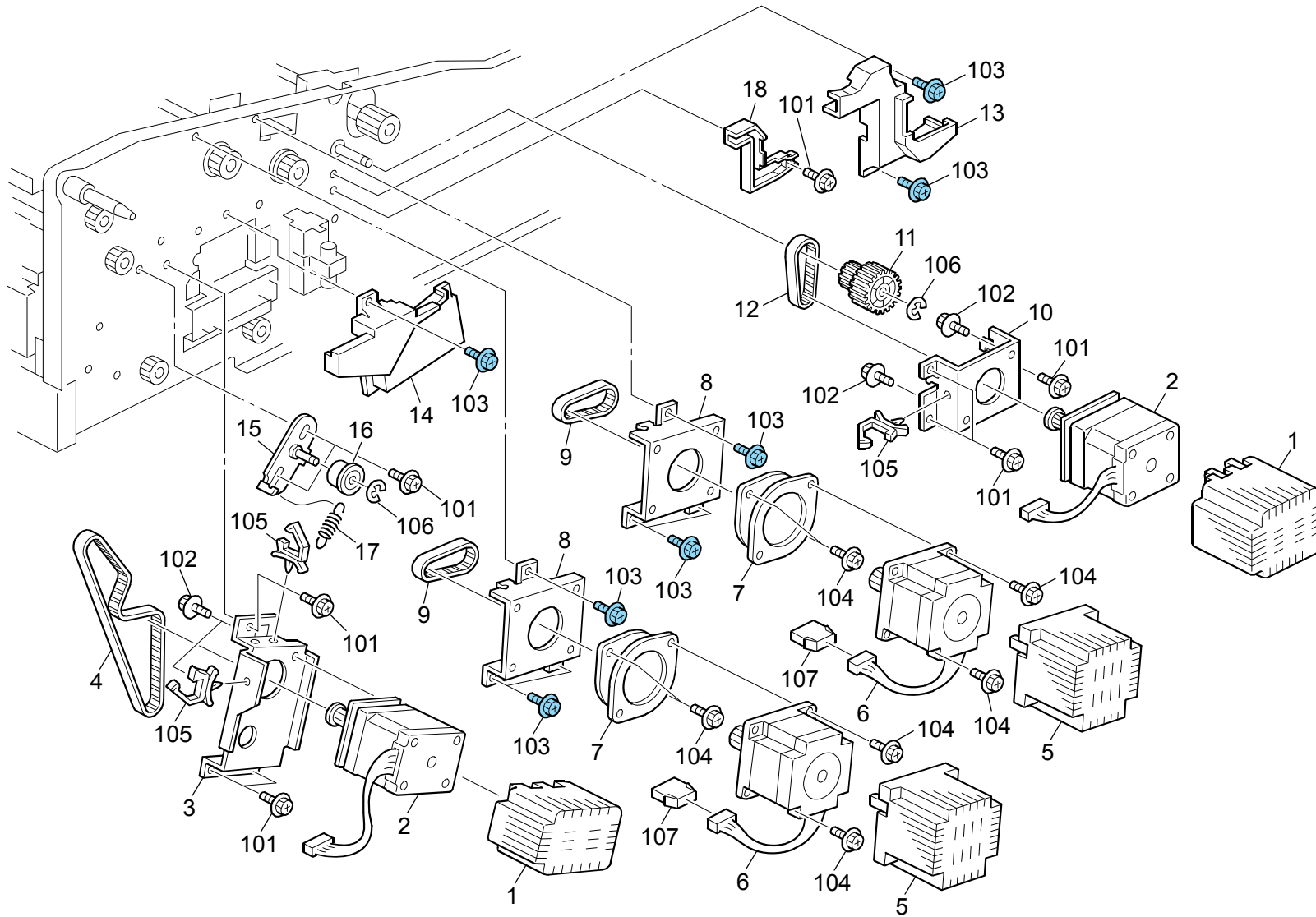


16.Paper Registration 1 (D016/D097/G178/M078)

Index No.	Part No.	Description	Q'ty Per Assembly
1	AG05 0100	Knob - Transport Roller	4
2	G178 7686	Lever: Pull Out: Transport	1
3	G178 7683	Inner Cover: Registration: UNI	1
4	G178 7793	Screw: Registration: Fix	2
5	G178 7464	Holder: Solenoid	2
6	G178 7751	DC Solenoid	2
7	G178 7647	Tension Spring: Solenoid	2
8	G178 4737	Bracket: Sensor: Duplex: No.2	1
9	G178 5779	Harness: Transport: Reverse: Sensor	1
10	AW01 0107	Paper Feed Sensor	1
11	G178 7689	Decal: Knob: Rotation Direction: B1	1
12	G178 7691	Decal: Knob: Rotation Direction: B6	1
13	G178 7692	Decal: Knob: Rotation Direction: B2	1
14	G178 7693	Decal: Knob: Rotation Direction: Z3	1

Index No.	Part No.	Description	Q'ty Per Assembly
101	0451 4008N	Tapping Screw: 4x8	
102	0454 4008Q	Tapping Screw - M4x8	
103	0353 0040N	Screw - M3x4	
104	0720 0030E	Retaining Ring - M3	
105	1105 0511	Harness Clamp - LWS-0306ZC	

17. Paper Registration 2 (D016/D097/G178/M078)

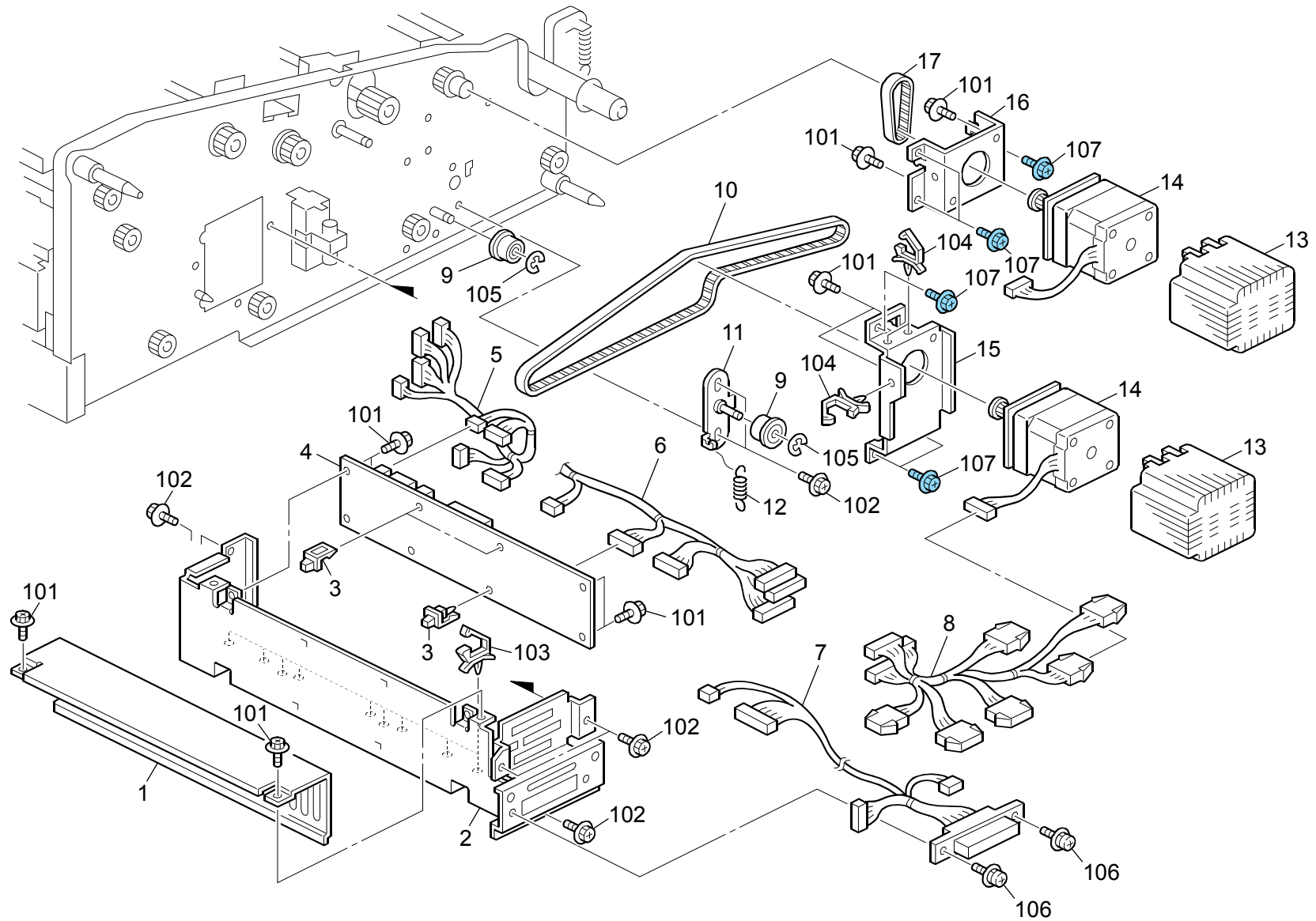


17.Paper Registration 2 (D016/D097/G178/M078)

Index No.	Part No.	Description	Q'ty Per Assembly
1	G178 7694	Cover: DC Stepper Motor: MM42	2
2	B132 6655	Stepper Motor: Paper Feed Unit: Ass'y	2
3	G178 7488	Bracket: Stepper Motor: MM42	1
4	AA04 3955	Timing Belt - 60S2M434	1
5	G178 4900	Cover: DC Stepper Motor: MM56	2
6	AX04 0157	Stepper Motor DC1.68V 6.7W	2
7	AA16 1122	Motor Cushion	2
8	G178 7384	Bracket: Stepper Motor: MM56	2
9	AA04 3308	Timing Belt - S2M114 9MM	2
10	G178 7400	Holder: Stepper Motor	1
11	G178 7781	Gear: Pulley	1
12	AA04 3621	Timing Belt - 60S2M156	1
13	G178 7727	Cover: Cable: Right [TSB G178-012]	1
14	G178 7723	Cover: Cable	1
15	G178 7489	Bracket: Pulley: Peen	1
16	AB03 0310	Tightener Pulley	1
17	G178 7656	Tension Spring: Tensioner	1
18	G178 7546	Guide: Cable [TSB G178-012]	1

Index No.	Part No.	Description	Q'ty Per Assembly
101	0451 4008N	Tapping Screw: 4x8	
102	0451 3006N	Tapping Screw - 3x6	
103	0454 4008Q	Tapping Screw - M4x8	
104	0451 4010N	Tapping Screw: 4x10	
105	1105 0511	Harness Clamp - LWS-0306ZC	
106	0720 0040E	Retaining Ring - M4	
107	1102 6263	Connector - 6P	

18.Paper Registration 3 (D016/D097/G178/M078)

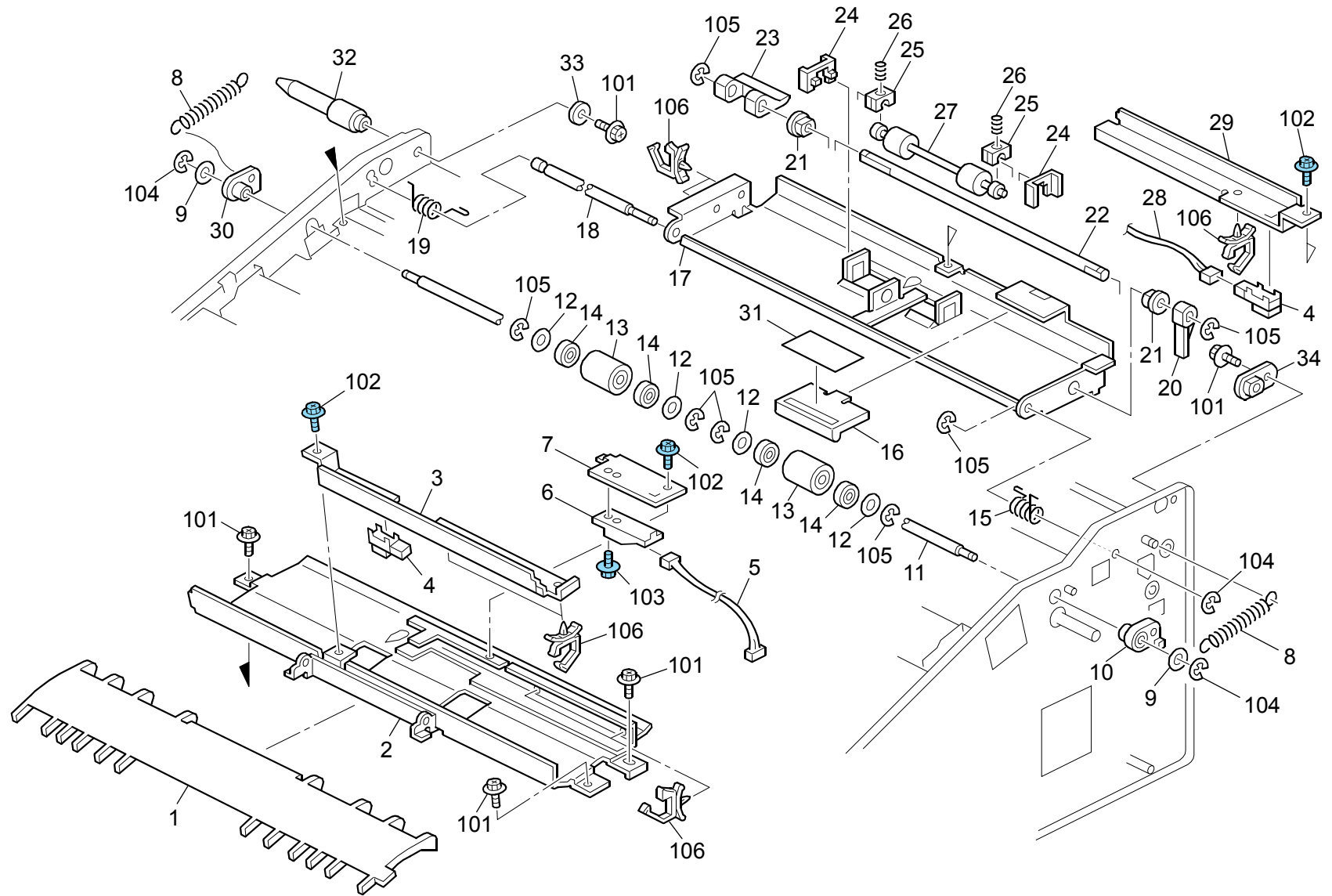


18.Paper Registration 3 (D016/D097/G178/M078)

Index No.	Part No.	Description	Q'ty Per Assembly
1	G178 7685	Cover: PCB	1
2	G178 7468	Holder: PCB: Connecting	1
3	G178 7668	Spacer: 7907032: Base	3
4	G178 7706	PCB: RCB	1
5	G178 5790	Harness: Registration: Sensor: No.1	1
6	G178 5791	Harness: Registration: Motor: No.1	1
7	G178 5659	Harness: Registration: Drawer	1
8	G178 5787	Harness: Registration: Motor: No.2	1
9	AB03 0310	Tightener Pulley	2
10	G178 7772	Timing Belt: 60S2M: 668	1
11	G178 7489	Bracket: Pulley: Peen	1
12	G178 7656	Tension Spring: Tensioner	1
13	G178 7694	Cover: DC Stepper Motor: MM42	2
14	B132 6655	Stepper Motor: Paper Feed Unit: Ass'y	2
15	G178 7488	Bracket: Stepper Motor: MM42	1
16	G178 7400	Holder: Stepper Motor	1
17	B702 7210	Timing Belt: B60S2M122	1

Index No.	Part No.	Description	Q'ty Per Assembly
101	0451 3006N	Tapping Screw - 3x6	
102	0451 4008N	Tapping Screw: 4x8	
103	1105 0508	Harness Clamp - LWS-0711	
104	1105 0511	Harness Clamp - LWS-0306ZC	
105	0720 0040E	Retaining Ring - M4	
106	0954 3008N	Screw - M3x8	
107	0454 4008Q	Tapping Screw - M4x8	

19. Paper Registration 4 (D016/D097/G178/M078)

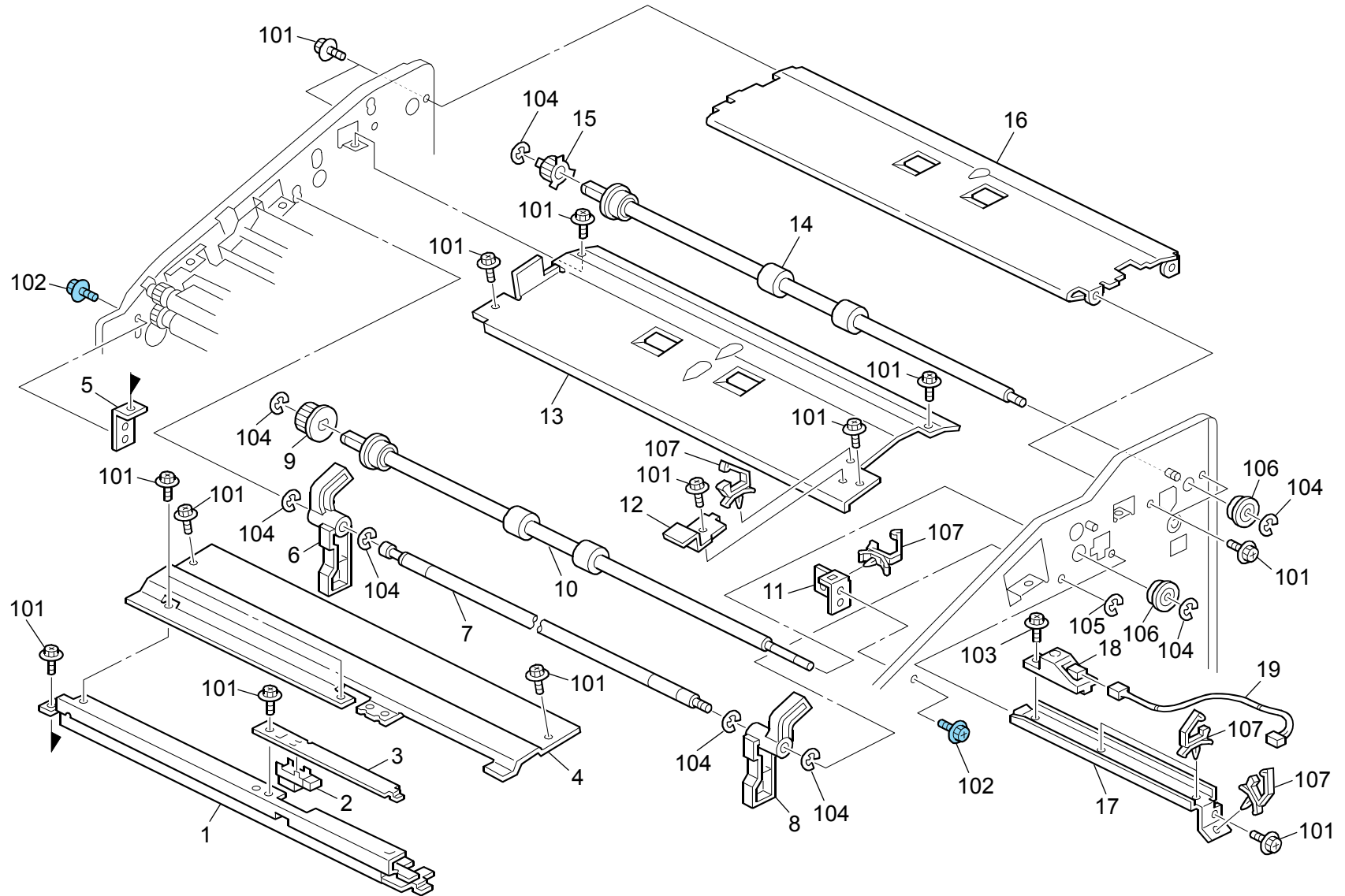


19.Paper Registration 4 (D016/D097/G178/M078)

Index No.	Part No.	Description	Q'ty Per Assembly
1	G178 7741	Arm: Guide	1
2	G178 7537	Guide Plate: Registration: F Upper	1
3	G178 7420	Holder: Sensor: Transport Roller	1
4	AW01 0107	Paper Feed Sensor	2
5	G178 5797	Harness: Double Feed Sensor: Photo	1
6	AW00 0011	Optics Sensor: Photo	1
7	G178 7404	Holder: Double Feed Sensor: Upper	1
8	G178 7652	Tension Spring: Transport Roller	2
9	H072 2220	Spacer - M6x10	2
10	B234 2628	Ball Bearing - Front	1
11	G178 7396	Shaft: Driven: On-Off	1
12	G178 7664	Spacer	4
13	G178 7660	Pressure Roller: Transport Roller	2
14	G060 2296	Ball Bearing: 8x16x5mm	4
15	G178 7459	Spring: Paper Feed Sub-unit: Front	1
16	B234 6424	Release Grip	1
17	G178 7455	Guide Plate: Entrance: Upper	1
18	G178 7609	Hinge: Shaft	1
19	G178 7460	Spring: Paper Feed Sub-unit: Rear	1
20	G178 7452	Lever: Link: Transport Roller	1
21	AA08 2104	Bushing - 8x12x7	2
22	G178 7454	Shaft: On-Off: Roller	1
23	G178 7453	Arm: On-Off: Transport Roller	1
24	G178 7790	Holder: Roller: On-Off	2
25	AA08 4059	Ball Bearing Holder	2
26	AA06 3678	Spring - 3.5N	2
27	AF02 2171	Transport Roller: Driven: DIA18x2	1
28	G178 5786	Harness: Entrance Sensor: I/F	1
29	G178 7458	Holder: Sensor: Entrance	1
30	B234 2629	Ball Bearing - Rear	1
31	G178 7682	Decal: Grip: Open And Close: B5	1
32	G178 7441	Positioning Pin: Transport Unit	1
33	G178 7670	Washer: 455554	1
34	G178 7743	Boss: Positioning Pin: Transport Unit: No.1	1

Index No.	Part No.	Description	Q'ty Per Assembly
101	0451 4008N	Tapping Screw: 4x8	
102	0454 4008Q	Tapping Screw - M4x8	
103	0454 3006Q	Tapping Screw - M3x6	
104	0720 0040E	Retaining Ring - M4	
105	0720 0060E	Retaining Ring - M6	
106	1105 0511	Harness Clamp - LWS-0306ZC	

20. Paper Registration 5 (D016/D097/G178/M078)

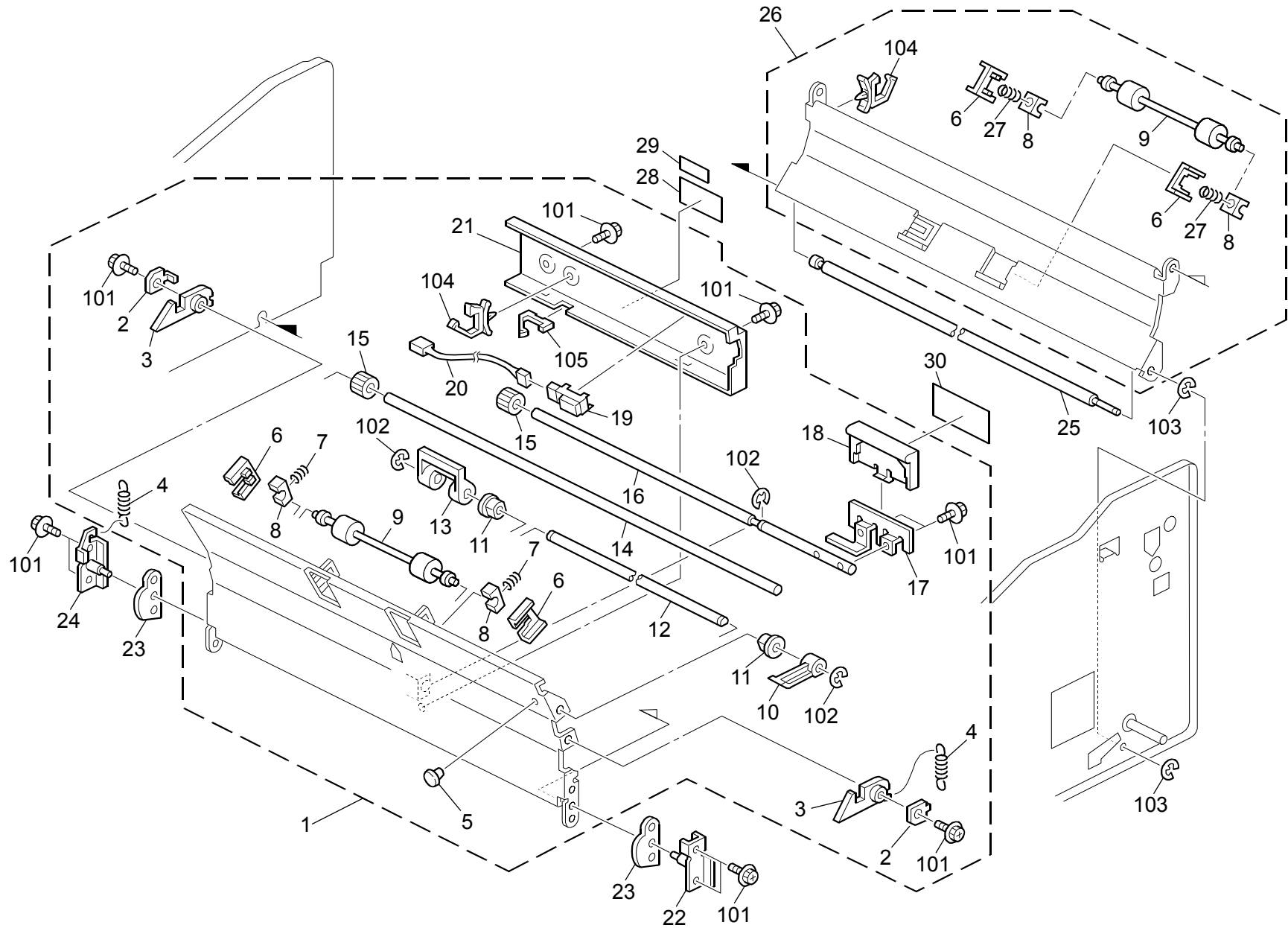


20.Paper Registration 5 (D016/D097/G178/M078)

Index No.	Part No.	Description	Q'ty Per Assembly
1	G178 7758	Guide Plate: Registration: Exit	1
2	AW01 0107	Paper Feed Sensor	1
3	G178 7418	Holder: Sensor: Exit	1
4	G178 7383	Cover: Registration: UNI	1
5	G178 7526	Bracket: Fix: Guide Plate: Rear	1
6	G178 7391	Arm: Cam: Transport Roller: Rear	1
7	G178 7398	Shaft: Contact Point: Arm	1
8	G178 7390	Arm: Cam: Transport Roller: Front	1
9	B234 6506	Timing Pulley - 30T	1
10	G178 7745	Transport Roller: Timing: Press Fit	1
11	G178 7527	Bracket: Fix: Guide Plate: Front	1
12	G178 7421	Bracket: Bearing: Guide: Rear	1
13	G178 7408	Guide Plate: Registration: F Lower	1
14	G178 7747	Transport Roller: Duplex: Press Fit	1
15	AB03 0802	Timing Pulley - 24T	1
16	G178 7762	Guide Plate: Entrance: Lower	1
17	G178 7405	Holder: Double Feed Sensor: Lower	1
18	AX56 0011	LED	1
19	G178 5796	Harness: Double Feed Sensor: Radiate	1

Index No.	Part No.	Description	Q'ty Per Assembly
101	0451 4008N	Tapping Screw: 4x8	
102	0454 4008Q	Tapping Screw - M4x8	
103	0451 3006N	Tapping Screw - 3x6	
104	0720 0060E	Retaining Ring - M6	
105	0720 0040E	Retaining Ring - M4	
106	0741 3808	Ball Bearing - 8x16x5mm	
107	1105 0511	Harness Clamp - LWS-0306ZC	

21.Paper Registration 6 (D016/D097/G178/M078)

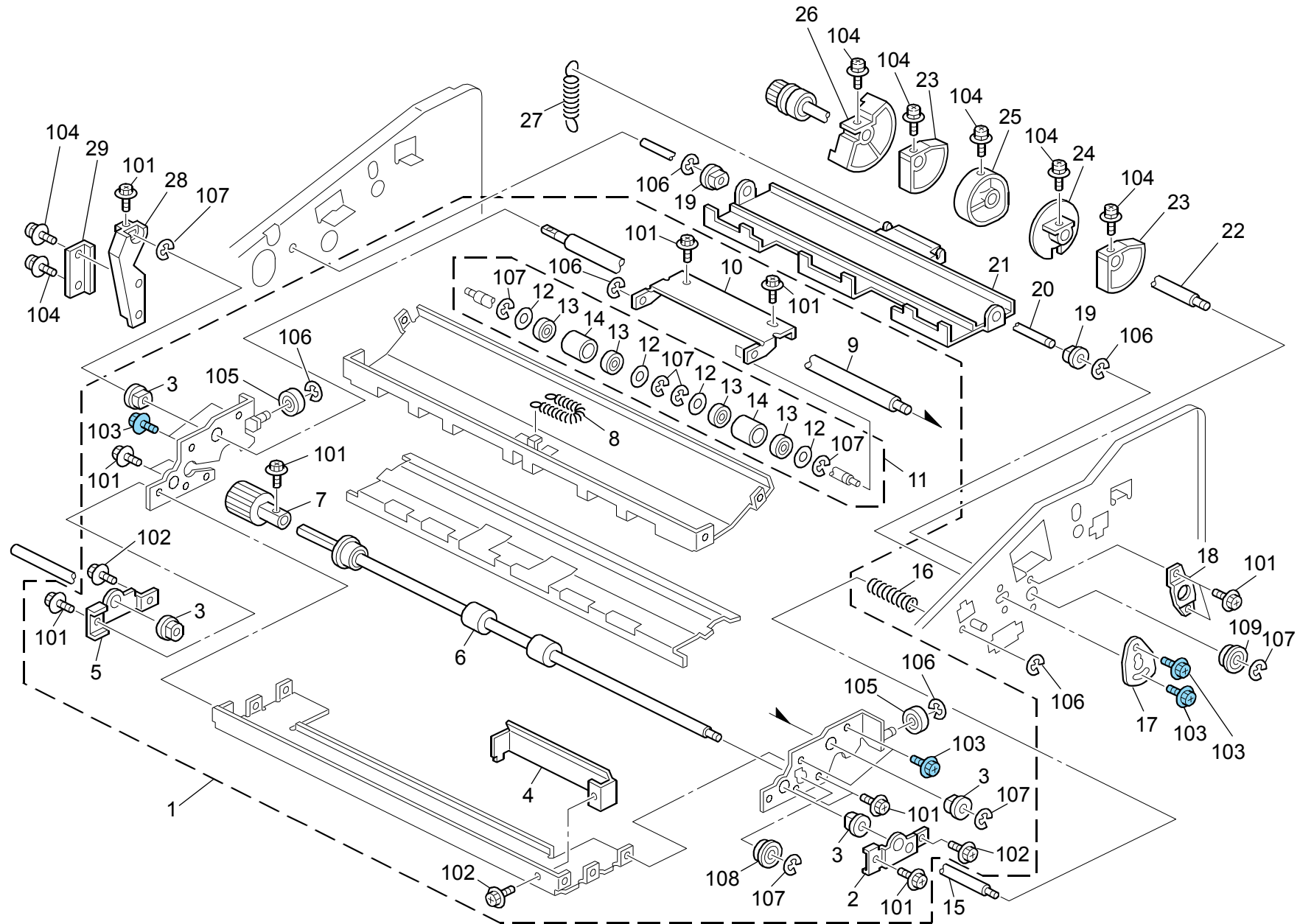


21.Paper Registration 6 (D016/D097/G178/M078)

Index No.	Part No.	Description	Q'ty Per Assembly
1	G178 7580	Guide Plate: Vertical Transport: RU	1
2	G178 7606	Bracket: Holder: Latch	2
3	G178 7605	Hook: Latch	2
4	G178 7654	Tension Spring: 7062125	2
5	G178 7667	Rubber Foot	1
6	G178 7790	Holder: Roller: On-Off	4
7	AA06 3678	Spring - 3.5N	2
8	AA08 4059	Ball Bearing Holder	4
9	AF02 2171	Transport Roller: Driven: DIA18x2	2
10	G178 7616	Link: Lever: No.2	1
11	AA08 2104	Bushing - 8x12x7	2
12	G178 7454	Shaft: On-Off: Roller	1
13	G178 7453	Arm: On-Off: Transport Roller	1
14	G178 7607	Shaft: Latch: Hinge	1
15	G178 7688	Gear: Guide Plate: Open and Close	2
16	G178 7687	Shaft: Lever: Open and Close	1
17	G178 7608	Bracket: Lever	1
18	B234 6424	Release Grip	1
19	AW01 0107	Paper Feed Sensor	1
20	G178 5795	Harness: Regist: Entrance Sensor	1
21	G178 7617	Cover: Entrance: Sensor	1
22	G178 7610	Holder: Hinge	1
23	G178 7615	Cam: Guide Plate	2
24	G178 7613	Holder: Hinge	1
25	G178 7609	Hinge: Shaft	1
26	G178 7579	Guide Plate: Vertical Transport: RL	1
27	AA06 3675	Spring - 5N	2
28	G178 7680	Decal: Transport Unit: Caution	1
29	D355 4572	Decal: Paper Tray: Warning	1
30	G178 7681	Decal: Grip: Open And Close: B4	1

Index No.	Part No.	Description	Q'ty Per Assembly
101	0451 4008N	Tapping Screw: 4x8	
102	0720 0060E	Retaining Ring - M6	
103	0720 0040E	Retaining Ring - M4	
104	1105 0511	Harness Clamp - LWS-0306ZC	
105	1105 0522	Edge Saddle - LES0510	

22.Paper Registration 7 (D016/D097/G178/M078)

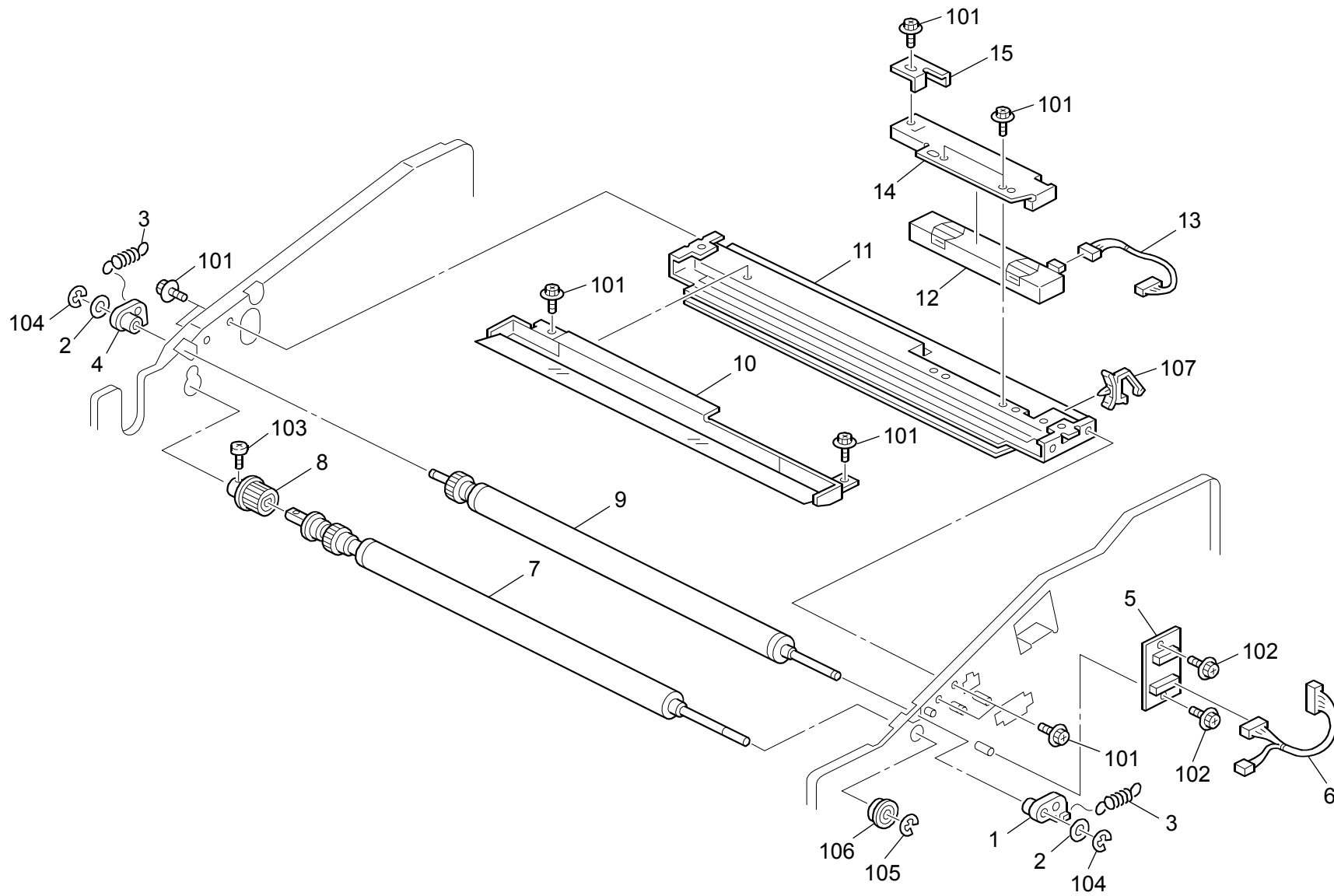


22.Paper Registration 7 (D016/D097/G178/M078)

Index No.	Part No.	Description	Q'ty Per Assembly
1	G178 7716	Transport Roller: Shift: Ass'y	1
2	G178 7367	Holder: Shift: Spring	1
3	AA08 2104	Bushing - 8x12x7	4
4	G178 7370	Duct: Shift	1
5	G178 7368	Holder: Shift: Bearing	1
6	G178 7554	Transport Roller: Shift: Press Fit	1
7	G178 7717	Gear: Shift: Roller	1
8	G178 7649	Spring: Pressure Roller: Shift	1
9	G178 7364	Shaft: Shift: Take	1
10	G178 7365	Arm: Shift: Roller: Take	1
11	G178 7715	Drive Roller: Registration: Ass'y	1
12	G178 7664	Spacer	4
13	G060 2296	Ball Bearing: 8x16x5mm	4
14	G178 7660	Pressure Roller: Transport Roller	2
15	G178 7358	Shaft: Shift	1
16	G178 7646	Compression Spring: Shift	1
17	G178 7474	Plate: Adjusting Pin: Gate Pawl	1
18	G178 7480	Holder: Bearing: Cam	1
19	AA08 2101	Bushing - 6x10x6	2
20	G178 7387	Shaft: Gate Pawl	1
21	G178 7540	Gate Pawl: Welding	1
22	G178 7766	Shaft: Cam	1
23	G178 7389	Cam: Transport Roller	2
24	G178 7392	Disc: Sensor: Cam	1
25	G178 7386	Cam: Gate Pawl	1
26	G178 7395	Cam: Transport Roller: Shift	1
27	G178 7653	Tension Spring: Cam: On-Off	1
28	G178 7372	Arm: Shift: Take Shejter	1
29	G178 7373	Guide: Arm: Shift	1

Index No.	Part No.	Description	Q'ty Per Assembly
101	0451 4008N	Tapping Screw: 4x8	
102	0451 3006N	Tapping Screw - 3x6	
103	0454 4008Q	Tapping Screw - M4x8	
104	0954 3008N	Screw - M3x8	
105	0740 3906	Ball Bearing - 6x15x5	
106	0720 0040E	Retaining Ring - M4	
107	0720 0060E	Retaining Ring - M6	
108	0741 3808	Ball Bearing - 8x16x5mm	
109	0741 3006	Ball Bearing - 6x17x6mm	

23.Paper Registration 8 (D016/D097/G178/M078)

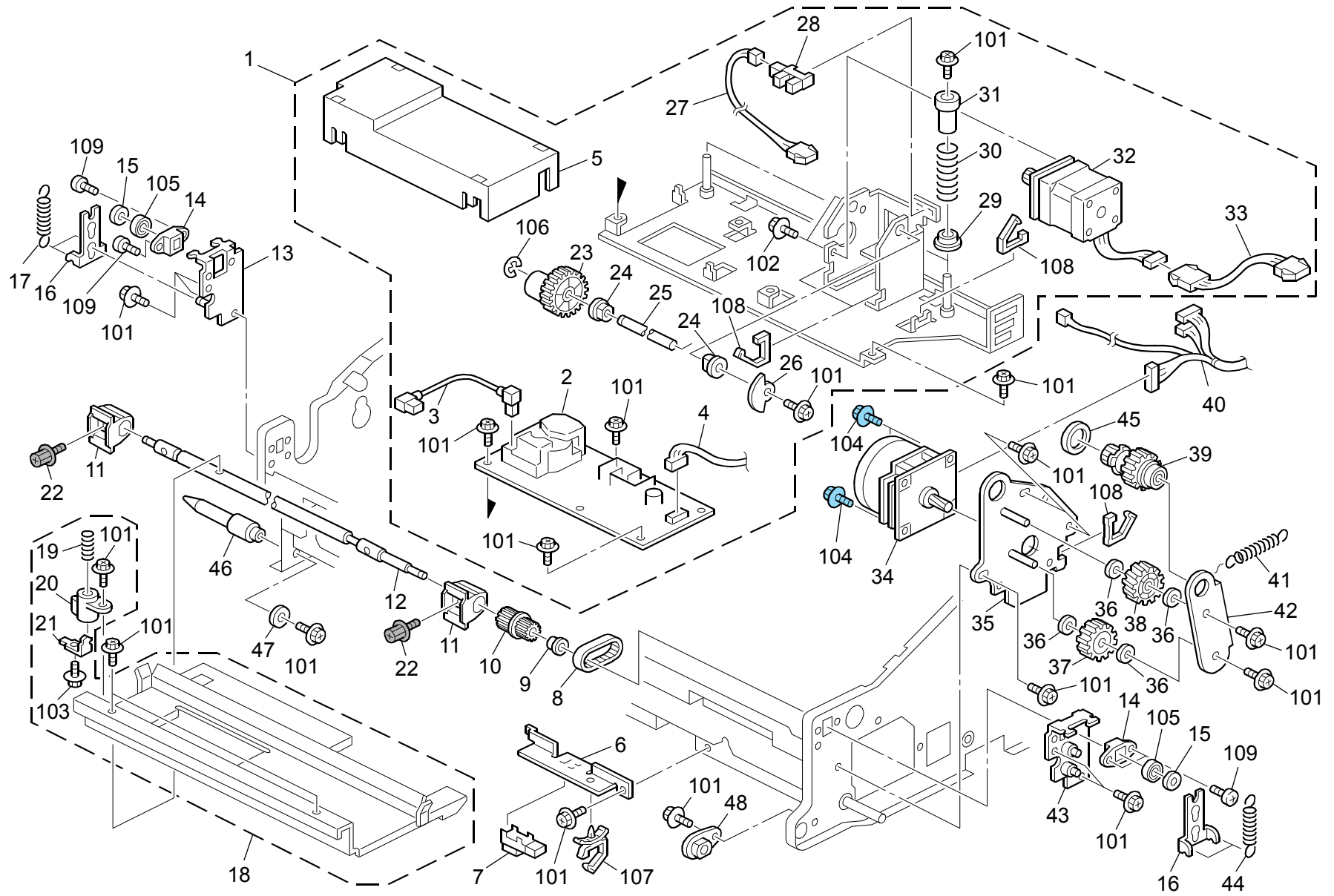


23.Paper Registration 8 (D016/D097/G178/M078)

Index No.	Part No.	Description	Q'ty Per Assembly
1	B234 2628	Ball Bearing - Front	1
2	H072 2220	Spacer - M6x10	2
3	G178 7651	Tension Spring: Registration	2
4	B234 2629	Ball Bearing - Rear	1
5	B234 5280	PCB CRB	1
6	G178 5756	Harness: Registration: CRB: Connecting	1
7	G178 7564	Registration Roller: Drive	1
8	AB03 0803	Timing Pulley - 25T	1
9	G178 7565	Registration Roller: Driven	1
10	G178 7572	Scraper: Ass'y	1
11	G178 7423	Guide Plate: Registration: Rear Upper	1
12	B234 2750	Contact Image Sensor	1
13	G178 5671	Harness: Registration: CRB: Sensor	1
14	G178 7414	Bracket: Positioning Sensor	1
15	G178 7413	Stay: Positioning Sensor	1

Index No.	Part No.	Description	Q'ty Per Assembly
101	0451 4008N	Tapping Screw: 4x8	
102	0451 3006N	Tapping Screw - 3x6	
103	0353 0050N	Screw-M3x5	
104	0720 0040E	Retaining Ring - M4	
105	0720 0060E	Retaining Ring - M6	
106	0741 3808	Ball Bearing - 8x16x5mm	
107	1105 0534	Clamp	

24.Paper Registration 9 (D016/D097/G178/M078)

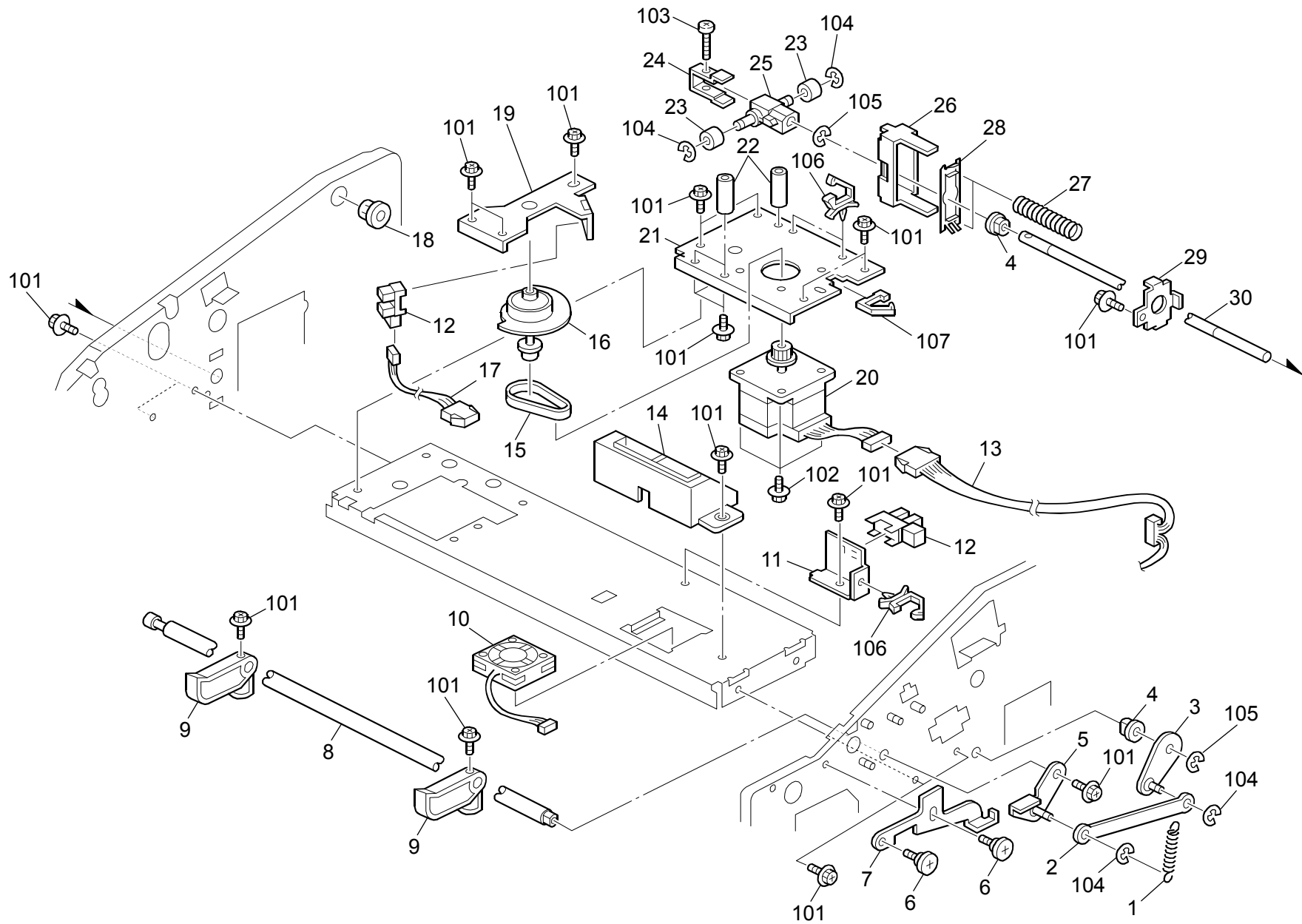


24.Paper Registration 9 (D016/D097/G178/M078)

Index No.	Part No.	Description	Q'ty Per Assembly
1	G178 6830	Base: On-Off: Ass'y	1
2	AZ31 0029	Power Pack: D	1
3	G178 5765	Harness: T/S: Power Pack: High Voltage	1
4	G178 5661	Harness: T/S Power Pack: I/F	1
5	B132 1220	Cover: Base: Pull Out	1
6	G178 7475	Holder: Sensor: Duplex Unit	1
7	AW01 0107	Paper Feed Sensor	1
8	G178 6852	Synchronous Belt: 80S3M144	1
9	G178 6884	Bushing: Transfer Drive	1
10	G178 6882	Gear: Pulley: Ass'y	1
11	G178 7446	Stopper: Lock: Transfer	2
12	G178 7448	Shaft: Contact Point: Transfer	1
13	G178 6893	Pressure Plate: Rear: Peen	1
14	G178 6865	Housing: Bearing: On-Off	2
15	G178 6895	Spacer: Shaft: On-Off	2
16	G178 6889	Pressure Plate: Slide	2
17	G178 4087	Tension Spring: Transfer: Second	2
18	G178 6707	Frame: On-Off: Transfer Roller: Ass'y	1
19	G178 6871	Compression Spring	1
20	G178 6857	Socket: Housing	1
21	G178 6858	Plate: Terminal	1
22	B234 2390	Flanged Hexagonal Head Bolt: M4x8	2
23	G178 6837	Cam: On-Off: Automatic	1
24	AA08 2104	Bushing - 8x12x7	2
25	G178 6836	Shaft: Cam: On-Off: Automatic	1
26	G178 6839	Plate: Positioning Sensor: On-Off	1
27	G178 5753	Harness: T/S: Transfer Roller: Sensor	1
28	AW02 0145	Photointerruptor: Flat	1
29	G178 6849	Sleeve: Spring: On-Off	2
30	G178 6872	Compression Spring: Transfer: On-Off	2
31	G178 6843	Collar: Spring: On-Off	2
32	G178 6868	Stepper Motor: DC 5.75W	1
33	G178 5750	Harness: T/S: Transfer Roller: Motor	1
34	AX06 0280	DC Motor: MM63: 24W	1
35	G178 6821	Plate: Motor: Drive: Ass'y	1

Index No.	Part No.	Description	Q'ty Per Assembly
36	AA13 2111	Spacer - 8x12x0.5	4
37	G178 6824	Gear: Idler: No.1	1
38	G178 6823	Gear: Idler: No.2: Rear	1
39	G178 6846	Gear: Motor: No.2: Ass'y	1
40	G178 5788	Harness: Registration: Sensor: No.2	1
41	G178 6876	Tension Spring: Belt Tension: 60N	1
42	G178 6835	Holder: Shaft: Drive	1
43	G178 6892	Pressure Plate: Front: Peen	1
44	G178 7834	Tension Spring: Transfer: 10N	2
45	G178 6850	Spacer: Pulley: Transfer Drive	1
46	G178 7441	Positioning Pin: Transport Unit	1
47	G178 7670	Washer: 455554	1
48	G178 7744	Boss: Positioning Pin: Transport Unit: No.2	1
101	0451 4008N	Tapping Screw: 4x8	
102	0451 3006N	Tapping Screw - 3x6	
103	0450 3008N	Tapping Screw - M3x8	
104	0454 4008Q	Tapping Screw - M4x8	
105	0740 3705	Ball Bearing: DIA5xDIA8x2.5	
106	0720 0050E	Retaining Ring - M5	
107	1105 0511	Harness Clamp - LWS-0306ZC	
108	1105 0522	Edge Saddle - LES0510	
109	0353 0040N	Screw - M3x4	

25.Paper Registration 10 (D016/D097/G178/M078)

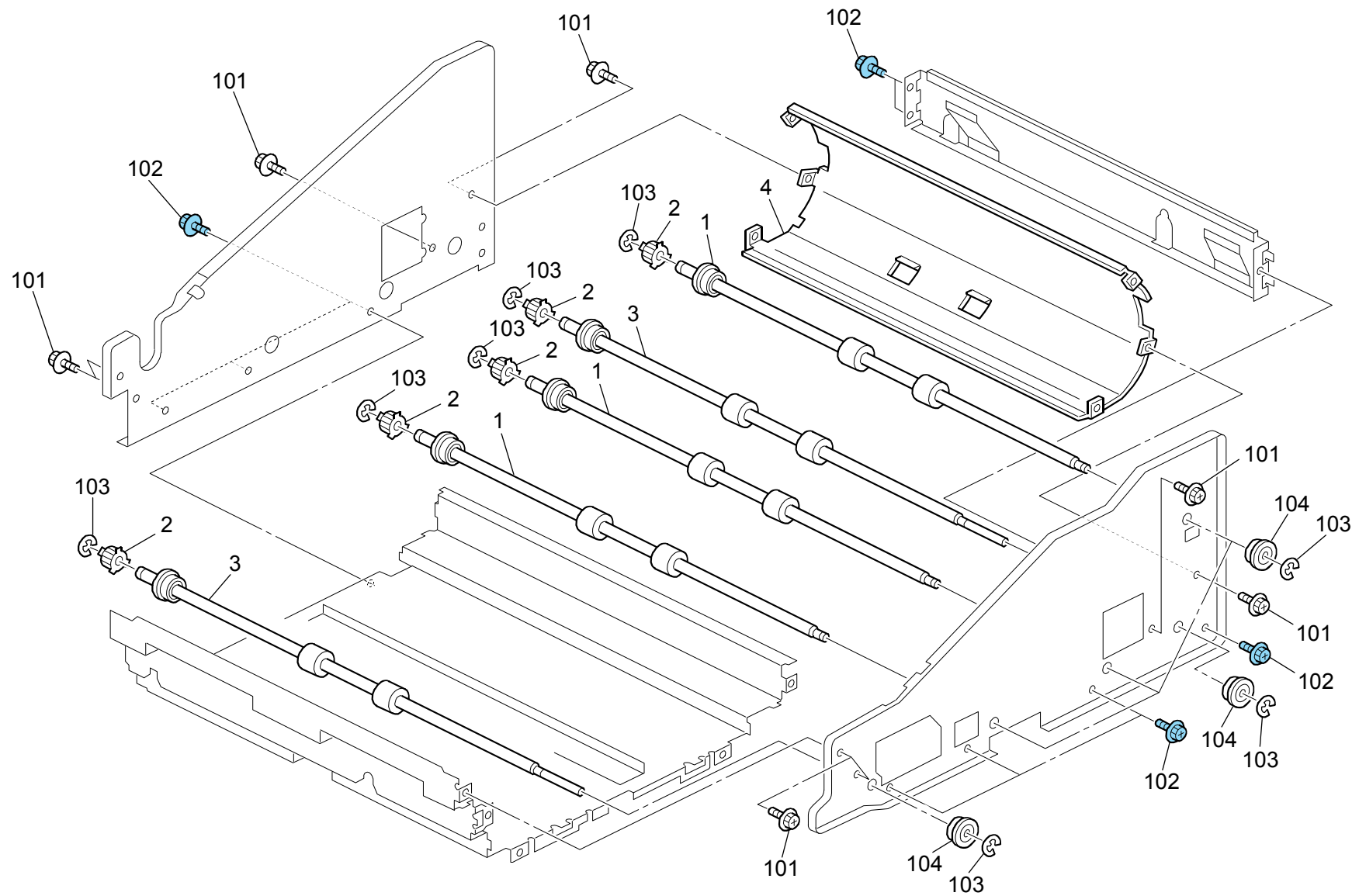


25.Paper Registration 10 (D016/D097/G178/M078)

Index No.	Part No.	Description	Q'ty Per Assembly
1	G178 7655	Tension Spring: Link	1
2	G178 7445	Link: Handle: Middle	1
3	G178 7437	Link: Handle: Right	1
4	AA08 2104	Bushing - 8x12x7	2
5	G178 7434	Link: Handle: Left	1
6	C238 2573	Stepped Screw	2
7	G178 7450	Link: Lock: Transfer	1
8	G178 7439	Shaft: On-Off: Transfer	1
9	G178 7447	Cam: On-Off: Transfer	2
10	AX64 0149	Fan Motor: MM40: 15mm	1
11	G178 7399	Holder: Sensor: Cam	1
12	AW02 0145	Photointerruptor: Flat	2
13	G178 5666	Harness: Registration: Motor: No.3	1
14	G178 7740	Duct: CIS: Fan	1
15	AA04 3476	Timing Belt 160 S2M8	1
16	G178 7555	Shaft: Shift: Cam: Press Fit	1
17	G178 5858	Harness: Registration: Shift: Sensor	1
18	G178 7665	Bushing	1
19	G178 7704	Holder: Stepper Motor: Shift	1
20	AX04 0157	Stepper Motor DC1.68V 6.7W	1
21	G178 7477	Holder: Stepper Motor: Shift	1
22	G178 7764	Stand: Pin: Shift	3
23	AA13 2300	Roller: Lock: Pull Out	2
24	B132 1224	Supporting Plate: Bracket: Lock	1
25	B132 1183	Bracket: Lock	1
26	G178 4759	Bracket: Lock: Exit	1
27	G178 4818	Spring: Pull Out: Lock: Exit	2
28	B132 1221	Holder: Spring: Pull Out	1
29	G178 7788	Holder: Handle: Latch: Spring	1
30	G178 7449	Shaft: Lock: Lever	1

Index No.	Part No.	Description	Q'ty Per Assembly
101	0451 4008N	Tapping Screw: 4x8	
102	0451 4012N	Tapping Screw: 4x12	
103	0314 0180N	Pan Head Screw: M4x18	
104	0720 0040E	Retaining Ring - M4	
105	0720 0060E	Retaining Ring - M6	
106	1105 0511	Harness Clamp - LWS-0306ZC	
107	1105 0522	Edge Saddle - LES0510	

26.Paper Registration 11 (D016/D097/G178/M078)

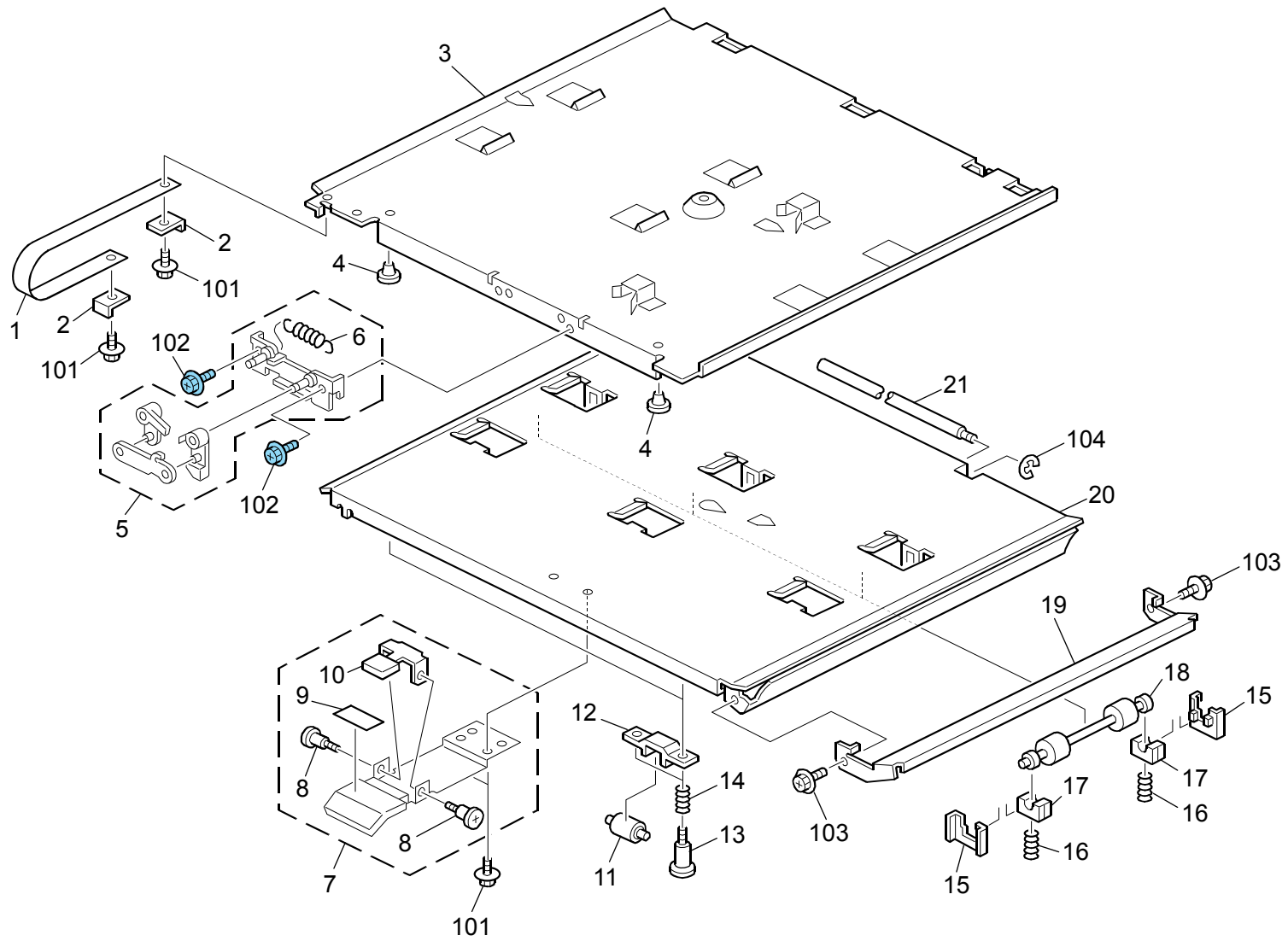


26.Paper Registration 11 (D016/D097/G178/M078)

Index No.	Part No.	Description	Q'ty Per Assembly
1	G178 7747	Transport Roller: Duplex: Press Fit	3
2	AB03 0802	Timing Pulley - 24T	5
3	G178 7749	Transport Roller: Duplex: Knob: Press Fit	2
4	G178 7520	Guide Plate: Vertical Transport: Left	1

Index No.	Part No.	Description	Q'ty Per Assembly
101	0451 4008N	Tapping Screw: 4x8	
102	0454 4008Q	Tapping Screw - M4x8	
103	0720 0060E	Retaining Ring - M6	
104	0741 3808	Ball Bearing - 8x16x5mm	

27.Paper Registration 12 (D016/D097/G178/M078)



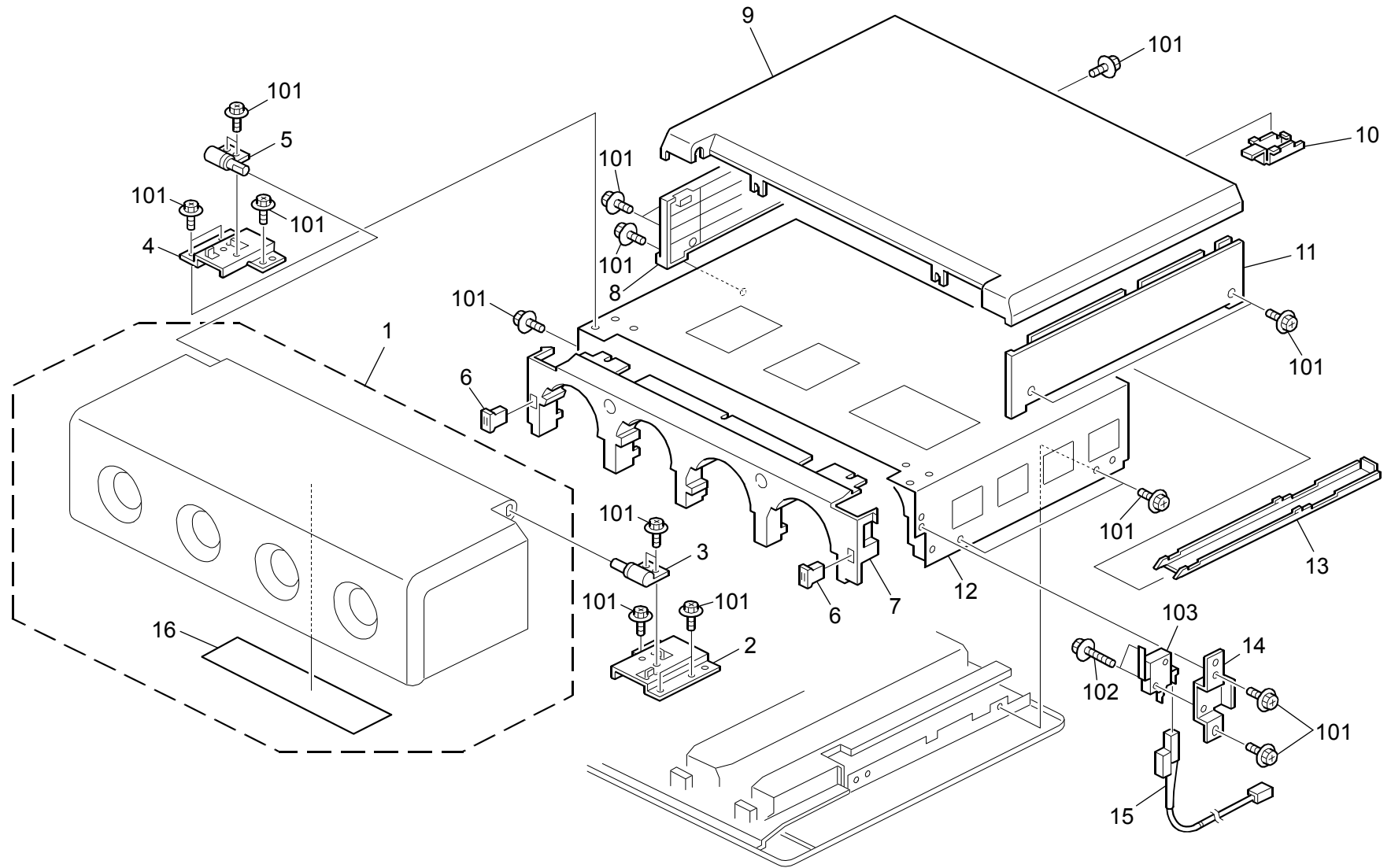
27.Paper Registration 12 (D016/D097/G178/M078)

Rev. 12/10/2009

Index No.	Part No.	Description	Q'ty Per Assembly
1	A096 4928	Guide Plate Band	1
2	G178 7618	Plate: Fix: Band	2
3	G178 7501	Guide Plate: Duplex: Upper	1
4	G178 7667	Rubber Foot	2
5	G178 7633	Hook: Guide Plate: Duplex: Ass'y [200908]	1
6	G178 7650	Tension Spring: Latch: Duplex	1
7	G178 7637	Grip: Duplex: Open and Close: Ass'y	1
8	AA14 3811	Stepped Screw - M3x4	2
9	G178 7684	Decal: Lever: Guide Plate: Z4	1
10	B065 4933	Guide Plate Lever Hook	1
11	AF02 2067	Guide Stopper Roller	2
12	A229 4727	Guide Plate Pressure Holder	2
13	AA14 3828	Screw: Fly Wheel	4
14	AA06 3581	Compression Spring	4
15	G178 7790	Holder: Roller: On-Off	6
16	AA06 3675	Spring - 5N [TSB G178-026]	6
17	AA08 4059	Ball Bearing Holder	6
18	AF02 2171	Transport Roller: Driven: DIA18x2	3
19	G178 7499	Guide Plate: Duplex: Lower Right	1
20	G178 7494	Guide Plate: Duplex: Lower	1
21	G178 7493	Shaft: Hinge: Duplex	1

Index No.	Part No.	Description	Q'ty Per Assembly
101	0451 4008N	Tapping Screw: 4x8	
102	0454 4008Q	Tapping Screw - M4x8	
103	0451 3006N	Tapping Screw - 3x6	
104	0720 0040E	Retaining Ring - M4	

28.Toner Supply 1 (D016/D097/G178/M078)

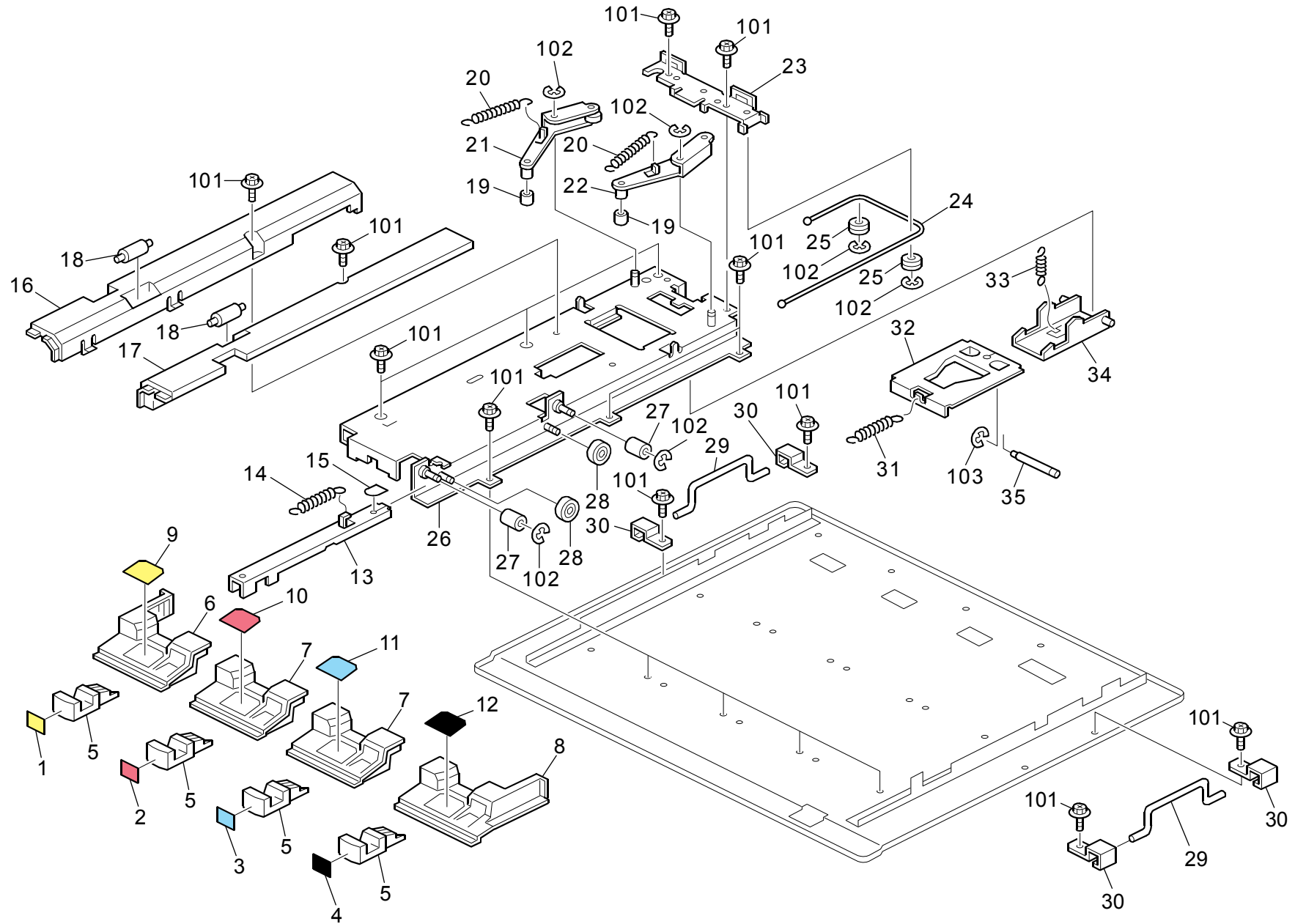


28.Toner Supply 1 (D016/D097/G178/M078)

Index No.	Part No.	Description	Q'ty Per Assembly
1	G178 1546	Cover: Toner Supply: Front: Ass'y	1
2	G178 1637	Bracket: Hinge: Front Right	1
3	G178 1635	Hinge: Toner Supply: Front Right	1
4	G178 1638	Bracket: Hinge: Front Left	1
5	G178 1636	Hinge: Toner Supply: Front Left	1
6	AA02 1031	Magnetic Catch	2
7	G178 1648	Cover: Toner Supply: Entrance	1
8	G178 1647	Cover: Toner Supply: Left Middle	1
9	G178 1645	Cover: Toner Supply: Middle Upper	1
10	G178 1651	Plate: Cover: Upper	1
11	G178 1646	Cover: Toner Supply: Right Middle	1
12	G178 1640	Bracket: Toner Supply: Middle: Ass'y	1
13	G178 1650	Guide: Toner Bottle: Upper	4
14	G178 1644	Bracket: Micro Switch	1
15	G178 5759	Harness: Toner: Hopper: Cover: Switch	1
16	G178 1653	Decal: Exchangeable: Toner Bottle	1

Index No.	Part No.	Description	Q'ty Per Assembly
101	0451 4008N	Tapping Screw: 4x8	
102	0451 3014N	Tapping Screw: 3x14	
103	1204 2521	Micro Switch	

29.Toner Supply 2 (D016/D097/G178/M078)

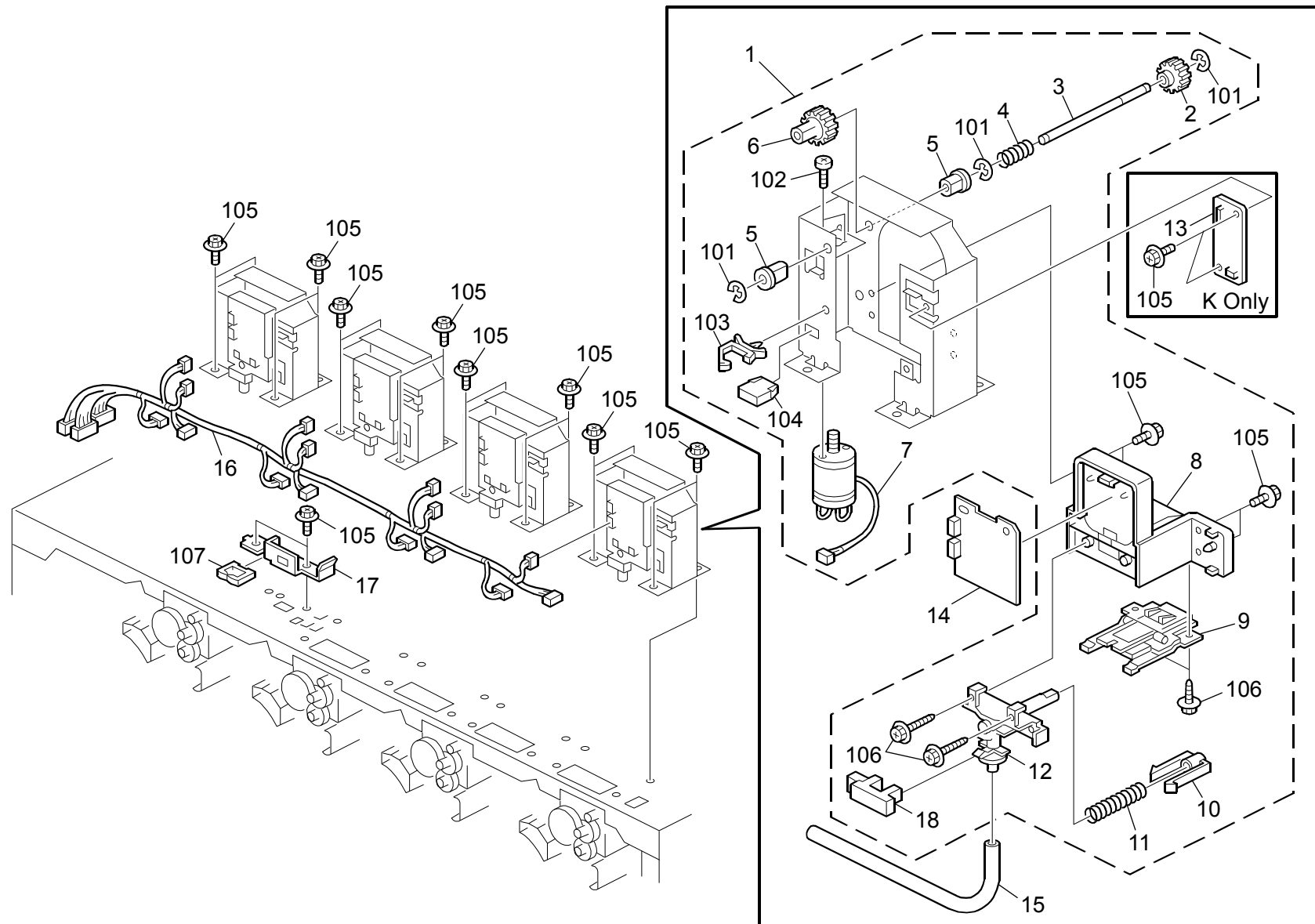


29.Toner Supply 2 (D016/D097/G178/M078)

Index No.	Part No.	Description	Q'ty Per Assembly
1	G178 7808	Decal: Colored Display: Lever: Y	1
2	G178 7806	Decal: Colored Display: Lever: M	1
3	G178 7807	Decal: Colored Display: Lever: C	1
4	G178 7805	Decal: Colored Display: Lever: BK	1
5	G178 3535	Grip: Release	4
6	G178 3538	Guide: Toner Bottle: Front Left	1
7	G178 3536	Guide: Toner Bottle: Front	2
8	G178 3537	Guide: Toner Bottle: Front Right	1
9	G178 7803	Decal: Colored Display: Cover: Y	1
10	G178 7801	Decal: Colored Display: Cover: M	1
11	G178 7802	Decal: Colored Display: Cover: C	1
12	G178 7800	Decal: Colored Display: Cover: BK	1
13	G178 3530	Stay: Release	4
14	G178 3592	Tension Spring: Release: Lever	4
15	G166 3278	Seal: Toner Hopper: Recycle Machine	4
16	G178 3542	Guide: Toner Bottle: Left	4
17	G178 3541	Guide: Toner Bottle: Right	4
18	G178 3543	Roller: Plate: Toner Bottle	8
19	G178 3517	Roller: Release	8
20	G178 3590	Tension Spring: Lever: Pressure	8
21	G178 3512	Lever: Pressure: Left: Ass'y	4
22	G178 3510	Lever: Pressure: Right: Ass'y	4
23	G178 3525	Bracket: Roller: Wire: Ass'y	4
24	G178 3534	Wire: Release: Lever	4
25	AB03 2058	Wire Pulley - M10	8
26	G178 3505	Bracket: Holder: Ass'y	4
27	B302 4239	Guide Roller	8
28	G178 3532	Roller: Lever: Guide	8
29	B132 2366	Lever: Drum Stay: Left	2
30	G178 3503	Plate: Lever	4
31	G178 3591	Tension Spring: Slider: Pressure	4
32	G178 3520	Bracket: Slider	4
33	G178 3593	Tension Spring: Stopper	4
34	G178 3522	Bracket: Stopper: Ass'y	4
35	G178 3521	Shaft: Plate: Release Plate	4

Index No.	Part No.	Description	Q'ty Per Assembly
101	0451 4008N	Tapping Screw: 4x8	
102	0720 0040E	Retaining Ring - M4	
103	0720 0030E	Retaining Ring - M3	

30.Toner Supply 3 (D016/D097/G178/M078)

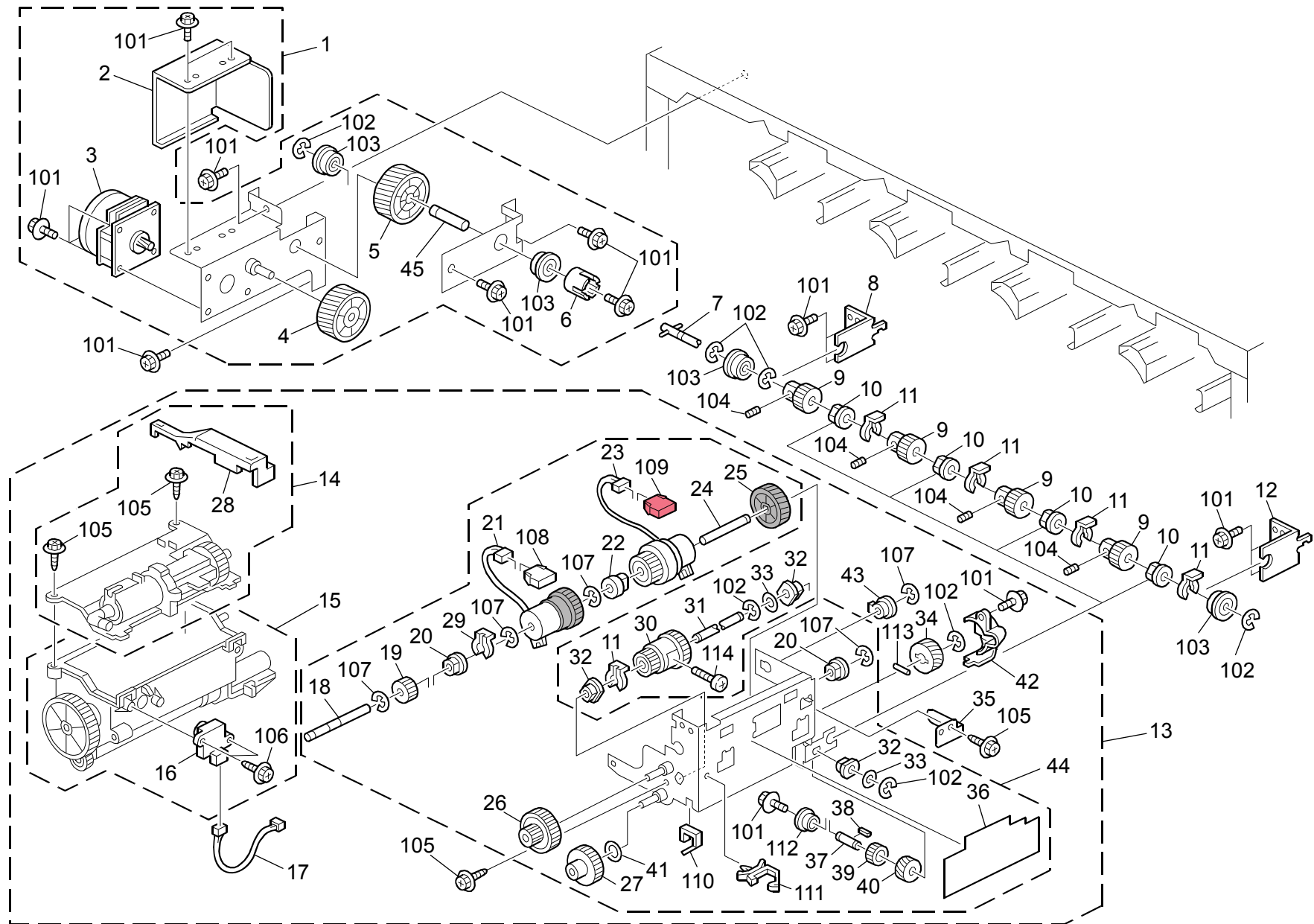


30.Toner Supply 3 (D016/D097/G178/M078)

Index No.	Part No.	Description	Q'ty Per Assembly
1	G178 3136	Toner Supply Unit: Drive	4
2	G178 3553	Gear: Drive: Toner Bottle: Z14	1
3	G178 3552	Shaft: Drive: Toner Bottle	1
4	G178 3594	Spring: Drive: Toner Bottle	1
5	AA08 2075	Bushing - M6	2
6	AB01 2008	Gear - 23Z	1
7	B234 3372	DC Motor: Toner Bottle: DC21V 5.85W	1
8	G178 3551	Housing: Holder: Toner Bottle	1
9	B223 3334	Holder: Stopper: Shutter: Ass'y	1
10	B223 3207	Shutter: Nozzle	1
11	B223 3208	Spring: Shutter: Nozzle	1
12	G178 3555	Nozzle: Toner Supply: Ass'y	1
13	G178 5931	PCB: RFID: RW-CPU: Ass'y	1
14	G178 5934	PCB: RFID: RW-AFE(K): Ass'y	1
14	G178 5936	PCB: RFID: RW-AFE(C): Ass'y	1
14	G178 5937	PCB: RFID: RW-AFE(M): Ass'y	1
14	G178 5938	PCB: RFID: RW-AFE(Y): Ass'y	1
15	G178 3195	Tube: Toner Supply: Black	1
15	G178 3197	Tube: Toner Supply: Magenta	2
15	G178 3198	Tube: Toner Supply: Cyan	1
16	G178 5885	Harness: Toner Bottle	1
17	G178 1629	Bracket: Connecting: Micro Switch	1
18	AW02 0185	Toner End Sensor	1

Index No.	Part No.	Description	Q'ty Per Assembly
101	0720 0040E	Retaining Ring - M4	
102	0312 5050N	Screw - M2.5x5	
103	1105 0508	Harness Clamp - LWS-0711	
104	1102 6245	Relay Connector - 2P	
105	0451 4008N	Tapping Screw: 4x8	
106	0450 3012N	Tapping Screw: 3x12	
107	1105 0328	Harness Clamp - ES-0505	

31.Toner Supply 4 (D016/D097/G178/M078)

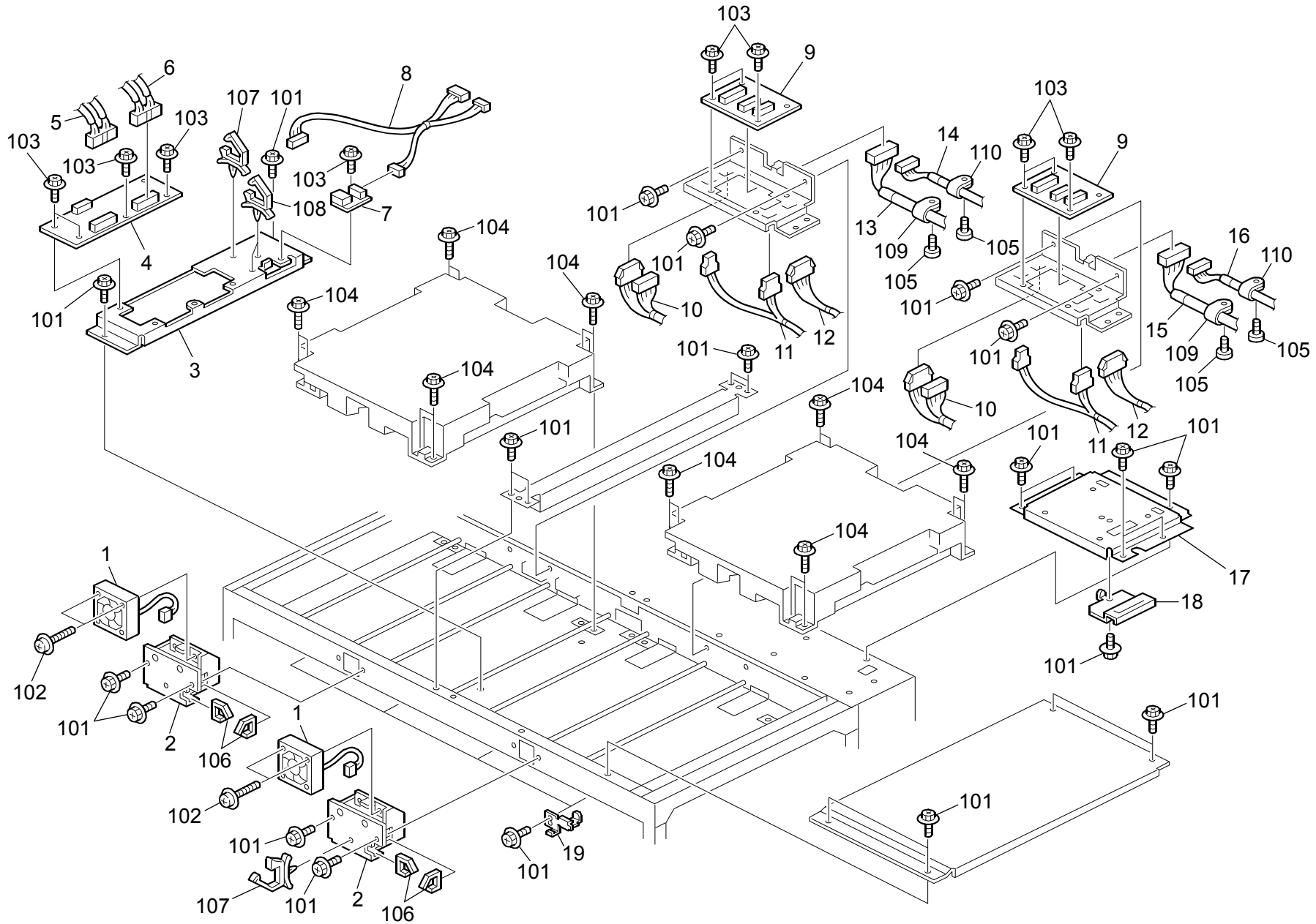


31.Toner Supply 4 (D016/D097/G178/M078)

Index No.	Part No.	Description	Q'ty Per Assembly
1	G178 3193	DC Motor: Toner Supply: Ass'y	1
2	G178 3227	Cover: Motor: Drive: Toner Supply	1
3	AX06 0280	DC Motor: MM63: 24W	1
4	G178 3215	Gear: Drive: Idler: Ass'y	1
5	G178 3181	Gear: Drive: Motor: Toner Supply	1
6	G178 3208	Joint: Toner Supply	1
7	G178 3176	Shaft: Drive: Toner Supply: Ass'y	1
8	G178 3207	Holder: Left: Drive: Toner Supply	1
9	G178 3108	Gear: Drive: Toner Supply	4
10	AA08 2104	Bushing - 8x12x7	4
11	5215 2621	Snap Ring - M6	5
12	G178 3179	Holder: Right: Drive: Toner Supply	1
13	G178 3194	Toner Supply Unit	1
14	G178 3192	Case: Upper: Toner Supply: Ass'y	1
15	G178 3190	Case: Lower: Toner Supply: Ass'y	1
16	GW23 0001	Toner End Sensor	1
17	G178 5824	Harness: Sensor: Connecting	1
18	G178 3174	Shaft: Magnetic Clutch: Toner Supply	1
19	G178 3150	Gear: Magnetic Clutch: Toner Supply	1
20	AA08 2101	Bushing - 6x10x6	2
21	G178 3186	Magnetic Clutch: Toner Supply Unit: Ass'y	1
22	AA08 2140	Bushing: Drive: Supply: MM6	1
23	AX20 0284	Magnetic Clutch: 0.4N M: Z32: MM6	1
24	B132 3344	Shaft: Magnetic Clutch: Drive: Rotor	1
25	B132 3348	Gear: Drive: Rotor: Supply	1
26	G178 3151	Gear: Magnetic Clutch: Idler: Upper	1
27	G178 3159	Gear: Idler: Lower: Toner Supply	1
28	G178 3167	Cover: Gear: Toner Supply	1
29	5447 2681	Snap Ring	1
30	B132 3223	Gear: 21/32Z	1
31	G178 3175	Shaft: Right: Drive: Toner Supply	1
32	AA08 2078	Bushing - 8mm	3
33	G178 7664	Spacer	2
34	G178 3119	Gear: Front Upper: Drive: Toner Supply	1
35	G178 3160	Ground Plate: Toner Supply	1

Index No.	Part No.	Description	Q'ty Per Assembly
36	G178 3187	Seal: Bracket: Toner Supply	1
37	G178 3274	Shaft: Front Lower: Drive: Toner Supply	1
		[TSB G178-022]	
38	G178 4081	Key: 3x3x10	1
39	G178 3273	Gear: Front: Drive: Toner Supply [TSB G178-022]	1
40	G178 3273	Gear: Front Lower: Drive: Toner Supply	1
41	G178 3127	O-Ring: 5.8mm	1
42	G178 3126	Cover: Front: Drive: Toner Supply	1
43	B004 4438	Bushing	1
44	G178 3191	Bracket: Toner Supply: Sub: Ass'y	1
45	G178 3180	Shaft: Drive: Motor: Toner Supply	1
101	0451 4008N	Tapping Screw: 4x8	
102	0720 0060E	Retaining Ring - M6	
103	0742 3808	Ball Bearing - 8x16x5	
104	0593 0140E	Hexagonal Set Screw: M3x14	
105	0450 3010N	Tapping Screw - M3x10	
106	0456 3008N	Tapping Screw - M3x8	
107	0720 0040E	Retaining Ring - M4	
108	1102 6245	Relay Connector - 2P	
109	1102 6259	Connector - 2P	
110	1105 0551	Clamp: LES-0505	
111	1105 0511	Harness Clamp - LWS-0306ZC	
112	0740 3808	Ball Bearing - 8x16x5mm [TSB G178-022]	
113	0633 0140G	Parallel Pin - 3x14	
114	0354 0080N	Screw: M4x8	

32.Laser Unit 1 (D016/D097/G178/M078)

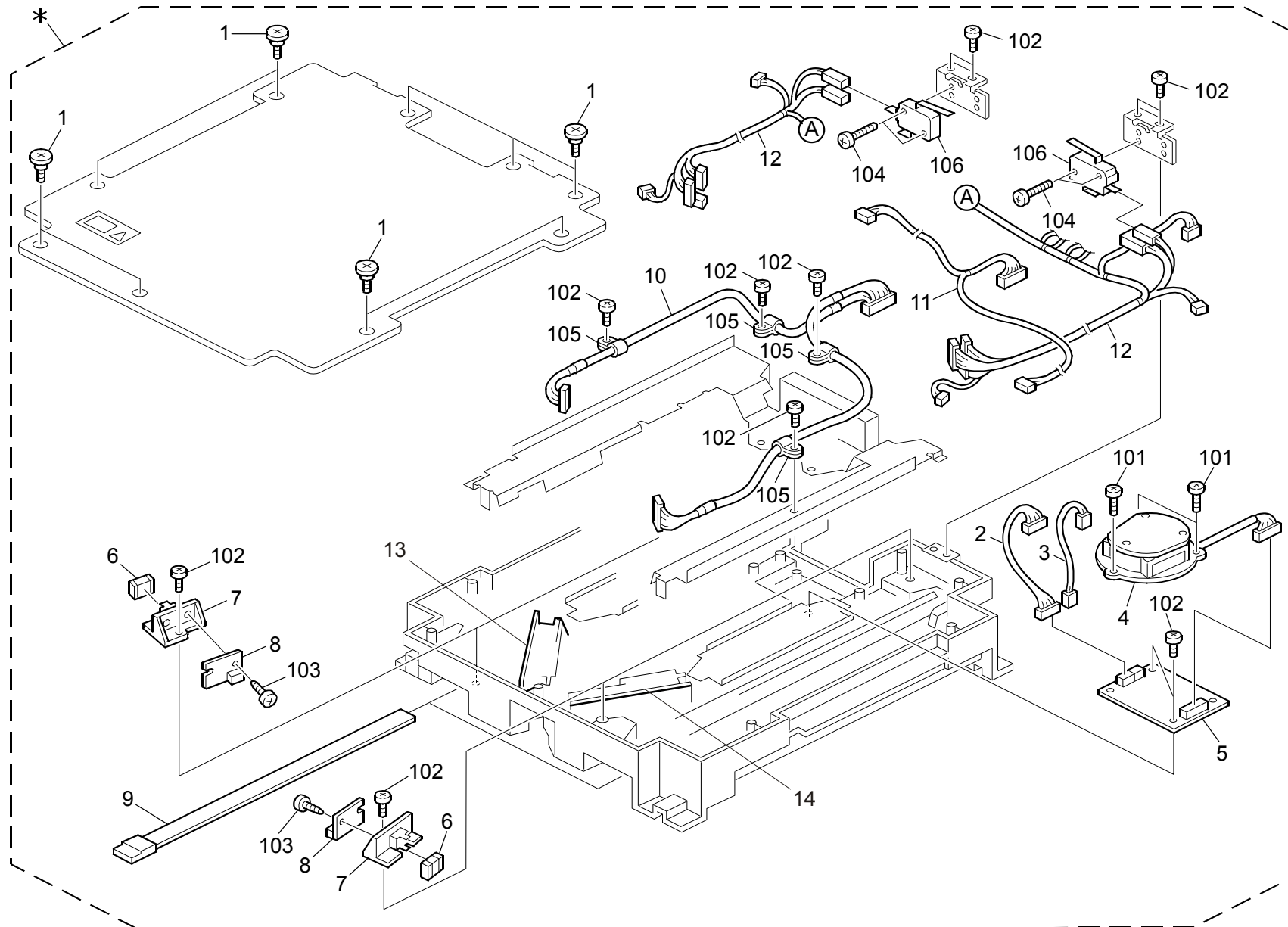


32.Laser Unit 1 (D016/D097/G178/M078)

Rev. 06/11/2009

Index No.	Part No.	Description	Q'ty Per Assembly
1	AX64 0149	Fan Motor: MM40: 15mm	2
2	G178 7216	Duct: Imaging Unit: Front	2
3	G178 2553	Holder: Electric Potential Sensor	1
4	B132 5415	Base: Electric Potential Sensor	1
5	G178 5823	Harness: Potential Sensor: KC	1
6	G178 5822	Harness: Potential Sensor: MY	1
7	AW14 0015	Temperature & Humidity Sensor	1
8	G178 5812	Harness: Potential Sensor: I/F	1
9	G178 2180	PCB: OPI	2
10	G178 5836	Harness: IPU-LB: I/F: (3)	2
11	G178 5510	Harness: Power Source: IOB1-IOB2-LD [TSB G178-090 D016-017]	2
12	G178 5801	Harness: IOB1: Motor	2
13	G178 5680	Harness: IPU-LD: I/F: (1): MY	1
14	G178 5681	Harness: IPU-LD: I/F: (2): MY	1
15	G178 5677	Harness: IPU-LD: I/F: (1): KC	1
16	G178 5678	Harness: IPU-LD: I/F: (2): KC	1
17	G178 1797	Supporting Plate: Arm	1
18	G178 1775	Holder: Connector	1
19	G178 2163	Hook: Shield Glass	4

Index No.	Part No.	Description	Q'ty Per Assembly
101	0451 4008N	Tapping Screw: 4x8	
102	0951 3020N	Screw: Polished Round: M3x20	
103	0451 3006N	Tapping Screw - 3x6	
104	0451 4012N	Tapping Screw: 4x12	
105	0353 0060N	Bind Screw - M3x6	
106	1105 0551	Clamp: LES-0505	
107	1105 0511	Harness Clamp - LWS-0306ZC	
108	1105 0516	Clamp	
109	1105 0559	Clamp: EMT-5N	
110	1105 0529	Nylon Clamp-EMT-3N	



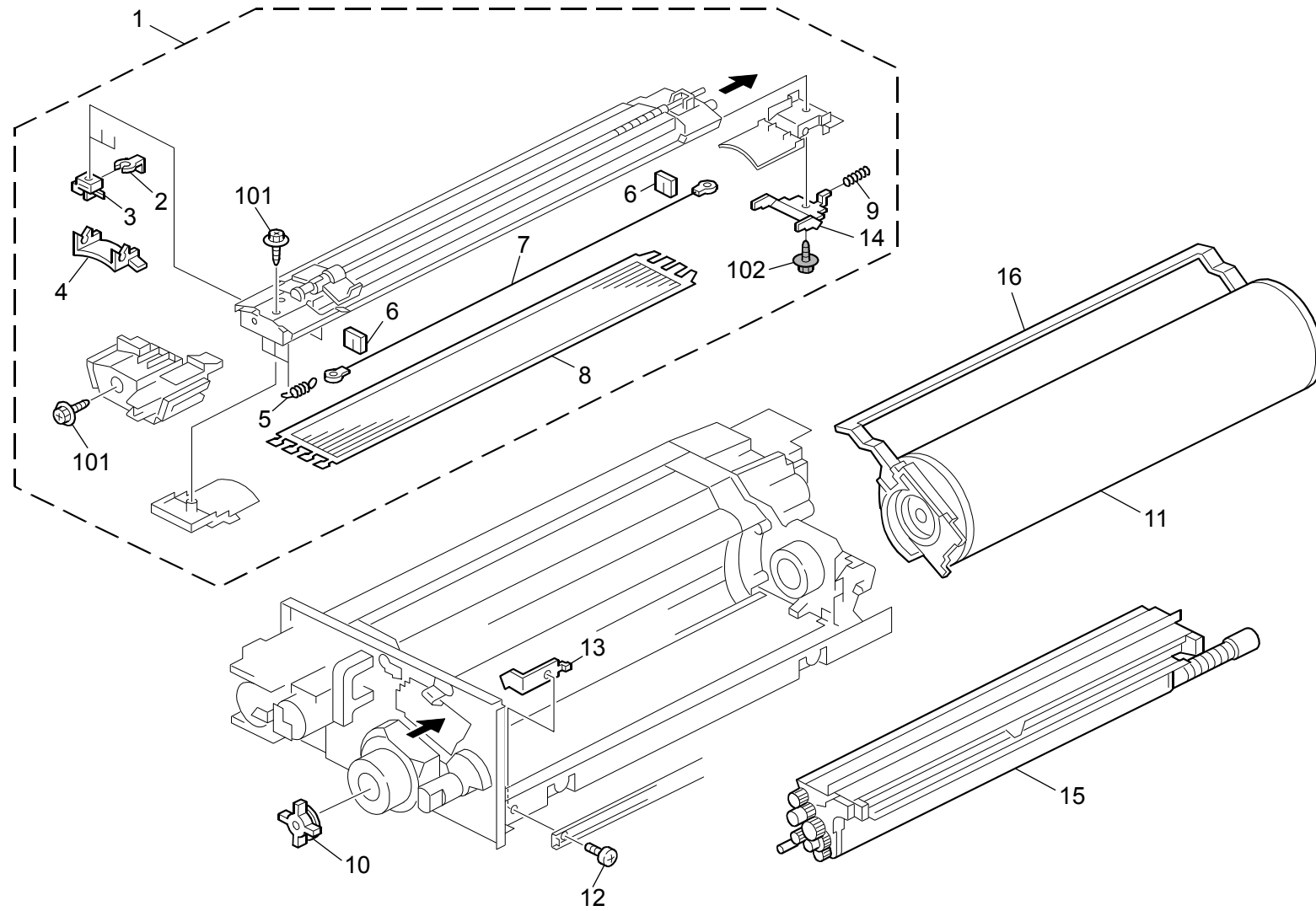
33.Laser Unit 2 (D016/D097/G178/M078)

Rev. 11/22/2010

Index No.	Part No.	Description	Q'ty Per Assembly
*	G178 2035	Laser Unit: Ass'y	2
1	5447 2768	Stepped Screw - M3	9
2	G178 5840	Harness: Motor Control Board: I/F: (1)	1
3	G178 5686	Harness: Motor Control Board: I/F: (2)	1
4	G178 2051	Polygon Mirror Motor: DC 26.4W	1
5	B234 5380	Motor Control Board	1
6	G029 1975	Cylindrical Lens	2
7	A294 1942	Holder - Sync Detector Board	2
8	B234 5365	PCB Sync Detector	2
9	G178 2151	Shield Glass: Ass'y	2
10	G178 5688	Harness: Optics: LD: I/F: (2)	1
11	G178 5691	Harness: Optics: ADJ: Motor: No.1	1
12	G178 5838	Harness: Optics: LD: I/F: (1)	1
13	G178 2041	Laser Diode Unit: MK: Ass'y [TSB#072]	2
14	G178 2042	Laser Diode Unit: YC: Ass'y [TSB#072]	2

Index No.	Part No.	Description	Q'ty Per Assembly
101	0354 0080N	Screw: M4x8	
102	0353 0060N	Bind Screw - M3x6	
103	0452 3006N	Binding Self-Tapping Screw: 3x6	
104	0353 0140N	Screw: M3x14	
105	1105 0530	Nylon Clamp-EMT-4N	
106	1204 2521	Micro Switch	

34.PCDU 1 (D016/D097/G178/M078)



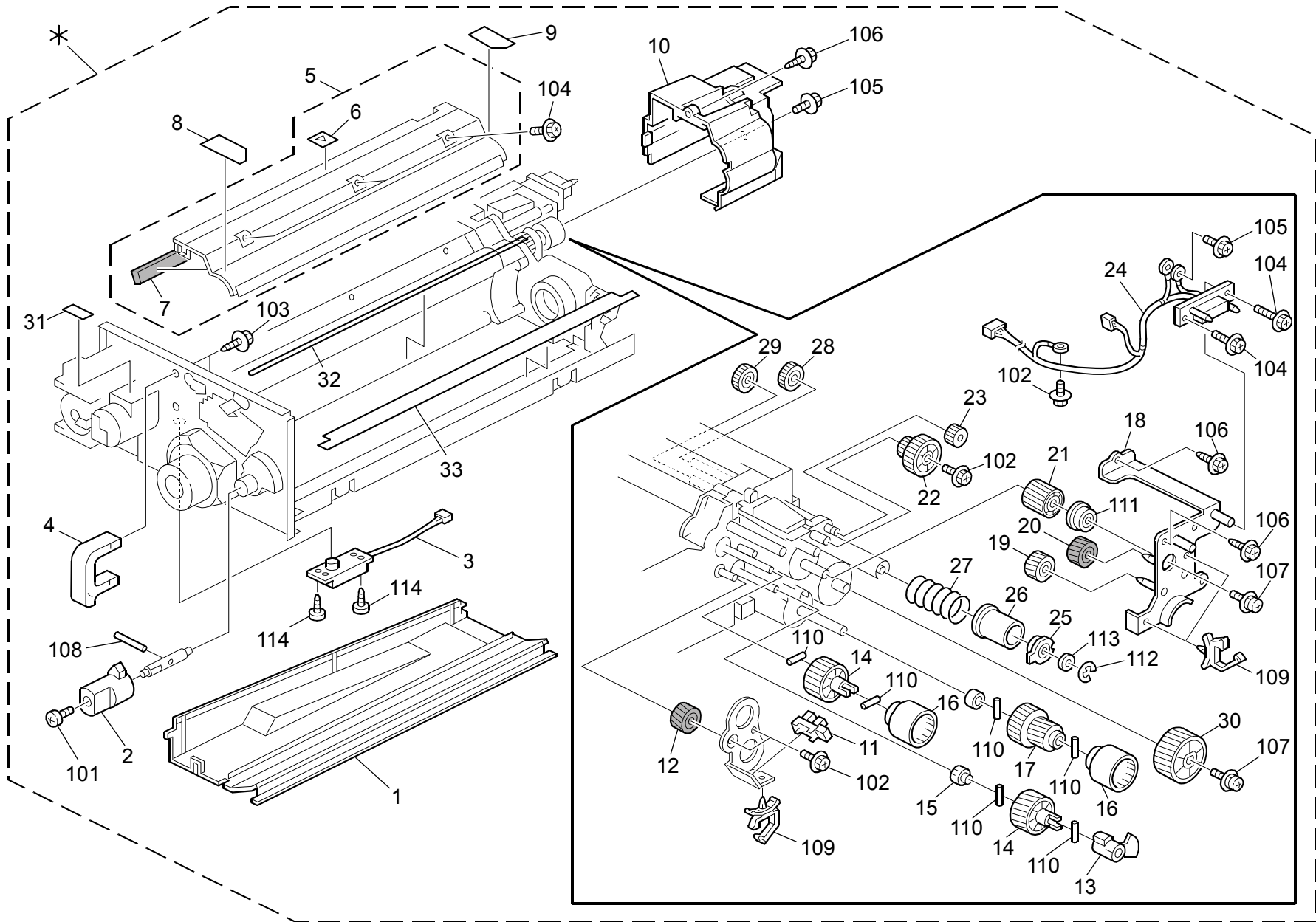
34.PCDU 1 (D016/D097/G178/M078)

Rev. 11/18/2010

Index No.	Part No.	Description	Q'ty Per Assembly
1	G178 2455	Charge Corona: Ass'y	4
2	G178 2522	Ring: Slider <i>[TSB G178-088]</i>	3
3	G178 2510	Cleaner: Corona Wire: Ass'y	3
4	G178 2507	Cleaner: Grid: Ass'y	1
5	G178 2605	Tension Spring: Corona Wire	3
6	G178 2502	Cushion: Corona Wire	6
7	G178 2501	Corona Wire: Charge Corona	3
8	G178 2500	Grid: Charge Corona	1
9	B234 2125	Spring: Terminal: Grid	1
10	G178 3448	Knob Screw: Drum	4
11	D016 9510	Photoconductor: DIA100 <i>[TSB#055]</i>	4
12	0353 0060F	Screw - M3x6 <i>[TSB G178-072 D016-002]</i>	1
13	G178 3223	Plate: Stopper: Development Unit	4
14	G178 2519	Stay: Grid	1
15	G178 3600	Cleaning Unit: Photoconductor	4
16	G178 2712	Grip: Drum: Remover/Install: Ass'y	4

Index No.	Part No.	Description	Q'ty Per Assembly
101	0450 3008N	Tapping Screw - M3x8	
102	0450 3010P	Tapping Screw: 3x10	

35.PCDU 2 (D016/D097/G178/M078)



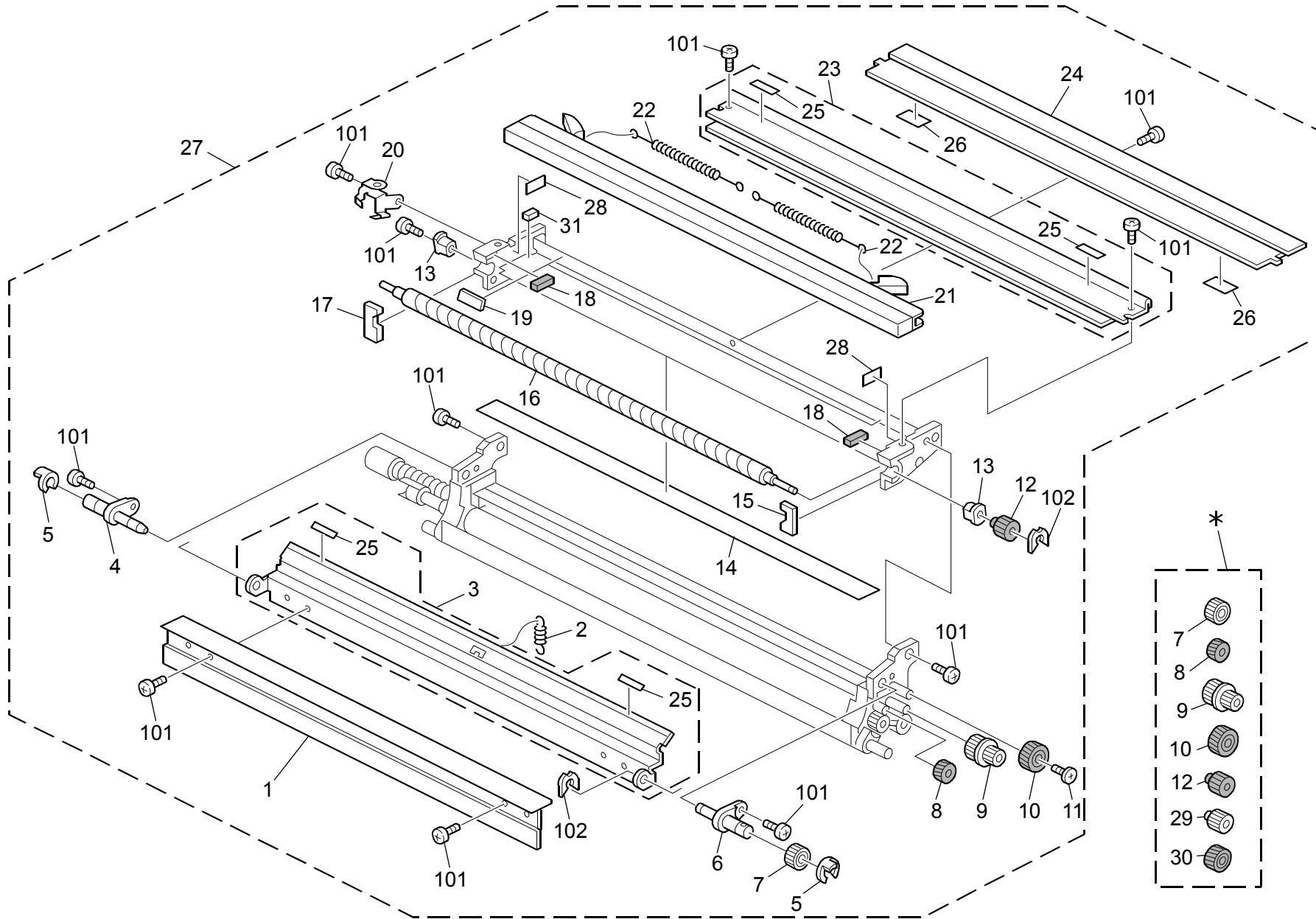
35.PCDU 2 (D016/D097/G178/M078)

Rev. 07/08/2010

Index No.	Part No.	Description	Q'ty Per Assembly
*	D016 3101	Development Unit: Y: Ass'y [TSB-056]	1
*	D016 3103	Development Unit: C: Ass'y [TSB-056]	1
*	D016 3105	Development Unit: M: Ass'y [TSB-056]	1
*	D016 3107	Development Unit: BK: Ass'y [TSB-056]	1
1	G178 3343	Cover: Lower: Development Unit	1
2	G178 3762	Lever: Positioning: Cleaning	1
3	G178 3235	Density Sensor: Development	1
4	B234 2327	Grip - Tray Unit	1
5	G178 3457	Cover: Upper: Development Unit: Ass'y	1
6	B234 3177	Decal: Positioning Display: Development	1
7	G178 3469	Sponge: Cover: Case: Upper	1
8	G178 3452	Entrance Seal: Front: Development	1
9	G178 3453	Entrance Seal: Rear: Development	1
10	G178 3137	Cover: Gear: Development Unit: Ass'y	1
11	AW02 0145	Photointerruptor: Flat	1
12	G178 3330	Gear: Idler: Development Roller: Ass'y	1
13	G178 3354	Shielding Plate: Sensor: Development Roller	1
14	G178 3332	Gear: Development Roller	2
15	G178 3232	Terminal: Development Roller	1
16	G178 3356	Gear: Joint: Development Unit	2
17	G178 3305	Gear: Transport Screw: No.2	1
18	G178 3319	Plate: Idler: Development Unit: Ass'y	1
19	G178 3311	Gear: Idler: Transport Screw: Lower	1
20	G178 3309	Gear: Idler: Transport Screw: Upper	1
21	G178 3304	Gear: Transport Screw: No.1	1
22	G178 3313	Gear: Idler: Exhaust: Development Unit	1
23	G178 3315	Gear: Exhaust: Development Unit: No.1	1
24	G178 5718	Harness: Development Unit: Sensor: Y	1
24	G178 5719	Harness: Development Unit: Sensor: M	1
24	G178 5720	Harness: Development Unit: Sensor: C	1
24	G178 5721	Harness: Development Unit: Sensor: K	1
25	G178 3345	Holder: Bearing: No.2	1
26	G178 3459	Shutter: Exhaust: Development Unit	1
27	G178 3456	Spring: Shutter: Exhaust	1
28	G178 3362	Gear: Exhaust: Development Unit: No.2	1

Index No.	Part No.	Description	Q'ty Per Assembly
29	G178 3359	Gear: Exhaust: Development Unit: No.3	1
30	G178 3308	Gear: Transport Screw: No.3	1
31	GA00 3020	Decal: Development Unit: Display: Y	1
31	GA00 3021	Decal: Development Unit: Display: M	1
31	GA00 3022	Decal: Development Unit: Display: C	1
31	GA00 3023	Decal: Development Unit: Display: K	1
32	G178 3496	Toner Catchpan: Development Unit [TSB G178-060]	1
33	G178 3497	Toner Catchpan: Sheet: Development Unit [TSB G178-060]	1
101	0353 0060N	Bind Screw - M3x6	
102	0451 3006N	Tapping Screw - 3x6	
103	0450 3008N	Tapping Screw - M3x8	
104	0451 3010N	Tapping Screw: 3x10	
105	0451 4008N	Tapping Screw: 4x8	
106	0450 4012N	Tapping Screw: 4x12	
107	0954 4008N	Screw - M4x8	
108	0632 0200G	Parallel Pin: 2x20	
109	1105 0511	Harness Clamp - LWS-0306ZC	
110	0633 0140G	Parallel Pin - 3x14	
111	0805 3497	Bushing - 8x12x3.5mm	
112	0720 0040E	Retaining Ring - M4	
113	0807 4138	Washer (100pcs/set)	
114	0802 5191	Tapping Screw P: DIA3x5	

36.PCDU 3 (D016/D097/G178/M078)

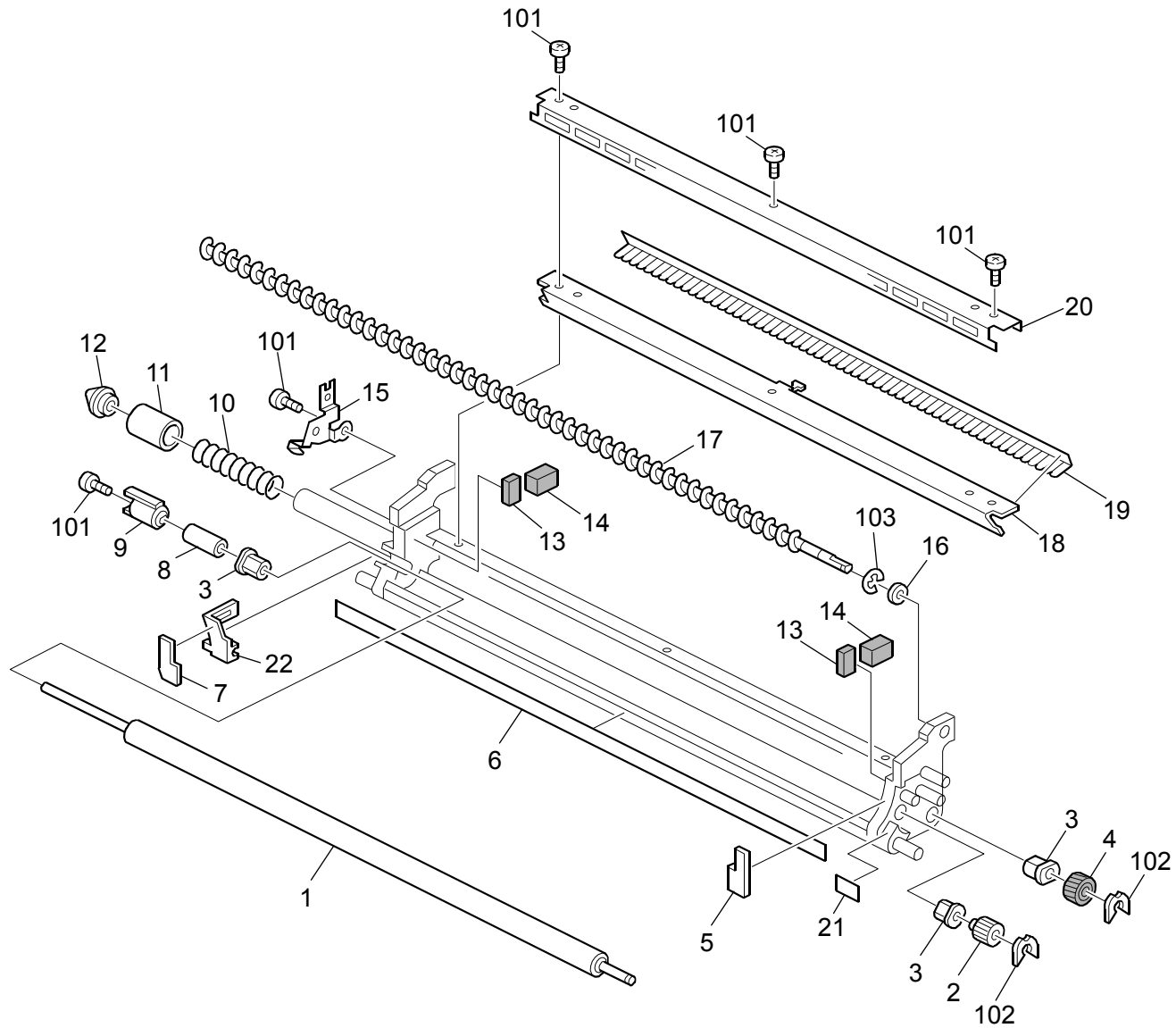


36.PCDU 3 (D016/D097/G178/M078)

Index No.	Part No.	Description	Q'ty Per Assembly
*	G178 3699	Gear Kit: Cleaning Unit	4
1	G178 3659	Cleaning Blade: Adhesion	1
2	G178 3687	Tension Spring: Cleaning Blade	1
3	G178 3709	Bracket: Cleaning Blade: Adhesion	1
4	G178 3685	Holder: Shaft: Cleaning Blade: Rear	1
5	G178 3695	Retaining Rings-E: Guide	2
6	G178 3682	Holder: Shaft: Cleaning Blade: Front	1
7	G178 3746	Gear: Idler: Shaft: Apply	1
8	G178 3741	Gear: Idler: Z16: Apply	1
9	G178 3743	Gear: Idler: Z22-16: Apply	1
10	G178 3745	Gear: Idler: Z27: Apply	1
11	AA14 3573	Shoulder Screw - M4x4	1
12	G178 3747	Gear: Apply: Brush: Apply	1
13	G178 3713	Bushing: Apply	2
14	G178 3675	Seal: Bracket: Blade: Behind	1
15	G178 3723	Seal: Apply: Front	1
16	GD04 2010	Brush Roller: Apply: Ass'y	1
17	G178 3724	Seal: Apply: Rear	1
18	G178 3725	Seal: Apply: Small	2
19	G178 3734	Guide Plate: Arm	1
20	G178 3702	Ground Plate: Apply	1
21	G178 3731	Coating Bar: Ass'y	1
22	G178 3782	Tension Spring: Coating Bar: 10N8N [TSB G178-011]	2
23	G178 3708	Blade: Apply: Adhesion	1
24	G178 3720	Cover: Coating Bar	1
25	G178 3740	Decal: Grip	4
26	G178 3706	Sheet: Coating Bar: 1	2
27	G178 3600	Cleaning Unit: Photoconductor	4
28	G178 3707	Sheet: Coating Bar: 2	2
29	G178 3742	Gear: Brush Roller: Apply	1
30	G178 3744	Gear: Toner Collection Coil: Apply	1
31	G178 3781	Guide: Coating Bar	1

Index No.	Part No.	Description	Q'ty Per Assembly
101	0353 0060N	Bind Screw - M3x6	
102	0805 0089	Retaining Ring - M4	

37.PCDU 4 (D016/D097/G178/M078)

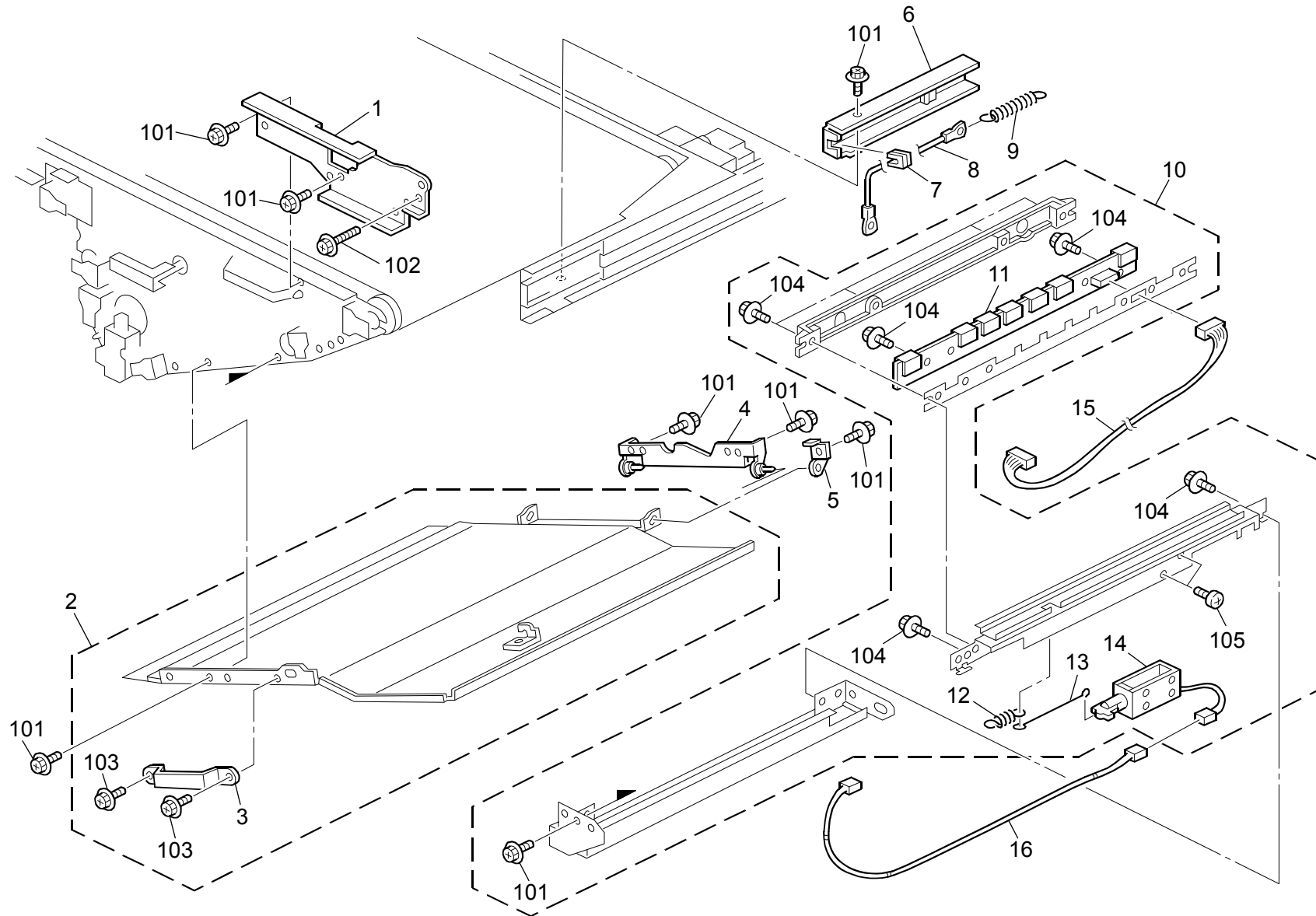


37.PCDU 4 (D016/D097/G178/M078)

Index No.	Part No.	Description	Q'ty Per Assembly
1	GD04 2009	Brush Roller: Cleaning	1
2	G178 3742	Gear: Brush Roller: Apply	1
3	AA08 2117	Bushing - M6	3
4	G178 3744	Gear: Toner Collection Coil: Apply	1
5	G178 3692	Seal: Casing: Front	1
6	G178 3698	Entrance Seal: Drum Cleaning	1
7	G178 3693	Seal: Casing: Rear	1
8	G178 3678	Spacer: Brush Roller	1
9	G178 3679	Joint: Drive: Cleaning	1
10	G178 3670	Spring: Toner Catchpan	1
11	G178 3671	Toner Catchpan: Pipe	1
12	G178 3672	Cap: Pipe: Discharge Used Toner	1
13	G178 3657	Seal: Behind: Small	2
14	G178 3656	Seal: Behind: Large	2
15	G178 3658	Ground Plate: Cleaning	1
16	AA13 2208	Spacer - M6	1
17	G178 3664	Toner Collection Coil: Cleaning	1
18	G178 3673	Bracket: Vibrating Plate	1
19	G178 3674	Vibrating Plate: Collection Coil	1
20	G178 3728	Bracket: Seal: Brush Roller	1
21	G178 3780	Sheet: Stand: Seal	1
22	G178 3691	Holder: Side Plate: Rear	1

Index No.	Part No.	Description	Q'ty Per Assembly
101	0353 0060N	Bind Screw - M3x6	
102	0805 0089	Retaining Ring - M4	
103	0720 0040E	Retaining Ring - M4	

38. Transfer Belt Unit 1 (D016/D097/G178/M078)



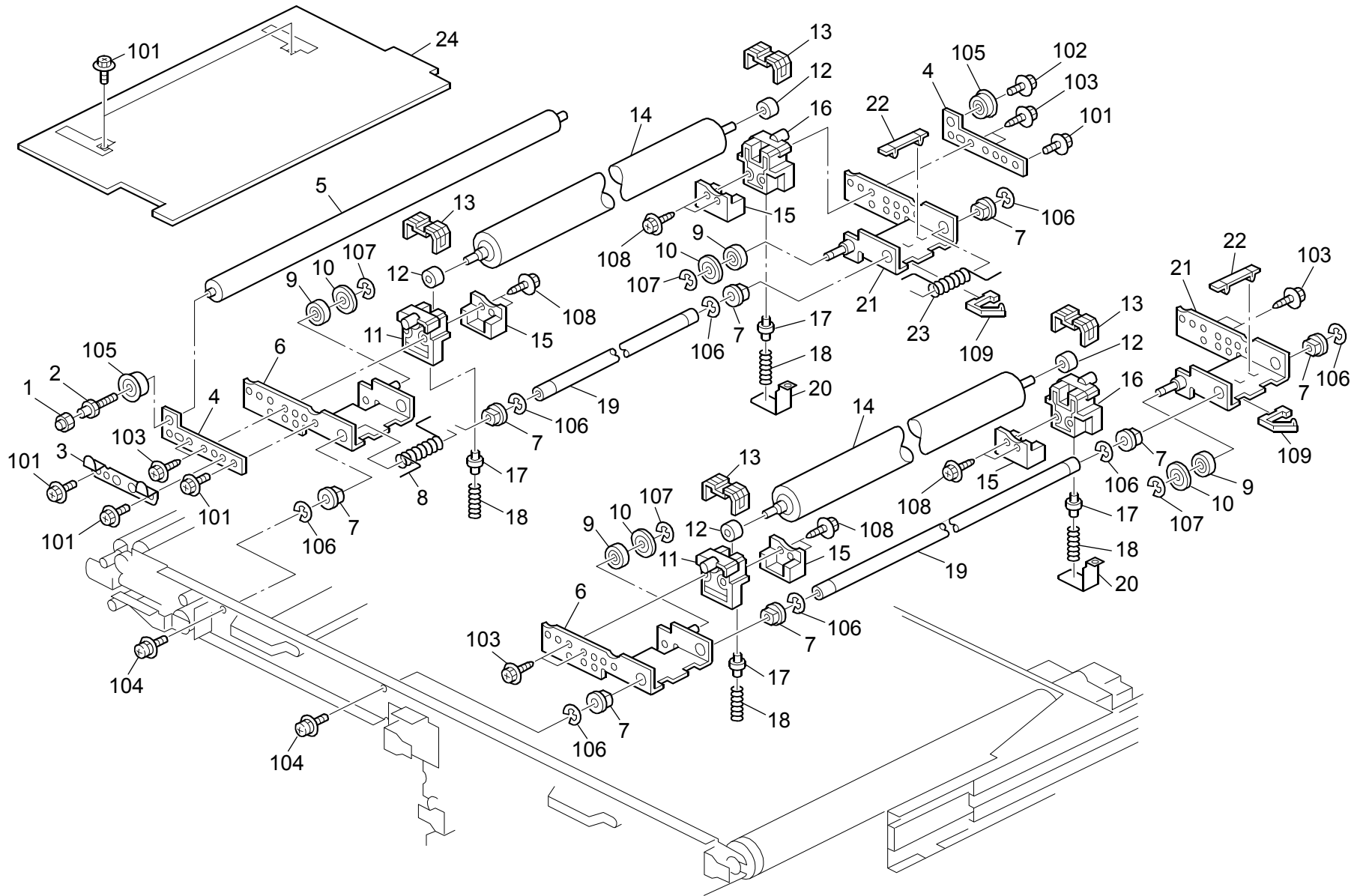
38. Transfer Belt Unit 1 (D016/D097/G178/M078)

Rev. 04/27/2010

Index No.	Part No.	Description	Q'ty Per Assembly
1	G178 6368	Bracket: Positioning: Right	1
2	G178 6720	Cover: 1st Transfer: Ass'y [TSB G178-062R]	1
3	B712 5605	Grip: Application	1
4	G178 6541	Cover: 1st Transfer: Hinge	1
5	G178 6482	Stopper: Bracket: Cover: 1st Transfer	1
6	G178 6392	Housing: Lower: Cover	1
7	G178 6393	Sleeve: Wire: Lower: Cover	1
8	G178 6394	Wire: Stopper: Lower: Cover	1
9	G178 6443	Coil Spring: Stopper: Lower: Cover	1
10	D016 6444	Density Sensor: TM: Ass'y [TSB G178-069]	1
11	D016 6498	Density Sensor	1
12	AA06 0151	Tension Spring: Shutter: Sensor: TM	1
13	D016 6445	Hook: Shutter: Sensor: TM [TSB G178-069]	1
14	G178 6452	DC Solenoid: Shutter: Density Sensor: Ass'y	1
15	G178 5714	Harness: Density Sensor	1
16	G178 5781	Harness: Shutter: Solenoid	1

Index No.	Part No.	Description	Q'ty Per Assembly
101	0451 4008N	Tapping Screw: 4x8	
102	0451 4012N	Tapping Screw: 4x12	
103	0451 3006N	Tapping Screw - 3x6	
104	0451 3008N	Tapping Screw - M3x8	
105	0312 5040N	Pan Head Screw: M2.5x4	

39. Transfer Belt Unit 2 (D016/D097/G178/M078)

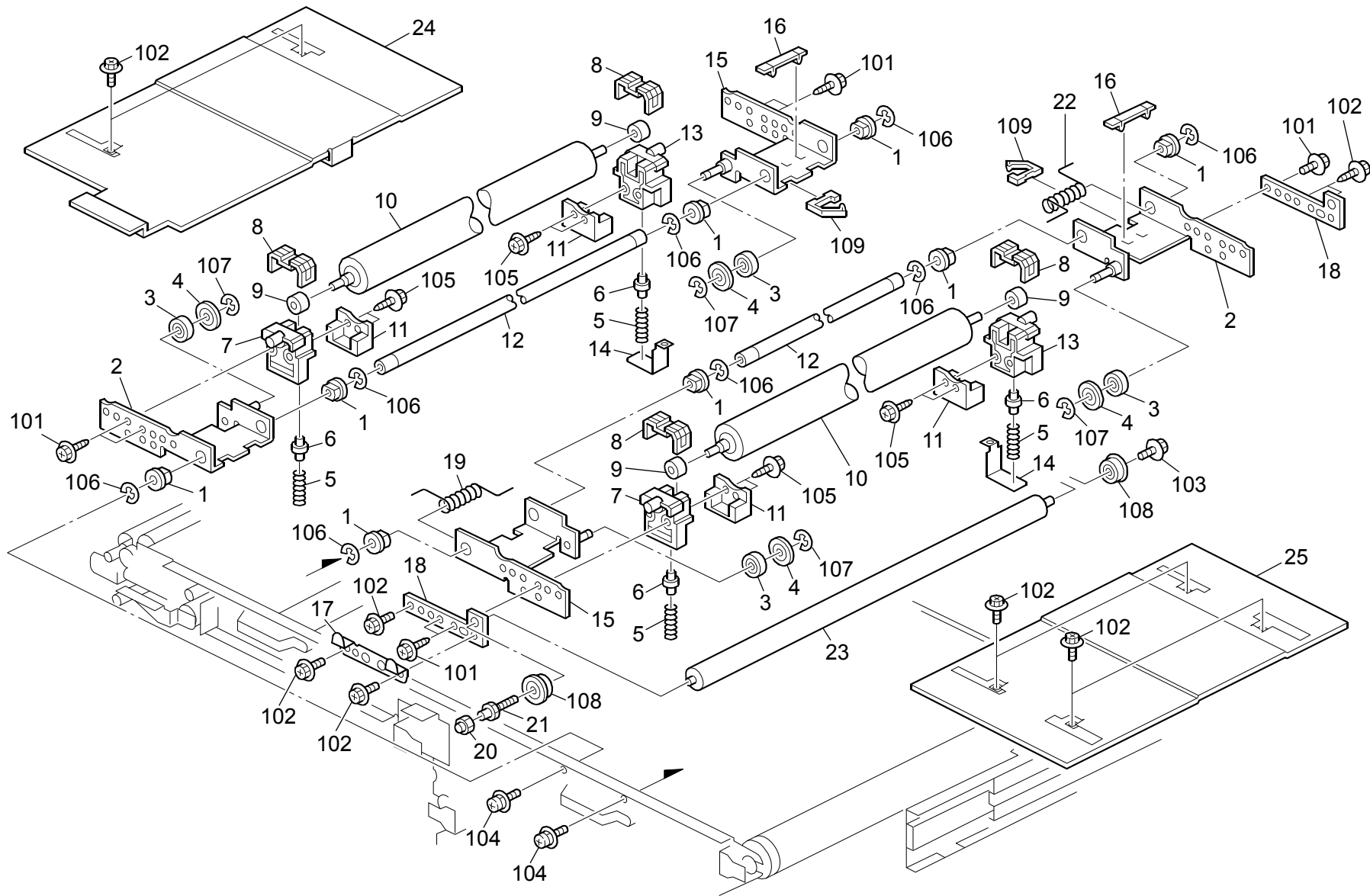


39. Transfer Belt Unit 2 (D016/D097/G178/M078)

Index No.	Part No.	Description	Q'ty Per Assembly
1	G178 3232	Terminal: Development Roller	1
2	G178 6371	Bolt: Transfer: Fix: Pressure Roller	1
3	G178 6424	Plate: Transfer: Ground Wire	1
4	G178 6366	Holder: Transfer: Pressure Roller	2
5	G178 6429	Pressure Roller: Transfer	1
6	G178 6486	Holder: Transfer: Front	2
7	5053 0419	Bushing - 10mm	8
8	G178 6377	Spring: Transfer: Front	1
9	G060 2296	Ball Bearing: 8x16x5mm	4
10	G178 6468	Guide: Transfer: Bearing	4
11	G178 6438	Block: High Voltage: Transfer: Front	2
12	G178 6305	Shaft: Transfer	4
13	G178 6426	Cover: Transfer	4
14	G178 6302	Roller: Intermediate Transfer	2
15	G178 6421	Holder: High Voltage: Transfer	4
16	G178 6439	Block: High Voltage: Transfer: Rear	2
17	G178 6423	Terminal: High Voltage: Transfer	4
18	G178 6334	Compression Spring: Transfer	4
19	G178 6379	Shaft: Fix: Transfer	2
20	G178 6420	Terminal: High Voltage: Transfer	2
21	G178 6487	Holder: Transfer: Rear	2
22	R013 1053	Clamp: FCR-15	2
23	G178 6378	Spring: Transfer: Rear	1
24	D016 6501	Electrode Plate: Intermediate Transfer: No.1: Ass'y [TSB G178-062]	1

Index No.	Part No.	Description	Q'ty Per Assembly
101	0451 4008N	Tapping Screw: 4x8	
102	0451 3006N	Tapping Screw - 3x6	
103	0450 4010N	Tapping Screw: M4x10	
104	0954 4008N	Screw - M4x8	
105	0741 3706	Ball Bearing - 6x10x3	
106	0720 0080E	Retaining Ring - M8	
107	0720 0060E	Retaining Ring - M6	
108	0450 3010N	Tapping Screw - M3x10	
109	1105 0551	Clamp: LES-0505	

40. Transfer Belt Unit 3 (D016/D097/G178/M078)

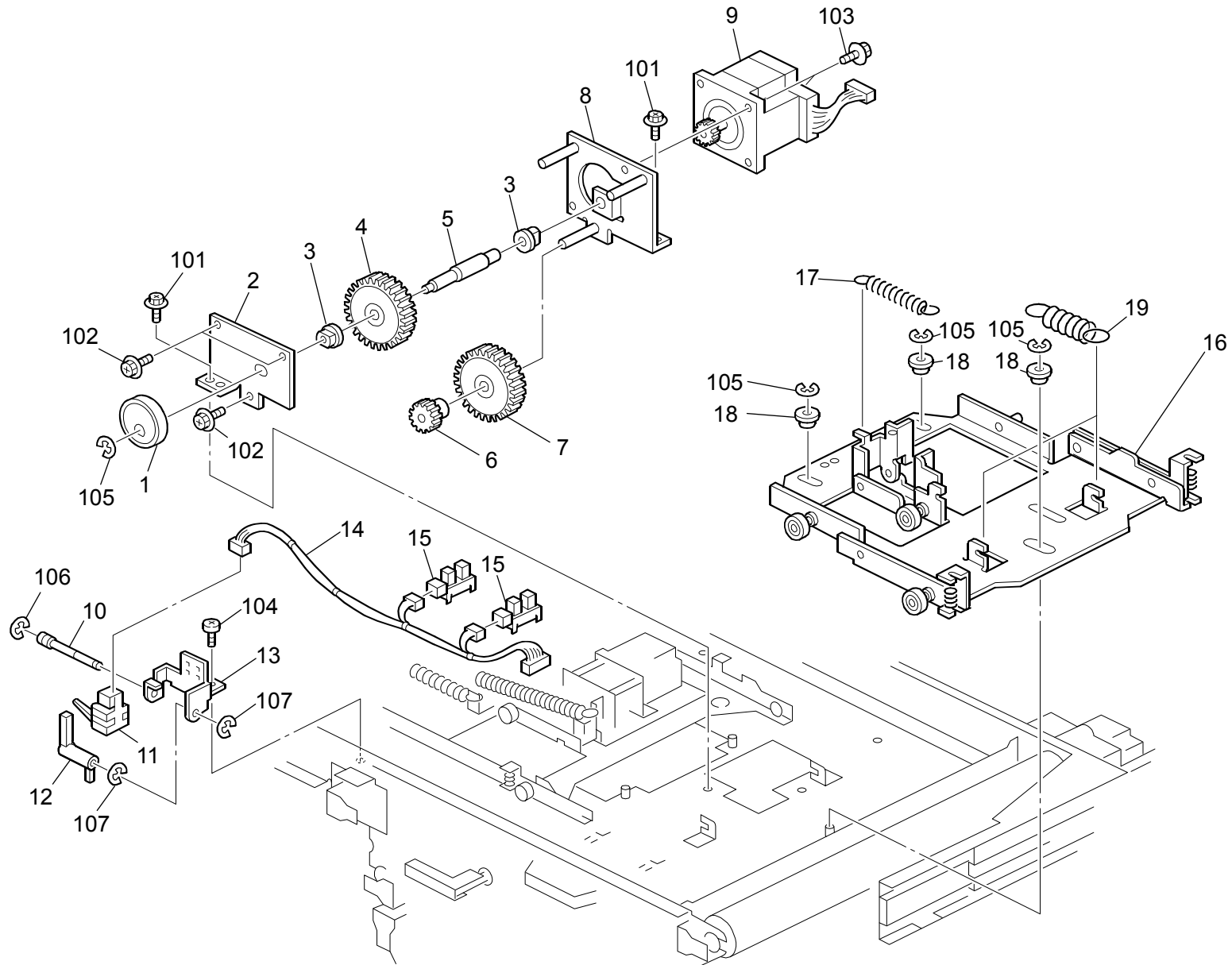


40. Transfer Belt Unit 3 (D016/D097/G178/M078)

Index No.	Part No.	Description	Q'ty Per Assembly
1	5053 0419	Bushing - 10mm	8
2	G178 6486	Holder: Transfer: Front	2
3	G060 2296	Ball Bearing: 8x16x5mm	4
4	G178 6468	Guide: Transfer: Bearing	4
5	G178 6334	Compression Spring: Transfer	4
6	G178 6423	Terminal: High Voltage: Transfer	4
7	G178 6438	Block: High Voltage: Transfer: Front	2
8	G178 6426	Cover: Transfer	4
9	G178 6305	Shaft: Transfer	4
10	G178 6302	Roller: Intermediate Transfer	2
11	G178 6421	Holder: High Voltage: Transfer	4
12	G178 6379	Shaft: Fix: Transfer	2
13	G178 6439	Block: High Voltage: Transfer: Rear	2
14	G178 6420	Terminal: High Voltage: Transfer	2
15	G178 6487	Holder: Transfer: Rear	2
16	R013 1053	Clamp: FCR-15	2
17	G178 6424	Plate: Transfer: Ground Wire	1
18	G178 6366	Holder: Transfer: Pressure Roller	2
19	G178 6378	Spring: Transfer: Rear	1
20	G178 3232	Terminal: Development Roller	1
21	G178 6371	Bolt: Transfer: Fix: Pressure Roller	1
22	G178 6377	Spring: Transfer: Front	1
23	G178 6429	Pressure Roller: Transfer	1
24	D016 6503	Electrode Plate: Intermediate Transfer: No.2: Ass'y [TSB G178-062]	1
25	D016 6505	Electrode Plate: Intermediate Transfer: No.3 [TSB G178-062]	1

Index No.	Part No.	Description	Q'ty Per Assembly
101	0450 4010N	Tapping Screw: M4x10	
102	0451 4008N	Tapping Screw: 4x8	
103	0451 3006N	Tapping Screw - 3x6	
104	0954 4008N	Screw - M4x8	
105	0450 3010N	Tapping Screw - M3x10	
106	0720 0080E	Retaining Ring - M8	
107	0720 0060E	Retaining Ring - M6	
108	0741 3706	Ball Bearing - 6x10x3	
109	1105 0551	Clamp: LES-0505	

41.Transfer Belt Unit 4 (D016/D097/G178/M078)

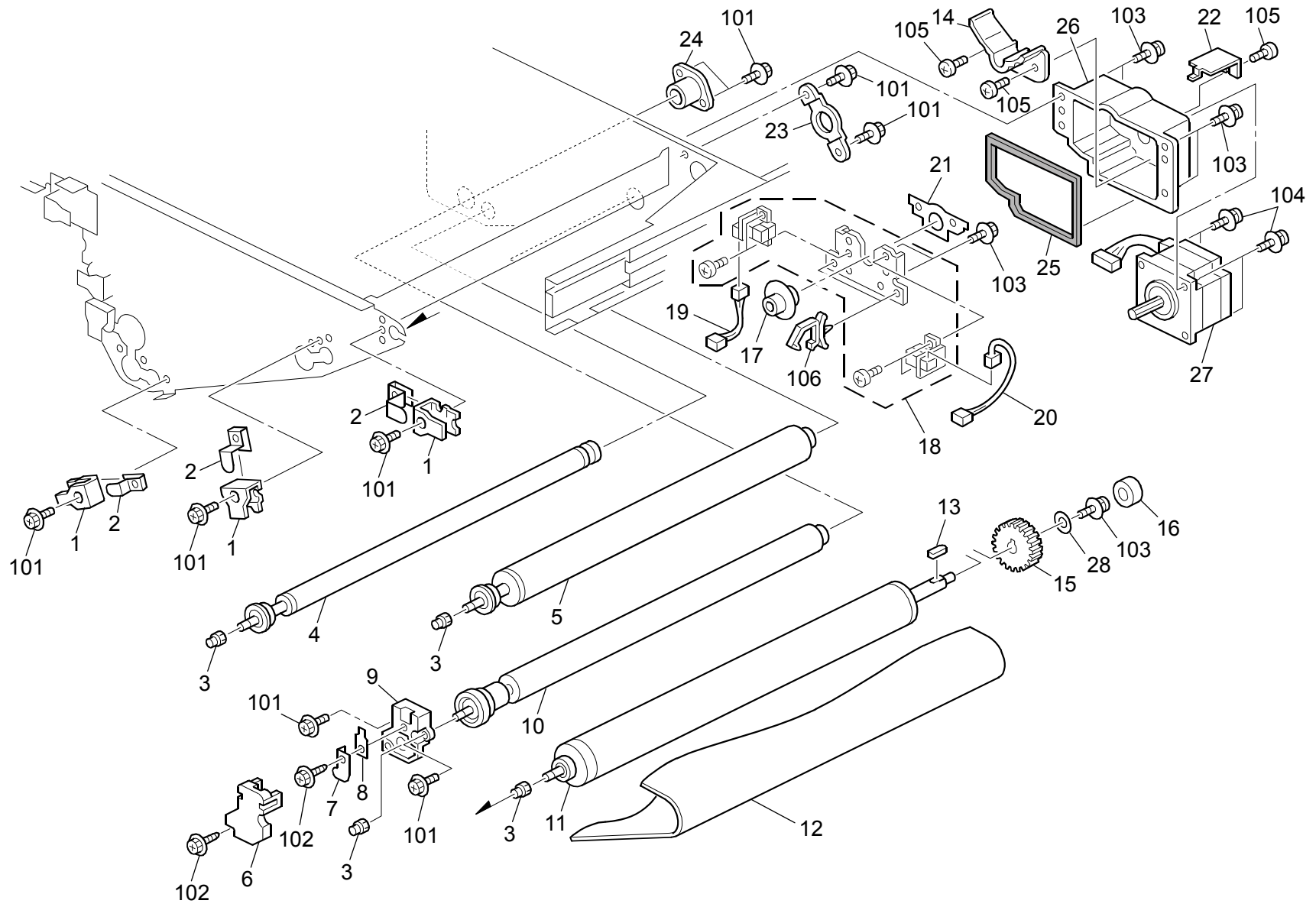


41.Transfer Belt Unit 4 (D016/D097/G178/M078)

Index No.	Part No.	Description	Q'ty Per Assembly
1	G178 6485	Cam	1
2	G178 6380	Holder: On-Off: Motor: Front	1
3	AA08 2104	Bushing - 8x12x7	2
4	G178 6349	Gear: On-Off: Cam	1
5	G178 6381	Shaft: On-Off: Cam	1
6	G178 6348	Gear: On-Off: No.2	1
7	G178 6347	Gear: On-Off: No.1	1
8	G178 6483	Holder: Motor	1
9	G178 6484	Stepper Motor: DC 6.7W	1
10	G178 6464	Shaft: Transfer Belt	1
11	AW02 0149	Paper Feed Sensor	1
12	G178 6463	Lever: Transfer Belt	1
13	G178 6465	Holder: Transfer Belt	1
14	G178 5857	Harness: 1st Transfer: Sensor: Up F	1
15	AW02 0145	Photointerruptor: Flat	2
16	G178 6511	Slide Rail: On-Off: Black: Ass'y	1
17	G178 6327	Tension Spring: 1st Transfer: 32.6N	1
18	G178 6469	Bushing: Slide Rail	3
19	G178 6328	Tension Spring: 1st Transfer: 12.2N	1

Index No.	Part No.	Description	Q'ty Per Assembly
101	0451 4008N	Tapping Screw: 4x8	
102	0451 3006N	Tapping Screw - 3x6	
103	0451 4012N	Tapping Screw: 4x12	
104	0354 0040N	Screw-M4x4	
105	0720 0040E	Retaining Ring - M4	
106	0720 0030E	Retaining Ring - M3	
107	0720 0020E	Retaining Ring - M2	

42.Transfer Belt Unit 5 (D016/D097/G178/M078)



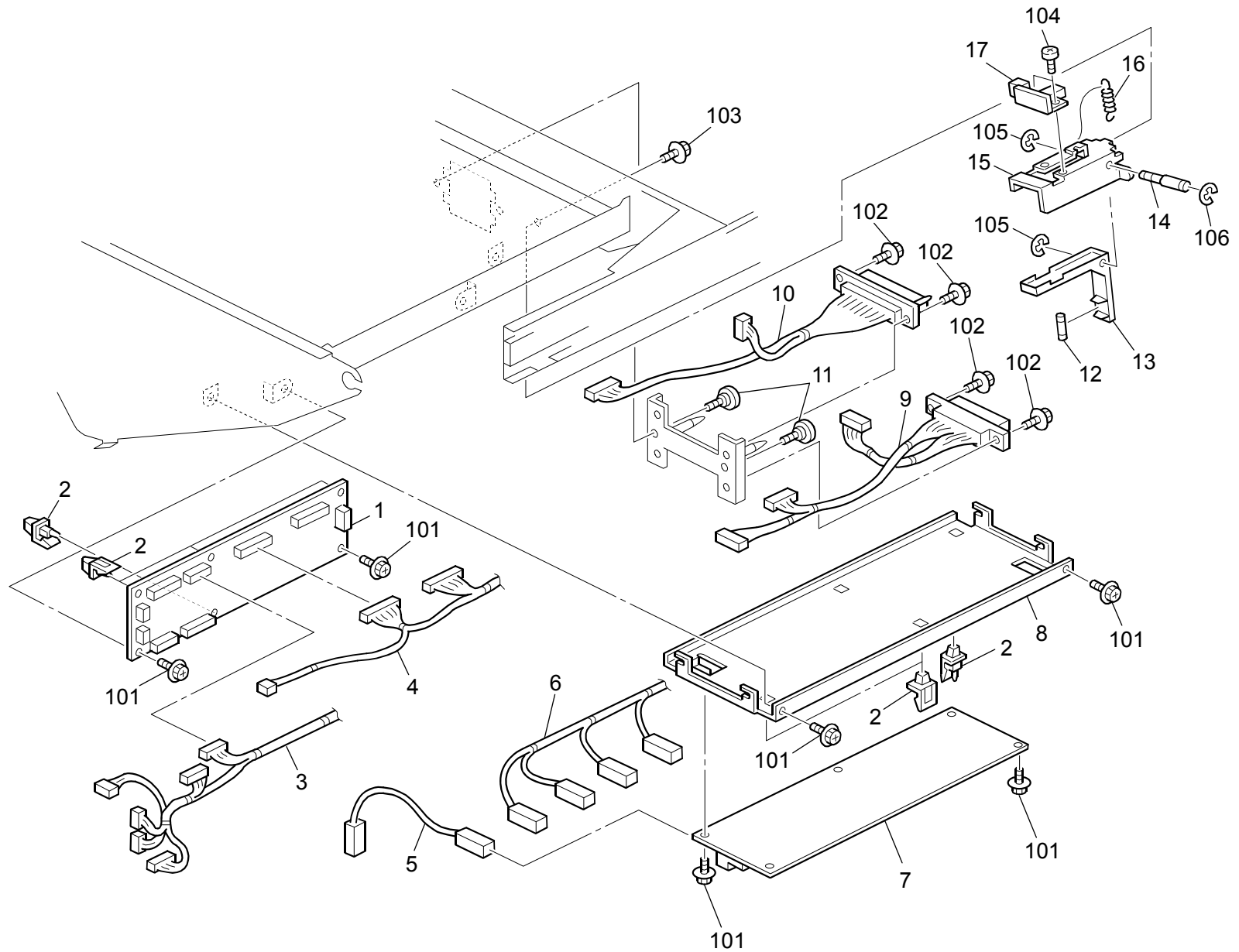
42. Transfer Belt Unit 5 (D016/D097/G178/M078)

Rev. 06/15/2010

Index No.	Part No.	Description	Q'ty Per Assembly
1	G178 6353	Holder: Ground Plate: Roller	3
2	G178 6361	Plate: Ground Plate: Roller	3
3	G178 3232	Terminal: Development Roller	4
4	G178 6504	Transfer Roller: Opposed: F Roller	1
5	G178 6502	Roller: Driven	1
6	G178 6326	Cover: High Voltage	1
7	G178 6315	Spring Plate: High Voltage	1
8	G178 6316	Terminal: High Voltage	1
9	G178 6312	Housing: High Voltage	1
10	G178 6505	Transfer Roller: No.2: Opposed	1
11	G178 4091	Roller: Drive: Intermediate Transfer: Press Fit	1
12	D016 6300	Intermediate Transfer Belt	1
13	G178 4081	Key: 3x3x10	1
14	G178 4071	Pan: Grease: Drive Roller	1
15	G178 6401	Gear: Drive: 1st Transfer	1
16	G178 4075	Spacer: Ball Bearing: Drive Roller	1
17	G178 4086	Encoder: Ass'y	1
18	G178 6875	Encoder: Sensor: Intermediate Transfer	1
19	G178 5887	Harness: 1st Transfer: Turn: Sensor: 2	1
20	G178 5784	Harness: 1st Transfer: Turn: Sensor: 1	1
21	G178 6385	Seal: Encoder	1
22	G178 4072	Cover: Grease: Drive Roller	1
23	G178 4073	Collar: Drive Roller	1
24	G178 6319	Cap: High Voltage	1
25	G178 4076	Seal: Housing	1
26	G178 4080	Housing: Drive Roller: Press Fit	1
27	GX05 0010	DC Stepper Motor: 5.56W	1
28	C257 7051	Washer: DIA4.5xDIA14x1T: T: T	1

Index No.	Part No.	Description	Q'ty Per Assembly
101	0451 4008N	Tapping Screw: 4x8	
102	0450 3008N	Tapping Screw - M3x8	
103	0954 4008N	Screw - M4x8	
104	0954 4012N	Screw: Polished Round/Spring: M4x12	
105	0353 0060N	Bind Screw - M3x6	
106	1105 0511	Harness Clamp - LWS-0306ZC	

43.Transfer Belt Unit 6 (D016/D097/G178/M078)

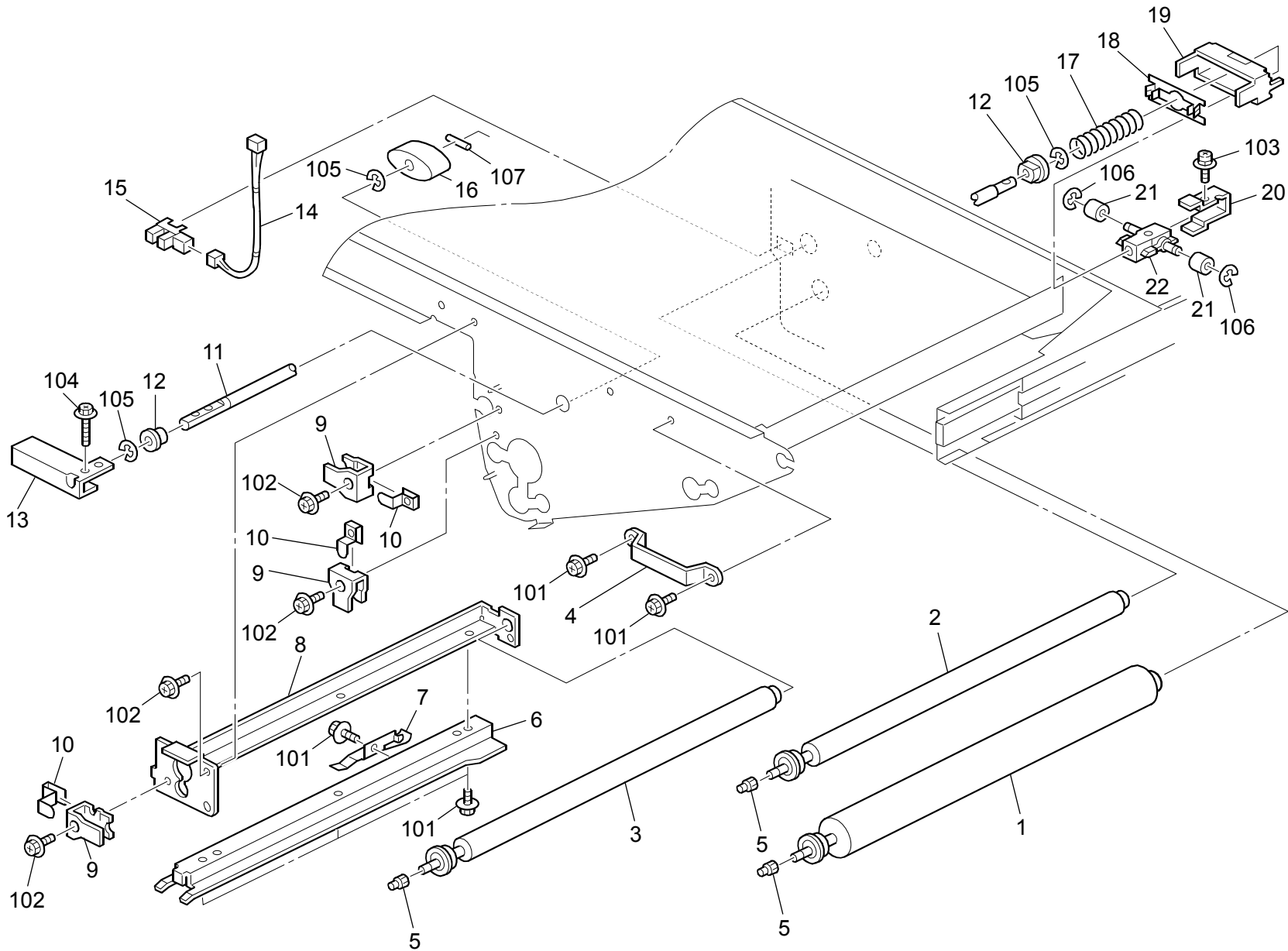


43.Transfer Belt Unit 6 (D016/D097/G178/M078)

Index No.	Part No.	Description	Q'ty Per Assembly
1	G178 4097	PCB: TRB	1
2	G178 7668	Spacer: 7907032: Base	7
3	G178 5851	Harness: 1st Transfer: Sensor	1
4	G178 5850	Harness: 1st Transfer: Motor	1
5	G178 5764	Harness: High Voltage: 2nd: Transfer	1
6	G178 5760	Harness: High Voltage: 1st: Transfer	1
7	G178 5490	Power Pack: Transfer	1
8	G178 6460	Holder: Transfer: Power Pack	1
9	G178 5651	Harness: 1st Transfer: Drawer: B: No.2	1
10	G178 5711	Harness: 1st Transfer: Drawer: A: No.1	1
11	5206 2684	Shoulder Screw - M3	2
12	G178 6471	Roller: Positioning Sensor: T Belt	1
13	G178 4089	Lever: Positioning Sensor	1
14	G178 6399	Shaft: Positioning Sensor: T Belt	1
15	G178 6398	Holder: Positioning Sensor: T Belt	1
16	G178 6322	Tension Spring	1
17	G178 6310	Positioning Sensor	1

Index No.	Part No.	Description	Q'ty Per Assembly
101	0451 3006N	Tapping Screw - 3x6	
102	0451 3010N	Tapping Screw: 3x10	
103	0451 4008N	Tapping Screw: 4x8	
104	0353 0060N	Bind Screw - M3x6	
105	0720 0040E	Retaining Ring - M4	
106	0720 0050E	Retaining Ring - M5	

44. Transfer Belt Unit 7 (D016/D097/G178/M078)

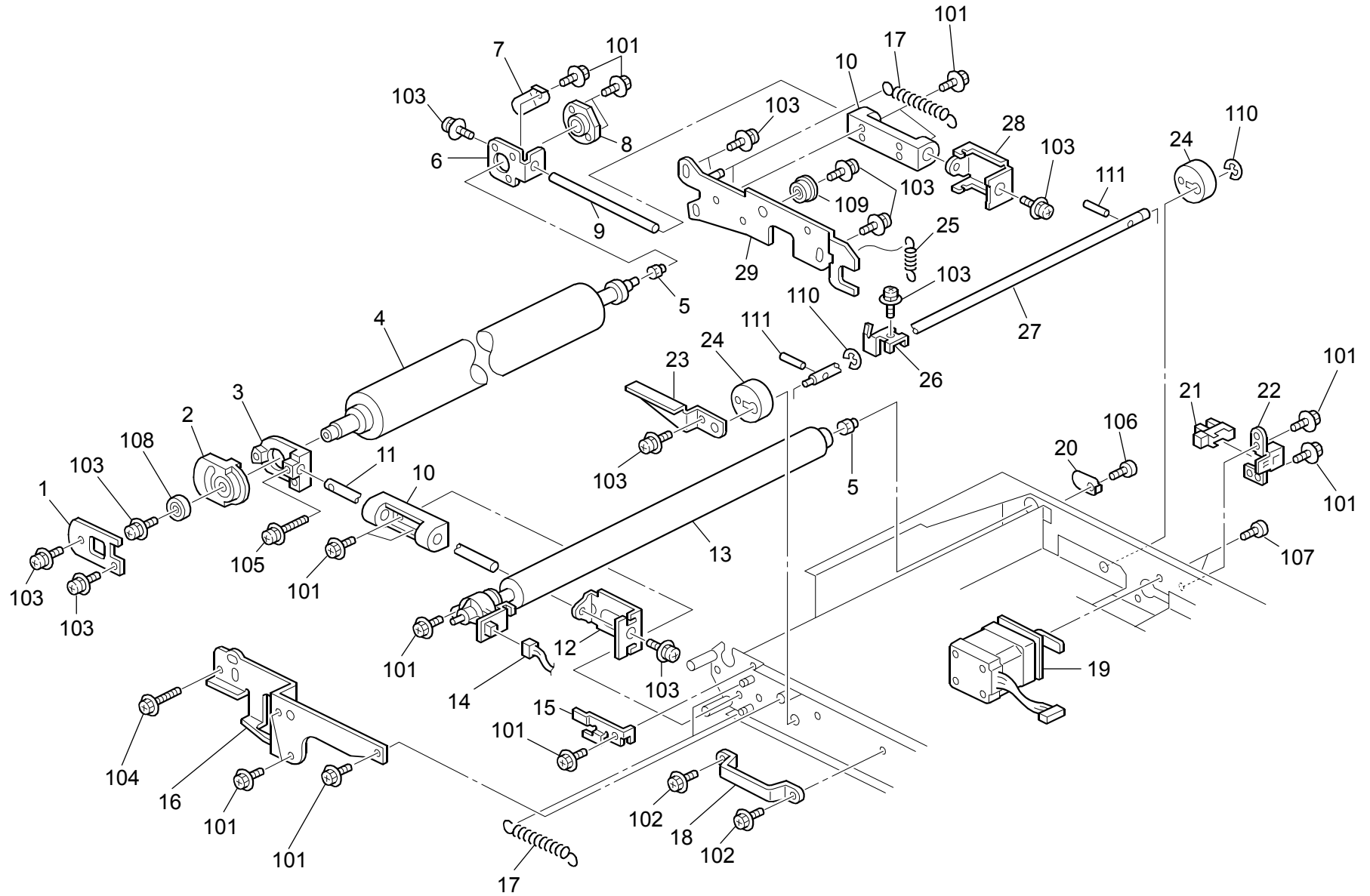


44. Transfer Belt Unit 7 (D016/D097/G178/M078)

Index No.	Part No.	Description	Q'ty Per Assembly
1	G178 6503	Roller: Belt Cleaner: Opposed	1
2	G178 6502	Roller: Driven	1
3	D016 4056	Roller: Driven: Opposed [TSB G178-065R]	1
4	B712 5605	Grip: Application	1
5	G178 3232	Terminal: Development Roller	3
6	G178 6664	Rail: Belt Cleaning	1
7	G178 6665	Ground Plate: Rail: Belt Cleaning	1
8	G178 6360	Holder: Transfer Belt: Opposed: Roller	1
9	G178 6353	Holder: Ground Plate: Roller	3
10	G178 6361	Plate: Ground Plate: Roller	3
11	G178 6384	Shaft: Pull Out: 1st Transfer	1
12	5053 0419	Bushing - 10mm	2
13	G178 6337	Lever: Drawer	1
14	G178 5782	Harness: T Belt: Cleaner: Sensor	1
15	AW02 0145	Photointerruptor: Flat	1
16	G178 6336	Cam: Drawer	1
17	AA06 3951	Compression Spring	1
18	G178 6329	Holder: Spring: Pull Out	1
19	B132 1190	Bracket: Release: Lock	1
20	B132 1224	Supporting Plate: Bracket: Lock	1
21	AA13 2300	Roller: Lock: Pull Out	2
22	B132 1183	Bracket: Lock	1

Index No.	Part No.	Description	Q'ty Per Assembly
101	0451 3006N	Tapping Screw - 3x6	
102	0451 4008N	Tapping Screw: 4x8	
103	0951 4020N	Screw - M4x20	
104	0954 4012N	Screw: Polished Round/Spring: M4x12	
105	0720 0080E	Retaining Ring - M8	
106	0720 0040E	Retaining Ring - M4	
107	0633 0160G	Parallel Pin - 3x16mm	

45. Transfer Belt Unit 8 (D016/D097/G178/M078)

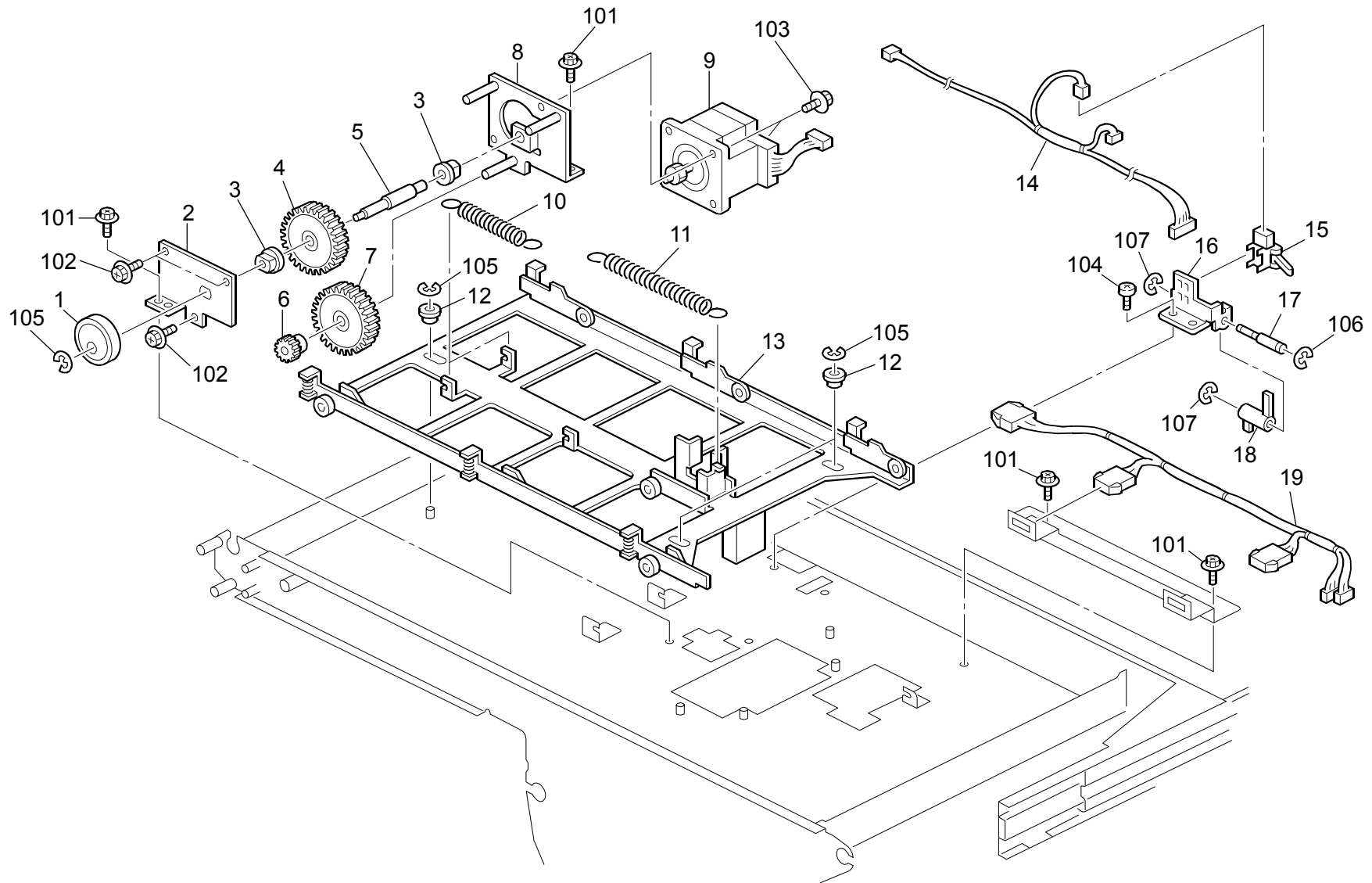


45.Transfer Belt Unit 8 (D016/D097/G178/M078)

Index No.	Part No.	Description	Q'ty Per Assembly
1	G178 4052	Plate: Housing: Flat Belt-Transfer	1
2	G178 4051	Housing: Ball Bearing: 1st Transfer	1
3	G178 4050	Holder: Bracket: Front	1
4	G178 6445	Roller: Flat Belt-Transfer	1
5	G178 3232	Terminal: Development Roller	2
6	G178 6391	Bracket: Shaft: Transfer Belt: Rear	1
7	G178 6351	Plate: Ground Plate: T Belt	1
8	G178 6446	Holder: Bearing	1
9	G178 6387	Shaft: Arm: Transfer Belt	1
10	G178 6500	Housing: Control: Transfer Belt	2
11	G178 4053	Shaft: Arm: Flat Belt-Transfer: Front	1
12	G178 6402	Hook: Arm: Spring: Front	1
13	G178 6342	Roller: Encoder: Ass'y	1
14	G178 5854	Harness: 1st Transfer: Turn: Sensor: 3	1
15	G178 6359	Stopper: Roller: Encoder: Thrust	1
16	G178 6367	Bracket: Positioning: Left	1
17	G178 6327	Tension Spring: 1st Transfer: 32.6N	4
18	B712 5605	Grip: Application	1
19	G178 6497	Stepper Motor: DC 5.75W	1
20	G178 6448	Plate: Ground Plate: Driven Roller	1
21	AW02 0145	Photointerruptor: Flat	1
22	G178 6389	Holder: Sensor: Control: Transfer Belt	1
23	G178 6414	Lever: Release: Tension	1
24	G178 6415	Cam: Release: Tension	2
25	G178 7648	Tension Spring: Latch: Duplex	1
26	G178 6447	Plate: Fix: Shaft	1
27	G178 6416	Shaft: Release: Tension	1
28	G178 6403	Hook: Arm: Spring: Rear	1
29	G178 6496	Vibrating Plate: Transfer Belt	1

Index No.	Part No.	Description	Q'ty Per Assembly
101	0451 4008N	Tapping Screw: 4x8	
102	0451 3006N	Tapping Screw - 3x6	
103	0954 4008N	Screw - M4x8	
104	0451 4012N	Tapping Screw: 4x12	
105	0954 4012N	Screw: Polished Round/Spring: M4x12	
106	0354 0040N	Screw-M4x4	
107	0353 0060N	Bind Screw - M3x6	
108	0740 3908	Ball Bearing - 8x19x6	
109	0741 3706	Ball Bearing - 6x10x3	
110	0720 0060E	Retaining Ring - M6	
111	0633 0120G	Parallel Pin - 3x12	

46. Transfer Belt Unit 9 (D016/D097/G178/M078)

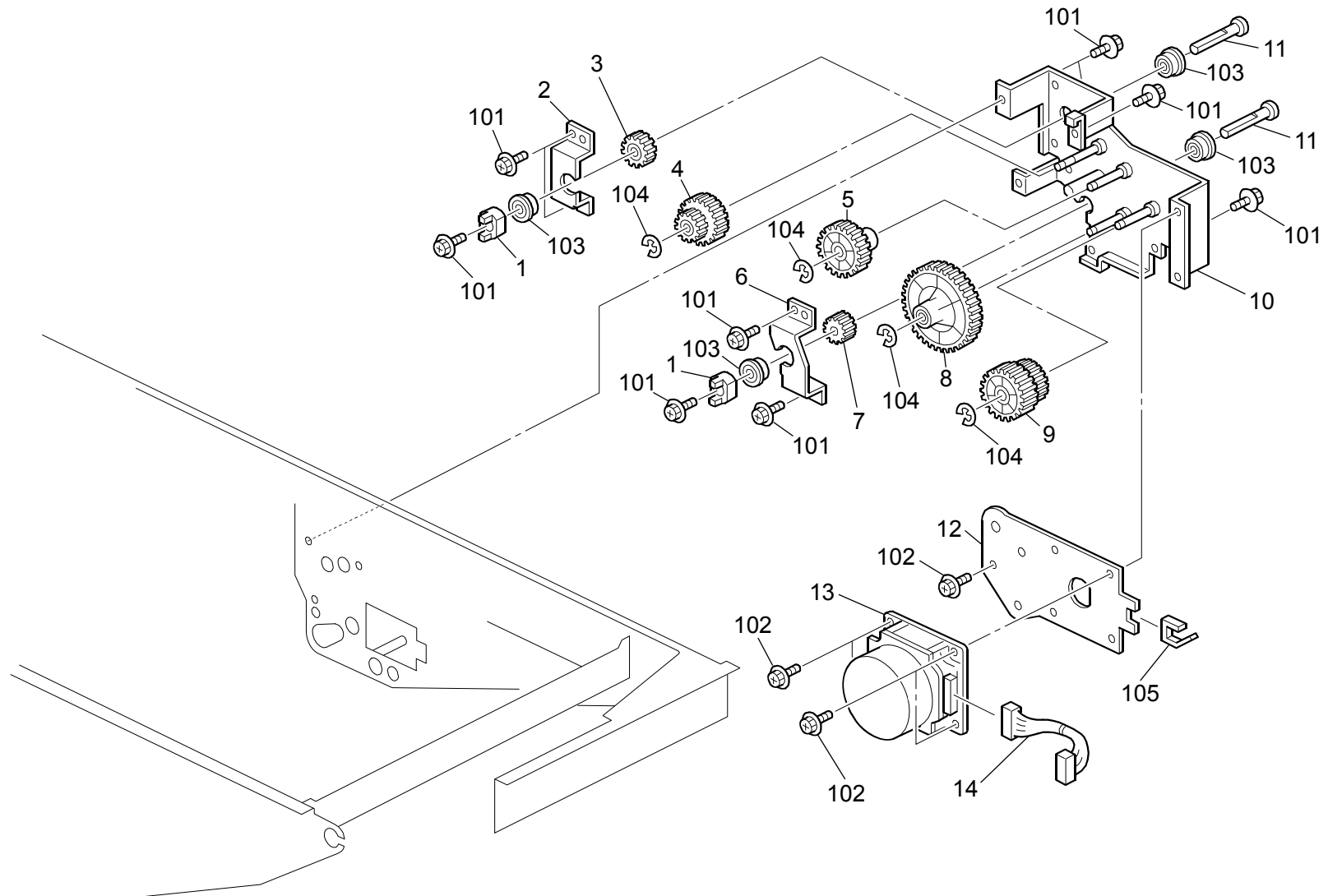


46.Transfer Belt Unit 9 (D016/D097/G178/M078)

Index No.	Part No.	Description	Q'ty Per Assembly
1	G178 6485	Cam	1
2	G178 6380	Holder: On-Off: Motor: Front	1
3	AA08 2104	Bushing - 8x12x7	2
4	G178 6349	Gear: On-Off: Cam	1
5	G178 6381	Shaft: On-Off: Cam	1
6	G178 6348	Gear: On-Off: No.2	1
7	G178 6347	Gear: On-Off: No.1	1
8	G178 6483	Holder: Motor	1
9	G178 6484	Stepper Motor: DC 6.7W	1
10	G178 6330	Tension Spring: 1st Transfer: 28.1N	1
11	G178 6333	Tension Spring: 1st Transfer: 59.1N	1
12	G178 6469	Bushing: Slide Rail	3
13	G178 6513	Slide Rail: On-Off: Collar: Ass'y	1
14	G178 5856	Harness: 1st Transfer: Sensor: Up R	1
15	AW02 0149	Paper Feed Sensor	1
16	G178 6465	Holder: Transfer Belt	1
17	G178 6464	Shaft: Transfer Belt	1
18	G178 6463	Lever: Transfer Belt	1
19	G178 5855	Harness: 1st Transfer: Motor: Upper	1

Index No.	Part No.	Description	Q'ty Per Assembly
101	0451 4008N	Tapping Screw: 4x8	
102	0451 3006N	Tapping Screw - 3x6	
103	0451 4012N	Tapping Screw: 4x12	
104	0354 0040N	Screw-M4x4	
105	0720 0040E	Retaining Ring - M4	
106	0720 0030E	Retaining Ring - M3	
107	0720 0020E	Retaining Ring - M2	

47. Transfer Belt Unit 10 (D016/D097/G178/M078)

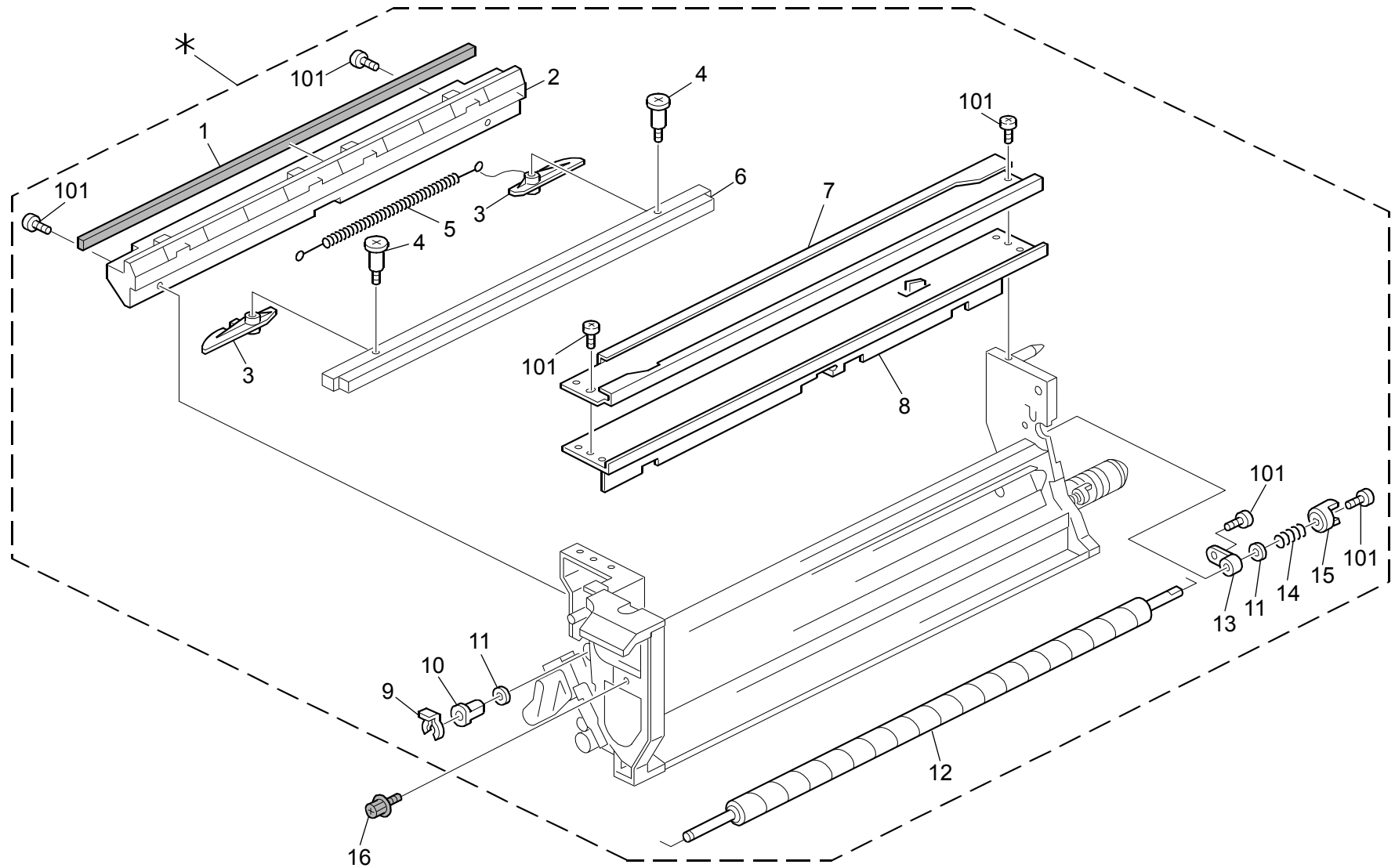


47. Transfer Belt Unit 10 (D016/D097/G178/M078)

Index No.	Part No.	Description	Q'ty Per Assembly
1	G178 6679	Joint: Drive: Brush Roller	2
2	G178 6672	Bracket: Joint: Upper	1
3	GB01 1131	Gear: Drive: Brush Roller: Upper	1
4	GB01 7134	Gear: Idler: 40Z: 42Z	1
5	GB01 0140	Gear: Idler: 68Z	1
6	G178 6671	Bracket: Joint: Lower	1
7	GB01 1132	Gear: Drive: Brush Roller: Lower	1
8	GB01 1130	Gear: Idler: 64Z	1
9	GB01 7133	Gear: Idler: 60Z: 31Z	1
10	G178 6666	Bracket: Drive: Cleaning: Ass'y	1
11	G178 6673	Shaft: Joint: Brush Roller	2
12	G178 6674	Bracket: Motor: Belt Cleaning	1
13	AX06 0281	DC Motor: MM56: 15W	1
14	G178 5785	Harness: T Belt: Cleaner: Motor	1

Index No.	Part No.	Description	Q'ty Per Assembly
101	0451 3006N	Tapping Screw - 3x6	
102	0451 3008N	Tapping Screw - M3x8	
103	0741 3506	Ball Bearing - 6x12x4 mm	
104	0720 0040E	Retaining Ring - M4	
105	1105 0551	Clamp: LES-0505	

48. Transfer Belt Cleaning 1 (D016/D097/G178/M078)

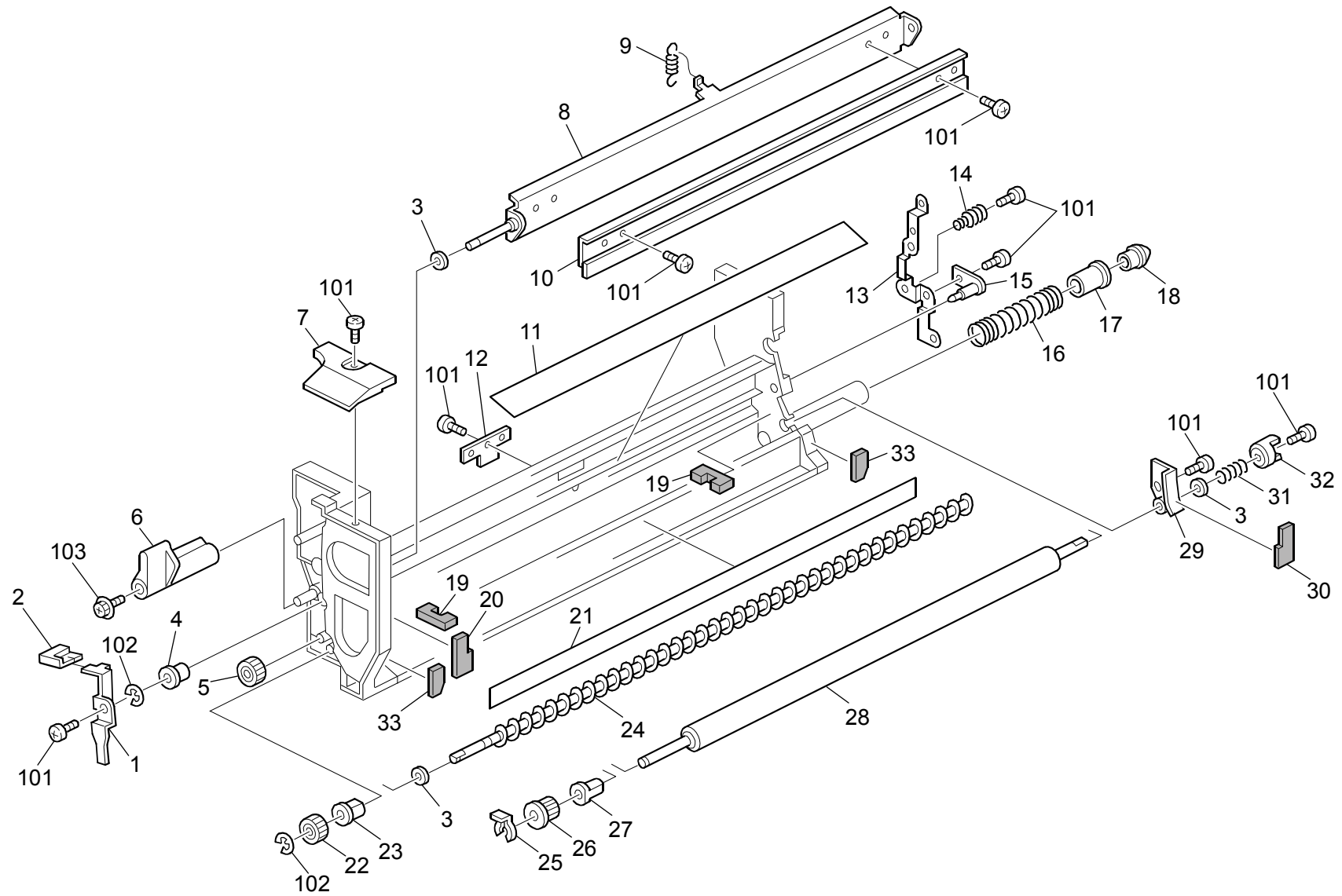


48. Transfer Belt Cleaning 1 (D016/D097/G178/M078)

Index No.	Part No.	Description	Q'ty Per Assembly
*	G178 6560	Cleaning Unit: Intermediate Transfer	1
1	GA15 1039	Seal: Case: Coating Bar	1
2	G178 6693	Case: Coating Bar: Belt Cleaning	1
3	G178 6694	Arm: Pressure: Coating Bar	2
4	AA14 3561	Screw - MM3: M2.5	2
5	G178 6696	Tension Spring: Coating Bar: 4N	1
6	G178 6690	Coating Bar: Belt Cleaning: Ass'y	1
7	G178 6657	Guide: Rail: Belt Cleaning	1
8	G178 6658	Stay: Upper: Ass'y	1
9	5447 2681	Snap Ring	1
10	AA08 2095	Bushing - Toner Collection Coil	1
11	AA13 2208	Spacer - M6	2
12	GD04 2008	Brush Roller: Apply: 1st Transfer	1
13	GA08 2012	Bushing: Brush Roller: Rear	1
14	GA06 3076	Compression Spring: Brush Roller	1
15	G178 6679	Joint: Drive: Brush Roller	1
16	B234 2390	Flanged Hexagonal Head Bolt: M4x8	1

Index No.	Part No.	Description	Q'ty Per Assembly
101	0353 0060N	Bind Screw - M3x6	

49. Transfer Belt Cleaning 2 (D016/D097/G178/M078)

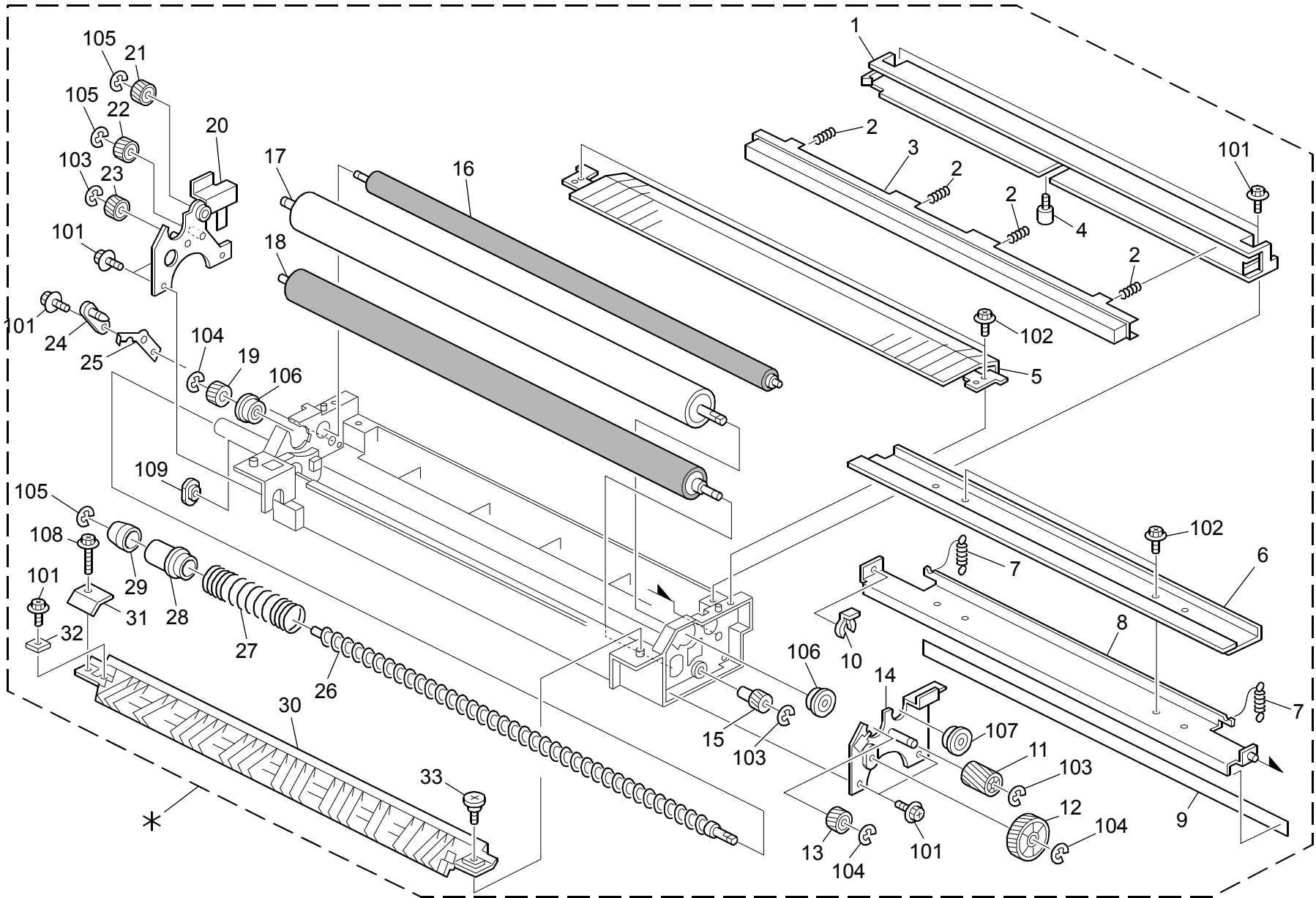


49.Transfer Belt Cleaning 2 (D016/D097/G178/M078)

Index No.	Part No.	Description	Q'ty Per Assembly
1	G178 6619	Release Plate: Blade: Lower	1
2	G178 6621	Cover: Release Plate: Blade	1
3	AA13 2208	Spacer - M6	3
4	B132 2264	Bushing: Terminal	1
5	GB01 1085	Gear: Idler: Toner Collection Coil	1
6	G178 6620	Lever: Release: Blade	1
7	G178 6656	Grip: Belt Cleaning	1
8	G178 6613	Bracket: Cleaning Blade: 1st Transfer	1
9	GA06 0077	Spring: Blade: 1st Transfer: 7.1N	1
10	GD04 1027	Cleaning Blade: Intermediate Transfer: Ass'y [TSB G178-017]	1
11	GA15 0010	Seal: Blade	1
12	G178 6652	Hook: Cleaning Blade: Lower	1
13	G178 6655	Ground Plate: Belt Cleaning	1
14	GA06 3078	Compression Spring: Belt Cleaning	1
15	G178 6616	Pin: Positioning: Blade: 1st Transfer	1
16	GA06 3077	Spring: Shutter: Used Toner	1
17	G178 6648	Shutter: Discharge Used Toner	1
18	G178 6649	Stopper: Shutter: Used Toner	1
19	GA15 1040	Seal: Holder: Side	2
20	GA15 2031	Seal: Belt Cleaning: Front	1
21	G178 6568	Entrance Seal: Belt Cleaning	1
22	GB01 1086	Gear: Toner Collection Coil	1
23	AA08 2075	Bushing - M6	1
24	GD04 3008	Toner Collection Coil: Belt Cleaning	1
25	5447 2681	Snap Ring	1
26	GB01 1084	Gear: Brush Roller: 1st Transfer	1
27	AA08 2095	Bushing - Toner Collection Coil	1
28	GD04 2007	Brush Roller: Intermediate Transfer	1
29	G178 6633	Bushing: Brush Roller: 1st Transfer	1
30	GA15 2032	Seal: Belt Cleaning: Rear	1
31	GA06 3076	Compression Spring: Brush Roller	1
32	G178 6679	Joint: Drive: Brush Roller	1
33	GA15 2033	Seal: Belt Cleaning: Entrance: Side	2

Index No.	Part No.	Description	Q'ty Per Assembly
101	0353 0060N	Bind Screw - M3x6	
102	0720 0040E	Retaining Ring - M4	
103	0451 3006N	Tapping Screw - 3x6	

50.Transfer Roller Unit (D016/D097/G178/M078)



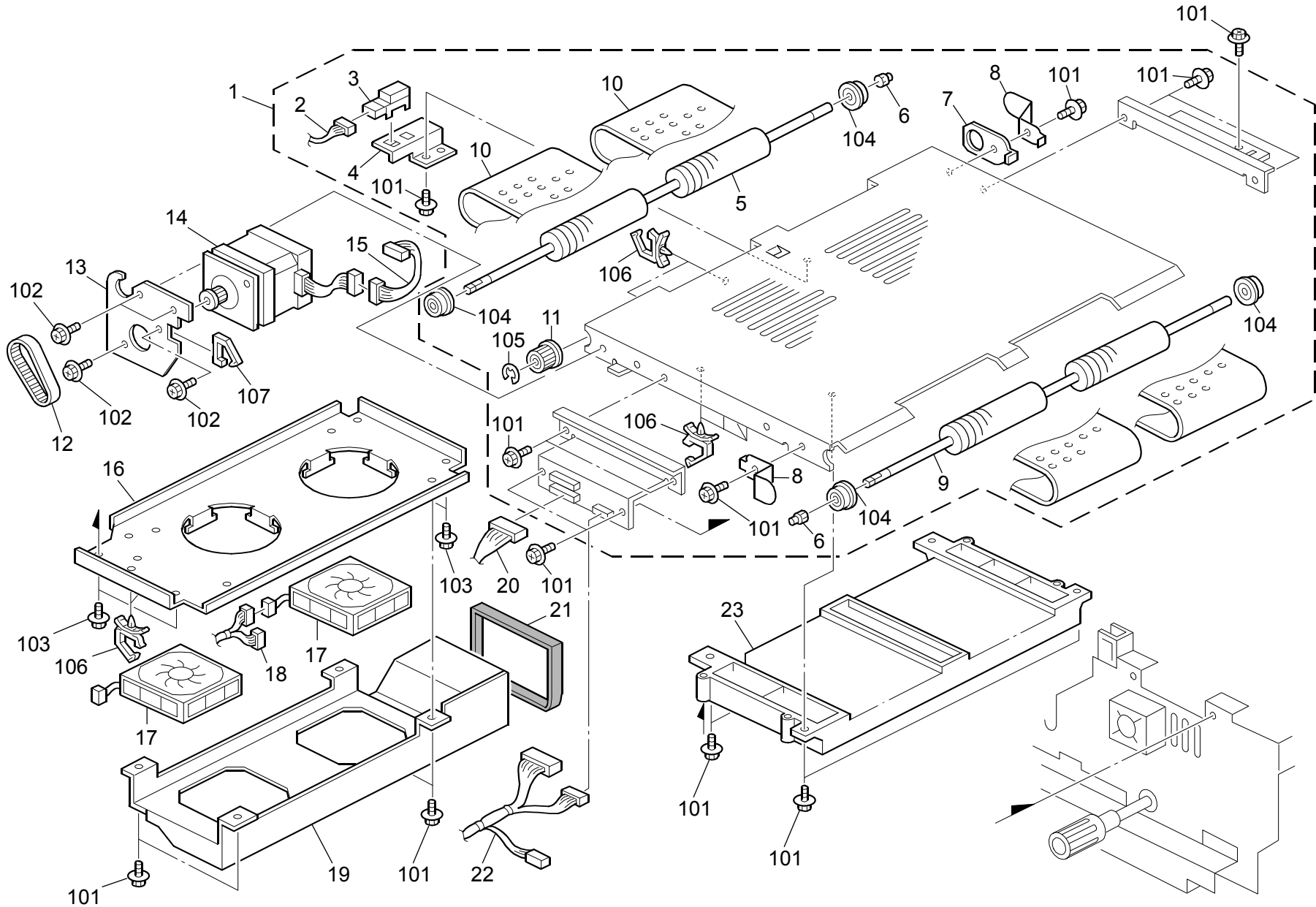
50.Transfer Roller Unit (D016/D097/G178/M078)

Rev. 04/27/2010

Index No.	Part No.	Description	Q'ty Per Assembly
*	G178 6715	Transfer Unit: Ass'y	1
1	G178 4018	Case: Coating Bar: Transfer Roller	1
2	G178 4009	Coil Spring: Coating Bar: 0.55N	4
3	G178 6767	Coating Bar: Transfer Roller	1
4	G178 4017	Pin: Coating Bar	1
5	G178 6800	Guide: Entrance: Transfer Roller: Ass'y	1
6	G178 6759	Blade: Transfer Roller	1
7	G178 6819	Tension Spring: Blade: Transfer Roller	2
8	G178 6812	Base: Blade: Ass'y	1
9	G178 6828	Sheet: Seal: Blade: Lower	1
10	5206 2686	Snap Ring	1
11	G178 3951	Gear: Idler: Transfer Roller	1
		[TSB G178-074 D016-020]	
12	G178 3952	Gear: Brush Roller [TSB G178-074]	1
		[TSB G178-074 D016-020]	
13	G178 3950	Gear: Transfer Roller [TSB G178-074]	1
		[TSB G178-074 D016-020]	
14	G178 4015	Holder: Transfer Roller: Front: Ass'y	1
15	G178 6789	Gear: Discharge Used Toner	1
16	G178 6887	Brush Roller: Coating Bar	1
17	G178 6755	Transfer Roller	1
18	G178 6757	Brush Roller: Transfer Roller	1
19	G178 6877	Gear: Transfer Roller: Rear	1
20	G178 4016	Holder: Transfer Roller: Rear: Ass'y	1
21	G178 6891	Gear: Idler: Transfer Roller: Right	1
22	G178 6879	Gear: Idler: Transfer Roller: Left	1
23	G178 6890	Gear: Coating Bar: Brush Roller	1
24	G178 4006	Pin: Positioning: Blade: Trans Roller	1
25	G178 4010	Ground Plate: Transfer Roller: Rear	1
26	G178 6775	Collection Coil: Toner: Ass'y	1
27	G178 4019	Spring: Shutter: Toner Collection	1
28	G178 6899	Shutter: Discharge Used Toner	1
29	G178 4020	Stopper: Shutter: Toner Collection	1
30	G178 6706	Separation Unit	1
31	G178 6856	Cover: Terminal: Electrode Plate	1

Index No.	Part No.	Description	Q'ty Per Assembly
32	G178 6851	Spacer: Electrode Plate	1
33	C229 2561	Stepped Screw	1
101	0451 3006N	Tapping Screw - 3x6	
102	0451 4008N	Tapping Screw: 4x8	
103	0720 0040E	Retaining Ring - M4	
104	0720 0050E	Retaining Ring - M5	
105	0720 0030E	Retaining Ring - M3	
106	0805 3511	Bushing 8mm	
107	0741 3505	Ball Bearing - 5x10x4	
108	0451 3010N	Tapping Screw: 3x10	
109	0741 3808	Ball Bearing - 8x16x5mm	

51.Paper Transfer (D016/D097/G178/M078)



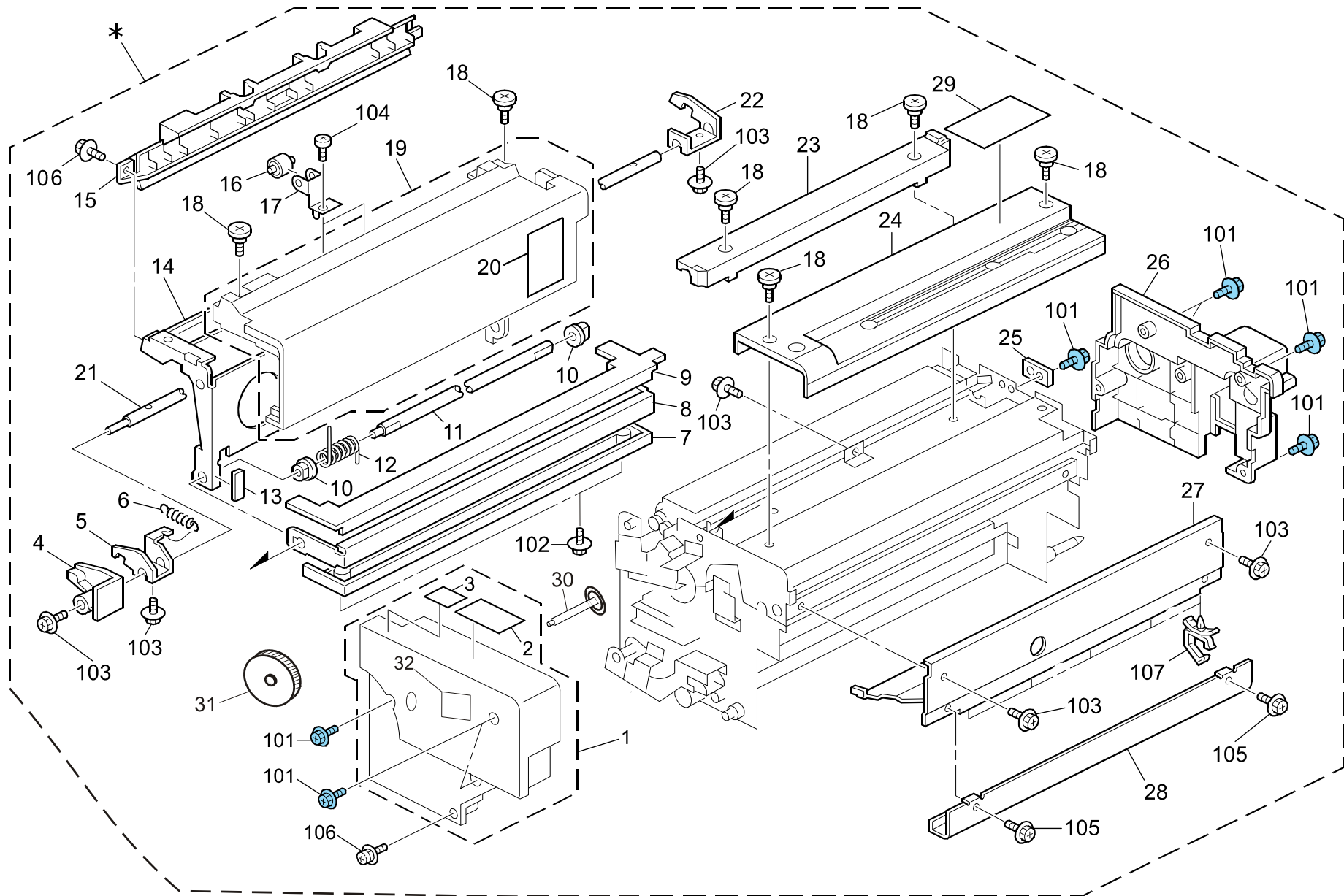
51.Paper Transfer (D016/D097/G178/M078)

Index No.	Part No.	Description	Q'ty Per Assembly
1	G178 3855	Transport Unit	1
2	G178 5744	Harness: Separation/Transport: Sensor	1
3	AW01 0107	Paper Feed Sensor	1
4	G178 3860	Bracket: Sensor	1
5	G178 3894	Drive Roller: Separation/Transport	1
6	G178 3232	Terminal: Development Roller	2
7	G178 3882	Holder: Bracket: Bearing	1
8	G178 3879	Ground Plate: Separation/Transport	2
9	G178 3893	Driven Roller: Separation/Transport	1
10	G178 3896	Transport Belt: Separation/Transport	2
11	G178 3870	Timing Pulley: T30	1
12	G178 4636	Timing Belt: S2M134_67	1
13	G178 3881	Holder: Plate: Motor	1
14	B132 6655	Stepper Motor: Paper Feed Unit: Ass'y	1
15	G178 5745	Harness: Separation/Transport: Motor	1
16	G178 3875	Holder: Fan	1
17	AX64 0159	Fan Motor MM80	2
18	G178 5743	Harness: Separation/Transport: Fan	1
19	G178 3883	Duct: Separation/Transport: Ass'y	1
20	G178 5794	Harness: Transport: Motor 2	1
21	G178 3874	Seal: Duct	1
22	G178 5846	Harness: PDB: Sensor: (1): No.2	1
23	G178 3873	Chamber: No.2	1

Index No.	Part No.	Description	Q'ty Per Assembly
101	0451 4008N	Tapping Screw: 4x8	
102	0451 3006N	Tapping Screw - 3x6	
103	0450 4010N	Tapping Screw: M4x10	
104	0741 3506	Ball Bearing - 6x12x4 mm	
105	0720 0050E	Retaining Ring - M5	
106	1105 0511	Harness Clamp - LWS-0306ZC	
107	1105 0522	Edge Saddle - LES0510	

52.Fusing Unit 1 (D016/D097/G178/M078)

Rev. 07/24/2009



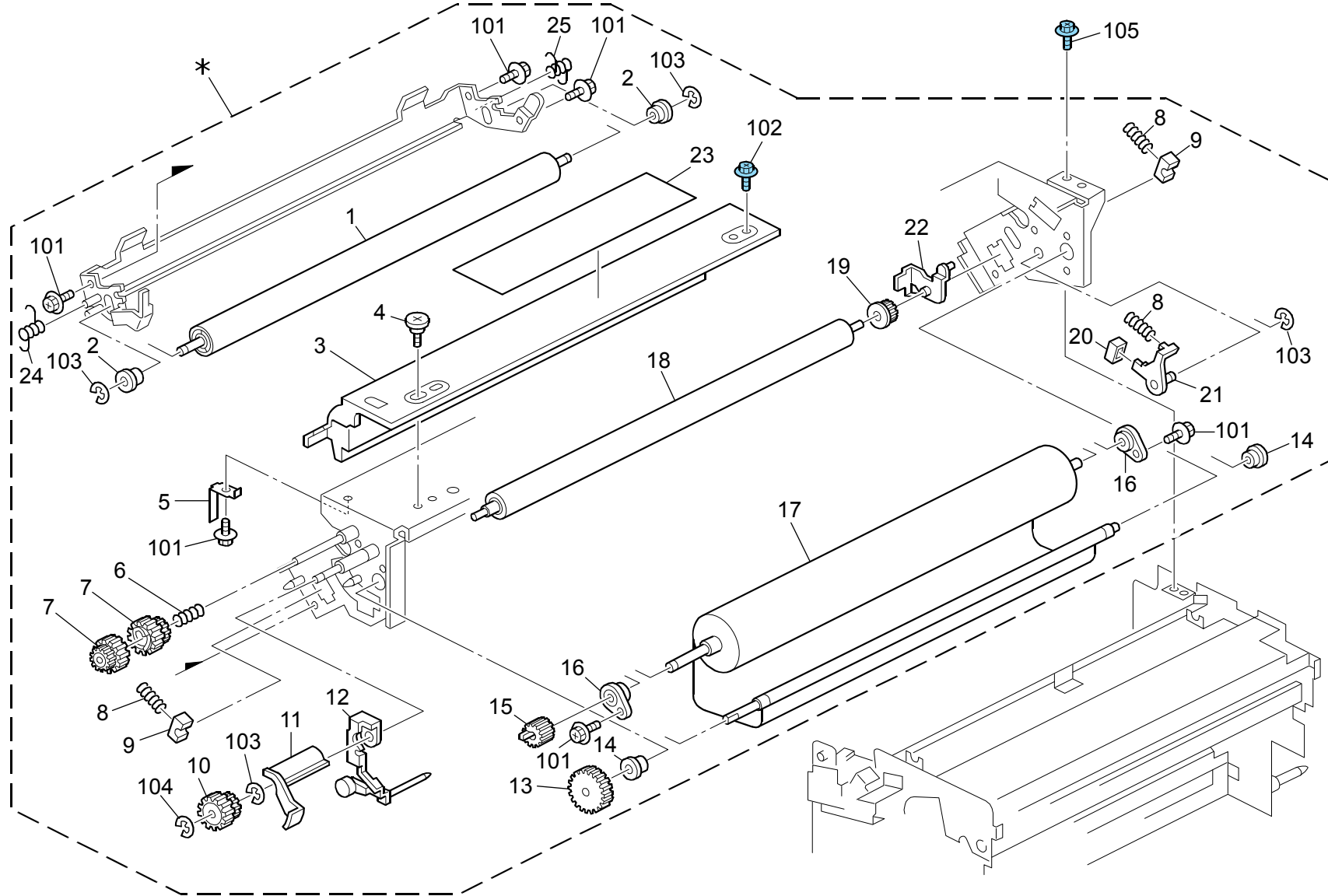
52.Fusing Unit 1 (D016/D097/G178/M078)

Rev. 10/11/2010

Index No.	Part No.	Description	Q'ty Per Assembly
*	D016 4113	Fusing Unit: NA: Ass'y	1
*	D016 4114	Fusing Unit: EU: Ass'y	1
1	G178 4139	Cover: Fusing Unit: Front: Ass'y [TSB G178-080]	1
2	G178 4214	Decal: H-Temp Warning: Fusing Unit	1
3	G178 4216	Decal: Positioning: Fusing Unit	1
4	G178 4232	Lever: Open/Close: Cover: Paper Exit	1
5	G178 4235	Hook: Front: Cover: Paper Exit Sub-Unit	1
6	G178 7654	Tension Spring: 7062125	1
7	G178 7887	Cover: Handle: B: Ass'y	1
8	G178 4439	Handle: Fusing Unit	1
9	G178 7886	Cover: Handle: A: Ass'y	1
10	AA08 0308	Bushing - 8mm	2
11	G178 4230	Shaft: Cover: Paper Exit Sub-Unit	1
12	G178 4273	Spring: Balancer: Front	1
13	G178 7853	Sheet: Fiber: Stay	1
14	G178 4291	Stay: Cover: Paper Exit Sub-Unit: Ass'y	1
15	G178 7926	Guide: Paper Exit Sub-unit: Upper [TSB G178-073]	1
16	AF04 0561	Fusing Exit Roller - Upper	2
17	A294 4164	Roller Spring Plate	2
18	AA14 3801	Screw: M4: Exterior	6
19	D016 4117	Cover: Paper Exit Sub-Unit: Ass'y [TSB G178-083 D016-010]	1
20	D016 4162	Decal: Warning: Fusing Unit [TSB G178-083 D016-010]	1
21	G178 4237	Shaft: Open/Close: Cover: Paper Exit	1
22	G178 4236	Hook: Rear: Cover: Paper Exit Sub-Unit	1
23	G178 4327	Cover: Upper: Fusing Unit: Middle: Ass'y	1
24	D016 4223	Cover: Upper: Fusing Unit: B: Fiber [TSB G178-076]	1
25	G178 4444	Plate: Lock: Shaft	1
26	D016 4225	Cover: Fusing Unit: Rear [TSB G178-076]	1
27	G178 7956	Guide: Cover: Entrance: Upper	1
28	G178 4475	Cover: Cable	1

Index No.	Part No.	Description	Q'ty Per Assembly
29	G178 4211	Decal: H-Temp Warning: Fusing Unit	1
30	D016 4241	Stay: Shaft: Knob: Hot [TSB G178-080]	1
31	D016 4244	Knob: Fusing: Mechanical Roller [TSB G178-080]	1
32	D016 4245	Decal: Rotation [TSB G178-080]	1
101	G832 7900A	Screw: Spring Washer: Round Point M4x10 [TSB#063]	
102	0450 3010N	Tapping Screw - M3x10	
103	0360 4008N	Screw - M4x8	
104	0354 0060N	Screw-M4x6	
105	0360 4006N	Screw - M4x6	
106	0954 4008N	Screw - M4x8	
107	1105 0616	Clamp: LWS-0511ZT	

53.Fusing Unit 2 (D016/D097/G178/M078)

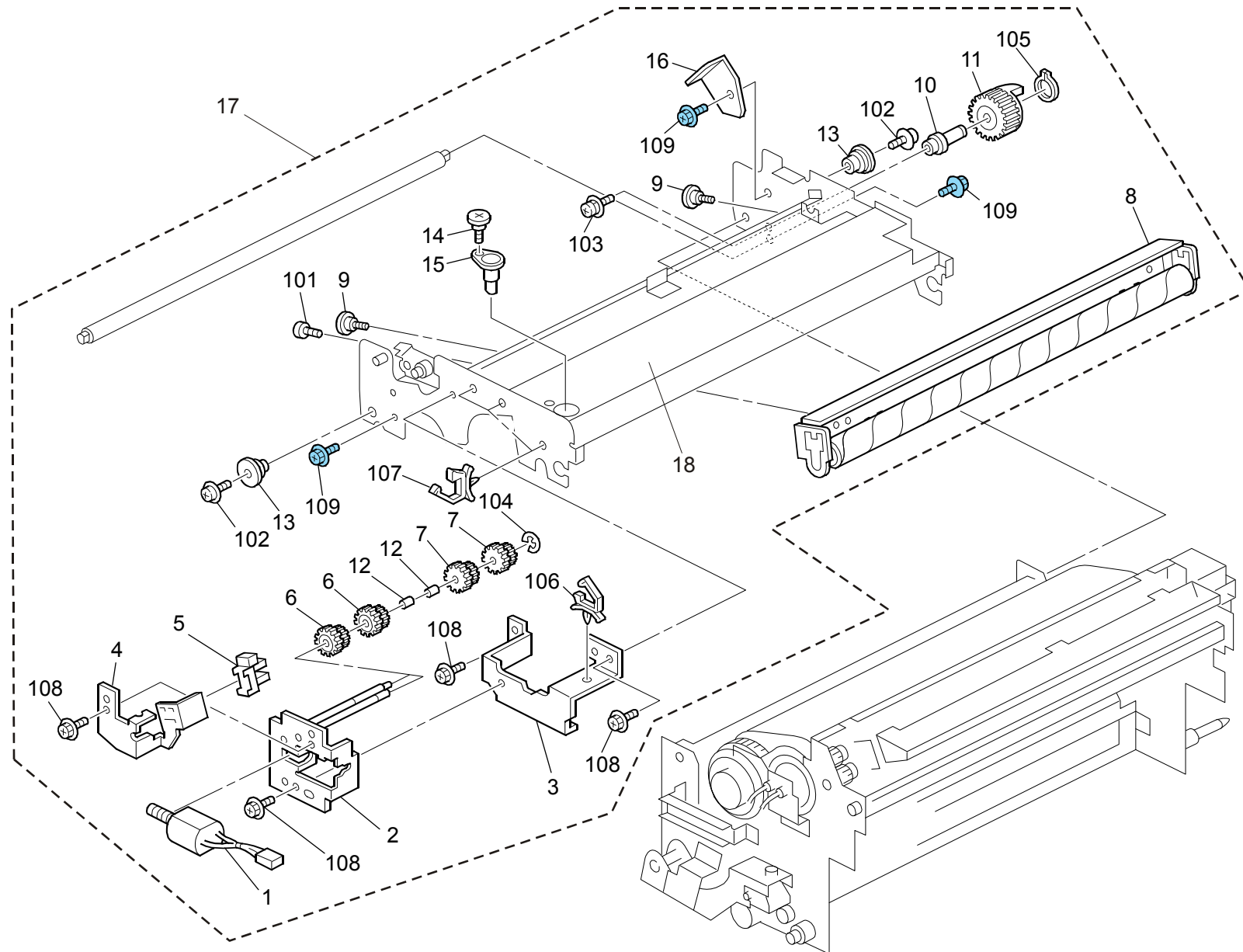


53.Fusing Unit 2 (D016/D097/G178/M078)

Rev. 05/14/2009

Index No.	Part No.	Description	Q'ty Per Assembly
*	G178 4146	Web: Cleaning Unit: Ass'y [TSB G178-084 D016-011]	1
1	G178 4347	Fusing Cleaning Roller	1
2	G178 7929	Bushing: Cleaning Roller [TSB G178-013]	2
3	G178 4326	Cover: Cleaning Unit: Ass'y	1
4	AA14 3810	Development Cover Screw	1
5	A294 4433	Web Spring Plate	1
6	AA06 3851	Pressure Spring	1
7	A294 4158	Coupled Gear - 25Z/32Z	2
8	AA06 3652	Spring-Oil Supply Roller	3
9	AE03 1026	Bushing - Oil Supply Roller	2
10	A294 4171	Coupled Gear - 17Z/32Z	1
11	G178 7939	Feeler: End Sensor: Cleaning Unit [TSB G178-084 D016-011]	1
12	G178 7930	Feeler: Ass'y [TSB G178-084]	1
13	B234 4244	Gear - 50Z	1
14	AE03 1032	Bushing - 6x9x6.5	2
15	A294 4156	Gear - 23Z	1
16	G178 4497	Bushing: Cleaning Felt	2
17	G178 4372	Roller: Cleaning Felt: 24m: Ass'y	1
18	AE04 0067	Roller - Cleaning Felt	1
19	A294 4116	Plate Ratchet	1
20	B070 4418	Web Brake Pad	1
21	G178 4423	Bracket: Stopper: Web: Ass'y	1
22	G178 4456	Bracket: Stopper: Ass'y	1
23	G178 4224	Decal: H-Temp Warning: Cleaning Unit	1
24	G178 7998	Torsion Spring: Right [TSB G178-013]	1
25	G178 7999	Torsion Spring: Left [TSB G178-074]	1

Index No.	Part No.	Description	Q'ty Per Assembly
101	0360 4006N	Screw - M4x6	
102	0454 4006Q	Tapping Screw: 4x6	
103	0720 0040E	Retaining Ring - M4	
104	0720 0030E	Retaining Ring - M3	
105	0454 4008Q	Tapping Screw - M4x8	



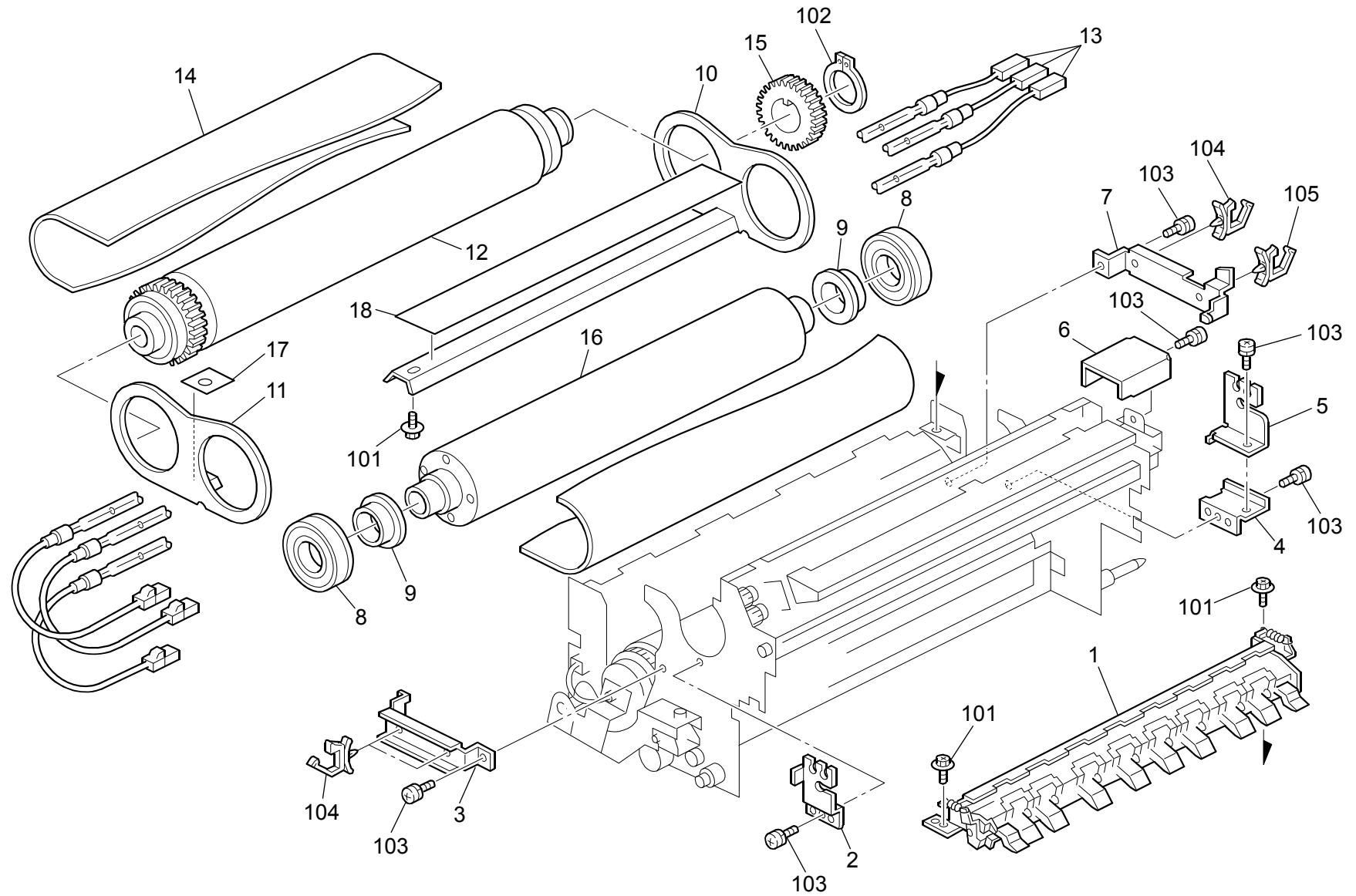
54.Fusing Unit 3 (D016/D097/G178/M078)

Rev. 06/28/2010

Index No.	Part No.	Description	Q'ty Per Assembly
1	AX04 0147	DC Motor: Cleaner: 0.5W	1
2	G178 4486	Bracket: Cleaning: Drive: Ass'y	1
3	G178 4354	Bracket: Web: Drive	1
4	G178 4484	Bracket: Photointerruptor	1
5	AW02 0160	Paper Feed Sensor	1
6	A294 4171	Coupled Gear - 17Z/32Z	4
7	AB01 4229	Coupled gear - 17Z/32Z	4
8	G178 4400	Tension Roller Unit	1
9	AA14 3802	Screw: 6x1.7	2
10	G178 7934	Shaft: Gear: Roller: Drive [TSB G178-092]	1
11	G178 7894	Gear: Z38: Joint: Ass'y	1
12	AE03 1037	Bushing - M4	4
13	G178 4242	Pin: Frame: Front: Fusing Unit	2
14	AA14 3854	Screw [TSB G178-046]	1
15	G178 7952	Nozzle: Oil Supply [TSB G178-046]	1
16	G178 7995	Supporting Plate: Web [TSB G178-013]	1
17	G178 4126	Frame: Upper: Ass'y [TSB-050]	1
18	D016 4221	Stay: Frame: Upper [TSB-050]	1

Index No.	Part No.	Description	Q'ty Per Assembly
101	0354 0060N	Screw-M4x6	
102	0951 5014N	Screw: Polished Round: M5x14	
103	0954 5012N	Screw: Polished Round/Spring: M5x12	
104	0720 0030E	Retaining Ring - M3	
105	0725 0100E	Retaining Ring C - M10	
106	1105 0487	Harness Clamp	
107	1105 0616	Clamp: LWS-0511ZT	
108	0360 4008N	Screw - M4x8	
109	0454 4008Q	Tapping Screw - M4x8	

55.Fusing Unit 4 (D016/D097/G178/M078)



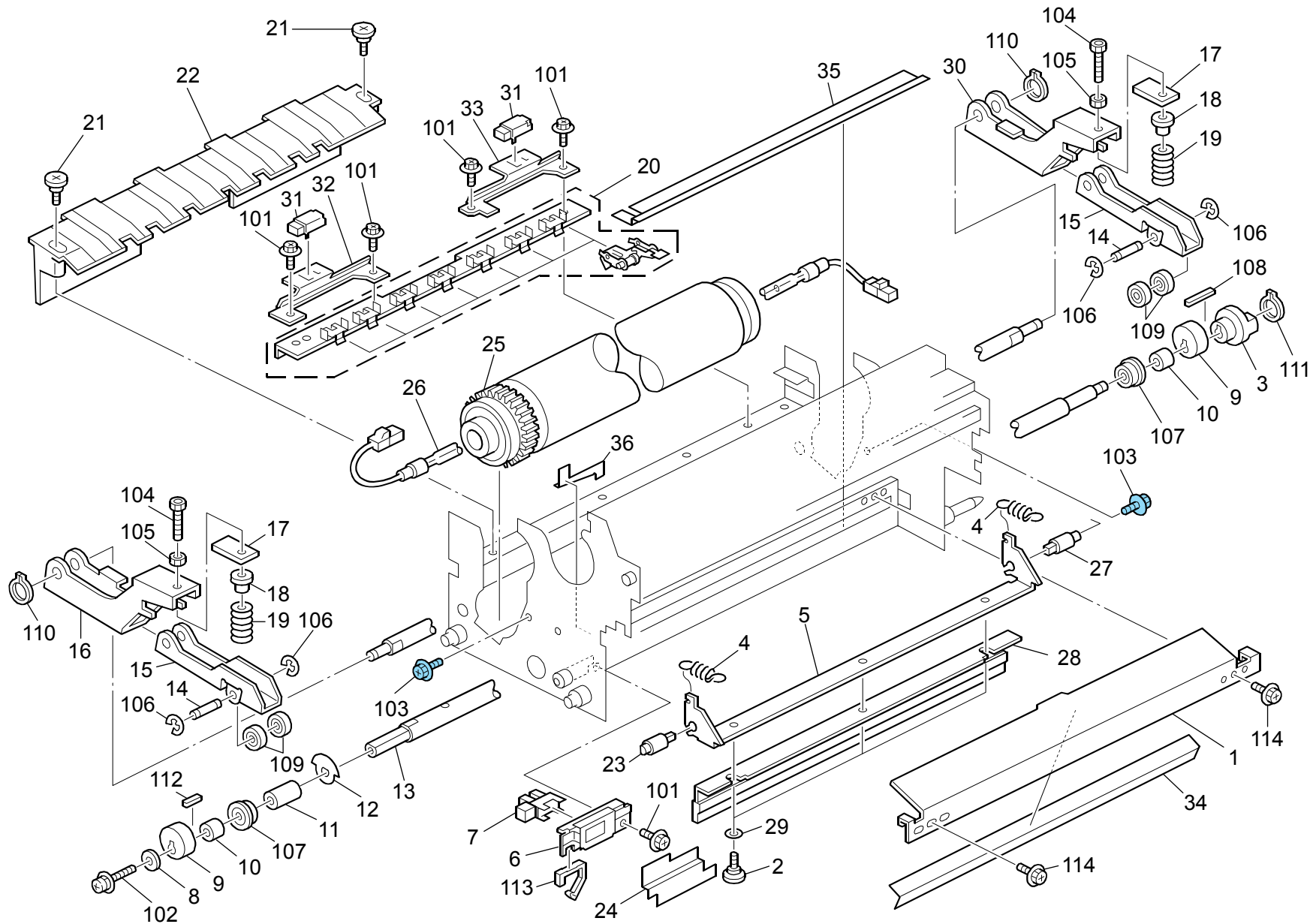
55.Fusing Unit 4 (D016/D097/G178/M078)

Rev. 06/15/2010

Index No.	Part No.	Description	Q'ty Per Assembly
1	D016 7859	Stripper Plate: Hot Roller: Ass'y	1
2	G178 4549	Heater Holder: Discharge Brush: Front	1
3	G178 4227	Holder: Harness: Front	1
4	G178 4175	Base: Heater Holder: Heat Roller: Rear	1
5	G178 4176	Heater Holder: Heat Roller: Rear Upper	1
6	G178 4515	Plate: Rear: Heat Shield	1
7	G178 4530	Holder: Harness: Rear	1
8	AE03 0031	Ball Bearing - 40x62x12	2
9	AE03 2021	Bushing - 34.3x39.9x15.5	2
10	G178 4293	Frame: Roller: Rear	1
11	G178 4292	Frame: Roller: Front	1
12	D016 4485	Hot Roller	1
13	G178 4457	Heater: 208V: 1000W: Heat Roller: NA	3
13	G178 4520	Heater: 230V: 1000W: Heat Roller: EU	3
14	G178 7878	Fusing Belt: 140mm	1
15	G178 7892	Gear: Z70: Hot Roller	1
16	G178 4150	Heat Roller	1
17	G178 4271	Cleaning Felt: Roller: Front	1
18	G178 4270	Cleaning Felt: Roller: Rear	1

Index No.	Part No.	Description	Q'ty Per Assembly
101	0360 4008N	Screw - M4x8	
102	0805 0098	Ring - M35	
103	0954 4008N	Screw - M4x8	
104	1105 0511	Harness Clamp - LWS-0306ZC	
105	1105 0487	Harness Clamp	

56.Fusing Unit 5 (D016/D097/G178/M078)



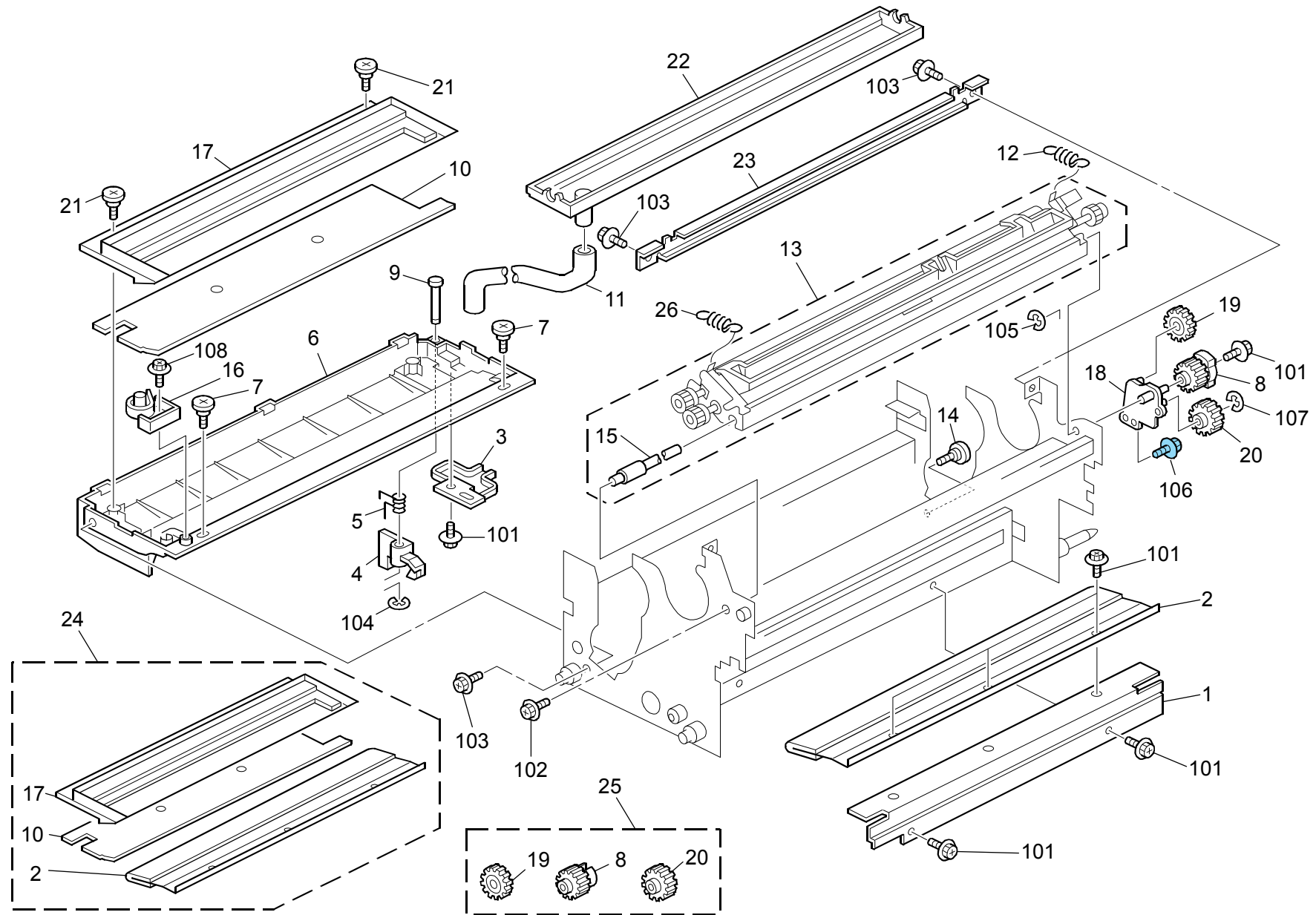
56.Fusing Unit 5 (D016/D097/G178/M078)

Index No.	Part No.	Description	Q'ty Per Assembly
1	G178 4260	Guide: Paper: Entrance: Lower	1
2	5840 1632	Stepped Screw	3
3	G178 4184	Joint: O/C: Fusing Unit	1
4	G178 4544	Tension Spring: Blade: Pressure	2
5	G178 4244	Holder: Blade: Pressure: Sub-ass'y	1
6	G178 7890	Holder: Positioning Sensor: Welding	1
7	AW02 0160	Paper Feed Sensor	1
8	G178 4525	Washer: DIA5.5xDIA16x2	1
9	G178 4180	Cam: O/C	2
10	G178 4182	Collar: 1: O/C	2
11	G178 4183	Collar: 2: O/C	1
12	G178 4181	Plate: Positioning Sensor: O/C	1
13	G178 4179	Shaft: O/C	1
14	G178 4257	Shaft: Cam Follower	2
15	G178 4255	Arm: Pressure Sub-unit	2
16	G178 4275	Arm: Pressure Sub-unit: Lower Front	1
17	G178 4256	Supporting Plate: Arm	2
18	G178 4285	Cap: Spring: Pressure Sub-unit	2
19	G178 4284	Spring: Pressure Sub-unit	2
20	D016 4201	Pickoff Pawl: Pressure Roller: Ass'y [TSB G178-052R]	1
21	C244 4426	Shoulder Screw [TSB G178-080]	1
22	D016 4216	Guide: Paper: Exit: Lower [TSB G178-052R]	1
23	G178 4197	Pin: Pressure: Blade: Front	1
24	G178 7914	Sheet: Holder: Positioning Sensor [TSB G178-063]	1
25	G178 7950	Pressure Roller [TSB G178-008]	1
26	G178 4458	Heater: 208V: 1000W: Pressure Roller: NA	1
26	G178 4521	Heater: 230V: 1000W: Pressure Roller: EU	1
27	G178 4198	Pin: Pressure: Blade: Rear	1
28	G178 4329	Blade: Sub-ass'y	1
29	G178 4305	Washer: DIA5.3xDIA10x1	3
30	G178 4276	Arm: Pressure Sub-unit: Lower Rear	1
31	G178 7900	Distance Measuring Sensor [TSB G178-052R]	2

Index No.	Part No.	Description	Q'ty Per Assembly
32	D016 4267	Bracket: Paper Feed Sensor: Front [TSB G178-052R]	1
33	D016 4268	Bracket: Paper Feed Sensor: Rear [TSB G178-052R]	1
34	G178 7913	Sheet: Fusing Entrance Guide Plate [TSB G178-063]	1
35	G178 7915	Sheet: Oil Sump: Lower [TSB G178-063]	1
36	G178 7916	Sheet: Positioning Sensor: Upper [TSB G178-063]	1
101	0360 4008N	Screw - M4x8	
102	0954 5010N	Screw: Polished Round/Spring: M5x10	
103	0454 4008Q	Tapping Screw - M4x8	
104	0595 0250E	Hexagonal Set Screw: M5x25	
105	0712 0050N	Hexagonal Nut: M5	
106	0720 0040E	Retaining Ring - M4	
107	0742 3012	Ball Bearing: DIA12xDIA28x8	
108	0930 0404A	Parallel Key: 4x4x25	
109	0740 3206	Ball Bearing - 6x19x6	
110	0725 0120E	Retaining Ring C - M12	
111	0725 0100E	Retaining Ring C - M10	
112	0930 0400A	Parallel Key	
113	1105 0551	Clamp: LES-0505	
114	0360 4006N	Screw - M4x6	

57.Fusing Unit 6 (D016/D097/G178/M078)

Rev. 10/11/2010



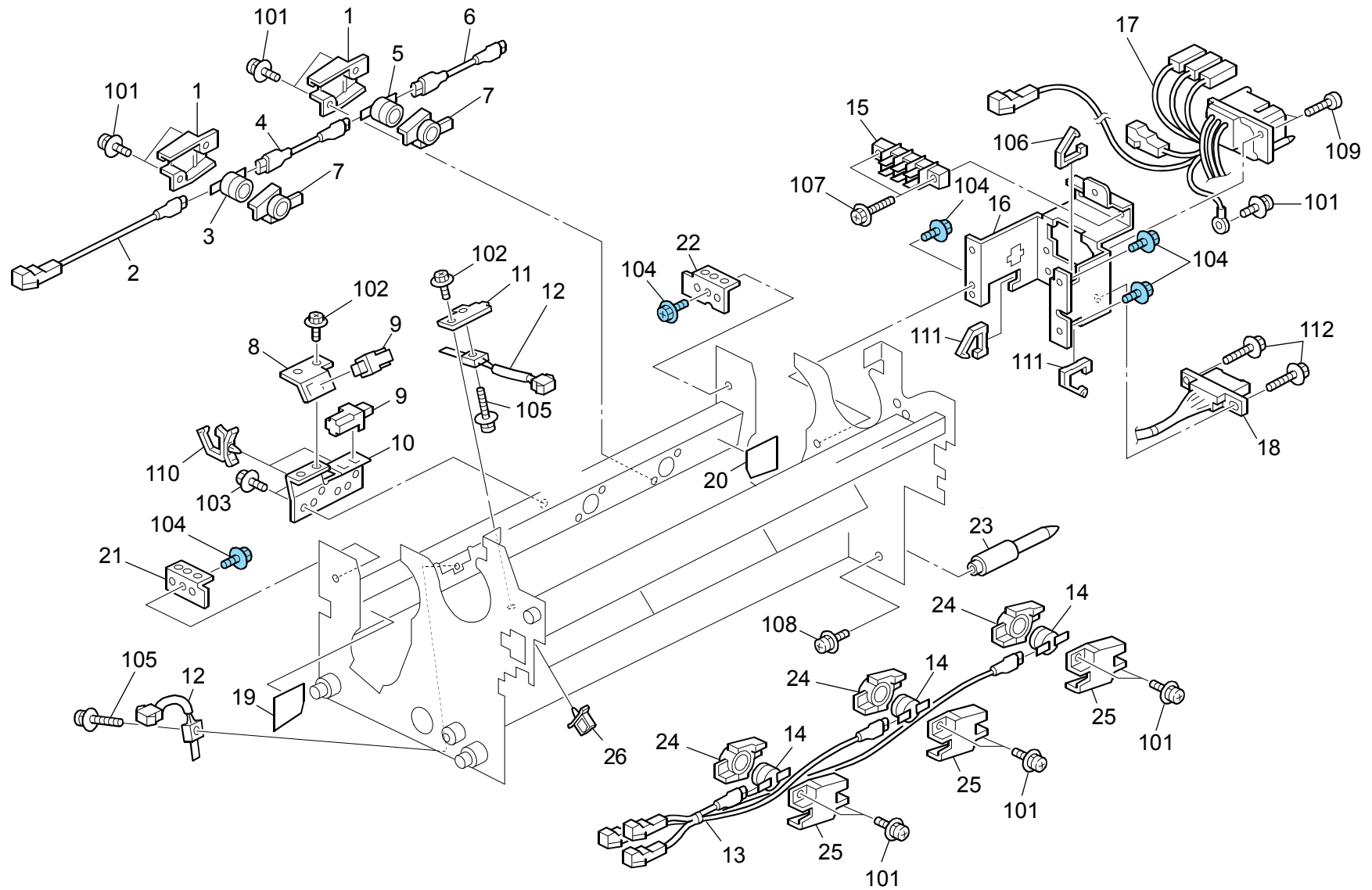
57.Fusing Unit 6 (D016/D097/G178/M078)

Rev. 10/11/2010

Index No.	Part No.	Description	Q'ty Per Assembly
1	G178 4288	Bracket: Cleaning Felt	1
2	G178 4309	Cleaning Felt: Pressure Roller	1
3	G178 4542	Oil Pan: Middle	1
4	G178 4411	Cap: Ass'y	1
5	G178 4272	Spring: Cap	1
6	G178 4167	Oil Sump	1
7	G178 7951	Stepped Screw	2
8	G178 7933	Gear: Joint: Oil Application Sub-Unit [TSB G178-008]	1
9	G178 4269	Shaft: Cap: Oil Sump	1
10	G178 4304	Cleaning Felt: Oil Sump	1
11	G178 4213	Tube: DIA8.5: Collect: Fusing Unit	1
12	G178 4450	Tension Spring: Oil Application Unit	1
13	D016 4480	Oil Application Sub-Unit: Ass'y [TSB G178-076]	1
14	AA14 3394	Stepped Screw - M3x10	1
15	G178 4171	Shaft: Hinge: Oil Application Unit	1
16	G178 7902	Supply Nozzle: Oil Sump	1
17	G178 7906	Oil Pan: Ass'y	1
18	G178 7932	Plate: Drive: Oil Application Unit [TSB G178-008]	1
19	G178 4537	Gear: 2: Oil Application Unit	1
20	G178 4536	Gear: 1: Oil Application Unit	1
21	AA14 3516	Stepped Screw - Mx5	2
22	G178 4245	Oil Pan: Lower: Oil Application Sub-Unit [TSB G178-008]	1
23	G178 4187	Stay: Tension Spring: Oil Application Unit [TSB G178-027R]	1
24	G178 4340	Cleaning Felt Kit: Pressure	1
25	D016 4160	Gear Set (3pcs/set): Oil Application Unit	1
26	G178 7984	Tension Spring: Oil Application Unit: Front	1

Index No.	Part No.	Description	Q'ty Per Assembly
101	0360 4006N	Screw - M4x6	
102	0360 3008N	Screw: M3x8	
103	0360 4008N	Screw - M4x8	
104	0720 0030E	Retaining Ring - M3	
105	0720 0050E	Retaining Ring - M5	
106	0454 4008Q	Tapping Screw - M4x8	
107	0720 0040E	Retaining Ring - M4	
108	0804 6123	Hexagonal Bolt: w/Washer: M3x8 [TSB#063]	

58.Fusing Unit 7 (D016/D097/G178/M078)



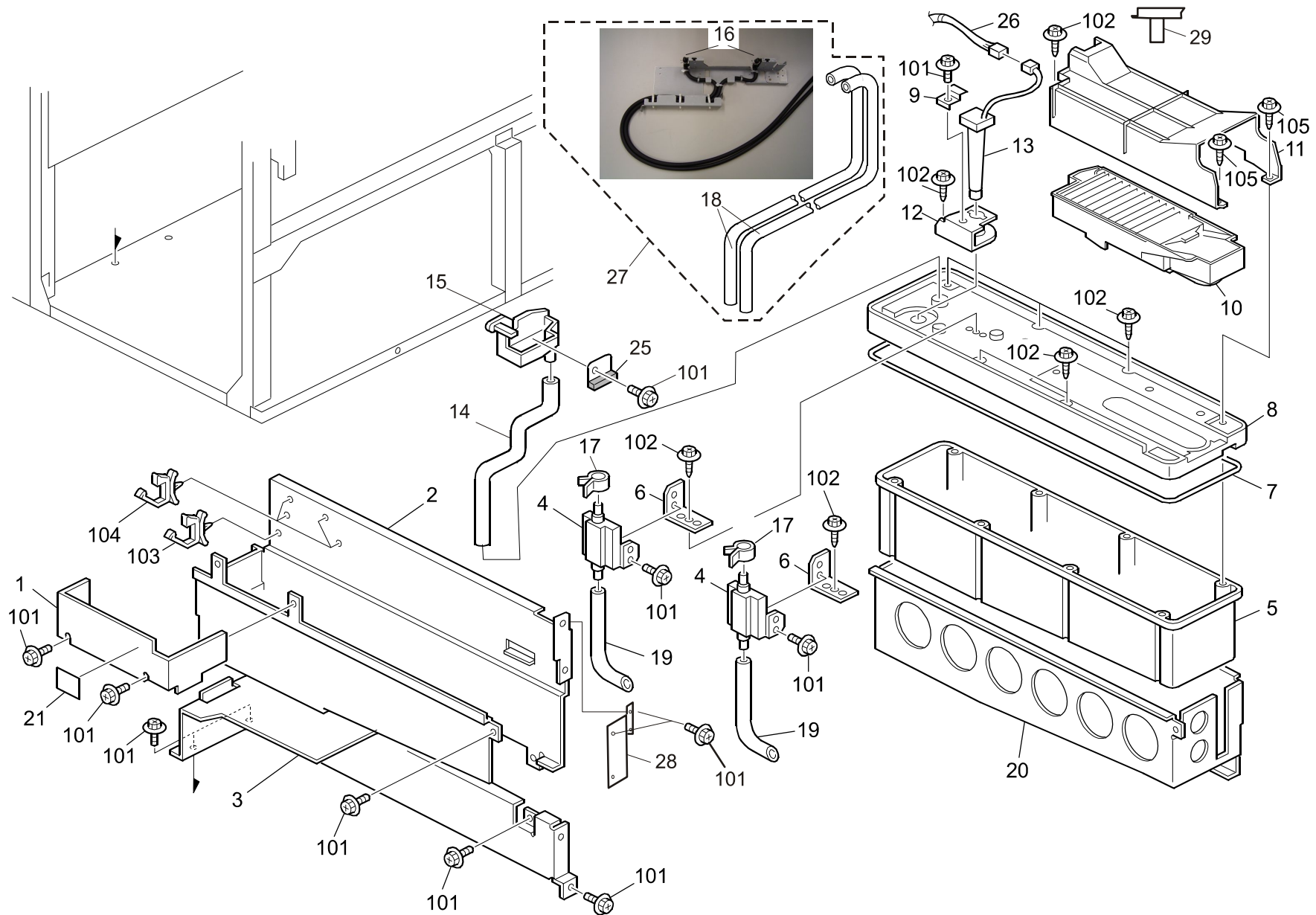
58.Fusing Unit 7 (D016/D097/G178/M078)

Rev. 10/11/2010

Index No.	Part No.	Description	Q'ty Per Assembly
1	G178 4375	Cover: Holder: Thermostat: Pressure [TSB G178-046]	2
2	G178 5708	Harness: Fusing: Heater: No.2	1
3	G178 7957	Thermostat:160°C:250V: 10A [TSB G178-046]	1
4	G178 5768	Harness: Fusing: Heater: No.3	1
5	G178 7958	Thermostat:159°C:250V: 10A [TSB G178-046]	1
6	G178 5886	Harness: Fusing: Heater: No.4	1
7	G178 4350	Holder:Thermostat:Pressure [TSB G178-046]	2
8	G178 7877	Bracket: Distance Measuring Sensor	1
9	G178 7900	Distance Measuring Sensor	2
10	G178 7876	Bracket: Paper Feed Sensor	1
11	G178 4351	Holder: Thermistor	1
12	G178 4499	Thermistor: Fusing Unit	2
13	G178 5707	Harness: Fusing: Heater: No.1	1
14	G178 7959	Thermostat: 190°C:250V:10A [TSB G178-046]	3
15	A247 4249	Connector - 3P	1
16	G178 4262	Stand: Connector: Heater	1
17	G178 5503	Harness: Fusing: Drawer: AC: No.3 [TSB G178-073]	1
18	G178 5508	Harness: Fusing:Sensor: NA [TSB G178-073]	1
18	G178 5509	Harness: Fusing:Sensor: EU [TSB G178-073]	1
19	G178 4282	Sheet: Stay: 1: Frame: Front	1
20	G178 4283	Sheet: Stay: 1: Frame: Rear	1
21	G178 7874	Bracket: Stripper Plate: Front	1
22	G178 7875	Bracket: Stripper Plate: Rear	1
23	G178 4268	Pin: Positioning: Rear: Fusing Unit	1
24	G178 7961	Holder: Thermostat: Heat Roller [TSB G178-046]	3
25	G178 7960	Cover: Thermostat: Heat Roller [TSB G178-046]	3
26	B132 4189	Harness Clamp	4

Index No.	Part No.	Description	Q'ty Per Assembly
101	0954 4008N	Screw - M4x8	
102	0360 4008N	Screw - M4x8	
103	0360 3006N	Screw - M3x6	
104	0454 4008Q	Tapping Screw - M4x8	
105	0954 3010N	Screw: Polished Round/Spring: M3x10	
106	1105 0522	Edge Saddle - LES0510	
107	0801 0238	Hexagon Bolt: Double Screw: M4x14 [TSB#063]	
108	0954 5010N	Screw: Polished Round/Spring: M5x10	
109	0957 3010N	Screw: Small Round/Spring: M3x10 [TSB#063]	
110	1105 0511	Harness Clamp - LWS-0306ZC	
111	1105 0518	Edge Saddle - LES-1010	
112	0957 3010N	Screw: Small Round/Spring: M3x10 [TSB#063]	

59.Oil Tank Section (D016/D097/G178/M078)



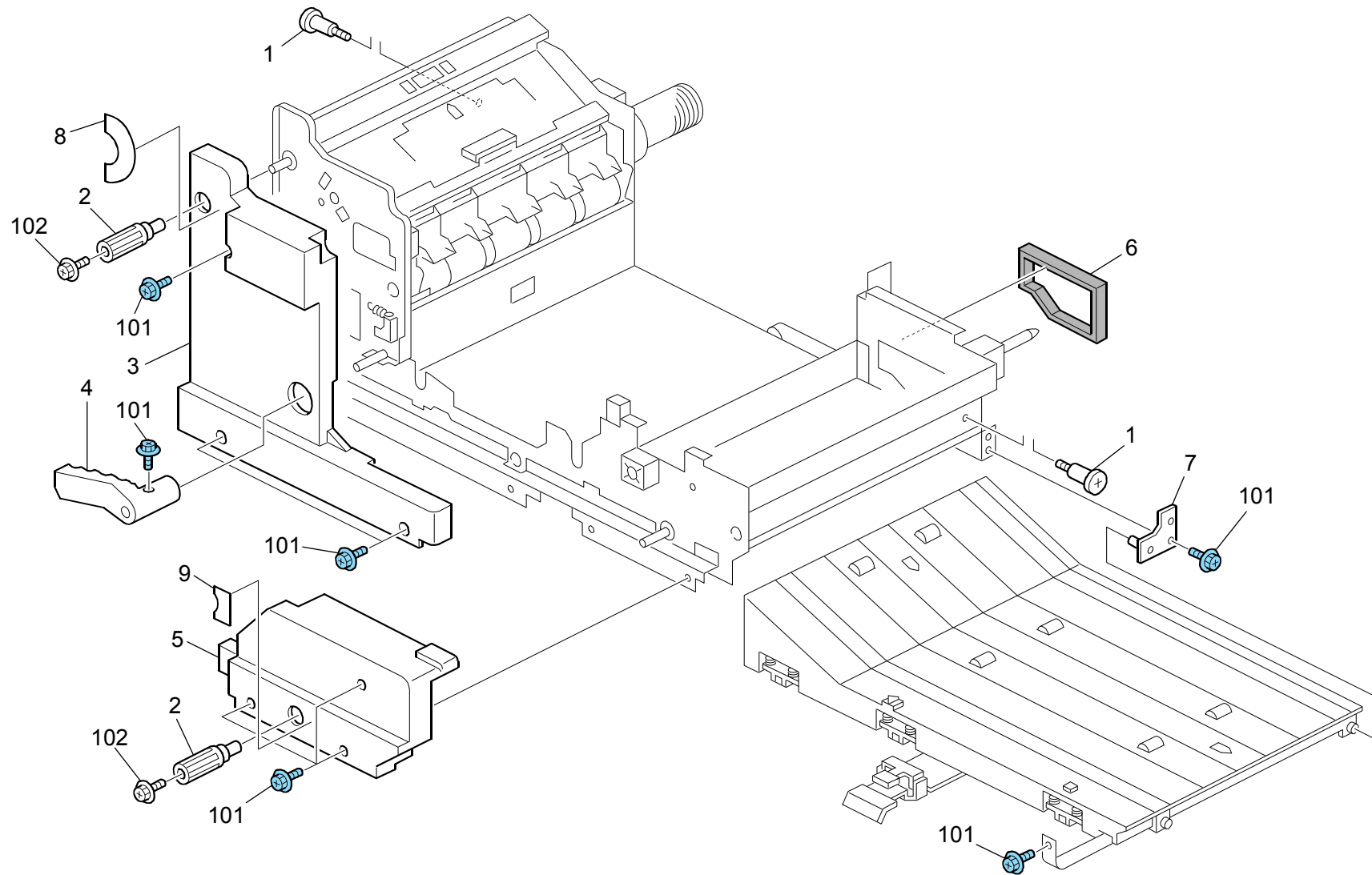
59.Oil Tank Section (D016/D097/G178/M078)

Rev. 04/27/2010

Index No.	Part No.	Description	Q'ty Per Assembly
1	D016 4452	Cover: Pump: Oil Tank [TSB G178-080]	1
2	D016 4319	Stand: Oil Tank: Upper [TSB G178-080]	1
3	G178 4318	Stand: Oil Tank: Lower	1
4	G178 4419	Pump: Oil Supply: Sub-Ass'y	2
5	G178 4425	Oil Tank	1
6	G178 4434	Bracket: Pump	2
7	G178 4476	Packing: Oil Tank	1
8	D016 4432	Cover: Oil Tank [TSB G178-080]	1
9	G178 7919	Stopper: Oil End Sensor: Sensor [TSB G178-009]	1
10	D016 4413	Filter: Ass'y	1
11	D016 4400	Cover: Oil Tank	1
12	G178 7918	Base: Oil End Sensor:Sensor [TSB G178-009]	1
13	G178 4429	Oil End Sensor: Sensor	1
14	D016 7924	Tube: DIA8.5: Collect: Main [TSB G178-080]	1
15	G178 4164	Oil Pan: Collect: Main Ass'y	1
16	D016 4237	Nozzle: Oil Supply: Main [TSB G178-080]	2
17	G178 7895	Clip: Hose: DIA10 [TSB G178-080]	4
18	D016 4236	Tube: DIA5: Oil Supply 1160mm [TSB G178-080]	2
19	G178 4376	Tube: DIA5: Pump [TSB G178-009]	2
20	G178 4322	Case: Oil Tank	1
21	G178 7901	Decal: Warning (Electrical): Pump	1
25	G178 4337	Filter: Oil: Collect: Ass'y [TSB G178-024]	1
26	G178 5892	Harness: Oil End Sensor: I/F	1
27	D016 4231	Oil Supply Sub-Unit: Main: Assy [TSB G178-080]	1
28	D016 4158	Stopper Case [TSB G178-080]	1
29	D016 4403	Holder: Used Developer: Oil Tank [TSB G178-080]	1

Index No.	Part No.	Description	Q'ty Per Assembly
101	0451 4008N	Tapping Screw: 4x8	
102	0450 4010N	Tapping Screw: M4x10	
103	1105 0488	Harness Clamp	
104	1105 0487	Harness Clamp	
105	0450 4012N	Tapping Screw: 4x12	

60.Paper Exit Section 1 (D016/D097/G178/M078)

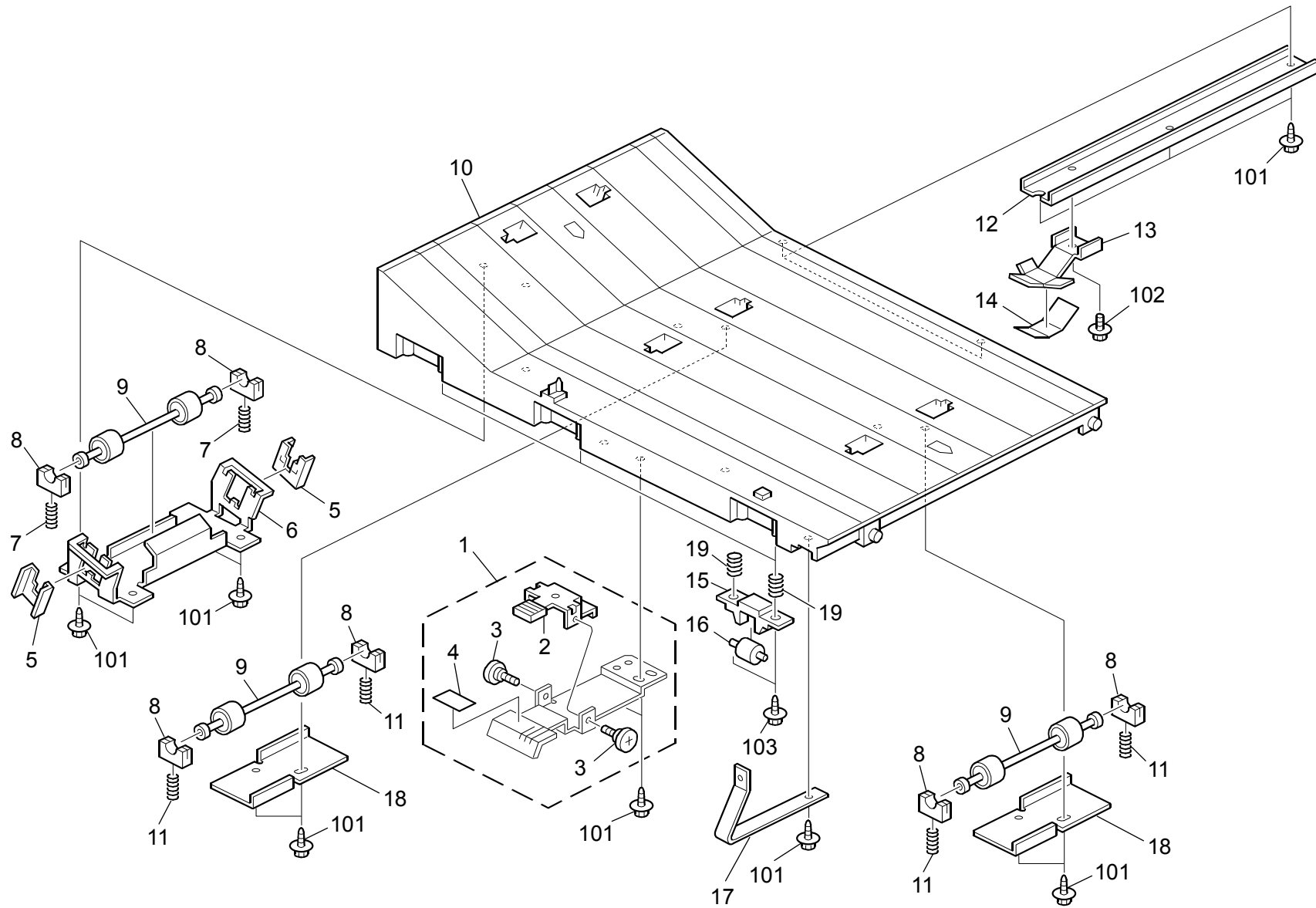


60.Paper Exit Section 1 (D016/D097/G178/M078)

Index No.	Part No.	Description	Q'ty Per Assembly
1	G178 4909	Screw: Transport	2
2	AG05 0100	Knob - Transport Roller	2
3	G178 4843	Inner Cover: Paper Exit Unit: Left	1
4	G178 4847	Lever: Pull Out: Transport	1
5	G178 4844	Inner Cover: Paper Exit Unit: Right	1
6	G178 3880	Seal: Form: Transport	1
7	G178 4870	Plate: Contact Point: Duplex	1
8	G178 5074	Decal: Knob: Rotation Direction: C1	1
9	G178 5076	Decal: Knob: Rotation Direction: Z2	1

Index No.	Part No.	Description	Q'ty Per Assembly
101	0454 4008Q	Tapping Screw - M4x8	
102	0451 4010N	Tapping Screw: 4x10	

61.Paper Exit Section 2 (D016/D097/G178/M078)

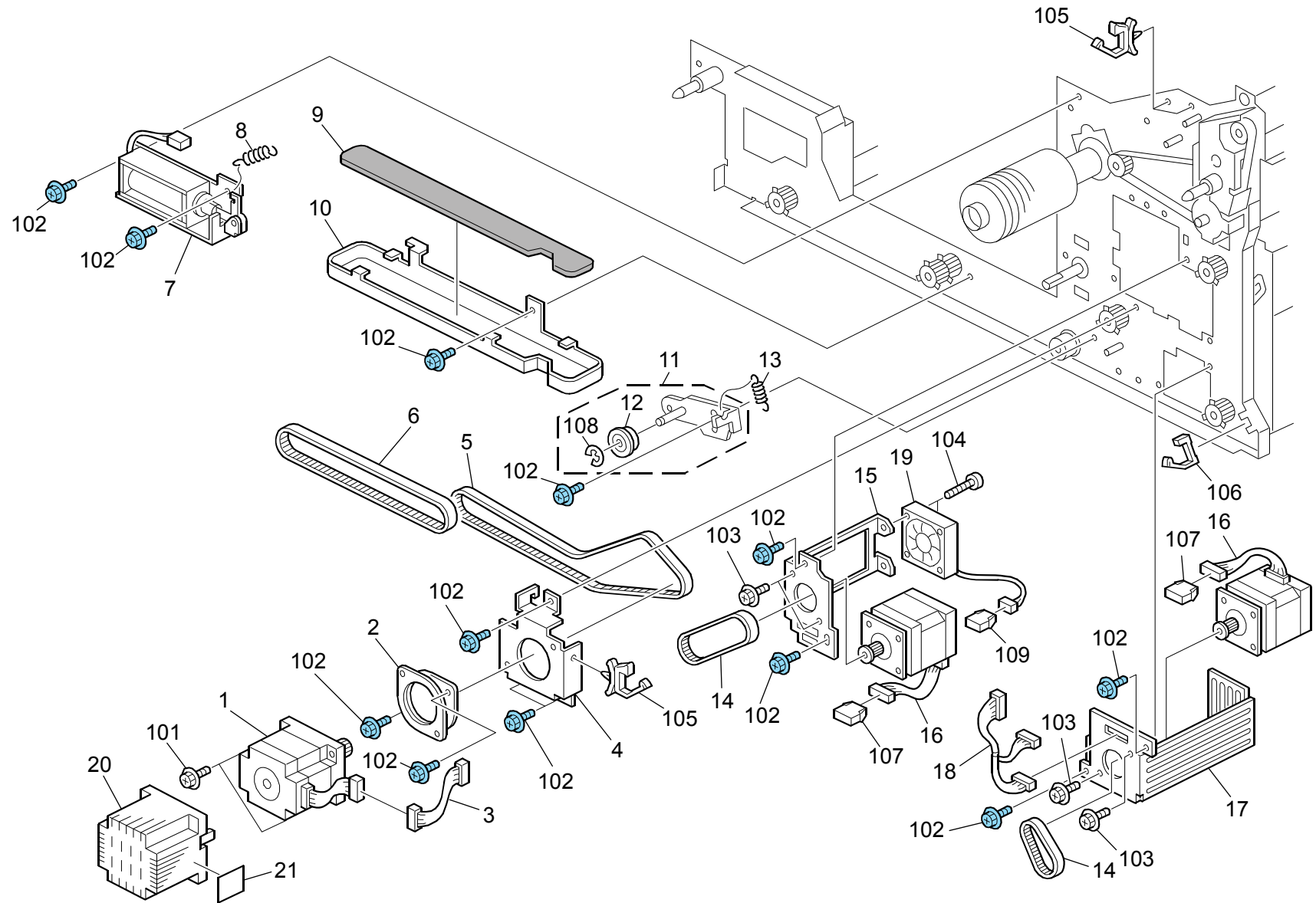


61.Paper Exit Section 2 (D016/D097/G178/M078)

Index No.	Part No.	Description	Q'ty Per Assembly
1	G178 4652	Grip: Duplex: Open and Close: Ass'y	1
2	B065 4933	Guide Plate Lever Hook	1
3	AA14 3811	Stepped Screw - M3x4	2
4	G178 5075	Decal: Lever: Guide Plate: Z1	1
5	G178 7790	Holder: Roller: On-Off	2
6	G178 4686	Bracket: Compression Spring: Duplex	1
7	AA06 3674	Spring - 8N	2
8	AA08 4059	Ball Bearing Holder	6
9	AF02 2171	Transport Roller: Driven: DIA18x2	3
10	G178 4650	Guide Plate: Duplex: Open/Close: Lower	1
11	AA06 3675	Spring - 5N	4
12	G178 4651	Supporting Plate: Guide Plate	1
13	G178 4890	Spring Plate: Duplex: Guide: Lower	1
14	G178 4895	Sheet: Duplex: Spring Plate	1
15	G178 4808	Bracket: Pressure: Roller	3
16	AF02 2067	Guide Stopper Roller	3
17	A096 4928	Guide Plate Band	1
18	G178 4907	Holder: Pressure Roller: Duplex	2
19	G178 4817	Spring: Pressure: Roller: Duplex	6

Index No.	Part No.	Description	Q'ty Per Assembly
101	0450 4010N	Tapping Screw: M4x10	
102	0451 3006N	Tapping Screw - 3x6	
103	0450 3008N	Tapping Screw - M3x8	

62.Paper Exit Section 3 (D016/D097/G178/M078)

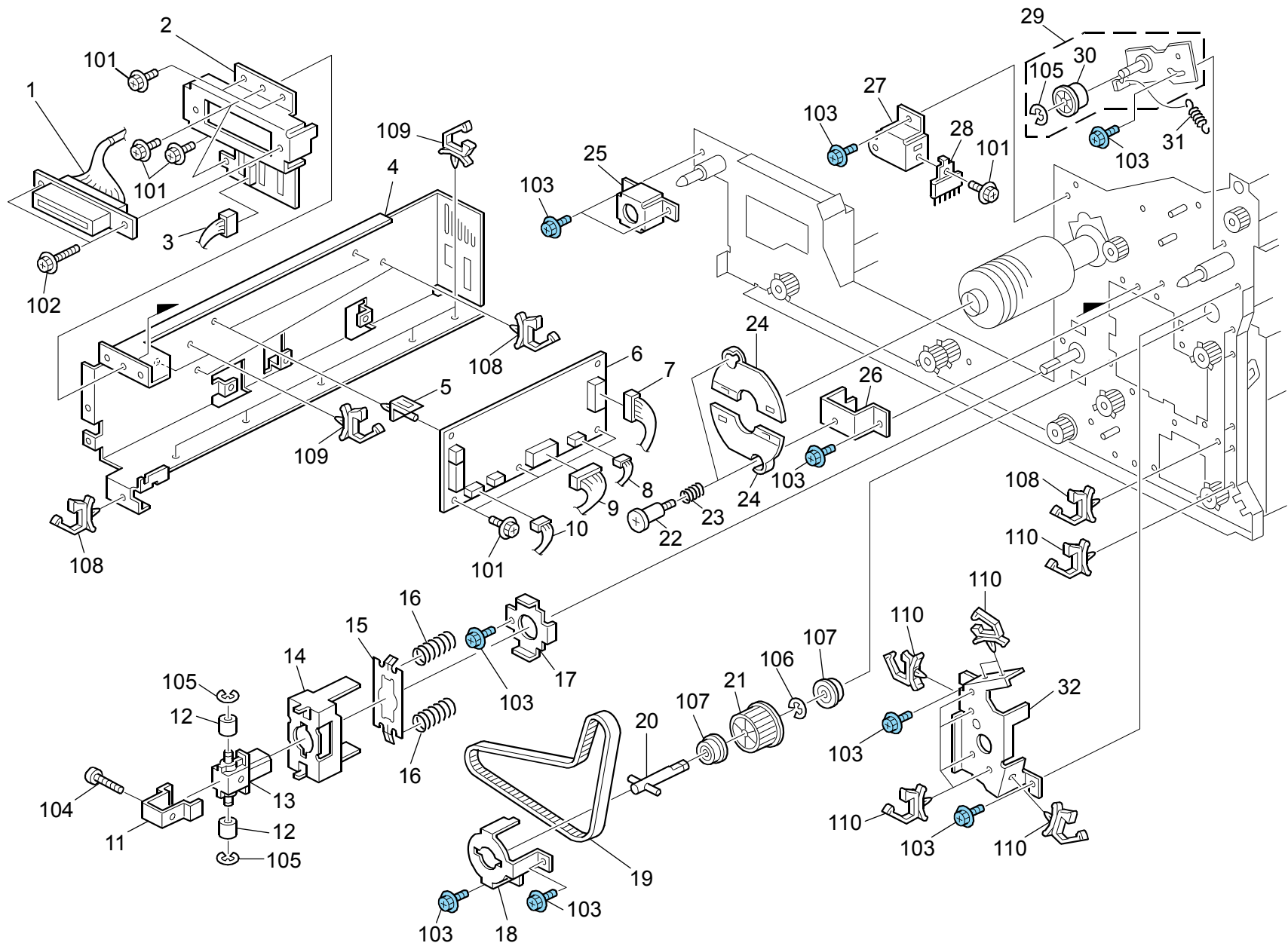


62.Paper Exit Section 3 (D016/D097/G178/M078)

Index No.	Part No.	Description	Q'ty Per Assembly
1	AX04 0157	Stepper Motor DC1.68V 6.7W	1
2	AA16 1122	Motor Cushion	1
3	G178 5849	Harness: Return: Motor	1
4	G178 4622	Bracket: Motor: Duplex	1
5	G178 4637	Timing Belt: S2M: 460	1
6	G178 4729	Timing Belt: S2M: 400	1
7	G178 4715	Bracket: Exit: Dcsol: Ass'y	1
8	G178 4793	Spring: Reverse: Gate	1
9	G178 4532	Cleaning Felt: Exit	1
10	G178 4531	Oil Pan: Exit	1
11	G178 4816	Belt Tensioner: Duplex: Ass'y	1
12	AB03 0310	Tightener Pulley	1
13	G178 4795	Spring: Tensioner: Duplex	1
14	G178 4636	Timing Belt: S2M134_67	2
15	G178 4888	Bracket: Motor: Reverse	1
16	B132 6655	Stepper Motor: Paper Feed Unit: Ass'y	2
17	G178 4887	Bracket: Motor: Switchback	1
18	G178 5859	Harness: Reverse: Switchback: Motor	1
19	G178 4901	Fan Motor: DC 1.92W	1
20	G178 4900	Cover: DC Stepper Motor: MM56	1
21	G178 5082	Decal: H-Temp Warning: Motor: Cover	1

Index No.	Part No.	Description	Q'ty Per Assembly
101	0450 4010N	Tapping Screw: M4x10	
102	0454 4008Q	Tapping Screw - M4x8	
103	0451 3006N	Tapping Screw - 3x6	
104	0353 0250N	Screw: M3x25	
105	1105 0511	Harness Clamp - LWS-0306ZC	
106	1105 0522	Edge Saddle - LES0510	
107	1102 6249	Relay Connector - 6P	
108	0720 0040E	Retaining Ring - M4	
109	1102 6246	Relay Connector - 3P	

63.Paper Exit Section 4 (D016/D097/G178/M078)

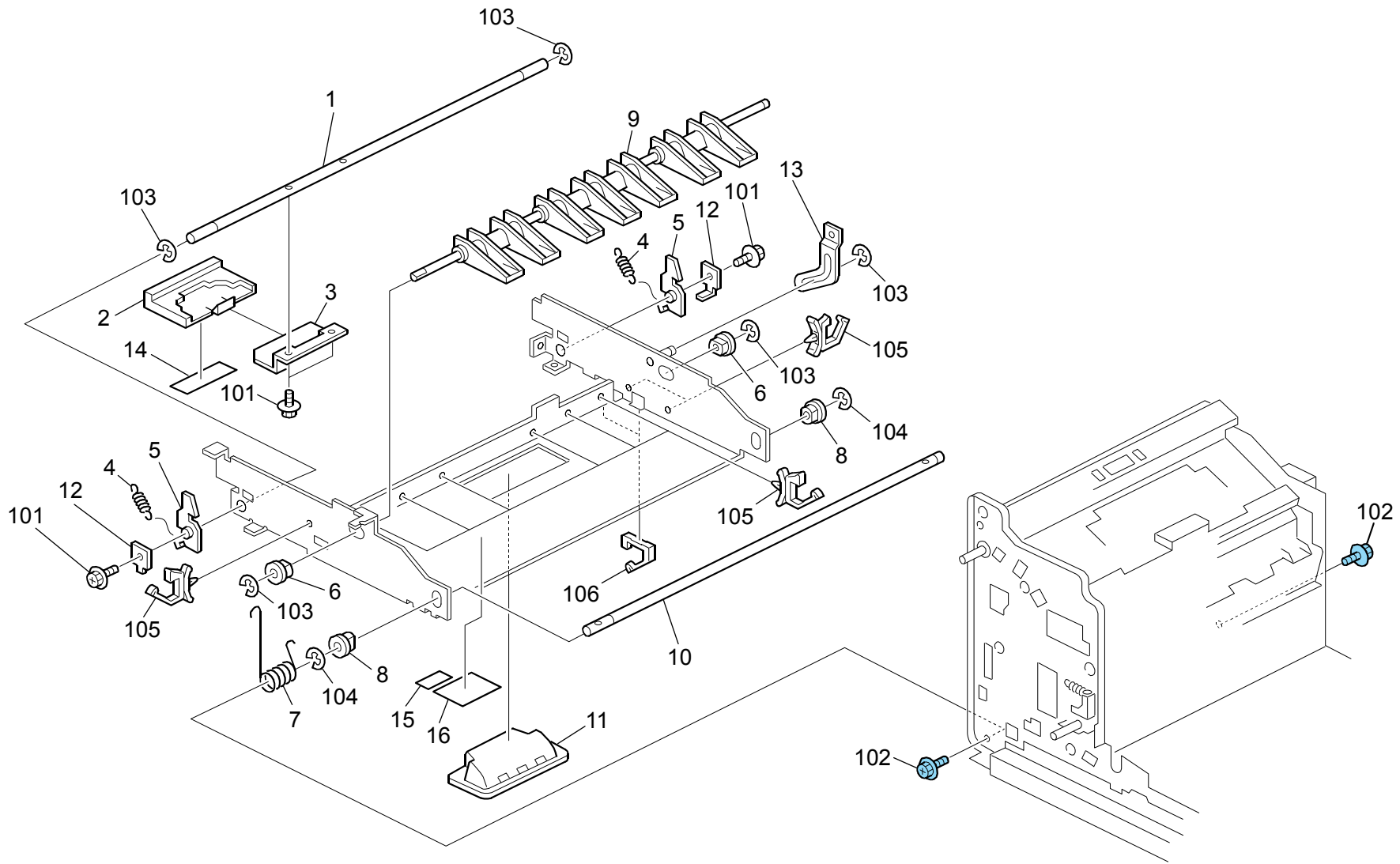


63.Paper Exit Section 4 (D016/D097/G178/M078)

Index No.	Part No.	Description	Q'ty Per Assembly
1	G178 5629	Harness: Exit: Reverse: Drawer	1
2	G178 4615	Bracket: Drawer	1
3	G178 5847	Harness: PDB: Sensor: (2): No.2	1
4	G178 4614	Bracket: Base	1
5	G178 7668	Spacer: 7907032: Base	2
6	G178 4920	PCB: PDB	1
7	G178 5843	Harness: PDB: Sensor: (1): No.1	1
8	G178 5635	Harness: Transport: Motor 1	1
9	G178 5845	Harness: PDB: Motor: Connecting	1
10	G178 5844	Harness: PDB: Sensor: (2): No.1	1
11	B132 1224	Supporting Plate: Bracket: Lock	1
12	AA13 2300	Roller: Lock: Pull Out	2
13	B132 1183	Bracket: Lock	1
14	G178 4759	Bracket: Lock: Exit	1
15	B132 1221	Holder: Spring: Pull Out	1
16	G178 4818	Spring: Pull Out: Lock: Exit	2
17	G178 4848	Holder: Handle: Latch: Spring	1
18	G178 4627	Bracket: Coupling: Brushless Motor	1
19	G178 4635	Timing Belt: S3M: 399	1
20	G178 4892	Shaft: Coupling: Press Fit	1
21	AB03 0805	Pulley: Coupling: 30T	1
22	AA14 3444	Stepped Screw	2
23	H072 2216	Compression Spring	2
24	B234 4258	Cap: Heat Pipe	2
25	G178 4754	Supporting Plate: Stud: Lower	1
26	G178 4724	Bracket: Cap: Heat Pipe: Lower	1
27	G178 4723	Bracket: Cap: Heat Pipe: Upper	1
28	AA12 0097	Antistatic Brush	1
29	G178 4633	Belt Tensioner: Exit: Ass'y	1
30	AB03 0310	Tightener Pulley	1
31	G178 4794	Spring: Tensioner: Exit	1
32	G178 4753	Supporting Plate: Stud: Upper	1

Index No.	Part No.	Description	Q'ty Per Assembly
101	0451 3006N	Tapping Screw - 3x6	
102	0451 3010N	Tapping Screw: 3x10	
103	0454 4008Q	Tapping Screw - M4x8	
104	0314 0180N	Pan Head Screw: M4x18	
105	0720 0040E	Retaining Ring - M4	
106	0720 0060E	Retaining Ring - M6	
107	0741 3808	Ball Bearing - 8x16x5mm	
108	1105 0487	Harness Clamp	
109	1105 0488	Harness Clamp	
110	1105 0511	Harness Clamp - LWS-0306ZC	

64.Paper Exit Section 5 (D016/D097/G178/M078)

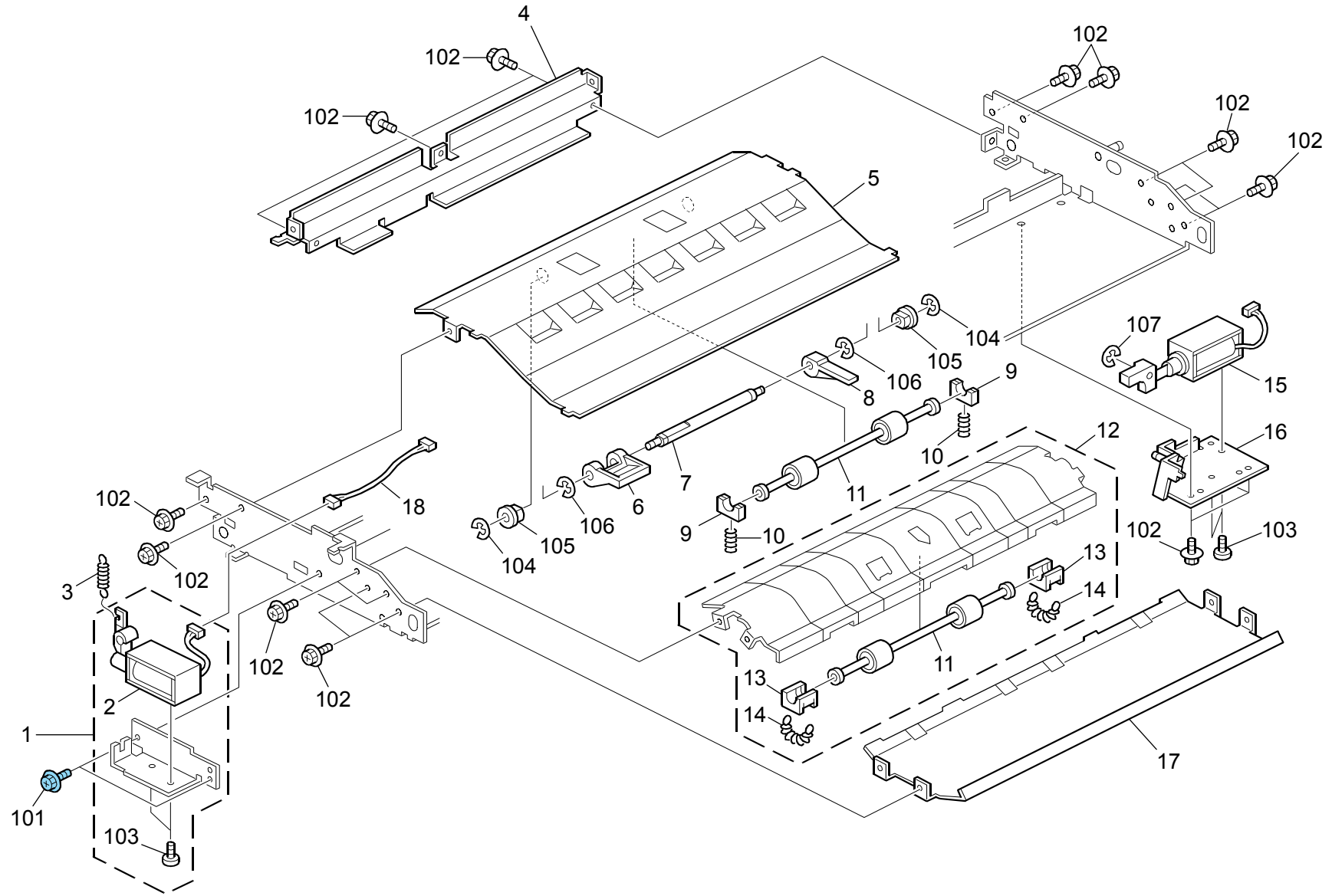


64.Paper Exit Section 5 (D016/D097/G178/M078)

Index No.	Part No.	Description	Q'ty Per Assembly
1	G178 4682	Shaft: Lock: Reverse	1
2	B234 6424	Release Grip	1
3	G178 4752	Handle: Lock: Frame: Lower	1
4	G178 4908	Coil Spring: Left Lower: Lock	2
5	G178 4815	Lever: Lock: Left Lower: Frame	2
6	AA08 2101	Bushing - 6x10x6	2
7	G178 4838	Spring: Open and Close: Left Lower	1
8	AA08 2104	Bushing - 8x12x7	2
9	G178 4840	Gate Pawl: Switchback	1
10	G178 4680	Shaft: Contact Point: Left Lower	1
11	G178 4881	Grip: Exit: Left Lower	1
12	G178 4828	Stay: Lock: Lever: Left Lower	2
13	G178 4813	Stopper: Left Lower: Frame	1
14	G178 5083	Decal: Grip: Open and Close: D4	1
		[TSB G178-080]	
15	G178 5081	Decal: Paper Exit Unit: Caution	1
16	D355 4572	Decal: Paper Tray: Warning	1

Index No.	Part No.	Description	Q'ty Per Assembly
101	0451 3006N	Tapping Screw - 3x6	
102	0454 4008Q	Tapping Screw - M4x8	
103	0720 0040E	Retaining Ring - M4	
104	0720 0060E	Retaining Ring - M6	
105	1105 0511	Harness Clamp - LWS-0306ZC	
106	1105 0522	Edge Saddle - LES0510	

65.Paper Exit Section 6 (D016/D097/G178/M078)

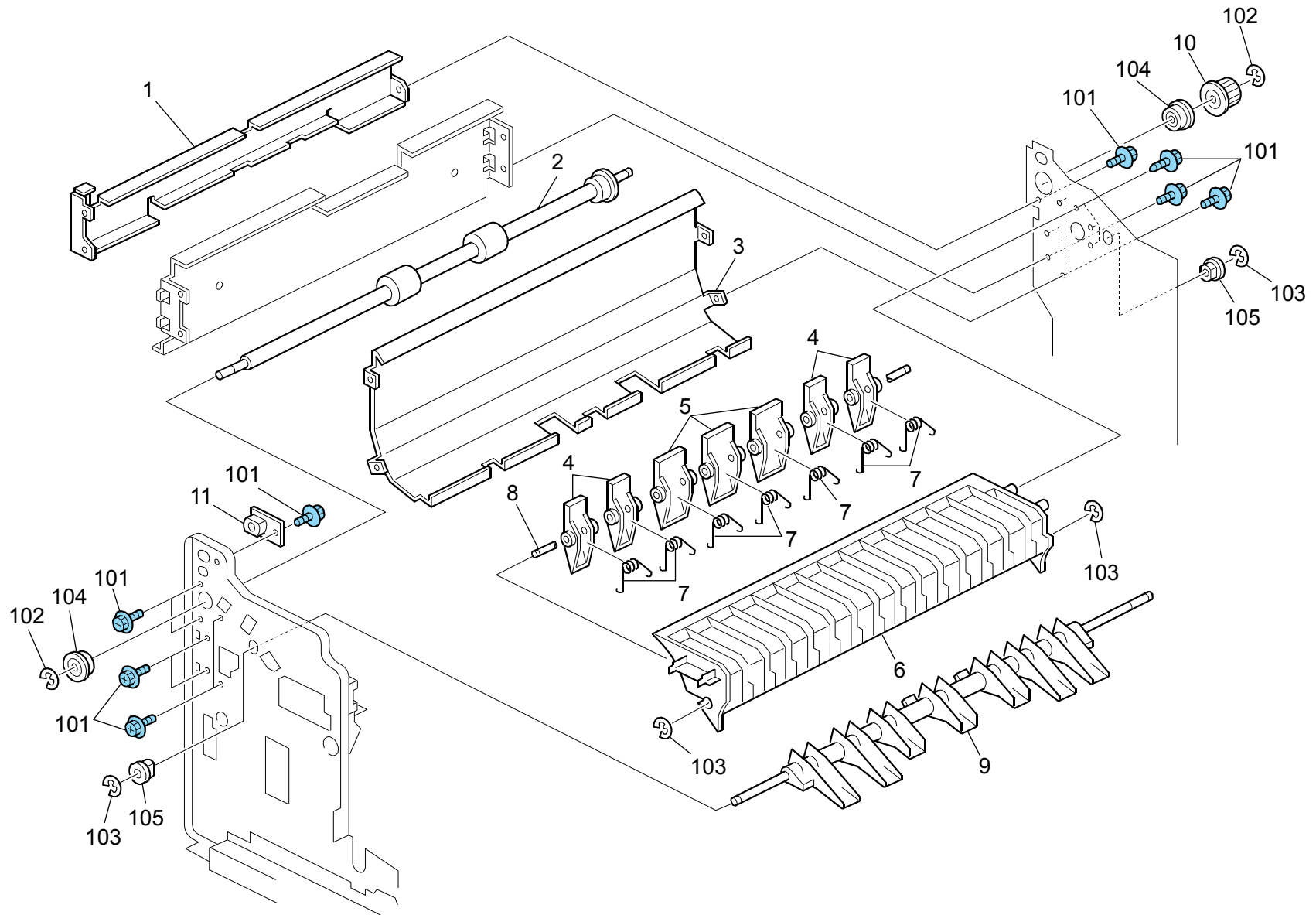


65.Paper Exit Section 6 (D016/D097/G178/M078)

Index No.	Part No.	Description	Q'ty Per Assembly
1	G178 4696	Bracket: DC Solenoid: Switchback	1
2	G178 4774	DC Solenoid: Link: Switchback: Ass'y	1
3	G178 4798	Spring: Switchback: Gate	1
4	G178 4791	Bracket: Left Lower: Frame	1
5	G178 4675	Guide: Reverse: Entrance: Welding	1
6	G178 7453	Arm: On-Off: Transport Roller	1
7	G178 4692	Shaft: Arm: Reverse	1
8	G178 7452	Lever: Link: Transport Roller	1
9	AA08 4059	Ball Bearing Holder	2
10	G178 4822	Spring: Pressure: 0.8N: DIA0.65	2
11	AF02 2171	Transport Roller: Driven: DIA18x2	2
12	G178 4824	Guide: Switchback: Left: Ass'y	1
13	B234 4858	Driven Roller Holder	2
14	G178 6870	Tension Spring	2
15	G178 4775	DC Solenoid: Reverse Roller: Link	1
16	G178 4672	Bracket: Lever: Reverse: Peen	1
17	G178 4677	Guide: Reverse: Lower	1
18	G178 5776	Harness: Switchback: Solenoid	1

Index No.	Part No.	Description	Q'ty Per Assembly
101	0454 4008Q	Tapping Screw - M4x8	
102	0451 3006N	Tapping Screw - 3x6	
103	0353 0040N	Screw - M3x4	
104	0720 0040E	Retaining Ring - M4	
105	0805 3384	Bushing - 5mm	
106	0720 0060E	Retaining Ring - M6	
107	0720 0030E	Retaining Ring - M3	

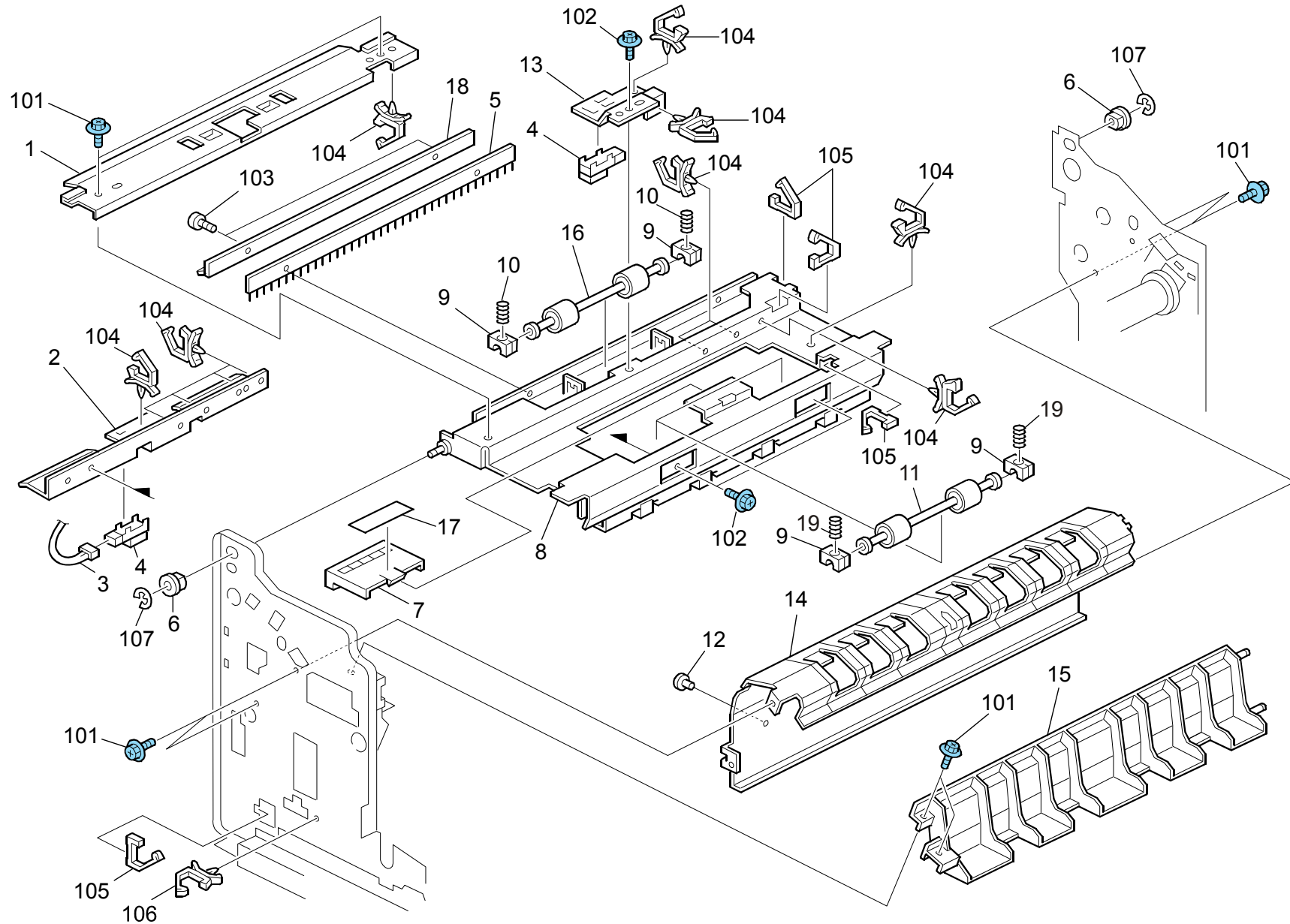
66.Paper Exit Section 7 (D016/D097/G178/M078)



66.Paper Exit Section 7 (D016/D097/G178/M078)

Index No.	Part No.	Description	Q'ty Per Assembly
1	G178 4761	Bracket: Stopper: Frame: Upper	1
2	G178 4940	Exit Roller: Press Fit	1
3	G178 4661	Guide: Exit: Lower	1
4	G178 4713	Gate: W15: Reverse: Upper	4
5	G178 4712	Gate: W19: Reverse: Upper	3
6	G178 4641	Guide: Middle: Reverse: Entrance	1
7	G178 4734	Spring: Reverse: Gate	7
8	G178 4710	Shaft: Gate: Reverse: Upper	1
9	G178 4846	Gate Pawl: Reverse: Paper Exit Unit	1
10	AB03 0081	Pulley - 20Z	1
11	G178 7743	Boss: Positioning Pin: Transport Unit: No.1	1

Index No.	Part No.	Description	Q'ty Per Assembly
101	0454 4008Q	Tapping Screw - M4x8	
102	0720 0060E	Retaining Ring - M6	
103	0720 0040E	Retaining Ring - M4	
104	0741 3808	Ball Bearing - 8x16x5mm	
105	0805 3384	Bushing - 5mm	

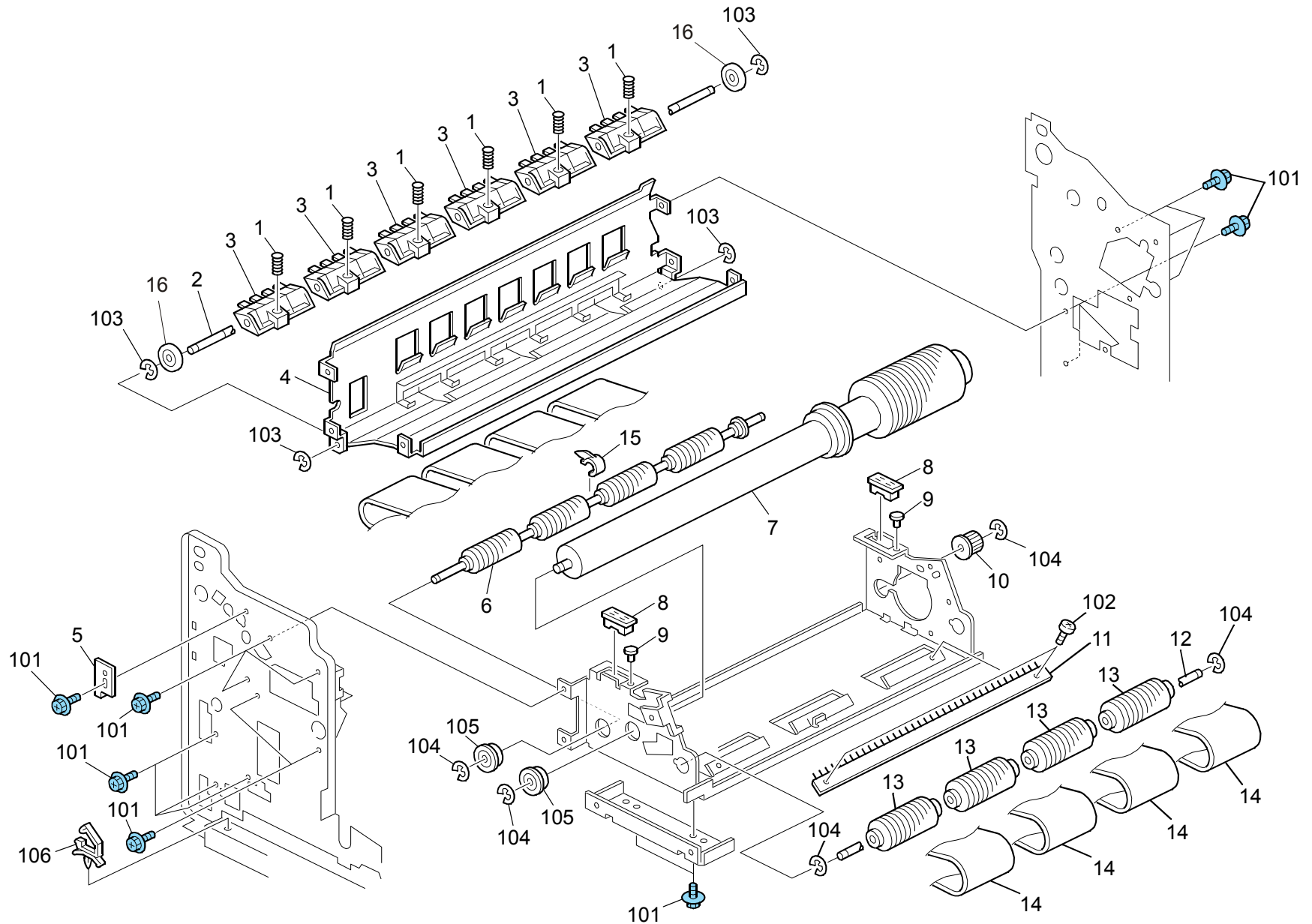


67.Paper Exit Section 8 (D016/D097/G178/M078)

Rev. 12/09/2009

Index No.	Part No.	Description	Q'ty Per Assembly
1	G178 4800	Cover: Upper: Frame	1
2	G178 4886	Bracket: Reverse: Entrance: Sensor	1
3	G178 5728	Harness: Reverse: Sensor	1
4	AW01 0107	Paper Feed Sensor	2
5	G178 4835	Discharge Brush: Exit	1
6	AA08 2104	Bushing - 8x12x7	2
7	B234 6424	Release Grip	1
8	G178 4663	Guide: Exit: Upper: Welding	1
9	AA08 4059	Ball Bearing Holder	6
10	AA06 3678	Spring - 5N [TSB G178/D016-036]	2
11	G178 4855	Transport Roller: Driven: Paper Exit Unit [TSB G178/D016-036]	2
12	G178 4852	Rubber Foot: 7086082	1
13	G178 4684	Bracket: Exit: Sensor	1
14	G178 4639	Guide: Reverse: Entrance	1
15	G178 4755	Guide: Cooling: Entrance	1
16	G178 4855	Transport Roller: Driven: Paper Exit Unit [TSB G178/D016-036]	2
17	G178 5078	Decal: Grip: Open and Close: D2	1
18	G178 4945	Guide Plate: Paper Exit Unit: Exit [TSB G178-071 D016-001]	1
19	AA06 3678	Spring – 3.5N [TSB G178/D016-036]	4

Index No.	Part No.	Description	Q'ty Per Assembly
101	0454 4008Q	Tapping Screw - M4x8	
102	0454 3006Q	Tapping Screw - M3x6	
103	0354 0060N	Screw-M4x6	
104	1105 0511	Harness Clamp - LWS-0306ZC	
105	1105 0522	Edge Saddle - LES0510	
106	1105 0487	Harness Clamp	
107	0720 0040E	Retaining Ring - M4	

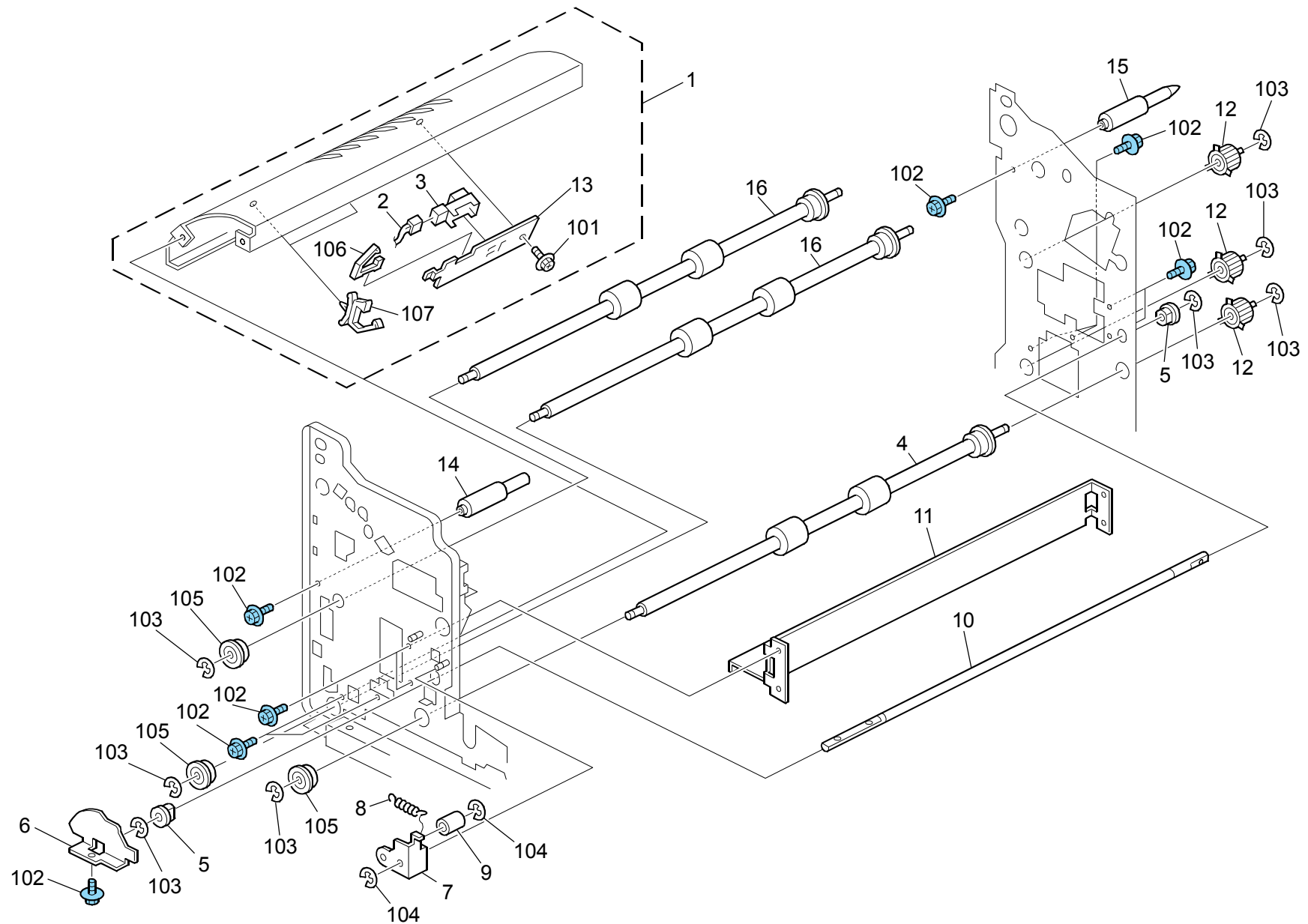


68.Paper Exit Section 9 (D016/D097/G178/M078)

Rev. 10/11/2010

Index No.	Part No.	Description	Q'ty Per Assembly
1	G178 4849	Compression Spring: 472192	6
2	G178 4918	Shaft: Gate: Switchback: Lower [TSB#064]	1
3	G178 4853	Gate Pawl: N217910	6
4	G178 4727	Guide: Switchback: Upper: Peen	1
5	G178 4880	Bracket: Middle: Guide	1
6	B234 4319	Transport Roller: Cooling Sub-unit: Exit	1
7	G178 4814	Transport Roller: Heat Pipe: DIA30.4	1
8	AG07 0515	Magnet Catch: 13N	2
9	G178 4852	Rubber Foot: 7086082	2
10	AB03 0081	Pulley - 20Z	1
11	B234 4460	Discharge Brush - L=341 SUS	1
12	G178 4762	Shaft: Cooling: Entrance	1
13	B234 4498	Transport Roller - Cooling Entrance	4
14	G178 4819	Transport Belt: Cooling	4
15	G178 4917	Stopper: Shaft: Flat Conveyer Belt	1
16	H110 3157	Roller: Belt Tensioner [TSB#064]	2

Index No.	Part No.	Description	Q'ty Per Assembly
101	0454 4008Q	Tapping Screw - M4x8	
102	0354 0060N	Screw-M4x6	
103	0720 0040E	Retaining Ring - M4	
104	0720 0060E	Retaining Ring - M6	
105	0741 3808	Ball Bearing - 8x16x5mm	
106	1105 0511	Harness Clamp - LWS-0306ZC	



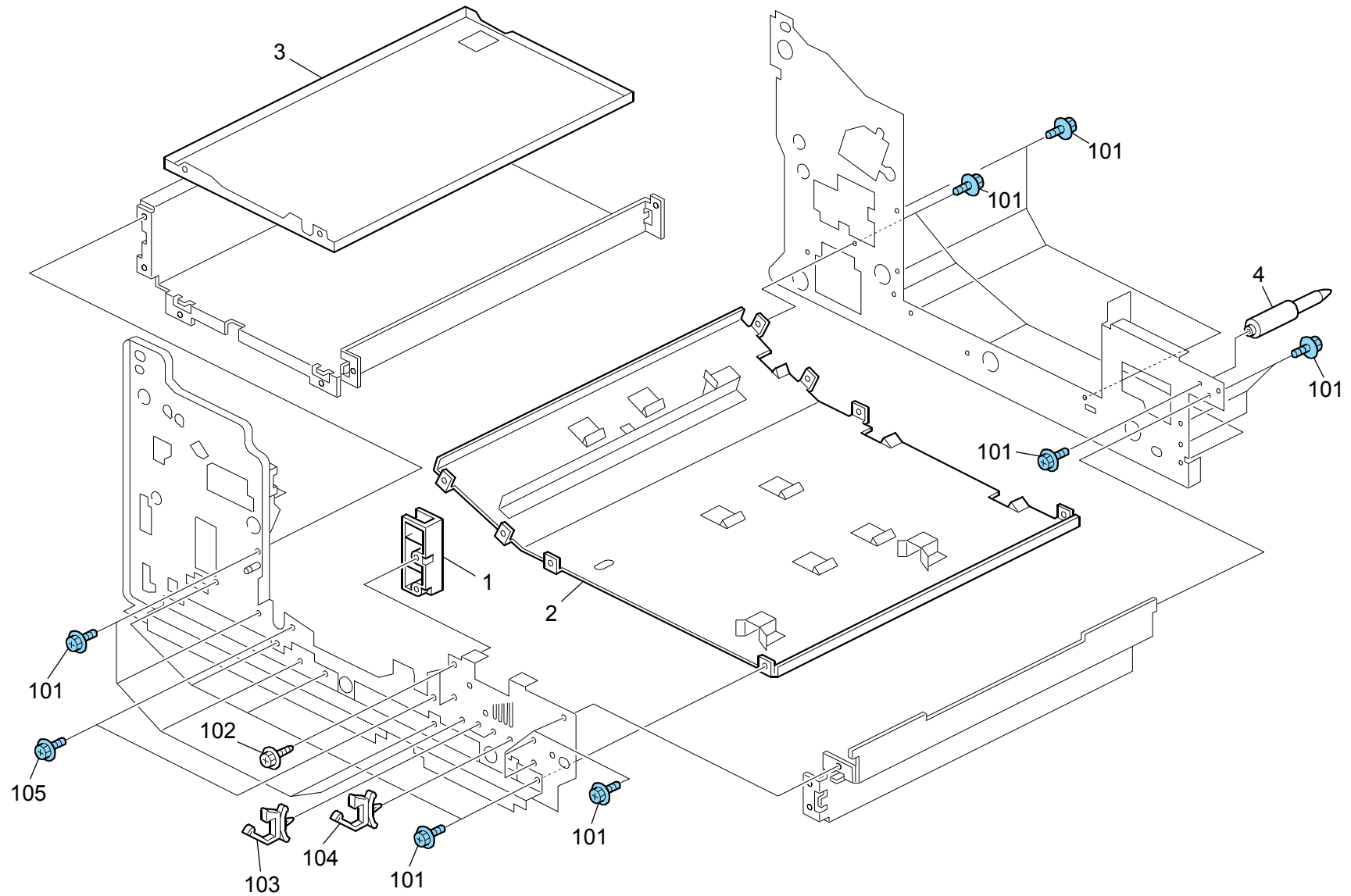
69.Paper Exit Section 10 (D016/D097/G178/M078)

Rev. 10/11/2010

Index No.	Part No.	Description	Q'ty Per Assembly
1	G178 4698	Guide Plate: Duplex: Entrance: Ass'y	1
2	G178 5778	Harness: Switchback: Sensor	1
3	AW01 0107	Paper Feed Sensor	1
4	G178 4942	Transport Roller: Exit: Press Fit [TSB#062]	1
5	AA08 2104	Bushing - 8x12x7	2
6	G178 4801	Cam: Latch: Handle	1
7	G178 4802	Lever: Latch: Handle	1
8	G178 7651	Tension Spring: Registration	1
9	AA13 2300	Roller: Lock: Pull Out	1
10	G178 4623	Shaft: Lock: Lever	1
11	G178 4725	Bracket: Auxiliary: Base: Exit	1
12	AB03 0802	Timing Pulley - 24T	3
13	G178 4826	Bracket: Switchback: Sensor	1
14	G178 4787	Pin: Left Lower: Lock	1
15	G178 4758	Stud: Positioning: Rear	1
16	G178 4944	Transport Roller: Reverse: Press Fit [TSB#062]	2

Index No.	Part No.	Description	Q'ty Per Assembly
101	0451 3006N	Tapping Screw - 3x6	
102	0454 4008Q	Tapping Screw - M4x8	
103	0720 0060E	Retaining Ring - M6	
104	0720 0040E	Retaining Ring - M4	
105	0741 3808	Ball Bearing - 8x16x5mm	
106	1105 0522	Edge Saddle - LES0510	
107	1105 0511	Harness Clamp - LWS-0306ZC	

70.Paper Exit Section 11 (D016/D097/G178/M078)

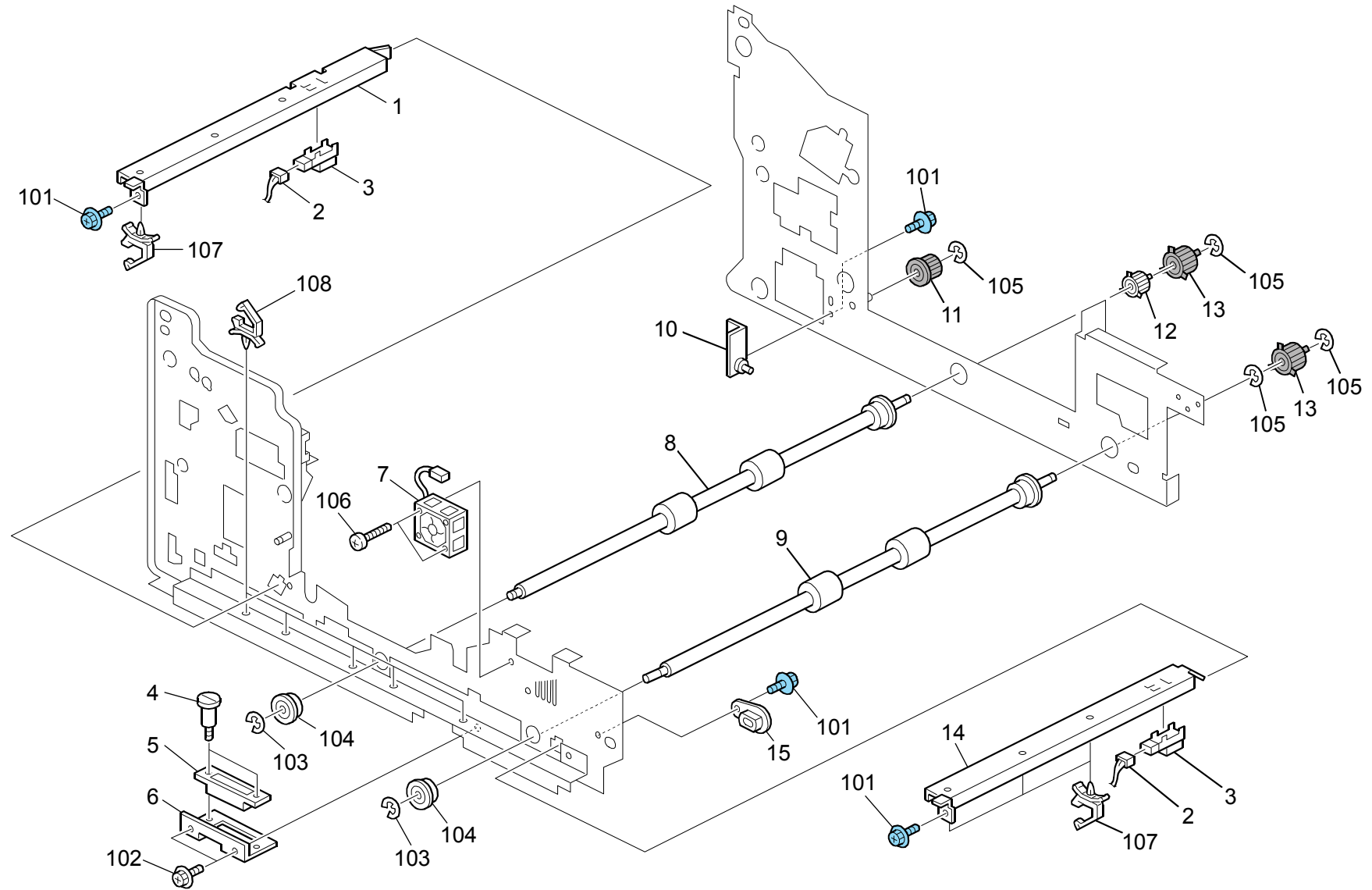


70.Paper Exit Section 11 (D016/D097/G178/M078)

Index No.	Part No.	Description	Q'ty Per Assembly
1	G178 4878	Rail: Fusing Unit: Insert	1
2	G178 4644	Guide Plate: Duplex: Open/Close: Upper	1
3	G178 7911	Oil Pan: Fusing Unit	1
4	G178 4758	Stud: Positioning: Rear	1

Index No.	Part No.	Description	Q'ty Per Assembly
101	0454 4008Q	Tapping Screw - M4x8	
102	0450 4010N	Tapping Screw: M4x10	
103	1105 0487	Harness Clamp	
104	1105 0511	Harness Clamp - LWS-0306ZC	
105	0454 3006Q	Tapping Screw - M3x6	

71.Paper Exit Section 12 (D016/D097/G178/M078)

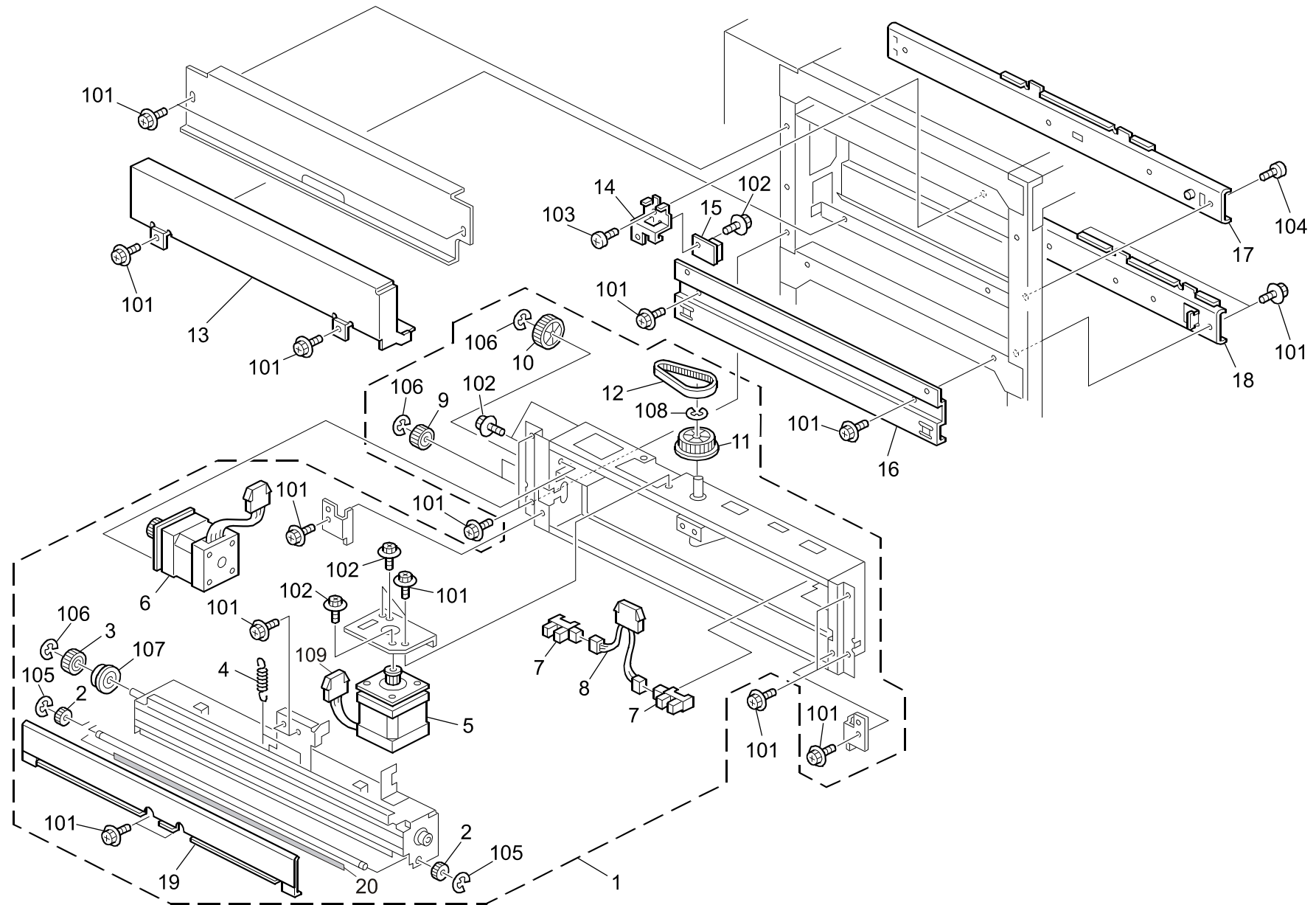


71.Paper Exit Section 12 (D016/D097/G178/M078)

Index No.	Part No.	Description	Q'ty Per Assembly
1	G178 4736	Bracket: Sensor: Duplex: No.1	1
2	G178 5779	Harness: Transport: Reverse: Sensor	2
3	AW01 0107	Paper Feed Sensor	2
4	G178 4916	Screw: Round Point	2
5	AA02 1034	Magnetic	1
6	G178 4669	Bracket: Magnet Catch: Duplex	1
7	G178 4901	Fan Motor: DC 1.92W	1
8	G178 4943	Transport Roller: Duplex: Press Fit	1
9	G178 4941	Transport Roller: Duplex: Knob: Press Fit	1
10	G178 4868	Bracket: Contact Point: Duplex	1
11	G178 4842	Pulley: Exit: T26	1
12	AB03 0802	Timing Pulley - 24T	1
13	G178 4912	Pulley: S2M: 30T	2
14	G178 4737	Bracket: Sensor: Duplex: No.2	1
15	G178 7744	Boss: Positioning Pin: Transport Unit: No.2	1

Index No.	Part No.	Description	Q'ty Per Assembly
101	0454 4008Q	Tapping Screw - M4x8	
102	0451 4008N	Tapping Screw: 4x8	
103	0720 0060E	Retaining Ring - M6	
104	0741 3808	Ball Bearing - 8x16x5mm	
105	0720 0040E	Retaining Ring - M4	
106	0353 0250N	Screw: M3x25	
107	1105 0511	Harness Clamp - LWS-0306ZC	
108	1105 0487	Harness Clamp	

72.Paper Exit Section 13 (D016/D097/G178/M078)



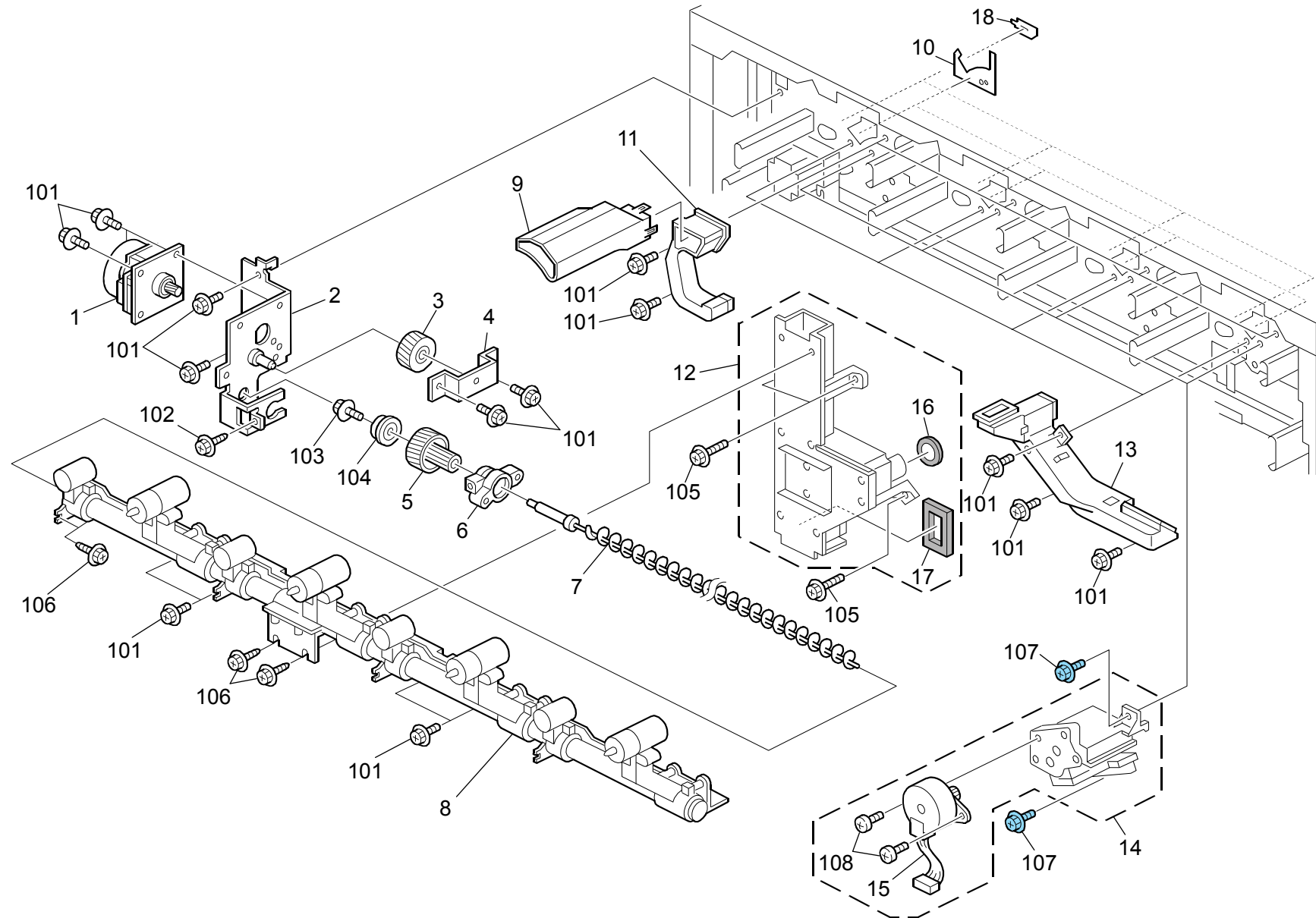
72.Paper Exit Section 13 (D016/D097/G178/M078)

Rev. 06/15/2010

Index No.	Part No.	Description	Q'ty Per Assembly
1	G178 5191	Decura Unit: Ass'y	1
2	G178 5030	Gear: Z14/M0.8	2
3	G178 5029	Gear: Decura: Z20/M1	1
4	G178 5068	COIL Spring: Decura: Plate	2
5	B132 6655	Stepper Motor: Paper Feed Unit: Ass'y	1
6	G178 5019	DC Stepper Motor: 5.75W	1
7	AW02 0145	Photointerruptor: Flat	2
8	G178 5879	Harness: Decura: Positioning Sensor	1
9	G178 5012	Gear: Z22/M1	2
10	G178 5013	Gear: Z33/M1	1
11	G178 5017	Pulley: S2M-Z60	1
12	G178 5023	Timing Belt: S2M190	1
13	G178 7172	Duct: 1st Transfer: Left	1
14	G178 5474	Bracket: Temp & Humidity Sensor	1
15	AW14 0015	Temperature & Humidity Sensor	1
16	G178 5067	Finishing Section: Stay	1
17	G178 6506	Slide Rail: Intermediate Transfer	1
18	G178 4746	Slide Rail: Exit	1
19	G178 5089	Cover: Decurler: Ass'y	1
20	B301 1216	Discharge Brush [TSB G178-064]	2

Index No.	Part No.	Description	Q'ty Per Assembly
101	0451 4008N	Tapping Screw: 4x8	
102	0451 3006N	Tapping Screw - 3x6	
103	0354 0050N	Screw - M4x5	
104	0354 0060N	Screw-M4x6	
105	0720 0030E	Retaining Ring - M3	
106	0720 0040E	Retaining Ring - M4	
107	0741 3506	Ball Bearing - 6x12x4 mm	
108	0720 0050E	Retaining Ring - M5	
109	1102 6249	Relay Connector - 6P	

73.Used Toner Section 1 (D016/D097/G178/M078)

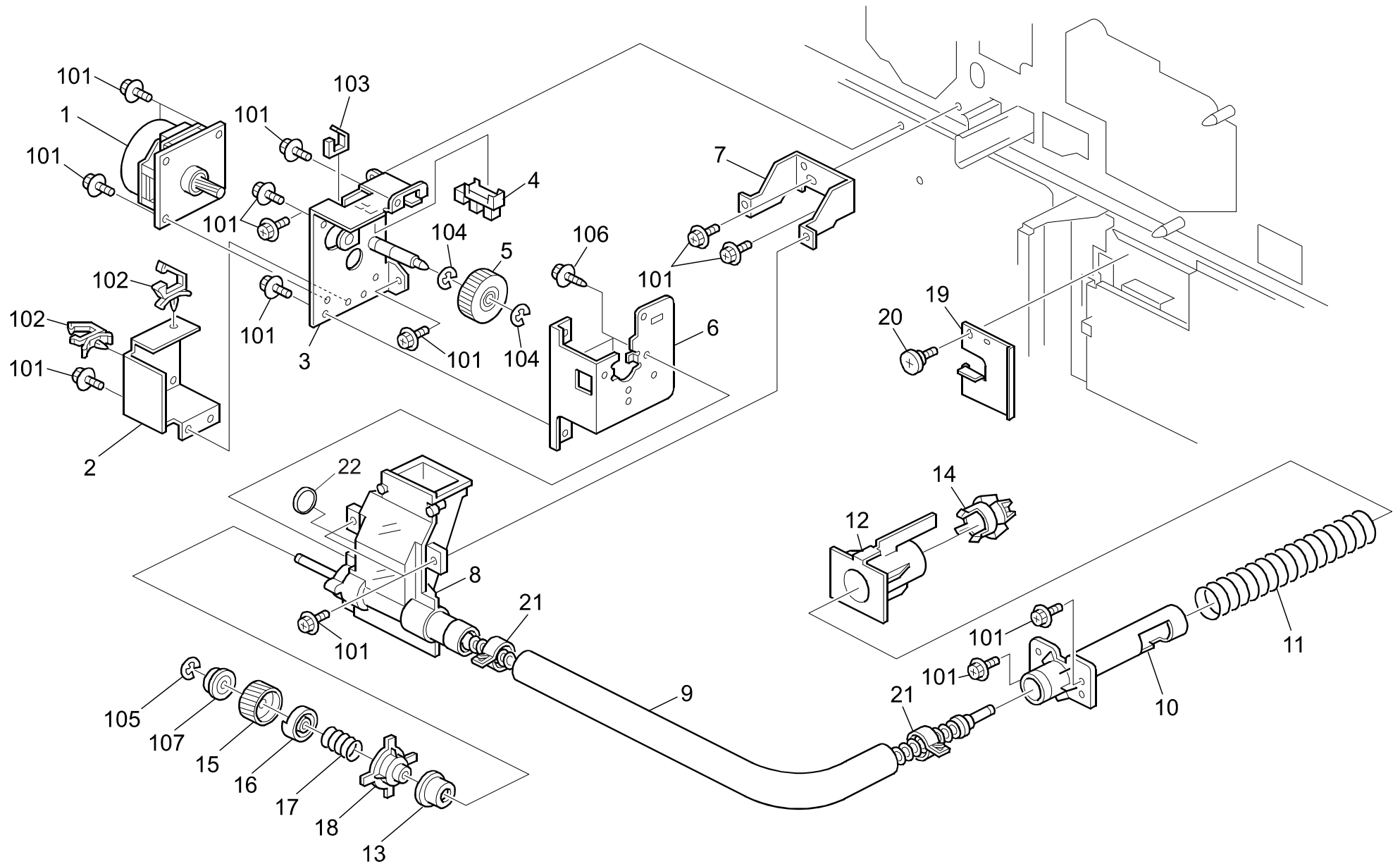


73.Used Toner Section 1 (D016/D097/G178/M078)

Index No.	Part No.	Description	Q'ty Per Assembly
1	AX06 0281	DC Motor: MM56: 15W	1
2	G178 7027	Holder: Motor: Upper: Toner Collection	1
3	G178 7817	Gear: Idler: Toner Recycling: Upper: Ass'y	1
		[TSB G178-057]	
4	G178 6997	Holder: Gear: Upper: Toner Collection	1
5	G178 6955	Gear: Drive: Auger	1
6	G178 6980	Housing: Bearing: Drive	1
7	G178 6981	Auger: Upper: Toner Collection	1
8	G178 6905	Toner Collection Unit: Upper	1
9	G178 1376	Duct: O3: Rear: Ass'y	4
10	G178 1352	Seal: O3	4
11	G178 1337	Duct: O3: Development: Charge: Ass'y	4
12	G178 6907	Toner Recycling Unit: V Transport: Up	1
13	G178 1331	Duct: Development: Charge: Ass'y	4
14	G178 1392	Cleaner: Charge: Drive: Ass'y	4
15	B700 5804	Stepper Motor: DIA42: Z17: Ass'y	1
16	G178 7094	Seal: Case: Lengthwise	1
17	G178 7093	Seal: Case: Lower: Toner Collection	1
18	Deleted	[TSB#049]	4

Index No.	Part No.	Description	Q'ty Per Assembly
101	0451 4008N	Tapping Screw: 4x8	
102	0450 3008N	Tapping Screw - M3x8	
103	0451 3006N	Tapping Screw - 3x6	
104	0741 3506	Ball Bearing - 6x12x4 mm	
105	0451 4012N	Tapping Screw: 4x12	
106	0450 4010N	Tapping Screw: M4x10	
107	0454 4008Q	Tapping Screw - M4x8	
108	0453 3006N	Binding Self Tapping Screw: 3x6	

74.Used Toner Section 2 (D016/D097/G178/M078)



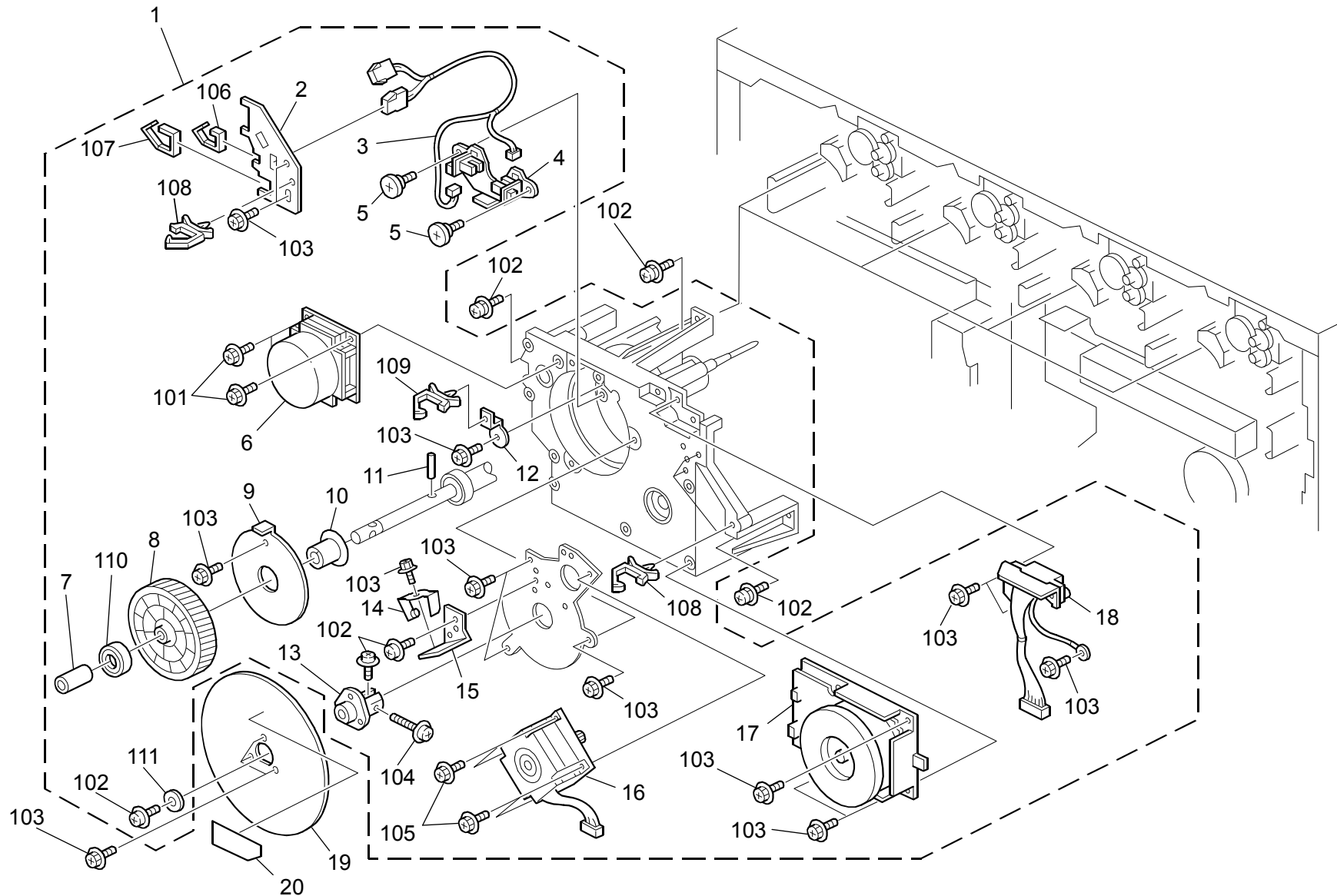
74.Used Toner Section 2 (D016/D097/G178/M078)

Rev. 04/27/2010

Index No.	Part No.	Description	Q'ty Per Assembly
1	AX06 0281	DC Motor: MM56: 15W	1
2	G178 7048	Plate: Holder: Housing	1
3	G178 6974	Holder: Motor: Lower	1
4	AW02 0145	Photointerruptor: Flat	1
5	G178 7817	Gear: Idler: Toner Recycling: Upper: Ass'y [TSB G178-057]	1
6	G178 6977	Holder: Bearing: No.1: Toner Collection	1
7	G178 7086	Stay: Lengthwise: Lower	1
8	G178 6911	Toner Recycling Unit: Ver. Transport: Lower	1
9	G178 6965	Tube: Toner Recycling	1
10	G178 7056	Pipe: No.1: Horizontal Transport	1
11	G178 7070	Spring: Shutter: Toner Collection	1
12	G178 7018	Shutter: Toner Collection	1
13	G178 6999	Holder: Bearing: Toner Collection	1
14	G178 7077	Cap: Pipe: Bottle: Toner Collection	1
15	G178 7021	Gear: Drive: Toner Collection: Upper	1
16	G178 6990	Torque Limiter	1
17	G178 7829	Compression Spring: Toner Recycling	1
18	G178 7082	Plate: Sensor: Toner Collection	1
19	G178 7092	Cover: Toner Collection	1
20	AA14 3545	Screw: M4	1
21	G178 7816	Stopper:Pipe:Toner Recycling [TSB G178-058]	2
22	G178 7818	Roller: Rubber: Toner Recycling [TSB G178-080]	1

Index No.	Part No.	Description	Q'ty Per Assembly
101	0451 4008N	Tapping Screw: 4x8	
102	1105 0511	Harness Clamp - LWS-0306ZC	
103	1105 0551	Clamp: LES-0505	
104	0720 0060E	Retaining Ring - M6	
105	0720 0040E	Retaining Ring - M4	
106	0450 4010N	Tapping Screw: M4x10	
107	0741 3506	Ball Bearing - 6x12x4 mm	

75.Drive Section 1 (D016/D097/G178/M078)

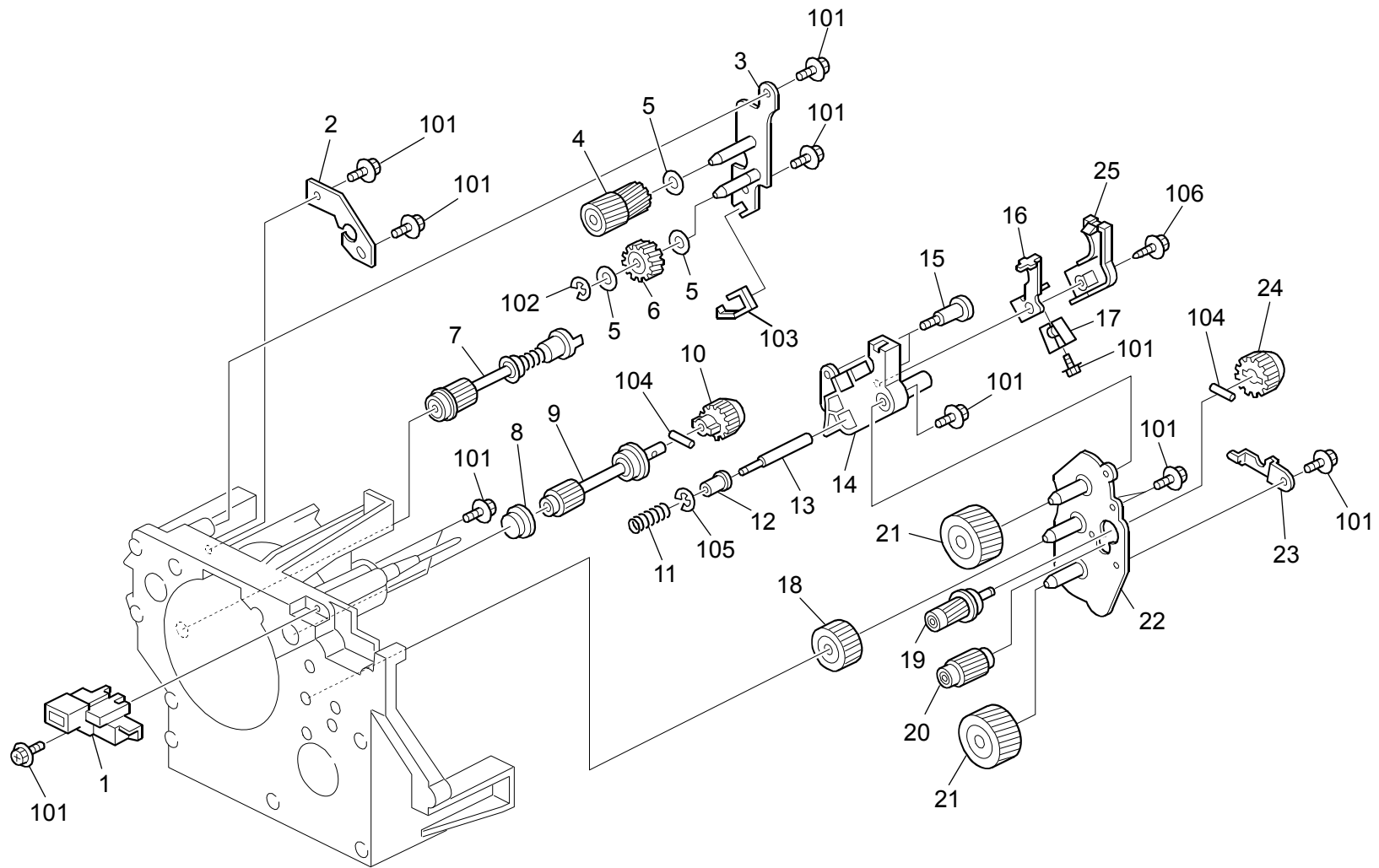


75. Drive Section 1 (D016/D097/G178/M078)

Index No.	Part No.	Description	Q'ty Per Assembly
1	G178 1355	Drive Unit: Around Photoconductor	4
2	G178 1343	Plate: Holder: Slide Rail	1
3	G178 5596	Harness: Drum: Turn: Sensor	1
4	G178 1329	Encoder: Sensor: Drum: Ass'y	1
5	AA14 3801	Screw: M4: Exterior	2
6	AX06 0281	DC Motor: MM56: 15W	1
7	G178 1271	Spacer: Shaft: Drum	1
8	G178 1273	Gear: Drum Drive Sub-unit: Z168	1
9	G178 1267	Cover: Encoder: Sensor	1
10	G178 1265	Encoder: Ass'y	1
11	G178 1364	Parallel Pin: 7033515: 4x16	1
12	G178 1384	Holder: Bearing: Drum Shaft	1
13	B234 1118	Fly Wheel Flange	1
14	G178 1268	Antistatic Brush: Drum	1
15	G178 1269	Holder: Antistatic Brush: Drum	1
16	GX05 0009	Stepper Motor - DC 4.56W	1
17	GX06 0030	DC Motor: DIA87: 47W	1
18	G178 1359	Drawer: Connector: Development: Ass'y	1
19	G178 1289	Fly Wheel: Drum	4
20	G178 2204	Decal: Laser Diode: 3R	4

Index No.	Part No.	Description	Q'ty Per Assembly
101	0451 3008N	Tapping Screw - M3x8	
102	0954 4008N	Screw - M4x8	
103	0451 4008N	Tapping Screw: 4x8	
104	0951 4020N	Screw - M4x20	
105	0451 4010N	Tapping Screw: 4x10	
106	1105 0551	Clamp: LES-0505	
107	1105 0518	Edge Saddle - LES-1010	
108	1105 0487	Harness Clamp	
109	1105 0511	Harness Clamp - LWS-0306ZC	
110	0740 3012	Ball Bearing - 12x28x8	
111	0701 0050N	Washer: DIA5	

76.Drive Section 2 (D016/D097/G178/M078)



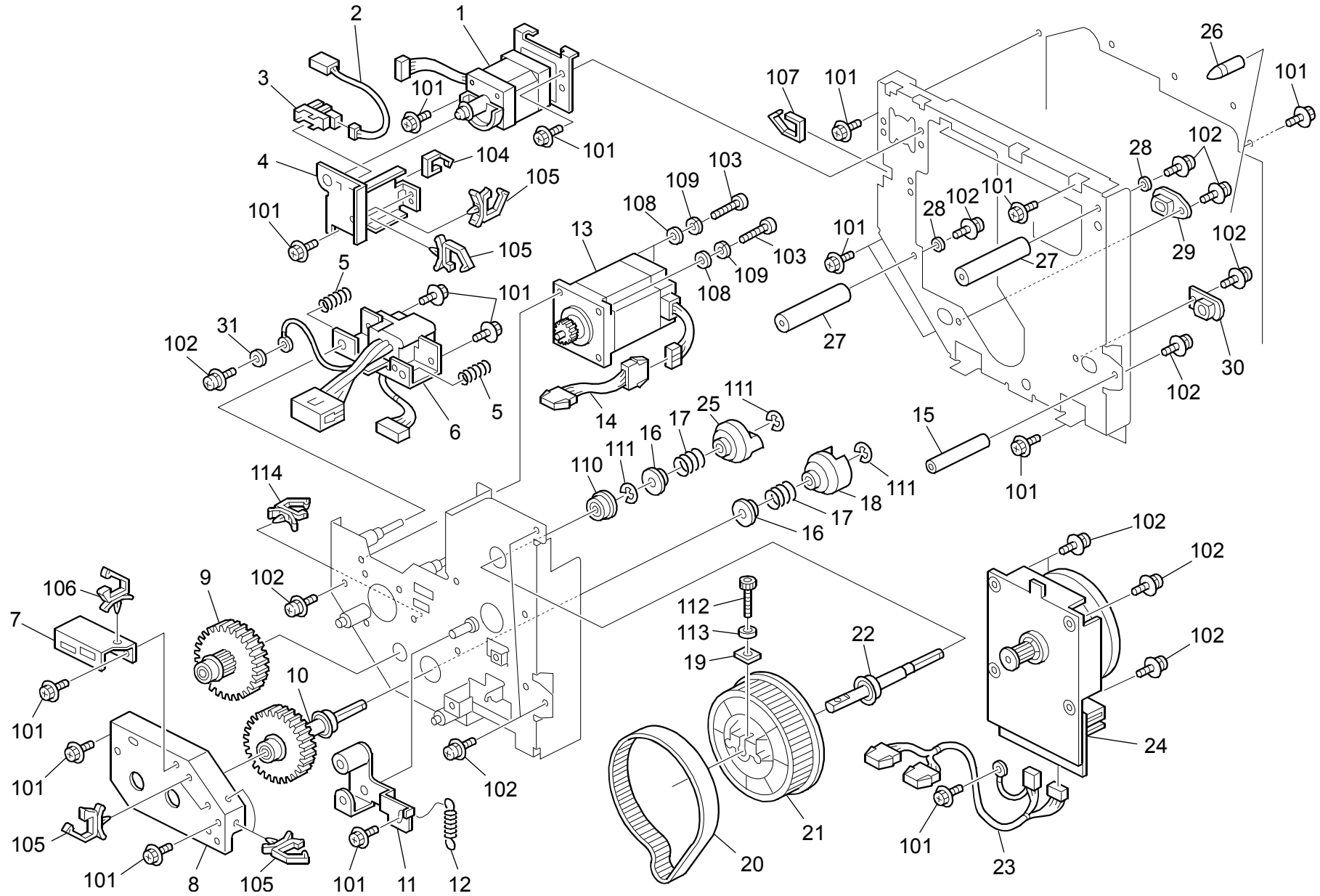
76.Drive Section 2 (D016/D097/G178/M078)

Index No.	Part No.	Description	Q'ty Per Assembly
1	G178 1341	Terminal: Development Vias: Ass'y	1
2	G178 1252	Holder: Cleaner: Shaft: Drive	1
3	G178 1281	Holder: Idler: Shaft: Ass'y	1
4	G178 1327	Gear: Idler: Upper: Ass'y	1
5	G178 7664	Spacer	3
6	G178 1328	Gear: Idler: Lower: Ass'y	1
7	G178 1362	Shaft: Drive: Cleaner: Ass'y	1
8	G178 1294	Insulator: Rear: Bearing	1
9	G178 1358	Magnetic Roller: Joint: Gear: Ass'y	1
10	G178 1307	Joint: Development Roller: Drive	1
11	G178 1366	Compression Spring	1
12	G178 1303	Collar: Bias: Development Roller	1
13	G178 1304	Shaft: Terminal: Bias	1
14	G178 1299	Holder: Bias: Development Roller	1
15	AA14 3801	Screw: M4: Exterior	2
16	G178 1305	Holder: Spring: Bias	1
17	G178 1280	Antistatic Brush: Roller: Development	1
18	G178 1388	Gear: Idler: Z57: Development: Ass'y	1
19	G178 1357	Joint: Transport Screw: No.2: Ass'y	1
20	G178 1314	Gear: Idler: Z31: Ass'y	1
21	G178 1389	Gear: Idler: Z66: Lower: Ass'y	2
22	G178 1317	Cover: Gear: Stand: Ass'y	1
23	G178 1346	Holder: Bearing	1
24	G178 1291	Joint: Transport Screw: No.2	1
25	G178 1347	Cover: Bias: Development: Roller	1

Index No.	Part No.	Description	Q'ty Per Assembly
101	0451 4008N	Tapping Screw: 4x8	
102	0720 0060E	Retaining Ring - M6	
103	1105 0551	Clamp: LES-0505	
104	0633 0140G	Parallel Pin - 3x14	
105	0720 0020E	Retaining Ring - M2	
106	0450 4008N	Tapping Screw - M4x8	

77.Drive Section 3 (D016/D097/G178/M078)

Rev. 10/12/2010

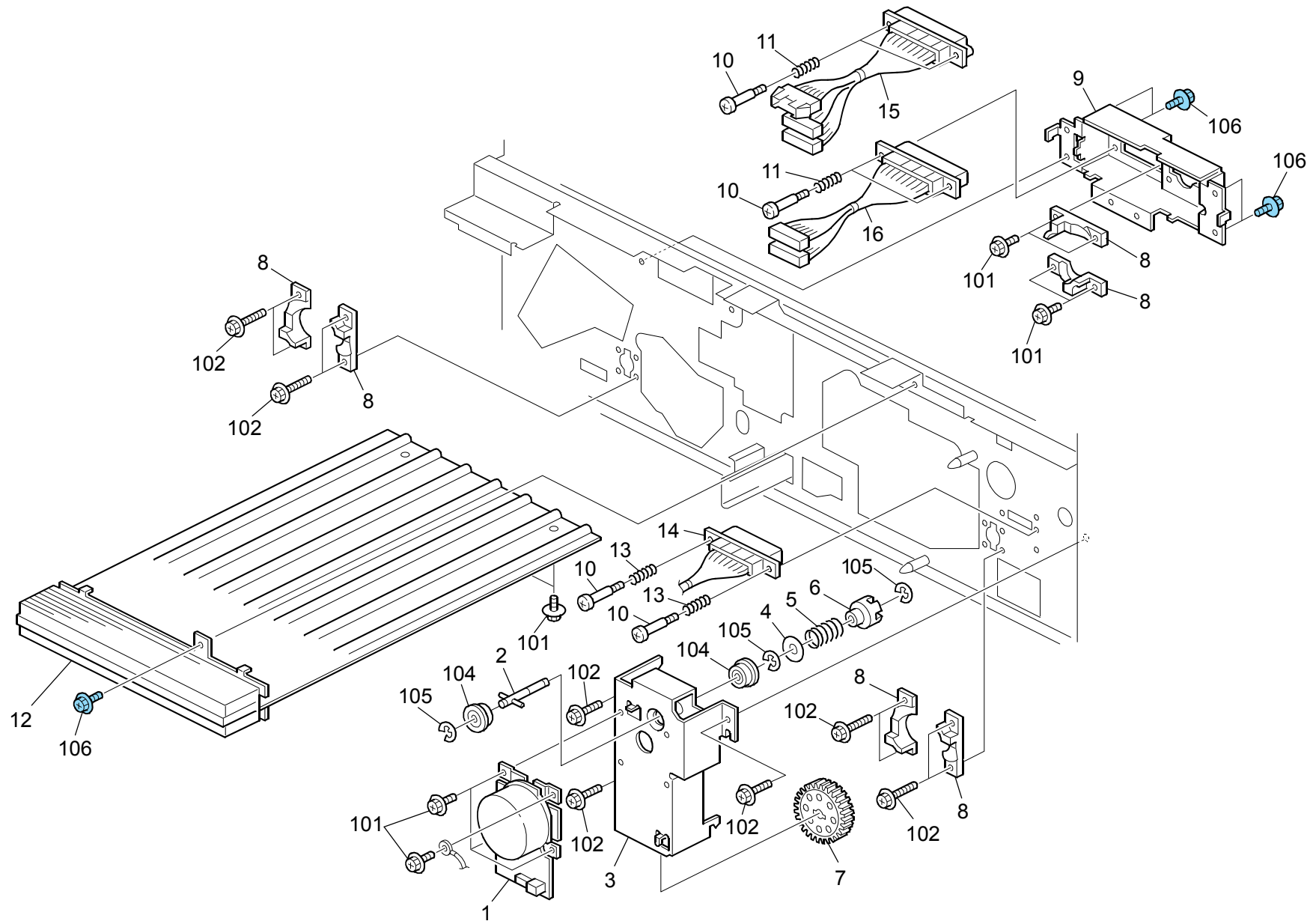


77.Drive Section 3 (D016/D097/G178/M078)

Rev. 10/12/2010

Index No.	Part No.	Description	Q'ty Per Assembly
1	G178 1494	Stepper Motor: Oil Application Sub-unit: Ass'y [TSB G178-010]	1
2	G178 5884	Harness: Oil Application Unit: Turn: Sensor	1
3	AW02 0145	Photointerruptor: Flat	1
4	G178 1481	Holder: Sensor: Oil Supply: Encoder	1
5	G178 1478	Compression Spring: Drawer	2
6	G178 1438	Holder: Drawer: Sub-ass'y	1
7	G178 1441	Holder: Connector	1
8	G178 1437	Cover: Idler: Gear: O/C	1
9	G178 1457	Gear: Idler: DC Motor: O/C: Ass'y	1
10	G178 1491	Gear: Fusing Drive Sub-unit: O/C: Ass'y [TSB G178-025]	1
11	G178 1470	Belt Tensioner: Ass'y	1
12	G178 1475	Tension Spring: 7062126	1
13	G178 1433	Stepping Motor - DC 9.52W	1
14	G178 5871	Harness: Motor: BR-O/C	1
15	G178 1444	Shaft: Fix: O/C: Base	1
16	A079 1203	Fusing Drive Stopper	2
17	B234 1132	Spring: Joint: Fusing	2
18	G178 1493	Joint: O/C: Main [TSB G178-010]	1
19	G178 1440	Washer: Pulley: Shaft: Fusing Drive	1
20	G178 1472	Timing Belt: S3M: 402	1
21	G178 1447	Pulley: DC Motor: Fusing Drive	1
22	G178 1459	Shaft: Drive: Fusing Drive	1
23	G178 5815	Harness: HR: Motor	1
24	G178 1485	Brushless Motor: DC 53W	1
25	A079 1201	Fusing Drive Joint	1
26	G178 1432	Shaft: Positioning: Fusing Drive	2
27	G178 1490	Shaft: Fix: O/C: Base: 2	2
28	G178 7670	Washer: 455554	2
29	G178 7744	Boss: Positioning Pin: Transport Unit: No.2	1
30	G178 7743	Boss: Positioning Pin: Transport Unit: No.1	1
31	G178 1769	Washer: M4 [TSB#065]	1

Index No.	Part No.	Description	Q'ty Per Assembly
101	0451 4008N	Tapping Screw: 4x8	
102	0954 4008N	Screw - M4x8	
103	0314 0120N	Screw - M4x12	
104	1105 0551	Clamp: LES-0505	
105	1105 0511	Harness Clamp - LWS-0306ZC	
106	1105 0508	Harness Clamp - LWS-0711	
107	1105 0518	Edge Saddle - LES-1010	
108	0708 0040N	Washer - DIA4	
109	0703 0040N	Spring Washer: DIA4	
110	0741 3810	Ball Bearing: 10x19x7mm	
111	0720 0080E	Retaining Ring - M8	
112	0595 0140E	Hexagon Bolt - M5x14	
113	0703 0050N	Spring Washer: DIA5	
114	1105 0516	Clamp	



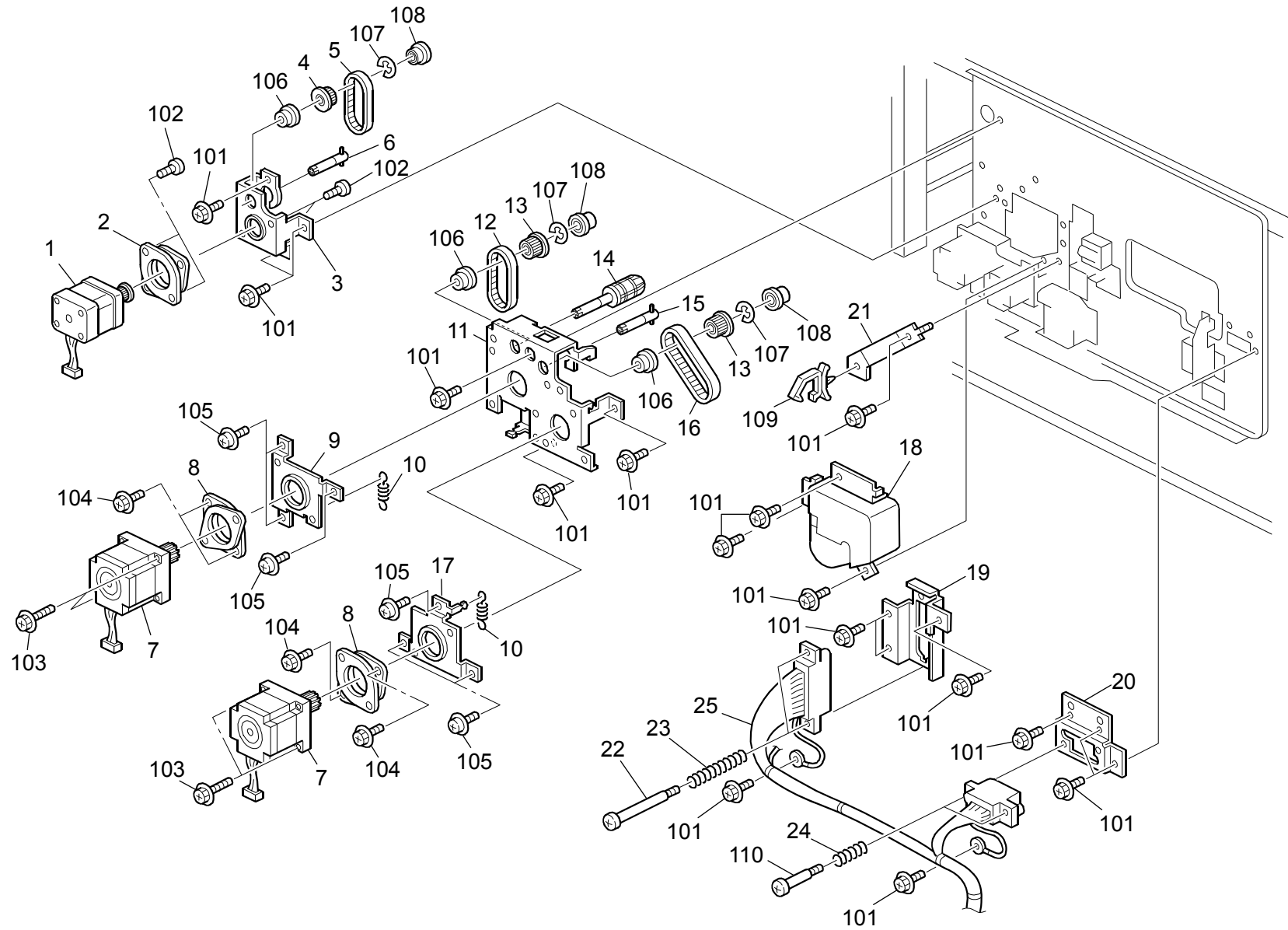
78. Drive Section 4 (D016/D097/G178/M078)

Rev. 04/07/2009

Index No.	Part No.	Description	Q'ty Per Assembly
1	B234 4325	Brushless Motor DC24V 20W	1
2	G178 4573	Shaft: Drive: Motor: Press Fit [TSB G178-075 D016-003]	1
3	G178 4744	Bracket: Motor: Exit	1
4	B234 4320	Holder: Compression Spring: Joint	1
5	AA06 3691	Compression Spring: Joint [TSB#003] [TSB G178-075 D016-003]	1
6	B234 4385	Joint: Paper Exit Unit: Drive	1
7	B234 4428	Gear - 66Z	1
8	G178 1122	Guide: Lock: Transport Unit	6
9	G178 6332	Holder: Drawer: Main	1
10	AA14 3797	Connector Guide Pin	6
11	G178 4061	Compression Spring: Drawer: 1st Transfer	4
12	G178 7151	Heat Pipe: Ass'y	1
13	G178 4866	Compression Spring: Exit: Connector	2
14	G178 5501	Harness: IOB2: Sensor: 1	1
15	G178 5710	Harness: 1st Transfer: Drawer: A	1
16	G178 5837	Harness: 1st Transfer: Drawer: B: I/F	1

Index No.	Part No.	Description	Q'ty Per Assembly
101	0451 4008N	Tapping Screw: 4x8	
102	0451 4012N	Tapping Screw: 4x12	
103		[TSB G178-075 D016-003]	
104	0741 3808	Ball Bearing - 8x16x5mm	
105	0720 0060E	Retaining Ring - M6	
106	0454 4008Q	Tapping Screw - M4x8	

79.Drive Section 5 (D016/D097/G178/M078)

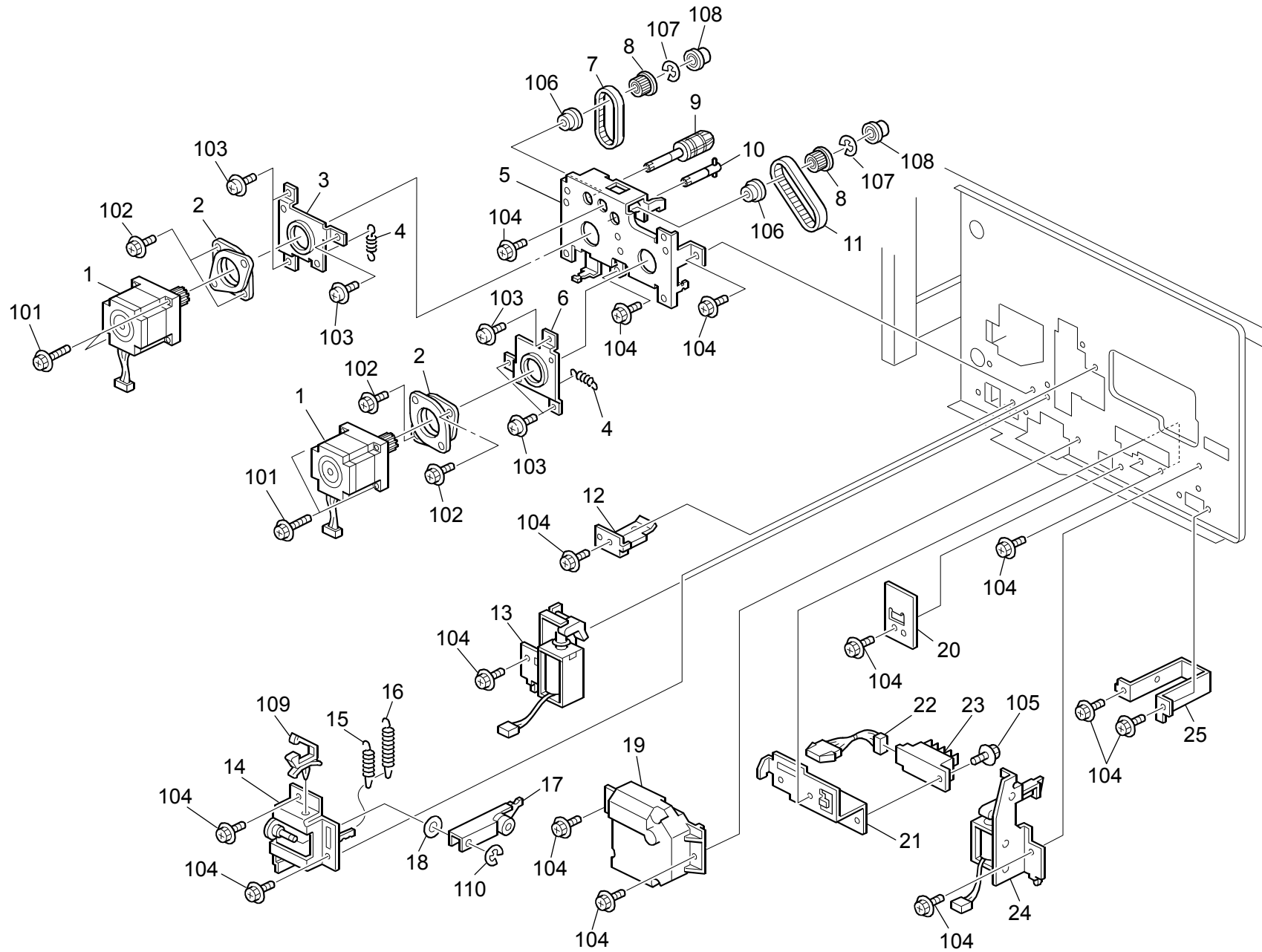


79. Drive Section 5 (D016/D097/G178/M078)

Index No.	Part No.	Description	Q'ty Per Assembly
1	AX04 0158	Stepper Motor DC2.64V 6.3W	1
2	A232 4666	Cushion - Stepper Motor	1
3	B234 6520	Bracket	1
4	B234 6507	Timing Pulley - 25T	1
5	B234 6523	Timing Belt - S2M100	1
6	B234 6543	Drive Shaft	1
7	AX04 0157	Stepper Motor DC1.68V 6.7W	2
8	AA16 1122	Motor Cushion	2
9	B234 6512	Tightener Bracket	1
10	B234 6508	Tension Spring	2
11	B234 6510	Tandem LCT Bracket	1
12	B234 6514	Timing Belt - S2M126	1
13	B234 6506	Timing Pulley - 30T	2
14	B234 6542	Grip Drive Shaft	1
15	B234 6541	Feed Drive Shaft	1
16	B234 6513	Timing Belt - S2M180	1
17	B234 6511	Tightener Bracket	1
18	B132 6759	DC Motor: Rise: Tandem LCT: Ass'y	1
19	B132 6764	Bracket: Connector: Right	1
20	B132 6763	Bracket: Connector: Left	1
21	B234 6565	Harness Clamp Bracket	1
22	AA14 3550	Screw: DIA4: M3	2
23	AA06 3583	Spring	2
24	AA06 3268	Connector Spring	2
25	G178 5835	Harness: IOB2: Sensor: 2	1

Index No.	Part No.	Description	Q'ty Per Assembly
101	0451 4008N	Tapping Screw: 4x8	
102	0353 0050N	Screw-M3x5	
103	0451 4010N	Tapping Screw: 4x10	
104	0451 4006N	Tapping Screw - 4x6	
105	0951 4006N	Screw: Polished Round: M4x6	
106	0741 3708	Ball Bearing - 8x12x3.5mm	
107	0720 0060E	Retaining Ring - M6	
108	0742 3808	Ball Bearing - 8x16x5	
109	1105 0487	Harness Clamp	
110	0803 0058	Stepped Screw	

80.Drive Section 6 (D016/D097/G178/M078)

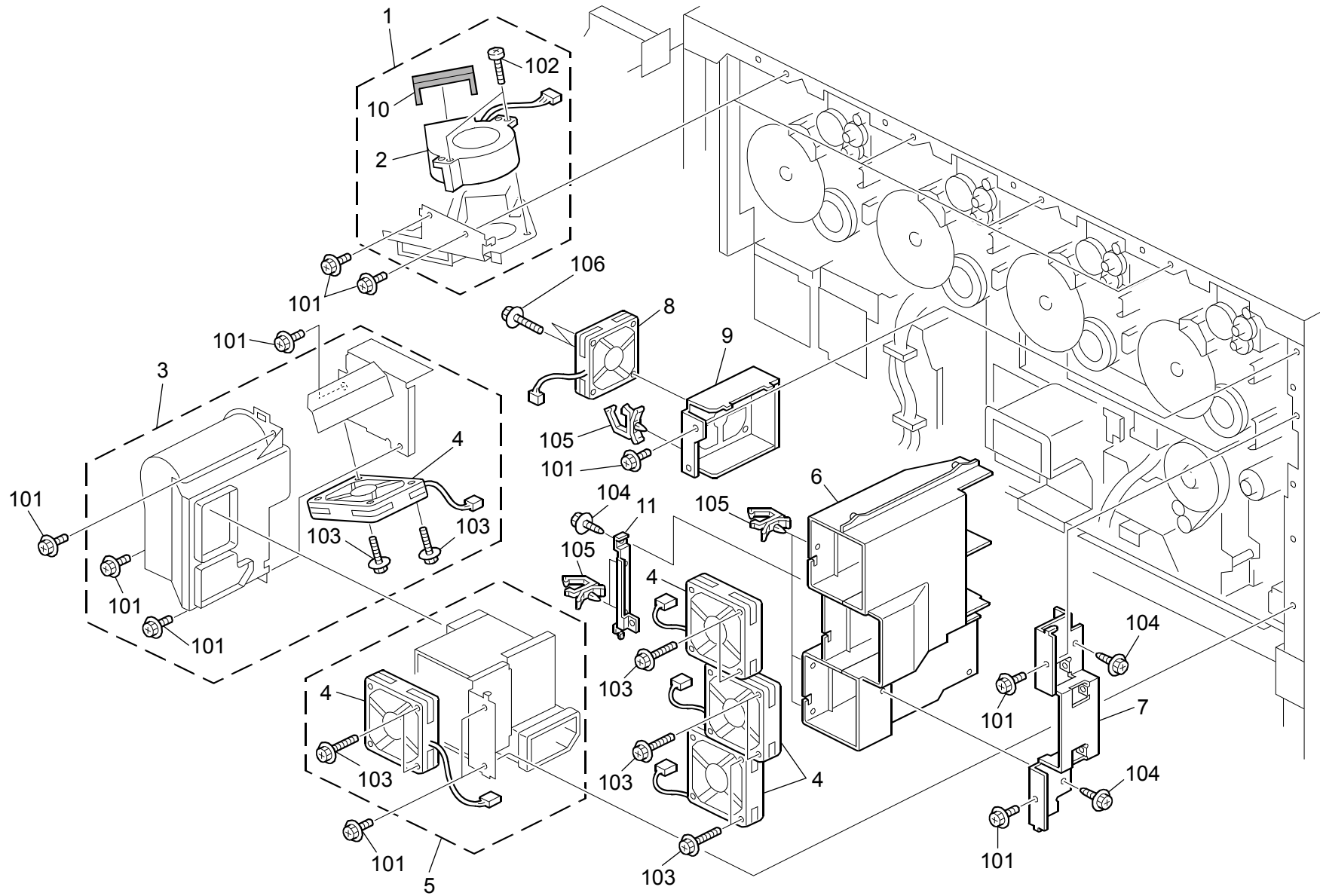


80. Drive Section 6 (D016/D097/G178/M078)

Index No.	Part No.	Description	Q'ty Per Assembly
1	AX04 0157	Stepper Motor DC1.68V 6.7W	2
2	AA16 1122	Motor Cushion	2
3	B234 6532	Tightener Bracket	1
4	B234 6508	Tension Spring	2
5	B234 6530	Bracket	1
6	B234 6531	Tightener Bracket	1
7	B234 6514	Timing Belt - S2M126	1
8	B234 6506	Timing Pulley - 30T	2
9	B234 6542	Grip Drive Shaft	1
10	B234 6541	Feed Drive Shaft	1
11	B234 6533	Timing Belt - S2M152	1
12	B234 6120	Bracket: Positioning: Paper Tray	1
13	B132 6762	DC Solenoid: Coupling: Ass'y	1
14	B132 6726	Bracket: Arm: Ass'y	1
15	B247 6754	Lock Spring - Small	1
16	B247 6753	Lock Spring - Large	1
17	B065 6769	Lock Arm	1
18	AA13 2203	Spacer - 6mm	1
19	AX04 0144	DC Motor: Rise: Paper Tray	1
20	G178 2924	Cover: Safety: Paper Size Sensor	1
21	B234 6151	Paper Size Sensor Bracket	1
22	B234 5671	Harness - Paper Size Sensor	1
23	AW50 0010	Push Switch	1
24	B132 6765	DC Solenoid: Lock: Ass'y	1
25	B065 6172	Paper Tray Stopper	1

Index No.	Part No.	Description	Q'ty Per Assembly
101	0451 4010N	Tapping Screw: 4x10	
102	0451 4006N	Tapping Screw - 4x6	
103	0951 4006N	Screw: Polished Round: M4x6	
104	0451 4008N	Tapping Screw: 4x8	
105	0451 3008N	Tapping Screw - M3x8	
106	0741 3708	Ball Bearing - 8x12x3.5mm	
107	0720 0060E	Retaining Ring - M6	
108	0742 3808	Ball Bearing - 8x16x5	
109	1105 0488	Harness Clamp	
110	0720 0040E	Retaining Ring - M4	

81.Electrical Section 1 (D016/D097/G178/M078)

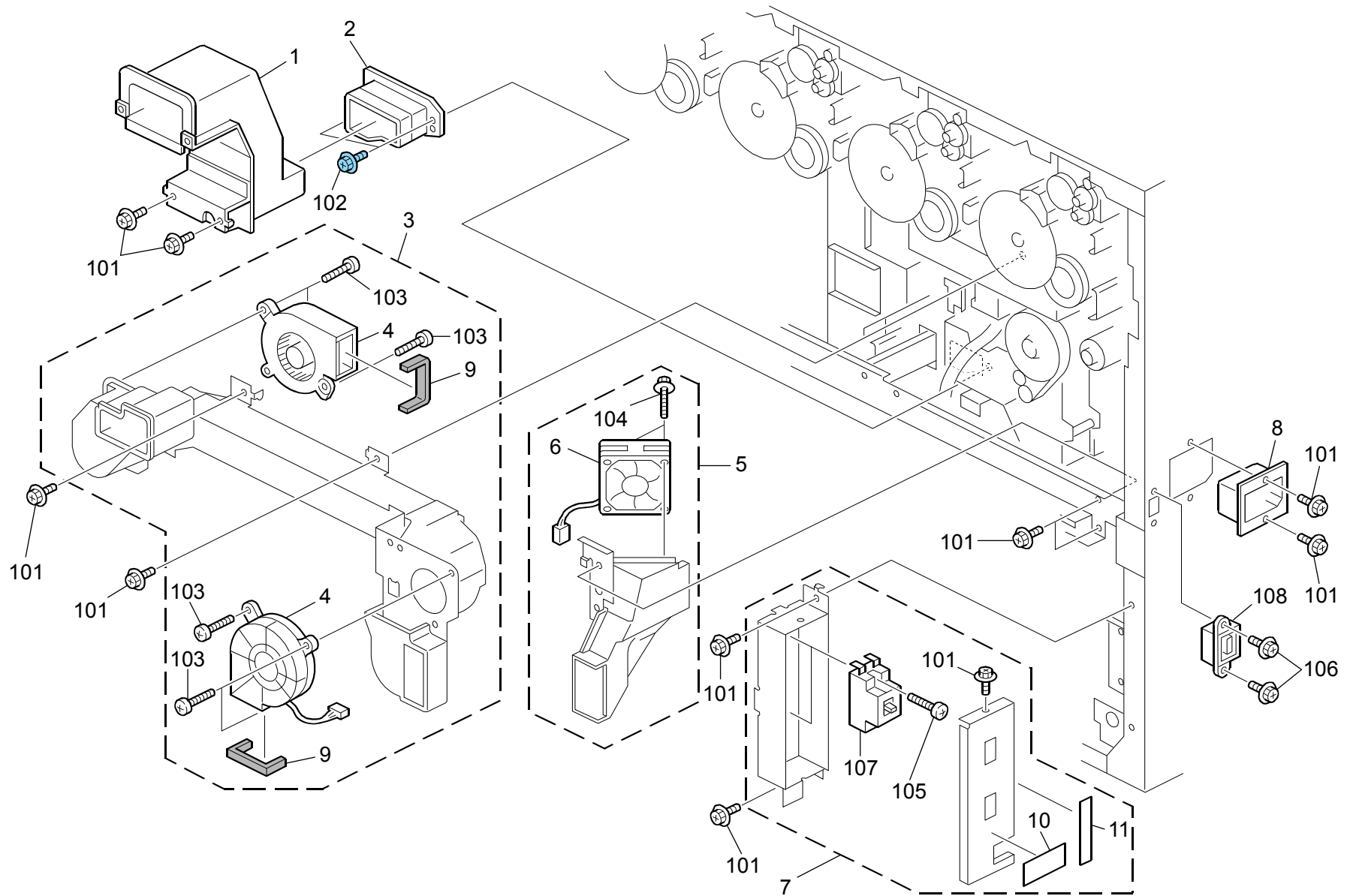


81.Electrical Section 1 (D016/D097/G178/M078)

Index No.	Part No.	Description	Q'ty Per Assembly
1	G178 7140	Duct: Charge Corona: Main: Ass'y	4
2	GX65 0002	Fan: Sirocco: DC 9.36W	1
3	G178 7190	Duct: Heat Pipe: Exit: Ass'y	1
4	AX64 0159	Fan Motor MM80	5
5	G178 7192	Duct: Heat Pipe: Exit: Exit: Ass'y	1
6	G178 7160	Duct: Paper Exit Sub-unit: Rear	1
7	G178 7163	Bracket: Duct: Paper Exit	1
8	GX64 0024	Fan Motor - DC 3.12W	1
9	G178 7218	Bracket: Fan: Exhaust: Rear	1
10	AA15 3182	Seal: Fan: Charge Corona: Main	1
11	G178 7179	Guide: Harness: Duct: Paper Exit	1

Index No.	Part No.	Description	Q'ty Per Assembly
101	0451 4008N	Tapping Screw: 4x8	
102	0354 0400N	Screw: M4x40	
103	0360 4030N	Screw: M4x30	
104	0450 4008N	Tapping Screw - M4x8	
105	1105 0511	Harness Clamp - LWS-0306ZC	
106	0451 4030N	Tapping Screw: M4x30	

82.Electrical Section 2 (D016/D097/G178/M078)

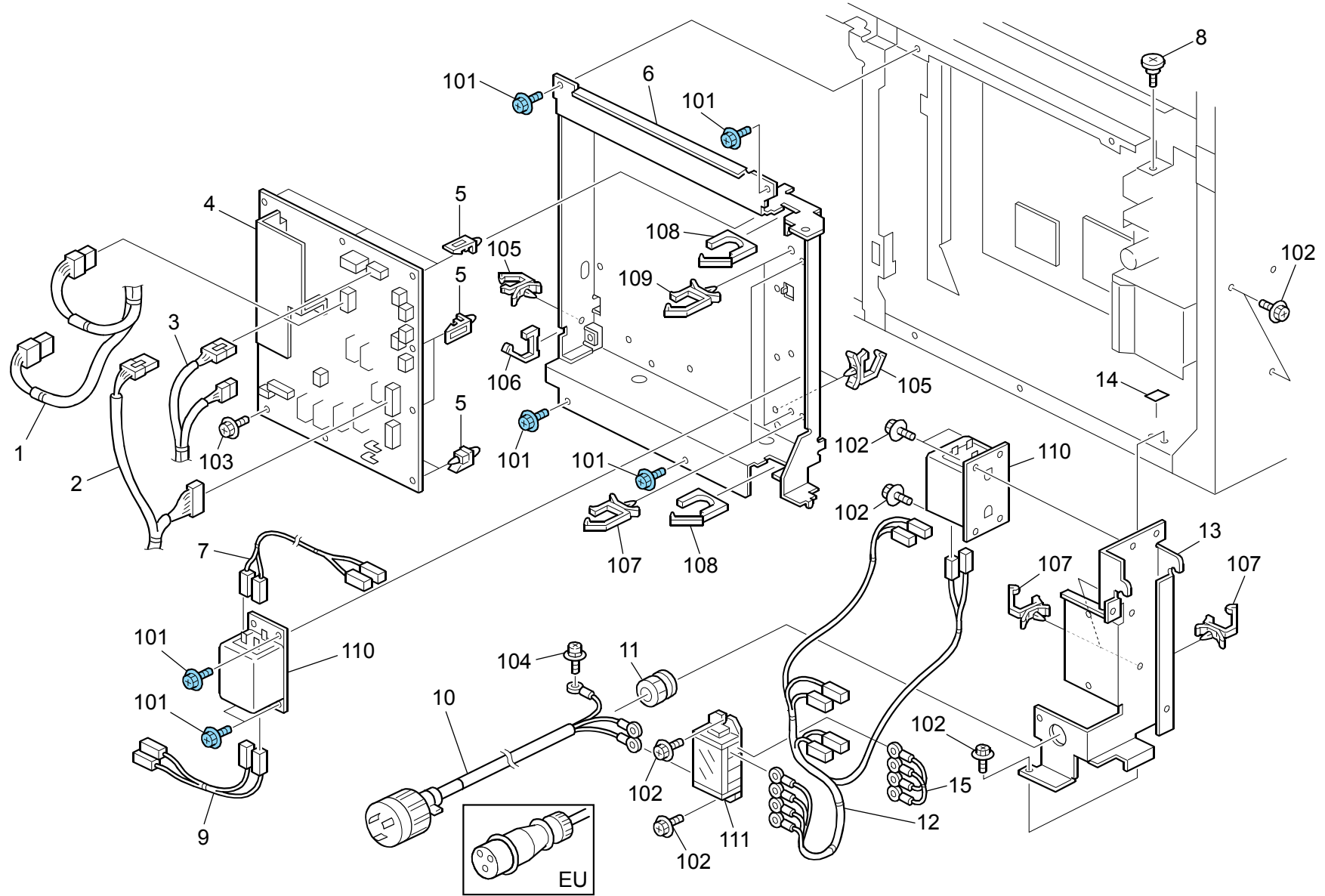


82.Electrical Section 2 (D016/D097/G178/M078)

Index No.	Part No.	Description	Q'ty Per Assembly
1	G178 7205	Duct: Transport Belt: Main: Ass'y	1
2	G178 7210	Duct: Transport Belt: Main: Exit: Ass'y	1
3	G178 7143	Duct: Heat Pipe: Fusing: Ass'y	1
4	AX65 0041	Fan Motor: Sirocco	2
5	G178 7221	Duct: Fan: Fusing/Paper Exit Unit: Rear	1
6	GX64 0024	Fan Motor - DC 3.12W	1
7	G178 5470	Leak Breaker: Ass'y	1
8	G178 7193	Duct: Heat Pipe: Exit: Entrance	1
9	AA15 3178	Seal: Fan: Heat Pipe: Fusing	2
10	G178 7845	Decal: Warning: Earth	1
11	G178 7847	Decal: Leak Breaker: Caption	1

Index No.	Part No.	Description	Q'ty Per Assembly
101	0451 4008N	Tapping Screw: 4x8	
102	0454 4008Q	Tapping Screw - M4x8	
103	0353 0080N	Screw: M3x8	
104	0451 4030N	Tapping Screw: M4x30	
105	0434 0200N	PAN Self-Tapping Screw: 4x20	
106	0451 3008N	Tapping Screw - M3x8	
107	1107 1201	Fuse: BJS201100FCRK	
108	1102 8502	Connector - 54679-1615	

83.Electrical Section 3 (D016/D097/G178/M078)

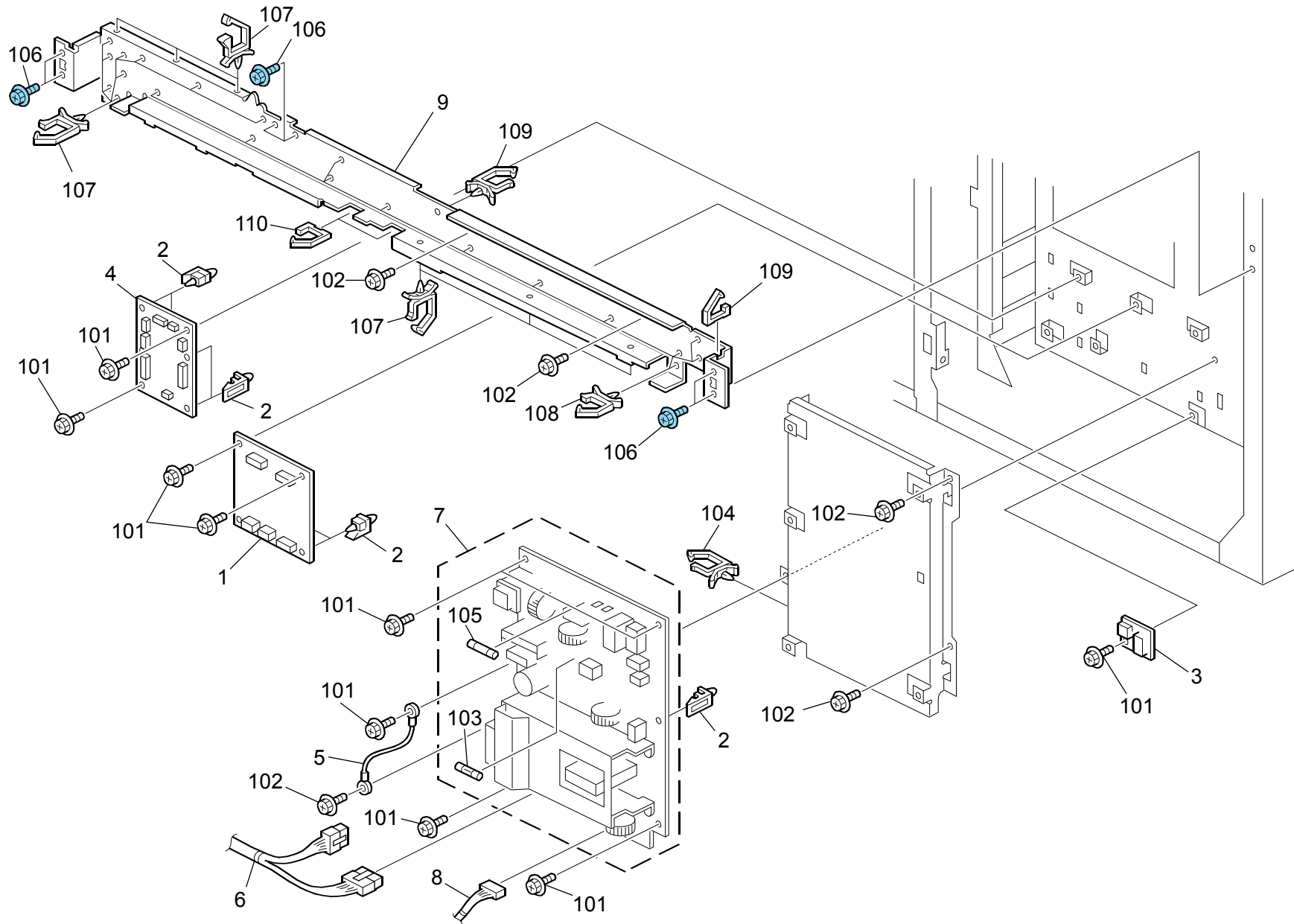


83.Electrical Section 3 (D016/D097/G178/M078)

Index No.	Part No.	Description	Q'ty Per Assembly
1	G178 5897	Harness: Fusing: Drawer: AC: No.1 [TSB G178-015]	1
2	G178 5869	Harness: AC Drive: Oil: Pump	1
3	G178 5699	Harness: AC: Main Switch	1
4	G178 5386	PCB: AC Drive: NA [TSB G178-055]	1
4	G178 5387	PCB: AC Drive: EU [TSB G178-055]	1
5	G178 7668	Spacer: 7907032: Base	8
6	G178 5462	Bracket: AC Drive	1
7	G178 5826	Harness: AC: Noise Filter: 2	1
8	AA14 3129	Shoulder Screw - Front Cover	1
9	G178 5698	Harness: AC: Drive	1
10	G178 5841	Cable: AC: Power Supply Plug: NA	1
10	G178 5842	Cable: AC: Power Supply Plug: EU	1
11	G178 5437	Power Cord Bushing	1
12	G178 5696	Harness: AC: Leak Breaker	1
13	G178 5464	Bracket: Terminal: Block	1
14	AA00 1190	Decal - Ground	1
15	G178 5748	Harness: Main: AC: Short Circuit	1

Index No.	Part No.	Description	Q'ty Per Assembly
101	0454 4008Q	Tapping Screw - M4x8	
102	0451 4008N	Tapping Screw: 4x8	
103	0451 3006N	Tapping Screw - 3x6	
104	0954 5010N	Screw: Polished Round/Spring: M5x10	
105	1105 0516	Clamp	
106	1105 0522	Edge Saddle - LES0510	
107	1105 0488	Harness Clamp	
108	1105 0599	Clamp: LESR-25	
109	1105 0490	Harness Clamp - LWS-2218	
110	1607 1799	Filter - SUP-ET20-ER-0	
111	1100 2123	Terminal: KT60-4J(UL/CSA/EN)-RC2308	

84.Electrical Section 4 (D016/D097/G178/M078)

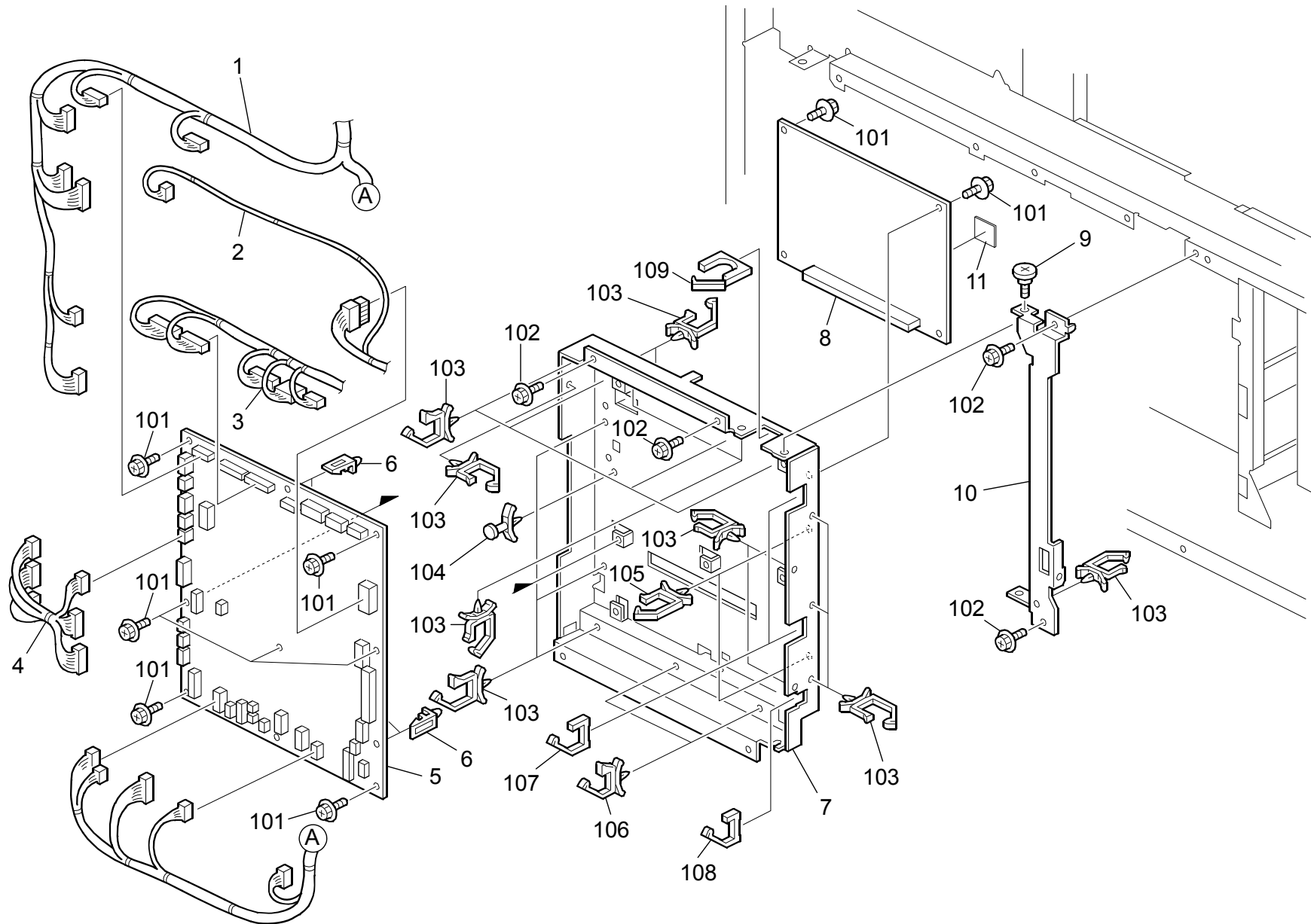


84.Electrical Section 4 (D016/D097/G178/M078)

Rev. 04/27/2010

Index No.	Part No.	Description	Q'ty Per Assembly
1	G178 5287	PCB: FIB [TSB G178-056]	1
2	G178 7668	Spacer: 7907032: Base	7
3	AW14 0015	Temperature & Humidity Sensor	1
4	G178 5304	PCB: RB	1
5	G178 5832	Harness: PSU-G: FG	1
6	G178 5899	Harness: Power Source: FIB-PSU-G [TSB G178-056R]	1
7	GZ23 0041	Power Supply Unit: G-P3: EU/AA	1
8	G178 5890	Harness: PSU-G: I/F: Connecting	1
9	G178 1105	Bracket: Harness: Middle Rear	1

Index No.	Part No.	Description	Q'ty Per Assembly
101	0451 3008N	Tapping Screw - M3x8	
102	0451 4008N	Tapping Screw: 4x8	
103	1107 1065	Fuse: ET-4A	
104	1105 0487	Harness Clamp	
105	1107 1084	Fuse: CES14-8A-N1	
106	0454 4008Q	Tapping Screw - M4x8	
107	1105 0489	Harness Clamp - LWS 1316	
108	1105 0488	Harness Clamp	
109	1105 0518	Edge Saddle - LES-1010	
110	1105 0544	Edge Saddle: LES-2017	



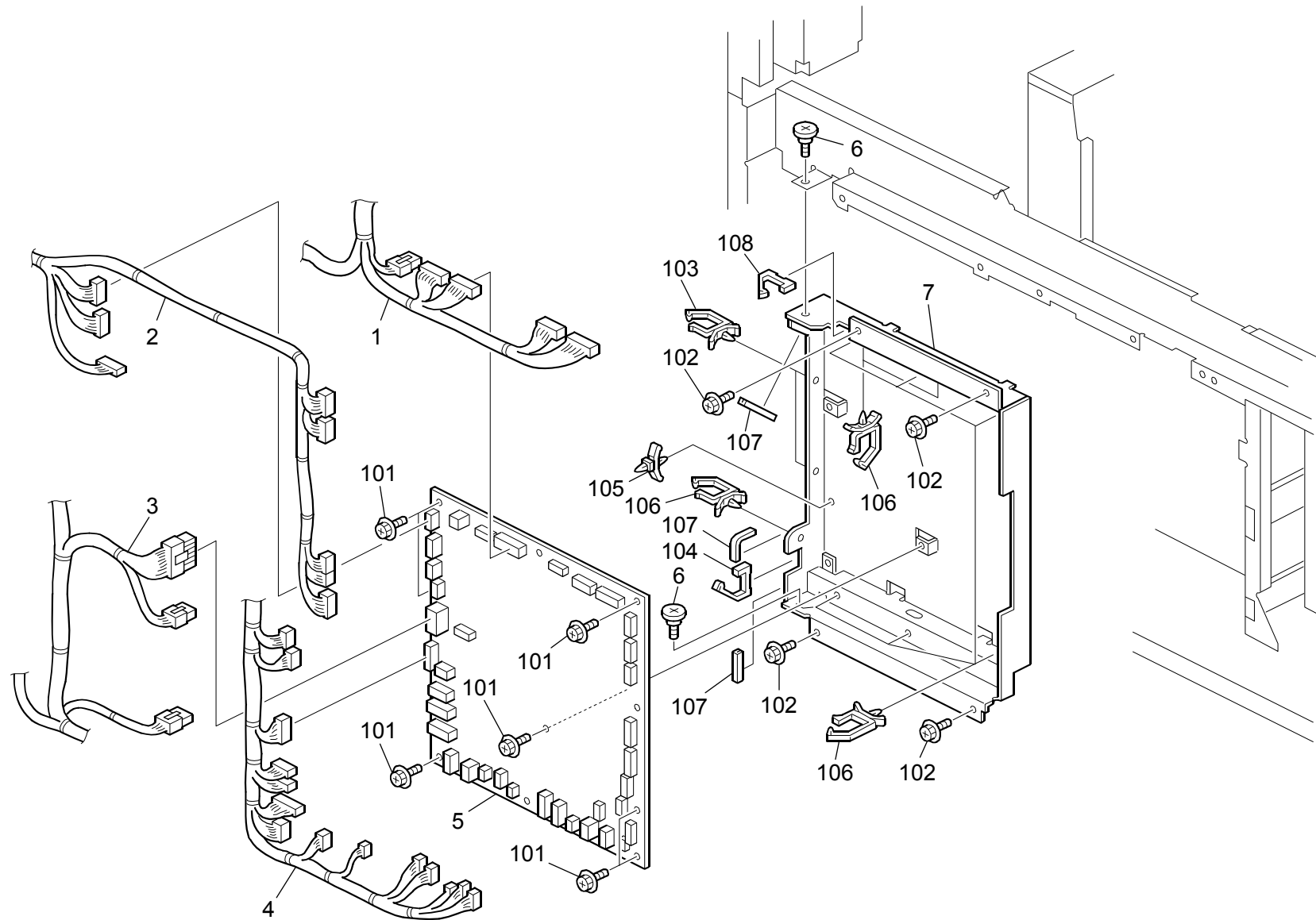
85.Electrical Section 5 (D016/D097/G178/M078)

Rev. 07/07/2010

Index No.	Part No.	Description	Q'ty Per Assembly
1	G178 5501	Harness: IOB2: Sensor: 1 [TSB G178-015R]	1
2	G178 5510	Harness: Power Source: IOB1-IOB2-LD [TSB G178-090 D016-017]	1
3	G178 5807	Harness: IOB2: Motor	1
4	G178 5806	Harness: IOB1-IOB2: I/F	1
5	G178 5275	PCB: IOB2	1
6	G178 7668	Spacer: 7907032: Base	4
7	G178 5453	Bracket: IOB: BCU	1
8	G178 5300	PCB: BCU: Sub-Ass'y (G178)	1
8	D016 5300	PCB: BCU: Sub-Ass'y (D016)	1
8	D097 5301	PCB: BCU: Sub-Ass'y (D097)	1
8	M078 5300	PCB: BCU: Sub-Ass'y (M078)	1
9	AA14 3560	Stepped Screw - M4	1
10	G178 5454	Bracket: Hinge: IOB	1
11	1407 5856	RAM – FM18L08-70-P	1

Index No.	Part No.	Description	Q'ty Per Assembly
101	0451 3006N	Tapping Screw - 3x6	
102	0451 4008N	Tapping Screw: 4x8	
103	1105 0488	Harness Clamp	
104	1105 0410	KGPS-6S(V0)	
105	1105 0490	Harness Clamp - LWS-2218	
106	1105 0489	Harness Clamp - LWS 1316	
107	1105 0544	Edge Saddle: LES-2017	
108	1105 0518	Edge Saddle - LES-1010	
109	1105 0599	Clamp: LESR-25	

86.Electrical Section 6 (D016/D097/G178/M078)



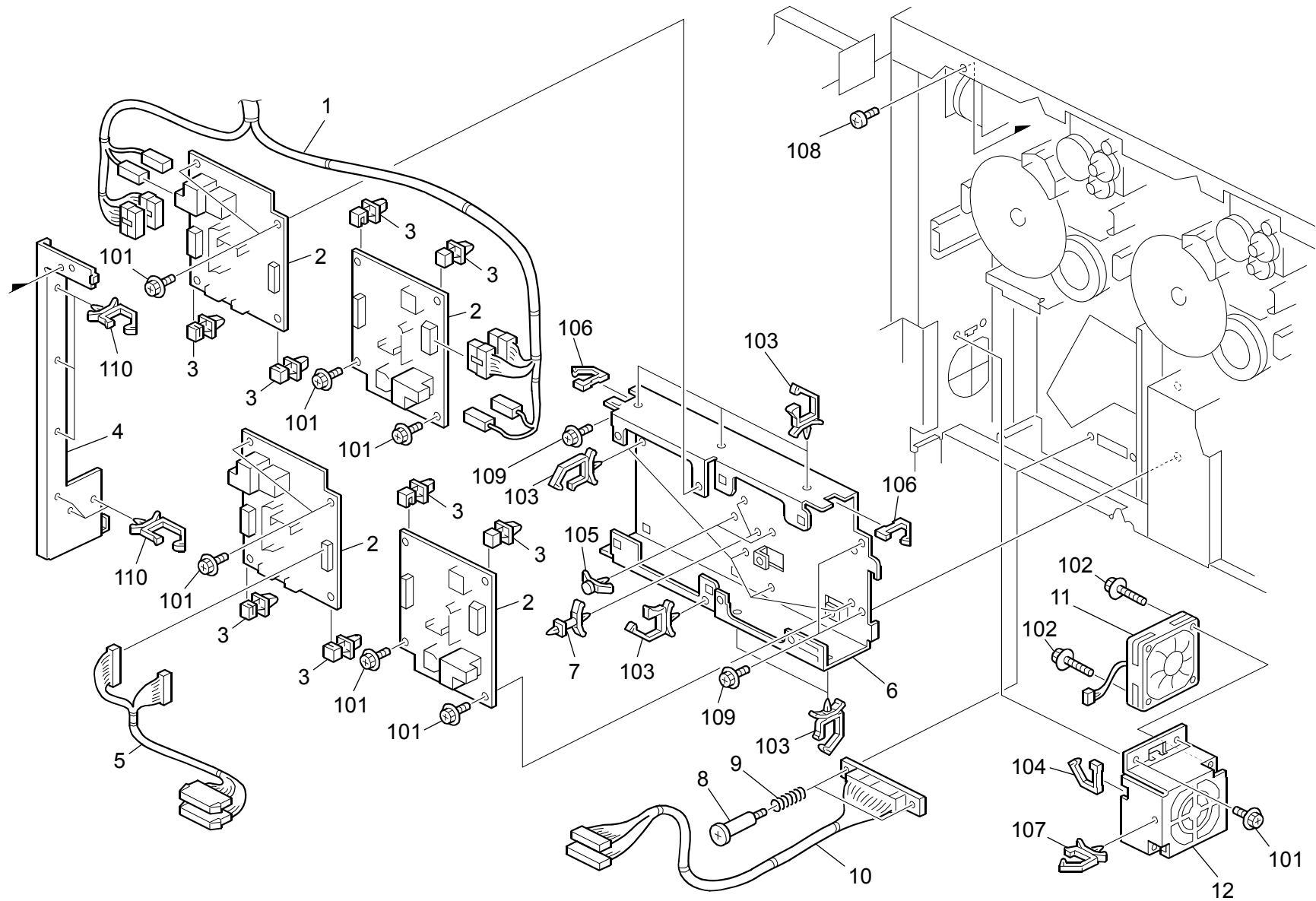
86.Electrical Section 6 (D016/D097/G178/M078)

Rev. 06/11/2009

Index No.	Part No.	Description	Q'ty Per Assembly
1	G178 5801	Harness: IOB1: Motor	1
2	G178 5802	Harness: IOB1: Sensor: 1	1
3	G178 5510	Harness: Power Source: IOB1-IOB2-LD	1
		[TSB G178-090 D016-017]	
4	G178 5511	Harness: IOB1: Sensor: 2	1
		[TSB G178-090 D016-017]	
5	G178 5278	PCB: IOB1	1
6	AA14 3560	Stepped Screw - M4	2
7	G178 5438	Bracket: IOB	1

Index No.	Part No.	Description	Q'ty Per Assembly
101	0451 3006N	Tapping Screw - 3x6	
102	0451 4008N	Tapping Screw: 4x8	
103	1105 0490	Harness Clamp - LWS-2218	
104	1105 0544	Edge Saddle: LES-2017	
105	1105 0193	Locking Support	
106	1105 0488	Harness Clamp	
107	1106 0924	Bushing: JKR-40	
108	1105 0521	Clamp - LES-1017	

87.Electrical Section 7 (D016/D097/G178/M078)



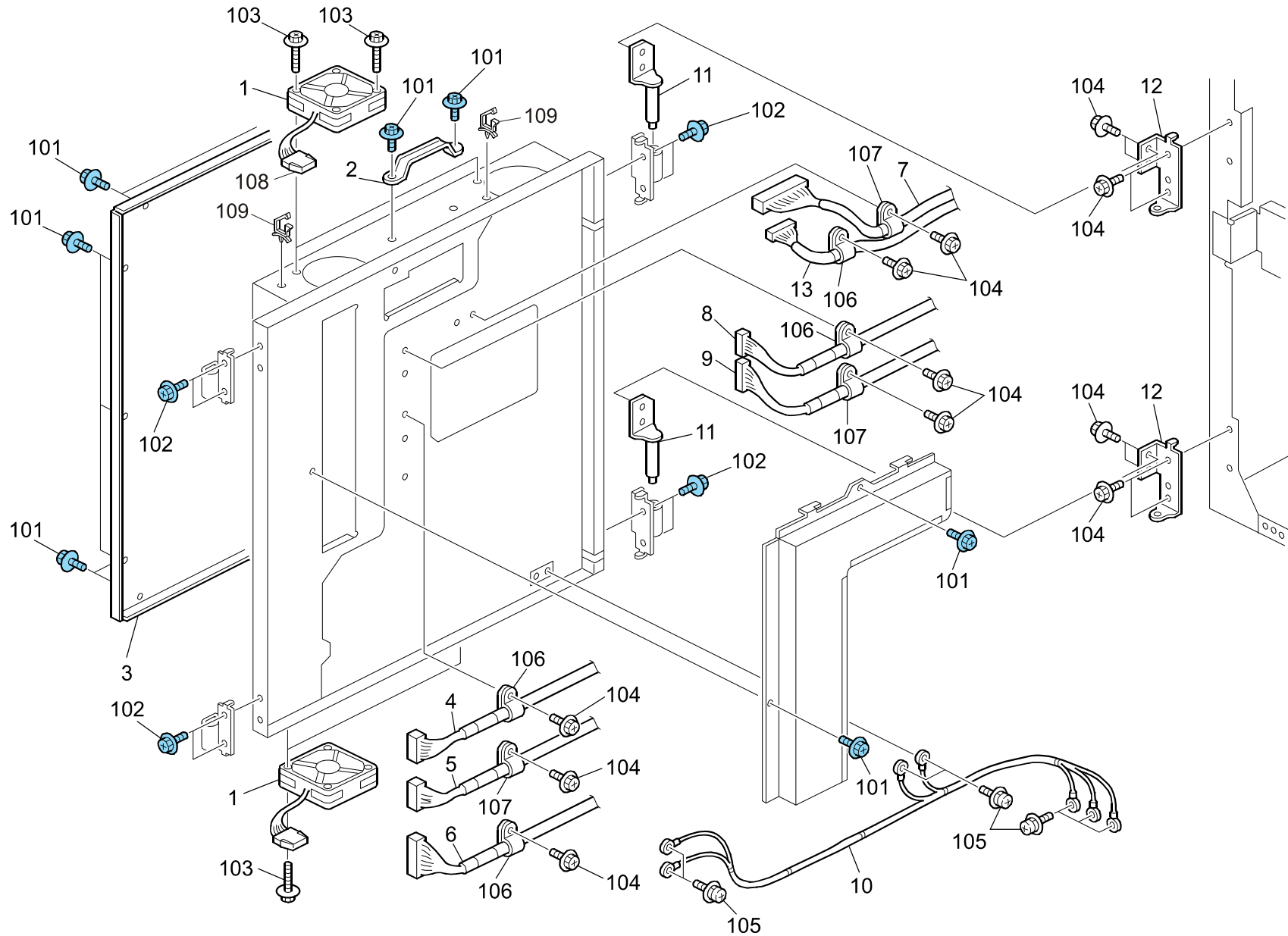
87.Electrical Section 7 (D016/D097/G178/M078)

Rev. 06/11/2009

Index No.	Part No.	Description	Q'ty Per Assembly
1	G178 5828	Harness: High Voltage: CGB	1
2	G178 5469	Power Pack: Charge	4
3	G178 5412	Holder: Base	8
4	G178 5447	Bracket: Harness: Charge Corona	1
5	G178 5827	Harness: Power Pack: Km: Connecting	1
6	G178 5468	Bracket: Power Pack: Charge Corona	1
7	G178 5413	Spacer: KGLS-22S	2
8	AA14 3797	Connector Guide Pin	2
9	G178 4866	Compression Spring: Exit: Connector	2
10	G178 5512	Harness:Registration:Drawer:No.2 [TSB G178-090 D016-017]	1
11	GX64 0024	Fan Motor - DC 3.12W	1
12	G178 1146	Bracket: Fan: Registration: Rear	1

Index No.	Part No.	Description	Q'ty Per Assembly
101	0451 3006N	Tapping Screw - 3x6	
102	0451 4030N	Tapping Screw: M4x30	
103	1105 0487	Harness Clamp	
104	1105 0551	Clamp: LES-0505	
105	1105 0409	KGPS-4S(V0)	
106	1105 0518	Edge Saddle - LES-1010	
107	1105 0511	Harness Clamp - LWS-0306ZC	
108	0313 0060N	Pan Head Screw: M3x6	
109	0451 4008N	Tapping Screw: 4x8	
110	1105 0489	Harness Clamp - LWS 1316	

88.Electrical Section 8 (D016/D097/G178/M078)

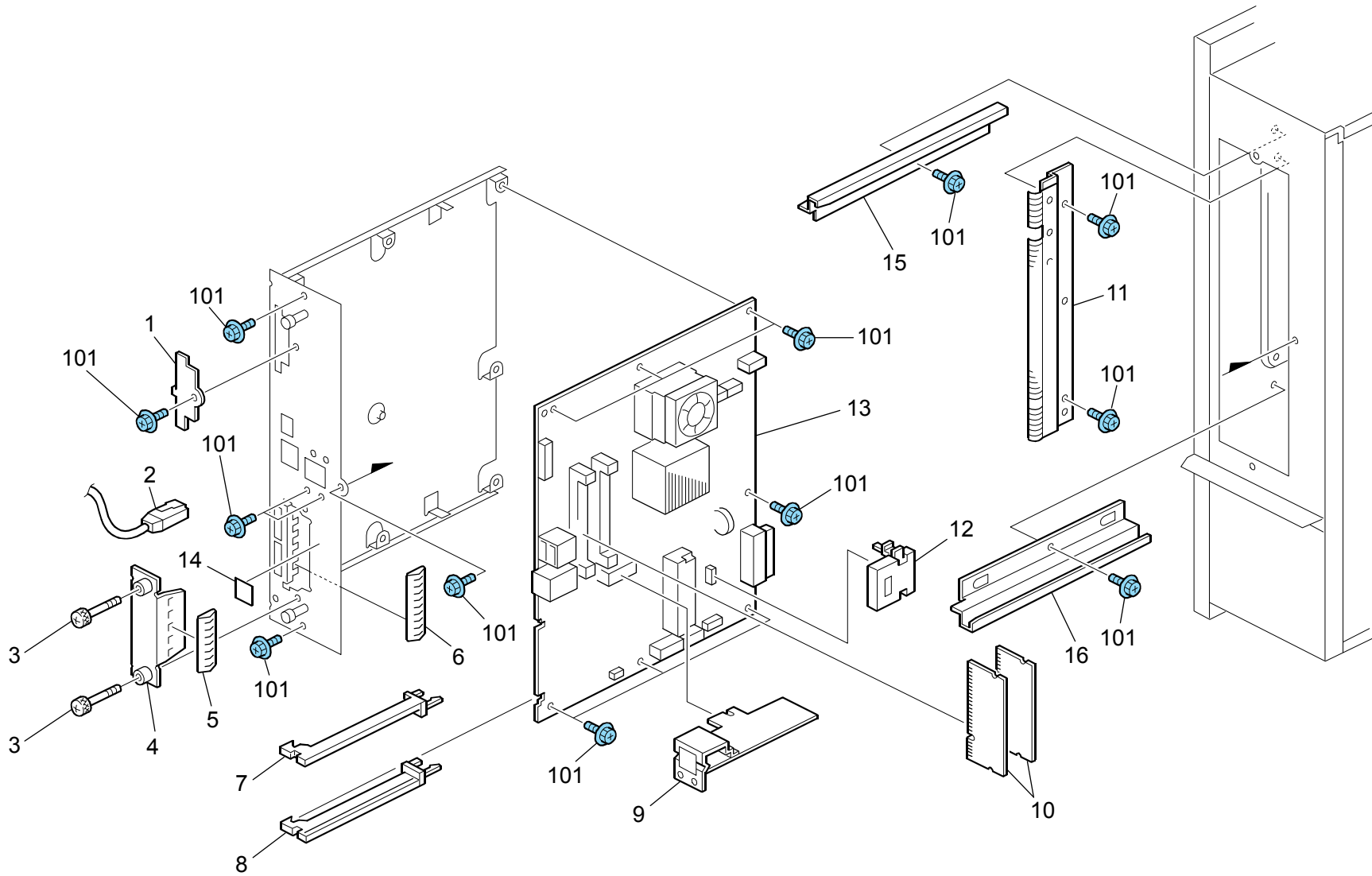


88.Electrical Section 8 (D016/D097/G178/M078)

Index No.	Part No.	Description	Q'ty Per Assembly
1	GX64 0024	Fan Motor - DC 3.12W	4
2	B712 5605	Grip: Application	1
3	G178 6201	Cover: C/T BOX	1
4	G178 5678	Harness: IPU-LD: I/F: (2): KC	1
5	G178 5677	Harness: IPU-LD: I/F: (1): KC	1
6	G178 5683	Harness: IPU-SBU: I/F	1
7	G178 5524	Harness: BCU-IPU: I/F: No.1	1
8	G178 5681	Harness: IPU-LD: I/F: (2): MY	1
9	G178 5680	Harness: IPU-LD: I/F: (1): MY	1
10	G178 5769	Harness: Earth: Control Unit	1
11	G178 1199	Hinge: Main: Peen	2
12	G178 1200	Hinge: Main: Holder	2
13	G178 5525	Harness: BCU-IPU: I/F: No.2	1

Index No.	Part No.	Description	Q'ty Per Assembly
101	0454 3006Q	Tapping Screw - M3x6	
102	0454 4008Q	Tapping Screw - M4x8	
103	0451 4030N	Tapping Screw: M4x30	
104	0451 4008N	Tapping Screw: 4x8	
105	0954 4008N	Screw - M4x8	
106	1105 0529	Nylon Clamp-EMT-3N	
107	1105 0559	Clamp: EMT-5N	
108	1102 6246	Relay Connector - 3P	
109	1105 0717	Clamp: JDW-1S [TSB G178-066]	2

89.Electrical Section 9 (D016/D097/G178/M078)



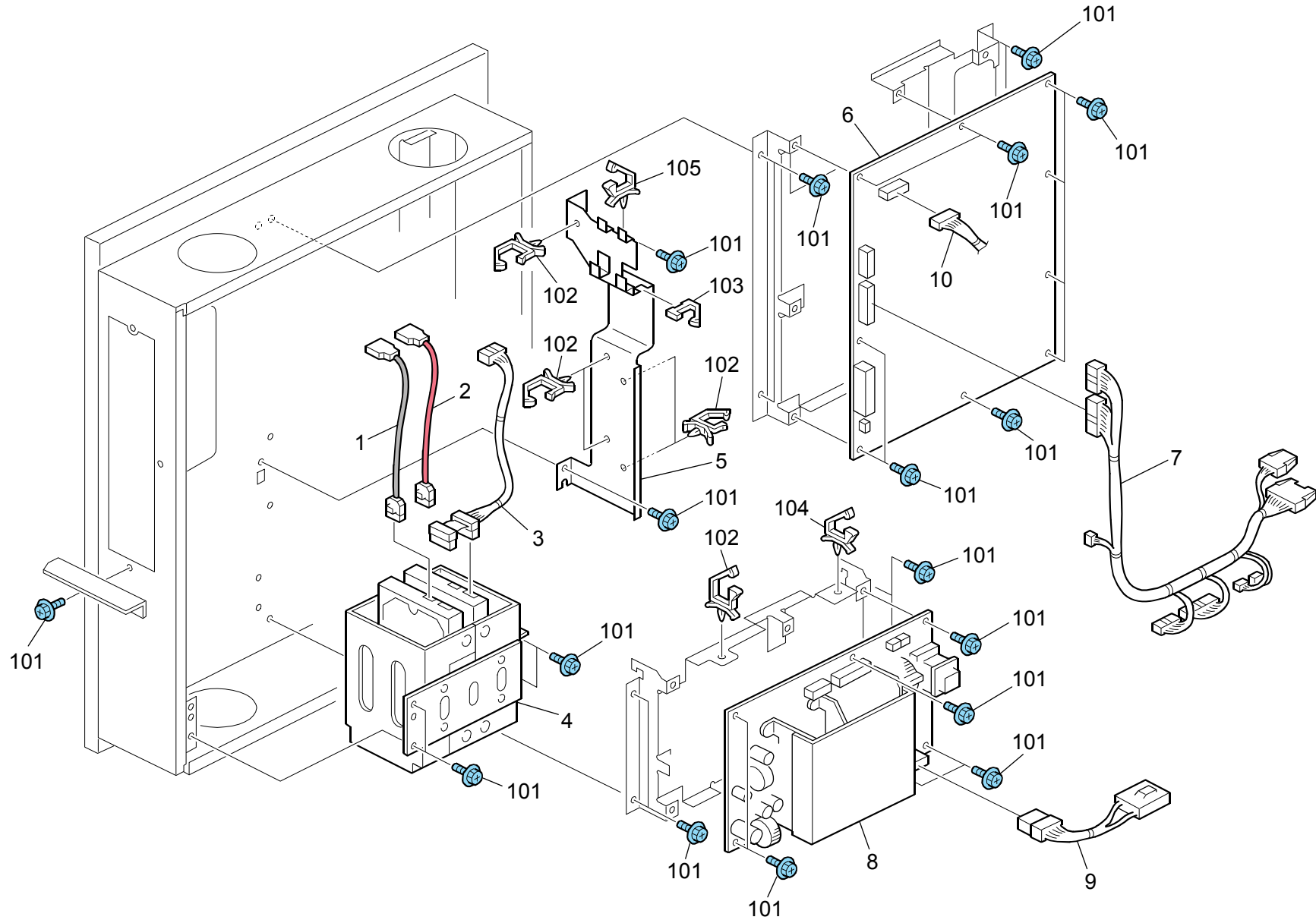
89.Electrical Section 9 (D016/D097/G178/M078)

Rev. 04/27/2010

Index No.	Part No.	Description	Q'ty Per Assembly
1	B132 5925	Cover: Connector: Control Board	1
2	R020 6514	Cable: LAN: Aegis	1
3	AA14 1008	Panel Knob Screw	2
4	B132 5836	Panel - Interface	1
5	B070 6899	Ground Plate: Panel	1
6	B070 6877	Large Drum Stay Ground Plate	1
7	G108 5107	Guide: 1: Left	1
8	G108 5108	Guide: 1: Right	1
9	G178 6033	PCB: GIGAETHERNET: PCIE	1
10	G178 6062	PCB: PC4200: RAWCard-C: 512MB	2
10	G178 6072	PCB: PC4200: RAWCard-A: 1GB	2
11	B132 5807	Ground Plate: Base: Control Board	1
12	G178 9590	NVRAM	1
13	G178 6021	PCB: CONT: EX1: G178: Ass'y	1
13	D016 6012	PCB: CONT: EX1: D016: Ass'y	1
13	M078 6022	PCB: CONT: EX1: M078: Ass'y	1
13	D097 6014	PCB: CONT: EX1: D097: Ass'y	1
14	G178 6207	Decal: Caption: Interface	1
15	D014 5952	Supporter: Upper	1
16	D014 5953	Supporter: Lower	1

Index No.	Part No.	Description	Q'ty Per Assembly
101	0454 3006Q	Tapping Screw - M3x6	

90.Electrical Section 10 (D016/D097/G178/M078)



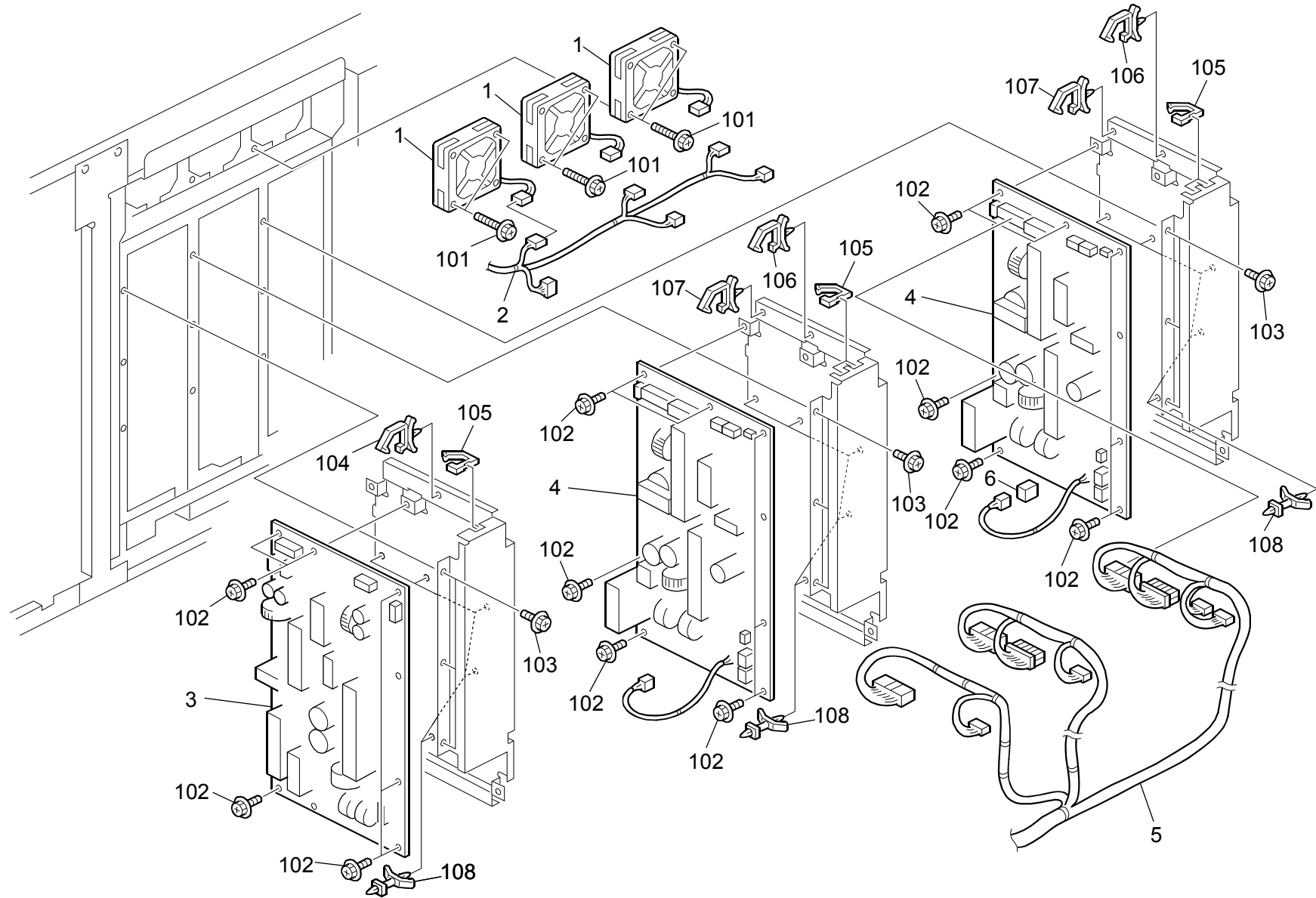
90.Electrical Section 10 (D016/D097/G178/M078)

Rev. 11/18/2010

Index No.	Part No.	Description	Q'ty Per Assembly
1	B234 5527	Cable: HDD: S-ATA: Gray: Rohs	1
2	B234 5526	Cable: HDD: S-ATA: Red: Rohs	1
3	G178 6042	Cable: HDD: S-ATA: Power: Aegis	1
4	G178 6215	HDD: Ass'y	1
5	G178 6249	Holder: Clamp	1
6	G178 5260	PCB: Image Processing Unit	1
7	G178 5861	Harness: Control Unit: PSU-C-IPU	1
8	AZ23 0248	Power Supply Unit (208V)	1
9	G178 5862	Harness: AC: Power Source: PSU-C	1
10	G178 5684	Harness: IPU-OPU: I/F: No.1	1

Index No.	Part No.	Description	Q'ty Per Assembly
101	0454 3006Q	Tapping Screw - M3x6	
102	1105 0488	Harness Clamp	
103	1105 0522	Edge Saddle - LES0510	
104	1105 0508	Harness Clamp - LWS-0711	
105	1105 0511	Harness Clamp - LWS-0306ZC	

91.Electrical Section 11 (D016/D097/G178/M078)



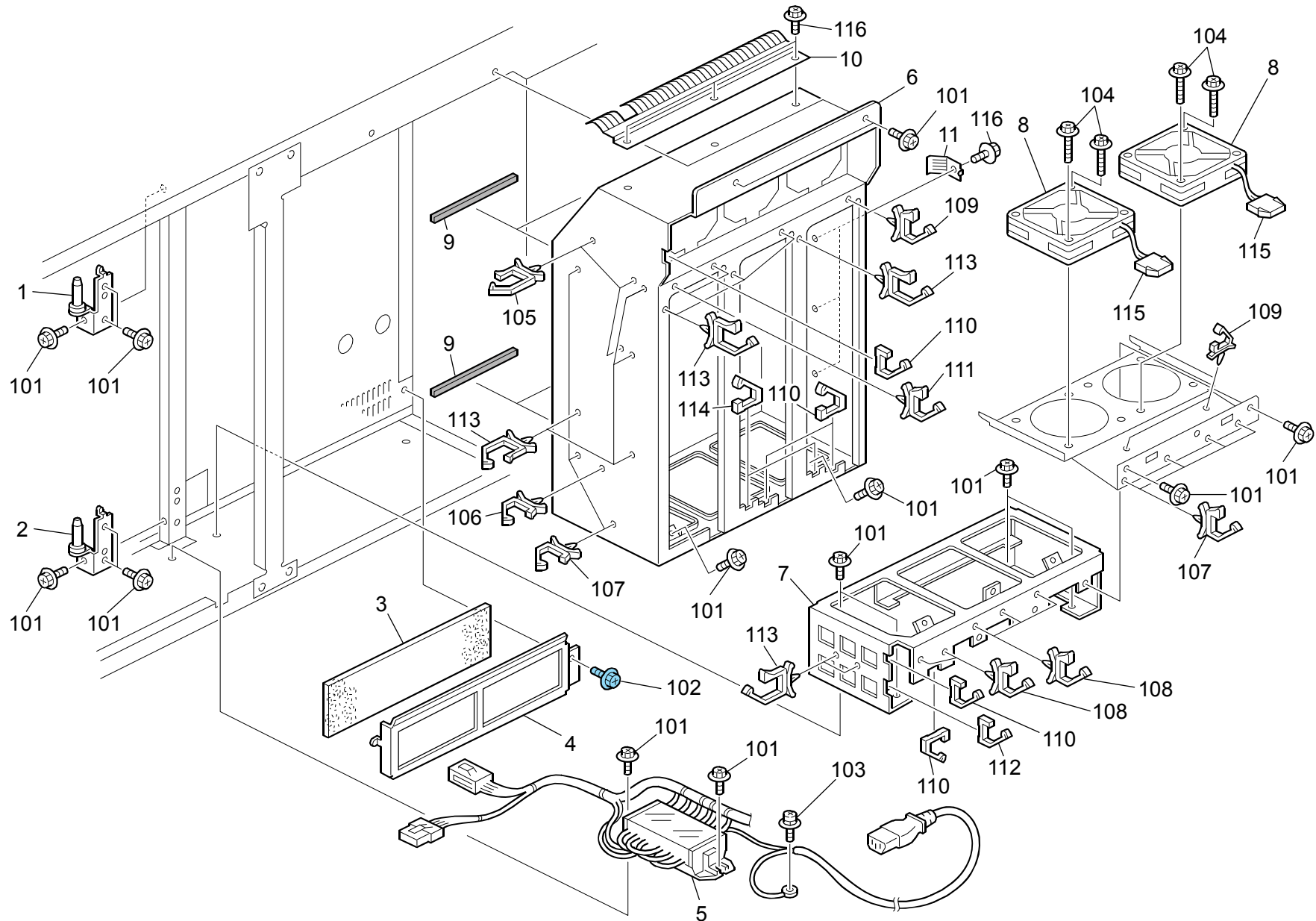
91.Electrical Section 11 (D016/D097/G178/M078)

Rev. 11/18/2010

Index No.	Part No.	Description	Q'ty Per Assembly
1	GX64 0024	Fan Motor - DC 3.12W	3
2	G178 5506	Harness: Power Supply Unit: Fan	1
3	AZ26 0003	Power Supply Unit B	1
4	AZ25 0045	Power Supply Unit: BC2: Engine A	2
5	G178 5894	Harness: Power Source: Control Unit	1
6	G178 6209	Cap: Power Supply Unit: Engine-A: AC	1

Index No.	Part No.	Description	Q'ty Per Assembly
101	0451 4030N	Tapping Screw: M4x30	
102	0451 3006N	Tapping Screw - 3x6	
103	0451 4008N	Tapping Screw: 4x8	
104	1105 0487	Harness Clamp	
105	1105 0518	Edge Saddle - LES-1010	
106	1105 0488	Harness Clamp	
107	1105 0516	Clamp	
108	1105 0637	Harness Clamp - KGLS-10RT(V0)	

92.Electrical Section 12 (D016/D097/G178/M078)

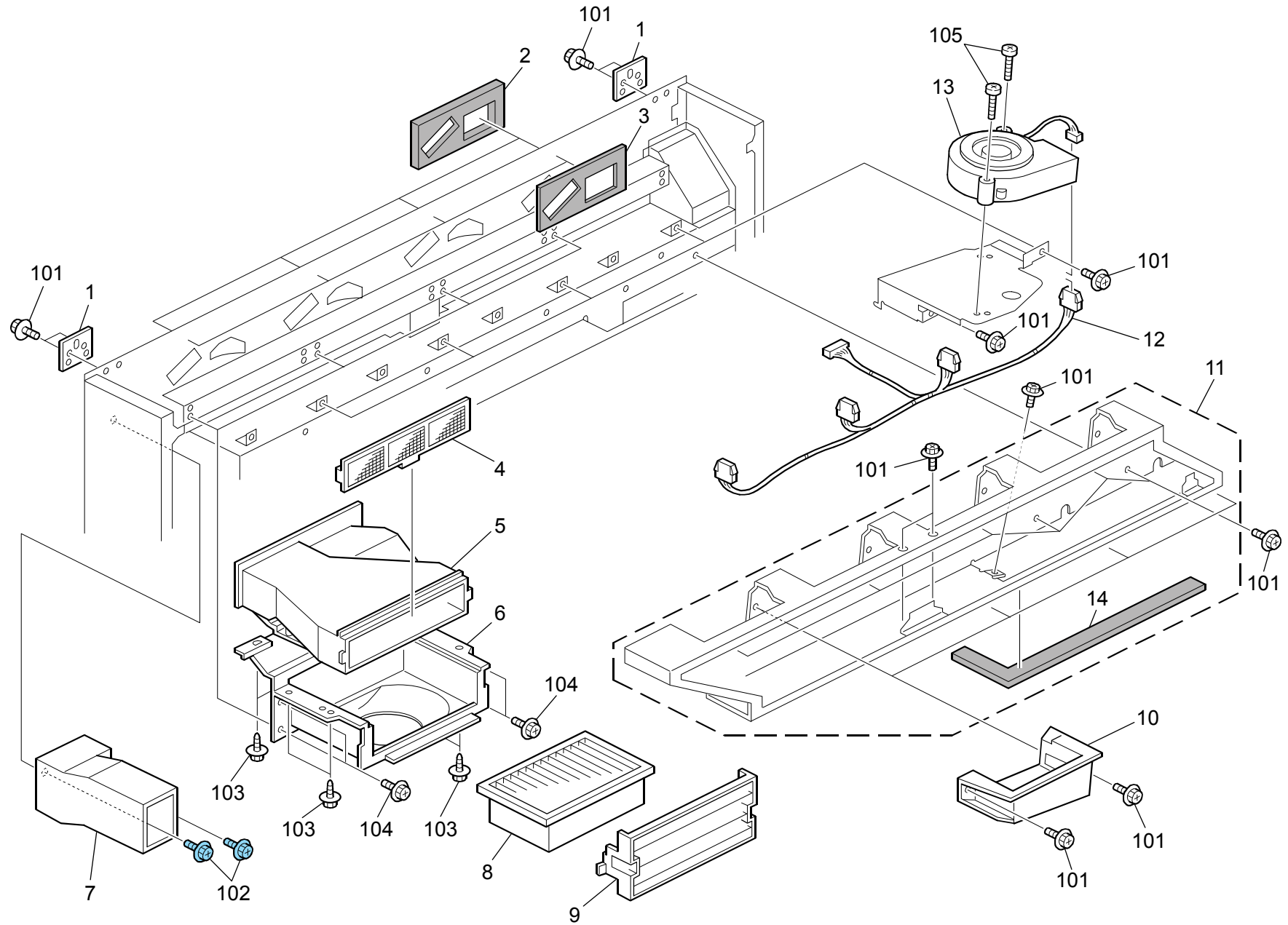


92.Electrical Section 12 (D016/D097/G178/M078)

Index No.	Part No.	Description	Q'ty Per Assembly
1	G178 1165	Hinge: Pin: Upper: Peen	1
2	G178 1195	Hinge: Pin: Lower: Peen	1
3	G178 7243	Filter: Entrance: Power Supply Unit	1
4	G178 1194	Holder: Filter: Power Supply Unit	1
5	G178 6211	Terminal: Control Unit: Sub-ass'y	1
6	G178 6248	Case: Power Supply Unit: Welding [TSB G178-032]	1
7	G178 6212	Guide Plate: Power Supply Unit	1
8	GX64 0024	Fan Motor - DC 3.12W	2
9	B188 1391	Gasket: 5x10x100 [TSB G178-032]	4
10	B132 5807	Ground Plate: Base: Control Board [TSB G178-032]	1
11	G178 6191	Ground Plate: Power Supply Unit [TSB G178-032]	3

Index No.	Part No.	Description	Q'ty Per Assembly
101	0451 4008N	Tapping Screw: 4x8	
102	0454 4008Q	Tapping Screw - M4x8	
103	0954 4008N	Screw - M4x8	
104	0451 4030N	Tapping Screw: M4x30	
105	1105 0490	Harness Clamp - LWS-2218	
106	1105 0487	Harness Clamp	
107	1105 0516	Clamp	
108	1105 0508	Harness Clamp - LWS-0711	
109	1105 0511	Harness Clamp - LWS-0306ZC	
110	1105 0522	Edge Saddle - LES0510	
111	1105 0489	Harness Clamp - LWS 1316	
112	1105 0521	Clamp - LES-1017	
113	1105 0488	Harness Clamp	
114	1105 0518	Edge Saddle - LES-1010	
115	1102 6246	Relay Connector - 3P	
116	0451 3006N	Tapping Screw - 3x6 [TSB G178-032]	

93.Electrical Section 13 (D016/D097/G178/M078)

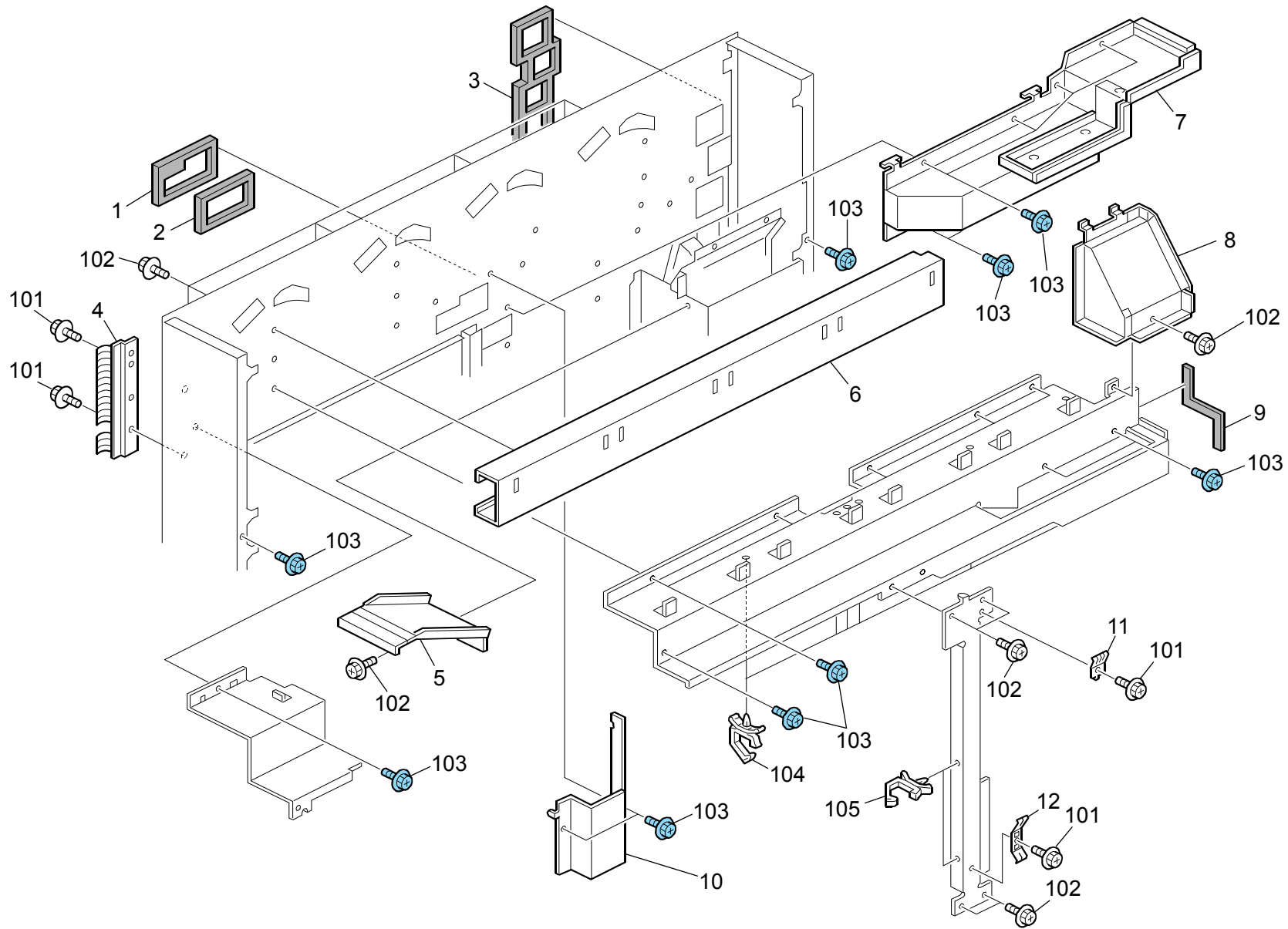


93.Electrical Section 13 (D016/D097/G178/M078)

Index No.	Part No.	Description	Q'ty Per Assembly
1	G178 1174	Plate: Control Unit: Install	2
2	G178 7229	Seal: Case: Filter	4
3	G178 7294	Seal: Control Unit: Rear	4
4	G178 7286	Filter: Entrance: Development	4
5	G178 7235	Case: Filter: Preventfence: Upper	4
6	G178 7236	Case: Filter: Preventfence: Lower	4
7	G178 7252	Duct: Entrance: Left	1
8	G178 7258	Filter: Prevent fence	4
9	G178 7148	Cover: Filter: Preventfence	4
10	G178 7250	Duct: Sirocco: Sub-ass'y	4
11	G178 7280	Duct: Ass'y	1
12	G178 5542	Harness: Sirocco	1
13	G178 7149	Fan: Sirocco: DC 21.6W	4
14	G178 7129	Seal: Stay: Middle: Upper	1

Index No.	Part No.	Description	Q'ty Per Assembly
101	0451 4008N	Tapping Screw: 4x8	
102	0454 4008Q	Tapping Screw - M4x8	
103	0450 4008N	Tapping Screw - M4x8	
104	0451 4010N	Tapping Screw: 4x10	
105	0354 0450N	Screw: M4x45	

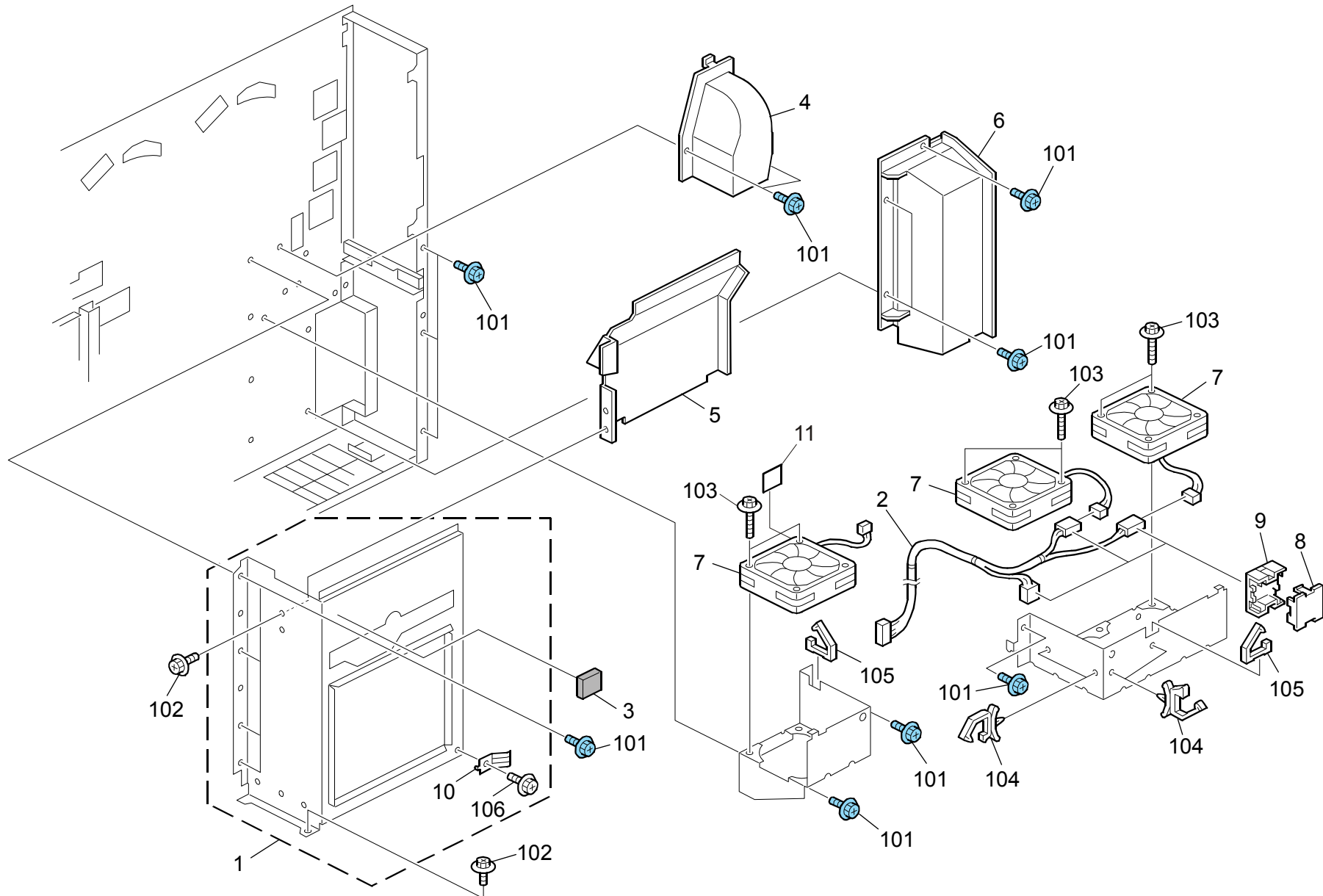
94.Electrical Section 14 (D016/D097/G178/M078)



94. Electrical Section 14 (D016/D097/G178/M078)

Index No.	Part No.	Description	Q'ty Per Assembly
1	G178 7288	Seal: Heat Pipe	1
2	G178 7168	Seal: Transport: Exhaust	1
3	G178 7299	Seal: Main: Fan	1
4	B132 5807	Ground Plate: Base: Control Board	1
5	G178 7232	Seal: Duct: Cover: Lower: Sub-ass'y	1
6	G178 7266	Bracket: Case: Filter	1
7	G178 7135	Duct: Exhaust: Middle: Sub-ass'y	1
8	G178 7279	Duct: Exhaust: Upper: Sub-ass'y	1
9	G178 7130	Seal: Stay: Middle: Right	1
10	G178 7251	Duct: Entrance: Middle	1
11	A294 1838	Ground Plate: Stay: Lens	1
12	G178 6192	Ground Plate: Stay: Front	1

Index No.	Part No.	Description	Q'ty Per Assembly
101	0451 3006N	Tapping Screw - 3x6	
102	0451 4008N	Tapping Screw: 4x8	
103	0454 4008Q	Tapping Screw - M4x8	
104	1105 0511	Harness Clamp - LWS-0306ZC	
105	1105 0508	Harness Clamp - LWS-0711	



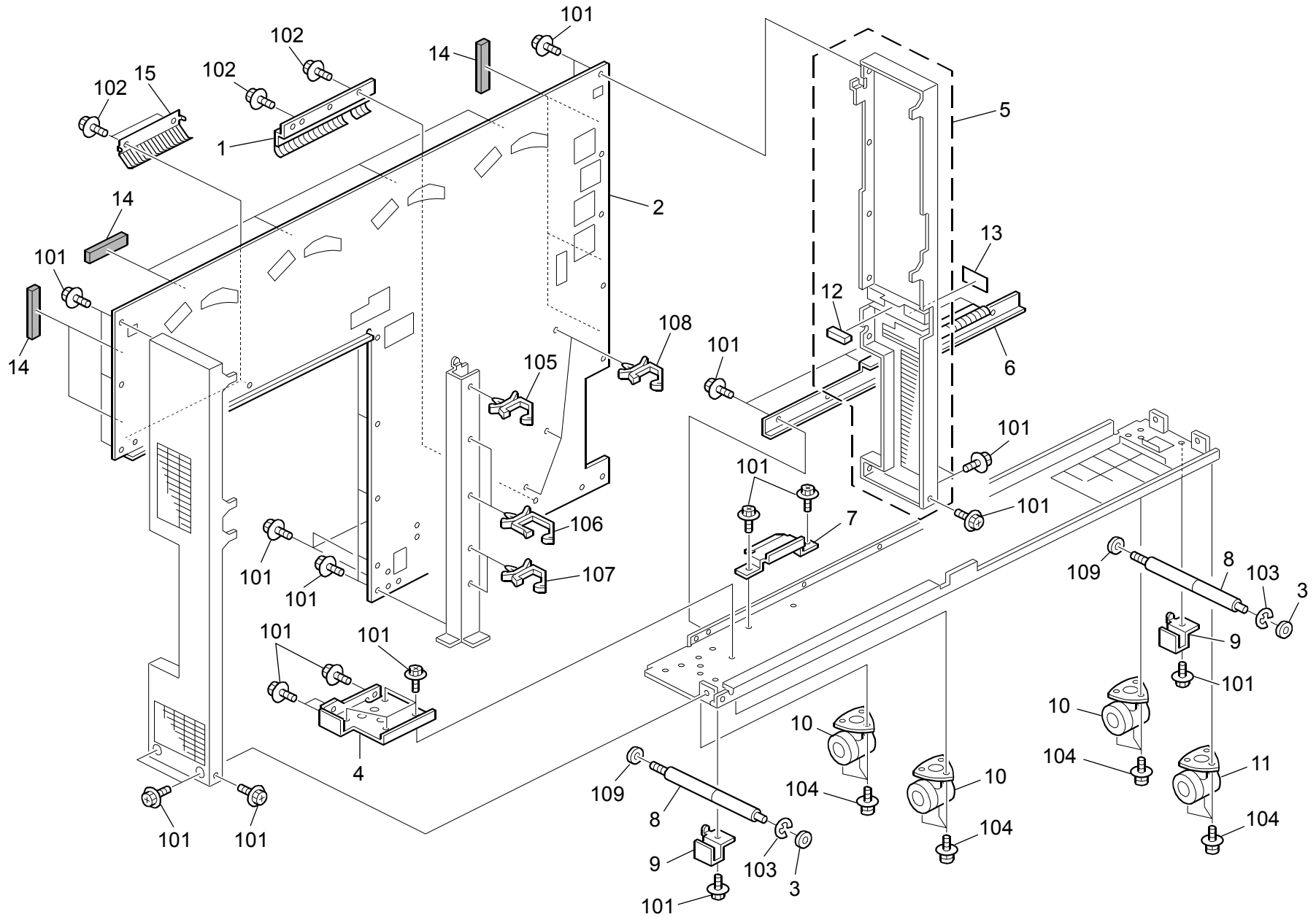
95.Electrical Section 15 (D016/D097/G178/M078)

Rev. 10/11/2010

Index No.	Part No.	Description	Q'ty Per Assembly
1	G178 7187	Duct: Ozone Filter:Sub-ass'y [TSB G178-032]	1
2	G178 5875	Harness: HR: Exhaust: Fan	1
3	G178 7212	Seal: Duct: Ozone Filter: Left Front	1
4	G178 7265	Duct: Sirocco: Exhaust	1
5	G178 7170	Separation Plate: Ozone Filter	1
6	G178 1169	Cover: Leak Breaker	1
7	GX64 0024	Fan Motor - DC 3.12W	3
8	G178 7166	Cover: Connector: Fan: Upper	3
9	G178 7164	Cover: Connector: Fan: Lower	3
10	A294 1838	Ground Plate - Lens Stay	1
11	G178 7307	Sheet: Fan: Cable	1

Index No.	Part No.	Description	Q'ty Per Assembly
101	0454 4008Q	Tapping Screw - M4x8	
102	0451 4008N	Tapping Screw: 4x8	
103	0451 4030N	Tapping Screw: M4x30	
104	1105 0511	Harness Clamp - LWS-0306ZC	
105	1105 0522	Edge Saddle - LES0510	
106	0451 3006N	Tapping Screw - 3x6	

96.Electrical Section 16 (D016/D097/G178/M078)

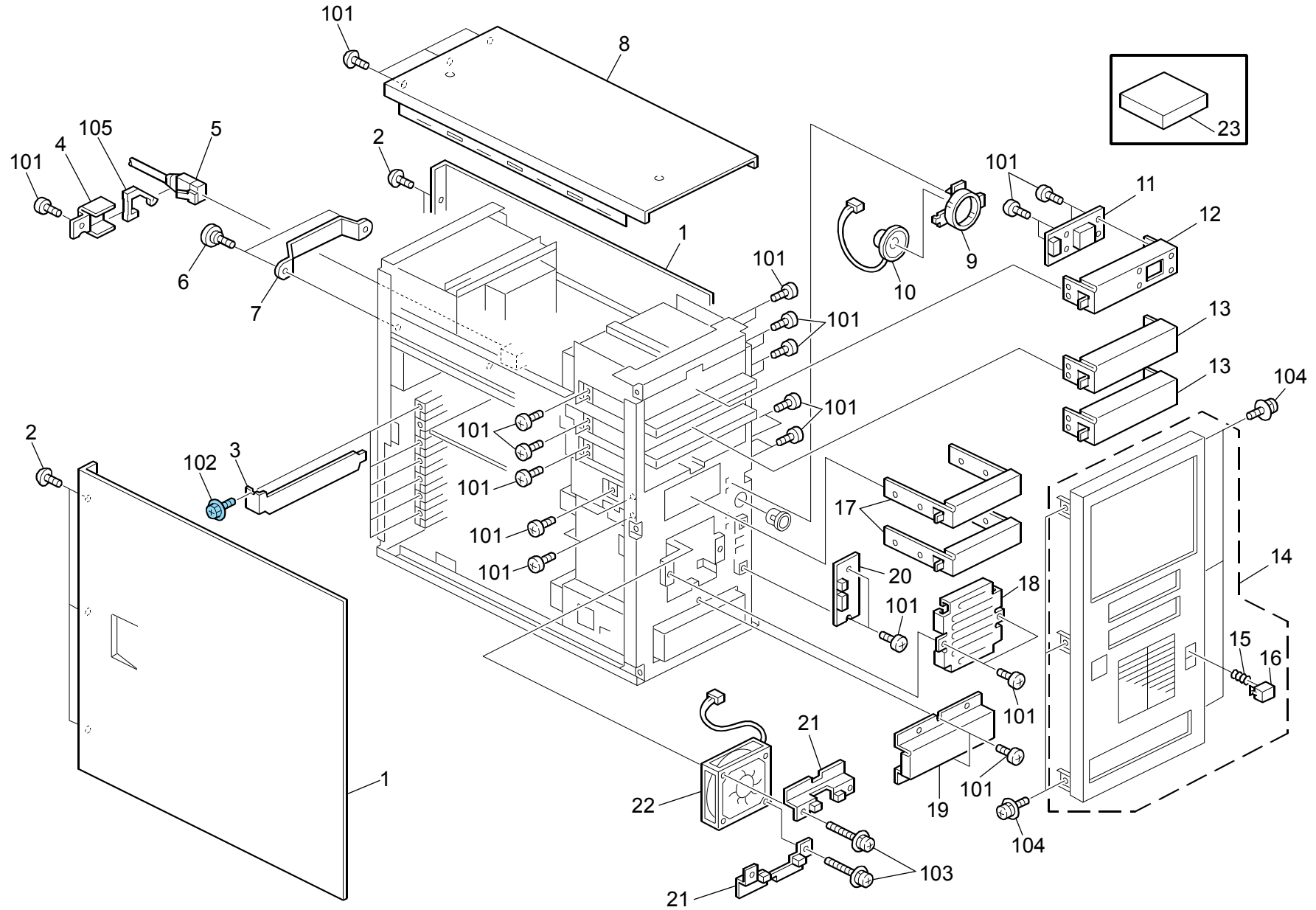


96.Electrical Section 16 (D016/D097/G178/M078)

Index No.	Part No.	Description	Q'ty Per Assembly
1	B132 5807	Ground Plate: Base: Control Board	1
2	G178 1184	Plate: Control Unit: Rear [TSB G178-032]	1
3	AA13 2142	Spacer - M8	2
4	G178 1192	Guide Plate: Frame	1
5	G178 1144	Cover: Control Unit: Right: Sub-ass'y	1
6	G178 1230	Ground Plate: C/T Box: Peen	1
7	G178 1152	Stopper: C/T Box: Lower	1
8	G178 1190	Flat Screw: Base: Lower	2
9	G178 1189	Holder: Screw: Base: Lower	2
10	AH01 2035	Caster - 980N	3
11	C632 1194	Caster: Stopper	1
12	G178 7208	Seal: Duct: Ozone Filter: Left/Right	1
13	B198 6407	Decal: Vermont: 2	1
14	B275 1186	Gasket: Tray: IPU/MCU: Upper	9
15	G178 6193	Ground Plate: C/T Box: Upper [TSB G178-032]	2

Index No.	Part No.	Description	Q'ty Per Assembly
101	0451 4008N	Tapping Screw: 4x8	
102	0451 3006N	Tapping Screw - 3x6	
103	0720 0050E	Retaining Ring - M5	
104	0954 5014N	Screw - M5x14	
105	1105 0511	Harness Clamp - LWS-0306ZC	
106	1105 0490	Harness Clamp - LWS-2218	
107	1105 0488	Harness Clamp	
108	1105 0516	Clamp	
109	0701 0050N	Washer: DIA5	

97.Controller Section 1 (D016/D097/G178/M078)

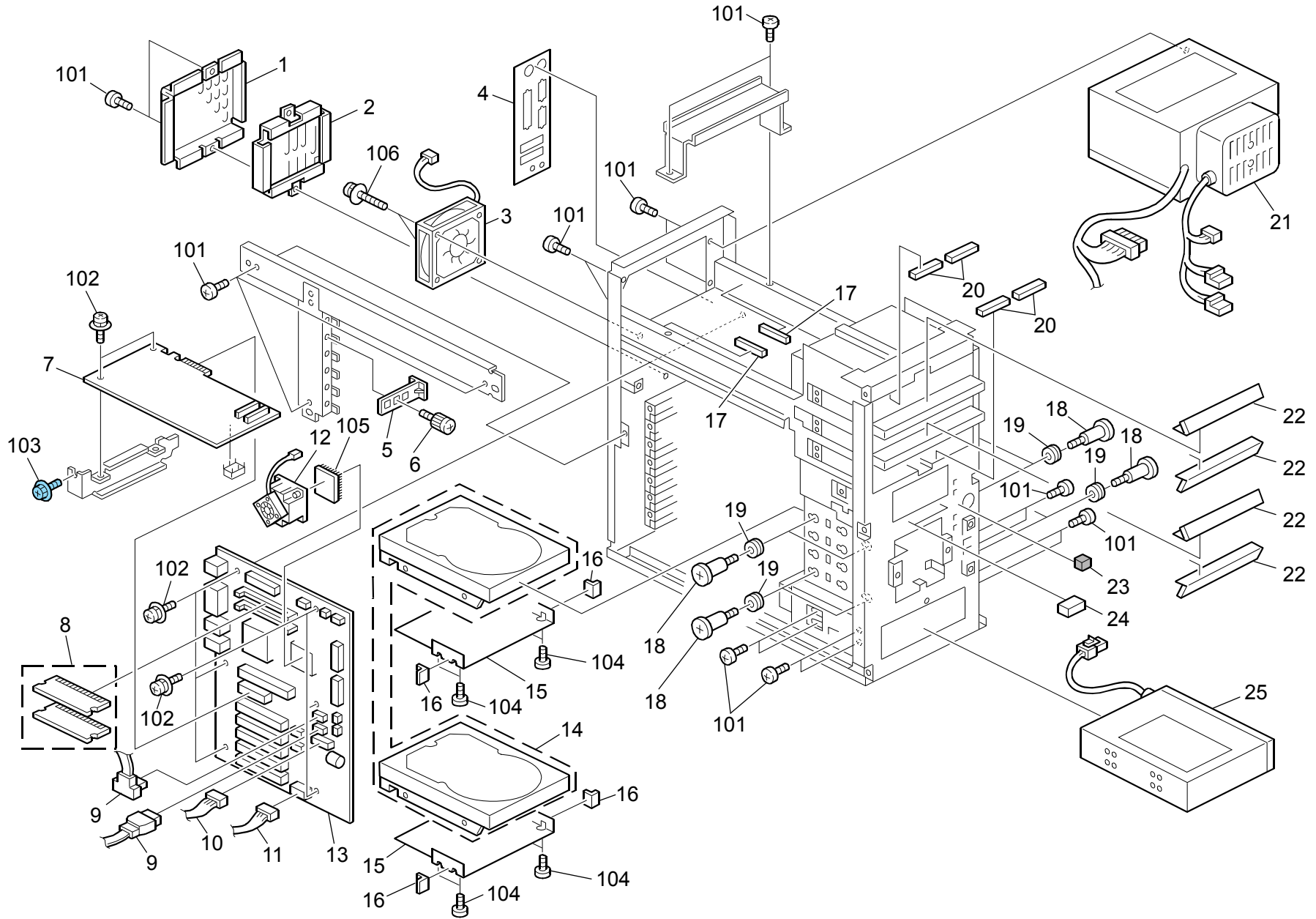


97.Controller Section 1 (D016/D097/G178/M078)

Index No.	Part No.	Description	Q'ty Per Assembly
1	R020 1020	Cover: Side: Ass'y	2
2	R011 1037	Screw: M4x6	6
3	R106 1020	Bracket: PCI	6
4	R020 1450	Cover: Connector: LAN	1
5	R020 6514	Cable: LAN: Aegis	1
6	AA14 3517	Guide Plate Screw	2
7	B712 5605	Grip: Application	1
8	R020 1410	Cover: Upper: Ass'y	1
9	R106 1506	Holder: Speaker	1
10	R013 6535	Harness: MB: Speaker: Rohs+PVCFREE	1
11	R020 7001	PCB: 7Seg: Mothbox2: Aegis	1
12	R020 1420	Cover: 5Inch: 7Seg: Ass'y	1
13	R020 1017	Cover: 5Inch	2
14	R020 1030	Bezel: Moth2: Ass'y	1
15	R013 1050	Spring: Key Switch	1
16	R020 1501	Key: Main Switch	1
17	R020 1028	Cover: 3.5Inch	2
18	R020 1022	Bracket: Fan	1
19	R020 1047	Cover: 5Inch: Lower	1
20	R017 7010	PCB: SW: Mothbox2	1
21	R020 1064	Shading Plate: Fan	2
22	R031 6602	Fan: Case: 80x3400RPM: HRS	1
23	R020 0811	Accessory: Dongle: EFI: EXP	1

Index No.	Part No.	Description	Q'ty Per Assembly
101	0353 0060N	Bind Screw - M3x6	
102	0454 3006Q	Tapping Screw - M3x6	
103	0951 3030N	Screw: Polished Round: M3x30	
104	0954 3006N	Screw - M3x6	
105	1105 0514	Edge Saddle - EDS-0607L	

98.Controller Section 2 (D016/D097/G178/M078)

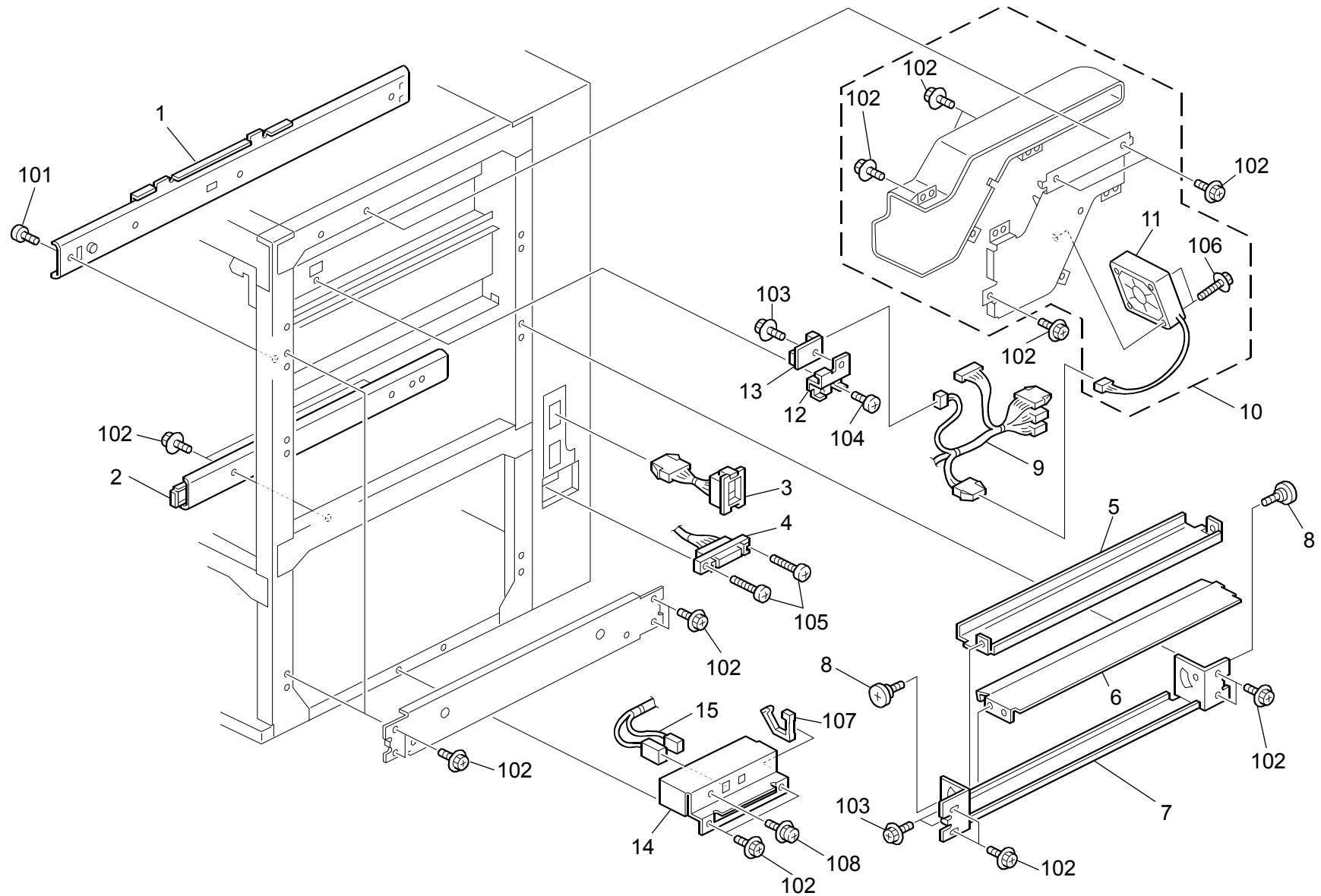


98.Controller Section 2 (D016/D097/G178/M078)

Index No.	Part No.	Description	Q'ty Per Assembly
1	R020 1023	Bracket: Filter: Fan	1
2	R020 1022	Bracket: Fan	1
3	R031 6602	Fan: Case: 80x3400RPM: HRS	1
4	R022 1000	Shading Plate: Connector: FB9: AS	1
5	R013 1038	Plate: PCB	1
6	B714 3115	Knob Screw: Document Feeder: Fix	1
7	R020 9003	PCB: EFI: Service [TSB G178-061]	1
8	R020 9001	Dram: Service(2psc/set)	1
9	R008 6506	Harness: SATA: S-R/A2	2
10	R020 6512	Harness: 7Seg: FD3400	1
11	R020 6511	Harness: SW: Mothbox2: HF	1
12	R030 6605	Fan: ECC-00283-01-GP	1
13	R036 7502	PCB: FB13-I2	1
14	R020 9000	HDD: Service(2pcs/set)	1
15	R020 1052	Shading Plate: HDD	2
16	R020 1065	Gasket: STG4-5: L=10	4
17	R020 1056	Gasket: STG1-5: L=30	2
18	AA14 3499	Stepped Screw	8
19	AA16 1125	Rubber Cushion	8
20	R014 1092	Gasket: 3x5: L60	4
21	RG01 0286	Power Supply Unit	1
22	R020 1058	Gasket: STG15-6: L=10	4
23	R011 1033	Spacer: Speaker	1
24	R020 1068	Gasket: STG18-10: L=20	2
25	RM01 0076	Battery: BS06D-H24/2.5L	1

Index No.	Part No.	Description	Q'ty Per Assembly
101	0353 0060N	Bind Screw - M3x6	
102	0954 3006N	Screw - M3x6	
103	0454 3006Q	Tapping Screw - M3x6	
104	0801 0226	Screw: UNC: #6-32	
105	1407 7038	CPU: LF80537GF0484M(SL9SE)	
106	0951 3030N	Screw: Polished Round: M3x30	

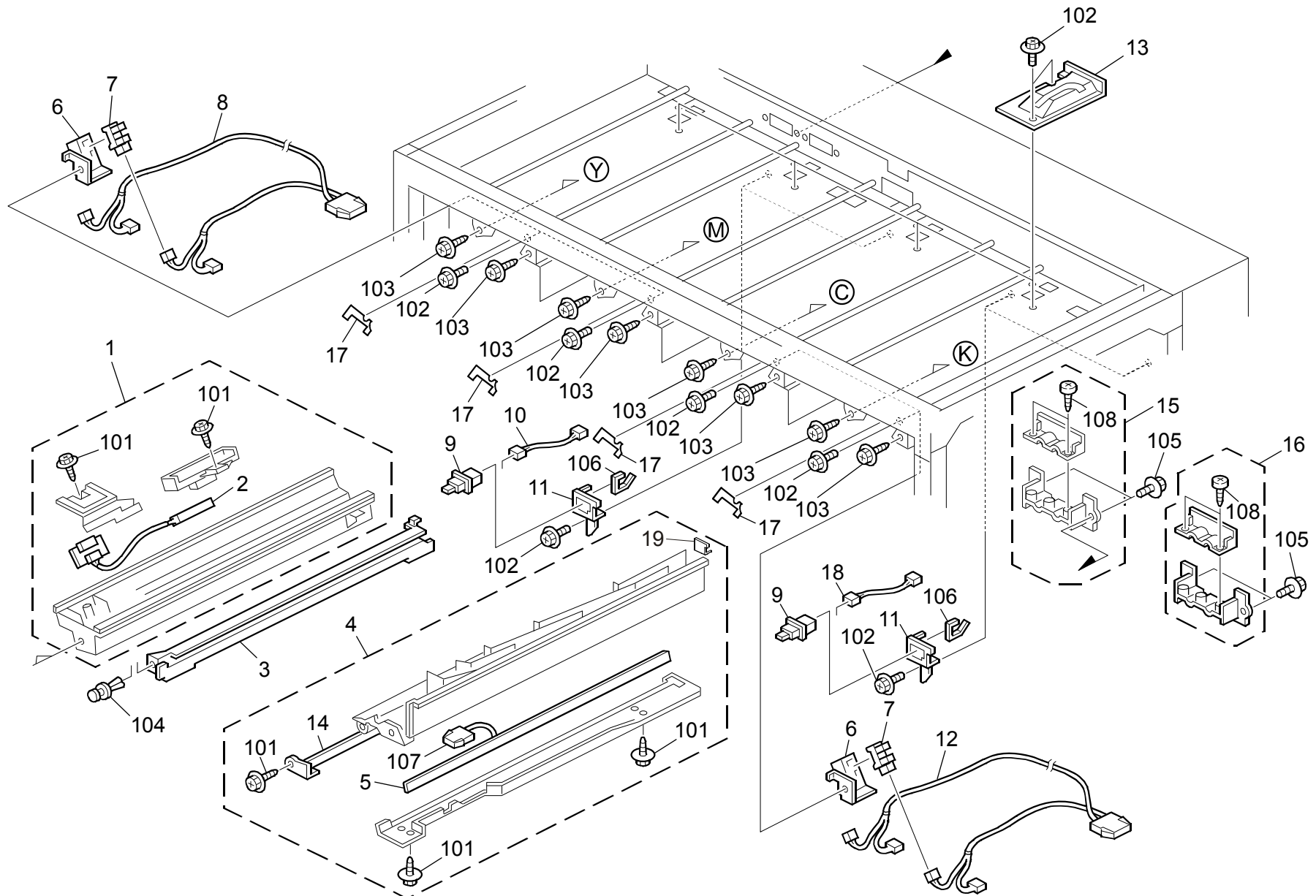
99.Frame Section 1 (D016/D097/G178/M078)



99.Frame Section 1 (D016/D097/G178/M078)

Index No.	Part No.	Description	Q'ty Per Assembly
1	G178 6506	Slide Rail: Intermediate Transfer	1
2	B234 4490	Slide Rail - Fusing/Paper Exit Unit	1
3	B234 5632	Harness - Power Source	1
4	G178 5683	Harness: IPU-SBU: I/F	1
5	G178 7786	Guide: Entrance: Upper: Lower	1
6	G178 7785	Guide: Entrance: LCT: Upper	1
7	G178 7784	Bracket: Guide: Paper Feed	1
8	AA14 3801	Screw: M4: Exterior	2
9	G178 5889	Harness: OPT: Fan: Connecting	1
10	G178 7111	Duct: Right Upper: Main: Ass'y	1
11	AX64 0150	Fan Motor: MM60: 25mm: DC24V 4.8W	1
12	G178 5474	Bracket: Temp & Humidity Sensor	1
13	AW14 0015	Temperature & Humidity Sensor	1
14	G178 5409	Bracket: Connector: LCT: AC-IF	1
15	G178 5699	Harness: AC: Main Switch	1

Index No.	Part No.	Description	Q'ty Per Assembly
101	0354 0060N	Screw-M4x6	
102	0451 4008N	Tapping Screw: 4x8	
103	0451 3006N	Tapping Screw - 3x6	
104	0354 0050N	Screw - M4x5	
105	0801 0213	Screw - M2.6x8	
106	0360 4030N	Screw: M4x30	
107	1105 0521	Clamp - LES-1017	
108	0954 4008N	Screw - M4x8	

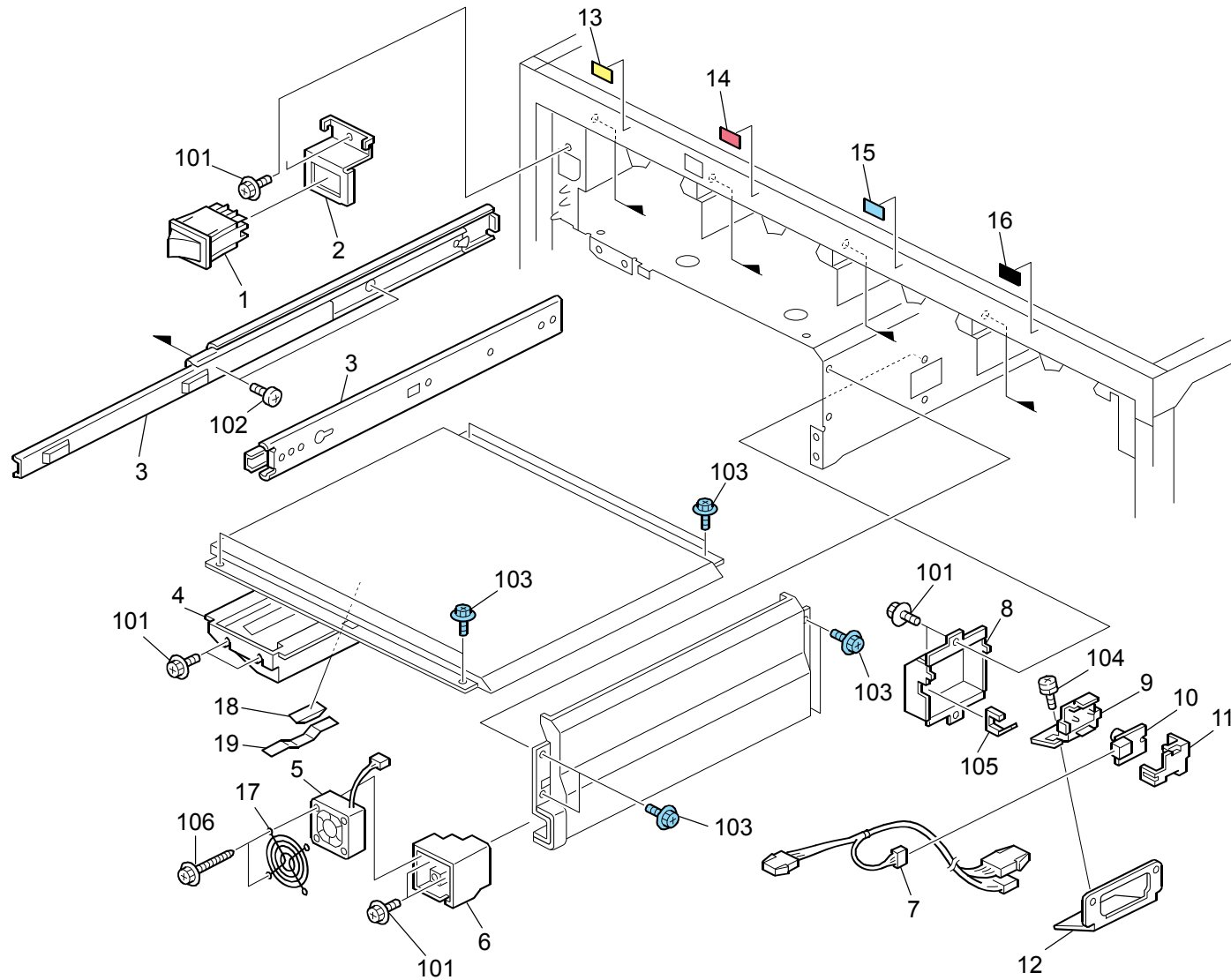


100.Frame Section 2 (D016/D097/G178/M078)

Rev. 11/18/2010

Index No.	Part No.	Description	Q'ty Per Assembly
1	G178 2584	Duct: Charge: Left Lower: Black	1
1	G178 2585	Duct: Charge: Left Lower: Magenta	1
1	G178 2586	Duct: Charge: Left Lower: Cyan	1
1	G178 2587	Duct: Charge: Left Lower: Yellow	1
2	G178 2549	Electric Potential Sensor	1
3	G178 2541	Guide: Charge Corona: Left: Ass'y	4
4	G178 2625	Duct: Charge: Right: Ass'y	4
5	B234 2440	LED Array - QL	1
6	G178 2528	Bracket: Home Position Sensor	4
7	AW02 0145	Photointerruptor: Flat	4
8	G178 5813	Harness: Photoconductor: Sensor: MY	1
9	AW50 0023	Push Switch	4
10	G178 5863	Harness: Drum: CL: Set: MY	2
11	G178 3752	Bracket: Push Switch	4
12	G178 5814	Harness: Photoconductor: Sensor: KC	1
13	G178 2565	Duct: Charge: Left Upper: Ass'y	4
14	G178 2562	Shading Plate: Discharge Lamp: Ass'y	1
15	G178 2197	Holder: Harness: Lde Control: No.1	1
16	G178 2198	Holder: Harness: Ld Control: No.2	1
17	G178 2547	Seal: Charge Corona: Frame: Front	4
18	G178 5872	Harness: Drum: CL: Set: CK	2
19	G178 2623	Holder: Duct: Entrance [TSB#049]	4

Index No.	Part No.	Description	Q'ty Per Assembly
101	0450 3008N	Tapping Screw - M3x8	
102	0451 4008N	Tapping Screw: 4x8	
103	0450 4010N	Tapping Screw: M4x10	
104	1005 0734	Nylon Rivet - NRP355	
105	0451 3006N	Tapping Screw - 3x6	
106	1105 0551	Clamp: LES-0505	
107	1102 6245	Relay Connector - 2P	
108	0452 3010N	Binding Self-Tapping Screw: 3x10	



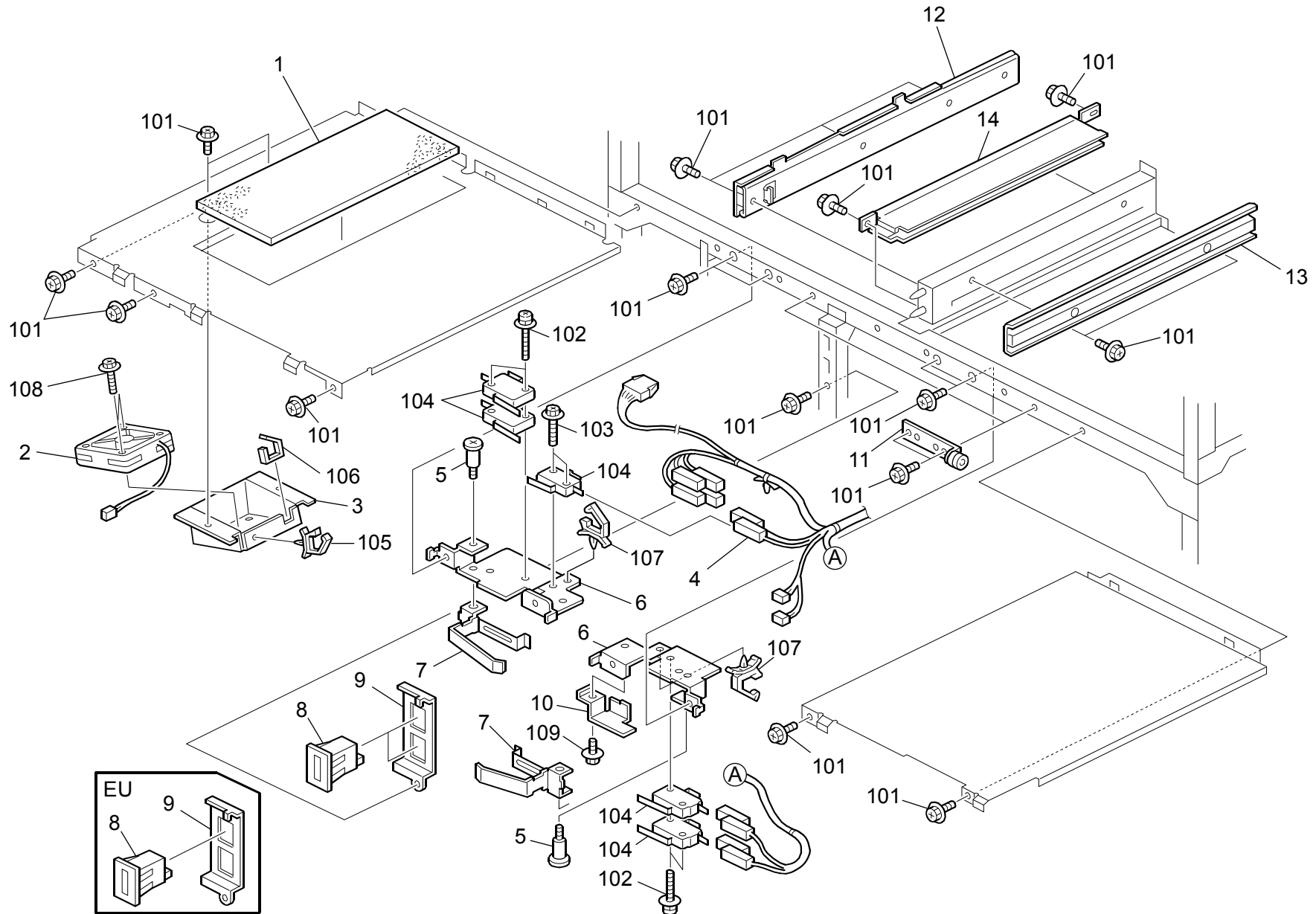
101.Frame Section 3 (D016/D097/G178/M078)

Rev. 12/10/2009

Index No.	Part No.	Description	Q'ty Per Assembly
1	G178 5488	Main Switch: Main	1
2	G178 5494	Bracket: Main Switch	1
3	G178 1139	Slide Rail: Development Unit	8
4	G178 7167	Duct: Paper Exit Sub-unit: Upper	1
5	AX64 0150	Fan Motor: MM60: 25mm: DC24V 4.8W	1
6	G178 7175	Duct: Fan: 1st Transfer: Lower	1
7	G178 5817	Harness: 1st Transfer: Lower: Fan: I/F	1
8	G178 4298	Case: Thermopile	1
9	B223 4332	Holder: Thermopile	1
10	AW10 0106	Thermopile	1
11	B223 4331	Cover: Thermopile	1
12	G178 4299	Bracket: Thermopile	1
13	GA00 3020	Decal: Development Unit: Display: Y	1
14	GA00 3021	Decal: Development Unit: Display: M	1
15	GA00 3022	Decal: Development Unit: Display: C	1
16	GA00 3023	Decal: Development Unit: Display: K	1
17	G178 7176	Guard: Fan: 1st Transfer: Lower	1
18	G178 4933	Sponge:Duct:Paper Exit Sub-Unit:Upper [200909]	1
19	G178 4932	Seal: Duct: Paper Exit Sub-unit: Upper	1

Index No.	Part No.	Description	Q'ty Per Assembly
101	0451 4008N	Tapping Screw: 4x8	
102	0354 0040N	Screw-M4x4	
103	0454 4008Q	Tapping Screw - M4x8	
104	0950 3006N	Screw: Spring Washer: M3x6	
105	1105 0551	Clamp: LES-0505	
106	0450 4035N	Tapping Screw: 4x35	

102.Frame Section 4 (D016/D097/G178/M078)

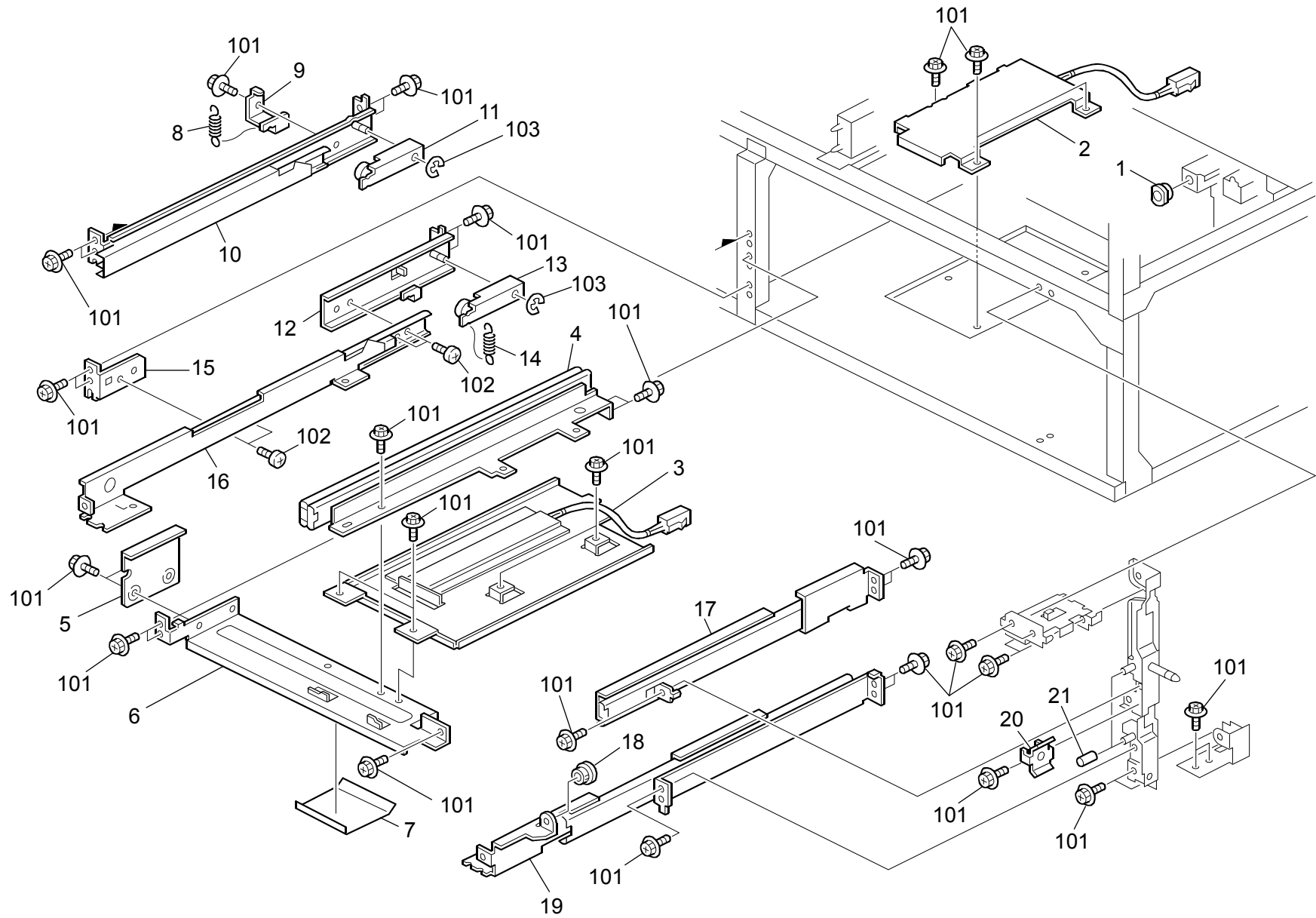


102.Frame Section 4 (D016/D097/G178/M078)

Index No.	Part No.	Description	Q'ty Per Assembly
1	G178 4374	Cleaning Felt: Main	1
2	GX64 0024	Fan Motor - DC 3.12W	1
3	G178 7220	Bracket: Fan: Duplex: Left Lower	1
4	G178 5713	Harness: Door Switch: Counter: I/F	1
5	AA14 3797	Connector Guide Pin	2
6	G178 5499	Bracket: Safety Switch: Front	2
7	G178 5493	Lever: Safety Switch: Front	2
8	AX31 0045	Total Counter: 7Fig: 24V	2
9	G178 5476	Bracket: Total Counter: Main	1
10	G178 5414	Cover: Safety Switch: Front Right	1
11	G178 4653	Bracket: Holder: Duplex: Ass'y	2
12	G178 4746	Slide Rail: Exit	1
13	B234 4490	Slide Rail - Fusing/Paper Exit Unit	1
14	G178 4719	Guide Plate: Duplex: Middle	1

Index No.	Part No.	Description	Q'ty Per Assembly
101	0451 4008N	Tapping Screw: 4x8	
102	0954 3025N	Screw: Polished Round/Spring: M3x25	
103	0451 3014N	Tapping Screw: 3x14	
104	1204 2521	Micro Switch	
105	1105 0511	Harness Clamp - LWS-0306ZC	
106	1105 0551	Clamp: LES-0505	
107	1105 0487	Harness Clamp	
108	0451 4030N	Tapping Screw: M4x30	
109	0451 3006N	Tapping Screw - 3x6	

103.Frame Section 5 (D016/D097/G178/M078)

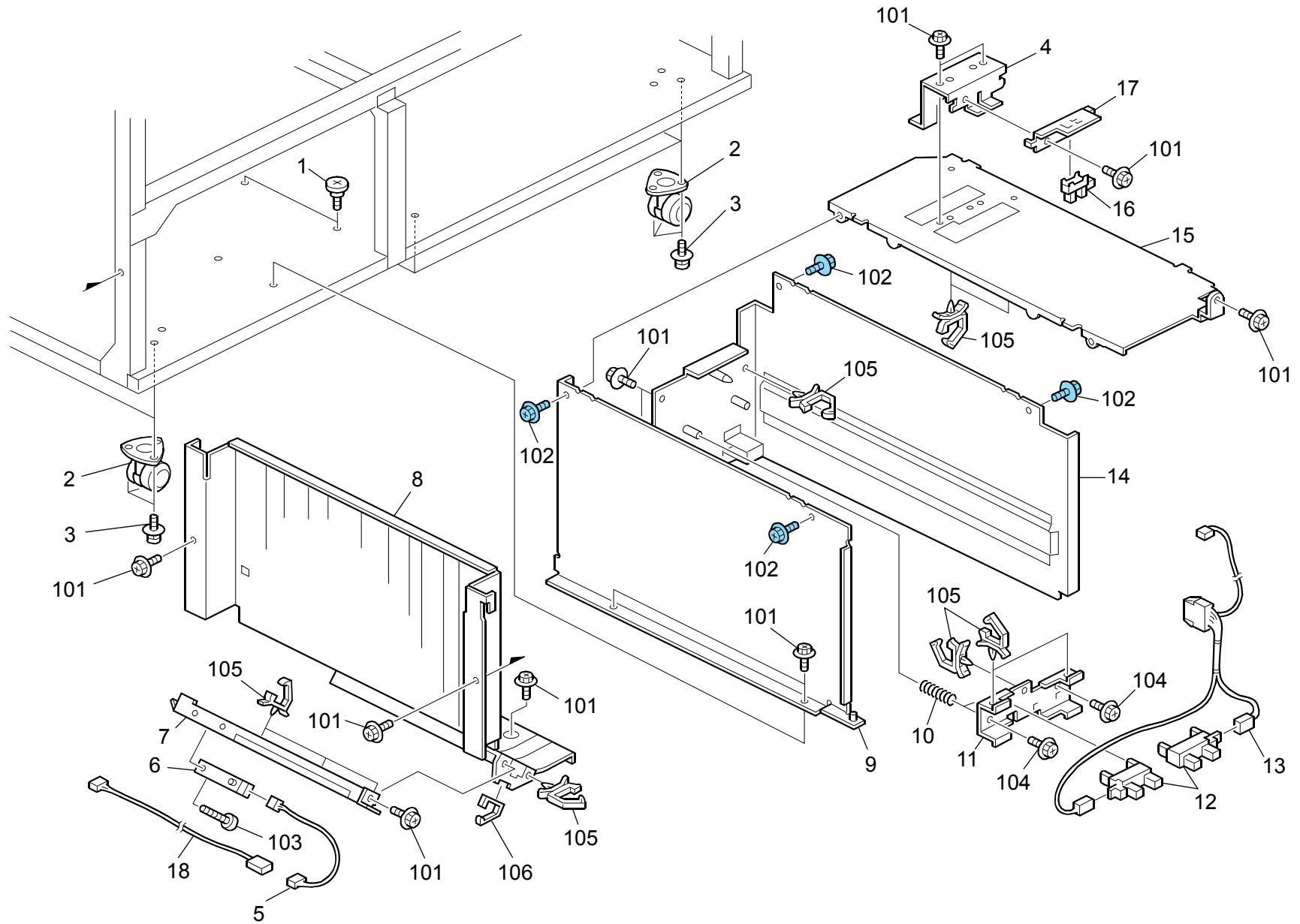


103.Frame Section 5 (D016/D097/G178/M078)

Index No.	Part No.	Description	Q'ty Per Assembly
1	B234 6141	Positioning Sleeve - Inner Back	1
2	B234 6191	Heater Unit - Lower	1
3	B234 6190	Heater Unit - Upper	1
4	B234 6138	Rail - Tandem LCT	1
5	B065 6777	Supporting Plate	1
6	B234 6169	Stay - Tandem LCT	1
7	AA15 0406	Seal - Misfeed Removal	1
8	AA06 0761	Spring	1
9	B132 6742	Left Rail Bracket	1
10	B234 6160	Tandem LCT Rail - Left	1
11	B065 6135	Lock Arm - Tandem Tray	1
12	B234 6173	Rail Stay - Left	1
13	B065 6136	Tray Lock Arm	1
14	AA06 0534	Tray Lock Spring - 19mm	1
15	B234 6170	Slide Rail Bracket - Left	1
16	B132 6692	Slide Rail: Left: Sub-ass'y	1
17	B132 7591	Rail: Paper Tray: Ass'y	1
18	B234 6188	Slide Sleeve Positioning	1
19	B234 6181	Slide Rail - Right	1
20	B234 6125	Harness Guide Bracket	1
21	B004 2995	Cap - Positioning	2

Index No.	Part No.	Description	Q'ty Per Assembly
101	0451 4008N	Tapping Screw: 4x8	
102	0314 0060N	Screw - M4x6	
103	0720 0040E	Retaining Ring - M4	

104.Frame Section 6 (D016/D097/G178/M078)

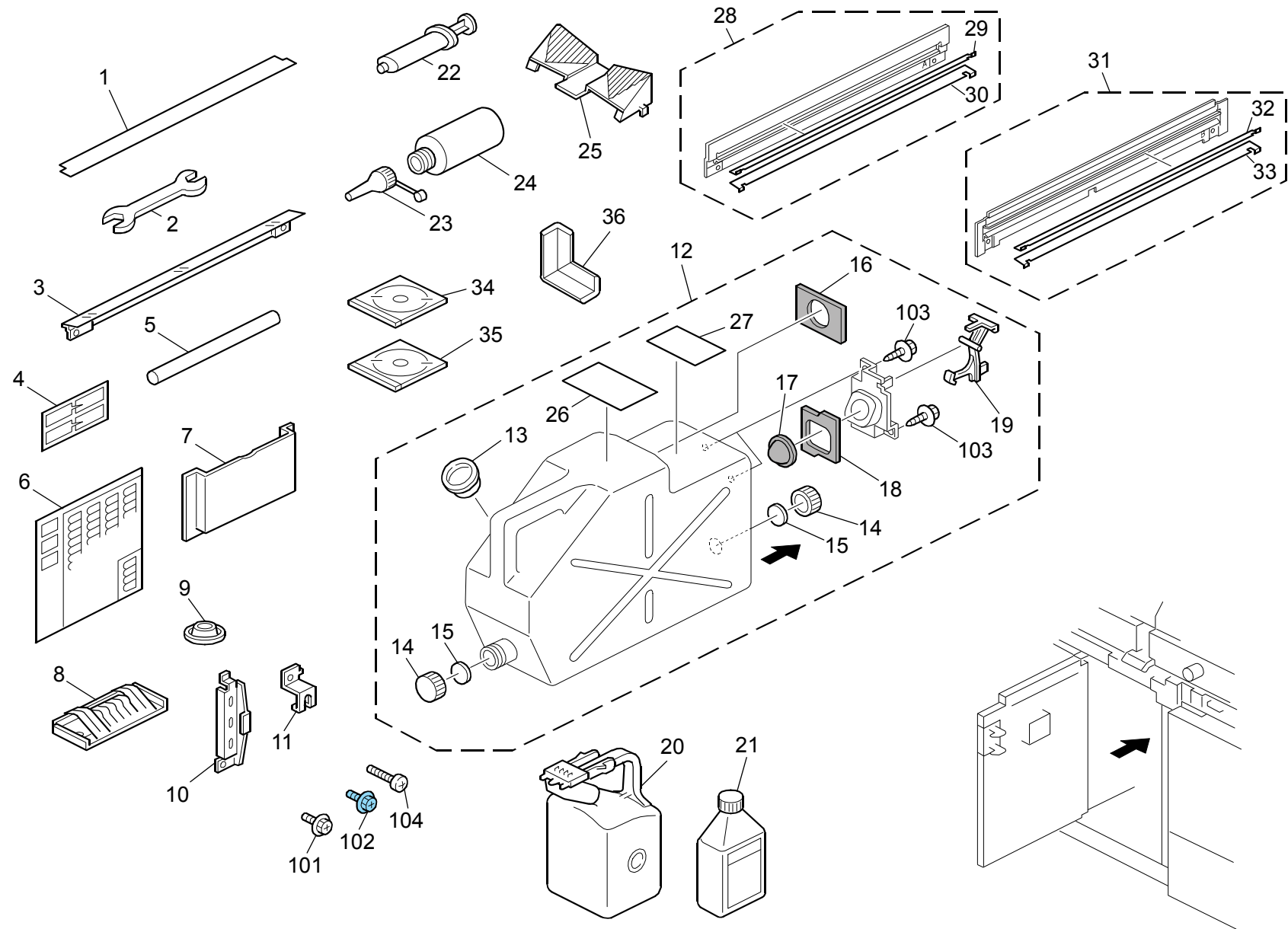


104.Frame Section 6 (D016/D097/G178/M078)

Index No.	Part No.	Description	Q'ty Per Assembly
1	AA14 3545	Screw: M4	2
2	AH01 2031	Caster: 1470N	6
3	G178 1138	Screw With Washer: M6x14	18
4	G178 7076	Plate: Pipe: Stopper: Toner Collection	1
5	G178 5779	Harness: Transport: Reverse: Sensor	1
6	AW01 0127	Paper Feed Sensor	1
7	G178 4877	Bracket: Sensor: Receiving Sub-unit	1
8	G178 4767	Guide: Exit: Receiving Sub-unit	1
9	G178 7013	Cover: Collection Bottle: Left	1
10	G178 7004	Spring	2
11	G178 6972	Bracket: Sensor: Toner Collection	1
12	AW02 0164	Oil End Sensor	2
13	G178 5646	Harness: Used Toner Sensor	1
14	G178 7011	Cover: Right: Toner Collection	1
15	G178 6961	Cover: Collection Bottle: Upper	1
16	AW02 0145	Photointerruptor: Flat	1
17	G178 7080	Holder: Sensor: Toner Collection	1
18	G178 5868	Harness: Switchback: Lower: Sensor: I/F	1

Index No.	Part No.	Description	Q'ty Per Assembly
101	0451 4008N	Tapping Screw: 4x8	
102	0454 4008Q	Tapping Screw - M4x8	
103	0353 0100N	Screw-M3x10	
104	0451 3006N	Tapping Screw - 3x6	
105	1105 0511	Harness Clamp - LWS-0306ZC	
106	1105 0522	Edge Saddle - LES0510	

105.Accessory (D016/D097/G178/M078)



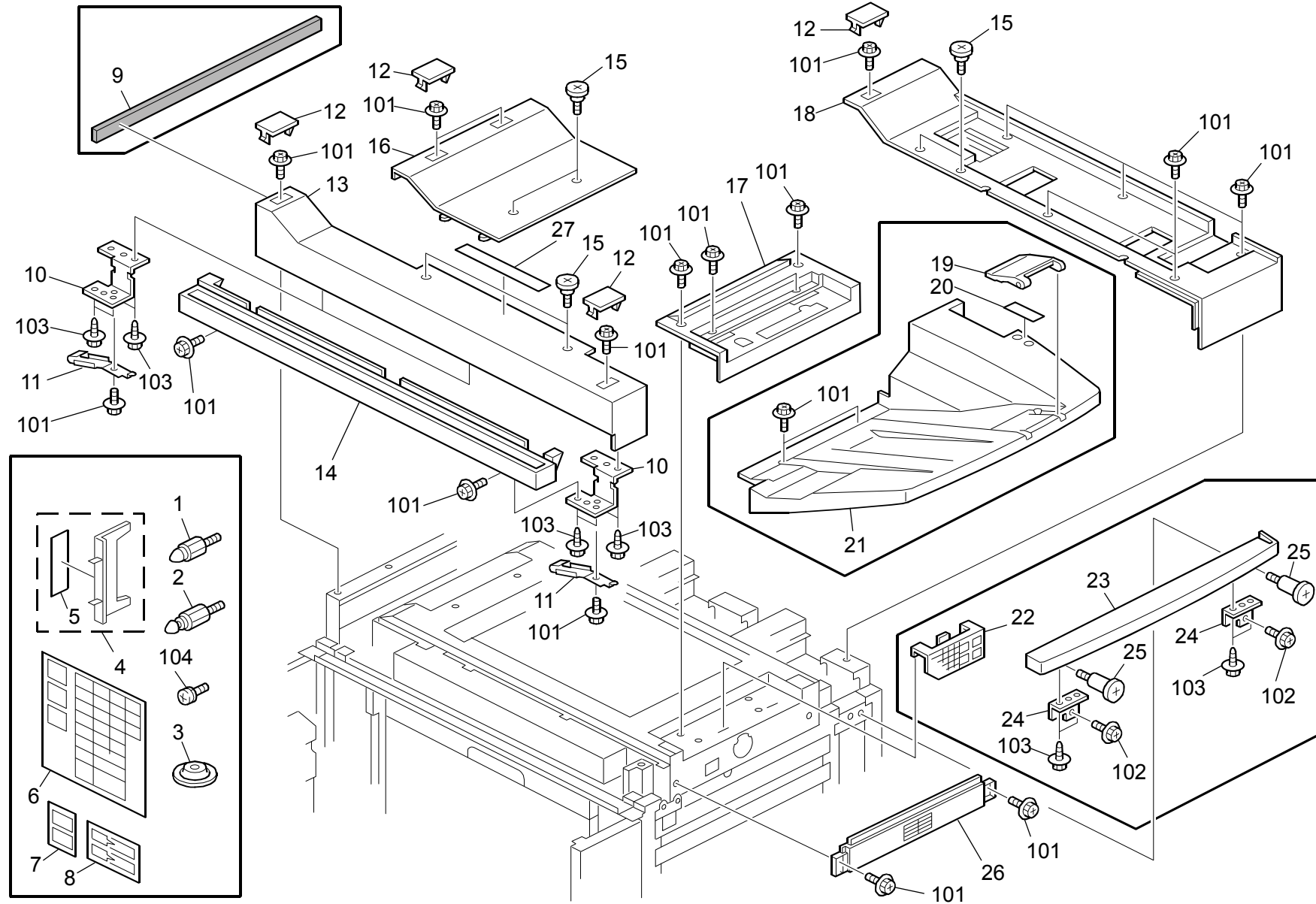
105.Accessory (D016/D097/G178/M078)

Rev. 09/10/2010

Index No.	Part No.	Description	Q'ty Per Assembly
1	G178 5066	Sheet: Finishing Section: Upper	1
2	G178 8350	Wrench: Hexagonal Bolt	1
3	G178 5063	Guide Plate: Finishing Section: 2	1
4	B070 1307	Decal: Paper Set Direction	1
5	G178 4155	Guide: Heater	1
6	G178 2958	Decal: Size Indication: Multi-language	1
7	B027 8521	O/I Holder - Assembly	1
8	G178 5444	Ground Plate: Main: Lower: Ass'y	1
9	G178 1141	Holder: Stand: M20	4
10	D014 5973	Cover: SD-Card	1
11	D377 5852	Bracket: NIC: VC2: Engine	1
12	G178 6973	Collection Bottle: Ass'y	1
13	B132 6594	Cap: Tank: DIA35	1
14	A134 2380	Toner Collection Bottle Cap	2
15	G178 7819	Seal: Cap: Collection Bottle	2
16	G178 6975	Seal: Collection Bottle	1
17	G178 6954	Seal: Feeler: Dual Faces Tepe	2
18	G178 7815	Seal: Bottle: Feeler	2
19	G178 6971	Feeler: Toner Collection	2
20	G178 9640	Developer - Black	1
20	G178 9660	Developer - Cyan	1
20	G178 9670	Developer - Magenta	1
20	G178 9680	Developer - Yellow	1
20	G178 3115	Empty Bottle: Developer: Ass'y [TSB#048]	1
21	A257 9550	Silicone Oil Type SS	1
22	G178 3185	Dispenser: 6ML	1
23	G178 7910	Cap: Bottle: Oil Supply	1
24	G178 7921	Bottle: Oil Supply	1
25	G178 8356	Tray: Slide	1
26	G178 7812	Decal: Collection Bottle: No.1	1
27	G178 7813	Decal: Collection Bottle: No.2	1
28	G178 5099	Guide Plate A: Ass'y	1
29	G178 5106	Sheet: Guide Plate: Upper	1
30	G178 5107	Sheet: Guide Plate: Lower	1
31	G178 5101	Guide Plate B: Ass'y	1

Index No.	Part No.	Description	Q'ty Per Assembly
32	G178 5103	Sheet: Guide Plate: Upper	1
33	G178 5104	Sheet: Guide Plate: Lower	1
34	G178 0491	CD-ROM: PrepTool G178/D016: EXP: V1.2 [TSB G178-089 D016-018]	1
34	M064 7902	CD-ROM: Manual: RICOH_Admin: Ass'y	1
34	M064 7900	CD-ROM: Manual: RICOH_user: Ass'y	1
34	G178 0477	CD-ROM: Driver: PCL: Ass'y [TSB G178-045R]	1
34	G178 0431	CD-ROM: Manual: EFI_EXP: Ass'y [TSB G178-045]	1
35	D016 7145	DVD-ROM: User_Soft: G178: EXP: Ass'y [TSB G178-045R]	1
36	G178 1679	Cushion: Corner [TSB G178-068]	2
101	0451 4008N	Tapping Screw: 4x8	
102	0454 3006Q	Tapping Screw - M3x6	
103	0450 3010P	Tapping Screw: 3x10	
104	0354 0080N	Screw: M4x8	

106.Exterior 1 (D016/D097)

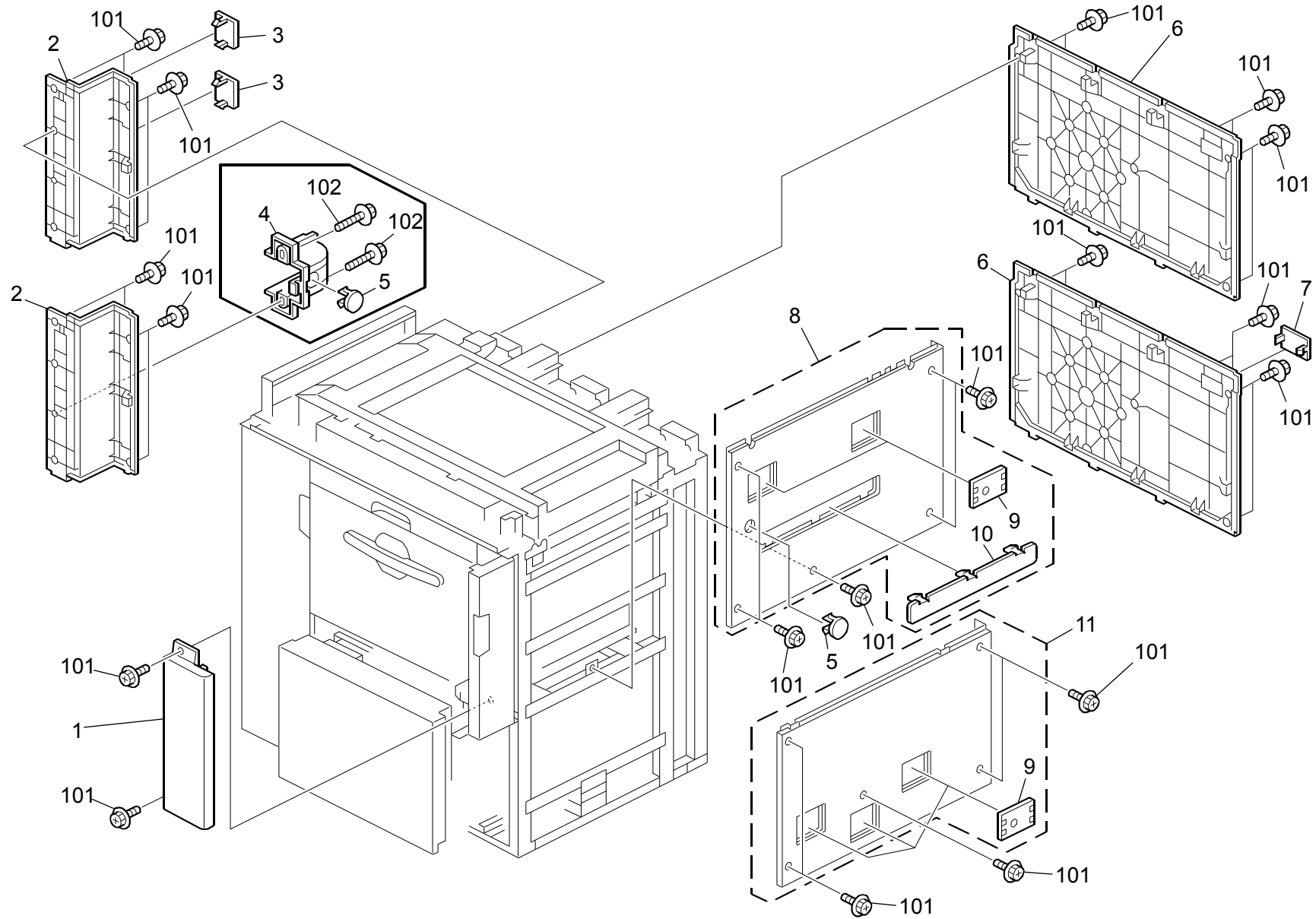


106.Exterior 1 (D016/D097)

Index No.	Part No.	Description	Q'ty Per Assembly
1	B832 1101	Positioning Pin - Lower	2
2	B832 1100	Positioning Pin - Upper	2
3	B132 1226	Holder: Stand	4
4	D355 2784	End Fence: Tab: Ass'y	1
5	D350 1322	Decal: End Fence: Tab	1
6	G178 2958	Decal: Size Indication: Multi-language	1
7	D355 4575	Decal: Paper Tray: LCT	1
8	B070 1307	Decal: Paper Set Direction	2
9	B832 1371	Spacer Cushion	1
10	D016 1983	Bracket: Fix: Cover: Scanner: Upper Front	3
11	D016 1116	Spring Plate: Earth: Lock	3
12	D016 1260	Cap: Cover: Sca	5
13	D016 1978	Cover: Upper: Scanner	1
14	D016 1977	Cover: Upper Front: Scanner	1
15	AA14 3560	Stepped Screw - M4	6
16	D016 1979	Cover: Upper Left: Scanner	1
17	D016 1251	Cover: Upper Right: Sca	1
18	D016 1980	Cover: Upper Rear: Scanner	1
19	B234 1263	Stopper - ADF Exit Tray	1
20	D016 1994	Decal: Tray: Exit: ADF	1
21	B234 1265	Tray: Exit: ADF	1
22	B234 1845	Filter: Ass'y	1
23	D355 1371	Cover: Upper: Extension	1
24	D016 1372	Bracket: Cover: Extension	2
25	B706 1859	Screw: Slider: Lock	2
26	D016 1981	Cover: Upper Right: Louver	1
27	D016 1341	Decal: Caution: Original	1

Index No.	Part No.	Description	Q'ty Per Assembly
101	0451 4008N	Tapping Screw: 4x8	
102	0451 4020N	Tapping Screw - M4x20	
103	0450 4008N	Tapping Screw - M4x8	
104	0954 4008N	Screw - M4x8	

107.Exterior 2 (D016/D097)

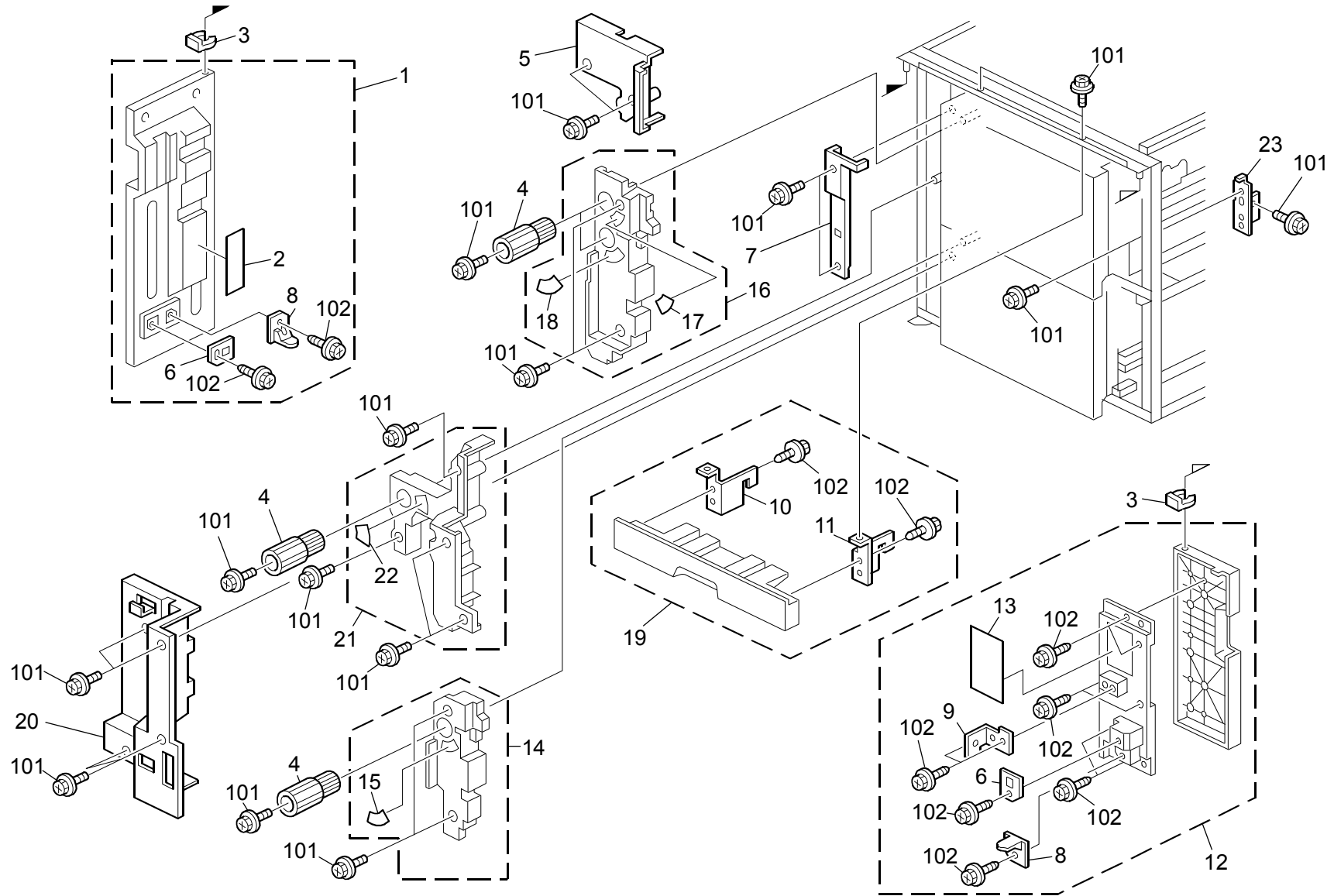


107.Exterior 2 (D016/D097)

Index No.	Part No.	Description	Q'ty Per Assembly
1	D355 1345	Cover: Front Right: Lower	1
2	D355 1327	Cover: Rear Left	2
3	B065 1343	NCU Cap	2
4	D016 1988	Cover: Interface Cable: Copier	1
5	B065 1299	Cap: MM22	2
6	D355 1326	Cover: Rear Middle	2
7	B065 1341	Connector Cap	1
8	D355 1321	Cover: Right Upper: Ass'y	1
9	B070 1312	Cap: Joint: Large Capacity Tray	5
10	B234 1313	Cover - Large Capacity Tray	1
11	D355 1323	Cover: Right Lower: Ass'y	1

Index No.	Part No.	Description	Q'ty Per Assembly
101	0451 4008N	Tapping Screw: 4x8	
102	0360 4016N	Screw: M4x16	

108.Exterior 3 (D016/D097)

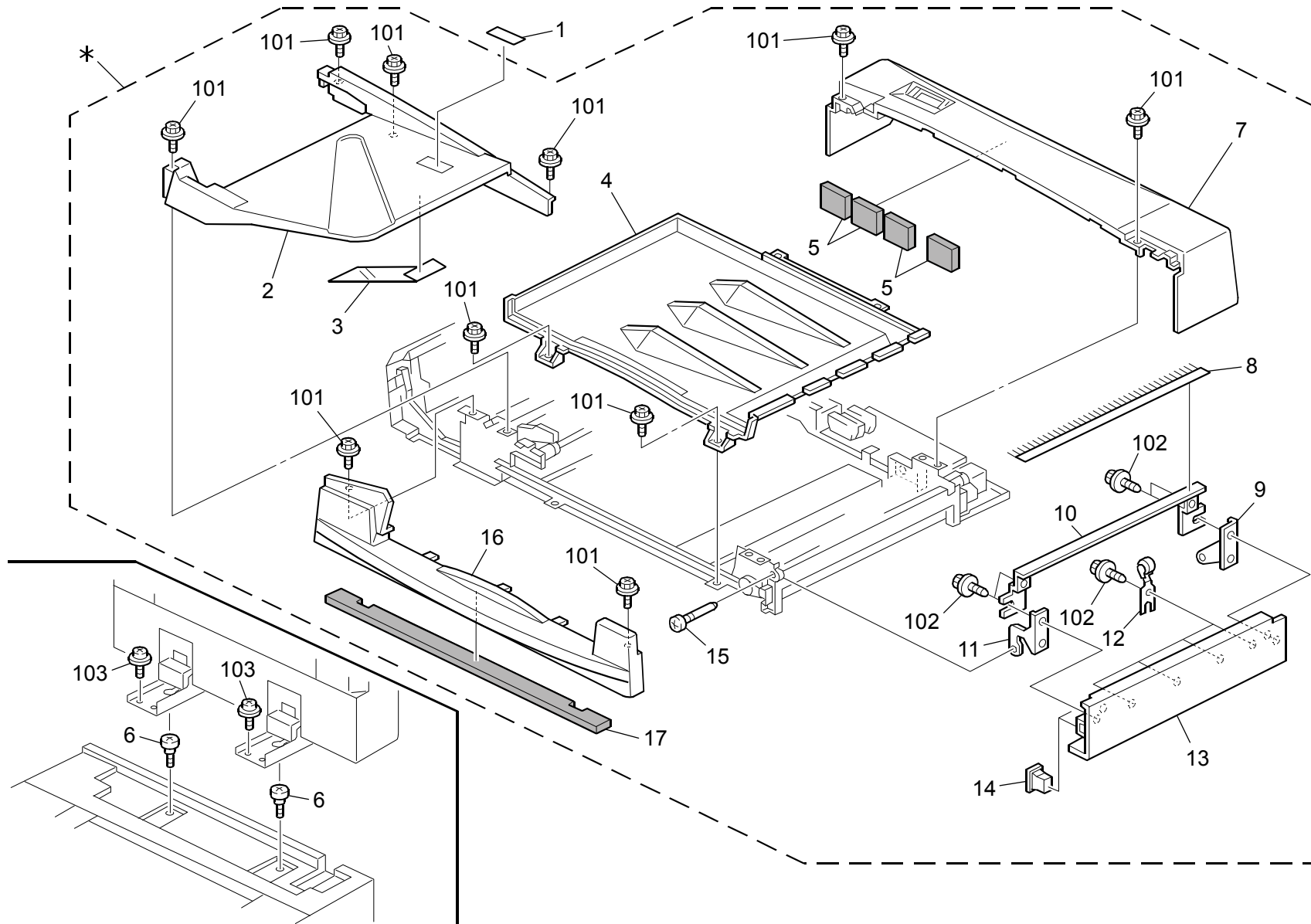


108.Exterior 3 (D016/D097)

Index No.	Part No.	Description	Q'ty Per Assembly
1	D355 1331	Cover: Front Left: Open And Close: Ass'y	1
2	D355 1350	Decal: Misfeed Removal: Left	1
3	5447 2681	Snap Ring	2
4	D355 3846	Knob: Misfeed Removal	4
5	D016 1991	Inner Cover: Left Upper: -C	1
6	B234 1296	Plate: Magnet Catch	2
7	D355 1303	Inner Cover: Middle Upper	1
8	D355 1333	Shielding Plate: Safety Switch: Door	2
9	D355 1344	Bracket: Stopper: Door: Front Right	1
10	D355 1139	Bracket: Fix: Transport Unit: Left	1
11	D355 1138	Bracket: Fix: Transport Unit: Right	1
12	D355 1338	Cover: Front Right: Open And Close: Ass'y	1
13	D355 1352	Decal: Misfeed Removal: Horizontal: Transport	1
14	D355 1319	Inner Cover: Paper Feed: Lower: Ass'y	1
15	D355 1315	Decal: Knob: Paper Feed Unit: Lower	1
16	D355 1318	Inner Cover: Paper Feed: Upper: Ass'y	1
17	D355 1314	Decal: Knob: Transport: Middle Upper	1
18	D355 1313	Decal: Knob: Paper Feed Unit: Upper	1
19	D355 3090	Transport Unit: Horizontal: Exterior: Ass'y	1
20	D355 1305	Inner Cover: Left Lower	1
21	D355 1316	Inner Cover: Left Middle: Ass'y	1
22	D355 1307	Decal: Knob: Left Middle	1
23	D355 1185	Bracket: Fix: Cover: Right Front	1

Index No.	Part No.	Description	Q'ty Per Assembly
101	0451 4008N	Tapping Screw: 4x8	
102	0450 4008N	Tapping Screw - M4x8	

109.ADF 1 (D016/D097)

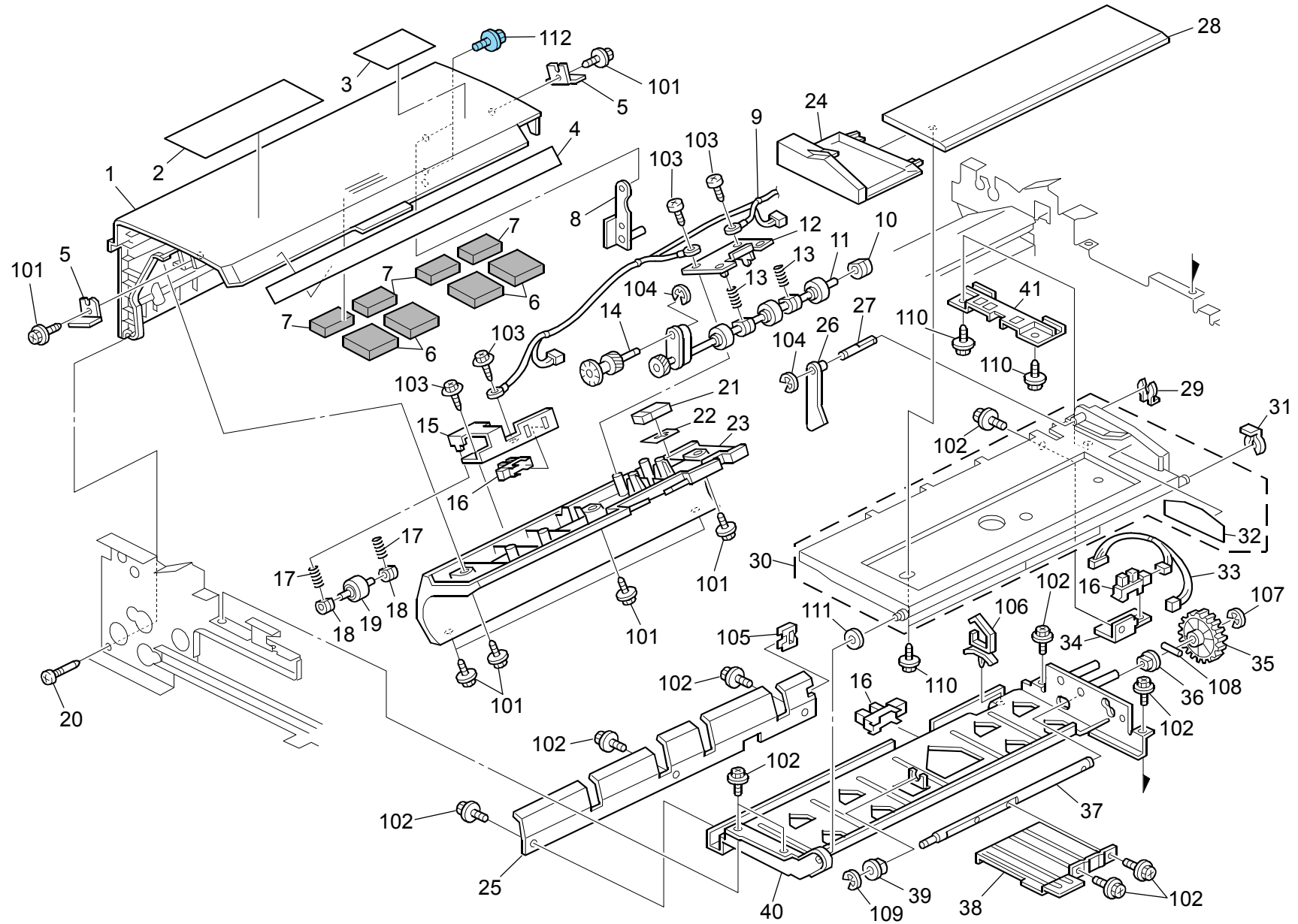


109.ADF 1 (D016/D097)

Index No.	Part No.	Description	Q'ty Per Assembly
*	B234 7001	Ardf: Unit	1
1	B477 4431	Decal - Original Table	1
2	B301 1822	Original Table: RIC: Printing	1
3	B301 1835	Original Holder	1
4	B301 1796	Cover: Original Table: Lower: RIC	1
5	B301 4428	Sound Proofing Material - Rear	4
6	A859 7211	Stepped Screw	2
7	B301 1726	Cover: Rear: RIC: Ass'y	1
8	B301 1919	Discharge Brush - Exit	1
9	A806 3261	Inner Back Cover Bracket	1
10	A806 3266	Discharge Brush Bracket	1
11	A806 3251	Exit Cover Bracket	1
12	A663 1241	Exit Roller: Driven : AS	4
13	B301 1786	Cover: Exit: RIC	1
14	B352 2650	Magnet Catch - 5N	2
15	AA14 3788	Pin: Guide Plate: Paper Feed	1
16	B301 1716	Cover: Front	1
17	B301 4415	Sound Proofing Material - Front Lower	1

Index No.	Part No.	Description	Q'ty Per Assembly
101	0451 3008N	Tapping Screw - M3x8	
102	0450 4012N	Tapping Screw: 4x12	
103	0951 5008N	Screw: Polished Round: M5x8	

110.ADF 2 (D016/D097)

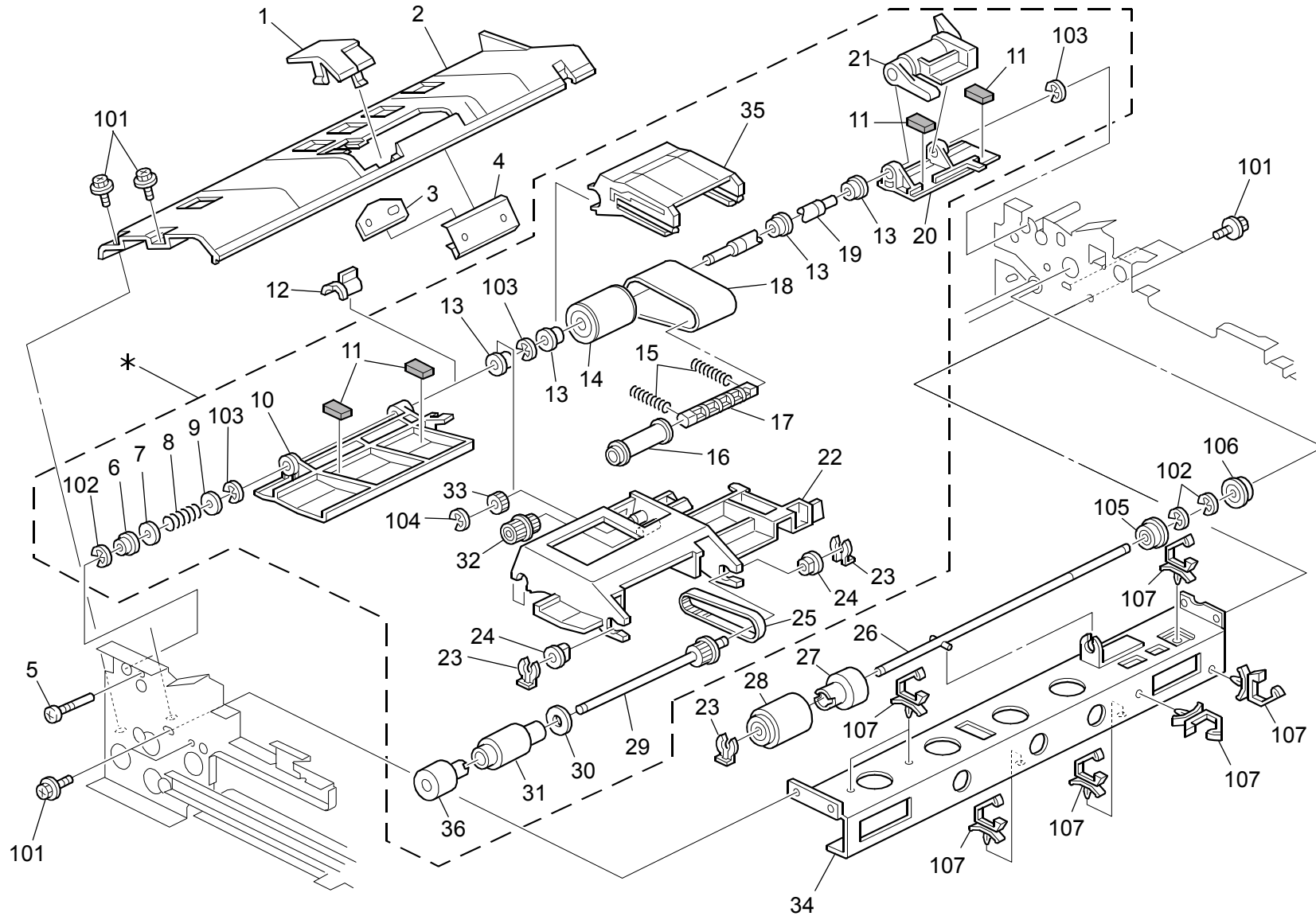


110.ADF 2 (D016/D097)

Index No.	Part No.	Description	Q'ty Per Assembly
1	B301 1766	Paper Feed Cover	1
2	B301 4316	Decal: Misfeed Removal	1
3	B301 4357	Decal: Caution: Paper Feed	1
4	B301 4336	Decal: Size: Original: RIC	1
5	A806 1371	Magnet Catch - Paper Feed Cover	2
6	B301 4426	Sound Proofing Material - Right	4
7	B301 4427	Sound Proofing Material - Left	4
8	A806 1361	Cover Bracket	1
9	B301 5406	Harness: Connecting: Sensor: Pull Out	1
10	A680 1661	Bushing - 4mm	1
11	B301 1191	Pull-out Driven Roller	1
12	A806 1181	Pressure Roller Bracket - Pull Out	1
13	B301 4211	Spring	2
14	B301 1195	Gear - 19Z	1
15	B301 1188	Sensor Bracket	1
16	AW02 0141	Photointerruptor	3
17	B301 4222	Spring	2
18	B301 1192	Bushing - 4x6x6	2
19	B301 1198	Pull-out Driven Roller-front	1
20	AA14 3788	Pin: Guide Plate: Paper Feed	1
21	AW01 0109	Photo Reflection Sensor: PS117ED1	1
22	A806 4251	Grounding Plate	1
23	B301 1171	Pulley Cover	1
24	B301 1876	Side Fence: Table: Ass'y	1
25	A806 1335	Original Table Guide Plate	1
26	B301 1351	Original Feeler	1
27	A806 1353	Feeler Stud	1
28	G564 4151	Rail - Side Fence	1
29	5206 2686	Snap Ring	1
30	B301 1852	Base: Original Table: RIC: Ass'y	1
31	5215 2621	Snap Ring - M6	1
32	B477 4311	Decal - Original Base	1
33	B301 5290	Harness: Sensor: Original: Connecting	1
34	A806 1356	Original Sensor Bracket	1
35	A806 2281	Gear - Z47	1

Index No.	Part No.	Description	Q'ty Per Assembly
36	5053 0223	Bushing - 8mm	1
37	A806 1346	Base Shaft	1
38	A806 1342	Base Lever	1
39	5053 0447	Bushing - 6mm	1
40	B301 1341	Stay: Original Table: Ass'y	1
41	B301 1875	Hook: Harness: Base	1
101	0450 4008N	Tapping Screw - M4x8	
102	0451 3008N	Tapping Screw - M3x8	
103	0452 4008N	Tapping Screw: M4x8	
104	0720 0030E	Retaining Ring - M3	
105	1105 0328	Harness Clamp - ES-0505	
106	1105 0623	Clamp - LBWS-0206S-V0	
107	0720 0060E	Retaining Ring - M6	
108	0632 0140G	Parallel Pin	
109	0720 0040E	Retaining Ring - M4	
110	0450 3008N	Tapping Screw - M3x8	
111	0807 4138	Washer (100pcs/set)	
112	0454 3008Q	Tapping Screw: 3x8	

111.ADF 3 (D016/D097)

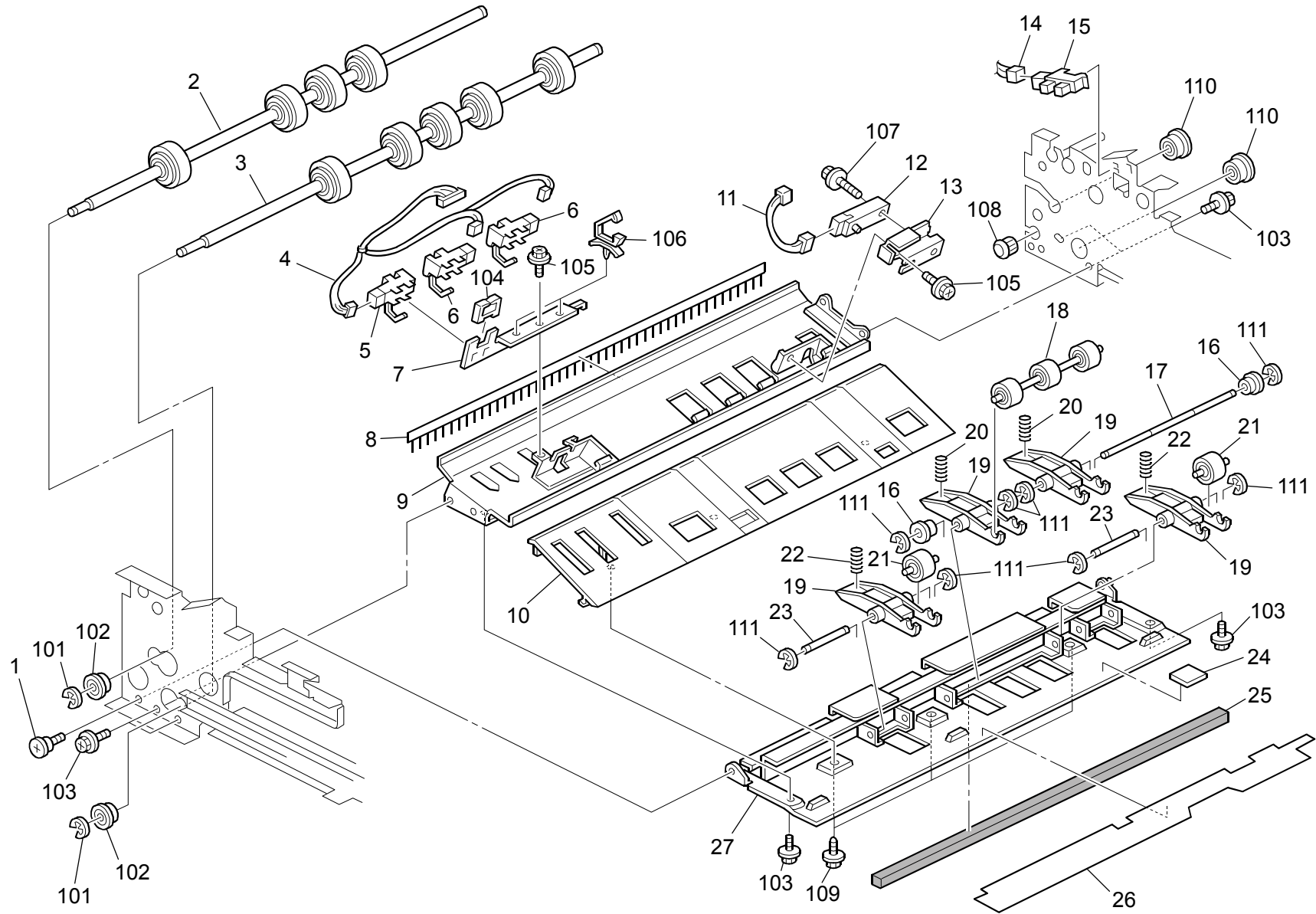


111.ADF 3 (D016/D097)

Index No.	Part No.	Description	Q'ty Per Assembly
*	B301 1282	Shaft: Separation: Drive: Ass'y	1
1	A806 1152	Upper Guide Plate	1
2	A806 1153	Upper Guide Plate	1
3	B301 1155	Separation Support Pad	1
4	B301 1156	Separation Pad Holder	1
5	AA14 3789	Shaft: Cleaner	1
6	B301 1286	Bushing - 6x10x6	1
7	A418 1158	Spacer - M6.5x1	1
8	AA06 3435	Compression Spring: Paper Feed: Joint	1
9	AA13 2013	Spacer	1
10	A806 1161	Entrance Guide Plate - Front	1
11	A806 1163	Guide Plate Cushion	4
12	A680 1621	Feed-in Unit Stopper	1
13	A628 1225	Bushing - 8mm	4
14	A806 1293	Feed Belt Drive Roller	1
15	A806 4261	Spring Belt Guide Roller	2
16	A806 1294	Feed Belt Driven Roller	1
17	A806 1298	Transport Belt Roller Shaft	1
18	A806 1295	Feed Belt	1
19	A806 1282	Separation Drive Shaft	1
20	A806 1162	Entrance Guide Plate - Inner	1
21	A806 1328	Release Lever	1
22	B301 1314	Pick-up Roller Bracket	1
23	5447 2681	Snap Ring	3
24	5053 0447	Bushing - 6mm	2
25	A806 4118	Timing Belt - B40S2M148	1
26	B301 2511	Reverse Roller Shaft	1
27	A294 6700	Torque Limiter - 53mnm	1
28	A859 2241	Reverse Roller	1
29	A806 2153	Timing Pulley - T27 S2M	1
30	AA13 2171	Spacer - 6x20x1	1
31	B477 2225	Pick-up Roller	1
32	A806 2151	Timing Pulley - T19/Z23 S2M/M0.6	1
33	A806 2271	Gear - Z18	1
34	A806 1141	Reverse Roller Stay	1

Index No.	Part No.	Description	Q'ty Per Assembly
35	A806 1292	Feed Belt Bracket	1
36	B477 2226	Pickup Roller: Coupling	1
101	0451 3008N	Tapping Screw - M3x8	
102	0720 0040E	Retaining Ring - M4	
103	0720 0060E	Retaining Ring - M6	
104	0720 0030E	Retaining Ring - M3	
105	0741 3706	Ball Bearing - 6x10x3	
106	0741 3506	Ball Bearing - 6x12x4 mm	
107	1105 0623	Clamp - LBWS-0206S-V0	

112.ADF 4 (D016/D097)

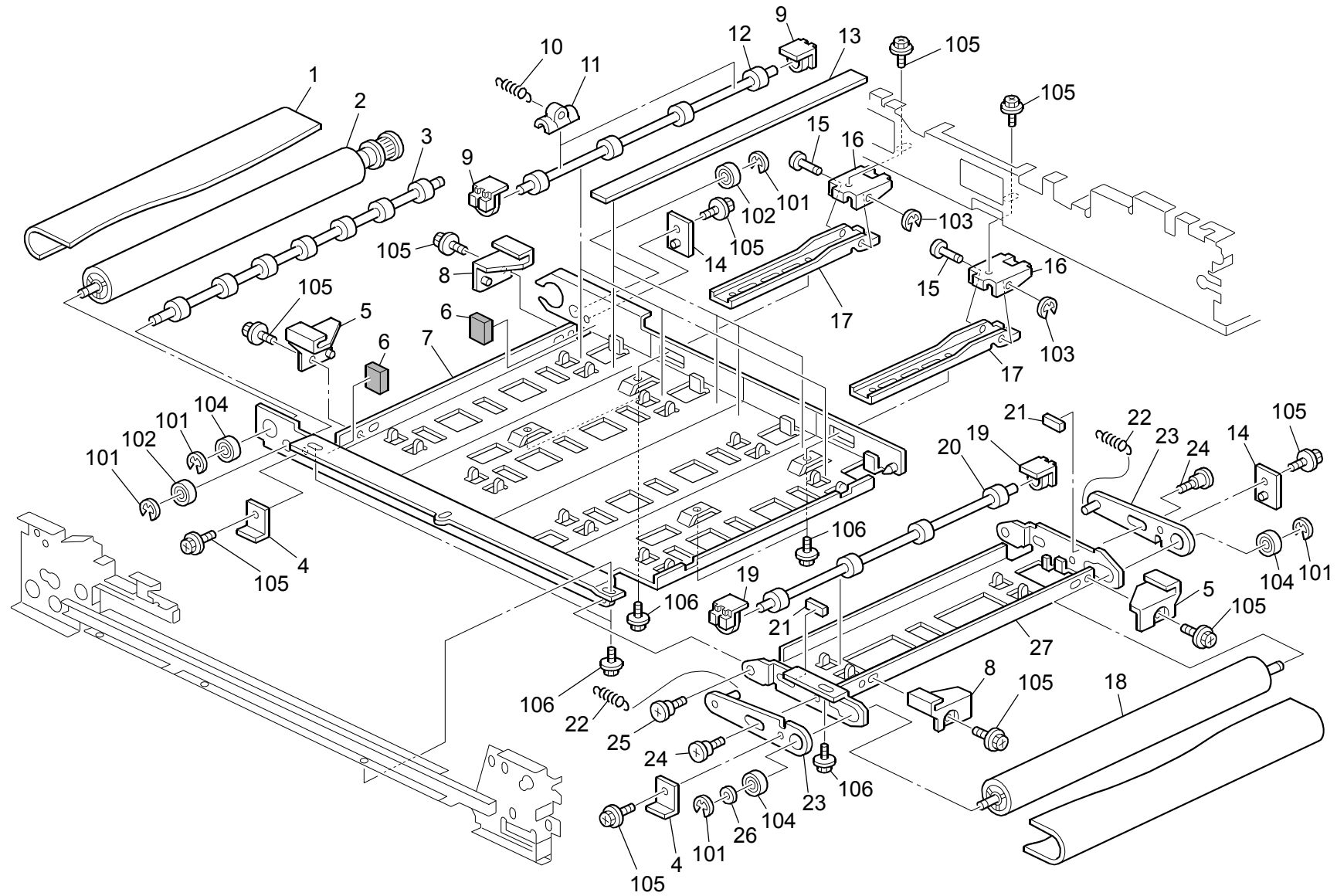


112.ADF 4 (D016/D097)

Index No.	Part No.	Description	Q'ty Per Assembly
1	AA14 3857	Screw - M4x5	1
2	A806 1271	Pull Out Drive Roller	1
3	A806 1276	Transport Drive Roller	1
4	B301 5246	Harness: Sensor: Paper Size Sensor: Connecting	1
5	AW02 0155	Photointerruptor: Paper Size Sensor	1
6	AW02 0154	Photointerruptor: Entrance	2
7	A806 1226	Paper Size Sensor Bracket	1
8	B301 1216	Discharge Brush	1
9	A806 1211	Middle Guide Plate	1
10	A806 1241	Lower Guide Plate	1
11	B301 5245	Harness: Registration Sensor: Connecting	1
12	AW01 0109	Photo Reflection Sensor: PS117ED1	1
13	A806 1221	Registration Sensor Bracket	1
14	B301 5234	Harness: Sensor: Paper Feed: Connecting	1
15	AW02 0141	Photointerruptor	1
16	5324 1658	Bushing- 4x8x4.5mm	2
17	A806 1256	Middle Shaft - Roller Arm	1
18	A806 1261	Middle Driven Roller	1
19	A806 1251	Transport Roller Arm	4
20	A806 4221	Compression Spring	2
21	A806 1266	Driven Roller	2
22	B301 4226	Spring	2
23	A806 1257	Roller Arm Shaft	2
24	A422 1063	Seal - 0.7x13x20	1
25	B301 4417	Sound Proofing Material - Left Right	1
26	B301 1247	Entrance Guide	1
27	B301 1232	Base: Paper Feed	1

Index No.	Part No.	Description	Q'ty Per Assembly
101	0720 0040E	Retaining Ring - M4	
102	0741 3506	Ball Bearing - 6x12x4 mm	
103	0451 3008N	Tapping Screw - M3x8	
104	1105 0328	Harness Clamp - ES-0505	
105	0451 3006N	Tapping Screw - 3x6	
106	1105 0623	Clamp - LBWS-0206S-V0	
107	0451 3012N	Tapping Screw: 3x12	
108	1106 0193	Bushing - 7.9mm	
109	0450 3008N	Tapping Screw - M3x8	
110	0742 3808	Ball Bearing - 8x16x5	
111	0720 0030E	Retaining Ring - M3	

113.ADF 5 (D016/D097)

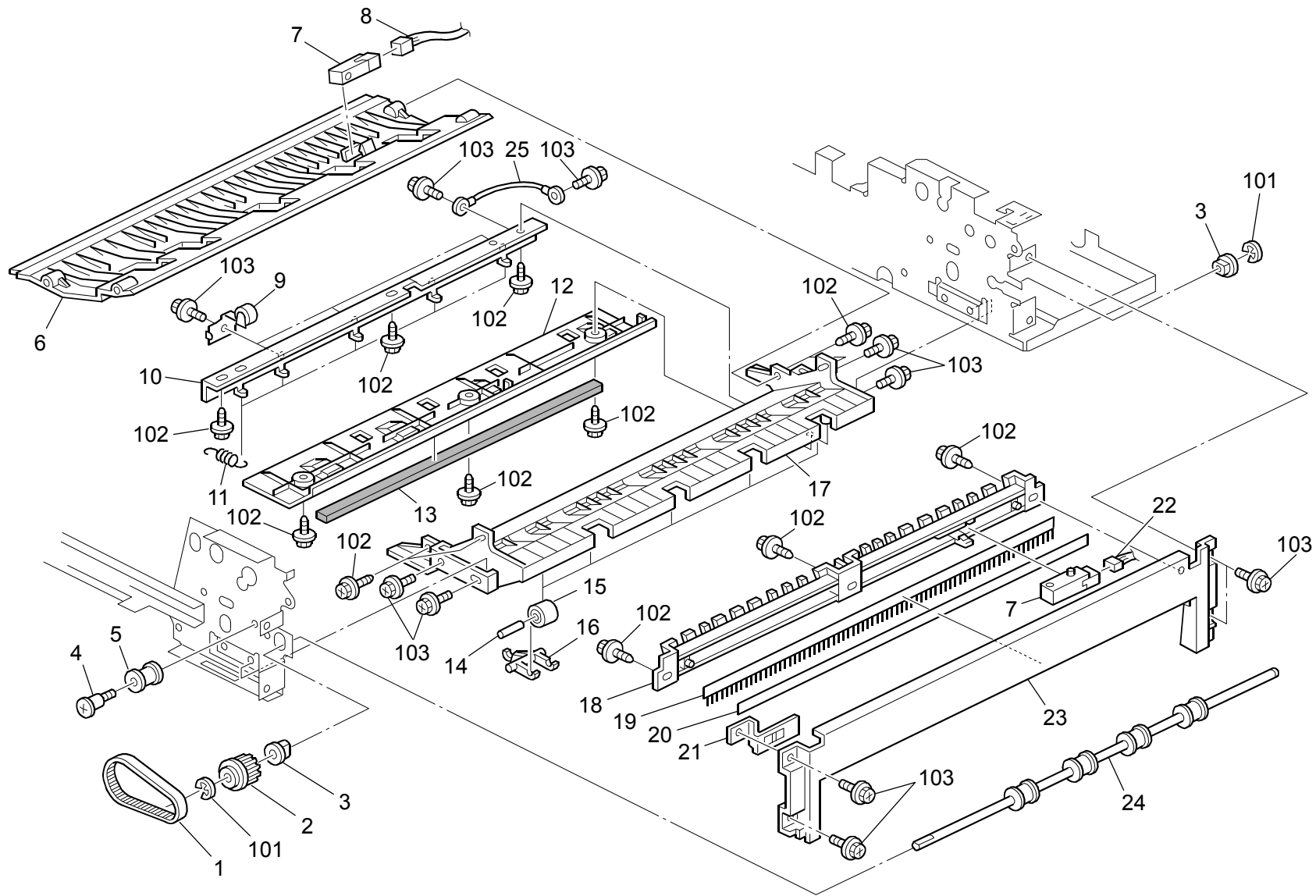


113.ADF 5 (D016/D097)

Index No.	Part No.	Description	Q'ty Per Assembly
1	B301 1442	Transport Belt	1
2	B301 1432	Belt Drive Roller	1
3	B301 1451	Belt Pressure Roller	1
4	B301 1449	Front Spacer	2
5	B301 1443	Transport Belt Stopper - Front	2
6	B301 1141	Rubber Cushion	2
7	B301 1412	Transport Belt Plate	1
8	B301 1444	Transport Belt Stopper - Rear	2
9	A610 2136	Bushing	8
10	AA06 2587	Tension Spring: Pressure	8
11	A610 2132	Pressure Bushing	8
12	B301 1481	Belt Pressure Roller	4
13	B301 4431	Vibration Absorbing Pad	4
14	B301 1445	Rear Spacer	2
15	A680 1443	Arm Shaft	2
16	A680 1446	Transport Unit Arm	2
17	A548 1442	Transport Arm	2
18	B301 1436	Transport Belt Roller	1
19	A610 2137	Pressure Roller Bushing	2
20	B301 2161	Roller: Pressure: Belt: MM24	1
21	AA16 1138	Cushion - 1.1	2
22	AA06 2345	Tension Spring	2
23	B301 1491	Tension Bracket	2
24	AA14 3831	Screw	2
25	B188 3575	Screw: Lever: Release: Blade	1
26	A028 7878	Arm Spacer	1
27	B301 1422	Transport Stay	1

Index No.	Part No.	Description	Q'ty Per Assembly
101	0720 0040E	Retaining Ring - M4	
102	0741 3706	Ball Bearing - 6x10x3	
103	0720 0030E	Retaining Ring - M3	
104	0741 3506	Ball Bearing - 6x12x4 mm	
105	0451 3008N	Tapping Screw - M3x8	
106	0451 4006N	Tapping Screw - 4x6	

114.ADF 6 (D016/D097)

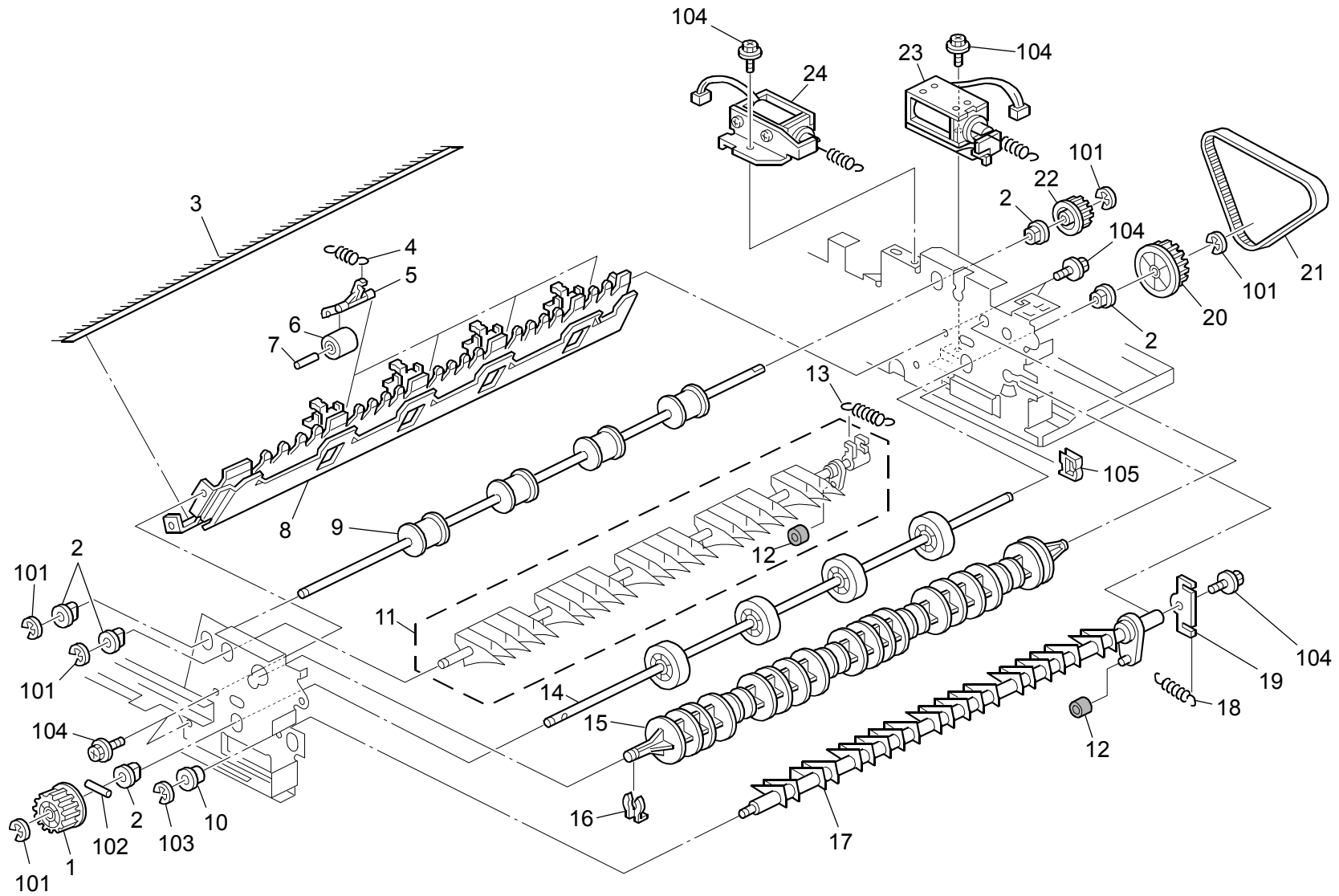


114.ADF 6 (D016/D097)

Index No.	Part No.	Description	Q'ty Per Assembly
1	AA04 3548	Timing Belt - B40S3M150	1
2	A806 3281	Timing Pulley - T14 S3M	1
3	5053 0447	Bushing - 6mm	2
4	AA14 3842	Screw: DIA6: 14.5: M4	1
5	A351 3459	Idler	1
6	B301 3161	Left Exit Guide	1
7	AW01 0109	Photo Reflection Sensor: PS117ED1	2
8	B301 5256	Harness: Sensor: Exit: Connecting	1
9	A806 3151	Driven Exit Roller	4
10	A806 3142	Guide Plate Bracket	1
11	B301 3135	Spring	5
12	A806 3171	Lower Exit Cover	1
13	B301 4417	Sound Proofing Material - Left Right	1
14	B301 3185	Driven Roller Shaft	5
15	B301 3184	Reverse Driven Roller	5
16	A548 1234	Driven Roller Arm	5
17	B301 3132	Lower Guide Plate	1
18	A806 3211	Right Exit Guide Plate	1
19	B301 1919	Discharge Brush - Exit	1
20	A806 3222	Seal	1
21	A806 3221	Exit Ground Plate	1
22	B301 5253	Harness: Sensor: Reverse: Connecting	1
23	B301 1926	Cover: Right	1
24	A806 3111	Drive Exit Roller	1
25	B301 5476	Harness: Earth: Exit	1

Index No.	Part No.	Description	Q'ty Per Assembly
101	0720 0040E	Retaining Ring - M4	
102	0450 3008N	Tapping Screw - M3x8	
103	0451 3008N	Tapping Screw - M3x8	

115.ADF 7 (D016/D097)

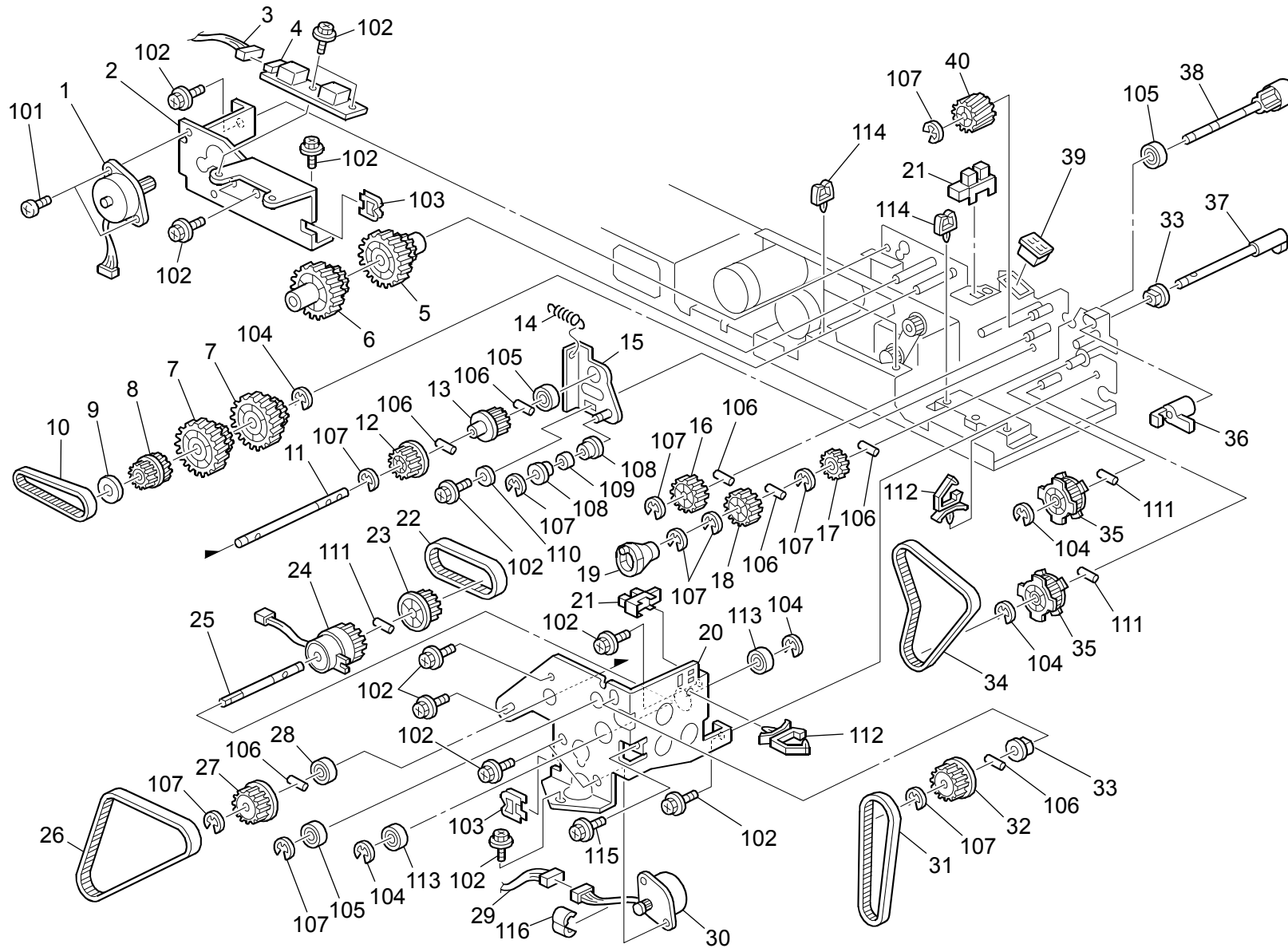


115.ADF 7 (D016/D097)

Index No.	Part No.	Description	Q'ty Per Assembly
1	A680 2321	Pulley - 30T	1
2	5053 0447	Bushing - 6mm	5
3	B301 3188	Discharge Brush	1
4	B301 3186	Spring	4
5	A548 1234	Driven Roller Arm	4
6	B301 3184	Reverse Driven Roller	4
7	B301 3185	Driven Roller Shaft	4
8	B301 3181	Inverter Guide Plate	1
9	A548 1261	Exit Roller	1
10	5324 1658	Bushing- 4x8x4.5mm	1
11	A548 1320	Inverter Gate Plate	1
12	A548 1317	Lever Cushion	2
13	AA06 2589	Tension Spring: Reverse	1
14	B301 3271	Reverse Drive Roller	1
15	A548 1231	Guide Roller	1
16	5215 2621	Snap Ring - M6	1
17	B301 3191	Exit Junction Gate	1
18	AA06 2588	Tension Spring: Exit	1
19	B301 3192	Lever - Exit Junction Gate	1
20	B301 3286	Pulley - 30Z	1
21	AA04 3547	Timing Belt - B40S3M213	1
22	A548 2137	Timing Pulley - 18Z	1
23	B301 3311	Reverse DC Solenoid	1
24	B301 3301	Paper Exit Solenoid	1

Index No.	Part No.	Description	Q'ty Per Assembly
101	0720 0040E	Retaining Ring - M4	
102	0632 0120G	Parallel Pin - 2x12	
103	0720 0030E	Retaining Ring - M3	
104	0451 3008N	Tapping Screw - M3x8	
105	1105 0328	Harness Clamp - ES-0505	

116.ADF 8 (D016/D097)

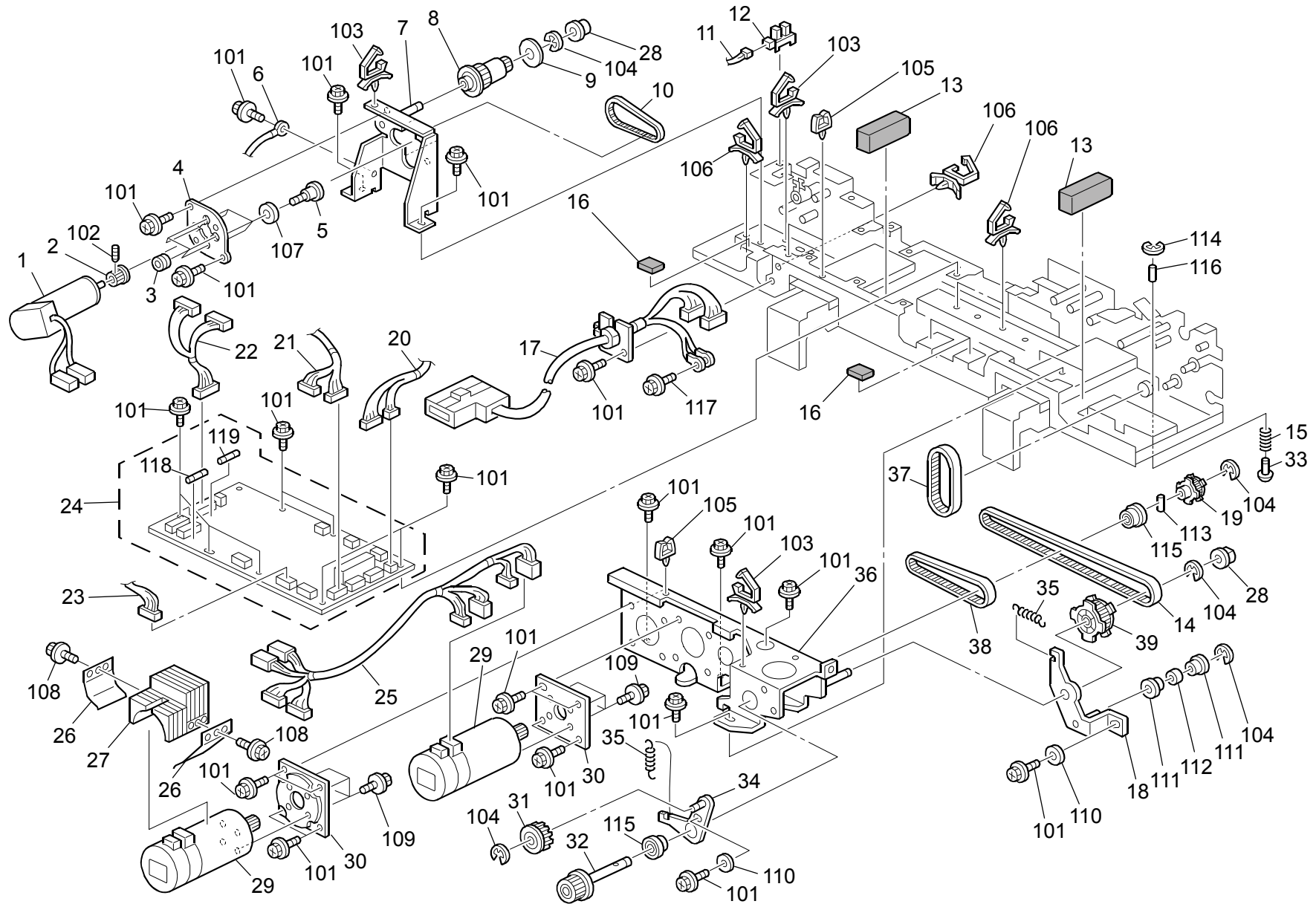


116.ADF 8 (D016/D097)

Index No.	Part No.	Description	Q'ty Per Assembly
1	B652 2911	Stepper Motor: Base: Rise: Ass'y	1
2	B301 2367	Motor Bracket	1
3	B301 5271	Harness: Display	1
4	B301 5190	PCB Display	1
5	A806 2285	Gear - Z20/Z47	1
6	A806 2287	Gear - Z20/Z47	1
7	A806 2283	Gear - Z20/Z47	2
8	A806 2161	Timing Pulley - T30/Z20 S2M/M0.8	1
9	AA13 2152	Spacer - 8x20x1	1
10	A806 4117	Timing Belt - B40S2M158	1
11	B301 2122	Shaft	1
12	B301 2213	Pulley - 20Z	1
13	B301 2211	Pulley - 20/19Z	1
14	AA06 0590	Pressure Spring	1
15	B301 2281	Tension Bracket	1
16	B301 2221	Gear - 31Z	1
17	B301 2244	Gear - 23Z	1
18	B301 2243	Gear - 29Z	1
19	A806 2244	Separation Shaft Stopper	1
20	B301 2336	Side Plate	1
21	AW02 0141	Photointerruptor	2
22	AA04 3535	Timing Belt - B60S3M195	1
23	B301 2273	Pulley - 32Z	1
24	AX20 0294	Magnetic Clutch - 38Z	1
25	B301 2271	Shaft	1
26	AA04 3534	Timing Belt - B60S3M216	1
27	B301 2123	Pulley - 24Z	1
28	A859 2230	Ball Bearing - 6x13x5	1
29	B301 5221	Harness: Motor: Pick Up	1
30	AX04 0139	Stepper Motor: MM42: 0.95A: 9.5V	1
31	AA04 3537	Timing Belt - B40S2M206	1
32	B301 2141	Pulley - 39Z	1
33	5053 0447	Bushing - 6mm	2
34	AA04 3536	Timing Belt - B60S3M279	1
35	B301 2261	Pulley - 36Z	2

Index No.	Part No.	Description	Q'ty Per Assembly
36	A680 2262	Feeler - Pick-up Roller Cam	1
37	B301 2422	Cam - Pick-up Roller	1
38	B301 2242	Shaft	1
39	AG07 0515	Magnet Catch: 13N	1
40	B301 2222	Gear - 20Z	1
101	0353 0050N	Screw-M3x5	
102	0451 3008N	Tapping Screw - M3x8	
103	1105 0328	Harness Clamp - ES-0505	
104	0720 0060E	Retaining Ring - M6	
105	0741 3506	Ball Bearing - 6x12x4 mm	
106	0632 0120G	Parallel Pin - 2x12	
107	0720 0040E	Retaining Ring - M4	
108	0741 3706	Ball Bearing - 6x10x3	
109	0805 3507	Bushing - 6mm	
110	0701 0030N	Washer Dia3	
111	0632 0160G	Parallel Pin-M2x16	
112	1105 0623	Clamp - LBWS-0206S-V0	
113	0742 3808	Ball Bearing - 8x16x5	
114	1105 0231	Clamp	
115	0451 3010N	Tapping Screw: 3x10	
116	1607 0623	Ferrite Core - Tfc-16-8-13	

117.ADF 9 (D016/D097)

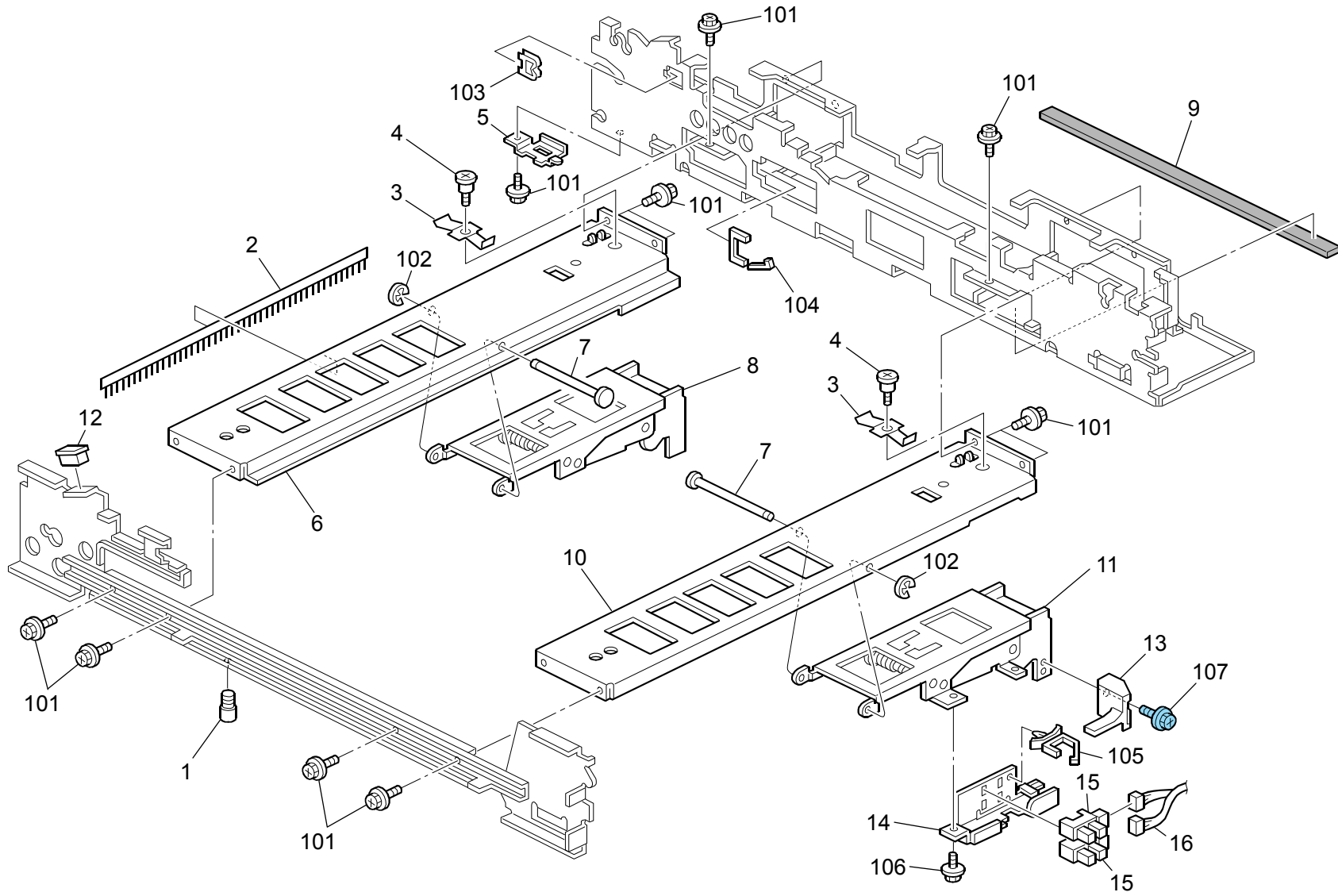


117.ADF 9 (D016/D097)

Index No.	Part No.	Description	Q'ty Per Assembly
1	AX06 0321	DC Motor 24V 27W	1
2	A610 3532	Timing Pulley - 18Z	1
3	B301 3246	Motor Bushing - 4x9x5.2	4
4	B301 3345	Exit Motor Guide Plate	1
5	AA14 3379	Stepped Screw	4
6	B301 5476	Harness: Earth: Exit	1
7	B301 3341	Exit Motor Bracket	1
8	A680 2311	Pulley - 18T/32T	1
9	A300 3812	Spacer - 6x22x1.5	1
10	AA04 3539	Timing Belt - B40S2M104	1
11	B301 5253	Harness: Sensor: Reverse: Connecting	1
12	AW02 0141	Photointerruptor	1
13	B301 4418	Sound Proofing Material - Hinge Side	3
14	AA04 3546	Timing Belt - B60S2M474	1
15	B652 1134	Compression Spring	1
16	B301 1141	Rubber Cushion	3
17	B301 5280	Harness: Interface: Ass'y	1
18	B301 2376	Tension Bracket	1
19	B301 2111	Pulley - 30Z	1
20	B301 5232	Harness: Paper Feed Sub-unit: Rear	1
21	B301 5247	Harness: Paper Feed Sub-unit: Middle	1
22	B301 5255	Harness: Paper Exit Sub-unit	1
23	B301 5261	Harness: Sensor: On Off Detector	1
24	B301 5100	PCB ADF Main Control	1
25	B301 5211	Harness: Dc Motor	1
26	B301 2320	Heat Sink Holder	2
27	B301 2319	Heat Sink - DC Motor	1
28	5936 2321	Rubber Bushing - Vibration Damper	2
29	AX06 0320	DC Motor: 54W	2
30	B301 2172	Cushion	2
31	AB03 0354	Pulley - 20T	1
32	B301 2113	Pulley - 19Z	1
33	B652 1133	Shaft: Slider	1
34	B301 2327	Holder Bracket	1
35	AA06 0590	Pressure Spring	2

Index No.	Part No.	Description	Q'ty Per Assembly
36	B301 2371	Motor Bracket	1
37	AA04 3538	Timing Belt - B60S3M174	1
38	AA04 3533	Timing Belt - B0S2M256	1
39	B301 2231	Pulley - 58/20Z	1
101	0451 3008N	Tapping Screw - M3x8	
102	0574 0050E	Hexagon Headless Set Screw - M4x5	
103	1105 0623	Clamp - LBWS-0206S-V0	
104	0720 0040E	Retaining Ring - M4	
105	1105 0231	Clamp	
106	1105 0516	Clamp	
107	0807 3035	Washer - 4.1x10x0.5	
108	0451 3005N	Tapping Screw: M3x5	
109	0451 4006N	Tapping Screw - 4x6	
110	0701 0030N	Washer Dia3	
111	0741 3706	Ball Bearing - 6x10x3	
112	0805 3507	Bushing - 6mm	
113	0632 0120G	Parallel Pin - 2x12	
114	0720 0030E	Retaining Ring - M3	
115	0742 3906	Ball Bearing - 6x14x5mm	
116	0707 4060N	Bushing: Dia4x6	
117	0451 4008N	Tapping Screw: 4x8	
118	1107 1066	Fuse: ET-5A	
119	1107 1065	Fuse: ET-4A	

118.ADF 10 (D016/D097)

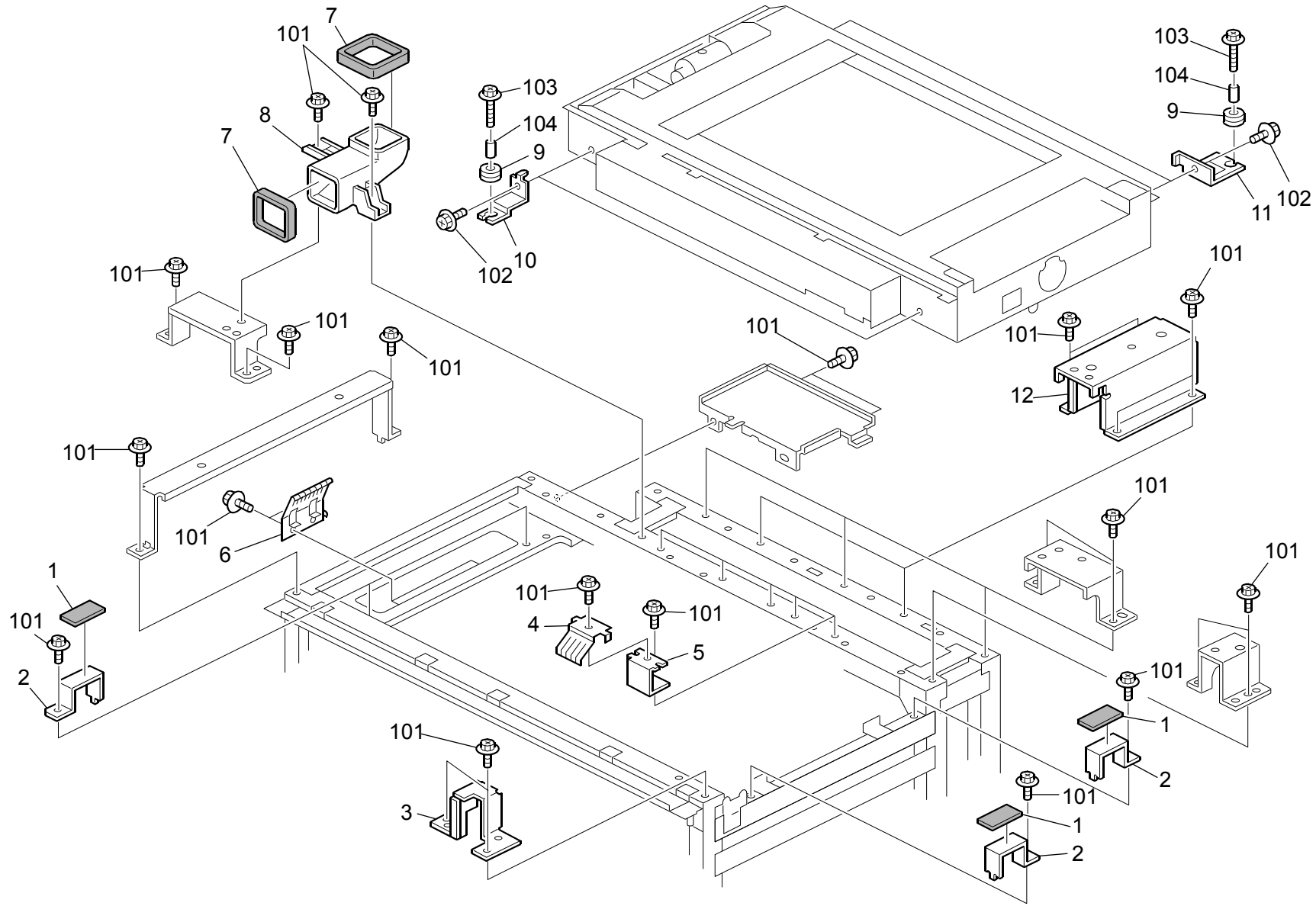


118.ADF 10 (D016/D097)

Index No.	Part No.	Description	Q'ty Per Assembly
1	5410 1291	Pin	1
2	B652 3157	Discharge Brush: Long	1
3	B301 1136	Spring Plate - 0.4mm	2
4	AA14 3832	Release Spring Holder	2
5	B301 1137	Pulley Cover	1
6	B301 1631	Rear Side Plate	1
7	A806 1135	Contact Point Shaft	2
8	B301 1550	Hinge - Left	1
9	B301 4416	Sound Proofing Material - Rear Lower	1
10	B301 1633	Right Stay	1
11	B301 1560	Hinge - Right	1
12	AG07 0515	Magnet Catch: 13N	1
13	A548 1531	Safety Switch Feeler	1
14	B301 1543	Sensor Bracket	1
15	AW02 0141	Photointerruptor	2
16	B301 5261	Harness: Sensor: On Off Detector	1

Index No.	Part No.	Description	Q'ty Per Assembly
101	0451 3008N	Tapping Screw - M3x8	
102	0720 0030E	Retaining Ring - M3	
103	1105 0328	Harness Clamp - ES-0505	
104	1105 0334	Edge - 17	
105	1105 0623	Clamp - LBWS-0206S-V0	
106	0451 4006N	Tapping Screw - 4x6	
107	0454 4008Q	Tapping Screw - M4x8	

119.Optics Section 1 (D016/D097)

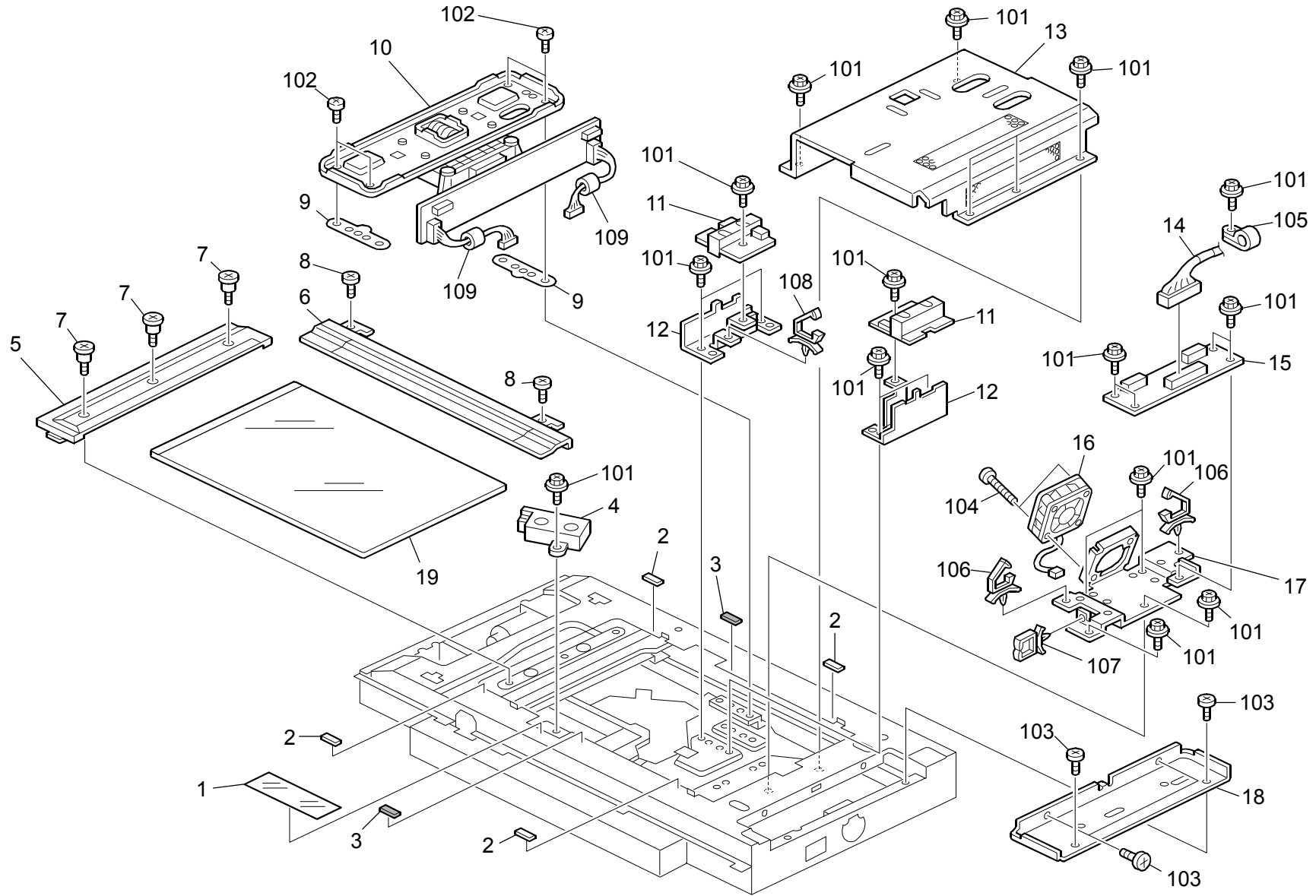


119.Optics Section 1 (D016/D097)

Index No.	Part No.	Description	Q'ty Per Assembly
1	D016 1951	Buffer: Image Reading Unit: Base	4
2	D016 1952	Holder: Image Reading Unit: Base	4
3	D016 1099	Bracket: Upper Front: Cover	1
4	A294 1837	Ground Plate - Rear Frame	5
5	D016 1171	Bracket: Ground Plate	5
6	A294 1836	Ground Plate - Left Frame	2
7	B234 7597	Shield: Duct: Front	2
8	D016 1134	Duct: Scanner Unit	1
9	AA16 1104	Cushion - Motor	4
10	A294 1673	Front Stay	2
11	B234 1690	Image Reading Unit Stay: Frame - Rear	2
12	D016 1172	Holder: ADF	2

Index No.	Part No.	Description	Q'ty Per Assembly
101	0451 4008N	Tapping Screw: 4x8	
102	0451 4006N	Tapping Screw - 4x6	
103	0451 4012N	Tapping Screw: 4x12	
104	0707 4050N	Bushing - 4x5	

120.Optics Section 2 (D016/D097)

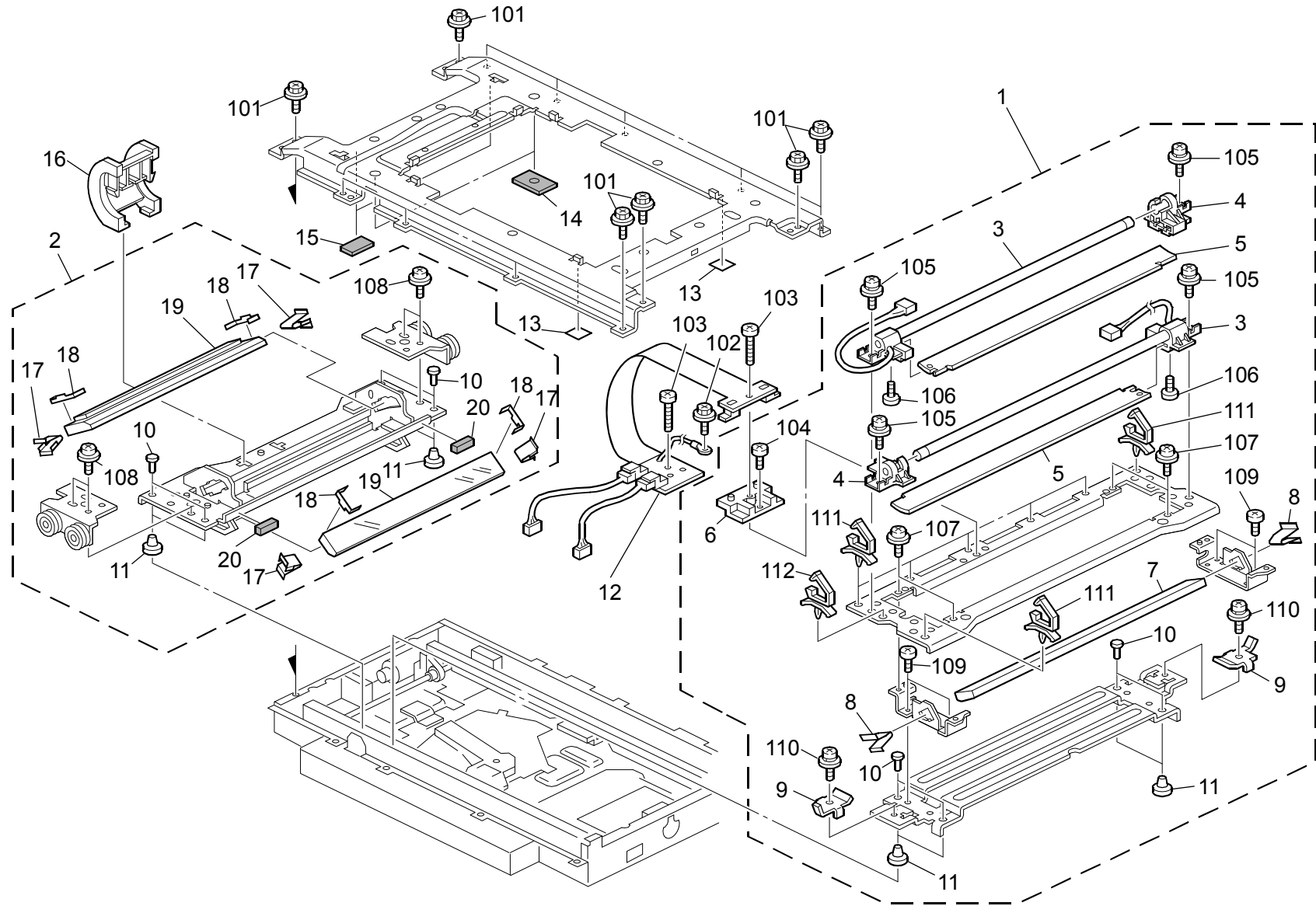


120.Optics Section 2 (D016/D097)

Index No.	Part No.	Description	Q'ty Per Assembly
1	A294 1788	Sheet - Upper Frame	1
2	AA16 1138	Cushion - 1.1	4
3	A176 1737	Exposure Glass Cushion	2
4	AW01 0130	Original Sensor: H=3-80	1
5	AC04 2185	Scale: Left: Printing	1
6	D016 1995	Scale: Rear: Ass'y	1
7	5206 2684	Shoulder Screw - M3	3
8	AA14 3573	Shoulder Screw - M4x4	2
9	B234 1782	Lens Unit Stay Spacer	2
10	B234 1721	Lens Unit	1
11	AW01 0116	Original Sensor: H=1-66	2
12	B234 1747	Original Sensor Holder	2
13	B234 1779	Cover - Lens SBU	1
14	D016 5168	Interface Cable: Scanner: LVDS	1
15	B234 5107	PCB CNB	1
16	GX64 0028	Fan Motor DC24V 1.92W	1
17	B234 1766	Cnb Bracket	1
18	A294 1799	Right Stay - Optical Housing	1
19	B070 1790	Exposure Glass: Ass'y	1

Index No.	Part No.	Description	Q'ty Per Assembly
101	0360 3006N	Screw - M3x6	
102	0314 0080N	Philips Pan Head Screw - M4x8	
103	0354 0060N	Screw-M4x6	
104	0354 0200N	Screw: M4x20	
105	1105 0530	Nylon Clamp-EMT-4N	
106	1105 0508	Harness Clamp - LWS-0711	
107	1105 0650	Clamp - MS-0709	
108	1105 0487	Harness Clamp	
109	1607 0912	Ferrite Core: TR-25-15-12	

121.Optics Section 3 (D016/D097)

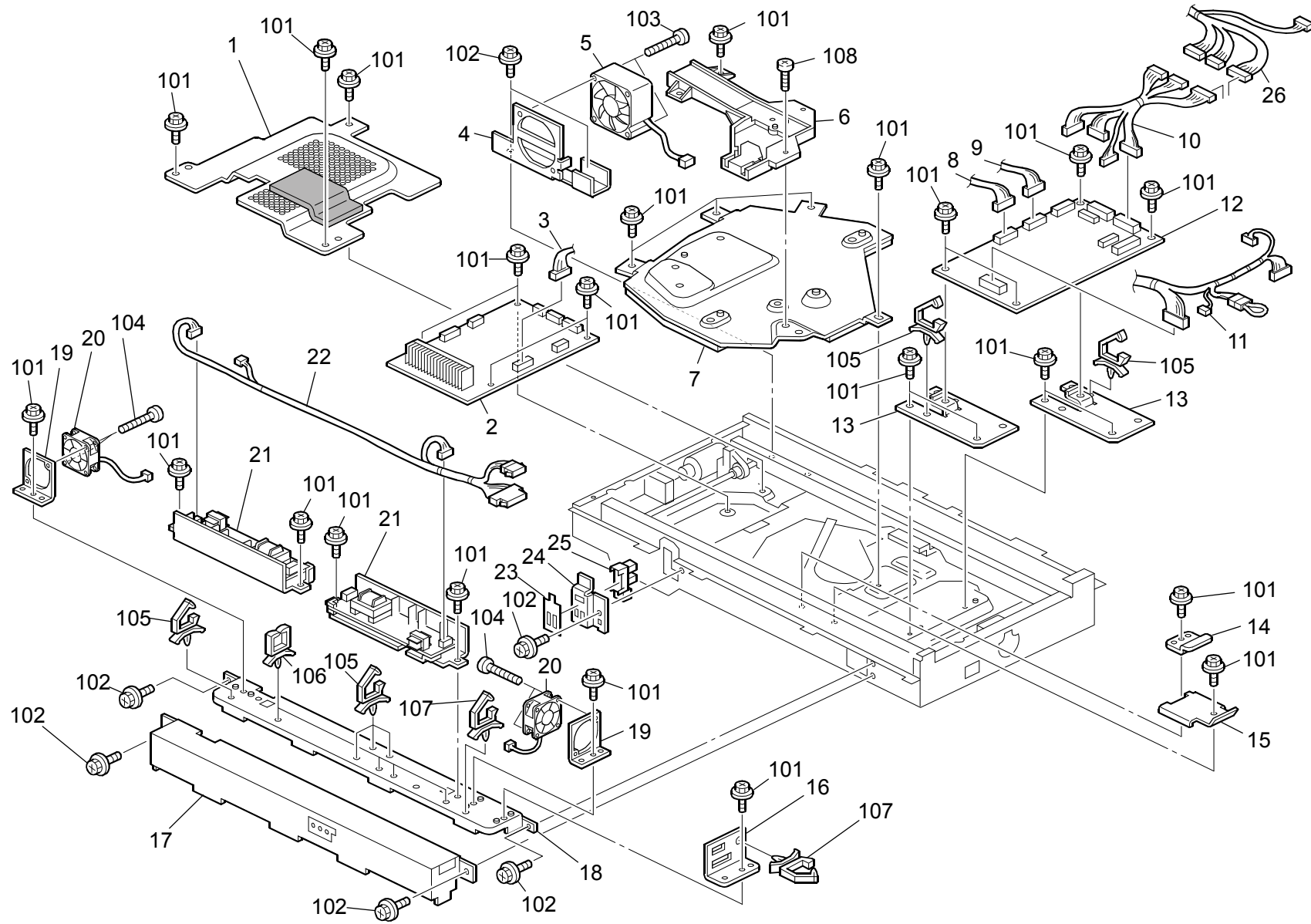


121.Optics Section 3 (D016/D097)

Index No.	Part No.	Description	Q'ty Per Assembly
1	B234 1701	Scanner No.1 Unit	1
2	B234 1732	Scanner No.2 Unit	1
3	AX51 0011	Xenon Lamp	2
4	B234 1712	Lamp Holder - Rear	2
5	B234 1707	Reflector	2
6	B234 1713	Harness Holder No.1	1
7	B234 1706	Mirror No.1	1
8	A193 1767	1st Mirror Holder	2
9	B234 1709	Wire Stay	2
10	B132 1820	Scanner Shoe Pin	8
11	A069 1883	Shoe - Scanner	8
12	B234 5500	Flexible Board - Xenon Lamp	1
13	B234 1681	Seal: Harness	2
14	B234 1688	Cushion: Scanner: No.1: Upper	2
15	B234 1793	Cushion: Scanner: No.2: Upper	2
16	B234 1630	Guide: Harness: No.2: Unit	1
17	G404 2810	Spring Plate - 2nd Mirror	4
18	B234 1751	Guard - 2nd Mirror	4
19	B234 1640	Mirror No.2	2
20	A294 1743	Cushion - 5x20x4	2

Index No.	Part No.	Description	Q'ty Per Assembly
101	0451 4006N	Tapping Screw - 4x6	
102	0360 3006N	Screw - M3x6	
103	0313 0120N	Pan Head Screw: M3x12	
104	0313 0060N	Screw - M3x6	
105	0954 3008N	Screw - M3x8	
106	0452 2004N	Screw - 2x4	
107	0951 3006N	Screw - M3x6	
108	0951 3004N	Screw: Polished Round: M3x4	
109	0453 3006N	Tapping Screw - M3x6	
110	0954 4008N	Screw - M4x8	
111	1105 0511	Harness Clamp - LWS-0306ZC	
112	1105 0534	Clamp	

122.Optics Section 4 (D016/D097)

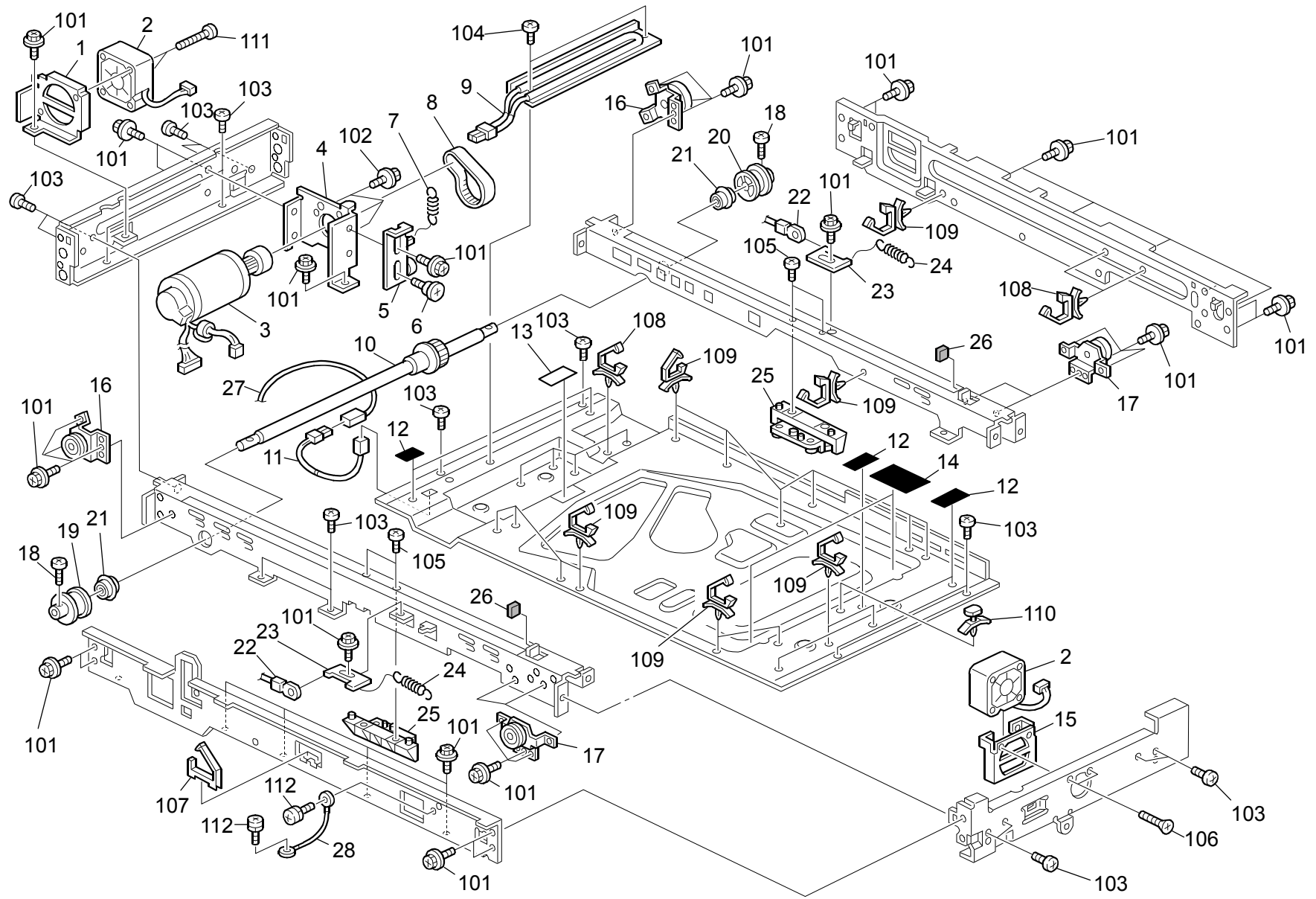


122.Optics Section 4 (D016/D097)

Index No.	Part No.	Description	Q'ty Per Assembly
1	B234 1669	Cover - IC	1
2	D059 5116	PCB: Mcu	1
3	D059 5153	Harness: Mcu: Sensor	1
4	B234 1765	Fan Motor Bracket	1
5	GX64 0021	Fan Motor DC24V 1.92W	1
6	B234 1744	Harness Guide	1
7	B234 1811	Cover - LD Unit	1
8	B234 5156	Harness - SBU Power Source	1
9	B234 5157	Harness - SBU	1
10	D059 5152	Harness: Scanner: Main	1
11	D059 5158	Harness: SIB: Fan	1
12	D059 5122	PCB: SIB	1
13	B234 1697	SIB Bracket	2
14	B234 1674	Cover Plate - Sync Detector Board	1
15	B234 1817	Cover - Sync Detector Board	1
16	B234 1696	Duct Bracket	1
17	B234 1670	Stabilizer Duct	1
18	B234 1676	Stabilizer Bracket	1
19	B234 1699	Fan Motor Bracket	2
20	GX64 0028	Fan Motor DC24V 1.92W	2
21	AZ50 0071	Stabilizer	2
22	D059 5160	Harness: Lamp Regulator	1
23	A267 1820	Sheet - Photointerrupter	1
24	B234 1825	Home Position Sensor Bracket	1
25	AW02 0160	Paper Feed Sensor	1
26	D016 5320	Harness: Scanner: Connecting: Ass'y	1

Index No.	Part No.	Description	Q'ty Per Assembly
101	0360 3006N	Screw - M3x6	
102	0451 4006N	Tapping Screw - 4x6	
103	0354 0300N	Screw: M4x30	
104	0354 0200N	Screw: M4x20	
105	1105 0487	Harness Clamp	
106	1105 0650	Clamp - MS-0709	
107	1105 0488	Harness Clamp	
108	0313 0120N	Pan Head Screw: M3x12	

123.Optics Section 5 (D016/D097)

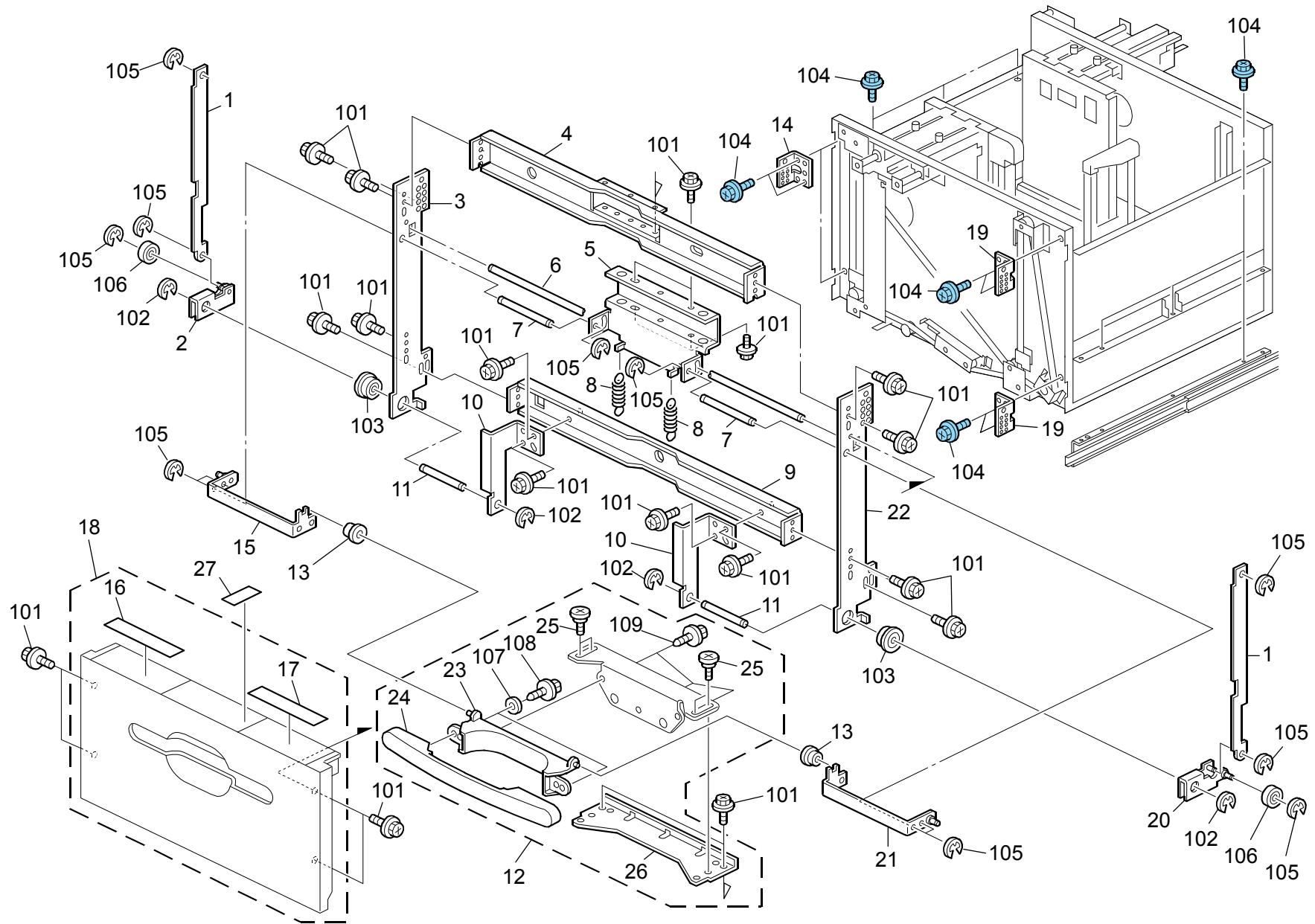


123.Optics Section 5 (D016/D097)

Index No.	Part No.	Description	Q'ty Per Assembly
1	B234 1764	Fan Motor Bracket	1
2	GX64 0021	Fan Motor DC24V 1.92W	2
3	B234 1774	DC Motor: Scanner: DC27V 50W	1
4	B234 1748	Scanner Motor Bracket	1
5	A294 1752	Pulley: Tension: Timing Belt: Ass'y	1
6	AA14 3802	Screw: 6x1.7	1
7	A294 1756	Spring - Scanner Motor	1
8	A294 1747	Timing Belt - Scanner	1
9	AX40 0012	Heater - 230V/18W	1
10	B234 1749	Scanner Drive Shaft	1
11	D016 5326	Harness: Heater: Scanner: Connecting: Ass'y	1
12	AA15 0332	Seal - 0.19x18x22	5
13	A294 1667	Sheet - Optical Housing	1
14	B234 1687	Sheet: S10: T0.075	2
15	B234 1828	Scanning Fan Bracket	1
16	B234 1723	Scanner Pulley Bracket - Left	2
17	B234 1683	Scanner Pulley Bracket	4
18	B132 1719	Screw: Mechanical Drive Section	2
19	AB03 2069	Pulley	1
20	AB03 2070	Pulley	1
21	A193 1829	Ball Bearing - M8	2
22	B234 1759	Drive Were	2
23	B234 1746	Tension Wire Bracket	2
24	B234 1758	Tension Spring	2
25	B234 1781	Holder Lensstay Lens Unit	2
26	A294 1688	Cushion	2
27	D016 5341	Harness: Scanner: Heater: Ass'y	1
28	B132 1896	Ground Wire: Scanner	1

Index No.	Part No.	Description	Q'ty Per Assembly
101	0451 4006N	Tapping Screw - 4x6	
102	0451 4008N	Tapping Screw: 4x8	
103	0453 4006N	Binding Self Tapping Screw: 4x6	
104	0314 0060N	Screw - M4x6	
105	0314 0080N	Philips Pan Head Screw - M4x8	
106	0324 0300N	Screw - M4x30	
107	1105 0522	Edge Saddle - LES0510	
108	1105 0488	Harness Clamp	
109	1105 0487	Harness Clamp	
110	1106 0383	Supporter - P.C.B.	
111	0354 0300N	Screw: M4x30	
112	0950 4008N	Screw: Spring Washer: M4x8	

124.Paper Tray 1 (D016/D097)



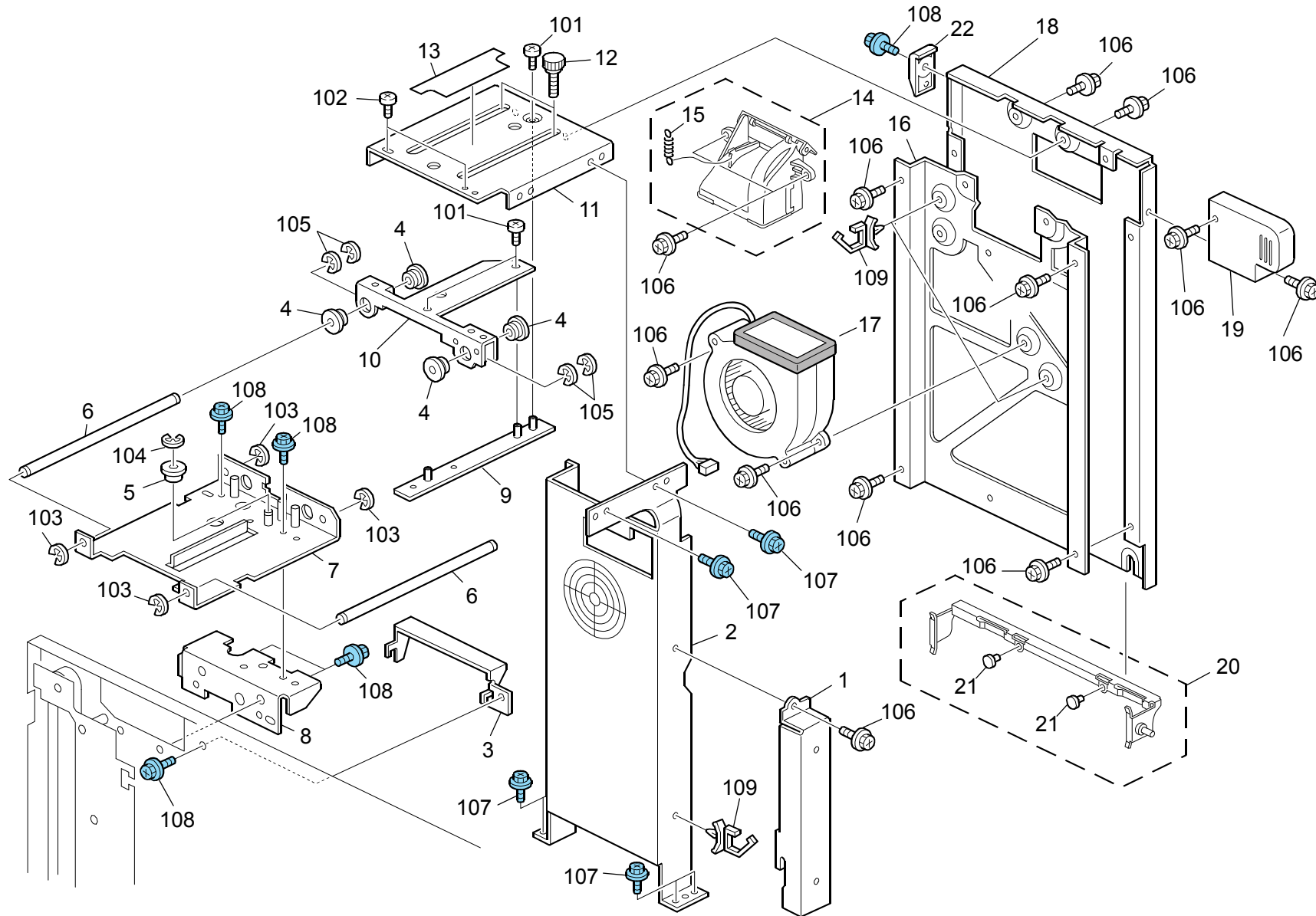
124.Paper Tray 1 (D016/D097)

Rev. 11/18/2010

Index No.	Part No.	Description	Q'ty Per Assembly
1	B834 3386	Link Handle	2
2	B834 3400	Stopper Guide - Left	1
3	B834 3395	Plate - Left	1
4	B834 3283	Stay: Main	1
5	B834 3475	Bracket	1
6	B834 3438	Link Shaft	1
7	B834 3384	Contact Point Shaft	2
8	H516 3666	Spring - 19.6mm	2
9	B834 3378	Stay	1
10	B834 3390	Contact Point Stay	2
11	B834 3389	Stopper Shaft	2
12	D355 1384	Grip: Paper Tray: Ass'y	1
13	B834 3312	Collar	2
14	B834 4892	Registration Side Plate - Left	2
15	B834 3379	Arm: Swivel: Left: Peen	1
16	D453 1310	Decal: Paper: Supply	1
17	D453 1310	Decal: Paper: Supply	1
18	D355 1387	Cover: Paper Tray: Ass'y	1
19	B834 4891	Registration Side Plate - Right	2
20	B834 3425	Stopper Guide - Right	1
21	B834 3385	Arm - Right	1
22	B834 3396	Plate - Right	1
23	D355 1382	Grip: Rear: Paper Tray	1
24	G178 2942	Grip: Front: Paper Tray	1
25	AA14 3852	Screw	4
26	B834 3376	Plate: Handle	1
27	D016 1311	Decal: Paper Tray: Slow Set	1

Index No.	Part No.	Description	Q'ty Per Assembly
101	0451 4008N	Tapping Screw: 4x8	
102	0720 0060E	Retaining Ring - M6	
103	0742 3808	Ball Bearing - 8x16x5	
104	0454 4008Q	Tapping Screw - M4x8	
105	0720 0040E	Retaining Ring - M4	
106	0740 3506	Ball Bearing - 6x12x4 mm	
107	0701 0040N	Washer: DIA4	
108	0456 4012N	Tapping Screw: WP: 4x12	
109	0450 4008N	Tapping Screw - M4x8	

125.Paper Tray 2 (D016/D097)



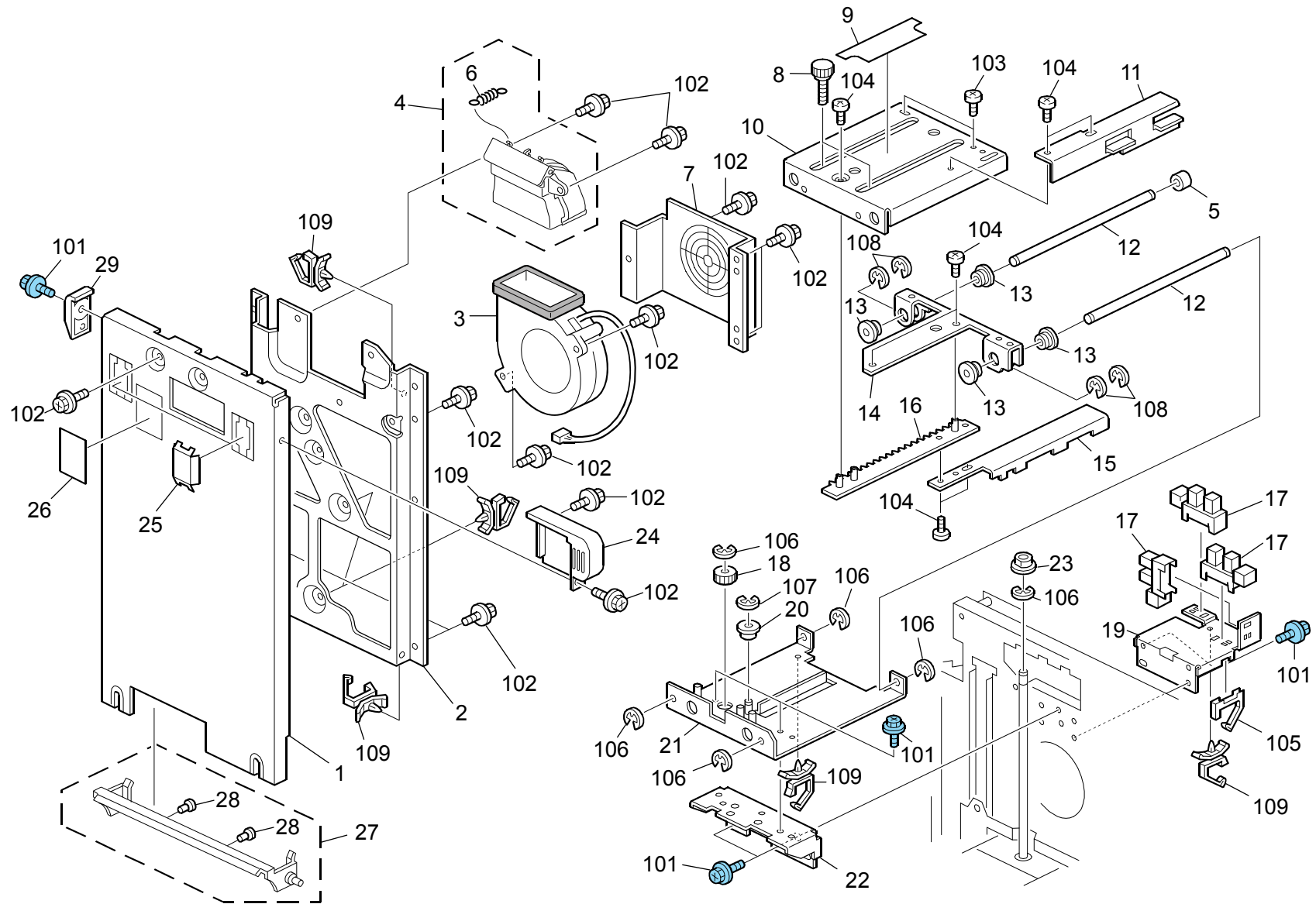
125.Paper Tray 2 (D016/D097)

Rev. 11/18/2010

Index No.	Part No.	Description	Q'ty Per Assembly
1	D355 3462	Cover: Blower: Harness	1
2	D355 3459	Guard: Blower: Front	1
3	D350 4516	Guard: Tray: Side Fence	1
4	B834 3350	Bushing - 6x10x6.5	4
5	B834 3312	Collar	1
6	B834 3368	Slide Shaft - Upper	2
7	B834 3323	Holder - : Upper Front	1
8	B834 3321	Side Fence Bracket - Upper Front	1
9	D350 3339	Rack: Upper Front: Peen	1
10	B834 3332	Guide - Upper Front	1
11	B834 3337	Cover - Upper Front	1
12	B832 2877	Knob Screw: Tray: Guide: Green	2
13	D355 1394	Decal: Side Fence: Scale: Front	1
14	D355 3365	Duct: Upper Front: Blower: Ass'y	1
15	AA06 0858	DC Solenoid Spring	1
16	D355 4652	Supporting Plate: Side Fence: Front	1
17	D355 5515	Blower: Fan: DC24V 18.24W	1
18	D355 4657	Side Fence: Front	1
19	B834 4153	Side Fence Grip	1
20	D355 4630	Tray Bottom Plate - Support	1
21	D355 4608	Spacer: Side Fence: Push Rivet	2
22	D355 4654	Cover: Side Fence	1

Index No.	Part No.	Description	Q'ty Per Assembly
101	0453 3006N	Tapping Screw - M3x6	
102	0453 4006N	Binding Self Tapping Screw: 4x6	
103	0720 0040E	Retaining Ring - M4	
104	0720 0030E	Retaining Ring - M3	
105	0720 0080E	Retaining Ring - M8	
106	0451 4008N	Tapping Screw: 4x8	
107	0454 4006Q	Tapping Screw: 4x6	
108	0454 4008Q	Tapping Screw - M4x8	
109	1105 0511	Harness Clamp - LWS-0306ZC	

126.Paper Tray 3 (D016/D097)

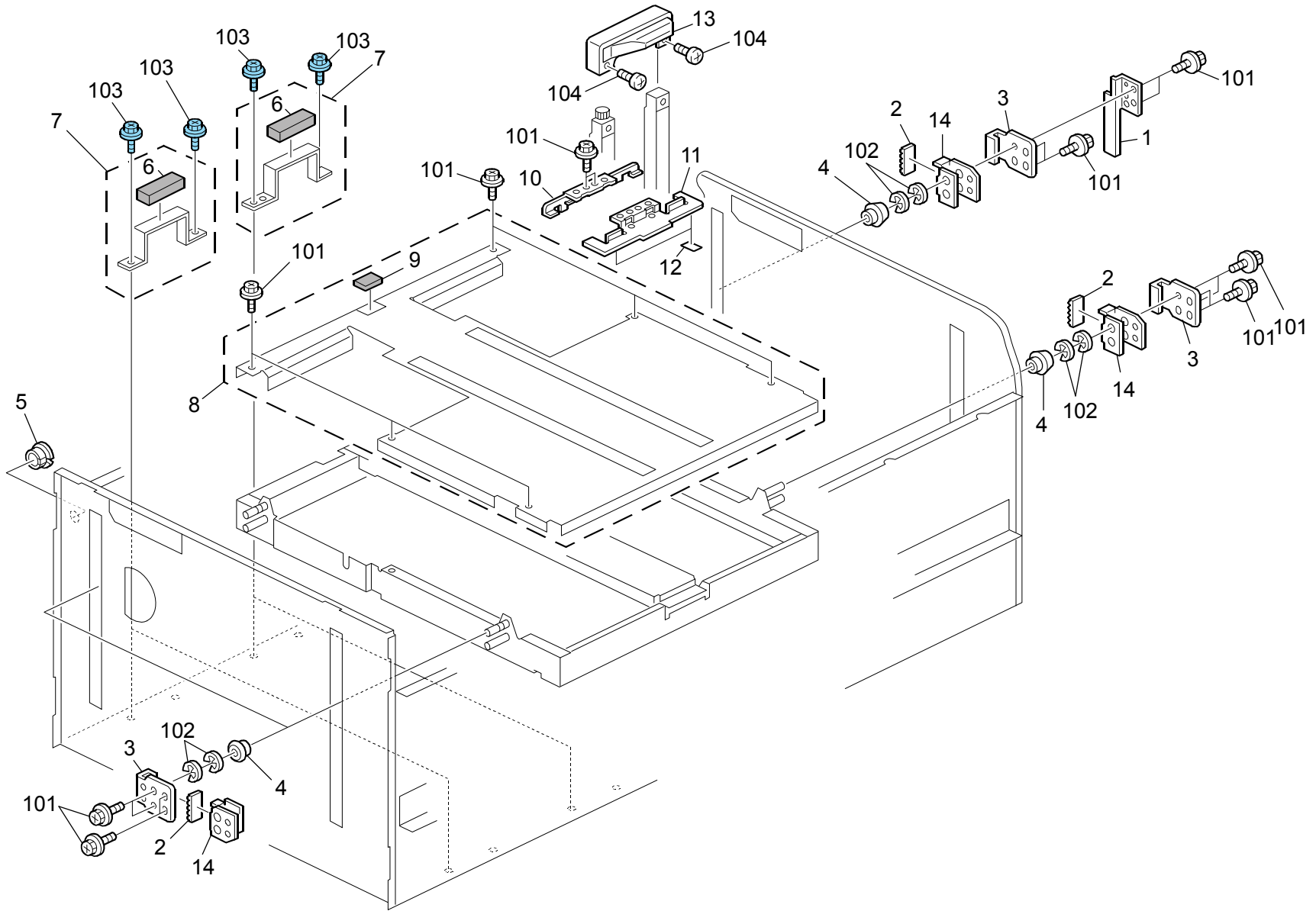


126.Paper Tray 3 (D016/D097)

Index No.	Part No.	Description	Q'ty Per Assembly
1	D355 4664	Side Fence: Rear	1
2	D355 4662	Supporting Plate: Side Fence: Rear	1
3	D355 5515	Blower: Fan: DC24V 18.24W	1
4	D355 3375	Duct: Upper Rear: Blower: Ass'y	1
5	C236 3237	Collar 6x11.2x1.5	1
6	AA06 0858	DC Solenoid Spring	1
7	D355 3461	Guard: Blower: Rear	1
8	B832 2877	Knob Screw: Tray: Guide: Green	2
9	D355 1395	Decal: Side Fence: Scale: Rear	1
10	B834 3338	Cover - Upper Rear	1
11	B834 4743	Feeler - Paper Size Sensor No.2	1
12	B834 3368	Slide Shaft - Upper	2
13	B834 3350	Bushing - 6x10x6.5	4
14	B834 3334	Guide - Upper Rear	1
15	B834 4742	Feeler - Paper Size Sensor No.1	1
16	B834 3349	Rack - Upper Rear	1
17	AW02 0160	Paper Feed Sensor	3
18	B834 3316	Gear - 13Z	1
19	B834 4741	Paper Size Sensor Bracket	1
20	B834 3312	Collar	1
21	B834 3329	Holder - Upper Rear	1
22	B834 3322	Side Fence Bracket - Upper Rear	1
23	AA08 2101	Bushing - 6x10x6	1
24	B834 4163	Side Fence Grip - Rear	1
25	D355 2777	Plate: Auxiliary: Small: Adhesion	2
26	D355 2674	Decal - Paper Volume	1
27	D355 4630	Tray Bottom Plate - Support	1
28	D355 4608	Spacer: Side Fence: Push Rivet	2
29	D355 4654	Cover: Side Fence	1

Index No.	Part No.	Description	Q'ty Per Assembly
101	0454 4008Q	Tapping Screw - M4x8	
102	0451 4008N	Tapping Screw: 4x8	
103	0453 4006N	Binding Self Tapping Screw: 4x6	
104	0453 3006N	Tapping Screw - M3x6	
105	1105 0522	Edge Saddle - LES0510	
106	0720 0040E	Retaining Ring - M4	
107	0720 0030E	Retaining Ring - M3	
108	0720 0080E	Retaining Ring - M8	
109	1105 0511	Harness Clamp - LWS-0306ZC	

127.Paper Tray 4 (D016/D097)

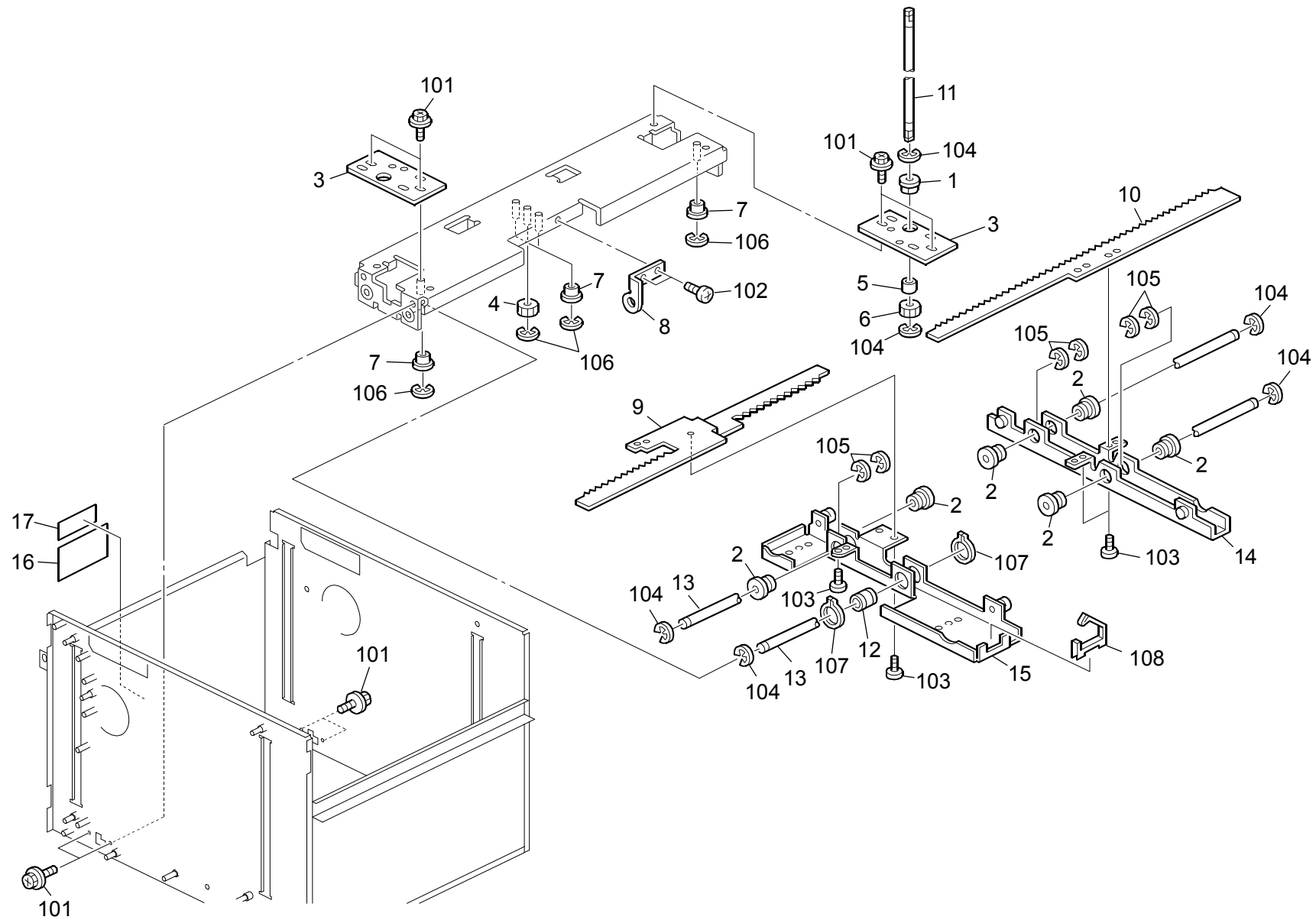


127.Paper Tray 4 (D016/D097)

Index No.	Part No.	Description	Q'ty Per Assembly
1	D355 4568	Feeler: Paper Volume Sensor	1
2	C563 3116	Belt Joint	4
3	D355 3232	Bracket: Timing Belt: Rear	4
4	A335 4351	Guide Roller	4
5	B234 6141	Positioning Sleeve - Inner Back	1
6	B834 4032	Cushion: Tray: No.1	4
7	B834 2715	Tray Cushion Holder	4
8	D355 4620	Tray Bottom Plate: Adhesion	1
9	5201 2858	Friction Pad	1
10	D355 4579	Guide: End Fence: Left	1
11	D355 4578	Guide: End Fence: Right	1
12	B834 3490	Spacer - Side Fence	2
13	D355 4591	Grip: End Fence: Ass'y	1
14	B834 3231	Timing Belt Holder - Rear	4

Index No.	Part No.	Description	Q'ty Per Assembly
101	0451 4008N	Tapping Screw: 4x8	
102	0720 0060E	Retaining Ring - M6	
103	0454 4008Q	Tapping Screw - M4x8	
104	0453 4006N	Binding Self Tapping Screw: 4x6	

128.Paper Tray 5 (D016/D097)

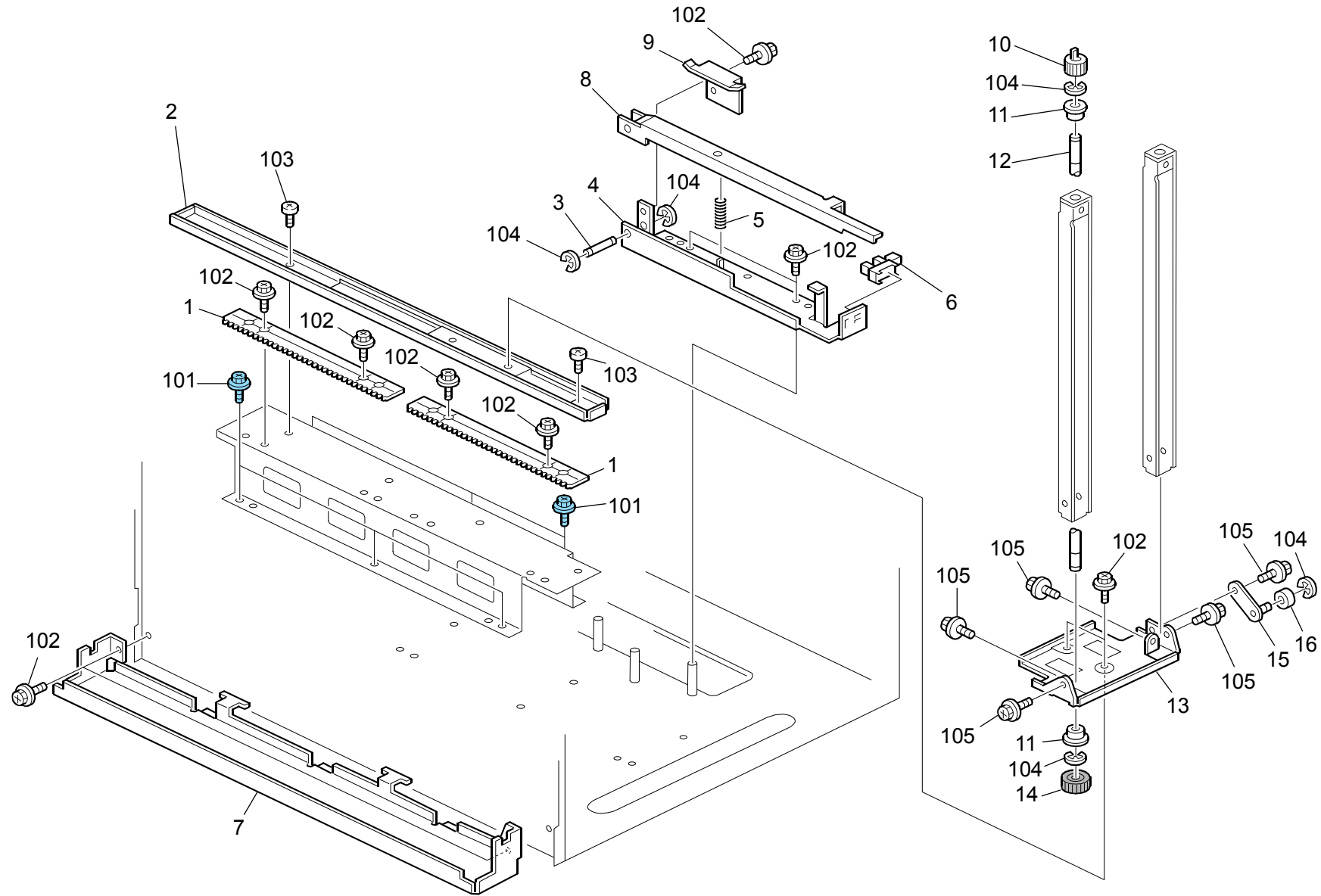


128.Paper Tray 5 (D016/D097)

Index No.	Part No.	Description	Q'ty Per Assembly
1	AA08 2101	Bushing - 6x10x6	1
2	B834 3350	Bushing - 6x10x6.5	6
3	B834 3318	Plate: Lower	2
4	B834 3315	Gear - 13Z	1
5	A376 1295	Spacer - M6x10x5	1
6	B834 3316	Gear - 13Z	1
7	B834 3312	Collar	4
8	B834 3314	Shaft Holder - Lower	1
9	B834 3313	Rack - Front: Lower	1
10	B834 4696	Rack - Rear Lower	1
11	B834 3346	Coupling Shaft - Rear	1
12	D355 4866	Ball Bearing: Slide: DIA6	1
13	B834 3111	Side Fence Shaft - Lower	2
14	B834 3309	Side Fence Bracket - Lower Rear	1
15	D355 3306	Bracket: Side Fence: Lower Front	1
16	D355 4572	Decal: Paper Tray: Warning	1
17	D355 4574	Decal: Paper Tray: Caution	1

Index No.	Part No.	Description	Q'ty Per Assembly
101	0451 4008N	Tapping Screw: 4x8	
102	0453 3006N	Tapping Screw - M3x6	
103	0453 4006N	Binding Self Tapping Screw: 4x6	
104	0720 0040E	Retaining Ring - M4	
105	0720 0080E	Retaining Ring - M8	
106	0720 0030E	Retaining Ring - M3	
107	0725 0120E	Retaining Ring C - M12	
108	1105 0522	Edge Saddle - LES0510	

129.Paper Tray 6 (D016/D097)



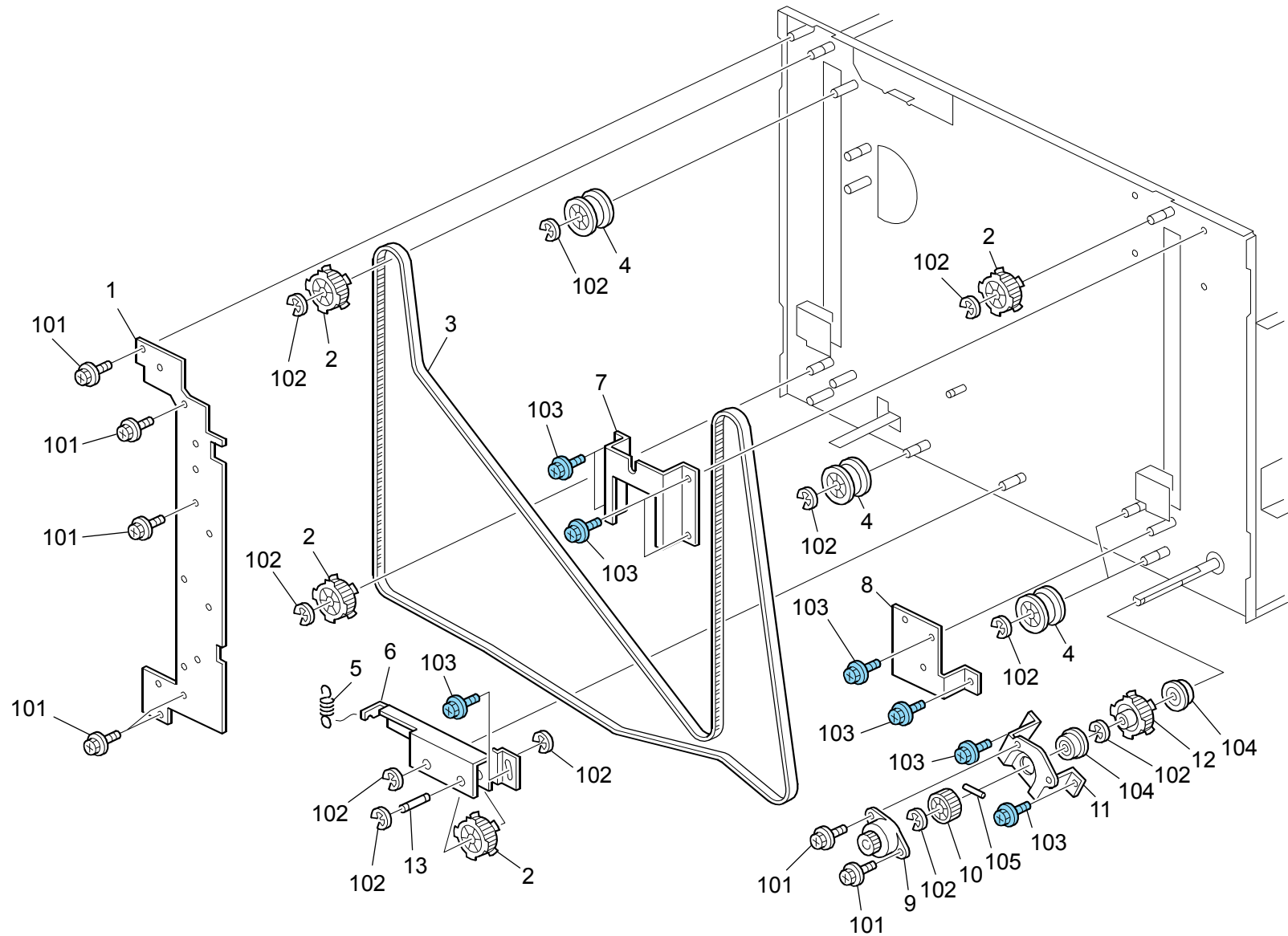
129.Paper Tray 6 (D016/D097)

Rev. 04/28/2010

Index No.	Part No.	Description	Q'ty Per Assembly
1	D355 4593	Rack: Base: End Fence	2
2	B834 3065	Slide Rail - End Fence	1
3	B834 4595	Contact Point Shaft - Long	1
4	D355 3168	Bracket: Paper Size Sensor: Long	1
5	G052 1518	Spring - Lock Lever	1
6	AW02 0160	Paper Feed Sensor	1
7	D355 2719	Separation Plate: Drive Unit	1
8	B834 4594	Shielding Plate - Long	1
9	D355 3169	Plate: Paper Size Sensor	1
10	A294 4156	Gear - 23Z	1
11	H085 1109	Bushing - M6x5	2
12	D355 4597	Shaft: End Fence: Coupling	1
13	D355 4587	Bracket: End Fence	1
14	A228 3613	Gear - 20Z	1
15	D355 4589	Bracket: Paper Size Sensor	1
16	D355 4598	Roller: Slider	1

Index No.	Part No.	Description	Q'ty Per Assembly
101	0454 4008Q	Tapping Screw - M4x8	
102	0451 4008N	Tapping Screw: 4x8	
103	0453 4006N	Binding Self Tapping Screw: 4x6	
104	0720 0040E	Retaining Ring - M4	
105	0451 4006N	Tapping Screw - 4x6	

130.Paper Tray 7 (D016/D097)

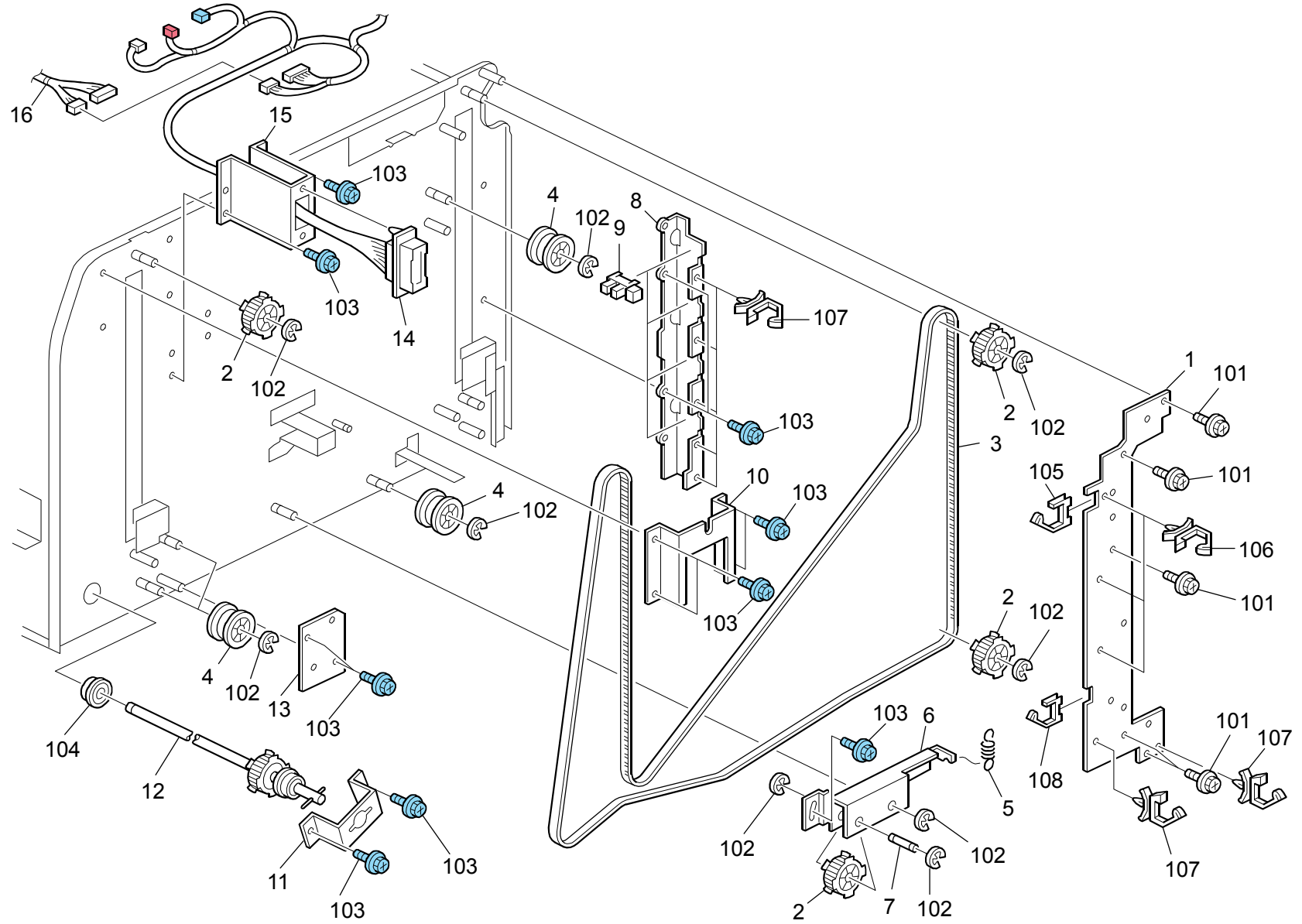


130.Paper Tray 7 (D016/D097)

Index No.	Part No.	Description	Q'ty Per Assembly
1	B834 4563	Plate	1
2	B834 4557	Timing Pulley: Drive: No.2: Ass'y	4
3	B834 4572	Timing Belt - B100S5M2000	1
4	B834 4559	Tensioner	4
5	AA06 0840	Pressure Spring - 29N	1
6	B834 3245	Tension Bracket No.2 - Front	1
7	B834 3237	Bracket - Front	1
8	B834 4564	Holder - Front	1
9	B834 3493	Oil Damper: 0.2N	1
10	D355 4140	Gear - 24Z	1
11	D355 4564	Bracket: Drive: Front Lower	1
12	B834 4565	Timing Pulley - 20T	1
13	B834 4568	Stud	1

Index No.	Part No.	Description	Q'ty Per Assembly
101	0451 4008N	Tapping Screw: 4x8	
102	0720 0060E	Retaining Ring - M6	
103	0454 4008Q	Tapping Screw - M4x8	
104	0742 3808	Ball Bearing - 8x16x5	
105	0633 0140G	Parallel Pin - 3x14	

131.Paper Tray 8 (D016/D097)



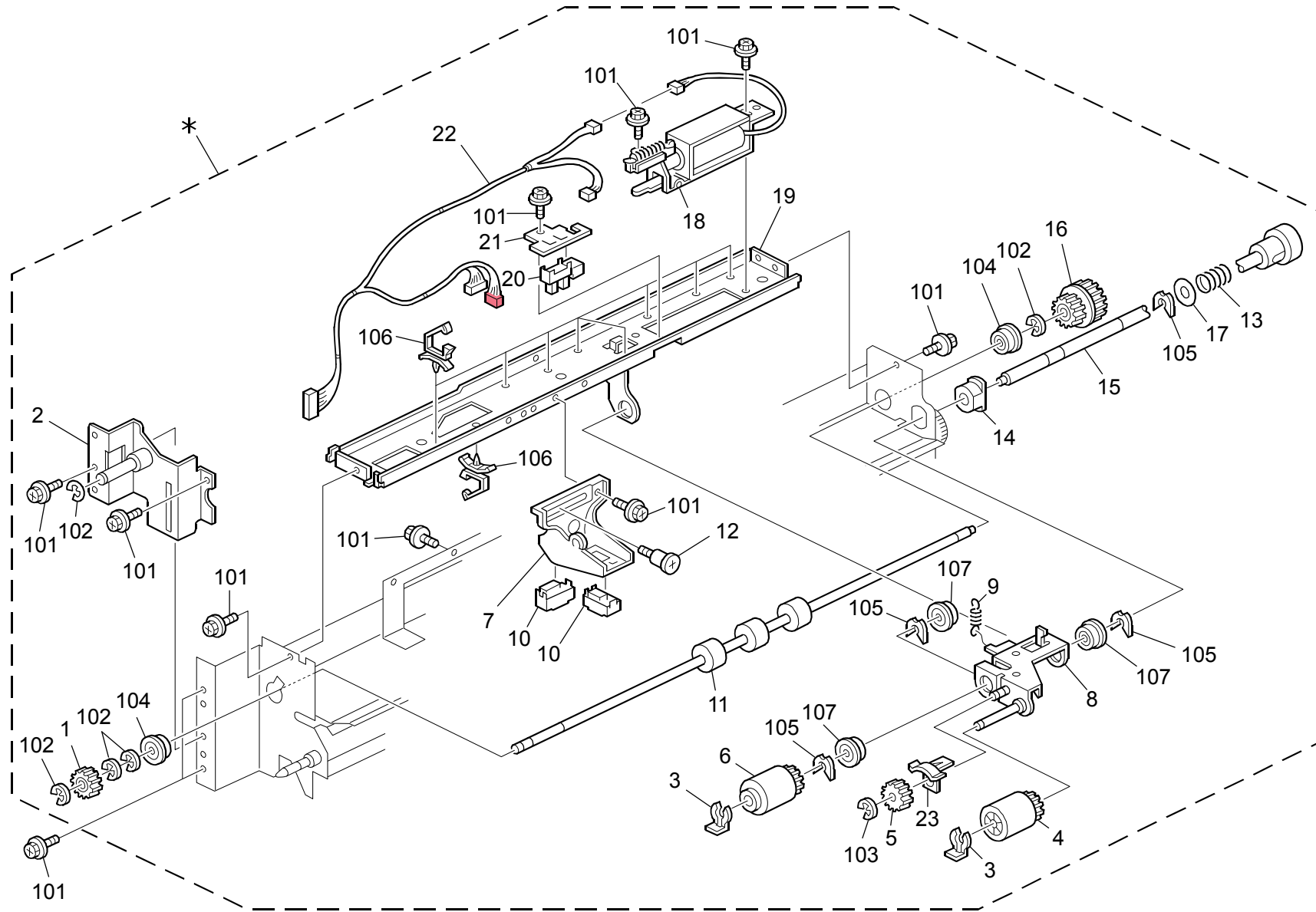
131.Paper Tray 8 (D016/D097)

Rev. 11/18/2010

Index No.	Part No.	Description	Q'ty Per Assembly
1	B834 4563	Plate	1
2	B834 4557	Timing Pulley: Drive: No.2: Ass'y	4
3	B834 4572	Timing Belt - B100S5M2000	1
4	B834 4559	Tensioner	4
5	AA06 0840	Pressure Spring - 29N	1
6	B834 4566	Tension Bracket No.2 - Rear	1
7	B834 4568	Stud	1
8	D355 4556	Bracket: Paper Volume Sensor	1
9	AW02 0160	Paper Feed Sensor	4
10	B834 3248	Bracket - Rear	1
11	D355 4563	Drive Bracket - Rear Lower	1
12	D355 4531	Shaft: Main: Drive	1
13	D355 4534	Holder: Driven: Rear	1
14	D355 5315	Harness: Connecting: Tray	1
15	B834 4881	Drawer Connector Bracket	1
16	D355 5316	Harness: Fan	1

Index No.	Part No.	Description	Q'ty Per Assembly
101	0451 4008N	Tapping Screw: 4x8	
102	0720 0060E	Retaining Ring - M6	
103	0454 4008Q	Tapping Screw - M4x8	
104	0742 3808	Ball Bearing - 8x16x5	
105	1105 0518	Edge Saddle - LES-1010	
106	1105 0487	Harness Clamp	
107	1105 0511	Harness Clamp - LWS-0306ZC	
108	1105 0522	Edge Saddle - LES0510	

132.Paper Feed Section 1 (D016/D097)

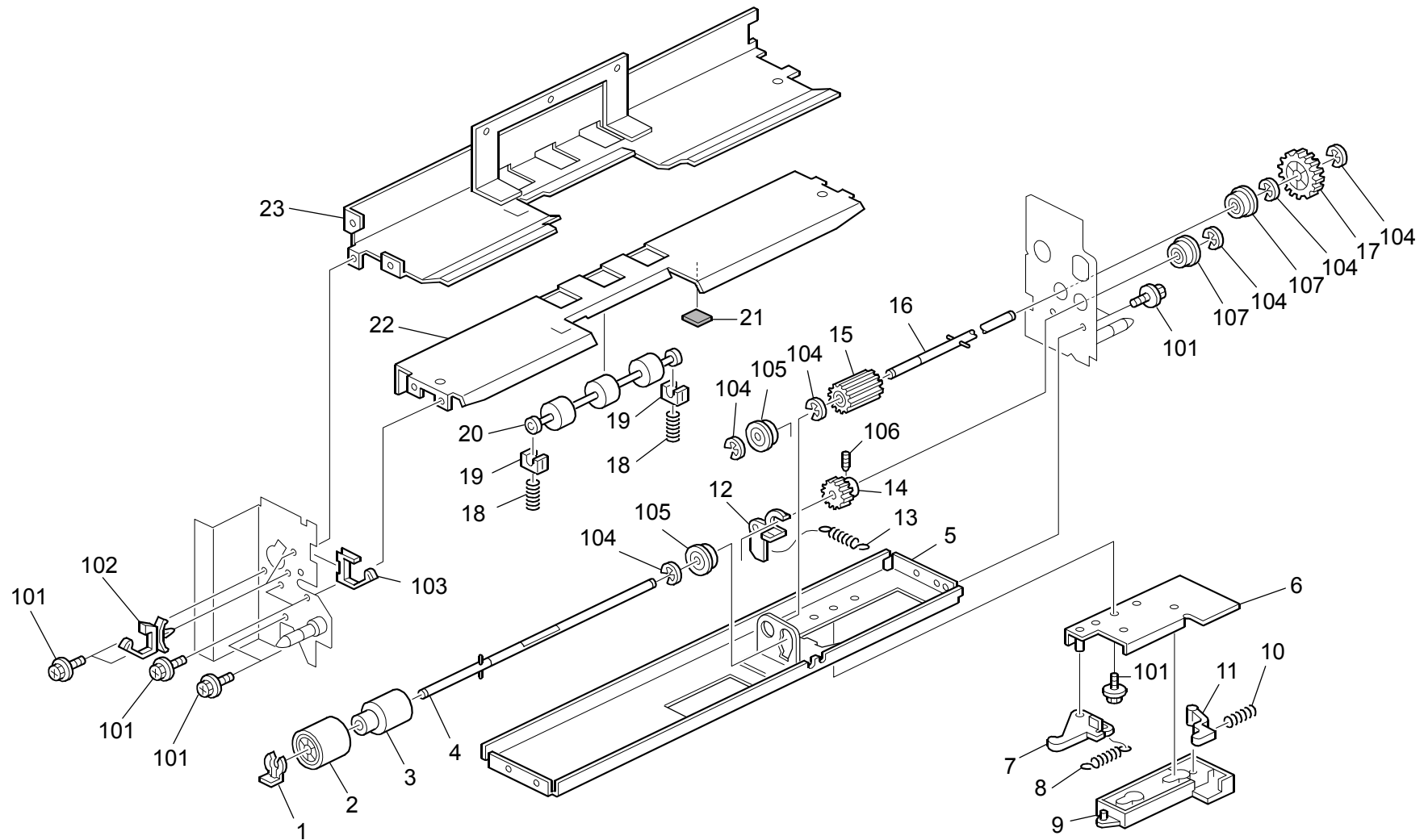


132.Paper Feed Section 1 (D016/D097)

Index No.	Part No.	Description	Q'ty Per Assembly
*	D355 2501	Paper Feed Unit: Ass'y	2
1	AB01 1478	Gear - 18Z	1
2	B834 2631	Stay	1
3	AA10 0014	Retaining Ring C - Separate	2
4	AF03 0071	Pick-up Roller	1
5	5447 2706	Gear - 15T	1
6	AF03 1041	Feed Roller - Bypass Feed	1
7	D355 2577	Bracket: Sensor: Paper Feed	1
8	B832 2574	Pickup Arm	1
9	AA06 6677	Tension Spring	1
10	AW01 0122	Paper Feed Sensor	2
11	AF02 1410	Transport Roller	1
12	AA14 3812	Screw - Scale	1
13	AA06 3204	Compression Spring	1
14	AA08 3015	Roller Clutch	1
15	B832 2585	Feed Roller Shaft	1
16	AB01 7724	Gear - 23Z/28Z	1
17	B132 4119	Spacer: Gear: Idler	1
18	B832 2578	DC Solenoid 24V	1
19	B832 2569	Stay: Feed: Peen	1
20	AW02 0160	Paper Feed Sensor	1
21	B511 2677	Sensor Bracket	1
22	D350 5311	Harness: Paper Feed Unit	1
23	D355 2571	Paper Feed Roller: Guard	1

Index No.	Part No.	Description	Q'ty Per Assembly
101	0451 4008N	Tapping Screw: 4x8	
102	0720 0060E	Retaining Ring - M6	
103	0720 0040E	Retaining Ring - M4	
104	0742 3808	Ball Bearing - 8x16x5	
105	0805 0088	Retaining Ring - M6	
106	1105 0511	Harness Clamp - LWS-0306ZC	
107	0741 3708	Ball Bearing - 8x12x3.5mm	

133.Paper Feed Section 2 (D016/D097)

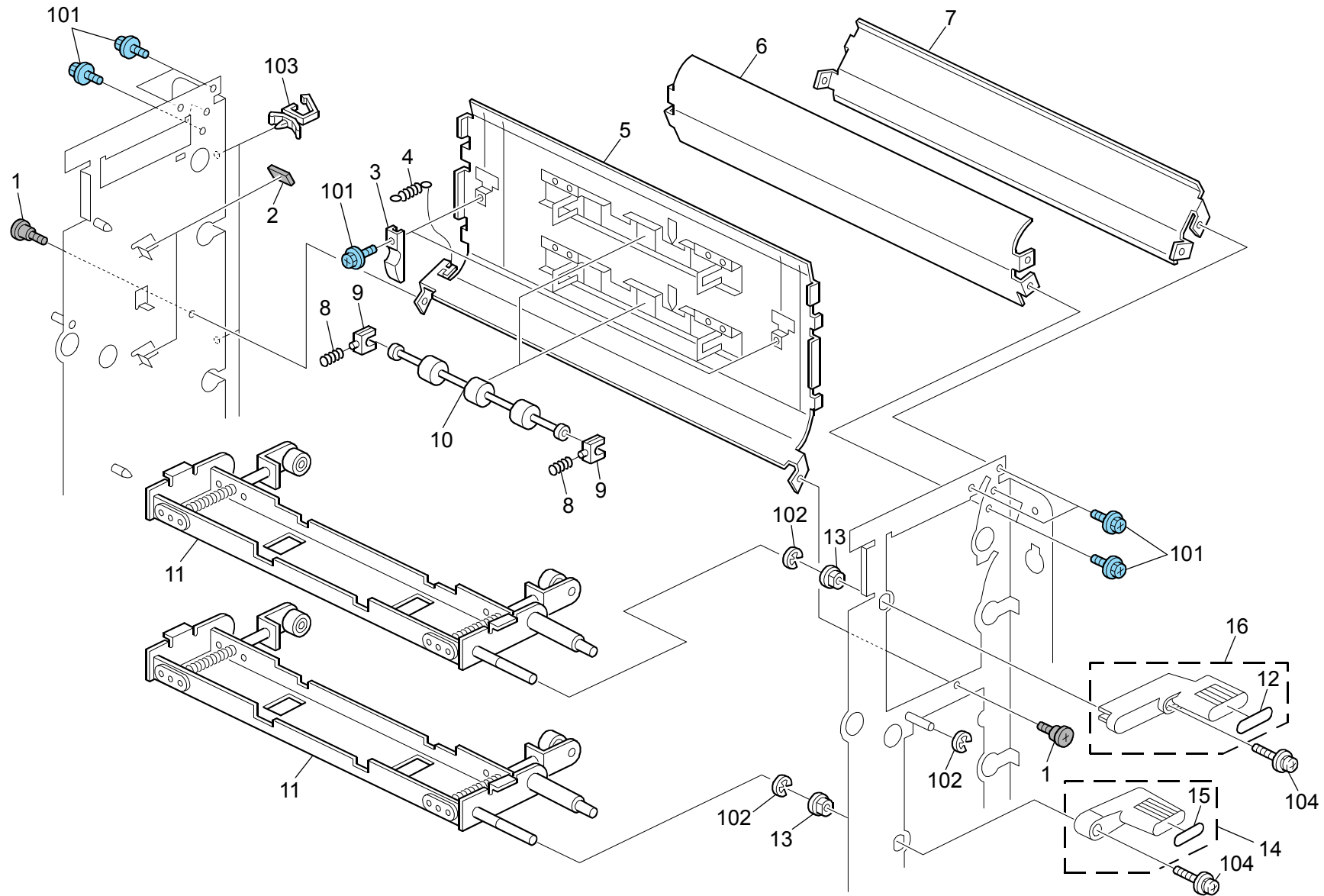


133.Paper Feed Section 2 (D016/D097)

Index No.	Part No.	Description	Q'ty Per Assembly
1	AA10 0014	Retaining Ring C - Separate	1
2	AF03 2041	Separation Roller - Bypass Feed	1
3	B234 6301	Torque Limiter: 75mn M	1
4	B234 6223	Driven Reverse Shaft	1
5	B832 2541	Stay	1
6	D355 2551	Bracket: Reverse: Release	1
7	B303 2559	Lever: Pressure Release: Reverse	1
8	D355 2559	Tension Spring: Reverse	1
9	D355 2554	Hook: Reverse: Pressure	1
10	D355 2563	Compression Spring: Reverse: Pressure: Auxiliary	1
11	D355 2556	Lever: Reverse: Pressure: Swivel	1
12	B303 2556	Reverse Pressure Lever	1
13	B833 2567	Tension Spring	1
14	AB01 1591	Gear: Reverse	1
15	AB01 1392	Drive Reverse Gear - 24Z	1
16	B234 6222	Reverse Drive Shaft	1
17	BB01 3008	Gear - 31Z	1
18	B833 2565	Compression Spring	2
19	AA08 4059	Ball Bearing Holder	2
20	B834 2568	Transport Roller - Driven	1
21	A229 2692	Damping Insulation	1
22	B832 2535	Reverse Guide Plate	1
23	B834 2520	Feed Guide Plate	1

Index No.	Part No.	Description	Q'ty Per Assembly
101	0451 4008N	Tapping Screw: 4x8	
102	1105 0511	Harness Clamp - LWS-0306ZC	
103	1105 0522	Edge Saddle - LES0510	
104	0720 0040E	Retaining Ring - M4	
105	0741 3506	Ball Bearing - 6x12x4 mm	
106	0573 0030E	Hexagon Headless Set Screw - M3x3	
107	0741 3706	Ball Bearing - 6x10x3	

134.Transfer Section 1 (D016/D097)

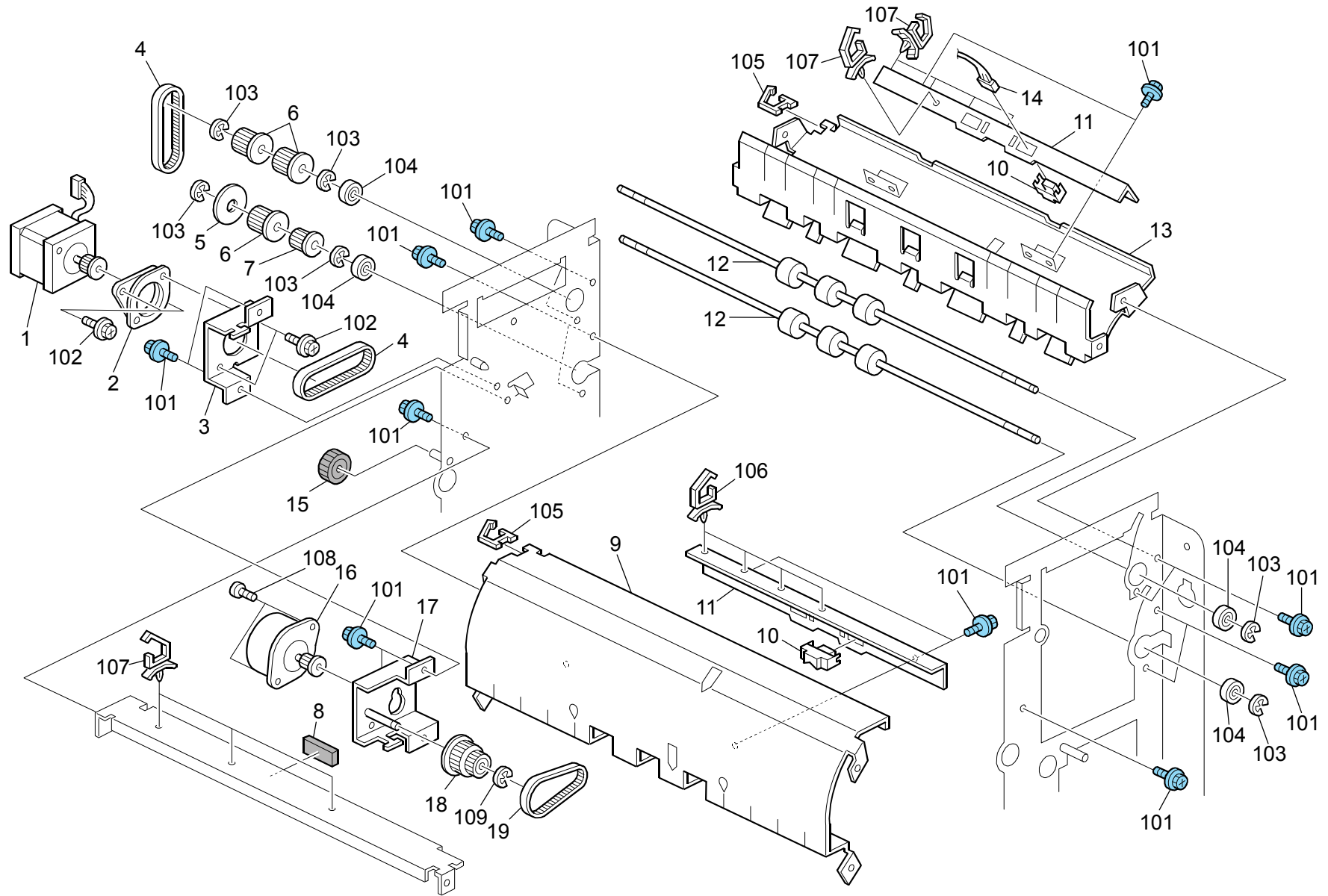


134.Transfer Section 1 (D016/D097)

Index No.	Part No.	Description	Q'ty Per Assembly
1	D355 3897	Screw: M4: 3M	2
2	D355 3809	Cushion: Stay	2
3	D355 3828	Holder: Stay: Guide Plate	2
4	D355 3857	Tension Spring: Guide Plate: 12N	1
5	D355 3832	Guide Plate: Upper: Open And Close: Peen	1
6	D355 3859	Guide Plate: Horizontal Transport: Lower	1
7	D355 3873	Guide Plate: Horizontal Transport: Upper	1
8	AA06 6675	Compression Spring	4
9	AA08 4059	Ball Bearing Holder	4
10	D355 3803	Transport Roller: Driven	2
11	D355 3566	Handle: Ass'y	2
12	D355 3891	Decal: U1: Lever: Operate: Display	1
13	AA08 2070	Bushing - 8x16x7	2
14	D355 3894	Lever: Misfeed Removal: Ass'y	1
15	D355 3892	Decal: U3: Lever: Operate: Display	1
16	D355 3893	Lever: Misfeed Removal: Ass'y	1

Index No.	Part No.	Description	Q'ty Per Assembly
101	0454 4008Q	Tapping Screw - M4x8	
102	0720 0060E	Retaining Ring - M6	
103	1105 0511	Harness Clamp - LWS-0306ZC	
104	0954 4010N	Screw: Polished Round/Spring: M4x10	

135.Transfer Section 2 (D016/D097)

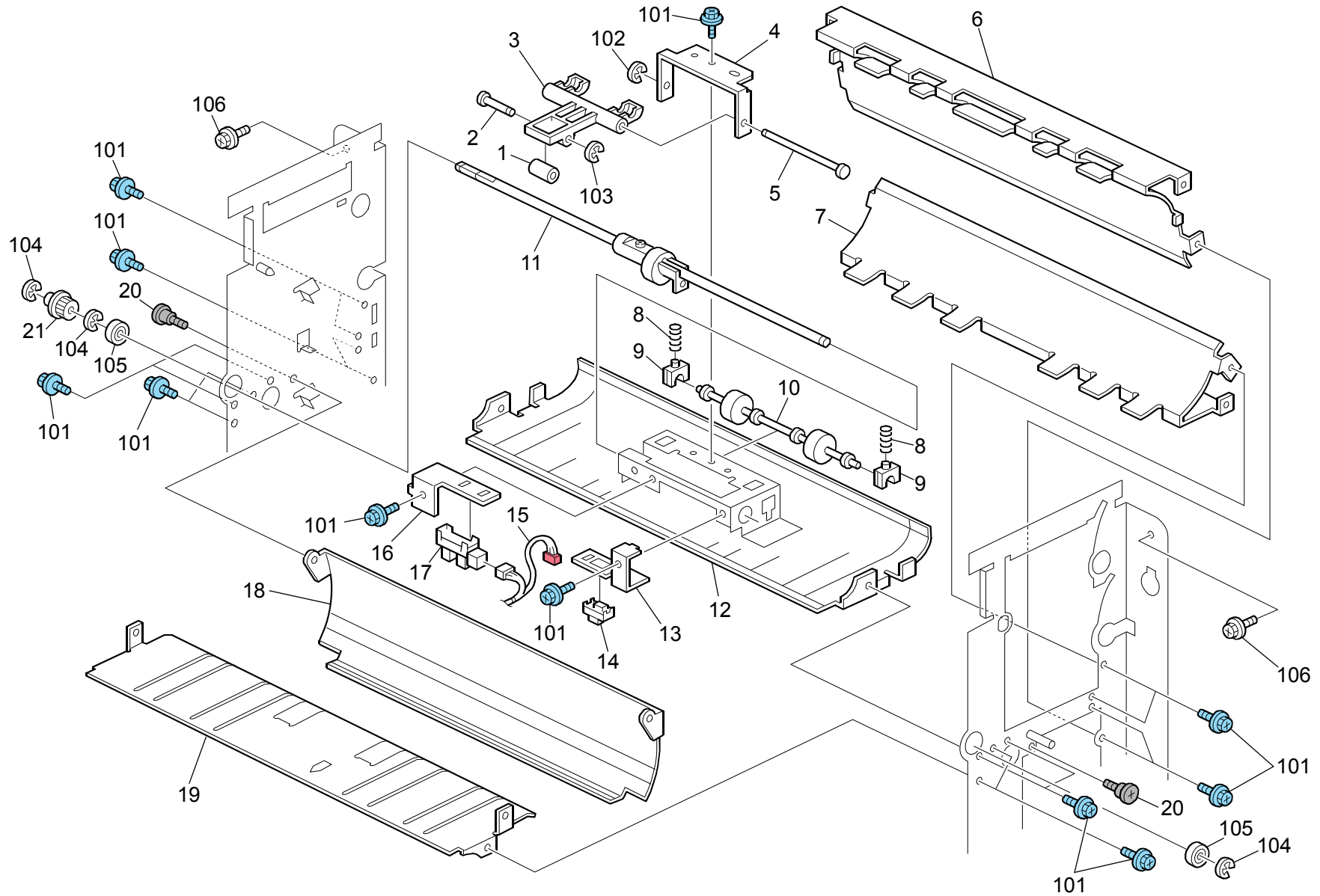


135.Transfer Section 2 (D016/D097)

Index No.	Part No.	Description	Q'ty Per Assembly
1	AX04 0158	Stepper Motor DC2.64V 6.3W	1
2	A232 4666	Cushion - Stepper Motor	1
3	D355 3821	Bracket: Stepper Motor	1
4	D355 3874	Timing Belt: 60S2M210	2
5	A017 2988	Ring	1
6	B234 6506	Timing Pulley - 30T	3
7	B234 6507	Timing Pulley - 25T	1
8	B832 3909	Bracket Cushion	1
9	D355 3841	Guide Plate: Upper Paper Feed: Lower: Peen	1
10	AW01 0122	Paper Feed Sensor	2
11	D355 3998	Bracket: Sensor: Transport	2
12	D355 3806	Drive Roller: Transport: CW	2
13	D355 3845	Guide Plate: Upper Paper Feed: Upper: Peen	1
14	D355 5312	Harness: Sensor: F1: Vertical Transport: Ass'y	1
15	B132 3350	Gear: Idler: Transport Screw: Small	1
16	AX06 0333	Stepper Motor DC2.4V 13W	1
17	D355 3829	Bracket: Stepper Motor: Peen	1
18	B835 2825	Gear - 29Z/36T	1
19	B835 2826	Timing Belt - B60S2M110	1

Index No.	Part No.	Description	Q'ty Per Assembly
101	0454 4008Q	Tapping Screw - M4x8	
102	0360 3006N	Screw - M3x6	
103	0720 0060E	Retaining Ring - M6	
104	0742 3808	Ball Bearing - 8x16x5	
105	1105 0551	Clamp: LES-0505	
106	1105 0534	Clamp	
107	1105 0511	Harness Clamp - LWS-0306ZC	
108	0453 3006N	Tapping Screw - M3x6	
109	0720 0040E	Retaining Ring - M4	

136.Transfer Section 3 (D016/D097)

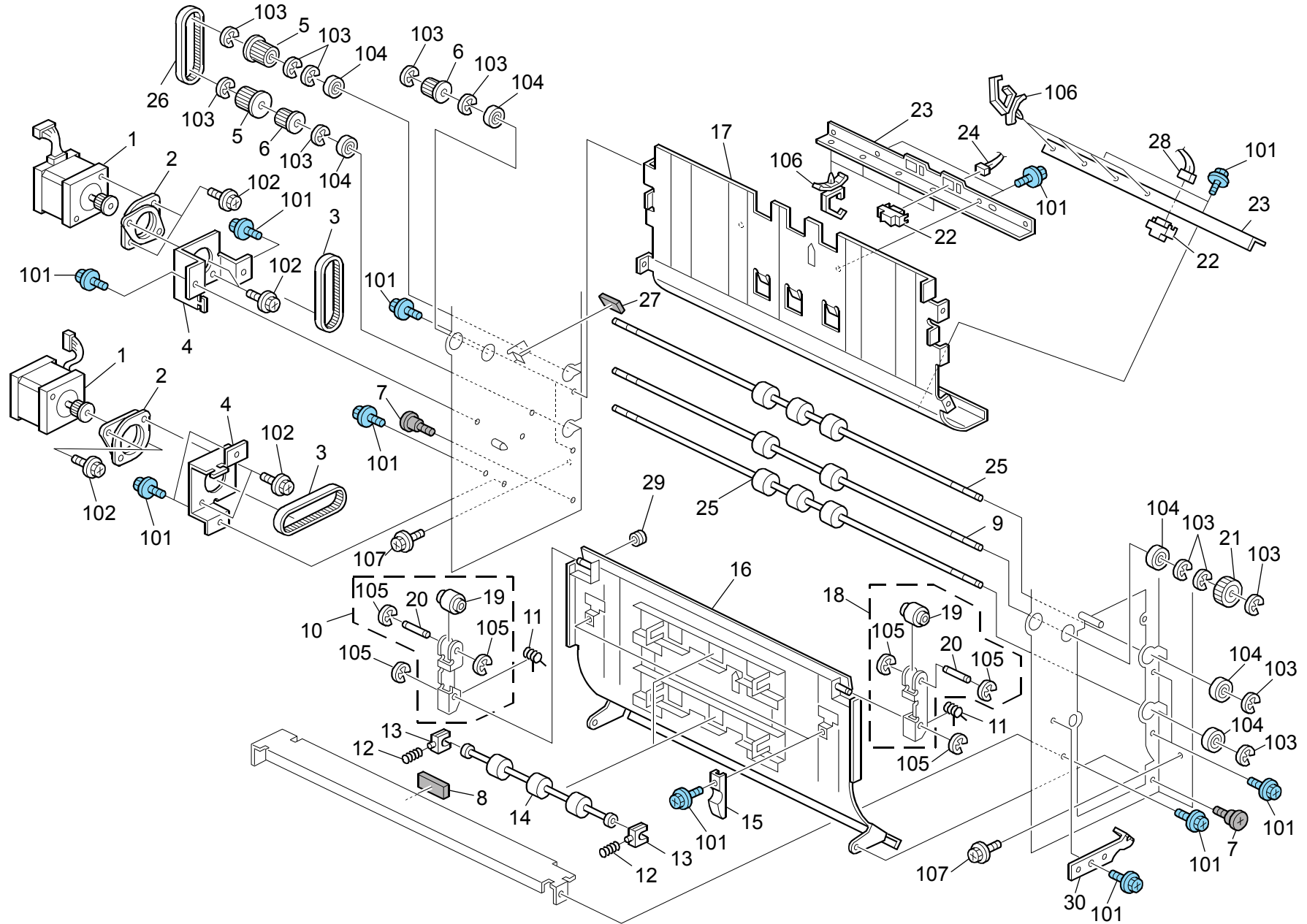


136.Transfer Section 3 (D016/D097)

Index No.	Part No.	Description	Q'ty Per Assembly
1	D355 3882	Roller: Pressure Release	1
2	D355 3886	Shaft: Arm: On-Off	1
3	D355 3889	Arm: On-Off	1
4	D355 3883	Bracket: Arm	1
5	B234 4842	Shaft: Arm: On-Off	1
6	D355 3872	Guide Plate: Middle Lower	1
7	D355 3851	Guide Plate: Middle Upper	1
8	B234 4818	Compression Spring	2
9	AA08 4059	Ball Bearing Holder	2
10	D355 3804	Transport Roller: Release: Driven	1
11	D355 3853	Shaft: Cam: Pickup Roller: Ass'y	1
12	D355 3830	Guide Plate: Middle Upper: Exit: Peen	1
13	D355 3836	Bracket: Pressure Release: Photo Reflection Sensor	1
14	AW01 0122	Paper Feed Sensor	1
15	D355 5314	Harness: Sensor: Exit: Ass'y	1
16	D355 3837	Bracket: Pressure Release: Photointerruptor: Flat	1
17	AW02 0145	Photointerruptor: Flat	1
18	D355 3877	Guide Plate: Middle Lower: Open And Close	1
19	D355 3823	Guide Plate: Middle Lower: Exit	1
20	D355 3897	Screw: M4: 3M	2
21	B835 2790	Gear - 14Z	1

Index No.	Part No.	Description	Q'ty Per Assembly
101	0454 4008Q	Tapping Screw - M4x8	
102	0720 0030E	Retaining Ring - M3	
103	0720 0020E	Retaining Ring - M2	
104	0720 0040E	Retaining Ring - M4	
105	0741 3906	Bushing - M6	
106	0451 4008N	Tapping Screw: 4x8	

137.Transfer Section 4 (D016/D097)

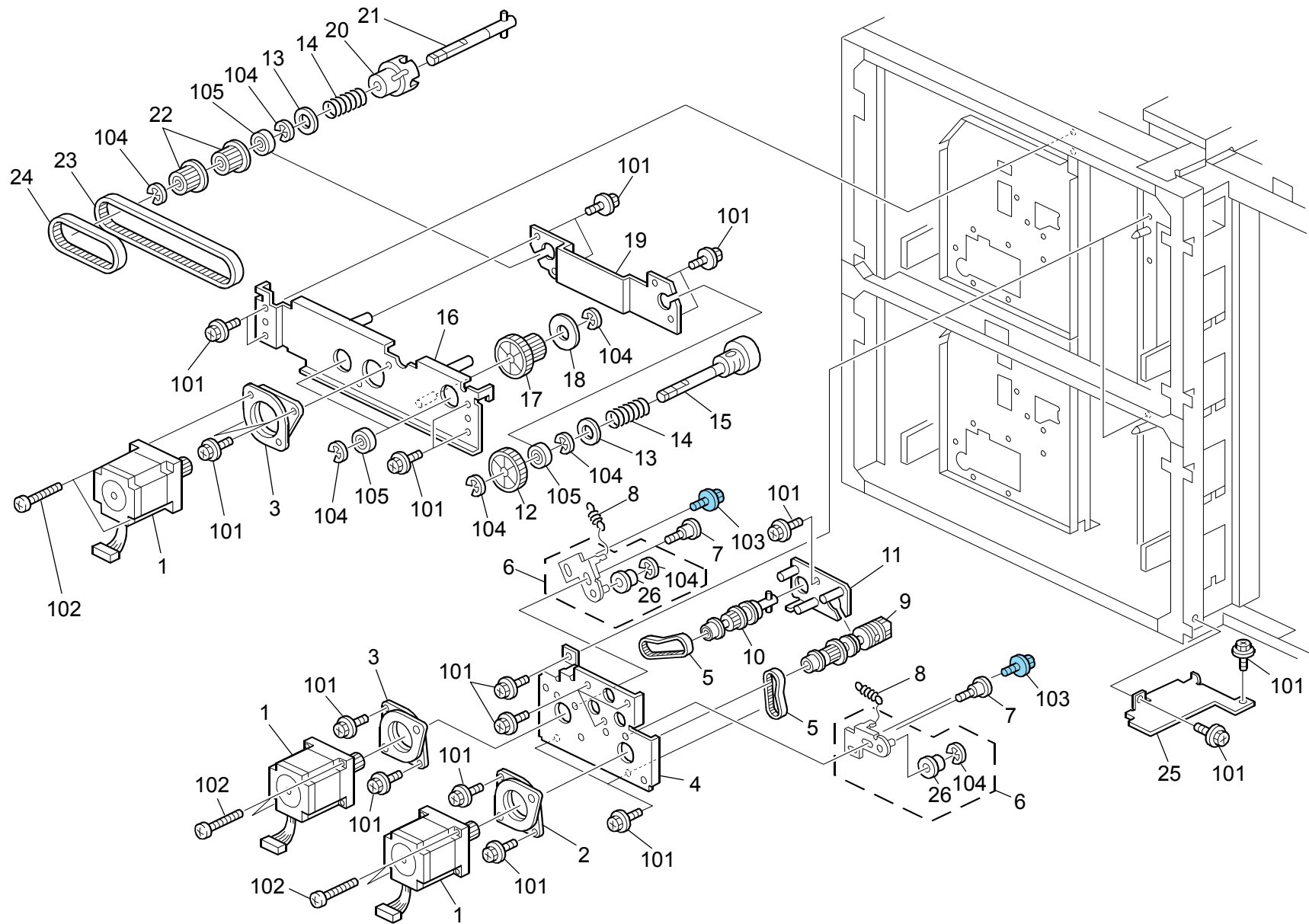


137.Transfer Section 4 (D016/D097)

Index No.	Part No.	Description	Q'ty Per Assembly
1	AX04 0158	Stepper Motor DC2.64V 6.3W	2
2	A232 4666	Cushion - Stepper Motor	2
3	D355 3874	Timing Belt: 60S2M210	2
4	D355 3821	Bracket: Stepper Motor	2
5	B234 6506	Timing Pulley - 30T	2
6	B234 6507	Timing Pulley - 25T	2
7	D355 3897	Screw: M4: 3M	2
8	B832 3909	Bracket Cushion	1
9	D355 3805	Drive Roller: Transport: Exit	1
10	D355 3840	Bracket: Detent: Ass'y	1
11	D355 3858	Torsion Spring: Guide Plate: 16N	2
12	AA06 6675	Compression Spring	4
13	AA08 4059	Ball Bearing Holder	4
14	D355 3803	Transport Roller: Driven	2
15	D355 3828	Holder: Stay: Guide Plate	2
16	D355 3850	Guide Plate: Lower Left: Open And Close: Peen	1
17	D355 3842	Guide Plate: Lower Right: Paper Tray: No.2: Peen	1
18	D355 3810	Bracket: Detent: Right: Ass'y	1
19	D355 1196	Roller: Detent	2
20	G363 1105	Detent Roller Shaft	2
21	D355 3817	Gear: Drive: Grip: Z22	1
22	AW01 0122	Paper Feed Sensor	2
23	D355 3998	Bracket: Sensor: Transport	2
24	D355 5313	Harness: Sensor: F2: Vertical Transport: Ass'y	1
25	D355 3807	Drive Roller: Transport: CCW	2
26	D355 3875	Timing Belt: 60S2M224	1
27	D355 3809	Cushion: Stay	1
28	D355 5311	Harness: Sensor: Transport: Ass'y	1
29	J502 3127	Bushing: Stepper Motor	1
30	D355 3885	Stopper: Frame	1

Index No.	Part No.	Description	Q'ty Per Assembly
101	0454 4008Q	Tapping Screw - M4x8	
102	0360 3006N	Screw - M3x6	
103	0720 0060E	Retaining Ring - M6	
104	0742 3808	Ball Bearing - 8x16x5	
105	0720 0030E	Retaining Ring - M3	
106	1105 0511	Harness Clamp - LWS-0306ZC	
107	0451 4008N	Tapping Screw: 4x8	

138.Drive Section 1 (D016/D097)

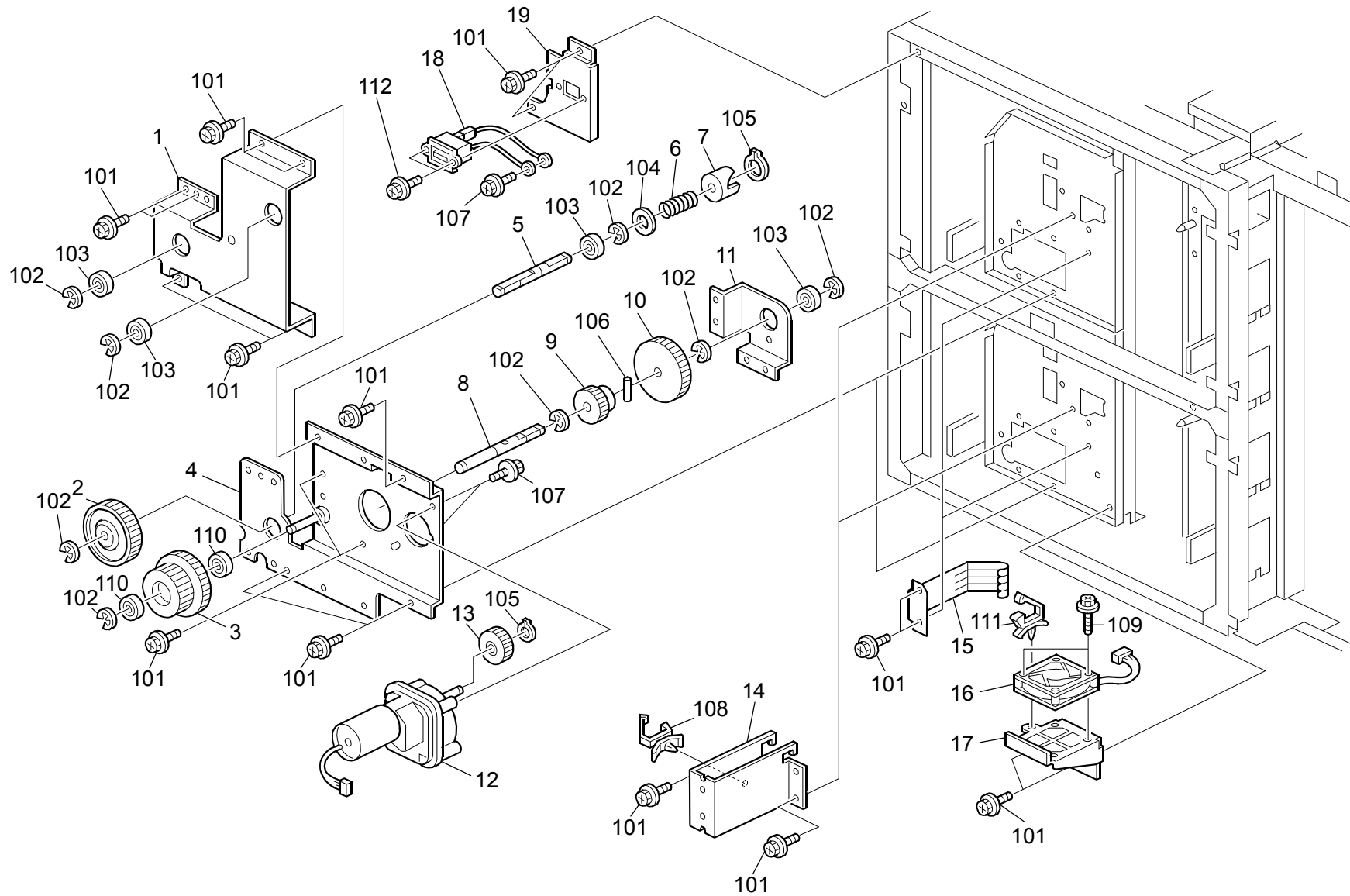


138.Drive Section 1 (D016/D097)

Index No.	Part No.	Description	Q'ty Per Assembly
1	AX04 0157	Stepper Motor DC1.68V 6.7W	5
2	B802 1622	Stepper Motor Damper	2
3	AA16 1122	Motor Cushion	3
4	B834 1725	Paper Feed Unit Drive Bracket	2
5	AA04 2550	Timing Belt - S2M138	4
6	B832 1750	Tension Bracket	4
7	AA14 3562	Screw: M4: DIA6x1.2	4
8	B234 6508	Tension Spring	4
9	B834 1730	Grip Drive Shaft	2
10	B834 1740	Shaft	2
11	B834 1718	Bracket	2
12	AB01 3654	Gear - 30Z	1
13	B125 3230	Spacer - 0.3	2
14	D355 1167	Compression Spring: Joint: Drive	2
15	D355 1168	Joint: Horizontal Transport: Drive: Shaft: Ass'y	1
16	D355 1159	Bracket: Horizontal Transport: Drive: Rear: Peen	1
17	B834 3885	Gear/pulley - 31Z/31T	1
18	AA13 2205	Spacer - Timing Belt	1
19	D355 1157	Bracket: Horizontal Transport: Drive: Front	1
20	D355 1137	Joint: Transport Unit	1
21	D355 1136	Shaft: Horizontal Transport: Drive: Ass'y	1
22	B234 6506	Timing Pulley - 30T	2
23	D355 1197	Timing Belt: 60S2M286	1
24	B835 2977	Timing Belt - B40S2M150	1
25	D355 1328	Bracket: Cover: Rear Left	1
26	AB03 0665	Idler Pulley - 18Z	2

Index No.	Part No.	Description	Q'ty Per Assembly
101	0451 4008N	Tapping Screw: 4x8	
102	0314 0080N	Philips Pan Head Screw - M4x8	
103	0454 4006Q	Tapping Screw: 4x6	
104	0720 0060E	Retaining Ring - M6	
105	0742 3808	Ball Bearing - 8x16x5	

139.Drive Section 2 (D016/D097)

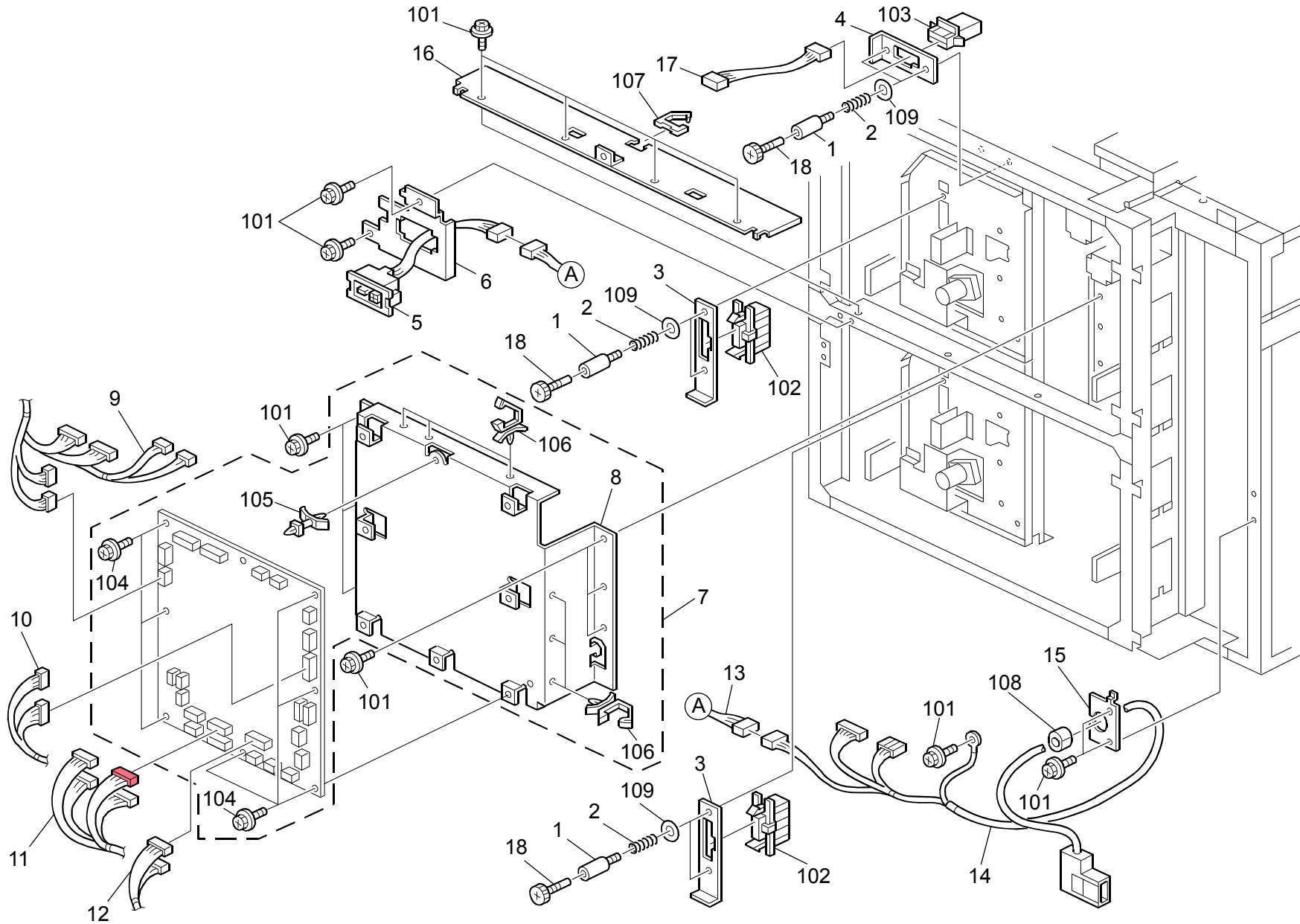


139.Drive Section 2 (D016/D097)

Index No.	Part No.	Description	Q'ty Per Assembly
1	D355 4934	Plate: Drive: Rear	2
2	B834 3203	Gear - 48Z	2
3	B834 4547	Gear - 36Z/60Z	2
4	D355 4931	Plate: Drive: Middle	2
5	D355 4548	Shaft: Main: Drive	2
6	B834 4388	Compression Spring	2
7	B303 1185	Metal Joint	2
8	D355 4549	Shaft: Gear: Drive	2
9	B834 3214	Gear - 30Z	2
10	B834 3217	Gear - 60Z	2
11	D355 4933	Plate: Drive: Front	2
12	AX04 0229	DC Motor 24V 21.6W	2
13	D355 3214	Gear - 30Z	2
14	D355 1096	Bracket: Cover: Rear	2
15	D355 4915	Spring Plate: Earth: Tray	2
16	GX64 0024	Fan Motor - DC 3.12W	1
17	D355 1172	Bracket: Cooling Unit	1
18	D016 5323	Harness: Ground Wire: Interface: Document Feeder	1
19	D016 1133	Bracket: Plug: ADF	1

Index No.	Part No.	Description	Q'ty Per Assembly
101	0451 4008N	Tapping Screw: 4x8	
102	0720 0060E	Retaining Ring - M6	
103	0742 3808	Ball Bearing - 8x16x5	
104	0708 0080N	Washer-DIA8	
105	0727 0080E	Retaining Ring - M8	
106	0633 0140G	Parallel Pin - 3x14	
107	0451 3006N	Tapping Screw - 3x6	
108	1105 0487	Harness Clamp	
109	0451 4030N	Tapping Screw: M4x30	
110	0740 3008	Ball Bearing - 8x22x7	
111	1105 0511	Harness Clamp - LWS-0306ZC	
112	0360 3006N	Screw - M3x6	

140.Electrical Section (D016/D097)

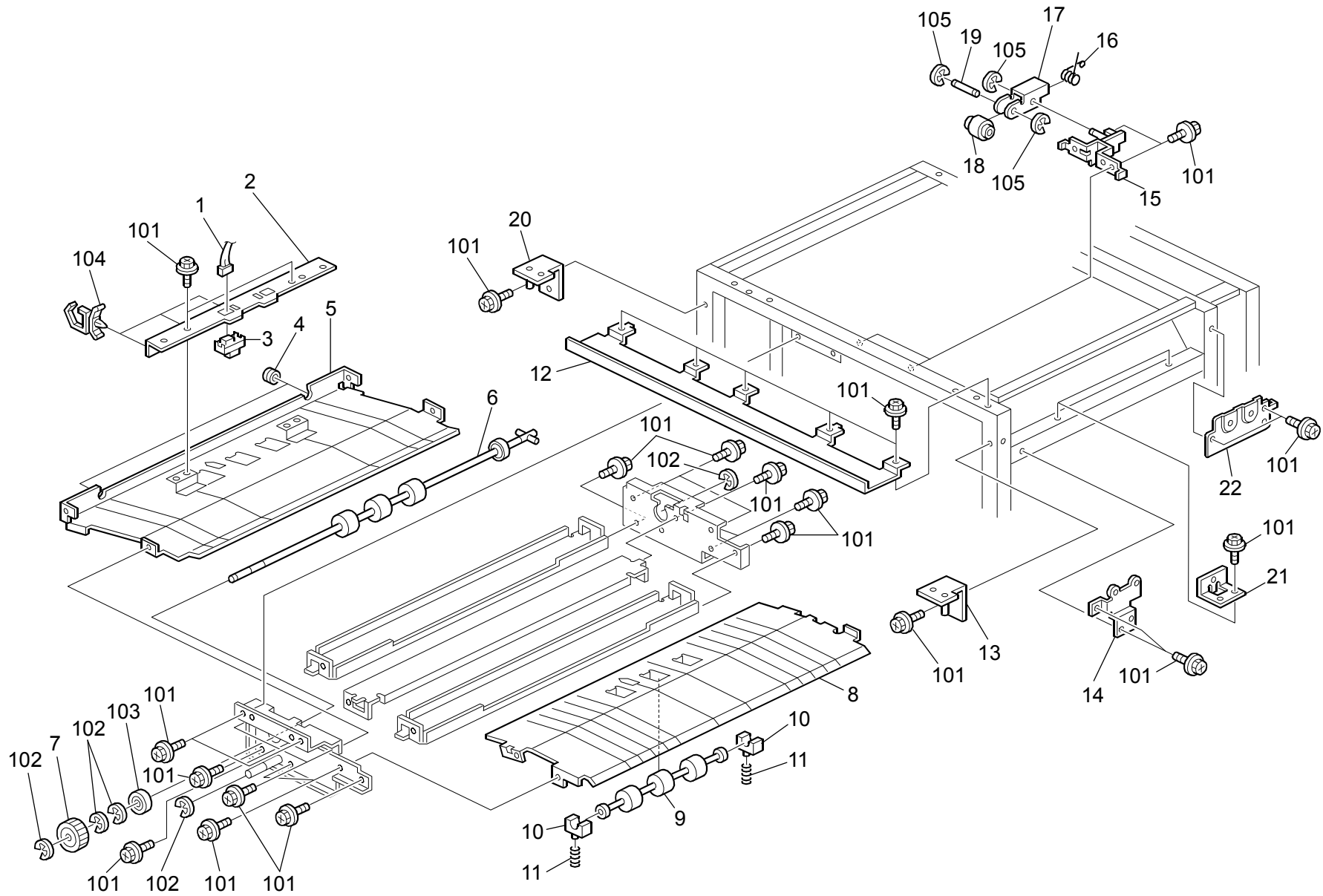


140.Electrical Section (D016/D097)

Index No.	Part No.	Description	Q'ty Per Assembly
1	B834 1101	Shaft: Drawer: Connector	6
2	D355 4875	Compression Spring	6
3	B834 4883	Drawer: Connector Bracket - Rear	2
4	D355 1152	Bracket: Drawer: Connector	1
5	D355 5331	Harness: Power Source: Connecting: Large Capacity Tray	1
6	D355 1143	Bracket: Plug: Coupling	1
7	D355 5020	PCB: Ass'y	1
8	D355 1174	Bracket: PCB	1
9	D355 5301	Harness: Main: Drawer: Ass'y	1
10	D355 5303	Harness: Main: Motor: Ass'y	1
11	D355 5302	Harness: Main: Paper Feed: Ass'y	1
12	D355 5304	Harness: Safety Switch: Ass'y	1
13	D355 5330	Harness: Data: Connecting: Large Capacity Tray	1
14	D355 5300	Harness: Interface: Main: Ass'y	1
15	D355 1132	Bracket: Power Supply Cord	1
16	D355 1181	Bracket: Harness Clamp: Peen	1
17	D355 5319	Harness: Horizontal Transport: Connecting: Ass'y	1
18	B834 1102	Screw: Drawer: Connector	6

Index No.	Part No.	Description	Q'ty Per Assembly
101	0451 4008N	Tapping Screw: 4x8	
102	1102 9781	Connector: 51405-3919	
103	1102 9430	Connector: Drawer: 1612257-7	
104	0451 3006N	Tapping Screw - 3x6	
105	1105 0194	PCB Stud	
106	1105 0488	Harness Clamp	
107	1105 0518	Edge Saddle - LES-1010	
108	1105 0022	Cord Stopper - AWG 18/16 UL	
109	0701 0060N	Washer DIA6	

141.Frame Section 1 (D016/D097)

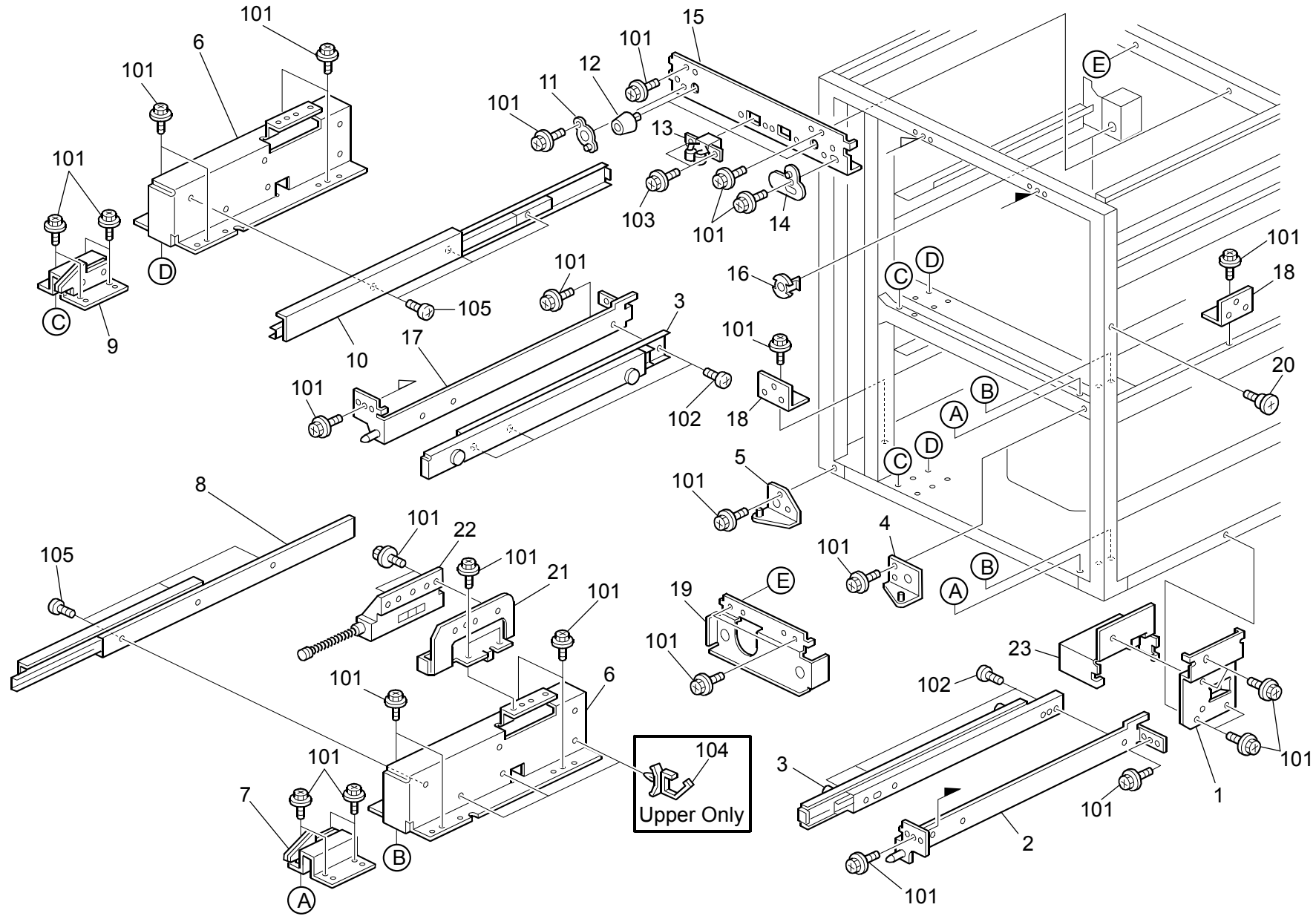


141.Frame Section 1 (D016/D097)

Index No.	Part No.	Description	Q'ty Per Assembly
1	D355 5309	Harness: Sensor: Horizontal Transport: Exit: Ass'y	1
2	D355 3998	Bracket: Sensor: Transport	1
3	AW01 0122	Paper Feed Sensor	1
4	J502 3127	Bushing: Stepper Motor	2
5	D355 3993	Guide Plate: Joint Unit: Upper: Peen	1
6	D355 3995	Transport Roller: Joint Unit: Ass'y	1
7	AB01 1478	Gear - 18Z	1
8	D355 3990	Guide Plate: Joint Unit: Lower: Peen	1
9	D355 3803	Transport Roller: Driven	1
10	AA08 4059	Ball Bearing Holder	2
11	AA06 6675	Compression Spring	2
12	D355 1366	Bracket: Fix: Cover: Upper Front	1
13	D355 1341	Hinge: Cover: Front Right: Upper: Peen	1
14	D355 1372	Bracket: Fix: Cover: Extension: Front	1
15	D355 1102	Bracket: Detent: Peen	1
16	D355 1195	Torsion Spring: Detent: 8N	1
17	D355 1198	Bracket: Detent	1
18	D355 1196	Roller: Detent	1
19	G363 1105	Detent Roller Shaft	1
20	D355 1334	Hinge: Cover: Front Left: Upper: Peen	1
21	D355 1043	Bracket: Fix: Transport Unit	2
22	D355 1373	Bracket: Fix: Cover: Extension: Rear	1

Index No.	Part No.	Description	Q'ty Per Assembly
101	0451 4008N	Tapping Screw: 4x8	
102	0720 0060E	Retaining Ring - M6	
103	0742 3808	Ball Bearing - 8x16x5	
104	1105 0511	Harness Clamp - LWS-0306ZC	
105	0720 0030E	Retaining Ring - M3	

142.Frame Section 2 (D016/D097)

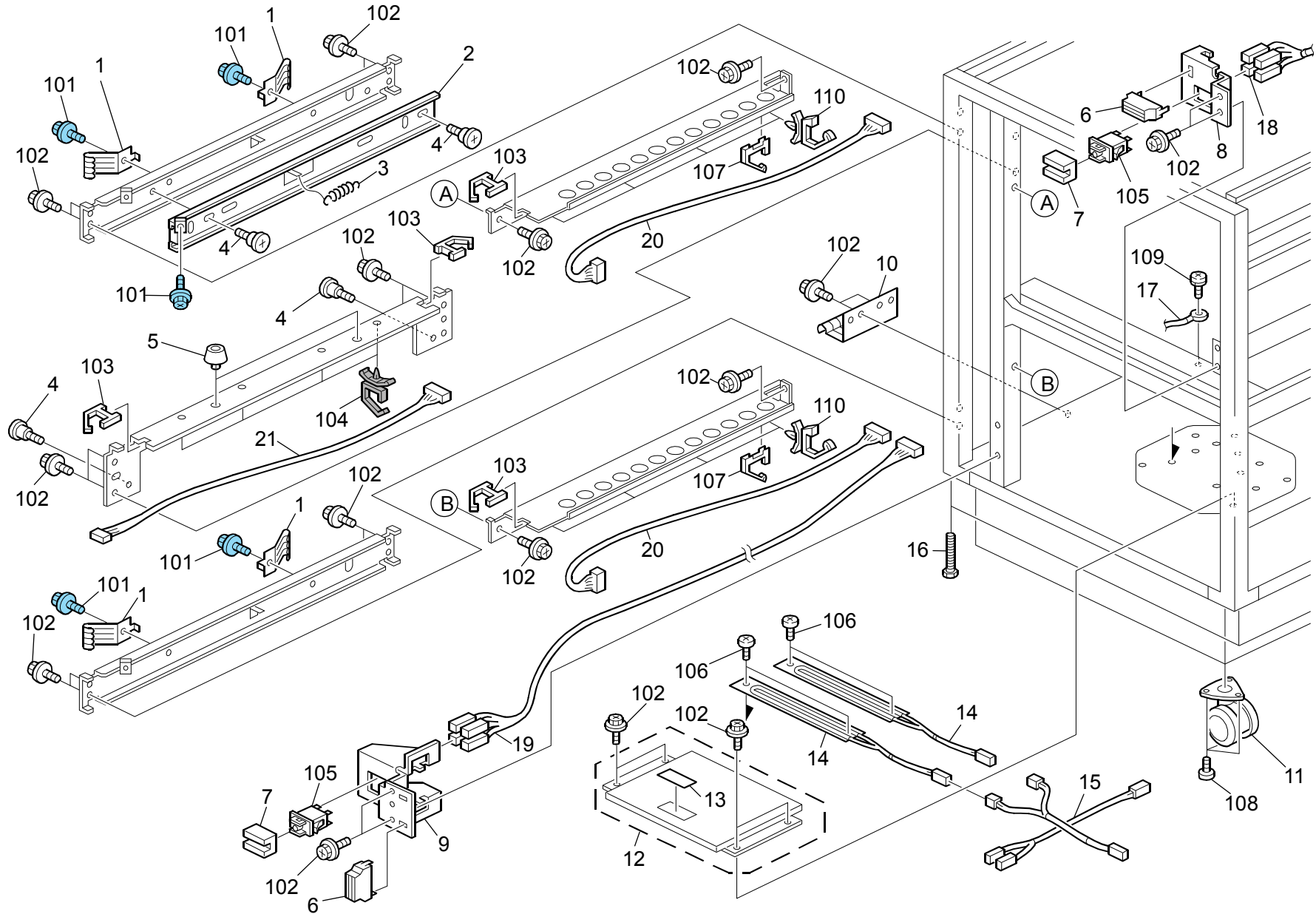


142.Frame Section 2 (D016/D097)

Index No.	Part No.	Description	Q'ty Per Assembly
1	B234 7559	Connector Bracket	1
2	D355 1122	Bracket: Slide Rail: Right: Peen	1
3	D355 3958	Slide Rail: Transport Unit	2
4	D355 1342	Hinge: Cover: Front Right: Lower: Peen	1
5	D355 1336	Hinge: Cover: Front Left: Lower: Peen	1
6	D355 1173	Bracket: Slide Rail	4
7	D355 1015	Bracket: Holder: Stopper: Right: Ass'y	2
8	B834 1155	Slide Rail - Right Middle	2
9	D355 1016	Bracket: Holder: Stopper: Left: Ass'y	2
10	B834 1145	Slide Rail - Left Middle	2
11	B512 1078	Positioning Pin: Guide: Rear	1
12	G570 1540	Rubber Foot H=10	2
13	B600 1082	Holder: Paper Tray	1
14	B512 1079	Positioning Pin: Guide: Front	1
15	D355 1164	Bracket: Horizontal Transport Unit: Receive Plate: Rear	1
16	B234 6141	Positioning Sleeve - Inner Back	2
17	D355 1121	Bracket: Slide Rail: Left: Peen	1
18	D355 1058	Bracket: Frame: Base	2
19	D355 1163	Bracket: Joint Unit: Receive Plate: Rear	1
20	AA14 0912	Screw - 8x14x2.8	2
21	D355 1902	Bracket: Tray: Stopper	2
22	D355 1162	Damper: Tray: Lock: Right	2
23	D355 1191	Cover: Heater: Connector	1

Index No.	Part No.	Description	Q'ty Per Assembly
101	0451 4008N	Tapping Screw: 4x8	
102	0453 3008N	Binding Self Tapping Screw: 3x8	
103	0451 3008N	Tapping Screw - M3x8	
104	1105 0487	Harness Clamp	
105	0453 4008N	Binding Self Tapping Screw: 4x8	

143.Frame Section 3 (D016/D097)



143.Frame Section 3 (D016/D097)

Rev. 11/18/2010

Index No.	Part No.	Description	Q'ty Per Assembly
1	B303 1116	Grounding Plate	4
2	D355 1114	Slider: Lock	1
3	AA06 6671	Lock Spring	1
4	AA14 0912	Screw - 8x14x2.8	4
5	GH01 0007	Rubber Foot - FF-006(P4070)N	2
6	AG07 1012	Magnet Catch: Ass'y	2
7	D355 1325	Cover: Push Switch	2
8	D355 1349	Bracket: Safety Switch: Right	1
9	D355 1347	Bracket: Safety Switch: Left	1
10	D355 1183	Ground Plate: Lower	1
11	AH01 2031	Caster: 1470N	6
12	D355 1144	Cover: Dehumidifier: Heater	1
13	D532 1147	Decal: High Temperature Warning	1
14	AX40 0012	Heater - 230V/18W	2
15	D355 5340	Harness: Connecting: Heater: Ass'y	1
16	AA14 3798	Hexagonal Bolt: M12x35	4
17	D355 5317	Harness: Earth: Ass'y	1
18	D355 5304	Harness: Safety Switch: Ass'y	1
19	D355 5305	Harness: Safety Switch: Connecting: Exit	1
20	D355 5307	Harness: Paper Feed Unit: Connecting	2
21	D355 5308	Harness: Sensor: Connecting: Vertical Transport	1

Index No.	Part No.	Description	Q'ty Per Assembly
101	0454 4008Q	Tapping Screw - M4x8	
102	0451 4008N	Tapping Screw: 4x8	
103	1105 0522	Edge Saddle - LES0510	
104	1105 0600	Clamp: LWSM-0306-2M	
105	1204 2382	Interlock Switch - Fail-CA22	
106	0314 0060N	Screw - M4x6	
107	1105 0518	Edge Saddle - LES-1010	
108	0951 6012N	Screw - M6x12	
109	0954 4008N	Screw - M4x8	
110	1105 0487	Harness Clamp	

144.IO Board 1 (D016/D097/G178/M078)

CAPACITOR

SYMBOL NO.	INDEX NO.	SYMBOL NO.	INDEX NO.	SYMBOL NO.	INDEX NO.	SYMBOL NO.	INDEX NO.	SYMBOL NO.	INDEX NO.	SYMBOL NO.	INDEX NO.	SYMBOL NO.	INDEX NO.
C1	200	C11	199	C21	202	C31	199	C41	200	C101	199	C111	199
---	---	C12	203	---	---	C32	199	C42	200	C102	203	C112	203
C3	200	C13	203	---	---	C33	203	C43	200	C103	199	C113	199
---	---	C14	203	C24	205	C34	203	C44	200	C104	203	C114	203
C5	200	C15	203	C25	197	C35	203	C45	200	C105	199	C115	199
---	---	C16	203	C26	203	C36	203	C46	200	C106	203	C116	203
C7	200	C17	203	C27	196	C37	203	C47	200	C107	199	C117	199
---	---	C18	202	C28	196	C38	203	C48	200	C108	203	---	---
C9	199	C19	202	C29	202	C39	200	C49	200	C109	199	---	---
C10	201	C20	202	C30	199	C40	200	---	---	C110	203	C120	192

CAPACITOR

SYMBOL NO.	INDEX NO.	SYMBOL NO.	INDEX NO.	SYMBOL NO.	INDEX NO.	SYMBOL NO.	INDEX NO.	SYMBOL NO.	INDEX NO.	SYMBOL NO.	INDEX NO.	SYMBOL NO.	INDEX NO.
C121	192	C131	203	C141	203	C151	203	C161	203	C171	203	C181	209
C122	192	C132	199	C142	199	C152	198	---	---	C172	203	C182	209
C123	192	C133	199	C143	199	C153	203	C163	203	C173	199	C183	199
---	---	C134	203	C144	203	C154	198	C164	203	C174	199	C184	209
C125	199	C135	203	C145	207	C155	203	C165	203	C175	199	C185	199
C126	199	C136	203	C146	214	---	---	---	---	C176	199	C186	209
C127	203	C137	199	C147	206	---	---	C167	203	---	---	C187	199
C128	203	C138	199	C148	203	C158	203	C168	203	C178	199	C188	209
C129	203	C139	199	C149	203	C159	198	C169	203	C179	209	C189	199
C130	203	---	---	---	---	C160	198	C170	203	C180	199	C190	209

144.IO Board 1 (D016/D097/G178/M078)

CAPACITOR

SYMBOL NO.	INDEX NO.	SYMBOL NO.	INDEX NO.	SYMBOL NO.	INDEX NO.	SYMBOL NO.	INDEX NO.	SYMBOL NO.	INDEX NO.	SYMBOL NO.	INDEX NO.	SYMBOL NO.	INDEX NO.
C191	199	C201	209	---	---	C221	206	C231	194	C241	209	C251	199
C192	252	C202	199	---	---	C222	206	C232	194	C242	199	C252	209
C193	252	C203	209	C213	191	C223	206	C233	209	---	---	C253	199
---	---	C204	199	C214	192	C224	206	C234	199	C244	199	C254	209
C195	199	C205	209	C215	192	C225	206	C235	209	C245	209	C255	199
C196	209	C206	199	C216	192	C226	203	C236	199	C246	199	C256	209
C197	199	C207	209	C217	191	C227	199	C237	209	C247	209	C257	199
C198	209	C208	199	C218	206	C228	209	C238	199	C248	209	---	---
C199	209	---	---	C219	206	C229	199	C239	209	C249	199	C259	203
C200	199	---	---	C220	206	C230	209	C240	199	C250	209	C260	203

CAPACITOR

SYMBOL NO.	INDEX NO.	SYMBOL NO.	INDEX NO.	SYMBOL NO.	INDEX NO.	SYMBOL NO.	INDEX NO.	SYMBOL NO.	INDEX NO.	SYMBOL NO.	INDEX NO.	SYMBOL NO.	INDEX NO.
C261	203	C271	203	C281	203	C291	213	C301	199	C311	209	C321	199
C262	192	C272	203	C282	203	---	---	C302	199	C312	209	C322	209
C263	200	C273	199	C283	203	---	---	C303	209	C313	199	C323	209
C264	200	C274	199	C284	203	C294	199	C304	209	C314	203	C324	203
C265	200	C275	203	C285	190	C295	201	C305	209	C315	203	C325	203
C266	200	C276	203	C286	208	C296	193	C306	209	C316	203	C326	203
C267	200	C277	203	C287	213	C297	199	C307	209	C317	199	C327	203
C268	200	C278	203	C288	202	C298	195	C308	209	C318	199	C328	203
C269	200	C279	203	C289	204	C299	199	C309	203	C319	199	C329	209
C270	200	C280	203	C290	202	C300	203	C310	203	C320	199	C330	209

144.IO Board 1 (D016/D097/G178/M078)

CAPACITOR

SYMBOL NO.	INDEX NO.
C331	209
C332	209
C333	209
C334	209
C335	199
C336	203
C337	199
C338	199
C339	199
C340	199

SYMBOL NO.	INDEX NO.
C341	199
C342	199
C343	199
C344	199
C345	199
C346	199
C347	199
C348	199
C349	199
C350	199

SYMBOL NO.	INDEX NO.
C351	199
C352	203
C353	199
C354	199
C355	199
C356	199

CA

SYMBOL NO.	INDEX NO.
CA1	211
---	---
---	---
---	---
---	---
---	---
---	---
---	---
---	---
---	---

SYMBOL NO.	INDEX NO.
CA101	211
CA102	211
CA103	211
CA104	211
CA105	212
CA106	212
CA107	210
CA108	212
CA109	212
CA110	212

SYMBOL NO.	INDEX NO.
CA111	212
CA112	212
CA113	212
CA114	210
CA115	210
CA116	210
---	---
CA118	211
CA119	211
CA120	210

SYMBOL NO.	INDEX NO.
CA121	211
CA122	211
CA123	211
CA124	211
CA125	215
CA126	215
CA127	211
CA128	211
CA129	211
CA130	211

CA

SYMBOL NO.	INDEX NO.
CA131	211
CA132	211
CA133	211
CA134	210
CA135	210
CA136	210
CA137	210
CA138	211
CA139	211
CA140	211

CONNECTOR

SYMBOL NO.	INDEX NO.
CN231	123
CN232	125
CN233	120
CN234	132
CN235	131
CN236	110
CN237	111
CN238	109
CN239	123
CN240	104

SYMBOL NO.	INDEX NO.
CN241	108
CN242	124
CN243	127
CN244	119
CN245	112
CN246	130
CN247	105
CN248	119
CN249	120
CN250	133

SYMBOL NO.	INDEX NO.
CN251	121
CN252	106
CN253	126
CN254	117
CN255	113
CN256	122
CN257	121
CN258	114
CN259	126
CN260	128

SYMBOL NO.	INDEX NO.
CN261	129
CN262	116
CN263	120
---	---
---	---
---	---
---	---
CN270	118

SYMBOL NO.	INDEX NO.
---	---
CN272	115
---	---
---	---
CN275	107

DIODE

SYMBOL NO.	INDEX NO.
D1	151
D2	151
D3	151
D4	151
D5	151
D6	151
D7	151
D8	151
D9	151
D10	151

144.IO Board 1 (D016/D097/G178/M078)

DIODE

SYMBOL NO.	INDEX NO.	SYMBOL NO.	INDEX NO.	SYMBOL NO.	INDEX NO.	SYMBOL NO.	INDEX NO.	SYMBOL NO.	INDEX NO.	SYMBOL NO.	INDEX NO.	SYMBOL NO.	INDEX NO.
D11	151	D21	151	D31	149	D41	149	D51	149	---	---	---	---
D12	151	D22	151	D32	149	D42	149	D52	149	---	---	---	---
---	---	D23	149	D33	149	D43	149	---	---	---	---	---	---
D14	151	D24	149	D34	149	D44	149	---	---	---	---	---	---
D15	151	---	---	D35	149	D45	149	---	---	---	---	---	---
D16	151	---	---	D36	149	D46	149	---	---	D106	149	---	---
D17	151	---	---	D37	149	D47	149	---	---	D107	149	---	---
D18	151	---	---	D38	149	D48	149	---	---	D108	149	D138	148
D19	151	---	---	D39	149	D49	149	---	---	D109	149	D139	148
D20	151	D30	149	D40	149	D50	149	---	---	---	---	D140	148

DIODE

SYMBOL NO.	INDEX NO.
D141	148
D142	149
D143	149
D144	149
D145	149
D146	149
D147	149
D148	149
D149	149
D150	150

FIL

SYMBOL NO.	INDEX NO.
FIL1	216

FUSE

SYMBOL NO.	INDEX NO.
FU1	134
FU2	138
FU3	137
---	---
---	---
---	---
---	---
---	---
---	---
---	---
---	---

SYMBOL NO.	INDEX NO.
FU21	137
FU22	137
FU23	137
---	---
---	---
---	---
---	---
---	---
---	---
---	---
---	---

SYMBOL NO.	INDEX NO.
---	---
FU102	136
FU103	140
FU104	140
FU105	140
FU106	140
FU107	140
FU108	139
FU109	135

IC

SYMBOL NO.	INDEX NO.
IC1	159
IC2	176
IC3	158
IC4	158
IC5	174
IC6	173
IC7	169
IC8	160
IC9	155
---	---

SYMBOL NO.	INDEX NO.
IC11	154
IC12	164
IC13	169
IC14	169
IC15	169
IC16	155
IC17	155
IC18	155
IC19	155
---	---

144.IO Board 1 (D016/D097/G178/M078)

IC

SYMBOL NO.	INDEX NO.	SYMBOL NO.	INDEX NO.	SYMBOL NO.	INDEX NO.	SYMBOL NO.	INDEX NO.	SYMBOL NO.	INDEX NO.	SYMBOL NO.	INDEX NO.	SYMBOL NO.	INDEX NO.
IC101	167	IC111	156	IC121	156	IC131	157	IC141	170	IC151	160	IC161	169
IC102	167	IC112	160	IC122	156	IC132	165	IC142	175	IC152	154	IC162	169
IC103	167	IC113	160	---	---	IC133	172	IC143	175	IC153	154	IC163	169
IC104	167	IC114	161	---	---	IC134	165	IC144	175	IC154	160	IC164	169
IC105	168	IC115	161	IC125	175	---	---	IC145	175	IC155	160		
IC106	168	IC116	161	IC126	175	---	---	---	---	IC156	162		
IC107	168	IC117	156	---	---	IC137	170	IC147	166	IC157	154		
IC108	168	IC118	156	IC128	155	IC138	165	IC148	156	IC158	154		
---	---	IC119	161	IC129	162	IC139	165	IC149	175	IC159	169		
IC110	156	IC120	160	IC130	163	---	---	IC150	160	IC160	154		

LED

SYMBOL NO.	INDEX NO.
LED101	153
LED102	153
LED103	153
LED104	153
LED105	153
LED106	153
LED107	153
LED108	153
LED109	153
LED110	153

OSC

SYMBOL NO.	INDEX NO.
OSC101	179

Q

SYMBOL NO.	INDEX NO.
Q1	146
Q2	146
Q3	147
Q4	146
Q5	147
Q6	147
Q7	147
Q8	147
Q9	147
Q10	147

SYMBOL NO.	INDEX NO.
Q11	147
Q12	147
Q13	147
Q14	146
---	---
---	---
---	---
---	---
---	---
---	---

SYMBOL NO.	INDEX NO.
Q101	147
Q102	147
Q103	147
Q104	147
Q105	147
Q106	147
Q107	147
Q108	147
Q109	147
Q110	147

SYMBOL NO.	INDEX NO.
Q111	147
Q112	147
Q113	147
Q114	144
Q115	141
Q116	145
Q117	144
Q118	144
Q119	143
Q120	142

SYMBOL NO.	INDEX NO.
Q121	143
Q122	142
Q123	143
Q124	142
Q125	143
Q126	142

144.IO Board 1 (D016/D097/G178/M078)

RESISTOR

SYMBOL NO.	INDEX NO.	SYMBOL NO.	INDEX NO.	SYMBOL NO.	INDEX NO.	SYMBOL NO.	INDEX NO.	SYMBOL NO.	INDEX NO.	SYMBOL NO.	INDEX NO.	SYMBOL NO.	INDEX NO.
---	---	R11	228	R21	233	R31	237	R41	226	R51	239	R61	234
---	---	R12	228	R22	233	R32	237	R42	249	R52	231	R62	234
R3	240	R13	227	R23	228	R33	233	R43	237	R53	226	R63	234
R4	240	R14	240	R24	228	R34	233	R44	237	R54	249	R64	234
---	---	R15	239	R25	227	R35	228	R45	233	R55	237	R65	234
---	---	R16	231	R26	240	R36	228	R46	233	R56	237	R66	228
R7	240	R17	226	R27	239	R37	227	R47	228	R57	234	R67	228
R8	240	R18	249	R28	231	R38	240	R48	228	R58	234	R68	234
R9	233	R19	237	R29	226	R39	239	R49	227	R59	234	R69	228
R10	233	R20	237	R30	249	R40	231	R50	240	R60	234	R70	228

RESISTOR

SYMBOL NO.	INDEX NO.	SYMBOL NO.	INDEX NO.	SYMBOL NO.	INDEX NO.	SYMBOL NO.	INDEX NO.	SYMBOL NO.	INDEX NO.	SYMBOL NO.	INDEX NO.	SYMBOL NO.	INDEX NO.
R71	234	R81	228	R91	237	---	---	---	---	R121	235	R131	228
R72	228	R82	228	---	---	R102	228	R112	228	R122	226	R132	234
R73	228	R83	227	---	---	---	---	---	---	R123	228	R133	240
R74	234	R84	228	R94	239	R104	228	R114	228	R124	228	R134	246
R75	234	R85	228	R95	239	---	---	---	---	R125	234	R135	226
R76	234	---	---	R96	227	R106	228	R116	228	R126	228	---	---
R77	234	---	---	---	---	---	---	---	---	R127	228	R137	239
R78	234	R88	228	---	---	R108	228	---	---	R128	228	R138	241
R79	234	R89	237	R99	234	---	---	R119	228	R129	228	R139	228
R80	228	R90	237	R100	228	R110	228	R120	227	R130	228	R140	231

144.IO Board 1 (D016/D097/G178/M078)

RESISTOR

SYMBOL NO.	INDEX NO.	SYMBOL NO.	INDEX NO.	SYMBOL NO.	INDEX NO.	SYMBOL NO.	INDEX NO.	SYMBOL NO.	INDEX NO.	SYMBOL NO.	INDEX NO.		
R141	231	R151	227	R161	231	R171	228	R181	228	R191	228	R201	226
R142	244	R152	240	R162	228	R172	228	R182	228	R192	228	R202	226
R143	245	R153	227	R163	231	R173	227	R183	234	---	---	R203	226
R144	241	R154	228	R164	241	R174	240	R184	228	R194	228	R204	250
R145	231	R155	228	R165	245	R175	227	R185	228	R195	228	R205	240
R146	228	R156	228	R166	244	R176	240	R186	228	---	---	R206	250
R147	231	R157	228	R167	231	R177	228	R187	234	R197	227	R207	240
R148	244	R158	228	R168	231	R178	228	R188	228	R198	227	R208	250
R149	245	R159	245	R169	228	R179	228	R189	228	R199	228	R209	240
R150	240	R160	244	R170	241	R180	228	R190	228	R200	228	R210	228

RESISTOR

SYMBOL NO.	INDEX NO.	SYMBOL NO.	INDEX NO.	SYMBOL NO.	INDEX NO.	SYMBOL NO.	INDEX NO.	SYMBOL NO.	INDEX NO.	SYMBOL NO.	INDEX NO.	SYMBOL NO.	INDEX NO.
R211	228	---	---	R231	227	R241	226	R251	228	R261	226	R271	222
R212	228	---	---	R232	228	R242	227	R252	228	R262	226	R272	222
R213	228	R223	228	R233	226	---	---	R253	228	R263	250	R273	222
R214	228	---	---	R234	228	---	---	R254	228	R264	240	R274	222
---	---	---	---	R235	226	R245	230	R255	228	R265	240	R275	238
R216	240	R226	228	R236	234	R246	233	R256	246	R266	240	R276	225
---	---	R227	228	R237	228	R247	228	R257	223	R267	250	R277	225
R218	240	R228	228	R238	228	R248	228	R258	228	R268	250	R278	224
---	---	---	---	R239	228	---	---	R259	239	R269	222	R279	239
R220	240	R230	227	---	---	R250	228	R260	226	R270	222	R280	239

144.IO Board 1 (D016/D097/G178/M078)

RESISTOR

SYMBOL NO.	INDEX NO.	SYMBOL NO.	INDEX NO.	SYMBOL NO.	INDEX NO.	SYMBOL NO.	INDEX NO.	SYMBOL NO.	INDEX NO.	SYMBOL NO.	INDEX NO.	SYMBOL NO.	INDEX NO.
R281	239	R291	227	R301	229	R311	228	R321	227	R331	228	R341	228
R282	239	R292	227	R302	228	R312	228	R322	230	---	---	R342	228
R283	228	R293	227	R303	227	R313	230	R323	228	R333	228	R343	228
R284	227	R294	227	---	---	R314	227	R324	228	R334	232	R344	228
R285	228	R295	229	R305	228	R315	227	R325	230	R335	228	R345	228
R286	227	R296	228	R306	228	---	---	R326	227	R336	227	R346	228
R287	228	R297	228	---	---	R317	228	R327	228	---	---	R347	228
R288	227	R298	229	R308	227	R318	228	---	---	R338	237	R348	228
R289	228	R299	229	R309	227	---	---	R329	228	R339	237	R349	236
R290	227	R300	228	R310	230	R320	227	R330	228	R340	233	R350	236

RESISTOR

SYMBOL NO.	INDEX NO.	SYMBOL NO.	INDEX NO.	SYMBOL NO.	INDEX NO.	SYMBOL NO.	INDEX NO.	SYMBOL NO.	INDEX NO.	SYMBOL NO.	INDEX NO.	SYMBOL NO.	INDEX NO.
R351	236	R361	228	R371	228	R381	232	R391	232	R401	228	R411	228
R352	236	R362	236	R372	228	R382	228	R392	232	R402	226	R412	228
R353	236	R363	236	R373	228	R383	226	R393	228	R403	228	R413	228
R354	236	R364	228	R374	228	R384	228	R394	232	R404	226	R414	228
R355	228	R365	228	R375	233	R385	226	R395	232	R405	228	R415	228
R356	228	R366	237	R376	228	R386	228	R396	228	R406	228	R416	228
R357	228	R367	228	R377	228	R387	228	R397	232	R407	228	R417	228
R358	228	R368	237	R378	233	R388	233	R398	232	R408	228	---	---
R359	228	R369	228	R379	233	R389	232	R399	228	R409	227	---	---
R360	228	R370	228	R380	232	R390	228	R400	232	R410	228	R420	228

144.IO Board 1 (D016/D097/G178/M078)

RESISTOR

SYMBOL NO.	INDEX NO.	SYMBOL NO.	INDEX NO.	SYMBOL NO.	INDEX NO.	SYMBOL NO.	INDEX NO.	SYMBOL NO.	INDEX NO.	SYMBOL NO.	INDEX NO.	SYMBOL NO.	INDEX NO.
R421	227	---	---	---	---	R451	251	R461	239	R471	242	R481	242
R422	228	R432	228	---	---	R452	242	---	---	R472	239	---	---
R423	228	R433	228	---	---	R453	239	R463	248	R473	248	---	---
R424	228	R434	228	R444	239	---	---	R464	243	R474	243	---	---
R425	228	R435	228	---	---	R455	251	R465	247	R475	247	---	---
R426	228	R436	228	---	---	R456	242	R466	242	R476	242	---	---
R427	228	R437	228	R447	251	R457	239	R467	239	R477	239	---	---
R428	228	R438	228	R448	242	---	---	R468	248	R478	248	R488	250
R429	228	R439	228	R449	239	R459	251	R469	243	R479	243	R489	237
---	---	---	---	---	---	R460	242	R470	247	R480	247	R490	228

RESISTOR

SYMBOL NO.	INDEX NO.	SYMBOL NO.	INDEX NO.	SYMBOL NO.	INDEX NO.	SYMBOL NO.	INDEX NO.	SYMBOL NO.	INDEX NO.	SYMBOL NO.	INDEX NO.	SYMBOL NO.	INDEX NO.
R491	228	R501	240	---	---	REG101	171	RN1	218	---	---	---	---
R492	228	R502	240	R512	239	REG102	178	RN2	218	---	---	RN92	180
---	---	R503	226	---	---	REG103	177	RN3	220	---	---	RN93	180
R494	227	R504	226	---	---	---	---	RN4	218	---	---	---	---
R495	233	R505	226	R515	228	---	---	RN5	219	---	---	---	---
R496	250	R506	226	---	---	---	---	RN6	219	RN86	180	---	---
R497	250	---	---	---	---	---	---	RN7	219	RN87	180	---	---
R498	250	---	---	---	---	---	---	RN8	219	---	---	RN98	181
R499	240	---	---	---	---	---	---	---	---	---	---	---	---
R500	240	---	---	---	---	---	---	---	---	---	---	---	---

144.IO Board 1 (D016/D097/G178/M078)

RN

SYMBOL NO.	INDEX NO.	SYMBOL NO.	INDEX NO.	SYMBOL NO.	INDEX NO.	SYMBOL NO.	INDEX NO.	SYMBOL NO.	INDEX NO.	SYMBOL NO.	INDEX NO.	SYMBOL NO.	INDEX NO.
RN101	183	RN111	183	RN121	218	RN131	217	RN141	183	RN151	221	RN161	185
RN102	183	---	---	RN122	183	RN132	183	RN142	183	RN152	221	RN162	184
RN103	183	RN113	218	RN123	218	RN133	188	RN143	218	RN153	187	RN163	220
RN104	183	RN114	218	RN124	183	RN134	183	RN144	189	RN154	217	RN164	218
RN105	183	RN115	220	RN125	217	---	---	RN145	221	RN155	217	RN165	218
RN106	183	RN116	218	RN126	185	RN136	186	RN146	183	---	---	RN166	220
RN107	183	RN117	218	RN127	217	RN137	183	RN147	183	RN157	220	RN167	218
RN108	183	RN118	220	RN128	184	---	---	RN148	189	RN158	218	RN168	218
RN109	183	RN119	218	RN129	185	---	---	RN149	183	RN159	188	RN169	220
RN110	183	RN120	219	RN130	219	RN140	186	RN150	189	RN160	188	RN170	218

RN

SYMBOL NO.	INDEX NO.	SYMBOL NO.	INDEX NO.	SYMBOL NO.	INDEX NO.	SYMBOL NO.	INDEX NO.	SYMBOL NO.	INDEX NO.	SYMBOL NO.	INDEX NO.	SYMBOL NO.	INDEX NO.
RN171	218	RN181	183	RN191	218	---	---	---	---	---	---	---	---
RN172	220	RN182	186	RN192	218	RN202	183	---	---	---	---	---	---
RN173	218	RN183	183	RN193	219	RN203	183	---	---	---	---	---	---
RN174	218	RN184	183	RN194	219	RN204	183	RN224	181	---	---	---	---
RN175	220	RN185	183	RN195	184	RN205	183	RN225	182	---	---	---	---
RN176	218	RN186	219	RN196	218	---	---	---	---	---	---	---	---
RN177	218	RN187	218	RN197	183	---	---	---	---	---	---	---	---
RN178	220	RN188	183	RN198	217	---	---	---	---	---	---	RN328	181
RN179	218	RN189	219	RN199	183	---	---	RN229	182	---	---	---	---
RN180	218	RN190	218	---	---	---	---	---	---	RN240	182	---	---

144.IO Board 1 (D016/D097/G178/M078)

RN

SYMBOL NO.	INDEX NO.
---	---
RN332	182
---	---
---	---
---	---
---	---
RN337	181

TP

SYMBOL NO.	INDEX NO.
TP1	102
TP2	102
TP3	102
TP4	102
TP5	103
---	---
---	---
---	---
---	---
---	---

SYMBOL NO.	INDEX NO.
TP101	101
TP102	101
TP103	101
TP104	103
TP105	103
---	---
TP107	103
TP108	103
TP109	103
TP110	103

SYMBOL NO.	INDEX NO.
TP111	103
TP112	103
TP113	103
TP114	103
TP115	103
---	---
TP116	103
TP117	103
TP118	103
TP119	103
TP120	103

SYMBOL NO.	INDEX NO.
TP121	103
TP122	103
TP123	103
TP124	103
TP125	103
---	---
---	---
TP128	103
TP129	103
TP130	103

SYMBOL NO.	INDEX NO.
TP131	103
TP132	103
---	---
---	---
---	---
TP136	103
TP137	101
TP138	102
TP139	102
TP140	102

SYMBOL NO.	INDEX NO.
TP141	102
TP142	103
TP143	102
TP144	102
TP145	102
---	---
TP146	102
---	---
TP148	101
---	---
TP150	101

TP

SYMBOL NO.	INDEX NO.
TP151	102
TP152	102
TP153	102
TP154	102
TP155	102
---	---
TP156	102
TP157	101
---	---
TP159	101
TP160	103

SYMBOL NO.	INDEX NO.
TP161	103
TP162	103
TP163	103
TP164	103
TP165	103
---	---
TP166	103
TP167	103
TP168	103
TP169	103
TP170	103

SYMBOL NO.	INDEX NO.
TP171	103
TP172	103
TP173	103
TP174	103
TP175	101
---	---
TP176	102
TP177	102
TP178	103
TP179	102
TP180	102

SYMBOL NO.	INDEX NO.
TP181	102
TP182	102
TP183	102
TP184	102
TP185	103
---	---
TP186	103
TP187	102
TP188	103
TP189	102
TP190	102

SYMBOL NO.	INDEX NO.
TP191	102
TP192	103
TP193	102
TP194	103
TP195	103
---	---
TP196	103
TP197	103
TP198	102
TP199	102
TP200	103

SYMBOL NO.	INDEX NO.
TP201	103
TP202	103
TP203	103
TP204	101
TP205	102
---	---
TP206	102
TP207	102
TP208	102
TP209	103
TP210	102

SYMBOL NO.	INDEX NO.
TP211	102
TP212	101
TP213	102
TP214	103
TP215	102
---	---
TP216	103
TP217	102
TP218	103
TP219	103
---	---

144.IO Board 1 (D016/D097/G178/M078)

TP

SYMBOL NO.	INDEX NO.
---	---
TP222	101

ZD

SYMBOL NO.	INDEX NO.
ZD101	152
ZD102	152
ZD103	152
ZD104	152

144.IO Board 1 (D016/D097/G178/M078)

Index No.	Part No.	Description	Q'ty Per Assembly
*	G178 5278	PCB: IOB1	1

Index No.	Part No.	Description	Q'ty Per Assembly
101	1100 1621	Test Pin: ST-1-2	
102	1100 1829	Test Pin: RCTCBK	
103	1100 1841	Test Pin: RCUCBK	
104	1102 5301	Connector - 2P	
105	1102 5303	3.5: Connector: ST: 4P	
106	1102 5326	Connector - 4P	
107	1102 6296	Connector: 53324-0360	
108	1102 6305	Connector - 12P	
109	1102 6398	Connector: 53313-2065	
110	1102 6400	Connector: 53313-2465	
111	1102 6401	Connector: 53313-2665	
112	1102 6414	Connector: B16P-XL-HDS(LF)(SN)	
113	1102 8470	Connector - 55447-0610	
114	1102 8471	Connector - 55447-071	
115	1102 8474	Connector: 55447-1080	
116	1102 8476	Connector: 55447-1280	
117	1102 8477	Connector - 13P	
118	1102 8479	Connector: 55447-1580	
119	1102 8485	Connector - 55451-2210	
120	1102 8486	Connector: 55451-2470	
121	1102 8487	Connector: 55451-2670	
122	1102 8488	Connector - 5451-2810	
123	1102 8491	Connector: 55451-3470	
124	1102 8492	Connector - 55451-3610	
125	1102 8494	Connector - 55451-4010	
126	1102 9547	Connector : 55451-1870	
127	1103 3663	Connector: 55451-1670	
128	1103 3992	Connector	
129	1103 3996	Connector	
130	1103 4000	Connector	
131	1103 4003	Connector	
132	1103 4004	Connector	
133	1103 4010	Connector	
134	1109 0010	Fuse: RXEF375	
135	1109 0015	Fuse: SMD050F	

Index No.	Part No.	Description	Q'ty Per Assembly
136	1109 0020	Fuse: SMD150F/33	
137	1109 0027	Fuse: RXEF020	
138	1109 0055	Fuse: RUEF400	
139	1109 0080	Fuse: NRPS10-G4A	
140	1109 0081	Fuse: NRPS10-G5A	
141	1400 0443	Transistor: DTB114EK	
142	1400 0774	Transistor: DTA144TE	
143	1400 0911	Transistor: DTC144TE	
144	1400 1012	Transistor: 2SD2656	
145	1401 1135	FET: 2SK3019	
146	1401 1301	FET: 2SK2615	
147	1401 1359	FET: HAT2217C-E	
148	1402 1041	Diode: DA204U	
149	1402 1336	Diode - 1SS355	
150	1402 1343	Diode - RB106L-40	
151	1402 1587	Diode - RB060	
152	1402 1649	Diode: PTZ24B	
153	1403 0953	LED - SML-310MT	
154	1407 2187	TTLIC - SN74LS07NS	
155	1407 2218	TTLIC: SN74LS06NS	
156	1407 2231	IC - TD62308AF	
157	1407 4399	CMOS Logic: TC74VHC245FT(K)	
158	1407 5346	IC - SN74LS74ANS	
159	1407 5347	IC - SN74LV08APW	
160	1407 5351	IC - SN74LV14APW	
161	1407 5376	IC - SN74LV32APW	
162	1407 5469	IC - SN74LV07APW	
163	1407 5713	CMOS Logic: SN74LV06APW	
164	1407 6631	Clock Generator: ICS180M-53LF	
165	1407 6759	Custom IC: EIO	
166	1407 6787	CMOS Logic: TC7SH125FU	
167	1407 6926	Motor Control IC: SLA7072MPRF	
168	1407 6927	Motor Control IC: SLA7073MPRF	
169	1407 7000	CMOS Logic: TC74VHC541FT(K)	
170	1407 7005	CMOS Logic: TC74VHCT244AFT(K)	

Index No.	Part No.	Description	Q'ty Per Assembly
171	1408 1627	Series Regulator: TA78L12F	
172	1408 1641	D/A Converter: BU2505FV	
173	1408 1779	IC - R3112Q281A	
174	1408 1826	IC - R3112Q421A	
175	1408 2007	Operational Amplifier: LM324PW	
176	1408 2029	Comparator: LM2901PW	
177	1408 2284	Series Regulator: BH30MA3WHFV	
178	1408 2393	Series Regulator: R1172H331B-FB	
179	1503 1274	Crystal Oscillator: 19.85MHz	
180	1600 1564	Resistor: 3 Ω : $\pm 5\%$: 2W	
181	1601 5391	Resistor	
182	1601 5941	Resistor: 120 Ω : $\pm 5\%$: 2W	
183	1601 7887	Resistor Array - 10K Ω $\pm 5\%$ 1/32W	
184	1601 7896	Resistor Array - 56 Ω $\pm 5\%$ 1/32W	
185	1601 7898	Resistor Array	
186	1601 7909	Resistor Array - 10 Ω $\pm 5\%$ 1/32W	
187	1601 7943	Resistor Array - 68 Ω $\pm 5\%$ 1/32W	
188	1601 7959	Resistor	
189	1601 7983	Resistor Array: 2.2K Ω : $\pm 5\%$: 1/16W: 4Number	
190	1604 4733	Capacitor - 100 μ F $\pm 20\%$ 10V	
191	1604 4893	Resistor - 100 μ F $\pm 20\%$: 25V	
192	1604 5375	Capacitor: 220 μ F: $\pm 20\%$: 50V	
193	1604 5632	Capacitor: 10 μ F: $\pm 20\%$: 50V	
194	1605 1202	Capacitor - 15pF $\pm 5\%$ 50V	
195	1605 1206	Capacitor - 47pF $\pm 5\%$ 50V	
196	1605 1208	Capacitor: 100pF: $\pm 5\%$: 50V	
197	1605 1212	Capacitor - 470pF $\pm 10\%$ 50V	
198	1605 1214	Capacitor - 1000pF $\pm 10\%$ 50V	
199	1605 1221	Capacitor - 0.1 μ F+80-20%16V	
200	1605 1225	Capacitor - 0.1 μ F $\pm 10\%$ 50V	
201	1605 1234	Capacitor: 4700pF: $\pm 10\%$: 50V	
202	1605 1240	Capacitor - 0.01 μ F $\pm 10\%$ 25V	
203	1605 1303	Capacitor - 0.01 μ F+80-20% 50V	
204	1605 1306	Capacitor - 1 μ F $\pm 10\%$ 10V	
205	1605 1347	Capacitor - 1 μ F: +80-20%: 16V	

Index No.	Part No.	Description	Q'ty Per Assembly
206	1605 1353	Capacitor - 0.1 μ F \pm 10% 25V	
207	1605 1396	Capacitor - 0.33 μ F \pm 10% 50V	
208	1605 1406	Capacitor - 10 μ F \pm 10% 6.3V	
209	1605 1447	Resistor - 470pF \pm 5% 50V	
210	1605 1479	Capacitor - 47pF \pm 10%: 50V	
211	1605 1483	Capacitor: 0.01 μ F: \pm 20%: 25V	
212	1605 1530	Capacitor : 10pF: \pm 1pF: 50V	
213	1605 1563	Capacitor: 10 μ F: \pm 10%: 10V	
214	1605 1710	Capacitor: 10 μ F: \pm 10%: 25V	
215	1606 2084	Capacitor	
216	1607 1124	Filter: BLM18AG471SN1B	
217	1609 0005	Resistor: 33 Ω : \pm 5%: 1/16W	
218	1609 0006	Resistor: 10K Ω : \pm 5%: 1/16W	
219	1609 0016	Resistor: 56 Ω : \pm 5%: 1/16W	
220	1609 0020	Resistor: 10 Ω : \pm 5%: 1/16W	
221	1609 0095	Resistor Array: 220 Ω : \pm 5%: 1/16W: 4Number	
222	1650 2432	Resistor: 4.3K Ω : \pm 5%: 1/4W: 3216	
223	1650 4102	Resistor - 1K Ω \pm 5% 1/10W	
224	1650 4221	Resistor - 220 Ω \pm 5%1/10W	
225	1650 4561	Resistor - 560 Ω \pm 5% 1/10W	
226	1650 5100	Chip Resistor - 10 Ω \pm 5%1/16W	
227	1650 5102	Chip Resistor - 1K Ω \pm 5%1/16W	
228	1650 5103	Chip Resistor - 10K Ω \pm 5%1/16W	
229	1650 5104	Chip Resistor - 100K Ω \pm 5%1/16W	
230	1650 5105	Resistor: 1M Ω : \pm 5%: 1/16W: 1005	
231	1650 5154	Resistor: 150K Ω : \pm 5%: 1/16W: 1005	
232	1650 5222	Resistor - 2.2K Ω \pm 5% 1/16W	
233	1650 5330	Chip Resistor - 33 Ω \pm 5%1/16W	
234	1650 5472	Chip Resistor: 4.7K Ω : \pm 5%: 1/16W	
235	1650 5473	Chip Resistor - 47K Ω \pm 5% 1/16W	
236	1650 5511	Resistor - 510 Ω \pm 5% 1/16W	
237	1650 5560	Chip Resistor 56 Ω \pm 5% 1/16W	
238	1654 2051	Resistor: 2.05K Ω : \pm 1%: 1/10W: 1608	
239	1655 0000	Chip Resistor - 0 Ω \pm 0%1/16W	
240	1655 1002	Chip Resistor - 10K Ω \pm 1%1/16W	

Index No.	Part No.	Description	Q'ty Per Assembly
241	1655 1402	Resistor: 14K Ω : \pm 1%: 1/16W: 1005	
242	1655 1501	Chip Resistor 1.5K Ω \pm 1% 1/16W	
243	1655 1540	Resistor: 154 Ω : \pm 1%: 1/16W: 1005	
244	1655 1601	Resistor: 1.6K Ω : \pm 1%: 1/16W: 1005	
245	1655 1801	Resistor: 1.8K Ω : \pm 1%: 1/16W: 1005	
246	1655 3001	Resistor: 3K Ω : \pm 1%: 1/16W: 1005	
247	1655 3161	Resistor: 3.16K Ω : \pm 1%: 1/16W: 1005	
248	1655 5499	Resistor - 54.9 Ω \pm 1% 1/16W	
249	1655 6801	Resistor: 6.8K Ω : \pm 1%: 1/16W: 1005	
250	1655 6982	Resistor: 69.8K Ω : \pm 1%: 1/16W: 1005	
251	1655 8459	Resistor: 84.5 Ω : \pm 1%: 1/16W: 1005	
252	1660 8104	Capacitor - 0.1 μ F \pm 20% 25V	

145.IO Board 2 (D016/D097/G178/M078)

CAPACITOR

SYMBOL NO.	INDEX NO.	SYMBOL NO.	INDEX NO.	SYMBOL NO.	INDEX NO.	SYMBOL NO.	INDEX NO.	SYMBOL NO.	INDEX NO.	SYMBOL NO.	INDEX NO.	SYMBOL NO.	INDEX NO.
C101	207	C111	207	---	---	C131	200	C141	199	C151	207	C161	207
C102	207	C112	211	---	---	C132	200	C142	207	C152	207	C162	207
C103	200	C113	207	---	---	C133	200	C143	207	C153	207	C163	206
C104	211	C114	211	---	---	---	---	C144	207	C154	207	C164	206
C105	207	C115	207	---	---	C135	200	C145	207	C155	207	C165	207
C106	211	C116	211	C126	211	---	---	C146	207	C156	205	C166	207
C107	207	C117	207	---	---	---	---	C147	201	C157	202	C167	206
C108	211	C118	211	---	---	C138	206	C148	199	C158	211	C168	207
C109	207	C119	207	C129	211	C139	207	C149	202	C159	207	C169	206
C110	211	---	---	C130	207	C140	211	C150	211	C160	207	C170	211

CAPACITOR

SYMBOL NO.	INDEX NO.	SYMBOL NO.	INDEX NO.	SYMBOL NO.	INDEX NO.	SYMBOL NO.	INDEX NO.	SYMBOL NO.	INDEX NO.	SYMBOL NO.	INDEX NO.	SYMBOL NO.	INDEX NO.
C171	202	C181	207	C191	207	C201	207	C211	207	C221	207	C231	206
C172	207	C182	207	C192	211	C202	206	C212	206	C222	206	C232	206
C173	207	C183	211	C193	207	C203	207	C213	206	---	---	C233	207
C174	207	C184	200	C194	207	C204	206	C214	207	C224	206	C234	207
C175	207	C185	207	C195	207	C205	207	C215	212	C225	207	C235	207
C176	206	C186	209	C196	211	C206	207	C216	210	C226	210	C236	206
C177	207	C187	211	---	---	C207	207	C217	207	C227	212	C237	206
C178	202	C188	211	C198	209	C208	206	C218	206	C228	207	C238	206
C179	206	C189	202	---	---	C209	206	C219	206	C229	207	C239	206
C180	207	C190	207	C200	211	C210	207	---	---	C230	207	C240	207

145.IO Board 2 (D016/D097/G178/M078)

CAPACITOR

SYMBOL NO.	INDEX NO.	SYMBOL NO.	INDEX NO.	SYMBOL NO.	INDEX NO.	SYMBOL NO.	INDEX NO.	SYMBOL NO.	INDEX NO.	SYMBOL NO.	INDEX NO.	SYMBOL NO.	INDEX NO.
C241	206	C251	206	C261	206	C271	207	C281	216	C291	203	C301	211
C242	207	C252	207	C262	207	C272	207	C282	207	C292	203	C302	211
C243	206	C253	207	C263	207	---	---	C283	207	C293	209	C303	207
C244	206	C254	204	C264	206	C274	206	C284	207	C294	206	C304	207
C245	205	C255	207	C265	206	C275	207	C285	201	C295	203	C305	207
C246	206	C256	207	C266	207	C276	206	C286	209	C296	203	C306	207
C247	207	C257	207	C267	206	C277	207	C287	209	C297	203	C307	207
C248	204	C258	207	C268	207	C278	203	C288	207	C298	209	C308	211
C249	207	C259	207	C269	206	C279	213	C289	203	C299	203	---	---
C250	207	C260	207	C270	206	C280	199	C290	203	C300	207	C310	207

CAPACITOR

SYMBOL NO.	INDEX NO.	SYMBOL NO.	INDEX NO.	SYMBOL NO.	INDEX NO.	SYMBOL NO.	INDEX NO.	SYMBOL NO.	INDEX NO.	SYMBOL NO.	INDEX NO.	SYMBOL NO.	INDEX NO.
C311	211	C321	211	C331	207	C341	207	C351	209	C361	207	C371	202
C312	207	C322	207	C332	211	C342	207	C352	207	C362	209	---	---
C313	207	C323	207	C333	211	C343	207	C353	207	C363	206	C373	211
C314	207	C324	207	C334	211	C344	207	C354	209	C364	206	C374	209
C315	211	C325	207	C335	207	C345	202	C355	209	C365	208	C375	211
C316	207	C326	207	C336	201	C346	206	C356	207	---	---	C376	209
C317	207	C327	211	C337	211	C347	206	C357	207	C367	208	C377	207
C318	207	C328	207	C338	207	C348	206	C358	207	C368	207	---	---
C319	207	C329	211	---	---	C349	206	C359	207	C369	207	C379	207
C320	207	C330	211	---	---	C350	207	C360	211	C370	208	C380	211

145.IO Board 2 (D016/D097/G178/M078)

CAPACITOR

SYMBOL NO.	INDEX NO.
C381	207
C382	202
---	---
---	---
---	---
C386	201
C387	207
C388	207
C389	207
C390	207

SYMBOL NO.	INDEX NO.
C391	207
C392	205
C393	212
C394	206
C395	205
C396	205
C397	205
C398	207
C399	211
C400	207

SYMBOL NO.	INDEX NO.
C401	209
C402	207
C403	211
C404	211
---	---
---	---
---	---
---	---
---	---
---	---

SYMBOL NO.	INDEX NO.
---	---
---	---
---	---
---	---
---	---
---	---
---	---
---	---
C500	211

CA

SYMBOL NO.	INDEX NO.
CA101	214
CA102	214
CA103	214
CA104	214
CA105	214
CA106	214
CA107	214
CA108	214
CA109	214
CA110	215

SYMBOL NO.	INDEX NO.
CA111	215
CA112	215
CA113	215
---	---
CA115	215
CA116	215
CA117	217
CA118	217
CA119	217
CA120	217

SYMBOL NO.	INDEX NO.
CA121	217
CA122	217
CA123	217
CA124	217
CA125	217
CA126	215
CA127	217
CA128	215
CA129	215
CA130	215

CA

SYMBOL NO.	INDEX NO.
CA131	215
CA132	215
CA133	215
CA134	215
CA135	215
CA136	215
CA137	215
CA138	215
CA139	215
CA140	215

SYMBOL NO.	INDEX NO.
CA141	215
---	---
CA143	214
CA144	214
---	---
CA146	214
CA147	214
---	---
CA149	215
CA150	214

CONNECTOR

SYMBOL NO.	INDEX NO.
---	---
---	---
---	---
CN234	130
---	---
---	---
---	---
---	---
---	---

SYMBOL NO.	INDEX NO.
CN301	133
CN302	119
CN303	125
CN304	123
CN305	115
CN306	114
CN307	116
CN308	132
---	---
CN310	131

SYMBOL NO.	INDEX NO.
CN311	132
CN312	129
CN313	127
CN314	118
CN315	113
CN316	124
CN317	121
CN318	126
CN319	109
CN320	129

SYMBOL NO.	INDEX NO.
---	---
CN322	111
CN323	117
CN324	122
CN325	105
CN326	107
CN327	110
CN328	128
CN329	120
---	---

SYMBOL NO.	INDEX NO.
CN331	109
CN332	108
---	---
---	---
CN335	112
CN336	131
CN337	104
CN338	113
---	---
---	---

145.IO Board 2 (D016/D097)

CONNECTOR

SYMBOL NO.	INDEX NO.
---	---
---	---
---	---
CN394	113
CN395	106
CN396	106

DIODE

SYMBOL NO.	INDEX NO.
D101	160
D102	157
D103	159
D104	161
D105	156
D106	156
D107	161
D108	155
D109	156
D110	156

SYMBOL NO.	INDEX NO.
D111	161
D112	159
D113	159
D114	159
D115	159
D116	157
D117	157
D118	157
D119	157
D120	157

SYMBOL NO.	INDEX NO.
D121	157
D122	157
D123	157
D124	157
D125	157
D126	157
D127	160
D128	160
D129	157
D130	157

SYMBOL NO.	INDEX NO.
D131	157
D132	157
D133	160
D134	157
D135	157
D136	157
---	---
D138	157
D139	157
D140	158

SYMBOL NO.	INDEX NO.
---	---
D142	160
D143	160
---	---
D145	158
---	---
---	---
D148	157
D149	157
D150	160

SYMBOL NO.	INDEX NO.
D151	161
D152	160
D153	157
D154	160
---	---
---	---
---	---
---	---
---	---
---	---

DIODE

SYMBOL NO.	INDEX NO.
---	---
---	---
---	---
---	---
---	---
---	---
---	---
---	---
---	---
D200	160

SYMBOL NO.	INDEX NO.
D201	157
D202	157

FIL

SYMBOL NO.	INDEX NO.
FIL101	218

FUSE

SYMBOL NO.	INDEX NO.
FU101	136
FU102	137
FU103	137
FU104	137
FU105	134
FU106	135
FU107	134

IC

SYMBOL NO.	INDEX NO.
IC101	178
IC102	178
IC103	178
IC104	178
IC105	178
IC106	178
IC107	178
IC108	178
IC109	177
---	---

SYMBOL NO.	INDEX NO.
---	---
---	---
---	---
IC114	168
IC115	165
IC116	184
IC117	184
IC118	174
IC119	173
IC120	180

SYMBOL NO.	INDEX NO.
IC121	173
IC122	180
IC123	179
IC124	176
IC125	172
IC126	176
IC127	179
IC128	188
IC129	179
IC130	171

SYMBOL NO.	INDEX NO.
IC131	173
IC132	168
IC133	180
IC134	176
IC135	166
IC136	176
IC137	180
IC138	168
IC139	182
IC140	181

145.IO Board 2 (D016/D097/G178/M078)

IC

SYMBOL NO.	INDEX NO.
IC141	182
IC142	169
IC143	172
IC144	171
IC145	185
IC146	180
IC147	180
IC148	183
IC149	172
IC150	171

SYMBOL NO.	INDEX NO.
IC151	167
IC152	172
IC153	166
IC154	166
IC155	166
IC156	183
IC157	183
IC158	172
IC159	180
IC160	179

SYMBOL NO.	INDEX NO.
IC161	187
IC162	167
---	---
IC164	165
IC165	180
IC166	180
IC167	167
IC168	172
IC169	170
IC170	175

SYMBOL NO.	INDEX NO.
IC171	186
IC172	173

LED

SYMBOL NO.	INDEX NO.
LED101	162
LED102	162
LED103	162
LED104	162
LED105	162
LED106	162
LED107	163
LED108	164
LED109	162
LED110	164

SYMBOL NO.	INDEX NO.
LED111	164
LED112	163
LED113	164
LED114	164
LED115	164

OSC

SYMBOL NO.	INDEX NO.
OSC101	191

Q

SYMBOL NO.	INDEX NO.
Q101	154
Q102	145
---	---
---	---
---	---
---	---
Q107	145
Q108	145
---	---
---	---

SYMBOL NO.	INDEX NO.
Q111	145
Q112	145
Q113	145
---	---
---	---
Q116	145
---	---
Q118	142
Q119	142
Q120	152

SYMBOL NO.	INDEX NO.
Q121	152
Q122	147
Q123	150
Q124	142
Q125	142
Q126	152
Q127	144
Q128	147
Q129	147
Q130	147

SYMBOL NO.	INDEX NO.
Q131	147
Q132	146
Q133	146
Q134	146
Q135	146
Q136	146
Q137	146
Q138	146
Q139	154
Q140	154

SYMBOL NO.	INDEX NO.
Q141	154
Q142	151
Q143	154
Q144	141
Q145	153
Q146	148
Q147	140
Q148	147
Q149	148
Q150	140

SYMBOL NO.	INDEX NO.
Q151	154
Q152	154
Q153	143
Q154	149
Q155	149
Q156	154
Q157	154
---	---
---	---
---	---

SYMBOL NO.	INDEX NO.
---	---
---	---
---	---
---	---
---	---
---	---
---	---
---	---
---	---
Q200	154

145.IO Board 2 (D016/D097/G178/M078)

RESISTOR

SYMBOL NO.	INDEX NO.	SYMBOL NO.	INDEX NO.	SYMBOL NO.	INDEX NO.	SYMBOL NO.	INDEX NO.	SYMBOL NO.	INDEX NO.	SYMBOL NO.	INDEX NO.	SYMBOL NO.	INDEX NO.
R1	233	R101	233	R111	233	R121	246	R131	271	R141	231	R151	271
---	---	---	---	---	---	R122	236	R132	224	R142	224	---	---
---	---	R103	233	R113	233	R123	254	---	---	R143	266	---	---
---	---	---	---	---	---	R124	271	R134	254	---	---	---	---
R5	233	R105	233	---	---	R125	225	R135	232	R145	262	---	---
---	---	---	---	---	---	---	---	---	---	---	---	---	---
R6	233	---	---	---	---	R126	260	---	---	---	---	R156	266
---	---	R107	233	---	---	R127	258	---	---	---	---	R157	258
---	---	---	---	---	---	R128	272	---	---	R148	268	R158	254
---	---	R109	233	R119	232	R129	225	---	---	R149	264	R159	262
---	---	---	---	R120	232	---	---	---	---	R150	267	R160	258

RESISTOR

SYMBOL NO.	INDEX NO.	SYMBOL NO.	INDEX NO.	SYMBOL NO.	INDEX NO.	SYMBOL NO.	INDEX NO.	SYMBOL NO.	INDEX NO.	SYMBOL NO.	INDEX NO.	SYMBOL NO.	INDEX NO.
R161	260	R171	269	R181	260	---	---	---	---	---	---	R221	233
---	---	R172	266	---	---	R192	224	---	---	R212	237	R222	232
R163	272	---	---	R183	224	---	---	---	---	R213	254	R223	233
R164	257	R174	262	---	---	R194	224	---	---	R214	233	---	---
R165	260	---	---	---	---	R195	224	R205	238	R215	233	R225	236
---	---	R176	271	R186	224	---	---	---	---	R216	231	R226	233
---	---	---	---	---	---	---	---	---	---	R217	271	R227	233
---	---	R178	273	R188	224	---	---	---	---	R218	233	R228	233
R169	256	R179	273	R189	231	---	---	R209	238	R219	237	R229	233
R170	259	R180	257	R190	254	---	---	R210	238	R220	233	R230	233

145.IO Board 2 (D016/D097/G178/M078)

RESISTOR

SYMBOL NO.	INDEX NO.	SYMBOL NO.	INDEX NO.	SYMBOL NO.	INDEX NO.	SYMBOL NO.	INDEX NO.	SYMBOL NO.	INDEX NO.	SYMBOL NO.	INDEX NO.	SYMBOL NO.	INDEX NO.
R231	233	R241	250	R251	233	R261	231	R271	271	---	---	R291	233
R232	233	---	---	R252	232	R262	233	R272	233	R282	231	R292	245
R233	233	R243	233	R253	231	R263	245	R273	233	R283	248	R293	245
R234	233	R244	233	R254	233	R264	233	R274	233	R284	240	R294	233
R235	233	R245	233	R255	233	R265	254	R275	254	R285	245	R295	233
R236	241	R246	250	R256	231	R266	231	R276	232	R286	231	R296	233
R237	231	R247	249	R257	245	R267	253	R277	233	R287	233	R297	233
---	---	R248	231	R258	233	R268	231	R278	233	R288	233	R298	251
R239	233	R249	230	R259	248	R269	233	---	---	R289	233	R299	249
R240	249	R250	233	R260	245	---	---	R280	233	R290	233	R300	232

RESISTOR

SYMBOL NO.	INDEX NO.	SYMBOL NO.	INDEX NO.	SYMBOL NO.	INDEX NO.	SYMBOL NO.	INDEX NO.	SYMBOL NO.	INDEX NO.	SYMBOL NO.	INDEX NO.	SYMBOL NO.	INDEX NO.
R301	232	R311	233	---	---	R331	233	R341	245	R351	231	---	---
R302	254	R312	233	R322	231	R332	234	---	---	R352	246	R362	246
R303	254	R313	233	R323	233	R333	233	R343	233	R353	233	R363	246
R304	239	---	---	R324	231	R334	233	R344	240	R354	246	R364	233
R305	233	R315	232	R325	247	---	---	R345	245	R355	246	R365	232
---	---	R316	232	---	---	---	---	R346	245	R356	246	R366	265
---	---	R317	270	R327	233	---	---	---	---	R357	246	R367	232
R308	232	R318	245	R328	233	R338	232	R348	233	R358	246	R368	265
R309	245	R319	231	R329	232	R339	233	R349	246	R359	240	R369	233
R310	245	R320	245	R330	233	---	---	R350	246	R360	246	R370	233

145.IO Board 2 (D016/D097/G178/M078)

RESISTOR

SYMBOL NO.	INDEX NO.	SYMBOL NO.	INDEX NO.	SYMBOL NO.	INDEX NO.	SYMBOL NO.	INDEX NO.	SYMBOL NO.	INDEX NO.	SYMBOL NO.	INDEX NO.	SYMBOL NO.	INDEX NO.
R371	240	R381	240	R391	233	R401	252	R411	245	R421	235	R431	233
R372	233	R382	232	R392	240	R402	231	R412	243	R422	233	R432	232
R373	233	R383	265	R393	232	---	---	R413	233	R423	233	R433	232
R374	240	R384	233	R394	265	R404	233	R414	233	R424	232	---	---
R375	240	R385	233	R395	237	R405	233	R415	233	R425	233	R435	232
R376	233	R386	233	R396	237	R406	235	R416	233	R426	232	R436	235
R377	233	R387	233	R397	229	R407	235	R417	235	R427	235	R437	235
R378	240	R388	233	R398	235	R408	229	R418	235	R428	235	R438	235
R379	240	R389	245	R399	233	R409	233	R419	235	R429	233	R439	233
R380	240	R390	233	R400	231	R410	245	R420	235	R430	232	---	---

RESISTOR

SYMBOL NO.	INDEX NO.	SYMBOL NO.	INDEX NO.	SYMBOL NO.	INDEX NO.	SYMBOL NO.	INDEX NO.	SYMBOL NO.	INDEX NO.	SYMBOL NO.	INDEX NO.	SYMBOL NO.	INDEX NO.
---	---	R451	233	R461	232	R471	244	R481	232	---	---	R501	233
R442	233	R452	233	R462	232	R472	244	R482	233	R492	265	R502	237
---	---	R453	245	R463	232	R473	244	R483	233	R493	233	R503	233
R444	233	R454	232	R464	265	R474	233	R484	231	R494	233	R504	226
R445	235	R455	245	R465	243	R475	233	R485	226	R495	233	R505	226
R446	235	R456	232	R466	243	---	---	R486	226	R496	233	R506	226
R447	233	R457	232	---	---	R477	233	R487	226	R497	233	R507	261
R448	232	R458	232	R468	243	R478	240	R488	226	R498	233	R508	192
R449	233	R459	232	R469	233	R479	232	R489	232	R499	243	R509	192
R450	240	R460	232	R470	244	R480	265	R490	233	R500	237	R510	192

145.IO Board 2 (D016/D097/G178/M078)

RESISTOR

SYMBOL NO.	INDEX NO.	SYMBOL NO.	INDEX NO.	SYMBOL NO.	INDEX NO.	SYMBOL NO.	INDEX NO.	SYMBOL NO.	INDEX NO.	SYMBOL NO.	INDEX NO.	SYMBOL NO.	INDEX NO.
R511	192	R521	261	R531	233	R541	231	R551	232	R561	233	R571	233
R512	233	R522	231	R532	228	R542	233	R552	242	R562	233	R572	237
R513	237	R523	233	---	---	R543	263	---	---	R563	233	R573	237
R514	237	R524	233	R534	233	R544	233	R554	233	---	---	---	---
R515	254	R525	233	R535	237	R545	232	R555	233	---	---	---	---
R516	243	R526	254	R536	242	R546	233	R556	233	---	---	---	---
R517	233	R527	253	R537	255	R547	233	R557	243	R567	233	---	---
R518	261	R528	227	R538	233	R548	233	R558	233	---	---	---	---
R519	254	R529	233	R539	232	R549	228	R559	233	R569	233	R579	233
---	---	R530	231	R540	232	R550	233	R560	233	R570	233	R580	233

RESISTOR

SYMBOL NO.	INDEX NO.	SYMBOL NO.	INDEX NO.	SYMBOL NO.	INDEX NO.	SYMBOL NO.	INDEX NO.	SYMBOL NO.	INDEX NO.	SYMBOL NO.	INDEX NO.	SYMBOL NO.	INDEX NO.
R581	233	---	---	R601	231	R611	232	R621	252	R631	233	R641	233
R582	233	R592	247	R602	233	R612	252	R622	243	R632	233	R642	233
R583	233	R593	233	R603	240	R613	232	R623	243	R633	233	R643	192
R584	237	---	---	R604	240	R614	232	R624	233	R634	233	R644	233
R585	237	---	---	R605	240	R615	252	R625	232	R635	233	R645	233
R586	233	R596	233	R606	240	R616	232	R626	233	R636	233	R646	233
---	---	R597	233	R607	233	R617	252	R627	233	R637	231	---	---
---	---	R598	240	R608	240	---	---	R628	231	R638	231	---	---
R589	233	---	---	R609	233	R619	252	R629	233	R639	233	---	---
R590	233	---	---	R610	233	---	---	R630	233	R640	233	---	---

145.IO Board 2 (D016/D097/G178/M078)

RESISTOR

SYMBOL NO.	INDEX NO.
---	---
---	---
---	---
---	---
---	---
---	---
---	---
---	---
---	---
R700	233

SYMBOL NO.	INDEX NO.
R701	243
R702	233
R703	233
R704	233
R705	231
---	---
---	---
R708	233
R709	233
R710	233

SYMBOL NO.	INDEX NO.
R711	233
---	---
R713	233
---	---
R715	233

REG

SYMBOL NO.	INDEX NO.
REG101	189
REG102	190

RN

SYMBOL NO.	INDEX NO.
RN101	193
RN102	193
RN103	193
RN104	193
---	---
---	---
RN107	193
RN108	193
RN109	193
RN110	193

SYMBOL NO.	INDEX NO.
RN111	193
RN112	193
---	---
RN114	193
---	---
RN116	193
RN117	198
RN118	193
RN119	219
RN120	193

SYMBOL NO.	INDEX NO.
RN121	198
RN122	223
RN123	198
RN124	194
RN125	220
---	---
RN126	220
RN127	219
RN128	193
RN129	194
RN130	193

RN

SYMBOL NO.	INDEX NO.
RN131	194
RN132	193
RN133	193
RN134	194
RN135	220
---	---
RN136	220
RN137	222
RN138	193
RN139	219
RN140	219

SYMBOL NO.	INDEX NO.
RN141	193
RN142	220
RN143	220
RN144	222
---	---
RN146	221
RN147	193
RN148	221
RN149	220
RN150	196

SYMBOL NO.	INDEX NO.
RN151	220
RN152	193
RN153	193
RN154	222
RN155	219
---	---
RN156	195
RN157	219
RN158	194
RN159	219
RN160	219

SYMBOL NO.	INDEX NO.
RN161	194
RN162	219
RN163	219
RN164	193
RN165	193
---	---
RN166	220
RN167	220
RN168	193
RN169	197
RN170	197

SYMBOL NO.	INDEX NO.
RN171	193
RN172	220
RN173	220
RN174	193
RN175	222
---	---
RN176	220
RN177	220
RN178	219
RN179	219
RN180	195

SYMBOL NO.	INDEX NO.
RN181	195
RN182	222
RN183	222
RN184	222
RN185	193
---	---
RN186	193
RN187	220
RN188	220
RN189	220
RN190	193

SYMBOL NO.	INDEX NO.
RN191	193
RN192	220
RN193	220
RN194	220
RN195	195
---	---
RN196	197
RN197	222
RN198	193
RN199	220
RN200	222

145.IO Board 2 (D016/D097/G178/M078)

RN

SYMBOL NO.	INDEX NO.
RN201	193
RN202	220
RN203	220
RN204	219
RN205	219
---	---
RN207	193
RN208	193
---	---
---	---

SW

SYMBOL NO.	INDEX NO.
---	---
RN212	223
RN213	193
RN214	198

SYMBOL NO.	INDEX NO.
SW101	139
SW102	138
SW103	138

TP

SYMBOL NO.	INDEX NO.
TP101	101
TP102	101
TP103	101
TP104	101
TP105	103
---	---
TP106	103
TP107	103
TP108	103
---	---
TP110	103

SYMBOL NO.	INDEX NO.
TP111	103
---	---
TP113	103
TP114	103
TP115	103
---	---
TP117	103
TP118	103
TP119	103
TP120	103

SYMBOL NO.	INDEX NO.
TP121	103
---	---
---	---
TP124	103
TP125	103
---	---
TP126	103
TP127	103
TP128	103
TP129	103
TP130	103

SYMBOL NO.	INDEX NO.
TP131	103
---	---
TP133	101
TP134	103
TP135	103
---	---
TP136	103
---	---
---	---
TP139	103
TP140	103

TP

SYMBOL NO.	INDEX NO.
TP141	103
TP142	103
TP143	103
TP144	103
---	---
---	---
---	---
TP147	103
TP148	103
TP149	103
TP150	103

SYMBOL NO.	INDEX NO.
---	---
TP152	103
TP153	101
TP154	101
---	---
---	---
TP156	103
TP157	103
TP158	103
TP159	103
TP160	103

SYMBOL NO.	INDEX NO.
TP161	103
TP162	103
TP163	103
TP164	103
TP165	103
---	---
TP166	103
TP167	103
TP168	103
TP169	103
TP170	103

SYMBOL NO.	INDEX NO.
TP171	103
TP172	103
TP173	101
TP174	103
TP175	103
---	---
---	---
TP177	103
TP178	103
TP179	103
TP180	103

SYMBOL NO.	INDEX NO.
TP181	103
TP182	103
TP183	103
TP184	103
---	---
---	---
TP186	103
TP187	103
---	---
TP189	103
TP190	101

SYMBOL NO.	INDEX NO.
TP191	101
TP192	102
TP193	101
TP194	103
TP195	103
---	---
TP196	103
TP197	103
TP198	103
TP199	102
TP200	103

SYMBOL NO.	INDEX NO.
TP201	103
TP202	103
TP203	103
TP204	102
TP205	103
---	---
TP206	103
TP207	103
TP208	102
TP209	103
TP210	101

145.IO Board 2 (D016/D097/G178/M078)

TP

SYMBOL NO.	INDEX NO.	SYMBOL NO.	INDEX NO.	SYMBOL NO.	INDEX NO.
---	---	TP221	103	TP231	101
---	---	TP222	103	TP232	101
---	---	TP223	103	TP233	103
TP214	103	TP224	103	TP234	101
TP215	103	TP225	103	TP235	101
TP216	103	TP226	103	TP236	103
TP217	103	TP227	103	TP237	103
TP218	103	TP228	102	TP238	103
TP219	103	TP229	102	TP239	103
TP220	103	TP230	103		

145.IO Board 2 (D016/D097/G178/M078)

Index No.	Part No.	Description	Q'ty Per Assembly
*	G178 5275	PCB: IOB2	1

Index No.	Part No.	Description	Q'ty Per Assembly
101	1100 1621	Test Pin: ST-1-2	
102	1100 1829	Test Pin: RCTCBK	
103	1100 1841	Test Pin: RCUCBK	
104	1102 5301	Connector - 2P	
105	1102 5328	Connector: B12P-XL-HDS(LF)(SN)	
106	1102 6297	Connector - 4P	
107	1102 6299	Connector - 6P	
108	1102 6305	Connector - 12P	
109	1102 6307	Connector: 53324-1460	
110	1102 6400	Connector: 53313-2465	
111	1102 6891	Connector: 53313-5065	
112	1102 8157	Connector: 53375-0510	
113	1102 8470	Connector - 55447-0610	
114	1102 8471	Connector - 55447-071	
115	1102 8474	Connector: 55447-1080	
116	1102 8477	Connector - 13P	
117	1102 8481	Connector - 55447-1760	
118	1102 8482	Connector: 55447-1880	
119	1102 8486	Connector: 55451-2470	
120	1102 8487	Connector: 55451-2670	
121	1102 8488	Connector - 5451-2810	
122	1102 8490	Connector: 55451-3270	
123	1102 8491	Connector: 55451-3470	
124	1102 8492	Connector - 55451-3610	
125	1102 8494	Connector - 55451-4010	
126	1102 9518	Connector: 55451-2070	
127	1103 3663	Connector: 55451-1670	
128	1103 3723	Connector: 53258-0649	
129	1103 3990	Connector	
130	1103 3992	Connector	
131	1103 4002	Connector	
132	1103 4010	Connector	
133	1103 4076	Connector: TX14-200R-10ST-N1E	
134	1109 0032	Fuse: MINISMDC020F	
135	1109 0049	Fuse: MINISMDC050F	

Index No.	Part No.	Description	Q'ty Per Assembly
136	1109 0080	Fuse: NRPS10-G4A	
137	1109 0081	Fuse: NRPS10-G5A	
138	1204 2464	Switch: SKHMQKE010	
139	1204 2563	Dip Switch: CHS-08B	
140	1400 0443	Transistor: DTB114EK	
141	1400 0715	Transistor - 2SB1197KR	
142	1400 0769	Transistor - 2SA1576A	
143	1400 0770	Transistor: DTA144EE	
144	1400 0775	Transistor - 2SC4081	
145	1400 0911	Transistor: DTC144TE	
146	1400 0953	Transistor - 2SC4081S	
147	1400 0968	Transistor : DTA123JUA	
148	1400 1012	Transistor: 2SD2656	
149	1400 1156	Transistor: RT1N141M-T111	
150	1400 1187	Transistor: 2SD2701	
151	1401 1135	FET: 2SK3019	
152	1401 1233	FET: SSM3J14T	
153	1401 1301	FET: 2SK2615	
154	1401 1359	FET: HAT2217C-E	
155	1402 1057	Diode Array - DAP202U	
156	1402 1322	Diode Array - DAN202U	
157	1402 1336	Diode - 1SS355	
158	1402 1343	Diode - RB106L-40	
159	1402 1584	Diode: DAN217U	
160	1402 1587	Diode - RB060	
161	1402 1748	Diode: RB481K	
162	1403 0953	LED - SML-310MT	
163	1403 0978	LED: SML-310DT	
164	1403 0996	LED - SML-310VT	
165	1407 1535	IC - TD62308AP	
166	1407 2187	TTLIC - SN74LS07NS	
167	1407 2218	TTLIC: SN74LS06NS	
168	1407 2231	IC - TD62308AF	
169	1407 4687	IC - TA8083F	
170	1407 5347	IC - SN74LV08APW	

Index No.	Part No.	Description	Q'ty Per Assembly
171	1407 5349	IC: SN74LV4066APW	
172	1407 5351	IC - SN74LV14APW	
173	1407 5469	IC - SN74LV07APW	
174	1407 5713	CMOS Logic: SN74LV06APW	
175	1407 6631	Clock Generator: ICS180M-53LF	
176	1407 6759	Custom IC: EIO	
177	1407 6926	Motor Control IC: SLA7072MPRF	
178	1407 6927	Motor Control IC: SLA7073MPRF	
179	1407 6995	CMOS Logic: TC74VHC244FT(K)	
180	1407 7000	CMOS Logic: TC74VHC541FT(K)	
181	1407 7005	CMOS Logic: TC74VHCT244AFT(K)	
182	1408 0826	IC - TA8428K	
183	1408 1550	Operational Amplifier: LM2902PW	
184	1408 1641	D/A Converter: BU2505FV	
185	1408 1653	Operational Amplifier: LMV324IPW	
186	1408 1779	IC - R3112Q281A	
187	1408 1826	IC - R3112Q421A	
188	1408 2029	Comparator: LM2901PW	
189	1408 2284	Series Regulator: BH30MA3WHFV	
190	1408 2393	Series Regulator: R1172H331B-FB	
191	1503 1274	Crystal Oscillator: 19.85MHz	
192	1601 5946	Resistor: 220 Ω : $\pm 5\%$: 1W	
193	1601 7887	Resistor Array - 10K Ω $\pm 5\%$ 1/32W	
194	1601 7898	Resistor Array	
195	1601 7909	Resistor Array - 10 Ω $\pm 5\%$ 1/32W	
196	1601 7943	Resistor Array - 68 Ω $\pm 5\%$ 1/32W	
197	1601 7959	Resistor	
198	1601 7983	Resistor Array: 2.2K Ω : $\pm 5\%$: 1/16W: 4Number	
199	1604 4925	Resistor - 100 μ F $\pm 20\%$ 10V	
200	1604 5375	Capacitor: 220 μ F: $\pm 20\%$: 50V	
201	1604 5660	Capacitor: 100 μ F: $\pm 20\%$: 50V	
202	1605 1148	Capacitor - 0.1 μ F+80-20% 50V	
203	1605 1200	Capacitor - 10pF ± 0.5 pF 50V	
204	1605 1202	Capacitor - 15pF $\pm 5\%$ 50V	
205	1605 1206	Capacitor - 47pF $\pm 5\%$ 50V	

Index No.	Part No.	Description	Q'ty Per Assembly
206	1605 1212	Capacitor - 470pF ±10% 50V	
207	1605 1221	Capacitor - 0.1 μF+80-20%16V	
208	1605 1225	Capacitor - 0.1μF±10% 50V	
209	1605 1234	Capacitor: 4700pF: ±10%: 50V	
210	1605 1240	Capacitor - 0.01μF±10% 25V	
211	1605 1303	Capacitor - 0.01μF+80-20% 50V	
212	1605 1306	Capacitor - 1μF±10% 10V	
213	1605 1406	Capacitor - 10μF±10% 6.3V	
214	1605 1479	Capacitor - 47pF ±10%: 50V	
215	1605 1483	Capacitor: 0.01μF: ±20%: 25V	
216	1605 1563	Capacitor: 10μF: ±10%: 10V	
217	1606 8041	Resistor Array - CKCA43CH1H10	
218	1607 1124	Filter: BLM18AG471SN1B	
219	1609 0005	Resistor: 33Ω: ±5%: 1/16W	
220	1609 0006	Resistor: 10KΩ: ±5%: 1/16W	
221	1609 0016	Resistor: 56Ω: ±5%: 1/16W	
222	1609 0020	Resistor: 10Ω: ±5%: 1/16W	
223	1609 0095	Resistor Array: 220 Ω: ±5%: 1/16W: 4Number	
224	1634 0000	Resistor - 0 Ω 1/16W	
225	1650 2432	Resistor: 4.3K Ω: ±5%: 1/4W: 3216	
226	1650 2680	Resistor: 68 Ω: ±5%: 1/4W: 3216	
227	1650 3100	Resistor: 10 Ω: ±5%: 1/8W: 2125	
228	1650 3222	Resistor: 2.2K Ω: ±5%: 1/8W: 2125	
229	1650 3331	Resistor: 330Ω: ±5%: 1/8W	
230	1650 4103	Resistor - 10KΩ ±5% 1/10W	
231	1650 5100	Chip Resistor - 10 Ω±5%1/16W	
232	1650 5102	Chip Resistor - 1KΩ±5%1/16W	
233	1650 5103	Chip Resistor - 10KΩ±5%1/16W	
234	1650 5105	Resistor: 1M Ω: ±5%: 1/16W: 1005	
235	1650 5154	Resistor: 150K Ω: ±5%: 1/16W: 1005	
236	1650 5221	Chip Resistor - 220Ω±5%1/16W	
237	1650 5222	Resistor - 2.2KΩ ±5% 1/16W	
238	1650 5223	Resistor: 22K Ω: ±5%: 1/16W: 1005	
239	1650 5302	Resistor: 3K Ω: ±5%: 1/16W: 1005	
240	1650 5330	Chip Resistor - 33Ω±5%1/16W	

Index No.	Part No.	Description	Q'ty Per Assembly
241	1650 5332	Resistor - 3.3KΩ ±5% 1/16W	
242	1650 5393	Resistor - 39KΩ ±5% 1/16W	
243	1650 5472	Chip Resistor: 4.7KΩ: ±5%: 1/16W	
244	1650 5511	Resistor - 510Ω ±5% 1/16W	
245	1650 5560	Chip Resistor 56Ω ±5% 1/16W	
246	1650 5561	Resistor: 560 Ω: ±5%: 1/16W: 1005	
247	1650 5680	Resistor - 68Ω ±5% 1/16W	
248	1650 5684	Resistor: 680K Ω: ±5%: 1/16W: 1005	
249	1654 1002	Resistor - 10KΩ±5%1/10W	
250	1654 3301	Resistor - 3.3KΩ ±1% 1/10W	
251	1654 5601	Resistor - 5.6KΩ±1% 1/10W	
252	1655 0000	Chip Resistor - 0Ω±0%1/16W	
253	1655 1001	Chip Resistor - 1KΩ ±1% 1/16W	
254	1655 1002	Chip Resistor - 10KΩ±1%1/16W	
255	1655 1003	Chip Resistor - 100KΩ±1%1/16W	
256	1655 1181	Resistor: 1.18K Ω: ±1%: 1/16W: 1005	
257	1655 1430	Resistor: 143 Ω: ±1%: 1/16W: 1005	
258	1655 1600	Resistor: 160 Ω: ±1%: 1/16W: 1005	
259	1655 1780	Resistor: 178 Ω: ±1%: 1/16W: 1005	
260	1655 1801	Resistor: 1.8K Ω: ±1%: 1/16W: 1005	
261	1655 1802	Resistor: 18K Ω: ±1%: 1/16W: 1005	
262	1655 1820	Resistor: 182 Ω: ±1%: 1/16W: 1005	
263	1655 2002	Chip Resistor - 20KΩ±1%1/16W	
264	1655 2200	Resistor - 220Ω ±1% 1/16W	
265	1655 2202	Resistor: 22K Ω: ±1%: 1/16W: 1005	
266	1655 3161	Resistor: 3.16K Ω: ±1%: 1/16W: 1005	
267	1655 3301	Resistor: 3.3K Ω: ±1%: 1/16W: 1005	
268	1655 3740	Resistor: 374 Ω: ±1%: 1/16W: 1005	
269	1655 3749	Resistor: 37.4 Ω: ±1%: 1/16W: 1005	
270	1655 6809	Chip Resistor - 68Ω±1%1/16W	
271	1655 6982	Resistor: 69.8K Ω: ±1%: 1/16W: 1005	
272	1655 7159	Resistor: 71.5 Ω: ±1%: 1/16W: 1005	
273	1655 7879	Resistor: 78.7 Ω: ±1%: 1/16W: 1005	

146.IPU Board (D016/D097/G178/M078)

CAPACITOR

SYMBOL NO.	INDEX NO.	SYMBOL NO.	INDEX NO.	SYMBOL NO.	INDEX NO.	SYMBOL NO.	INDEX NO.	SYMBOL NO.	INDEX NO.	SYMBOL NO.	INDEX NO.	SYMBOL NO.	INDEX NO.
C1	190	C11	185	C21	190	C31	190	C41	190	C51	187	C61	190
---	---	C12	197	C22	190	C32	190	C42	189	C52	187	C62	190
---	---	C13	185	C23	182	C33	190	C43	186	C53	187	C63	190
---	---	C14	196	---	---	C34	190	C44	190	C54	200	C64	190
C5	179	C15	201	C25	200	C35	190	C45	189	C55	187	C65	186
---	---	C16	205	C26	187	C36	190	C46	186	C56	187	C66	186
C7	205	C17	205	C27	200	C37	190	---	---	C57	190	C67	189
C8	205	---	---	C28	187	C38	189	---	---	C58	195	C68	189
C9	201	C19	190	C29	200	C39	198	C49	182	C59	199	C69	190
C10	196	C20	190	C30	187	---	---	C50	190	---	---	C70	190

CAPACITOR

SYMBOL NO.	INDEX NO.	SYMBOL NO.	INDEX NO.	SYMBOL NO.	INDEX NO.	SYMBOL NO.	INDEX NO.	SYMBOL NO.	INDEX NO.	SYMBOL NO.	INDEX NO.	SYMBOL NO.	INDEX NO.
C71	193	C81	187	C91	197	C101	198	C111	190	---	---	C131	187
C72	254	C82	187	C92	190	C102	189	C112	187	C122	193	C132	187
C73	190	C83	187	C93	194	C103	190	C113	187	C123	254	C133	187
C74	187	C84	187	---	---	C104	187	C114	190	C124	187	C134	187
C75	187	C85	187	C95	186	C105	190	C115	193	C125	187	C135	187
C76	190	C86	187	C96	189	C106	187	C116	190	C126	187	C136	187
C77	190	C87	187	C97	190	---	---	C117	190	C127	187	---	---
C78	199	C88	187	C98	184	C108	184	C118	254	---	---	C138	187
C79	187	C89	187	C99	184	C109	190	---	---	C129	187	C139	187
C80	187	C90	187	C100	184	C110	182	---	---	C130	187	C140	187

146.IPU Board (D016/D097/G178/M078)

CAPACITOR

SYMBOL NO.	INDEX NO.	SYMBOL NO.	INDEX NO.	SYMBOL NO.	INDEX NO.	SYMBOL NO.	INDEX NO.	SYMBOL NO.	INDEX NO.	SYMBOL NO.	INDEX NO.
---	---	C151	190	C161	181	C171	254	C181	187	---	---
C142	178	C152	187	C162	197	C172	190	---	---	C192	183
C143	205	C153	190	C163	190	C173	187	C183	187	C193	196
C144	205	C154	193	C164	199	C174	190	C184	187	C194	185
---	---	C155	187	C165	198	C175	199	C185	187	C195	185
C146	201	C156	187	C166	189	C176	195	C186	192	C196	196
---	---	C157	252	---	---	C177	187	C187	192	C197	190
C148	205	C158	252	C168	182	C178	187	C188	192	C198	190
C149	205	C159	252	C169	190	C179	187	---	---	C199	201
C150	201	C160	252	C170	187	C180	190	C190	178	C200	190
										C201	190
										C202	193
										C203	254
										C204	190
										C205	187
										C206	187
										C207	187
										C208	187
										C209	187
										C210	187

CAPACITOR

SYMBOL NO.	INDEX NO.	SYMBOL NO.	INDEX NO.	SYMBOL NO.	INDEX NO.	SYMBOL NO.	INDEX NO.	SYMBOL NO.	INDEX NO.	SYMBOL NO.	INDEX NO.
C211	187	C221	190	C231	194	C241	190	C251	185	---	---
C212	187	C222	190	C232	180	C242	187	C252	185	C262	187
C213	187	C223	190	---	---	C243	187	C253	190	C263	187
C214	187	C224	187	C234	190	C244	187	C254	190	C264	187
C215	190	C225	190	C235	190	---	---	C255	190	C265	187
C216	190	C226	193	C236	190	---	---	C256	193	C266	187
C217	190	C227	187	C237	190	C247	185	C257	254	C267	187
C218	190	C228	190	C238	182	C248	190	C258	187	C268	187
C219	190	C229	254	C239	190	C249	185	C259	187	C269	187
C220	190	C230	190	C240	187	C250	189	C260	187	C270	187
										C271	187
										---	---
										C273	185
										C274	185
										C275	185
										C276	185
										C277	185
										C278	185
										C279	185
										C280	185

146.IPU Board (D016/D097/G178/M078)

CAPACITOR

SYMBOL NO.	INDEX NO.	SYMBOL NO.	INDEX NO.	SYMBOL NO.	INDEX NO.	SYMBOL NO.	INDEX NO.	SYMBOL NO.	INDEX NO.	SYMBOL NO.	INDEX NO.	SYMBOL NO.	INDEX NO.
C281	185	C291	185	C301	189	C311	185	---	---	C331	252	C341	185
C282	185	C292	185	C302	185	C312	185	C322	187	C332	185	C342	196
C283	185	C293	185	C303	185	C313	190	C323	190	---	---	---	---
C284	185	C294	185	C304	185	C314	186	C324	193	C334	187	C344	190
C285	185	C295	185	C305	185	C315	185	C325	254	C335	190	---	---
C286	185	C296	185	C306	185	C316	196	C326	187	C336	187	C346	197
C287	185	C297	185	C307	185	---	---	C327	192	C337	185	C347	201
C288	194	C298	185	C308	185	C318	201	C328	252	C338	190	C348	205
C289	185	C299	185	C309	185	C319	205	C329	252	C339	190	C349	205
C290	185	C300	185	C310	185	C320	205	C330	252	C340	186	---	---

CAPACITOR

SYMBOL NO.	INDEX NO.	SYMBOL NO.	INDEX NO.	SYMBOL NO.	INDEX NO.	SYMBOL NO.	INDEX NO.	SYMBOL NO.	INDEX NO.	SYMBOL NO.	INDEX NO.	SYMBOL NO.	INDEX NO.
---	---	C361	205	C371	192	---	---	C391	186	---	---	C411	189
C352	185	C362	205	C372	192	---	---	C392	190	---	---	C412	190
C353	185	C363	205	C373	197	C383	190	C393	186	C403	198	C413	187
C354	196	---	---	---	---	---	---	C394	186	C404	198	C414	191
C355	196	---	---	C375	190	---	---	C395	190	C405	190	C415	190
C356	190	C366	190	C376	189	---	---	C396	185	C406	190	C416	187
C357	197	C367	199	C377	189	---	---	C397	185	C407	187	C417	190
C358	201	C368	195	C378	190	---	---	C398	185	C408	202	C418	190
C359	201	C369	190	C379	189	---	---	---	---	C409	190	C419	187
C360	205	C370	192	---	---	C390	186	C400	190	C410	187	C420	199

146.IPU Board (D016/D097/G178/M078)

CAPACITOR

SYMBOL NO.	INDEX NO.	SYMBOL NO.	INDEX NO.	SYMBOL NO.	INDEX NO.	SYMBOL NO.	INDEX NO.	SYMBOL NO.	INDEX NO.	SYMBOL NO.	INDEX NO.	SYMBOL NO.	INDEX NO.
C421	190	C431	190	C441	189	C451	189	C461	203	C471	189	C481	187
---	---	C432	190	C442	187	C452	199	C462	187	C472	187	C482	190
C423	195	C433	185	C443	189	C453	187	C463	199	C473	189	C483	187
C424	190	C434	185	C444	189	C454	203	C464	189	C474	187	C484	190
C425	190	C435	185	C445	190	C455	189	C465	203	C475	190	C485	187
C426	190	C436	185	C446	199	C456	190	C466	187	C476	190	C486	202
C427	190	C437	185	C447	190	C457	189	C467	190	C477	187	C487	190
C428	190	C438	185	C448	203	C458	189	C468	199	C478	187	C488	187
C429	190	---	---	C449	187	C459	190	C469	190	C479	190	C489	190
C430	190	C440	187	C450	190	C460	189	C470	189	C480	187	C490	189

CAPACITOR

SYMBOL NO.	INDEX NO.	SYMBOL NO.	INDEX NO.	SYMBOL NO.	INDEX NO.	SYMBOL NO.	INDEX NO.	SYMBOL NO.	INDEX NO.	SYMBOL NO.	INDEX NO.	SYMBOL NO.	INDEX NO.
C491	191	C501	191	C511	190	---	---	C531	190	C541	189	C551	184
C492	187	C502	202	C512	187	---	---	C532	187	C542	202	C552	184
C493	190	C503	189	C513	187	C523	251	C533	190	C543	190	C553	184
C494	189	C504	254	C514	187	C524	189	C534	190	C544	190	C554	184
C495	202	C505	190	C515	193	C525	190	C535	187	C545	187	C555	184
C496	191	C506	190	C516	187	C526	253	C536	190	C546	187	C556	184
C497	254	C507	190	C517	190	C527	205	C537	187	C547	190	C557	184
C498	191	C508	190	C518	190	---	---	C538	190	C548	187	C558	184
C499	187	C509	187	C519	190	---	---	C539	187	C549	190	C559	184
C500	190	C510	187	---	---	C530	190	C540	193	---	---	C560	184

146.IPU Board (D016/D097/G178/M078)

CAPACITOR

SYMBOL NO.	INDEX NO.	SYMBOL NO.	INDEX NO.	SYMBOL NO.	INDEX NO.	SYMBOL NO.	INDEX NO.	SYMBOL NO.	INDEX NO.	SYMBOL NO.	INDEX NO.
C561	184	---	---	C581	187	C591	184	C601	190	C611	199
---	---	C572	190	---	---	C592	184	---	---	C612	190
---	---	C573	187	C583	184	C593	184	---	---	C613	203
C564	190	C574	187	C584	184	C594	184	---	---	C614	187
C565	190	C575	190	C585	184	C595	184	C605	187	C615	190
C566	190	C576	187	C586	184	---	---	C606	189	C616	189
C567	190	C577	190	C587	184	C597	190	C607	187	C617	199
C568	190	C578	187	C588	184	C598	190	C608	189	C618	187
C569	190	C579	190	C589	184	C599	190	C609	189	C619	203
C570	190	C580	190	C590	184	C600	190	C610	190	C620	189
										C621	190
										C622	189
										C623	189
										C624	190
										C625	189
										C626	203
										C627	187
										C628	199
										C629	189
										C630	203

CAPACITOR

SYMBOL NO.	INDEX NO.	SYMBOL NO.	INDEX NO.	SYMBOL NO.	INDEX NO.	SYMBOL NO.	INDEX NO.	SYMBOL NO.	INDEX NO.	SYMBOL NO.	INDEX NO.
C631	187	C641	190	C651	187	C661	254	C671	190	C681	184
C632	190	C642	187	C652	190	C662	191	C672	190	C682	184
C633	199	C643	187	C653	187	C663	202	C673	187	C683	184
C634	190	C644	190	C654	189	C664	191	C674	187	C684	184
C635	189	C645	187	C655	190	C665	254	C675	190	C685	184
C636	189	C646	187	C656	191	C666	187	C676	187	C686	184
C637	187	C647	190	C657	191	C667	190	C677	187	C687	184
C638	189	C648	187	C658	202	C668	189	C678	187	C688	184
C639	187	C649	190	C659	189	C669	190	C679	193	C689	194
C640	190	C650	202	C660	193	C670	190	C680	190	C690	190
										C691	189
										C692	187
										C693	190
										C694	190
										C695	251
										C696	189
										C697	190
										C698	253
										C699	205
										C700	190

146.IPU Board (D016/D097/G178/M078)

CAPACITOR

SYMBOL NO.	INDEX NO.	SYMBOL NO.	INDEX NO.	SYMBOL NO.	INDEX NO.	SYMBOL NO.	INDEX NO.	SYMBOL NO.	INDEX NO.	SYMBOL NO.	INDEX NO.		
---	---	C711	190	C721	202	---	---	C741	187	C751	190	C761	190
C702	190	C712	187	C722	190	C732	192	C742	189	C752	189	C762	187
---	---	C713	198	C723	190	C733	190	C743	187	C753	187	C763	187
C704	190	C714	202	C724	187	C734	190	C744	189	C754	189	C764	190
C705	187	C715	198	C725	187	C735	190	C745	190	C755	203	C765	198
C706	190	C716	190	C726	190	C736	190	C746	199	C756	187	C766	198
C707	190	C717	190	C727	187	C737	190	C747	203	C757	190	C767	189
C708	190	C718	187	C728	190	C738	190	C748	190	C758	199	C768	190
C709	187	C719	191	---	---	---	---	C749	189	C759	190	C769	187
C710	189	C720	189	C730	190	C740	190	C750	190	C760	187	C770	190

CAPACITOR

SYMBOL NO.	INDEX NO.	SYMBOL NO.	INDEX NO.	SYMBOL NO.	INDEX NO.	SYMBOL NO.	INDEX NO.	SYMBOL NO.	INDEX NO.	SYMBOL NO.	INDEX NO.	SYMBOL NO.	INDEX NO.
C771	190	C781	190	C791	187	C801	190	C811	199	C821	189	C831	190
C772	187	C782	202	C792	187	C802	190	C812	190	C822	190	---	---
C773	202	C783	254	C793	190	C803	190	C813	190	C823	203	C833	187
C774	190	C784	190	C794	187	C804	190	C814	203	C824	199	C834	190
C775	187	C785	190	C795	187	C805	190	C815	253	C825	190	C835	187
C776	191	C786	190	C796	193	---	---	C816	187	C826	189	C836	187
C777	190	C787	187	C797	190	C807	251	C817	189	C827	189	C837	190
C778	187	C788	190	C798	187	C808	189	C818	205	C828	187	C838	190
C779	191	C789	199	C799	195	C809	189	C819	187	C829	189	C839	202
C780	187	C790	190	C800	190	C810	190	C820	189	C830	187	C840	187

146.IPU Board (D016/D097/G178/M078)

CAPACITOR

SYMBOL NO.	INDEX NO.	SYMBOL NO.	INDEX NO.	SYMBOL NO.	INDEX NO.	SYMBOL NO.	INDEX NO.	SYMBOL NO.	INDEX NO.	SYMBOL NO.	INDEX NO.	SYMBOL NO.	INDEX NO.
C841	190	C851	191	C861	187	C871	190	---	---	C891	184	C901	184
C842	187	C852	187	C862	190	C872	190	C882	184	C892	184	C902	186
C843	190	C853	190	C863	190	C873	190	C883	184	C893	184	C903	186
C844	190	C854	187	C864	190	---	---	C884	184	C894	184	C904	186
C845	187	C855	193	C865	190	---	---	C885	184	---	---	C905	184
C846	191	C856	254	C866	187	---	---	C886	184	C896	190	C906	184
C847	189	C857	189	C867	187	---	---	C887	184	C897	190	C907	186
C848	189	C858	191	C868	187	C878	190	C888	184	C898	190	C908	190
C849	190	C859	189	C869	187	C879	190	C889	184	C899	199	C909	189
C850	202	C860	202	C870	190	C880	190	C890	184	C900	190	C910	186

CAPACITOR

SYMBOL NO.	INDEX NO.	SYMBOL NO.	INDEX NO.	SYMBOL NO.	INDEX NO.	SYMBOL NO.	INDEX NO.	SYMBOL NO.	INDEX NO.	SYMBOL NO.	INDEX NO.	SYMBOL NO.	INDEX NO.
C911	186	C921	190	C931	190	C941	186	C951	184	C961	189	C971	187
C912	184	C922	190	C932	190	C942	199	C952	187	C962	187	C972	187
C913	190	C923	190	C933	186	C943	190	C953	189	C963	189	C973	190
C914	186	C924	190	C934	186	C944	186	C954	187	C964	203	C974	190
C915	190	C925	189	C935	189	C945	190	C955	189	C965	187	C975	187
C916	189	C926	186	C936	190	C946	190	C956	190	C966	190	C976	187
C917	186	C927	186	C937	190	C947	186	C957	199	C967	199	C977	190
C918	184	C928	186	C938	186	C948	190	C958	203	C968	190	C978	191
C919	190	C929	186	C939	189	C949	184	C959	190	C969	187	C979	202
C920	186	C930	189	C940	190	C950	184	C960	189	C970	190	C980	187

146.IPU Board (D016/D097/G178/M078)

CAPACITOR

SYMBOL NO.	INDEX NO.	SYMBOL NO.	INDEX NO.	SYMBOL NO.	INDEX NO.	SYMBOL NO.	INDEX NO.	SYMBOL NO.	INDEX NO.	SYMBOL NO.	INDEX NO.	SYMBOL NO.	INDEX NO.
C981	190	C991	190	C1001	184	C1011	184	C1021	190	C1031	186	C1041	189
C982	189	C992	190	C1002	184	C1012	190	C1022	186	C1032	190	C1042	189
C983	187	C993	187	C1003	184	C1013	194	C1023	186	C1033	190	C1043	189
C984	190	C994	187	C1004	184	C1014	190	C1024	186	C1034	189	C1044	190
C985	202	C995	187	C1005	184	C1015	190	C1025	186	C1035	186	C1045	190
C986	254	C996	190	C1006	184	C1016	190	C1026	190	C1036	189	C1046	190
C987	189	C997	187	C1007	184	C1017	190	C1027	186	C1037	190	C1047	186
C988	187	C998	193	C1008	184	C1018	186	C1028	189	C1038	186	C1048	188
C989	190	C999	184	C1009	184	C1019	186	C1029	190	C1039	190	C1049	190
C990	190	C1000	184	C1010	184	C1020	190	C1030	189	C1040	189	C1050	186

CAPACITOR

SYMBOL NO.	INDEX NO.	SYMBOL NO.	INDEX NO.	SYMBOL NO.	INDEX NO.	SYMBOL NO.	INDEX NO.	SYMBOL NO.	INDEX NO.	SYMBOL NO.	INDEX NO.	SYMBOL NO.	INDEX NO.
C1051	190	C1061	190	C1071	186	C1081	199	C1091	186	C1101	189	C1111	205
C1052	188	C1062	190	C1072	186	C1082	186	C1092	190	C1102	189	C1112	187
C1053	190	C1063	189	C1073	189	C1083	189	C1093	186	C1103	190	C1113	189
C1054	190	C1064	190	C1074	190	C1084	190	C1094	186	C1104	199	C1114	189
C1055	190	C1065	186	C1075	186	C1085	190	C1095	186	C1105	190	C1115	190
C1056	186	C1066	190	C1076	189	C1086	186	C1096	190	C1106	190	C1116	203
C1057	189	C1067	186	C1077	190	C1087	186	C1097	190	C1107	203	C1117	199
C1058	186	C1068	189	C1078	186	C1088	186	C1098	190	C1108	253	C1118	190
C1059	199	C1069	186	C1079	189	C1089	190	C1099	190	C1109	187	C1119	189
C1060	186	C1070	190	C1080	190	C1090	186	C1100	251	C1110	189	C1120	189

146.IPU Board (D016/D097/G178/M078)

CAPACITOR

SYMBOL NO.	INDEX NO.	SYMBOL NO.	INDEX NO.	SYMBOL NO.	INDEX NO.	SYMBOL NO.	INDEX NO.	SYMBOL NO.	INDEX NO.	SYMBOL NO.	INDEX NO.	SYMBOL NO.	INDEX NO.
C1121	187	C1131	190	C1141	189	C1151	191	C1161	187	---	---	C1181	198
C1122	189	C1132	202	C1142	190	C1152	191	C1162	187	---	---	C1182	190
C1123	187	C1133	187	C1143	187	C1153	202	C1163	190	---	---	C1183	190
C1124	190	C1134	190	C1144	254	C1154	187	C1164	190	---	---	C1184	200
C1125	190	C1135	187	C1145	202	C1155	190	C1165	184	---	---	C1185	200
C1126	187	C1136	190	C1146	193	C1156	190	C1166	184	---	---	C1186	195
C1127	190	C1137	189	C1147	190	C1157	190	C1167	184	C1177	186	C1187	190
C1128	187	C1138	190	C1148	187	C1158	190	C1168	184	C1178	190	C1188	190
C1129	187	C1139	187	C1149	191	C1159	187	C1169	184	---	---	C1189	253
C1130	190	C1140	191	C1150	189	C1160	187	C1170	184	C1180	198	C1190	251

CAPACITOR

SYMBOL NO.	INDEX NO.	SYMBOL NO.	INDEX NO.	SYMBOL NO.	INDEX NO.	SYMBOL NO.	INDEX NO.	SYMBOL NO.	INDEX NO.	SYMBOL NO.	INDEX NO.	SYMBOL NO.	INDEX NO.
C1191	205	C1201	190	C1211	190	C1221	187	C1231	200	C1241	190	C1251	204
C1192	189	C1202	187	C1212	190	C1222	187	C1232	200	C1242	187	C1252	190
C1193	190	C1203	203	C1213	189	C1223	190	C1233	187	C1243	187	C1253	190
C1194	187	C1204	190	C1214	203	C1224	199	C1234	187	C1244	190	C1254	190
C1195	189	C1205	189	C1215	189	C1225	190	C1234	190	C1245	190	C1255	190
C1196	187	C1206	199	C1216	187	C1226	189	C1235	187	C1246	190	C1256	190
C1197	189	C1207	187	C1217	199	C1227	189	C1237	190	C1247	190	C1257	190
C1198	189	C1208	189	C1218	190	C1228	187	C1238	190	C1248	204	C1258	187
C1199	190	C1209	203	C1219	189	C1229	189	C1239	190	C1249	190	C1259	187
C1200	199	C1210	189	C1220	203	C1230	200	C1240	190	C1250	190	C1260	187

146.IPU Board (D016/D097/G178/M078)

CAPACITOR

SYMBOL NO.	INDEX NO.
C1261	187
C1262	187
C1263	187
C1264	190
C1265	187
C1266	190
C1267	190
C1268	200
C1269	190
C1270	190

SYMBOL NO.	INDEX NO.
C1271	200
C1272	187
C1273	190
C1274	190
C1275	190
C1276	190
C1277	190
C1278	190
C1279	190
C1280	190

SYMBOL NO.	INDEX NO.
C1281	190
C1282	190
C1283	187
C1284	187
---	---
---	---
C1287	190
---	---
C1289	190

CONNECTOR

SYMBOL NO.	INDEX NO.
---	---
---	---
---	---
---	---
---	---
---	---
---	---
---	---
---	---
CN410	110

SYMBOL NO.	INDEX NO.
CN411	120
CN412	122
CN413	123
CN414	120
CN415	122
CN416	123
---	---
CN418	106
CN419	109
CN420	121

SYMBOL NO.	INDEX NO.
CN421	119
CN422	105
CN423	112
CN424	108
CN425	107
CN426	104
---	---
---	---
---	---
---	---
CN430	114

SYMBOL NO.	INDEX NO.
CN431	114
CN432	113
CN433	113
CN434	113
---	---
---	---
---	---
---	---
---	---
---	---

CONNECTOR

SYMBOL NO.	INDEX NO.
---	---
---	---
CN443	111
CN444	111
---	---
---	---
---	---
---	---
---	---
CN450	118

SYMBOL NO.	INDEX NO.
CN451	117
CN452	116
CN453	115

DIODE

SYMBOL NO.	INDEX NO.
D1	132
D2	132
D3	132
D4	131
D5	131
D6	131
D7	132
D8	132

FIL

SYMBOL NO.	INDEX NO.
FIL1	206
FIL2	207
FIL3	206
FIL4	206
FIL5	206
FIL6	206
FIL7	206
FIL8	206
FIL9	206
FIL10	206

SYMBOL NO.	INDEX NO.
FIL11	206
FIL12	206
FIL13	207
FIL14	207
FIL15	207
FIL16	208
FIL17	208
FIL18	211
FIL19	208
FIL20	208

SYMBOL NO.	INDEX NO.
FIL21	211
FIL22	208
FIL23	208
FIL24	211
FIL25	206
FIL26	206
FIL27	208
FIL28	208
FIL29	211
FIL30	208

SYMBOL NO.	INDEX NO.
FIL31	208
FIL32	206
FIL33	206
FIL34	211

146.IPU Board (D016/D097/G178/M078)

FUSE

SYMBOL NO.	INDEX NO.
FU1	124

IC

SYMBOL NO.	INDEX NO.
IC1	146
IC2	155
IC3	148
IC4	155
IC5	155
IC6	155
IC7	155
IC8	145
IC9	145
IC10	145

SYMBOL NO.	INDEX NO.
IC11	145
IC12	157
IC13	165
IC14	136
IC15	136
IC16	136
IC17	136
IC18	136
IC19	136
IC20	136

SYMBOL NO.	INDEX NO.
IC21	136
IC22	147
IC23	139
IC24	139
IC25	139
IC26	139
IC27	149
IC28	147
IC29	165
IC30	153

SYMBOL NO.	INDEX NO.
IC31	162
---	---
---	---
IC34	151
IC35	139
IC36	164
IC37	140
IC38	137
IC39	157
IC40	135

SYMBOL NO.	INDEX NO.
IC41	165
IC42	152
IC43	138
IC44	154
IC45	165
IC46	153
IC47	142
IC48	162
IC49	159
IC50	157

SYMBOL NO.	INDEX NO.
IC51	150
IC52	150
IC53	141
IC54	139
IC55	159
IC56	158
IC57	158
IC58	158
IC59	158
IC60	136

IC

SYMBOL NO.	INDEX NO.
IC61	136
IC62	160
IC63	160
IC64	151
IC65	156
IC66	160
IC67	143
IC68	139
IC69	139
IC70	139

SYMBOL NO.	INDEX NO.
IC71	139
IC72	154
IC73	156
IC74	160
IC75	159
IC76	157
IC77	158
IC78	139
IC79	139
IC80	159

SYMBOL NO.	INDEX NO.
IC81	160
IC82	160
IC83	151
IC84	151
IC85	156
IC86	151
IC87	154
IC88	160
IC89	156
IC90	160

SYMBOL NO.	INDEX NO.
IC91	158
IC92	144

L

SYMBOL NO.	INDEX NO.
L1	213
L2	212
L3	209
L4	214
L5	210
L6	214
L7	214
L8	214
L9	214
L10	209

LED

SYMBOL NO.	INDEX NO.
LED1	133
LED2	134
LED3	134
LED4	134
LED5	134
LED6	133
LED7	133
LED8	133
LED9	133
LED10	133

SYMBOL NO.	INDEX NO.
LED11	133
LED12	133

146.IPU Board (D016/D097/G178/M078)

OSC

SYMBOL NO.	INDEX NO.
OSC1	168
OSC2	169
OSC3	170
OSC4	171

Q

SYMBOL NO.	INDEX NO.
Q1	130
Q2	130
Q3	130
Q4	130
Q5	129
Q6	129
Q7	129
Q8	130
Q9	128
Q10	128

SYMBOL NO.	INDEX NO.
Q11	130
Q12	128
Q13	130
Q14	130
Q15	129
Q16	129
Q17	127
Q18	129
Q19	129
Q20	128

SYMBOL NO.	INDEX NO.
Q21	128
Q22	128
Q23	129
Q24	129
Q25	129
Q26	129
Q27	129
Q28	129
Q29	129
Q30	129

RESISTOR

SYMBOL NO.	INDEX NO.
R1	233
R2	233
R3	227
R4	220
R5	229
---	---
R7	243
R8	242
R9	248
R10	245

SYMBOL NO.	INDEX NO.
R11	173
R12	235
R13	235
R14	235
R15	235
R16	235
R17	222
R18	222
R19	229
R20	227

SYMBOL NO.	INDEX NO.
R21	227
R22	227
R23	227
R24	227
R25	227
R26	227
R27	224
R28	224
R29	224
R30	224

RESISTOR

SYMBOL NO.	INDEX NO.
R31	224
R32	224
R33	224
---	---
---	---
R36	227
R37	230
R38	230
R39	230
R40	235

SYMBOL NO.	INDEX NO.
R41	235
R42	235
R43	235
R44	227
R45	227
R46	227
R47	227
R48	227
R49	227
R50	227

SYMBOL NO.	INDEX NO.
R51	224
R52	224
R53	224
R54	224
R55	224
R56	224
R57	224
R58	222
R59	226
R60	230

SYMBOL NO.	INDEX NO.
R61	230
R62	230
R63	226
R64	226
R65	230
R66	226
R67	226
R68	222
---	---
R70	226

SYMBOL NO.	INDEX NO.
R71	226
R72	226
R73	230
R74	235
R75	246
R76	235
R77	235
R78	226
R79	226
R80	249

SYMBOL NO.	INDEX NO.
R81	249
R82	249
R83	249
R84	227
R85	227
R86	224
R87	224
R88	230
R89	226
R90	247

SYMBOL NO.	INDEX NO.
R91	230
R92	230
R93	226
R94	225
R95	249
R96	249
R97	249
R98	249
R99	249
R100	249

146.IPU Board (D016/D097/G178/M078)

RESISTOR

SYMBOL NO.	INDEX NO.	SYMBOL NO.	INDEX NO.	SYMBOL NO.	INDEX NO.	SYMBOL NO.	INDEX NO.	SYMBOL NO.	INDEX NO.	SYMBOL NO.	INDEX NO.	SYMBOL NO.	INDEX NO.
R101	249	R111	222	R121	230	R131	222	R141	222	R151	222	R161	222
R102	249	R112	222	R122	230	R132	222	R142	222	R152	222	R162	227
R103	249	---	---	R123	230	R133	226	R143	246	R153	222	R163	230
R104	249	---	---	R124	230	R134	225	R144	226	R154	222	R164	230
R105	249	R115	226	R125	230	R135	226	R145	230	R155	222	R165	230
R106	249	R116	226	R126	222	R136	225	R146	230	R156	222	R166	230
R107	222	R117	227	R127	230	R137	226	R147	226	R157	222	R167	230
R108	222	R118	230	R128	222	R138	230	R148	225	R158	222	R168	230
R109	222	R119	230	R129	230	R139	246	R149	222	R159	222	---	---
R110	222	R120	230	---	---	R140	226	R150	222	R160	222	R170	230

RESISTOR

SYMBOL NO.	INDEX NO.	SYMBOL NO.	INDEX NO.	SYMBOL NO.	INDEX NO.	SYMBOL NO.	INDEX NO.	SYMBOL NO.	INDEX NO.	SYMBOL NO.	INDEX NO.	SYMBOL NO.	INDEX NO.
---	---	R181	249	R191	222	R201	230	R211	249	R221	226	R231	225
R172	222	R182	222	R192	222	R202	225	R212	249	R222	230	R232	249
R173	233	R183	222	R193	222	R203	249	R213	249	R223	230	R233	249
R174	233	R184	222	R194	222	R204	249	R214	172	R224	246	R234	249
R175	247	R185	222	R195	226	R205	249	R215	221	R225	226	R235	249
---	---	R186	222	R196	226	R206	249	R216	222	R226	247	R236	233
R177	246	R187	222	R197	226	R207	249	---	---	R227	246	R237	233
R178	226	R188	222	R198	225	R208	249	R218	222	R228	226	R238	233
R179	226	R189	222	R199	247	R209	249	R219	225	R229	230	R239	233
R180	226	R190	222	R200	230	R210	249	R220	226	R230	226	R240	225

146.IPU Board (D016/D097/G178/M078)

RESISTOR

SYMBOL NO.	INDEX NO.	SYMBOL NO.	INDEX NO.	SYMBOL NO.	INDEX NO.	SYMBOL NO.	INDEX NO.	SYMBOL NO.	INDEX NO.	SYMBOL NO.	INDEX NO.	SYMBOL NO.	INDEX NO.
R241	225	R251	222	R261	249	R271	226	R281	250	R291	225	R301	249
R242	225	R252	230	R262	249	R272	225	R282	237	R292	226	R302	249
R243	225	R253	246	R263	249	R273	226	R283	244	R293	225	R303	249
R244	223	R254	226	R264	249	R274	225	R284	222	R294	226	R304	249
R245	230	R255	226	R265	224	R275	226	R285	229	R295	247	R305	249
---	---	R256	226	R266	224	R276	222	R286	230	R296	230	R306	249
R247	222	R257	225	R267	225	R277	229	R287	230	R297	246	R307	249
---	---	R258	249	R268	226	R278	245	R288	230	R298	225	R308	222
R249	230	R259	249	R269	226	R279	222	R289	230	R299	249	R309	222
R250	222	R260	249	R270	225	R280	226	R290	226	R300	249	R310	222

RESISTOR

SYMBOL NO.	INDEX NO.	SYMBOL NO.	INDEX NO.	SYMBOL NO.	INDEX NO.	SYMBOL NO.	INDEX NO.	SYMBOL NO.	INDEX NO.	SYMBOL NO.	INDEX NO.	SYMBOL NO.	INDEX NO.
R311	222	R321	226	R331	222	R341	222	R351	226	R361	222	R371	230
R312	222	R322	226	R332	222	R342	222	R352	226	R362	222	R372	231
R313	222	R323	233	R333	222	R343	222	R353	226	R363	222	R373	227
R314	222	R324	226	R334	222	R344	226	R354	225	R364	222	R374	226
R315	222	R325	246	R335	222	---	---	R355	249	R365	222	R375	230
R316	230	R326	247	R336	222	R346	230	R356	249	R366	222	R376	226
R317	230	R327	226	R337	222	R347	233	R357	249	R367	222	R377	226
R318	225	R328	230	R338	222	R348	230	R358	249	R368	222	R378	225
R319	225	R329	230	R339	222	---	---	R359	222	R369	222	R379	226
R320	225	R330	226	R340	222	R350	246	R360	222	R370	222	R380	225

146.IPU Board (D016/D097/G178/M078)

RESISTOR

SYMBOL NO.	INDEX NO.	SYMBOL NO.	INDEX NO.	SYMBOL NO.	INDEX NO.	SYMBOL NO.	INDEX NO.	SYMBOL NO.	INDEX NO.	SYMBOL NO.	INDEX NO.		
R381	247	R391	249	R401	230	R411	226	R421	233	R431	230	---	---
R382	230	R392	249	R402	226	R412	247	R422	233	R432	226	R442	222
R383	246	R393	249	R403	226	R413	246	R423	226	R433	230	R443	229
R384	225	R394	249	R404	225	R414	226	R424	225	R434	235	R444	248
R385	249	R395	230	R405	222	R415	230	R425	225	R435	235	R445	245
R386	249	R396	230	R406	229	R416	226	R426	225	R436	236	---	---
R387	249	R397	230	R407	245	R417	249	R427	225	R437	224	R447	230
R388	249	R398	230	R408	248	R418	249	R428	225	R438	225	R448	230
R389	249	R399	230	---	---	R419	233	---	---	---	---	R449	230
R390	249	R400	230	R410	219	R420	233	---	---	---	---	R450	223

RESISTOR

SYMBOL NO.	INDEX NO.	SYMBOL NO.	INDEX NO.	SYMBOL NO.	INDEX NO.	SYMBOL NO.	INDEX NO.	SYMBOL NO.	INDEX NO.	SYMBOL NO.	INDEX NO.	SYMBOL NO.	INDEX NO.
R451	219	R461	223	R471	225	R481	226	R491	230	R501	222	R511	225
R452	230	---	---	R472	226	R482	228	R492	230	R502	227	R512	227
R453	222	R463	172	---	---	---	---	R493	230	R503	231	R513	227
R454	222	R464	172	---	---	R484	231	R494	230	R504	225	R514	225
R455	229	R465	224	R475	226	R485	230	R495	230	R505	227	R515	224
R456	229	R466	226	R476	226	R486	227	R496	230	R506	227	R516	224
R457	243	R467	225	---	---	R487	222	R497	230	R507	225	R517	224
R458	242	R468	224	R478	236	---	---	R498	222	---	---	R518	224
R459	242	R469	225	R479	233	---	---	R499	222	R509	222	R519	230
R460	243	R470	226	R480	236	---	---	R500	222	---	---	R520	238

146.IPU Board (D016/D097/G178/M078)

RESISTOR

SYMBOL NO.	INDEX NO.	SYMBOL NO.	INDEX NO.	SYMBOL NO.	INDEX NO.	SYMBOL NO.	INDEX NO.	SYMBOL NO.	INDEX NO.	SYMBOL NO.	INDEX NO.	SYMBOL NO.	INDEX NO.
R521	240	R531	226	R541	224	R551	238	R561	240	R571	224	R581	240
R522	239	R532	230	R542	224	R552	240	R562	238	R572	224	R582	238
R523	238	R533	230	R543	247	R553	239	R563	241	---	---	R583	226
R524	240	R534	230	R544	247	R554	238	R564	227	R574	230	R584	222
R525	239	R535	227	R545	224	R555	240	R565	230	R575	230	R585	226
R526	230	R536	226	R546	224	R556	239	R566	227	---	---	R586	226
R527	230	R537	226	R547	224	R557	239	R567	226	R577	239	R587	222
R528	230	R538	226	R548	224	R558	240	R568	226	R578	240	R588	223
R529	230	R539	224	R549	246	R559	238	R569	224	R579	238	---	---
R530	230	R540	224	R550	226	R560	239	R570	224	R580	239	R590	226

RESISTOR

SYMBOL NO.	INDEX NO.	SYMBOL NO.	INDEX NO.	SYMBOL NO.	INDEX NO.	SYMBOL NO.	INDEX NO.	SYMBOL NO.	INDEX NO.	SYMBOL NO.	INDEX NO.	SYMBOL NO.	INDEX NO.
R591	222	R601	227	R611	224	R621	226	R631	240	R641	241	R651	224
R592	224	R602	230	R612	224	R622	239	R632	240	R642	230	R652	224
R593	224	R603	230	R613	224	R623	239	R633	238	R643	230	---	---
R594	224	R604	230	R614	247	R624	238	R634	239	R644	230	---	---
R595	224	R605	227	R615	247	R625	238	R635	239	R645	230	R655	230
R596	240	R606	227	R616	224	R626	240	R636	239	R646	226	R656	230
R597	240	R607	226	R617	224	R627	240	R637	226	R647	226	---	---
R598	234	R608	226	R618	224	R628	238	R638	230	R648	230	R658	239
R599	232	R609	226	R619	224	R629	238	R639	230	R649	224	R659	239
R600	230	R610	224	R620	246	R630	238	R640	222	R650	224	R660	238

146.IPU Board (D016/D097/G178/M078)

RESISTOR

SYMBOL NO.	INDEX NO.	SYMBOL NO.	INDEX NO.	SYMBOL NO.	INDEX NO.	SYMBOL NO.	INDEX NO.	SYMBOL NO.	INDEX NO.	SYMBOL NO.	INDEX NO.		
R661	240	R671	230	R681	224	R691	238	R701	230	R711	224	R721	239
R662	238	R672	230	R682	224	R692	240	R702	230	R712	224	R722	238
R663	240	R673	230	R683	224	R693	239	R703	227	R713	224	R723	240
R664	239	R674	230	R684	224	R694	238	R704	227	R714	224	R724	239
R665	230	R675	222	R685	224	R695	240	R705	227	R715	247	R725	239
R666	230	R676	222	R686	247	R696	239	R706	226	R716	224	R726	240
R667	230	R677	230	R687	224	R697	230	R707	226	R717	224	R727	238
R668	230	R678	226	R688	246	R698	226	R708	226	R718	224	R728	239
R669	230	R679	226	R689	226	R699	241	R709	224	R719	238	R729	240
R670	230	R680	224	R690	230	R700	230	R710	224	R720	240	R730	238

RESISTOR

SYMBOL NO.	INDEX NO.	SYMBOL NO.	INDEX NO.	SYMBOL NO.	INDEX NO.	SYMBOL NO.	INDEX NO.	SYMBOL NO.	INDEX NO.	SYMBOL NO.	INDEX NO.		
R731	227	---	---	R751	230	R761	230	R771	222	R781	240	R791	225
R732	227	R742	230	R752	234	R762	230	R772	224	R782	238	R792	230
R733	227	R743	230	R753	230	R763	230	R773	224	R783	240	R793	241
R734	230	---	---	R754	226	R764	230	R774	224	R784	238	R794	230
R735	230	R745	239	R755	226	---	---	R775	224	R785	239	R795	230
R736	230	R746	240	R756	226	R766	222	R776	247	R786	227	R796	227
R737	230	R747	238	R757	230	R767	226	R777	224	R787	226	R797	230
R738	230	R748	239	R758	222	R768	226	R778	246	R788	227	R798	227
R739	230	R749	240	R759	230	R769	224	R779	226	R789	226	R799	227
R740	230	R750	238	R760	230	R770	224	R780	239	R790	226	R800	226

146.IPU Board (D016/D097/G178/M078)

RESISTOR

SYMBOL NO.	INDEX NO.	SYMBOL NO.	INDEX NO.	SYMBOL NO.	INDEX NO.	SYMBOL NO.	INDEX NO.	SYMBOL NO.	INDEX NO.	SYMBOL NO.	INDEX NO.		
R801	230	R811	230	R821	238	R831	226	---	---	R851	222	R861	230
R802	226	R812	224	R822	240	R832	225	R842	230	R852	230	R862	227
R803	226	R813	224	R823	240	R833	226	---	---	---	---	R863	230
R804	224	R814	224	R824	238	R834	226	R844	239	R854	230	R864	230
R805	224	R815	239	R825	239	R835	226	R845	238	R855	230	R865	230
R806	224	R816	239	R826	239	R836	226	R846	240	R856	230	R866	230
R807	224	R817	238	R827	222	R837	225	R847	238	R857	230	R867	230
R808	224	R818	240	R828	222	R838	225	R848	240	R858	241	R868	230
R809	224	R819	240	R829	222	R839	230	R849	239	R859	227	R869	226
R810	247	R820	238	R830	226	---	---	R850	222	R860	230	---	---

RESISTOR

SYMBOL NO.	INDEX NO.
---	---
---	---
---	---
R874	226
R875	233
R876	233
R877	233
R878	223

REG

SYMBOL NO.	INDEX NO.
REG1	166
---	---
REG3	161
REG4	166
REG5	163
REG6	167
REG7	161
REG8	167
REG9	167
REG10	167

SYMBOL NO.	INDEX NO.
REG11	167
REG12	167
REG13	167
REG14	167
REG15	167
REG16	163
REG17	167
REG18	167
REG19	161
REG20	163

SYMBOL NO.	INDEX NO.
REG21	167
REG22	167
REG23	167
REG24	167
REG25	167
REG26	167
REG27	167
REG28	167
REG29	167
REG30	163

SYMBOL NO.	INDEX NO.
REG31	161

RN

SYMBOL NO.	INDEX NO.
RN1	175
RN2	175
RN3	218
RN4	217
RN5	217
RN6	218
RN7	217
RN8	218
RN9	217
RN10	218

SYMBOL NO.	INDEX NO.
RN11	217
RN12	177
RN13	177
RN14	177
RN15	177
RN16	177
RN17	218
RN18	218
RN19	218
RN20	218

146.IPU Board (D016/D097/G178/M078)

RN

SYMBOL NO.	INDEX NO.	SYMBOL NO.	INDEX NO.	SYMBOL NO.	INDEX NO.	SYMBOL NO.	INDEX NO.	SYMBOL NO.	INDEX NO.	SYMBOL NO.	INDEX NO.	SYMBOL NO.	INDEX NO.
RN21	218	RN31	217	RN41	218	RN51	218	RN61	177	RN71	215	RN81	174
RN22	218	RN32	217	RN42	218	RN52	218	RN62	177	RN72	216	RN82	174
RN23	218	RN33	177	RN43	218	RN53	218	RN63	177	RN73	218	RN83	174
RN24	218	RN34	177	RN44	218	RN54	218	RN64	215	RN74	176	RN84	216
RN25	218	RN35	177	RN45	174	RN55	177	RN65	216	RN75	176	RN85	176
RN26	217	RN36	215	RN46	218	RN56	177	RN66	218	RN76	215	RN86	176
RN27	177	RN37	215	RN47	176	RN57	177	RN67	218	RN77	215	RN87	174
RN28	177	RN38	175	RN48	176	RN58	177	RN68	176	RN78	215	RN88	174
RN29	177	RN39	216	RN49	218	RN59	177	RN69	176	RN79	218	RN89	174
RN30	177	RN40	215	RN50	218	RN60	177	RN70	218	RN80	174	RN90	174

RN

SYMBOL NO.	INDEX NO.	SYMBOL NO.	INDEX NO.	SYMBOL NO.	INDEX NO.	SYMBOL NO.	INDEX NO.	SYMBOL NO.	INDEX NO.	SYMBOL NO.	INDEX NO.	SYMBOL NO.	INDEX NO.
RN91	174	RN101	176	RN111	174	RN121	176	RN131	218	RN141	215	RN151	216
RN92	174	RN102	176	RN112	176	RN122	176	RN132	177	RN142	215	RN152	215
RN93	174	RN103	176	RN113	176	RN123	176	RN133	177	RN143	215	RN153	215
RN94	174	RN104	176	RN114	176	RN124	218	RN134	177	RN144	217	RN154	215
RN95	174	RN105	176	RN115	176	RN125	215	RN135	177	RN145	217	RN155	215
RN96	174	RN106	176	RN116	176	RN126	215	RN136	177	RN146	217	RN156	215
RN97	176	RN107	176	RN117	176	RN127	215	RN137	177	RN147	217	RN157	215
RN98	176	RN108	174	RN118	176	RN128	215	RN138	177	RN148	217	RN158	215
RN99	176	RN109	176	RN119	176	RN129	215	RN139	174	RN149	217	RN159	215
RN100	176	RN110	176	RN120	176	RN130	215	RN140	215	RN150	215	RN160	218

146.IPU Board (D016/D097/G178/M078)

RN

SYMBOL NO.	INDEX NO.
RN161	174
RN162	175
RN163	175
RN164	176

SW

SYMBOL NO.	INDEX NO.
SW1	126
SW2	125

TP

SYMBOL NO.	INDEX NO.
---	---
---	---
TP3	102
TP4	102
---	---
---	---
---	---
---	---
---	---
TP10	102

SYMBOL NO.	INDEX NO.
---	---
---	---
---	---
---	---
---	---
---	---
TP19	102
TP20	102

SYMBOL NO.	INDEX NO.
TP21	102
---	---
---	---
---	---
---	---
---	---
---	---
---	---
---	---

SYMBOL NO.	INDEX NO.
---	---
TP42	101
TP43	102
TP44	102
TP45	102
---	---
TP46	102
TP47	102
---	---
TP49	102
TP50	102

SYMBOL NO.	INDEX NO.
---	---
---	---
---	---
---	---
TP55	102
---	---
TP56	102
TP57	102
TP58	102
TP59	102
TP60	102

TP

SYMBOL NO.	INDEX NO.
---	---
---	---
---	---
---	---
---	---
---	---
TP66	102
TP67	102
TP68	102
---	---
---	---

SYMBOL NO.	INDEX NO.
---	---
---	---
---	---
---	---
TP75	101
---	---
TP76	101
TP77	101
TP78	102
---	---
---	---

SYMBOL NO.	INDEX NO.
---	---
---	---
---	---
---	---
TP85	103
---	---
---	---
---	---
---	---
---	---

SYMBOL NO.	INDEX NO.
---	---
---	---
---	---
---	---
---	---
---	---
---	---
TP99	102
TP100	102

SYMBOL NO.	INDEX NO.
---	---
---	---
---	---
---	---
---	---
---	---
---	---
TP107	101
---	---
---	---

SYMBOL NO.	INDEX NO.
---	---
---	---
TP113	102
---	---
---	---
---	---
---	---
TP117	101
---	---
TP119	102
---	---

SYMBOL NO.	INDEX NO.
TP121	102
TP122	102
TP123	102
TP124	102
TP125	102
---	---
TP126	102
---	---
---	---
---	---
---	---

146.IPU Board (D016/D097/G178/M078)

TP

SYMBOL NO.	INDEX NO.
TP131	101
TP132	101
---	---
---	---
---	---
---	---
TP137	101
TP138	101

146.IPU Board (D016/D097/G178/M078)

Index No.	Part No.	Description	Q'ty Per Assembly
*	G178 5260	PCB: Image Processing Unit	1

Index No.	Part No.	Description	Q'ty Per Assembly
101	1100 1475	Test Pin	
102	1100 1841	Test Pin: RCUCBK	
103	1101 0328	Connector Pin Contact	
104	1102 6295	Connector: 53324-0260	
105	1102 6299	Connector - 6P	
106	1102 6394	Connector: 53313-1265	
107	1102 6592	Connector	
108	1102 6596	Connector	
109	1102 6842	Connector: 53314-6065	
110	1102 6895	Connector - 40P	
111	1102 8358	Connector: WR-100P-VF60-N1	
112	1102 8479	Connector: 55447-1580	
113	1102 9725	Connector: IMSA-9201B-1-05T-GF	
114	1103 3167	Connector: FH12-28S-0.5SH(89)	
115	1103 3168	Connector: FH12-30S-0.5SH(89)	
116	1103 3174	Connector: FH12-40S-0.5SH(89)	
117	1103 3176	Connector: FH12-45S-0.5SH(89)	
118	1103 3178	Connector: FH12-50S-0.5SH(89)	
119	1103 3947	Connector: WB4S140HA1	
120	1103 4002	Connector	
121	1103 4006	Connector	
122	1103 4008	Connector	
123	1103 4010	Connector	
124	1109 0042	Fuse: MINISMDC150F	
125	1204 2774	Dip Switch	
126	1204 2775	Dip Switch	
127	1400 0571	Transistor: 2SA1577	
128	1400 0948	Transistor: DTC143ZE	
129	1400 0993	Transistor: DTC143TUA	
130	1401 1414	FET: SI3433BDV-E3	
131	1402 1546	Diode - RB081	
132	1402 2039	Diode: RSX301LA-30	
133	1403 0953	LED - SML-310MT	
134	1403 0978	LED: SML-310DT	
135	1407 2187	TTLIC - SN74LS07NS	

Index No.	Part No.	Description	Q'ty Per Assembly
136	1407 4399	CMOS Logic: TC74VHC245FT(K)	
137	1407 4804	CMOS Logic: TC7SH08FU	
138	1407 5011	CMOS Logic: TC7WH74FU	
139	1407 5196	CMOS Logic: TC7SZ125FU	
140	1407 5351	IC - SN74LV14APW	
141	1407 5373	CMOS Logic: SN74LV21APW	
142	1407 5394	IC: SN74LV138APW	
143	1407 5397	Clock Generator: ICS9112AM-16LF	
144	1407 5713	CMOS Logic: SN74LV06APW	
145	1407 6447	Custom IC - GAVD Type-W	
146	1407 6520	Custom IC - GARAC-C	
147	1407 6613	ICS7152M-01	
148	1407 6641	Custom IC: LEO	
149	1407 6642	Clock Generator: ICS7151M-40LF	
150	1407 6677	CMOS Logic: TC7SET14FU	
151	1407 6803	CMOS Logic: TC7SZ07FU	
152	1407 6804	CMOS Logic: TC7SG17FU	
153	1407 6813	CMOS Logic: TC7WZ02FK	
154	1407 6824	CMOS Logic: TC7WG125FK	
155	1407 6850	Controller: RB5V871	
156	1407 6893	CMOS Logic: TC7WG17FU	
157	1407 6995	CMOS Logic: TC74VHC244FT(K)	
158	1407 7000	CMOS Logic: TC74VHC541FT(K)	
159	1407 7005	CMOS Logic: TC74VHCT244AFT(K)	
160	1408 1653	Operational Amplifier: LMV324IPW	
161	1408 1669	Series Regulator: R1170H331B	
162	1408 1826	IC - R3112Q421A	
163	1408 1850	Regulator - R1170H181B	
164	1408 2024	IC: R3112Q261A-FA	
165	1408 2088	IC: LTC3701EGN#TRPBF	
166	1408 2247	Series Regulator: R1114N181B-F	
167	1408 2462	Series Regulator: BH18MA3WHFV	
168	1503 1010	Crystal Oscillator: 50MHz	
169	1503 1062	Crystal Oscillator: 18.8MHz	
170	1503 1143	Crystal Oscillator: 35MHz	

Index No.	Part No.	Description	Q'ty Per Assembly
171	1503 1157	Crystal Oscillator: 50MHz	
172	1600 1880	Resistor: 25M Ω : $\pm 1\%$: 1W	
173	1600 1946	Resistor: 33M Ω : $\pm 1\%$: 1W	
174	1601 7752	Resistor Array - 10K Ω $\pm 5\%$	
175	1601 7759	Resistor Array - 100K Ω $\pm 5\%$ 0.06	
176	1601 7867	Resistor - 33 Ω $\pm 5\%$ 1/16W	
177	1601 7871	Resistor - 68 Ω $\pm 5\%$ 1/16W	
178	1604 4365	Capacitor	
179	1604 4728	Capacitor - 100 μ F $\pm 20\%$ 16V	
180	1604 5402	Capacitor: 100 μ F: $\pm 20\%$: 50V	
181	1604 5403	Capacitor: 220 μ F: $\pm 20\%$: 35V	
182	1604 5713	Capacitor: 220 μ F: $\pm 20\%$: 6.3V	
183	1605 1200	Capacitor - 10pF ± 0.5 pF 50V	
184	1605 1205	Capacitor - 33pF $\pm 5\%$ 50V	
185	1605 1208	Capacitor: 100pF: $\pm 5\%$: 50V	
186	1605 1212	Capacitor - 470pF $\pm 10\%$ 50V	
187	1605 1214	Capacitor - 1000pF $\pm 10\%$ 50V	
188	1605 1224	Capacitor 4.7 μ F $\pm 10\%$ 6.3V	
189	1605 1240	Capacitor - 0.01 μ F $\pm 10\%$ 25V	
190	1605 1289	Capacitor - 0.1 μ F $\pm 10\%$ 10V	
191	1605 1291	Capacitor: 2.2 μ F: $\pm 10\%$: 10V	
192	1605 1296	Capacitor - 330pF $\pm 10\%$ 50V	
193	1605 1299	Capacitor: 56pF: $\pm 5\%$: 50V	
194	1605 1303	Capacitor - 0.01 μ F+80-20% 50V	
195	1605 1306	Capacitor - 1 μ F $\pm 10\%$ 10V	
196	1605 1354	Capacitor: 1200pF: $\pm 5\%$: 50V	
197	1605 1358	Capacitor - 10 μ F $\pm 10\%$ 10V	
198	1605 1406	Capacitor - 10 μ F $\pm 10\%$ 6.3V	
199	1605 1427	Capacitor: 1 μ F: $\pm 10\%$: 6.3V	
200	1605 1451	Capacitor: 0.47 μ F: $\pm 10\%$: 6.3V	
201	1605 1474	Capacitor - 47 μ F $\pm 20\%$ 6.3V	
202	1605 1547	Capacitor: 2.2 μ F: $\pm 10\%$: 6.3V	
203	1605 1585	Capacitor: 4.7 μ F: $\pm 10\%$: 6.3V	
204	1605 1586	Capacitor: 10 μ F: $\pm 10\%$: 16V	
205	1605 1587	Capacitor: 22 μ F: $\pm 20\%$: 6.3V	

Index No.	Part No.	Description	Q'ty Per Assembly
206	1607 0861	Filter - BK2125HS101	
207	1607 1002	Filter: NFE31PT222Z1E9B	
208	1607 1108	Filter: BLM21PG220SN1B	
209	1607 1405	Inductor: SLF10145-101M1R0-PF	
210	1607 1556	Inductor: RLF7030-1R5N6R1	
211	1607 1567	Filter: MPZ2012S101A	
212	1607 1666	Inductor: RLF7030-3R3M4R1	
213	1607 1680	Inductor: SLF6028-6R8M1R5-PF	
214	1607 1827	Inductor: RLF7030-2R2M5R4	
215	1609 0005	Resistor: 33Ω: ±5%: 1/16W	
216	1609 0006	Resistor: 10KΩ: ±5%: 1/16W	
217	1609 0007	Resistor - 68Ω ±5% 1/16W	
218	1609 0027	Resistor - 100KΩ±5% 1/16W	
219	1610 1734	Resistor: 0.02 Ω: ±1%: 1W	
220	1610 1961	Resistor: 68M Ω: ±1%: 1W	
221	1610 2021	Resistor: 15MΩ: ±1%: 1W	
222	1634 0000	Resistor - 0 Ω 1/16W	
223	1650 4100	Resistor - 10Ω ±5% 1/10W	
224	1650 4101	Resistor - 100Ω±5%1/10W	
225	1650 4102	Resistor - 1KΩ ±5% 1/10W	
226	1650 4103	Resistor - 10KΩ ±5% 1/10W	
227	1650 4104	Resistor - 100KΩ±5%1/10W	
228	1650 4163	Resistor: 16K Ω: ±5%: 1/10W: 1608	
229	1650 4303	Resistor: 30K Ω: ±5%: 1/10W: 1608	
230	1650 4330	Chip Resistor - 33Ω ±5% 1/10W	
231	1650 4332	Resistor - 3.3KΩ±5%1/10W	
232	1650 4333	Resistor: 33K Ω: ±5%: 1/10W: 1608	
233	1650 4471	Resistor - 470Ω±5%1/10W	
234	1650 4472	Resistor - 4.7KΩ ±5% 1/10W	
235	1650 4680	Resistor - 68Ω±5%1/10W	
236	1650 4751	Resistor: 750 Ω: ±5%: 1/10W: 1608	
237	1654 1152	Resistor: 11.5K Ω: ±1%: 1/10W: 1608	
238	1654 1301	Resistor: 1.3K Ω: ±1%: 1/10W: 1608	
239	1654 1800	Resistor: 180 Ω: ±1%: 1/10W: 1608	
240	1654 1801	Resistor: 1.8K Ω: ±1%: 1/10W: 1608	

Index No.	Part No.	Description	Q'ty Per Assembly
241	1654 2400	Resistor: 240 Ω: ±1%: 1/10W: 1608	
242	1654 2402	Resistor: 24K Ω: ±1%: 1/10W: 1608	
243	1654 3002	Resistor - 30KΩ±1%1/10W	
244	1654 3572	Resistor: 35.7K Ω: ±1%: 1/10W: 1608	
245	1654 4222	Resistor: 42.2K Ω: ±1%: 1/10W: 1608	
246	1654 4701	Resistor - 4.7KΩ±1% 1/10W	
247	1654 6800	Resistor - 680 Ω ±1% 1/10W	
248	1654 7872	Resistor: 78.7K Ω: ±1%: 1/10W: 1608	
249	1654 8200	Resistor: 820 Ω: ±1%: 1/10W: 1608	
250	1654 8452	Resistor: 84.5K Ω: ±1%: 1/10W: 1608	
251	1660 2331	Capacitor - 330pF ±5% 50V	
252	1660 2470	Capacitor - 47pF ±5% 50V	
253	1660 4332	Capacitor - 3300pF - ±10% - 50V	
254	1660 4682	Capacitor: 6800pF: ±10%: 50V	

147.Controller Board (G178/M078)

BAT

SYMBOL NO.	INDEX NO.
BAT1	117

CAPACITOR

SYMBOL NO.	INDEX NO.
C1	204
C2	221
C3	212
---	---
C5	204
---	---
C7	204
---	---
C9	212
C10	221

SYMBOL NO.	INDEX NO.
C11	204
C12	221
C13	201
C14	204
C15	204
---	---
C16	212
C17	204
C18	198
C19	204
C20	204

SYMBOL NO.	INDEX NO.
C21	204
C22	221
C23	221
C24	204
C25	225
---	---
C26	225
C27	204
C28	204
C29	204
---	---

SYMBOL NO.	INDEX NO.
---	---
C32	202
C33	212
C34	204
C35	221
---	---
C36	219
C37	206
C38	221
C39	221
C40	221

SYMBOL NO.	INDEX NO.
C41	221
C42	212
C43	204
C44	204
---	---
C46	221
C47	212
C48	221
C49	204
---	---

SYMBOL NO.	INDEX NO.
C51	212
C52	219
C53	198
C54	204
---	---
C56	221
C57	221
C58	218
C59	221
C60	221

CAPACITOR

SYMBOL NO.	INDEX NO.
C61	218
C62	201
C63	204
C64	204
C65	221
---	---
C66	221
C67	219
C68	221
C69	221
C70	221

SYMBOL NO.	INDEX NO.
C71	204
C72	219
C73	204
C74	221
C75	221
---	---
C76	204
C77	204
C78	221
C79	204
C80	221

SYMBOL NO.	INDEX NO.
C81	221
C82	204
C83	201
C84	219
C85	221
---	---
C86	219
C87	201
C88	221
C89	221
C90	221

SYMBOL NO.	INDEX NO.
C91	205
C92	204
C93	204
C94	221
C95	197
---	---
C97	204
C98	219
C99	204
C100	221

SYMBOL NO.	INDEX NO.
C101	204
C102	204
C103	201
C104	212
C105	212
---	---
C106	217
C107	196
C108	217
C109	201
C110	221

SYMBOL NO.	INDEX NO.
C111	212
C112	212
C113	221
C114	221
C115	212
---	---
C116	217
C117	217
C118	219
C119	204
C120	221

SYMBOL NO.	INDEX NO.
C121	212
---	---
C123	221
C124	219
C125	204
---	---
C126	223
C127	208
C128	224
C129	201
C130	201

147.Controller Board (G178/M078)

CAPACITOR

SYMBOL NO.	INDEX NO.	SYMBOL NO.	INDEX NO.	SYMBOL NO.	INDEX NO.	SYMBOL NO.	INDEX NO.	SYMBOL NO.	INDEX NO.	SYMBOL NO.	INDEX NO.	SYMBOL NO.	INDEX NO.
---	---	C141	221	C151	212	C161	195	C171	221	C181	207	C191	221
C132	212	C142	221	C152	204	C162	195	C172	221	C182	219	C192	204
---	---	C143	204	C153	221	C163	221	C173	221	---	---	C193	206
C134	204	C144	221	---	---	C164	223	C174	201	C184	221	C194	219
---	---	---	---	---	---	C165	221	---	---	C185	204	C195	221
C136	212	C146	204	---	---	---	---	C176	221	C186	212	---	---
---	---	C147	210	---	---	---	---	---	---	C187	221	---	---
---	---	C148	204	C158	221	---	---	C178	207	C188	221	C198	221
---	---	C149	223	C159	221	---	---	C179	207	C189	221	C199	204
C140	221	C150	212	C160	221	C170	221	C180	207	C190	221	C200	194

CAPACITOR

SYMBOL NO.	INDEX NO.	SYMBOL NO.	INDEX NO.	SYMBOL NO.	INDEX NO.	SYMBOL NO.	INDEX NO.	SYMBOL NO.	INDEX NO.	SYMBOL NO.	INDEX NO.	SYMBOL NO.	INDEX NO.
C201	194	C211	201	C221	221	---	---	C241	207	C251	207	C261	192
C202	212	C212	221	C222	207	C232	204	---	---	C252	207	C262	192
C203	221	C213	221	C223	221	C233	221	C243	221	C253	207	C263	192
C204	221	C214	221	---	---	C234	221	C244	221	C254	215	C264	192
C205	204	C215	201	C225	221	C235	221	C245	221	C255	221	C265	192
C206	204	---	---	C226	204	C236	198	C246	221	C256	215	C266	192
C207	202	C217	212	C227	220	C237	220	C247	221	---	---	C267	192
C208	221	C218	204	C228	223	C238	204	C248	221	C258	221	C268	212
C209	202	C219	221	C229	223	C239	221	C249	216	C259	201	C269	221
---	---	C220	214	C230	218	C240	218	C250	216	C260	192	---	---

147.Controller Board (G178/M078)

CAPACITOR

SYMBOL NO.	INDEX NO.	SYMBOL NO.	INDEX NO.	SYMBOL NO.	INDEX NO.	SYMBOL NO.	INDEX NO.	SYMBOL NO.	INDEX NO.	SYMBOL NO.	INDEX NO.	SYMBOL NO.	INDEX NO.
C271	200	C281	201	C291	220	C301	221	C311	221	C321	221	C331	204
C272	198	C282	225	C292	200	C302	220	C312	216	C322	219	C332	221
C273	218	C283	209	C293	201	C303	200	C313	216	C323	221	C333	221
C274	201	C284	204	C294	221	C304	213	C314	195	C324	221	C334	221
C275	221	C285	213	C295	218	C305	225	C315	195	C325	204	C335	221
C276	210	---	---	C296	219	C306	204	C316	221	C326	199	C336	199
C277	221	C287	204	C297	214	C307	204	C317	221	C327	201	C337	204
C278	220	---	---	---	---	C308	200	C318	221	C328	221	C338	221
C279	200	C289	221	C299	204	C309	201	C319	221	C329	201	C339	225
C280	221	C290	204	C300	221	C310	221	C320	221	C330	218	C340	221

CAPACITOR

SYMBOL NO.	INDEX NO.	SYMBOL NO.	INDEX NO.	SYMBOL NO.	INDEX NO.	SYMBOL NO.	INDEX NO.	SYMBOL NO.	INDEX NO.	SYMBOL NO.	INDEX NO.	SYMBOL NO.	INDEX NO.
C341	221	C351	200	C361	201	C371	221	C381	212	C391	212	C401	204
C342	221	C352	201	C362	221	C372	204	C382	204	C392	221	C402	212
C343	221	C353	220	C363	217	C373	201	C383	212	C393	212	C403	221
C344	221	C354	204	C364	212	C374	221	C384	212	C394	212	C404	212
C345	221	C355	221	C365	204	C375	198	C385	204	C395	204	C405	212
C346	204	C356	212	C366	221	C376	221	C386	204	C396	221	C406	221
C347	204	C357	221	C367	221	C377	198	C387	221	C397	221	C407	221
C348	221	C358	221	C368	204	C378	212	C388	212	C398	204	C408	221
C349	218	C359	217	C369	204	C379	221	C389	221	C399	212	C409	204
C350	218	C360	204	C370	221	C380	204	C390	204	C400	221	C410	204

147.Controller Board (G178/M078)

CAPACITOR

SYMBOL NO.	INDEX NO.	SYMBOL NO.	INDEX NO.	SYMBOL NO.	INDEX NO.	SYMBOL NO.	INDEX NO.	SYMBOL NO.	INDEX NO.	SYMBOL NO.	INDEX NO.	SYMBOL NO.	INDEX NO.
C411	204	C421	208	C431	204	C441	217	C451	211	C461	212	C471	204
C412	221	C422	212	C432	204	C442	221	C452	212	C462	212	C472	221
C413	221	C423	221	C433	221	C443	221	C453	221	C463	212	C473	212
C414	211	C424	221	C434	221	C444	221	C454	221	C464	212	C474	221
C415	202	C425	212	C435	212	C445	212	C455	211	C465	221	C475	221
C416	224	C426	204	C436	212	C446	222	C456	193	C466	221	C476	221
C417	221	C427	204	C437	221	C447	204	C457	212	C467	212	C477	221
C418	212	C428	217	C438	212	C448	221	C458	221	C468	193	C478	221
C419	212	C429	204	C439	221	C449	221	C459	212	C469	221	C479	221
C420	211	C430	221	C440	204	C450	204	C460	212	C470	221	C480	221

CAPACITOR

SYMBOL NO.	INDEX NO.	SYMBOL NO.	INDEX NO.	SYMBOL NO.	INDEX NO.	SYMBOL NO.	INDEX NO.	SYMBOL NO.	INDEX NO.	SYMBOL NO.	INDEX NO.	SYMBOL NO.	INDEX NO.
C481	221	C491	201	C501	221	C511	212	C521	221	C531	221	C541	223
C482	221	C492	219	C502	221	C512	221	C522	221	C532	221	C542	221
C483	221	C493	212	C503	221	C513	221	C523	221	C533	221	C543	204
C484	204	C494	221	C504	221	C514	221	C524	221	C534	221	C544	223
C485	201	C495	221	C505	221	C515	221	C525	204	C535	221	C545	221
C486	221	C496	221	C506	221	C516	212	C526	221	C536	221	C546	221
C487	221	C497	221	C507	201	C517	204	C527	221	C537	221	C547	221
C488	221	C498	221	C508	201	C518	204	C528	221	C538	204	C548	221
C489	204	C499	221	C509	221	C519	204	C529	221	C539	221	C549	221
C490	221	C500	204	C510	221	C520	221	C530	221	C540	221	C550	221

147.Controller Board (G178/M078)

CAPACITOR

SYMBOL NO.	INDEX NO.	SYMBOL NO.	INDEX NO.	SYMBOL NO.	INDEX NO.	SYMBOL NO.	INDEX NO.	SYMBOL NO.	INDEX NO.	SYMBOL NO.	INDEX NO.	SYMBOL NO.	INDEX NO.
C551	221	C561	221	C571	213	C581	221	C591	221	C601	204	C611	216
C552	221	C562	221	C572	213	C582	201	C592	223	C602	204	C612	221
C553	221	C563	204	C573	219	C583	221	C593	221	C603	221	C613	212
C554	221	C564	204	C574	204	C584	212	C594	207	C604	221	C614	219
C555	221	C565	204	C575	223	C585	212	C595	207	C605	221	C615	221
C556	223	C566	221	C576	221	C586	207	C596	207	C606	204	C616	212
C557	204	C567	215	---	---	C587	212	C597	204	C607	204	C617	212
C558	221	C568	204	---	---	C588	207	C598	221	C608	212	C618	212
C559	221	C569	212	---	---	C589	207	C599	221	C609	221	C619	212
C560	219	C570	212	---	---	C590	207	C600	204	C610	221	C620	212

CAPACITOR

SYMBOL NO.	INDEX NO.	SYMBOL NO.	INDEX NO.	SYMBOL NO.	INDEX NO.	SYMBOL NO.	INDEX NO.	SYMBOL NO.	INDEX NO.	SYMBOL NO.	INDEX NO.	SYMBOL NO.	INDEX NO.
C621	212	C631	221	C641	204	C651	212	C661	221	C671	221	C681	207
C622	212	C632	204	C642	221	C652	212	C662	201	C672	221	C682	207
C623	201	C633	204	C643	204	C653	221	C663	204	C673	223	C683	207
C624	221	C634	221	C644	212	C654	221	C664	221	C674	221	C684	207
C625	221	C635	221	C645	219	C655	221	C665	221	C675	212	C685	207
C626	221	C636	204	C646	212	C656	221	C666	204	C676	212	C686	207
C627	201	C637	212	C647	212	C657	221	C667	201	C677	221	C687	207
C628	212	C638	223	C648	212	C658	204	C668	221	C678	221	---	---
C629	212	C639	221	C649	212	C659	221	C669	221	C679	207	C689	221
C630	221	C640	221	C650	212	C660	212	---	---	C680	207	C690	216

147.Controller Board (G178/M078)

CAPACITOR

SYMBOL NO.	INDEX NO.	SYMBOL NO.	INDEX NO.	SYMBOL NO.	INDEX NO.	SYMBOL NO.	INDEX NO.	SYMBOL NO.	INDEX NO.	SYMBOL NO.	INDEX NO.	SYMBOL NO.	INDEX NO.
C691	212	C701	212	C711	212	C721	221	C731	204	C741	221	C751	204
C692	221	C702	212	C712	212	C722	201	C732	204	C742	221	C752	204
C693	221	C703	223	C713	212	C723	204	C733	204	C743	221	C753	218
C694	204	C704	212	C714	201	C724	212	C734	221	C744	221	C754	221
C695	201	C705	212	C715	212	C725	212	C735	221	C745	221	C755	204
C696	201	C706	212	C716	204	C726	204	C736	221	C746	221	C756	204
C697	201	C707	212	C717	201	C727	221	C737	221	C747	221	C757	203
C698	201	C708	212	C718	204	C728	204	C738	221	C748	221	C758	219
C699	221	C709	212	C719	221	C729	204	C739	221	C749	212	C759	221
C700	221	C710	212	C720	201	C730	201	C740	221	C750	204	C760	207

CAPACITOR

SYMBOL NO.	INDEX NO.	SYMBOL NO.	INDEX NO.	SYMBOL NO.	INDEX NO.	SYMBOL NO.	INDEX NO.	SYMBOL NO.	INDEX NO.	SYMBOL NO.	INDEX NO.	SYMBOL NO.	INDEX NO.
C761	220	C771	204	C781	223	C791	221	C801	201	C811	221	C821	203
C762	204	C772	207	---	---	C792	207	C802	201	C812	219	C822	221
C763	204	C773	223	C783	212	C793	207	C803	221	C813	218	C823	221
C764	203	C774	221	C784	207	C794	221	C804	221	C814	221	C824	221
C765	221	C775	204	C785	204	C795	221	C805	221	C815	221	C825	221
C766	204	C776	212	C786	221	C796	221	C806	221	C816	221	C826	221
C767	204	C777	207	C787	221	C797	221	C807	218	C817	221	C827	221
C768	204	C778	221	C788	221	C798	221	C808	204	C818	204	C828	221
C769	219	C779	207	C789	223	C799	218	C809	204	C819	221	C829	221
C770	204	C780	212	C790	204	C800	201	C810	221	C820	220	C830	221

147.Controller Board (G178/M078)

CAPACITOR

SYMBOL NO.	INDEX NO.
C831	221
C832	221
C833	221
C834	221
C835	221
---	---
C836	201
C837	220
C838	204
---	---
---	---

SYMBOL NO.	INDEX NO.
---	---
C842	213
---	---
---	---
---	---
C846	201
C847	204
C848	221
C849	212
C850	212

SYMBOL NO.	INDEX NO.
C851	212
C852	204
---	---
---	---
---	---
---	---
C917	221
C918	221
C919	212
C920	204
C921	207

CONNECTOR

SYMBOL NO.	INDEX NO.
CN2	110
CN6	109
CN8	103
CN10	112
CN11	107
CN12	106
CN13	106
CN14	110
CN16	105
CN17	108
CN18	108

SYMBOL NO.	INDEX NO.
CN21	102
CN22	104
CN30	113
CN31	111

DIODE

SYMBOL NO.	INDEX NO.
D1	134
D2	133
D3	131
D4	132
D5	133
---	---
D6	133
D7	130
D8	133
---	---
D10	134

SYMBOL NO.	INDEX NO.
D11	130
---	---
D13	133
D14	133
D15	133
---	---
D16	133
D17	132
D18	132
D19	134
D20	133

DIODE

SYMBOL NO.	INDEX NO.
D21	130
D22	133

FILTER

SYMBOL NO.	INDEX NO.
---	---
---	---
FIL3	231
FIL4	229
FIL5	226
---	---
FIL6	229
FIL7	231
FIL8	235
FIL9	227
FIL10	231

SYMBOL NO.	INDEX NO.
FIL11	231
FIL12	231
FIL13	231
FIL14	231
FIL15	231
---	---
FIL17	226
FIL18	226
FIL20	228
FIL21	228

SYMBOL NO.	INDEX NO.
---	---
FIL22	228
FIL23	228
FIL24	227

FUSE

SYMBOL NO.	INDEX NO.
FUSE1	115
FUSE2	114
FUSE3	115

IC

SYMBOL NO.	INDEX NO.
---	---
IC2	157
IC3	157
IC4	141
IC5	157
---	---
IC6	157
IC7	140
---	---
IC9	181
IC10	139

SYMBOL NO.	INDEX NO.
IC11	157
IC12	169
---	---
IC14	148
IC15	181
---	---
---	---
IC18	144
IC19	177
IC20	139

DIP SW

SYMBOL NO.	INDEX NO.
DSW1	116
DSW3	116

147.Controller Board (G178/M078)

IC

SYMBOL NO.	INDEX NO.	SYMBOL NO.	INDEX NO.	SYMBOL NO.	INDEX NO.	SYMBOL NO.	INDEX NO.	SYMBOL NO.	INDEX NO.	SYMBOL NO.	INDEX NO.
IC21	182	IC31	154	IC41	153	IC51	179	---	---	---	---
---	---	IC32	162	IC42	156	IC52	146	IC62	140	IC72	176
---	---	---	---	IC43	158	IC53	147	---	---	IC73	153
IC24	143	IC34	165	---	---	IC54	157	IC64	174	IC74	157
IC25	142	IC35	168	IC45	173	---	---	IC65	167	IC75	147
---	---	---	---	---	---	---	---	---	---	---	---
IC26	182	---	---	IC46	175	IC56	166	IC66	152	IC76	153
IC27	161	---	---	---	---	---	---	IC67	153	IC77	147
IC28	157	IC38	160	IC48	164	IC58	171	---	---	IC78	153
IC29	173	IC39	149	IC49	163	IC59	321	---	---	---	---
IC30	153	---	---	IC50	155	---	---	---	---	---	---
---	---	---	---	---	---	---	---	---	---	---	---
---	---	---	---	---	---	---	---	---	---	IC84	142
---	---	---	---	---	---	---	---	---	---	IC85	159
---	---	---	---	---	---	---	---	---	---	---	---
---	---	---	---	---	---	---	---	---	---	IC87	150
---	---	---	---	---	---	---	---	---	---	IC88	172
---	---	---	---	---	---	---	---	---	---	IC89	157
---	---	---	---	---	---	---	---	---	---	---	---

IC

SYMBOL NO.	INDEX NO.
---	---
IC92	171
---	---
IC94	157
IC95	144
---	---
IC97	151
IC98	151
IC99	141
IC100	157

SYMBOL NO.	INDEX NO.
IC101	157
IC102	145
IC103	175

L

SYMBOL NO.	INDEX NO.
L1	233
L2	240
L3	237
L4	236
L5	241
---	---
L6	234
L7	234
L8	241
L9	232
L10	239

SYMBOL NO.	INDEX NO.
L11	238
L12	239
L13	233
L14	233
L15	233
---	---
L16	238
L17	230

LED

SYMBOL NO.	INDEX NO.
LED1	137
LED2	137
LED3	137
LED4	137
LED5	137
---	---
LED6	137
LED7	137
LED8	137
LED9	137
LED10	135

SW

SYMBOL NO.	INDEX NO.
LED11	138
LED12	136
LED13	136
LED14	136
LED15	136

OSC

SYMBOL NO.	INDEX NO.
OSC1	183
OSC2	185
OSC3	188
---	---
OSC5	184
---	---
OSC6	187
OSC7	185
OSC8	186

147.Controller Board (G178/M078)

Q

SYMBOL NO.	INDEX NO.	SYMBOL NO.	INDEX NO.	SYMBOL NO.	INDEX NO.	SYMBOL NO.	INDEX NO.	SYMBOL NO.	INDEX NO.	SYMBOL NO.	INDEX NO.	SYMBOL NO.	INDEX NO.
Q1	119	Q11	120	Q21	129	Q31	120	Q41	120	Q51	119	Q61	120
---	---	Q12	120	Q22	119	Q32	120	Q42	120	Q52	120	Q62	120
---	---	Q13	129	Q23	126	---	---	Q43	120	Q53	120	Q63	120
---	---	Q14	124	Q24	119	Q34	120	Q44	118	Q54	120	Q64	120
Q5	120	Q15	120	Q25	120	---	---	Q45	120	Q55	120	Q65	123
Q6	119	---	---	---	---	Q36	122	Q46	119	Q56	120	Q66	120
Q7	120	---	---	Q27	128	Q37	124	Q47	120	Q57	120	---	---
Q8	120	Q18	129	Q28	121	Q38	127	---	---	Q58	120	Q68	119
Q9	120	Q19	120	Q29	120	Q39	122	Q49	125	Q59	120	Q69	120
Q10	120	Q20	126	Q30	120	Q40	120	Q50	125	Q60	120	---	---

Q

RESISTOR

SYMBOL NO.	INDEX NO.	SYMBOL NO.	INDEX NO.	SYMBOL NO.	INDEX NO.	SYMBOL NO.	INDEX NO.	SYMBOL NO.	INDEX NO.	SYMBOL NO.	INDEX NO.	SYMBOL NO.	INDEX NO.
Q71	120	---	---	R11	300	R21	295	R31	295	R41	259	R51	262
Q72	120	R2	262	R12	295	R22	259	R32	295	R42	270	R52	265
		R3	262	R13	283	R23	263	R33	295	R43	263	R53	280
		---	---	R14	312	R24	259	R34	295	R44	300	R54	278
		R5	295	R15	262	R25	265	R35	259	R45	262	R55	300
		R6	259	R16	262	R26	262	R36	262	R46	295	R56	279
		R7	259	R17	262	R27	279	R37	262	R47	295	R57	280
		R8	262	R18	262	---	---	R38	295	R48	261	R58	262
		R9	300	R19	262	R29	262	R39	300	R49	259	R59	262
		R10	262	R20	300	R30	252	R40	259	R50	263	R60	262

147.Controller Board (G178/M078)

RESISTOR

SYMBOL NO.	INDEX NO.	SYMBOL NO.	INDEX NO.	SYMBOL NO.	INDEX NO.	SYMBOL NO.	INDEX NO.	SYMBOL NO.	INDEX NO.	SYMBOL NO.	INDEX NO.	SYMBOL NO.	INDEX NO.
R61	262	---	---	R81	261	R91	286	R101	262	R111	262	R121	300
R62	261	R72	262	R82	295	R92	262	R102	295	R112	295	R122	317
R63	261	R73	262	R83	259	R93	295	R103	268	R113	262	R123	317
R64	249	---	---	R84	259	R94	259	R104	268	R114	262	R124	317
R65	280	R75	261	R85	312	R95	259	R105	262	R115	262	R125	317
R66	262	R76	259	R86	259	R96	259	R106	263	R116	263	R126	259
R67	262	R77	262	R87	259	R97	259	R107	259	R117	317	R127	318
R68	263	R78	259	---	---	R98	262	R108	259	R118	317	R128	300
R69	313	R79	295	R89	295	R99	296	R109	260	R119	262	R129	262
R70	276	R80	259	R90	259	R100	283	R110	262	R120	300	R130	265

RESISTOR

SYMBOL NO.	INDEX NO.	SYMBOL NO.	INDEX NO.	SYMBOL NO.	INDEX NO.	SYMBOL NO.	INDEX NO.	SYMBOL NO.	INDEX NO.	SYMBOL NO.	INDEX NO.	SYMBOL NO.	INDEX NO.
R131	295	R141	273	R151	263	R161	251	---	---	---	---	R191	295
R132	262	R142	262	R152	295	R162	262	R172	317	R182	309	R192	295
R133	300	R143	295	R153	295	R163	317	R173	261	R183	250	R193	295
R134	274	R144	253	R154	262	R164	249	R174	295	R184	250	R194	262
R135	262	R145	262	---	---	R165	317	R175	317	R185	250	R195	309
R136	262	R146	295	---	---	R166	270	---	---	R186	295	R196	262
R137	262	R147	262	R157	300	R167	262	R177	261	R187	284	R197	303
R138	249	R148	259	R158	300	R168	317	---	---	R188	281	R198	303
R139	295	R149	317	R159	260	R169	262	R179	259	R189	260	R199	303
R140	295	R150	304	R160	262	R170	317	---	---	R190	300	R200	303

147.Controller Board (G178/M078)

RESISTOR

SYMBOL NO.	INDEX NO.	SYMBOL NO.	INDEX NO.	SYMBOL NO.	INDEX NO.	SYMBOL NO.	INDEX NO.	SYMBOL NO.	INDEX NO.	SYMBOL NO.	INDEX NO.	SYMBOL NO.	INDEX NO.
R201	303	R211	262	R221	295	R231	265	R241	295	R251	265	R261	259
R202	303	R212	262	R222	262	R232	262	R242	295	R252	262	R262	295
R203	303	R213	295	R223	262	R233	265	R243	260	R253	309	R263	268
R204	303	R214	295	R224	265	---	---	R244	262	R254	309	R264	262
R205	262	R215	295	R225	265	R235	295	R245	295	R255	309	R265	262
R206	292	R216	295	R226	265	R236	295	R246	295	R256	309	R266	262
R207	262	R217	295	R227	303	R237	262	R247	265	R257	284	R267	262
R208	309	R218	295	R228	303	R238	295	R248	265	---	---	R268	262
R209	295	R219	295	R229	306	R239	281	R249	261	R259	265	---	---
R210	295	R220	295	R230	265	R240	265	R250	265	R260	265	---	---

RESISTOR

SYMBOL NO.	INDEX NO.	SYMBOL NO.	INDEX NO.	SYMBOL NO.	INDEX NO.	SYMBOL NO.	INDEX NO.	SYMBOL NO.	INDEX NO.	SYMBOL NO.	INDEX NO.	SYMBOL NO.	INDEX NO.
R271	306	R281	295	R291	303	R301	311	R311	262	R321	280	---	---
R272	288	R282	295	R292	288	R302	311	R312	259	R322	262	R332	262
R273	265	R283	295	R293	303	R303	262	---	---	---	---	R333	280
R274	265	R284	295	R294	303	R304	295	R314	280	R324	261	R334	262
R275	262	R285	295	R295	303	R305	259	R315	263	R325	280	R335	262
R276	264	R286	309	R296	306	R306	262	---	---	R326	262	R336	280
R277	279	R287	303	R297	309	R307	309	R317	262	R327	295	R337	263
R278	295	R288	303	R298	311	R308	280	R318	263	R328	261	R338	295
R279	295	R289	303	R299	261	R309	309	R319	295	R329	263	R339	262
R280	295	R290	303	R300	277	R310	280	---	---	R330	262	R340	262

147.Controller Board (G178/M078)

RESISTOR

SYMBOL NO.	INDEX NO.	SYMBOL NO.	INDEX NO.	SYMBOL NO.	INDEX NO.	SYMBOL NO.	INDEX NO.	SYMBOL NO.	INDEX NO.	SYMBOL NO.	INDEX NO.	SYMBOL NO.	INDEX NO.
R341	280	R351	314	R361	262	R371	298	R381	300	---	---	R401	262
R342	280	R352	263	R362	309	R372	298	R382	261	R392	262	R402	262
R343	263	R353	300	R363	309	R373	266	R383	309	R393	262	R403	249
R344	295	R354	265	R364	309	R374	311	R384	295	R394	263	R404	295
R345	295	R355	262	R365	280	R375	264	R385	280	R395	262	---	---
R346	295	R356	261	R366	280	---	---	R386	280	R396	262	R406	263
R347	295	R357	262	R367	280	R377	259	R387	263	R397	263	R407	262
R348	262	R358	261	R368	280	R378	262	R388	271	---	---	R408	262
R349	262	R359	261	---	---	---	---	R389	271	R399	248	R409	277
---	---	R360	262	R370	300	R380	265	---	---	R400	262	R410	295

RESISTOR

SYMBOL NO.	INDEX NO.	SYMBOL NO.	INDEX NO.	SYMBOL NO.	INDEX NO.	SYMBOL NO.	INDEX NO.	SYMBOL NO.	INDEX NO.	SYMBOL NO.	INDEX NO.	SYMBOL NO.	INDEX NO.
R411	298	R421	269	R431	262	R441	308	R451	259	---	---	R471	277
R412	298	R422	298	R432	298	R442	303	R452	308	---	---	R472	277
---	---	R423	250	R433	303	R443	303	R453	311	R463	259	R473	277
R413	298	R424	250	R434	262	R444	300	R454	311	R464	300	R474	277
R415	298	R425	250	R435	262	R445	308	R455	311	R465	298	R475	276
R416	259	R426	250	R436	261	---	---	R456	311	R466	277	R476	250
---	---	R427	298	---	---	R447	263	R457	303	---	---	R477	300
R418	259	R428	303	R438	298	R448	310	---	---	R468	295	R478	249
R419	298	R429	298	R439	298	R449	310	---	---	---	---	R479	249
R420	298	R430	303	R440	303	R450	303	---	---	R470	295	R480	249

147.Controller Board (G178/M078)

RESISTOR

SYMBOL NO.	INDEX NO.	SYMBOL NO.	INDEX NO.	SYMBOL NO.	INDEX NO.	SYMBOL NO.	INDEX NO.	SYMBOL NO.	INDEX NO.	SYMBOL NO.	INDEX NO.		
R481	276	---	---	R501	300	R511	268	R521	291	R531	249	R541	259
R482	300	R492	261	R502	290	R512	268	R522	249	R532	302	R542	309
R483	261	R493	287	R503	272	R513	268	R523	256	R533	249	---	---
R484	261	R494	249	R504	263	R514	268	---	---	R534	249	R544	259
R485	300	---	---	R505	289	R515	268	R525	259	R535	249	R545	259
R486	300	R496	275	R506	300	R516	268	---	---	R536	259	R546	262
R487	268	R497	319	R507	300	R517	268	---	---	---	---	R547	265
R488	300	R498	297	R508	300	R518	268	R528	259	R538	262	R548	262
R489	249	R499	294	R509	300	R519	249	---	---	R539	263	R549	295
R490	295	R500	263	R510	268	R520	249	---	---	R540	295	R550	262

RESISTOR

SYMBOL NO.	INDEX NO.	SYMBOL NO.	INDEX NO.	SYMBOL NO.	INDEX NO.	SYMBOL NO.	INDEX NO.	SYMBOL NO.	INDEX NO.	SYMBOL NO.	INDEX NO.	SYMBOL NO.	INDEX NO.
R551	279	R561	295	---	---	R581	262	R591	303	R601	303	R611	295
R552	264	R562	259	R572	259	R582	303	R592	295	R602	250	R612	262
---	---	R563	295	R573	259	R583	295	R593	259	R603	295	R613	295
---	---	R564	259	R574	261	---	---	R594	295	R604	303	R614	262
---	---	R565	295	R575	295	---	---	R595	261	R605	295	R615	262
---	---	R566	295	R576	259	R586	262	R596	262	R606	295	R616	295
R557	262	R567	303	R577	259	R587	262	---	---	R607	303	R617	295
R558	259	R568	295	R578	295	R588	259	R598	262	---	---	---	---
R559	259	R569	303	R579	259	R589	301	R599	262	---	---	R619	259
R560	303	R570	295	R580	262	R590	295	R600	295	R610	295	R620	259

147.Controller Board (G178/M078)

RESISTOR

SYMBOL NO.	INDEX NO.	SYMBOL NO.	INDEX NO.	SYMBOL NO.	INDEX NO.	SYMBOL NO.	INDEX NO.	SYMBOL NO.	INDEX NO.	SYMBOL NO.	INDEX NO.	SYMBOL NO.	INDEX NO.
R621	295	---	---	R641	279	R651	249	---	---	R671	262	R681	259
R622	295	R632	295	R642	279	---	---	R662	259	R672	262	R682	259
R623	295	---	---	R643	295	R653	259	R663	259	R673	262	---	---
R624	262	R634	279	R644	279	R654	265	R664	295	R674	295	R684	259
R625	313	---	---	R645	263	R655	259	R665	295	R675	262	R685	259
---	---	R636	261	R646	249	R656	295	R666	259	R676	259	R686	261
---	---	R637	300	R647	290	R657	262	R667	262	R677	259	R687	262
R628	263	R638	262	R648	320	R658	259	R668	295	R678	262	---	---
R629	262	R639	300	R649	259	R659	270	R669	262	R679	262	R689	262
R630	304	---	---	---	---	---	---	R670	262	R680	295	R690	295

RESISTOR

SYMBOL NO.	INDEX NO.	SYMBOL NO.	INDEX NO.	SYMBOL NO.	INDEX NO.	SYMBOL NO.	INDEX NO.	SYMBOL NO.	INDEX NO.	SYMBOL NO.	INDEX NO.	SYMBOL NO.	INDEX NO.
R691	259	R701	259	---	---	R721	261	R731	262	R741	317	---	---
---	---	R702	259	R712	309	R722	262	R732	317	R742	262	R752	309
R693	267	R703	259	R713	259	R723	262	R733	317	---	---	R753	305
R694	297	R704	262	R714	278	R724	262	R734	317	---	---	R754	305
R695	264	---	---	R715	315	R725	262	R735	308	R745	262	R755	305
R696	261	R706	262	R716	309	---	---	R736	284	R746	282	R756	305
R697	307	R707	262	R717	259	---	---	R737	317	R747	250	R757	305
R698	309	R708	262	R718	262	R728	262	---	---	R748	309	R758	305
R699	262	R709	259	R719	262	R729	261	R739	308	---	---	R759	305
R700	262	R710	262	R720	262	R730	261	R740	317	R750	259	R760	305

147.Controller Board (G178/M078)

RESISTOR

SYMBOL NO.	INDEX NO.	SYMBOL NO.	INDEX NO.	SYMBOL NO.	INDEX NO.	SYMBOL NO.	INDEX NO.	SYMBOL NO.	INDEX NO.	SYMBOL NO.	INDEX NO.	SYMBOL NO.	INDEX NO.
R761	262	R771	317	R781	300	R791	262	R801	300	R811	280	R821	295
R762	262	R772	262	R782	260	R792	306	R802	295	R812	280	R822	295
---	---	R773	262	R783	317	R793	261	R803	261	R813	280	R823	295
R764	262	R774	262	R784	317	R794	261	R804	295	R814	280	R824	295
R765	300	R775	262	R785	262	R795	262	R805	259	R815	280	R825	295
R766	317	R776	261	R786	262	R796	257	R806	261	R816	280	R826	262
R767	317	R777	276	R787	262	R797	261	R807	295	R817	280	R827	295
R768	262	R778	258	R788	317	R798	261	R808	257	R818	280	R828	295
R769	262	R779	262	---	---	---	---	R809	260	R819	280	R829	300
---	---	R780	295	---	---	R800	261	R810	280	R820	280	---	---

RESISTOR

SYMBOL NO.	INDEX NO.	SYMBOL NO.	INDEX NO.	SYMBOL NO.	INDEX NO.	SYMBOL NO.	INDEX NO.	SYMBOL NO.	INDEX NO.	SYMBOL NO.	INDEX NO.	SYMBOL NO.	INDEX NO.
R831	309	R841	262	R851	259	R861	265	R871	301	R881	257	---	---
R832	309	R842	284	R852	295	R862	262	R872	278	---	---	---	---
R833	309	R843	295	R853	262	---	---	R873	268	R883	309	R893	262
R834	309	R844	262	R854	249	R864	262	---	---	R884	295	R894	300
---	---	---	---	R855	295	R865	262	R875	278	R885	262	R895	295
R836	260	R846	295	R856	295	R866	265	R876	262	---	---	---	---
R837	276	R847	252	R857	251	R867	262	R877	262	R887	300	R897	300
---	---	R848	309	R858	252	R868	262	R878	309	R888	300	R898	262
R839	262	R849	262	R859	265	R869	311	---	---	R889	262	R899	261
R840	262	---	---	R860	249	R870	311	R880	262	---	---	R900	261

147.Controller Board (G178/M078)

RESISTOR

SYMBOL NO.	INDEX NO.	SYMBOL NO.	INDEX NO.	SYMBOL NO.	INDEX NO.	SYMBOL NO.	INDEX NO.	SYMBOL NO.	INDEX NO.	SYMBOL NO.	INDEX NO.	SYMBOL NO.	INDEX NO.
R901	261	R911	309	R921	262	R931	295	R941	300	R951	262	R961	262
R902	261	R912	309	R922	295	R932	246	---	---	---	---	R962	280
R903	261	R913	309	R923	262	R933	263	R943	309	---	---	R963	262
R904	299	R914	309	R924	300	R934	263	R944	316	R954	259	R964	262
R905	299	---	---	R925	300	R935	300	R945	259	R955	262	R965	261
R906	316	R916	300	R926	262	R936	311	---	---	R956	280	R966	305
---	---	R917	262	R927	295	R937	262	R947	300	R957	262	R967	259
R908	300	R918	295	R928	259	---	---	R948	262	R958	259	R968	293
R909	295	R919	262	---	---	R939	295	R949	262	R959	259	---	---
R910	262	R920	262	---	---	R940	262	R950	259	R960	262	R970	300

RESISTOR

SYMBOL NO.	INDEX NO.	SYMBOL NO.	INDEX NO.	SYMBOL NO.	INDEX NO.	SYMBOL NO.	INDEX NO.	SYMBOL NO.	INDEX NO.	SYMBOL NO.	INDEX NO.	SYMBOL NO.	INDEX NO.
R971	309	R981	262	R991	259	R1001	309	R1011	309	R1021	309	R1031	262
R972	305	---	---	R992	259	R1002	309	R1012	309	R1022	309	R1032	300
R973	259	R983	280	R993	280	R1003	309	R1013	309	R1023	309	R1033	309
R974	261	R984	262	R994	262	R1004	309	R1014	309	R1024	309	R1034	262
R975	262	R985	259	R995	259	R1005	309	R1015	309	R1025	309	R1035	280
---	---	R986	262	R996	259	R1006	309	R1016	309	R1026	309	R1036	280
R977	280	---	---	R997	259	R1007	309	R1017	309	R1027	262	R1037	280
R978	263	R988	262	R998	280	R1008	309	R1018	309	R1028	265	R1038	295
R979	309	R989	259	R999	263	R1009	309	R1019	309	R1029	262	R1039	295
R980	259	R990	259	R1000	265	R1010	309	R1020	309	R1030	295	R1040	295

147.Controller Board (G178/M078)

RESISTOR

SYMBOL NO.	INDEX NO.	SYMBOL NO.	INDEX NO.	SYMBOL NO.	INDEX NO.	SYMBOL NO.	INDEX NO.	SYMBOL NO.	INDEX NO.	SYMBOL NO.	INDEX NO.	SYMBOL NO.	INDEX NO.
R1041	295	R1051	280	R1061	262	R1071	262	R1081	261	R1091	261	R1101	277
R1042	295	R1052	263	R1062	263	----	---	R1082	261	R1092	300	R1102	261
R1043	295	R1053	262	R1063	262	R1073	262	R1083	262	R1093	298	R1103	300
R1044	295	R1054	280	R1064	262	R1074	309	----	---	R1094	298	R1104	308
R1045	295	R1055	259	R1065	262	R1075	308	R1085	295	R1095	298	R1105	261
R1046	295	R1056	262	R1066	300	R1076	277	R1086	277	R1096	277	R1106	262
R1047	265	R1057	262	R1067	262	R1077	277	R1087	317	R1097	277	R1107	309
R1048	295	R1058	262	R1068	309	----	---	----	---	R1098	300	----	---
R1049	295	R1059	263	R1069	265	R1079	262	----	---	R1099	259	R1109	277
R1050	263	R1060	262	R1070	262	R1080	265	R1090	249	R1100	262	R1110	260

RESISTOR

SYMBOL NO.	INDEX NO.	SYMBOL NO.	INDEX NO.	SYMBOL NO.	INDEX NO.	SYMBOL NO.	INDEX NO.	SYMBOL NO.	INDEX NO.	SYMBOL NO.	INDEX NO.	SYMBOL NO.	INDEX NO.
R1111	295	R1121	295	R1131	300	R1141	277	R1151	309	R1161	309	R1171	285
R1112	295	R1122	295	----	---	R1142	277	R1152	309	R1162	309	R1172	300
R1113	295	R1123	261	R1133	300	R1143	309	R1153	309	R1163	309	R1173	277
R1114	295	R1124	295	R1134	277	R1144	309	R1154	309	----	---	R1174	277
----	---	R1125	262	R1135	277	R1145	309	R1155	309	R1165	309	R1175	285
R1116	260	R1126	277	R1136	298	R1146	309	R1156	309	R1166	309	----	---
R1117	260	R1127	262	R1137	277	R1147	309	R1157	309	R1167	309	R1177	254
R1118	295	----	---	----	---	R1148	309	R1158	309	R1168	309	R1178	278
R1119	295	R1129	309	----	---	R1149	309	R1159	309	R1169	309	R1179	295
R1120	295	R1130	262	R1140	277	R1150	309	R1160	309	R1170	247	R1180	300

147.Controller Board (G178/M078)

RESISTOR

SYMBOL NO.	INDEX NO.	SYMBOL NO.	INDEX NO.	SYMBOL NO.	INDEX NO.	SYMBOL NO.	INDEX NO.	SYMBOL NO.	INDEX NO.	SYMBOL NO.	INDEX NO.
----	---	R1191	300	R1201	262	R1211	295	R1221	300	----	---
----	---	R1192	300	R1202	262	R1212	295	R1222	308	R1232	249
R1183	259	R1193	300	R1203	262	R1213	295	R1223	308	R1233	265
----	---	----	---	----	---	R1214	295	R1224	308	----	---
----	---	R1195	263	----	---	R1215	295	R1225	295	----	---
R1186	259	R1196	300	R1206	259	R1216	295	----	---	----	---
----	---	R1197	255	----	---	----	---	----	---	----	---
R1188	259	R1198	260	----	---	R1218	261	R1228	295	----	---
R1189	300	R1199	250	----	---	R1219	263	R1229	295	----	---
R1190	300	R1200	262	----	---	R1220	300	R1230	295	----	---
										----	---
										----	---
										R1242	265
										----	---
										----	---
										R1245	249
										R1246	249
										R1247	262
										R1248	250
										----	---
										----	---

RESISTOR

SYMBOL NO.	INDEX NO.
R1251	250
R1252	250
R1253	295

REG

SYMBOL NO.	INDEX NO.
REG1	178
REG2	180
REG3	170

RN

SYMBOL NO.	INDEX NO.
RN1	245
RN2	245
RN3	245
RN4	245
RN5	245
RN6	245
RN7	245
RN8	245
RN9	245
RN10	190

SYMBOL NO.	INDEX NO.
RN11	190
RN12	190
RN13	190
RN14	244
RN15	190
RN16	244
RN17	244
RN18	244
RN19	244
RN20	189

SYMBOL NO.	INDEX NO.
RN21	243
RN22	189
RN23	189
RN24	189
RN25	189
RN26	189
RN27	189
RN28	189
RN29	189
RN30	189

SYMBOL NO.	INDEX NO.
RN31	189
RN32	189
RN33	189
RN34	189
RN35	189
RN36	189
RN37	189
RN38	189
RN39	189
RN40	189

SYMBOL NO.	INDEX NO.
RN41	189
RN42	189
RN43	189
RN44	189
RN45	189
RN46	244
RN47	244
RN48	244
RN49	191
RN50	242

TP

SYMBOL NO.	INDEX NO.
TP1	101
TP2	101
TP3	101
TP4	101
TP5	101
TP6	101
TP7	101
TP8	101
TP9	101
TP10	101

147.Controller Board (G178/M078)

TP

SYMBOL NO.	INDEX NO.	SYMBOL NO.	INDEX NO.	SYMBOL NO.	INDEX NO.
TP11	101	TP21	101	TP31	101
TP12	101	TP22	101	TP32	101
TP13	101	TP23	101	TP33	101
TP14	101	TP24	101	TP34	101
TP15	101	TP25	101		
TP16	101	TP26	101		
TP17	101	TP27	101		
TP18	101	TP28	101		
TP19	101	TP29	101		
TP20	101	TP30	101		

147.Controller Board (G178/M078)

Rev. 01/21/2010

Index No.	Part No.	Description	Q'ty Per Assembly
*	G178 6020	PCB: CONT: EX1: G178: Ass'y	
*	M078 6022	PCB: CONT: EX1: M078: Ass'y	

Index No.	Part No.	Description	Q'ty Per Assembly
101	1100 1841	Test Pin: RCUCBK	
102	1102 5303	3.5: Connector: ST: 4P	
103	1102 7615	Connector - B8B-XH-A	
104	1102 7635	Connector: 53398-0219	
105	1102 9079	Connector - RHM-88PL-SDK11-1	
106	1102 9336	Connector: FPS009-2300-0	
107	1102 9887	Connector: 52588-3090	
108	1103 3481	Connector: 67800-8005	
109	1103 3497	Connector: 87715-9002	
110	1103 3865	Connector: 29 6406 200 101 856+	
111	1103 3964	Connector: WB4P140HA1	
112	1103 3965	Connector: 6605444-6	
113	1103 4137	Connector: UAR64-8K5J00	
114	1107 1095	Fuse - SST 2	
115	1109 0042	Fuse: MINISMDC150F	
116	1204 2622	Dip Switch: CHS-08TB1	
117	1206 0122	Lithium Cell: CR2450/V1A	
118	1400 0714	Transistor: 2SD1781KR	
119	1400 1248	Transistor: 2SC5342SF	
120	1401 0902	FET: 2SK1590	
121	1401 1222	FET: HAT2068R-E	
122	1401 1234	FET: SSM3J02T	
123	1401 1235	FET: HAT2071R-E	
124	1401 1296	FET: TPC8115	
125	1401 1317	FET - HAT2197R	
126	1401 1318	FET - HAT2198R	
127	1401 1320	FET - TPC8107	
128	1401 1411	Fet: HAT2195R-E	
129	1401 1414	FET: SI3433BDV-E3	
130	1402 1530	Diode - RB520S-30	
131	1402 1537	Diode: RB751S-40	
132	1402 1565	Diode: RB521S-30	
133	1402 1995	Diode: SDS511	
134	1402 2001	Diode: SX34	
135	1403 0953	LED - SML-310MT	

Index No.	Part No.	Description	Q'ty Per Assembly
136	1403 0978	LED: SML-310DT	
137	1403 1131	LED: SML-311UT	
138	1403 1168	LED: SML-311YT	
139	1407 4919	IC - 74VHCT244 TSSOP	
140	1407 5107	CMOS Logic: TC7W66FU	
141	1407 5377	CMOS Logic: SN74AHCT1G08DCK	
142	1407 5428	CMOS Logic: SN74AHC1G08DCK	
143	1407 5523	ROM - I2C SOP 3V	
144	1407 5531	CMOS Logic: TC7WH14FU	
145	1407 6080	CMOS Logic: SN74LVC2G04DCK	
146	1407 6100	CMOS Logic: SN74LVC1G04DCK	
147	1407 6101	IC - SN74LVC2G17DCK	
148	1407 6123	IC SN74LVC2G125DCU	
149	1407 6127	Clock Generator: ICS960008AFLF	
150	1407 6158	CMOS Logic: SN74AHC1G02DCK	
151	1407 6201	CMOS Logic SN74LVC1G125BCK	
152	1407 6203	CMOS Logic: SN74LVC3G07DCT	
153	1407 6204	CMOS Logic: SN74LVC2G07DCK	
154	1407 6259	CMOS Logic - SN74AHCT1G04DCK	
155	1407 6332	CMOS Logic: SN74LVC1G00DCK	
156	1407 6333	CMOS Logic: SN74LVC2G08DCU	
157	1407 6335	CMOS Logic: SN74LVC1G17DCK	
158	1407 6368	CMOS Logic: SN74AHC1G04DCK	
159	1407 6451	CMOS Logic: SN74LVC1G32DCK	
160	1407 6517	Custom IC: WHISTLE	
161	1407 6536	ICH6-MNH82801FBM(SL89K)	
162	1407 6676	Clock Generator: ICS954206BGLF	
163	1407 6683	LAN Controller LSI: BCM5461A1KPFG	
164	1407 6784	Controller: ST19WP18FT28PVGR	
165	1407 6915	CPU: LE80536LC0172M(SL89N)	
166	1407 6917	Clock Generator: ICS960023BGLF	
167	1407 6944	USB Controller IC: ST72681/R21	
168	1407 7029	GMCH: QG82915GME(SLA9K)	
169	1407 7232	Custom IC: VEENA	
170	1408 1668	Series Regulator: R1170H251B-F	

Index No.	Part No.	Description	Q'ty Per Assembly
171	1408 1778	IC: R3112Q101A	
172	1408 1779	IC - R3112Q281A	
173	1408 1788	IC: R3112Q091A-FA	
174	1408 1826	IC - R3112Q421A	
175	1408 1839	IC: R3112Q211A-FA	
176	1408 2305	Reset IC: BU4242FVE	
177	1408 2350	IC: R1211D002B-FA	
178	1408 2458	DC/DC Converter: LTC3407EMSE-2#PBF	
179	1408 2463	DDR Terminator - TPS51116PWP4	
180	1408 2464	DC/DC Converter: MAX1907AETL+	
181	1408 2637	DC/DC Converter: MPD5S027	
182	1408 2638	DC/DC Converter: MPD6S023	
183	1503 0758	Crystal Oscillator: MC-306 32.768KHz 12.5PF	
184	1503 1138	Crystal Oscillator - 48MHz	
185	1503 1146	Crystal Oscillator: 14.31818MHz	
186	1503 1363	Crystal Oscillator: 12MHz	
187	1503 1367	Crystal Oscillator: 25MHz	
188	1503 1368	Crystal Oscillator: 25MHz	
189	1601 7887	Resistor Array - 10K Ω \pm 5% 1/32W	
190	1601 7896	Resistor Array - 56 Ω \pm 5% 1/32W	
191	1601 7914	Resistor Array - 47 Ω \pm 5%	
192	1605 1195	Capacitor: 4pF: \pm 0.25pF: 50V	
193	1605 1197	Capacitor - 6pF \pm 0.5pF 50V	
194	1605 1199	Capacitor - 8pF \pm 0.5pF 50V	
195	1605 1200	Capacitor - 10pF \pm 0.5pF 50V	
196	1605 1202	Capacitor - 15pF \pm 5% 50V	
197	1605 1203	Capacitor: 18pF: \pm 5%: 50V	
198	1605 1204	Capacitor-pF50V	
199	1605 1207	Capacitor - 68pF \pm 5% 50V	
200	1605 1208	Capacitor: 100pF: \pm 5%: 50V	
201	1605 1214	Capacitor - 1000pF \pm 10% 50V	
202	1605 1216	Capacitor - 2200pF \pm 10%50V	
203	1605 1234	Capacitor: 4700pF: \pm 10%: 50V	
204	1605 1240	Capacitor - 0.01 μ F \pm 10% 25V	
205	1605 1275	Capacitor: 820pF: \pm 5%: 50V	

Index No.	Part No.	Description	Q'ty Per Assembly
206	1605 1288	Capacitor: 220pF: ±5%: 50V	
207	1605 1291	Capacitor: 2.2µF: ±10%: 10V	
208	1605 1299	Capacitor: 56pF: ±5%: 50V	
209	1605 1300	Capacitor - 270pF ±5% 50V	
210	1605 1367	Capacitor: 0.033µF: ±10%: 16V	
211	1605 1387	Capacitor: 0.68µF: ±10%: 10V	
212	1605 1406	Capacitor - 10µF±10% 6.3V	
213	1605 1419	Capacitor: 4.7µF: ±10%: 16V	
214	1605 1428	Capacitor: 0.22µF: ±10%: 6.3V	
215	1605 1447	Resistor - 470pF ±5% 50V	
216	1605 1450	Resistor - 22µF±10% 6.3V	
217	1605 1453	Capacitor: 0.022µF: ±10%: 16V	
218	1605 1464	Resistor - 10µF±20% 25V	
219	1605 1465	Resistor - 1µF±10% 25V	
220	1605 1544	Capacitor: 330pF: ±5%: 50V	
221	1605 1583	Capacitor - 0.1µF: ±10%: 16V	
222	1605 1635	Capacitor: 0.47µF: ±10%: 25V	
223	1605 1689	Capacitor: 100µF: ±20%: 6.3V	
224	1605 1695	Capacitor: 1200pF: ±10%: 50V	
225	1606 2319	Capacitor: 100µF: ±20%: 6.3V	
226	1607 0810	Filter: BK2125HS121	
227	1607 1051	Filter -FBMJ2125HS420	
228	1607 1061	Filter - BLM11P300SPB	
229	1607 1108	Filter: BLM21PG220SN1B	
230	1607 1228	Inductor: SLF7045-4R7M2R0-PF	
231	1607 1316	Filter: FBMJ1608HS280NT	
232	1607 1362	Choke Coil: ACM3225-800-2P	
233	1607 1388	Inductor: LB2518B1R0M	
234	1607 1438	Choke Coil: DLW21SN121SQ2B	
235	1607 1489	Filter - MMZ1608B301C	
236	1607 1651	Inductor - HM73-101R0LF	
237	1607 1657	Inductor - HM73-10R68LF	
238	1607 1744	Inductor: LQH32CNR15M33B	
239	1607 1853	Inductor: LB2518B100M	
240	1607 1854	Inductor: CDRH4D18C-1R1N	

Index No.	Part No.	Description	Q'ty Per Assembly
241	1607 1974	Inductor: VLCF4020-2R2N1R7	
242	1609 0005	Resistor: 33Ω: ±5%: 1/16W	
243	1609 0006	Resistor: 10KΩ: ±5%: 1/16W	
244	1609 0122	Resistor Array: 10 Ω: ±5%: 1/16W: 4Number	
245	1609 0123	Resistor Array: 22 Ω: ±5%: 1/16W: 4Number	
246	1610 1417	Resistor: 0.5 Ω: ±5%: 1/8W: 1608	
247	1610 1804	Resistor: 0.006 Ω: ±1%: 1W	
248	1610 2116	Resistor: 1.5M Ω: ±1%: 1W: 6432	
249	1633 0000	Resistor - 0 Ω 1/10W	
250	1634 0000	Resistor - 0 Ω 1/16W	
251	1650 4109	Resistor: 1 Ω: ±5%: 1/10W: 1608	
252	1650 4229	Resistor: 2.2 Ω: ±5%: 1/10W: 1608	
253	1650 5106	Resistor - 10M Ω ±5% 1/16W	
254	1650 5309	Resistor: 3 Ω: ±5%: 1/16W: 1005	
255	1650 5519	Resistor: 5.1 Ω: ±5%: 1/16W: 1005	
256	1653 1009	Resistor: 10 Ω: ±1%: 1/8W: 2125	
257	1654 1000	Resistor - 100Ω ±1% 1/10W	
258	1654 1009	Resistor - 10Ω±1% 1/10W	
259	1655 0000	Chip Resistor - 0Ω±0%1/16W	
260	1655 1000	Chip Resistor: 100Ω: ±1%: 1/16W	
261	1655 1001	Chip Resistor - 1KΩ ±1% 1/16W	
262	1655 1002	Chip Resistor - 10KΩ±1%1/16W	
263	1655 1003	Chip Resistor - 100KΩ±1%1/16W	
264	1655 1004	Resistor: 1M Ω: ±1%: 1/16W: 1005	
265	1655 1009	Resistor - 10Ω ±1% 1/16W	
266	1655 1102	Resistor: 11K Ω: ±1%: 1/16W: 1005	
267	1655 1132	Resistor: 11.3K Ω: ±1%: 1/16W: 1005	
268	1655 1201	Resistor: 1.2K Ω: ±1%: 1/16W: 1005	
269	1655 1241	Resistor: 1.24K Ω: ±1%: 1/16W: 1005	
270	1655 1300	Resistor: 130 Ω: ±1%: 1/16W: 1005	
271	1655 1501	Chip Resistor 1.5KΩ ±1% 1/16W	
272	1655 1502	Resistor - 15KΩ ±1% 1/16W	
273	1655 1692	Resistor: 16.9K Ω: ±1%: 1/16W: 1005	
274	1655 1803	Resistor: 180K Ω: ±1%: 1/16W: 1005	
275	1655 1963	Resistor: 196K Ω: ±1%: 1/16W: 1005	

Index No.	Part No.	Description	Q'ty Per Assembly
276	1655 2000	Resistor - 200Ω ±1% 1/16W	
277	1655 2001	Resistor - 2KΩ ±1% 1/16W	
278	1655 2002	Chip Resistor - 20KΩ±1%1/16W	
279	1655 2201	Resistor: 2.2K Ω: ±1%: 1/16W: 1005	
280	1655 2209	Resistor - 22Ω ±1% 1/16W	
281	1655 2210	Resistor - 221Ω ±1% 1/16W	
282	1655 2269	Resistor: 22.6 Ω: ±1%: 1/16W: 1005	
283	1655 2432	Resistor: 24.3K Ω: ±1%: 1/16W: 1005	
284	1655 2499	Resistor: 24.9 Ω: ±1%: 1/16W: 1005	
285	1655 2700	Resistor: 270 Ω: ±1%: 1/16W: 1005	
286	1655 2701	Resistor: 2.7K Ω: ±1%: 1/16W: 1005	
287	1655 2741	Resistor: 2.74K Ω: ±1%: 1/16W: 1005	
288	1655 2749	Resistor - 27.4Ω ±1% 1/16W	
289	1655 2802	Resistor: 28K Ω: ±1%: 1/16W: 1005	
290	1655 3002	Chip Resistor - 30KΩ±1%1/16W	
291	1655 3013	Resistor: 301K Ω: ±1%: 1/16W: 1005	
292	1655 3242	Resistor: 32.4K Ω: ±1%: 1/16W: 1005	
293	1655 3302	Resistor: 33K Ω: ±1%: 1/16W: 1005	
294	1655 3303	Resistor - 330KΩ ±1% 1/16W	
295	1655 3309	Resistor - 33Ω ±1% 1/16W	
296	1655 3601	Resistor: 3.6K Ω: ±1%: 1/16W: 1005	
297	1655 3903	Resistor: 390K Ω: ±1%: 1/16W: 1005	
298	1655 3909	Resistor 39Ω ±1% 1/16W	
299	1655 4029	Resistor: 40.2 Ω: ±1%: 1/16W: 1005	
300	1655 4701	Chip Resistor - 4.7KΩ±1%1/16W	
301	1655 4750	Resistor - 475Ω ±1% 1/16W	
302	1655 4992	Resistor: 49.9K Ω: ±1%: 1/16W: 1005	
303	1655 4999	Resistor - 49.9Ω ±1% 1/16W	
304	1655 5101	Resistor - 5.1KΩ ±1% 1/16W	
305	1655 5109	Resistor - 51Ω ±1% 1/16W	
306	1655 5499	Resistor - 54.9Ω ±1% 1/16W	
307	1655 5600	Resistor - 560Ω ±1% 1/16W	
308	1655 5602	Resistor: 56K Ω: ±1%: 1/16W: 1005	
309	1655 5609	Resistor - 56Ω ±1% 1/16W	
310	1655 6043	Resistor: 604K Ω: ±1%: 1/16W: 1005	

Index No.	Part No.	Description	Q'ty Per Assembly
311	1655 6800	Resistor: 680 Ω: ±1%: 1/16W: 1005	
312	1655 6801	Resistor: 6.8K Ω: ±1%: 1/16W: 1005	
313	1655 6802	Resistor: 68K Ω: ±1%: 1/16W: 1005	
314	1655 6809	Chip Resistor - 68Ω±1%1/16W	
315	1655 7509	Resistor: 75 Ω: ±1%: 1/16W: 1005	
316	1655 8069	Resistor: 80.6 Ω: ±1%: 1/16W: 1005	
317	1655 8201	Resistor: 8.2K Ω: ±1%: 1/16W: 1005	
318	1655 8209	Resistor - 82Ω ±1% 1/16W	
319	1655 8873	Resistor: 887K Ω: ±1%: 1/16W: 1005	
320	1655 9101	Resistor - 9.1K Ω ±1% 1/16W	
321	1906 0120	NAND Flash: 1G: X8: 30NS: 3.3V: 2K	

148.Controller Board (D016/D097)

BAT

SYMBOL NO.	INDEX NO.
BAT1	117

CAPACITOR

SYMBOL NO.	INDEX NO.
C1	204
C2	221
C3	212
---	---
C5	204
---	---
C7	204
---	---
C9	212
C10	221

SYMBOL NO.	INDEX NO.
C11	204
C12	221
C13	201
C14	204
C15	204
---	---
C16	212
C17	204
C18	198
C19	204
C20	204

SYMBOL NO.	INDEX NO.
C21	204
C22	221
C23	221
C24	204
C25	225
---	---
C26	225
C27	204
C28	204
C29	204
---	---

SYMBOL NO.	INDEX NO.
---	---
C32	202
C33	212
C34	204
C35	221
---	---
C36	219
C37	206
C38	221
C39	221
C40	221

SYMBOL NO.	INDEX NO.
C41	221
C42	212
C43	204
C44	204
---	---
C46	221
C47	212
C48	221
C49	204
---	---

SYMBOL NO.	INDEX NO.
C51	212
C52	219
C53	198
C54	204
---	---
C56	221
C57	221
C58	218
C59	221
C60	221

CAPACITOR

SYMBOL NO.	INDEX NO.
C61	218
C62	201
C63	204
C64	204
C65	221
---	---
C66	221
C67	219
C68	221
C69	221
C70	221

SYMBOL NO.	INDEX NO.
C71	204
C72	219
C73	204
C74	221
C75	221
---	---
C76	204
C77	204
C78	221
C79	204
C80	221

SYMBOL NO.	INDEX NO.
C81	221
C82	204
C83	201
C84	219
C85	221
---	---
C86	219
C87	201
C88	221
C89	221
C90	221

SYMBOL NO.	INDEX NO.
C91	205
C92	204
C93	204
C94	221
C95	197
---	---
C97	204
C98	219
C99	204
C100	221

SYMBOL NO.	INDEX NO.
C101	204
C102	204
C103	201
C104	212
C105	212
---	---
C106	217
C107	196
C108	217
C109	201
C110	221

SYMBOL NO.	INDEX NO.
C111	212
C112	212
C113	221
C114	221
C115	212
---	---
C116	217
C117	217
C118	219
C119	204
C120	221

SYMBOL NO.	INDEX NO.
C121	212
---	---
C123	221
C124	219
C125	204
---	---
C126	223
C127	208
C128	224
C129	201
C130	201

148.Controller Board (D016/D097)

CAPACITOR

SYMBOL NO.	INDEX NO.	SYMBOL NO.	INDEX NO.	SYMBOL NO.	INDEX NO.	SYMBOL NO.	INDEX NO.	SYMBOL NO.	INDEX NO.	SYMBOL NO.	INDEX NO.	SYMBOL NO.	INDEX NO.
---	---	C141	221	C151	212	C161	195	C171	221	C181	207	C191	221
C132	212	C142	221	C152	204	C162	195	C172	221	C182	219	C192	204
---	---	C143	204	C153	221	C163	221	C173	221	---	---	C193	206
C134	204	C144	221	---	---	C164	223	C174	201	C184	221	C194	219
---	---	---	---	---	---	C165	221	---	---	C185	204	C195	221
C136	212	C146	204	---	---	---	---	C176	221	C186	212	---	---
---	---	C147	210	---	---	---	---	---	---	C187	221	---	---
---	---	C148	204	C158	221	---	---	C178	207	C188	221	C198	221
---	---	C149	223	C159	221	---	---	C179	207	C189	221	C199	204
C140	221	C150	212	C160	221	C170	221	C180	207	C190	221	C200	194

CAPACITOR

SYMBOL NO.	INDEX NO.	SYMBOL NO.	INDEX NO.	SYMBOL NO.	INDEX NO.	SYMBOL NO.	INDEX NO.	SYMBOL NO.	INDEX NO.	SYMBOL NO.	INDEX NO.	SYMBOL NO.	INDEX NO.
C201	194	C211	201	C221	221	---	---	C241	207	C251	207	C261	192
C202	212	C212	221	C222	207	C232	204	---	---	C252	207	C262	192
C203	221	C213	221	C223	221	C233	221	C243	221	C253	207	C263	192
C204	221	C214	221	---	---	C234	221	C244	221	C254	215	C264	192
C205	204	C215	201	C225	221	C235	221	C245	221	C255	221	C265	192
C206	204	---	---	C226	204	C236	198	C246	221	C256	215	C266	192
C207	202	C217	212	C227	220	C237	220	C247	221	---	---	C267	192
C208	221	C218	204	C228	223	C238	204	C248	221	C258	221	C268	212
C209	202	C219	221	C229	223	C239	221	C249	216	C259	201	C269	221
---	---	C220	214	C230	218	C240	218	C250	216	C260	192	---	---

148.Controller Board (D016/D097)

CAPACITOR

SYMBOL NO.	INDEX NO.	SYMBOL NO.	INDEX NO.	SYMBOL NO.	INDEX NO.	SYMBOL NO.	INDEX NO.	SYMBOL NO.	INDEX NO.	SYMBOL NO.	INDEX NO.	SYMBOL NO.	INDEX NO.
C271	200	C281	201	C291	220	C301	221	C311	221	C321	221	C331	204
C272	198	C282	225	C292	200	C302	220	C312	216	C322	219	C332	221
C273	218	C283	209	C293	201	C303	200	C313	216	C323	221	C333	221
C274	201	C284	204	C294	221	C304	213	C314	195	C324	221	C334	221
C275	221	C285	213	C295	218	C305	225	C315	195	C325	204	C335	221
C276	210	---	---	C296	219	C306	204	C316	221	C326	199	C336	199
C277	221	C287	204	C297	214	C307	204	C317	221	C327	201	C337	204
C278	220	---	---	---	---	C308	200	C318	221	C328	221	C338	221
C279	200	C289	221	C299	204	C309	201	C319	221	C329	201	C339	225
C280	221	C290	204	C300	221	C310	221	C320	221	C330	218	C340	221

CAPACITOR

SYMBOL NO.	INDEX NO.	SYMBOL NO.	INDEX NO.	SYMBOL NO.	INDEX NO.	SYMBOL NO.	INDEX NO.	SYMBOL NO.	INDEX NO.	SYMBOL NO.	INDEX NO.	SYMBOL NO.	INDEX NO.
C341	221	C351	200	C361	201	C371	221	C381	212	C391	212	C401	204
C342	221	C352	201	C362	221	C372	204	C382	204	C392	221	C402	212
C343	221	C353	220	C363	217	C373	201	C383	212	C393	212	C403	221
C344	221	C354	204	C364	212	C374	221	C384	212	C394	212	C404	212
C345	221	C355	221	C365	204	C375	198	C385	204	C395	204	C405	212
C346	204	C356	212	C366	221	C376	221	C386	204	C396	221	C406	221
C347	204	C357	221	C367	221	C377	198	C387	221	C397	221	C407	221
C348	221	C358	221	C368	204	C378	212	C388	212	C398	204	C408	221
C349	218	C359	217	C369	204	C379	221	C389	221	C399	212	C409	204
C350	218	C360	204	C370	221	C380	204	C390	204	C400	221	C410	204

148.Controller Board (D016/D097)

CAPACITOR

SYMBOL NO.	INDEX NO.	SYMBOL NO.	INDEX NO.	SYMBOL NO.	INDEX NO.	SYMBOL NO.	INDEX NO.	SYMBOL NO.	INDEX NO.	SYMBOL NO.	INDEX NO.	SYMBOL NO.	INDEX NO.
C411	204	C421	208	C431	204	C441	217	C451	211	C461	212	C471	204
C412	221	C422	212	C432	204	C442	221	C452	212	C462	212	C472	221
C413	221	C423	221	C433	221	C443	221	C453	221	C463	212	C473	212
C414	211	C424	221	C434	221	C444	221	C454	221	C464	212	C474	221
C415	202	C425	212	C435	212	C445	212	C455	211	C465	221	C475	221
C416	224	C426	204	C436	212	C446	222	C456	193	C466	221	C476	221
C417	221	C427	204	C437	221	C447	204	C457	212	C467	212	C477	221
C418	212	C428	217	C438	212	C448	221	C458	221	C468	193	C478	221
C419	212	C429	204	C439	221	C449	221	C459	212	C469	221	C479	221
C420	211	C430	221	C440	204	C450	204	C460	212	C470	221	C480	221

CAPACITOR

SYMBOL NO.	INDEX NO.	SYMBOL NO.	INDEX NO.	SYMBOL NO.	INDEX NO.	SYMBOL NO.	INDEX NO.	SYMBOL NO.	INDEX NO.	SYMBOL NO.	INDEX NO.	SYMBOL NO.	INDEX NO.
C481	221	C491	201	C501	221	C511	212	C521	221	C531	221	C541	223
C482	221	C492	219	C502	221	C512	221	C522	221	C532	221	C542	221
C483	221	C493	212	C503	221	C513	221	C523	221	C533	221	C543	204
C484	204	C494	221	C504	221	C514	221	C524	221	C534	221	C544	223
C485	201	C495	221	C505	221	C515	221	C525	204	C535	221	C545	221
C486	221	C497	221	C506	221	C516	212	C526	221	C536	221	C546	221
C487	221	C498	221	C507	201	C517	204	C527	221	C537	221	C547	221
C488	221	C498	221	C508	201	C518	204	C528	221	C538	204	C548	221
C489	204	C499	221	C509	221	C519	204	C529	221	C539	221	C549	221
C490	221	C500	204	C510	221	C520	221	C530	221	C540	221	C550	221

148.Controller Board (D016/D097)

CAPACITOR

SYMBOL NO.	INDEX NO.	SYMBOL NO.	INDEX NO.	SYMBOL NO.	INDEX NO.	SYMBOL NO.	INDEX NO.	SYMBOL NO.	INDEX NO.	SYMBOL NO.	INDEX NO.	SYMBOL NO.	INDEX NO.
C551	221	C561	221	C571	213	C581	221	C591	221	C601	204	C611	216
C552	221	C562	221	C572	213	C582	201	C592	223	C602	204	C612	221
C553	221	C563	204	C573	219	C583	221	C593	221	C603	221	C613	212
C554	221	C564	204	C574	204	C584	212	C594	207	C604	221	C614	219
C555	221	C565	204	C575	223	C585	212	C595	207	C605	221	C615	221
C556	223	C566	221	C576	221	C586	207	C596	207	C606	204	C616	212
C557	204	C567	215	---	---	C587	212	C597	204	C607	204	C617	212
C558	221	C568	204	---	---	C588	207	C598	221	C608	212	C618	212
C559	221	C569	212	---	---	C589	207	C599	221	C609	221	C619	212
C560	219	C570	212	---	---	C590	207	C600	204	C610	221	C620	212

CAPACITOR

SYMBOL NO.	INDEX NO.	SYMBOL NO.	INDEX NO.	SYMBOL NO.	INDEX NO.	SYMBOL NO.	INDEX NO.	SYMBOL NO.	INDEX NO.	SYMBOL NO.	INDEX NO.	SYMBOL NO.	INDEX NO.
C621	212	C631	221	C641	204	C651	212	C661	221	C671	221	C681	207
C622	212	C632	204	C642	221	C652	212	C662	201	C672	221	C682	207
C623	201	C633	204	C643	204	C653	221	C663	204	C673	223	C683	207
C624	221	C634	221	C644	212	C654	221	C664	221	C674	221	C684	207
C625	221	C635	221	C645	219	C655	221	C665	221	C675	212	C685	207
C626	221	C636	204	C646	212	C656	221	C666	204	C676	212	C686	207
C627	201	C637	212	C647	212	C657	221	C667	201	C677	221	C687	207
C628	212	C638	223	C648	212	C658	204	C668	221	C678	221	---	---
C629	212	C639	221	C649	212	C659	221	C669	221	C679	207	C689	221
C630	221	C640	221	C650	212	C660	212	---	---	C680	207	C690	216

148.Controller Board (D016/D097)

CAPACITOR

SYMBOL NO.	INDEX NO.	SYMBOL NO.	INDEX NO.	SYMBOL NO.	INDEX NO.	SYMBOL NO.	INDEX NO.	SYMBOL NO.	INDEX NO.	SYMBOL NO.	INDEX NO.	SYMBOL NO.	INDEX NO.
C691	212	C701	212	C711	212	C721	221	C731	204	C741	221	C751	204
C692	221	C702	212	C712	212	C722	201	C732	204	C742	221	C752	204
C693	221	C703	223	C713	212	C723	204	C733	204	C743	221	C753	218
C694	204	C704	212	C714	201	C724	212	C734	221	C744	221	C754	221
C695	201	C705	212	C715	212	C725	212	C735	221	C745	221	C755	204
C696	201	C706	212	C716	204	C726	204	C736	221	C746	221	C756	204
C697	201	C707	212	C717	201	C727	221	C737	221	C747	221	C757	203
C698	201	C708	212	C718	204	C728	204	C738	221	C748	221	C758	219
C699	221	C709	212	C719	221	C729	204	C739	221	C749	212	C759	221
C700	221	C710	212	C720	201	C730	201	C740	221	C750	204	C760	207

CAPACITOR

SYMBOL NO.	INDEX NO.	SYMBOL NO.	INDEX NO.	SYMBOL NO.	INDEX NO.	SYMBOL NO.	INDEX NO.	SYMBOL NO.	INDEX NO.	SYMBOL NO.	INDEX NO.	SYMBOL NO.	INDEX NO.
C761	220	C771	204	C781	223	C791	221	C801	201	C811	221	C821	203
C762	204	C772	207	---	---	C792	207	C802	201	C812	219	C822	221
C763	204	C773	223	C783	212	C793	207	C803	221	C813	218	C823	221
C764	203	C774	221	C784	207	C794	221	C804	221	C814	221	C824	221
C765	221	C775	204	C785	204	C795	221	C805	221	C815	221	C825	221
C766	204	C776	212	C786	221	C796	221	C806	221	C816	221	C826	221
C767	204	C777	207	C787	221	C797	221	C807	218	C817	221	C827	221
C768	204	C778	221	C788	221	C798	221	C808	204	C818	204	C828	221
C769	219	C779	207	C789	223	C799	218	C809	204	C819	221	C829	221
C770	204	C780	212	C790	204	C800	201	C810	221	C820	220	C830	221

148.Controller Board (D016/D097)

CAPACITOR

SYMBOL NO.	INDEX NO.
C831	221
C832	221
C833	221
C834	221
C835	221
---	---
C836	201
C837	220
C838	204
---	---
---	---

SYMBOL NO.	INDEX NO.
---	---
C842	213
---	---
---	---
---	---
C846	201
C847	204
C848	221
C849	212
C850	212

SYMBOL NO.	INDEX NO.
C851	212
C852	204
---	---
---	---
---	---
---	---
C917	221
C918	221
C919	212
C920	204

SYMBOL NO.	INDEX NO.
C921	207

CONNECTOR

SYMBOL NO.	INDEX NO.
---	---
CN2	110
---	---
---	---
---	---
---	---
CN6	109
CN8	103
---	---
CN10	112

SYMBOL NO.	INDEX NO.
CN11	107
CN12	106
CN13	106
CN14	110
CN16	105
CN17	108
CN18	108
CN21	102
CN22	104
CN30	113
CN31	111

DIODE

SYMBOL NO.	INDEX NO.
D1	134
D2	133
D3	131
D4	132
D5	133
---	---
D6	133
D7	130
D8	133
---	---
D10	134

DIODE

SYMBOL NO.	INDEX NO.
D11	130
---	---
D13	133
D14	133
D15	133
---	---
D16	133
D17	132
D18	132
D19	134
D20	133

SYMBOL NO.	INDEX NO.
D21	130
D22	133

DIP SWITCH

SYMBOL NO.	INDEX NO.
DSW1	116
DSW3	116

FILTER

SYMBOL NO.	INDEX NO.
---	---
---	---
FIL3	231
FIL4	229
FIL5	226
---	---
FIL6	229
FIL7	231
FIL8	235
FIL9	227
FIL10	231

SYMBOL NO.	INDEX NO.
FIL11	231
FIL12	231
FIL13	231
FIL14	231
FIL15	231
---	---
FIL17	226
FIL18	226
---	---
FIL20	228

SYMBOL NO.	INDEX NO.
FIL21	228
FIL22	228
FIL23	228
FIL24	227

FUSE

SYMBOL NO.	INDEX NO.
FU1	115
FU2	114
FU3	115

148.Controller Board (D016/D097)

IC

SYMBOL NO.	INDEX NO.	SYMBOL NO.	INDEX NO.	SYMBOL NO.	INDEX NO.	SYMBOL NO.	INDEX NO.	SYMBOL NO.	INDEX NO.	SYMBOL NO.	INDEX NO.	SYMBOL NO.	INDEX NO.
IC1	178	IC11	157	---	---	IC31	154	IC41	153	IC51	179	---	---
IC2	157	IC12	169	---	---	IC32	162	IC42	156	IC52	146	IC62	140
IC3	157	---	---	---	---	---	---	IC43	158	IC53	147	---	---
IC4	141	IC14	148	IC24	143	IC34	165	---	---	IC54	157	IC64	174
IC5	157	IC15	181	IC25	142	IC35	168	IC45	173	---	---	IC65	167
IC6	152	---	---	---	---	---	---	IC46	175	IC56	166	---	---
IC6	157	---	---	IC27	161	---	---	---	---	IC57	147	IC67	153
IC7	140	IC18	144	IC28	157	IC38	160	IC48	164	IC58	171	---	---
IC9	181	IC19	177	IC29	173	IC39	149	IC49	163	IC59	321	---	---
IC10	139	IC20	139	IC30	153	---	---	IC50	155	---	---	---	---

IC

SYMBOL NO.	INDEX NO.	SYMBOL NO.	INDEX NO.	SYMBOL NO.	INDEX NO.
---	---	---	---	---	---
IC72	176	---	---	IC92	171
IC73	153	---	---	---	---
IC74	157	IC84	142	IC94	157
---	---	IC85	159	IC95	144
IC76	153	---	---	---	---
IC77	147	IC87	150	IC97	151
IC78	153	IC88	172	IC98	151
---	---	IC89	157	IC99	141
---	---	---	---	IC100	157

L

SYMBOL NO.	INDEX NO.
IC101	157
IC102	145
IC103	175

SYMBOL NO.	INDEX NO.
L1	233
L2	240
L3	237
L4	236
L5	241
L6	234
L7	234
L8	241
L9	232
L10	239

SYMBOL NO.	INDEX NO.
L11	238
L12	239
L13	233
L14	233
L15	233
L16	238
L17	230

LED

SYMBOL NO.	INDEX NO.
LED1	137
LED2	137
LED3	137
LED4	137
LED5	137
LED6	137
LED7	137
LED8	137
LED9	137
LED10	135

148.Controller Board (D016/D097)

LED

SYMBOL NO.	INDEX NO.
LED11	138
LED12	136
LED13	136
LED14	136
LED15	136

OSC

SYMBOL NO.	INDEX NO.
OSC1	183
OSC2	185
OSC3	188
OSC5	184
OSC6	187
OSC7	185
OSC8	186

Q

SYMBOL NO.	INDEX NO.
Q1	119
---	---
---	---
Q4	118
Q5	120
Q6	119
Q7	120
Q8	120
Q9	120
Q10	120

SYMBOL NO.	INDEX NO.
Q11	120
Q12	120
Q13	129
Q14	124
Q15	120
---	---
---	---
Q18	129
Q19	120
Q20	126

SYMBOL NO.	INDEX NO.
Q21	129
Q22	119
Q23	126
Q24	119
Q25	120
---	---
---	---
Q27	128
Q28	121
Q29	120
Q30	120

SYMBOL NO.	INDEX NO.
Q31	120
Q32	120
Q34	120
---	---
---	---
Q36	122
Q37	124
Q38	127
Q39	122
Q40	120

SYMBOL NO.	INDEX NO.
Q41	120
Q42	120
Q43	120
---	---
Q45	120
Q46	119
Q47	120
---	---
Q49	125
Q50	125

Q

SYMBOL NO.	INDEX NO.
Q51	119
Q52	120
Q53	120
Q54	120
Q55	120
Q56	120
Q57	120
Q58	120
Q59	120
Q60	120

SYMBOL NO.	INDEX NO.
Q61	120
Q62	120
Q63	120
Q64	120
Q65	123
Q66	120
---	---
Q68	119
Q69	120
---	---

SYMBOL NO.	INDEX NO.
Q71	120
Q72	120

RESISTOR

SYMBOL NO.	INDEX NO.
---	---
R2	262
R3	262
---	---
R5	295
R6	259
R7	259
R8	262
R9	300
R10	262

SYMBOL NO.	INDEX NO.
R11	300
R12	295
R13	283
R14	312
R15	262
R16	262
R17	262
R18	262
R19	262
R20	300

SYMBOL NO.	INDEX NO.
R21	295
R22	259
R23	263
R24	259
R25	265
R26	262
R27	279
R29	262
R30	252
R31	295

SYMBOL NO.	INDEX NO.
---	---
R32	295
R33	295
R34	295
R35	259
R36	262
R37	262
R38	295
R39	300
R40	259

148.Controller Board (D016/D097)

RESISTOR

SYMBOL NO.	INDEX NO.	SYMBOL NO.	INDEX NO.	SYMBOL NO.	INDEX NO.	SYMBOL NO.	INDEX NO.	SYMBOL NO.	INDEX NO.	SYMBOL NO.	INDEX NO.	SYMBOL NO.	INDEX NO.
R41	259	R51	262	R61	262	---	---	R81	261	R91	286	R101	262
R42	270	R52	265	R62	261	R72	262	R82	295	R92	262	R102	295
R43	263	R53	280	R63	261	R73	262	R83	259	R93	295	R103	268
R44	300	R54	278	R64	249	---	---	R84	259	R94	259	R104	268
R45	262	R55	300	R65	280	R75	261	R85	312	R95	259	R105	262
R46	295	R56	279	R66	262	R76	259	R86	259	R96	259	R106	263
R47	295	R57	280	R67	262	R77	262	R87	259	R97	259	R107	259
R48	261	R58	262	R68	263	R78	259	---	---	R98	262	R108	259
R49	259	R59	262	R69	313	R79	295	R89	295	R99	296	R109	260
R50	263	R60	262	R70	276	R80	259	R90	259	R100	283	R110	262

RESISTOR

SYMBOL NO.	INDEX NO.	SYMBOL NO.	INDEX NO.	SYMBOL NO.	INDEX NO.	SYMBOL NO.	INDEX NO.	SYMBOL NO.	INDEX NO.	SYMBOL NO.	INDEX NO.	SYMBOL NO.	INDEX NO.
R111	262	R121	300	R131	295	R141	273	R151	263	R161	251	---	---
R112	295	R122	317	R132	262	R142	262	R152	295	R162	262	R172	317
R113	262	R123	317	R133	300	R143	295	R153	295	R163	317	R173	261
R114	262	R124	317	R134	274	R144	253	R154	262	R164	249	R174	295
R115	262	R125	317	R135	262	R145	262	---	---	R165	317	R175	317
R116	263	R126	259	R136	262	R146	295	---	---	R166	270	---	---
R117	317	R127	318	R137	262	R147	262	R157	300	R167	262	R177	261
R118	317	R128	300	R138	249	R148	259	R158	300	R168	317	---	---
R119	262	R129	262	R139	295	R149	317	R159	260	R169	262	R179	259
R120	300	R130	265	R140	295	R150	304	R160	262	R170	317	---	---

148.Controller Board (D016/D097)

RESISTOR

SYMBOL NO.	INDEX NO.	SYMBOL NO.	INDEX NO.	SYMBOL NO.	INDEX NO.	SYMBOL NO.	INDEX NO.	SYMBOL NO.	INDEX NO.	SYMBOL NO.	INDEX NO.
---	---	R191	295	R201	303	R211	262	R221	295	R231	265
R182	309	R192	295	R202	303	R212	262	R222	262	R232	262
R183	250	R193	295	R203	303	R213	295	R223	262	R233	265
R184	250	R194	262	R204	303	R214	295	R224	265	---	---
R185	250	R195	309	R205	262	R215	295	R225	265	R235	295
R186	295	R196	262	R206	292	R216	295	R226	265	R236	295
R187	284	R197	303	R207	262	R217	295	R227	303	R237	262
R188	281	R198	303	R208	309	R218	295	R228	303	R238	295
R189	260	R199	303	R209	295	R219	295	R229	306	R239	281
R190	300	R200	303	R210	295	R220	295	R230	265	R240	265
										R241	295
										R242	295
										R243	260
										R244	262
										R245	295
										R246	295
										R247	265
										R248	265
										R249	261
										R250	265

RESISTOR

SYMBOL NO.	INDEX NO.	SYMBOL NO.	INDEX NO.	SYMBOL NO.	INDEX NO.	SYMBOL NO.	INDEX NO.	SYMBOL NO.	INDEX NO.	SYMBOL NO.	INDEX NO.
R251	265	R261	259	R271	306	R281	295	R291	303	R301	311
R252	262	R262	295	R272	288	R282	295	R292	288	R302	311
R253	309	R263	268	R273	265	R283	295	R293	303	R303	262
R254	309	R264	262	R274	265	R284	295	R294	303	R304	295
R255	309	R265	262	R275	262	R285	295	R295	303	R305	259
R256	309	R266	262	R276	264	R286	309	R296	306	R306	262
R257	284	R267	262	R277	279	R287	303	R297	309	R307	309
---	---	R268	262	R278	295	R288	303	R298	311	R308	280
R259	265	---	---	R279	295	R289	303	R299	261	R309	309
R260	265	---	---	R280	295	R290	303	R300	277	R310	280
										R311	262
										R312	259
										---	---
										R314	280
										R315	263
										---	---
										R317	262
										R318	263
										R319	295
										---	---

148.Controller Board (D016/D097)

RESISTOR

SYMBOL NO.	INDEX NO.	SYMBOL NO.	INDEX NO.	SYMBOL NO.	INDEX NO.	SYMBOL NO.	INDEX NO.	SYMBOL NO.	INDEX NO.	SYMBOL NO.	INDEX NO.	SYMBOL NO.	INDEX NO.
R321	280	---	---	R341	280	R351	314	R361	262	R371	298	R381	300
R322	262	R332	262	R342	280	R352	263	R362	309	R372	298	R382	261
---	---	R333	280	R343	263	R353	300	R363	309	R373	266	R383	309
R324	261	R334	262	R344	295	R354	265	R364	309	R374	311	R384	295
R325	280	R335	262	R345	295	R355	262	R365	280	R375	264	R385	280
R326	262	R336	280	R346	295	R356	261	R366	280	---	---	R386	280
R327	295	R337	263	R347	295	R357	262	R367	280	R377	259	R387	263
R328	261	R338	295	R348	262	R358	261	R368	280	R378	262	R388	271
R329	263	R339	262	R349	262	R359	261	---	---	---	---	R389	271
R330	262	R340	262	---	---	R360	262	R370	300	R380	265	---	---

RESISTOR

SYMBOL NO.	INDEX NO.	SYMBOL NO.	INDEX NO.	SYMBOL NO.	INDEX NO.	SYMBOL NO.	INDEX NO.	SYMBOL NO.	INDEX NO.	SYMBOL NO.	INDEX NO.	SYMBOL NO.	INDEX NO.
---	---	R401	262	R411	298	R421	269	R431	262	R441	308	R451	259
R392	262	R402	262	R412	298	R422	298	R432	298	R442	303	R452	308
R393	262	R403	249	R413	298	R423	250	R433	303	R443	303	R453	311
R394	263	R404	295	---	---	R424	250	R434	262	R444	300	R454	311
R395	262	---	---	R415	298	R425	250	R435	262	R445	308	R455	311
R396	262	R406	263	R416	259	R426	250	R436	261	---	---	R456	311
R397	263	R407	262	---	---	R427	298	---	---	R447	263	R457	303
---	---	R408	262	R418	259	R428	303	R438	298	R448	310	---	---
R399	248	R409	277	R419	298	R429	298	R439	298	R449	310	---	---
R400	262	R410	295	R420	298	R430	303	R440	303	R450	303	---	---

148.Controller Board (D016/D097)

RESISTOR

SYMBOL NO.	INDEX NO.	SYMBOL NO.	INDEX NO.	SYMBOL NO.	INDEX NO.	SYMBOL NO.	INDEX NO.	SYMBOL NO.	INDEX NO.	SYMBOL NO.	INDEX NO.	SYMBOL NO.	INDEX NO.
---	---	R471	277	R481	276	---	---	R501	300	R511	268	R521	291
---	---	R472	277	R482	300	R492	261	R502	290	R512	268	R522	249
R463	259	R473	277	R483	261	R493	287	R503	272	R513	268	R523	256
R464	300	R474	277	R484	261	R494	249	R504	263	R514	268	---	---
R465	298	R475	276	R485	300	---	---	R505	289	R515	268	R525	259
R466	277	R476	250	R486	300	R496	275	R506	300	R516	268	---	---
---	---	R477	300	R487	268	R497	319	R507	300	R517	268	---	---
R468	295	R478	249	R488	300	R498	297	R508	300	R518	268	R528	259
---	---	R479	249	R489	249	R499	294	R509	300	R519	249	---	---
R470	295	R480	249	R490	295	R500	263	R510	268	R520	249	---	---

RESISTOR

SYMBOL NO.	INDEX NO.	SYMBOL NO.	INDEX NO.	SYMBOL NO.	INDEX NO.	SYMBOL NO.	INDEX NO.	SYMBOL NO.	INDEX NO.	SYMBOL NO.	INDEX NO.	SYMBOL NO.	INDEX NO.
R531	249	R541	259	R551	279	R561	295	---	---	R581	262	R591	303
R532	302	R542	309	R552	264	R562	259	R572	259	R582	303	R592	295
R533	249	---	---	---	---	R563	295	R573	259	R583	295	R593	259
R534	249	R544	259	---	---	R564	259	R574	261	---	---	R594	295
R535	249	R545	259	---	---	R565	295	R575	295	---	---	R595	261
R536	259	R546	262	---	---	R566	295	R576	259	R586	262	R596	262
---	---	R547	265	R557	262	R567	303	R577	259	R587	262	---	---
R538	262	R548	262	R558	259	R568	295	R578	295	R588	259	R598	262
R539	263	R549	295	R559	259	R569	303	R579	259	R589	301	R599	262
R540	295	R550	262	R560	303	R570	295	R580	262	R590	295	R600	295

148.Controller Board (D016/D097)

RESISTOR

SYMBOL NO.	INDEX NO.	SYMBOL NO.	INDEX NO.	SYMBOL NO.	INDEX NO.	SYMBOL NO.	INDEX NO.	SYMBOL NO.	INDEX NO.	SYMBOL NO.	INDEX NO.
R601	303	R611	295	R621	295	---	---	R641	279	R651	249
R602	250	R612	262	R622	295	R632	295	R642	279	---	---
R603	295	R613	295	R623	295	---	---	R643	295	R653	259
R604	303	R614	262	R624	262	---	---	R644	279	R654	265
R605	295	R615	262	R625	313	---	---	R645	263	R655	259
R606	295	R616	295	---	---	R636	261	R646	249	R656	295
R607	303	R617	295	---	---	R637	300	R647	290	R657	262
---	---	---	---	R628	263	R638	262	R648	320	R658	259
---	---	R619	259	R629	262	R639	300	R649	259	R659	270
R610	295	R620	259	R630	304	---	---	---	---	---	---
										R662	259
										R663	259
										R664	295
										R665	295
										R666	259
										R667	262
										R668	295
										R669	262
										R670	262

RESISTOR

SYMBOL NO.	INDEX NO.	SYMBOL NO.	INDEX NO.	SYMBOL NO.	INDEX NO.	SYMBOL NO.	INDEX NO.	SYMBOL NO.	INDEX NO.	SYMBOL NO.	INDEX NO.
R671	262	R681	259	R691	259	R701	259	---	---	R721	261
R672	262	---	---	R692	259	R702	259	R712	309	R722	262
R673	262	R682	259	R693	267	R703	259	R713	259	R723	262
R674	295	R684	259	R694	297	R704	262	R714	278	R724	262
R675	262	R685	259	R695	264	---	---	R715	315	R725	262
R676	259	R686	261	R696	261	R706	262	R716	309	---	---
R677	259	R687	262	R697	307	R707	262	R717	259	---	---
R678	262	---	---	R698	309	R708	262	R718	262	R728	262
R679	262	R689	262	R699	262	R709	259	R719	262	R729	261
R680	295	R690	295	R700	262	R710	262	R720	262	R730	261
										---	---
										R731	262
										R732	317
										R733	317
										R734	317
										R735	308
										R736	284
										R737	317
										---	---
										R739	308
										R740	317

148.Controller Board (D016/D097)

RESISTOR

SYMBOL NO.	INDEX NO.	SYMBOL NO.	INDEX NO.	SYMBOL NO.	INDEX NO.	SYMBOL NO.	INDEX NO.	SYMBOL NO.	INDEX NO.	SYMBOL NO.	INDEX NO.	SYMBOL NO.	INDEX NO.
R741	317	---	---	R761	262	R771	317	R781	300	R791	262	R801	300
R742	262	R752	309	R762	262	R772	262	R782	260	R792	306	R802	295
---	---	R753	305	---	---	R773	262	R783	317	R793	261	R803	261
---	---	R754	305	R764	262	R774	262	R784	317	R794	261	R804	295
R745	262	R755	305	R765	300	R775	262	R785	262	R795	262	R805	259
R746	282	R756	305	R766	317	R776	261	R786	262	R796	257	R806	261
R747	250	R757	305	R767	317	R777	276	R787	262	R797	261	R807	295
R748	309	R758	305	R768	262	R778	258	R788	317	R798	261	R808	257
---	---	R759	305	R769	262	R779	262	---	---	---	---	R809	260
R750	259	R760	305	---	---	R780	295	---	---	R800	261	R810	280

RESISTOR

SYMBOL NO.	INDEX NO.	SYMBOL NO.	INDEX NO.	SYMBOL NO.	INDEX NO.	SYMBOL NO.	INDEX NO.	SYMBOL NO.	INDEX NO.	SYMBOL NO.	INDEX NO.	SYMBOL NO.	INDEX NO.
R811	280	R821	295	R831	309	R841	262	R851	259	R861	265	R871	301
R812	280	R822	295	R832	309	R842	284	R852	295	R862	262	R872	278
R813	280	R823	295	R833	309	R843	295	R853	262	---	---	R873	268
R814	280	R824	295	R834	309	R844	262	R854	249	R864	262	---	---
R815	280	R825	295	---	---	---	---	R855	295	R865	262	R875	278
R816	280	R826	262	R836	260	R846	295	R856	295	R866	265	R876	262
R817	280	R827	295	R837	276	R847	252	R857	251	R867	262	R877	262
R818	280	R828	295	---	---	R848	309	R858	252	R868	262	R878	309
R819	280	R829	300	R839	262	R849	262	R859	265	R869	311	---	---
R820	280	---	---	R840	262	---	---	R860	249	R870	311	R880	262

148.Controller Board (D016/D097)

RESISTOR

SYMBOL NO.	INDEX NO.	SYMBOL NO.	INDEX NO.	SYMBOL NO.	INDEX NO.	SYMBOL NO.	INDEX NO.	SYMBOL NO.	INDEX NO.	SYMBOL NO.	INDEX NO.	SYMBOL NO.	INDEX NO.
R881	257	---	---	R901	261	R911	309	R921	262	R931	295	R941	300
---	---	---	---	R902	261	R912	309	R922	295	R932	246	---	---
R883	309	R893	262	R903	261	R913	309	R923	262	R933	263	R943	309
R884	295	R894	300	R904	299	R914	309	R924	300	R934	263	R944	316
R885	262	R895	295	R905	299	---	---	R925	300	R935	300	R945	259
---	---	---	---	R906	316	R916	300	R926	262	R936	311	---	---
R887	300	R897	300	---	---	R917	262	R927	295	R937	262	R947	300
R888	300	R898	262	R908	300	R918	295	R928	259	---	---	R948	262
R889	262	R899	261	R909	295	R919	262	---	---	R939	295	R949	262
---	---	R900	261	R910	262	R920	262	---	---	R940	262	R950	259

RESISTOR

SYMBOL NO.	INDEX NO.	SYMBOL NO.	INDEX NO.	SYMBOL NO.	INDEX NO.	SYMBOL NO.	INDEX NO.	SYMBOL NO.	INDEX NO.	SYMBOL NO.	INDEX NO.	SYMBOL NO.	INDEX NO.
R951	262	R961	262	R971	309	R981	262	R991	259	R1001	309	R1011	309
---	---	R962	280	R972	305	---	---	R992	259	R1002	309	R1012	309
---	---	R963	262	R973	259	R983	280	R993	280	R1003	309	R1013	309
R954	259	R964	262	R974	261	R984	262	R994	262	R1004	309	R1014	309
R955	262	R965	261	R975	262	R985	259	R995	259	R1005	309	R1015	309
R956	280	R966	305	---	---	R986	262	R996	259	R1006	309	R1016	309
R957	262	R967	259	R977	280	---	---	R997	259	R1007	309	R1017	309
R958	259	R968	293	R978	263	R988	262	R998	280	R1008	309	R1018	309
R959	259	---	---	R979	309	R989	259	R999	263	R1009	309	R1019	309
R960	262	R970	300	R980	259	R990	259	R1000	265	R1010	309	R1020	309

148.Controller Board (D016/D097)

RESISTOR

SYMBOL NO.	INDEX NO.	SYMBOL NO.	INDEX NO.	SYMBOL NO.	INDEX NO.	SYMBOL NO.	INDEX NO.	SYMBOL NO.	INDEX NO.	SYMBOL NO.	INDEX NO.	SYMBOL NO.	INDEX NO.
R1021	309	R1031	262	R1041	295	R1051	280	R1061	262	R1071	262	R1081	261
R1022	309	R1032	300	R1042	295	R1052	263	R1062	263	----	---	R1082	261
R1023	309	R1033	309	R1043	295	R1053	262	R1063	262	R1073	262	R1083	262
R1024	309	R1034	262	R1044	295	R1054	280	R1064	262	R1074	309	----	---
R1025	309	R1035	280	R1045	295	R1055	259	R1065	262	R1075	308	R1085	295
R1026	309	R1036	280	R1046	295	R1056	262	R1066	300	R1076	277	R1086	277
R1027	262	R1037	280	R1047	265	R1057	262	R1067	262	R1077	277	R1087	317
R1028	265	R1038	295	R1048	295	R1058	262	R1068	309	----	---	----	---
R1029	262	R1039	295	R1049	295	R1059	263	R1069	265	R1079	262	----	---
R1030	295	R1040	295	R1050	263	R1060	262	R1070	262	R1080	265	R1090	249

RESISTOR

SYMBOL NO.	INDEX NO.	SYMBOL NO.	INDEX NO.	SYMBOL NO.	INDEX NO.	SYMBOL NO.	INDEX NO.	SYMBOL NO.	INDEX NO.	SYMBOL NO.	INDEX NO.	SYMBOL NO.	INDEX NO.
R1091	261	R1101	277	R1111	295	R1121	295	R1131	300	R1141	277	R1151	309
R1092	300	R1102	261	R1112	295	R1122	295	----	---	R1142	277	R1152	309
R1093	298	R1103	300	R1113	295	R1123	261	R1133	300	R1143	309	R1153	309
R1094	298	R1104	308	R1114	295	R1124	295	R1134	277	R1144	309	R1154	309
R1095	298	R1105	261	----	---	R1125	262	R1135	277	R1145	309	R1155	309
R1096	277	R1106	262	R1116	260	R1126	277	R1136	298	R1146	309	R1156	309
R1097	277	R1107	309	R1117	260	R1127	262	R1137	277	R1147	309	R1157	309
R1098	300	----	---	R1118	295	----	---	----	---	R1148	309	R1158	309
R1099	259	R1109	277	R1119	295	R1129	309	----	---	R1149	309	R1159	309
R1100	262	R1110	260	R1120	295	R1130	262	R1140	277	R1150	309	R1160	309

148.Controller Board (D016/D097)

RESISTOR

SYMBOL NO.	INDEX NO.	SYMBOL NO.	INDEX NO.	SYMBOL NO.	INDEX NO.	SYMBOL NO.	INDEX NO.	SYMBOL NO.	INDEX NO.	SYMBOL NO.	INDEX NO.	SYMBOL NO.	INDEX NO.
R1161	309	R1171	285	---	---	R1191	300	R1201	262	R1211	295	R1221	300
R1162	309	R1172	300	---	---	R1192	300	R1202	262	R1212	295	R1222	308
R1163	309	R1173	277	R1183	259	R1193	300	R1203	262	R1213	295	R1223	308
---	---	R1174	277	---	---	---	---	---	---	R1214	295	R1224	308
R1165	309	R1175	285	---	---	R1195	263	---	---	R1215	295	R1225	295
---	---	---	---	R1186	259	R1196	300	R1206	259	R1216	295	---	---
R1166	309	---	---	---	---	R1197	255	---	---	---	---	---	---
R1167	309	R1177	254	R1188	259	R1198	260	---	---	R1218	261	R1228	295
R1168	309	R1178	278	R1189	300	R1199	250	---	---	R1219	263	R1229	295
R1169	309	R1179	295	R1190	300	R1200	262	---	---	R1220	300	R1230	295
R1170	247	R1180	300										

RESISTOR

SYMBOL NO.	INDEX NO.	SYMBOL NO.	INDEX NO.	SYMBOL NO.	INDEX NO.	SYMBOL NO.	INDEX NO.	SYMBOL NO.	INDEX NO.	SYMBOL NO.	INDEX NO.	SYMBOL NO.	INDEX NO.
---	---	---	---	R1251	250	REG2	180	RN1	245	RN11	190	RN21	242
R1232	249	R1242	265	R1252	250	REG21	182	RN2	245	RN12	190	RN22	189
R1233	265	---	---	R1253	295	REG26	182	RN3	245	RN13	190	RN23	189
---	---	---	---	---	---			RN4	245	RN14	244	RN24	189
---	---	R1245	249	R6634	279			RN5	245	RN15	190	RN25	189
---	---	---	---					---	---	---	---	---	---
---	---	R1246	249					RN6	245	RN16	244	RN26	189
---	---	R1247	262					RN7	245	RN17	244	RN27	189
---	---	R1248	250					RN8	245	RN18	244	RN28	189
---	---	---	---					RN9	245	RN19	244	RN29	189
---	---	---	---					RN10	190	RN20	189	RN30	189

REG

SYMBOL NO.	INDEX NO.
REC3	170

REG

SYMBOL NO.	INDEX NO.
REG2	180
REG21	182
REG26	182

RN

SYMBOL NO.	INDEX NO.	SYMBOL NO.	INDEX NO.	SYMBOL NO.	INDEX NO.	SYMBOL NO.	INDEX NO.
RN1	245	RN11	190	RN21	242	RN31	189
RN2	245	RN12	190	RN22	189	RN32	189
RN3	245	RN13	190	RN23	189	RN33	189
RN4	245	RN14	244	RN24	189	RN34	189
RN5	245	RN15	190	RN25	189	RN35	189
---	---	---	---	---	---	---	---
RN6	245	RN16	244	RN26	189	RN36	189
RN7	245	RN17	244	RN27	189	RN37	189
RN8	245	RN18	244	RN28	189	RN38	189
RN9	245	RN19	244	RN29	189	RN39	189
RN10	190	RN20	189	RN30	189	RN40	189

148.Controller Board (D016/D097)

RN

SYMBOL NO.	INDEX NO.
RN31	189
RN32	189
RN33	189
RN34	189
RN35	189
RN36	189
RN37	189
RN38	189
RN39	189
RN40	189

SYMBOL NO.	INDEX NO.
RN41	189
RN42	189
RN43	189
RN44	189
RN45	189
RN46	244
RN47	244
RN48	244
RN49	191
RN50	243

TP

SYMBOL NO.	INDEX NO.
TP1	101
TP2	101
TP3	101
TP4	101
TP5	101
TP6	101
TP7	101
TP8	101
TP9	101
TP10	101

SYMBOL NO.	INDEX NO.
TP11	101
TP12	101
TP13	101
TP14	101
TP15	101
TP16	101
TP17	101
TP18	101
TP19	101
TP20	101

SYMBOL NO.	INDEX NO.
TP21	101
TP22	101
TP23	101
TP24	101
TP25	101
TP26	101
TP27	101
TP28	101
TP29	101
TP30	101

SYMBOL NO.	INDEX NO.
TP31	101
TP32	101
TP33	101
TP34	101

148.Controller Board (D016/D097)

Rev. 01/21/2010

Index No.	Part No.	Description	Q'ty Per Assembly
*	D016 6012	PCB: Cont: EX1: D016: Ass'y	
*	D097 6014	PCB: Cont: EX1: D097: Ass'y	

Index No.	Part No.	Description	Q'ty Per Assembly
101	1100 1841	Test Pin: RCUCBK	
102	1102 5303	3.5: Connector: ST: 4P	
103	1102 7615	Connector - B8B-XH-A	
104	1102 7635	Connector: 53398-0219	
105	1102 9079	Connector - RHM-88PL-SDK11-1	
106	1102 9336	Connector: FPS009-2300-0	
107	1102 9887	Connector: 52588-3090	
108	1103 3481	Connector: 67800-8005	
109	1103 3497	Connector: 87715-9002	
110	1103 3865	Connector: 29 6406 200 101 856+	
111	1103 3964	Connector: WB4P140HA1	
112	1103 3965	Connector: 6605444-6	
113	1103 4137	Connector: UAR64-8K5J00	
114	1107 1095	Fuse - SST 2	
115	1109 0042	Fuse: MINISMDC150F	
116	1204 2622	Dip Switch: CHS-08TB1	
117	1206 0122	Lithium Cell: CR2450/V1A	
118	1400 0714	Transistor: 2SD1781KR	
119	1400 1248	Transistor: 2SC5342SF	
120	1401 0902	FET: 2SK1590	
121	1401 1222	FET: HAT2068R-E	
122	1401 1234	FET: SSM3J02T	
123	1401 1235	FET: HAT2071R-E	
124	1401 1296	FET: TPC8115	
125	1401 1317	FET - HAT2197R	
126	1401 1318	FET - HAT2198R	
127	1401 1320	FET - TPC8107	
128	1401 1411	Fet: HAT2195R-E	
129	1401 1414	FET: SI3433BDV-E3	
130	1402 1530	Diode - RB520S-30	
131	1402 1537	Diode: RB751S-40	
132	1402 1565	Diode: RB521S-30	
133	1402 1995	Diode: SDS511	
134	1402 2001	Diode: SX34	
135	1403 0953	LED - SML-310MT	

Index No.	Part No.	Description	Q'ty Per Assembly
136	1403 0978	LED: SML-310DT	
137	1403 1131	LED: SML-311UT	
138	1403 1168	LED: SML-311YT	
139	1407 4919	IC - 74VHCT244 TSSOP	
140	1407 5107	CMOS Logic: TC7W66FU	
141	1407 5377	CMOS Logic: SN74AHCT1G08DCK	
142	1407 5428	CMOS Logic: SN74AHC1G08DCK	
143	1407 5523	ROM - I2C SOP 3V	
144	1407 5531	CMOS Logic: TC7WH14FU	
145	1407 6080	CMOS Logic: SN74LVC2G04DCK	
146	1407 6100	CMOS Logic: SN74LVC1G04DCK	
147	1407 6101	IC - SN74LVC2G17DCK	
148	1407 6123	IC SN74LVC2G125DCU	
149	1407 6127	Clock Generator: ICS960008AFLF	
150	1407 6158	CMOS Logic: SN74AHC1G02DCK	
151	1407 6201	CMOS Logic SN74LVC1G125BCK	
152	1407 6203	CMOS Logic: SN74LVC3G07DCT	
153	1407 6204	CMOS Logic: SN74LVC2G07DCK	
154	1407 6259	CMOS Logic - SN74AHCT1G04DCK	
155	1407 6332	CMOS Logic: SN74LVC1G00DCK	
156	1407 6333	CMOS Logic: SN74LVC2G08DCU	
157	1407 6335	CMOS Logic: SN74LVC1G17DCK	
158	1407 6368	CMOS Logic: SN74AHC1G04DCK	
159	1407 6451	CMOS Logic: SN74LVC1G32DCK	
160	1407 6517	Custom IC: WHISTLE	
161	1407 6536	ICH6-MNH82801FBM(SL89K)	
162	1407 6676	Clock Generator: ICS954206BGLF	
163	1407 6683	LAN Controller LSI: BCM5461A1KPFG	
164	1407 6784	Controller: ST19WP18FT28PVGR	
165	1407 6915	CPU: LE80536LC0172M(SL89N)	
166	1407 6917	Clock Generator: ICS960023BGLF	
167	1407 6944	USB Controller IC: ST72681/R21	
168	1407 7029	GMCH: QG82915GME(SLA9K)	
169	1407 7232	Custom IC: VEENA	
170	1408 1668	Series Regulator: R1170H251B-F	

Index No.	Part No.	Description	Q'ty Per Assembly
171	1408 1778	IC: R3112Q101A	
172	1408 1779	IC - R3112Q281A	
173	1408 1788	IC: R3112Q091A-FA	
174	1408 1826	IC - R3112Q421A	
175	1408 1839	IC: R3112Q211A-FA	
176	1408 2305	Reset IC: BU4242FVE	
177	1408 2350	IC: R1211D002B-FA	
178	1408 2458	DC/DC Converter: LTC3407EMSE-2#PBF	
179	1408 2463	DDR Terminator - TPS51116PWP4	
180	1408 2464	DC/DC Converter: MAX1907AETL+	
181	1408 2637	DC/DC Converter: MPD5S027	
182	1408 2638	DC/DC Converter: MPD6S023	
183	1503 0758	Crystal Oscillator: MC-306 32.768KHZ 12.5pF	
184	1503 1138	Crystal Oscillator - 48MHZ	
185	1503 1146	Crystal Oscillator: 14.31818MHZ	
186	1503 1363	Crystal Oscillator: 12MHZ	
187	1503 1367	Crystal Oscillator: 25MHZ	
188	1503 1368	Crystal Oscillator: 25MHZ	
189	1601 7887	Resistor Array - 10K Ω \pm 5% 1/32W	
190	1601 7896	Resistor Array - 56 Ω \pm 5% 1/32W	
191	1601 7914	Resistor Array - 47 Ω \pm 5%	
192	1605 1195	Capacitor: 4pF: \pm 0.25pF: 50V	
193	1605 1197	Capacitor - 6pF \pm 0.5pF 50V	
194	1605 1199	Capacitor - 8pF \pm 0.5pF 50V	
195	1605 1200	Capacitor - 10pF \pm 0.5pF 50V	
196	1605 1202	Capacitor - 15pF \pm 5% 50V	
197	1605 1203	Capacitor: 18pF: \pm 5%: 50V	
198	1605 1204	Capacitor-pF50V	
199	1605 1207	Capacitor - 68pF \pm 5% 50V	
200	1605 1208	Capacitor: 100pF: \pm 5%: 50V	
201	1605 1214	Capacitor - 1000pF \pm 10% 50V	
202	1605 1216	Capacitor - 2200pF \pm 10%50V	
203	1605 1234	Capacitor: 4700pF: \pm 10%: 50V	
204	1605 1240	Capacitor - 0.01 μ F \pm 10% 25V	
205	1605 1275	Capacitor: 820pF: \pm 5%: 50V	

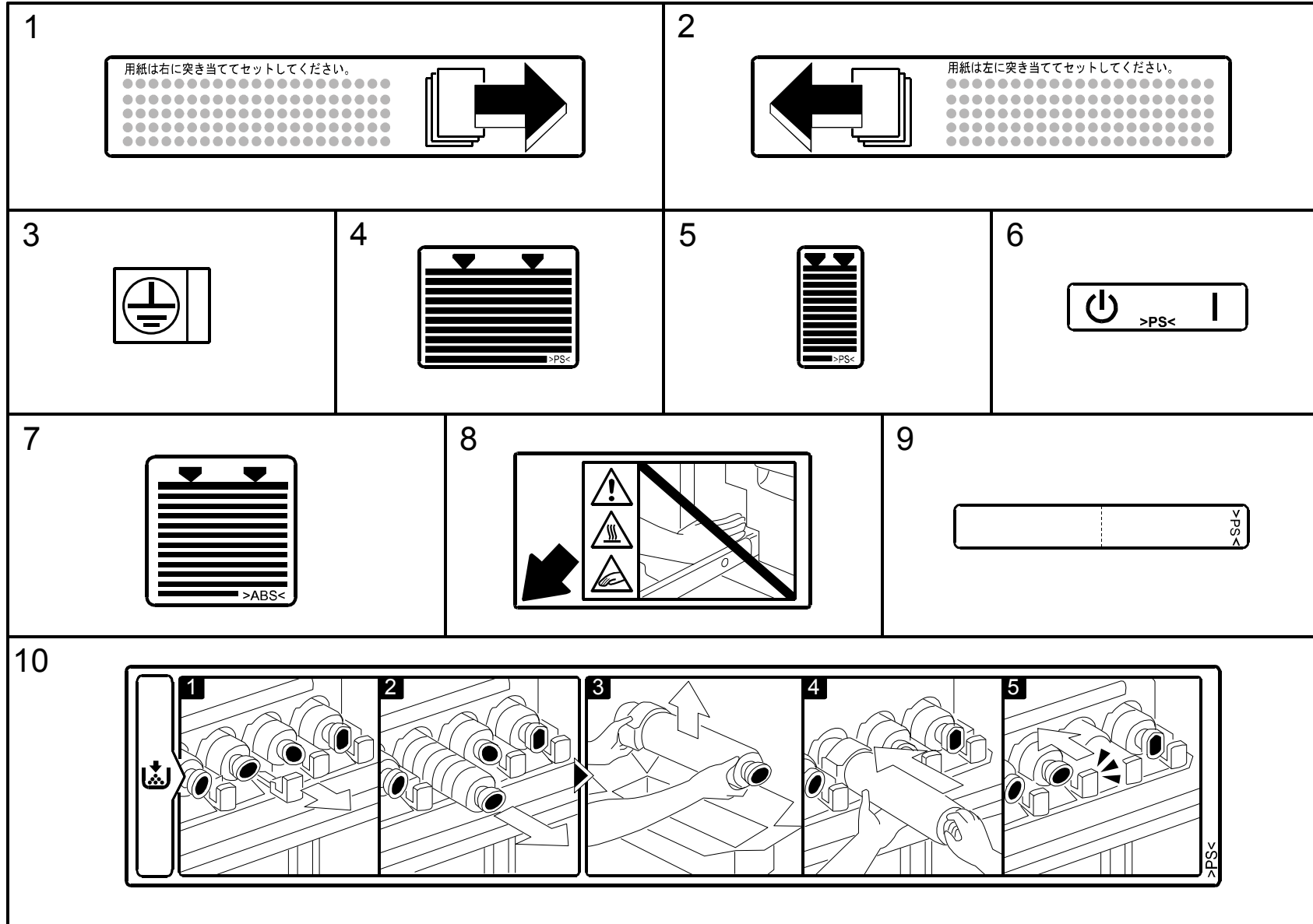
Index No.	Part No.	Description	Q'ty Per Assembly
206	1605 1288	Capacitor: 220pF: ±5%: 50V	
207	1605 1291	Capacitor: 2.2µF: ±10%: 10V	
208	1605 1299	Capacitor: 56pF: ±5%: 50V	
209	1605 1300	Capacitor - 270pF ±5% 50V	
210	1605 1367	Capacitor: 0.033µF: ±10%: 16V	
211	1605 1387	Capacitor: 0.68µF: ±10%: 10V	
212	1605 1406	Capacitor - 10µF±10% 6.3V	
213	1605 1419	Capacitor: 4.7µF: ±10%: 16V	
214	1605 1428	Capacitor: 0.22µF: ±10%: 6.3V	
215	1605 1447	Resistor - 470pF ±5% 50V	
216	1605 1450	Resistor - 22µF±10% 6.3V	
217	1605 1453	Capacitor: 0.022µF: ±10%: 16V	
218	1605 1464	Resistor - 10µF±20% 25V	
219	1605 1465	Resistor - 1µF±10% 25V	
220	1605 1544	Capacitor: 330pF: ±5%: 50V	
221	1605 1583	Capacitor - 0.1µF: ±10%: 16V	
222	1605 1635	Capacitor: 0.47µF: ±10%: 25V	
223	1605 1689	Capacitor: 100µF: ±20%: 6.3V	
224	1605 1695	Capacitor: 1200pF: ±10%: 50V	
225	1606 2319	Capacitor: 100µF: ±20%: 6.3V	
226	1607 0810	Filter: BK2125HS121	
227	1607 1051	Filter -FBMJ2125HS420	
228	1607 1061	Filter - BLM11P300SPB	
229	1607 1108	Filter: BLM21PG220SN1B	
230	1607 1228	Inductor: SLF7045-4R7M2R0-PF	
231	1607 1316	Filter: FBMJ1608HS280NT	
232	1607 1362	Choke Coil: ACM3225-800-2P	
233	1607 1388	Inductor: LB2518B1R0M	
234	1607 1438	Choke Coil: DLW21SN121SQ2B	
235	1607 1489	Filter - MMZ1608B301C	
236	1607 1651	Inductor - HM73-101R0LF	
237	1607 1657	Inductor - HM73-10R68LF	
238	1607 1744	Inductor: LQH32CNR15M33B	
239	1607 1853	Inductor: LB2518B100M	
240	1607 1854	Inductor: CDRH4D18C-1R1N	

Index No.	Part No.	Description	Q'ty Per Assembly
241	1607 1974	Inductor: VLCF4020-2R2N1R7	
242	1609 0005	Resistor: 33Ω: ±5%: 1/16W	
243	1609 0006	Resistor: 10KΩ: ±5%: 1/16W	
244	1609 0122	Resistor Array: 10 Ω: ±5%: 1/16W: 4Number	
245	1609 0123	Resistor Array: 22 Ω: ±5%: 1/16W: 4Number	
246	1610 1417	Resistor: 0.5 Ω: ±5%: 1/8W: 1608	
247	1610 1804	Resistor: 0.006 Ω: ±1%: 1W	
248	1610 2116	Resistor: 1.5M Ω: ±1%: 1W: 6432	
249	1633 0000	Resistor - 0 Ω 1/10W	
250	1634 0000	Resistor - 0 Ω 1/16W	
251	1650 4109	Resistor: 1 Ω: ±5%: 1/10W: 1608	
252	1650 4229	Resistor: 2.2 Ω: ±5%: 1/10W: 1608	
253	1650 5106	Resistor - 10M Ω ±5% 1/16W	
254	1650 5309	Resistor: 3 Ω: ±5%: 1/16W: 1005	
255	1650 5519	Resistor: 5.1 Ω: ±5%: 1/16W: 1005	
256	1653 1009	Resistor: 10 Ω: ±1%: 1/8W: 2125	
257	1654 1000	Resistor - 100Ω ±1% 1/10W	
258	1654 1009	Resistor - 10Ω±1% 1/10W	
259	1655 0000	Chip Resistor - 0Ω±0%1/16W	
260	1655 1000	Chip Resistor: 100Ω: ±1%: 1/16W	
261	1655 1001	Chip Resistor - 1KΩ ±1% 1/16W	
262	1655 1002	Chip Resistor - 10KΩ±1%1/16W	
263	1655 1003	Chip Resistor - 100KΩ±1%1/16W	
264	1655 1004	Resistor: 1M Ω: ±1%: 1/16W: 1005	
265	1655 1009	Resistor - 10Ω ±1% 1/16W	
266	1655 1102	Resistor: 11K Ω: ±1%: 1/16W: 1005	
267	1655 1132	Resistor: 11.3K Ω: ±1%: 1/16W: 1005	
268	1655 1201	Resistor: 1.2K Ω: ±1%: 1/16W: 1005	
269	1655 1241	Resistor: 1.24K Ω: ±1%: 1/16W: 1005	
270	1655 1300	Resistor: 130 Ω: ±1%: 1/16W: 1005	
271	1655 1501	Chip Resistor 1.5KΩ ±1% 1/16W	
272	1655 1502	Resistor - 15KΩ ±1% 1/16W	
273	1655 1692	Resistor: 16.9K Ω: ±1%: 1/16W: 1005	
274	1655 1803	Resistor: 180K Ω: ±1%: 1/16W: 1005	
275	1655 1963	Resistor: 196K Ω: ±1%: 1/16W: 1005	

Index No.	Part No.	Description	Q'ty Per Assembly
276	1655 2000	Resistor - 200Ω ±1% 1/16W	
277	1655 2001	Resistor - 2KΩ ±1% 1/16W	
278	1655 2002	Chip Resistor - 20KΩ±1%1/16W	
279	1655 2201	Resistor: 2.2K Ω: ±1%: 1/16W: 1005	
280	1655 2209	Resistor - 22Ω ±1% 1/16W	
281	1655 2210	Resistor - 221Ω ±1% 1/16W	
282	1655 2269	Resistor: 22.6 Ω: ±1%: 1/16W: 1005	
283	1655 2432	Resistor: 24.3K Ω: ±1%: 1/16W: 1005	
284	1655 2499	Resistor: 24.9 Ω: ±1%: 1/16W: 1005	
285	1655 2700	Resistor: 270 Ω: ±1%: 1/16W: 1005	
286	1655 2701	Resistor: 2.7K Ω: ±1%: 1/16W: 1005	
287	1655 2741	Resistor: 2.74K Ω: ±1%: 1/16W: 1005	
288	1655 2749	Resistor - 27.4Ω ±1% 1/16W	
289	1655 2802	Resistor: 28K Ω: ±1%: 1/16W: 1005	
290	1655 3002	Chip Resistor - 30KΩ±1%1/16W	
291	1655 3013	Resistor: 301K Ω: ±1%: 1/16W: 1005	
292	1655 3242	Resistor: 32.4K Ω: ±1%: 1/16W: 1005	
293	1655 3302	Resistor: 33K Ω: ±1%: 1/16W: 1005	
294	1655 3303	Resistor - 330KΩ ±1% 1/16W	
295	1655 3309	Resistor - 33Ω ±1% 1/16W	
296	1655 3601	Resistor: 3.6K Ω: ±1%: 1/16W: 1005	
297	1655 3903	Resistor: 390K Ω: ±1%: 1/16W: 1005	
298	1655 3909	Resistor 39Ω ±1% 1/16W	
299	1655 4029	Resistor: 40.2 Ω: ±1%: 1/16W: 1005	
300	1655 4701	Chip Resistor - 4.7KΩ±1%1/16W	
301	1655 4750	Resistor - 475Ω ±1% 1/16W	
302	1655 4992	Resistor: 49.9K Ω: ±1%: 1/16W: 1005	
303	1655 4999	Resistor - 49.9Ω ±1% 1/16W	
304	1655 5101	Resistor - 5.1KΩ ±1% 1/16W	
305	1655 5109	Resistor - 51Ω ±1% 1/16W	
306	1655 5499	Resistor - 54.9Ω ±1% 1/16W	
307	1655 5600	Resistor - 560Ω ±1% 1/16W	
308	1655 5602	Resistor: 56K Ω: ±1%: 1/16W: 1005	
309	1655 5609	Resistor - 56Ω ±1% 1/16W	
310	1655 6043	Resistor: 604K Ω: ±1%: 1/16W: 1005	

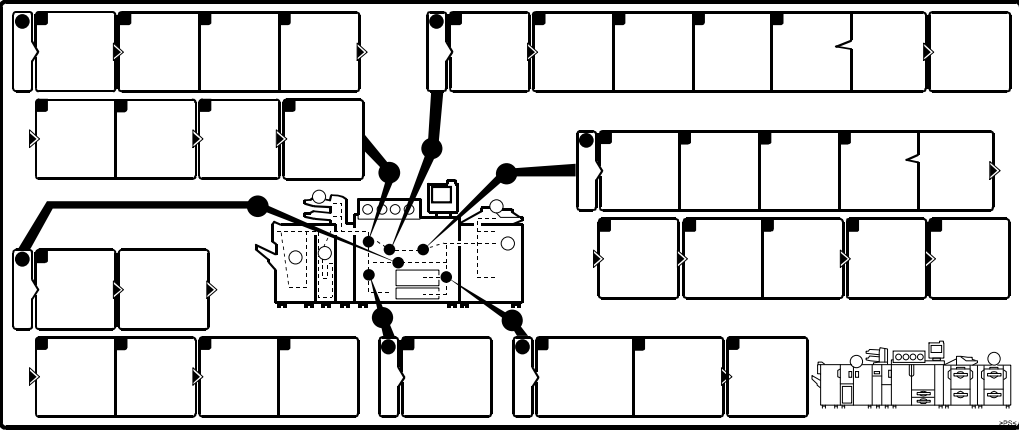
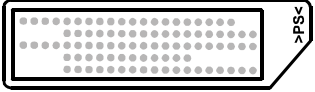
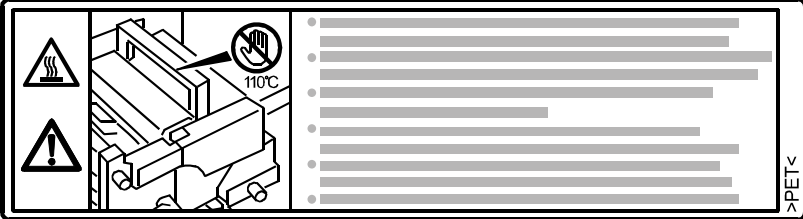
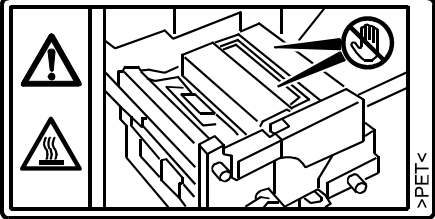
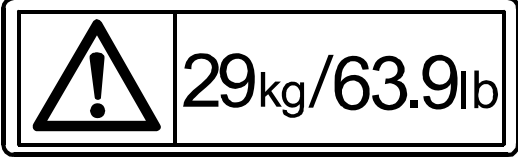
Index No.	Part No.	Description	Q'ty Per Assembly
311	1655 6800	Resistor: 680 Ω: ±1%: 1/16W: 1005	
312	1655 6801	Resistor: 6.8K Ω: ±1%: 1/16W: 1005	
313	1655 6802	Resistor: 68K Ω: ±1%: 1/16W: 1005	
314	1655 6809	Chip Resistor - 68Ω±1%1/16W	
315	1655 7509	Resistor: 75 Ω: ±1%: 1/16W: 1005	
316	1655 8069	Resistor: 80.6 Ω: ±1%: 1/16W: 1005	
317	1655 8201	Resistor: 8.2K Ω: ±1%: 1/16W: 1005	
318	1655 8209	Resistor - 82Ω ±1% 1/16W	
319	1655 8873	Resistor: 887K Ω: ±1%: 1/16W: 1005	
320	1655 9101	Resistor - 9.1K Ω ±1% 1/16W	
321	1906 0120	NAND Flash: 1G: X8: 30NS: 3.3V: 2K	

149.Decals and Documents (D016/D097/G178/M078)

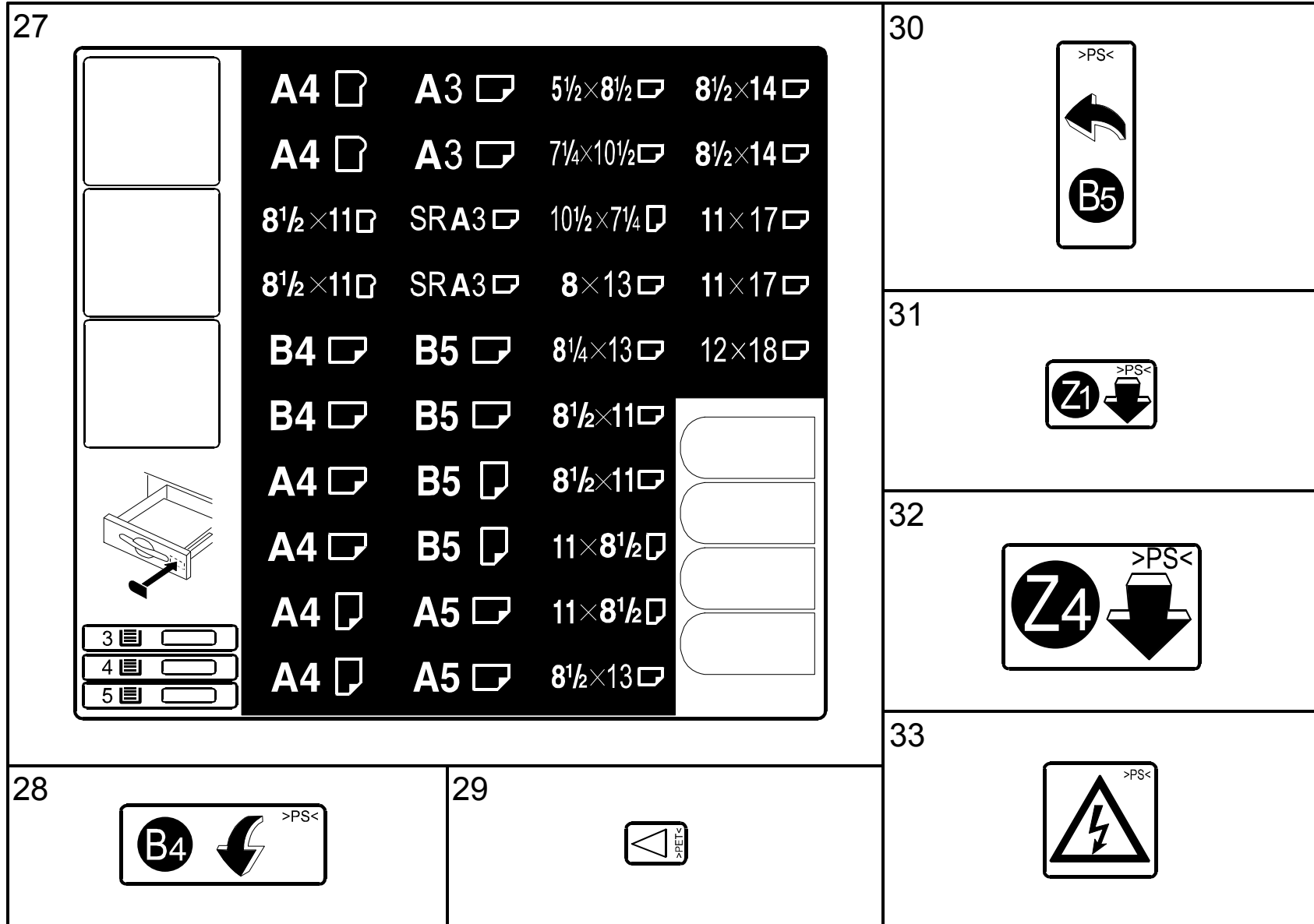


<p>11</p>	<p>12</p>	<p>13</p>
<p>14</p>	<p>15</p>	<p>16</p>
<p>17</p>	<p>18</p>	<p>19</p>

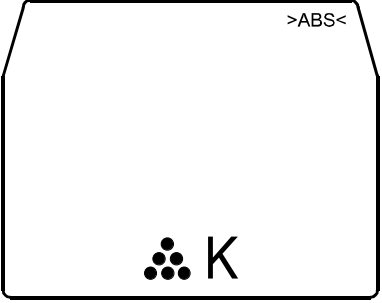
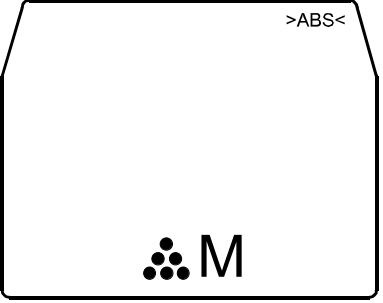

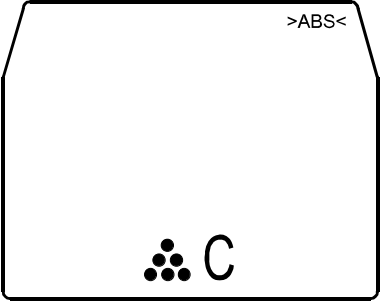
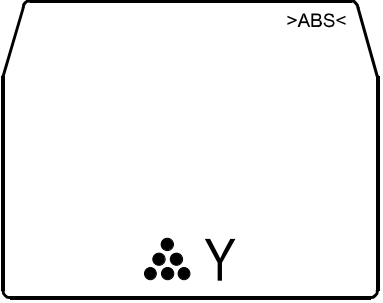



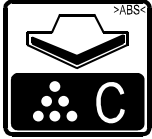



149.Decals and Documents (D016/D097/G178/M078)

<p>20</p> 	<p>21</p> 		
<p>23</p> 	<p>24</p> 		
<p>25</p> <table border="1" data-bbox="436 1184 1115 1295"> <tr> <td> Main Haupt Principal メイン </td> <td> Heater Erhitzer Chauffe ヒーター </td> </tr> </table>	Main Haupt Principal メイン	Heater Erhitzer Chauffe ヒーター	<p>26</p> 
Main Haupt Principal メイン	Heater Erhitzer Chauffe ヒーター		

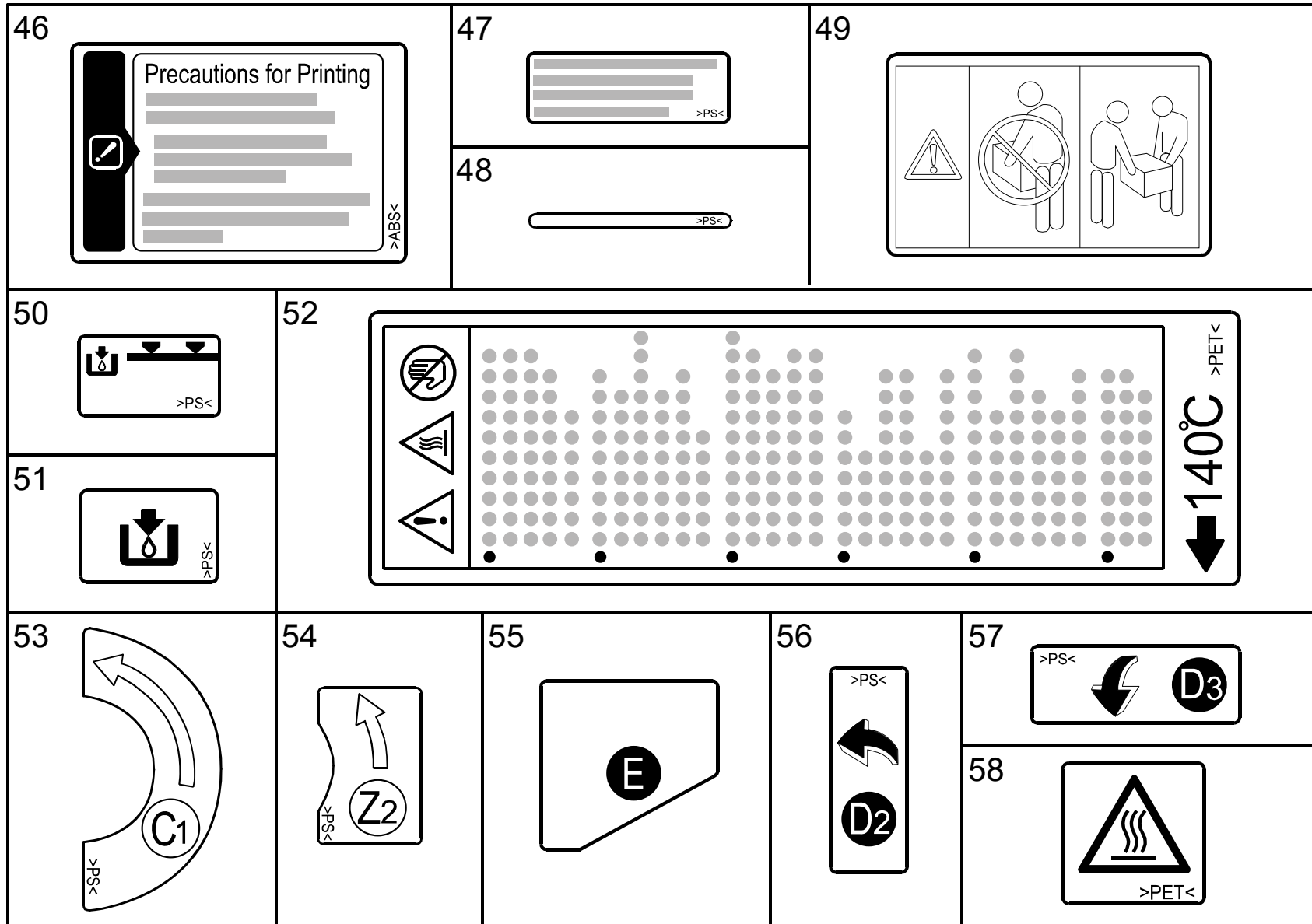
149.Decals and Documents (D016/D097/G178/M078)



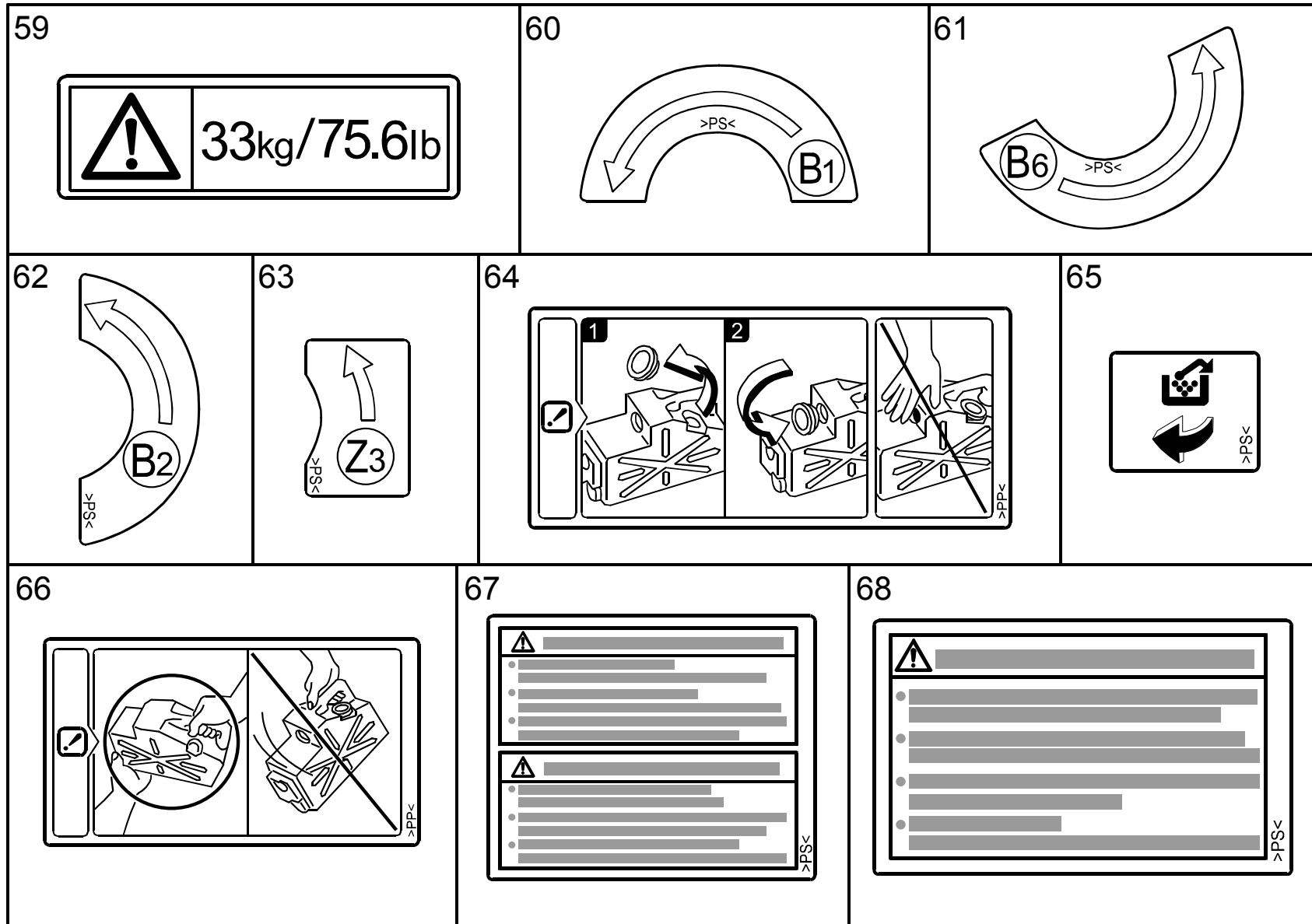
149.Decals and Documents (D016/D097/G178/M078)

<p>34</p> 	<p>35</p> 	<p>38</p> 	
<p>36</p> 	<p>37</p> 	<p>39</p> 	
<p>42</p> 	<p>43</p> 	<p>44</p> 	<p>45</p> 
<p>40</p> 	<p>41</p> 		

149.Decals and Documents (D016/D097/G178/M078)



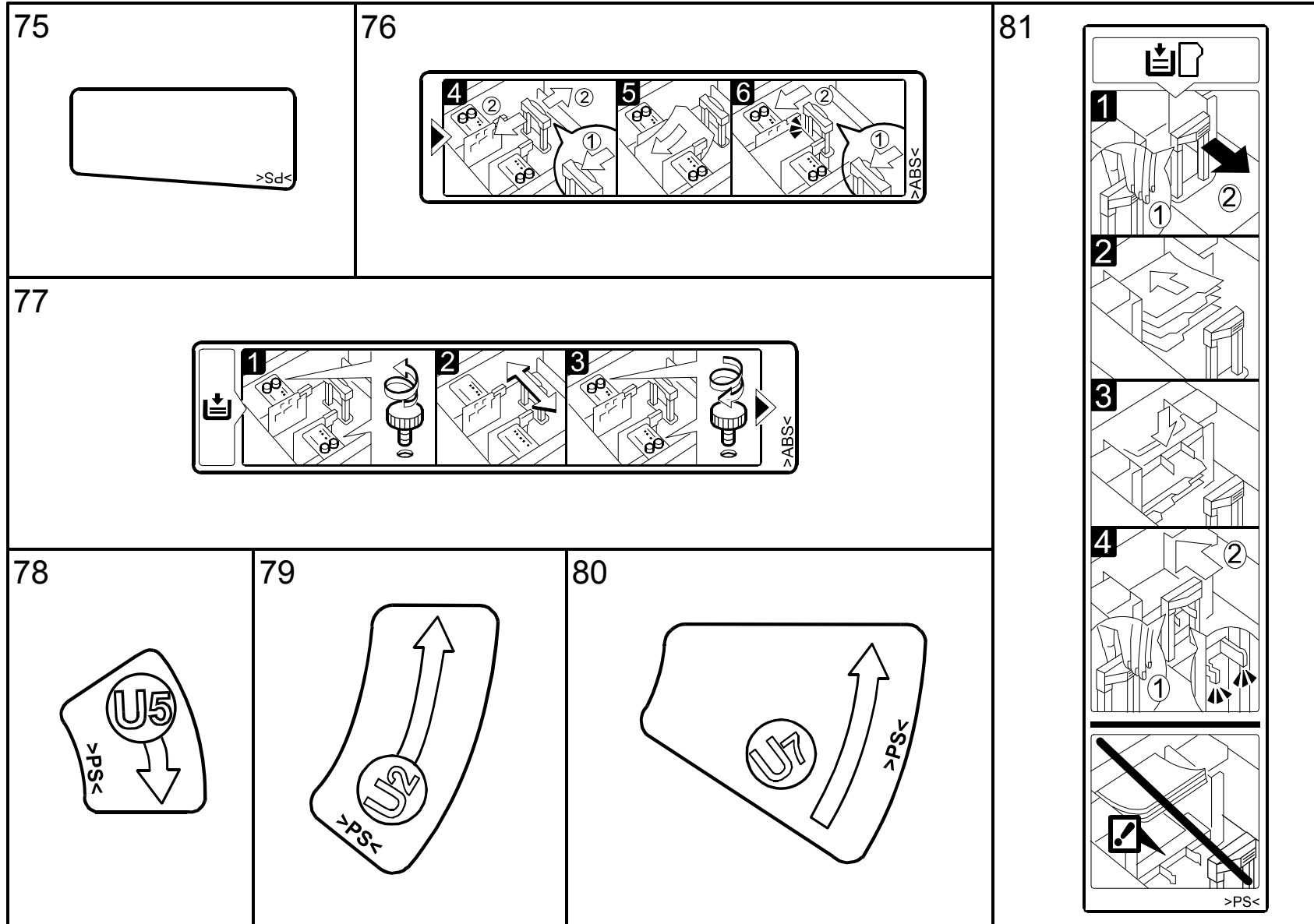
149.Decals and Documents (D016/D097/G178/M078)



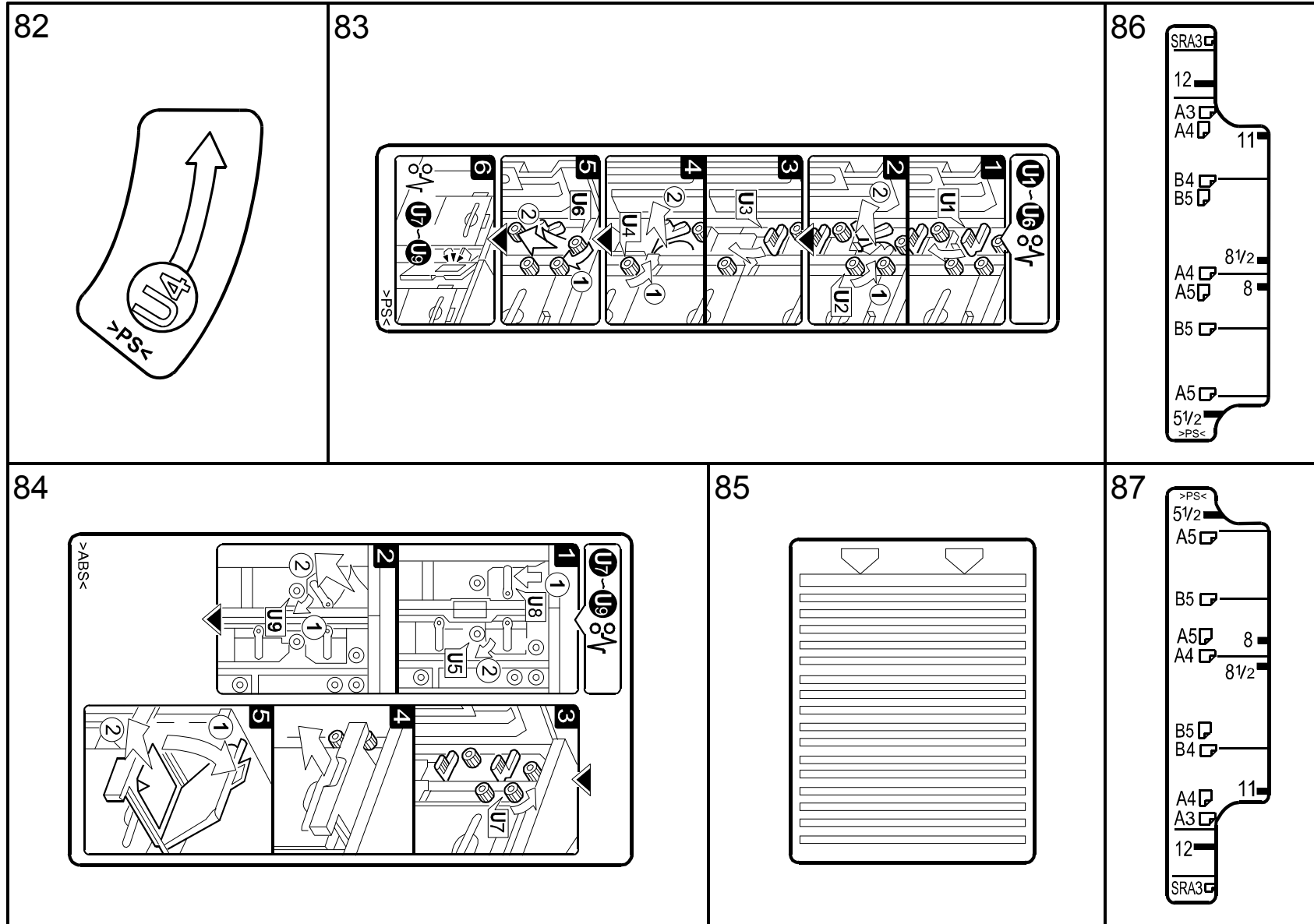
149.Decals and Documents (D016/D097/G178/M078)

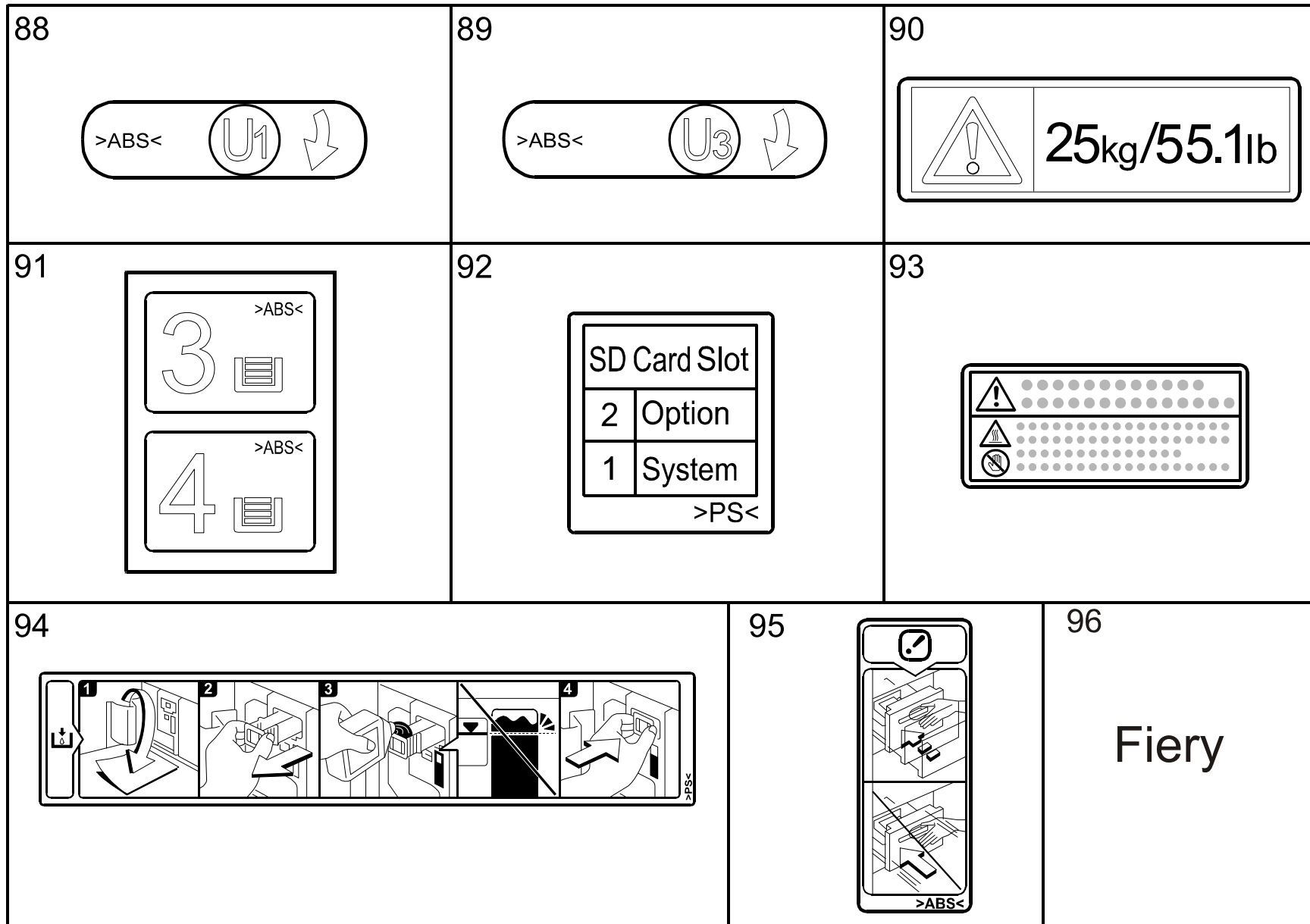
<p>69</p>	<p>70</p>	<p>72</p> <p>Face UP</p> <p>Face imprimée dessus</p> <p>Mit der Schriftseite nach oben</p> <p>Faccia in su</p> <p>Boca arriba</p>
<p>73</p>	<p>71</p>	
<p>74</p> <p>English</p>		

149.Decals and Documents (D016/D097/G178/M078)



149.Decals and Documents (D016/D097/G178/M078)



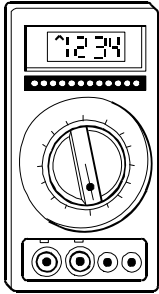
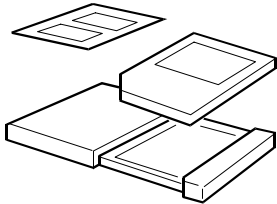
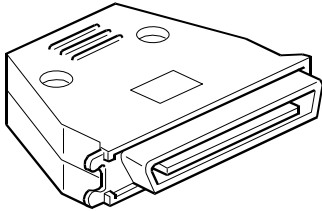
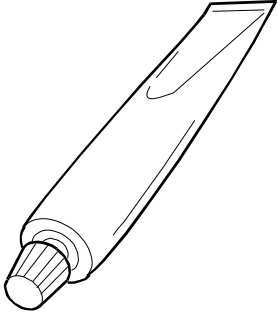
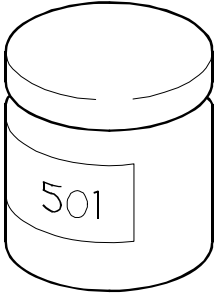
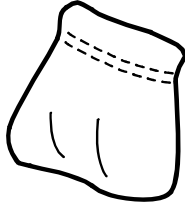
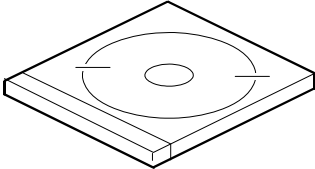

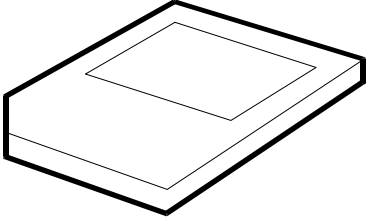



149.Decals and Documents (D016/D097/G178/M078)

Rev. 05/14/2009

Index No.	Part No.	Description	Q'ty Per Assembly
1	A096 6677	Decal - Right Paper Set	1
2	A096 6678	Decal - Left Paper Set	1
3	AA00 1190	Decal - Ground	1
4	AA00 1508	Decal: Side Fence: 40x30	1
5	AA00 1509	Decal: Side Fence: 16x30	1
6	G178 1626	Decal: Main Switch	1
7	B223 2873	Decal - Side Fence Rear	1
8	AA00 2246	Decal - Caution	1
9	B065 6545	Decal - Positioning	1
10	G178 1653	Decal: Exchangeable: Toner Bottle	1
11	B065 6846	Decal - Paper Set - Left	1
12	B065 6877	Decal - Paper Set - Right	1
13	D016 4162	Decal: Warning: Fusing Unit [TSB G178-010]	1
14	B070 1307	Decal: Paper Set Direction	1
15	B234 3177	Decal: Positioning Display: Development	1
16	D014 6786	Decal: Paper Set Direction	1
17	G178 2961	Decal: Knob: Rotation Direction: A3	1
18	G178 2962	Decal: Tray: Design Sketch1	1
19	G178 2963	Decal: Tray: Design Sketch2	1
20	G178 1074	Decal: Main: Pick-up Paper Jam	1
21	G178 2204	Decal: Laser Diode: 3R	1
22	G178 2954	Decal: Knob: Rotation Direction: A2	1
23	G178 4211	Decal: H-Temp Warning: Fusing Unit	1
24	G178 4214	Decal: H-Temp Warning: Fusing Unit	1
25	G178 7847	Decal: Leak Breaker: Caption	1
26	G178 5081	Decal: Paper Exit Unit: Caution	1
27	G178 2958	Decal: Size Indication: Multi-language	1
28	G178 7681	Decal: Grip: Open And Close: B4	1
29	G178 4216	Decal: Positioning: Fusing Unit	1
30	G178 7682	Decal: Grip: Open And Close: B5	1
31	G178 5075	Decal: Lever: Guide Plate: Z1	1
32	G178 7684	Decal: Lever: Guide Plate: Z4	1
33	G178 7901	Decal: Warning (Electrical): Pump	1
34	G178 7800	Decal: Colored Display: Cover: BK	1
35	G178 7801	Decal: Colored Display: Cover: M	1

Index No.	Part No.	Description	Q'ty Per Assembly
36	G178 7802	Decal: Colored Display: Cover: C	1
37	G178 7803	Decal: Colored Display: Cover: Y	1
38	GA00 3020	Decal: Development Unit: Display: Y	1
39	GA00 3021	Decal: Development Unit: Display: M	1
40	GA00 3022	Decal: Development Unit: Display: C	1
41	GA00 3023	Decal: Development Unit: Display: K	1
42	G178 7805	Decal: Colored Display: Lever: BK	1
43	G178 7806	Decal: Colored Display: Lever: M	1
44	G178 7807	Decal: Colored Display: Lever: C	1
45	G178 7808	Decal: Colored Display: Lever: Y	1
46	B132 1562	Decal - Inkjet: Paper	1
47	B198 6407	Decal: Vermont: 2	1
48	G178 3740	Decal: Grip	1
49	D355 4572	Decal: Paper Tray: Warning	1
50	G178 4217	Decal: Oil: Overflow: Oil Tank	1
51	G178 4313	Decal: Oil Supply Sub-unit: Design Sketch	1
52	G178 4224	Decal: H-Temp Warning: Cleaning Unit	1
53	G178 5074	Decal: Knob: Rotation Direction: C1	1
54	G178 5076	Decal: Knob: Rotation Direction: Z2	1
55	G178 5077	Decal: E	1
56	G178 5078	Decal: Grip: Open and Close: D2	1
57	G178 5079	Decal: Grip: Open and Close: D3	1
58	G178 5082	Decal: H-Temp Warning: Motor: Cover	1
59	G178 7680	Decal: Transport Unit: Caution	1
60	G178 7689	Decal: Knob: Rotation Direction: B1	1
61	G178 7691	Decal: Knob: Rotation Direction: B6	1
62	G178 7692	Decal: Knob: Rotation Direction: B2	1
63	G178 7693	Decal: Knob: Rotation Direction: Z3	1
64	G178 7812	Decal: Collection Bottle: No.1	1
65	G178 7814	Decal: Collection Bottle: Door	1
66	G178 7813	Decal: Collection Bottle: No.2	1
67	G178 7840	Decal: Warning	1
68	G178 7845	Decal: Warning: Earth	1
69	B301 4316	Decal: Misfeed Removal	1
70	B301 4357	Decal: Caution: Paper Feed	1

<p>1</p> 	<p>2</p> 	<p>3</p> 	<p>4</p> 
<p>5</p> 	<p>6</p> 	<p>7</p> 	<p>9</p> 
		<p>8</p> 	<p>10</p> 

150.Special Tools (D016/D097/G178/M078)

Rev. 11/22/2010

Index No.	Part No.	Description	Q'ty Per Assembly
1	A029 9387	Digital Multimeter - FLUKE87	1
2	B645 5010	SD-Card: Ass'y	1
3	G021 9350	Loopback Connector - Parallel	1
4	A257 9300	Grease - Barrierta S552R	1
5	5203 9502	Grease 501	1
6	B132 9700	Drum Setting Powder Pad Applicator	1
7	G178 0481	DVD-ROM: System G178: Software: EXP	1
7	D016 0470	DVD-ROM: System D016: Software: EXP	1
7	M078 0480	DVD-ROM: Sys D097/M078: EXP: Ass'y	1
8	D016 9503	"Test Print Tool" SD Card [TSB#043]	1
9	G178 5397	Debug Cable	1
10	A006 9104	Adjusting Scanner Pin (4pcs/set) [TSB#071]	1

Index No.	Part No.	Description	Q'ty Per Assembly

D016/D097/G178/M078
PARTS INDEX

This section instructs you as to the numbers and names of parts on this machine.

PM Parts Index

Rev. 07/08/2010

Section Name	Part No.	Description in Service Manual	Description in Parts Catalog	Q'ty Per Assembly	Page and Index No.
Exterior 1 (D016)	G178 7306	Ozone Filter: CBO-1000M	Ozone Filter: SCA-750/950	1	27 - 5
Exterior 1 (D016)	G178 7290	Ozone Filter 800M	Ozone Filter: Fusing	1	27 - 6
Paper Feed Unit 2 (D016)	AF03 1080	Paper Feed Roller: Feed	Paper Feed Roller: Feed	2	45 - 3
Paper Feed Unit 2 (D016)	AF03 0080	Paper Feed Roller: Pickup	Paper Feed Roller: Pickup	2	45 - 5
Paper Feed Unit 3 (D016)	AF03 2080	Paper Feed Roller: Separate	Paper Feed Roller: Separate	2	47 - 3
PCDU 1 (D016)	G178 2455	Charge Corona: Ass'y	Charge Corona: Ass'y	4	87 - 1
PCDU 1 (D016)	D016 9510	OPC Drum	Photoconductor: DIA100 [TSB#055]	4	87 - 11
PCDU 3 (D016)	G178 3699	Drum Cleaning Gear Unit	Gear Kit: Cleaning Unit	1	91 - *
PCDU 3 (D016)	G178 3659	Cleaning Blade: Adhesion	Cleaning Blade: Adhesion	1	91 - 1
PCDU 3 (D016)	GD04 2010	Brush Roller: Apply: Ass'y	Brush Roller: Apply: Ass'y	1	91 - 16
PCDU 3 (D016)	G178 3731	Drum Lubricant Bar	Coating Bar: Ass'y	1	91 - 21
PCDU 3 (D016)	G178 3708	Blade: Apply: Ass'y	Blade: Apply: Adhesion	1	91 - 23
PCDU 4 (D016)	GD04 2009	Brush Roller: Cleaning	Brush Roller: Cleaning	1	93 - 1
Transfer Belt Unit 2 (D016)	G178 6302	Roller: Intermediate Transfer	Roller: Intermediate Transfer	2	97 - 14
Transfer Belt Unit 3 (D016)	G178 6302	Roller: Intermediate Transfer	Roller: Intermediate Transfer	2	99 - 10
Transfer Belt Unit 5 (D016)	G178 6505	Transfer Roller: No.2: Opposed	Transfer Roller: No.2: Opposed	1	103 - 10
Transfer Belt Unit 5 (D016)	G178 6300	Intermediate Transfer Belt	Intermediate Transfer Belt	1	103 - 12
Transfer Belt Cleaning 1 (D016)	G178 6690	Coating Bar: Belt Cleaning: Ass'y	Coating Bar: Belt Cleaning: Ass'y	1	115 - 6
Transfer Belt Cleaning 1 (D016)	GD04 2008	Brush Roller: Apply: 1st Transfer	Brush Roller: Apply: 1st Transfer	1	115 - 12
Transfer Belt Cleaning 2 (D016)	GD04 1027	Cleaning Blade: 1st Transfer	Cleaning Blade: Intermediate Transfer: Ass'y	1	117 - 10
Transfer Belt Cleaning 2 (D016)	GD04 2007	Brush Roller: Intermediate Transfer	Brush Roller: Intermediate Transfer	1	117 - 28
Transfer Roller Unit (D016)	G178 6767	Coating Bar: Transfer Roller	Coating Bar: Transfer Roller	1	119 - 3
Transfer Roller Unit (D016)	G178 6759	Blade: Transfer Roller	Blade: Transfer Roller	1	119 - 6
Transfer Roller Unit (D016)	G178 6887	Brush Roller: Coating Bar	Brush Roller: Coating Bar	1	119 - 16
Transfer Roller Unit (D016)	G178 6755	Transfer Roller	Transfer Roller	1	119 - 17
Transfer Roller Unit (D016)	G178 6757	Brush Roller: Transfer Roller	Brush Roller: Transfer Roller	1	119 - 18
Transfer Roller Unit (D016)	G178 6706	Discharge Plate	Separation Unit	1	119 - 30
Fusing Unit 2 (D016)	G178 4146	Web: Cleaning Unit: Ass'y	Web: Cleaning Unit: Ass'y [TSB#011]	1	125 - *
Fusing Unit 3 (D016)	G178 4400	Tension Roller Unit	Tension Roller Unit	1	127 - 8
Fusing Unit 4 (D016)	D016 4485	Hot Roller	Hot Roller	1	129 - 12
Fusing Unit 4 (D016)	G178 7878	Fusing Belt: 140mm	Fusing Belt: 140mm	1	129 - 14
Fusing Unit 4 (D016)	G178 7892	Fuser Gear Z70	Gear: Z70: Hot Roller	1	129 - 15
Fusing Unit 5 (D016)	D016 4201	Pressure Roller Stripper Pawl Unit	Pickoff Pawl: Pressure Roller: Ass'y	1	131 - 20
Fusing Unit 5 (D016)	G178 7950	Pressure Roller	Pressure Roller	1	131 - 25
Fusing Unit 5 (D016)	G178 4329	Blade: Sub-ass'y	Blade: Sub-ass'y	1	131 - 28

Section Name	Part No.	Description in Service Manual	Description in Parts Catalog	Q'ty Per Assembly	Page and Index No.
Fusing Unit 6 (D016)	G178 4340	Cleaning Pressure Sub-unit: Ass'y	Cleaning Pressure Sub-unit: Ass'y	1	133 - *
Fusing Unit 6 (D016)	G178 7933	Oil Supply Unit Joint Gear	Gear: Joint: Oil Application Sub-unit	1	133 - 8
Fusing Unit 6 (D016)	D016 4480	Oil Application Unit	Oil Application Sub-unit: Ass'y	1	133 - 13
Fusing Unit 6 (D016)	G178 4537	Oil Supply Unit Idle Gear 2	Gear: 2: Oil Application Unit	1	133 - 19
Fusing Unit 6 (D016)	G178 4536	Oil Supply Unit Idle Gear 1	Gear: 1: Oil Application Unit	1	133 - 20
Fusing Unit 6 (D016)	D016 4160	-	Gear Set (3pcs/set): Oil Application Unit	1	133 - 25
Fusing Unit 7 (D016)	G178 4499	Heating Roller Thermistor	Thermistor: Fusing Unit	2	135 - 12
Oil Tank Section (D016)	D016 4413	Oil Tank Filter: Large	Filter: Ass'y	1	137 - 10
Oil Tank Section (D016)	G178 4337	Oil Tank Filter: Small	Filter: Oil: Collect: Ass'y	1	137 - 25
Electrical Section 13 (D016)	G178 7258	Dust Filter	Filter: Preventfence	4	205 - 8
Accessory (D016)	G178 9640	Developer K	Developer - Black	1	229 - 20
Accessory (D016)	G178 9660	Developer C	Developer - Cyan	1	229 - 20
Accessory (D016)	G178 9670	Developer M	Developer - Magenta	1	229 - 20
Accessory (D016)	G178 9680	Developer Y	Developer - Yellow	1	229 - 20
ADF 3 (D016)	A806 1295	Feed Belt	Feed Belt	1	241 - 18
ADF 3 (D016)	A859 2241	Separation Roller	Reverse Roller	1	241 - 28
ADF 3 (D016)	B477 2225	Pick-up Roller	Pick-up Roller	1	241 - 31
ADF 5 (D016)	B301 1442	Transport Belt	Transport Belt	1	245 - 1
Optics Section 2 (D016)	B070 1790	Exposure Glass: Ass'y	Exposure Glass: Ass'y	1	259 - 19
Paper Feed Section 1 (D016)	AF03 0071	Pick-up Roller (Tray 3 and 4)	Pick-up Roller	2	283 - 4
Paper Feed Section 1 (D016)	AF03 1041	Paper Feed Roller (Tray 3 and 4)	Feed Roller - Bypass Feed	2	283 - 6
Paper Feed Section 2 (D016)	AF03 2041	Separation Rollers (Tray 1 to Tray	Separation Roller - Bypass Feed	2	285 - 2

Parts Index

Part No.	Description	Page and Index No.
D016 0473	Pack: D016: System: Service: EXP	415 - 7
D016 1099	Bracket: Upper Front: Cover	257 - 3
D016 1116	Spring Plate: Earth: Lock	231 - 11
D016 1133	Bracket: Plug: ADF	297 - 19
D016 1134	Duct: Scanner Unit	257 - 8
D016 1171	Bracket: Ground Plate	257 - 5
D016 1172	Holder: ADF	257 - 12
D016 1251	Cover: Upper Right: Sca	231 - 17
D016 1260	Cap: Cover: Sca	231 - 12
D016 1311	Decal: Paper Tray: Slow Set	267 - 27
D016 1311	Decal: Paper Tray: Slow Set	413 - 95
D016 1341	Decal: Caution: Original	231 - 27
D016 1341	Decal: Caution: Original	413 - 74
D016 1372	Bracket: Cover: Extension	231 - 24
D016 1658	Plate: Name Plate: RIC	21 - 25
D016 1951	BuFfer: Image Reading Unit: Base	257 - 1
D016 1952	Holder: Image Reading Unit: Base	257 - 2
D016 1977	Cover: Upper Front: Scanner	231 - 14
D016 1978	Cover: Upper: Scanner	231 - 13
D016 1979	Cover: Upper Left: Scanner	231 - 16
D016 1980	Cover: Upper Rear: Scanner	231 - 18
D016 1981	Cover: Upper Right: Louver	231 - 26
D016 1983	Bracket: Fix: Cover: Scanner: Upper Front	231 - 10
D016 1988	Cover: Interface Cable: Copier	233 - 4
D016 1991	Inner Cover: Left Upper: -C	235 - 5
D016 1994	Decal: Tray: Exit: ADF	231 - 20
D016 1994	Decal: Tray: Exit: ADF	413 - 75
D016 1995	Scale: Rear: Ass'y	259 - 6
D016 3100	Development Unit: Yellow	89 - *
D016 3102	Development Unit: C: Ass'y	89 - *
D016 3104	Development Unit: M: Ass'y	89 - *
D016 3106	Development Unit: BK: Ass'y	89 - *
D016 4056	Roller: Driven: Opposed	107 - 3
D016 4160	Gear Set (3pcs/set): Oil Application Unit	133 - 25
D016 4190	Stripper Plate: Hot Roller: Ass'y	129 - 1

Part No.	Description	Page and Index No.
D016 4201	Pickoff Pawl: Pressure Roller: Ass'y	131 - 20
D016 4216	Guide: Paper: Exit: Lower	131 - 22
D016 4217	Bracket: Paper Feed Sensor: Front	131 - 32
D016 4218	Bracket: Paper Feed Sensor: Rear	131 - 33
D016 4223	Cover: Upper: Fusing Unit: B: Fiber	123 - 24
D016 4225	Cover: Fusing Unit: Rear	123 - 26
D016 4400	Cover: Oil Tank	137 - 11
D016 4413	Filter: Ass'y	137 - 10
D016 4480	Oil Application Sub-unit: Ass'y	133 - 13
D016 4485	Hot Roller	129 - 12
D016 5168	Interface Cable: Scanner: LVDS	259 - 14
D016 5320	Harness: Scanner: Connecting: Ass'y	263 - 26
D016 5323	Harness: Ground Wire: Interface: Document Feeder	297 - 18
D016 5326	Harness: Heater: Scanner: Connecting: Ass'y	265 - 11
D016 5340	PCB: BCU	189 - 8
D016 5341	Harness: Scanner: Heater: Ass'y	265 - 27
D016 6012	PCB: CONT: EX1: G178/D016-C1: Ass'y	197 - 13
D016 6444	Density Sensor: TM: Ass'y	95 - 10
D016 6445	Hook: Shutter: Sensor: TM	95 - 13
D016 6501	Electrode Plate: Intermediate Transfer: No.1: Ass'y	97 - 24
D016 6503	Electrode Plate: Intermediate Transfer: No.2: Ass'y	99 - 24
D016 6505	Electrode Plate: Intermediate Transfer: No.3	99 - 25
D016 6542	Cover: 1st Transfer: Ass'y	95 - 2
D097 1658	Plate: Name Plate: C720S	21 - 25
D097 5301	PCB: BCU: Sub-Ass'y (D097)	189 - 8
D097 6014	PCB: Cont: EX1; D097: Ass'y	197 - 13
G178 0421	CD-ROM: Manual: RICOH_Admin: Ass'y	229 - 34
G178 0423	CD-ROM: Manual: RICOH_user: Ass'y	229 - 34
G178 0425	CD-ROM: Driver: PCL: Ass'y	229 - 34
G178 0431	CD-ROM: Manual: EFI_EXP: Ass'y	229 - 34
G178 0437	DVD-ROM: User_Soft: G178: EXP: Ass'y	229 - 35
G178 0473	CD-ROM: Preptool & DVD-ROM: System: Service	415 - 7
G178 1074	Decal: Main: Pick-up Paper Jam	21 - 23
G178 1074	Decal: Main: Pick-up Paper Jam	413 - 20

Part No.	Description	Page and Index No.
G178 1105	Bracket: Harness: Middle Rear	187 - 9
G178 1122	Guide: Lock: Transport Unit	175 - 8
G178 1138	Screw With Washer: M6x14	227 - 3
G178 1139	Slide Rail: Development Unit	221 - 3
G178 1141	Holder: Stand: M20	229 - 9
G178 1143	Cover: Control Unit: Right Lower: Sub-ass'y	27 - 4
G178 1144	Cover: Control Unit: Right: Sub-ass'y	211 - 5
G178 1146	Bracket: Fan: Registration: Rear	193 - 12
G178 1152	Stopper: C/T Box: Lower	211 - 7
G178 1154	Cover: Control Unit: Rear Upper	27 - 3
G178 1157	Cover: Control Unit: Upper: Coat	27 - 7
G178 1165	Hinge: Pin: Upper: Peen	203 - 1
G178 1169	Cover: Leak Breaker	209 - 6
G178 1174	Plate: Control Unit: Install	205 - 1
G178 1184	Plate: Control Unit: Rear	211 - 2
G178 1189	Holder: Screw: Base: Lower	211 - 9
G178 1190	Flat Screw: Base: Lower	211 - 8
G178 1192	Guide Plate: Frame	211 - 4
G178 1194	Holder: Filter: Power Supply Unit	203 - 4
G178 1195	Hinge: Pin: Lower: Peen	203 - 2
G178 1197	Cover: C/T Box: Interface	27 - 11
G178 1199	Hinge: Main: Peen	195 - 11
G178 1200	Hinge: Main: Holder	195 - 12
G178 1230	Ground Plate: C/T Box: Peen	211 - 6
G178 1252	Holder: Cleaner: Shaft: Drive	171 - 2
G178 1265	Encoder: Ass'y	169 - 10
G178 1267	Cover: Encoder: Sensor	169 - 9
G178 1268	Antistatic Brush: Drum	169 - 14
G178 1269	Holder: Antistatic Brush: Drum	169 - 15
G178 1271	Spacer: Shaft: Drum	169 - 7
G178 1273	Gear: Drum Drive Sub-unit: Z168	169 - 8
G178 1280	Antistatic Brush: Roller: Development	171 - 17
G178 1281	Holder: Idler: Shaft: Ass'y	171 - 3
G178 1289	Fly Wheel: Drum	169 - 19
G178 1291	Joint: Transport Screw: No.2	171 - 24

Part No.	Description	Page and Index No.
G178 1294	Insulator: Rear: Bearing	171 - 8
G178 1299	Holder: Bias: Development Roller	171 - 14
G178 1303	Collar: Bias: Development Roller	171 - 12
G178 1304	Shaft: Terminal: Bias	171 - 13
G178 1305	Holder: Spring: Bias	171 - 16
G178 1307	Joint: Development Roller: Drive	171 - 10
G178 1314	Gear: Idler: Z31: Ass'y	171 - 20
G178 1317	Cover: Gear: Stand: Ass'y	171 - 22
G178 1327	Gear: Idler: Upper: Ass'y	171 - 4
G178 1328	Gear: Idler: Lower: Ass'y	171 - 6
G178 1329	Encoder: Sensor: Drum: Ass'y	169 - 4
G178 1331	Duct: Development: Charge: Ass'y	165 - 13
G178 1337	Duct: O3: Development: Charge: Ass'y	165 - 11
G178 1341	Terminal: Development Vias: Ass'y	171 - 1
G178 1343	Plate: Holder: Slide Rail	169 - 2
G178 1346	Holder: Bearing	171 - 23
G178 1347	Cover: Bias: Development: Roller	171 - 25
G178 1352	Seal: O3	165 - 10
G178 1355	Drive Unit: Around Photoconductor	169 - 1
G178 1357	Joint: Transport Screw: No.2: Ass'y	171 - 19
G178 1358	Magnetic Roller: Joint: Gear: Ass'y	171 - 9
G178 1359	Drawer: Connector: Development: Ass'y	169 - 18
G178 1362	Shaft: Drive: Cleaner: Ass'y	171 - 7
G178 1364	Parallel Pin: 7033515: 4x16	169 - 11
G178 1366	Compression Spring	171 - 11
G178 1376	Duct: O3: Rear: Ass'y	165 - 9
G178 1384	Holder: Bearing: Drum Shaft	169 - 12
G178 1388	Gear: Idler: Z57: Development: Ass'y	171 - 18
G178 1389	Gear: Idler: Z66: Lower: Ass'y	171 - 21
G178 1392	Cleaner: Charge: Drive: Ass'y	165 - 14
G178 1432	Shaft: Positioning: Fusing Drive	173 - 26
G178 1433	Stepping Motor - DC 9.52W	173 - 13
G178 1437	Cover: Idler: Gear: O/C	173 - 8
G178 1438	Holder: Drawer: Sub-ass'y	173 - 6
G178 1440	Washer: Pulley: Shaft: Fusing Drive	173 - 19

Part No.	Description	Page and Index No.
G178 1441	Holder: Connector	173 - 7
G178 1444	Shaft: Fix: O/C: Base	173 - 15
G178 1447	Pulley: DC Motor: Fusing Drive	173 - 21
G178 1457	Gear: Idler: DC Motor: O/C: Ass'y	173 - 9
G178 1459	Shaft: Drive: Fusing Drive	173 - 22
G178 1470	Belt Tensioner: Ass'y	173 - 11
G178 1472	Timing Belt: S3M: 402	173 - 20
G178 1475	Tension Spring: 7062126	173 - 12
G178 1478	Compression Spring: Drawer	173 - 5
G178 1481	Holder: Sensor: Oil Supply: Encoder	173 - 4
G178 1485	Brushless Motor: DC 53W	173 - 24
G178 1490	Shaft: Fix: O/C: Base: 2	173 - 27
G178 1491	Gear: Fusing Drive Sub-unit: O/C: Ass'y	173 - 10
G178 1493	Joint: O/C: Main	173 - 18
G178 1494	Stepper Motor: Oil Application Sub-unit: Ass'y	173 - 1
G178 1546	Cover: Toner Supply: Front: Ass'y	75 - 1
G178 1550	Door: Front Left	21 - 1
G178 1553	Bracket: Door Catch	21 - 3
G178 1555	Door: Front Right	21 - 19
G178 1560	Hinge: Door: Left Upper: Ass'y	21 - 5
G178 1563	Hinge: Door: Left Lower: Ass'y	21 - 18
G178 1565	Hinge: Door: Right Upper: Ass'y	21 - 20
G178 1568	Hinge: Door: Right Lower: Ass'y	21 - 22
G178 1571	Bracket: Door Catch: Front Left	23 - 11
G178 1580	Holder: Sheet: Fusing: Ass'y	21 - 24
G178 1582	Cushion: Cover: Upper Middle	21 - 27
G178 1583	Cover: Upper Front: Ass'y	21 - 7
G178 1584	Bracket: Cover: Upper Middle: Ass'y	21 - 13
G178 1585	Cover: Upper Front	21 - 12
G178 1586	Cover: Upper Middle	21 - 11
G178 1588	Stopper: Door: Upper	21 - 10
G178 1590	Cover: Upper: Right	25 - 13
G178 1591	Cover: Upper: Left	25 - 10
G178 1592	Cushion: Cover: Upper Front	21 - 26
G178 1594	Stay: Cover: Upper Middle: Left	21 - 14

Part No.	Description	Page and Index No.
G178 1595	Stay: Cover: Upper Middle: Right	21 - 15
G178 1596	Guide Plate: Cover: Upper Front: Left	21 - 17
G178 1597	Guide Plate: Cover: Upper Front: Right	21 - 21
G178 1598	Cover: Upper: Rear	25 - 12
G178 1601	Bracket: Safety Switch: Left	21 - 30
G178 1602	Arm: Safety Switch: Upper: Ass'y	21 - 29
G178 1606	Bracket: Safety Switch: Right	21 - 31
G178 1608	Bracket: Door Catch: Upper Front	21 - 9
G178 1611	Cover: Main: Left: Ass'y	25 - 9
G178 1615	Panel: Logo: Ricoh	21 - 2
G178 1616	Cover: Connector: LCT: Coat	25 - 18
G178 1621	Inner Cover: Main: Middle	23 - 12
G178 1622	Inner Cover: Main: Right	23 - 14
G178 1623	Inner Cover: Main: Left	23 - 7
G178 1624	Inner Cover: Main: Middle Lower	23 - 13
G178 1626	Decal: Main Switch	413 - 6
G178 1626	Decal: Main Switch	23 - 15
G178 1628	Cover: Main: Right: Coat	25 - 14
G178 1629	Bracket: Connecting: Micro Switch	79 - 17
G178 1635	Hinge: Toner Supply: Front Right	75 - 3
G178 1636	Hinge: Toner Supply: Front Left	75 - 5
G178 1637	Bracket: Hinge: Front Right	75 - 2
G178 1638	Bracket: Hinge: Front Left	75 - 4
G178 1640	Bracket: Toner Supply: Middle: Ass'y	75 - 12
G178 1644	Bracket: Micro Switch	75 - 14
G178 1645	Cover: Toner Supply: Middle Upper	75 - 9
G178 1646	Cover: Toner Supply: Right Middle	75 - 11
G178 1647	Cover: Toner Supply: Left Middle	75 - 8
G178 1648	Cover: Toner Supply: Entrance	75 - 7
G178 1649	Cover: Toner Supply: Rear	25 - 11
G178 1650	Guide: Toner Bottle: Upper	75 - 13
G178 1651	Plate: Cover: Upper	75 - 10
G178 1653	Decal: Exchangeable: Toner Bottle	75 - 16
G178 1653	Decal: Exchangeable: Toner Bottle	413 - 10
G178 1655	Brake: Turn: Upper Lower	29 - 23

Part No.	Description	Page and Index No.
G178 1658	Name Plate: RIC	21 - 25
G178 1672	Cover: Control Unit: Left Lower: Coat	27 - 1
G178 1675	Cover: EFI: Connector: Coat	27 - 2
G178 1677	Cover: EFI: Switch	27 - 10
G178 1678	Spring: Balancer: Cover: Operation Sub-unit	29 - 17
G178 1679	Cushion: Corner	229 - 36
G178 1681	Handle: Operation Sub-unit: Upper	29 - 8
G178 1682	Coil Spring: Operation Panel: Handle	29 - 10
G178 1685	Handle: Operation Sub-unit: Lower	29 - 11
G178 1686	Holder: Fix	29 - 21
G178 1687	Cover: Operation Sub-unit: Upper: Small	29 - 6
G178 1689	Stay: Operation Sub-unit: Washer	29 - 18
G178 1690	Cover: Operation Sub-unit: Left	29 - 3
G178 1691	Cover: Operation Sub-unit: Right	29 - 7
G178 1692	Cover: Operation Sub-unit: Arm: Upper	29 - 13
G178 1694	Cover: Operation Sub-unit: Upper	29 - 5
G178 1695	Cover: Operation Sub-unit: Arm: Lower	29 - 15
G178 1696	Cover: Operation Sub-unit: Panel: Upper	29 - 1
G178 1697	Cover: Operation Sub-unit: Panel: Lower	29 - 2
G178 1699	Knob: Operation Sub-unit	29 - 9
G178 1748	Operation Sub-unit: G178: AA	31 - *
G178 1749	Operation Sub-unit: D016: AA	31 - *
G178 1757	Bracket Shoe: Operation Sub-unit	29 - 19
G178 1759	Arm: Turn: Upper Lower: Welding	29 - 22
G178 1762	Stay: Turn	29 - 20
G178 1764	Shaft: Knob: Operation Sub-unit	29 - 16
G178 1765	Shaft: Turn	29 - 25
G178 1767	Shaft: Knob: Arm: Small	29 - 12
G178 1769	Washer: M4	29 - 26
G178 1775	Holder: Connector	83 - 18
G178 1780	Arm: Turn: Left And Right: Welding	29 - 14
G178 1786	Arm: Operation Sub-unit: Welding	29 - 4
G178 1797	Supporting Plate: Arm	83 - 17
G178 1800	PCB: Key: Main: C1: Ass'y	31 - 1
G178 1801	PCB: Key: Main: P1: Ass'y	31 - 1

Part No.	Description	Page and Index No.
G178 1804	Harness: Keymain: 16	31 - 2
G178 1805	Harness: Keymain: 18	31 - 3
G178 1806	Harness: Keysub	31 - 4
G178 1807	Harness: Pat: LED	31 - 14
G178 1808	Harness: INV	33 - 24
G178 1809	Cable: FFC: LCD	33 - 22
G178 1837	Keytop: Counter: P1	33 - 13
G178 1838	Keytop: Program: P1	33 - 9
G178 1839	Keytop: Power Source: P1	33 - 12
G178 1840	Keytop: Language: Change: P1	33 - 10
G178 1841	Keytop: Application: Blank: S: BR	33 - 2
G178 1844	Keytop: Printer: EFI: AEG_P1	33 - 3
G178 1848	Bracket: Stay: Arm	31 - 7
G178 1849	Bracket: LCD	33 - 21
G178 1853	Cover: Front: NA	33 - 4
G178 1854	Cover: Front: Design Plate: P1_NA: Ass'y	33 - 4
G178 1855	Cover: Front: EU	33 - 4
G178 1856	Cover: Front: EU	33 - 4
G178 1857	Operation Sub-unit: G178: NA: Ass'y	31 - *
G178 1858	Operation Sub-unit: G178: EU: Ass'y	31 - *
G178 1859	Operation Sub-unit: D016: NA: Ass'y	31 - *
G178 1860	Operation Sub-unit: D016: EU: Ass'y	31 - *
G178 2030	Imaging Unit: Ass'y	85 - *
G178 2051	Polygon Mirror Motor: DC 26.4W	85 - 4
G178 2151	Shield Glass: Ass'y	85 - 9
G178 2163	Hook: Shield Glass	83 - 19
G178 2180	PCB: OPI	83 - 9
G178 2197	Holder: Harness: Lde Control: No.1	219 - 15
G178 2198	Holder: Harness: Ld Control: No.2	219 - 16
G178 2204	Decal: Laser Diode: 3R	169 - 20
G178 2204	Decal: Laser Diode: 3R	413 - 21
G178 2455	Charge Corona: Ass'y	87 - 1
G178 2500	Grid: Charge Corona	87 - 8
G178 2501	Corona Wire: Charge Corona	87 - 7
G178 2502	Cushion: Corona Wire	87 - 6

Part No.	Description	Page and Index No.
G178 2507	Cleaner: Grid: Ass'y	87 - 4
G178 2510	Cleaner: Corona Wire: Ass'y	87 - 3
G178 2519	Stay: Grid	87 - 14
G178 2522	Ring: Slider	87 - 2
G178 2528	Bracket: Home Position Sensor	219 - 6
G178 2537	Duct: Charge: Right: Ass'y	219 - 4
G178 2541	Guide: Charge Corona: Left: Ass'y	219 - 3
G178 2547	Seal: Charge Corona: Frame: Front	219 - 17
G178 2549	Electric Potential Sensor	219 - 2
G178 2552	Seal: Frame: Charge: Right Inner Rear	165 - 18
G178 2553	Holder: Electric Potential Sensor	83 - 3
G178 2562	Shading Plate: Discharge Lamp: Ass'y	219 - 14
G178 2565	Duct: Charge: Left Upper: Ass'y	219 - 13
G178 2584	Duct: Charge: Left Lower: Black	219 - 1
G178 2585	Duct: Charge: Left Lower: Magenta	219 - 1
G178 2586	Duct: Charge: Left Lower: Cyan	219 - 1
G178 2587	Duct: Charge: Left Lower: Yellow	219 - 1
G178 2605	Tension Spring: Corona Wire	87 - 5
G178 2710	Grip: Drum: Remover/Install	87 - 16
G178 2916	Lever: Release: Vertical Transport	49 - 19
G178 2922	Vertical Transport Unit	49 - 16
G178 2924	Cover: Safety: Paper Size Sensor	179 - 20
G178 2926	Bracket: Release: Vertical Transport	49 - 23
G178 2942	Grip: Front: Paper Tray	35 - 14
G178 2942	Grip: Front: Paper Tray	267 - 24
G178 2942	Grip: Front: Paper Tray	41 - 5
G178 2952	Bracket: Misfeed Removal: Upper: Ass'y	49 - 4
G178 2953	Bracket: Misfeed Removal: Lower: Ass'y	49 - 13
G178 2954	Decal: Knob: Rotation Direction: A2	49 - 11
G178 2954	Decal: Knob: Rotation Direction: A2	413 - 22
G178 2958	Decal: Size Indication: Multi-language	231 - 6
G178 2958	Decal: Size Indication: Multi-language	413 - 27
G178 2958	Decal: Size Indication: Multi-language	229 - 6
G178 2961	Decal: Knob: Rotation Direction: A3	49 - 12
G178 2961	Decal: Knob: Rotation Direction: A3	413 - 17

Part No.	Description	Page and Index No.
G178 2962	Decal: Tray: Design Sketch1	413 - 18
G178 2962	Decal: Tray: Design Sketch1	35 - 1
G178 2963	Decal: Tray: Design Sketch2	41 - 34
G178 2963	Decal: Tray: Design Sketch2	413 - 19
G178 2964	Cover: Universal: Decal: Adhesion	41 - 35
G178 2965	Cover: Tandem Tray: Decal: Adhesion	35 - 2
G178 2966	Inner Cover: Decal: Adhesion	49 - 10
G178 2978	Bracket: Cover: Tandem LCT	35 - 3
G178 3108	Gear: Drive: Toner Supply	81 - 9
G178 3119	Gear: Front Upper: Drive: Toner Supply	81 - 34
G178 3126	Cover: Front: Drive: Toner Supply	81 - 42
G178 3127	O-Ring: 5.8mm	81 - 41
G178 3136	Toner Supply Unit: Drive	79 - 1
G178 3137	Cover: Gear: Development Unit: Ass'y	89 - 10
G178 3150	Gear: Magnetic Clutch: Toner Supply	81 - 19
G178 3151	Gear: Magnetic Clutch: Idler: Upper	81 - 26
G178 3159	Gear: Idler: Lower: Toner Supply	81 - 27
G178 3160	Ground Plate: Toner Supply	81 - 35
G178 3167	Cover: Gear: Toner Supply	81 - 28
G178 3174	Shaft: Magnetic Clutch: Toner Supply	81 - 18
G178 3175	Shaft: Right: Drive: Toner Supply	81 - 31
G178 3176	Shaft: Drive: Toner Supply: Ass'y	81 - 7
G178 3179	Holder: Right: Drive: Toner Supply	81 - 12
G178 3180	Shaft: Drive: Motor: Toner Supply	81 - 45
G178 3181	Gear: Drive: Motor: Toner Supply	81 - 5
G178 3185	Dispenser: 6ML	229 - 22
G178 3186	Magnetic Clutch: Toner Supply Unit: Ass'y	81 - 21
G178 3187	Seal: Bracket: Toner Supply	81 - 36
G178 3190	Case: Lower: Toner Supply: Ass'y	81 - 15
G178 3191	Bracket: Toner Supply: Sub: Ass'y	81 - 44
G178 3192	Case: Upper: Toner Supply: Ass'y	81 - 14
G178 3193	DC Motor: Toner Supply: Ass'y	81 - 1
G178 3194	Toner Supply Unit	81 - 13
G178 3195	Tube: Toner Supply: Black	79 - 15
G178 3197	Tube: Toner Supply: Magenta	79 - 15

Part No.	Description	Page and Index No.
G178 3198	Tube: Toner Supply: Cyan	79 - 15
G178 3207	Holder: Left: Drive: Toner Supply	81 - 8
G178 3208	Joint: Toner Supply	81 - 6
G178 3215	Gear: Drive: Idler: Ass'y	81 - 4
G178 3223	Plate: Stopper: Development Unit	87 - 13
G178 3227	Cover: Motor: Drive: Toner Supply	81 - 2
G178 3232	Terminal: Development Roller	97 - 1
G178 3232	Terminal: Development Roller	121 - 6
G178 3232	Terminal: Development Roller	99 - 20
G178 3232	Terminal: Development Roller	103 - 3
G178 3232	Terminal: Development Roller	107 - 5
G178 3232	Terminal: Development Roller	109 - 5
G178 3232	Terminal: Development Roller	89 - 15
G178 3235	Density Sensor: Development	89 - 3
G178 3243	Inner Cover: Around The Photoconductor: Ass'y	23 - 9
G178 3272	Gear: Front: Drive: Toner Supply	81 - 39
G178 3273	Gear: Front Lower: Drive: Toner Supply	81 - 40
G178 3274	Shaft: Front Lower: Drive: Toner Supply	81 - 37
G178 3304	Gear: Transport Screw: No.1	89 - 21
G178 3305	Gear: Transport Screw: No.2	89 - 17
G178 3308	Gear: Transport Screw: No.3	89 - 30
G178 3309	Gear: Idler: Transport Screw: Upper	89 - 20
G178 3311	Gear: Idler: Transport Screw: Lower	89 - 19
G178 3313	Gear: Idler: Exhaust: Development Unit	89 - 22
G178 3315	Gear: Exhaust: Development Unit: No.1	89 - 23
G178 3319	Plate: Idler: Development Unit: Ass'y	89 - 18
G178 3330	Gear: Idler: Development Roller: Ass'y	89 - 12
G178 3332	Gear: Development Roller	89 - 14
G178 3343	Cover: Lower: Development Unit	89 - 1
G178 3345	Holder: Bearing: No.2	89 - 25
G178 3354	Shielding Plate: Sensor: Development Roller	89 - 13
G178 3356	Gear: Joint: Development Unit	89 - 16
G178 3359	Gear: Exhaust: Development Unit: No.3	89 - 29
G178 3362	Gear: Exhaust: Development Unit: No.2	89 - 28
G178 3448	Knob Screw: Drum	87 - 10

Part No.	Description	Page and Index No.
G178 3452	Entrance Seal: Front: Development	89 - 8
G178 3453	Entrance Seal: Rear: Development	89 - 9
G178 3456	Spring: Shutter: Exhaust	89 - 27
G178 3457	Cover: Upper: Development Unit: Ass'y	89 - 5
G178 3459	Shutter: Exhaust: Development Unit	89 - 26
G178 3469	Sponge: Cover: Case: Upper	89 - 7
G178 3496	Toner Catchpan: Development Unit	89 - 32
G178 3497	Toner Catchpan: Sheet: Development Unit	89 - 33
G178 3503	Plate: Lever	77 - 30
G178 3505	Bracket: Holder: Ass'y	77 - 26
G178 3510	Lever: Pressure: Right: Ass'y	77 - 22
G178 3512	Lever: Pressure: Left: Ass'y	77 - 21
G178 3517	Roller: Release	77 - 19
G178 3520	Bracket: Slider	77 - 32
G178 3521	Shaft: Plate: Release Plate	77 - 35
G178 3522	Bracket: Stopper: Ass'y	77 - 34
G178 3525	Bracket: Roller: Wire: Ass'y	77 - 23
G178 3530	Stay: Release	77 - 13
G178 3532	Roller: Lever: Guide	77 - 28
G178 3534	Wire: Release: Lever	77 - 24
G178 3535	Grip: Release	77 - 5
G178 3536	Guide: Toner Bottle: Front	77 - 7
G178 3537	Guide: Toner Bottle: Front Right	77 - 8
G178 3538	Guide: Toner Bottle: Front Left	77 - 6
G178 3541	Guide: Toner Bottle: Right	77 - 17
G178 3542	Guide: Toner Bottle: Left	77 - 16
G178 3543	Roller: Plate: Toner Bottle	77 - 18
G178 3551	Housing: Holder: Toner Bottle	79 - 8
G178 3552	Shaft: Drive: Toner Bottle	79 - 3
G178 3553	Gear: Drive: Toner Bottle: Z14	79 - 2
G178 3555	Nozzle: Toner Supply: Ass'y	79 - 12
G178 3590	Tension Spring: Lever: Pressure	77 - 20
G178 3591	Tension Spring: Slider: Pressure	77 - 31
G178 3592	Tension Spring: Release: Lever	77 - 14
G178 3593	Tension Spring: Stopper	77 - 33

Part No.	Description	Page and Index No.
G178 3594	Spring: Drive: Toner Bottle	79 - 4
G178 3600	Cleaning Unit: Photoconductor	91 - 27
G178 3600	Cleaning Unit: Photoconductor	87 - 15
G178 3656	Seal: Behind: Large	93 - 14
G178 3657	Seal: Behind: Small	93 - 13
G178 3658	Ground Plate: Cleaning	93 - 15
G178 3659	Cleaning Blade: Adhesion	91 - 1
G178 3664	Toner Collection Coil: Cleaning	93 - 17
G178 3670	Spring: Toner Catchpan	93 - 10
G178 3671	Toner Catchpan: Pipe	93 - 11
G178 3672	Cap: Pipe: Discharge Used Toner	93 - 12
G178 3673	Bracket: Vibrating Plate	93 - 18
G178 3674	Vibrating Plate: Collection Coil	93 - 19
G178 3675	Seal: Bracket: Blade: Behind	91 - 14
G178 3678	Spacer: Brush Roller	93 - 8
G178 3679	Joint: Drive: Cleaning	93 - 9
G178 3682	Holder: Shaft: Cleaning Blade: Front	91 - 6
G178 3685	Holder: Shaft: Cleaning Blade: Rear	91 - 4
G178 3687	Tension Spring: Cleaning Blade	91 - 2
G178 3691	Holder: Side Plate: Rear	93 - 22
G178 3692	Seal: Casing: Front	93 - 5
G178 3693	Seal: Casing: Rear	93 - 7
G178 3695	Retaining Rings-E: Guide	91 - 5
G178 3698	Entrance Seal: Drum Cleaning	93 - 6
G178 3699	Gear Kit: Cleaning Unit	91 - *
G178 3702	Ground Plate: Apply	91 - 20
G178 3706	Sheet: Coating Bar: 1	91 - 26
G178 3707	Sheet: Coating Bar: 2	91 - 28
G178 3708	Blade: Apply: Adhesion	91 - 23
G178 3709	Bracket: Cleaning Blade: Adhesion	91 - 3
G178 3713	Bushing: Apply	91 - 13
G178 3720	Cover: Coating Bar	91 - 24
G178 3723	Seal: Apply: Front	91 - 15
G178 3724	Seal: Apply: Rear	91 - 17
G178 3725	Seal: Apply: Small	91 - 18

Part No.	Description	Page and Index No.
G178 3728	Bracket: Seal: Brush Roller	93 - 20
G178 3731	Coating Bar: Ass'y	91 - 21
G178 3734	Guide Plate: Arm	91 - 19
G178 3740	Decal: Grip	91 - 25
G178 3740	Decal: Grip	413 - 48
G178 3741	Gear: Idler: Z16: Apply	91 - 8
G178 3742	Gear: Brush Roller: Apply	91 - 29
G178 3742	Gear: Brush Roller: Apply	93 - 2
G178 3743	Gear: Idler: Z22-16: Apply	91 - 9
G178 3744	Gear: Toner Collection Coil: Apply	93 - 4
G178 3744	Gear: Toner Collection Coil: Apply	91 - 30
G178 3745	Gear: Idler: Z27: Apply	91 - 10
G178 3746	Gear: Idler: Shaft: Apply	91 - 7
G178 3747	Gear: Apply: Brush: Apply	91 - 12
G178 3752	Bracket: Push Switch	219 - 11
G178 3762	Lever: Positioning: Cleaning	89 - 2
G178 3780	Sheet: Stand: Seal	93 - 21
G178 3781	Guide: Coating Bar	91 - 31
G178 3782	Tension Spring: Coating Bar: 10N8N	91 - 22
G178 3855	Transport Unit	121 - 1
G178 3860	Bracket: Sensor	121 - 4
G178 3870	Timing Pulley: T30	121 - 11
G178 3873	Chamber: No.2	121 - 23
G178 3874	Seal: Duct	121 - 21
G178 3875	Holder: Fan	121 - 16
G178 3879	Ground Plate: Separation/Transport	121 - 8
G178 3880	Seal: Form: Transport	139 - 6
G178 3881	Holder: Plate: Motor	121 - 13
G178 3882	Holder: Bracket: Bearing	121 - 7
G178 3883	Duct: Separation/Transport: Ass'y	121 - 19
G178 3893	Driven Roller: Separation/Transport	121 - 9
G178 3894	Drive Roller: Separation/Transport	121 - 5
G178 3896	Transport Belt: Separation/Transport	121 - 10
G178 4006	Pin: Positioning: Blade: Trans Roller	119 - 24
G178 4009	Coil Spring: Coating Bar: 0.55N	119 - 2

Part No.	Description	Page and Index No.
G178 4010	Ground Plate: Transfer Roller: Rear	119 - 25
G178 4015	Holder: Transfer Roller: Front: Ass'y	119 - 14
G178 4016	Holder: Transfer Roller: Rear: Ass'y	119 - 20
G178 4017	Pin: Coating Bar	119 - 4
G178 4018	Case: Coating Bar: Transfer Roller	119 - 1
G178 4019	Spring: Shutter: Toner Collection	119 - 27
G178 4020	Stopper: Shutter: Toner Collection	119 - 29
G178 4050	Holder: Bracket: Front	109 - 3
G178 4051	Housing: Ball Bearing: 1st Transfer	109 - 2
G178 4052	Plate: Housing: Flat Belt-Transfer	109 - 1
G178 4053	Shaft: Arm: Flat Belt-Transfer: Front	109 - 11
G178 4061	Compression Spring: Drawer: 1st Transfer	175 - 11
G178 4071	Pan: Grease: Drive Roller	103 - 14
G178 4072	Cover: Grease: Drive Roller	103 - 22
G178 4073	Collar: Drive Roller	103 - 23
G178 4075	Spacer: Ball Bearing: Drive Roller	103 - 16
G178 4076	Seal: Housing	103 - 25
G178 4080	Housing: Drive Roller: Press Fit	103 - 26
G178 4081	Key: 3x3x10	81 - 38
G178 4081	Key: 3x3x10	103 - 13
G178 4086	Encoder: Ass'y	103 - 17
G178 4087	Tension Spring: Transfer: Second	67 - 17
G178 4089	Lever: Positioning Sensor	105 - 13
G178 4091	Roller: Drive: Intermediate Transfer: Press Fit	103 - 11
G178 4097	PCB: TRB	105 - 1
G178 4116	Cover: Fusing Unit: Front: Ass'y	123 - 1
G178 4117	Cover: Paper Exit Sub-unit: Ass'y	123 - 19
G178 4133	Fusing Unit: NA: Ass'y	123 - *
G178 4134	Fusing Unit: EU: Ass'y	123 - *
G178 4149	Web: Cleaning Unit: Ass'y	125 - *
G178 4150	Heat Roller	129 - 16
G178 4155	Guide: Heater	229 - 5
G178 4164	Oil Pan: Collect: Main Ass'y	137 - 15
G178 4166	Nozzle	137 - 16
G178 4167	Oil Sump	133 - 6

Part No.	Description	Page and Index No.
G178 4171	Shaft: Hinge: Oil Application Unit	133 - 15
G178 4175	Base: Heater Holder: Heat Roller: Rear	129 - 4
G178 4176	Heater Holder: Heat Roller: Rear Upper	129 - 5
G178 4179	Shaft: O/C	131 - 13
G178 4180	Cam: O/C	131 - 9
G178 4181	Plate: Positioning Sensor: O/C	131 - 12
G178 4182	Collar: 1: O/C	131 - 10
G178 4183	Collar: 2: O/C	131 - 11
G178 4184	Joint: O/C: Fusing Unit	131 - 3
G178 4187	Stay: Tension Spring: Oil Application Unit	133 - 23
G178 4197	Pin: Pressure: Blade: Front	131 - 23
G178 4198	Pin: Pressure: Blade: Rear	131 - 27
G178 4206	Tube: DIA5: Oil Supply	137 - 18
G178 4211	Decal: H-Temp Warning: Fusing Unit	123 - 29
G178 4211	Decal: H-Temp Warning: Fusing Unit	413 - 23
G178 4213	Tube: DIA8.5: Collect: Fusing Unit	133 - 11
G178 4214	Decal: H-Temp Warning: Fusing Unit	413 - 24
G178 4214	Decal: H-Temp Warning: Fusing Unit	123 - 2
G178 4215	Decal: Warning: Fusing Unit	413 - 13
G178 4215	Decal: Warning: Fusing Unit	123 - 20
G178 4216	Decal: Positioning: Fusing Unit	413 - 29
G178 4216	Decal: Positioning: Fusing Unit	123 - 3
G178 4217	Decal: Oil: Overflow: Oil Tank	413 - 50
G178 4217	Decal: Oil: Overflow: Oil Tank	23 - 17
G178 4224	Decal: H-Temp Warning: Cleaning Unit	125 - 23
G178 4224	Decal: H-Temp Warning: Cleaning Unit	413 - 52
G178 4227	Holder: Harness: Front	129 - 3
G178 4230	Shaft: Cover: Paper Exit Sub-unit	123 - 11
G178 4232	Lever: Open/Close: Cover: Paper Exit	123 - 4
G178 4235	Hook: Front: Cover: Paper Exit Sub-unit	123 - 5
G178 4236	Hook: Rear: Cover: Paper Exit Sub-unit	123 - 22
G178 4237	Shaft: Open/Close: Cover: Paper Exit	123 - 21
G178 4242	Pin: Frame: Front: Fusing Unit	127 - 13
G178 4244	Holder: Blade: Pressure: Sub-ass'y	131 - 5
G178 4245	Oil Pan: Lower: Oil Application Sub-unit	133 - 22

Part No.	Description	Page and Index No.
G178 4255	Arm: Pressure Sub-unit	131 - 15
G178 4256	Supporting Plate: Arm	131 - 17
G178 4257	Shaft: Cam Follower	131 - 14
G178 4260	Guide: Paper: Entrance: Lower	131 - 1
G178 4262	Stand: Connector: Heater	135 - 16
G178 4266	Cover: Oil Supply Sub-unit	23 - 8
G178 4268	Pin: Positioning: Rear: Fusing Unit	135 - 23
G178 4269	Shaft: Cap: Oil Sump	133 - 9
G178 4270	Cleaning Felt: Roller: Rear	129 - 18
G178 4271	Cleaning Felt: Roller: Front	129 - 17
G178 4272	Spring: Cap	133 - 5
G178 4273	Spring: Balancer: Front	123 - 12
G178 4275	Arm: Pressure Sub-unit: Lower Front	131 - 16
G178 4276	Arm: Pressure Sub-unit: Lower Rear	131 - 30
G178 4282	Sheet: Stay: 1: Frame: Front	135 - 19
G178 4283	Sheet: Stay: 1: Frame: Rear	135 - 20
G178 4284	Spring: Pressure Sub-unit	131 - 19
G178 4285	Cap: Spring: Pressure Sub-unit	131 - 18
G178 4288	Bracket: Cleaning Felt	133 - 1
G178 4291	Stay: Cover: Paper Exit Sub-unit: Ass'y	123 - 14
G178 4292	Frame: Roller: Front	129 - 11
G178 4293	Frame: Roller: Rear	129 - 10
G178 4298	Case: Thermopile	221 - 8
G178 4299	Bracket: Thermopile	221 - 12
G178 4304	Cleaning Felt: Oil Sump	133 - 10
G178 4305	Washer: DIA5.3xDIA10x1	131 - 29
G178 4309	Cleaning Felt: Pressure Roller	133 - 2
G178 4313	Decal: Oil Supply Sub-unit: Design Sketch	413 - 51
G178 4315	Tube: Pump: 80mm	137 - 23
G178 4316	Joint: Tube: Oil Supply	137 - 22
G178 4317	Tube: Pump: 150mm	137 - 24
G178 4318	Stand: Oil Tank: Lower	137 - 3
G178 4319	Stand: Oil Tank: Upper	137 - 2
G178 4322	Case: Oil Tank	137 - 20
G178 4326	Cover: Cleaning Unit: Ass'y	125 - 3

Part No.	Description	Page and Index No.
G178 4327	Cover: Upper: Fusing Unit: Middle: Ass'y	123 - 23
G178 4329	Blade: Sub-ass'y	131 - 28
G178 4337	Filter: Oil: Collect: Ass'y	137 - 25
G178 4340	Cleaning Felt Kit: Pressure	133 - 24
G178 4347	Fusing Cleaning Roller	125 - 1
G178 4350	Holder: Thermostat: Pressure	135 - 7
G178 4351	Holder: Thermistor	135 - 11
G178 4354	Bracket: Web: Drive	127 - 3
G178 4370	Feeler: End Sensor: Cleaning Unit	125 - 11
G178 4372	Roller: Cleaning Felt: 24m: Ass'y	125 - 17
G178 4374	Cleaning Felt: Main	223 - 1
G178 4375	Cover: Holder: Thermostat: Pressure	135 - 1
G178 4376	Tube: DIA5: Pump	137 - 19
G178 4382	Feeler: Ass'y	125 - 12
G178 4400	Tension Roller Unit	127 - 8
G178 4411	Cap: Ass'y	133 - 4
G178 4423	Bracket: Stopper: Web: Ass'y	125 - 21
G178 4425	Oil Tank	137 - 5
G178 4428	Pump: Oil Supply	137 - 4
G178 4429	Oil End Sensor: Sensor	137 - 13
G178 4432	Cover: Oil Tank	137 - 8
G178 4434	Bracket: Pump	137 - 6
G178 4439	Handle: Fusing Unit	123 - 8
G178 4444	Plate: Lock: Shaft	123 - 25
G178 4450	Tension Spring: Oil Application Unit	133 - 12
G178 4452	Cover: Case: Oil Tank	137 - 1
G178 4456	Bracket: Stopper: Ass'y	125 - 22
G178 4457	Heater: 208V: 1000W: Heat Roller: NA	129 - 13
G178 4458	Heater: 208V: 1000W: Pressure Roller: NA	131 - 26
G178 4475	Cover: Cable	123 - 28
G178 4476	Packing: Oil Tank	137 - 7
G178 4484	Bracket: Photointerruptor	127 - 4
G178 4486	Bracket: Cleaning: Drive: Ass'y	127 - 2
G178 4497	Bushing: Cleaning Felt	125 - 16
G178 4499	Thermistor: Fusing Unit	135 - 12

Part No.	Description	Page and Index No.
G178 4515	Plate: Rear: Heat Shield	129 - 6
G178 4520	Heater: 230V: 1000W: Heat Roller: EU	129 - 13
G178 4521	Heater: 230V: 1000W: Pressure Roller: EU	131 - 26
G178 4525	Washer: DIA5.5xDIA16x2	131 - 8
G178 4530	Holder: Harness: Rear	129 - 7
G178 4531	Oil Pan: Exit	143 - 10
G178 4532	Cleaning Felt: Exit	143 - 9
G178 4536	Gear: 1: Oil Application Unit	133 - 20
G178 4537	Gear: 2: Oil Application Unit	133 - 19
G178 4542	Oil Pan: Middle	133 - 3
G178 4544	Tension Spring: Blade: Pressure	131 - 4
G178 4549	Heater Holder: Discharge Brush: Front	129 - 2
G178 4614	Bracket: Base	145 - 4
G178 4615	Bracket: Drawer	145 - 2
G178 4622	Bracket: Motor: Duplex	143 - 4
G178 4623	Shaft: Lock: Lever	157 - 10
G178 4627	Bracket: Coupling: Brushless Motor	145 - 18
G178 4633	Belt Tensioner: Exit: Ass'y	145 - 29
G178 4635	Timing Belt: S3M: 399	145 - 19
G178 4636	Timing Belt: S2M134_67	143 - 14
G178 4636	Timing Belt: S2M134_67	121 - 12
G178 4637	Timing Belt: S2M: 460	143 - 5
G178 4639	Guide: Reverse: Entrance	153 - 14
G178 4641	Guide: Middle: Reverse: Entrance	151 - 6
G178 4644	Guide Plate: Duplex: Open/Close: Upper	159 - 2
G178 4650	Guide Plate: Duplex: Open/Close: Lower	141 - 10
G178 4651	Supporting Plate: Guide Plate	141 - 12
G178 4652	Grip: Duplex: Open and Close: Ass'y	141 - 1
G178 4653	Bracket: Holder: Duplex: Ass'y	223 - 11
G178 4661	Guide: Exit: Lower	151 - 3
G178 4663	Guide: Exit: Upper: Welding	153 - 8
G178 4669	Bracket: Magnet Catch: Duplex	161 - 6
G178 4672	Bracket: Lever: Reverse: Peen	149 - 16
G178 4675	Guide: Reverse: Entrance: Welding	149 - 5
G178 4677	Guide: Reverse: Lower	149 - 17

Part No.	Description	Page and Index No.
G178 4680	Shaft: Contact Point: Left Lower	147 - 10
G178 4682	Shaft: Lock: Reverse	147 - 1
G178 4684	Bracket: Exit: Sensor	153 - 13
G178 4686	Bracket: Compression Spring: Duplex	141 - 6
G178 4692	Shaft: Arm: Reverse	149 - 7
G178 4696	Bracket: DC Solenoid: Switchback	149 - 1
G178 4698	Guide Plate: Duplex: Entrance: Ass'y	157 - 1
G178 4710	Shaft: Gate: Reverse: Upper	151 - 8
G178 4711	Shaft: Gate: Switchback: Lower	155 - 2
G178 4712	Gate: W19: Reverse: Upper	151 - 5
G178 4713	Gate: W15: Reverse: Upper	151 - 4
G178 4715	Bracket: Exit: Dcsol: Ass'y	143 - 7
G178 4719	Guide Plate: Duplex: Middle	223 - 14
G178 4723	Bracket: Cap: Heat Pipe: Upper	145 - 27
G178 4724	Bracket: Cap: Heat Pipe: Lower	145 - 26
G178 4725	Bracket: Auxiliary: Base: Exit	157 - 11
G178 4727	Guide: Switchback: Upper: Peen	155 - 4
G178 4729	Timing Belt: S2M: 400	143 - 6
G178 4734	Spring: Reverse: Gate	151 - 7
G178 4736	Bracket: Sensor: Duplex: No.1	161 - 1
G178 4737	Bracket: Sensor: Duplex: No.2	51 - 8
G178 4737	Bracket: Sensor: Duplex: No.2	161 - 14
G178 4744	Bracket: Motor: Exit	175 - 3
G178 4746	Slide Rail: Exit	223 - 12
G178 4746	Slide Rail: Exit	163 - 18
G178 4752	Handle: Lock: Frame: Lower	147 - 3
G178 4753	Supporting Plate: Stud: Upper	145 - 32
G178 4754	Supporting Plate: Stud: Lower	145 - 25
G178 4755	Guide: Cooling: Entrance	153 - 15
G178 4758	Stud: Positioning: Rear	159 - 4
G178 4758	Stud: Positioning: Rear	157 - 15
G178 4759	Bracket: Lock: Exit	145 - 14
G178 4759	Bracket: Lock: Exit	69 - 26
G178 4761	Bracket: Stopper: Frame: Upper	151 - 1
G178 4762	Shaft: Cooling: Entrance	155 - 12

Part No.	Description	Page and Index No.
G178 4767	Guide: Exit: Receiving Sub-unit	227 - 8
G178 4774	DC Solenoid: Link: Switchback: Ass'y	149 - 2
G178 4775	DC Solenoid: Reverse Roller: Link	149 - 15
G178 4787	Pin: Left Lower: Lock	157 - 14
G178 4791	Bracket: Left Lower: Frame	149 - 4
G178 4793	Spring: Reverse: Gate	143 - 8
G178 4794	Spring: Tensioner: Exit	145 - 31
G178 4795	Spring: Tensioner: Duplex	143 - 13
G178 4798	Spring: Switchback: Gate	149 - 3
G178 4800	Cover: Upper: Frame	153 - 1
G178 4801	Cam: Latch: Handle	157 - 6
G178 4802	Lever: Latch: Handle	157 - 7
G178 4808	Bracket: Pressure: Roller	141 - 15
G178 4813	Stopper: Left Lower: Frame	147 - 13
G178 4814	Transport Roller: Heat Pipe: DIA30.4	155 - 7
G178 4815	Lever: Lock: Left Lower: Frame	147 - 5
G178 4816	Belt Tensioner: Duplex: Ass'y	143 - 11
G178 4817	Spring: Pressure: Roller: Duplex	141 - 19
G178 4818	Spring: Pull Out: Lock: Exit	69 - 27
G178 4818	Spring: Pull Out: Lock: Exit	145 - 16
G178 4820	Transport Belt: Cooling	155 - 14
G178 4822	Spring: Pressure: 0.8N: DIA0.65	149 - 10
G178 4824	Guide: Switchback: Left: Ass'y	149 - 12
G178 4826	Bracket: Switchback: Sensor	157 - 13
G178 4828	Stay: Lock: Lever: Left Lower	147 - 12
G178 4835	Discharge Brush: Exit	153 - 5
G178 4838	Spring: Open and Close: Left Lower	147 - 7
G178 4840	Gate Pawl: Switchback	147 - 9
G178 4842	Pulley: Exit: T26	161 - 11
G178 4843	Inner Cover: Paper Exit Unit: Left	139 - 3
G178 4844	Inner Cover: Paper Exit Unit: Right	139 - 5
G178 4846	Gate Pawl: Reverse: Paper Exit Unit	151 - 9
G178 4847	Lever: Pull Out: Transport	139 - 4
G178 4848	Holder: Handle: Latch: Spring	145 - 17
G178 4849	Compression Spring: 472192	155 - 1

Part No.	Description	Page and Index No.
G178 4852	Rubber Foot: 7086082	155 - 9
G178 4852	Rubber Foot: 7086082	153 - 12
G178 4853	Gate Pawl: N217910	155 - 3
G178 4866	Compression Spring: Exit: Connector	175 - 13
G178 4866	Compression Spring: Exit: Connector	193 - 9
G178 4868	Bracket: Contact Point: Duplex	161 - 10
G178 4870	Plate: Contact Point: Duplex	139 - 7
G178 4877	Bracket: Sensor: Receiving Sub-unit	227 - 7
G178 4878	Rail: Fusing Unit: Insert	159 - 1
G178 4880	Bracket: Middle: Guide	155 - 5
G178 4881	Grip: Exit: Left Lower	147 - 11
G178 4885	Transport Roller: Driven	153 - 11
G178 4886	Bracket: Reverse: Entrance: Sensor	153 - 2
G178 4887	Bracket: Motor: Switchback	143 - 17
G178 4888	Bracket: Motor: Reverse	143 - 15
G178 4890	Spring Plate: Duplex: Guide: Lower	141 - 13
G178 4892	Shaft: Coupling: Press Fit	145 - 20
G178 4895	Sheet: Duplex: Spring Plate	141 - 14
G178 4900	Cover: DC Stepper Motor: MM56	53 - 5
G178 4900	Cover: DC Stepper Motor: MM56	143 - 20
G178 4901	Fan Motor: DC 1.92W	161 - 7
G178 4901	Fan Motor: DC 1.92W	143 - 19
G178 4907	Holder: Pressure Roller: Duplex	141 - 18
G178 4908	Coil Spring: Left Lower: Lock	147 - 4
G178 4909	Screw: Transport	139 - 1
G178 4912	Pulley: S2M: 30T	161 - 13
G178 4916	Screw: Round Point	161 - 4
G178 4917	Stopper: Shaft: Flat Conveyer Belt	155 - 15
G178 4920	PCB: PDB	145 - 6
G178 4931	Sponge: Duct: Paper Exit Sub-unit: Upper	221 - 18
G178 4932	Seal: Duct: Paper Exit Sub-unit: Upper	221 - 19
G178 4940	Exit Roller: Press Fit	151 - 2
G178 4941	Transport Roller: Duplex: Knob: Press Fit	161 - 9
G178 4942	Transport Roller: Exit: Press Fit	157 - 4
G178 4943	Transport Roller: Duplex: Press Fit	161 - 8

Part No.	Description	Page and Index No.
G178 5012	Gear: Z22/M1	163 - 9
G178 5013	Gear: Z33/M1	163 - 10
G178 5017	Pulley: S2M-Z60	163 - 11
G178 5019	DC Stepper Motor: 5.75W	163 - 6
G178 5023	Timing Belt: S2M190	163 - 12
G178 5029	Gear: Decura: Z20/M1	163 - 3
G178 5030	Gear: Z14/M0.8	163 - 2
G178 5063	Guide Plate: Finishing Section: 2	229 - 3
G178 5066	Sheet: Finishing Section: Upper	229 - 1
G178 5067	Finishing Section: Stay	163 - 16
G178 5068	COIL Spring: Decura: Plate	163 - 4
G178 5074	Decal: Knob: Rotation Direction: C1	413 - 53
G178 5074	Decal: Knob: Rotation Direction: C1	139 - 8
G178 5075	Decal: Lever: Guide Plate: Z1	413 - 31
G178 5075	Decal: Lever: Guide Plate: Z1	141 - 4
G178 5076	Decal: Knob: Rotation Direction: Z2	139 - 9
G178 5076	Decal: Knob: Rotation Direction: Z2	413 - 54
G178 5077	Decal: E	413 - 55
G178 5077	Decal: E	23 - 16
G178 5078	Decal: Grip: Open and Close: D2	413 - 56
G178 5078	Decal: Grip: Open and Close: D2	153 - 17
G178 5079	Decal: Grip: Open and Close: D3	413 - 57
G178 5079	Decal: Grip: Open and Close: D3	147 - 14
G178 5081	Decal: Paper Exit Unit: Caution	147 - 15
G178 5081	Decal: Paper Exit Unit: Caution	413 - 26
G178 5082	Decal: H-Temp Warning: Motor: Cover	143 - 21
G178 5082	Decal: H-Temp Warning: Motor: Cover	413 - 58
G178 5089	Cover: Decura: Ass'y	163 - 19
G178 5099	Guide Plate: Ass'y	229 - 28
G178 5101	Guide Plate: Ass'y	229 - 31
G178 5103	Sheet: Guide Plate: Upper	229 - 32
G178 5104	Sheet: Guide Plate: Lower	229 - 33
G178 5106	Sheet: Guide Plate: Upper	229 - 29
G178 5107	Sheet: Guide Plate: Lower	229 - 30
G178 5190	Decura Unit: Ass'y	163 - 1

Part No.	Description	Page and Index No.
G178 5260	PCB: Image Processing Unit	199 - 6
G178 5260	PCB: Image Processing Unit	355 - *
G178 5275	PCB: IOB2	189 - 5
G178 5275	PCB: IOB2	331 - *
G178 5278	PCB: IOB1	191 - 5
G178 5278	PCB: IOB1	317 - *
G178 5281	PCB: RB	187 - 4
G178 5287	PCB: FIB	187 - 1
G178 5340	PCB: BCU	189 - 8
G178 5386	PCB: AC Drive: NA	185 - 4
G178 5387	PCB: AC Drive: EU	185 - 4
G178 5409	Bracket: Connector: LCT: AC-IF	217 - 14
G178 5412	Holder: Base	193 - 3
G178 5413	Spacer: KGLS-22S	193 - 7
G178 5414	Cover: Safety Switch: Front Right	223 - 10
G178 5437	Power Cord Bushing	185 - 11
G178 5438	Bracket: IOB	191 - 7
G178 5444	Ground Plate: Main: Lower: Ass'y	229 - 8
G178 5447	Bracket: Harness: Charge Corona	193 - 4
G178 5453	Bracket: IOB: BCU	189 - 7
G178 5454	Bracket: Hinge: IOB	189 - 10
G178 5462	Bracket: AC Drive	185 - 6
G178 5464	Bracket: Terminal: Block	185 - 13
G178 5468	Bracket: Power Pack: Charge Corona	193 - 6
G178 5469	Power Pack: Charge	193 - 2
G178 5470	Leak Breaker: Ass'y	183 - 7
G178 5474	Bracket: Temp & Humidity Sensor	163 - 14
G178 5474	Bracket: Temp & Humidity Sensor	217 - 12
G178 5476	Bracket: Total Counter: Main	223 - 9
G178 5488	Main Switch: Main	221 - 1
G178 5490	Power Pack: Transfer	105 - 7
G178 5493	Lever: Safety Switch: Front	223 - 7
G178 5494	Bracket: Main Switch	221 - 2
G178 5499	Bracket: Safety Switch: Front	223 - 6
G178 5501	Harness: IOB2: Sensor: 1	175 - 14

Part No.	Description	Page and Index No.
G178 5501	Harness: IOB2: Sensor: 1	189 - 1
G178 5503	Harness: Fusing: Drawer: AC: No.3	135 - 17
G178 5506	Harness: Power Supply Unit: Fan	201 - 2
G178 5508	Harness: Fusing: Sensor: NA	135 - 18
G178 5509	Harness: Fusing: Sensor: EU	135 - 18
G178 5524	Harness: BCU-IPU: I/F: No.1	195 - 7
G178 5525	Harness: BCU-IPU: I/F: No.2	195 - 13
G178 5542	Harness: Sirocco	205 - 12
G178 5596	Harness: Drum: Turn: Sensor	169 - 3
G178 5629	Harness: Exit: Reverse: Drawer	145 - 1
G178 5635	Harness: Transport: Motor 1	145 - 8
G178 5646	Harness: Used Toner Sensor	227 - 13
G178 5651	Harness: 1st Transfer: Drawer: B: No.2	105 - 9
G178 5659	Harness: Registration: Drawer	55 - 7
G178 5661	Harness: T/S Power Pack: I/F	67 - 4
G178 5666	Harness: Registration: Motor: No.3	69 - 13
G178 5671	Harness: Registration: CRB: Sensor	65 - 13
G178 5677	Harness: IPU-LD: I/F: (1): KC	83 - 15
G178 5677	Harness: IPU-LD: I/F: (1): KC	195 - 5
G178 5678	Harness: IPU-LD: I/F: (2): KC	83 - 16
G178 5678	Harness: IPU-LD: I/F: (2): KC	195 - 4
G178 5680	Harness: IPU-LD: I/F: (1): MY	83 - 13
G178 5680	Harness: IPU-LD: I/F: (1): MY	195 - 9
G178 5681	Harness: IPU-LD: I/F: (2): MY	195 - 8
G178 5681	Harness: IPU-LD: I/F: (2): MY	83 - 14
G178 5683	Harness: IPU-SBU: I/F	195 - 6
G178 5683	Harness: IPU-SBU: I/F	217 - 4
G178 5684	Harness: IPU-OPU: I/F: No.1	199 - 10
G178 5686	Harness: Motor Control Board: I/F: (2)	85 - 3
G178 5688	Harness: Optics: LD: I/F: (2)	85 - 10
G178 5691	Harness: Optics: ADJ: Motor: No.1	85 - 11
G178 5696	Harness: AC: Leak Breaker	185 - 12
G178 5698	Harness: AC: Drive	185 - 9
G178 5699	Harness: AC: Main Switch	217 - 15
G178 5699	Harness: AC: Main Switch	185 - 3

Part No.	Description	Page and Index No.
G178 5707	Harness: Fusing: Heater: No.1	135 - 13
G178 5708	Harness: Fusing: Heater: No.2	135 - 2
G178 5710	Harness: 1st Transfer: Drawer: A	175 - 15
G178 5711	Harness: 1st Transfer: Drawer: A: No.1	105 - 10
G178 5713	Harness: Door Switch: Counter: I/F	223 - 4
G178 5714	Harness: Density Sensor	95 - 15
G178 5718	Harness: Development Unit: Sensor: Y	89 - 24
G178 5719	Harness: Development Unit: Sensor: M	89 - 24
G178 5720	Harness: Development Unit: Sensor: C	89 - 24
G178 5721	Harness: Development Unit: Sensor: K	89 - 24
G178 5728	Harness: Reverse: Sensor	153 - 3
G178 5743	Harness: Separation/Transport: Fan	121 - 18
G178 5744	Harness: Separation/Transport: Sensor	121 - 2
G178 5745	Harness: Separation/Transport: Motor	121 - 15
G178 5748	Harness: Main: AC: Short Circuit	185 - 15
G178 5750	Harness: T/S: Transfer Roller: Motor	67 - 33
G178 5753	Harness: T/S: Transfer Roller: Sensor	67 - 27
G178 5756	Harness: Registration: CRB: Connecting	65 - 6
G178 5759	Harness: Toner: Hopper: Cover: Switch	75 - 15
G178 5760	Harness: High Voltage: 1st: Transfer	105 - 6
G178 5764	Harness: High Voltage: 2nd: Transfer	105 - 5
G178 5765	Harness: T/S: Power Pack: High Voltage	67 - 3
G178 5768	Harness: Fusing: Heater: No.3	135 - 4
G178 5769	Harness: Earth: Control Unit	195 - 10
G178 5776	Harness: Switchback: Solenoid	149 - 18
G178 5778	Harness: Switchback: Sensor	157 - 2
G178 5779	Harness: Transport: Reverse: Sensor	161 - 2
G178 5779	Harness: Transport: Reverse: Sensor	51 - 9
G178 5779	Harness: Transport: Reverse: Sensor	227 - 5
G178 5781	Harness: Shutter: Solenoid	95 - 16
G178 5782	Harness: T Belt: Cleaner: Sensor	107 - 14
G178 5784	Harness: 1st Transfer: Turn: Sensor: 1	103 - 20
G178 5785	Harness: T Belt: Cleaner: Motor	113 - 14
G178 5786	Harness: Entrance Sensor: I/F	57 - 28
G178 5787	Harness: Registration: Motor: No.2	55 - 8

Part No.	Description	Page and Index No.
G178 5788	Harness: Registration: Sensor: No.2	67 - 40
G178 5790	Harness: Registration: Sensor: No.1	55 - 5
G178 5791	Harness: Registration: Motor: No.1	55 - 6
G178 5794	Harness: Transport: Motor 2	121 - 20
G178 5795	Harness: Regist: Entrance Sensor	61 - 20
G178 5796	Harness: Double Feed Sensor: Radiate	59 - 19
G178 5797	Harness: Double Feed Sensor: Photo	57 - 5
G178 5801	Harness: IOB1: Motor	191 - 1
G178 5801	Harness: IOB1: Motor	83 - 12
G178 5802	Harness: IOB1: Sensor: 1	191 - 2
G178 5803	Harness: IOB1: Sensor: 2	191 - 4
G178 5806	Harness: IOB1-IOB2: I/F	189 - 4
G178 5807	Harness: IOB2: Motor	189 - 3
G178 5812	Harness: Potential Sensor: I/F	83 - 8
G178 5813	Harness: Photoconductor: Sensor: MY	219 - 8
G178 5814	Harness: Photoconductor: Sensor: KC	219 - 12
G178 5815	Harness: HR: Motor	173 - 23
G178 5817	Harness: 1st Transfer: Lower: Fan: I/F	221 - 7
G178 5822	Harness: Potential Sensor: MY	83 - 6
G178 5823	Harness: Potential Sensor: KC	83 - 5
G178 5824	Harness: Sensor: Connecting	81 - 17
G178 5826	Harness: AC: Noise Filter: 2	185 - 7
G178 5827	Harness: Power Pack: Km: Connecting	193 - 5
G178 5828	Harness: High Voltage: CGB	193 - 1
G178 5832	Harness: PSU-G: FG	187 - 5
G178 5833	Harness: IPU-OPU: I/F: No.2	29 - 24
G178 5835	Harness: IOB2: Sensor: 2	177 - 25
G178 5836	Harness: IPU-LB: I/F: (3)	83 - 10
G178 5837	Harness: 1st Transfer: Drawer: B: I/F	175 - 16
G178 5838	Harness: Optics: LD: I/F: (1)	85 - 12
G178 5840	Harness: Motor Control Board: I/F: (1)	85 - 2
G178 5841	Cable: AC: Power Supply Plug: NA	185 - 10
G178 5842	Cable: AC: Power Supply Plug: EU	185 - 10
G178 5843	Harness: PDB: Sensor: (1): No.1	145 - 7
G178 5844	Harness: PDB: Sensor: (2): No.1	145 - 10

Part No.	Description	Page and Index No.
G178 5845	Harness: PDB: Motor: Connecting	145 - 9
G178 5846	Harness: PDB: Sensor: (1): No.2	121 - 22
G178 5847	Harness: PDB: Sensor: (2): No.2	145 - 3
G178 5849	Harness: Return: Motor	143 - 3
G178 5850	Harness: 1st Transfer: Motor	105 - 4
G178 5851	Harness: 1st Transfer: Sensor	105 - 3
G178 5854	Harness: 1st Transfer: Turn: Sensor: 3	109 - 14
G178 5855	Harness: 1st Transfer: Motor: Upper	111 - 19
G178 5856	Harness: 1st Transfer: Sensor: Up R	111 - 14
G178 5857	Harness: 1st Transfer: Sensor: Up F	101 - 14
G178 5858	Harness: Registration: Shift: Sensor	69 - 17
G178 5859	Harness: Reverse: Switchback: Motor	143 - 18
G178 5861	Harness: Control Unit: PSU-C-IPU	199 - 7
G178 5862	Harness: AC: Power Source: PSU-C	199 - 9
G178 5863	Harness: Drum: CL: Set: MY	219 - 10
G178 5868	Harness: Switchback: Lower: Sensor: I/F	227 - 18
G178 5869	Harness: AC Drive: Oil: Pump	185 - 2
G178 5871	Harness: Motor: BR-O/C	173 - 14
G178 5872	Harness: Drum: CL: Set: CK	219 - 18
G178 5875	Harness: HR: Exhaust: Fan	209 - 2
G178 5879	Harness: Decura: Positioning Sensor	163 - 8
G178 5884	Harness: Oil Application Unit: Turn: Sensor	173 - 2
G178 5885	Harness: Toner Bottle	79 - 16
G178 5886	Harness: Fusing: Heater: No.4	135 - 6
G178 5887	Harness: 1st Transfer: Turn: Sensor: 2	103 - 19
G178 5888	Harness: Registration: Drawer: No.2	193 - 10
G178 5889	Harness: OPT: Fan: Connecting	217 - 9
G178 5890	Harness: PSU-G: I/F: Connecting	187 - 8
G178 5891	Harness: Paper Feed Unit: Connecting	49 - 26
G178 5892	Harness: Oil End Sensor: I/F	137 - 26
G178 5893	Harness: Upper Front: Cover: Switch: Connecting	21 - 32
G178 5894	Harness: Power Source: Control Unit	201 - 5
G178 5895	Harness: Power Source: IOB1-IOB2-LD	191 - 3
G178 5895	Harness: Power Source: IOB1-IOB2-LD	189 - 2
G178 5895	Harness: Power Source: IOB1-IOB2-LD	83 - 11

Part No.	Description	Page and Index No.
G178 5897	Harness: Fusing: Drawer: AC: No.1	185 - 1
G178 5899	Harness: Power Source: FIB-PSU-G	187 - 6
G178 5931	PCB: RFID: RW-CPU: Ass'y	79 - 13
G178 5934	PCB: RFID: RW-AFE(K): Ass'y	79 - 14
G178 5936	PCB: RFID: RW-AFE(C): Ass'y	79 - 14
G178 5937	PCB: RFID: RW-AFE(M): Ass'y	79 - 14
G178 5938	PCB: RFID: RW-AFE(Y): Ass'y	79 - 14
G178 5942	PCB: OPU: NA: Ass'y	33 - 23
G178 5943	PCB: OPU: EU: Ass'y	33 - 23
G178 5962	PCB: OPU: C1: NA: Ass'y	33 - 23
G178 5963	PCB: OPU: C1: EU: Ass'y	33 - 23
G178 6020	PCB: CONT: EX1: G178-D016: Ass'y	377 - *
G178 6020	PCB: CONT: EX1: G178-D016: Ass'y	197 - 13
G178 6033	PCB: GIGAETHERNET: PCIE	197 - 9
G178 6042	Cable: HDD: S-ATA: Power: G178/D016	199 - 3
G178 6062	PCB: PC4200: RAWCard-C: 512MB	197 - 10
G178 6072	PCB: PC4200: RAWCard-A: 1GB	197 - 10
G178 6191	Ground Plate: Power Supply Unit	203 - 11
G178 6192	Ground Plate: Stay: Front	207 - 12
G178 6193	Ground Plate: C/T Box: Upper	211 - 15
G178 6201	Cover: C/T BOX	195 - 3
G178 6207	Decal: Caption: Interface	197 - 14
G178 6207	Decal: Caption: Interface	413 - 92
G178 6209	Cap: Power Supply Unit: Engine-A: AC	201 - 6
G178 6211	Terminal: Control Unit: Sub-ass'y	203 - 5
G178 6212	Guide Plate: Power Supply Unit	203 - 7
G178 6215	HDD: Ass'y	199 - 4
G178 6248	Case: Power Supply Unit: Welding	203 - 6
G178 6249	Holder: Clamp	199 - 5
G178 6300	Intermediate Transfer Belt	103 - 12
G178 6302	Roller: Intermediate Transfer	99 - 10
G178 6302	Roller: Intermediate Transfer	97 - 14
G178 6305	Shaft: Transfer	97 - 12
G178 6305	Shaft: Transfer	99 - 9
G178 6309	Plate Nut: Inner Cover: 1st Transfer	23 - 4

Part No.	Description	Page and Index No.
G178 6310	Positioning Sensor	105 - 17
G178 6312	Housing: High Voltage	103 - 9
G178 6313	Seal: Inner Cover: 1st Transfer: Right	23 - 5
G178 6315	Spring Plate: High Voltage	103 - 7
G178 6316	Terminal: High Voltage	103 - 8
G178 6318	Inner Cover: Intermediate Transfer	23 - 3
G178 6319	Cap: High Voltage	103 - 24
G178 6322	Tension Spring	105 - 16
G178 6326	Cover: High Voltage	103 - 6
G178 6327	Tension Spring: 1st Transfer: 32.6N	101 - 17
G178 6327	Tension Spring: 1st Transfer: 32.6N	109 - 17
G178 6328	Tension Spring: 1st Transfer: 12.2N	101 - 19
G178 6329	Holder: Spring: Pull Out	107 - 18
G178 6330	Tension Spring: 1st Transfer: 28.1N	111 - 10
G178 6332	Holder: Drawer: Main	175 - 9
G178 6333	Tension Spring: 1st Transfer: 59.1N	111 - 11
G178 6334	Compression Spring: Transfer	99 - 5
G178 6334	Compression Spring: Transfer	97 - 18
G178 6335	Seal: Inner Cover: 1st Transfer: Left	23 - 6
G178 6336	Cam: Drawer	107 - 16
G178 6337	Lever: Drawer	107 - 13
G178 6342	Roller: Encoder: Ass'y	109 - 13
G178 6347	Gear: On-Off: No.1	101 - 7
G178 6347	Gear: On-Off: No.1	111 - 7
G178 6348	Gear: On-Off: No.2	101 - 6
G178 6348	Gear: On-Off: No.2	111 - 6
G178 6349	Gear: On-Off: Cam	111 - 4
G178 6349	Gear: On-Off: Cam	101 - 4
G178 6351	Plate: Ground Plate: T Belt	109 - 7
G178 6353	Holder: Ground Plate: Roller	107 - 9
G178 6353	Holder: Ground Plate: Roller	103 - 1
G178 6359	Stopper: Roller: Encoder: Thrust	109 - 15
G178 6360	Holder: Transfer Belt: Opposed: Roller	107 - 8
G178 6361	Plate: Ground Plate: Roller	103 - 2
G178 6361	Plate: Ground Plate: Roller	107 - 10

Part No.	Description	Page and Index No.
G178 6366	Holder: Transfer: Pressure Roller	99 - 18
G178 6366	Holder: Transfer: Pressure Roller	97 - 4
G178 6367	Bracket: Positioning: Left	109 - 16
G178 6368	Bracket: Positioning: Right	95 - 1
G178 6371	Bolt: Transfer: Fix: Pressure Roller	99 - 21
G178 6371	Bolt: Transfer: Fix: Pressure Roller	97 - 2
G178 6377	Spring: Transfer: Front	99 - 22
G178 6377	Spring: Transfer: Front	97 - 8
G178 6378	Spring: Transfer: Rear	97 - 23
G178 6378	Spring: Transfer: Rear	99 - 19
G178 6379	Shaft: Fix: Transfer	97 - 19
G178 6379	Shaft: Fix: Transfer	99 - 12
G178 6380	Holder: On-Off: Motor: Front	111 - 2
G178 6380	Holder: On-Off: Motor: Front	101 - 2
G178 6381	Shaft: On-Off: Cam	101 - 5
G178 6381	Shaft: On-Off: Cam	111 - 5
G178 6384	Shaft: Pull Out: 1st Transfer	107 - 11
G178 6385	Seal: Encoder	103 - 21
G178 6387	Shaft: Arm: Transfer Belt	109 - 9
G178 6389	Holder: Sensor: Control: Transfer Belt	109 - 22
G178 6391	Bracket: Shaft: Transfer Belt: Rear	109 - 6
G178 6392	Housing: Lower: Cover	95 - 6
G178 6393	Sleeve: Wire: Lower: Cover	95 - 7
G178 6394	Wire: Stopper: Lower: Cover	95 - 8
G178 6398	Holder: Positioning Sensor: T Belt	105 - 15
G178 6399	Shaft: Positioning Sensor: T Belt	105 - 14
G178 6401	Gear: Drive: 1st Transfer	103 - 15
G178 6402	Hook: Arm: Spring: Front	109 - 12
G178 6403	Hook: Arm: Spring: Rear	109 - 28
G178 6414	Lever: Release: Tension	109 - 23
G178 6415	Cam: Release: Tension	109 - 24
G178 6416	Shaft: Release: Tension	109 - 27
G178 6420	Terminal: High Voltage: Transfer	99 - 14
G178 6420	Terminal: High Voltage: Transfer	97 - 20
G178 6421	Holder: High Voltage: Transfer	99 - 11

Part No.	Description	Page and Index No.
G178 6421	Holder: High Voltage: Transfer	97 - 15
G178 6423	Terminal: High Voltage: Transfer	99 - 6
G178 6423	Terminal: High Voltage: Transfer	97 - 17
G178 6424	Plate: Transfer: Ground Wire	99 - 17
G178 6424	Plate: Transfer: Ground Wire	97 - 3
G178 6426	Cover: Transfer	99 - 8
G178 6426	Cover: Transfer	97 - 13
G178 6429	Pressure Roller: Transfer	99 - 23
G178 6429	Pressure Roller: Transfer	97 - 5
G178 6438	Block: High Voltage: Transfer: Front	99 - 7
G178 6438	Block: High Voltage: Transfer: Front	97 - 11
G178 6439	Block: High Voltage: Transfer: Rear	99 - 13
G178 6439	Block: High Voltage: Transfer: Rear	97 - 16
G178 6443	Coil Spring: Stopper: Lower: Cover	95 - 9
G178 6445	Roller: Flat Belt-Transfer	109 - 4
G178 6446	Holder: Bearing	109 - 8
G178 6447	Plate: Fix: Shaft	109 - 26
G178 6448	Plate: Ground Plate: Driven Roller	109 - 20
G178 6452	DC Solenoid: Shutter: Density Sensor: Ass'y	95 - 14
G178 6460	Holder: Transfer: Power Pack	105 - 8
G178 6463	Lever: Transfer Belt	111 - 18
G178 6463	Lever: Transfer Belt	101 - 12
G178 6464	Shaft: Transfer Belt	101 - 10
G178 6464	Shaft: Transfer Belt	111 - 17
G178 6465	Holder: Transfer Belt	111 - 16
G178 6465	Holder: Transfer Belt	101 - 13
G178 6468	Guide: Transfer: Bearing	97 - 10
G178 6468	Guide: Transfer: Bearing	99 - 4
G178 6469	Bushing: Slide Rail	101 - 18
G178 6469	Bushing: Slide Rail	111 - 12
G178 6471	Roller: Positioning Sensor: T Belt	105 - 12
G178 6482	Stopper: Bracket: Cover: 1st Transfer	95 - 5
G178 6483	Holder: Motor	111 - 8
G178 6483	Holder: Motor	101 - 8
G178 6484	Stepper Motor: DC 6.7W	101 - 9

Part No.	Description	Page and Index No.
G178 6484	Stepper Motor: DC 6.7W	111 - 9
G178 6485	Cam	111 - 1
G178 6485	Cam	101 - 1
G178 6486	Holder: Transfer: Front	99 - 2
G178 6486	Holder: Transfer: Front	97 - 6
G178 6487	Holder: Transfer: Rear	97 - 21
G178 6487	Holder: Transfer: Rear	99 - 15
G178 6496	Vibrating Plate: Transfer Belt	109 - 29
G178 6497	Stepper Motor: DC 5.75W	109 - 19
G178 6500	Housing: Control: Transfer Belt	109 - 10
G178 6502	Roller: Driven	107 - 2
G178 6502	Roller: Driven	103 - 5
G178 6503	Roller: Belt Cleaner: Opposed	107 - 1
G178 6504	Transfer Roller: Opposed: F Roller	103 - 4
G178 6505	Transfer Roller: No.2: Opposed	103 - 10
G178 6506	Slide Rail: Intermediate Transfer	163 - 17
G178 6506	Slide Rail: Intermediate Transfer	217 - 1
G178 6511	Slide Rail: On-Off: Black: Ass'y	101 - 16
G178 6513	Slide Rail: On-Off: Collar: Ass'y	111 - 13
G178 6541	Cover: 1st Transfer: Hinge	95 - 4
G178 6560	Cleaning Unit: Intermediate Transfer	115 - *
G178 6568	Entrance Seal: Belt Cleaning	117 - 21
G178 6613	Bracket: Cleaning Blade: 1st Transfer	117 - 8
G178 6616	Pin: Positioning: Blade: 1st Transfer	117 - 15
G178 6619	Release Plate: Blade: Lower	117 - 1
G178 6620	Lever: Release: Blade	117 - 6
G178 6621	Cover: Release Plate: Blade	117 - 2
G178 6633	Bushing: Brush Roller: 1st Transfer	117 - 29
G178 6648	Shutter: Discharge Used Toner	117 - 17
G178 6649	Stopper: Shutter: Used Toner	117 - 18
G178 6652	Hook: Cleaning Blade: Lower	117 - 12
G178 6655	Ground Plate: Belt Cleaning	117 - 13
G178 6656	Grip: Belt Cleaning	117 - 7
G178 6657	Guide: Rail: Belt Cleaning	115 - 7
G178 6658	Stay: Upper: Ass'y	115 - 8

Part No.	Description	Page and Index No.
G178 6664	Rail: Belt Cleaning	107 - 6
G178 6665	Ground Plate: Rail: Belt Cleaning	107 - 7
G178 6666	Bracket: Drive: Cleaning: Ass'y	113 - 10
G178 6671	Bracket: Joint: Lower	113 - 6
G178 6672	Bracket: Joint: Upper	113 - 2
G178 6673	Shaft: Joint: Brush Roller	113 - 11
G178 6674	Bracket: Motor: Belt Cleaning	113 - 12
G178 6679	Joint: Drive: Brush Roller	115 - 15
G178 6679	Joint: Drive: Brush Roller	117 - 32
G178 6679	Joint: Drive: Brush Roller	113 - 1
G178 6690	Coating Bar: Belt Cleaning: Ass'y	115 - 6
G178 6693	Case: Coating Bar: Belt Cleaning	115 - 2
G178 6694	Arm: Pressure: Coating Bar	115 - 3
G178 6696	Tension Spring: Coating Bar: 4N	115 - 5
G178 6698	Inner Cover: Belt Cleaning	23 - 1
G178 6706	Separation Unit	119 - 30
G178 6707	Frame: On-Off: Transfer Roller: Ass'y	67 - 18
G178 6755	Transfer Roller	119 - 17
G178 6757	Brush Roller: Transfer Roller	119 - 18
G178 6759	Blade: Transfer Roller	119 - 6
G178 6767	Coating Bar: Transfer Roller	119 - 3
G178 6775	Collection Coil: Toner: Ass'y	119 - 26
G178 6785	Gear: Transfer Roller	119 - 13
G178 6787	Gear: Idler: Transfer Roller	119 - 11
G178 6788	Gear: Brush Roller	119 - 12
G178 6789	Gear: Discharge Used Toner	119 - 15
G178 6800	Guide: Entrance: Transfer Roller: Ass'y	119 - 5
G178 6812	Base: Blade: Ass'y	119 - 8
G178 6815	Transfer Unit	119 - *
G178 6819	Tension Spring: Blade: Transfer Roller	119 - 7
G178 6821	Plate: Motor: Drive: Ass'y	67 - 35
G178 6823	Gear: Idler: No.2: Rear	67 - 38
G178 6824	Gear: Idler: No.1	67 - 37
G178 6828	Sheet: Seal: Blade: Lower	119 - 9
G178 6830	Base: On-Off: Ass'y	67 - 1

Part No.	Description	Page and Index No.
G178 6835	Holder: Shaft: Drive	67 - 42
G178 6836	Shaft: Cam: On-Off: Automatic	67 - 25
G178 6837	Cam: On-Off: Automatic	67 - 23
G178 6839	Plate: Positioning Sensor: On-Off	67 - 26
G178 6843	Collar: Spring: On-Off	67 - 31
G178 6846	Gear: Motor: No.2: Ass'y	67 - 39
G178 6849	Sleeve: Spring: On-Off	67 - 29
G178 6850	Spacer: Pulley: Transfer Drive	67 - 45
G178 6851	Spacer: Electrode Plate	119 - 32
G178 6852	Synchronous Belt: 80S3M144	67 - 8
G178 6856	Cover: Terminal: Electrode Plate	119 - 31
G178 6857	Socket: Housing	67 - 20
G178 6858	Plate: Terminal	67 - 21
G178 6865	Housing: Bearing: On-Off	67 - 14
G178 6868	Stepper Motor: DC 5.75W	67 - 32
G178 6870	Tension Spring	149 - 14
G178 6871	Compression Spring	67 - 19
G178 6872	Compression Spring: Transfer: On-Off	67 - 30
G178 6875	Encoder: Sensor: Intermediate Transfer	103 - 18
G178 6876	Tension Spring: Belt Tension: 60N	67 - 41
G178 6877	Gear: Transfer Roller: Rear	119 - 19
G178 6879	Gear: Idler: Transfer Roller: Left	119 - 22
G178 6882	Gear: Pulley: Ass'y	67 - 10
G178 6884	Bushing: Transfer Drive	67 - 9
G178 6887	Brush Roller: Coating Bar	119 - 16
G178 6889	Pressure Plate: Slide	67 - 16
G178 6890	Gear: Coating Bar: Brush Roller	119 - 23
G178 6891	Gear: Idler: Transfer Roller: Right	119 - 21
G178 6892	Pressure Plate: Front: Peen	67 - 43
G178 6893	Pressure Plate: Rear: Peen	67 - 13
G178 6895	Spacer: Shaft: On-Off	67 - 15
G178 6899	Shutter: Discharge Used Toner	119 - 28
G178 6905	Toner Collection Unit: Upper	165 - 8
G178 6907	Toner Recycling Unit: V Transport: Up	165 - 12
G178 6908	Toner Recycling Unit: V Transport: Lo	167 - 8

Part No.	Description	Page and Index No.
G178 6952	Cover: Front: Toner Collection	25 - 1
G178 6954	Seal: Feeler: Dual Faces Tepe	229 - 17
G178 6955	Gear: Drive: Auger	165 - 5
G178 6961	Cover: Collection Bottle: Upper	227 - 15
G178 6965	Tube: Toner Recycling	167 - 9
G178 6971	Feeler: Toner Collection	229 - 19
G178 6972	Bracket: Sensor: Toner Collection	227 - 11
G178 6973	Collection Bottle: Ass'y	229 - 12
G178 6974	Holder: Motor: Lower	167 - 3
G178 6975	Seal: Collection Bottle	229 - 16
G178 6977	Holder: Bearing: No.1: Toner Collection	167 - 6
G178 6980	Housing: Bearing: Drive	165 - 6
G178 6981	Auger: Upper: Toner Collection	165 - 7
G178 6990	Torque Limiter	167 - 16
G178 6997	Holder: Gear: Upper: Toner Collection	165 - 4
G178 6999	Holder: Bearing: Toner Collection	167 - 13
G178 7002	Compression Spring	167 - 17
G178 7004	Spring	227 - 10
G178 7011	Cover: Right: Toner Collection	227 - 14
G178 7013	Cover: Collection Bottle: Left	227 - 9
G178 7017	Spring: Latch	25 - 7
G178 7018	Shutter: Toner Collection	167 - 12
G178 7021	Gear: Drive: Toner Collection: Upper	167 - 15
G178 7027	Holder: Motor: Upper: Toner Collection	165 - 2
G178 7032	Cover: Latch: Toner Collection	25 - 3
G178 7033	Door: Latch: Toner Collection	25 - 6
G178 7034	Cushion: Collection Bottle	25 - 5
G178 7036	Shaft: Latch: Toner Collection	25 - 2
G178 7048	Plate: Holder: Housing	167 - 2
G178 7056	Pipe: No.1: Horizontal Transport	167 - 10
G178 7061	Stay: Door: Toner Collection	25 - 8
G178 7070	Spring: Shutter: Toner Collection	167 - 11
G178 7076	Plate: Pipe: Stopper: Toner Collection	227 - 4
G178 7077	Cap: Pipe: Bottle: Toner Collection	167 - 14
G178 7080	Holder: Sensor: Toner Collection	227 - 17

Part No.	Description	Page and Index No.
G178 7082	Plate: Sensor: Toner Collection	167 - 18
G178 7086	Stay: Lengthwise: Lower	167 - 7
G178 7092	Cover: Toner Collection	167 - 19
G178 7093	Seal: Case: Lower: Toner Collection	165 - 17
G178 7094	Seal: Case: Lengthwise	165 - 16
G178 7111	Duct: Right Upper: Main: Ass'y	217 - 10
G178 7129	Seal: Stay: Middle: Upper	205 - 14
G178 7130	Seal: Stay: Middle: Right	207 - 9
G178 7135	Duct: Exhaust: Middle: Sub-ass'y	207 - 7
G178 7140	Duct: Charge Corona: Main: Ass'y	181 - 1
G178 7143	Duct: Heat Pipe: Fusing: Ass'y	183 - 3
G178 7148	Cover: Filter: Preventfence	205 - 9
G178 7149	Fan: Sirocco: DC 21.6W	205 - 13
G178 7151	Heat Pipe: Ass'y	175 - 12
G178 7160	Duct: Paper Exit Sub-unit: Rear	181 - 6
G178 7163	Bracket: Duct: Paper Exit	181 - 7
G178 7164	Cover: Connector: Fan: Lower	209 - 9
G178 7166	Cover: Connector: Fan: Upper	209 - 8
G178 7167	Duct: Paper Exit Sub-unit: Upper	221 - 4
G178 7168	Seal: Transport: Exhaust	207 - 2
G178 7170	Separation Plate: Ozone Filter	209 - 5
G178 7172	Duct: 1st Transfer: Left	163 - 13
G178 7175	Duct: Fan: 1st Transfer: Lower	221 - 6
G178 7176	Guard: Fan: 1st Transfer: Lower	221 - 17
G178 7179	Guide: Harness: Duct: Paper Exit	181 - 11
G178 7187	Duct: Ozone Filter: Sub-ass'y	209 - 1
G178 7190	Duct: Heat Pipe: Exit: Ass'y	181 - 3
G178 7192	Duct: Heat Pipe: Exit: Exit: Ass'y	181 - 5
G178 7193	Duct: Heat Pipe: Exit: Entrance	183 - 8
G178 7205	Duct: Transport Belt: Main: Ass'y	183 - 1
G178 7208	Seal: Duct: Ozone Filter: Left/Right	211 - 12
G178 7210	Duct: Transport Belt: Main: Exit: Ass'y	183 - 2
G178 7212	Seal: Duct: Ozone Filter: Left Front	209 - 3
G178 7216	Duct: Imaging Unit: Front	83 - 2
G178 7218	Bracket: Fan: Exhaust: Rear	181 - 9

Part No.	Description	Page and Index No.
G178 7220	Bracket: Fan: Duplex: Left Lower	223 - 3
G178 7221	Duct: Fan: Fusing/Paper Exit Unit: Rear	183 - 5
G178 7229	Seal: Case: Filter	205 - 2
G178 7232	Seal: Duct: Cover: Lower: Sub-ass'y	207 - 5
G178 7235	Case: Filter: Preventfence: Upper	205 - 5
G178 7236	Case: Filter: Preventfence: Lower	205 - 6
G178 7238	Filter: Entrance: EFI	27 - 9
G178 7239	Filter: Entrance	27 - 8
G178 7243	Filter: Entrance: Power Supply Unit	203 - 3
G178 7250	Duct: Sirocco: Sub-ass'y	205 - 10
G178 7251	Duct: Entrance: Middle	207 - 10
G178 7252	Duct: Entrance: Left	205 - 7
G178 7258	Filter: Preventfence	205 - 8
G178 7265	Duct: Sirocco: Exhaust	209 - 4
G178 7266	Bracket: Case: Filter	207 - 6
G178 7279	Duct: Exhaust: Upper: Sub-ass'y	207 - 8
G178 7280	Duct: Ass'y	205 - 11
G178 7286	Filter: Entrance: Development	205 - 4
G178 7288	Seal: Heat Pipe	207 - 1
G178 7290	Ozone Filter: Fusing	27 - 6
G178 7294	Seal: Control Unit: Rear	205 - 3
G178 7299	Seal: Main: Fan	207 - 3
G178 7306	Ozone Filter: SCA-750/950	27 - 5
G178 7358	Shaft: Shift	63 - 15
G178 7364	Shaft: Shift: Take	63 - 9
G178 7365	Arm: Shift: Roller: Take	63 - 10
G178 7367	Holder: Shift: Spring	63 - 2
G178 7368	Holder: Shift: Bearing	63 - 5
G178 7370	Duct: Shift	63 - 4
G178 7372	Arm: Shift: Take Shejter	63 - 28
G178 7373	Guide: Arm: Shift	63 - 29
G178 7383	Cover: Registration: UNI	59 - 4
G178 7384	Bracket: Stepper Motor: MM56	53 - 8
G178 7386	Cam: Gate Pawl	63 - 25
G178 7387	Shaft: Gate Pawl	63 - 20

Part No.	Description	Page and Index No.
G178 7389	Cam: Transport Roller	63 - 23
G178 7390	Arm: Cam: Transport Roller: Front	59 - 8
G178 7391	Arm: Cam: Transport Roller: Rear	59 - 6
G178 7392	Disc: Sensor: Cam	63 - 24
G178 7395	Cam: Transport Roller: Shift	63 - 26
G178 7396	Shaft: Driven: On-Off	57 - 11
G178 7398	Shaft: Contact Point: Arm	59 - 7
G178 7399	Holder: Sensor: Cam	69 - 11
G178 7400	Holder: Stepper Motor	55 - 16
G178 7400	Holder: Stepper Motor	53 - 10
G178 7404	Holder: Double Feed Sensor: Upper	57 - 7
G178 7405	Holder: Double Feed Sensor: Lower	59 - 17
G178 7408	Guide Plate: Registration: F Lower	59 - 13
G178 7413	Stay: Positioning Sensor	65 - 15
G178 7414	Bracket: Positioning Sensor	65 - 14
G178 7418	Holder: Sensor: Exit	59 - 3
G178 7420	Holder: Sensor: Transport Roller	57 - 3
G178 7421	Bracket: Bearing: Guide: Rear	59 - 12
G178 7423	Guide Plate: Registration: Rear Upper	65 - 11
G178 7434	Link: Handle: Left	69 - 5
G178 7437	Link: Handle: Right	69 - 3
G178 7439	Shaft: On-Off: Transfer	69 - 8
G178 7441	Positioning Pin: Transport Unit	57 - 32
G178 7441	Positioning Pin: Transport Unit	67 - 46
G178 7445	Link: Handle: Middle	69 - 2
G178 7446	Stopper: Lock: Transfer	67 - 11
G178 7447	Cam: On-Off: Transfer	69 - 9
G178 7448	Shaft: Contact Point: Transfer	67 - 12
G178 7449	Shaft: Lock: Lever	69 - 30
G178 7450	Link: Lock: Transfer	69 - 7
G178 7452	Lever: Link: Transport Roller	57 - 20
G178 7452	Lever: Link: Transport Roller	149 - 8
G178 7453	Arm: On-Off: Transport Roller	149 - 6
G178 7453	Arm: On-Off: Transport Roller	57 - 23
G178 7453	Arm: On-Off: Transport Roller	61 - 13

Part No.	Description	Page and Index No.
G178 7454	Shaft: On-Off: Roller	57 - 22
G178 7454	Shaft: On-Off: Roller	61 - 12
G178 7455	Guide Plate: Entrance: Upper	57 - 17
G178 7458	Holder: Sensor: Entrance	57 - 29
G178 7459	Spring: Paper Feed Sub-unit: Front	57 - 15
G178 7460	Spring: Paper Feed Sub-unit: Rear	57 - 19
G178 7464	Holder: Solenoid	51 - 5
G178 7468	Holder: PCB: Connecting	55 - 2
G178 7474	Plate: Adjusting Pin: Gate Pawl	63 - 17
G178 7475	Holder: Sensor: Duplex Unit	67 - 6
G178 7477	Holder: Stepper Motor: Shift	69 - 21
G178 7480	Holder: Bearing: Cam	63 - 18
G178 7488	Bracket: Stepper Motor: MM42	53 - 3
G178 7488	Bracket: Stepper Motor: MM42	55 - 15
G178 7489	Bracket: Pulley: Peen	55 - 11
G178 7489	Bracket: Pulley: Peen	53 - 15
G178 7493	Shaft: Hinge: Duplex	73 - 21
G178 7494	Guide Plate: Duplex: Lower	73 - 20
G178 7499	Guide Plate: Duplex: Lower Right	73 - 19
G178 7501	Guide Plate: Duplex: Upper	73 - 3
G178 7520	Guide Plate: Vertical Transport: Left	71 - 4
G178 7526	Bracket: Fix: Guide Plate: Rear	59 - 5
G178 7527	Bracket: Fix: Guide Plate: Front	59 - 11
G178 7537	Guide Plate: Registration: F Upper	57 - 2
G178 7540	Gate Pawl: Welding	63 - 21
G178 7546	Guide: Cable	53 - 18
G178 7554	Transport Roller: Shift: Press Fit	63 - 6
G178 7555	Shaft: Shift: Cam: Press Fit	69 - 16
G178 7564	Registration Roller: Drive	65 - 7
G178 7565	Registration Roller: Driven	65 - 9
G178 7572	Scraper: Ass'y	65 - 10
G178 7579	Guide Plate: Vertical Transport: RL	61 - 26
G178 7580	Guide Plate: Vertical Transport: RU	61 - 1
G178 7605	Hook: Latch	61 - 3
G178 7606	Bracket: Holder: Latch	61 - 2

Part No.	Description	Page and Index No.
G178 7607	Shaft: Latch: Hinge	61 - 14
G178 7608	Bracket: Lever	61 - 17
G178 7609	Hinge: Shaft	57 - 18
G178 7609	Hinge: Shaft	61 - 25
G178 7610	Holder: Hinge	61 - 22
G178 7613	Holder: Hinge	61 - 24
G178 7615	Cam: Guide Plate	61 - 23
G178 7616	Link: Lever: No.2	61 - 10
G178 7617	Cover: Entrance: Sensor	61 - 21
G178 7618	Plate: Fix: Band	73 - 2
G178 7619	Hook: Guide Plate: Duplex: Ass'y	73 - 5
G178 7637	Grip: Duplex: Open and Close: Ass'y	73 - 7
G178 7646	Compression Spring: Shift	63 - 16
G178 7647	Tension Spring: Solenoid	51 - 7
G178 7648	Tension Spring: Latch: Duplex	73 - 6
G178 7648	Tension Spring: Latch: Duplex	109 - 25
G178 7649	Spring: Pressure Roller: Shift	63 - 8
G178 7651	Tension Spring: Registration	157 - 8
G178 7651	Tension Spring: Registration	65 - 3
G178 7652	Tension Spring: Transport Roller	57 - 8
G178 7653	Tension Spring: Cam: On-Off	63 - 27
G178 7654	Tension Spring: 7062125	61 - 4
G178 7654	Tension Spring: 7062125	123 - 6
G178 7655	Tension Spring: Link	69 - 1
G178 7656	Tension Spring: Tensioner	55 - 12
G178 7656	Tension Spring: Tensioner	53 - 17
G178 7660	Pressure Roller: Transport Roller	63 - 14
G178 7660	Pressure Roller: Transport Roller	57 - 13
G178 7664	Spacer	81 - 33
G178 7664	Spacer	63 - 12
G178 7664	Spacer	57 - 12
G178 7664	Spacer	171 - 5
G178 7665	Bushing	69 - 18
G178 7667	Rubber Foot	73 - 4
G178 7667	Rubber Foot	25 - 4

Part No.	Description	Page and Index No.
G178 7667	Rubber Foot	61 - 5
G178 7668	Spacer: 7907032: Base	185 - 5
G178 7668	Spacer: 7907032: Base	105 - 2
G178 7668	Spacer: 7907032: Base	187 - 2
G178 7668	Spacer: 7907032: Base	55 - 3
G178 7668	Spacer: 7907032: Base	145 - 5
G178 7668	Spacer: 7907032: Base	189 - 6
G178 7670	Washer: 455554	173 - 28
G178 7670	Washer: 455554	57 - 33
G178 7670	Washer: 455554	67 - 47
G178 7680	Decal: Transport Unit: Caution	61 - 28
G178 7680	Decal: Transport Unit: Caution	413 - 59
G178 7681	Decal: Grip: Open And Close: B4	61 - 30
G178 7681	Decal: Grip: Open And Close: B4	413 - 28
G178 7682	Decal: Grip: Open And Close: B5	413 - 30
G178 7682	Decal: Grip: Open And Close: B5	57 - 31
G178 7683	Inner Cover: Registration: UNI	51 - 3
G178 7684	Decal: Lever: Guide Plate: Z4	413 - 32
G178 7684	Decal: Lever: Guide Plate: Z4	73 - 9
G178 7685	Cover: PCB	55 - 1
G178 7686	Lever: Pull Out: Transport	51 - 2
G178 7687	Shaft: Lever: Open and Close	61 - 16
G178 7688	Gear: Guide Plate: Open and Close	61 - 15
G178 7689	Decal: Knob: Rotation Direction: B1	413 - 60
G178 7689	Decal: Knob: Rotation Direction: B1	51 - 11
G178 7691	Decal: Knob: Rotation Direction: B6	51 - 12
G178 7691	Decal: Knob: Rotation Direction: B6	413 - 61
G178 7692	Decal: Knob: Rotation Direction: B2	51 - 13
G178 7692	Decal: Knob: Rotation Direction: B2	413 - 62
G178 7693	Decal: Knob: Rotation Direction: Z3	51 - 14
G178 7693	Decal: Knob: Rotation Direction: Z3	413 - 63
G178 7694	Cover: DC Stepper Motor: MM42	55 - 13
G178 7694	Cover: DC Stepper Motor: MM42	53 - 1
G178 7704	Holder: Stepper Motor: Shift	69 - 19
G178 7706	PCB: RCB	55 - 4

Part No.	Description	Page and Index No.
G178 7715	Drive Roller: Registration: Ass'y	63 - 11
G178 7716	Transport Roller: Shift: Ass'y	63 - 1
G178 7717	Gear: Shift: Roller	63 - 7
G178 7723	Cover: Cable	53 - 14
G178 7727	Cover: Cable: Right	53 - 13
G178 7740	Duct: CIS: Fan	69 - 14
G178 7741	Arm: Guide	57 - 1
G178 7743	Boss: Positioning Pin: Transport Unit: No.1	173 - 30
G178 7743	Boss: Positioning Pin: Transport Unit: No.1	151 - 11
G178 7743	Boss: Positioning Pin: Transport Unit: No.1	57 - 34
G178 7744	Boss: Positioning Pin: Transport Unit: No.2	173 - 29
G178 7744	Boss: Positioning Pin: Transport Unit: No.2	67 - 48
G178 7744	Boss: Positioning Pin: Transport Unit: No.2	161 - 15
G178 7745	Transport Roller: Timing: Press Fit	59 - 10
G178 7747	Transport Roller: Duplex: Press Fit	71 - 1
G178 7747	Transport Roller: Duplex: Press Fit	59 - 14
G178 7749	Transport Roller: Duplex: Knob: Press Fit	71 - 3
G178 7751	DC Solenoid	51 - 6
G178 7758	Guide Plate: Registration: Exit	59 - 1
G178 7762	Guide Plate: Entrance: Lower	59 - 16
G178 7764	Stand: Pin: Shift	69 - 22
G178 7766	Shaft: Cam	63 - 22
G178 7772	Timing Belt: 60S2M: 668	55 - 10
G178 7781	Gear: Pulley	53 - 11
G178 7784	Bracket: Guide: Paper Feed	217 - 7
G178 7785	Guide: Entrance: LCT: Upper	217 - 6
G178 7786	Guide: Entrance: Upper: Lower	217 - 5
G178 7788	Holder: Handle: Latch: Spring	69 - 29
G178 7790	Holder: Roller: On-Off	73 - 15
G178 7790	Holder: Roller: On-Off	61 - 6
G178 7790	Holder: Roller: On-Off	141 - 5
G178 7790	Holder: Roller: On-Off	57 - 24
G178 7793	Screw: Registration: Fix	51 - 4
G178 7800	Decal: Colored Display: Cover: BK	413 - 34
G178 7800	Decal: Colored Display: Cover: BK	77 - 12

Part No.	Description	Page and Index No.
G178 7801	Decal: Colored Display: Cover: M	413 - 35
G178 7801	Decal: Colored Display: Cover: M	77 - 10
G178 7802	Decal: Colored Display: Cover: C	77 - 11
G178 7802	Decal: Colored Display: Cover: C	413 - 36
G178 7803	Decal: Colored Display: Cover: Y	77 - 9
G178 7803	Decal: Colored Display: Cover: Y	413 - 37
G178 7805	Decal: Colored Display: Lever: BK	413 - 42
G178 7805	Decal: Colored Display: Lever: BK	77 - 4
G178 7806	Decal: Colored Display: Lever: M	413 - 43
G178 7806	Decal: Colored Display: Lever: M	77 - 2
G178 7807	Decal: Colored Display: Lever: C	413 - 44
G178 7807	Decal: Colored Display: Lever: C	77 - 3
G178 7808	Decal: Colored Display: Lever: Y	413 - 45
G178 7808	Decal: Colored Display: Lever: Y	77 - 1
G178 7812	Decal: Collection Bottle: No.1	229 - 26
G178 7812	Decal: Collection Bottle: No.1	413 - 64
G178 7813	Decal: Collection Bottle: No.2	229 - 27
G178 7813	Decal: Collection Bottle: No.2	413 - 66
G178 7814	Decal: Collection Bottle: Door	413 - 65
G178 7814	Decal: Collection Bottle: Door	25 - 20
G178 7815	Seal: Bottle: Feeler	229 - 18
G178 7816	Stopper: Pipe: Toner Recycling	167 - 21
G178 7817	Gear: Idler: Toner Recycling: Upper: Ass'y	167 - 5
G178 7817	Gear: Idler: Toner Recycling: Upper: Ass'y	165 - 3
G178 7819	Seal: Cap: Collection Bottle	229 - 15
G178 7834	Tension Spring: Transfer: 10N	67 - 44
G178 7840	Decal: Warning	23 - 18
G178 7840	Decal: Warning	413 - 67
G178 7845	Decal: Warning: Earth	413 - 68
G178 7845	Decal: Warning: Earth	183 - 10
G178 7847	Decal: Leak Breaker: Caption	183 - 11
G178 7847	Decal: Leak Breaker: Caption	413 - 25
G178 7853	Sheet: Fiber: Stay	123 - 13
G178 7874	Bracket: Stripper Plate: Front	135 - 21
G178 7875	Bracket: Stripper Plate: Rear	135 - 22

Part No.	Description	Page and Index No.
G178 7876	Bracket: Paper Feed Sensor	135 - 10
G178 7877	Bracket: Distance Measuring Sensor	135 - 8
G178 7878	Fusing Belt: 140mm	129 - 14
G178 7886	Cover: Handle: A: Ass'y	123 - 9
G178 7887	Cover: Handle: B: Ass'y	123 - 7
G178 7890	Holder: Positioning Sensor: Welding	131 - 6
G178 7892	Gear: Z70: Hot Roller	129 - 15
G178 7894	Gear: Z38: Joint: Ass'y	127 - 11
G178 7895	Clip: Hose: DIA10	137 - 17
G178 7900	Distance Measuring Sensor	135 - 9
G178 7900	Distance Measuring Sensor	131 - 31
G178 7901	Decal: Warning (Electrical): Pump	137 - 21
G178 7901	Decal: Warning (Electrical): Pump	413 - 33
G178 7902	Supply Nozzle: Oil Sump	133 - 16
G178 7906	Oil Pan: Ass'y	133 - 17
G178 7910	Cap: Bottle: Oil Supply	229 - 23
G178 7911	Oil Pan: Fusing Unit	159 - 3
G178 7912	Decal: Oil Supply	413 - 94
G178 7912	Decal: Oil Supply	21 - 33
G178 7913	Sheet: Fusing Entrance Guide Plate	131 - 34
G178 7914	Sheet: Holder: Positioning Sensor	131 - 24
G178 7915	Sheet: Oil Sump: Lower	131 - 35
G178 7916	Sheet: Positioning Sensor: Upper	131 - 36
G178 7918	Base: Oil End Sensor: Sensor	137 - 12
G178 7919	Stopper: Oil End Sensor: Sensor	137 - 9
G178 7921	Bottle: Oil Supply	229 - 24
G178 7924	Tube: DIA8.5: Collect: Main	137 - 14
G178 7926	Guide: Paper Exit Sub-unit: Upper	123 - 15
G178 7929	Bushing: Cleaning Roller	125 - 2
G178 7932	Plate: Drive: Oil Application Unit	133 - 18
G178 7933	Gear: Joint: Oil Application Sub-unit	133 - 8
G178 7934	Shaft: Gear: Roller: Drive	127 - 10
G178 7950	Pressure Roller	131 - 25
G178 7951	Stepped Screw	133 - 7
G178 7952	Nozzle: Oil Supply	127 - 15

Part No.	Description	Page and Index No.
G178 7956	Guide: Cover: Entrance: Upper	123 - 27
G178 7957	Thermostat: 160C: 250V: 10A	135 - 3
G178 7958	Thermostat: 159C: 250V: 10A	135 - 5
G178 7959	Thermostat: 190C: 250V: 10A	135 - 14
G178 7960	Cover: Thermostat: Heat Roller	135 - 25
G178 7961	Holder: Thermostat: Heat Roller	135 - 24
G178 7984	Tension Spring: Oil Application Unit: Front	133 - 26
G178 7995	Supporting Plate: Web	127 - 16
G178 7998	Torsion Spring: Right	125 - 24
G178 7999	Torsion Spring: Left	125 - 25
G178 8350	Wrench: Hexagonal Bolt	229 - 2
G178 8356	Tray: Slide	229 - 25
G178 9510	Photoconductor: DIA100	87 - 11
G178 9590	NVRAM	197 - 12
G178 9640	Developer - Black	229 - 20
G178 9660	Developer - Cyan	229 - 20
G178 9670	Developer - Magenta	229 - 20
G178 9680	Developer - Yellow	229 - 20
M078 0480	DVD-ROM: Sys D097/M078: EXP: Ass'y	415 - 7
M078 1658	Plate: Name Plate: C720	21 - 25
M078 5300	PCB: BCU: Sub-Ass'y (M078)	189 - 8
M078 6022	PCB:CONT: EX1: M078: Ass'y	197 - 13

Part No.	Description	Page and Index No.
A017 2988	Ring	289 - 5
A028 7878	Arm Spacer	245 - 26
A029 9387	Digital Multimeter - FLUKE87	415 - 1
A069 1883	Shoe - Scanner	261 - 11
A079 1201	Fusing Drive Joint	173 - 25
A079 1203	Fusing Drive Stopper	173 - 16
A096 4928	Guide Plate Band	141 - 17
A096 4928	Guide Plate Band	73 - 1
A096 6553	Side Fence Pad	41 - 10
A096 6677	Decal - Right Paper Set	413 - 1
A096 6677	Decal - Right Paper Set	37 - 1
A096 6678	Decal - Left Paper Set	35 - 11
A096 6678	Decal - Left Paper Set	413 - 2
A134 2380	Toner Collection Bottle Cap	229 - 14
A134 2978	Spring Plate	41 - 12
A176 1737	Exposure Glass Cushion	259 - 3
A193 1767	1st Mirror Holder	261 - 8
A193 1829	Ball Bearing - M8	265 - 21
A228 3613	Gear - 20Z	277 - 14
A229 2692	Damping Insulation	285 - 21
A229 4727	Guide Plate Pressure Holder	73 - 12
A232 4666	Cushion - Stepper Motor	177 - 2
A232 4666	Cushion - Stepper Motor	289 - 2
A232 4666	Cushion - Stepper Motor	293 - 2
A247 4249	Connector - 3P	135 - 15
A248 6615	Coupling Lever - Left	35 - 36
A248 6687	Right Drive Shaft	39 - 35
A248 6694	Wire Ring	39 - 13
A248 6695	Guide - Pulley	39 - 20
A248 6701	Oil Damper	39 - 26
A248 6713	Hook - Tension Spring	39 - 2
A257 9300	Grease - Barrierta S552R	415 - 4
A257 9550	Silicone Oil Type SS	229 - 21
A267 1820	Sheet - Photointerrupter	263 - 23
A267 2857	Spring Plate - Side Fence	41 - 25

Part No.	Description	Page and Index No.
A267 2859	Side Fence Stopper	41 - 23
A267 2860	Rear Lever Stopper	41 - 24
A294 1667	Sheet - Optical Housing	265 - 13
A294 1673	Front Stay	257 - 10
A294 1688	Cushion	265 - 26
A294 1743	Cushion - 5x20x4	261 - 20
A294 1747	Timing Belt - Scanner	265 - 8
A294 1752	Pulley: Tension: Timing Belt: Ass'y	265 - 5
A294 1756	Spring - Scanner Motor	265 - 7
A294 1788	Sheet - Upper Frame	259 - 1
A294 1799	Right Stay - Optical Housing	259 - 18
A294 1836	Ground Plate - Left Frame	257 - 6
A294 1837	Ground Plate - Rear Frame	257 - 4
A294 1838	Ground Plate: Stay: Lens	207 - 11
A294 1838	Ground Plate - Lens Stay	209 - 10
A294 1942	Holder - Sync Detector Board	85 - 7
A294 4116	Plate Ratchet	125 - 19
A294 4156	Gear - 23Z	125 - 15
A294 4156	Gear - 23Z	277 - 10
A294 4158	Coupled Gear - 25Z/32Z	125 - 7
A294 4164	Roller Spring Plate	123 - 17
A294 4171	Coupled Gear - 17Z/32Z	127 - 6
A294 4171	Coupled Gear - 17Z/32Z	125 - 10
A294 4433	Web Spring Plate	125 - 5
A294 6630	Left Rear Fence	35 - 12
A294 6643	Left Front Fence	35 - 7
A294 6645	Left Side Plate	35 - 4
A294 6655	Front Roller - Slide Rail	39 - 28
A294 6690	Feeler - Paper Height Sensor	39 - 30
A294 6700	Torque Limiter - 53mnm	241 - 27
A294 6713	Shield - Front Side Fence	39 - 15
A300 3812	Spacer - 6x22x1.5	253 - 9
A335 4351	Guide Roller	273 - 4
A351 3459	Idler	247 - 5
A376 1295	Spacer - M6x10x5	275 - 5

Part No.	Description	Page and Index No.
A418 1158	Spacer - M6.5x1	241 - 7
A422 1063	Seal - 0.7x13x20	243 - 24
A548 1231	Guide Roller	249 - 15
A548 1234	Driven Roller Arm	247 - 16
A548 1234	Driven Roller Arm	249 - 5
A548 1261	Exit Roller	249 - 9
A548 1317	Lever Cushion	249 - 12
A548 1320	Inverter Gate Plate	249 - 11
A548 1442	Transport Arm	245 - 17
A548 1531	Safety Switch Feeler	255 - 13
A548 2137	Timing Pulley - 18Z	249 - 22
A610 2132	Pressure Bushing	245 - 11
A610 2136	Bushing	245 - 9
A610 2137	Pressure Roller Bushing	245 - 19
A610 3532	Timing Pulley - 18Z	253 - 2
A628 1225	Bushing - 8mm	241 - 13
A663 1241	Exit Roller: Driven : AS	237 - 12
A680 1443	Arm Shaft	245 - 15
A680 1446	Transport Unit Arm	245 - 16
A680 1621	Feed-in Unit Stopper	241 - 12
A680 1661	Bushing - 4mm	239 - 10
A680 2262	Feeler - Pick-up Roller Cam	251 - 36
A680 2311	Pulley - 18T/32T	253 - 8
A680 2321	Pulley - 30T	249 - 1
A806 1135	Contact Point Shaft	255 - 7
A806 1141	Reverse Roller Stay	241 - 34
A806 1152	Upper Guide Plate	241 - 1
A806 1153	Upper Guide Plate	241 - 2
A806 1161	Entrance Guide Plate - Front	241 - 10
A806 1162	Entrance Guide Plate - Inner	241 - 20
A806 1163	Guide Plate Cushion	241 - 11
A806 1181	Pressure Roller Bracket - Pull Out	239 - 12
A806 1211	Middle Guide Plate	243 - 9
A806 1221	Registration Sensor Bracket	243 - 13
A806 1226	Paper Size Sensor Bracket	243 - 7

Part No.	Description	Page and Index No.
A806 1241	Lower Guide Plate	243 - 10
A806 1251	Transport Roller Arm	243 - 19
A806 1256	Middle Shaft - Roller Arm	243 - 17
A806 1257	Roller Arm Shaft	243 - 23
A806 1261	Middle Driven Roller	243 - 18
A806 1266	Driven Roller	243 - 21
A806 1271	Pull Out Drive Roller	243 - 2
A806 1276	Transport Drive Roller	243 - 3
A806 1282	Separation Drive Shaft	241 - 19
A806 1292	Feed Belt Bracket	241 - 35
A806 1293	Feed Belt Drive Roller	241 - 14
A806 1294	Feed Belt Driven Roller	241 - 16
A806 1295	Feed Belt	241 - 18
A806 1298	Transport Belt Roller Shaft	241 - 17
A806 1328	Release Lever	241 - 21
A806 1335	Original Table Guide Plate	239 - 25
A806 1342	Base Lever	239 - 38
A806 1346	Base Shaft	239 - 37
A806 1353	Feeler Stud	239 - 27
A806 1356	Original Sensor Bracket	239 - 34
A806 1361	Cover Bracket	239 - 8
A806 1371	Magnet Catch - Paper Feed Cover	239 - 5
A806 2151	Timing Pulley - T19/Z23 S2M/M0.6	241 - 32
A806 2153	Timing Pulley - T27 S2M	241 - 29
A806 2161	Timing Pulley - T30/Z20 S2M/M0.8	251 - 8
A806 2244	Separation Shaft Stopper	251 - 19
A806 2271	Gear - Z18	241 - 33
A806 2281	Gear - Z47	239 - 35
A806 2283	Gear - Z20/Z47	251 - 7
A806 2285	Gear - Z20/Z47	251 - 5
A806 2287	Gear - Z20/Z47	251 - 6
A806 3111	Drive Exit Roller	247 - 24
A806 3142	Guide Plate Bracket	247 - 10
A806 3151	Driven Exit Roller	247 - 9
A806 3171	Lower Exit Cover	247 - 12

Part No.	Description	Page and Index No.
A806 3211	Right Exit Guide Plate	247 - 18
A806 3221	Exit Ground Plate	247 - 21
A806 3222	Seal	247 - 20
A806 3251	Exit Cover Bracket	237 - 11
A806 3261	Inner Back Cover Bracket	237 - 9
A806 3266	Discharge Brush Bracket	237 - 10
A806 3281	Timing Pulley - T14 S3M	247 - 2
A806 4117	Timing Belt - B40S2M158	251 - 10
A806 4118	Timing Belt - B40S2M148	241 - 25
A806 4221	Compression Spring	243 - 20
A806 4251	Grounding Plate	239 - 22
A806 4261	Spring Belt Guide Roller	241 - 15
A859 2230	Ball Bearing - 6x13x5	251 - 28
A859 2241	Reverse Roller	241 - 28
A859 7211	Stepped Screw	237 - 6
B004 2995	Cap - Positioning	225 - 21
B004 4438	Bushing	81 - 43
B027 8521	O/I Holder - Assembly	229 - 7
B065 1299	Cap: MM22	233 - 5
B065 1341	Connector Cap	233 - 7
B065 1341	Connector Cap	25 - 16
B065 1343	NCU Cap	233 - 3
B065 4933	Guide Plate Lever Hook	141 - 2
B065 4933	Guide Plate Lever Hook	73 - 10
B065 6135	Lock Arm - Tandem Tray	225 - 11
B065 6136	Tray Lock Arm	225 - 13
B065 6172	Paper Tray Stopper	179 - 25
B065 6345	Paper End Sensor Bracket	45 - 12
B065 6428	Release Button - Vertical Transport	49 - 17
B065 6524	Bottom Plate Lift Shaft	41 - 30
B065 6526	Lift Lever	41 - 31
B065 6538	Positioning Stopper Lever	41 - 13
B065 6545	Decal - Positioning	413 - 9
B065 6545	Decal - Positioning	41 - 8
B065 6581	Paper Tray Holder Stay	41 - 33

Part No.	Description	Page and Index No.
B065 6588	Right Support Plate	41 - 6
B065 6589	Left Support Plate	41 - 16
B065 6591	Paper Tray Holder Base	41 - 20
B065 6717	Paper Volume Shield Plate	39 - 39
B065 6769	Lock Arm	179 - 17
B065 6777	Supporting Plate	225 - 5
B065 6823	Timing Belt Cover	35 - 20
B065 6830	Pulley Bracket	35 - 23
B065 6831	Sensor Bracket	35 - 34
B065 6846	Decal - Paper Set - Left	413 - 11
B065 6846	Decal - Paper Set - Left	35 - 6
B065 6859	Right Stopper	37 - 4
B065 6862	Large Lever	39 - 34
B065 6864	Small Lever	39 - 31
B065 6870	Stay - Rightbase	39 - 14
B065 6872	Oil Damper Bracket	39 - 25
B065 6875	Protection -Inner Cover	37 - 5
B065 6877	Decal - Paper Set - Right	413 - 12
B065 6877	Decal - Paper Set - Right	37 - 6
B070 1307	Decal: Paper Set Direction	229 - 4
B070 1307	Decal: Paper Set Direction	231 - 8
B070 1307	Decal: Paper Set Direction	413 - 14
B070 1312	Cap: Joint: Large Capacity Tray	233 - 9
B070 1312	Cap: Joint: Large Capacity Tray	25 - 15
B070 1790	Exposure Glass: Ass'y	259 - 19
B070 4418	Web Brake Pad	125 - 20
B070 5473	DC Harness - Left	35 - 26
B070 6516	Bracket: Cover: Tandem LCT: Ass'y	35 - 5
B070 6666	Left DC Motor Bracket	35 - 30
B070 6667	End Fence Cover Front	39 - 18
B070 6683	Lever: Release: Front	39 - 17
B070 6684	Lever: Release: Rear	39 - 27
B070 6877	Large Drum Stay Ground Plate	197 - 6
B070 6899	Ground Plate: Panel	197 - 5
B098 6639	Tray Bottom Plate: Left Middle: Ass'y	35 - 9

Part No.	Description	Page and Index No.
B125 3230	Spacer - 0.3	295 - 13
B132 1183	Bracket: Lock	145 - 13
B132 1183	Bracket: Lock	69 - 25
B132 1183	Bracket: Lock	107 - 22
B132 1190	Bracket: Release: Lock	107 - 19
B132 1220	Cover: Base: Pull Out	67 - 5
B132 1221	Holder: Spring: Pull Out	145 - 15
B132 1221	Holder: Spring: Pull Out	69 - 28
B132 1224	Supporting Plate: Bracket: Lock	69 - 24
B132 1224	Supporting Plate: Bracket: Lock	145 - 11
B132 1224	Supporting Plate: Bracket: Lock	107 - 20
B132 1226	Holder: Stand	231 - 3
B132 1562	Decal - Inkjet: Paper	25 - 19
B132 1562	Decal - Inkjet: Paper	413 - 46
B132 1719	Screw: Mechanical Drive Section	265 - 18
B132 1820	Scanner Shoe Pin	261 - 10
B132 1896	Ground Wire: Scanner	265 - 28
B132 2264	Bushing: Terminal	117 - 4
B132 2366	Lever: Drum Stay: Left	77 - 29
B132 3223	Gear: 21/32Z	81 - 30
B132 3344	Shaft: Magnetic Clutch: Drive: Rotor	81 - 24
B132 3348	Gear: Drive: Rotor: Supply	81 - 25
B132 3350	Gear: Idler: Transport Screw: Small	289 - 15
B132 4119	Spacer: Gear: Idler	283 - 17
B132 4189	Harness Clamp	135 - 26
B132 5415	Base: Electric Potential Sensor	83 - 4
B132 5807	Ground Plate: Base: Control Board	207 - 4
B132 5807	Ground Plate: Base: Control Board	203 - 10
B132 5807	Ground Plate: Base: Control Board	211 - 1
B132 5807	Ground Plate: Base: Control Board	197 - 11
B132 5836	Panel - Interface	197 - 4
B132 5925	Cover: Connector: Control Board	197 - 1
B132 6594	Cap: Tank: DIA35	229 - 13
B132 6655	Stepper Motor: Paper Feed Unit: Ass'y	143 - 16
B132 6655	Stepper Motor: Paper Feed Unit: Ass'y	55 - 14

Part No.	Description	Page and Index No.
B132 6655	Stepper Motor: Paper Feed Unit: Ass'y	53 - 2
B132 6655	Stepper Motor: Paper Feed Unit: Ass'y	121 - 14
B132 6655	Stepper Motor: Paper Feed Unit: Ass'y	163 - 5
B132 6692	Slide Rail: Left: Sub-ass'y	225 - 16
B132 6726	Bracket: Arm: Ass'y	179 - 14
B132 6742	Left Rail Bracket	225 - 9
B132 6759	DC Motor: Rise: Tandem LCT: Ass'y	177 - 18
B132 6762	DC Solenoid: Coupling: Ass'y	179 - 13
B132 6763	Bracket: Connector: Left	177 - 20
B132 6764	Bracket: Connector: Right	177 - 19
B132 6765	DC Solenoid: Lock: Ass'y	179 - 24
B132 6785	Tray Bottom Plate: Ass'y	41 - 18
B132 6791	Plate: Side Fence	41 - 11
B132 6793	Side Fence: Front: Ass'y	41 - 14
B132 6797	Side Fence: Rear: Auxiliary	41 - 22
B132 6798	Spring Plate: Paper Tray: Earth	41 - 4
B132 7541	Tray Bottom Plate: Left Rear	35 - 10
B132 7547	DC Solenoid: End Fence: Front: Ass'y	39 - 1
B132 7550	Cover: Pulley: Drive Were	39 - 22
B132 7561	Back Fence: Left	35 - 21
B132 7564	Slider: Back Fence: Left	35 - 19
B132 7571	DC Solenoid: End Fence: Rear: Ass'y	39 - 8
B132 7575	Bracket: Connector: Tandem LCT	39 - 38
B132 7586	Inner Cover: Tandem LCT	37 - 2
B132 7591	Rail: Paper Tray: Ass'y	225 - 17
B132 9700	Drum Setting Powder Pad Applicator	415 - 6
B181 6780	Link: End Fence: Paper Size Sensor: Ass'y	41 - 2
B181 6789	Link: Side Fence: Paper Size Sensor	41 - 3
B188 1391	Gasket: 5x10x100	203 - 9
B188 3575	Screw: Lever: Release: Blade	245 - 25
B198 6407	Decal: Vermont: 2	211 - 13
B198 6407	Decal: Vermont: 2	413 - 47
B223 2873	Decal - Side Fence Rear	413 - 7
B223 2873	Decal - Side Fence Rear	41 - 21
B223 3207	Shutter: Nozzle	79 - 10

Part No.	Description	Page and Index No.
B223 3208	Spring: Shutter: Nozzle	79 - 11
B223 3334	Holder: Stopper: Shutter: Ass'y	79 - 9
B223 4331	Cover: Thermopile	221 - 11
B223 4332	Holder: Thermopile	221 - 9
B223 5120	PCB: IOB	399 - *
B223 6395	Density Sensor	95 - 11
B234 1118	Fly Wheel Flange	169 - 13
B234 1132	Spring: Joint: Fusing	173 - 17
B234 1263	Stopper - ADF Exit Tray	231 - 19
B234 1265	Tray: Exit: ADF	231 - 21
B234 1293	Lever - Safety Switch	21 - 6
B234 1296	Plate: Magnet Catch	235 - 6
B234 1313	Cover - Large Capacity Tray	233 - 10
B234 1313	Cover - Large Capacity Tray	25 - 17
B234 1463	PCB Key Sub	31 - 6
B234 1466	PCB LED F	31 - 10
B234 1469	PCB LED R	31 - 13
B234 1472	PCB LCD	33 - 19
B234 1477	Harness - LED	31 - 9
B234 1479	Touch Panel S-VGA	33 - 15
B234 1480	Invertor S-VGA	33 - 25
B234 1502	Cover: Rear	31 - 8
B234 1504	Cover - Pilot Lamp	31 - 5
B234 1505	Keytop - Start	33 - 1
B234 1506	Keytop - Stop	33 - 7
B234 1507	Keytop - 10key	33 - 6
B234 1508	Keytop - Try Print	33 - 27
B234 1515	Keytop - Spacer Application	33 - 5
B234 1517	Keytop - Program	33 - 9
B234 1519	Keytop - Power Source	33 - 12
B234 1520	Keytop - Interrupt	33 - 10
B234 1521	Keytop - Login_Logout	33 - 11
B234 1531	Shading Plate	33 - 14
B234 1535	LED Heat Sink	31 - 12
B234 1538	Sheet: Heat	31 - 11

Part No.	Description	Page and Index No.
B234 1539	Insulator - Invertor	33 - 26
B234 1542	Spacer - Touch Panel L	33 - 17
B234 1543	Spacer - Touch Panel S	33 - 16
B234 1544	Cushion - Plate LCDPCB	33 - 20
B234 1558	Keytop - Counter NA	33 - 13
B234 1559	Keytop - Reset Switch	33 - 8
B234 1568	Keytop - Counter EU	33 - 13
B234 1569	Keytop - Copy NA	33 - 28
B234 1570	Keytop - DOCBOX NA	33 - 29
B234 1572	Keytop - Scanner NA	33 - 30
B234 1575	Keytop - Copy EU	33 - 28
B234 1576	Keytop - DOCBOX EU	33 - 29
B234 1578	Keytop - Scanner EU	33 - 30
B234 1582	Keytop - EFI Normal	33 - 3
B234 1630	Guide: Harness: No.2: Unit	261 - 16
B234 1640	Mirror No.2	261 - 19
B234 1669	Cover - IC	263 - 1
B234 1670	Stabilizer Duct	263 - 17
B234 1674	Cover Plate - Sync Detector Board	263 - 14
B234 1676	Stabilizer Bracket	263 - 18
B234 1681	Seal: Harness	261 - 13
B234 1683	Scanner Pulley Bracket	265 - 17
B234 1687	Sheet: S10: T0.075	265 - 14
B234 1688	Cushion: Scanner: No.1: Upper	261 - 14
B234 1690	Image Reading Unit Stay: Frame - Rear	257 - 11
B234 1696	Duct Bracket	263 - 16
B234 1697	SIB Bracket	263 - 13
B234 1699	Fan Motor Bracket	263 - 19
B234 1701	Scanner No.1 Unit	261 - 1
B234 1706	Mirror No.1	261 - 7
B234 1707	Reflector	261 - 5
B234 1709	Wire Stay	261 - 9
B234 1712	Lamp Holder - Rear	261 - 4
B234 1713	Harness Holder No.1	261 - 6
B234 1721	Lens Unit	259 - 10

Part No.	Description	Page and Index No.
B234 1723	Scanner Pulley Bracket - Left	265 - 16
B234 1732	Scanner No.2 Unit	261 - 2
B234 1744	Harness Guide	263 - 6
B234 1746	Tension Wire Bracket	265 - 23
B234 1747	Original Sensor Holder	259 - 12
B234 1748	Scanner Motor Bracket	265 - 4
B234 1749	Scanner Drive Shaft	265 - 10
B234 1751	Guard - 2nd Mirror	261 - 18
B234 1758	Tension Spring	265 - 24
B234 1759	Drive Were	265 - 22
B234 1764	Fan Motor Bracket	265 - 1
B234 1765	Fan Motor Bracket	263 - 4
B234 1766	Cnb Bracket	259 - 17
B234 1774	DC Motor: Scanner: DC27V 50W	265 - 3
B234 1779	Cover - Lens SBU	259 - 13
B234 1781	Holder Lensstay Lens Unit	265 - 25
B234 1782	Lens Unit Stay Spacer	259 - 9
B234 1793	Cushion: Scanner: No.2: Upper	261 - 15
B234 1811	Cover - LD Unit	263 - 7
B234 1817	Cover - Sync Detector Board	263 - 15
B234 1825	Home Position Sensor Bracket	263 - 24
B234 1828	Scanning Fan Bracket	265 - 15
B234 1845	Filter: Ass'y	231 - 22
B234 2125	Spring: Terminal: Grid	87 - 9
B234 2327	Grip - Tray Unit	89 - 4
B234 2390	Flanged Hexagonal Head Bolt: M4x8	67 - 22
B234 2390	Flanged Hexagonal Head Bolt: M4x8	115 - 16
B234 2390	Flanged Hexagonal Head Bolt: M4x8	23 - 2
B234 2440	LED Array - QL	219 - 5
B234 2624	Ball Bearing - 8x12x5	45 - 6
B234 2628	Ball Bearing - Front	57 - 10
B234 2628	Ball Bearing - Front	65 - 1
B234 2629	Ball Bearing - Rear	57 - 30
B234 2629	Ball Bearing - Rear	65 - 4
B234 2750	Contact Image Sensor	65 - 12

Part No.	Description	Page and Index No.
B234 3177	Decal: Positioning Display: Development	413 - 15
B234 3177	Decal: Positioning Display: Development	89 - 6
B234 3372	DC Motor: Toner Bottle: DC21V 5.85W	79 - 7
B234 4244	Gear - 50Z	125 - 13
B234 4258	Cap: Heat Pipe	145 - 24
B234 4319	Transport Roller: Cooling Sub-unit: Exit	155 - 6
B234 4320	Holder: Compression Spring: Joint	175 - 4
B234 4325	Brushless Motor DC24V 20W	175 - 1
B234 4385	Joint: Paper Exit Unit: Drive	175 - 6
B234 4386	Shaft: Drive: Motor: Press Fit	175 - 2
B234 4428	Gear - 66Z	175 - 7
B234 4460	Discharge Brush - L=341 SUS	155 - 11
B234 4490	Slide Rail - Fusing/Paper Exit Unit	217 - 2
B234 4490	Slide Rail - Fusing/Paper Exit Unit	223 - 13
B234 4498	Transport Roller - Cooling Entrance	155 - 13
B234 4818	Compression Spring	291 - 8
B234 4842	Shaft: Arm: On-Off	291 - 5
B234 4858	Driven Roller Holder	149 - 13
B234 5107	PCB CNB	259 - 15
B234 5156	Harness - SBU Power Source	263 - 8
B234 5157	Harness - SBU	263 - 9
B234 5280	PCB CRB	65 - 5
B234 5365	PCB Sync Detector	85 - 8
B234 5380	Motor Control Board	85 - 5
B234 5500	Flexible Board - Xenon Lamp	261 - 12
B234 5526	Cable: HDD: S-ATA: Red: Rohs	199 - 2
B234 5527	Cable: HDD: S-ATA: Gray: Rohs	199 - 1
B234 5632	Harness - Power Source	217 - 3
B234 5670	Harness - Paper Feed Unit	43 - 13
B234 5671	Harness - Paper Size Sensor	179 - 22
B234 5673	Harness - Tandem LCT Right	39 - 6
B234 6120	Bracket: Positioning: Paper Tray	179 - 12
B234 6125	Harness Guide Bracket	225 - 20
B234 6138	Rail - Tandem LCT	225 - 4
B234 6141	Positioning Sleeve - Inner Back	225 - 1

Part No.	Description	Page and Index No.
B234 6141	Positioning Sleeve - Inner Back	39 - 12
B234 6141	Positioning Sleeve - Inner Back	273 - 5
B234 6141	Positioning Sleeve - Inner Back	303 - 16
B234 6151	Paper Size Sensor Bracket	179 - 21
B234 6160	Tandem LCT Rail - Left	225 - 10
B234 6169	Stay - Tandem LCT	225 - 6
B234 6170	Slide Rail Bracket - Left	225 - 15
B234 6173	Rail Stay - Left	225 - 12
B234 6181	Slide Rail - Right	225 - 19
B234 6188	Slide Sleeve Positioning	225 - 18
B234 6190	Heater Unit - Upper	225 - 3
B234 6191	Heater Unit - Lower	225 - 2
B234 6200	Paper Feed Unit	43 - *
B234 6208	Paper Feed Unit Stay	43 - 3
B234 6212	Reverse Lever	47 - 11
B234 6222	Reverse Drive Shaft	285 - 16
B234 6222	Reverse Drive Shaft	47 - 9
B234 6223	Driven Reverse Shaft	285 - 4
B234 6223	Driven Reverse Shaft	47 - 5
B234 6231	DC Solenoid: Reverse: Ass'y	47 - 14
B234 6242	Guide - Roller: Driven Pressure	47 - 15
B234 6245	Guide Plate - Vertical Transport	47 - 7
B234 6253	Guide Plate - Reverse	47 - 1
B234 6254	Guide Plate - Feed	45 - 13
B234 6255	Guide - Front	47 - 13
B234 6256	Guide - Rear	47 - 12
B234 6272	Feed Shaft	45 - 4
B234 6275	Pickup Arm	45 - 9
B234 6282	Pickup DC Solenoid	43 - 8
B234 6286	Sensor Bracket - Vertical Transport	43 - 2
B234 6287	Sensor Bracket - Paper Feed	43 - 4
B234 6288	Bsensor Bracket - Sensor	43 - 6
B234 6301	Torque Limiter: 75mn M	285 - 3
B234 6301	Torque Limiter: 75mN m	47 - 4
B234 6355	Guide Plate - Joint Unit	49 - 2

Part No.	Description	Page and Index No.
B234 6360	Transport Roller: Joint Unit: Ass'y	49 - 1
B234 6424	Release Grip	57 - 16
B234 6424	Release Grip	153 - 7
B234 6424	Release Grip	49 - 21
B234 6424	Release Grip	61 - 18
B234 6424	Release Grip	147 - 2
B234 6427	Cover: Release: Vertical Transport	49 - 22
B234 6490	Side Fence: Rear: Ass'y	41 - 27
B234 6495	Guide: Front: Paper Tray	41 - 36
B234 6496	Guide: Middle: Paper Tray	41 - 37
B234 6497	Guide: Rear: Paper Tray	41 - 26
B234 6498	Sheet: Tray Bottom Plate	41 - 38
B234 6506	Timing Pulley - 30T	293 - 5
B234 6506	Timing Pulley - 30T	289 - 6
B234 6506	Timing Pulley - 30T	295 - 22
B234 6506	Timing Pulley - 30T	59 - 9
B234 6506	Timing Pulley - 30T	177 - 13
B234 6506	Timing Pulley - 30T	179 - 8
B234 6507	Timing Pulley - 25T	293 - 6
B234 6507	Timing Pulley - 25T	177 - 4
B234 6507	Timing Pulley - 25T	289 - 7
B234 6508	Tension Spring	179 - 4
B234 6508	Tension Spring	295 - 8
B234 6508	Tension Spring	177 - 10
B234 6510	Tandem LCT Bracket	177 - 11
B234 6511	Tightener Bracket	177 - 17
B234 6512	Tightener Bracket	177 - 9
B234 6513	Timing Belt - S2M180	177 - 16
B234 6514	Timing Belt - S2M126	177 - 12
B234 6514	Timing Belt - S2M126	179 - 7
B234 6520	Bracket	177 - 3
B234 6523	Timing Belt - S2M100	177 - 5
B234 6530	Bracket	179 - 5
B234 6531	Tightener Bracket	179 - 6
B234 6532	Tightener Bracket	179 - 3

Part No.	Description	Page and Index No.
B234 6533	Timing Belt - S2M152	179 - 11
B234 6541	Feed Drive Shaft	177 - 15
B234 6541	Feed Drive Shaft	179 - 10
B234 6542	Grip Drive Shaft	179 - 9
B234 6542	Grip Drive Shaft	177 - 14
B234 6543	Drive Shaft	177 - 6
B234 6565	Harness Clamp Bracket	177 - 21
B234 6606	Sensor Bracket	37 - 11
B234 6610	Tandem LCT Unit - Right DOM	37 - *
B234 6611	Tandem LCT Unit - Left DOM	35 - *
B234 6612	End Fence - Front	39 - 9
B234 6615	Tandem LCT Unit - Right	37 - *
B234 6616	Tandem LCT Unit - Left	35 - *
B234 6625	End Fence - Rear	39 - 10
B234 6630	Guide Plate - End Fence	39 - 4
B234 6667	Side Plate - Side	37 - 17
B234 6680	Base: Tandem Lct: Right: Adhesion	37 - 9
B234 6686	Side Fence - Right Front	37 - 7
B234 6690	Plate: Paper	37 - 8
B234 6691	Side Fence: Tandem Lct: Right: Ass'y	37 - 16
B234 6771	Paper Tray: Universal: DOM: Ass'y	41 - *
B234 7001	Ardf: Unit	237 - *
B234 7540	Tray Bottom Plate: Left Front	35 - 8
B234 7559	Connector Bracket	303 - 1
B234 7597	Shield: Duct: Front	257 - 7
B247 6695	Guide: Misfeed Removal: Paper Tray	41 - 32
B247 6695	Guide: Misfeed Removal: Paper Tray	37 - 13
B247 6753	Lock Spring - Large	179 - 16
B247 6754	Lock Spring - Small	179 - 15
B247 6950	Shaft: Slider: Back Fence	35 - 18
B247 6951	Bracket: Pulley: Driven: Ass'y	35 - 16
B247 6970	Base: Tandem LCT: Left: Ass'y	35 - 33
B275 1186	Gasket: Tray: IPU/MCU: Upper	211 - 14
B301 1136	Spring Plate - 0.4mm	255 - 3
B301 1137	Pulley Cover	255 - 5

Part No.	Description	Page and Index No.
B301 1141	Rubber Cushion	245 - 6
B301 1141	Rubber Cushion	253 - 16
B301 1155	Separation Support Pad	241 - 3
B301 1156	Separation Pad Holder	241 - 4
B301 1171	Pulley Cover	239 - 23
B301 1188	Sensor Bracket	239 - 15
B301 1191	Pull-out Driven Roller	239 - 11
B301 1192	Bushing - 4x6x6	239 - 18
B301 1195	Gear - 19Z	239 - 14
B301 1198	Pull-out Driven Roller-front	239 - 19
B301 1216	Discharge Brush	243 - 8
B301 1232	Base: Paper Feed	243 - 27
B301 1247	Entrance Guide	243 - 26
B301 1282	Shaft: Separation: Drive: Ass'y	241 - *
B301 1286	Bushing - 6x10x6	241 - 6
B301 1314	Pick-up Roller Bracket	241 - 22
B301 1341	Stay: Original Table: Ass'y	239 - 40
B301 1351	Original Feeler	239 - 26
B301 1412	Transport Belt Plate	245 - 7
B301 1422	Transport Stay	245 - 27
B301 1432	Belt Drive Roller	245 - 2
B301 1436	Transport Belt Roller	245 - 18
B301 1442	Transport Belt	245 - 1
B301 1443	Transport Belt Stopper - Front	245 - 5
B301 1444	Transport Belt Stopper - Rear	245 - 8
B301 1445	Rear Spacer	245 - 14
B301 1449	Front Spacer	245 - 4
B301 1451	Belt Pressure Roller	245 - 3
B301 1481	Belt Pressure Roller	245 - 12
B301 1491	Tension Bracket	245 - 23
B301 1543	Sensor Bracket	255 - 14
B301 1550	Hinge - Left	255 - 8
B301 1560	Hinge - Right	255 - 11
B301 1631	Rear Side Plate	255 - 6
B301 1633	Right Stay	255 - 10

Part No.	Description	Page and Index No.
B301 1716	Cover: Front	237 - 16
B301 1726	Cover: Rear: RIC: Ass'y	237 - 7
B301 1766	Paper Feed Cover	239 - 1
B301 1786	Cover: Exit: RIC	237 - 13
B301 1796	Cover: Original Table: Lower: RIC	237 - 4
B301 1822	Original Table: RIC: Printing	237 - 2
B301 1835	Original Holder	237 - 3
B301 1852	Base: Original Table: RIC: Ass'y	239 - 30
B301 1875	Hook: Harness: Base	239 - 41
B301 1876	Side Fence: Table: Ass'y	239 - 24
B301 1919	Discharge Brush - Exit	247 - 19
B301 1919	Discharge Brush - Exit	237 - 8
B301 1926	Cover: Right	247 - 23
B301 2111	Pulley - 30Z	253 - 19
B301 2113	Pulley - 19Z	253 - 32
B301 2122	Shaft	251 - 11
B301 2123	Pulley - 24Z	251 - 27
B301 2141	Pulley - 39Z	251 - 32
B301 2161	Roller: Pressure: Belt: MM24	245 - 20
B301 2172	Cushion	253 - 30
B301 2211	Pulley - 20/19Z	251 - 13
B301 2213	Pulley - 20Z	251 - 12
B301 2221	Gear - 31Z	251 - 16
B301 2222	Gear - 20Z	251 - 40
B301 2231	Pulley - 58/20Z	253 - 39
B301 2242	Shaft	251 - 38
B301 2243	Gear - 29Z	251 - 18
B301 2244	Gear - 23Z	251 - 17
B301 2261	Pulley - 36Z	251 - 35
B301 2271	Shaft	251 - 25
B301 2273	Pulley - 32Z	251 - 23
B301 2281	Tension Bracket	251 - 15
B301 2319	Heat Sink - DC Motor	253 - 27
B301 2320	Heat Sink Holder	253 - 26
B301 2327	Holder Bracket	253 - 34

Part No.	Description	Page and Index No.
B301 2336	Side Plate	251 - 20
B301 2367	Motor Bracket	251 - 2
B301 2371	Motor Bracket	253 - 36
B301 2376	Tension Bracket	253 - 18
B301 2422	Cam - Pick-up Roller	251 - 37
B301 2511	Reverse Roller Shaft	241 - 26
B301 3132	Lower Guide Plate	247 - 17
B301 3135	Spring	247 - 11
B301 3161	Left Exit Guide	247 - 6
B301 3181	Invertor Guide Plate	249 - 8
B301 3184	Reverse Driven Roller	249 - 6
B301 3184	Reverse Driven Roller	247 - 15
B301 3185	Driven Roller Shaft	249 - 7
B301 3185	Driven Roller Shaft	247 - 14
B301 3186	Spring	249 - 4
B301 3188	Discharge Brush	249 - 3
B301 3191	Exit Junction Gate	249 - 17
B301 3192	Lever - Exit Junction Gate	249 - 19
B301 3246	Motor Bushing - 4x9x5.2	253 - 3
B301 3271	Reverse Drive Roller	249 - 14
B301 3286	Pulley - 30Z	249 - 20
B301 3301	Paper Exit Solenoid	249 - 24
B301 3311	Reverse DC Solenoid	249 - 23
B301 3341	Exit Motor Bracket	253 - 7
B301 3345	Exit Motor Guide Plate	253 - 4
B301 4211	Spring	239 - 13
B301 4222	Spring	239 - 17
B301 4226	Spring	243 - 22
B301 4316	Decal: Misfeed Removal	413 - 69
B301 4316	Decal: Misfeed Removal	239 - 2
B301 4336	Decal: Size: Original: RIC	413 - 73
B301 4336	Decal: Size: Original: RIC	239 - 4
B301 4357	Decal: Caution: Paper Feed	413 - 70
B301 4357	Decal: Caution: Paper Feed	239 - 3
B301 4415	Sound Proofing Material - Front Lower	237 - 17

Part No.	Description	Page and Index No.
B301 4416	Sound Proofing Material - Rear Lower	255 - 9
B301 4417	Sound Proofing Material - Left Right	247 - 13
B301 4417	Sound Proofing Material - Left Right	243 - 25
B301 4418	Sound Proofing Material - Hinge Side	253 - 13
B301 4426	Sound Proofing Material - Right	239 - 6
B301 4427	Sound Proofing Material - Left	239 - 7
B301 4428	Sound Proofing Material - Rear	237 - 5
B301 4431	Vibration Absorbing Pad	245 - 13
B301 5100	PCB ADF Main Control	253 - 24
B301 5190	PCB Display	251 - 4
B301 5211	Harness: Dc Motor	253 - 25
B301 5221	Harness: Motor: Pick Up	251 - 29
B301 5232	Harness: Paper Feed Sub-unit: Rear	253 - 20
B301 5234	Harness: Sensor: Paper Feed: Connecting	243 - 14
B301 5245	Harness: Registration Sensor: Connecting	243 - 11
B301 5246	Harness: Sensor: Paper Size Sensor: Connecting	243 - 4
B301 5247	Harness: Paper Feed Sub-unit: Middle	253 - 21
B301 5253	Harness: Sensor: Reverse: Connecting	253 - 11
B301 5253	Harness: Sensor: Reverse: Connecting	247 - 22
B301 5255	Harness: Paper Exit Sub-unit	253 - 22
B301 5256	Harness: Sensor: Exit: Connecting	247 - 8
B301 5261	Harness: Sensor: On Off Detector	253 - 23
B301 5261	Harness: Sensor: On Off Detector	255 - 16
B301 5271	Harness: Display	251 - 3
B301 5280	Harness: Interface: Ass'y	253 - 17
B301 5290	Harness: Sensor: Original: Connecting	239 - 33
B301 5406	Harness: Connecting: Sensor: Pull Out	239 - 9
B301 5476	Harness: Earth: Exit	247 - 25
B301 5476	Harness: Earth: Exit	253 - 6
B302 4239	Guide Roller	77 - 27
B303 1116	Grounding Plate	305 - 1
B303 1185	Metal Joint	297 - 7
B303 2556	Reverse Pressure Lever	285 - 12
B303 2559	Lever: Pressure Release: Reverse	285 - 7
B352 2650	Magnet Catch - 5N	237 - 14

Part No.	Description	Page and Index No.
B390 6910	Binding Self Tapping Screw - M3x6	87 - 12
B475 6855	Shield: Tandem LCT: Rear Right	37 - 14
B477 2225	Pick-up Roller	241 - 31
B477 2226	Pickup Roller: Coupling	241 - 36
B477 4311	Decal - Original Base	239 - 32
B477 4311	Decal - Original Base	413 - 71
B477 4431	Decal - Original Table	237 - 1
B477 4431	Decal - Original Table	413 - 72
B511 2677	Sensor Bracket	283 - 21
B512 1078	Positioning Pin: Guide: Rear	303 - 11
B512 1079	Positioning Pin: Guide: Front	303 - 14
B600 1082	Holder: Paper Tray	303 - 13
B645 5010	SD-Card: Ass'y	415 - 2
B652 1133	Shaft: Slider	253 - 33
B652 1134	Compression Spring	253 - 15
B652 2911	Stepper Motor: Base: Rise: Ass'y	251 - 1
B652 3157	Discharge Brush: Long	255 - 2
B700 3305	Timing Belt: B40S2M152	49 - 6
B700 5804	Stepper Motor: DIA42: Z17: Ass'y	165 - 15
B702 7210	Timing Belt: B60S2M122	55 - 17
B706 1859	Screw: Slider: Lock	231 - 25
B712 5605	Grip: Application	95 - 3
B712 5605	Grip: Application	213 - 7
B712 5605	Grip: Application	109 - 18
B712 5605	Grip: Application	107 - 4
B712 5605	Grip: Application	195 - 2
B714 3115	Knob Screw: Document Feeder: Fix	21 - 16
B714 3115	Knob Screw: Document Feeder: Fix	215 - 6
B802 1622	Stepper Motor Damper	295 - 2
B832 1100	Positioning Pin - Upper	231 - 2
B832 1101	Positioning Pin - Lower	231 - 1
B832 1371	Spacer Cushion	231 - 9
B832 1750	Tension Bracket	295 - 6
B832 2535	Reverse Guide Plate	285 - 22
B832 2541	Stay	285 - 5

Part No.	Description	Page and Index No.
B832 2569	Stay: Feed: Peen	283 - 19
B832 2574	Pickup Arm	283 - 8
B832 2578	DC Solenoid 24V	283 - 18
B832 2585	Feed Roller Shaft	283 - 15
B832 2877	Knob Screw: Tray: Guide: Green	271 - 8
B832 2877	Knob Screw: Tray: Guide: Green	269 - 12
B832 3909	Bracket Cushion	293 - 8
B832 3909	Bracket Cushion	289 - 8
B833 2565	Compression Spring	285 - 18
B833 2567	Tension Spring	285 - 13
B834 1101	Shaft: Drawer: Connector	299 - 1
B834 1102	Screw: Drawer: Connector	299 - 18
B834 1145	Slide Rail - Left Middle	303 - 10
B834 1155	Slide Rail - Right Middle	303 - 8
B834 1718	Bracket	295 - 11
B834 1725	Paper Feed Unit Drive Bracket	295 - 4
B834 1730	Grip Drive Shaft	295 - 9
B834 1740	Shaft	295 - 10
B834 2520	Feed Guide Plate	285 - 23
B834 2568	Transport Roller - Driven	285 - 20
B834 2631	Stay	283 - 2
B834 2715	Tray Cushion Holder	273 - 7
B834 3065	Slide Rail - End Fence	277 - 2
B834 3111	Side Fence Shaft - Lower	275 - 13
B834 3169	Paper Size Sensor Plate	277 - 9
B834 3203	Gear - 48Z	297 - 2
B834 3214	Gear - 30Z	297 - 9
B834 3217	Gear - 60Z	297 - 10
B834 3231	Timing Belt Holder - Rear	273 - 14
B834 3237	Bracket - Front	279 - 7
B834 3245	Tension Bracket No.2 - Front	279 - 6
B834 3248	Bracket - Rear	281 - 10
B834 3283	Stay: Main	267 - 4
B834 3309	Side Fence Bracket - Lower Rear	275 - 14
B834 3312	Collar	275 - 7

Part No.	Description	Page and Index No.
B834 3312	Collar	267 - 13
B834 3312	Collar	271 - 20
B834 3312	Collar	269 - 5
B834 3313	Rack - Front: Lower	275 - 9
B834 3314	Shaft Holder - Lower	275 - 8
B834 3315	Gear - 13Z	275 - 4
B834 3316	Gear - 13Z	275 - 6
B834 3316	Gear - 13Z	271 - 18
B834 3318	Plate: Lower	275 - 3
B834 3321	Side Fence Bracket - Upper Front	269 - 8
B834 3322	Side Fence Bracket - Upper Rear	271 - 22
B834 3323	Holder - : Upper Front	269 - 7
B834 3329	Holder - Upper Rear	271 - 21
B834 3332	Guide - Upper Front	269 - 10
B834 3334	Guide - Upper Rear	271 - 14
B834 3337	Cover - Upper Front	269 - 11
B834 3338	Cover - Upper Rear	271 - 10
B834 3346	Coupling Shaft - Rear	275 - 11
B834 3349	Rack - Upper Rear	271 - 16
B834 3350	Bushing - 6x10x6.5	275 - 2
B834 3350	Bushing - 6x10x6.5	269 - 4
B834 3350	Bushing - 6x10x6.5	271 - 13
B834 3368	Slide Shaft - Upper	271 - 12
B834 3368	Slide Shaft - Upper	269 - 6
B834 3376	Plate: Handle	267 - 26
B834 3378	Stay	267 - 9
B834 3379	Arm: Swivel: Left: Peen	267 - 15
B834 3384	Contact Point Shaft	267 - 7
B834 3385	Arm - Right	267 - 21
B834 3386	Link Handle	267 - 1
B834 3389	Stopper Shaft	267 - 11
B834 3390	Contact Point Stay	267 - 10
B834 3395	Plate - Left	267 - 3
B834 3396	Plate - Right	267 - 22
B834 3400	Stopper Guide - Left	267 - 2

Part No.	Description	Page and Index No.
B834 3425	Stopper Guide - Right	267 - 20
B834 3438	Link Shaft	267 - 6
B834 3475	Bracket	267 - 5
B834 3490	Spacer - Side Fence	273 - 12
B834 3493	Oil Damper: 0.2N	279 - 9
B834 3885	Gear/pulley - 31Z/31T	295 - 17
B834 4032	Cushion: Tray: No.1	273 - 6
B834 4153	Side Fence Grip	269 - 19
B834 4163	Side Fence Grip - Rear	271 - 24
B834 4388	Compression Spring	297 - 6
B834 4547	Gear - 36Z/60Z	297 - 3
B834 4557	Timing Pulley: Drive: No.2: Ass'y	279 - 2
B834 4557	Timing Pulley: Drive: No.2: Ass'y	281 - 2
B834 4559	Tensioner	279 - 4
B834 4559	Tensioner	281 - 4
B834 4563	Plate	281 - 1
B834 4563	Plate	279 - 1
B834 4564	Holder - Front	279 - 8
B834 4565	Timing Pulley - 20T	279 - 12
B834 4566	Tension Bracket No.2 - Rear	281 - 6
B834 4568	Stud	279 - 13
B834 4568	Stud	281 - 7
B834 4572	Timing Belt - B100S5M2000	281 - 3
B834 4572	Timing Belt - B100S5M2000	279 - 3
B834 4593	Paper Size Sensor Bracket - Long	277 - 4
B834 4594	Shielding Plate - Long	277 - 8
B834 4595	Contact Point Shaft - Long	277 - 3
B834 4696	Rack - Rear Lower	275 - 10
B834 4741	Paper Size Sensor Bracket	271 - 19
B834 4742	Feeler - Paper Size Sensor No.1	271 - 15
B834 4743	Feeler - Paper Size Sensor No.2	271 - 11
B834 4881	Drawer Connector Bracket	281 - 15
B834 4883	Drawer: Connector Bracket - Rear	299 - 3
B834 4891	Registration Side Plate - Right	267 - 19
B834 4892	Registration Side Plate - Left	267 - 14

Part No.	Description	Page and Index No.
B835 2790	Gear - 14Z	291 - 21
B835 2825	Gear - 29Z/36T	289 - 18
B835 2826	Timing Belt - B60S2M110	289 - 19
B835 2977	Timing Belt - B40S2M150	295 - 24
C229 2561	Stepped Screw	119 - 33
C236 3237	Collar 6x11.2x1.5	271 - 5
C238 2573	Stepped Screw	69 - 6
C244 4426	Shoulder Screw	131 - 21
C257 7051	Washer: DIA4.5xDIA14x1T: T: T	103 - 28
C563 3116	Belt Joint	273 - 2
C632 1194	Caster: Stopper	211 - 11
D014 5952	Supporter: Upper	197 - 15
D014 5953	Supporter: Lower	197 - 16
D014 5973	Cover: SD-Card	229 - 10
D014 6626	Bracket: On Off Detector: Front	39 - 5
D014 6627	Bracket: On Off Detector: Rear	39 - 7
D014 6783	Arm: End Fence: Lock	41 - 28
D014 6784	Spring Plate: End Fence	41 - 9
D014 6785	Spring Plate: Arm: End Fence: Lock	41 - 39
D014 6786	Decal: Paper Set Direction	41 - 7
D014 6786	Decal: Paper Set Direction	413 - 16
D059 5116	PCB: Mcu	263 - 2
D059 5122	PCB: SIB	263 - 12
D059 5152	Harness: Scanner: Main	263 - 10
D059 5153	Harness: Mcu: Sensor	263 - 3
D059 5158	Harness: SIB: Fan	263 - 11
D059 5160	Harness: Lamp Regulator	263 - 22
D350 1312	Decal: Paper: Supply: Right	413 - 76
D350 1312	Decal: Paper: Supply: Right	267 - 17
D350 1313	Decal: Paper: Supply: Left	413 - 78
D350 1313	Decal: Paper: Supply: Left	267 - 16
D350 1322	Decal: End Fence: Tab	231 - 5
D350 1322	Decal: End Fence: Tab	413 - 77
D350 3339	Rack: Upper Front: Peen	269 - 9
D350 4516	Guard: Tray: Side Fence	269 - 3

Part No.	Description	Page and Index No.
D350 5311	Harness: Paper Feed Unit	283 - 22
D355 1015	Bracket: Holder: Stopper: Right: Ass'y	303 - 7
D355 1016	Bracket: Holder: Stopper: Left: Ass'y	303 - 9
D355 1043	Bracket: Fix: Transport Unit	301 - 21
D355 1058	Bracket: Frame: Base	303 - 18
D355 1096	Bracket: Cover: Rear	297 - 14
D355 1102	Bracket: Detent: Peen	301 - 15
D355 1114	Slider: Lock	305 - 2
D355 1121	Bracket: Slide Rail: Left: Peen	303 - 17
D355 1122	Bracket: Slide Rail: Right: Peen	303 - 2
D355 1132	Bracket: Power Supply Cord	299 - 15
D355 1136	Shaft: Horizontal Transport: Drive: Ass'y	295 - 21
D355 1137	Joint: Transport Unit	295 - 20
D355 1138	Bracket: Fix: Transport Unit: Right	235 - 11
D355 1139	Bracket: Fix: Transport Unit: Left	235 - 10
D355 1143	Bracket: Plug: Coupling	299 - 6
D355 1144	Cover: Dehumidifier: Heater	305 - 12
D355 1152	Bracket: Drawer: Connector	299 - 4
D355 1157	Bracket: Horizontal Transport: Drive: Front	295 - 19
D355 1159	Bracket: Horizontal Transport: Drive: Rear: Peen	295 - 16
D355 1162	Damper: Tray: Lock: Right	303 - 22
D355 1163	Bracket: Joint Unit: Receive Plate: Rear	303 - 19
D355 1164	Bracket: Horizontal Transport Unit: Receive Plate: Rear	303 - 15
D355 1167	Compression Spring: Joint: Drive	295 - 14
D355 1168	Joint: Horizontal Transport: Drive: Shaft: Ass'y	295 - 15
D355 1172	Bracket: Cooling Unit	297 - 17
D355 1173	Bracket: Slide Rail	303 - 6
D355 1174	Bracket: PCB	299 - 8
D355 1181	Bracket: Harness Clamp: Peen	299 - 16
D355 1183	Ground Plate: Lower	305 - 10
D355 1185	Bracket: Fix: Cover: Right Front	235 - 23
D355 1191	Cover: Heater: Connector	303 - 23
D355 1195	Torsion Spring: Detent: 8N	301 - 16
D355 1196	Roller: Detent	301 - 18

Part No.	Description	Page and Index No.
D355 1196	Roller: Detent	293 - 19
D355 1197	Timing Belt: 60S2M286	295 - 23
D355 1198	Bracket: Detent	301 - 17
D355 1303	Inner Cover: Middle Upper	235 - 7
D355 1305	Inner Cover: Left Lower	235 - 20
D355 1307	Decal: Knob: Left Middle	413 - 79
D355 1307	Decal: Knob: Left Middle	235 - 22
D355 1313	Decal: Knob: Paper Feed Unit: Upper	235 - 18
D355 1313	Decal: Knob: Paper Feed Unit: Upper	413 - 80
D355 1314	Decal: Knob: Transport: Middle Upper	413 - 81
D355 1314	Decal: Knob: Transport: Middle Upper	235 - 17
D355 1315	Decal: Knob: Paper Feed Unit: Lower	413 - 82
D355 1315	Decal: Knob: Paper Feed Unit: Lower	235 - 15
D355 1316	Inner Cover: Left Middle: Ass'y	235 - 21
D355 1318	Inner Cover: Paper Feed: Upper: Ass'y	235 - 16
D355 1319	Inner Cover: Paper Feed: Lower: Ass'y	235 - 14
D355 1321	Cover: Right Upper: Ass'y	233 - 8
D355 1323	Cover: Right Lower: Ass'y	233 - 11
D355 1325	Cover: Push Switch	305 - 7
D355 1326	Cover: Rear Middle	233 - 6
D355 1327	Cover: Rear Left	233 - 2
D355 1328	Bracket: Cover: Rear Left	295 - 25
D355 1331	Cover: Front Left: Open And Close: Ass'y	235 - 1
D355 1333	Shielding Plate: Safety Switch: Door	235 - 8
D355 1334	Hinge: Cover: Front Left: Upper: Peen	301 - 20
D355 1336	Hinge: Cover: Front Left: Lower: Peen	303 - 5
D355 1338	Cover: Front Right: Open And Close: Ass'y	235 - 12
D355 1341	Hinge: Cover: Front Right: Upper: Peen	301 - 13
D355 1342	Hinge: Cover: Front Right: Lower: Peen	303 - 4
D355 1344	Bracket: Stopper: Door: Front Right	235 - 9
D355 1345	Cover: Front Right: Lower	233 - 1
D355 1347	Bracket: Safety Switch: Left	305 - 9
D355 1349	Bracket: Safety Switch: Right	305 - 8
D355 1350	Decal: Misfeed Removal: Left	413 - 83
D355 1350	Decal: Misfeed Removal: Left	235 - 2

Part No.	Description	Page and Index No.
D355 1352	Decal: Misfeed Removal: Horizontal: Transport	413 - 84
D355 1352	Decal: Misfeed Removal: Horizontal: Transport	235 - 13
D355 1366	Bracket: Fix: Cover: Upper Front	301 - 12
D355 1371	Cover: Upper: Extension	231 - 23
D355 1372	Bracket: Fix: Cover: Extension: Front	301 - 14
D355 1373	Bracket: Fix: Cover: Extension: Rear	301 - 22
D355 1382	Grip: Rear: Paper Tray	267 - 23
D355 1384	Grip: Paper Tray: Ass'y	267 - 12
D355 1387	Cover: Paper Tray: Ass'y	267 - 18
D355 1394	Decal: Side Fence: Scale: Front	269 - 13
D355 1394	Decal: Side Fence: Scale: Front	413 - 86
D355 1395	Decal: Side Fence: Scale: Rear	271 - 9
D355 1395	Decal: Side Fence: Scale: Rear	413 - 87
D355 1902	Bracket: Tray: Stopper	303 - 21
D355 2501	Paper Feed Unit: Ass'y	283 - *
D355 2551	Bracket: Reverse: Release	285 - 6
D355 2554	Hook: Reverse: Pressure	285 - 9
D355 2556	Lever: Reverse: Pressure: Swivel	285 - 11
D355 2559	Tension Spring: Reverse	285 - 8
D355 2563	Compression Spring: Reverse: Pressure: Auxiliary	285 - 10
D355 2571	Paper Feed Roller: Guard	283 - 23
D355 2577	Bracket: Sensor: Paper Feed	283 - 7
D355 2674	Decal - Paper Volume	413 - 85
D355 2674	Decal - Paper Volume	271 - 26
D355 2719	Separation Plate: Drive Unit	277 - 7
D355 2777	Plate: Auxiliary: Small: Adhesion	271 - 25
D355 2784	End Fence: Tab: Ass'y	231 - 4
D355 3090	Transport Unit: Horizontal: Exterior: Ass'y	235 - 19
D355 3214	Gear - 30Z	297 - 13
D355 3232	Bracket: Timing Belt: Rear	273 - 3
D355 3306	Bracket: Side Fence: Lower Front	275 - 15
D355 3365	Duct: Upper Front: Blower: Ass'y	269 - 14
D355 3375	Duct: Upper Rear: Blower: Ass'y	271 - 4
D355 3459	Guard: Blower: Front	269 - 2
D355 3461	Guard: Blower: Rear	271 - 7

Part No.	Description	Page and Index No.
D355 3462	Cover: Blower: Harness	269 - 1
D355 3566	Handle: Ass'y	287 - 11
D355 3803	Transport Roller: Driven	301 - 9
D355 3803	Transport Roller: Driven	293 - 14
D355 3803	Transport Roller: Driven	287 - 10
D355 3804	Transport Roller: Release: Driven	291 - 10
D355 3805	Drive Roller: Transport: Exit	293 - 9
D355 3806	Drive Roller: Transport: CW	289 - 12
D355 3807	Drive Roller: Transport: CCW	293 - 25
D355 3809	Cushion: Stay	293 - 27
D355 3809	Cushion: Stay	287 - 2
D355 3810	Bracket: Detent: Right: Ass'y	293 - 18
D355 3817	Gear: Drive: Grip: Z22	293 - 21
D355 3821	Bracket: Stepper Motor	289 - 3
D355 3821	Bracket: Stepper Motor	293 - 4
D355 3823	Guide Plate: Middle Lower: Exit	291 - 19
D355 3828	Holder: Stay: Guide Plate	293 - 15
D355 3828	Holder: Stay: Guide Plate	287 - 3
D355 3829	Bracket: Stepper Motor: Peen	289 - 17
D355 3830	Guide Plate: Middle Upper: Exit: Peen	291 - 12
D355 3832	Guide Plate: Upper: Open And Close: Peen	287 - 5
D355 3836	Bracket: Pressure Release: Photo Reflection Sensor	291 - 13
D355 3837	Bracket: Pressure Release: Photointerruptor: Flat	291 - 16
D355 3840	Bracket: Detent: Ass'y	293 - 10
D355 3841	Guide Plate: Upper Paper Feed: Lower: Peen	289 - 9
D355 3842	Guide Plate: Lower Right: Paper Tray: No.2: Peen	293 - 17
D355 3845	Guide Plate: Upper Paper Feed: Upper: Peen	289 - 13
D355 3846	Knob: Misfeed Removal	235 - 4
D355 3850	Guide Plate: Lower Left: Open And Close: Peen	293 - 16
D355 3851	Guide Plate: Middle Upper	291 - 7
D355 3853	Shaft: Cam: Pickup Roller: Ass'y	291 - 11
D355 3857	Tension Spring: Guide Plate: 12N	287 - 4
D355 3858	Torsion Spring: Guide Plate: 16N	293 - 11
D355 3859	Guide Plate: Horizontal Transport: Lower	287 - 6

Part No.	Description	Page and Index No.
D355 3872	Guide Plate: Middle Lower	291 - 6
D355 3873	Guide Plate: Horizontal Transport: Upper	287 - 7
D355 3874	Timing Belt: 60S2M210	293 - 3
D355 3874	Timing Belt: 60S2M210	289 - 4
D355 3875	Timing Belt: 60S2M224	293 - 26
D355 3877	Guide Plate: Middle Lower: Open And Close	291 - 18
D355 3882	Roller: Pressure Release	291 - 1
D355 3883	Bracket: Arm	291 - 4
D355 3885	Stopper: Frame	293 - 30
D355 3886	Shaft: Arm: On-Off	291 - 2
D355 3889	Arm: On-Off	291 - 3
D355 3891	Decal: U1: Lever: Operate: Display	287 - 12
D355 3891	Decal: U1: Lever: Operate: Display	413 - 88
D355 3892	Decal: U3: Lever: Operate: Display	287 - 15
D355 3892	Decal: U3: Lever: Operate: Display	413 - 89
D355 3893	Lever: Misfeed Removal: Ass'y	287 - 16
D355 3894	Lever: Misfeed Removal: Ass'y	287 - 14
D355 3897	Screw: M4: 3M	293 - 7
D355 3897	Screw: M4: 3M	291 - 20
D355 3897	Screw: M4: 3M	287 - 1
D355 3958	Slide Rail: Transport Unit	303 - 3
D355 3990	Guide Plate: Joint Unit: Lower: Peen	301 - 8
D355 3993	Guide Plate: Joint Unit: Upper: Peen	301 - 5
D355 3995	Transport Roller: Joint Unit: Ass'y	301 - 6
D355 3998	Bracket: Sensor: Transport	293 - 23
D355 3998	Bracket: Sensor: Transport	289 - 11
D355 3998	Bracket: Sensor: Transport	301 - 2
D355 4140	Gear - 24Z	279 - 10
D355 4531	Shaft: Main: Drive	281 - 12
D355 4534	Holder: Driven: Rear	281 - 13
D355 4548	Shaft: Main: Drive	297 - 5
D355 4549	Shaft: Gear: Drive	297 - 8
D355 4563	Drive Bracket - Rear Lower	281 - 11
D355 4564	Bracket: Drive: Front Lower	279 - 11
D355 4568	Feeler: Paper Volume Sensor	273 - 1

Part No.	Description	Page and Index No.
D355 4572	Decal: Paper Tray: Warning	147 - 16
D355 4572	Decal: Paper Tray: Warning	61 - 29
D355 4572	Decal: Paper Tray: Warning	275 - 16
D355 4572	Decal: Paper Tray: Warning	413 - 49
D355 4574	Decal: Paper Tray: Caution	413 - 90
D355 4574	Decal: Paper Tray: Caution	275 - 17
D355 4575	Decal: Paper Tray: LCT	231 - 7
D355 4575	Decal: Paper Tray: LCT	413 - 91
D355 4578	Guide: End Fence: Right	273 - 11
D355 4579	Guide: End Fence: Left	273 - 10
D355 4587	Bracket: End Fence	277 - 13
D355 4589	Bracket: Paper Size Sensor	277 - 15
D355 4591	Grip: End Fence: Ass'y	273 - 13
D355 4593	Rack: Base: End Fence	277 - 1
D355 4596	Bracket: Paper Volume Sensor	281 - 8
D355 4597	Shaft: End Fence: Coupling	277 - 12
D355 4598	Roller: Slider	277 - 16
D355 4608	Spacer: Side Fence: Push Rivet	269 - 21
D355 4608	Spacer: Side Fence: Push Rivet	271 - 28
D355 4620	Tray Bottom Plate: Adhesion	273 - 8
D355 4630	Tray Bottom Plate - Support	271 - 27
D355 4630	Tray Bottom Plate - Support	269 - 20
D355 4652	Supporting Plate: Side Fence: Front	269 - 16
D355 4654	Cover: Side Fence	271 - 29
D355 4654	Cover: Side Fence	269 - 22
D355 4656	Side Fence: Front	269 - 18
D355 4662	Supporting Plate: Side Fence: Rear	271 - 2
D355 4664	Side Fence: Rear	271 - 1
D355 4866	Ball Bearing: Slide: DIA6	275 - 12
D355 4875	Compression Spring	299 - 2
D355 4915	Spring Plate: Earth: Tray	297 - 15
D355 4931	Plate: Drive: Middle	297 - 4
D355 4933	Plate: Drive: Front	297 - 11
D355 4934	Plate: Drive: Rear	297 - 1
D355 5020	PCB: Ass'y	299 - 7

Part No.	Description	Page and Index No.
D355 5300	Harness: Interface: Main: Ass'y	299 - 14
D355 5301	Harness: Main: Drawer: Ass'y	299 - 9
D355 5302	Harness: Main: Paper Feed: Ass'y	299 - 11
D355 5303	Harness: Main: Motor: Ass'y	299 - 10
D355 5304	Harness: Safety Switch: Ass'y	299 - 12
D355 5304	Harness: Safety Switch: Ass'y	305 - 18
D355 5305	Harness: Safety Switch: Connecting: Exit	305 - 19
D355 5307	Harness: Paper Feed Unit: Connecting	305 - 20
D355 5308	Harness: Sensor: Connecting: Vertical Transport	305 - 21
D355 5309	Harness: Sensor: Horizontal Transport: Exit: Ass'y	301 - 1
D355 5311	Harness: Sensor: Transport: Ass'y	293 - 28
D355 5312	Harness: Sensor: F1: Vertical Transport: Ass'y	289 - 14
D355 5313	Harness: Sensor: F2: Vertical Transport: Ass'y	293 - 24
D355 5314	Harness: Sensor: Exit: Ass'y	291 - 15
D355 5315	Harness: Connecting: Tray	281 - 14
D355 5316	Harness: Fan	281 - 16
D355 5317	Harness: Earth: Ass'y	305 - 17
D355 5319	Harness: Horizontal Transport: Connecting: Ass'y	299 - 17
D355 5330	Harness: Data: Connecting: Large Capacity Tray	299 - 13
D355 5331	Harness: Power Source: Connecting: Large Capacity Tray	299 - 5
D355 5340	Harness: Connecting: Heater: Ass'y	305 - 15
D355 5515	Blower: Fan: DC24V 18.24W	271 - 3
D355 5515	Blower: Fan: DC24V 18.24W	269 - 17
D377 5852	Bracket: NIC: VC2: Engine	229 - 11
G021 9350	Loopback Connector - Parallel	415 - 3
G029 1975	Cylindrical Lens	85 - 6
G052 1518	Spring - Lock Lever	277 - 5
G060 2296	Ball Bearing: 8x16x5mm	57 - 14
G060 2296	Ball Bearing: 8x16x5mm	63 - 13
G060 2296	Ball Bearing: 8x16x5mm	97 - 9
G060 2296	Ball Bearing: 8x16x5mm	99 - 3
G108 5107	Guide: 1: Left	197 - 7
G108 5108	Guide: 1: Right	197 - 8
G166 3278	Seal: Toner Hopper: Recycle Machine	77 - 15

Part No.	Description	Page and Index No.
G363 1105	Detent Roller Shaft	293 - 20
G363 1105	Detent Roller Shaft	301 - 19
G404 2810	Spring Plate - 2nd Mirror	261 - 17
G564 4151	Rail - Side Fence	239 - 28
G570 1540	Rubber Foot H=10	303 - 12
H072 2216	Compression Spring	145 - 23
H072 2220	Spacer - M6x10	57 - 9
H072 2220	Spacer - M6x10	65 - 2
H085 1109	Bushing - M6x5	277 - 11
H516 3666	Spring - 19.6mm	267 - 8
J502 3127	Bushing: Stepper Motor	293 - 29
J502 3127	Bushing: Stepper Motor	301 - 4

Part No.	Description	Page and Index No.
R008 6506	Harness: SATA: S-R/A2	215 - 9
R011 1033	Spacer: Speaker	215 - 23
R011 1037	Screw: M4x6	213 - 2
R013 1038	Plate: PCB	215 - 5
R013 1050	Spring: Key Switch	213 - 15
R013 1053	Clamp: FCR-15	99 - 16
R013 1053	Clamp: FCR-15	97 - 22
R013 6535	Harness: MB: Speaker: Rohs+PVCFREE	213 - 10
R014 1092	Gasket: 3x5: L60	215 - 20
R017 7010	PCB: SW: Mothbox2	213 - 20
R020 0811	Accessory: Dongle: EFI: EXP	213 - 23
R020 1017	Cover: 5Inch	213 - 13
R020 1020	Cover: Side: Ass'y	213 - 1
R020 1022	Bracket: Fan	215 - 2
R020 1022	Bracket: Fan	213 - 18
R020 1023	Bracket: Filter: Fan	215 - 1
R020 1028	Cover: 3.5Inch	213 - 17
R020 1030	Bezel: Moth2: Ass'y	213 - 14
R020 1047	Cover: 5Inch: Lower	213 - 19
R020 1052	Shading Plate: HDD	215 - 15
R020 1056	Gasket: STG1-5: L=30	215 - 17
R020 1058	Gasket: STG15-6: L=10	215 - 22
R020 1064	Shading Plate: Fan	213 - 21
R020 1065	Gasket: STG4-5: L=10	215 - 16
R020 1068	Gasket: STG18-10: L=20	215 - 24
R020 1410	Cover: Upper: Ass'y	213 - 8
R020 1420	Cover: 5Inch: 7Seg: Ass'y	213 - 12
R020 1450	Cover: Connector: LAN	213 - 4
R020 1501	Key: Main Switch	213 - 16
R020 6511	Harness: SW: Mothbox2: HF	215 - 11
R020 6512	Harness: 7Seg: FD3400	215 - 10
R020 6514	Cable: LAN: G178/D016	213 - 5
R020 6514	Cable: LAN: G178/D016	197 - 2
R020 7001	PCB: 7Seg: Mothbox2: G178/D016	213 - 11
R020 9000	HDD: Service(2pcs/set)	215 - 14

Part No.	Description	Page and Index No.
R020 9001	Dram: Service(2psc/set)	215 - 8
R020 9003	PCB: EFI: Service	215 - 7
R022 1000	Shading Plate: Connector: FB9: AS	215 - 4
R030 6605	Fan: ECC-00283-01-GP	215 - 12
R031 6602	Fan: Case: 80x3400RPM: HRS	215 - 3
R031 6602	Fan: Case: 80x3400RPM: HRS	213 - 22
R036 7502	PCB: FB13-I2	215 - 13
R106 1020	Bracket: PCI	213 - 3
R106 1506	Holder: Speaker	213 - 9

Part No.	Description	Page and Index No.
AA00 1190	Decal - Ground	413 - 3
AA00 1190	Decal - Ground	185 - 14
AA00 1508	Decal: Side Fence: 40x30	35 - 13
AA00 1508	Decal: Side Fence: 40x30	413 - 4
AA00 1509	Decal: Side Fence: 16x30	413 - 5
AA00 1509	Decal: Side Fence: 16x30	37 - 15
AA00 2246	Decal - Caution	413 - 8
AA00 2246	Decal - Caution	37 - 3
AA02 1031	Magnetic Catch	75 - 6
AA02 1034	Magnetic	161 - 5
AA04 2550	Timing Belt - S2M138	295 - 5
AA04 3271	Timing Belt S3M 196T	35 - 22
AA04 3308	Timing Belt - S2M114 9MM	53 - 9
AA04 3476	Timing Belt 160 S2M8	69 - 15
AA04 3533	Timing Belt - B0S2M256	253 - 38
AA04 3534	Timing Belt - B60S3M216	251 - 26
AA04 3535	Timing Belt - B60S3M195	251 - 22
AA04 3536	Timing Belt - B60S3M279	251 - 34
AA04 3537	Timing Belt - B40S2M206	251 - 31
AA04 3538	Timing Belt - B60S3M174	253 - 37
AA04 3539	Timing Belt - B40S2M104	253 - 10
AA04 3546	Timing Belt - B60S2M474	253 - 14
AA04 3547	Timing Belt - B40S3M213	249 - 21
AA04 3548	Timing Belt - B40S3M150	247 - 1
AA04 3621	Timing Belt - 60S2M156	53 - 12
AA04 3955	Timing Belt - 60S2M434	53 - 4
AA06 0151	Tension Spring: Shutter: Sensor: TM	95 - 12
AA06 0523	Pick-up Pressure Spring	45 - 10
AA06 0534	Tray Lock Spring - 19mm	225 - 14
AA06 0590	Pressure Spring	253 - 35
AA06 0590	Pressure Spring	251 - 14
AA06 0757	Tension Spring - Long	39 - 3
AA06 0758	Tension Spring - Short	39 - 16
AA06 0761	Spring	225 - 8
AA06 0840	Pressure Spring - 29N	279 - 5

Part No.	Description	Page and Index No.
AA06 0840	Pressure Spring - 29N	281 - 5
AA06 0858	DC Solenoid Spring	269 - 15
AA06 0858	DC Solenoid Spring	271 - 6
AA06 0961	Tension Spring: Side Fence: Rear	41 - 29
AA06 0987	Tension Spring: Timing Belt: 10N	35 - 17
AA06 1000	Spring - 1.42N	47 - 10
AA06 2345	Tension Spring	245 - 22
AA06 2587	Tension Spring: Pressure	245 - 10
AA06 2588	Tension Spring: Exit	249 - 18
AA06 2589	Tension Spring: Reverse	249 - 13
AA06 3204	Compression Spring	283 - 13
AA06 3268	Connector Spring	177 - 24
AA06 3435	Compression Spring: Paper Feed: Joint	241 - 8
AA06 3581	Compression Spring	73 - 14
AA06 3583	Spring	177 - 23
AA06 3652	Spring-Oil Supply Roller	125 - 8
AA06 3674	Spring - 8N	141 - 7
AA06 3674	Spring - 8N	47 - 18
AA06 3675	Spring - 5N	61 - 27
AA06 3675	Spring - 5N	153 - 10
AA06 3675	Spring - 5N	141 - 11
AA06 3675	Spring - 5N	73 - 16
AA06 3678	Spring - 3.5N	61 - 7
AA06 3678	Spring - 3.5N	57 - 26
AA06 3679	Spring - 10N	49 - 14
AA06 3681	Compression Spring: Joint	175 - 5
AA06 3851	Pressure Spring	125 - 6
AA06 3878	Spring	49 - 18
AA06 3951	Compression Spring	107 - 17
AA06 6671	Lock Spring	305 - 3
AA06 6675	Compression Spring	293 - 12
AA06 6675	Compression Spring	287 - 8
AA06 6675	Compression Spring	301 - 11
AA06 6677	Tension Spring	283 - 9
AA08 0265	Bushing: 6x8x5	49 - 25

Part No.	Description	Page and Index No.
AA08 0308	Bushing - 8mm	123 - 10
AA08 2070	Bushing - 8x16x7	287 - 13
AA08 2075	Bushing - M6	79 - 5
AA08 2075	Bushing - M6	117 - 23
AA08 2078	Bushing - 8mm	81 - 32
AA08 2095	Bushing - Toner Collection Coil	115 - 10
AA08 2095	Bushing - Toner Collection Coil	117 - 27
AA08 2101	Bushing - 6x10x6	81 - 20
AA08 2101	Bushing - 6x10x6	147 - 6
AA08 2101	Bushing - 6x10x6	271 - 23
AA08 2101	Bushing - 6x10x6	275 - 1
AA08 2101	Bushing - 6x10x6	63 - 19
AA08 2104	Bushing - 8x12x7	81 - 10
AA08 2104	Bushing - 8x12x7	67 - 24
AA08 2104	Bushing - 8x12x7	63 - 3
AA08 2104	Bushing - 8x12x7	61 - 11
AA08 2104	Bushing - 8x12x7	69 - 4
AA08 2104	Bushing - 8x12x7	157 - 5
AA08 2104	Bushing - 8x12x7	101 - 3
AA08 2104	Bushing - 8x12x7	57 - 21
AA08 2104	Bushing - 8x12x7	147 - 8
AA08 2104	Bushing - 8x12x7	111 - 3
AA08 2104	Bushing - 8x12x7	153 - 6
AA08 2117	Bushing - M6	93 - 3
AA08 2140	Bushing: Drive: Supply: MM6	81 - 22
AA08 3009	Clutch Roller - 8x18x11	45 - 14
AA08 3015	Roller Clutch	283 - 14
AA08 4059	Ball Bearing Holder	301 - 10
AA08 4059	Ball Bearing Holder	73 - 17
AA08 4059	Ball Bearing Holder	153 - 9
AA08 4059	Ball Bearing Holder	285 - 19
AA08 4059	Ball Bearing Holder	293 - 13
AA08 4059	Ball Bearing Holder	49 - 15
AA08 4059	Ball Bearing Holder	141 - 8
AA08 4059	Ball Bearing Holder	149 - 9

Part No.	Description	Page and Index No.
AA08 4059	Ball Bearing Holder	291 - 9
AA08 4059	Ball Bearing Holder	57 - 25
AA08 4059	Ball Bearing Holder	287 - 9
AA08 4059	Ball Bearing Holder	61 - 8
AA08 4059	Ball Bearing Holder	47 - 17
AA10 0014	Retaining Ring C - Separate	285 - 1
AA10 0014	Retaining Ring C - Separate	283 - 3
AA12 0097	Antistatic Brush	145 - 28
AA13 2013	Spacer	241 - 9
AA13 2111	Spacer - 8x12x0.5	67 - 36
AA13 2142	Spacer - M8	211 - 3
AA13 2152	Spacer - 8x20x1	251 - 9
AA13 2171	Spacer - 6x20x1	241 - 30
AA13 2203	Spacer - 6mm	179 - 18
AA13 2203	Spacer - 6mm	39 - 33
AA13 2205	Spacer - Timing Belt	295 - 18
AA13 2208	Spacer - M6	117 - 3
AA13 2208	Spacer - M6	115 - 11
AA13 2208	Spacer - M6	93 - 16
AA13 2228	Spacer - 1mm	45 - 15
AA13 2300	Roller: Lock: Pull Out	145 - 12
AA13 2300	Roller: Lock: Pull Out	69 - 23
AA13 2300	Roller: Lock: Pull Out	107 - 21
AA13 2300	Roller: Lock: Pull Out	157 - 9
AA14 0686	Shaft - Timing Pulley	35 - 27
AA14 0912	Screw - 8x14x2.8	305 - 4
AA14 0912	Screw - 8x14x2.8	303 - 20
AA14 1008	Panel Knob Screw	197 - 3
AA14 3129	Shoulder Screw - Front Cover	185 - 8
AA14 3379	Stepped Screw	253 - 5
AA14 3394	Stepped Screw - M3x10	133 - 14
AA14 3444	Stepped Screw	145 - 22
AA14 3499	Stepped Screw	215 - 18
AA14 3516	Stepped Screw - MAx5	133 - 21
AA14 3517	Guide Plate Screw	213 - 6

Part No.	Description	Page and Index No.
AA14 3545	Screw: M4	227 - 1
AA14 3545	Screw: M4	167 - 20
AA14 3550	Screw: DIA4: M3	177 - 22
AA14 3560	Stepped Screw - M4	231 - 15
AA14 3560	Stepped Screw - M4	191 - 6
AA14 3560	Stepped Screw - M4	49 - 20
AA14 3560	Stepped Screw - M4	189 - 9
AA14 3561	Screw - MM3: M2.5	115 - 4
AA14 3562	Screw: M4: DIA6x1.2	295 - 7
AA14 3570	Misfeed Removal Shaft	49 - 5
AA14 3573	Shoulder Screw - M4x4	91 - 11
AA14 3573	Shoulder Screw - M4x4	259 - 8
AA14 3788	Pin: Guide Plate: Paper Feed	237 - 15
AA14 3788	Pin: Guide Plate: Paper Feed	239 - 20
AA14 3789	Shaft: Cleaner	241 - 5
AA14 3797	Connector Guide Pin	193 - 8
AA14 3797	Connector Guide Pin	21 - 28
AA14 3797	Connector Guide Pin	175 - 10
AA14 3797	Connector Guide Pin	223 - 5
AA14 3798	Hexagonal Bolt: M12x35	305 - 16
AA14 3801	Screw: M4: Exterior	123 - 18
AA14 3801	Screw: M4: Exterior	169 - 5
AA14 3801	Screw: M4: Exterior	217 - 8
AA14 3801	Screw: M4: Exterior	171 - 15
AA14 3802	Screw: 6x1.7	265 - 6
AA14 3802	Screw: 6x1.7	127 - 9
AA14 3810	Development Cover Screw	125 - 4
AA14 3811	Stepped Screw - M3x4	141 - 3
AA14 3811	Stepped Screw - M3x4	73 - 8
AA14 3812	Screw - Scale	283 - 12
AA14 3828	Screw: Fly Wheel	73 - 13
AA14 3831	Screw	245 - 24
AA14 3832	Release Spring Holder	255 - 4
AA14 3842	Screw: DIA6: 14.5: M4	247 - 4
AA14 3852	Screw	267 - 25

Part No.	Description	Page and Index No.
AA14 3854	Screw	127 - 14
AA14 3857	Screw - M4x5	243 - 1
AA15 0332	Seal - 0.19x18x22	265 - 12
AA15 0406	Seal - Misfeed Removal	225 - 7
AA15 3178	Seal: Fan: Heat Pipe: Fusing	183 - 9
AA15 3182	Seal: Fan: Charge Corona: Main	181 - 10
AA16 1104	Cushion - Motor	257 - 9
AA16 1122	Motor Cushion	143 - 2
AA16 1122	Motor Cushion	179 - 2
AA16 1122	Motor Cushion	177 - 8
AA16 1122	Motor Cushion	295 - 3
AA16 1122	Motor Cushion	53 - 7
AA16 1125	Rubber Cushion	215 - 19
AA16 1129	Cushion - Large	39 - 36
AA16 1130	Cushion - Small	39 - 29
AA16 1138	Cushion - 1.1	245 - 21
AA16 1138	Cushion - 1.1	259 - 2
AB01 1392	Drive Reverse Gear - 24Z	47 - 8
AB01 1392	Drive Reverse Gear - 24Z	285 - 15
AB01 1478	Gear - 18Z	301 - 7
AB01 1478	Gear - 18Z	283 - 1
AB01 1591	Gear: Reverse	47 - 6
AB01 1591	Gear: Reverse	285 - 14
AB01 2008	Gear - 23Z	79 - 6
AB01 2327	Gear: 16Z	41 - 19
AB01 3654	Gear - 30Z	295 - 12
AB01 3781	Gear - 30Z	39 - 23
AB01 3798	Gear - Z18	35 - 29
AB01 4229	Coupled gear - 17Z/32Z	127 - 7
AB01 7724	Gear - 23Z/28Z	283 - 16
AB01 7725	Gear/Timing Pulley - 20Z/20T	49 - 8
AB01 7726	Gear/Timing Pulley - 20Z/20T	49 - 7
AB01 7771	Gear: Transport Roller: Input: Z23/Z28	43 - 11
AB01 9475	Gear - 48T	35 - 24
AB03 0081	Pulley - 20Z	155 - 10

Part No.	Description	Page and Index No.
AB03 0081	Pulley - 20Z	151 - 10
AB03 0310	Tightener Pulley	53 - 16
AB03 0310	Tightener Pulley	55 - 9
AB03 0310	Tightener Pulley	145 - 30
AB03 0310	Tightener Pulley	143 - 12
AB03 0354	Pulley - 20T	253 - 31
AB03 0665	Idler Pulley - 18Z	295 - 26
AB03 0802	Timing Pulley - 24T	59 - 15
AB03 0802	Timing Pulley - 24T	157 - 12
AB03 0802	Timing Pulley - 24T	161 - 12
AB03 0802	Timing Pulley - 24T	71 - 2
AB03 0803	Timing Pulley - 25T	65 - 8
AB03 0805	Pulley: Coupling: 30T	145 - 21
AB03 2058	Wire Pulley - M10	39 - 19
AB03 2058	Wire Pulley - M10	77 - 25
AB03 2069	Pulley	265 - 19
AB03 2070	Pulley	265 - 20
AB03 2719	Pulley - M10	39 - 21
AB03 3084	Timing Pulley - 15T	35 - 25
AB03 3085	Timing Pulley - 15T	35 - 15
AC04 2185	Scale: Left: Printing	259 - 5
AE03 0031	Ball Bearing - 40x62x12	129 - 8
AE03 1026	Bushing - Oil Supply Roller	125 - 9
AE03 1032	Bushing - 6x9x6.5	125 - 14
AE03 1037	Bushing - M4	127 - 12
AE03 2021	Bushing - 34.3x39.9x15.5	129 - 9
AE04 0067	Roller - Cleaning Felt	125 - 18
AF01 0097	Paper Tray: Universal: Remover/Install	41 - 1
AF01 3005	Bottom Plate Pad	41 - 17
AF01 7033	End Fence	41 - 15
AF02 0672	Transport Roller - Driven	47 - 16
AF02 0724	Transport Roller: Grip: No.1: Drive	45 - 1
AF02 0725	Transport Roller: Grip: No.2: Drive	45 - 7
AF02 1410	Transport Roller	283 - 11
AF02 2067	Guide Stopper Roller	141 - 16

Part No.	Description	Page and Index No.
AF02 2067	Guide Stopper Roller	73 - 11
AF02 2105	Roller - Slide Rail	39 - 32
AF02 2166	Transport Roller - Driven	49 - 24
AF02 2171	Transport Roller: Driven: DIA18x2	149 - 11
AF02 2171	Transport Roller: Driven: DIA18x2	153 - 16
AF02 2171	Transport Roller: Driven: DIA18x2	57 - 27
AF02 2171	Transport Roller: Driven: DIA18x2	61 - 9
AF02 2171	Transport Roller: Driven: DIA18x2	141 - 9
AF02 2171	Transport Roller: Driven: DIA18x2	73 - 18
AF03 0071	Pick-up Roller	283 - 4
AF03 0080	Paper Feed Roller: Pickup	45 - 5
AF03 1041	Feed Roller - Bypass Feed	283 - 6
AF03 1080	Paper Feed Roller: Feed	45 - 3
AF03 2041	Separation Roller - Bypass Feed	285 - 2
AF03 2080	Paper Feed Roller: Separate	47 - 3
AF04 0561	Fusing Exit Roller - Upper	123 - 16
AG05 0100	Knob - Transport Roller	51 - 1
AG05 0100	Knob - Transport Roller	139 - 2
AG05 0101	Knob - Misfeed Removal	49 - 9
AG07 0007	Magnet Catch	21 - 8
AG07 0504	Magnet Catch: 44.1N	23 - 10
AG07 0515	Magnet Catch: 13N	155 - 8
AG07 0515	Magnet Catch: 13N	255 - 12
AG07 0515	Magnet Catch: 13N	251 - 39
AG07 1012	Magnet Catch: Ass'y	305 - 6
AH01 2031	Caster: 1470N	227 - 2
AH01 2031	Caster: 1470N	305 - 11
AH01 2035	Caster - 980N	211 - 10
AW00 0011	Optics Sensor: Photo	57 - 6
AW01 0107	Paper Feed Sensor	161 - 3
AW01 0107	Paper Feed Sensor	157 - 3
AW01 0107	Paper Feed Sensor	153 - 4
AW01 0107	Paper Feed Sensor	51 - 10
AW01 0107	Paper Feed Sensor	121 - 3
AW01 0107	Paper Feed Sensor	45 - 11

Part No.	Description	Page and Index No.
AW01 0107	Paper Feed Sensor	43 - 5
AW01 0107	Paper Feed Sensor	67 - 7
AW01 0107	Paper Feed Sensor	61 - 19
AW01 0107	Paper Feed Sensor	59 - 2
AW01 0107	Paper Feed Sensor	57 - 4
AW01 0109	Photo Reflection Sensor: PS117ED1	243 - 12
AW01 0109	Photo Reflection Sensor: PS117ED1	247 - 7
AW01 0109	Photo Reflection Sensor: PS117ED1	239 - 21
AW01 0113	Sensor	39 - 37
AW01 0116	Original Sensor: H=1-66	259 - 11
AW01 0122	Paper Feed Sensor	283 - 10
AW01 0122	Paper Feed Sensor	293 - 22
AW01 0122	Paper Feed Sensor	291 - 14
AW01 0122	Paper Feed Sensor	43 - 14
AW01 0122	Paper Feed Sensor	289 - 10
AW01 0122	Paper Feed Sensor	301 - 3
AW01 0127	Paper Feed Sensor	227 - 6
AW01 0130	Original Sensor: H=3-80	259 - 4
AW02 0141	Photointerruptor	239 - 16
AW02 0141	Photointerruptor	255 - 15
AW02 0141	Photointerruptor	251 - 21
AW02 0141	Photointerruptor	243 - 15
AW02 0141	Photointerruptor	253 - 12
AW02 0145	Photointerruptor: Flat	291 - 17
AW02 0145	Photointerruptor: Flat	173 - 3
AW02 0145	Photointerruptor: Flat	109 - 21
AW02 0145	Photointerruptor: Flat	37 - 12
AW02 0145	Photointerruptor: Flat	69 - 12
AW02 0145	Photointerruptor: Flat	107 - 15
AW02 0145	Photointerruptor: Flat	167 - 4
AW02 0145	Photointerruptor: Flat	43 - 7
AW02 0145	Photointerruptor: Flat	219 - 7
AW02 0145	Photointerruptor: Flat	67 - 28
AW02 0145	Photointerruptor: Flat	35 - 35
AW02 0145	Photointerruptor: Flat	39 - 11

Part No.	Description	Page and Index No.
AW02 0145	Photointerruptor: Flat	227 - 16
AW02 0145	Photointerruptor: Flat	101 - 15
AW02 0145	Photointerruptor: Flat	89 - 11
AW02 0145	Photointerruptor: Flat	163 - 7
AW02 0149	Paper Feed Sensor	111 - 15
AW02 0149	Paper Feed Sensor	101 - 11
AW02 0154	Photointerruptor: Entrance	243 - 6
AW02 0155	Photointerruptor: Paper Size Sensor	243 - 5
AW02 0160	Paper Feed Sensor	281 - 9
AW02 0160	Paper Feed Sensor	283 - 20
AW02 0160	Paper Feed Sensor	277 - 6
AW02 0160	Paper Feed Sensor	127 - 5
AW02 0160	Paper Feed Sensor	271 - 17
AW02 0160	Paper Feed Sensor	131 - 7
AW02 0160	Paper Feed Sensor	263 - 25
AW02 0163	Paper Feed Sensor	35 - 32
AW02 0164	Oil End Sensor	227 - 12
AW02 0185	Toner End Sensor	79 - 18
AW10 0106	Thermopile	221 - 10
AW14 0015	Temperature & Humidity Sensor	217 - 13
AW14 0015	Temperature & Humidity Sensor	187 - 3
AW14 0015	Temperature & Humidity Sensor	83 - 7
AW14 0015	Temperature & Humidity Sensor	163 - 15
AW50 0010	Push Switch	179 - 23
AW50 0023	Push Switch	219 - 9
AX04 0139	Stepper Motor: MM42: 0.95A: 9.5V	251 - 30
AX04 0144	DC Motor: Rise: Paper Tray	179 - 19
AX04 0145	DC Motor: Tandem LCT	35 - 31
AX04 0147	DC Motor: Cleaner: 0.5W	127 - 1
AX04 0157	Stepper Motor DC1.68V 6.7W	69 - 20
AX04 0157	Stepper Motor DC1.68V 6.7W	53 - 6
AX04 0157	Stepper Motor DC1.68V 6.7W	295 - 1
AX04 0157	Stepper Motor DC1.68V 6.7W	177 - 7
AX04 0157	Stepper Motor DC1.68V 6.7W	143 - 1
AX04 0157	Stepper Motor DC1.68V 6.7W	179 - 1

Part No.	Description	Page and Index No.
AX04 0158	Stepper Motor DC2.64V 6.3W	293 - 1
AX04 0158	Stepper Motor DC2.64V 6.3W	177 - 1
AX04 0158	Stepper Motor DC2.64V 6.3W	289 - 1
AX04 0229	DC Motor 24V 21.6W	297 - 12
AX06 0280	DC Motor: MM63: 24W	67 - 34
AX06 0280	DC Motor: MM63: 24W	81 - 3
AX06 0281	DC Motor: MM56: 15W	169 - 6
AX06 0281	DC Motor: MM56: 15W	113 - 13
AX06 0281	DC Motor: MM56: 15W	165 - 1
AX06 0281	DC Motor: MM56: 15W	167 - 1
AX06 0320	DC Motor: 54W	253 - 29
AX06 0321	DC Motor 24V 27W	253 - 1
AX06 0333	Stepper Motor DC2.4V 13W	289 - 16
AX20 0284	Magnetic Clutch: 0.4N M: Z32: MM6	81 - 23
AX20 0294	Magnetic Clutch - 38Z	251 - 24
AX31 0045	Total Counter: 7Fig: 24V	223 - 8
AX40 0012	Heater - 230V/18W	305 - 14
AX40 0012	Heater - 230V/18W	265 - 9
AX51 0011	Xenon Lamp	261 - 3
AX56 0011	LED	59 - 18
AX64 0149	Fan Motor: MM40: 15mm	69 - 10
AX64 0149	Fan Motor: MM40: 15mm	83 - 1
AX64 0150	Fan Motor: MM60: 25mm: DC24V 4.8W	221 - 5
AX64 0150	Fan Motor: MM60: 25mm: DC24V 4.8W	217 - 11
AX64 0159	Fan Motor MM80	181 - 4
AX64 0159	Fan Motor MM80	121 - 17
AX65 0041	Fan Motor: Sirocco	183 - 4
AZ23 0195	Power Supply Unit (208V)	199 - 8
AZ26 0001	Power Supply Unit A	201 - 4
AZ26 0003	Power Supply Unit B	201 - 3
AZ31 0029	Power Pack: D	67 - 2
AZ50 0071	Stabilizer	263 - 21
BB01 3007	Gear - 20Z	43 - 1
BB01 3007	Gear - 20Z	49 - 3
BB01 3008	Gear - 31Z	43 - 12

Part No.	Description	Page and Index No.
BB01 3008	Gear - 31Z	285 - 17
BB01 3010	Gear - 18Z	43 - 9
BB01 3019	Gear - 23Z	43 - 10
GA00 0036	Decal - (High Temperature) Left	305 - 13
GA00 0036	Decal - (High Temperature) Left	413 - 93
GA00 3020	Decal: Development Unit: Display: Y	413 - 38
GA00 3020	Decal: Development Unit: Display: Y	221 - 13
GA00 3020	Decal: Development Unit: Display: Y	89 - 31
GA00 3021	Decal: Development Unit: Display: M	89 - 31
GA00 3021	Decal: Development Unit: Display: M	221 - 14
GA00 3021	Decal: Development Unit: Display: M	413 - 39
GA00 3022	Decal: Development Unit: Display: C	413 - 40
GA00 3022	Decal: Development Unit: Display: C	221 - 15
GA00 3022	Decal: Development Unit: Display: C	89 - 31
GA00 3023	Decal: Development Unit: Display: K	413 - 41
GA00 3023	Decal: Development Unit: Display: K	221 - 16
GA00 3023	Decal: Development Unit: Display: K	89 - 31
GA06 0077	Spring: Blade: 1st Transfer: 7.1N	117 - 9
GA06 3076	Compression Spring: Brush Roller	115 - 14
GA06 3076	Compression Spring: Brush Roller	117 - 31
GA06 3077	Spring: Shutter: Used Toner	117 - 16
GA06 3078	Compression Spring: Belt Cleaning	117 - 14
GA08 2012	Bushing: Brush Roller: Rear	115 - 13
GA15 0010	Seal: Blade	117 - 11
GA15 1039	Seal: Case: Coating Bar	115 - 1
GA15 1040	Seal: Holder: Side	117 - 19
GA15 2031	Seal: Belt Cleaning: Front	117 - 20
GA15 2032	Seal: Belt Cleaning: Rear	117 - 30
GA15 2033	Seal: Belt Cleaning: Entrance: Side	117 - 33
GB01 0140	Gear: Idler: 68Z	113 - 5
GB01 1084	Gear: Brush Roller: 1st Transfer	117 - 26
GB01 1085	Gear: Idler: Toner Collection Coil	117 - 5
GB01 1086	Gear: Toner Collection Coil	117 - 22
GB01 1130	Gear: Idler: 64Z	113 - 8
GB01 1131	Gear: Drive: Brush Roller: Upper	113 - 3

Part No.	Description	Page and Index No.
GB01 1132	Gear: Drive: Brush Roller: Lower	113 - 7
GB01 7133	Gear: Idler: 60Z: 31Z	113 - 9
GB01 7134	Gear: Idler: 40Z: 42Z	113 - 4
GD04 1027	Cleaning Blade: Intermediate Transfer: Ass'y	117 - 10
GD04 2007	Brush Roller: Intermediate Transfer	117 - 28
GD04 2008	Brush Roller: Apply: 1st Transfer	115 - 12
GD04 2009	Brush Roller: Cleaning	93 - 1
GD04 2010	Brush Roller: Apply: Ass'y	91 - 16
GD04 3008	Toner Collection Coil: Belt Cleaning	117 - 24
GH01 0007	Rubber Foot - FF-006(P4070)N	305 - 5
GW23 0001	Toner End Sensor	81 - 16
GX05 0009	Stepper Motor - DC 4.56W	169 - 16
GX05 0010	DC Stepper Motor: 5.56W	103 - 27
GX06 0030	DC Motor: DIA87: 47W	169 - 17
GX64 0021	Fan Motor DC24V 1.92W	263 - 5
GX64 0021	Fan Motor DC24V 1.92W	265 - 2
GX64 0024	Fan Motor - DC 3.12W	203 - 8
GX64 0024	Fan Motor - DC 3.12W	183 - 6
GX64 0024	Fan Motor - DC 3.12W	193 - 11
GX64 0024	Fan Motor - DC 3.12W	195 - 1
GX64 0024	Fan Motor - DC 3.12W	201 - 1
GX64 0024	Fan Motor - DC 3.12W	181 - 8
GX64 0024	Fan Motor - DC 3.12W	209 - 7
GX64 0024	Fan Motor - DC 3.12W	223 - 2
GX64 0024	Fan Motor - DC 3.12W	297 - 16
GX64 0028	Fan Motor DC24V 1.92W	263 - 20
GX64 0028	Fan Motor DC24V 1.92W	259 - 16
GX65 0002	Fan: Sirocco: DC 9.36W	181 - 2
GZ23 0041	Power Supply Unit: G-P3: EU/AA	187 - 7

Part No.	Description	Page and Index No.
RC01 0070	LCD - LQ104S1DG21A	33 - 18
RG01 0286	Power Supply Unit	215 - 21
RM01 0076	Battery: BS06D-H24/2.5L	215 - 25

Part No.	Description	Page and Index No.
0312 5040N	Pan Head Screw: M2.5x4	95 -105
0312 5050N	Screw - M2.5x5	79 -102
0313 0060N	Screw - M3x6	261 -104
0313 0060N	Pan Head Screw: M3x6	193 -108
0313 0080N	Pan Head Screw: M3x8	39 -109
0313 0080N	Pan Head Screw: M3x8	35 -107
0313 0120N	Pan Head Screw: M3x12	261 -103
0313 0120N	Pan Head Screw: M3x12	263 -108
0313 0120N	Pan Head Screw: M3x12	39 -108
0314 0060N	Screw - M4x6	305 -106
0314 0060N	Screw - M4x6	225 -102
0314 0060N	Screw - M4x6	35 -114
0314 0060N	Screw - M4x6	265 -104
0314 0080N	Philips Pan Head Screw - M4x8	259 -102
0314 0080N	Philips Pan Head Screw - M4x8	23 -102
0314 0080N	Philips Pan Head Screw - M4x8	295 -102
0314 0080N	Philips Pan Head Screw - M4x8	265 -105
0314 0120N	Screw - M4x12	173 -103
0314 0180N	Pan Head Screw: M4x18	145 -104
0314 0180N	Pan Head Screw: M4x18	69 -103
0324 0300N	Screw - M4x30	265 -106
0353 0040N	Screw - M3x4	149 -103
0353 0040N	Screw - M3x4	51 -103
0353 0040N	Screw - M3x4	67 -109
0353 0040P	Screw - M3x4	31 -104
0353 0040P	Screw - M3x4	33 -103
0353 0050N	Screw-M3x5	177 -102
0353 0050N	Screw-M3x5	65 -103
0353 0050N	Screw-M3x5	251 -101
0353 0060N	Bind Screw - M3x6	213 -101
0353 0060N	Bind Screw - M3x6	117 -101
0353 0060N	Bind Screw - M3x6	109 -107
0353 0060N	Bind Screw - M3x6	89 -101
0353 0060N	Bind Screw - M3x6	85 -102
0353 0060N	Bind Screw - M3x6	215 -101

Part No.	Description	Page and Index No.
0353 0060N	Bind Screw - M3x6	105 -104
0353 0060N	Bind Screw - M3x6	103 -105
0353 0060N	Bind Screw - M3x6	115 -101
0353 0060N	Bind Screw - M3x6	33 -102
0353 0060N	Bind Screw - M3x6	31 -106
0353 0060N	Bind Screw - M3x6	83 -105
0353 0060N	Bind Screw - M3x6	91 -101
0353 0060N	Bind Screw - M3x6	93 -101
0353 0080N	Screw: M3x8	183 -103
0353 0080N	Screw: M3x8	135 -109
0353 0100N	Screw-M3x10	227 -103
0353 0140N	Screw: M3x14	85 -104
0353 0250N	Screw: M3x25	143 -104
0353 0250N	Screw: M3x25	161 -106
0354 0040N	Screw-M4x4	221 -102
0354 0040N	Screw-M4x4	111 -104
0354 0040N	Screw-M4x4	109 -106
0354 0040N	Screw-M4x4	37 -104
0354 0040N	Screw-M4x4	35 -101
0354 0040N	Screw-M4x4	101 -104
0354 0050N	Screw - M4x5	217 -104
0354 0050N	Screw - M4x5	31 -103
0354 0050N	Screw - M4x5	163 -103
0354 0060N	Screw-M4x6	259 -103
0354 0060N	Screw-M4x6	155 -102
0354 0060N	Screw-M4x6	163 -104
0354 0060N	Screw-M4x6	127 -101
0354 0060N	Screw-M4x6	153 -103
0354 0060N	Screw-M4x6	123 -104
0354 0060N	Screw-M4x6	217 -101
0354 0080N	Screw: M4x8	85 -101
0354 0080N	Screw: M4x8	229 -104
0354 0080N	Screw: M4x8	81 -114
0354 0200N	Screw: M4x20	259 -104
0354 0200N	Screw: M4x20	263 -104

Part No.	Description	Page and Index No.
0354 0300N	Screw: M4x30	265 -111
0354 0300N	Screw: M4x30	263 -103
0354 0400N	Screw: M4x40	181 -102
0354 0450N	Screw: M4x45	205 -105
0360 3005N	Screw - M3x5	31 -105
0360 3006N	Screw - M3x6	297 -112
0360 3006N	Screw - M3x6	289 -102
0360 3006N	Screw - M3x6	293 -102
0360 3006N	Screw - M3x6	263 -101
0360 3006N	Screw - M3x6	261 -102
0360 3006N	Screw - M3x6	135 -103
0360 3006N	Screw - M3x6	259 -101
0360 3008N	Screw: M3x8	133 -102
0360 3010N	Screw: M3x10	135 -112
0360 4006N	Screw - M4x6	133 -101
0360 4006N	Screw - M4x6	131 -114
0360 4006N	Screw - M4x6	125 -101
0360 4006N	Screw - M4x6	123 -105
0360 4008N	Screw - M4x8	135 -102
0360 4008N	Screw - M4x8	133 -103
0360 4008N	Screw - M4x8	41 -104
0360 4008N	Screw - M4x8	131 -101
0360 4008N	Screw - M4x8	129 -101
0360 4008N	Screw - M4x8	127 -108
0360 4008N	Screw - M4x8	123 -103
0360 4012N	Screw: M4x12	135 -107
0360 4016N	Screw: M4x16	233 -102
0360 4030N	Screw: M4x30	181 -103
0360 4030N	Screw: M4x30	217 -106
0434 0200N	PAN Self-Tapping Screw: 4x20	183 -105
0450 3008N	Tapping Screw - M3x8	87 -101
0450 3008N	Tapping Screw - M3x8	219 -101
0450 3008N	Tapping Screw - M3x8	239 -110
0450 3008N	Tapping Screw - M3x8	243 -109
0450 3008N	Tapping Screw - M3x8	35 -106

Part No.	Description	Page and Index No.
0450 3008N	Tapping Screw - M3x8	103 -102
0450 3008N	Tapping Screw - M3x8	247 -102
0450 3008N	Tapping Screw - M3x8	67 -103
0450 3008N	Tapping Screw - M3x8	141 -103
0450 3008N	Tapping Screw - M3x8	89 -103
0450 3008N	Tapping Screw - M3x8	165 -102
0450 3010N	Tapping Screw - M3x10	123 -102
0450 3010N	Tapping Screw - M3x10	99 -105
0450 3010N	Tapping Screw - M3x10	33 -101
0450 3010N	Tapping Screw - M3x10	97 -108
0450 3010N	Tapping Screw - M3x10	31 -102
0450 3010N	Tapping Screw - M3x10	81 -105
0450 3010P	Tapping Screw: 3x10	229 -103
0450 3010P	Tapping Screw: 3x10	87 -102
0450 3012N	Tapping Screw: 3x12	79 -106
0450 4008N	Tapping Screw - M4x8	41 -106
0450 4008N	Tapping Screw - M4x8	171 -106
0450 4008N	Tapping Screw - M4x8	205 -103
0450 4008N	Tapping Screw - M4x8	239 -101
0450 4008N	Tapping Screw - M4x8	37 -103
0450 4008N	Tapping Screw - M4x8	235 -102
0450 4008N	Tapping Screw - M4x8	35 -104
0450 4008N	Tapping Screw - M4x8	231 -103
0450 4008N	Tapping Screw - M4x8	21 -104
0450 4008N	Tapping Screw - M4x8	181 -104
0450 4008N	Tapping Screw - M4x8	267 -109
0450 4010N	Tapping Screw: M4x10	165 -106
0450 4010N	Tapping Screw: M4x10	137 -102
0450 4010N	Tapping Screw: M4x10	141 -101
0450 4010N	Tapping Screw: M4x10	29 -102
0450 4010N	Tapping Screw: M4x10	21 -101
0450 4010N	Tapping Screw: M4x10	121 -103
0450 4010N	Tapping Screw: M4x10	99 -101
0450 4010N	Tapping Screw: M4x10	159 -102
0450 4010N	Tapping Screw: M4x10	35 -105

Part No.	Description	Page and Index No.
0450 4010N	Tapping Screw: M4x10	143 -101
0450 4010N	Tapping Screw: M4x10	97 -103
0450 4010N	Tapping Screw: M4x10	25 -103
0450 4010N	Tapping Screw: M4x10	219 -103
0450 4010N	Tapping Screw: M4x10	167 -106
0450 4012N	Tapping Screw: 4x12	137 -105
0450 4012N	Tapping Screw: 4x12	237 -102
0450 4012N	Tapping Screw: 4x12	89 -106
0450 4035N	Tapping Screw: 4x35	221 -106
0451 3005N	Tapping Screw: M3x5	253 -108
0451 3006N	Tapping Screw - 3x6	227 -104
0451 3006N	Tapping Screw - 3x6	107 -101
0451 3006N	Tapping Screw - 3x6	63 -102
0451 3006N	Tapping Screw - 3x6	109 -102
0451 3006N	Tapping Screw - 3x6	53 -102
0451 3006N	Tapping Screw - 3x6	209 -106
0451 3006N	Tapping Screw - 3x6	111 -102
0451 3006N	Tapping Screw - 3x6	189 -101
0451 3006N	Tapping Screw - 3x6	113 -101
0451 3006N	Tapping Screw - 3x6	299 -104
0451 3006N	Tapping Screw - 3x6	147 -101
0451 3006N	Tapping Screw - 3x6	117 -103
0451 3006N	Tapping Screw - 3x6	119 -101
0451 3006N	Tapping Screw - 3x6	219 -105
0451 3006N	Tapping Screw - 3x6	191 -101
0451 3006N	Tapping Screw - 3x6	193 -101
0451 3006N	Tapping Screw - 3x6	121 -102
0451 3006N	Tapping Screw - 3x6	211 -102
0451 3006N	Tapping Screw - 3x6	297 -107
0451 3006N	Tapping Screw - 3x6	83 -103
0451 3006N	Tapping Screw - 3x6	149 -102
0451 3006N	Tapping Screw - 3x6	55 -101
0451 3006N	Tapping Screw - 3x6	243 -105
0451 3006N	Tapping Screw - 3x6	201 -102
0451 3006N	Tapping Screw - 3x6	217 -103

Part No.	Description	Page and Index No.
0451 3006N	Tapping Screw - 3x6	165 -103
0451 3006N	Tapping Screw - 3x6	65 -102
0451 3006N	Tapping Screw - 3x6	223 -109
0451 3006N	Tapping Screw - 3x6	101 -102
0451 3006N	Tapping Screw - 3x6	145 -101
0451 3006N	Tapping Screw - 3x6	207 -101
0451 3006N	Tapping Screw - 3x6	163 -102
0451 3006N	Tapping Screw - 3x6	99 -103
0451 3006N	Tapping Screw - 3x6	143 -103
0451 3006N	Tapping Screw - 3x6	67 -102
0451 3006N	Tapping Screw - 3x6	97 -102
0451 3006N	Tapping Screw - 3x6	141 -102
0451 3006N	Tapping Screw - 3x6	203 -116
0451 3006N	Tapping Screw - 3x6	185 -103
0451 3006N	Tapping Screw - 3x6	59 -103
0451 3006N	Tapping Screw - 3x6	157 -101
0451 3006N	Tapping Screw - 3x6	95 -103
0451 3006N	Tapping Screw - 3x6	105 -101
0451 3006N	Tapping Screw - 3x6	73 -103
0451 3006N	Tapping Screw - 3x6	89 -102
0451 3008N	Tapping Screw - M3x8	95 -104
0451 3008N	Tapping Screw - M3x8	243 -103
0451 3008N	Tapping Screw - M3x8	239 -102
0451 3008N	Tapping Screw - M3x8	303 -103
0451 3008N	Tapping Screw - M3x8	249 -104
0451 3008N	Tapping Screw - M3x8	245 -105
0451 3008N	Tapping Screw - M3x8	251 -102
0451 3008N	Tapping Screw - M3x8	247 -103
0451 3008N	Tapping Screw - M3x8	179 -105
0451 3008N	Tapping Screw - M3x8	255 -101
0451 3008N	Tapping Screw - M3x8	237 -101
0451 3008N	Tapping Screw - M3x8	183 -106
0451 3008N	Tapping Screw - M3x8	253 -101
0451 3008N	Tapping Screw - M3x8	113 -102
0451 3008N	Tapping Screw - M3x8	169 -101

Part No.	Description	Page and Index No.
0451 3008N	Tapping Screw - M3x8	241 -101
0451 3008N	Tapping Screw - M3x8	41 -101
0451 3008N	Tapping Screw - M3x8	187 -101
0451 3010N	Tapping Screw: 3x10	105 -102
0451 3010N	Tapping Screw: 3x10	89 -104
0451 3010N	Tapping Screw: 3x10	119 -108
0451 3010N	Tapping Screw: 3x10	145 -102
0451 3010N	Tapping Screw: 3x10	251 -115
0451 3012N	Tapping Screw: 3x12	243 -107
0451 3014N	Tapping Screw: 3x14	223 -103
0451 3014N	Tapping Screw: 3x14	75 -102
0451 4006N	Tapping Screw - 4x6	257 -102
0451 4006N	Tapping Screw - 4x6	35 -102
0451 4006N	Tapping Screw - 4x6	37 -102
0451 4006N	Tapping Screw - 4x6	265 -101
0451 4006N	Tapping Screw - 4x6	263 -102
0451 4006N	Tapping Screw - 4x6	45 -101
0451 4006N	Tapping Screw - 4x6	253 -109
0451 4006N	Tapping Screw - 4x6	179 -102
0451 4006N	Tapping Screw - 4x6	245 -106
0451 4006N	Tapping Screw - 4x6	255 -106
0451 4006N	Tapping Screw - 4x6	177 -104
0451 4006N	Tapping Screw - 4x6	43 -103
0451 4006N	Tapping Screw - 4x6	47 -101
0451 4006N	Tapping Screw - 4x6	261 -101
0451 4006N	Tapping Screw - 4x6	277 -105
0451 4008N	Tapping Screw: 4x8	277 -102
0451 4008N	Tapping Screw: 4x8	217 -102
0451 4008N	Tapping Screw: 4x8	79 -105
0451 4008N	Tapping Screw: 4x8	137 -101
0451 4008N	Tapping Screw: 4x8	161 -102
0451 4008N	Tapping Screw: 4x8	209 -102
0451 4008N	Tapping Screw: 4x8	111 -101
0451 4008N	Tapping Screw: 4x8	235 -101
0451 4008N	Tapping Screw: 4x8	25 -101

Part No.	Description	Page and Index No.
0451 4008N	Tapping Screw: 4x8	109 -101
0451 4008N	Tapping Screw: 4x8	297 -101
0451 4008N	Tapping Screw: 4x8	187 -102
0451 4008N	Tapping Screw: 4x8	291 -106
0451 4008N	Tapping Screw: 4x8	233 -101
0451 4008N	Tapping Screw: 4x8	107 -102
0451 4008N	Tapping Screw: 4x8	23 -101
0451 4008N	Tapping Screw: 4x8	77 -101
0451 4008N	Tapping Screw: 4x8	63 -101
0451 4008N	Tapping Screw: 4x8	105 -103
0451 4008N	Tapping Screw: 4x8	179 -104
0451 4008N	Tapping Screw: 4x8	39 -110
0451 4008N	Tapping Screw: 4x8	21 -103
0451 4008N	Tapping Screw: 4x8	83 -101
0451 4008N	Tapping Screw: 4x8	121 -101
0451 4008N	Tapping Screw: 4x8	165 -101
0451 4008N	Tapping Screw: 4x8	303 -101
0451 4008N	Tapping Screw: 4x8	285 -101
0451 4008N	Tapping Screw: 4x8	301 -101
0451 4008N	Tapping Screw: 4x8	181 -101
0451 4008N	Tapping Screw: 4x8	191 -102
0451 4008N	Tapping Screw: 4x8	253 -117
0451 4008N	Tapping Screw: 4x8	119 -102
0451 4008N	Tapping Screw: 4x8	49 -101
0451 4008N	Tapping Screw: 4x8	195 -104
0451 4008N	Tapping Screw: 4x8	283 -101
0451 4008N	Tapping Screw: 4x8	35 -113
0451 4008N	Tapping Screw: 4x8	65 -101
0451 4008N	Tapping Screw: 4x8	51 -101
0451 4008N	Tapping Screw: 4x8	281 -101
0451 4008N	Tapping Screw: 4x8	189 -102
0451 4008N	Tapping Screw: 4x8	81 -101
0451 4008N	Tapping Screw: 4x8	211 -101
0451 4008N	Tapping Screw: 4x8	279 -101
0451 4008N	Tapping Screw: 4x8	273 -101

Part No.	Description	Page and Index No.
0451 4008N	Tapping Screw: 4x8	257 -101
0451 4008N	Tapping Screw: 4x8	305 -102
0451 4008N	Tapping Screw: 4x8	183 -101
0451 4008N	Tapping Screw: 4x8	69 -101
0451 4008N	Tapping Screw: 4x8	97 -101
0451 4008N	Tapping Screw: 4x8	59 -101
0451 4008N	Tapping Screw: 4x8	227 -101
0451 4008N	Tapping Screw: 4x8	41 -102
0451 4008N	Tapping Screw: 4x8	95 -101
0451 4008N	Tapping Screw: 4x8	203 -101
0451 4008N	Tapping Screw: 4x8	265 -102
0451 4008N	Tapping Screw: 4x8	31 -101
0451 4008N	Tapping Screw: 4x8	221 -101
0451 4008N	Tapping Screw: 4x8	173 -101
0451 4008N	Tapping Screw: 4x8	207 -102
0451 4008N	Tapping Screw: 4x8	29 -101
0451 4008N	Tapping Screw: 4x8	163 -101
0451 4008N	Tapping Screw: 4x8	295 -101
0451 4008N	Tapping Screw: 4x8	229 -101
0451 4008N	Tapping Screw: 4x8	67 -101
0451 4008N	Tapping Screw: 4x8	89 -105
0451 4008N	Tapping Screw: 4x8	299 -101
0451 4008N	Tapping Screw: 4x8	57 -101
0451 4008N	Tapping Screw: 4x8	293 -107
0451 4008N	Tapping Screw: 4x8	271 -102
0451 4008N	Tapping Screw: 4x8	171 -101
0451 4008N	Tapping Screw: 4x8	37 -101
0451 4008N	Tapping Screw: 4x8	75 -101
0451 4008N	Tapping Screw: 4x8	101 -101
0451 4008N	Tapping Screw: 4x8	177 -101
0451 4008N	Tapping Screw: 4x8	169 -103
0451 4008N	Tapping Screw: 4x8	53 -101
0451 4008N	Tapping Screw: 4x8	27 -101
0451 4008N	Tapping Screw: 4x8	225 -101
0451 4008N	Tapping Screw: 4x8	103 -101

Part No.	Description	Page and Index No.
0451 4008N	Tapping Screw: 4x8	55 -102
0451 4008N	Tapping Screw: 4x8	231 -101
0451 4008N	Tapping Screw: 4x8	73 -101
0451 4008N	Tapping Screw: 4x8	185 -102
0451 4008N	Tapping Screw: 4x8	267 -101
0451 4008N	Tapping Screw: 4x8	269 -106
0451 4008N	Tapping Screw: 4x8	193 -109
0451 4008N	Tapping Screw: 4x8	275 -101
0451 4008N	Tapping Screw: 4x8	71 -101
0451 4008N	Tapping Screw: 4x8	61 -101
0451 4008N	Tapping Screw: 4x8	175 -101
0451 4008N	Tapping Screw: 4x8	99 -102
0451 4008N	Tapping Screw: 4x8	167 -101
0451 4008N	Tapping Screw: 4x8	205 -101
0451 4008N	Tapping Screw: 4x8	201 -103
0451 4008N	Tapping Screw: 4x8	219 -102
0451 4008N	Tapping Screw: 4x8	223 -101
0451 4010N	Tapping Screw: 4x10	139 -102
0451 4010N	Tapping Screw: 4x10	169 -105
0451 4010N	Tapping Screw: 4x10	179 -101
0451 4010N	Tapping Screw: 4x10	53 -104
0451 4010N	Tapping Screw: 4x10	205 -104
0451 4010N	Tapping Screw: 4x10	177 -103
0451 4012N	Tapping Screw: 4x12	109 -104
0451 4012N	Tapping Screw: 4x12	165 -105
0451 4012N	Tapping Screw: 4x12	21 -102
0451 4012N	Tapping Screw: 4x12	111 -103
0451 4012N	Tapping Screw: 4x12	257 -103
0451 4012N	Tapping Screw: 4x12	101 -103
0451 4012N	Tapping Screw: 4x12	83 -104
0451 4012N	Tapping Screw: 4x12	175 -102
0451 4012N	Tapping Screw: 4x12	69 -102
0451 4012N	Tapping Screw: 4x12	95 -102
0451 4012N	Tapping Screw: 4x12	29 -107
0451 4020N	Tapping Screw - M4x20	231 -102

Part No.	Description	Page and Index No.
0451 4030N	Tapping Screw: M4x30	181 -106
0451 4030N	Tapping Screw: M4x30	297 -109
0451 4030N	Tapping Screw: M4x30	183 -104
0451 4030N	Tapping Screw: M4x30	203 -104
0451 4030N	Tapping Screw: M4x30	209 -103
0451 4030N	Tapping Screw: M4x30	195 -103
0451 4030N	Tapping Screw: M4x30	201 -101
0451 4030N	Tapping Screw: M4x30	223 -108
0451 4030N	Tapping Screw: M4x30	193 -102
0452 2004N	Screw - 2x4	261 -106
0452 3006N	Binding Self-Tapping Screw: 3x6	85 -103
0452 3006N	Binding Self-Tapping Screw: 3x6	39 -101
0452 3010N	Binding Self-Tapping Screw: 3x10	219 -108
0452 4008N	Tapping Screw: M4x8	239 -103
0453 3006N	Tapping Screw - M3x6	269 -101
0453 3006N	Tapping Screw - M3x6	271 -104
0453 3006N	Binding Self Tapping Screw: 3x6	165 -108
0453 3006N	Tapping Screw - M3x6	275 -102
0453 3006N	Tapping Screw - M3x6	261 -109
0453 3006N	Tapping Screw - M3x6	289 -108
0453 3008N	Binding Self Tapping Screw: 3x8	303 -102
0453 4006N	Binding Self Tapping Screw: 4x6	271 -103
0453 4006N	Binding Self Tapping Screw: 4x6	269 -102
0453 4006N	Binding Self Tapping Screw: 4x6	275 -103
0453 4006N	Binding Self Tapping Screw: 4x6	35 -110
0453 4006N	Binding Self Tapping Screw: 4x6	277 -103
0453 4006N	Binding Self Tapping Screw: 4x6	273 -104
0453 4006N	Binding Self Tapping Screw: 4x6	265 -103
0453 4008N	Binding Self Tapping Screw: 4x8	303 -105
0454 3006Q	Tapping Screw - M3x6	213 -102
0454 3006Q	Tapping Screw - M3x6	159 -105
0454 3006Q	Tapping Screw - M3x6	199 -101
0454 3006Q	Tapping Screw - M3x6	197 -101
0454 3006Q	Tapping Screw - M3x6	195 -101
0454 3006Q	Tapping Screw - M3x6	153 -102

Part No.	Description	Page and Index No.
0454 3006Q	Tapping Screw - M3x6	229 -102
0454 3006Q	Tapping Screw - M3x6	215 -103
0454 3006Q	Tapping Screw - M3x6	57 -103
0454 3008Q	Tapping Screw: 3x8	239 -112
0454 4006Q	Tapping Screw: 4x6	269 -107
0454 4006Q	Tapping Screw: 4x6	125 -102
0454 4006Q	Tapping Screw: 4x6	295 -103
0454 4008Q	Tapping Screw - M4x8	287 -101
0454 4008Q	Tapping Screw - M4x8	147 -102
0454 4008Q	Tapping Screw - M4x8	123 -101
0454 4008Q	Tapping Screw - M4x8	281 -103
0454 4008Q	Tapping Screw - M4x8	187 -106
0454 4008Q	Tapping Screw - M4x8	269 -108
0454 4008Q	Tapping Screw - M4x8	39 -112
0454 4008Q	Tapping Screw - M4x8	209 -101
0454 4008Q	Tapping Screw - M4x8	279 -103
0454 4008Q	Tapping Screw - M4x8	63 -103
0454 4008Q	Tapping Screw - M4x8	149 -101
0454 4008Q	Tapping Screw - M4x8	293 -101
0454 4008Q	Tapping Screw - M4x8	195 -102
0454 4008Q	Tapping Screw - M4x8	125 -105
0454 4008Q	Tapping Screw - M4x8	133 -106
0454 4008Q	Tapping Screw - M4x8	151 -101
0454 4008Q	Tapping Screw - M4x8	305 -101
0454 4008Q	Tapping Screw - M4x8	289 -101
0454 4008Q	Tapping Screw - M4x8	127 -109
0454 4008Q	Tapping Screw - M4x8	153 -101
0454 4008Q	Tapping Screw - M4x8	271 -101
0454 4008Q	Tapping Screw - M4x8	267 -104
0454 4008Q	Tapping Screw - M4x8	159 -101
0454 4008Q	Tapping Screw - M4x8	273 -103
0454 4008Q	Tapping Screw - M4x8	51 -102
0454 4008Q	Tapping Screw - M4x8	67 -104
0454 4008Q	Tapping Screw - M4x8	227 -102
0454 4008Q	Tapping Screw - M4x8	135 -104

Part No.	Description	Page and Index No.
0454 4008Q	Tapping Screw - M4x8	157 -102
0454 4008Q	Tapping Screw - M4x8	205 -102
0454 4008Q	Tapping Screw - M4x8	71 -102
0454 4008Q	Tapping Screw - M4x8	175 -106
0454 4008Q	Tapping Screw - M4x8	73 -102
0454 4008Q	Tapping Screw - M4x8	25 -102
0454 4008Q	Tapping Screw - M4x8	53 -103
0454 4008Q	Tapping Screw - M4x8	155 -101
0454 4008Q	Tapping Screw - M4x8	291 -101
0454 4008Q	Tapping Screw - M4x8	255 -107
0454 4008Q	Tapping Screw - M4x8	161 -101
0454 4008Q	Tapping Screw - M4x8	139 -101
0454 4008Q	Tapping Screw - M4x8	55 -107
0454 4008Q	Tapping Screw - M4x8	57 -102
0454 4008Q	Tapping Screw - M4x8	165 -107
0454 4008Q	Tapping Screw - M4x8	143 -102
0454 4008Q	Tapping Screw - M4x8	131 -103
0454 4008Q	Tapping Screw - M4x8	221 -103
0454 4008Q	Tapping Screw - M4x8	183 -102
0454 4008Q	Tapping Screw - M4x8	59 -102
0454 4008Q	Tapping Screw - M4x8	203 -102
0454 4008Q	Tapping Screw - M4x8	207 -103
0454 4008Q	Tapping Screw - M4x8	185 -101
0454 4008Q	Tapping Screw - M4x8	277 -101
0454 4008Q	Tapping Screw - M4x8	145 -103
0456 3008N	Tapping Screw - M3x8	81 -106
0456 4012N	Tapping Screw: WP: 4x12	267 -108
0456 4012N	Tapping Screw: WP: 4x12	35 -111
0456 4012N	Tapping Screw: WP: 4x12	41 -103
0573 0030E	Hexagon Headless Set Screw - M3x3	285 -106
0573 0030E	Hexagon Headless Set Screw - M3x3	47 -104
0574 0050E	Hexagon Headless Set Screw - M4x5	253 -102
0593 0140E	Hexagonal Set Screw: M3x14	81 -104
0595 0140E	Hexagon Bolt - M5x14	173 -112
0595 0250E	Hexagonal Set Screw: M5x25	131 -104

Part No.	Description	Page and Index No.
0632 0120G	Parallel Pin - 2x12	251 -106
0632 0120G	Parallel Pin - 2x12	253 -113
0632 0120G	Parallel Pin - 2x12	249 -102
0632 0140G	Parallel Pin	239 -108
0632 0160G	Parallel Pin-M2x16	251 -111
0632 0200G	Parallel Pin: 2x20	89 -108
0633 0120G	Parallel Pin - 3x12	109 -111
0633 0140G	Parallel Pin - 3x14	89 -110
0633 0140G	Parallel Pin - 3x14	279 -105
0633 0140G	Parallel Pin - 3x14	81 -113
0633 0140G	Parallel Pin - 3x14	171 -104
0633 0140G	Parallel Pin - 3x14	297 -106
0633 0160G	Parallel Pin - 3x16mm	107 -107
0633 0200G	Pin - M3x20	39 -104
0701 0030N	Washer Dia3	253 -110
0701 0030N	Washer Dia3	251 -110
0701 0040N	Washer: DIA4	35 -112
0701 0040N	Washer: DIA4	267 -107
0701 0040N	Washer: DIA4	41 -107
0701 0050N	Washer: DIA5	211 -109
0701 0050N	Washer: DIA5	169 -111
0701 0060N	Washer DIA6	299 -109
0703 0040N	Spring Washer: DIA4	173 -109
0703 0050N	Spring Washer: DIA5	173 -113
0707 4050N	Bushing - 4x5	257 -104
0707 4060N	Bushing: Dia4x6	253 -116
0708 0040N	Washer - DIA4	173 -108
0708 0080N	Washer-DIA8	297 -104
0712 0050N	Hexagonal Nut: M5	131 -105
0720 0020E	Retaining Ring - M2	171 -105
0720 0020E	Retaining Ring - M2	291 -103
0720 0020E	Retaining Ring - M2	111 -107
0720 0020E	Retaining Ring - M2	101 -107
0720 0030E	Retaining Ring - M3	245 -103
0720 0030E	Retaining Ring - M3	241 -104

Part No.	Description	Page and Index No.
0720 0030E	Retaining Ring - M3	127 -104
0720 0030E	Retaining Ring - M3	239 -104
0720 0030E	Retaining Ring - M3	243 -111
0720 0030E	Retaining Ring - M3	101 -106
0720 0030E	Retaining Ring - M3	125 -104
0720 0030E	Retaining Ring - M3	249 -103
0720 0030E	Retaining Ring - M3	133 -104
0720 0030E	Retaining Ring - M3	301 -105
0720 0030E	Retaining Ring - M3	275 -106
0720 0030E	Retaining Ring - M3	293 -105
0720 0030E	Retaining Ring - M3	149 -107
0720 0030E	Retaining Ring - M3	255 -102
0720 0030E	Retaining Ring - M3	119 -105
0720 0030E	Retaining Ring - M3	253 -114
0720 0030E	Retaining Ring - M3	77 -103
0720 0030E	Retaining Ring - M3	111 -106
0720 0030E	Retaining Ring - M3	163 -105
0720 0030E	Retaining Ring - M3	291 -102
0720 0030E	Retaining Ring - M3	269 -104
0720 0030E	Retaining Ring - M3	271 -107
0720 0030E	Retaining Ring - M3	51 -104
0720 0040E	Retaining Ring - M4	153 -107
0720 0040E	Retaining Ring - M4	253 -104
0720 0040E	Retaining Ring - M4	143 -108
0720 0040E	Retaining Ring - M4	283 -103
0720 0040E	Retaining Ring - M4	81 -107
0720 0040E	Retaining Ring - M4	145 -105
0720 0040E	Retaining Ring - M4	225 -103
0720 0040E	Retaining Ring - M4	151 -103
0720 0040E	Retaining Ring - M4	47 -102
0720 0040E	Retaining Ring - M4	239 -109
0720 0040E	Retaining Ring - M4	285 -104
0720 0040E	Retaining Ring - M4	157 -104
0720 0040E	Retaining Ring - M4	179 -110
0720 0040E	Retaining Ring - M4	25 -104

Part No.	Description	Page and Index No.
0720 0040E	Retaining Ring - M4	63 -106
0720 0040E	Retaining Ring - M4	45 -106
0720 0040E	Retaining Ring - M4	147 -103
0720 0040E	Retaining Ring - M4	269 -103
0720 0040E	Retaining Ring - M4	89 -112
0720 0040E	Retaining Ring - M4	93 -103
0720 0040E	Retaining Ring - M4	65 -104
0720 0040E	Retaining Ring - M4	247 -101
0720 0040E	Retaining Ring - M4	251 -107
0720 0040E	Retaining Ring - M4	125 -103
0720 0040E	Retaining Ring - M4	133 -107
0720 0040E	Retaining Ring - M4	39 -102
0720 0040E	Retaining Ring - M4	155 -103
0720 0040E	Retaining Ring - M4	35 -103
0720 0040E	Retaining Ring - M4	101 -105
0720 0040E	Retaining Ring - M4	267 -105
0720 0040E	Retaining Ring - M4	107 -106
0720 0040E	Retaining Ring - M4	111 -105
0720 0040E	Retaining Ring - M4	291 -104
0720 0040E	Retaining Ring - M4	105 -105
0720 0040E	Retaining Ring - M4	245 -101
0720 0040E	Retaining Ring - M4	59 -105
0720 0040E	Retaining Ring - M4	69 -104
0720 0040E	Retaining Ring - M4	249 -101
0720 0040E	Retaining Ring - M4	289 -109
0720 0040E	Retaining Ring - M4	271 -106
0720 0040E	Retaining Ring - M4	243 -101
0720 0040E	Retaining Ring - M4	277 -104
0720 0040E	Retaining Ring - M4	53 -106
0720 0040E	Retaining Ring - M4	167 -105
0720 0040E	Retaining Ring - M4	161 -105
0720 0040E	Retaining Ring - M4	275 -104
0720 0040E	Retaining Ring - M4	163 -106
0720 0040E	Retaining Ring - M4	149 -104
0720 0040E	Retaining Ring - M4	113 -104

Part No.	Description	Page and Index No.
0720 0040E	Retaining Ring - M4	55 -105
0720 0040E	Retaining Ring - M4	131 -106
0720 0040E	Retaining Ring - M4	43 -102
0720 0040E	Retaining Ring - M4	57 -104
0720 0040E	Retaining Ring - M4	73 -104
0720 0040E	Retaining Ring - M4	77 -102
0720 0040E	Retaining Ring - M4	241 -102
0720 0040E	Retaining Ring - M4	79 -101
0720 0040E	Retaining Ring - M4	61 -103
0720 0040E	Retaining Ring - M4	117 -102
0720 0040E	Retaining Ring - M4	119 -103
0720 0050E	Retaining Ring - M5	67 -106
0720 0050E	Retaining Ring - M5	119 -104
0720 0050E	Retaining Ring - M5	105 -106
0720 0050E	Retaining Ring - M5	121 -105
0720 0050E	Retaining Ring - M5	163 -108
0720 0050E	Retaining Ring - M5	133 -105
0720 0050E	Retaining Ring - M5	211 -103
0720 0060E	Retaining Ring - M6	267 -102
0720 0060E	Retaining Ring - M6	283 -102
0720 0060E	Retaining Ring - M6	241 -103
0720 0060E	Retaining Ring - M6	145 -106
0720 0060E	Retaining Ring - M6	151 -102
0720 0060E	Retaining Ring - M6	179 -107
0720 0060E	Retaining Ring - M6	49 -103
0720 0060E	Retaining Ring - M6	301 -102
0720 0060E	Retaining Ring - M6	297 -102
0720 0060E	Retaining Ring - M6	273 -102
0720 0060E	Retaining Ring - M6	157 -103
0720 0060E	Retaining Ring - M6	63 -107
0720 0060E	Retaining Ring - M6	155 -104
0720 0060E	Retaining Ring - M6	147 -104
0720 0060E	Retaining Ring - M6	97 -107
0720 0060E	Retaining Ring - M6	289 -103
0720 0060E	Retaining Ring - M6	287 -102

Part No.	Description	Page and Index No.
0720 0060E	Retaining Ring - M6	99 -107
0720 0060E	Retaining Ring - M6	65 -105
0720 0060E	Retaining Ring - M6	171 -102
0720 0060E	Retaining Ring - M6	293 -103
0720 0060E	Retaining Ring - M6	59 -104
0720 0060E	Retaining Ring - M6	57 -105
0720 0060E	Retaining Ring - M6	69 -105
0720 0060E	Retaining Ring - M6	239 -107
0720 0060E	Retaining Ring - M6	41 -105
0720 0060E	Retaining Ring - M6	167 -104
0720 0060E	Retaining Ring - M6	43 -101
0720 0060E	Retaining Ring - M6	109 -110
0720 0060E	Retaining Ring - M6	39 -105
0720 0060E	Retaining Ring - M6	61 -102
0720 0060E	Retaining Ring - M6	279 -102
0720 0060E	Retaining Ring - M6	81 -102
0720 0060E	Retaining Ring - M6	71 -103
0720 0060E	Retaining Ring - M6	295 -104
0720 0060E	Retaining Ring - M6	175 -105
0720 0060E	Retaining Ring - M6	161 -103
0720 0060E	Retaining Ring - M6	251 -104
0720 0060E	Retaining Ring - M6	281 -102
0720 0060E	Retaining Ring - M6	45 -103
0720 0060E	Retaining Ring - M6	149 -106
0720 0060E	Retaining Ring - M6	177 -107
0720 0080E	Retaining Ring - M8	269 -105
0720 0080E	Retaining Ring - M8	173 -111
0720 0080E	Retaining Ring - M8	271 -108
0720 0080E	Retaining Ring - M8	275 -105
0720 0080E	Retaining Ring - M8	97 -106
0720 0080E	Retaining Ring - M8	99 -106
0720 0080E	Retaining Ring - M8	107 -105
0725 0100E	Retaining Ring C - M10	131 -111
0725 0100E	Retaining Ring C - M10	127 -105
0725 0120E	Retaining Ring C - M12	131 -110

Part No.	Description	Page and Index No.
0725 0120E	Retaining Ring C - M12	275 -107
0727 0080E	Retaining Ring - M8	175 -103
0727 0080E	Retaining Ring - M8	297 -105
0740 3008	Ball Bearing - 8x22x7	297 -110
0740 3012	Ball Bearing - 12x28x8	169 -110
0740 3206	Ball Bearing - 6x19x6	131 -109
0740 3506	Ball Bearing - 6x12x4 mm	267 -106
0740 3705	Ball Bearing: DIA5xDIA8x2.5	67 -105
0740 3808	Ball Bearing - 8x16x5mm	81 -112
0740 3906	Ball Bearing - 6x15x5	63 -105
0740 3908	Ball Bearing - 8x19x6	109 -108
0741 3006	Ball Bearing - 6x17x6mm	63 -109
0741 3505	Ball Bearing - 5x10x4	119 -107
0741 3506	Ball Bearing - 6x12x4 mm	245 -104
0741 3506	Ball Bearing - 6x12x4 mm	163 -107
0741 3506	Ball Bearing - 6x12x4 mm	251 -105
0741 3506	Ball Bearing - 6x12x4 mm	47 -103
0741 3506	Ball Bearing - 6x12x4 mm	241 -106
0741 3506	Ball Bearing - 6x12x4 mm	113 -103
0741 3506	Ball Bearing - 6x12x4 mm	243 -102
0741 3506	Ball Bearing - 6x12x4 mm	121 -104
0741 3506	Ball Bearing - 6x12x4 mm	285 -105
0741 3506	Ball Bearing - 6x12x4 mm	165 -104
0741 3506	Ball Bearing - 6x12x4 mm	167 -107
0741 3706	Ball Bearing - 6x10x3	253 -111
0741 3706	Ball Bearing - 6x10x3	285 -107
0741 3706	Ball Bearing - 6x10x3	245 -102
0741 3706	Ball Bearing - 6x10x3	109 -109
0741 3706	Ball Bearing - 6x10x3	251 -108
0741 3706	Ball Bearing - 6x10x3	99 -108
0741 3706	Ball Bearing - 6x10x3	97 -105
0741 3706	Ball Bearing - 6x10x3	241 -105
0741 3708	Ball Bearing - 8x12x3.5mm	49 -104
0741 3708	Ball Bearing - 8x12x3.5mm	283 -107
0741 3708	Ball Bearing - 8x12x3.5mm	177 -106

Part No.	Description	Page and Index No.
0741 3708	Ball Bearing - 8x12x3.5mm	45 -104
0741 3708	Ball Bearing - 8x12x3.5mm	179 -106
0741 3808	Ball Bearing - 8x16x5mm	63 -108
0741 3808	Ball Bearing - 8x16x5mm	151 -104
0741 3808	Ball Bearing - 8x16x5mm	119 -109
0741 3808	Ball Bearing - 8x16x5mm	161 -104
0741 3808	Ball Bearing - 8x16x5mm	65 -106
0741 3808	Ball Bearing - 8x16x5mm	157 -105
0741 3808	Ball Bearing - 8x16x5mm	175 -104
0741 3808	Ball Bearing - 8x16x5mm	59 -106
0741 3808	Ball Bearing - 8x16x5mm	71 -104
0741 3808	Ball Bearing - 8x16x5mm	155 -105
0741 3808	Ball Bearing - 8x16x5mm	145 -107
0741 3810	Ball Bearing: 10x19x7mm	173 -110
0741 3906	Bushing - M6	291 -105
0742 3012	Ball Bearing: DIA12xDIA28x8	131 -107
0742 3808	Ball Bearing - 8x16x5	289 -104
0742 3808	Ball Bearing - 8x16x5	267 -103
0742 3808	Ball Bearing - 8x16x5	243 -110
0742 3808	Ball Bearing - 8x16x5	177 -108
0742 3808	Ball Bearing - 8x16x5	179 -108
0742 3808	Ball Bearing - 8x16x5	301 -103
0742 3808	Ball Bearing - 8x16x5	81 -103
0742 3808	Ball Bearing - 8x16x5	283 -104
0742 3808	Ball Bearing - 8x16x5	281 -104
0742 3808	Ball Bearing - 8x16x5	279 -104
0742 3808	Ball Bearing - 8x16x5	293 -104
0742 3808	Ball Bearing - 8x16x5	251 -113
0742 3808	Ball Bearing - 8x16x5	295 -105
0742 3808	Ball Bearing - 8x16x5	297 -103
0742 3906	Ball Bearing - 6x14x5mm	253 -115
0801 0213	Screw - M2.6x8	217 -105
0801 0226	Screw: UNC: #6-32	215 -104
0802 5191	Tapping Screw P: DIA3x5	89 -114
0803 0058	Stepped Screw	177 -110

Part No.	Description	Page and Index No.
0805 0088	Retaining Ring - M6	49 -106
0805 0088	Retaining Ring - M6	45 -105
0805 0088	Retaining Ring - M6	283 -105
0805 0089	Retaining Ring - M4	91 -102
0805 0089	Retaining Ring - M4	93 -102
0805 0098	Ring - M35	129 -102
0805 3384	Bushing - 5mm	149 -105
0805 3384	Bushing - 5mm	151 -105
0805 3386	Bushing - 8mm	49 -105
0805 3497	Bushing - 8x12x3.5mm	89 -111
0805 3507	Bushing - 6mm	253 -112
0805 3507	Bushing - 6mm	251 -109
0805 3511	Bushing 8mm	119 -106
0807 3035	Washer - 4.1x10x0.5	253 -107
0807 4138	Washer (100pcs/set)	89 -113
0807 4138	Washer (100pcs/set)	239 -111
0930 0400A	Parallel Key	131 -112
0930 0404A	Parallel Key: 4x4x25	131 -108
0950 3006N	Screw: Spring Washer: M3x6	221 -104
0950 4008N	Screw: Spring Washer: M4x8	265 -112
0951 3004N	Screw: Polished Round: M3x4	261 -108
0951 3006N	Screw - M3x6	261 -107
0951 3006N	Screw - M3x6	39 -107
0951 3020N	Screw: Polished Round: M3x20	83 -102
0951 3030N	Screw: Polished Round: M3x30	213 -103
0951 3030N	Screw: Polished Round: M3x30	215 -106
0951 4006N	Screw: Polished Round: M4x6	179 -103
0951 4006N	Screw: Polished Round: M4x6	177 -105
0951 4006N	Screw: Polished Round: M4x6	37 -105
0951 4008N	Screw: Polished Round: M4x8	49 -102
0951 4020N	Screw - M4x20	169 -104
0951 4020N	Screw - M4x20	107 -103
0951 5008N	Screw: Polished Round: M5x8	237 -103
0951 5014N	Screw: Polished Round: M5x14	127 -102
0951 6012N	Screw - M6x12	305 -108

Part No.	Description	Page and Index No.
0954 3006N	Screw - M3x6	213 -104
0954 3006N	Screw - M3x6	215 -102
0954 3008N	Screw - M3x8	261 -105
0954 3008N	Screw - M3x8	55 -106
0954 3008N	Screw - M3x8	63 -104
0954 3010N	Screw: Polished Round/Spring: M3x10	135 -105
0954 3025N	Screw: Polished Round/Spring: M3x25	21 -107
0954 3025N	Screw: Polished Round/Spring: M3x25	223 -102
0954 4008N	Screw - M4x8	99 -104
0954 4008N	Screw - M4x8	305 -109
0954 4008N	Screw - M4x8	169 -102
0954 4008N	Screw - M4x8	173 -102
0954 4008N	Screw - M4x8	89 -107
0954 4008N	Screw - M4x8	135 -101
0954 4008N	Screw - M4x8	203 -103
0954 4008N	Screw - M4x8	261 -110
0954 4008N	Screw - M4x8	97 -104
0954 4008N	Screw - M4x8	217 -108
0954 4008N	Screw - M4x8	195 -105
0954 4008N	Screw - M4x8	123 -106
0954 4008N	Screw - M4x8	103 -103
0954 4008N	Screw - M4x8	129 -103
0954 4008N	Screw - M4x8	109 -103
0954 4008N	Screw - M4x8	231 -104
0954 4010N	Screw: Polished Round/Spring: M4x10	287 -104
0954 4012N	Screw: Polished Round/Spring: M4x12	107 -104
0954 4012N	Screw: Polished Round/Spring: M4x12	109 -105
0954 4012N	Screw: Polished Round/Spring: M4x12	29 -106
0954 4012N	Screw: Polished Round/Spring: M4x12	103 -104
0954 5010N	Screw: Polished Round/Spring: M5x10	127 -103
0954 5010N	Screw: Polished Round/Spring: M5x10	135 -108
0954 5010N	Screw: Polished Round/Spring: M5x10	185 -104
0954 5010N	Screw: Polished Round/Spring: M5x10	131 -102
0954 5014N	Screw - M5x14	27 -103
0954 5014N	Screw - M5x14	211 -104

Part No.	Description	Page and Index No.
1005 0734	Nylon Rivet - NRP355	219 -104
1100 1475	Test Pin	355 -101
1100 1621	Test Pin: ST-1-2	331 -101
1100 1621	Test Pin: ST-1-2	317 -101
1100 1829	Test Pin: RCTCBK	331 -102
1100 1829	Test Pin: RCTCBK	317 -102
1100 1841	Test Pin: RCUCBK	331 -103
1100 1841	Test Pin: RCUCBK	399 -101
1100 1841	Test Pin: RCUCBK	317 -103
1100 1841	Test Pin: RCUCBK	355 -102
1100 1841	Test Pin: RCUCBK	377 -101
1100 2123	Terminal: KT60-4J(UL/CSA/EN)-RC2308	185 -111
1101 0328	Connector Pin Contact	355 -103
1102 5301	Connector - 2P	317 -104
1102 5301	Connector - 2P	331 -104
1102 5303	3.5: Connector: ST: 4P	399 -102
1102 5303	3.5: Connector: ST: 4P	317 -105
1102 5303	3.5: Connector: ST: 4P	377 -102
1102 5326	Connector - 4P	317 -106
1102 5328	Connector: B12P-XL-HDS(LF)(SN)	331 -105
1102 6245	Relay Connector - 2P	219 -107
1102 6245	Relay Connector - 2P	81 -108
1102 6245	Relay Connector - 2P	79 -104
1102 6246	Relay Connector - 3P	203 -115
1102 6246	Relay Connector - 3P	195 -108
1102 6246	Relay Connector - 3P	143 -109
1102 6249	Relay Connector - 6P	163 -109
1102 6249	Relay Connector - 6P	143 -107
1102 6259	Connector - 2P	81 -109
1102 6263	Connector - 6P	53 -107
1102 6295	Connector: 53324-0260	355 -104
1102 6296	Connector: 53324-0360	317 -107
1102 6297	Connector - 4P	331 -106
1102 6299	Connector - 6P	355 -105
1102 6299	Connector - 6P	331 -107

Part No.	Description	Page and Index No.
1102 6305	Connector - 12P	317 -108
1102 6305	Connector - 12P	331 -108
1102 6307	Connector: 53324-1460	331 -109
1102 6394	Connector: 53313-1265	355 -106
1102 6398	Connector: 53313-2065	317 -109
1102 6400	Connector: 53313-2465	331 -110
1102 6400	Connector: 53313-2465	317 -110
1102 6401	Connector: 53313-2665	317 -111
1102 6414	Connector: B16P-XL-HDS(LF)(SN)	317 -112
1102 6592	Connector	355 -107
1102 6596	Connector	355 -108
1102 6842	Connector: 53314-6065	355 -109
1102 6891	Connector: 53313-5065	331 -111
1102 6895	Connector - 40P	355 -110
1102 7615	Connector - B8B-XH-A	377 -103
1102 7615	Connector - B8B-XH-A	399 -103
1102 7635	Connector: 53398-0219	399 -104
1102 7635	Connector: 53398-0219	377 -104
1102 8157	Connector: 53375-0510	331 -112
1102 8358	Connector: WR-100P-VF60-N1	355 -111
1102 8470	Connector - 55447-0610	331 -113
1102 8470	Connector - 55447-0610	317 -113
1102 8471	Connector - 55447-071	331 -114
1102 8471	Connector - 55447-071	317 -114
1102 8474	Connector: 55447-1080	317 -115
1102 8474	Connector: 55447-1080	331 -115
1102 8476	Connector: 55447-1280	317 -116
1102 8477	Connector - 13P	331 -116
1102 8477	Connector - 13P	317 -117
1102 8479	Connector: 55447-1580	317 -118
1102 8479	Connector: 55447-1580	355 -112
1102 8481	Connector - 55447-1760	331 -117
1102 8482	Connector: 55447-1880	331 -118
1102 8485	Connector - 55451-2210	317 -119
1102 8486	Connector: 55451-2470	331 -119

Part No.	Description	Page and Index No.
1102 8486	Connector: 55451-2470	317 -120
1102 8487	Connector: 55451-2670	331 -120
1102 8487	Connector: 55451-2670	317 -121
1102 8488	Connector - 5451-2810	317 -122
1102 8488	Connector - 5451-2810	331 -121
1102 8490	Connector: 55451-3270	331 -122
1102 8491	Connector: 55451-3470	331 -123
1102 8491	Connector: 55451-3470	317 -123
1102 8492	Connector - 55451-3610	317 -124
1102 8492	Connector - 55451-3610	331 -124
1102 8494	Connector - 55451-4010	331 -125
1102 8494	Connector - 55451-4010	317 -125
1102 8502	Connector - 54679-1615	183 -108
1102 9079	Connector - RHM-88PL-SDK11-1	377 -105
1102 9079	Connector - RHM-88PL-SDK11-1	399 -105
1102 9336	Connector: FPS009-2300-0	377 -106
1102 9336	Connector: FPS009-2300-0	399 -106
1102 9430	Connector: Drawer: 1612257-7	299 -103
1102 9518	Connector: 55451-2070	331 -126
1102 9547	Connector : 55451-1870	317 -126
1102 9725	Connector: IMSA-9201B-1-05T-GF	355 -113
1102 9781	Connector: 51405-3919	299 -102
1102 9887	Connector: 52588-3090	377 -107
1102 9887	Connector: 52588-3090	399 -107
1103 3167	Connector: FH12-28S-0.5SH(89)	355 -114
1103 3168	Connector: FH12-30S-0.5SH(89)	355 -115
1103 3174	Connector: FH12-40S-0.5SH(89)	355 -116
1103 3176	Connector: FH12-45S-0.5SH(89)	355 -117
1103 3178	Connector: FH12-50S-0.5SH(89)	355 -118
1103 3481	Connector: 67800-8005	399 -108
1103 3481	Connector: 67800-8005	377 -108
1103 3497	Connector: 87715-9002	399 -109
1103 3497	Connector: 87715-9002	377 -109
1103 3663	Connector: 55451-1670	317 -127
1103 3663	Connector: 55451-1670	331 -127

Part No.	Description	Page and Index No.
1103 3723	Connector: 53258-0649	331 -128
1103 3865	Connector: 29 6406 200 101 856+	399 -110
1103 3865	Connector: 29 6406 200 101 856+	377 -110
1103 3947	Connector: WB4S140HA1	355 -119
1103 3964	Connector: WB4P140HA1	399 -111
1103 3964	Connector: WB4P140HA1	377 -111
1103 3965	Connector: 6605444-6	399 -112
1103 3965	Connector: 6605444-6	377 -112
1103 3990	Connector	331 -129
1103 3992	Connector	317 -128
1103 3992	Connector	331 -130
1103 3996	Connector	317 -129
1103 4000	Connector	317 -130
1103 4002	Connector	355 -120
1103 4002	Connector	331 -131
1103 4003	Connector	317 -131
1103 4004	Connector	317 -132
1103 4006	Connector	355 -121
1103 4008	Connector	355 -122
1103 4010	Connector	331 -132
1103 4010	Connector	317 -133
1103 4010	Connector	355 -123
1103 4076	Connector: TX14-200R-10ST-N1E	331 -133
1103 4137	Connector: UAR64-8K5J00	377 -113
1103 4137	Connector: UAR64-8K5J00	399 -113
1105 0022	Cord Stopper - AWG 18/16 UL	299 -108
1105 0176	Nylon Clamp	29 -105
1105 0193	Locking Support	191 -105
1105 0194	PCB Stud	299 -105
1105 0231	Clamp	251 -114
1105 0231	Clamp	253 -105
1105 0328	Harness Clamp - ES-0505	239 -105
1105 0328	Harness Clamp - ES-0505	243 -104
1105 0328	Harness Clamp - ES-0505	79 -107
1105 0328	Harness Clamp - ES-0505	255 -103

Part No.	Description	Page and Index No.
1105 0328	Harness Clamp - ES-0505	249 -105
1105 0328	Harness Clamp - ES-0505	251 -103
1105 0328	Harness Clamp - ES-0505	35 -108
1105 0334	Edge - 17	255 -104
1105 0409	KGPS-4S(V0)	193 -105
1105 0410	KGPS-6S(V0)	189 -104
1105 0487	Harness Clamp	305 -110
1105 0487	Harness Clamp	29 -103
1105 0487	Harness Clamp	193 -103
1105 0487	Harness Clamp	137 -104
1105 0487	Harness Clamp	263 -105
1105 0487	Harness Clamp	303 -104
1105 0487	Harness Clamp	265 -109
1105 0487	Harness Clamp	223 -107
1105 0487	Harness Clamp	153 -106
1105 0487	Harness Clamp	159 -103
1105 0487	Harness Clamp	259 -108
1105 0487	Harness Clamp	281 -106
1105 0487	Harness Clamp	145 -108
1105 0487	Harness Clamp	297 -108
1105 0487	Harness Clamp	127 -106
1105 0487	Harness Clamp	177 -109
1105 0487	Harness Clamp	129 -105
1105 0487	Harness Clamp	161 -108
1105 0487	Harness Clamp	201 -104
1105 0487	Harness Clamp	169 -108
1105 0487	Harness Clamp	203 -106
1105 0487	Harness Clamp	187 -104
1105 0488	Harness Clamp	199 -102
1105 0488	Harness Clamp	201 -106
1105 0488	Harness Clamp	137 -103
1105 0488	Harness Clamp	37 -106
1105 0488	Harness Clamp	265 -108
1105 0488	Harness Clamp	39 -106
1105 0488	Harness Clamp	263 -107

Part No.	Description	Page and Index No.
1105 0488	Harness Clamp	187 -108
1105 0488	Harness Clamp	185 -107
1105 0488	Harness Clamp	191 -106
1105 0488	Harness Clamp	145 -109
1105 0488	Harness Clamp	299 -106
1105 0488	Harness Clamp	203 -113
1105 0488	Harness Clamp	179 -109
1105 0488	Harness Clamp	211 -107
1105 0488	Harness Clamp	189 -103
1105 0489	Harness Clamp - LWS 1316	189 -106
1105 0489	Harness Clamp - LWS 1316	203 -111
1105 0489	Harness Clamp - LWS 1316	187 -107
1105 0489	Harness Clamp - LWS 1316	193 -110
1105 0490	Harness Clamp - LWS-2218	189 -105
1105 0490	Harness Clamp - LWS-2218	211 -106
1105 0490	Harness Clamp - LWS-2218	203 -105
1105 0490	Harness Clamp - LWS-2218	191 -103
1105 0490	Harness Clamp - LWS-2218	185 -109
1105 0508	Harness Clamp - LWS-0711	207 -105
1105 0508	Harness Clamp - LWS-0711	259 -106
1105 0508	Harness Clamp - LWS-0711	199 -104
1105 0508	Harness Clamp - LWS-0711	55 -103
1105 0508	Harness Clamp - LWS-0711	203 -108
1105 0508	Harness Clamp - LWS-0711	173 -106
1105 0508	Harness Clamp - LWS-0711	79 -103
1105 0511	Harness Clamp - LWS-0306ZC	55 -104
1105 0511	Harness Clamp - LWS-0306ZC	301 -104
1105 0511	Harness Clamp - LWS-0306ZC	227 -105
1105 0511	Harness Clamp - LWS-0306ZC	155 -106
1105 0511	Harness Clamp - LWS-0306ZC	283 -106
1105 0511	Harness Clamp - LWS-0306ZC	157 -107
1105 0511	Harness Clamp - LWS-0306ZC	285 -102
1105 0511	Harness Clamp - LWS-0306ZC	159 -104
1105 0511	Harness Clamp - LWS-0306ZC	135 -110
1105 0511	Harness Clamp - LWS-0306ZC	143 -105

Part No.	Description	Page and Index No.
1105 0511	Harness Clamp - LWS-0306ZC	145 -110
1105 0511	Harness Clamp - LWS-0306ZC	161 -107
1105 0511	Harness Clamp - LWS-0306ZC	33 -104
1105 0511	Harness Clamp - LWS-0306ZC	31 -107
1105 0511	Harness Clamp - LWS-0306ZC	203 -109
1105 0511	Harness Clamp - LWS-0306ZC	223 -105
1105 0511	Harness Clamp - LWS-0306ZC	173 -105
1105 0511	Harness Clamp - LWS-0306ZC	57 -106
1105 0511	Harness Clamp - LWS-0306ZC	193 -107
1105 0511	Harness Clamp - LWS-0306ZC	59 -107
1105 0511	Harness Clamp - LWS-0306ZC	61 -104
1105 0511	Harness Clamp - LWS-0306ZC	167 -102
1105 0511	Harness Clamp - LWS-0306ZC	121 -106
1105 0511	Harness Clamp - LWS-0306ZC	67 -107
1105 0511	Harness Clamp - LWS-0306ZC	89 -109
1105 0511	Harness Clamp - LWS-0306ZC	69 -106
1105 0511	Harness Clamp - LWS-0306ZC	271 -109
1105 0511	Harness Clamp - LWS-0306ZC	81 -111
1105 0511	Harness Clamp - LWS-0306ZC	169 -109
1105 0511	Harness Clamp - LWS-0306ZC	269 -109
1105 0511	Harness Clamp - LWS-0306ZC	287 -103
1105 0511	Harness Clamp - LWS-0306ZC	281 -107
1105 0511	Harness Clamp - LWS-0306ZC	289 -107
1105 0511	Harness Clamp - LWS-0306ZC	129 -104
1105 0511	Harness Clamp - LWS-0306ZC	207 -104
1105 0511	Harness Clamp - LWS-0306ZC	45 -102
1105 0511	Harness Clamp - LWS-0306ZC	209 -104
1105 0511	Harness Clamp - LWS-0306ZC	103 -106
1105 0511	Harness Clamp - LWS-0306ZC	211 -105
1105 0511	Harness Clamp - LWS-0306ZC	199 -105
1105 0511	Harness Clamp - LWS-0306ZC	47 -105
1105 0511	Harness Clamp - LWS-0306ZC	147 -105
1105 0511	Harness Clamp - LWS-0306ZC	297 -111
1105 0511	Harness Clamp - LWS-0306ZC	293 -106
1105 0511	Harness Clamp - LWS-0306ZC	51 -105

Part No.	Description	Page and Index No.
1105 0511	Harness Clamp - LWS-0306ZC	39 -103
1105 0511	Harness Clamp - LWS-0306ZC	181 -105
1105 0511	Harness Clamp - LWS-0306ZC	153 -104
1105 0511	Harness Clamp - LWS-0306ZC	83 -107
1105 0511	Harness Clamp - LWS-0306ZC	261 -111
1105 0511	Harness Clamp - LWS-0306ZC	53 -105
1105 0514	Edge Saddle - EDS-0607L	213 -105
1105 0516	Clamp	185 -105
1105 0516	Clamp	201 -107
1105 0516	Clamp	203 -107
1105 0516	Clamp	211 -108
1105 0516	Clamp	173 -114
1105 0516	Clamp	49 -107
1105 0516	Clamp	35 -109
1105 0516	Clamp	21 -105
1105 0516	Clamp	253 -106
1105 0516	Clamp	83 -108
1105 0518	Edge Saddle - LES-1010	203 -114
1105 0518	Edge Saddle - LES-1010	169 -107
1105 0518	Edge Saddle - LES-1010	173 -107
1105 0518	Edge Saddle - LES-1010	27 -102
1105 0518	Edge Saddle - LES-1010	187 -109
1105 0518	Edge Saddle - LES-1010	299 -107
1105 0518	Edge Saddle - LES-1010	135 -111
1105 0518	Edge Saddle - LES-1010	189 -108
1105 0518	Edge Saddle - LES-1010	281 -105
1105 0518	Edge Saddle - LES-1010	193 -106
1105 0518	Edge Saddle - LES-1010	201 -105
1105 0518	Edge Saddle - LES-1010	305 -107
1105 0521	Clamp - LES-1017	203 -112
1105 0521	Clamp - LES-1017	217 -107
1105 0521	Clamp - LES-1017	191 -108
1105 0522	Edge Saddle - LES0510	157 -106
1105 0522	Edge Saddle - LES0510	69 -107
1105 0522	Edge Saddle - LES0510	67 -108

Part No.	Description	Page and Index No.
1105 0522	Edge Saddle - LES0510	203 -110
1105 0522	Edge Saddle - LES0510	61 -105
1105 0522	Edge Saddle - LES0510	265 -107
1105 0522	Edge Saddle - LES0510	143 -106
1105 0522	Edge Saddle - LES0510	305 -103
1105 0522	Edge Saddle - LES0510	199 -103
1105 0522	Edge Saddle - LES0510	285 -103
1105 0522	Edge Saddle - LES0510	121 -107
1105 0522	Edge Saddle - LES0510	275 -108
1105 0522	Edge Saddle - LES0510	185 -106
1105 0522	Edge Saddle - LES0510	227 -106
1105 0522	Edge Saddle - LES0510	271 -105
1105 0522	Edge Saddle - LES0510	153 -105
1105 0522	Edge Saddle - LES0510	281 -108
1105 0522	Edge Saddle - LES0510	147 -106
1105 0522	Edge Saddle - LES0510	135 -106
1105 0522	Edge Saddle - LES0510	209 -105
1105 0528	Nylon Clamp - EMT-2N	29 -104
1105 0529	Nylon Clamp-EMT-3N	83 -110
1105 0529	Nylon Clamp-EMT-3N	195 -106
1105 0530	Nylon Clamp-EMT-4N	259 -105
1105 0530	Nylon Clamp-EMT-4N	85 -105
1105 0534	Clamp	37 -107
1105 0534	Clamp	289 -106
1105 0534	Clamp	261 -112
1105 0534	Clamp	65 -107
1105 0534	Clamp	39 -111
1105 0544	Edge Saddle: LES-2017	187 -110
1105 0544	Edge Saddle: LES-2017	189 -107
1105 0544	Edge Saddle: LES-2017	191 -104
1105 0551	Clamp: LES-0505	289 -105
1105 0551	Clamp: LES-0505	99 -109
1105 0551	Clamp: LES-0505	83 -106
1105 0551	Clamp: LES-0505	81 -110
1105 0551	Clamp: LES-0505	169 -106

Part No.	Description	Page and Index No.
1105 0551	Clamp: LES-0505	167 -103
1105 0551	Clamp: LES-0505	97 -109
1105 0551	Clamp: LES-0505	113 -105
1105 0551	Clamp: LES-0505	171 -103
1105 0551	Clamp: LES-0505	193 -104
1105 0551	Clamp: LES-0505	223 -106
1105 0551	Clamp: LES-0505	221 -105
1105 0551	Clamp: LES-0505	131 -113
1105 0551	Clamp: LES-0505	219 -106
1105 0551	Clamp: LES-0505	173 -104
1105 0551	Clamp: LES-0505	45 -107
1105 0559	Clamp: EMT-5N	83 -109
1105 0559	Clamp: EMT-5N	195 -107
1105 0599	Clamp: LESR-25	189 -109
1105 0599	Clamp: LESR-25	185 -108
1105 0600	Clamp: LWSM-0306-2M	305 -104
1105 0616	Clamp: LWS-0511ZT	127 -107
1105 0616	Clamp: LWS-0511ZT	123 -107
1105 0623	Clamp - LBWS-0206S-V0	253 -103
1105 0623	Clamp - LBWS-0206S-V0	255 -105
1105 0623	Clamp - LBWS-0206S-V0	239 -106
1105 0623	Clamp - LBWS-0206S-V0	251 -112
1105 0623	Clamp - LBWS-0206S-V0	243 -106
1105 0623	Clamp - LBWS-0206S-V0	241 -107
1105 0637	Harness Clamp - KGLS-10RT(V0)	201 -108
1105 0650	Clamp - MS-0709	259 -107
1105 0650	Clamp - MS-0709	263 -106
1106 0193	Bushing - 7.9mm	243 -108
1106 0383	Supporter - P.C.B.	265 -110
1106 0924	Bushing: JKR-40	191 -107
1107 1065	Fuse: ET-4A	187 -103
1107 1065	Fuse: ET-4A	253 -119
1107 1066	Fuse: ET-5A	253 -118
1107 1084	Fuse: CES14-8A-N1	187 -105
1107 1095	Fuse - SST 2	377 -114

Part No.	Description	Page and Index No.
1107 1095	Fuse - SST 2	399 -114
1107 1201	Fuse: BJS201100FCRK	183 -107
1109 0010	Fuse: RXEF375	317 -134
1109 0015	Fuse: SMD050F	317 -135
1109 0020	Fuse: SMD150F/33	317 -136
1109 0027	Fuse: RXEF020	317 -137
1109 0032	Fuse: MINISMDC020F	331 -134
1109 0042	Fuse: MINISMDC150F	377 -115
1109 0042	Fuse: MINISMDC150F	399 -115
1109 0042	Fuse: MINISMDC150F	355 -124
1109 0049	Fuse: MINISMDC050F	331 -135
1109 0055	Fuse: RUEF400	317 -138
1109 0080	Fuse: NRPS10-G4A	317 -139
1109 0080	Fuse: NRPS10-G4A	331 -136
1109 0081	Fuse: NRPS10-G5A	331 -137
1109 0081	Fuse: NRPS10-G5A	317 -140
1204 2382	Interlock Switch - Fail-CA22	305 -105
1204 2464	Switch: SKHMQKE010	331 -138
1204 2521	Micro Switch	75 -103
1204 2521	Micro Switch	85 -106
1204 2521	Micro Switch	223 -104
1204 2521	Micro Switch	21 -106
1204 2563	Dip Switch: CHS-08B	331 -139
1204 2622	Dip Switch: CHS-08TB1	377 -116
1204 2622	Dip Switch: CHS-08TB1	399 -116
1204 2774	Dip Switch	355 -125
1204 2775	Dip Switch	355 -126
1206 0122	Lithium Cell: CR2450/V1A	399 -117
1206 0122	Lithium Cell: CR2450/V1A	377 -117
1400 0443	Transistor: DTB114EK	317 -141
1400 0443	Transistor: DTB114EK	331 -140
1400 0571	Transistor: 2SA1577	355 -127
1400 0714	Transistor: 2SD1781KR	377 -118
1400 0714	Transistor: 2SD1781KR	399 -118
1400 0715	Transistor - 2SB1197KR	331 -141

Part No.	Description	Page and Index No.
1400 0769	Transistor - 2SA1576A	331 -142
1400 0770	Transistor: DTA144EE	331 -143
1400 0774	Transistor: DTA144TE	317 -142
1400 0775	Transistor - 2SC4081	331 -144
1400 0911	Transistor: DTC144TE	317 -143
1400 0911	Transistor: DTC144TE	331 -145
1400 0948	Transistor: DTC143ZE	355 -128
1400 0953	Transistor - 2SC4081S	331 -146
1400 0968	Transistor : DTA123JUA	331 -147
1400 0993	Transistor: DTC143TUA	355 -129
1400 1012	Transistor: 2SD2656	317 -144
1400 1012	Transistor: 2SD2656	331 -148
1400 1156	Transistor: RT1N141M-T111	331 -149
1400 1187	Transistor: 2SD2701	331 -150
1400 1248	Transistor: 2SC5342SF	377 -119
1400 1248	Transistor: 2SC5342SF	399 -119
1401 0902	FET: 2SK1590	377 -120
1401 0902	FET: 2SK1590	399 -120
1401 1135	FET: 2SK3019	317 -145
1401 1135	FET: 2SK3019	331 -151
1401 1222	FET: HAT2068R-E	377 -121
1401 1222	FET: HAT2068R-E	399 -121
1401 1233	FET: SSM3J14T	331 -152
1401 1234	FET: SSM3J02T	377 -122
1401 1234	FET: SSM3J02T	399 -122
1401 1235	FET: HAT2071R-E	377 -123
1401 1235	FET: HAT2071R-E	399 -123
1401 1296	FET: TPC8115	377 -124
1401 1296	FET: TPC8115	399 -124
1401 1301	FET: 2SK2615	331 -153
1401 1301	FET: 2SK2615	317 -146
1401 1317	FET - HAT2197R	377 -125
1401 1317	FET - HAT2197R	399 -125
1401 1318	FET - HAT2198R	377 -126
1401 1318	FET - HAT2198R	399 -126

Part No.	Description	Page and Index No.
1401 1320	FET - TPC8107	377 -127
1401 1320	FET - TPC8107	399 -127
1401 1359	FET: HAT2217C-E	331 -154
1401 1359	FET: HAT2217C-E	317 -147
1401 1411	FET: HAT2195R-E	399 -128
1401 1411	FET: HAT2195R-E	377 -128
1401 1414	FET: SI3433BDV-E3	399 -129
1401 1414	FET: SI3433BDV-E3	377 -129
1401 1414	FET: SI3433BDV-E3	355 -130
1402 1041	Diode: DA204U	317 -148
1402 1057	Diode Array - DAP202U	331 -155
1402 1322	Diode Array - DAN202U	331 -156
1402 1336	Diode - 1SS355	317 -149
1402 1336	Diode - 1SS355	331 -157
1402 1343	Diode - RB106L-40	317 -150
1402 1343	Diode - RB106L-40	331 -158
1402 1530	Diode - RB520S-30	399 -130
1402 1530	Diode - RB520S-30	377 -130
1402 1537	Diode: RB751S-40	399 -131
1402 1537	Diode: RB751S-40	377 -131
1402 1546	Diode - RB081	355 -131
1402 1565	Diode: RB521S-30	399 -132
1402 1565	Diode: RB521S-30	377 -132
1402 1584	Diode: DAN217U	331 -159
1402 1587	Diode - RB060	331 -160
1402 1587	Diode - RB060	317 -151
1402 1649	Diode: PTZ24B	317 -152
1402 1748	Diode: RB481K	331 -161
1402 1995	Diode: SDS511	377 -133
1402 1995	Diode: SDS511	399 -133
1402 2001	Diode: SX34	399 -134
1402 2001	Diode: SX34	377 -134
1402 2039	Diode: RSX301LA-30	355 -132
1403 0953	LED - SML-310MT	317 -153
1403 0953	LED - SML-310MT	355 -133

Part No.	Description	Page and Index No.
1403 0953	LED - SML-310MT	377 -135
1403 0953	LED - SML-310MT	331 -162
1403 0953	LED - SML-310MT	399 -135
1403 0978	LED: SML-310DT	377 -136
1403 0978	LED: SML-310DT	355 -134
1403 0978	LED: SML-310DT	331 -163
1403 0978	LED: SML-310DT	399 -136
1403 0996	LED - SML-310VT	331 -164
1403 1131	LED: SML-311UT	377 -137
1403 1131	LED: SML-311UT	399 -137
1403 1168	LED: SML-311YT	399 -138
1403 1168	LED: SML-311YT	377 -138
1407 1535	IC - TD62308AP	331 -165
1407 2187	TTLIC - SN74LS07NS	317 -154
1407 2187	TTLIC - SN74LS07NS	331 -166
1407 2187	TTLIC - SN74LS07NS	355 -135
1407 2218	TTLIC: SN74LS06NS	317 -155
1407 2218	TTLIC: SN74LS06NS	331 -167
1407 2231	IC - TD62308AF	331 -168
1407 2231	IC - TD62308AF	317 -156
1407 4399	CMOS Logic: TC74VHC245FT(K)	355 -136
1407 4399	CMOS Logic: TC74VHC245FT(K)	317 -157
1407 4687	IC - TA8083F	331 -169
1407 4804	CMOS Logic: TC7SH08FU	355 -137
1407 4919	IC - 74VHCT244 TSSOP	399 -139
1407 4919	IC - 74VHCT244 TSSOP	377 -139
1407 5011	CMOS Logic: TC7WH74FU	355 -138
1407 5107	CMOS Logic: TC7W66FU	399 -140
1407 5107	CMOS Logic: TC7W66FU	377 -140
1407 5196	CMOS Logic: TC7SZ125FU	355 -139
1407 5346	IC - SN74LS74ANS	317 -158
1407 5347	IC - SN74LV08APW	317 -159
1407 5347	IC - SN74LV08APW	331 -170
1407 5349	IC: SN74LV4066APW	331 -171
1407 5351	IC - SN74LV14APW	331 -172

Part No.	Description	Page and Index No.
1407 5351	IC - SN74LV14APW	355 -140
1407 5351	IC - SN74LV14APW	317 -160
1407 5373	CMOS Logic: SN74LV21APW	355 -141
1407 5376	IC - SN74LV32APW	317 -161
1407 5377	CMOS Logic: SN74AHCT1G08DCK	399 -141
1407 5377	CMOS Logic: SN74AHCT1G08DCK	377 -141
1407 5394	IC: SN74LV138APW	355 -142
1407 5397	Clock Generator: ICS9112AM-16LF	355 -143
1407 5428	CMOS Logic: SN74AHC1G08DCK	399 -142
1407 5428	CMOS Logic: SN74AHC1G08DCK	377 -142
1407 5469	IC - SN74LV07APW	331 -173
1407 5469	IC - SN74LV07APW	317 -162
1407 5523	ROM - I2C SOP 3V	399 -143
1407 5523	ROM - I2C SOP 3V	377 -143
1407 5531	CMOS Logic: TC7WH14FU	399 -144
1407 5531	CMOS Logic: TC7WH14FU	377 -144
1407 5713	CMOS Logic: SN74LV06APW	331 -174
1407 5713	CMOS Logic: SN74LV06APW	355 -144
1407 5713	CMOS Logic: SN74LV06APW	317 -163
1407 6080	CMOS Logic: SN74LVC2G04DCK	399 -145
1407 6080	CMOS Logic: SN74LVC2G04DCK	377 -145
1407 6100	CMOS Logic: SN74LVC1G04DCK	377 -146
1407 6100	CMOS Logic: SN74LVC1G04DCK	399 -146
1407 6101	IC - SN74LVC2G17DCK	377 -147
1407 6101	IC - SN74LVC2G17DCK	399 -147
1407 6123	IC SN74LVC2G125DCU	399 -148
1407 6123	IC SN74LVC2G125DCU	377 -148
1407 6127	Clock Generator: ICS960008AFLF	399 -149
1407 6127	Clock Generator: ICS960008AFLF	377 -149
1407 6158	CMOS Logic: SN74AHC1G02DCK	399 -150
1407 6158	CMOS Logic: SN74AHC1G02DCK	377 -150
1407 6201	CMOS Logic SN74LVC1G125BCK	399 -151
1407 6201	CMOS Logic SN74LVC1G125BCK	377 -151
1407 6203	CMOS Logic: SN74LVC3G07DCT	399 -152
1407 6203	CMOS Logic: SN74LVC3G07DCT	377 -152

Part No.	Description	Page and Index No.
1407 6204	CMOS Logic: SN74LVC2G07DCK	399 -153
1407 6204	CMOS Logic: SN74LVC2G07DCK	377 -153
1407 6259	CMOS Logic - SN74AHCT1G04DCK	377 -154
1407 6259	CMOS Logic - SN74AHCT1G04DCK	399 -154
1407 6332	CMOS Logic: SN74LVC1G00DCK	377 -155
1407 6332	CMOS Logic: SN74LVC1G00DCK	399 -155
1407 6333	CMOS Logic: SN74LVC2G08DCU	399 -156
1407 6333	CMOS Logic: SN74LVC2G08DCU	377 -156
1407 6335	CMOS Logic: SN74LVC1G17DCK	377 -157
1407 6335	CMOS Logic: SN74LVC1G17DCK	399 -157
1407 6368	CMOS Logic: SN74AHC1G04DCK	377 -158
1407 6368	CMOS Logic: SN74AHC1G04DCK	399 -158
1407 6447	Custom IC - GAVD Type-W	355 -145
1407 6451	CMOS Logic: SN74LVC1G32DCK	377 -159
1407 6451	CMOS Logic: SN74LVC1G32DCK	399 -159
1407 6517	Custom IC: WHISTLE	377 -160
1407 6517	Custom IC: WHISTLE	399 -160
1407 6520	Custom IC - GARAC-C	355 -146
1407 6536	ICH6-MNH82801FBM(SL89K)	377 -161
1407 6536	ICH6-MNH82801FBM(SL89K)	399 -161
1407 6613	ICS7152M-01	355 -147
1407 6631	Clock Generator: ICS180M-53LF	317 -164
1407 6631	Clock Generator: ICS180M-53LF	331 -175
1407 6641	Custom IC: LEO	355 -148
1407 6642	Clock Generator: ICS7151M-40LF	355 -149
1407 6676	Clock Generator: ICS954206BGLF	377 -162
1407 6676	Clock Generator: ICS954206BGLF	399 -162
1407 6677	CMOS Logic: TC7SET14FU	355 -150
1407 6683	LAN Controller LSI: BCM5461A1KPFG	399 -163
1407 6683	LAN Controller LSI: BCM5461A1KPFG	377 -163
1407 6759	Custom IC: EIO	331 -176
1407 6759	Custom IC: EIO	317 -165
1407 6784	Controller: ST19WP18FT28PVGR	377 -164
1407 6784	Controller: ST19WP18FT28PVGR	399 -164
1407 6787	CMOS Logic: TC7SH125FU	317 -166

Part No.	Description	Page and Index No.
1407 6803	CMOS Logic: TC7SZ07FU	355 -151
1407 6804	CMOS Logic: TC7SG17FU	355 -152
1407 6813	CMOS Logic: TC7WZ02FK	355 -153
1407 6824	CMOS Logic: TC7WG125FK	355 -154
1407 6850	Controller: RB5V871	355 -155
1407 6893	CMOS Logic: TC7WG17FU	355 -156
1407 6915	CPU: LE80536LC0172M(SL89N)	377 -165
1407 6915	CPU: LE80536LC0172M(SL89N)	399 -165
1407 6917	Clock Generator: ICS960023BGLF	377 -166
1407 6917	Clock Generator: ICS960023BGLF	399 -166
1407 6926	Motor Control IC: SLA7072MPRF	317 -167
1407 6926	Motor Control IC: SLA7072MPRF	331 -177
1407 6927	Motor Control IC: SLA7073MPRF	317 -168
1407 6927	Motor Control IC: SLA7073MPRF	331 -178
1407 6944	USB Controller IC: ST72681/R21	399 -167
1407 6944	USB Controller IC: ST72681/R21	377 -167
1407 6995	CMOS Logic: TC74VHC244FT(K)	331 -179
1407 6995	CMOS Logic: TC74VHC244FT(K)	355 -157
1407 7000	CMOS Logic: TC74VHC541FT(K)	317 -169
1407 7000	CMOS Logic: TC74VHC541FT(K)	355 -158
1407 7000	CMOS Logic: TC74VHC541FT(K)	331 -180
1407 7005	CMOS Logic: TC74VHCT244AFT(K)	355 -159
1407 7005	CMOS Logic: TC74VHCT244AFT(K)	317 -170
1407 7005	CMOS Logic: TC74VHCT244AFT(K)	331 -181
1407 7029	GMCH: QG82915GME(SLA9K)	377 -168
1407 7029	GMCH: QG82915GME(SLA9K)	399 -168
1407 7038	CPU: LF80537GF0484M(SL9SE)	215 -105
1407 7232	Custom IC: VEENA	377 -169
1407 7232	Custom IC: VEENA	399 -169
1408 0826	IC - TA8428K	331 -182
1408 1550	Operational Amplifier: LM2902PW	331 -183
1408 1627	Series Regulator: TA78L12F	317 -171
1408 1641	D/A Converter: BU2505FV	317 -172
1408 1641	D/A Converter: BU2505FV	331 -184
1408 1653	Operational Amplifier: LMV324IPW	355 -160

Part No.	Description	Page and Index No.
1408 1653	Operational Amplifier: LMV324IPW	331 -185
1408 1668	Series Regulator: R1170H251B-F	399 -170
1408 1668	Series Regulator: R1170H251B-F	377 -170
1408 1669	Series Regulator: R1170H331B	355 -161
1408 1778	IC: R3112Q101A	399 -171
1408 1778	IC: R3112Q101A	377 -171
1408 1779	IC - R3112Q281A	377 -172
1408 1779	IC - R3112Q281A	317 -173
1408 1779	IC - R3112Q281A	399 -172
1408 1779	IC - R3112Q281A	331 -186
1408 1788	IC: R3112Q091A-FA	377 -173
1408 1788	IC: R3112Q091A-FA	399 -173
1408 1826	IC - R3112Q421A	331 -187
1408 1826	IC - R3112Q421A	355 -162
1408 1826	IC - R3112Q421A	377 -174
1408 1826	IC - R3112Q421A	317 -174
1408 1826	IC - R3112Q421A	399 -174
1408 1839	IC: R3112Q211A-FA	399 -175
1408 1839	IC: R3112Q211A-FA	377 -175
1408 1850	Regulator - R1170H181B	355 -163
1408 2007	Operational Amplifier: LM324PW	317 -175
1408 2024	IC: R3112Q261A-FA	355 -164
1408 2029	Comparator: LM2901PW	317 -176
1408 2029	Comparator: LM2901PW	331 -188
1408 2088	IC: LTC3701EGN#TRPBF	355 -165
1408 2247	Series Regulator: R1114N181B-F	355 -166
1408 2284	Series Regulator: BH30MA3WHFV	317 -177
1408 2284	Series Regulator: BH30MA3WHFV	331 -189
1408 2305	Reset IC: BU4242FVE	377 -176
1408 2305	Reset IC: BU4242FVE	399 -176
1408 2350	IC: R1211D002B-FA	377 -177
1408 2350	IC: R1211D002B-FA	399 -177
1408 2393	Series Regulator: R1172H331B-FB	331 -190
1408 2393	Series Regulator: R1172H331B-FB	317 -178
1408 2458	DC/DC Converter: LTC3407EMSE-2#PBF	377 -178

Part No.	Description	Page and Index No.
1408 2458	DC/DC Converter: LTC3407EMSE-2#PBF	399 -178
1408 2462	Series Regulator: BH18MA3WHFV	355 -167
1408 2463	DDR Terminator - TPS51116PWPG4	377 -179
1408 2463	DDR Terminator - TPS51116PWPG4	399 -179
1408 2464	DC/DC Converter: MAX1907AETL+	377 -180
1408 2464	DC/DC Converter: MAX1907AETL+	399 -180
1408 2637	DC/DC Converter: MPD5S027	377 -181
1408 2637	DC/DC Converter: MPD5S027	399 -181
1408 2638	DC/DC Converter: MPD6S023	377 -182
1408 2638	DC/DC Converter: MPD6S023	399 -182
1503 0758	Crystal Oscillator: MC-306 32.768KHz 12.5PF	377 -183
1503 0758	Crystal Oscillator: MC-306 32.768KHz 12.5PF	399 -183
1503 1010	Crystal Oscillator: 50MHz	355 -168
1503 1062	Crystal Oscillator: 18.8MHz	355 -169
1503 1138	Crystal Oscillator - 48MHz	377 -184
1503 1138	Crystal Oscillator - 48MHz	399 -184
1503 1143	Crystal Oscillator: 35MHz	355 -170
1503 1146	Crystal Oscillator: 14.31818MHz	399 -185
1503 1146	Crystal Oscillator: 14.31818MHz	377 -185
1503 1157	Crystal Oscillator: 50MHz	355 -171
1503 1274	Crystal Oscillator: 19.85MHz	331 -191
1503 1274	Crystal Oscillator: 19.85MHz	317 -179
1503 1363	Crystal Oscillator: 12MHz	377 -186
1503 1363	Crystal Oscillator: 12MHz	399 -186
1503 1367	Crystal Oscillator: 25MHz	399 -187
1503 1367	Crystal Oscillator: 25MHz	377 -187
1503 1368	Crystal Oscillator: 25MHz	399 -188
1503 1368	Crystal Oscillator: 25MHz	377 -188
1600 1564	Resistor: 3 Ω: ±5%: 2W	317 -180
1600 1880	Resistor: 25M Ω: ±1%: 1W	355 -172
1600 1946	Resistor: 33M Ω: ±1%: 1W	355 -173
1601 5391	Resistor	317 -181
1601 5941	Resistor: 120 Ω: ±5%: 2W	317 -182
1601 5946	Resistor: 220 Ω: ±5%: 1W	331 -192
1601 7752	Resistor Array - 10K Ω ±5%	355 -174

Part No.	Description	Page and Index No.
1601 7759	Resistor Array - 100K Ω ±5% 0.06	355 -175
1601 7867	Resistor - 33 Ω ±5% 1/16W	355 -176
1601 7871	Resistor - 68Ω ±5% 1/16W	355 -177
1601 7887	Resistor Array - 10K Ω ±5% 1/32W	317 -183
1601 7887	Resistor Array - 10K Ω ±5% 1/32W	377 -189
1601 7887	Resistor Array - 10K Ω ±5% 1/32W	399 -189
1601 7887	Resistor Array - 10K Ω ±5% 1/32W	331 -193
1601 7896	Resistor Array - 56 Ω ±5% 1/32W	317 -184
1601 7896	Resistor Array - 56 Ω ±5% 1/32W	377 -190
1601 7896	Resistor Array - 56 Ω ±5% 1/32W	399 -190
1601 7898	Resistor Array	331 -194
1601 7898	Resistor Array	317 -185
1601 7909	Resistor Array - 10 Ω ±5% 1/32W	331 -195
1601 7909	Resistor Array - 10 Ω ±5% 1/32W	317 -186
1601 7914	Resistor Array - 47 Ω ±5%	377 -191
1601 7914	Resistor Array - 47 Ω ±5%	399 -191
1601 7943	Resistor Array - 68 Ω ±5% 1/32W	317 -187
1601 7943	Resistor Array - 68 Ω ±5% 1/32W	331 -196
1601 7959	Resistor	317 -188
1601 7959	Resistor	331 -197
1601 7983	Resistor Array: 2.2K Ω: ±5%: 1/16W: 4Number	331 -198
1601 7983	Resistor Array: 2.2K Ω: ±5%: 1/16W: 4Number	317 -189
1604 4365	Capacitor	355 -178
1604 4728	Capacitor - 100μF ±20% 16V	355 -179
1604 4733	Capacitor - 100μF ±20% 10V	317 -190
1604 4893	Resistor - 100μF ±20%: 25V	317 -191
1604 4925	Resistor - 100μF ±20% 10V	331 -199
1604 5375	Capacitor: 220μF: ±20%: 50V	331 -200
1604 5375	Capacitor: 220μF: ±20%: 50V	317 -192
1604 5402	Capacitor: 100μF: ±20%: 50V	355 -180
1604 5403	Capacitor: 220μF: ±20%: 35V	355 -181
1604 5632	Capacitor: 10μF: ±20%: 50V	317 -193
1604 5660	Capacitor: 100μF: ±20%: 50V	331 -201
1604 5713	Capacitor: 220μF: ±20%: 6.3V	355 -182
1605 1148	Capacitor - 0.1μF +80-20% 50V	331 -202

Part No.	Description	Page and Index No.
1605 1195	Capacitor: 4pF: $\pm 0.25PF$: 50V	399 -192
1605 1195	Capacitor: 4pF: $\pm 0.25PF$: 50V	377 -192
1605 1197	Capacitor - 6pF $\pm 0.5pF$ 50V	377 -193
1605 1197	Capacitor - 6pF $\pm 0.5pF$ 50V	399 -193
1605 1199	Capacitor - 8pF $\pm 0.5pF$ 50V	399 -194
1605 1199	Capacitor - 8pF $\pm 0.5pF$ 50V	377 -194
1605 1200	Capacitor - 10pF $\pm 0.5pF$ 50V	355 -183
1605 1200	Capacitor - 10pF $\pm 0.5pF$ 50V	331 -203
1605 1200	Capacitor - 10pF $\pm 0.5pF$ 50V	399 -195
1605 1200	Capacitor - 10pF $\pm 0.5pF$ 50V	377 -195
1605 1202	Capacitor - 15pF $\pm 5\%$ 50V	331 -204
1605 1202	Capacitor - 15pF $\pm 5\%$ 50V	399 -196
1605 1202	Capacitor - 15pF $\pm 5\%$ 50V	317 -194
1605 1202	Capacitor - 15pF $\pm 5\%$ 50V	377 -196
1605 1203	Capacitor: 18pF: $\pm 5\%$: 50V	399 -197
1605 1203	Capacitor: 18pF: $\pm 5\%$: 50V	377 -197
1605 1204	Capacitor-pF50V	377 -198
1605 1204	Capacitor-pF50V	399 -198
1605 1205	Capacitor - 33pF $\pm 5\%$ 50V	355 -184
1605 1206	Capacitor - 47pF $\pm 5\%$ 50V	331 -205
1605 1206	Capacitor - 47pF $\pm 5\%$ 50V	317 -195
1605 1207	Capacitor - 68pF $\pm 5\%$ 50V	399 -199
1605 1207	Capacitor - 68pF $\pm 5\%$ 50V	377 -199
1605 1208	Capacitor: 100pF: $\pm 5\%$: 50V	377 -200
1605 1208	Capacitor: 100pF: $\pm 5\%$: 50V	355 -185
1605 1208	Capacitor: 100pF: $\pm 5\%$: 50V	317 -196
1605 1208	Capacitor: 100pF: $\pm 5\%$: 50V	399 -200
1605 1212	Capacitor - 470pF $\pm 10\%$ 50V	317 -197
1605 1212	Capacitor - 470pF $\pm 10\%$ 50V	331 -206
1605 1212	Capacitor - 470pF $\pm 10\%$ 50V	355 -186
1605 1214	Capacitor - 1000pF $\pm 10\%$ 50V	355 -187
1605 1214	Capacitor - 1000pF $\pm 10\%$ 50V	317 -198
1605 1214	Capacitor - 1000pF $\pm 10\%$ 50V	377 -201
1605 1214	Capacitor - 1000pF $\pm 10\%$ 50V	399 -201
1605 1216	Capacitor - 2200pF $\pm 10\%$ 50V	377 -202

Part No.	Description	Page and Index No.
1605 1216	Capacitor – 2200pF $\pm 10\%$ 50V	399 -202
1605 1221	Capacitor - 0.1 μF +80-20%16V	331 -207
1605 1221	Capacitor - 0.1 μF +80-20%16V	317 -199
1605 1224	Capacitor 4.7 μF $\pm 10\%$ 6.3V	355 -188
1605 1225	Capacitor - 0.1 μF $\pm 10\%$ 50V	331 -208
1605 1225	Capacitor - 0.1 μF $\pm 10\%$ 50V	317 -200
1605 1234	Capacitor: 4700pF: $\pm 10\%$: 50V	377 -203
1605 1234	Capacitor: 4700pF: $\pm 10\%$: 50V	399 -203
1605 1234	Capacitor: 4700pF: $\pm 10\%$: 50V	317 -201
1605 1234	Capacitor: 4700pF: $\pm 10\%$: 50V	331 -209
1605 1240	Capacitor - 0.01 μF $\pm 10\%$ 25V	331 -210
1605 1240	Capacitor - 0.01 μF $\pm 10\%$ 25V	399 -204
1605 1240	Capacitor - 0.01 μF $\pm 10\%$ 25V	355 -189
1605 1240	Capacitor - 0.01 μF $\pm 10\%$ 25V	317 -202
1605 1240	Capacitor - 0.01 μF $\pm 10\%$ 25V	377 -204
1605 1275	Capacitor: 820pF: $\pm 5\%$: 50V	399 -205
1605 1275	Capacitor: 820pF: $\pm 5\%$: 50V	377 -205
1605 1288	Capacitor: 220pF: $\pm 5\%$: 50V	399 -206
1605 1288	Capacitor: 220pF: $\pm 5\%$: 50V	377 -206
1605 1289	Capacitor - 0.1 μF $\pm 10\%$ 10V	355 -190
1605 1291	Capacitor: 2.2 μF : $\pm 10\%$: 10V	355 -191
1605 1291	Capacitor: 2.2 μF : $\pm 10\%$: 10V	399 -207
1605 1291	Capacitor: 2.2 μF : $\pm 10\%$: 10V	377 -207
1605 1296	Capacitor - 330pF $\pm 10\%$ 50V	355 -192
1605 1299	Capacitor: 56pF: $\pm 5\%$: 50V	399 -208
1605 1299	Capacitor: 56pF: $\pm 5\%$: 50V	377 -208
1605 1299	Capacitor: 56pF: $\pm 5\%$: 50V	355 -193
1605 1300	Capacitor - 270pF $\pm 5\%$ 50V	377 -209
1605 1300	Capacitor - 270pF $\pm 5\%$ 50V	399 -209
1605 1303	Capacitor - 0.01 μF +80-20% 50V	317 -203
1605 1303	Capacitor - 0.01 μF +80-20% 50V	331 -211
1605 1303	Capacitor - 0.01 μF +80-20% 50V	355 -194
1605 1306	Capacitor - 1 μF $\pm 10\%$ 10V	317 -204
1605 1306	Capacitor - 1 μF $\pm 10\%$ 10V	331 -212
1605 1306	Capacitor - 1 μF $\pm 10\%$ 10V	355 -195

Part No.	Description	Page and Index No.
1605 1347	Capacitor - 1 μ F: +80-20%: 16V	317 -205
1605 1353	Capacitor - 0.1 μ F \pm 10% 25V	317 -206
1605 1354	Capacitor: 1200pF: \pm 5%: 50V	355 -196
1605 1358	Capacitor - 10 μ F \pm 10% 10V	355 -197
1605 1367	Capacitor: 0.033 μ F: \pm 10%: 16V	399 -210
1605 1367	Capacitor: 0.033 μ F: \pm 10%: 16V	377 -210
1605 1387	Capacitor: 0.68 μ F: \pm 10%: 10V	399 -211
1605 1387	Capacitor: 0.68 μ F: \pm 10%: 10V	377 -211
1605 1396	Capacitor - 0.33 μ F \pm 10% 50V	317 -207
1605 1406	Capacitor - 10 μ F \pm 10% 6.3V	377 -212
1605 1406	Capacitor - 10 μ F \pm 10% 6.3V	355 -198
1605 1406	Capacitor - 10 μ F \pm 10% 6.3V	399 -212
1605 1406	Capacitor - 10 μ F \pm 10% 6.3V	317 -208
1605 1406	Capacitor - 10 μ F \pm 10% 6.3V	331 -213
1605 1419	Capacitor: 4.7 μ F: \pm 10%: 16V	377 -213
1605 1419	Capacitor: 4.7 μ F: \pm 10%: 16V	399 -213
1605 1427	Capacitor: 1 μ F: \pm 10%: 6.3V	355 -199
1605 1428	Capacitor: 0.22 μ F: \pm 10%: 6.3V	377 -214
1605 1428	Capacitor: 0.22 μ F: \pm 10%: 6.3V	399 -214
1605 1447	Resistor - 470pF \pm 5% 50V	317 -209
1605 1447	Resistor - 470pF \pm 5% 50V	377 -215
1605 1447	Resistor - 470pF \pm 5% 50V	399 -215
1605 1450	Resistor - 22 μ F \pm 10% 6.3V	377 -216
1605 1450	Resistor - 22 μ F \pm 10% 6.3V	399 -216
1605 1451	Capacitor: 0.47 μ F: \pm 10%: 6.3V	355 -200
1605 1453	Capacitor: 0.022 μ F: \pm 10%: 16V	399 -217
1605 1453	Capacitor: 0.022 μ F: \pm 10%: 16V	377 -217
1605 1464	Resistor - 10 μ F \pm 20% 25V	377 -218
1605 1464	Resistor - 10 μ F \pm 20% 25V	399 -218
1605 1465	Resistor - 1 μ F \pm 10% 25V	377 -219
1605 1465	Resistor - 1 μ F \pm 10% 25V	399 -219
1605 1474	Capacitor - 47 μ F \pm 20% 6.3V	355 -201
1605 1479	Capacitor - 47pF \pm 10%: 50V	317 -210
1605 1479	Capacitor - 47pF \pm 10%: 50V	331 -214
1605 1483	Capacitor: 0.01 μ F: \pm 20%: 25V	331 -215

Part No.	Description	Page and Index No.
1605 1483	Capacitor: 0.01 μ F: \pm 20%: 25V	317 -211
1605 1530	Capacitor : 10pF: \pm 1PF: 50V	317 -212
1605 1544	Capacitor: 330pF: \pm 5%: 50V	399 -220
1605 1544	Capacitor: 330pF: \pm 5%: 50V	377 -220
1605 1547	Capacitor: 2.2 μ F: \pm 10%: 6.3V	355 -202
1605 1563	Capacitor: 10 μ F: \pm 10%: 10V	317 -213
1605 1563	Capacitor: 10 μ F: \pm 10%: 10V	331 -216
1605 1583	Capacitor - 0.1 μ F: \pm 10%: 16V	377 -221
1605 1583	Capacitor - 0.1 μ F: \pm 10%: 16V	399 -221
1605 1585	Capacitor: 4.7 μ F: \pm 10%: 6.3V	355 -203
1605 1586	Capacitor: 10 μ F: \pm 10%: 16V	355 -204
1605 1587	Capacitor: 22 μ F: \pm 20%: 6.3V	355 -205
1605 1635	Capacitor: 0.47 μ F: \pm 10%: 25V	399 -222
1605 1635	Capacitor: 0.47 μ F: \pm 10%: 25V	377 -222
1605 1689	Capacitor: 100 μ F: \pm 20%: 6.3V	377 -223
1605 1689	Capacitor: 100 μ F: \pm 20%: 6.3V	399 -223
1605 1695	Capacitor: 1200pF: \pm 10%: 50V	377 -224
1605 1695	Capacitor: 1200pF: \pm 10%: 50V	399 -224
1605 1710	Capacitor: 10 μ F: \pm 10%: 25V	317 -214
1606 2084	Capacitor	317 -215
1606 2319	Capacitor: 100 μ F: \pm 20%: 6.3V	399 -225
1606 2319	Capacitor: 100 μ F: \pm 20%: 6.3V	377 -225
1606 8041	Resistor Array - CKCA43CH1H10	331 -217
1607 0623	Ferrite Core - Tfc-16-8-13	251 -116
1607 0810	Filter: BK2125HS121	399 -226
1607 0810	Filter: BK2125HS121	377 -226
1607 0861	Filter - BK2125HS101	355 -206
1607 0912	Ferrite Core: TR-25-15-12	259 -109
1607 1002	Filter: NFE31PT222Z1E9B	355 -207
1607 1051	Filter -FBMJ2125HS420	377 -227
1607 1051	Filter -FBMJ2125HS420	399 -227
1607 1061	Filter - BLM11P300SPB	399 -228
1607 1061	Filter - BLM11P300SPB	377 -228
1607 1108	Filter: BLM21PG220SN1B	355 -208
1607 1108	Filter: BLM21PG220SN1B	377 -229

Part No.	Description	Page and Index No.
1607 1108	Filter: BLM21PG220SN1B	399 -229
1607 1124	Filter: BLM18AG471SN1B	331 -218
1607 1124	Filter: BLM18AG471SN1B	317 -216
1607 1228	Inductor: SLF7045-4R7M2R0-PF	377 -230
1607 1228	Inductor: SLF7045-4R7M2R0-PF	399 -230
1607 1316	Filter: FBMJ1608HS280NT	377 -231
1607 1316	Filter: FBMJ1608HS280NT	399 -231
1607 1362	Choke Coil: ACM3225-800-2P	377 -232
1607 1362	Choke Coil: ACM3225-800-2P	399 -232
1607 1388	Inductor: LB2518B1R0M	377 -233
1607 1388	Inductor: LB2518B1R0M	399 -233
1607 1405	Inductor: SLF10145-101M1R0-PF	355 -209
1607 1438	Choke Coil: DLW21SN121SQ2B	377 -234
1607 1438	Choke Coil: DLW21SN121SQ2B	399 -234
1607 1489	Filter - MMZ1608B301C	399 -235
1607 1489	Filter - MMZ1608B301C	377 -235
1607 1556	Inductor: RLF7030-1R5N6R1	355 -210
1607 1567	Filter: MPZ2012S101A	355 -211
1607 1651	Inductor - HM73-101R0LF	399 -236
1607 1651	Inductor - HM73-101R0LF	377 -236
1607 1657	Inductor - HM73-10R68LF	399 -237
1607 1657	Inductor - HM73-10R68LF	377 -237
1607 1666	Inductor: RLF7030-3R3M4R1	355 -212
1607 1680	Inductor: SLF6028-6R8M1R5-PF	355 -213
1607 1744	Inductor: LQH32CNR15M33B	377 -238
1607 1744	Inductor: LQH32CNR15M33B	399 -238
1607 1799	Filter - SUP-ET20-ER-0	185 -110
1607 1827	Inductor: RLF7030-2R2M5R4	355 -214
1607 1853	Inductor: LB2518B100M	377 -239
1607 1853	Inductor: LB2518B100M	399 -239
1607 1854	Inductor: CDRH4D18C-1R1N	377 -240
1607 1854	Inductor: CDRH4D18C-1R1N	399 -240
1607 1974	Inductor: VLCF4020-2R2N1R7	377 -241
1607 1974	Inductor: VLCF4020-2R2N1R7	399 -241
1609 0005	Resistor: 33Ω: ±5%: 1/16W	355 -215

Part No.	Description	Page and Index No.
1609 0005	Resistor: 33Ω: ±5%: 1/16W	399 -242
1609 0005	Resistor: 33Ω: ±5%: 1/16W	377 -242
1609 0005	Resistor: 33Ω: ±5%: 1/16W	317 -217
1609 0005	Resistor: 33Ω: ±5%: 1/16W	331 -219
1609 0006	Resistor: 10KΩ: ±5%: 1/16W	399 -243
1609 0006	Resistor: 10KΩ: ±5%: 1/16W	377 -243
1609 0006	Resistor: 10KΩ: ±5%: 1/16W	331 -220
1609 0006	Resistor: 10KΩ: ±5%: 1/16W	355 -216
1609 0006	Resistor: 10KΩ: ±5%: 1/16W	317 -218
1609 0007	Resistor - 68Ω ±5% 1/16W	355 -217
1609 0016	Resistor: 56Ω: ±5%: 1/16W	331 -221
1609 0016	Resistor: 56Ω: ±5%: 1/16W	317 -219
1609 0020	Resistor: 10Ω: ±5%: 1/16W	331 -222
1609 0020	Resistor: 10Ω: ±5%: 1/16W	317 -220
1609 0027	Resistor - 100KΩ±5% 1/16W	355 -218
1609 0095	Resistor Array: 220 Ω: ±5%: 1/16W: 4Number	317 -221
1609 0095	Resistor Array: 220 Ω: ±5%: 1/16W: 4Number	331 -223
1609 0122	Resistor Array: 10 Ω: ±5%: 1/16W: 4Number	377 -244
1609 0122	Resistor Array: 10 Ω: ±5%: 1/16W: 4Number	399 -244
1609 0123	Resistor Array: 22 Ω: ±5%: 1/16W: 4Number	377 -245
1609 0123	Resistor Array: 22 Ω: ±5%: 1/16W: 4Number	399 -245
1610 1417	Resistor: 0.5 Ω: ±5%: 1/8W: 1608	377 -246
1610 1417	Resistor: 0.5 Ω: ±5%: 1/8W: 1608	399 -246
1610 1734	Resistor: 0.02 Ω: ±1%: 1W	355 -219
1610 1804	Resistor: 0.006 Ω: ±1%: 1W	377 -247
1610 1804	Resistor: 0.006 Ω: ±1%: 1W	399 -247
1610 1961	Resistor: 68M Ω: ±1%: 1W	355 -220
1610 2021	Resistor: 15MΩ: ±1%: 1W	355 -221
1610 2116	Resistor: 1.5M Ω: ±1%: 1W: 6432	377 -248
1610 2116	Resistor: 1.5M Ω: ±1%: 1W: 6432	399 -248
1633 0000	Resistor - 0 Ω 1/10W	377 -249
1633 0000	Resistor - 0 Ω 1/10W	399 -249
1634 0000	Resistor - 0 Ω 1/16W	355 -222
1634 0000	Resistor - 0 Ω 1/16W	331 -224
1634 0000	Resistor - 0 Ω 1/16W	377 -250

Part No.	Description	Page and Index No.
1634 0000	Resistor - 0 Ω 1/16W	399 -250
1650 2432	Resistor: 4.3K Ω: ±5%: 1/4W: 3216	331 -225
1650 2432	Resistor: 4.3K Ω: ±5%: 1/4W: 3216	317 -222
1650 2680	Resistor: 68 Ω: ±5%: 1/4W: 3216	331 -226
1650 3100	Resistor: 10 Ω: ±5%: 1/8W: 2125	331 -227
1650 3222	Resistor: 2.2K Ω: ±5%: 1/8W: 2125	331 -228
1650 3331	Resistor: 330Ω: ±5%: 1/8W	331 -229
1650 4100	Resistor - 10Ω ±5% 1/10W	355 -223
1650 4101	Resistor - 100Ω±5%1/10W	355 -224
1650 4102	Resistor - 1KΩ ±5% 1/10W	355 -225
1650 4102	Resistor - 1KΩ ±5% 1/10W	317 -223
1650 4103	Resistor - 10KΩ ±5% 1/10W	355 -226
1650 4103	Resistor - 10KΩ ±5% 1/10W	331 -230
1650 4104	Resistor - 100KΩ±5%1/10W	355 -227
1650 4109	Resistor: 1 Ω: ±5%: 1/10W: 1608	399 -251
1650 4109	Resistor: 1 Ω: ±5%: 1/10W: 1608	377 -251
1650 4163	Resistor: 16K Ω: ±5%: 1/10W: 1608	355 -228
1650 4221	Resistor - 220Ω±5%1/10W	317 -224
1650 4229	Resistor: 2.2 Ω: ±5%: 1/10W: 1608	399 -252
1650 4229	Resistor: 2.2 Ω: ±5%: 1/10W: 1608	377 -252
1650 4303	Resistor: 30K Ω: ±5%: 1/10W: 1608	355 -229
1650 4330	Chip Resistor - 33Ω ±5% 1/10W	355 -230
1650 4332	Resistor - 3.3KΩ±5%1/10W	355 -231
1650 4333	Resistor: 33K Ω: ±5%: 1/10W: 1608	355 -232
1650 4471	Resistor - 470Ω±5%1/10W	355 -233
1650 4472	Resistor - 4.7KΩ ±5% 1/10W	355 -234
1650 4561	Resistor - 560Ω ±5% 1/10W	317 -225
1650 4680	Resistor - 68Ω±5%1/10W	355 -235
1650 4751	Resistor: 750 Ω: ±5%: 1/10W: 1608	355 -236
1650 5100	Chip Resistor - 10 Ω±5%1/16W	331 -231
1650 5100	Chip Resistor - 10 Ω±5%1/16W	317 -226
1650 5102	Chip Resistor - 1KΩ±5%1/16W	331 -232
1650 5102	Chip Resistor - 1KΩ±5%1/16W	317 -227
1650 5103	Chip Resistor - 10KΩ±5%1/16W	331 -233
1650 5103	Chip Resistor - 10KΩ±5%1/16W	317 -228

Part No.	Description	Page and Index No.
1650 5104	Chip Resistor - 100KΩ±5%1/16W	317 -229
1650 5105	Resistor: 1M Ω: ±5%: 1/16W: 1005	317 -230
1650 5105	Resistor: 1M Ω: ±5%: 1/16W: 1005	331 -234
1650 5106	Resistor - 10M Ω ±5% 1/16W	399 -253
1650 5106	Resistor - 10M Ω ±5% 1/16W	377 -253
1650 5154	Resistor: 150K Ω: ±5%: 1/16W: 1005	317 -231
1650 5154	Resistor: 150K Ω: ±5%: 1/16W: 1005	331 -235
1650 5221	Chip Resistor - 220Ω±5%1/16W	331 -236
1650 5222	Resistor - 2.2KΩ ±5% 1/16W	317 -232
1650 5222	Resistor - 2.2KΩ ±5% 1/16W	331 -237
1650 5223	Resistor: 22K Ω: ±5%: 1/16W: 1005	331 -238
1650 5302	Resistor: 3K Ω: ±5%: 1/16W: 1005	331 -239
1650 5309	Resistor: 3 Ω: ±5%: 1/16W: 1005	377 -254
1650 5309	Resistor: 3 Ω: ±5%: 1/16W: 1005	399 -254
1650 5330	Chip Resistor - 33Ω±5%1/16W	331 -240
1650 5330	Chip Resistor - 33Ω±5%1/16W	317 -233
1650 5332	Resistor - 3.3KΩ ±5% 1/16W	331 -241
1650 5393	Resistor - 39KΩ ±5% 1/16W	331 -242
1650 5472	Chip Resistor: 4.7KΩ: ±5%: 1/16W	317 -234
1650 5472	Chip Resistor: 4.7KΩ: ±5%: 1/16W	331 -243
1650 5473	Chip Resistor - 47KΩ ±5% 1/16W	317 -235
1650 5511	Resistor - 510Ω ±5% 1/16W	331 -244
1650 5511	Resistor - 510Ω ±5% 1/16W	317 -236
1650 5519	Resistor: 5.1 Ω: ±5%: 1/16W: 1005	399 -255
1650 5519	Resistor: 5.1 Ω: ±5%: 1/16W: 1005	377 -255
1650 5560	Chip Resistor 56Ω ±5% 1/16W	331 -245
1650 5560	Chip Resistor 56Ω ±5% 1/16W	317 -237
1650 5561	Resistor: 560 Ω: ±5%: 1/16W: 1005	331 -246
1650 5680	Resistor - 68Ω ±5% 1/16W	331 -247
1650 5684	Resistor: 680K Ω: ±5%: 1/16W: 1005	331 -248
1653 1009	Resistor: 10 Ω: ±1%: 1/8W: 2125	377 -256
1653 1009	Resistor: 10 Ω: ±1%: 1/8W: 2125	399 -256
1654 1000	Resistor - 100Ω ±1% 1/10W	399 -257
1654 1000	Resistor - 100Ω ±1% 1/10W	377 -257
1654 1002	Resistor - 10KΩ±5%1/10W	331 -249

Part No.	Description	Page and Index No.
1654 1009	Resistor - 10Ω±1% 1/10W	399 -258
1654 1009	Resistor - 10Ω±1% 1/10W	377 -258
1654 1152	Resistor: 11.5K Ω: ±1%: 1/10W: 1608	355 -237
1654 1301	Resistor: 1.3K Ω: ±1%: 1/10W: 1608	355 -238
1654 1800	Resistor: 180 Ω: ±1%: 1/10W: 1608	355 -239
1654 1801	Resistor: 1.8K Ω: ±1%: 1/10W: 1608	355 -240
1654 2051	Resistor: 2.05K Ω: ±1%: 1/10W: 1608	317 -238
1654 2400	Resistor: 240 Ω: ±1%: 1/10W: 1608	355 -241
1654 2402	Resistor: 24K Ω: ±1%: 1/10W: 1608	355 -242
1654 3002	Resistor - 30KΩ±1%1/10W	355 -243
1654 3301	Resistor - 3.3KΩ ±1% 1/10W	331 -250
1654 3572	Resistor: 35.7K Ω: ±1%: 1/10W: 1608	355 -244
1654 4222	Resistor: 42.2K Ω: ±1%: 1/10W: 1608	355 -245
1654 4701	Resistor - 4.7KΩ±1% 1/10W	355 -246
1654 5601	Resistor - 5.6KΩ±1% 1/10W	331 -251
1654 6800	Resistor - 680 Ω ±1% 1/10W	355 -247
1654 7872	Resistor: 78.7K Ω: ±1%: 1/10W: 1608	355 -248
1654 8200	Resistor: 820 Ω: ±1%: 1/10W: 1608	355 -249
1654 8452	Resistor: 84.5K Ω: ±1%: 1/10W: 1608	355 -250
1655 0000	Chip Resistor - 0Ω±0%1/16W	399 -259
1655 0000	Chip Resistor - 0Ω±0%1/16W	331 -252
1655 0000	Chip Resistor - 0Ω±0%1/16W	317 -239
1655 0000	Chip Resistor - 0Ω±0%1/16W	377 -259
1655 1000	Chip Resistor: 100Ω: ±1%: 1/16W	399 -260
1655 1000	Chip Resistor: 100Ω: ±1%: 1/16W	377 -260
1655 1001	Chip Resistor - 1KΩ ±1% 1/16W	399 -261
1655 1001	Chip Resistor - 1KΩ ±1% 1/16W	377 -261
1655 1001	Chip Resistor - 1KΩ ±1% 1/16W	331 -253
1655 1002	Chip Resistor - 10KΩ±1%1/16W	399 -262
1655 1002	Chip Resistor - 10KΩ±1%1/16W	317 -240
1655 1002	Chip Resistor - 10KΩ±1%1/16W	331 -254
1655 1002	Chip Resistor - 10KΩ±1%1/16W	377 -262
1655 1003	Chip Resistor - 100KΩ±1%1/16W	331 -255
1655 1003	Chip Resistor - 100KΩ±1%1/16W	399 -263
1655 1003	Chip Resistor - 100KΩ±1%1/16W	377 -263

Part No.	Description	Page and Index No.
1655 1004	Resistor: 1M Ω: ±1%: 1/16W: 1005	399 -264
1655 1004	Resistor: 1M Ω: ±1%: 1/16W: 1005	377 -264
1655 1009	Resistor - 10Ω ±1% 1/16W	399 -265
1655 1009	Resistor - 10Ω ±1% 1/16W	377 -265
1655 1102	Resistor: 11K Ω: ±1%: 1/16W: 1005	399 -266
1655 1102	Resistor: 11K Ω: ±1%: 1/16W: 1005	377 -266
1655 1132	Resistor: 11.3K Ω: ±1%: 1/16W: 1005	399 -267
1655 1132	Resistor: 11.3K Ω: ±1%: 1/16W: 1005	377 -267
1655 1181	Resistor: 1.18K Ω: ±1%: 1/16W: 1005	331 -256
1655 1201	Resistor: 1.2K Ω: ±1%: 1/16W: 1005	399 -268
1655 1201	Resistor: 1.2K Ω: ±1%: 1/16W: 1005	377 -268
1655 1241	Resistor: 1.24K Ω: ±1%: 1/16W: 1005	399 -269
1655 1241	Resistor: 1.24K Ω: ±1%: 1/16W: 1005	377 -269
1655 1300	Resistor: 130 Ω: ±1%: 1/16W: 1005	377 -270
1655 1300	Resistor: 130 Ω: ±1%: 1/16W: 1005	399 -270
1655 1402	Resistor: 14K Ω: ±1%: 1/16W: 1005	317 -241
1655 1430	Resistor: 143 Ω: ±1%: 1/16W: 1005	331 -257
1655 1501	Chip Resistor 1.5KΩ ±1% 1/16W	377 -271
1655 1501	Chip Resistor 1.5KΩ ±1% 1/16W	399 -271
1655 1501	Chip Resistor 1.5KΩ ±1% 1/16W	317 -242
1655 1502	Resistor - 15KΩ ±1% 1/16W	377 -272
1655 1502	Resistor - 15KΩ ±1% 1/16W	399 -272
1655 1540	Resistor: 154 Ω: ±1%: 1/16W: 1005	317 -243
1655 1600	Resistor: 160 Ω: ±1%: 1/16W: 1005	331 -258
1655 1601	Resistor: 1.6K Ω: ±1%: 1/16W: 1005	317 -244
1655 1692	Resistor: 16.9K Ω: ±1%: 1/16W: 1005	377 -273
1655 1692	Resistor: 16.9K Ω: ±1%: 1/16W: 1005	399 -273
1655 1780	Resistor: 178 Ω: ±1%: 1/16W: 1005	331 -259
1655 1801	Resistor: 1.8K Ω: ±1%: 1/16W: 1005	331 -260
1655 1801	Resistor: 1.8K Ω: ±1%: 1/16W: 1005	317 -245
1655 1802	Resistor: 18K Ω: ±1%: 1/16W: 1005	331 -261
1655 1803	Resistor: 180K Ω: ±1%: 1/16W: 1005	399 -274
1655 1803	Resistor: 180K Ω: ±1%: 1/16W: 1005	377 -274
1655 1820	Resistor: 182 Ω: ±1%: 1/16W: 1005	331 -262
1655 1963	Resistor: 196K Ω: ±1%: 1/16W: 1005	399 -275

Part No.	Description	Page and Index No.
1655 1963	Resistor: 196K Ω : $\pm 1\%$: 1/16W: 1005	377 -275
1655 2000	Resistor - 200 Ω $\pm 1\%$ 1/16W	399 -276
1655 2000	Resistor - 200 Ω $\pm 1\%$ 1/16W	377 -276
1655 2001	Resistor - 2K Ω $\pm 1\%$ 1/16W	399 -277
1655 2001	Resistor - 2K Ω $\pm 1\%$ 1/16W	377 -277
1655 2002	Chip Resistor - 20K Ω $\pm 1\%$ 1/16W	331 -263
1655 2002	Chip Resistor - 20K Ω $\pm 1\%$ 1/16W	399 -278
1655 2002	Chip Resistor - 20K Ω $\pm 1\%$ 1/16W	377 -278
1655 2200	Resistor - 220 Ω $\pm 1\%$ 1/16W	331 -264
1655 2201	Resistor: 2.2K Ω : $\pm 1\%$: 1/16W: 1005	377 -279
1655 2201	Resistor: 2.2K Ω : $\pm 1\%$: 1/16W: 1005	399 -279
1655 2202	Resistor: 22K Ω : $\pm 1\%$: 1/16W: 1005	331 -265
1655 2209	Resistor - 22 Ω $\pm 1\%$ 1/16W	399 -280
1655 2209	Resistor - 22 Ω $\pm 1\%$ 1/16W	377 -280
1655 2210	Resistor - 221 Ω $\pm 1\%$ 1/16W	377 -281
1655 2210	Resistor - 221 Ω $\pm 1\%$ 1/16W	399 -281
1655 2269	Resistor: 22.6 Ω : $\pm 1\%$: 1/16W: 1005	399 -282
1655 2269	Resistor: 22.6 Ω : $\pm 1\%$: 1/16W: 1005	377 -282
1655 2432	Resistor: 24.3K Ω : $\pm 1\%$: 1/16W: 1005	377 -283
1655 2432	Resistor: 24.3K Ω : $\pm 1\%$: 1/16W: 1005	399 -283
1655 2499	Resistor: 24.9 Ω : $\pm 1\%$: 1/16W: 1005	377 -284
1655 2499	Resistor: 24.9 Ω : $\pm 1\%$: 1/16W: 1005	399 -284
1655 2700	Resistor: 270 Ω : $\pm 1\%$: 1/16W: 1005	377 -285
1655 2700	Resistor: 270 Ω : $\pm 1\%$: 1/16W: 1005	399 -285
1655 2701	Resistor: 2.7K Ω : $\pm 1\%$: 1/16W: 1005	377 -286
1655 2701	Resistor: 2.7K Ω : $\pm 1\%$: 1/16W: 1005	399 -286
1655 2741	Resistor: 2.74K Ω : $\pm 1\%$: 1/16W: 1005	377 -287
1655 2741	Resistor: 2.74K Ω : $\pm 1\%$: 1/16W: 1005	399 -287
1655 2749	Resistor - 27.4 Ω $\pm 1\%$ 1/16W	399 -288
1655 2749	Resistor - 27.4 Ω $\pm 1\%$ 1/16W	377 -288
1655 2802	Resistor: 28K Ω : $\pm 1\%$: 1/16W: 1005	399 -289
1655 2802	Resistor: 28K Ω : $\pm 1\%$: 1/16W: 1005	377 -289
1655 3001	Resistor: 3K Ω : $\pm 1\%$: 1/16W: 1005	317 -246
1655 3002	Chip Resistor - 30K Ω $\pm 1\%$ 1/16W	377 -290
1655 3002	Chip Resistor - 30K Ω $\pm 1\%$ 1/16W	399 -290

Part No.	Description	Page and Index No.
1655 3013	Resistor: 301K Ω : $\pm 1\%$: 1/16W: 1005	399 -291
1655 3013	Resistor: 301K Ω : $\pm 1\%$: 1/16W: 1005	377 -291
1655 3161	Resistor: 3.16K Ω : $\pm 1\%$: 1/16W: 1005	317 -247
1655 3161	Resistor: 3.16K Ω : $\pm 1\%$: 1/16W: 1005	331 -266
1655 3242	Resistor: 32.4K Ω : $\pm 1\%$: 1/16W: 1005	399 -292
1655 3242	Resistor: 32.4K Ω : $\pm 1\%$: 1/16W: 1005	377 -292
1655 3301	Resistor: 3.3K Ω : $\pm 1\%$: 1/16W: 1005	331 -267
1655 3302	Resistor: 33K Ω : $\pm 1\%$: 1/16W: 1005	399 -293
1655 3302	Resistor: 33K Ω : $\pm 1\%$: 1/16W: 1005	377 -293
1655 3303	Resistor - 330K Ω $\pm 1\%$ 1/16W	399 -294
1655 3303	Resistor - 330K Ω $\pm 1\%$ 1/16W	377 -294
1655 3309	Resistor - 33 Ω $\pm 1\%$ 1/16W	399 -295
1655 3309	Resistor - 33 Ω $\pm 1\%$ 1/16W	377 -295
1655 3601	Resistor: 3.6K Ω : $\pm 1\%$: 1/16W: 1005	399 -296
1655 3601	Resistor: 3.6K Ω : $\pm 1\%$: 1/16W: 1005	377 -296
1655 3740	Resistor: 374 Ω : $\pm 1\%$: 1/16W: 1005	331 -268
1655 3749	Resistor: 37.4 Ω : $\pm 1\%$: 1/16W: 1005	331 -269
1655 3903	Resistor: 390K Ω : $\pm 1\%$: 1/16W: 1005	399 -297
1655 3903	Resistor: 390K Ω : $\pm 1\%$: 1/16W: 1005	377 -297
1655 3909	Resistor 39 Ω $\pm 1\%$ 1/16W	399 -298
1655 3909	Resistor 39 Ω $\pm 1\%$ 1/16W	377 -298
1655 4029	Resistor: 40.2 Ω : $\pm 1\%$: 1/16W: 1005	377 -299
1655 4029	Resistor: 40.2 Ω : $\pm 1\%$: 1/16W: 1005	399 -299
1655 4701	Chip Resistor - 4.7K Ω $\pm 1\%$ 1/16W	399 -300
1655 4701	Chip Resistor - 4.7K Ω $\pm 1\%$ 1/16W	377 -300
1655 4750	Resistor - 475 Ω $\pm 1\%$ 1/16W	399 -301
1655 4750	Resistor - 475 Ω $\pm 1\%$ 1/16W	377 -301
1655 4992	Resistor: 49.9K Ω : $\pm 1\%$: 1/16W: 1005	377 -302
1655 4992	Resistor: 49.9K Ω : $\pm 1\%$: 1/16W: 1005	399 -302
1655 4999	Resistor - 49.9 Ω $\pm 1\%$ 1/16W	377 -303
1655 4999	Resistor - 49.9 Ω $\pm 1\%$ 1/16W	399 -303
1655 5101	Resistor - 5.1K Ω $\pm 1\%$ 1/16W	399 -304
1655 5101	Resistor - 5.1K Ω $\pm 1\%$ 1/16W	377 -304
1655 5109	Resistor - 51 Ω $\pm 1\%$ 1/16W	377 -305
1655 5109	Resistor - 51 Ω $\pm 1\%$ 1/16W	399 -305

Part No.	Description	Page and Index No.
1655 5499	Resistor - 54.9Ω ±1% 1/16W	377 -306
1655 5499	Resistor - 54.9Ω ±1% 1/16W	399 -306
1655 5499	Resistor - 54.9Ω ±1% 1/16W	317 -248
1655 5600	Resistor - 560Ω ±1% 1/16W	377 -307
1655 5600	Resistor - 560Ω ±1% 1/16W	399 -307
1655 5602	Resistor: 56K Ω: ±1%: 1/16W: 1005	377 -308
1655 5602	Resistor: 56K Ω: ±1%: 1/16W: 1005	399 -308
1655 5609	Resistor - 56Ω ±1% 1/16W	377 -309
1655 5609	Resistor - 56Ω ±1% 1/16W	399 -309
1655 6043	Resistor: 604K Ω: ±1%: 1/16W: 1005	377 -310
1655 6043	Resistor: 604K Ω: ±1%: 1/16W: 1005	399 -310
1655 6800	Resistor: 680 Ω: ±1%: 1/16W: 1005	399 -311
1655 6800	Resistor: 680 Ω: ±1%: 1/16W: 1005	377 -311
1655 6801	Resistor: 6.8K Ω: ±1%: 1/16W: 1005	377 -312
1655 6801	Resistor: 6.8K Ω: ±1%: 1/16W: 1005	399 -312
1655 6801	Resistor: 6.8K Ω: ±1%: 1/16W: 1005	317 -249
1655 6802	Resistor: 68K Ω: ±1%: 1/16W: 1005	377 -313
1655 6802	Resistor: 68K Ω: ±1%: 1/16W: 1005	399 -313
1655 6809	Chip Resistor - 68Ω±1%1/16W	331 -270
1655 6809	Chip Resistor - 68Ω±1%1/16W	377 -314
1655 6809	Chip Resistor - 68Ω±1%1/16W	399 -314
1655 6982	Resistor: 69.8K Ω: ±1%: 1/16W: 1005	317 -250
1655 6982	Resistor: 69.8K Ω: ±1%: 1/16W: 1005	331 -271
1655 7159	Resistor: 71.5 Ω: ±1%: 1/16W: 1005	331 -272
1655 7509	Resistor: 75 Ω: ±1%: 1/16W: 1005	399 -315
1655 7509	Resistor: 75 Ω: ±1%: 1/16W: 1005	377 -315
1655 7879	Resistor: 78.7 Ω: ±1%: 1/16W: 1005	331 -273
1655 8069	Resistor: 80.6 Ω: ±1%: 1/16W: 1005	399 -316
1655 8069	Resistor: 80.6 Ω: ±1%: 1/16W: 1005	377 -316
1655 8201	Resistor: 8.2K Ω: ±1%: 1/16W: 1005	377 -317
1655 8201	Resistor: 8.2K Ω: ±1%: 1/16W: 1005	399 -317
1655 8209	Resistor - 82Ω ±1% 1/16W	399 -318
1655 8209	Resistor - 82Ω ±1% 1/16W	377 -318
1655 8459	Resistor: 84.5 Ω: ±1%: 1/16W: 1005	317 -251
1655 8873	Resistor: 887K Ω: ±1%: 1/16W: 1005	399 -319

Part No.	Description	Page and Index No.
1655 8873	Resistor: 887K Ω: ±1%: 1/16W: 1005	377 -319
1655 9101	Resistor - 9.1K Ω ±1% 1/16W	377 -320
1655 9101	Resistor - 9.1K Ω ±1% 1/16W	399 -320
1660 2331	Capacitor - 330pF ±5% 50V	355 -251
1660 2470	Capacitor - 47pF ±5% 50V	355 -252
1660 4332	Capacitor - 3300pF - ±10% - 50V	355 -253
1660 4682	Capacitor: 6800pF: ±10%: 50V	355 -254
1660 8104	Capacitor - 0.1μF ±20% 25V	317 -252
1906 0120	NAND Flash: 1G: X8: 30NS: 3.3V: 2K	399 -321
1906 0120	NAND Flash: 1G: X8: 30NS: 3.3V: 2K	377 -321

Part No.	Description	Page and Index No.
5053 0223	Bushing - 8mm	39 - 24
5053 0223	Bushing - 8mm	239 - 36
5053 0419	Bushing - 10mm	97 - 7
5053 0419	Bushing - 10mm	99 - 1
5053 0419	Bushing - 10mm	107 - 12
5053 0447	Bushing - 6mm	249 - 2
5053 0447	Bushing - 6mm	35 - 28
5053 0447	Bushing - 6mm	247 - 3
5053 0447	Bushing - 6mm	239 - 39
5053 0447	Bushing - 6mm	251 - 33
5053 0447	Bushing - 6mm	241 - 24
5201 2858	Friction Pad	37 - 10
5201 2858	Friction Pad	273 - 9
5203 9502	Grease 501	415 - 5
5206 2684	Shoulder Screw - M3	105 - 11
5206 2684	Shoulder Screw - M3	259 - 7
5206 2686	Snap Ring	119 - 10
5206 2686	Snap Ring	239 - 29
5215 2621	Snap Ring - M6	249 - 16
5215 2621	Snap Ring - M6	239 - 31
5215 2621	Snap Ring - M6	81 - 11
5324 1658	Bushing- 4x8x4.5mm	249 - 10
5324 1658	Bushing- 4x8x4.5mm	243 - 16
5410 1291	Pin	255 - 1
5447 2681	Snap Ring	21 - 4
5447 2681	Snap Ring	235 - 3
5447 2681	Snap Ring	241 - 23
5447 2681	Snap Ring	117 - 25
5447 2681	Snap Ring	115 - 9
5447 2681	Snap Ring	81 - 29
5447 2681	Snap Ring	47 - 2

Part No.	Description	Page and Index No.
5447 2681	Snap Ring	45 - 2
5447 2706	Gear - 15T	45 - 8
5447 2706	Gear - 15T	283 - 5
5447 2768	Stepped Screw - M3	85 - 1
5840 1632	Stepped Screw	131 - 2
5936 2321	Rubber Bushing - Vibration Damper	253 - 28