

Product Support Guide D179 / D180 / D181

Introduction

Model Type	B/W MFP
Launch Date	August 15, 2013
Serial Number Prefix	E80 / E81 / E82
Product Code	D179 / D180 / D181

Brand/Model Name

Product Code	Lanier	Ricoh	Savin
D179	Pro8100EX Pro8100S	Pro8100EX Pro8100S	Pro8100EX Pro8100S
D180	Pro8110S	Pro8110S	Pro8110S
D181	Pro8120S	Pro8120S	Pro8120S

Product Concept:

The D179/D180/D181 is a monochrome product and is a successor to the D059/D060/D061 series. While the predecessor D059/D060/D061 model is mostly used in the office market, the target market for D179/D180/D181 has been expanded to also attract users in the POD market where higher customer demands are expected. The D179/D180/D181 adopts New CPU with doubled processing power compared to D059/D060/D061 and New Memory Architecture with faster throughput. D179/D180/D181 improves ADF productivity from D179/D180/D181. The 95ppm model achieves rated speed on copy 1 to 1 feature. With one pass duplex mechanism all models achieves rated speed in 1 to 1 duplex mode. The new ADF is also equipped with double feed detection sensor which prevent missing pages caused by double feeding of original.



Product Support Guide

D179 / D180 / D181

Main Frame

Item	Model Name	EDP Code	Notes
D179	Lanier Ricoh Savin	404524	The D179 N. America does not have scanner and printer units built in. It can be upgraded with a printer/scanner kit
D179	Lanier Ricoh Savin	404592	
D180	Lanier Ricoh Savin	404593	
D181	Lanier Ricoh Savin	404594	

NOTE: Order Numbers are provided for reference purposes only. Please use your Pricing Guide for proper order numbers to insure you receive the correct branding emblem.

Order Number

Options

Item	Description	EDP Code	Product Code	Common / Unique	Notes
RT5070	LCIT	404536	D733	U	
RT5080	LCIT	404537	D732	U	
DU5030	De-curl Unit	404538	D741	U	
CI5030	Cover Interposer Tray	404539	D738	U	
FD5020	Multi-Folding Unit	404540	D740	U	
GB5010	Perfect Binder	404542	D736	U	
Transit Pass Unit for Perfect Binder Type S1	Transit Pass Unit	404544	D736	U	
Cover Interposer Tray for Perfect Binder type S1	Cover Interposer Tray for Perfect Binder	404545	D736	U	
RB5020	Ring Binder	404546	D737	U	
SR5060	Finisher	404548	D734	U	
Printer/Scanner Unit Type S1	Printer/Scanner	404553	D752	U	
Post Script 3 Unit Type S1	Post Script	404555	D726-02	U	For D179 Basic Only
IPDS Unit Type S1	IPDS	404559	D726-08	U	
SD Card for NetWare Printing Type S1	NetWare Printing	404565	D726-19	U	

Product Support Guide

D179 / D180 / D181

Item	Description	EDP Code	Product Code	Common / Unique	Notes
Browser Unit Type S1	Browser Unit	404566	D726-15	U	
Ricoh Brand Plaque 4 for PP Products	Ricoh Plaque	404585	D762-00	U	
Savin Brand Plaque 4 for PP Products	Ricoh Plaque	404586	D762-01	U	
Lanier Brand Plaque 4 for PP Products	Ricoh Plaque	404587	D762-02	U	
BY5010	Multi-Bypass Tray	404387	D517	C	
TR5040	Trimmer Unit	404400	D520-17	C	
PU5020 NA	Punch Unit	404177	D449-17	C	
PU5020 EU	Punch Unit	404178	D449-27	C	For D734/D735
PU5020 SC	Optional Counter	404179	D449-28	C	For D734/D735
Optional Counter Interface Unit Type A	Counter Interface Unit	413012	B870	C	
Card Reader Tray Type 1075	Card Reader Tray	411203	B498	C	
Key Counter Bracket Type 1027	Key Counter Bracket	412537	B452	C	
Copy Connector Type 3260	Copy Connector	412415	B328	C	
Unicode Font Package for SAP 1License	Unicode Font Package	413009	B869-01	C	
Unicode Font Package for SAP 1License	Unicode Font Package	413010	B869-02	C	
Unicode Font Package for SAP 1License	Unicode Font Package	413011	B869-03	C	
IEEE 802.11 a/g/n Interface Unit Type M2	IEEE 802.11 a/g/n Interface	416572	D164	C	
OCR Unit Type M2	OCR Unit Type	416605	D166	C	
Copy Data Security Unit Type G	Copy Data Security Unit	416391	D640	C	
File Format Converter Type E	File Format Converter	414007	D377	C	
IEEE1284 Interface Board Type A	IEEE1284 Interface Board	411699	B679	C	
Bluetooth Interface Unit Type D	Bluetooth Interface	415818	D566	C	
Data Overwrite Security Type H	Data Overwrite Security	414002	D377		

Product Support Guide

D179 / D180 / D181

Supplies/Yields

Item	Name	Order Code	Target Yield
			P/J_6%
Ricoh / Lanier / Savin			
Toner	Pro Toner 8100S	828277	82,000 sheets/bottle
Developer	Developer Black	D1799640	860K copies/bag
TCRU/ORU Type 8100 (Set A)	TCRU A	404550	
TCRU Type 8100 (Set B)	TCRU B	404552	
Glue Supply Type A	Glue Supply	404553	
Ring Opener Type A	Ring Opener	404103	
Ring Cartridge LT Type RB5000	Ring Cartridge LT	404114	
Ring Supply LT White 100 type A	Ring Supply LT	404115	
Ring Supply LT Black 100 type A	Ring Supply LT	404117	
Ring Supply LT White 50 type A	Ring Supply LT	404118	
Lanier			
Staple Set Cartridge	Staple Type M	413015	
Staple Refill Cartridge	Refill Staple Type M	413028	
Ricoh			
Staple Set Cartridge	Staple Type M	413013	
Staple Refill Cartridge	Refill Staple Type M	413026	
Savin			
Staple Set Cartridge	Staple Type M	413016	
Staple Refill Cartridge	Refill Staple Type M	413029	

Supply Yield Condition:

- 1) ISO/IEC19752 & 3 page per job at 5% coverage is used to measure the above cartridge yields.
- 2) The condition is standard temperature and humidity.
- 3) This yield number may change depending on the circumstances and printing conditions.
- 4) Storage period for toner is 18 months.
- 5) Starter ink cartridge yield is ~400 prints, used primarily to initialize ink at installation

Product Support Guide

D179 / D180 / D181

MFP Option Compatibility

	1	2	3	4	5	6	7	8	9	10	11	12	13
1. Multi Bypass Tray (BY5010)		1	1										
2. A4/LT LCT (LCIT RT5070)			X										
3. A3/DLT LCT (LCIT RT5080)		X											
4. Decurl Unit (DU5030)													
5. Perfect Binder (GB5010)								X					
6. Cover Interposer Tray (CI5030)													
7. Multi-Folding Unit (FD5020)													
8. Ring Binder (RB5020)					X								
9. Finisher (SR5050)										X	X	M	
10. Booklet Finisher (SR5060)									X		M	X	
11. Trimmer Unit (TR5040)									X	M		X	
12. Plockmatic Booklet Maker									M	X	X		
13. GBC Stream Punch													

Branding Information

Branding is required as the machines are shipped as a generic version.

Ricoh version machines: You must attach the model label (provided) to the front cover.

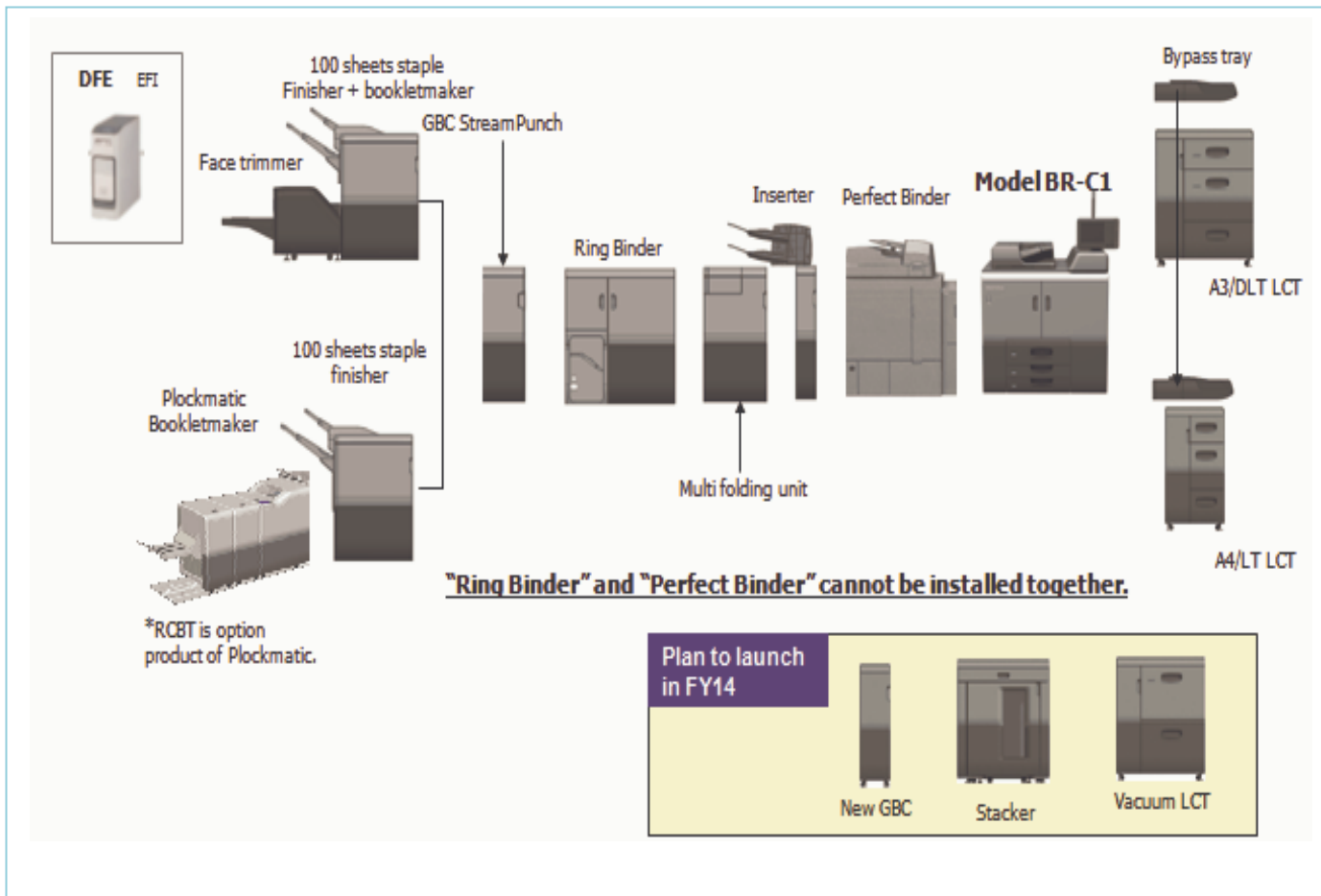
Savin / Lanier: You must attach the model label (provided) to the front cover and set the Plug and Play name with SP 5907.

Product Support Guide

D179 / D180 / D181

Configuration

Main Frame Configuration



Feature Comparison to Previous Version

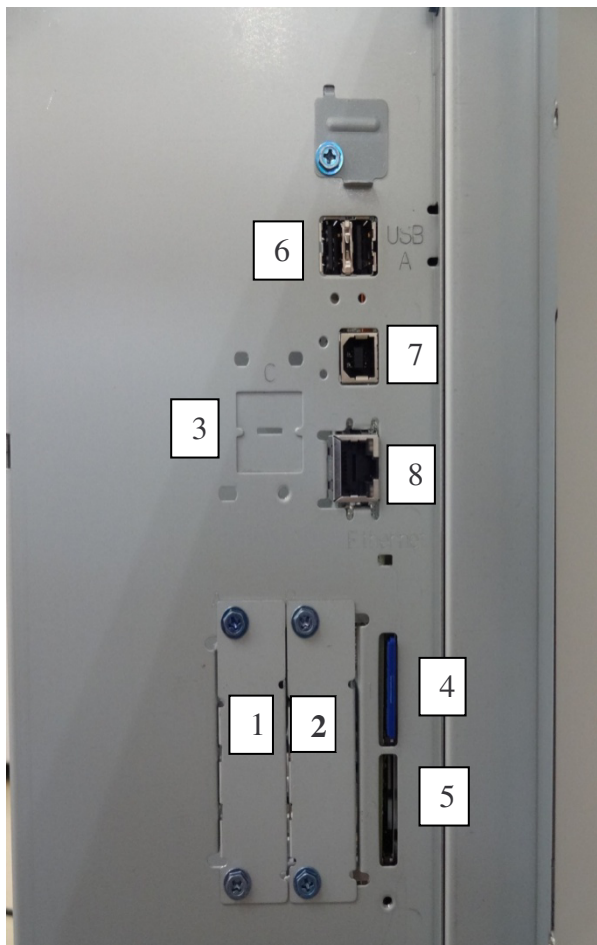
- ADF: Similar to D135 / D136 / D137 / D138
- Scanner: Similar to D135 / D136 / D137 / D138
- Image Processing: Similar to D135 / D136 / D137 / D138
- Laser Unit: Similar to D074 / D075
- Toner Supply: New
- Photoconductor Unit (PCU): Similar to D095 / M077
- Development Unit: Similar to D095 / M077
- Image Transfer Belt Unit: New
- ITB Cleaning Unit: Similar to D074 / D075
- Process Control: Similar to previous models, but improved from) D059 (elements from D074 / D075 and D095 / M077 are included
- Paper Transfer: Similar to D074 / D075
- Paper Transport Belt: Similar to D074 / D075
- Fusing Unit: New
- Paper Feed Unit: Similar to D059
- Paper Registration: Similar to D074 / D075
- Paper Switch Back and Duplex Pass unit: Similar to D074 / D075
- Used Toner Collection System: New

Product Support Guide

D179 / D180 / D181

MFP Options

MFP Option Board Slot / SD Card Assignments



No.	Name	Description
1	Slot A	
2	Slot B	IEEE 1284 (B679) File Format Converter IEEE802.11a/g (D164)
3	Slot C	Gigabit Ethernet
4	Upper Slot (Slot 1)	Remote Fax Option *2 DOSS (B869) Netware (D719-)*2 Postscript (DXXX)*2 IPDS (D719-)*2 Browser Unit (D719-)*2 OCR
5	Lower Slot (Slot 2)	Service Slot
6	USB A/B Slots	USB Host 2Ch (On Board)
7	USB 2.0	Built-in for connection of USB devices
8	100BaseT LAN	Standard LAN connection point

Product Support Guide

D179 / D180 / D181

Installation

Installation Requirements

Temperature Range:	10° C to 32° C (50° F to 89.6° F)
Humidity Range:	15% to 80% RH
Ambient Illumination:	Less than 1,500 lux (do not expose to direct sunlight)
Ventilation:	3 times/hr/person
Ambient Dust:	Less than 0.010 mg/m ³ (2.0 x 10-6oz/yd ³)

Avoid areas exposed to sudden temperatures changes:

- Areas directly exposed to cool air from an air conditioner
- Areas directly exposed to cool air from a heater

Do not place machine where it will be exposed to corrosive gas or vapor.

Do not install the machine at any location over 2,000m (6,500 ft.) above sea level.


Place the machine on a strong and level base. Inclination on any side should be no more than 5mm (0.2")

Do not place the machine where it may be subject to strong vibrations.

Machine level

- Front to back: within 5mm (0.2") of level
- Right to left: within 5mm (0.2") of level

Power Requirements

Power Source	208~240V, 50/60Hz
Plug	
Plug type	NEMA 6-20P
Connection to mainframe	Replaceable

NOTE: Do not place anything on power cord.

Power Consumption / Noise Emission

Power Consumption

Power consumption	BTU
D179 / D180 / D181	Less than 1500W (Excluding peak Consumption)

Noise Emission

D179	Information not available at product launch
D180	Information not available at product launch
D181	Information not available at product launch

The above measurements were made in accordance with ISO 7779.

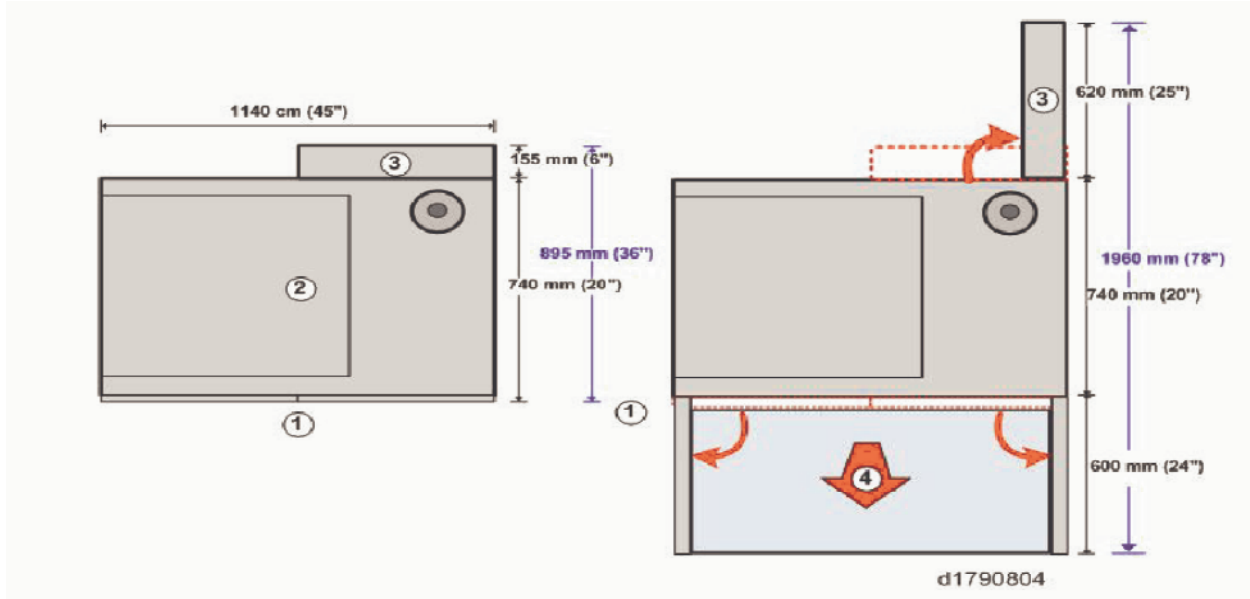
The measurements were taken from the normal position of the operator.

Product Support Guide D179 / D180 / D181

Space

Footprint

BACK



FRONT

Product Support Guide

D179 / D180 / D181

Installation Times

Unit	Installation Time (Minutes)	Unit	Installation Time (Minutes)
LCIT RT5070	15 min	LCIT RT5080	15 min
LCIT RT5080	15 min	Cover Interposer Tray CI5030	15 min
Cover Interposer Tray CI5030	15 min	Multi-Folding Unit FD5020	15 min
Multi-Folding Unit FD5020	15 min	Bluetooth Interface Unit Type D	5 min
Finisher SR5050	15 min	PostScript3 Unit Type S1	5 min
Booklet Finisher SR5060	15 min	IPDS Unit Type S1	5 min
Ring Binder RB5020	15 min	File Format Converter Type E	5 min
Perfect Binder GB5010	120 min	Copy Data Security Unit Type G	5 min
Cover Interposer Tray for Perfect Binder Type S1	20 min	Browser Unit Type S1	5 min
Transit Pass Unit for Perfect Binder Type S1	15 min	SD card for NetWare printing Type S1	5 min
De-curl Unit DU5030	15 min	OCR Unit Type M2	5 min
Multi-Bypass Tray BY5010	10 min	Unicode Font Package for SAP(R) 1 License	5 min
Trimmer Unit TR5040	15 min	Unicode Font Package for SAP(R) 10 License	5 min
Punch Unit PU5020	10 min	Unicode Font Package for SAP(R) 100 License	5 min
Copy Connector Type 3260	15 min	SD Card for Fonts Type D	5 min
Optional Counter Interface Unit Type A	5 min	Printer/Scanner Unit Type S1 (NA only)	10 min
Key Counter Bracket Type 1027	5 min	IEEE 1284 Interface Board Type A	5 min
LCIT RT5070	15 min	IEEE 802.11a/g/n Interface Unit Type M3	5 min

Target Reliability

Items	D179	D180	D181
APV	100k/Month	150k/Month	250k/Month
PM cycle	600K	600K	600K

Notes:

- The figures above are calculated based on the following:
- PM is regularly performed.
- Recommended paper types are used.
- The machine is installed under operable environmental conditions
- Regarding the reliability information for the full system, refer to the maintenance time table in section 6, "Service Time Estimations" below.
- A4 LEF (Simplex)

Product Support Guide

D179 / D180 / D181

Parts / Special Tools / Maintenance

PM Parts / Yields

Mainframe Unique/Common U: Unique for this C: Common with listed

Part Number	Description	Q'ty/ Unit	Target Yield (Pages)	Unique or Common
PCDU				
D1799640	DEVELOPER BLACK	1	800K	U
D1793581	BLADE:CLEANING:ASS'Y	1	600K	U
D1793631	COATING BAR:ASS'Y	1	600K	U
D1793656	BLADE:APPLY:ASS'Y	1	600K	U
D1793641	BRUSH ROLLER:APPLY:ASS'Y	1	600K	U
D1793535	CLEANING UNIT:SERVICE PART GEAR	1	1800K	U
D0742459	JOINT:CLEANING UNIT	1	600K	C (*1)
D1799510	OPC DRUM	1	2500K	U
G1782500	GRID:CHARGE CORONA	1	1000K	C (*2)
D1792224	CORONA WIRE:CHARGE CORONA	3	1000K	U
G1782502	CUSHION:CORONA WIRE	6	1000K	C (*2)
G1782507	CLEANER:GRID:ASS'Y	1	1000K	C (*2)
G1782510	CLEANER:CORONA WIRE:ASS'Y	3	1000K	C (*2)
ITB Unit				
D1796050	FLAT BELT-TRANSFER	1	2400K	U
D1796051	ROLLER:INTERMEDIATE	1	1350K	U
PTR Unit				
D1796250	TRANSFER ROLLER	1	800K	U
D1796300	SEPARATION CORONA:ASS'Y	1	600K	U
D0746265	BLADE:TRANSFER ROLLER:ASS'Y	1	600K	C (*1)
G1786767	COATING BAR:TRANSFER	1	600K	C (*2)
D0746257	BRUSH ROLLER:APPLY:ASS'Y	1	600K	C(*1)
AB011125	GEAR:IDLER:BRUSH ROLLER	1	3,000k	C (*1)
AB011126	GEAR:BRUSH ROLLER:Z20	1	3,000k	C (*1)
D0746312	GEAR:IDLER:TRANSFER ROLLER	1	3,000k	C (*1)
D1796311	GEAR:TRANSFER ROLLER	1	3,000k	U
ITB Cleaning Unit				
D0746424	BLADE:CLEANING:BELT	1	600K	C (*1)
D0746446	BRUSH:APPLY:BELT CLEANING	1	600K	C (*1)
D0746451	COATING BAR:ASS'Y	1	600K	C (*1)
D0746457	BLADE:APPLY:ASS'Y	1	600K	C (*1)
Fusing Unit				
D0744197	FLAT BELT-FUSING:DIA80:SEAL	1	1100K	C (*1)
AE010118	HOT ROLLER:DIA54:ASS'Y	1	1800K	U
AE020220	PRESSURE ROLLER:DIA65	1	1100K	U
AE045062	WEB:SUB-ASS'Y	1	750K	C (*3)
D0744333	ROLLER:PLATE	1	3190K	C (*1)

Product Support Guide

D179 / D180 / D181

Part Number	Description	Q'ty/ Unit	Target Yield (Pages)	Unique or Common
Paper feed				
AF030072	PAPER FEED ROLLER:PICKUP	3	1100K	C (*1)
AF031080	PAPER FEED ROLLER:FEED	3	1100K	C (*4)
AF032080	PAPER FEED ROLLER:SEPERATE	3	1100K	C (*4)
Filters				
D1796889	FILTER: MAIN: EXHAUST: RIGHT	1	600k	U

Note. These items are common with followings

(*1): Common with D074 / D075

(*2): Common with D095

(*3): Common with CH-C1 Pro

(*4): Common with D059

ADF

Part Number	Description	Q'ty/ Unit	Target Yield (Original)	Unique or Common
D5412121	PAPER FEED BELT	1	100K	C (*3)
D6832228	PICKUP ROLLER	1	120K	C (*3)
D5412241	REVERSE ROLLER:PAPER FEED	1	100K	C (*3)

Note. These items are common with followings. (*3):

Common with CH-C1 Pro

LCIT RT5070

Part Number	Description	Q'ty/ Unit	Target Yield (Pages)	Unique or Common
AF030080	PAPER FEED ROLLER:PICKUP	3	1100K	C (*5)
AF031083	PAPER FEED ROLLER:FEED:MANUAL FEED	3	1100K	C (*5)
AF032080	PAPER FEED ROLLER:SEPARATE	3	1100K	C (*5)

Note. These items are common with followings.

(*5): Common with A4/LT LCT for D059

RT5080

Part Number	Description	Q'ty / Unit	Target Yield (Pages)	Unique or Common
AF030080	PAPER FEED ROLLER:PICKUP	3	1100K	C (*6)
AF031083	PAPER FEED ROLLER:FEED:MANUAL FEED	3	1100K	C (*6)
AF032080	PAPER FEED ROLLER:SEPARATE	3	1100K	C (*6)

Note. These items are common with followings.

(*6): Common with A3/DLT LCT for Taurus-C1

Product Support Guide

D179 / D180 / D181

Perfect Binder 5010

Part Number	Description	Q'ty/ Unit	Target Yield (Pages)	Unique or Common
D3911000	CUTTER UNIT:PF4140K399A	1	40K	C (*7)
D3911271	GUIDE PLATE:SLIDE:PAPER CHIP:PF4140K461C	1	40K	C (*7)
D3911481	SHEET:TURN:PF4140Q204	2	40K	C (*7)
D7362410	Stack Rotation Vibrating Plate	1	40K	U
D3911301	ROLLER:PF4140P243A1	2	1100K	C (*7)
D3911277	ROLLER:WING:2:PF4140L394A	1	1100K	C (*7)
D3911276	ROLLER:WING:PF4140L393A	4	1100K	C (*7)
D3911295	ROLLER:PLATE:TRAILING EDGE:PF4140P220A1	4	1100K	C (*7)
D3911284	ROLLER:PLATE:TRAILING EDGE:PF4140P131A1	2	1100K	C (*7)
D3915303	HARNESS:RIGHT:PF4140K783	1	1200K	C (*7)
D3915302	HARNESS:LEFT:PF4140K781	1	1200K	C (*7)
D3915314	HARNESS:PAPER FEED SENSOR:PF4140K782	1	1200K	C (*7)
D7365332	Stack Rotation Up-down Harness	1	1200K	U
D7365333	Stack Rotation Grip Harness	1	1200K	U
D7365334	Stack Rotate Press LED Harness	1	1200K	U
D3914086	PICKUP ROLLER:PF3091P302A	8	100K	C (*7)
D3914084	ROLLER:SEPARATION:PF3091P300A	4	100K	C (*7)
D3914085	PAPER FEED ROLLER:PF3091P301A	4	100K	C (*7)
D3911415	RECEIVE PLATE:EDGE:FM1-B633-000	1	5.5k	C (*7)
D3911257	TORQUE LIMITER MECHANICAL CLUTCH:PF3064K029B	1	1000K	C (*7)
D3911348	FILTER:VOC:PF4140P915A	3	1000K	C (*7)
D3911301	ROLLER:PF4140P243A1	2	1000K	C (*7)
D3915296	DC STEPPER MOTOR:PF4140R405	2	15000K	C (*7)
D3915277	DC MOTOR:PF4140K643	2	100K	C (*7)
D7361001	PRESSURE SENSORPF4140L418	1	50K	U
D3911270	DIODE:TORQUE:PF4140K458A1:ASS'Y	1	50K	C (*7)
D3915287	DC MOTOR:PF4140K918	1	50K	C (*7)
D3911427	TORQUE LIMITER MECHANICAL CLUTCH:PF4140Q422	1	50K	C (*7)
D3911275	GLUE:TUB:UNIT:PF4140L386A	1	2K hours	C (*7)
D3911395	SCREW SHAFT:PF4140Q483A	1	20K	C (*7)
D3911299	Sign/Stacking Discharge Brush	1	2,000K	C (*7)
D3911329	DISCHARGE BRUSH: REGISTRATION:SIDE:PF4140P625A	1	2,000K	C (*7)
D3915289	Booklet Stack Drawer Connector	1	20K	C (*7)
D3911519	SPROCKET:PF4140L508:ASS'Y	3	150K	C (*7)

Note. These items are common with followings. (*7): Common with Perfect Binder GB5000

Product Support Guide

D179 / D180 / D181

Storage/Transportation

Toner (*1) Developer (*1)	Temperature	Humidity	Storage Period
	Under 95F	Transportation 15~95%RH / Storage ~85%RH	12 Months
	96.8F~104F	Transportation 15~95%RH / Storage ~85%RH	1 Month
	105.8~113F	Transportation 15~95%RH / Storage ~85%RH	12 Hours

NOTE: (*1) Do not store more than 12 hours under the temperature between 104 and 122F. Do not store more than a month under the temperature between 95 and 104F. Store in a dry, dark place where temperature does not exceed 104F on continuance storage/transportation conditions.

Special Tools & Lubricants

U: Unique for this
C: Common with listed

Item	Part Number	Description	Q'ty	Unique or Common
1	A0069104	Scanner Positioning Pin	4	C
2	A0299387	Digital Multi-meter: FLUKE 87	1	C
3	B6455010	SD Card	1	C
4	C4019503	20x Magnification Scope	1	C
5	A2579300	Grease Barrierta - S552R	1	C
6	52039502	Silicone Grease G-501	1	C
7	B1329700	Drum Setting Powder	1	C
8	VSSG9002	FLUOTRIBO MG Grease	1	C
9	D0159500	G104 YELLOW TONER	1	C
10	D0159501	ZINC STEARATE	1	C

Product Support Guide

D179 / D180 / D181

Specifications / Documentation

Mainframe Feature

Hardware Specifications

Items		Specification	Remarks	
Configuration		Console		
Print/Copy Process		1-drum dry electrostatic transfer system with internal transfer belt		
Fusing		Oil-less Belt-fusing Method		
Technology	Reading element	Lower side*: 4 channel CCD array image-sensing element Upper side: 3-line CMOS CIS(Contact Image Sensor)	*Contact glass side	
	Printing processing	40-beam VCSEL (Vertical Cavity Surface Emitting LASER) Technology	-> 1200x4800 dpi	
Engine Speed	Plain Paper	D179 - 95ppm D180 - 110ppm D181 - 135ppm	A4/LT(LEF)	
	Coated Paper	D179 - 95ppm D180 - 110ppm D181 - 135ppm		
Warm up time		360 sec or less		
Limitless Paper Supply		Supported		
Dimensions (W x D x H)		1,320 x 1,110 x 1,460 mm		
Net Weight		415kg		
Power Source		NA:208-240V, 50/60Hz, 20A EU:220-240V, 50/60Hz, 16A		
Max. Power Consumption		NA:C1a: 3,100W, C1b: 3,400W, C1c: 3,600W EU:C1a: 3,200W, C1b: 3,400W, C1c: 3,700W		
Max Print Area	Booklet Finisher	2,500 + 250 sheets		
	Stacker	Not supported		
	320 x 480mm			
Toner Bottle		Two Bottles		
ARDF		Standard		
Input Capacity	Standard		Capacity is calculated using paper that is 0.1 mm thick	
	Tray1: 1,100 sheets x 2 (Tandem Tray) Tray2: 550 sheets Tray3: 550 sheets Total: 3,300sheets			
	Option LCT	A4/LT LCT		Tray4: 1,100 sheets Tray5: 1,100 sheets Tray6: 2,800 sheets Total: 5,000sheets
		A3/DLT LCT		Tray4: 1,100 sheets Tray5: 2,200 sheets Tray6: 1,100 sheets Total: 4,400sheets
	Multi Bypass Tray (Option)			Tray7: 550 sheets
Max (System)		w/ A4/LT LCT: 8,850 sheets w/ A3/DLT LCT: 8,250 sheets		

Product Support Guide

D179 / D180 / D181

Items		Specification	Remarks	
Input Paper Size	Tray 1 st	A4 (LEF) and LT (LEF)		
	Tray 2 nd and 3 rd		A3 SEF to A5 LEF, B4 SEF to B5 LEF, 11x17 SEF to 5.5x8.5 LEF <Custom Size Paper> Width: 139.7 to 330.2mm (5.50 to 13.00 inch) Length: 139.7 to 457.7mm (5.50 to 18 inch)	
	A4/LT LCT	Tray 4 th -6 th	A4 LEF to A5 LEF/SEF, B5 LEF, 8.5x11 LEF to 5.5x8.5 LEF/SEF <Custom Size Paper> Width: 139.7 to 305.0mm (5.50 to 12.00 inch) Length: 139.7 to 230.0mm (5.50 to 9.05 inch)	
	A3/DLT LCT	Tray 4 th -6 th	A3 SEF to A6 SEF, B4 SEF to B6 SEF, 11x17 SEF to 5.5x8.5 LEF <Custom Size Paper> Width: 100.0 to 330.2mm (3.94 to 13.00 inch) Length: 139.7 to 487.7mm (5.50 to 19.20 inch)	
	Tray 7 th		A3 SEF to A6 SEF, B4 SEF to B6 SEF, 11x17 SEF to 5.5x8.5 LEF <Custom Size Paper> Width: 100.0 to 330.2mm (3.94 to 13.00 inch) Length: 139.7 to 487.7mm (5.50 to 19.20 inch)	
Input Paper Weight	Tray 1 st	52.3 - 256gsm, 14lb Bond - 95lb Cover		
Output Capacity	Tray 2 nd and 3 rd		52.3 - 256gsm, 14lb Bond - 95lb Cover	
	A4/LT LCT	Tray 4 th	52.3 - 216gsm, 14lb Bond - 80lb Cover	
	A4/LT LCT A3/DLT LCT	Tray 5 th	52.3 - 216gsm, 14lb Bond - 80lb Cover	
		Tray 6 th	52.3 - 163gsm, 14lb Bond - 90lb Index	
	Tray 4 th		52 - 256gsm, 14lb Bond - 95lb Cover	
	A3/DLT LCT Tray 7 th	Tray 5 th	40.0 - 300gsm, 11lb Bond - 110lb Cover	
		Tray 6 th	52.3 - 256gsm, 14lb Bond - 95lb Cover	
		52 - 256gsm, 14lb Bond - 95lb Cover		
	Print Mode	Simplex	40 - 300gsm, 11lb Bond - 110lb Cover	
	Print Mode Finisher	Duplex	52 - 300gsm, 14lb Bond - 110lb Cover Note: Over 256gsm thick paper is limited support. Need prior test of each paper brand.	
3,000 + 250 sheets				

Product Support Guide

D179 / D180 / D181

GW+ Controller Specification

Items	Specification	Note
CPU	1.86GHz	Intel® Celeron® Processor P4505
RAM	2GB	
HDD	187.5GB x2 (Usable area)	250GB x2 on board
Interface Standard Option	USB2.0 Type A (back 2 ports, operational panel 1 port) USB2.0 Type B (1 port) Ethernet (1000BASE-T/100BASE-TX/10BASE-T) SD slot	
	IE1284 ECP, IEEE802.11a/b/g/n, Bluetooth	
Network Protocol	TCP/IP (Standard) IPX/SPX (with NetWare option)	

Copier Feature

General Features

Items	D179 / D180 / D181	Remarks
Original Type	Book/Sheet/Object	
Original size	Max A3, 11"x 17", 297x432mm	
Copy/Print size	<Standard Size> See Section "13.1.1 Supported Paper Size by Input Tray" <Custom Size Paper> Width: 100.0 to 330.2mm (3.94 to 13.00 inch) Length: 139.7 to 487.7mm (5.50 to 19.20 inch)	Actual paper size
1 st Copy speed (Face-up)	Model D179 6.3 sec. Model D180 5.6 sec. Model D181 4.6 sec.	A4/LT LEF from 1st input tray in platen mode. (W/O finisher)
Multi copy speed	- ADF 1 to 1 (A4: SPXtoSPX / /DPXtoDPX) Model D179 95/95cpm Model D180 110/110cpm Model D181 120/135cpm - Memory retention (A4/A3) Model D179 95/52cpm Model D180 110/61cpm Model D181 135/76cpm	A4 / 8 1/2" x 11" LEF, no R/E Under 220.1gsm thick only. Speed with over 220.1gsm thick paper follows engine spec.
Multiple copying	Up to 9,999 sets	
Max resolution	1200x4800 dpi (Copier/Printer) 600 dpi (Scanner)	
Tone (per pixel)	Scanning: 8 bit / pixel	
Warm-up time	Less than 360 seconds	On the condition of 23 deg C
Reproduction Ratio (Enlarge)	NA model	121, 129, 155, 200, 400% 5E
	EU/AP model	115, 122, 141, 200, 400%

Product Support Guide

D179 / D180 / D181

Items	D179 / D180 / D181	Remarks	
Reproduction Ratio (Reduce)	NA model	93, 85, 78, 73, 65, 50, 25%	7R
	EU/AP model	93, 82, 75, 71, 65, 50, 25%	
Zoom	25% - 400%	in 1% step	
Image adjustment	Sharp/Soft	7 levels	
	Contrast	9 levels	
	Background Density Adjustment	9 levels	
Interrupt copy	Standard		
User code	8 digits / 1000 user codes		

Printer Features

General Features

Items		Specification	Remarks
CPU		Intel® Celeron® Processor P4505 1.86GH z	
RAM	Standard	BASIC MODEL Standard: 2GB (2GB x1) SP MODEL Standard: 2GB (2GB x1)	
Hard Disk Drive		Standard: 500GB (250GB x 2)	
PDL	Standard	Standard: PCL6, PCL5e, PDF	
	Option	Adobe PostScript 3, Genuine IPDS, XPS	
Continuous Print Speed	Max.	135ppm/110ppm/95ppm (BR-C1c/BR-C1b/BR-C1a)	
Print Resolution	Max.	1200x4800 (dpi)	
Fonts	Standard	PCL: 45 fonts, 13 International fonts	
	Option	PS3: 136 fonts IPDS: 108 fonts	
Host Interface	Standard	Ethernet (1000BASE-T*/100BASE-TX/10BASE-T), USB2.0 TypeA(2 port on back of the machine, 1 port on operational panel), TypeB, SD Slot on operational panel	* Ethernet 1000Base-T on board but needs to be selected by user
	Option	IEEE1284/ECP Wireless LAN (IEEE802.11a/b/g/n) Bluetooth	Bluetooth cannot be used on USB port on operation panel. Wireless LAN and Bluetooth option can not be used at the same time.
Network Protocol		Standard: TCP/IP Option: IPX/SPX(Netware Option)	
MIB support	Standard MIB	MIB-II(RFC1213), HostResource(RFC1514), PrinterMib(RFC1759), Printer Port Monitor MIB	
	Private MIB	Ricoh Original	

Product Support Guide

D179 / D180 / D181

Items	Specification	Remarks	
Rendering Resolution	PCL5e	-300 x 300 dpi -600 x 600 dpi <Gradation *> Fast (1bit)	* With the combination of 'Resolution' and 'Gradation' or 'Printing Mode' settings in printer drivers, the variation of print resolution as listed below.
	PCL6	-600 x 600 dpi -1200 x 1200 dpi <Gradation *> Fast (1bit)	* With the combination of 'Resolution' and 'Gradation' or 'Printing Mode' settings in printer drivers, the variation of print resolution as listed below.
	PS3	-600 x 600 dpi -300 x 300 dpi -1200 x 1200 dpi <Gradation *> Fast (1bit)	* With the combination of 'Resolution' and 'Gradation' or 'Printing Mode' settings in printer drivers, the variation of print resolution as listed below.
	XPS *	-600 x 600 dpi -1200 x 1200 dpi <Printing Mode *> Standard (1bit)	*With the combination of 'Resolution' and 'Gradation' or 'Printing Mode' settings in printer drivers, the variation of print resolution as listed below. *We highly recommend applying ServicePack1 to Windows Vista before using XPS driver.
	IPDS	-300dpi (1bit) -600dpi (1bit)	
Network/Operating Systems	Windows XP/Vista/7/Server 2003/Server 2008 /Server2008R2 Netware: 6.5* Unix: Sun Solaris, HP-UX, SCO OpenServer, Red Hat Linux, IBM AIX Mac OS X v.10.2 or later SAP R/3, NDPS Gateway, IBM iSeries, AS/400-using OS/400 Host Print Transform	* Netware option required	

Product Support Guide

D179 / D180 / D181

Supported Environment

OS	Type	PCL5e	PCL6	PostScript3	XPS
Windows 2000	Professional	N	N	N	N
	Server	N	N	N	N
	Advanced Server	N	N	N	N
	Datacenter Server	N	N	N	N
Windows XP	Professional	Y	Y*1	Y *1	N
	Home Edition	Y	Y*1	Y *1	N
Windows Vista	Starter	N	N	N	N
	Home Basic	Y	Y*2	Y*2	Y*2
	Home Premium	Y	Y*2	Y*2	Y*2
	Business	Y	Y*2	Y*2	Y*2
	Ultimate	Y	Y*2	Y*2	Y*2
	Enterprise	Y	Y*2	Y*2	Y*2
Windows 7	Starter	N	N	N	N
	Home Basic	N	N	N	N
	Home Premium	Y	Y	Y	Y
	Professional	Y	Y	Y	Y
	Ultimate	Y	Y	Y	Y
	Enterprise	Y	Y	Y	Y
Windows 8	Windows 8	Y	Y	Y	Y
	Pro	Y	Y	Y	Y
	Enterprise	Y	Y	Y	Y
	RT	N	N	N	N
Windows Server 2003	Standard Edition	Y	Y*3	Y *3	N
	Enterprise Edition	Y	Y*3	Y *3	N
	Datacenter Edition	N	N	N	N
	Web Edition	N	N	N	N
Windows Server 2003R2	Standard Edition	Y	Y*3	Y *3	N
	Enterprise Edition	Y	Y*3	Y *3	N
	Datacenter Edition	N	N	N	N
Windows Server 2008	Standard Edition	Y	Y	Y	Y
	Enterprise Edition	Y	Y	Y	Y
	Datacenter Edition	N	N	N	N
	Web Edition	N	N	N	N
Windows Server 2008R2	Standard Edition	Y	Y	Y	Y
	Enterprise Edition	Y	Y	Y	Y
	Datacenter Edition	N	N	N	N
	Web Server	N	N	N	N
Windows Server 2012	Foundation	Y	Y	Y	Y
	Essentials	Y	Y	Y	Y
	Standard	Y	Y	Y	Y
	Datacenter	N	N	N	N

[Remarks]

*1) SP3 or later (Windows XP Professional x64 Edition recommended to *3)

*2) SP1 or later is recommended

*3) SP2 or later is recommended

Product Support Guide

D179 / D180 / D181

Point & Print

Window OS		Drivers			
Server	Client (Push to)	PCL5e	PCL6	PS	XPS
Windows Server 2003/2003R2	7	Y	Y	Y	N
	8	Y	Y	Y	N
	Vista	Y	Y	Y	N
	XP	Y	Y	Y	N
	W2K Pro	N	N	N	N
Windows Server 2008	7	Y	Y	Y	Y
	8	Y	Y	Y	Y
	Vista	Y	Y	Y	Y
	XP	Y	Y	Y	N
	W2K Pro	N	N	N	N
Windows Server 2008R2	7	Y	Y	Y	Y
	8	Y	Y	Y	Y
	Vista	Y	Y	Y	Y
	XP	Y	Y	Y	N
	W2K Pro	N	N	N	N
Windows 2000 Professional, Server & Advanced Server	7	N	N	N	N
	8	N	N	N	N
	Vista	N	N	N	N
	XP	N	N	N	N
	W2K Pro	N	N	N	N
Windows XP Professional	7	Y	Y	Y	N
	8	Y	Y	Y	N
	Vista	Y	Y	Y	N
	XP	Y	Y	Y	N
	W2K Pro	N	N	N	N
Windows Vista	7	Y	Y	Y	Y
	8	Y	Y	Y	Y
	Vista	Y	Y	Y	Y
	XP	Y	Y	Y	N
	W2K Pro	N	N	N	N
Windows 7	7	Y	Y	Y	Y
	8	Y	Y	Y	Y
	Vista	Y	Y	Y	Y
	XP	Y	Y	Y	N
	W2K Pro	N	N	N	N
Windows 8	7	Y	Y	Y	Y
	8	Y	Y	Y	Y
	Vista	Y	Y	Y	Y
	XP	Y	Y	Y	N
	W2K Pro	N	N	N	N
Windows Server 2012	7	Y	Y	Y	Y
	8	Y	Y	Y	Y
	Vista	Y	Y	Y	Y
	XP	Y	Y	Y	N
	W2K Pro	N	N	N	N

Product Support Guide

D179 / D180 / D181

Terminal Service and Citrix MetaFrame

Server	Driver		
	PCL5e	PCL6	PS
Windows Server 2008R2	Y	Y	Y
Windows Server 2008	Y	Y	Y
Windows Server 2003	Y	Y	Y
Win Server 2003 R2	Y	Y	Y
Win Server 2012	Y	Y	Y
Win 2000 Server	N	N	N
Win Server 2003 + MetaFrame	N	N	N
Win 2000 Server + MetaFrame	N	N	N
Win Server 2003 + Citrix PresentationServer4.0	N	N	N
Win 2000 Server + Citrix PresentationServer4.0	N	N	N
Win Server 2003 + Citrix PresentationServer4.5	Y	Y	Y
Win Server 2008 + XenApp5.0	Y	Y	Y
Win Server 2008R2 + XenApp6.0	Y	Y	Y
Win Server 2008R2 + XenApp6.5	Y	Y	Y

*XPS driver is not supported in the environment of terminal service and Citrix MetaFrame.

*Even "Yes" is put in the cell, there is a case driver is not supported under the combination of FR and Service Pack of Meta Frame.

[Operating Environments]

The following combinations of operating system and Citrix MetaFrame are supported:

[Windows 2003 Server]

1. Windows Terminal Service (RDP protocol)
2. Citrix PresentationServer4.5

[Windows 2008 Server]

1. Windows Terminal Service (RDP protocol)
2. Citrix XenApp5.0

[Windows 2008R2 Server]

1. Windows Terminal Service (RDP protocol)
2. Citrix XenApp6.0
3. Citrix XenApp6.5

[Windows 2012 Server]

1. Windows Terminal Service (RDP protocol)

Mac OS Environment

	PostScript3	Printer Utility for Mac
Mac OS 8.6 or later, Mac OS X classic	N	N
Mac OS X Native: v.10.5 or later	Y	N

Product Support Guide

D179 / D180 / D181

UNIX Environment

Supported platforms for Unix Filter

Unix Platforms	Version
Sun Solaris	9 /10
HP-UX	11.x /11i v2 /11i v3
Red Hat Linux	Enterprise V4, V5, V6
SCO OpenServer	5.0.7/6.0
IBM AIX	5L Version 5.3/V6.1/V7.1

Novell Netware

Netware Server	Supported Version	Netware 6.5 or later
	Client OS	Windows XP professional/Vista/2003/2008/7/8/2012

SapR/3 Environment (Device Type/Barcode & OCR Package)

Supported environments	R/3 version	3.x/4.x/6.x/7.x, mySAP ERP2004 or later, SAP Enterprise
	Platform	Independent
	PDL	PCL5e
	Character Set	Latin 1(Western European), Latin 2 (Eastern European) Unicode
	Localization	English only
Supported features	i.e: Input/Output Bin, Duplex, Stapling, Punching, Resolution, Collation, EconoMode / TonerSaving, Smoothing, Page Protect, Auto Tray Change/Opt Tray select	
Supported Barcode & OCR Fonts* (* BOP will be procured locally.)	Barcode Fonts (Support Latin 1 only)	Code 128, Code 39, Code 93, Codabar, 2 of 5 interleaved/Industrial/Matrix, MSI, USPS, UPC/EAN
	OCR Fonts	OCR A, OCR B

Printer Driver Specification

Features	PCL5e	PCL6	PostScript3		XPS
			Windows XP/Vista/7	Mac OS X 10.5 or Later	
Send to Job Binding	N	N	N	N	N
Send to Document Server	Y	Y	Y	Y	Y
Sample Print	Y	Y	Y	Y	Y
Locked Print	Y	Y	Y	Y	Y
Hold Print	Y	Y	Y	Y	Y
Scheduled Print	N	Y	Y	Y	N
Stored Print	Y	Y	Y	Y	Y
Stored Print (Shared)	Y	Y	N	N	N
Store and Print	Y	Y	Y	Y	Y
Store and Print (Shared)	Y	Y	N	N	N
Reduce/Enlarge (Zoom/Scaling)	Y*1	Y	Y	Y	Y
Reduce/Enlarge Centering	N	Y*1	N	N	N
Fit to Paper size	Y	Y	Y	Y	N
Unauthorized Copy Control	N	Y	Y	Y	N

Product Support Guide

D179 / D180 / D181

Features	PCL5e	PCL6	PostScript3		XPS
			Windows XP/Vista/7	Mac OS X 10.5 or Later	
Layout (N-up, Page per Sheet)	Y	Y	Y	Y	Y
Poster	N	Y	N	N	N
Duplex	Y	Y	Y	Y	Y
Booklet1	N	N	N	N	N
Booklet2 (Magazine)	Y	Y	Y	Y	Y
Non-Reduction Booklet	Y	N	N	N	N
Layout + Booklet	N	Y	Y	Y	N
Watermark	Y	Y	Y	Y	N
Overlay	N	N	N	N	N
Header/Footer	N	N	N	N	N
Adjust image position	N	N	N	N	N
Binding Margins	N	N	N	N	N
Collate	Y	Y	Y	Y	Y
Punch	Y	Y	Y	Y	Y
Staple	Y	Y	Y	Y	Y
Cover sheet(Front Cover)	Y	Y	N	N	N
Front and Back Cover	Y	Y	N	N	N
Slip Sheet	Y	Y	N	N	Y
Chaptering	Y	Y	N	N	N
Banner Page Print	Y	Y	Y	Y	N
Chaptering	Y	Y	N	N	N
Rotate by 180 degrees	Y	Y	Y	Y	Y
Reverse Order Print	N	Y	Y	Y	Y
Do not print Blank pages	Y*2	N	N	N	N
Dithering	N	N	Y	Y	N
Toner Saving	Y	Y	Y	Y	Y
Black Over Print	N	N	N	N	N
Gray Reproduction	N	N	N	N	N
CLP Color Reproduction	N	N	N	N	N
POP Display	N	N	N	N	N
Print Priority Setting : Quality	N	Y	N	N	N
Print Priority Setting : Speed	N	Y	N	N	N
Print Priority Setting : High Speed	N	N	N	N	N
User ID	Y	Y	Y	Y	Y
User Code	Y	Y	Y	Y	Y
User Authentication	Y	Y	N	N	N
Encryption/Encoding	Y	Y	N	N	N
Mirror Image Print	N	N	Y	N	N
Negative Image Print	N	N	Y	N	N
Edge to Edge Print	Y	Y	Y	Y	N
Limitation setting	Y	N	N	N	N
Classification Code	Y	Y	N	N	N

*1: "Centering" feature cannot be selected from PCL driver. However PCL has this feature as the original function. When printing with Reduce/Enlarge(Zoom) feature of PCL driver, the output will be automatically centered by the PCL's original centering fun

*2: This feature cannot be set from printer driver but is set "On" at "PCL setting" of MFP.

Product Support Guide

D179 / D180 / D181

Genuine IPDS Option Specifications

Items	Descriptions
Option Media Type	SD Card
Supported IPDS Emulation	Native 4028
Supported IPDS Font	IBM Core Interchange IBM Coordinated 4028 Compatibility 3820 ROM Font Compatibility *Please refer to 1.2 Resident IPDS Font Support for supported IPDS Font Sets.
Supported Host Environment	OS/400 Version 5.4 or higher Graphical Data Display Manager (GDDM) Release 2.3 or higher Print Service Facility (PSF for z/OS) Release 4.1.0 or higher Print Service Facility (PSF/400) Release 5.4 or higher Infoprint Manager for AIX Release 4.2 or higher Infoprint Manager for Windows Release 2.2 or higher Infoprint Process Director for Linux Release 1.3.1 or higher Infoprint Process Director for AIX Release 1.3.1 or higher

Note: Printer Scanner Unit Type S1 is mandatory to enable IPDS capabilities for D179 Basic (95ppm), which is launched only in RAC region.

Resident IPDS Font Support Selectable Code Page

037 US, Canada, Netherlands, Portugal (Default)	500 Belgium, Switzerland / International
038 US English ASCII	870 Latin 2 Multilingual
260 Canadian French	871 Icelandic
273 Austrian / German	1140 US, Canada, Netherlands, Portugal ECECP
274 Belgium	1141 Austrian/German ECECP
276 Canadian French (94 character set)	1142 Danish/Norwegian ECECP
277 Danish / Norwegian	1143 Finnish/Swedish ECECP
278 Finnish / Swedish	1144 Italian ECECP
280 Italian	1145 Castillian/Latin American Spanish ECECP
281 Japanese	1146 UK English ECECP
284 Spanish	1147 Catalan French ECECP
285 UK English	1148 Multinational ECECP
286 Austrian / German (alternate)	1149 Icelandic ECECP
287 Danish / Norwegian (Alternate)	875 Greek
288 Finnish / Swedish (Alternate)	880 Cyrillic
290 Japanese / Katakana	892 OCR - A
297 French	893 OCR - B
420 Arabic	905 Turkish
423 Greek	1025 Cyrillic (primary)
424 Hebrew	1026 Turkish (primary)

Product Support Guide

D179 / D180 / D181

New Features

Scanner Feature General Specifications

Items		Specifications	Remarks
Color Scan		Standard	
Scanning Speed (single pass duplex DF)	B&W	120(simplex)/220(duplex) (A4/LET LEF / 200dpi/300dpi-1bit)	
	Color	120(simplex)/220(duplex) (A4/LET LEF / 200dpi-4bit / 300dpi-4bit)	
Scanning Resolution	Std	100 / 150 / 200 / 300 / 400 / 600dpi	200dpi as a default
Auto Size Detection (US model)	Contact Glass	11"x17"(DLT) SEF, 8 1/2"x14"(LG) SEF, 8 1/2"x11"(LT) LEF/SEF, 8 1/2"x5 1/2"(HLT) LEF, *SP mode adjustment is required : 8 1/2"x5 1/2"(HLT)SEF	
	ARDF	11"x17" (DLT)SEF, 8 1/2"x14" (LG)SEF, 8 1/2"x11"(LT) LEF/SEF, 5 1/2"x8 1/2"(HLT) LEF/SEF, 8 1/2"x13"(Foolscap) SEF 10"x14"SEF, 11"x15"SEF (detected the same as DLT SEF, Default = DLT SEF), 8"x10"SEF (detected the same as LT SEF, Default = LT SEF) 7 1/4"x10 1/2"(EXE) LEF/SEF	
Auto Size Detection (EU/AP/CHN Model)	Contact Glass	A3 SEF, B4 SEF, A4 LEF/SEF, B5 LEF/SEF, A5 LEF, 8 1/2"x13"(F) SEF, *SP mode adjustment is required : A5 SEF, 8"x13"(F) SEF, 8 1/4"x13"(Folio) SEF, 8K SEF, 16K LEF/SEF	
	ARDF	11"x17" (DLT)SEF, 8 1/2"x14" (LG)SEF, 8 1/2"x11"(LT) LEF/SEF, 5 1/2"x8 1/2"(HLT) LEF/SEF, 8 1/2"x13"(Foolscap) SEF 10"x14"SEF, 11"x15"SEF (detected the same as DLT SEF, Default = DLT SEF), 8"x10"SEF (detected the same as LT SEF, Default = LT SEF) 7 1/4"x10 1/2"(EXE) LEF/SEF	
Scan Area	Main Scan	297mm	
	Sub Scan	432mm	
sRGB Support		RGB (equivalent to sRGB)	
Network Interface		Ethernet (1000Base-T*/100Base-TX/10Base-T)	Ethernet 1000Base-T in on boarded but needs to be selected by user.
		USB2.0 Type A	
		SD card slot	Scan to USB/SD Card is available.
		Wireless LAN (IEEE802.11a/b/g/n)	Option

Product Support Guide

D179 / D180 / D181

Scan to Email

Items		Specification
Requirement		SMTP (Mail Server) Gateway and POP, IMAP4
Authentication		SMTP authentication POP before SMTP authentication
Resolution		Default: 200 dpi 100 / 150 / 200 / 300 / 400 / 600 dpi
Register E-mail Address in HDD		Max. 2,000 addresses
Register Group Address in HDD		Max. 100 Group (Max. 500 addresses in one group address)
Maintain E-mail Address in HDD		Direct input on operation panel, Web image Monitor, Smart Device Monitor for Admin
Input of Destination E-mail Address via Soft Key		Possible, Max. 100 destinations per job
Search E-mail Address in HDD		By name & E-mail address
LDAP Search		Yes
Max Address Number per Send		Max. 500 addresses
Address Number per send	from HDD	Max. 500 addresses
	Direct Input	Max. 100 addresses
	via LDAP	Max. 100 addresses
Simultaneous Transmission		Max.550
Attention		To, cc, bcc
Subject	Manual Input	Max. 128 characters via soft key
	User Pre-register	22 subjects. Max. 20 Characters per a subject
Body Message	Manual Input	Max 80 Characters, 5 lines
	Pre-register by user	Title name of the body message: Max. 20 characters per a name
	Preset	Message: "This e-mail included attached file sent from xxxx (machine model name)."
Input File Name		Yes
E-mail Size Restriction	With restriction	128 - 102,400KB
	W/O restriction	725MB
File Type		Single Page TIFF/JPEG/PDF/PDF-A/High Compression PDF Multi Page TIFF/PDF/PDF-A/High Compression PDF
Program User Setting		Yes (Up to 25 programs)
Divided & Send E-mail (If the file size exceeds the max size.)		Yes (By page or size) / No, Default = Yes(By size) * *If the sent file size exceeded the maximum E-mail size, it would be divided to multiple sending. In addition, the sent files might not be accepted by the receiving side due to the limitation in the receiving capacity at the receiver SMTP server or E-mail software setting.
Resend		Yes / No, Default = Yes

Product Support Guide

D179 / D180 / D181

Scan to Folder

Items	Specification
Protocol Support	SMB, FTP, NCP* *Optional
Security	Client folder log-in (log-in name and password), Encryption of log-in name and password during transmission
Resolution	Default: 200dpi 100, 150, 200, 300, 400, 600dpi
Register client folder address in HDD	Max. 2,000 folders
Maintain Client Folder Address in HDD	Direct input on operation panel, Web Image Monitor, Smart Device Monitor
Direct addressing of destination client folder via soft key	Yes
Search client folder	SMB: Browsing directly to the designated folders FTP: By client folder name NCP: Browsing* *Optional
Home folder over LDAP	Yes
Max. Client Folders per send	Max. 50 client folders / PCs per send
Simultaneous Transmission	Max.550
Group Address	Max. 500 destinations (Folder destination must be less than 50) e.g. 500 destinations (50 folders included) >OK 500 destinations (51 folders included) >Failure
Input File Name	Yes
Scan file size	1 document Up to 2000MB
File size when combined Scan to Folder & Scan to E-mail	128-102,400KB, Default = 2,048KB (With restriction) 725MB (W/O restriction) (Scan to E-mail file size applied)
File Type	Single Page TIFF/JPEG/PDF/PDF-A/High Compression PDF Multi Page TIFF/PDF/PDF-A/High Compression PDF
Program Registration	Yes (Up to 25 programs)
Resend	Yes / No, Default = Yes

Network Twain Driver

Items	Specification	
Correspondence OS	32bit/64bit: Windows XP, Vista, 7, Server2003/2008 64bit: Windows Server 2008R2 (Operates in 32-bit compatibility mode on 64-bit operating systems)	
Resolution	B&W	100 – 1200dpi (Black and White / Grayscale)
	Color	100 – 1200dpi (Full Color)
Scan Mode	Standard / Photo / OCR / Filing	
Image Adjustment	Brightness / Contrast / Threshold /Gamma Adjustment / Halftone Pattern	
Endorser	Supported	
Stamp	Date / Page Number / Text	
Read-Ahead Mode	Supported	

Product Support Guide

D179 / D180 / D181

WIA Driver

Items	Specification
Correspondence OS	32 bit/64 bit: Windows Vista (SP1 or Later), 7, Windows Server 2008, 8 64 bit: Windows Server 2008R2, Windows Server 2012
Resolution	100 – 1200dpi by 1dpi step
Scan Mode	Not Supported
Image Adjustment	Brightness / Contrast
Endorser	Not Supported
Stamp	Not Supported
Read-Ahead Mode	Supported (Fixed: Not selectable)

Document Server Specification

Items	Specifications	Remarks
HDD Capacity	186GB	Shared with other application programs
Max Stored Documents	<ul style="list-style-type: none"> - Standard Copy: 5,000 Printer: 20,000 Document Server: 15,000 Other: 2,000 - Expansion Pattern A Copy: 5,000 Printer: 20,000 Document Server: 20,000 Other: 2,000 - Expansion Pattern B Copy: 2,000 Printer: 2,000 Document Server: 2,000 Other: 2,000 	
Max Pages Per Documents	1,000	
Max Pages of All Stored Documents	<ul style="list-style-type: none"> - Standard 15,000 - Expansion Pattern A 30,000 - Expansion Pattern B 50,000 	
Storage Period	1-180 days, or "no limit"	

Product Support Guide

D179 / D180 / D181

Security Document Server Specification

Items	Specifications	Remarks
Network User Authentication	Yes	
IP Address Filtering	Yes	
MAC Address Filtering	No	
HDD Overwrite	Yes (std)	
HDD Encryption	Yes (std)	
Copy Guard Security	Yes	
Secure Print	Yes	
Encrypted Secure Print	Yes	
Encrypted PDF Mode	Yes	
Digitally signed PDF	Yes	
IP Sec	Yes	
Secure Sockets Layer(SSL)	Yes	
SNMPv3	Yes	
SMTP over SSL	Yes	
IPv6	Yes	
Transport Layer Security	Yes	
Security for IEEE 802.11i,w	Yes	
Removable HDD	No	

Peripherals Specification ADF Specification (Standard)

Item	Specification	Remarks
Type	One-pass color duplex sheet-through scanner	
Dimensions (W x D x H)	591 x 520 x 175mm	
Weight	Less than 14.0 Kg	
Power Source	From mainframe	
Noise (Power level)	TBA	
Stack capacity	220 sheets or less than 27mm	80g/m2, 20lbs Bond
Original size	Simplex B5-A3 (SEF), 5.5"x8.5" – 11"x17" (SEF) <Custom Size Paper> Width: 128 to 297mm Length: 128 to 432mm Banner Page: Not supported	
	Duplex B5-A3 (SEF), 5.5"x8.5" – 11"x17" (SEF) <Custom Size Paper> Width: 128 to 297mm Length: 128 to 432mm	
Original Weight	Simplex 40-128 gsm 11-34 lb Bond	
	Duplex 52-128 gsm 14-34 lb Bond	
Original set position	Left-rear corner	
Original Feed	ADF, SADF mode	
Original Set	Face Up, First sheet on top	
Double Feed Detection	Yes (Ultrasonic Sensor Type)	
Special Original Setting	Batch, Mixed Size	

Product Support Guide

D179 / D180 / D181

A4/LT Large Capacity Tray (RT5070)

Item	Specification
Dimensions (W x D x H)	540 x 730 x 1,000 mm
Weight	Less than 106 Kg
Configuration	Console Type
Power source	From mainframe
Noise (Power level)	TBA
Paper size	A4_LEF, B5_LEF, A5_SEF 8.5"x11" _LEF, 5.5"x8.5" _SEF <Over Size Paper> 305.0 x 230mm *Need to set by corresponding SP mode
Paper weight	4 th tray: 52.3-216.0 g/m2 14lb Bond - 80lb Cover 5 th tray: 52.3-216.0 g/m2 14lb Bond - 80lb Cover 6 th tray: 52.3 -163.0 g/m2 14lb Bond - 90lb Index
Paper capacity	4 th tray: 1,100 sheets 5 th tray: 1,100 sheets 6 th tray: 2,800 sheets 0.1mm thick *In case paper less than
Air Assist Paper Pickup	No
Tray Security Lock	Yes (all tray) *1

*1: Recommended Lock Type

The following lock is recommended. Please procure it locally.

Multi Bypass Tray (BT5010)

Item	Specification	Notes
Paper Capacity	550 sheets (80g/m2, 20lb Bond)	
Paper Size	A5 (LEF)/5.5"x8.5" (LEF) – 13" x 19.2" <Custom Size Paper> Width: 100.0 to 330.2mm (3.94 to 13.00 inch) Length: 139.7 to 487.7mm (5.50 to 19.20 inch)	
Paper Weight	52.3~216g/m2, 14lb Bond to 80lb Cover	
Power Source	From LCT (From Mainframe→LCT)	
Paper Volume Sensors	In 4 steps: Near end, 0%, 50%, 100%	
Dimension (W x D x H)	690 mm x 561 mm x 210mm	
Weight	Less than 20kg	

Product Support Guide

D179 / D180 / D181

13"x19.2" Large Capacity Tray (RT5080)

Item	Specification
Dimensions (W x D x H)	865 x 730 x 1,000 mm
Weight	Less than 185 Kg
Configuration	Console Type
Power source	From mainframe
Noise (Power level)	Not available at product launch
Paper size	A5 (LEF)/5.5"x8.5" (LEF) – 13" x 19.2"(SEF) <Custom Size Paper> Width: 100.0 to 330.2mm (3.94 to 13.00 inch) Length: 139.7 to 487.7mm (5.50 to 19.20 inch) Note: Paper narrower than 139.2mm needs the attachment
Paper weight	40-300g/m2 11lb Bond -110lb Cover
Paper capacity	4th tray: 1,100 sheets 5th tray: 2,200 sheets 6th tray: 1,100 sheets *In case paper less than 0.1mm thick
Paper weight	4 th tray: 52-256 g/m2 14lb Bond - 95lb Cover 5 th tray: 40-300 g/m2 11lb Bond - 110lb Cover 6 th tray: 52-256 g/m2 14lb Bond - 95lb Cover
Air Assist Paper Pickup	Yes (all tray)
Tray Security Lock	Yes (all tray) *1
Active Tray LED	Yes

*1: Recommended Lock Type

The following lock is recommended. Please procure it locally.

Product Support Guide

D179 / D180 / D181

3,000 SHEETS FINISHER WITH 100 SHEETS STAPLER (SR5050)

Basic Specifications

Item		Specification
Dimensions (W x D x H)		996 x 730 x 1126mm *Not includes projections. When all extendable trays are closed.
Weight		Less than 112kg
Configuration		Console type
Power Source		NA: 120-240V Plug Type: NEMA 5 - 15
Power Consumption		Less than 150W (Excluding peak consumption)
Output Jogger		Standard
Staple Position Adjustment		Yes (Two position staple only)
Proof Tray	Stack capacity	250 sheets Without folding (A4, 8 1/2" x 11" or smaller) 50 sheets Without folding (B4, 8 1/2" x 14" or larger) 30 sheets Z folding (B4 or larger) 20 sheets Z folding (A4SEF, LTSEF)
	Paper size	A5-13" x 19.2"
	Paper weight	<Without Z-folding> 52 g/m2-216g/m2 16-40 lb. Bond, 50-80 lb. Cover, 90-110 lb. Index <Z-folding> 64-105 g/m2, 20lb Bond
Shift Tray	Stack capacity	<u>3,000 sheets</u> (A4 LEF, B5 LEF, 8 1/2" x 11" LEF) <u>1,500 sheets</u> (A3, A4 SEF, B4, B5 SEF, 11" x 17" SEF, 8 1/2 " x 11" SEF, SRA4, 226 x 310mm) <u>1,000 sheets</u> (12" x 18", SRA3, 13"x18", 12.6"x18.5", 12.6"x19.2", 13"x19", 13" x 19.2", 310 x 432mm) <u>500 sheets</u> (A5 LEF, 5 1/2" x 8 1/2" LEF) <u>100 sheet</u> (A5 SEF, 5 1/2" x 8 1/2" SEF) <u>30 sheets</u> (Z-folding paper)
	Paper size	<Without Z-folding> Max Up to 330.2 x 487.7 mm (13" x 19.2") <Z-folding> up to 12"x18"
	Paper weight	<Without Z-folding> 40-400g/m2 *BR-C1 doesn't support over 300gsm thick <Z-folding> 64-105 g/m2, 18-28lb Bond

Remarks: The capacity to be calculated with 80g/m2, 20lb Bond paper.

Product Support Guide

D179 / D180 / D181

Staple Specifications

Item		Specification
Paper size		B5-A3 8 1/2" x 11" – 11" x 17"
Paper weight		<Without Z-folding> 64-80g/m2 (17-22 lb.Bond) <Z-folding> 64-105 g/m2 (17-28 lb Bond)
Staple position		Top, Bottom, 2 Staples, Top-slant
Staples Capacity*	A4, B5, 8 1/2" x 11"	2-100 sheets
	A3, B4 11"x17", 8 1/2"x14"	2-50 sheets
	Z-folding	10 sheets
Staple Replenishment		Cartridge exchange / 5,000 pins per cartridge

Remarks: The capacity to be calculated with 80g/m2, 20 lb Bond paper.

Punch Specifications (Option)

	Specification	Remarks
Number of Punch	NA: 2 or 3 holes EU: 2 or 4 holes Scandinavian: 4 holes	Punch option is required.
Punch Registration	Yes (Resist Roller and Side Registration Sensor)	
Max. Thickness	2 or 3 holes: 52 -209g/m2 4 holes: 52 - 163g/m2	
Supported model	Type a (95ppm) Type b (110ppm) Type c (135ppm)	
Performance	Same as engine speed (95/110/135ppm)	

Stack Capacity After Finishing

	Paper size	# of Pages per set	# of Sets
Without Z-folding	A4 LEF, B5 LEF 8 1/2" x 11" LEF	20-100	150-30
		10-19	200-105
		2-9	150
	A4 SEF, B5 SEF 8 1/2" x 11" SEF	10-100	150-15
		2-9	150
		A3, B4 11" x 17", 8 1/2" x 14"	10-50 2-9
When mix-sized	A3 & A4, B4 & B5 11" x 17 & 11" x 8 1/2"	2-50	30
With Z-folding (One size or mix-sized)	One size A3 Z-folding & A4 B4 Z-folding & B5 11" x 17" Z-folding + 11" x 8 1/2"	1-10	30-3

Product Support Guide

D179 / D180 / D181

Booklet Finisher (SR5060) Basic Specifications

Item		Specification	
Dimensions (W x D x H)		996 x 730 x 1126mm *Not includes projections. When all extendable trays are closed.	
Weight		Less than 112kg	
Configuration		Console type	
Power Source		NA: 120-240V Plug Type: NEMA 5 - 15	
Power Consumption		Less than 150W (Excluding peak consumption)	
Output Jogger		Standard	
Staple Position Adjustment		Yes (Two position staple only)	
Proof Tray	Stack capacity	250 sheets Without folding (A4, 8 1/2" x 11 or smaller) 50 sheets Without folding (B4, 8 1/2" x 14" or larger) 30 sheets Z folding (B4 or larger) 20 sheets Z folding (A4SEF, LTSEF)	80g/m2, 20 lb.Bond
	Paper size	A5-13" x 19.2"	
	Paper weight	<Without Z-folding> 52 g/m2-216g/m2 16-40 lb. Bond, 50-80 lb. Cover, 90-110 lb. Index <Z-folding> 64-105 g/m2, 20lb Bond	
Shift Tray	Stack capacity	<u>2,500 sheets</u> (A4 LEF, B5 LEF, 8 1/2" x 11 LEF) <u>1,500 sheets</u> (A3, A4 SEF, B4, B5 SEF, 11" x 17" SEF, 8 1/2 " x 11" SEF, SRA4, 226 x 310mm) <u>1,000 sheets</u> (12" x 18", SRA3, 13"x18", 12.6"x18.5", 12.6"x19.2", 13"x19", 13" x 19.2", 310 x 432mm) <u>500 sheets</u> (A5 LEF, 5 1/2" x 8 1/2" LEF) <u>100 sheet</u> (A5 SEF, 5 1/2" x 8 1/2" SEF) <u>30 sheets</u> (Z-folding paper)	
	Paper size	<Without Z-folding> Max Up to 330.2 x 487.7 mm (13" x 19.2") <Z-folding> up to 12"x18"	
	Paper weight	<Without Z-folding> 40-400g/m2 <Z-folding> 64-105 g/m2, 18-28lb Bond	

Remarks: The capacity to be calculated with 80g/m2, 20 lb Bond paper.

Product Support Guide

D179 / D180 / D181

Staple Specifications

Item		Specification
Paper size		B5-A3 8 1/2" x 11" – 11" x 17"
Paper weight		<Without Z-folding> 64-80g/m2 (17-22 lb.Bond) <Z-folding> 64-105 g/m2 (17-28 lb Bond)
Staple position		Top, Bottom, 2 Staples, Top-slant
Staples Capacity*	A4, B5, 8 1/2" x 11"	2-100 sheets
	A3, B4 11"x17", 8 1/2"x14"	2-50 sheets
	Z-folding	10 sheets
Staple Replenishment		Cartridge exchange / 5,000 pins per cartridge

Remarks: The capacity to be calculated with 80g/m2, 20 lb Bond paper

Saddle Stitch Specifications

Item		Specification
Paper size		B5-SRA3 8 1/2"x11"-13"x19.2" <Custom Size> Length: 257 to 487.7mm Width: 182 to 330.2mm
Paper weight		64-90g/m2 (18-24 lb.Bond)
Staple position		Center 2 position
Staples Capacity*	64-80g/m2 (18-20lb Bond)	20 sheets
	80-90g/m2 (20-24lb Bond)	15 sheets
Staple Replenishment		Cartridge exchange / 5,000 pins per cartridge

Punch Specifications (Option)

	Specification	Remarks
Number of Punch	NA: 2 or 3 holes EU: 2 or 4 holes Scandinavian: 4 holes	Punch option is required.
Punch Registration	Yes (Resist Roller and Side Registration Sensor)	
Max. Thickness	2 or 3 holes: 52 -209g/m2 4 holes: 52 - 163g/m2	
Supported model	Type a (95ppm) Type b (110ppm) Type c (135ppm)	
Performance	Same as engine speed (95/110/135ppm)	

Product Support Guide

D179 / D180 / D181

Stack Capacity After Finishing

	Paper size	# of Pages per set	# of Sets
Without Z-folding	A4 LEF, B5 LEF 8 1/2" x 11" LEF	20-100	125-25
		10-19	200-105
		2-9	150
	A4 SEF, B5 SEF 8 1/2" x 11" SEF	10-100	150-15
		2-9	150
		A3, B4 11" x 17", 8 1/2" x 14"	10-50
		2-9	150
When mix-sized	A3 & A4, B4 & B5 11" x 17" & 11" x 8 1/2"	2-50	30
With Z-folding (One size or mix-sized)	One size A3 Z-folding & A4 B4 Z-folding & B5 11" x 17" Z-folding + 11" x 8 1/2"	1-10	30-3
When Saddle Stitch	All size	2-5	45
		6-10	23
		11-15	15
		16-20	10
	Limitless stack mode	Supported	

Booklet Trimmer (TR5040)

Item	Specification	Notes
Dimension (W x D x H)	1,115 x 591 x 555mm	
Weight	75kg	
Configuration	Console type / Optional unit for Finisher	Finisher SR5060 is necessary
Power consumption	Universal Power Supply 100V – 240V NA: 50/60Hz Plug Type: NEMA 5 - 15	
Trimming Type	One side edge	
Trimming Capacity	1-20 sheets (2-40 pages after folding)	20lb, 80g/m2
Paper Size	13 x 19.2", 13 x 19", 12.6 x 19.2", 12.6 x 18.5" 13 x 18", SRA3(320 x 450mm), 12 x 18", A3, B4 SRA4(320 x 225mm), 226 x 310mm, 310 x A4, B5, DLT, LG, LT <Custom Size> Width: 182 to 330mm Length: 257 to 488mm	*sizes before folding
Stack Capacity	1 sheet: 60 sets*1 2 - 5 sheets: 60 sets 6 - 10 sheets: 35 - 40 sets*1 11 - 20 sheets: 20 - 25 sets*1	
Stacker Full Detection	Yes	
Limitless Stack	Yes*2	

*1: The stack capacity varies according to the size of the sheets.

*2: Note: Hardware modification by service engineer is necessary. Not applicable by end-user.

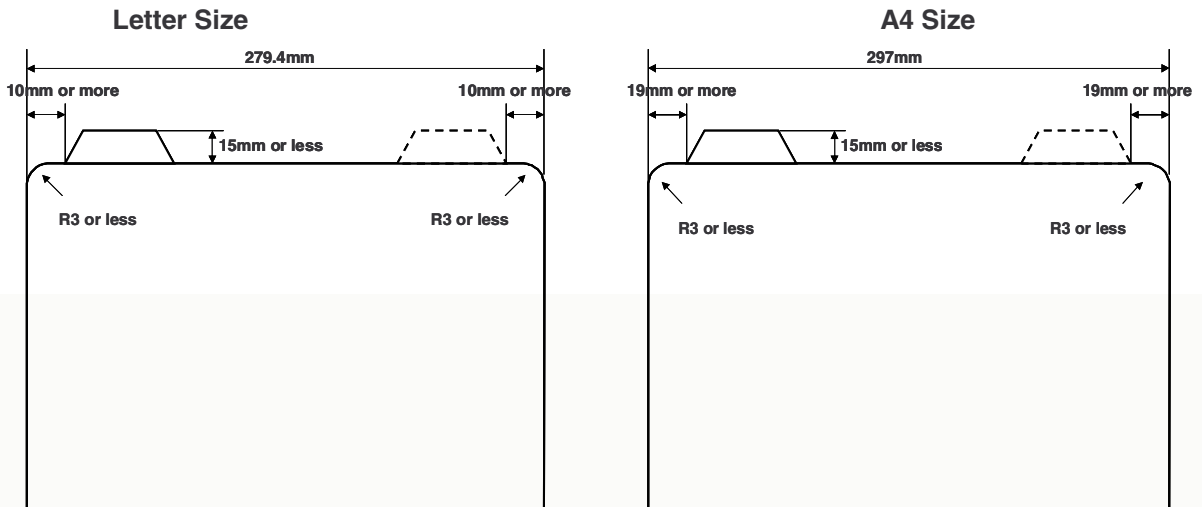
Product Support Guide

D179 / D180 / D181

Ring Binder (RB5020)

Item		Specification	
Dimensions (W x D x H)		870 x 730 x 1,010 mm	
Weight		Less than 140kg	
Configuration		Console type	
Power consumption		Less than 400W	
Power Supply		100-240V, 50/60Hz	
Paper size	Binding mode	A4_LEF, 8 1/2" x 11" _LEF	
	Punching mode	A4_LEF, 8 1/2" x 11" _LEF	
Paper weight	Binding mode	64-216 g/m2 20-40lb. Bond, 90-110 lb. Index, 50-80 lb. Cover	
	Punching mode	64-216 g/m2 20-40lb. Bond, 90-110 lb. Index, 50-80 lb. Cover	
Capacity of ring bind		2-100 sheets	
Number of holes	8 1/2" x 11"	21 holes	
	A4	23 holes	
Ring Supply	Type	NA	1) 8 1/2" x 11", Black, 50 sheets 2) 8 1/2" x 11", Black, 100 sheets 3) 8 1/2" x 11", White, 50 sheets 4) 8 1/2" x 11", White, 100 sheets
		EU	1) A4, Black, 50 sheets 2) A4, Black, 100 sheets 3) A4, White, 50 sheets 4) A4, White, 100 sheets
	Replenishment	Cartridge exchange	*80 sets/cartridge
TAB Stock		Supported*1	*See the below drawings
Stack capacity	Binding mode	11 sets	*100 sheets /set
	Punching mode	100 sheets (200 pages in DPX)	

*1: Please refer the following regarding supported TAB stock dimension.



Product Support Guide

D179 / D180 / D181

Cover Interposer Tray (CI5030)

Item	Specification	Notes
Dimension (W x D x H)	540 x 730 x 1290 (mm)	
Weight	Less than 45kg	
Power Source	From mainframe	
Noise (Power level)	TBA	
Paper Size	A5/HLT – 13” x 19.2” <Custom Size Paper> Width: 139.7 to 330.2mm (5.50 to 13.00 inch) Length: 139.7 to 487.7mm (5.50 to 19.20 inch)	
Paper weight	64 – 216g/m2 17 –58lb Bond /110 lb index	
Paper capacity	200 sheets x 2 trays	20lb, 80g/m2
Original set position	Center position	
Original Set	Face Up, First sheet on top	
Size change	Touch screen	User changeable

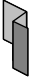

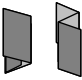




Perfect Binder (GB5010)

Item		Specification	
Dimensions (W x D x H)		1,090 x 791 x 1,387 mm	
Weight		Less than 350kg	
Configuration		Console type	
Power consumption		Less than 623W	
Power Supply		DC24V (supplied from host machine via Perfect Binder)	
Cutting directions		3 edges, 1 edges, None	
Booklet size		Width: 201-297 mm Length: 139.7-216 mm	
Booklet thickness		Less than 23 mm	
Body pages	Paper weight	64-163 g/m2 20-40lb.Bond, 90lb.Index, 50-60lb.Cover *106-163 g/m2 paper: Up to 10 sheets as chapter pages	
	Paper size	Width: 257-320 mm Length: 182-228.6 mm	
	Capacity	Max 200 sheets 64-80gsm: 10-200 sheets (20-400 pages in DPX) 81-105gsm: 10-150 sheets (20-300 pages in DPX)	
Cover pages	Paper weight	90-300 g/m2 24-40lb.Bond, 90-140lb.Index, 50-100lb.Cover	
	Paper size	Width: 257-330.2 mm Length: 364-487.7 mm	
Interposer tray	Capacity	200 sheets x 2 (90gsm)	*Total load must be under 24 mm
Trimming		Top/Bottom Edge: 6-28mm Fore Edge: 6-50mm	
Stack capacity	50 sheets/booklet	13 booklets	*80gsm paper
	100 sheets/booklet	7 booklets	
	200 sheets/booklet	4 booklets	
Warm-up Time		Less than 380 sec	
Glue Capacity		380 g	

Product Support Guide

D179 / D180 / D181

Multi-Folding Unit (FD5020)

Item		Specification	Notes	
Power Supply		NA: 120V, 50/60Hz EU: 220-240V, 50/60Hz		
Power Consumption		240W		
Dimension (W x D x H)		470 x 730 x 1,000mm		
Weight		Less than 92kg		
Folding Type	Single Sheet	Z-fold, Half fold/Print inside, Half fold/Print outside, Letter fold-in/Print inside, Letter fold-in/Print outside, Letter fold-out, Double Parallel/Print inside, Double Parallel/Print outside, Gate Fold/Print inside, Gate Fold/Print outside		
	Multiple Sheets	Up to 3 sheets Half fold/Print inside, Half fold/Print outside, Letter fold-in/Print inside, Letter fold-in/Print outside, Letter fold-out,	Coated paper is supported also.	
Paper Size	Single Sheet Mode	<Z folding> B4, A4, A3, 8.5"x11", 8.5"x14", 11"x17", 12"x18"		*Multi-folding unit does not support custom paper size.
		<Half folding> B5, B4, A4, A3, 8.5"x11", 8.5"x14", 11"x17", 12"x18", 12.6"x18.5", 12.6"x19.2", 13"x18", 13"x19", 13"x19.2", 226x310mm, 310x432mm, SRA3, SRA4		
		<Letter folding in/out> B5, A4, 8.5"x11"		
		<Double parallel> B5, B4, A4, A3, 8.5"x11", 8.5"x14", 11"x17", 12"x18"		
		<Gate folding> B5, A4, 8.5"x11", 11"x17" 12"x18"		
		Multiple Sheet Mode	<Half folding> B5, B4, A4, A3, 8.5"x11", 8.5"x14", 11"x17", 12"x18", 12.6"x18.5", 12.6"x19.2", 13"x18", 13"x19", 13"x19.2", 226x310mm, 310x432mm, SRA3, SRA4	
	<Letter folding in> B5, A4, 8.5"x11"			
	<Letter folding out> B5, A4, 8.5"x11"			

Product Support Guide

D179 / D180 / D181

Item		Specification	Notes
Paper Weight	Single Sheet Mode	64-105g/m ²	
	Multiple Sheet Mode	64-80g/m ²	

Decurl Unit (DU5030)

Item		Specification	
Dimensions (W x D x H)		71 x 509 x 181mm	
Weight		Less than 5kg	
Type		Internal Module to be installed in mainframe (Option)	
Power Consumption		Less than 30W	
Power Supply		From mainframe	
Paper Size		100 x 139.7mm - 330.2 x 487.7mm	
Paper Weight		40 – 350gsm	
Decurl Function	Pressure Adjustment	3 steps	From operation panel
	Curl Type	Back curl/Face curl	From operation panel

Environmental Specification

Sound Power Level

	Stand-by		Printing	
	Mainframe	Full System	Mainframe	Full System
Type a (95ppm)	61.5 dB(A) ^{*1}	70 dB(A)	74.5 dB(A) ^{*2}	80 dB(A)
Type b (110ppm)	66 dB(A) ^{*1}	70 dB(A)	76 dB(A)	80 dB(A)
Type c (135ppm)	73.5 dB(A)	77.5 dB(A)	78.5 dB(A)	82.5 dB(A)

*1: Under the condition over 35°C in mainframe, sound power level is 72 dB(A).

*2: Under the condition over 35°C in mainframe, sound power level is 76 dB(A).

Product Support Guide

D179 / D180 / D181

Utility Software

Software	Description
For GW Controller Font Manager	This software enables you to use screen fonts.
Smart Device Monitor for Admin	This software enables you to manage and monitor printers and other devices over the network.
DeskTopBinder – SmartDeviceMonitor for Client	This software enables you to access networked printers to print, monitor or to receive notifications. With DeskTopBinder Lite you can connect client computers to I/O devices enabling you to efficiently manage data.
Printer Utility for Mac	This is a utility for Macintosh that provides access to several network printing administrative features.
PS Descriptions	PPD for Mac By interacting with the Adobe PostScript 3 controller in the device, this PPD is able to produce an accurate representation of the screen image.
Mac OS X PPD Installer	This PPD installer is used to install a PPD (Postscript Printer Description) file on Mac OSX. PPD files contain descriptions of printer capabilities such as paper sizes, number of input trays and duplexing. Once the PPD file is installed on the system using the PPD installer, the PS driver that comes bundled with Mac OS X can use the information in the PPD to control the print device and enable full functionality. It supports the Mac OS X 10.1 or later. Please see the Readme file for information about compatibility with versions of Mac OS X.
LAN FAX Driver M10	This software enables you to fax documents directly from your computer. The Address Book Editor and Cover Sheet Editor are installed as well. This software requires the optional fax unit to be installed on the machine. M10 Driver
RPCS Driver	Printer driver for Windows: It is optimized for the Windows GDI. High performance printing can be expected. Regularly used settings can be saved as a "one-click icon" in the driver interface. These settings can be reused easily by clicking the icon.
PCL 6 Driver	Printer driver for B/W printing in Windows. It supports HP PCL XL commands and is optimized for the Windows GDI. High performance printing can be expected.
PCL 5e Driver	Printer driver for printing in Windows. It supports HP PCL 5e commands.
Post Script Driver	By interacting with the Adobe PostScript 3 controller in the device, this driver is able to produce an accurate representation of the screen image.
GW Controller Network TWAIN Driver	TWAIN scanner driver for network connections with new features Combine/Series, compatible with SNMP V3 and Network Connection Tool.

Product Support Guide

D179 / D180 / D181

Print Driver Information

Model	PCL 5e/6	RPCS	PostScript3				
			Windows 9x / Me	Windows NT4	Windows 2000/XP	Mac OS 8.6-9.2	Mac OS X
Send to Job Binding	N	Y	N	N	N	N	N
Send to Document Server	N	N	N	N	N	N	N
Sample Print	N	N	N	N	N	N	N
Locked Print	N	N	N	N	N	N	N
Hold Print	N	N	N	N	N	N	N
Stored Print	N	N	N	N	N	N	N
Stored Print (Shared)	N	N	N	N	N	N	N
Store and Print	N	N	N	N	N	N	N
Store and Print(Shared)	N	N	N	N	N	N	N
Reduce/Enlarge (Zoom/Scaling)	Y*2	Y	Y	Y	Y	Y	Y
Reduce/Enlarge Centering	N	Y	N	N	N	N	N
Fit to Paper size	Y	Y	Y	Y	Y	Y	Y
Unauthorized Copy	N	Y	N	N	N	N	N
Layout (N-up)	Y	Y	Y	Y	Y	Y	Y
Poster	N	Y	N	N	N	Y	N
Duplex	Y	Y	Y	Y	Y	Y	Y
Booklet1	N	Y	N	N	N	N	N
Booklet2 (Magazine)	Y	Y	N	N	Y	N	N
Non-Reduction Booklet	Y	Y	N	N	N	N	N
Watermark	Y	Y	Y	Y	Y	Y	Y
Overlay	N	Y	N	N	N	N	N
Header/Footer	N	Y	N	N	N	N	N
Adjust image position	N	Y	N	N	N	N	N
Binding Margins	N	Y	N	N	N	N	N
Collate	Y	Y	Y	Y	Y	Y	Y
Punch	N	N	N	N	N	N	N
Staple	Y	Y	Y	Y	Y	Y	Y
Z-Folding	N	N	N	N	N	N	N
Cover sheet(Front Cover)	N	N	N	N	N	Y	Y
Back Cover	N	N	N	N	N	N	N
Front and Back Cover	N	N	Y	N	N	N	N
Slip Sheet	N	N	N	N	N	N	N
Chaptering	N	N	N	N	N	N	N
Designated Sheet Print	N	N	N	N	N	N	N
Tab Shift Printing	N	N	N	N	N	N	N
Rotate by 180 degrees	Y	Y	Y	Y	Y	N	N
Reverse Order Print	N	Y	N	N	Y	Y	Y
Do not print Blank pages	Y*3	Y	N	N	N	N	N
Dithering	Y	Y	Y	Y	Y	Y	Y
Edge Smoothing	Y	Y	Y	Y	Y	Y	Y
Toner Saving	Y	Y	Y	Y	Y	Y	Y
User ID	Y	Y	Y	Y	Y	Y	Y*1
User Code	Y	Y	Y	Y	Y	Y	Y*1
User Authentication	Y	Y	N	N	N	N	N

Product Support Guide

D179 / D180 / D181

Model	PCL 5e/6	RPCS	PostScript3				
			Windows 9x / Me	Windows NT4	Windows 2000/XP	Mac OS 8.6-9.2	Mac OSX
Encryption/Encoding	Y	Y	N	N	N	N	N
User Defined Pages	Y	N	N	N	N	N	N
Mirror Image Print	N	N	Y	Y	Y	N	N
Negative Image Print	N	N	Y	Y	Y	N	N
Edge to Edge Print	Y	Y	N	N	N	N	N
Limitation setting	Y	Y	N	N	N	N	N

Y: supported

N: not supported

*1: Printer Driver CD does not include PCL5e. It will be provided on Web site.

Other MFP Support Information

Not Applicable

Counter Information

Type of counter

	Type	Description of what is included in Meter	Q'ty	Location	Total number of digits
1	Electronic	Total Counter	1	Control Panel	8
2	Electronic	Copier Counter	1	Control Panel	8
3	Electronic	Printer Counter (B & W)	1	Control Panel	8
4	Electronic	Scanner Counter	1	Control Panel	8
5	Mechanical	Total Counter	1	Behind inner cover	7

Specification

	Type	Description of what is included in Meter	Max Value	Next value after max value
1	Electronic	Total Counter	99,999,999	Roll over to Zero again
2	Electronic	Copier Counter	99,999,999	Roll over to Zero again
3	Electronic	Printer Counter	99,999,999	Roll over to Zero again
4	Electronic	Scanner Counter	99,999,999	Roll over to Zero again
5	Mechanical	Total Counter	9,999,999	Roll over to Zero again

Product Support Guide

D179 / D180 / D181

Paper

Recommended Throughput Material
Not Applicable

Non Recommended Throughput Material

Refer to pages in the Operators Instructions Hardware Guide.

Do not use any of the following kinds of paper or a fault might occur:

- Aluminum Foil, Carbon paper,
- Conductive paper
- Paper meant for an inkjet printer
- Bent, folded, or creased paper
- Torn paper
- Thermal fax paper
- Art paper
- Paper with perforated lines
- Hemmed-edge paper
- Tab stock
- Slippery paper
- Perforated paper
- Rough paper
- Thin paper with little stiffness
- Paper with a dusty surface

Special Paper

Not available at time of product launch.

Firmware Information

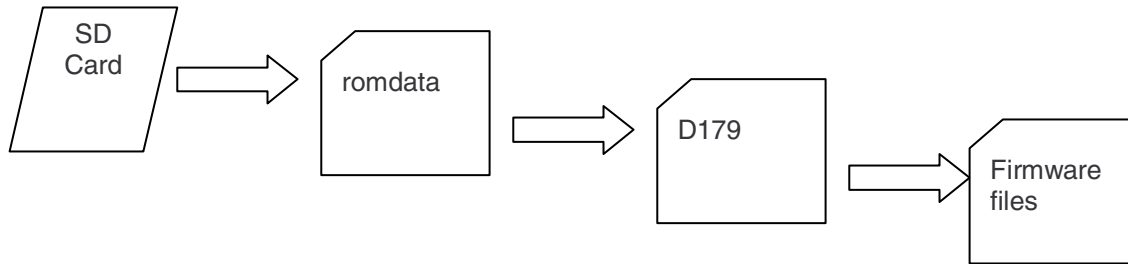
Firmware

Firmware SD Card	Firmware Type
System/Copy	Controller
Engine	Engine (IOB/BCU)
LCDC	Operation Panel
ADF	Document Feeder
Network Support	Network
Language	Operation Language
Printer	Printer Operation
Scanner	Scanner Operation
Websupport	Web Support
WebUApl	Web User Application

Product Support Guide

D179 / D180 / D181

SD Card Arrangement



NOTE: Base machine, DDST and PCL for DDST require a IC card. When the GW controller is installed an SD card is require. For more information on the romdata folder structure refer to D359 printer/scanner option firmware update procedure.

Contact Information

Name	Contact
Technical Services Call Center (Hotline)	Ricoh: (800) 537-4264 Savin: (800) 291-6044 Lanier: (800) 333-3147
Application Help Desk (Software Issues)	Ricoh Phone Card: 2 Call - 000781MIU, 5 Call - 000900MIU Savin Phone Card: 2 Call - 12992, 5 Call - 12993
Hytec Parts and Logistics Control	(800) 883-1001 www.hytecrepair.com
Technology Solutions Resource Center	http://www.tscweb.net
Headquarter Web Sites	Ricoh Corporation: http://www.ricoh-usa.com Savin Corporation: http://www.savin.com Gestetner Corporation: http://www.gestetnerusa.com/ Lanier Corporation: http://www.lanier.com
Material Safety Data Sheets	(800) 336-MSDS (6737)
Ricoh University	973.882.2200. email address: www.ricohlearninginstitute.com

Documentation

Description	Content ID
D179 / D180 /D181 Service Manual	rfg058090
D179 / D180 /D181 3D Parts Catalog (PDF)	rfg058091
D179 / D180 /D181 Point to Point Diagram	rfg058092
D179 / D180 /D181 Operating Instruction Manuals	rfg058093

Product Support Guide

D179 / D180 / D181

Training Prerequisites

The Pro 8100 (D179) Series Service Tier 1 self paced training course emphasizes the print processes, installation, and basic printing. A minimum of 6 hours should be scheduled to properly complete this training and review this new material.

Training Method

The Pro 8100EX/Pro 8100s/Pro 8110s/Pro 8120s (D179/D180/D181) Tier 2 Service Training instructor led training is a five day course providing the students with hands-on time covering setup, removal and replacement, adjustments, maintaining print quality and other recommended periodic maintenance and troubleshooting.

Please refer to the <https://ricohusa.csod.com/client/ricohusa/default.aspx> web site for the most up to date training information.

Please be aware that once a model or series is out of production, the Field Service Manual, Technical Service Bulletins and Ricoh University should be referenced for the most current information. Check the TSC website and e-source.

Revisions

1.0 Original