

Paper Feed Unit PB1060

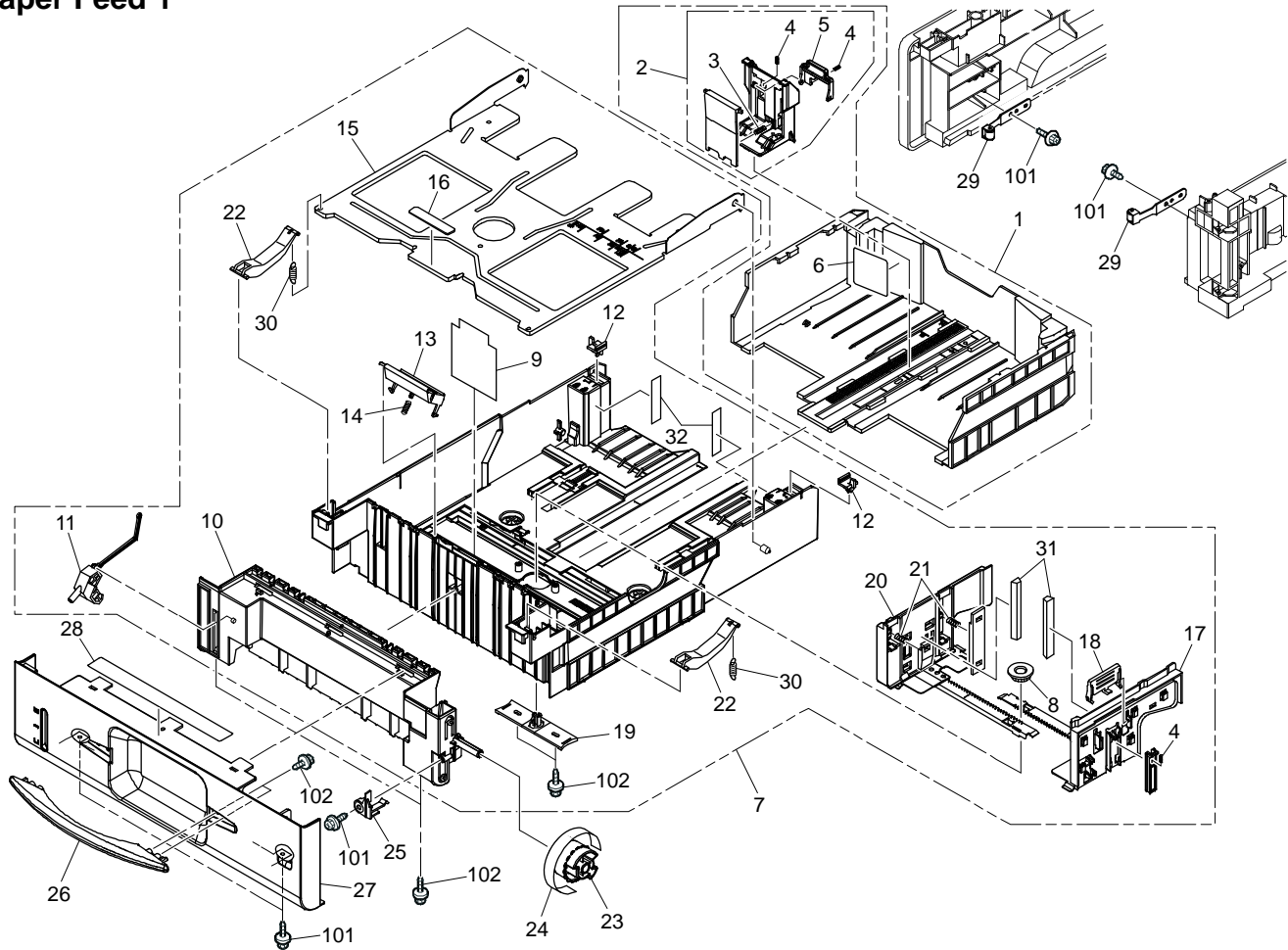
Paper Feed Unit PB1070

PARTS CATALOG

This catalog gives the numbers and names of parts on this machine.

1. Paper Feed 1	1 P
2. Paper Feed 2	3 P
3. Parts Index.....	5 P

1.Paper Feed 1



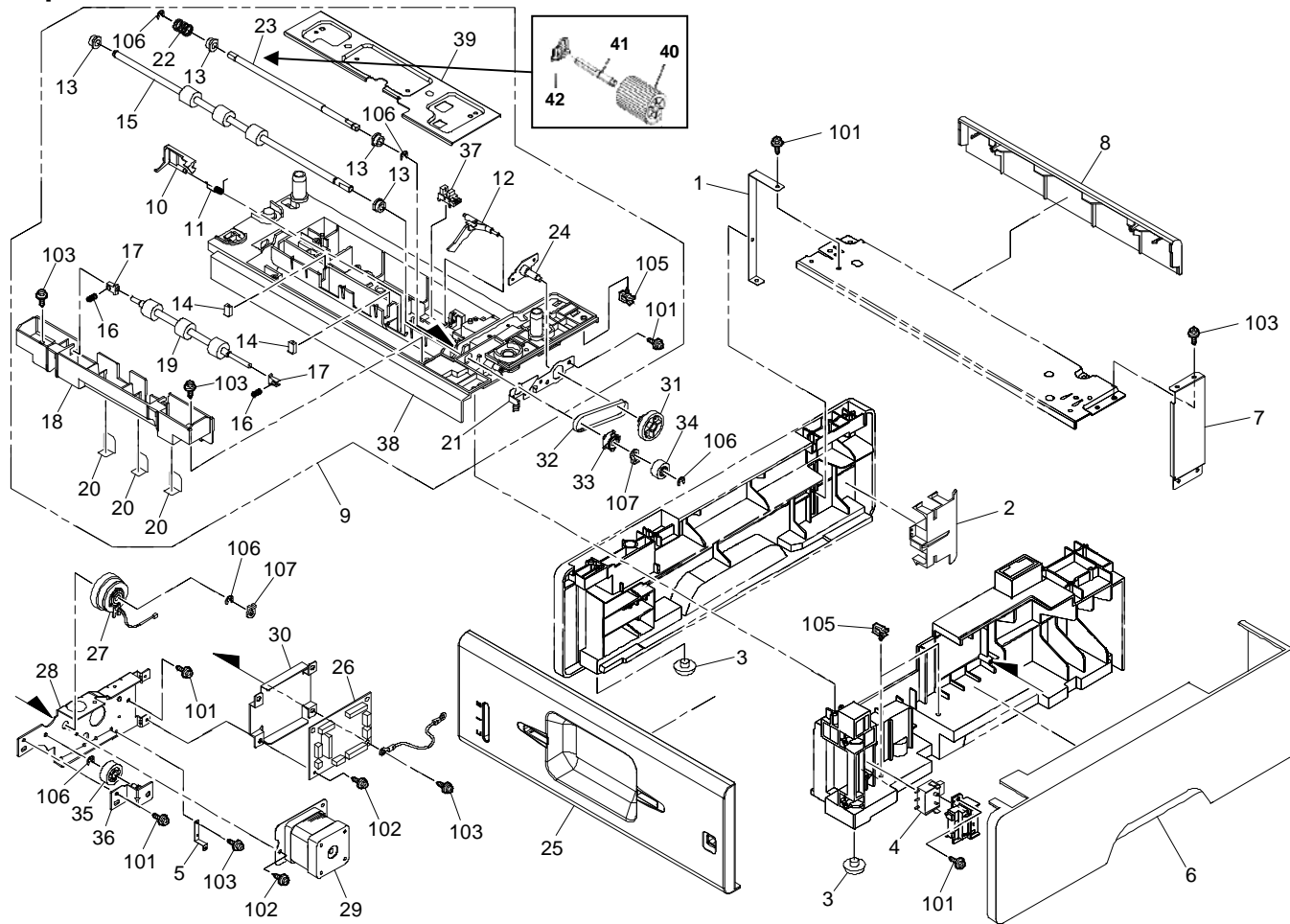
1. Paper Feed 1

Index No.	Part No.	Description	Q'ty Per Assembly
1	M1602550	PAPER TRAY:REAR:500 SHEET FEED UNIT:ASS'Y (PB1070)	1
1	M1712550	PAPER TRAY:REAR:250 SHEET FEED UNIT:ASS'Y (PB1060)	1
2	M1602560	END FENCE:500 SHEET FEED UNIT:ASS'Y (PB1070)	1
2	M1712560	END FENCE:250 SHEET FEED UNIT:ASS'Y (PB1060)	1
3	GA063082	COMPRESSION SPRING:PRESSURE:END FENCE	1
4	M0752610	COMPRESSION SPRING:LOCK:SIDE FENCE	3
5	M1602563	LEVER:LOCK:END FENCE	1
6	M1602572	DECAL:OPERATION INSTRUCTIONS:TRAY:REAR	1
7	M1602600	PAPER TRAY:FRONT:500 SHEET FEED UNIT: SUB-ASS'Y (PB1070)	1
7	M1712600	PAPER TRAY:FRONT:250 SHEET FEED UNIT: SUB-ASS'Y (PB1060)	1
8	B0902869	GEAR:16Z	1
9	M1602602	SHEET:HOLDER:500 SHEET FEED UNIT:FRONT (PB1070)	1
9	M1712602	SHEET:HOLDER:250 SHEET FEED UNIT:FRONT (PB1060)	1
10	M1602605	GUIDE:PAPER TRAY:500 SHEET FEED UNIT: FRONT (PB1070)	1
10	M1712605	GUIDE:PAPER TRAY:250 SHEET FEED UNIT: FRONT (PB1060)	1
11	M1602606	INDICATOR:PAPER VOLUME SENSOR:PAPER TRAY: 500 SHEET FEED UNIT (PB1070)	1
11	M1712606	INDICATOR:PAPER VOLUME SENSOR:PAPER TRAY: 250 SHEET FEED UNIT (PB1060)	1
12	M1602609	STOPPER:TRAY:REAR (PB1070)	2
12	M0212609	STOPPER:CASSETTE (PB1060)	2
13	M1602620	HOLDER:FRICTION PAD:ADHESION	1
14	M1602623	COMPRESSION SPRING:SEPARATION	1
15	M1602630	TRAY BOTTOM PLATE:ADHESION	1
16	GF013001	PAD:BASE	1

Index No.	Part No.	Description	Q'ty Per Assembly
17	M1602640	SIDE FENCE:RIGHT:500 SHEET FEED UNIT:ASS'Y (PB1070)	1
17	M1712640	SIDE FENCE:RIGHT:250 SHEET FEED UNIT:ASS'Y (PB1060)	1
18	M1602655	LEVER:LOCK:SIDE FENCE:TRAY	1
19	M1602641	HOLDER:PINION	1
20	M1602660	SIDE FENCE:LEFT:500 SHEET FEED UNIT:ASS'Y (PB1070)	1
20	M1712660	SIDE FENCE:LEFT:250 SHEET FEED UNIT:ASS'Y (PB1060)	1
21	GA063084	COMPRESSION SPRING:AUXILIARY:SIDE FENCE	2
22	M1602668	ARM:TRAY BOTTOM PLATE	2
23	M1602680	DIAL:PAPER SIZE SENSOR:TRAY:DOM:ASS'Y	1
24	M1602681	DECAL:DIAL:PAPER SIZE SENSOR:TRAY:DOM	1
25	M1602683	CLICK:DIAL:PAPER SIZE SENSOR:TRAY	1
26	M1602631	GRIP:PAPER TRAY	1
27	M1602691	COVER:TRAY:500 SHEET FEED UNIT:FRONT (PB1070)	1
27	M1712691	COVER:TRAY:250 SHEET FEED UNIT:FRONT (PB1060)	1
28	M1602693	DECAL:PAPER SET DIRECTION	1
29	M1602590	TIGHTENER:SPRING PLATE:TRAY:ASS'Y	2
30	M1602627	TENSION SPRING:TRAY BOTTOM PLATE:500 SHEET FEED UNIT (PB1070)	2
30	M1712627	TENSION SPRING:TRAY BOTTOM PLATE:250 SHEET FEED UNIT (PB1060)	2
31	M1602666	SHEET:SPONGE:SIDE FENCE:500TYPE (PB1070)	2
31	M1712666	SHEET:SPONGE:SIDE FENCE:250TYPE (PB1060)	2
32	M1602608	SEAL:TRAY:REAR:NA (PB1070)	2
32	M1712608	SEAL:TRAY:REAR:NA:250TYPE (PB1060)	2
101	04503008N	TAPPING SCREW:3X8	
102	04503010N	TAPPING SCREW:3X10	

2.Paper Feed 2

Rev. 08/25/2015



3. Parts Index

Part No.	Description	Page and Index No.
04503006N	TAPPING SCREW:3X6	4 - 104
04503008N	TAPPING SCREW:3X8	2 - 101
04503008N	TAPPING SCREW:3X8	4 - 101
04503010N	TAPPING SCREW:3X10	2 - 102
04503010N	TAPPING SCREW:3X10	4 - 103
04513006N	TAPPING SCREW:3X6	4 - 102
07200040E	RETAINING RINGS-E:4	4 - 106
11050511	CLAMP:LWSM-0306	4 - 105
54472681	SNAP RING	4 - 107
AA082118	PLAIN SHAFT BEARING:MM6	4 - 13
AH010009	RUBBER FOOT:H5	4 - 3
AW020198	PHOTOINTERRUPTOR:LG2A14NL1	4 - 37
B0902869	GEAR:16Z	2 - 8
G3603119	FEELER:TRANSPORT SENSOR	4 - 10
G3603142	COMPRESSION SPRING	4 - 16
G3603145	PLAIN SHAFT BEARING:ROLLER:MIDDLE	4 - 14
G5553117	PLAIN SHAFT BEARING:ROLLER:DRIVEN	4 - 17
G5553127	SPRING:FEELER:VERTICAL TRANSPOR	4 - 11
G8003035	PUSH SWITCH:CASSETTE	4 - 4
GA063082	COMPRESSION SPRING:PRESSURE:END FENCE	2 - 3
GA063084	COMPRESSION SPRING:AUXILIARY:SIDE FENCE	2 - 21
GF013001	PAD:BASE	2 - 16
M0212609	STOPPER:CASSETTE (PB1060)	2 - 12
M0212816	COMPRESSION SPRING:PAPER FEED	4 - 22
M0752610	COMPRESSION SPRING:LOCK:SIDE FENCE	2 - 4
M1602550	PAPER TRAY:REAR:500 SHEET FEED UNIT:ASS'Y (PB1070)	2 - 1
M1602560	END FENCE:500 SHEET FEED UNIT:ASS'Y (PB1070)	2 - 2
M1602563	LEVER:LOCK:END FENCE	2 - 5
M1602572	DECAL:OPERATION INSTRUCTIONS:TRAY:REAR	2 - 6
M1602590	TIGHTENER:SPRING PLATE:TRAY:ASS'Y	2 - 29
M1602600	PAPER TRAY:FRONT:500 SHEET FEED UNIT: SUB-ASS'Y (PB1070)	2 - 7
M1602602	SHEET:HOLDER:500 SHEET FEED UNIT:FRONT (PB1070)	2 - 9
M1602605	GUIDE:PAPER TRAY:500 SHEET FEED UNIT:FRONT (PB1070)	2 - 10

Part No.	Description	Page and Index No.
M1602606	INDICATOR:PAPER VOLUME SENSOR:PAPER TRAY: 500 SHEET FEED UNIT (PB1070)	2 - 11
M1602608	SEAL:TRAY:REAR:NA (PB1070)	2 - 32
M1602609	STOPPER:TRAY:REAR (PB1070)	2 - 12
M1602620	HOLDER:FRICTION PAD:ADHESION	2 - 13
M1602623	COMPRESSION SPRING:SEPARATION	2 - 14
M1602627	TENSION SPRING:TRAY BOTTOM PLATE:500 SHEET FEED UNIT (PB1070)	2 - 29
M1602630	TRAY BOTTOM PLATE:ADHESION	2 - 15
M1602631	GRIP:PAPER TRAY	2 - 26
M1602640	SIDE FENCE:RIGHT:500 SHEET FEED UNIT:ASS'Y (PB1070)	2 - 17
M1602641	HOLDER:PINION	2 - 19
M1602655	LEVER:LOCK:SIDE FENCE:TRAY	2 - 18
M1602660	SIDE FENCE:LEFT:500 SHEET FEED UNIT:ASS'Y (PB1070)	2 - 20
M1602666	SHEET:SPONGE:SIDE FENCE:500TYPE (PB1070)	2 - 29
M1602668	ARM:TRAY BOTTOM PLATE	2 - 21
M1602680	DIAL:PAPER SIZE SENSOR:TRAY:DOM:ASS'Y	2 - 23
M1602681	DECAL:DIAL:PAPER SIZE SENSOR:TRAY:DOM	2 - 23
M1602683	CLICK:DIAL:PAPER SIZE SENSOR:TRAY	2 - 25
M1602691	COVER:TRAY:500 SHEET FEED UNIT:FRONT (PB1070)	2 - 27
M1602693	DECAL:PAPER SET DIRECTION	2 - 27
M1712550	PAPER TRAY:REAR:250 SHEET FEED UNIT:ASS'Y (PB1060)	2 - 1
M1712560	END FENCE:250 SHEET FEED UNIT:ASS'Y (PB1060)	2 - 2
M1712600	PAPER TRAY:FRONT:250 SHEET FEED UNIT: SUB-ASS'Y (PB1060)	2 - 7
M1712602	SHEET:HOLDER:250 SHEET FEED UNIT:FRONT (PB1060)	2 - 9
M1712605	GUIDE:PAPER TRAY:250 SHEET FEED UNIT:FRONT (PB1060)	2 - 10
M1712606	INDICATOR:PAPER VOLUME SENSOR:PAPER TRAY: 250 SHEET FEED UNIT (PB1060)	2 - 11
M1712608	SEAL:TRAY:REAR:NA:250TYPE (PB1060)	2 - 32
M1712627	TENSION SPRING:TRAY BOTTOM PLATE:250 SHEET FEED UNIT (PB1060)	2 - 29
M1712640	SIDE FENCE:RIGHT:250 SHEET FEED UNIT:ASS'Y (PB1060)	2 - 17
M1712660	SIDE FENCE:LEFT:250 SHEET FEED UNIT:ASS'Y (PB1060)	2 - 20

