

Model BE-C2a/b
(D208/D211)
Parts Catalog

Parts change information sample

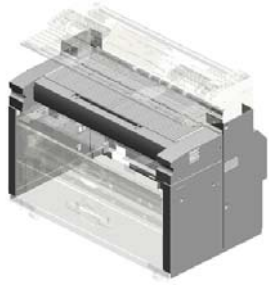
 **Add**

 **Update**

 **Delete**

Model	Product Code	PC Style
RICOH MP W7100SP	D208	3D
RICOH MP W8140SP	D211	3D
Roll Unit RU6540	D3A2	3D
Paper Cassette CT6510	D3A3	3D
Scanner Separation Kit Type M14	D3A1	Traditional
Roll Holder Unit TypeA	B394	Traditional
Original Hanger	D311	Traditional
Original Tray Type G	B341	Traditional
Multi Stacker Type 7140	D437	Traditional
Double Stacker Type 7140	D469	Traditional
IEEE 802.11a/g/n Interface Unit Type M2	D164	Traditional
DataOverwriteSecurity Unit Type H	D377	Traditional
OCR Unit Type M2	D166	Traditional
Browser Unit Type M14	D227	Traditional
SD card for NetWare printing Type M14	D883	Traditional
Optional Counter Interface UnitType	B870	Traditional
PrintCopyTool	D576	Traditional
PrintCopyTool Option Type D 2015	D576	Traditional
PrintCopyTool Option Type D Upgrade Kit 2015	D576	Traditional

Unit All



U001
EXTERIOR



U002
OPERATION



U003
SCANNER



U004
DISCHARGE/CHARGE



U005
LASER UNIT



U006
PAPER FEED



U007
DEVELOPMENT



U008
TRANSFER/SEPARATION



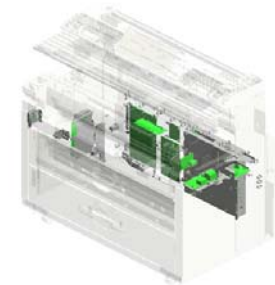
U009
CLEANING/USED TONER



U010
FUSING



U011
PAPER EXIT



U012
ELECTRICAL

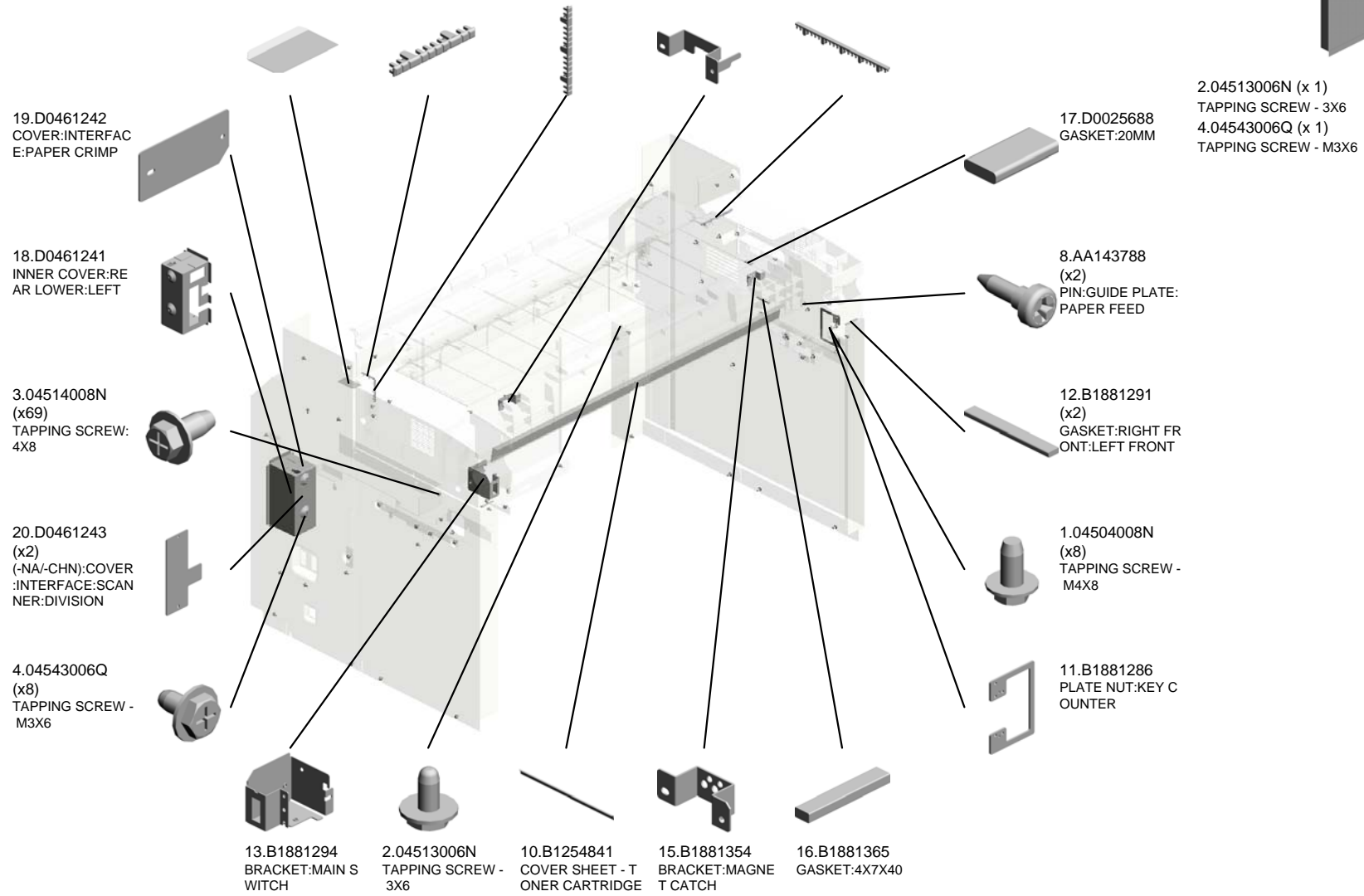
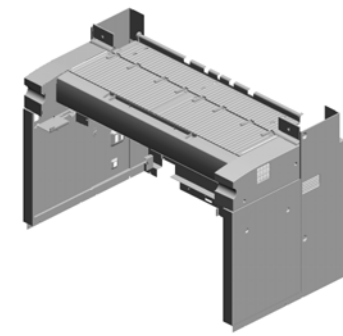
Unit All



U013
MAIN DRIVE/MAIN FRAME

U001 EXTERIOR

9.B0102827 RIGHT SHEET - SIDE PLATE
 7.11060924 BUSHING:JKR-40
 5.11060922 BUSHING:JKR-60
 14.B1881353 BRACKET:SWITCH :DEVELOPMENT
 6.11060923 BUSHING:JKR-100



U001 EXTERIOR

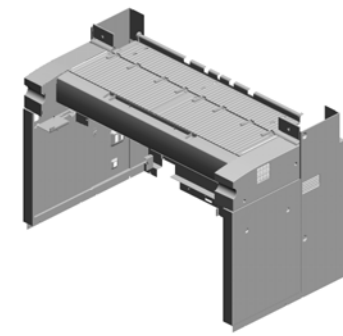
36.D2061265
(x4)
SHEET:BLOCK LIG
HT:DRUM

34.D2061258
COVER:INNER:LEF
T

37.D2061268
(x2)
TRAY:EXIT:FRONT

30.D2061250
COVER:INTERFAC
E:MAIN

23.D0461265
(x2)
BRACKET:COVER:
40



26.D0461273
INNER COVER:LEF
T:REAR

29.D2061245
COVER:REAR LO
WER:ASSY

35.D2061261
INNER COVER AS
SY

21.D0461244
COVER:INTERFAC
E:KEY CARD

22.D0461263
GUARD:POWER S
UPPLY CORD

24.D0461269
SHEET:COVER:ST
AY

27.D2061353
[A]
SUPPORTING PLA
TE:COVER:DEVEL
OPMENT
201606-01 X/O

28.D2061230
COVER:RIGHT RE
AR:ASSY

25.D0461272
INNER COVER:RIG
HT:REAR

33.D2061254
COVER:RIGHT LO
WER

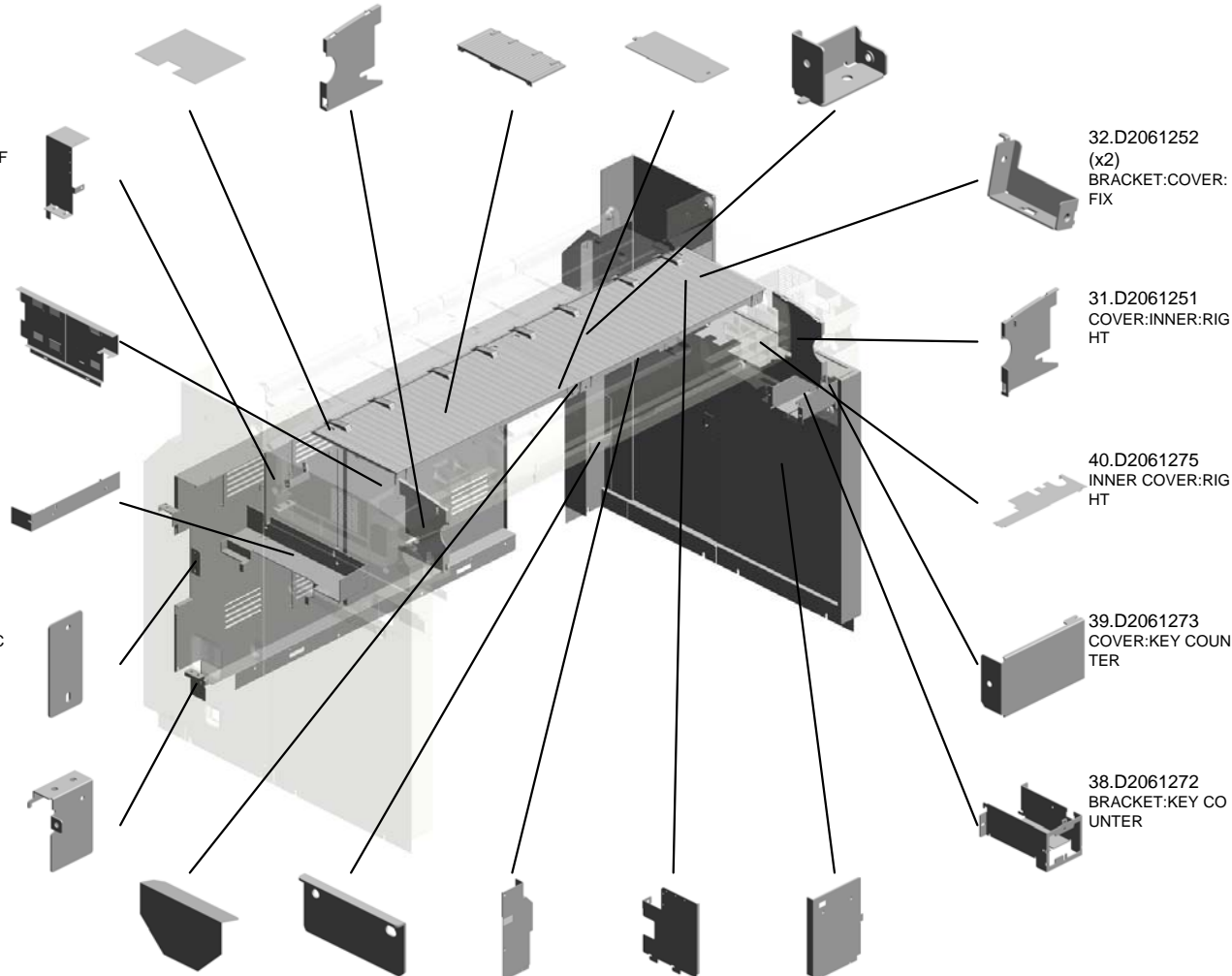
32.D2061252
(x2)
BRACKET:COVER:
FIX

31.D2061251
COVER:INNER:RIG
HT

40.D2061275
INNER COVER:RIG
HT

39.D2061273
COVER:KEY COUN
TER

38.D2061272
BRACKET:KEY CO
UNTER



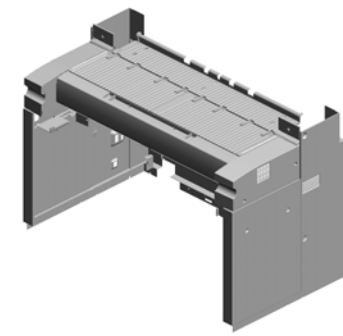
U001 EXTERIOR

50.D2061355
COVER:EXIT:LOW
ER

52.D2061358
TRAY:EXIT:REAR

55.D0025691
GASKET:25MM
201602-02

42.D2061279
(x2)
COVER:REAR:SM
LL



48.D2061347
COVER:LEFT UP
PER

41.D2061276
INNER COVER:LE
FT

43.D2061280
COVER:LEFT REA
R:ASS'Y

54.D2085397
(-EU,-AA):BRAC
KET:INTERFACE:PA
PER CRIMP

51.D2061356
COVER:LEFT LOW
ER

46.D2061296
BRACKET:COVER:
LEFT LOWER

49.D2061352
COVER:DEVELOP
MENT

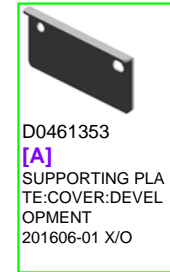
53.D2063206
HOLDER:TONER C
ARTRIDGE

56.D2121266
(x2)
SEAL:LIGHT SHIE
LDING PLATE:TRAY:
EXIT
201603-02

47.D2061340
COVER:RIGHT UP
PER

44.D2061289
INNER COVER:RIG
HT UPPER

45.D2061295
BRACKET:COVER:
RIGHT LOWER

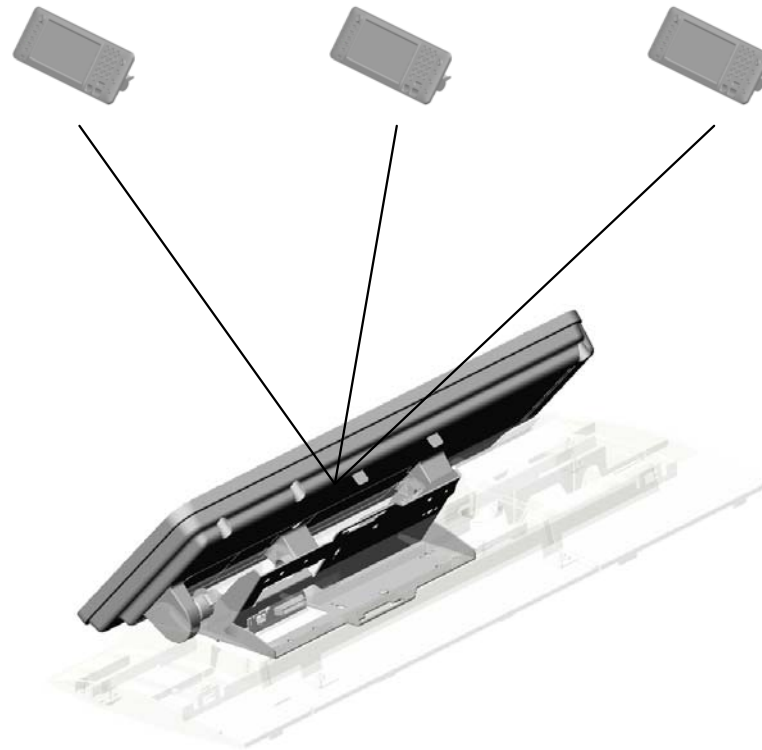


U002.OPERATION

U002_S001
D2061421
(-NA):OPERATION SUB-UNIT:
ASS'Y

U002_S002
D2061422
(-EU,-AA):OPERATION SUB-
UNIT:ASS'Y

U002_S003
D2061414
(-CHN):OPERATION PANEL:A
SS'Y



U001	U002	U003	U004	U005	U006	U007	U008	U009	U010	U011	U012	U013
------	-------------	------	------	------	------	------	------	------	------	------	------	------

U002 OPERATION



33.D2061521
SUPPORTING PLATE:INSTALL:OPERATION SUB-UNIT

34.D2061525
COVER:BRACKET:OPERATION SUB-UNIT:LOWER

6.D0461523
BRACKET:INNER COVER:FRONT RIGHT

5.D0461522
BRACKET:INNER COVER:FRONT LEFT

1.04503010N
(x2)
TAPPING SCREW - M3X10

2.04513008N
(x2)
TAPPING SCREW - M3X8

35.D2061526
COVER:BRACKET:OPERATION SUB-UNIT:UPPER

36.04543008Q
(x8)
TAPPING SCREW: 3X8

U001	U002	U003	U004	U005	U006	U007	U008	U009	U010	U011	U012	U013
------	------	------	------	------	------	------	------	------	------	------	------	------

U002_S001
 (-NA):OPERATION SUB-UNIT:ASS'Y



30.D2061421
 (-NA):OPERATION
 SUB-UNIT:ASS'Y

23.D1491539 (-NA):KEYTOP:10KEY
 12.D1491508 KEYTOP:RESET SWITCH
 4.11050724 CLAMPS:WES-1210
 20.D1491531 (x2) SPACER:LCD:B
 21.D1491534 (-NA):COVER:UPPER:CM

8.D1461488
 PCB:OP-R:ASS'Y

24.D1491588
 KEYTOP:POWER SOURCE:BA

11.D1491505
 KEYTOP:STOP

10.D1491504
 KEYTOP:START

18.D1491515
 COVER:REAR:SMALL:RIGHT

3.11050723
 CLAMPS:WES-0507

17.D1491514
 COVER:REAR:SMALL:MIDDLE

16.D1491513
 COVER:REAR:SMALL:LEFT

15.D1491512
 COVER:REAR:LARGE

26.D1821500
 SHIELD CASE:LCD C

7.D1291508
 KEYTOP:HOME

9.D1491468
 PCB:OP-L:USB:ASS'Y

19.D1491530 (x2)
 SPACER:LCD:A

13.D1491510
 KEYTOP:LEFT

14.D1491511
 LENS:FRONT

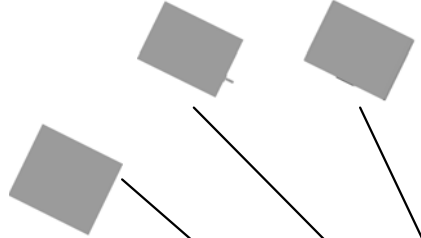
U002_S001
(-NA):OPERATION SUB-UNIT:ASS'Y

38.D1491427 TOUCH PANEL:WV
GA-9:MV
37.D1491425 LCD:TFT:WVGA-9:
LED:CMi



30.D2061421
(-NA):OPERATION
SUB-UNIT:ASS'Y

27.D1821502
SHIELD TAPE:FFC



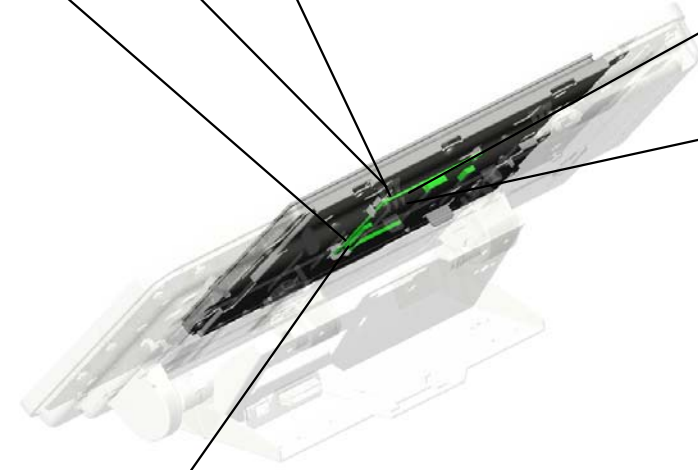
29.D2021518
BRACKET:LCDC:C
M



32.D2061455
(-NA/-EU,-AA):PCB:
LCDC:AR2FT:ASS'
Y



28.D2021500
SHEET:LCD:LOWE
R



U001	U002	U003	U004	U005	U006	U007	U008	U009	U010	U011	U012	U013
------	-------------	------	------	------	------	------	------	------	------	------	------	------

U002_S002

(-EU,-AA):OPERATION SUB-UNIT:ASS'Y

22.D1491538
(-EU,-AA-CHN):KEYTOP:10KEY

12.D1491508
KEYTOP:RESET SWITCH

4.11050724
CLAMPS:WES-1210

20.D1491531
(x2)
SPACER:LCD:B

25.D1491592
(-EU,-AA):COVER:UPPER:CM:BA

31.D2061422
(-EU,-AA):OPERATION SUB-UNIT:ASS'Y



8.D1461488
PCB:OP-R:ASS'Y



24.D1491588
KEYTOP:POWER SOURCE:BA



11.D1491505
KEYTOP:STOP



10.D1491504
KEYTOP:START



18.D1491515
COVER:REAR:SMA LL:RIGHT



3.11050723
CLAMPS:WES-0507



17.D1491514
COVER:REAR:SMA LL:MIDDLE



16.D1491513
COVER:REAR:SMA LL:LEFT



15.D1491512
COVER:REAR:LARGE



26.D1821500
SHIELD CASE:LCD C



7.D1291508
KEYTOP:HOME



9.D1491468
PCB:OP-L:USB:ASS'Y



19.D1491530
(x2)
SPACER:LCD:A



13.D1491510
KEYTOP:LEFT



14.D1491511
LENS:FRONT



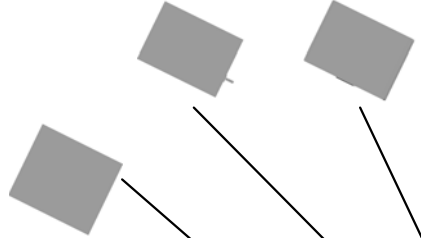
U002_S002
(-EU,-AA):OPERATION SUB-UNIT:ASS'Y

38.D1491427 TOUCH PANEL:WV
GA-9:MV
37.D1491425 LCD:TFT:WVGA-9:
LED:CM

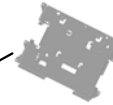


31.D2061422
(-EU,-AA):OPERATI
ON SUB-UNIT:ASS'
Y

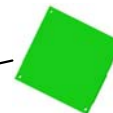
27.D1821502
SHIELD TAPE:FFC



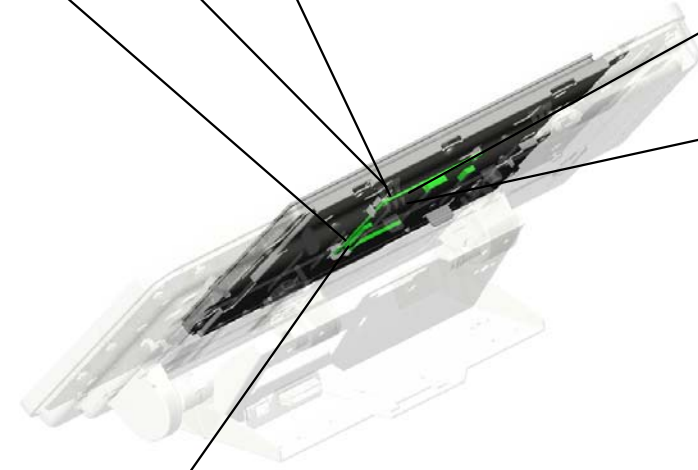
29.D2021518
BRACKET:LCDC:C
M



32.D2061455
(-NA/-EU,-AA):PCB:
LCDC:AR2FT:ASS'
Y



28.D2021500
SHEET:LCD:LOWE
R



U001	U002	U003	U004	U005	U006	U007	U008	U009	U010	U011	U012	U013
------	-------------	------	------	------	------	------	------	------	------	------	------	------

U002_S003
(-CHN):OPERATION PANEL:ASS'Y

22.D1491538
(-EU.-AA/-CHN):KEYTOP:10KEY

12.D1491508
KEYTOP:RESET SWITCH

4.11050724
CLAMPS:WES-1210

20.D1491531
(x2)
SPACER:LCD:B

15.D1491512
COVER:REAR:LARGE

40.D2061414
(-CHN):OPERATION PANEL:ASS'Y



8.D1461488
PCB:OP-R:ASS'Y



24.D1491588
KEYTOP:POWER SOURCE:BA



11.D1491505
KEYTOP:STOP



10.D1491504
KEYTOP:START



18.D1491515
COVER:REAR:SMALL:RIGHT



3.11050723
CLAMPS:WES-0507



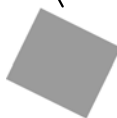
17.D1491514
COVER:REAR:SMALL:MIDDLE



16.D1491513
COVER:REAR:SMALL:LEFT



27.D1821502
SHIELD TAPE:FFCC



26.D1821500
SHIELD CASE:LCD C



7.D1291508
KEYTOP:HOME



9.D1491468
PCB:OP-L:USB:ASS'Y



19.D1491530
(x2)
SPACER:LCD:A



13.D1491510
KEYTOP:LEFT



14.D1491511
LENS:FRONT



U002_S003 (-CHN):OPERATION PANEL:ASS'Y

38.D1491427 TOUCH PANEL:WV
GA-9:MV

37.D1491425 LCD:TFT:WVGA-9:
LED:CMI



40.D2061414
(-CHN):OPERATIO
N PANEL:ASSY

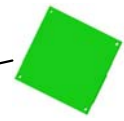
39.D1491556
(-CHN):COVER:UP
PER:CM



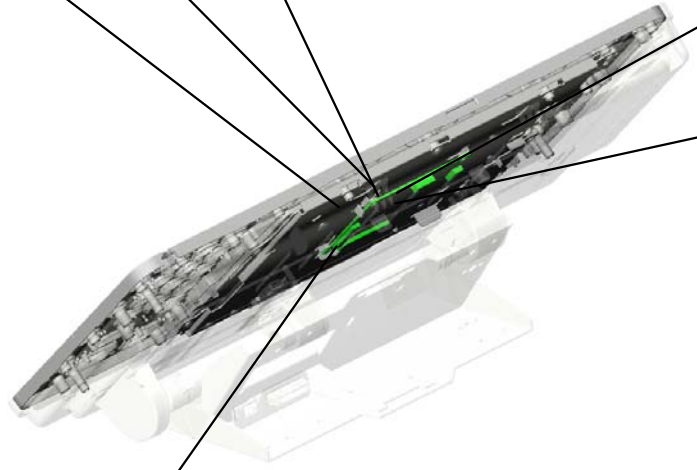
29.D2021518
BRACKET:LCDC:C
M



41.D2061456
(-CHN):PCB:LCDC:
AR2FT:ASSY



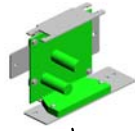
28.D2021500
SHEET:LCD:LOWE
R



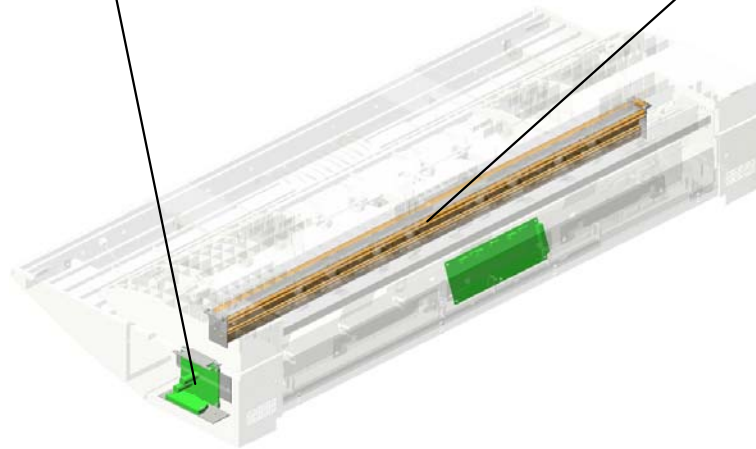
U001	U002	U003	U004	U005	U006	U007	U008	U009	U010	U011	U012	U013
------	-------------	------	------	------	------	------	------	------	------	------	------	------

U003.SCANNER

U003_S002
D2061841
MOTOR CONTROL BOARD:S
CANNER:ASS'Y



U003_S001
D2061740
CONTACT IMAGE SENSOR:A
0:ASS'Y



U001	U002	U003	U004	U005	U006	U007	U008	U009	U010	U011	U012	U013
------	------	------	------	------	------	------	------	------	------	------	------	------

U003 SCANNER



- 7.04504008N (x4) TAPPING SCREW - M4X8
- 20.07078060N (x2) BUSHING: DIA8X6
- 4.03603008N (x2) SCREW: M3X8
- 9.04513006N (x99) TAPPING SCREW - 3X6
- 5.04503012N (x28) TAPPING SCREW: 3X12

6.04503020N (x6) TAPPING SCREW: M3X20

8.04504014N (x12) TAPPING SCREW: 4X14

15.04534008N (x10) BINDING SELF TAPPING SCREW: 4X8

17.05750050E (x2) HEXAGON HEADLESS SET SCREW - M5X5

1.03140250N (x2) PAN HEAD SCREW: M4X25

14.04514008N (x22) TAPPING SCREW: 4X8

10.04513010N TAPPING SCREW: 3X10

11.04513014N (x13) TAPPING SCREW: 3X14

12.04513020N (x4) TAPPING SCREW: 3X20

16.04543006Q (x12) TAPPING SCREW - M3X6

2.03530060N (x2) BIND SCREW - M3 X6

19.07030030N (x2) SPRING WASHER: DIA3

13.04513025N (x2) TAPPING SCREW: M3X25

3.03603006N SCREW - M3X6

18.06230120E SPRING PIN - M3X 12

34.16072255 FERRITE CORE: K3 NF-130-A(N)BK0

36.16072451 (x9) FERRITE CORE: G RFC-8

141.16070534 FERRITE CORE: ZC AT3035-1330 201602-01

U003 SCANNER



21.07200030E (x4) RETAINING RING - M3
 30.11050692 (x4) CLAMP:LES-0503
 32.11060911 BUSHING:SB-1909
 27.11050516 (x40) CLAMP
 42.AA063416 (x12) SPRING - 3.4N

26.11050511 (x12) HARNESS CLAMP - LWS-0306ZC

41.AA060899 (x2) SPRING

24.08053368 (x4) BALL BEARING - 8 X16X5MM

37.A1341724 CUSHION - STEPPER MOTOR

25.11050508 (x3) HARNESS CLAMP - LWS-0711

40.A2941134 (x8) GROUND PLATE - FUSING

43.AA063955 (x8) SPRING:DRIVEN:1.7N

33.12042466 (x2) MICRO SWITCH - V-16506-1C25

28.11050517 (x9) HARNESS CLAMP - LWS-2111Z

29.11050532 EDGE SADDLE - L ES-25L

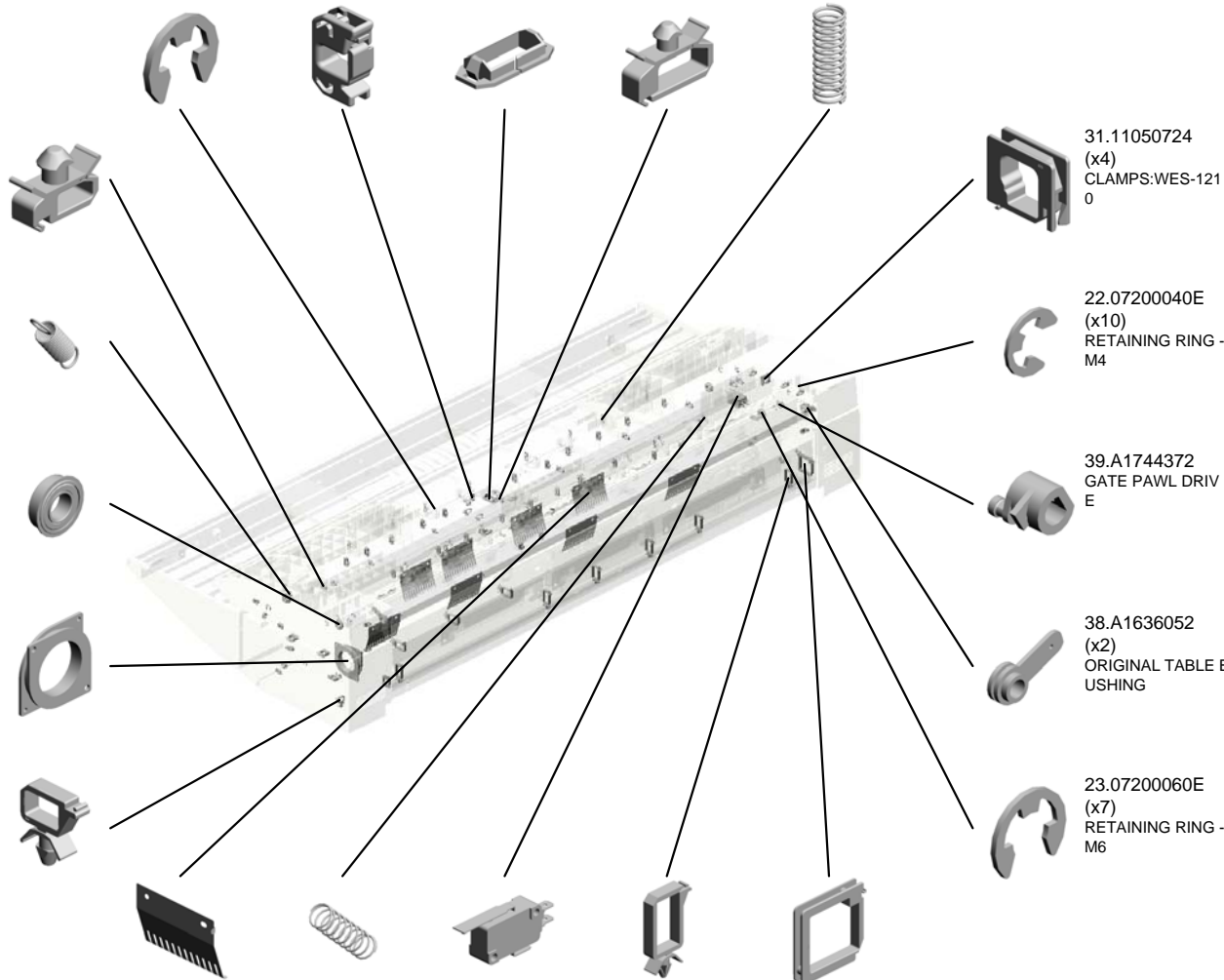
31.11050724 (x4) CLAMPS:WES-1210

22.07200040E (x10) RETAINING RING - M4

39.A1744372 GATE PAWL DRIVE

38.A1636052 (x2) ORIGINAL TABLE BUSHING

23.07200060E (x7) RETAINING RING - M6



U003 SCANNER



- 62.B1886068 SHEET:SIDE FENCE:RIGHT
- 46.AA082135 (x24) BUSHING - DIA4
- 52.AF022156 (x2) FRONT DRIVEN TRANSPORT ROLLER
- 59.B1254738 (x12) ROLLER:DRIVEN:ORIGINAL
- 63.B1886075 SHEET:SIDE FENCE:LEFT

58.B0106072 (x2) SPRING PLATE - SIDE FENCE GUIDE

57.AX260009 ELECTROMAGNETIC CLUTCH:TRANSPORT ROLLER:ENTRANCE

55.AW500022 PUSH SWITCH

47.AA143788 (x3) PIN:GUIDE PLATE:PAPER FEED

48.AA143859 POSITIONING PIN

49.AB030098 (x2) BELT TIGHTENER

50.AB030675 TIMING PULLEY - 15

45.AA082101 (x4) BUSHING - 6X10X6

60.B1254751 (x2) SHAFT:DRIVEN

54.AW100101 THERMISTOR:CHARGE

53.AW010109 (x13) PHOTO REFLECTIVE SENSOR:PS117E D1

56.AX100041 DC SOLENOID:GATE PAWL:CHANGE

51.AF022128 (x4) TRANSPORT DRIVEN ROLLER

44.AA063959 (x4) COMPRESSION SPRING:DRIVEN:6.6N

61.B1886064 (x2) CHANNEL:ORIGINAL TABLE

U003 SCANNER



- 69.B2864767 KEYTOP:ORIGINAL:STOP
- 70.B2864854 CUSHION:KEYTOP:ORIGINAL:STOP
- 68.B2591131 (x2) SCREW:PCU
- 80.D0464671 TRANSPORT ROLLER:ORIGINAL:FRO NT
- 73.D0464593 (x2) BUSHING:ARM

78.D0464655
TIMING BELT:S2M1
80

82.D0464677
TIMING PULLEY:DRIVE:REAR

77.D0464654
TIMING BELT:SCANNER:DRIVE

66.B1886126
TIGHTENER

79.D0464661
SPRING:TIGHTENER

65.B1886123
BRACKET:STEPPER MOTOR

64.B1886122
SPACER:STEPPER MOTOR

76.D0464652
STEPPER MOTOR:SCANNER:DC 7.2 W

71.C6856661 (x4)
TAPPING SCREW:EXTERIOR:KM

74.D0464602
BRACKET:ORIGINAL SENSOR:REGISTRATION

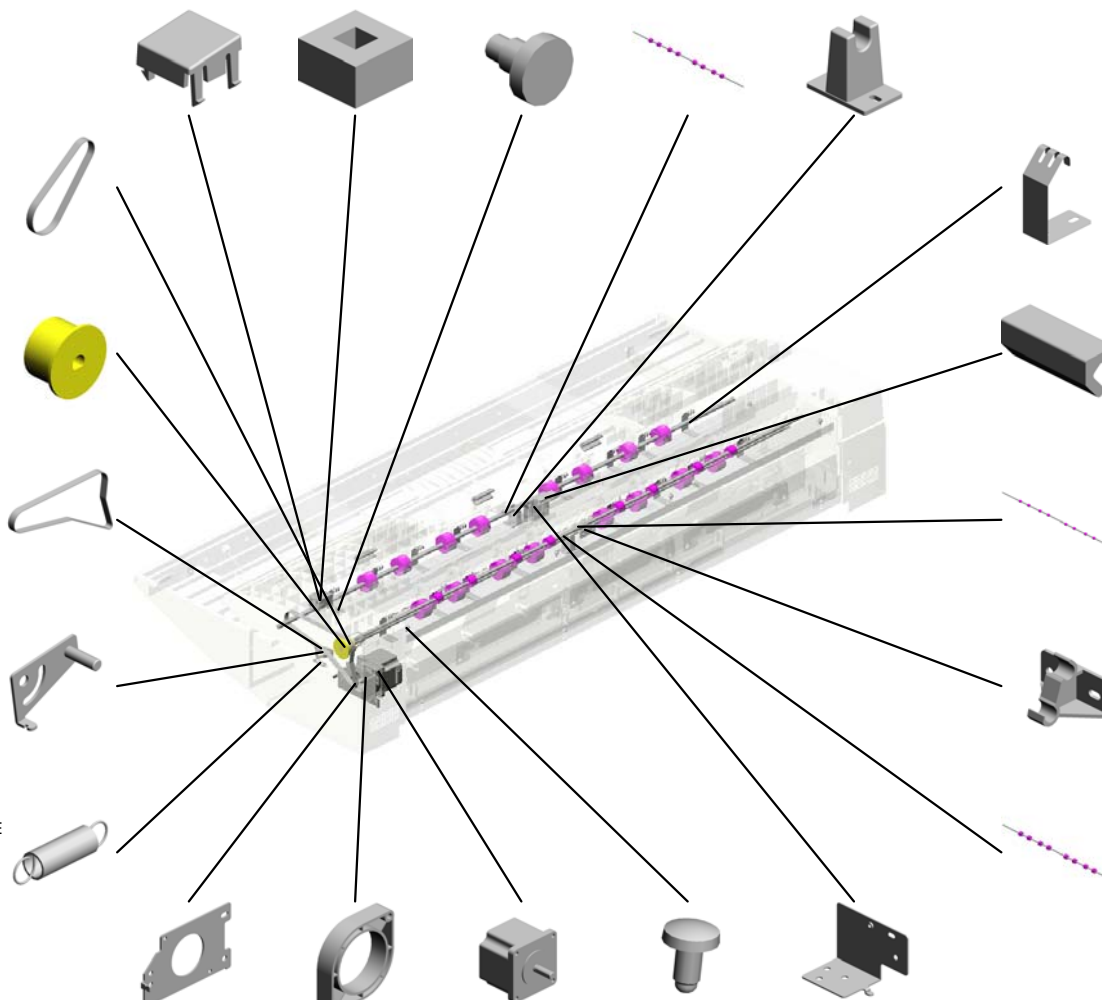
72.D0464592 (x16)
GROUND PLATE:GUIDE PLATE:LOWER

67.B1886196 (x4)
GASKET:GUIDE PLATE:UPPER FRONT

83.D0464686
EXIT ROLLER:ORIGINAL:UPPER

75.D0464642
BUSHING:GATE PAWL:EXIT ROLLER

81.D0464676
TRANSPORT ROLLER:ORIGINAL:REAR



U003 SCANNER



97.D0464803 (x4) SHEET:ORIGINAL:INSERT
 102.D0464826 (x4) ROLLER:DRIVEN
 91.D0464746 (x5) SHEET:ORIGINAL:INSERT:LOWER:NO.1
 103.D0464842 PRESSURE PLATE :TEST TARGET SHEET:ASSY
 94.D0464749 SHEET:ORIGINAL:INSERT:LOWER:NO.3

88.D0464706 (x2) SHAFT:LOCK:SIDE PLATE:LOWER

90.D0464745 COVER:TIMING BELT

89.D0464744 COVER:ON OFF DETECTOR:RIGHT

93.D0464748 COVER:TIMING PULLEY

95.D0464772 BRACKET:GAS SPRING:RIGHT:ASSY

101.D0464822 (x4) TRANSPORT ROLLER:DRIVEN:REAR

98.D0464810 SUPPORTING PLATE:COVER:ORIGINAL:UPPER:WELDING

84.D0464691 GATE PAWL:ORIGINAL EXHAUST

92.D0464747 (x2) SHEET:ORIGINAL:INSERT:LOWER:NO.2

100.D0464815 (x2) GROUND PLATE:PRESSURE PLATE

86.D0464697 SPRING:GATE PAWL:DC SOLENOID

99.D0464814 (x2) SHAFT:CONTACT POINT:ORIGINAL

87.D0464698 ARM:PAWL

85.D0464696 BRACKET:DC SOLENOID:GATE PLATE

96.D0464777 BRACKET:GAS SPRING:LEFT:ASSY

U003 SCANNER



106.D0464861 SPACER:STOP:KEY SWITCH
 104.D0464846 SIDE PLATE:RIGHT :PRESSURE PLATE
 114.D2061665 GUIDE:ORIGINAL INSERT:RIGHT
 117.D2061760 (x2) (-EU,-AA/-CHN):ORIGINAL TABLE:PRINTING
 118.D2061762 (-NA):ORIGINAL TABLE:PRINTING

115.D2061672 (x2) LEVER:UN LOCK

109.D0464874 (x2) SHAFT:HOOK:LEVER

108.D0464873 (x2) HOOK:LEVER

107.D0464862 COVER:STOP:KEY SWITCH

120.D2061771 BRACKET:SET SENSOR

119.D2061768 (x2) GAS SPRING:150N

122.D2061787 BRACKET:ORIGINAL SENSOR:MIDDLE

112.D2061661 COVER:ORIGINAL:UPPER

123.D2061792 BRACKET:PAPER FEED SENSOR:REAR

113.D2061664 GUIDE:ORIGINAL INSERT:LEFT

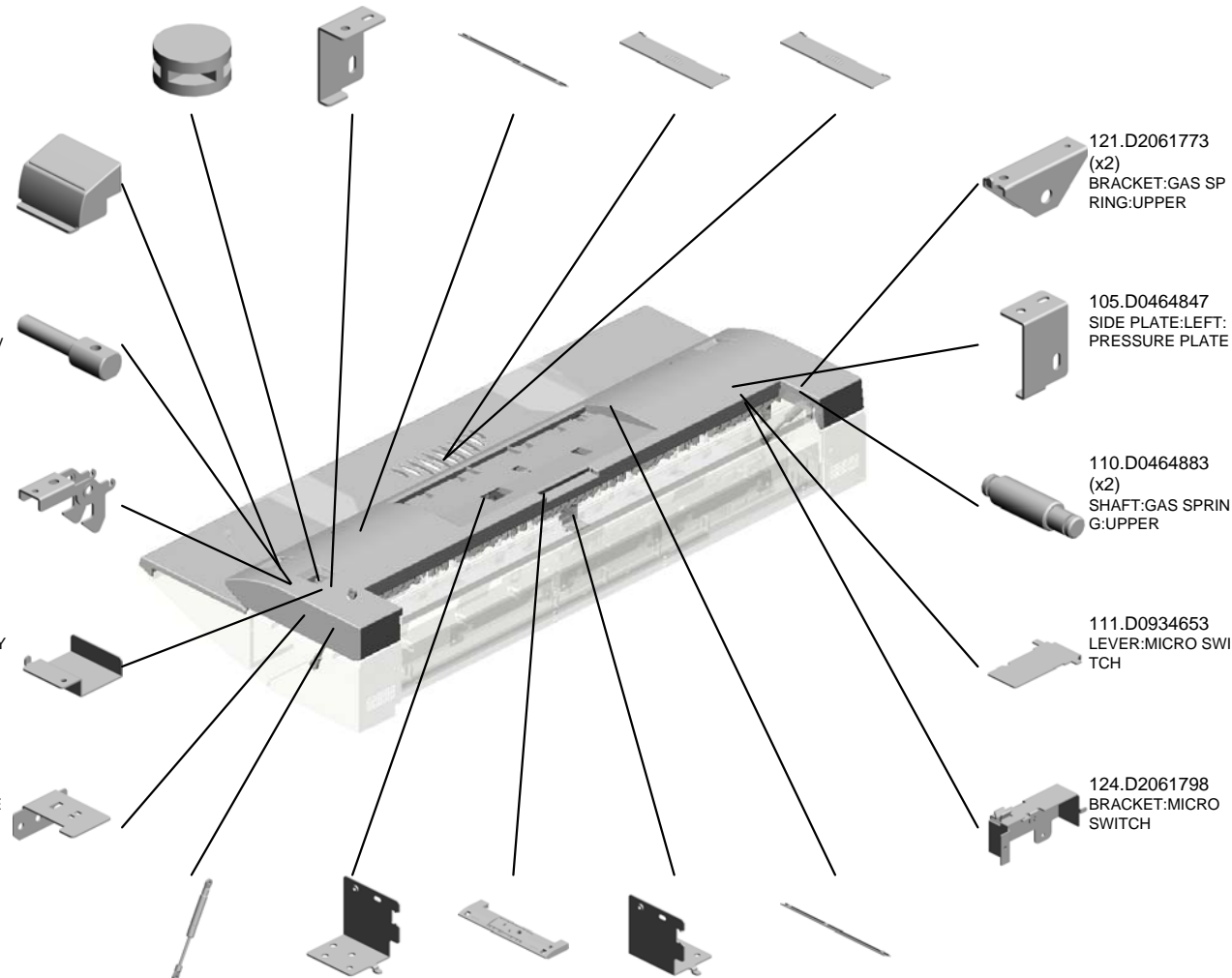
121.D2061773 (x2) BRACKET:GAS SPRING:UPPER

105.D0464847 SIDE PLATE:LEFT:PRESSURE PLATE

110.D0464883 (x2) SHAFT:GAS SPRING:UPPER

111.D0934653 LEVER:MICRO SWITCH

124.D2061798 BRACKET:MICRO SWITCH



U003 SCANNER



- 129.D2061826 GUIDE:SIDE FENCE:RIGHT
- 138.G3122014 TIMING PULLEY - 28T S2M
- 134.D2064894 (x2) SHEET:BLOCK LIGHT:REGISTRATION SENSOR
- 130.D2061829 GUIDE:SIDE FENCE:LEFT
- 135.D2064895 SHEET:BLOCK LIGHT:PAPER FEED SENSOR

139.GW020020 PHOTOINTERRUPTOR:LG248NL1

131.D2061834 SUPPORTING PLATE:COVER:RIGHT

127.D2061811 COVER:SCANNER:RIGHT

128.D2061812 COVER:SCANNER:LEFT

132.D2061836 SUPPORTING PLATE:COVER:LEFT

140.GX640028 (x2) FAN MOTOR DC24V 1.92W

126.D2061808 (x3) COVER:SCANNER:REAR

137.G1805750 (x3) GASKET - 70MM

125.D2061807 GUIDE PLATE:ORIGINAL EXHAUSTER REAR

136.D2065400 PCB:SIB

U003_S001
CONTACT IMAGE SENSOR:A0:ASS'Y

35.16072276
(x2)
FERRITE CORE:K3
T 23.80X14.00X11.
40



9.04513006N
(x4)
TAPPING SCREW -
3X6

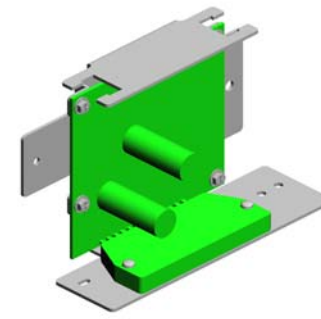
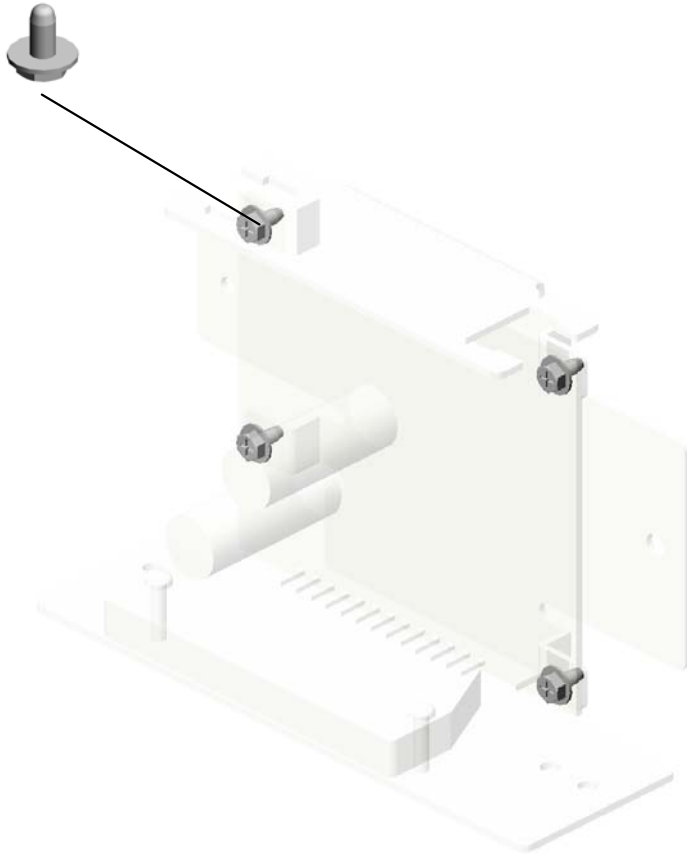


116.D2061740
CONTACT IMAGE
SENSOR:A0:ASS'Y

U001	U002	U003	U004	U005	U006	U007	U008	U009	U010	U011	U012	U013
------	------	------	------	------	------	------	------	------	------	------	------	------

U003_S002
MOTOR CONTROL BOARD:SCANNER:ASS'Y

9.04513006N
(x4)
TAPPING SCREW -
3X6



133.D2061841
MOTOR CONTROL
BOARD:SCANNER:
ASS'Y

U001	U002	U003	U004	U005	U006	U007	U008	U009	U010	U011	U012	U013
------	------	------	------	------	------	------	------	------	------	------	------	------

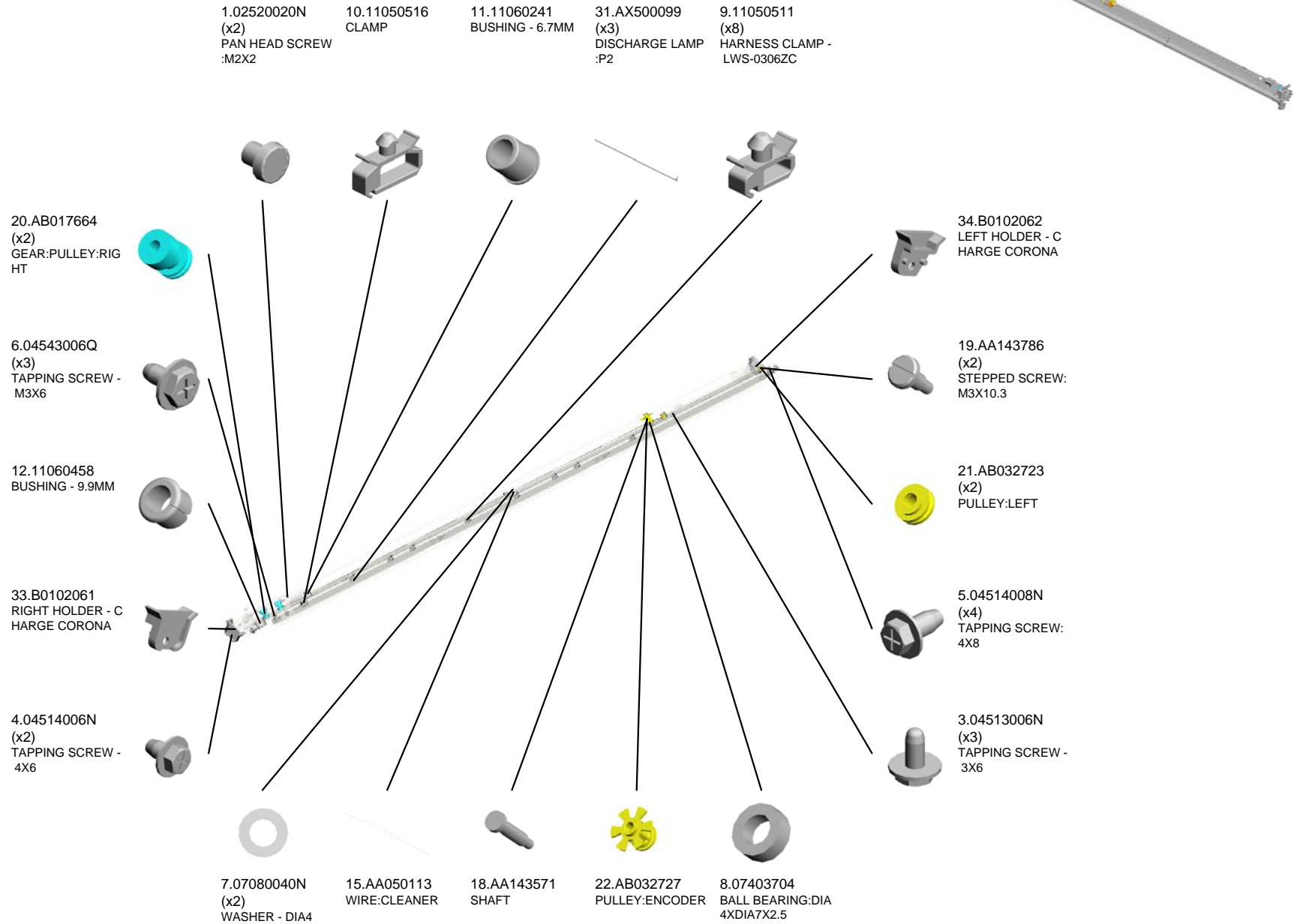
U004.DISCHARGE/CHARGE

U004_S001
AD004107
CHARGE CORONA:ASS'Y

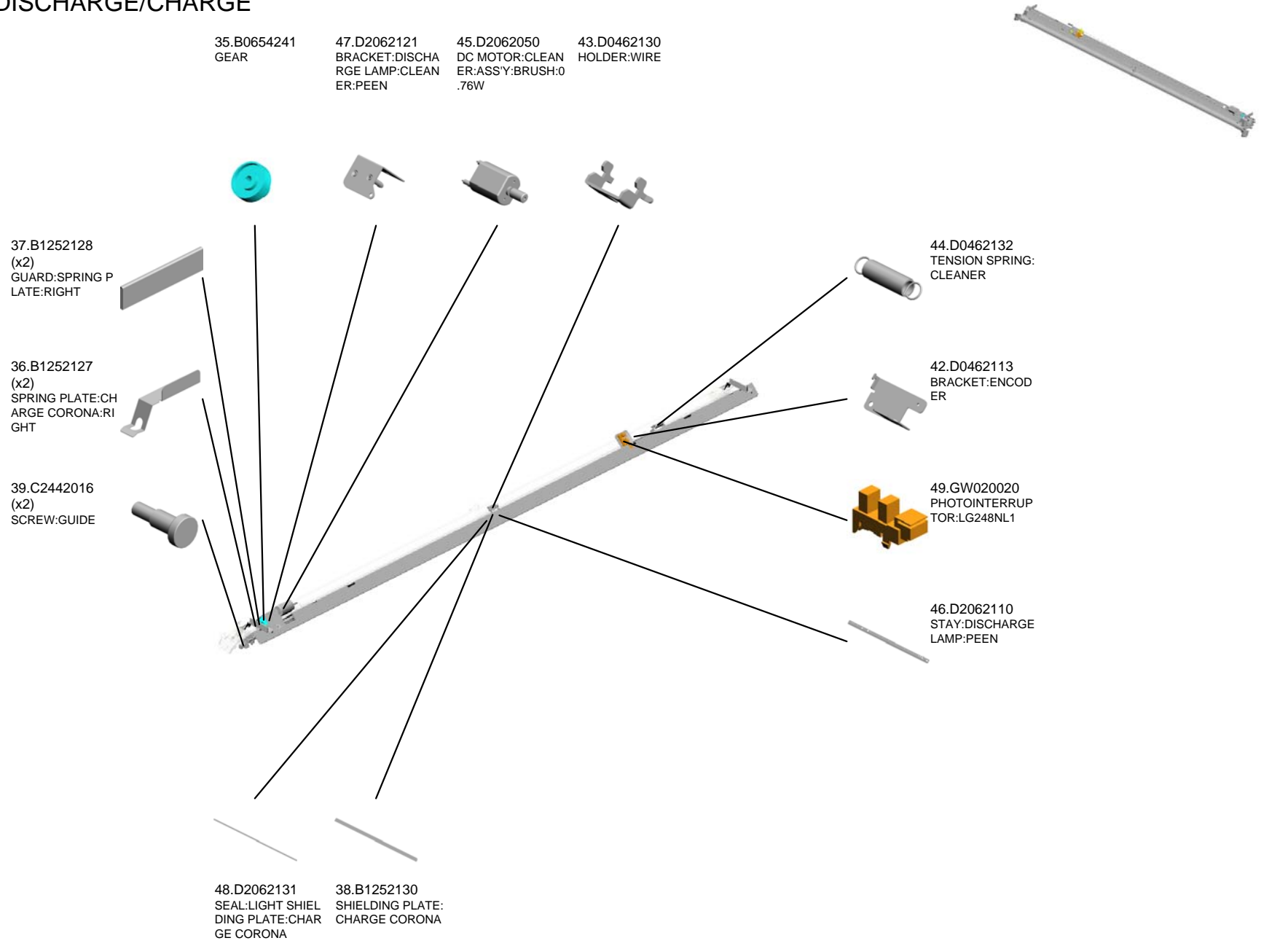


U001	U002	U003	U004	U005	U006	U007	U008	U009	U010	U011	U012	U013
------	------	------	------	------	------	------	------	------	------	------	------	------

U004 DISCHARGE/CHARGE



U004 DISCHARGE/CHARGE



U001	U002	U003	U004	U005	U006	U007	U008	U009	U010	U011	U012	U013
------	------	------	------	------	------	------	------	------	------	------	------	------

U004_S001
CHARGE CORONA:ASS'Y

17.AA060965
SPRING:CORONA
WIRE:CHARGE

2.03130050N
(x4)
PHILIPS PAN HEA
D SCREW - M3X5

25.AD020090
(x4)
GRID WIRE

41.D0462061
CLEANER:CHARGE
E CORONA:ASS'Y

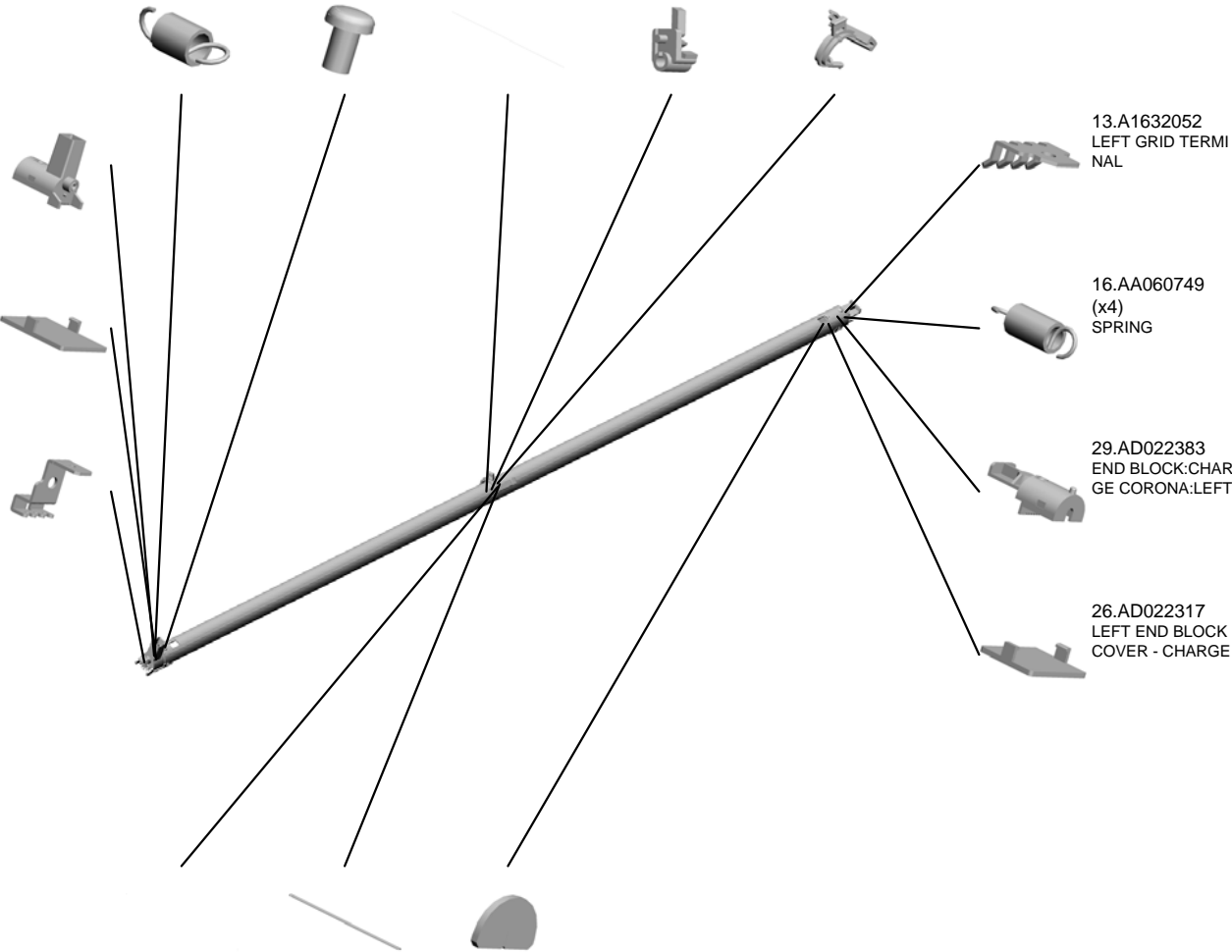
40.D0462060
SLIDER:CLEANER

23.AD004107
CHARGE CORONA
:ASS'Y

28.AD022382
END BLOCK:CHAR
GE CORONA:RIGH
T

27.AD022369
END BLOCK COVE
R - CHARGE CORO
NA

32.B0102052
RIGHT GRID TERM
INAL



24.AD020089
CHARGE CORONA
WIRE - G

30.AD023144
CASING:CHARGE
CORONA

14.A1742065
(x2)
RUBBER DAMPER

13.A1632052
LEFT GRID TERM
INAL

16.AA060749
(x4)
SPRING

29.AD022383
END BLOCK:CHAR
GE CORONA:LEFT

26.AD022317
LEFT END BLOCK
COVER - CHARGE

U005.LASER UNIT

U005_S001
D2061859
LED HEAD:ASS'Y



U001	U002	U003	U004	U005	U006	U007	U008	U009	U010	U011	U012	U013
------	------	------	------	-------------	------	------	------	------	------	------	------	------

U005 LASER UNIT

16.B2865620 (x2) GASKET:STAY:FFC
 13.B1251971 (x2) PLATE:SHAFT
 5.04514008N (x2) TAPPING SCREW: 4X8



2.04513006N (x2) TAPPING SCREW - 3X6



6.04543006Q (x3) TAPPING SCREW - M3X6

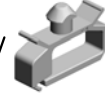


15.B2865617 (x2) STAY:FFC



6.04543006Q (x 1) TAPPING SCREW - M3X6

10.11050516 (x4) CLAMP



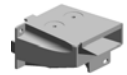
1.04504025N (x4) TAPPING SCREW: 4X25



14.B1322466 (x2) FILTER:DUCT:INTERMEDIATE TRANSFER



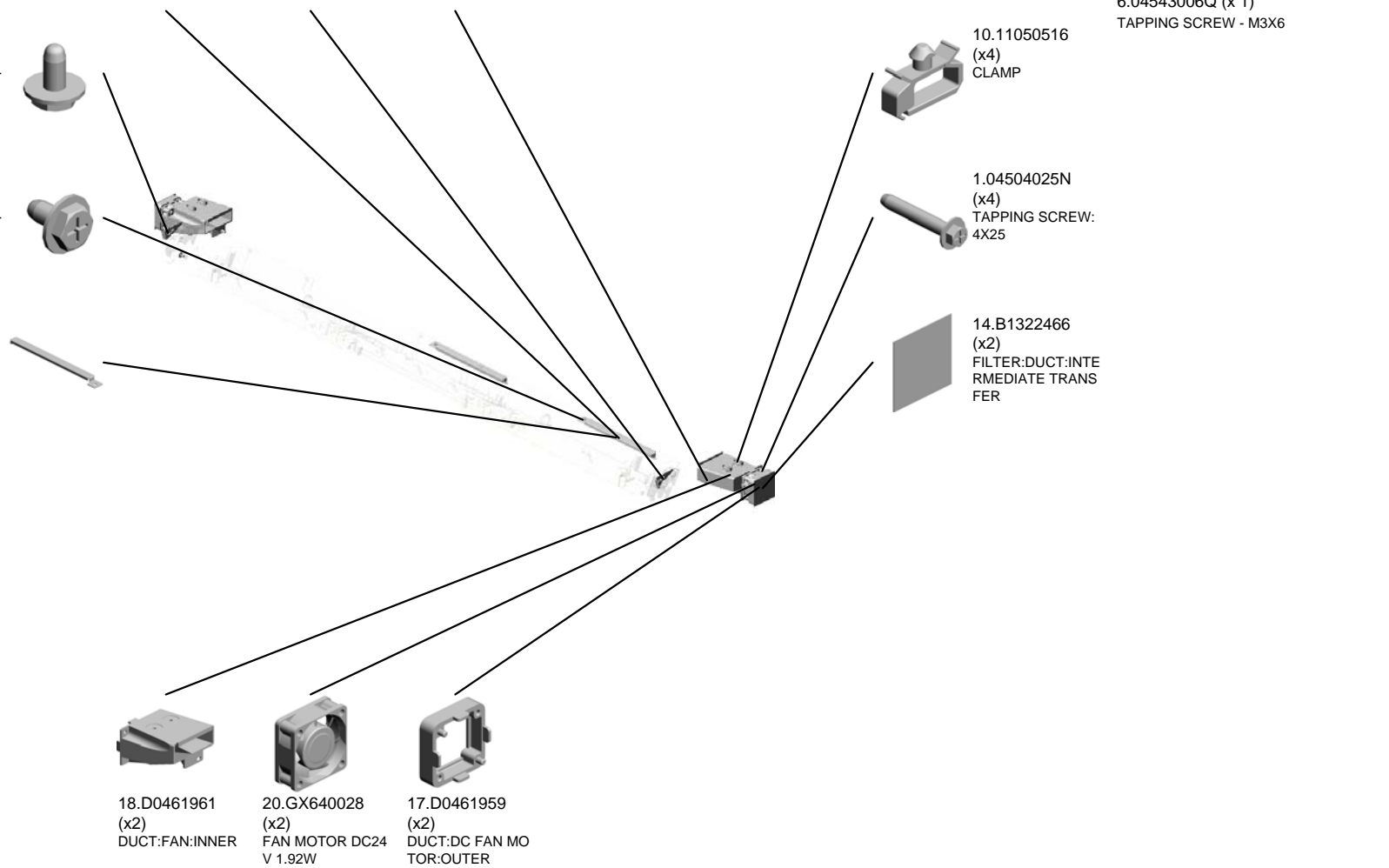
18.D0461961 (x2) DUCT:FAN:INNER



20.GX640028 (x2) FAN MOTOR DC24 V 1.92W



17.D0461959 (x2) DUCT:DC FAN MOTOR:OUTER



U005_S001
LED HEAD:ASS'Y

7.07010040N
(x2)
WASHER:DIA4

8.07010050N
(x2)
WASHER:DIA5

19.D2061859
LED HEAD:ASS'Y

12.AA143802
(x4)
SCREW:6X1.7

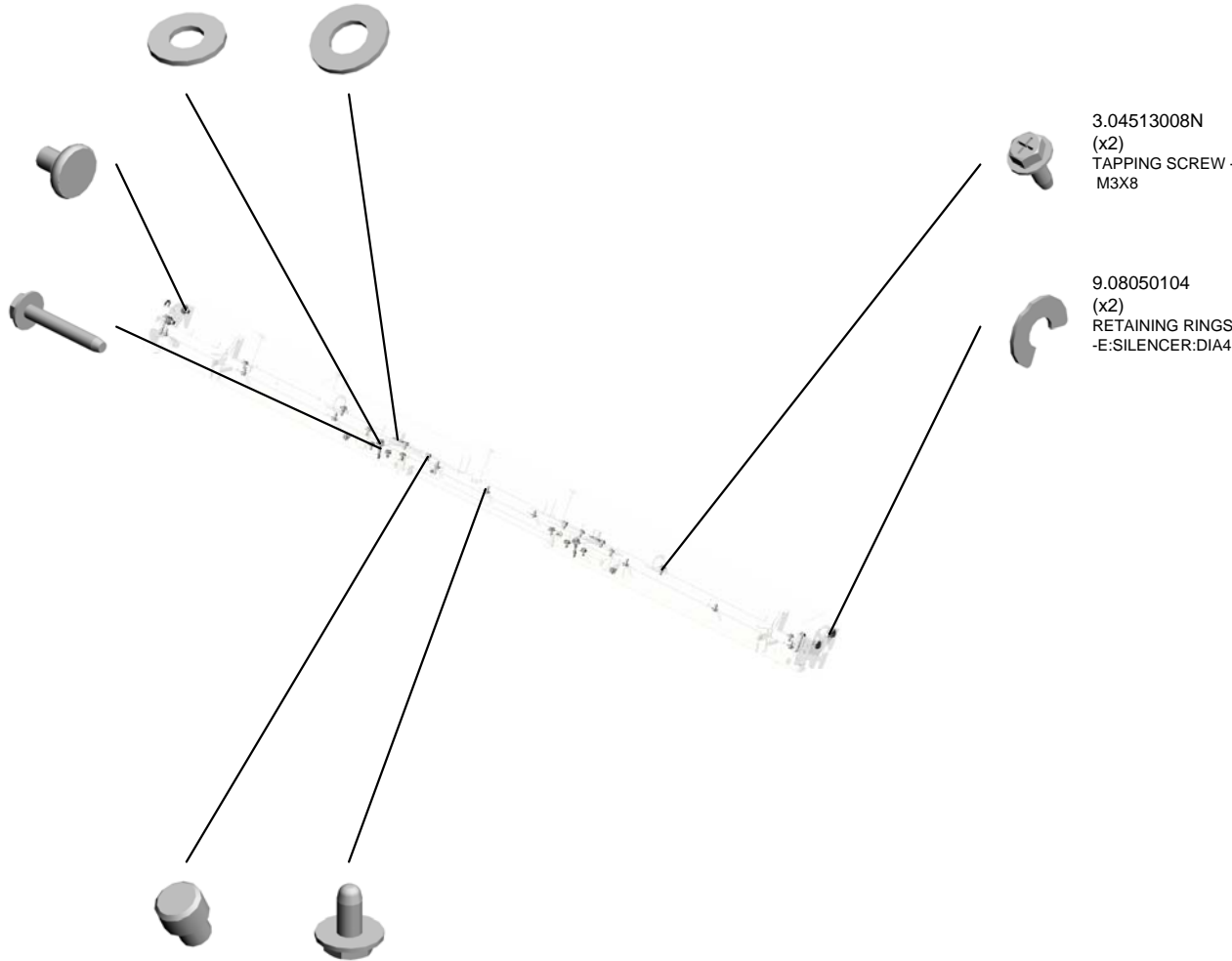
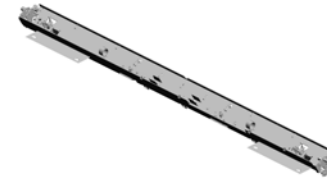
4.04513020N
(x4)
TAPPING SCREW:
3X20

3.04513008N
(x2)
TAPPING SCREW -
M3X8

9.08050104
(x2)
RETAINING RINGS
-E:SILENCER:DIA4

11.59183120
(x2)
STUD - M4

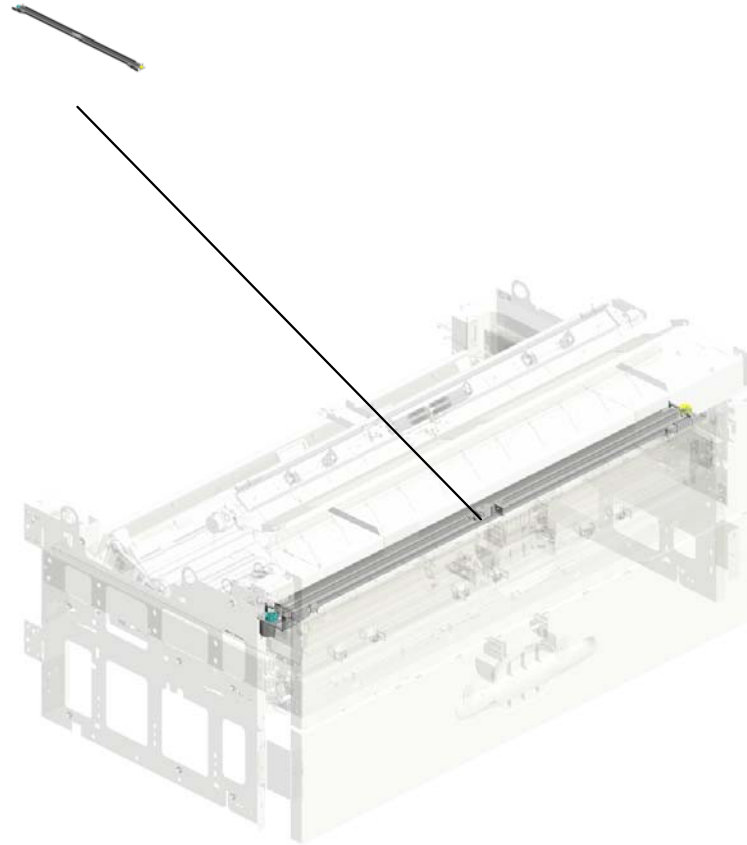
2.04513006N
(x26)
TAPPING SCREW -
3X6



U001	U002	U003	U004	U005	U006	U007	U008	U009	U010	U011	U012	U013
------	------	------	------	------	------	------	------	------	------	------	------	------

U006.PAPER FEED

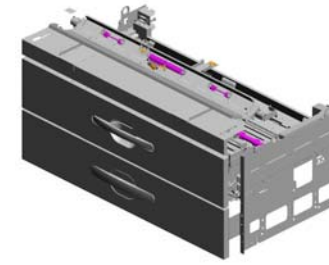
U006_S001
D2062741
CUTTER UNIT:ASS'Y



U001	U002	U003	U004	U005	U006	U007	U008	U009	U010	U011	U012	U013
------	------	------	------	------	-------------	------	------	------	------	------	------	------

U006 PAPER FEED

- 6.04513006N (x7) TAPPING SCREW - 3X6
- 1.03530120N (x3) SCREW M3X12
- 22.04544008Q (x7) TAPPING SCREW - M4X8
- 3.03603006N (x4) SCREW - M3X6
- 18.04533006N (x6) TAPPING SCREW - M3X6



- 12.04514010N (x6) TAPPING SCREW: 4X10



- 4.03604010N (x8) SCREW:M4X10



- 9.04513020N (x4) TAPPING SCREW: 3X20



- 21.04543006Q (x2) TAPPING SCREW - M3X6



- 16.04523010N (x14) BINDING SELF-TAPPING SCREW:3X10



- 20.04534008N (x15) BINDING SELF TAPPING SCREW:4X8



- 10.04514006N (x4) TAPPING SCREW - 4X6



- 17.04524008N (x5) TAPPING SCREW: M4X8



- 19.04533008N (x4) BINDING SELF TAPPING SCREW:3X8



- 5.04504008N (x4) TAPPING SCREW - M4X8



- 11.04514008N (x105) TAPPING SCREW: 4X8



- 8.04513014N TAPPING SCREW: 3X14



- 15.04523008N (x8) TAPPING SCREW - M3X8



- 2.03530140N SCREW:M3X14



- 14.04523006N (x2) BINDING SELF-TAPPING SCREW:3X6

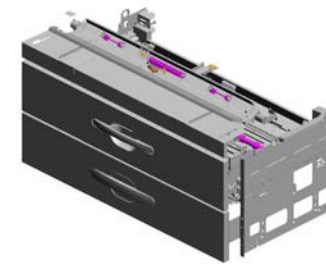


- 37.11050328 HARNESS CLAMP - ES-0505

- 43.11050724 (x2) CLAMPS:WES-1210

- 7.04513008N (x 1) TAPPING SCREW - M3X8
- 11.04514008N (x 2) TAPPING SCREW:4X8
- 13.04514014N (x 2) TAPPING SCREW:M4X14
- 45.11060411 (x 1) BUSHING - 11.5MM
- 46.11060493 (x 1) EDGING

U006 PAPER FEED



- 40.11050511 (x42) HARNESS CLAMP - LWS-0306ZC
- 38.11050329 (x4) CLAMP - ES-0510
- 33.08025305 (x3) TAPPING SCREW - M3X6
- 41.11050516 (x25) CLAMP
- 28.07200040E (x17) RETAINING RING - M4

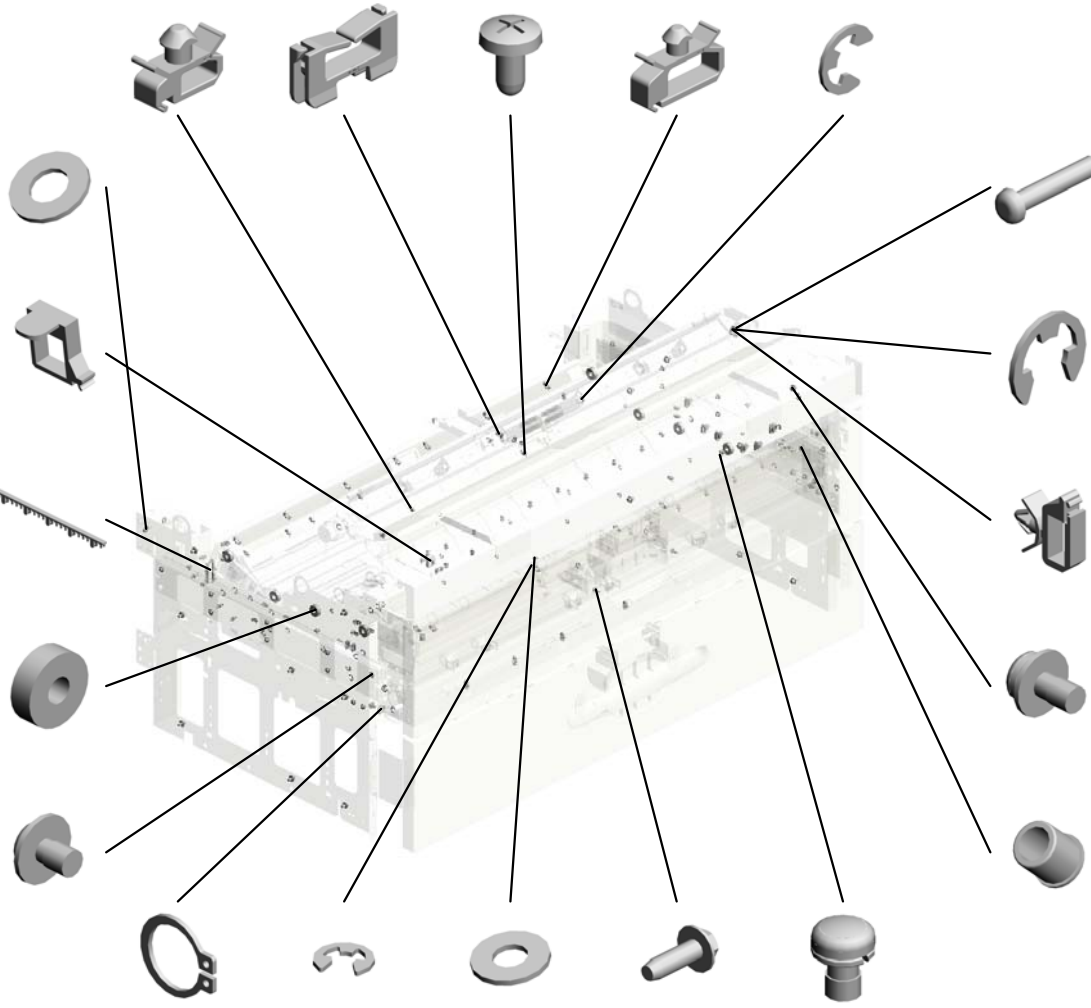
25.07010050N (x2) WASHER:DIA5

42.11050563 CLAMP - LWSS-2N

47.11060923 BUSHING:JKR-100

31.07403008 (x8) BALL BEARING - 8 X22X7

35.09514006N (x24) SCREW:POLISHED ROUND:M4X6



32.08010228 PAN HEAD SCREW :M2.3X12

29.07200060E (x27) RETAINING RING - M6

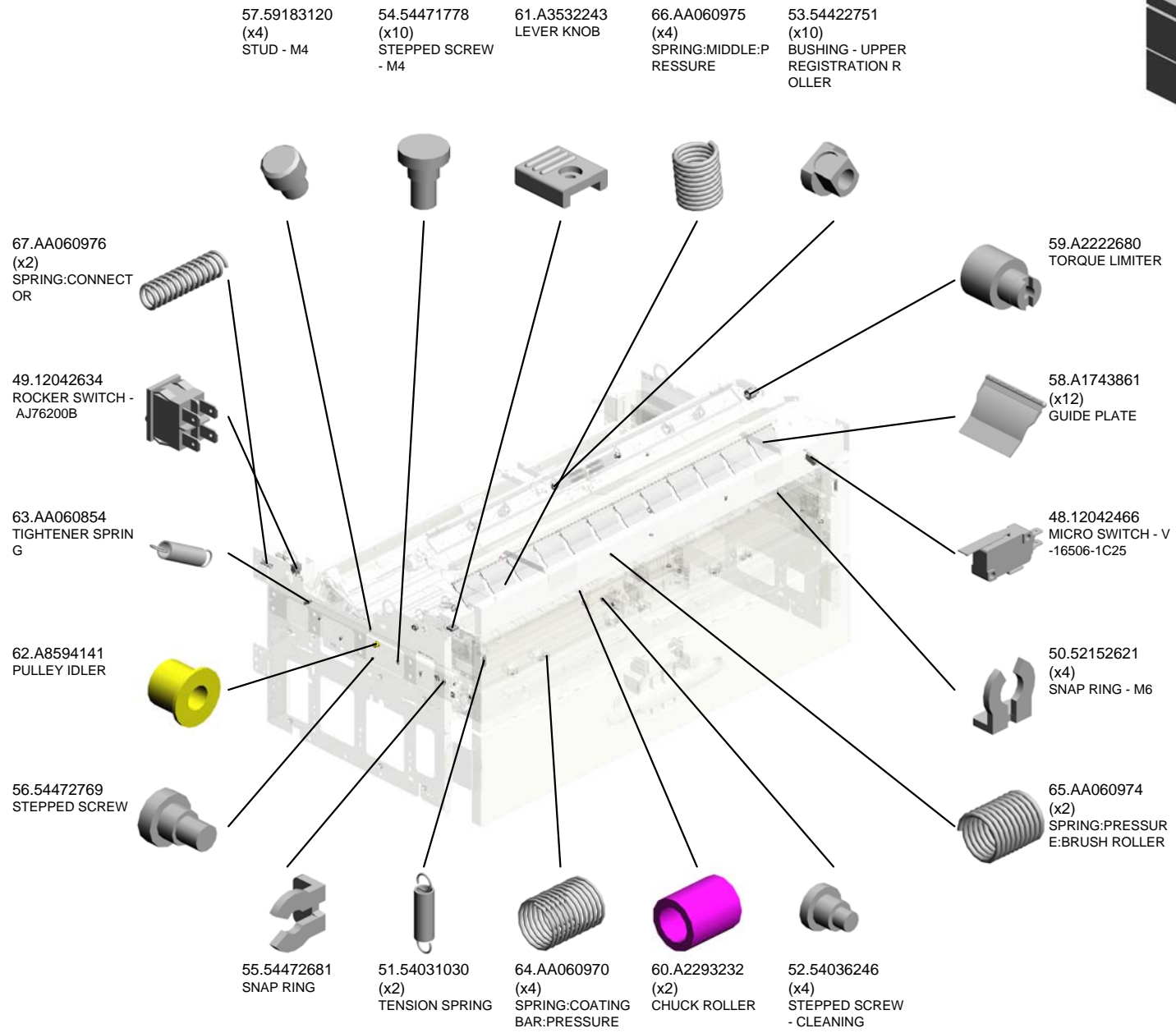
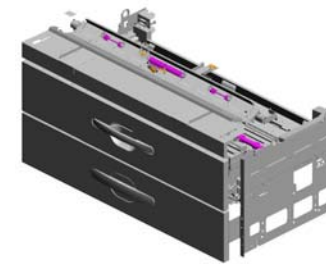
39.11050487 (x7) HARNESS CLAMP

36.09545010N (x18) SCREW:POLISHED ROUND/SPRING:M 5X10

44.11060241 (x2) BUSHING - 6.7MM

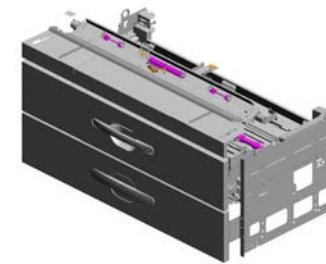
- 30.07250140E (x2) RETAINING RING (C TYPE) - M14
- 26.07200020E (x2) RETAINING RING - M2
- 24.07010040N (x4) WASHER:DIA4
- 23.04564012N (x2) TAPPING SCREW: WP:4X12
- 34.09504006N (x2) SCREW - M4X6

U006 PAPER FEED



U001	U002	U003	U004	U005	U006	U007	U008	U009	U010	U011	U012	U013
------	------	------	------	------	------	------	------	------	------	------	------	------

U006 PAPER FEED



- 84.AA143788 (x4) PIN:GUIDE PLATE: PAPER FEED
- 74.AA063910 (x4) COMPRESSION SPRING:REGISTRATI ON:2.5N
- 80.AA082135 (x12) BUSHING - DIA4
- 72.AA063427 (x2) SPRING:9.8N
- 75.D2062589 [A] FEELER SPRING 201610-01 X/O



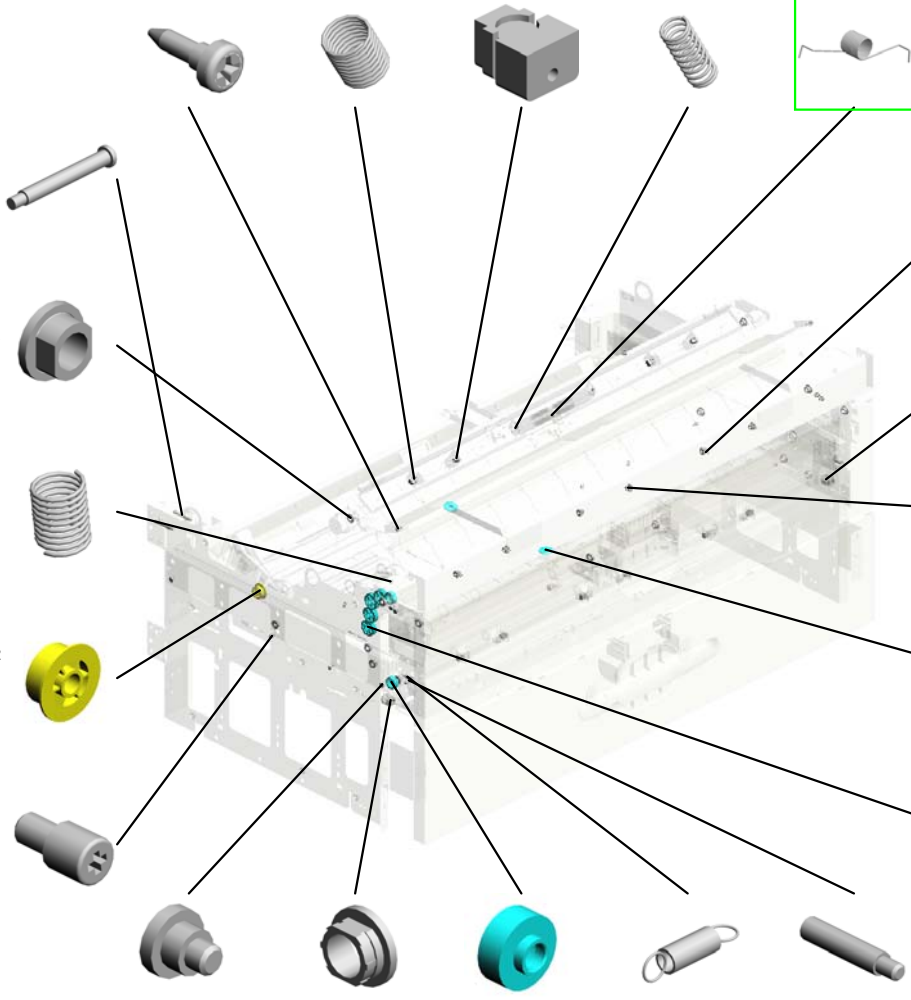
- 81.AA143253 (x2) PIN - LEVER - PAPER SPOOL UNIT

- 79.AA082070 (x16) BUSHING - 8X16X7

- 76.AA066368 (x6) SPRING - EXIT

- 89.AB030678 TIMING PULLEY - 25T

- 85.AA143859 (x2) POSITIONING PIN



- 71.AA063122 (x4) EXIT ROLLER SPRING

- 73.AA063612 (x2) COMPRESSION SPRING - TRAY RELEASE

- 78.AA080203 (x6) BUSHING - 6MM

- 88.AB013868 (x2) GEAR - 16Z

- 86.AB011412 (x4) GEAR - 36Z

- 83.AA143718 (x8) STEPPED SCREW - M4

- 77.AA080049 (x2) BUSHING - 10X18

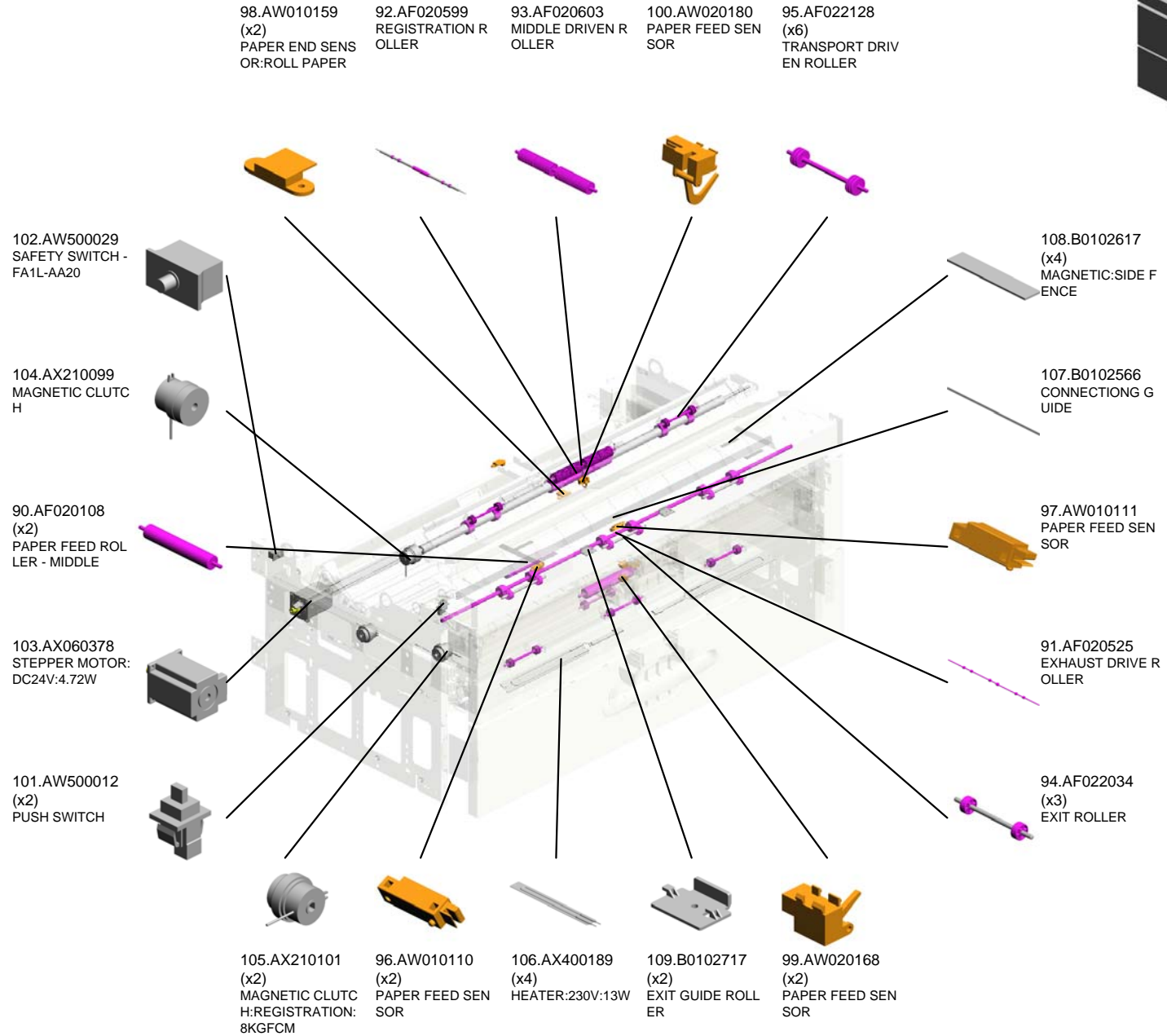
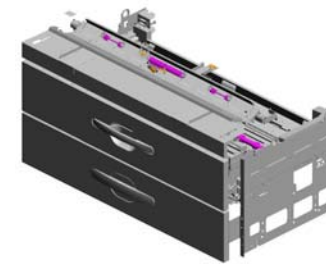
- 87.AB011413 (x2) DRIVE GEAR - 27Z

- 68.AA060981 (x2) SPRING:TIGHTENER

- 82.AA143347 (x2) LEVER STOPPER SHAFT

U001	U002	U003	U004	U005	U006	U007	U008	U009	U010	U011	U012	U013
------	------	------	------	------	------	------	------	------	------	------	------	------

U006 PAPER FEED



U001	U002	U003	U004	U005	U006	U007	U008	U009	U010	U011	U012	U013
------	------	------	------	------	------	------	------	------	------	------	------	------

U006 PAPER FEED

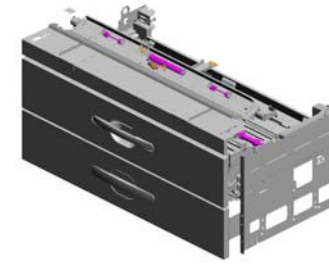
118.B0102978
(x2)
KEYTOP

121.B1252579
FEELER:REGISTRATION SENSOR

122.B1252580
HOLDER:FEELER

114.B0102947
(x4)
HARNESS CLAMP - FCW-52

111.B0102827
RIGHT SHEET - SIDE PLATE



115.B0102956
CONNECTOR BRACKET

119.B0102979
(x2)
SWITCH PLATE

125.B1882579
MOTOR CUSHION

126.B1882663
(x2)
HOLDER:PAPER HOLDER-LEFT

128.B1882666
(x4)
BRAKE:PAPER HOLDER

120.B0391192
GEAR - 57Z

124.B1254912
(x2)
SHAFT:CONTACT POINT:STOPPER

110.B0102726
ROLLER GUIDE PLATE

129.B1882704
HOLDER:ROLL PA PER

112.B0102902
LEVER SHAFT

117.B0102966
TIMING BELT - S2 M 334

116.B0102964
TIMING BELT - S2 M 252

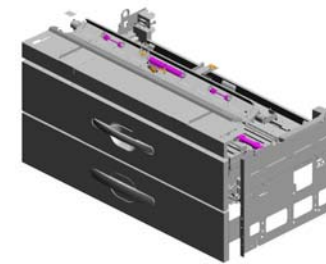
123.B1252581
BRACKET:SENSOR

127.B1882664
(x2)
HOLDER:PAPER HOLDER-RIGHT

113.B0102916
(x2)
POSITIONING PIN

U006 PAPER FEED

142.B1882773 COVER:CUTTER UNIT:LEFT
 146.B1882896 LEVER:LOCK:LEFT
 143.B1882802 GUIDE PLATE:GUIDE PLATE:LOWER
 135.B1882722 GUIDE PLATE:EXIT:INNER
 131.B1882710 GUIDE PLATE:EXIT:OUTER:PEEN



144.B1882820 BRACKET:ROCKER SWITCH

145.B1882876 BRACKET:MOTOR

149.B1882936 SLIDE RAIL - LEFT

133.B1882718 RELEASE PLATE:LEFT

139.B1882759 STOPPER:LEFT:UPPER PAPER FEED

137.B1882735 (x2) GUIDE:RELEASE PLATE

136.B1882726 HOLDER:ROLLER

138.B1882736 ROLLER:CONNECTING:DRIVE

141.B1882772 GUIDE PLATE:CONNECTING:FRONT

132.B1882715 GUIDE PLATE:LOWER FRONT

148.B1882917 (x16) SPACER

147.B1882898 LEVER:LOCK:RIGHT

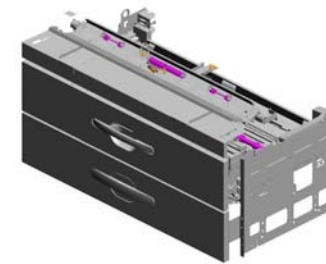
130.B1882705 BRACKET:MICRO SWITCH

134.B1882719 RELEASE PLATE:RIGHT

140.B1882760 STOPPER:RIGHT:UPPER PAPER FEED

U001	U002	U003	U004	U005	U006	U007	U008	U009	U010	U011	U012	U013
------	------	------	------	------	-------------	------	------	------	------	------	------	------

U006 PAPER FEED



- 154.B1886196 (x2) GASKET:GUIDE PLATE:UPPER FRONT
- 157.B3532765 (x8) ROLLER SHAFT
- 159.B3532768 (x4) POSITIONING PLATE
- 162.D0462524 BRACKET:HEATER
- 155.B2593890 DENSITY SENSOR

152.B1882958
CABLE:CONNECTOR

151.B1882950
BRACKET:CONNECTOR:TRAY

156.B2751670 (x4)
GUARD BURRING

168.D0462532 (x8)
SHEET:PAPER SIZE SENSOR

160.B6243014
REVERSE ROLLER TENSION SPRING

158.B3532767 (x4)
BRAKE COMPRESSION SPRING

167.D0462529 (x2)
GEAR:HOLDER:LEFT

169.D0462536 (x2)
HOLDER:PAPER HOLDER:MIDDLE

165.D0462527 (x2)
BASE:PAPER SIZE SENSOR

161.C2292113 (x4)
RELEASE ROLLER

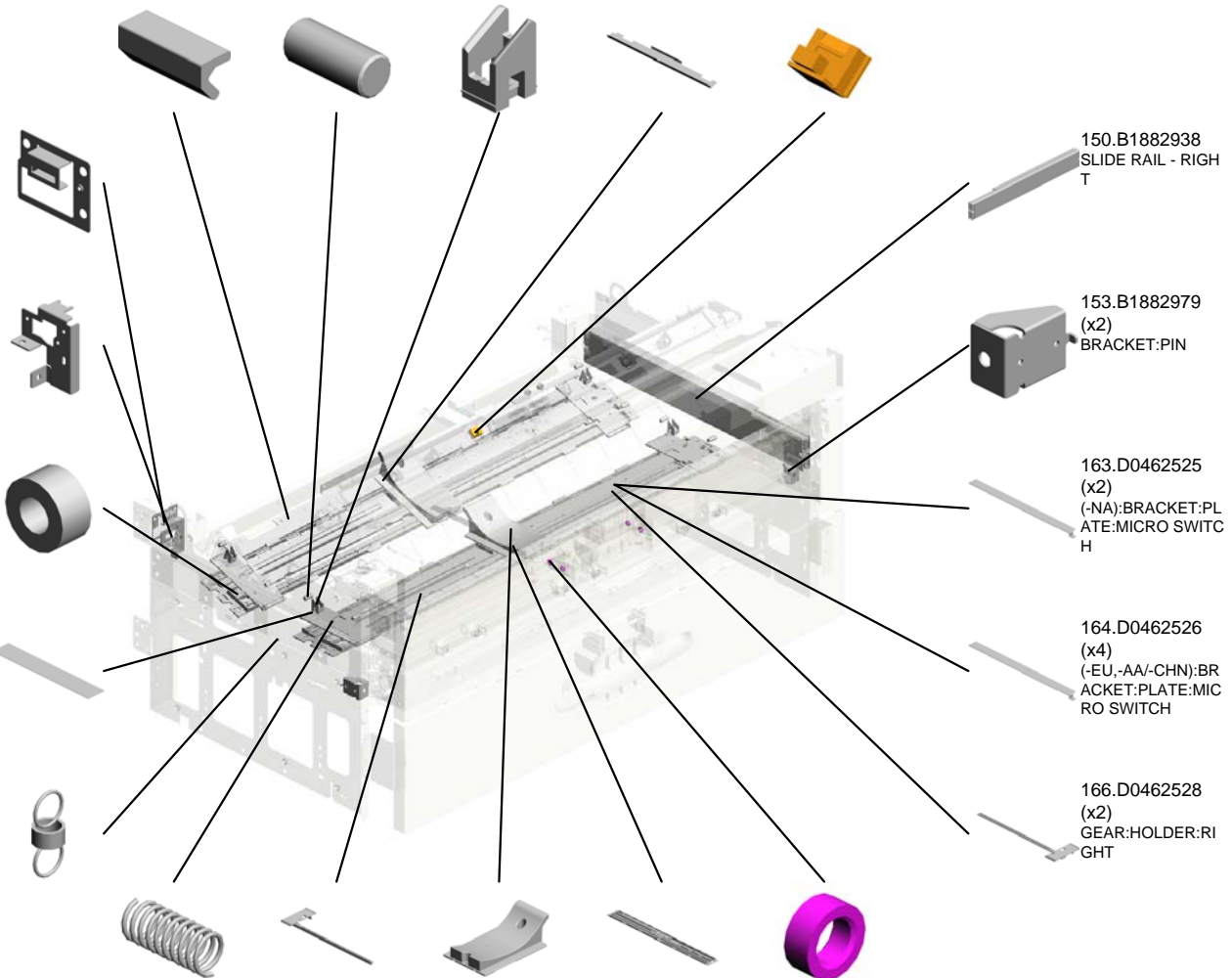
150.B1882938
SLIDE RAIL - RIGHT

153.B1882979 (x2)
BRACKET:PIN

163.D0462525 (x2)
(-NA):BRACKET:PLATE:MICRO SWITCH

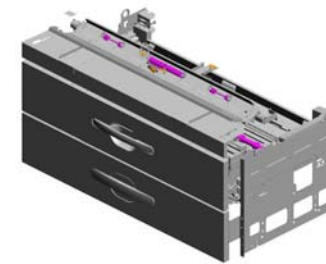
164.D0462526 (x4)
(-EU,-AA/-CHN):BRACKET:PLATE:MICRO SWITCH

166.D0462528 (x2)
GEAR:HOLDER:RIGHT



U001	U002	U003	U004	U005	U006	U007	U008	U009	U010	U011	U012	U013
------	------	------	------	------	------	------	------	------	------	------	------	------

U006 PAPER FEED



- 180.D0462671 (x2) PULLEY:DIA17:1
- 173.D0462651 TIMING BELT:S2M:420
- 186.D0462747 (x2) PAPER FEED ROLLER:LEFT AND RIGHT
- 172.D0462612 (x2) SHEET:MANUAL FEED:LEFT AND RIGHT
- 171.D0462572 GUIDE PLATE:MIDDLE

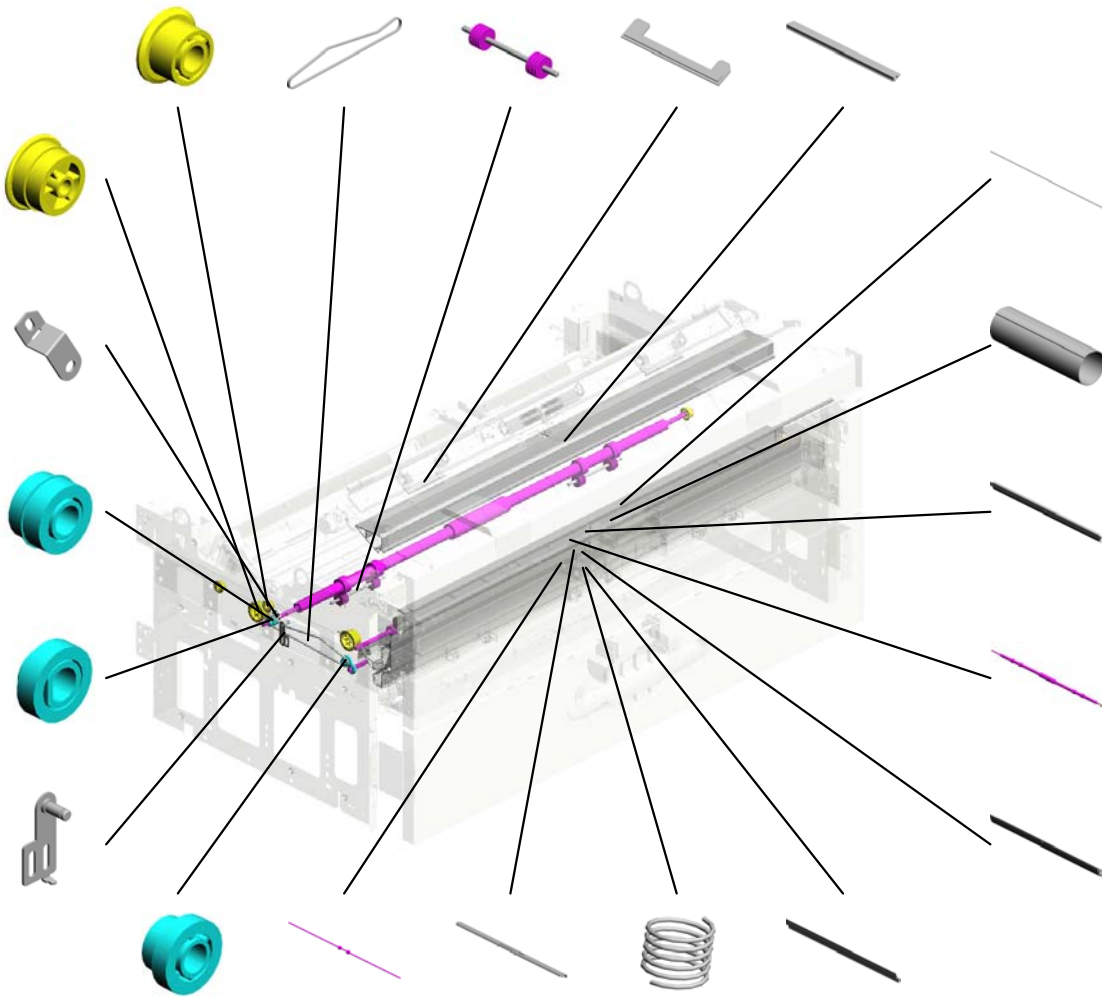
177.D0462657 (x2) TIMING PULLEY:TWO STEP SPEED VARYING

170.D0462568 DRUM STAY:DRIVER

178.D0462659 GEAR:PULLEY:Z21:T28

174.D0462652 (x2) GEAR:Z20

176.D0462654 BRACKET:TIGHTENER:PEEN



- 175.D0462653 GEAR:PULLEY:Z23:T24
- 183.D0462736 ROLLER:MIDDLE:DRIVE
- 189.D0462784 GUIDE PLATE:LOWER
- 179.D0462661 (x2) COMPRESSION SPRING:MIDDLE:MIDDLE
- 187.D0462770 GUIDE PLATE:CONNECTING:LOWER

181.D0462706 SHEET:HOLDER:ROLL PAPER

184.D0462737 SHEET:FEED ROLLER

185.D0462740 GUIDE PLATE:UPPER

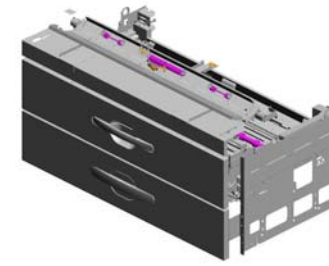
182.D0462733 (x2) FEED ROLLER:ASY

188.D0462771 GUIDE PLATE:CONNECTING:UPPER

U001	U002	U003	U004	U005	U006	U007	U008	U009	U010	U011	U012	U013
------	------	------	------	------	------	------	------	------	------	------	------	------

U006 PAPER FEED

203.D0462931 INNER COVER:LEFT
 206.D0462949 TIMING PULLEY:32T
 208.D0462994 (x2) BRACKET:HOLDER:LEFT
 190.D0462787 (x2) COVER:SIDE PLATE
 205.D0462942 GUIDE PLATE:BASE TRAY:ASSY



193.D0462815 BRACKET:DC FAN MOTOR

196.D0462868 BRACKET:TIGHTENER:ASSY

194.D0462816 COVER:MOTOR

197.D0462880 STAY:INNER BACK

195.D0462857 TIMING BELT:936

209.D0463702 (x2) SPRING PLATE:STOPPER:PAPER SIZE SENSOR

202.D0462907 BRACKET:GRIP:LEFT

192.D0462790 (x2) SHEET:GUIDE PLATE:LOWER

198.D0462901 GUIDE PLATE:GRIP

201.D0462904 SHAFT:GRIP

204.D0462932 INNER COVER:RIGHT

191.D0462788 INNER COVER:RIGHT:MICRO SWITCH

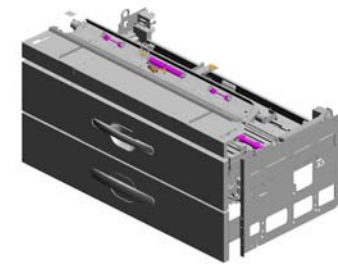
207.D0462993 (x2) BRACKET:HOLDER:RIGHT

199.D0462902 BRACKET:GRIP:RIGHT

200.D0462903 VIBRATING PLATE:GRIP

U001	U002	U003	U004	U005	U006	U007	U008	U009	U010	U011	U012	U013
------	------	------	------	------	-------------	------	------	------	------	------	------	------

U006 PAPER FEED



- 217.D2062578 BRACKET:DENSITY SENSOR
- 224.D2062602 COVER:CONNECTOR:PAPER END SENSOR
- 227.D2062617 SHEET:MANUAL FEED:MIDDLE
- 215.D2062562 GUIDE PLATE:LOWER
- 220.D2062587 GUIDE PLATE:REGISTRATION:UPPER:ASSY

223.D2062601
BRACKET:PAPER
END SENSOR

218.D2062579
STAY:DENSITY
SENSOR

214.D2061377
DECAL:H-TEMP
WARNING:REGISTRATION



212.D0468569
SEAL:BASE:REAR

226.D2062613
POSITIONING
PLATE:LEFT:PEEN

211.D0468568
COVER:MECHANICAL
DRIVE SECTION:FRONT LEFT

222.D2062597
SIDE FENCE:LEFT:
MANUAL FEED

210.D0463703
(x2)
SPRING PLATE:ST
OPPER:PAPER SIZE
SENSOR:UPPER

229.D2062682
BRACKET:REFLECTION
PHOTO SENSOR

219.D2062584
MANUAL FEED
TABLE:PRINTING

213.D0933181
(x2)
MAGNETIC:DEVELOPMENT
UNIT:LOWER:ASSY

216.D2062566
BRACKET:TORQUE
LIMITER MECHANICAL
CLUTCH

221.D2062593
SIDE FENCE:RIGHT:
MANUAL FEED

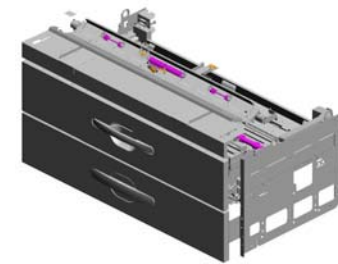
228.D2062651
BRACKET:KNOB:PEEN

225.D2062611
POSITIONING
PLATE:RIGHT:PEEN

U001	U002	U003	U004	U005	U006	U007	U008	U009	U010	U011	U012	U013
------	------	------	------	------	------	------	------	------	------	------	------	------

U006 PAPER FEED

248.G0521112 GEAR - PAPER FEED 5
 238.D2062768 COVER:SENSOR
 249.GW020020 PHOTOINTERRUPTOR:LG248NL1
 247.D2065510 PCB:RFDB
 244.D2063878 (x2) SHEET:HARNESS



242.D2062801
GUIDE PLATE



250.GX640028 (x2)
FAN MOTOR DC24V 1.92W



245.D2065319
COVER:TOTAL COVER



251.D0462955
GUIDE PLATE



237.D2062765
GUIDE PLATE:LOWER:PEEN



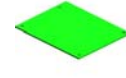
239.D2062780 (x2)
COVER:FRONT



241.D2062786
GRIP:FRONT:PAPER TRAY



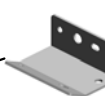
243.D2062911
CAP:COVER:FRONT



246.D2065338
GUARD:TORQUE LIMITER MECHANICAL CLUTCH



230.D2062693
GUIDE PLATE:REFLECTION PHOTO SENSOR



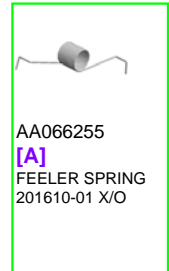
231.D2062698
STAY:GUIDE PLATE:EXIT



235.D2062753
GUIDE PLATE:VERTICAL TRANSPORT:UPPER FRONT:PEEN



240.D2062785
GRIP:REAR:PAPER TRAY



AA066255
[A]
FEELER SPRING
201610-01 X/O

U006_S001
CUTTER UNIT:ASS'Y

233.D2062744 (x2) MICRO SWITCH:ASS'Y
 69.AA061973 COIL SPRING:WIRE:CUTTER UNIT:20
 70.AA061974 COIL SPRING:WIRE:CUTTER UNIT:30



232.D2062741
CUTTER UNIT:ASS'Y

27.07200030E
RETAINING RING - M3



234.D2062746
DC MOTOR:CUTTER UNIT:ASS'Y:BRUSH:13.7W



33.08025305
TAPPING SCREW - M3X6



61.A3532243
LEVER KNOB



28.07200040E (x2)
RETAINING RING - M4



26.07200020E
RETAINING RING - M2



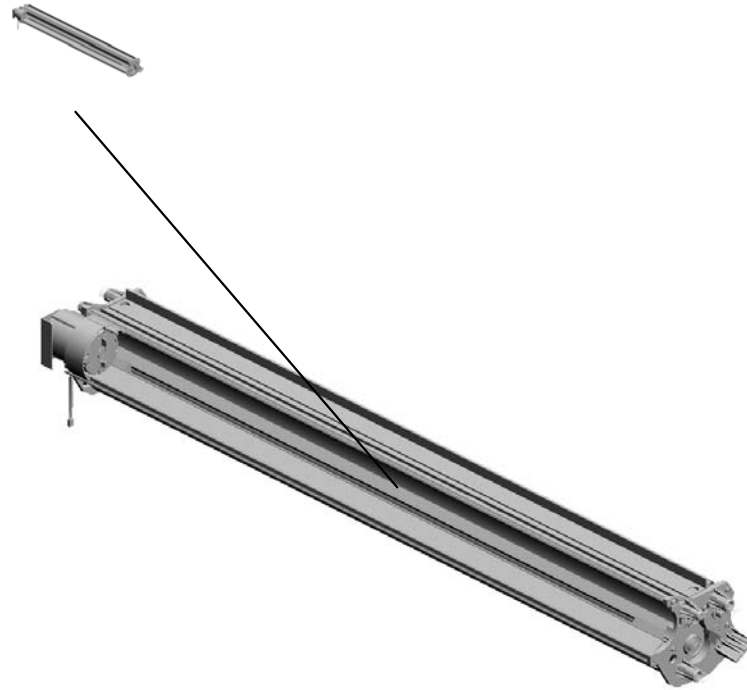
236.D2062755
KNOB:MOVE:CUTTER UNIT:ASS'Y



U001	U002	U003	U004	U005	U006	U007	U008	U009	U010	U011	U012	U013
------	------	------	------	------	------	------	------	------	------	------	------	------

U007.DEVELOPMENT

U007_S001
D2083008
DEVELOPMENT UNIT:ASS'Y



U001	U002	U003	U004	U005	U006	U007	U008	U009	U010	U011	U012	U013
------	------	------	------	------	------	------	------	------	------	------	------	------

U007 DEVELOPMENT

9.09545010N (x2)
SCREW:POLISHED
ROUND/SPRING:M
5X10

35.D2063320 (x4)
COLLAR:DEVELOP
MENT UNIT

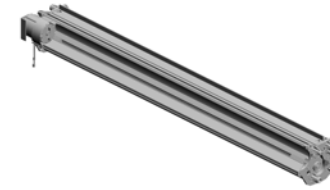


8.09515020N (x4)
SCREW:POLISHED
ROUND:M5X20



U001	U002	U003	U004	U005	U006	U007	U008	U009	U010	U011	U012	U013
------	------	------	------	------	------	------	------	------	------	------	------	------

U007_S001
DEVELOPMENT UNIT:ASS'Y



36.D2083008
DEVELOPMENT U
NIT:ASSY

3.06330200G
(x2)
PIN - M3X20

13.A1741163
DEVELOPMENT SL
EVEE GEAR

19.AA084057
BEARING CASE:DI
A26

6.08053516
BALL BEARING - 1
0X26X8

2.04514010N
(x4)
TAPPING SCREW:
4X10

21.AA143788
(x2)
PIN:GUIDE PLATE:
PAPER FEED

16.A2576592
GEAR - 20Z

12.54466214
SHAFT HOLDER -
PICK-UP ROLLER

14.A1741164
AUGER GEAR

15.A1741167
PADDLE GEAR

7.08053517
(x2)
BALL BEARING - 8
X16X5

11.52193326
(x2)
RUBBER SEAL - P
ADDLE ROLLER

23.AA153451
LEFT SHIELD - SID
E PLATE

17.AA012081
DEVELOPMENT FI
LTER

20.AA132097
SPACER

22.AA153450
RIGHT SHIELD - SI
DE PLATE

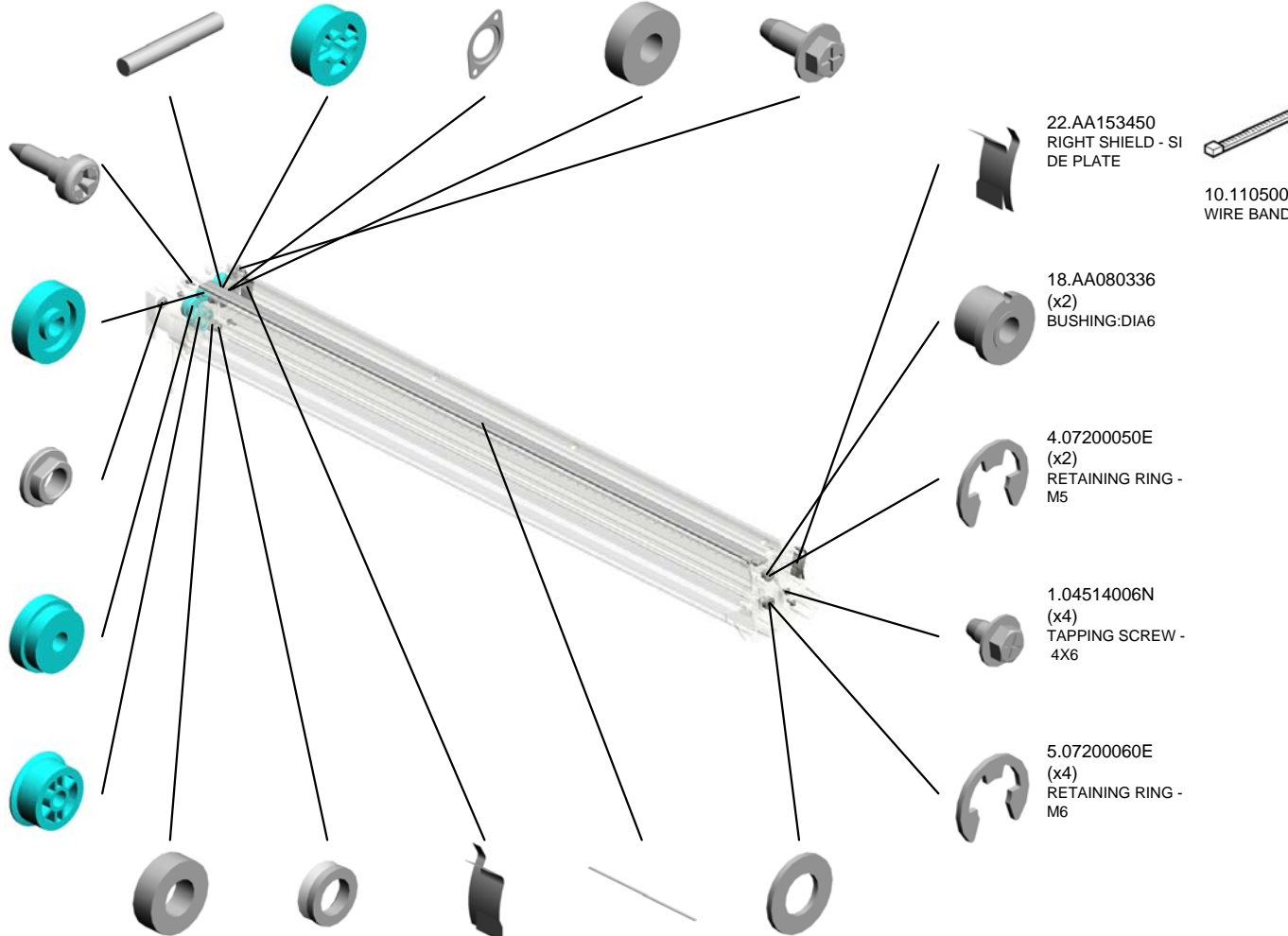
10.11050042
WIRE BAND

18.AA080336
(x2)
BUSHING:DIA6

4.07200050E
(x2)
RETAINING RING -
M5

1.04514006N
(x4)
TAPPING SCREW -
4X6

5.07200060E
(x4)
RETAINING RING -
M6



U001	U002	U003	U004	U005	U006	U007	U008	U009	U010	U011	U012	U013
------	------	------	------	------	------	------	------	------	------	------	------	------

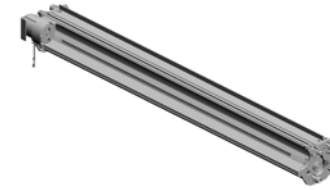
U007_S001
DEVELOPMENT UNIT:ASS'Y

33.D0463331
GEAR:IDLER:DEVE
LOPMENT:Z28/Z23

27.B0103212
SPRING:JOINT

32.D0463206
JOINT:TONER HOP
PER:UNIT

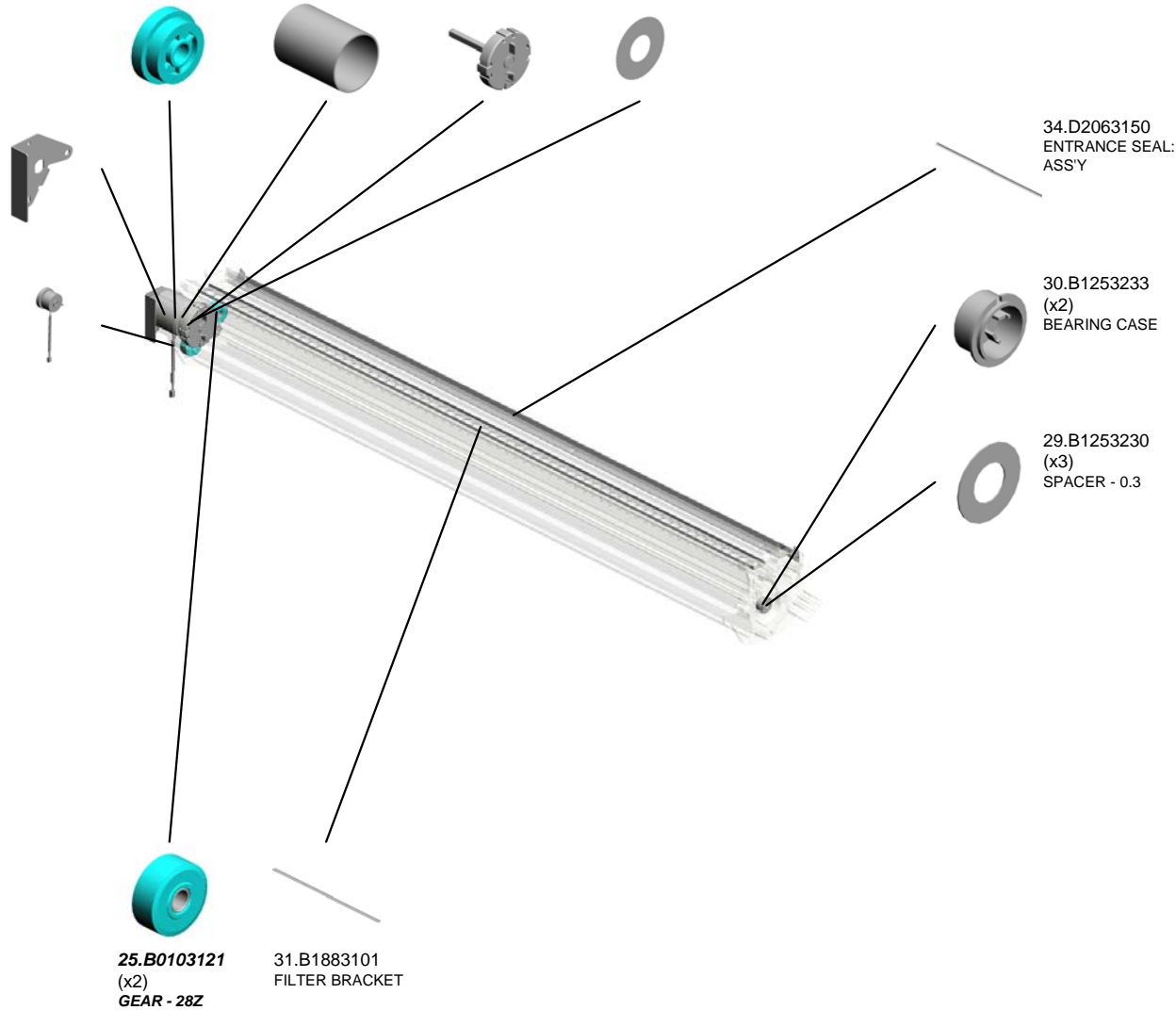
26.B0103211
DRUM STAY:SPRI
NG



36.D2083008
DEVELOPMENT U
NIT:ASSY

28.B1253205
STAY:TONER HOP
PER

24.AX200334
MECHANICAL SPRI
NG CLUTCH:TONE
R HOPPER



34.D2063150
ENTRANCE SEAL:
ASSY

30.B1253233
(x2)
BEARING CASE

29.B1253230
(x3)
SPACER - 0.3

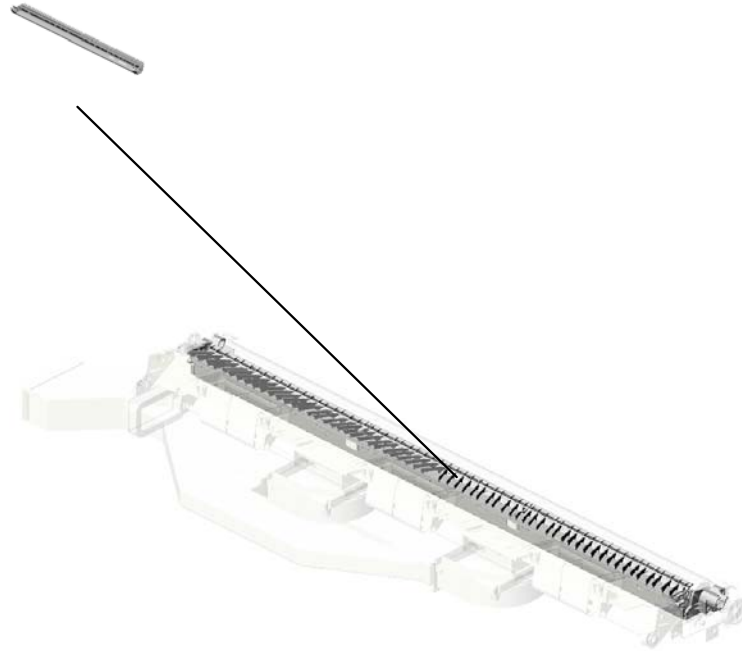
25.B0103121
(x2)
GEAR - 28Z

31.B1883101
FILTER BRACKET

U001	U002	U003	U004	U005	U006	U007	U008	U009	U010	U011	U012	U013
------	------	------	------	------	------	------	------	------	------	------	------	------

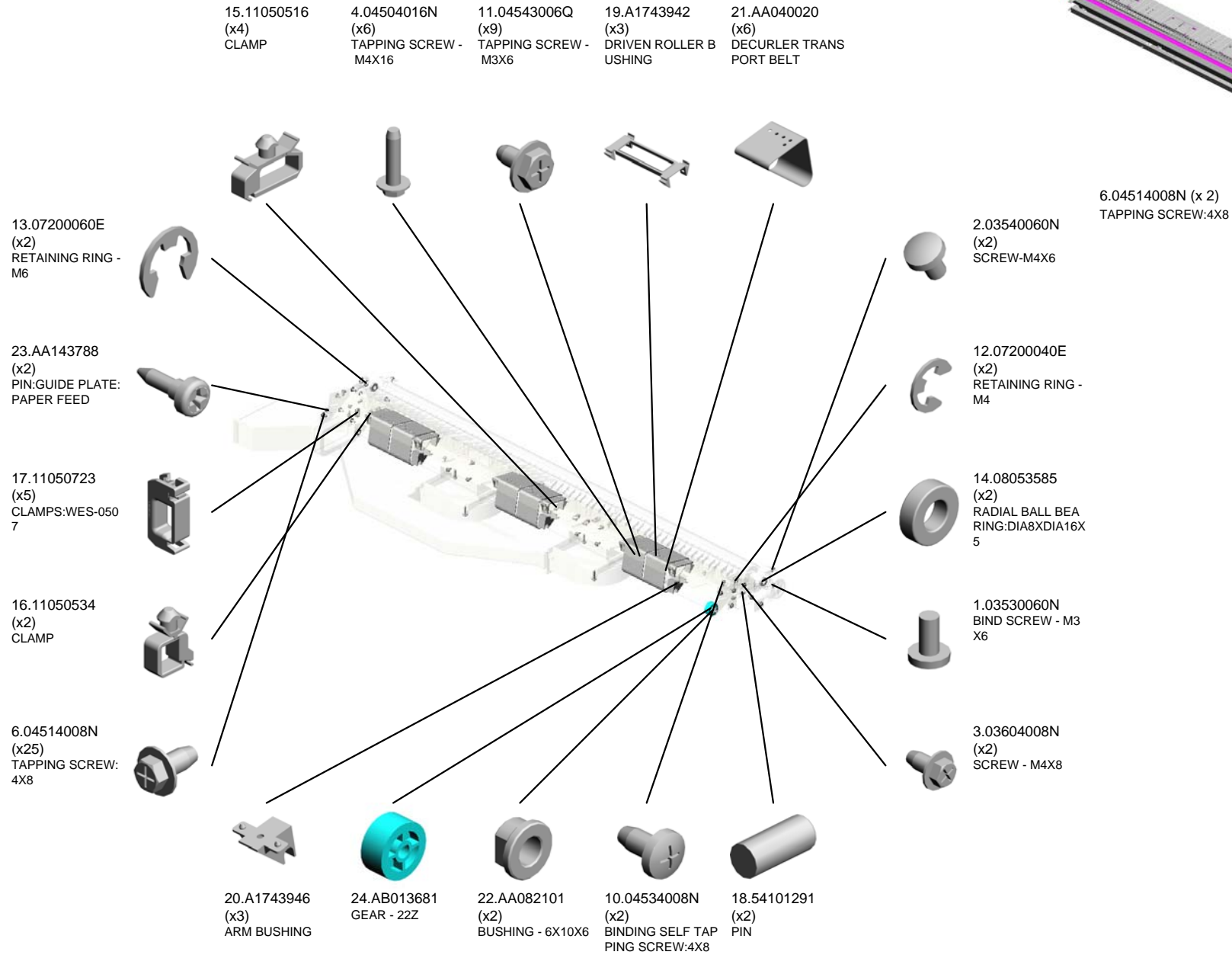
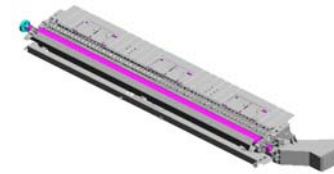
U008.TRANSFER/SEPARATION

U008_S001
D2123826
TRANSFER/SEPARATION UN
IT:SUB-ASS'Y

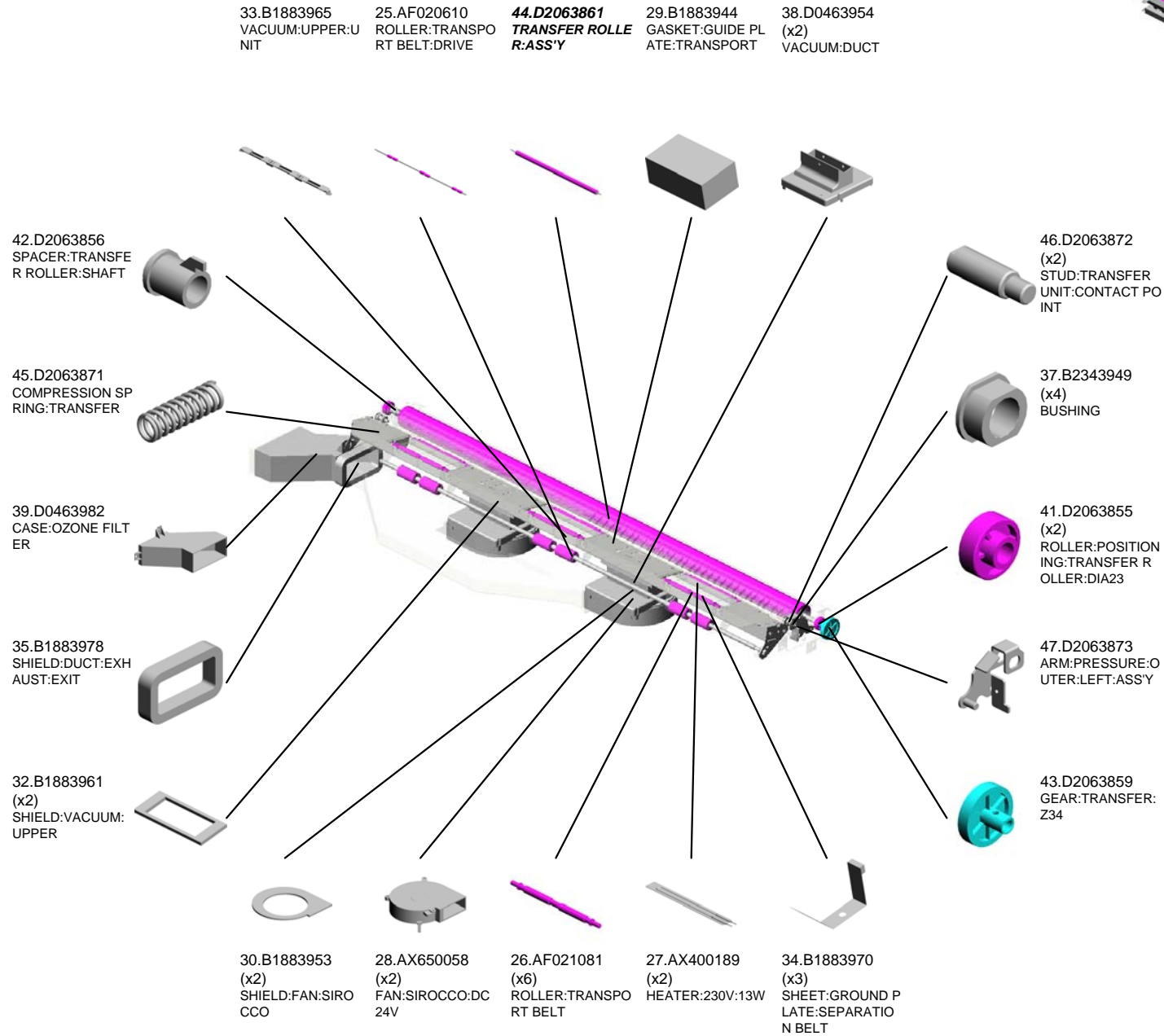
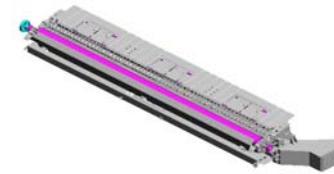


U001	U002	U003	U004	U005	U006	U007	U008	U009	U010	U011	U012	U013
------	------	------	------	------	------	------	------	------	------	------	------	------

U008 TRANSFER/SEPARATION



U008 TRANSFER/SEPARATION

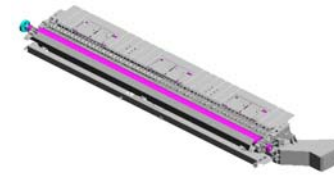


U008 TRANSFER/SEPARATION

48.D2063876 ARM:PRESSURE:O
UTER:RIGHT:ASS'
Y

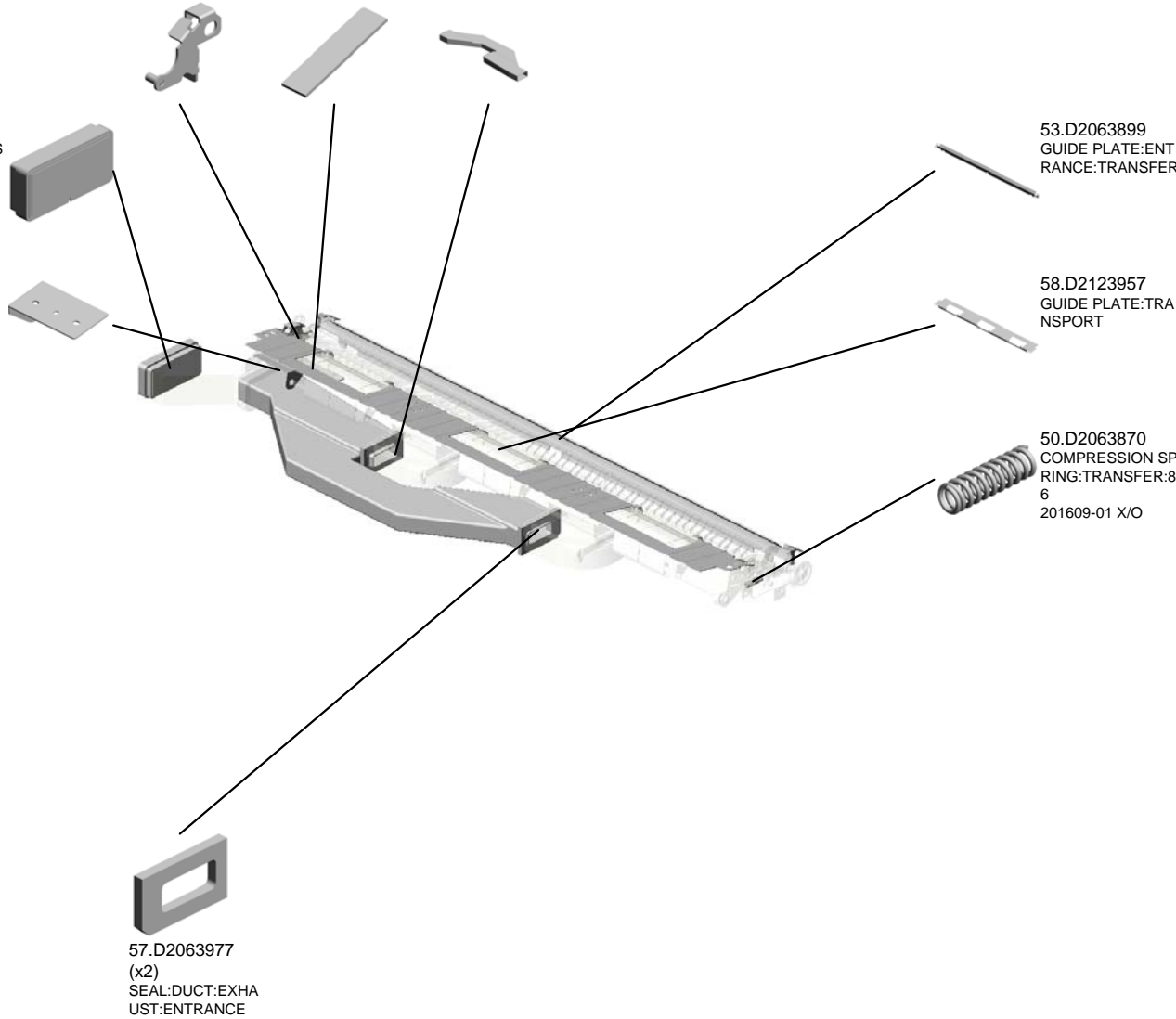
49.D2063878 SHEET:HARNESS

56.D2063976 DUCT:EXHAUST:L
ARGE



55.D2063961 OZONE FILTER:AS
SY

54.D2063958 BRACKET:BEARIN
G



57.D2063977
(x2)
SEAL:DUCT:EXHA
UST:ENTRANCE

53.D2063899
GUIDE PLATE:ENT
RANCE:TRANSFER

58.D2123957
GUIDE PLATE:TRA
NSPORT

50.D2063870
COMPRESSION SP
RING:TRANSFER:8
6
201609-01 X/O

U001	U002	U003	U004	U005	U006	U007	U008	U009	U010	U011	U012	U013
------	------	------	------	------	------	------	------	------	------	------	------	------

U008_S001
TRANSFER/SEPARATION UNIT:SUB-ASS'Y

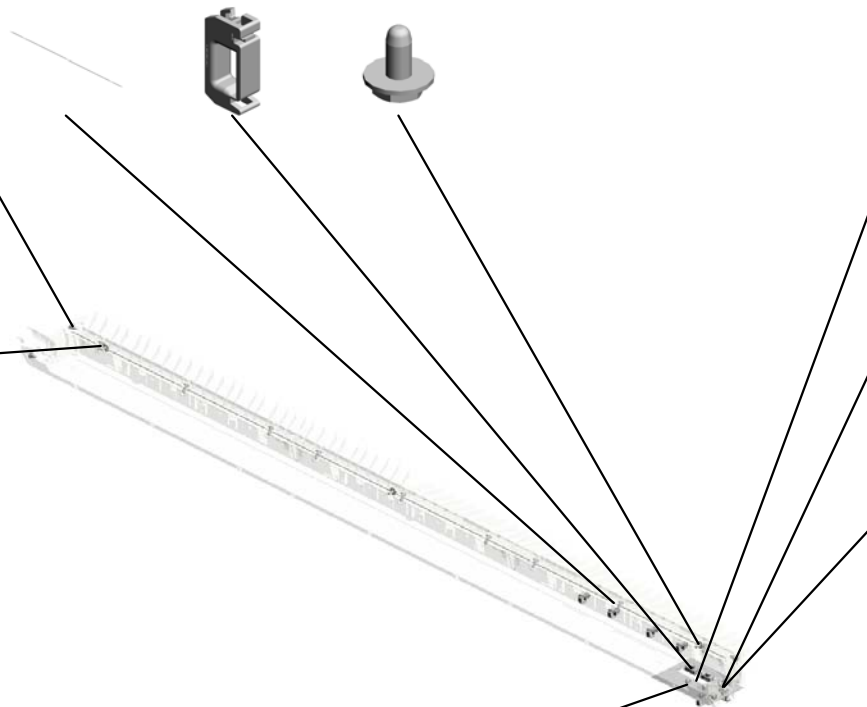
36.B2236274 (x3) ELECTRODE PLATE:TRANSFER ROLLER
 17.11050723 (x2) CLAMPS:WES-050
 5.04513006N (x3) TAPPING SCREW - 3X6



40.D2123826
 [A]
 TRANSFER/SEPARATION UNIT:SUB-ASS'Y
 201607-01 X/O

9.04533006N (x4) TAPPING SCREW - M3X6

8.04523008N (x9) TAPPING SCREW - M3X8

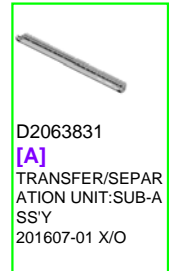


52.D2063898 INSULATING SHEET:TRANSFER/SEPARATION UNIT

7.04523006N BINDING SELF-TAPPING SCREW:3X6

51.D2063885 TERMINAL:ELECTRODE:TRANSFER

16.11050534 (x9) CLAMP



D2063831
 [A]
 TRANSFER/SEPARATION UNIT:SUB-ASS'Y
 201607-01 X/O

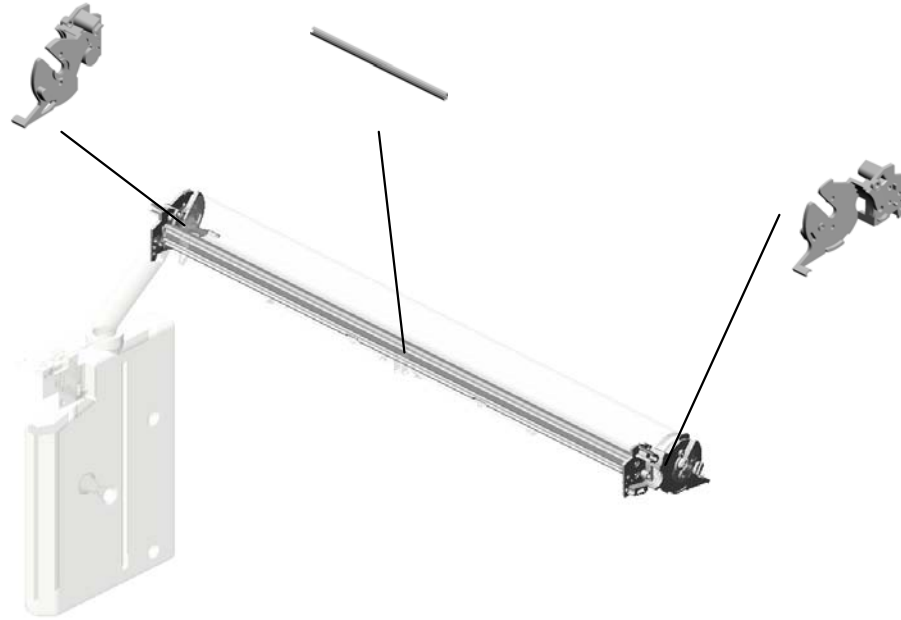
U001	U002	U003	U004	U005	U006	U007	U008	U009	U010	U011	U012	U013
------	------	------	------	------	------	------	------	------	------	------	------	------

U009.CLEANING/USED TONER

U009_S001
D2063551
SIDE PLATE:AROUND THE P
HOTOCONDUCTOR:RIGHT:AS
S'Y

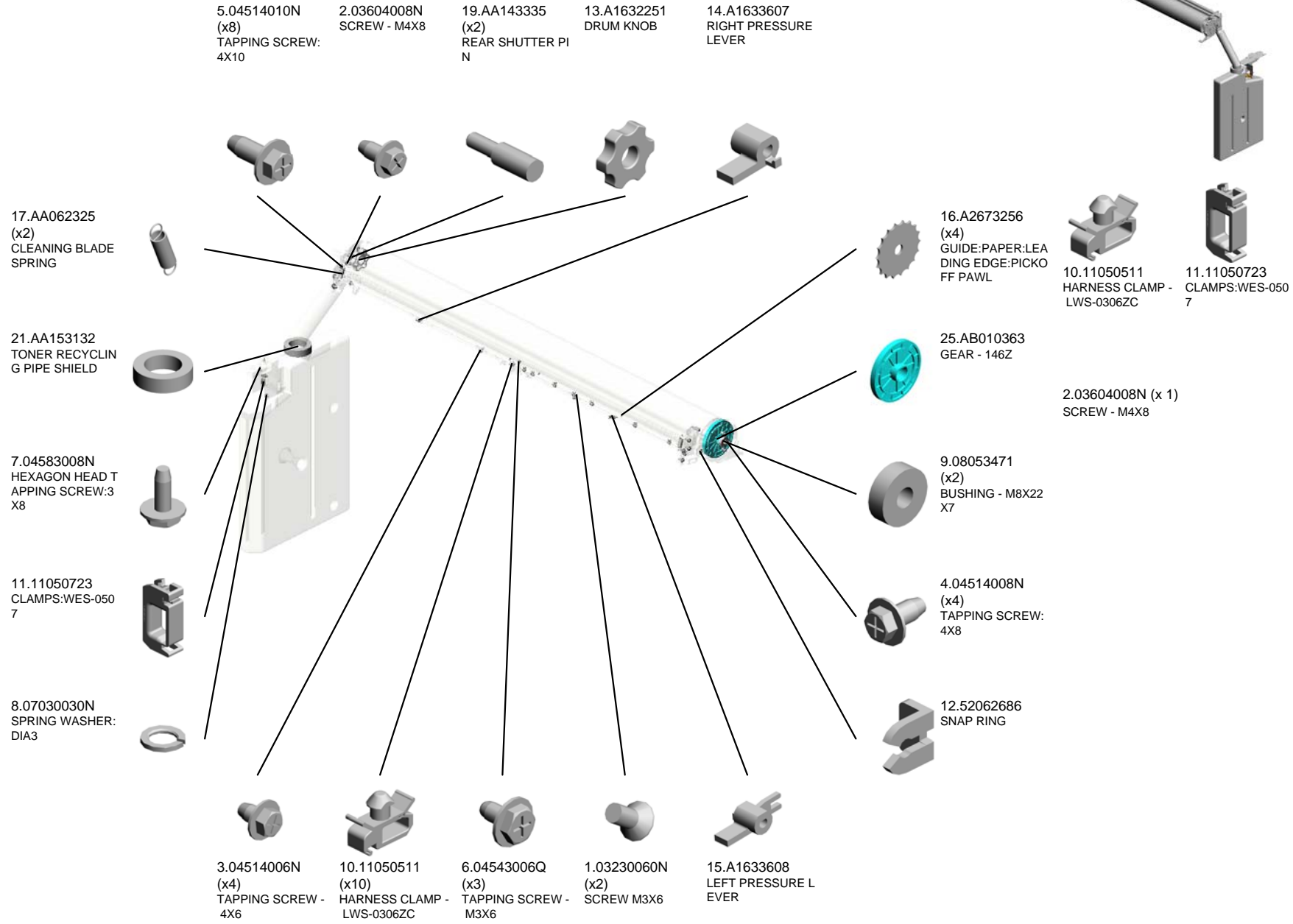
U009_S003
D2063571
CASING:CLEANING:ASS'Y

U009_S002
D2063555
SIDE PLATE:AROUND THE P
HOTOCONDUCTOR:LEFT:AS
S'Y



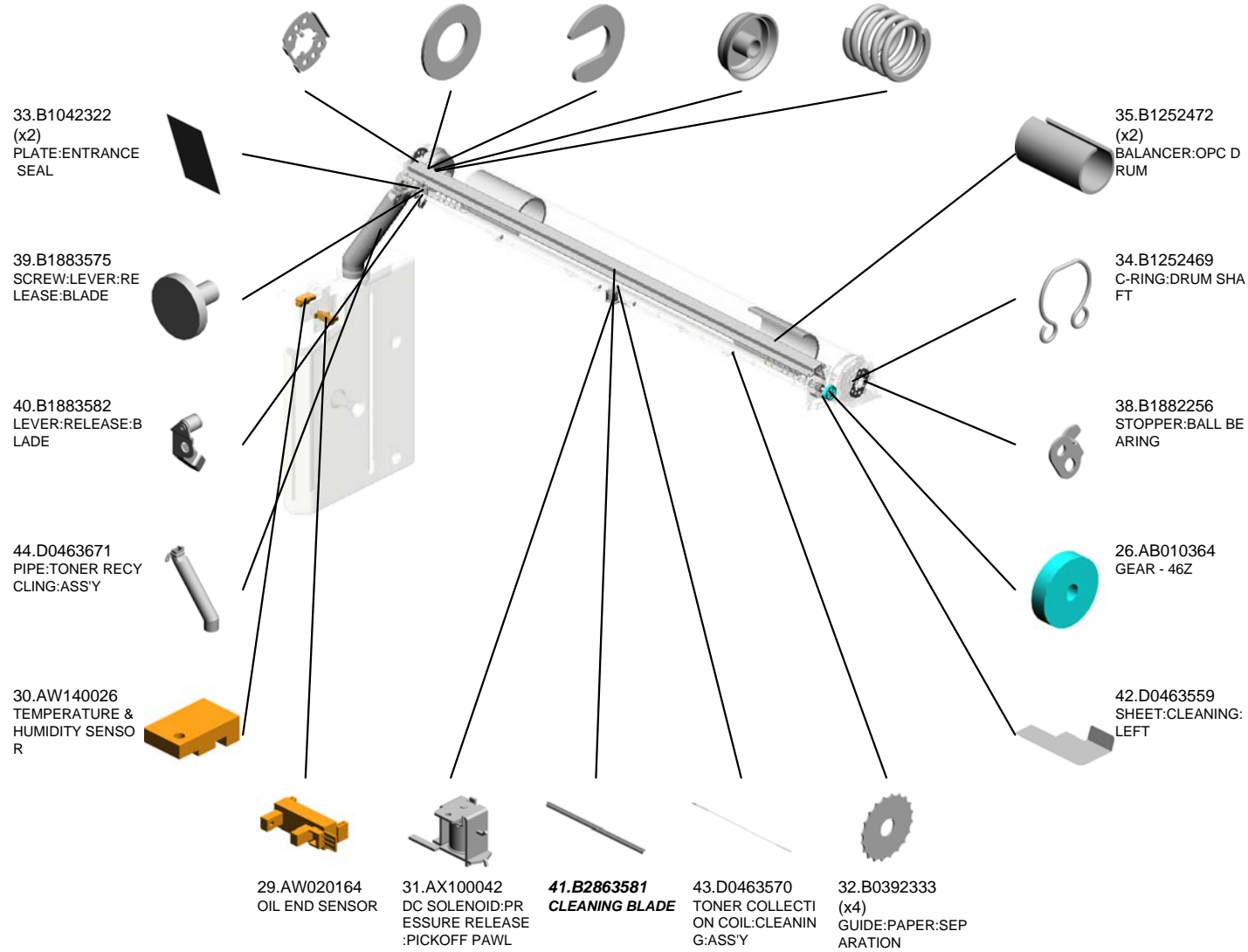
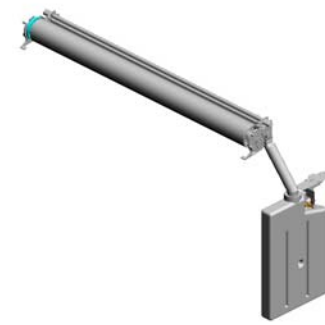
U001	U002	U003	U004	U005	U006	U007	U008	U009	U010	U011	U012	U013
------	------	------	------	------	------	------	------	------	------	------	------	------

U009 CLEANING/USED TONER



U009 CLEANING/USED TONER

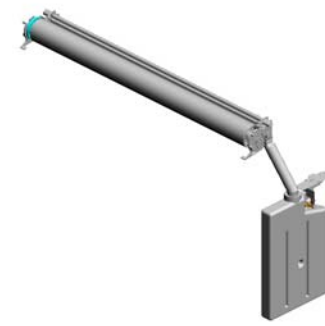
- 45.D0932253 (x2) HOLDER:BALL BEARING
- 37.B1882255 SPACER:COMPRESSION SPRING:DRUM
- 46.D0932303 STOPPER:DRUM
- 27.AD014030 DRUM FLANGE
- 47.D0932304 COMPRESSION SPRING:PRESSURE:DRUM



U001	U002	U003	U004	U005	U006	U007	U008	U009	U010	U011	U012	U013
------	------	------	------	------	------	------	------	------	------	------	------	------

U009 CLEANING/USED TONER

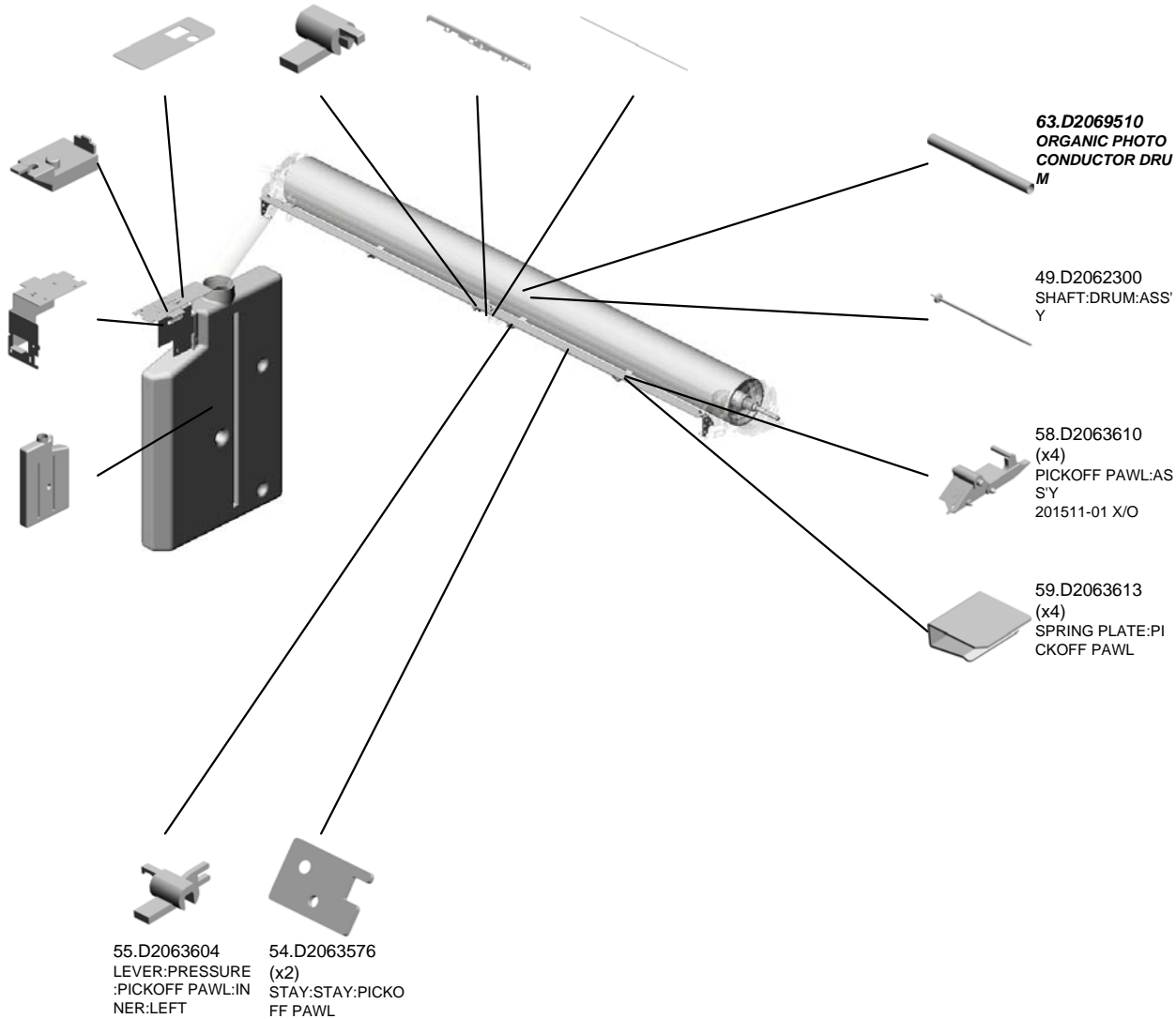
62.D2065334 GUARD:POWER P
ACK:REAR LOWER
56.D2063605 LEVER:PRESSURE
:PICKOFF PAWL:IN
NER:RIGHT
52.D2063566 STAY:PICKOFF PA
WL
57.D2063609 SHAFT:LEVER:PIC
KOFF PAWL:LONG



48.D1055899
HOLDER:TEMPER
ATURE & HUMIDIT
Y SENSOR

61.D2063680
BRACKET:USED T
ONER SENSOR:TE
MPERATURE & HU
MIDITY SENSOR

60.D2063661
COLLECTION BOT
TLE:ASS'Y



63.D2069510
ORGANIC PHOTO
CONDUCTOR DRU
M

49.D2062300
SHAFT:DRUM:ASS'
Y

58.D2063610
(x4)
PICKOFF PAWL:AS
S'Y
201511-01 X/O

59.D2063613
(x4)
SPRING PLATE:PI
CKOFF PAWL

55.D2063604
LEVER:PRESSURE
:PICKOFF PAWL:IN
NER:LEFT

54.D2063576
(x2)
STAY:STAY:PICKO
FF PAWL

U001	U002	U003	U004	U005	U006	U007	U008	U009	U010	U011	U012	U013
------	------	------	------	------	------	------	------	------	------	------	------	------

U009_S001
SIDE PLATE:AROUND THE PHOTOCONDUCTOR:RIGHT:ASS'Y

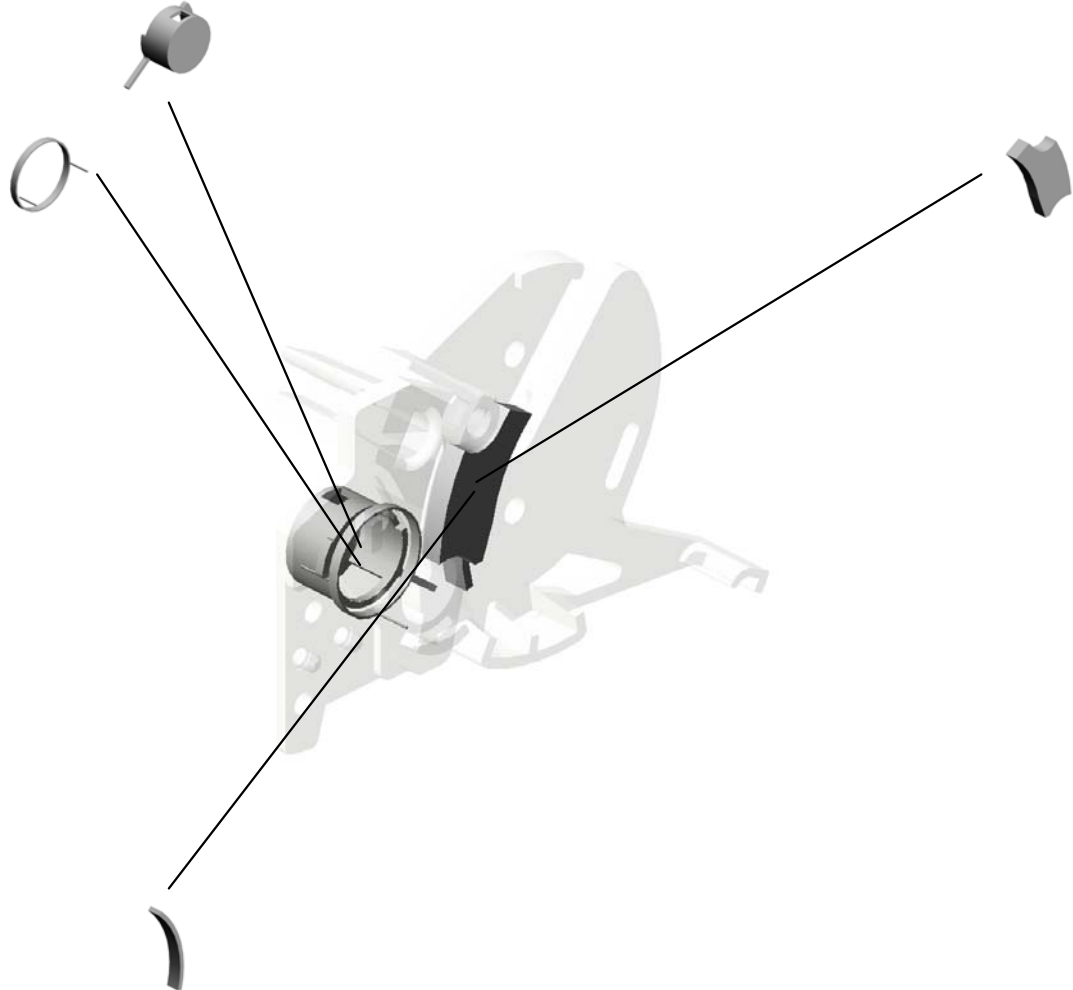
36.B1253554
SHUTTER:DISCHA
RGE USED TONER

18.AA066664
TONER OUTLET S
HUTTER SPRING

22.AA153133
BLADE RIGHT SHI
ELD

24.AA153135
DRUM RIGHT SHIE
LD

50.D2063551
SIDE PLATE:AROU
ND THE PHOTOCO
NDUCTOR:RIGHT:
ASS'Y

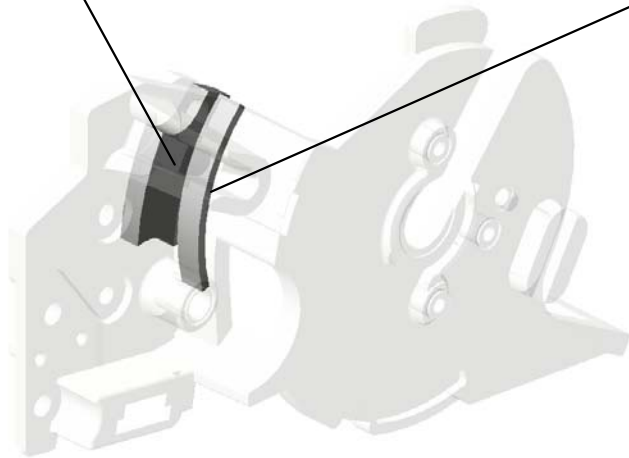


U001	U002	U003	U004	U005	U006	U007	U008	U009	U010	U011	U012	U013
------	------	------	------	------	------	------	------	------	------	------	------	------

U009_S002

SIDE PLATE:AROUND THE PHOTOCONDUCTOR:LEFT:ASS'Y

23.AA153134
BLADE LEFT SHIELD



51.D2063555
SIDE PLATE:AROU
ND THE PHOTOCO
NDUCTOR:LEFT:A
SS'Y

24.AA153135
DRUM RIGHT SHIE
LD

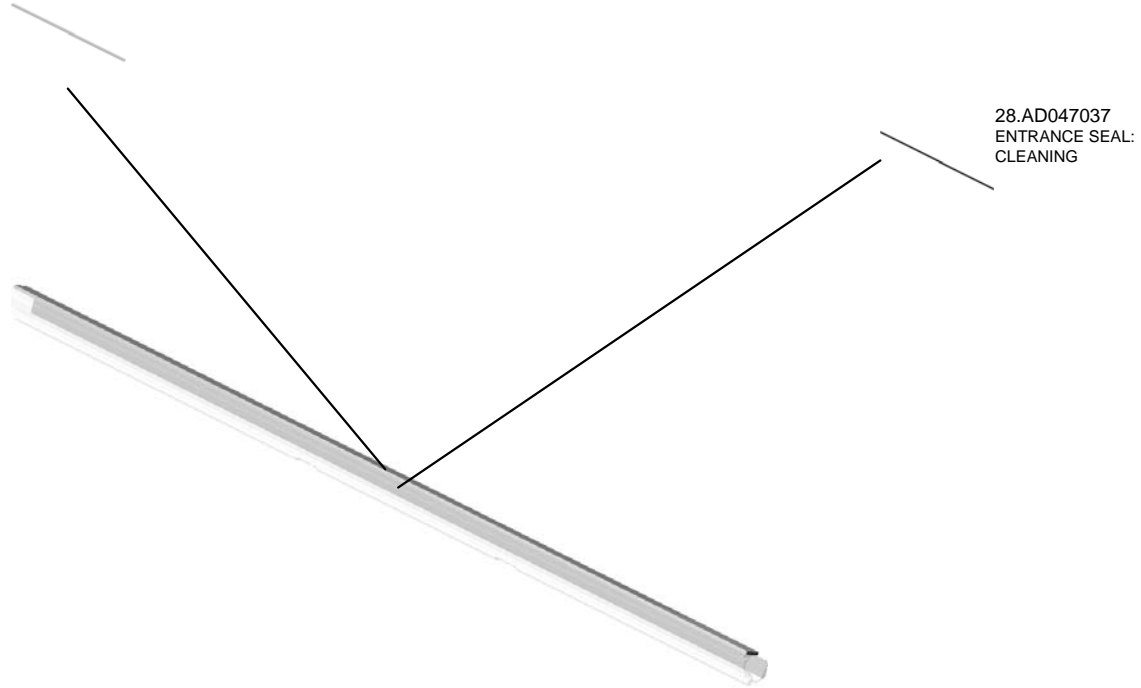


U001	U002	U003	U004	U005	U006	U007	U008	U009	U010	U011	U012	U013
------	------	------	------	------	------	------	------	------	------	------	------	------

U009_S003
CASING:CLEANING:ASS'Y

20.AA151961
UPPER SEAL

53.D2063571
CASING:CLEANIN
G:ASS'Y



U001	U002	U003	U004	U005	U006	U007	U008	U009	U010	U011	U012	U013
------	------	------	------	------	------	------	------	------	------	------	------	------

U010.FUSING

U010_S001
D2114051
(D211-NA):FUSING UNIT:208
V:ASSY

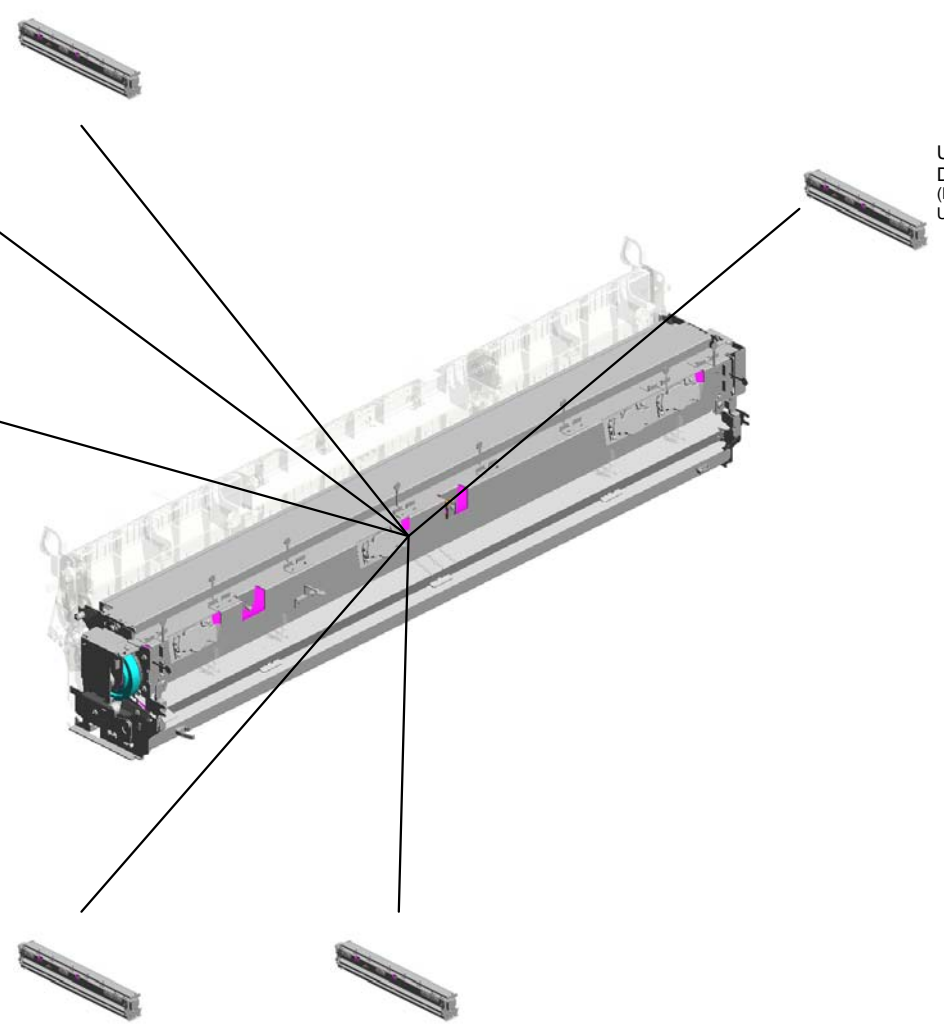
U010_S002
D2084051
(D208-NA):FUSING UNIT:208
V:ASSY

U010_S003
D2114052
(D211-EU,-AA/-CHN):FUSING
UNIT:230V:ASSY

U010_S004
D2084052
(D208-EU,-AA/-CHN):FUSING
UNIT:230V:ASSY

U010_S005
D2084052
(D208-EU,-AA/-CHN):FUSING
UNIT:230V:ASSY

U010_S006
D2114052
(D211-EU,-AA/-CHN):FUSING
UNIT:230V:ASSY



U001	U002	U003	U004	U005	U006	U007	U008	U009	U010	U011	U012	U013
------	------	------	------	------	------	------	------	------	------	------	------	------

U010_S001.(D211-NA):FUSING UNIT:208V:ASS'Y

U010_S001_S001
D0464170
FUSING ENTRANCE GUIDE
PLATE



U001	U002	U003	U004	U005	U006	U007	U008	U009	U010	U011	U012	U013
------	------	------	------	------	------	------	------	------	------	------	------	------

U010_S002.(D208-NA):FUSING UNIT:208V:ASS'Y

U010_S002_S001
D0464170
FUSING ENTRANCE GUIDE
PLATE



U001	U002	U003	U004	U005	U006	U007	U008	U009	U010	U011	U012	U013
------	------	------	------	------	------	------	------	------	------	------	------	------

U010_S003.(D211-EU,-AA/-CHN):FUSING UNIT:230V:ASS'Y

U010_S003_S001
D0464170
FUSING ENTRANCE GUIDE
PLATE



U001	U002	U003	U004	U005	U006	U007	U008	U009	U010	U011	U012	U013
------	------	------	------	------	------	------	------	------	------	------	------	------

U010_S004.(D208-EU,-AA/-CHN):FUSING UNIT:230V:ASS'Y

U010_S004_S001
D0464170
FUSING ENTRANCE GUIDE
PLATE



U001	U002	U003	U004	U005	U006	U007	U008	U009	U010	U011	U012	U013
------	------	------	------	------	------	------	------	------	------	------	------	------

U010_S005.(D208-EU,-AA/-CHN):FUSING UNIT:230V:ASS'Y

U010_S005_S001
D0464170
FUSING ENTRANCE GUIDE
PLATE



U001	U002	U003	U004	U005	U006	U007	U008	U009	U010	U011	U012	U013
------	------	------	------	------	------	------	------	------	------	------	------	------

U010_S006.(D211-EU,-AA/-CHN):FUSING UNIT:230V:ASS'Y

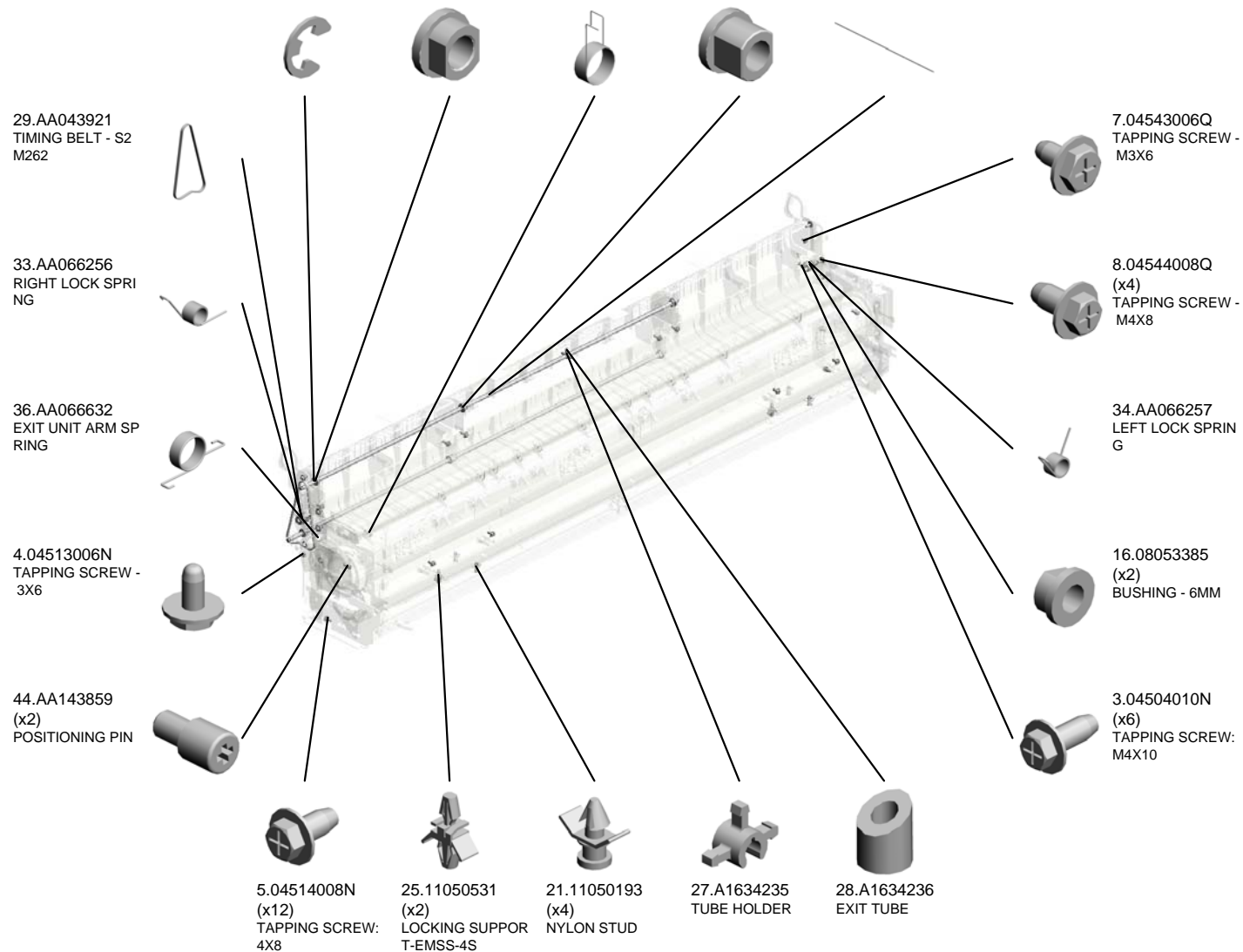
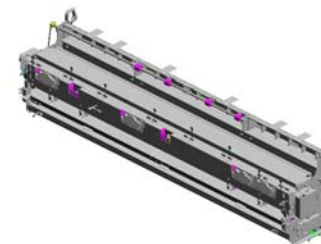
U010_S006_S001
D0464170
FUSING ENTRANCE GUIDE
PLATE



U001	U002	U003	U004	U005	U006	U007	U008	U009	U010	U011	U012	U013
------	------	------	------	------	------	------	------	------	------	------	------	------

U010 FUSING

- 13.07200040E (x8) RETAINING RING - M4
- 18.08053480 (x4) BUSHING - 6MM
- 32.AA066052 (x13) STRIPPER SPRING
- 37.AA082058 (x2) BUSHING - 6X10X9 MM
- 41.AA140802 (x2) EXIT ROLLER SHA FT



U010 FUSING

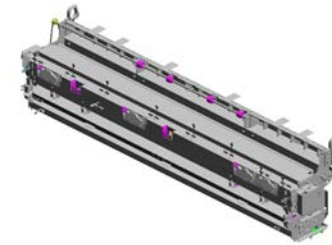
51.AB030474
(x2)
PULLEY - 24T

80.B0104312
(x12)
UPPER GUIDE

79.B0104311
(x2)
LEFT GUIDE

81.B0104315
MIDDLE GUIDE - E
XIT UNIT

82.B0104317
(x4)
DRIVE ROLLER - L
OWER EXIT



126.D2064321
ARM:DRIVE:FUSIN
G/PAPER EXIT UNI
T:SUB-ASS'Y

50.AB017528
GEAR PULLEY - 30
Z/30T

85.B0104325
TIGHTENER SPRIN
G PLATE

84.B0104324
IDLER GEAR - 30Z

96.D0464049
BRACKET:FUSING
UNIT:LEFT

75.B0104178
(x4)
FRONT FUSING R
OLLER

76.B0104180
(x4)
FUSING ROLLER B
RACKET

91.B1884305
STAY:FUSING/PAP
ER EXIT UNIT

83.B0104319
(x4)
DRIVE ROLLER - U
PPER EXIT

61.AE044054
(x13)
STRIPPER PAWLS

78.B0104309
(x2)
GRIP CAP - EXIT U
NIT

77.B0104308
(x2)
EXIT UNIT GRIP

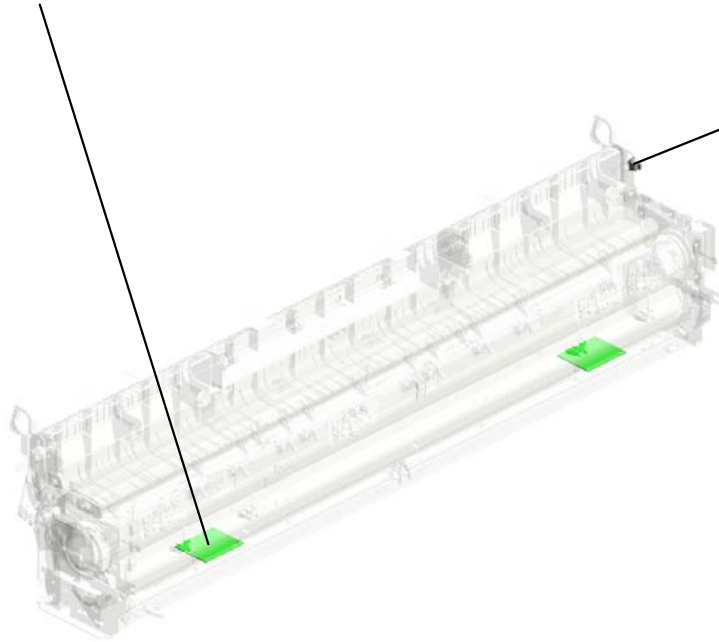
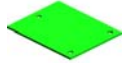
92.B1884319
PAWL:PUSH SWIT
CH

90.B1884159
(x2)
POSITIONING PLA
TE:LOCK

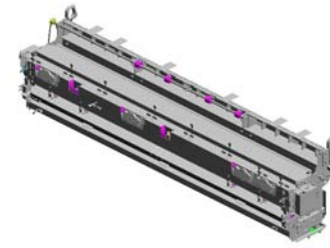
95.D0464048
BRACKET:FUSING
UNIT:RIGHT

U010 FUSING

127.D2065480
(x2)
PCB:FPDB



132.G0205626
PUSH SWITCH



U001	U002	U003	U004	U005	U006	U007	U008	U009	U010	U011	U012	U013
------	------	------	------	------	------	------	------	------	------	------	------	------

U010_S001
(D211-NA):FUSING UNIT:208V:ASS'Y



130.D2114051
(D211-NA):FUSING
UNIT:208V:ASS'Y

- 6.04533006N (x4) TAPPING SCREW - M3X6
- 17.08053445 (x2) BEARING - M6X10X3
- 20.09543010N (x7) SCREW:POLISHED ROUND/SPRING:M3X10
- 11.07010050N (x4) WASHER:DIA5
- 13.07200040E (x2) RETAINING RING - M4

2.03540060N (x36) SCREW-M4X6

35.AA066285 (x11) STRIPPER SPRING

1.03140050N PAN HEAD SCREW -M4X5

26.A1634122 ENTRANCE GUIDE PLATE HOLDER

22.11050310 (x5) HARNESS CLAMP - LWS-1S

9.05740040E (x8) HEXAGON HEADLESS SET SCREW - M4X4

23.11050511 (x3) HARNESS CLAMP - LWS-0306ZC

14.07200050E (x2) RETAINING RING - M5

15.07200070E (x2) RETAINING RING - M7

30.AA061028 (x2) TENSION SPRING: PRESSURE SUB-UNIT

10.07010040N (x3) WASHER:DIA4

12.07030040N (x3) SPRING WASHER: DIA4

8.04544008Q (x 4) TAPPING SCREW - M4X8

19.09543006N (x16) SCREW - M3X6

31.AA063266 (x4) PRESSURE SPRING - 1KGF

24.11050516 (x6) CLAMP

23.11050511 (x2) HARNESS CLAMP - LWS-0306ZC

U010_S001
(D211-NA):FUSING UNIT:208V:ASS'Y



130.D2114051
(D211-NA):FUSING
UNIT:208V:ASS'Y

42.AA143542 (x4) SCREW:M3:DIA4X5.6
60.AE044031 (x11) PRESSURE ROLLER STRIPPER
46.AA172021 HEAT INSULATION :FUSING:REAR
58.AE042047 FUSING CLEANING ROLLER
53.AE011125 (D211):HOT ROLLER R:DIA60:HEAT PIPE:DIA6

39.AA082101 (x4) BUSHING - 6X10X6

55.AE030075 (x2) RADIAL BALL BEARING RING:50X65X7

57.AE032032 (x2) THERMAL INSULATING BUSHING:DIA43

49.AB014321 GEAR:DRIVE:FUSING

45.AA143870 (x4) STEPPED SCREW

54.AE020173 PRESSURE ROLLER R:DIA65

47.AB010346 (x2) GEAR - 48Z

48.AB010352 (x2) GEAR - 40Z

59.AE042061 (x2) CLEANING ROLLER R

38.AA082062 (x2) BUSHING

43.AA143543 (x8) SCREW:M4:DIA6X1.7:BLACK

40.AA120127 DISCHARGE BRUSH H:FUSING

62.AW020139 (x2) PAPER FEED SENSOR

56.AE031026 (x4) BUSHING - OIL SUPPLY ROLLER

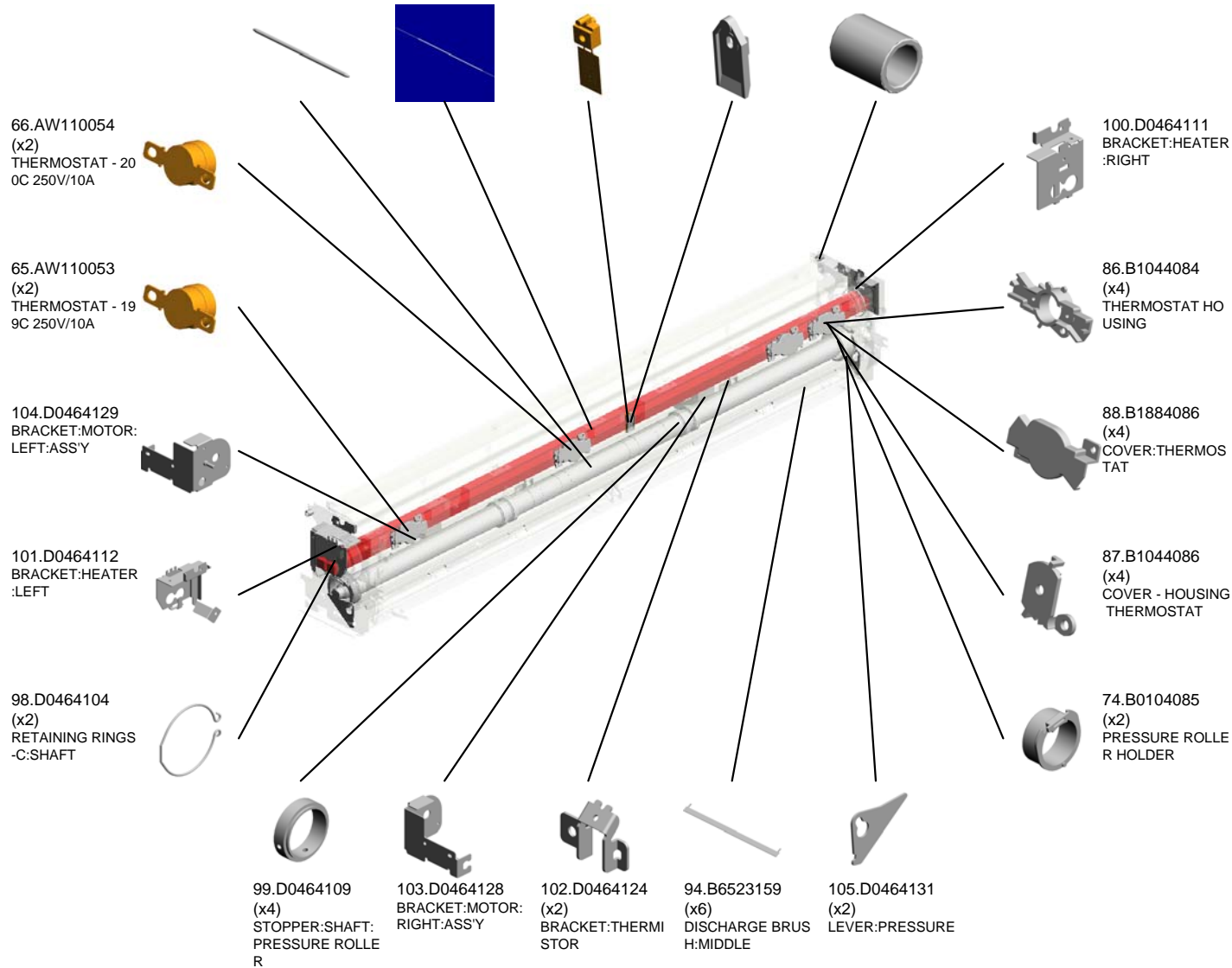
63.AW100073 (x2) THERMISTOR

U010_S001
(D211-NA):FUSING UNIT:208V:ASS'Y

- 97.D0464081 SHAFT:PRESSURE ROLLER
- 70.AX450049 (x2) (D211-NA):HEATER :208V:1200W
- 64.AW100166 THERMISTOR:FUSI NG
- 73.B0044087 PLATE- THERMIST OR
- 93.B2093882 (x2) BUSHING - 6X8X10



130.D2114051
(D211-NA):FUSING
UNIT:208V:ASS'Y



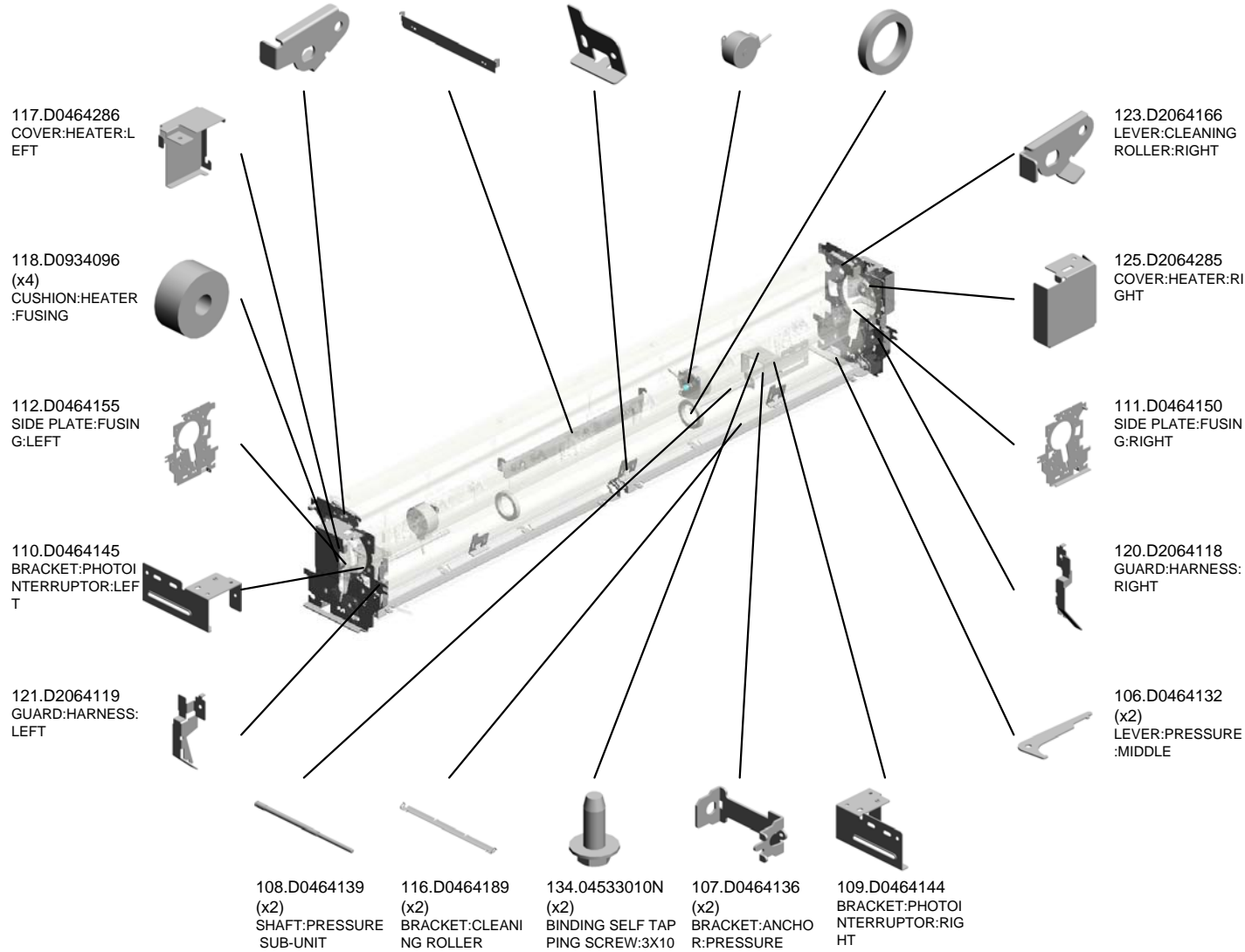
U001	U002	U003	U004	U005	U006	U007	U008	U009	U010	U011	U012	U013
------	------	------	------	------	------	------	------	------	------	------	------	------

U010_S001
(D211-NA):FUSING UNIT:208V:ASS'Y



130.D2114051
(D211-NA):FUSING
UNIT:208V:ASS'Y

- 113.D0464167 LEVER:CLEANING ROLLER:LEFT
- 124.D2064191 STOPPER:GUIDE:EXIT
- 115.D0464188 (x3) FUSING ENTRANCE GUIDE PLATE:ADJUSTING PLATE
- 122.D2064137 (x2) STEPPER MOTOR:ASSY
- 133.G0524618 (x2) BEARING 30X42X7



U010_S001
(D211-NA):FUSING UNIT:208V:ASS'Y

135.D2124093
[A]
STAY:STRIPPER P
AWLS:PRESSURE
ROLLER:ASS'Y
201610-03 O/O



130.D2114051
(D211-NA):FUSING
UNIT:208V:ASS'Y

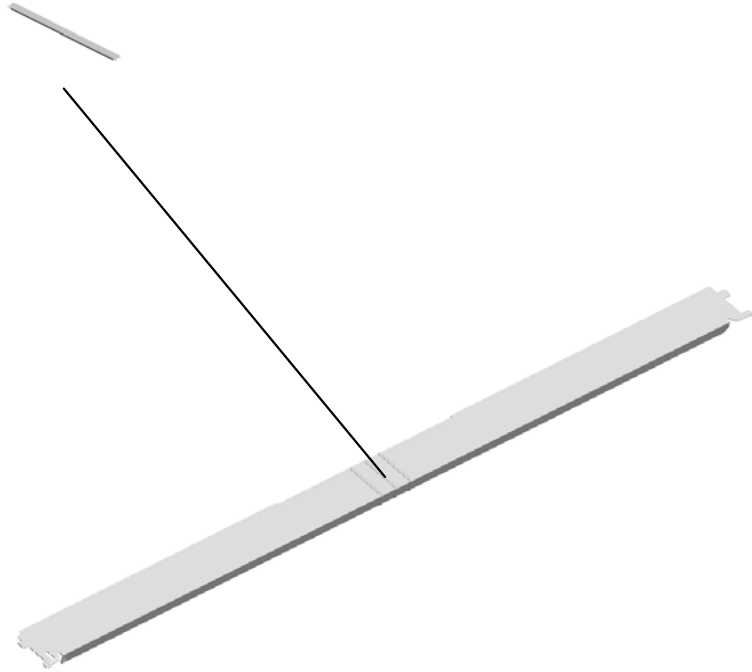
D2064093
[A]
(-NA/-EU,AA):STAY:
STRIPPER PAWLS:
PRESSURE ROLLE
R:ASS'Y
201610-03 O/O



U001	U002	U003	U004	U005	U006	U007	U008	U009	U010	U011	U012	U013
------	------	------	------	------	------	------	------	------	------	------	------	------

U010_S001_S001
FUSING ENTRANCE GUIDE PLATE

89.B1884146
(-NA/-EU,-AA):FUSI
NG ENTRANCE GU
IDE PLATE



114.D0464170
FUSING ENTRANC
E GUIDE PLATE

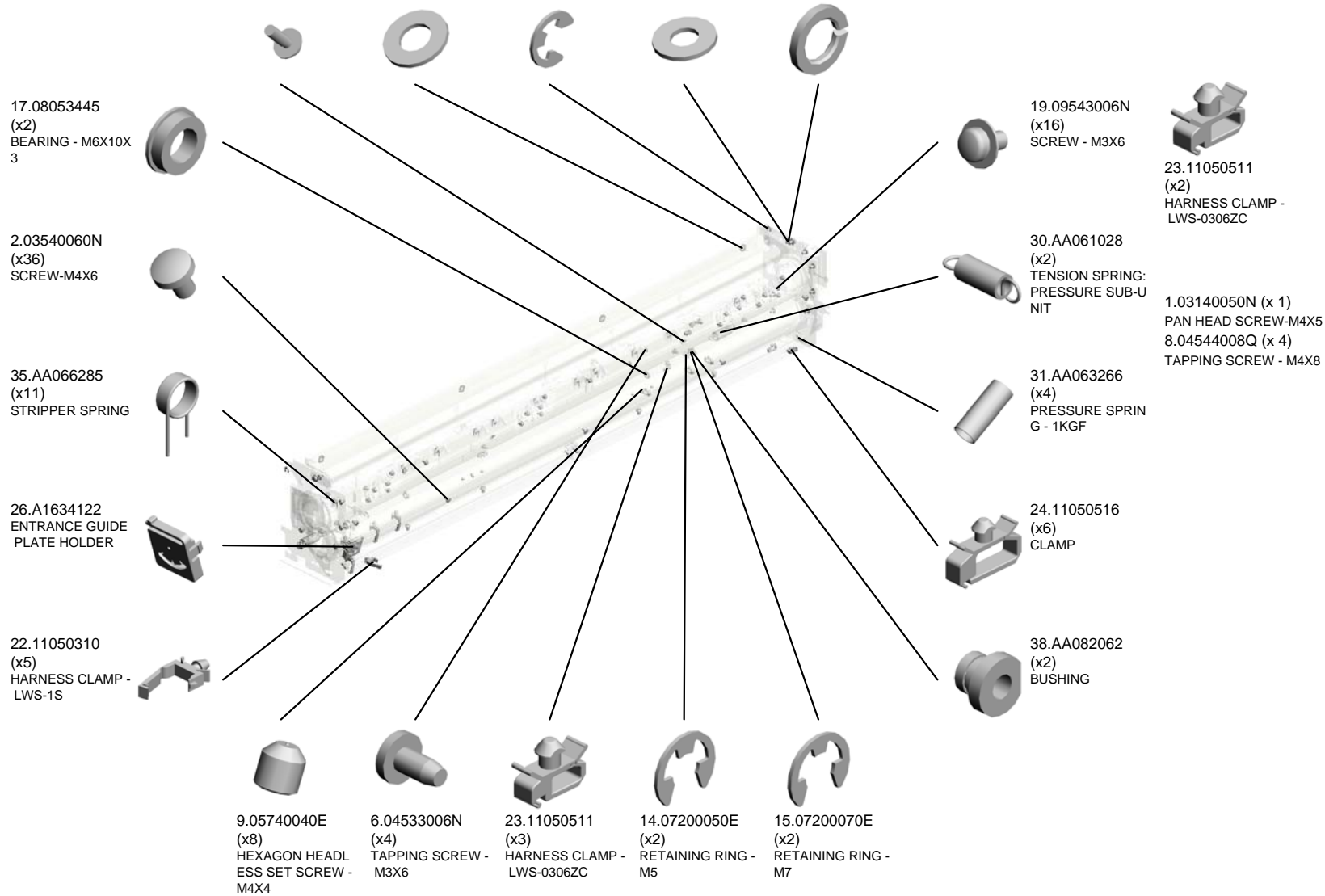
U001	U002	U003	U004	U005	U006	U007	U008	U009	U010	U011	U012	U013
------	------	------	------	------	------	------	------	------	------	------	------	------

U010_S002
(D208-NA):FUSING UNIT:208V:ASS'Y

- | | | | | |
|--|-------------------------------------|--|-------------------------------------|--|
| 20.09543010N
(x7)
SCREW:POLISHED
ROUND/SPRING:M
3X10 | 11.07010050N
(x4)
WASHER:DIA5 | 13.07200040E
(x2)
RETAINING RING -
M4 | 10.07010040N
(x3)
WASHER:DIA4 | 12.07030040N
(x3)
SPRING WASHER:
DIA4 |
|--|-------------------------------------|--|-------------------------------------|--|



128.D2084051
(D208-NA):FUSING
UNIT:208V:ASS'Y



U010_S002
(D208-NA):FUSING UNIT:208V:ASS'Y

42.AA143542
(x4)
SCREW:M3:DIA4X5
.6

60.AE044031
(x11)
PRESSURE ROLLER
R STRIPPER

46.AA172021
HEAT INSULATION
:FUSING:REAR

58.AE042047
FUSING CLEANING
ROLLER

52.AE011123
(D208):HOT ROLLER
R:DIA60

128.D2084051
(D208-NA):FUSING
UNIT:208V:ASS'Y



39.AA082101
(x4)
BUSHING - 6X10X6



55.AE030075
(x2)
RADIAL BALL BEARING
RING:50X65X7



57.AE032032
(x2)
THERMAL INSULATING BUSHING:DIA 43



49.AB014321
GEAR:DRIVE:FUSING



45.AA143870
(x4)
STEPPED SCREW



54.AE020173
PRESSURE ROLLER
R:DIA65

64.AW100166
THERMISTOR:FUSING

47.AB010346
(x2)
GEAR - 48Z

48.AB010352
(x2)
GEAR - 40Z

59.AE042061
(x2)
CLEANING ROLLER

43.AA143543
(x8)
SCREW:M4:DIA6X1
.7:BLACK



40.AA120127
DISCHARGE BRUSH
H:FUSING



62.AW020139
(x2)
PAPER FEED SENSOR



56.AE031026
(x4)
BUSHING - OIL SUPPLY ROLLER



63.AW100073
(x2)
THERMISTOR

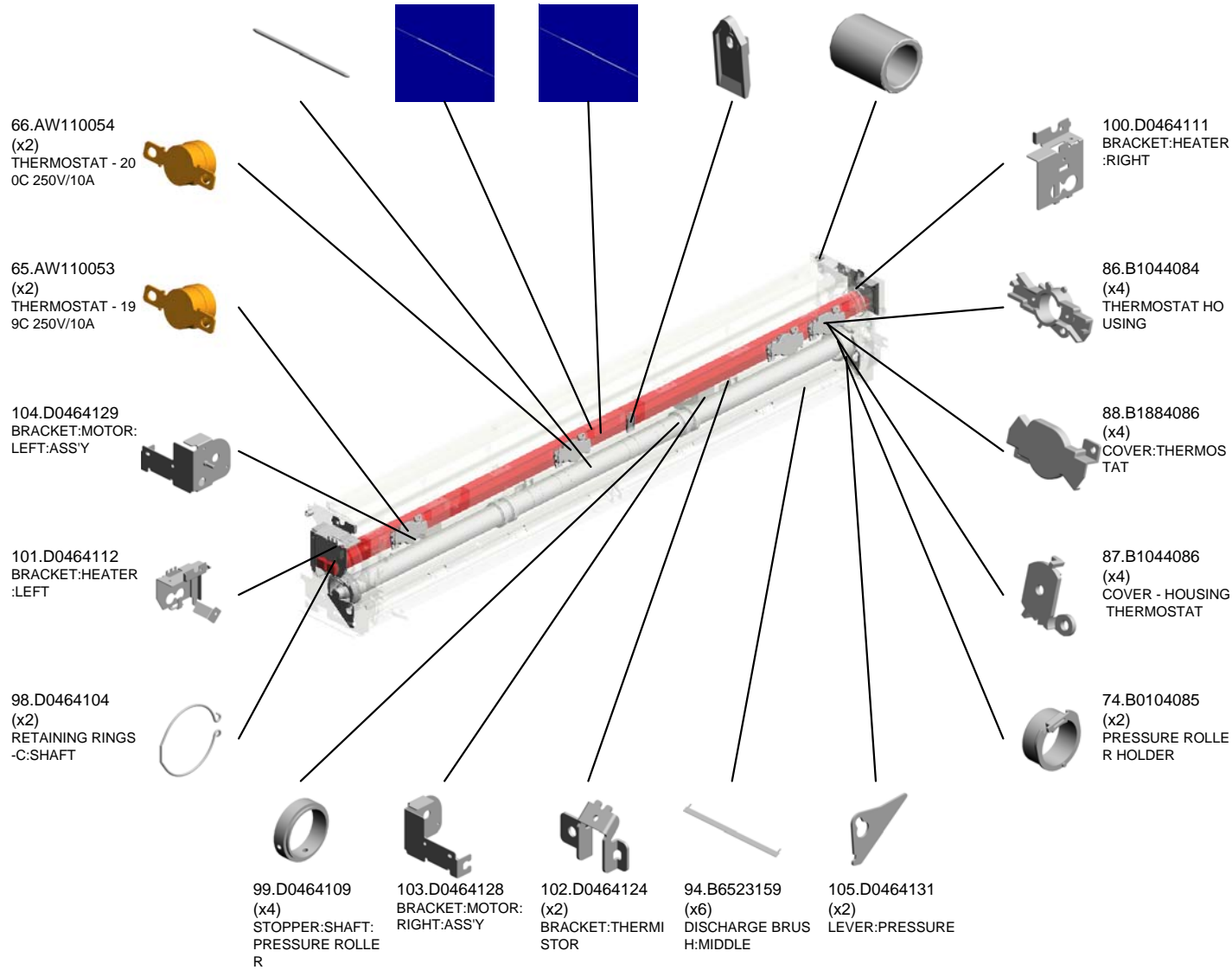


U010_S002
(D208-NA):FUSING UNIT:208V:ASS'Y

- 97.D0464081 SHAFT:PRESSURE ROLLER
- 67.AX440298 (D208-NA):HEATER :208V:600W:BOTH ENDS
- 71.AX450051 (D208-NA):HEATER :208V:1000W:MIDDLE
- 73.B0044087 PLATE- THERMIST OR
- 93.B2093882 (x2) BUSHING - 6X8X10



128.D2084051
(D208-NA):FUSING UNIT:208V:ASS'Y



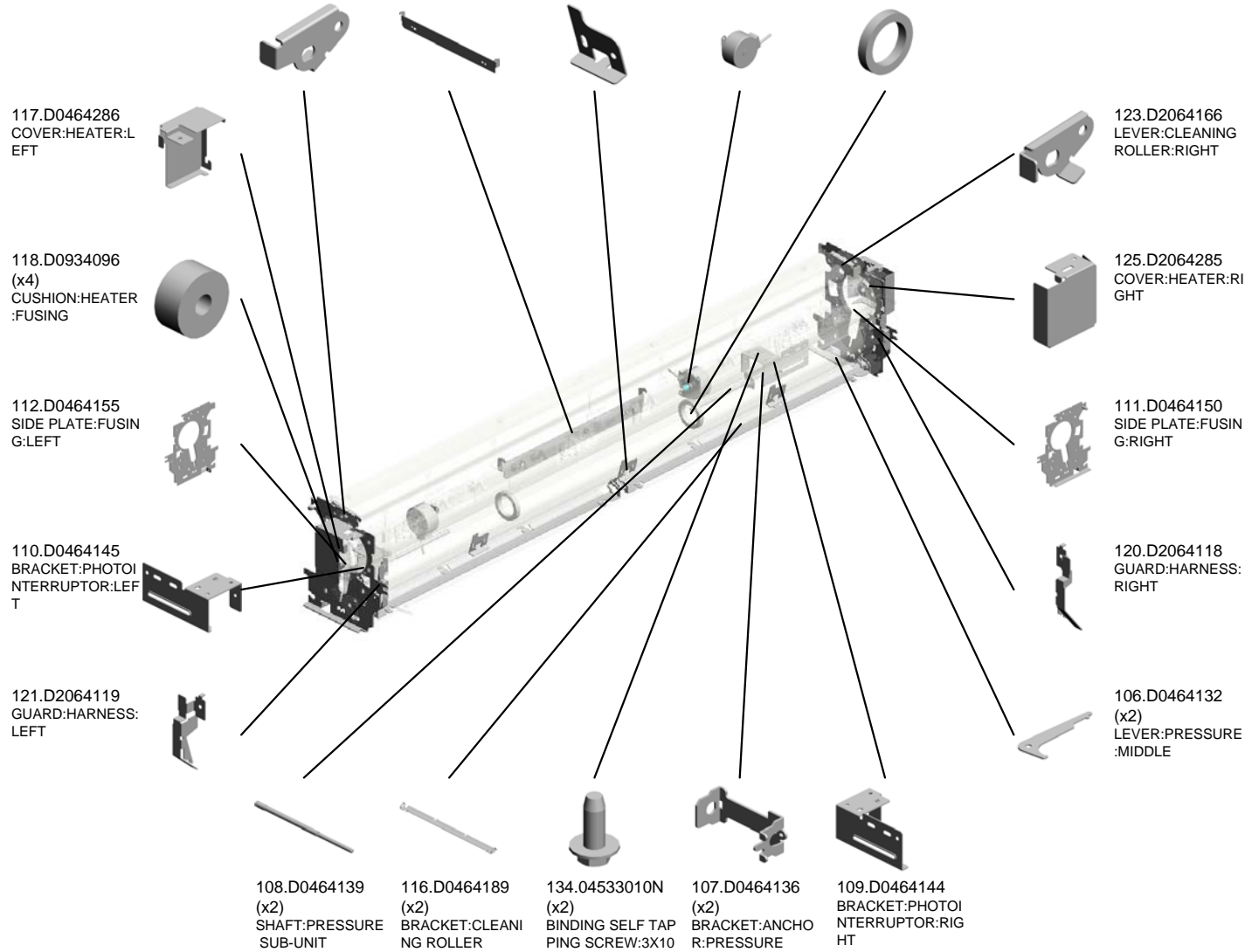
U001	U002	U003	U004	U005	U006	U007	U008	U009	U010	U011	U012	U013
------	------	------	------	------	------	------	------	------	------	------	------	------

U010_S002
(D208-NA):FUSING UNIT:208V:ASS'Y



128.D2084051
(D208-NA):FUSING
UNIT:208V:ASS'Y

- 113.D0464167 LEVER:CLEANING ROLLER:LEFT
- 124.D2064191 STOPPER:GUIDE:EXIT
- 115.D0464188 (x3) FUSING ENTRANCE GUIDE PLATE:ADJUSTING PLATE
- 122.D2064137 (x2) STEPPER MOTOR:ASSY
- 133.G0524618 (x2) BEARING 30X42X7



U010_S002
(D208-NA):FUSING UNIT:208V:ASS'Y

135.D2124093
[A]
STAY:STRIPPER P
AWLS:PRESSURE
ROLLER:ASS'Y
201610-03 O/O



128.D2084051
(D208-NA):FUSING
UNIT:208V:ASS'Y

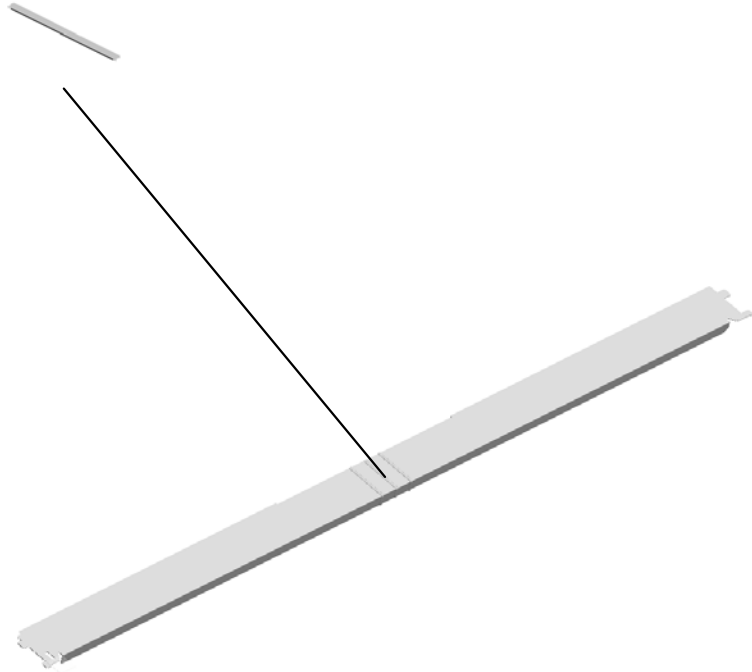
D2064093
[A]
(-NA/-EU,AA):STAY:
STRIPPER PAWLS:
PRESSURE ROLLE
R:ASS'Y
201610-03 O/O



U001	U002	U003	U004	U005	U006	U007	U008	U009	U010	U011	U012	U013
------	------	------	------	------	------	------	------	------	------	------	------	------

U010_S002_S001
FUSING ENTRANCE GUIDE PLATE

89.B1884146
(-NA/-EU,-AA):FUSI
NG ENTRANCE GU
IDE PLATE



114.D0464170
FUSING ENTRANC
E GUIDE PLATE

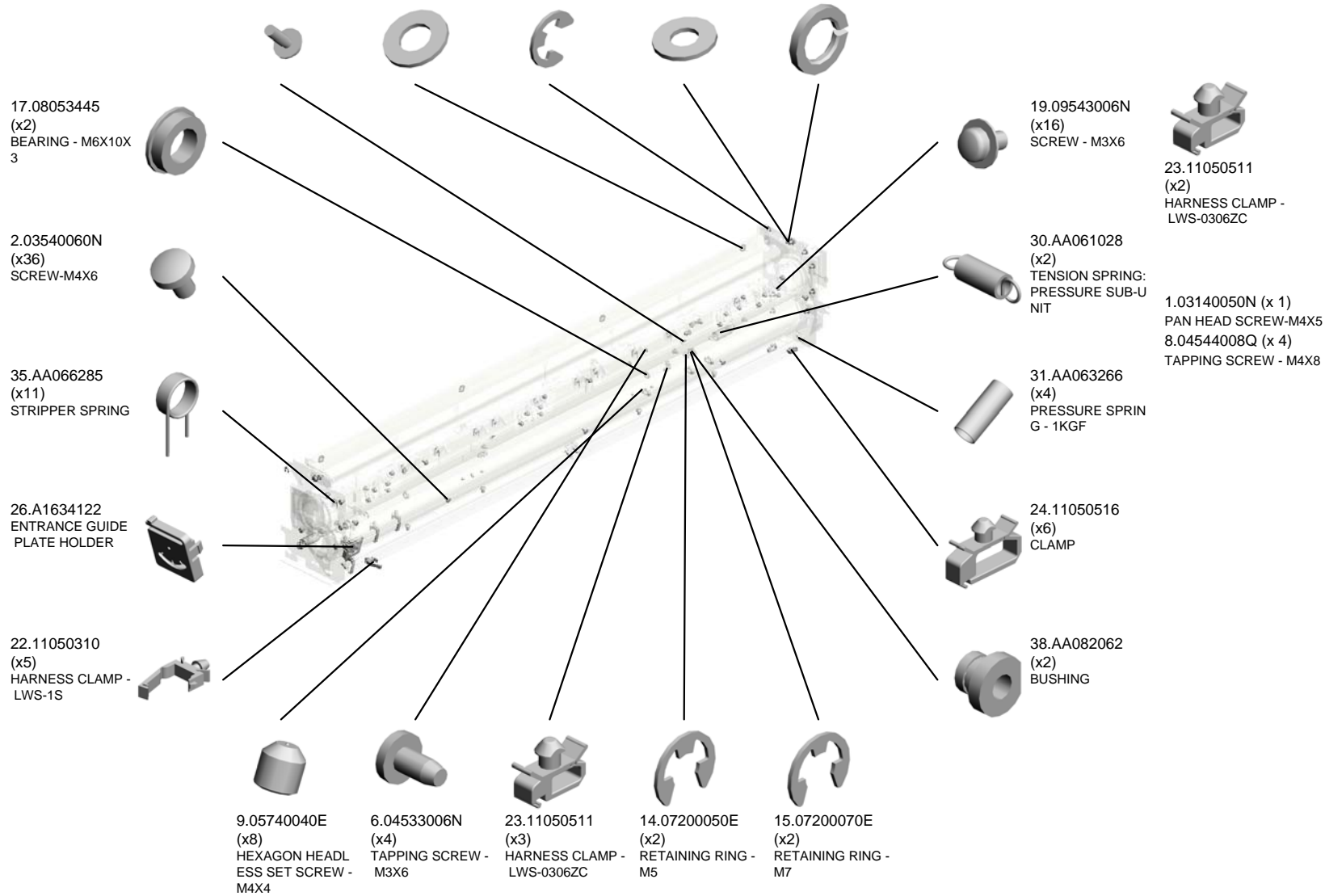
U001	U002	U003	U004	U005	U006	U007	U008	U009	U010	U011	U012	U013
------	------	------	------	------	------	------	------	------	------	------	------	------

U010_S003
(D211-EU,-AA/-CHN):FUSING UNIT:230V:ASS'Y

20.09543010N (x7) SCREW:POLISHED ROUND/SPRING:M 3X10
 11.07010050N (x4) WASHER:DIA5
 13.07200040E (x2) RETAINING RING - M4
 10.07010040N (x3) WASHER:DIA4
 12.07030040N (x3) SPRING WASHER: DIA4



131.D2114052
(D211-EU,-AA/-CHN):FUSING UNIT:230V:ASSY

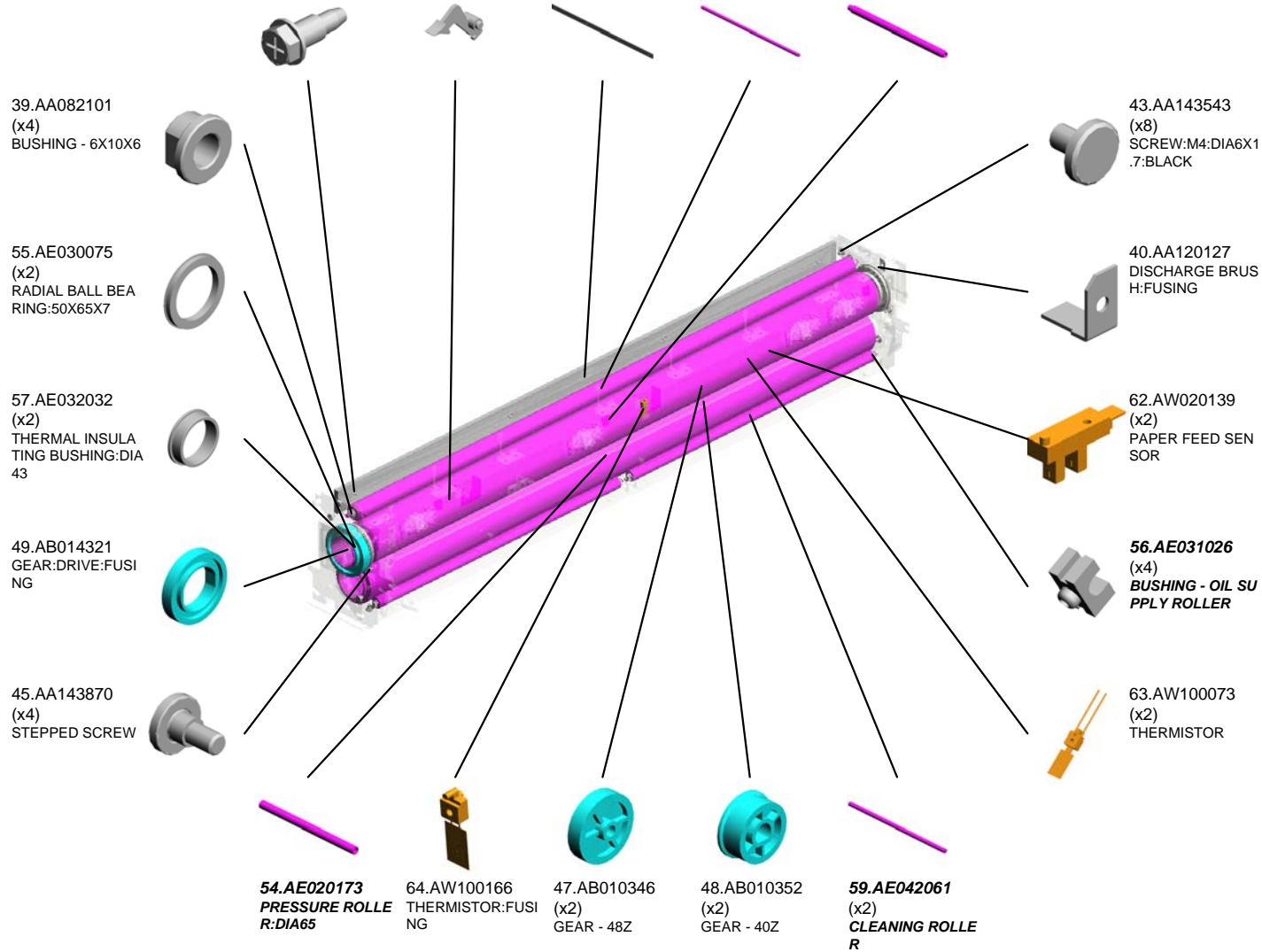


U010_S003
(D211-EU,-AA/-CHN):FUSING UNIT:230V:ASS'Y



131.D2114052
(D211-EU,-AA/-CHN)
):FUSING UNIT:230
V:ASSY

42.AA143542 (x4) SCREW:M3:DIA4X5.6
60.AE044031 (x11) PRESSURE ROLLER STRIPPER
46.AA172021 HEAT INSULATION :FUSING:REAR
58.AE042047 FUSING CLEANING ROLLER
53.AE011125 (D211):HOT ROLLER R:DIA60:HEAT PIPE:DIA6



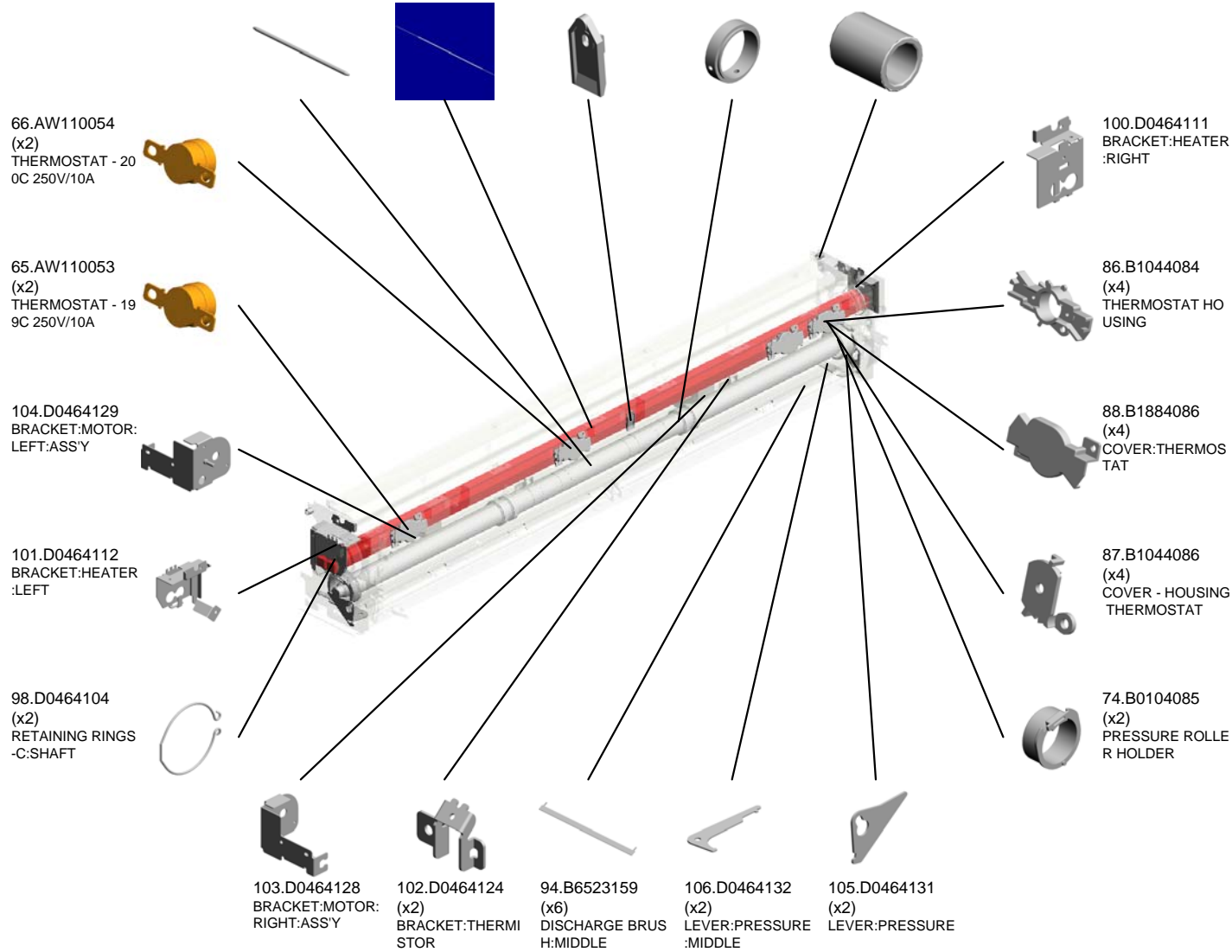
U001	U002	U003	U004	U005	U006	U007	U008	U009	U010	U011	U012	U013
------	------	------	------	------	------	------	------	------	------	------	------	------

U010_S003
(D211-EU,-AA/-CHN):FUSING UNIT:230V:ASS'Y



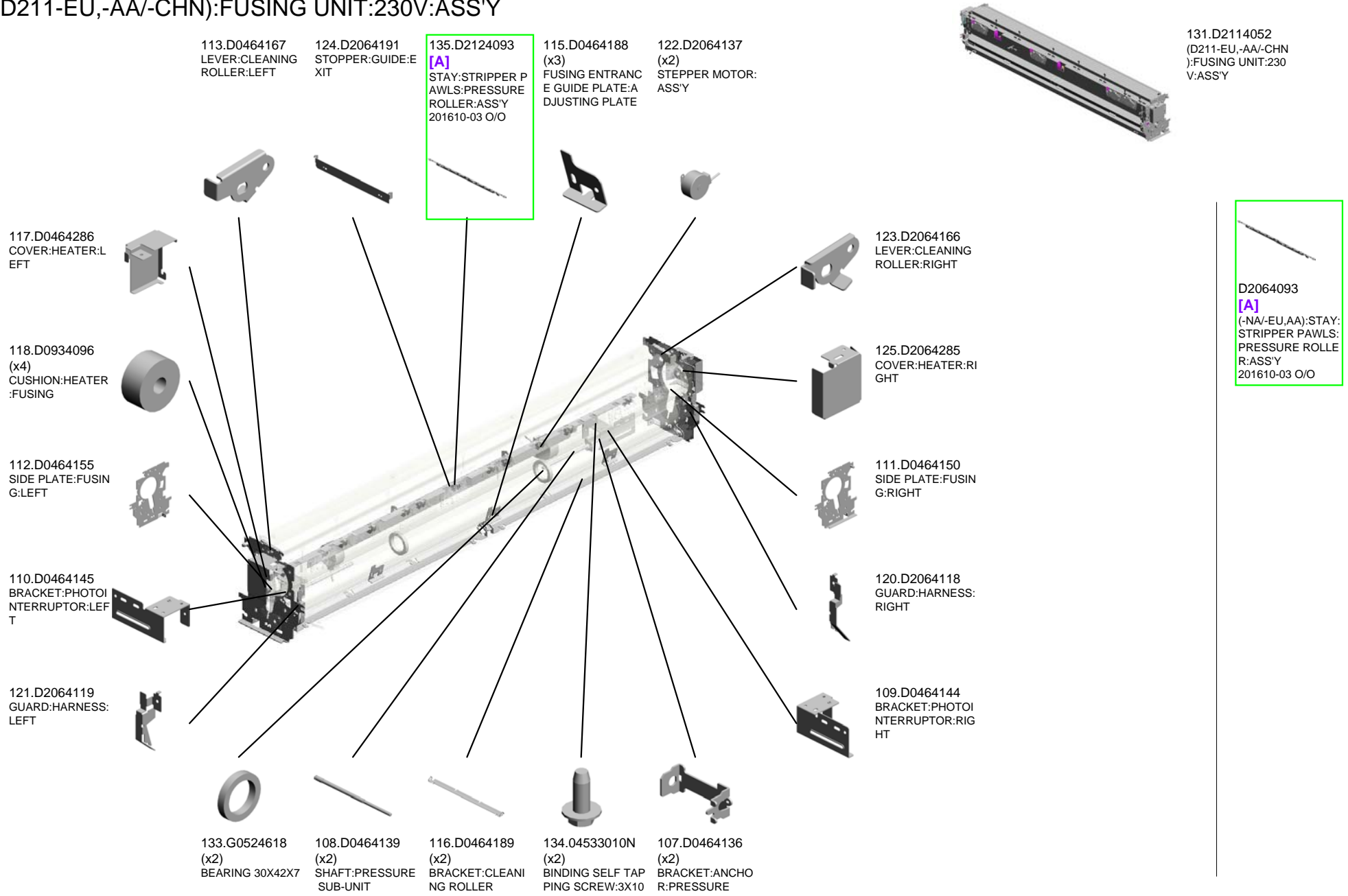
131.D2114052
(D211-EU,-AA/-CHN)
):FUSING UNIT:230
V:ASSY

- 97.D0464081
SHAFT:PRESSURE
ROLLER
- 69.AX450048
(x2)
(D211-EU,-AA/-CHN
):HEATER:230V:12
00W
- 73.B0044087
PLATE- THERMIST
OR
- 99.D0464109
(x4)
STOPPER:SHAFT:
PRESSURE ROLLE
R
- 93.B2093882
(x2)
BUSHING - 6X8X10



U001	U002	U003	U004	U005	U006	U007	U008	U009	U010	U011	U012	U013
------	------	------	------	------	------	------	------	------	------	------	------	------

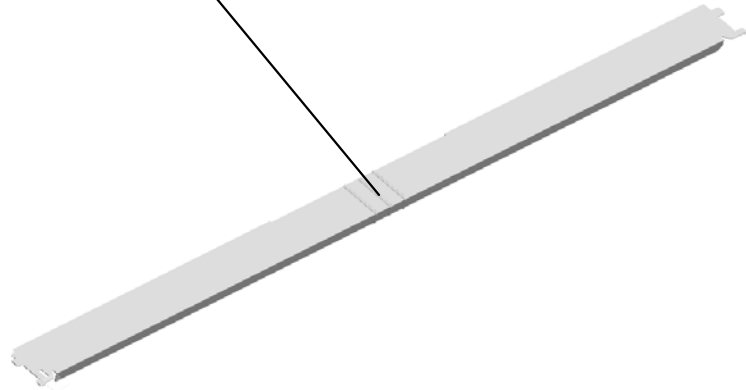
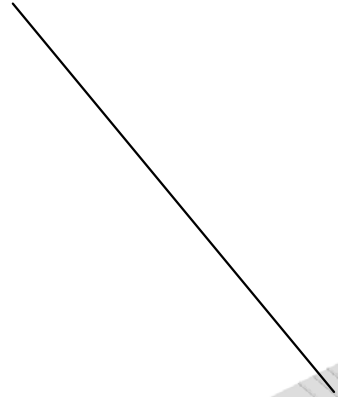
U010_S003
(D211-EU,-AA/-CHN):FUSING UNIT:230V:ASS'Y



U001	U002	U003	U004	U005	U006	U007	U008	U009	U010	U011	U012	U013
------	------	------	------	------	------	------	------	------	------	------	------	------

U010_S003_S001
FUSING ENTRANCE GUIDE PLATE

89.B1884146
(-NA/-EU,-AA):FUSI
NG ENTRANCE GU
IDE PLATE



114.D0464170
FUSING ENTRANC
E GUIDE PLATE

U001	U002	U003	U004	U005	U006	U007	U008	U009	U010	U011	U012	U013
------	------	------	------	------	------	------	------	------	------	------	------	------

U010_S004
(D208-EU,-AA/-CHN):FUSING UNIT:230V:ASS'Y

20.09543010N (x7) SCREW:POLISHED ROUND/SPRING:M 3X10
 11.07010050N (x4) WASHER:DIA5
 13.07200040E (x2) RETAINING RING - M4
 10.07010040N (x3) WASHER:DIA4
 12.07030040N (x3) SPRING WASHER: DIA4



129.D2084052
(D208-EU,-AA/-CHN):FUSING UNIT:230V:ASSY

17.08053445 (x2) BEARING - M6X10X3



2.03540060N (x36) SCREW-M4X6



35.AA066285 (x11) STRIPPER SPRING



26.A1634122 ENTRANCE GUIDE PLATE HOLDER



22.11050310 (x5) HARNESS CLAMP - LWS-1S



9.05740040E (x8) HEXAGON HEADLESS SET SCREW - M4X4



6.04533006N (x4) TAPPING SCREW - M3X6



23.11050511 (x3) HARNESS CLAMP - LWS-0306ZC



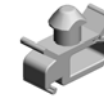
14.07200050E (x2) RETAINING RING - M5



15.07200070E (x2) RETAINING RING - M7



19.09543006N (x16) SCREW - M3X6



23.11050511 (x2) HARNESS CLAMP - LWS-0306ZC

30.AA061028 (x2) TENSION SPRING: PRESSURE SUB-U NIT



1.03140050N (x 1) PAN HEAD SCREW-M4X5
 8.04544008Q (x 4) TAPPING SCREW - M4X8

31.AA063266 (x4) PRESSURE SPRING - 1KGF



24.11050516 (x6) CLAMP



38.AA082062 (x2) BUSHING

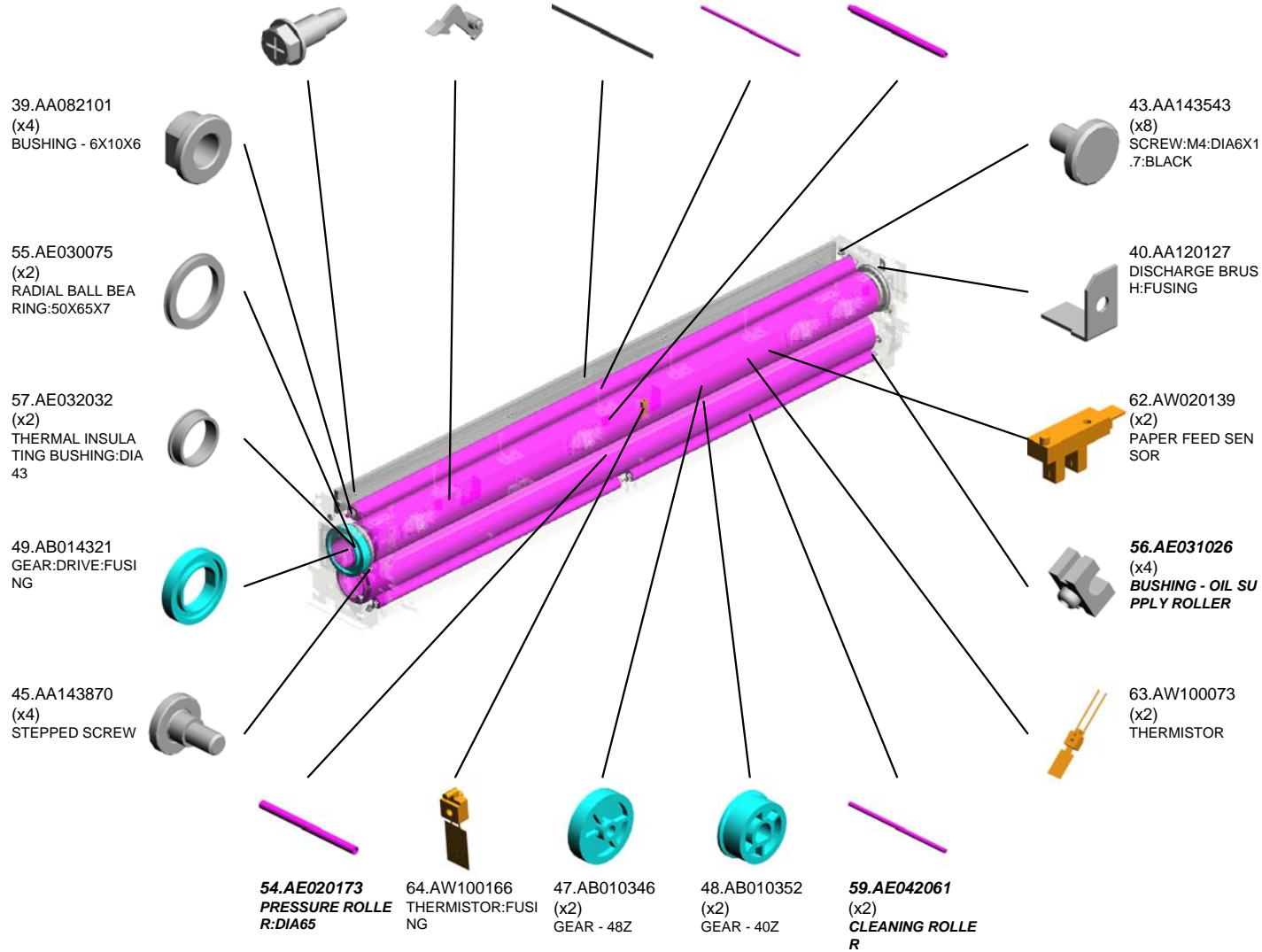


U010_S004
(D208-EU,-AA/-CHN):FUSING UNIT:230V:ASS'Y



129.D2084052
(D208-EU,-AA/-CHN):FUSING UNIT:230V:ASSY

42.AA143542 (x4) SCREW:M3:DIA4X5.6
60.AE044031 (x11) PRESSURE ROLLER STRIPPER
46.AA172021 HEAT INSULATION :FUSING:REAR
58.AE042047 FUSING CLEANING ROLLER
52.AE011123 (D208):HOT ROLLER R:DIA60



U001	U002	U003	U004	U005	U006	U007	U008	U009	U010	U011	U012	U013
------	------	------	------	------	------	------	------	------	------	------	------	------

U010_S004
(D208-EU,-AA/-CHN):FUSING UNIT:230V:ASS'Y

97.D0464081
SHAFT:PRESSURE
ROLLER

68.AX440299
(D208-EU,-AA/-CHN
);HEATER:230V:60
0W:BOTH ENDS

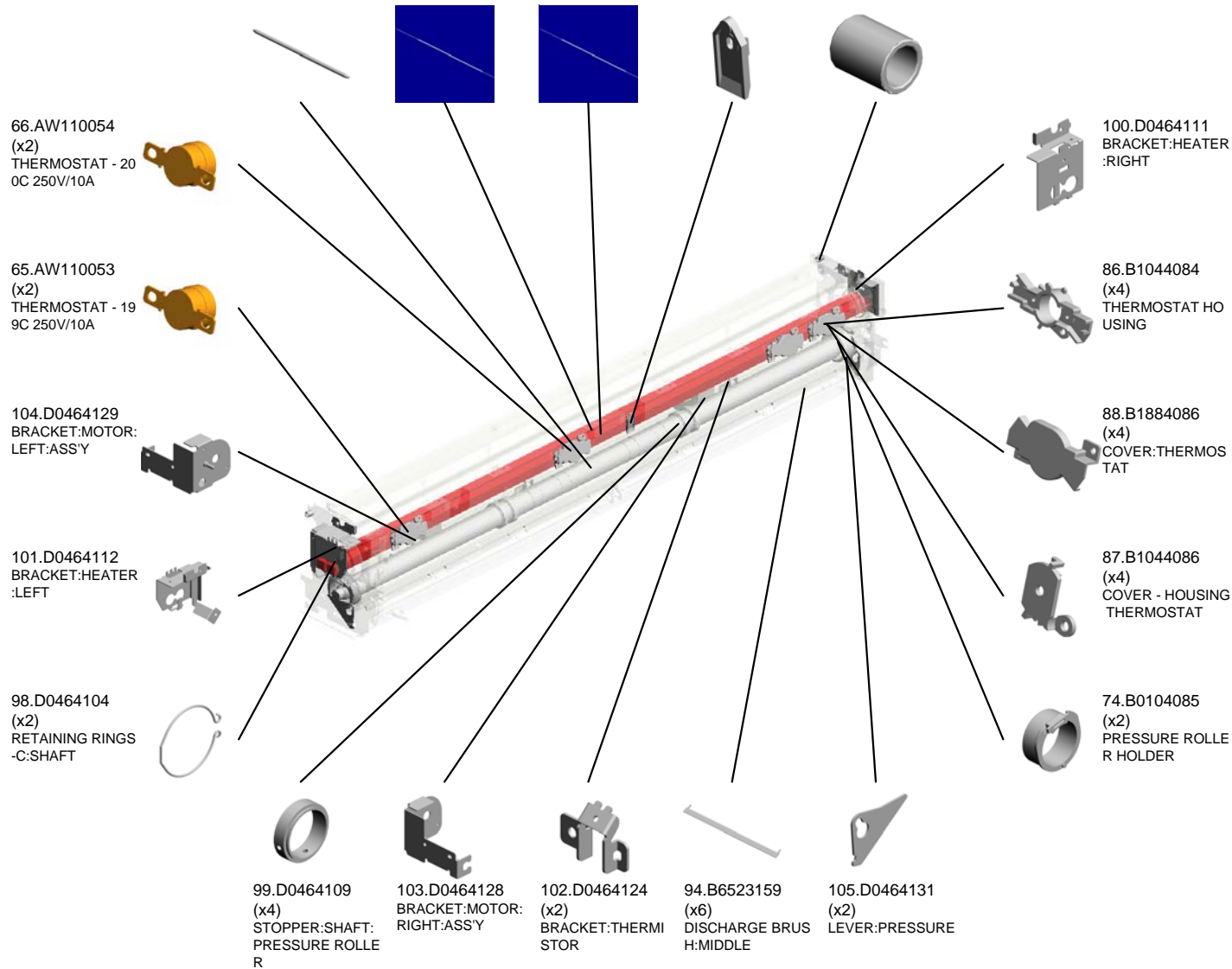
72.AX450052
(D208-EU,-AA/-CHN
);HEATER:230V:10
00W:MIDDLE

73.B0044087
PLATE- THERMIST
OR

93.B2093882
(x2)
BUSHING - 6X8X10



129.D2084052
(D208-EU,-AA/-CHN
);FUSING UNIT:230
V:ASSY

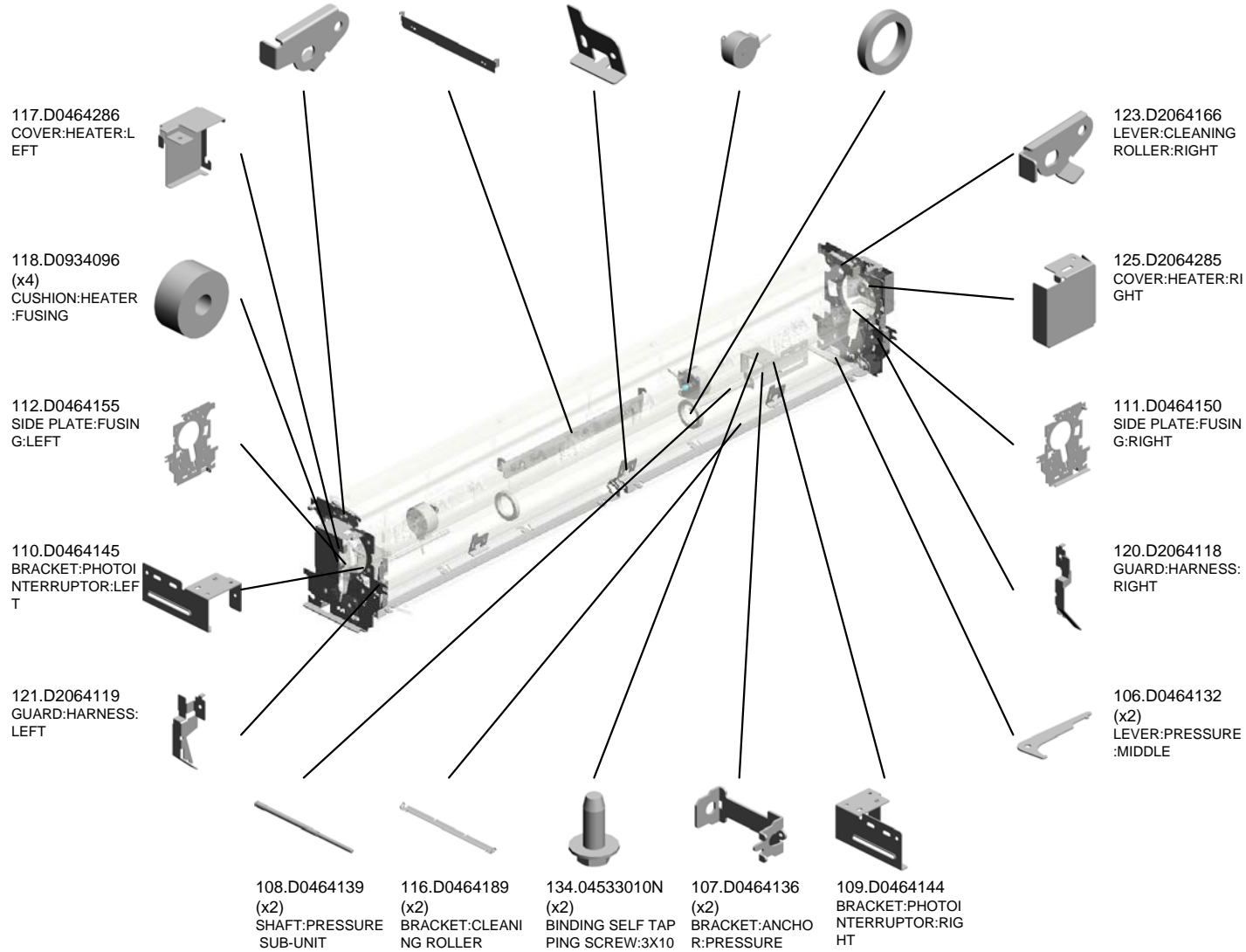


U010_S004
(D208-EU,-AA/-CHN):FUSING UNIT:230V:ASS'Y



129.D2084052
(D208-EU,-AA/-CHN):FUSING UNIT:230V:ASSY

113.D0464167 LEVER:CLEANING ROLLER:LEFT
 124.D2064191 STOPPER:GUIDE:EXIT
 115.D0464188 (x3) FUSING ENTRANCE GUIDE PLATE:ADJUSTING PLATE
 122.D2064137 (x2) STEPPER MOTOR:ASSY
 133.G0524618 (x2) BEARING 30X42X7



U001	U002	U003	U004	U005	U006	U007	U008	U009	U010	U011	U012	U013
------	------	------	------	------	------	------	------	------	------	------	------	------

U010_S004
(D208-EU,-AA/-CHN):FUSING UNIT:230V:ASS'Y

135.D2124093
[A]
STAY:STRIPPER P
AWLS:PRESSURE
ROLLER:ASS'Y
201610-03 O/O



129.D2084052
(D208-EU,-AA/-CHN):FUSING UNIT:230V:ASS'Y

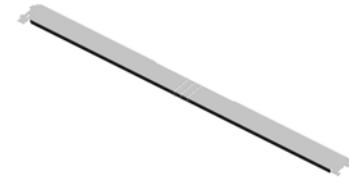
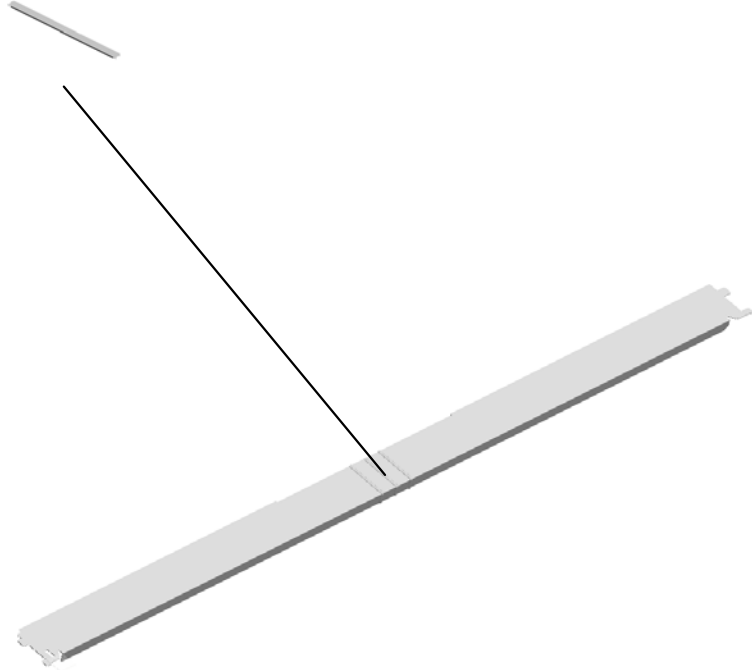


D2064093
[A]
(-NA/-EU,AA):STAY:
STRIPPER PAWLS:
PRESSURE ROLLER:
ASS'Y
201610-03 O/O

U001	U002	U003	U004	U005	U006	U007	U008	U009	U010	U011	U012	U013
------	------	------	------	------	------	------	------	------	------	------	------	------

U010_S004_S001
FUSING ENTRANCE GUIDE PLATE

89.B1884146
(-NA/-EU,-AA):FUSI
NG ENTRANCE GU
IDE PLATE



114.D0464170
FUSING ENTRANC
E GUIDE PLATE

U001	U002	U003	U004	U005	U006	U007	U008	U009	U010	U011	U012	U013
------	------	------	------	------	------	------	------	------	------	------	------	------

U010_S005
(D208-EU,-AA/-CHN):FUSING UNIT:230V:ASS'Y

20.09543010N (x7) SCREW:POLISHED ROUND/SPRING:M 3X10
 11.07010050N (x4) WASHER:DIA5
 13.07200040E (x2) RETAINING RING - M4
 10.07010040N (x3) WASHER:DIA4
 12.07030040N (x3) SPRING WASHER: DIA4



129.D2084052
(D208-EU,-AA/-CHN):FUSING UNIT:230 V:ASSY

17.08053445 (x2) BEARING - M6X10X 3



2.03540060N (x36) SCREW-M4X6



35.AA066285 (x11) STRIPPER SPRING



26.A1634122 ENTRANCE GUIDE PLATE HOLDER



22.11050310 (x5) HARNESS CLAMP - LWS-1S



9.05740040E (x8) HEXAGON HEADLESS SET SCREW - M4X4



6.04533006N (x4) TAPPING SCREW - M3X6



23.11050511 (x3) HARNESS CLAMP - LWS-0306ZC



14.07200050E (x2) RETAINING RING - M5



15.07200070E (x2) RETAINING RING - M7



19.09543006N (x16) SCREW - M3X6



30.AA061028 (x2) TENSION SPRING: PRESSURE SUB-U NIT



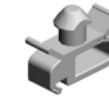
31.AA063266 (x4) PRESSURE SPRING - 1KGF



24.11050516 (x6) CLAMP



38.AA082062 (x2) BUSHING



23.11050511 (x2) HARNESS CLAMP - LWS-0306ZC

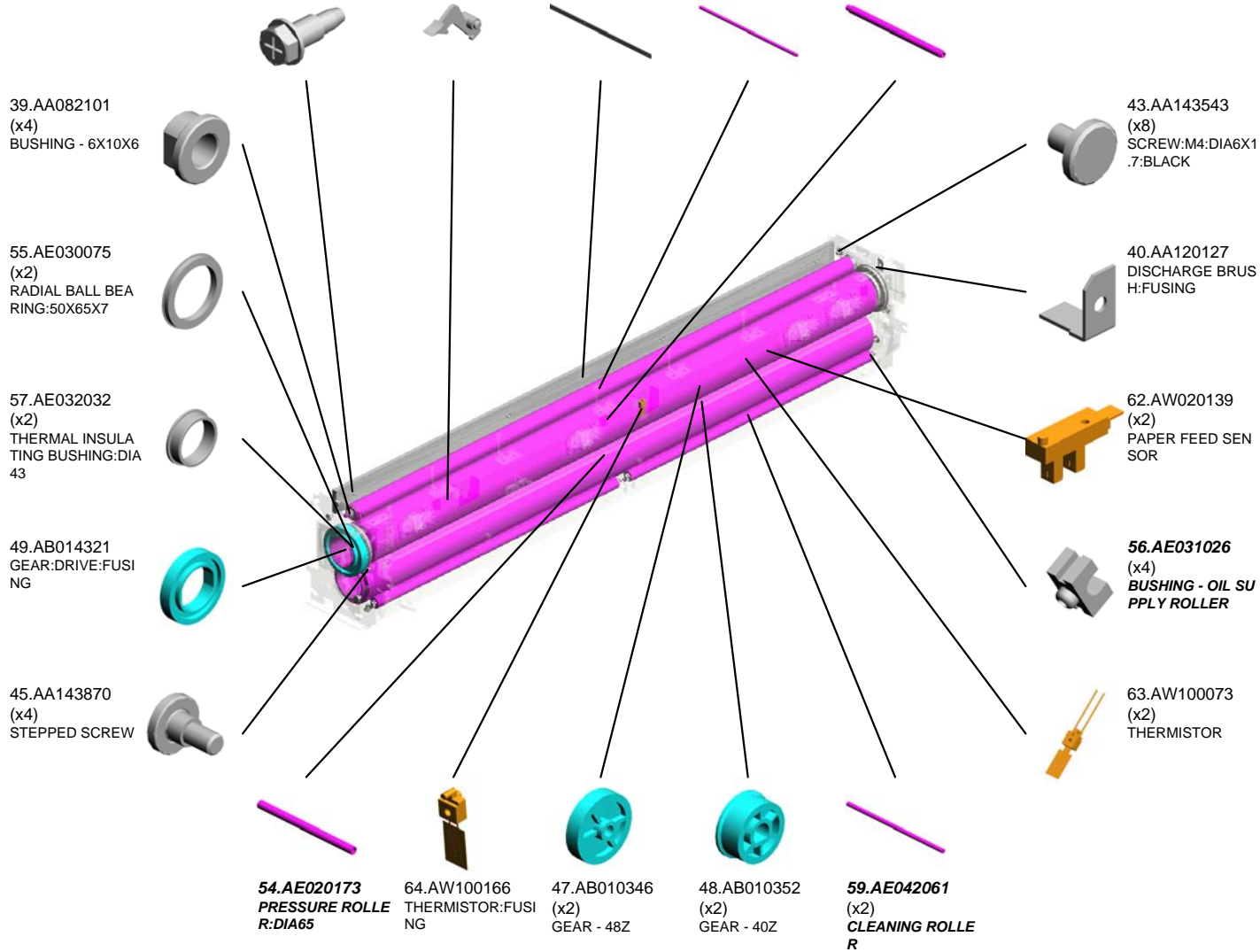
1.03140050N (x 1) PAN HEAD SCREW-M4X5
 8.04544008Q (x 4) TAPPING SCREW - M4X8

U010_S005
(D208-EU,-AA/-CHN):FUSING UNIT:230V:ASS'Y



129.D2084052
(D208-EU,-AA/-CHN):FUSING UNIT:230V:ASSY

42.AA143542 (x4) SCREW:M3:DIA4X5.6
60.AE044031 (x11) PRESSURE ROLLER STRIPPER
46.AA172021 HEAT INSULATION :FUSING:REAR
58.AE042047 FUSING CLEANING ROLLER
52.AE011123 (D208):HOT ROLLER R:DIA60



U001	U002	U003	U004	U005	U006	U007	U008	U009	U010	U011	U012	U013
------	------	------	------	------	------	------	------	------	------	------	------	------

U010_S005
(D208-EU,-AA/-CHN):FUSING UNIT:230V:ASS'Y

97.D0464081
SHAFT:PRESSURE
ROLLER

68.AX440299
(D208-EU,-AA/-CHN
);HEATER:230V:60
0W:BOTH ENDS

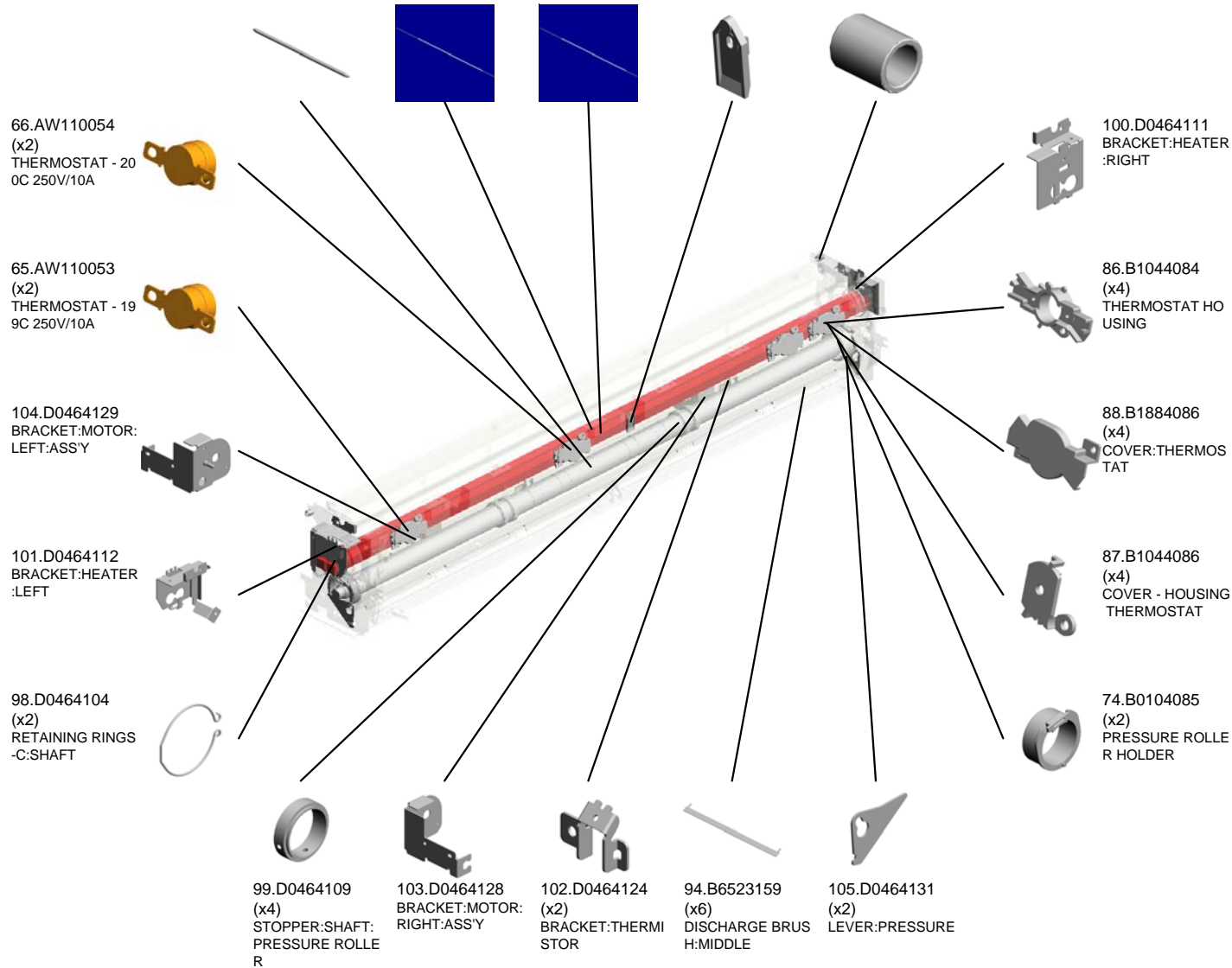
72.AX450052
(D208-EU,-AA/-CHN
);HEATER:230V:10
00W:MIDDLE

73.B0044087
PLATE- THERMIST
OR

93.B2093882
(x2)
BUSHING - 6X8X10



129.D2084052
(D208-EU,-AA/-CHN
);FUSING UNIT:230
V:ASSY



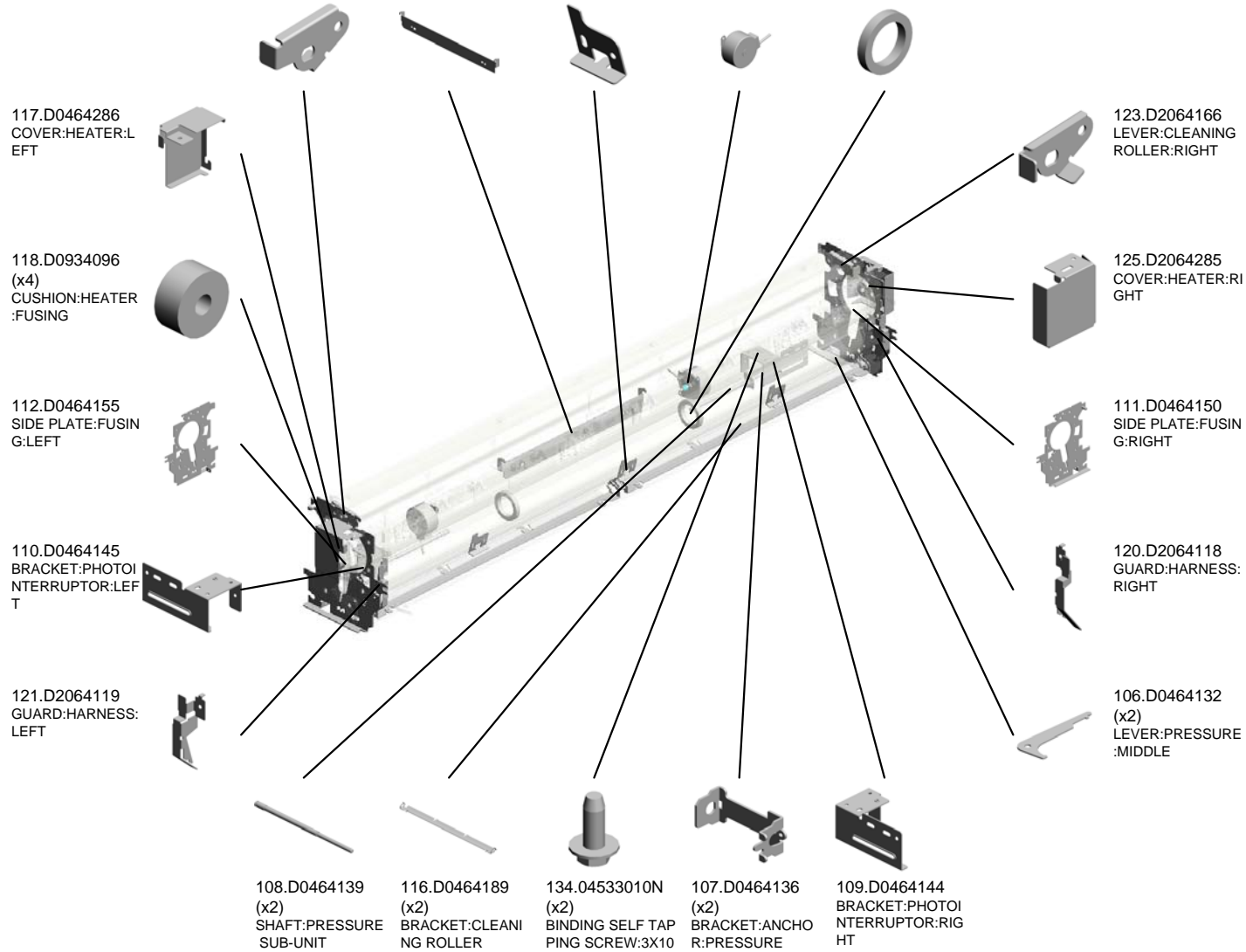
U001	U002	U003	U004	U005	U006	U007	U008	U009	U010	U011	U012	U013
------	------	------	------	------	------	------	------	------	------	------	------	------

U010_S005
(D208-EU,-AA/-CHN):FUSING UNIT:230V:ASS'Y



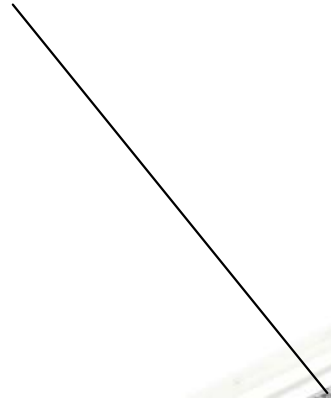
129.D2084052
(D208-EU,-AA/-CHN):FUSING UNIT:230V:ASSY

113.D0464167 LEVER:CLEANING ROLLER:LEFT
 124.D2064191 STOPPER:GUIDE:EXIT
 115.D0464188 (x3) FUSING ENTRANCE GUIDE PLATE:ADJUSTING PLATE
 122.D2064137 (x2) STEPPER MOTOR:ASSY
 133.G0524618 (x2) BEARING 30X42X7



U010_S005
(D208-EU,-AA/-CHN):FUSING UNIT:230V:ASS'Y

135.D2124093
STAY:STRIPPER P
AWLS:PRESSURE
ROLLER:ASS'Y

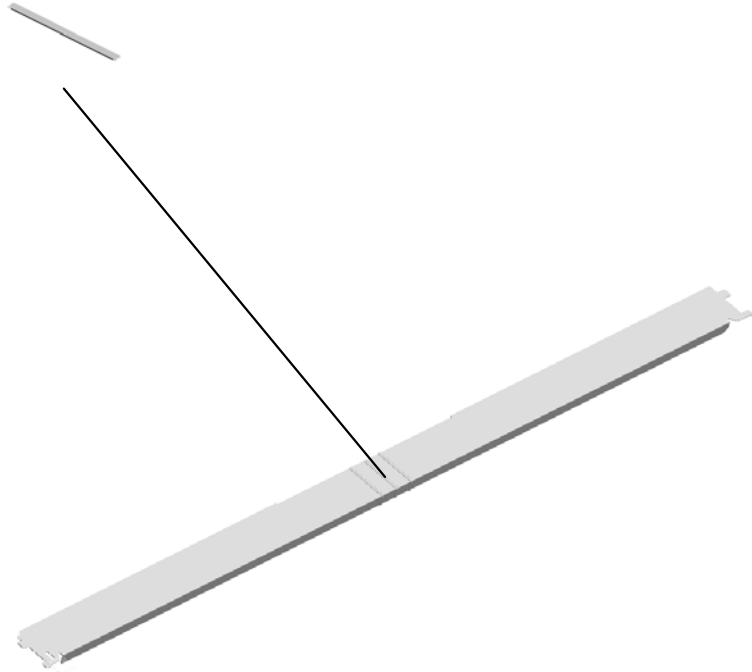


129.D2084052
(D208-EU,-AA/-CHN
):FUSING UNIT:230
V:ASS'Y

U001	U002	U003	U004	U005	U006	U007	U008	U009	U010	U011	U012	U013
------	------	------	------	------	------	------	------	------	------	------	------	------

U010_S005_S001
FUSING ENTRANCE GUIDE PLATE

136.D2124146
(-CHN):FUSING EN
TRANCE GUIDE PL
ATE



114.D0464170
FUSING ENTRANC
E GUIDE PLATE

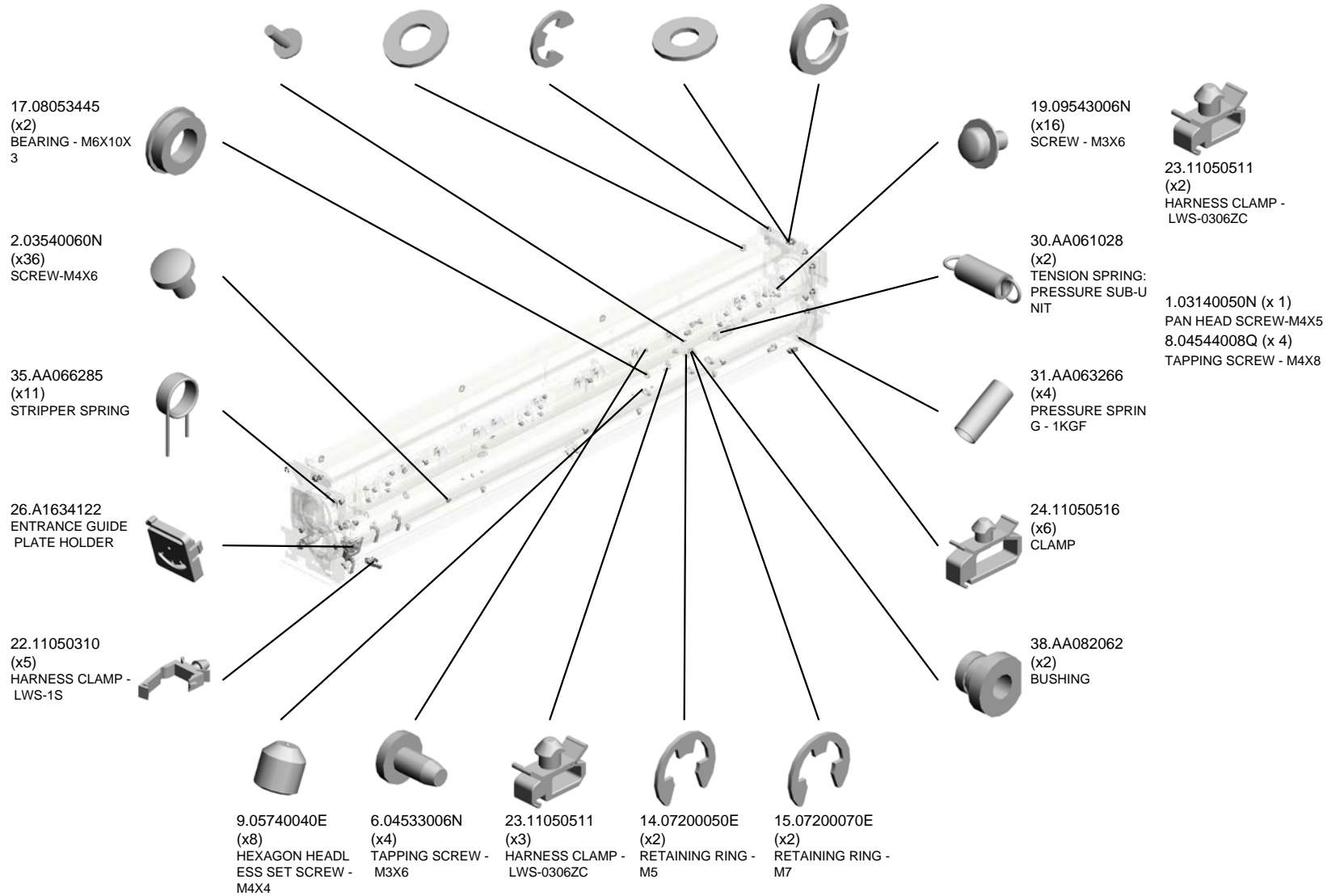
U001	U002	U003	U004	U005	U006	U007	U008	U009	U010	U011	U012	U013
------	------	------	------	------	------	------	------	------	------	------	------	------

U010_S006
(D211-EU,-AA/-CHN):FUSING UNIT:230V:ASS'Y

- | | | | | |
|--|-------------------------------------|--|-------------------------------------|--|
| 20.09543010N
(x7)
SCREW:POLISHED
ROUND/SPRING:M
3X10 | 11.07010050N
(x4)
WASHER:DIA5 | 13.07200040E
(x2)
RETAINING RING -
M4 | 10.07010040N
(x3)
WASHER:DIA4 | 12.07030040N
(x3)
SPRING WASHER:
DIA4 |
|--|-------------------------------------|--|-------------------------------------|--|



131.D2114052
(D211-EU,-AA/-CHN
):FUSING UNIT:230
V:ASSY

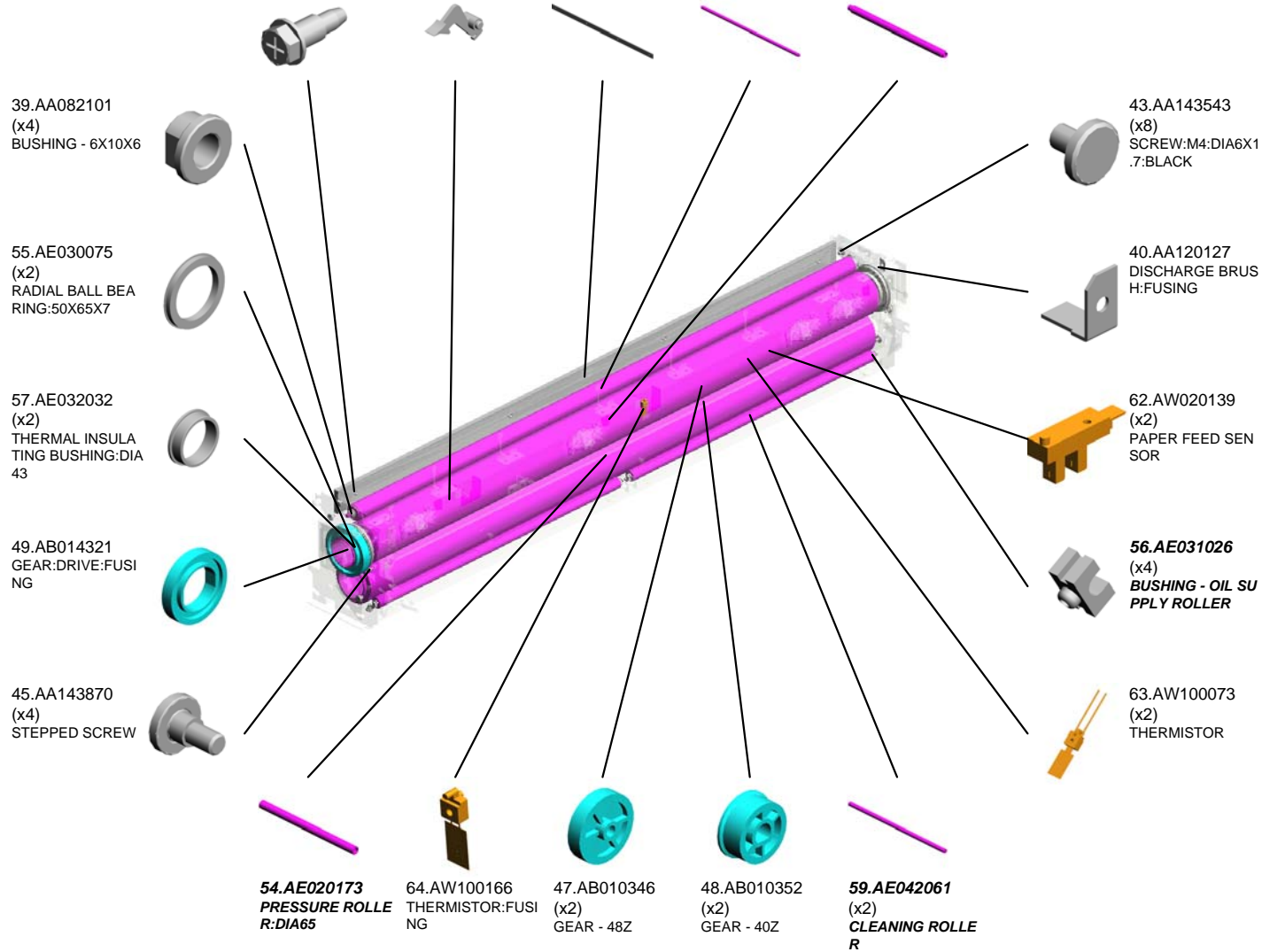


U010_S006
(D211-EU,-AA/-CHN):FUSING UNIT:230V:ASS'Y



131.D2114052
(D211-EU,-AA/-CHN)
):FUSING UNIT:230
V:ASSY

42.AA143542 (x4) SCREW:M3:DIA4X5.6
60.AE044031 (x11) PRESSURE ROLLER STRIPPER
46.AA172021 HEAT INSULATION :FUSING:REAR
58.AE042047 FUSING CLEANING ROLLER
53.AE011125 (D211):HOT ROLLER R:DIA60:HEAT PIPE:DIA6

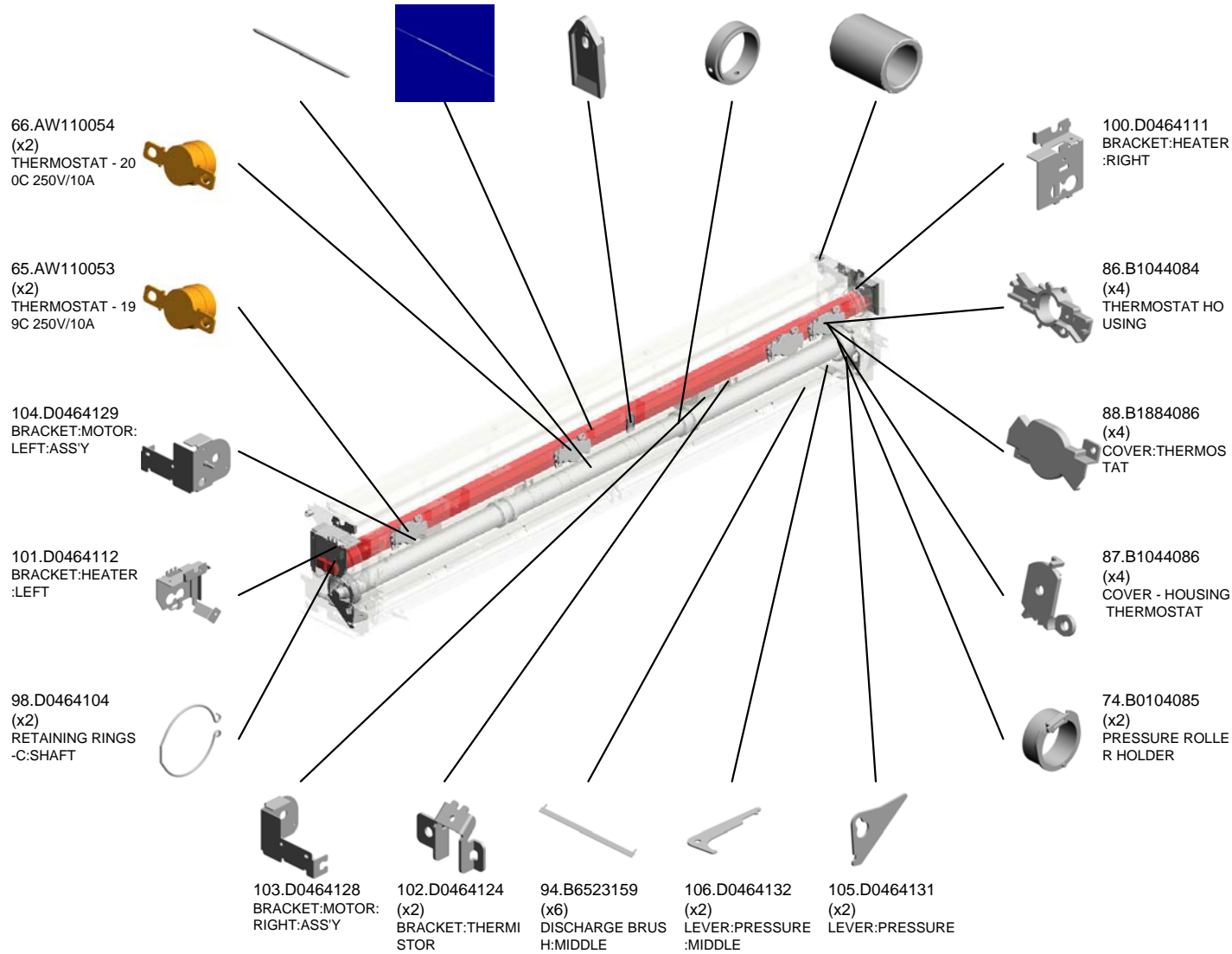


U010_S006
(D211-EU,-AA/-CHN):FUSING UNIT:230V:ASS'Y



131.D2114052
(D211-EU,-AA/-CHN)
):FUSING UNIT:230
V:ASSY

- 97.D0464081
SHAFT:PRESSURE
ROLLER
- 69.AX450048
(x2)
(D211-EU,-AA/-CHN
):HEATER:230V:12
00W
- 73.B0044087
PLATE- THERMIST
OR
- 99.D0464109
(x4)
STOPPER:SHAFT:
PRESSURE ROLLE
R
- 93.B2093882
(x2)
BUSHING - 6X8X10

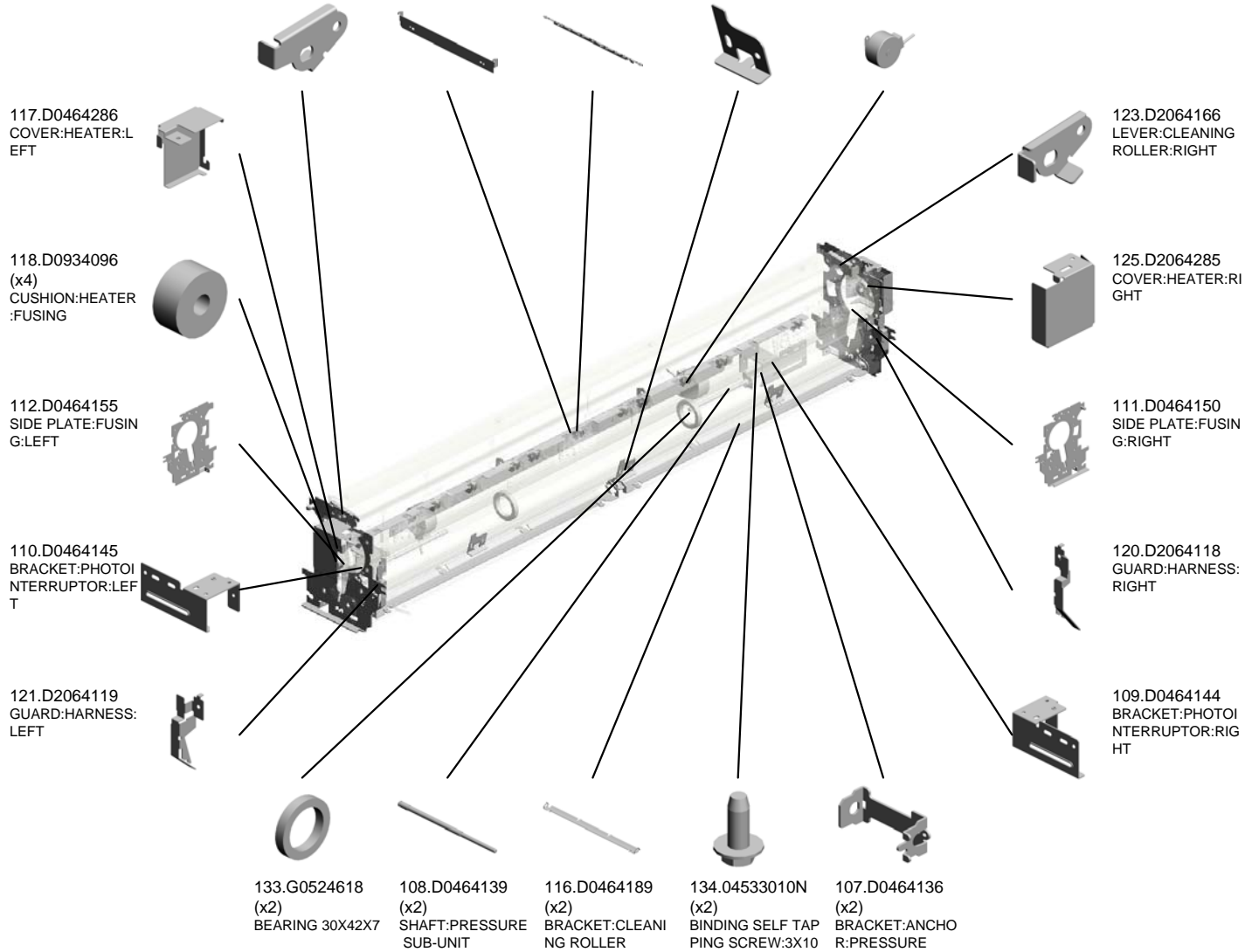


U010_S006
(D211-EU,-AA/-CHN):FUSING UNIT:230V:ASS'Y



131.D2114052
(D211-EU,-AA/-CHN):FUSING UNIT:230V:ASSY

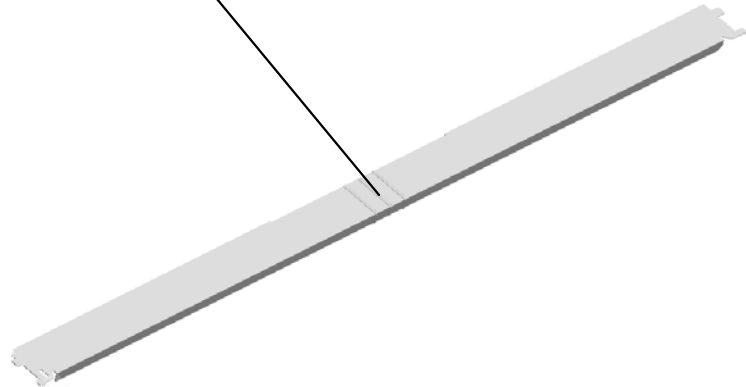
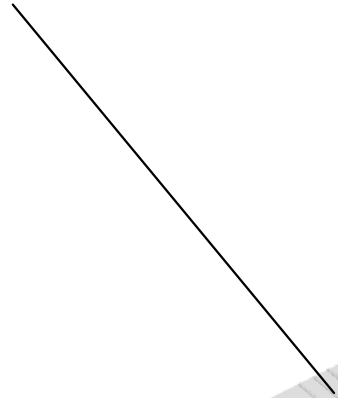
- 113.D0464167 LEVER:CLEANING ROLLER:LEFT
- 124.D2064191 STOPPER:GUIDE:EXIT
- 135.D2124093 STAY:STRIPPER PAWLS:PRESSURE ROLLER:ASSY
- 115.D0464188 (x3) FUSING ENTRANCE GUIDE PLATE:ADJUSTING PLATE
- 122.D2064137 (x2) STEPPER MOTOR:ASSY



U001	U002	U003	U004	U005	U006	U007	U008	U009	U010	U011	U012	U013
------	------	------	------	------	------	------	------	------	------	------	------	------

U010_S006_S001
FUSING ENTRANCE GUIDE PLATE

136.D2124146
(-CHN):FUSING EN
TRANCE GUIDE PL
ATE

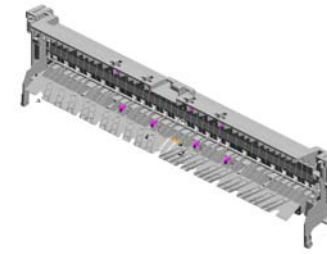


114.D0464170
FUSING ENTRANC
E GUIDE PLATE

U001	U002	U003	U004	U005	U006	U007	U008	U009	U010	U011	U012	U013
------	------	------	------	------	------	------	------	------	------	------	------	------

U011 PAPER EXIT

- 17.AG070504 (x3) MAGNET CATCH:4 4.1N
- 9.08025298 (x6) TAPPING SCREW: 4X12
- 1.04504008N (x6) TAPPING SCREW - M4X8
- 20.B0104453 (x8) UPPER SPRING PLATE - EXIT ROLLER
- 16.AF040576 (x8) DRIVEN EXIT ROLLER



13.AA066366
SPRING:PRESSUR
E RELEASE

3.04513006N
TAPPING SCREW -
3X6

11.A1744372
GATE PAWL DRIV
E

12.A1744387
GATE PAWL ARM

7.06230120E
SPRING PIN - M3X
12

19.AX100041
DC SOLENOID:GA
TE PAWL:CHANGE

2.04513005N
(x2)
TAPPING SCREW:
M3X5

10.11050511
(x4)
HARNES CLAMP -
LWS-0306ZC

18.AW010110
PAPER FEED SEN
SOR

4.04513012N
TAPPING SCREW:
3X12

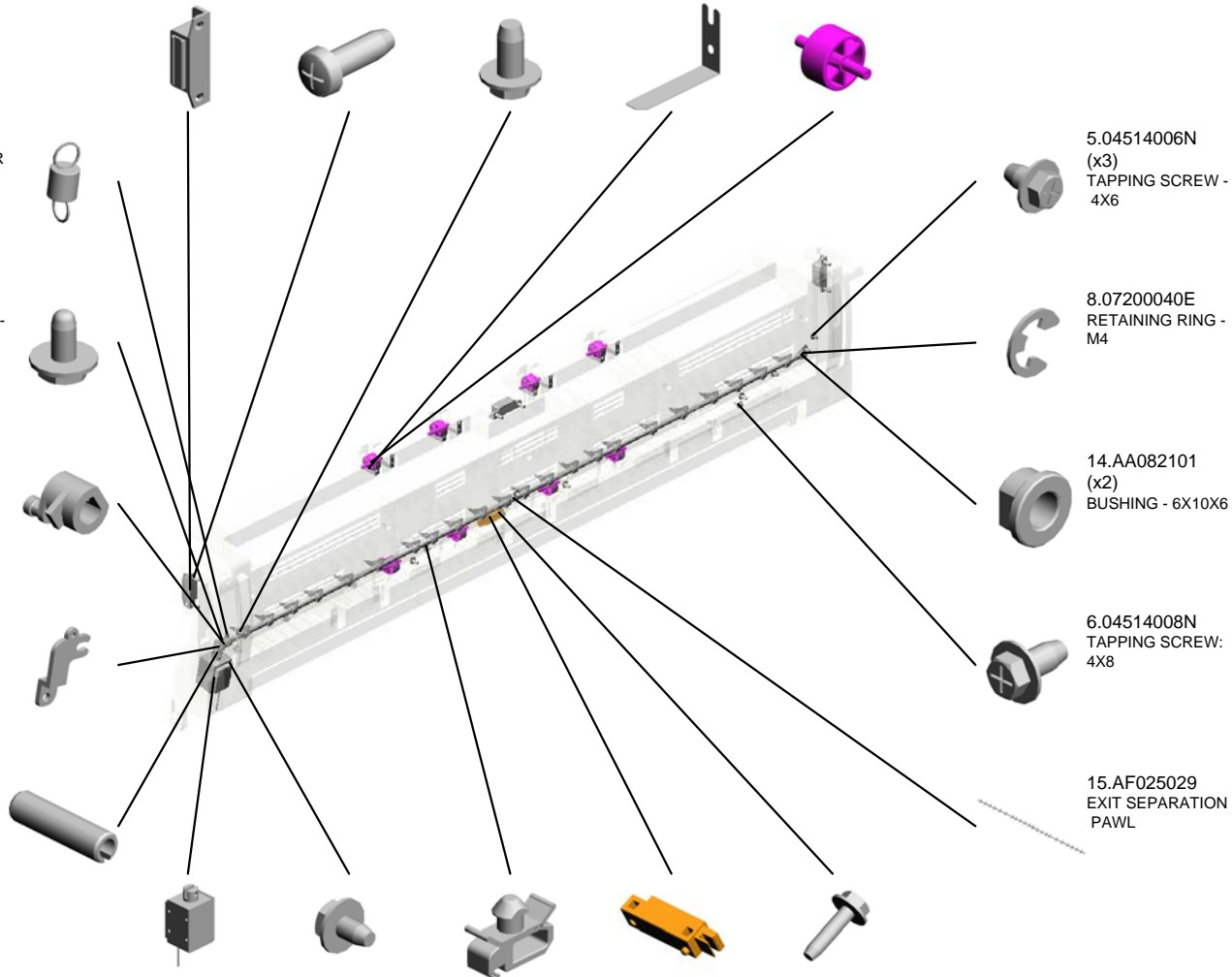
5.04514006N
(x3)
TAPPING SCREW -
4X6

8.07200040E
RETAINING RING -
M4

14.AA082101
(x2)
BUSHING - 6X10X6

6.04514008N
TAPPING SCREW:
4X8

15.AF025029
EXIT SEPARATION
PAWL

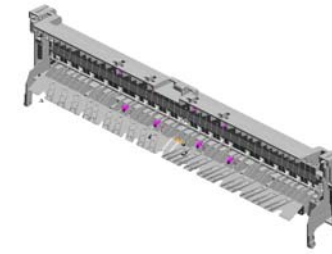


U011 PAPER EXIT

21.B0104454 (x4)
LOWER SPRING PLATE - EXIT ROLLER

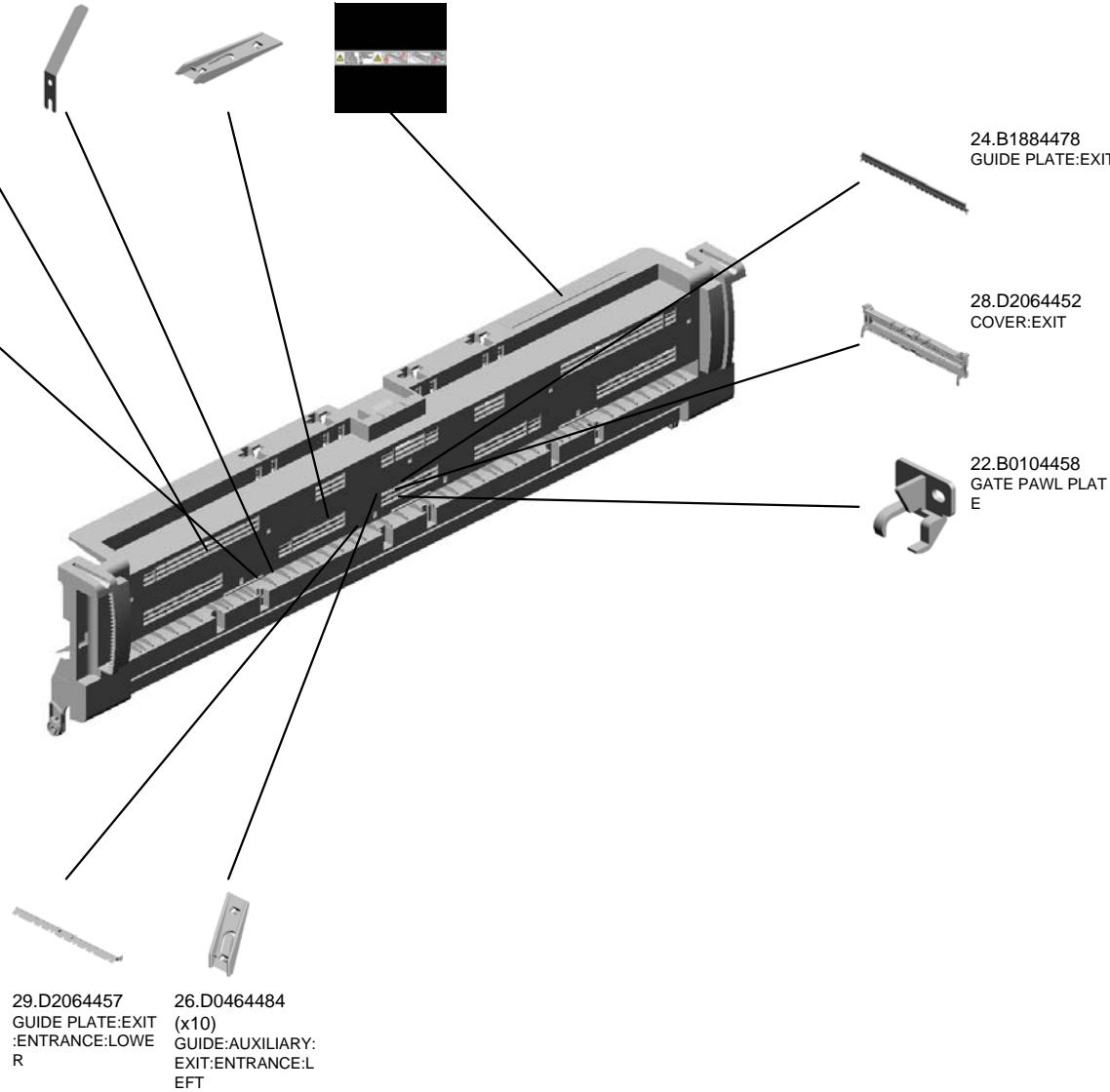
25.D0464483 (x10)
GUIDE:AUXILIARY: EXIT:ENTRANCE:RIGHT

27.D2061376 (x2)
DECAL:H-TEMP WARNING:FUSING LIGHT



30.D2064499 (x3)
DISCHARGE BRUSH:300MM

23.B1884454 (x4)
SPRING PLATE:EXIT ROLLER:LOWER



29.D2064457
GUIDE PLATE:EXIT:ENTRANCE:LOWER

26.D0464484 (x10)
GUIDE:AUXILIARY: EXIT:ENTRANCE:LEFT

24.B1884478
GUIDE PLATE:EXIT

28.D2064452
COVER:EXIT

22.B0104458
GATE PAWL PLATE

U012.ELECTRICAL

U012_S005
B1325835
PANEL-INTERFACE

U012_S006
D2065831
HDD:ASS'Y

U012_S004
B1325835
PANEL-INTERFACE

U012_S001
D2085698
(-NA):POWER SUPPLY COR
D:STOPPER:250V:ASS'Y

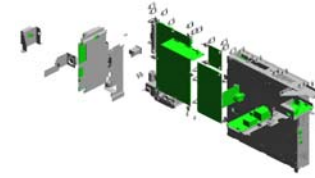
U012_S002
D0465664
(-EU,-AA):POWER SUPPLY C
ORD:250V:16A:ASS'Y

U012_S003
D2085685
(-CHN):POWER SUPPLY CO
RD:STOPPER:250V:ASS'Y

U001	U002	U003	U004	U005	U006	U007	U008	U009	U010	U011	U012	U013
------	------	------	------	------	------	------	------	------	------	------	------	------

U012 ELECTRICAL

- 7.04514008N (x10) TAPPING SCREW: 4X8
- 8.04543006Q (x5) TAPPING SCREW - M3X6
- 24.11050511 (x2) HARNESS CLAMP - LWS-0306ZC
- 28.11050531 (x4) LOCKING SUPPOR - T-EMSS-4S
- 22.11050490 (x30) HARNESS CLAMP - IWS-2218



17.11050194
PCB STUD



21.11050487
(x7)
HARNESS CLAMP



16.11050193
(x2)
NYLON STUD



9.04544006Q
(x3)
TAPPING SCREW:
4X6



3.03603006N
(x43)
SCREW - M3X6



1.03140200N
(x2)
PAN HEAD SCREW
:M4X20



31.11050687
CLAMP:FC-30



25.11050516
(x8)
CLAMP



6.04513030N
(x2)
TAPPING SCREW:
3X30



4.04513006N
(x64)
TAPPING SCREW -
3X6



5.04513020N
(x4)
TAPPING SCREW:
3X20



10.07010050N
WASHER:DIA5



2.03150080N
PAN HEAD SCREW
:M5X8



12.07030050N
SPRING WASHER:
DIA5



30.11050683
(x2)
CLAMP:LWSR-051
1S



18.11050328
(x2)
HARNESS CLAMP -
ES-0505



20.11050462
HARNESS CLAMP



19.11050348
CLAMP



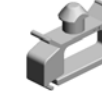
23.11050508
(x31)
HARNESS CLAMP -
LWS-0711



24.11050511
(x20)
HARNESS CLAMP -
LWS-0306ZC



25.11050516
(x13)
CLAMP



26.11050517
(x8)
HARNESS CLAMP -
LWS-2111Z



27.11050529
(x3)
NYLON CLAMP-EM
T-3N



U012 ELECTRICAL

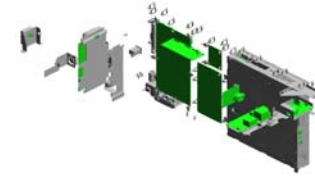
53.B0706877
LARGE DRUM STA
Y GROUND PLATE

43.AA141008
(x4)
PANEL KNOB SCR
EW

63.D0465765
PCB:MLB3:ASS'Y

57.B1881107
GUIDE PLATE:STO
PPER PAWL

33.11050723
CLAMPS:WES-050
7



52.AZ320214
POWER PACK:CG
B

51.AZ310040
POWER PACK:SEP
ARATION

34.11050724
(x5)
CLAMPS:WES-121
0

50.AZ300067
POWER PACK:TRA
NSFER

48.AX640203
FAN:MM60

59.D0465325
GUIDE PLATE:FAN

61.D0465338
(x3)
STUD:BCU

49.AZ240259
POWER SUPPLY U
NIT:ECO:200V:456.
4W

47.AX640199
FAN:MM80:25MM:D
C 2.16W

42.16070534
(x2)
FERRITE CORE:ZC
AT3035-1330

39.11071286
FUSE:BJ52022F1

46.AX310049
TOTAL COUNTER:
7FIG:24V

58.D0465318
BRACKET:LEAK B
REAKER

40.12042634
ROCKER SWITCH -
AJ76200B

60.D0465327
BRACKET:ROCKE
R SWITCH

29.11050532
(x2)
EDGE SADDLE - L
ES-25L

30.11050683
CLAMP:LWSR-051
1S

32.11050711
(x2)
CLAMP:JDL-1S

33.11050723
(x2)
CLAMPS:WES-050
7

34.11050724
(x5)
CLAMPS:WES-121
0

35.11050726
(x2)
CLAMPS:WES-221
7

41.16070278
(x2)
MAGNETIC CORE -
ESD-R-15C

U001 U002 U003 U004 U005 U006 U007 U008 U009 U010 U011 U012 U013

U012 ELECTRICAL

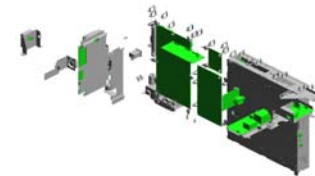
73.D2065241
PCB:VDB:ASS'Y
201605-01 X/O

68.D1775686
PCB:DSCSW
201608-01 O/O

69.D1495883
KEYTOP:MAIN SWI
TCH

70.D1495884
COMPRESSION SP
RING:KEYTOP

79.D2065325
BRACKET:DC FAN
MOTOR:AC CONT
ROL BOARD



80.D2065332
GUARD:POWER P
ACK:FRONT

81.D2065333
GUARD:POWER P
ACK:REAR

76.D2065316
COVER:SD-CARD

78.D2065323
(x2)
GUARD:C/T BOX

75.D2065313
PANEL:CONTROL
BOARD

77.D2065317
COVER:USB

66.D1365709
PCB:EX3_DDR3-DI
MM:RC-A:2GB:ASS'
Y

67.D1365716
PCB:DDR3-DIMM:R
C-C:512MB:ASS'Y

74.D2065312
COVER:C/T BOX:U
PPER

71.D2065210
PCB:ASS'Y

82.D2065360
(x9)
BRACKET:POWER
SUPPLY UNIT

84.D2065362
GUIDE:CABLE

64.D0495318
(x2)
(-NA/-EU/-AA):BRA
CKET:POWER SUP
PLY CORD:200V

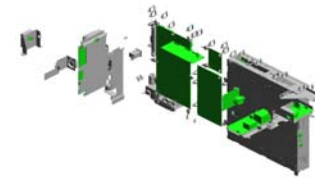
72.D2065220
PCB:IPU-AB:ASS'Y

83.D2065361
BRACKET:DC FAN
MOTOR:POWER S
UPPLY UNIT

3.03603006N (x 5)
SCREW - M3X6
7.04514008N (x 2)
TAPPING SCREW:4X8
10.07010050N (x 1)
WASHER:DIA5
11.07030040N (x 2)
SPRING WASHER:DIA4
13.09504006N (x 2)
SCREW - M4X6
14.09504008N (x 1)
SCREW:SPRING WASHER:M4X8
36.11060193 (x 1)
BUSHING - 7.9MM
37.11060411 (x 1)
BUSHING - 11.5MM
38.11060911 (x 1)
BUSHING:SB-1909

U012 ELECTRICAL

86.D2065370 BRACKET:MAIN SWITCH:DC
 87.D2065371 BRACKET:KEYTOP PCB:ESB
 92.D2065470 PCB:ESB
 100.GX640028 FAN MOTOR DC24 V 1.92W



89.D2065390 BRACKET:POWER PACK:SEPARATION

88.D2065380 BRACKET:POWER PACK:TRANSFER

93.D2069590 NV-RAM

99.G1335794 RAIL:LEFT

98.G1335793 RAIL:RIGHT

96.D2085810 PCB:CTL:EX3:SUB-ASSY

91.D2065460 PCB:MB

102.14077677 EEPROM:BR24T64-W

85.D2065363 SUPPORTING PLATE:AC CONTROL BOARD

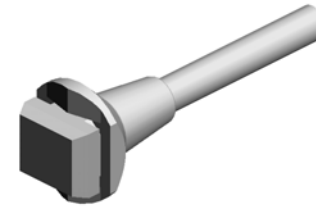
94.D2085520 AC CONTROL BOARD:200V:ASSY

97.D2095320 COVER:LEAK BREAKER

90.D2065420 PCB:IOB

U001	U002	U003	U004	U005	U006	U007	U008	U009	U010	U011	U012	U013
------	------	------	------	------	------	------	------	------	------	------	------	------

U012_S001
(-NA):POWER SUPPLY CORD:STOPPER:250V:ASS'Y



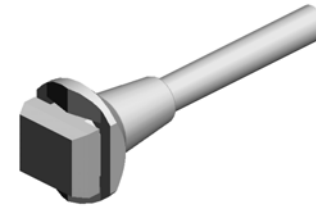
95.D2085698
(-NA):POWER SUP
PLY CORD:STOPP
ER:250V:ASS'Y



15.11050042
(x2)
WIRE BAND

U001	U002	U003	U004	U005	U006	U007	U008	U009	U010	U011	U012	U013
------	------	------	------	------	------	------	------	------	------	------	------	------

U012_S002
(-EU,-AA):POWER SUPPLY CORD:250V:16A:ASS'Y



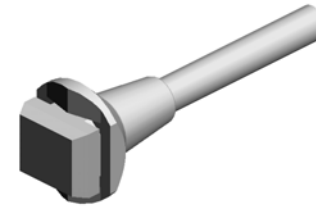
62.D0465664
(-EU,-AA):POWER
SUPPLY CORD:250
V:16A:ASS'Y



15.11050042
(x2)
WIRE BAND

U001	U002	U003	U004	U005	U006	U007	U008	U009	U010	U011	U012	U013
------	------	------	------	------	------	------	------	------	------	------	------	------

U012_S003
(-CHN):POWER SUPPLY CORD:STOPPER:250V:ASS'Y



103.D2085685
(-CHN):POWER SU
PLY CORD:STOP
PER:250V:ASS'Y

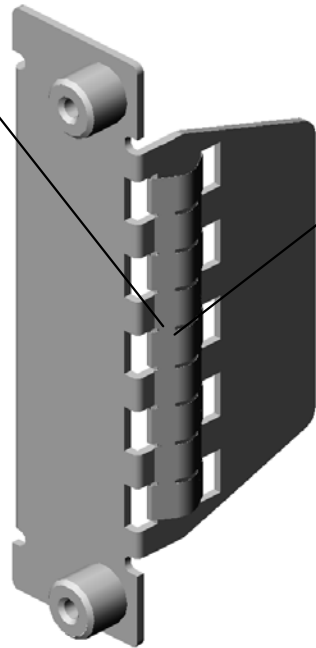


15.11050042
(x2)
WIRE BAND

U001	U002	U003	U004	U005	U006	U007	U008	U009	U010	U011	U012	U013
------	------	------	------	------	------	------	------	------	------	------	------	------

U012_S004
PANEL -INTERFACE

56.B1325836
PANEL -INTERFAC
E



54.B0706899
GROUND PLATE:P
ANEL



55.B1325835
PANEL -INTERFAC
E

U001	U002	U003	U004	U005	U006	U007	U008	U009	U010	U011	U012	U013
------	------	------	------	------	------	------	------	------	------	------	------	------

U012_S005
PANEL -INTERFACE

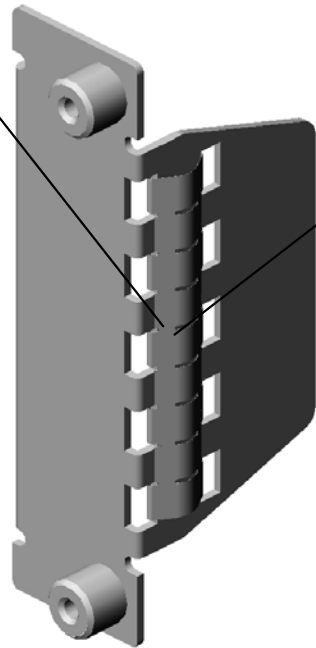
56.B1325836
PANEL -INTERFAC
E



55.B1325835
PANEL -INTERFAC
E



54.B0706899
GROUND PLATE:P
ANEL

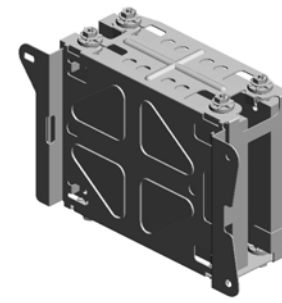


U001	U002	U003	U004	U005	U006	U007	U008	U009	U010	U011	U012	U013
------	------	------	------	------	------	------	------	------	------	------	------	------

U012_S006
HDD:ASS'Y

101.D1365978
BRACKET:HDD

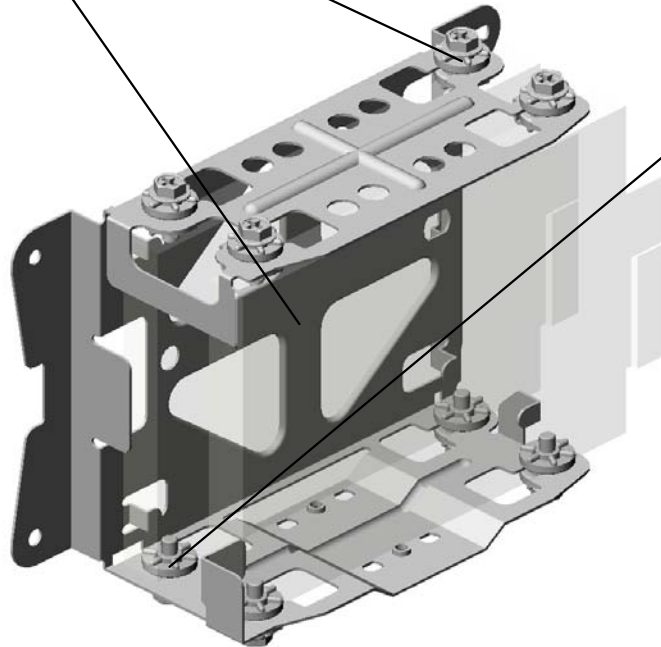
44.AA143848
(x8)
STEPPED SCREW
- M3



104.D2065831
HDD:ASS'Y



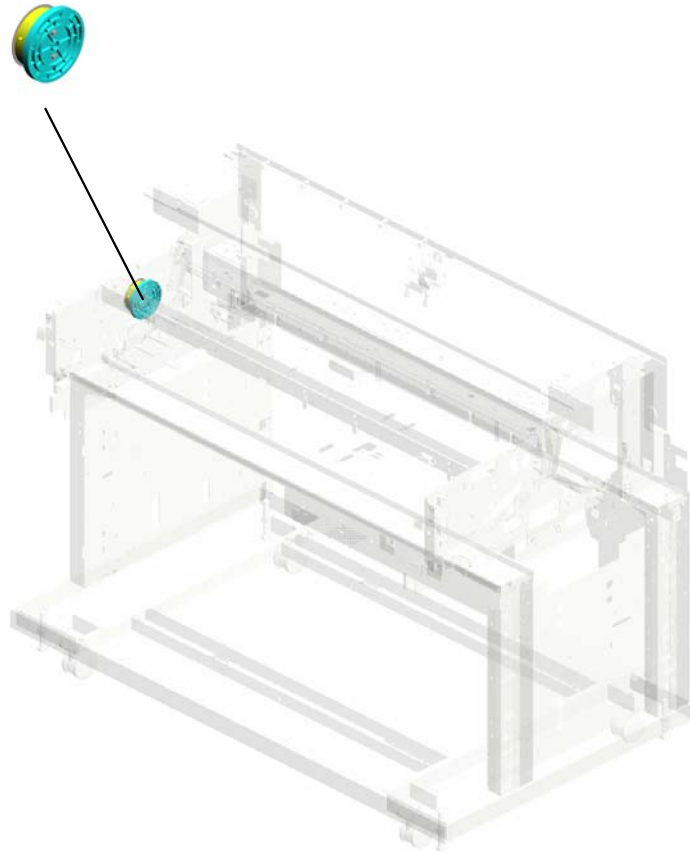
45.AA161167
(x8)
BUSHING:HDD



U001	U002	U003	U004	U005	U006	U007	U008	U009	U010	U011	U012	U013
------	------	------	------	------	------	------	------	------	------	------	------	------

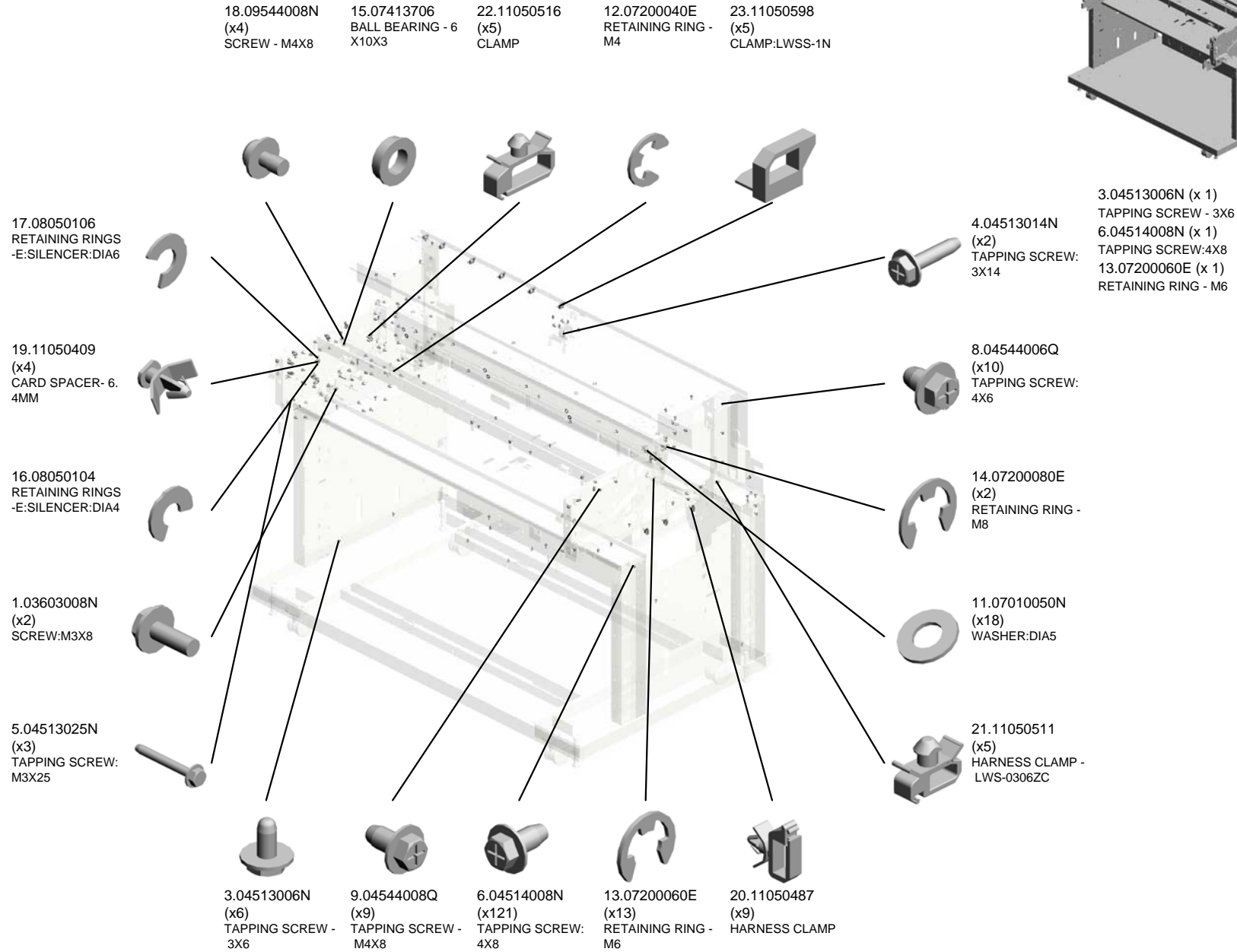
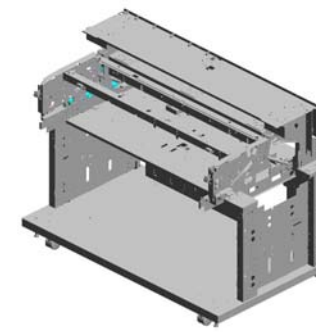
U013.MAIN DRIVE/MAIN FRAME

U013_S001
D2061180
TIMING PULLEY:T102:ASSY

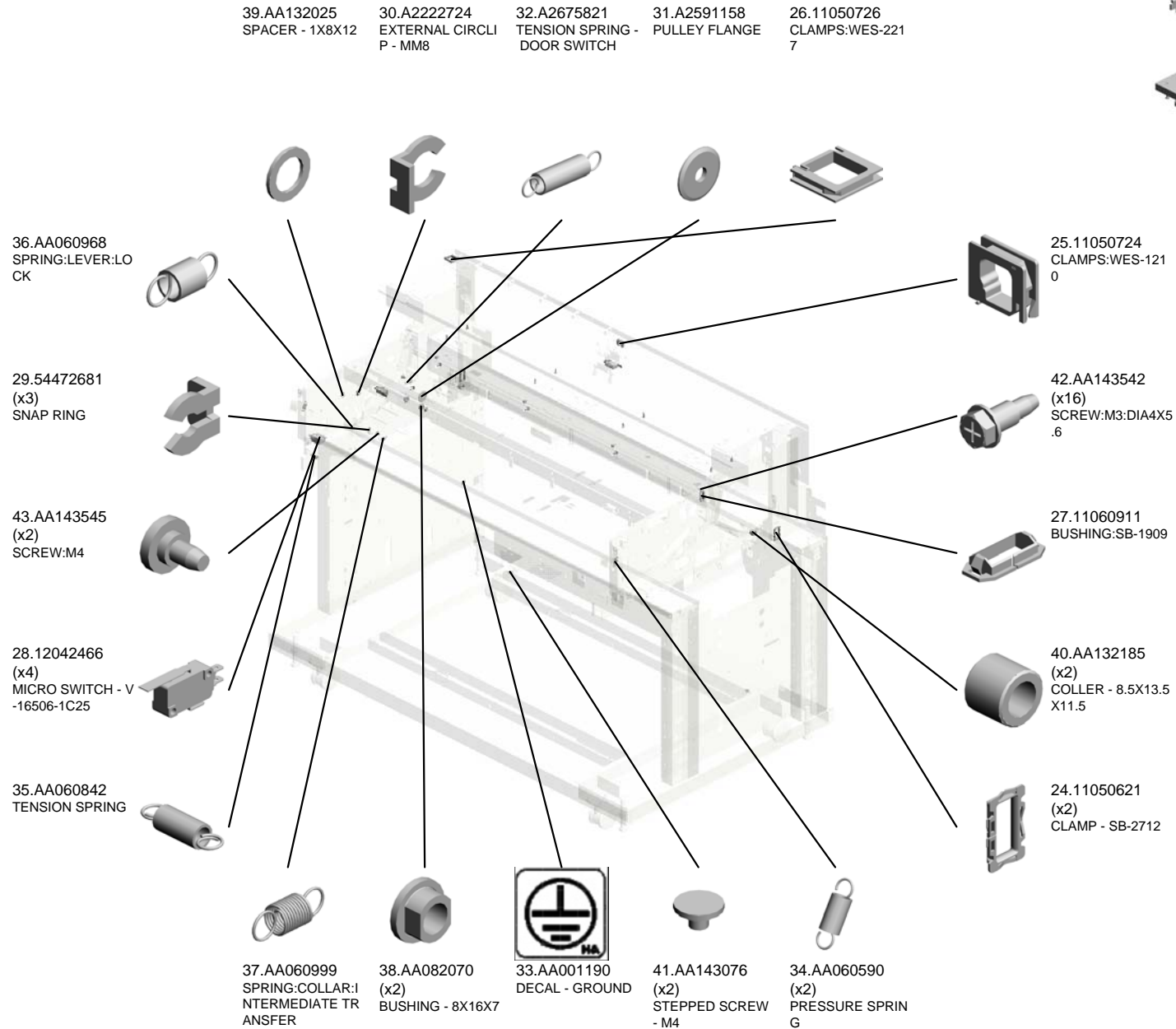
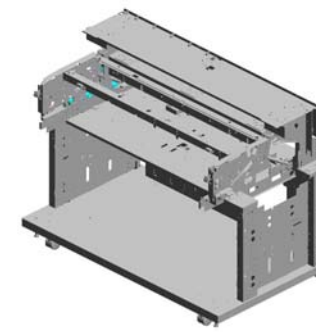


U001	U002	U003	U004	U005	U006	U007	U008	U009	U010	U011	U012	U013
------	------	------	------	------	------	------	------	------	------	------	------	------

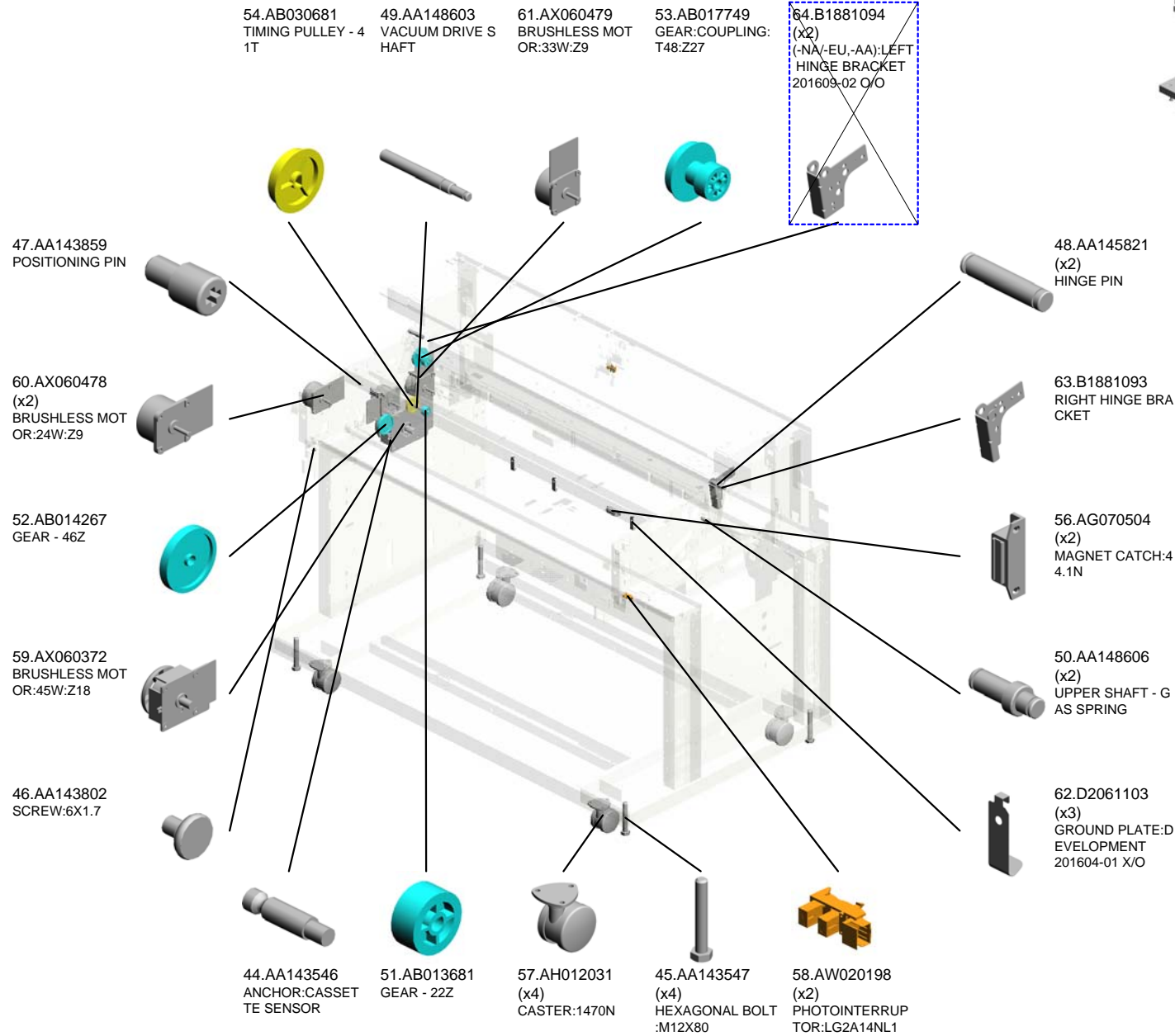
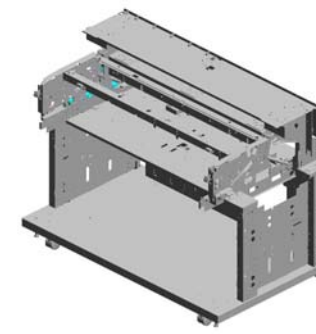
U013 MAIN DRIVE/MAIN FRAME



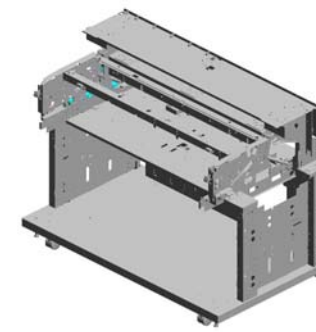
U013 MAIN DRIVE/MAIN FRAME



U013 MAIN DRIVE/MAIN FRAME



U013 MAIN DRIVE/MAIN FRAME



74.B1881175 TIGHTENER:DRIVE :FUSING
 80.B8904149 TIMING BELT:B60S 3M420
 66.B1881096 GUIDE PLATE:HIN GE:LEFT
 71.B1881115 BRACKET:FIX:FUSI NG UNIT:LEFT
 76.B1884463 GUIDE:EXHAUST:P LATE

77.B2861139 FLANGE:PULLEY

78.B2861146 PULLEY:TIGHTENE R

81.C2322024 GEAR - 16Z

68.B1881101 STOPPER PAWL:LOCK:LEFT

85.D0461070 BRACKET:LATCH:LEFT

73.B1881127 HEAT INSULATION :FUSING:FRONT

67.B1881100 RIGHT LOCK STOP PER

69.B1881107 (x2) GUIDE PLATE:STO PPER PAWL

82.C6856661 (x4) TAPPING SCRER:E XTERIOR:KM

83.D0461056 BRACKET:LATCH: RIGHT

75.B1884195 HEAT INSULATION :FUSING:UPPER

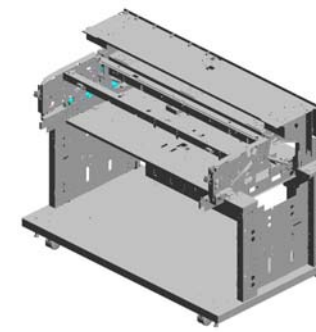
65.B1881095 GUIDE PLATE:HIN GE:RIGHT

72.B1881122 (x2) GAS SPRING:325N

70.B1881114 BRACKET:FIX:FUSI NG UNIT:RIGHT

84.D0461058 BRACKET:GAS SP RING:RIGHT LOWE R:ASSY

U013 MAIN DRIVE/MAIN FRAME



102.D0461154 SHAFT:COUPLING:DEVELOPMENT
 100.D0461151 GEAR:Z36:ASS'Y
 98.D0461145 GEAR:Z90/Z25
 97.D0461144 GEAR:Z90/Z75
 95.D0461137 BRACKET:MOTOR:FUSING:ASS'Y

101.D0461153 BRACKET:COUPLING:DEVELOPMENT

103.D0461159 TIMING PULLEY:GEAR:T42/Z17:ASS'Y

87.D0461072 INNER COVER:DEVELOPMENT:COUPLING

99.D0461149 GEAR:Z50/Z28:ASS'Y

86.D0461071 BRACKET:MICRO SWITCH

105.D0461163 BRACKET:TIGHTENER:DEVELOPMENT:ASS'Y

104.D0461161 TIMING BELT:100S3M447

94.D0461131 (D208):GEAR:TIMING PULLEY:Z42/T25

96.D0461140 (D208):GEAR:Z67/Z28

88.D0461074 BRACKET:GAS SPACER:LEFT LOWER:ASS'Y

89.D0461078 GUIDE PLATE:MICRO SWITCH

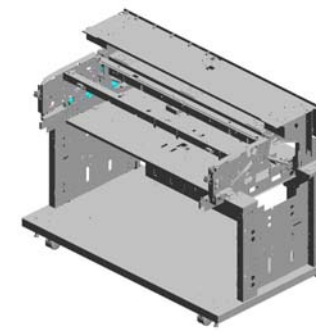
91.D0461081 PLATE:GUIDE:EXHAUST

90.D0461080 GUIDE:EXHAUST:PLATE:RIGHT

92.D0461082 GUIDE:PLATE:FRONT

93.D2121087 (x3) SPACER:TRAY:EXIT:REAR 201603-01 O/O

U013 MAIN DRIVE/MAIN FRAME



- 117.D2061187 BRACKET:MOTOR: DRUM:ASSY
- 119.D2061192 BRACKET:TIGHTNER:DRUM:ASSY
- 108.D0461182 TIMING BELT:135S 2M338
- 125.D2065337 GUARD:DC MOTOR:REGISTRATION
- 118.D2061190 GUIDE:HARNESS: DRIVE

109.D0461190
GEAR:Z100/Z59



107.D0461181
GEAR:TIMING PULLEY:Z100/T31



122.D2065330
GUARD:DC MOTOR:DRUM



115.D2061176
BRACKET:MOTOR:REGISTRATION ROLLER



106.D0461165
SPACER:DIA8XDIA 14X2.2



126.G0204444
(x2)
TIGHTENER



114.D2061156
BRACKET:MOTOR: DEVELOPMENT



123.D2065331
GUARD:DC MOTOR:FUSING



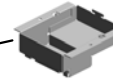
110.D0491131
(D211):GEAR:TIMING PULLEY:Z37/T25



113.D2061094
(x2)
LEVER:STOPPER PAWL



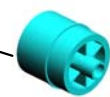
112.D2061078
COVER:MICRO SWITCH:EXIT



120.D2061375
DECAL:WARNING (HIGH TEMPERATURE):FUSING/PAPER EXIT UNIT



111.D0491140
(D211):GEAR:Z67/Z33



121.D2065322
(x5)
GUARD:IOB



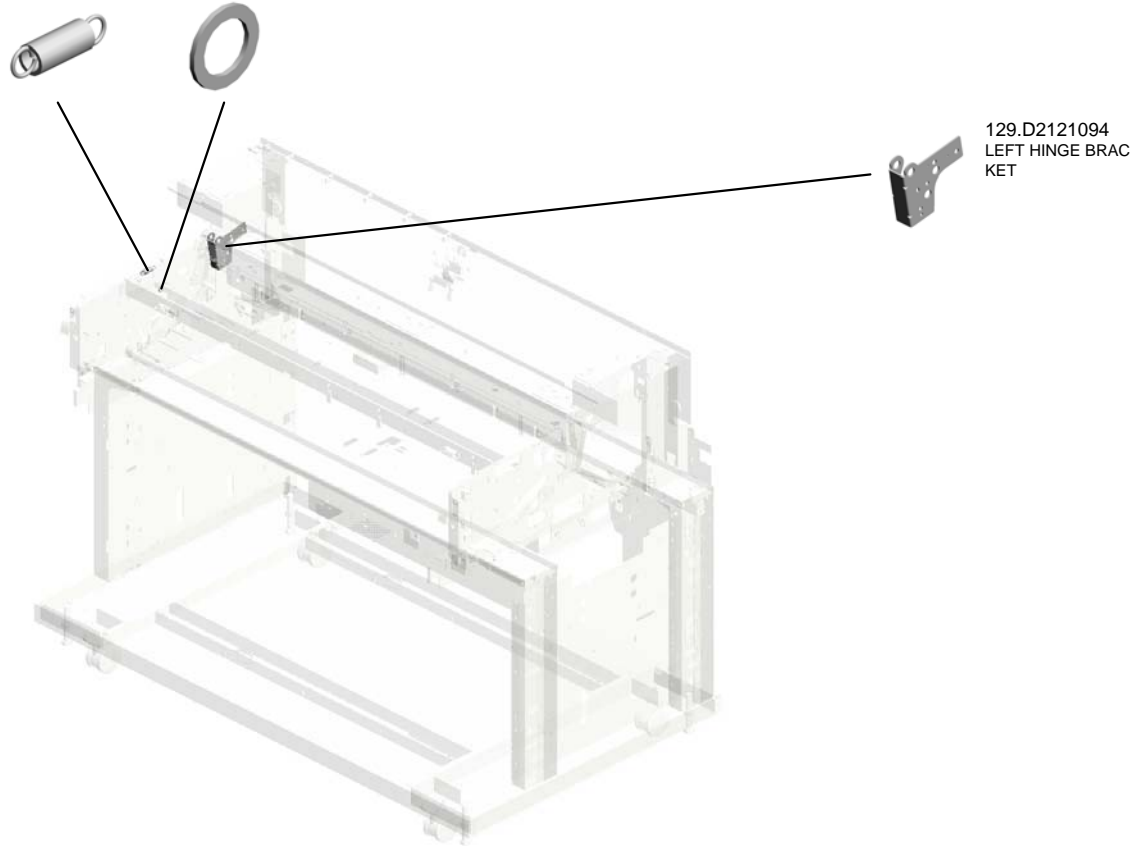
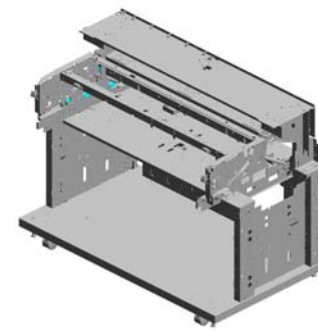
124.D2065336
(x2)
GUARD:MOTOR CONTROL BOARD



U013 MAIN DRIVE/MAIN FRAME

127.G0604243
TENSION SPRING:
PRESSURE:44N

128.G0803918
SPACER - M8.2X0.
8



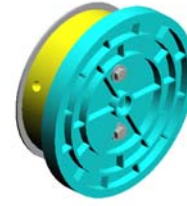
129.D2121094
LEFT HINGE BRAC
KET

U013_S001
TIMING PULLEY:T102:ASS'Y

7.04533006N (x2)
TAPPING SCREW - M3X6

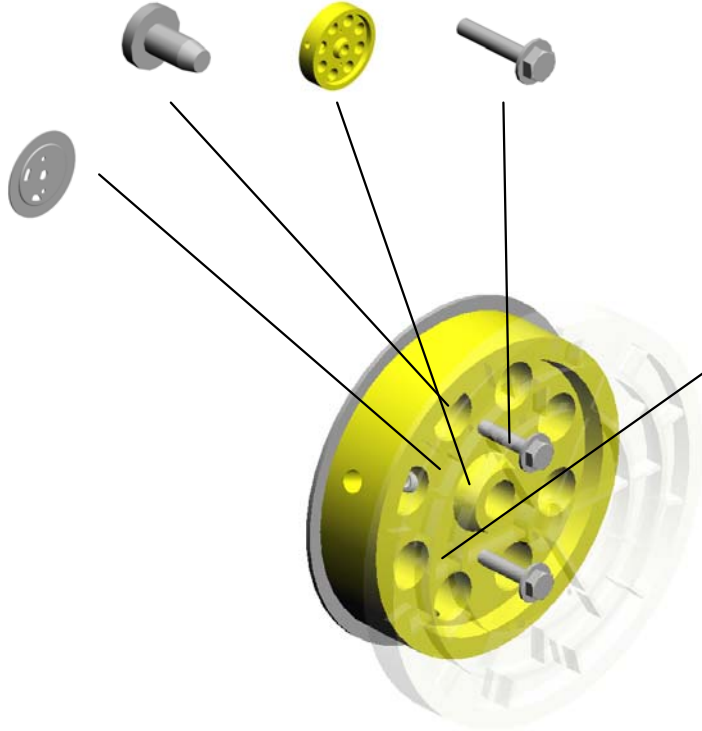
55.AB030812
TIMING PULLEY:T102

2.03603016N (x2)
SCREW - M3X16



116.D2061180
TIMING PULLEY:T102:ASS'Y

79.B2861151
FLANGE:TIMING PULLEY



10.05740040E (x2)
HEXAGON HEADLESS SET SCREW - M4X4

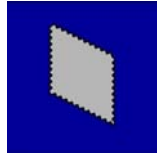
ACCESSORIES



1.04543006Q
(x5)
TAPPING SCREW - M3X6



2.AA161167
(x6)
BUSHING:HDD



3.B0651374
CLOTH - DF EXPOSURE GLASS



4.B1321226
(x4)
HOLDER:STAND



5.B3532771
(x4)
ROLL PAPER HOLDER



6.B3532772
(x4)
PAPER HOLDER STOPPER



7.B3532773
(x4)
PAPER HOLDER LOCK LEVER



8.B3532774
(x4)
ARM STOPPER PAWL



9.B3532775
(x12)
PAPER HOLDER PAWL



10.B3532776
(x4)
LOCK COMPRESSION SPRING



11.B3532777
(x4)
UPPER ARM STOPPER PAWL



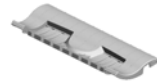
12.B3532778
(x4)
DECAL - PAPER HOLDER CHART



13.C6856661
(x6)
TAPPING SCREW:EXTERIOR:KM



14.D0026189
(x2)
TAPPING SCREW:M3.4X6



15.D0464461
COPY TRAY:FRONT



16.D0464462
COPY TRAY:FRONT:AUXILIARY



17.D0464463
(x3)
GUIDE:COPY TRAY:INNER



18.D0464468
(x3)
GUIDE:PLATE:REAR



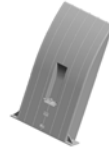
19.D0464469
STOPPER:COPY TRAY:REAR



20.D0464471
HOLDER:COPY TRAY:REAR:PEEN



21.D0464951
GUIDE:ORIGINAL EXHAUST:FRONT



22.D0464952
(x3)
ORIGINAL TRAY:EXIT

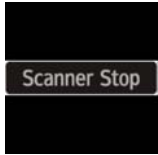


23.D0464953
GUIDE:ORIGINAL TRAY:UPPER

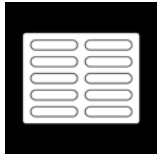


24.D0464955
(x3)
SHEET:ORIGINAL:REAR

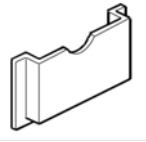
ACCESSORIES



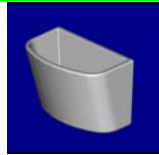
25.D1241777
(-NA):DECAL:ORIGINAL:STOP



26.D1291568
SHEET:APPLICATION:MULTI-LANGU
AGE:BLANK



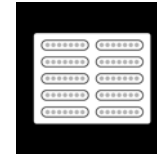
27.D1318521
HOLDER:OPERATING INSTRUCTION
S:B5:ASS'Y



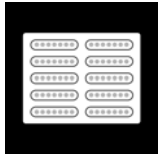
28.D2581317
[A]
HOLDER:GLASS:CLEANER:ASS'Y
201610-02 O/O



29.D1491553
SHEET:LOGO



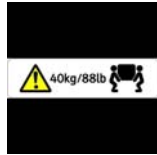
30.D1491575
(-NA):SHEET:APPLICATION:MULTI-L
ANGUAGE



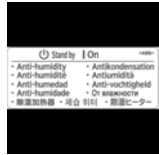
31.D1491576
(-EU,-AA):SHEET:APPLICATION:MUL
TI-LANGUAGE



32.D1496852
DECAL:MAIN SWITCH:ON-STANDBY



33.D1542560
(x2)
DECAL:CAUTION:MASS:PAPER FEE
D



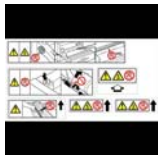
34.D1545342
DECAL:DEHUMIDIFIER:SWITCH



35.D2061360
DECAL:CAPTION:MULTI-LANGUAGE



36.D2061361
DECAL:CAPTION:ROLL PAPER:MULT
I-LANGUAGE



37.D2061362
DECAL:CAUTION CHART:ROLL PAP
ER:MULTI-LANGUAGE



38.D2061365
DECAL:PAPER TRAY:DESIGN SKET
CH:1_2



39.D2061369
(x2)
DECAL:H-TEMP WARNING:PAPER F
EED



40.D2061371
DECAL:ANTICONDENSATION SWITC
H



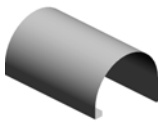
41.D2061372
DECAL:PAPER:SIZE INDICATION



42.D2061377
DECAL:H-TEMP WARNING:REGISTR
ATION



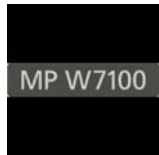
43.D2064464
(x3)
COPY TRAY:REAR



44.D2064467
(x2)
GUIDE:EXIT:LOWER:594



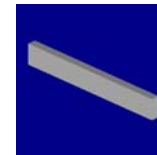
45.D2064886
PANEL:LOGO:RICOH



46.D2064891
(D208):PANEL:NAME PLATE:W7100

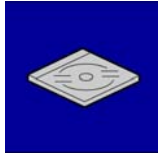


47.D2064954
GUIDE:ORIGINAL:PLATE



48.D2064956
HOLDER:GUIDE

ACCESSORIES



49.D2066600
(-NA):CD-ROM:OL_A:ASS'Y



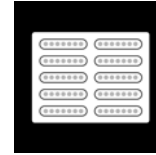
50.D2081367
(x2)
(-NA/-EU,-AA):DECAL:ORIGINAL:OPE
RATE



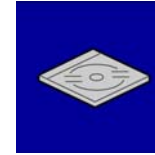
51.D2094890
(D211):PANEL:NAME PLATE:W8400:
PRINTING



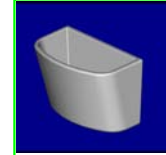
52.D1241778
(-CHN):DECAL:ORIGINAL:STOP



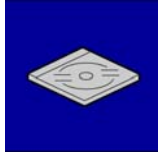
53.D1491577
(-CHN):SHEET:APPLICATION:MULTI-
LANGUAGE



54.D2066500
(-NA):CD-ROM:DRV:ASS'Y



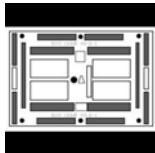
D1491317
[A]
HOLDER:GLASS:C
LEANER:ASS'Y
201610-02 O/O



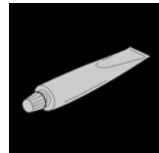
55.D2066501
(x2)
(-EU,-AA/-CHN):CD-ROM:DRV:ASS'Y



1.52039502
(x2)
(-NA/-EU,-AA):GREASE 501



2.A0239504
(x2)
(-NA/-EU,-AA):TEST CHART OS-A-1 (
2 SHEETS / SET)



3.A2579300
(x2)
(-NA/-EU,-AA):GREASE - BARRIERTA
S552R

SPECIAL TOOLS



4.B1259640
DEVELOPER TYPE 30W BLACK

Exclusive Parts

Number	Part Name	Group	ID
52039502	(-NA/-EU,-AA):GREASE 501	SPECIAL TOOLS	1
52062686	SNAP RING	U009	12
52152621	SNAP RING - M6	U006	50
52193326	RUBBER SEAL - PADDLE ROLLER	U007_S001	11
54031030	TENSION SPRING	U006	51
54036246	STEPPED SCREW - CLEANING	U006	52
54101291	PIN	U008	18
54422751	BUSHING - UPPER REGISTRATIO N ROLLER	U006	53
54466214	SHAFT HOLDER - PICK-UP ROLLE R	U007_S001	12
54471778	STEPPED SCREW - M4	U006	54
54472681	SNAP RING	U006 U013	55 29
54472769	STEPPED SCREW	U006	56
59183120	STUD - M4	U005_S001 U006	11 57
A0239504	(-NA/-EU,-AA):TEST CHART OS-A-1 (2 SHEETS / SET)	SPECIAL TOOLS	2
A1341724	CUSHION - STEPPER MOTOR	U003	37
A1632052	LEFT GRID TERMINAL	U004_S001	13
A1632251	DRUM KNOB	U009	13
A1633607	RIGHT PRESSURE LEVER	U009	14
A1633608	LEFT PRESSURE LEVER	U009	15
A1634122	ENTRANCE GUIDE PLATE HOLDE R	U010_S001 U010_S002 U010_S003 U010_S004 U010_S005 U010_S006	26 26 26 26 26 26
A1634235	TUBE HOLDER	U010	27
A1634236	EXIT TUBE	U010	28
A1636052	ORIGINAL TABLE BUSHING	U003	38
A1741163	DEVELOPMENT SLEEVE GEAR	U007_S001	13
A1741164	AUGER GEAR	U007_S001	14
A1741167	PADDLE GEAR	U007_S001	15
A1742065	RUBBER DAMPER	U004_S001	14
A1743861	GUIDE PLATE	U006	58

Number	Part Name	Group	ID
A1743942	DRIVEN ROLLER BUSHING	U008	19
A1743946	ARM BUSHING	U008	20
A1744372	GATE PAWL DRIVE	U003 U011	39 11
A1744387	GATE PAWL ARM	U011	12
A2222680	TORQUE LIMITER	U006	59
A2222724	EXTERNAL CIRCLIP - MM8	U013	30
A2293232	CHUCK ROLLER	U006	60
A2576592	GEAR - 20Z	U007_S001	16
A2579300	(-NA/-EU,-AA):GREASE - BARRIER TA S552R	SPECIAL TOOLS	3
A2591158	PULLEY FLANGE	U013	31
A2673256	GUIDE:PAPER:LEADING EDGE:PIC KOFF PAWL	U009	16
A2675821	TENSION SPRING - DOOR SWITC H	U013	32
A2941134	GROUND PLATE - FUSING	U003	40
A3532243	LEVER KNOB	U006 U006_S001	61 61
A8594141	PULLEY IDLER	U006	62
AA001190	DECAL - GROUND	U013	33
AA012081	DEVELOPMENT FILTER	U007_S001	17
AA040020	DECURLER TRANSPORT BELT	U008	21
AA043921	TIMING BELT - S2M262	U010	29
AA050113	WIRE:CLEANER	U004	15
AA060590	PRESSURE SPRING	U013	34
AA060749	SPRING	U004_S001	16
AA060842	TENSION SPRING	U013	35
AA060854	TIGHTENER SPRING	U006	63
AA060899	SPRING	U003	41
AA060965	SPRING:CORONA WIRE:CHARGE	U004_S001	17
AA060968	SPRING:LEVER:LOCK	U013	36
AA060970	SPRING:COATING BAR:PRESSUR E	U006	64
AA060974	SPRING:PRESSURE:BRUSH ROLL ER	U006	65
AA060975	SPRING:MIDDLE:PRESSURE	U006	66
AA060976	SPRING:CONNECTOR	U006	67

Exclusive Parts

Number	Part Name	Group	ID
AA060981	SPRING:TIGHTENER	U006	68
AA060999	SPRING:COLLAR:INTERMEDIATE TRANSFER	U013	37
AA061028	TENSION SPRING:PRESSURE SUB-UNIT	U010_S001	30
		U010_S002	30
		U010_S003	30
		U010_S004	30
		U010_S005	30
		U010_S006	30
AA061973	COIL SPRING:WIRE:CUTTER UNIT:20	U006_S001	69
AA061974	COIL SPRING:WIRE:CUTTER UNIT:30	U006_S001	70
AA062325	CLEANING BLADE SPRING	U009	17
AA063122	EXIT ROLLER SPRING	U006	71
AA063266	PRESSURE SPRING - 1KGF	U010_S001	31
		U010_S002	31
		U010_S003	31
		U010_S004	31
		U010_S005	31
		U010_S006	31
AA063416	SPRING - 3.4N	U003	42
AA063427	SPRING:9.8N	U006	72
AA063612	COMPRESSION SPRING - TRAY RELEASE	U006	73
AA063910	COMPRESSION SPRING:REGISTRATION:2.5N	U006	74
AA063955	SPRING:DRIVEN:1.7N	U003	43
AA063959	COMPRESSION SPRING:DRIVEN:6.6N	U003	44
AA066052	STRIPPER SPRING	U010	32
AA066256	RIGHT LOCK SPRING	U010	33
AA066257	LEFT LOCK SPRING	U010	34
AA066285	STRIPPER SPRING	U010_S001	35
		U010_S002	35
		U010_S003	35
		U010_S004	35
		U010_S005	35

Number	Part Name	Group	ID
		U010_S006	35
AA066366	SPRING:PRESSURE RELEASE	U011	13
AA066368	SPRING - EXIT	U006	76
AA066632	EXIT UNIT ARM SPRING	U010	36
AA066664	TONER OUTLET SHUTTER SPRING	U009_S001	18
AA080049	BUSHING - 10X18	U006	77
AA080203	BUSHING - 6MM	U006	78
AA080336	BUSHING:DIA6	U007_S001	18
AA082058	BUSHING - 6X10X9MM	U010	37
AA082062	BUSHING	U010_S001	38
		U010_S002	38
		U010_S003	38
		U010_S004	38
		U010_S005	38
		U010_S006	38
AA082070	BUSHING - 8X16X7	U006	79
		U013	38
AA082101	BUSHING - 6X10X6	U003	45
		U008	22
		U010_S001	39
		U010_S002	39
		U010_S003	39
		U010_S004	39
		U010_S005	39
		U010_S006	39
AA082135	BUSHING - DIA4	U011	14
		U003	46
		U006	80
AA084057	BEARING CASE:DIA26	U007_S001	19
AA120127	DISCHARGE BRUSH:FUSING	U010_S001	40
		U010_S002	40
		U010_S003	40
		U010_S004	40
		U010_S005	40
		U010_S006	40
AA132025	SPACER - 1X8X12	U013	39
AA132097	SPACER	U007_S001	20

Exclusive Parts

Number	Part Name	Group	ID
AA132185	COLLER - 8.5X13.5X11.5	U013	40
AA140802	EXIT ROLLER SHAFT	U010	41
AA141008	PANEL KNOB SCREW	U012	43
AA143076	STEPPED SCREW - M4	U013	41
AA143253	PIN - LEVER - PAPER SPOOL UNIT	U006	81
AA143335	REAR SHUTTER PIN	U009	19
AA143347	LEVER STOPPER SHAFT	U006	82
AA143542	SCREW:M3:DIA4X5.6	U010_S001	42
		U010_S002	42
		U010_S003	42
		U010_S004	42
		U010_S005	42
		U010_S006	42
		U013	42
AA143543	SCREW:M4:DIA6X1.7:BLACK	U010_S001	43
		U010_S002	43
		U010_S003	43
		U010_S004	43
		U010_S005	43
		U010_S006	43
AA143545	SCREW:M4	U013	43
AA143546	ANCHOR:CASSETTE SENSOR	U013	44
AA143547	HEXAGONAL BOLT:M12X80	U013	45
AA143571	SHAFT	U004	18
AA143718	STEPPED SCREW - M4	U006	83
AA143786	STEPPED SCREW:M3X10.3	U004	19
AA143788	PIN:GUIDE PLATE:PAPER FEED	U001	8
		U003	47
		U006	84
		U007_S001	21
		U008	23
AA143802	SCREW:6X1.7	U005_S001	12
		U013	46
AA143848	STEPPED SCREW - M3	U012_S006	44
AA143859	POSITIONING PIN	U003	48
		U006	85
		U010	44
		U013	47

Number	Part Name	Group	ID
AA143870	STEPPED SCREW	U010_S001	45
		U010_S002	45
		U010_S003	45
		U010_S004	45
		U010_S005	45
		U010_S006	45
AA145821	HINGE PIN	U013	48
AA148603	VACUUM DRIVE SHAFT	U013	49
AA148606	UPPER SHAFT - GAS SPRING	U013	50
AA151961	UPPER SEAL	U009_S003	20
AA153132	TONER RECYCLING PIPE SHIELD	U009	21
AA153133	BLADE RIGHT SHIELD	U009_S001	22
AA153134	BLADE LEFT SHIELD	U009_S002	23
AA153135	DRUM RIGHT SHIELD	U009_S001	24
		U009_S002	24
AA153450	RIGHT SHIELD - SIDE PLATE	U007_S001	22
AA153451	LEFT SHIELD - SIDE PLATE	U007_S001	23
AA161167	BUSHING:HDD	ACCESSORIES	2
		U012_S006	45
AA172021	HEAT INSULATION:FUSING:REAR	U010_S001	46
		U010_S002	46
		U010_S003	46
		U010_S004	46
		U010_S005	46
		U010_S006	46
AB010346	GEAR - 48Z	U010_S001	47
		U010_S002	47
		U010_S003	47
		U010_S004	47
		U010_S005	47
		U010_S006	47
AB010352	GEAR - 40Z	U010_S001	48
		U010_S002	48
		U010_S003	48
		U010_S004	48
		U010_S005	48
		U010_S006	48
AB010363	GEAR - 146Z	U009	25

Exclusive Parts

Number	Part Name	Group	ID
AB010364	GEAR - 46Z	U009	26
AB011412	GEAR - 36Z	U006	86
AB011413	DRIVE GEAR - 27Z	U006	87
AB013681	GEAR - 22Z	U008	24
		U013	51
AB013868	GEAR - 16Z	U006	88
AB014267	GEAR - 46Z	U013	52
AB014321	GEAR:DRIVE:FUSING	U010_S001	49
		U010_S002	49
		U010_S003	49
		U010_S004	49
		U010_S005	49
		U010_S006	49
AB017528	GEAR PULLEY - 30Z/30T	U010	50
AB017664	GEAR:PULLEY:RIGHT	U004	20
AB017749	GEAR:COUPLING:T48:Z27	U013	53
AB030098	BELT TIGHTENER	U003	49
AB030474	PULLEY - 24T	U010	51
AB030675	TIMING PULLEY - 15	U003	50
AB030678	TIMING PULLEY - 25T	U006	89
AB030681	TIMING PULLEY - 41T	U013	54
AB030812	TIMING PULLEY:T102	U013_S001	55
AB032723	PULLEY:LEFT	U004	21
AB032727	PULLEY:ENCODER	U004	22
AD004107	CHARGE CORONA:ASS'Y	U004_S001	23
AD014030	DRUM FLANGE	U009	27
AD020089	CHARGE CORONA WIRE - G	U004_S001	24
AD020090	GRID WIRE	U004_S001	25
AD022317	LEFT END BLOCK COVER - CHAR GE	U004_S001	26
AD022369	END BLOCK COVER - CHARGE CO RONA	U004_S001	27
AD022382	END BLOCK:CHARGE CORONA:RI GHT	U004_S001	28
AD022383	END BLOCK:CHARGE CORONA:LE FT	U004_S001	29
AD023144	CASING:CHARGE CORONA	U004_S001	30
AD047037	ENTRANCE SEAL:CLEANING	U009_S003	28

Number	Part Name	Group	ID
AE011123	(D208):HOT ROLLER:DIA60	U010_S002	52
		U010_S004	52
		U010_S005	52
AE011125	(D211):HOT ROLLER:DIA60:HEAT PIPE:DIA6	U010_S001	53
		U010_S003	53
		U010_S006	53
AE020173	PRESSURE ROLLER:DIA65	U010_S001	54
		U010_S002	54
		U010_S003	54
		U010_S004	54
		U010_S005	54
		U010_S006	54
AE030075	RADIAL BALL BEARING:50X65X7	U010_S001	55
		U010_S002	55
		U010_S003	55
		U010_S004	55
		U010_S005	55
		U010_S006	55
AE031026	BUSHING - OIL SUPPLY ROLLER	U010_S001	56
		U010_S002	56
		U010_S003	56
		U010_S004	56
		U010_S005	56
		U010_S006	56
AE032032	THERMAL INSULATING BUSHING: DIA43	U010_S001	57
		U010_S002	57
		U010_S003	57
		U010_S004	57
		U010_S005	57
		U010_S006	57
AE042047	FUSING CLEANING ROLLER	U010_S001	58
		U010_S002	58
		U010_S003	58
		U010_S004	58
		U010_S005	58
		U010_S006	58
AE042061	CLEANING ROLLER	U010_S001	59
		U010_S002	59

Exclusive Parts

Number	Part Name	Group	ID
		U010_S003	59
		U010_S004	59
		U010_S005	59
		U010_S006	59
AE044031	PRESSURE ROLLER STRIPPER	U010_S001	60
		U010_S002	60
		U010_S003	60
		U010_S004	60
		U010_S005	60
		U010_S006	60
AE044054	STRIPPER PAWLS	U010	61
AF020108	PAPER FEED ROLLER - MIDDLE	U006	90
AF020525	EXHAUST DRIVE ROLLER	U006	91
AF020599	REGISTRATION ROLLER	U006	92
AF020603	MIDDLE DRIVEN ROLLER	U006	93
AF020610	ROLLER:TRANSPORT BELT:DRIVE	U008	25
AF021081	ROLLER:TRANSPORT BELT	U008	26
AF022034	EXIT ROLLER	U006	94
AF022128	TRANSPORT DRIVEN ROLLER	U003	51
		U006	95
AF022156	FRONT DRIVEN TRANSPORT ROLLER	U003	52
AF025029	EXIT SEPARATION PAWL	U011	15
AF040576	DRIVEN EXIT ROLLER	U011	16
AG070504	MAGNET CATCH:44.1N	U011	17
		U013	56
AH012031	CASTER:1470N	U013	57
AW010109	PHOTO REFLECTION SENSOR:PS17ED1	U003	53
AW010110	PAPER FEED SENSOR	U006	96
		U011	18
AW010111	PAPER FEED SENSOR	U006	97
AW010159	PAPER END SENSOR:ROLL PAPER	U006	98
AW020139	PAPER FEED SENSOR	U010_S001	62
		U010_S002	62
		U010_S003	62
		U010_S004	62

Number	Part Name	Group	ID
		U010_S005	62
		U010_S006	62
AW020164	OIL END SENSOR	U009	29
AW020168	PAPER FEED SENSOR	U006	99
AW020180	PAPER FEED SENSOR	U006	100
AW020198	PHOTOINTERRUPTOR:LG2A14NL1	U013	58
AW100073	THERMISTOR	U010_S001	63
		U010_S002	63
		U010_S003	63
		U010_S004	63
		U010_S005	63
		U010_S006	63
AW100101	THERMISTOR:CHARGE	U003	54
AW100166	THERMISTOR:FUSING	U010_S001	64
		U010_S002	64
		U010_S003	64
		U010_S004	64
		U010_S005	64
		U010_S006	64
AW110053	THERMOSTAT - 199C 250V/10A	U010_S001	65
		U010_S002	65
		U010_S003	65
		U010_S004	65
		U010_S005	65
		U010_S006	65
AW110054	THERMOSTAT - 200C 250V/10A	U010_S001	66
		U010_S002	66
		U010_S003	66
		U010_S004	66
		U010_S005	66
		U010_S006	66
AW140026	TEMPERATURE & HUMIDITY SENSOR	U009	30
AW500012	PUSH SWITCH	U006	101
AW500022	PUSH SWITCH	U003	55
AW500029	SAFETY SWITCH - FA1L-AA20	U006	102
AX060372	BRUSHLESS MOTOR:45W:Z18	U013	59

Exclusive Parts

Number	Part Name	Group	ID
AX060378	STEPPER MOTOR:DC24V:4.72W	U006	103
AX060478	BRUSHLESS MOTOR:24W:Z9	U013	60
AX060479	BRUSHLESS MOTOR:33W:Z9	U013	61
AX100041	DC SOLENOID:GATE PAWL:CHAN GE	U003	56
		U011	19
AX100042	DC SOLENOID:PRESSURE RELEA SE:PICKOFF PAWL	U009	31
AX200334	MECHANICAL SPRING CLUTCH:T ONER HOPPER	U007_S001	24
AX210099	MAGNETIC CLUTCH	U006	104
AX210101	MAGNETIC CLUTCH:REGISTRATI ON:8KGFCM	U006	105
AX260009	ELECTROMAGNETIC CLUTCH:TR ANSPORT ROLLER:ENTRANCE	U003	57
AX310049	TOTAL COUNTER:7FIG:24V	U012	46
AX400189	HEATER:230V:13W	U006	106
		U008	27
AX440298	(D208-NA):HEATER:208V:600W:BO TH ENDS	U010_S002	67
AX440299	(D208-EU,-AA/-CHN):HEATER:230V :600W:BOTH ENDS	U010_S004	68
		U010_S005	68
AX450048	(D211-EU,-AA/-CHN):HEATER:230V :1200W	U010_S003	69
		U010_S006	69
AX450049	(D211-NA):HEATER:208V:1200W	U010_S001	70
AX450051	(D208-NA):HEATER:208V:1000W:M IDDLE	U010_S002	71
AX450052	(D208-EU,-AA/-CHN):HEATER:230V :1000W:MIDDLE	U010_S004	72
		U010_S005	72
AX500099	DISCHARGE LAMP:P2	U004	31
AX640199	FAN:MM80:25MM:DC 2.16W	U012	47
AX640203	FAN:MM60	U012	48
AX650058	FAN:SIROCCO:DC24V	U008	28
AZ240259	POWER SUPPLY UNIT:ECO:200V:4 56.4W	U012	49
AZ300067	POWER PACK:TRANSFER	U012	50
AZ310040	POWER PACK:SEPARATION	U012	51
AZ320214	POWER PACK:CGB	U012	52
B0044087	PLATE- THERMISTOR	U010_S001	73

Number	Part Name	Group	ID
		U010_S002	73
		U010_S003	73
		U010_S004	73
		U010_S005	73
		U010_S006	73
B0102052	RIGHT GRID TERMINAL	U004_S001	32
B0102061	RIGHT HOLDER - CHARGE CORO NA	U004	33
B0102062	LEFT HOLDER - CHARGE CORON A	U004	34
B0102566	CONNECTIONG GUIDE	U006	107
B0102617	MAGNETIC:SIDE FENCE	U006	108
B0102717	EXIT GUIDE ROLLER	U006	109
B0102726	ROLLER GUIDE PLATE	U006	110
B0102827	RIGHT SHEET - SIDE PLATE	U001	9
		U006	111
B0102902	LEVER SHAFT	U006	112
B0102916	POSITIONING PIN	U006	113
B0102947	HARNESSE CLAMP - FCW-52	U006	114
B0102956	CONNECTOR BRACKET	U006	115
B0102964	TIMING BELT - S2M 252	U006	116
B0102966	TIMING BELT - S2M 334	U006	117
B0102978	KEYTOP	U006	118
B0102979	SWITCH PLATE	U006	119
B0103121	GEAR - 28Z	U007_S001	25
B0103211	DRUM STAY:SPRING	U007_S001	26
B0103212	SPRING:JOINT	U007_S001	27
B0104085	PRESSURE ROLLER HOLDER	U010_S001	74
		U010_S002	74
		U010_S003	74
		U010_S004	74
		U010_S005	74
		U010_S006	74
B0104178	FRONT FUSING ROLLER	U010	75
B0104180	FUSING ROLLER BRACKET	U010	76
B0104308	EXIT UNIT GRIP	U010	77
B0104309	GRIP CAP - EXIT UNIT	U010	78
B0104311	LEFT GUIDE	U010	79

Exclusive Parts

Number	Part Name	Group	ID
B0104312	UPPER GUIDE	U010	80
B0104315	MIDDLE GUIDE - EXIT UNIT	U010	81
B0104317	DRIVE ROLLER - LOWER EXIT	U010	82
B0104319	DRIVE ROLLER - UPPER EXIT	U010	83
B0104324	IDLER GEAR - 30Z	U010	84
B0104325	TIGHTENER SPRING PLATE	U010	85
B0104453	UPPER SPRING PLATE - EXIT ROLLER	U011	20
B0104454	LOWER SPRING PLATE - EXIT ROLLER	U011	21
B0104458	GATE PAWL PLATE	U011	22
B0106072	SPRING PLATE - SIDE FENCE GUIDE	U003	58
B0391192	GEAR - 57Z	U006	120
B0392333	GUIDE:PAPER:SEPARATION	U009	32
B0651374	CLOTH - DF EXPOSURE GLASS	ACCESSORIES	3
B0654241	GEAR	U004	35
B0706877	LARGE DRUM STAY GROUND PLATE	U012	53
B0706899	GROUND PLATE:PANEL	U012_S004	54
		U012_S005	54
B1042322	PLATE:ENTRANCE SEAL	U009	33
B1044084	THERMOSTAT HOUSING	U010_S001	86
		U010_S002	86
		U010_S003	86
		U010_S004	86
		U010_S005	86
		U010_S006	86
B1044086	COVER - HOUSING THERMOSTAT	U010_S001	87
		U010_S002	87
		U010_S003	87
		U010_S004	87
		U010_S005	87
		U010_S006	87
B1251971	PLATE:SHAFT	U005	13
B1252127	SPRING PLATE:CHARGE CORONA:RIGHT	U004	36
B1252128	GUARD:SPRING PLATE:RIGHT	U004	37

Number	Part Name	Group	ID
B1252130	SHIELDING PLATE:CHARGE CORONA	U004	38
B1252469	C-RING:DRUM SHAFT	U009	34
B1252472	BALANCER:OPC DRUM	U009	35
B1252579	FEELER:REGISTRATION SENSOR	U006	121
B1252580	HOLDER:FEELER	U006	122
B1252581	BRACKET:SENSOR	U006	123
B1253205	STAY:TONER HOPPER	U007_S001	28
B1253230	SPACER - 0.3	U007_S001	29
B1253233	BEARING CASE	U007_S001	30
B1253554	SHUTTER:DISCHARGE USED TONER	U009_S001	36
B1254738	ROLLER:DRIVEN:ORIGINAL	U003	59
B1254751	SHAFT:DRIVEN	U003	60
B1254841	COVER SHEET - TONER CARTRIDGE	U001	10
B1254912	SHAFT:CONTACT POINT:STOPPER	U006	124
B1259640	DEVELOPER TYPE 30W BLACK	SPECIAL TOOLS	4
B1321226	HOLDER:STAND	ACCESSORIES	4
B1322466	FILTER:DUCT:INTERMEDIATE TRANSFER	U005	14
B1325835	PANEL -INTERFACE	U012_S004	55
		U012_S005	55
B1325836	PANEL - INTERFACE	U012_S004	56
		U012_S005	56
B1881093	RIGHT HINGE BRACKET	U013	63
B1881095	GUIDE PLATE:HINGE:RIGHT	U013	65
B1881096	GUIDE PLATE:HINGE:LEFT	U013	66
B1881100	RIGHT LOCK STOPPER	U013	67
B1881101	STOPPER PAWL:LOCK:LEFT	U013	68
B1881107	GUIDE PLATE:STOPPER PAWL	U012	57
		U013	69
B1881114	BRACKET:FIX:FUSING UNIT:RIGHT	U013	70
B1881115	BRACKET:FIX:FUSING UNIT:LEFT	U013	71
B1881122	GAS SPRING:325N	U013	72
B1881127	HEAT INSULATION:FUSING:FRONT	U013	73

Exclusive Parts

Number	Part Name	Group	ID
	T		
B1881175	TIGHTENER:DRIVE:FUSING	U013	74
B1881286	PLATE NUT:KEY COUNTER	U001	11
B1881291	GASKET:RIGHT FRONT:LEFT FRONT	U001	12
B1881294	BRACKET:MAIN SWITCH	U001	13
B1881353	BRACKET:SWITCH:DEVELOPMENT	U001	14
B1881354	BRACKET:MAGNET CATCH	U001	15
B1881365	GASKET:4X7X40	U001	16
B1882255	SPACER:COMPRESSION SPRING:DRUM	U009	37
B1882256	STOPPER:BALL BEARING	U009	38
B1882579	MOTOR CUSHION	U006	125
B1882663	HOLDER:PAPER HOLDER:LEFT	U006	126
B1882664	HOLDER:PAPER HOLDER:RIGHT	U006	127
B1882666	BRAKE:PAPER HOLDER	U006	128
B1882704	HOLDER:ROLL PAPER	U006	129
B1882705	BRACKET:MICRO SWITCH	U006	130
B1882710	GUIDE PLATE:EXIT:OUTER:PEEN	U006	131
B1882715	GUIDE PLATE:LOWER FRONT	U006	132
B1882718	RELEASE PLATE:LEFT	U006	133
B1882719	RELEASE PLATE:RIGHT	U006	134
B1882722	GUIDE PLATE:EXIT:INNER	U006	135
B1882726	HOLDER:ROLLER	U006	136
B1882735	GUIDE:RELEASE PLATE	U006	137
B1882736	ROLLER:CONNECTING:DRIVE	U006	138
B1882759	STOPPER:LEFT:UPPER PAPER FEED	U006	139
B1882760	STOPPER:RIGHT:UPPER PAPER FEED	U006	140
B1882772	GUIDE PLATE:CONNECTING:FRONT	U006	141
B1882773	COVER:CUTTER UNIT:LEFT	U006	142
B1882802	GUIDE PLATE:GUIDE PLATE:LOWER	U006	143
B1882820	BRACKET:ROCKER SWITCH	U006	144
B1882876	BRACKET:MOTOR	U006	145

Number	Part Name	Group	ID
B1882896	LEVER:LOCK:LEFT	U006	146
B1882898	LEVER:LOCK:RIGHT	U006	147
B1882917	SPACER	U006	148
B1882936	SLIDE RAIL - LEFT	U006	149
B1882938	SLIDE RAIL - RIGHT	U006	150
B1882950	BRACKET:CONNECTOR:TRAY	U006	151
B1882958	CABLE:CONNECTOR	U006	152
B1882979	BRACKET:PIN	U006	153
B1883101	FILTER BRACKET	U007_S001	31
B1883575	SCREW:LEVER:RELEASE:BLADE	U009	39
B1883582	LEVER:RELEASE:BLADE	U009	40
B1883944	GASKET:GUIDE PLATE:TRANSPORT	U008	29
B1883953	SHIELD:FAN:SIROCCO	U008	30
B1883961	SHIELD:VACUUM:UPPER	U008	32
B1883965	VACUUM:UPPER:UNIT	U008	33
B1883970	SHEET:GROUND PLATE:SEPARATION BELT	U008	34
B1883978	SHIELD:DUCT:EXHAUST:EXIT	U008	35
B1884086	COVER:THERMOSTAT	U010_S001	88
		U010_S002	88
		U010_S003	88
		U010_S004	88
		U010_S005	88
		U010_S006	88
B1884146	(-NA/-EU,-AA):FUSING ENTRANCE GUIDE PLATE	U010_S001_S001	89
		U010_S002_S001	89
		U010_S003_S001	89
		U010_S004_S001	89
B1884159	POSITIONING PLATE:LOCK	U010	90
B1884195	HEAT INSULATION:FUSING:UPPER	U013	75
B1884305	STAY:FUSING/PAPER EXIT UNIT	U010	91
B1884319	PAWL:PUSH SWITCH	U010	92
B1884454	SPRING PLATE:EXIT ROLLER:LOWER	U011	23
B1884463	GUIDE:EXHAUST:PLATE	U013	76
B1884478	GUIDE PLATE:EXIT	U011	24

Exclusive Parts

Number	Part Name	Group	ID
B1886064	CHANNEL:ORIGINAL TABLE	U003	61
B1886068	SHEET:SIDE FENCE:RIGHT	U003	62
B1886075	SHEET:SIDE FENCE:LEFT	U003	63
B1886122	SPACER:STEPPER MOTOR	U003	64
B1886123	BRACKET:STEPPER MOTOR	U003	65
B1886126	TIGHTENER	U003	66
B1886196	GASKET:GUIDE PLATE:UPPER FRONT	U003	67
		U006	154
B2093882	BUSHING - 6X8X10	U010_S001	93
		U010_S002	93
		U010_S003	93
		U010_S004	93
		U010_S005	93
		U010_S006	93
B2236274	ELECTRODE PLATE:TRANSFER ROLLER	U008_S001	36
B2343949	BUSHING	U008	37
B2591131	SCREW:PCU	U003	68
B2593890	DENSITY SENSOR	U006	155
B2751670	GUARD BURRING	U006	156
B2861139	FLANGE:PULLEY	U013	77
B2861146	PULLEY:TIGHTENER	U013	78
B2861151	FLANGE:TIMING PULLEY	U013_S001	79
B2863581	CLEANING BLADE	U009	41
B2864767	KEYTOP:ORIGINAL:STOP	U003	69
B2864854	CUSHION:KEYTOP:ORIGINAL:STOP	U003	70
B2865617	STAY:FCC	U005	15
B2865620	GASKET:STAY:FFC	U005	16
B3532765	ROLLER SHAFT	U006	157
B3532767	BRAKE COMPRESSION SPRING	U006	158
B3532768	POSITIONING PLATE	U006	159
B3532771	ROLL PAPER HOLDER	ACCESSORIES	5
B3532772	PAPER HOLDER STOPPER	ACCESSORIES	6
B3532773	PAPER HOLDER LOCK LEVER	ACCESSORIES	7
B3532774	ARM STOPPER PAWL	ACCESSORIES	8
B3532775	PAPER HOLDER PAWL	ACCESSORIES	9
B3532776	LOCK COMPRESSION SPRING	ACCESSORIES	10

Number	Part Name	Group	ID
B3532777	UPPER ARM STOPPER PAWL	ACCESSORIES	11
B3532778	DECAL - PAPER HOLDER CHART	ACCESSORIES	12
B6243014	REVERSE ROLLER TENSION SPRING	U006	160
B6523159	DISCHARGE BRUSH:MIDDLE	U010_S001	94
		U010_S002	94
		U010_S003	94
		U010_S004	94
		U010_S005	94
		U010_S006	94
B8904149	TIMING BELT:B60S3M420	U013	80
C2292113	RELEASE ROLLER	U006	161
C2322024	GEAR - 16Z	U013	81
C2442016	SCREW:GUIDE	U004	39
C6856661	TAPPING SCRER:EXTERIOR:KM	ACCESSORIES	13
		U003	71
		U013	82
D0025688	GASKET:20MM	U001	17
D0025691	GASKET:25MM	U001	55
D0026189	TAPPING SCREW:M3.4X6	ACCESSORIES	14
D0461056	BRACKET:LATCH:RIGHT	U013	83
D0461058	BRACKET:GAS SPRING:RIGHT LOWER:ASS'Y	U013	84
D0461070	BRACKET:LATCH:LEFT	U013	85
D0461071	BRACKET:MICRO SWITCH	U013	86
D0461072	INNER COVER:DEVELOPMENT:COUPLING	U013	87
D0461074	BRACKET:GAS SPRING:LEFT LOWER:ASS'Y	U013	88
D0461078	GUIDE PLATE:MICRO SWITCH	U013	89
D0461080	GUIDE:EXHAUST:PLATE:RIGHT	U013	90
D0461081	PLATE:GUIDE:EXHAUST	U013	91
D0461082	GUIDE:PLATE:FRONT	U013	92
D0461131	(D208):GEAR:TIMING PULLEY:Z42/T25	U013	94
D0461137	BRACKET:MOTOR:FUSING:ASS'Y	U013	95
D0461140	(D208):GEAR:Z67/Z28	U013	96
D0461144	GEAR:Z90/Z75	U013	97

Exclusive Parts

Number	Part Name	Group	ID
D0461145	GEAR:Z90/Z25	U013	98
D0461149	GEAR:Z50/Z28:ASS'Y	U013	99
D0461151	GEAR:Z36:ASS'Y	U013	100
D0461153	BRACKET:COUPLING:DEVELOPMENT	U013	101
D0461154	SHAFT:COUPLING:DEVELOPMENT	U013	102
D0461159	TIMING PULLEY:GEAR:T42/Z17:ASS'Y	U013	103
D0461161	TIMING BELT:100S3M447	U013	104
D0461163	BRACKET:TIGHTENER:DEVELOPMENT:ASS'Y	U013	105
D0461165	SPACER:DIA8XDIA14X2.2	U013	106
D0461181	GEAR:TIMING PULLEY:Z100/T31	U013	107
D0461182	TIMING BELT:135S2M338	U013	108
D0461190	GEAR:Z100/Z59	U013	109
D0461241	INNER COVER:REAR LOWER:LEFT	U001	18
D0461242	COVER:INTERFACE:PAPER CRIMP	U001	19
D0461243	(-NA/-CHN):COVER:INTERFACE:SCANNER:DIVISION	U001	20
D0461244	COVER:INTERFACE:KEY CARD	U001	21
D0461263	GUARD:POWER SUPPLY CORD	U001	22
D0461265	BRACKET:COVER:40	U001	23
D0461269	SHEET:COVER:STAY	U001	24
D0461272	INNER COVER:RIGHT:REAR	U001	25
D0461273	INNER COVER:LEFT:REAR	U001	26
D0461522	BRACKET:INNER COVER:FRONT LEFT	U002	5
D0461523	BRACKET:INNER COVER:FRONT RIGHT	U002	6
D0461959	DUCT:DC FAN MOTOR:OUTER	U005	17
D0461961	DUCT:FAN:INNER	U005	18
D0462060	SLIDER:CLEANER	U004_S001	40
D0462061	CLEANER:CHARGE CORONA:ASS'Y	U004_S001	41
D0462113	BRACKET:ENCODER	U004	42

Number	Part Name	Group	ID
D0462130	HOLDER:WIRE	U004	43
D0462132	TENSION SPRING:CLEANER	U004	44
D0462524	BRACKET:HEATER	U006	162
D0462525	(-NA):BRACKET:PLATE:MICRO SWITCH	U006	163
D0462526	(-EU,-AA/-CHN):BRACKET:PLATE:MICRO SWITCH	U006	164
D0462527	BASE:PAPER SIZE SENSOR	U006	165
D0462528	GEAR:HOLDER:RIGHT	U006	166
D0462529	GEAR:HOLDER:LEFT	U006	167
D0462532	SHEET:PAPER SIZE SENSOR	U006	168
D0462536	HOLDER:PAPER HOLDER:MIDDLE	U006	169
D0462568	DRUM STAY:DRIVE	U006	170
D0462572	GUIDE PLATE:MIDDLE	U006	171
D0462612	SHEET:MANUAL FEED:LEFT AND RIGHT	U006	172
D0462651	TIMING BELT:S2M:420	U006	173
D0462652	GEAR:Z20	U006	174
D0462653	GEAR:PULLEY:Z23T24	U006	175
D0462654	BRACKET:TIGHTENER:PEEN	U006	176
D0462657	TIMING PULLEY:TWO STEP SPEED VARYING	U006	177
D0462659	GEAR:PULLEY:Z21:T28	U006	178
D0462661	COMPRESSION SPRING:MIDDLE:MIDDLE	U006	179
D0462671	PULLEY:DIA17:1	U006	180
D0462706	SHEET:HOLDER:ROLL PAPER	U006	181
D0462733	FEED ROLLER:ASS'Y	U006	182
D0462736	ROLLER:MIDDLE:DRIVE	U006	183
D0462737	SHEET:FEED ROLLER	U006	184
D0462740	GUIDE PLATE:UPPER	U006	185
D0462747	PAPER FEED ROLLER:LEFT AND RIGHT	U006	186
D0462770	GUIDE PLATE:CONNECTING:LOWER	U006	187
D0462771	GUIDE PLATE:CONNECTING:UPPER	U006	188
D0462784	GUIDE PLATE:LOWER	U006	189

Exclusive Parts

Number	Part Name	Group	ID
D0462787	COVER:SIDE PLATE	U006	190
D0462788	INNER COVER:RIGHT:MICRO SWI TCH	U006	191
D0462790	SHEET:GUIDE PLATE:LOWER	U006	192
D0462815	BRACKET:DC FAN MOTOR	U006	193
D0462816	COVER:MOTOR	U006	194
D0462857	TIMING BELT:936	U006	195
D0462868	BRACKET:TIGHTENER:ASS'Y	U006	196
D0462880	STAY:INNER BACK	U006	197
D0462901	GUIDE PLATE:GRIP	U006	198
D0462902	BRACKET:GRIP:RIGHT	U006	199
D0462903	VIBRATING PLATE:GRIP	U006	200
D0462904	SHAFT:GRIP	U006	201
D0462907	BRACKET:GRIP:LEFT	U006	202
D0462931	INNER COVER:LEFT	U006	203
D0462932	INNER COVER:RIGHT	U006	204
D0462942	GUIDE PLATE:BASE:TRAY:ASS'Y	U006	205
D0462949	TIMING PULLEY:32T	U006	206
D0462955	GUIDE PLATE	U006	251
D0462993	BRACKET:HOLDER:RIGHT	U006	207
D0462994	BRACKET:HOLDER:LEFT	U006	208
D0463206	JOINT:TONER HOPPER:UNIT	U007_S001	32
D0463331	GEAR:IDLER:DEVELOPMENT:Z28/ Z23	U007_S001	33
D0463559	SHEET:CLEANING:LEFT	U009	42
D0463570	TONER COLLECTION COIL:CLEAN ING:ASS'Y	U009	43
D0463671	PIPE:TONER RECYCLING:ASS'Y	U009	44
D0463702	SPRING PLATE:STOPPER:PAPER SIZE SENSOR	U006	209
D0463703	SPRING PLATE:STOPPER:PAPER SIZE SENSOR:UPPER	U006	210
D0463954	VACUUM:DUCT	U008	38
D0463982	CASE:OZONE FILTER	U008	39
D0464048	BRACKET:FUSING UNIT:RIGHT	U010	95
D0464049	BRACKET:FUSING UNIT:LEFT	U010	96
D0464081	SHAFT:PRESSURE ROLLER	U010_S001	97
		U010_S002	97

Number	Part Name	Group	ID
		U010_S003	97
		U010_S004	97
		U010_S005	97
		U010_S006	97
D0464104	RETAINING RINGS-C:SHAFT	U010_S001	98
		U010_S002	98
		U010_S003	98
		U010_S004	98
		U010_S005	98
		U010_S006	98
D0464109	STOPPER:SHAFT:PRESSURE ROL LER	U010_S001	99
		U010_S002	99
		U010_S003	99
		U010_S004	99
		U010_S005	99
		U010_S006	99
D0464111	BRACKET:HEATER:RIGHT	U010_S001	100
		U010_S002	100
		U010_S003	100
		U010_S004	100
		U010_S005	100
		U010_S006	100
D0464112	BRACKET:HEATER:LEFT	U010_S001	101
		U010_S002	101
		U010_S003	101
		U010_S004	101
		U010_S005	101
		U010_S006	101
D0464124	BRACKET:THERMISTOR	U010_S001	102
		U010_S002	102
		U010_S003	102
		U010_S004	102
		U010_S005	102
		U010_S006	102
D0464128	BRACKET:MOTOR:RIGHT:ASS'Y	U010_S001	103
		U010_S002	103
		U010_S003	103
		U010_S004	103

Exclusive Parts

Number	Part Name	Group	ID
D0464129	BRACKET:MOTOR:LEFT:ASS'Y	U010_S005	103
		U010_S006	103
		U010_S001	104
		U010_S002	104
		U010_S003	104
		U010_S004	104
		U010_S005	104
D0464131	LEVER:PRESSURE	U010_S001	105
		U010_S002	105
		U010_S003	105
		U010_S004	105
		U010_S005	105
		U010_S006	105
D0464132	LEVER:PRESSURE:MIDDLE	U010_S001	106
		U010_S002	106
		U010_S003	106
		U010_S004	106
		U010_S005	106
		U010_S006	106
D0464136	BRACKET:ANCHOR:PRESSURE	U010_S001	107
		U010_S002	107
		U010_S003	107
		U010_S004	107
		U010_S005	107
		U010_S006	107
D0464139	SHAFT:PRESSURE SUB-UNIT	U010_S001	108
		U010_S002	108
		U010_S003	108
		U010_S004	108
		U010_S005	108
		U010_S006	108
D0464144	BRACKET:PHOTOINTERRUPTOR: RIGHT	U010_S001	109
		U010_S002	109
		U010_S003	109
		U010_S004	109
		U010_S005	109
		U010_S006	109

Number	Part Name	Group	ID
D0464145	BRACKET:PHOTOINTERRUPTOR: LEFT	U010_S001	110
		U010_S002	110
		U010_S003	110
		U010_S004	110
		U010_S005	110
		U010_S006	110
D0464150	SIDE PLATE:FUSING:RIGHT	U010_S001	111
		U010_S002	111
		U010_S003	111
		U010_S004	111
		U010_S005	111
D0464155	SIDE PLATE:FUSING:LEFT	U010_S001	112
		U010_S002	112
		U010_S003	112
		U010_S004	112
		U010_S005	112
		U010_S006	112
D0464167	LEVER:CLEANING ROLLER:LEFT	U010_S001	113
		U010_S002	113
		U010_S003	113
		U010_S004	113
		U010_S005	113
		U010_S006	113
D0464170	FUSING ENTRANCE GUIDE PLATE	U010_S001_S001	114
		U010_S002_S001	114
		U010_S003_S001	114
		U010_S004_S001	114
		U010_S005_S001	114
D0464188	FUSING ENTRANCE GUIDE PLATE :ADJUSTING PLATE	U010_S001	115
		U010_S002	115
		U010_S003	115
		U010_S004	115
		U010_S005	115
		U010_S006	115
D0464189	BRACKET:CLEANING ROLLER	U010_S001	116
		U010_S002	116

Exclusive Parts

Number	Part Name	Group	ID
		U010_S003	116
		U010_S004	116
		U010_S005	116
		U010_S006	116
D0464286	COVER:HEATER:LEFT	U010_S001	117
		U010_S002	117
		U010_S003	117
		U010_S004	117
		U010_S005	117
		U010_S006	117
D0464461	COPY TRAY:FRONT	ACCESSORIES	15
D0464462	COPY TRAY:FRONT:AUXILIARY	ACCESSORIES	16
D0464463	GUIDE:COPY TRAY:INNER	ACCESSORIES	17
D0464468	GUIDE:PLATE:REAR	ACCESSORIES	18
D0464469	STOPPER:COPY TRAY:REAR	ACCESSORIES	19
D0464471	HOLDER:COPY TRAY:REAR:PEEN	ACCESSORIES	20
D0464483	GUIDE:AUXILIARY:EXIT:ENTRANCE:RIGHT	U011	25
D0464484	GUIDE:AUXILIARY:EXIT:ENTRANCE:LEFT	U011	26
D0464592	GROUND PLATE:GUIDE PLATE:LOWER	U003	72
D0464593	BUSHING:ARM	U003	73
D0464602	BRACKET:ORIGINAL SENSOR:REGISTRATION	U003	74
D0464642	BUSHING:GATE PAWL:EXIT ROLLER	U003	75
D0464652	STEPPER MOTOR:SCANNER:DC 7.2W	U003	76
D0464654	TIMING BELT:SCANNER:DRIVE	U003	77
D0464655	TIMING BELT:S2M180	U003	78
D0464661	SPRING:TIGHTENER	U003	79
D0464671	TRANSPORT ROLLER:ORIGINAL:FRONT	U003	80
D0464676	TRANSPORT ROLLER:ORIGINAL:REAR	U003	81
D0464677	TIMING PULLEY:DRIVE:REAR	U003	82
D0464686	EXIT ROLLER:ORIGINAL:UPPER	U003	83

Number	Part Name	Group	ID
D0464691	GATE PAWL:ORIGINAL EXHAUST	U003	84
D0464696	BRACKET:DC SOLENOID:GATE PLATE	U003	85
D0464697	SPRING:GATE PAWL:DC SOLENOID	U003	86
D0464698	ARM:PAWL	U003	87
D0464706	SHAFT:LOCK:SIDE PLATE:LOWER	U003	88
D0464744	COVER:ON OFF DETECTOR:RIGHT	U003	89
D0464745	COVER:TIMING BELT	U003	90
D0464746	SHEET:ORIGINAL INSERT:LOWER:NO.1	U003	91
D0464747	SHEET:ORIGINAL INSERT:LOWER:NO.2	U003	92
D0464748	COVER:TIMING PULLEY	U003	93
D0464749	SHEET:ORIGINAL INSERT:LOWER:NO.3	U003	94
D0464772	BRACKET:GAS SPRING:RIGHT:ASSY	U003	95
D0464777	BRACKET:GAS SPRING:LEFT:ASSY	U003	96
D0464803	SHEET:ORIGINAL:INSERT	U003	97
D0464810	SUPPORTING PLATE:COVER:ORIGINAL:UPPER:WELDING	U003	98
D0464814	SHAFT:CONTACT POINT:ORIGINAL	U003	99
D0464815	GROUND PLATE:PRESSURE PLATE	U003	100
D0464822	TRANSPORT ROLLER:DRIVEN:REAR	U003	101
D0464826	ROLLER:DRIVEN	U003	102
D0464842	PRESSURE PLATE:TEST TARGET SHEET:ASSY	U003	103
D0464846	SIDE PLATE:RIGHT:PRESSURE PLATE	U003	104
D0464847	SIDE PLATE:LEFT:PRESSURE PLATE	U003	105
D0464861	SPACER:STOP:KEY SWITCH	U003	106

Exclusive Parts

Number	Part Name	Group	ID
D0464862	COVER:STOP:KEY SWITCH	U003	107
D0464873	HOOK:LEVER	U003	108
D0464874	SHAFT:HOOK:LEVER	U003	109
D0464883	SHAFT:GAS SPRING:UPPER	U003	110
D0464951	GUIDE:ORIGINAL EXHAUST:FRONT	ACCESSORIES	21
D0464952	ORIGINAL TRAY:EXIT	ACCESSORIES	22
D0464953	GUIDE:ORIGINAL TRAY:UPPER	ACCESSORIES	23
D0464955	SHEET:ORIGINAL:REAR	ACCESSORIES	24
D0465318	BRACKET:LEAK BREAKER	U012	58
D0465325	GUIDE PLATE:FAN	U012	59
D0465327	BRACKET:ROCKER SWITCH	U012	60
D0465338	STUD:BCU	U012	61
D0465664	(-EU,-AA):POWER SUPPLY CORD:250V:16A:ASS'Y	U012_S002	62
D0465765	PCB:MLB3:ASS'Y	U012	63
D0468568	COVER:MECHANICAL DRIVE SECTION:FRONT LEFT	U006	211
D0468569	SEAL:BASE:REAR	U006	212
D0491131	(D211):GEAR:TIMING PULLEY:Z37/T25	U013	110
D0491140	(D211):GEAR:Z67/Z33	U013	111
D0495318	(-NA/-EU,-AA):BRACKET:POWER SUPPLY CORD:200V	U012	64
D0932253	HOLDER:BALL BEARING	U009	45
D0932303	STOPPER:DRUM	U009	46
D0932304	COMPRESSION SPRING:PRESSURE:DRUM	U009	47
D0933181	MAGNETIC:DEVELOPMENT UNIT:LOWER:ASS'Y	U006	213
D0934096	CUSHION:HEATER:FUSING	U010_S001	118
		U010_S002	118
		U010_S003	118
		U010_S004	118
		U010_S005	118
		U010_S006	118
D0934653	LEVER:MICRO SWITCH	U003	111
D1055899	HOLDER:TEMPERATURE & HUMIDITY	U009	48

Number	Part Name	Group	ID
	ITY SENSOR		
D1241777	(-NA):DECAL:ORIGINAL:STOP	ACCESSORIES	25
D1241778	(-CHN):DECAL:ORIGINAL:STOP	ACCESSORIES	52
D1291508	KEYTOP:HOME	U002_S001	7
		U002_S002	7
		U002_S003	7
D1291568	SHEET:APPLICATION:MULTI-LANGUAGE:BLANK	ACCESSORIES	26
D1318521	HOLDER:OPERATING INSTRUCTIONS:B5:ASS'Y	ACCESSORIES	27
D1365709	PCB:EX3_DDR3-DIMM:RC-A:2GB:ASS'Y	U012	66
D1365716	PCB:DDR3-DIMM:RC-C:512MB:ASS'Y	U012	67
D1365978	BRACKET:HDD	U012_S006	101
D1461488	PCB:OP-R:ASS'Y	U002_S001	8
		U002_S002	8
		U002_S003	8
D1491425	LCD:TFT:WVGA-9:LED:CMI	U002_S001	37
		U002_S002	37
		U002_S003	37
D1491427	TOUCH PANEL:WVGA-9:MV	U002_S001	38
		U002_S002	38
		U002_S003	38
D1491468	PCB:OP-L:USB:ASS'Y	U002_S001	9
		U002_S002	9
		U002_S003	9
D1491504	KEYTOP:START	U002_S001	10
		U002_S002	10
		U002_S003	10
D1491505	KEYTOP:STOP	U002_S001	11
		U002_S002	11
		U002_S003	11
D1491508	KEYTOP:RESET SWITCH	U002_S001	12
		U002_S002	12
		U002_S003	12
D1491510	KEYTOP:LEFT	U002_S001	13
		U002_S002	13

Exclusive Parts

Number	Part Name	Group	ID
		U002_S003	13
D1491511	LENS:FRONT	U002_S001	14
		U002_S002	14
		U002_S003	14
D1491512	COVER:REAR:LARGE	U002_S001	15
		U002_S002	15
		U002_S003	15
D1491513	COVER:REAR:SMALL:LEFT	U002_S001	16
		U002_S002	16
		U002_S003	16
D1491514	COVER:REAR:SMALL:MIDDLE	U002_S001	17
		U002_S002	17
		U002_S003	17
D1491515	COVER:REAR:SMALL:RIGHT	U002_S001	18
		U002_S002	18
		U002_S003	18
D1491530	SPACER:LCD:A	U002_S001	19
		U002_S002	19
		U002_S003	19
D1491531	SPACER:LCD:B	U002_S001	20
		U002_S002	20
		U002_S003	20
D1491534	(-NA):COVER:UPPER:CM	U002_S001	21
D1491538	(-EU,-AA/-CHN):KEYTOP:10KEY	U002_S002	22
		U002_S003	22
D1491539	(-NA):KEYTOP:10KEY	U002_S001	23
D1491553	SHEET:LOGO	ACCESSORIES	29
D1491556	(-CHN):COVER:UPPER:CM	U002_S003	39
D1491575	(-NA):SHEET:APPLICATION:MULTI-LANGUAGE	ACCESSORIES	30
D1491576	(-EU,-AA):SHEET:APPLICATION:MULTI-LANGUAGE	ACCESSORIES	31
D1491577	(-CHN):SHEET:APPLICATION:MULTI-LANGUAGE	ACCESSORIES	53
D1491588	KEYTOP:POWER SOURCE:BA	U002_S001	24
		U002_S002	24
		U002_S003	24
D1491592	(-EU,-AA):COVER:UPPER:CM:BA	U002_S002	25

Number	Part Name	Group	ID
D1495883	KEYTOP:MAIN SWITCH	U012	69
D1495884	COMPRESSION SPRING:KEYTOP	U012	70
D1496852	DECAL:MAIN SWITCH:ON-STANDBY	ACCESSORIES	32
D1542560	DECAL:CAUTION:MASS:PAPER FEED	ACCESSORIES	33
D1545342	DECAL:DEHUMIDIFIER:SWITCH	ACCESSORIES	34
D1775686	PCB:DCSW	U012	68
D1821500	SHIELD CASE:LCDC	U002_S001	26
		U002_S002	26
		U002_S003	26
D1821502	SHIELD TAPE:FFC	U002_S001	27
		U002_S002	27
		U002_S003	27
D2021500	SHEET:LCD:LOWER	U002_S001	28
		U002_S002	28
		U002_S003	28
D2021518	BRACKET:LCDC:CM	U002_S001	29
		U002_S002	29
		U002_S003	29
D2061078	COVER:MICRO SWITCH:EXIT	U013	112
D2061094	LEVER:STOPPER PAWL	U013	113
D2061103	GROUND PLATE:DEVELOPMENT	U013	62
D2061156	BRACKET:MOTOR:DEVELOPMENT	U013	114
D2061176	BRACKET:MOTOR:REGISTRATION ROLLER	U013	115
D2061180	TIMING PULLEY:T102:ASS'Y	U013_S001	116
D2061187	BRACKET:MOTOR:DRUM:ASS'Y	U013	117
D2061190	GUIDE:HARNESS:DRIVE	U013	118
D2061192	BRACKET:TIGHTENER:DRUM:ASS'Y	U013	119
D2061230	COVER:RIGHT REAR:ASS'Y	U001	28
D2061245	COVER:REAR LOWER:ASS'Y	U001	29
D2061250	COVER:INTERFACE:MAIN	U001	30
D2061251	COVER:INNER:RIGHT	U001	31
D2061252	BRACKET:COVER:FIX	U001	32
D2061254	COVER:RIGHT LOWER	U001	33
D2061258	COVER:INNER:LEFT	U001	34

Exclusive Parts

Number	Part Name	Group	ID
D2061261	INNER COVER ASS'Y	U001	35
D2061265	SHEET:BLOCK LIGHT:DRUM	U001	36
D2061268	TRAY:EXIT:FRONT	U001	37
D2061272	BRACKET:KEY COUNTER	U001	38
D2061273	COVER:KEY COUNTER	U001	39
D2061275	INNER COVER:RIGHT	U001	40
D2061276	INNER COVER:LEFT	U001	41
D2061279	COVER:REAR:SMALL	U001	42
D2061280	COVER:LEFT REAR:ASS'Y	U001	43
D2061289	INNER COVER:RIGHT UPPER	U001	44
D2061295	BRACKET:COVER:RIGHT LOWER	U001	45
D2061296	BRACKET:COVER:LEFT LOWER	U001	46
D2061340	COVER:RIGHT UPPER	U001	47
D2061347	COVER:LEFT UPPER	U001	48
D2061352	COVER:DEVELOPMENT	U001	49
D2061353	SUPPORTING PLATE:COVER:DEV ELOPMENT	U001	27
D2061355	COVER:EXIT:LOWER	U001	50
D2061356	COVER:LEFT LOWER	U001	51
D2061358	TRAY:EXIT:REAR	U001	52
D2061360	DECAL:CAPTION:MULTI-LANGUAG E	ACCESSORIES	35
D2061361	DECAL:CAPTION:ROLL PAPER:MU LTI-LANGUAGE	ACCESSORIES	36
D2061362	DECAL:CAUTION CHART:ROLL PA PER:MULTI-LANGUAGE	ACCESSORIES	37
D2061365	DECAL:PAPER TRAY:DESIGN SKE TCH:1_2	ACCESSORIES	38
D2061369	DECAL:H-TEMP WARNING:PAPER FEED	ACCESSORIES	39
D2061371	DECAL:ANTICONDENSATION SWI TCH	ACCESSORIES	40
D2061372	DECAL:PAPER:SIZE INDICATION	ACCESSORIES	41
D2061375	DECAL:WARNING (HIGH TEMPER ATURE):FUSING/PAPER EXIT UNIT	U013	120
D2061376	DECAL:H-TEMP WARNING:FUSIN G	U011	27
D2061377	DECAL:H-TEMP WARNING:REGIST	ACCESSORIES	42

Number	Part Name	Group	ID
	RATION	U006	214
D2061414	(-CHN):OPERATION PANEL:ASS'Y	U002_S003	40
D2061421	(-NA):OPERATION SUB-UNIT:ASS' Y	U002_S001	30
D2061422	(-EU,-AA):OPERATION SUB-UNIT:A SS'Y	U002_S002	31
D2061455	(-NA/-EU,-AA):PCB:LCDC:AR2FT:A SS'Y	U002_S001 U002_S002	32 32
D2061456	(-CHN):PCB:LCDC:AR2FT:ASS'Y	U002_S003	41
D2061521	SUPPORTING PLATE:INSTALL:OP ERATION SUB-UNIT	U002	33
D2061525	COVER:BRACKET:OPERATION SU B-UNIT:LOWER	U002	34
D2061526	COVER:BRACKET:OPERATION SU B-UNIT:UPPER	U002	35
D2061661	COVER:ORIGINAL:UPPER	U003	112
D2061664	GUIDE:ORIGINAL INSERT:LEFT	U003	113
D2061665	GUIDE:ORIGINAL INSERT:RIGHT	U003	114
D2061672	LEVER:UN LOCK	U003	115
D2061740	CONTACT IMAGE SENSOR:A0:AS S'Y	U003_S001	116
D2061760	(-EU,-AA/-CHN):ORIGINAL TABLE:P RINTING	U003	117
D2061762	(-NA):ORIGINAL TABLE:PRINTING	U003	118
D2061768	GAS SPRING:150N	U003	119
D2061771	BRACKET:SET SENSOR	U003	120
D2061773	BRACKET:GAS SPRING:UPPER	U003	121
D2061787	BRACKET:ORIGINAL SENSOR:MID DLE	U003	122
D2061792	BRACKET:PAPER FEED SENSOR: REAR	U003	123
D2061798	BRACKET:MICRO SWITCH	U003	124
D2061807	GUIDE PLATE:ORIGINAL EXHAUS T:UPPER REAR	U003	125
D2061808	COVER:SCANNER:REAR	U003	126
D2061811	COVER:SCANNER:RIGHT	U003	127
D2061812	COVER:SCANNER:LEFT	U003	128
D2061826	GUIDE:SIDE FENCE:RIGHT	U003	129

Exclusive Parts

Number	Part Name	Group	ID
D2061829	GUIDE:SIDE FENCE:LEFT	U003	130
D2061834	SUPPORTING PLATE:COVER:RIGHT	U003	131
D2061836	SUPPORTING PLATE:COVER:LEFT	U003	132
D2061841	MOTOR CONTROL BOARD:SCANNER:ASS'Y	U003_S002	133
D2061859	LED HEAD:ASS'Y	U005_S001	19
D2062050	DC MOTOR:CLEANER:ASS'Y:BRUSH:0.76W	U004	45
D2062110	STAY:DISCHARGE LAMP:PEEN	U004	46
D2062121	BRACKET:DISCHARGE LAMP:CLEANER:PEEN	U004	47
D2062131	SEAL:LIGHT SHIELDING PLATE:CHARGE CORONA	U004	48
D2062300	SHAFT:DRUM:ASS'Y	U009	49
D2062562	GUIDE PLATE:LOWER	U006	215
D2062566	BRACKET:TORQUE LIMITER MECHANICAL CLUTCH	U006	216
D2062578	BRACKET:DENSITY SENSOR	U006	217
D2062579	STAY:DENSITY SENSOR	U006	218
D2062584	MANUAL FEED TABLE:PRINTING	U006	219
D2062587	GUIDE PLATE:REGISTRATION:UPPER:ASS'Y	U006	220
D2062589	FEELER SPRING	U006	75
D2062593	SIDE FENCE:RIGHT:MANUAL FEED	U006	221
D2062597	SIDE FENCE:LEFT:MANUAL FEED	U006	222
D2062601	BRACKET:PAPER END SENSOR	U006	223
D2062602	COVER:CONNECTOR:PAPER END SENSOR	U006	224
D2062611	POSITIONING PLATE:RIGHT:PEEN	U006	225
D2062613	POSITIONING PLATE:LEFT:PEEN	U006	226
D2062617	SHEET:MANUAL FEED:MIDDLE	U006	227
D2062651	BRACKET:KNOB:PEEN	U006	228
D2062682	BRACKET:REFLECTION PHOTO SENSOR	U006	229
D2062693	GUIDE PLATE:REFLECTION PHOTO	U006	230

Number	Part Name	Group	ID
	O SENSOR		
D2062698	STAY:GUIDE PLATE:EXIT	U006	231
D2062741	CUTTER UNIT:ASS'Y	U006_S001	232
D2062744	MICRO SWITCH:ASS'Y	U006_S001	233
D2062746	DC MOTOR:CUTTER UNIT:ASS'Y:BRUSH:13.7W	U006_S001	234
D2062753	GUIDE PLATE:VERTICAL TRANSPORT:UPPER FRONT:PEEN	U006	235
D2062755	KNOB:MOVE:CUTTER UNIT:ASS'Y	U006_S001	236
D2062765	GUIDE PLATE:LOWER:PEEN	U006	237
D2062768	COVER:SENSOR	U006	238
D2062780	COVER:FRONT	U006	239
D2062785	GRIP:REAR:PAPER TRAY	U006	240
D2062786	GRIP:FRONT:PAPER TRAY	U006	241
D2062801	GUIDE PLATE	U006	242
D2062911	CAP:COVER:FRONT	U006	243
D2063150	ENTRANCE SEAL:ASS'Y	U007_S001	34
D2063206	HOLDER:TONER CARTRIDGE	U001	53
D2063320	COLLAR:DEVELOPMENT UNIT	U007	35
D2063551	SIDE PLATE:AROUND THE PHOTO CONDUCTOR:RIGHT:ASS'Y	U009_S001	50
D2063555	SIDE PLATE:AROUND THE PHOTO CONDUCTOR:LEFT:ASS'Y	U009_S002	51
D2063566	STAY:PICKOFF PAWL	U009	52
D2063571	CASING:CLEANING:ASS'Y	U009_S003	53
D2063576	STAY:STAY:PICKOFF PAWL	U009	54
D2063604	LEVER:PRESSURE:PICKOFF PAWL:INNER:LEFT	U009	55
D2063605	LEVER:PRESSURE:PICKOFF PAWL:INNER:RIGHT	U009	56
D2063609	SHAFT:LEVER:PICKOFF PAWL:LONG	U009	57
D2063610	PICKOFF PAWL:ASS'Y	U009	58
D2063613	SPRING PLATE:PICKOFF PAWL	U009	59
D2063661	COLLECTION BOTTLE:ASS'Y	U009	60
D2063680	BRACKET:USED TONER SENSOR:TEMPERATURE & HUMIDITY SENSOR	U009	61

Exclusive Parts

Number	Part Name	Group	ID
D2063855	ROLLER:POSITIONING:TRANSFER ROLLER:DIA23	U008	41
D2063856	SPACER:TRANSFER ROLLER:SHA FT	U008	42
D2063859	GEAR:TRANSFER:Z34	U008	43
D2063861	TRANSFER ROLLER:ASS'Y	U008	44
D2063870	COMPRESSION SPRING:TRANSFE R:86	U008	50
D2063871	COMPRESSION SPRING:TRANSFE R	U008	45
D2063872	STUD:TRANSFER UNIT:CONTACT POINT	U008	46
D2063873	ARM:PRESSURE:OUTER:LEFT:AS S'Y	U008	47
D2063876	ARM:PRESSURE:OUTER:RIGHT:A SS'Y	U008	48
D2063878	SHEET:HARNESS	U006	244
		U008	49
D2063885	TERMINAL:ELECTRODE:TRANSFE R	U008_S001	51
D2063898	INSULATING SHEET:TRANSFER/S EPARATION UNIT	U008_S001	52
D2063899	GUIDE PLATE:ENTRANCE:TRANS FER	U008	53
D2063958	BRACKET:BEARING	U008	54
D2063961	OZONE FILTER:ASS'Y	U008	55
D2063976	DUCT:EXHAUST:LARGE	U008	56
D2063977	SEAL:DUCT:EXHAUST:ENTRANCE	U008	57
D2064118	GUARD:HARNESS:RIGHT	U010_S001	120
		U010_S002	120
		U010_S003	120
		U010_S004	120
		U010_S005	120
		U010_S006	120
D2064119	GUARD:HARNESS:LEFT	U010_S001	121
		U010_S002	121
		U010_S003	121
		U010_S004	121

Number	Part Name	Group	ID
		U010_S005	121
		U010_S006	121
D2064137	STEPPER MOTOR:ASS'Y	U010_S001	122
		U010_S002	122
		U010_S003	122
		U010_S004	122
		U010_S005	122
		U010_S006	122
D2064166	LEVER:CLEANING ROLLER:RIGHT	U010_S001	123
		U010_S002	123
		U010_S003	123
		U010_S004	123
		U010_S005	123
		U010_S006	123
D2064191	STOPPER:GUIDE:EXIT	U010_S001	124
		U010_S002	124
		U010_S003	124
		U010_S004	124
		U010_S005	124
		U010_S006	124
D2064285	COVER:HEATER:RIGHT	U010_S001	125
		U010_S002	125
		U010_S003	125
		U010_S004	125
		U010_S005	125
		U010_S006	125
D2064321	ARM:DRIVE:FUSING/PAPER EXIT UNIT:SUB-ASS'Y	U010	126
D2064452	COVER:EXIT	U011	28
D2064457	GUIDE PLATE:EXIT:ENTRANCE:LO WER	U011	29
D2064464	COPY TRAY:REAR	ACCESSORIES	43
D2064467	GUIDE:EXIT:LOWER:594	ACCESSORIES	44
D2064499	DISCHARGE BRUSH:300MM	U011	30
D2064886	PANEL:LOGO:RICOH	ACCESSORIES	45
D2064891	(D208):PANEL:NAME PLATE:W710 0	ACCESSORIES	46
D2064894	SHEET:BLOCK LIGHT:REGISTRATI	U003	134

Exclusive Parts

Number	Part Name	Group	ID
	ON SENSOR		
D2064895	SHEET:BLOCK LIGHT:PAPER FEE D SENSOR	U003	135
D2064954	GUIDE:ORIGINAL:PLATE	ACCESSORIES	47
D2064956	HOLDER:GUIDE	ACCESSORIES	48
D2065210	PCB:ASS'Y	U012	71
D2065220	PCB:IPU-AB:ASS'Y	U012	72
D2065241	PCB:VDB:ASS'Y	U012	73
D2065312	COVER:C/T BOX:UPPER	U012	74
D2065313	PANEL:CONTROL BOARD	U012	75
D2065316	COVER:SD-CARD	U012	76
D2065317	COVER:USB	U012	77
D2065319	COVER:TOTAL COUNTER	U006	245
D2065322	GUARD:IOB	U013	121
D2065323	GUARD:C/T BOX	U012	78
D2065325	BRACKET:DC FAN MOTOR:AC CONTROL BOARD	U012	79
D2065330	GUARD:DC MOTOR:DRUM	U013	122
D2065331	GUARD:DC MOTOR:FUSING	U013	123
D2065332	GUARD:POWER PACK:FRONT	U012	80
D2065333	GUARD:POWER PACK:REAR	U012	81
D2065334	GUARD:POWER PACK:REAR LOWER	U009	62
D2065336	GUARD:MOTOR CONTROL BOARD	U013	124
D2065337	GUARD:DC MOTOR:REGISTRATION	U013	125
D2065338	GUARD:TORQUE LIMITER MECHANICAL CLUTCH	U006	246
D2065360	BRACKET:POWER SUPPLY UNIT	U012	82
D2065361	BRACKET:DC FAN MOTOR:POWER SUPPLY UNIT	U012	83
D2065362	GUIDE:CABLE	U012	84
D2065363	SUPPORTING PLATE:AC CONTROL BOARD	U012	85
D2065370	BRACKET:MAIN SWITCH:DC	U012	86
D2065371	BRACKET:KEYTOP	U012	87
D2065380	BRACKET:POWER PACK:TRANSFER	U012	88

Number	Part Name	Group	ID
	ER		
D2065390	BRACKET:POWER PACK:SEPARATION	U012	89
D2065400	PCB:SIB	U003	136
D2065420	PCB:IOB	U012	90
D2065460	PCB:MB	U012	91
D2065470	PCB:ESB	U012	92
D2065480	PCB:FPDB	U010	127
D2065510	PCB:RFDB	U006	247
D2065831	HDD:ASS'Y	U012_S006	104
D2066500	(-NA):CD-ROM:DRV:ASS'Y	ACCESSORIES	54
D2066501	(-EU,-AA/-CHN):CD-ROM:DRV:ASS'Y	ACCESSORIES	55
D2066600	(-NA):CD-ROM:OI_A:ASS'Y	ACCESSORIES	49
D2069510	ORGANIC PHOTO CONDUCTOR DRUM	U009	63
D2069590	NV-RAM	U012	93
D2081367	(-NA/-EU,-AA):DECAL:ORIGINAL:OPERATE	ACCESSORIES	50
D2083008	DEVELOPMENT UNIT:ASS'Y	U007_S001	36
D2084051	(D208-NA):FUSING UNIT:208V:ASS'Y	U010_S002	128
D2084052	(D208-EU,-AA/-CHN):FUSING UNIT:230V:ASS'Y	U010_S004 U010_S005	129 129
D2085397	(-EU,-AA):BRACKET:INTERFACE:APER CRIMP	U001	54
D2085520	AC CONTROL BOARD:200V:ASS'Y	U012	94
D2085685	(-CHN):POWER SUPPLY CORD:STOPPER:250V:ASS'Y	U012_S003	103
D2085698	(-NA):POWER SUPPLY CORD:STOPPER:250V:ASS'Y	U012_S001	95
D2085810	PCB:CTL:EX3:SUB-ASS'Y	U012	96
D2094890	(D211):PANEL:NAME PLATE:W8400:PRINTING	ACCESSORIES	51
D2095320	COVER:LEAK BREAKER	U012	97
D2114051	(D211-NA):FUSING UNIT:208V:ASS'Y	U010_S001	130
D2114052	(D211-EU,-AA/-CHN):FUSING UNIT:	U010_S003	131

Exclusive Parts

Number	Part Name	Group	ID
	230V:ASS'Y	U010_S006	131
D2121087	SPACER:TRAY:EXIT:REAR	U013	93
D2121094	LEFT HINGE BRACKET	U013	129
D2121266	SEAL:LIGHT SHIELDING PLATE:TRAY:EXIT	U001	56
D2123826	TRANSFER/SEPARATION UNIT:SUB-ASS'Y	U008_S001	40
D2123957	GUIDE PLATE:TRANSPORT	U008	58
D2124093	STAY:STRIPPER PAWLS:PRESSURE ROLLER:ASS'Y	U010_S001	135
		U010_S002	135
		U010_S003	135
		U010_S004	135
		U010_S005	135
		U010_S006	135
D2124146	(-CHN):FUSING ENTRANCE GUIDE PLATE	U010_S005_S001	136
		U010_S006_S001	136
D2581317	HOLDER:GLASS:CLEANER:ASS'Y	ACCESSORIES	28
G0204444	TIGHTENER	U013	126
G0205626	PUSH SWITCH	U010	132
G0521112	GEAR - PAPER FEED 5	U006	248
G0524618	BEARING 30X42X7	U010_S001	133
		U010_S002	133
		U010_S003	133
		U010_S004	133
		U010_S005	133
		U010_S006	133
G0604243	TENSION SPRING:PRESSURE:44N	U013	127
G0803918	SPACER - M8.2X0.8	U013	128
G1335793	RAIL:RIGHT	U012	98
G1335794	RAIL:LEFT	U012	99
G1805750	GASKET - 70MM	U003	137
G3122014	TIMING PULLEY - 28TS2M	U003	138
GW020020	PHOTOINTERRUPTOR:LG248NL1	U003	139
		U004	49
		U006	249
GX640028	FAN MOTOR DC24V 1.92W	U003	140
		U005	20
		U006	250

Number	Part Name	Group	ID
		U012	100

Standard Parts



02520020N
PAN HEAD SCREW:M2X2



03130050N
PHILIPS PAN HEAD SCREW -
M3X5



03140050N
PAN HEAD SCREW-M4X5



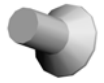
03140200N
PAN HEAD SCREW:M4X20



03140250N
PAN HEAD SCREW:M4X25



03150080N
PAN HEAD SCREW:M5X8



03230060N
SCREW M3X6



03530060N
BIND SCREW - M3X6



03530120N
SCREW M3X12



03530140N
SCREW:M3X14



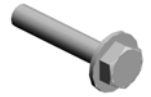
03540060N
SCREW-M4X6



03603006N
SCREW - M3X6



03603008N
SCREW:M3X8



03603016N
SCREW - M3X16



03604008N
SCREW - M4X8



03604010N
SCREW:M4X10



04503010N
TAPPING SCREW - M3X10



04503012N
TAPPING SCREW:3X12



04503020N
TAPPING SCREW:M3X20



04504008N
TAPPING SCREW - M4X8



04504010N
TAPPING SCREW:M4X10



04504014N
TAPPING SCREW:4X14



04504016N
TAPPING SCREW - M4X16



04504025N
TAPPING SCREW:4X25



04513005N
TAPPING SCREW:M3X5



04513006N
TAPPING SCREW - 3X6



04513008N
TAPPING SCREW - M3X8



04513010N
TAPPING SCREW:3X10

Standard Parts



04513012N
TAPPING SCREW:3X12



04513014N
TAPPING SCREW:3X14



04513020N
TAPPING SCREW:3X20



04513025N
TAPPING SCREW:M3X25



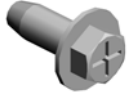
04513030N
TAPPING SCREW:3X30



04514006N
TAPPING SCREW - 4X6



04514008N
TAPPING SCREW:4X8



04514010N
TAPPING SCREW:4X10



04514014N
TAPPING SCREW:M4X14



04523006N
BINDING SELF-TAPPING SCREW:3X6



04523008N
TAPPING SCREW - M3X8



04523010N
BINDING SELF-TAPPING SCREW:3X10



04524008N
TAPPING SCREW:M4X8



04533006N
TAPPING SCREW - M3X6



04533008N
BINDING SELF TAPPING SCREW:3X8



04533010N
BINDING SELF TAPPING SCREW:3X10



04534008N
BINDING SELF TAPPING SCREW:4X8



04543006Q
TAPPING SCREW - M3X6



04543008Q
TAPPING SCREW:3X8



04544006Q
TAPPING SCREW:4X6



04544008Q
TAPPING SCREW - M4X8



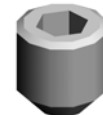
04564012N
TAPPING SCREW:WP:4X12



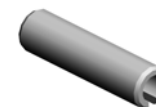
04583008N
HEXAGON HEAD TAPPING SCREW:3X8



05740040E
HEXAGON HEADLESS SET SCREW - M4X4



05750050E
HEXAGON HEADLESS SET SCREW - M5X5



06230120E
SPRING PIN - M3X12



06330200G
PIN - M3X20



07010040N
WASHER:DIA4

Standard Parts



07010050N
WASHER:DIA5



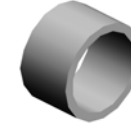
07030030N
SPRING WASHER:DIA3



07030040N
SPRING WASHER:DIA4



07030050N
SPRING WASHER:DIA5



07078060N
BUSHING:DIA8X6



07080040N
WASHER - DIA4



07200020E
RETAINING RING - M2



07200030E
RETAINING RING - M3



07200040E
RETAINING RING - M4



07200050E
RETAINING RING - M5



07200060E
RETAINING RING - M6



07200070E
RETAINING RING - M7



07200080E
RETAINING RING - M8



07250140E
RETAINING RING (C TYPE) -
M14



07403008
BALL BEARING - 8X22X7



07403704
BALL BEARING:DIA4XDIA7X2
.5



07413706
BALL BEARING - 6X10X3



08010228
PAN HEAD SCREW:M2.3X12



08025298
TAPPING SCREW:4X12



08025305
TAPPING SCREW - M3X6



08050104
RETAINING RINGS-E:SILENC
ER:DIA4



08050106
RETAINING RINGS-E:SILENC
ER:DIA6



08053368
BALL BEARING - 8X16X5MM



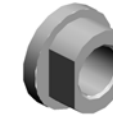
08053385
BUSHING - 6MM



08053445
BEARING - M6X10X3



08053471
BUSHING - M8X22X7



08053480
BUSHING - 6MM



08053516
BALL BEARING - 10X26X8

Standard Parts



08053517
BALL BEARING - 8X16X5



08053585
RADIAL BALL BEARING: DIA8
XDIA16X5



09504006N
SCREW - M4X6



09504008N
SCREW: SPRING WASHER: M
4X8



09514006N
SCREW: POLISHED ROUND:
M4X6



09515020N
SCREW: POLISHED ROUND:
M5X20



09543006N
SCREW - M3X6



09543010N
SCREW: POLISHED ROUND/
SPRING: M3X10



09544008N
SCREW - M4X8



09545010N
SCREW: POLISHED ROUND/
SPRING: M5X10



11050042
WIRE BAND



11050193
NYLON STUD



11050194
PCB STUD



11050310
HARNESS CLAMP - LWS-1S



11050328
HARNESS CLAMP - ES-0505



11050329
CLAMP - ES-0510



11050348
CLAMP



11050409
CARD SPACER - 6.4MM



11050462
HARNESS CLAMP



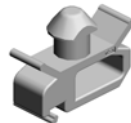
11050487
HARNESS CLAMP



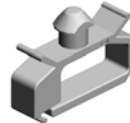
11050490
HARNESS CLAMP - IWS-2218



11050508
HARNESS CLAMP - LWS-071
1



11050511
HARNESS CLAMP - LWS-030
6ZC



11050516
CLAMP



11050517
HARNESS CLAMP - LWS-211
1Z



11050529
NYLON CLAMP - EMT-3N



11050531
LOCKING SUPPORT - EMSS-4
S



11050532
EDGE SADDLE - LES-25L

Standard Parts



11050534
CLAMP



11050563
CLAMP - LWSS-2N



11050598
CLAMP:LWSS-1N



11050621
CLAMP - SB-2712



11050683
CLAMP:LWSR-0511S



11050687
CLAMP:FC-30



11050692
CLAMP:LES-0503



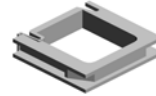
11050711
CLAMP:JDL-1S



11050723
CLAMPS:WES-0507



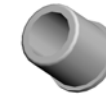
11050724
CLAMPS:WES-1210



11050726
CLAMPS:WES-2217



11060193
BUSHING - 7.9MM



11060241
BUSHING - 6.7MM



11060411
BUSHING - 11.5MM



11060458
BUSHING - 9.9MM



11060493
EDGING



11060911
BUSHING:SB-1909



11060922
BUSHING:JKR-60



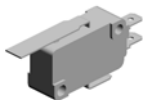
11060923
BUSHING:JKR-100



11060924
BUSHING:JKR-40



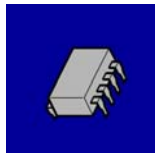
11071286
FUSE:BJS2022F1



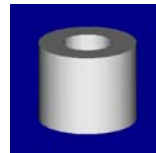
12042466
MICRO SWITCH - V-16506-1C
25



12042634
ROCKER SWITCH - AJ76200
B



14077677
EEPROM:BR24T64-W



16070278
MAGNETIC CORE - ESD-R-15
C



16070534
FERRITE CORE:ZCAT3035-1
330



16072255
FERRITE CORE:K3 NF-130-A(
N)BK0



16072276
FERRITE CORE:K3 T 23.80X1
4.00X11.40

Standard Parts



16072451
FERRITE CORE:GRFC-8

PM Part List

Number	Part Name	Num	Group	ID
A1741163	DEVELOPMENT SLEEVE GE AR	1	U007_S001	13
A1741167	PADDLE GEAR	1	U007_S001	15
AA012081	DEVELOPMENT FILTER	1	U007_S001	17
AD020089	CHARGE CORONA WIRE - G	1	U004_S001	24
AE011123	(D208):HOT ROLLER:DIA60	3	U010_S002	52
			U010_S004	52
			U010_S005	52
AE011125	(D211):HOT ROLLER:DIA60: HEAT PIPE:DIA6	3	U010_S001	53
			U010_S003	53
			U010_S006	53
AE020173	PRESSURE ROLLER:DIA65	6	U010_S001	54
			U010_S002	54
			U010_S003	54
			U010_S004	54
			U010_S005	54
			U010_S006	54
AE031026	BUSHING - OIL SUPPLY ROL LER	24	U010_S001	56
			U010_S002	56
			U010_S003	56
			U010_S004	56
			U010_S005	56
			U010_S006	56
AE042047	FUSING CLEANING ROLLER	6	U010_S001	58
			U010_S002	58
			U010_S003	58
			U010_S004	58
			U010_S005	58
			U010_S006	58
AE042061	CLEANING ROLLER	12	U010_S001	59
			U010_S002	59
			U010_S003	59
			U010_S004	59
			U010_S005	59
			U010_S006	59
B0103121	GEAR - 28Z	2	U007_S001	25
B1259640	DEVELOPER TYPE 30W BLA CK	1	SPECIAL TOOLS	4

Number	Part Name	Num	Group	ID
B2236274	ELECTRODE PLATE:TRANS FER ROLLER	3	U008_S001	36
B2863581	CLEANING BLADE	1	U009	41
C2322024	GEAR - 16Z	1	U013	81
D0462061	CLEANER:CHARGE CORON A:ASS'Y	1	U004_S001	41
D2062741	CUTTER UNIT:ASS'Y	1	U006_S001	232
D2063861	TRANSFER ROLLER:ASS'Y	1	U008	44
D2069510	ORGANIC PHOTO CONDUCT OR DRUM	1	U009	63

Design Change List

Number	Title	Set	Old Part		New Part		Index No.		Q'ty	Interchg		Reason	Cut-in S/N
			P/N	Name	P/N	Name	Group	ID		Indiv.	Set		
201610-01	1610 Modification	-	AA066255	FEELER SPRING	D2062589	FEELER SPRING	U006	75	1	X/O			RICOH MP W710 OSP_W8140SP:
201610-02	1610 Modification	-	D1491317	HOLDER:GLASS: CLEANER:ASS'Y	D2581317	HOLDER:GLASS: CLEANER:ASS'Y	ACCESSO RIES	28	1	O/O			RICOH MP W710 OSP_W8140SP:
201610-03	1610 Modification	-	D2064093	(-NA/-EU,AA):STA Y:STRIPPER PA WLS:PRESSURE ROLLER:ASS'Y	D2124093	STAY:STRIPPER PAWLS:PRESSU RE ROLLER:ASS' Y	U010_S001	135	1	O/O			RICOH MP W710 OSP_W8140SP:
			D2064093	(-NA/-EU,AA):STA Y:STRIPPER PA WLS:PRESSURE ROLLER:ASS'Y	D2124093	STAY:STRIPPER PAWLS:PRESSU RE ROLLER:ASS' Y	U010_S002	135	1	O/O			
			D2064093	(-NA/-EU,AA):STA Y:STRIPPER PA WLS:PRESSURE ROLLER:ASS'Y	D2124093	STAY:STRIPPER PAWLS:PRESSU RE ROLLER:ASS' Y	U010_S003	135	1	O/O			
			D2064093	(-NA/-EU,AA):STA Y:STRIPPER PA WLS:PRESSURE ROLLER:ASS'Y	D2124093	STAY:STRIPPER PAWLS:PRESSU RE ROLLER:ASS' Y	U010_S004	135	1	O/O			
201609-01	1609 Modification	-	D2063879	COMPRESSION SPRING:TRANSF ER:68	D2063870	COMPRESSION SPRING:TRANSF ER:86	U008	50	1	X/O			RICOH MP W710 OSP_W8140SP:
201609-02	1609 Modification	-	B1881094	(-NA/-EU,-AA):LE FT HINGE BRAC KET			U013	64	2	O/O	Old part number[B 1881094]"New par t number[D21210 94] Int 0/0		RICOH MP W710 OSP_W8140SP:
201609-03	1609 Modification	-			D2065831	HDD:ASS'Y	U012_S006	104	1	X/O	Old part number[D1245298]"New p art number[D2065		RICOH MP W710 OSP_W8140SP:

Design Change List

Number	Title	Set	Old Part		New Part		Index No.		Q'ty	Interchg		Reason	Cut-in S/N
			P/N	Name	P/N	Name	Group	ID		Indiv.	Set		
												831] Int x/o	
201608-01	1608 Modification	-	D1495686	PCB:DCSW	D1775686	PCB:DCSW	U012	68	1	O/O			RICOH MP W710 OSP_W8140SP:
201607-01	1607 Modification	-	D2063831	TRANSFER/SEP ARATION UNIT:S UB-ASS'Y	D2123826	TRANSFER/SEP ARATION UNIT:S UB-ASS'Y	U008_S001	40	1	X/O			RICOH MP W710 OSP_W8140SP:
201606-01	1606 Modification	-	D0461353	SUPPORTING PL ATE:COVER:DEV ELOPMENT	D2061353	SUPPORTING PL ATE:COVER:DEV ELOPMENT	U001	27	1	X/O			RICOH MP W710 OSP_W8140SP:
201604-01	1604 Modification	-	B0101103	GROUND PLATE	D2061103	GROUND PLATE: DEVELOPMENT	U013	62	3	X/O			RICOH MP W710 OSP_W8140SP:
201605-01	1605 Modification	-	D2065240	PCB:VDB:ASS'Y	D2065241	PCB:VDB:ASS'Y	U012	73	1	X/O			RICOH MP W710 OSP_W8140SP:
201603-01	1603 Modification	-	D0461087	SPACER:TRAY:E XIT:REAR	D2121087	SPACER:TRAY:E XIT:REAR	U013	93	3	O/O			RICOH MP W710 OSP_W8140SP:
201603-02	1603 Modification	-			D2121266	SEAL:LIGHT SHI ELDING PLATE:T RAY:EXIT	U001	56	1				RICOH MP W710 OSP_W8140SP:
					D2121266	SEAL:LIGHT SHI ELDING PLATE:T RAY:EXIT	U001	56	1				
201603-03	1603 Modification	-			D1365978	BRACKET:HDD	U012_S006	101	1				RICOH MP W710 OSP_W8140SP:
201602-01	1602 Modification	A			16070534	FERRITE CORE: ZCAT3035-1330	U003	141	1		O/O		RICOH MP W710 OSP_W8140SP:
201602-02	1602 Modification	A			D0025691	GASKET:25MM	U001	55	1		O/O		RICOH MP W710 OSP_W8140SP:
201602-03	1602 Modification	A	D2065720	CABLE:OPERATI ON SUB-UNIT:US B	D2065723	CABLE:OPERATI ON SUB-UNIT:US B	2/6		1	X/X	O/O		RICOH MP W710 OSP_W8140SP:

Design Change List

Number	Title	Set	Old Part		New Part		Index No.		Q'ty	Interchg		Reason	Cut-in S/N
			P/N	Name	P/N	Name	Group	ID		Indiv.	Set		
201602-04	1602 Modification	A	D2065721	CABLE:OPERATI ON SUB-UNIT:US B:IPU	D2065724	CABLE:OPERATI ON SUB-UNIT:US B:IPU	2/6		1	X/X	O/O		RICOH MP W710 OSP_W8140SP:
201507-01	1507 Modification	-			D0462955	GUIDE PLATE	U006	251	1				RICOH MP W710 OSP_W8140SP:
201511-01	1511 Modification	-	D2063611	PICK-OFF PAWL	D2063610	PICKOFF PAWL: ASS'Y	U009	58	1	X/O			RICOH MP W710 OSP_W8140SP:
			D2063611	PICK-OFF PAWL	D2063610	PICKOFF PAWL: ASS'Y	U009	58	1	X/O			
			D2063611	PICK-OFF PAWL	D2063610	PICKOFF PAWL: ASS'Y	U009	58	1	X/O			
			D2063611	PICK-OFF PAWL	D2063610	PICKOFF PAWL: ASS'Y	U009	58	1	X/O			

