



RICOH UNIVERSITY

Learning ♦ Knowledge ♦ Performance



B286/B289
PARTS CATALOG

003166MIU

LANIER RICOH SAVIN



B286/B289
PARTS CATALOG

LANIER
RICOH
SAVIN®



RICOH UNIVERSITY

Learning ♦ Knowledge ♦ Performance

B286/B289 PARTS CATALOG

003166MIU

LANIER RICOH SAVIN®

It is the reader's responsibility when discussing the information contained within this document to maintain a level of confidentiality that is in the best interest of Ricoh Americas Corporation and its member companies.

**NO PART OF THIS DOCUMENT MAY BE REPRODUCED IN ANY
FASHION AND DISTRIBUTED WITHOUT THE PRIOR
PERMISSION OF RICOH AMERICAS CORPORATION.**

All product names, domain names or product illustrations, including desktop images, used in this document are trademarks, registered trademarks or the property of their respective companies.

They are used throughout this book in an informational or editorial fashion only and for the benefit of such companies. No such use, or the use of any trade name, or web site is intended to convey endorsement or other affiliation with Ricoh products.

LEGEND

PRODUCT CODE	COMPANY			
	GESTETNER	LANIER	RICOH	SAVIN
B286	GWD2004	LW324	MPW2400	2404WD
B289	GWD2006	LW336	MPW3600	2406WD
B609	File Format Converter Type C			
B641/B642/B851/B852	Roll Feeder Type 240A/B			
B643/B853	Paper Cassette Type 240			
B662/B854	Table Type 240			
B735	Data Overwrite Security Unit Type C/E			
D311	Original Hanger			
D312	Rear Stacker			
G813	IEEE 802.11b Interface Unit Type H			

DOCUMENTATION HISTORY

REV. NO.	DATE	COMMENTS
*	07/2007	Original Printing

B286/B289

TABLE OF CONTENTS

B268/B289 PARTS LOCATION AND LIST

LOCATIONS OF UNITS	2
1. Exterior 1 (B286/B289).....	6
2. Exterior 2 (B286/B289).....	8
3. Operation Panel (B286/B289).....	10
4. Scanner Section 1 (B286/B289).....	12
5. Scanner Section 2 (B286/B289).....	14
6. Scanner Section 3 (B286/B289).....	16
7. Paper Registration (B286/B289).....	18
8. Image Processing (B286/B289).....	20
9. Drum Section (B286/B289).....	22
10. Development Unit (B286/B289).....	24
11. Charge & Transfer Unit (B286/B289).....	26
12. Charge Cleaning Section (B286/B289).....	28
13. Fusing Unit 1 (B286/B289).....	30
14. Fusing Unit 2 (B286/B289).....	32
15. Paper Exit 1 (B286/B289).....	34
16. Paper Exit 2 (B286/B289).....	36
17. Drive Section (B286/B289).....	38
18. Electrical Section 1 (B286/B289).....	40
19. Electrical Section 2 (B286/B289).....	42
20. Electrical Section 3 (B286/B289).....	44
21. Frame 1 (B286/B289).....	46
22. Frame 2 (B286/B289).....	48
23. MCU (B286/B289).....	50
24. IPU (B286/B289).....	58

25. Extension Unit (B286/B289).....	66
26. Special Tools (B286/B289).....	68
27. Decal And Documents (B286/B289).....	70

B268/B289 PARTS INDEX

PARTS INDEX	2
--------------------------	----------

FILE FORMAT CONVERTER TYPE C B609 PARTS LOCATION AND LIST

1. File Format Converter (B609).....	2
--------------------------------------	---

FILE FORMAT CONVERTER TYPE C B609 PARTS INDEX PARTS INDEX

ROLL FEEDER TYPE 240 A/B B641/B642/B851/B852 PARTS LOCATION AND LIST

1. Exterior (B641/B642/B851/B852).....	
2. Roll Paper Holder (B641/B642/B851/B852).....	
3. Roll Paper Feed 1 (B641/B642/B851/B852).....	
4. Roll Paper Feed 2 (B641/B642/B851/B852).....	
5. Roll Paper Feed 3 (B641/B642/B851/B852).....	
6. Frame Section 1 (B641/B642/B851/B852).....	
7. Frame Section 2 (B641/B642/B851/B852).....	
8. Decal And Documents (B641/B642/B851/B852).....	

ROLL FEEDER TYPE 240 A/B B641/B642/B851/B852 PARTS INDEX

PARTS INDEX 2

PAPER CASSETTE TYPE 240 B643/B853 PARTS LOCATION AND LIST

1.Cassette 1 (B643/B853)..... 2
2.Cassette 2 (B643/B853)..... 4
3.Cassette 3 (B643/B853)..... 6

PAPER CASSETTE TYPE 240 B643/B853 PARTS INDEX PARTS INDEX 2

TABLE TYPE 240 B662/B854 PARTS LOCATION AND LIST

1.Table Type 240 (B662/B854)..... 2

TABLE TYPE 240 B662/B854 PARTS INDEX

PARTS INDEX 2

DATA OVERWRITE SECURITY UNIT TYPE C/E B735 PARTS LOCATION AND LIST

1.Data Overwrite Security Unit (B735)..... 2

DATA OVERWRITE SECURITY UNIT TYPE C/E B735 PARTS INDEX

PARTS INDEX 2

FOLDER FD6500A B889 PARTS LOCATION AND LIST

1.Exterior 1 (B889)..... 2
2.Exterior 2 (B889)..... 4
3.Paper Transfer Entrance 1 (B889)..... 6
4.Paper Transfer Entrance 2 (B889)..... 8
5.Paper Exit (B889)..... 10

6.Paper Folder Transfer 1 (B889) 12
7.Paper Folder Transfer 2 (B889) 14
8.Paper Folder 1 (B889)..... 16
9.Paper Folder 2 (B889)..... 18
10.Paper Folder 3 (B889)..... 20
11.Paper Folder 4 (B889)..... 22
12.Paper Folder 5 (B889)..... 24
13.Paper Folder Exit (B889)..... 26
14.Drive Section (B889) 28
15.Electrical Section (B889)..... 30
16.Decal and Documents (B889)..... 32

FOLDER FD6500A B889 PARTS INDEX

PARTS INDEX 2

ORIGINAL HANGER D311 PARTS LOCATION AND LIST

1.Original Hanger (D311)..... 2

ORIGINAL HANGER D311 PARTS INDEX

PARTS INDEX 2

REAR STACKER D312 PARTS LOCATION AND LIST

1.Rear Stacker..... 2

REAR STACKER D312 PARTS INDEX

PARTS INDEX 2

MANUAL FEEDER OPTION D333 PARTS LOCATION AND LIST

1.Exterior 1 (D333)..... 2
2.Exterior 2 (D333)..... 4
3.Folder Unit 1 (D333)..... 6
4.Folder Unit 2 (D333)..... 8

MANUAL FEEDER OPTION D333 PARTS INDEX
PARTS INDEX 2

IEEE 802.11b INTERFACE UNIT TYPE H G813 PARTS
LOCATION AND LIST

1.IEEE802.11b (G813-04/45)..... 2

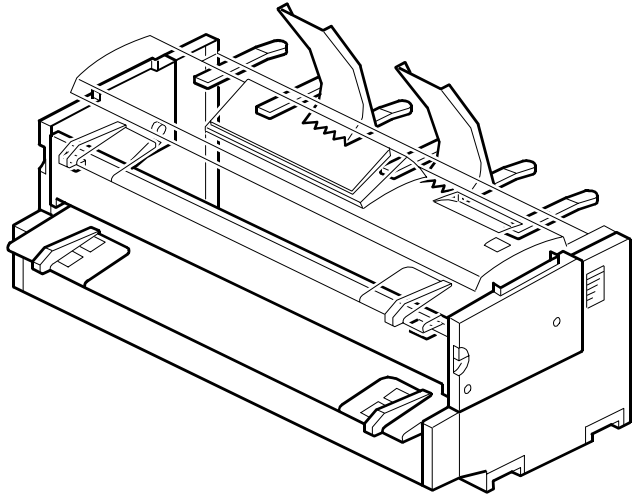
IEEE 802.11b INTERFACE UNIT TYPE H G813 PARTS
INDEX
PARTS INDEX 2

B286/B289
PARTS LOCATION AND LIST

This section instructs you as to the numbers and names of parts on this machine.

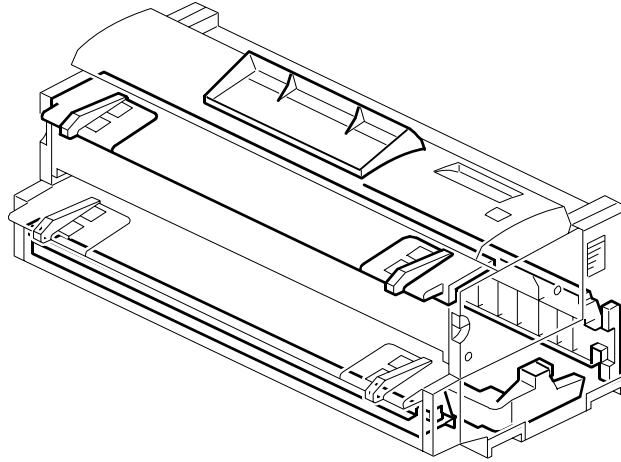
LOCATIONS OF UNITS

1. Exterior 1 (B286/B289)



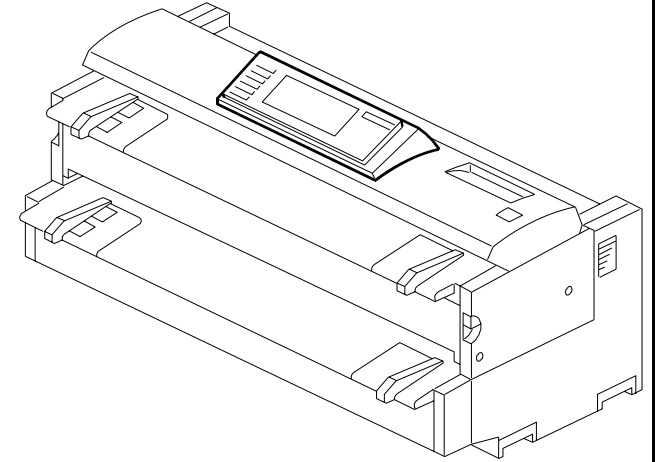
See Page 7

2. Exterior 2 (B286/B289)



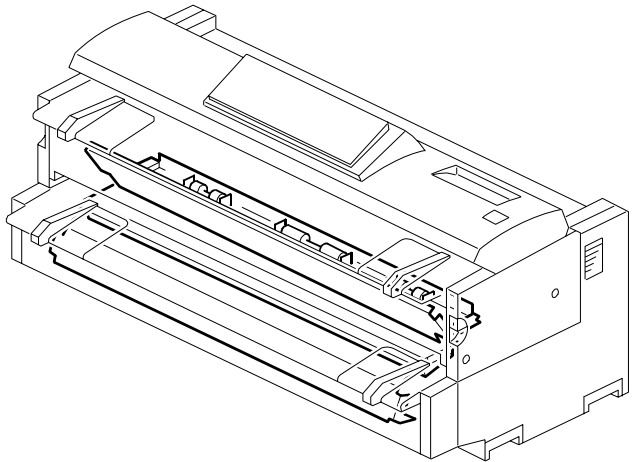
See Page 9

3. Operation Panel (B286/B289)



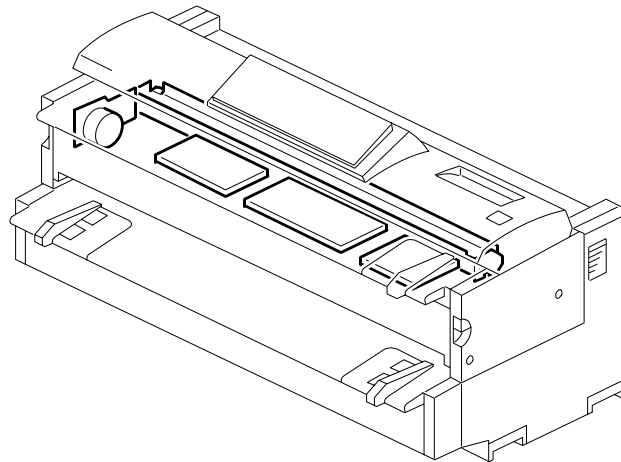
See Page 11

4. Scanner Section 1 (B286/B289)



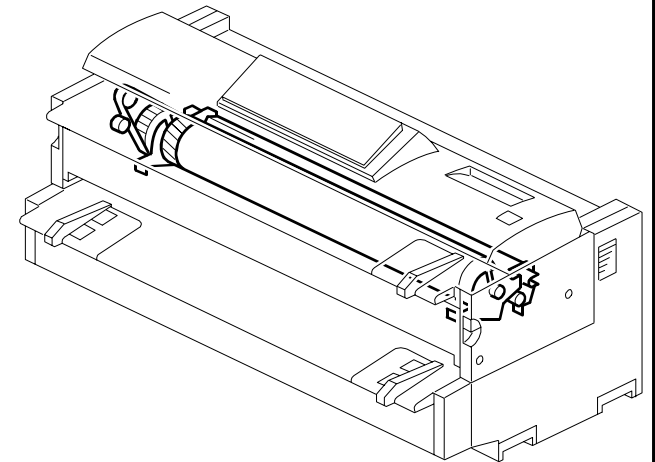
See Page 13

5. Scanner Section 2 (B286/B289)



See Page 15

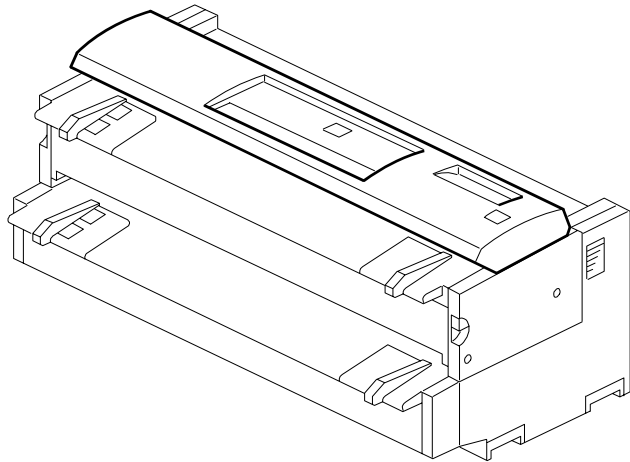
6. Scanner Section 3 (B286/B289)



See Page 17

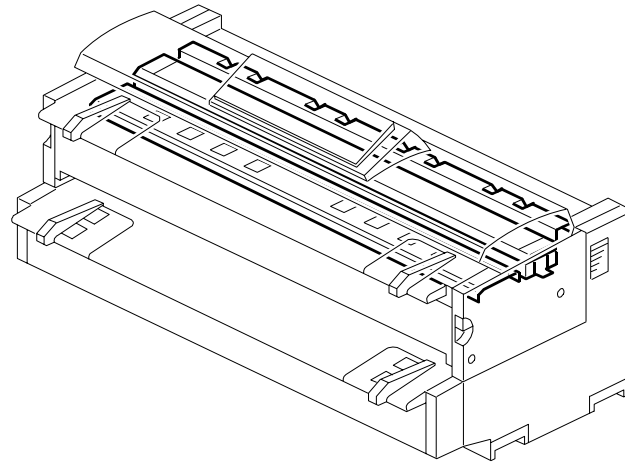
LOCATIONS OF UNITS

7. Paper Registration (B286/B289)



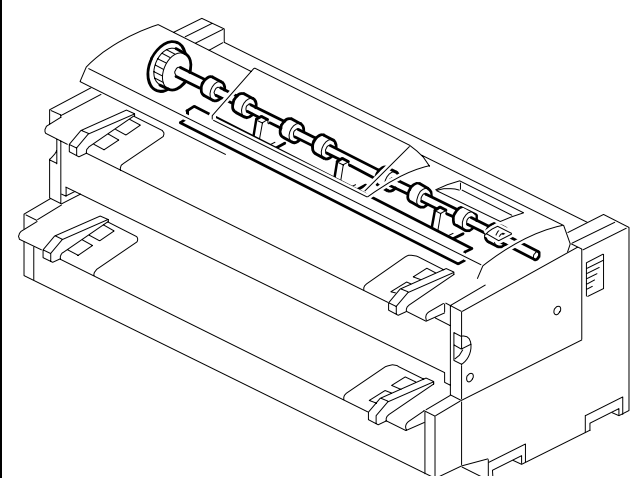
See Page 19

8. Image Processing (B286/B289)



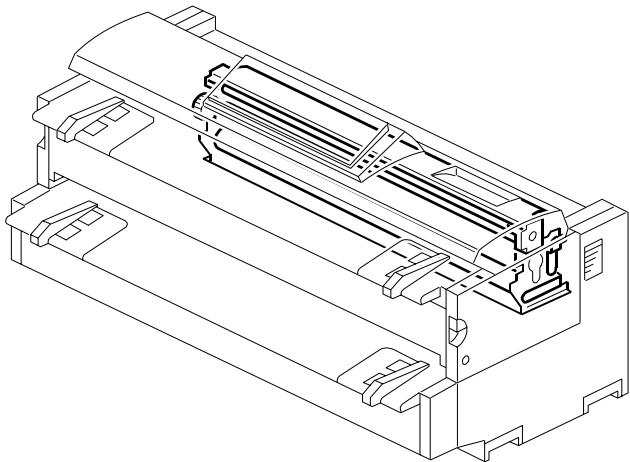
See Page 21

9. Drum Section (B286/B289)



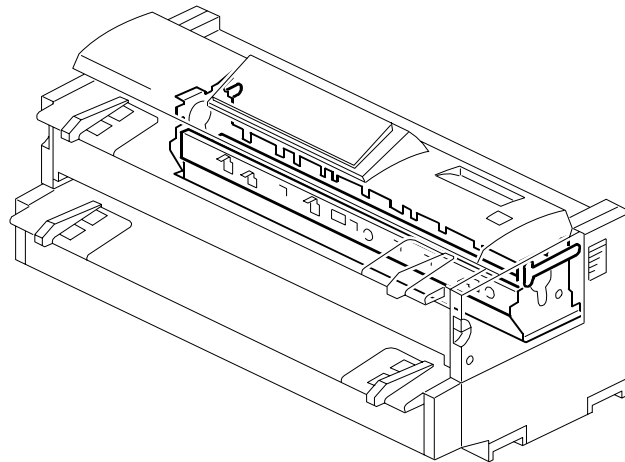
See Page 23

10. Development Unit (B286/B289)



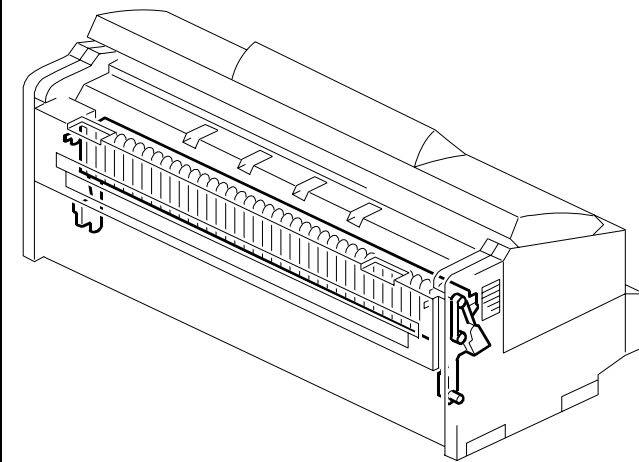
See Page 25

11. Charge & Transfer Unit (B286/B289)



See Page 27

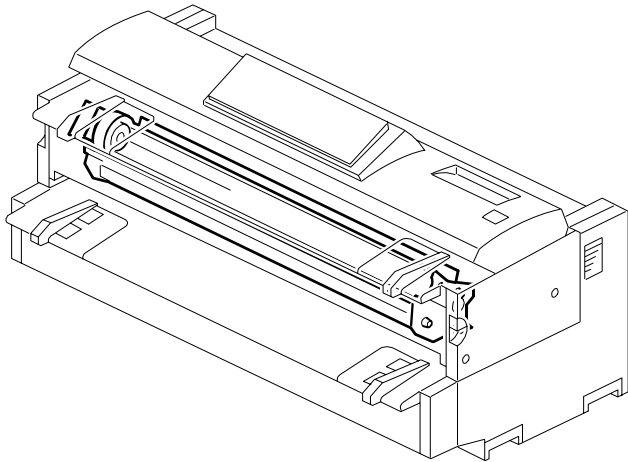
12. Charge Cleaning Section (B286/B289)



See Page 29

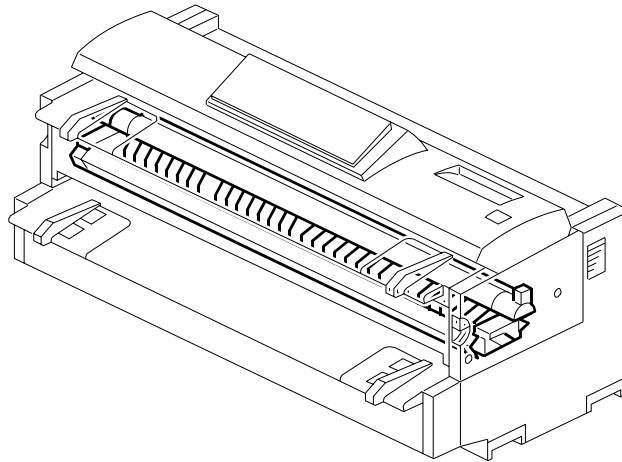
LOCATIONS OF UNITS

13. Fusing Unit 1 (B286/B289)



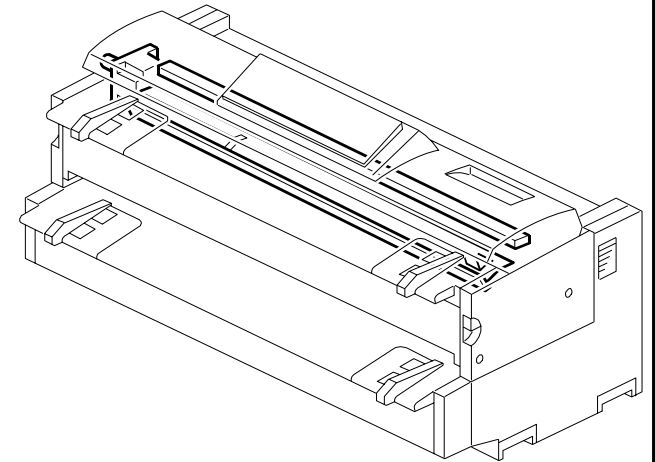
See Page 31

14. Fusing Unit 2 (B286/B289)



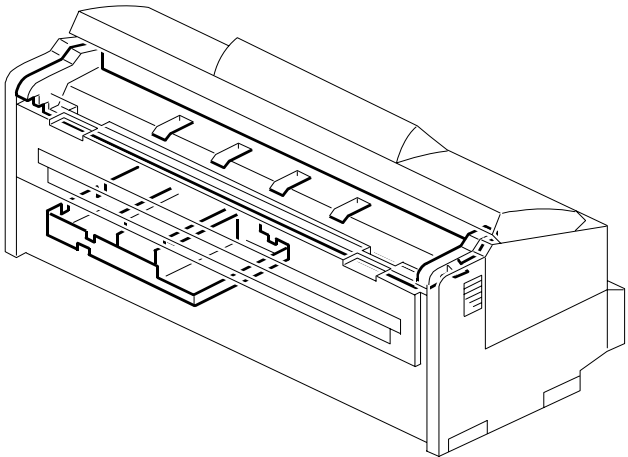
See Page 33

15. Paper Exit 1 (B286/B289)



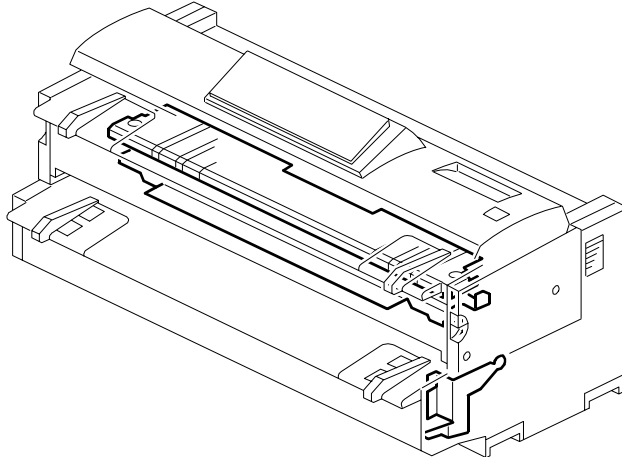
See Page 35

16. Paper Exit 2 (B286/B289)



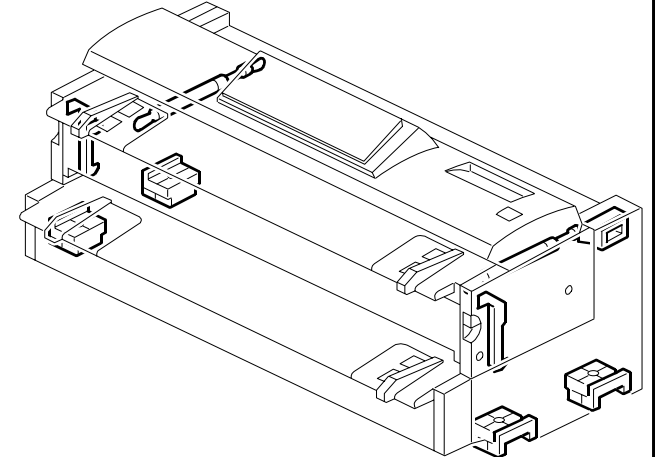
See Page 37

17. Drive Section (B286/B289)



See Page 39

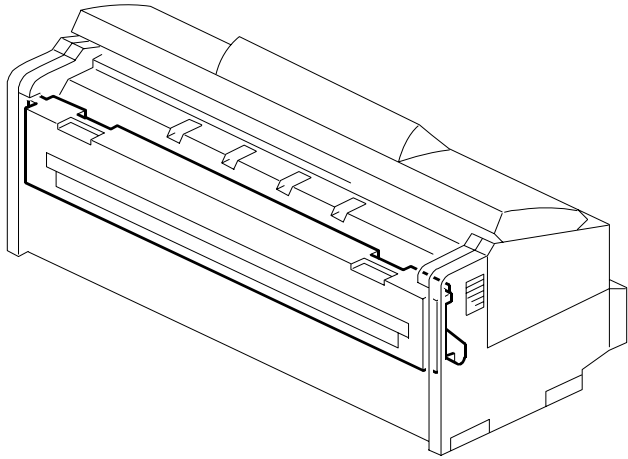
18. Electrical Section 1 (B286/B289)



See Page 41

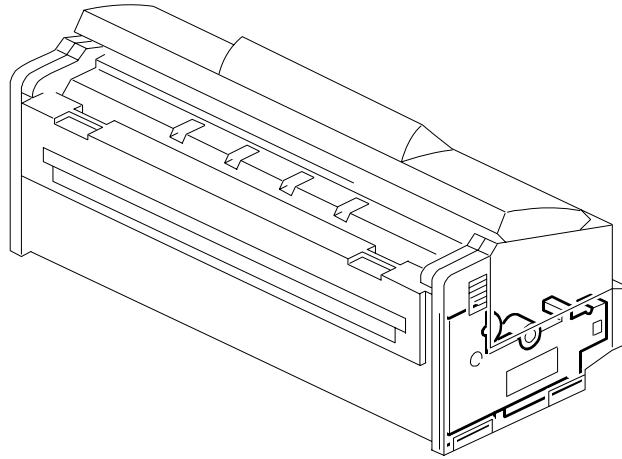
LOCATIONS OF UNITS

19. Electrical Section 2 (B286/B289)



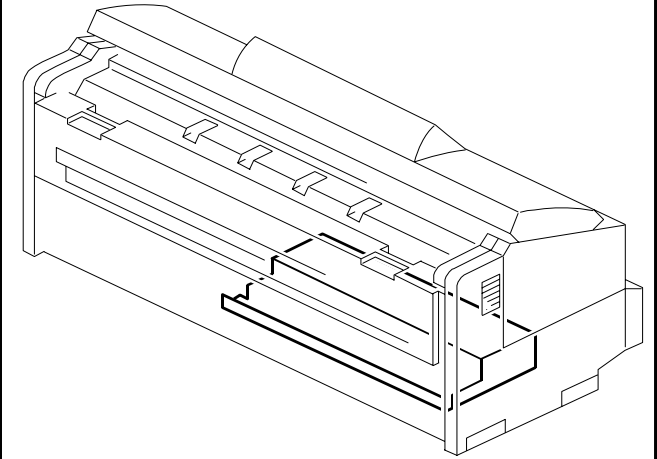
See Page 43

20. Electrical Section 3 (B286/B289)



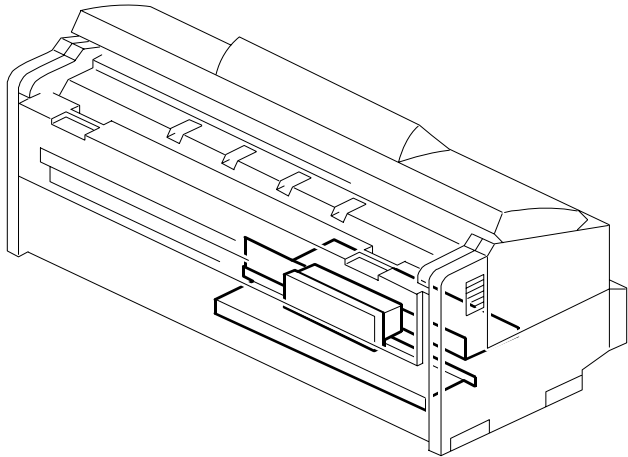
See Page 45

21. Frame 1 (B286/B289)



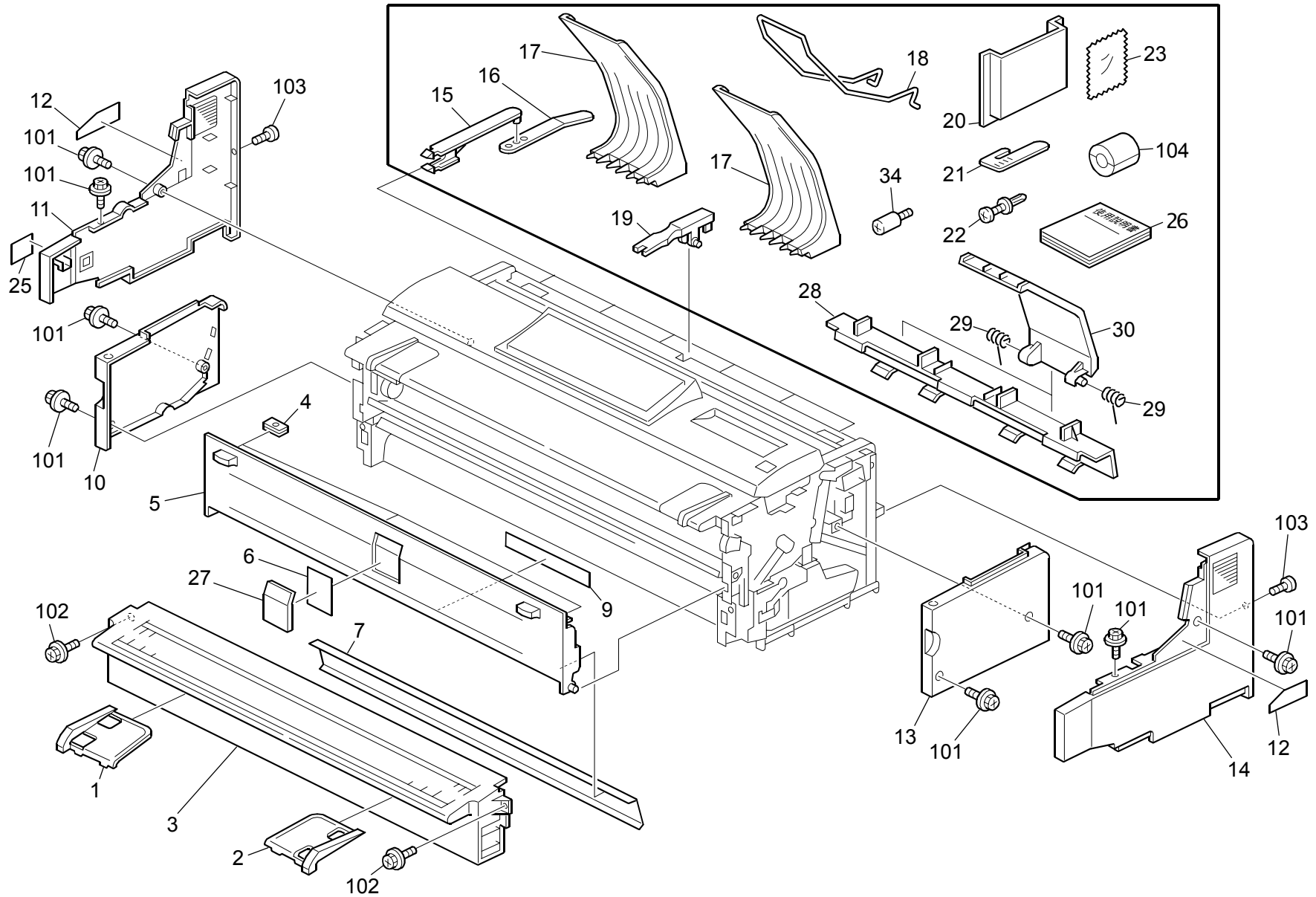
See Page 47

22. Frame 2 (B286/B289)



See Page 49

1.Exterior 1 (B286/B289)

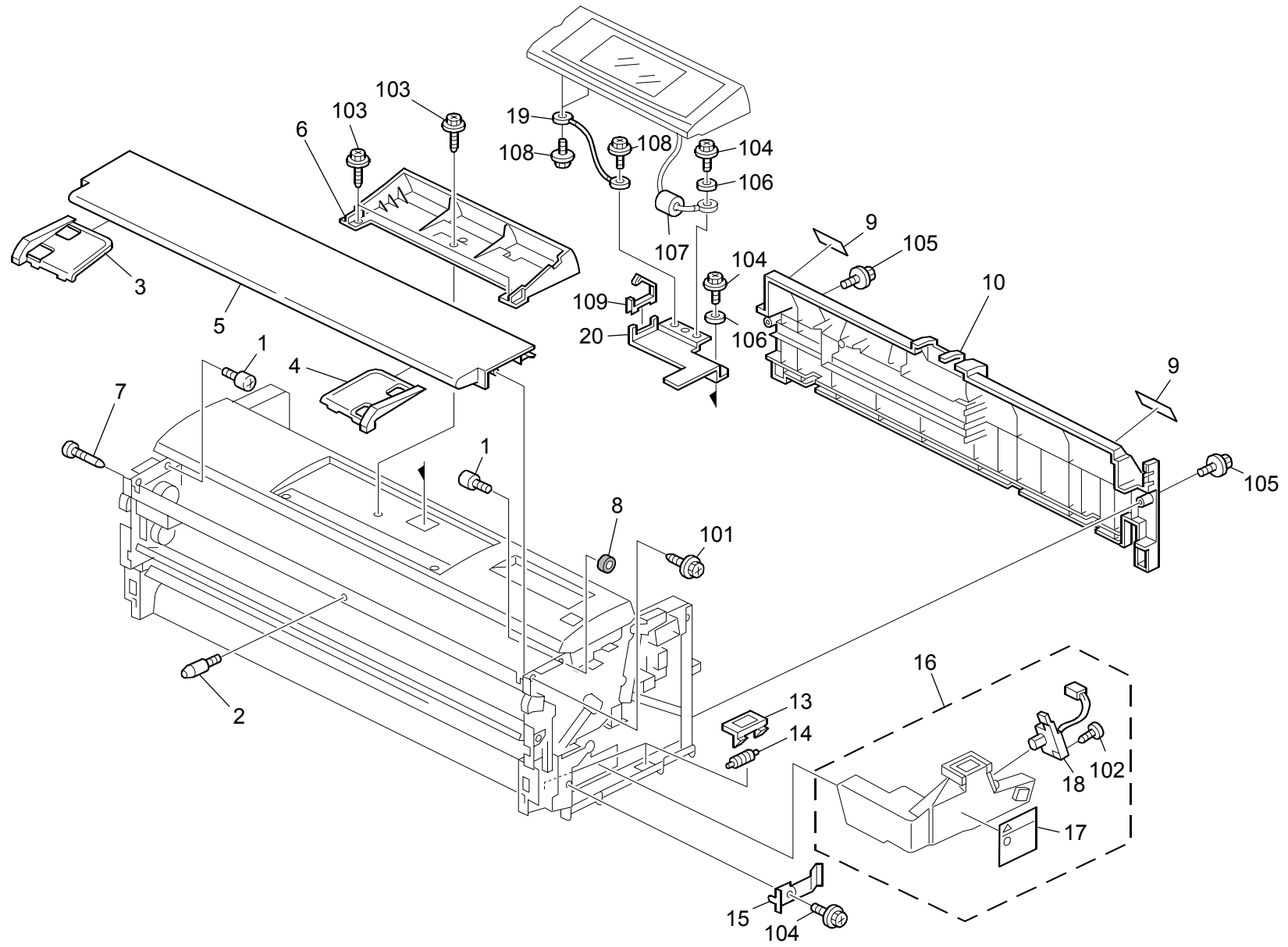


1.Exterior 1 (B286/B289)

Index No.	Part No.	Description	Q'ty Per Assembly
1	B125 4720	Side Fence: Left	2
2	B125 4723	Side Fence: Right	2
3	B286 2594	Manual Feed Table	1
4	AG07 0514	Magnet Catch	3
5	B286 4805	Cover: Toner Cartridge	1
6	B286 4811	Decal: Emblem: RIC	1
6	B289 4811	Decal: Emblem: RIC	1
7	B125 4806	Sheet: Cover: Toner Cartridge	1
9	B286 4885	Decal: Original: Operate: Exp	1
10	B125 1286	Cover: Left Upper	1
11	B125 1287	Cover: Left Lower	1
12	B125 1265	Decal: High Temperature: Multi	1
13	B125 1283	Cover: Right Upper	1
14	B125 1288	Cover: Right Lower	1
15	B125 1363	Guide: Original	6
16	B125 1364	Guide Plate: Guide: Original	6
17	B286 1350	Copy Tray: Upper	2
18	B275 1352	Guide Rod	1
19	B125 1358	Guide: Original: Middle	1
20	B010 1359	Operating Instructions Holder	1
21	B125 1355	Guide Plate: Brush	1
22	B125 1474	Rivet: MM5	3
23	B065 1374	Cloth - Df Exposure Glass	1
25	B082 6403	Decal: Power Source: Off: Exp	1
26	B286 7707	Manual: Troubleshooting: NA	1
26	B286 7737	Manual: About_Machine: NA	1
26	B286 7907	Manual: Security_REF: NA	1
27	B132 1531	Panel: Logo	1
28	B286 1382	Holder: Original Tray	1
29	AA06 6681	Spring: Original Tray	4
30	B286 1380	Original Tray	2
34	AA14 3859	Positioning Pin	6

Index No.	Part No.	Description	Q'ty Per Assembly
101	0451 3008N	Tapping Screw - M3x8	
102	0451 3006N	Tapping Screw - 3x6	
103	0453 3008N	Binding Self Tapping Screw: 3x8	
104	1607 1092	Ferrite Core: RFC-10	

2.Exterior 2 (B286/B289)

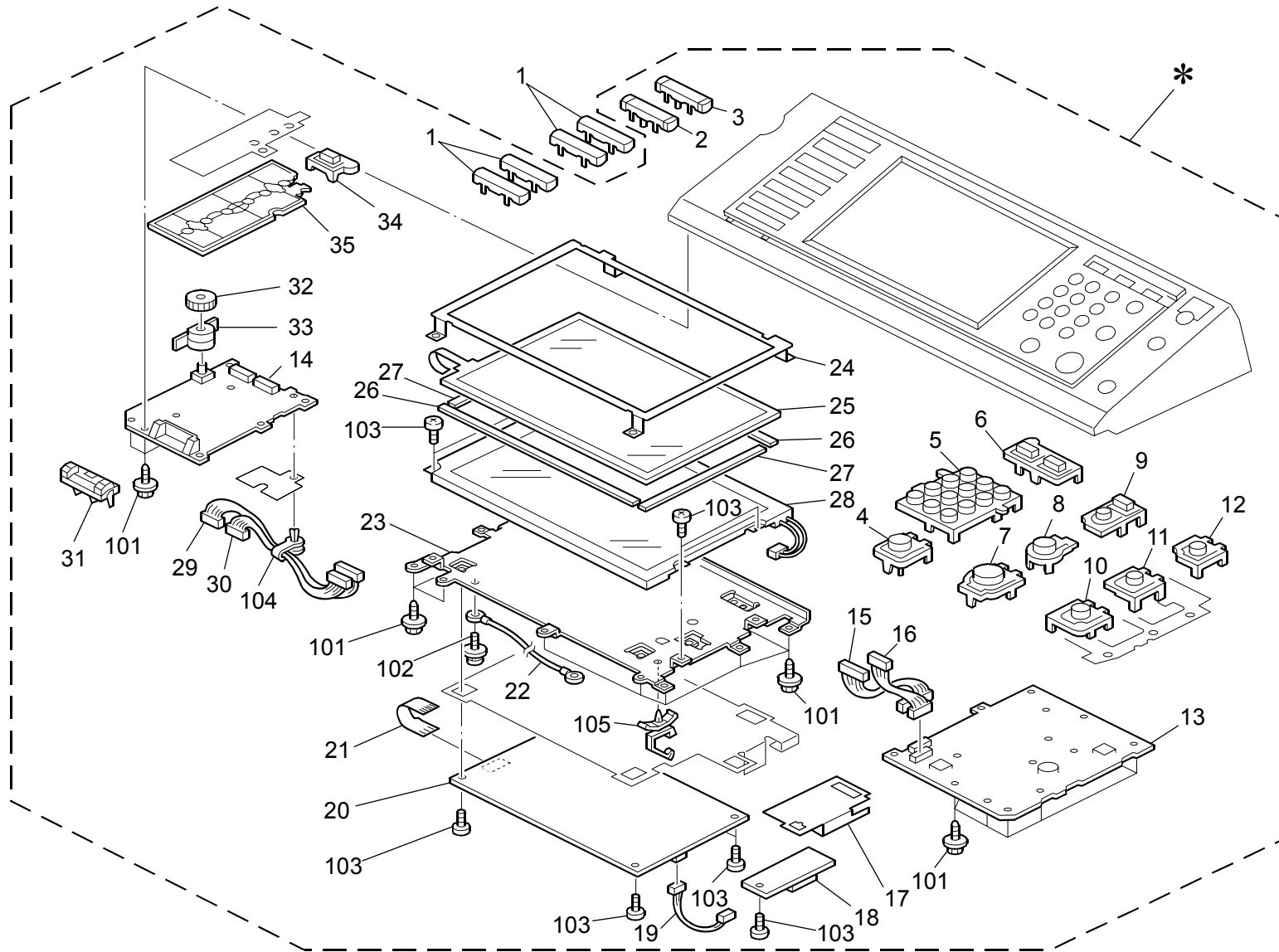


2.Exterior 2 (B286/B289)

Index No.	Part No.	Description	Q'ty Per Assembly
1	AA14 3859	Positioning Pin	6
2	5413 3903	Pin - Transfer Guide Plate	1
3	B125 4720	Side Fence: Left	2
4	B125 4723	Side Fence: Right	2
5	B286 4702	Original Table: NA	1
5	B286 4700	Original Table: Printing	1
6	B286 1500	Cover: Operation Panel	1
7	AA14 3788	Pin: Guide Plate: Paper Feed	7
8	B275 1670	Guard Burring	3
9	B125 1268	Decal: High Temperature: Side	1
10	B125 1284	Cover: Rear Lower	1
13	A060 3827	Roller Holder	2
14	A060 3826	Toner Collection Bottle Roller	2
15	B125 3688	Leaf Spring: Collection Bottle	1
16	B286 3661	Collection Bottle	1
17	B286 3662	Decal: Toner Recycling	1
18	AW40 0014	Used Toner Sensor	1
19	B286 5743	Ground Wire: Operation Sub-unit	2
20	B286 1505	Bracket: Operation Sub-unit: Lower	1

Index No.	Part No.	Description	Q'ty Per Assembly
101	0451 4010N	Tapping Screw: 4x10	
102	0452 3006N	Binding Self-tapping Screw: 3x6	
103	0450 3010N	Tapping Screw - M3x10	
104	0451 3006N	Tapping Screw - 3x6	
105	0451 3008N	Tapping Screw - M3x8	
106	0703 0030N	Spring Washer: DIA3	
107	1607 0891	Ferrite Core: SFC-3	
108	0451 3005N	Tapping Screw: M3x5	
109	1105 0521	Clamp - LES-1017	

3.Operation Panel (B286/B289)

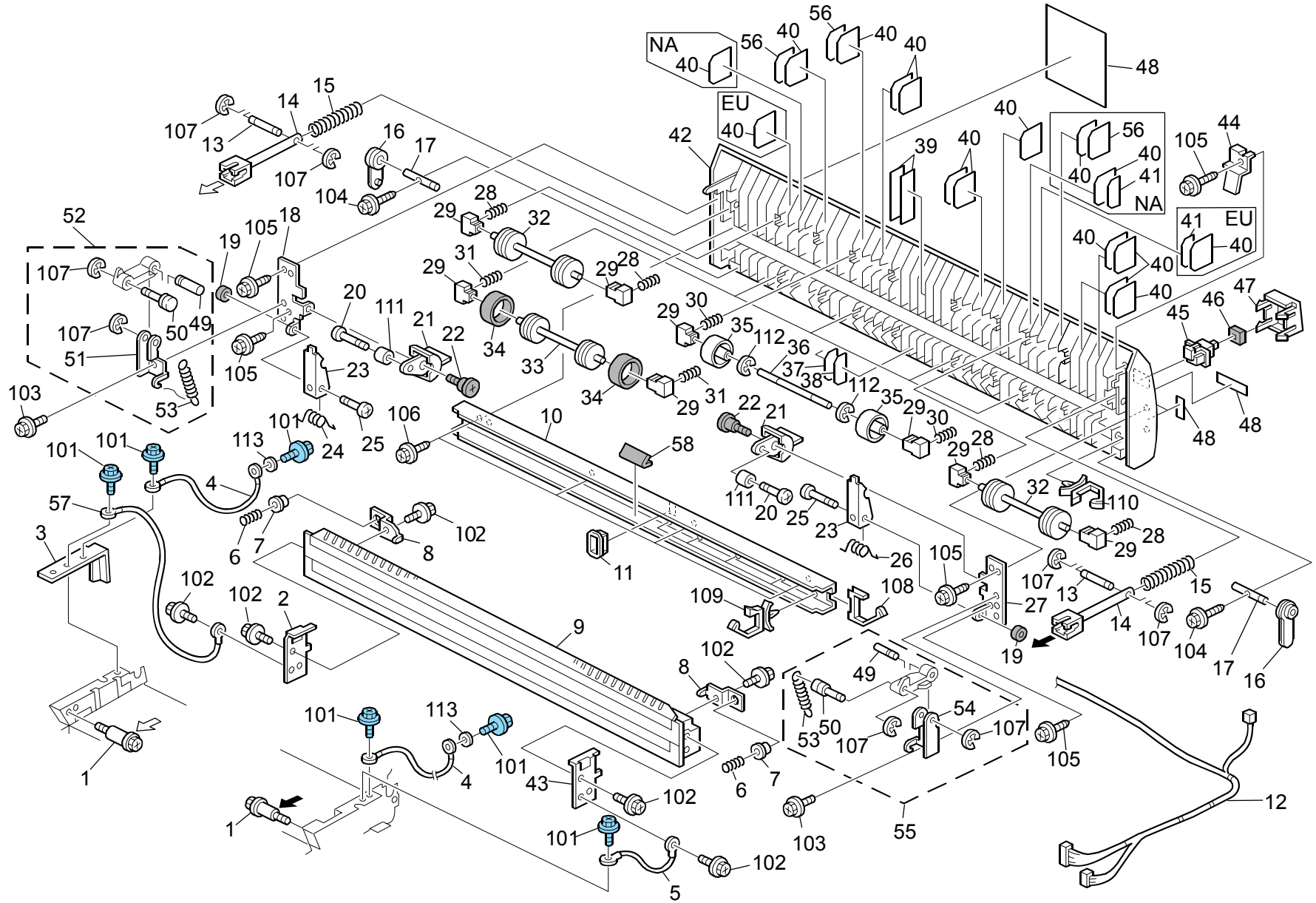


3.Operation Panel (B286/B289)

Index No.	Part No.	Description	Q'ty Per Assembly
*	B286 1481	Operation Panel Unit: NA	1
*	B286 1482	Operation Panel Unit: EU	1
1	B238 1518	Keytop - Blank	4
2	B223 1529	Keytop - Doc NA	1
2	B223 1535	Keytop: Doc: EU	1
3	B223 1528	Keytop - Copy NA	1
3	B223 1534	Keytop: Copy: EU	1
4	B223 1520	Keytop - Clear/stop	1
5	B223 1540	Keytop: 10Key: NA	1
5	B223 1521	Keytop: 10Key	1
6	B238 1583	Keytop - Clear Modes	1
7	B238 1504	Keytop - Start	1
8	B238 1506	Keytop - Try Print	1
9	B238 1509	Keytop - Interrupt	1
10	B238 1552	Keytop - Kantan	1
11	B238 1550	Keytop - Login	1
12	B238 1549	Keytop - Power Source	1
13	B238 1470	PCB OP-R	1
14	B286 1467	PCB: OP-L	1
15	B238 1481	Harness - OP-R 13P	1
16	B238 1480	Harness - OP-R 10P	1
17	B238 1533	Insulator	1
18	B238 1486	Invertor STN	1
19	B238 1484	Harness - Invertor	1
20	B286 1461	PCB: LCDC: NA	1
20	B286 1462	PCB: LCDC	1
21	B238 1487	Cable FFC LCD	1
22	B286 1468	Ground Wire	1
23	B286 1475	Bracket: LCDC	1
24	B223 1507	Shading Plate: Touch Panel: Ass'y	1
25	B223 1494	Touch Panel - W-VGA F	1
26	B238 1535	LCD Spacer B	2
27	B238 1534	LCD Spacer A	2
28	B238 1485	LCD STN W-VGA	1
29	D009 1483	Harness: OP-L: 13	1

Index No.	Part No.	Description	Q'ty Per Assembly
30	D009 1482	Harness: OP-L: 12	1
31	B286 1474	Lens: Front	1
32	B238 1521	Dial	1
33	B238 1522	Cover: Volume: Lower	1
34	B238 1511	Keytop - Counter	1
35	B238 1547	Spacer - Keytop	1
101	0450 3010N	Tapping Screw - M3x10	
102	0954 3006N	Screw - M3X6	
103	0353 0060N	Bind Screw - M3x6	
104	1105 0032	Clamp	
105	1105 0516	Clamp	

4.Scanner Section 1 (B286/B289)



4.Scanner Section 1 (B286/B289)

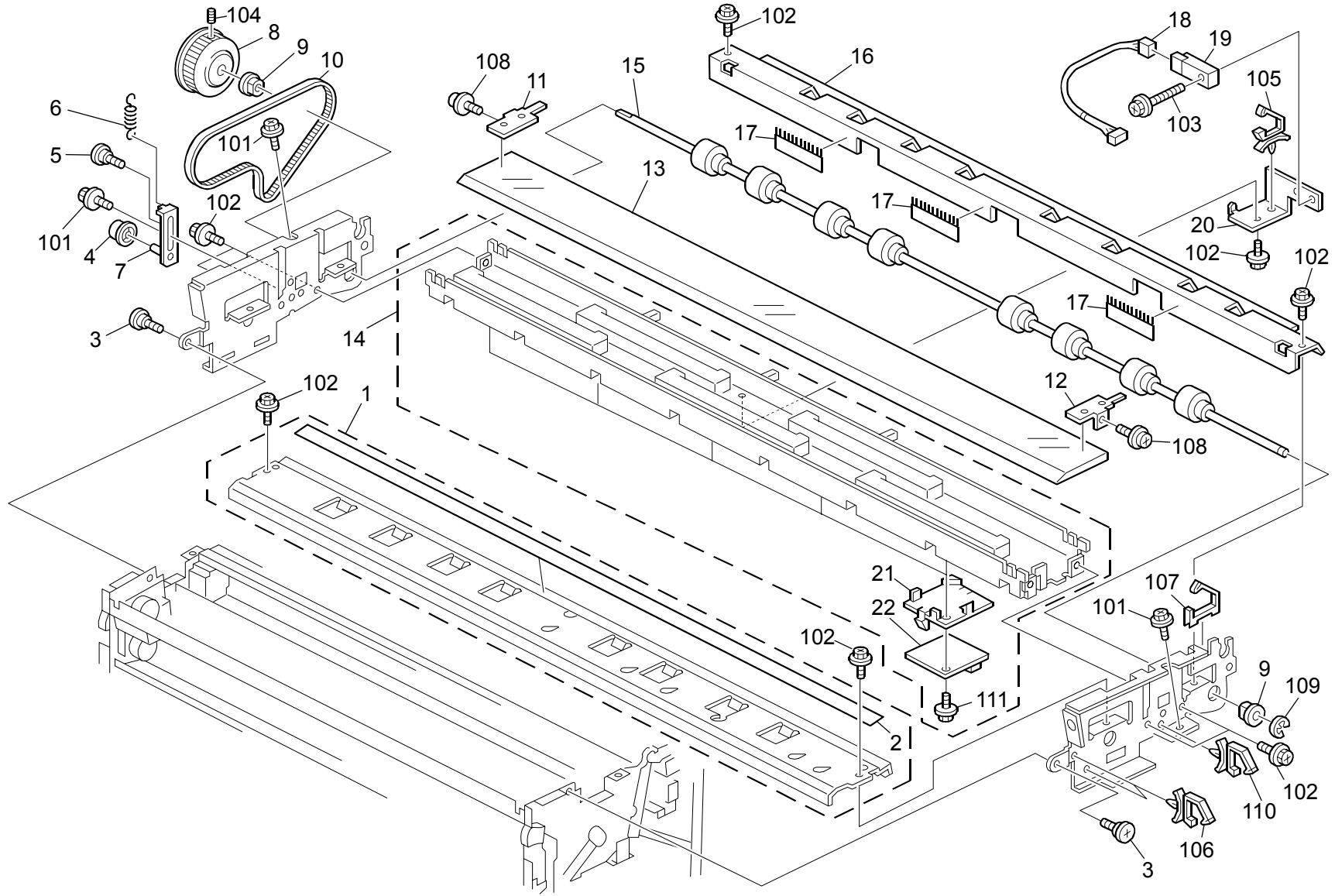
Index No.	Part No.	Description	Q'ty Per Assembly
1	AA14 3823	Tapping Screw	2
2	B286 4966	Bracket: Pressure Plate: Left	1
3	B125 4809	Cover: Original: Drive	1
4	B125 5688	Grounding Wire: Scanner Unit: 1	1
5	B125 5683	Ground Wire: Pressure Plate	2
6	AA06 3419	Spring - 10N	2
7	B125 4852	Case: Spring	2
8	B125 4853	Plate: Spring	2
9	B286 4940	Pressure Plate	1
10	B125 4742	Supporting Plate: Cover: Original	1
11	H004 3755	Square Bushing	3
12	B286 5740	Harness: DC: Operation Sub-unit	1
13	A422 1356	Pin - 3x26mm	2
14	B125 4732	Stopper: Original: Upper	2
15	AA06 3444	Spring: Stopper: Original	2
16	A163 6052	Original Table Bushing	2
17	B125 4761	Shaft: Contact Point: Original: Upper	2
18	B125 4870	Stand: Pressure Release: Left	1
19	H072 2207	Guard	4
20	AA14 3394	Stepped Screw - M3x10	2
21	B125 4864	Knob: Pressure Release	2
22	AA14 3543	Screw: M4: Dia6x1.7: BLACK	2
23	B125 4866	Bracket: Pressure Release	2
24	AA06 6370	Left Pressure Release Spring - 5N	1
25	AA14 3569	Screw	2
26	AA06 6371	Right Pressure Release Spring - 5N	1
27	B125 4871	Stand: Pressure Release: Right	1
28	AA06 3416	Spring - 3.4N	4
29	AA08 2135	Bushing - DIA4	14
30	AA06 3956	Compression Spring: Driven: 6.6N	4
31	AA06 3955	Spring: Driven: 1.7N	8
32	AF02 2156	Front Driven Transport Roller	2
33	AF02 2157	Rear Driven Transport Roller	4
34	B125 4738	Roller: Driven: Original	8
35	B125 4752	Roller: Driven	4

Index No.	Part No.	Description	Q'ty Per Assembly
36	B125 4751	Shaft: Driven	2
37	B125 4827	Sheet: Block Light: 3	1
38	B125 4828	Sheet: Block Light: 4	1
39	B125 4829	Sheet: Block Light: 5	2
40	B125 4879	Sheet: Shield: Paper Size Sensor	7
41	B125 4825	Sheet: Block Light: 1	2
42	B125 4725	Cover: Original: Upper	1
43	B286 4967	Bracket: Pressure Plate: Right	1
44	B125 4884	Cover: Original: Switch	1
45	AW50 0022	Push Switch	1
46	B286 4854	Cushion: Keytop: Original: Stop	1
47	B286 4767	Keytop: Original: Stop	1
48	B286 4885	Decal: Original: Operate: Exp	1
49	B125 4912	Shaft: Contact Point: Stopper	2
50	B125 4913	Shaft: Spring: Stopper	2
51	B125 4902	Bracket: Open And Close: Stopper: Left	1
52	B125 4900	Stopper: Open And Close: Left: Ass'y	1
53	B125 4910	Tension Spring: Stopper	2
54	B125 4907	Bracket: Open And Close: Stopper: Right	1
55	B125 4905	Stopper: Open And Close: Right: Ass'y	1
56	B125 4826	Sheet: Block Light: 2	1
57	B286 5701	Ground Wire	1
58	B286 5750	Gasket: Uc-300281: 50mm	1

Index No.	Part No.	Description	Q'ty Per Assembly
101	0454 3006Q	Tapping Screw - M3x6	
102	0451 3008N	Tapping Screw - M3x8	
103	0451 3006N	Tapping Screw - 3x6	
104	0451 4016N	Tapping Screw: 4x16	
105	0450 3008N	Tapping Screw - M3x8	
106	0450 4008N	Tapping Screw - M4x8	
107	0720 0020E	Retaining Ring - M2	
108	1105 0518	Edge Saddle - LES-1010	
109	1105 0516	Clamp	
110	1105 0487	Harness Clamp	
111	0733 0406	Bushing - 4x6	
112	0720 0030E	Retaining Ring - M3	
113	0703 0040N	Spring Washer: DIA4	

Index No.	Part No.	Description	Q'ty Per Assembly

5.Scanner Section 2 (B286/B289)



5.Scanner Section 2 (B286/B289)

Index No.	Part No.	Description	Q'ty Per Assembly
1	B286 4692	Guide Plate: Front Lower: NA	1
1	B286 4682	Guide Plate: Front Lower: EU	1
2	B125 4689	Front CIS Guide	1
3	B188 3575	Screw: Lever: Release: Blade	3
4	G568 2839	Tightener - M16	2
5	5447 2769	Stepped Screw	1
6	AA06 0943	Belt Tensioner Spring	1
7	B125 4815	Tensioner: Belt	1
8	AB03 0745	Pulley - 76T	1
9	5053 0223	Bushing - 8mm	4
10	AA04 3588	Timing Belt - B60S2M480	1
11	B125 1728	Spring Plate: Exposure Glass: Left	1
12	B125 1727	Spring Plate: Exposure Glass: Right	1
13	AC01 0006	Exposure Glass	1
14	B286 1601	Contact Image Sensor Unit	1
15	B286 4675	Transport Roller: Original Exhaust	1
16	B286 4696	Guide Plate: Original: Rear Lower	1
17	AA12 0125	Front Discharge Brush	3
18	B275 5686	Harness - DC Scanner Unit	1
19	AW01 0109	Photo Reflector Sensor: PS117ED1	2
20	B125 4616	Bracket: Original: Exit Sensor	1
21	B286 1803	Holder: CISIF	5
22	B286 5114	PCB: CISIF	5

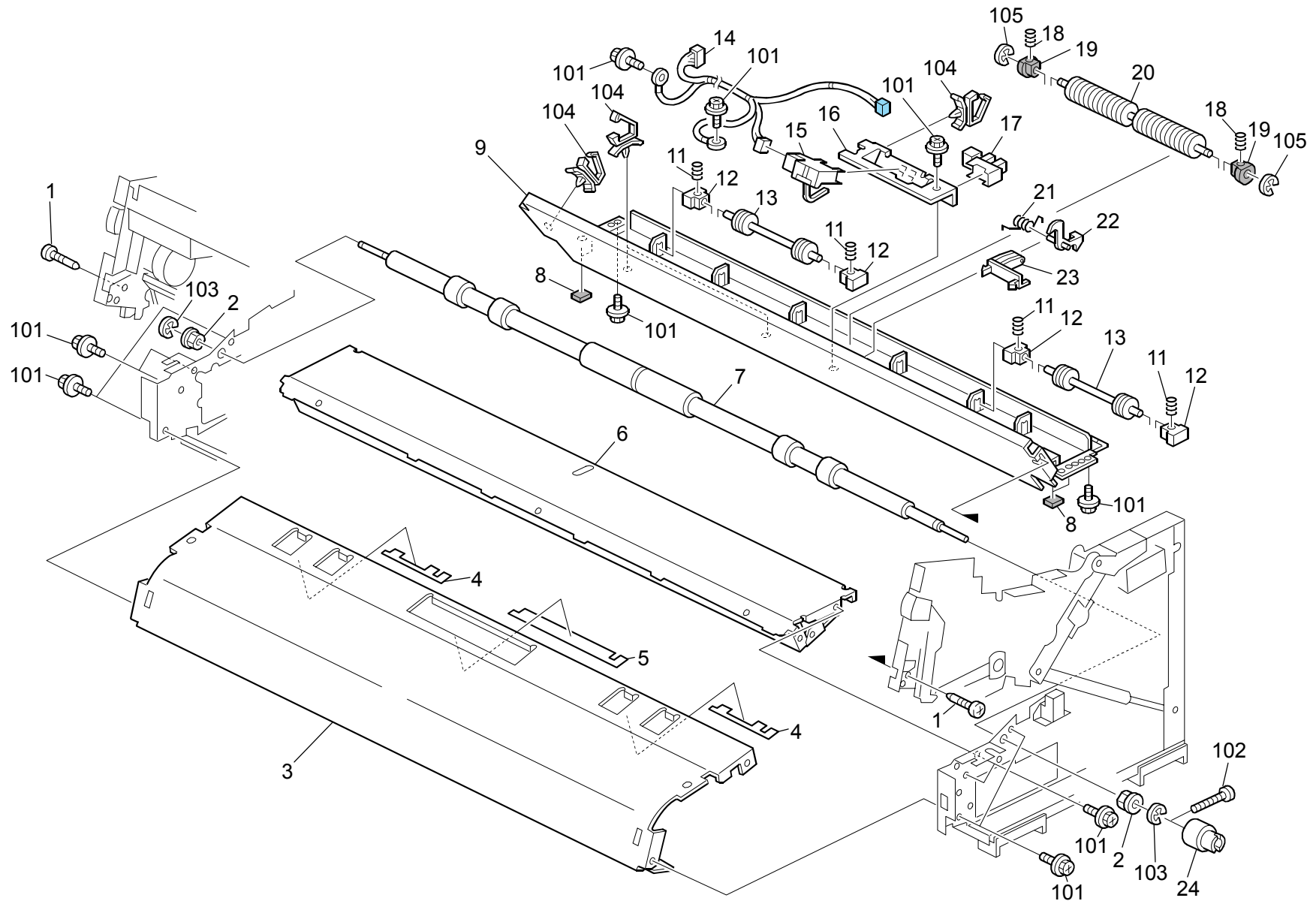
Index No.	Part No.	Description	Q'ty Per Assembly
101	0451 4006N	Tapping Screw - 4x6	
102	0451 3006N	Tapping Screw - 3x6	
103	0451 3014N	Tapping Screw: 3x14	
104	0574 0050E	Hexagon Headless Set Screw - M4x5	
105	1105 0511	Harness Clamp - LWS-0306ZC	
106	1105 0487	Harness Clamp	
107	1105 0518	Edge Saddle - Les-1010	
108	0951 3006N	Screw - M3X6	
109	0720 0060E	Retaining Ring - M6	
110	1105 0516	Clamp	
111	0451 3008N	Tapping Screw - M3x8	

6.Scanner Section 3 (B286/B289)

Index No.	Part No.	Description	Q'ty Per Assembly
1	AB03 0746	Pulley - 76T	1
2	5053 0223	Bushing - 8mm	4
3	B125 4652	Bracket: Set Sensor	1
4	B125 5691	Harness: DC: Scanner Unit: Set Sensor	1
5	B286 5741	Ground Wire: Scanner Unit: 2	2
6	AW01 0107	Paper Feed Sensor	11
7	B125 4753	Grounding Plate: Original: Front Lower	3
8	B286 4631	Bracket: Original Sensor: NA	1
8	B286 4630	Bracket: Original Sensor	1
9	AW01 0109	Photo Reflector Sensor: PS117ED1	2
10	B125 4613	Bracket: Registration Sensor	1
11	B286 4665	Transport Roller: Original Insert	1
12	H004 3755	Square Bushing	3
13	H072 2207	Guard	4
14	B125 4656	Bushing: Arm: Front	3
15	B286 5751	Gasket: Rfsg-120100: 30mm	3

Index No.	Part No.	Description	Q'ty Per Assembly
101	0454 3006Q	Tapping Screw - M3x6	
102	0451 3006N	Tapping Screw - 3x6	
103	0451 3014N	Tapping Screw: 3x14	
104	0720 0060E	Retaining Ring - M6	
105	1204 2529	Switch - V-5F912DN	
106	1105 0522	Edge Saddle - LES0510	
107	1105 0511	Harness Clamp - LWS-0306ZC	

7.Paper Registration (B286/B289)

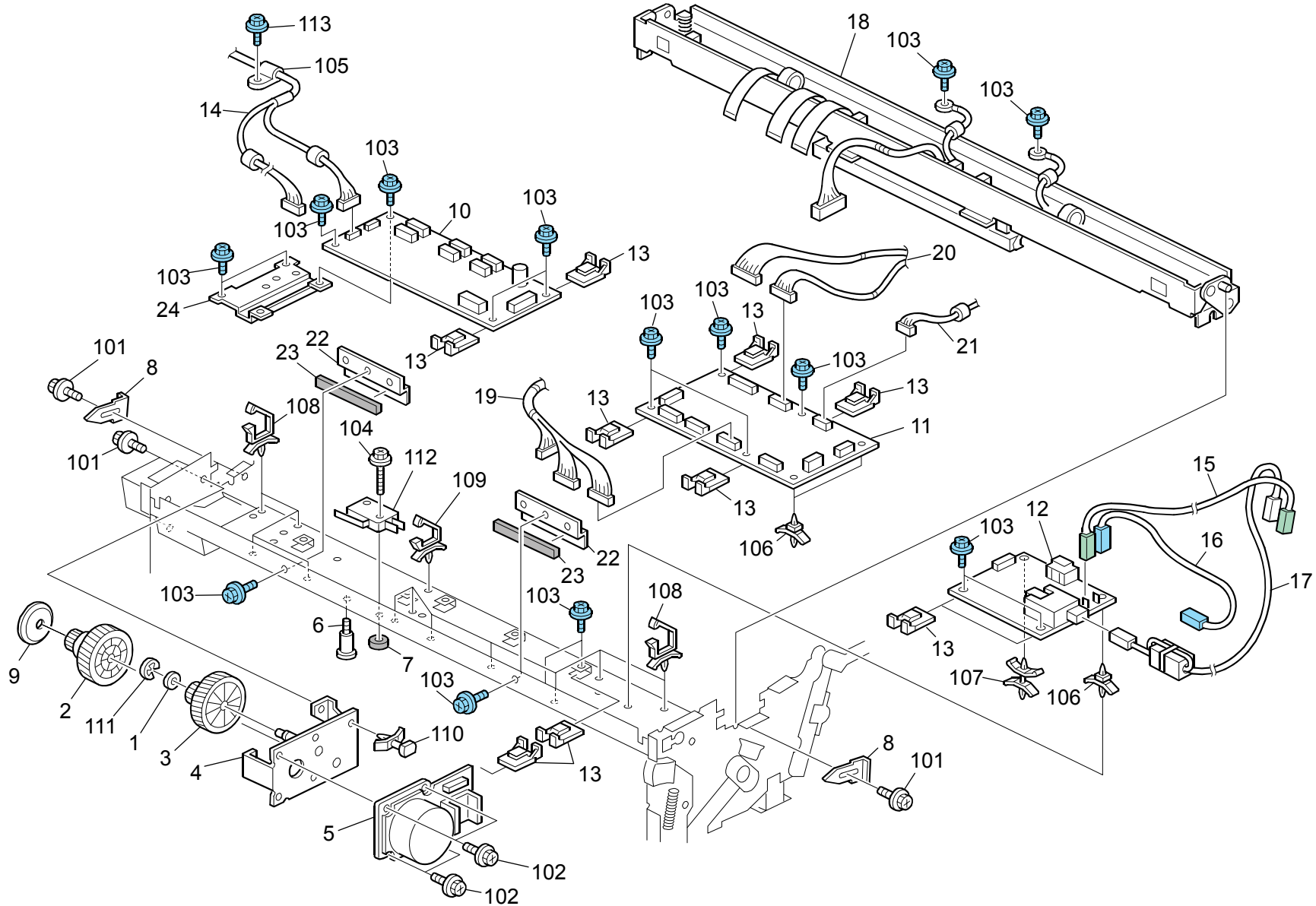


7.Paper Registration (B286/B289)

Index No.	Part No.	Description	Q'ty Per Assembly
1	AA14 3788	Pin: Guide Plate: Paper Feed	7
2	AA08 2104	Bushing - 8x12x7	2
3	B125 2571	Guide Plate: Lower	1
4	B125 2585	Sheet: Manual Feed: Left And Right	2
5	B125 2584	Sheet: Manual Feed: Middle	1
6	B125 2572	Guide Plate: Manual Feed	1
7	AF02 0599	Registration Roller	1
8	B286 5755	Gasket: Stgn7-10: 10mm	4
9	B125 2575	Guide Plate: Registration: Upper	1
11	AA06 3900	Registration Compression Spring	4
12	AA08 2135	Bushing - DIA4	4
13	AF02 2128	Transport Driven Roller	2
14	B275 5693	Harness - DC Registration Sensor	1
15	AW02 0180	Paper Feed Sensor	1
16	B125 2581	Bracket: Sensor	1
17	GW02 0020	Photointerruptor: LG248NL1	3
18	AA06 3427	Spring: 9.8N	2
19	5442 2751	Bushing - Upper Registration Roller	2
20	AF02 0603	Middle Driven Roller	1
21	AA06 6255	Feeler Spring	1
22	B125 2579	Feeler: Registration Sensor	1
23	B125 2580	Holder: Feeler	1
24	A222 2680	Torque Limiter	1

Index No.	Part No.	Description	Q'ty Per Assembly
101	0451 3006N	Tapping Screw - 3x6	
102	0801 0228	Pan Head Screw: M2.3x12	
103	0720 0060E	Retaining Ring - M6	
104	1105 0511	Harness Clamp - LWS-0306ZC	
105	0720 0040E	Retaining Ring - M4	

8. Image Processing (B286/B289)

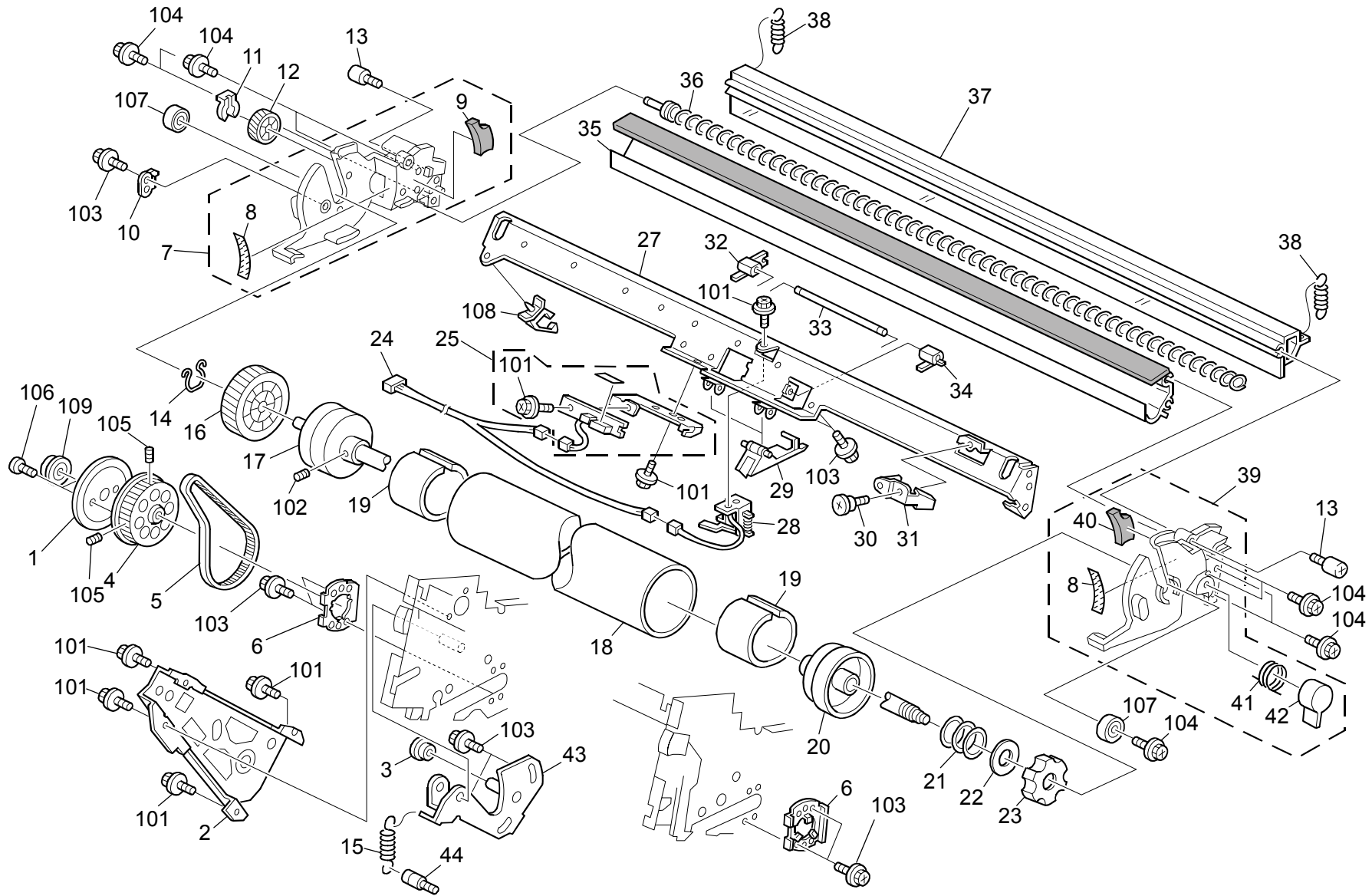


8. Image Processing (B286/B289)

Index No.	Part No.	Description	Q'ty Per Assembly
1	AA13 2013	Spacer	2
2	AB01 7741	Gear: Timing Pulley: Z100/T31	1
3	AB01 7676	Gear - 32/100Z	1
4	B286 1136	Bracket: DC Motor	1
5	AX06 0296	Brushless Motor: DC24V24W: Z9	2
6	AA14 3139	Shoulder Screw - Pressure Arm	1
7	H072 2207	Guard	4
8	B125 1971	Plate: Shaft	2
9	B286 1139	Flange: Pulley	1
10	B286 5400	PCB: VDB: DPIT	1
11	B286 5100	PCB: SIB	1
12	AZ32 0151	Power Pack: CGB	1
13	B125 1156	Cover: PCB	12
14	B286 5722	Harness: DC: LVDS: Main	1
15	B286 5715	Harness: High Voltage: Grid	1
16	B286 5714	Harness: High Voltage	1
17	B286 5716	Harness: High Voltage: Charge Corona	1
18	B286 1860	LED Head: Unit	1
19	B286 5732	Harness: DC: Scanner Unit: NA	1
19	B286 5723	Harness: DC: Scanner Unit	1
20	B286 5724	Harness: DC: Sib-CISIF	1
21	B286 5742	Harness: DC: Sib-CISIF: CLK	1
22	B286 5613	Stay: LVDS	2
23	B286 5614	Gasket: Stay: LVDS	2
24	B286 5618	Bracket: VDB	1

Index No.	Part No.	Description	Q'ty Per Assembly
101	0451 3006N	Tapping Screw - 3x6	
102	0451 4008N	Tapping Screw: 4x8	
103	0454 3006Q	Tapping Screw - M3x6	
104	0451 3014N	Tapping Screw: 3x14	
105	1105 0529	Nylon Clamp-emt-3N	
106	1105 0193	Nylon Stud	
107	1105 0531	Locking Support-emss-4S	
108	1105 0488	Harness Clamp	
109	1105 0516	Clamp	
110	1105 0409	Card Spacer- 6.4mm	
111	0720 0060E	Retaining Ring - M6	
112	1204 2529	Switch - V-5F912DN	
113	0454 3008Q	Tapping Screw - M3x8	

9. Drum Section (B286/B289)

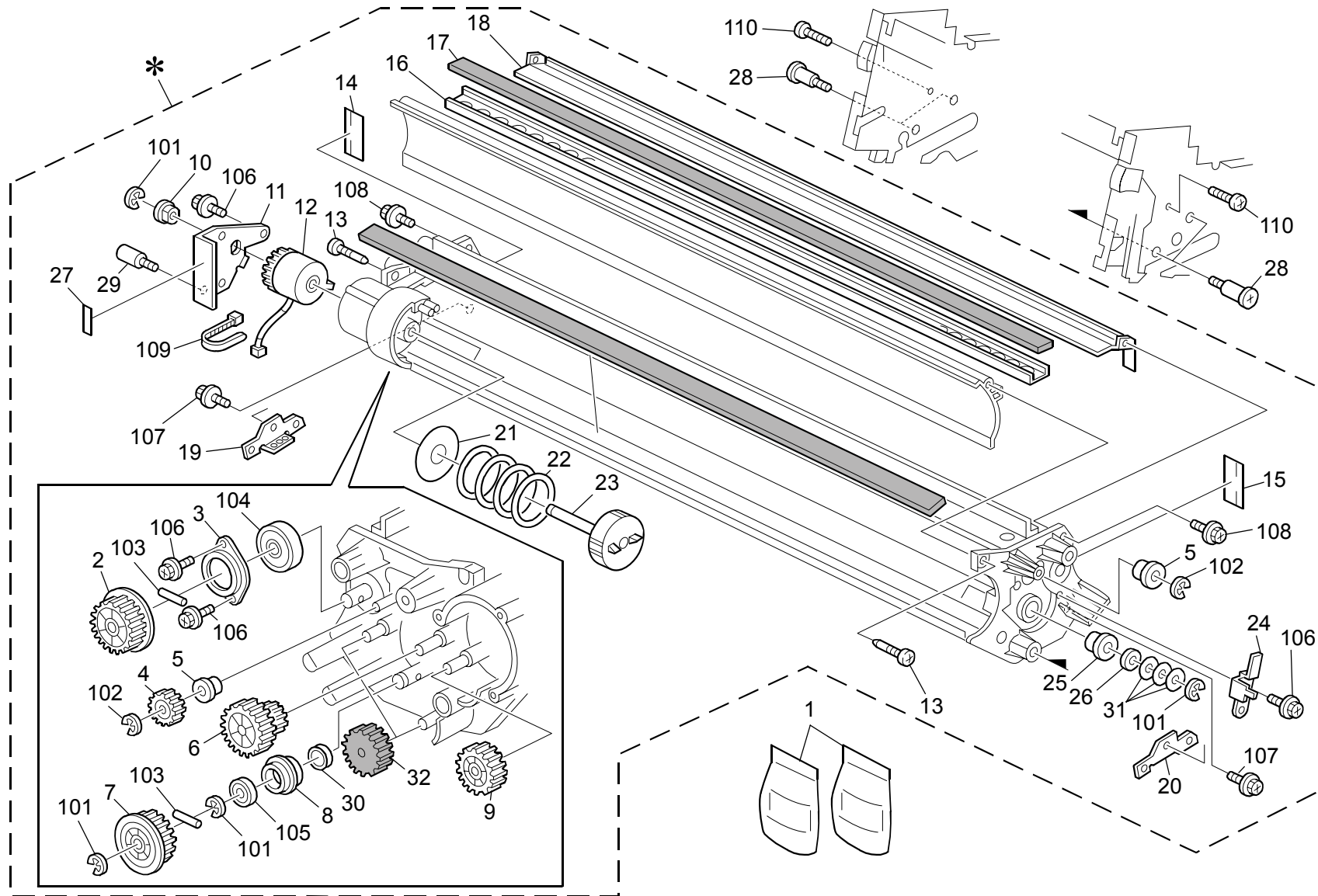


9.Drum Section (B286/B289)

Index No.	Part No.	Description	Q'ty Per Assembly
1	B286 1151	Flange: Timing Pulley	1
2	B286 1131	Drum Stay	1
3	B286 1146	Pulley: Tightener	1
4	AB03 0812	Timing Pulley: T102	1
5	AA04 3655	Timing Belt: 135S2M426	1
6	B125 2253	Holder: Ball Bearing	2
7	B286 3555	Side Plate: Left	1
8	AA15 3135	Drum Right Shield	2
9	AA15 3134	Blade Left Shield	1
10	B188 2256	Stopper: Ball Bearing	1
11	5206 2686	Snap Ring	1
12	AB01 0364	Gear - 46Z	1
13	AA14 3335	Rear Shutter Pin	2
14	B125 2469	C-ring: Drum Shaft	1
15	B286 1144	Spring: Tightener: Drum	1
16	AB01 0363	Gear - 146Z	1
17	AD01 5044	Shaft: Drum	1
18	B010 9510	Drum	1
19	B125 2472	Balancer: OPC Drum	2
20	AD01 4030	Drum Flange	1
21	AA06 3276	Pressure Spring	1
22	B188 2255	Spacer: Compression Spring: Drum	1
23	A163 2251	Drum Knob	1
24	B275 5692	Harness - DC Cleaning Unit	1
25	B125 3580	Density Sensor: Unit	1
27	B125 3566	Casing: Pickoff Pawl: Welding	1
28	AX10 0032	DC Solenoid: Pickoff Pawl	1
29	A163 3611	Pick-off Pawl	2
30	B188 3575	Screw: Lever: Release: Blade	3
31	B188 3582	Lever: Release: Blade	1
32	A163 3608	Left Pressure Lever	1
33	A163 3609	Lever Shaft	1
34	A163 3607	Right Pressure Lever	1
35	B125 3563	Casing: Cleaning	1
36	AD04 3085	Toner Collection Coil: Cleaning	1

Index No.	Part No.	Description	Q'ty Per Assembly
37	A165 3581	Cleaning Blade	1
38	AA06 2325	Cleaning Blade Spring	2
39	B125 3551	Side Plate: Right	1
40	AA15 3133	Blade Right Shield	1
41	AA06 6664	Toner Outlet Shutter Spring	1
42	B125 3554	Shutter: Discharge Used Toner	1
43	B286 1141	Tightener	1
44	AA14 3546	Anchor: Cassette Sensor	2
101	0451 3006N	Tapping Screw - 3x6	
102	0575 0050E	Hexagon Headless Set Screw - M5x5	
103	0451 4008N	Tapping Screw: 4x8	
104	0451 4010N	Tapping Screw: 4x10	
105	0574 0060E	Hexagon Headless Set Screw - M4x6	
106	0453 3008N	Binding Self Tapping Screw: 3x8	
107	0805 3471	Bushing - M8x22x7	
108	1105 0511	Harness Clamp - LWS-0306ZC	
109	0741 3706	Ball Bearing - 6x10x3	

10.Development Unit (B286/B289)

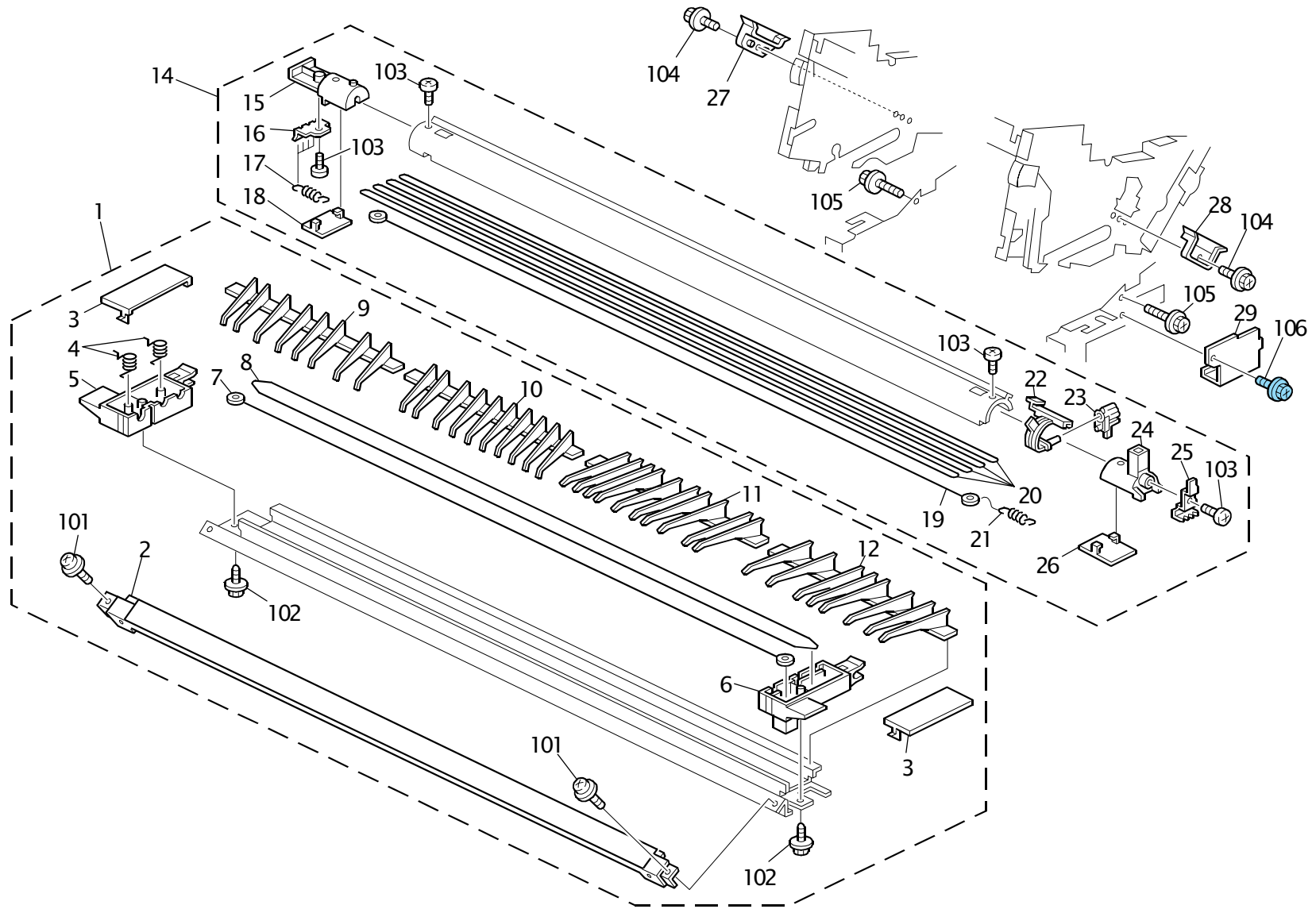


10.Development Unit (B286/B289)

Index No.	Part No.	Description	Q'ty Per Assembly
*	B286 3006	Development Unit	1
1	B125 9640	Developer Type 30W Black	1
2	A174 1163	Development Sleeve Gear	1
3	AA08 4057	Bearing Case: DIA26	1
4	AB01 3921	Gear - 20Z	1
5	AA08 0336	Bushing: DIA6	2
6	A174 1164	Auger Gear	1
7	A174 1167	Paddle Gear	1
8	B125 3233	Bearing Case	1
9	A174 1162	Idle Gear - 28Z	1
10	5446 6214	Shaft Holder - Pick-up Roller	1
11	B125 3205	Stay: Toner Hopper	1
12	AX20 0272	Spring Clutch: Toner Hopper	1
13	AA14 3788	Pin: Guide Plate: Paper Feed	7
14	AA15 3451	Left Shield - Side Plate	1
15	AA15 3450	Right Shield - Side Plate	1
16	B188 3101	Filter Bracket	1
17	AA01 2081	Development Filter	1
18	B010 3150	Entrance Seal	1
19	B125 2582	Bracket: Positioning: Left	1
20	B125 2583	Bracket: Positioning: Right	1
21	B010 3211	Drum Stay: Spring	1
22	B010 3212	Spring: Joint	1
23	B010 3206	Joint: Toner Hopper: Unit	1
24	B125 3213	Electrode Plate: Development	1
25	AA08 0340	Bushing DIA8	1
26	AA13 2097	Spacer	1
27	B125 4817	Sheet: Magnet Catch	1
28	AA14 3719	Development Unit Shaft	4
29	BA14 6013	Pin - Stopper Click	1
30	5219 3326	Rubber Seal - Paddle Roller	1
31	B125 3230	Spacer - 0.3	3
32	B010 3121	Gear - 28Z	2

Index No.	Part No.	Description	Q'ty Per Assembly
101	0720 0060E	Retaining Ring - M6	
102	0720 0050E	Retaining Ring - M5	
103	0633 0200G	Pin - M3x20	
104	0805 3516	Ball Bearing - 10x26x8	
105	0805 3517	Ball Bearing - 8x16x5	
106	0451 4006N	Tapping Screw - 4x6	
107	0451 4010N	Tapping Screw: 4x10	
108	0451 3010N	Tapping Screw: 3x10	
109	1105 0042	Wire Band	
110	0315 0100N	Pan Head Screw: M5x10	

11.Charge & Transfer Unit (B286/B289)

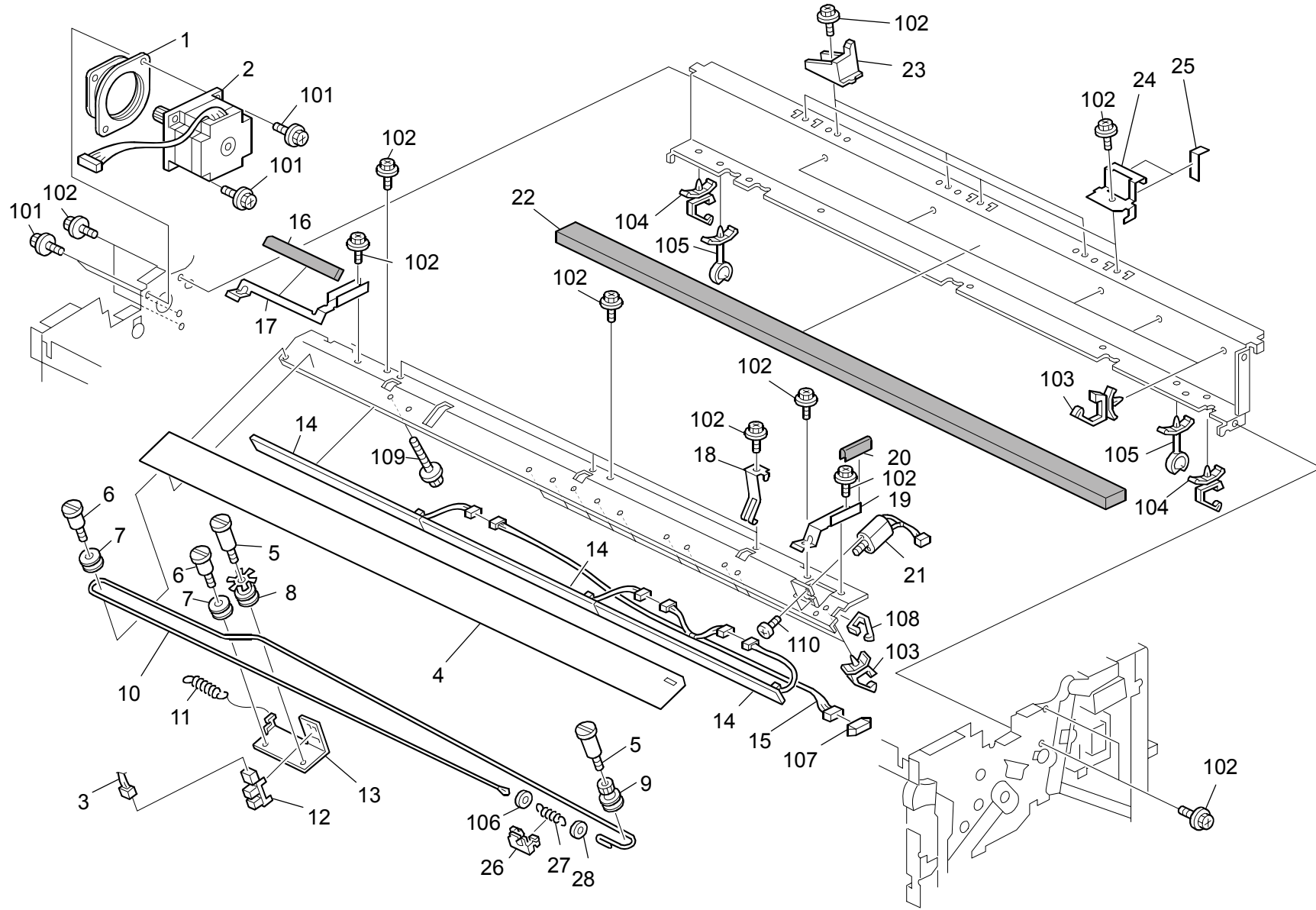


11.Charge & Transfer Unit (B286/B289)

Index No.	Part No.	Description	Q'ty Per Assembly
1	B286 3830	T/S Corona Unit	1
2	B286 3855	Sheet: Entrance: Transfer: Ass'y	1
3	AD02 2320	End Block Cover - T & S	2
4	AA06 6254	Corona Wire Spring	2
5	AD02 2373	End Block: T/S Corona: Left	1
6	AD02 2372	End Block: T/S Corona: Right	1
7	AD02 0059	Corona Wire - Main	1
8	AD02 0072	Corona Wire - Separation	1
9	A174 3938	Left Paper Guide - T/S Outer	1
10	A174 3932	Guide: Paper: T/S Corona: Middle: Left	1
11	A174 3931	Guide: Paper: T/S Corona: Middle: Right	1
12	A174 3937	Right Paper Guide - T/S Outer	1
14	AD00 4104	Charge Corona Unit	1
15	AD02 2377	Left End Block	1
16	A163 2052	Left Grid Terminal	1
17	AA06 0749	Spring	4
18	AD02 2317	Left End Block Cover - Charge	1
19	AD02 0089	Charge Corona Wire - G	1
20	AD02 0090	Grid Wire	4
21	AA06 0965	Spring: Corona Wire: Charge	2
22	B125 2060	Cleaner: Slider	1
23	B125 2061	Cleaner: Charge Corona	1
24	AD02 2380	End Block: Charge Corona: Right: Ass'y	1
25	B125 2018	Terminal: Grid: Right	1
26	AD02 2369	End Block Cover - Charge Corona	1
27	B010 2062	Left Holder - Charge Corona	1
28	B010 2061	Right Holder - Charge Corona	1
29	B125 3868	Shielding Plate: Harness	1

Index No.	Part No.	Description	Q'ty Per Assembly
101	0951 3006N	Screw - M3X6	
102	0450 3008N	Tapping Screw - M3x8	
103	0313 0050N	Philips Pan Head Screw - M3x5	
104	0451 4006N	Tapping Screw - 4x6	
105	0451 3008N	Tapping Screw - M3x8	
106	0454 3006Q	Tapping Screw - M3x6	

12.Charge Cleaning Section (B286/B289)

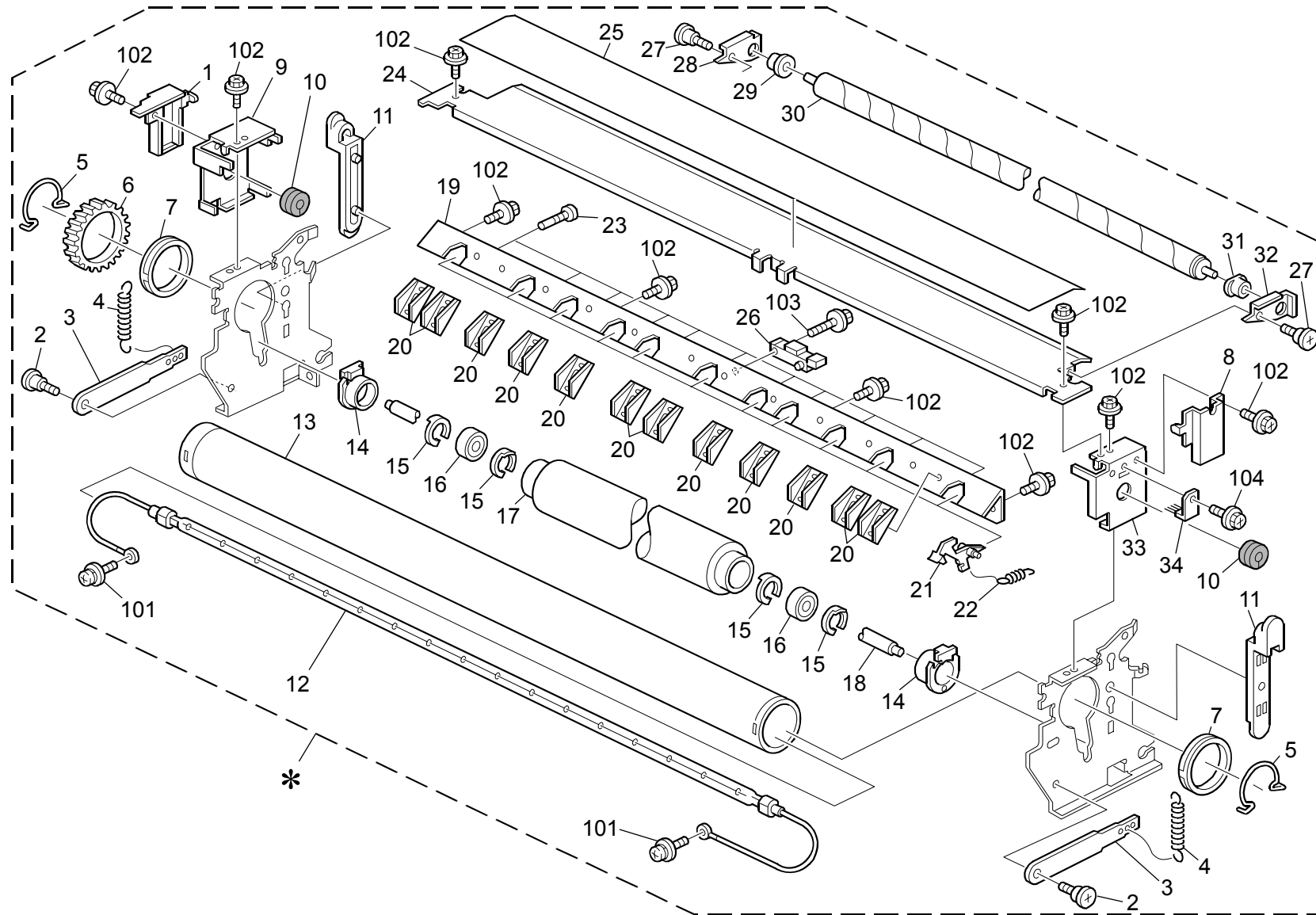


12.Charge Cleaning Section (B286/B289)

Index No.	Part No.	Description	Q'ty Per Assembly
1	A675 2629	Stepper Motor Cushion	1
2	B275 4770	Stepper Motor DC3.05V 4.4W	1
3	B275 5657	Harness - DC Charge 1	1
4	B125 2130	Shielding Plate: Charge Corona	1
5	AA14 3786	Stepped Screw: M3x10.3	2
6	AA14 3787	Stepped Screw: M3x14.2	2
7	AB03 2723	Pulley: Left	2
8	AB03 2724	Pulley: Encoder	1
9	AB01 7664	Gear: Pulley: Right	1
10	AA05 0113	Wire: Cleaner	1
11	B125 2085	Tension Spring: 4291MN	1
12	GW02 0020	Photointerruptor: LG248NL1	3
13	B125 2070	Bracket	1
14	AX50 0099	Discharge Lamp: P2	3
15	B275 5690	Harness - DC QL	1
16	B125 2125	Guard: Spring Plate: Left	1
17	B125 2124	Spring Plate: Charge Corona: Left	1
18	B125 2106	Spring Plate: Earth	3
19	B125 2127	Spring Plate: Charge Corona: Right	1
20	B125 2128	Guard: Spring Plate: Right	1
21	AX04 0147	DC Motor: Cleaner: 0.5W	1
22	B286 4755	Shield: Block Light	1
23	B125 4697	Bushing: Arm: Rear	3
24	B125 4754	Grounding Plate: Original: Rear Lower	3
25	B125 4756	Guard: Grounding Plate: Rear	6
26	B125 2113	Holder: Wire	1
27	AA06 0965	Spring: Corona Wire: Charge	2
28	B275 2036	Washer - DIA3	1

Index No.	Part No.	Description	Q'ty Per Assembly
101	0451 4010N	Tapping Screw: 4x10	
102	0451 3006N	Tapping Screw - 3x6	
103	1105 0511	Harness Clamp - LWS-0306ZC	
104	1105 0489	Harness Clamp - LWS 1316	
105	1105 0348	Clamp	
106	0708 0040N	Washer - DIA4	
107	1102 6245	Relay Connector - 2P	
108	1105 0522	Edge Saddle - LES0510	
109	0451 3014N	Tapping Screw: 3x14	
110	0252 0020N	Pan Head Screw: M2x2	

13.Fusing Unit 1 (B286/B289)

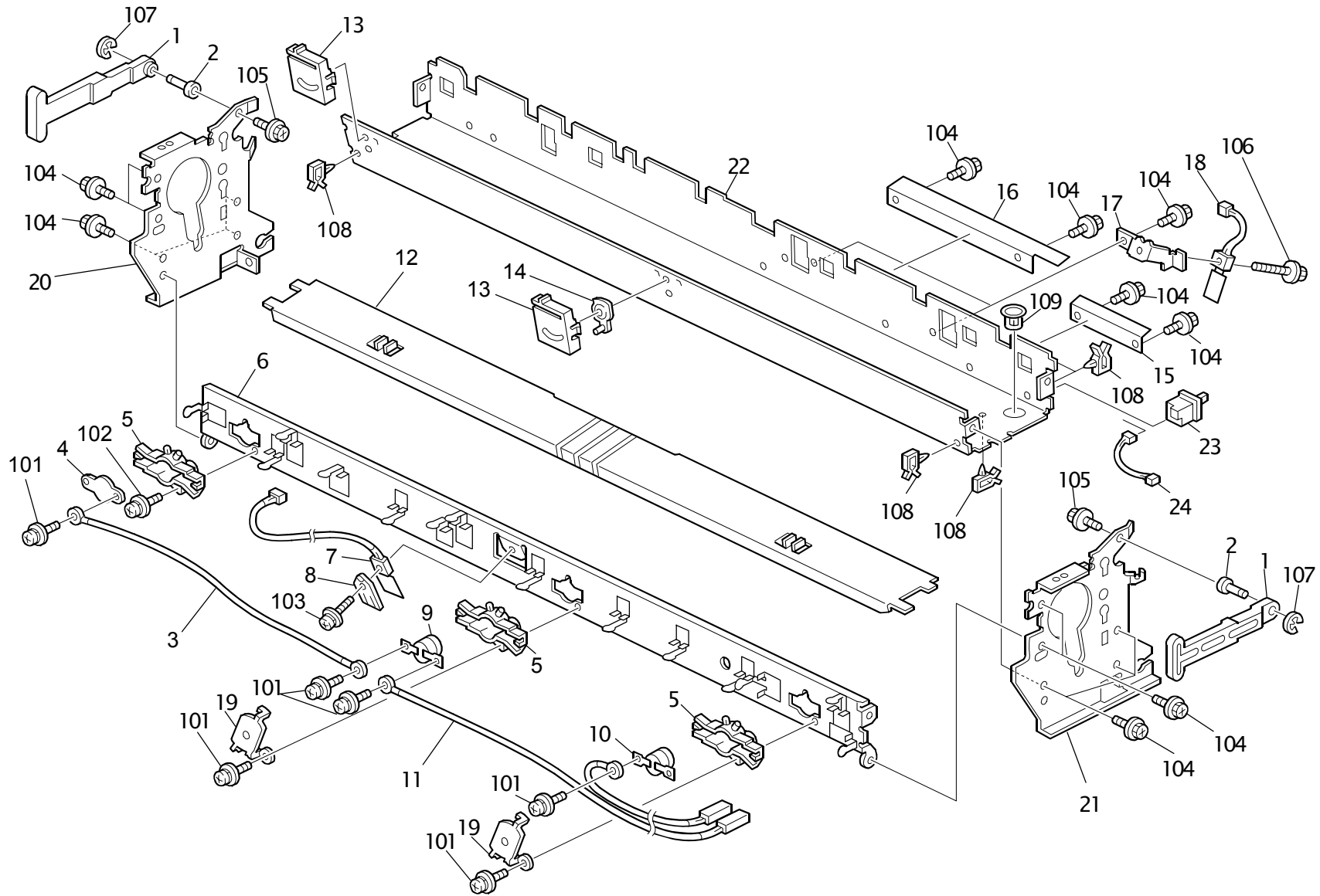


13.Fusing Unit 1 (B286/B289)

Index No.	Part No.	Description	Q'ty Per Assembly
*	B286 4006	Fusing Unit 120V	1
*	B286 4007	Fusing Unit 230V	1
1	B286 4137	Cover: Heater: Left	1
2	AA14 3810	Development Cover Screw	4
3	B125 4172	Lever: Pressure	2
4	AA06 2340	Spring - Pressure	2
5	B125 4130	C-ring: MM50	2
6	AB01 4268	Gear: Drive: Fusing	1
7	AE03 1056	Bushing - Fusing	2
8	B125 4137	Cover: Heater	1
9	B286 4136	Bracket: Heater: Left	1
10	A023 4096	Fusing Lamp Supporter	2
11	B125 4173	Lever: Pressure Release: Lower	2
12	AX45 0042	Heater: 120V: 1150W	1
12	AX45 0043	Heater: 230V: 1150W	1
13	AE01 1085	Hot Roller - MM50	1
14	B286 4148	Holder: Pressure Roller	2
15	A163 4109	C - Ring - 19m	4
16	AE03 0050	Ball Bearing - 20x32x7	2
17	AE02 0148	Pressure Roller: MM55	1
18	B125 4145	Shaft: Pressure Roller	1
19	B125 4194	Guide Plate: Fusing Exit: Lower	1
20	B125 4195	Guide: Auxiliary: Fusing Exit	12
21	AE04 4055	Pressure Roller Pickoff Pawl	11
22	AA06 0942	Pressure Roller Pickoff Pawl Spring	11
23	AA14 3799	Full Dug Point Screw: M4: DIA2.4	11
24	B125 4211	Fusing Cover: Upper	1
25	B125 4215	Heat Insulation: Cover: Fusing	1
26	AW01 0127	Paper Feed Sensor	1
27	AA14 3854	Screw	2
28	B286 4214	Arm: Cleaning Roller: Left	1
29	5053 0447	Bushing - 6mm	1
30	AE04 2047	Fusing Cleaning Roller	1
31	AA08 3016	Roller Clutch - 6x14x10	1
32	B286 4213	Arm: Cleaning Roller: Right	1

Index No.	Part No.	Description	Q'ty Per Assembly
33	B286 4135	Bracket: Heater: Right	1
34	AA12 0127	Discharge Brush: Fusing	1
101	0954 3006N	Screw - M3X6	
102	0451 3006N	Tapping Screw - 3x6	
103	0451 3014N	Tapping Screw: 3x14	
104	0451 4006N	Tapping Screw - 4x6	

14.Fusing Unit 2 (B286/B289)

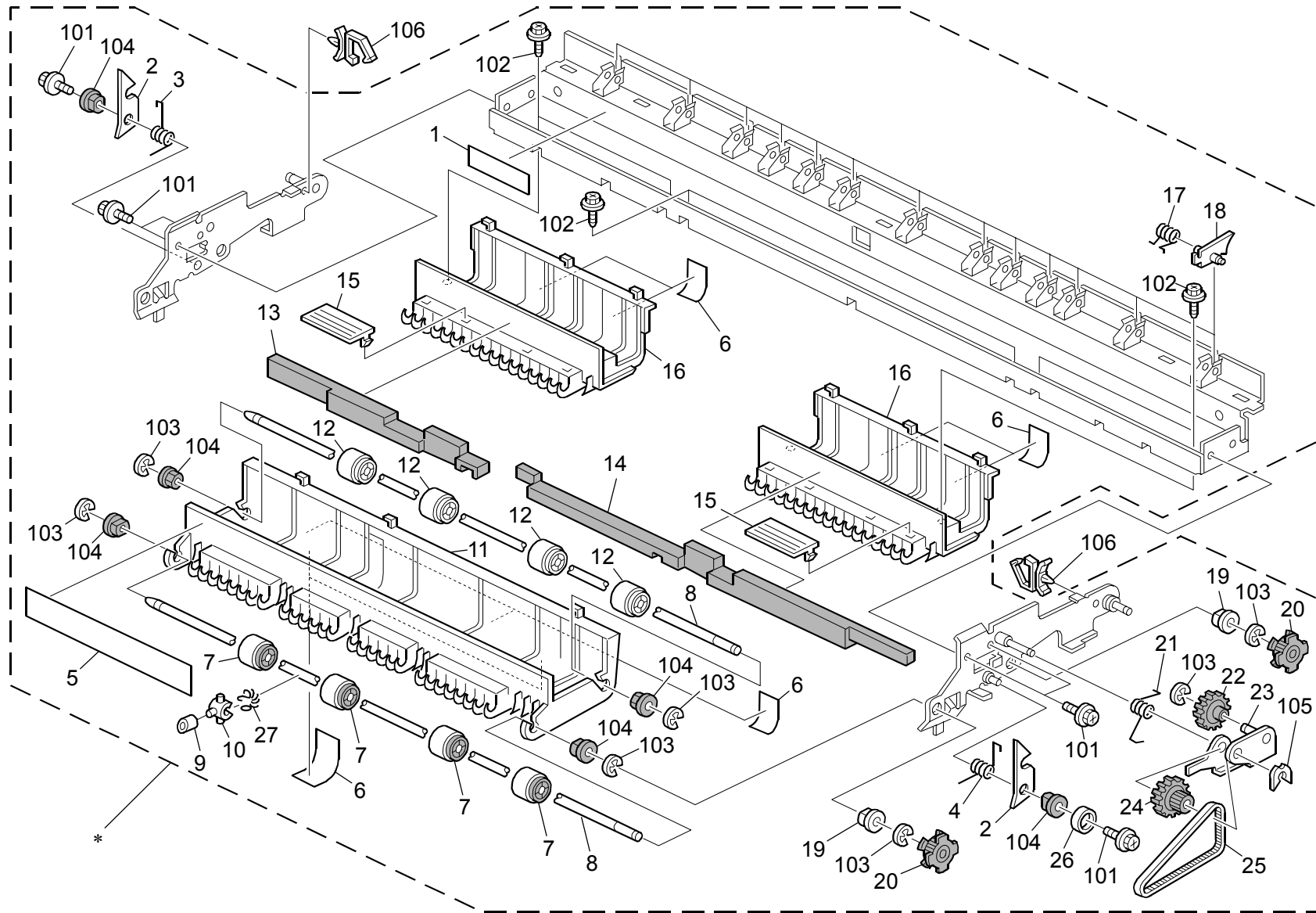


14.Fusing Unit 2 (B286/B289)

Index No.	Part No.	Description	Q'ty Per Assembly
1	A163 4183	Upper Pressure Release Lever	2
2	B125 4174	Shaft: Lever: Pressure Release	2
3	B125 5602	Harness: AC: Fusing: Connecting: 1	1
4	B125 4156	Electrode Plate: Thermostat	1
5	B104 4084	Thermostat Housing	3
6	B125 4151	Stay: Fusing: Upper	1
7	AW10 0087	Fusing Thermistor	1
8	B004 4087	Plate- Thermistor	1
9	AW11 0053	Thermostat - 199C 250V/10A	1
10	AW11 0054	Thermostat - 200C 250V/10A	1
11	B125 5606	Harness: AC: Fusing: Connect: 120V	1
11	B125 5607	Harness: AC: Fusing: Connect: 220/230V	1
12	B125 4180	Guide Plate: Entrance	1
13	A163 4122	Entrance Guide Plate Holder	2
14	A163 4124	Holder Cam	1
15	B125 1269	Sheet: Fusing: Small	1
16	B125 1271	Sheet: Fusing: Large	1
17	B125 4162	Bracket: Thermistor	2
18	AW10 0053	Thermistor - Rear	2
19	B104 4086	Cover - Housing Thermostat	2
20	B125 4113	Side Plate: Fusing: Left	1
21	B125 4103	Side Plate: Fusing: Right	1
22	B286 4163	Stay: Lower: Fusing	1
23	G020 5626	Push Switch	1
24	B286 5702	Harness: DC: Fusing: Sensor	1

Index No.	Part No.	Description	Q'ty Per Assembly
101	0954 3006N	Screw - M3X6	
102	0954 3010N	Screw: Polished Round/Spring: M3X10	
103	0954 3012N	Screw - M3X12	
104	0451 3006N	Tapping Screw - 3x6	
105	0451 4008N	Tapping Screw: 4x8	
106	0451 3012N	Tapping Screw: 3x12	
107	0720 0040E	Retaining Ring - M4	
108	1105 0290	Harness Clamp - Horizontal	
109	1106 0193	Bushing - 7.9mm	

15. Paper Exit 1 (B286/B289)

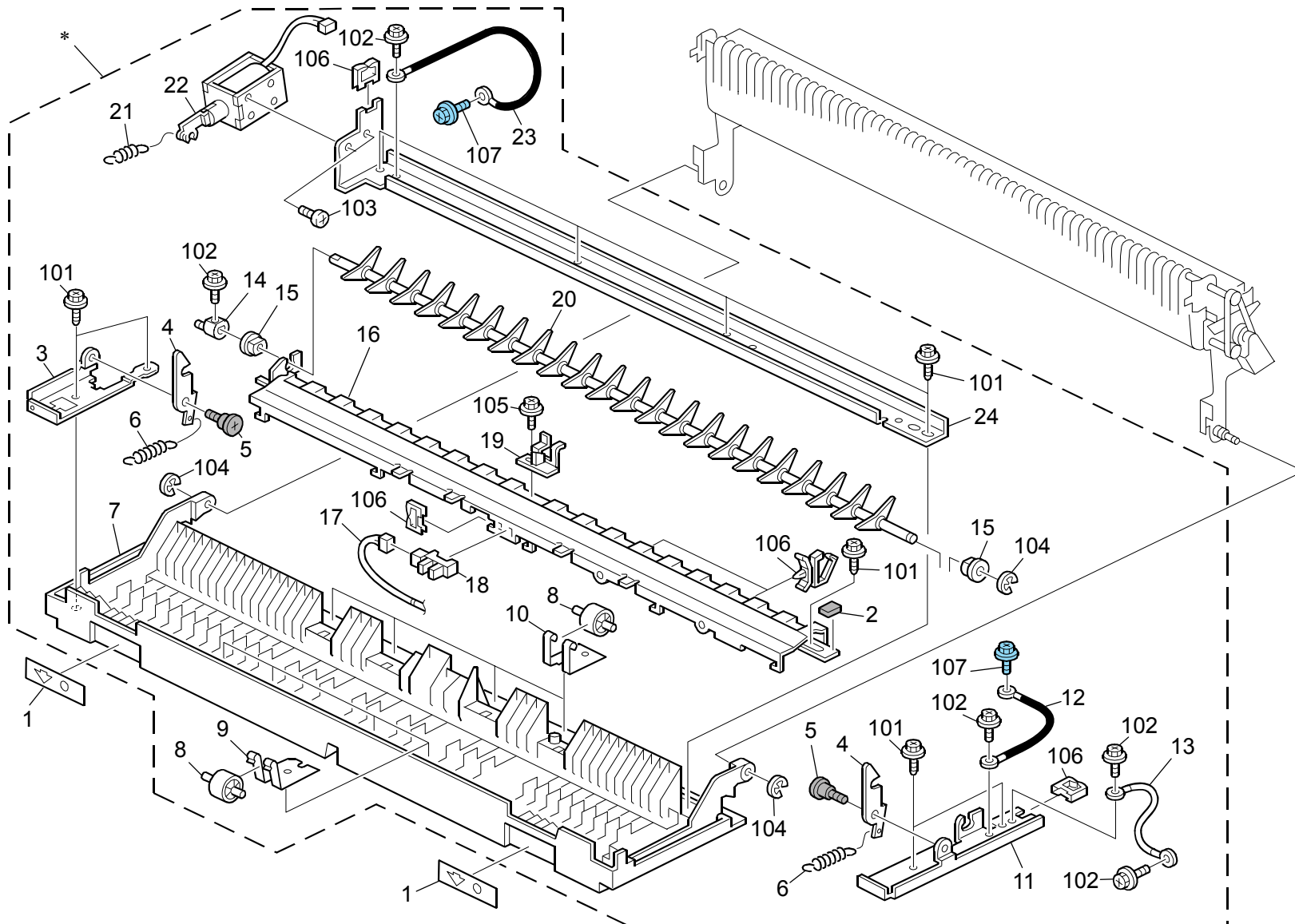


15.Paper Exit 1 (B286/B289)

Index No.	Part No.	Description	Q'ty Per Assembly
*	B286 4484	Fusing/paper Exit Unit	1
1	AA00 0235	Decal: Warning: High Temperature	1
2	B188 4159	Positioning Plate: Lock	2
3	AA06 6256	Right Lock Spring	1
4	AA06 6257	Left Lock Spring	1
5	AA00 0226	Decal: Warning: High Temperature	1
6	B010 4312	Upper Guide	6
7	B125 4481	Upper Drive Exit Roller	4
8	AA14 0844	Exit Roller Shaft	2
9	A163 4236	Exit Tube	1
10	A163 4235	Tube Holder	1
11	B125 4477	Guide: Fusing/Paper Exit: Middle	1
12	B125 4479	Lower Drive Exit Roller	4
13	B286 4498	Shield: Guide: Right Upper	1
14	B286 4497	Shield: Guide: Left Upper	1
15	B286 4499	Grip: Exit	2
16	B125 4475	Guide: Fusing/Paper Exit Unit	2
17	AA06 6052	Stripper Spring	13
18	AE04 4054	Stripper Pawls	13
19	AA08 2101	Bushing - 6x10x6	4
20	AB03 0474	Pulley - 24T	2
21	AA06 6643	Arm Spring	1
22	B010 4324	Idler Gear - 30Z	1
23	B125 4488	Arm: Drive: Fusing/exit Unit	1
24	AB01 7680	Gear/Pulley - 24Z/24T	1
25	AA04 3527	Timing Belt - 230XL	1
26	B257 4231	Arm Stopper	1
27	AA06 1016	Spring: Middle	1

Index No.	Part No.	Description	Q'ty Per Assembly
101	0451 4006N	Tapping Screw - 4x6	
102	0450 3008N	Tapping Screw - M3x8	
103	0720 0040E	Retaining Ring - M4	
104	0805 3385	Bushing - 6mm	
105	0805 0089	Retaining Ring - M4	
106	1105 0516	Clamp	

16. Paper Exit 2 (B286/B289)

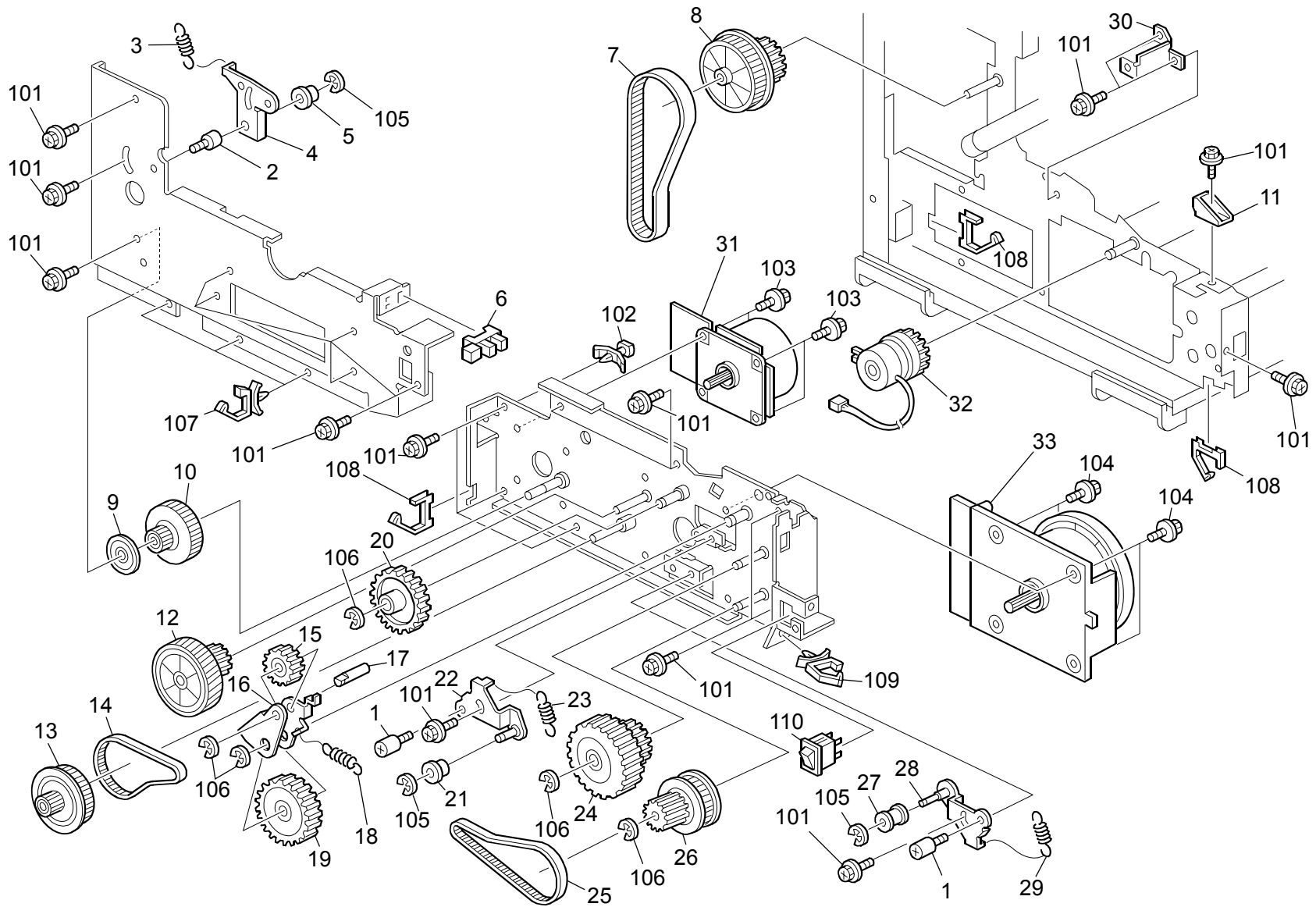


16.Paper Exit 2 (B286/B289)

Index No.	Part No.	Description	Q'ty Per Assembly
*	B286 4450	Paper Exit Unit	1
1	AA00 3210	Decal - Grip	2
2	B286 4464	Gasket: Guide Plate	1
3	B286 4455	Bracket: Lock: Right	1
4	B125 4456	Positioning Plate: Exit	2
5	AA14 3810	Development Cover Screw	4
6	AA06 2337	Spring - Timing Belt Tension	2
7	B125 4451	Cover: Exit	1
8	A163 4453	Exit Driven Roller	8
9	B125 4452	Leaf Spring: Exit Roller: Upper	4
10	B125 4453	Leaf Spring: Exit Roller: Lower	4
11	B125 4460	Bracket: Lock: Exit: Left	1
12	B188 4461	Ground Wire: Paper Exit Unit	1
13	B125 5643	Ground Wire: Scanner Unit: 3	1
14	A174 4372	Gate Pawl Drive	1
15	AA08 2101	Bushing - 6x10x6	4
16	B125 4458	Guide Plate: Exit	1
17	B275 5671	Harness - DC Original Exhaust	1
18	AW02 0160	Paper Feed Sensor	1
19	B010 4458	Gate Pawl Plate	1
20	AF02 5029	Exit Separation Pawl	1
21	AA06 6366	Spring: Pressure Release	1
22	B286 4463	DC Solenoid: Gate Pawl	1
23	B286 5739	Ground Wire: Paper Exit Unit	1
24	B125 4462	Stay: Exit	1

Index No.	Part No.	Description	Q'ty Per Assembly
101	0450 3010N	Tapping Screw - M3x10	
102	0451 3006N	Tapping Screw - 3x6	
103	0353 0040N	Screw - M3X4	
104	0720 0040E	Retaining Ring - M4	
105	0451 4006N	Tapping Screw - 4x6	
106	1105 0328	Harness Clamp - ES-0505	
107	0454 3006Q	Tapping Screw - M3x6	
108	1105 0511	Harness Clamp - LWS-0306ZC	

17. Drive Section (B286/B289)

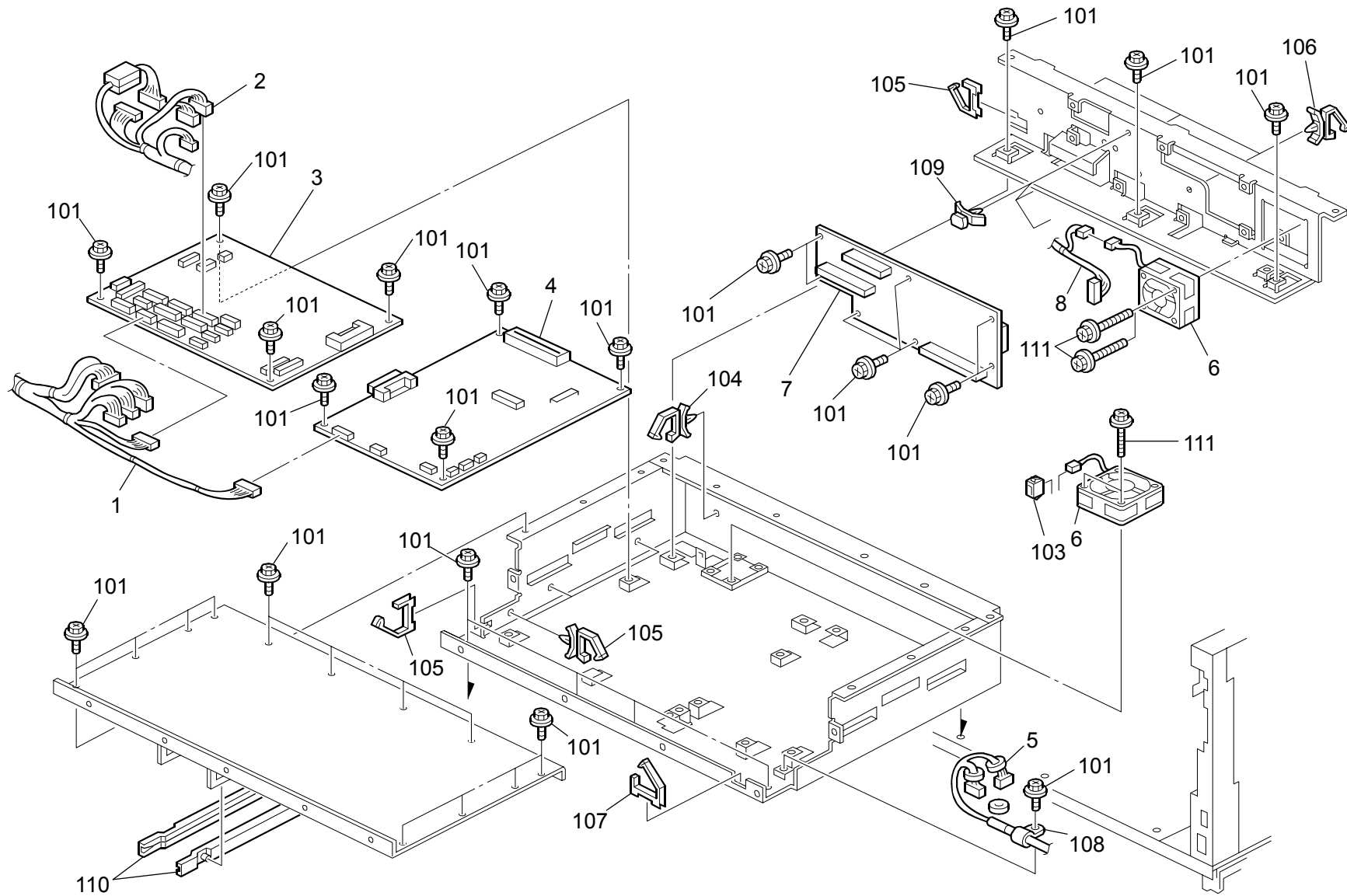


17. Drive Section (B286/B289)

Index No.	Part No.	Description	Q'ty Per Assembly
1	AA14 3859	Positioning Pin	6
2	5918 3120	Stud - M4	1
3	AA06 2333	Tension Spring: 2.16N	1
4	B125 1136	Tightener: Fusing	1
5	G568 2839	Tightener - M16	2
6	GW02 0020	Photointerruptor: LG248NL1	3
7	AA04 3654	Timing Belt: 60S3M471	1
8	AB01 7675	Gear/Pulley - 30Z/63T	1
9	A259 1158	Pulley Flange	1
10	AB01 7740	Gear: Timing Pulley: Z83/T20	1
11	B624 2530	Spacer: Pressure Plate: Front	1
12	AB01 7739	Gear: Z112/Z19	1
13	AB01 7738	Timing Pulley: Gear: T70/Z40	1
14	AA04 3644	Timing Belt - B60S2M214	1
15	AB01 2049	Gear: Z28	1
16	B125 1146	Arm: Coupling: Development	1
17	B125 1147	Shaft: Coupling: Development	1
18	AA06 0969	Spring: Pressure Release	1
19	AB01 2052	Gear: Z50: Ass'y	1
20	AB01 4267	Gear - 46Z	1
21	G020 4444	Tightener	1
22	B125 1125	Tightener: Development	1
23	AA06 1006	Spring: Blade: Cleaning	1
24	AB01 7750	Gear: Z58/Z30: Ass'y	1
25	AA04 3653	Timing Belt: 100S2M260	1
26	AB01 7734	Timing Pulley: T64/Z22	1
27	A548 2139	Pulley	1
28	B125 1130	Tightener: Registration	1
29	AA06 1011	Tension Spring	1
30	B125 1261	Bracket: Cover: Lower	2
31	AX06 0296	Brushless Motor: DC24V24W: Z9	2
32	AX21 0099	Magnetic Clutch	1
33	AX06 0334	Brushless Motor DC24V 45W	1

Index No.	Part No.	Description	Q'ty Per Assembly
101	0451 3006N	Tapping Screw - 3x6	
102	1105 0409	Card Spacer- 6.4mm	
103	0451 4008N	Tapping Screw: 4x8	
104	0451 4006N	Tapping Screw - 4x6	
105	0720 0040E	Retaining Ring - M4	
106	0720 0060E	Retaining Ring - M6	
107	1105 0511	Harness Clamp - LWS-0306ZC	
108	1105 0522	Edge Saddle - LES0510	
109	1105 0516	Clamp	
110	1204 2533	Switch - AJ76200PZ02	

18. Electrical Section 1 (B286/B289)

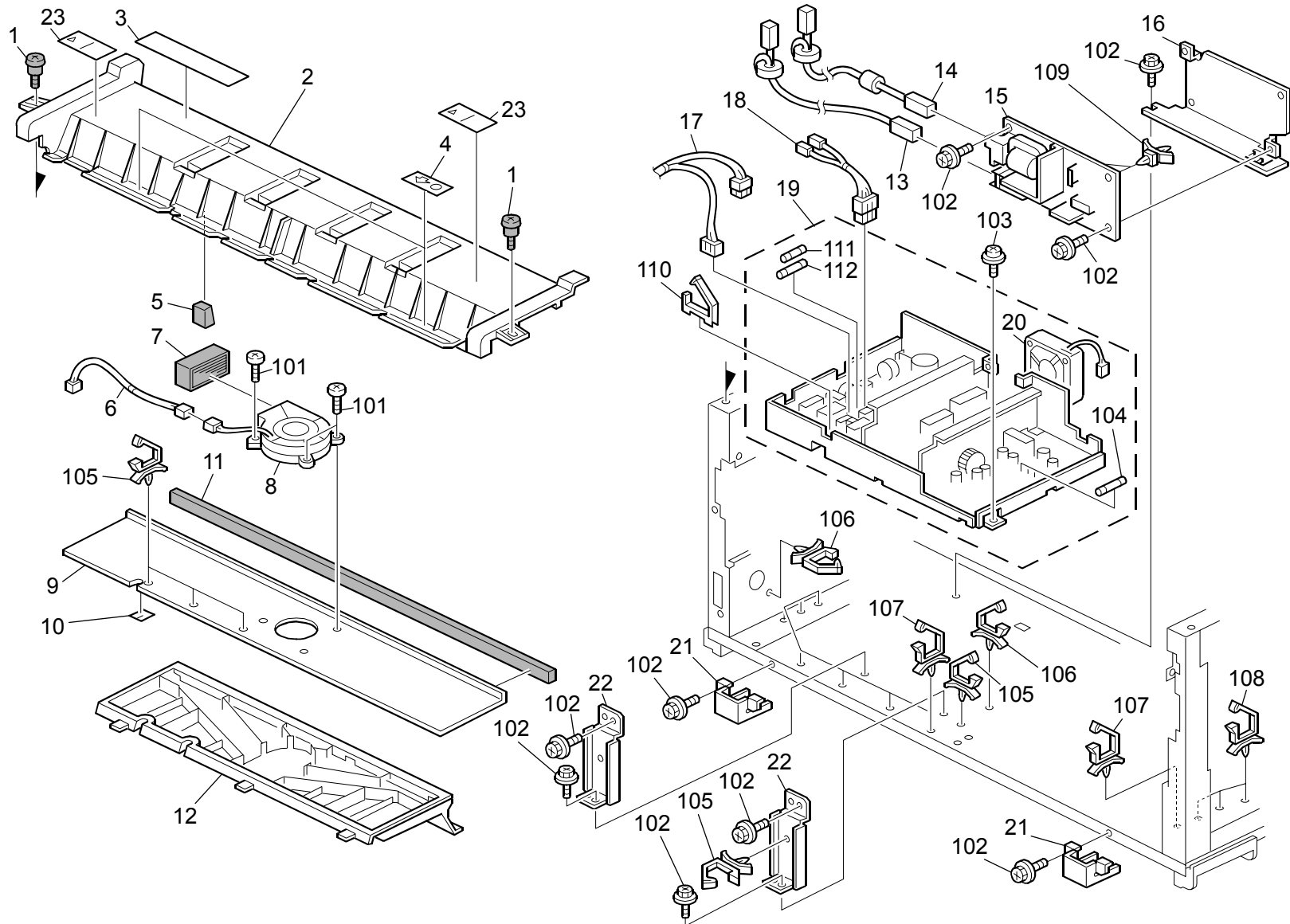


18.Electrical Section 1 (B286/B289)

Index No.	Part No.	Description	Q'ty Per Assembly
1	B286 5725	Harness: DC: Machine or Copier: Right	1
2	B286 5726	Harness: DC: Main: Left: A	1
2	B289 5727	Harness: DC: Main: Left: B	1
3	B286 5280	PCB: MCU	1
4	B286 5210	PCB: IPU	1
5	B286 5722	Harness: DC: LVDS: Main	1
6	AX64 0181	Fan: MM60: 24V	2
7	B286 5270	PCB: MB	1
8	B286 5720	Harness: DC: MB	1

Index No.	Part No.	Description	Q'ty Per Assembly
101	0451 3006N	Tapping Screw - 3x6	
102	0451 3010N	Tapping Screw: 3x10	
103	1102 6245	Relay Connector - 2P	
104	1105 0511	Harness Clamp - LWS-0306ZC	
105	1105 0518	Edge Saddle - LES-1010	
106	1105 0508	Harness Clamp - LWS-0711	
107	1105 0521	Clamp - LES-1017	
108	1105 0529	Nylon Clamp-emt-3N	
109	1105 0409	Card Spacer- 6.4mm	
110	1005 0883	Guide Rail: 180S	
111	0451 3030N	Tapping Screw: 3x30	

19. Electrical Section 2 (B286/B289)

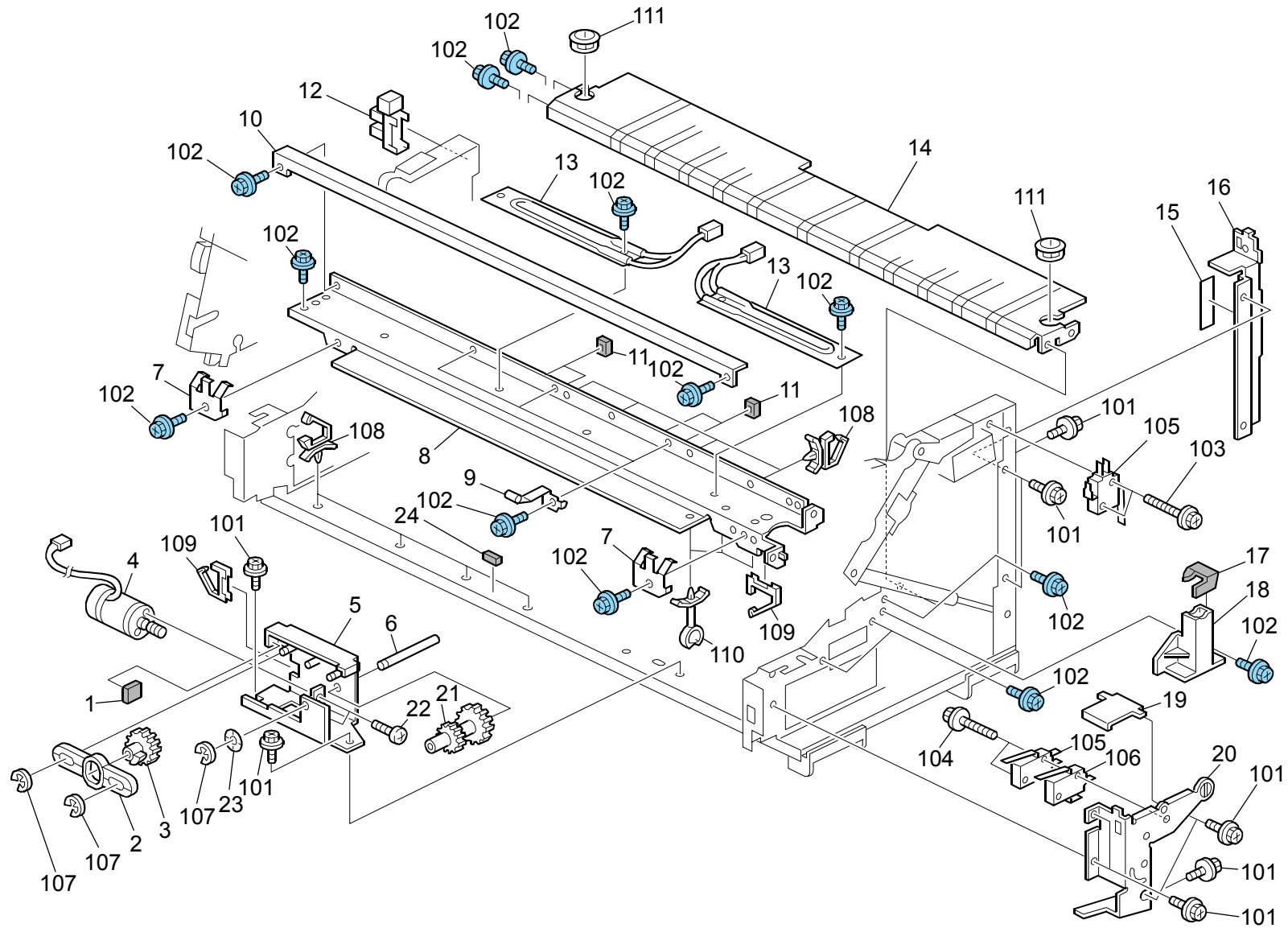


19.Electrical Section 2 (B286/B289)

Index No.	Part No.	Description	Q'ty Per Assembly
1	5840 3022	Stopper Screw - M3	2
2	B286 4282	Cover: Fusing: Upper	1
3	AA00 3209	Decal - Misfeed Removal Exit	1
4	AA00 3210	Decal - Grip	2
5	B286 4285	Shield: Cover: Fusing: Harness	1
6	B275 5699	Harness - DC Fan Motor	1
7	AA01 0119	Ozone Filter	1
8	B286 4293	Fan Motor DC24V 8.5W	1
9	B125 4298	Guide Plate: Duct	1
10	A134 1195	Seal - Fan Harness	1
11	B286 4292	Shield: Front: Guide Plate: Duct	1
12	B125 4283	Duct: Louver	1
13	B286 5713	Harness: High Voltage: Transfer	1
14	B286 5712	Harness: High Voltage: Separation	1
15	AZ32 0150	Power Pack TD	1
16	B125 1171	Bracket: Power Pack	1
17	B286 5719	Harness: AC: Machine or Copier	1
18	B125 5608	Harness: AC: Fusing: 120V	1
18	B286 5736	Harness: AC: Fusing: EU	1
19	AZ23 0192	Power Supply Unit (120V)	1
19	AZ23 0193	Power Supply Unit (220-240V)	1
20	AX64 0160	Fan Motor MM60	1
21	B125 1057	Cove: Harness Clamp	2
22	B125 4360	Ground Plate: Fusing	3
23	AA00 0251	Decal: H-temp Warning: Fusing Exit: Outer	2

Index No.	Part No.	Description	Q'ty Per Assembly
101	0314 0100N	Pan Head Screw: M4x10	
102	0451 3006N	Tapping Screw - 3x6	
103	0802 5285	Screw - 3X8	
104	1107 1067	Fuse: ET-6.3A	
105	1105 0511	Harness Clamp - LWS-0306ZC	
106	1105 0487	Harness Clamp	
107	1105 0490	Harness Clamp - IWS-2218	
108	1105 0517	Harness Clamp - LWS-2111Z	
109	1105 0193	Nylon Stud	
110	1105 0518	Edge Saddle - LES-1010	
111	1107 1160	Fuse: HT-10A-N5	
111	1107 1054	Fuse: HT-6.3A-N5	
112	1107 0629	Fuse: Ceramic Case: 15A 125V	

20.Electrical Section 3 (B286/B289)

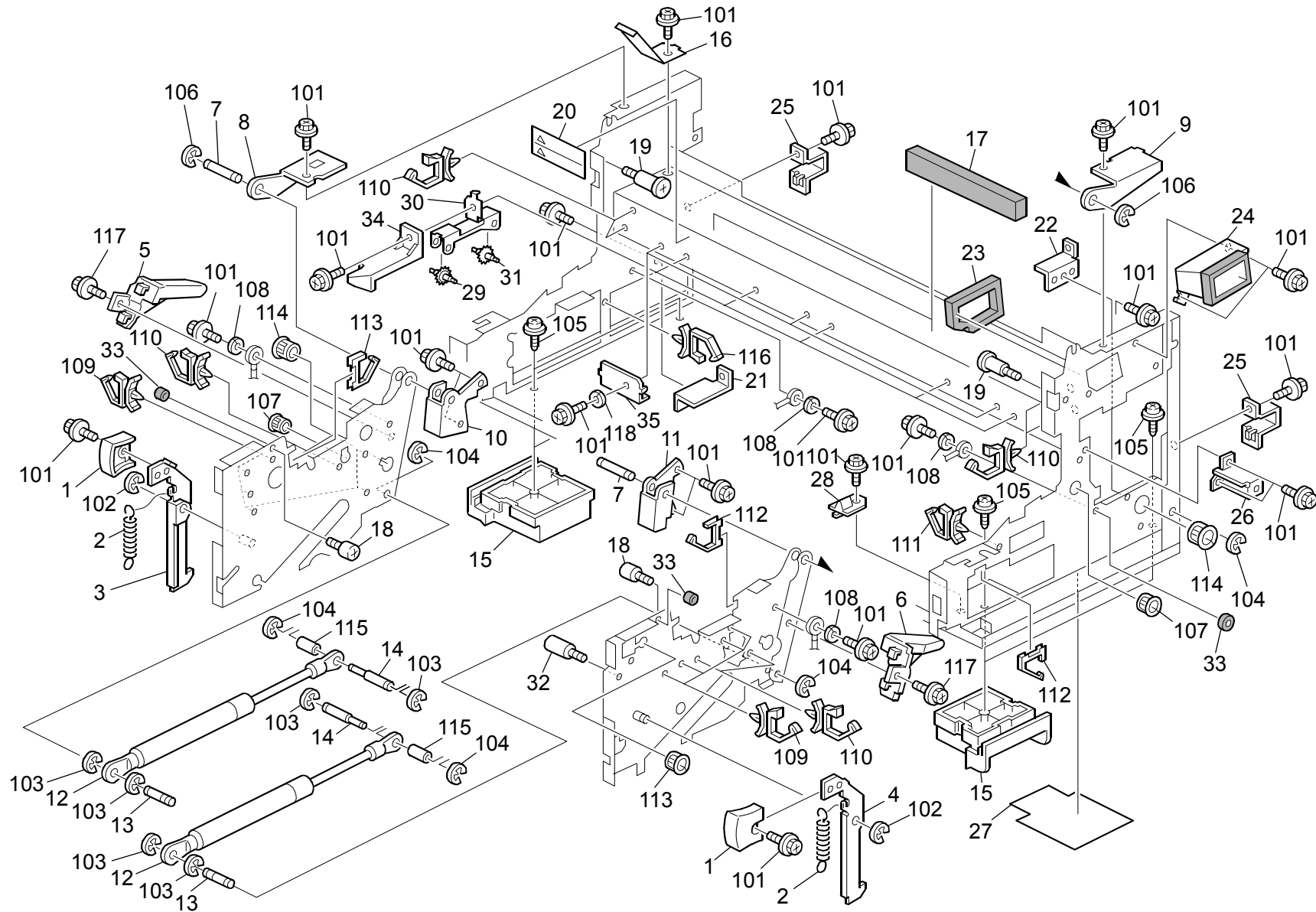


20.Electrical Section 3 (B286/B289)

Index No.	Part No.	Description	Q'ty Per Assembly
1	B125 3659	Cushion: Swivel: Stopper	1
2	B125 3671	Vibrating Plate: Collection Bottle	1
3	B125 3674	Cam: Gear: Swivel	1
4	B286 3664	DC Motor 24V 5.85W	1
5	B125 3672	Bracket: Swivel: Collection Bottle	1
6	AA14 5830	Swing Unit Idler Shaft	1
7	B125 3864	Leaf Spring: T/S Corona	2
8	B125 3870	Guide Plate: T/S Corona: Lower	1
9	B125 3871	Grounding Plate: T/S Corona: Mid	3
10	B125 3872	Cover: Transfer Corona: Lower	1
11	B125 3873	Guard: Leaf Spring	4
12	AW02 0141	Photointerruptor	1
13	AX40 0188	Heater: 120V: 13W	2
13	AX40 0189	Heater: 230V: 13W	2
14	B125 3865	Guide Plate: Transport	1
15	B125 1266	Decal: High Temperature: Vertical	1
16	B125 4356	Cover: Safety Switch	1
17	B286 3683	Shield: Joint: Upper	1
18	B125 3681	Joint: Collection Bottle	1
19	B125 1085	Lever: Micro Switch	1
20	B125 1084	Bracket: Latch: Right	1
21	AB01 7347	Idle Gear	1
22	A571 7700	Screw: Spring Washer: M2.6X5	2
23	B125 3687	Spring Washer: WW-6012	1
24	B286 1049	Gasket: 20mm	1

Index No.	Part No.	Description	Q'ty Per Assembly
101	0451 3006N	Tapping Screw - 3x6	
102	0454 3006Q	Tapping Screw - M3x6	
103	0451 3014N	Tapping Screw: 3x14	
104	0451 3025N	Tapping Screw: 3x25	
105	1204 2529	Switch - V-5F912DN	
106	1204 2521	Micro Switch	
107	0720 0040E	Retaining Ring - M4	
108	1105 0487	Harness Clamp	
109	1105 0522	Edge Saddle - LES0510	
110	1105 0348	Clamp	
111	1106 0200	Bushing - 19.44mm	

21.Frame 1 (B286/B289)

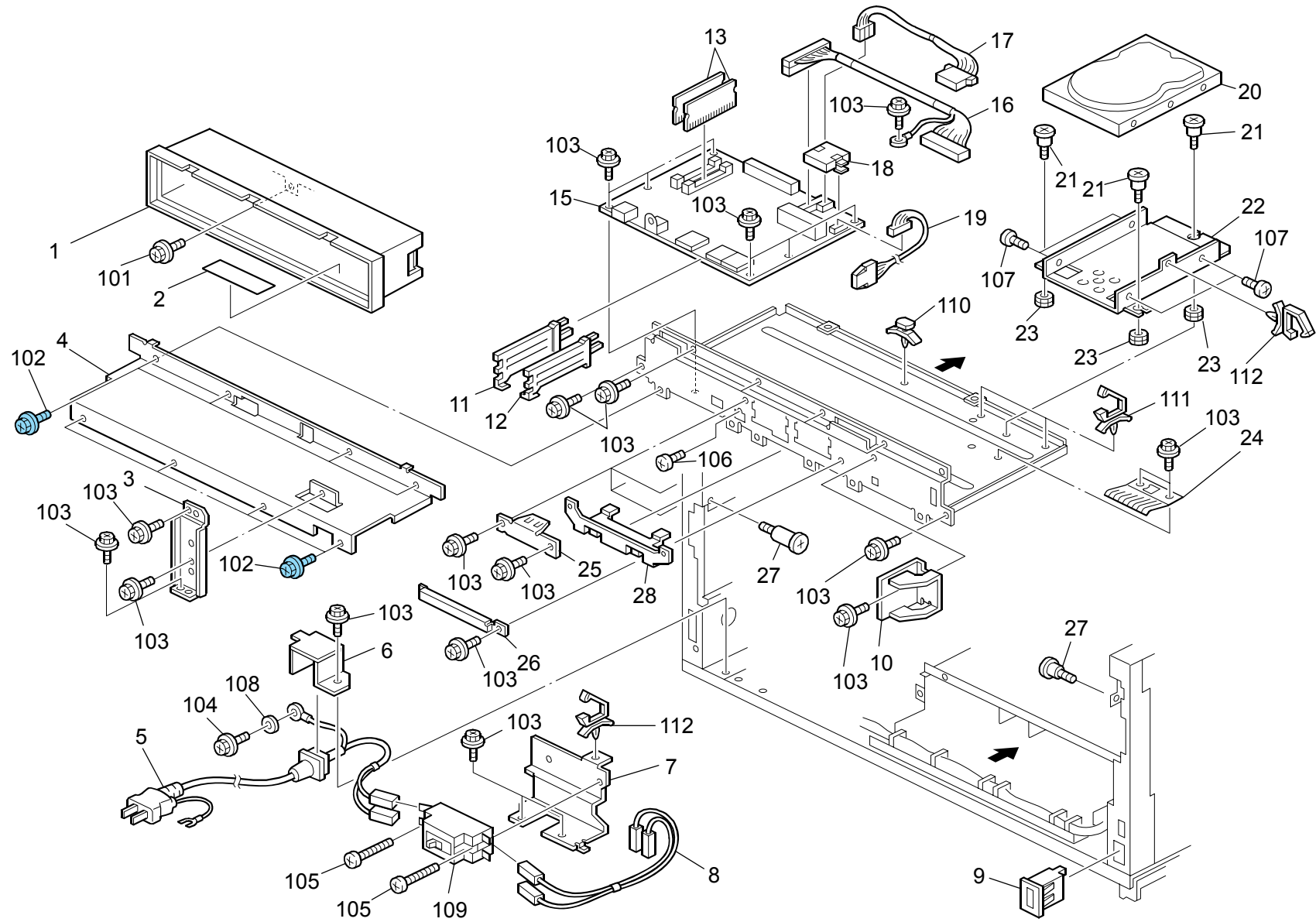


21.Frame 1 (B286/B289)

Index No.	Part No.	Description	Q'ty Per Assembly
1	B125 1097	Knob: Lever	2
2	AA06 2338	Tension Spring - Right	2
3	B125 1095	Lever: Machine Or Copier: Left	1
4	B125 1096	Lever: Machine Or Copier: Right	1
5	B125 4344	Cam: Pressure Release: Fusing: Left	1
6	B125 4343	Cam: Pressure Release: Fusing: Right	1
7	B125 1100	Pin: Hinge	2
8	B125 1091	Bracket: Contact Point: Outer: Left	1
9	B125 1092	Bracket: Contact Point: Outer: Right	1
10	B125 1093	Bracket: Contact Point: Inner: Left	1
11	B125 1094	Bracket: Contact Point: Inner: Right	1
12	B275 1086	Gas Spring	2
13	B125 1087	Shaft: Gas Spring: Upper	2
14	B125 1088	Anchor: Gas Spring	2
15	B125 1056	Stand	4
16	B125 4353	Ground Plate: Exhaust	1
17	AA15 2479	Seal: Block Heat	2
18	AA14 3859	Positioning Pin	6
19	AA14 3771	Shoulder Screw - M3	2
20	AA00 0225	Decal: High Temperature: 120C	1
21	B125 1162	Bracket: Fix: Fusing Unit: Left	1
22	B125 1161	Bracket: Fix: Fusing Unit: Right	1
23	B286 1183	Shield: Duct: Inner	1
24	B286 1003	Duct: Exhaust	1
25	B125 1264	Bracket: Cover: Lower: 2	2
26	B125 1261	Bracket: Cover: Lower	2
27	B125 1267	Sheet: LGD	1
28	B286 3583	Slider: Collection Bottle: Lower	1
29	A163 4347	Separation Roller	5
30	B125 4351	Bracket: Roller	5
31	B125 4359	Roller: Separation: Small	5
32	AA14 3855	Screw	1
33	B275 1670	Guard Burring	3
34	B125 4352	Guide: Bracket: Roller	5
35	B286 1098	Cover: Thermostat	3

Index No.	Part No.	Description	Q'ty Per Assembly
101	0451 3006N	Tapping Screw - 3x6	
102	0720 0060E	Retaining Ring - M6	
103	0720 0050E	Retaining Ring - M5	
104	0720 0040E	Retaining Ring - M4	
105	0965 5016N	Tapping Screw W/Washer - M5x16	
106	0720 0080E	Retaining Ring - M8	
107	1106 0411	Bushing - 11.5mm	
108	0703 0040N	Spring Washer: DIA4	
109	1105 0511	Harness Clamp - LWS-0306ZC	
110	1105 0489	Harness Clamp - LWS 1316	
111	1105 0516	Clamp	
112	1105 0522	Edge Saddle - LES0510	
113	1105 0518	Edge Saddle - LES-1010	
114	1106 0200	Bushing - 19.44mm	
115	0707 6200N	Bushing: DIA6x20	
116	1105 0517	Harness Clamp - LWS-2111Z	
117	0451 3008N	Tapping Screw - M3x8	
118	0703 0030N	Spring Washer: DIA3	

22.Frame 2 (B286/B289)



22.Frame 2 (B286/B289)

Index No.	Part No.	Description	Q'ty Per Assembly
1	B286 1259	Cover: Middle: Interface	1
2	B286 4885	Decal: Original: Operate: Exp	1
3	B125 4360	Ground Plate: Fusing	3
4	B286 5607	Cover: Harness	1
5	B286 5734	Power Supply Cord: Stopper: 120V	1
5	B257 5496	Power Supply Cord: 230V	1
6	B125 1170	Bracket: Power Supply Cord	1
7	B286 5610	Bracket: Leak Breaker	1
8	B286 5711	Harness: AC: Leak Breaker	1
9	AX31 0045	Total Counter: 7Fig: 24V	1
10	B286 1260	Cover: Interface	1
11	B070 5670	Right Rail	1
12	B070 5671	Left Rail	1
13	G108 5020	PCB: DDR-DIMM: 512MB	2
15	B286 5831	PCB: Type-BZ2: Ass'y	1
16	B286 5850	Harness: DC: HDD: IDE	1
17	B286 5851	Harness: DC: HDD: Power Source	1
18	B286 9590	Counter: NOVITA2.2+: 128KB	1
19	B286 5717	Harness: DC: Debug: Main	1
20	B247 5226	HDD: Hitachi: 80GD: Path: ROHS	1
21	AA14 3548	Screw: M3x4.2	3
22	B286 5608	Bracket: HDD	1
23	AA16 1125	Rubber Cushion	3
24	A267 1089	Grounding Plate - Upper Rear	1
25	B101 5993	Interface Panel	4
26	B286 5609	Cover: SD-card	1
27	AA14 3404	Stepped Screw - M4	2
28	B286 5612	Panel: Lower: MLB	1

Index No.	Part No.	Description	Q'ty Per Assembly
101	0451 3008N	Tapping Screw - M3x8	
102	0454 3006Q	Tapping Screw - M3x6	
103	0451 3006N	Tapping Screw - 3x6	
104	0451 4008N	Tapping Screw: 4x8	
105	0434 0200N	Pan Self-tapping Screw: 4x20	
106	0353 0060N	Bind Screw - M3x6	
107	0801 0226	Screw: UNC: #6-32	
108	0703 0040N	Spring Washer: DIA4	
109	1107 1192	Fuse: BJS202100F1R	
110	1105 0611	Spacer KGPS-3.5S-N(V0)	
111	1105 0488	Harness Clamp	
112	1105 0487	Harness Clamp	

23.MCU (B286/B289)

CAPACITOR

SYMBOL NO.	INDEX NO.	SYMBOL NO.	INDEX NO.	SYMBOL NO.	INDEX NO.	SYMBOL NO.	INDEX NO.	SYMBOL NO.	INDEX NO.	SYMBOL NO.	INDEX NO.	SYMBOL NO.	INDEX NO.
C1	183	C11	181	C21	182	C31	229	C41	182	C51	231	C61	182
C2	228	C12	181	C22	183	C32	184	C42	183	C52	231	C62	231
C3	175	C13	231	C23	183	C33	183	C43	182	C53	231	C63	231
C4	183	C14	182	C24	183	C34	182	C44	183	C54	231	C64	231
C5	185	C15	232	C25	183	C35	182	C45	179	C55	231	C65	182
C6	179	C16	183	C26	179	C36	183	C46	176	C56	182	C66	182
C7	181	C17	183	C27	183	C37	183	C47	233	C57	231	C67	183
C8	181	C18	178	C28	182	C38	182	C48	183	C58	182	C68	228
C9	177	C19	177	C29	232	C39	183	C49	183	C59	182	C69	228
C10	181	C20	232	C30	230	C40	182	C50	182	C60	182	C70	183

CAPACITOR

SYMBOL NO.	INDEX NO.	SYMBOL NO.	INDEX NO.	SYMBOL NO.	INDEX NO.	SYMBOL NO.	INDEX NO.	SYMBOL NO.	INDEX NO.	SYMBOL NO.	INDEX NO.	SYMBOL NO.	INDEX NO.
C71	183	C81	234	C91	183	C101	183	C111	186	C121	182	C131	183
C72	183	C82	183	C92	183	C102	183	C112	233	C122	182	C132	183
C73	183	C83	183	C93	183	C103	183	C113	183	C123	231	C133	231
C74	183	C84	183	C94	231	C104	183	C114	183	C124	182	C134	182
C75	183	C85	234	C95	231	C105	233	C115	231	C125	182	C135	231
C76	234	C86	183	C96	183	C106	183	C116	231	C126	231	C136	231
C77	183	C87	183	C97	182	C107	182	C117	231	C127	182	C137	231
C78	234	C88	183	C98	183	C108	182	C118	231	C128	182	C138	231
C79	234	C89	182	C99	183	C109	183	C119	182	C129	182	C139	231
C80	183	C90	183	C100	183	C110	183	C120	231	C130	182	C140	182

23.MCU (B286/B289)

CONNECTOR

SYMBOL NO.	INDEX NO.
---	---
---	---
---	---
---	---
CN244	114

DIODE

SYMBOL NO.	INDEX NO.
D1	132
D2	134
D3	131
D4	135
D5	135
D6	135
D7	135
D8	135
D9	132
D10	133

SYMBOL NO.	INDEX NO.
D11	133
D12	133
D13	133
D14	133
D15	132
D16	132
D17	132
D18	132
D19	132
D20	132

FIL

SYMBOL NO.	INDEX NO.
FIL1	189
FIL2	189

FU

SYMBOL NO.	INDEX NO.
FU1	122
FU2	124
FU3	121
FU4	123
FU5	123

IC

SYMBOL NO.	INDEX NO.
IC1	236
IC2	155
IC3	153
IC4	236
IC5	158
IC6	158
IC7	237
IC8	159
IC9	157
IC10	156

SYMBOL NO.	INDEX NO.
IC11	162
IC12	151
IC13	151
IC14	163
IC15	144
IC16	154
IC17	145
IC18	146
IC19	151
---	---

SYMBOL NO.	INDEX NO.
IC21	146
IC22	140
IC23	143
IC24	141
IC25	141
IC26	151
IC27	141
IC28	142
IC29	152
IC30	152

IC

SYMBOL NO.	INDEX NO.
IC31	150
IC32	148
IC33	151
IC34	166
IC35	151
IC36	141
IC37	147
IC38	162
IC39	151
IC40	154

SYMBOL NO.	INDEX NO.
IC41	140
IC42	140
IC43	149

LED

SYMBOL NO.	INDEX NO.
LED1	138
LED2	137
LED3	137

OSC

SYMBOL NO.	INDEX NO.
OSC1	168
OSC2	167

Q

SYMBOL NO.	INDEX NO.
Q1	130
Q2	127
Q3	126
Q4	128
Q5	128
Q6	129

RESISTOR

SYMBOL NO.	INDEX NO.
R1	199
R2	198
R3	198
R4	192
---	---
R6	194
R7	198
R8	199
R9	208
R10	199

SYMBOL NO.	INDEX NO.
R11	197
R12	208
R13	199
R14	199
R15	198
R16	218
---	---
R18	199
R19	199
R20	198

SYMBOL NO.	INDEX NO.
R21	196
R22	217
R23	199
R24	197
R25	198
R26	200
R27	199
R28	199
R29	199
R30	199

23.MCU (B286/B289)

RESISTOR

SYMBOL NO.	INDEX NO.	SYMBOL NO.	INDEX NO.	SYMBOL NO.	INDEX NO.	SYMBOL NO.	INDEX NO.	SYMBOL NO.	INDEX NO.	SYMBOL NO.	INDEX NO.	SYMBOL NO.	INDEX NO.
R31	199	R41	196	R51	199	R61	198	R71	199	R81	199	R91	200
R32	199	R42	196	R52	198	R62	199	R72	199	R82	197	R92	198
R33	218	R43	196	R53	223	R63	208	R73	199	R83	199	R93	199
R34	218	R44	196	R54	198	R64	197	R74	208	R84	216	R94	199
R35	224	R45	196	R55	198	R65	199	R75	208	R85	197	R95	208
R36	219	R46	196	R56	199	R66	197	R76	213	R86	198	R96	199
R37	199	R47	198	R57	199	R67	218	R77	199	R87	198	R97	199
R38	199	R48	199	R58	198	R68	218	R78	199	R88	198	R98	199
R39	196	R49	199	R59	199	R69	199	R79	216	R89	199	R99	199
R40	197	R50	198	R60	198	R70	199	R80	199	R90	199	R100	215

RESISTOR

SYMBOL NO.	INDEX NO.	SYMBOL NO.	INDEX NO.	SYMBOL NO.	INDEX NO.	SYMBOL NO.	INDEX NO.	SYMBOL NO.	INDEX NO.	SYMBOL NO.	INDEX NO.	SYMBOL NO.	INDEX NO.
R101	197	R111	199	R121	199	R131	198	R141	199	R151	199	R161	198
R102	197	R112	215	R122	198	R132	198	R142	199	R152	199	R162	201
R103	198	R113	199	R123	199	R133	198	R143	198	R153	208	R163	199
R104	198	R114	213	R124	194	R134	198	R144	212	R154	204	R164	199
R105	198	R115	199	---	---	R135	198	R145	199	R155	199	R165	199
R106	216	R116	202	R126	202	R136	198	R146	199	R156	199	R167	199
R107	209	R117	215	R127	225	R137	213	R147	199	R157	198	R168	199
R108	197	R118	226	R128	214	R138	197	R148	199	R158	199	R168	220
R109	203	R119	214	R129	198	R139	207	R149	199	R159	198	R169	199
R110	193	R120	198	R130	199	R140	199	R150	199	R160	198	R170	199

23.MCU (B286/B289)

RESISTOR

SYMBOL NO.	INDEX NO.	SYMBOL NO.	INDEX NO.	SYMBOL NO.	INDEX NO.	SYMBOL NO.	INDEX NO.	SYMBOL NO.	INDEX NO.	SYMBOL NO.	INDEX NO.		
R171	199	R181	208	R191	198	R201	197	R211	222	R221	211	R231	198
---	---	R182	199	R192	194	R202	198	R212	220	R222	211	R232	220
R173	199	R183	198	R193	194	R203	197	R213	198	R223	211	R233	222
R174	199	R184	215	R194	198	R204	199	R214	227	R224	211	R234	220
R175	199	R185	198	---	---	R205	218	R215	227	R225	199	R235	220
R176	199	R186	199	R196	218	R206	218	R216	221	R226	215	R236	198
R177	210	R187	198	R197	218	R207	199	R217	196	R227	206	R237	222
R178	210	R188	199	R198	218	R208	220	R218	199	R228	198	R238	220
R179	198	R189	199	R199	197	R209	198	R219	198	R229	199	R239	199
R180	198	R190	198	R200	198	R210	194	R220	211	R230	199	R240	211

RESISTOR

SYMBOL NO.	INDEX NO.	SYMBOL NO.	INDEX NO.	SYMBOL NO.	INDEX NO.	SYMBOL NO.	INDEX NO.	SYMBOL NO.	INDEX NO.	SYMBOL NO.	INDEX NO.		
R241	211	R251	198	R261	205	R271	198	R281	199	R291	198	REG1	165
R242	211	R252	199	R262	208	R272	206	R282	223	R292	198	REG2	160
R243	211	R253	208	R263	199	R273	215	R283	198	R293	220	REG3	161
R244	211	R254	199	R264	195	R274	215	R284	198			REG4	164
R245	211	R255	223	R265	195	R275	206	R285	196				
R246	211	R256	198	R266	195	R276	206	R286	198				
R247	211	R257	194	R267	205	R277	215	R287	198				
R248	211	R258	194	R268	195	R278	198	R288	199				
R249	211	R259	194	R269	198	R279	215	R289	198				
R250	211	---	---	R270	198	R280	215	R290	198				

REG

SYMBOL NO.	INDEX NO.	SYMBOL NO.	INDEX NO.
R291	198	REG1	165
R292	198	REG2	160
R293	220	REG3	161
		REG4	164

23.MCU (B286/B289)

RN

SYMBOL NO.	INDEX NO.
RN1	191
RN2	191
RN3	191
RN4	191
RN5	172
RN6	172
RN7	172
RN8	190
RN9	190
RN10	191

SYMBOL NO.	INDEX NO.
RN11	191
RN12	191
RN13	191
RN14	171
RN15	171
RN16	171
RN17	171
RN18	174
RN19	191
RN20	191

SYMBOL NO.	INDEX NO.
RN21	191
RN22	171
RN23	171
RN24	171
RN25	171
RN26	171
RN27	171
RN28	171
RN29	173
RN30	173

SYMBOL NO.	INDEX NO.
RN31	171
RN32	191
RN33	171
RN34	171
RN35	191
RN36	191
RN37	191
RN38	190
RN39	171
RN40	171

SYMBOL NO.	INDEX NO.
RN41	173
RN42	171
RN43	171
RN44	173
RN45	171
RN46	171
RN47	169
RN48	171
RN49	169
RN50	171

SYMBOL NO.	INDEX NO.
RN51	171
RN52	171
RN53	190
RN54	170
RN55	169
RN56	169
RN57	171
RN58	171
RN59	171
RN60	169

SW

SYMBOL NO.	INDEX NO.
SW1	125

TH

SYMBOL NO.	INDEX NO.
TH1	139

ZD

SYMBOL NO.	INDEX NO.
ZD1	136
ZD2	136

23.MCU (B286/B289)

Index No.	Part No.	Description	Q'ty Per Assembly
*	B286 5280	PCB: MCU	1

Index No.	Part No.	Description	Q'ty Per Assembly
101	1102 3822	Connector: HIF3FC-20PA-2.54DSA(71)	
102	1102 4470	Connector: 1-292250-2	
103	1102 5007	Connector: 1-292132-4	
104	1102 5305	Connector	
105	1102 5344	Connector: 1-292141-6	
106	1102 6339	Connector: 8P	
107	1102 6396	Connector: 53313-1665	
108	1102 6515	Connector: 53313-3465	
109	1102 7094	Connector	
110	1102 7095	Connector: TX25-40P-LT-N1E	
111	1102 7836	Connector: B4B-PH-KBLC-H(LF)(SN)	
112	1102 8490	Connector: 55451-3270	
113	1102 8491	Connector: 55451-3470	
114	1102 8555	Connector: 55460-0519	
115	1102 8719	Connector: 55460-0419	
116	1102 9083	Connector: 53375-1110	
117	1102 9380	Connector: 55450-1680	
118	1103 3177	Connector: FH12-45S-0.5SV(89)	
119	1103 3663	Connector: 55451-1670	
120	1103 3787	Connector: 55450-1060	
121	1107 0621	Fuse: 2A: 250V	
122	1109 0002	Fuse: SMD200F	
123	1109 0015	Fuse: SMD050F	
124	1109 0018	Fuse: SMD100F	
125	1204 2622	Dip Switch: CHS-08TB1	
126	1400 0730	Transistor: 2SD1782K	
127	1400 0775	Transistor: 2SC4081	
128	1400 0822	Transistor: 2SA1900	
129	1400 1040	Transistor: 2SA1834S	
130	1401 0972	Transistor: 2SB1260	
131	1402 1322	Diode-Array: DAN202U	
132	1402 1336	Diode: 1SS355	
133	1402 1342	Diode: 1SR154-400	
134	1402 1459	Diode: RB706F-40	
135	1402 1584	Diode: DAN217U	

Index No.	Part No.	Description	Q'ty Per Assembly
136	1402 1663	Diode: PTZ12B	
137	1403 0953	LED: SML-310MT	
138	1403 0996	LED: SML-310VT	
139	1404 1013	Thermistor: NCP18WF104J03RB	
140	1407 2187	TTLIC - SN74LS07NS	
141	1407 2231	Driver: TD62308AFG(5)	
142	1407 3765	Driver: TD62385AFG(5)	
143	1407 4114	RS485: SN751177NS	
144	1407 5344	IC: SN74LV02APW	
145	1407 5347	CMOS Logic: SN74LV08APW	
146	1407 5350	CMOS Logic: SN74LV00APW	
147	1407 5351	CMOS Logic: SN74LV14APW	
148	1407 5363	CMOS Logic: SN74AHCT04PW	
149	1407 5376	CMOS Logic: SN74LV32APW	
150	1407 5463	CMOS Logic: SN74LV245APW	
151	1407 5469	CMOS Logic: SN74LV07APW	
152	1407 5633	CMOS Logic: SN74LV574APW	
153	1407 5681	EPROM: M24C08-WMN6P(REV.G)	
154	1407 5713	CMOS Logic: SN74LV06APW	
155	1407 6027	Motor Control IC: TA7291AP(5)	
156	1407 6166	Custom IC: ESOC	
157	1407 6187	CMOS Logic - SN74LVC1G07DCK	
158	1407 6368	CMOS Logic: SN74AHC1G04DCK	
159	1407 6541	Motor Control IC: STK672-410	
160	1408 1383	Series Regulator: TA7812F(LBSTA1)	
161	1408 1401	Series Regulator: TA7808F(LBSTA1)	
162	1408 1550	Operational Amplifier: LM2902PW	
163	1408 1826	IC: R3112Q421A-FA	
164	1408 2010	Series Regulator: RN5RF33A-FA	
165	1408 2016	Series Regulator: R1114Q181B-FA	
166	1408 2029	Comparator: LM2901PW	
167	1503 1004	Crystal Oscillator: 19.6608MHz	
168	1503 1215	Crystal Oscillator: 17.5MHz	
169	1601 7752	Resistor: 10KΩ: ±5%: 4	
170	1601 7759	Resistor Array	

Index No.	Part No.	Description	Q'ty Per Assembly
171	1601 7887	Resistor Array: 10KΩ: ±5%: 1/16W: 4Number	
172	1601 7898	Resistor Array: 33Ω: ±5%: 1/16W: 4Number	
173	1601 7959	Resistor Array: 1KΩ: ±5%: 1/16W: 4Number	
174	1601 7960	Resistor Array: 100Ω: ±5%: 1/16W: 4Number	
175	1604 4759	Capacitor: 10MF: ±20%: 50V	
176	1604 4781	Capacitor: 680MF: ±20%: 35V	
177	1604 5048	Capacitor: 470UF: ±20%: 16V	
178	1604 5064	Capacitor: 47UF: ±20%: 50V	
179	1604 5066	Capacitor: 100UF: ±20%: 50V	
180	1604 5146	Capacitor: 22UF: ±20%: 35V	
181	1604 5239	Capacitor: 220UF: ±20%: 35V	
182	1605 1137	Capacitor: 470pF: ±10%: 50V	
183	1605 1148	Capacitor: 0.1UF: +80-20%: 50V	
184	1605 1190	Capacitor: 0.022UF: ±10%: 50V	
185	1605 1358	Capacitor: 10UF: ±10%: 10V	
186	1605 1430	Capacitor: 1UF: +80-20%: 50V	
187	1605 1480	Capacitor: 100pF: ±10%: 50V	
188	1605 1547	Capacitor: 2.2UF: ±10%: 6.3V	
189	1607 1351	Filter: BLM21PG221SN1B	
190	1609 0006	Resistor: 10KΩ: ±5%: 1/16W	
191	1609 0007	Resistor: 68Ω: ±5%: 1/16W	
192	1610 1637	Resistor: 1Ω: ±1%: 1/2W: 3216	
193	1611 8222	Resistor: 2.2KΩ: ±5%: 1/4W	
194	1634 0000	Resistor: 0Ω: 1608	
195	1650 2392	Chip Resistor: 3.9KΩ: ±5%: 1/4W: 3216	
196	1650 4100	Resistor: 10Ω: ±5%: 1/10W: 1608	
197	1650 4101	Resistor: 100Ω: ±5%: 1/10W: 1608	
198	1650 4102	Resistor: 1KΩ: ±5%: 1/10W: 1608	
199	1650 4103	Resistor: 10KΩ: ±5%: 1/10W: 1608	
200	1650 4105	Resistor: 1MΩ: ±5%: 1/10W: 1608	
201	1650 4122	Resistor: 1.2KΩ: ±5%: 1/10W: 1608	
202	1650 4131	Resistor: 130Ω: ±5%: 1/10W: 1608	
203	1650 4132	Resistor: 1.3KΩ: ±5%: 1/10W: 1608	
204	1650 4152	Resistor: 1.5KΩ: ±5%: 1/10W: 1608	
205	1650 4202	Resistor: 2KΩ: ±5%: 1/10W: 1608	

24.IPU (B286/B289)

CAPACITOR

SYMBOL NO.	INDEX NO.	SYMBOL NO.	INDEX NO.	SYMBOL NO.	INDEX NO.	SYMBOL NO.	INDEX NO.	SYMBOL NO.	INDEX NO.	SYMBOL NO.	INDEX NO.	SYMBOL NO.	INDEX NO.
---	---	C11	176	---	---	C31	138	C41	145	---	---	C61	136
C2	146	C12	176	---	---	C32	135	C42	145	C52	144	C62	140
C3	144	C13	176	C23	144	C33	144	C43	137	---	---	C63	178
C4	144	C14	142	C24	177	C34	177	C44	134	---	---	C64	143
---	---	C15	144	C25	144	C35	177	C45	143	---	---	C65	144
---	---	C16	176	C26	177	C36	144	---	---	C56	144	C66	178
---	---	C17	176	---	---	C37	178	C47	134	C57	177	C67	177
---	---	C18	144	---	---	C38	134	C48	143	C58	144	C68	178
C9	143	C19	144	C29	134	C39	143	C49	137	C59	136	C69	177
C10	134	---	---	C30	143	C40	137	C50	145	C60	144	C70	178

CAPACITOR

SYMBOL NO.	INDEX NO.	SYMBOL NO.	INDEX NO.	SYMBOL NO.	INDEX NO.	SYMBOL NO.	INDEX NO.	SYMBOL NO.	INDEX NO.	SYMBOL NO.	INDEX NO.	SYMBOL NO.	INDEX NO.
C71	144	---	---	C91	178	C101	178	C111	177	C121	144	---	---
C72	143	---	---	C92	144	C102	177	C112	143	C122	145	---	---
C73	144	C83	144	C93	143	C103	177	C113	144	---	---	C133	145
C74	136	C84	144	C94	177	C104	178	C114	178	---	---	C134	144
C75	136	C85	177	C95	144	C105	144	C115	177	---	---	C135	179
C76	144	C86	144	C96	143	C106	177	C116	143	C126	175	C136	139
C77	136	C87	177	C97	144	C107	178	C117	144	C127	178	C137	177
C78	145	C88	144	C98	178	C108	144	C118	178	C128	144	C138	178
C79	145	C89	177	C99	177	C109	143	C119	177	C129	145	C139	141
C80	136	C90	177	C100	144	C110	144	C120	177	---	---	C140	177

24.IPU (B286/B289)

CAPACITOR

SYMBOL NO.	INDEX NO.	SYMBOL NO.	INDEX NO.	SYMBOL NO.	INDEX NO.	SYMBOL NO.	INDEX NO.	SYMBOL NO.	INDEX NO.	SYMBOL NO.	INDEX NO.	SYMBOL NO.	INDEX NO.
C141	177	C151	144	---	---	C171	178	C181	144	C191	177	C201	144
C142	141	C152	143	---	---	C172	141	C182	143	C192	178	C202	143
C143	178	C153	177	C163	145	C173	178	C183	177	C193	141	C203	143
C144	177	C154	178	C164	144	C174	177	C184	178	C194	178	C204	144
C145	143	C155	141	C165	179	C175	143	C185	141	C195	177	C205	178
C146	144	C156	178	C166	139	C176	144	C186	177	C196	141	C206	177
C147	178	C157	177	C167	177	C177	178	C187	177	C197	178	C207	177
C148	177	C158	141	C168	178	C178	177	C188	141	C198	177	C208	178
C149	177	C159	178	C169	141	C179	177	C189	178	C199	177	C209	141
C150	178	C160	177	C170	177	C180	178	C190	177	C200	178	C210	177

CAPACITOR

SYMBOL NO.	INDEX NO.	SYMBOL NO.	INDEX NO.	SYMBOL NO.	INDEX NO.	SYMBOL NO.	INDEX NO.	SYMBOL NO.	INDEX NO.	SYMBOL NO.	INDEX NO.	SYMBOL NO.	INDEX NO.
C211	177	---	---	C231	141	C241	177	C251	139	C261	177	C271	178
C212	141	C222	145	C232	178	C242	177	C252	145	C262	177	C272	141
C213	178	C223	144	C233	177	C243	178	C253	144	C263	178	C273	177
C214	177	C224	179	C234	177	C244	141	C254	177	C264	144	C274	178
C215	139	C225	139	C235	178	C245	177	C255	178	C265	143	C275	141
C216	179	C226	177	C236	144	C246	177	C256	141	C266	143	C276	178
C217	144	C227	178	C237	143	C247	141	C257	177	C267	144	C277	177
C218	145	C228	141	C238	143	C248	178	C258	177	C268	178	C278	144
---	---	C229	178	C239	144	C249	177	C259	141	C269	177	C279	178
---	---	C230	177	C240	178	C250	179	C260	178	C270	177	C280	177

24.IPU (B286/B289)

CAPACITOR

SYMBOL NO.	INDEX NO.
C281	177
C282	178
C283	144
---	---
---	---
C286	177
---	---
C288	175
C289	178
C290	144

SYMBOL NO.	INDEX NO.
C291	145
C292	144
C293	178
C294	144
C295	144
C296	178
C297	177
C298	177
C299	144
C300	177

SYMBOL NO.	INDEX NO.
C301	178
C302	144
C303	144
C304	144
C305	144
C306	144

CONNECTOR

SYMBOL NO.	INDEX NO.
---	---
CN412	103
---	---
---	---
---	---
---	---
---	---
---	---
---	---
CN420	105

SYMBOL NO.	INDEX NO.
CN421	104
---	---
---	---
---	---
---	---
---	---
---	---
---	---
---	---
CN430	106

SYMBOL NO.	INDEX NO.
---	---
---	---
---	---
---	---
---	---
---	---
---	---
---	---
---	---
CN450	102

SYMBOL NO.	INDEX NO.
---	---
CN452	101

DIODE

SYMBOL NO.	INDEX NO.
D2	110

FIL

SYMBOL NO.	INDEX NO.
FIL1	148
---	---
FIL3	149
FIL4	149
FIL5	148
FIL6	148
FIL7	148
FIL8	149
FIL9	149
FIL10	149

SYMBOL NO.	INDEX NO.
FIL11	149
---	---
FIL13	149
FIL14	149
FIL15	149
FIL16	149
FIL17	148
FIL18	148
FIL19	147
FIL20	149

SYMBOL NO.	INDEX NO.
FIL21	149
FIL22	149
FIL23	147
FIL24	149
FIL25	147
FIL26	147
FIL27	147
FIL28	147
FIL29	147
FIL30	147

SYMBOL NO.	INDEX NO.
FIL31	147

IC

SYMBOL NO.	INDEX NO.
IC1	119
IC2	119
IC3	119
IC4	119
IC5	119
---	---
---	---
---	---
IC9	121
IC10	1

SYMBOL NO.	INDEX NO.
IC11	114
IC12	113
IC13	120
IC14	122
---	---
IC16	121
IC17	115
IC18	115
IC19	117
IC20	116

SYMBOL NO.	INDEX NO.
IC21	118

24.IPU (B286/B289)

JP

SYMBOL NO.	INDEX NO.
JP1	157
JP2	157
JP3	157
JP4	157
JP5	157
JP6	157

LED

SYMBOL NO.	INDEX NO.
LED1	111
LED2	111
LED3	111
LED4	111
LED5	112

OCS

SYMBOL NO.	INDEX NO.
OCS1	128
OCS2	127

Q

SYMBOL NO.	INDEX NO.
Q1	107
Q2	108
Q3	108
Q4	107
Q5	108
Q6	108
Q7	108
Q8	109
Q9	107

RESISTOR

SYMBOL NO.	INDEX NO.
---	---
---	---
R3	169
R4	169
R5	169
R6	160
---	---
---	---
R9	180
R10	180

SYMBOL NO.	INDEX NO.
---	---
---	---
---	---
---	---
R16	180
R17	180
R18	180
R19	180
---	---

SYMBOL NO.	INDEX NO.
---	---
---	---
R23	169
R24	169
R25	180
R26	180
---	---
---	---
---	---
---	---

RESISTOR

SYMBOL NO.	INDEX NO.
R31	160
R32	159
R33	160
R34	160
R35	160
---	---
R37	160
R38	169
R39	180
R40	174

SYMBOL NO.	INDEX NO.
R41	158
---	---
R43	160
R44	160
R45	160
R46	161
R47	161
R48	161
R49	161
R50	158

SYMBOL NO.	INDEX NO.
R51	169
R52	170
R53	170
R54	170
R55	159
R56	159
---	---
---	---
R59	160
---	---

SYMBOL NO.	INDEX NO.
R61	160
R62	169
R63	159
R64	159
R65	160
R66	160
R67	160
R68	160
R69	159
R70	160

SYMBOL NO.	INDEX NO.
---	---
R72	180
---	---
R74	180
R75	158
R76	180
R77	180
R78	180
R79	180
R80	180

SYMBOL NO.	INDEX NO.
R81	158
R82	180
R83	160
---	---
---	---
R87	170
R88	161
R89	163
R90	160

SYMBOL NO.	INDEX NO.
---	---
R92	169
R93	169
R94	160
R95	160
R96	159
R97	159
R98	159
R99	180
---	---

24.IPU (B286/B289)

RESISTOR

SYMBOL NO.	INDEX NO.	SYMBOL NO.	INDEX NO.	SYMBOL NO.	INDEX NO.	SYMBOL NO.	INDEX NO.	SYMBOL NO.	INDEX NO.	SYMBOL NO.	INDEX NO.	SYMBOL NO.	INDEX NO.
R101	169	R111	161	R121	168	R131	159	R141	160	R151	169	R161	156
R102	180	R112	168	R122	171	R132	159	R142	160	R152	160	R162	164
R103	174	R113	159	R123	159	R133	159	---	---	R153	160	R163	159
R104	180	R114	159	R124	167	R134	159	---	---	R154	160	R164	160
R105	160	R115	168	R125	159	R135	170	---	---	R155	160	R165	165
---	---	R116	168	R126	159	R136	160	R146	160	R156	160	R166	174
R107	170	R117	168	R127	159	R137	160	R147	160	R157	160	R167	174
R108	160	R118	168	R128	169	---	---	R148	169	R158	159	R168	158
---	---	R119	168	R129	159	R139	158	R149	169	R159	169	R169	159
R110	158	R120	168	R130	159	R140	158	R150	169	R160	165	R170	159

RESISTOR

SYMBOL NO.	INDEX NO.	SYMBOL NO.	INDEX NO.	SYMBOL NO.	INDEX NO.	SYMBOL NO.	INDEX NO.	SYMBOL NO.	INDEX NO.	SYMBOL NO.	INDEX NO.	SYMBOL NO.	INDEX NO.
R171	159	R181	158	R191	160	R201	165	R211	180	R221	160	R231	162
R172	159	R182	158	R192	158	R202	159	R212	180	R222	158	R232	160
R173	159	R183	158	R193	165	R203	159	R213	180	R223	158	R233	160
R174	159	R184	156	R194	180	---	---	R214	158	R224	159	R234	160
R175	159	R185	164	R195	180	R205	159	R215	159	R225	159	R235	160
R176	158	R186	164	R196	158	R206	159	R216	159	R226	160	R236	160
---	---	R187	156	R197	159	R207	160	R217	180	---	---	R237	159
R178	160	R188	160	R198	159	R208	160	R218	180	R228	170	R238	160
R179	160	R189	180	R199	180	R209	158	R219	165	R229	162	R239	158
R180	160	R190	158	R200	180	R210	165	R220	158	---	---	R240	158

24.IPU (B286/B289)

RESISTOR

SYMBOL NO.	INDEX NO.
R241	170
R242	169
R243	169
R244	159
R245	160
R246	169
R247	172
R248	172
R249	172
R250	172

SYMBOL NO.	INDEX NO.
R251	172
R252	162
R253	162
R254	166
R255	166
R256	166
R257	166
R258	173
R259	173
R260	173

SYMBOL NO.	INDEX NO.
R261	173
R262	173
R263	173
R264	173
R265	173

REG

SYMBOL NO.	INDEX NO.
REG1	126
---	---
REG3	126
---	---
REG5	126
REG6	125
REG7	124
REG8	123

RN

SYMBOL NO.	INDEX NO.
RN1	150
RN2	129
RN3	129
RN4	151
RN5	151
RN6	129
RN7	151
RN8	151
RN9	129
RN10	151

SYMBOL NO.	INDEX NO.
RN11	151
RN12	129
RN13	129
RN14	130
RN15	150
RN16	150
RN17	151
RN18	151
RN19	129
RN20	129

SYMBOL NO.	INDEX NO.
RN21	151
RN22	151
RN23	133
RN24	154
RN25	151
RN26	151
RN27	129
RN28	151
RN29	151
RN30	129

RN

SYMBOL NO.	INDEX NO.
RN31	129
RN32	151
RN33	151
RN34	129
---	---
---	---
RN37	150
RN38	130
RN39	130
RN40	130

SYMBOL NO.	INDEX NO.
RN41	130
RN42	131
RN43	155
RN44	155
RN45	152
RN46	152
RN47	131
RN48	131
RN49	152
RN50	152

SYMBOL NO.	INDEX NO.
RN51	131
RN52	152
RN53	152
RN54	152
RN55	152
RN56	132
RN57	153
RN58	132
RN59	153
RN60	151

SYMBOL NO.	INDEX NO.
RN61	151
RN62	151
RN63	151
RN64	151
RN65	151
RN66	129
RN67	133
RN68	154
RN69	154
RN70	153

SYMBOL NO.	INDEX NO.
RN71	132
RN72	153
RN73	151
RN74	151
RN75	129
RN76	133
RN77	154
RN78	133
RN79	154
RN80	154

SYMBOL NO.	INDEX NO.
RN81	153
RN82	132
RN83	153
RN84	133
RN85	154
RN86	154
RN87	153
RN88	132
RN89	154
RN90	154

SYMBOL NO.	INDEX NO.
RN91	133
RN92	153
RN93	132

24.IPU (B286/B289)

Index No.	Part No.	Description	Q'ty Per Assembly
*	B286 5210	PCB: IPU	1

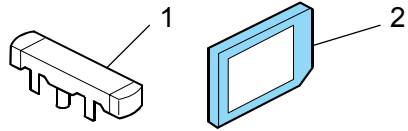
Index No.	Part No.	Description	Q'ty Per Assembly
101	1102 6337	Connector: 6P	
102	1102 6343	Connector: 12P	
103	1102 7097	Connector: TX24-40R-LT-N1E	
104	1102 9210	Connector: 55450-0880	
105	1102 9378	Connector: 55450-1280	
106	1102 9535	Connector: 200PS-JUK-G-B	
107	1400 0637	Transistor: DTC144EUA	
108	1400 0754	Transistor: UMG1N	
109	1400 0948	Transistor: DTC143ZE	
110	1402 1386	Diode DA221	
111	1403 0953	LED: SML-310MT	
112	1403 0978	LED: SML-310DT	
113	1407 5069	IC: DS90C363MTD/NOPB	
114	1407 5090	IC: DS90CF364MTD/NOPB	
115	1407 5334	CMOS Logic: 74LVC244A: TSSOP	
116	1407 5366	CMOS Logic: 74LVC08A: TSSOP	
117	1407 5630	CMOS Logic: SN74LVC138APW	
118	1407 5705	CMOS Logic: SN74LVC06APW	
119	1407 6292	Controller: RB5V861	
120	1407 6335	CMOS Logic: SN74LVC1G17DCK	
121	1407 6568	Clock Generator: ICS7152M-11LF	
122	1408 0575	IC: M51957BFP	
123	1408 1508	Series Regulator: PQ07VZ012ZPH	
124	1408 2388	Series Regulator: AIC1117A-33PYJ	
125	1408 2404	Series Regulator: AIC1117A-18PYJ	
126	1408 2407	Series Regulator: AIC1117A-PEJ	
127	1503 1064	Crystal Oscillator: 24.576MHz	
128	1503 1170	Crystal Oscillator: 21.176MHz	
129	1601 7887	Resistor Array: 10K Ω : \pm 5%: 1/16W: 4Number	
130	1601 7898	Resistor Array: 33 Ω : \pm 5%: 1/16W: 4Number	
131	1601 7913	Resistor Array: 22 Ω : \pm 5%: 1/16W: 4Number	
132	1601 7959	Resistor Array: 1K Ω : \pm 5%: 1/16W: 4Number	
133	1601 7960	Resistor Array: 100 Ω : \pm 5%: 1/16W: 4Number	
134	1604 4968	Capacitor: 330UF: \pm 20%: 6.3V	
135	1604 5066	Capacitor: 100UF: \pm 20%: 50V	

Index No.	Part No.	Description	Q'ty Per Assembly
136	1604 5070	Capacitor: 100UF: ±20%: 10V	
137	1604 5202	Capacitor: 100UF: ±20%: 6.3V	
138	1605 1148	Capacitor: 0.1UF: +80-20%: 50V	
139	1605 1165	Capacitor: 680pF: ±5%: 50V	
140	1605 1187	Capacitor: 0.047UF: ±10%: 50V	
141	1605 1224	Capacitor: 4.7UF: ±10%: 6.3V	
142	1605 1225	Capacitor: 0.1UF: ±10%: 50V	
143	1605 1306	Capacitor: 1UF: ±10%: 10V	
144	1605 1353	Capacitor: 0.1UF: ±10%: 25V	
145	1605 1406	Capacitor: 10UF: ±10%: 6.3V	
146	1605 1563	Capacitor: 10UF: ±10%: 10V	
147	1607 0861	Filter: BK2125HS101	
148	1607 1051	Filter: FBMJ2125HS420	
149	1607 1351	Filter: BLM21PG221SN1B	
150	1609 0005	Resistor: 33Ω: ±5%: 1/16W	
151	1609 0006	Resistor: 10KΩ: ±5%: 1/16W	
152	1609 0011	Resistor: 22Ω: ±5%: 1/16W	
153	1609 0015	Resistor: 1KΩ: ±5%: 1/16W	
154	1609 0025	Resistor: 100Ω: ±5%: 1/16W	
155	1609 0026	Resistor: 47Ω: ±5%: 1/16W	
156	1610 1777	Resistor: 5.1Ω: ±1%: 1/10W: 1608	
157	1634 0000	Resistor: 0Ω: 1608	
158	1654 1000	Resistor: 100Ω: ±1%: 1/10W: 1608	
159	1654 1001	Resistor: 1KΩ: ±1%: 1/10W: 1608	
160	1654 1002	Resistor: 10KΩ: ±1%: 1/10W: 1608	
161	1654 1003	Resistor: 100KΩ: ±1%: 1/10W: 1608	
162	1654 1009	Resistor: 10Ω: ±1%: 1/10W: 1608	
163	1654 1103	Resistor: 110KΩ: ±1%: 1/10W: 1608	
164	1654 1210	Resistor: 121Ω: ±1%: 1/10W: 1608	
165	1654 1500	Resistor: 150Ω: ±1%: 1/10W: 1608	
166	1654 1509	Resistor: 15Ω: ±1%: 1/10W: 1608	
167	1654 1651	Resistor: 1.65KΩ: ±1%: 1/10W: 1608	
168	1654 2209	Resistor: 22Ω: ±1%: 1/10W: 1608	
169	1654 3309	Resistor: 33Ω: ±1%: 1/10W: 1608	
170	1654 4701	Resistor: 4.7KΩ: ±1%: 1/10W: 1608	

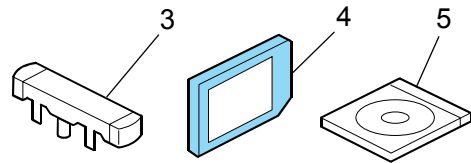
Index No.	Part No.	Description	Q'ty Per Assembly
171	1654 4990	Resistor: 499Ω: ±1%: 1/10W: 1608	
172	1654 5100	Resistor: 510Ω: ±1%: 1/10W: 1608	
173	1654 5109	Resistor: 51Ω: ±1%: 1/10W: 1608	
174	1654 6809	Resistor: 68Ω: ±1%: 1/10W: 1608	
175	1660 2221	Capacitor: 220pF: 50V: 1608	
176	1660 2470	Capacitor: 47pF: 50V: 1608	
177	1660 2471	Capacitor: 470pF: 50V: 1608	
178	1660 4103	Capacitor: 10000pF: 50V: 1608	
179	1660 4222	Capacitor: 2200pF: 50V: 1608	
180	B188 5350	LSI: MB87M4290	
181	B286 5202	PWB: Image Processing Unit	
182	B286 5921	Schematic Diagram: Image Processing Unit	

25.Extension Unit (B286/B289)

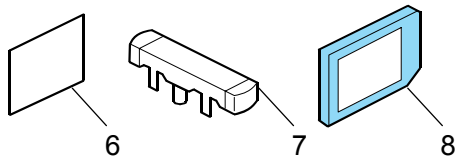
Printer Option Type W3600 (D320)



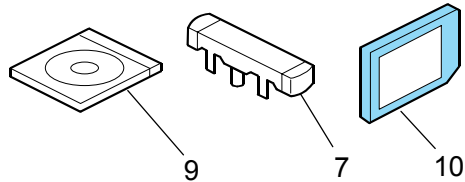
Scanner Option Type W3600 (D321)



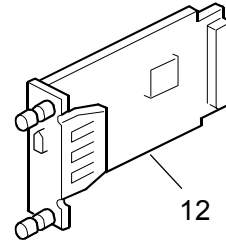
VM Card Type E (D338-02/-03)



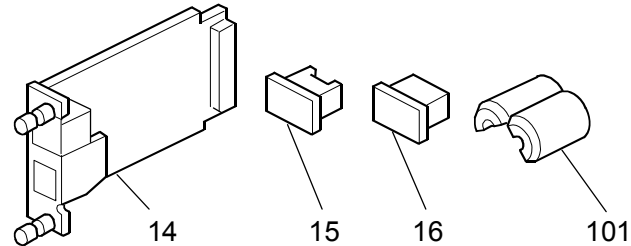
Browser Unit Type C (B828-03)



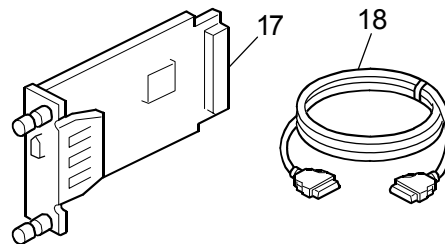
USB Host Interface Unit Type 7300 (G819-01)



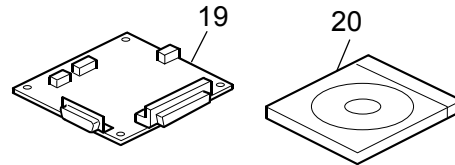
GIGABIT Ethernet Board Type A (G874-01)



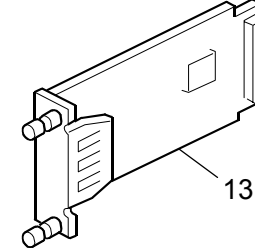
Interface PCB Type W3600 (D329)



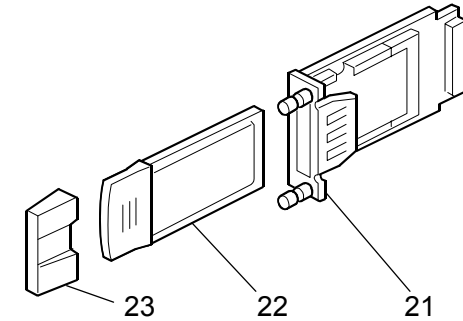
Printer Controller RW-3600 (D344)



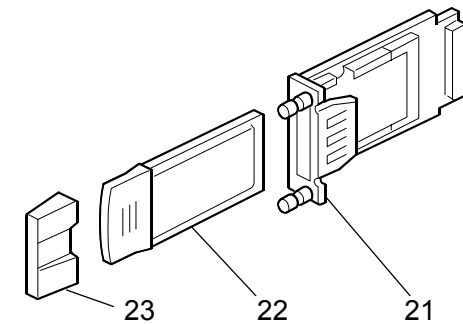
File Format Connector Type C (B609-04)



IEEE802.11b
Interface Unit Type I (G874-39)



IEEE802.11b
Interface Unit Type H (G813-45)

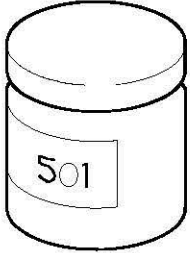
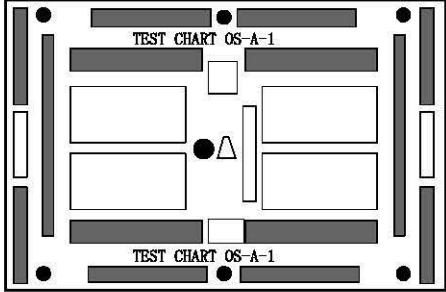
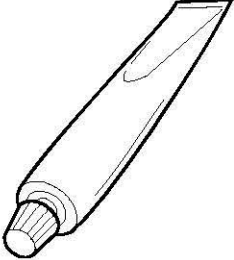


25.Extension Unit (B286/B289)

Index No.	Part No.	Description	Q'ty Per Assembly
1	B223 1531	Keytop - Printer NA	1
1	B223 1537	Keytop - Printer EU	1
2	D320 5117	SD-Card: NTL	1
3	B223 1532	Keytop - Scanner NA	1
3	B223 1538	Keytop - Scanner EU	1
4	D321 5017	SD-Card: Scanner	1
5	D321 5717	CD-ROM: Scanner: GER: Ass'y	1
6	GA00 3176	Decal: SDK	1
7	B223 1533	Keytop: Function: NA	1
7	B223 1539	Keytop: Function: EU	1
8	D338 5001	SD-Card: SDK: NP-C2: Exp: Ass'y	1
9	B828 8700	IC: Manual: Browser: Ass'y	1
10	B828 5003	SD-Card: Browser: NP-C2: Exp: Ass'y	1
12	G819 5000	PCB: USB2.0_Host: Ass'y	1
13	B609 5643	PCB: MLB3: Ass'y	1
14	G874 5000	PCB: Giga+USB: Ass'y	1
15	B129 5008	Cap: Connector: LAN	1
16	B154 5865	Cap: Connector: USB	1
17	B809 5660	PCB: Video_Link2: DC2: Ass'y	1
18	D329 5500	Cable: Video_Link2: 5M: TP	1
19	D344 3021	PCB: RW-3600	1
20	D344 1251	CD-Rom: RW-3600	1
21	B582 5900	PCB: Wireless-Adapter: Ass'y	1
22	G813 5461	Card: WLAN: XI330: NA	1
22	G813 5462	Card: WLAN: XI330: EU	1
23	B582 5300	Cover: Card: B582	1

Index No.	Part No.	Description	Q'ty Per Assembly
101	1607 1092	Ferrite Core: RFC-10	

26.Special Tools (B286/B289)

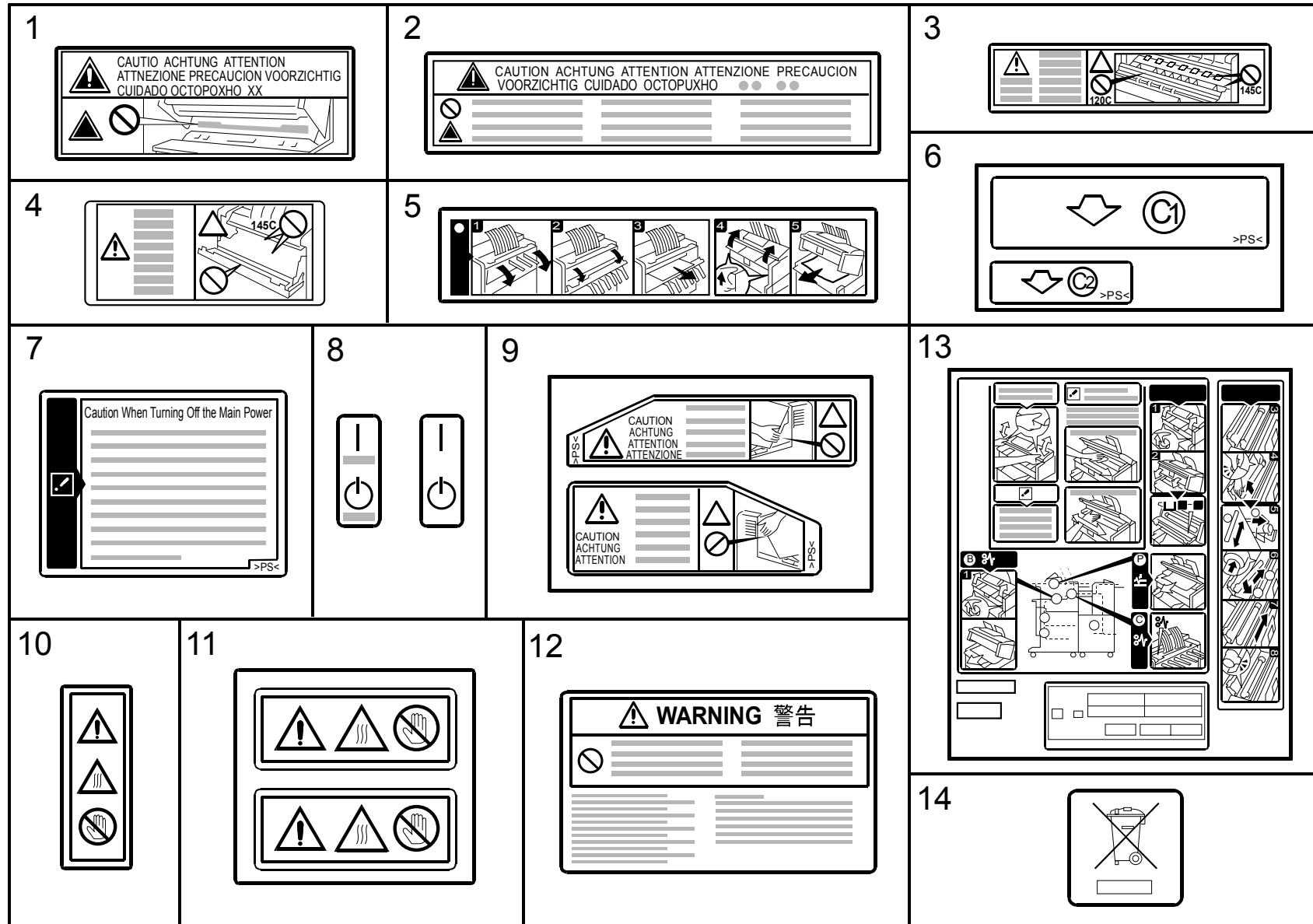
<p>1</p> 	<p>2</p> 	<p>3</p> 	

26.Special Tools (B286/B289)

Index No.	Part No.	Description	Q'ty Per Assembly
1	5203 9501	Grease 501	1
2	A023 9504	Test Chart OS-A-1 (2 Sheets / Set)	1
3	A257 9300	Grease - Barrierta S552R	1

Index No.	Part No.	Description	Q'ty Per Assembly

27. Decal And Documents (B286/B289)



27.Decal And Documents (B286/B289)

Index No.	Part No.	Description	Q'ty Per Assembly
1	AA00 0225	Decal: High Temperature: 120C	1
2	AA00 0226	Decal: Warning: High Temperature	1
3	AA00 0235	Decal: Warning: High Temperature	1
4	AA00 0251	Decal: H-temp Warning: Fusing Exit	1
5	AA00 3209	Decal - Misfeed Removal Exit	1
6	AA00 3210	Decal - Grip	2
7	B082 6403	Decal: Power Source: Off: Exp	1
8	B125 1262	Decal: Main Switch: NA	1
8	B125 1263	Decal: Main Switch	1
9	B125 1265	Decal: High Temperature: Multi	1
10	B125 1266	Decal: High Temperature: Vertical	1
11	B125 1268	Decal: High Temperature: Side	1
12	B286 3662	Decal: Toner Recycling	1
13	B286 4885	Decal: Original: Operate: Exp	1
14	J001 2314	Decal - WEEE	1

Index No.	Part No.	Description	Q'ty Per Assembly

B286/B289
PARTS INDEX

This section instructs you as to the numbers and names of parts on this machine.

PM Parts Index

Section Name	Part No.	Description in Service Manual	Description in Parts Catalog	Q'ty Per Assembly	Page and Index No.
Charge & Transfer Unit (B286/B289)	AD02 0089	Charge Corona Wire - G	Charge Corona Wire – G	1	27 19
Charge & Transfer Unit (B286/B289)	AD02 0059	Corona Wire - Main (Transfer)	Corona Wire - Main	1	27 - 7
Charge & Transfer Unit (B286/B289)	AD02 0072	Corona Wire - Separation	Corona Wire - Separation	1	27 - 8
Charge & Transfer Unit (B286/B289)	B125 2061	Cleaner: Charge Corona	Cleaner: Charge Corona	1	27 - 23
Development Unit (B286/B289)	B125 9640	Developer (1000g)	Developer Type 30W Black	1	25 - 1
Drum Section (B286/B289)	A165 3581	Cleaning Blade	Cleaning Blade	1	23 - 37
Fusing Unit 1 (B286/B289)	AE01 1085	Hot Roller - MM50	Hot Roller - MM50	1	31 - 13
Fusing Unit 1 (B286/B289)	AE03 1056	Bushing - Fusing (Hot Roller)	Bushing - Fusing	2	31 - 7
Fusing Unit 1 (B286/B289)	AE02 0148	Pressure Roller:MM55	Pressure Roller:MM55	1	31 - 17
Fusing Unit 1 (B286/B289)	AE04 2047	Fusing Cleaning Roller	Fusing Cleaning Roller	1	31 - 30
Electrical Section 2 (B286/B289)	AA01 0119	Exhaust Ozone Filter	Ozone Filter	1	43 - 7

Parts Index

Part No.	Description	Page and Index No.
B286 1003	Duct: Exhaust	47 - 24
B286 1049	Gasket: 20mm	45 - 24
B286 1098	Cover: Thermostat	47 - 35
B286 1131	Drum Stay	23 - 2
B286 1136	Bracket: DC Motor	21 - 4
B286 1139	Flange: Pulley	21 - 9
B286 1141	Tightener	23 - 43
B286 1144	Spring: Tightener: Drum	23 - 15
B286 1146	Pulley: Tightener	23 - 3
B286 1151	Flange: Timing Pulley	23 - 1
B286 1183	Shield: Duct: Inner	47 - 23
B286 1259	Cover: Middle: Interface	49 - 1
B286 1260	Cover: Interface	49 - 10
B286 1350	Copy Tray: Upper	7 - 17
B286 1380	Original Tray	7 - 30
B286 1382	Holder: Original Tray	7 - 28
B286 1461	PCB: LCDC: NA	11 - 20
B286 1462	PCB: LCDC	11 - 20
B286 1467	PCB: OP-L	11 - 14
B286 1468	Ground Wire	11 - 22
B286 1474	Lens: Front	11 - 31
B286 1475	Bracket: LCDC	11 - 23
B286 1481	Operation Panel Unit: NA	11 - *
B286 1482	Operation Panel Unit: EU	11 - *
B286 1500	Cover: Operation Panel	9 - 6
B286 1505	Bracket: Operation Sub-unit: Lower	9 - 20
B286 1601	Contact Image Sensor Unit	15 - 14
B286 1803	Holder: CISIF	15 - 21
B286 1860	LED Head: Unit	21 - 18
B286 2594	Manual Feed Table	7 - 3
B286 3006	Development Unit	25 - *
B286 3555	Side Plate: Left	23 - 7
B286 3583	Slider: Collection Bottle: Lower	47 - 28
B286 3661	Collection Bottle	9 - 16
B286 3662	Decal: Toner Recycling	69 - 12

Part No.	Description	Page and Index No.
B286 3662	Decal: Toner Recycling	9 - 17
B286 3664	DC Motor 24V 5.85W	45 - 4
B286 3683	Shield: Joint: Upper	45 - 17
B286 3830	T/S Corona Unit	27 - 1
B286 3855	Sheet: Entrance: Transfer: Ass'y	27 - 2
B286 4006	Fusing Unit 120V	31 - *
B286 4007	Fusing Unit 230V	31 - *
B286 4135	Bracket: Heater: Right	31 - 33
B286 4136	Bracket: Heater: Left	31 - 9
B286 4137	Cover: Heater: Left	31 - 1
B286 4148	Holder: Pressure Roller	31 - 14
B286 4163	Stay: Lower: Fusing	33 - 22
B286 4213	Arm: Cleaning Roller: Right	31 - 32
B286 4214	Arm: Cleaning Roller: Left	31 - 28
B286 4282	Cover: Fusing: Upper	43 - 2
B286 4285	Shield: Cover: Fusing: Harness	43 - 5
B286 4292	Shield: Front: Guide Plate: Duct	43 - 11
B286 4293	Fan Motor DC24V 8.5W	43 - 8
B286 4450	Paper Exit Unit	37 - *
B286 4455	Bracket: Lock: Right	37 - 3
B286 4463	DC Solenoid: Gate Pawl	37 - 22
B286 4464	Gasket: Guide Plate	37 - 2
B286 4484	Fusing/paper Exit Unit	35 - *
B286 4497	Shield: Guide: Left Upper	35 - 14
B286 4498	Shield: Guide: Right Upper	35 - 13
B286 4499	Grip: Exit	35 - 15
B286 4630	Bracket: Original Sensor	17 - 8
B286 4631	Bracket: Original Sensor: NA	17 - 8
B286 4665	Transport Roller: Original Insert	17 - 11
B286 4675	Transport Roller: Original Exhaust	15 - 15
B286 4682	Guide Plate: Front Lower: EU	15 - 1
B286 4692	Guide Plate: Front Lower: NA	15 - 1
B286 4696	Guide Plate: Original: Rear Lower	15 - 16
B286 4700	Original Table: Printing	9 - 5
B286 4702	Original Table: NA	9 - 5

Part No.	Description	Page and Index No.
B286 4755	Shield: Block Light	29 - 22
B286 4767	Keytop: Original: Stop	13 - 47
B286 4805	Cover: Toner Cartridge	7 - 5
B286 4811	Decal: Emblem: RIC	7 - 6
B286 4854	Cushion: Keytop: Original: Stop	13 - 46
B286 4885	Decal: Original: Operate: Exp	69 - 13
B286 4885	Decal: Original: Operate: Exp	7 - 9
B286 4885	Decal: Original: Operate: Exp	13 - 48
B286 4885	Decal: Original: Operate: Exp	49 - 2
B286 4940	Pressure Plate	13 - 9
B286 4966	Bracket: Pressure Plate: Left	13 - 2
B286 4967	Bracket: Pressure Plate: Right	13 - 43
B286 5053	PWB: MCU	54 - 239
B286 5100	PCB: SIB	21 - 11
B286 5114	PCB: CISIF	15 - 22
B286 5202	PWB: Image Processing Unit	61 - 181
B286 5210	PCB: IPU	61 - *
B286 5210	PCB: IPU	41 - 4
B286 5270	PCB: MB	41 - 7
B286 5280	PCB: MCU	41 - 3
B286 5280	PCB: MCU	54 - *
B286 5400	PCB: VDB: DPIT	21 - 10
B286 5607	Cover: Harness	49 - 4
B286 5608	Bracket: HDD	49 - 22
B286 5609	Cover: SD-card	49 - 26
B286 5610	Bracket: Leak Breaker	49 - 7
B286 5612	Panel: Lower: MLB	49 - 28
B286 5613	Stay: LVDS	21 - 22
B286 5614	Gasket: Stay: LVDS	21 - 23
B286 5618	Bracket: VDB	21 - 24
B286 5701	Ground Wire	13 - 57
B286 5702	Harness: DC: Fusing: Sensor	33 - 24
B286 5711	Harness: AC: Leak Breaker	49 - 8
B286 5712	Harness: High Voltage: Separation	43 - 14
B286 5713	Harness: High Voltage: Transfer	43 - 13

Part No.	Description	Page and Index No.
B286 5714	Harness: High Voltage	21 - 16
B286 5715	Harness: High Voltage: Grid	21 - 15
B286 5716	Harness: High Voltage: Charge Corona	21 - 17
B286 5717	Harness: DC: Debug: Main	49 - 19
B286 5719	Harness: AC: Machine or Copier	43 - 17
B286 5720	Harness: DC: MB	41 - 8
B286 5722	Harness: DC: LVDS: Main	41 - 5
B286 5722	Harness: DC: LVDS: Main	21 - 14
B286 5723	Harness: DC: Scanner Unit	21 - 19
B286 5724	Harness: DC: Sib-CISIF	21 - 20
B286 5725	Harness: DC: Machine or Copier: Right	41 - 1
B286 5726	Harness: DC: Main: Left: A	41 - 2
B286 5732	Harness: DC: Scanner Unit: NA	21 - 19
B286 5734	Power Supply Cord: Stopper: 120V	49 - 5
B286 5736	Harness: AC: Fusing: EU	43 - 18
B286 5739	Ground Wire: Paper Exit Unit	37 - 23
B286 5740	Harness: DC: Operation Sub-unit	13 - 12
B286 5741	Ground Wire: Scanner Unit: 2	17 - 5
B286 5742	Harness: DC: SIB-CISIF: CLK	21 - 21
B286 5743	Ground Wire: Operation Sub-unit	9 - 19
B286 5750	Gasket: Uc-300281: 50mm	13 - 58
B286 5751	Gasket: Rfsg-120100: 30mm	17 - 15
B286 5755	Gasket: Stgn7-10: 10mm	19 - 8
B286 5831	PCB: Type-BZ2: Ass'y	49 - 15
B286 5850	Harness: DC: HDD: IDE	49 - 16
B286 5851	Harness: DC: HDD: Power Source	49 - 17
B286 5921	Schematic Diagram: Image Processing Unit	61 - 182
B286 5952	Schematic Diagram: MCU	54 - 240
B286 7707	Manual: Troubleshooting: NA	7 - 26
B286 7737	Manual: About Machine: NA	7 - 26
B286 7907	Manual: Security REF: NA	7 - 26
B286 9590	Counter: NOVITA2.2+: 128KB	49 - 18
B289 4811	Decal: Emblem: RIC	7 - 6
B289 5727	Harness: DC: Main: Left: B	41 - 2

Part No.	Description	Page and Index No.
A023 4096	Fusing Lamp Supporter	31 - 10
A023 9504	Test Chart OS-A-1 (2 Sheets / Set)	67 - 2
A060 3826	Toner Collection Bottle Roller	9 - 14
A060 3827	Roller Holder	9 - 13
A134 1195	Seal - Fan Harness	43 - 10
A163 2052	Left Grid Terminal	27 - 16
A163 2251	Drum Knob	23 - 23
A163 3607	Right Pressure Lever	23 - 34
A163 3608	Left Pressure Lever	23 - 32
A163 3609	Lever Shaft	23 - 33
A163 3611	Pick-off Pawl	23 - 29
A163 4109	C - Ring - 19m	31 - 15
A163 4122	Entrance Guide Plate Holder	33 - 13
A163 4124	Holder Cam	33 - 14
A163 4183	Upper Pressure Release Lever	33 - 1
A163 4235	Tube Holder	35 - 10
A163 4236	Exit Tube	35 - 9
A163 4347	Separation Roller	47 - 29
A163 4453	Exit Driven Roller	37 - 8
A163 6052	Original Table Bushing	13 - 16
A165 3581	Cleaning Blade	23 - 37
A174 1162	Idle Gear - 28Z	25 - 9
A174 1163	Development Sleeve Gear	25 - 2
A174 1164	Auger Gear	25 - 6
A174 1167	Paddle Gear	25 - 7
A174 3931	Guide: Paper: T/S Corona: Middle: Right	27 - 11
A174 3932	Guide: Paper: T/S Corona: Middle: Left	27 - 10
A174 3937	Right Paper Guide - T/S Outer	27 - 12
A174 3938	Left Paper Guide - T/S Outer	27 - 9
A174 4372	Gate Pawl Drive	37 - 14
A222 2680	Torque Limiter	19 - 24
A257 9300	Grease - Barrierta S552R	67 - 3
A259 1158	Pulley Flange	39 - 9
A267 1089	Grounding Plate - Upper Rear	49 - 24
A422 1356	Pin - 3x26mm	13 - 13

Part No.	Description	Page and Index No.
A548 2139	Pulley	39 - 27
A571 7700	Screw: Spring Washer: M2.6X5	45 - 22
A675 2629	Stepper Motor Cushion	29 - 1
B004 4087	Plate- Thermistor	33 - 8
B010 1359	Operating Instructions Holder	7 - 20
B010 2061	Right Holder - Charge Corona	27 - 28
B010 2062	Left Holder - Charge Corona	27 - 27
B010 3121	Gear - 28Z	25 - 32
B010 3150	Entrance Seal	25 - 18
B010 3206	Joint: Toner Hopper: Unit	25 - 23
B010 3211	Drum Stay: Spring	25 - 21
B010 3212	Spring: Joint	25 - 22
B010 4312	Upper Guide	35 - 6
B010 4324	Idler Gear - 30Z	35 - 22
B010 4458	Gate Pawl Plate	37 - 19
B010 9510	Drum	23 - 18
B065 1374	Cloth - DF Exposure Glass	7 - 23
B070 5670	Right Rail	49 - 11
B070 5671	Left Rail	49 - 12
B082 6403	Decal: Power Source: Off: Exp	7 - 25
B082 6403	Decal: Power Source: Off: Exp	69 - 7
B101 5993	Interface Panel	49 - 25
B104 4084	Thermostat Housing	33 - 5
B104 4086	Cover - Housing Thermostat	33 - 19
B125 1056	Stand	47 - 15
B125 1057	Cove: Harness Clamp	43 - 21
B125 1084	Bracket: Latch: Right	45 - 20
B125 1085	Lever: Micro Switch	45 - 19
B125 1087	Shaft: Gas Spring: Upper	47 - 13
B125 1088	Anchor: Gas Spring	47 - 14
B125 1091	Bracket: Contact Point: Outer: Left	47 - 8
B125 1092	Bracket: Contact Point: Outer: Right	47 - 9
B125 1093	Bracket: Contact Point: Inner: Left	47 - 10
B125 1094	Bracket: Contact Point: Inner: Right	47 - 11
B125 1095	Lever: Machine Or Copier: Left	47 - 3

Part No.	Description	Page and Index No.
B125 1096	Lever: Machine Or Copier: Right	47 - 4
B125 1097	Knob: Lever	47 - 1
B125 1100	Pin: Hinge	47 - 7
B125 1125	Tightener: Development	39 - 22
B125 1130	Tightener: Registration	39 - 28
B125 1136	Tightener: Fusing	39 - 4
B125 1146	Arm: Coupling: Development	39 - 16
B125 1147	Shaft: Coupling: Development	39 - 17
B125 1156	Cover: PCB	21 - 13
B125 1161	Bracket: Fix: Fusing Unit: Right	47 - 22
B125 1162	Bracket: Fix: Fusing Unit: Left	47 - 21
B125 1170	Bracket: Power Supply Cord	49 - 6
B125 1171	Bracket: Power Pack	43 - 16
B125 1261	Bracket: Cover: Lower	39 - 30
B125 1261	Bracket: Cover: Lower	47 - 26
B125 1262	Decal: Main Switch: NA	69 - 8
B125 1263	Decal: Main Switch	69 - 8
B125 1264	Bracket: Cover: Lower: 2	47 - 25
B125 1265	Decal: High Temperature: Multi	69 - 9
B125 1265	Decal: High Temperature: Multi	7 - 12
B125 1266	Decal: High Temperature: Vertical	69 - 10
B125 1266	Decal: High Temperature: Vertical	45 - 15
B125 1267	Sheet: LGD	47 - 27
B125 1268	Decal: High Temperature: Side	69 - 11
B125 1268	Decal: High Temperature: Side	9 - 9
B125 1269	Sheet: Fusing: Small	33 - 15
B125 1271	Sheet: Fusing: Large	33 - 16
B125 1283	Cover: Right Upper	7 - 13
B125 1284	Cover: Rear Lower	9 - 10
B125 1286	Cover: Left Upper	7 - 10
B125 1287	Cover: Left Lower	7 - 11
B125 1288	Cover: Right Lower	7 - 14
B125 1355	Guide Plate: Brush	7 - 21
B125 1358	Guide: Original: Middle	7 - 19
B125 1363	Guide: Original	7 - 15

Part No.	Description	Page and Index No.
B125 1364	Guide Plate: Guide: Original	7 - 16
B125 1474	Rivet: MM5	7 - 22
B125 1727	Spring Plate: Exposure Glass: Right	15 - 12
B125 1728	Spring Plate: Exposure Glass: Left	15 - 11
B125 1971	Plate: Shaft	21 - 8
B125 2018	Terminal: Grid: Right	27 - 25
B125 2060	Cleaner: Slider	27 - 22
B125 2061	Cleaner: Charge Corona	27 - 23
B125 2070	Bracket	29 - 13
B125 2085	Tension Spring: 4291MN	29 - 11
B125 2106	Spring Plate: Earth	29 - 18
B125 2113	Holder: Wire	29 - 26
B125 2124	Spring Plate: Charge Corona: Left	29 - 17
B125 2125	Guard: Spring Plate: Left	29 - 16
B125 2127	Spring Plate: Charge Corona: Right	29 - 19
B125 2128	Guard: Spring Plate: Right	29 - 20
B125 2130	Shielding Plate: Charge Corona	29 - 4
B125 2253	Holder: Ball Bearing	23 - 6
B125 2469	C-ring: Drum Shaft	23 - 14
B125 2472	Balancer: OPC Drum	23 - 19
B125 2571	Guide Plate: Lower	19 - 3
B125 2572	Guide Plate: Manual Feed	19 - 6
B125 2575	Guide Plate: Registration: Upper	19 - 9
B125 2579	Feeler: Registration Sensor	19 - 22
B125 2580	Holder: Feeler	19 - 23
B125 2581	Bracket: Sensor	19 - 16
B125 2582	Bracket: Positioning: Left	25 - 19
B125 2583	Bracket: Positioning: Right	25 - 20
B125 2584	Sheet: Manual Feed: Middle	19 - 5
B125 2585	Sheet: Manual Feed: Left and Right	19 - 4
B125 3205	Stay: Toner Hopper	25 - 11
B125 3213	Electrode Plate: Development	25 - 24
B125 3230	Spacer - 0.3	25 - 31
B125 3233	Bearing Case	25 - 8
B125 3551	Side Plate: Right	23 - 39

Part No.	Description	Page and Index No.
B125 3554	Shutter: Discharge Used Toner	23 - 42
B125 3563	Casing: Cleaning	23 - 35
B125 3566	Casing: Pickoff Pawl: Welding	23 - 27
B125 3580	Density Sensor: Unit	23 - 25
B125 3659	Cushion: Swivel: Stopper	45 - 1
B125 3671	Vibrating Plate: Collection Bottle	45 - 2
B125 3672	Bracket: Swivel: Collection Bottle	45 - 5
B125 3674	Cam: Gear: Swivel	45 - 3
B125 3681	Joint: Collection Bottle	45 - 18
B125 3687	Spring Washer: WW-6012	45 - 23
B125 3688	Leaf Spring: Collection Bottle	9 - 15
B125 3864	Leaf Spring: T/S Corona	45 - 7
B125 3865	Guide Plate: Transport	45 - 14
B125 3868	Shielding Plate: Harness	27 - 29
B125 3870	Guide Plate: T/S Corona: Lower	45 - 8
B125 3871	Grounding Plate: T/S Corona: Mid	45 - 9
B125 3872	Cover: Transfer Corona: Lower	45 - 10
B125 3873	Guard: Leaf Spring	45 - 11
B125 4103	Side Plate: Fusing: Right	33 - 21
B125 4113	Side Plate: Fusing: Left	33 - 20
B125 4130	C-ring: MM50	31 - 5
B125 4137	Cover: Heater	31 - 8
B125 4145	Shaft: Pressure Roller	31 - 18
B125 4151	Stay: Fusing: Upper	33 - 6
B125 4156	Electrode Plate: Thermostat	33 - 4
B125 4162	Bracket: Thermistor	33 - 17
B125 4172	Lever: Pressure	31 - 3
B125 4173	Lever: Pressure Release: Lower	31 - 11
B125 4174	Shaft: Lever: Pressure Release	33 - 2
B125 4180	Guide Plate: Entrance	33 - 12
B125 4194	Guide Plate: Fusing Exit: Lower	31 - 19
B125 4195	Guide: Auxiliary: Fusing Exit	31 - 20
B125 4211	Fusing Cover: Upper	31 - 24
B125 4215	Heat Insulation: Cover: Fusing	31 - 25
B125 4283	Duct: Louver	43 - 12

Part No.	Description	Page and Index No.
B125 4298	Guide Plate: Duct	43 - 9
B125 4343	Cam: Pressure Release: Fusing: Right	47 - 6
B125 4344	Cam: Pressure Release: Fusing: Left	47 - 5
B125 4351	Bracket: Roller	47 - 30
B125 4352	Guide: Bracket: Roller	47 - 34
B125 4353	Ground Plate: Exhaust	47 - 16
B125 4356	Cover: Safety Switch	45 - 16
B125 4359	Roller: Separation: Small	47 - 31
B125 4360	Ground Plate: Fusing	49 - 3
B125 4360	Ground Plate: Fusing	43 - 22
B125 4451	Cover: Exit	37 - 7
B125 4452	Leaf Spring: Exit Roller: Upper	37 - 9
B125 4453	Leaf Spring: Exit Roller: Lower	37 - 10
B125 4456	Positioning Plate: Exit	37 - 4
B125 4458	Guide Plate: Exit	37 - 16
B125 4460	Bracket: Lock: Exit: Left	37 - 11
B125 4462	Stay: Exit	37 - 24
B125 4475	Guide: Fusing/Paper Exit Unit	35 - 16
B125 4477	Guide: Fusing/Paper Exit: Middle	35 - 11
B125 4479	Lower Drive Exit Roller	35 - 12
B125 4481	Upper Drive Exit Roller	35 - 7
B125 4488	Arm: Drive: Fusing/exit Unit	35 - 23
B125 4613	Bracket: Registration Sensor	17 - 10
B125 4616	Bracket: Original: Exit Sensor	15 - 20
B125 4652	Bracket: Set Sensor	17 - 3
B125 4656	Bushing: Arm: Front	17 - 14
B125 4689	Front CIS Guide	15 - 2
B125 4697	Bushing: Arm: Rear	29 - 23
B125 4720	Side Fence: Left	7 - 1
B125 4720	Side Fence: Left	9 - 3
B125 4723	Side Fence: Right	7 - 2
B125 4723	Side Fence: Right	9 - 4
B125 4725	Cover: Original: Upper	13 - 42
B125 4732	Stopper: Original: Upper	13 - 14
B125 4738	Roller: Driven: Original	13 - 34

Part No.	Description	Page and Index No.
B125 4742	Supporting Plate: Cover: Original	13 - 10
B125 4751	Shaft: Driven	13 - 36
B125 4752	Roller: Driven	13 - 35
B125 4753	Grounding Plate: Original: Front Lower	17 - 7
B125 4754	Grounding Plate: Original: Rear Lower	29 - 24
B125 4756	Guard: Grounding Plate: Rear	29 - 25
B125 4761	Shaft: Contact Point: Original: Upper	13 - 17
B125 4806	Sheet: Cover: Toner Cartridge	7 - 7
B125 4809	Cover: Original: Drive	13 - 3
B125 4815	Tensioner: Belt	15 - 7
B125 4817	Sheet: Magnet Catch	25 - 27
B125 4825	Sheet: Block Light: 1	13 - 41
B125 4826	Sheet: Block Light: 2	13 - 56
B125 4827	Sheet: Block Light: 3	13 - 37
B125 4828	Sheet: Block Light: 4	13 - 38
B125 4829	Sheet: Block Light: 5	13 - 39
B125 4852	Case: Spring	13 - 7
B125 4853	Plate: Spring	13 - 8
B125 4864	Knob: Pressure Release	13 - 21
B125 4866	Bracket: Pressure Release	13 - 23
B125 4870	Stand: Pressure Release: Left	13 - 18
B125 4871	Stand: Pressure Release: Right	13 - 27
B125 4879	Sheet: Shield: Paper Size Sensor	13 - 40
B125 4884	Cover: Original: Switch	13 - 44
B125 4900	Stopper: Open And Close: Left: Ass'y	13 - 52
B125 4902	Bracket: Open And Close: Stopper: Left	13 - 51
B125 4905	Stopper: Open And Close: Right: Ass'y	13 - 55
B125 4907	Bracket: Open And Close: Stopper: Right	13 - 54
B125 4910	Tension Spring: Stopper	13 - 53
B125 4912	Shaft: Contact Point: Stopper	13 - 49
B125 4913	Shaft: Spring: Stopper	13 - 50
B125 5602	Harness: AC: Fusing: Connecting: 1	33 - 3
B125 5606	Harness: AC: Fusing: Connect: 120V	33 - 11
B125 5607	Harness: AC: Fusing: Connect: 220/230V	33 - 11
B125 5608	Harness: AC: Fusing: 120V	43 - 18

Part No.	Description	Page and Index No.
B125 5643	Ground Wire: Scanner Unit: 3	37 - 13
B125 5683	Ground Wire: Pressure Plate	13 - 5
B125 5688	Grounding Wire: Scanner Unit: 1	13 - 4
B125 5691	Harness: DC: Scanner Unit: Set Sensor	17 - 4
B125 9640	Developer Type 30W Black	25 - 1
B129 5008	Cap: Connector: LAN	65 - 15
B132 1531	Panel: Logo	7 - 27
B154 5865	Cap: Connector: USB	65 - 16
B188 2255	Spacer: Compression Spring: Drum	23 - 22
B188 2256	Stopper: Ball Bearing	23 - 10
B188 3101	Filter Bracket	25 - 16
B188 3575	Screw: Lever: Release: Blade	23 - 30
B188 3575	Screw: Lever: Release: Blade	15 - 3
B188 3582	Lever: Release: Blade	23 - 31
B188 4159	Positioning Plate: Lock	35 - 2
B188 4461	Ground Wire: Paper Exit Unit	37 - 12
B188 5350	LSI: MB87M4290	61 - 180
B223 1494	Touch Panel - W-VGA F	11 - 25
B223 1507	Shading Plate: Touch Panel: Ass'y	11 - 24
B223 1520	Keytop - Clear/stop	11 - 4
B223 1521	Keytop: 10Key	11 - 5
B223 1528	Keytop - Copy NA	11 - 3
B223 1529	Keytop - Doc NA	11 - 2
B223 1531	Keytop - Printer NA	65 - 1
B223 1532	Keytop - Scanner NA	65 - 3
B223 1533	Keytop: Function: NA	65 - 7
B223 1534	Keytop: Copy: EU	11 - 3
B223 1535	Keytop: Doc: EU	11 - 2
B223 1537	Keytop - Printer EU	65 - 1
B223 1538	Keytop - Scanner EU	65 - 3
B223 1539	Keytop: Function: EU	65 - 7
B223 1540	Keytop: 10Key: NA	11 - 5
B238 1470	PCB OP-R	11 - 13
B238 1480	Harness - OP-R 10P	11 - 16
B238 1481	Harness - OP-R 13P	11 - 15

Part No.	Description	Page and Index No.
B238 1484	Harness - Inverter	11 - 19
B238 1485	LCD STN W-VGA	11 - 28
B238 1486	Inverter STN	11 - 18
B238 1487	Cable FFC LCD	11 - 21
B238 1504	Keytop - Start	11 - 7
B238 1506	Keytop - Try Print	11 - 8
B238 1509	Keytop - Interrupt	11 - 9
B238 1511	Keytop - Counter	11 - 34
B238 1518	Keytop - Blank	11 - 1
B238 1521	Dial	11 - 32
B238 1522	Cover: Volume: Lower	11 - 33
B238 1533	Insulator	11 - 17
B238 1534	LCD Spacer A	11 - 27
B238 1535	LCD Spacer B	11 - 26
B238 1547	Spacer - Keytop	11 - 35
B238 1549	Keytop - Power Source	11 - 12
B238 1550	Keytop - Login	11 - 11
B238 1552	Keytop - Kantan	11 - 10
B238 1583	Keytop - Clear Modes	11 - 6
B238 5503	IC: TRIO2	54 - 238
B247 5226	HDD: Hitachi: 80GD: Path: ROHS	49 - 20
B257 4231	Arm Stopper	35 - 26
B257 5496	Power Supply Cord: 230V	49 - 5
B275 1086	Gas Spring	47 - 12
B275 1352	Guide Rod	7 - 18
B275 1670	Guard Burring	47 - 33
B275 1670	Guard Burring	9 - 8
B275 2036	Washer - DIA3	29 - 28
B275 4770	Stepper Motor DC3.05V 4.4W	29 - 2
B275 5657	Harness - DC Charge 1	29 - 3
B275 5671	Harness - DC Original Exhaust	37 - 17
B275 5686	Harness - DC Scanner Unit	15 - 18
B275 5690	Harness - DC QL	29 - 15
B275 5692	Harness - DC Cleaning Unit	23 - 24
B275 5693	Harness - DC Registration Sensor	19 - 14

Part No.	Description	Page and Index No.
B275 5699	Harness - DC Fan Motor	43 - 6
B582 5300	Cover: Card: B582	65 - 23
B582 5900	PCB: Wireless-Adapter: Ass'y	65 - 21
B609 5643	PCB: MLB3: Ass'y	65 - 13
B624 2530	Spacer: Pressure Plate: Front	39 - 11
B809 5660	PCB: Video_Link2: DC2: Ass'y	65 - 17
B828 5003	SD-Card: Browser: NP-C2: Exp: Ass'y	65 - 10
B828 8700	IC: Manual: Browser: Ass'y	65 - 9
D009 1482	Harness: OP-L: 12	11 - 30
D009 1483	Harness: OP-L: 13	11 - 29
D320 5117	SD-Card: NTL	65 - 2
D321 5017	SD-Card: Scanner	65 - 4
D321 5717	CD-ROM: Scanner: GER: Ass'y	65 - 5
D329 5500	Cable: Video_Link2: 5M: TP	65 - 18
D338 5001	SD-Card: SDK: NP-C2: Exp: Ass'y	65 - 8
D344 1251	CD-Rom: RW-3600	65 - 20
D344 3021	PCB: RW-3600	65 - 19
G020 4444	Tightener	39 - 21
G020 5626	Push Switch	33 - 23
G108 5020	PCB: DDR-DIMM: 512MB	49 - 13
G568 2839	Tightener - M16	15 - 4
G568 2839	Tightener - M16	39 - 5
G813 5461	Card: WLAN: XI330: NA	65 - 22
G813 5462	Card: WLAN: XI330: EU	65 - 22
G819 5000	PCB: USB2.0_Host: Ass'y	65 - 12
G874 5000	PCB: Giga + USB: Ass'y	65 - 14
H004 3755	Square Bushing	17 - 12
H004 3755	Square Bushing	13 - 11
H072 2207	Guard	21 - 7
H072 2207	Guard	17 - 13
H072 2207	Guard	13 - 19
J001 2314	Decal - WEEE	69 - 14

Part No.	Description	Page and Index No.
AA00 0225	Decal: High Temperature: 120C	47 - 20
AA00 0225	Decal: High Temperature: 120C	69 - 1
AA00 0226	Decal: Warning: High Temperature	35 - 5
AA00 0226	Decal: Warning: High Temperature	69 - 2
AA00 0235	Decal: Warning: High Temperature	35 - 1
AA00 0235	Decal: Warning: High Temperature	69 - 3
AA00 0251	Decal: H-temp Warning: Fusing Exit	69 - 4
AA00 0251	Decal: H-temp Warning: Fusing Exit: Outer	43 - 23
AA00 3209	Decal - Misfeed Removal Exit	69 - 5
AA00 3209	Decal - Misfeed Removal Exit	43 - 3
AA00 3210	Decal - Grip	69 - 6
AA00 3210	Decal - Grip	37 - 1
AA00 3210	Decal - Grip	43 - 4
AA01 0119	Ozone Filter	43 - 7
AA01 2081	Development Filter	25 - 17
AA04 3527	Timing Belt - 230XL	35 - 25
AA04 3588	Timing Belt - B60S2M480	15 - 10
AA04 3644	Timing Belt - B60S2M214	39 - 14
AA04 3653	Timing Belt: 100S2M260	39 - 25
AA04 3654	Timing Belt: 60S3M471	39 - 7
AA04 3655	Timing Belt: 135S2M426	23 - 5
AA05 0113	Wire: Cleaner	29 - 10
AA06 0749	Spring	27 - 17
AA06 0942	Pressure Roller Pickoff Pawl Spring	31 - 22
AA06 0943	Belt Tensioner Spring	15 - 6
AA06 0965	Spring: Corona Wire: Charge	27 - 21
AA06 0965	Spring: Corona Wire: Charge	29 - 27
AA06 0969	Spring: Pressure Release	39 - 18
AA06 1006	Spring: Blade: Cleaning	39 - 23
AA06 1011	Tension Spring	39 - 29
AA06 1016	Spring: Middle	35 - 27
AA06 2325	Cleaning Blade Spring	23 - 38
AA06 2333	Tension Spring: 2.16N	39 - 3
AA06 2337	Spring - Timing Belt Tension	37 - 6
AA06 2338	Tension Spring - Right	47 - 2

Part No.	Description	Page and Index No.
AA06 2340	Spring - Pressure	31 - 4
AA06 3276	Pressure Spring	23 - 21
AA06 3416	Spring - 3.4N	13 - 28
AA06 3419	Spring - 10N	13 - 6
AA06 3427	Spring: 9.8N	19 - 18
AA06 3444	Spring: Stopper: Original	13 - 15
AA06 3900	Registration Compression Spring	19 - 11
AA06 3955	Spring: Driven: 1.7N	13 - 31
AA06 3956	Compression Spring: Driven: 6.6N	13 - 30
AA06 6052	Stripper Spring	35 - 17
AA06 6254	Corona Wire Spring	27 - 4
AA06 6255	Feeler Spring	19 - 21
AA06 6256	Right Lock Spring	35 - 3
AA06 6257	Left Lock Spring	35 - 4
AA06 6366	Spring: Pressure Release	37 - 21
AA06 6370	Left Pressure Release Spring - 5N	13 - 24
AA06 6371	Right Pressure Release Spring - 5N	13 - 26
AA06 6643	Arm Spring	35 - 21
AA06 6664	Toner Outlet Shutter Spring	23 - 41
AA06 6681	Spring: Original Tray	7 - 29
AA08 0336	Bushing: DIA6	25 - 5
AA08 0340	Bushing DIA8	25 - 25
AA08 2101	Bushing - 6x10x6	37 - 15
AA08 2101	Bushing - 6x10x6	35 - 19
AA08 2104	Bushing - 8x12x7	19 - 2
AA08 2135	Bushing - DIA4	19 - 12
AA08 2135	Bushing - DIA4	13 - 29
AA08 3016	Roller Clutch - 6x14x10	31 - 31
AA08 4057	Bearing Case: DIA26	25 - 3
AA12 0125	Front Discharge Brush	15 - 17
AA12 0127	Discharge Brush: Fusing	31 - 34
AA13 2013	Spacer	21 - 1
AA13 2097	Spacer	25 - 26
AA14 0844	Exit Roller Shaft	35 - 8
AA14 3139	Shoulder Screw - Pressure Arm	21 - 6

Part No.	Description	Page and Index No.
AA14 3335	Rear Shutter Pin	23 - 13
AA14 3394	Stepped Screw - M3x10	13 - 20
AA14 3404	Stepped Screw - M4	49 - 27
AA14 3543	Screw: M4: Dia6x1.7: BLACK	13 - 22
AA14 3546	Anchor: Cassette Sensor	23 - 44
AA14 3548	Screw: M3x4.2	49 - 21
AA14 3569	Screw	13 - 25
AA14 3719	Development Unit Shaft	25 - 28
AA14 3771	Shoulder Screw - M3	47 - 19
AA14 3786	Stepped Screw: M3x10.3	29 - 5
AA14 3787	Stepped Screw: M3x14.2	29 - 6
AA14 3788	Pin: Guide Plate: Paper Feed	9 - 7
AA14 3788	Pin: Guide Plate: Paper Feed	19 - 1
AA14 3788	Pin: Guide Plate: Paper Feed	25 - 13
AA14 3799	Full Dug Point Screw: M4: DIA2.4	31 - 23
AA14 3810	Development Cover Screw	37 - 5
AA14 3810	Development Cover Screw	31 - 2
AA14 3823	Tapping Screw	13 - 1
AA14 3854	Screw	31 - 27
AA14 3855	Screw	47 - 32
AA14 3859	Positioning Pin	7 - 34
AA14 3859	Positioning Pin	9 - 1
AA14 3859	Positioning Pin	47 - 18
AA14 3859	Positioning Pin	39 - 1
AA14 5830	Swing Unit Idler Shaft	45 - 6
AA15 2479	Seal: Block Heat	47 - 17
AA15 3133	Blade Right Shield	23 - 40
AA15 3134	Blade Left Shield	23 - 9
AA15 3135	Drum Right Shield	23 - 8
AA15 3450	Right Shield - Side Plate	25 - 15
AA15 3451	Left Shield - Side Plate	25 - 14
AA16 1125	Rubber Cushion	49 - 23
AB01 0363	Gear - 146Z	23 - 16
AB01 0364	Gear - 46Z	23 - 12
AB01 2049	Gear: Z28	39 - 15

Part No.	Description	Page and Index No.
AB01 2052	Gear: Z50: Ass'y	39 - 19
AB01 3921	Gear - 20Z	25 - 4
AB01 4267	Gear - 46Z	39 - 20
AB01 4268	Gear: Drive: Fusing	31 - 6
AB01 7347	Idle Gear	45 - 21
AB01 7664	Gear: Pulley: Right	29 - 9
AB01 7675	Gear/Pulley - 30Z/63T	39 - 8
AB01 7676	Gear - 32/100Z	21 - 3
AB01 7680	Gear/Pulley - 24Z/24T	35 - 24
AB01 7734	Timing Pulley: T64/Z22	39 - 26
AB01 7738	Timing Pulley: Gear: T70/Z40	39 - 13
AB01 7739	Gear: Z112/Z19	39 - 12
AB01 7740	Gear: Timing Pulley: Z83/T20	39 - 10
AB01 7741	Gear: Timing Pulley: Z100/T31	21 - 2
AB01 7750	Gear: Z58/Z30: Ass'y	39 - 24
AB03 0474	Pulley - 24T	35 - 20
AB03 0745	Pulley - 76T	15 - 8
AB03 0746	Pulley - 76T	17 - 1
AB03 0812	Timing Pulley: T102	23 - 4
AB03 2723	Pulley: Left	29 - 7
AB03 2724	Pulley: Encoder	29 - 8
AC01 0006	Exposure Glass	15 - 13
AD00 4104	Charge Corona Unit	27 - 14
AD01 4030	Drum Flange	23 - 20
AD01 5044	Shaft: Drum	23 - 17
AD02 0059	Corona Wire - Main	27 - 7
AD02 0072	Corona Wire - Separation	27 - 8
AD02 0089	Charge Corona Wire - G	27 - 19
AD02 0090	Grid Wire	27 - 20
AD02 2317	Left End Block Cover - Charge	27 - 18
AD02 2320	End Block Cover - T & S	27 - 3
AD02 2369	End Block Cover - Charge Corona	27 - 26
AD02 2372	End Block: T/S Corona: Right	27 - 6
AD02 2373	End Block: T/S Corona: Left	27 - 5
AD02 2377	Left End Block	27 - 15

Part No.	Description	Page and Index No.
AD02 2380	End Block: Charge Corona: Right: Ass'y	27 - 24
AD04 3085	Toner Collection Coil: Cleaning	23 - 36
AE01 1085	Hot Roller - MM50	31 - 13
AE02 0148	Pressure Roller: MM55	31 - 17
AE03 0050	Ball Bearing - 20x32x7	31 - 16
AE03 1056	Bushing - Fusing	31 - 7
AE04 2047	Fusing Cleaning Roller	31 - 30
AE04 4054	Stripper Pawls	35 - 18
AE04 4055	Pressure Roller Pickoff Pawl	31 - 21
AF02 0599	Registration Roller	19 - 7
AF02 0603	Middle Driven Roller	19 - 20
AF02 2128	Transport Driven Roller	19 - 13
AF02 2156	Front Driven Transport Roller	13 - 32
AF02 2157	Rear Driven Transport Roller	13 - 33
AF02 5029	Exit Separation Pawl	37 - 20
AG07 0514	Magnet Catch	7 - 4
AW01 0107	Paper Feed Sensor	17 - 6
AW01 0109	Photo Reflector Sensor: PS117ED1	15 - 19
AW01 0109	Photo Reflector Sensor: PS117ED1	17 - 9
AW01 0127	Paper Feed Sensor	31 - 26
AW02 0141	Photointerruptor	45 - 12
AW02 0160	Paper Feed Sensor	37 - 18
AW02 0180	Paper Feed Sensor	19 - 15
AW10 0053	Thermistor - Rear	33 - 18
AW10 0087	Fusing Thermistor	33 - 7
AW11 0053	Thermostat - 199C 250V/10A	33 - 9
AW11 0054	Thermostat - 200C 250V/10A	33 - 10
AW40 0014	Used Toner Sensor	9 - 18
AW50 0022	Push Switch	13 - 45
AX04 0147	DC Motor: Cleaner: 0.5W	29 - 21
AX06 0296	Brushless Motor: DC24V24W: Z9	39 - 31
AX06 0296	Brushless Motor: DC24V24W: Z9	21 - 5
AX06 0334	Brushless Motor DC24V 45W	39 - 33
AX10 0032	DC Solenoid: Pickoff Pawl	23 - 28
AX20 0272	Spring Clutch: Toner Hopper	25 - 12

Part No.	Description	Page and Index No.
AX21 0099	Magnetic Clutch	39 - 32
AX31 0045	Total Counter: 7Fig: 24V	49 - 9
AX40 0188	Heater: 120V: 13W	45 - 13
AX40 0189	Heater: 230V: 13W	45 - 13
AX45 0042	Heater: 120V: 1150W	31 - 12
AX45 0043	Heater: 230V: 1150W	31 - 12
AX50 0099	Discharge Lamp: P2	29 - 14
AX64 0160	Fan Motor MM60	43 - 20
AX64 0181	Fan: MM60: 24V	41 - 6
AZ23 0192	Power Supply Unit (120V)	43 - 19
AZ23 0193	Power Supply Unit (220-240V)	43 - 19
AZ32 0150	Power Pack TD	43 - 15
AZ32 0151	Power Pack: CGB	21 - 12
BA14 6013	Pin - Stopper Click	25 - 29
GA00 3176	Decal: SDK	65 - 6
GW02 0020	Photointerruptor: LG248NL1	29 - 12
GW02 0020	Photointerruptor: LG248NL1	39 - 6
GW02 0020	Photointerruptor: LG248NL1	19 - 17

Part No.	Description	Page and Index No.
0252 0020N	Pan Head Screw: M2x2	29 - 110
0313 0050N	Philips Pan Head Screw - M3x5	27 - 103
0314 0100N	Pan Head Screw: M4x10	43 - 101
0315 0100N	Pan Head Screw: M5x10	25 - 110
0353 0040N	Screw - M3X4	37 - 103
0353 0060N	Bind Screw - M3x6	11 - 103
0353 0060N	Bind Screw - M3x6	49 - 106
0434 0200N	Pan Self-tapping Screw: 4x20	49 - 105
0450 3008N	Tapping Screw - M3x8	13 - 105
0450 3008N	Tapping Screw - M3x8	27 - 102
0450 3008N	Tapping Screw - M3x8	35 - 102
0450 3010N	Tapping Screw - M3x10	9 - 103
0450 3010N	Tapping Screw - M3x10	37 - 101
0450 3010N	Tapping Screw - M3x10	11 - 101
0450 4008N	Tapping Screw - M4x8	13 - 106
0451 3005N	Tapping Screw: M3x5	9 - 108
0451 3006N	Tapping Screw - 3x6	41 - 101
0451 3006N	Tapping Screw - 3x6	15 - 102
0451 3006N	Tapping Screw - 3x6	23 - 101
0451 3006N	Tapping Screw - 3x6	21 - 101
0451 3006N	Tapping Screw - 3x6	29 - 102
0451 3006N	Tapping Screw - 3x6	19 - 101
0451 3006N	Tapping Screw - 3x6	49 - 103
0451 3006N	Tapping Screw - 3x6	47 - 101
0451 3006N	Tapping Screw - 3x6	17 - 102
0451 3006N	Tapping Screw - 3x6	45 - 101
0451 3006N	Tapping Screw - 3x6	7 - 102
0451 3006N	Tapping Screw - 3x6	39 - 101
0451 3006N	Tapping Screw - 3x6	43 - 102
0451 3006N	Tapping Screw - 3x6	9 - 104
0451 3006N	Tapping Screw - 3x6	37 - 102
0451 3006N	Tapping Screw - 3x6	13 - 103
0451 3006N	Tapping Screw - 3x6	33 - 104
0451 3006N	Tapping Screw - 3x6	31 - 102
0451 3008N	Tapping Screw - M3x8	7 - 101

Part No.	Description	Page and Index No.
0451 3008N	Tapping Screw - M3x8	47 - 117
0451 3008N	Tapping Screw - M3x8	49 - 101
0451 3008N	Tapping Screw - M3x8	9 - 105
0451 3008N	Tapping Screw - M3x8	13 - 102
0451 3008N	Tapping Screw - M3x8	27 - 105
0451 3008N	Tapping Screw - M3x8	15 - 111
0451 3010N	Tapping Screw: 3x10	25 - 108
0451 3010N	Tapping Screw: 3x10	41 - 102
0451 3012N	Tapping Screw: 3x12	33 - 106
0451 3014N	Tapping Screw: 3x14	21 - 104
0451 3014N	Tapping Screw: 3x14	17 - 103
0451 3014N	Tapping Screw: 3x14	15 - 103
0451 3014N	Tapping Screw: 3x14	29 - 109
0451 3014N	Tapping Screw: 3x14	31 - 103
0451 3014N	Tapping Screw: 3x14	45 - 103
0451 3025N	Tapping Screw: 3x25	45 - 104
0451 3030N	Tapping Screw: 3x30	41 - 111
0451 4006N	Tapping Screw - 4x6	27 - 104
0451 4006N	Tapping Screw - 4x6	15 - 101
0451 4006N	Tapping Screw - 4x6	31 - 104
0451 4006N	Tapping Screw - 4x6	25 - 106
0451 4006N	Tapping Screw - 4x6	35 - 101
0451 4006N	Tapping Screw - 4x6	39 - 104
0451 4006N	Tapping Screw - 4x6	37 - 105
0451 4008N	Tapping Screw: 4x8	39 - 103
0451 4008N	Tapping Screw: 4x8	21 - 102
0451 4008N	Tapping Screw: 4x8	33 - 105
0451 4008N	Tapping Screw: 4x8	23 - 103
0451 4008N	Tapping Screw: 4x8	49 - 104
0451 4010N	Tapping Screw: 4x10	23 - 104
0451 4010N	Tapping Screw: 4x10	29 - 101
0451 4010N	Tapping Screw: 4x10	25 - 107
0451 4010N	Tapping Screw: 4x10	9 - 101
0451 4016N	Tapping Screw: 4x16	13 - 104
0452 3006N	Binding Self-tapping Screw: 3x6	9 - 102

Part No.	Description	Page and Index No.
0453 3008N	Binding Self Tapping Screw: 3x8	7 - 103
0453 3008N	Binding Self Tapping Screw: 3x8	23 - 106
0454 3006Q	Tapping Screw - M3x6	13 - 101
0454 3006Q	Tapping Screw - M3x6	27 - 106
0454 3006Q	Tapping Screw - M3x6	37 - 107
0454 3006Q	Tapping Screw - M3x6	45 - 102
0454 3006Q	Tapping Screw - M3x6	17 - 101
0454 3006Q	Tapping Screw - M3x6	21 - 103
0454 3006Q	Tapping Screw - M3x6	49 - 102
0454 3008Q	Tapping Screw - M3x8	21 - 113
0574 0050E	Hexagon Headless Set Screw - M4x5	15 - 104
0574 0060E	Hexagon Headless Set Screw - M4x6	23 - 105
0575 0050E	Hexagon Headless Set Screw - M5x5	23 - 102
0633 0200G	Pin - M3x20	25 - 103
0703 0030N	Spring Washer: DIA3	9 - 106
0703 0030N	Spring Washer: DIA3	47 - 118
0703 0040N	Spring Washer: DIA4	49 - 108
0703 0040N	Spring Washer: DIA4	13 - 113
0703 0040N	Spring Washer: DIA4	47 - 108
0707 6200N	Bushing: DIA6x20	47 - 115
0708 0040N	Washer - DIA4	29 - 106
0720 0020E	Retaining Ring - M2	13 - 107
0720 0030E	Retaining Ring - M3	13 - 112
0720 0040E	Retaining Ring - M4	39 - 105
0720 0040E	Retaining Ring - M4	33 - 107
0720 0040E	Retaining Ring - M4	35 - 103
0720 0040E	Retaining Ring - M4	19 - 105
0720 0040E	Retaining Ring - M4	37 - 104
0720 0040E	Retaining Ring - M4	47 - 104
0720 0040E	Retaining Ring - M4	45 - 107
0720 0050E	Retaining Ring - M5	47 - 103
0720 0050E	Retaining Ring - M5	25 - 102
0720 0060E	Retaining Ring - M6	25 - 101
0720 0060E	Retaining Ring - M6	19 - 103
0720 0060E	Retaining Ring - M6	17 - 104

Part No.	Description	Page and Index No.
0720 0060E	Retaining Ring - M6	15 - 109
0720 0060E	Retaining Ring - M6	21 - 111
0720 0060E	Retaining Ring - M6	47 - 102
0720 0060E	Retaining Ring - M6	39 - 106
0720 0080E	Retaining Ring - M8	47 - 106
0733 0406	Bushing - 4x6	13 - 111
0741 3706	Ball Bearing - 6x10x3	23 - 109
0801 0226	Screw: UNC: #6-32	49 - 107
0801 0228	Pan Head Screw: M2.3x12	19 - 102
0802 5285	Screw - 3X8	43 - 103
0805 0089	Retaining Ring - M4	35 - 105
0805 3385	Bushing - 6mm	35 - 104
0805 3471	Bushing - M8x22x7	23 - 107
0805 3516	Ball Bearing - 10x26x8	25 - 104
0805 3517	Ball Bearing - 8x16x5	25 - 105
0951 3006N	Screw - M3X6	27 - 101
0951 3006N	Screw - M3X6	15 - 108
0954 3006N	Screw - M3X6	31 - 101
0954 3006N	Screw - M3X6	11 - 102
0954 3006N	Screw - M3X6	33 - 101
0954 3010N	Screw: Polished Round/Spring: M3X10	33 - 102
0954 3012N	Screw - M3X12	33 - 103
0965 5016N	Tapping Screw W/Washer - M5x16	47 - 105
1005 0883	Guide Rail: 180S	41 - 110
1102 3822	Connector: HIF3FC-20PA-2.54DSA(71)	54 - 101
1102 4470	Connector: 1-292250-2	54 - 102
1102 5007	Connector: 1-292132-4	54 - 103
1102 5305	Connector	54 - 104
1102 5344	Connector: 1-292141-6	54 - 105
1102 6245	Relay Connector - 2P	29 - 107
1102 6245	Relay Connector - 2P	41 - 103
1102 6337	Connector: 6P	61 - 101
1102 6339	Connector: 8P	54 - 106
1102 6343	Connector: 12P	61 - 102
1102 6396	Connector: 53313-1665	54 - 107

Part No.	Description	Page and Index No.
1102 6515	Connector: 53313-3465	54 - 108
1102 7094	Connector	54 - 109
1102 7095	Connector: TX25-40P-LT-N1E	54 - 110
1102 7097	Connector: TX24-40R-LT-N1E	61 - 103
1102 7836	Connector: B4B-PH-KBLC-H(LF)(SN)	54 - 111
1102 8490	Connector: 55451-3270	54 - 112
1102 8491	Connector: 55451-3470	54 - 113
1102 8555	Connector: 55460-0519	54 - 114
1102 8719	Connector: 55460-0419	54 - 115
1102 9083	Connector: 53375-1110	54 - 116
1102 9210	Connector: 55450-0880	61 - 104
1102 9378	Connector: 55450-1280	61 - 105
1102 9380	Connector: 55450-1680	54 - 117
1102 9535	Connector: 200PS-JUK-G-B	61 - 106
1103 3177	Connector: FH12-45S-0.5SV(89)	54 - 118
1103 3663	Connector: 55451-1670	54 - 119
1103 3787	Connector: 55450-1060	54 - 120
1105 0032	Clamp	11 - 104
1105 0042	Wire Band	25 - 109
1105 0193	Nylon Stud	21 - 106
1105 0193	Nylon Stud	43 - 109
1105 0290	Harness Clamp - Horizontal	33 - 108
1105 0328	Harness Clamp - ES-0505	37 - 106
1105 0348	Clamp	29 - 105
1105 0348	Clamp	45 - 110
1105 0409	Card Spacer- 6.4mm	39 - 102
1105 0409	Card Spacer- 6.4mm	21 - 110
1105 0409	Card Spacer- 6.4mm	41 - 109
1105 0487	Harness Clamp	49 - 112
1105 0487	Harness Clamp	43 - 106
1105 0487	Harness Clamp	45 - 108
1105 0487	Harness Clamp	15 - 106
1105 0487	Harness Clamp	13 - 110
1105 0488	Harness Clamp	21 - 108
1105 0488	Harness Clamp	49 - 111

Part No.	Description	Page and Index No.
1105 0489	Harness Clamp - LWS 1316	29 - 104
1105 0489	Harness Clamp - LWS 1316	47 - 110
1105 0490	Harness Clamp - IWS-2218	43 - 107
1105 0508	Harness Clamp - LWS-0711	41 - 106
1105 0511	Harness Clamp - LWS-0306ZC	19 - 104
1105 0511	Harness Clamp - LWS-0306ZC	17 - 107
1105 0511	Harness Clamp - LWS-0306ZC	15 - 105
1105 0511	Harness Clamp - LWS-0306ZC	39 - 107
1105 0511	Harness Clamp - LWS-0306ZC	47 - 109
1105 0511	Harness Clamp - LWS-0306ZC	41 - 104
1105 0511	Harness Clamp - LWS-0306ZC	37 - 108
1105 0511	Harness Clamp - LWS-0306ZC	43 - 105
1105 0511	Harness Clamp - LWS-0306ZC	23 - 108
1105 0511	Harness Clamp - LWS-0306ZC	29 - 103
1105 0516	Clamp	35 - 106
1105 0516	Clamp	11 - 105
1105 0516	Clamp	47 - 111
1105 0516	Clamp	15 - 110
1105 0516	Clamp	39 - 109
1105 0516	Clamp	13 - 109
1105 0516	Clamp	21 - 109
1105 0517	Harness Clamp - LWS-2111Z	43 - 108
1105 0517	Harness Clamp - LWS-2111Z	47 - 116
1105 0518	Edge Saddle - Les-1010	15 - 107
1105 0518	Edge Saddle - LES-1010	43 - 110
1105 0518	Edge Saddle - LES-1010	47 - 113
1105 0518	Edge Saddle - LES-1010	13 - 108
1105 0518	Edge Saddle - LES-1010	41 - 105
1105 0521	Clamp - LES-1017	9 - 109
1105 0521	Clamp - LES-1017	41 - 107
1105 0522	Edge Saddle - LES0510	39 - 108
1105 0522	Edge Saddle - LES0510	45 - 109
1105 0522	Edge Saddle - LES0510	29 - 108
1105 0522	Edge Saddle - LES0510	17 - 106
1105 0522	Edge Saddle - LES0510	47 - 112

Part No.	Description	Page and Index No.
1105 0529	Nylon Clamp-emt-3N	21 - 105
1105 0529	Nylon Clamp-emt-3N	41 - 108
1105 0531	Locking Support-emss-4S	21 - 107
1105 0611	Spacer KGPS-3.5S-N(V0)	49 - 110
1106 0193	Bushing - 7.9mm	33 - 109
1106 0200	Bushing - 19.44mm	47 - 114
1106 0200	Bushing - 19.44mm	45 - 111
1106 0411	Bushing - 11.5mm	47 - 107
1107 0621	Fuse: 2A: 250V	54 - 121
1107 0629	Fuse: Ceramic Case: 15A 125V	43 - 112
1107 1054	Fuse: HT-6.3A-N5	43 - 111
1107 1067	Fuse: ET-6.3A	43 - 104
1107 1160	Fuse: HT-10A-N5	43 - 111
1107 1192	Fuse: BJS202100F1R	49 - 109
1109 0002	Fuse: SMD200F	54 - 122
1109 0015	Fuse: SMD050F	54 - 123
1109 0018	Fuse: SMD100F	54 - 124
1204 2521	Micro Switch	45 - 106
1204 2529	Switch - V-5F912DN	17 - 105
1204 2529	Switch - V-5F912DN	21 - 112
1204 2529	Switch - V-5F912DN	45 - 105
1204 2533	Switch - AJ76200PZ02	39 - 110
1204 2622	Dip Switch: CHS-08TB1	54 - 125
1400 0637	Transistor: DTC144EUA	61 - 107
1400 0730	Transistor: 2SD1782K	54 - 126
1400 0754	Transistor: UMG1N	61 - 108
1400 0775	Transistor: 2SC4081	54 - 127
1400 0822	Transistor: 2SA1900	54 - 128
1400 0948	Transistor: DTC143ZE	61 - 109
1400 1040	Transistor: 2SA1834S	54 - 129
1401 0972	Transistor: 2SB1260	54 - 130
1402 1322	Diode-Array: DAN202U	54 - 131
1402 1336	Diode: 1SS355	54 - 132
1402 1342	Diode: 1SR154-400	54 - 133
1402 1386	Diode DA221	61 - 110

Part No.	Description	Page and Index No.
1402 1459	Diode: RB706F-40	54 - 134
1402 1584	Diode: DAN217U	54 - 135
1402 1663	Diode: PTZ12B	54 - 136
1403 0953	LED: SML-310MT	54 - 137
1403 0953	Led: SML-310MT	61 - 111
1403 0978	Led: SML-310DT	61 - 112
1403 0996	LED: SML-310VT	54 - 138
1404 1013	Thermistor: NCP18WF104J03RB	54 - 139
1407 2187	TTLIC - SN74LS07NS	54 - 140
1407 2231	Driver: TD62308AFG(5)	54 - 141
1407 3765	Driver: TD62385AFG(5)	54 - 142
1407 4114	RS485: SN751177NS	54 - 143
1407 5069	IC: DS90C363MTD/NOPB	61 - 113
1407 5090	IC: DS90CF364MTD/NOPB	61 - 114
1407 5334	CMOS Logic: 74LVC244A: TSSOP	61 - 115
1407 5344	IC: SN74LV02APW	54 - 144
1407 5347	CMOS Logic: SN74LV08APW	54 - 145
1407 5350	CMOS Logic: SN74LV00APW	54 - 146
1407 5351	CMOS Logic: SN74LV14APW	54 - 147
1407 5363	CMOS Logic: SN74AHCT04PW	54 - 148
1407 5366	CMOS Logic: 74LVC08A: TSSOP	61 - 116
1407 5376	CMOS Logic: SN74LV32APW	54 - 149
1407 5463	CMOS Logic: SN74LV245APW	54 - 150
1407 5469	CMOS Logic: SN74LV07APW	54 - 151
1407 5630	CMOS Logic: SN74LVC138APW	61 - 117
1407 5633	CMOS Logic: SN74LV574APW	54 - 152
1407 5681	EPROM: M24C08-WMN6P(REV.G)	54 - 153
1407 5705	CMOS Logic: SN74LVC06APW	61 - 118
1407 5713	CMOS Logic: SN74LV06APW	54 - 154
1407 6027	Motor Control IC: TA7291AP(5)	54 - 155
1407 6166	Custom IC: ESOC	54 - 156
1407 6187	CMOS Logic - SN74LVC1G07DCK	54 - 157
1407 6292	Controller: RB5V861	61 - 119
1407 6335	CMOS Logic: SN74LVC1G17DCK	61 - 120
1407 6368	CMOS Logic: SN74AHC1G04DCK	54 - 158

Part No.	Description	Page and Index No.
1407 6541	Motor Control IC: STK672-410	54 - 159
1407 6568	Clock Generator: ICS7152M-11LF	61 - 121
1408 0575	IC: M51957BFP	61 - 122
1408 1383	Series Regulator: TA7812F(LBSTA1)	54 - 160
1408 1401	Series Regulator: TA7808F(LBSTA1)	54 - 161
1408 1508	Series Regulator: PQ07VZ012ZPH	61 - 123
1408 1550	Operational Amplifier: LM2902PW	54 - 162
1408 1826	IC: R3112Q421A-FA	54 - 163
1408 2010	Series Regulator: RN5RF33A-FA	54 - 164
1408 2016	Series Regulator: R1114Q181B-FA	54 - 165
1408 2029	Comparator: LM2901PW	54 - 166
1408 2388	Series Regulator: AIC1117A-33PYJ	61 - 124
1408 2404	Series Regulator: AIC1117A-18PYJ	61 - 125
1408 2407	Series Regulator: AIC1117A-PEJ	61 - 126
1503 1004	Crystal Oscillator: 19.6608MHz	54 - 167
1503 1064	Crystal Oscillator: 24.576MHz	61 - 127
1503 1170	Crystal Oscillator: 21.176MHz	61 - 128
1503 1215	Crystal Oscillator: 17.5MHz	54 - 168
1601 7752	Resistor: 10K Ω : \pm 5%: 4	54 - 169
1601 7759	Resistor Array	54 - 170
1601 7887	Resistor Array: 10K Ω : \pm 5%: 1/16W: 4Number	54 - 171
1601 7887	Resistor Array: 10K Ω : \pm 5%: 1/16W: 4Number	61 - 129
1601 7898	Resistor Array: 33 Ω : \pm 5%: 1/16W: 4Number	54 - 172
1601 7898	Resistor Array: 33 Ω : \pm 5%: 1/16W: 4Number	61 - 130
1601 7913	Resistor Array: 22 Ω : \pm 5%: 1/16W: 4Number	61 - 131
1601 7959	Resistor Array: 1K Ω : \pm 5%: 1/16W: 4Number	54 - 173
1601 7959	Resistor Array: 1K Ω : \pm 5%: 1/16W: 4Number	61 - 132
1601 7960	Resistor Array: 100 Ω : \pm 5%: 1/16W: 4Number	54 - 174
1601 7960	Resistor Array: 100 Ω : \pm 5%: 1/16W: 4Number	61 - 133
1604 4759	Capacitor: 10 μ F: \pm 20%: 50V	54 - 175
1604 4781	Capacitor: 680 μ F: \pm 20%: 35V	54 - 176
1604 4968	Capacitor: 330 μ F: \pm 20%: 6.3V	61 - 134
1604 5048	Capacitor: 470 μ F: \pm 20%: 16V	54 - 177
1604 5064	Capacitor: 47 μ F: \pm 20%: 50V	54 - 178
1604 5066	Capacitor: 100 μ F: \pm 20%: 50V	54 - 179

Part No.	Description	Page and Index No.
1604 5066	Capacitor: 100 μ F: \pm 20%: 50V	61 - 135
1604 5070	Capacitor: 100 μ F: \pm 20%: 10V	61 - 136
1604 5146	Capacitor: 22 μ F: \pm 20%: 35V	54 - 180
1604 5202	Capacitor: 100 μ F: \pm 20%: 6.3V	61 - 137
1604 5239	Capacitor: 220 μ F: \pm 20%: 35V	54 - 181
1605 1137	Capacitor: 470PF: \pm 10%: 50V	54 - 182
1605 1148	Capacitor: 0.1 μ F: +80-20%: 50V	61 - 138
1605 1148	Capacitor: 0.1 μ F: +80-20%: 50V	54 - 183
1605 1165	Capacitor: 680PF: \pm 5%: 50V	61 - 139
1605 1187	Capacitor: 0.047 μ F: \pm 10%: 50V	61 - 140
1605 1190	Capacitor: 0.022 μ F: \pm 10%: 50V	54 - 184
1605 1224	Capacitor: 4.7 μ F: \pm 10%: 6.3V	61 - 141
1605 1225	Capacitor: 0.1 μ F: \pm 10%: 50V	61 - 142
1605 1306	Capacitor: 1 μ F: \pm 10%: 10V	61 - 143
1605 1353	Capacitor: 0.1 μ F: \pm 10%: 25V	61 - 144
1605 1358	Capacitor: 10 μ F: \pm 10%: 10V	54 - 185
1605 1406	Capacitor: 10 μ F: \pm 10%: 6.3V	61 - 145
1605 1430	Capacitor: 1 μ F: +80-20%: 50V	54 - 186
1605 1480	Capacitor: 100PF: \pm 10%: 50V	54 - 187
1605 1547	Capacitor: 2.2 μ F: \pm 10%: 6.3V	54 - 188
1605 1563	Capacitor: 10 μ F: \pm 10%: 10V	61 - 146
1607 0861	Filter: BK2125HS101	61 - 147
1607 0891	Ferrite Core: SFC-3	9 - 107
1607 1051	Filter: FBMJ2125HS420	61 - 148
1607 1092	Ferrite Core: RFC-10	7 - 104
1607 1092	Ferrite Core: RFC-10	65 - 101
1607 1351	Filter: BLM21PG221SN1B	61 - 149
1607 1351	Filter: BLM21PG221SN1B	54 - 189
1609 0005	Resistor: 33 Ω : \pm 5%: 1/16W	61 - 150
1609 0006	Resistor: 10K Ω : \pm 5%: 1/16W	54 - 190
1609 0006	Resistor: 10K Ω : \pm 5%: 1/16W	61 - 151
1609 0007	Resistor: 68 Ω : \pm 5%: 1/16W	54 - 191
1609 0011	Resistor: 22 Ω : \pm 5%: 1/16W	61 - 152
1609 0015	Resistor: 1K Ω : \pm 5%: 1/16W	61 - 153
1609 0025	Resistor: 100 Ω : \pm 5%: 1/16W	61 - 154

Part No.	Description	Page and Index No.
1609 0026	Resistor: 47Ω: ±5%: 1/16W	61 - 155
1610 1637	Resistor: 1Ω: ±1%: 1/2W: 3216	54 - 192
1610 1777	Resistor: 5.1Ω: ±1%: 1/10W: 1608	61 - 156
1611 8222	Resistor: 2.2KΩ: ±5%: 1/4W	54 - 193
1634 0000	Resistor: 0Ω: 1608	61 - 157
1634 0000	Resistor: 0Ω: 1608	54 - 194
1650 2392	Chip Resistor: 3.9KΩ: ±5%: 1/4W: 3216	54 - 195
1650 4100	Resistor: 10Ω: ±5%: 1/10W: 1608	54 - 196
1650 4101	Resistor: 100Ω: ±5%: 1/10W: 1608	54 - 197
1650 4102	Resistor: 1KΩ: ±5%: 1/10W: 1608	54 - 198
1650 4103	Resistor: 10KΩ: ±5%: 1/10W: 1608	54 - 199
1650 4105	Resistor: 1MΩ: ±5%: 1/10W: 1608	54 - 200
1650 4122	Resistor: 1.2KΩ: ±5%: 1/10W: 1608	54 - 201
1650 4131	Resistor: 130Ω: ±5%: 1/10W: 1608	54 - 202
1650 4132	Resistor: 1.3KΩ: ±5%: 1/10W: 1608	54 - 203
1650 4152	Resistor: 1.5KΩ: ±5%: 1/10W: 1608	54 - 204
1650 4202	Resistor: 2KΩ: ±5%: 1/10W: 1608	54 - 205
1650 4203	Resistor: 20KΩ: ±5%: 1/10W: 1608	54 - 206
1650 4204	Resistor: 200KΩ: ±5%: 1/10W: 1608	54 - 207
1650 4222	Resistor: 2.2KΩ: ±5%: 1/10W: 1608	54 - 208
1650 4243	Resistor: 24KΩ: ±5%: 1/10W: 1608	54 - 209
1650 4271	Resistor: 270Ω: ±5%: 1/10W: 1608	54 - 210
1650 4301	Resistor: 300Ω: ±5%: 1/10W: 1608	54 - 211
1650 4302	Resistor: 3KΩ: ±5%: 1/10W: 1608	54 - 212
1650 4330	Resistor: 33Ω: ±5%: 1/10W: 1608	54 - 213
1650 4393	Resistor: 39KΩ: ±5%: 1/10W: 1608	54 - 214
1650 4472	Resistor: 4.7KΩ: ±5%: 1/10W: 1608	54 - 215
1650 4473	Resistor: 47KΩ: ±5%: 1/10W: 1608	54 - 216
1650 4560	Resistor: 56Ω: ±5%: 1/10W: 1608	54 - 217
1650 4680	Resistor: 68Ω: ±5%: 1/10W: 1608	54 - 218
1654 1000	Resistor: 100Ω: ±1%: 1/10W: 1608	61 - 158
1654 1001	Resistor: 1KΩ: ±1%: 1/10W: 1608	61 - 159
1654 1001	Resistor: 1KΩ: ±1%: 1/10W: 1608	54 - 219
1654 1002	Resistor: 10KΩ: ±1%: 1/10W: 1608	61 - 160
1654 1003	Resistor: 100KΩ: ±1%: 1/10W: 1608	61 - 161

Part No.	Description	Page and Index No.
1654 1003	Resistor: 100KΩ: ±1%: 1/10W: 1608	54 - 220
1654 1009	Resistor: 10Ω: ±1%: 1/10W: 1608	61 - 162
1654 1023	Resistor: 102KΩ: ±1%: 1/10W: 1608	54 - 221
1654 1103	Resistor: 110KΩ: ±1%: 1/10W: 1608	61 - 163
1654 1210	Resistor: 121Ω: ±1%: 1/10W: 1608	61 - 164
1654 1500	Resistor: 150Ω: ±1%: 1/10W: 1608	61 - 165
1654 1509	Resistor: 15Ω: ±1%: 1/10W: 1608	61 - 166
1654 1651	Resistor: 1.65KΩ: ±1%: 1/10W: 1608	61 - 167
1654 2003	Resistor: 200KΩ: ±1%: 1/10W: 1608	54 - 222
1654 2209	Resistor: 22Ω: ±1%: 1/10W: 1608	61 - 168
1654 3002	Resistor: 30KΩ: ±1%: 1/10W: 1608	54 - 223
1654 3309	Resistor: 33Ω: ±1%: 1/10W: 1608	61 - 169
1654 3601	Resistor: 3.6KΩ: ±1%: 1/10W: 1608	54 - 224
1654 4701	Resistor: 4.7KΩ: ±1%: 1/10W: 1608	61 - 170
1654 4990	Resistor: 499Ω: ±1%: 1/10W: 1608	61 - 171
1654 5100	Resistor: 510Ω: ±1%: 1/10W: 1608	61 - 172
1654 5109	Resistor: 51Ω: ±1%: 1/10W: 1608	61 - 173
1654 5231	Resistor: 5.23KΩ: ±1%: 1/10W: 1608	54 - 225
1654 5360	Resistor: 536Ω: ±1%: 1/10W: 1608	54 - 226
1654 6802	Resistor: 68KΩ: ±1%: 1/10W: 1608	54 - 227
1654 6809	Resistor: 68Ω: ±1%: 1/10W: 1608	61 - 174
1660 2101	Capacitor: 100PF: 50V: 1608	54 - 228
1660 2120	Capacitor: 12PF: 50V: 1608	54 - 229
1660 2150	Capacitor: 15PF: 50V: 1608	54 - 230
1660 2221	Capacitor: 220PF: 50V: 1608	54 - 231
1660 2221	Capacitor: 220PF: 50V: 1608	61 - 175
1660 2470	Capacitor: 47PF: 50V: 1608	54 - 232
1660 2470	Capacitor: 47PF: 50V: 1608	61 - 176
1660 2471	Capacitor: 470PF: 50V: 1608	61 - 177
1660 4103	Capacitor: 10000PF: 50V: 1608	61 - 178
1660 4103	Capacitor: 10000PF: 50V: 1608	54 - 233
1660 4222	Capacitor: 2200PF: 50V: 1608	54 - 234
1660 4222	Capacitor: 2200PF: 50V: 1608	61 - 179
1660 6473	Capacitor: 47000PF: 50V: 1608	54 - 235
1902 0080	SRAM: 1M: X8: 70NS: TSOP32-TYPE1	54 - 236

Part No.	Description	Page and Index No.
1906 0094	Flash Memory: S29AL016D70TFI020	54 - 237

Part No.	Description	Page and Index No.
5053 0223	Bushing - 8mm	15 - 9
5053 0223	Bushing - 8mm	17 - 2
5053 0447	Bushing - 6mm	31 - 29
5203 9501	Grease 501	67 - 1
5206 2686	Snap Ring	23 - 11
5219 3326	Rubber Seal - Paddle Roller	25 - 30
5413 3903	Pin - Transfer Guide Plate	9 - 2
5442 2751	Bushing - Upper Registration Roller	19 - 19
5446 6214	Shaft Holder - Pick-up Roller	25 - 10
5447 2769	Stepped Screw	15 - 5
5840 3022	Stopper Screw - M3	43 - 1
5918 3120	Stud - M4	39 - 2

