

Product Support Guide D081 / D082

Introduction

Model Type	Color MFP
Launch Date	2/26/2010
S/N Configuration	V76 / V77
Product Code	D081 / D082

Brand / Model Name

Product Code	Lanier	Ricoh	Savin
D081 / D082	LD365C / LD375C	MPC6501sp / MPC7501sp	C9065 / C9075

Product Concept

The D081 / D082 are based on the engine platform of the D014/D015. Some of the new concepts are lower CPP for use in high volume B/W where customers are looking for incremental color. A 150 sheet single pass color duplex scan ADF and faster scan speeds are ideal for legal and high volume environments. App2Me is pre loaded on a Java card that is supplied standard for a more open architecture for our solutions products. The GW controller (Print / Scan) is standard for the first time, with a max print resolution of 1200dpi. The D081/D082 also offers a scan to USB/SD option and seven finishers including RingBind, Multi-Fold, GBCIII and BK5010e. A fiery E-7200 controller will also be available.



Product Support Guide

D081 / D082

Order Number Main Frame

Item	Model Name	EDP Code
D081	Lanier 365C Ricoh MPC6501sp Savin C9065	415182
D082	Lanier 375C Ricoh MPC7501sp Savin C9075	415183

Options

Model Name	Description	Product Code	EDP Code	Common / Unique
32MB Memory Unit Type B	32MB Memory Unit Type B	G578	001342MIU	C
9 Bin Mailbox	9 Bin Mailbox	B762	412191	C
A3/11 x 17 Tray	A3/11 x 17 Tray Type 2105	B331	411398	C
Bluetooth Interface	Bluetooth Type 3245	B826	412866	C
Browser Unit Type E	Browser Unit Type E	D430	414715	C
Card reader bracket Type B	Card reader bracket Type B	B498	412279	C
Copy Connector Type 3260	Copy Connector Type 3260	B328	412415	C
Copy Tray	Copy Tray Type 2075	B756	412190	C
Cover Interposer	Cover Interposer Type 3260	B704	412213	C
Emblem Lanier 365C	LD365C branding emblem	-	415277	U
Emblem Lanier 375C	LD375C branding emblem	-	415278	U
Emblem Ricoh Aficio MP C6501sp	MP C6501 branding emblem	-	415200	U
Emblem Ricoh Aficio MP C7501sp	MP C7501 branding emblem	-	415203	U
Emblem Savin C9065	C9065 branding emblem	-	415202	U
Emblem Savin C9075	C9075 branding emblem	-	415205	U
Fax Unit	Fax Option Type C7501	D498	415192	U
Fiery Auto Trapping option	Auto Trapping option	-	413316	C
Fiery Color Profiler Suite 2.0	Color Profiler Suite 2.0	-	003115MIU	C
Fiery E-7200 for D081/D082	E-7200 for D081/D082	D502	415275	U
Fiery EFI Color Profiler v2	EFI Color Profiler v2 Upgrade	-	003117MIU	C
Fiery EFI Impose	EFI Impose	-	414498	C
Fiery ES-1000 Spectrophotometer	ES-1000 Color Spectrophotometer	-	003116MIU	C
Fiery Hot Folders option	Hot Folders option	-	413315	C
Fiery Spot-On option	Spot-On option	-	413317	C
File Format Converter	File Format Converter Type E	D377	414007	C
G3 Interface Unit	G3 Interface Unit Type 7500	D357	413971	C
GBC	GBC Stream Punch III	-	414387	-
GBC Die Set 11 Hole (Velobind)	Die Set	-	001451MIU	-
GBC Die Set 19 Hole (Cerlox)	Die Set	-	001452MIU	-
GBC Die Set 21 Hole (Twin Loop Wire 2:1)	Die Set	-	001453MIU	-
GBC Die Set 3 Hole (Ring Binder)	Die Set	-	001450MIU	-
GBC Die Set 32 Hole (Twin Loop Wire 3:1)	Die Set	-	001454MIU	-
GBC Die Set 32 Hole (Pro Click)	Die Set	-	002493MIU	-
GBC Die Set 44 Hole (Color Coil)	Die Set	-	001455MIU	-
Gigabit Ethernet	Gigabit Ethernet Type B	D377	414204	C
HDD Encryption Unit Type A	HDD Encryption Unit Type A	D377	414021	C
HDD Overwrite Security Kit	HDD Overwrite Security Kit Type H	D377	414002	C

Product Support Guide

D081 / D082

Model Name	Description	Product Code	EDP Code	Common / Unique
IEEE 1284 Interface	IEEE 1284 Interface Type A	B679	411699	C
IEEE 802.11a/g	Wireless interface Type J	D377	414008	C
Jogger Unit type 3260	Jogger Unit Type 3260	B703	412212	C
Key Counter Bracket Type 1027	Key Counter Bracket Type 1027	B452	412537	C
Key Counter I/F unit/20 pin	Key Counter Interface Unit Type A	B870	413012	C
Keyboard	External keyboard for 3rd party solutions	-	100266fng	U
Keyboard Brackets	Brackets for external keyboard	-	100270fng	U
Multi-Folding Unit	Multi-Fold Unit FD5000	D454	404183	C
Plockmatic BF5010e	Plockmatic Book Folder (requires trimmer)	ZP31	404300	C
Plockmatic BK5010e	Plockmatic Booklet maker	ZP29	404305	C
Plockmatic BK5010e Rail Unit	Plockmatic Rail Unit	-	413105	C
Plockmatic BK5010e Staples	Staples	-	411476	C
Plockmatic CF5010	Plockmatic Cover Feeder	ZP25	413102	C
Plockmatic TR5010e	Plockmatic Trimmer	ZP30	404299	C
Print / Scan Unit (GW)	Standard on controller (see note below)	-	-	-
PS-PDF Option	Postscript3 Unit Type C7501	D497	415195	U
Punch Unit Type 3260	Punch Unit Type 3260 2/3Hole	B702	412209	C
Punch Unit Type 5000	Punch Unit Type 5000 2/3 Hole	B831	412983	C
Ring Binder	Ring Binder RB5000	D392	404112	C
RT 43 LCT	RT43 LCT Letter/A4	B473	002450MIU	C
RT 43 LCT Adapter	LCT Adapter Type B for RT43	B699	412204	C
RT 43 Legal Unit for LCT	8.5 x 14 Paper Tray Type 1075 for RT43	B474	411187	C
RT4000 A3/12 x 18 LCT	12 x 18 LCT Tray RT 4000	D350	413965	C
SD/USB Slot	USB2.0/SD Slot Type D	D505	415208	C
SR4030 3,000 sheet finisher	SR4030 3K sheet finisher/50 sheet stapler	D374	414957	C
SR4040 saddle stitch stapler	SR 4040 2K sheet saddle stitch stapler	D373	414950	C
SR5000 Finisher	SR5000 100-sheet Finisher	B830	412981	C
SR5000 Finisher Adapter Kit	Finisher Adapter Kit for SR5000	D375	413973	C
Tab Sheet Holder Type 3260	Tab Sheet Holder	B499	412203	C
Two Source Cover Interposer	Two Source Cover Interposer CI5000	B835	412976	C
Unauthorized Copy Guard	Copy Data Security Unit Type F	D829	413985	C

Notes:

- The E7200 Fiery will not be available at time of mainframe launch. Release date is 2nd quarter of 2010.
- The GB5000 (Perfect Binder) is not an option for this model.
- The use of 12 x 18 paper size is NOT available when printing or copying, on-line only, with the BK5010 / BK5010e.
- Additional information about the BK5010 can be found in the BK5010 Product Support Guide. (rfg022914)
- Java Card with ApptoMe that comes standard can also be ordered (if needed) via part #D0815790.
- The GW Print / Scan option comes standard with the D081/D082. It's embedded on the controller board.

Product Support Guide

D081 / D082

Supplies/Yields

D081 / D082 Name/Description	Ricoh Product Code	Savin Product Code	Lanier Product Code	Packaging	Yield (CTN)
Print Cartridge Black Type MP C7501/C9075/LD375C	841357 Tri-branded	841357 Tri-branded	841357 Tri-branded	1 x 950 g. /Btl.	43,200*
Print Cartridge Cyan Type MP C7501/C9075/LD375C	841358 Tri-branded	841358 Tri-branded	841358 Tri-branded	1 x 560 g. /Btl.	21,600*
Print Cartridge Magenta Type MP C7501/C9075/LD375C	841359 Tri-branded	841359 Tri-branded	841359 Tri-branded	1 x 560 g. /Btl.	21,600*
Print Cartridge Yellow Type MP C7501/C9075/LD375C	841360 Tri-branded	841360 Tri-branded	841360 Tri-branded	1 x 560 g. /Btl.	21,600*
Developer (Black)	D0819640	D0819640	D0819640	-	450k
Developer (Cyan)	D0819660	D0819660	D0819660	-	450k
Developer (Magenta)	D0819670	D0819670	D0819670	-	450k
Developer (Yellow)	D0819680	D0819680	D0819680	-	450k
Staple Type K for SR4030/SR4040	410801	9858	410801	1 x 5,000/ Ctn.	5,000
Staple Refill Type K for SR4030/SR4040	410802	9859	410802	3 x 5,000/ Ctn.	15,000
Staple Type L for SR4040 (Saddle Stitch)	411240	9885	4800091	1 x 2,000/ Ctn.	2,000
Staple Refill Type L for SR4040 (Saddle Stitch)	411241	9886	4800092	4 x 2,000/ Ctn.	8,000
Staple Type M for SR5000	413013	9908	4800383	1 x 5,000/ Ctn.	5,000
Staple Refill Type M for SR5000	413026	9909	4800390	5 x 5,000/ Ctn.	25,000
Ring Supply Type A White 100	404117	404117	404117	5 - Sets of 75	375 Booklets
Ring Supply Type A Black 100	404118	404118	404118	5 - Sets of 75	375 Booklets
Ring Supply Type A White 50	404119	404119	404119	5 - Sets of 75	375 Booklets
Ring Supply Type A Black 50	404120	404120	404120	5 - Sets of 75	375 Booklets

Supply Yield Condition:

- ISO/IEC19752 is used to measure the above toner yield.
- The condition is standard temperature and humidity.
- This yield number may change depending on the circumstances and printing conditions.

Product Support Guide

D081 / D082

Recommended Plain Paper

Not available at this time

Recommended Special Paper

Special Paper

Type	Brand	Product Name	Media Type	Weight	Notes
Special Paper	Hammermill	Color Copy Cover	Plain	28lb. Bond 105gsm	-
	Hammermill	Color Copy Cover	Thick	57.6lb. Bond 216gsm	-
	Hammermill	Color Copy Cover	Thick	43.47lb. Bond 163gsm	-
	Kromekote	Laser High Gloss Cover C1S	Coated	49.07lb. Bond 184gsm	Note 1
	Kromekote	Laser High Gloss Cover C1S	Coated	58.4lb. Bond 219gsm	Note 1

Notes:

1. Poor feed or excessive curl may occur in high humidity environment.
2. Media testing is continuing. Once completed, the recommended paper types listed above will be updated.

Product Support Guide

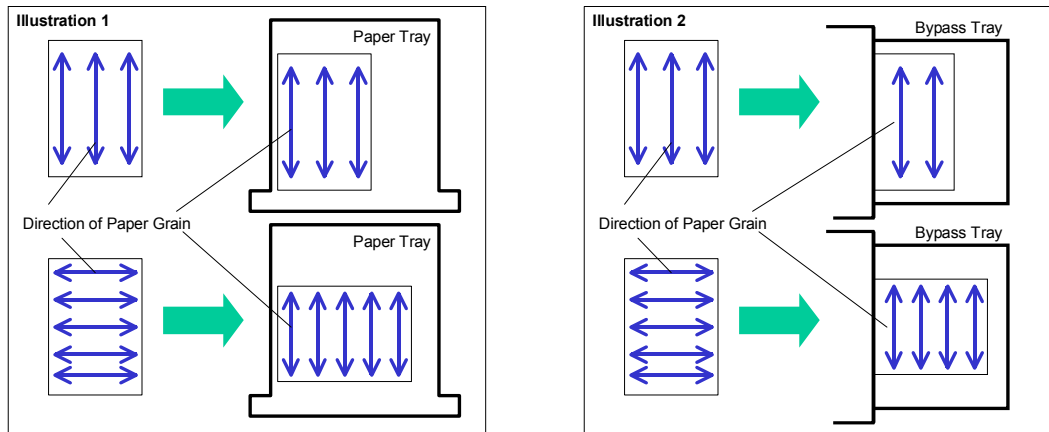
D081 / D082

Recommended Paper Condition

All the paper should be stored where the room temperature is 20-25 degree C and the humidity is 30-65%.

Any curls in the paper should be smoothed out before loading it.

When loading thick paper in paper trays1-3, or the wide LCT, set the paper direction according to the grain, as shown in the following illustration (1).



Non Recommended Throughput Material

To prevent faults, do not use any of the following kinds of treated paper:

- Paper for inkjet printers
- Thermal fax paper
- Art paper
- Aluminum foil
- Carbon paper
- Conductive paper
- Paper with perforated lines
- Hemmed-edge paper
- Color OHP transparencies with easily melted coatings
- Bent, folded, or creased paper
- Perforated paper
- Slippery, torn, rough paper
- Thin paper with little stiffness
- Paper with a dusty surface
- If you copy or print onto rough grain paper, the output image might be blurred.
- Do not reuse copy paper that has been already copied or printed onto.
- Envelopes

Product Support Guide

D081 / D082

Technical Enhancements

Improvements made to the D081/D082 as compared to its predecessor the D014/D015.

1. Faster copy speed:

- Model **D081**: FC: 60cpm, B/W: 65cpm (Previous model **D014**: FC: 55cpm, B/W: 60cpm)
- **Note**: Model **D082**, the copy speed is the same as the previous model **D015** (FC: 70cpm, B/W: 75cpm).

2. ADF duplex scan

3. Shorter warm-up time achieved through development of a thinner pressure roller core:

- D081: Less than 70sec., D082: Less than 60sec.

4. Reduced power consumption (Typical Electricity Consumption: TEC) to meet International Energy Star requirements:

- D081: 8.72kWh, D082: 9.66kWh

5. Expanded paper handling capabilities

- For Tray 3 to support the feeding of thick paper up to 256 g/m².
- Duplex 60 to **169g/m²** (17lbs Bond - 90lbs Index)

6. Increased LD writing resolution (1200dpi) in printer mode.

7. Toner and developer enhancements:

- New toner contains newly developed wax for meeting new fine-dust requirements.
- New developer contains the new toner.
- **Note**: The new toner and developer are NOT compatible with the D014/D015/D078/D079.

8. PCU enhancements:

- The new K-PCU features a newly designed charge grid that enables the components of the drum charge corona unit to be individually replaced in the field.
- The new color PCUs (C, M, Y) features a newly designed drum charge roller that increases the overall performance and reliability of the PCU.

9. New peripherals:

- Multi-Folding Unit FD5000
- USB2.0/SD Slot Type D

Product Support Guide

D081 / D082

10. Connectivity features (GW controller):

New printer functions:

- Color Barrier-Free Mode (PCL/PS Driver)
- Mixed B/W & color booklet printing of Document Server files
- New Printer Driver Core (YAPD2.0)

New Scanner functions:

- Using Scan to Multimedia, FAT32 is now supported.
- New Secure PDF encryption method: AES 128bit

Other functions (to be provided as standard features):

- Java-VM Card
- Calypso

Following items are the same as the D014/D015.

1. OPC drum:

- Target Yield: 450k for K, C, M, Y

2. Easy installation with automatic developer installation function.

3. Peripherals:

- A3/DLT LCT with maximum paper size 305mm x 457.2 mm (12" X 18")
- 2-Source Cover Interposer
- Fax Unit.

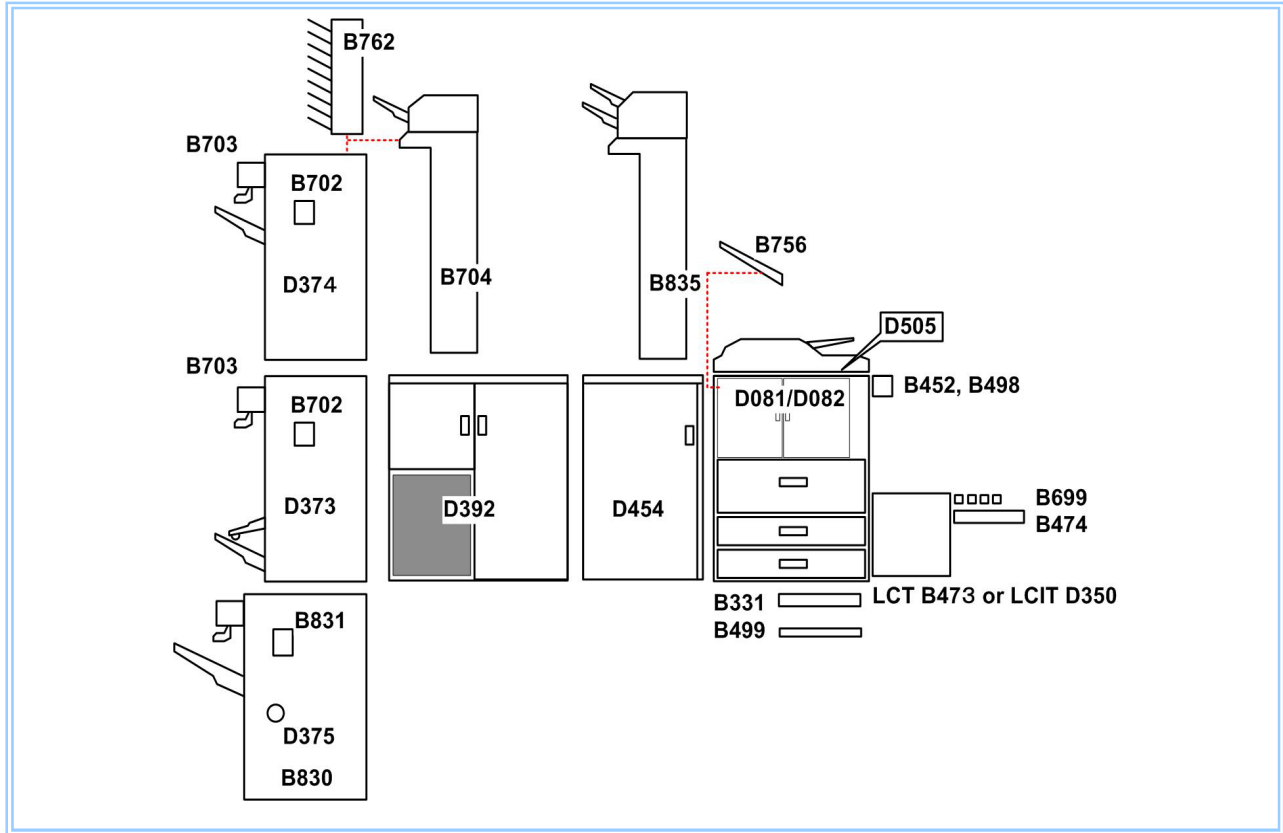
Product Support Guide

D081 / D082

Branding Information

Branding is required as the machines are shipped as a generic version. You must attach the Brand Plaque to the front cover.

Configuration



Product Code	Name	Comments
D081/D082	Main Machine	Copier/printer
B331	A3/11" x 17" Tray 2105	For tandem tray, the top tray. Modifies the tray for larger paper sizes.
B452	Key Counter Bracket	Counter option for the main machine.
B473	A4/LT LCT	Only one LCT can be installed on the right side of the main machine, the B473 or D350.
B474	LG Size Tray Type 1075	Option for LCT B473. Modifies the LCT tray so it can hold legal paper.
B498	Card Reader Bracket Type B	Counter option for the main machine.
B499	Tab Sheet Holder Type 3260	For tandem tray (Tray 1), the top tray of the main machine.
B699	LCT Adapter	Required for installation of LCT B473.
B702	Punch Unit Type 3260	For either finisher D373 or D374.
B703	Output Jogger Unit Type 3260	Optional jogger unit. Can be attached to a D373 or D374 finisher.
B704	Cover Interposer	Installed on top of either finisher D373 or D374. The cover interposer and mailbox cannot be installed together.
B756	Copy Tray	Holds paper output from the main machine. Must be used if no finishers are installed.

Product Support Guide

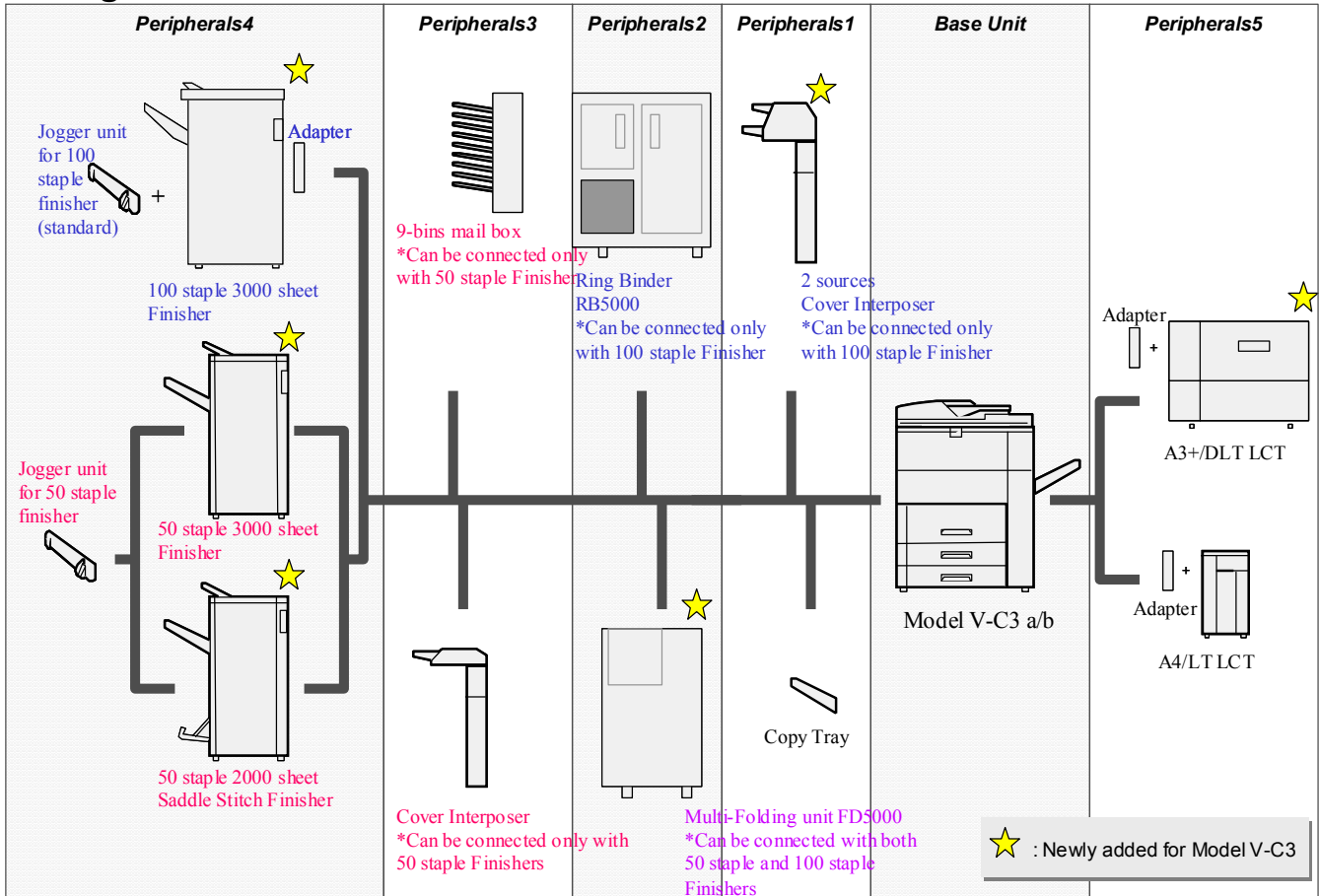
D081 / D082

Product Code	Name	Comments
B762	Mail Box CS391	Install on top of either the D373 or D374. Cover Interposer (B704) is also installed on the top on the finisher, so the cover interposer and mailbox cannot be installed together.
B830	Finisher SR5000	3000 sheet capacity, 100 staples. External jogger is provided pre-installed. Finisher Adapter Type C (D375) is required. The output jogger is pre-installed on this finisher (provided as standard).
B831	Punch Unit PU 5000	Designed for the SR5000 (B830). Three types are available (EU, NA, or SC).
B835	Cover Interposer Tray CI5000	Two source trays for feeding covers. Can be installed and used for the SR5000 (B830) only. This cover interposer tray can be installed on the Multi Folder (D454) as well as the B830
D350	LCIT 4000	Only one LCT can be installed on the right side of the machine, the B473 or D350.
D373	Finisher SR4040	2000-sheet tray capacity, corner stapling, saddle-stitch stapling, booklet folding and stapling.
D374	Finisher SR4030	3000-sheet tray capacity, corner stapling only (no saddle-stitch stapling).
D375	Finisher Adapter Type C	Installed in the SR5000 (B830) to adapt the speed of the finisher. Required for this machine.
D392	Ring Binder	This is a new option for the D081/D082. Requires Finisher SR5000 (B830) and cannot be used with either the SR4040 (D373) or SR4030 (D374).
D454	Multi Fold Unit	This is a new option for the D081/D082. Executes six types of folding. Can be used with either the SR4040 (D373) or SR5000 (B830). Cannot be used with the SR4030 (D374).
D505	USB 2.0/SD Slot Type D	Attached to the right end of the operation panel on the main machine.

Product Support Guide

D081 / D082

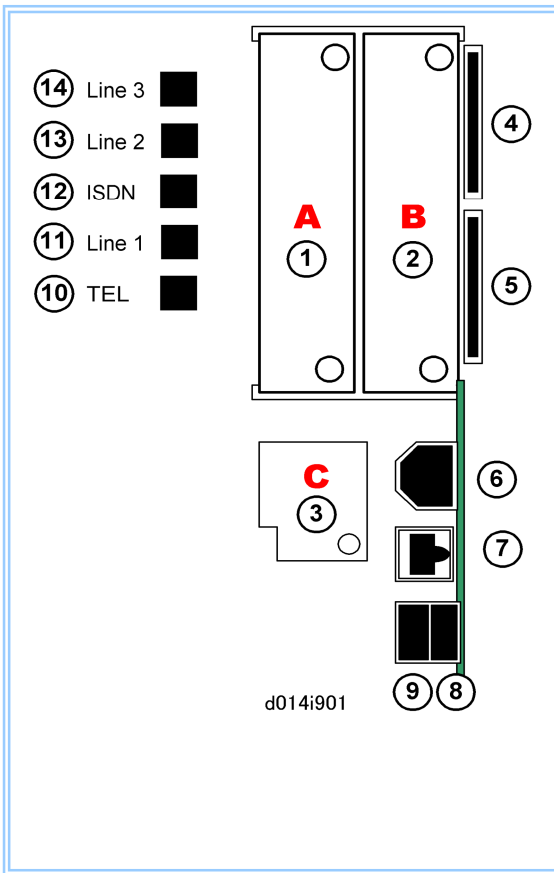
Configuration cont...



Product Support Guide

D081 / D082

MFP Option Board Slot / SD Card Assignments



No.	Name	Description
①	Slot A	Copy Connector (B328) only
②	Slot B	<ul style="list-style-type: none"> IEEE1284 (B679) File Format Converter (D377) IEEE802.11a/g (D377-01) Bluetooth (B826)
③	Slot C	Gigabit Ethernet (D377-21). The EFI (Fiery) controller is connected through Gigabit Ethernet.
④	Upper Slot	<ul style="list-style-type: none"> Data Overwrite Security (D497) PostScript3 (D497) HDD Encryption Unit (D377-16)
⑤	Lower Slot	Contains the VM card when the machine leaves the factory. When used for firmware updates, and moving applications to another SD card with SP5873 (Apli Move), the VM card must be removed and then re-installed after the update procedure is completed.
⑥	USB 2.0	Built-in for connection of USB devices.
⑦	100BaseT LAN	Standard LAN connection point.
⑧	USB Ch1	For future use (PictaBridge, other application devices). Note: These connection points are covered with a plate. Remove the screw, rotate the plate and reattach it with the screw so that the slots are exposed, then attach the connector.
⑨	USB Ch2	
⑩	TEL	Jack for telephone connection
⑪	Line 1	Jack for main telephone line from the outside for connection to Fax Option (D356).
⑫	ISDN	Jack for ISDN connection Japan Only
⑬	Line 2	Jack for a 2nd line connection to G3 Interface Unit Type C7500 (D357) when this option is installed.
⑭	Line 3	Jack for a 3rd line connection to G3 Interface Unit Type C7500 (D357) when this option is installed.

Important Notes

- Only two SD Card slots are available for applications.
- The VM card is already inserted in the lower slot when the machine leaves the factory.
- Other applications must be inserted in the upper slot.
- If more than one application is required in the upper slot, the applications must be moved to the same SD card with SP5873-1.
- The PostScript3 application cannot be moved to another card. However, other applications can be moved to the PostScript3 SD card.

Product Support Guide

D081 / D082

Installation

Installation Requirements

Temperature Range:	Allowed Temp.: 10°C to 32°C (50°F to 90°F) Recommended Temp.: 23°C (73.4°F)
Humidity Range:	15% to 80% RH
Ambient Illumination:	Less than 1,500 lux (do not expose to direct sunlight)
Ventilation:	3 times/hr/person
Ambient Dust:	Less than 0.10 mg/m ³
Avoid areas exposed to sudden temperature changes:	
	Areas directly exposed to cool air from an air conditioner.
	Areas directly exposed to heat from a heater.
Do not place machine where it will be exposed to corrosive gas or vapor.	
Do not install the machine at any location over 2,000m (6,500 ft.) above sea level.	
Place the machine on a strong and level base. Inclination on any side should be no more than 5mm (0.2")	
Do not place the machine where it may be subject to strong vibrations.	
Machine level	Front to back: within 5mm (0.2") of level
	Right to left: within 5mm (0.2") of level

Power Requirements

Line voltage level:

D081: 120V 60 Hz 20A

D082: 208 to 240V 50~60 Hz 20A

Permissible voltage fluctuation: +/-10%

Never set anything on the power cord.

D081 Only



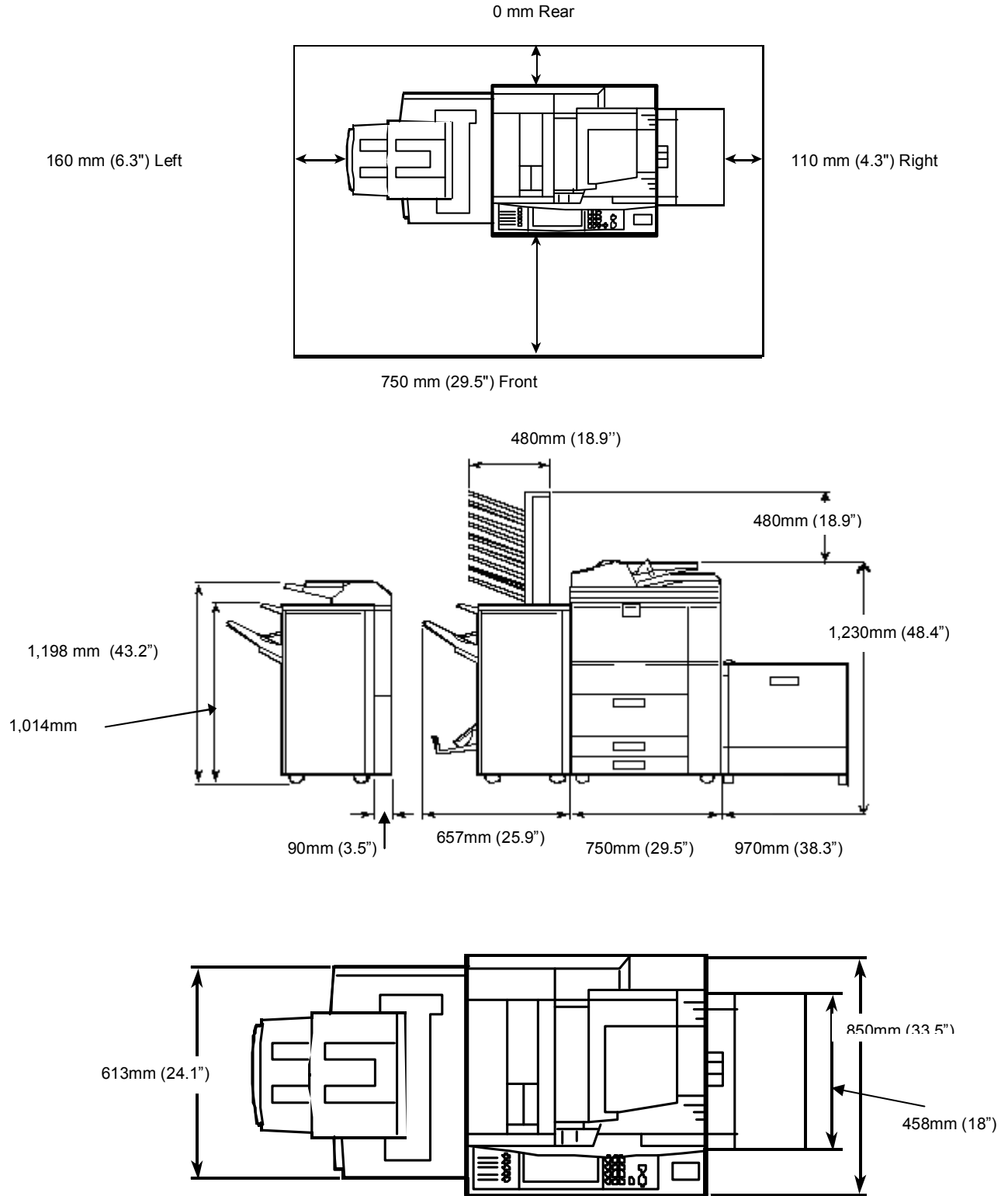
D082 Only



Product Support Guide

D081 / D082

Space Requirements



Product Support Guide

D081 / D082

Power Consumption / Noise Emission

Power Consumption

Mode		Power Consumption
Full Max Power		D081: Less than 1920W / D082: Less than 2400W
Full Option Max Power		D081: Less than 1920W / D082: Less than 2400W
Operating Power		D081: Less than 1920W / D082: Less than 2400W
Ready Mode		Less than 450w
Panel Off	Power	Less than 450w
	Recovery	0
Panel Off Level2	Power	N/A
	Shift time	N/A
	Recovery	N/A
Low Power	Power	D081: Less than 255w D082: Less than 294w
	Shift time (Default)	15 min.
	Recovery	D081: Less than 35s D082: Less than 30s
Sleep Mode	Power	less than 3W
	Shift time (Default)	30
	Recovery	D081:70s D082:60s
TEC (Typical Electricity Consumption)	D081	Target less than 872 (kwh)
	D082	Target less than 966 (kwh)

Note:

Power Consumption may differ depending on the conditions and environment of the machine.

Noise Emission

Mode	Model	Target
Standby (Mainframe Only)	D081/D082	56 dB or less
Copying (Mainframe Only)	D081/D082	72dB or less / 73 dB or less
Standby (Full System)	D081/D082	56 dB or less
Copying (Full System)	D081/D082	76dB or less / 77 dB or less

Installation Times

Unit	Installation Time (Minutes)	Unit	Installation Time (Minutes)
Finisher:	15 minutes	Printer/Scanner:	5 minutes
Booklet Finisher:	15 minutes	NIB:	5 minutes
Punch Unit:	10 minutes	IEEE 1394:	5 minutes
Cover Interposer:	15 minutes	USB 2.0:	5 minutes
By-pass Tray:	15 minutes	Bluetooth:	5 minutes
A3/DLT Kit	15 minutes	Wireless LAN:	5 minutes
Multi folding unit	15 minutes	MLB	5 minutes
A4/LT LCT	15 minutes	Gigabit Ethernet	5 minutes
A3/DLT LCT	15 minutes		

Product Support Guide

D081 / D082

Storage/Transportation

Base Unit

Storage	Temperature	-30 ~ +40 °C
	Humidity	Less than 85% RH
	Storage Period	Max 18months
	Max stack	2 cartons
Transportation	Temperature	-30 ~ +45 °C
	Humidity	15 ~ 95% RH
	Max stack	1 carton

Toner & Developer

Transportation	Temperature	-30 ~ +50°C
	Humidity	15 ~ 80%RH
Usage	Temperature	+10°C ~ +32°C
	Humidity	15 ~ 80%RH

- Store in a dry, dark place where temperature does not exceed 40°C on continuance storage/transportation conditions.
- Do not store more than 12 hours under the temperature between 41 and 50 °C.
- Do not store more than a month under the temperature between 36 and 40 °C.

Special Tools & Lubricants

Item	Part Number	Description	Q'ty	Unique or Common
1	B6455010	SD Card	1	C (Model D014)
2	B6456700	PCMCIA Card Adapter	1	C (Model D014)
3	B6456800	USB Reader/Writer	1	C (Model D014)
4	G0219350	Loop Back Connector	1	C (Model D014)
5	C401 9503	20X Magnification Scope	1	C (General)
6	A2579300	Grease Barrierta – S552R	1	C (General)
7	52039501	Silicon Grease G-501	1	C (General)
8	B1329700	Lubricant Powder	1	C (Model D014)
9	D0159500	G104 Yellow Toner	1	C (Model D014)
10	D0159501	Zinc Stearate	1	C (Model D014)
11	A0929503	C4 Color Test Chart (3 pcs/set)	1	C (General)
12	VSST9501	Connection Kit Color Test Chart (3 sheets/set)	1	C (Model D014)

Product Support Guide

D081 / D082

Parts / Special Tools / Maintenance

PM Parts / Yields

Mainframe

PM Kits

PMD081150K / PMD081300K / PMD081450 K

* The 150k kit contains parts for both a 150k and 200k maintenance

Unique/Common

U: Unique for this model

C: Common with listed model

Part Number	Description	Q'ty/ Unit	PM Interval (copies)	Unique or Common
Photo Conductor Unit				
D0149510	OPC Drum	4	450k	C
D0812441	Drum Charge Roller Assy	3	150k	U
D0142406	Cushion Wire T1.5	4	200k	U
D0142407	Cleaner Grid Assy	1	200k	U
D0142410	Cleaner Corona Wire Assy	2	200k	U
D0142434	Drum Charge Corona Wire	2	200k	U
D0812399	Grid Drum Charge Wire	1	200k	U
D0142352	Drum Cleaning Blade	3	150k (for C, M, Y)	C
		1	200k (for K)	
D0142368	Drum Lubricant Supply Blade	3	150k (for C, M, Y)	C
		1	200k (for K)	
D0142321	Drum Lubricant Bar	3	150k (for C, M, Y)	C
		1	200k (for K)	
D0142335	Drum Lubricant Supply Brush	3	300k (for C, M, Y)	C
		1	400k (for K)	
D0142465	Joint PCU	3	300k (for C, M, Y)	C
		1	400k (for K)	
D0142337	Drum Lubricant Supply Brush Gear	3	300k (for C, M, Y)	C
		1	400k (for K)	
D0142345	Idle Gear 1	3	300k (for C, M, Y)	C
		1	400k (for K)	
D0142346	Idle Gear 2	3	300k (for C, M, Y)	C
		1	400k (for K)	
D0142333	Drum Cleaning Brush Gear	3	300k (for C, M, Y)	C
		1	400k (for K)	
D0142286	Waste Toner Collect Gear	3	300k (for C, M, Y)	C
		1	400k (for K)	
D0819640	Developer Cartridge Black	1	450k	U
D0819660	Developer Cartridge Cyan	1	450k	U
D0819670	Developer Cartridge Magenta	1	450k	U
D0819680	Developer Cartridge Yellow	1	450k	U

Product Support Guide

D081 / D082

PM Parts Continued...

Part Number	Description	Q'ty/ Unit	PM Interval (copies)	Unique or Common
Image Transfer Belt Unit				
D0816050	Image Transfer Belt	1	600k	U
D0146455	Belt Cleaning Blade	1	300k	C
D0146470	Belt Cleaning Lubricant Bar	1	300k	C
D0146507	Belt Cleaning Lubricant Supply Blade	1	300k	C
D0146463	Belt Cleaning Lubricant Supply Brush	1	300k	C
Paper Transfer Roller Unit				
D0146280	Paper Transfer Roller	1	600k	C
D0146265	PTR Cleaning Blade	1	300k	C
D0146260	PTR Lubricant Bar	1	300k	C
B1326268	Paper Discharge Plate	1	300k	C
Fusing Unit				
D0144090	Fusing Belt	1	600k	C
AE010080	Hot Roller	1	450k	U
AE020185	Pressure Roller	1	600k	U
AE042080	Pressure Roller Cleaning Roller	1	450k	C
AE040015	Oil Supply Roller	1	450k	U
AE030076	Pressure Roller Bearing	2	1200k	U
Filters				
D0143586	Dust Fiter	3	450k	C
D0146978	Dust Filter	2	300k	C
B1322435	Dust Filter	3	450k	C
B2473340	Filter Development	4	450k	C
Waste Toner Bottle				
B1326609	Waste Toner Bottle	1	150k	C
ADF				
A8061295	Feed Belt	1	120k	C
B4772225	Pick-Up Roller	1	120k	C
A8592241	Reverse Roller	1	120k	C
B6523121	Transport Belt	1	120k	C

NOTE:

The yield figures in the above table are based on 5 copies/original conditions:

Product Support Guide

D081 / D082

Target Reliability

Models	
Average Monthly Volume	30k (D081) 50k (D082)
Max. Monthly Volume (@40% color ratio)	150k
PM Interval	150K

Productivity for Thick Paper / Paper Type Selections

Model	Mode	Paper Thickness	BK CPM	FC CPM
		(gsm)		
D081	Thin Paper	52~65	65	60
	Plain Paper	66~100	65	60
	Middle Thick	101~127	60	60
	Thick Paper 1	128~169	37.5	37.5
	Thick Paper 2	170~249	37.5	37.5
	Thick Paper 3	250~300	30	30
D082	Thin Paper	52~65	75	70
	Plain Paper	66~100	75	70
	Middle Thick	101~127	60	60
	Thick Paper 1	128~169	37.5	37.5
	Thick Paper 2	170~249	37.5	37.5
	Thick Paper 3	250~300	30	30

Productivity

Product Support Guide

D081 / D082

ADF Copy Speeds (cpm)

B&W Copy (D081)				Full Color Copy (D081)			
ADF 1to1	Simplex to Simplex (cpm)			ADF 1to1	Simplex to Simplex (cpm)		
	A3/DLT	LG	A4/LT		A3/DLT	LG	A4/LT
1st Tray	-	-	65.5	1st Tray	-	-	60.5
2nd Tray	35	44	65.5	2nd Tray	33/32.5	38.5	60.5
3rd Tray	35	44	65.5	3rd Tray	33/32.5	38.5	60.5
LCT(small)	-	-	65.5	LCT(small)	-	-	60.5
LCT(Large)	35	44	65.5	LCT(Large)	33/32.5	38.5	60.5
ADF 1to1	Simplex to Duplex (cpm)			ADF 1to1	Simplex to Duplex (cpm)		
	A3/DLT	LG	A4/LT		A3/DLT	LG	A4/LT
1st Tray	-	-	65.5	1st Tray	-	-	60.5
2nd Tray	32.5	32.5	65.5	2nd Tray	30.5	30.5	60.5
3rd Tray	32.5	32.5	65.5	3rd Tray	30.5	30.5	60.5
LCT(small)	-	-	65.5	LCT(small)	-	-	60.5
LCT(Large)	32.5	32.5	65.5	LCT(Large)	30.5	30.5	60.5
ADF 1to1	Duplex to Duplex (cpm)			ADF 1to1	Duplex to Duplex (cpm)		
	A3/DLT	LG	A4/LT		A3/DLT	LG	A4/LT
1st Tray	-	-	65.5	1st Tray	-	-	60.5
2nd Tray	32.5	32.5	65.5	2nd Tray	30.5	30.5	60.5
3rd Tray	32.5	32.5	65.5	3rd Tray	30.5	30.5	60.5
LCT(small)	-	-	65.5	LCT(small)	-	-	60.5
LCT(Large)	32.5	32.5	65.5	LCT(Large)	30.5	30.5	60.5
B&W Copy (D082)				Full Color Copy (D082)			
ADF 1to1	Simplex to Simplex (cpm)			ADF 1to1	Simplex to Simplex (cpm)		
	A3/DLT	LG	A4/LT		A3/DLT	LG	A4/LT
1st Tray	-	-	-	1st Tray	-	-	70.5
2nd Tray	38.5/38	49.5	50.5	2nd Tray	36.5	46.5	70.5
3rd Tray	38.5/38	49.5	50.5	3rd Tray	36.5	46.5	70.5
LCT(small)	-	-	-	LCT(small)	-	-	70.5
LCT(Large)	38.5/38	49.5	50.5	LCT(Large)	36.5	46.5	70.5
ADF 1to1	Simplex to Duplex (cpm)			ADF 1to1	Simplex to Duplex (cpm)		
	A3/DLT	LG	A4/LT		A3/DLT	LG	A4/LT
1st Tray	-	-	75.5	1st Tray	-	-	70.5
2nd Tray	34.5	35.5	75.5	2nd Tray	33.5	33.5	70.5
3rd Tray	34.5	35.5	75.5	3rd Tray	33.5	33.5	70.5
LCT(small)	-	-	75.5	LCT(small)	-	-	70.5
LCT(Large)	34.5	35.5	75.5	LCT(Large)	33.5	33.5	70.5
ADF1to1	Duplex to Duplex (cpm)			ADF1to1	Duplex to Duplex (cpm)		
	A3/DLT	LG	A4/LT		A3/DLT	LG	A4/LT
1st Tray	-	-	75.5	1st Tray	-	-	70.5
2nd Tray	34.5	35.5	75.5	2nd Tray	33.5	33.5	70.5
3rd Tray	34.5	35.5	75.5	3rd Tray	33.5	33.5	70.5
LCT(small)	-	-	75.5	LCT(small)	-	-	70.5
LCT(Large)	34.5	35.5	75.5	LCT(Large)	33.5	33.5	70.5

Product Support Guide

D081 / D082

Productivity

Platen Copy Speeds (cpm)

B&W Copy (D081)				Full Color Copy (D081)			
Platen Cover : Simplex (cpm)				Platen Cover : Simplex (cpm)			
	A3/DLT	LG	A4/LT		A3/DLT	LG	A4/LT
1st Tray	-	-	65.5	1st Tray	-	-	60.5
2nd Tray	35	43	65.5	2nd Tray	33/32.5	38.5	60.5
3rd Tray	35	43	65.5	3rd Tray	33/32.5	38.5	60.5
LCT(small)	-	-	65.5	LCT(small)	-	-	60.5
LCT(Large)	35	43	65.5	LCT(Large)	33/32.5	38.5	60.5
Platen Cover : Duplex (cpm)				Platen Cover : Duplex (cpm)			
	A3/DLT	LG	A4/LT		A3/DLT	LG	A4/LT
1st Tray	-	-	65.5	1st Tray	-	-	60.5
2nd Tray	32.5	32.5	65.5	2nd Tray	30.5	30.5	60.5
3rd Tray	32.5	32.5	65.5	3rd Tray	30.5	30.5	60.5
LCT(small)	-	-	65.5	LCT(small)	-	-	60.5
LCT(Large)	32.5	32.5	65.5	LCT(Large)	30.5	30.5	60.5
B&W Copy (D082)				Full Color Copy (D082)			
Platen Cover : Simplex (cpm)				Platen Cover : Simplex (cpm)			
	A3/DLT	LG	A4/LT		A3/DLT	LG	A4/LT
1st Tray	-	-	75.5	1st Tray	-	-	70.5
2nd Tray	38.5/38	50.5	75.5	2nd Tray	36.5	46.5	70.5
3rd Tray	38.5/38	50.5	75.5	3rd Tray	36.5	46.5	70.5
LCT(small)	-	-	75.5	LCT(small)	-	-	70.5
LCT(Large)	38.5/38	50.5	75.5	LCT(Large)	36.5	46.5	70.5
Platen Cover : Duplex (cpm)				Platen Cover : Duplex (cpm)			
	A3/DLT	LG	A4/LT		A3/DLT	LG	A4/LT
1st Tray	-	-	75.5	1st Tray	-	-	70.5
2nd Tray	34.5	35.5	75.5	2nd Tray	33.5	33.5	70.5
3rd Tray	34.5	35.5	75.5	3rd Tray	33.5	33.5	70.5
LCT(small)	-	-	75.5	LCT(small)	-	-	70.5
LCT(Large)	34.5	35.5	75.5	LCT(Large)	33.5	33.5	70.5

Product Support Guide

D081 / D082

Specifications / General and Enhanced

General		
Configuration	Console	
Dimensions (w x d x h)		
	No ADF	750 x 850 x 1050 mm (29.5 x 33.5 x 41.3 in.)
	With ADF	750 x 850 x 1230 mm (29.5 x 33.5 x 48.4 in.)
Memory	On board	2 GB
	HDD	320 GB
Weight (with ADF)	Less than 298 kg (655.6 lb)	
Interfaces		
	Network	Ethernet (standard), Gigabit Ethernet (option), Wireless LAN (option)
	Counter I/F	Parallel (20-pin), Parallel (4-pin), Serial
	USB 2.0 Type A (2- Board)	Standard
	USB 2.0 Type B (1-Board)	Standard
	IEEE 1284 ECP	Option
	Bluetooth	Option
	Peripheral Connection	Standard
	SD Card I/F Slots	2 slots, (lower for service), (upper for applications)
	SD Card D505	Option
Original Scanning	Flatbed with moving 3-line CCD array, image scanning	
Copy Process	4-drum dry electrostatic transfer system with internal transfer belt	
ADF	Simultaneous dual scan, front and back	
Development	Dry dual-component magnetic brush development	
Fusing	Oil-less belt fusing system	
Engine speed	D081	BW 65 cpm, FC 60 cpm,
	D082	BW 75 cpm, FC 70 cpm,
Warm-up time	D081	70 sec.
	D082	60 sec.
First copy time	D081	BW: 5.0 sec. FC: 5.8 sec.
	D082	BW: 4.2 sec. FC: 5.4 sec.
Original types	Book mode, Single-sheet feed with ADF	
Max. original size	Book Mode: 297 x 432 mm (11.7 x 17 in.) ADF: A3/DLT SEF	
Resolution	Copy	600 dpi
	Print	200/300/400/600/1200 dpi
	Scan (Send)	600
	Gradation	200, 300, 400 dpi, 600 dpi 1200 dpi
Image Size	Default	297 (+4) x 457 mm
	Max.	297 (+4) x 600 mm
Magnification	7 Reduction, 5 Enlargement: 93%, 85%, 78%, 73%, 65%, 50%, 25%, 121%, 129%, 155%, 200%, 400%	

Product Support Guide

D081 / D082

General			
Zoom	25% to 400% (1% Steps)		
Paper capacity (Number of sheets calculated with 80 g/m ² 20 lb bond paper)	Tray 1	1,100 x2	2,200
	Tray 2	550	550
	Tray 3	550	550
	Bypass	100	100
	Main Total		3,400
	With LCT B473	4,000	7,400
	With LCIT D350	2,000	5,400
Original size detection: exposure glass	11"x17", 8½"x14" SEF, 8½"x11" LEF/SEF		
Original size detection (ADF)	11"x17", 10"x14", 8½ x 14" SEF 8½"x11", 5½"x8½" SEF/LEF 7¼"x10½", A3 SEF A4 SEF/LEF		
Paper Size			
Standard Copying	A3, B4, A4, B5, A5, 12" x 18", DLT, LG, LT, HLT, F/F4		
Duplex Copying	A3/DLT to A5/HLT LEF, 12" x 18" LEF		
Width Range	139.7 to 305 mm (5.5 to 12 in.)		
Length Range	139.7 to 457.2 mm (5.5 to 18 in.)		
Paper weight	Tray 1	52.3 – 216 g/m ²	
	Tray 2	14 Bond – 80 lb Cover	
	Tray 3	52.3 – 256 g/m ² 14 Bond – 90 lb Cover	
	Bypass	52.3 – 300 g/m ² 14 lb Bond– 110 lb Cover	
	Duplex mode	60 – 169 g/m ² 17 lb Bond – 90 lb Index	
Output capacity	500 sheet (A4, 8½"x11") (with copy tray)		
Power	D081	110 to 127 V 20A 60Hz	
	D082	208 to 240 V 12 A 60Hz	
Max. power consumption	D081: Less than 1920 W D082: Less than 2400 W		
TEC (Typical Energy Consumption)			
	D081: 8.72 kWh/w D082: 9.66 kWh/w		
Sleep Mode	3 W		
Energy Star	Compliant		
Counter	Electric counter, mechanical counter x2		
Counterfeit prevention	Bill recognition, invisible marking function		

Product Support Guide

D081 / D082

Copier Enhanced Features			
Image Density		Auto Image Density Manual Selection 9 Levels	
Color Model		Auto Color Selection Full Color Black & White	
		Single Color Default: 12 colors + Black User Color: 15 colors	
		Twin-color Black & Other color Red & Black	
Copy Mode		Auto Text-Photo Separation Printed photo mode Glossy photo mode Copier photo mode	
		Photo Printed photo mode Glossy photo mode Copier photo mode	
		Text	
		Map	
		Pale	
		Generation	
		Highlight Pen	
		Inkjet 3 modes	
Paper Selection		Auto Paper Selection	
		1 st Tray	
		2 nd Tray	
		3 rd Tray	
		LCT	
	Bypass Tray	Only if configured without RT4000	
Paper Tray Display	1 st Tray LCT	Plain Paper* Recycle Paper Special Paper1 Special Paper2 Color Paper 1 Color Paper 2 Letter Head Prepunched Paper Preprinted Paper Bond Paper Cardstock Thin Plain1 Plain2 Middle thick Thick Paper 1 Thick Paper 2 Thick Paper 3**	*Not displayed as paper type **Only for A3/DLT LCT
	2 nd & 3 rd Tray	Plain Paper* Recycle Paper Special Paper1 Special Paper2 Color Paper 1 Color Paper 2 Letter Head Prepunched Paper Preprinted Paper Bond Paper Cardstock Tab stock Thin Plain1 Plain2 Middle thick Thick Paper 1 Thick Paper 2	*Not displayed as paper type

Product Support Guide

D081 / D082

Copier Enhanced Features			
	Bypass	Plain Paper* Recycle Paper Special Paper1 Special Paper2 Color Paper 1 Color Paper 2 Letter Head Prepunched Paper Preprinted Paper Bond Paper Cardstock Tab stock Translucent Paper OHP Thin Plain1 Plain2 Middle thick Thick Paper 1 Thick Paper 2 Thick Paper 3	*Not displayed as paper type Only if configured without RT4000
Magnification		Preset Reduce & Enlarge	7R5E
		Zoom	25%-400%
		Size Magnification	
		Directional Magnification	by %
		Directional Size Magnification	mm / Inch
		Full Image Copy	93% & centering
Duplex		1side to 2 side	
		2 side to 2 side	
		Book to 2 side	
		Front & Back to 2 side	
Book / Series / Combine	Book	Booklet	
		Magazine	
	Series	Book to Simplex	
		Book to Duplex	
	Combine	Front & Back to 2 sided	
		Combine 2,4,8 into 1 simplex sheet	
		Combine 4,8,16 into 1 duplex sheet	
Orientation		Supported	
Margin Adjustment		1mm step / 0-30mm	Default: Front Page 5mm left Back Page 5mm right,
Erase	Center	1mm step / 2-99mm	Default: 10mm
	Border	1mm step / 2-99mm	Default: 10mm
	Center-Border	1mm step / 2-99mm	Default: Center 10mm, Border 10mm
Cover / Slip Sheet	Front	Copy or Blank	Copy: Duplex or Simplex
	Front & Back	Copy or Blank	Copy: Duplex or Simplex
	Slip	Copy or Blank	
Chaptering		Supported	Up to 100 position
Image Rotation		Supported	A4, 8 1/2"x11" and B5 size
Electronic Sort	Electric Sort	Supported	
	Rotate Sort	Supported	
	Shift Sort	Supported with Finisher	
Electric Stack		Supported with Finisher	
Stapling		Supported with Finisher	
Edit	Color Creation	Color Conversion	
		Color Erase	
		Color Background	
	Image Creation	Repeat	

Product Support Guide

D081 / D082

Copier Enhanced Features				
		Double Copy		
		Mirror		
		Positive / Negative		
Stamp	Preset Stamp	8 stamps / RGBCMYK		
	User Stamp	5 stamps / RGBCMYK		
	Date Stamp	5 stamps / RGBCMYK		
	Page Numbering	6 stamps / RGBCMYK		
Image Adjustment	Color Adjustment	Color Balance Adjustment		
		Color Balance Program		
		Auto Color Calibration		
		Color Registration		
	Image Adjustment	Image Adjustment	Sharp / Soft	
			Contrast	
			Background Density Adjustment	
			Under Color Removal	
			Auto Color Selection Sensitivity Adjustment	
			Text-Photo Separation Sensitivity Adjustment	
		Color Erase Sensitivity Adjustment		
Program		10 Program		
User Code		8 digits / 500 user code	Two Defaults are set -Usual -Simplified	
Interrupt Copy		Supported		
Auto Start		Supported		
Job Preset		8 Jobs		
Sample Copy		Supported		
Document Server		Supported		
Log in/Log out		Supported		
Auto Off Timer		Supported (1-240 minutes)		
Energy Saver Timer		Supported (1-240 minutes)		
Panel Off Timer		Supported (10-999 seconds)		
Copier/Document server Auto Reset Timer		Supported (10-999 seconds)		
Printer Auto Reset Timer		Supported (10-999 seconds)		
System Reset Timer		Supported (10-999 seconds)		
Logging Data Print out		Yes		
NRS Option		Yes		
Scanner Auto reset timer		Yes		
Simplified display		Yes		

Product Support Guide

D081 / D082

Printing Specifications		
CPU	Intel Pentium-M 1.4GHz	
RAM	2,048MB	
HDD	320GB (160GB x 2)	
Printer Languages	Standard	PCL5c, PCL6, XPS
	Option	PS3
Print Resolution	PCL5c	300 / 600
	PCL6	600/1200
	PS3	600/1200
	XPS	600/1200
Fonts	Standard	45 PCL fonts, 13 International
	Option	PS3, 136 Adobe PostScript Type 1 fonts
Host interface	Standard	Ethernet RJ-45, 10-BaseT, 100BaseTX, USB 2.0
	Options	IEEE1284, Wireless LAN (IEEE802.11a g) Bluetooth, Ethernet 1000 Base-T
Network Protocol	TCP/IP, IPX/SPX, Apple Talk	
MIB support	Private MIB	MIB-II (RFC1213), Host Resource (RFC1514), Printer (RFC1759)
	Standard MIB	RICOH Original
Network / Operating systems	Windows 2000/XP/Vista/Server 2003/Server2008, Netware 6.5, Unix; Sun Solaris, HP-UX, SCO OpenServer, RedHat Linux, IBM AIX, Mac OS 8.6-9.2x, OS X 10.1 or later	

Scanning Specifications		
Color Scan	Standard	
Scanning Speed	B&W	simplex 82, Duplex 125 (ipm)
	Color	simplex 70, Duplex 115 (ipm) @ 200dpi
Scanning Resolution	Std	100, 150, 200, 300, 400, 600 (dpi)
	Default	200 (dpi)
Auto Size Detection	Contact Glass	YES
	ARDF	YES
Scan Area	Main Scan	297mm
	Sub Scan	432mm
sRGB Support	RGB (equivalent to sRGB)	
Network Interface	10/100base-TX, Wireless LAN	
Protocol	TCP/IP	
Compression Method	B&W	BW / Binary: TIFF MH/MR/MMR
	Color	Grayscale / Full Color: JPEG (5 levels)
Scan Mode	BW_OCR (inc Drop-out Color), BW_Text-Photo, BW_Photo, Grayscale, Auto Color Selection (ACS), FC_Photo, FC_Text-Photo	
Image Density	Auto Density Selection, Manual Setting_7 Levels	
Image Rotation	YES	
SADF/Batch Mode	YES	
Mixed Size Mode	YES	

Note:

See Fiery E-7200 product support guide for fiery specifications

Product Support Guide

D081 / D082

Scan to Email		
Requirement		SMTP (Mail Server) Gateway and TCP/IP
Authorization Function		SMTP, POP before SMTP
Resolution	Std	100, 150, 200, 300, 400, 600 (dpi)
	Default	200 (dpi)
Max Email Address in HDD		2,000 Addresses
Register Group Address in HDD		Max100 Addresses
Maintain Email Address in HDD		Via Operation Panel, Web Image Monitor, Smart Net Monitor
Input of Destination E-mail Address via Soft Key		Maximum 100 Addresses in One Group Addresses
Search Email Address in HDD		By name & E-mail address
LDAP Search		YES
Max Address Numbers Per Send		Max 500 Addresses
Address Numbers Per Send	from HDD	Max 500
	direct input	Max 100
	via LDAP	Max 100
Attention		To, cc, bcc
Email Size	with Restriction	128 - 102,400KB, Default: On / 2,048KB
	w/o Restriction	752MB
File type		Single Page TIFF, Single Page PDF, Multi Page TIFF, Multi page PDF, High compression PDF
Program User Settings		Up to 10 programs
Divide and send Email		Size or Page Default: On by Size
Resend		YES, Default: On

Scan to Folder		
Protocol Support		SMB, FTP, NCP
Security		Client folder log-in (log-in name and password), Encryption of log-in name and password during transmission
Resolution	Std	100, 150, 200, 300, 400, 600 (dpi)
	Default	200(dpi)
Register client folder address in HDD		2,000 addresses
Maintain client folder address in HDD		Via Operation Panel, Web Image Monitor, Smart Net Monitor
Destination client folder address input via soft key		Max 100
Search client folder		By name, folder pass
Max. client folder numbers per send		Max.50 client folders per sent
Group address		Max.100 destinations (50 client folders)
Input Subject		No
Scan to File size		2000MB
File Size when combined Scan to Folder & Scan to E-mail		Conforming to the scan to e-mail specification
File Type		Single Page TIFF, Single Page PDF, Multi Page TIFF, Multi page PDF, High compression PDF
Program User Settings		Up to 10 programs
Dividing File in Scan to Email		
Resend		YES, Default: On

Product Support Guide

D081 / D082

Fax Specifications		Remarks
Circuit:		PSTN, PBX
Compatibility:		ITU-T (CCITT) G3, Additional G3 (option),
Resolution		8 x 3.85 line/mm, 200 x 100dpi (std.) 8 x 7.7 line/mm, 200 x 200dpi (std.), 8x15.4line/mm, 16x15.4 line/mm, 400x400dpi (with optional SAF memory ¹)
Compression method:		MH, MR, MMR, JBIG
Scanning speed:		0.7sec.(A4/LT SEF, Standard/Detail mode), 0.7sec.(A4/LT SEF, Super Fine mode) *ITU-T No1 chart, 200 x 100 dpi(Standard mode), 200dpi(Detail mode), 400dpi(Super Fine mode)
Number of Pages Scanned Per Minutes: (DF Used)	A4/LT SEF	Standard mode: 47 cpm Detail mode: 47 cpm Super Fine mode: 47 cpm
	A4/LT LEF/image rotation	Standard mode: 50 cpm Detail mode: 46 cpm Super Fine mode: 30 cpm
Modem speed:		33.6K – 2,400bps (G3, Standard with Automatic Shift Down) (33600, 31200, 28800, 26400, 24000, 21600, 19200, 16800, 14400, 12000, 9600, 7200, 4800, 2400 bps)
Transmission speed:		G3: Approx.2 seconds (200x100 dpi, JBIG, ITUT #1 chart TTI off, memory transmission) G3: Approx.3 seconds (200x100dpi, MMR, ITUT #1 chart, TTI off, memory transmission)
Memory Backup		One hour
Smoothing		Standard
TTI/RTI		Standard
CSI		Standard
Quick Dial		Standard: 2,000 numbers
Group Dial		Standard: 100 groups (500 numbers per 1 group)
Program		Standard
Redial		Standard
Direct Fax Number Entry		Standard
Dual access		Standard
User Code		Std. 100 Codes (Max. 500 codes with optional "User Account Enhance Unit")
Page Counter		Standard
Auto Reduction		Standard
Wild Cards		Standard
Summer Time		No
ID Code Programming		Standard (4 digits)
Programming by OMR		No
User Function Key		Standard (3 Keys)
Night Timer		No
Energy Saver		Standard
LCD Prompt		Standard
Remaining Memory Indication		Standard
Clock Adjustment		Standard
User Parameter Settings		Standard
User Data Transfer		Standard

Product Support Guide

D081 / D082

Transmission Features	
Immediate transmission:	Standard
Memory transmission:	Standard
Serial broadcasting	Standard (Max. 500 numbers)
Send later:	Standard
Error correction mode:	Standard
Page retransmission:	Standard
Forwarding:	Standard
Image rotation:	Standard
Book fax:	Standard:
Closed network (transmission):	Standard
Double sided transmission:	Yes

Reception Features	
Automatic Reception	Standard
Manual Reception	Standard
Substitute Reception	Standard
Authorized Reception	Standard
Multi Copy	Standard
Closed Network	Standard
Reception Time Printing	Standard
Center Mark	Standard
Checkered Mark	Standard
Economy Printing Mode	No
Duplex Reception	Standard

LAN Fax Basic Specifications	
Paper Size	A3, DLT, B4, A4 (default for EU/Asia model), Letter (default for NA model), Legal, B5, A5
Resolution	Super Fine (400 x 400 dpi) Detail (200 x 200 dpi) *default Standard (200 x 100 dpi)
Number of Address	500
OS	Windows2000, Windows XP, Vista, Server2003, Server2008
LAN-Fax Editor Support Language	1. English, 2. German, 3. French, 4. Italian, 5. Spanish, 6. Dutch, 7. Swedish, 8. Norwegian, 9. Danish, 10. Finnish, 11. Hungarian, 12. Czech, 13. Polish, 14. Portuguese, 15. Russian, 16. Korean, 17. Traditional Chinese, 18. Simplified Chinese Condition: OS need to have the same language.
Memory	Minimum required for each OS
CPU	Minimum required for each OS
HDD	Minimum required for each OS

Product Support Guide

D081 / D082

Internet Fax Basic Specifications	
Requirement of Mainframe	G3 fax option is required. Printer Scanner option is required.
Number of Address	2,000 HDD storage
Email Address Input	From LCD operation panel, Web Image Monitor, Smart Device Monitor for Admin
Attention	to" or "bcc" (select only one), max 500 Attentions
Destination Combination	Internet Fax + G3 Fax, Internet Fax to PC + G3 Fax
Network	LAN: Local Area Network Ethernet/10Base-T, 100Base-TX, IEEE802.11b (wireless LAN)
Transmit Function	E-mail
Scan Line Density	200 x 100 dpi (Standard character), 200 x 200 dpi (Detail character), 200 x 400 dpi (Fine character: optional) *1, 400 x 400 dpi (Super Fine character: optional)
Original Size: Scanning width	A3, B4, A4
Communication Protocol	Transmission SMTP, TCP/IP Reception POP3, SMTP, IMAP4, TCP/IP
Email Format	Single/Multi-part, MIME Conversion Attached file forms: TIFF-F (MH, MR *1, MMR*1 compression)
Authentication Method	SMTP-AUTH, POP before SMTP, A-POP
Internet Communication	Send and receive e-mail with a computer that has an e-mail address
Email Send Functions	Automatic conversion of sent documents to e-mail format and e-mail transmission. Memory transmission only.
Email Receive Functions	Automatic detection and printing of appended TIFF-F(MH) files and ASCII text. Memory reception only.

IP – FAX Basic Specifications	
Network	LAN: Local Area Network Ethernet/10base-T, 100base-TX, IEEE802.11b (wireless LAN)
Scan Line Density	8 x 3.85 lines/mm, 200 x 100 dpi (Standard character), 8 x 7.7 lines/mm, 200 x 200 dpi (Details character), 8 x 15.4 lines/mm (Fine character: optional expansion memory required), 16 x 15.4 lines/mm, 400 x 400 dpi (Super Fine character: optional expansion memory required) Maximum
Original Size	A3 or 11" x 17" (DLT)
Max Scanning Size	Standard: A3, 297mm x 432mm, Irregular: 297mm x 1200mm
Transmission Protocol	Recommended: T.38Annex, TCP, UDP/IP communication, SIP (RFC 3261 compliant), H.323 v2
Compatible Machines	IP-Fax compatible machines
IP-Fax Transmission Function	Specify an IP address and send faxes to an IP-Fax compatible fax through a network. Also capable of sending faxes from a G3 fax connected to a telephone line via a VoIP gateway.
IP-Fax Reception Function	Receive faxes sent from an IP-Fax compatible fax through a network. Also capable of receiving faxes from a G3 fax connected to a telephone line via a VoIP gateway

Product Support Guide

D081 / D082

ADF Specifications	
Original Size	Simplex: A3/11" x 17" – B6/5.5" x 8.5" Duplex: A3/11" x 17" – B5/5.5" x 8.5"
Original Weight	Simplex: 40 to 128 g/m ² (11 to 34 lb.) Duplex: 52 to 128 g/m ² (14 to 34 lb.)
Table Capacity (A4 SEF, LT SEF)	250 sheets: 69g/m ² (150 sheets: 80g/m ² , 20 lb. Bond)
Original Standard Position	Rear left corner
Separation	Feed belt and separation roller
Original Transport	Roller transport
Original Feed Order	From top original
Reproduction Range	100%
Power Source	DC 24 V from the main machine
Power Consumption	Less than 110 W
Rated Voltage of Output Connector	Max. DC 24 V
Permissible voltage fluctuation	±10%
Dimensions (W x D x H)	680 x 560 x 180 mm (26.8" x 22.0" x 7.1")
Weight	18 kg (39.6 lb.)

LCT (RT43) B473		
Dimensions (w x d x h)	Stand-alone	314 x 458 x 659 mm (12.4 x 18 x 25.9 in.)
	With LG/B4 Option	462 x 458 x 659 mm (18.2 x 18 x 25.9 in.)
Weight	Standalone	Less than 20 kg (44 lb)
	With LG/B4 Option	Less than 27 kg (59.4 lb)
Power Consumption		Less than 50 W
Noise		Less than 74dB
Paper Size		A4, B5, 11"x 8½" LEF
Paper Weight		52 - 128g/m ² 14 lb – 34 lb Bond
Paper Capacity (80 g/m ² or 20 lb bond)		4,000 sheets** 2,500 sheets*

Note:

Installation of the LCT Adapter B699 is required to adjust the height of LCT B473

Product Support Guide

D081 / D082

LCT RT4000 D350	
Expected Service Life	5 Years or 9,000K
Paper Feed System:	FRR-CF
Paper Capacity	2,000 sheets (Paper thickness: 0.11 mm)
Remaining Paper Detection (Accuracy: ±30 sheets)	5-Step including Near-End
Paper Weight	52 to 300 g/m ²
Paper Size	A5 to A3, HLT to 12 x 19.2 in. Postcards (100 mm wide) Custom Size: Length: 139.7 to 487.6 mm Custom Size: Width: 100 mm to 305.0 mm (Small Size: 100 to 139.2 mm)
Paper Size Switching	Side fence, end fence adjustment.
Paper Size Detection	Automatic
Anti-Condensation Heater	Available as option
Dimensions (w x d h)	865 x 730 x 746 mm (34 x 28.7 x 29.4 in.)
Weight	Less than 86 kg (190 lb)
Power Source	DC 24 V ±10% (from main machine)
Power Consumption:	Less than 120 W
I/F	Serial
Tab Sheet:	Requires installation of tab sheet fence. Note: Only A4 LEF, 8½"x11" LEF tab sheets can be fed.

8.5 X 14 Paper Size Tray B474	
Paper Size	8½"x14", 8½"x11", A4, B4 SEF
Paper Weight	52 - 128g/m ² 14 lb - 34 lb Bond

Note:

This option converts LCT B473 so it can hold and feed LG size paper.

Product Support Guide

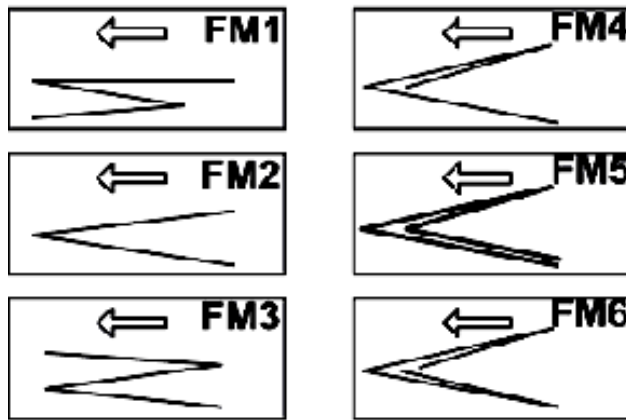
D081 / D082

Multi Folding Unit FD5000 D454		
Operating Environment	Temperature and humidity ranges: Same as main machine.	
Service Life	Expected: 5 years or 60,000 K (A4 LEF)	
Paper Weight	40 to 300 g/m ²	
Folding Methods	6 (see operators manual for more details)	
Speed	Straight-Through	100 to 700 mm/s
	Folding	270 to 700 mm/s
Straight-Through Feed	Size	Postcard to 13x19.2"
	Type	Used paper: A3, A4, B4, B5 OHP: A4, B5 Tap paper: A4 LEF, LT LEF
Folding Methods	6 (FM1 to FM6)	
Paper Sizes (Folding)	FM1	A3, B4, DLT, LG, A4, LT, 12x18", 8-kai
	FM2	A3, B4, DLT, LG, A4, B5, LT 12x18", 12.6x18.5", 12.6x19.2", 13x18", 13x19", 13x19.2", 226x310 mm, 310x432 mm, SRA3, SRA4, 8-kai
	FM3	A3, B4, DLT, LG, A4, LT, B5, 12x18", 8-kai
	FM4	
	FM5	
	FM6	
Paper Weights (Folding)	FM1	64 to 105 g/m ²
	FM2	
	FM3	
	FM4	
	FM5	
	FM6	
Multiple Folding	FM1	Not allowed
	FM2	Max. 3 (64 to 80 g/m ² only)
	FM3	Max. 3 (64 to 80 g/m ² only)
	FM4	Max. 3 (64 to 80 g/m ² , B4, A4, LT, B5 only)
	FM5	Not allowed
	FM6	
Line Speed (Only FM1 Z-Folded paper can exit downstream)		
No Fold	350 mm/sec. to top tray To downstream: Same as main machine.	
FM1	700 mm/sec. to top tray (paper ≤ 355.6 mm long) 450 mm/sec. to top tray (paper < 355.6 mm long) To downstream: Same as main machine.	
FM2	1 Sheet: Same as main machine 2-3 Sheets: 454 mm/sec. 700 mm/sec. to top tray (paper ≤ 355.6 mm long) 350 mm/sec. to top tray (paper ≤ 279.4 <355.6 mm long) 250 mm/sec. to top tray (paper < 279.4 mm long)	
FM3 FM4	1 Sheet: Same as main machine 2-3 Sheets: 454 mm/sec. to top tray 350 mm/sec. to top tray (paper ≤ 420 mm long) 250 mm/sec. to top tray (paper < 420 mm long)	

Product Support Guide

D081 / D082

Multi Folding Unit FD5000 D454			
FM5	1 Sheet: Same as main machine 350 mm/sec. to top tray (paper ≤ 420 mm long) 250 mm/sec. to top tray (paper < 420 mm long)		
FM6	1 Sheet: Same as main machine as far as 3rd Stopper. At 3rd stopper feeds 50 mm at 100 mm/sec. 350 mm/sec. to top tray (paper ≤ 420 mm long) 250 mm/sec. to top tray (paper < 420 mm long)		
Power Supply	NA	AC 120V 60 Hz, 15A	
	EU	AC 220 to 240V, 50/60 Hz 10A	
Power Consumption	270 W		
Dimensions (w x d x h)	470 x 980 x 730 mm (18.5 x 38.6 x 28.7 in.)		
Level	Less than 5 mm deviation at front/back, left/right		
Weight	92 kg (203 lb)		
Noise Level (dB A)	Mode	Alone	System
	No Folding	≤ 76 dB	---
	Folding	≤ 78 dB	≤ 83 dB



Multi Folding Unit (D454) * used in SR 4040(D373), and SR4050 (D460)	
FM1	Z Folding
FM2	Half Fold
FM3	Letter Fold-out
FM4	Letter Fold-in
FM5	Double Parallel Fold
FM6	Gate Fold

Product Support Guide

D081 / D082

Tray Capacity

FM1 (Z Folding)

Size	Weight(Standard) 64 to 80 g/m2	Weight (Heavy) 64 to 80 g/m2
12 x 18"	35	20
A3 SEF	35	20
DLT	35	20
B4 SEF	35	20
LG SEF	35	20
A4 SEF	30	20
LT SEF	30	20

FM2 Half Fold

Size	Weight(Standard) 64 to 80 g/m2	Weight (Heavy) 64 to 80 g/m2
13 x 19.2"	40	25
13 x 19"	40	25
12.6 x 19.2"	40	25
12.6 x 18.5"	40	25
Size	Weight(Standard) 64 to 80 g/m2	Weight (Heavy) 64 to 80 g/m2
13 x 18"	40	25
SRA3 (320 x 450 mm)	40	25
SRA4 (225 x 320 mm)	40	25
226 x 310 mm	40	25
310 x 432 mm	40	25
12 x 18"	40	25
A3 SEF	40	25
DLT	40	25
B4 SEF	40	25
LG SEF	40	25
A4 SEF	50	50
LT SEF	50	50
B5 SEF	50	50

FM3 (Letter Fold-out)

Size	Weight(Standard) 64 to 80 g/m2	Weight (Heavy) 64 to 80 g/m2
12 x 18"	30	20
A3 SEF	30	20
DLT	30	20
B4 SEF	30	20
LG SEF	30	20
A4 SEF	40	30
LT SEF	40	30
B5 SEF	40	30

Product Support Guide

D081 / D082

FM4 (Letter Fold-in)

Size	Weight(Standard) 64 to 80 g/m2	Weight (Heavy) 64 to 80 g/m2
12 x 18"	40	20
A3 SEF	40	20
DLT	40	20
B4 SEF	40	20
LG SEF	40	20
Size	Weight(Standard) 64 to 80 g/m2	Weight (Heavy) 64 to 80 g/m2
A4 SEF	50	40
LT SEF	50	40
B5 SEF	50	40

FM5 (Double Parallel Fold)

Size	Weight(Standard) 64 to 80 g/m2	Weight (Heavy) 64 to 80 g/m2
12 x 18"	30	20
A3 SEF	30	20
DLT	30	20
B4 SEF	30	20
LG SEF	30	20
A4 SEF	30	30
LT SEF	30	30
B5 SEF	30	30

FM6 (Gate Fold)

Size	Weight(Standard) 64 to 80 g/m2	Weight (Heavy) 64 to 80 g/m2
12 x 18"	50	20
A3 SEF	50	20
DLT	50	20
B4 SEF	50	20
LG SEF	50	20
A4 SEF	30	30
LT SEF	30	30
B5 SEF	30	30

Product Support Guide

D081 / D082

Ring Binder RB5000 D392			
Configuration	Console		
Paper Transport	Centered in paper path		
Operation Modes	Punching + ring binding Punching only Straight-through (downstream delivery)		
Signature Thickness	2 to 100 sheets		
Paper Size	Punching, binding	A4 LEF, LT LEF	
	Straight-through (no punching)		
	Unfolded	A6 to A3 SEF, DLT, HLT, 12"x18", 13"x19", 12.6"x19.2", 13"x19.2", Tab sheets (A4, LT, LG)	
	Z-Folded	A3, B4, A4 SEF, DLT, LG, LT SEF 12"x18" (from upstream Z-Folder unit).	
Paper Weight	64 to 216 g/m ²		
Ring Sizes	2 (50-sheet, 100-sheet)		
Punching	A4 LEF: 23 holes LT LEF: 21 holes		
Ring Supply	Cartridge feed: capacity: 80 rings max.		
Output Tray Capacity	11 documents (100-ring bound, A4 SEF)		
	Thickness	Ring	On Tray
	2 to 10	50	25
	11 to 50	50, 100	20
	51 to 100	100	11
Punching Only	Up to 50 sheets		
Dimensions	870 x 730 x 980 mm (34.3 x 28.7 x 38.6 in.)		
Weight	140 kg (308 lb.)		
Power Consumption	Less than 400 W		

9-Bin Mailbox B762	
Dimensions (w x d x h)	540 x 600 x 660 mm (21.3 x 23.6 x 26 in.)
Weight	Less than 15 kg (33 lb)
Power Consumption	Less than 48 W
Noise	Less than 74 dB
Number of Bins	9 bins
Stack Capacity of each Bin	100 sheets*
Paper Size	A5, A4, A3 5½"x8½", 8½" x11", 8½" x14", 11"x17"
Paper Weight	60 to 128g/m ² , 16 lb – 34 lb Bond

Notes:

1. The mailbox can be installed on top of the 2000-Sheet Finisher D373 or the 3000-Sheet Finisher D374 (not 3000-Sheet Finisher B830).
2. The mail box must be removed to install Cover Interposer Tray B704. The mail box and cover interposer tray cannot be installed at the same time.

Product Support Guide

D081 / D082

Cover Interposer Tray Type 3260 (1 Tray) B704		
Dimensions (w x d x h)	500 x 600 x 600 mm (19.7 x 23.6 x 23.6 in.)	
Weight	Less than 12 Kg (26.4 lb)	
Power Consumption	Less than 43 W	
Noise	Less than 65 db	
Stack Capability*	200 Sheets	
Paper Size	A5-A3, 5½"x8½" - 11"x17"	
Paper Weight	64 g/m ² -216 g/m ² 17 lb Bond- 58 lb Index, 80 lb Cover	
Original Set Position	Center	
Original Set	Normal Feed	Face-up
	Booklet Feed	Face-down

Notes:

- Cover Interposer Tray B704 can be used with the 2000-Sheet Finisher D373 or 3000-Sheet Finisher D374 between the mainframe and finisher. The interposer tray and the Mailbox B762 cannot be installed together.
- This tray cannot be installed on the 3000-Sheet Finisher B830.

Cover Interposer Tray (Two Source) B835	
Paper Separation	FRR System with Feed Belt
Paper Sizes	Width: A5 SEF/5½"x8½" SEF - 13" Length: A5 LEF/5½"x8½" LEF - 19"
Paper Weight	64 - 216 g/m ²
Capacity	400 sheets (80 g/m ²) (2 trays 200 sheets each)
Paper Size Detection	Yes
Paper Size Switching	Operator adjustable side fences
Side Registration	Yes
Power Supply	24 V ± 5% (from mainframe)
Power Consumption	Less than 50 W
Dimensions (w x d x h)	Less than 540 x 730 x 1200 mm 21.2" x 28.7" x 47.2"
Weight	Less than 45 kg (99 lb)

Note:

- Cover Interposer Tray B835 can be used only with the 3000-Sheet Finisher B830. It cannot be installed on the 2000/3000-Sheet Finishers D373/D374.

Product Support Guide

D081 / D082

3000 Sheet Finisher (SR5000) B830			
Dimensions (w x d x h)		800 x 730 x 980 mm (31.5 x 28.7 x 38.6 in.)	
Weight		Less than 75 kg (165 lb)	
Power Consumption		Less than 120W	
Noise		Less than 75 dB	
Configuration		Console type attached base-unit with Finisher Adapter	
Power Source		From base-unit	
Proof Tray	Stack Capacity*	500 sheets	A4, 8½"x11" or smaller
		250 sheets	B4, 8½"x14" or larger
	Paper Size	A6 SEF-A3 SEF 5½" x 8½" - 11"x17"	
	Paper Weight	52 g/m ² -216 g/m ² 14 lb Bond- 68 lb Bond / 140 lb Index / 90 lb Cover	
Shift Tray	Stack Capacity*	3000 sheets	A4 LEF, B5 LEF, 8½"x11" LEF
		1500 sheets	A3, A4, B4, B5 SEF 11"x17", 8½"x14", 8½"x11" SEF
		500 sheets	A5 LEF, 5½"x8½" LEF
		100 sheets	A5 SEF, 5½"x8½" SEF
	Paper Size	A5 - A3 SEF 5½"x8½", 11"x17", 12"x18", 13"x19"	
	Paper Weight	52 g/m ² -300 g/m ² 14 lb Bond- 68 lb Bond / 140 lb Index / 90 lb Cover	
Staples			
Paper Size		B5-A3, 8½"x11"-11"x17"	
Paper Weight		64 g/m ² -84 g/m ² , 17 lb Bond-20 lb Bond	
Staple Position		Top, Bottom, 2 Staple, Top-slant	
Staple Replenishment		Cartridge exchange / 5000 pins per cartridge	
Stack Capacity with Stapler	Paper Size	Pages/Set	Sets
	A4, B5 8½"x11"	10-100 pages	200-30 sets
		2-9 pages	150 sets
	A3, B4, 11"x17", 8½"x14"	10-50 pages	150-30 sets
		2-9 pages	150 sets

Note:

The SR5000 requires installation of the Finisher Adapter D375.

Punch Unit B831				
Punch Unit Types	NA	2/3 holes		
	EU	2/4 holes		
	Scandinavia	4 holes		
Punch Waste Hopper Capacity	NA 2/3 hole	10,000 sheets		
	EU 2/4 hole	15,000 sheets		
Paper Weight		52 g/m ² -127.9 g/m ² 14 lb Bond -34 lb Bond		
Paper Size	NA 2-holes	SEF	A6 - A3, 5½"x8½" - 8½"x11"	
		LEF	A5 - A4, 5½"x8½", 8½"x11"	
	NA 3-holes	SEF	A3, B4, 11"x17"	
		LEF	A4, B5, 8½"x 11"	
	EU 2-holes	SEF	A6 - A3, 5½"x8½" - 11"x17"	
		LEF	A5 - A4, 5½"x8½", 8½"x11"	
	EU 4-holes	SEF	A3, B4, 11"x17"	
		LEF	A4, B5, 8½"x11"	
	Scandinavia 4-holes	SEF	B6 - A3, 5½"x8½" - 11"x17"	
		LEF	A5 - A4, 5½"x8½", 8½"x11"	

Note:

This punch unit is for the 3000-Sheet Finisher B830.

Product Support Guide

D081 / D082

2000-Sheet Finisher (SR4040) D373			
Dimensions w x d x h		657 x 613 x 960 mm (25.9 x 24.1 x 37.8")	
Weight		Less than 63 kg (138.6 lb) (no punch unit) Less than 65 kg (143 lb) (with punch unit)	
Power Consumption		Less than 96 W	
Noise		Less than 75 db	
Configuration		Console type attached base-unit	
Power Source		From base-unit	
Proof Tray	Stack Capacity*	250 sheets A4, 8½"x11" or smaller 50 sheets B4, 8½"x14" or larger	
	Paper Size	A5-A3 SEF, A6 SEF, A6 LEF 5½" x8½" to 11"x17" SEF, 12"x18" SEF	
	Paper Weight	52 g/m ² -163 g/m ² 14 lb Bond- 43 lb Bond / 90 lb Index / 60 lb Cover	
Shift Tray	Stack Capacity*	2,000 sheets	A4 LEF, 8½"x11" LEF
		1,000 sheets	A3 SEF, A4 SEF, B4 SEF, B5 11"x17" SEF, 8½" x14" SEF, 8½"x11" SEF, 12"x18" SEF
		500 sheets	A5 LEF
		100 sheets	A5 SEF, B6 SEF, A6 SEF, 5½" x8½" SEF
	Paper Size	A5 - A3 SEF, A6 SEF, B6 SEF 5½" x8½" to 11"x17" SEF, 12"x18" SEF	
	Paper Weight	52 g/m ² -256 g/m ² 14 lb Bond- 68 lb Bond / 140 lb Index / 90 lb Cover	
Staple			
Paper Size		B5-A3, 8½"x11"-11"x17", 12"x18"	
Paper Weight		64 g/m ² -90 g/m ² , 17 lb Bond-28 lb Bond	
Staple Position		Top, Bottom, 2 Staple, Top-slant	
Staples Capacity*	Same Paper Size	50 sheets	A4, 8½"x11" or smaller
		30 sheets	B4, 8½"x14" or larger
	Mixed Paper Size	30 sheets	A4 LEF & A3 SEF, B5 LEF & B4 SEF, 8½"x11" LEF & 11" x17" SEF
Booklet Stapling	15 sheets	A4 SEF, A3 SEF, B5 SEF, B4 SEF, 8½"x11" SEF, 8½"x14" SEF, 11"x17" SEF, 12"x18" SEF	
Staple Replenishment		Corner staple	5,000 staples per cartridge
		Booklet staple	2,000 staples per cartridge
Corner Staple Capacity	Same Size	A4 LEF, 8½"x11" LEF	13-50 pages 2-12 pages
		A4 SEF, B5, 8½"x11" SEF	10-50 pages 2-9 pages
		Others	10-30 pages 2-9 pages
	Mixed Size	A4 LEF + A3 SEF B5 LEF + B4 SEF 8½"x11" LEF + 11" x17" SEF	2-30 pages
Paper Size		Sheets per Booklet	Booklets per Stack (Lower Tray)
Booklet Staple Capacity	A4 SEF, A3 SEF, B5 SEF, B4 SEF, 8½"x11" SEF, 8½"x14" SEF, 11"x17" SEF, 12"x18" SEF	2-5 pages	30
		6-10 pages	15
		11-15 pages	10

Note:

This finisher provides booklet as well as corner stapling. Equipped with two trays, the upper tray holds stapled and shifted copies, and the lower tray holds booklet stapled and folded copies.

Product Support Guide

D081 / D082

3000-Sheet Finisher (SR4030) D374			
Finisher			
Dimensions (w x d x h)	657 x 613 x 960 mm		
Weight	Less than 54 kg Less than 56 kg with Punch Unit		
Power Consumption	Less than 96 W		
Noise	Less than 75 db		
Configuration	Console type attached base-unit		
Power Source	From base-unit		
Proof Tray	Stack Capacity*	250 sheets: A4, 8½"x11" or smaller 50 sheets: B4, 8½"x14 or larger	
	Paper Size	A5-A3 SEF, A6 SEF, A6 SEF 5½"x8½"-11"x17"SEF, 12"x18" SEF	
	Paper Weight	52 g/m ² -163 g/m ² 14 lb Bond- 43 lb Bond / 90 lb Index / 60 lb Cover	
Shift Tray	Stack Capacity*	3,000 sheets	A4 LEF, 8½"x11" LEF "
		1,500 sheets	A3 SEF, A4 SEF, B4 SEF, B5, 11"x17" SEF, 8½"x14" SEF, 8½"x11" SEF, 12"x18" SEF
		500 sheets	A5 LEF**
		100 sheets	A5 SEF, B6 SEF, A6 SEF, 5½"x8½", SEF
	Paper Size	A5 - A3 SEF, A6 SEF, B6 SEF, 5½"x8½"- 11"x17" SEF, 12"x18" SEF	
Paper Weight	52 g/m ² - 256 g/m ² 14 lb Bond - 68 lb Bond / 140 lb Index / 90 lb Cover		

Note:

This finisher provides corner stapling only.

D373/D374 Paper Specifications					
Paper Size	Plain Paper			Paper Type	
	Main machine PPC	Used Paper	Recycled Paper	Colored Paper	Translucent Blueprint
A3 SEF	BSFS	—	BSFS	BSFS	SN
B4 SEF	BSFS	SN	BSFS	BSFS	SN
A4 SEF	BSFS	SN	BSFS	BSFS	SN
A4 LEF	CSS	SN	CSS	CSS	SN
B5 SEF	BSFS	SN	BSFS	BSFS	SN
B5 LEF	CSS	SN	CSS	CSS	SN
A5 SEF	SO	—	—	—	—
A5 LEF	SO	—	—	—	—
B6 SEF	SN	—	—	—	—
B6 LEF	SN	—	—	—	—
12"x18" SEF	BSFS	—	BSFS	BSFS	—
11"x17" SEF	BSFS	—	BSFS	BSFS	SN
8½"x14"	BSFS	—	BSFS	BSFS	SN
8½"x11" SEF	BSFS	—	BSFS	BSFS	SN
8½"x11" LEF	CSS	—	CSS	CSS	SN
5½"x8½"	SO	—	—	SO	—
5½"x8½"	SO	—	—	SO	—

Product Support Guide

D081 / D082

D373/D374 Paper Specifications Table Key	
CSS	Corner stapling, Shift, YES
BSFS	Booklet stapling/folding, Shift, YES
SO	Shift ONLY
SN	Shift NO
—	Not available

Punch Unit Type 3260 B702			
Available Punch Units		NA	2/3 hole switchable
		EU	2/4 holes switchable
		Scandinavia	4 holes
Punch Waste Replenishment		NA 2-hole	Up to 5,000 sheets
		NA 3-hole	Up to 5,000 sheets
		EU 2-hole	Up to 14,000 sheets
		EU 4-hole	Up to 7,000 sheets
		Scandinavia 4-hole	Up to 7,000 sheets
Paper Weight		52 g/m ² - 163 g/m ² , 14 lb Bond - 43 lb Bond / 90 lb Index / 60 lb Cover	
Paper Sizes	NA 2-hole	SEF	A5 to A3, 5½"x8½" to 11"x17"
		LEF	A5 - A4, 5½"x8½", 8½"x11"
	NA 3-hole	SEF	A3, B4, 11"x17"
		LEF	A4, B5, 8½"x11"
	EU 2-hole	SEF	A5 - A3, 5½"x8½" to 11"x17"
		LEF	A5 - A4, 5½"x8½", 8½"x11"
	EU 4-hole	SEF	A3, B4, 11"x17"
		LEF	A4, B5, 8½"x11"
	Scandinavia 4-hole	SEF	A5 to A3, 5½"x8½" to 11"x17"
		LEF	A5 - A4, 5½"x8½", 8½"x11"

Note:

This punch unit is designed for use with the 2000-Sheet Stapler D373 (both corner and booklet stapling) and 3000-Sheet Stapler D374 (corner stapling only).

A3/11 x 17" Tray B331	
Dimensions (w x d x h)	495 x 215 x 535 mm (19.5 x 8.5 x 21.1 in.)
Weight	11 kg (24.2 lb)
Paper Size	A3 SEF, B4 SEF, A4 11"x17" SEF, 8½"x14" SEF, 8½"x11"
Paper Capacity	1,000 Sheets

Note:

This option is installed in Tray 1 (tandem tray) of the main machine so that Tray 1 can feed larger paper. Tray 1 normally feeds LT or A4 only.

Copy Tray B476		
Dimensions (w x d x h)	400 x 335 x 70 mm (15.8 x 13.2 x 2.8 in.)	
Weight	640 g (1.4 lb)	
Paper Capacity	500 Sheets	A4, 8½"x11"
	250 Sheets	A3, 11"x 17"

Note:

The copy tray is installed receive copies when the main machine is used without a finisher.

Product Support Guide

D081 / D082

Document Server Specification

Document Server Capacity	
HDD Capacity for Document Server	175GB
Maximum Stored Document	3,000 documents
Maximum Page per Document	3,000 pages / document
Maximum Page of all stored Document	15,000 pages

Data Format	
Copy	RICOH Unique Format
Print	RICOH Unique Format

Remarks: Document Server capacity depends on the image coverage of each document. Actual capacity may vary.

MFP Supported Environments

See Fiery Addendum

Counters

- User Tools → Counter → Print Counter List → Start
- User Tools → System Settings → Administrator Tools → Display / Print Counter → Print Counter List → Start
- Maximum 7 digits

Firmware Information

Firmware

Firmware SD Card	Firmware Type	Firmware File Name as Posted
ADF Document Feeder	ADF	D081 ADF vxxx SDcard.zip
PS3/PDF	PS3/PDF	D081 PS3_PDF vxxx SDcard.zip
Engine	Engine	D081 Engine vxxx SDcard.zip
Finisher (SR4030/SR4040)	Finisher SR4010/SR4020	D081 SR4030 4040 vxxx SDcard.zip
Finisher (SR5000)	Finisher Adapter Type C	D081 SR5000 vxxx SDcard.zip
Language Install	Language Install	D081 Language vxxx SDcard.zip
Network DocBox	Net File	D081 Netdocbox vxxx SDcard.zip
Network Support	Network Support	D081 Network Support vxxx SDcard.zip
OpePanel.EXP	LCDC	D081 Opepanel vxxx SDcard.zip
Printer	Printer	D081 Printer vxxx SDcard.zip
System/Copy	System/Copy	D081 System vxxx SDcard.zip
Web Support	Web Support	D081 Web Support vxxx SDcard.zip
Web Uapl	Web Uapl	D081 Web Uapl vxxx SDcard.zip
Scanner	Scanner	D081 Scanner vxxx SDcard.zip
Fax	Fax	D081 Fax vxxx SDcard.zip
FCU	FCU	D081 FCU vxxx SDcard.zip
Remote Fax	Remote Fax	D081 Remote Fax vxxx SDcard.zip
PCL	PCL	D081 PCL vxxx SDcard.zip
Subcpu	Subcpu	D081 Subcpu vxxx SDcard.zip
RPCS	RPCS	D081 RPCS vxxx SDcard.zip

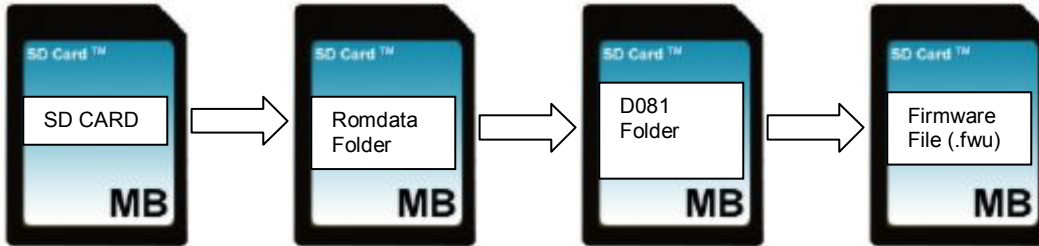
Note:

Remote firmware file names will end with Remote. zip

Product Support Guide

D081 / D082

SD Card Firmware File Structure



Contact Information

Name	Contact
Technical Services Call Center (Hotline)	Ricoh: (800) 537-4264 Savin/Gestetner: (800) 291-6044 Lanier: (800) 333-3147
Application Help Desk (Software Issues)	Ricoh Phone Card: 2 Call - 000781MIU, 5 Call - 000900MIU Savin Phone Card: 2 Call - 12992, 5 Call - 12993 Gestetner Phone Card: 2 Call - 12994, 5 Call - 12995
Parts and Logistics Control	(800) 557-4264 http://www.nrc-usa.com
Technology Solutions Center Web Site	http://www.tscweb.net
Configurator	http://www.connectivity-cafe.com
Ricoh Web Site	http://www.ricoh-usa.com/
Savin iLINC Web Site	http://www.savin.com
Headquarter Web Sites	Ricoh Corporation: http://www.ricoh-usa.com Savin Corporation: http://www.savin.com Gestetner Corporation: http://www.gestetnerusa.com/ Lanier Corporation: http://www.lanier.com
Material Safety Data Sheets	(800) 336-MSDS (6737)
Ricoh University	(973) 882-2200 http://www.ricohuniversity.com

Training Information

- Auto Certification**
 Techs already certified on the D014/D015 will be auto certified on the **D081/D082**.
- Self Pace Package**
 There is no self pace package. Tech must attend the D014/D015 ILT to become certified on the D081/D082.
- Instructor Led Training Course**
 Techs coming into the D014/D015 ILT course for the first time will be provided with the D081/D082 updated material in the D014/D015 ILT.

Notes:

- Technicians taking the Fiery course for the first time will NOT be certified on the D081/D082 engine. They will have to attend the (D081/D082) ILT course to be certified on the engine.
- The above training information is subject to change. Please refer to the <http://www.ricohuniversity.com> web site for the most up to date training information.

Product Support Guide

D081 / D082

Documentation

Description	EDP Code	RFG E-Source Number
Service Manual	005645miu	Rfg042878
3-D Parts Catalog (PDF)	005646miu	Rfg042879
3-D Parts Catalog (Zip)	n/a	Rfg042880
Point to Point	005647miu	Rfg042881
Op Manual	n/a	Rfg042882

Product Support Guide

D081 / D082

Revisions

- 1.0 - Original
- 1.1 - Page 3 - Updated Java VM Card Information.
- 1.2 - Page 46 - Added documentation order and content ID numbers.
- 1.3 - Page 1 - Update launch date.
- 1.4 - Page 1 & 3 - Updated with clarification of GW Print Scan as standard on controller board.
- 1.5 – Page 23. Updated (corrected) duplex paper weight specification.
- 1.6 – Page 2 & 3 - Minor changes to finisher adapter on options page.
- 1.7 – Page 3 – added 2 products. External keyboard and External keyboard brackets for 3rd party solutions such as Global Scan NX, ECopy ShareScan & Reform PDC.
- 1.8 – Pages 19 & 27. Scanning speed spec and productivity for thick paper/paper type corrections.
- 1.9 – Page 3 update with 12 x18 paper use with the BK5010/BK5010e.
- 2.0 – Added legal speeds to pages 20 & 21.
- 2.1 – Page 19 - Updated Target Reliability Table