



RICOH UNIVERSITY

Learning ♦ Knowledge ♦ Performance



D081/D082
PARTS CATALOG

005646MIU

LANIER RICOH SAVIN



D081/D082
PARTS CATALOG

LANIER
RICOH
SAVIN®



RICOH UNIVERSITY

Learning ♦ Knowledge ♦ Performance

D081/D082 PARTS CATALOG

005646MIU

LANIER RICOH SAVIN®

It is the reader's responsibility when discussing the information contained within this document to maintain a level of confidentiality that is in the best interest of Ricoh Americas Corporation and its member companies.

**NO PART OF THIS DOCUMENT MAY BE REPRODUCED IN ANY
FASHION AND DISTRIBUTED WITHOUT THE PRIOR
PERMISSION OF RICOH AMERICAS CORPORATION.**

All product names, domain names or product illustrations, including desktop images, used in this document are trademarks, registered trademarks or the property of their respective companies.

They are used throughout this book in an informational or editorial fashion only and for the benefit of such companies. No such use, or the use of any trade name, or web site is intended to convey endorsement or other affiliation with Ricoh products.

LEGEND

| PRODUCT CODE | COMPANY | | | |
|--------------|----------------------------------|--------|------------|-------|
| | GESTETNER | LANIER | RICOH | SAVIN |
| D081 | MP C6501 | LD365C | MP C6501SP | C9065 |
| D082 | MP C7501 | LD375C | MP C7501SP | C9075 |
| B328-11 | Copy Connector Type 3260 | | | |
| B331 | A3/11"x17"Tray Type2105 | | | |
| B452 | Key Counter Bracket Type1027 | | | |
| B473 | LCT RT43 | | | |
| B474 | LG Size Tray Type1075 | | | |
| B498 | Card Reader Bracket Type B | | | |
| B499 | Tab Sheet Holder Type3260 | | | |
| B679 | IEEE 1284 Interface Board Type A | | | |
| B699 | LCT Adapter Type B | | | |
| B702-17 | Punch Unit Type 3260 NA 3/2 | | | |
| B702-27 | Punch Unit Type 3260 2/4 EU | | | |
| B702-28 | Punch Unit Type 3260 SC | | | |
| B703 | Output Jogger Unit Type3260 | | | |

LEGEND

| | |
|---------|--|
| B704 | Cover Interposer Tray Type3260 |
| B756 | Copy Tray Type 2075 |
| B762 | Mail Box CS391 |
| B826 | Bluetooth Interface Unit Type 3245 |
| B829 | Copy Data Security Unit Type F |
| B830 | Finisher SR5000 |
| B831-01 | Punch Unit PU 5000 NA 2/3 |
| B831-02 | Punch Unit PU 5000 EU |
| B831-03 | Punch Unit PU 5000 SC |
| B835 | Cover Interposer CI5000 |
| B870 | Optional Counter Interface Unit Type A |
| D350 | LCIT RT4000 |
| D357 | G3 Interface Unit Type C7500 |
| D373 | Finisher SR4040 |
| D374 | Finisher SR4030 |

LEGEND

| | |
|-------------|--------------------------------------|
| D375 | Finisher Adapter Type C |
| D377-01/-02 | IEEE 802.11a/g Interface Unit Type J |
| D377-04 | File Format Converter Type E |
| D377-06 | DataOverwriteSecurity Unit Type H |
| D377-16 | HDD Encryption Unit Type A |
| D377-21 | Gigabit Ethernet Type B |
| D392 | Ring Binder RB5000 |
| D430 | Browser Unit Type E |
| D454 | Multi-Folding Unit FD5000 |
| D498 | Fax Option Type C7501 |
| D505 | USB2.0/SD Slot TypeD |
| G578 | Memory Unit Type B 32MB |
| | |
| | |

DOCUMENTATION HISTORY

| REV. NO. | DATE | COMMENTS |
|----------|---------|-------------------|
| * | 02/2010 | Original Printing |
| | | |

Digital Color Copiers
(D081/D082-NA)
Parts Catalog

Parts change information sample

 **Add**

 **Update**

 **Delete**

| Model | Product Code | PC Style |
|--------------------------------|--------------|-------------|
| Digital Color Copier | D081/D082 | 3D |
| Finisher SR5000 | B830 | Traditional |
| Finisher Adapter Type C | D375 | Traditional |
| Punch Unit PU 5000 NA 2/3 | B831-01 | Traditional |
| Punch Unit PU 5000 EU | B831-02 | Traditional |
| Punch Unit PU 5000 SC | B831-03 | Traditional |
| Finisher SR4030 | D374 | Traditional |
| Finisher SR4040 | D373 | Traditional |
| Output Jogger Unit Type3260 | B703 | Traditional |
| Punch Unit Type 3260 NA 3/2 | B702-17 | Traditional |
| Punch Unit Type 3260 2/4 EU | B702-27 | Traditional |
| Punch Unit Type 3260 SC | B702-28 | Traditional |
| Cover Interposer CI5000 | B835 | Traditional |
| Cover Interposer Tray Type3260 | B704 | Traditional |
| LCIT RT4000 | D350 | Traditional |
| LCT RT43 | B473 | Traditional |
| LCT Adapter Type B | B699 | Traditional |
| LG Size Tray Type1075 | B474 | Traditional |
| A3/11"x 17"Tray Type2105 | B331 | Traditional |
| Copy Tray Type 2075 | B756 | Traditional |
| Tab Sheet Holder Type3260 | B499 | Traditional |
| Key Counter Bracket Type1027 | B452 | Traditional |
| Card Reader Bracket Type B | B498 | Traditional |
| Multi-Folding Unit FD5000 | D454 | Traditional |
| Ring Binder RB5000 | D392 | Traditional |
| USB2.0/SD Slot TypeD | D505 | Traditional |
| Mail Box CS391 | B762 | Traditional |

| Model | Product Code | PC Style |
|--|--------------|-------------|
| Fax Option Type C7501 | D498 | Traditional |
| G3 Interface Unit Type C7500 | D357 | Traditional |
| Memory Unit Type B 32MB | G578 | Traditional |
| IEEE 802.11a/g Interface Unit Type J | D377-01/-02 | Traditional |
| File Format Converter Type E | D377-04 | Traditional |
| DataOverwriteSecurity Unit Type H | D377-06 | Traditional |
| HDD Encryption Unit Type A | D377-16 | Traditional |
| Gigabit Ethernet Type B | D377-21 | Traditional |
| Bluetooth Interface Unit Type 3245 | B826 | Traditional |
| IEEE 1284 Interface Board Type A | B679 | Traditional |
| Copy Data Security Unit Type F | B829 | Traditional |
| Browser Unit Type E | D430 | Traditional |
| Optional Counter Interface Unit Type A | B870 | Traditional |
| Copy Connector Type 3260 | B328-11 | Traditional |

Unit All



U001
EXTERIOR



U002
OPERATION



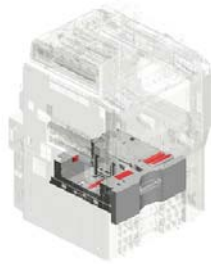
U003
ADF



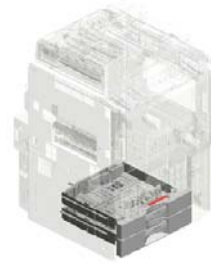
U004
SCANNER



U005
LASER UNIT



U006
TANDEM LCT



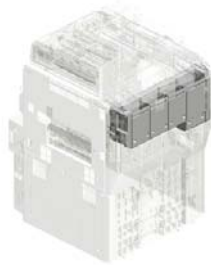
U007
PAPER TRAY



U008
VERTICAL TRANSPORT



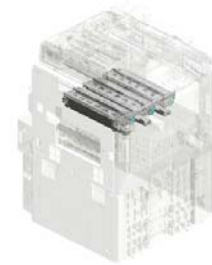
U009
PAPER FEED



U010
DEVELOPMENT



U011
PCU(BK)



U012
PCU(COLOR)

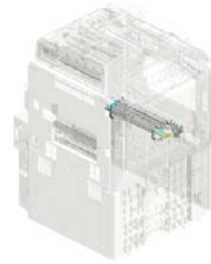
Unit All



U013
IMAGE TRANSFER



U014
ITB CLEANING



U015
TRANSFER/SEPARATION



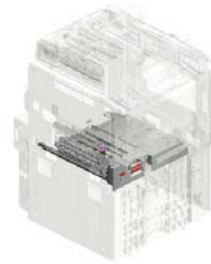
U016
TONER COLLECTION



U017
TRANSPORT



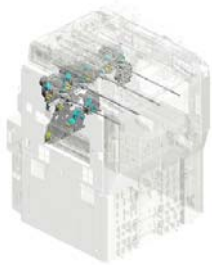
U018
FUSING



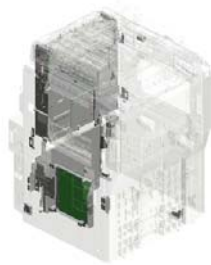
U019
DUPLEX



U020
PAPER EXIT



U021
MAIN DRIVE



U022
ELECTRICAL



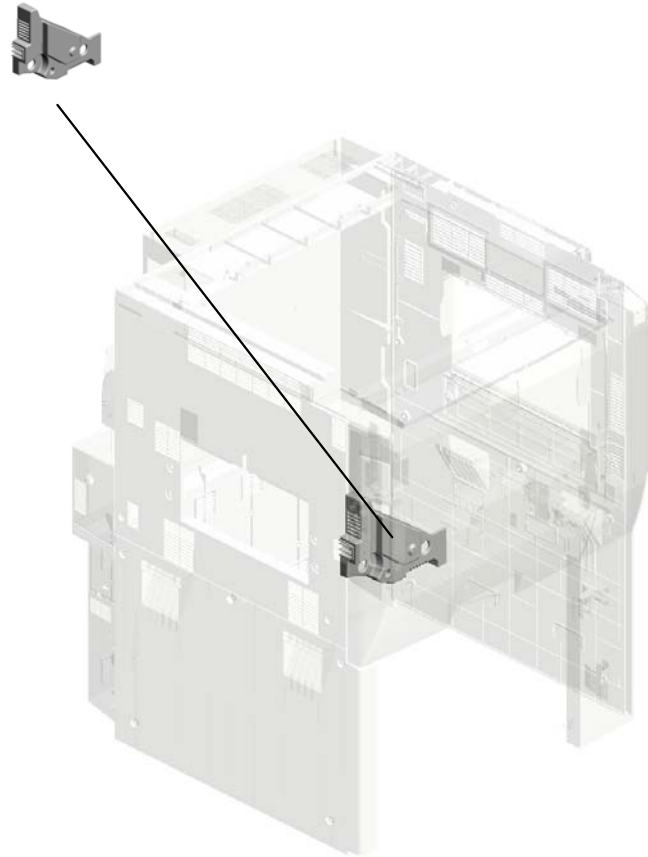
U023
AIR COOLING



U024
MAIN FRAME

U001.EXTERIOR

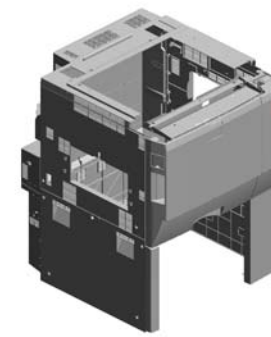
U001_S001
D0141182
INNER COVER:LEFT



| | | | | | | | | | | | | | | | | | | | | |
|------|------|------|------|------|------|------|------|------|------|------|------|------|------|------|------|------|------|------|------|------|
| U001 | U002 | U003 | U004 | U005 | U006 | U007 | U008 | U009 | U010 | U011 | U012 | U013 | U014 | U015 | U016 | U017 | U018 | U019 | U020 | U021 |
|------|------|------|------|------|------|------|------|------|------|------|------|------|------|------|------|------|------|------|------|------|

U001 EXTERIOR

- 19.B0651344 (x2) G4 CAP
- 14.AA143559 (x2) SCREW:M4:DIA5
- 8.11050511 (x3) HARNESS CLAMP - LWS-0306ZC
- 10.52062684 (x2) SHOULDER SCREW - W - M3
- 9.11050551 CLAMP:LES-0505



4.04514008N (x3) TAPPING SCREW: 4X8

11.A1931384 (x2) NYLON CLAMP

20.B0654480 DECAL - COVER

15.AA143801 (x4) SCREW:M4:EXTERIOR

16.B0391367 (x3) RIVET - M6

5.04514010N (x16) TAPPING SCREW: 4X10

1.04504010N (x3) TAPPING SCREW: M4X10

13.AA001477 DECAL:ENERGY-STAR

22.B1321238 DECAL:CAUTION:PULL OUT

2.04504012N (x5) TAPPING SCREW: 4X12

23.B1321463 HINGE SHAFT

3.04513006N (x 4) TAPPING SCREW - 3X6
6.04544008Q (x 4) TAPPING SCREW - M4X8
7.07200040E (x 1) RETAINING RING - M4

12.AA000239 DECAL:COLOR:MF P

17.D0621303 [A] COVER:LARGE CAPACITY TRAY 201107-01 O/O

21.B1321189 INNER COVER:PULL OUT:RIGHT

18.B0651341 (x4) CONNECTOR CAP

U001 EXTERIOR

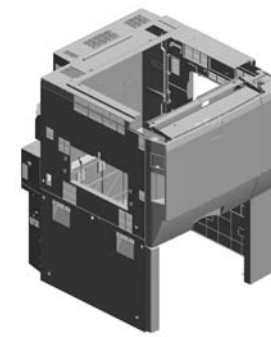
27.B1321504
COVER:REAR UPPER

39.B1321573
DECAL - POWER SOURCE:OFF

44.D0141450
OPERATION PANEL BRACKET

25.D0821502
[B]
COVER:RIGHT UPPER
201110-01 O/O

40.D0811432
[C]
DECAL:CAUTION CHART:COPY:ORIGINAL:ENGLISH
201110-03 O/O



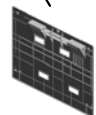
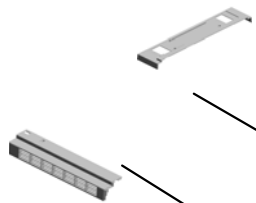
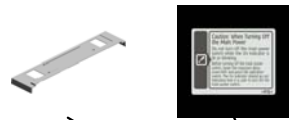
26.B1321503
COVER:LEFT UPPER

31.B1321513
CASE:MAIN SWITCH

30.B1321512
COVER:MAIN SWITCH

37.B1321551
INNER COVER:MAIN SWITCH

34.B1321516
COVER:OZONE FILTER



35.B1321526
DOOR CATCH

33.B1321515
(x2)
LEVER:MICRO SWITCH

32.B1321514
GRIP:DOOR:FRONT

43.D0141200
INNER COVER:MIDDLE

28.B1321508
COVER:RIGHT LOWER

45.D0141453
BRACKET:HARNES OPERATION PANEL

24.B1321465
SPRING:HINGE:UPPER

38.B1321558
INNER COVER:OPER FEED

29.B1321511
LEVER:GUIDE PLATE

36.B1321529
SPONGE:SD-CARD :PLATE



U001 EXTERIOR

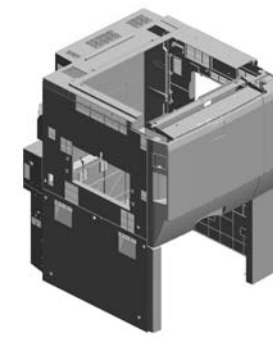
58.D0146843
(x2)
SEAL:DUCT:DRUM
STAY

61.D0146859
SEAL:COVER:RIGH
T MIDDLE:MIDDLE:
2

60.D0146858
SEAL:COVER:RIGH
T MIDDLE:MIDDLE:
1

59.D0146855
(x2)
SEAL:COVER:RIGH
T MIDDLE:FRONT:
2

47.D0141463
BRACKET:HINGE:D
OOR



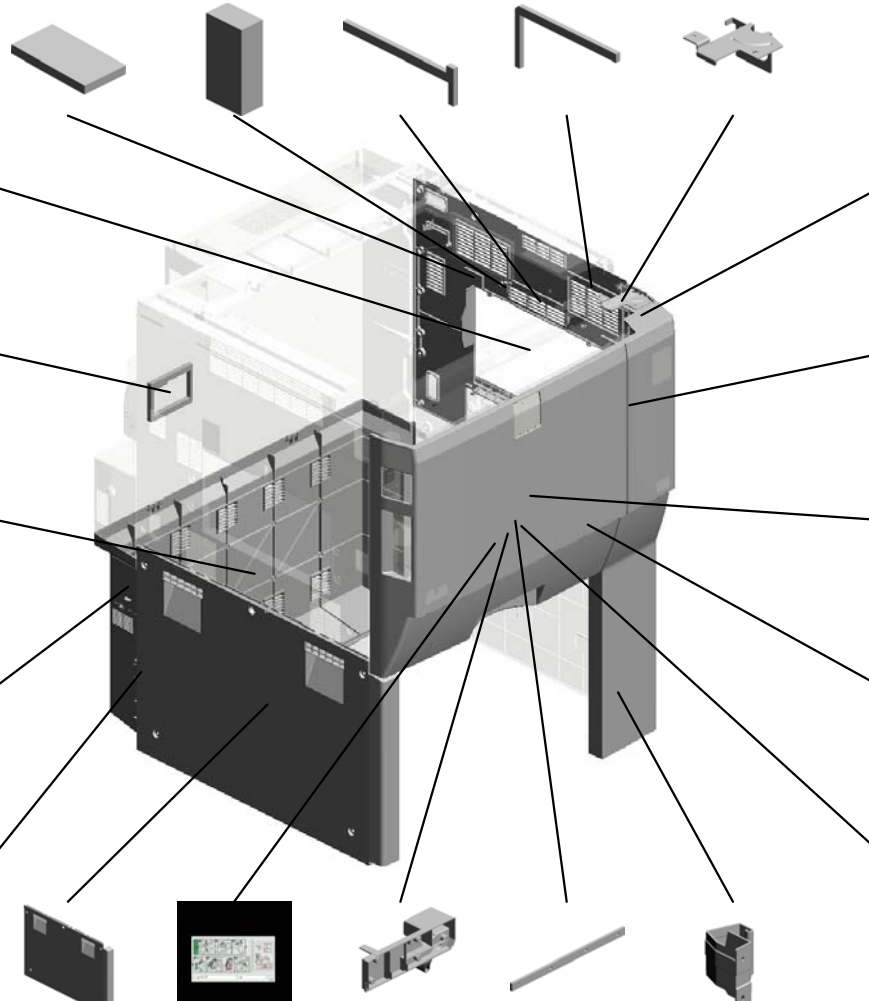
51.D0141505
COVER:RIGHT MID
DLE

49.D0141500
SEAL:COVER:REA
R MIDDLE

53.D0141510
COVER:REAR LO
WER

54.D0141511
COVER:FILTER:RE
AR LOWER

55.D0141512
COVER:CABLE:AC
POWER SUPPLY



46.D0141455
HINGE:DOOR:UPP
ER

62.D0146865
SEAL:COVER:RIGH
T MIDDLE:FRONT

57.D0141570
DECAL:CAUTION:P
ULL OUT:INNER B
ACK

63.D0146866
SEAL:DOOR:FRON
T

50.D0141501
DOOR:FRONT

52.D0141509
COVER:LEFT LOW
ER

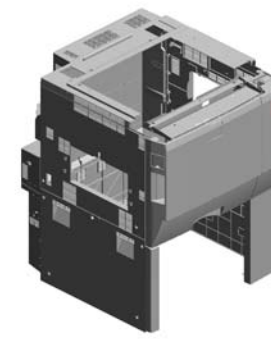
56.D0141560
DECAL:TONER SU
PPLY

64.D0146961
DUCT:DOOR:FRO
NT

65.D0146974
SEAL:DUCT:DOOR:
FRONT:LONG

48.D0141466
HINGE:DOOR:LOW
ER:ASSY

U001 EXTERIOR



83.D0146994 SHEET:RIGHT UPPER:DUCT:MAIN:REAR 201110-06
 84.D0146995 SHEET:RIGHT LOWER:DUCT:MAIN:REAR 201110-05
 70.D0146984 SHIELD:DUCT:MAIN:REAR
 80.D0816802 SEAL:COVER:REAR MIDDLE:UPPER LEFT
 79.D0816801 SEAL:COVER:REAR MIDDLE:UPPER RIGHT

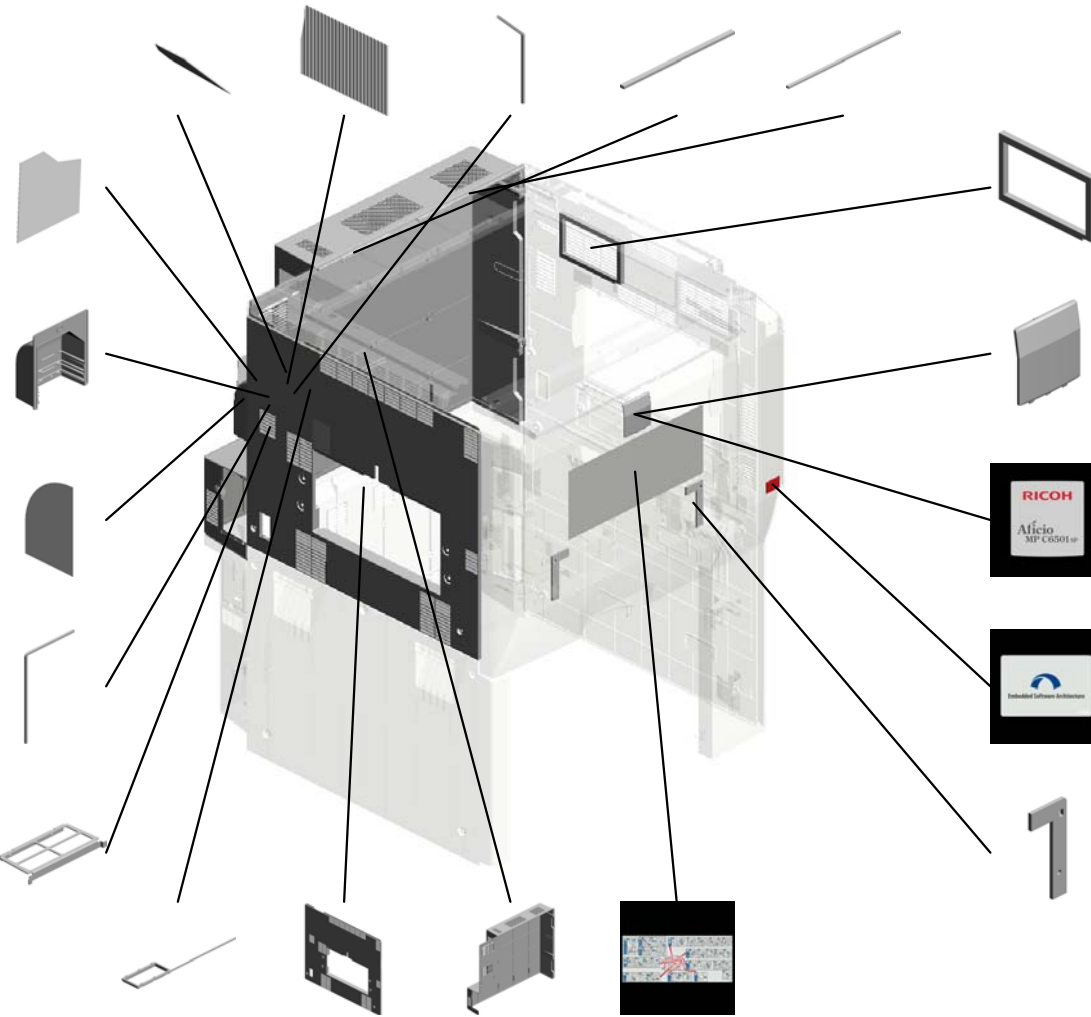
82.D0146993 SHEET:REAR:DUCT:MAIN:REAR 201110-07

67.D0146977 DUCT:MAIN:REAR

85.D0146996 SHEET:LEFT:DUCT:MAIN:REAR 201110-04

71.D0146985 SHIELD:DUCT:MAIN:REAR

72.D0146986 BRACKET:DUCT:MAIN:REAR



69.D0146982 SEAL:COVER:RIGHT MIDDLE

74.D0621301 PANEL:LOGO

77.D0811532 SHEET:LOGO:AFICIO:C6501SP

81.GA003176 DECAL:SDK

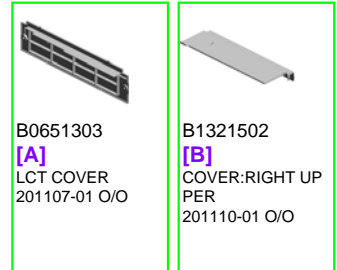
66.D0146975 (x2) SEAL:DUCT:DOOR:FRONT:SHORT

68.D0146978 (x2) FILTER:PREVENT FENCE

75.D0811506 COVER:LEFT MIDDLE

76.D0811507 COVER:REAR MIDDLE

78.D0811550 DECAL:MISFEED REMOVE



B0651303 [A] LCT COVER 201107-01 O/O

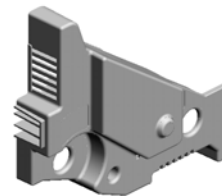
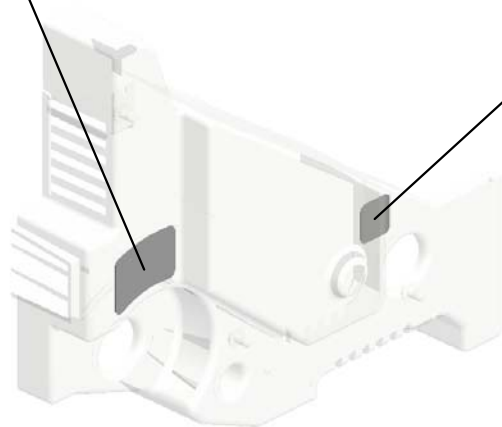
B1321502 [B] COVER:RIGHT UPPER 201110-01 O/O



B1321583 [C] DECAL:CAUTION CHART:COPY:ORIGINAL:ENGLISH 201110-03 O/O

U001_S001
INNER COVER:LEFT

41.B1327130
DECAL:LED:E1



42.D0141182
INNER COVER:LEF
T

73.D0147131
DECAL:LED:D1



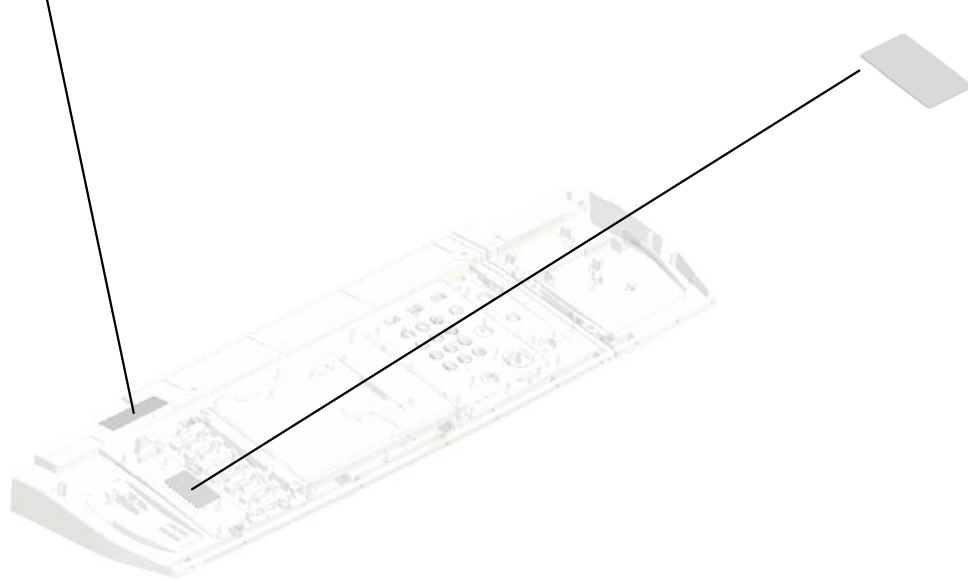
U002.OPERATION

U002_S001
D0817201
OPERATION PANEL:NA



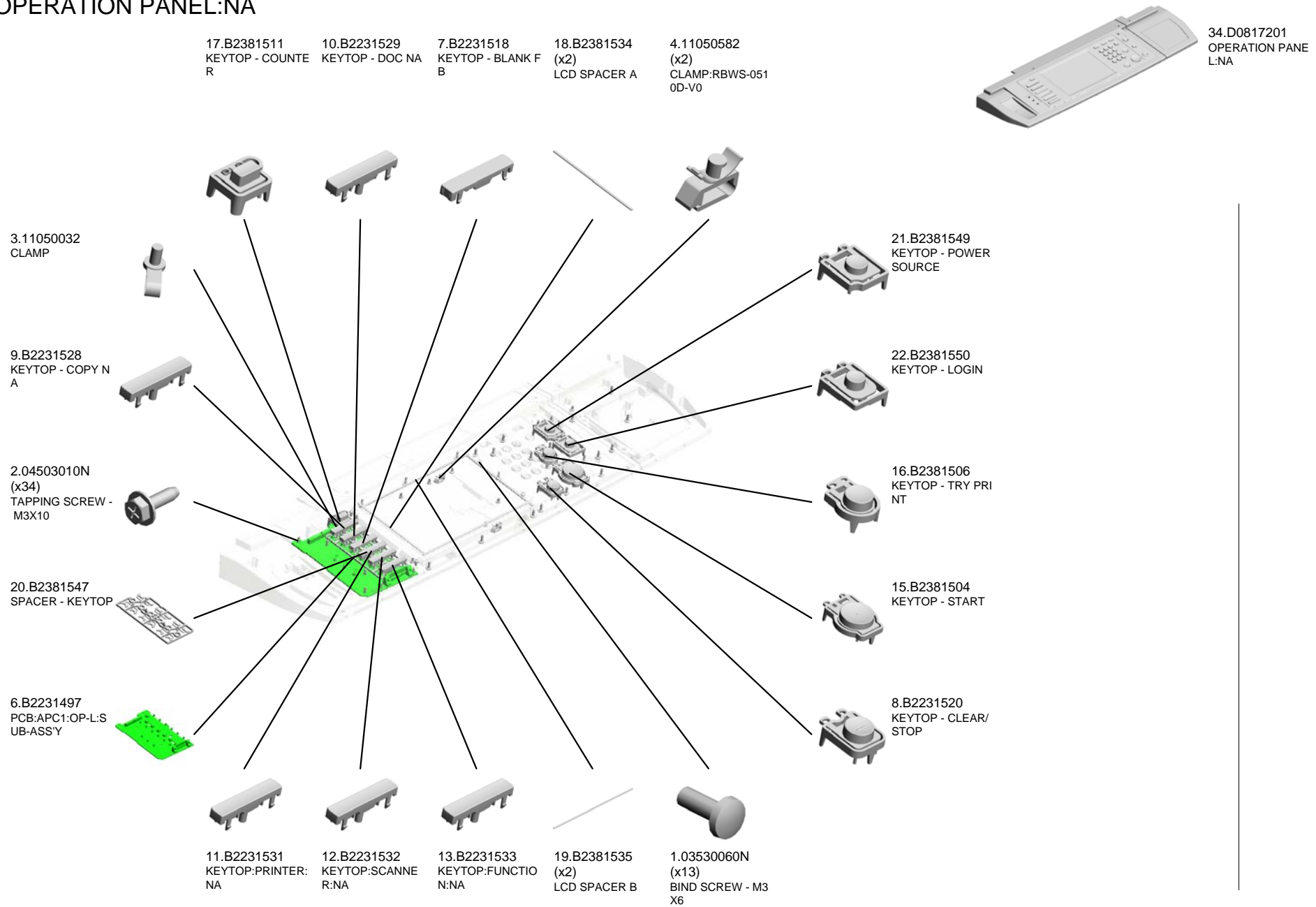
U002 OPERATION

5.B1321548
DECAL:CLEANING:
EXPOSURE GLASS
:ENGLISH



14.B2371544
SHEET:DATA:DISP
LAY:PLAIN

U002_S001
OPERATION PANEL:NA



U002_S001
OPERATION PANEL:NA

26.D0091488
TOUCH PANEL:W-
VGA:MA

28.D0091504
SHADEING PLATE:
TOUCH PANEL

33.D0621583
KEYTOP:CLEAR M
ODES

31.D0621509
KEYTOP:INTERRU
PT

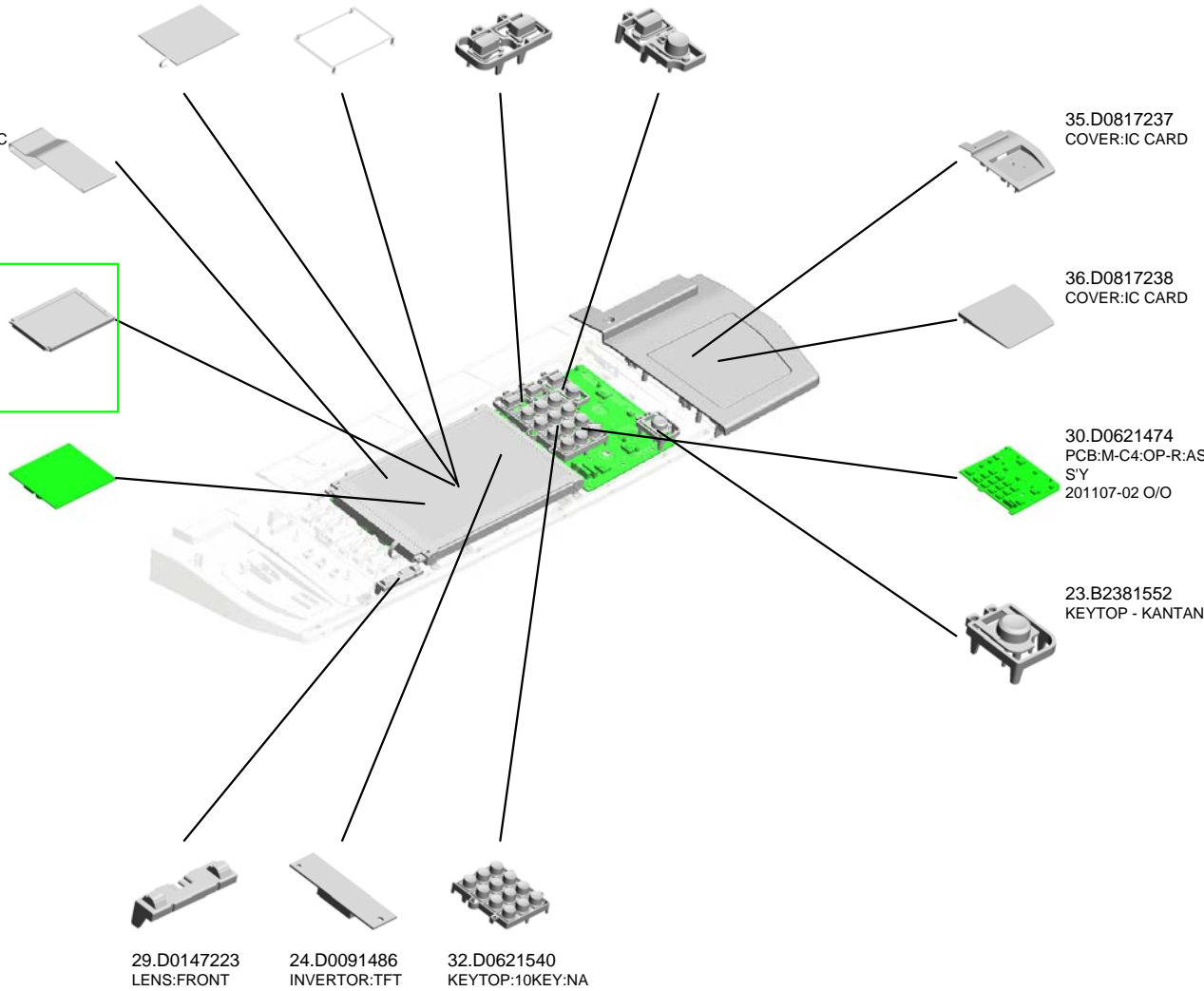


34.D0817201
OPERATION PANE
L:NA

25.D0091487
CABLE:FFC:TFT:LC
D

27.D0891498
[A]
LCD:TFT:WVGA:M
V
201112-02 O/O

37.D0817291
PCB:LCDC:NA



29.D0147223
LENS:FRONT

24.D0091486
INVERTOR:TFT

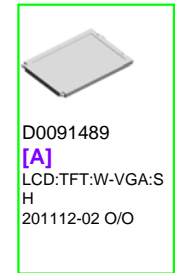
32.D0621540
KEYTOP:10KEY:NA

35.D0817237
COVER:IC CARD

36.D0817238
COVER:IC CARD

30.D0621474
PCB:M-C4:OP-R:AS
S'Y
201107-02 O/O

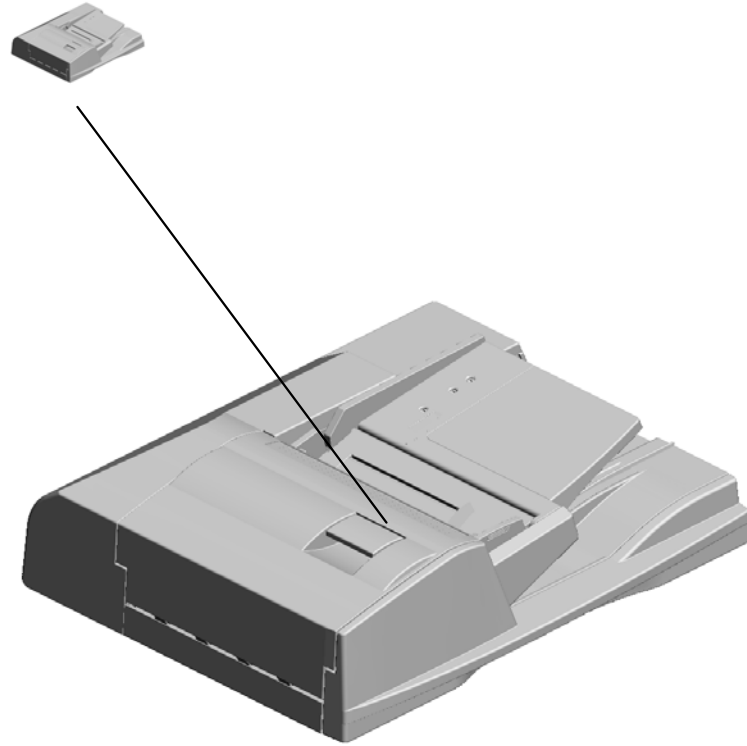
23.B2381552
KEYTOP - KANTAN



D0091489
[A]
LCD:TFT:W-VGA:S
H
201112-02 O/O

U003.ADF

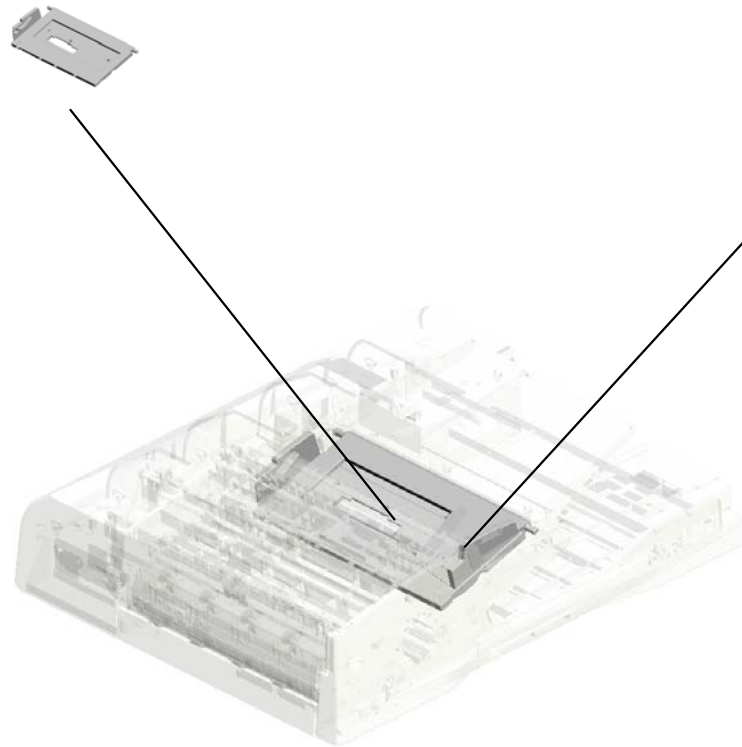
U003_S001
D0817420
ADF:ASS'Y



| | | | | | | | | | | | | | | | | | | | | |
|------|------|------|------|------|------|------|------|------|------|------|------|------|------|------|------|------|------|------|------|------|
| U001 | U002 | U003 | U004 | U005 | U006 | U007 | U008 | U009 | U010 | U011 | U012 | U013 | U014 | U015 | U016 | U017 | U018 | U019 | U020 | U021 |
|------|------|------|------|------|------|------|------|------|------|------|------|------|------|------|------|------|------|------|------|------|

U003_S001.ADF:ASS'Y

U003_S001_S001
D4122351
BASE:ORIGINAL TABLE:ASS'
Y

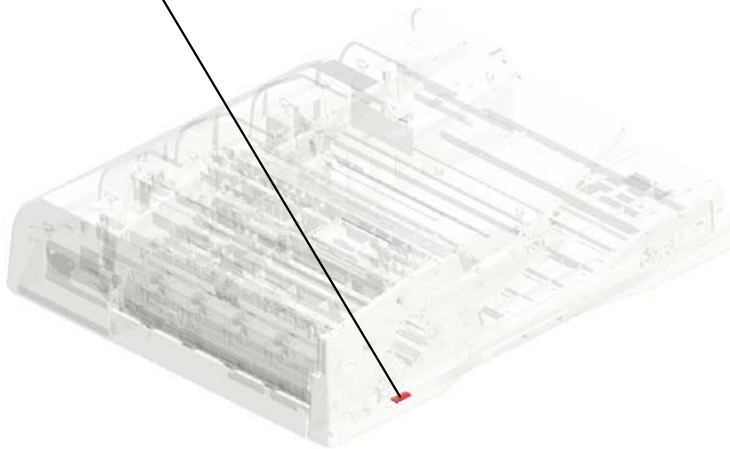


U003_S001_S002
D4122361
SIDE FENCE:ORIGINAL TABL
E:ASS'Y

| | | | | | | | | | | | | | | | | | | | | |
|------|------|------|------|------|------|------|------|------|------|------|------|------|------|------|------|------|------|------|------|------|
| U001 | U002 | U003 | U004 | U005 | U006 | U007 | U008 | U009 | U010 | U011 | U012 | U013 | U014 | U015 | U016 | U017 | U018 | U019 | U020 | U021 |
|------|------|------|------|------|------|------|------|------|------|------|------|------|------|------|------|------|------|------|------|------|

U003
ADF

255.D4124403
DECAL:DESIGN SK
ETCH:MISFEED RE
MOVAL:P2



| | | | | | | | | | | | | | | | | | | | | |
|------|------|------|------|------|------|------|------|------|------|------|------|------|------|------|------|------|------|------|------|------|
| U001 | U002 | U003 | U004 | U005 | U006 | U007 | U008 | U009 | U010 | U011 | U012 | U013 | U014 | U015 | U016 | U017 | U018 | U019 | U020 | U021 |
|------|------|------|------|------|------|------|------|------|------|------|------|------|------|------|------|------|------|------|------|------|

U003_S001
ADF:ASS'Y

- 10.06320120G (x2) PARALLEL PIN - 2X12
- 6.04514006N (x4) TAPPING SCREW - 4X6
- 21.11050488 HARNESS CLAMP
- 5.04513020N (x2) TAPPING SCREW: 3X20
- 1.03530060N (x2) BIND SCREW - M3 X6



179.D0817420
ADF:ASS'Y

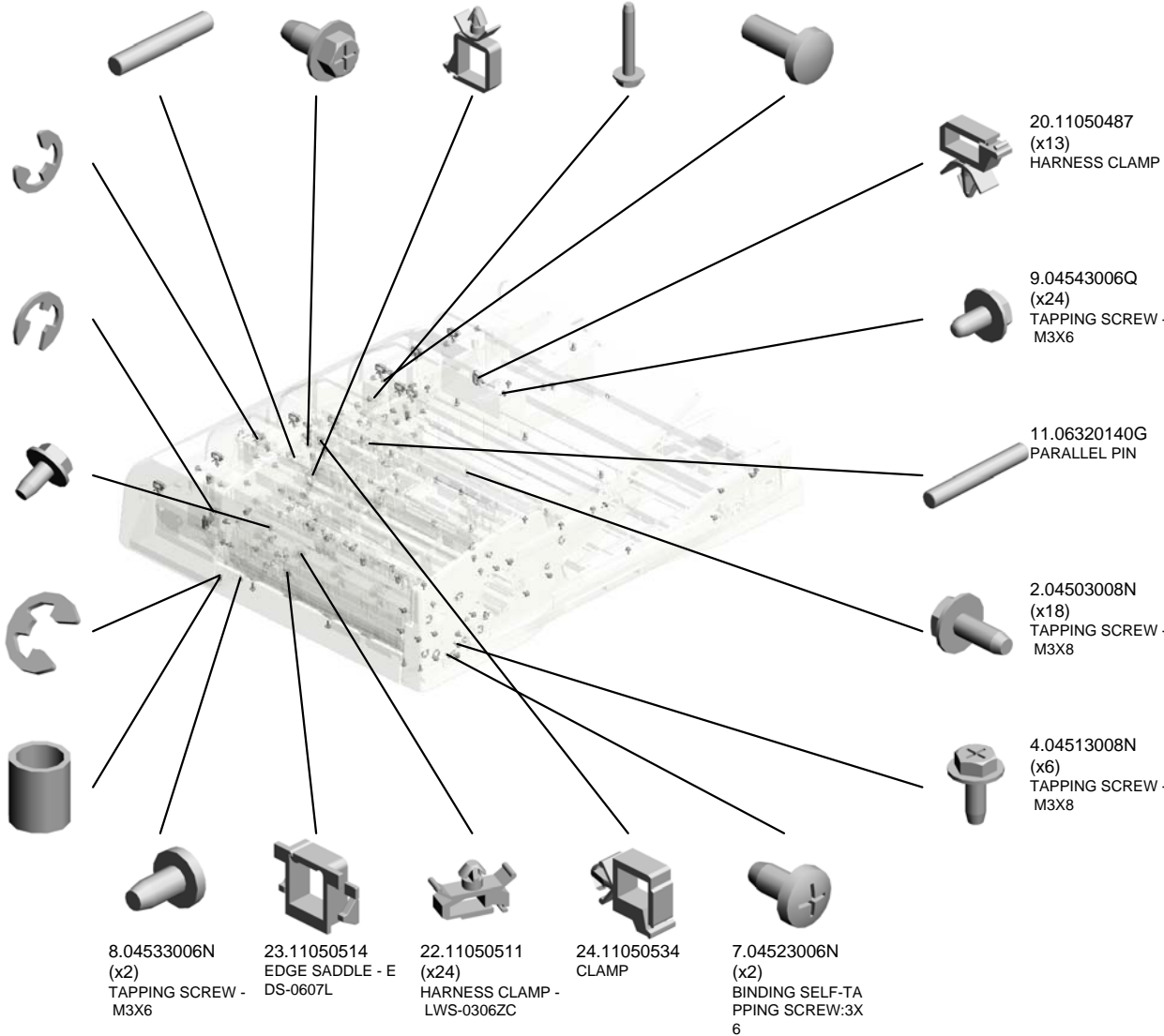
14.07200040E (x13) RETAINING RING - M4

15.07200060E (x19) RETAINING RING - M6

3.04513006N (x53) TAPPING SCREW - 3X6

13.07200030E (x7) RETAINING RING - M3

12.07074060N BUSHING: DIA4X6



U003_S001
ADF:ASS'Y

- 45.A8061293 FEED BELT DRIVE ROLLER
- 31.A2936399 TORQUE LIMITER - SEPARATOR
- 38.A6281225 (x4) BUSHING - 8MM
- 44.A8061292 FEED BELT BRACKET
- 26.52152621 SNAP RING - M6



179.D0817420
ADF:ASS'Y

40.A6802262 FEELER - PICK-UP ROLLER CAM 201108-05



28.54472681 (x6) SNAP RING



37.A5482139 (x2) PULLEY



29.59362321 (x2) RUBBER BUSHING - VIBRATION DAMPER



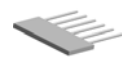
30.A2576112 PULLEY:BELT TENSIONER



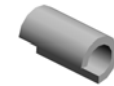
35.A4221063 (x2) SEAL - 0.7X13X20



41.A6972131 ANTISTATIC BRUSH



32.A3742181 SPACER



27.53241658 BUSHING- 4X8X4.5 MM



25.52062686 (x3) SNAP RING



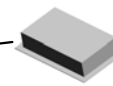
42.A8061135 CONTACT POINT SHAFT



39.A6801621 FEED-IN UNIT STOPPER



43.A8061163 (x4) GUIDE PLATE CUSHION



34.A4181158 SPACER - M6.5X1



36.A4221078 BUSHING - 6X12X4 MM



U003_S001
ADF:ASS'Y

49.A8062151
TIMING PULLEY - T
19/Z23 S2M/M0.6

59.AA082104
(x2)
BUSHING - 8X12X7

47.A8061295
FEED BELT

55.AA060991
TENSION SPRING:
TENSION:TRANSP
ORT

62.AA132171
SPACER - 6X20X1



179.D0817420
ADF:ASS'Y

58.AA082101
(x4)
BUSHING - 6X10X6

51.A8592230
(x5)
BALL BEARING - 6
X13X5

54.AA060842
TENSION SPRING

58.AA082101
BUSHING - 6X10X6
201108-03

50.A8062271
GEAR - Z18

52.A8592241
REVERSE ROLLER

57.AA080037
(x2)
BUSHING - 6MM

48.A8061298
TRANSPORT BELT
ROLLER SHAFT

60.AA082141
BUSHING - 16X18X
5

64.AA143788
(x2)
PIN:GUIDE PLATE:
PAPER FEED

63.AA143555
(x2)
SCREW - M3X5

46.A8061294
FEED BELT DRIVE
N ROLLER

53.A8594836
(x4)
BUSHING- EXIT DR
IVEN ROLLER

61.AA132013
SPACER

56.AA063435
COMPRESSION SP
RING:PAPER FEED
JOINT

U003_S001
ADF:ASS'Y

77.B3012141
PULLEY - 39Z

67.AA143791
(x2)
SCREW:SAFETY

70.AW010107
PAPER FEED SEN
SOR

76.B3011155
SEPARATION SUP
PORT PAD

73.AW020141
(x7)
PHOTOINTERRUP
TOR



179.D0817420
ADF:ASS'Y

68.AA143842
(x2)
SCREW:DIA6:14.5:
M4

80.B4771171
ARM SHAFT

66.AA143790
SCREW:CONTACT
POINT

78.B6521152
STAY:FRAME:LEFT
201108-01 O/O

71.AW010117
(x4)
PAPER FEED SEN
SOR

84.B4771791
PAPER FEED COV
ER

75.AW020196
(x4)
PHOTOINTERRUP
TOR:PAPER SIZE
SENSOR:DOCUME
NT FEEDER

69.AA143846
TAPPING SCREW:
M3X6

74.AW020195
PHOTOINTERRUP
TOR:PAPER SIZE
SENSOR:DOCUME
NT FEEDER

83.B4771191
FRONT LEFT STOP
PER

72.AW010129
(x3)
PHOTO REFLECTIO
N SENSOR

81.B4771181
SENSOR BRACK
ET

82.B4771185
SENSOR FEELER

79.B4771161
RIGHT FRAME STA
Y

65.AA143789
(x3)
SHAFT:CLEANER

U003_S001
ADF:ASS'Y

86.B4771825
(x2)
PAPER FEED REL
EASE LEVER

102.B4772281
ORIGINAL SENSO
R BRACKET

95.B4772222
PICK-UP ROLLER
BRACKET

96.B4772225
PICK-UP ROLLER

87.B4771831
GRIP SHAFT



179.D0817420
ADF:ASS'Y

99.B4772244
STOPPER:SHAFT:
SEPARATION

98.B4772231
PICK-UP ROLLER L
EVER

93.B4772182
REAR ENTRANCE
GUIDE

105.B4772372
(x4)
DRIVEN PAPER FE
ED ROLLER

89.B4771851
REAR COVER BRA
CKET

90.B4772145
GUIDE BRACKET

107.B4772561
ENTRANCE SCAN
NING BASE

106.B4772495
PAPER FEED SEN
SOR BRACKET

94.B4772191
SEPARATION SHA
FT

88.B4771841
FRONT COVER BR
ACKET

97.B4772227
PICKUP ROLLER:C
OUPLING

103.B4772323
LEVER:RISE:BASE

85.B4771821
PAPER FEED COV
ER GRIP

91.B4772151
SEPARATION CAP

92.B4772172
FRONT ENTRANC
E GUIDE

U003_S001
ADF:ASS'Y

120.B4773111 PAPER FEED MOT OR BRACKET
 126.B4773151 GEAR - 31Z
 122.B4773123 GEAR - 24Z
 121.B4773115 PAPER FEED MOT OR STAY
 125.B4773147 GEAR:Z23:INPUT:FRONT

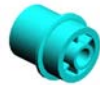


179.D0817420
ADF:ASS'Y

124.B4773145
PULLEY



123.B4773144
GEAR:Z20/T21:INPUT:REAR



127.B4773177
PULLEY



114.B4772665
REGISTRATION SENSOR BRACKET



108.B4772574
(x4)
ARM:ROLLER:SCANNING:ENTRANCE



109.B4772575
ENTRANCE SCANNING ROLLER SHAFT

110.B4772581
ENTRANCE SCANNING GUIDE

113.B4772637
(x4)
DRIVEN EXIT ARM

112.B4772636
(x4)
DRIVEN EXIT SCANNING ROLLER

111.B4772622
(x5)
DISCHARGE BRUSH:L11

115.B4772715
(x4)
PRESSURE PLATE TAPE

116.B4772811
DRIVE EXIT ROLLER

119.B4772872
(x4)
EXIT ARM

117.B4772826
DISCHARGE BRUSH:EXIT

118.B4772861
(x2)
DRIVEN EXIT ROLLER

U003_S001
ADF:ASS'Y

148.B6521773
TIMING BELT:B40S
2M178

131.B4773711
PAPER FEED MOT
OR - DC 7.4W

143.B6521613
TIMING BELT:B60S
2M212

144.B6521633
SPACER:REVERSE
ROLLER:REAR

134.B4774117
(x2)
SPRING



179.D0817420
ADF:ASS'Y

141.B6521136
(x2)
COMPRESSION SP
RING

145.B6521643
TIMING BELT:B40S
3M186

137.B4774921
CLAMP

146.B6521673
TIMING BELT:B40S
3M180

147.B6521674
TIMING BELT:B40S
2M170

140.B6521134
COMPRESSION SP
RING

139.B6521133
SHAFT:SLIDER

129.B4773241
GEAR - 21Z

133.B4774111
(x2)
SPRING

138.B6521132
(x2)
TENSION SPRING

132.B4773721
SCANNING MOTO
R- DC 7.4W

128.B4773217
(x2)
PULLEY

136.B4774131
(x4)
SPRING

142.B6521141
ADJUSTING PIN:T
RANSPORT BELT
UNIT

135.B4774129
(x2)
SPRING - 12N

U003_S001
ADF:ASS'Y

- 150.B6521822 BRACKET:PRESSURE PICKUP
- 152.B6521824 COMPRESSION SPRING
- 151.B6521823 PRESSURE PLATE PICKUP
- 159.B6522392 STOPPER:ORIGINAL TABLE
- 160.B6522393 COMPRESSION SPRING



179.D0817420
ADF:ASS'Y

154.B6521952
COVER:REAR

156.B6522213
TIMING BELT:B40S
2M142

155.B6522146
HOLDER:SEPARATION
PAD

165.B6523117
GUIDE:TRANSPORT
BELT:REAR

166.B6523119
STOPPER:ROLLER
DRIVE

161.B6522411
ROLLER:SCANNING:
ENTRANCE:DRIVE

163.B6522471
GUIDE PLATE:SCANNING:
ENTRANCE

167.B6523121
TRANSPORT BELT

169.B6523125
(x2)
COMPRESSION SPRING

164.B6523116
GUIDE:TRANSPORT
BELT:FRONT

158.B6522376
ORIGINAL TABLE:FRONT

157.B6522215
GUIDE:PAPER FEED
BELT:FRONT

153.B6521902
COVER:FRONT

162.B6522421
ROLLER:SCANNING:
EXIT:DRIVE

149.B6521816
LINK:STOPPER:COVER:
PAPER FEED

U003_S001
ADF:ASS'Y

177.B7005805
STEPPER MOTOR:
PM:S2M:T15:ASS'Y

174.B6523174
TENSION SPRING

183.D4121622
SHAFT:SEPARATI
ON:DRIVE:INPUT

185.D4121651
GEAR:Z37:REVER
SE ROLLER:FRON
T

176.B7004428
TIMING BELT:B40S
2M158



179.D0817420
ADF:ASS'Y

187.D4121662
TIMING PULLEY:T2
6:S2M

181.D4121210
HINGE:LEFT:ASS'Y

186.D4121661
TIMING PULLEY:T2
3:S3M

170.B6523135
TIMING BELT:B60S
2M172

171.B6523136
COVER:ROLLER:S
CANNING:PEEN

173.B6523156
(x2)
SPACER:TRANSP
ORT BELT

175.B6524519
(x4)
ROLLER:SCANNIN
G:EXIT:DRIVEN

184.D4121632
SHAFT:REVERSE
ROLLER:SUB-ASS'
Y

180.D4121131
(x2)
BRACKET:PRESSU
RE:TRANSPORT B
ELT:REAR

172.B6523148
HOOK:LOCK:IMAG
E READING UNIT:F
RONT

182.D4121250
HINGE:RIGHT:ASS'
Y

189.D4121731
STEPPER MOTOR:
EXIT:ASS'Y

190.D4121741
TIMING BELT:40S2
M132

188.D4121726
STAY:MOTOR:SCA
NNING

178.C2693957
TIMING BELT:S2M2
00

U003_S001
ADF:ASS'Y

210.D4122345
GEAR:Z47:M0.8

209.D4122321
STEPPER MOTOR:
DIA42:ASS'Y

192.D4121743
TIMING BELT:40S3
M291

201.D4122232
(x2)
COMPRESSION SP
RING:PAPER FEED
BELT

200.D4122212
TIMING PULLEY:T2
1:S2M



179.D0817420
ADF:ASS'Y

193.D4121754
(x2)
PULLEY:IDLER:DIA
18

194.D4121771
TIMING PULLEY:G
EAR:T21-Z21

195.D4121791
BRACKET:COVER:
DRIVE

198.D4122115
DRIVEN ROLLER:P
ULL OUT:PRESS FI
T

191.D4121742
TIMING BELT:80S3
M507

199.D4122121
ROLLER:MIDDLE:D
RIVE

197.D4122111
ROLLER:PULL OUT
:DRIVE

204.D4122252
GUIDE:PAPER FEE
D:LOWER

205.D4122255
ROLLER:GUIDE:MI
DDLE

206.D4122256
SHAFT:ROLLER:G
UIDE:MIDDLE

196.D4121922
COVER:LOWER

208.D4122292
SHAFT:RISE:BASE

207.D4122282
GUIDE PLATE:ORI
GINAL TABLE

202.D4122246
BRACKET:SHEET:
CIS

203.D4122248
SHEET:CIS

U003_S001
ADF:ASS'Y

- 214.D4122349 TIMING PULLEY:T3
0/Z20:S2M/M0.8
- 216.D4122357 FEELER:SENSOR:
ORIGINAL SENSOR
- 212.D4122347 (x2)
GEAR:Z20/Z47:M0.
8:LEFT:REAR
- 213.D4122348 GEAR:Z20/Z47:M0.
8:RIGHT:REAR
- 211.D4122346 GEAR:Z20/Z47:M0.
8:RIGHT:FRONT



179.D0817420
ADF:ASS'Y

218.D4122363
BRACKET:PRESSURE
PLATE:PULL OUT

230.D4122618
COVER:ROLLER:SCANNING:BEHIND

226.D4122553
(x4)
ARM:ROLLER:MIDDLE:DRIVEN

227.D4122555
(x4)
COMPRESSION SPRING:MIDDLE

221.D4122474
DISCHARGE BRUSH:L82

229.D4122578
(x4)
TENSION SPRING:SCANNING:ENTRANCE

222.D4122475
DISCHARGE BRUSH:L228

228.D4122577
(x2)
DRIVEN ROLLER:SCANNING:ENTRANCE

225.D4122523
BRACKET:PAPER SIZE SENSOR

231.D4122632
GUIDE PLATE:EXIT:LOWER

219.D4122383
ORIGINAL TABLE:BEHIND

220.D4122441
ROLLER:CONTACT IMAGE SENSOR:EXIT:DRIVE

224.D4122485
SHEET:SCANNING:EXIT:UPPER:ASS'Y

223.D4122481
GUIDE PLATE:SCANNING:EXIT:PEEN

232.D4122641
SHAFT:CONTACT POINT:SCANNING:EXIT:LONG

U003_S001
ADF:ASS'Y



179.D0817420
ADF:ASS'Y

- 238.D4122662 (x2) SPACER:GUIDE PLATE:CONTACT IMAGE SENSOR:ENTRANCE
- 240.D4122664 LEVER:GUIDE PLATE:CONTACT IMAGE SENSOR:REAR
- 241.D4122669 (x2) TENSION SPRING:GUIDE PLATE:PRESSURE:2N
- 243.D4122676 SHAFT:CONTACT POINT:EXIT
- 254.D4124402 DECAL:SET:ORIGINAL TABLE

233.D4122645 SHAFT:CONTACT POINT:SCANNING:EXIT:SHORT

234.D4122646 (x4) COMPRESSION SPRING:SCANNING:EXIT

249.D4123146 SHAFT:LEVER:MISFEED REMOVAL:ASSY

250.D4123152 SHAFT:SCANNING:TRANSPORT BELT:DRIVE

251.D4123153 ROLLER:SCANNING:TRANSPORT BELT

246.D4123113 ROLLER:SCANNING:PRESSURE

235.D4122651 ROLLER:SCANNING:BEHIND:ASSY

237.D4122655 GUIDE PLATE:CONTACT IMAGE SENSOR:ENTRANCE:CEMENTATION

252.D4123154 BUSHING:DRIVE ROLLER:TRANSPORT BELT UNIT

248.D4123145 TENSION SPRING:LEVER:MISFEED REMOVAL

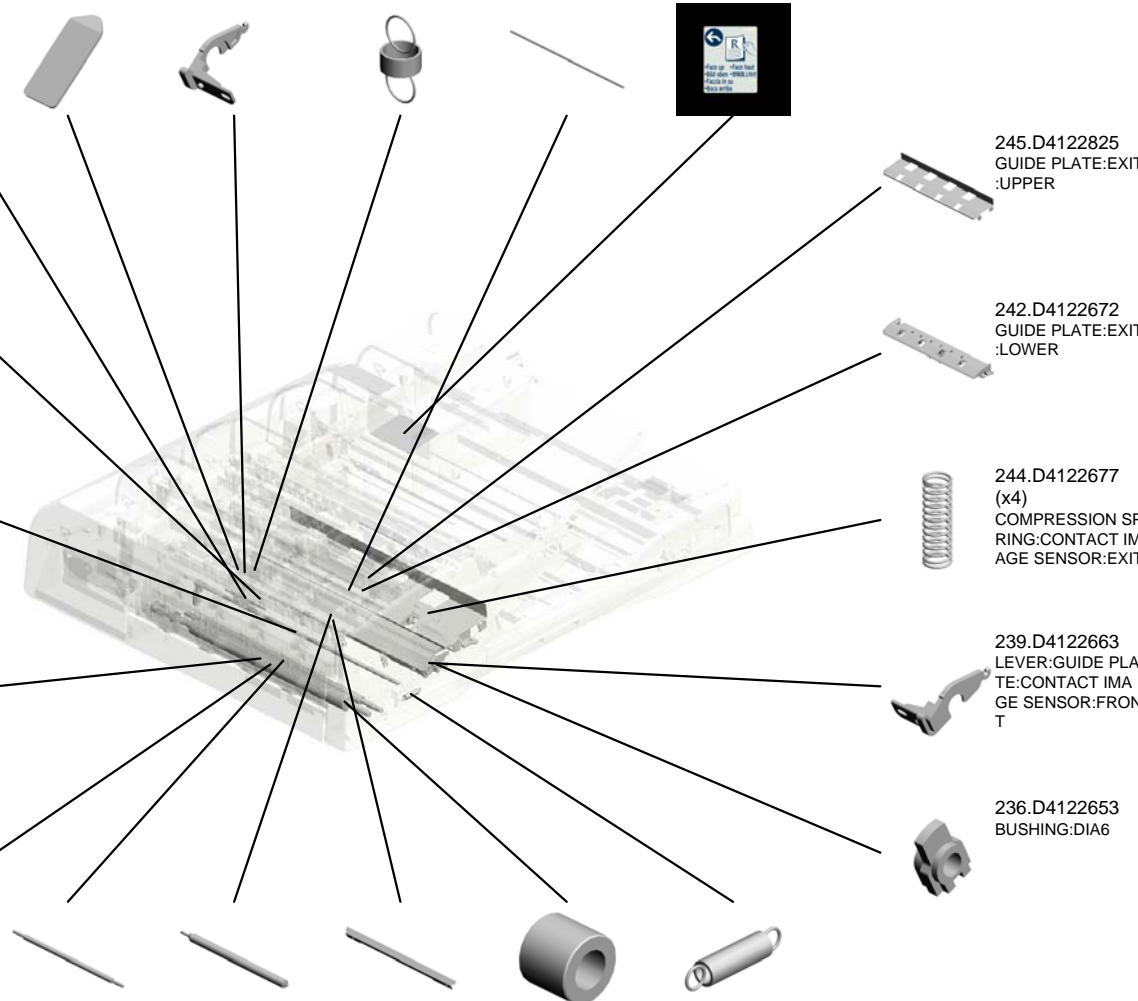
245.D4122825 GUIDE PLATE:EXIT:UPPER

242.D4122672 GUIDE PLATE:EXIT:LOWER

244.D4122677 (x4) COMPRESSION SPRING:CONTACT IMAGE SENSOR:EXIT

239.D4122663 LEVER:GUIDE PLATE:CONTACT IMAGE SENSOR:FRONT

236.D4122653 BUSHING:DIA6



U003_S001
ADF:ASS'Y

263.GX640028
FAN MOTOR DC24
V 1.92W

259.D4125861
CONTACT IMAGE
SENSOR:COLLAR:
600DPI:ASS'Y

260.D5014406
DECAL:SIZE:ORIGI
NAL

258.D4125505
[A]
PCB:MAIN CONTR
OL:ASS'Y
201111-01 X/O

262.B7144151
RAIL:SIDE FENCE
201104-02 O/O

179.D0817420
ADF:ASS'Y

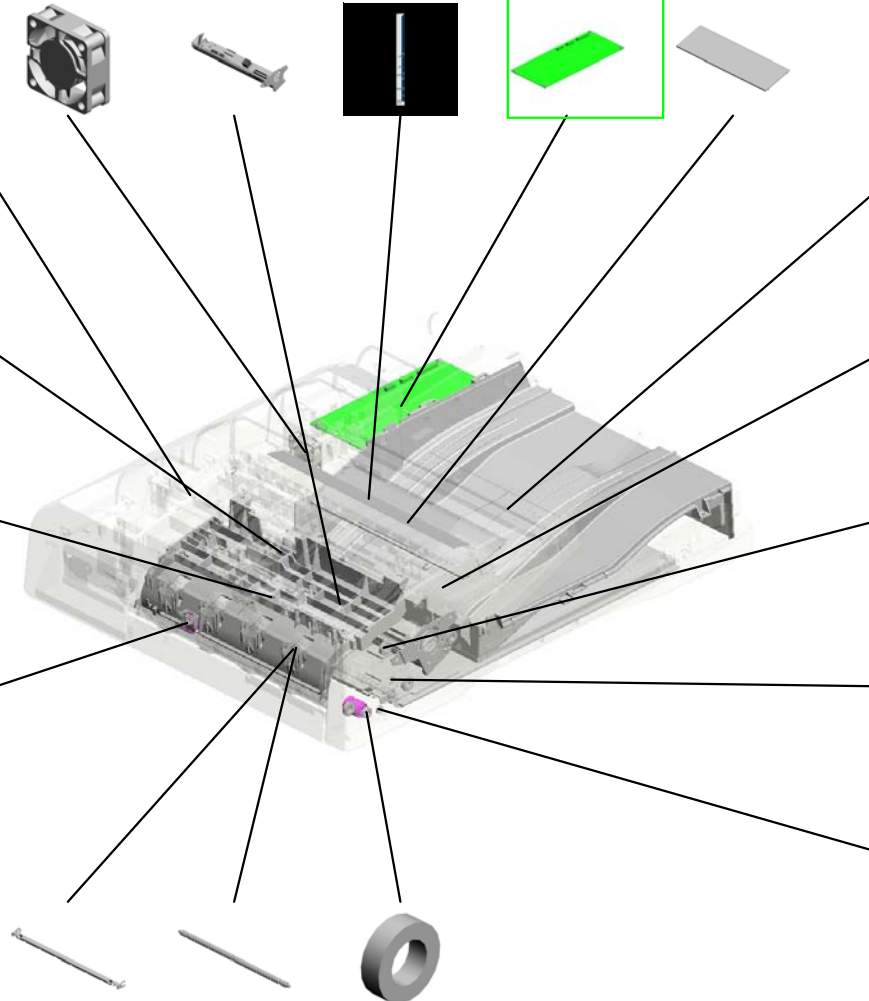


272.D4121682
CAM:PICKUP ROLL
ER:ASS'Y
201108-02

273.B6522516
DISCHARGE BRUS
H:EXIT:L45
201105-01

264.B4772347
GUIDE:PAPER FEE
D:UPPER
201005-01 O/O

267.D4123156
(x2)
ROLLER:DRIVE RO
LLER:TRANSPORT
BELT UNIT
201007-02 X/X



265.B6523129
BRACKET:ROLLER
:DRIVEN:TRANSPO
RT BELT
201006-02 X/O

266.D4123125
DRIVEN ROLLER:S
C
201007-01 X/X

268.7403508
BALL BEARING -8X
14X4

256.D4124811
TRAY:EXIT

257.D4124911
PRESSURE PLATE
:ASS'Y

270.7423808
(x5)
BALL BEARING - 8
X16X5

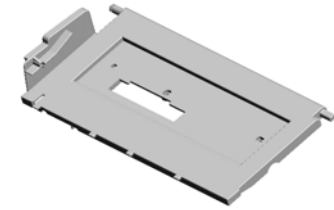
271.8050089
(x4)
RETAINING RING -
M4

269.7403706
(x4)
BALL BEARING - M
6X10X3

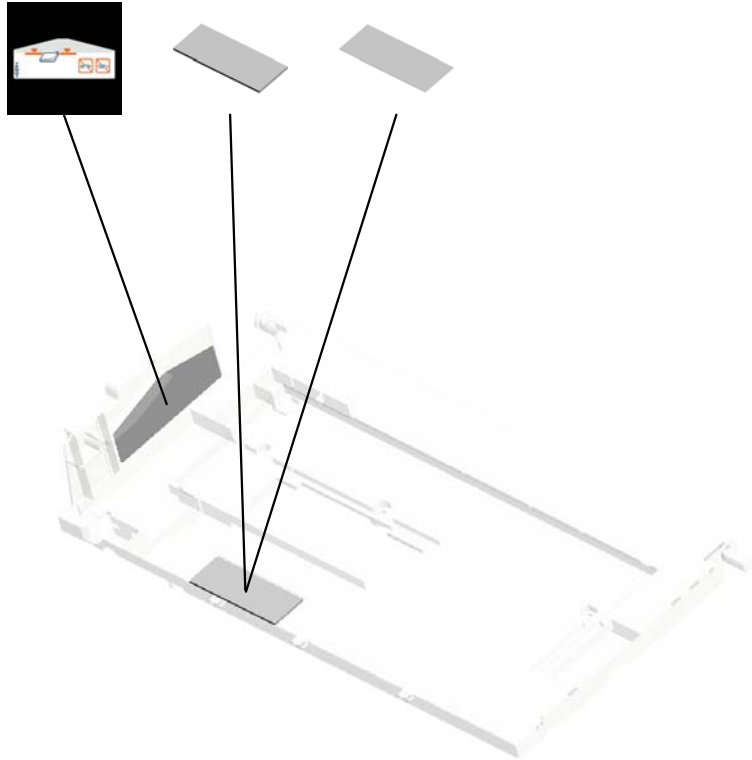
D4125500
[A]
PCB:MAIN CONTR
OL:ASS'Y
201111-01 X/O

U003_S001_S001
BASE:ORIGINAL TABLE:ASS'Y

261.D5014407 100.B4772263 101.B4772264
DECAL:BASE:ORIG CUSHION BASE CUSHION S
INAL HEET



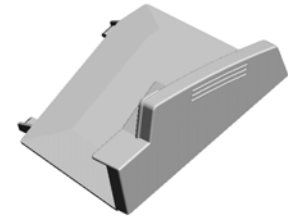
215.D4122351
BASE:ORIGINAL T
ABLE:ASSY



| | | | | | | | | | | | | | | | | | | | | |
|------|------|------|------|------|------|------|------|------|------|------|------|------|------|------|------|------|------|------|------|------|
| U001 | U002 | U003 | U004 | U005 | U006 | U007 | U008 | U009 | U010 | U011 | U012 | U013 | U014 | U015 | U016 | U017 | U018 | U019 | U020 | U021 |
|------|------|------|------|------|------|------|------|------|------|------|------|------|------|------|------|------|------|------|------|------|

U003_S001_S002
SIDE FENCE:ORIGINAL TABLE:ASS'Y

33.A3764599
SIDE FENCE PAD



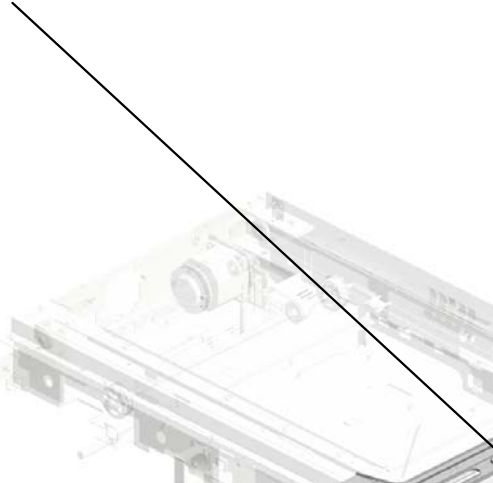
217.D4122361
SIDE FENCE:ORIGI
NAL TABLE:ASS'Y



| | | | | | | | | | | | | | | | | | | | | |
|------|------|------|------|------|------|------|------|------|------|------|------|------|------|------|------|------|------|------|------|------|
| U001 | U002 | U003 | U004 | U005 | U006 | U007 | U008 | U009 | U010 | U011 | U012 | U013 | U014 | U015 | U016 | U017 | U018 | U019 | U020 | U021 |
|------|------|------|------|------|------|------|------|------|------|------|------|------|------|------|------|------|------|------|------|------|

U004.SCANNER

U004_S002
D0141751
CARRIAGE:NO.1



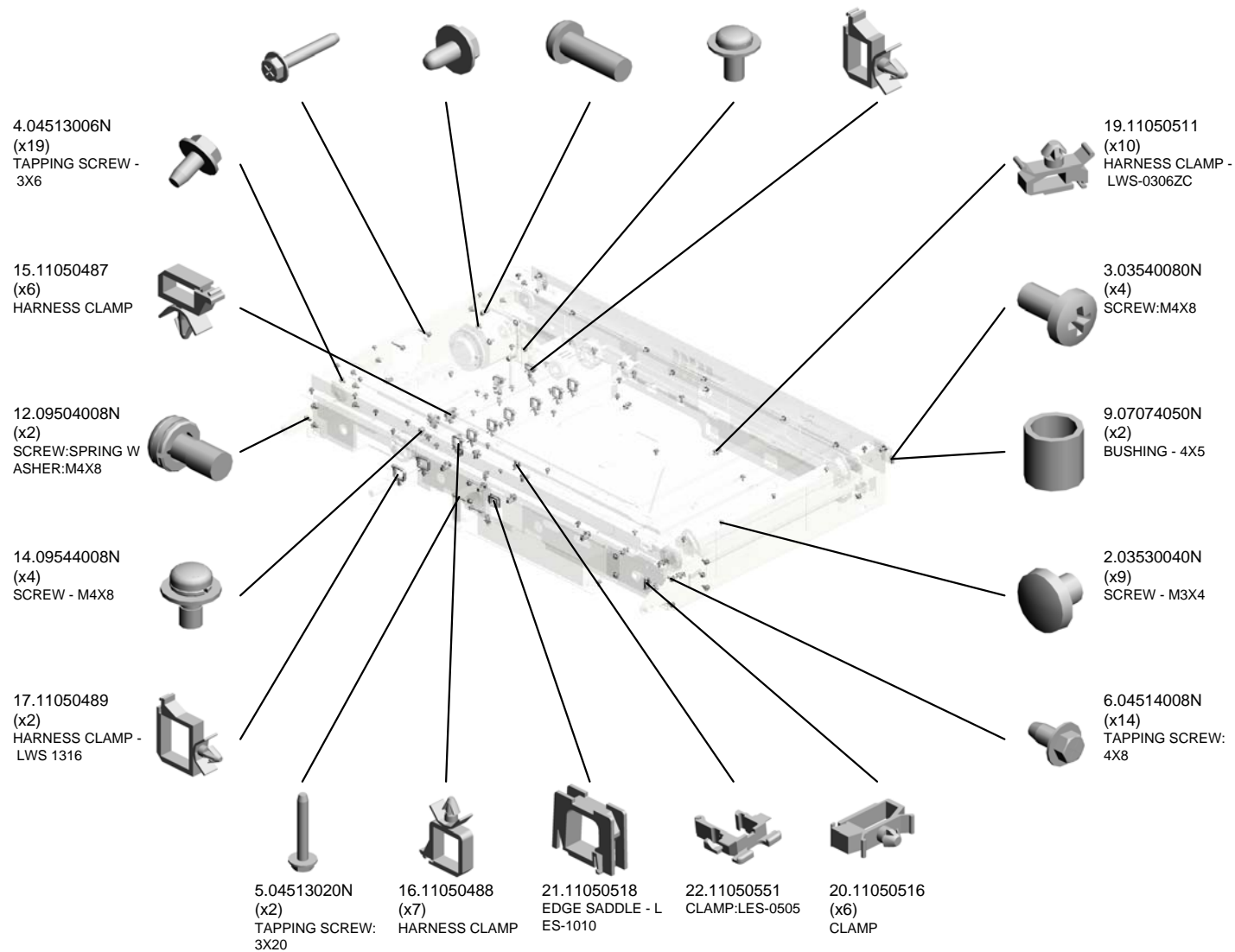
U004_S001
B1321801
CARRIAGE:NO.2:ASSY



| | | | | | | | | | | | | | | | | | | | | |
|------|------|------|------|------|------|------|------|------|------|------|------|------|------|------|------|------|------|------|------|------|
| U001 | U002 | U003 | U004 | U005 | U006 | U007 | U008 | U009 | U010 | U011 | U012 | U013 | U014 | U015 | U016 | U017 | U018 | U019 | U020 | U021 |
|------|------|------|------|------|------|------|------|------|------|------|------|------|------|------|------|------|------|------|------|------|

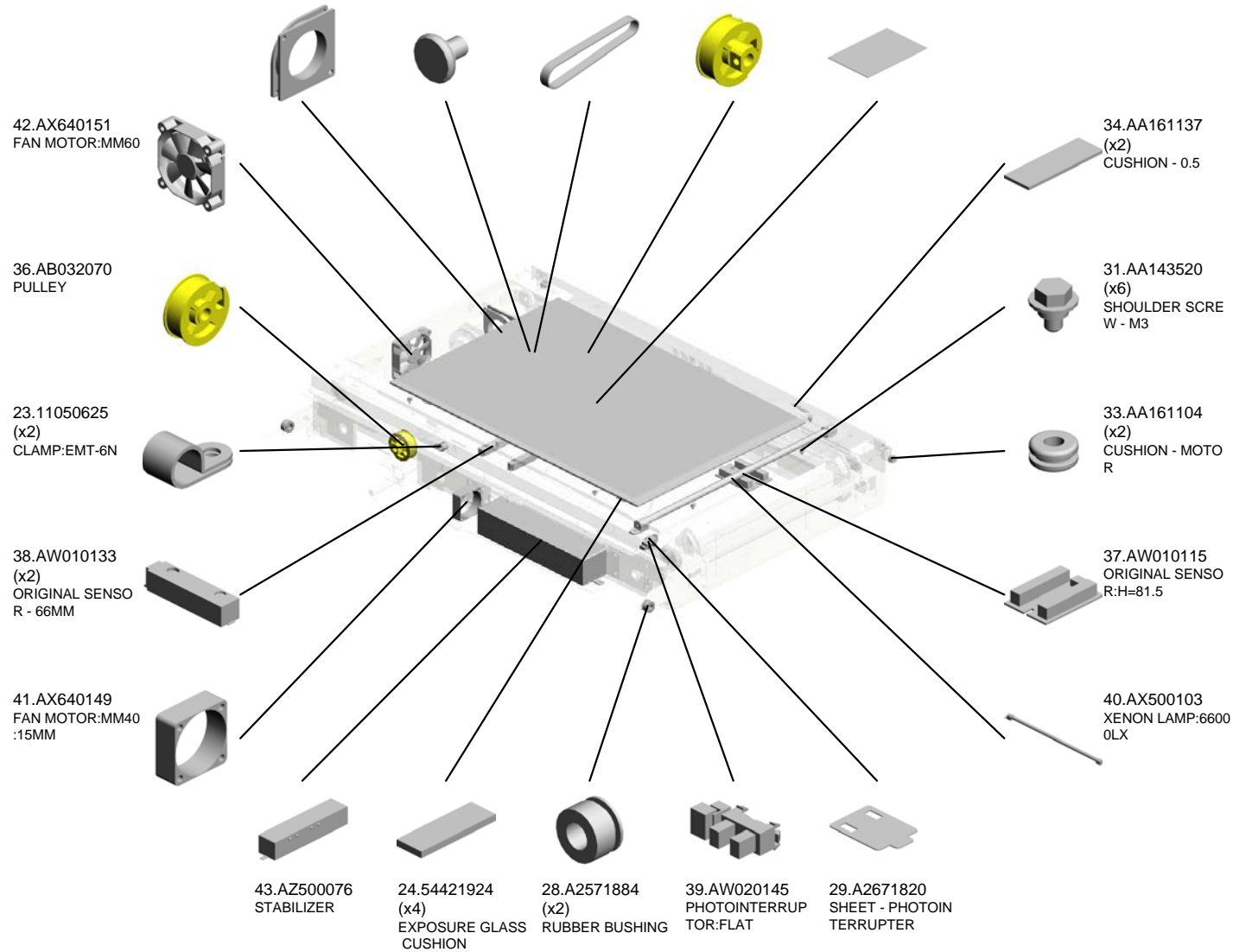
U004 SCANNER

- 7.04514025N (x2) TAPPING SCREW: M4X25
- 8.04543006Q (x40) TAPPING SCREW - M3X6
- 1.03140120N (x2) SCREW - M4X12
- 13.09513006N (x2) SCREW - M3X6
- 18.11050508 HARNESS CLAMP - LWS-0711



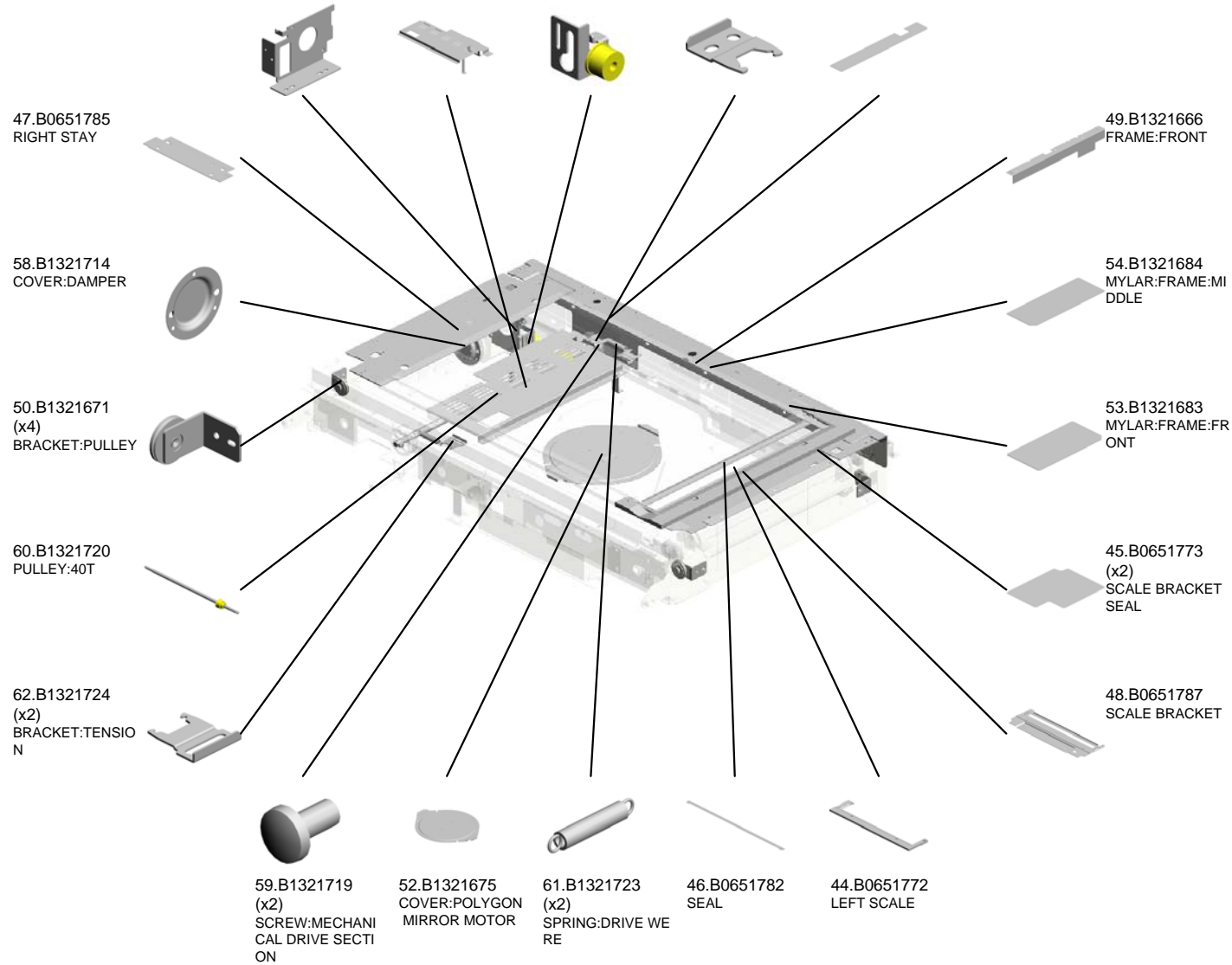
U004 SCANNER

- 25.A1341724 CUSHION - STEPPER MOTOR
- 32.AA143802 SCREW:6X1.7
- 30.AA043314 TIMING BELT:100S 2M266
- 35.AB032069 PULLEY
- 27.A2501752 EXPOSURE GLASS



U004 SCANNER

56.B1321702 BRACKET:MOTOR
 51.B1321674 COVER
 57.B1321710 PULLEY:TENSION:
 TIMING BELT:ASS'
 Y
 63.B1321725 BRACKET:TENSIO
 N:FIX
 55.B1321685 MYLAR:FRAME:RE
 AR



U004 SCANNER

84.D0141677
COVER:SIOB

85.D0141681
SPRING PLATE:CO
VER:SIOB

87.D0141703
STEPPER MOTOR:
DC1.98V 7.13W

81.B7125605
GRIP:APPLICATIO
N

77.B1321874
BRACKET:POSITIO
NING:RIGHT



86.D0141682
SHEET:COVER:SIO
B

76.B1321872
BRACKET:OPEN A
ND CLOSE:RIGHT

89.D0141744
GASKET:MM10X20

79.B1321896
GROUND WIRE:SC
ANNER

88.D0141722
BRACKET:TENSIO
N:INNER BACK:PE
EN

74.B1321852
BRACKET:FAN:MM
40:INVERTOR

83.D0141667
FRAME:REAR

90.D0141747
(x2)
GASKET:COVER:S
HAFT

73.B1321851
BRACKET:INVERT
OR

75.B1321871
BRACKET:OPEN A
ND CLOSE:LEFT

64.B1321729
(x2)
DRIVE WERE:SCA
NNER

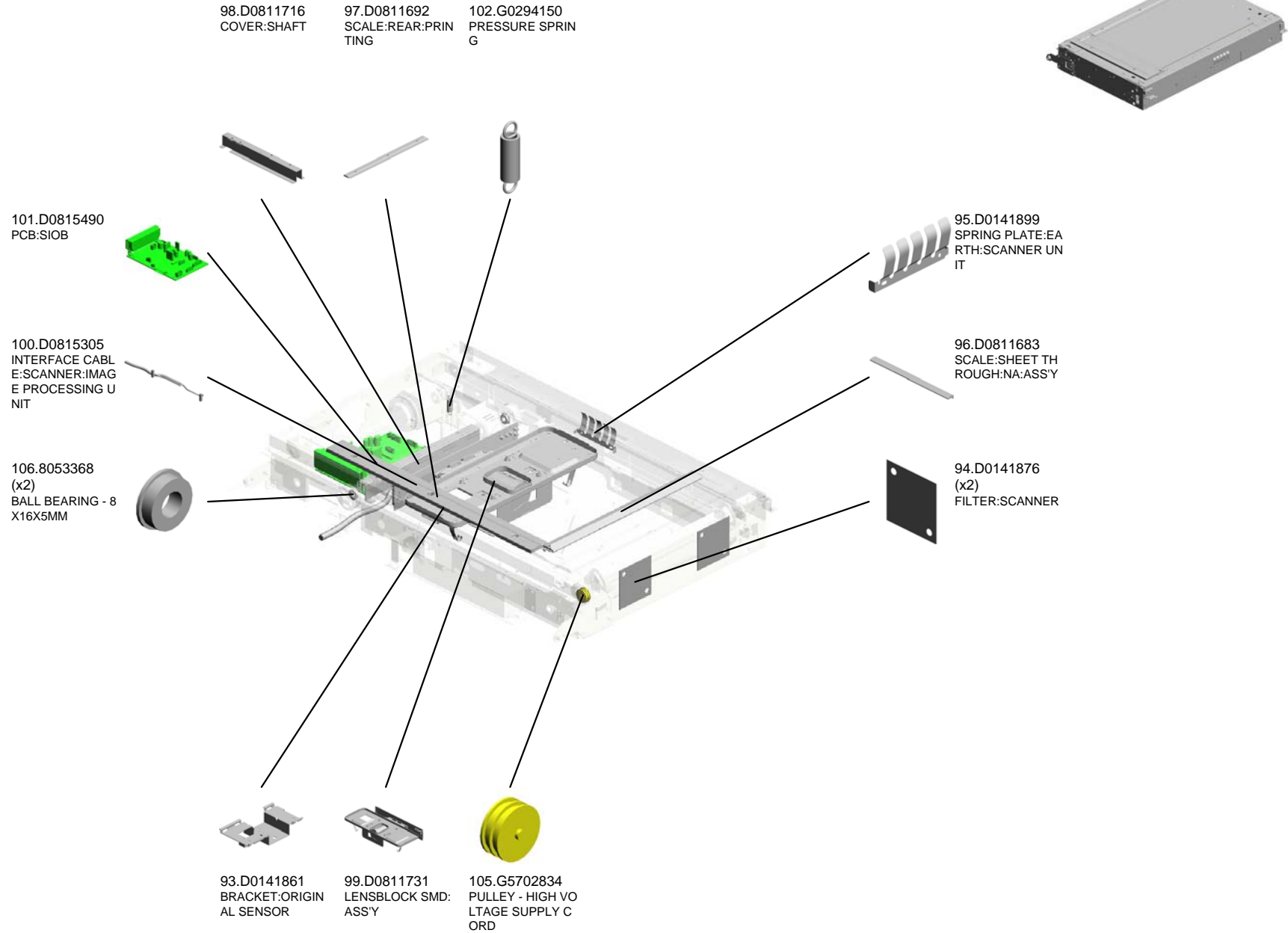
78.B1321877
BRACKET:POSITIO
NING:LEFT

91.D0141748
GASKET:SHADING
PLATE

82.BC012008
EXPOSURE GLASS

80.B1321898
SPRING PLATE:GR
OUND PLATE:ADF

U004 SCANNER



| | | | | | | | | | | | | | | | | | | | | |
|------|------|------|-------------|------|------|------|------|------|------|------|------|------|------|------|------|------|------|------|------|------|
| U001 | U002 | U003 | U004 | U005 | U006 | U007 | U008 | U009 | U010 | U011 | U012 | U013 | U014 | U015 | U016 | U017 | U018 | U019 | U020 | U021 |
|------|------|------|-------------|------|------|------|------|------|------|------|------|------|------|------|------|------|------|------|------|------|

U004_S001
CARRIAGE:NO.2:ASS'Y

72.B1321819
MIRROR:NO.3

71.B1321818
MIRROR:NO.2



69.B1321801
CARRIAGE:NO.2:A
SS'Y

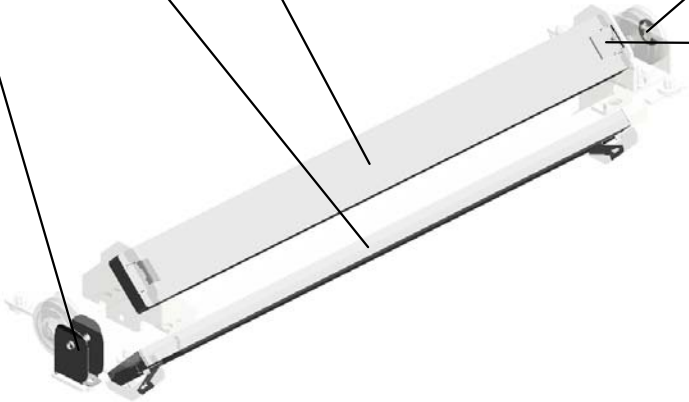
70.B1321815
HOLDER:PULLEY



10.07200060E
RETAINING RING -
M6



103.G4042810
(x4)
SPRING PLATE - 2
ND MIRROR



| | | | | | | | | | | | | | | | | | | | | |
|------|------|------|------|------|------|------|------|------|------|------|------|------|------|------|------|------|------|------|------|------|
| U001 | U002 | U003 | U004 | U005 | U006 | U007 | U008 | U009 | U010 | U011 | U012 | U013 | U014 | U015 | U016 | U017 | U018 | U019 | U020 | U021 |
|------|------|------|------|------|------|------|------|------|------|------|------|------|------|------|------|------|------|------|------|------|

U004_S002
CARRIAGE:NO.1

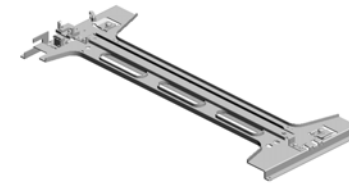
14.09544008N
(x2)
SCREW - M4X8

68.B1321767
HOLDER:CONNEC
TOR

13.09513006N
(x5)
SCREW - M3X6

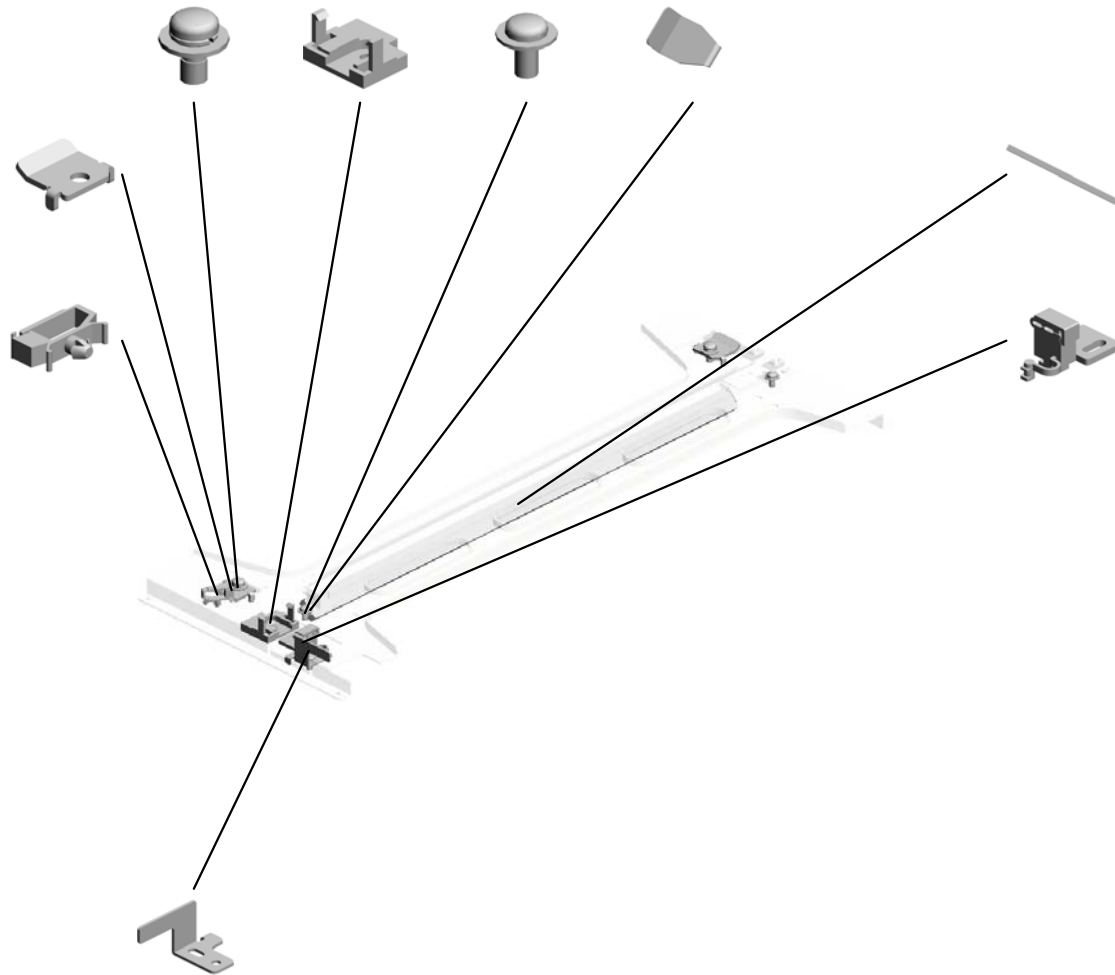
26.A1931767
(x2)
1ST MIRROR HOL
DER

92.D0141751
CARRIAGE:NO.1



66.B1321758
(x2)
STAY-WIRE

20.11050516
CLAMP



67.B1321766
FEELER:HOME PO
SITION SENSOR:N
O.1

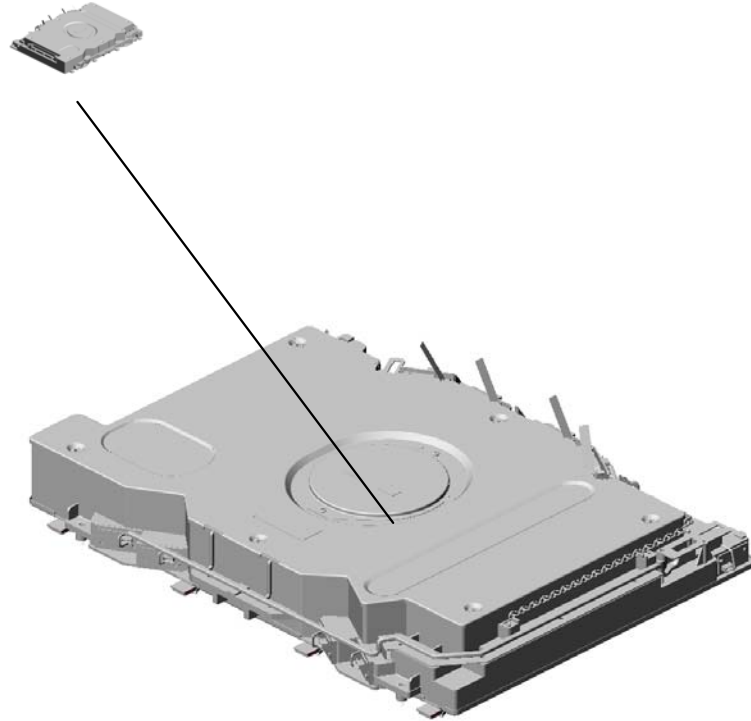
65.B1321757
MIRROR:NO.1:ASS'
Y

104.G5702731
GRIP

| | | | | | | | | | | | | | | | | | | | | |
|------|------|------|------|------|------|------|------|------|------|------|------|------|------|------|------|------|------|------|------|------|
| U001 | U002 | U003 | U004 | U005 | U006 | U007 | U008 | U009 | U010 | U011 | U012 | U013 | U014 | U015 | U016 | U017 | U018 | U019 | U020 | U021 |
|------|------|------|------|------|------|------|------|------|------|------|------|------|------|------|------|------|------|------|------|------|

U005.LASER UNIT

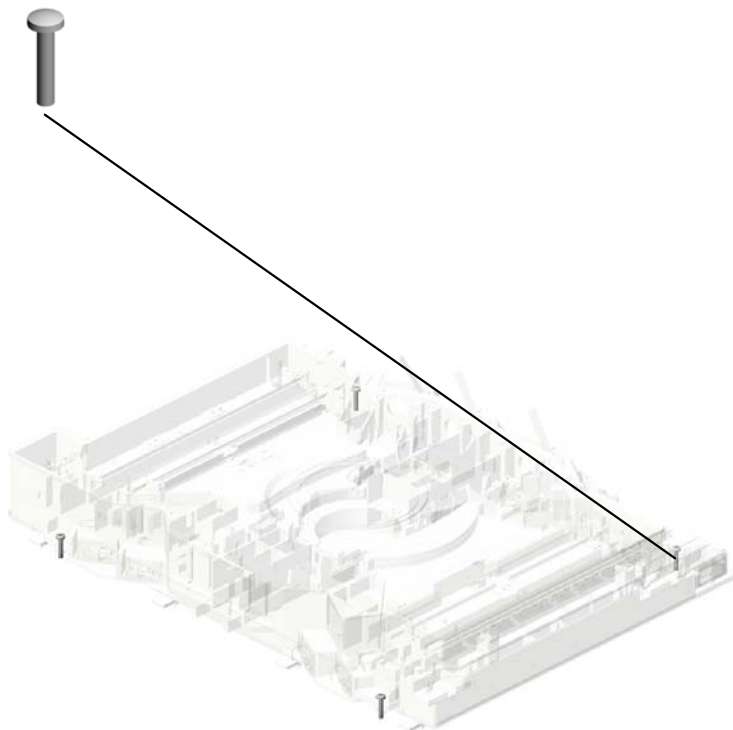
U005_S001
D0811950
IMAGING UNIT



| | | | | | | | | | | | | | | | | | | | | |
|------|------|------|------|------|------|------|------|------|------|------|------|------|------|------|------|------|------|------|------|------|
| U001 | U002 | U003 | U004 | U005 | U006 | U007 | U008 | U009 | U010 | U011 | U012 | U013 | U014 | U015 | U016 | U017 | U018 | U019 | U020 | U021 |
|------|------|------|------|------|------|------|------|------|------|------|------|------|------|------|------|------|------|------|------|------|

U005
LASER UNIT

3.03540200N
(x4)
SCREW:M4X20



| | | | | | | | | | | | | | | | | | | | | |
|------|------|------|------|-------------|------|------|------|------|------|------|------|------|------|------|------|------|------|------|------|------|
| U001 | U002 | U003 | U004 | U005 | U006 | U007 | U008 | U009 | U010 | U011 | U012 | U013 | U014 | U015 | U016 | U017 | U018 | U019 | U020 | U021 |
|------|------|------|------|-------------|------|------|------|------|------|------|------|------|------|------|------|------|------|------|------|------|

U005_S001 IMAGING UNIT

6.AW100100
THERMISTOR:IMA
GING UNIT

12.B1322172
COVER:UPPER:SU
B-ASS'Y

14.B1322185
COVER:POLYGON
MOTOR:ASS'Y

7.B1321971
POSITIONING PIN



15.D0811950
IMAGING UNIT

17.G0601908
THERMISTOR PLA
TE

4.AA000217
(x2)
DECAL - LD 655

1.03530060N
(x18)
BIND SCREW - M3
X6



16.D0812157
POLYGON SCANN
ER

11.B1322094
(x4)
GRIP:SHIELD GLA
SS

5.AC015041
(x4)
SHIELD GLASS

1.03530060N (x 5)
BIND SCREW - M3X6
2.03540080N (x 7)
SCREW:M4X8

13.B1322181
(x2)
SHIELDING PLATE:
FTL

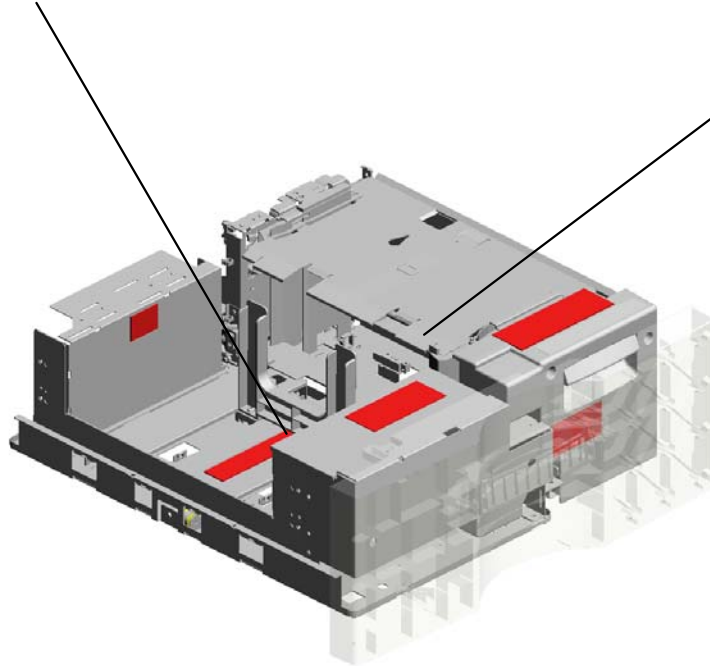
8.B1321972
(x2)
GRIP:IMAGING UNI
T

10.B1322093
(x4)
RAIL:SHIELD GLAS
S

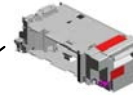
9.B1322085
(x4)
SHIELD:SHIELD GL
ASS

U006.TANDEM LCT

U006_S001
B2346616
TANDEM LCT UNIT - LEFT



U006_S002
D0147506
TANDEM LCT:RIGHT:NA:ASS
Y



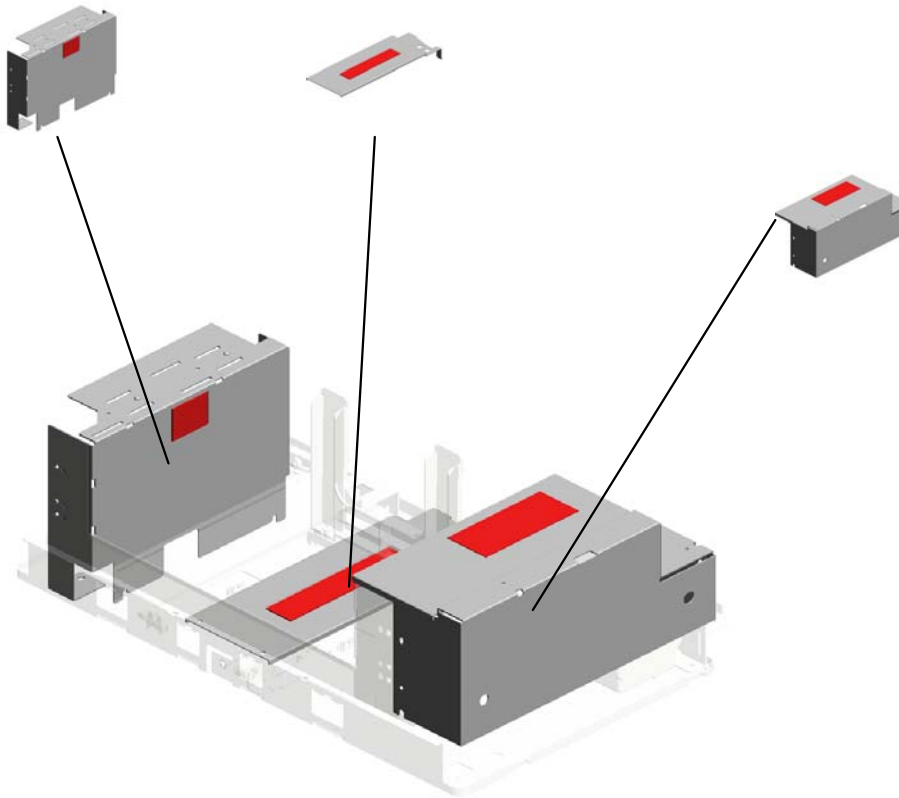
| | | | | | | | | | | | | | | | | | | | | |
|------|------|------|------|------|-------------|------|------|------|------|------|------|------|------|------|------|------|------|------|------|------|
| U001 | U002 | U003 | U004 | U005 | U006 | U007 | U008 | U009 | U010 | U011 | U012 | U013 | U014 | U015 | U016 | U017 | U018 | U019 | U020 | U021 |
|------|------|------|------|------|-------------|------|------|------|------|------|------|------|------|------|------|------|------|------|------|------|

U006_S001.TANDEM LCT UNIT - LEFT

U006_S001_S002
A2946630
LEFT REAR FENCE

U006_S001_S001
B0986639
TRAY BOTTOM PLATE:LEFT
MIDDLE:ASSY

U006_S001_S003
B0706516
BRACKET:COVER:TANDEM L
CT:ASSY



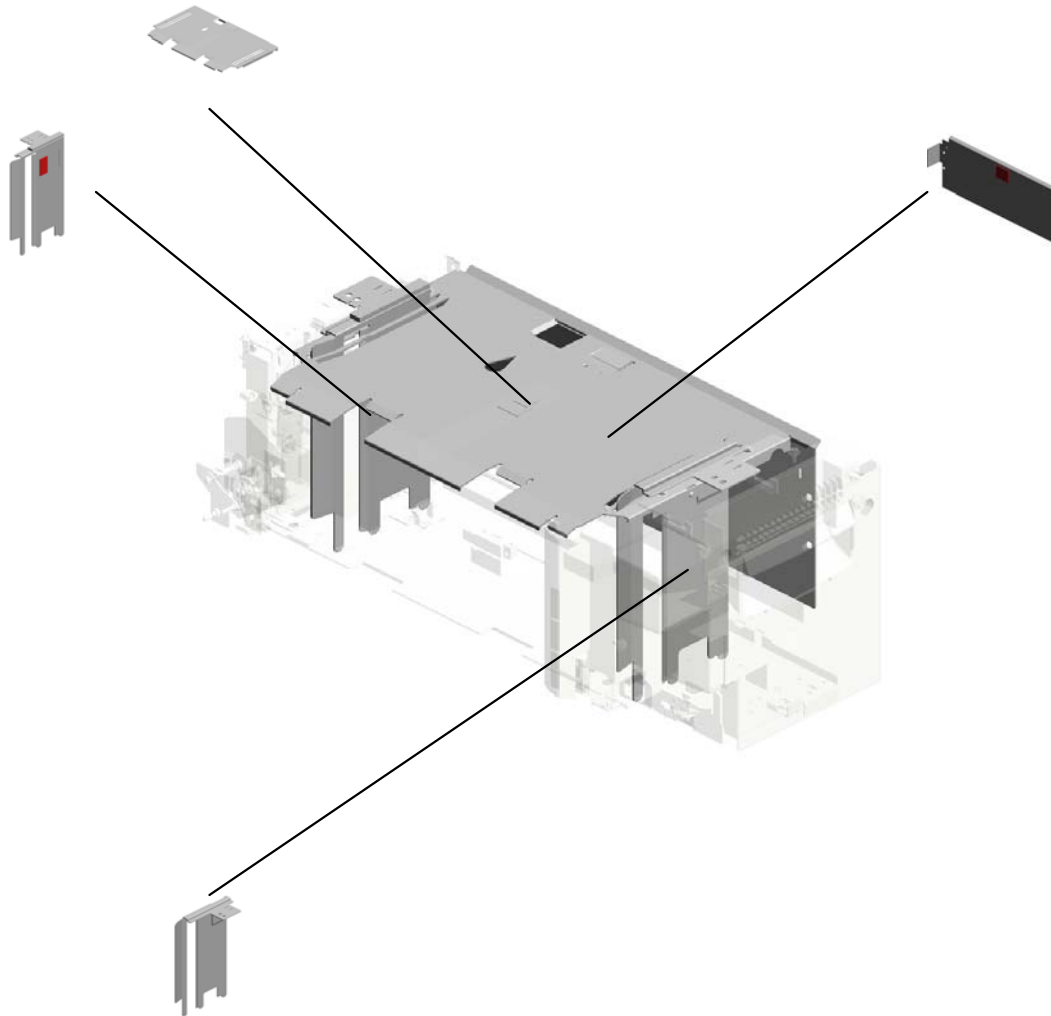
| | | | | | | | | | | | | | | | | | | | | |
|------|------|------|------|------|-------------|------|------|------|------|------|------|------|------|------|------|------|------|------|------|------|
| U001 | U002 | U003 | U004 | U005 | U006 | U007 | U008 | U009 | U010 | U011 | U012 | U013 | U014 | U015 | U016 | U017 | U018 | U019 | U020 | U021 |
|------|------|------|------|------|-------------|------|------|------|------|------|------|------|------|------|------|------|------|------|------|------|

U006_S002.TANDEM LCT:RIGHT:NA:ASS'Y

U006_S002_S002
B2346680
BASE:TANDEM LCT:RIGHT:A
DHESION

U006_S002_S004
B2346691
SIDE FENCE:TANDEM LCT:R
IGHT:ASS'Y

U006_S002_S001
A2946666
SIDE PLATE



U006_S002_S003
B2346686
SIDE FENCE - RIGHT FRONT

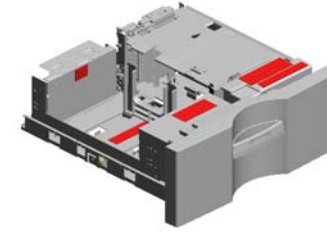
| | | | | | | | | | | | | | | | | | | | | |
|------|------|------|------|------|-------------|------|------|------|------|------|------|------|------|------|------|------|------|------|------|------|
| U001 | U002 | U003 | U004 | U005 | U006 | U007 | U008 | U009 | U010 | U011 | U012 | U013 | U014 | U015 | U016 | U017 | U018 | U019 | U020 | U021 |
|------|------|------|------|------|-------------|------|------|------|------|------|------|------|------|------|------|------|------|------|------|------|

U006 TANDEM LCT

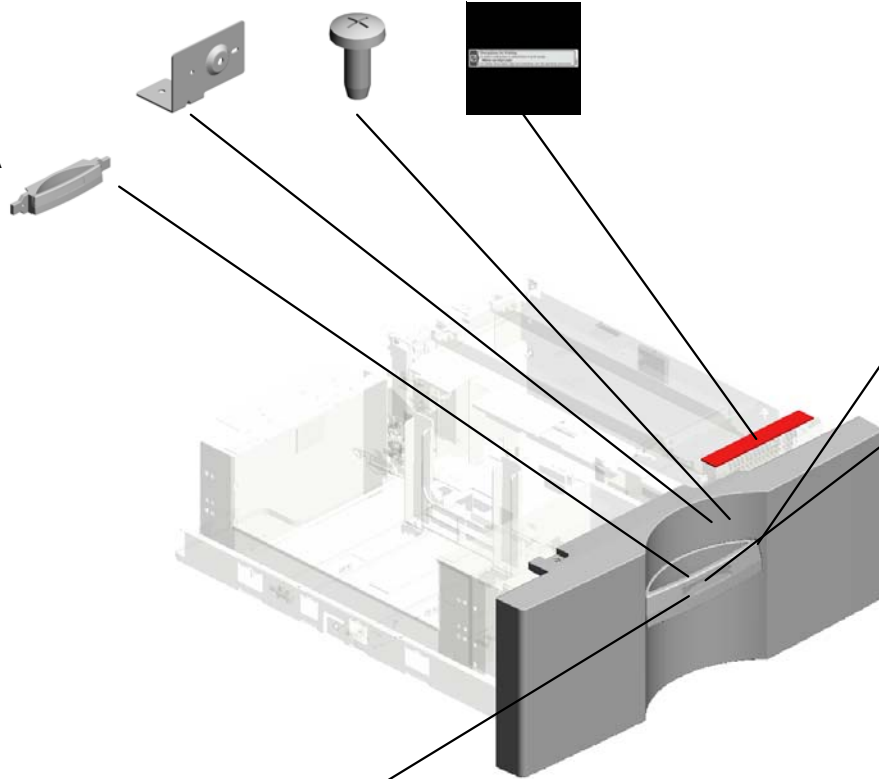
107.D0146788
BRACKET - TANDE
M LCT COVER

5.04504010N
TAPPING SCREW:
M4X10

110.D0811562
DECAL:CAUTION:I
NKJET:PAPER TRA
Y:NA



95.B2476634
GRIP - PAPER TRA
Y COVER



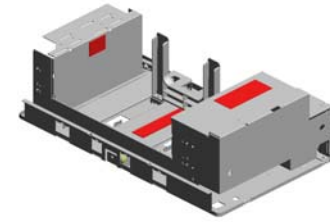
4.04504008N
(x2)
TAPPING SCREW -
M4X8

40.AA003211
DECAL:PAPER TR
AY:DISPLAY:1

105.D0146671
COVER - TANDEM
LCT

| | | | | | | | | | | | | | | | | | | | | |
|------|------|------|------|------|------|------|------|------|------|------|------|------|------|------|------|------|------|------|------|------|
| U001 | U002 | U003 | U004 | U005 | U006 | U007 | U008 | U009 | U010 | U011 | U012 | U013 | U014 | U015 | U016 | U017 | U018 | U019 | U020 | U021 |
|------|------|------|------|------|------|------|------|------|------|------|------|------|------|------|------|------|------|------|------|------|

U006_S001 TANDEM LCT UNIT - LEFT



89.B2346616
TANDEM LCT UNIT
- LEFT

25.A2486615
COUPLING LEVER
- LEFT

58.AW020145
(x2)
PHOTOINTERRUP
TOR:FLAT

6.04514006N
TAPPING SCREW -
4X6

5.04504010N
(x2)
TAPPING SCREW:
M4X10

11.07200040E
(x5)
RETAINING RING -
M4

32.A2946645
LEFT SIDE PLATE

15.11050328
(x4)
HARNESS CLAMP -
ES-0505

41.AA043271
TIMING BELT S3M
196T

44.AA060987
TENSION SPRING:
TIMING BELT:10N

55.AB033085
TIMING PULLEY - 1
5T

59.AW020163
PAPER FEED SEN
SOR

4.04504008N
(x2)
TAPPING SCREW -
M4X8

8.04534006N
BINDING SELF TAP
PING SCREW:4X6

54.AB033084
TIMING PULLEY - 1
5T

31.A2946643
LEFT FRONT FENC
E

21.50530447
(x2)
BUSHING - 6MM

18.11050516
(x6)
CLAMP

46.AA140686
SHAFT - TIMING P
ULLEY

3.04503008N
(x3)
TAPPING SCREW -
M3X8

51.AB019475
GEAR - 48T

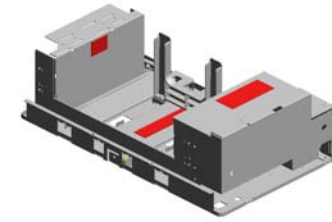
50.AB013798
GEAR - Z18

U006_S001 TANDEM LCT UNIT - LEFT

64.B0656831
SENSOR BRACKET

83.B1327561
BACK FENCE:LEFT

84.B1327564
SLIDER:BACK FENCE:LEFT

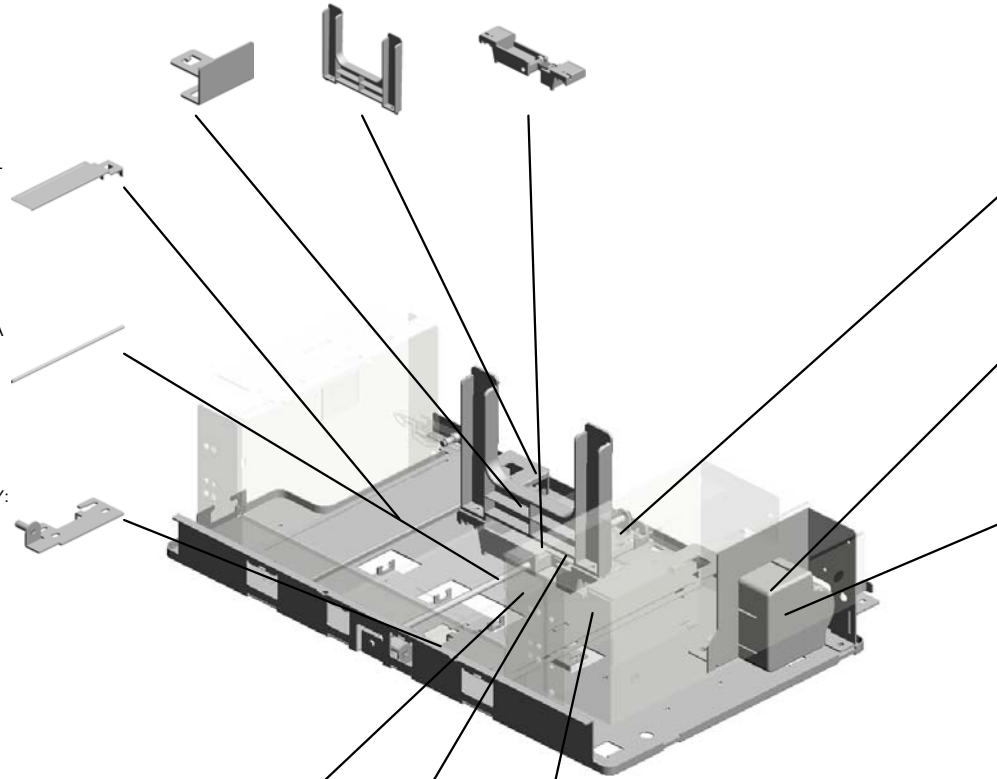


89.B2346616
TANDEM LCT UNIT
- LEFT

79.B1327541
TRAY BOTTOM PLATE:LEFT REAR

99.B2476950
SHAFT:SLIDER:BACK FENCE

100.B2476951
BRACKET:PULLEY:DRIVEN:ASS'Y



63.B0656830
PULLEY BRACKET

74.B0706666
LEFT DC MOTOR BRACKET

60.AX040145
DC MOTOR:TANDEM LCT

101.B2476970
BASE:TANDEM LCT:LEFT:ASS'Y

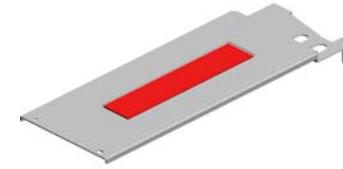
62.B0656823
TIMING BELT COVER

94.B2347540
TRAY BOTTOM PLATE:LEFT FRONT

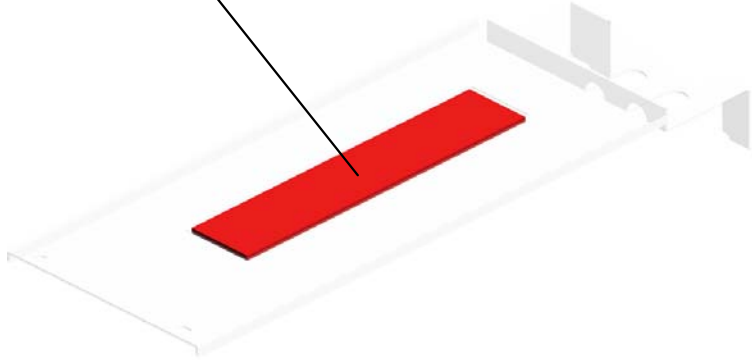
| | | | | | | | | | | | | | | | | | | | | |
|------|------|------|------|------|-------------|------|------|------|------|------|------|------|------|------|------|------|------|------|------|------|
| U001 | U002 | U003 | U004 | U005 | U006 | U007 | U008 | U009 | U010 | U011 | U012 | U013 | U014 | U015 | U016 | U017 | U018 | U019 | U020 | U021 |
|------|------|------|------|------|-------------|------|------|------|------|------|------|------|------|------|------|------|------|------|------|------|

U006_S001_S001
TRAY BOTTOM PLATE:LEFT MIDDLE:ASS'Y

24.A0966678
DECAL - LEFT PAPER SET



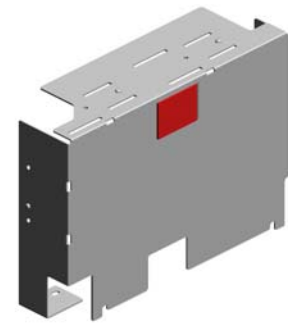
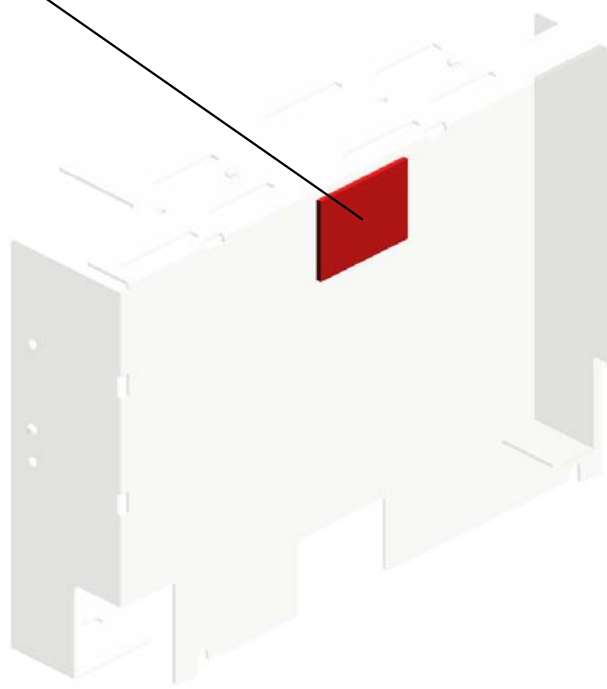
78.B0986639
TRAY BOTTOM PLATE:LEFT MIDDLE:ASSY



| | | | | | | | | | | | | | | | | | | | | |
|------|------|------|------|------|-------------|------|------|------|------|------|------|------|------|------|------|------|------|------|------|------|
| U001 | U002 | U003 | U004 | U005 | U006 | U007 | U008 | U009 | U010 | U011 | U012 | U013 | U014 | U015 | U016 | U017 | U018 | U019 | U020 | U021 |
|------|------|------|------|------|-------------|------|------|------|------|------|------|------|------|------|------|------|------|------|------|------|

U006_S001_S002
LEFT REAR FENCE

37.AA001508
DECAL:SIDE FENC
E:40X30

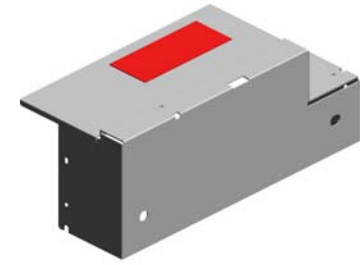
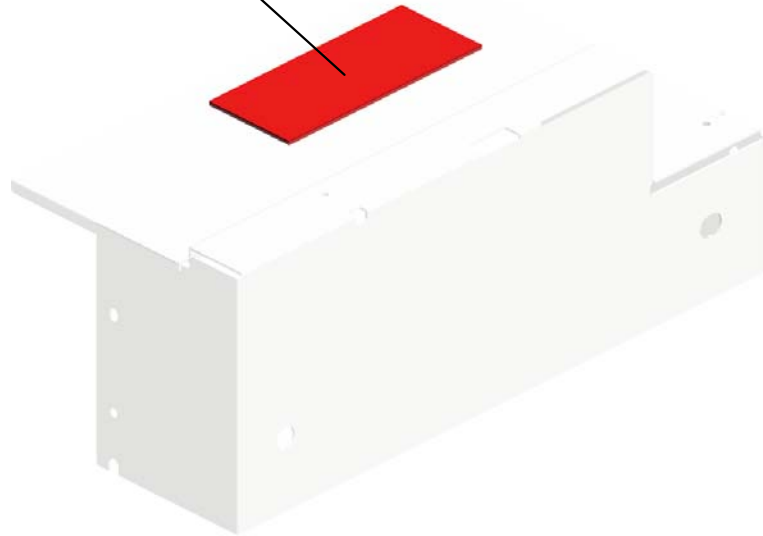


30.A2946630
LEFT REAR FENCE

| | | | | | | | | | | | | | | | | | | | | |
|------|------|------|------|------|-------------|------|------|------|------|------|------|------|------|------|------|------|------|------|------|------|
| U001 | U002 | U003 | U004 | U005 | U006 | U007 | U008 | U009 | U010 | U011 | U012 | U013 | U014 | U015 | U016 | U017 | U018 | U019 | U020 | U021 |
|------|------|------|------|------|-------------|------|------|------|------|------|------|------|------|------|------|------|------|------|------|------|

U006_S001_S003
BRACKET:COVER:TANDEM LCT:ASS'Y

65.B0656846
DECAL - PAPER S
ET - LEFT

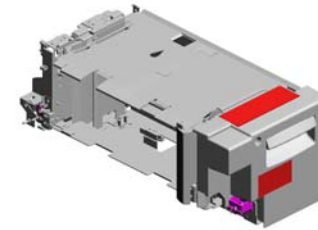


73.B0706516
BRACKET:COVER:
TANDEM LCT:ASS'
Y

| | | | | | | | | | | | | | | | | | | | | |
|------|------|------|------|------|-------------|------|------|------|------|------|------|------|------|------|------|------|------|------|------|------|
| U001 | U002 | U003 | U004 | U005 | U006 | U007 | U008 | U009 | U010 | U011 | U012 | U013 | U014 | U015 | U016 | U017 | U018 | U019 | U020 | U021 |
|------|------|------|------|------|-------------|------|------|------|------|------|------|------|------|------|------|------|------|------|------|------|

U006_S002
TANDEM LCT:RIGHT:NA:ASS'Y

- 28.A2486695 (x4) GUIDE - PULLEY
- 14.09514006N (x4) SCREW:POLISHED ROUND:M4X6
- 26.A2486687 RIGHT DRIVE SHA FT
- 29.A2486713 (x2) HOOK - TENSION SPRONG
- 42.AA060757 (x2) TENSION SPRING - LONG



108.D0147506
TANDEM LCT:RIGH
T:NA:ASS'Y

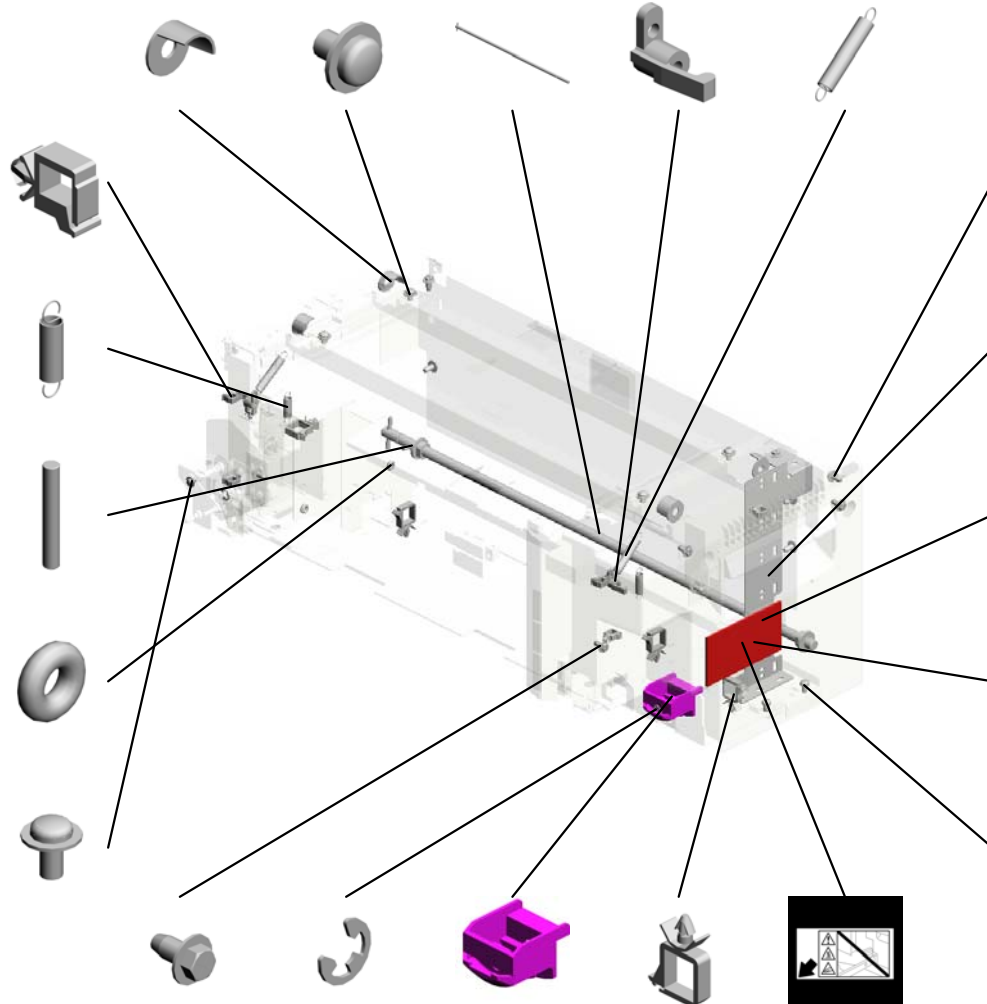
19.11050534
(x6)
CLAMP

43.AA060758
(x2)
TENSION SPRING -
SHORT

10.06330200G
(x2)
PIN - M3X20

27.A2486694
(x3)
WIRE RING

13.09513006N
SCREW - M3X6



4.04504008N
(x2)
TAPPING SCREW -
M4X8



17.11050511
HARNESS CLAMP -
LWS-0306ZC

36.A2946706
SENSOR BRACKE
T

1.03130080N (x 2)
PAN HEAD SCREW:M3X8
2.03130120N (x 1)
PAN HEAD SCREW:M3X12
9.04544008Q (x 1)
TAPPING SCREW - M4X8

20.50530223
(x3)
BUSHING - 8MM

35.A2946690
FEELER - PAPER H
EIGHT SENSOR

12.07200060E
(x2)
RETAINING RING -
M6

7.04514008N
(x9)
TAPPING SCREW:
4X8

11.07200040E
(x2)
RETAINING RING -
M4

33.A2946655
FRONT ROLLER -
SLIDE RAIL

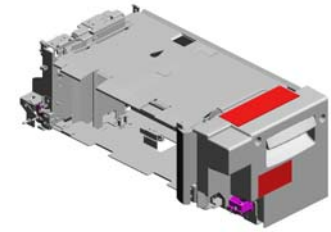
16.11050488
(x4)
HARNESS CLAMP



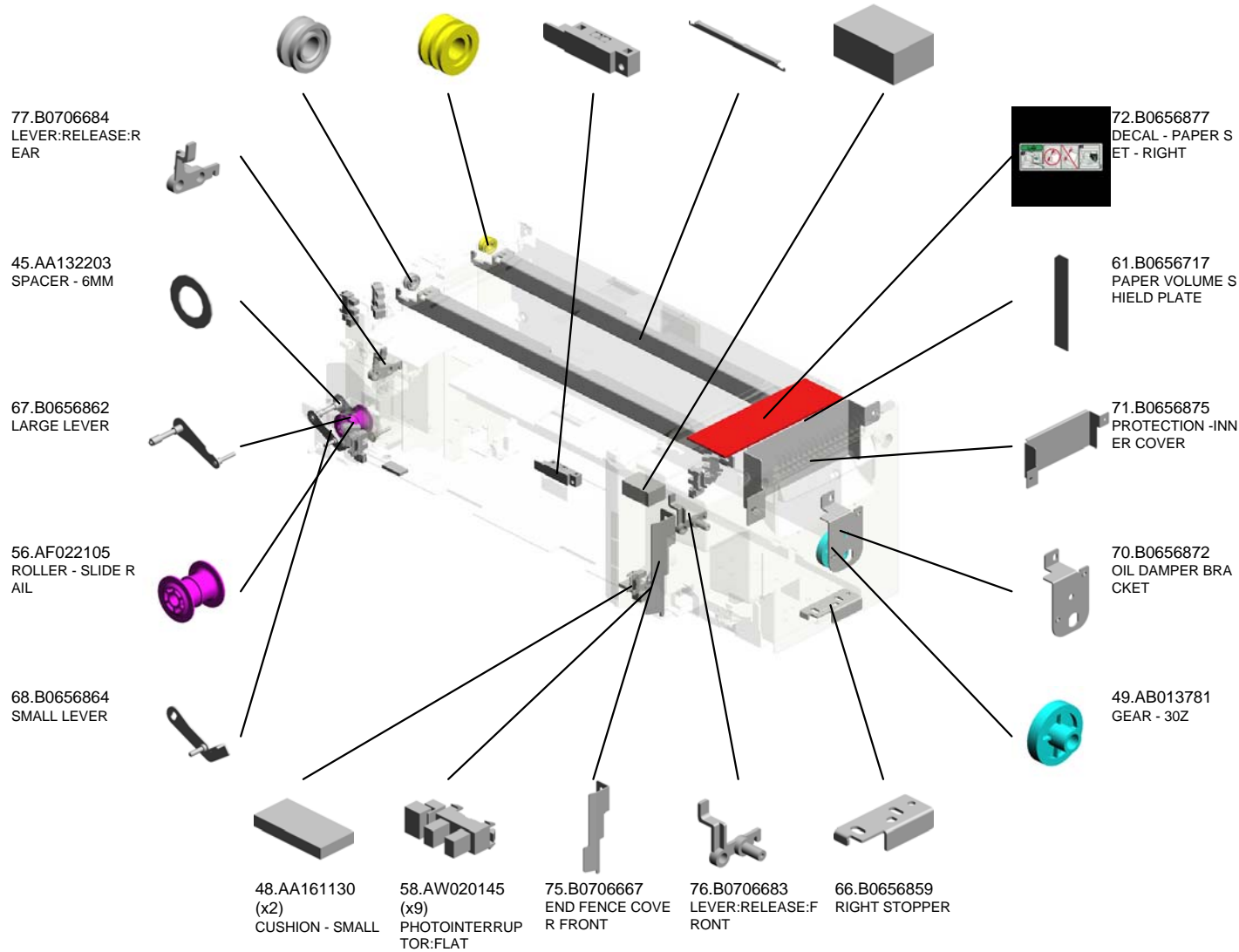
39.AA002246
DECAL - CAUTION

U006_S002
TANDEM LCT:RIGHT:NA:ASS'Y

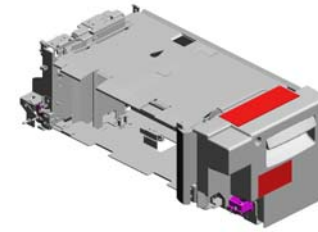
- 52.AB032058 (x2) WIRE PULLEY - M10
- 53.AB032719 (x2) PULLEY - M10
- 57.AW010113 SENSOR
- 69.B0656870 (x2) STAY - RIGHTBASE
- 47.AA161129 CUSHION - LARGE



108.D0147506
TANDEM LCT:RIGH
T:NA:ASS'Y



U006_S002
TANDEM LCT:RIGHT:NA:ASS'Y



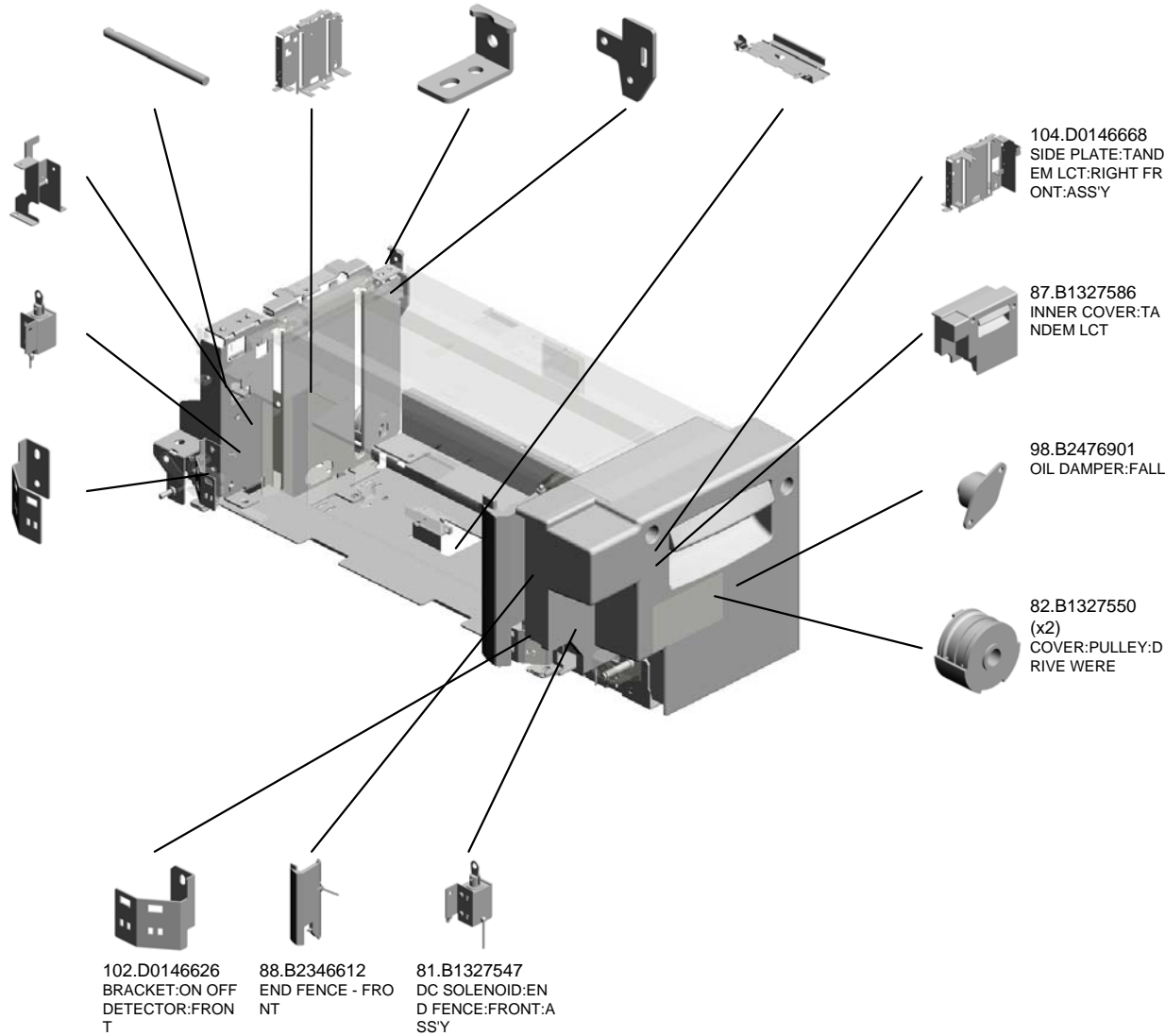
108.D0147506
TANDEM LCT:RIGHT:NA:ASS'Y

- 90.B2346625 END FENCE - REAR
- 106.D0146676 SIDE PLATE:TANDEM LCT:RIGHT REAR:ASS'Y
- 97.B2476695 GUIDE:MISFEED REMOVAL:PAPER TRAY
- 96.B2476672 GUIDE:INTERLOCK:TANDEM LCT
- 80.B1327545 BASE:TANDEM LCT:RIGHT:WELDING

86.B1327575 BRACKET:CONNECTOR:TANDEM LCT

85.B1327571 DC SOLENOID:END FENCE:REAR:ASS'Y

103.D0146627 BRACKET:ON OFF DETECTOR:REAR



104.D0146668 SIDE PLATE:TANDEM LCT:RIGHT FRONT:ASS'Y

87.B1327586 INNER COVER:TANDEM LCT

98.B2476901 OIL DAMPER:FALL

82.B1327550 (x2) COVER:PULLEY DRIVE WERE

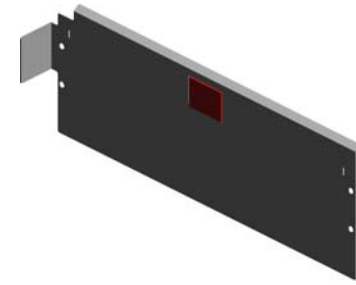
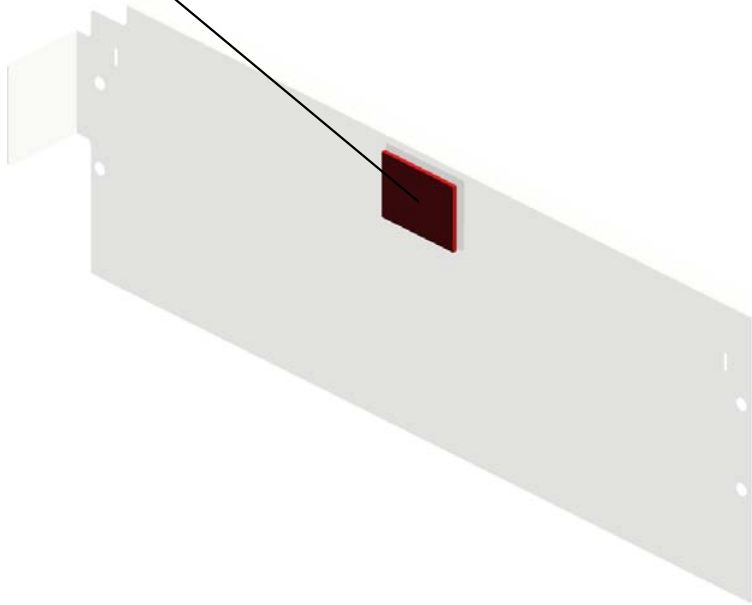
102.D0146626 BRACKET:ON OFF DETECTOR:FRONT

88.B2346612 END FENCE - FRONT

81.B1327547 DC SOLENOID:END FENCE:FRONT:ASS'Y

U006_S002_S001
SIDE PLATE

37.AA001508
DECAL:SIDE FENC
E:40X30



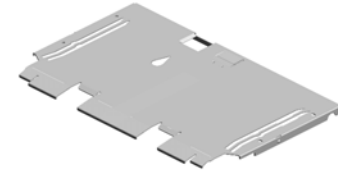
34.A2946666
SIDE PLATE

| | | | | | | | | | | | | | | | | | | | | |
|------|------|------|------|------|-------------|------|------|------|------|------|------|------|------|------|------|------|------|------|------|------|
| U001 | U002 | U003 | U004 | U005 | U006 | U007 | U008 | U009 | U010 | U011 | U012 | U013 | U014 | U015 | U016 | U017 | U018 | U019 | U020 | U021 |
|------|------|------|------|------|-------------|------|------|------|------|------|------|------|------|------|------|------|------|------|------|------|

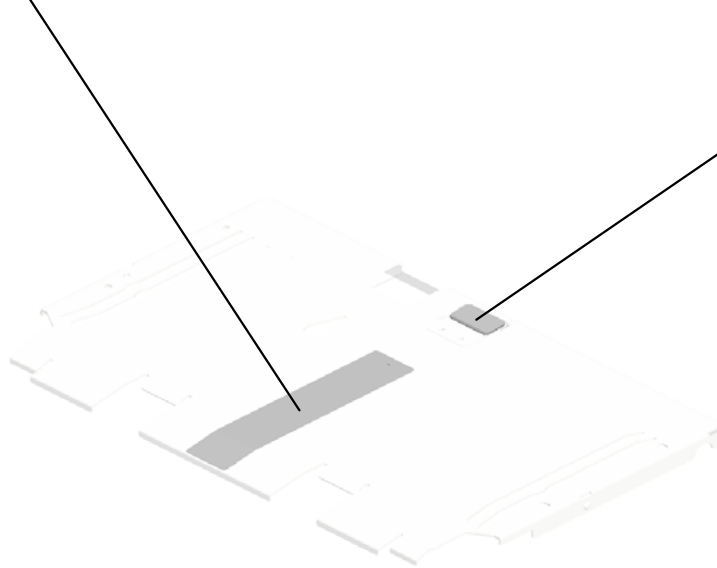
U006_S002_S002

BASE:TANDEM LCT:RIGHT:ADHESION

23.A0966677
DECAL - RIGHT PA
PER SET



91.B2346680
BASE:TANDEM LC
T:RIGHT:ADHESIO
N

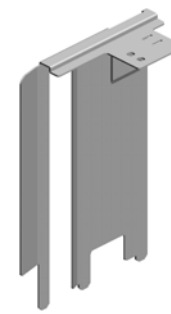
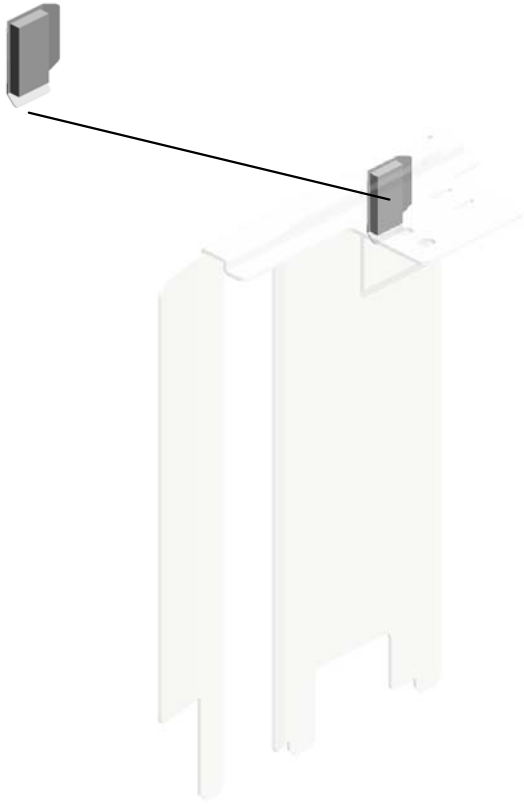


22.52012858
FRICTION PAD

| | | | | | | | | | | | | | | | | | | | | |
|------|------|------|------|------|-------------|------|------|------|------|------|------|------|------|------|------|------|------|------|------|------|
| U001 | U002 | U003 | U004 | U005 | U006 | U007 | U008 | U009 | U010 | U011 | U012 | U013 | U014 | U015 | U016 | U017 | U018 | U019 | U020 | U021 |
|------|------|------|------|------|-------------|------|------|------|------|------|------|------|------|------|------|------|------|------|------|------|

U006_S002_S003
SIDE FENCE - RIGHT FRONT

109.D0596690
PLATE:PAPER:ASS
Y

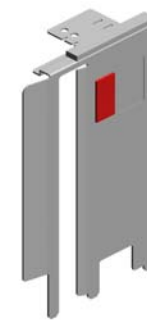
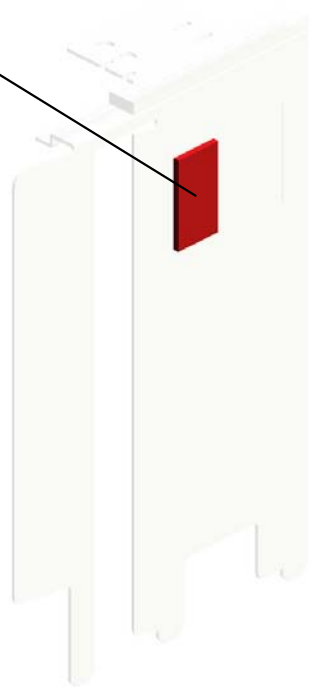


92.B2346686
SIDE FENCE - RIG
HT FRONT

| | | | | | | | | | | | | | | | | | | | | |
|------|------|------|------|------|-------------|------|------|------|------|------|------|------|------|------|------|------|------|------|------|------|
| U001 | U002 | U003 | U004 | U005 | U006 | U007 | U008 | U009 | U010 | U011 | U012 | U013 | U014 | U015 | U016 | U017 | U018 | U019 | U020 | U021 |
|------|------|------|------|------|-------------|------|------|------|------|------|------|------|------|------|------|------|------|------|------|------|

U006_S002_S004
SIDE FENCE:TANDEM LCT:RIGHT:ASS'Y

38.AA001509
DECAL:SIDE FENC
E:16X30

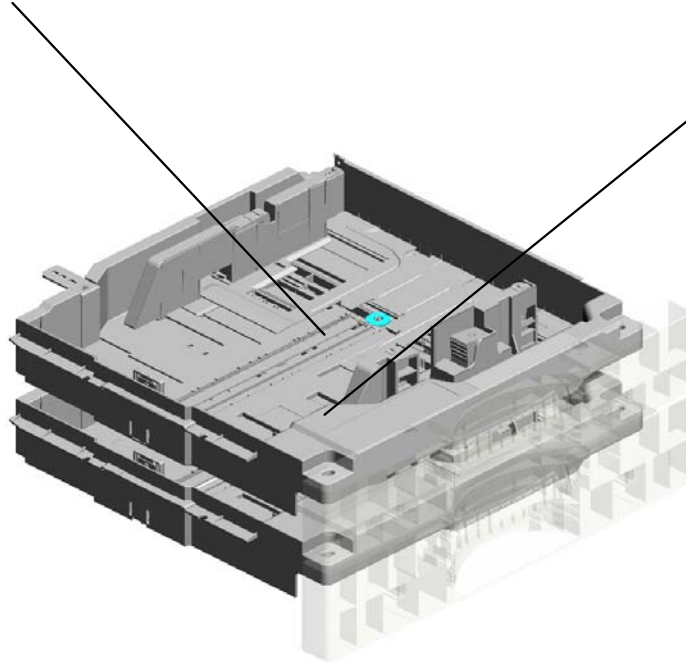


93.B2346691
SIDE FENCE:TAND
EM LCT:RIGHT:AS
SY

| | | | | | | | | | | | | | | | | | | | | |
|------|------|------|------|------|------|------|------|------|------|------|------|------|------|------|------|------|------|------|------|------|
| U001 | U002 | U003 | U004 | U005 | U006 | U007 | U008 | U009 | U010 | U011 | U012 | U013 | U014 | U015 | U016 | U017 | U018 | U019 | U020 | U021 |
|------|------|------|------|------|------|------|------|------|------|------|------|------|------|------|------|------|------|------|------|------|

U007.PAPER TRAY

U007_S001
D0146771
PAPER TRAY:UNIVERSAL:D
OM:ASSY



U007_S002
D0146771
PAPER TRAY:UNIVERSAL:D
OM:ASSY



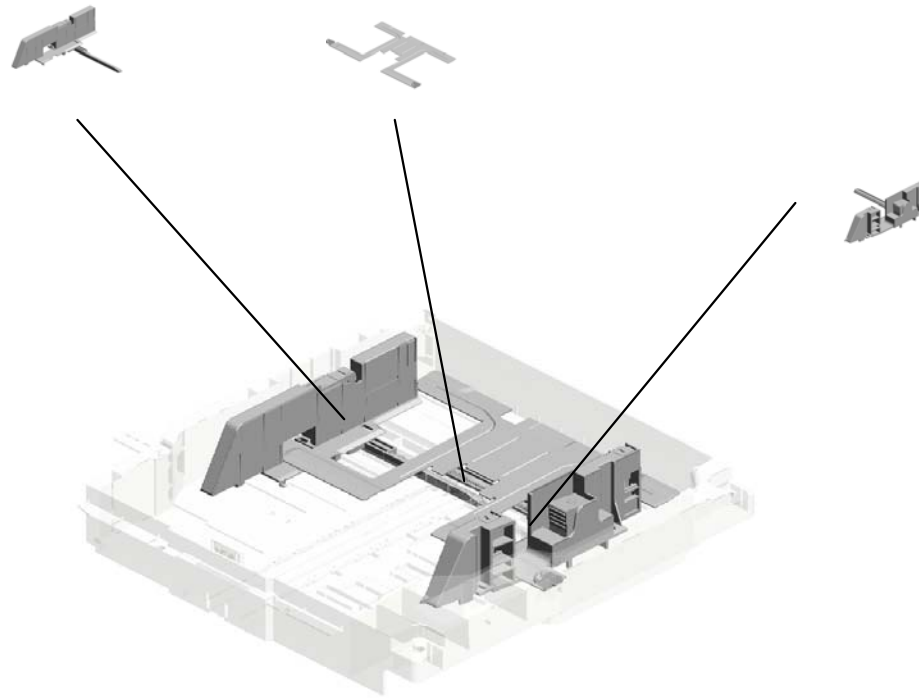
| | | | | | | | | | | | | | | | | | | | | |
|------|------|------|------|------|------|------|------|------|------|------|------|------|------|------|------|------|------|------|------|------|
| U001 | U002 | U003 | U004 | U005 | U006 | U007 | U008 | U009 | U010 | U011 | U012 | U013 | U014 | U015 | U016 | U017 | U018 | U019 | U020 | U021 |
|------|------|------|------|------|------|------|------|------|------|------|------|------|------|------|------|------|------|------|------|------|

U007_S001.PAPER TRAY:UNIVERSAL:DOM:ASS'Y

U007_S001_S002
B2346490
SIDE FENCE:REAR:ASS'Y

U007_S001_S003
D0146780
TRAY BOTTOM PLATE:ASS'Y

U007_S001_S001
B1326793
SIDE FENCE:FRONT:ASS'Y



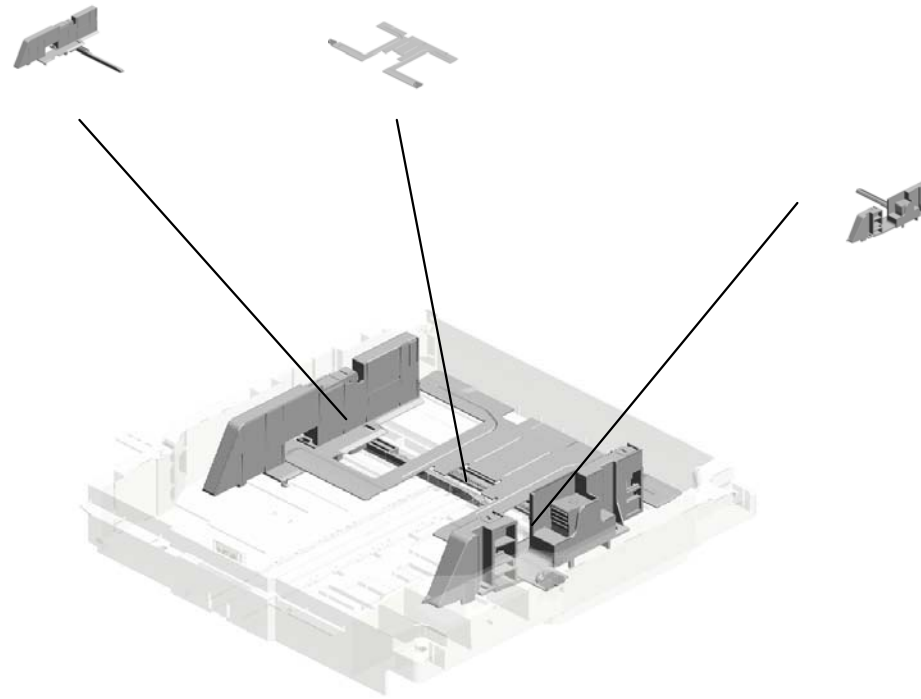
| | | | | | | | | | | | | | | | | | | | | |
|------|------|------|------|------|------|------|------|------|------|------|------|------|------|------|------|------|------|------|------|------|
| U001 | U002 | U003 | U004 | U005 | U006 | U007 | U008 | U009 | U010 | U011 | U012 | U013 | U014 | U015 | U016 | U017 | U018 | U019 | U020 | U021 |
|------|------|------|------|------|------|------|------|------|------|------|------|------|------|------|------|------|------|------|------|------|

U007_S002.PAPER TRAY:UNIVERSAL:DOM:ASS'Y

U007_S002_S002
B2346490
SIDE FENCE:REAR:ASS'Y

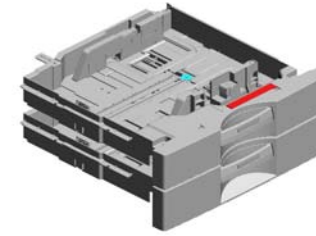
U007_S002_S003
D0146780
TRAY BOTTOM PLATE:ASS'Y

U007_S002_S001
B1326793
SIDE FENCE:FRONT:ASS'Y



| | | | | | | | | | | | | | | | | | | | | |
|------|------|------|------|------|------|------|------|------|------|------|------|------|------|------|------|------|------|------|------|------|
| U001 | U002 | U003 | U004 | U005 | U006 | U007 | U008 | U009 | U010 | U011 | U012 | U013 | U014 | U015 | U016 | U017 | U018 | U019 | U020 | U021 |
|------|------|------|------|------|------|------|------|------|------|------|------|------|------|------|------|------|------|------|------|------|

U007 PAPER TRAY



10.AA003212
DECAL:PAPER TR
AY:DISPLAY:2

39.D0811562
(x2)
DECAL:CAUTION:I
NKJET:PAPER TRA
Y:NA



30.B2476633
PAPER TRAY COV
ER - SHORT



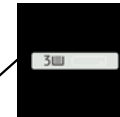
31.B2476634
(x2)
GRIP - PAPER TRA
Y COVER



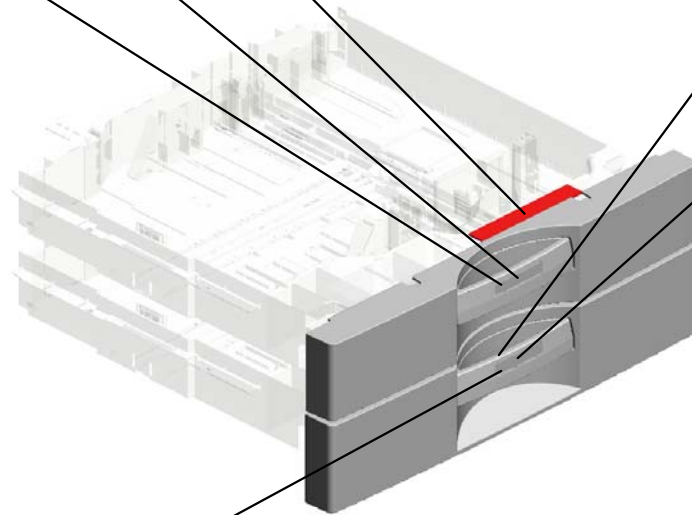
2.04340060N (x 3)
PAN SELF-TAPPING SCREW:M4X6

4.04514008N (x 4)
TAPPING SCREW:4X8

11.AA003213
DECAL:PAPER TR
AY:DISPLAY:3



29.B2476632
PAPER TRAY COV
ER - LONG



U007_S001
 PAPER TRAY:UNIVERSAL:DOM:ASS'Y

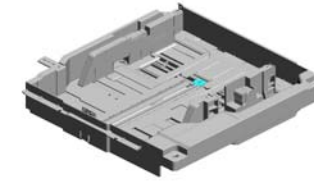
22.B1326797
 SIDE FENCE:REAR
 :AUXILIARY

37.D0146785
 SPRING PLATE:AR
 M:END FENCE:LO
 CK

25.B1816789
 LINK:SIDE FENCE:
 PAPER SIZE SENS
 OR

32.B2476695
 GUIDE:MISFEED R
 EMOVAL:PAPER T
 RAY

3.04504008N
 (x3)
 TAPPING SCREW -
 M4X8



33.D0146771
 PAPER TRAY:UNIV
 ERSAL:DOM:ASS'Y

15.AF017033
 END FENCE



19.B0656545
 (x2)
 DECAL - POSITION
 ING



35.D0146783
 ARM:END FENCE:L
 OCK



36.D0146784
 SPRING PLATE:EN
 D FENCE



24.B1816780
 LINK:END FENCE:
 PAPER SIZE SENS
 OR:ASS'Y



38.D0146786
 DECAL:PAPER SE
 T DIRECTION



23.B1326798
 SPRING PLATE:PA
 PER TRAY:EARTH



16.B0656524
 BOTTOM PLATE LI
 FT SHAFT



5.07200060E (x 2)
 RETAINING RING - M6

17.B0656526
 LIFT LEVER



1.03604008N
 (x2)
 SCREW - M4X8



13.AB012327
 GEAR:16Z

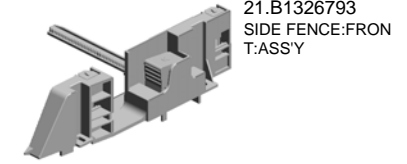


12.AA060961
 TENSION SPRING:
 SIDE FENCE:REAR



U007_S001_S001
SIDE FENCE:FRONT:ASS'Y

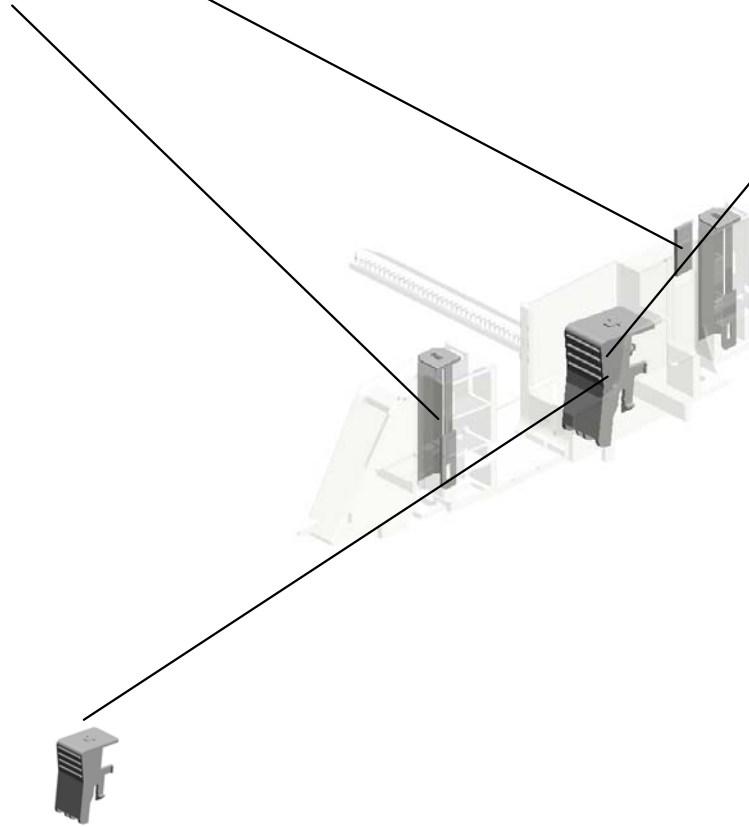
27.B2342864
PAD:CLEANER



20.B1326791
(x2)
PLATE:SIDE FENC
E



6.A1342978
SPRING PLATE



18.B0656538
POSITIONING STO
PPER LEVER

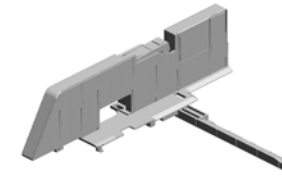


| | | | | | | | | | | | | | | | | | | | | |
|------|------|------|------|------|------|------|------|------|------|------|------|------|------|------|------|------|------|------|------|------|
| U001 | U002 | U003 | U004 | U005 | U006 | U007 | U008 | U009 | U010 | U011 | U012 | U013 | U014 | U015 | U016 | U017 | U018 | U019 | U020 | U021 |
|------|------|------|------|------|------|------|------|------|------|------|------|------|------|------|------|------|------|------|------|------|

U007_S001_S002
SIDE FENCE:REAR:ASS'Y

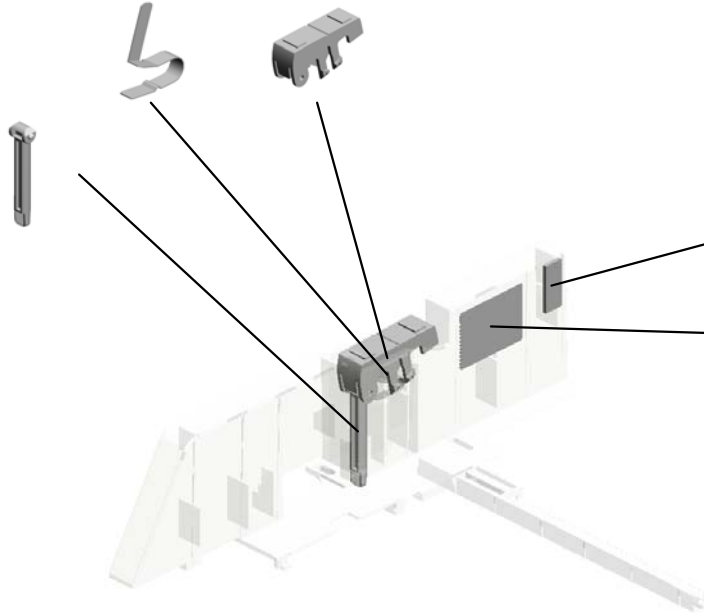
7.A2672857
SPRING PLATE - SI
DE FENCE

9.A2672860
REAR LEVER STO
PPER



28.B2346490
SIDE FENCE:REAR
:ASS'Y

8.A2672859
SIDE FENCE STOP
PER



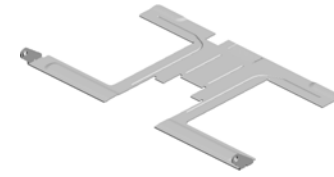
27.B2342864
PAD:CLEANER

26.B2232873
DECAL:SIDE FENC
E:REAR

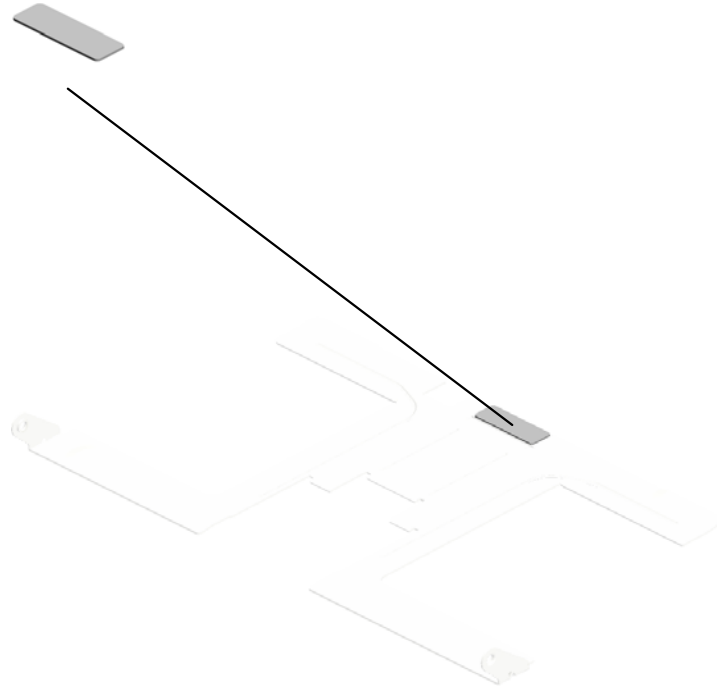
| | | | | | | | | | | | | | | | | | | | | |
|------|------|------|------|------|------|------|------|------|------|------|------|------|------|------|------|------|------|------|------|------|
| U001 | U002 | U003 | U004 | U005 | U006 | U007 | U008 | U009 | U010 | U011 | U012 | U013 | U014 | U015 | U016 | U017 | U018 | U019 | U020 | U021 |
|------|------|------|------|------|------|------|------|------|------|------|------|------|------|------|------|------|------|------|------|------|

U007_S001_S003
TRAY BOTTOM PLATE:ASS'Y

14.AF013005
BOTTOM PLATE P
AD

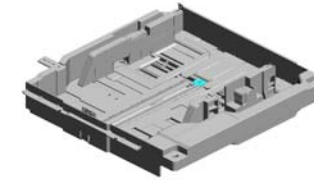


34.D0146780
TRAY BOTTOM PL
ATE:ASS'Y



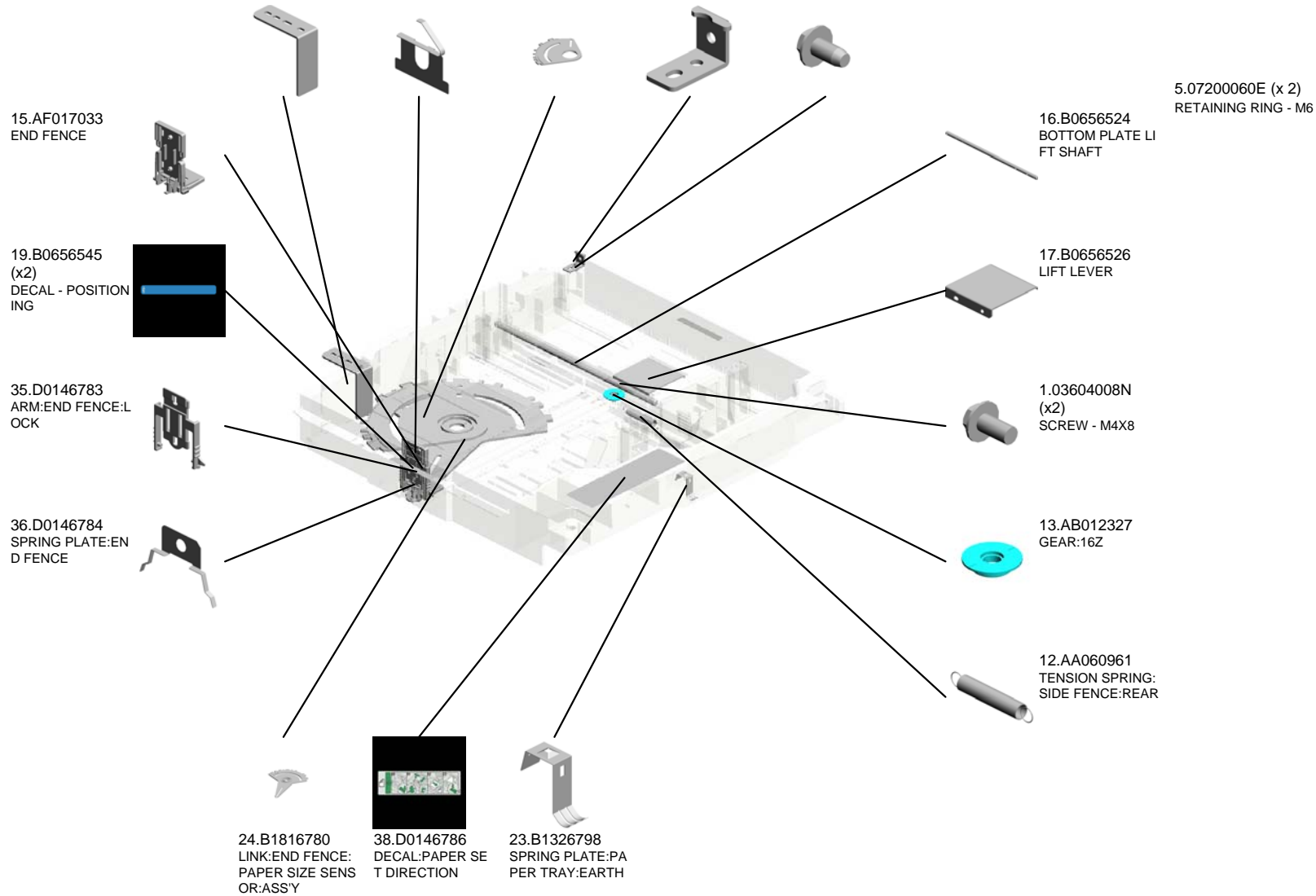
| | | | | | | | | | | | | | | | | | | | | |
|------|------|------|------|------|------|------|------|------|------|------|------|------|------|------|------|------|------|------|------|------|
| U001 | U002 | U003 | U004 | U005 | U006 | U007 | U008 | U009 | U010 | U011 | U012 | U013 | U014 | U015 | U016 | U017 | U018 | U019 | U020 | U021 |
|------|------|------|------|------|------|------|------|------|------|------|------|------|------|------|------|------|------|------|------|------|

U007_S002
 PAPER TRAY:UNIVERSAL:DOM:ASS'Y



33.D0146771
 PAPER TRAY:UNIVERSAL:DOM:ASS'Y

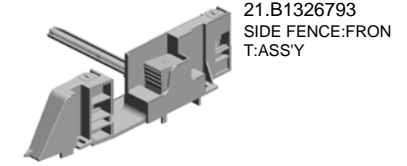
- 22.B1326797 SIDE FENCE:REAR :AUXILIARY
- 37.D0146785 SPRING PLATE:ARM:END FENCE:LOCK
- 25.B1816789 LINK:SIDE FENCE:PAPER SIZE SENSOR
- 32.B2476695 GUIDE:MISFEED REMOVAL:PAPER TRAY
- 3.04504008N (x3) TAPPING SCREW - M4X8



| | | | | | | | | | | | | | | | | | | | | |
|------|------|------|------|------|------|------|------|------|------|------|------|------|------|------|------|------|------|------|------|------|
| U001 | U002 | U003 | U004 | U005 | U006 | U007 | U008 | U009 | U010 | U011 | U012 | U013 | U014 | U015 | U016 | U017 | U018 | U019 | U020 | U021 |
|------|------|------|------|------|------|------|------|------|------|------|------|------|------|------|------|------|------|------|------|------|

U007_S002_S001
SIDE FENCE:FRONT:ASS'Y

27.B2342864
PAD:CLEANER



20.B1326791
(x2)
PLATE:SIDE FENC
E



6.A1342978
SPRING PLATE



18.B0656538
POSITIONING STO
PPER LEVER

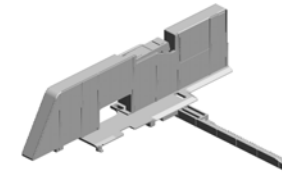


| | | | | | | | | | | | | | | | | | | | | |
|------|------|------|------|------|------|-------------|------|------|------|------|------|------|------|------|------|------|------|------|------|------|
| U001 | U002 | U003 | U004 | U005 | U006 | U007 | U008 | U009 | U010 | U011 | U012 | U013 | U014 | U015 | U016 | U017 | U018 | U019 | U020 | U021 |
|------|------|------|------|------|------|-------------|------|------|------|------|------|------|------|------|------|------|------|------|------|------|

U007_S002_S002
SIDE FENCE:REAR:ASS'Y

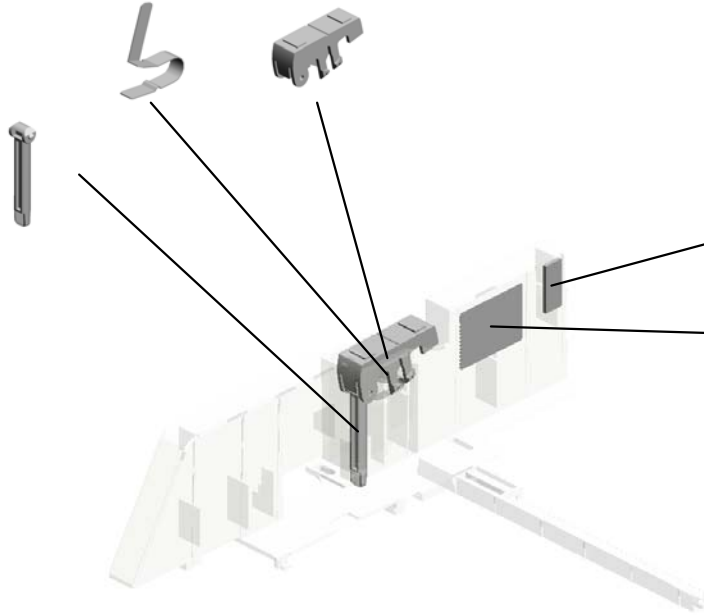
7.A2672857
SPRING PLATE - SI
DE FENCE

9.A2672860
REAR LEVER STO
PPER



28.B2346490
SIDE FENCE:REAR
:ASS'Y

8.A2672859
SIDE FENCE STOP
PER



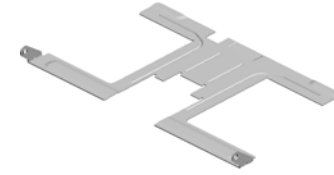
27.B2342864
PAD:CLEANER

26.B2232873
DECAL:SIDE FENC
E:REAR

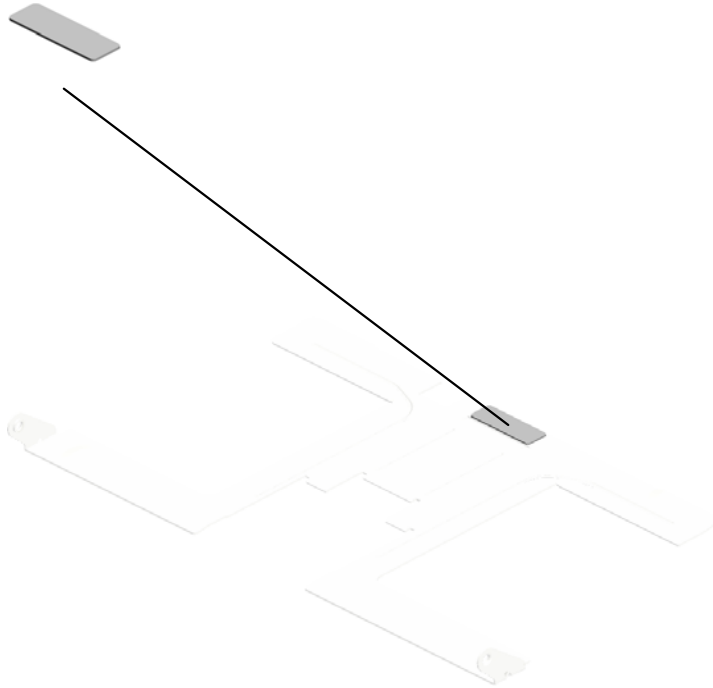
| | | | | | | | | | | | | | | | | | | | | |
|------|------|------|------|------|------|------|------|------|------|------|------|------|------|------|------|------|------|------|------|------|
| U001 | U002 | U003 | U004 | U005 | U006 | U007 | U008 | U009 | U010 | U011 | U012 | U013 | U014 | U015 | U016 | U017 | U018 | U019 | U020 | U021 |
|------|------|------|------|------|------|------|------|------|------|------|------|------|------|------|------|------|------|------|------|------|

U007_S002_S003
TRAY BOTTOM PLATE:ASS'Y

14.AF013005
BOTTOM PLATE P
AD



34.D0146780
TRAY BOTTOM PL
ATE:ASS'Y



| | | | | | | | | | | | | | | | | | | | | |
|------|------|------|------|------|------|------|------|------|------|------|------|------|------|------|------|------|------|------|------|------|
| U001 | U002 | U003 | U004 | U005 | U006 | U007 | U008 | U009 | U010 | U011 | U012 | U013 | U014 | U015 | U016 | U017 | U018 | U019 | U020 | U021 |
|------|------|------|------|------|------|------|------|------|------|------|------|------|------|------|------|------|------|------|------|------|

U008.VERTICAL TRANSPORT

U008_S001
D0626641
PAPER FEED UNIT:PAPER B
ANK:ASS'Y

U008_S004
D0816771
TRANSPORT UNIT:VERTICA
L TRANSPORT:ASS'Y

U008_S002
D0626641
PAPER FEED UNIT:PAPER B
ANK:ASS'Y

U008_S003
D0816622
PAPER FEED UNIT:PAPER B
ANK:ASS'Y

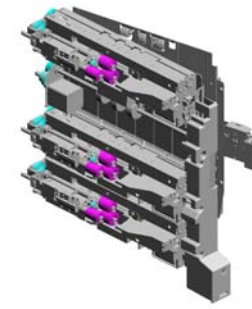
| | | | | | | | | | | | | | | | | | | | | |
|------|------|------|------|------|------|------|-------------|------|------|------|------|------|------|------|------|------|------|------|------|------|
| U001 | U002 | U003 | U004 | U005 | U006 | U007 | U008 | U009 | U010 | U011 | U012 | U013 | U014 | U015 | U016 | U017 | U018 | U019 | U020 | U021 |
|------|------|------|------|------|------|------|-------------|------|------|------|------|------|------|------|------|------|------|------|------|------|

U008 VERTICAL TRANSPORT

47.AB017619
GEAR - 24Z/40Z

39.AB011466
GEAR - 35Z

110.7423808
(x2)
BALL BEARING - 8
X16X5



112.AA043675
SYNCHRONOUS B
ELT:REVERSE:S2
M118
201011-02 O/O



1.03530040N
(x2)
SCREW - M3X4



87.B1326655
STEPPER MOTOR:
PAPER FEED UNIT
:ASS'Y



91.B1326758
GUIDE:RELAY:PAP
ER FEED UNIT



52.AF020726
TRANSPORT ROLL
ER:DRIVE:GRIP



6.07200060E
(x3)
RETAINING RING -
M6



10.11050511
(x5)
HARNES CLAMP -
LWS-0306ZC



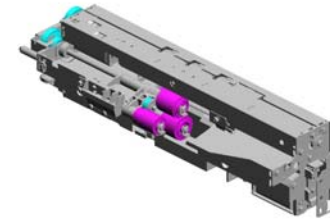
96.B1406472
JOINT UNIT GUIDE
PLATE ASS'Y



92.B1326761
INNER COVER:PA
PER FEED



U008_S001
PAPER FEED UNIT:PAPER BANK:ASS'Y



115.D0626641
[A]
PAPER FEED UNIT
:PAPER BANK:ASS'
Y
201102-01 X/O

10.11050511 (x5) HARNESS CLAMP - LWS-0306ZC
19.AA060896 SPRING
6.07200060E (x4) RETAINING RING - M6
20.AA060897 SPRING
21.AA060898 SPRING

5.07200040E (x11) RETAINING RING - M4

23.AA060900 SPRING

14.58942540 ARM SCREW

24.AA060901 SPRING

11.11050522 EDGE SADDLE - L ES0510

4.05730030E HEXAGON HEADL ESS SET SCREW - M3X3

13.54472681 (x3) SNAP RING

16.A2946700 TORQUE LIMITER - 53MNXM

25.AA060904 SPRING

1.03530040N (x5) SCREW - M3X4

12.11050542 (x3) HARNESS CLAMP - MSBS-1207

9.11050328 (x2) HARNESS CLAMP - ES-0505

9.11050328 HARNESS CLAMP - ES-0505

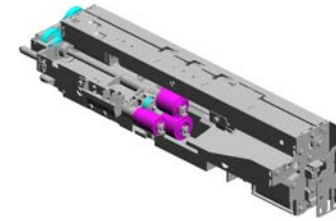
29.AA063889 HEAT SINK SPRING

3.04514008N (x28) TAPPING SCREW: 4X8

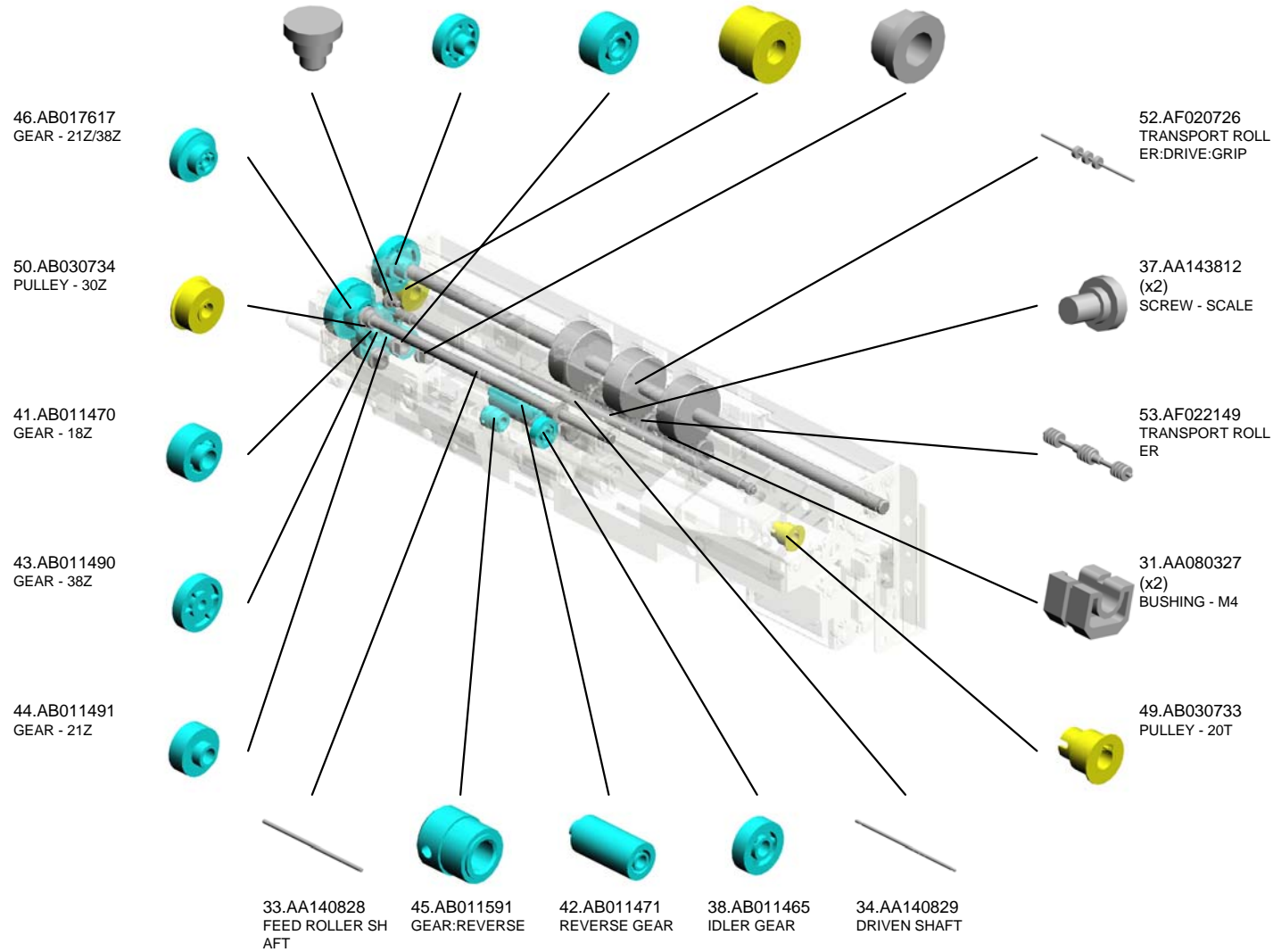
2.04504008N (x4) TAPPING SCREW - M4X8

U008_S001
 PAPER FEED UNIT:PAPER BANK:ASS'Y

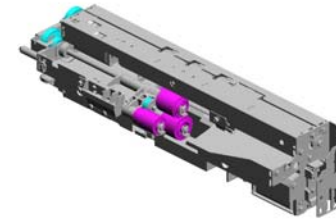
36.AA143718 STEPPED SCREW - M4
 39.AB011466 GEAR - 35Z
 40.AB011469 GEAR - 19Z
 48.AB017690 PULLEY:IDLER:30T /24Z
 32.AA082118 (x6) BUSHING - M6



115.D0626641
 [A]
 PAPER FEED UNIT
 :PAPER BANK:ASS'
 Y
 201102-01 X/O

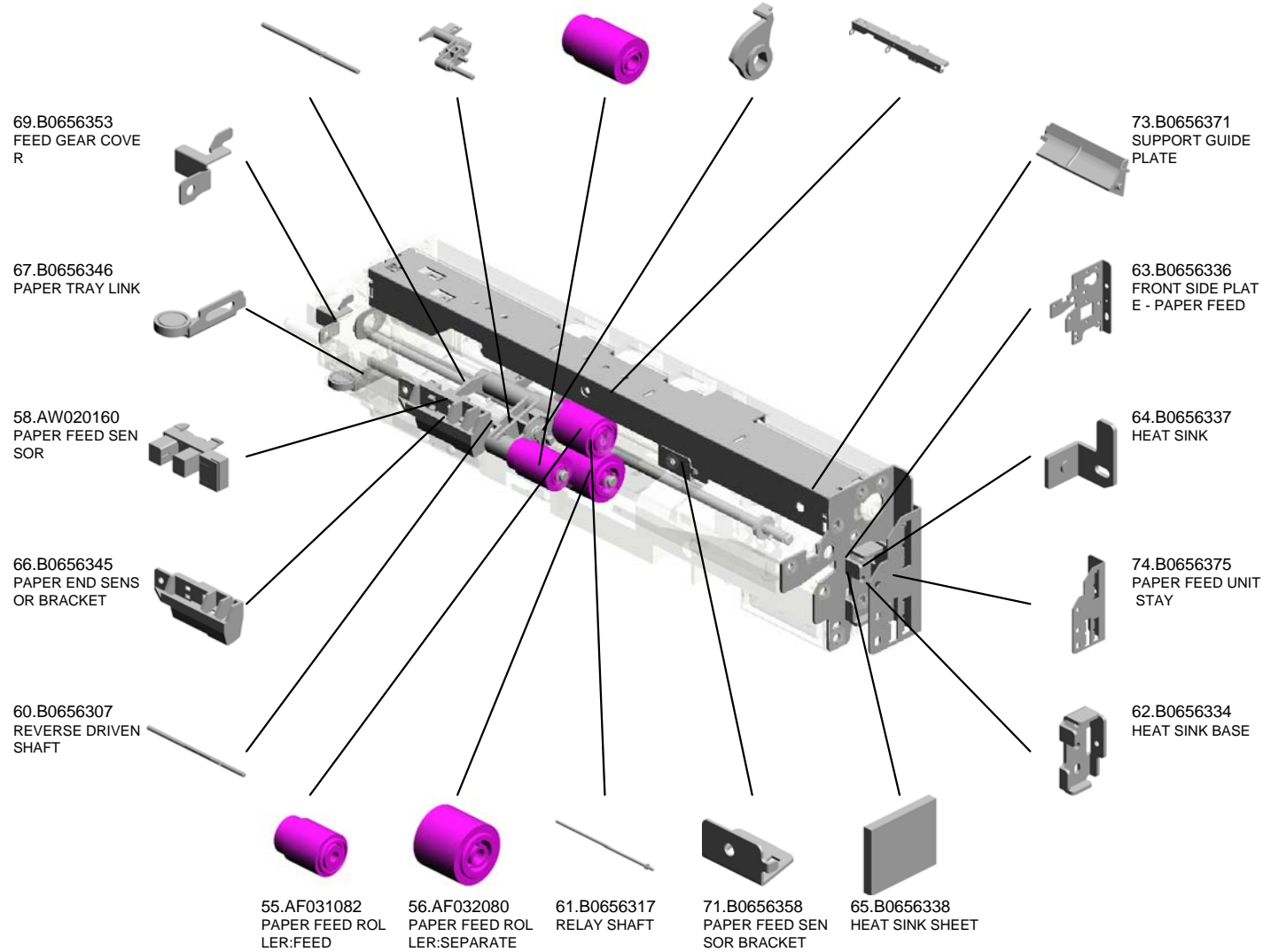


U008_S001
PAPER FEED UNIT:PAPER BANK:ASS'Y



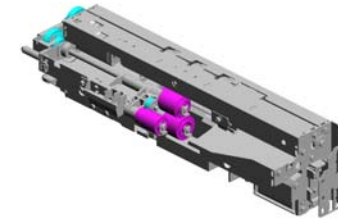
115.D0626641
[A]
PAPER FEED UNIT
:PAPER BANK:ASS'
Y
201102-01 X/O

59.B0656306 REVERSE DRIVE SHAFT
70.B0656357 PICK-UP ARM
54.AF030081 PAPER FEED ROLLER:PICKUP
68.B0656350 PICK-UP GEAR COVER
72.B0656364 FEED STAY

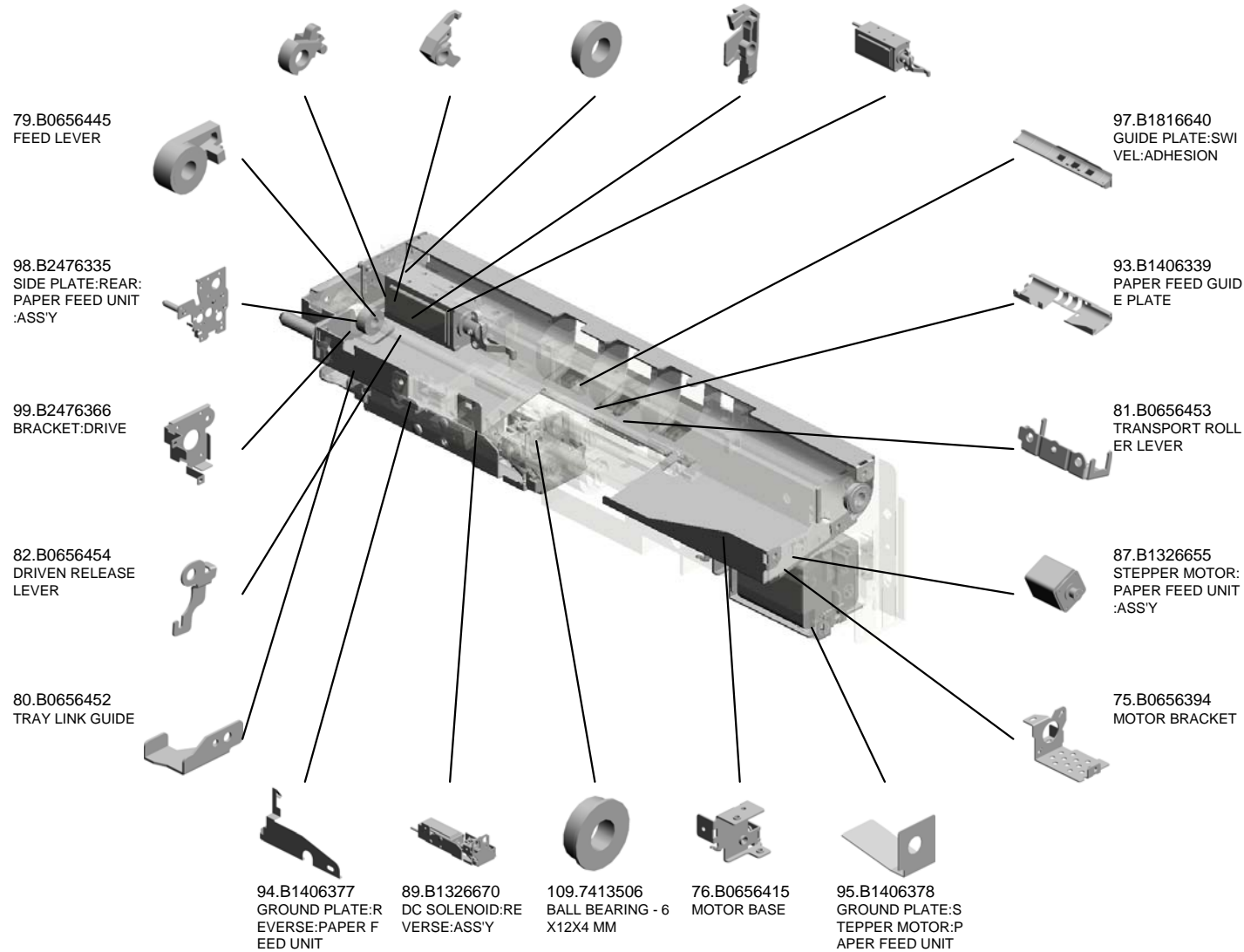


U008_S001
PAPER FEED UNIT:PAPER BANK:ASS'Y

- 85.B0656457 DRIVEN PRESSUR E LEVER
- 83.B0656455 DRIVEN PRESSUR E LEVER
- 110.7423808 (x2) BALL BEARING - 8 X16X5
- 84.B0656456 VERTICAL TRANS PORT LINK
- 88.B1326659 DC SOLENOID:PIC KUP:ASS'Y



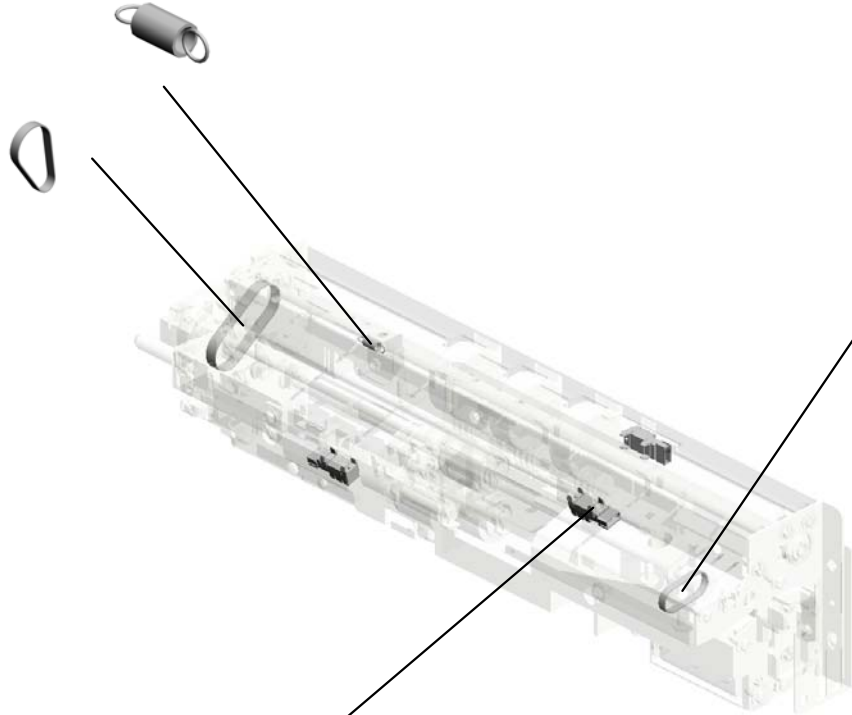
115.D0626641
[A]
PAPER FEED UNIT
:PAPER BANK:ASS'
Y
201102-01 X/O



U008_S001
 PAPER FEED UNIT:PAPER BANK:ASS'Y

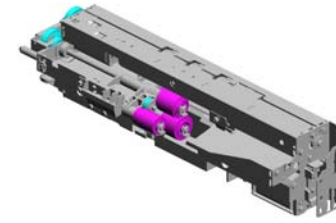
114.AA061076
 COIL SPRING:PRE
 SSURE RELEASE:
 PICKUP
 201101-01 X/O

112.AA043675
 SYNCHRONOUS B
 ELT:REVERSE:S2
 M118
 201011-02 O/O



113.AA043676
 SYNCHRONOUS B
 ELT:CONNECTING:
 DC STEPPER MOT
 OR
 201011-03 O/O

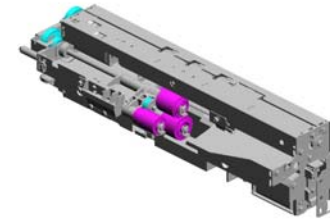
111.AW010149
 (x3)
 PHOTO REFLECTIO
 N SENSOR:PS122T
 L8-A
 201010-01 O/O



115.D0626641
 [A]
 PAPER FEED UNIT
 :PAPER BANK:ASS'
 Y
 201102-01 X/O



B1326621
 [A]
 PAPER FEED UNIT
 :PAPER BANK
 201102-01 X/O



115.D0626641
[A]
 PAPER FEED UNIT
 :PAPER BANK:ASS'
 Y
 201102-01 X/O

- 10.11050511 (x5) HARNESS CLAMP - LWS-0306ZC
- 19.AA060896 SPRING
- 6.07200060E (x4) RETAINING RING - M6
- 20.AA060897 SPRING
- 21.AA060898 SPRING

5.07200040E (x11) RETAINING RING - M4

23.AA060900 SPRING

14.58942540 ARM SCREW

24.AA060901 SPRING

11.11050522 EDGE SADDLE - L ES0510

4.05730030E HEXAGON HEADL ESS SET SCREW - M3X3

13.54472681 (x3) SNAP RING

16.A2946700 TORQUE LIMITER - 53MNXM

25.AA060904 SPRING

1.03530040N (x5) SCREW - M3X4

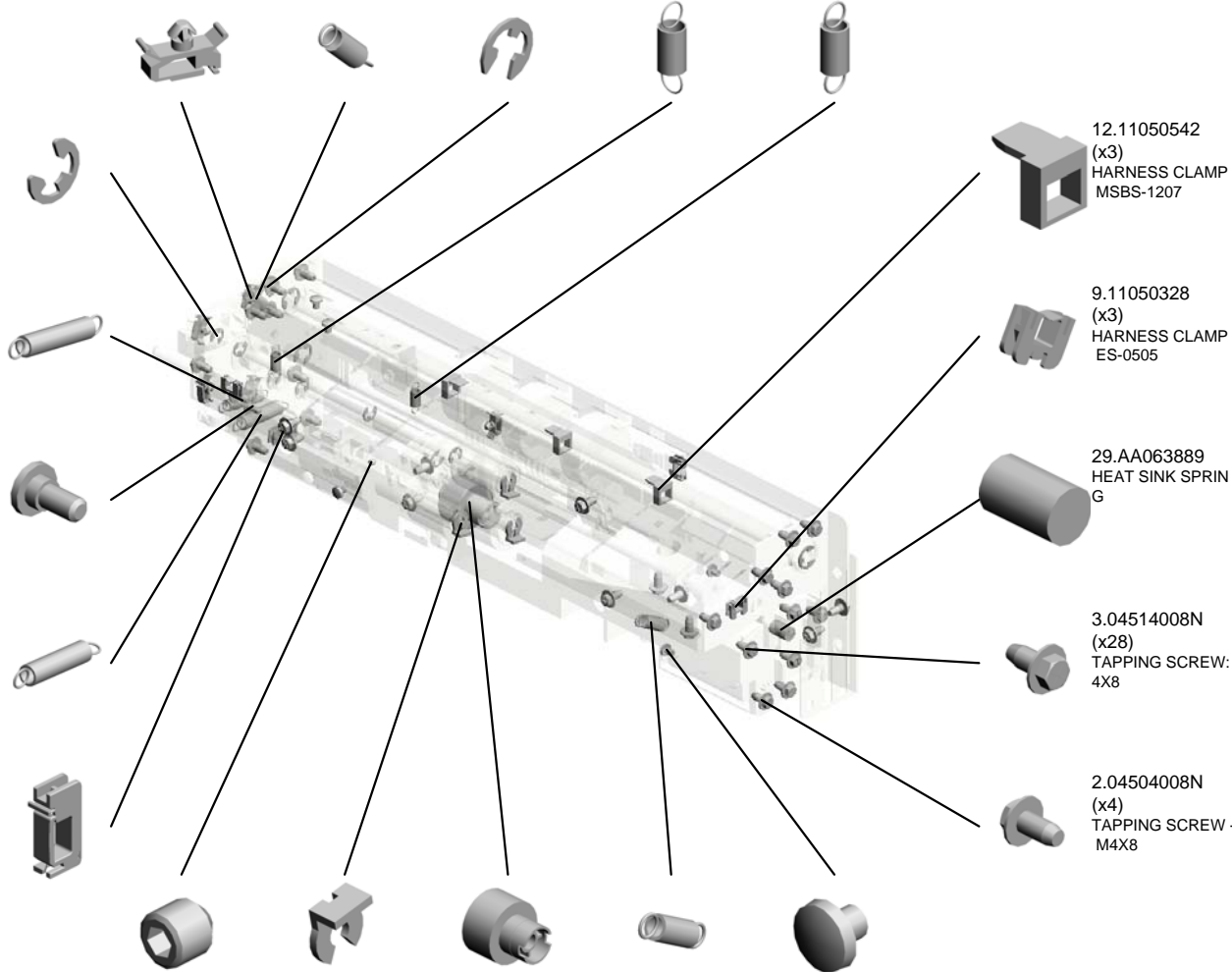
12.11050542 (x3) HARNESS CLAMP - MSBS-1207

9.11050328 (x3) HARNESS CLAMP - ES-0505

29.AA063889 HEAT SINK SPRING

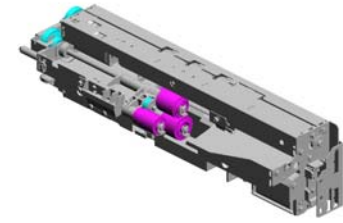
3.04514008N (x28) TAPPING SCREW: 4X8

2.04504008N (x4) TAPPING SCREW - M4X8

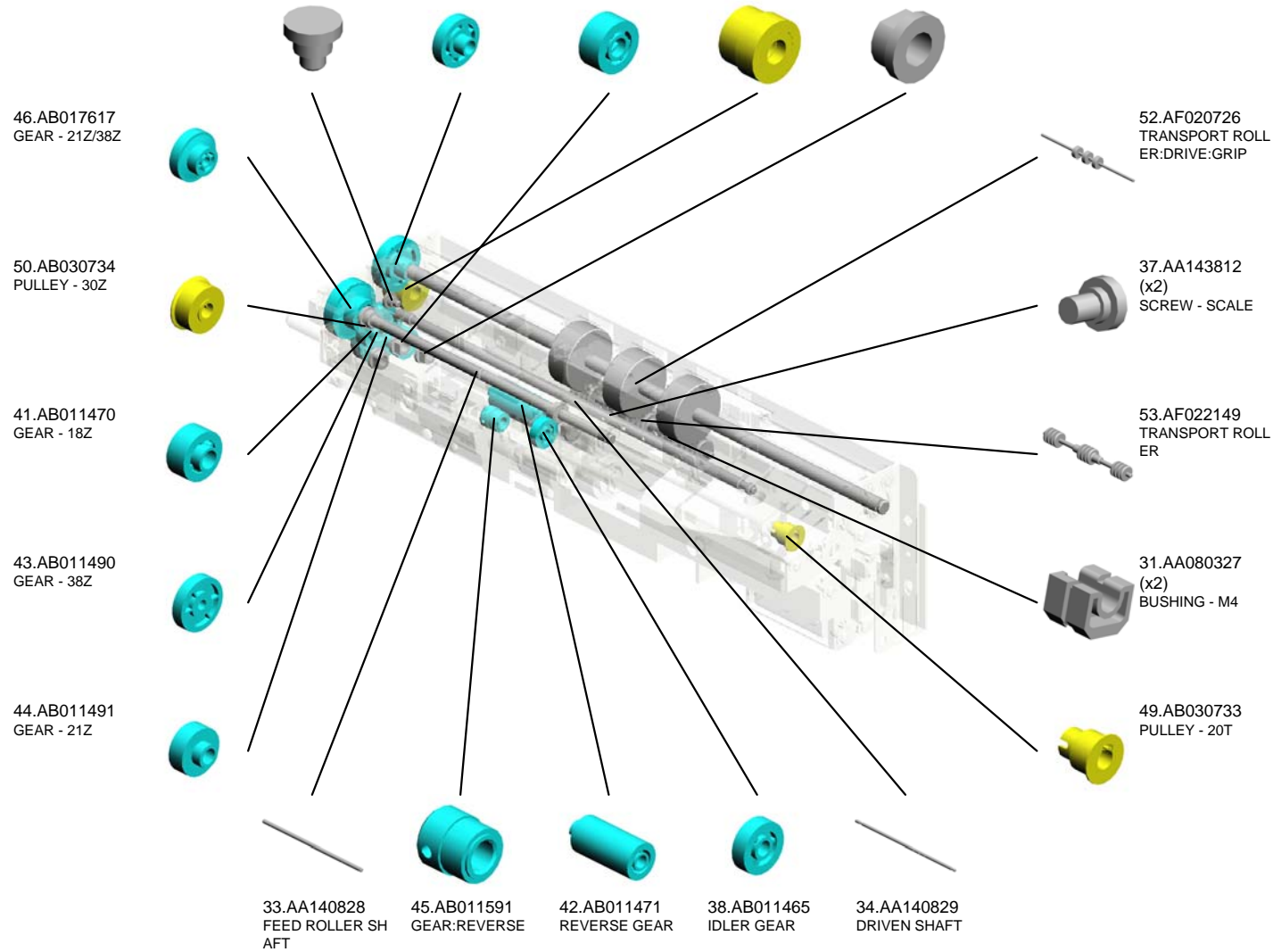


U008_S002
 PAPER FEED UNIT:PAPER BANK:ASS'Y

36.AA143718 STEPPED SCREW - M4
 39.AB011466 GEAR - 35Z
 40.AB011469 GEAR - 19Z
 48.AB017690 PULLEY:IDLER:30T /24Z
 32.AA082118 (x6) BUSHING - M6



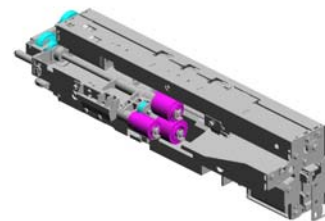
115.D0626641
 [A]
 PAPER FEED UNIT
 :PAPER BANK:ASS'
 Y
 201102-01 X/O



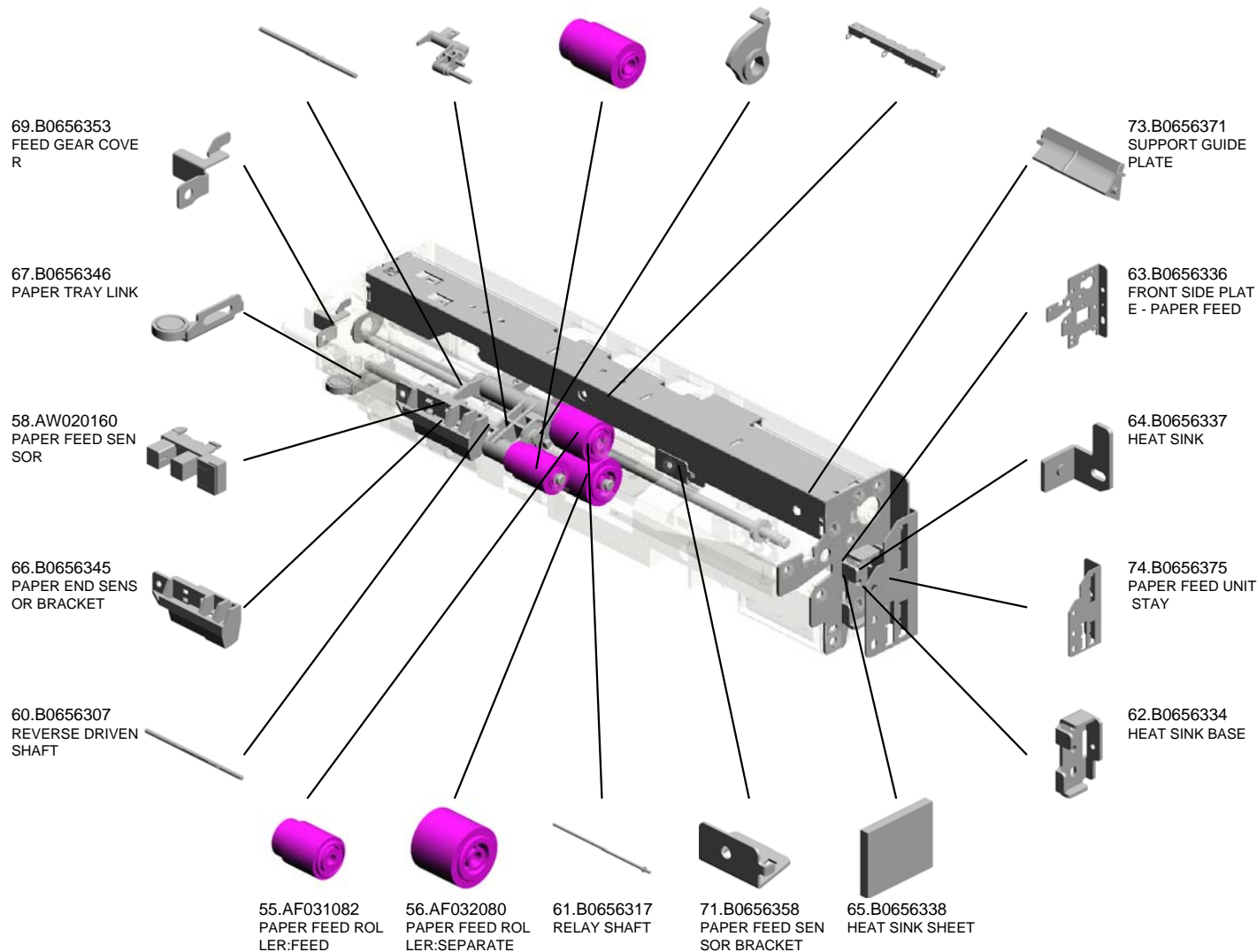
U008_S002

PAPER FEED UNIT:PAPER BANK:ASS'Y

- 59.B0656306 REVERSE DRIVE SHAFT
- 70.B0656357 PICK-UP ARM
- 54.AF030081 PAPER FEED ROLLER:PICKUP
- 68.B0656350 PICK-UP GEAR COVER
- 72.B0656364 FEED STAY



115.D0626641
 [A]
 PAPER FEED UNIT
 :PAPER BANK:ASS'
 Y
 201102-01 X/O



| | | | | | | | | | | | | | | | | | | | | |
|------|------|------|------|------|------|------|------|------|------|------|------|------|------|------|------|------|------|------|------|------|
| U001 | U002 | U003 | U004 | U005 | U006 | U007 | U008 | U009 | U010 | U011 | U012 | U013 | U014 | U015 | U016 | U017 | U018 | U019 | U020 | U021 |
|------|------|------|------|------|------|------|------|------|------|------|------|------|------|------|------|------|------|------|------|------|

PAPER FEED UNIT:PAPER BANK:ASS'Y

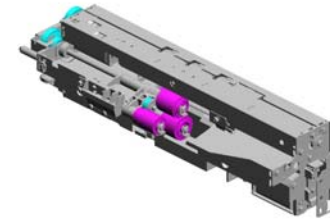
85.B0656457
DRIVEN PRESSUR
E LEVER

83.B0656455
DRIVEN PRESSUR
E LEVER

110.7423808
(x2)
BALL BEARING - 8
X16X5

84.B0656456
VERTICAL TRANS
PORT LINK

88.B1326659
DC SOLENOID:PIC
KUP:ASS'Y



115.D0626641
[A]
PAPER FEED UNIT
:PAPER BANK:ASS'
Y
201102-01 X/O

79.B0656445
FEED LEVER

98.B2476335
SIDE PLATE:REAR:
PAPER FEED UNIT
:ASS'Y

99.B2476366
BRACKET:DRIVE

82.B0656454
DRIVEN RELEASE
LEVER

80.B0656452
TRAY LINK GUIDE

94.B1406377
GROUND PLATE:R
EVERSE:PAPER F
EED UNIT

89.B1326670
DC SOLENOID:RE
VERSE:ASS'Y

109.7413506
BALL BEARING - 6
X12X4 MM

76.B0656415
MOTOR BASE

95.B1406378
GROUND PLATE:S
TEPPER MOTOR:P
APER FEED UNIT

97.B1816640
GUIDE PLATE:SWI
VEL:ADHESION

93.B1406339
PAPER FEED GUID
E PLATE

81.B0656453
TRANSPORT ROLL
ER LEVER

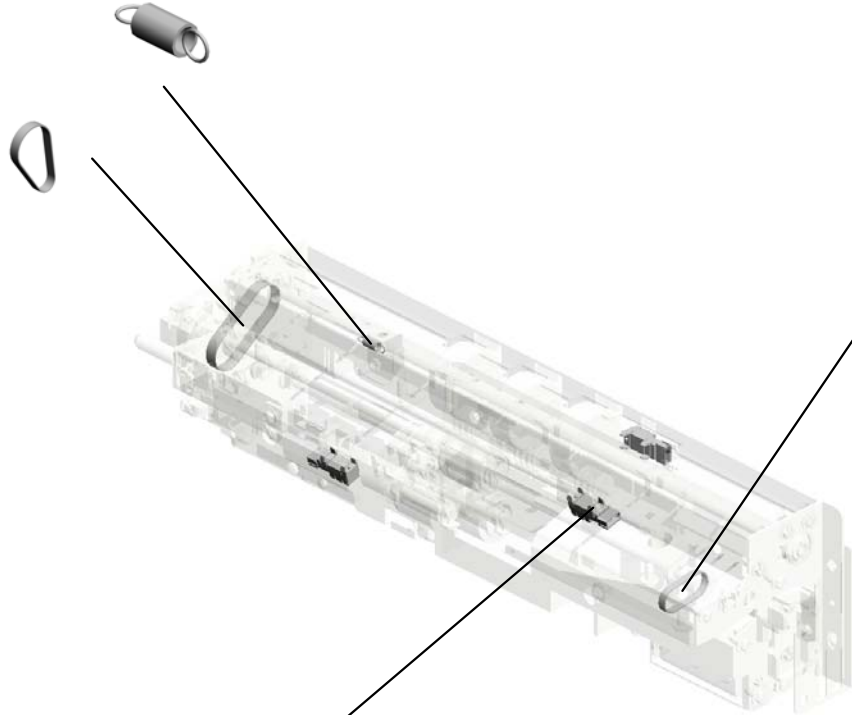
87.B1326655
STEPPER MOTOR:
PAPER FEED UNIT
:ASS'Y

75.B0656394
MOTOR BRACKET

U008_S002
 PAPER FEED UNIT:PAPER BANK:ASS'Y

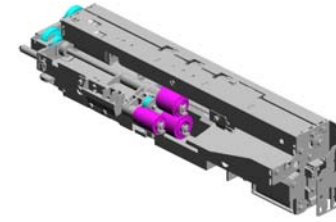
114.AA061076
 COIL SPRING:PRE
 SSURE RELEASE:
 PICKUP
 201101-01 X/O

112.AA043675
 SYNCHRONOUS B
 ELT:REVERSE:S2
 M118
 201011-02 O/O



113.AA043676
 SYNCHRONOUS B
 ELT:CONNECTING:
 DC STEPPER MOT
 OR
 201011-03 O/O

111.AW010149
 (x3)
 PHOTO REFLECTIO
 N SENSOR:PS122T
 L8-A
 201010-01 O/O



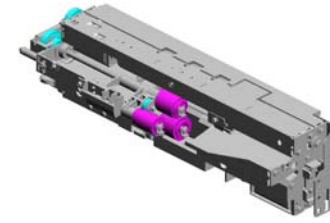
115.D0626641
 [A]
 PAPER FEED UNIT
 :PAPER BANK:ASS'
 Y
 201102-01 X/O



B1326621
 [A]
 PAPER FEED UNIT
 :PAPER BANK
 201102-01 X/O

U008_S003

PAPER FEED UNIT:PAPER BANK:ASS'Y



116.D0816622
[A]
 PAPER FEED UNIT
 :PAPER BANK:ASS'
 Y
 201102-02 X/O

- 10.11050511 (x5) HARNESS CLAMP - LWS-0306ZC
- 19.AA060896 SPRING
- 6.07200060E (x4) RETAINING RING - M6
- 20.AA060897 SPRING
- 21.AA060898 SPRING

5.07200040E (x11) RETAINING RING - M4

23.AA060900 SPRING

14.58942540 ARM SCREW

24.AA060901 SPRING

11.11050522 EDGE SADDLE - L ES0510

1.03530040N (x5) SCREW - M3X4

4.05730030E HEXAGON HEADL ESS SET SCREW - M3X3

13.54472681 (x3) SNAP RING

16.A2946700 TORQUE LIMITER - 53MNXM

25.AA060904 SPRING

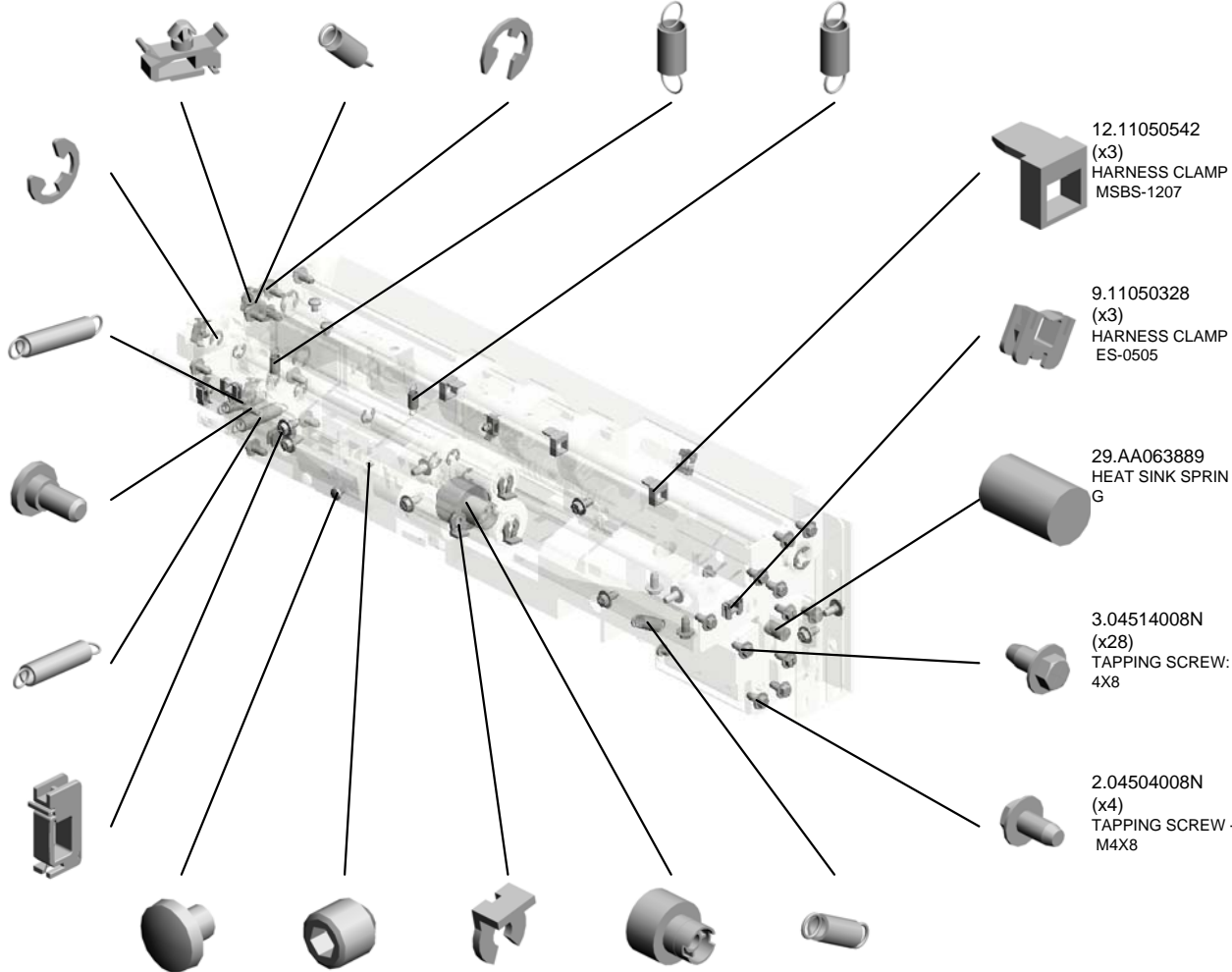
12.11050542 (x3) HARNESS CLAMP - MSBS-1207

9.11050328 (x3) HARNESS CLAMP - ES-0505

29.AA063889 HEAT SINK SPRING

3.04514008N (x28) TAPPING SCREW: 4X8

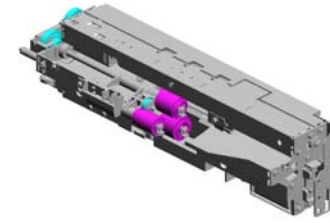
2.04504008N (x4) TAPPING SCREW - M4X8



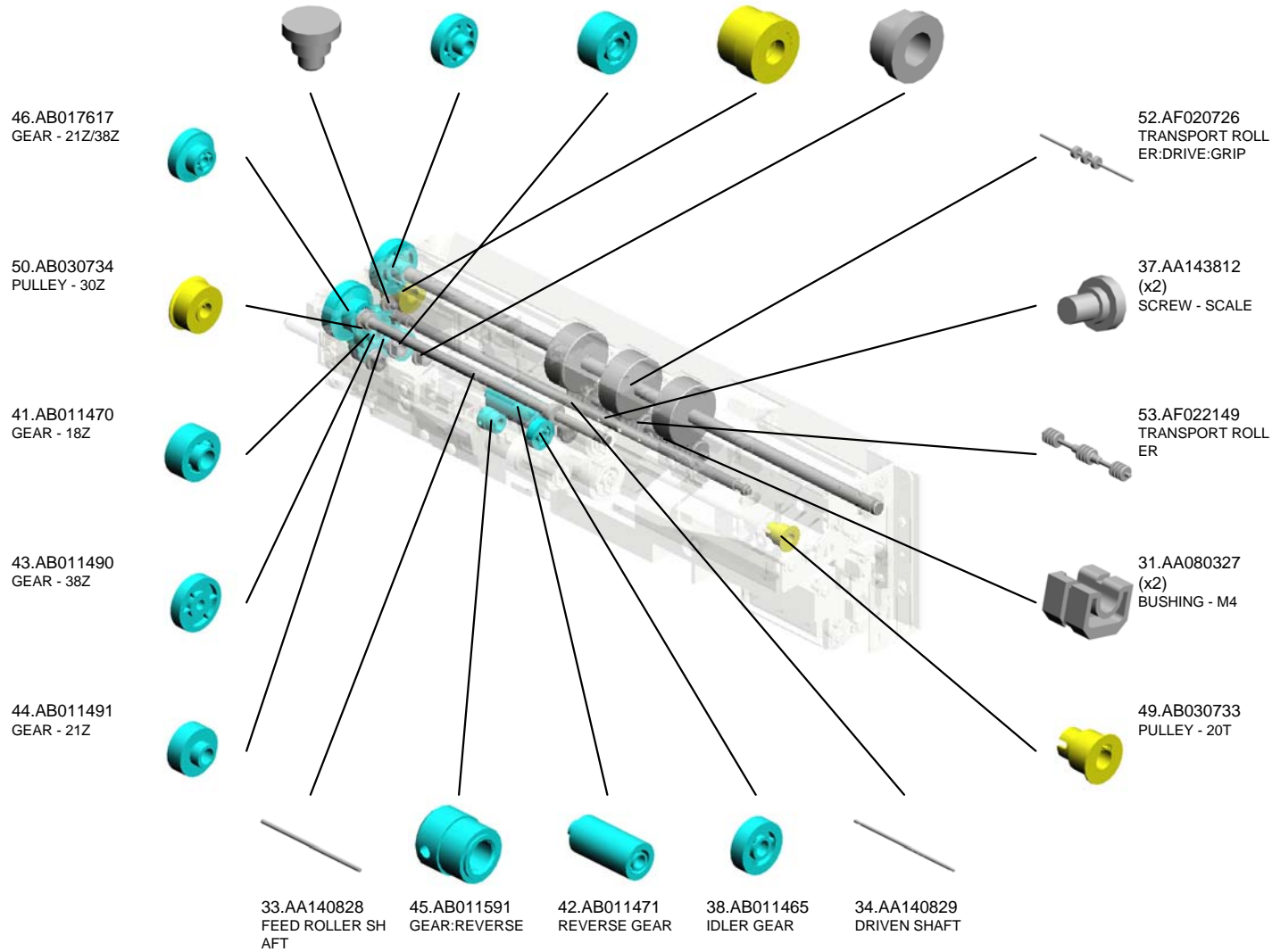
U008_S003

PAPER FEED UNIT:PAPER BANK:ASS'Y

- 36.AA143718 STEPPED SCREW - M4
- 39.AB011466 GEAR - 35Z
- 40.AB011469 GEAR - 19Z
- 48.AB017690 PULLEY:IDLER:30T /24Z
- 32.AA082118 (x6) BUSHING - M6



116.D0816622
[A]
 PAPER FEED UNIT
 :PAPER BANK:ASS'
 Y
 201102-02 X/O



U008_S003

PAPER FEED UNIT:PAPER BANK:ASS'Y

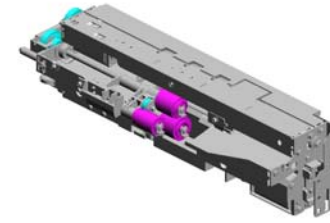
59.B0656306
REVERSE DRIVE S
HAFT

70.B0656357
PICK-UP ARM

54.AF030081
PAPER FEED ROL
LER:PICKUP

68.B0656350
PICK-UP GEAR CO
VER

55.AF031082
PAPER FEED ROL
LER:FEED



116.D0816622
[A]
PAPER FEED UNIT
:PAPER BANK:ASS'
Y
201102-02 X/O

69.B0656353
FEED GEAR COVE
R

67.B0656346
PAPER TRAY LINK

58.AW020160
PAPER FEED SEN
SOR

66.B0656345
PAPER END SENS
OR BRACKET

60.B0656307
REVERSE DRIVEN
SHAFT

61.B0656317
RELAY SHAFT

56.AF032080
PAPER FEED ROL
LER:SEPARATE

57.AW010107
(x3)
PAPER FEED SEN
SOR

76.B0656415
MOTOR BASE

75.B0656394
MOTOR BRACKET

71.B0656358
PAPER FEED SEN
SOR BRACKET

63.B0656336
FRONT SIDE PLAT
E - PAPER FEED

64.B0656337
HEAT SINK

65.B0656338
HEAT SINK SHEET

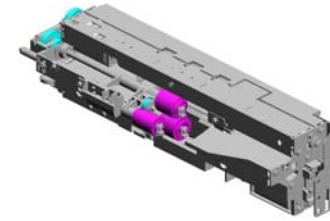
62.B0656334
HEAT SINK BASE

| | | | | | | | | | | | | | | | | | | | | |
|------|------|------|------|------|------|------|------|------|------|------|------|------|------|------|------|------|------|------|------|------|
| U001 | U002 | U003 | U004 | U005 | U006 | U007 | U008 | U009 | U010 | U011 | U012 | U013 | U014 | U015 | U016 | U017 | U018 | U019 | U020 | U021 |
|------|------|------|------|------|------|------|------|------|------|------|------|------|------|------|------|------|------|------|------|------|

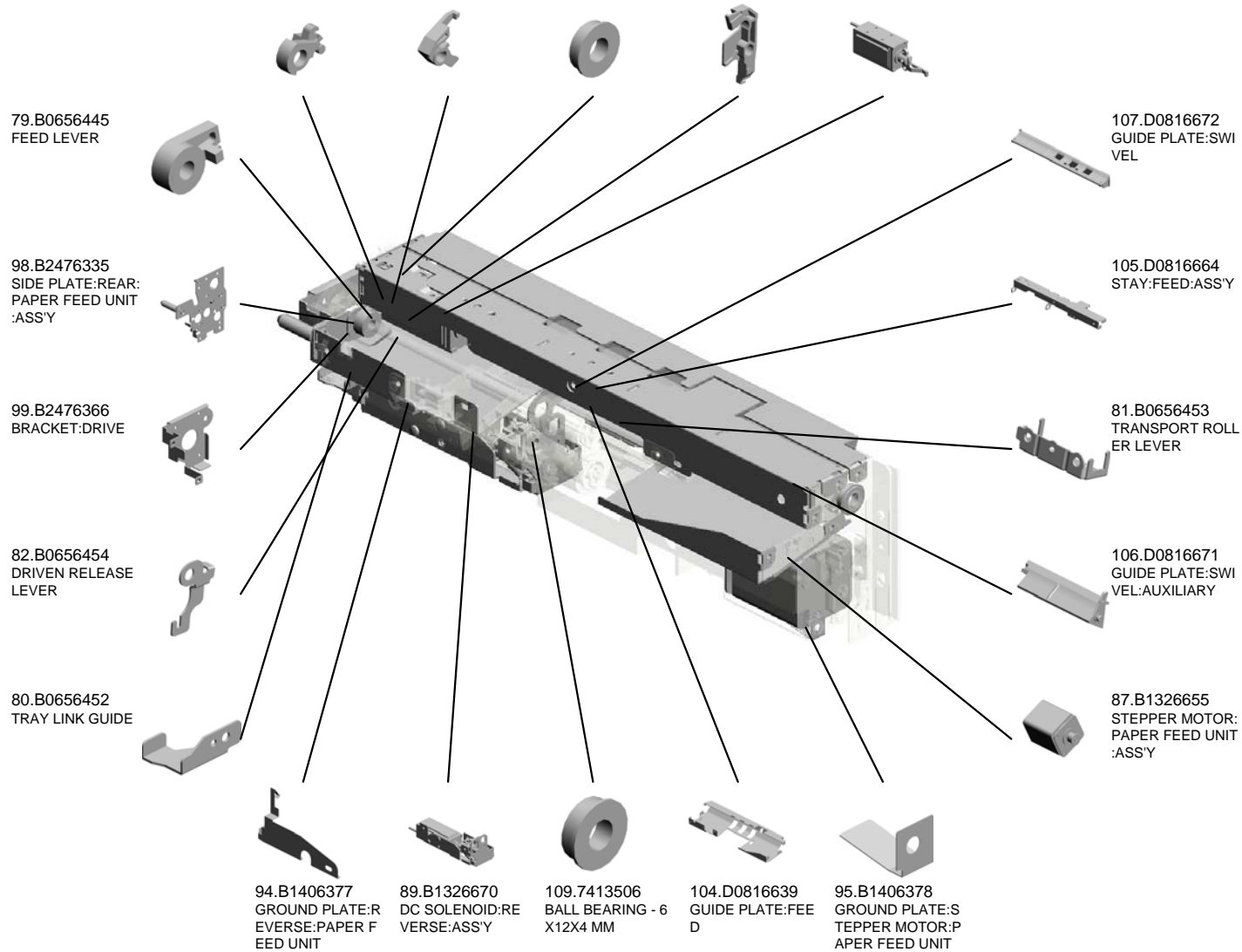
U008_S003

PAPER FEED UNIT:PAPER BANK:ASS'Y

- 85.B0656457 DRIVEN PRESSURE LEVER
- 83.B0656455 DRIVEN PRESSURE LEVER
- 110.7423808 (x2) BALL BEARING - 8 X16X5
- 84.B0656456 VERTICAL TRANSPORT LINK
- 88.B1326659 DC SOLENOID:PICTURE KUP:ASS'Y

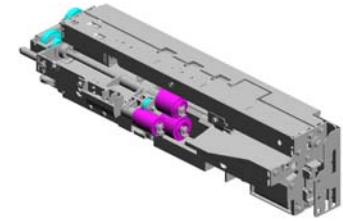


116.D0816622
[A]
 PAPER FEED UNIT
 :PAPER BANK:ASS'
 Y
 201102-02 X/O



U008_S003
 PAPER FEED UNIT:PAPER BANK:ASS'Y

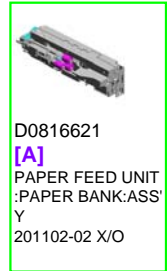
| | |
|----------------|-----------------|
| 112.AA043675 | 114.AA061076 |
| SYNCHRONOUS B | COIL SPRING:PRE |
| ELT:REVERSE:S2 | SSURE RELEASE: |
| M118 | PICKUP |
| 201011-02 O/O | 201101-01 X/O |



116.D0816622
 [A]
 PAPER FEED UNIT
 :PAPER BANK:ASS'
 Y
 201102-02 X/O



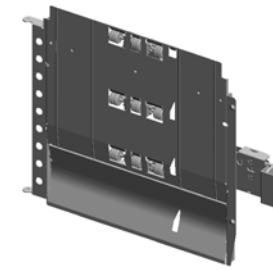
113.AA043676
 SYNCHRONOUS B
 ELT:CONNECTING:
 DC STEPPER MOT
 OR
 201011-03 O/O



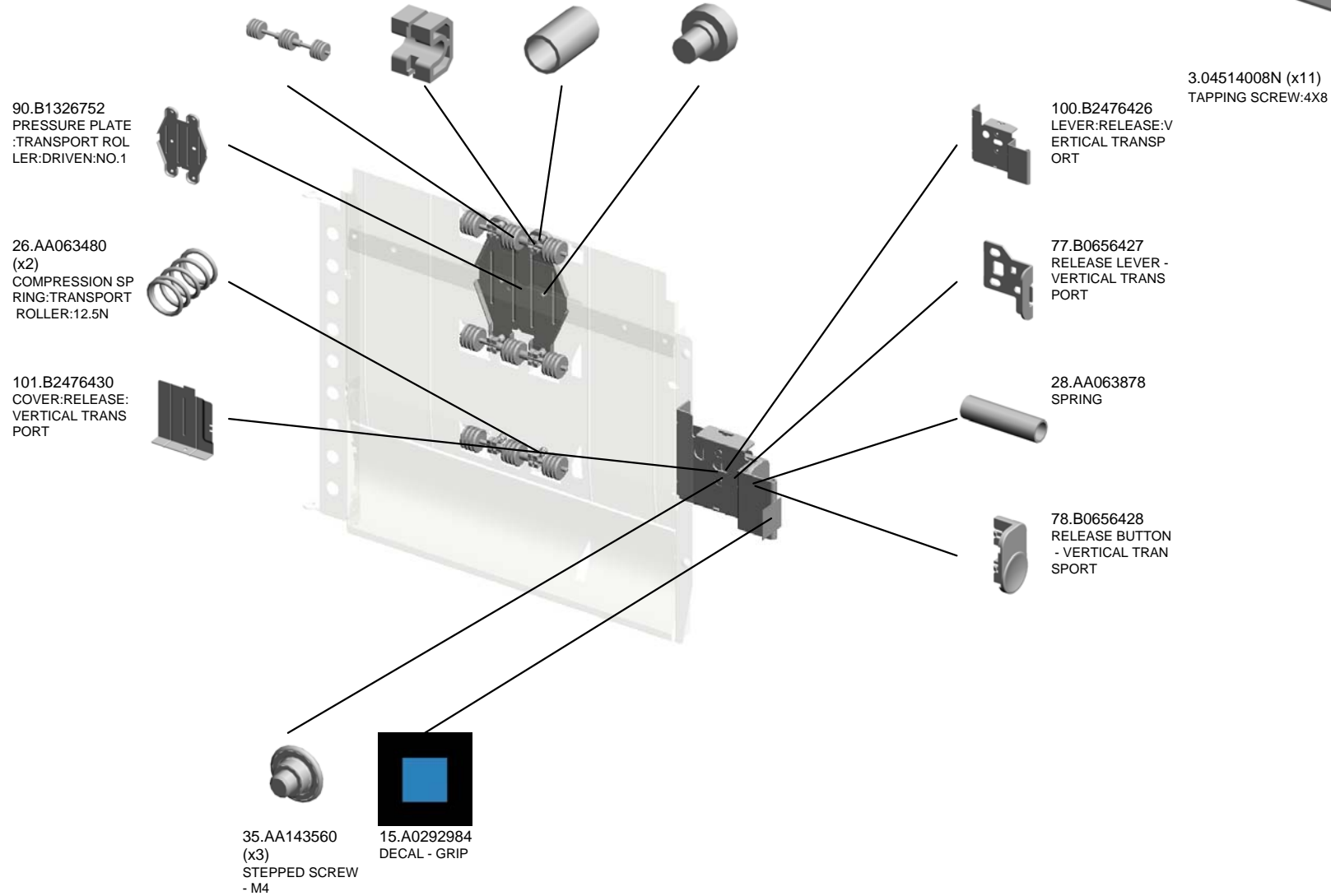
D0816621
 [A]
 PAPER FEED UNIT
 :PAPER BANK:ASS'
 Y
 201102-02 X/O

U008_S004
 TRANSPORT UNIT:VERTICAL TRANSPORT:ASS'Y

- 51.AF020295 (x3) VERTICAL DRIVEN ROLLER
- 30.AA080241 (x6) BUSHING - M4
- 27.AA063487 (x4) SPRING - 10MM
- 102.B2476982 (x2) STEPPED SCREW - M5

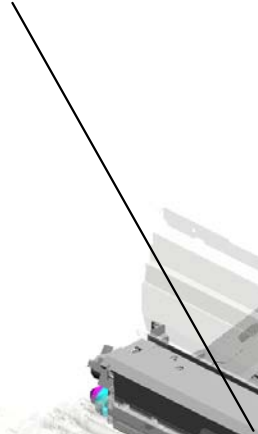


108.D0816771
 TRANSPORT UNIT:
 VERTICAL TRANSPORT:ASS'Y

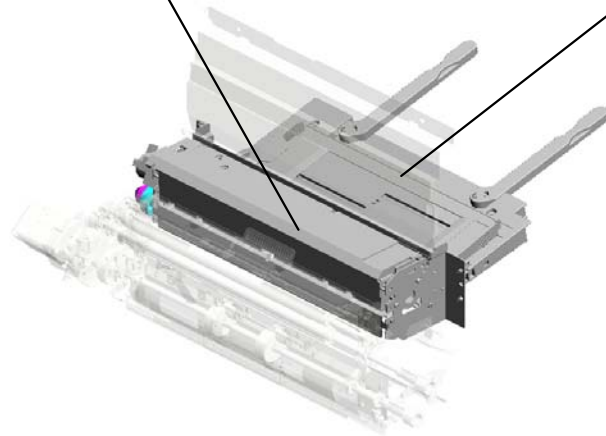


U009.PAPER FEED

U009_S001
D0142800
MANUAL PAPER FEED UNIT



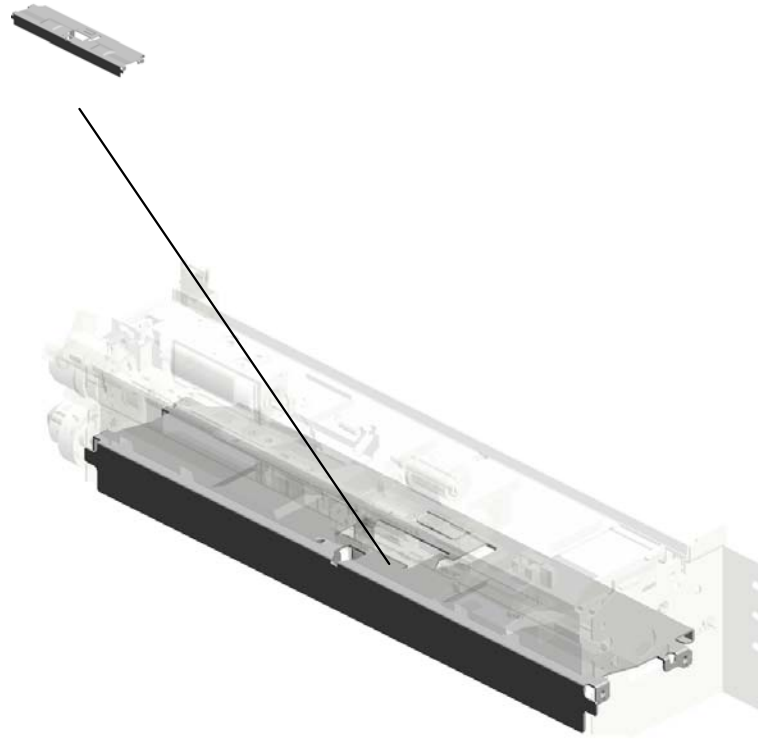
U009_S002
D0142810
MANUAL FEED TABLE ASS'Y



| | | | | | | | | | | | | | | | | | | | | |
|------|------|------|------|------|------|------|------|-------------|------|------|------|------|------|------|------|------|------|------|------|------|
| U001 | U002 | U003 | U004 | U005 | U006 | U007 | U008 | U009 | U010 | U011 | U012 | U013 | U014 | U015 | U016 | U017 | U018 | U019 | U020 | U021 |
|------|------|------|------|------|------|------|------|-------------|------|------|------|------|------|------|------|------|------|------|------|------|

U009_S001.MANUAL PAPER FEED UNIT

U009_S001_S001
D0142825
GUIDE PLATE:SEPARATOR:
ADHESION



| | | | | | | | | | | | | | | | | | | | | |
|------|------|------|------|------|------|------|------|------|------|------|------|------|------|------|------|------|------|------|------|------|
| U001 | U002 | U003 | U004 | U005 | U006 | U007 | U008 | U009 | U010 | U011 | U012 | U013 | U014 | U015 | U016 | U017 | U018 | U019 | U020 | U021 |
|------|------|------|------|------|------|------|------|------|------|------|------|------|------|------|------|------|------|------|------|------|

U009_S002.MANUAL FEED TABLE:ASS'Y

U009_S002_S001
D0812861
SIDE FENCE:FRONT:ASS'Y



| | | | | | | | | | | | | | | | | | | | | |
|------|------|------|------|------|------|------|------|------|------|------|------|------|------|------|------|------|------|------|------|------|
| U001 | U002 | U003 | U004 | U005 | U006 | U007 | U008 | U009 | U010 | U011 | U012 | U013 | U014 | U015 | U016 | U017 | U018 | U019 | U020 | U021 |
|------|------|------|------|------|------|------|------|------|------|------|------|------|------|------|------|------|------|------|------|------|

U009 PAPER FEED

- 9.06330160G PARALLEL PIN - 3X16MM
- 24.54432668 (x4) BUSHING - 4X6X7MM
- 37.AA061025 (x2) TENSION SPRING: OPEN AND CLOSE
- 36.AA060958 TENSION SPRING
- 2.03530060N (x2) BIND SCREW - M3X6



32.AA043312
TIMING BELT:60S2
M138



33.AA043313
TIMING BELT:40S2
M150



12.07200060E
RETAINING RING -
M6



23.52062686
SNAP RING



5.04513006N
(x5)
TAPPING SCREW -
3X6



1.03530040N
(x2)
SCREW - M3X4



21.11050551
CLAMP:LES-0505



19.11050522
(x2)
EDGE SADDLE - L
ES0510



22.11050568
CLAMP:LWSS-0504



6.04514008N
(x12)
TAPPING SCREW:
4X8



8.04543006Q
(x4)
TAPPING SCREW -
M3X6



20.11050534
(x4)
CLAMP

10.07200025E
(x11)
RETAINING RING -
M2.5

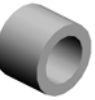


3.03540080N (x 2)
SCREW:M4X8
11.07200040E (x10)
RETAINING RING - M4
16.09513006N (x 2)
SCREW - M3X6

38.AA061033
TENSION SPRING:
REGISTRATION



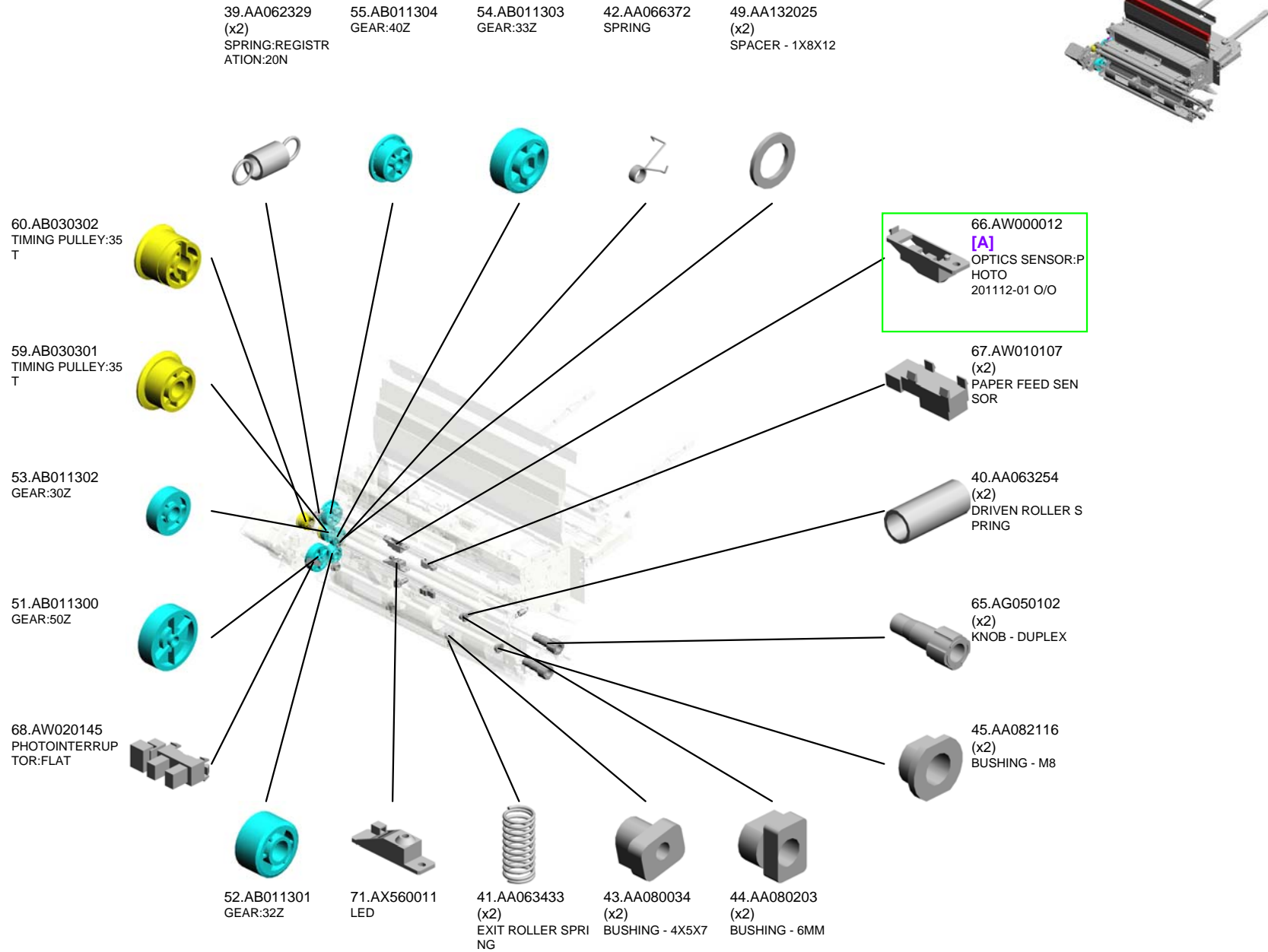
25.54462901
COLLAR - 8MM



17.11050511
(x3)
HARNESS CLAMP -
LWS-0306ZC



U009 PAPER FEED



| | | | | | | | | | | | | | | | | | | | | |
|------|------|------|------|------|------|------|------|------|------|------|------|------|------|------|------|------|------|------|------|------|
| U001 | U002 | U003 | U004 | U005 | U006 | U007 | U008 | U009 | U010 | U011 | U012 | U013 | U014 | U015 | U016 | U017 | U018 | U019 | U020 | U021 |
|------|------|------|------|------|------|------|------|------|------|------|------|------|------|------|------|------|------|------|------|------|

U009 PAPER FEED

76.B1322624 BRACKET:OPTICS SENSOR
 77.B1322629 REGISTRATION ROLLER:UPPER
 74.B1322605 CASE:REMOVE PAPER DUST
 79.B1322644 LEVER:KNOB:RELEASE
 82.B1322651 KNOB:RELEASE



90.B1322679 BRACKET:GEAR:SWIVEL

81.B1322650 ARM:PERPENDICULAR

80.B1322649 ARM:GUIDE

84.B1322661 BRACKET:SOLENOID

73.B1322594 DC SOLENOID:24V:16.5W:ASSY

85.B1322667 RAIL:SOLENOID:RELEASE

89.B1322675 TRANSPORT ROLLER:DRIVEN:DUPLICATE

75.B1322617 REGISTRATION ROLLER:LOWER

83.B1322658 ROLLER:CONNECTING:DRIVE

78.B1322639 TRANSPORT ROLLER:DRIVEN

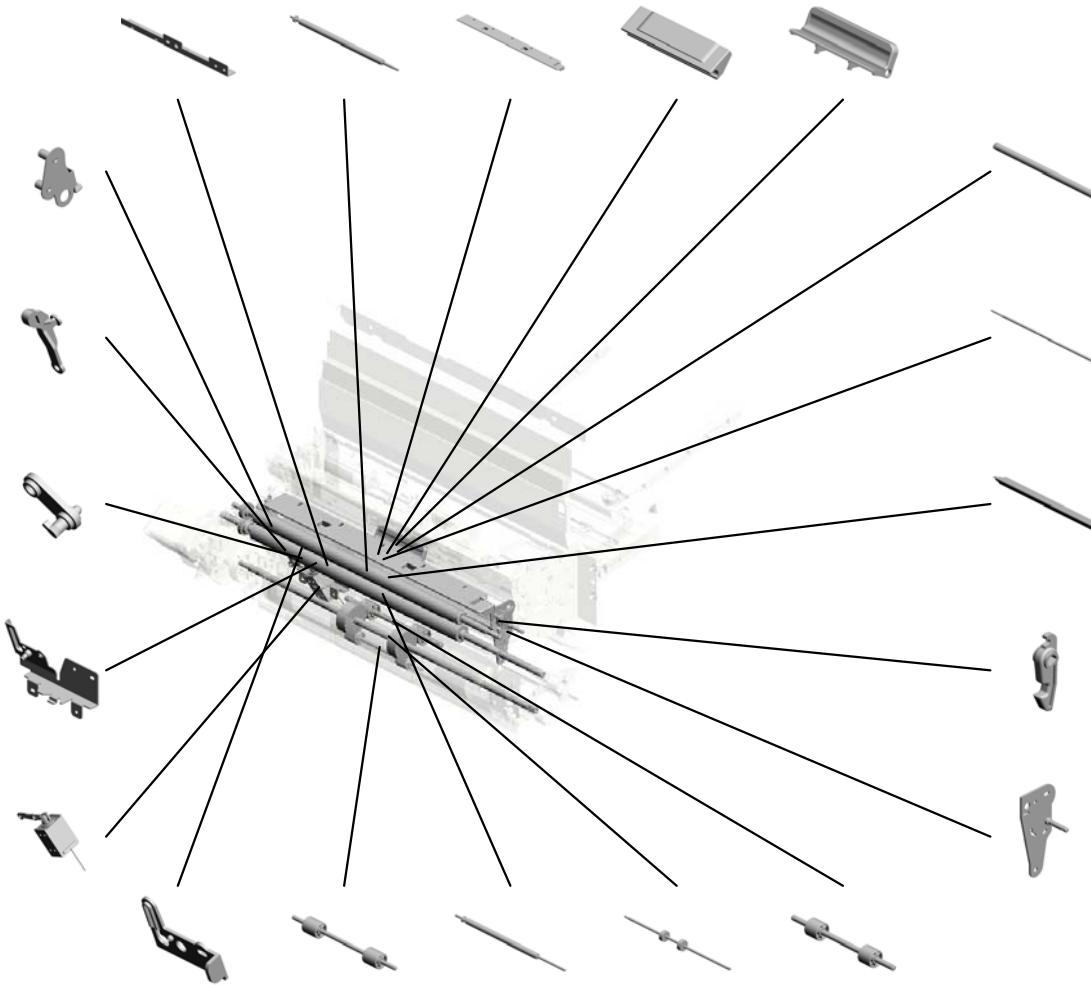
92.B1322681 SHAFT:CONTACT POINT:LEVER

86.B1322670 SHAFT:LOCK

91.B1322680 REGISTRATION GUIDE:CONNECTING

87.B1322671 (x2) LEVER:UNLOCK

88.B1322674 SIDE PLATE:OPEN AND CLOSE:FRONT



U009 PAPER FEED

108.B1322725
BUSHING:REGISTRATION:REAR

110.B1322760
BRACKET:DRIVE:PAPER FEED SUB-UNIT

111.B1322762
SHAFT:DRIVE:PAPER FEED

96.B1322699
SPACER:MM12

97.B1322703
STUD:CONTACT POINT



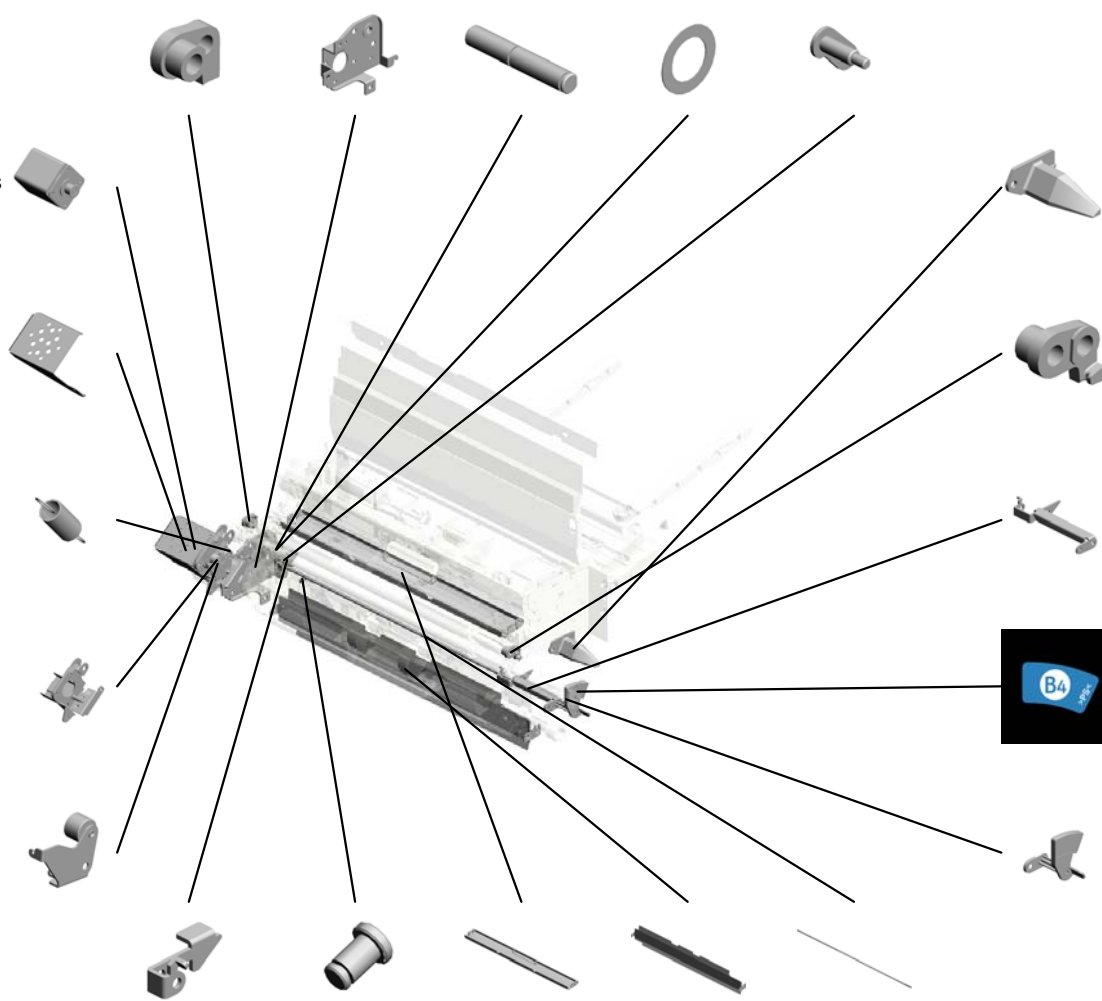
105.B1322722
STEPPER MOTOR:REGISTRATION:ASY

106.B1322723
COVER:MOTOR:REGISTRATION

100.B1322710
TENSION SPRING

101.B1322711
BRACKET:STEPPER MOTOR

104.B1322720
BRACKET:TIGHTENER



103.B1322718
GUIDE:REGISTRATION:OPEN AND CLOSE

107.B1322724
BUSHING:REGISTRATION:FRONT

98.B1322708
PAWL:LOCK:FRONT

99.B1322709
DECAL:LEVER:B4

102.B1322716
LEVER:RELEASE

95.B1322692
PAWL:LOCK:REAR

109.B1322753
SUPPORT STAY:SOLENOID

93.B1322682
REGISTRATION GUIDE:UPPER

112.B1322767
GUIDE PLATE:PAPER BANK:ASSY

94.B1322691
SHAFT:LOCK

| | | | | | | | | | | | | | | | | | | | | |
|------|------|------|------|------|------|------|------|------|------|------|------|------|------|------|------|------|------|------|------|------|
| U001 | U002 | U003 | U004 | U005 | U006 | U007 | U008 | U009 | U010 | U011 | U012 | U013 | U014 | U015 | U016 | U017 | U018 | U019 | U020 | U021 |
|------|------|------|------|------|------|------|------|------|------|------|------|------|------|------|------|------|------|------|------|------|

U009 PAPER FEED

113.B1322815
BRACKET:FIX:MAN
UAL FEED

140.B1986407
DECAL:VERMONT:
2

153.D0146895
SEAL:COVER:MAN
UAL FEED:MAIN:IN
NER

114.B1322816
COVER:MANUAL F
EED:MACHINE OR
COPIER

152.D0146883
SEAL:COVER:MAN
UAL FEED:MAIN:O
UTER

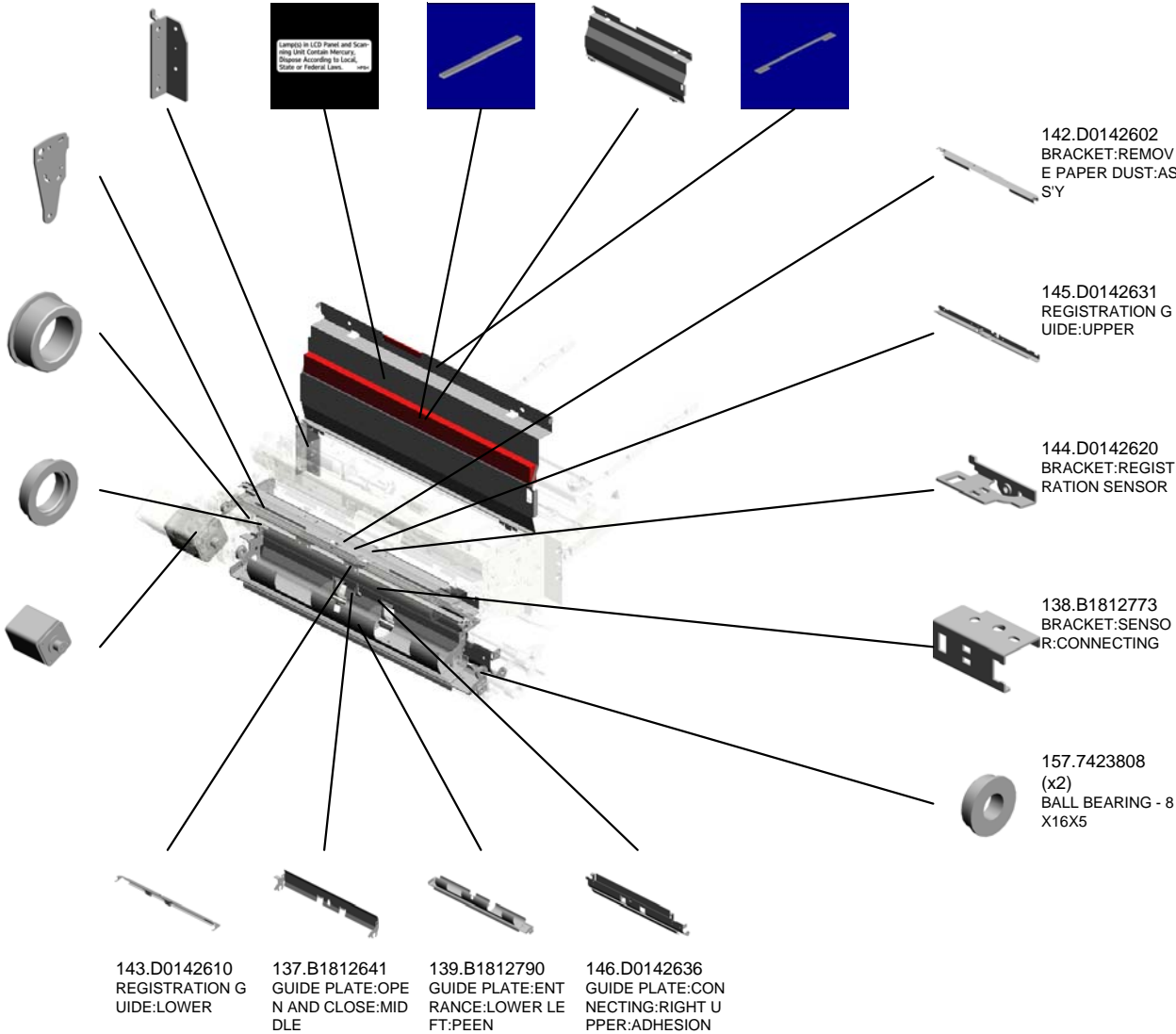


147.D0142669
SIDE PLATE:OPEN
AND CLOSE:REAR:
PEEN

141.B2342624
(x3)
BALL BEARING - 8
X12X5

159.8053497
BUSHING - 8X12X3
.5MM

136.B1326655
STEPPER MOTOR:
PAPER FEED UNIT
ASSY



143.D0142610
REGISTRATION G
UIDE:LOWER

137.B1812641
GUIDE PLATE:OPE
N AND CLOSE:MID
DLE

139.B1812790
GUIDE PLATE:ENT
RANCE:LOWER LE
FT:PEEN

146.D0142636
GUIDE PLATE:CON
NECTING:RIGHT U
PPER:ADHESION

142.D0142602
BRACKET:REMOV
E PAPER DUST:AS
S'Y

145.D0142631
REGISTRATION G
UIDE:UPPER

144.D0142620
BRACKET:REGIST
RATION SENSOR

138.B1812773
BRACKET:SENSO
R:CONNECTING

157.7423808
(x2)
BALL BEARING - 8
X16X5



AW000011
[A]
OPTICS SENSOR:P
HOTO
201112-01 O/O

U009_S001 MANUAL PAPER FEED UNIT



148.D0142800
MANUAL PAPER F
EED UNIT

- 19.11050522 (x4) EDGE SADDLE - L ES0510
- 18.11050516 CLAMP
- 17.11050511 HARNESS CLAMP - LWS-0306ZC
- 50.AA140761 SHAFT:FEED ROLL ER
- 34.AA060952 TENSION SPRING

47.AA083013 BUSHING - 8X18X1 1

58.AB011307 GEAR:42Z

48.AA083014 ONE-WAY CLUTCH

56.AB011305 GEAR:21Z

57.AB011306 GEAR:24Z

46.AA082118 (x2) BUSHING - M6

35.AA060954 TENSION SPRING

45.AA082116 BUSHING - M8

31.A2946700 TORQUE LIMITER - 53MNXM

26.54472681 (x6) SNAP RING

62.AF030080 PAPER FEED ROLLER:PICKUP

27.54472706 GEAR - 15T

63.AF031081 PAPER FEED ROLLER:FEED:MANUAL FEED

28.A1342661 FEELER ROLLER

5.04513006N (x8) TAPPING SCREW - 3X6

- 4.04503010N (x 9) TAPPING SCREW - M3X10
- 11.07200040E (x 3) RETAINING RING - M4

| | | | | | | | | | | | | | | | | | | | | |
|------|------|------|------|------|------|------|------|------|------|------|------|------|------|------|------|------|------|------|------|------|
| U001 | U002 | U003 | U004 | U005 | U006 | U007 | U008 | U009 | U010 | U011 | U012 | U013 | U014 | U015 | U016 | U017 | U018 | U019 | U020 | U021 |
|------|------|------|------|------|------|------|------|------|------|------|------|------|------|------|------|------|------|------|------|------|

U009_S001 MANUAL PAPER FEED UNIT

- 116.B1322823 HOLDER:MANUAL FEED TABLE:REAR
- 121.B1322846 GROUND PLATE:MANUAL FEED
- 119.B1322839 DC SOLENOID:PICTURE:ASSY
- 124.B1322851 SHAFT:SEPARATOR:DRIVEN:ASSY
- 118.B1322837 GUIDE PLATE:FEED



148.D0142800
MANUAL PAPER FEED UNIT

158.8050088
RETAINING RING - M6

70.AX200277
MAGNETIC CLUTCH
H:0.53N M:36Z

127.B1322857
STOPPER:MAGNETIC CLUTCH

126.B1322856
ROLLER:MANUAL FEED UNIT:DRIVE

123.B1322849
SHAFT:SEPARATOR:DRIVE:ASSY

125.B1322853
LEVER:PRESSURE:SEPARATOR

67.AW010107
PAPER FEED SENSOR

122.B1322848
BRACKET:SENSOR:MANUAL FEED

64.AF032080
PAPER FEED ROLLER:SEPARATE

128.B1322859
COVER:MANUAL FEED UNIT

117.B1322835
ARM:PICKUP:MANUAL FEED

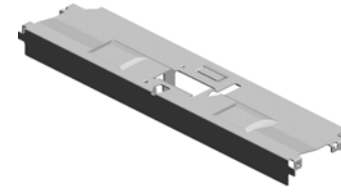
120.B1322845
FEELER:PAPER END SENSOR

69.AW020160
PAPER FEED SENSOR

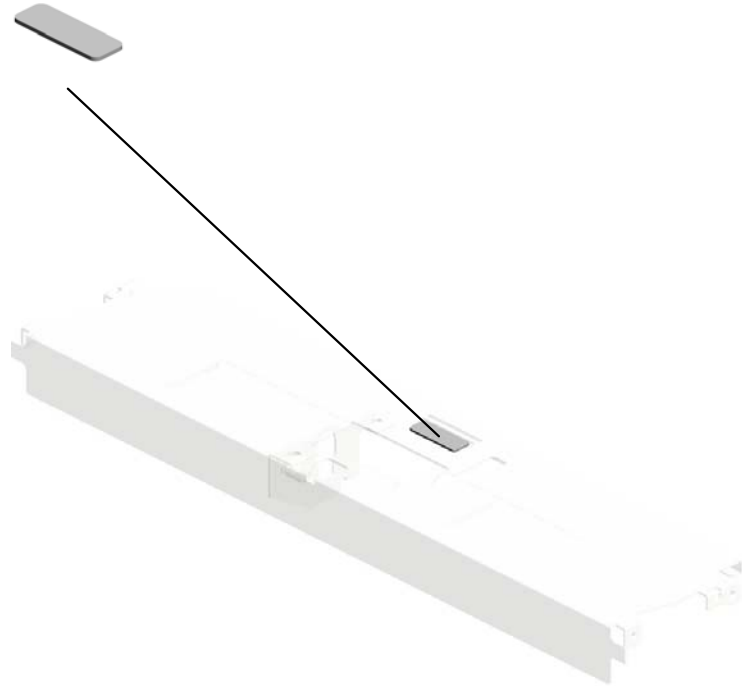
115.B1322819
HOLDER:MANUAL FEED TABLE:FRONT

U009_S001_S001
GUIDE PLATE:SEPARATOR:ADHESION

61.AF013016
BOTTOM PLATE P
AD

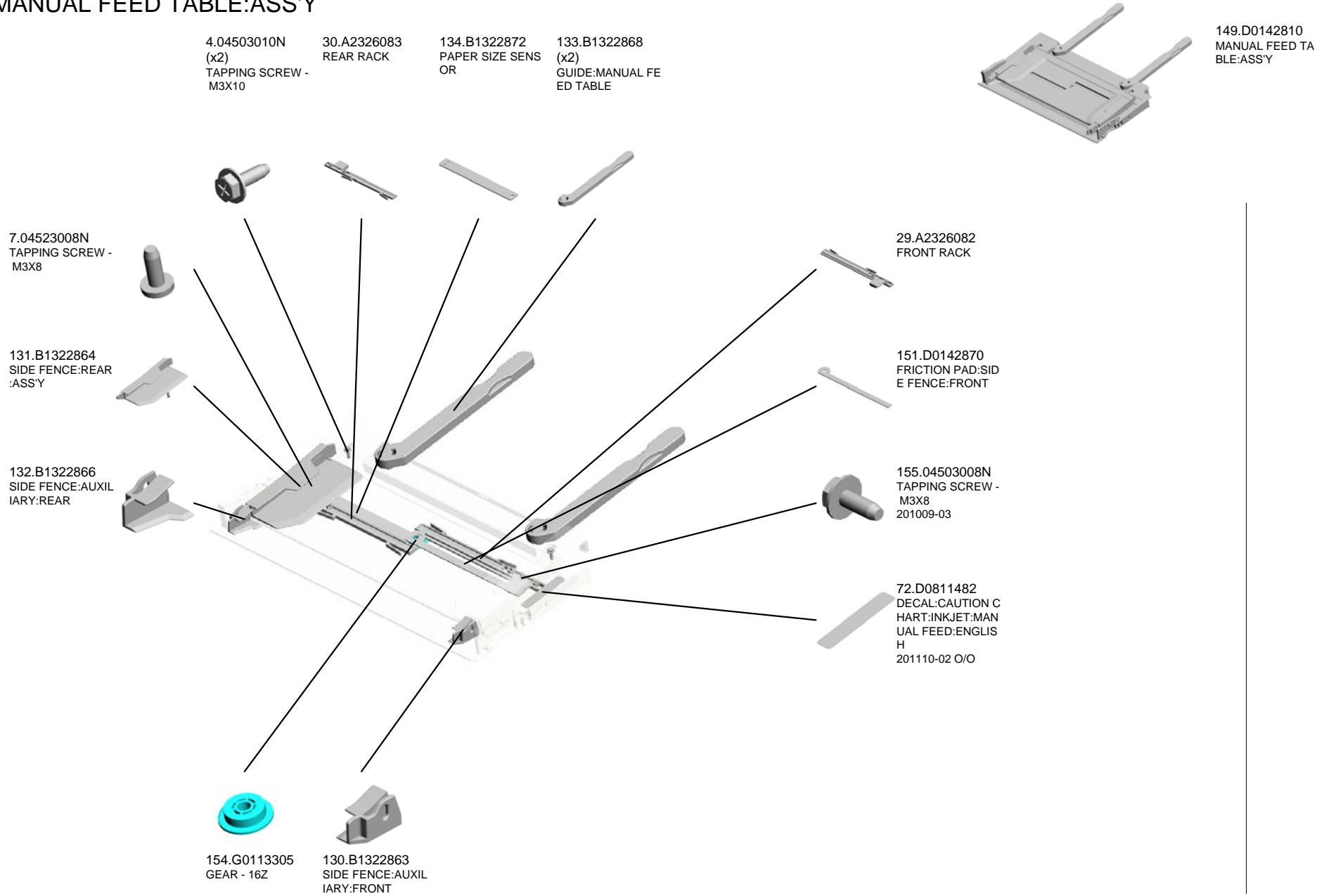


150.D0142825
GUIDE PLATE:SEP
ARATOR:ADHESIO
N



| | | | | | | | | | | | | | | | | | | | | |
|------|------|------|------|------|------|------|------|------|------|------|------|------|------|------|------|------|------|------|------|------|
| U001 | U002 | U003 | U004 | U005 | U006 | U007 | U008 | U009 | U010 | U011 | U012 | U013 | U014 | U015 | U016 | U017 | U018 | U019 | U020 | U021 |
|------|------|------|------|------|------|------|------|------|------|------|------|------|------|------|------|------|------|------|------|------|

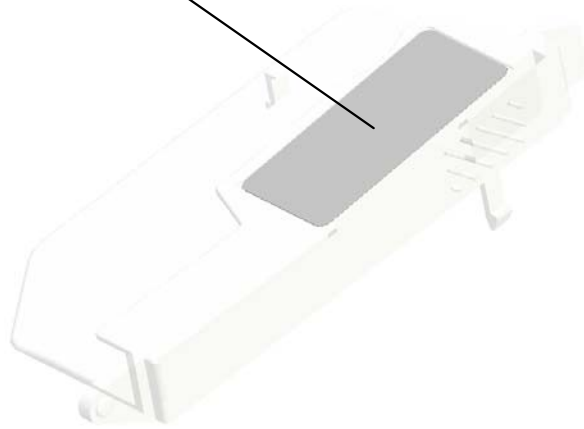
U009_S002
 MANUAL FEED TABLE:ASS'Y



| | | | | | | | | | | | | | | | | | | | | |
|------|------|------|------|------|------|------|------|------|------|------|------|------|------|------|------|------|------|------|------|------|
| U001 | U002 | U003 | U004 | U005 | U006 | U007 | U008 | U009 | U010 | U011 | U012 | U013 | U014 | U015 | U016 | U017 | U018 | U019 | U020 | U021 |
|------|------|------|------|------|------|------|------|------|------|------|------|------|------|------|------|------|------|------|------|------|

U009_S002_S001
SIDE FENCE:FRONT:ASS'Y

135.B1322875
DECAL:PAPER SE
T DIRECTION



156.D0812861
[A]
SIDE FENCE:FRON
T:ASS'Y
201009-02 X/O

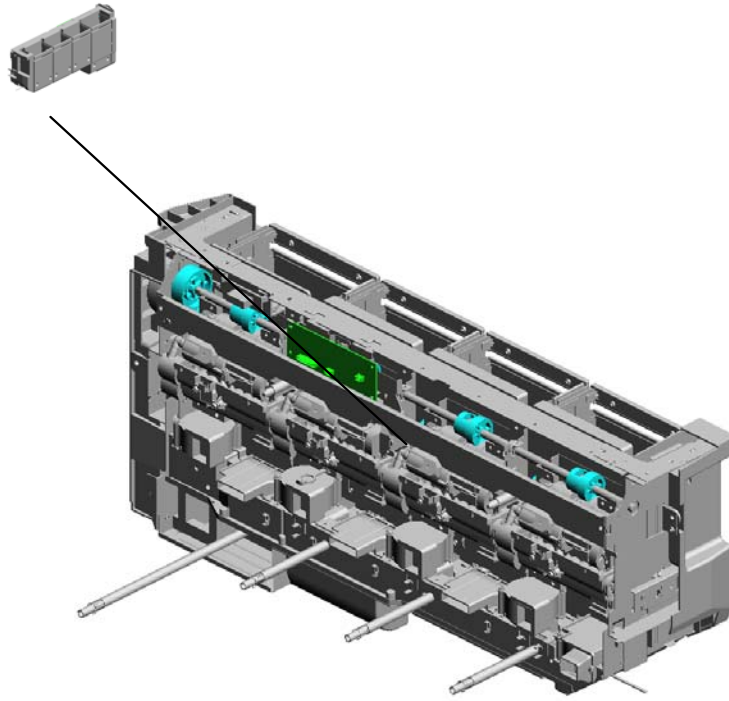


B1322861
[A]
SIDE FENCE:FRON
T:ASS'Y
201009-02 X/O

| | | | | | | | | | | | | | | | | | | | | |
|------|------|------|------|------|------|------|------|------|------|------|------|------|------|------|------|------|------|------|------|------|
| U001 | U002 | U003 | U004 | U005 | U006 | U007 | U008 | U009 | U010 | U011 | U012 | U013 | U014 | U015 | U016 | U017 | U018 | U019 | U020 | U021 |
|------|------|------|------|------|------|------|------|------|------|------|------|------|------|------|------|------|------|------|------|------|

U010.DEVELOPMENT

U010_S001
D0813301
TONER SUPPLY UNIT



| | | | | | | | | | | | | | | | | | | | | |
|------|------|------|------|------|------|------|------|------|------|------|------|------|------|------|------|------|------|------|------|------|
| U001 | U002 | U003 | U004 | U005 | U006 | U007 | U008 | U009 | U010 | U011 | U012 | U013 | U014 | U015 | U016 | U017 | U018 | U019 | U020 | U021 |
|------|------|------|------|------|------|------|------|------|------|------|------|------|------|------|------|------|------|------|------|------|

U010_S001.TONER SUPPLY UNIT

U010_S001_S006
D0143359
TONER SUPPLY UNIT:ASS'Y

U010_S001_S007
D0143359
TONER SUPPLY UNIT:ASS'Y

U010_S001_S008
D0143359
TONER SUPPLY UNIT:ASS'Y

U010_S001_S004
D0146928
SIROCCO FAN MOTOR:DC24
V 4.32W

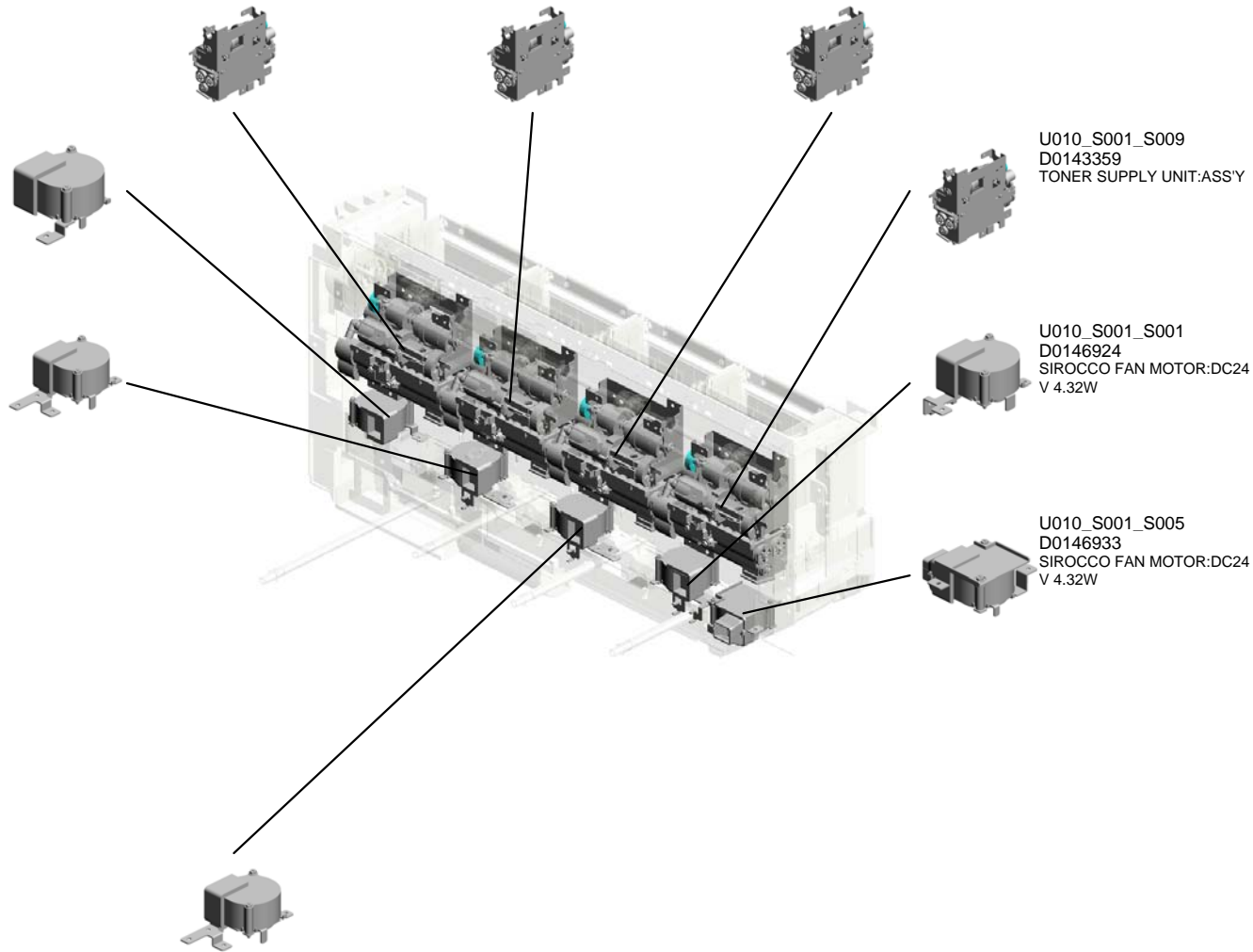
U010_S001_S009
D0143359
TONER SUPPLY UNIT:ASS'Y

U010_S001_S003
D0146926
SIROCCO FAN MOTOR:DC24
V 4.32W

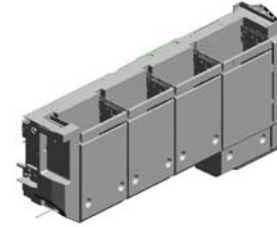
U010_S001_S001
D0146924
SIROCCO FAN MOTOR:DC24
V 4.32W

U010_S001_S005
D0146933
SIROCCO FAN MOTOR:DC24
V 4.32W

U010_S001_S002
D0146926
SIROCCO FAN MOTOR:DC24
V 4.32W

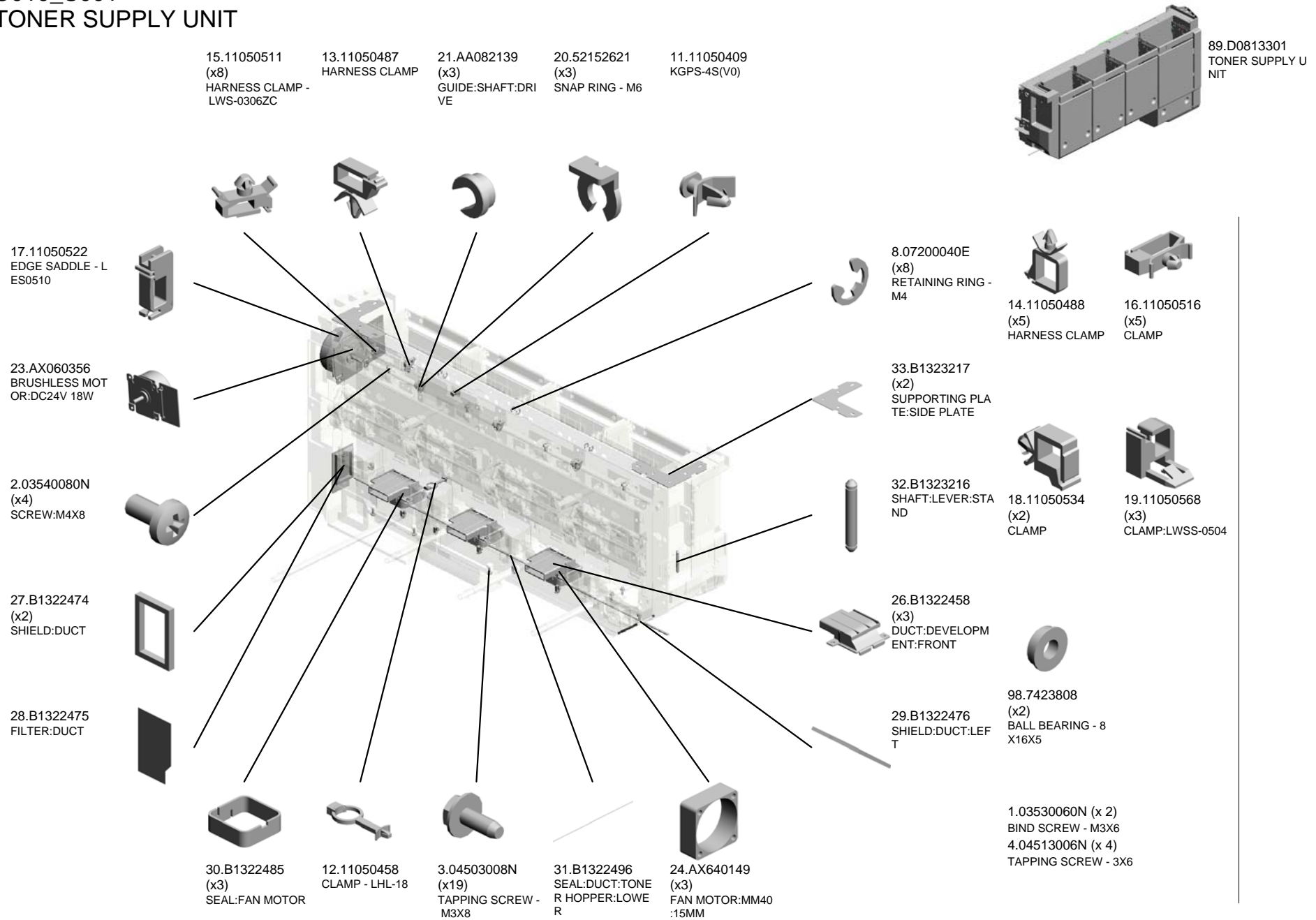


U010
DEVELOPMENT

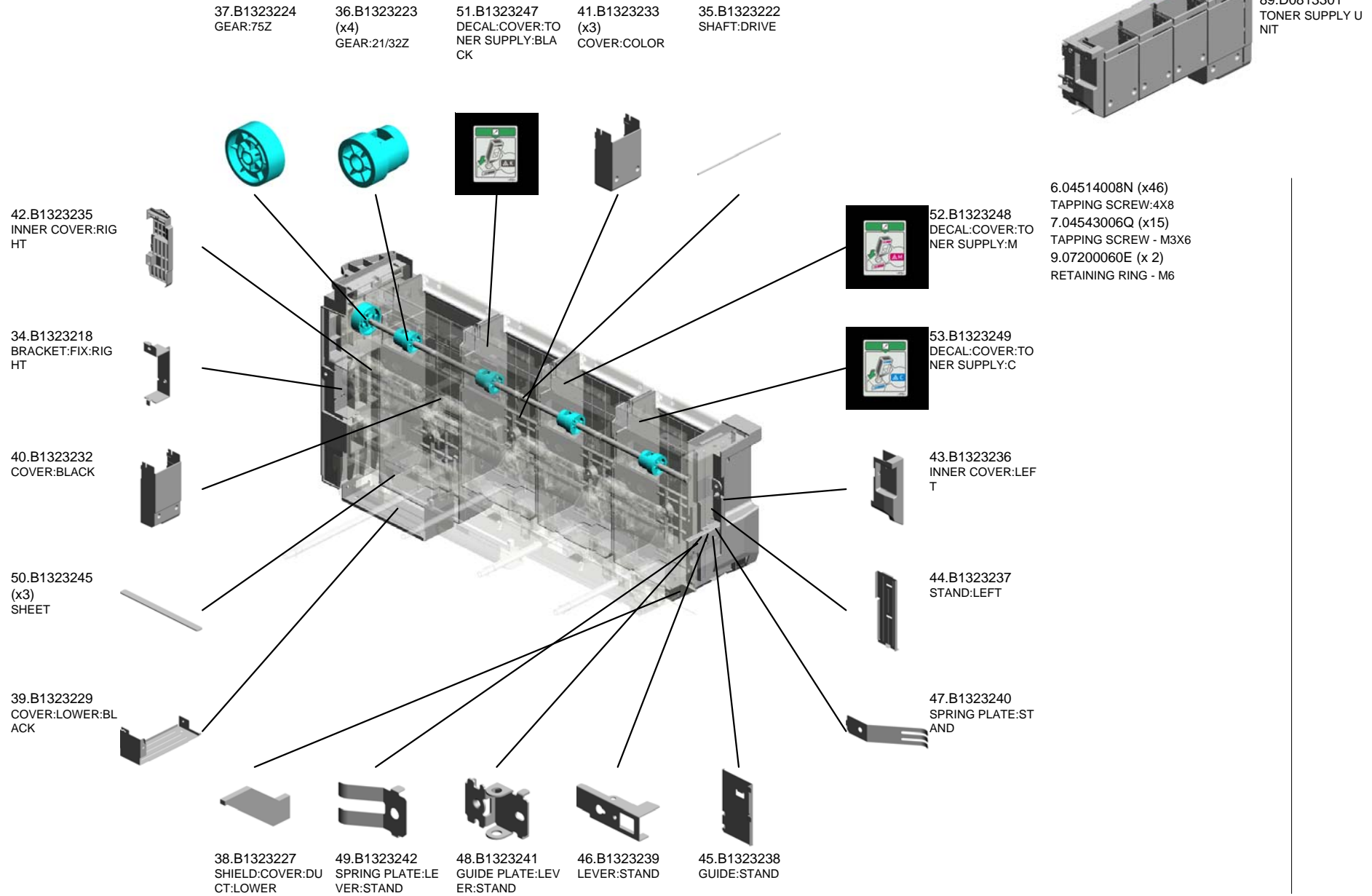


| | | | | | | | | | | | | | | | | | | | | |
|------|------|------|------|------|------|------|------|------|------|------|------|------|------|------|------|------|------|------|------|------|
| U001 | U002 | U003 | U004 | U005 | U006 | U007 | U008 | U009 | U010 | U011 | U012 | U013 | U014 | U015 | U016 | U017 | U018 | U019 | U020 | U021 |
|------|------|------|------|------|------|------|------|------|------|------|------|------|------|------|------|------|------|------|------|------|

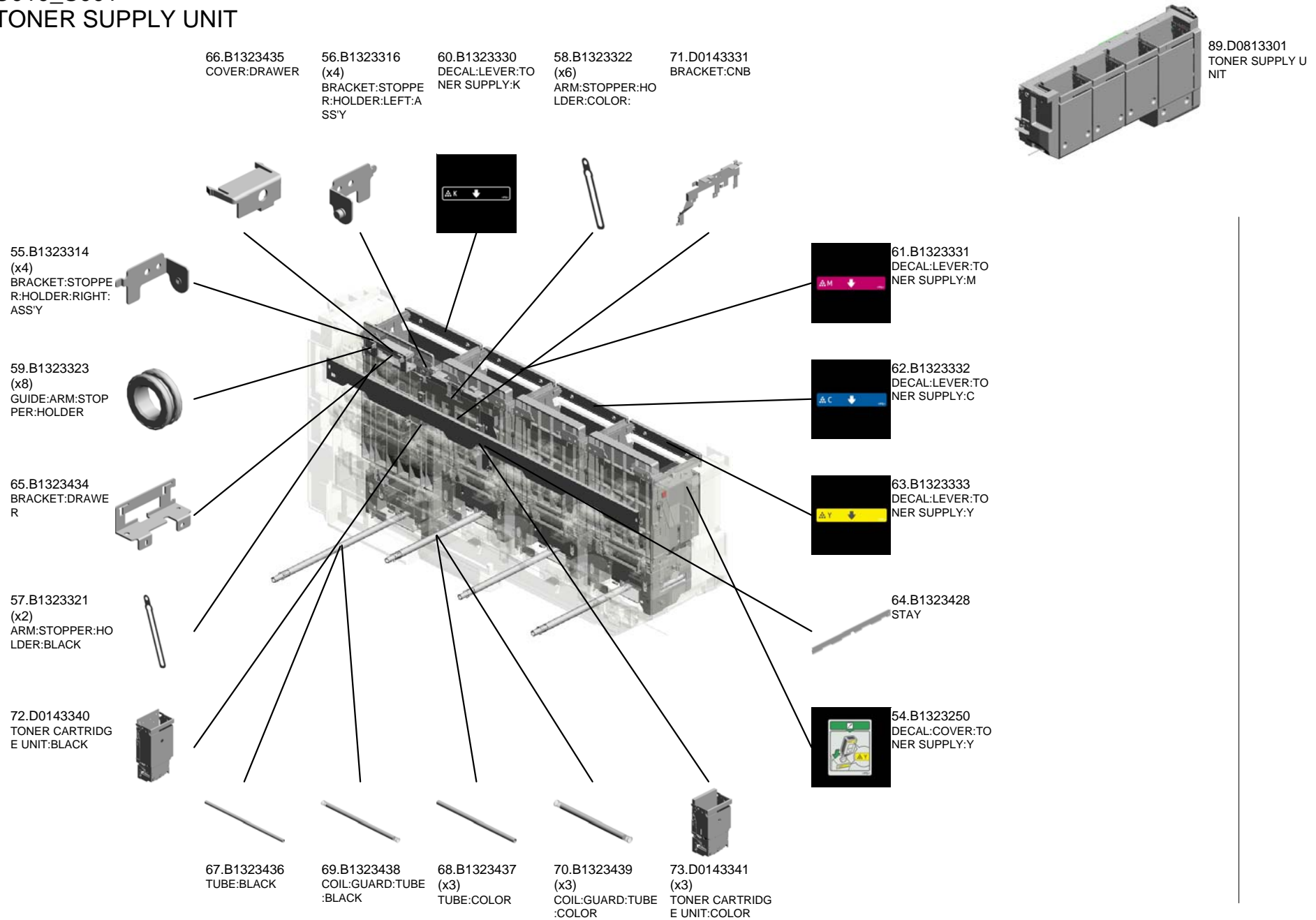
U010_S001 TONER SUPPLY UNIT



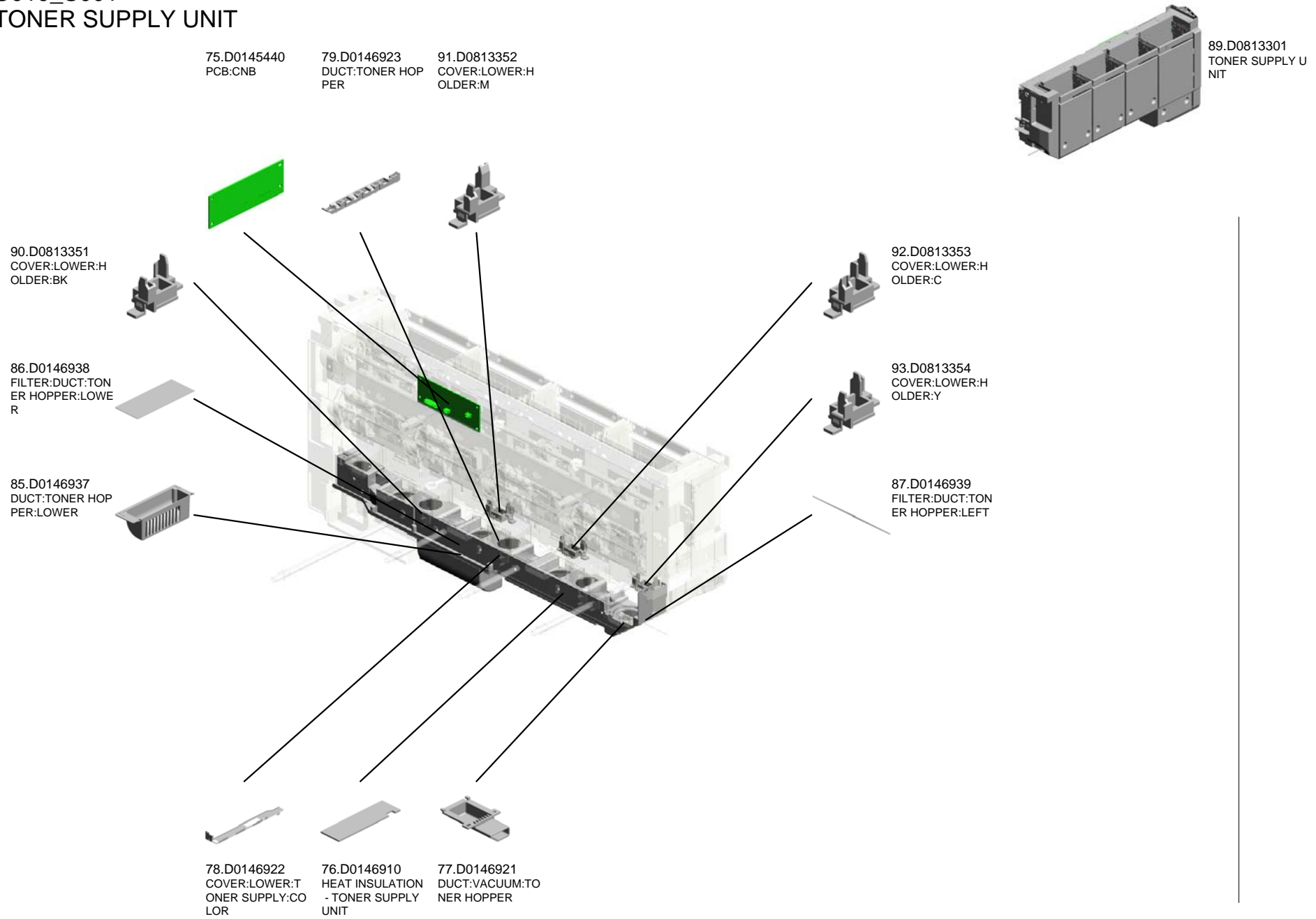
U010_S001 TONER SUPPLY UNIT



U010_S001 TONER SUPPLY UNIT



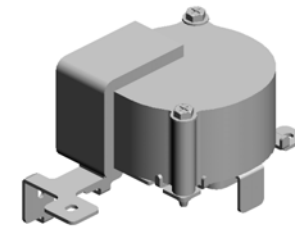
U010_S001 TONER SUPPLY UNIT



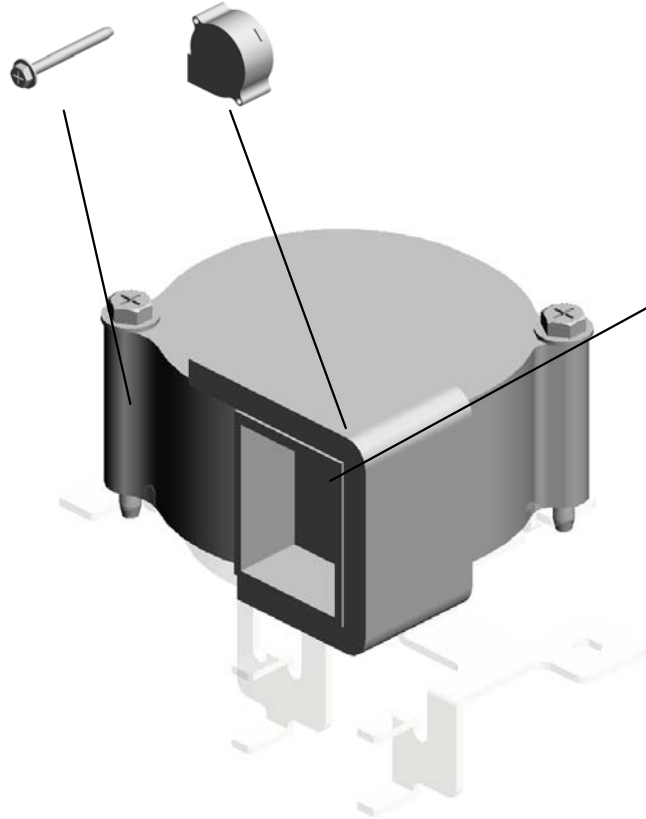
| | | | | | | | | | | | | | | | | | | | | |
|------|------|------|------|------|------|------|------|------|------|------|------|------|------|------|------|------|------|------|------|------|
| U001 | U002 | U003 | U004 | U005 | U006 | U007 | U008 | U009 | U010 | U011 | U012 | U013 | U014 | U015 | U016 | U017 | U018 | U019 | U020 | U021 |
|------|------|------|------|------|------|------|------|------|------|------|------|------|------|------|------|------|------|------|------|------|

U010_S001_S001
SIROCCO FAN MOTOR:DC24V 4.32W

5.04513030N (x2)
TAPPING SCREW: 3X30
25.AX640193
SIROCCO FAN MO
TOR:DC24V 4.32W



80.D0146924
SIROCCO FAN MO
TOR:DC24V 4.32W



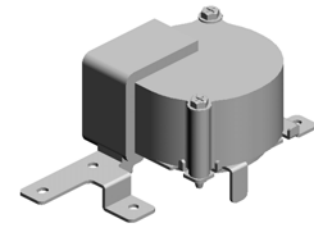
88.D0146992
SEAL:DISCHARGE
NOZZLE:SIROCCO:
TONER HOPPER

U010_S001_S002

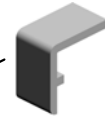
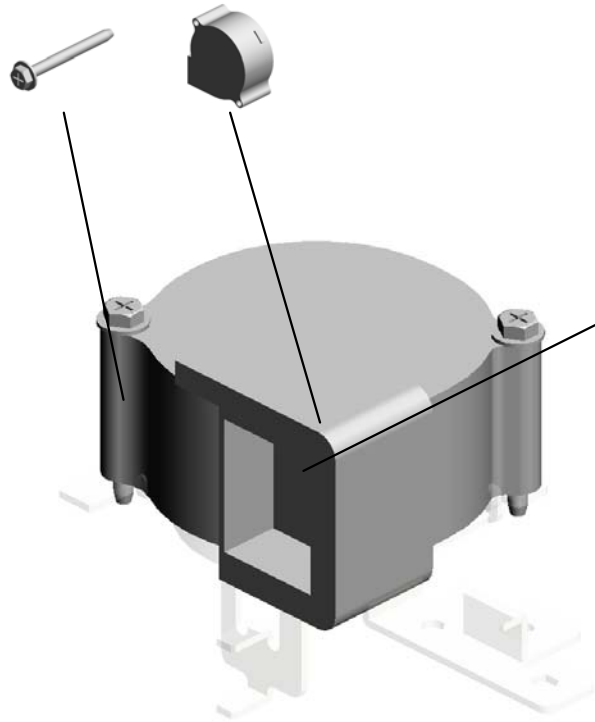
SIROCCO FAN MOTOR:DC24V 4.32W

5.04513030N (x2)
TAPPING SCREW:
3X30

25.AX640193
SIROCCO FAN MO
TOR:DC24V 4.32W



81.D0146926
SIROCCO FAN MO
TOR:DC24V 4.32W



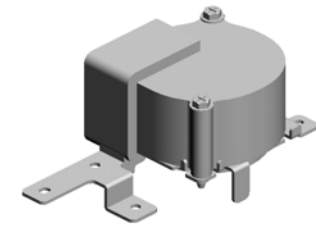
88.D0146992
SEAL:DISCHARGE
NOZZLE:SIROCCO:
TONER HOPPER

| | | | | | | | | | | | | | | | | | | | | |
|------|------|------|------|------|------|------|------|------|------|------|------|------|------|------|------|------|------|------|------|------|
| U001 | U002 | U003 | U004 | U005 | U006 | U007 | U008 | U009 | U010 | U011 | U012 | U013 | U014 | U015 | U016 | U017 | U018 | U019 | U020 | U021 |
|------|------|------|------|------|------|------|------|------|------|------|------|------|------|------|------|------|------|------|------|------|

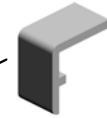
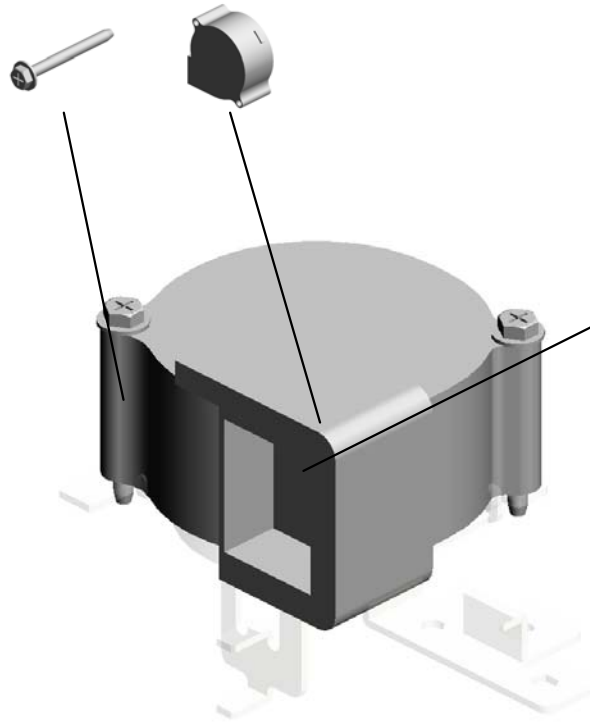
U010_S001_S003

SIROCCO FAN MOTOR:DC24V 4.32W

5.04513030N (x2)
TAPPING SCREW: 3X30
25.AX640193
SIROCCO FAN MO
TOR:DC24V 4.32W



81.D0146926
SIROCCO FAN MO
TOR:DC24V 4.32W



88.D0146992
SEAL:DISCHARGE
NOZZLE:SIROCCO:
TONER HOPPER

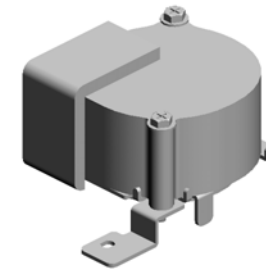
| | | | | | | | | | | | | | | | | | | | | |
|------|------|------|------|------|------|------|------|------|------|------|------|------|------|------|------|------|------|------|------|------|
| U001 | U002 | U003 | U004 | U005 | U006 | U007 | U008 | U009 | U010 | U011 | U012 | U013 | U014 | U015 | U016 | U017 | U018 | U019 | U020 | U021 |
|------|------|------|------|------|------|------|------|------|------|------|------|------|------|------|------|------|------|------|------|------|

U010_S001_S004

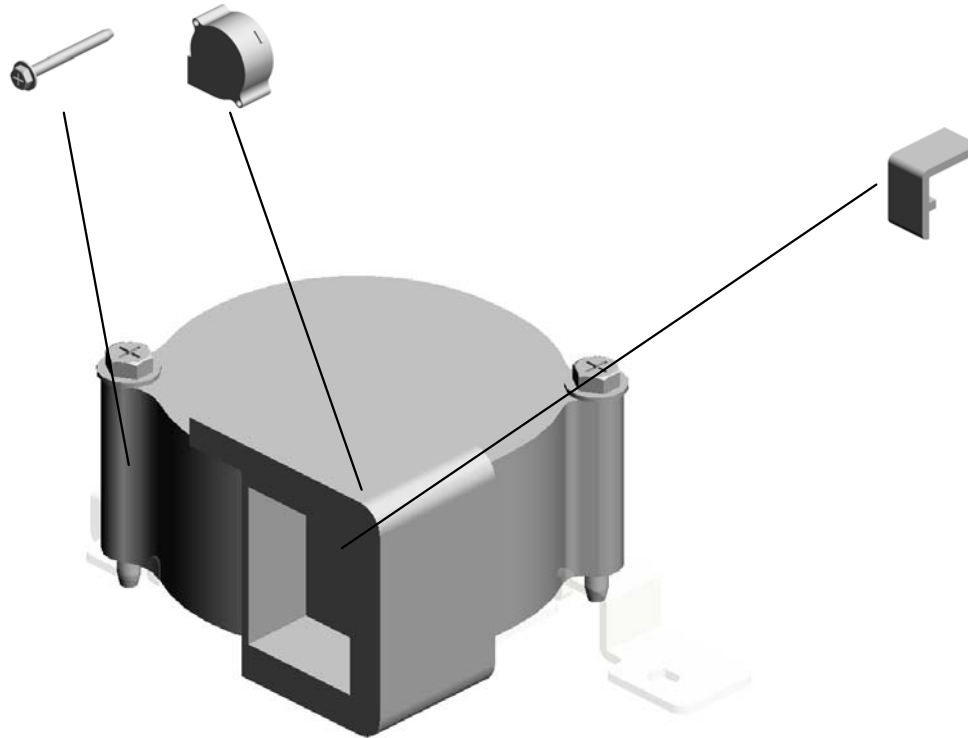
SIROCCO FAN MOTOR:DC24V 4.32W

5.04513030N
(x2)
TAPPING SCREW:
3X30

25.AX640193
SIROCCO FAN MO
TOR:DC24V 4.32W



82.D0146928
SIROCCO FAN MO
TOR:DC24V 4.32W

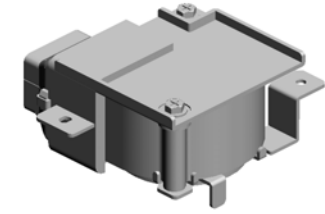


88.D0146992
SEAL:DISCHARGE
NOZZLE:SIROCCO:
TONER HOPPER

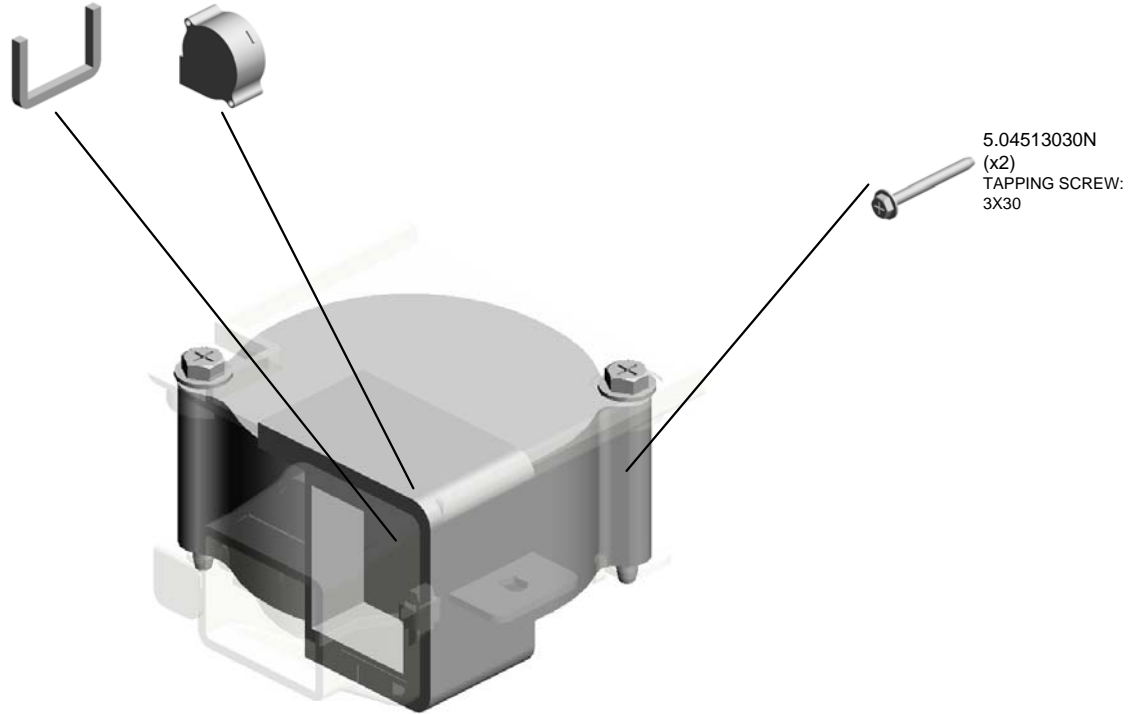
| | | | | | | | | | | | | | | | | | | | | |
|------|------|------|------|------|------|------|------|------|------|------|------|------|------|------|------|------|------|------|------|------|
| U001 | U002 | U003 | U004 | U005 | U006 | U007 | U008 | U009 | U010 | U011 | U012 | U013 | U014 | U015 | U016 | U017 | U018 | U019 | U020 | U021 |
|------|------|------|------|------|------|------|------|------|------|------|------|------|------|------|------|------|------|------|------|------|

U010_S001_S005
SIROCCO FAN MOTOR:DC24V 4.32W

83.D0146930 25.AX640193
SEAL:SIROCCO:TO SIROCCO FAN MO
NER SUPPLY UNIT TOR:DC24V 4.32W



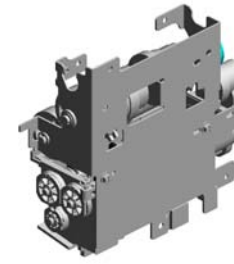
84.D0146933
SIROCCO FAN MO
TOR:DC24V 4.32W



| | | | | | | | | | | | | | | | | | | | | |
|------|------|------|------|------|------|------|------|------|------|------|------|------|------|------|------|------|------|------|------|------|
| U001 | U002 | U003 | U004 | U005 | U006 | U007 | U008 | U009 | U010 | U011 | U012 | U013 | U014 | U015 | U016 | U017 | U018 | U019 | U020 | U021 |
|------|------|------|------|------|------|------|------|------|------|------|------|------|------|------|------|------|------|------|------|------|

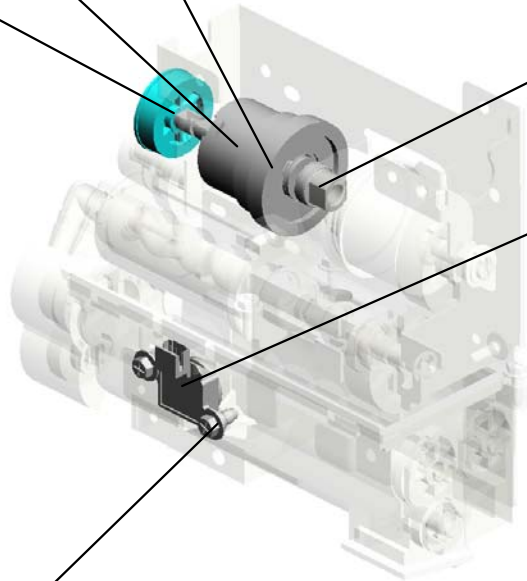
U010_S001_S006
 TONER SUPPLY UNIT:ASS'Y

96.D0143366 97.G1783186
 SHAFT:MAGNETIC MAGNETIC CLUTC
 CLUTCH:DRIVE:TR H:TONER SUPPLY
 ANSPORT SCREW UNIT:ASS'Y



74.D0143359
 TONER SUPPLY U
 NIT:ASSY

95.B1323349
 GEAR:DRIVE:TON
 ER SUPPLY UNIT



94.AA082140
 BUSHING:DRIVE:S
 UPPLY:MM6



22.AW230024
 TONER END SENS
 OR



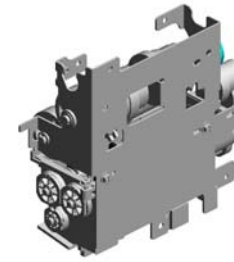
3.04503008N
 (x2)
 TAPPING SCREW -
 M3X8



| | | | | | | | | | | | | | | | | | | | | |
|------|------|------|------|------|------|------|------|------|------|------|------|------|------|------|------|------|------|------|------|------|
| U001 | U002 | U003 | U004 | U005 | U006 | U007 | U008 | U009 | U010 | U011 | U012 | U013 | U014 | U015 | U016 | U017 | U018 | U019 | U020 | U021 |
|------|------|------|------|------|------|------|------|------|------|------|------|------|------|------|------|------|------|------|------|------|

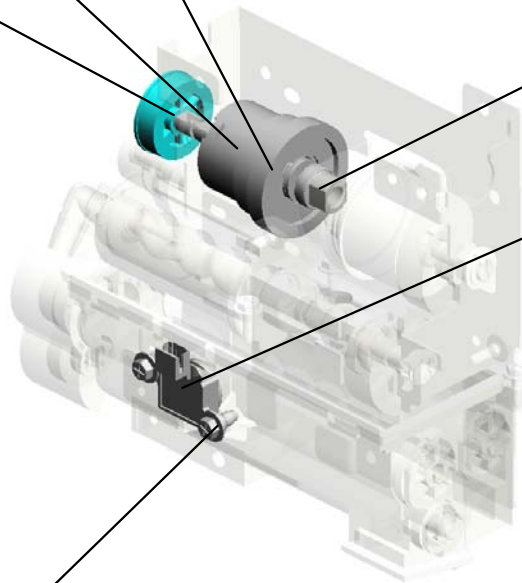
U010_S001_S007
 TONER SUPPLY UNIT:ASS'Y

96.D0143366 97.G1783186
 SHAFT:MAGNETIC MAGNETIC CLUTC
 CLUTCH:DRIVE:TR H:TONER SUPPLY
 ANSPORT SCREW UNIT:ASS'Y



74.D0143359
 TONER SUPPLY U
 NIT:ASSY

95.B1323349
 GEAR:DRIVE:TON
 ER SUPPLY UNIT



94.AA082140
 BUSHING:DRIVE:S
 UPPLY:MM6



22.AW230024
 TONER END SENS
 OR

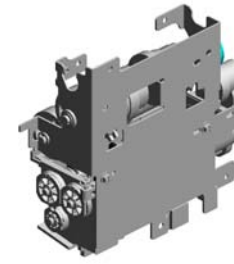


3.04503008N
 (x2)
 TAPPING SCREW -
 M3X8



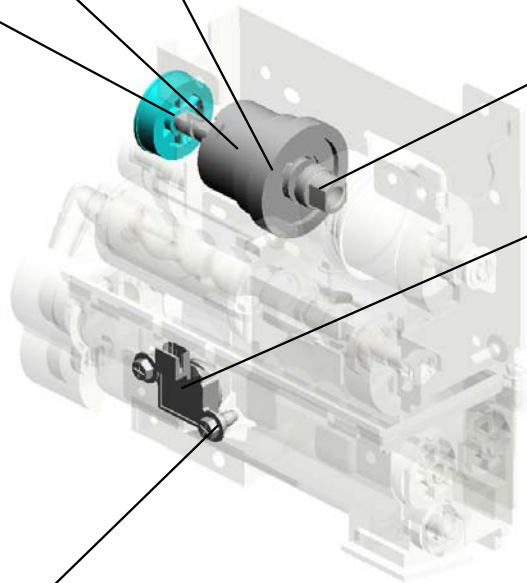
U010_S001_S008
 TONER SUPPLY UNIT:ASS'Y

96.D0143366 97.G1783186
 SHAFT:MAGNETIC MAGNETIC CLUTC
 CLUTCH:DRIVE:TR H:TONER SUPPLY
 ANSPORT SCREW UNIT:ASS'Y



74.D0143359
 TONER SUPPLY U
 NIT:ASSY

95.B1323349
 GEAR:DRIVE:TON
 ER SUPPLY UNIT



94.AA082140
 BUSHING:DRIVE:S
 UPPLY:MM6



22.AW230024
 TONER END SENS
 OR

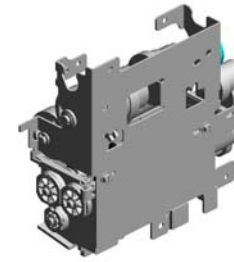


3.04503008N
 (x2)
 TAPPING SCREW -
 M3X8



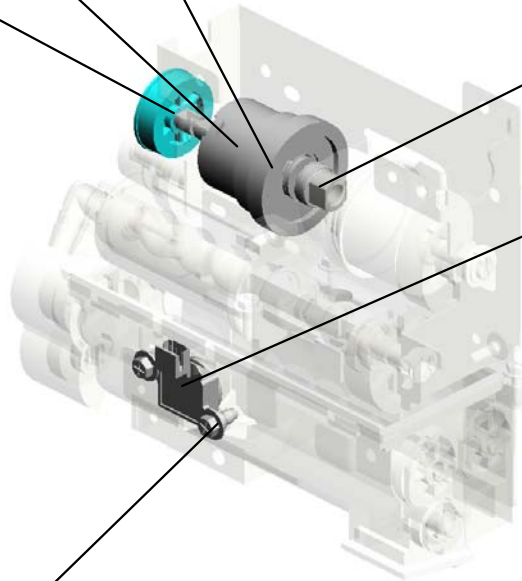
U010_S001_S009
 TONER SUPPLY UNIT:ASS'Y

96.D0143366 97.G1783186
 SHAFT:MAGNETIC MAGNETIC CLUTC
 CLUTCH:DRIVE:TR H:TONER SUPPLY
 ANSPORT SCREW UNIT:ASS'Y



74.D0143359
 TONER SUPPLY U
 NIT:ASSY

95.B1323349
 GEAR:DRIVE:TON
 ER SUPPLY UNIT



94.AA082140
 BUSHING:DRIVE:S
 UPPLY:MM6



22.AW230024
 TONER END SENS
 OR



3.04503008N
 (x2)
 TAPPING SCREW -
 M3X8



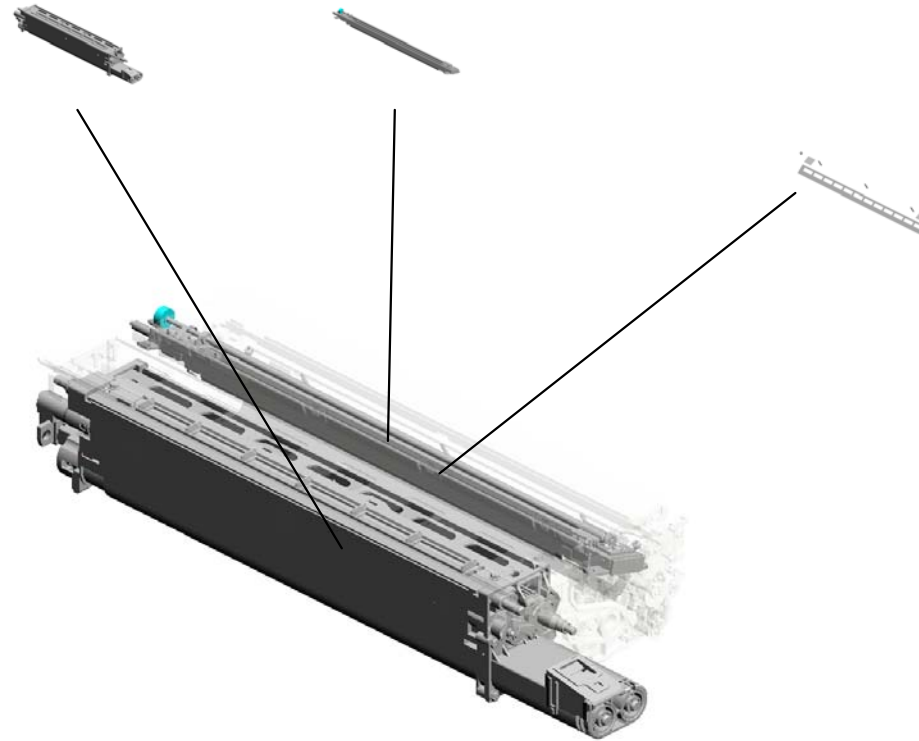
| | | | | | | | | | | | | | | | | | | | | |
|------|------|------|------|------|------|------|------|------|------|------|------|------|------|------|------|------|------|------|------|------|
| U001 | U002 | U003 | U004 | U005 | U006 | U007 | U008 | U009 | U010 | U011 | U012 | U013 | U014 | U015 | U016 | U017 | U018 | U019 | U020 | U021 |
|------|------|------|------|------|------|------|------|------|------|------|------|------|------|------|------|------|------|------|------|------|

U011.PCU(BK)

U011_S003
D0813005
DEVELOPMENT UNIT:ASS'Y

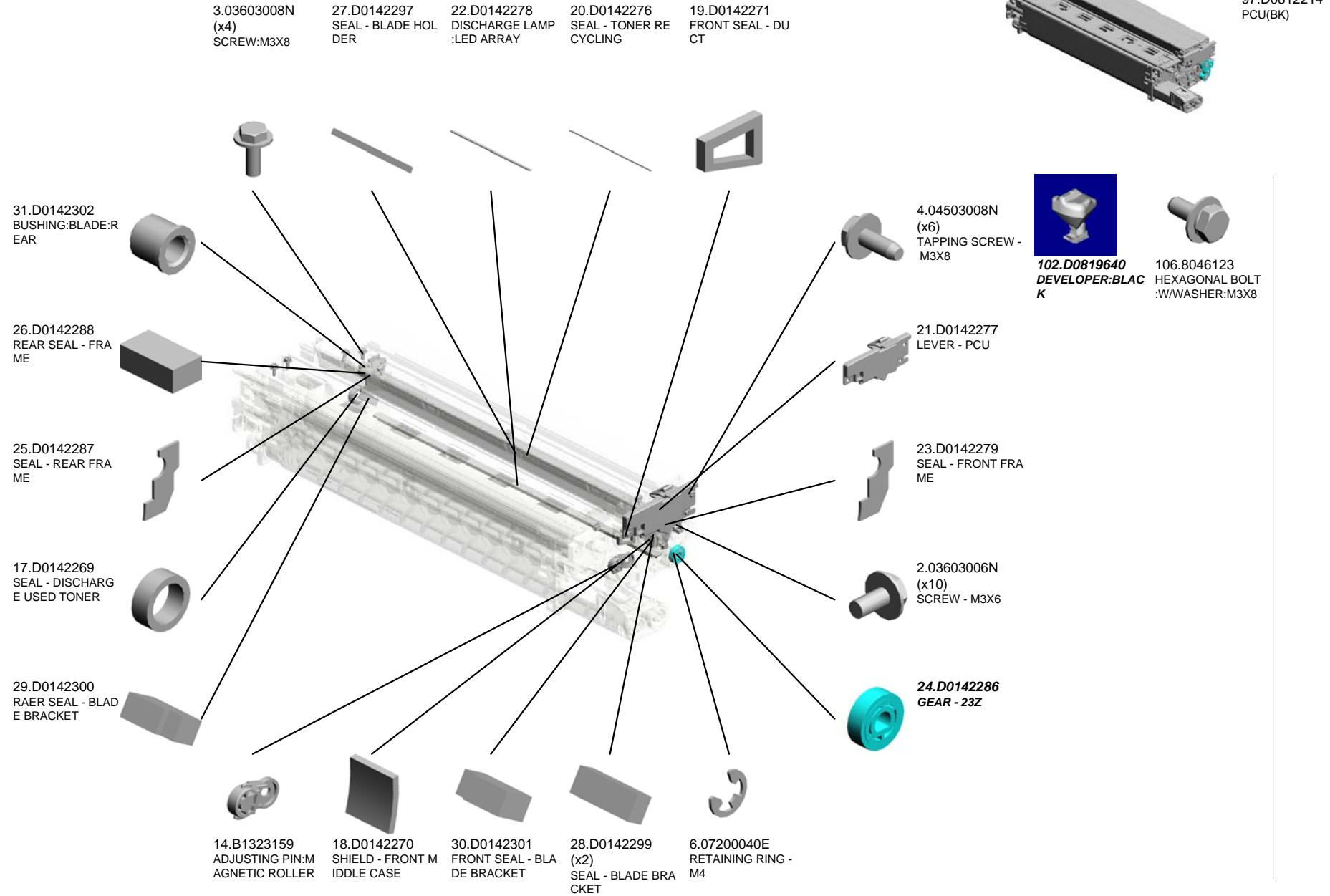
U011_S002
D0812391
CHARGE CORONA:ASS'Y

U011_S001
D0142314
STAY:PCU:RIGHT:ASS'Y



| | | | | | | | | | | | | | | | | | | | | |
|------|------|------|------|------|------|------|------|------|------|------|------|------|------|------|------|------|------|------|------|------|
| U001 | U002 | U003 | U004 | U005 | U006 | U007 | U008 | U009 | U010 | U011 | U012 | U013 | U014 | U015 | U016 | U017 | U018 | U019 | U020 | U021 |
|------|------|------|------|------|------|------|------|------|------|------|------|------|------|------|------|------|------|------|------|------|

U011 PCU(BK)



| | | | | | | | | | | | | | | | | | | | | |
|------|------|------|------|------|------|------|------|------|------|------|------|------|------|------|------|------|------|------|------|------|
| U001 | U002 | U003 | U004 | U005 | U006 | U007 | U008 | U009 | U010 | U011 | U012 | U013 | U014 | U015 | U016 | U017 | U018 | U019 | U020 | U021 |
|------|------|------|------|------|------|------|------|------|------|------|------|------|------|------|------|------|------|------|------|------|

U011 PCU(BK)

36.D0142321
COATING BAR

39.D0142327
BRACKET - COATING BAR

49.D0142365
STAYC - PCU RAIL

47.D0142349
RIGHT SEAL - COATING BAR BRACKET

40.D0142328
(x2)
SEAL - COATING BAR BRACKET



97.D0812214
PCU(BK)

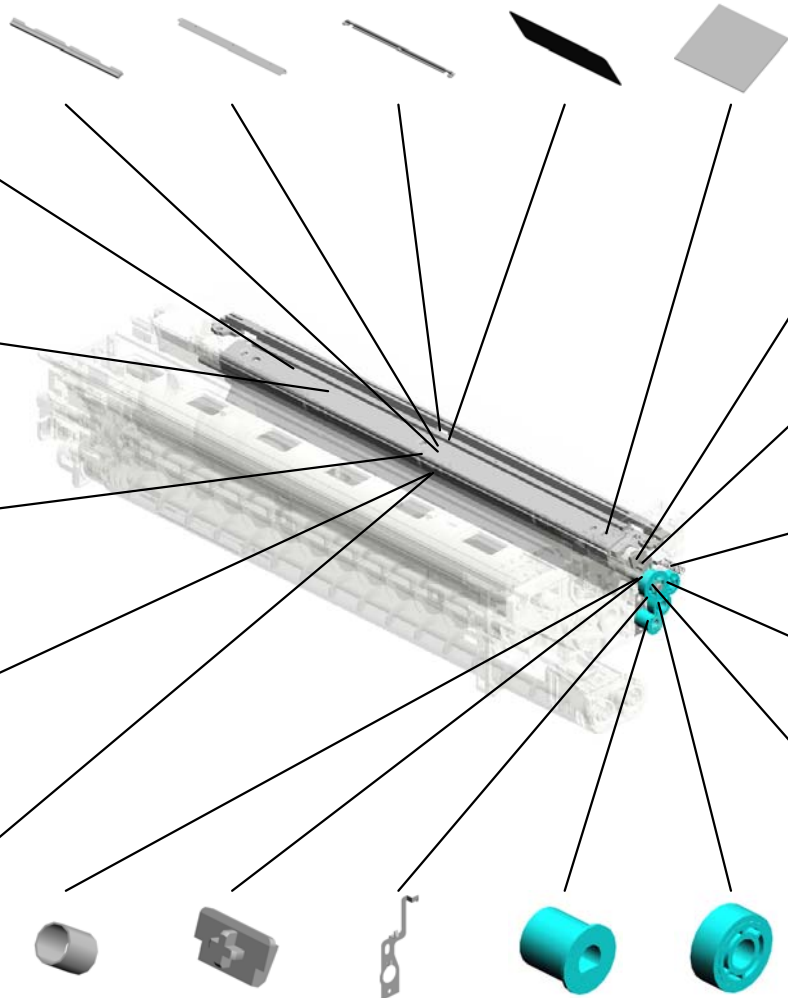
37.D0142324
(x2)
ARM - COATING BAR

38.D0142325
(x2)
TENSION SPRING - COATING BAR

50.D0142368
CLEANING BLADE - APPLY

42.D0142335
BRUSH ROLLER - APPLY

48.D0142352
CLEANING BLADE



51.D0142371
FRONT SEAL - BLADE GUIDE PLATE

32.D0142303
BUSHING:BLADE:FRONT

35.D0142307
SPRING:EARTH:BRUSH ROLLER

45.D0142346
IDLER GEAR - 22Z

43.D0142337
GEAR - 27Z

33.D0142305
(x2)
COMPRESSION SPRING - BLADE

34.D0142306
(x2)
SPRING HOLDER

46.D0142347
GROUND PLATE - BRUSH ROLLER

41.D0142333
GEAR - 17Z

44.D0142345
IDLER GEAR - 23Z

U011 PCU(BK)

- 52.D0142374 REAR SEAL - BLADE GUIDE PLATE
- 86.D0142439 SEAL:BLADE:APPLY:REAR MIDDLE
- 76.D0142425 GUIDE PLATE - CHARGE CORONA DUCT
- 75.D0142422 DUCT- CHARGE CORONA
- 74.D0142421 DOCT COVER - CHARGE CORONA



97.D0812214
PCU(BK)

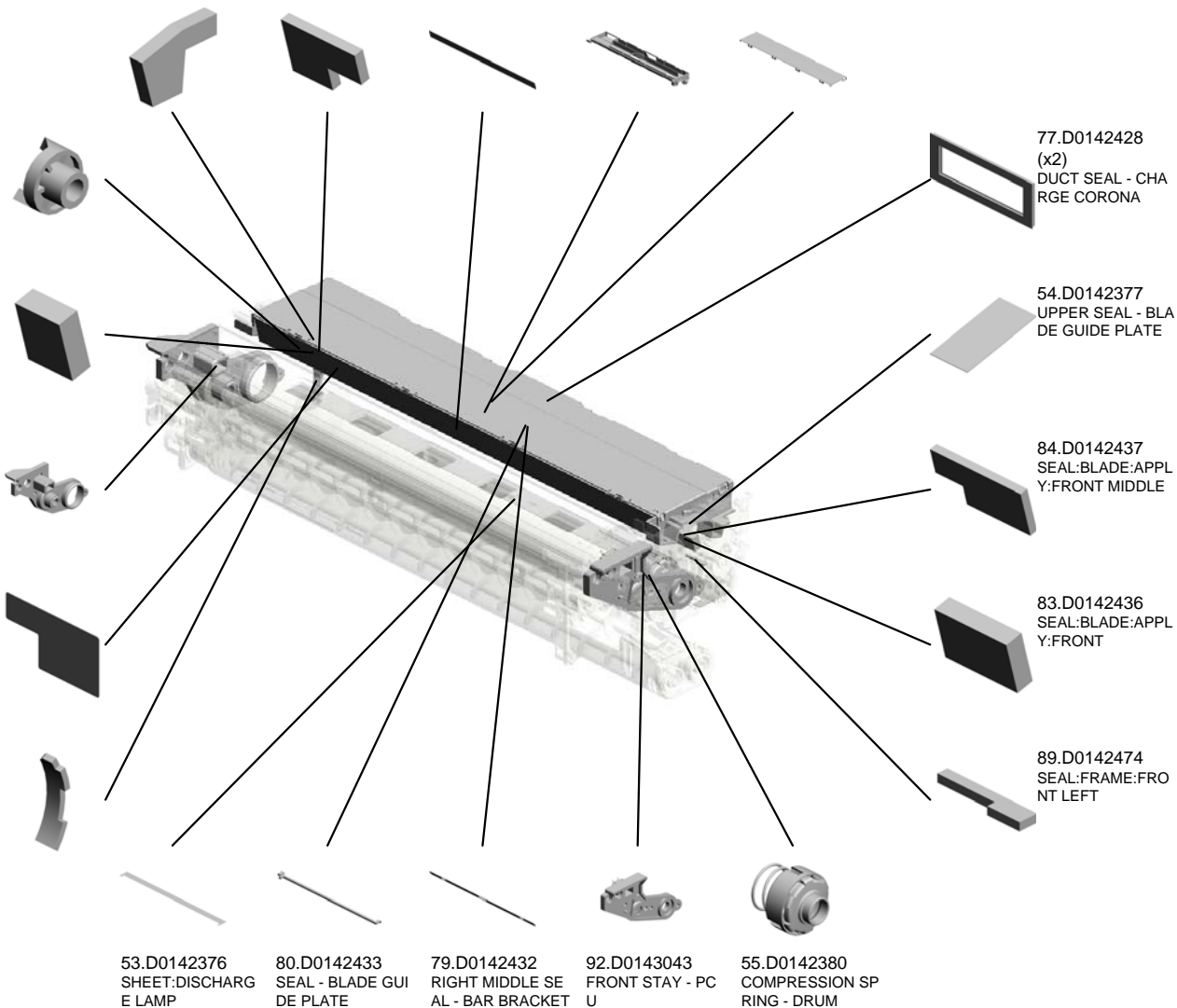
88.D0142465
JOINT:CLEANING
UNIT

85.D0142438
SEAL:BLADE:APPLY:REAR

93.D0143044
REAR STAY - PCU

90.D0142479
COVER:DISCHARGE LAMP

87.D0142460
SHIELD:CASE:REAR:K



77.D0142428
(x2)
DUCT SEAL - CHARGE CORONA

54.D0142377
UPPER SEAL - BLADE GUIDE PLATE

84.D0142437
SEAL:BLADE:APPLY:FRONT MIDDLE

83.D0142436
SEAL:BLADE:APPLY:FRONT

89.D0142474
SEAL:FRAME:FRONT LEFT

- 53.D0142376 SHEET:DISCHARGE LAMP
- 80.D0142433 SEAL - BLADE GUIDE PLATE
- 79.D0142432 RIGHT MIDDLE SEAL - BAR BRACKET
- 92.D0143043 FRONT STAY - PCU
- 55.D0142380 COMPRESSION SPRING - DRUM

U011
PCU(BK)

96.D0149510
OPC DRUM

98.D0812281
TRANSPORT SCR
EW:ASSY

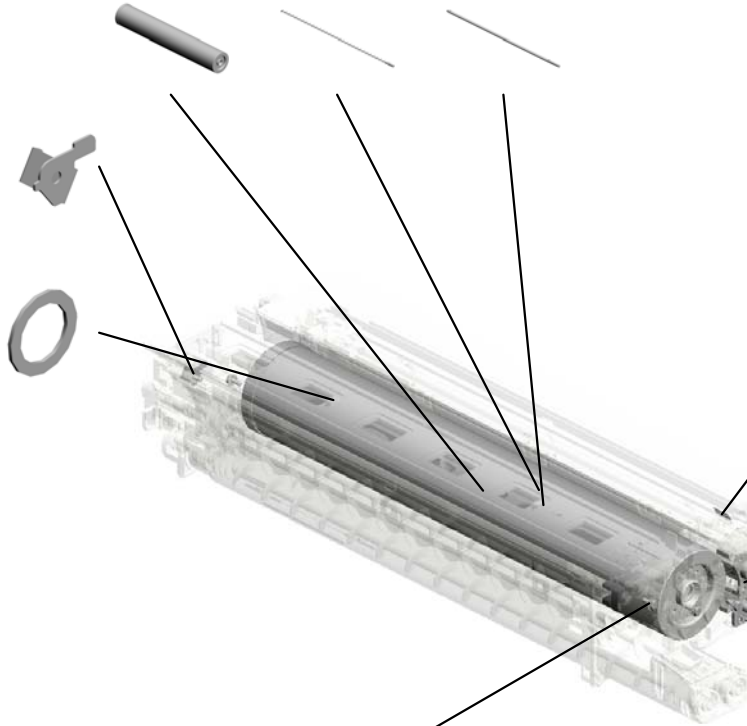
101.D0812485
COLLECTION COIL
:ASSY



97.D0812214
PCU(BK)

95.D0143136
BRACKET:PLATE:J
OINT

103.G0602343
(x2)
COLLAR:BRUSH R
OLLER:DIA6



104.GA003033
DECAL - SHIELDIN
G PLATE K

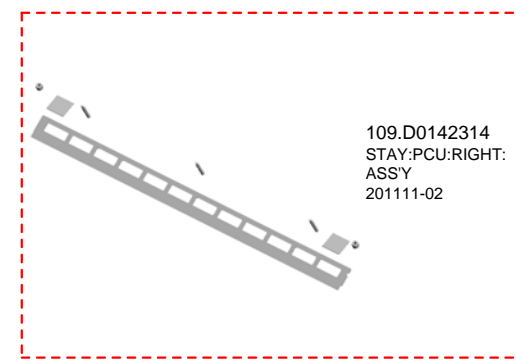
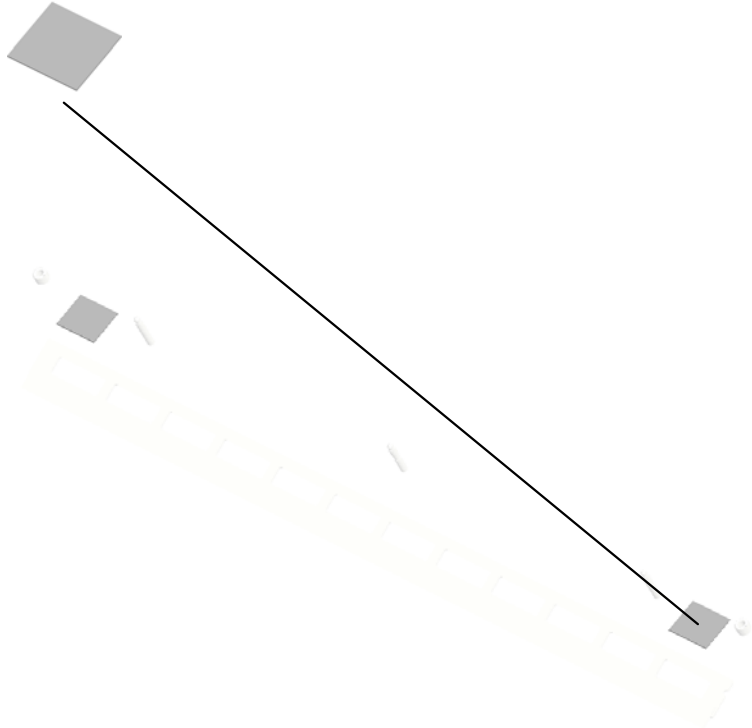
107.8050097
(x2)
RING SEPARATOR

108.D0142463
DRUM STAY:BRUS
H ROLLER:K:ASSY

106.8046123
(x6)
HEXAGONAL BOLT
:W/WASHER:M3X8

U011_S001
STAY:PCU:RIGHT:ASS'Y

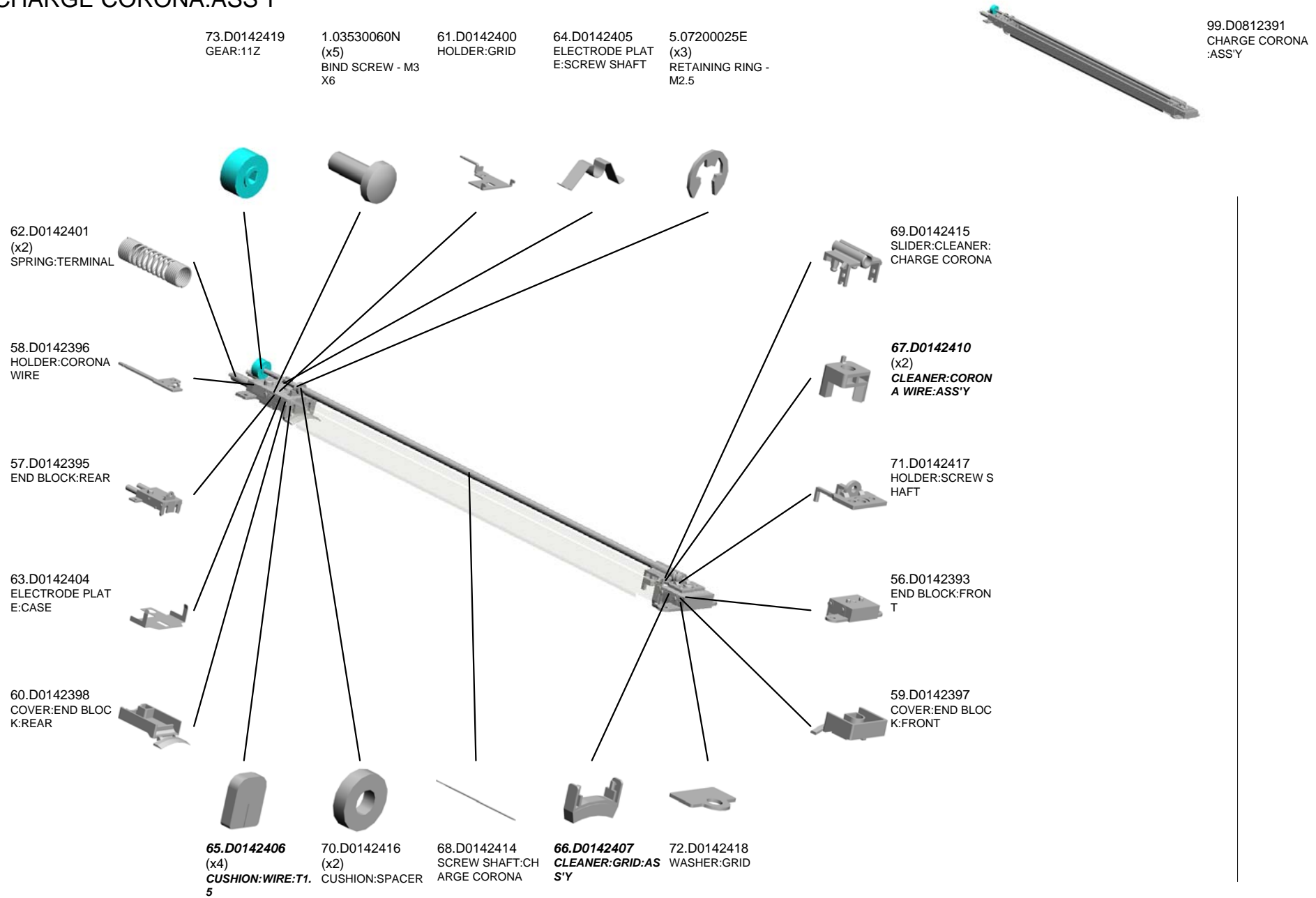
40.D0142328
(x2)
SEAL - COATING B
AR BRACKET



109.D0142314
STAY:PCU:RIGHT:
ASS'Y
201111-02

| | | | | | | | | | | | | | | | | | | | | |
|------|------|------|------|------|------|------|------|------|------|------|------|------|------|------|------|------|------|------|------|------|
| U001 | U002 | U003 | U004 | U005 | U006 | U007 | U008 | U009 | U010 | U011 | U012 | U013 | U014 | U015 | U016 | U017 | U018 | U019 | U020 | U021 |
|------|------|------|------|------|------|------|------|------|------|------|------|------|------|------|------|------|------|------|------|------|

U011_S002
CHARGE CORONA:ASS'Y



U011_S002
CHARGE CORONA:ASS'Y

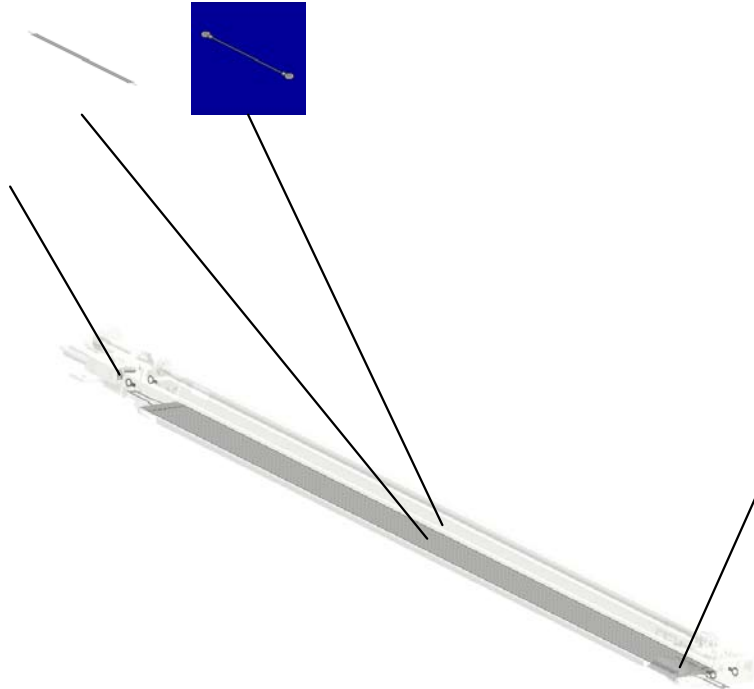
100.D0812399
GRID:CHARGE CO
RONA

81.D0142434
(x2)
CORONA WIRE:CH
ARGE CORONA



99.D0812391
CHARGE CORONA
:ASS'Y

82.D0142435
(x2)
TENSION SPRING:
CORONA WIRE



78.D0142430
SHEET:COVER:FR
ONT

| | | | | | | | | | | | | | | | | | | | | |
|------|------|------|------|------|------|------|------|------|------|------|------|------|------|------|------|------|------|------|------|------|
| U001 | U002 | U003 | U004 | U005 | U006 | U007 | U008 | U009 | U010 | U011 | U012 | U013 | U014 | U015 | U016 | U017 | U018 | U019 | U020 | U021 |
|------|------|------|------|------|------|------|------|------|------|------|------|------|------|------|------|------|------|------|------|------|

U011_S003
DEVELOPMENT UNIT:ASS'Y

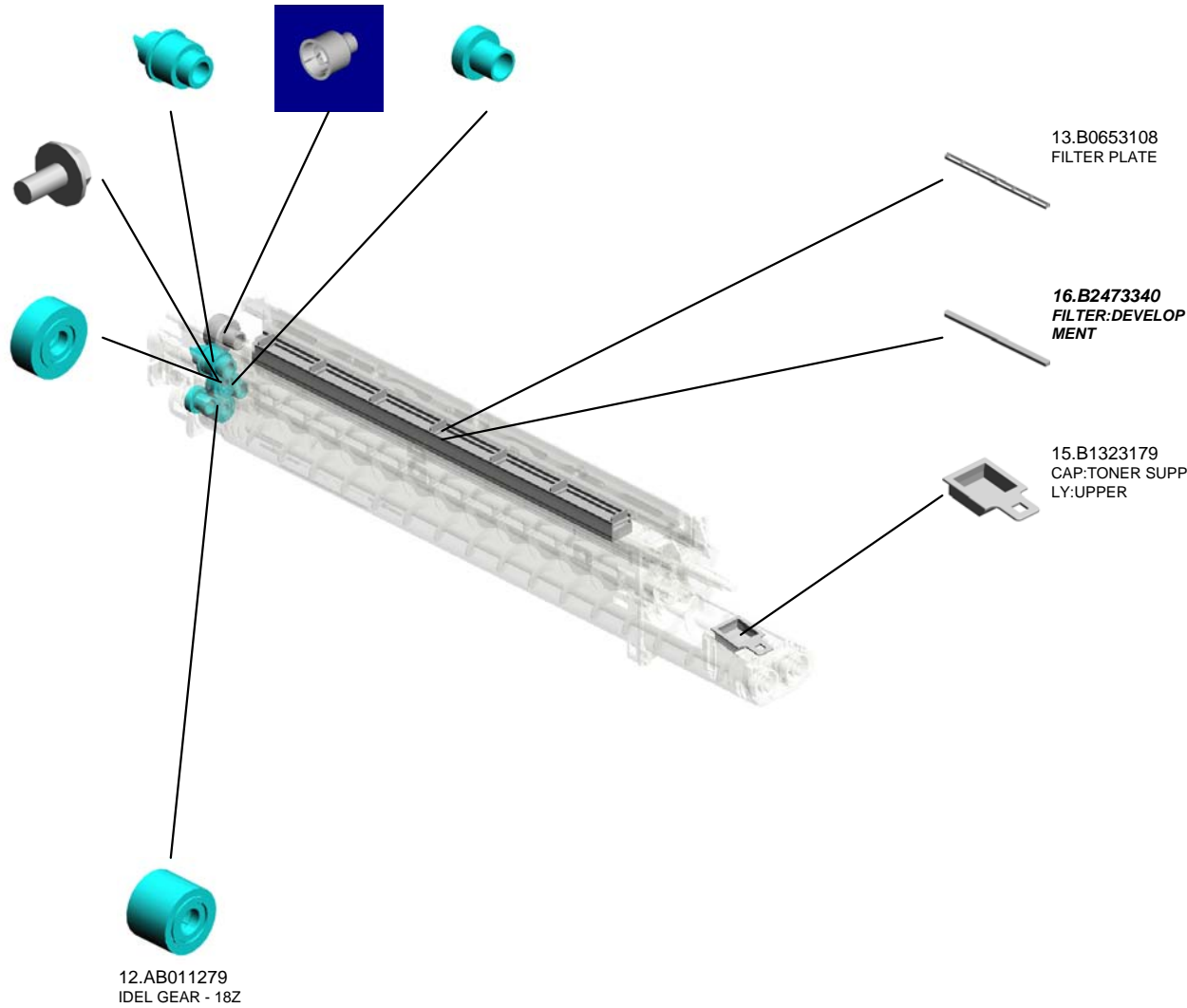
10.AB011276 JOINT GEAR - 180Z
 94.D0143135 JOINT:DRIVE:DEV
 ELOPMENT UNIT
 9.AB011275 (x2)
 GEAR - 17Z



105.D0813005
[A]
 DEVELOPMENT U
 NIT:ASS'Y
 201003-01 X/O

2.03603006N
 SCREW - M3X6

11.AB011277
 IDEL GEAR - 21Z



D0143005
[A]
 DEVELOPMENT U
 NIT
 201003-01 X/O

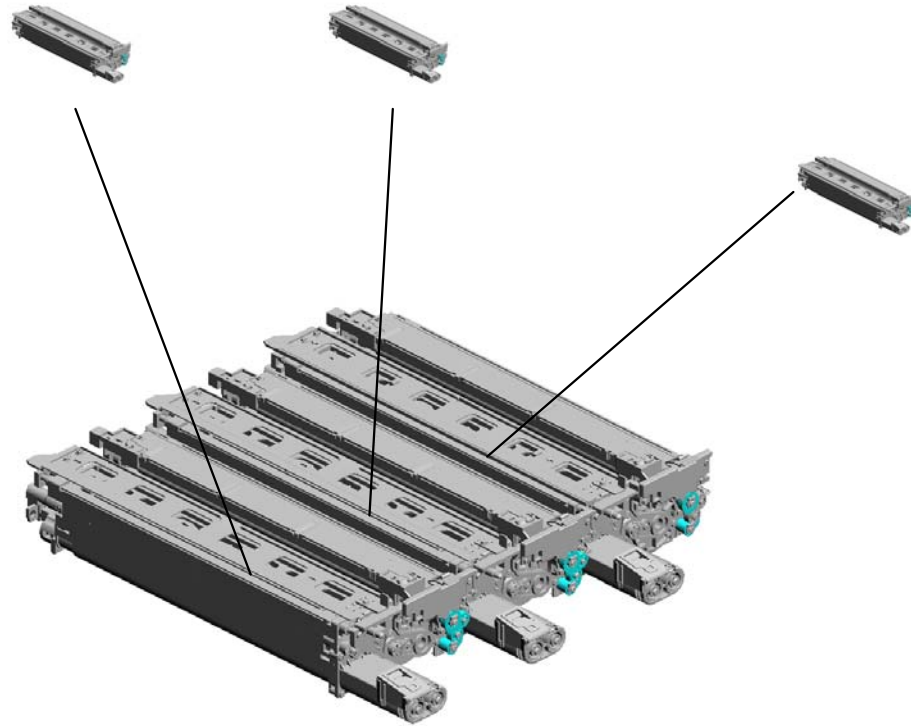
| | | | | | | | | | | | | | | | | | | | | |
|------|------|------|------|------|------|------|------|------|------|------|------|------|------|------|------|------|------|------|------|------|
| U001 | U002 | U003 | U004 | U005 | U006 | U007 | U008 | U009 | U010 | U011 | U012 | U013 | U014 | U015 | U016 | U017 | U018 | U019 | U020 | U021 |
|------|------|------|------|------|------|------|------|------|------|------|------|------|------|------|------|------|------|------|------|------|

U012.PCU(COLOR)

U012_S003
D0812216
PCU:FC:SERVICE

U012_S002
D0812216
PCU:FC:SERVICE

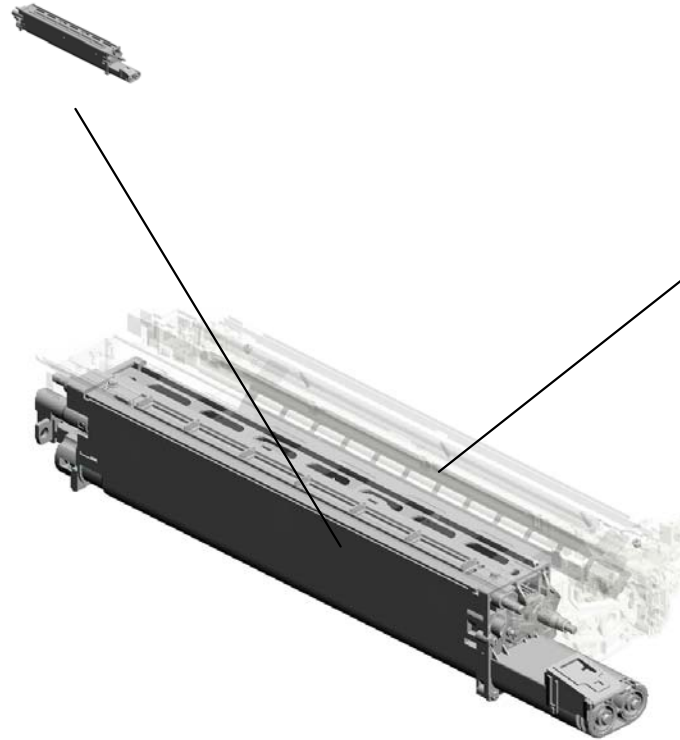
U012_S001
D0812216
PCU:FC:SERVICE



| | | | | | | | | | | | | | | | | | | | | |
|------|------|------|------|------|------|------|------|------|------|------|------|------|------|------|------|------|------|------|------|------|
| U001 | U002 | U003 | U004 | U005 | U006 | U007 | U008 | U009 | U010 | U011 | U012 | U013 | U014 | U015 | U016 | U017 | U018 | U019 | U020 | U021 |
|------|------|------|------|------|------|------|------|------|------|------|------|------|------|------|------|------|------|------|------|------|

U012_S001.PCU:FC:SERVICE

U012_S001_S002
D0813005
DEVELOPMENT UNIT:ASS'Y

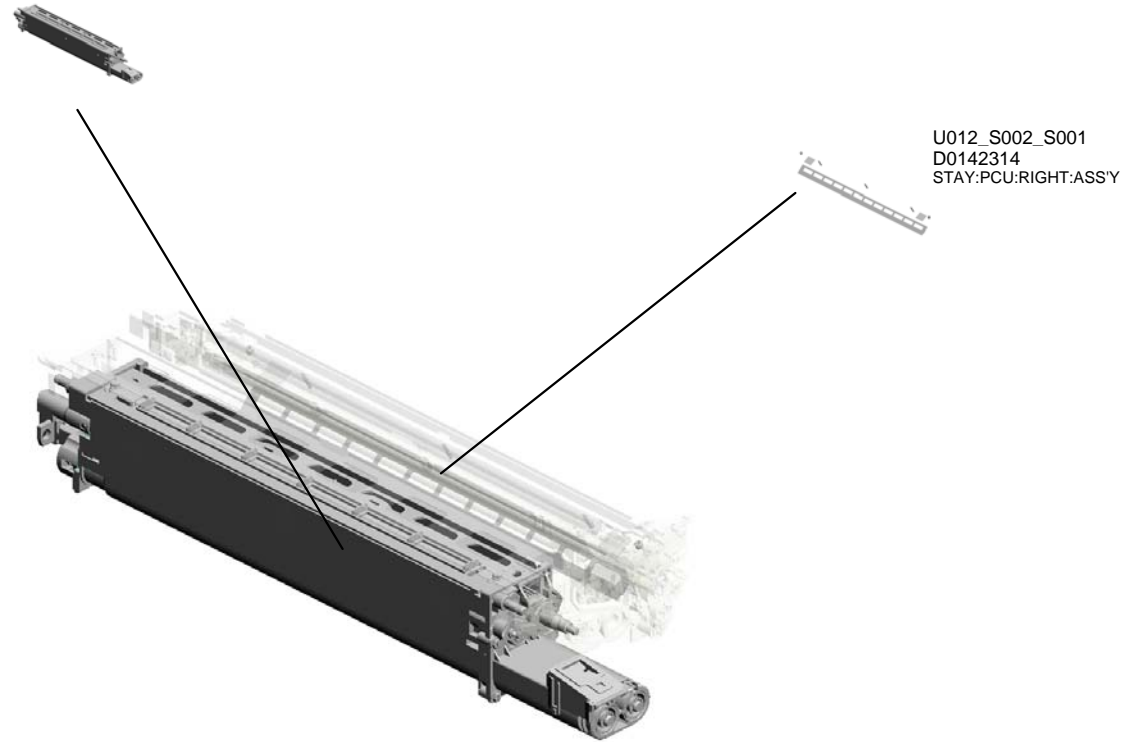


U012_S001_S001
D0142314
STAY:PCU:RIGHT:ASS'Y

| | | | | | | | | | | | | | | | | | | | | |
|------|------|------|------|------|------|------|------|------|------|------|------|------|------|------|------|------|------|------|------|------|
| U001 | U002 | U003 | U004 | U005 | U006 | U007 | U008 | U009 | U010 | U011 | U012 | U013 | U014 | U015 | U016 | U017 | U018 | U019 | U020 | U021 |
|------|------|------|------|------|------|------|------|------|------|------|------|------|------|------|------|------|------|------|------|------|

U012_S002.PCU:FC:SERVICE

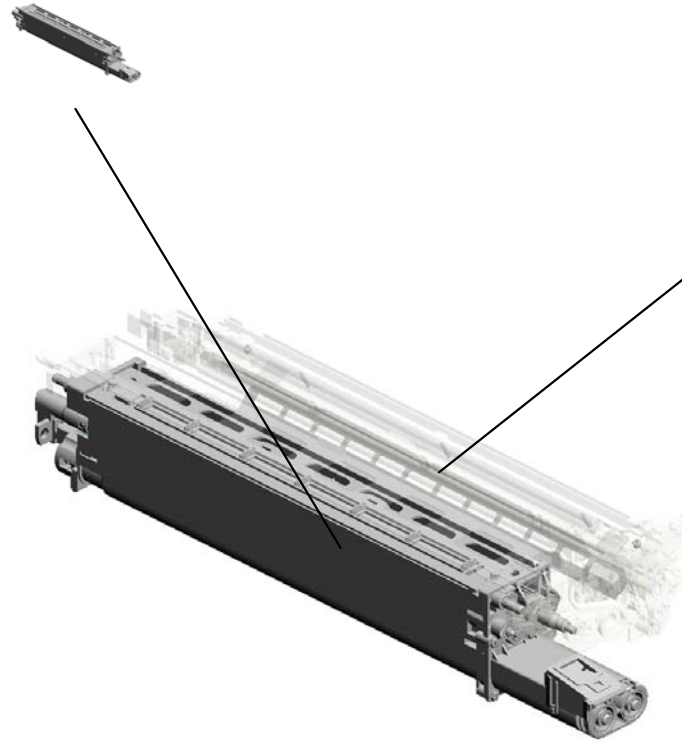
U012_S002_S002
D0813005
DEVELOPMENT UNIT:ASS'Y



| | | | | | | | | | | | | | | | | | | | | |
|------|------|------|------|------|------|------|------|------|------|------|------|------|------|------|------|------|------|------|------|------|
| U001 | U002 | U003 | U004 | U005 | U006 | U007 | U008 | U009 | U010 | U011 | U012 | U013 | U014 | U015 | U016 | U017 | U018 | U019 | U020 | U021 |
|------|------|------|------|------|------|------|------|------|------|------|------|------|------|------|------|------|------|------|------|------|

U012_S003.PCU:FC:SERVICE

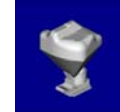
U012_S003_S002
D0813005
DEVELOPMENT UNIT:ASS'Y



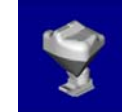
U012_S003_S001
D0142314
STAY:PCU:RIGHT:ASS'Y

| | | | | | | | | | | | | | | | | | | | | |
|------|------|------|------|------|------|------|------|------|------|------|------|------|------|------|------|------|------|------|------|------|
| U001 | U002 | U003 | U004 | U005 | U006 | U007 | U008 | U009 | U010 | U011 | U012 | U013 | U014 | U015 | U016 | U017 | U018 | U019 | U020 | U021 |
|------|------|------|------|------|------|------|------|------|------|------|------|------|------|------|------|------|------|------|------|------|

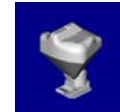
U012
PCU(COLOR)



75.D0819660
DEVELOPER:CYAN



76.D0819670
DEVELOPER:MAG
ENTA



77.D0819680
DEVELOPER:YELL
OW

U012_S001
PCU:FC:SERVICE



71.D0812216
PCU:FC:SERVICE

- 29.D0142302 BUSHING:BLADE:REAR
- 25.D0142297 SEAL - BLADE HOLDER
- 20.D0142278 DISCHARGE LAMP:LED ARRAY
- 18.D0142276 SEAL - TONER RECYCLING
- 17.D0142271 FRONT SEAL - DUCT

3.04503008N
(x6)
TAPPING SCREW - M3X8



24.D0142288
REAR SEAL - FRAME



23.D0142287
SEAL - REAR FRAME



15.D0142269
SEAL - DISCHARGE USED TONER



27.D0142300
REAR SEAL - BLADE BRACKET



12.B1323159
ADJUSTING PIN:MAGNETIC ROLLER



16.D0142270
SHIELD - FRONT MIDDLE CASE



28.D0142301
FRONT SEAL - BLADE BRACKET



26.D0142299
(x2)
SEAL - BLADE BRACKET



4.07200040E
RETAINING RING - M4



2.03603008N
(x2)
SCREW:M3X8



19.D0142277
LEVER - PCU



21.D0142279
SEAL - FRONT FRAME



1.03603006N
(x12)
SCREW - M3X6



22.D0142286
GEAR - 23Z



| | | | | | | | | | | | | | | | | | | | | |
|------|------|------|------|------|------|------|------|------|------|------|------|------|------|------|------|------|------|------|------|------|
| U001 | U002 | U003 | U004 | U005 | U006 | U007 | U008 | U009 | U010 | U011 | U012 | U013 | U014 | U015 | U016 | U017 | U018 | U019 | U020 | U021 |
|------|------|------|------|------|------|------|------|------|------|------|------|------|------|------|------|------|------|------|------|------|

U012_S001
PCU:FC:SERVICE



71.D0812216
PCU:FC:SERVICE

34.D0142321
COATING BAR

37.D0142327
BRACKET - COATING BAR

47.D0142365
STAYC - PCU RAIL

45.D0142349
RIGHT SEAL - COATING BAR BRACKET

38.D0142328
(x2)
SEAL - COATING BAR BRACKET

35.D0142324
(x2)
ARM - COATING BAR

36.D0142326
(x2)
TENSION SPRING - COATING BAR

48.D0142368
CLEANING BLADE - APPLY

46.D0142352
CLEANING BLADE

40.D0142335
BRUSH ROLLER - APPLY

31.D0142305
(x2)
COMPRESSION SPRING - BLADE

32.D0142306
(x2)
SPRING HOLDER

44.D0142347
GROUND PLATE - BRUSH ROLLER

39.D0142333
GEAR - 17Z

42.D0142345
IDLER GEAR - 23Z

49.D0142371
FRONT SEAL - BLADE GUIDE PLATE

30.D0142303
BUSHING:BLADE:FRONT

33.D0142307
SPRING:EARTH:BRUSH ROLLER

43.D0142346
IDLER GEAR - 22Z

41.D0142337
GEAR - 27Z

| | | | | | | | | | | | | | | | | | | | | |
|------|------|------|------|------|------|------|------|------|------|------|------|------|------|------|------|------|------|------|------|------|
| U001 | U002 | U003 | U004 | U005 | U006 | U007 | U008 | U009 | U010 | U011 | U012 | U013 | U014 | U015 | U016 | U017 | U018 | U019 | U020 | U021 |
|------|------|------|------|------|------|------|------|------|------|------|------|------|------|------|------|------|------|------|------|------|

U012_S001
PCU:FC:SERVICE

50.D0142374
REAR SEAL - BLADE
GUIDE PLATE

59.D0142439
SEAL:BLADE:APPL
Y:REAR MIDDLE

64.D0142479
COVER:DISCHARG
E LAMP

70.D0149510
OPC DRUM

55.D0142433
SEAL - BLADE GUI
DE PLATE



71.D0812216
PCU:FC:SERVICE

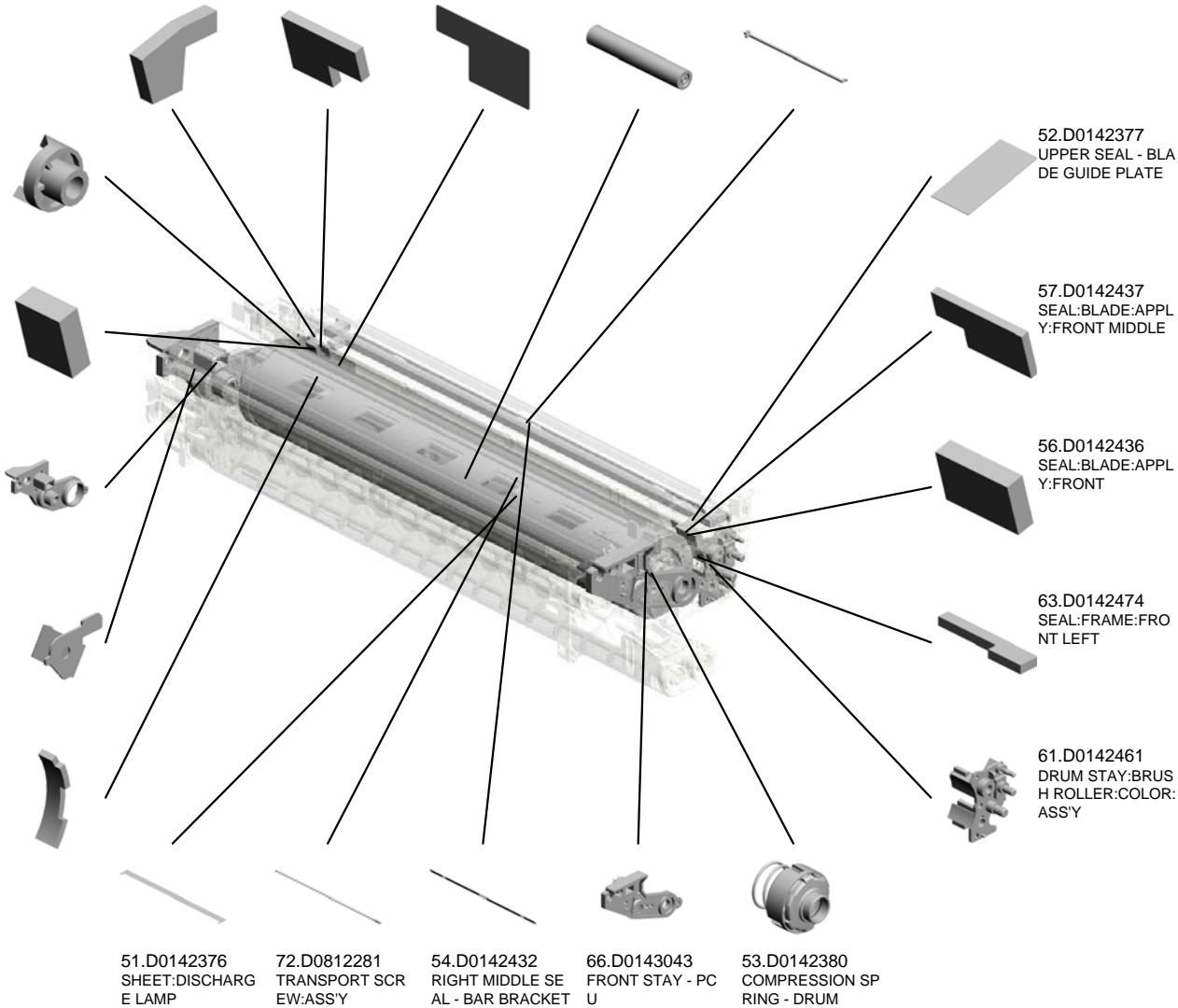
62.D0142465
JOINT:CLEANING
UNIT

58.D0142438
SEAL:BLADE:APPL
Y:REAR

67.D0143044
REAR STAY - PCU

69.D0143136
BRACKET:PLATE:J
OINT

60.D0142457
SHIELD:CASE:REA
R:COLOR



52.D0142377
UPPER SEAL - BLA
DE GUIDE PLATE

57.D0142437
SEAL:BLADE:APPL
Y:FRONT MIDDLE

56.D0142436
SEAL:BLADE:APPL
Y:FRONT

63.D0142474
SEAL:FRAME:FRO
NT LEFT

61.D0142461
DRUM STAY:BRUS
H ROLLER:COLOR:
ASSY

51.D0142376
SHEET:DISCHARG
E LAMP

72.D0812281
TRANSPORT SCR
EW:ASSY

54.D0142432
RIGHT MIDDLE SE
AL - BAR BRACKET

66.D0143043
FRONT STAY - PC
U

53.D0142380
COMPRESSION SP
RING - DRUM

U012_S001
PCU:FC:SERVICE

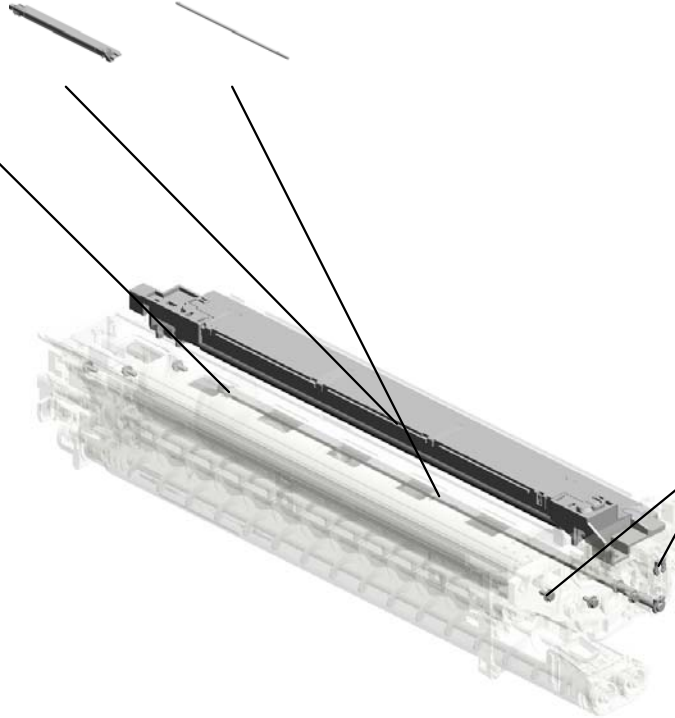
73.D0812441
CHARGE SECTION:
ASS'Y

74.D0812485
COLLECTION COIL
:ASS'Y



71.D0812216
PCU:FC:SERVICE

78.G0602343
(x2)
COLLAR:BRUSH R
OLLER:DIA6



81.8050097
(x2)
RING SEPARATOR

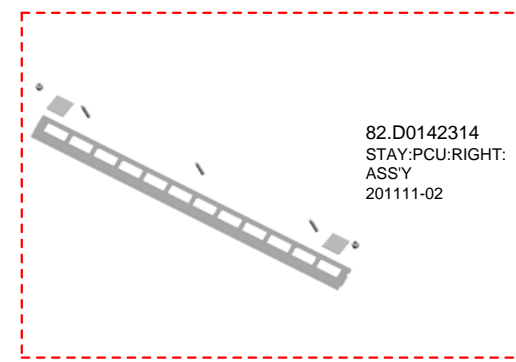
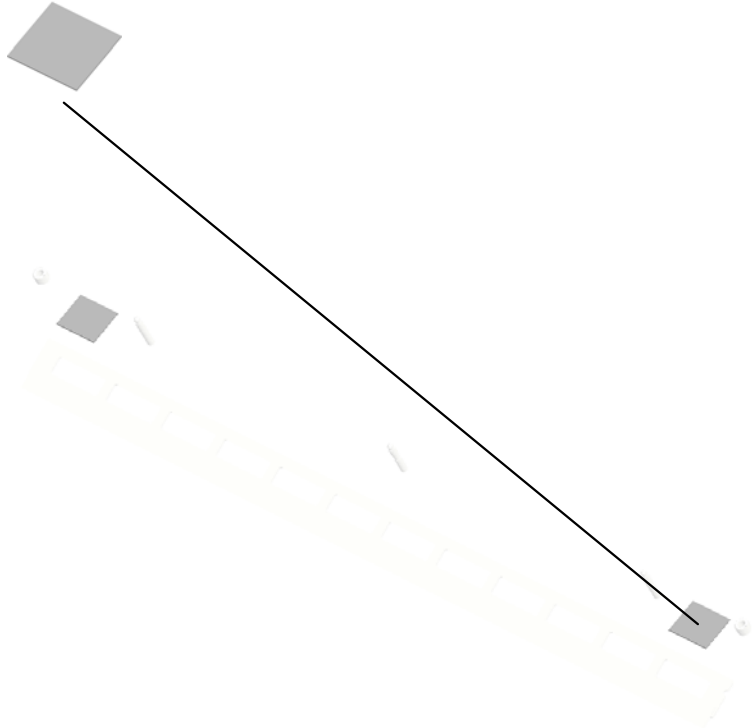


80.8046123
(x6)
HEXAGONAL BOLT
:W/WASHER:M3X8

| | | | | | | | | | | | | | | | | | | | | |
|------|------|------|------|------|------|------|------|------|------|------|------|------|------|------|------|------|------|------|------|------|
| U001 | U002 | U003 | U004 | U005 | U006 | U007 | U008 | U009 | U010 | U011 | U012 | U013 | U014 | U015 | U016 | U017 | U018 | U019 | U020 | U021 |
|------|------|------|------|------|------|------|------|------|------|------|------|------|------|------|------|------|------|------|------|------|

U012_S001_S001
STAY:PCU:RIGHT:ASS'Y

38.D0142328
(x2)
SEAL - COATING B
AR BRACKET



82.D0142314
STAY:PCU:RIGHT:
ASS'Y
201111-02

| | | | | | | | | | | | | | | | | | | | | |
|------|------|------|------|------|------|------|------|------|------|------|------|------|------|------|------|------|------|------|------|------|
| U001 | U002 | U003 | U004 | U005 | U006 | U007 | U008 | U009 | U010 | U011 | U012 | U013 | U014 | U015 | U016 | U017 | U018 | U019 | U020 | U021 |
|------|------|------|------|------|------|------|------|------|------|------|------|------|------|------|------|------|------|------|------|------|

U012_S001_S002
DEVELOPMENT UNIT:ASS'Y

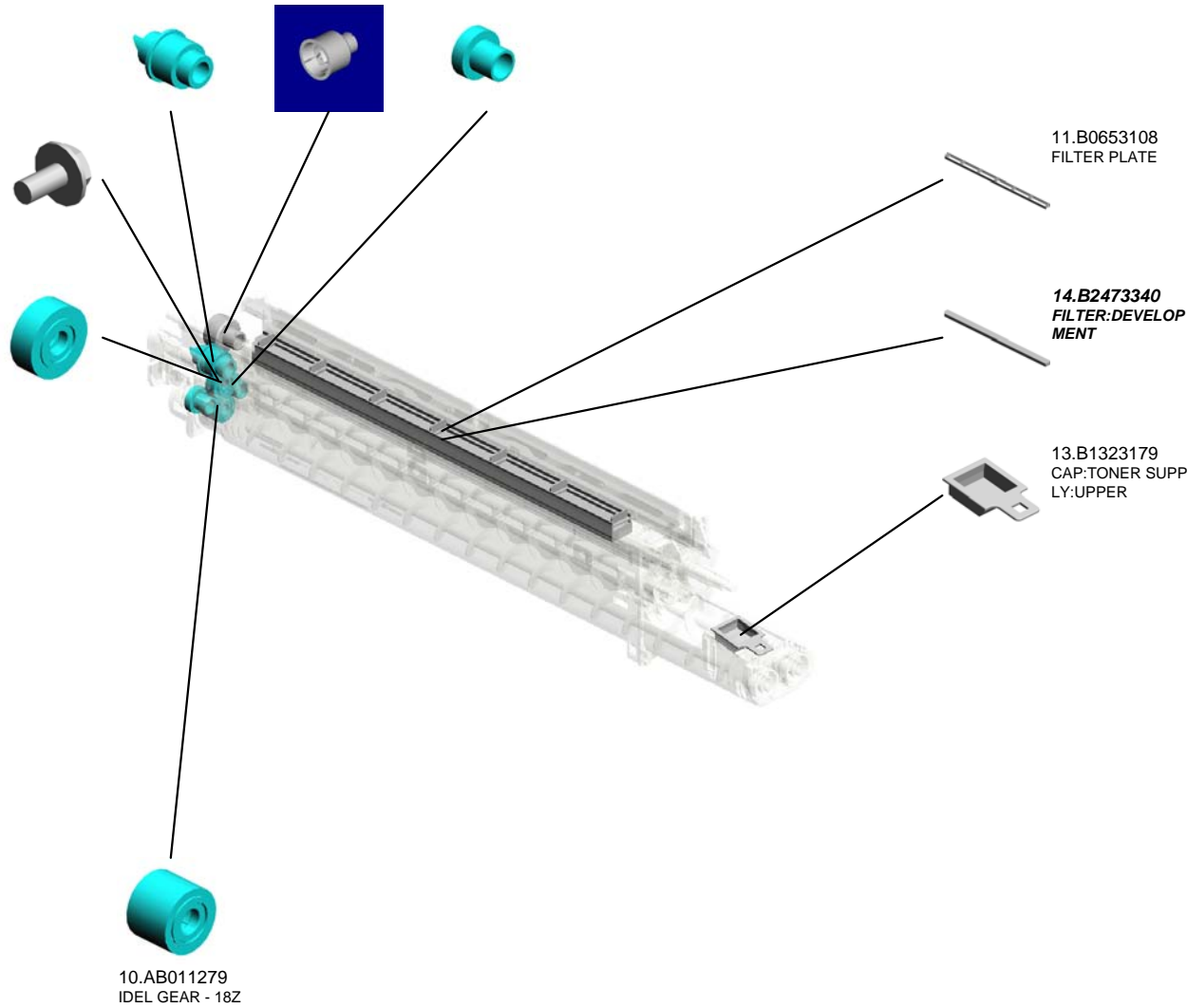
8.AB011276 JOINT GEAR - 180Z
68.D0143135 JOINT:DRIVE:DEV
ELOPMENT UNIT
7.AB011275 (x2)
GEAR - 17Z



79.D0813005
[A]
DEVELOPMENT U
NIT:ASS'Y
201003-01 X/O

1.03603006N
SCREW - M3X6

9.AB011277
IDEL GEAR - 21Z



D0143005
[A]
DEVELOPMENT U
NIT
201003-01 X/O

| | | | | | | | | | | | | | | | | | | | | |
|------|------|------|------|------|------|------|------|------|------|------|------|------|------|------|------|------|------|------|------|------|
| U001 | U002 | U003 | U004 | U005 | U006 | U007 | U008 | U009 | U010 | U011 | U012 | U013 | U014 | U015 | U016 | U017 | U018 | U019 | U020 | U021 |
|------|------|------|------|------|------|------|------|------|------|------|------|------|------|------|------|------|------|------|------|------|

U012_S002
PCU:FC:SERVICE



71.D0812216
PCU:FC:SERVICE

- 29.D0142302 BUSHING:BLADE:REAR
- 25.D0142297 SEAL - BLADE HOLDER
- 20.D0142278 DISCHARGE LAMP:LED ARRAY
- 18.D0142276 SEAL - TONER RECYCLING
- 17.D0142271 FRONT SEAL - DUCT

3.04503008N
(x6)
TAPPING SCREW - M3X8



24.D0142288
REAR SEAL - FRAME



23.D0142287
SEAL - REAR FRAME



15.D0142269
SEAL - DISCHARGE USED TONER



27.D0142300
REAR SEAL - BLADE BRACKET



12.B1323159
ADJUSTING PIN:MAGNETIC ROLLER



16.D0142270
SHIELD - FRONT MIDDLE CASE



28.D0142301
FRONT SEAL - BLADE BRACKET



26.D0142299
(x2)
SEAL - BLADE BRACKET



4.07200040E
RETAINING RING - M4



2.03603008N
(x2)
SCREW:M3X8



19.D0142277
LEVER - PCU



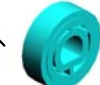
21.D0142279
SEAL - FRONT FRAME



1.03603006N
(x12)
SCREW - M3X6



22.D0142286
GEAR - 23Z



| | | | | | | | | | | | | | | | | | | | | |
|------|------|------|------|------|------|------|------|------|------|------|------|------|------|------|------|------|------|------|------|------|
| U001 | U002 | U003 | U004 | U005 | U006 | U007 | U008 | U009 | U010 | U011 | U012 | U013 | U014 | U015 | U016 | U017 | U018 | U019 | U020 | U021 |
|------|------|------|------|------|------|------|------|------|------|------|------|------|------|------|------|------|------|------|------|------|

U012_S002
PCU:FC:SERVICE



71.D0812216
PCU:FC:SERVICE

34.D0142321
COATING BAR

37.D0142327
BRACKET - COATING BAR

47.D0142365
STAYC - PCU RAIL

45.D0142349
RIGHT SEAL - COATING BAR BRACKET

38.D0142328
(x2)
SEAL - COATING BAR BRACKET

35.D0142324
(x2)
ARM - COATING BAR

36.D0142326
(x2)
TENSION SPRING - COATING BAR

48.D0142368
CLEANING BLADE - APPLY

46.D0142352
CLEANING BLADE

40.D0142335
BRUSH ROLLER - APPLY

31.D0142305
(x2)
COMPRESSION SPRING - BLADE

32.D0142306
(x2)
SPRING HOLDER

44.D0142347
GROUND PLATE - BRUSH ROLLER

39.D0142333
GEAR - 17Z

42.D0142345
IDLER GEAR - 23Z

49.D0142371
FRONT SEAL - BLADE GUIDE PLATE

30.D0142303
BUSHING:BLADE:FRONT

33.D0142307
SPRING:EARTH:BRUSH ROLLER

43.D0142346
IDLER GEAR - 22Z

41.D0142337
GEAR - 27Z

| | | | | | | | | | | | | | | | | | | | | |
|------|------|------|------|------|------|------|------|------|------|------|------|------|------|------|------|------|------|------|------|------|
| U001 | U002 | U003 | U004 | U005 | U006 | U007 | U008 | U009 | U010 | U011 | U012 | U013 | U014 | U015 | U016 | U017 | U018 | U019 | U020 | U021 |
|------|------|------|------|------|------|------|------|------|------|------|------|------|------|------|------|------|------|------|------|------|

U012_S002
PCU:FC:SERVICE

50.D0142374
REAR SEAL - BLADE
GUIDE PLATE

59.D0142439
SEAL:BLADE:APPL
Y:REAR MIDDLE

64.D0142479
COVER:DISCHARG
E LAMP

70.D0149510
OPC DRUM

55.D0142433
SEAL - BLADE GUI
DE PLATE



71.D0812216
PCU:FC:SERVICE

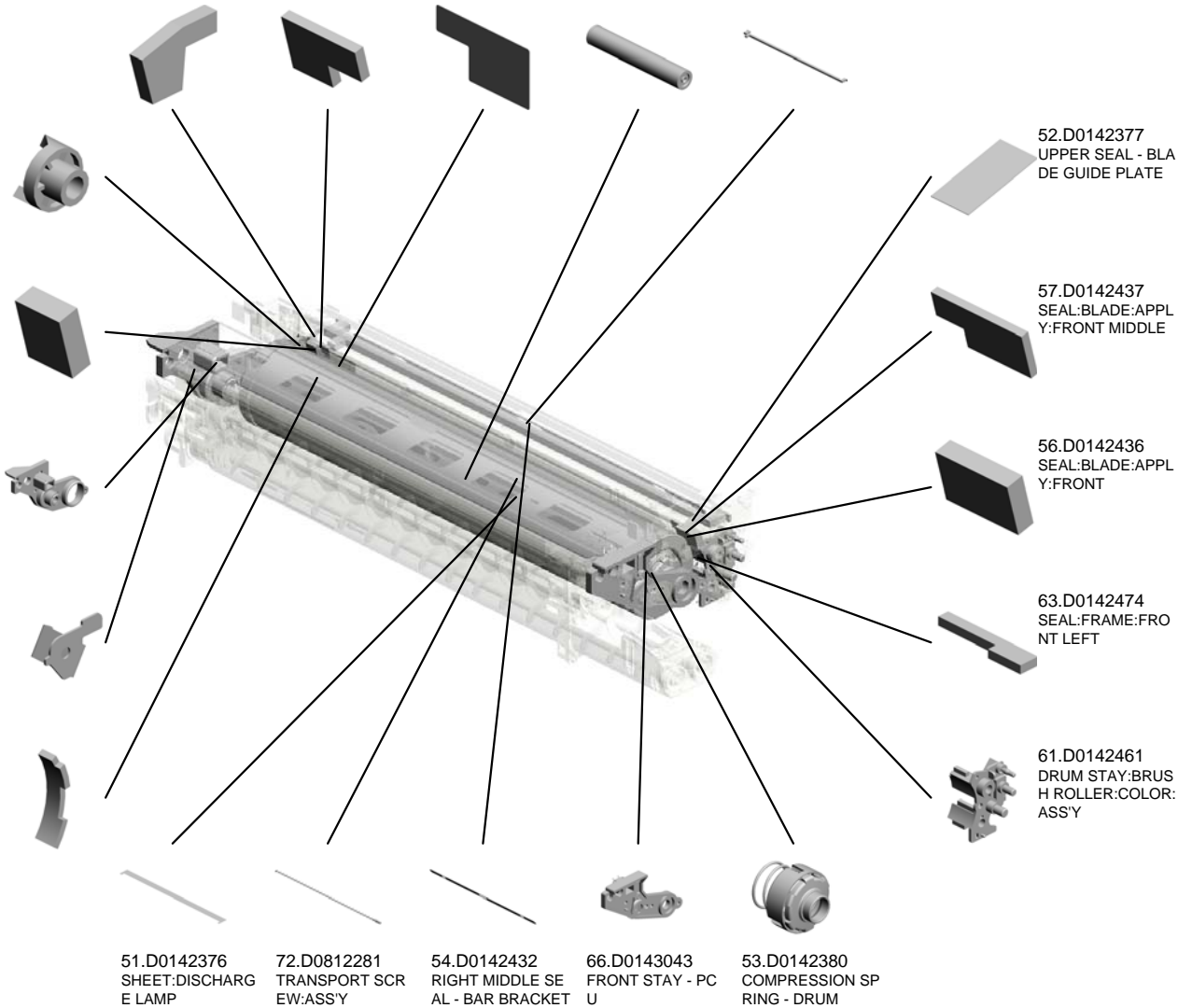
62.D0142465
JOINT:CLEANING
UNIT

58.D0142438
SEAL:BLADE:APPL
Y:REAR

67.D0143044
REAR STAY - PCU

69.D0143136
BRACKET:PLATE:J
OINT

60.D0142457
SHIELD:CASE:REA
R:COLOR



52.D0142377
UPPER SEAL - BLA
DE GUIDE PLATE

57.D0142437
SEAL:BLADE:APPL
Y:FRONT MIDDLE

56.D0142436
SEAL:BLADE:APPL
Y:FRONT

63.D0142474
SEAL:FRAME:FRO
NT LEFT

61.D0142461
DRUM STAY:BRUS
H ROLLER:COLOR:
ASSY

51.D0142376
SHEET:DISCHARG
E LAMP

72.D0812281
TRANSPORT SCR
EW:ASSY

54.D0142432
RIGHT MIDDLE SE
AL - BAR BRACKET

66.D0143043
FRONT STAY - PC
U

53.D0142380
COMPRESSION SP
RING - DRUM

U012_S002
PCU:FC:SERVICE

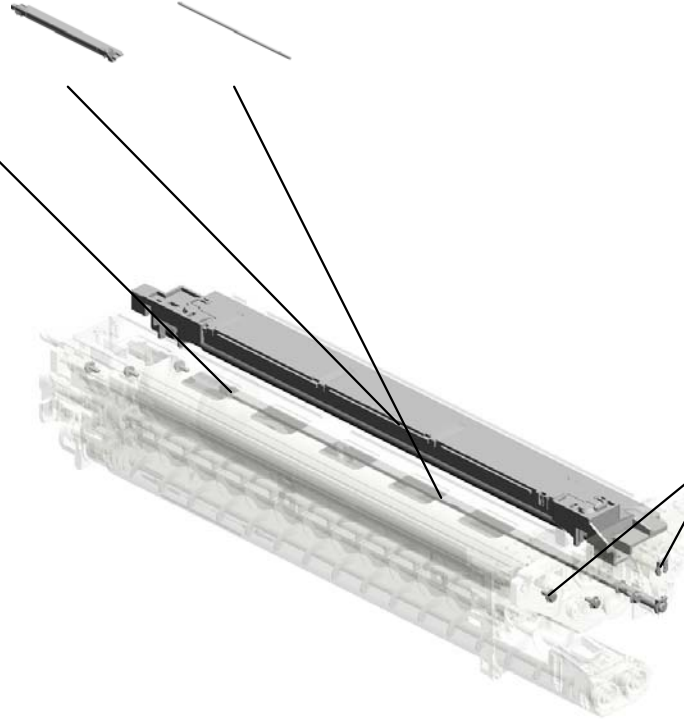
73.D0812441
CHARGE SECTION:
ASS'Y

74.D0812485
COLLECTION COIL
:ASS'Y



71.D0812216
PCU:FC:SERVICE

78.G0602343
(x2)
COLLAR:BRUSH R
OLLER:DIA6



81.8050097
(x2)
RING SEPARATOR

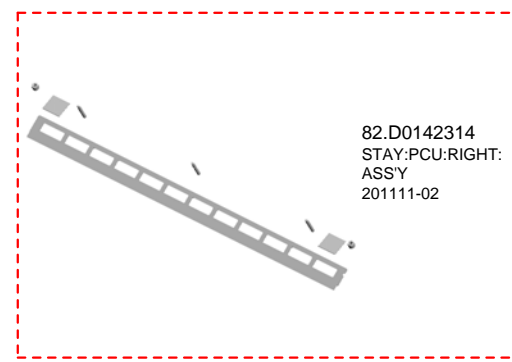
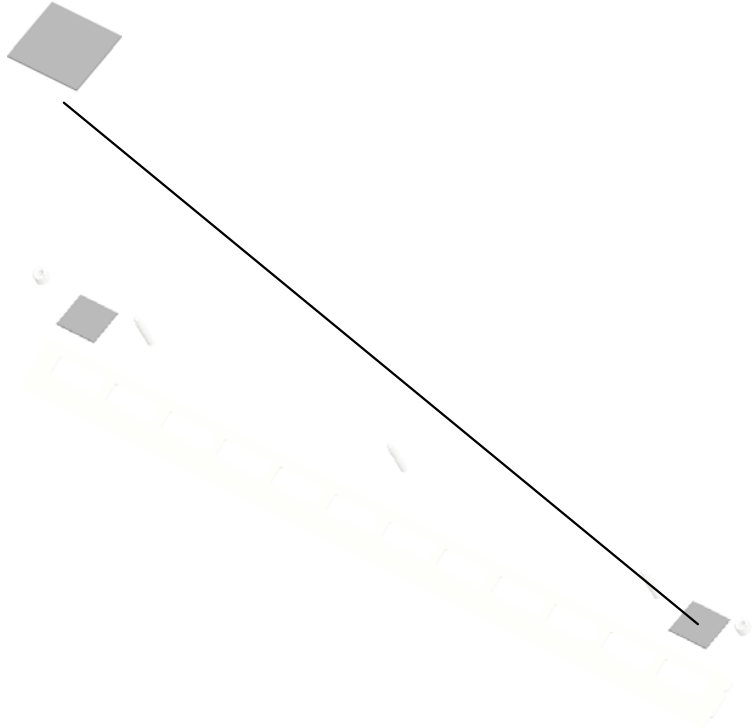


80.8046123
(x6)
HEXAGONAL BOLT
:W/WASHER:M3X8

| | | | | | | | | | | | | | | | | | | | | |
|------|------|------|------|------|------|------|------|------|------|------|------|------|------|------|------|------|------|------|------|------|
| U001 | U002 | U003 | U004 | U005 | U006 | U007 | U008 | U009 | U010 | U011 | U012 | U013 | U014 | U015 | U016 | U017 | U018 | U019 | U020 | U021 |
|------|------|------|------|------|------|------|------|------|------|------|------|------|------|------|------|------|------|------|------|------|

U012_S002_S001
STAY:PCU:RIGHT:ASS'Y

38.D0142328
(x2)
SEAL - COATING B
AR BRACKET



82.D0142314
STAY:PCU:RIGHT:
ASS'Y
201111-02

| | | | | | | | | | | | | | | | | | | | | |
|------|------|------|------|------|------|------|------|------|------|------|------|------|------|------|------|------|------|------|------|------|
| U001 | U002 | U003 | U004 | U005 | U006 | U007 | U008 | U009 | U010 | U011 | U012 | U013 | U014 | U015 | U016 | U017 | U018 | U019 | U020 | U021 |
|------|------|------|------|------|------|------|------|------|------|------|------|------|------|------|------|------|------|------|------|------|

U012_S002_S002
DEVELOPMENT UNIT:ASS'Y

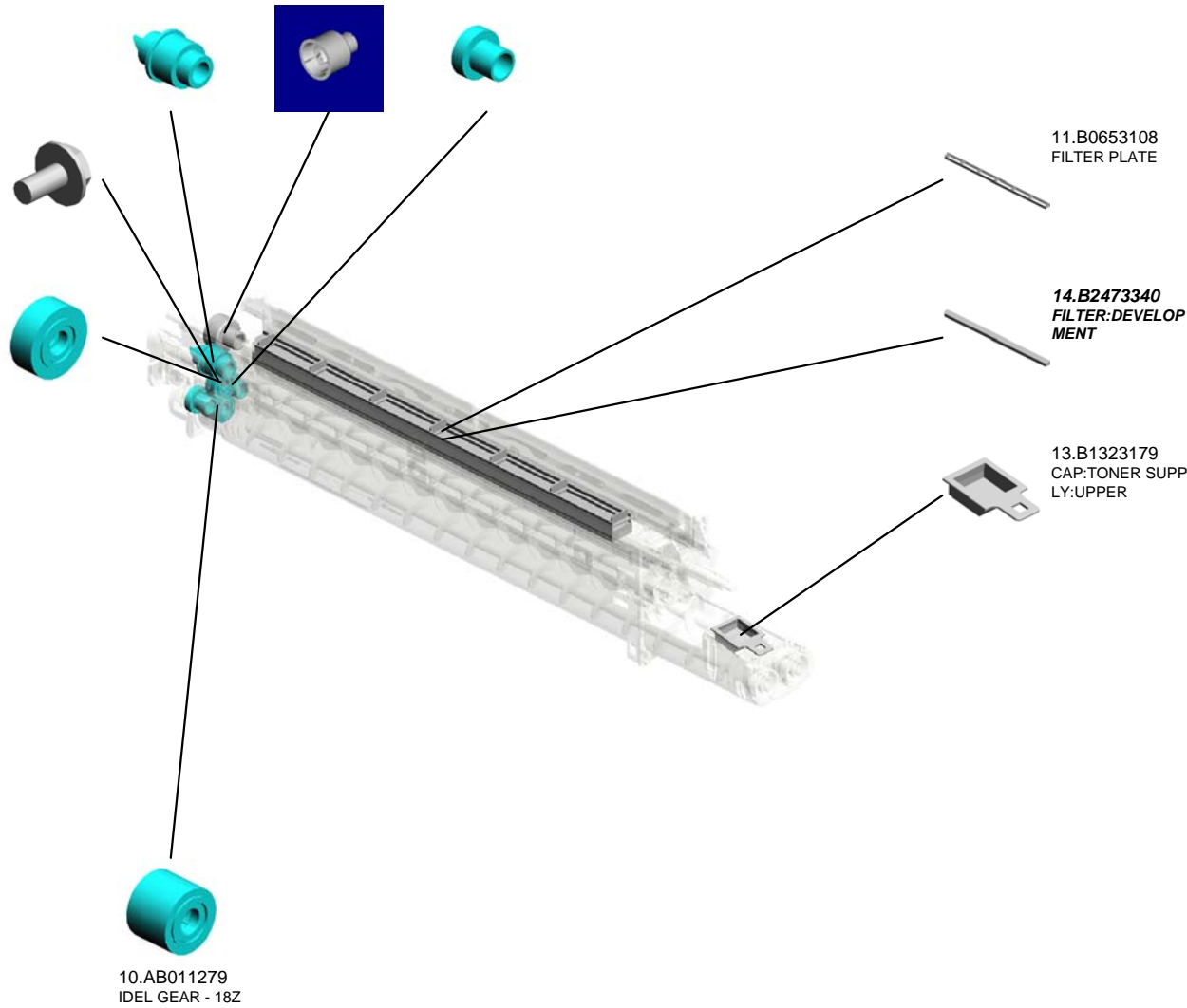
8.AB011276 JOINT GEAR - 180Z
68.D0143135 JOINT:DRIVE:DEV
ELOPMENT UNIT
7.AB011275 (x2)
GEAR - 17Z



79.D0813005
[A]
DEVELOPMENT U
NIT:ASS'Y
201003-01 X/O

1.03603006N
SCREW - M3X6

9.AB011277
IDEL GEAR - 21Z



D0143005
[A]
DEVELOPMENT U
NIT
201003-01 X/O

| | | | | | | | | | | | | | | | | | | | | |
|------|------|------|------|------|------|------|------|------|------|------|------|------|------|------|------|------|------|------|------|------|
| U001 | U002 | U003 | U004 | U005 | U006 | U007 | U008 | U009 | U010 | U011 | U012 | U013 | U014 | U015 | U016 | U017 | U018 | U019 | U020 | U021 |
|------|------|------|------|------|------|------|------|------|------|------|------|------|------|------|------|------|------|------|------|------|

U012_S003
PCU:FC:SERVICE



71.D0812216
PCU:FC:SERVICE

- 29.D0142302 BUSHING:BLADE:REAR
- 25.D0142297 SEAL - BLADE HOLDER
- 20.D0142278 DISCHARGE LAMP:LED ARRAY
- 18.D0142276 SEAL - TONER RECYCLING
- 17.D0142271 FRONT SEAL - DUCT

3.04503008N
(x6)
TAPPING SCREW - M3X8

24.D0142288
REAR SEAL - FRAME

23.D0142287
SEAL - REAR FRAME

15.D0142269
SEAL - DISCHARGE USED TONER

27.D0142300
REAR SEAL - BLADE BRACKET

12.B1323159
ADJUSTING PIN:MAGNETIC ROLLER

16.D0142270
SHIELD - FRONT MIDDLE CASE

28.D0142301
FRONT SEAL - BLADE BRACKET

26.D0142299
(x2)
SEAL - BLADE BRACKET

4.07200040E
RETAINING RING - M4

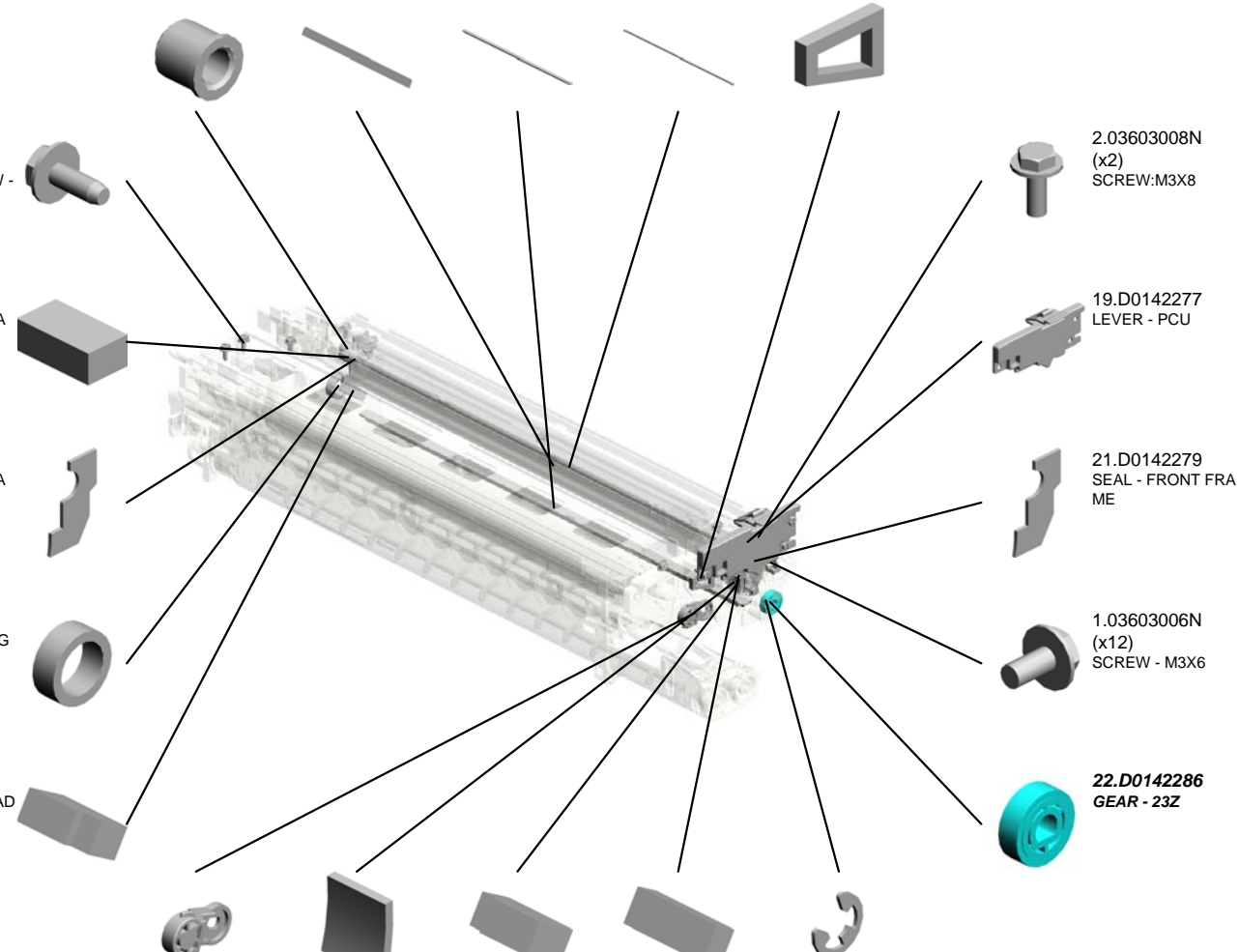
2.03603008N
(x2)
SCREW:M3X8

19.D0142277
LEVER - PCU

21.D0142279
SEAL - FRONT FRAME

1.03603006N
(x12)
SCREW - M3X6

22.D0142286
GEAR - 23Z



U012_S003
PCU:FC:SERVICE



71.D0812216
PCU:FC:SERVICE

34.D0142321
COATING BAR

37.D0142327
BRACKET - COATING BAR

47.D0142365
STAYC - PCU RAIL

45.D0142349
RIGHT SEAL - COATING BAR BRACKET

38.D0142328
(x2)
SEAL - COATING BAR BRACKET

35.D0142324
(x2)
ARM - COATING BAR

36.D0142326
(x2)
TENSION SPRING - COATING BAR

48.D0142368
CLEANING BLADE - APPLY

46.D0142352
CLEANING BLADE

40.D0142335
BRUSH ROLLER - APPLY

31.D0142305
(x2)
COMPRESSION SPRING - BLADE

32.D0142306
(x2)
SPRING HOLDER

44.D0142347
GROUND PLATE - BRUSH ROLLER

39.D0142333
GEAR - 17Z

42.D0142345
IDLER GEAR - 23Z

49.D0142371
FRONT SEAL - BLADE GUIDE PLATE

30.D0142303
BUSHING:BLADE:FRONT

33.D0142307
SPRING:EARTH:BRUSH ROLLER

43.D0142346
IDLER GEAR - 22Z

41.D0142337
GEAR - 27Z

| | | | | | | | | | | | | | | | | | | | | |
|------|------|------|------|------|------|------|------|------|------|------|------|------|------|------|------|------|------|------|------|------|
| U001 | U002 | U003 | U004 | U005 | U006 | U007 | U008 | U009 | U010 | U011 | U012 | U013 | U014 | U015 | U016 | U017 | U018 | U019 | U020 | U021 |
|------|------|------|------|------|------|------|------|------|------|------|------|------|------|------|------|------|------|------|------|------|

U012_S003
PCU:FC:SERVICE

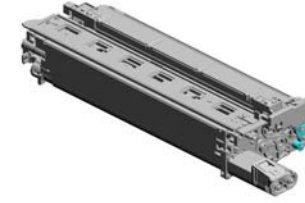
50.D0142374
REAR SEAL - BLADE
GUIDE PLATE

59.D0142439
SEAL:BLADE:APPL
Y:REAR MIDDLE

64.D0142479
COVER:DISCHARG
E LAMP

70.D0149510
OPC DRUM

55.D0142433
SEAL - BLADE GUI
DE PLATE



71.D0812216
PCU:FC:SERVICE

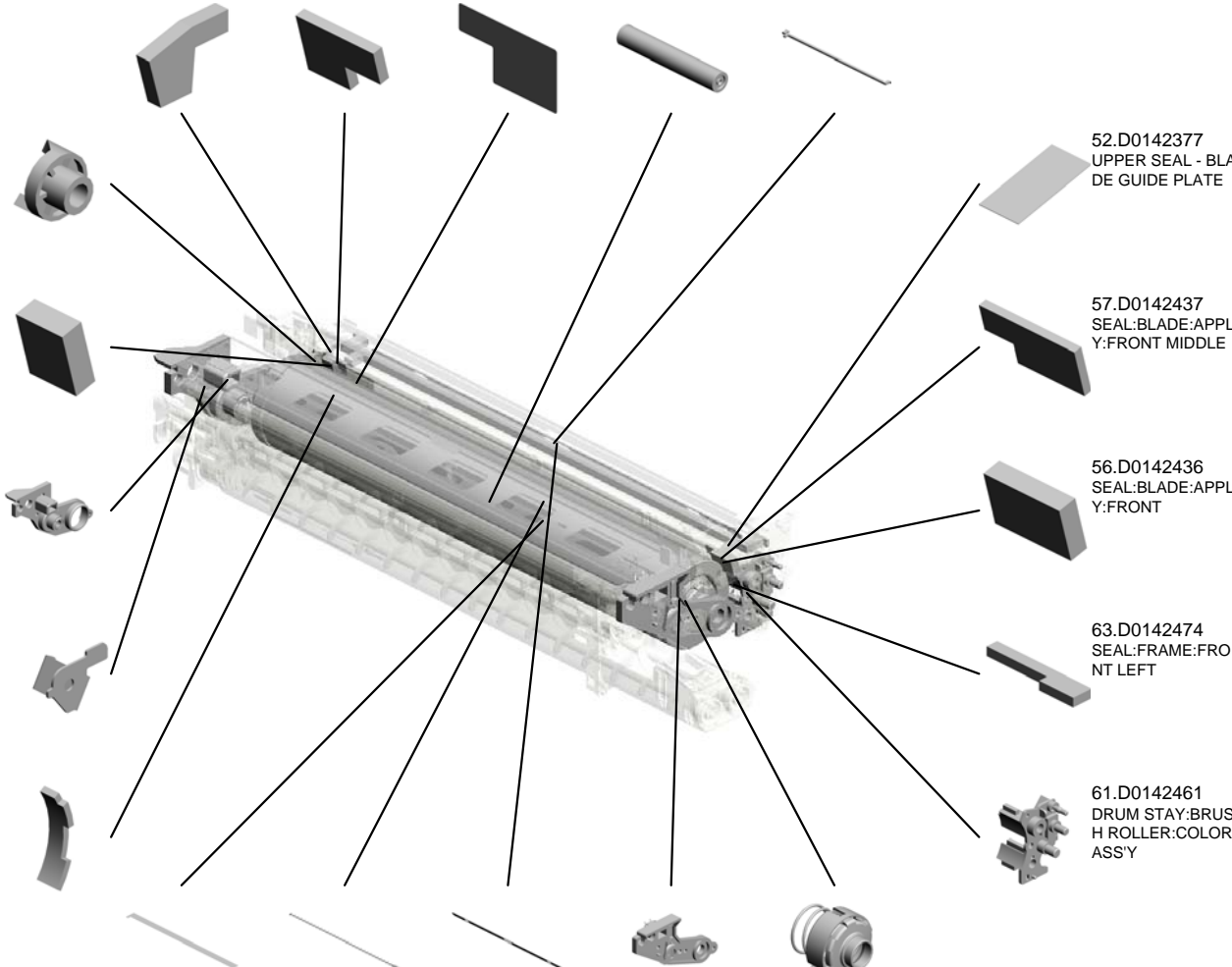
62.D0142465
JOINT:CLEANING
UNIT

58.D0142438
SEAL:BLADE:APPL
Y:REAR

67.D0143044
REAR STAY - PCU

69.D0143136
BRACKET:PLATE:J
OINT

60.D0142457
SHIELD:CASE:REA
R:COLOR



52.D0142377
UPPER SEAL - BLA
DE GUIDE PLATE

57.D0142437
SEAL:BLADE:APPL
Y:FRONT MIDDLE

56.D0142436
SEAL:BLADE:APPL
Y:FRONT

63.D0142474
SEAL:FRAME:FRO
NT LEFT

61.D0142461
DRUM STAY:BRUS
H ROLLER:COLOR:
ASSY

51.D0142376
SHEET:DISCHARG
E LAMP

72.D0812281
TRANSPORT SCR
EW:ASSY

54.D0142432
RIGHT MIDDLE SE
AL - BAR BRACKET

66.D0143043
FRONT STAY - PC
U

53.D0142380
COMPRESSION SP
RING - DRUM

U012_S003
PCU:FC:SERVICE

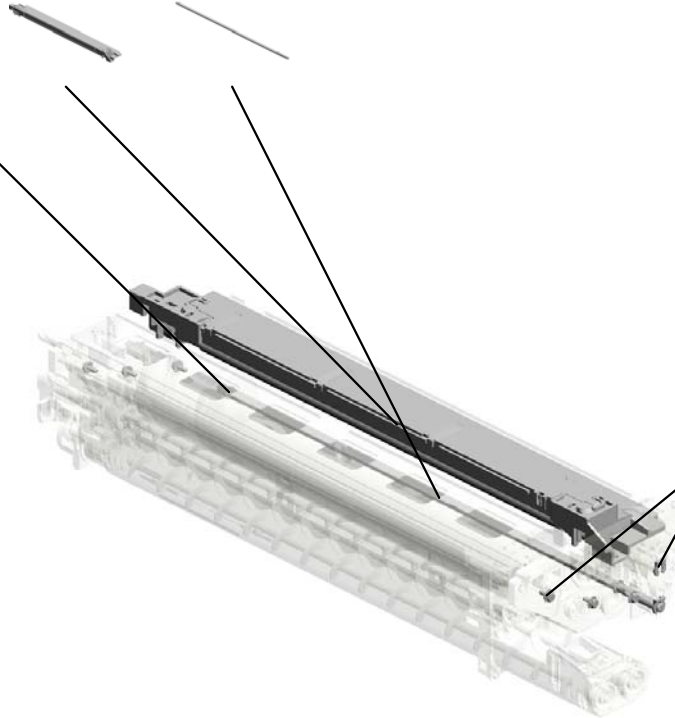
73.D0812441
CHARGE SECTION:
ASS'Y

74.D0812485
COLLECTION COIL
:ASS'Y



71.D0812216
PCU:FC:SERVICE

78.G0602343
(x2)
COLLAR:BRUSH R
OLLER:DIA6



81.8050097
(x2)
RING SEPARATOR

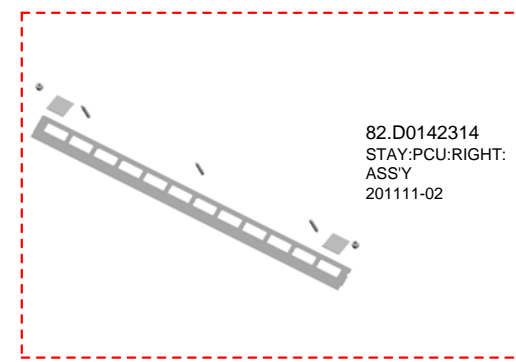
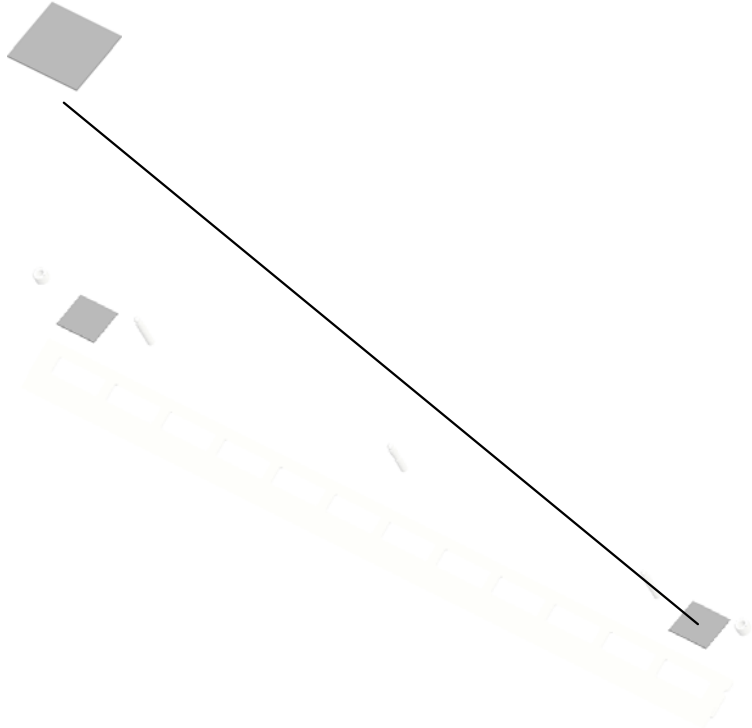


80.8046123
(x6)
HEXAGONAL BOLT
:W/WASHER:M3X8

| | | | | | | | | | | | | | | | | | | | | |
|------|------|------|------|------|------|------|------|------|------|------|------|------|------|------|------|------|------|------|------|------|
| U001 | U002 | U003 | U004 | U005 | U006 | U007 | U008 | U009 | U010 | U011 | U012 | U013 | U014 | U015 | U016 | U017 | U018 | U019 | U020 | U021 |
|------|------|------|------|------|------|------|------|------|------|------|------|------|------|------|------|------|------|------|------|------|

U012_S003_S001
STAY:PCU:RIGHT:ASS'Y

38.D0142328
(x2)
SEAL - COATING B
AR BRACKET



82.D0142314
STAY:PCU:RIGHT:
ASS'Y
201111-02

| | | | | | | | | | | | | | | | | | | | | |
|------|------|------|------|------|------|------|------|------|------|------|------|------|------|------|------|------|------|------|------|------|
| U001 | U002 | U003 | U004 | U005 | U006 | U007 | U008 | U009 | U010 | U011 | U012 | U013 | U014 | U015 | U016 | U017 | U018 | U019 | U020 | U021 |
|------|------|------|------|------|------|------|------|------|------|------|------|------|------|------|------|------|------|------|------|------|

U012_S003_S002
DEVELOPMENT UNIT:ASS'Y

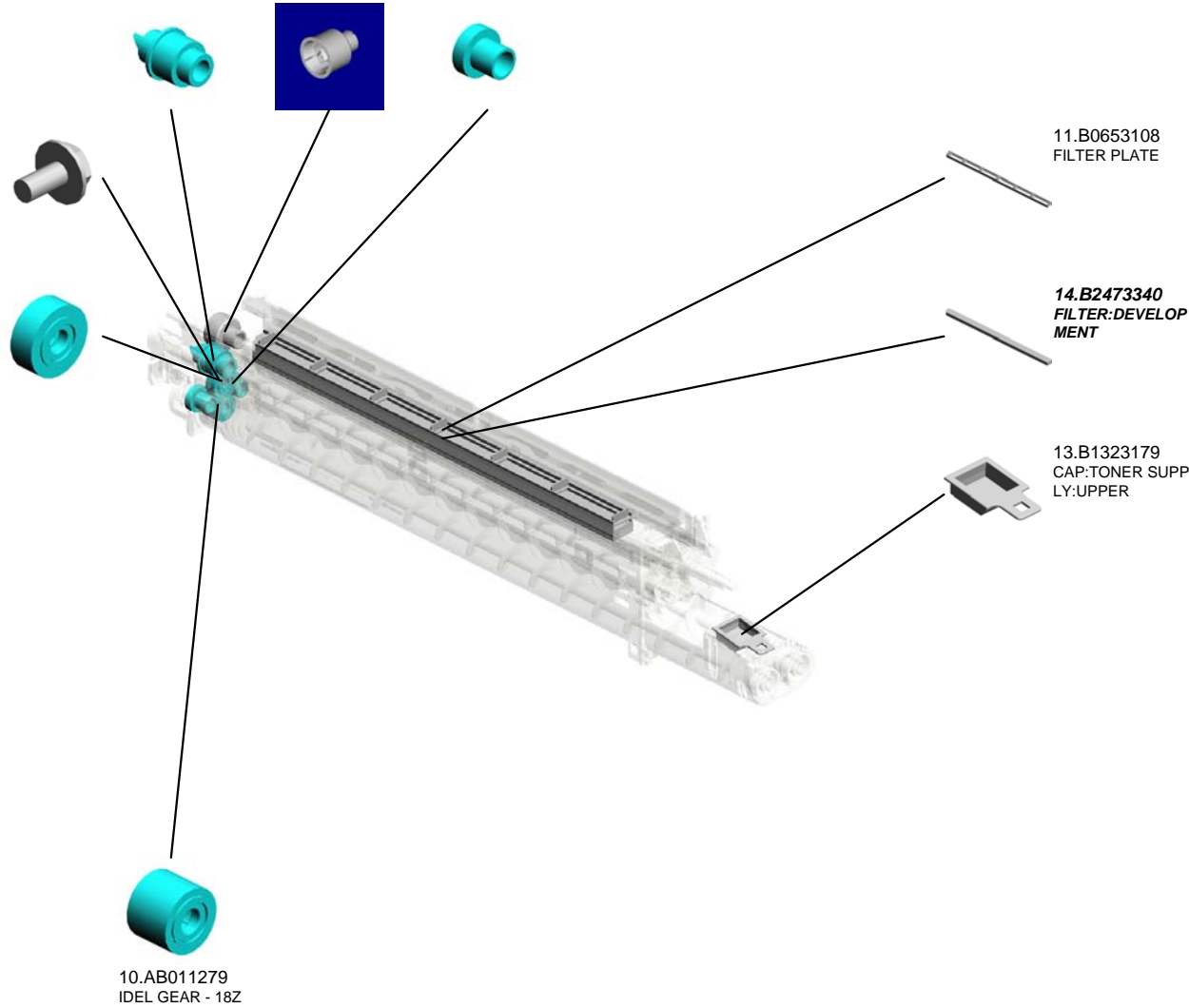
8.AB011276 JOINT GEAR - 180Z
68.D0143135 JOINT:DRIVE:DEV
ELOPMENT UNIT
7.AB011275 (x2)
GEAR - 17Z



79.D0813005
[A]
DEVELOPMENT U
NIT:ASS'Y
201003-01 X/O

1.03603006N
SCREW - M3X6

9.AB011277
IDEL GEAR - 21Z

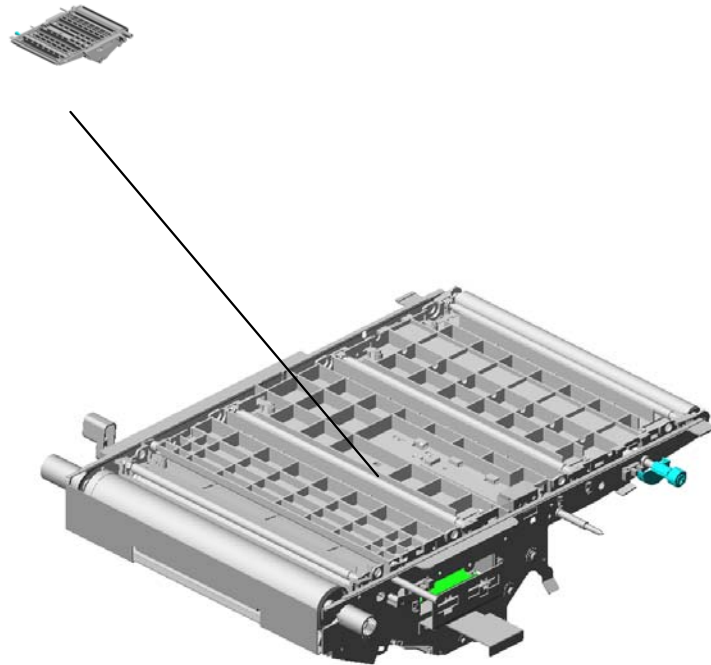


D0143005
[A]
DEVELOPMENT U
NIT
201003-01 X/O

| | | | | | | | | | | | | | | | | | | | | |
|------|------|------|------|------|------|------|------|------|------|------|------|------|------|------|------|------|------|------|------|------|
| U001 | U002 | U003 | U004 | U005 | U006 | U007 | U008 | U009 | U010 | U011 | U012 | U013 | U014 | U015 | U016 | U017 | U018 | U019 | U020 | U021 |
|------|------|------|------|------|------|------|------|------|------|------|------|------|------|------|------|------|------|------|------|------|

U013.IMAGE TRANSFER

U013_S001
D0816001
TRANSFER UNIT:MIDDLE:AS
SY



| | | | | | | | | | | | | | | | | | | | | |
|------|------|------|------|------|------|------|------|------|------|------|------|------|------|------|------|------|------|------|------|------|
| U001 | U002 | U003 | U004 | U005 | U006 | U007 | U008 | U009 | U010 | U011 | U012 | U013 | U014 | U015 | U016 | U017 | U018 | U019 | U020 | U021 |
|------|------|------|------|------|------|------|------|------|------|------|------|------|------|------|------|------|------|------|------|------|

U013_S001.TRANSFER UNIT:MIDDLE:ASS'Y

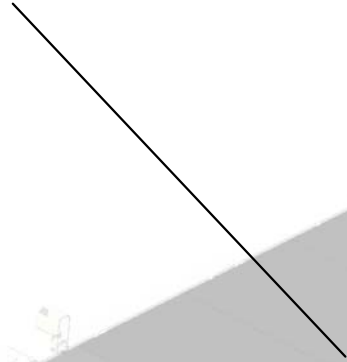
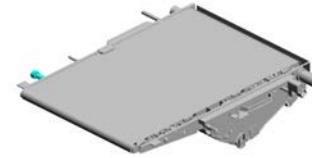
U013_S001_S001
D0146122
BRACKET:POSITIONING SE
NSOR:INTERMEDIATE TRAN
SFER:ASS'Y



| | | | | | | | | | | | | | | | | | | | | |
|------|------|------|------|------|------|------|------|------|------|------|------|------|------|------|------|------|------|------|------|------|
| U001 | U002 | U003 | U004 | U005 | U006 | U007 | U008 | U009 | U010 | U011 | U012 | U013 | U014 | U015 | U016 | U017 | U018 | U019 | U020 | U021 |
|------|------|------|------|------|------|------|------|------|------|------|------|------|------|------|------|------|------|------|------|------|

U013
IMAGE TRANSFER

66.D0816050
INTERMEDIATE TR
ANSFER BELT:ASS
y



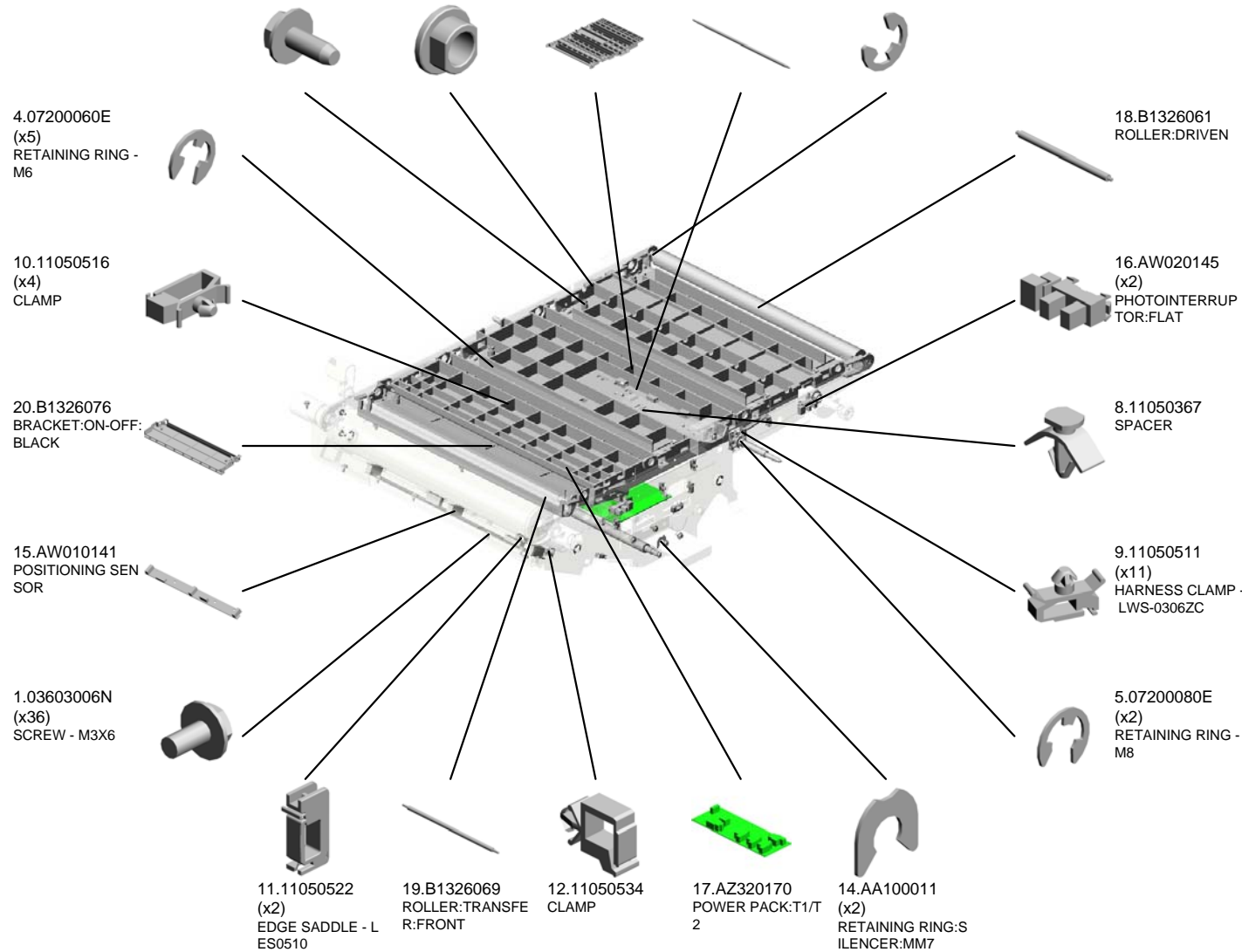
| | | | | | | | | | | | | | | | | | | | | |
|------|------|------|------|------|------|------|------|------|------|------|------|------|------|------|------|------|------|------|------|------|
| U001 | U002 | U003 | U004 | U005 | U006 | U007 | U008 | U009 | U010 | U011 | U012 | U013 | U014 | U015 | U016 | U017 | U018 | U019 | U020 | U021 |
|------|------|------|------|------|------|------|------|------|------|------|------|------|------|------|------|------|------|------|------|------|

U013_S001 TRANSFER UNIT:MIDDLE:ASS'Y

- 2.04503008N (x6) TAPPING SCREW - M3X8
- 13.AA082104 (x2) BUSHING - 8X12X7
- 21.B1326077 BRACKET:COLLAR
- 22.B1326094 SHAFT:POSITIONING
- 3.07200040E (x2) RETAINING RING - M4



65.D0816001
TRANSFER UNIT:MIDDLE:ASS'Y



U013_S001 TRANSFER UNIT:MIDDLE:ASS'Y



65.D0816001
TRANSFER UNIT:M
IDDLE:ASS'Y

33.B1326137 TERMINAL:BLACK
23.B1326098 (x2) SHAFT:CONTACT POINT:COLLAR
39.B1326165 PLATE:BRACKE
40.B1326170 (x2) GUARD:RIGHT
41.B1326171 (x2) GUARD:LEFT

30.B1326132 GRIP:ON-OFF

24.B1326111 (x2) CAM:ON-OFF

32.B1326136 COMPRESSION SPRING:PLATE:INTERMEDIATE TRANSFER

31.B1326134 PLATE:INTERMEDIATE TRANSFER:FRONT

38.B1326157 STOPPER:ON-OFF

27.B1326121 DUCT

35.B1326143 HOLDER:OPPOSITE:TRANSFER:FRONT

28.B1326124 SPRING PLATE:CAM

26.B1326114 CAM:ON-OFF:BLACK

37.B1326156 STAND

34.B1326140 TERMINAL:COLLAR

36.B1326149 (x2) TERMINAL:YELLOW

25.B1326112 SHAFT:CAM:COLLAR

29.B1326130 GEAR:16Z

42.B1326172 GUARD:REAR

U013_S001 TRANSFER UNIT:MIDDLE:ASS'Y



65.D0816001
TRANSFER UNIT:M
IDDLE:ASS'Y

44.B7125605
GRIP:APPLICATIO
N

58.D0146144
(x3)
COMPRESSION SP
RING

48.D0146070
(x4)
ROLLER:INTERME
DIATE TRANSFER:
ASS'Y

54.D0146123
SHAFT:CAM

52.D0146119
(x2)
CAM:ON-OFF

50.D0146115
(x4)
BUSHING:INTERM
EDIATE TRANSFER
R

55.D0146135
SPRING:TRANSFER:
BLACK:FRONT

43.B1326175
JOINT:INTERMEDI
ATE TRANSFER:FR
ONT:ASS'Y

46.D0146055
ROLLER:DRIVE

47.D0146065
ROLLER:OPPOSE
D:DENSITY SENS
OR

59.D0146145
INSULATING SHEE
T:POWER PACK:IN
TERMEDIATE TRA
NSFER

49.D0146073
ROLLER:OPPOSE
D:TRANSFER:PAP
ER

51.D0146116
(x4)
BUSHING:INTERM
EDIATE TRANSFER
R

56.D0146136
SPRING:TRANSFER:
BLACK:REAR

61.D0146151
SHIELDING PLATE:
BLACK

57.D0146141
POSITIONING SEN
SOR

63.D0146190
(x2)
ROLLER:OPPOSE
D:BELT CLEANING

62.D0146168
PLATE:UPPER:PO
SITIONING SENSO
R

60.D0146147
(x3)
COMPRESSION SP
RING

45.D0146014
(x2)
SPACER:OPPOSE
D:TRANSFER:PAP
ER

U013_S001
TRANSFER UNIT:MIDDLE:ASS'Y

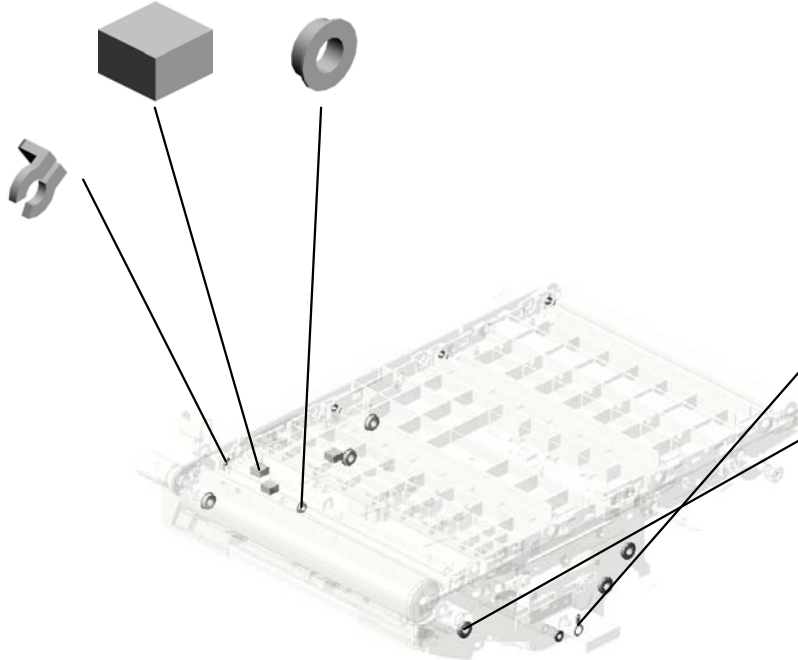
64.D0146850 (x3)
SEAL:CASE:BELT
CLEANING:1

69.8053496 (x2)
BALL BEARING - 6
X10X3



65.D0816001
TRANSFER UNIT:M
IDDL:ASS'Y

68.G0143291
(x4)
SNAP RING - PICK
UP



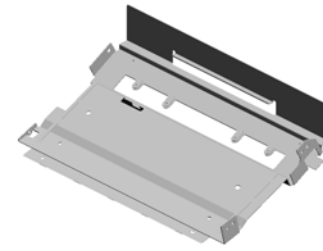
67.D0816150
HOLDER:OPPOSE
D:INTERMEDIATE
TRANSFER:REAR:
ASSY



70.8053511
(x6)
BUSHING 8MM

U013_S001_S001
BRACKET:POSITIONING SENSOR:INTERMEDIATE TRANSFER:ASS'Y

42.B1326172
(x2)
GUARD:REAR



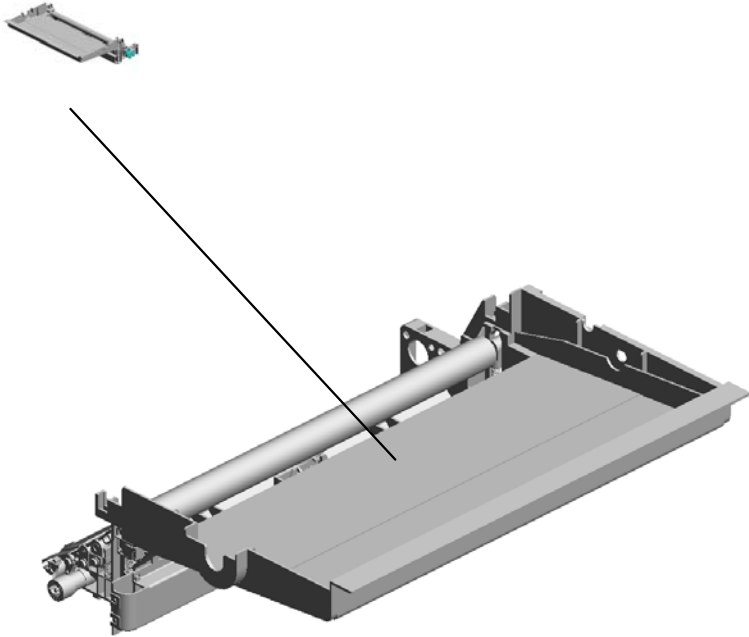
53.D0146122
BRACKET:POSITIO
NING SENSOR:INT
ERMEDIATE TRAN
SFER:ASS'Y



| | | | | | | | | | | | | | | | | | | | | |
|------|------|------|------|------|------|------|------|------|------|------|------|------|------|------|------|------|------|------|------|------|
| U001 | U002 | U003 | U004 | U005 | U006 | U007 | U008 | U009 | U010 | U011 | U012 | U013 | U014 | U015 | U016 | U017 | U018 | U019 | U020 | U021 |
|------|------|------|------|------|------|------|------|------|------|------|------|------|------|------|------|------|------|------|------|------|

U014.ITB CLEANING

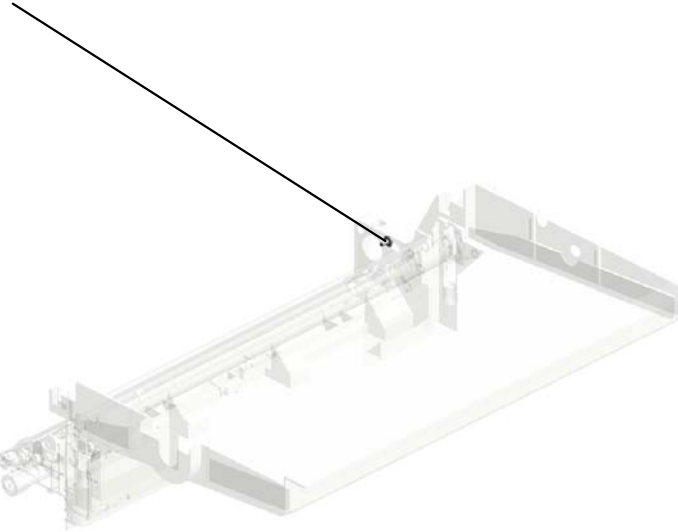
U014_S001
D0816400
BELT CLEANING:ASS'Y



| | | | | | | | | | | | | | | | | | | | | |
|------|------|------|------|------|------|------|------|------|------|------|------|------|------|------|------|------|------|------|------|------|
| U001 | U002 | U003 | U004 | U005 | U006 | U007 | U008 | U009 | U010 | U011 | U012 | U013 | U014 | U015 | U016 | U017 | U018 | U019 | U020 | U021 |
|------|------|------|------|------|------|------|------|------|------|------|------|------|------|------|------|------|------|------|------|------|

U014
ITB CLEANING

1.03603006N
SCREW - M3X6



| | | | | | | | | | | | | | | | | | | | | |
|------|------|------|------|------|------|------|------|------|------|------|------|------|------|------|------|------|------|------|------|------|
| U001 | U002 | U003 | U004 | U005 | U006 | U007 | U008 | U009 | U010 | U011 | U012 | U013 | U014 | U015 | U016 | U017 | U018 | U019 | U020 | U021 |
|------|------|------|------|------|------|------|------|------|------|------|------|------|------|------|------|------|------|------|------|------|

U014_S001
BELT CLEANING:ASS'Y

9.D0146455
CLEANING BLADE:
BELT

14.D0146466
HOLDER:BLADE:B
ELT CLEANING UN
IT

13.D0146463
BRUSH:APPLY

15.D0146470
COATING BAR

1.03603006N
(x12)
SCREW - M3X6



52.D0816400
BELT CLEANING:A
SS'Y

11.D0146460
BRUSH:REMOVE P
APER DUST

12.D0146462
SCRAPER:BRUSH

5.AA083022
(x2)
BUSHING:DIA6:DIA
8

16.D0146476
JOINT:DRIVE:BRU
SH

8.B1326460
(x2)
CASE:SPRING:ROL
LER:PRESSURE

10.D0146458
SPRING:BLADE:NO
.1

17.D0146480
GEAR:16Z

21.D0146484
GEAR:9Z

19.D0146482
GEAR:14Z

6.B1326120
SEAL:UPPER:BELT
CLEANING

7.B1326459
(x2)
HOLDER:SPRING:
ROLLER:PRESSUR
E

2.04503008N
(x2)
TAPPING SCREW -
M3X8

18.D0146481
GEAR:18Z

20.D0146483
GEAR:12Z/21Z

3.07200040E
(x4)
RETAINING RING -
M4

U014_S001
BELT CLEANING:ASS'Y



52.D0816400
BELT CLEANING:ASS'Y

- 41.D0146522 SHIELD:HOLDER:BLADE:REAR UPPER
- 27.D0146500 GROUND PLATE:CASE
- 28.D0146501 COMPRESSION SPRING:EARTH
- 35.D0146515 DUAL FACES TEPE:ENTRANCE SEAL:BELT CLEANING
- 34.D0146514 ENTRANCE SEAL:BELT CLEANING

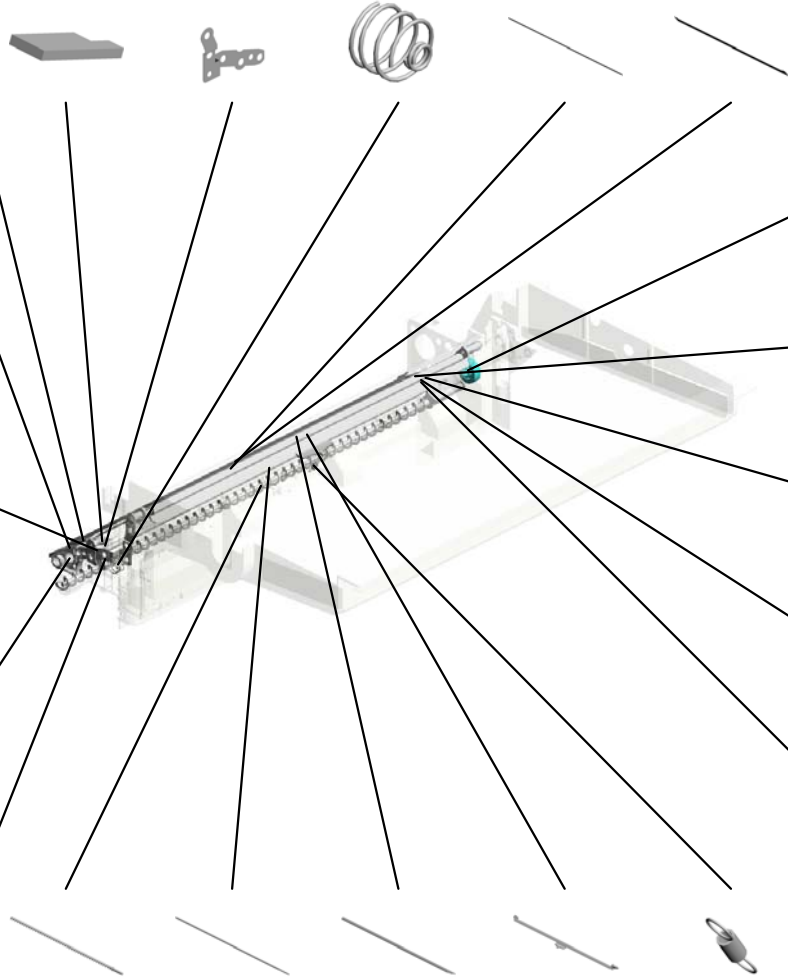
31.D0146506 SHIELD:SIDE PLATE:FRONT

30.D0146505 SHIELD:SIDE PLATE:REAR

33.D0146510 (x2) PIN:POSITIONING:BLADE

29.D0146504 SIDE PLATE:CASE

38.D0146519 (x2) SHIELD:CASE:HOLDER:REAR



22.D0146485 GEAR:19Z

40.D0146521 SHIELD:CASE:BRUSH:FRONT

36.D0146517 SHIELD:HOLDER:BLADE:FRONT UPPER

39.D0146520 (x2) SHIELD:CASE:HOLDER:FRONT

37.D0146518 SHIELD:HOLDER:BLADE:FRONT LOWER

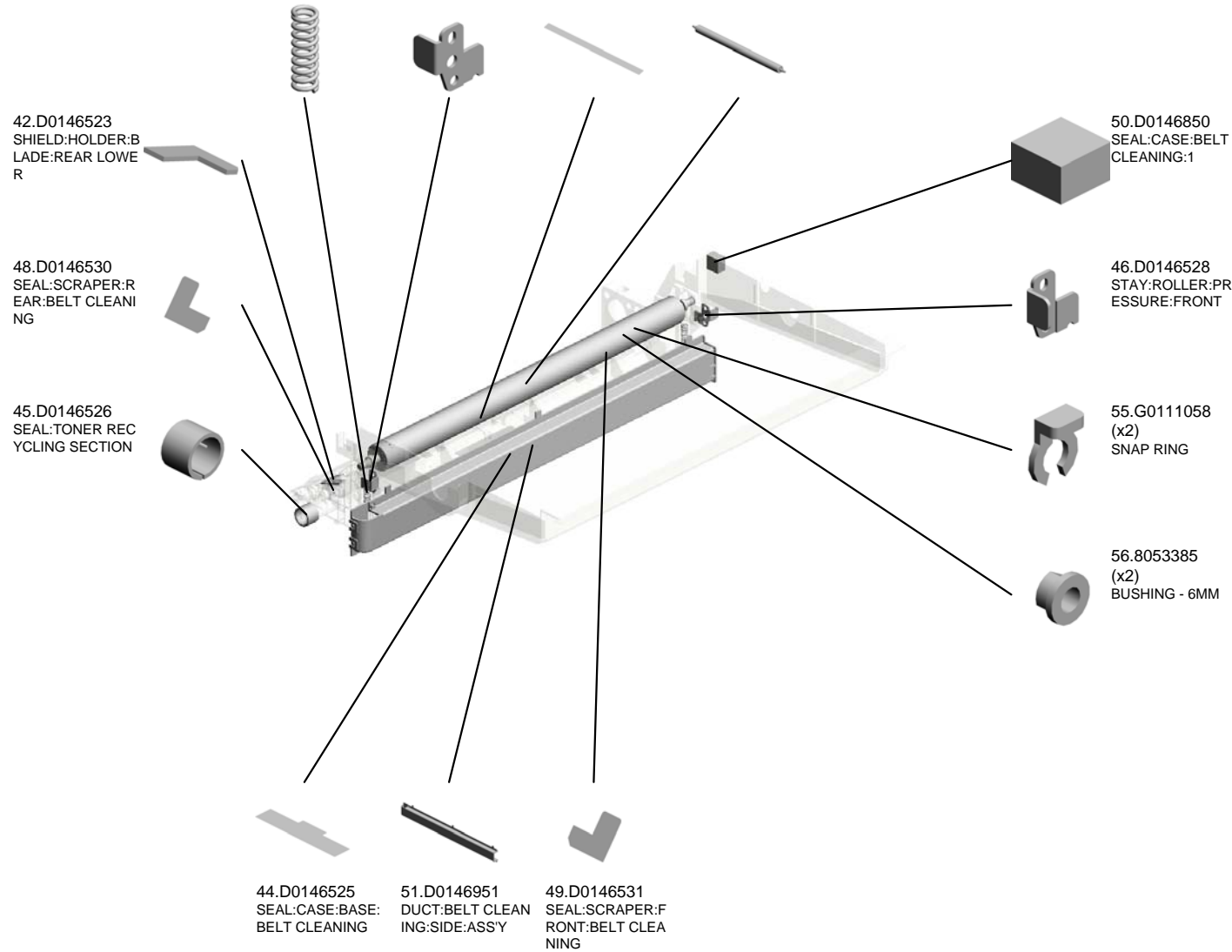
- 25.D0146490 TONER COLLECTION COIL
- 26.D0146497 BRUSH:AGITATOR
- 32.D0146507 CLEANING BLADE:APPLY**
- 23.D0146486 HOLDER:BELT CLEANING UNIT
- 24.D0146489 SPRING:BLADE:APPLY

U014_S001
BELT CLEANING:ASS'Y

54.D0816478 (x2) SPRING:ROLLER:PRESSURE
 47.D0146529 STAY:ROLLER:PRESSURE:REAR
 43.D0146524 SEAL:HOLDER:BEHIND:BELT CLEANING
 53.D0816469 ROLLER:PRESSURE



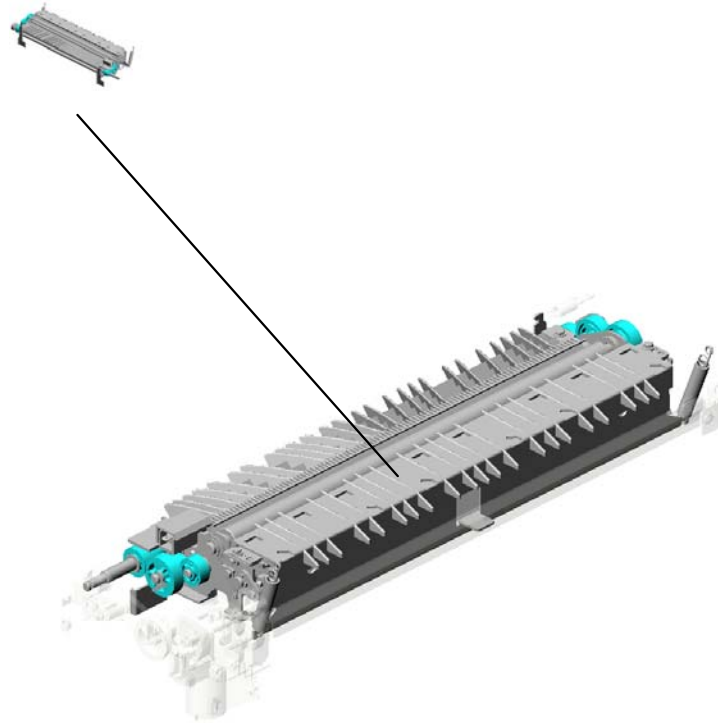
52.D0816400 BELT CLEANING:ASS'Y



| | | | | | | | | | | | | | | | | | | | | |
|------|------|------|------|------|------|------|------|------|------|------|------|------|------|------|------|------|------|------|------|------|
| U001 | U002 | U003 | U004 | U005 | U006 | U007 | U008 | U009 | U010 | U011 | U012 | U013 | U014 | U015 | U016 | U017 | U018 | U019 | U020 | U021 |
|------|------|------|------|------|------|------|------|------|------|------|------|------|------|------|------|------|------|------|------|------|

U015.TRANSFER/SEPARATION

U015_S001
D0146250
TRANSFER UNIT:ASS'Y



| | | | | | | | | | | | | | | | | | | | | |
|------|------|------|------|------|------|------|------|------|------|------|------|------|------|------|------|------|------|------|------|------|
| U001 | U002 | U003 | U004 | U005 | U006 | U007 | U008 | U009 | U010 | U011 | U012 | U013 | U014 | U015 | U016 | U017 | U018 | U019 | U020 | U021 |
|------|------|------|------|------|------|------|------|------|------|------|------|------|------|------|------|------|------|------|------|------|

U015 TRANSFER/SEPARATION

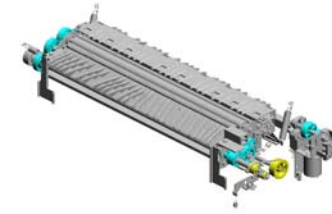
27.AB030749
PULLEY:23T

18.AA043587
TIMING BELT:S2M1
70

26.AB030748
PULLEY:40T

2.03603006N
(x4)
SCREW - M3X6

6.06320160G
PARALLEL PIN-M2
X16



15.54472681
(x2)
SNAP RING

50.B1326331
TIGHTENER:TRAN
SFER:TRANSPORT
SCREW:ASSY

17.A2576112
PULLEY:BELT TEN
SIONER

10.07200040E
RETAINING RING -
M4

28.AW020145
PHOTOINTERRUP
TOR:FLAT

1.03530030N
(x2)
SCREW:M3X3

14.11050511
HARNES CLAMP -
LWS-0306ZC

3.04513006N
TAPPING SCREW -
3X6

20.AA082101
(x3)
BUSHING - 6X10X6

11.07200060E
RETAINING RING -
M6

43.B1326306
SPRING:PRESSUR
E

49.B1326328
SEAL:TRAY:TONE
R RECYCLING UNI
T

4.04514008N
(x2)
TAPPING SCREW:
4X8

9.07200030E
RETAINING RING -
M3

31.B1326257
TRAY:TONER CAT
CHPAN:ASSY

U015 TRANSFER/SEPARATION

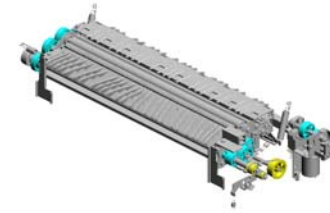
65.D0146321
SHAFT:CAM

67.D0146323
GEAR:15Z/24Z

68.D0146324
GEAR:45Z

73.7403008
BALL BEARING - 8
X22X7

70.D0146326
CAM



51.B1326337
SPRING:TIGHTENE
R:TRANSPORT SC
REW

64.D0146318
BRACKET:MOTOR

69.D0146325
BRACKET:SENSO
R

52.B1326511
DC MOTOR:AGITA
TE:ASSY

66.D0146322
FEELER

60.D0146311
BRACKET:SIDE FE
NCE

62.D0146315
COMPRESSION SP
RING:STAY:ON-OF
F

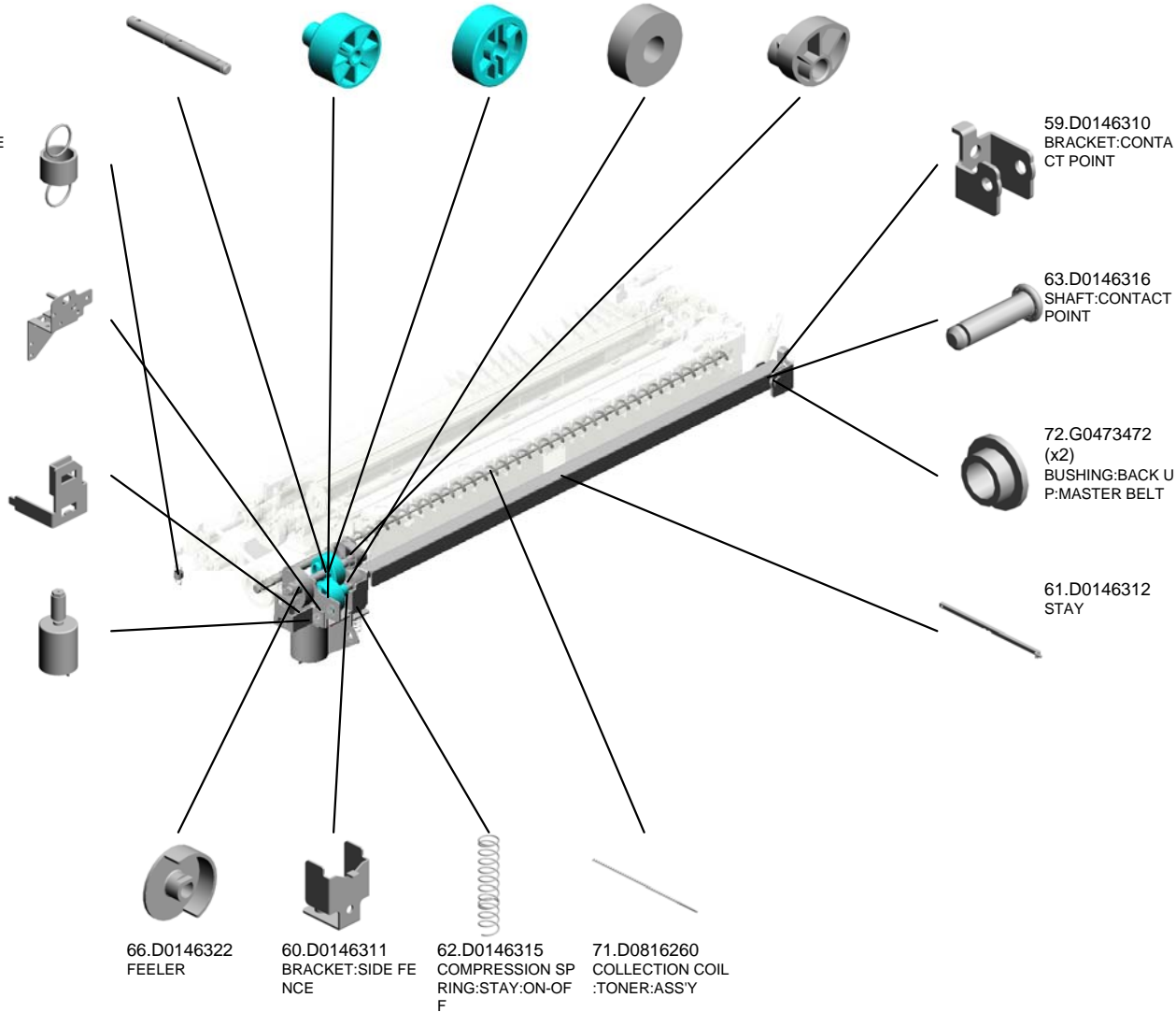
71.D0816260
COLLECTION COIL
:TONER:ASSY

59.D0146310
BRACKET:CONTA
CT POINT

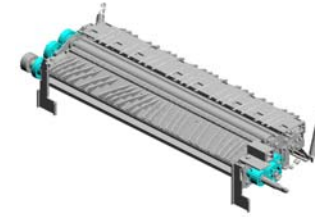
63.D0146316
SHAFT:CONTACT
POINT

72.G0473472
(x2)
BUSHING:BACK U
P:MASTER BELT

61.D0146312
STAY



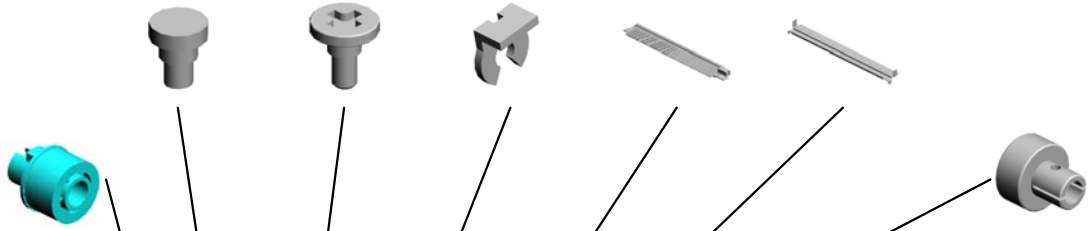
U015_S001 TRANSFER UNIT:ASS'Y



75.D0146250
TRANSFER UNIT:ASS'Y

16.54472769 (x3) STEPPED SCREW
22.AA143870 (x3) STEPPED SCREW
15.54472681 (x2) SNAP RING
32.B1326268
PAPER DISCHARGE PLATE
34.B1326274 STAY:TRANSFER UNIT

23.AB011124
GEAR:21Z

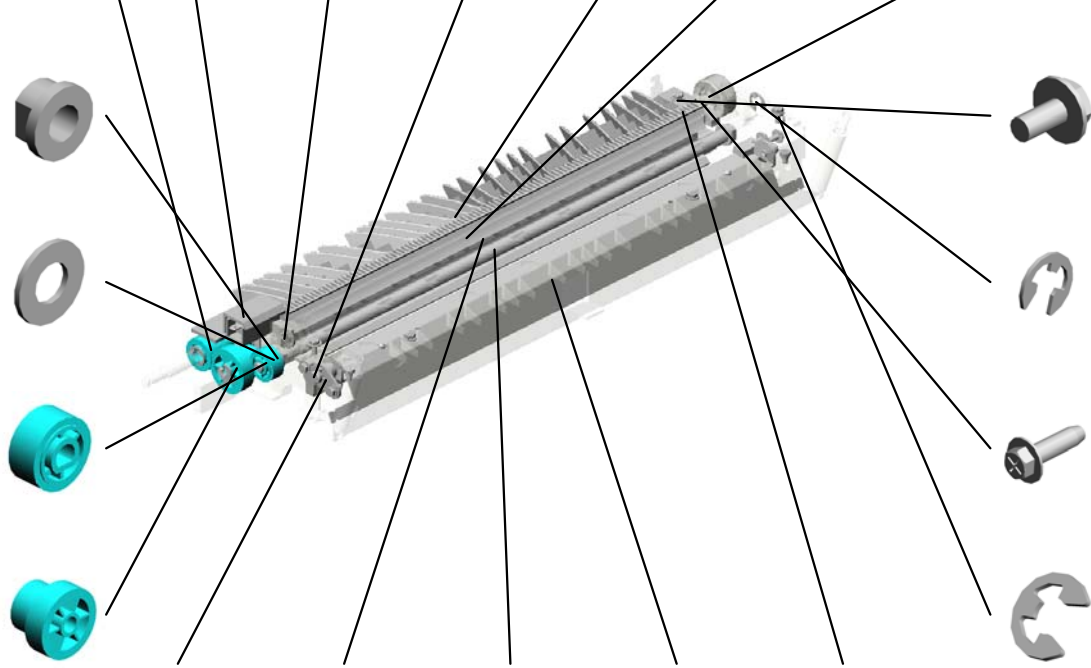


21.AA082137 (x2)
BUSHING:6X10X6

8.07010060N
WASHER DIA6

25.AB011126
GEAR:20Z

24.AB011125
GEAR:20/29Z



35.B1326284
JOINT:TRANSFER:DRIVE

2.03603006N (x14)
SCREW - M3X6

11.07200060E (x3)
RETAINING RING - M6

5.04514014N
TAPPING SCREW: M4X14

9.07200030E
RETAINING RING - M3

19.AA080154
REAR BUSHING

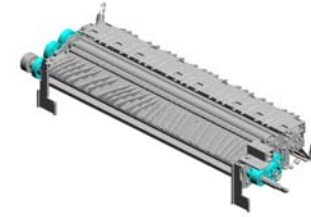
29.B1326253
STAY:BRUSH ROLLER:ASS'Y

30.B1326255
PTR CLEANING BRUSH

33.B1326269
HOLDER:BLADE

7.06330120G (x2)
PARALLEL PIN - 3X12

U015_S001
TRANSFER UNIT:ASS'Y



75.D0146250
TRANSFER UNIT:ASS'Y

55.D0146268
BRUSH ROLLER:APPPLY

38.B1326295
GUIDE PLATE:ENTRANCE:ASS'Y

53.D0146260
COATING BAR:TRANSFER ROLLER

40.B1326301
GEAR:40Z

41.B1326302
GEAR:40Z

58.D0146280
PAPER TRANSFER ROLLER

36.B1326287
SHAFT:CONTACT POINT

54.D0146265
CLEANING BLADE:TRANSFER ROLLER

46.B1326314
BASEFRONT

47.B1326325
SEAL:SIDE PLATE:FRONT

45.B1326311
BRACKET:GEAR:IDLER

44.B1326307
BASE:TRANSFER ROLLER:REAR:ASS'Y

48.B1326326
SEAL:SIDE PLATE:REAR

39.B1326299
(x2)
SPRING:BLADE

42.B1326303
GEAR:40Z

74.8053511
(x4)
BUSHING 8MM

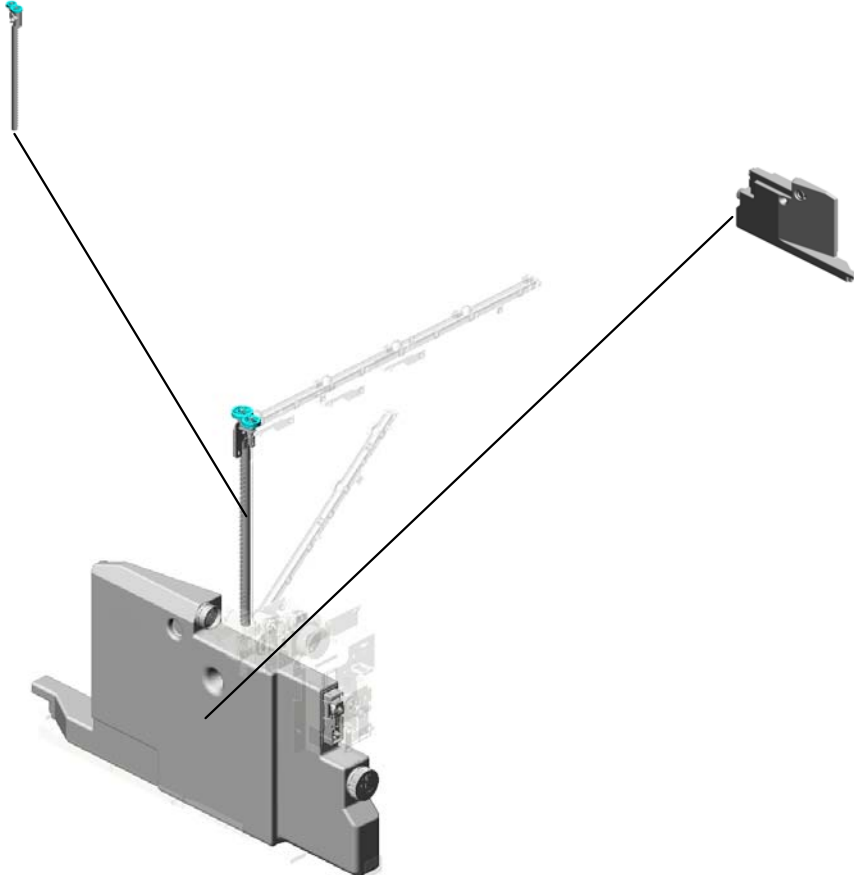
57.D0146273
GEAR:16Z

56.D0146272
BUSHING:BRUSH:REAR

37.B1326288
(x2)
SPRING:PRESSURE

U016.TONER COLLECTION

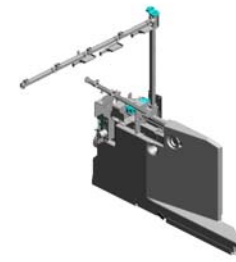
U016_S002
D0816528
TONER OUTLET SUB-UNIT:P
CU:LENGTHWISE:ASSY



U016_S001
B1326609
TANK:DISCHARGE USED TO
NER:EXP:ASSY

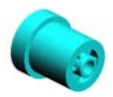
| | | | | | | | | | | | | | | | | | | | | |
|------|------|------|------|------|------|------|------|------|------|------|------|------|------|------|------|------|------|------|------|------|
| U001 | U002 | U003 | U004 | U005 | U006 | U007 | U008 | U009 | U010 | U011 | U012 | U013 | U014 | U015 | U016 | U017 | U018 | U019 | U020 | U021 |
|------|------|------|------|------|------|------|------|------|------|------|------|------|------|------|------|------|------|------|------|------|

U016 TONER COLLECTION

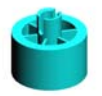


- 14.54472681 SNAP RING
- 3.03530080N SCREW:M3X8
- 19.AB011247 GEAR:32Z
- 18.AB011029 GEAR:31/44Z
- 6.04514006N (x6) TAPPING SCREW - 4X6

20.AB011248
GEAR:14/30Z



23.AB013299
GEAR:18Z



17.AA132208
SPACER - M6



5.04513008N
(x9)
TAPPING SCREW - M3X8



1.03130060N
SCREW - M3X6



13.11050568
CLAMP:LWSS-0504



7.04514008N
(x11)
TAPPING SCREW:
4X8



15.A5551671
(x2)
STEPPED SCREW
- M3X26.5



11.11050522
(x3)
EDGE SADDLE - L
ES0510



10.11050511
(x4)
HARNES CLAMP -
LWS-0306ZC



9.11050490
HARNES CLAMP -
IWS-2218



12.11050544
EDGE SADDLE:LE
S-2017



8.07200030E
RETAINING RING -
M3



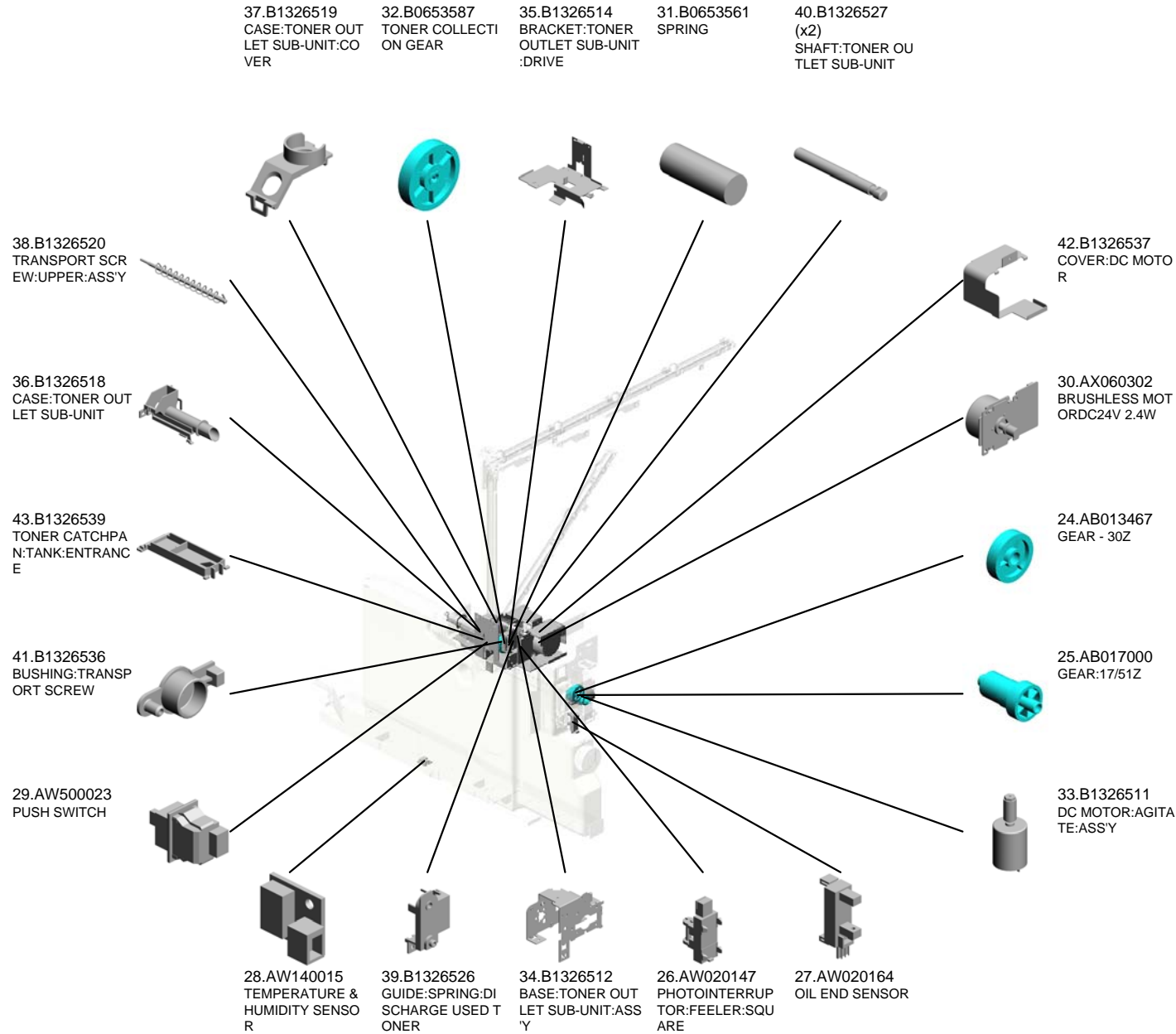
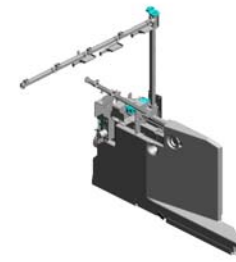
2.03530030N
(x2)
SCREW:M3X3



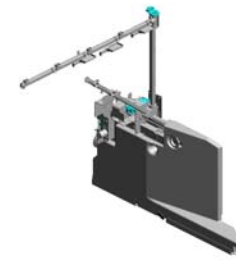
4.03540080N
(x3)
SCREW:M4X8



U016 TONER COLLECTION



U016 TONER COLLECTION



48.B1326548
SHAFT:DRIVE:LON
G:ASSY

53.B1326599
(x3)
TONER CATCHPA
N:K

62.D0816569
TONER OUTLET S
UB-UNIT:TRANSFE
R:DIAGONAL SLAN
TED:ASSY

60.D0816558
TONER OUTLET S
UB-UNIT:PCU:SIDE
:ASSY

51.B1326578
SHIELD:JOINT:PCU



45.B1326542
TENSION SPRING



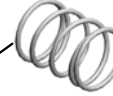
52.B1326579
COVER:TEMPERA
TURE/HUMIDITY S
ENSOR



58.D0146552
BRACKET:USED T
ONER SENSOR



50.B1326566
COMPRESSION SP
RING



57.D0146533
SHAFT:IDLER:DC
MOTOR



56.D0146532
BRACKET:USED T
ONER SENSOR:DC
MOTOR



55.B1816577
GUIDE:TANK:DISC
HARGE USED TON
ER



47.B1326547
BRACKET:USED T
ONER SENSOR:IN
STALL

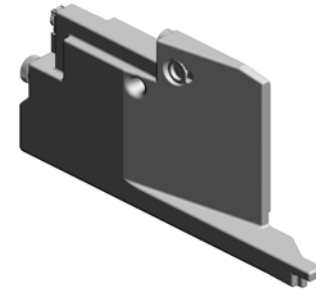
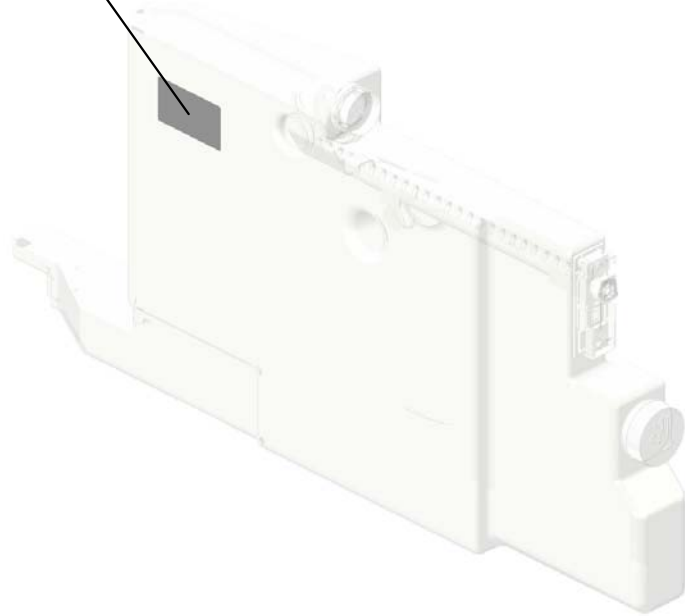


49.B1326550
(x2)
COMPRESSION SP
RING



U016_S001
TANK:DISCHARGE USED TONER:EXP:ASS'Y

16.AA000059
CAUTION DECAL -
ENGLISH



54.B1326609
TANK:DISCHARGE
USED TONER:EXP:
ASS'Y

| | | | | | | | | | | | | | | | | | | | | |
|------|------|------|------|------|------|------|------|------|------|------|------|------|------|------|------|------|------|------|------|------|
| U001 | U002 | U003 | U004 | U005 | U006 | U007 | U008 | U009 | U010 | U011 | U012 | U013 | U014 | U015 | U016 | U017 | U018 | U019 | U020 | U021 |
|------|------|------|------|------|------|------|------|------|------|------|------|------|------|------|------|------|------|------|------|------|

U016_S002
TONER OUTLET SUB-UNIT:PCU:LENGTHWISE:ASS'Y

22.AB013189
GEAR:30Z

21.AB013122
GEAR:26Z



59.D0816528
TONER OUTLET S
UB-UNIT:PCU:LEN
GTHWISE:ASS'Y

44.B1326540
CASE:DRIVE:ASS'Y



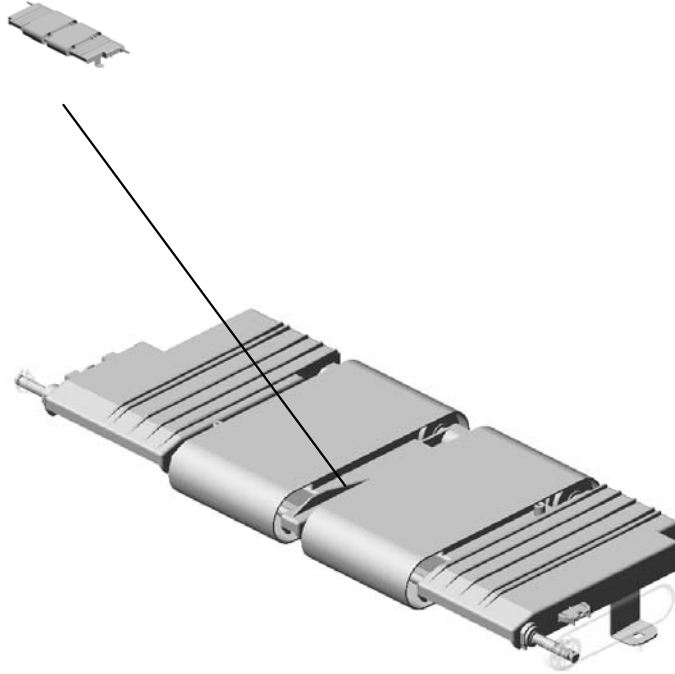
46.B1326545
SHAFT:DRIVE:SHO
RT:ASS'Y

61.D0816565
TRANSPORT SCR
EW:AROUND THE
PHOTOCONDUCT
OR:LENGTHWISE:
ASS'Y

| | | | | | | | | | | | | | | | | | | | | |
|------|------|------|------|------|------|------|------|------|------|------|------|------|------|------|------|------|------|------|------|------|
| U001 | U002 | U003 | U004 | U005 | U006 | U007 | U008 | U009 | U010 | U011 | U012 | U013 | U014 | U015 | U016 | U017 | U018 | U019 | U020 | U021 |
|------|------|------|------|------|------|------|------|------|------|------|------|------|------|------|------|------|------|------|------|------|

U017.TRANSPORT

U017_S001
D0143850
PAPER TRANSPORT BELT U
NIT



| | | | | | | | | | | | | | | | | | | | | |
|------|------|------|------|------|------|------|------|------|------|------|------|------|------|------|------|------|------|------|------|------|
| U001 | U002 | U003 | U004 | U005 | U006 | U007 | U008 | U009 | U010 | U011 | U012 | U013 | U014 | U015 | U016 | U017 | U018 | U019 | U020 | U021 |
|------|------|------|------|------|------|------|------|------|------|------|------|------|------|------|------|------|------|------|------|------|

U017 TRANSPORT

4.54472681
SNAP RING

9.AB030275
PULLEY:31T



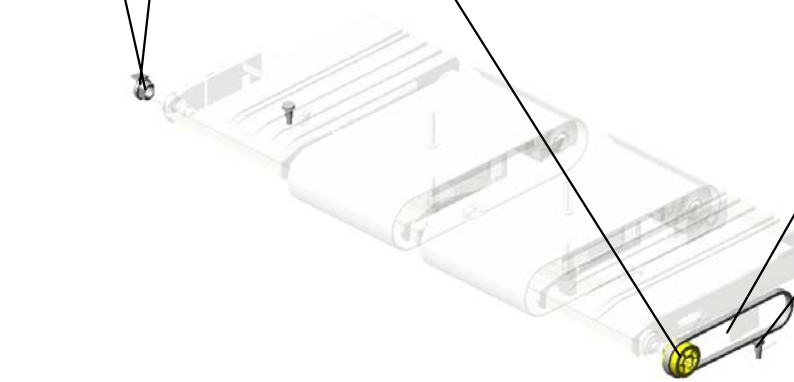
7.AA082101
(x2)
BUSHING - 6X10X6



6.AA043578
TIMING BELT:S2M2
08

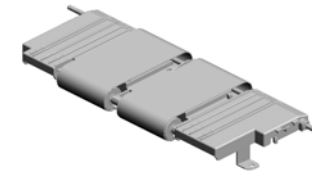


8.AA143394
(x2)
STEPPED SCREW
- M3X10



| | | | | | | | | | | | | | | | | | | | | |
|------|------|------|------|------|------|------|------|------|------|------|------|------|------|------|------|------|------|------|------|------|
| U001 | U002 | U003 | U004 | U005 | U006 | U007 | U008 | U009 | U010 | U011 | U012 | U013 | U014 | U015 | U016 | U017 | U018 | U019 | U020 | U021 |
|------|------|------|------|------|------|------|------|------|------|------|------|------|------|------|------|------|------|------|------|------|

U017_S001 PAPER TRANSPORT BELT UNIT

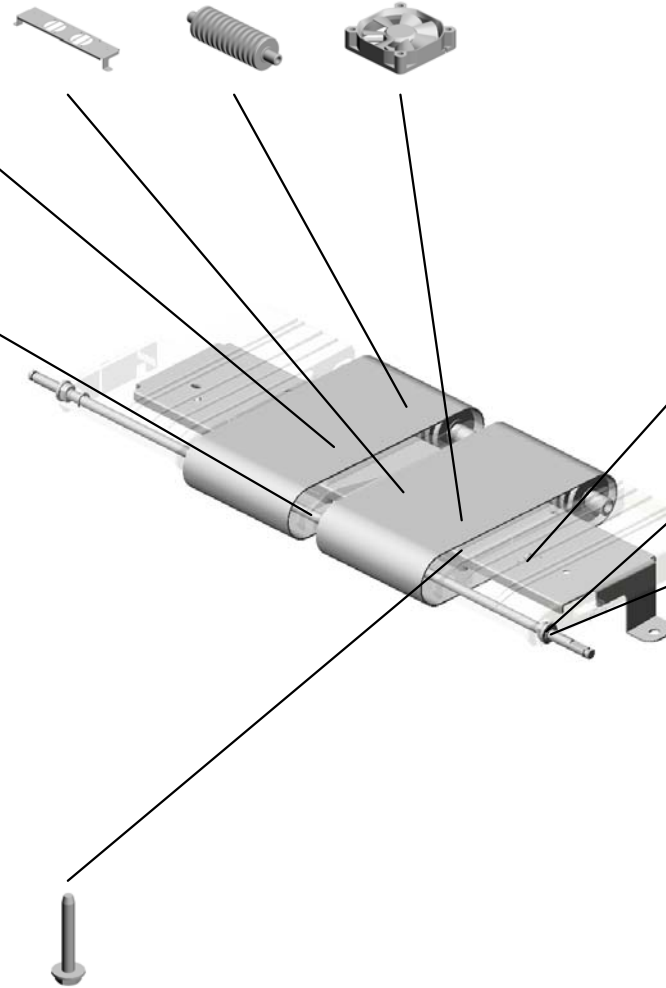


14.D0143850
PAPER TRANSPORT BELT UNIT

- 13.B1323862 SUPPORTING PLATE:VACUUM
- 10.AF022064 (x2) TRANSPORT ROLLER:DRIVEN
- 11.AX640158 (x2) FAN MOTOR MM60 /15MM:24V

5.AA040033 (x2) TRANSPORT BELT

12.B1323851 TRANSPORT ROLLER:DRIVE



3.11050511 (x3) HARNESS CLAMP - LWS-0306ZC

7.AA082101 (x2) BUSHING - 6X10X6

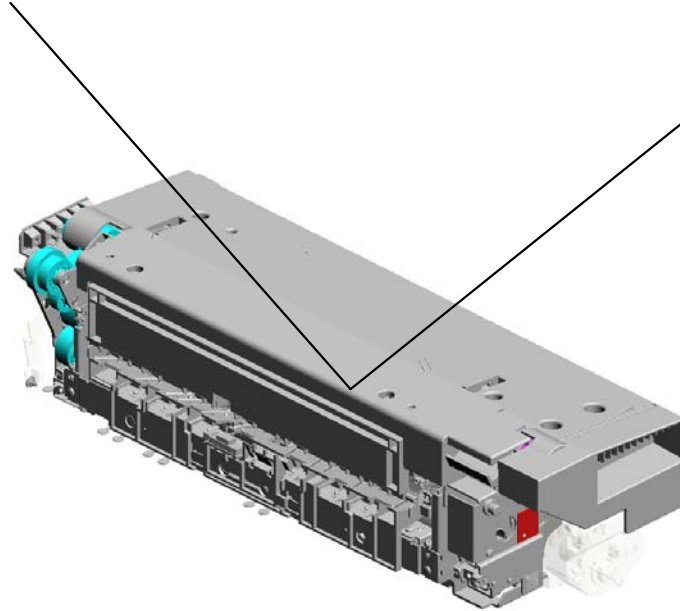
2.07200040E (x2) RETAINING RING - M4

1.04513020N (x4) TAPPING SCREW: 3X20

| | | | | | | | | | | | | | | | | | | | | |
|------|------|------|------|------|------|------|------|------|------|------|------|------|------|------|------|------|------|------|------|------|
| U001 | U002 | U003 | U004 | U005 | U006 | U007 | U008 | U009 | U010 | U011 | U012 | U013 | U014 | U015 | U016 | U017 | U018 | U019 | U020 | U021 |
|------|------|------|------|------|------|------|------|------|------|------|------|------|------|------|------|------|------|------|------|------|

U018.FUSING

U018_S001
D0814017
FUSING UNIT:C3ANA:ASS'Y:(
for D081)

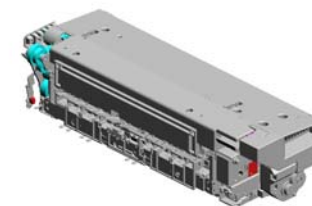


U018_S002
D0814027
FUSING UNIT:C3ANA:ASS'Y:(
for D082)

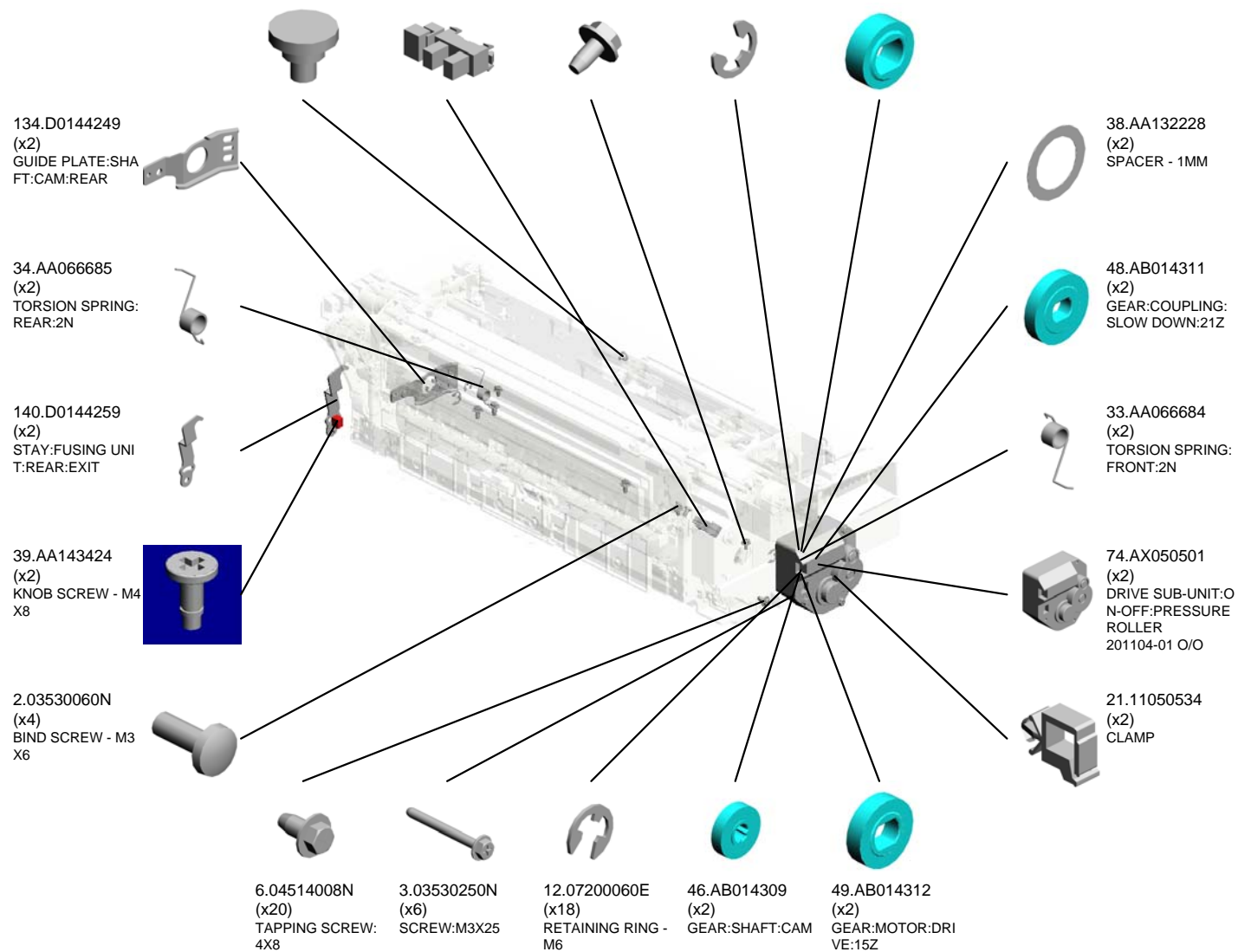


| | | | | | | | | | | | | | | | | | | | | |
|------|------|------|------|------|------|------|------|------|------|------|------|------|------|------|------|------|------|------|------|------|
| U001 | U002 | U003 | U004 | U005 | U006 | U007 | U008 | U009 | U010 | U011 | U012 | U013 | U014 | U015 | U016 | U017 | U018 | U019 | U020 | U021 |
|------|------|------|------|------|------|------|------|------|------|------|------|------|------|------|------|------|------|------|------|------|

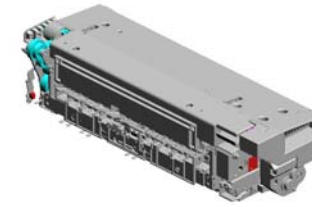
U018 FUSING



- 22.52062684 (x2) SHOULDER SCREW - M3
- 69.AW020145 (x2) PHOTOINTERRUPTOR:FLAT
- 5.04513006N (x10) TAPPING SCREW - 3X6
- 11.07200040E (x6) RETAINING RING - M4
- 47.AB014310 (x2) GEAR:MOTOR:ON-OFF



U018 FUSING



150.D0144277 (x4) BRACKET:LOCK:FUSING UNIT
 142.D0144261 (x2) SHAFT
 143.D0144263 (x2) BRACKET:SHAFT:CAM
 141.D0144260 (x2) FEELER

148.D0144275 (x2) GUIDE:HOOK:LOCK:FUSING UNIT:REAR

181.7423808 (x6) BALL BEARING - 8X16X5

160.D0144297 (x4) CAM:ON-OFF:PRESSURE ROLLER

149.D0144276 (x4) HOOK:LOCK:FUSING UNIT

147.D0144274 (x2) GUIDE:HOOK:LOCK:FUSING UNIT

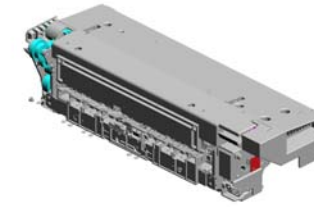
179.D0814234 (x2) SHAFT:GEAR:SLOW DOWN

178.D0814232 (x2) BRACKET:MOTOR:ON-OFF

144.D0144264 (x2) BRACKET:PHOTO INTERRUPTOR

180.D0814240 (x2) SHAFT:MOTOR:ON-OFF

U018_S001
FUSING UNIT:C3ANA:ASS'Y:(for D081)



174.D0814017
FUSING UNIT:C3A
NA:ASS'Y:(for D081
)

- 14.07250300E (x2) RETAINING RING C - M30
- 32.AA066683 TORSION SPRING - REAR
- 22.52062684 (x8) SHOULDER SCRE W - M3
- 18.09543008N (x11) SCREW - M3X8
- 17.09543006N (x2) SCREW - M3X6

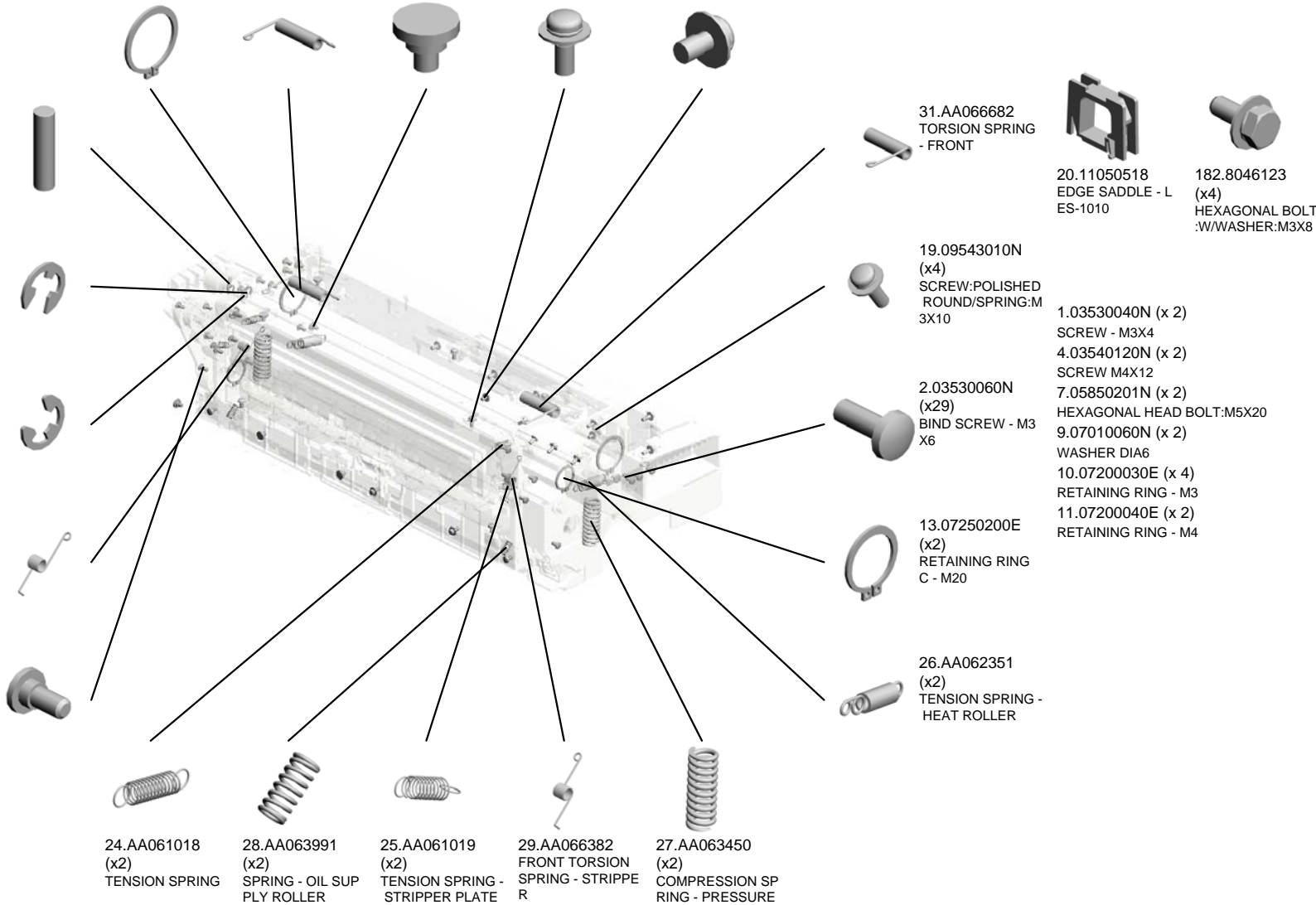
8.06330120G
PARALLEL PIN - 3X
12

12.07200060E
(x2)
RETAINING RING -
M6

11.07200040E
(x4)
RETAINING RING -
M4

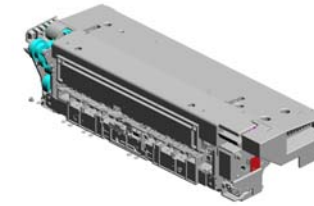
30.AA066383
REAR TORSION S
PRING - STRIPPER

23.58942540
ARM SCREW

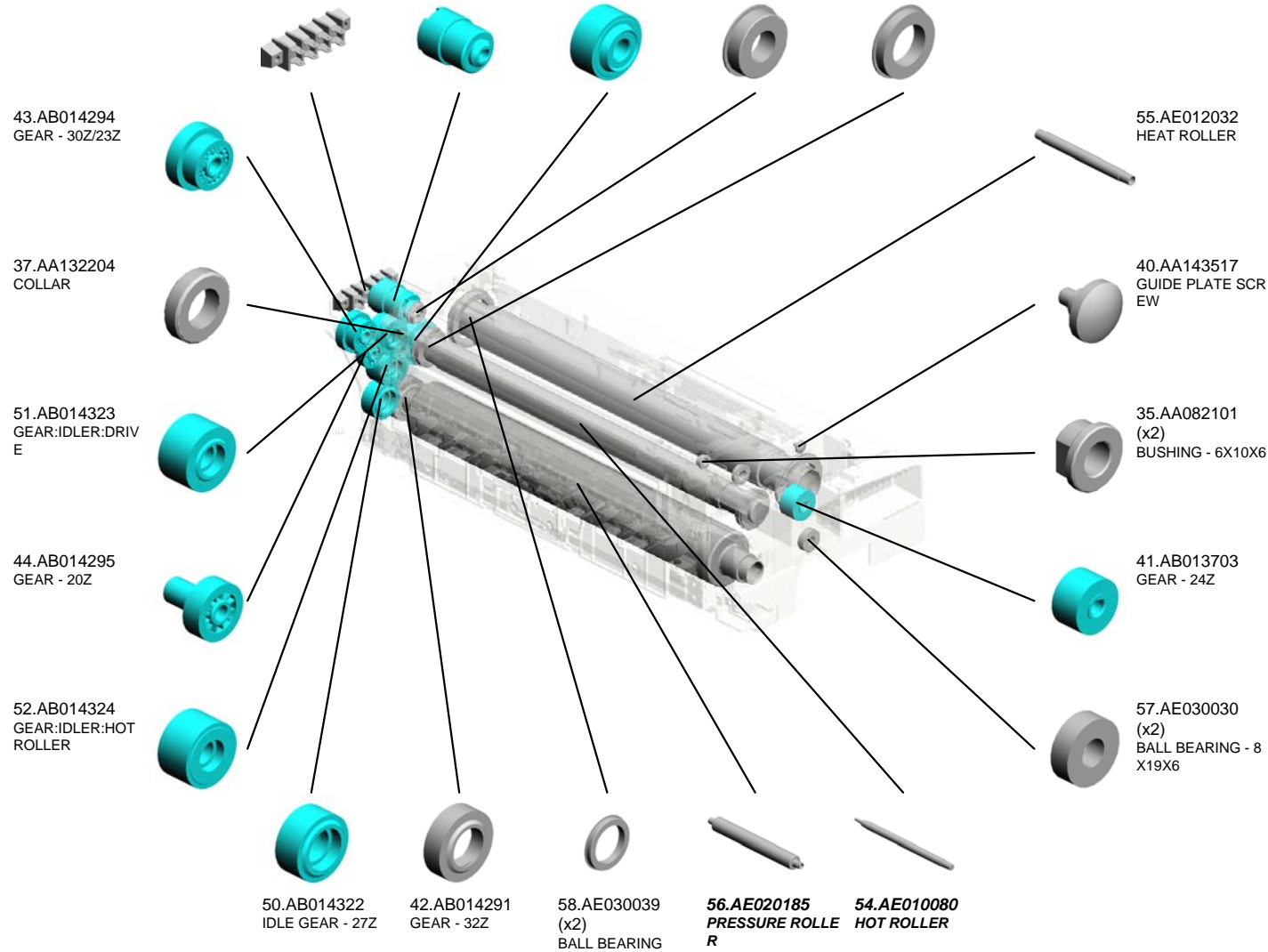


U018_S001
FUSING UNIT:C3ANA:ASS'Y:(for D081)

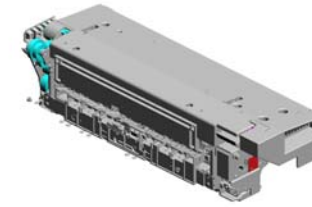
- 36.AA113037 TERMINAL:4P:187
- 45.AB014298 DRIVE GEAR - 23Z
- 53.AB014325 GEAR:HOT ROLLER
- 60.AE030056 (x2) BALL BEARING - 8 X16X5
- 59.AE030049 (x2) BALL BEARING -20 X32X7



174.D0814017
FUSING UNIT:C3A
NA:ASS'Y:(for D081
)



U018_S001
FUSING UNIT:C3ANA:ASS'Y:(for D081)



174.D0814017
FUSING UNIT:C3A
NA:ASS'Y:(for D081
)

64.AE032031 (x2) THERMAL INSULATING BUSHING - 30MM
75.AX430186 HEATER:PRESSURE ROLLER:117V:400W:(for D081)
76.AX430190 HEATER:HEAT ROLLER:AUXILIARY:227V:400W:(for D082)
78.AX440269 HEATER:HEAT ROLLER:117V:700W/700W:(for D081)
79.AX440271 HEATER:HEAT ROLLER:227V:700W/700W:(for D082)

61.AE030076 (x2) RADIAL BALL BEARING:20X32X7

63.AE031069 REAR BUSHING - CLEANING ROLLER

70.AW100110 THERMISTOR

68.AW010118 (x2) PAPER FEED SENSOR

65.AE040015 OIL SUPPLY ROLLER:PRESSURE:DIAMETER:16

66.AE042080 CLEANING ROLLER:ASS'Y

77.AX440267 HEATER:PRESSURE ROLLER:227V:600W:(for D082)

72.AW110044 THERMOSTAT:150C:250V/17A

67.AE044064 (x7) STRIPPER PAWLS

62.AE031068 FRONT BUSHING - CLEANING ROLLER

71.AW100130 TEMPERATURE SENSOR:UPPER:ASS'Y

82.B1324125 COLLAR:SHAFT:DRIVE

80.B0514103 (x2) KNOB SCREW:M4

81.B0654121 THERMOSTAT TERMINAL

73.AW110045 THERMOSTAT:149C:250V/17A

U018_S001

FUSING UNIT:C3ANA:ASS'Y:(for D081)

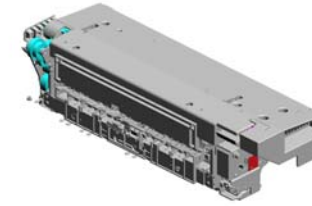
86.B1324163
SHAFT:OIL APPLIC
ATION UNIT

96.D0144127
GUIDE PLATE - PA
PER EXIT UNIT

92.D0144090
FUSING BELT

95.D0144103
STAY - UPPER

83.B1324127
BRACKET:TORSIO
N SPRING:PEEN



174.D0814017
FUSING UNIT:C3A
NA:ASS'Y:(for D081
)

89.B1324197
TORSION SPRING:
LEVER



101.D0144138
REAR HEATER HO
LDER - HEAT ROLL
ER



94.D0144095
REAR STAY - FUSI
NG UNIT



99.D0144134
REAR POSITIONIN
G PLATE



85.B1324148
HOUSING:THERM
OSTAT



91.B1324268
(x7)
HOLDER:ROLLER:
PICKOFF PAWL



88.B1324196
(x7)
TORSION SPRING:
STRIPPER PAWLS



90.B1324265
(x7)
ROLLER:PICKOFF
PAWL



98.D0144133
FRONT POSITIONI
NG PLATE



93.D0144093
FRONT STAY - FU
SING UNIT



97.D0144130
(x2)
GUIDE RING - HEA
T ROLLER



102.D0144140
FRONT LEVER - H
EAT ROLLER



100.D0144136
FRONT HEATER H
OLDER - HEAT RO
LLER



84.B1324138
ROLLER:COUPLIN
G:KNOB:FUSING

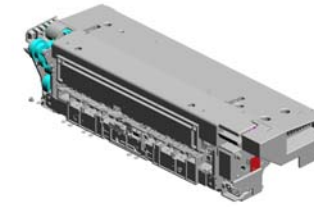


87.B1324167
GRIP:OIL APPLICA
TION UNIT:FIBER

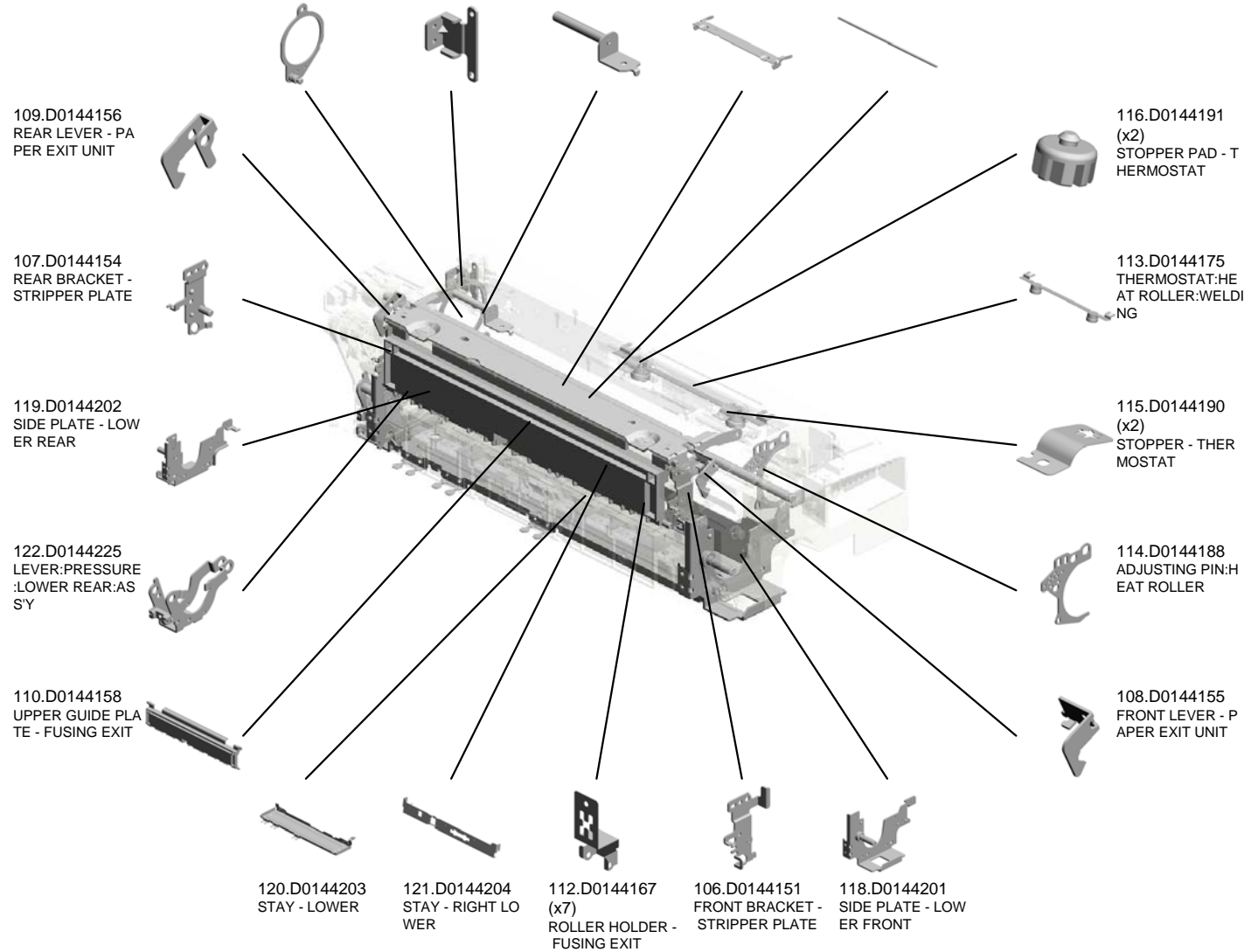
U018_S001

FUSING UNIT:C3ANA:ASS'Y:(for D081)

- 103.D0144141 REAR LEVER - HEAT ROLLER
- 111.D0144163 REAR GUIDE PLATE - FUSING UNIT
- 104.D0144148 SPRING BRACKET - SEPARATION
- 105.D0144150 BRACKET - EXIT UNIT
- 117.D0144194 DRIVE HAFT

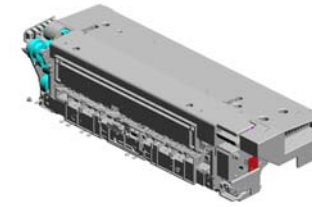


- 174.D0814017 FUSING UNIT:C3ANA:ASS'Y:(for D081)



| | | | | | | | | | | | | | | | | | | | | |
|------|------|------|------|------|------|------|------|------|------|------|------|------|------|------|------|------|------|------|------|------|
| U001 | U002 | U003 | U004 | U005 | U006 | U007 | U008 | U009 | U010 | U011 | U012 | U013 | U014 | U015 | U016 | U017 | U018 | U019 | U020 | U021 |
|------|------|------|------|------|------|------|------|------|------|------|------|------|------|------|------|------|------|------|------|------|

U018_S001
 FUSING UNIT:C3ANA:ASS'Y:(for D081)



174.D0814017
 FUSING UNIT:C3A
 NA:ASS'Y:(for D081
)

- 146.D0144271 REAR LOCK BRACKET - FUSING UNIT
- 130.D0144240 BRACKET - THERMISTOR:PRESSURE
- 124.D0144234 ENTRANCE GUIDE PLATE - LOWER
- 133.D0144247 (x2) HOUSING - TEMPERATURE SENSOR
- 125.D0144235 HOUSING:THERMOSTAT:PRESS FIT

152.D0144282 UPPER REAR LEVER - PRESSURE

127.D0144237 REAR HEATER HOLDER - PRESSURE

137.D0144254 REAR SIDE PLATE - CLEANING ROLLER

135.D0144250 BRACKET - CLEANING ROLLER

139.D0144258 BRACKET - PAPER FEED SENSOR

131.D0144241 BRACKET - DRAWER

138.D0144257 (x10) GUIDE - FUSING EXIT

136.D0144253 FRONT SIDE PLATE - CLEANING ROLLER

151.D0144281 UPPER FRONT LEVER - PRESSURE

126.D0144236 FRONT HEATER HOLDER - PRESSURE

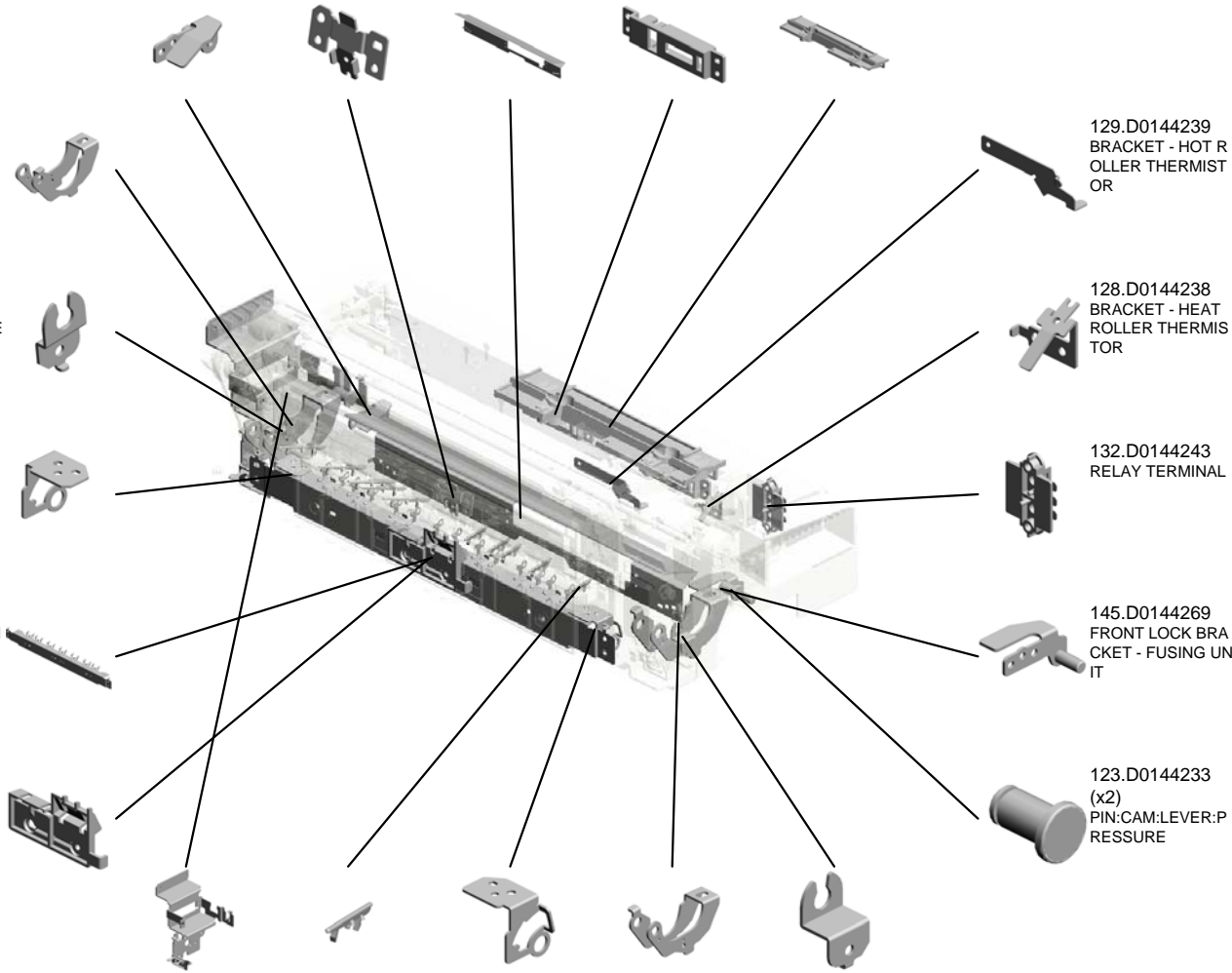
129.D0144239 BRACKET - HOT ROLLER THERMISTOR

128.D0144238 BRACKET - HEAT ROLLER THERMISTOR

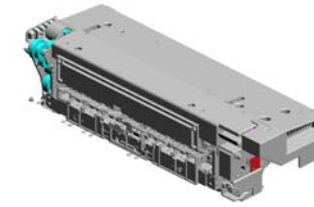
132.D0144243 RELAY TERMINAL

145.D0144269 FRONT LOCK BRACKET - FUSING UNIT

123.D0144233 (x2) PIN:CAM:LEVER:PRESSURE



U018_S001
FUSING UNIT:C3ANA:ASS'Y:(for D081)



174.D0814017
FUSING UNIT:C3A
NA:ASS'Y:(for D081
)

- 164.D0144307 STAY - BRACKET
- 168.D0144327 (x7) ROLLER - FUSING EXIT
- 165.D0144309 SPACER:HOUSING :THERMOSTAT:FR ONT
- 166.D0144324 FRONT LEVER - ST RIPPER PLATE
- 172.D0144353 DISCHARGE BRUSH:HEAT ROLLER:U PPER

163.D0144306 REAR POSITIONING PLATE - STRIPPER

167.D0144325 REAR LEVER - STRIPPER PLATE

161.D0144300 STRIPPER PLATE UNIT

171.D0144347 GUIDE:FUSING EXIT:MIDDLE

173.D0144356 GUIDE PLATE:FUSING EXIT:LOWER

157.D0144291 (x2) HOLDER:ADJUSTING PIN:M5

158.D0144292 (x2) LEVER:CONTROL PLATE:PRESSURE LINK:PEEN

154.D0144287 (x4) PIN:LEVER:PRESSURE:CONTROL PLATE

155.D0144289 (x2) LEVER:CONTROL PLATE:PRESSURE

153.D0144284 LEVER:PRESSURE:LOWER FRONT:ASS'Y

162.D0144305 FRONT POSITIONING PLATE - STRIPPER

169.D0144342 SPACER:MAX

170.D0144343 SPACER:MIN

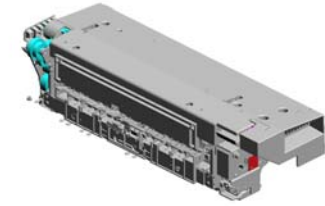
159.D0144296 (x2) STEPPED SCREW - M5

156.D0144290 (x2) HUB:PRESSURE STAND:M5

| | | | | | | | | | | | | | | | | | | | | |
|------|------|------|------|------|------|------|------|------|------|------|------|------|------|------|------|------|------|------|------|------|
| U001 | U002 | U003 | U004 | U005 | U006 | U007 | U008 | U009 | U010 | U011 | U012 | U013 | U014 | U015 | U016 | U017 | U018 | U019 | U020 | U021 |
|------|------|------|------|------|------|------|------|------|------|------|------|------|------|------|------|------|------|------|------|------|

U018_S001
FUSING UNIT:C3ANA:ASS'Y:(for D081)

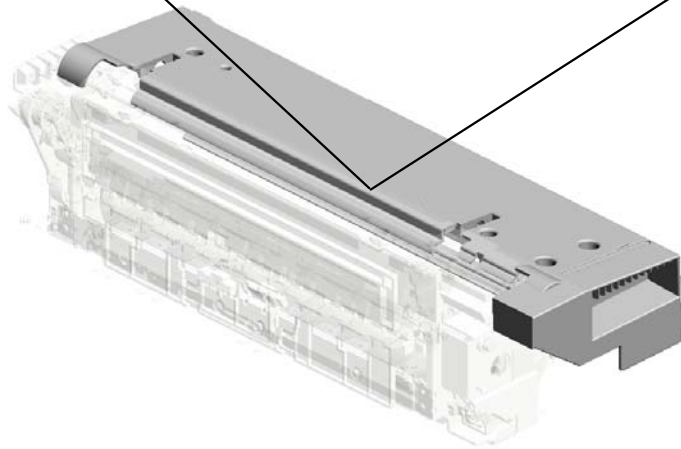
176.D0814124
FUSING COVER:ASS'Y



174.D0814017
FUSING UNIT:C3ANA:ASS'Y:(for D081)



177.D0814147
FUSING ENTRANCE GUIDE PLATE:UPPER

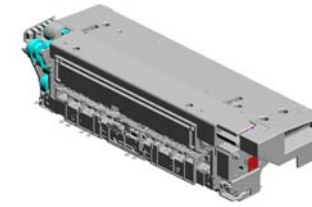


| | | | | | | | | | | | | | | | | | | | | |
|------|------|------|------|------|------|------|------|------|------|------|------|------|------|------|------|------|------|------|------|------|
| U001 | U002 | U003 | U004 | U005 | U006 | U007 | U008 | U009 | U010 | U011 | U012 | U013 | U014 | U015 | U016 | U017 | U018 | U019 | U020 | U021 |
|------|------|------|------|------|------|------|------|------|------|------|------|------|------|------|------|------|------|------|------|------|

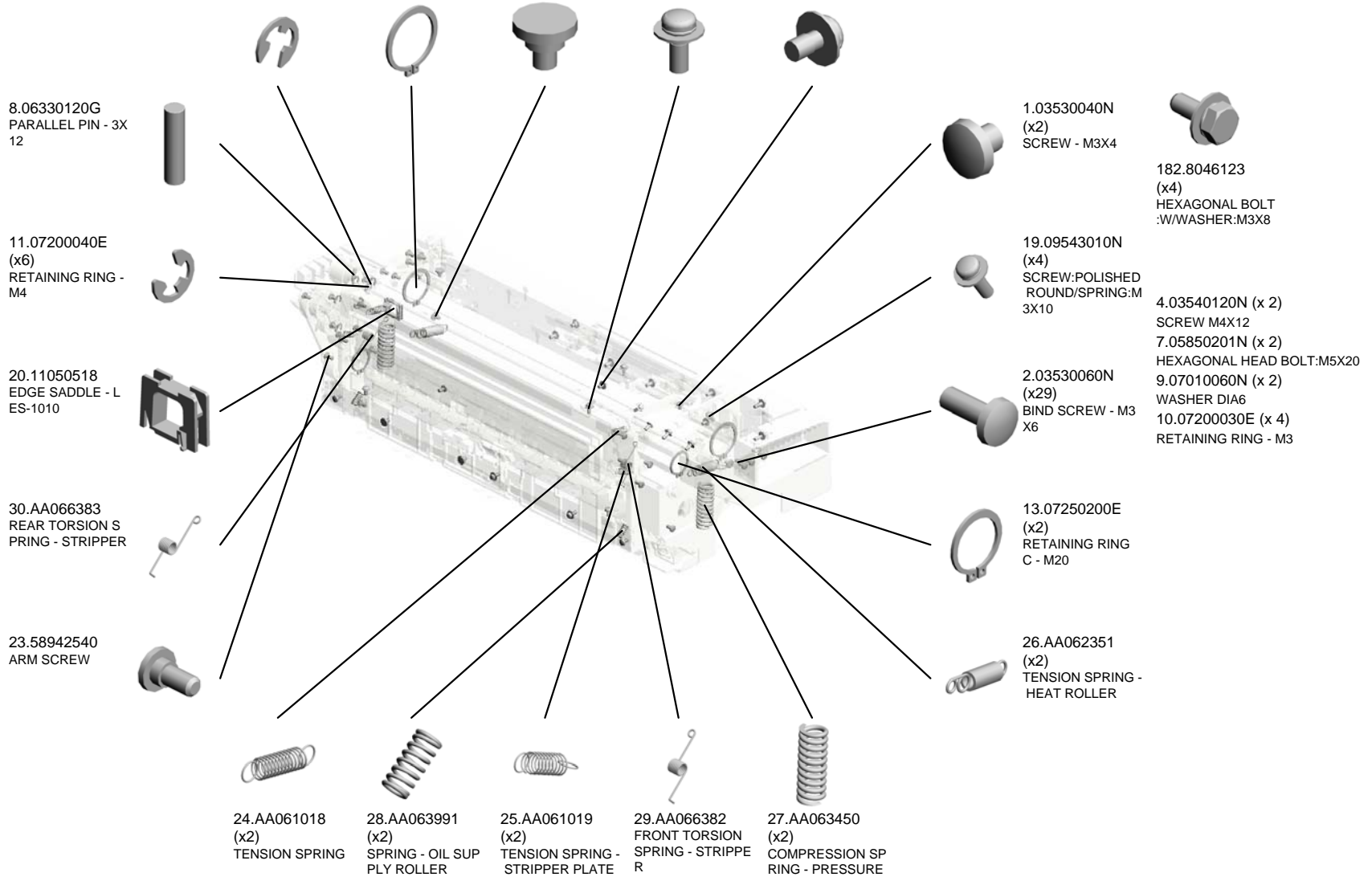
U018_S002

FUSING UNIT:C3ANA:ASS'Y:(for D082)

- 12.07200060E (x2) RETAINING RING - M6
- 14.07250300E (x2) RETAINING RING C - M30
- 22.52062684 (x8) SHOULDER SCRE W - M3
- 18.09543008N (x11) SCREW - M3X8
- 17.09543006N (x2) SCREW - M3X6



175.D0814027
FUSING UNIT:C3A
NA:ASS'Y:(for D082)



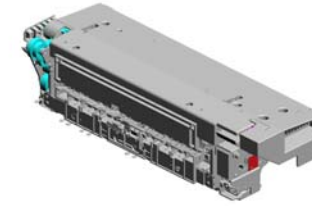
36.AA113037
TERMINAL:4P:187

45.AB014298
DRIVE GEAR - 23Z

37.AA132204
COLLAR

53.AB014325
GEAR:HOT ROLLER

32.AA066683
TORSION SPRING
- REAR



175.D0814027
FUSING UNIT:C3A
NA:ASS'Y:(for D082
)

43.AB014294
GEAR - 30Z/23Z

51.AB014323
GEAR:IDLER:DRIVE

44.AB014295
GEAR - 20Z

52.AB014324
GEAR:IDLER:HOTT
ROLLER

50.AB014322
IDLE GEAR - 27Z

42.AB014291
GEAR - 32Z

58.AE030039
(x2)
BALL BEARING

56.AE020185
PRESSURE ROLLER

54.AE010080
HOT ROLLER

55.AE012032
HEAT ROLLER

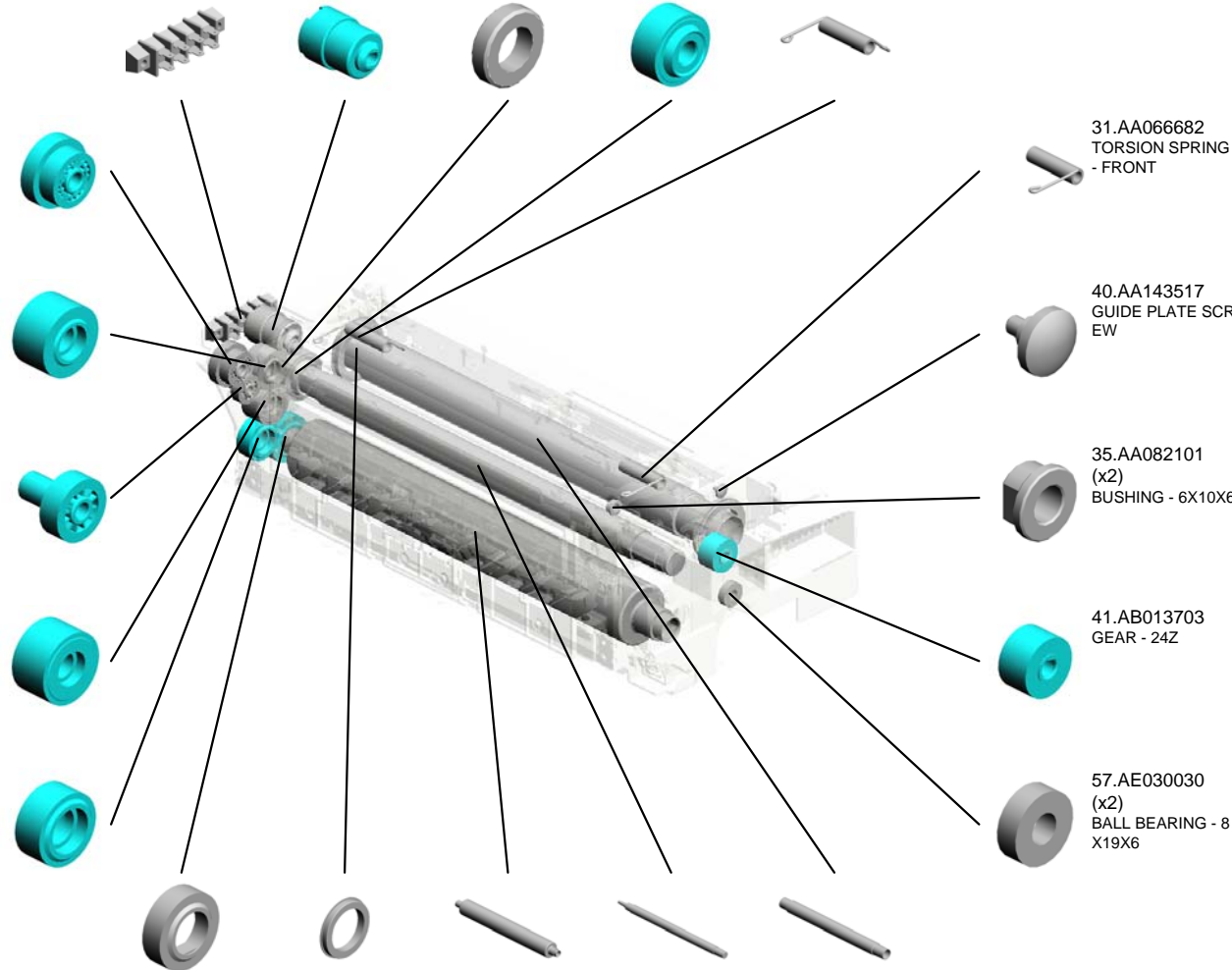
31.AA066682
TORSION SPRING
- FRONT

40.AA143517
GUIDE PLATE SCREW

35.AA082101
(x2)
BUSHING - 6X10X6

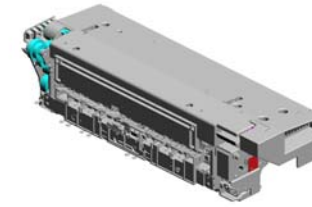
41.AB013703
GEAR - 24Z

57.AE030030
(x2)
BALL BEARING - 8
X19X6



U018_S002

FUSING UNIT:C3ANA:ASS'Y:(for D082)



175.D0814027
FUSING UNIT:C3A
NA:ASS'Y:(for D082
)

- 60.AE030056 (x2) BALL BEARING - 8 X16X5
- 64.AE032031 (x2) THERMAL INSULATING BUSHING - 30MM
- 76.AX430190 HEATER:HEAT ROLLER:AUXILIARY:227V:400W:(for D082)
- 78.AX440269 HEATER:HEAT ROLLER:117V:700W/700W:(for D081)
- 79.AX440271 HEATER:HEAT ROLLER:227V:700W/700W:(for D082)

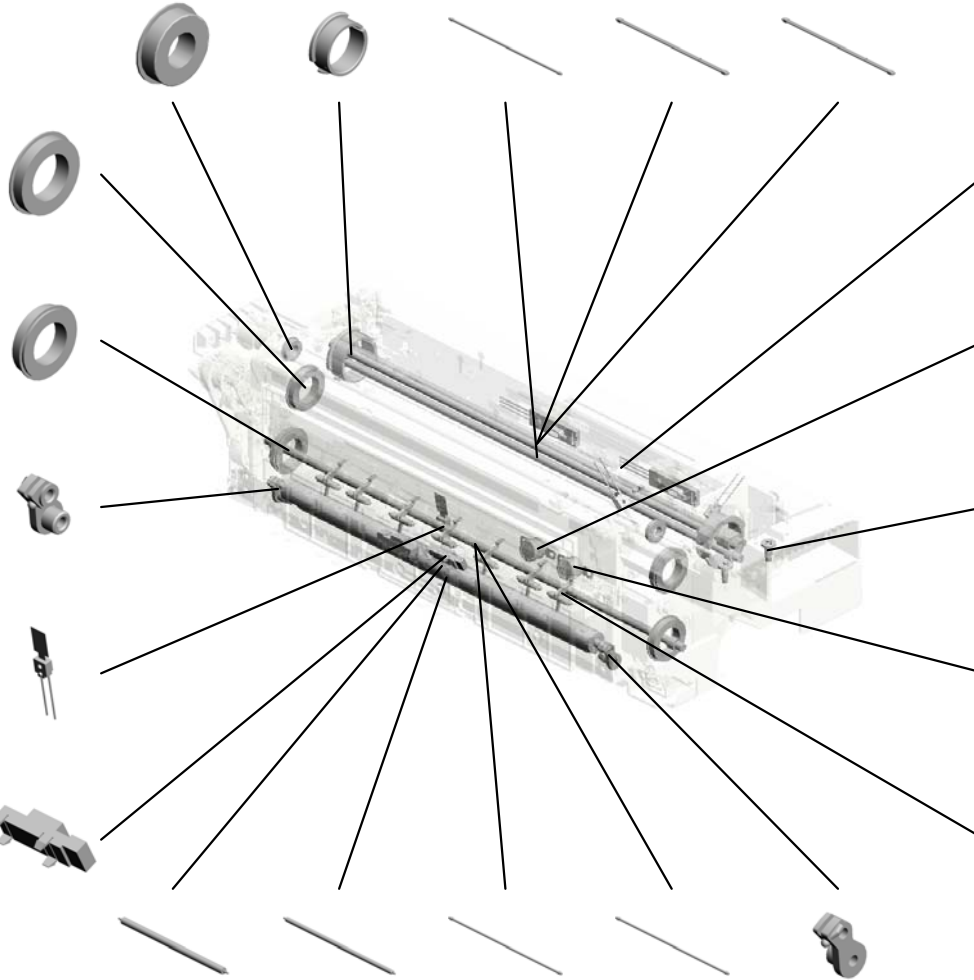
59.AE030049 (x2) BALL BEARING -20 X32X7

61.AE030076 (x2) RADIAL BALL BEARING:20X32X7

63.AE031069 REAR BUSHING - CLEANING ROLLER

70.AW100110 THERMISTOR

68.AW010118 (x2) PAPER FEED SENSOR



71.AW100130 TEMPERATURE SENSOR:UPPER:ASS'Y

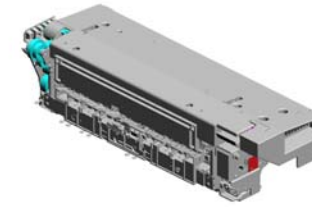
72.AW110044 THERMOSTAT:150C:250V/17A

80.B0514103 (x2) KNOB SCREW:M4

73.AW110045 THERMOSTAT:149C:250V/17A

67.AE044064 (x7) STRIPPER PAWLS

- 65.AE040015 OIL SUPPLY ROLLER:PRESSURE:DIAMETER:16
- 66.AE042080 CLEANING ROLLER:ASS'Y
- 75.AX430186 HEATER:PRESSURE ROLLER:117V:400W:(for D081)
- 77.AX440267 HEATER:PRESSURE ROLLER:227V:600W:(for D082)
- 62.AE031068 FRONT BUSHING - CLEANING ROLLER



175.D0814027
FUSING UNIT:C3A
NA:ASS'Y:(for D082
)

- 86.B1324163 SHAFT:OIL APPLIC
ATION UNIT
- 96.D0144127 GUIDE PLATE - PA
PER EXIT UNIT
- 92.D0144090
FUSING BELT**
- 95.D0144103 STAY - UPPER
- 83.B1324127 BRACKET:TORSIO
N SPRING:PEEN

89.B1324197
TORSION SPRING:
LEVER

94.D0144095
REAR STAY - FUSI
NG UNIT

99.D0144134
REAR POSITIONIN
G PLATE

85.B1324148
HOUSING:THERM
OSTAT

81.B0654121
THERMOSTAT TER
MINAL

91.B1324268
(x7)
HOLDER:ROLLER:
PICKOFF PAWL

88.B1324196
(x7)
TORSION SPRING:
STRIPPER PAWLS

90.B1324265
(x7)
ROLLER:PICKOFF
PAWL

98.D0144133
FRONT POSITIONI
NG PLATE

93.D0144093
FRONT STAY - FU
SING UNIT

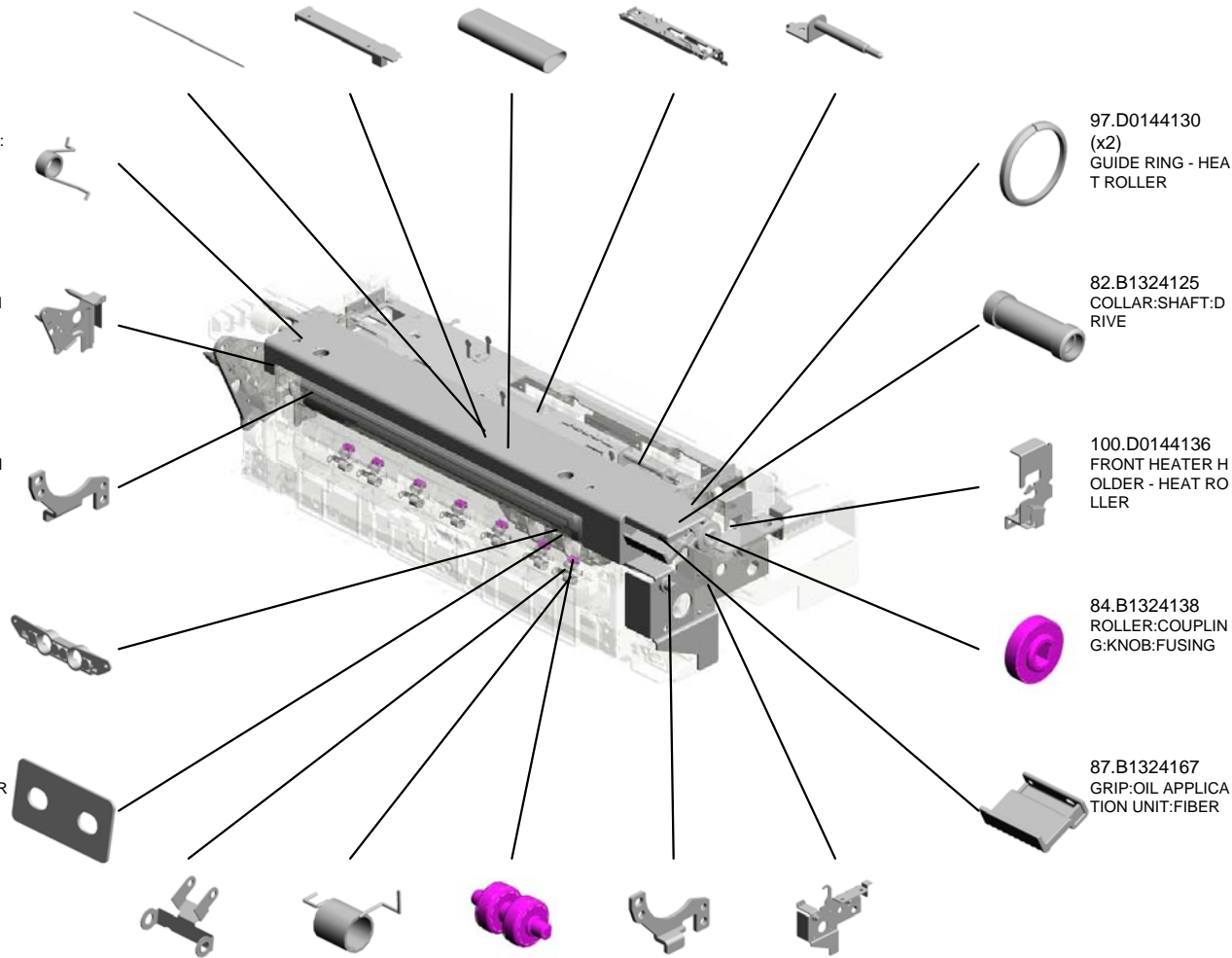
97.D0144130
(x2)
GUIDE RING - HEA
T ROLLER

82.B1324125
COLLAR:SHAFT:D
RIVE

100.D0144136
FRONT HEATER H
OLDER - HEAT RO
LLER

84.B1324138
ROLLER:COUPLIN
G:KNOB:FUSING

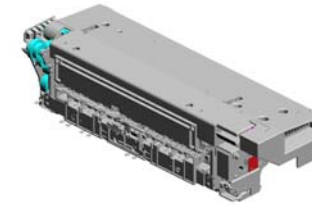
87.B1324167
GRIP:OIL APPLICA
TION UNIT:FIBER



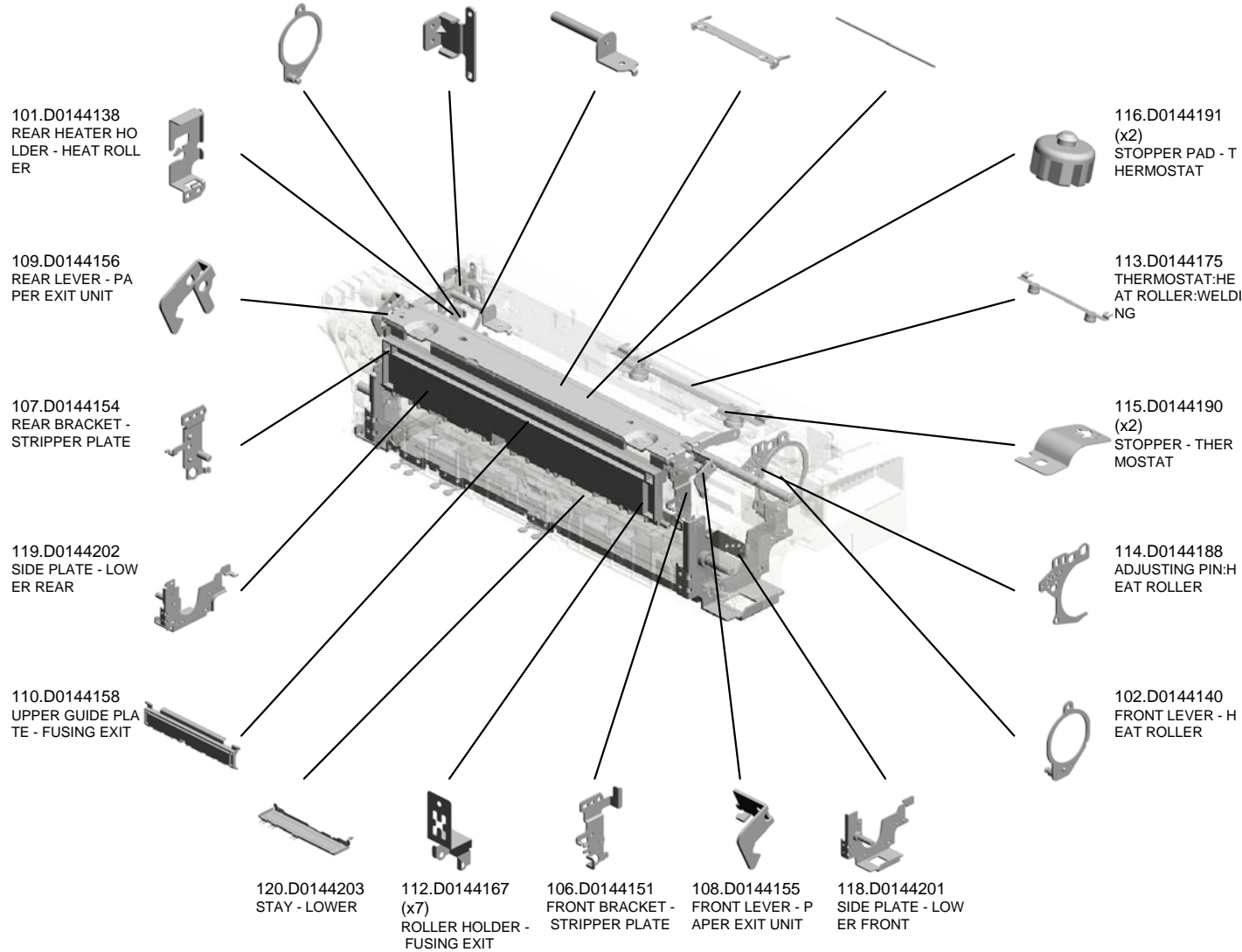
U018_S002

FUSING UNIT:C3ANA:ASS'Y:(for D082)

- 103.D0144141 REAR LEVER - HEAT ROLLER
- 111.D0144163 REAR GUIDE PLATE - FUSING UNIT
- 104.D0144148 SPRING BRACKET - SEPARATION
- 105.D0144150 BRACKET - EXIT UNIT
- 117.D0144194 DRIVE HAFT

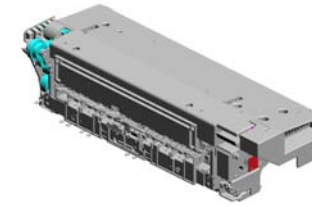


175.D0814027
FUSING UNIT:C3ANA:ASS'Y:(for D082)

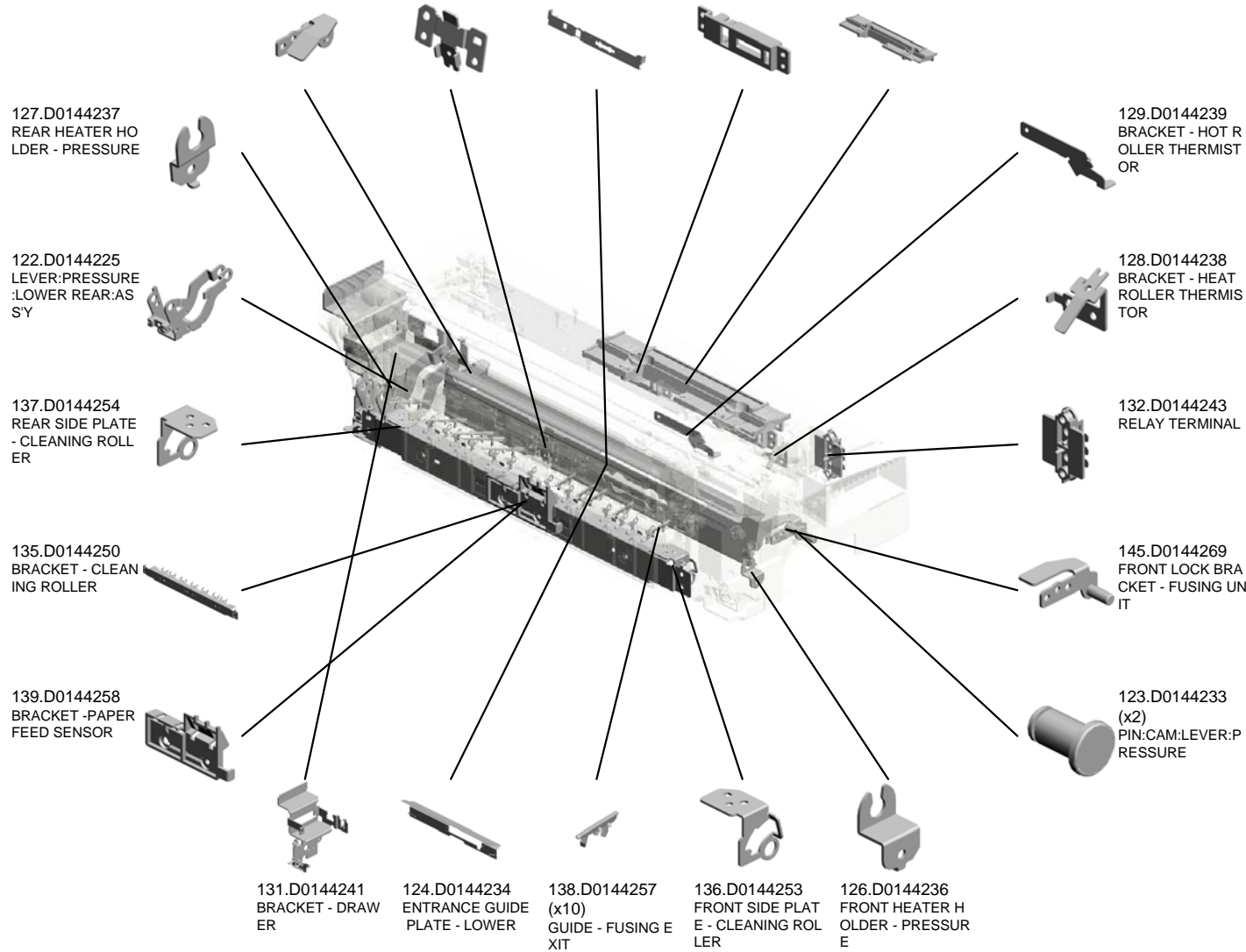


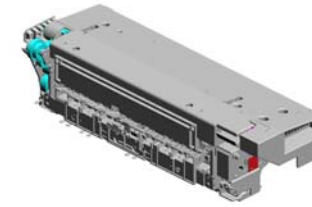
FUSING UNIT:C3ANA:ASS'Y:(for D082)

- 146.D0144271 REAR LOCK BRACKET - FUSING UNIT
- 130.D0144240 BRACKET - THERMISTOR:PRESSURE
- 121.D0144204 STAY - RIGHT LOWER
- 133.D0144247 (x2) HOUSING - TEMPERATURE SENSOR
- 125.D0144235 HOUSING:THERMOSTAT:PRESS FIT



175.D0814027 FUSING UNIT:C3ANA:ASS'Y:(for D082)





175.D0814027
FUSING UNIT:C3A
NA:ASS'Y:(for D082
)

164.D0144307
STAY - BRACKET

168.D0144327
(x7)
ROLLER - FUSING
EXIT

165.D0144309
SPACER:HOUSING
:THERMOSTAT:FR
ONT

166.D0144324
FRONT LEVER - ST
RIPPER PLATE

162.D0144305
FRONT POSITIONI
NG PLATE - STRIP
PER

163.D0144306
REAR POSITIONIN
G PLATE - STRIPP
ER

167.D0144325
REAR LEVER - ST
RIPPER PLATE

152.D0144282
UPPER REAR LEV
ER - PRESSURE

161.D0144300
STRIPPER PLATE
UNIT

171.D0144347
GUIDE:FUSING EXI
T:MIDDLE

157.D0144291
(x2)
HOLDER:ADJUSTI
NG PIN:M5

158.D0144292
(x2)
LEVER:CONTROL
PLATE:PRESSURE
:LINK:PEEN

154.D0144287
(x4)
PIN:LEVER:PRESS
URE:CONTROL PL
ATE

151.D0144281
UPPER FRONT LE
VER - PRESSURE

155.D0144289
(x2)
LEVER:CONTROL
PLATE:PRESSURE

169.D0144342
SPACER:MAX

170.D0144343
SPACER:MIN

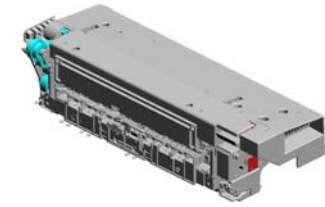
159.D0144296
(x2)
STEPPED SCREW
- M5

153.D0144284
LEVER:PRESSURE
:LOWER FRONT:A
SS'Y

156.D0144290
(x2)
HUB:PRESSURE S
TAND:M5

U018_S002
FUSING UNIT:C3ANA:ASS'Y:(for D082)

176.D0814124
FUSING COVER:ASS'Y

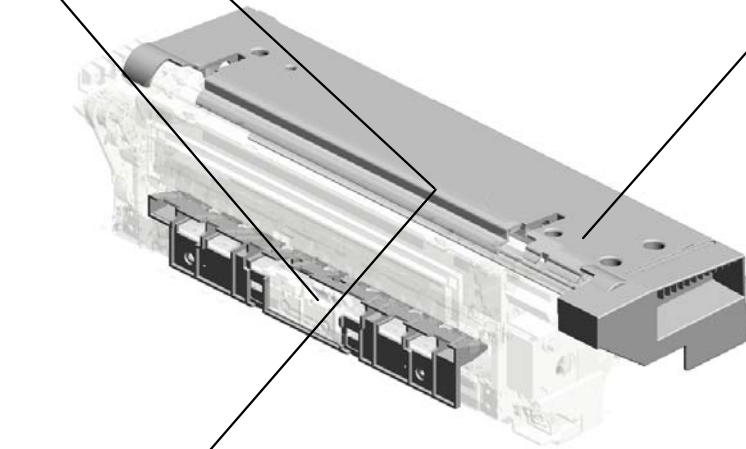


175.D0814027
FUSING UNIT:C3ANA:ASS'Y:(for D082)

173.D0144356
GUIDE PLATE:FUSING EXIT:LOWER



172.D0144353
DISCHARGE BRUSH:HEAT ROLLER:UPPER

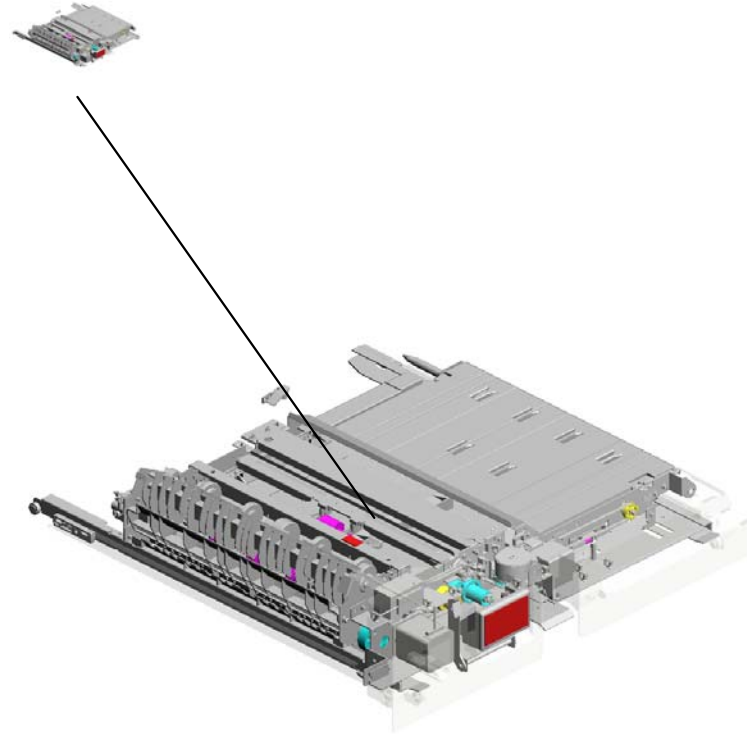


177.D0814147
FUSING ENTRANCE GUIDE PLATE:UPPER



U019.DUPLEX

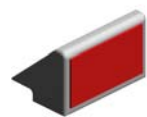
U019_S001
D0814501
DUPLEX UNIT:ASSY



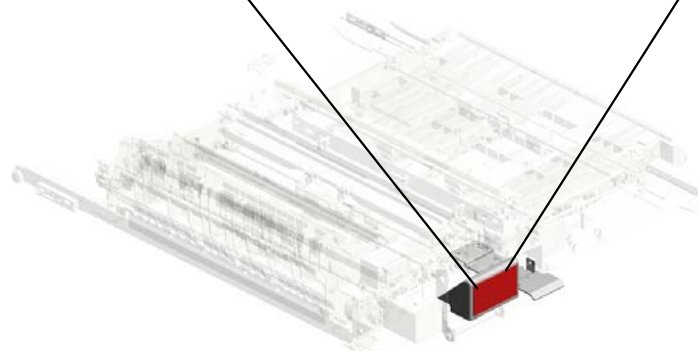
| | | | | | | | | | | | | | | | | | | | | |
|------|------|------|------|------|------|------|------|------|------|------|------|------|------|------|------|------|------|------|------|------|
| U001 | U002 | U003 | U004 | U005 | U006 | U007 | U008 | U009 | U010 | U011 | U012 | U013 | U014 | U015 | U016 | U017 | U018 | U019 | U020 | U021 |
|------|------|------|------|------|------|------|------|------|------|------|------|------|------|------|------|------|------|------|------|------|

U019_S001.DUPLEX UNIT:ASS'Y

U019_S001_S002
D0814675
GRIP:RELEASE:DUPLEX UNI
T:ASS'Y



U019_S001_S001
B0654531
GUIDE PLATE LEVER



| | | | | | | | | | | | | | | | | | | | | |
|------|------|------|------|------|------|------|------|------|------|------|------|------|------|------|------|------|------|------|------|------|
| U001 | U002 | U003 | U004 | U005 | U006 | U007 | U008 | U009 | U010 | U011 | U012 | U013 | U014 | U015 | U016 | U017 | U018 | U019 | U020 | U021 |
|------|------|------|------|------|------|------|------|------|------|------|------|------|------|------|------|------|------|------|------|------|

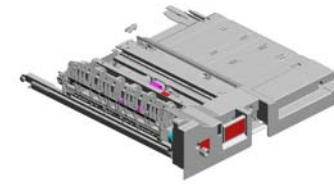
U019 DUPLEX

72.AG050100
KNOB - TRANSPOR
T ROLLER

145.D0814864
DECAL:GRIP:E2

142.D0814797
DECAL:H-TEMP W
ARNING:DUPLEX U
NIT

134.D0144591
RAIL:RIGHT:MACHI
NE OR COPIER:AS
S Y



123.B1324835
RAIL:LEFT:ASS'Y

14.07200040E
(x2)
RETAINING RING -
M4

25.67542866
(x2)
ROLLER - POSITIO
NING GUIDE

143.D0814799
INNER COVER:DU
PLEX UNIT

11.04514008N
(x2)
TAPPING SCREW:
4X8

24.54472681
(x2)
SNAP RING

36.A3002134
(x2)
GUIDE ROLLER - B

4.04340080N
(x4)
PAN SELF-TAPPIN
G SCREW:M4X8

122.B1324830
BRACKET:HOLDER
:ASS'Y

17.09514008N (x 1)
SCREW:POLISHED ROUND:M4X8

U019_S001
 DUPLEX UNIT:ASS'Y



147.D0814501
 DUPLEX UNIT:ASS'
 Y

21.11050516 (x2) CLAMP
 28.A2294617 (x2) DUPLEX DISCHARGE BRUSH
 5.04503006N (x2) TAPPING SCREW - M3X6
 19.11050508 (x7) HARNESS CLAMP - LWS-0711
 26.A0964595 (x2) DUPLEX GUIDE

18.11050328 (x3) HARNESS CLAMP - ES-0505

24.54472681 (x4) SNAP RING

22.11050522 (x2) EDGE SADDLE - LES0510

20.11050511 (x2) HARNESS CLAMP - LWS-0306ZC

12.04544006Q (x4) TAPPING SCREW: 4X6

23.11050534 (x19) CLAMP

14.07200040E (x7) RETAINING RING - M4

13.07200030E (x4) RETAINING RING - M3

7.04504008N (x3) TAPPING SCREW - M4X8

15.07200060E (x10) RETAINING RING - M6

10.04514006N (x41) TAPPING SCREW - 4X6

27.A0964928 GUIDE PLATE BAND

6.04503008N (x6) TAPPING SCREW - M3X8

9.04513006N (x8) TAPPING SCREW - 3X6

8.04504010N (x3) TAPPING SCREW: M4X10

1.03530050N (x 5) SCREW-M3X5
 2.03530080N (x 4) SCREW:M3X8
 3.03540060N (x 4) SCREW-M4X6

U019_S001 DUPLEX UNIT:ASS'Y

41.AA043310
TIMING BELT:40S2
M278G

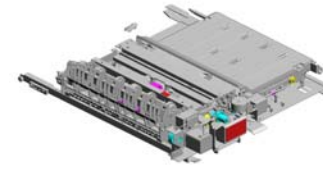
29.A2294623
LOWER ENTRANC
E GUIDE PLATE

32.A2934611
REVERSE ROLLER

44.AA062318
(x2)
SPRING

42.AA043311
TIMING BELT:40S2
M302G

147.D0814501
DUPLEX UNIT:ASS'
Y



31.A2294740
DRIVE JOINT

43.AA060984
TENSION SPRING

34.A2934614
REAR GATE PAWL

50.AA080034
(x2)
BUSHING - 4X5X7

35.A2944626
LOWER DUPLEX G
UIDE PLATE

33.A2934613
FRONT GATE PAW
L

47.AA062328
TENSION SPRING:
BLACK

48.AA063581
(x4)
COMPRESSION SP
RING

38.AA043291
TIMING BELT

45.AA062320
SPRING

49.AA063592
(x2)
COMPRESSION SP
RING

40.AA043309
TIMING BELT:40S2
M360G

30.A2294727
(x2)
GUIDE PLATE PRE
SSURE HOLDER

46.AA062327
TENSION SPRING

37.AA021034
MAGNETIC

| | | | | | | | | | | | | | | | | | | | | |
|------|------|------|------|------|------|------|------|------|------|------|------|------|------|------|------|------|------|------|------|------|
| U001 | U002 | U003 | U004 | U005 | U006 | U007 | U008 | U009 | U010 | U011 | U012 | U013 | U014 | U015 | U016 | U017 | U018 | U019 | U020 | U021 |
|------|------|------|------|------|------|------|------|------|------|------|------|------|------|------|------|------|------|------|------|------|

U019_S001
 DUPLEX UNIT:ASS'Y

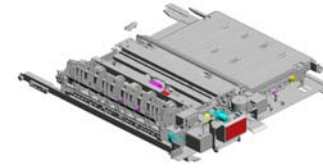
58.AA148692
 SHAFT:ROLLER:R
 EVERSAL

53.AA082118
 (x14)
 BUSHING - M6

51.AA082063
 (x4)
 BUSHING - 8X10X5

54.AA143129
 SHOULDER SCRE
 W - FRONT COVER

69.AF021079
 RIGHT DRIVE ROL
 LER



147.D0814501
 DUPLEX UNIT:ASS'
 Y

67.AB030732
 JOGGER PULLEY



66.AB030731
 PULLEY - 29Z



52.AA082116
 (x2)
 BUSHING - M8



63.AB017615
 GEAR - 30Z/45Z



65.AB030583
 (x4)
 TIMING PULLEY - 2
 4Z



61.AB011498
 GEAR:22Z



68.AF020690
 ROLLER:REVERSA
 L:DRIVEN



59.AB011496
 GEAR - 32Z



56.AA143426
 STOPPED SCREW
 - M4X17



55.AA143183
 (x2)
 STEPPED SCREW



60.AB011497
 GEAR:45Z



64.AB017687
 GEAR:22/24Z



57.AA143811
 (x4)
 STEPPED SCREW
 - M3X4



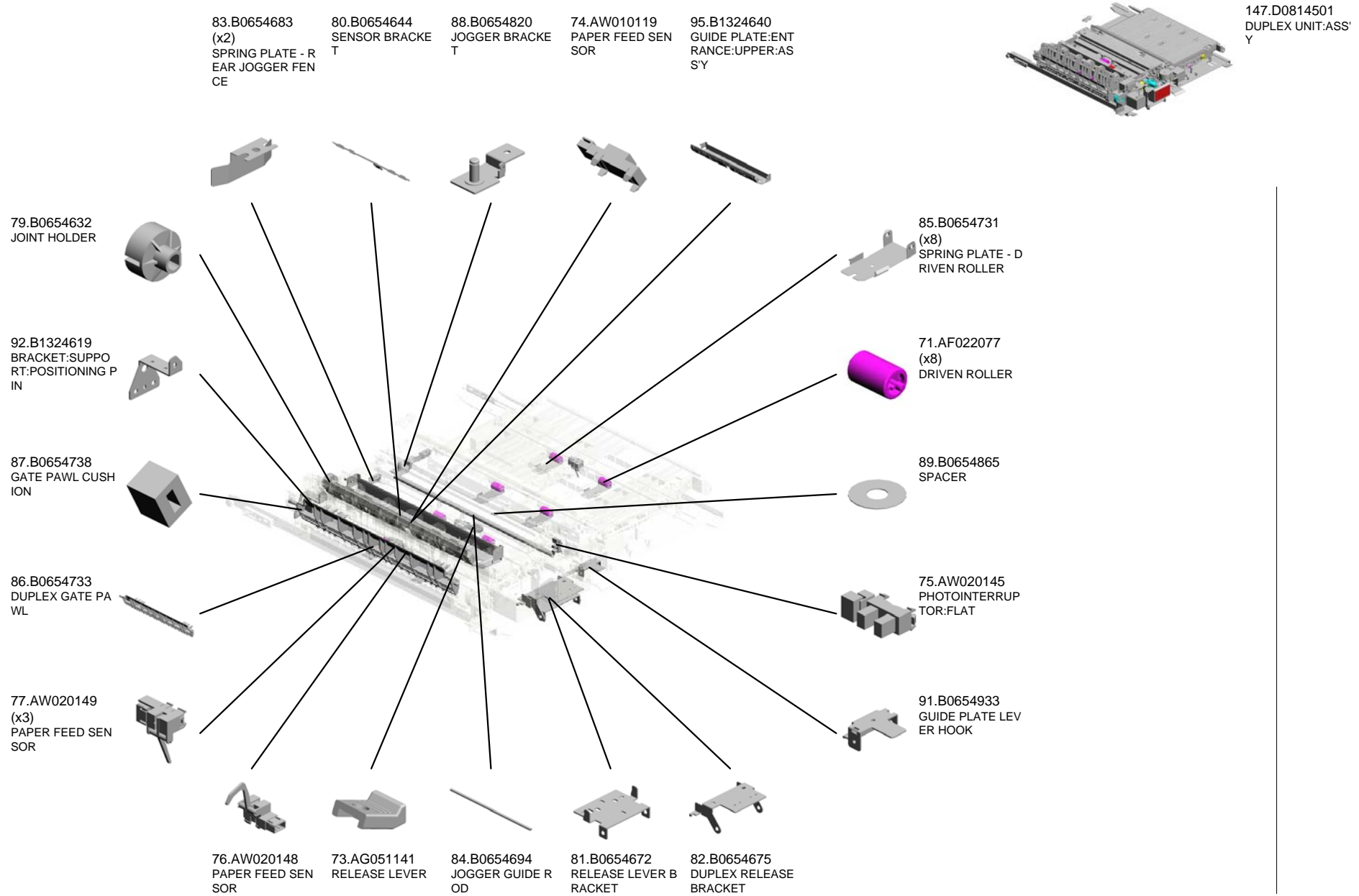
70.AF022067
 (x2)
 GUIDE STOPPER
 ROLLER



62.AB017614
 PULLEY

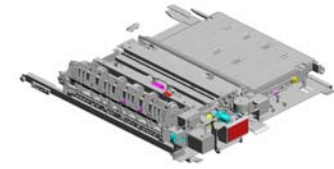


U019_S001
 DUPLEX UNIT:ASS'Y



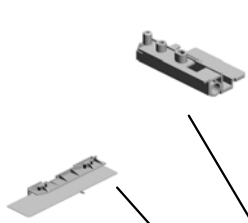
U019_S001
 DUPLEX UNIT:ASS'Y

108.B1324693 SLIDER:JOGGER F
 ENCE:REAR
 100.B1324661 (x2)
 ARM:ROLLER:REV
 ERSAL:DRIVEN
 113.B1324720 TABLE:DUPL
 EX:LEFT
 99.B1324655 BRACKET:REVER
 SAL:DRIVEN:ASS'Y
 104.B1324681 JOGGER FENCE:F
 RONT



147.D0814501
 DUPLEX UNIT:ASS'
 Y

105.B1324682
 JOGGER FENCE:R
 EAR



97.B1324647
 LEVER:OPEN AND
 CLOSE:REVERSE
 UNIT



111.B1324710
 GUIDE PLATE:TRA
 NSPORT:UPPER:A
 SS'Y



112.B1324715
 BRACKET:SENSO
 R:REVERSE:EXIT



96.B1324643
 (x2)
 SPACER:GATE PA
 WL



106.B1324689
 STAY:TIMING BELT



107.B1324692
 SLIDER:JOGGER F
 ENCE:FRONT



115.B1324730
 GUIDE PLATE:TRA
 NSPORT:LOWER



103.B1324671
 ARM:LOCK:DUPL
 EX



102.B1324665
 STAY:BEARING:RE
 VERSAL



114.B1324727
 BRACKET:SENSO
 R:RIGHT



98.B1324650
 STEPPER MOTOR:
 JOGGER:ASS'Y



101.B1324663
 LEVER:ROLLER:DRIVE
 N:REVERSAL



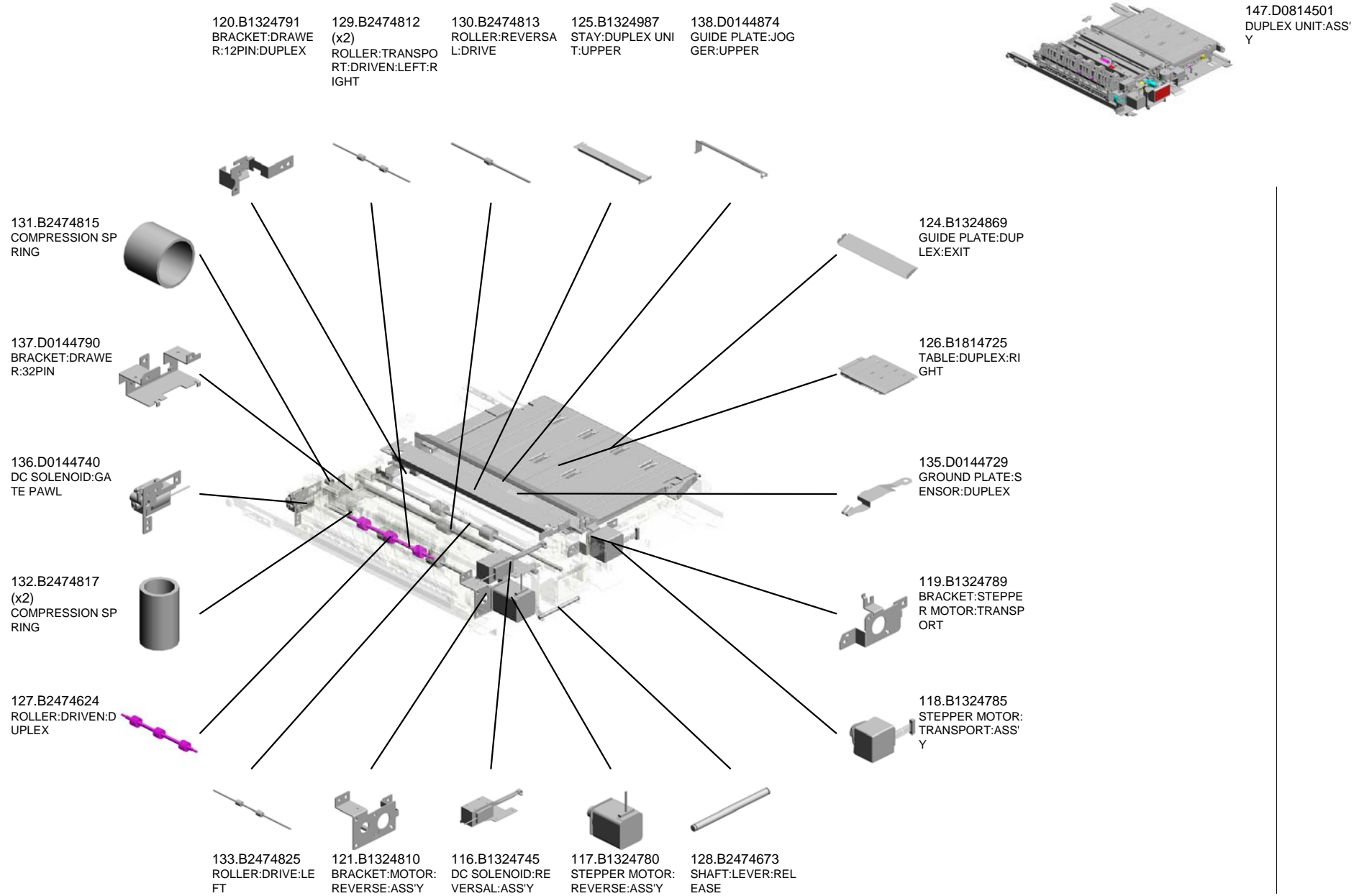
110.B1324699
 BRACKET:HOME P
 OSITION SENSOR:
 JOGGER



109.B1324696
 BRACKET:STEPPE
 R MOTOR:JOGGE
 R



U019_S001
 DUPLEX UNIT:ASS'Y

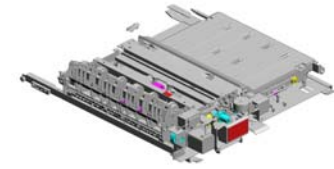


U019_S001
 DUPLEX UNIT:ASS'Y

149.D0814620
 SIDE PLATE:REAR:
 REVERSE UNIT:AS
 S'Y
 201008-01 X/O

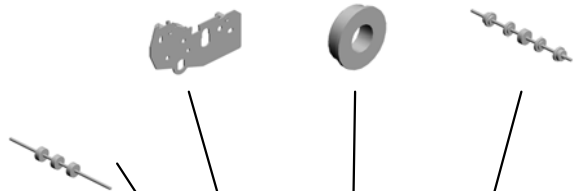
151.7423808
 (x4)
 BALL BEARING - 8
 X16X5

144.D0814818
 REVERSE ROLLER
 :ENTRANCE



147.D0814501
 DUPLEX UNIT:ASS'
 Y

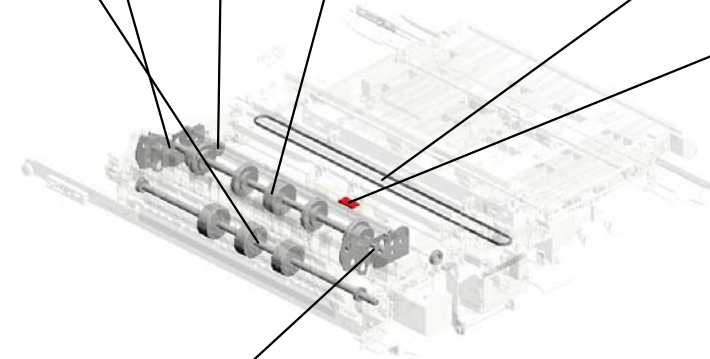
139.D0814517
 ROLLER:TURN:DU
 PLEX



148.AA043435
 SYNCHRONOUS B
 ELT:40S2M810
 201007-03 O/O



141.D0814794
 DECAL:GRIP:E4



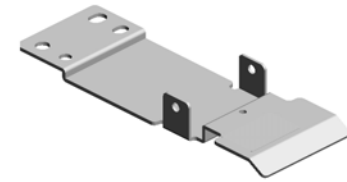
150.D0814627
 SIDE PLATE:FRON
 T:REVERSE UNIT
 201008-02 X/O



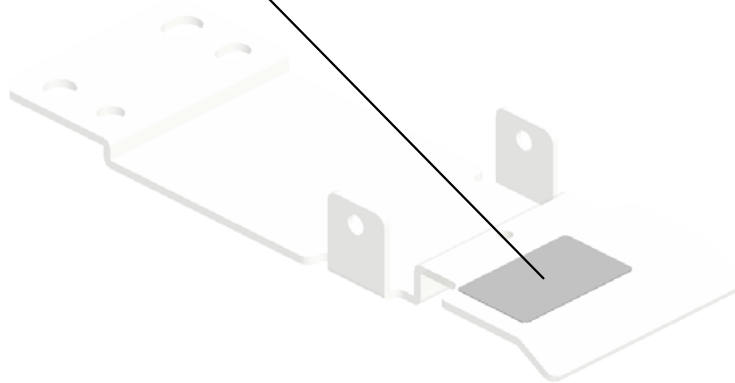
| | | | | | | | | | | | | | | | | | | | | |
|------|------|------|------|------|------|------|------|------|------|------|------|------|------|------|------|------|------|------|------|------|
| U001 | U002 | U003 | U004 | U005 | U006 | U007 | U008 | U009 | U010 | U011 | U012 | U013 | U014 | U015 | U016 | U017 | U018 | U019 | U020 | U021 |
|------|------|------|------|------|------|------|------|------|------|------|------|------|------|------|------|------|------|------|------|------|

U019_S001_S001
GUIDE PLATE LEVER

90.B0654867
DECAL - GUIDE PL
ATE LEVER



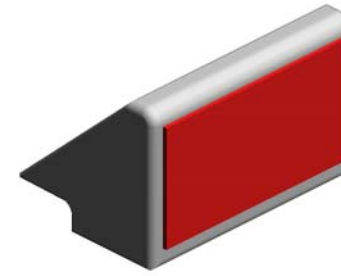
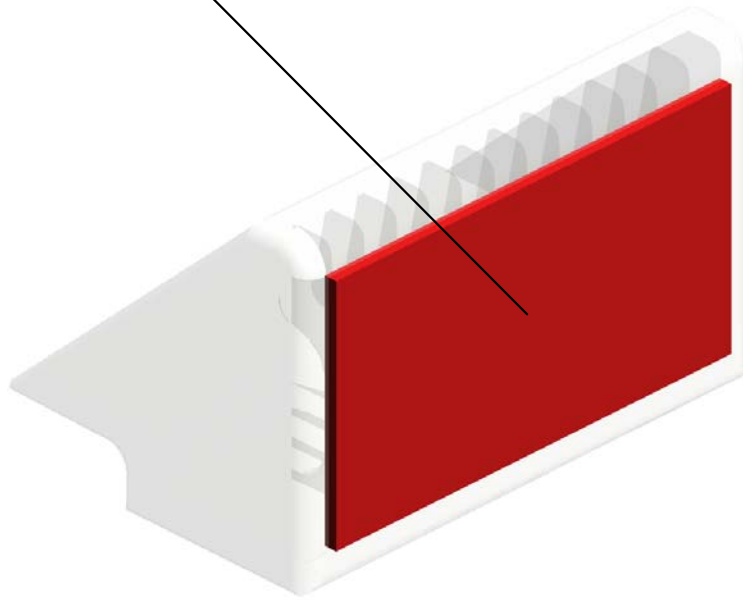
78.B0654531
GUIDE PLATE LEV
ER



| | | | | | | | | | | | | | | | | | | | | |
|------|------|------|------|------|------|------|------|------|------|------|------|------|------|------|------|------|------|------|------|------|
| U001 | U002 | U003 | U004 | U005 | U006 | U007 | U008 | U009 | U010 | U011 | U012 | U013 | U014 | U015 | U016 | U017 | U018 | U019 | U020 | U021 |
|------|------|------|------|------|------|------|------|------|------|------|------|------|------|------|------|------|------|------|------|------|

U019_S001_S002
GRIP:RELEASE:DUPLEX UNIT:ASS'Y

146.D0814867
DECAL:LEVER:GUI
DE PLATE

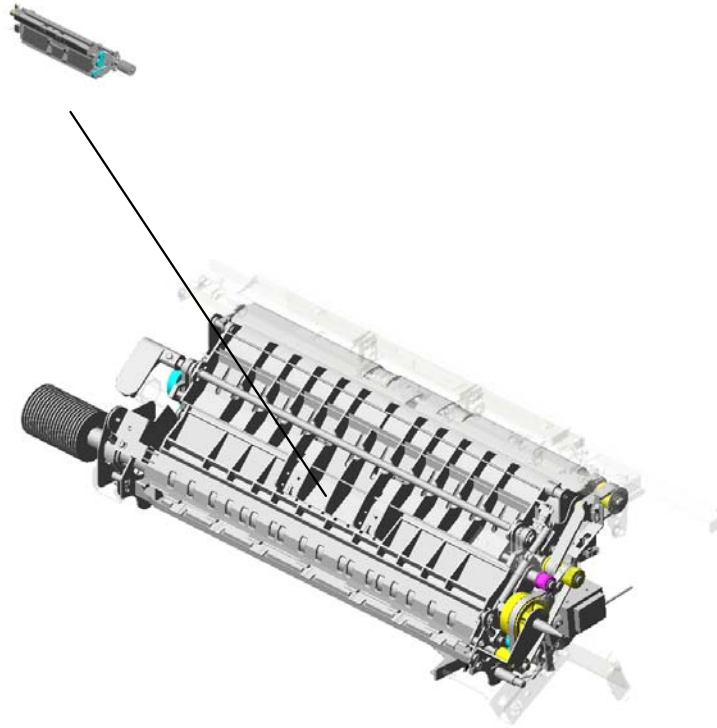


140.D0814675
GRIP:RELEASE:DU
PLEX UNIT:ASS'Y

| | | | | | | | | | | | | | | | | | | | | |
|------|------|------|------|------|------|------|------|------|------|------|------|------|------|------|------|------|------|------|------|------|
| U001 | U002 | U003 | U004 | U005 | U006 | U007 | U008 | U009 | U010 | U011 | U012 | U013 | U014 | U015 | U016 | U017 | U018 | U019 | U020 | U021 |
|------|------|------|------|------|------|------|------|------|------|------|------|------|------|------|------|------|------|------|------|------|

U020.PAPER EXIT

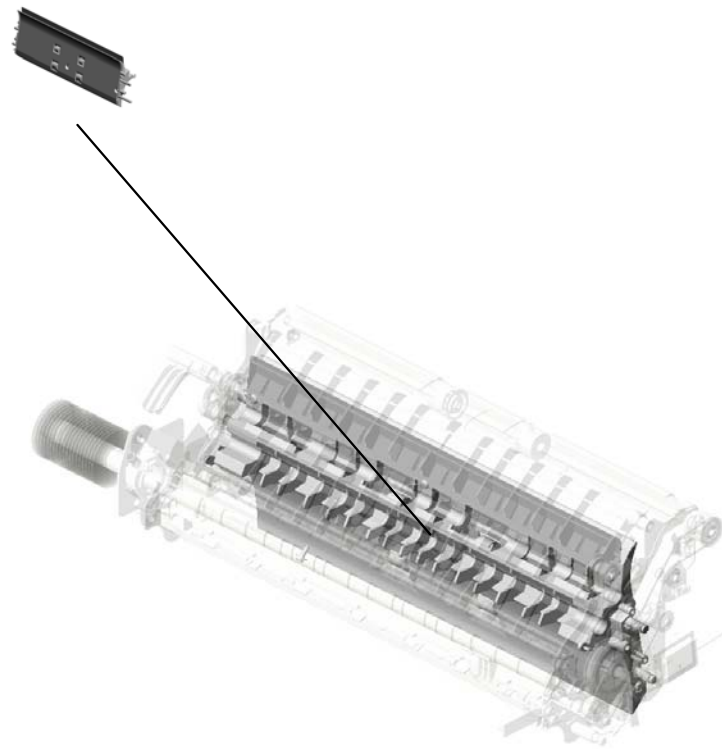
U020_S001
D0817001
PAPER EXIT UNIT:ASSY



| | | | | | | | | | | | | | | | | | | | | |
|------|------|------|------|------|------|------|------|------|------|------|------|------|------|------|------|------|------|------|------|------|
| U001 | U002 | U003 | U004 | U005 | U006 | U007 | U008 | U009 | U010 | U011 | U012 | U013 | U014 | U015 | U016 | U017 | U018 | U019 | U020 | U021 |
|------|------|------|------|------|------|------|------|------|------|------|------|------|------|------|------|------|------|------|------|------|

U020_S001.PAPER EXIT UNIT:ASS'Y

U020_S001_S001
D0147027
GUIDE PLATE:MIDDLE:ASS'Y



| | | | | | | | | | | | | | | | | | | | | |
|------|------|------|------|------|------|------|------|------|------|------|------|------|------|------|------|------|------|------|------|------|
| U001 | U002 | U003 | U004 | U005 | U006 | U007 | U008 | U009 | U010 | U011 | U012 | U013 | U014 | U015 | U016 | U017 | U018 | U019 | U020 | U021 |
|------|------|------|------|------|------|------|------|------|------|------|------|------|------|------|------|------|------|------|------|------|

U020 PAPER EXIT

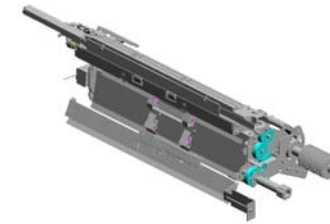
32.AW010107
(x2)
PAPER FEED SEN
SOR

39.B1327018
STAY:EXIT:ASS'Y

5.04543006Q
(x3)
TAPPING SCREW -
M3X6

15.11050551
(x3)
CLAMP:LES-0505

30.AA120084
DISCHARGE BRUS
H



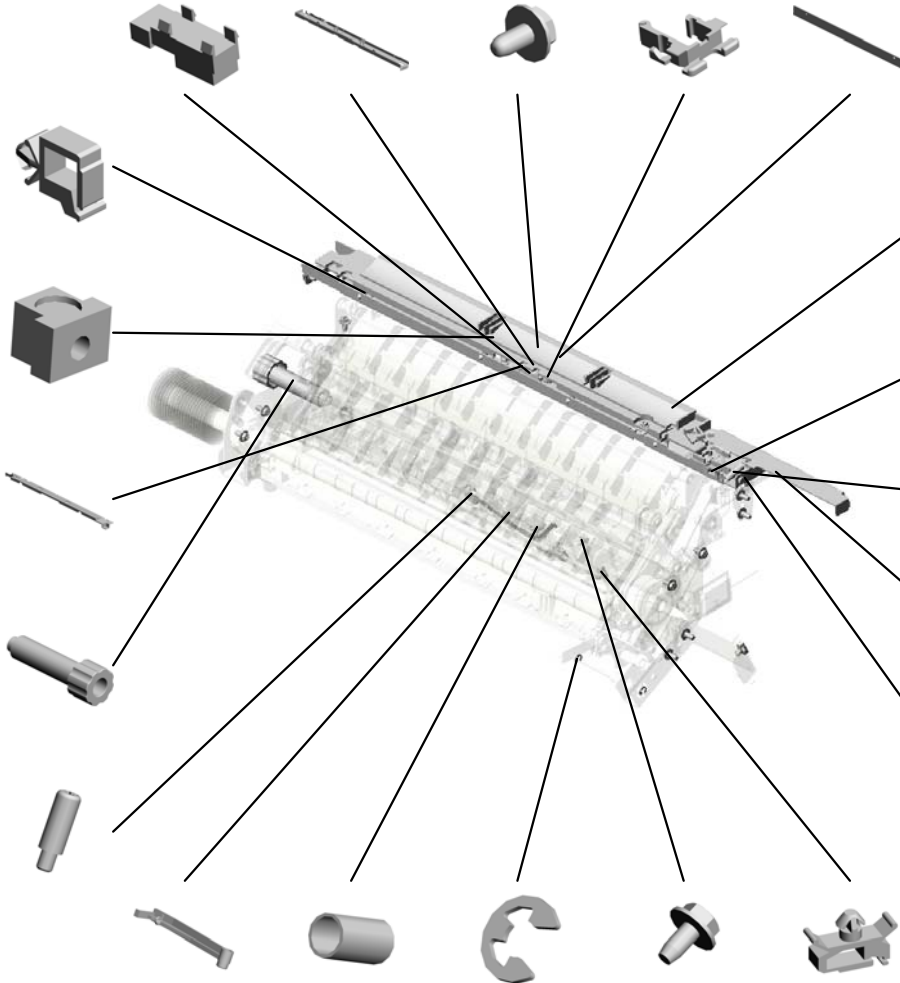
14.11050534
(x4)
CLAMP

29.AA084053
(x2)
BALL BEARING:DR
IVEN:MM4

41.B1327023
COVER:EXHAUST

35.B1327008
KNOB:FRONT

31.AA143421
STUD:GUIDE PIN



1.03530060N
(x2)
BIND SCREW - M3
X6

13.11050522
EDGE SADDLE - L
ES0510

20.AA062319
SPRING

51.B1327041
LEVER:STOPPER

4.04514008N
(x13)
TAPPING SCREW:
4X8

49.B1327038
STOPPER:PRESSU
RE

23.AA063907
COMPRESSION SP
RING

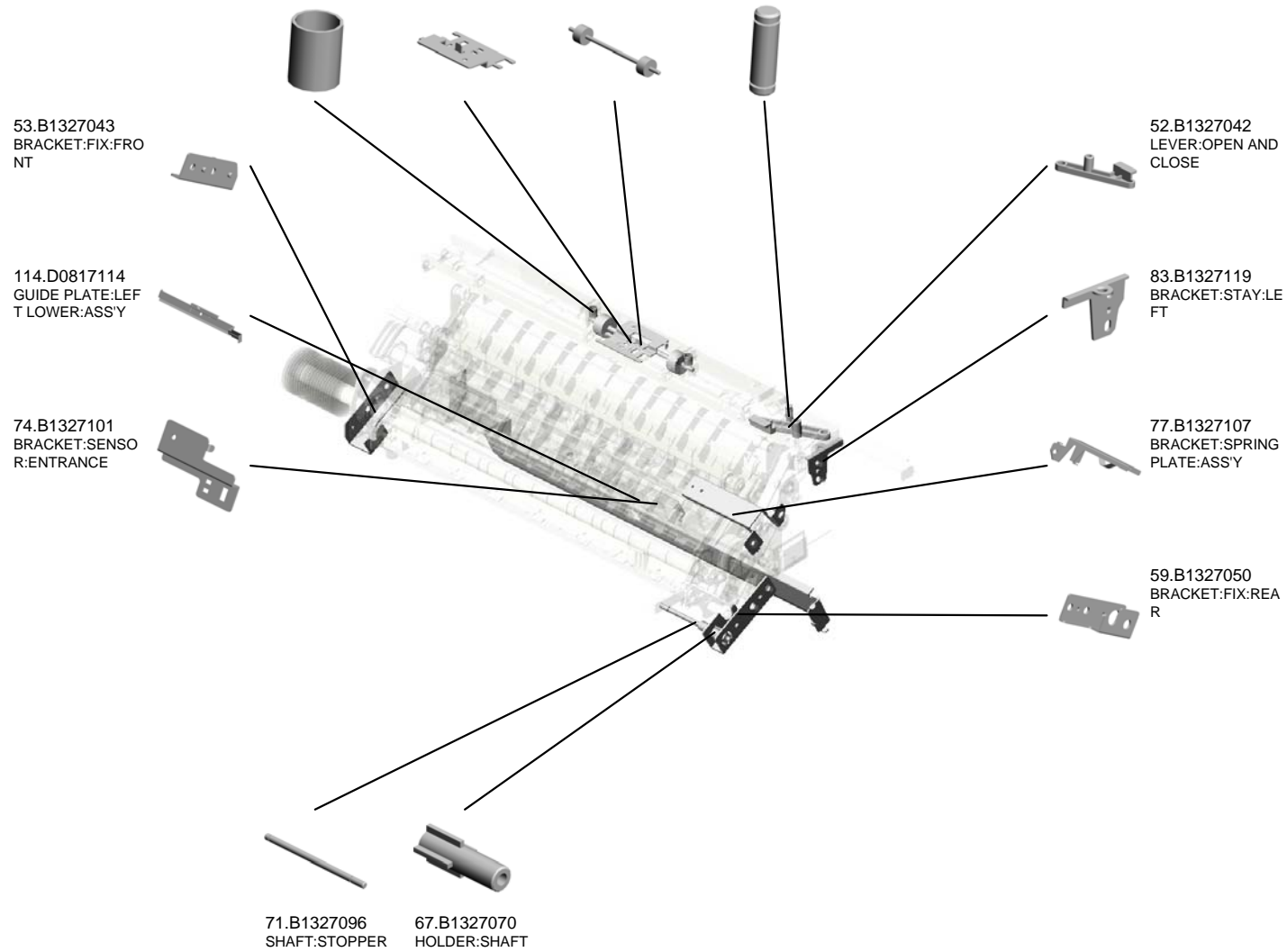
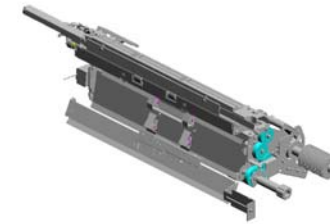
7.07200030E
(x2)
RETAINING RING -
M3

3.04513006N
(x2)
TAPPING SCREW -
3X6

12.11050511
(x2)
HARNES CLAMP -
LWS-0306ZC

U020 PAPER EXIT

102.B2474455 (x2) COMPRESSION SPRING
 58.B1327049 BRACKET:SENSOR
 92.B1327147 EXIT ROLLER:DRIVEN:UPPER
 84.B1327123 SHAFT:LEVER:LEFT INNER REAR



U020_S001 PAPER EXIT UNIT:ASS'Y

11.09543006N
SCREW - M3X6

26.AA080213
(x2)
BUSHING:DIA6

33.B1327002
GEAR:28Z

24.AA063908
SPRING:TIGHTENE
R

3.04513006N
(x19)
TAPPING SCREW -
3X6



111.D0817001
PAPER EXIT UNIT:
ASS'Y

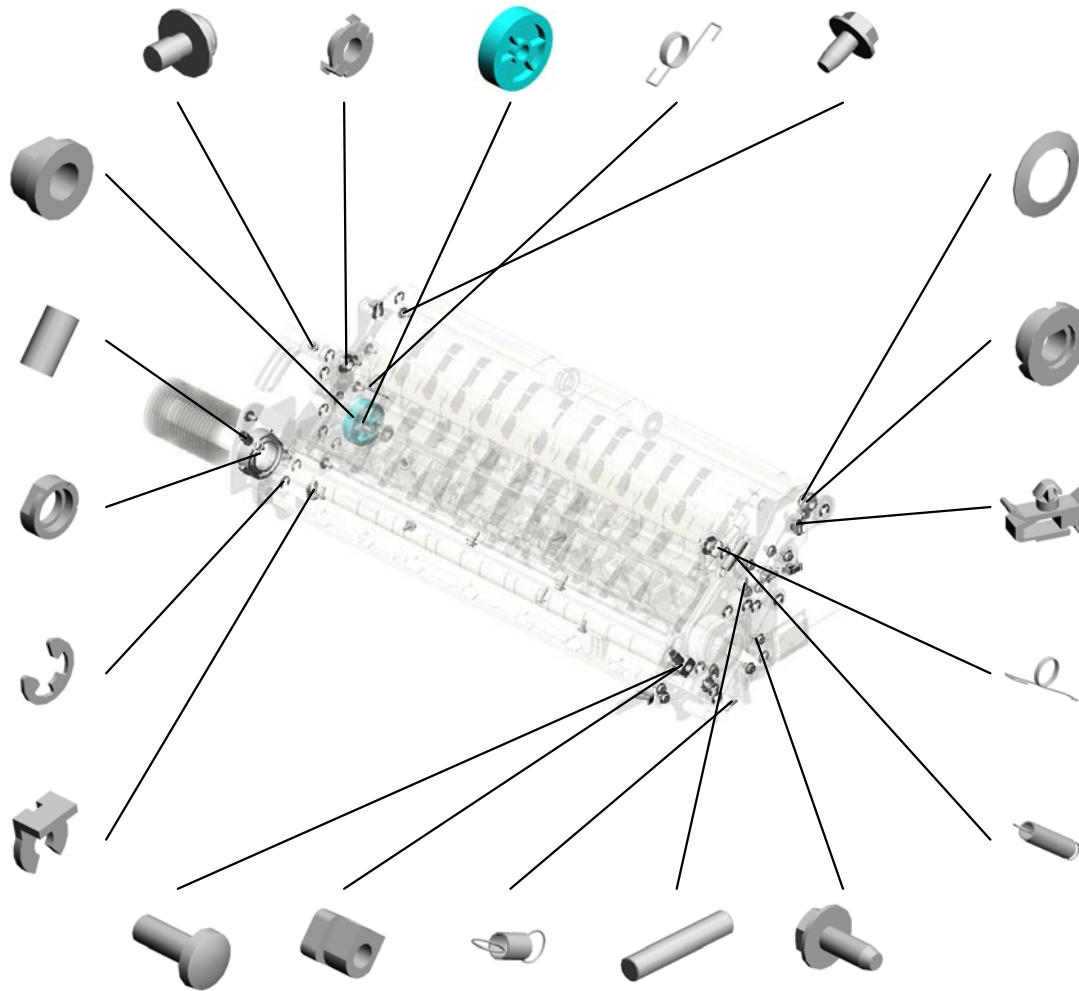
28.AA082118
(x2)
BUSHING - M6

22.AA063906
(x2)
COMPRESSION SP
RING

36.B1327011
HOLDER:BEARING
:FRONT

8.07200040E
(x25)
RETAINING RING -
M4

16.54472681
(x5)
SNAP RING



3.04513006N (x 1)
TAPPING SCREW - 3X6

17.59374158
SPRING WASHER -
BD10

18.A4701703
SHIFT CLUTCH

12.11050511
(x3)
HARNES CLAMP -
LWS-0306ZC

25.AA063909
SPRING:GUIDE PL
ATE:OPEN AND CL
OSE

19.AA060695
TENSION SPRING

1.03530060N
(x3)
BIND SCREW - M3
X6

27.AA080240
BUSHING - MM5

21.AA062330
TENSION SPRING

6.06320100G
PIN - 2X10MM

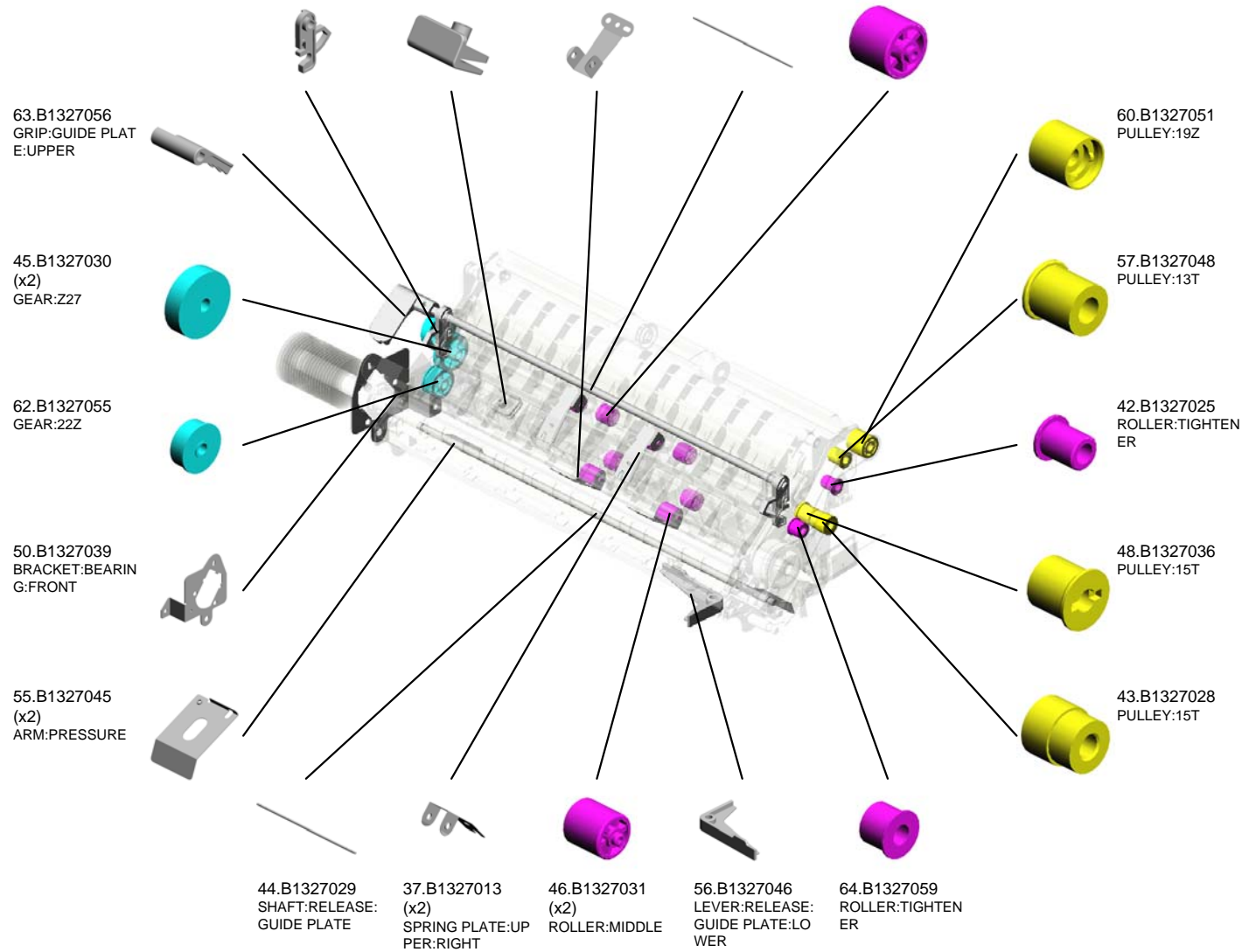
2.04503008N
(x8)
TAPPING SCREW -
M3X8

U020_S001 PAPER EXIT UNIT:ASS'Y

- 54.B1327044 (x2) PAWL:GUIDE PLATE E:FIX
- 38.B1327015 GRIP:GUIDE PLATE:LEFT
- 40.B1327020 (x2) SPRING PLATE:MIDDLE
- 61.B1327052 SHAFT:RELEASE:GUIDE PLATE:UPPER
- 47.B1327033 (x6) ROLLER:MM14



111.D0817001
PAPER EXIT UNIT:
ASS'Y



U020_S001 PAPER EXIT UNIT:ASS'Y

85.B1327124
SOUND PROOFIN
G MATERIAL

80.B1327115
GUIDE PLATE:LEF
T UPPER:ASS'Y

78.B1327110
GUIDE PLAT:LEFT
LOWER:ASS'Y

73.B1327098
LEVER:RELEASE

69.B1327086
EXIT ROLLER:EXIT
:DRIVE



111.D0817001
PAPER EXIT UNIT:
ASS'Y

65.B1327060
GEAR:29Z



76.B1327105
STOPPER:PIPE



86.B1327129
GUIDE PLATE:ENT
RANCE:UPPER



75.B1327103
GUIDE:ENTRANCE
:RIGHT REAR



72.B1327097
STAY:SHAFT:ASS'
Y



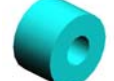
87.B1327133
BRACKET:POSITIO
NING PLATE:REAR



88.B1327138
GEAR:Z20



91.B1327144
GEAR:Z28



68.B1327080
PULLEY:37T



82.B1327117
TIMING BELT:T213



79.B1327112
TIGHTENER:FRON
T UPPER:ASS'Y



66.B1327069
BRACKET:CONNE
CTOR



81.B1327116
TIMING BELT:T198



90.B1327143
SPRING:TIGHTENE
R



89.B1327141
SHAFT:BASE:TIGH
TENER



U020_S001
PAPER EXIT UNIT:ASS'Y



111.D0817001
PAPER EXIT UNIT:
ASS'Y

- 105.D0147010 GUIDE PLATE:RIG
HT
- 110.D0147159 GATE PAWL:REVE
RSE:PAPER EXIT
UNIT
- 115.D0817116 GUIDE PLATE:TRA
NSPORT:UPPER:L
EFT
- 108.D0147082 ROLLER:MIDDLE
- 93.B1327151 GUIDE PLATE:SHA
FT:ASS'Y

101.B1817037
SHAFT:KNOB

100.B1817007
BRACKET:LEVER

104.D0147005
DECURA:HEAT PIP
E:DIA15

113.D0817052
ROLLER:DECURA:
EXIT

97.B1327164
GUIDE:ENTRANCE
:RIGHT FRONT

112.D0817050
ROLLER:DECURA:
ENTRANCE

116.D0817198
GUIDE PLATE:MID
DLE:RIGHT

95.B1327160
STAY:SUPPORTIN
G PLATE

96.B1327162
PULLEY:Z13

119.7413706
(x12)
BALL BEARING - 6
X10X3

94.B1327155
(x2)
STOPPER:GUIDE

103.B2474456
SPRING - LOWER
EXIT ROLLER

98.B1327165
SPACER:DIA21

118.H0531174
WASHER M6 - SCA
NNER UNIT

109.D0147148
DC SOLENOID

U020_S001
PAPER EXIT UNIT:ASS'Y

120.8050089
(x2)
RETAINING RING -
M4



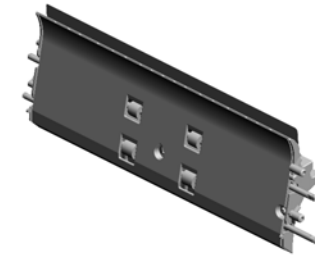
111.D0817001
PAPER EXIT UNIT:
ASS'Y



| | | | | | | | | | | | | | | | | | | | | |
|------|------|------|------|------|------|------|------|------|------|------|------|------|------|------|------|------|------|------|------|------|
| U001 | U002 | U003 | U004 | U005 | U006 | U007 | U008 | U009 | U010 | U011 | U012 | U013 | U014 | U015 | U016 | U017 | U018 | U019 | U020 | U021 |
|------|------|------|------|------|------|------|------|------|------|------|------|------|------|------|------|------|------|------|------|------|

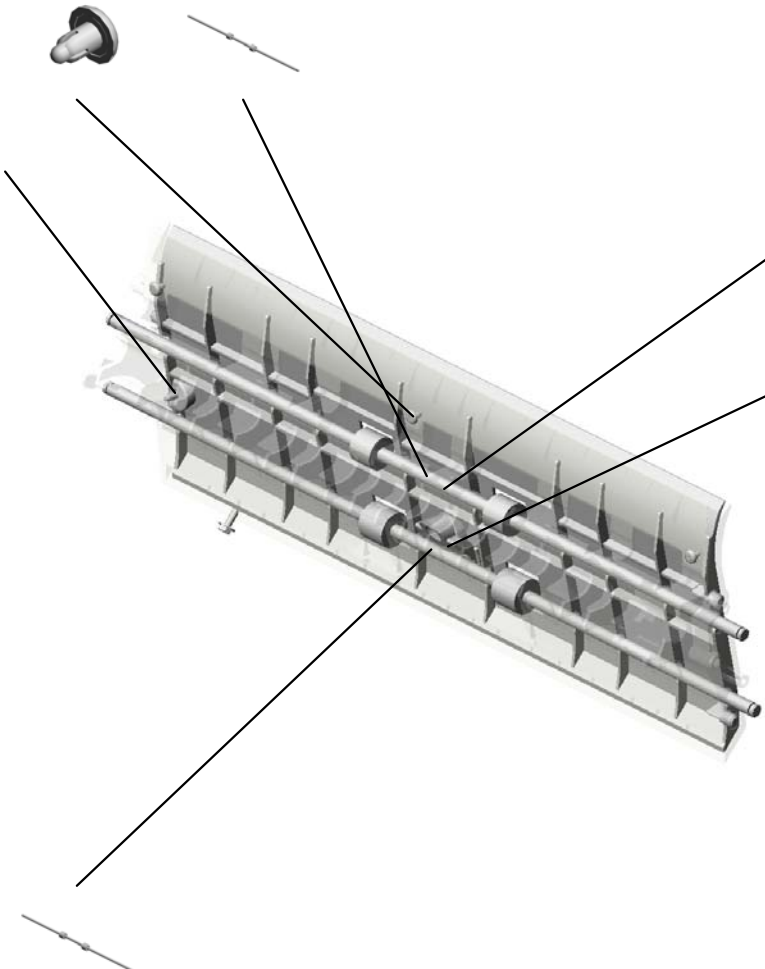
U020_S001_S001
GUIDE PLATE:MIDDLE:ASS'Y

117.H0202318 70.B1327088
(x3) ROLLER:MIDDLE:D
NYLON RIVET:NRP UPLEX SUB-UNIT
345

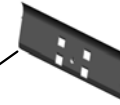


106.D0147027
GUIDE PLATE:MID
DLE:ASS'Y

2.04503008N
(x2)
TAPPING SCREW -
M3X8



34.B1327004
GUIDE PLATE:MID
DLE:TRANSPORT



99.B1327169
PLATE:TRANSPOR
T ROLLER

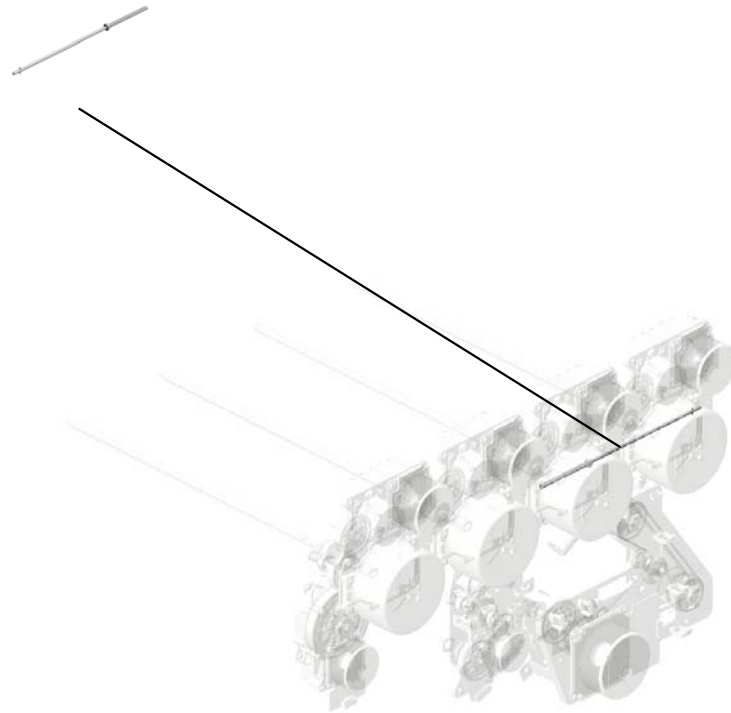


107.D0147081
ROLLER:DRIVE:CO
NNECTING:REVER
SE



U021.MAIN DRIVE

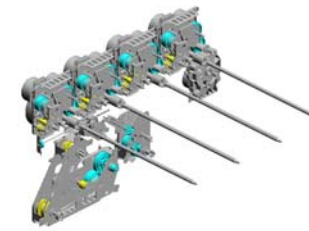
U021_S001
D0141345
SHAFT:HORIZONTAL



| | | | | | | | | | | | | | | | | | | | | |
|------|------|------|------|------|------|------|------|------|------|------|------|------|------|------|------|------|------|------|------|------|
| U001 | U002 | U003 | U004 | U005 | U006 | U007 | U008 | U009 | U010 | U011 | U012 | U013 | U014 | U015 | U016 | U017 | U018 | U019 | U020 | U021 |
|------|------|------|------|------|------|------|------|------|------|------|------|------|------|------|------|------|------|------|------|------|

U021 MAIN DRIVE

- 21.AA060950 (x4) TENSION SPRING
- 10.07200040E (x2) RETAINING RING - M4
- 9.07200030E (x2) RETAINING RING - M3
- 23.AA082063 BUSHING - 8X10X5
- 16.11050511 (x8) HARNESS CLAMP - LWS-0306ZC



1.03130040N
(x12)
SCREW:M3X4



20.AA043978
(x4)
TIMING BELT:40DS
2M300



6.04513006N
(x33)
TAPPING SCREW -
3X6



4.03604006N
(x34)
SCREW - M4X6



3.03603014N
(x4)
SCREW - M3X14



2.03603006N
(x10)
SCREW - M3X6



17.11050516
(x10)
CLAMP



11.07200060E
RETAINING RING -
M6



22.AA060951
PRESSURE SPRIN
G



15.11050488
(x5)
HARNESS CLAMP



5.03604010N (x12)
SCREW:M4X10



8.06330160G
PARALLEL PIN - 3X
16MM



19.AA043965
TIMING BELT:40S3
M471



18.AA043964
TIMING BELT:60S3
M741



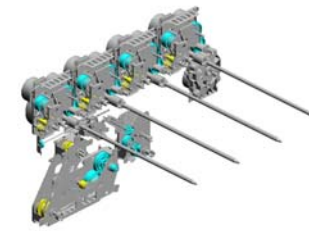
14.09504008N
SCREW:SPRING W
ASHER:M4X8



7.06330140G
PARALLEL PIN - 3X
14



U021 MAIN DRIVE



- 39.AB030819 (x4) TIMING PULLEY:23 T
- 42.AX060359 (x4) DC MOTOR:DC24V :21W
- 32.AB017746 GEAR:46Z/25Z
- 33.AB017747 GEAR:25Z/25Z
- 31.AB011274 (x2) GEAR:25Z

- 41.AX050293 (x4) DC MOTOR:DC24V :6W

- 25.AB010142 (x4) GEAR:93Z

- 34.AB030766 (x4) TIMING PULLEY:37 T

- 26.AB010143 (x4) GEAR:81Z

- 40.AW020145 PHOTOINTERRUP TOR:FLAT

- 28.AB010145 GEAR:96Z

- 43.AX060361 MOTOR:DC24V 17 W

- 27.AB010144 GEAR:64Z

- 29.AB011250 GEAR:22Z

- 24.AA143301 (x2) STEPPED SCREW - M3X4

- 30.AB011273 (x2) GEAR:24Z

- 35.AB030768 TIMING PULLEY:47 T

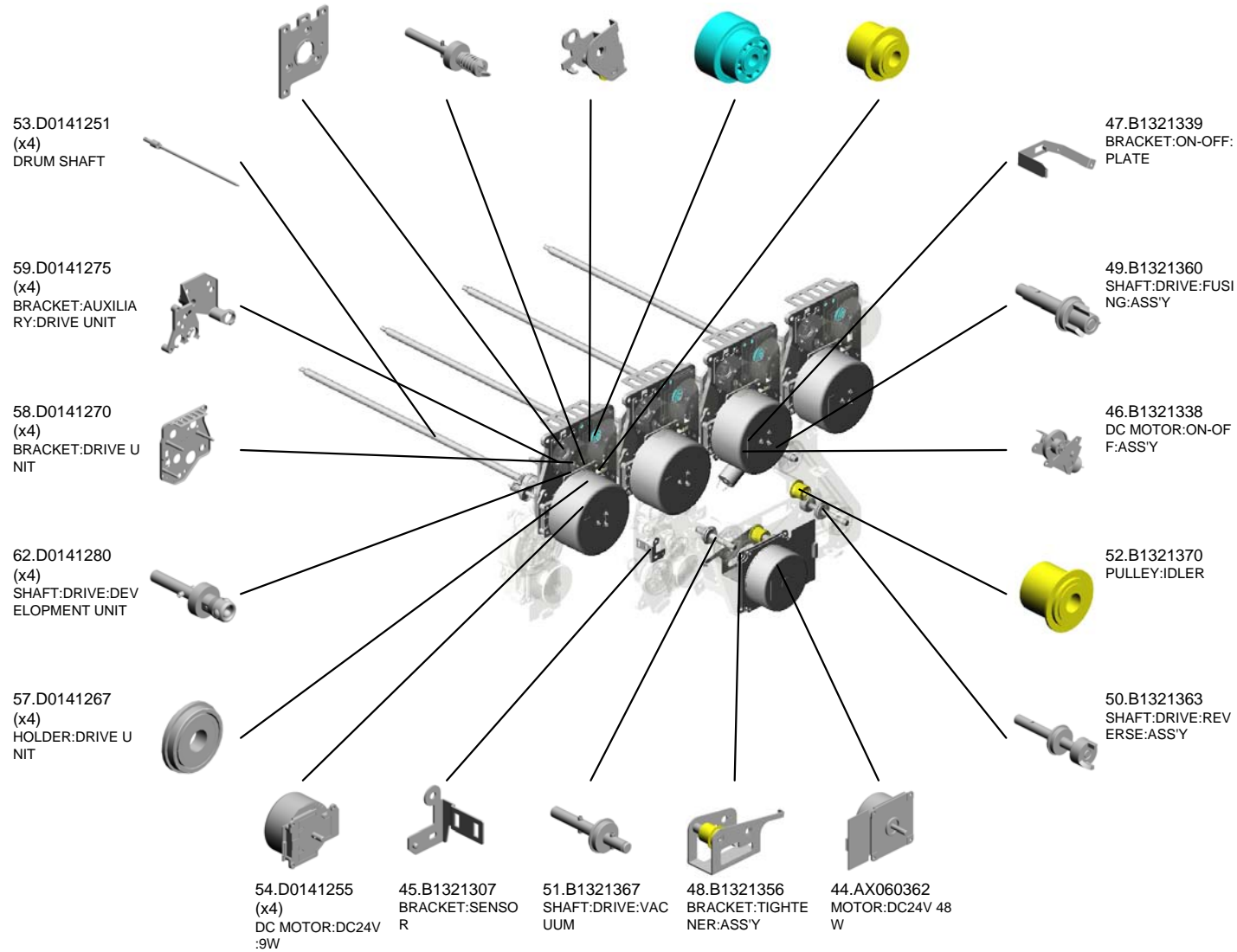
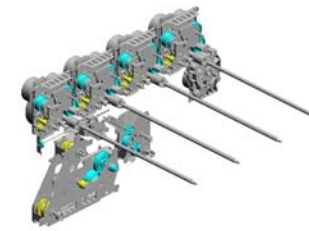
- 36.AB030770 TIMING PULLEY:47 T

- 38.AB030772 TIMING PULLEY:44 T

- 37.AB030771 TIMING PULLEY:44 T

U021 MAIN DRIVE

- 56.D0141265 (x4) BRACKET:DC MOTOR
- 63.D0141285 (x8) SHAFT:DRIVE:TRANSPORT SCREW
- 60.D0141276 (x4) BRACKET:TIGHTENER
- 55.D0141261 (x4) GEAR:60Z/47T
- 61.D0141279 (x4) PULLEY:27T



U021 MAIN DRIVE

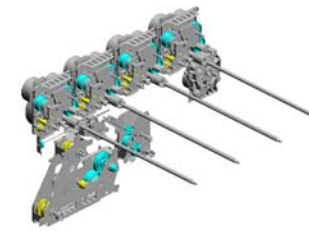
78.7403906
(x4)
BALL BEARING - 6
X15X5

66.D0141328
STUD:BRACKET

70.D0141343
TONER RECYCLIN
G UNIT

73.D0141350
(x2)
HOLDER:TONER R
ECYCLING UNIT

74.D0141351
(x2)
COVER:TONER RE
CYCLING UNIT:SH
AFT



79.7423906
(x4)
BALL BEARING - 6
X14X5MM

67.D0141331
SHAFT:DRIVE:CLE
ANING

64.D0141300
DRIVE UNIT:TRAN
SFER BELT

71.D0141344
HOLDER:DRIVE U
NIT

77.D0141380
BRACKET:DRIVE:F
USING UNIT

76.D0141372
GEAR:86Z

75.D0141371
GEAR:80Z/30T

65.D0141326
SHAFT:DRIVE:TRA
NSFER

69.D0141338
BRACKET:PLATE

68.D0141334
BRACKET:BRUSHL
ESS MOTOR

U021_S001
SHAFT:HORIZONTAL

80.D0141346
JOINT:UNIVERSAL

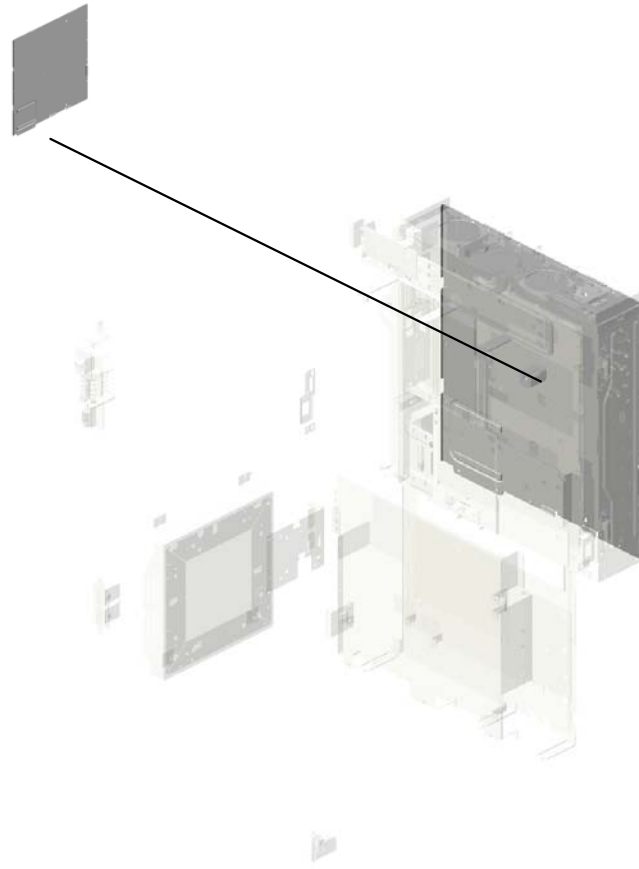


72.D0141345
SHAFT:HORIZONTAL

| | | | | | | | | | | | | | | | | | | | | |
|------|------|------|------|------|------|------|------|------|------|------|------|------|------|------|------|------|------|------|------|------|
| U001 | U002 | U003 | U004 | U005 | U006 | U007 | U008 | U009 | U010 | U011 | U012 | U013 | U014 | U015 | U016 | U017 | U018 | U019 | U020 | U021 |
|------|------|------|------|------|------|------|------|------|------|------|------|------|------|------|------|------|------|------|------|------|

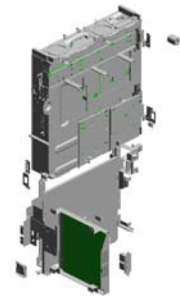
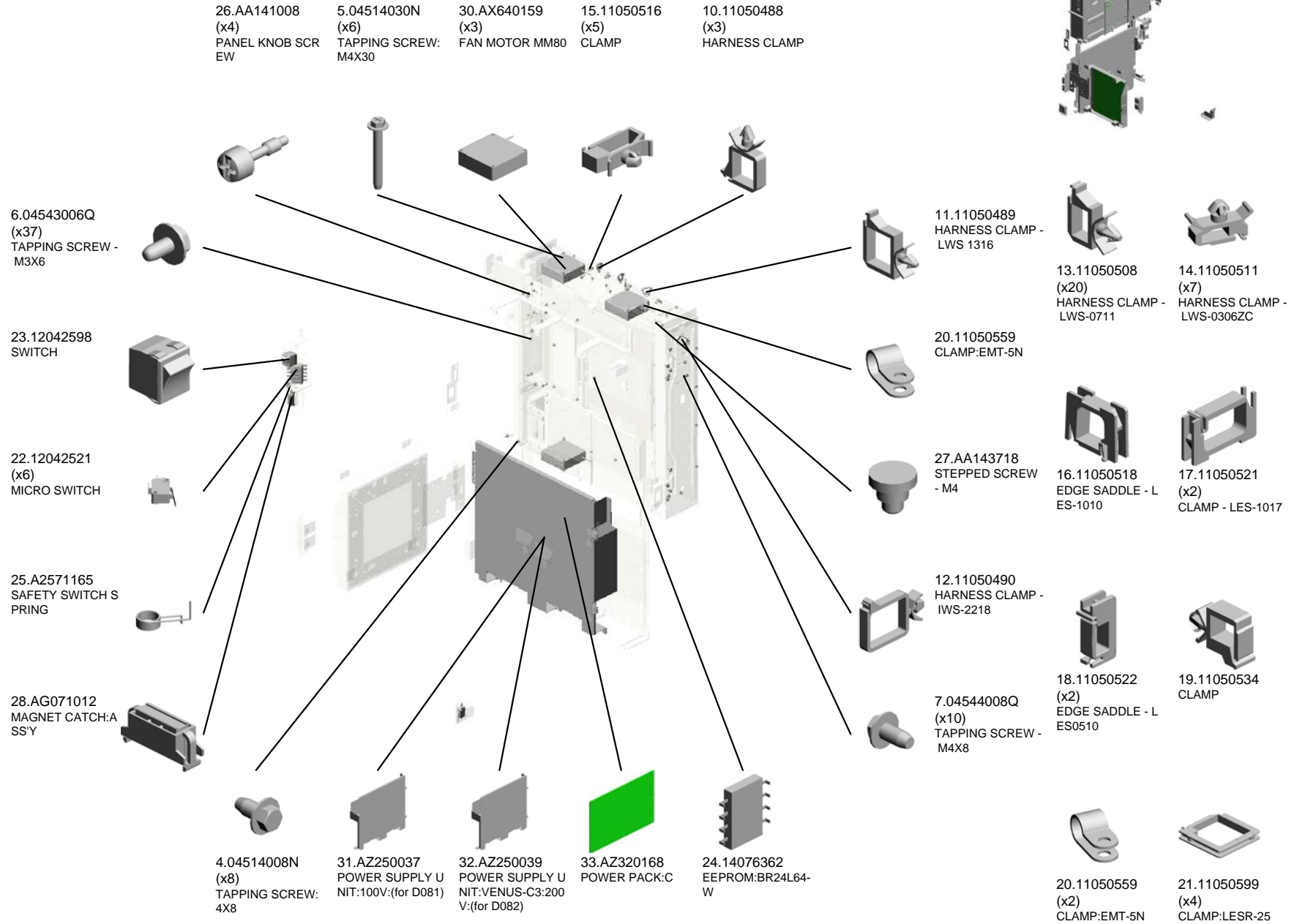
U022.ELECTRICAL

U022_S001
D0145816
COVER - C/T BOX



| | | | | | | | | | | | | | | | | | | | | |
|------|------|------|------|------|------|------|------|------|------|------|------|------|------|------|------|------|------|------|------|------|
| U001 | U002 | U003 | U004 | U005 | U006 | U007 | U008 | U009 | U010 | U011 | U012 | U013 | U014 | U015 | U016 | U017 | U018 | U019 | U020 | U021 |
|------|------|------|------|------|------|------|------|------|------|------|------|------|------|------|------|------|------|------|------|------|

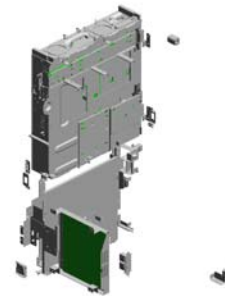
U022 ELECTRICAL



| | | | | | | | | | | | | | | | | | | | | |
|------|------|------|------|------|------|------|------|------|------|------|------|------|------|------|------|------|------|------|------|------|
| U001 | U002 | U003 | U004 | U005 | U006 | U007 | U008 | U009 | U010 | U011 | U012 | U013 | U014 | U015 | U016 | U017 | U018 | U019 | U020 | U021 |
|------|------|------|------|------|------|------|------|------|------|------|------|------|------|------|------|------|------|------|------|------|

U022 ELECTRICAL

- 37.B1325415 BASE:ELECTRIC POTENTIAL SENSOR
- 35.B0706877 (x5) LARGE DRUM STAY GROUND PLATE
- 45.B1325835 (x2) PANEL -INTERFACE
- 56.B1325944 (x2) BRACKET:FAN MOTOR
- 34.AZ320169 POWER PACK:C/G/B



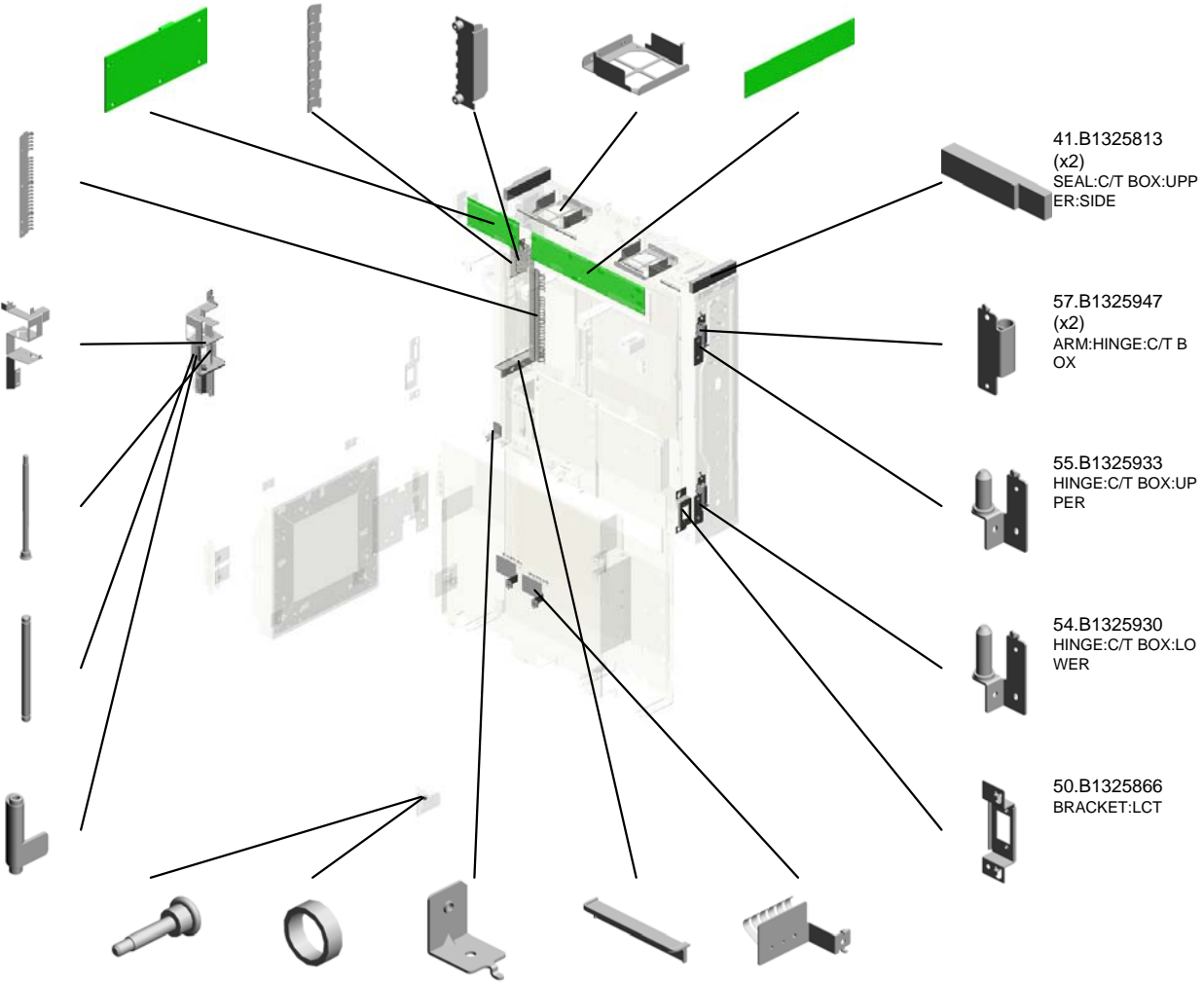
38.B1325807
GROUND PLATE:BASE:CONTROL BOARD

46.B1325851
BRACKET:MAIN SWITCH

47.B1325852
(x2)
SCREW:MICRO SWITCH

49.B1325855
SHAFT:MICRO SWITCH:FRONT

48.B1325853
LEVER:MICRO SWITCH



51.B1325868
SCREW:MICRO SWITCH

52.B1325869
TORSION SPRING

53.B1325911
BRACKET:FIX:C/T BOX:LOWER

36.B1321528
GUARD:GAP:C/T BOX

43.B1325827
(x2)
BRACKET:EARTH:POWER SUPPLY UNIT:REAR:PEEN

41.B1325813
(x2)
SEAL:C/T BOX:UPPER:SIDE

57.B1325947
(x2)
ARM:HINGE:C/T BOX

55.B1325933
HINGE:C/T BOX:UPPER

54.B1325930
HINGE:C/T BOX:LOWER

50.B1325866
BRACKET:LCT

- 1.03603006N (x23) SCREW - M3X6
- 2.04513006N (x23) TAPPING SCREW - 3X6
- 3.04513008N (x 4) TAPPING SCREW - M3X8
- 8.07200040E (x 2) RETAINING RING - M4
- 9.09505012N (x 1) SCREW:SPRING WASHER:M5X12

U022 ELECTRICAL

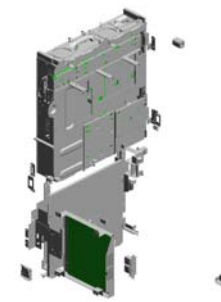
78.D0145865
BRACKET:FINISHER

77.D0145818
DECAL:CAPTION:INTERFACE

73.D0145425
PCB:DTMB

70.B7125605
GRIP:APPLICATION

64.B1325989
STOPPER:C/T BOX:UPPER



61.B1325978
BRACKET:POWER SUPPLY UNIT:FIX:LEFT



63.B1325985
BRACKET:LEAK BREAKER



67.B1325996
(x2)
DECAL:TOTAL COUNTER



59.B1325976
BRACKET:TOTAL COUNTER



71.D0145361
POWER SUPPLY CORD:STOPPER:NA:ASS'Y:(for D081)



69.B1325999
SHEET:MICRO SWITCH:12MM



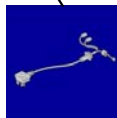
58.B1325971
BRACKET:MICRO SWITCH:PAPER BANK



65.B1325994
BRACKET:POWER SUPPLY CORD:EXP



72.D0145364
POWER SUPPLY CORD:STOPPER:NA:250V:ASS'Y:(for D082)



66.B1325995
STOPPER:POWER SUPPLY CORD



68.B1325997
BRACKET:POWER SUPPLY UNIT:RIGHT:EXP



60.B1325977
(x2)
BRACKET:POWER SUPPLY UNIT:RIGHT:HT



75.D0145465
PAPER FEED BOARD



62.B1325981
(x3)
BRACKET:POWER PACK:FIX:LOWER



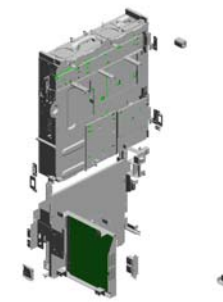
74.D0145430
PCB:DRB



| | | | | | | | | | | | | | | | | | | | | |
|------|------|------|------|------|------|------|------|------|------|------|------|------|------|------|------|------|------|------|------|------|
| U001 | U002 | U003 | U004 | U005 | U006 | U007 | U008 | U009 | U010 | U011 | U012 | U013 | U014 | U015 | U016 | U017 | U018 | U019 | U020 | U021 |
|------|------|------|------|------|------|------|------|------|------|------|------|------|------|------|------|------|------|------|------|------|

U022 ELECTRICAL

84.D0145973 COVER:SD-CARD
 95.D0815790 SD-CARD:VM/CAL YPSO:ASS'Y
 85.D0145974 COVER:CONNECT OR:EFI
 80.D0145952 SUPPORTER:UPPER
 83.D0145971 BRACKET:CONTROL BOARD



86.D0145977 COVER:CONTROL BOARD:USB

98.G1786072 (x2) PCB:PC4200:RAW CARD-A:1GB

94.D0815721 PCB:CONTROL:EXP:ASS'Y

87.D0145981 BRACKET:AC DRIVE BOARD

100.AX310045 (x2) TOTAL COUNTER: 7FIG:24V 201007-04 O/O

92.D0815530 AC CONTROL BOARD:100V:(for D081)

93.D0815532 AC CONTROL BOARD:200V:(for D082)

89.D0145986 BRACKET:POWER PACK:UPPER

79.D0145869 BRACKET:C/T BOX:LOWER

88.D0145985 BRACKET - POWER PACK

97.D0819590 NVRAM

91.D0815422 PCB:IMAGE PROCESSING UNIT

81.D0145953 SUPPORTER:LOWER

96.D0815799 HDD:ASS'Y

99.D0815138 PCB:VBCU:SUB-ASS'Y 201006-01 X/O

U022_S001 COVER - C/T BOX

40.B1325812 (x2)
SEAL:C/T BOX:CO
VER:SIDE

39.B1325809 (x2)
SEAL:C/T BOX:CO
VER:MIDDLE

76.D0145816
COVER - C/T BOX

44.B1325831 (x2)
GASKET:COVER:C/
T BOX

82.D0145960
COVER:C/T BOX:W
ELDING

42.B1325819
DECAL:CAUTION:H
DD:FAN

| | | | | | | | | | | | | | | | | | | | | |
|------|------|------|------|------|------|------|------|------|------|------|------|------|------|------|------|------|------|------|------|------|
| U001 | U002 | U003 | U004 | U005 | U006 | U007 | U008 | U009 | U010 | U011 | U012 | U013 | U014 | U015 | U016 | U017 | U018 | U019 | U020 | U021 |
|------|------|------|------|------|------|------|------|------|------|------|------|------|------|------|------|------|------|------|------|------|

U023.AIR COOLING

U023_S005
D0146911
DUCT:EXIT:EXHAUST

U023_S001
D0146861
DUCT:EXHAUST

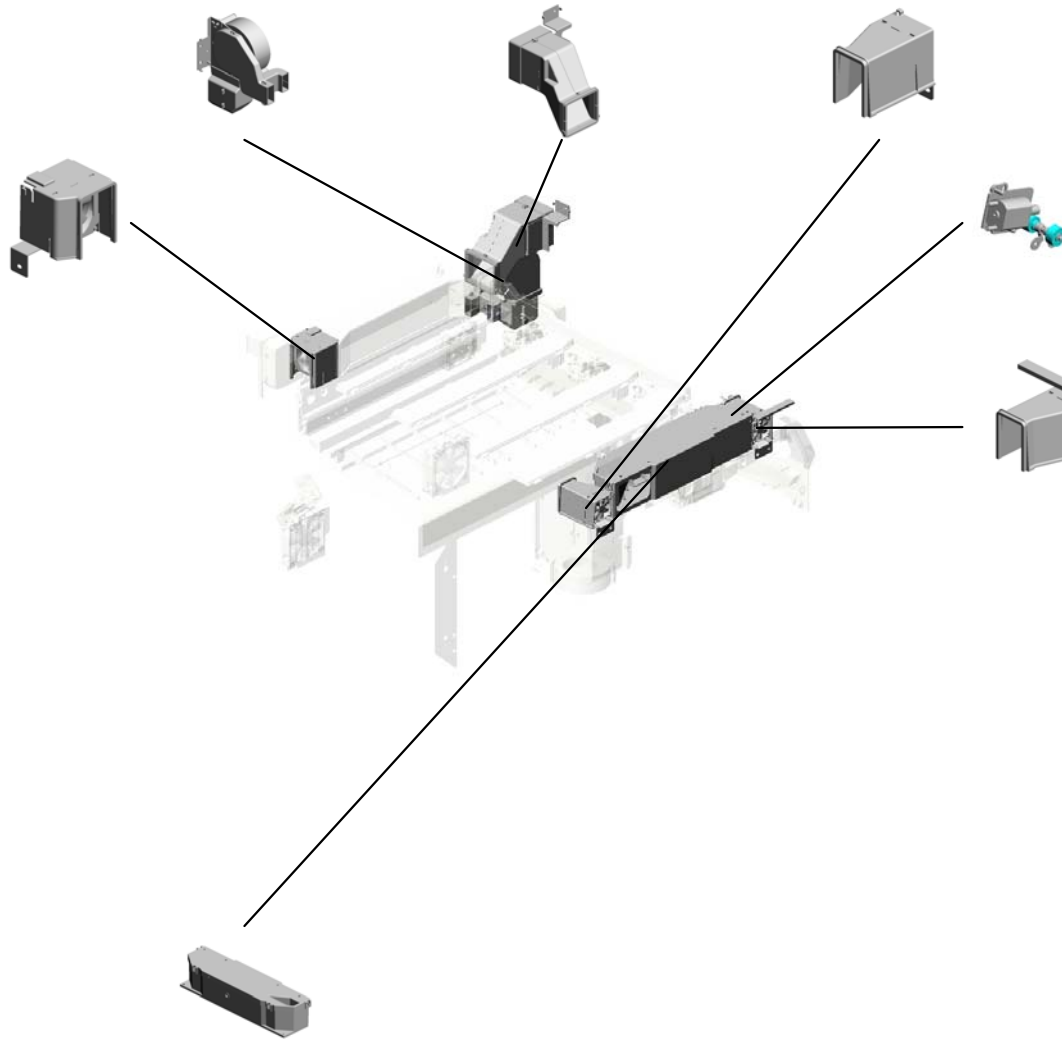
U023_S003
B1326921
DUCT:IMAGING UNIT:FRONT
:ASSY

U023_S002
D0146876
DUCT:MAIN:VACUUM

U023_S006
D0143553
CLEANING DRAIVE UNIT:CH
ARGE

U023_S004
D0146983
DUCT:IMAGING UNIT:REAR:
C2:ASSY

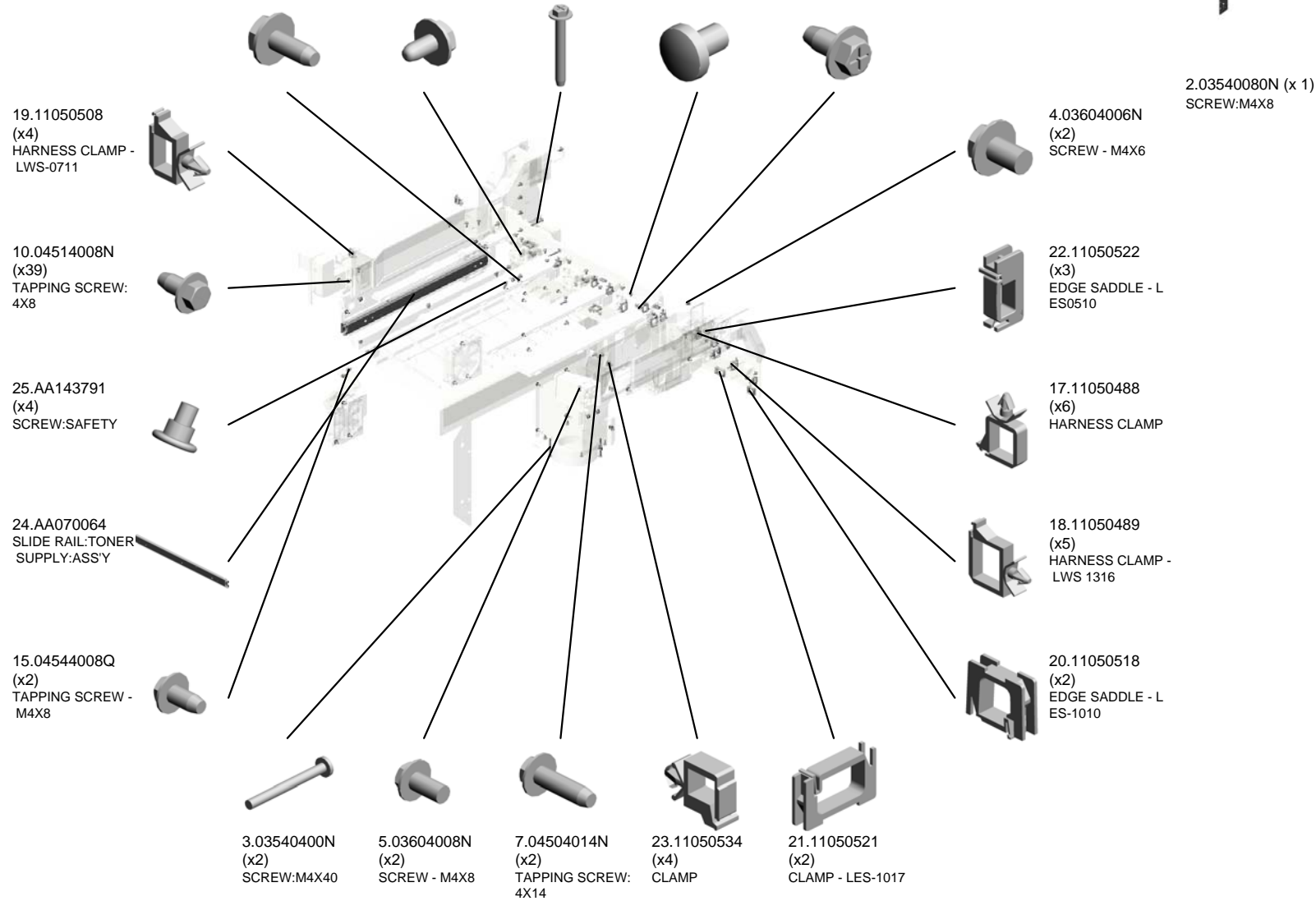
U023_S007
D0143635
HUMIDITY CONTROL UNIT



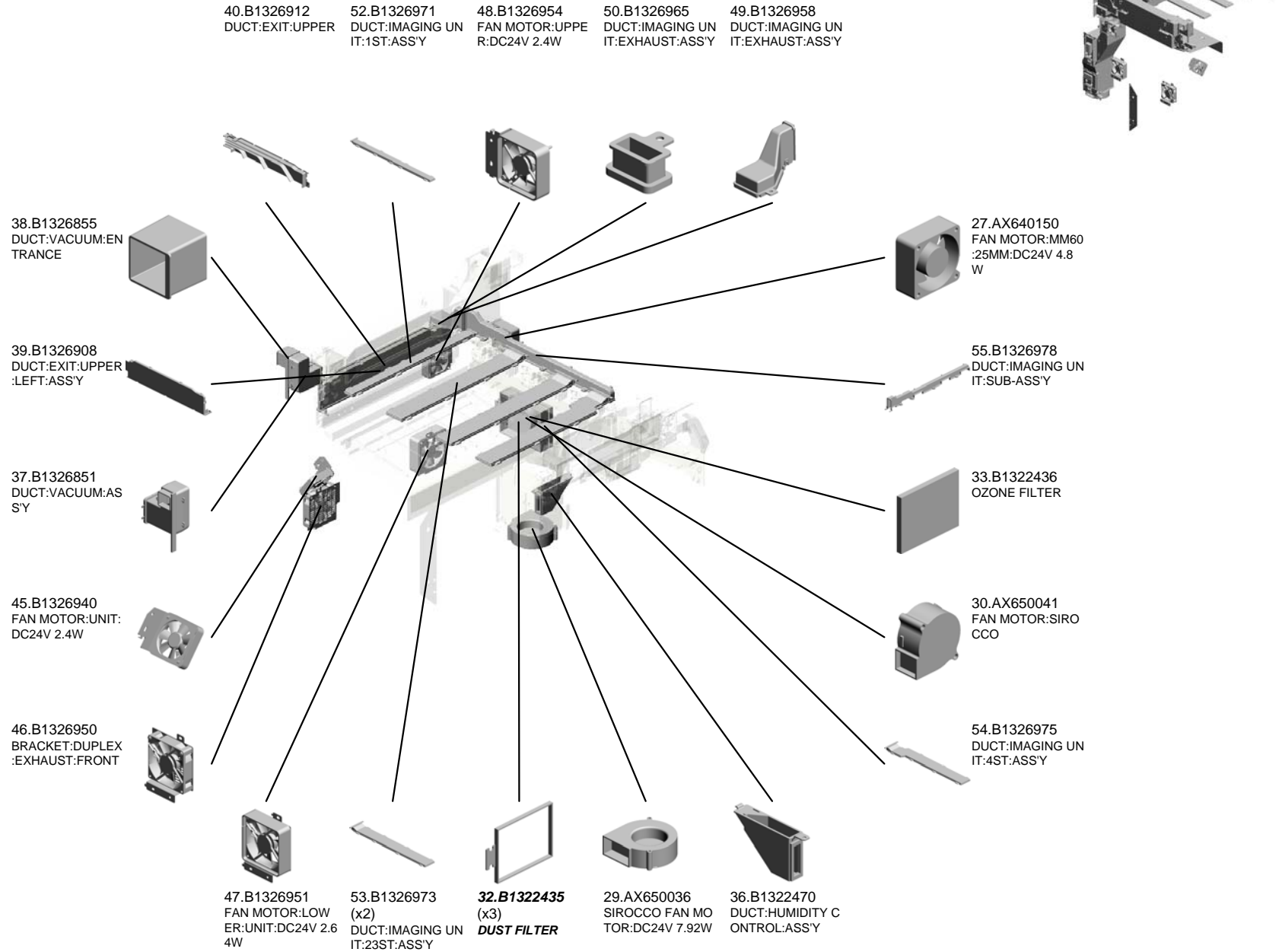
| | | | | | | | | | | | | | | | | | | | | |
|------|------|------|------|------|------|------|------|------|------|------|------|------|------|------|------|------|------|------|------|------|
| U001 | U002 | U003 | U004 | U005 | U006 | U007 | U008 | U009 | U010 | U011 | U012 | U013 | U014 | U015 | U016 | U017 | U018 | U019 | U020 | U021 |
|------|------|------|------|------|------|------|------|------|------|------|------|------|------|------|------|------|------|------|------|------|

U023 AIR COOLING

- 6.04503008N (x16) TAPPING SCREW - M3X8
- 14.04543006Q (x20) TAPPING SCREW - M3X6
- 11.04514030N (x2) TAPPING SCREW: M4X30
- 1.03540060N (x6) SCREW-M4X6
- 9.04514006N (x6) TAPPING SCREW - 4X6



U023 AIR COOLING



| | | | | | | | | | | | | | | | | | | | | |
|------|------|------|------|------|------|------|------|------|------|------|------|------|------|------|------|------|------|------|------|------|
| U001 | U002 | U003 | U004 | U005 | U006 | U007 | U008 | U009 | U010 | U011 | U012 | U013 | U014 | U015 | U016 | U017 | U018 | U019 | U020 | U021 |
|------|------|------|------|------|------|------|------|------|------|------|------|------|------|------|------|------|------|------|------|------|

U023 AIR COOLING

79.D0143601
DUCT:CONNECTIN
G:FUSING UNIT

74.D0143590
SEAL:DUCT:EXHA
UST

56.B1326980
COVER:DUCT:IMA
GING UNIT:ASSY

65.D0143567
DUCT:HORIZONTAL:
L:PCU

60.D0143550
(x3)
CONNECTOR:1PO
LE



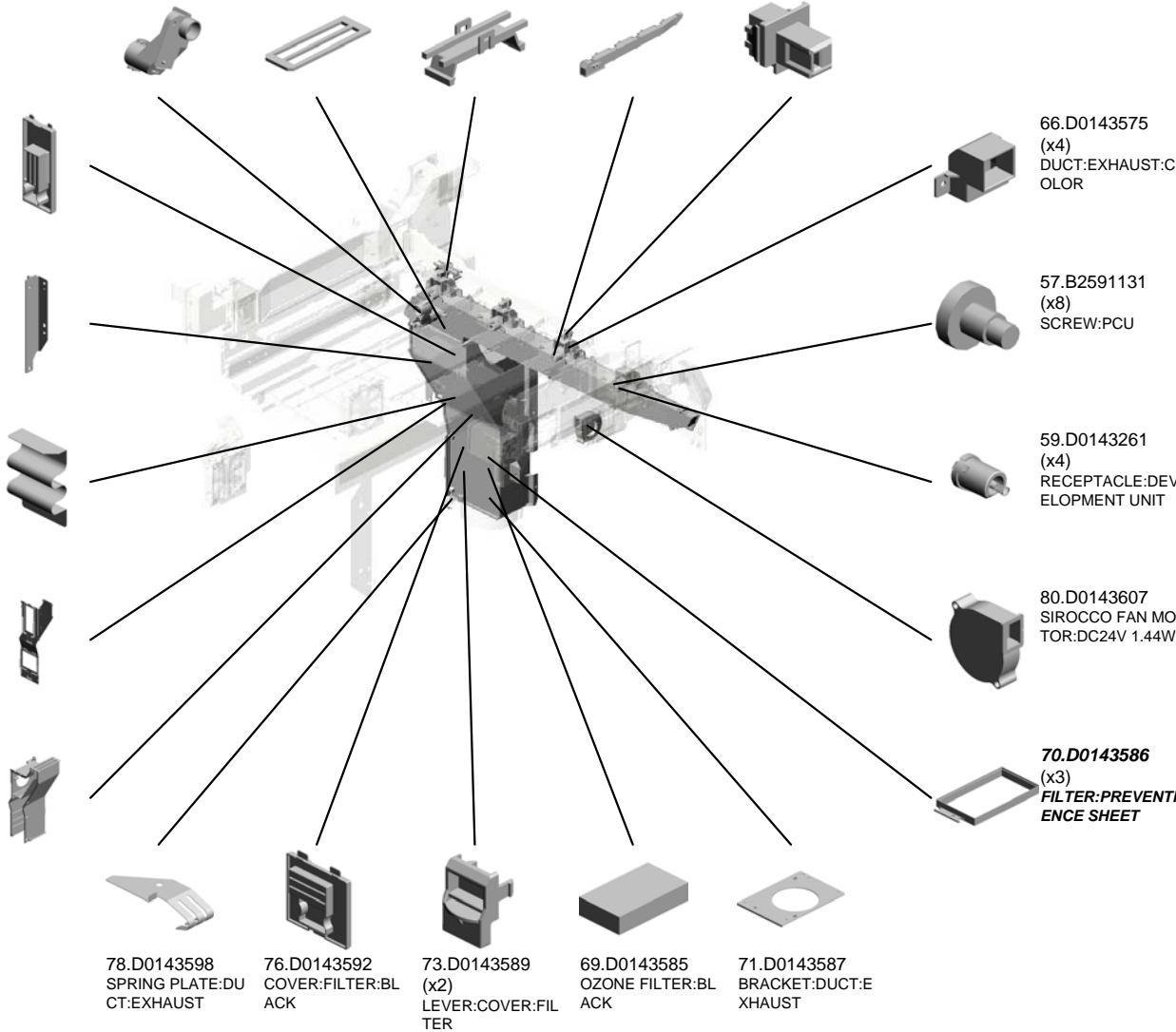
77.D0143595
COVER:FILTER:CO
LOR

72.D0143588
BRACKET:STAY:SI
ROCCO

75.D0143591
(x2)
SPRING PLATE:CO
VER:FILTER

68.D0143584
COVER:DUCT:EXH
AUST

67.D0143583
DUCT:EXHAUST:P
CU



66.D0143575
(x4)
DUCT:EXHAUST:C
OLOR

57.B2591131
(x8)
SCREW:PCU

59.D0143261
(x4)
RECEPTACLE:DEV
ELOPMENT UNIT

80.D0143607
SIROCCO FAN MO
TOR:DC24V 1.44W

70.D0143586
(x3)
**FILTER:PREVENTF
ENCE SHEET**

78.D0143598
SPRING PLATE:DU
CT:EXHAUST

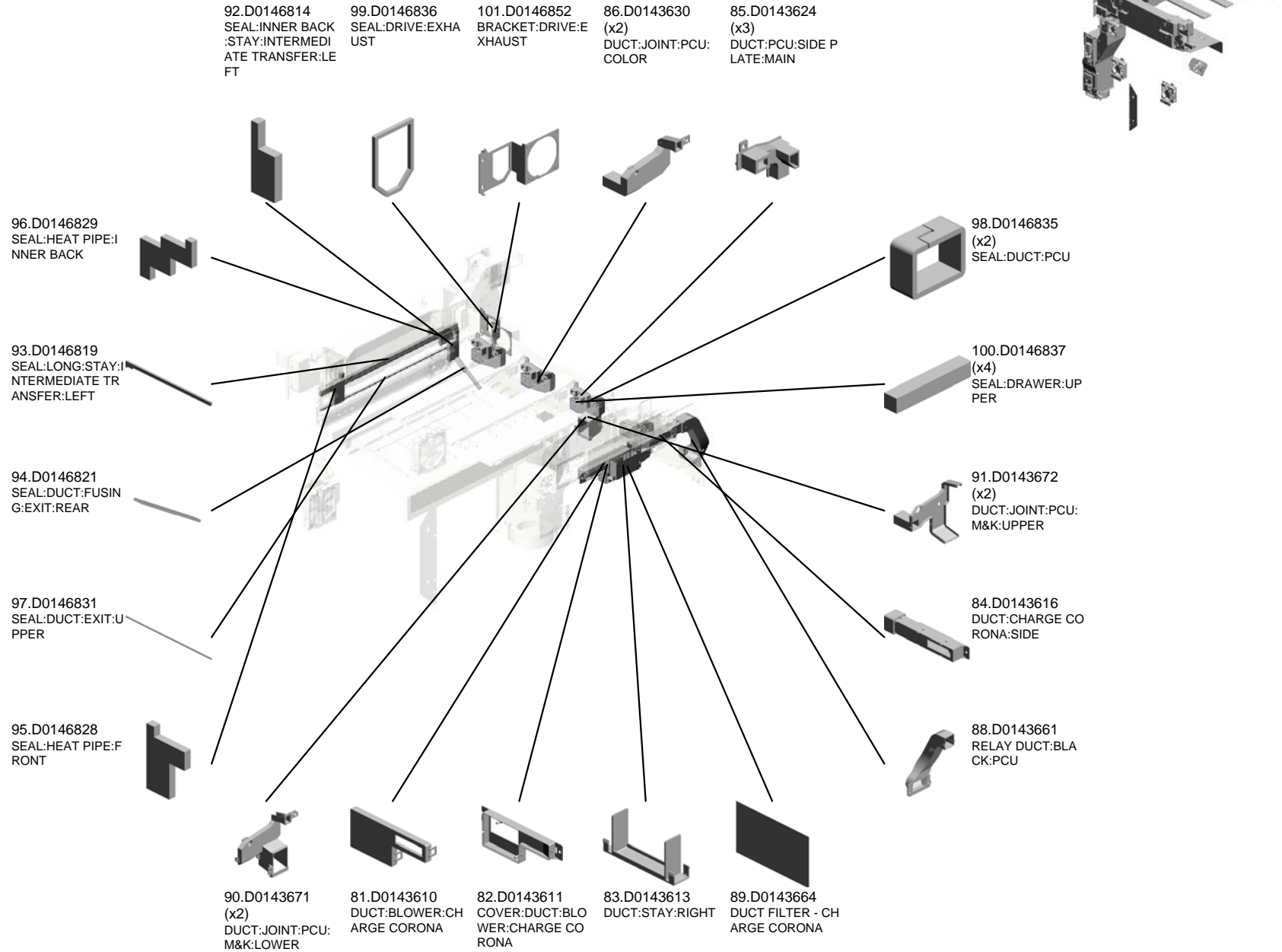
76.D0143592
COVER:FILTER:BL
ACK

73.D0143589
(x2)
LEVER:COVER:FIL
TER

69.D0143585
OZONE FILTER:BL
ACK

71.D0143587
BRACKET:DUCT:E
XHAUST

U023 AIR COOLING



| | | | | | | | | | | | | | | | | | | | | |
|------|------|------|------|------|------|------|------|------|------|------|------|------|------|------|------|------|------|------|------|------|
| U001 | U002 | U003 | U004 | U005 | U006 | U007 | U008 | U009 | U010 | U011 | U012 | U013 | U014 | U015 | U016 | U017 | U018 | U019 | U020 | U021 |
|------|------|------|------|------|------|------|------|------|------|------|------|------|------|------|------|------|------|------|------|------|

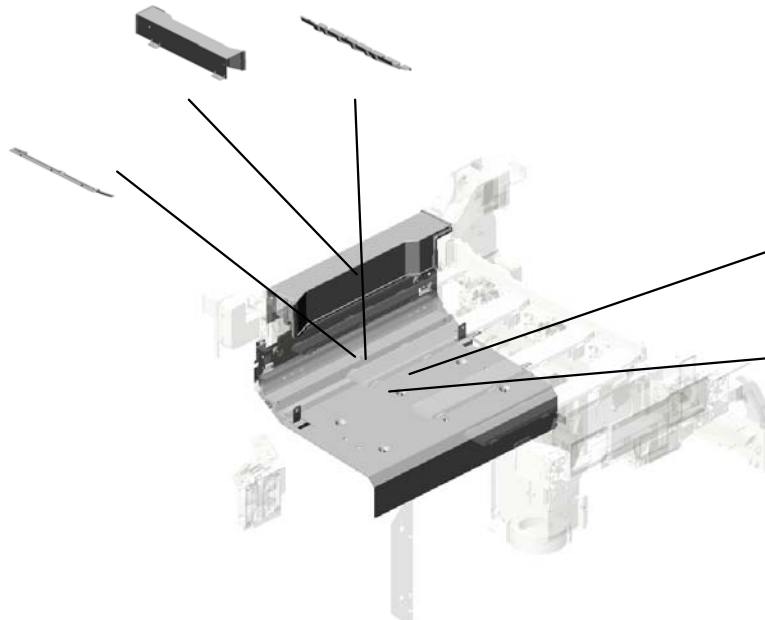
U023 AIR COOLING

103.D0146871
DUCT:HEAT SINKE
R

106.D0146893
DUCT:FUSING:EXI
T:UPPER



107.D0146894
DUCT:FUSING:EXI
T:UPPER:LEFT



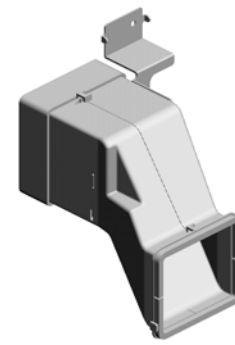
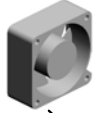
111.D0816882
HEAT PIPE:ASSY

105.D0146892
HEAT INSULATION
:HEAT PIPE:PANEL

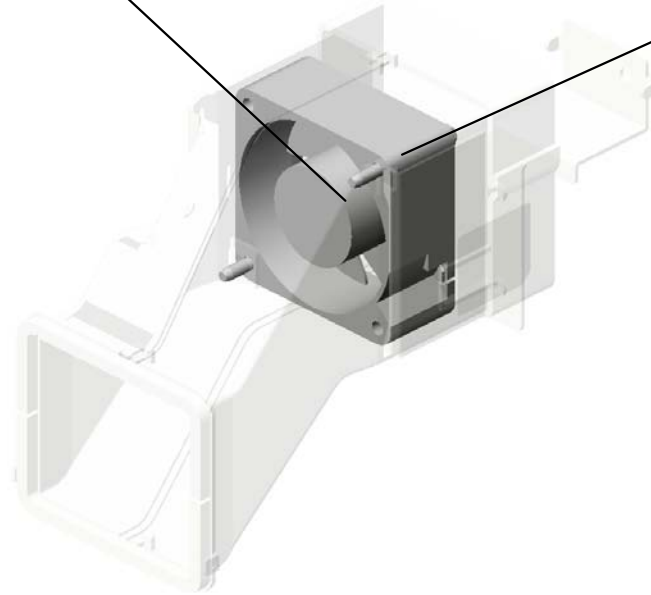
| | | | | | | | | | | | | | | | | | | | | |
|------|------|------|------|------|------|------|------|------|------|------|------|------|------|------|------|------|------|------|------|------|
| U001 | U002 | U003 | U004 | U005 | U006 | U007 | U008 | U009 | U010 | U011 | U012 | U013 | U014 | U015 | U016 | U017 | U018 | U019 | U020 | U021 |
|------|------|------|------|------|------|------|------|------|------|------|------|------|------|------|------|------|------|------|------|------|

U023_S001
DUCT:EXHAUST

27.AX640150
FAN MOTOR:MM60
:25MM:DC24V 4.8
W



102.D0146861
DUCT:EXHAUST

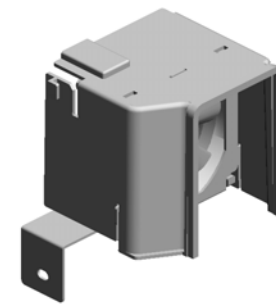


12.04514035N
(x2)
TAPPING SCREW:
4X35

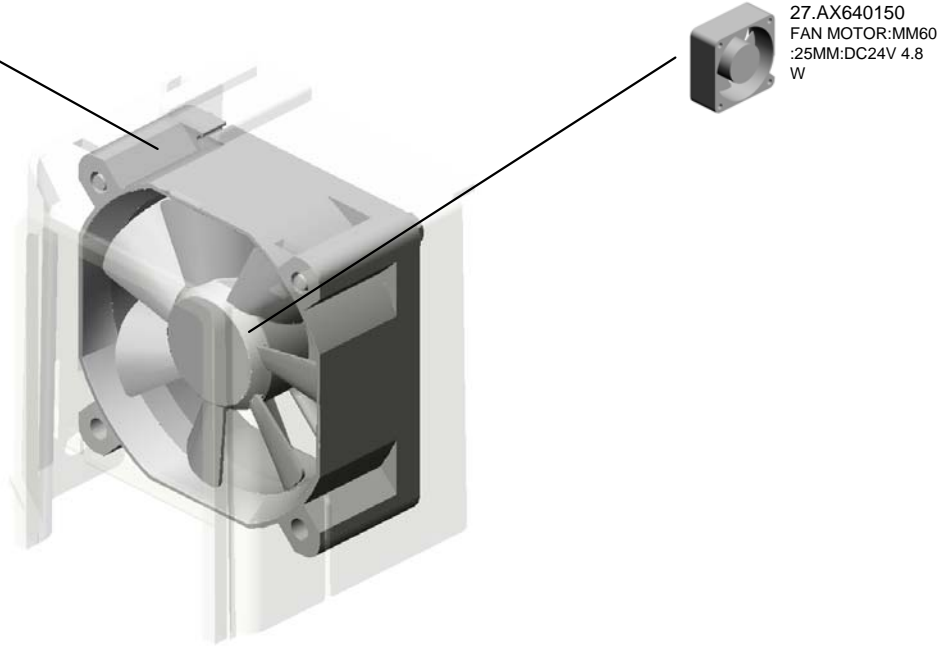
| | | | | | | | | | | | | | | | | | | | | |
|------|------|------|------|------|------|------|------|------|------|------|------|------|------|------|------|------|------|------|------|------|
| U001 | U002 | U003 | U004 | U005 | U006 | U007 | U008 | U009 | U010 | U011 | U012 | U013 | U014 | U015 | U016 | U017 | U018 | U019 | U020 | U021 |
|------|------|------|------|------|------|------|------|------|------|------|------|------|------|------|------|------|------|------|------|------|

U023_S002
DUCT:MAIN:VACUUM

12.04514035N
(x2)
TAPPING SCREW:
4X35



104.D0146876
DUCT:MAIN:VACU
UM

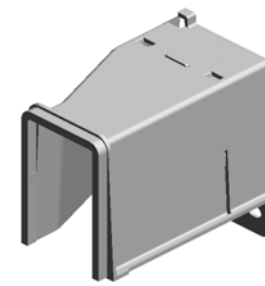


27.AX640150
FAN MOTOR:MM60
:25MM:DC24V 4.8
W

| | | | | | | | | | | | | | | | | | | | | |
|------|------|------|------|------|------|------|------|------|------|------|------|------|------|------|------|------|------|------|------|------|
| U001 | U002 | U003 | U004 | U005 | U006 | U007 | U008 | U009 | U010 | U011 | U012 | U013 | U014 | U015 | U016 | U017 | U018 | U019 | U020 | U021 |
|------|------|------|------|------|------|------|------|------|------|------|------|------|------|------|------|------|------|------|------|------|

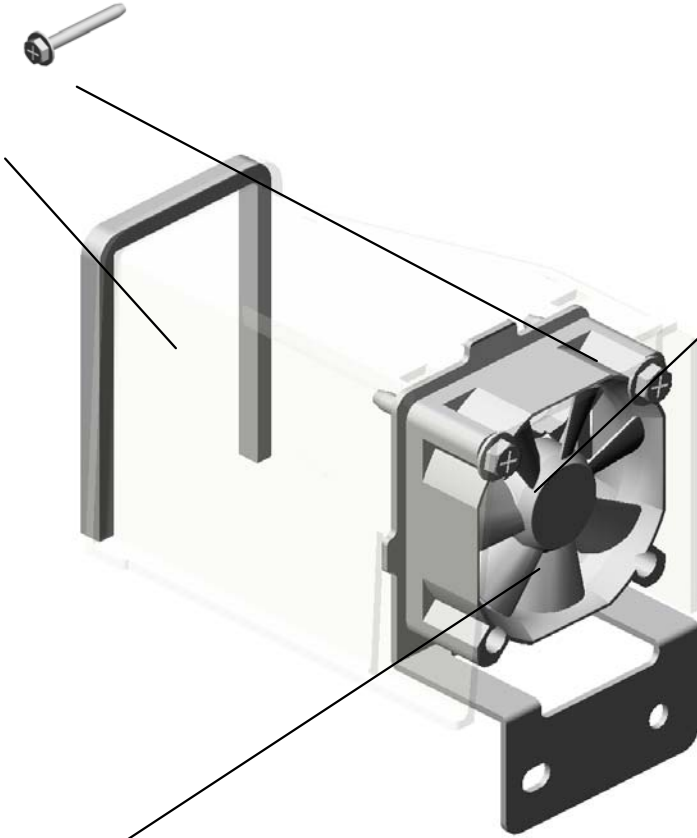
U023_S003
DUCT:IMAGING UNIT:FRONT:ASS'Y

8.04513025N
(x2)
TAPPING SCREW:
M3X25



41.B1326921
DUCT:IMAGING UN
IT:FRONT:ASS'Y

43.B1326924
SHIELD:DUCT:IMA
GING UNIT



28.AX640164
FAN MOTOR:15MM
:24V

42.B1326923
BRACKET:IMAGIN
G UNIT:FAN

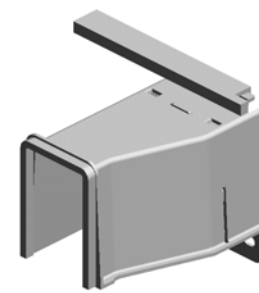


| | | | | | | | | | | | | | | | | | | | | |
|------|------|------|------|------|------|------|------|------|------|------|------|------|------|------|------|------|------|------|------|------|
| U001 | U002 | U003 | U004 | U005 | U006 | U007 | U008 | U009 | U010 | U011 | U012 | U013 | U014 | U015 | U016 | U017 | U018 | U019 | U020 | U021 |
|------|------|------|------|------|------|------|------|------|------|------|------|------|------|------|------|------|------|------|------|------|

U023_S004

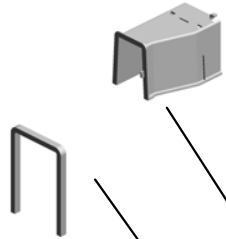
DUCT:IMAGING UNIT:REAR:C2:ASS'Y

44.B1326927 8.04513025N
DUCT:MACHINE O (x2)
R COPIER:IMAGIN TAPPING SCREW:
G UNIT M3X25

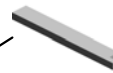


110.D0146983
DUCT:IMAGING UN
IT:REAR:C2:ASS'Y

43.B1326924
SHIELD:DUCT:IMA
GING UNIT



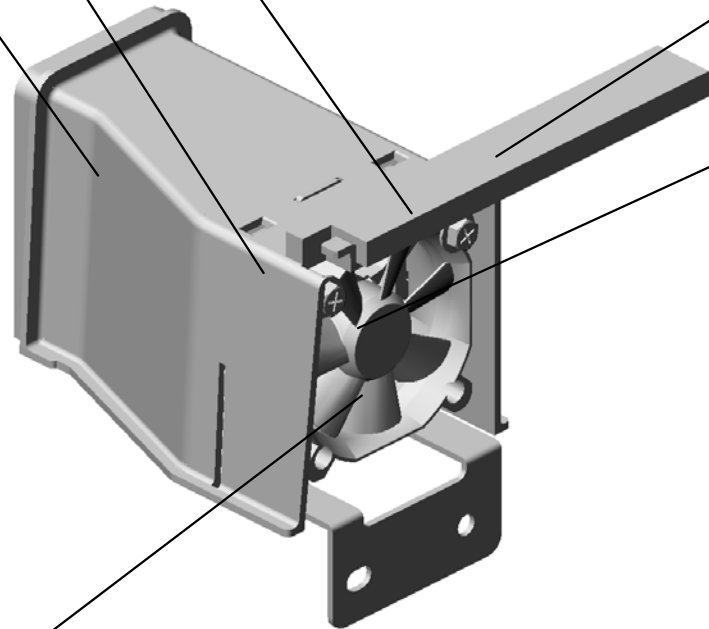
109.D0146981
SHIELD:DUCT:IMA
GING UNIT:REAR



28.AX640164
FAN MOTOR:15MM
:24V



42.B1326923
BRACKET:IMAGIN
G UNIT:FAN

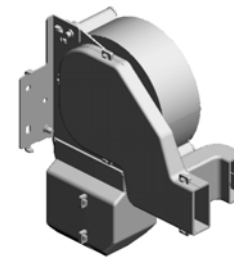


| | | | | | | | | | | | | | | | | | | | | |
|------|------|------|------|------|------|------|------|------|------|------|------|------|------|------|------|------|------|------|------|------|
| U001 | U002 | U003 | U004 | U005 | U006 | U007 | U008 | U009 | U010 | U011 | U012 | U013 | U014 | U015 | U016 | U017 | U018 | U019 | U020 | U021 |
|------|------|------|------|------|------|------|------|------|------|------|------|------|------|------|------|------|------|------|------|------|

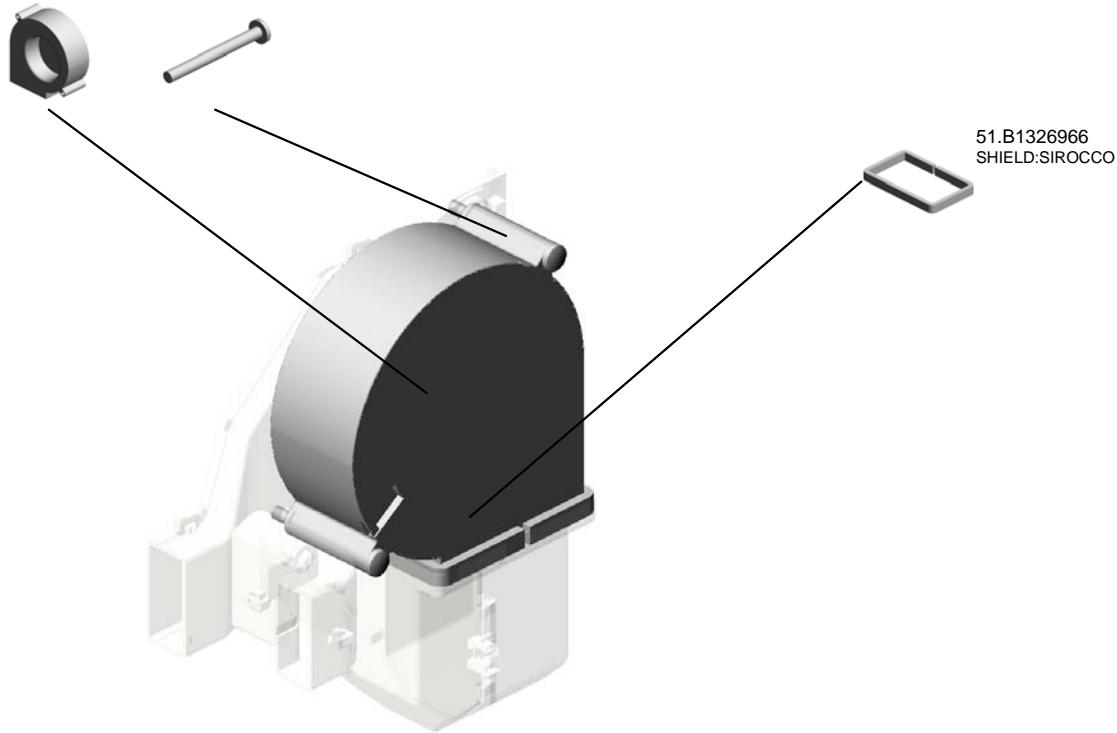
U023_S005
DUCT:EXIT:EXHAUST

31.AX650042
FAN:SIROCCO:DC
24V:2SPEED

3.03540400N
(x2)
SCREW:M4X40



108.D0146911
DUCT:EXIT:EXHAU
ST



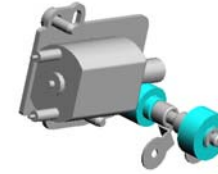
| | | | | | | | | | | | | | | | | | | | | |
|------|------|------|------|------|------|------|------|------|------|------|------|------|------|------|------|------|------|------|------|------|
| U001 | U002 | U003 | U004 | U005 | U006 | U007 | U008 | U009 | U010 | U011 | U012 | U013 | U014 | U015 | U016 | U017 | U018 | U019 | U020 | U021 |
|------|------|------|------|------|------|------|------|------|------|------|------|------|------|------|------|------|------|------|------|------|

U023_S006
CLEANING DRAIVE UNIT:CHARGE

26.AX040167
MOTOR:DC5V 0.71
W

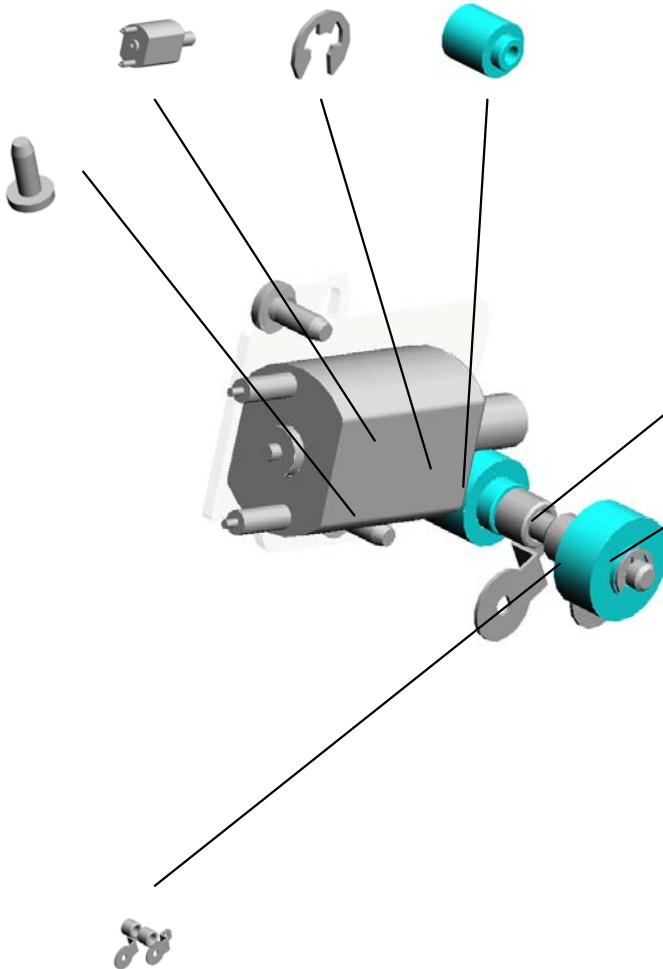
16.07200025E
(x2)
RETAINING RING -
M2.5

64.D0143559
GEAR:20Z



61.D0143553
CLEANING DRAIVE
UNIT:CHARGE

13.04523008N
(x2)
TAPPING SCREW -
M3X8



63.D0143558
SHAFT:DRIVE:CLE
ANER:CHARGE CO
RONA

58.D0142419
GEAR:11Z

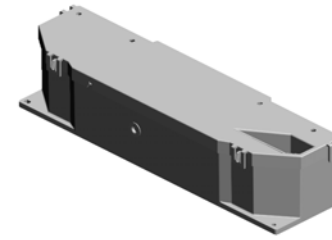
62.D0143554
HOUSING:CHARG
E CORONA

| | | | | | | | | | | | | | | | | | | | | |
|------|------|------|------|------|------|------|------|------|------|------|------|------|------|------|------|------|------|------|------|------|
| U001 | U002 | U003 | U004 | U005 | U006 | U007 | U008 | U009 | U010 | U011 | U012 | U013 | U014 | U015 | U016 | U017 | U018 | U019 | U020 | U021 |
|------|------|------|------|------|------|------|------|------|------|------|------|------|------|------|------|------|------|------|------|------|

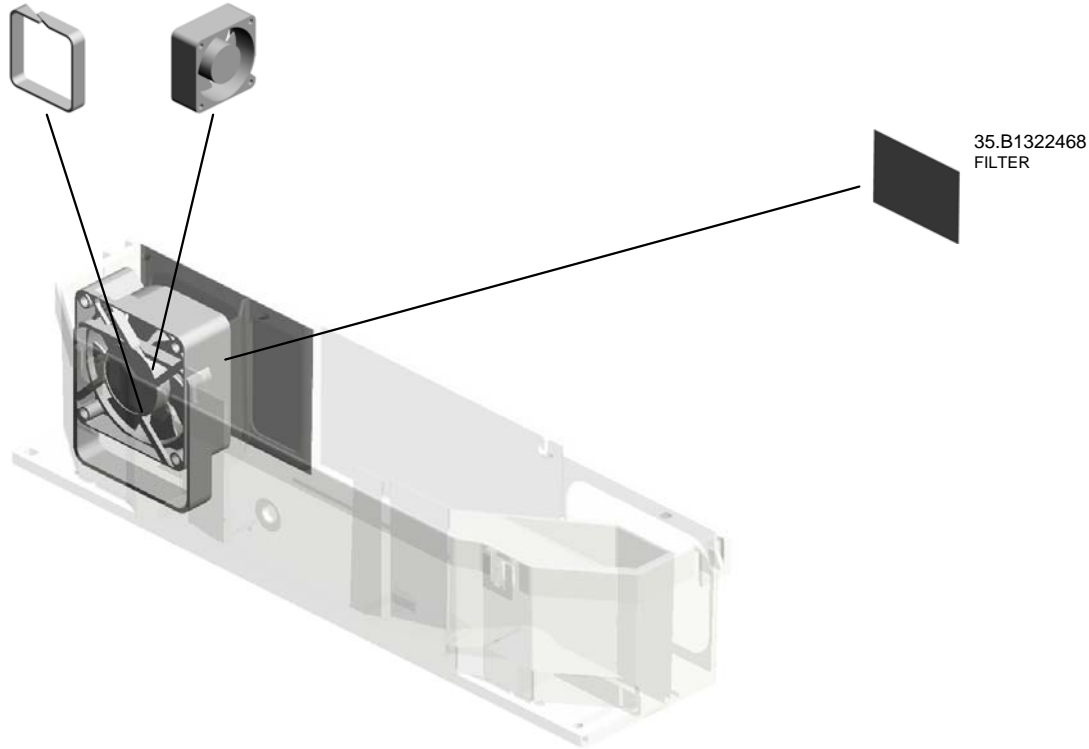
U023_S007
HUMIDITY CONTROL UNIT

34.B1322465
SEAL:FAN:HUMIDI
TY CONTROL

27.AX640150
FAN MOTOR:MM60
:25MM:DC24V 4.8
W



87.D0143635
HUMIDITY CONTR
OL UNIT

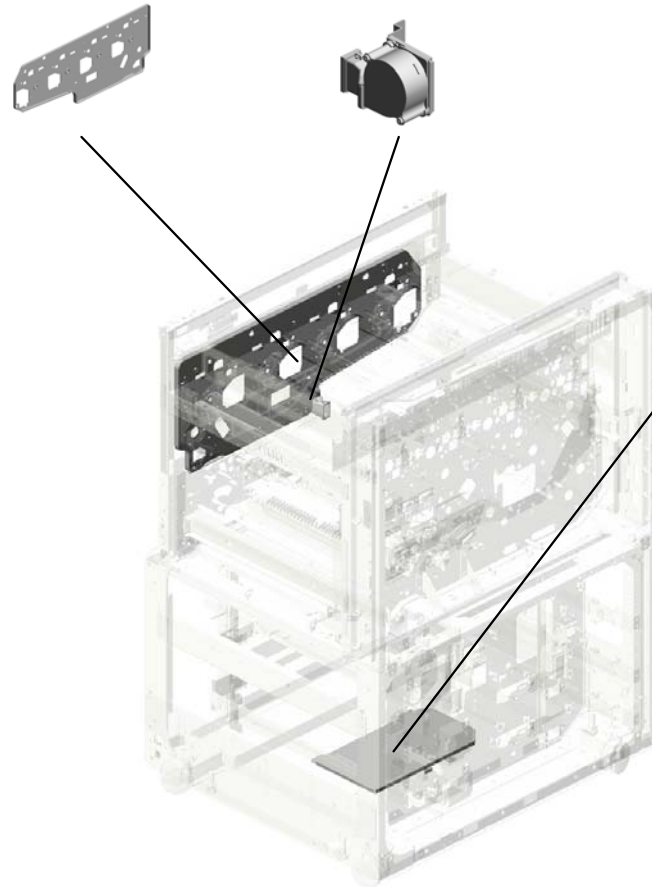


| | | | | | | | | | | | | | | | | | | | | |
|------|------|------|------|------|------|------|------|------|------|------|------|------|------|------|------|------|------|------|------|------|
| U001 | U002 | U003 | U004 | U005 | U006 | U007 | U008 | U009 | U010 | U011 | U012 | U013 | U014 | U015 | U016 | U017 | U018 | U019 | U020 | U021 |
|------|------|------|------|------|------|------|------|------|------|------|------|------|------|------|------|------|------|------|------|------|

U024.MAIN FRAME

U024_S001
D0141238
DRUM STAY:AROUND THE P
HOTOCONDUCTOR:SUB-AS
SY

U024_S002
D0146942
DUCT:VACUUM UNIT



U024_S003
B1406225
HEAT SINK:HEATER:LOWER
:NA:ASS'Y:(for D081)

| | | | | | | | | | | | | | | | | | | | | |
|------|------|------|------|------|------|------|------|------|------|------|------|------|------|------|------|------|------|------|------|------|
| U001 | U002 | U003 | U004 | U005 | U006 | U007 | U008 | U009 | U010 | U011 | U012 | U013 | U014 | U015 | U016 | U017 | U018 | U019 | U020 | U021 |
|------|------|------|------|------|------|------|------|------|------|------|------|------|------|------|------|------|------|------|------|------|

U024 MAIN FRAME



- 5.03540080N (x5) SCREW:M4X8
- 10.04513006N (x39) TAPPING SCREW - 3X6
- 24.09514006N SCREW:POLISHED ROUND:M4X6
- 21.07200060E RETAINING RING - M6
- 13.04514006N (x6) TAPPING SCREW - 4X6

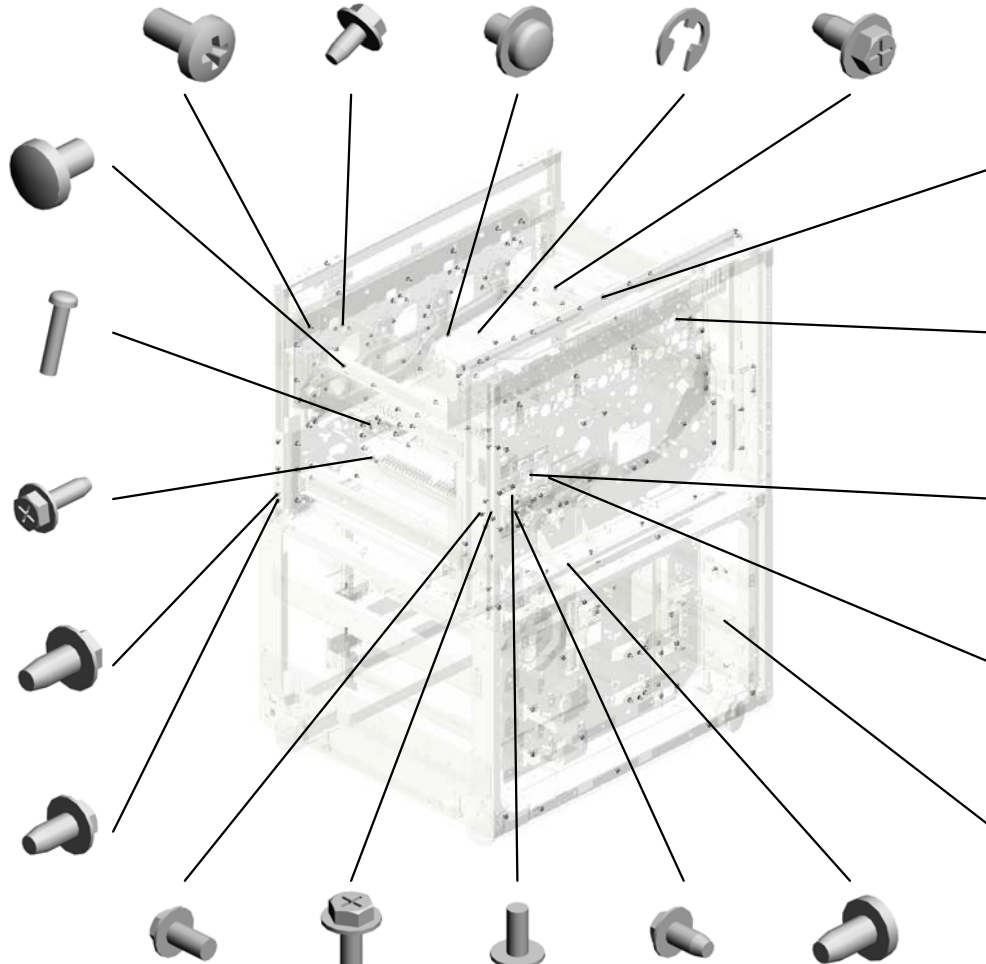
4.03540060N (x3) SCREW-M4X6

1.03140180N PAN HEAD SCREW :M4X18

9.04503010N TAPPING SCREW - M3X10

15.04514010N TAPPING SCREW: 4X10

16.04514012N (x3) TAPPING SCREW: 4X12



8.03604008N SCREW - M4X8

11.04513008N (x6) TAPPING SCREW - M3X8

25.09514010N (x2) SCREW:POLISHED ROUND:M4X10

18.04544008Q (x30) TAPPING SCREW - M4X8

17.04533006N (x6) TAPPING SCREW - M3X6

14.04514008N (x86) TAPPING SCREW: 4X8

3.03530060N BIND SCREW - M3 X6

6.03540200N (x2) SCREW:M4X20

19.07074050N (x2) BUSHING - 4X5

20.07200040E (x4) RETAINING RING - M4

2.03530040N (x 8) SCREW - M3X4
7.03603006N (x 1) SCREW - M3X6

| | | | | | | | | | | | | | | | | | | | | |
|------|------|------|------|------|------|------|------|------|------|------|------|------|------|------|------|------|------|------|------|------|
| U001 | U002 | U003 | U004 | U005 | U006 | U007 | U008 | U009 | U010 | U011 | U012 | U013 | U014 | U015 | U016 | U017 | U018 | U019 | U020 | U021 |
|------|------|------|------|------|------|------|------|------|------|------|------|------|------|------|------|------|------|------|------|------|

U024 MAIN FRAME



- 39.A1664290 KNOB JOINT
- 34.11050568 (x3) CLAMP:LWSS-0504
- 32.11050534 (x8) CLAMP
- 43.A8597211 (x2) STEPPED SCREW
- 29.11050516 (x18) CLAMP

- 35.11050600 (x33) CLAMP:LWSM-030 6-2M

- 41.A2573441 SIDE PLATE LEVER

- 38.A0966693 PAPER GUIDE SHEET

- 36.54131875 KNOB SCREW

- 30.11050518 EDGE SADDLE - L ES-1010

- 37.54472681 SNAP RING

- 28.11050511 (x5) HARNESS CLAMP - LWS-0306ZC

- 33.11050551 (x2) CLAMP:LES-0505

- 40.A2486103 GUIDE PLATE - UPPER HEAT SINK

- 26.11050488 (x9) HARNESS CLAMP

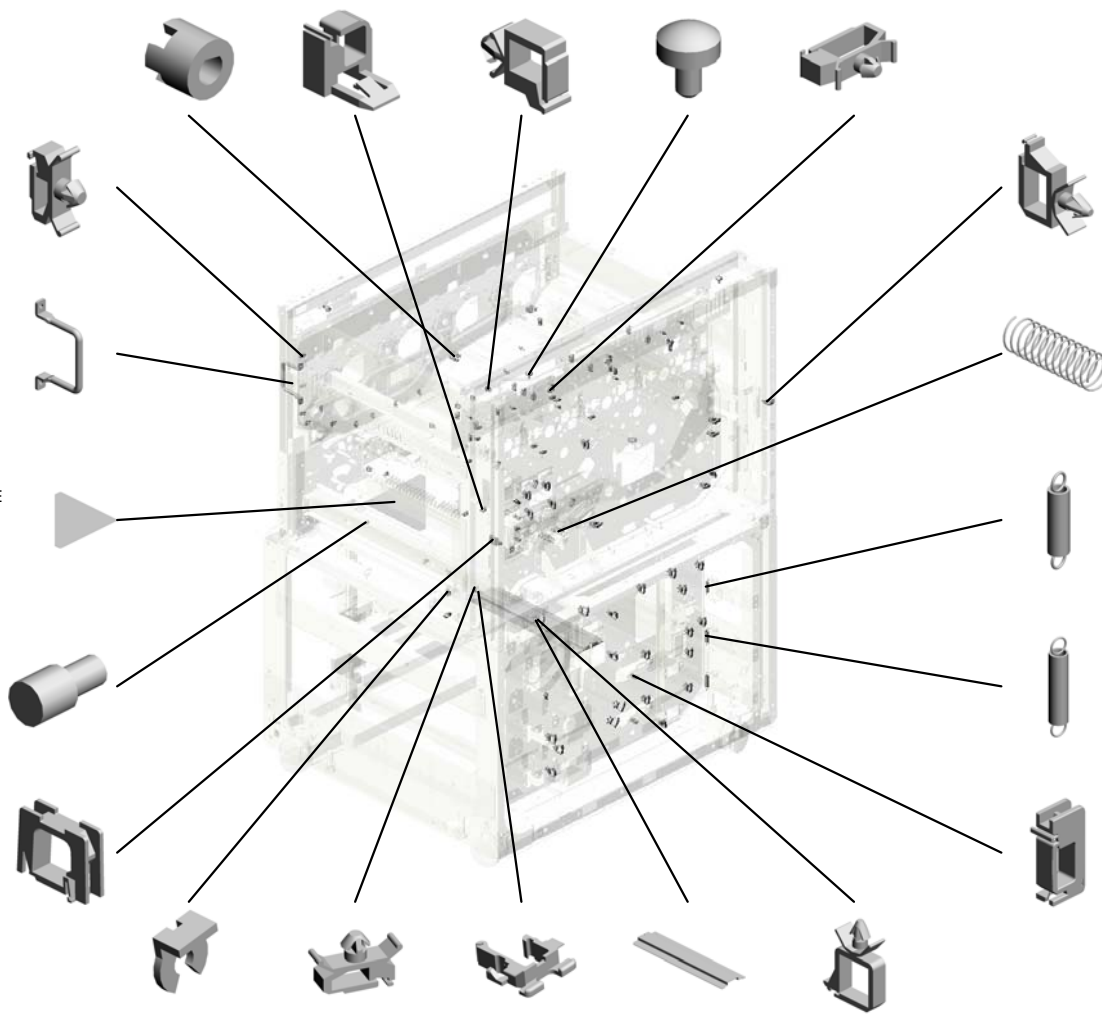
- 27.11050508 (x23) HARNESS CLAMP - LWS-0711

- 42.A2675814 (x2) COMPRESSION SPRING

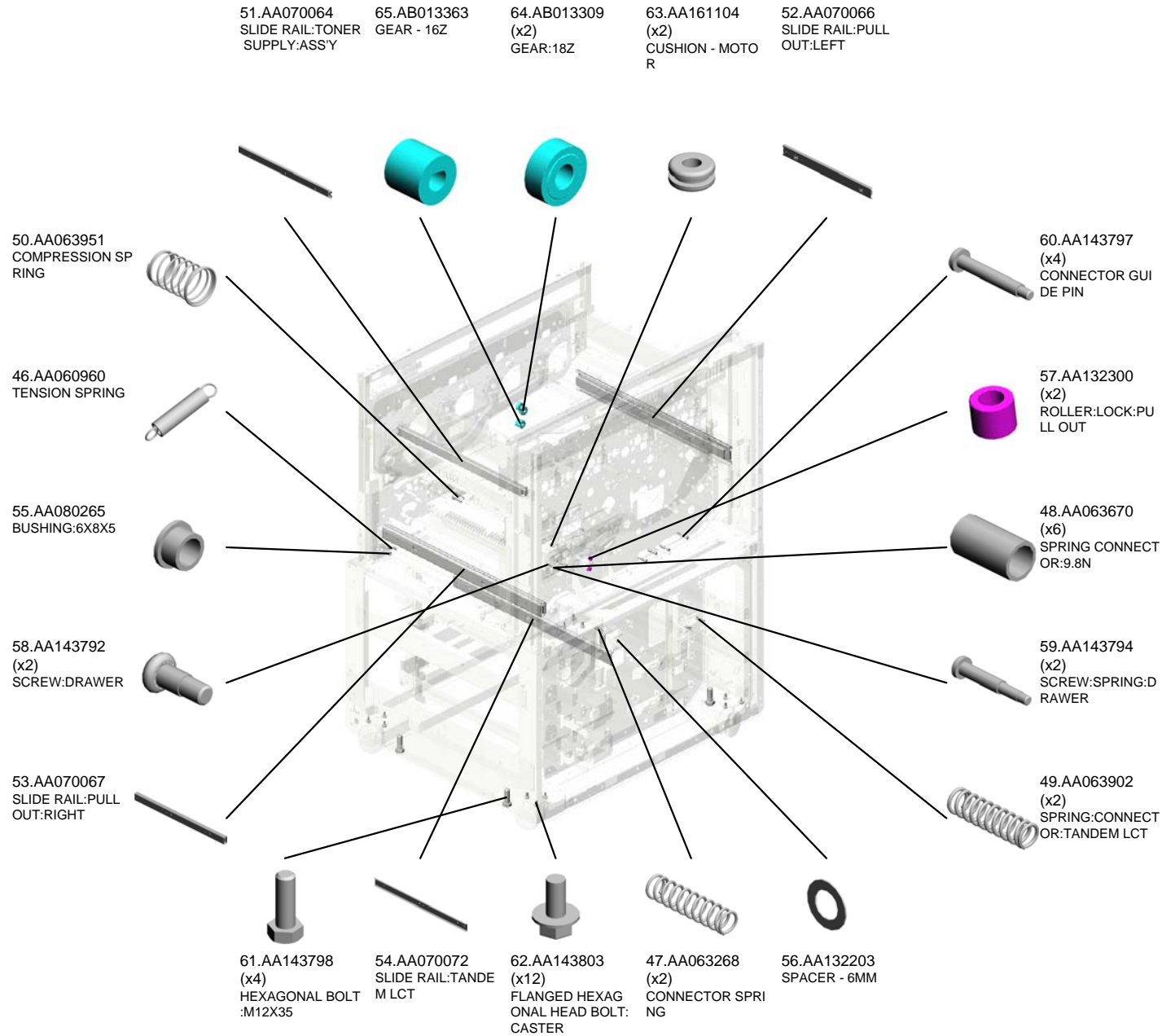
- 45.AA060761 SPRING

- 44.AA060534 (x2) TRAY LOCK SPRING - 19MM

- 31.11050522 (x9) EDGE SADDLE - L ES0510



U024 MAIN FRAME



| | | | | | | | | | | | | | | | | | | | | |
|------|------|------|------|------|------|------|------|------|------|------|------|------|------|------|------|------|------|------|------|------|
| U001 | U002 | U003 | U004 | U005 | U006 | U007 | U008 | U009 | U010 | U011 | U012 | U013 | U014 | U015 | U016 | U017 | U018 | U019 | U020 | U021 |
|------|------|------|------|------|------|------|------|------|------|------|------|------|------|------|------|------|------|------|------|------|

U024 MAIN FRAME



68.AG051147
KNOB:FUSING

80.AZ310029
POWER PACK:D

67.AB017688
GEAR:13/20Z

72.AW140015
TEMPERATURE &
HUMIDITY SENSO
R

71.AW100107
THERMISTOR

77.AX640149
FAN MOTOR:MM40
:15MM

76.AX400178
HEATER:240V:18W
:UPPER:(for D082)

70.AW010107
PAPER FEED SEN
SOR

81.B0101289
(x2)
LEFT GASKET - FR
ONT REAR

87.B0656588
(x2)
RIGHT SUPPORT P
LATE

69.AH012031
(x4)
CASTER:1470N

88.B0656589
(x2)
LEFT SUPPORT PL
ATE

82.B0651092
(x4)
BRACKET

75.AX400176
(x2)
HEATER:115V:18W
:UPPER:(for D081)

73.AW500010
(x2)
PUSH SWITCH

66.AB017338
GEAR:30T

78.AX640163
FAN MOTOR:MM80

84.B0656135
LOCK ARM - TAND
EM TRAY

86.B0656172
(x2)
PAPER TRAY STO
PPER

85.B0656136
(x2)
TRAY LOCK ARM

| | | | | | | | | | | | | | | | | | | | | |
|------|------|------|------|------|------|------|------|------|------|------|------|------|------|------|------|------|------|------|------|------|
| U001 | U002 | U003 | U004 | U005 | U006 | U007 | U008 | U009 | U010 | U011 | U012 | U013 | U014 | U015 | U016 | U017 | U018 | U019 | U020 | U021 |
|------|------|------|------|------|------|------|------|------|------|------|------|------|------|------|------|------|------|------|------|------|

U024 MAIN FRAME



- 102.B1321185 SHAFT:LOCK:PULL OUT
- 99.B1321159 SUPPORTING PLATE:PULL OUT:FRONT
- 103.B1321188 COVER:DRIVE SUB-UNIT
- 96.B1321112 (x2) GROUND PLATE:SCANNER:REAR
- 97.B1321115 STAY:MACHINE OR COPIER:LEFT:PEEN

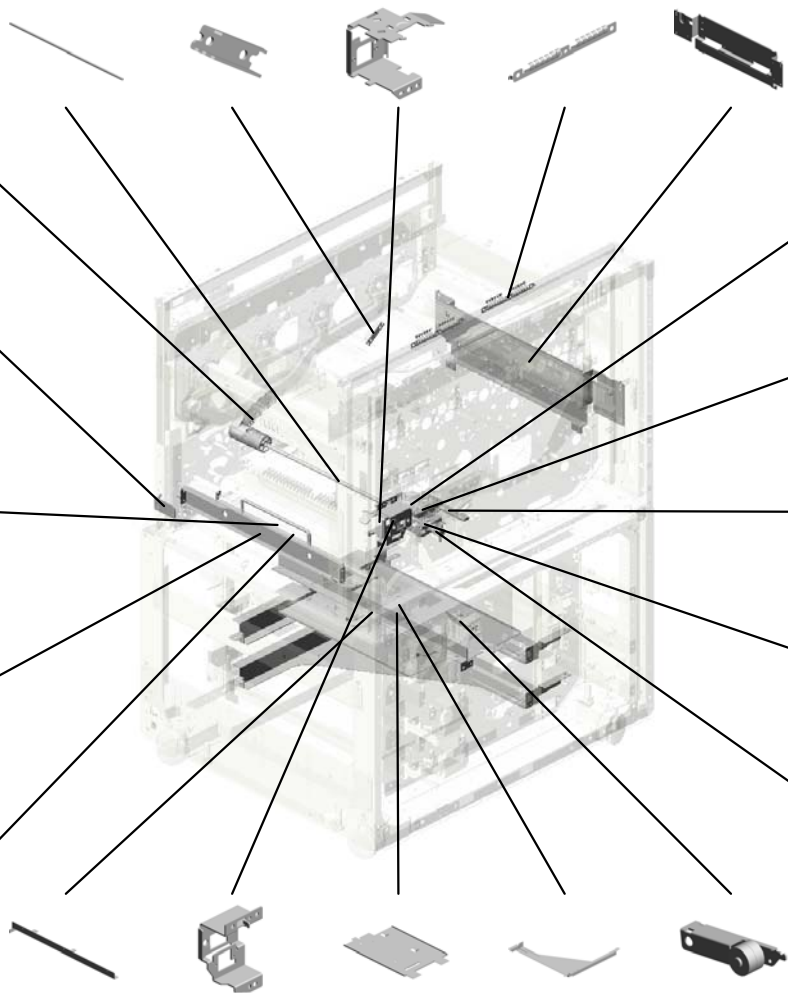
101.D0811184
LEVER:PULL OUT:PRINTING
201109-01 X/O

94.B1321008
BRACKET:COVER:LEFT

105.B1321191
HANDLE:PULL OUT

93.B1321004
STAY:MACHINE OR COPIER:RIGHT LOWER

106.B1321192
GUARD:PULL OUT



98.B1321118
BRACKET:FAN:DUPLICATE

107.B1321193
BRACKET:INTERLOCK:LEVER

108.B1321194
ACTUATOR:PULL OUT

104.B1321190
BRACKET:RELEASE:LOCK

100.B1321183
BRACKET:LOCK

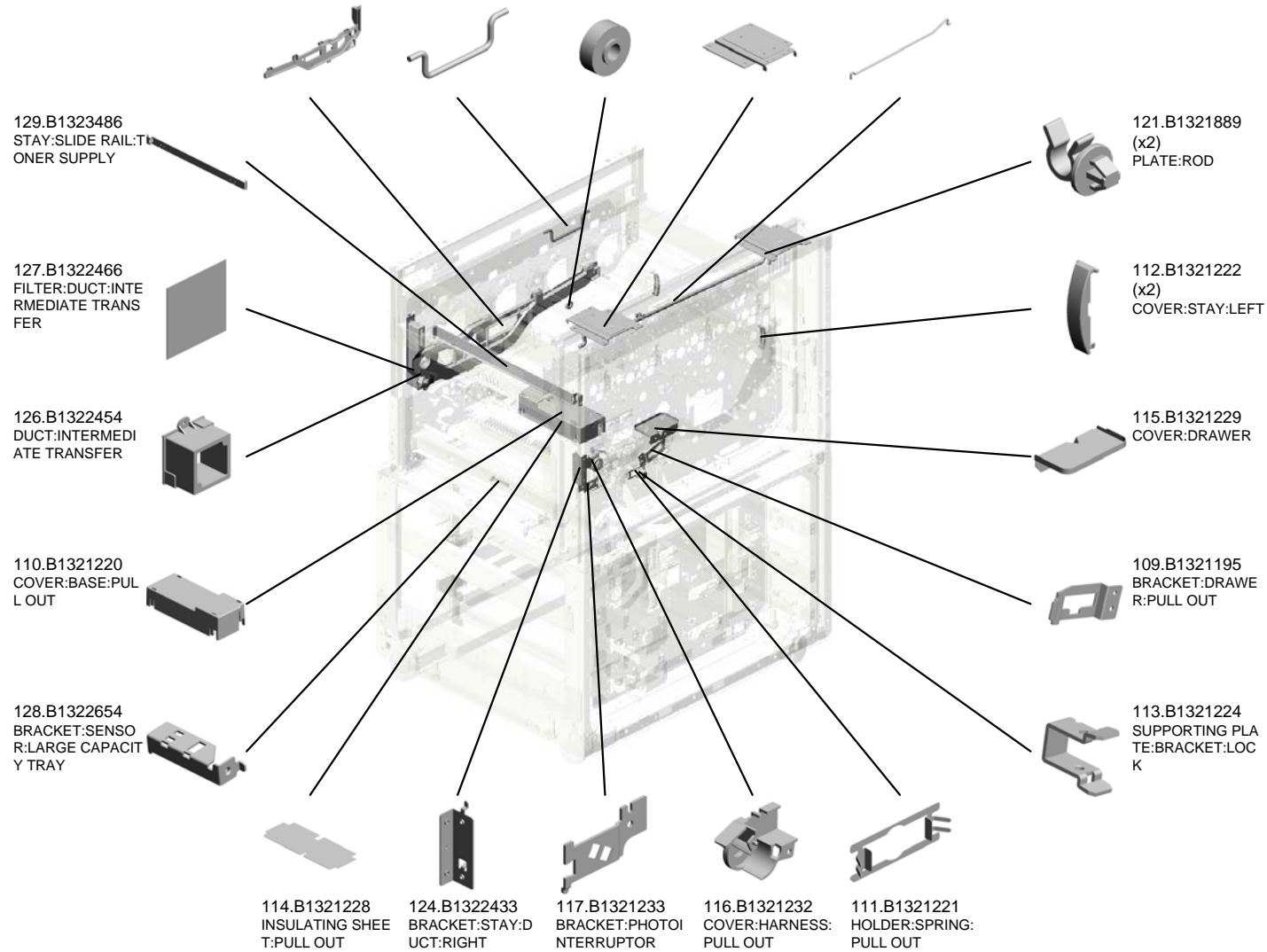
- 91.B0656774 SLIDEBRACKET
- 95.B1321020 BRACKET:DRAWER:PAPER FEED UNIT
- 92.B0706293 HEAT SINK:HEATER:UPPER:FIBER
- 89.B0656591 (x2) PAPER TRAY HOLDER BASE
- 90.B0656769 LOCK ARM

| | | | | | | | | | | | | | | | | | | | | |
|------|------|------|------|------|------|------|------|------|------|------|------|------|------|------|------|------|------|------|------|------|
| U001 | U002 | U003 | U004 | U005 | U006 | U007 | U008 | U009 | U010 | U011 | U012 | U013 | U014 | U015 | U016 | U017 | U018 | U019 | U020 | U021 |
|------|------|------|------|------|------|------|------|------|------|------|------|------|------|------|------|------|------|------|------|------|

U024 MAIN FRAME



- 125.B1322442 DUCT:DRUM STAY
- 122.B1322366 LEVER:DRUM STAY:LEFT
- 118.B1321235 COLLAR:DIA18
- 119.B1321885 (x2) BRACKET:ADF
- 120.B1321888 ROD:OPEN AND CLOSE:SCANNER UNIT



U024 MAIN FRAME



- 130.B1323489 BRACKET:DRAWER
R:TONER SUPPLY
- 131.B1323491 COVER:DRAWER
- 132.B1323493 BRACKET:FIX:TONER
SUPPLY
- 137.B1326304 STAY:PULL OUT
- 134.B1324868 GUIDE:DUPLEX:UP
PER RIGHT

139.B1326334
SIDE PLATE:POSIT
IONING:TRANSFER:
FRONT:ASSY

138.B1326305
(x2)
CAM:TRANSFER R
OLLER

141.B1326507
HOLDER:HEATER

140.B1326506
HEAT SINK:HEATE
R:TONER

147.B1326696
STAY:TANDEM LC
T

143.B1326653
(x2)
STAY:HOLDER:PA
PER TRAY:ASSY

146.B1326693
(x2)
SLIDE RAIL:RIGHT:
ASSY

142.B1326630
BRACKET:HOLDER
:ASSY

148.B1326726
BRACKET:ARM:AS
SY

149.B1326737
(x2)
BRACKET:PAPER
SIZE SENSOR:NO.
1

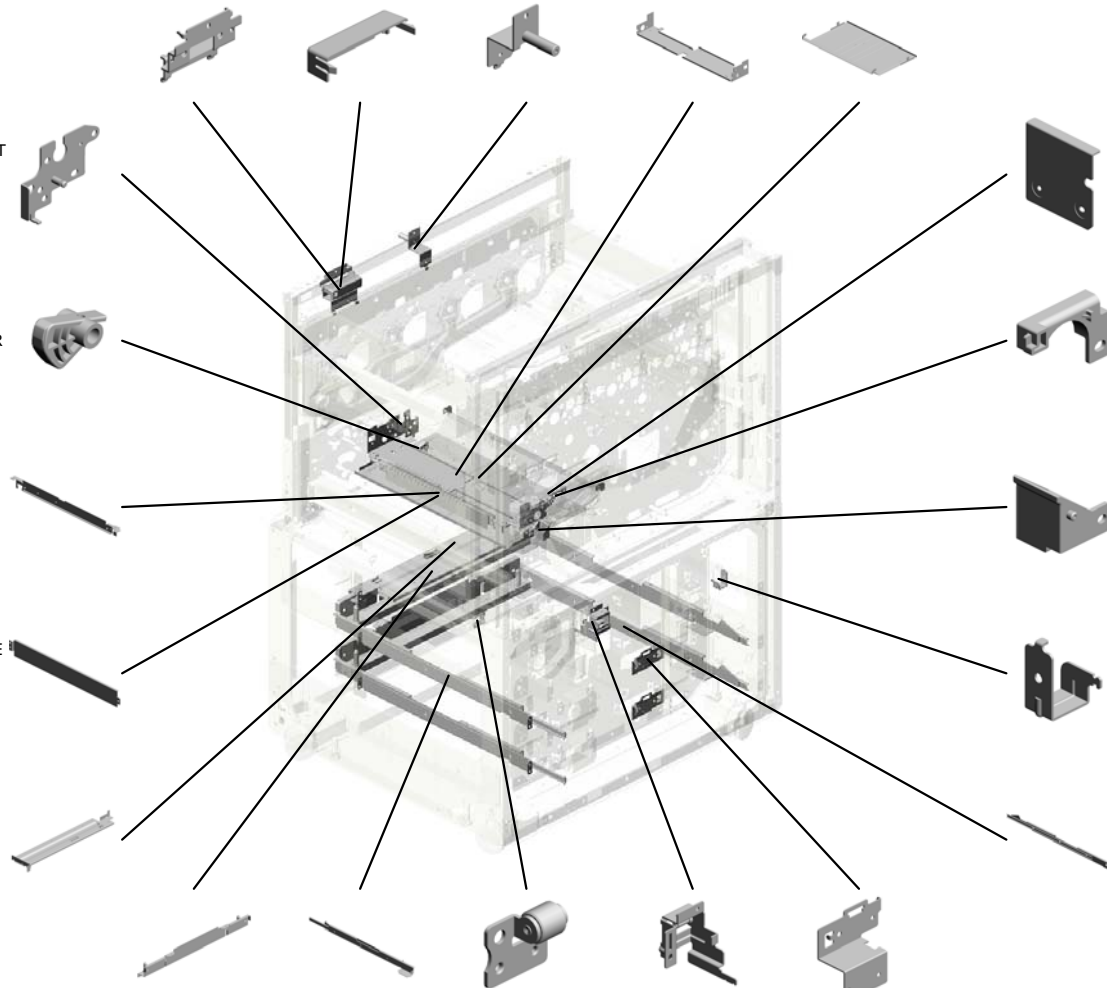
144.B1326669
SUPPORTING PLA
TE:STAY

136.B1326286
STOPPER:TRANSF
ER/SEPARATION U
NIT

135.B1326285
TONER CATCHPA
N

150.B1326742
LEFT RAIL BRACK
ET

145.B1326692
(x2)
SLIDE RAIL:LEFT:S
UB-ASSY



U024 MAIN FRAME



- 172.D0141156 SHAFT:KNOB:FUSI
NG
- 171.D0141150 BRACKET:KNOB:F
USING
- 157.B1327166 BRACKET:LED:LEF
T
- 156.B1326867 BRACKET:EXHAUS
T:HARNESS
- 168.D0141018 BRACKET:STAY:D
UCT:HORIZONTAL

169.D0141020
BRACKET:CONNE
CTOR

167.D0141011
SIDE PLATE:FRON
T RIGHT:PEEN

170.D0141127
STUD:MANUAL FE
ED:REAR

158.B1327590
RAIL:TANDEM LCT:
LEFT:ASSY

159.B1327591
RAIL:PAPER TRAY:
ASSY

162.B2476174
(x2)
BRACKET:POSITIO
NING:PAPER TRAY
:ASSY

151.B1326759
DC MOTOR:RISE:T
ANDEM LCT:ASSY

163.B2476753
LOCK SPRING - LA
RGE

152.B1326762
DC SOLENOID:CO
UPLING:ASSY

164.B2476754
LOCK SPRING - S
MALL

165.B2476781
BASE:SLIDE RAIL:
NO.2:PEEN

153.B1326763
BRACKET:CONNE
CTOR:LEFT

155.B1326765
DC SOLENOID:LO
CK:ASSY

154.B1326764
BRACKET:CONNE
CTOR:RIGHT

166.B2476783
BASE:SLIDE RAIL:
NO.3:PEEN

U024 MAIN FRAME



- 184.D0143644 (x3) BRACKET:SENSOR:CYK
- 174.D0141248 (x2) PLATE:LEVER:DRUM STAY:LEFT
- 183.D0143643 BRACKET:SENSOR:M
- 187.D0143656 (x4) HOLDER:ELECTRIC POTENTIAL SENSOR
- 188.D0143657 (x4) SHIELDING PLATE

189.D0143659 (x4) DUCT:DRUM STAY:PCU

191.D0146840 (x4) SEAL:DUCT:DRUM STAY:PCU

193.D0146842 SEAL:DUCT:DRUM STAY:2

192.D0146841 SEAL:DUCT:DRUM STAY:1

190.D0146839 SHIELD:DUCT:DRUM STAY:INTERMEDIATE TRANSFER

179.D0142662 GUIDE PLATE:LCT:OPEN AND CLOSE

178.D0142637 GUIDE PLATE:CONNECTING:LCT

176.D0141514 COVER:CONNECTOR:KEY COUNTER

181.D0143241 (x4) SEAL:DISCHARGE USED TONER

182.D0143242 (x4) SEAL:DISCHARGE USED TONER:LOWER

185.D0143646 (x3) DC SOLENOID:ON-OFF

177.D0142196 (x2) GASKET:7X10:50MM

175.D0141352 COVER:GEAR:USED TONER:SIDE

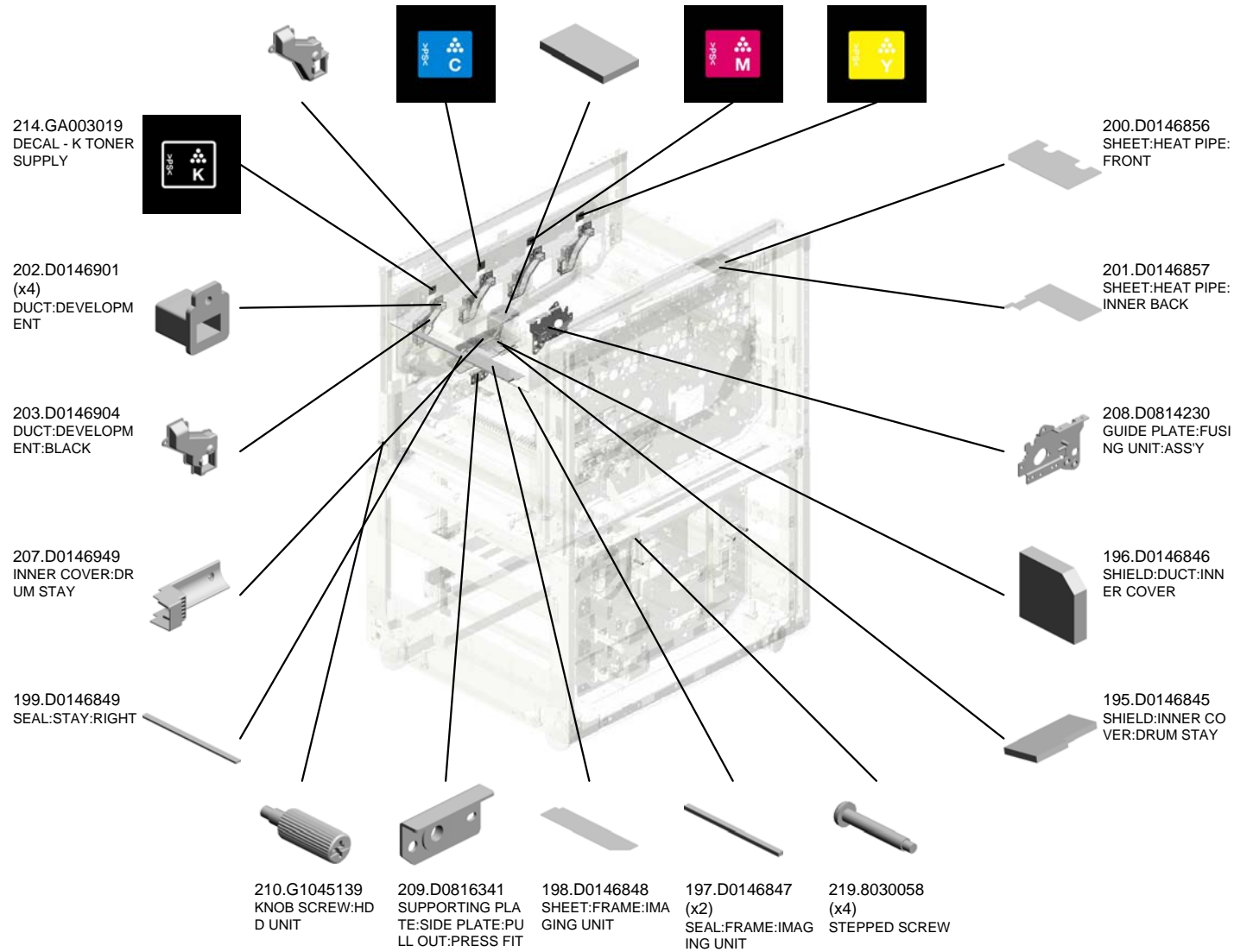
186.D0143655 (x4) ELECTRIC POTENTIAL SENSOR

180.D0143240 (x4) COVER:DISCHARGE USED TONER

U024 MAIN FRAME



- 204.D0146907 (x3) DUCT:DEVELOPMENT:FC
- 213.GA003018 DECAL - C TONER SUPPLY
- 194.D0146843 (x2) SEAL:DUCT:DRUM STAY
- 212.GA003017 DECAL - M TONER SUPPLY
- 211.GA003016 DECAL - Y TONER SUPPLY

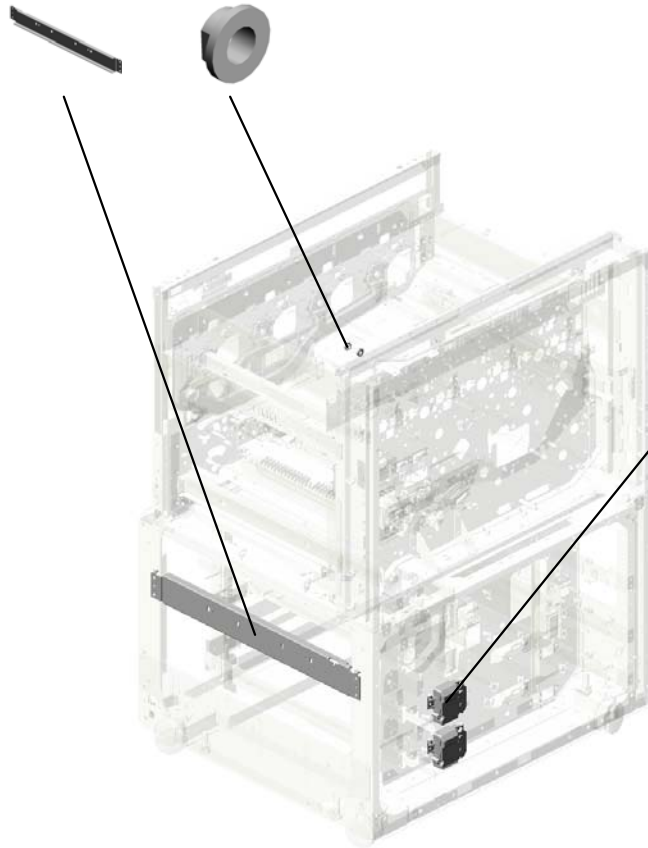


| | | | | | | | | | | | | | | | | | | | | |
|------|------|------|------|------|------|------|------|------|------|------|------|------|------|------|------|------|------|------|------|------|
| U001 | U002 | U003 | U004 | U005 | U006 | U007 | U008 | U009 | U010 | U011 | U012 | U013 | U014 | U015 | U016 | U017 | U018 | U019 | U020 | U021 |
|------|------|------|------|------|------|------|------|------|------|------|------|------|------|------|------|------|------|------|------|------|

U024 MAIN FRAME

222.B1321025
FRAME:PAPER BA
NK:RIGHT

220.8053386
(x2)
BUSHING - 8MM



221.AX040254
(x2)
DC MOTOR:RISING
TRAY:ASS'Y
201011-01 O/O

| | | | | | | | | | | | | | | | | | | | | |
|------|------|------|------|------|------|------|------|------|------|------|------|------|------|------|------|------|------|------|------|------|
| U001 | U002 | U003 | U004 | U005 | U006 | U007 | U008 | U009 | U010 | U011 | U012 | U013 | U014 | U015 | U016 | U017 | U018 | U019 | U020 | U021 |
|------|------|------|------|------|------|------|------|------|------|------|------|------|------|------|------|------|------|------|------|------|

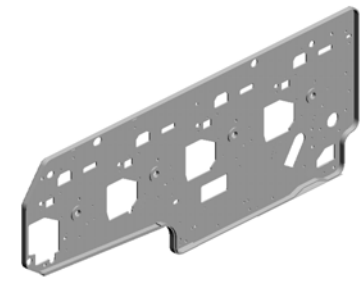
U024_S001

DRUM STAY:AROUND THE PHOTOCONDUCTOR:SUB-ASS'Y

218.GA003023
DECAL:DEVELOPM
ENT UNIT:DISPLAY
:K

216.GA003021
DECAL:DEVELOPM
ENT UNIT:DISPLAY
:M

217.GA003022
DECAL:DEVELOPM
ENT UNIT:DISPLAY
:C



173.D0141238
DRUM STAY:AROU
ND THE PHOTOCO
NDUCTOR:SUB-AS
SY

83.B0653699
DECAL - RELEASE
LEVER



215.GA003020
DECAL:DEVELOPM
ENT UNIT:DISPLAY
:Y

133.B1324326
HEAT INSULATION
:DRUM STAY

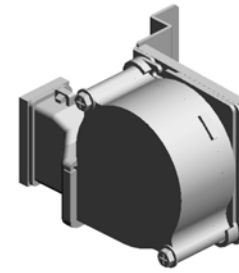
123.B1322417
SEAL:DRUM STAY:
LOWER

| | | | | | | | | | | | | | | | | | | | | |
|------|------|------|------|------|------|------|------|------|------|------|------|------|------|------|------|------|------|------|------|------|
| U001 | U002 | U003 | U004 | U005 | U006 | U007 | U008 | U009 | U010 | U011 | U012 | U013 | U014 | U015 | U016 | U017 | U018 | U019 | U020 | U021 |
|------|------|------|------|------|------|------|------|------|------|------|------|------|------|------|------|------|------|------|------|------|

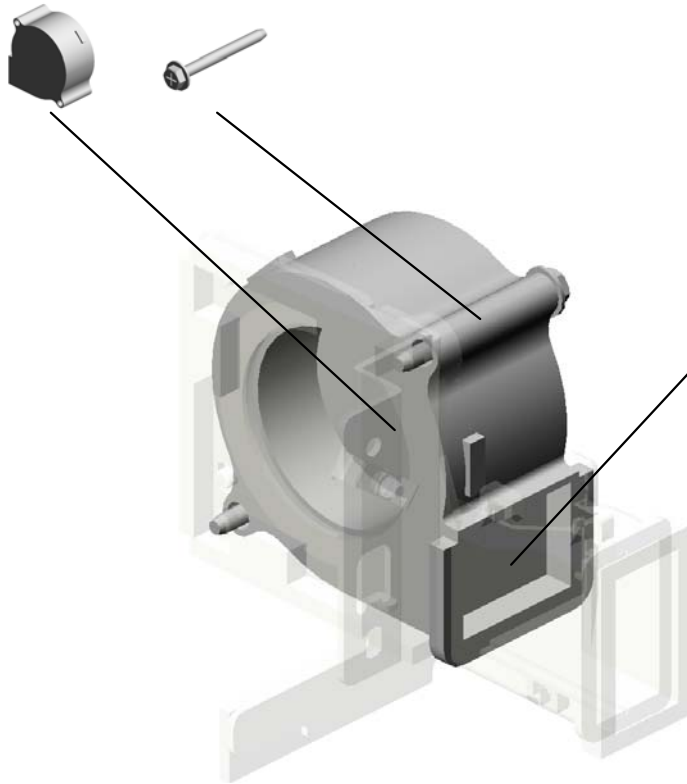
U024_S002
DUCT:VACUUM UNIT

79.AX640193
SIROCCO FAN MO
TOR:DC24V 4.32W

12.04513030N
(x2)
TAPPING SCREW:
3X30



206.D0146942
DUCT:VACUUM UN
IT

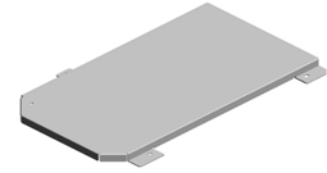


205.D0146930
SEAL:SIROCCO:TO
NER SUPPLY UNIT

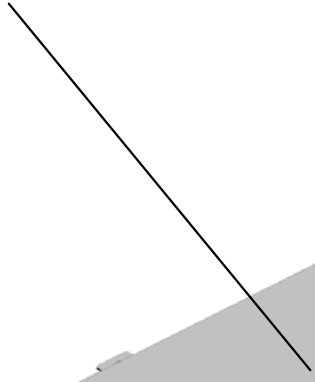
| | | | | | | | | | | | | | | | | | | | | |
|------|------|------|------|------|------|------|------|------|------|------|------|------|------|------|------|------|------|------|------|------|
| U001 | U002 | U003 | U004 | U005 | U006 | U007 | U008 | U009 | U010 | U011 | U012 | U013 | U014 | U015 | U016 | U017 | U018 | U019 | U020 | U021 |
|------|------|------|------|------|------|------|------|------|------|------|------|------|------|------|------|------|------|------|------|------|

U024_S003
HEAT SINK:HEATER:LOWER:NA:ASS'Y:(for D081)

75.AX400176
HEATER:115V:18W
:UPPER:(for D081)



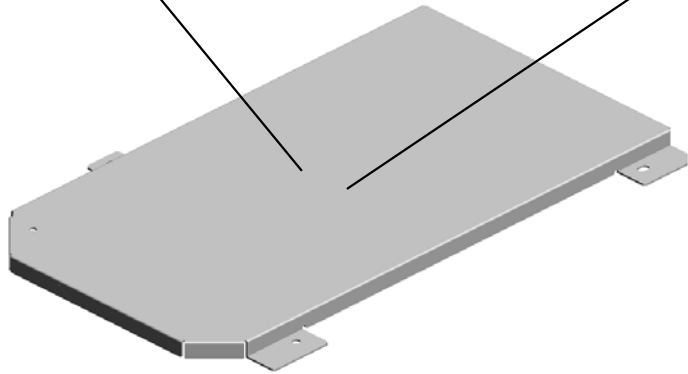
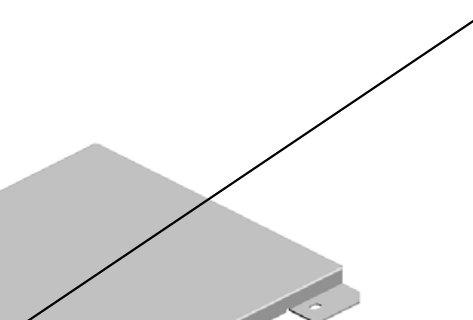
161.B1406225
HEAT SINK:HEATE
R:LOWER:NA:ASS'
Y:(for D081)



160.B1406221
HEAT SINK:HEATE
R:LOWER:SUB-AS
S'Y



29.11050516
CLAMP

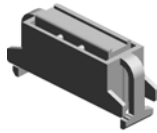


| | | | | | | | | | | | | | | | | | | | | |
|------|------|------|------|------|------|------|------|------|------|------|------|------|------|------|------|------|------|------|------|------|
| U001 | U002 | U003 | U004 | U005 | U006 | U007 | U008 | U009 | U010 | U011 | U012 | U013 | U014 | U015 | U016 | U017 | U018 | U019 | U020 | U021 |
|------|------|------|------|------|------|------|------|------|------|------|------|------|------|------|------|------|------|------|------|------|

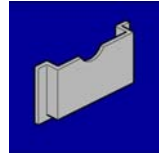
ACCESSORIES



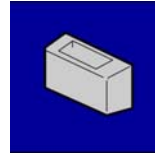
1.16071461
FERRITE CORE



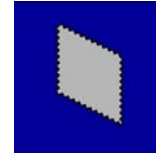
2.AG071012
(x2)
MAGNET CATCH:ASS'Y



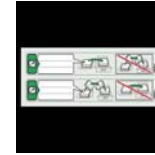
3.B0278521
O/I HOLDER - ASSEMBLY



4.B0651371
HOLDER:EXPOSURE GLASS:ASS'Y



5.B0651374
CLOTH - DF EXPOSURE GLASS



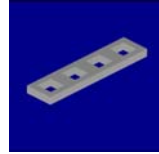
6.B0701307
(x3)
DECAL:PAPER SET DIRECTION



7.B1321226
(x2)
HOLDER:STAND



8.B1322393
TRAY:HOLDER:PCU



9.B1323084
HOLDER:CAP:RECEIVING SUB-UNIT



10.B2348510
DECAL:SIZE INDICATION:MULTI-LAN
GUAGE:C3



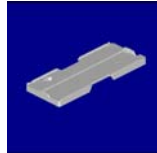
11.B6522379
DECAL:CAUTION:ORIGINAL:5-LANG



12.D0143135
JOINT:DRIVE:DEVELOPMENT UNIT



13.D0143144
ADJUSTING PIN:DEVELOPMENT



14.D0143690
HOLDER:PCU:VC2



15.D0811562
DECAL:CAUTION:INKJET:PAPER TR
AY:NA

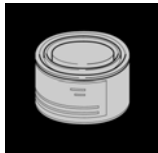


16.D3767900
LICENSE AGREEMENT SHEET



17.D3767901
SEAL:CAUTION:18LANGUAGES

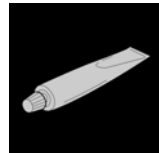
SPECIAL TOOLS



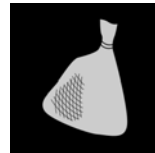
1.52039501
Silicon Grease G-501



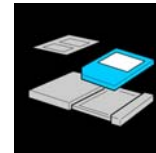
2.A0929503
C4 Color Test Chart (3 pcs/set)



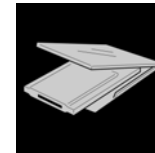
3.A2579300
Grease Barrierta ? S552R



4.B1329700
Lubricant Powder

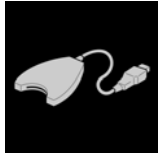


5.B6455010
SD Card



6.B6456700
PCMCIA Card Adapter

SPECIAL TOOLS



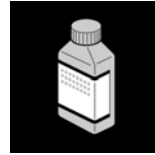
7.B6456800
USB Reader/Writer



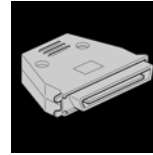
8.C4019503
20X Magnification Scope



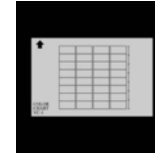
9.D0159500
G104 Yellow Toner



10.D0159501
Zinc Stearate



11.G0219350
Loop Back Connector



12.VSST9502
Connection Kit Color Test Chart (3 sheets/set)
201004-01 X/O

Exclusive Parts

| Number | Part Name | Group | ID |
|----------|------------------------------|----------------|----|
| 50530223 | BUSHING - 8MM | U006_S002 | 20 |
| 50530447 | BUSHING - 6MM | U006_S001 | 21 |
| 52012858 | FRICTION PAD | U006_S002_S002 | 22 |
| 52039501 | Silicon Grease G-501 | SPECIAL TOOLS | 1 |
| 52062684 | SHOULDER SCREW - M3 | U001 | 10 |
| | | U018 | 22 |
| | | U018_S001 | 22 |
| | | U018_S002 | 22 |
| 52062686 | SNAP RING | U003_S001 | 25 |
| | | U009 | 23 |
| 52152621 | SNAP RING - M6 | U003_S001 | 26 |
| | | U010_S001 | 20 |
| 53241658 | BUSHING- 4X8X4.5MM | U003_S001 | 27 |
| 54131875 | KNOB SCREW | U024 | 36 |
| 54421924 | EXPOSURE GLASS CUSHION | U004 | 24 |
| 54432668 | BUSHING - 4X6X7MM | U009 | 24 |
| 54462901 | COLLAR - 8MM | U009 | 25 |
| 54472681 | SNAP RING | U003_S001 | 28 |
| | | U008_S001 | 13 |
| | | U008_S002 | 13 |
| | | U008_S003 | 13 |
| | | U009_S001 | 26 |
| | | U015 | 15 |
| | | U015_S001 | 15 |
| | | U016 | 14 |
| | | U017 | 4 |
| | | U019 | 24 |
| | | U019_S001 | 24 |
| | | U020_S001 | 16 |
| | | U024 | 37 |
| 54472706 | GEAR - 15T | U009_S001 | 27 |
| 54472769 | STEPPED SCREW | U015_S001 | 16 |
| 58942540 | ARM SCREW | U008_S001 | 14 |
| | | U008_S002 | 14 |
| | | U008_S003 | 14 |
| | | U018_S001 | 23 |
| | | U018_S002 | 23 |
| 59362321 | RUBBER BUSHING - VIBRATION D | U003_S001 | 29 |

| Number | Part Name | Group | ID |
|-----------|----------------------------------|-----------|-----|
| | AMPER | | |
| 59374158 | SPRING WASHER - BD10 | U020_S001 | 17 |
| 67542866 | ROLLER - POSITIONING GUIDE | U019 | 25 |
| 7403008 | BALL BEARING - 8X22X7 | U015 | 73 |
| 7403508 | BALL BEARING -8X14X4 | U003_S001 | 268 |
| 7403706 | BALL BEARING - M6X10X3 | U003_S001 | 269 |
| 7403906 | BALL BEARING - 6X15X5 | U021 | 78 |
| 7413506 | BALL BEARING - 6X12X4 MM | U008_S001 | 109 |
| | | U008_S002 | 109 |
| | | U008_S003 | 109 |
| 7413706 | BALL BEARING - 6X10X3 | U020_S001 | 119 |
| 7423808 | BALL BEARING - 8X16X5 | U003_S001 | 270 |
| | | U008 | 110 |
| | | U008_S001 | 110 |
| | | U008_S002 | 110 |
| | | U008_S003 | 110 |
| | | U009 | 157 |
| | | U010_S001 | 98 |
| U018 | 181 | | |
| U019_S001 | 151 | | |
| 7423906 | BALL BEARING - 6X14X5MM | U021 | 79 |
| 8030058 | STEPPED SCREW | U024 | 219 |
| 8046123 | HEXAGONAL BOLT:W/WASHER:M 3X8 | U011 | 106 |
| | | U012_S001 | 80 |
| | | U012_S002 | 80 |
| | | U012_S003 | 80 |
| | | U018_S001 | 182 |
| | | U018_S002 | 182 |
| 8050088 | RETAINING RING - M6 | U009_S001 | 158 |
| 8050089 | RETAINING RING - M4 | U003_S001 | 271 |
| | | U020_S001 | 120 |
| 8050097 | RING SEPARATOR | U011 | 107 |
| | | U012_S001 | 81 |
| | | U012_S002 | 81 |
| | | U012_S003 | 81 |
| 8053368 | BALL BEARING - 8X16X5MM | U004 | 106 |
| 8053385 | BUSHING - 6MM | U014_S001 | 56 |
| 8053386 | BUSHING - 8MM | U024 | 220 |

Exclusive Parts

| Number | Part Name | Group | ID |
|----------|---------------------------------|----------------|-----|
| 8053496 | BALL BEARING - 6X10X3 | U013_S001 | 69 |
| 8053497 | BUSHING - 8X12X3.5MM | U009 | 159 |
| 8053511 | BUSHING 8MM | U013_S001 | 70 |
| | | U015_S001 | 74 |
| A0292984 | DECAL - GRIP | U008_S004 | 15 |
| A0929503 | C4 Color Test Chart (3 pcs/set) | SPECIAL TOOLS | 2 |
| A0964595 | DUPLEX GUIDE | U019_S001 | 26 |
| A0964928 | GUIDE PLATE BAND | U019_S001 | 27 |
| A0966677 | DECAL - RIGHT PAPER SET | U006_S002_S002 | 23 |
| A0966678 | DECAL - LEFT PAPER SET | U006_S001_S001 | 24 |
| A0966693 | PAPER GUIDE SHEET | U024 | 38 |
| A1341724 | CUSHION - STEPPER MOTOR | U004 | 25 |
| A1342661 | FEELER ROLLER | U009_S001 | 28 |
| A1342978 | SPRING PLATE | U007_S001_S001 | 6 |
| | | U007_S002_S001 | 6 |
| A1664290 | KNOB JOINT | U024 | 39 |
| A1931384 | NYLON CLAMP | U001 | 11 |
| A1931767 | 1ST MIRROR HOLDER | U004_S002 | 26 |
| A2294617 | DUPLEX DISCHARGE BRUSH | U019_S001 | 28 |
| A2294623 | LOWER ENTRANCE GUIDE PLATE | U019_S001 | 29 |
| A2294727 | GUIDE PLATE PRESSURE HOLDE R | U019_S001 | 30 |
| A2294740 | DRIVE JOINT | U019_S001 | 31 |
| A2326082 | FRONT RACK | U009_S002 | 29 |
| A2326083 | REAR RACK | U009_S002 | 30 |
| A2486103 | GUIDE PLATE - UPPER HEAT SINK | U024 | 40 |
| A2486615 | COUPLING LEVER - LEFT | U006_S001 | 25 |
| A2486687 | RIGHT DRIVE SHAFT | U006_S002 | 26 |
| A2486694 | WIRE RING | U006_S002 | 27 |
| A2486695 | GUIDE - PULLEY | U006_S002 | 28 |
| A2486713 | HOOK - TENSION SPRONG | U006_S002 | 29 |
| A2501752 | EXPOSURE GLASS | U004 | 27 |
| A2571165 | SAFETY SWITCH SPRING | U022 | 25 |
| A2571884 | RUBBER BUSHING | U004 | 28 |
| A2573441 | SIDE PLATE LEVER | U024 | 41 |
| A2576112 | PULLEY:BELT TENSIONER | U003_S001 | 30 |
| | | U015 | 17 |
| A2579300 | Grease Barrierta ? S552R | SPECIAL TOOLS | 3 |

| Number | Part Name | Group | ID |
|----------|----------------------------------|----------------|----|
| A2671820 | SHEET - PHOTOINTERRUPTER | U004 | 29 |
| A2672857 | SPRING PLATE - SIDE FENCE | U007_S001_S002 | 7 |
| | | U007_S002_S002 | 7 |
| A2672859 | SIDE FENCE STOPPER | U007_S001_S002 | 8 |
| | | U007_S002_S002 | 8 |
| A2672860 | REAR LEVER STOPPER | U007_S001_S002 | 9 |
| | | U007_S002_S002 | 9 |
| A2675814 | COMPRESSION SPRING | U024 | 42 |
| A2934611 | REVERSE ROLLER | U019_S001 | 32 |
| A2934613 | FRONT GATE PAWL | U019_S001 | 33 |
| A2934614 | REAR GATE PAWL | U019_S001 | 34 |
| A2936399 | TORQUE LIMITER - SEPARATOR | U003_S001 | 31 |
| A2944626 | LOWER DUPLEX GUIDE PLATE | U019_S001 | 35 |
| A2946630 | LEFT REAR FENCE | U006_S001_S002 | 30 |
| A2946643 | LEFT FRONT FENCE | U006_S001 | 31 |
| A2946645 | LEFT SIDE PLATE | U006_S001 | 32 |
| A2946655 | FRONT ROLLER - SLIDE RAIL | U006_S002 | 33 |
| A2946666 | SIDE PLATE | U006_S002_S001 | 34 |
| A2946690 | FEELER - PAPER HEIGHT SENSO R | U006_S002 | 35 |
| | | U008_S001 | 16 |
| | | U008_S002 | 16 |
| | | U008_S003 | 16 |
| A2946700 | TORQUE LIMITER - 53MNXM | U009_S001 | 31 |
| | | U006_S002 | 36 |
| A2946706 | SENSOR BRACKET | U006_S002 | 36 |
| A3002134 | GUIDE ROLLER - B | U019 | 36 |
| A3742181 | SPACER | U003_S001 | 32 |
| A3764599 | SIDE FENCE PAD | U003_S001_S002 | 33 |
| A4181158 | SPACER - M6.5X1 | U003_S001 | 34 |
| A4221063 | SEAL - 0.7X13X20 | U003_S001 | 35 |
| A4221078 | BUSHING - 6X12X4MM | U003_S001 | 36 |
| A4701703 | SHIFT CLUTCH | U020_S001 | 18 |
| A5482139 | PULLEY | U003_S001 | 37 |
| A5551671 | STEPPED SCREW - M3X26.5 | U016 | 15 |
| A6281225 | BUSHING - 8MM | U003_S001 | 38 |
| A6801621 | FEED-IN UNIT STOPPER | U003_S001 | 39 |
| A6802262 | FEELER - PICK-UP ROLLER CAM | U003_S001 | 40 |
| A6972131 | ANTISTATIC BRUSH | U003_S001 | 41 |

Exclusive Parts

| Number | Part Name | Group | ID |
|----------|--------------------------------------|----------------|-----|
| A8061135 | CONTACT POINT SHAFT | U003_S001 | 42 |
| A8061163 | GUIDE PLATE CUSHION | U003_S001 | 43 |
| A8061292 | FEED BELT BRACKET | U003_S001 | 44 |
| A8061293 | FEED BELT DRIVE ROLLER | U003_S001 | 45 |
| A8061294 | FEED BELT DRIVEN ROLLER | U003_S001 | 46 |
| A8061295 | FEED BELT | U003_S001 | 47 |
| A8061298 | TRANSPORT BELT ROLLER SHAF T | U003_S001 | 48 |
| A8062151 | TIMING PULLEY - T19/Z23 S2M/M0. 6 | U003_S001 | 49 |
| A8062271 | GEAR - Z18 | U003_S001 | 50 |
| A8592230 | BALL BEARING - 6X13X5 | U003_S001 | 51 |
| A8592241 | REVERSE ROLLER | U003_S001 | 52 |
| A8594836 | BUSHING- EXIT DRIVEN ROLLER | U003_S001 | 53 |
| A8597211 | STEPPED SCREW | U024 | 43 |
| AA000059 | CAUTION DECAL - ENGLISH | U016_S001 | 16 |
| AA000217 | DECAL - LD 655 | U005_S001 | 4 |
| AA000239 | DECAL:COLOR:MFP | U001 | 12 |
| AA001477 | DECAL:ENERGY-STAR | U001 | 13 |
| AA001508 | DECAL:SIDE FENCE:40X30 | U006_S001_S002 | 37 |
| | | U006_S002_S001 | 37 |
| AA001509 | DECAL:SIDE FENCE:16X30 | U006_S002_S004 | 38 |
| AA002246 | DECAL - CAUTION | U006_S002 | 39 |
| AA003211 | DECAL:PAPER TRAY:DISPLAY:1 | U006 | 40 |
| AA003212 | DECAL:PAPER TRAY:DISPLAY:2 | U007 | 10 |
| AA003213 | DECAL:PAPER TRAY:DISPLAY:3 | U007 | 11 |
| AA021034 | MAGNETIC | U019_S001 | 37 |
| AA040033 | TRANSPORT BELT | U017_S001 | 5 |
| AA043271 | TIMING BELT S3M 196T | U006_S001 | 41 |
| AA043291 | TIMING BELT | U019_S001 | 38 |
| AA043309 | TIMING BELT:40S2M360G | U019_S001 | 40 |
| AA043310 | TIMING BELT:40S2M278G | U019_S001 | 41 |
| AA043311 | TIMING BELT:40S2M302G | U019_S001 | 42 |
| AA043312 | TIMING BELT:60S2M138 | U009 | 32 |
| AA043313 | TIMING BELT:40S2M150 | U009 | 33 |
| AA043314 | TIMING BELT:100S2M266 | U004 | 30 |
| AA043435 | SYNCHRONOUS BELT:40S2M810 | U019_S001 | 148 |
| AA043578 | TIMING BELT:S2M208 | U017 | 6 |

| Number | Part Name | Group | ID |
|----------|--|-----------|-----|
| AA043587 | TIMING BELT:S2M170 | U015 | 18 |
| AA043675 | SYNCHRONOUS BELT:REVERSE: S2M118 | U008 | 112 |
| | | U008_S001 | 112 |
| | | U008_S002 | 112 |
| | | U008_S003 | 112 |
| AA043676 | SYNCHRONOUS BELT:CONNECTI NG:DC STEPPER MOTOR | U008_S001 | 113 |
| | | U008_S002 | 113 |
| | | U008_S003 | 113 |
| AA043964 | TIMING BELT:60S3M741 | U021 | 18 |
| AA043965 | TIMING BELT:40S3M471 | U021 | 19 |
| AA043978 | TIMING BELT:40DS2M300 | U021 | 20 |
| AA060534 | TRAY LOCK SPRING - 19MM | U024 | 44 |
| AA060695 | TENSION SPRING | U020_S001 | 19 |
| AA060757 | TENSION SPRING - LONG | U006_S002 | 42 |
| AA060758 | TENSION SPRING - SHORT | U006_S002 | 43 |
| AA060761 | SPRING | U024 | 45 |
| AA060842 | TENSION SPRING | U003_S001 | 54 |
| | | U008_S001 | 19 |
| | | U008_S002 | 19 |
| AA060896 | SPRING | U008_S003 | 19 |
| | | U008_S001 | 20 |
| | | U008_S002 | 20 |
| AA060897 | SPRING | U008_S003 | 20 |
| | | U008_S001 | 21 |
| | | U008_S002 | 21 |
| AA060898 | SPRING | U008_S003 | 21 |
| | | U008_S001 | 23 |
| | | U008_S002 | 23 |
| AA060900 | SPRING | U008_S003 | 23 |
| | | U008_S001 | 24 |
| | | U008_S002 | 24 |
| AA060901 | SPRING | U008_S003 | 24 |
| | | U008_S001 | 25 |
| | | U008_S002 | 25 |
| AA060904 | SPRING | U008_S003 | 25 |
| | | U021 | 21 |
| | | U021 | 22 |
| AA060950 | TENSION SPRING | U021 | 21 |
| AA060951 | PRESSURE SPRING | U021 | 22 |
| AA060952 | TENSION SPRING | U009_S001 | 34 |

Exclusive Parts

| Number | Part Name | Group | ID |
|----------|---|-----------|-----|
| AA060954 | TENSION SPRING | U009_S001 | 35 |
| AA060958 | TENSION SPRING | U009 | 36 |
| AA060960 | TENSION SPRING | U024 | 46 |
| AA060961 | TENSION SPRING:SIDE FENCE:REAR | U007_S001 | 12 |
| | | U007_S002 | 12 |
| AA060984 | TENSION SPRING | U019_S001 | 43 |
| AA060987 | TENSION SPRING:TIMING BELT:10N | U006_S001 | 44 |
| AA060991 | TENSION SPRING:TENSION:TRANSPORT | U003_S001 | 55 |
| AA061018 | TENSION SPRING | U018_S001 | 24 |
| | | U018_S002 | 24 |
| AA061019 | TENSION SPRING - STRIPPER PLATE | U018_S001 | 25 |
| | | U018_S002 | 25 |
| AA061025 | TENSION SPRING:OPEN AND CLOSE | U009 | 37 |
| AA061033 | TENSION SPRING:REGISTRATION | U009 | 38 |
| AA061076 | COIL SPRING:PRESSURE RELEASE:PICKUP | U008_S001 | 114 |
| | | U008_S002 | 114 |
| | | U008_S003 | 114 |
| AA062318 | SPRING | U019_S001 | 44 |
| AA062319 | SPRING | U020 | 20 |
| AA062320 | SPRING | U019_S001 | 45 |
| AA062327 | TENSION SPRING | U019_S001 | 46 |
| AA062328 | TENSION SPRING:BLACK | U019_S001 | 47 |
| AA062329 | SPRING:REGISTRATION:20N | U009 | 39 |
| AA062330 | TENSION SPRING | U020_S001 | 21 |
| AA062351 | TENSION SPRING - HEAT ROLLER | U018_S001 | 26 |
| | | U018_S002 | 26 |
| AA063254 | DRIVEN ROLLER SPRING | U009 | 40 |
| AA063268 | CONNECTOR SPRING | U024 | 47 |
| AA063433 | EXIT ROLLER SPRING | U009 | 41 |
| AA063435 | COMPRESSION SPRING:PAPER FEED:JOINT | U003_S001 | 56 |
| AA063450 | COMPRESSION SPRING - PRESSURE | U018_S001 | 27 |
| | | U018_S002 | 27 |
| AA063480 | COMPRESSION SPRING:TRANSPORT ROLLER:12.5N | U008_S004 | 26 |

| Number | Part Name | Group | ID |
|----------|-----------------------------------|-----------|----|
| AA063487 | SPRING - 10MM | U008_S004 | 27 |
| AA063581 | COMPRESSION SPRING | U019_S001 | 48 |
| AA063592 | COMPRESSION SPRING | U019_S001 | 49 |
| AA063670 | SPRING CONNECTOR:9.8N | U024 | 48 |
| AA063878 | SPRING | U008_S004 | 28 |
| AA063889 | HEAT SINK SPRING | U008_S001 | 29 |
| | | U008_S002 | 29 |
| | | U008_S003 | 29 |
| AA063902 | SPRING:CONNECTOR:TANDEM LCT | U024 | 49 |
| AA063906 | COMPRESSION SPRING | U020_S001 | 22 |
| AA063907 | COMPRESSION SPRING | U020 | 23 |
| AA063908 | SPRING:TIGHTENER | U020_S001 | 24 |
| AA063909 | SPRING:GUIDE PLATE:OPEN AND CLOSE | U020_S001 | 25 |
| AA063951 | COMPRESSION SPRING | U024 | 50 |
| AA063991 | SPRING - OIL SUPPLY ROLLER | U018_S001 | 28 |
| | | U018_S002 | 28 |
| AA066372 | SPRING | U009 | 42 |
| AA066382 | FRONT TORSION SPRING - STRIPPER | U018_S001 | 29 |
| | | U018_S002 | 29 |
| AA066383 | REAR TORSION SPRING - STRIPPER | U018_S001 | 30 |
| | | U018_S002 | 30 |
| AA066682 | TORSION SPRING - FRONT | U018_S001 | 31 |
| | | U018_S002 | 31 |
| AA066683 | TORSION SPRING - REAR | U018_S001 | 32 |
| | | U018_S002 | 32 |
| AA066684 | TORSION SPRING:FRONT:2N | U018 | 33 |
| AA066685 | TORSION SPRING:REAR:2N | U018 | 34 |
| AA070064 | SLIDE RAIL:TONER SUPPLY:ASSY | U023 | 24 |
| | | U024 | 51 |
| AA070066 | SLIDE RAIL:PULL OUT:LEFT | U024 | 52 |
| AA070067 | SLIDE RAIL:PULL OUT:RIGHT | U024 | 53 |
| AA070072 | SLIDE RAIL:TANDEM LCT | U024 | 54 |
| AA080034 | BUSHING - 4X5X7 | U009 | 43 |
| | | U019_S001 | 50 |
| AA080037 | BUSHING - 6MM | U003_S001 | 57 |
| AA080154 | REAR BUSHING | U015_S001 | 19 |

Exclusive Parts

| Number | Part Name | Group | ID |
|----------|--------------------------|----------------|----|
| AA080203 | BUSHING - 6MM | U009 | 44 |
| AA080213 | BUSHING:DIA6 | U020_S001 | 26 |
| AA080240 | BUSHING - MM5 | U020_S001 | 27 |
| AA080241 | BUSHING - M4 | U008_S004 | 30 |
| AA080265 | BUSHING:6X8X5 | U024 | 55 |
| AA080327 | BUSHING - M4 | U008_S001 | 31 |
| | | U008_S002 | 31 |
| | | U008_S003 | 31 |
| AA082063 | BUSHING - 8X10X5 | U019_S001 | 51 |
| | | U021 | 23 |
| AA082101 | BUSHING - 6X10X6 | U003_S001 | 58 |
| | | U015 | 20 |
| | | U017 | 7 |
| | | U017_S001 | 7 |
| | | U018_S001 | 35 |
| | | U018_S002 | 35 |
| AA082104 | BUSHING - 8X12X7 | U003_S001 | 59 |
| | | U013_S001 | 13 |
| AA082116 | BUSHING - M8 | U009 | 45 |
| | | U009_S001 | 45 |
| | | U019_S001 | 52 |
| AA082118 | BUSHING - M6 | U008_S001 | 32 |
| | | U008_S002 | 32 |
| | | U008_S003 | 32 |
| | | U009_S001 | 46 |
| | | U019_S001 | 53 |
| | | U020_S001 | 28 |
| AA082137 | BUSHING:6X10X6 | U015_S001 | 21 |
| AA082139 | GUIDE:SHAFT:DRIVE | U010_S001 | 21 |
| AA082140 | BUSHING:DRIVE:SUPPLY:MM6 | U010_S001_S006 | 94 |
| | | U010_S001_S007 | 94 |
| | | U010_S001_S008 | 94 |
| | | U010_S001_S009 | 94 |
| AA082141 | BUSHING - 16X18X5 | U003_S001 | 60 |
| AA083013 | BUSHING - 8X18X11 | U009_S001 | 47 |
| AA083014 | ONE-WAY CLUTCH | U009_S001 | 48 |
| AA083022 | BUSHING:DIA6:DIA8 | U014_S001 | 5 |
| AA084053 | BALL BEARING:DRIVEN:MM4 | U020 | 29 |

| Number | Part Name | Group | ID |
|----------|------------------------------|-----------|----|
| AA100011 | RETAINING RING:SILENCER:MM7 | U013_S001 | 14 |
| AA113037 | TERMINAL:4P:187 | U018_S001 | 36 |
| | | U018_S002 | 36 |
| AA120084 | DISCHARGE BRUSH | U020 | 30 |
| AA132013 | SPACER | U003_S001 | 61 |
| AA132025 | SPACER - 1X8X12 | U009 | 49 |
| AA132171 | SPACER - 6X20X1 | U003_S001 | 62 |
| AA132203 | SPACER - 6MM | U006_S002 | 45 |
| | | U024 | 56 |
| AA132204 | COLLAR | U018_S001 | 37 |
| | | U018_S002 | 37 |
| AA132208 | SPACER - M6 | U016 | 17 |
| AA132228 | SPACER - 1MM | U018 | 38 |
| AA132300 | ROLLER:LOCK:PULL OUT | U024 | 57 |
| AA140686 | SHAFT - TIMING PULLEY | U006_S001 | 46 |
| AA140761 | SHAFT:FEED ROLLER | U009_S001 | 50 |
| AA140828 | FEED ROLLER SHAFT | U008_S001 | 33 |
| | | U008_S002 | 33 |
| | | U008_S003 | 33 |
| AA140829 | DRIVEN SHAFT | U008_S001 | 34 |
| | | U008_S002 | 34 |
| | | U008_S003 | 34 |
| AA141008 | PANEL KNOB SCREW | U022 | 26 |
| AA143129 | SHOULDER SCREW - FRONT COVER | U019_S001 | 54 |
| AA143183 | STEPPED SCREW | U019_S001 | 55 |
| AA143301 | STEPPED SCREW - M3X4 | U021 | 24 |
| AA143394 | STEPPED SCREW - M3X10 | U017 | 8 |
| AA143421 | STUD:GUIDE PIN | U020 | 31 |
| AA143424 | KNOB SCREW - M4X8 | U018 | 39 |
| AA143426 | STOPPED SCREW - M4X17 | U019_S001 | 56 |
| AA143517 | GUIDE PLATE SCREW | U018_S001 | 40 |
| | | U018_S002 | 40 |
| AA143520 | SHOULDER SCREW - M3 | U004 | 31 |
| AA143555 | SCREW - M3X5 | U003_S001 | 63 |
| AA143559 | SCREW:M4:DIA5 | U001 | 14 |
| AA143560 | STEPPED SCREW - M4 | U008_S004 | 35 |
| AA143718 | STEPPED SCREW - M4 | U008_S001 | 36 |

Exclusive Parts

| Number | Part Name | Group | ID |
|----------|------------------------------------|-----------|----|
| | | U008_S002 | 36 |
| | | U008_S003 | 36 |
| | | U022 | 27 |
| AA143788 | PIN:GUIDE PLATE:PAPER FEED | U003_S001 | 64 |
| AA143789 | SHAFT:CLEANER | U003_S001 | 65 |
| AA143790 | SCREW:CONTACT POINT | U003_S001 | 66 |
| AA143791 | SCREW:SAFETY | U003_S001 | 67 |
| | | U023 | 25 |
| AA143792 | SCREW:DRAWER | U024 | 58 |
| AA143794 | SCREW:SPRING:DRAWER | U024 | 59 |
| AA143797 | CONNECTOR GUIDE PIN | U024 | 60 |
| AA143798 | HEXAGONAL BOLT:M12X35 | U024 | 61 |
| AA143801 | SCREW:M4:EXTERIOR | U001 | 15 |
| AA143802 | SCREW:6X1.7 | U004 | 32 |
| AA143803 | FLANGED HEXAGONAL HEAD BOLT:CASTER | U024 | 62 |
| AA143811 | STEPPED SCREW - M3X4 | U019_S001 | 57 |
| AA143812 | SCREW - SCALE | U008_S001 | 37 |
| | | U008_S002 | 37 |
| | | U008_S003 | 37 |
| AA143842 | SCREW:DIA6:14.5:M4 | U003_S001 | 68 |
| AA143846 | TAPPING SCREW:M3X6 | U003_S001 | 69 |
| AA143870 | STEPPED SCREW | U015_S001 | 22 |
| AA148692 | SHAFT:ROLLER:REVERSAL | U019_S001 | 58 |
| AA161104 | CUSHION - MOTOR | U004 | 33 |
| | | U024 | 63 |
| AA161129 | CUSHION - LARGE | U006_S002 | 47 |
| AA161130 | CUSHION - SMALL | U006_S002 | 48 |
| AA161137 | CUSHION - 0.5 | U004 | 34 |
| AB010142 | GEAR:93Z | U021 | 25 |
| AB010143 | GEAR:81Z | U021 | 26 |
| AB010144 | GEAR:64Z | U021 | 27 |
| AB010145 | GEAR:96Z | U021 | 28 |
| AB011029 | GEAR:31/44Z | U016 | 18 |
| AB011124 | GEAR:21Z | U015_S001 | 23 |
| AB011125 | GEAR:20/29Z | U015_S001 | 24 |
| AB011126 | GEAR:20Z | U015_S001 | 25 |
| AB011247 | GEAR:32Z | U016 | 19 |

| Number | Part Name | Group | ID |
|----------|-------------------|----------------|----|
| AB011248 | GEAR:14/30Z | U016 | 20 |
| AB011250 | GEAR:22Z | U021 | 29 |
| AB011273 | GEAR:24Z | U021 | 30 |
| AB011274 | GEAR:25Z | U021 | 31 |
| AB011275 | GEAR - 17Z | U011_S003 | 9 |
| | | U012_S001_S002 | 7 |
| | | U012_S002_S002 | 7 |
| | | U012_S003_S002 | 7 |
| AB011276 | JOINT GEAR - 180Z | U011_S003 | 10 |
| | | U012_S001_S002 | 8 |
| | | U012_S002_S002 | 8 |
| | | U012_S003_S002 | 8 |
| AB011277 | IDEL GEAR - 21Z | U011_S003 | 11 |
| | | U012_S001_S002 | 9 |
| | | U012_S002_S002 | 9 |
| | | U012_S003_S002 | 9 |
| AB011279 | IDEL GEAR - 18Z | U011_S003 | 12 |
| | | U012_S001_S002 | 10 |
| | | U012_S002_S002 | 10 |
| | | U012_S003_S002 | 10 |
| AB011300 | GEAR:50Z | U009 | 51 |
| AB011301 | GEAR:32Z | U009 | 52 |
| AB011302 | GEAR:30Z | U009 | 53 |
| AB011303 | GEAR:33Z | U009 | 54 |
| AB011304 | GEAR:40Z | U009 | 55 |
| AB011305 | GEAR:21Z | U009_S001 | 56 |
| AB011306 | GEAR:24Z | U009_S001 | 57 |
| AB011307 | GEAR:42Z | U009_S001 | 58 |
| AB011465 | IDLER GEAR | U008_S001 | 38 |
| | | U008_S002 | 38 |
| | | U008_S003 | 38 |
| AB011466 | GEAR - 35Z | U008 | 39 |
| | | U008_S001 | 39 |
| | | U008_S002 | 39 |
| | | U008_S003 | 39 |
| AB011469 | GEAR - 19Z | U008_S001 | 40 |
| | | U008_S002 | 40 |
| | | U008_S003 | 40 |

Exclusive Parts

| Number | Part Name | Group | ID |
|----------|------------------|-----------|----|
| AB011470 | GEAR - 18Z | U008_S001 | 41 |
| | | U008_S002 | 41 |
| | | U008_S003 | 41 |
| AB011471 | REVERSE GEAR | U008_S001 | 42 |
| | | U008_S002 | 42 |
| | | U008_S003 | 42 |
| AB011490 | GEAR - 38Z | U008_S001 | 43 |
| | | U008_S002 | 43 |
| | | U008_S003 | 43 |
| AB011491 | GEAR - 21Z | U008_S001 | 44 |
| | | U008_S002 | 44 |
| | | U008_S003 | 44 |
| AB011496 | GEAR - 32Z | U019_S001 | 59 |
| AB011497 | GEAR:45Z | U019_S001 | 60 |
| AB011498 | GEAR:22Z | U019_S001 | 61 |
| AB011591 | GEAR:REVERSE | U008_S001 | 45 |
| | | U008_S002 | 45 |
| | | U008_S003 | 45 |
| AB012327 | GEAR:16Z | U007_S001 | 13 |
| | | U007_S002 | 13 |
| AB013122 | GEAR:26Z | U016_S002 | 21 |
| AB013189 | GEAR:30Z | U016_S002 | 22 |
| AB013299 | GEAR:18Z | U016 | 23 |
| AB013309 | GEAR:18Z | U024 | 64 |
| AB013363 | GEAR - 16Z | U024 | 65 |
| AB013467 | GEAR - 30Z | U016 | 24 |
| AB013703 | GEAR - 24Z | U018_S001 | 41 |
| | | U018_S002 | 41 |
| AB013781 | GEAR - 30Z | U006_S002 | 49 |
| AB013798 | GEAR - Z18 | U006_S001 | 50 |
| AB014291 | GEAR - 32Z | U018_S001 | 42 |
| | | U018_S002 | 42 |
| AB014294 | GEAR - 30Z/23Z | U018_S001 | 43 |
| | | U018_S002 | 43 |
| AB014295 | GEAR - 20Z | U018_S001 | 44 |
| | | U018_S002 | 44 |
| AB014298 | DRIVE GEAR - 23Z | U018_S001 | 45 |
| | | U018_S002 | 45 |

| Number | Part Name | Group | ID |
|----------|-----------------------------|-----------|----|
| AB014309 | GEAR:SHAFT:CAM | U018 | 46 |
| AB014310 | GEAR:MOTOR:ON-OFF | U018 | 47 |
| AB014311 | GEAR:COUPLING:SLOW DOWN:21Z | U018 | 48 |
| AB014312 | GEAR:MOTOR:DRIVE:15Z | U018 | 49 |
| AB014322 | IDLE GEAR - 27Z | U018_S001 | 50 |
| | | U018_S002 | 50 |
| AB014323 | GEAR:IDLER:DRIVE | U018_S001 | 51 |
| | | U018_S002 | 51 |
| AB014324 | GEAR:IDLER:HOT ROLLER | U018_S001 | 52 |
| | | U018_S002 | 52 |
| AB014325 | GEAR:HOT ROLLER | U018_S001 | 53 |
| | | U018_S002 | 53 |
| AB017000 | GEAR:17/51Z | U016 | 25 |
| AB017338 | GEAR:30T | U024 | 66 |
| AB017614 | PULLEY | U019_S001 | 62 |
| AB017615 | GEAR - 30Z/45Z | U019_S001 | 63 |
| AB017617 | GEAR - 21Z/38Z | U008_S001 | 46 |
| | | U008_S002 | 46 |
| | | U008_S003 | 46 |
| AB017619 | GEAR - 24Z/40Z | U008 | 47 |
| AB017687 | GEAR:22/24Z | U019_S001 | 64 |
| AB017688 | GEAR:13/20Z | U024 | 67 |
| AB017690 | PULLEY:IDLER:30T/24Z | U008_S001 | 48 |
| | | U008_S002 | 48 |
| | | U008_S003 | 48 |
| AB017746 | GEAR:46Z/25Z | U021 | 32 |
| AB017747 | GEAR:25Z/25Z | U021 | 33 |
| AB019475 | GEAR - 48T | U006_S001 | 51 |
| AB030275 | PULLEY:31T | U017 | 9 |
| AB030301 | TIMING PULLEY:35T | U009 | 59 |
| AB030302 | TIMING PULLEY:35T | U009 | 60 |
| AB030583 | TIMING PULLEY - 24Z | U019_S001 | 65 |
| AB030731 | PULLEY - 29Z | U019_S001 | 66 |
| AB030732 | JOGGER PULLEY | U019_S001 | 67 |
| AB030733 | PULLEY - 20T | U008_S001 | 49 |
| | | U008_S002 | 49 |
| | | U008_S003 | 49 |

Exclusive Parts

| Number | Part Name | Group | ID |
|----------|---------------------------------|-----------|----|
| AB030734 | PULLEY - 30Z | U008_S001 | 50 |
| | | U008_S002 | 50 |
| | | U008_S003 | 50 |
| AB030748 | PULLEY:40T | U015 | 26 |
| AB030749 | PULLEY:23T | U015 | 27 |
| AB030766 | TIMING PULLEY:37T | U021 | 34 |
| AB030768 | TIMING PULLEY:47T | U021 | 35 |
| AB030770 | TIMING PULLEY:47T | U021 | 36 |
| AB030771 | TIMING PULLEY:44T | U021 | 37 |
| AB030772 | TIMING PULLEY:44T | U021 | 38 |
| AB030819 | TIMING PULLEY:23T | U021 | 39 |
| AB032058 | WIRE PULLEY - M10 | U006_S002 | 52 |
| AB032069 | PULLEY | U004 | 35 |
| AB032070 | PULLEY | U004 | 36 |
| AB032719 | PULLEY - M10 | U006_S002 | 53 |
| AB033084 | TIMING PULLEY - 15T | U006_S001 | 54 |
| AB033085 | TIMING PULLEY - 15T | U006_S001 | 55 |
| AC015041 | SHIELD GLASS | U005_S001 | 5 |
| AE010080 | HOT ROLLER | U018_S001 | 54 |
| | | U018_S002 | 54 |
| AE012032 | HEAT ROLLER | U018_S001 | 55 |
| | | U018_S002 | 55 |
| AE020185 | PRESSURE ROLLER | U018_S001 | 56 |
| | | U018_S002 | 56 |
| AE030030 | BALL BEARING - 8X19X6 | U018_S001 | 57 |
| | | U018_S002 | 57 |
| AE030039 | BALL BEARING | U018_S001 | 58 |
| | | U018_S002 | 58 |
| AE030049 | BALL BEARING -20X32X7 | U018_S001 | 59 |
| | | U018_S002 | 59 |
| AE030056 | BALL BEARING - 8X16X5 | U018_S001 | 60 |
| | | U018_S002 | 60 |
| AE030076 | RADIAL BALL BEARING:20X32X7 | U018_S001 | 61 |
| | | U018_S002 | 61 |
| AE031068 | FRONT BUSHING - CLEANING ROLLER | U018_S001 | 62 |
| | | U018_S002 | 62 |
| AE031069 | REAR BUSHING - CLEANING ROLLER | U018_S001 | 63 |
| | | U018_S002 | 63 |

| Number | Part Name | Group | ID |
|----------|------------------------------------|----------------|----|
| AE032031 | THERMAL INSULATING BUSHING - 30MM | U018_S001 | 64 |
| | | U018_S002 | 64 |
| AE040015 | OIL SUPPLY ROLLER:PRESSURE: DIA16 | U018_S001 | 65 |
| | | U018_S002 | 65 |
| AE042080 | CLEANING ROLLER:ASS'Y | U018_S001 | 66 |
| | | U018_S002 | 66 |
| AE044064 | STRIPPER PAWLS | U018_S001 | 67 |
| | | U018_S002 | 67 |
| AF013005 | BOTTOM PLATE PAD | U007_S001_S003 | 14 |
| | | U007_S002_S003 | 14 |
| AF013016 | BOTTOM PLATE PAD | U009_S001_S001 | 61 |
| AF017033 | END FENCE | U007_S001 | 15 |
| | | U007_S002 | 15 |
| AF020295 | VERTICAL DRIVEN ROLLER | U008_S004 | 51 |
| AF020690 | ROLLER:REVERSAL:DRIVEN | U019_S001 | 68 |
| AF020726 | TRANSPORT ROLLER:DRIVE:GRIP | U008 | 52 |
| | | U008_S001 | 52 |
| | | U008_S002 | 52 |
| | | U008_S003 | 52 |
| AF021079 | RIGHT DRIVE ROLLER | U019_S001 | 69 |
| AF022064 | TRANSPORT ROLLER:DRIVEN | U017_S001 | 10 |
| AF022067 | GUIDE STOPPER ROLLER | U019_S001 | 70 |
| AF022077 | DRIVEN ROLLER | U019_S001 | 71 |
| AF022105 | ROLLER - SLIDE RAIL | U006_S002 | 56 |
| AF022149 | TRANSPORT ROLLER | U008_S001 | 53 |
| | | U008_S002 | 53 |
| | | U008_S003 | 53 |
| AF030080 | PAPER FEED ROLLER:PICKUP | U009_S001 | 62 |
| AF030081 | PAPER FEED ROLLER:PICKUP | U008_S001 | 54 |
| | | U008_S002 | 54 |
| | | U008_S003 | 54 |
| AF031081 | PAPER FEED ROLLER:FEED:MANUAL FEED | U009_S001 | 63 |
| AF031082 | PAPER FEED ROLLER:FEED | U008_S001 | 55 |
| | | U008_S002 | 55 |
| | | U008_S003 | 55 |
| AF032080 | PAPER FEED ROLLER:SEPARATE | U008_S001 | 56 |
| | | U008_S002 | 56 |

Exclusive Parts

| Number | Part Name | Group | ID |
|-----------------|--|-------------|-----------|
| | | U008_S003 | 56 |
| | | U009_S001 | 64 |
| AG050100 | KNOB - TRANSPORT ROLLER | U019 | 72 |
| AG050102 | KNOB - DUPLEX | U009 | 65 |
| AG051141 | RELEASE LEVER | U019_S001 | 73 |
| AG051147 | KNOB:FUSING | U024 | 68 |
| AG071012 | MAGNET CATCH:ASS'Y | ACCESSORIES | 2 |
| | | U022 | 28 |
| AH012031 | CASTER:1470N | U024 | 69 |
| AW000012 | OPTICS SENSOR:PHOTO | U009 | 66 |
| AW010107 | PAPER FEED SENSOR | U003_S001 | 70 |
| | | U008_S003 | 57 |
| | | U009 | 67 |
| | | U009_S001 | 67 |
| | | U020 | 32 |
| | | U024 | 70 |
| AW010113 | SENSOR | U006_S002 | 57 |
| AW010115 | ORIGINAL SENSOR:H=81.5 | U004 | 37 |
| AW010117 | PAPER FEED SENSOR | U003_S001 | 71 |
| AW010118 | PAPER FEED SENSOR | U018_S001 | 68 |
| | | U018_S002 | 68 |
| AW010119 | PAPER FEED SENSOR | U019_S001 | 74 |
| AW010129 | PHOTO REFLECTION SENSOR | U003_S001 | 72 |
| AW010133 | ORIGINAL SENSOR - 66MM | U004 | 38 |
| AW010141 | POSITIONING SENSOR | U013_S001 | 15 |
| AW010149 | PHOTO REFLECTION SENSOR:PS1 22TL8-A | U008_S001 | 111 |
| | | U008_S002 | 111 |
| AW020141 | PHOTOINTERRUPTOR | U003_S001 | 73 |
| AW020145 | PHOTOINTERRUPTOR:FLAT | U004 | 39 |
| | | U006_S001 | 58 |
| | | U006_S002 | 58 |
| | | U009 | 68 |
| | | U013_S001 | 16 |
| | | U015 | 28 |
| | | U018 | 69 |
| | | U019_S001 | 75 |
| | | U021 | 40 |
| AW020147 | PHOTOINTERRUPTOR:FEELER:S | U016 | 26 |

| Number | Part Name | Group | ID |
|----------|---|----------------|-----|
| | QUARE | | |
| AW020148 | PAPER FEED SENSOR | U019_S001 | 76 |
| AW020149 | PAPER FEED SENSOR | U019_S001 | 77 |
| AW020160 | PAPER FEED SENSOR | U008_S001 | 58 |
| | | U008_S002 | 58 |
| | | U008_S003 | 58 |
| | | U009_S001 | 69 |
| AW020163 | PAPER FEED SENSOR | U006_S001 | 59 |
| AW020164 | OIL END SENSOR | U016 | 27 |
| AW020195 | PHOTOINTERRUPTOR:PAPER SIZE SENSOR:DOCUMENT FEEDER | U003_S001 | 74 |
| AW020196 | PHOTOINTERRUPTOR:PAPER SIZE SENSOR:DOCUMENT FEEDER | U003_S001 | 75 |
| AW100100 | THERMISTOR:IMAGING UNIT | U005_S001 | 6 |
| AW100107 | THERMISTOR | U024 | 71 |
| AW100110 | THERMISTOR | U018_S001 | 70 |
| | | U018_S002 | 70 |
| AW100130 | TEMPERATURE SENSOR:UPPER: ASS'Y | U018_S001 | 71 |
| | | U018_S002 | 71 |
| AW110044 | THERMOSTAT:150C:250V/17A | U018_S001 | 72 |
| | | U018_S002 | 72 |
| AW110045 | THERMOSTAT:149C:250V/17A | U018_S001 | 73 |
| | | U018_S002 | 73 |
| AW140015 | TEMPERATURE & HUMIDITY SENSOR | U016 | 28 |
| | | U024 | 72 |
| AW230024 | TONER END SENSOR | U010_S001_S006 | 22 |
| | | U010_S001_S007 | 22 |
| | | U010_S001_S008 | 22 |
| | | U010_S001_S009 | 22 |
| AW500010 | PUSH SWITCH | U024 | 73 |
| AW500023 | PUSH SWITCH | U016 | 29 |
| AX040145 | DC MOTOR:TANDEM LCT | U006_S001 | 60 |
| AX040167 | MOTOR:DC5V 0.71W | U023_S006 | 26 |
| AX040254 | DC MOTOR:RISING TRAY:ASS'Y | U024 | 221 |
| AX050293 | DC MOTOR:DC24V:6W | U021 | 41 |
| AX050501 | DRIVE SUB-UNIT:ON-OFF:PRESSURE ROLLER | U018 | 74 |
| AX060302 | BRUSHLESS MOTORDC24V 2.4W | U016 | 30 |

Exclusive Parts

| Number | Part Name | Group | ID |
|----------|---|----------------|-----|
| AX060356 | BRUSHLESS MOTOR:DC24V 18W | U010_S001 | 23 |
| AX060359 | DC MOTOR:DC24V:21W | U021 | 42 |
| AX060361 | MOTOR:DC24V 17W | U021 | 43 |
| AX060362 | MOTOR:DC24V 48W | U021 | 44 |
| AX200277 | MAGNETIC CLUTCH:0.53N M:36Z | U009_S001 | 70 |
| AX310045 | TOTAL COUNTER:7FIG:24V | U022 | 100 |
| AX400176 | HEATER:115V:18W:UPPER:(for D081) | U024 | 75 |
| | | U024_S003 | 75 |
| AX400178 | HEATER:240V:18W:UPPER:(for D082) | U024 | 76 |
| AX430186 | HEATER:PRESSURE ROLLER:117V:400W:(for D081) | U018_S001 | 75 |
| | | U018_S002 | 75 |
| AX430190 | HEATER:HEAT ROLLER:AUXILIARY:227V:400W:(for D082) | U018_S001 | 76 |
| | | U018_S002 | 76 |
| AX440267 | HEATER:PRESSURE ROLLER:227V:600W:(for D082) | U018_S001 | 77 |
| | | U018_S002 | 77 |
| AX440269 | HEATER:HEAT ROLLER:117V:700W/700W:(for D081) | U018_S001 | 78 |
| | | U018_S002 | 78 |
| AX440271 | HEATER:HEAT ROLLER:227V:700W/700W:(for D082) | U018_S001 | 79 |
| | | U018_S002 | 79 |
| AX500103 | XENON LAMP:66000LX | U004 | 40 |
| AX560011 | LED | U009 | 71 |
| AX640149 | FAN MOTOR:MM40:15MM | U004 | 41 |
| | | U010_S001 | 24 |
| | | U024 | 77 |
| AX640150 | FAN MOTOR:MM60:25MM:DC24V 4.8W | U023 | 27 |
| | | U023_S001 | 27 |
| | | U023_S002 | 27 |
| | | U023_S007 | 27 |
| AX640151 | FAN MOTOR:MM60 | U004 | 42 |
| AX640158 | FAN MOTOR MM60/15MM:24V | U017_S001 | 11 |
| AX640159 | FAN MOTOR MM80 | U022 | 30 |
| AX640163 | FAN MOTOR:MM80 | U024 | 78 |
| AX640164 | FAN MOTOR:15MM:24V | U023_S003 | 28 |
| | | U023_S004 | 28 |
| AX640193 | SIROCCO FAN MOTOR:DC24V 4.32W | U010_S001_S001 | 25 |
| | | U010_S001_S002 | 25 |
| | | U010_S001_S003 | 25 |

| Number | Part Name | Group | ID |
|----------|--|----------------|----|
| | | U010_S001_S004 | 25 |
| | | U010_S001_S005 | 25 |
| | | U024_S002 | 79 |
| AX650036 | SIROCCO FAN MOTOR:DC24V 7.92W | U023 | 29 |
| AX650041 | FAN MOTOR:SIROCCO | U023 | 30 |
| AX650042 | FAN:SIROCCO:DC24V:2SPEED | U023_S005 | 31 |
| AZ250037 | POWER SUPPLY UNIT:100V:(for D081) | U022 | 31 |
| AZ250039 | POWER SUPPLY UNIT:VENUS-C3:200V:(for D082) | U022 | 32 |
| AZ310029 | POWER PACK:D | U024 | 80 |
| AZ320168 | POWER PACK:C | U022 | 33 |
| AZ320169 | POWER PACK:C/G/B | U022 | 34 |
| AZ320170 | POWER PACK:T1/T2 | U013_S001 | 17 |
| AZ500076 | STABILIZER | U004 | 43 |
| B0101289 | LEFT GASKET - FRONT REAR | U024 | 81 |
| B0278521 | O/I HOLDER - ASSEMBLY | ACCESSORIES | 3 |
| B0391367 | RIVET - M6 | U001 | 16 |
| B0514103 | KNOB SCREW:M4 | U018_S001 | 80 |
| | | U018_S002 | 80 |
| B0651092 | BRACKET | U024 | 82 |
| B0651341 | CONNECTOR CAP | U001 | 18 |
| B0651344 | G4 CAP | U001 | 19 |
| B0651371 | HOLDER:EXPOSURE GLASS:ASS'Y | ACCESSORIES | 4 |
| B0651374 | CLOTH - DF EXPOSURE GLASS | ACCESSORIES | 5 |
| B0651772 | LEFT SCALE | U004 | 44 |
| B0651773 | SCALE BRACKET SEAL | U004 | 45 |
| B0651782 | SEAL | U004 | 46 |
| B0651785 | RIGHT STAY | U004 | 47 |
| B0651787 | SCALE BRACKET | U004 | 48 |
| B0653108 | FILTER PLATE | U011_S003 | 13 |
| | | U012_S001_S002 | 11 |
| | | U012_S002_S002 | 11 |
| | | U012_S003_S002 | 11 |
| B0653561 | SPRING | U016 | 31 |
| B0653587 | TONER COLLECTION GEAR | U016 | 32 |

Exclusive Parts

| Number | Part Name | Group | ID |
|----------|--------------------------------------|----------------|----|
| B0653699 | DECAL - RELEASE LEVER | U024_S001 | 83 |
| B0654121 | THERMOSTAT TERMINAL | U018_S001 | 81 |
| | | U018_S002 | 81 |
| B0654480 | DECAL - COVER | U001 | 20 |
| B0654531 | GUIDE PLATE LEVER | U019_S001_S001 | 78 |
| B0654632 | JOINT HOLDER | U019_S001 | 79 |
| B0654644 | SENSOR BRACKET | U019_S001 | 80 |
| B0654672 | RELEASE LEVER BRACKET | U019_S001 | 81 |
| B0654675 | DUPLEX RELEASE BRACKET | U019_S001 | 82 |
| B0654683 | SPRING PLATE - REAR JOGGER F ENCE | U019_S001 | 83 |
| B0654694 | JOGGER GUIDE ROD | U019_S001 | 84 |
| B0654731 | SPRING PLATE - DRIVEN ROLLER | U019_S001 | 85 |
| B0654733 | DUPLEX GATE PAWL | U019_S001 | 86 |
| B0654738 | GATE PAWL CUSHION | U019_S001 | 87 |
| B0654820 | JOGGER BRACKET | U019_S001 | 88 |
| B0654865 | SPACER | U019_S001 | 89 |
| B0654867 | DECAL - GUIDE PLATE LEVER | U019_S001_S001 | 90 |
| B0654933 | GUIDE PLATE LEVER HOOK | U019_S001 | 91 |
| B0656135 | LOCK ARM - TANDEM TRAY | U024 | 84 |
| B0656136 | TRAY LOCK ARM | U024 | 85 |
| B0656172 | PAPER TRAY STOPPER | U024 | 86 |
| B0656306 | REVERSE DRIVE SHAFT | U008_S001 | 59 |
| | | U008_S002 | 59 |
| | | U008_S003 | 59 |
| B0656307 | REVERSE DRIVEN SHAFT | U008_S001 | 60 |
| | | U008_S002 | 60 |
| | | U008_S003 | 60 |
| B0656317 | RELAY SHAFT | U008_S001 | 61 |
| | | U008_S002 | 61 |
| | | U008_S003 | 61 |
| B0656334 | HEAT SINK BASE | U008_S001 | 62 |
| | | U008_S002 | 62 |
| | | U008_S003 | 62 |
| B0656336 | FRONT SIDE PLATE - PAPER FEE D | U008_S001 | 63 |
| | | U008_S002 | 63 |
| | | U008_S003 | 63 |
| B0656337 | HEAT SINK | U008_S001 | 64 |

| Number | Part Name | Group | ID |
|----------|--|-----------|----|
| | | U008_S002 | 64 |
| | | U008_S003 | 64 |
| B0656338 | HEAT SINK SHEET | U008_S001 | 65 |
| | | U008_S002 | 65 |
| | | U008_S003 | 65 |
| B0656345 | PAPER END SENSOR BRACKET | U008_S001 | 66 |
| | | U008_S002 | 66 |
| | | U008_S003 | 66 |
| B0656346 | PAPER TRAY LINK | U008_S001 | 67 |
| | | U008_S002 | 67 |
| | | U008_S003 | 67 |
| B0656350 | PICK-UP GEAR COVER | U008_S001 | 68 |
| | | U008_S002 | 68 |
| | | U008_S003 | 68 |
| B0656353 | FEED GEAR COVER | U008_S001 | 69 |
| | | U008_S002 | 69 |
| | | U008_S003 | 69 |
| B0656357 | PICK-UP ARM | U008_S001 | 70 |
| | | U008_S002 | 70 |
| | | U008_S003 | 70 |
| B0656358 | PAPER FEED SENSOR BRACKET | U008_S001 | 71 |
| | | U008_S002 | 71 |
| | | U008_S003 | 71 |
| B0656364 | FEED STAY | U008_S001 | 72 |
| | | U008_S002 | 72 |
| B0656371 | SUPPORT GUIDE PLATE | U008_S001 | 73 |
| | | U008_S002 | 73 |
| B0656375 | PAPER FEED UNIT STAY | U008_S001 | 74 |
| | | U008_S002 | 74 |
| B0656394 | MOTOR BRACKET | U008_S001 | 75 |
| | | U008_S002 | 75 |
| | | U008_S003 | 75 |
| B0656415 | MOTOR BASE | U008_S001 | 76 |
| | | U008_S002 | 76 |
| | | U008_S003 | 76 |
| B0656427 | RELEASE LEVER - VERTICAL TRA NSPORT | U008_S004 | 77 |
| B0656428 | RELEASE BUTTON - VERTICAL TR | U008_S004 | 78 |

Exclusive Parts

| Number | Part Name | Group | ID |
|----------|---------------------------|----------------|----|
| | ANSPORT | | |
| B0656445 | FEED LEVER | U008_S001 | 79 |
| | | U008_S002 | 79 |
| | | U008_S003 | 79 |
| B0656452 | TRAY LINK GUIDE | U008_S001 | 80 |
| | | U008_S002 | 80 |
| | | U008_S003 | 80 |
| B0656453 | TRANSPORT ROLLER LEVER | U008_S001 | 81 |
| | | U008_S002 | 81 |
| | | U008_S003 | 81 |
| B0656454 | DRIVEN RELEASE LEVER | U008_S001 | 82 |
| | | U008_S002 | 82 |
| | | U008_S003 | 82 |
| B0656455 | DRIVEN PRESSURE LEVER | U008_S001 | 83 |
| | | U008_S002 | 83 |
| | | U008_S003 | 83 |
| B0656456 | VERTICAL TRANSPORT LINK | U008_S001 | 84 |
| | | U008_S002 | 84 |
| | | U008_S003 | 84 |
| B0656457 | DRIVEN PRESSURE LEVER | U008_S001 | 85 |
| | | U008_S002 | 85 |
| | | U008_S003 | 85 |
| B0656524 | BOTTOM PLATE LIFT SHAFT | U007_S001 | 16 |
| | | U007_S002 | 16 |
| B0656526 | LIFT LEVER | U007_S001 | 17 |
| | | U007_S002 | 17 |
| B0656538 | POSITIONING STOPPER LEVER | U007_S001_S001 | 18 |
| | | U007_S002_S001 | 18 |
| B0656545 | DECAL - POSITIONING | U007_S001 | 19 |
| | | U007_S002 | 19 |
| B0656588 | RIGHT SUPPORT PLATE | U024 | 87 |
| B0656589 | LEFT SUPPORT PLATE | U024 | 88 |
| B0656591 | PAPER TRAY HOLDER BASE | U024 | 89 |
| B0656717 | PAPER VOLUME SHIELD PLATE | U006_S002 | 61 |
| B0656769 | LOCK ARM | U024 | 90 |
| B0656774 | SLIDEBRACKET | U024 | 91 |
| B0656823 | TIMING BELT COVER | U006_S001 | 62 |
| B0656830 | PULLEY BRACKET | U006_S001 | 63 |

| Number | Part Name | Group | ID |
|----------|---|----------------|-----|
| B0656831 | SENSOR BRACKET | U006_S001 | 64 |
| B0656846 | DECAL - PAPER SET - LEFT | U006_S001_S003 | 65 |
| B0656859 | RIGHT STOPPER | U006_S002 | 66 |
| B0656862 | LARGE LEVER | U006_S002 | 67 |
| B0656864 | SMALL LEVER | U006_S002 | 68 |
| B0656870 | STAY -RIGHTBASE | U006_S002 | 69 |
| B0656872 | OIL DAMPER BRACKET | U006_S002 | 70 |
| B0656875 | PROTECTION -INNER COVER | U006_S002 | 71 |
| B0656877 | DECAL - PAPER SET - RIGHT | U006_S002 | 72 |
| B0701307 | DECAL:PAPER SET DIRECTION | ACCESSORIES | 6 |
| B0706293 | HEAT SINK:HEATER:UPPER:FIBER | U024 | 92 |
| B0706516 | BRACKET:COVER:TANDEM LCT:A SS'Y | U006_S001_S003 | 73 |
| B0706666 | LEFT DC MOTOR BRACKET | U006_S001 | 74 |
| B0706667 | END FENCE COVER FRONT | U006_S002 | 75 |
| B0706683 | LEVER:RELEASE:FRONT | U006_S002 | 76 |
| B0706684 | LEVER:RELEASE:REAR | U006_S002 | 77 |
| B0706877 | LARGE DRUM STAY GROUND PLA TE | U022 | 35 |
| B0986639 | TRAY BOTTOM PLATE:LEFT MIDD LE:ASS'Y | U006_S001_S001 | 78 |
| B1321004 | STAY:MACHINE OR COPIER:RIGH T LOWER | U024 | 93 |
| B1321008 | BRACKET:COVER:LCT | U024 | 94 |
| B1321020 | BRACKET:DRAWER:PAPER FEED UNIT | U024 | 95 |
| B1321025 | FRAME:PAPER BANK:RIGHT | U024 | 222 |
| B1321112 | GROUND PLATE:SCANNER:REAR | U024 | 96 |
| B1321115 | STAY:MACHINE OR COPIER:LEFT: PEEN | U024 | 97 |
| B1321118 | BRACKET:FAN:DUPLEX | U024 | 98 |
| B1321159 | SUPPORTING PLATE:PULL OUT:F RONT | U024 | 99 |
| B1321183 | BRACKET:LOCK | U024 | 100 |
| B1321185 | SHAFT:LOCK:PULL OUT | U024 | 102 |
| B1321188 | COVER:DRIVE SUB-UNIT | U024 | 103 |
| B1321189 | INNER COVER:PULL OUT:RIGHT | U001 | 21 |
| B1321190 | BRACKET:RELEASE:LOCK | U024 | 104 |

Exclusive Parts

| Number | Part Name | Group | ID |
|----------|-------------------------------|-------------|-----|
| B1321191 | HANDLE:PULL OUT | U024 | 105 |
| B1321192 | GUARD:PULL OUT | U024 | 106 |
| B1321193 | BRACKET:INTERLOCK:LEVER | U024 | 107 |
| B1321194 | ACTUATOR:PULL OUT | U024 | 108 |
| B1321195 | BRACKET:DRAWER:PULL OUT | U024 | 109 |
| B1321220 | COVER:BASE:PULL OUT | U024 | 110 |
| B1321221 | HOLDER:SPRING:PULL OUT | U024 | 111 |
| B1321222 | COVER:STAY:LEFT | U024 | 112 |
| B1321224 | SUPPORTING PLATE:BRACKET:LOCK | U024 | 113 |
| B1321226 | HOLDER:STAND | ACCESSORIES | 7 |
| B1321228 | INSULATING SHEET:PULL OUT | U024 | 114 |
| B1321229 | COVER:DRAWER | U024 | 115 |
| B1321232 | COVER:HARNESS:PULL OUT | U024 | 116 |
| B1321233 | BRACKET:PHOTOINTERRUPTOR | U024 | 117 |
| B1321235 | COLLAR:DIA18 | U024 | 118 |
| B1321238 | DECAL:CAUTION:PULL OUT | U001 | 22 |
| B1321307 | BRACKET:SENSOR | U021 | 45 |
| B1321338 | DC MOTOR:ON-OFF:ASS'Y | U021 | 46 |
| B1321339 | BRACKET:ON-OFF:PLATE | U021 | 47 |
| B1321356 | BRACKET:TIGHTENER:ASS'Y | U021 | 48 |
| B1321360 | SHAFT:DRIVE:FUSING:ASS'Y | U021 | 49 |
| B1321363 | SHAFT:DRIVE:REVERSE:ASS'Y | U021 | 50 |
| B1321367 | SHAFT:DRIVE:VACUUM | U021 | 51 |
| B1321370 | PULLEY:IDLER | U021 | 52 |
| B1321463 | HINGE SHAFT | U001 | 23 |
| B1321465 | SPRING:HINGE:UPPER | U001 | 24 |
| B1321503 | COVER:LEFT UPPER | U001 | 26 |
| B1321504 | COVER:REAR UPPER | U001 | 27 |
| B1321508 | COVER:RIGHT LOWER | U001 | 28 |
| B1321511 | LEVER:GUIDE PLATE | U001 | 29 |
| B1321512 | COVER:MAIN SWITCH | U001 | 30 |
| B1321513 | CASE:MAIN SWITCH | U001 | 31 |
| B1321514 | GRIP:DOOR:FRONT | U001 | 32 |
| B1321515 | LEVER:MICRO SWITCH | U001 | 33 |
| B1321516 | COVER:OZONE FILTER | U001 | 34 |
| B1321526 | DOOR CATCH | U001 | 35 |
| B1321528 | GUARD:GAP:C/T BOX | U022 | 36 |

| Number | Part Name | Group | ID |
|----------|---------------------------------------|-----------|----|
| B1321529 | SPONGE:SD-CARD:PLATE | U001 | 36 |
| B1321548 | DECAL:CLEANING:EXPOSURE GLASS:ENGLISH | U002 | 5 |
| B1321551 | INNER COVER:MAIN SWITCH | U001 | 37 |
| B1321558 | INNER COVER:PAPER FEED | U001 | 38 |
| B1321573 | DECAL - POWER SOURCE:OFF | U001 | 39 |
| B1321666 | FRAME:FRONT | U004 | 49 |
| B1321671 | BRACKET:PULLEY | U004 | 50 |
| B1321674 | COVER | U004 | 51 |
| B1321675 | COVER:POLYGON MIRROR MOTOR | U004 | 52 |
| B1321683 | MYLAR:FRAME:FRONT | U004 | 53 |
| B1321684 | MYLAR:FRAME:MIDDLE | U004 | 54 |
| B1321685 | MYLAR:FRAME:REAR | U004 | 55 |
| B1321702 | BRACKET:MOTOR | U004 | 56 |
| B1321710 | PULLEY:TENSION:TIMING BELT:ASS'Y | U004 | 57 |
| B1321714 | COVER:DAMPER | U004 | 58 |
| B1321719 | SCREW:MECHANICAL DRIVE SECTION | U004 | 59 |
| B1321720 | PULLEY:40T | U004 | 60 |
| B1321723 | SPRING:DRIVE WERE | U004 | 61 |
| B1321724 | BRACKET:TENSION | U004 | 62 |
| B1321725 | BRACKET:TENSION:FIX | U004 | 63 |
| B1321729 | DRIVE WERE:SCANNER | U004 | 64 |
| B1321757 | MIRROR:NO.1:ASS'Y | U004_S002 | 65 |
| B1321758 | STAY:WIRE | U004_S002 | 66 |
| B1321766 | FEELER:HOME POSITION SENSOR:NO.1 | U004_S002 | 67 |
| B1321767 | HOLDER:CONNECTOR | U004_S002 | 68 |
| B1321801 | CARRIAGE:NO.2:ASS'Y | U004_S001 | 69 |
| B1321815 | HOLDER:PULLEY | U004_S001 | 70 |
| B1321818 | MIRROR:NO.2 | U004_S001 | 71 |
| B1321819 | MIRROR:NO.3 | U004_S001 | 72 |
| B1321851 | BRACKET:INVERTOR | U004 | 73 |
| B1321852 | BRACKET:FAN:MM40:INVERTOR | U004 | 74 |
| B1321871 | BRACKET:OPEN AND CLOSE:LEFT | U004 | 75 |

Exclusive Parts

| Number | Part Name | Group | ID |
|----------|---------------------------------------|-------------|-----|
| B1321872 | BRACKET:OPEN AND CLOSE:RIG HT | U004 | 76 |
| B1321874 | BRACKET:POSITIONING:RIGHT | U004 | 77 |
| B1321877 | BRACKET:POSITIONING:LEFT | U004 | 78 |
| B1321885 | BRACKET:ADF | U024 | 119 |
| B1321888 | ROD:OPEN AND CLOSE:SCANNER UNIT | U024 | 120 |
| B1321889 | PLATE:ROD | U024 | 121 |
| B1321896 | GROUND WIRE:SCANNER | U004 | 79 |
| B1321898 | SPRING PLATE:GROUND PLATE:A DF | U004 | 80 |
| B1321971 | POSITIONING PIN | U005_S001 | 7 |
| B1321972 | GRIP:IMAGING UNIT | U005_S001 | 8 |
| B1322085 | SHIELD:SHIELD GLASS | U005_S001 | 9 |
| B1322093 | RAIL:SHIELD GLASS | U005_S001 | 10 |
| B1322094 | GRIP:SHIELD GLASS | U005_S001 | 11 |
| B1322172 | COVER:UPPER:SUB-ASS'Y | U005_S001 | 12 |
| B1322181 | SHIELDING PLATE:FTL | U005_S001 | 13 |
| B1322185 | COVER:POLYGON MOTOR:ASS'Y | U005_S001 | 14 |
| B1322366 | LEVER:DRUM STAY:LEFT | U024 | 122 |
| B1322393 | TRAY:HOLDER:PCU | ACCESSORIES | 8 |
| B1322417 | SEAL:DRUM STAY:LOWER | U024_S001 | 123 |
| B1322433 | BRACKET:STAY:DUCT:RIGHT | U024 | 124 |
| B1322435 | DUST FILTER | U023 | 32 |
| B1322436 | OZONE FILTER | U023 | 33 |
| B1322442 | DUCT:DRUM STAY | U024 | 125 |
| B1322454 | DUCT:INTERMEDIATE TRANSFER | U024 | 126 |
| B1322458 | DUCT:DEVELOPMENT:FRONT | U010_S001 | 26 |
| B1322465 | SEAL:FAN:HUMIDITY CONTROL | U023_S007 | 34 |
| B1322466 | FILTER:DUCT:INTERMEDIATE TRA NSFER | U024 | 127 |
| B1322468 | FILTER | U023_S007 | 35 |
| B1322470 | DUCT:HUMIDITY CONTROL:ASS'Y | U023 | 36 |
| B1322474 | SHIELD:DUCT | U010_S001 | 27 |
| B1322475 | FILTER:DUCT | U010_S001 | 28 |
| B1322476 | SHIELD:DUCT:LEFT | U010_S001 | 29 |
| B1322485 | SEAL:FAN MOTOR | U010_S001 | 30 |
| B1322496 | SEAL:DUCT:TONER HOPPER:LOW | U010_S001 | 31 |

| Number | Part Name | Group | ID |
|----------|--|-------|-----|
| | ER | | |
| B1322594 | DC SOLENOID:24V:16.5W:ASS'Y | U009 | 73 |
| B1322605 | CASE:REMOVE PAPER DUST | U009 | 74 |
| B1322617 | REGISTRATION ROLLER:LOWER | U009 | 75 |
| B1322624 | BRACKET:OPTICS SENSOR | U009 | 76 |
| B1322629 | REGISTRATION ROLLER:UPPER | U009 | 77 |
| B1322639 | TRANSPORT ROLLER:DRIVEN | U009 | 78 |
| B1322644 | LEVER:KNOB:RELEASE | U009 | 79 |
| B1322649 | ARM:GUIDE | U009 | 80 |
| B1322650 | ARM:PERPENDICULAR | U009 | 81 |
| B1322651 | KNOB:RELEASE | U009 | 82 |
| B1322654 | BRACKET:SENSOR:LARGE CAPA CITY TRAY | U024 | 128 |
| B1322658 | ROLLER:CONNECTING:DRIVE | U009 | 83 |
| B1322661 | BRACKET:SOLENOID | U009 | 84 |
| B1322667 | RAIL:SOLENOID:RELEASE | U009 | 85 |
| B1322670 | SHAFT:LOCK | U009 | 86 |
| B1322671 | LEVER:UN LOCK | U009 | 87 |
| B1322674 | SIDE PLATE:OPEN AND CLOSE:FR ONT | U009 | 88 |
| B1322675 | TRANSPORT ROLLER:DRIVEN:DU PLEX | U009 | 89 |
| B1322679 | BRACKET:GEAR:SWIVEL | U009 | 90 |
| B1322680 | REGISTRATION GUIDE:CONNECTI NG | U009 | 91 |
| B1322681 | SHAFT:CONTACT POINT:LEVER | U009 | 92 |
| B1322682 | REGISTRATION GUIDE:UPPER | U009 | 93 |
| B1322691 | SHAFT:LOCK | U009 | 94 |
| B1322692 | PAWL:LOCK:REAR | U009 | 95 |
| B1322699 | SPACER:MM12 | U009 | 96 |
| B1322703 | STUD:CONTACT POINT | U009 | 97 |
| B1322708 | PAWL:LOCK:FRONT | U009 | 98 |
| B1322709 | DECAL:LEVER:B4 | U009 | 99 |
| B1322710 | TENSION SPRING | U009 | 100 |
| B1322711 | BRACKET:STEPPER MOTOR | U009 | 101 |
| B1322716 | LEVER:RELEASE | U009 | 102 |
| B1322718 | GUIDE:REGISTRATION:OPEN AND CLOSE | U009 | 103 |

Exclusive Parts

| Number | Part Name | Group | ID |
|----------|-------------------------------------|-----------|-----|
| B1322720 | BRACKET:TIGHTENER | U009 | 104 |
| B1322722 | STEPPER MOTOR:REGISTRATION:ASS'Y | U009 | 105 |
| B1322723 | COVER:MOTOR:REGISTRATION | U009 | 106 |
| B1322724 | BUSHING:REGISTRATION:FRONT | U009 | 107 |
| B1322725 | BUSHING:REGISTRATION:REAR | U009 | 108 |
| B1322753 | SUPPORT STAY:SOLENOID | U009 | 109 |
| B1322760 | BRACKET:DRIVE:PAPER FEED SUB-UNIT | U009 | 110 |
| B1322762 | SHAFT:DRIVE:PAPER FEED | U009 | 111 |
| B1322767 | GUIDE PLATE:PAPER BANK:ASS'Y | U009 | 112 |
| B1322815 | BRACKET:FIX:MANUAL FEED | U009 | 113 |
| B1322816 | COVER:MANUAL FEED:MACHINE OR COPIER | U009 | 114 |
| B1322819 | HOLDER:MANUAL FEED TABLE:FRONT | U009_S001 | 115 |
| B1322823 | HOLDER:MANUAL FEED TABLE:REAR | U009_S001 | 116 |
| B1322835 | ARM:PICKUP:MANUAL FEED | U009_S001 | 117 |
| B1322837 | GUIDE PLATE:FEED | U009_S001 | 118 |
| B1322839 | DC SOLENOID:PICKUP:ASS'Y | U009_S001 | 119 |
| B1322845 | FEELER:PAPER END SENSOR | U009_S001 | 120 |
| B1322846 | GROUND PLATE:MANUAL FEED | U009_S001 | 121 |
| B1322848 | BRACKET:SENSOR:MANUAL FEED | U009_S001 | 122 |
| B1322849 | SHAFT:SEPARATOR:DRIVE:ASS'Y | U009_S001 | 123 |
| B1322851 | SHAFT:SEPARATOR:DRIVEN:ASS'Y | U009_S001 | 124 |
| B1322853 | LEVER:PRESSURE:SEPARATOR | U009_S001 | 125 |
| B1322856 | ROLLER:MANUAL FEED UNIT:DRIVE | U009_S001 | 126 |
| B1322857 | STOPPER:MAGNETIC CLUTCH | U009_S001 | 127 |
| B1322859 | COVER:MANUAL FEED UNIT | U009_S001 | 128 |
| B1322863 | SIDE FENCE:AUXILIARY:FRONT | U009_S002 | 130 |
| B1322864 | SIDE FENCE:REAR:ASS'Y | U009_S002 | 131 |
| B1322866 | SIDE FENCE:AUXILIARY:REAR | U009_S002 | 132 |
| B1322868 | GUIDE:MANUAL FEED TABLE | U009_S002 | 133 |
| B1322872 | PAPER SIZE SENSOR | U009_S002 | 134 |

| Number | Part Name | Group | ID |
|----------|------------------------------------|----------------|-----|
| B1322875 | DECAL:PAPER SET DIRECTION | U009_S002_S001 | 135 |
| B1323084 | HOLDER:CAP:RECEIVING SUB-UNIT | ACCESSORIES | 9 |
| B1323159 | ADJUSTING PIN:MAGNETIC ROLLER | U011 | 14 |
| | | U012_S001 | 12 |
| | | U012_S002 | 12 |
| | | U012_S003 | 12 |
| B1323179 | CAP:TONER SUPPLY:UPPER | U011_S003 | 15 |
| | | U012_S001_S002 | 13 |
| | | U012_S002_S002 | 13 |
| | | U012_S003_S002 | 13 |
| B1323216 | SHAFT:LEVER:STAND | U010_S001 | 32 |
| B1323217 | SUPPORTING PLATE:SIDE PLATE | U010_S001 | 33 |
| B1323218 | BRACKET:FIX:RIGHT | U010_S001 | 34 |
| B1323222 | SHAFT:DRIVE | U010_S001 | 35 |
| B1323223 | GEAR:21/32Z | U010_S001 | 36 |
| B1323224 | GEAR:75Z | U010_S001 | 37 |
| B1323227 | SHIELD:COVER:DUCT:LOWER | U010_S001 | 38 |
| B1323229 | COVER:LOWER:BLACK | U010_S001 | 39 |
| B1323232 | COVER:BLACK | U010_S001 | 40 |
| B1323233 | COVER:COLOR | U010_S001 | 41 |
| B1323235 | INNER COVER:RIGHT | U010_S001 | 42 |
| B1323236 | INNER COVER:LEFT | U010_S001 | 43 |
| B1323237 | STAND:LEFT | U010_S001 | 44 |
| B1323238 | GUIDE:STAND | U010_S001 | 45 |
| B1323239 | LEVER:STAND | U010_S001 | 46 |
| B1323240 | SPRING PLATE:STAND | U010_S001 | 47 |
| B1323241 | GUIDE PLATE:LEVER:STAND | U010_S001 | 48 |
| B1323242 | SPRING PLATE:LEVER:STAND | U010_S001 | 49 |
| B1323245 | SHEET | U010_S001 | 50 |
| B1323247 | DECAL:COVER:TONER SUPPLY:BLACK | U010_S001 | 51 |
| B1323248 | DECAL:COVER:TONER SUPPLY:M | U010_S001 | 52 |
| B1323249 | DECAL:COVER:TONER SUPPLY:C | U010_S001 | 53 |
| B1323250 | DECAL:COVER:TONER SUPPLY:Y | U010_S001 | 54 |
| B1323314 | BRACKET:STOPPER:HOLDER:RIGHT:ASS'Y | U010_S001 | 55 |
| B1323316 | BRACKET:STOPPER:HOLDER:LEFT | U010_S001 | 56 |

Exclusive Parts

| Number | Part Name | Group | ID |
|----------|---------------------------------|----------------|-----|
| | T:ASS'Y | | |
| B1323321 | ARM:STOPPER:HOLDER:BLACK | U010_S001 | 57 |
| B1323322 | ARM:STOPPER:HOLDER:COLOR: | U010_S001 | 58 |
| B1323323 | GUIDE:ARM:STOPPER:HOLDER | U010_S001 | 59 |
| B1323330 | DECAL:LEVER:TONER SUPPLY:K | U010_S001 | 60 |
| B1323331 | DECAL:LEVER:TONER SUPPLY:M | U010_S001 | 61 |
| B1323332 | DECAL:LEVER:TONER SUPPLY:C | U010_S001 | 62 |
| B1323333 | DECAL:LEVER:TONER SUPPLY:Y | U010_S001 | 63 |
| B1323349 | GEAR:DRIVE:TONER SUPPLY UNIT | U010_S001_S006 | 95 |
| | | U010_S001_S007 | 95 |
| | | U010_S001_S008 | 95 |
| | | U010_S001_S009 | 95 |
| B1323428 | STAY | U010_S001 | 64 |
| B1323434 | BRACKET:DRAWER | U010_S001 | 65 |
| B1323435 | COVER:DRAWER | U010_S001 | 66 |
| B1323436 | TUBE:BLACK | U010_S001 | 67 |
| B1323437 | TUBE:COLOR | U010_S001 | 68 |
| B1323438 | COIL:GUARD:TUBE:BLACK | U010_S001 | 69 |
| B1323439 | COIL:GUARD:TUBE:COLOR | U010_S001 | 70 |
| B1323486 | STAY:SLIDE RAIL:TONER SUPPLY | U024 | 129 |
| B1323489 | BRACKET:DRAWER:TONER SUPPLY | U024 | 130 |
| B1323491 | COVER:DRAWER | U024 | 131 |
| B1323493 | BRACKET:FIX:TONER SUPPLY | U024 | 132 |
| B1323851 | TRANSPORT ROLLER:DRIVE | U017_S001 | 12 |
| B1323862 | SUPPORTING PLATE:VACUUM | U017_S001 | 13 |
| B1324125 | COLLAR:SHAFT:DRIVE | U018_S001 | 82 |
| | | U018_S002 | 82 |
| B1324127 | BRACKET:TORSION SPRING:PEEN | U018_S001 | 83 |
| | | U018_S002 | 83 |
| B1324138 | ROLLER:COUPLING:KNOB:FUSING | U018_S001 | 84 |
| | | U018_S002 | 84 |
| B1324148 | HOUSING:THERMOSTAT | U018_S001 | 85 |
| | | U018_S002 | 85 |
| B1324163 | SHAFT:OIL APPLICATION UNIT | U018_S001 | 86 |
| | | U018_S002 | 86 |
| B1324167 | GRIP:OIL APPLICATION UNIT:FIBER | U018_S001 | 87 |
| | | U018_S002 | 87 |

| Number | Part Name | Group | ID |
|----------|-------------------------------------|-----------|-----|
| B1324196 | TORSION SPRING:STRIPPER PAWL | U018_S001 | 88 |
| | LS | U018_S002 | 88 |
| B1324197 | TORSION SPRING:LEVER | U018_S001 | 89 |
| | | U018_S002 | 89 |
| B1324265 | ROLLER:PICKOFF PAWL | U018_S001 | 90 |
| | | U018_S002 | 90 |
| B1324268 | HOLDER:ROLLER:PICKOFF PAWL | U018_S001 | 91 |
| | | U018_S002 | 91 |
| B1324326 | HEAT INSULATION:DRUM STAY | U024_S001 | 133 |
| B1324619 | BRACKET:SUPPORT:POSITIONING PIN | U019_S001 | 92 |
| B1324640 | GUIDE PLATE:ENTRANCE:UPPER:ASS'Y | U019_S001 | 95 |
| B1324643 | SPACER:GATE PAWL | U019_S001 | 96 |
| B1324647 | LEVER:OPEN AND CLOSE:REVERSE UNIT | U019_S001 | 97 |
| B1324650 | STEPPER MOTOR:JOGGER:ASS'Y | U019_S001 | 98 |
| B1324655 | BRACKET:REVERSAL:DRIVEN:ASS'Y | U019_S001 | 99 |
| B1324661 | ARM:ROLLER:REVERSAL:DRIVEN | U019_S001 | 100 |
| B1324663 | LEVER:ROLLER:DRIVEN:REVERSAL | U019_S001 | 101 |
| B1324665 | STAY:BEARING:REVERSAL | U019_S001 | 102 |
| B1324671 | ARM:LOCK:DUPLEX | U019_S001 | 103 |
| B1324681 | JOGGER FENCE:FRONT | U019_S001 | 104 |
| B1324682 | JOGGER FENCE:REAR | U019_S001 | 105 |
| B1324689 | STAY:TIMING BELT | U019_S001 | 106 |
| B1324692 | SLIDER:JOGGER FENCE:FRONT | U019_S001 | 107 |
| B1324693 | SLIDER:JOGGER FENCE:REAR | U019_S001 | 108 |
| B1324696 | BRACKET:STEPPER MOTOR:JOGGER | U019_S001 | 109 |
| B1324699 | BRACKET:HOME POSITION SENSOR:JOGGER | U019_S001 | 110 |
| B1324710 | GUIDE PLATE:TRANSPORT:UPPER:ASS'Y | U019_S001 | 111 |
| B1324715 | BRACKET:SENSOR:REVERSE:EXIT | U019_S001 | 112 |
| B1324720 | TABLE:DUPLEX:LEFT | U019_S001 | 113 |

Exclusive Parts

| Number | Part Name | Group | ID |
|----------|---|-----------|-----|
| B1324727 | BRACKET:SENSOR:RIGHT | U019_S001 | 114 |
| B1324730 | GUIDE PLATE:TRANSPORT:LOWE R | U019_S001 | 115 |
| B1324745 | DC SOLENOID:REVERSAL:ASS'Y | U019_S001 | 116 |
| B1324780 | STEPPER MOTOR:REVERSE:ASS' Y | U019_S001 | 117 |
| B1324785 | STEPPER MOTOR:TRANSPORT:A SS'Y | U019_S001 | 118 |
| B1324789 | BRACKET:STEPPER MOTOR:TRA NSPORT | U019_S001 | 119 |
| B1324791 | BRACKET:DRAWER:12PIN:DUPL E X | U019_S001 | 120 |
| B1324810 | BRACKET:MOTOR:REVERSE:ASS' Y | U019_S001 | 121 |
| B1324830 | BRACKET:HOLDER:ASS'Y | U019 | 122 |
| B1324835 | RAIL:LEFT:ASS'Y | U019 | 123 |
| B1324868 | GUIDE:DUPLIX:UPPER RIGHT | U024 | 134 |
| B1324869 | GUIDE PLATE:DUPLIX:EXIT | U019_S001 | 124 |
| B1324987 | STAY:DUPLIX UNIT:UPPER | U019_S001 | 125 |
| B1325415 | BASE:ELECTRIC POTENTIAL SEN SOR | U022 | 37 |
| B1325807 | GROUND PLATE:BASE:CONTROL BOARD | U022 | 38 |
| B1325809 | SEAL:C/T BOX:COVER:MIDDLE | U022_S001 | 39 |
| B1325812 | SEAL:C/T BOX:COVER:SIDE | U022_S001 | 40 |
| B1325813 | SEAL:C/T BOX:UPPER:SIDE | U022 | 41 |
| B1325819 | DECAL:CAUTION:HDD:FAN | U022_S001 | 42 |
| B1325827 | BRACKET:EARTH:POWER SUPPL Y UNIT:REAR:PEEN | U022 | 43 |
| B1325831 | GASKET:COVER:C/T BOX | U022_S001 | 44 |
| B1325835 | PANEL -INTERFACE | U022 | 45 |
| B1325851 | BRACKET:MAIN SWITCH | U022 | 46 |
| B1325852 | SCREW:MICRO SWITCH | U022 | 47 |
| B1325853 | LEVER:MICRO SWITCH | U022 | 48 |
| B1325855 | SHAFT:MICRO SWITCH:FRONT | U022 | 49 |
| B1325866 | BRACKET:LCT | U022 | 50 |
| B1325868 | SCREW:MICRO SWITCH | U022 | 51 |
| B1325869 | TORSION SPRING | U022 | 52 |

| Number | Part Name | Group | ID |
|----------|---|-----------|----|
| B1325911 | BRACKET:FIX:C/T BOX:LOWER | U022 | 53 |
| B1325930 | HINGE:C/T BOX:LOWER | U022 | 54 |
| B1325933 | HINGE:C/T BOX:UPPER | U022 | 55 |
| B1325944 | BRACKET:FAN MOTOR | U022 | 56 |
| B1325947 | ARM:HINGE:C/T BOX | U022 | 57 |
| B1325971 | BRACKET:MICRO SWITCH:PAPER BANK | U022 | 58 |
| B1325976 | BRACKET:TOTAL COUNTER | U022 | 59 |
| B1325977 | BRACKET:POWER SUPPLY UNIT: RIGHT | U022 | 60 |
| B1325978 | BRACKET:POWER SUPPLY UNIT:F IX:LEFT | U022 | 61 |
| B1325981 | BRACKET:POWER PACK:FIX:LOW ER | U022 | 62 |
| B1325985 | BRACKET:LEAK BREAKER | U022 | 63 |
| B1325989 | STOPPER:C/T BOX:UPPER | U022 | 64 |
| B1325994 | BRACKET:POWER SUPPLY CORD: EXP | U022 | 65 |
| B1325995 | STOPPER:POWER SUPPLY CORD | U022 | 66 |
| B1325996 | DECAL:TOTAL COUNTER | U022 | 67 |
| B1325997 | BRACKET:POWER SUPPLY UNIT: RIGHT:EXP | U022 | 68 |
| B1325999 | SHEET:MICRO SWITCH:12MM | U022 | 69 |
| B1326061 | ROLLER:DRIVEN | U013_S001 | 18 |
| B1326069 | ROLLER:TRANSFER:FRONT | U013_S001 | 19 |
| B1326076 | BRACKET:ON-OFF:BLACK | U013_S001 | 20 |
| B1326077 | BRACKET:COLLAR | U013_S001 | 21 |
| B1326094 | SHAFT:POSITIONING | U013_S001 | 22 |
| B1326098 | SHAFT:CONTACT POINT:COLLAR | U013_S001 | 23 |
| B1326111 | CAM:ON-OFF | U013_S001 | 24 |
| B1326112 | SHAFT:CAM:COLOR | U013_S001 | 25 |
| B1326114 | CAM:ON-OFF:BLACK | U013_S001 | 26 |
| B1326120 | SEAL:UPPER:BELT CLEANING | U014_S001 | 6 |
| B1326121 | DUCT | U013_S001 | 27 |
| B1326124 | SPRING PLATE:CAM | U013_S001 | 28 |
| B1326130 | GEAR:16Z | U013_S001 | 29 |
| B1326132 | GRIP:ON-OFF | U013_S001 | 30 |
| B1326134 | PLATE:INTERMEDIATE TRANSFER | U013_S001 | 31 |

Exclusive Parts

| Number | Part Name | Group | ID |
|----------|---|----------------|-----|
| | :FRONT | | |
| B1326136 | COMPRESSION SPRING:PLATE:IN TERMEDATE TRANSFER | U013_S001 | 32 |
| B1326137 | TERMINAL:BLACK | U013_S001 | 33 |
| B1326140 | TERMINAL:COLLAR | U013_S001 | 34 |
| B1326143 | HOLDER:OPPOSED:TRANSFER:F RONT | U013_S001 | 35 |
| B1326149 | TERMINAL:YELLOW | U013_S001 | 36 |
| B1326156 | STAND | U013_S001 | 37 |
| B1326157 | STOPPER:ON-OFF | U013_S001 | 38 |
| B1326165 | PLATE:BRACKE | U013_S001 | 39 |
| B1326170 | GUARD:RIGHT | U013_S001 | 40 |
| B1326171 | GUARD:LEFT | U013_S001 | 41 |
| B1326172 | GUARD:REAR | U013_S001 | 42 |
| | | U013_S001_S001 | 42 |
| B1326175 | JOINT:INTERMEDIATE TRANSFER: FRONT:ASS'Y | U013_S001 | 43 |
| B1326253 | STAY:BRUSH ROLLER:ASS'Y | U015_S001 | 29 |
| B1326255 | PTR CLEANING BRUSH | U015_S001 | 30 |
| B1326257 | TRAY:TONER CATCHPAN:ASS'Y | U015 | 31 |
| B1326268 | PAPER DISCHARGE PLATE | U015_S001 | 32 |
| B1326269 | HOLDER:BLADE | U015_S001 | 33 |
| B1326274 | STAY:TRANSFER UNIT | U015_S001 | 34 |
| B1326284 | JOINT:TRANSFER:DRIVE | U015_S001 | 35 |
| B1326285 | TONER CATCHPAN | U024 | 135 |
| B1326286 | STOPPER:TRANSFER/SEPARATIO N UNIT | U024 | 136 |
| B1326287 | SHAFT:CONTACT POINT | U015_S001 | 36 |
| B1326288 | SPRING:PRESSURE | U015_S001 | 37 |
| B1326295 | GUIDE PLATE:ENTRANCE:ASS'Y | U015_S001 | 38 |
| B1326299 | SPRING:BLADE | U015_S001 | 39 |
| B1326301 | GEAR:40Z | U015_S001 | 40 |
| B1326302 | GEAR:40Z | U015_S001 | 41 |
| B1326303 | GEAR:40Z | U015_S001 | 42 |
| B1326304 | STAY:PULL OUT | U024 | 137 |
| B1326305 | CAM:TRANSFER ROLLER | U024 | 138 |
| B1326306 | SPRING:PRESSURE | U015 | 43 |
| B1326307 | BASE:TRANSFER ROLLER:REAR: | U015_S001 | 44 |

| Number | Part Name | Group | ID |
|----------|---|-----------|-----|
| | ASS'Y | | |
| B1326311 | BRACKET:GEAR:IDLER | U015_S001 | 45 |
| B1326314 | BASEFRONT | U015_S001 | 46 |
| B1326325 | SEAL:SIDE PLATE:FRONT | U015_S001 | 47 |
| B1326326 | SEAL:SIDE PLATE:REAR | U015_S001 | 48 |
| B1326328 | SEAL:TRAY:TONER RECYCLING U NIT | U015 | 49 |
| B1326331 | TIGHTENER:TRANSFER:TRANSPO RT SCREW:ASS'Y | U015 | 50 |
| B1326334 | SIDE PLATE:POSITIONING:TRANS FER:FRONT:ASS'Y | U024 | 139 |
| B1326337 | SPRING:TIGHTENER:TRANSPORT SCREW | U015 | 51 |
| B1326459 | HOLDER:SPRING:ROLLER:PRESS URE | U014_S001 | 7 |
| B1326460 | CASE:SPRING:ROLLER:PRESSUR E | U014_S001 | 8 |
| B1326506 | HEAT SINK:HEATER:TONER | U024 | 140 |
| B1326507 | HOLDER:HEATER | U024 | 141 |
| B1326511 | DC MOTOR:AGITATE:ASS'Y | U015 | 52 |
| | | U016 | 33 |
| B1326512 | BASE:TONER OUTLET SUB-UNIT: ASS'Y | U016 | 34 |
| B1326514 | BRACKET:TONER OUTLET SUB-U NIT:DRIVE | U016 | 35 |
| B1326518 | CASE:TONER OUTLET SUB-UNIT | U016 | 36 |
| B1326519 | CASE:TONER OUTLET SUB-UNIT: COVER | U016 | 37 |
| B1326520 | TRANSPORT SCREW:UPPER:ASS' Y | U016 | 38 |
| B1326526 | GUIDE:SPRING:DISCHARGE USED TONER | U016 | 39 |
| B1326527 | SHAFT:TONER OUTLET SUB-UNIT | U016 | 40 |
| B1326536 | BUSHING:TRANSPORT SCREW | U016 | 41 |
| B1326537 | COVER:DC MOTOR | U016 | 42 |
| B1326539 | TONER CATCHPAN:TANK:ENTRA NCE | U016 | 43 |
| B1326540 | CASE:DRIVE:ASS'Y | U016_S002 | 44 |

Exclusive Parts

| Number | Part Name | Group | ID |
|----------|---|---|-----------------------------|
| B1326542 | TENSION SPRING | U016 | 45 |
| B1326545 | SHAFT:DRIVE:SHORT:ASS'Y | U016_S002 | 46 |
| B1326547 | BRACKET:USED TONER SENSOR:INSTALL | U016 | 47 |
| B1326548 | SHAFT:DRIVE:LONG:ASS'Y | U016 | 48 |
| B1326550 | COMPRESSION SPRING | U016 | 49 |
| B1326566 | COMPRESSION SPRING | U016 | 50 |
| B1326578 | SHIELD:JOINT:PCU | U016 | 51 |
| B1326579 | COVER:TEMPERATURE/HUMIDITY SENSOR | U016 | 52 |
| B1326599 | TONER CATCHPAN:K | U016 | 53 |
| B1326609 | TANK:DISCHARGE USED TONER:EXP:ASS'Y | U016_S001 | 54 |
| B1326630 | BRACKET:HOLDER:ASS'Y | U024 | 142 |
| B1326653 | STAY:HOLDER:PAPER TRAY:ASS'Y | U024 | 143 |
| B1326655 | STEPPER MOTOR:PAPER FEED UNIT:ASS'Y | U008 U008_S001 U008_S002 U008_S003 U009 | 87 87 87 87 136 |
| B1326659 | DC SOLENOID:PICKUP:ASS'Y | U008_S001 U008_S002 U008_S003 | 88 88 88 |
| B1326669 | SUPPORTING PLATE:STAY | U024 | 144 |
| B1326670 | DC SOLENOID:REVERSE:ASS'Y | U008_S001 U008_S002 U008_S003 | 89 89 89 |
| B1326692 | SLIDE RAIL:LEFT:SUB-ASS'Y | U024 | 145 |
| B1326693 | SLIDE RAIL:RIGHT:ASS'Y | U024 | 146 |
| B1326696 | STAY:TANDEM LCT | U024 | 147 |
| B1326726 | BRACKET:ARM:ASS'Y | U024 | 148 |
| B1326737 | BRACKET:PAPER SIZE SENSOR:NO.1 | U024 | 149 |
| B1326742 | LEFT RAIL BRACKET | U024 | 150 |
| B1326752 | PRESSURE PLATE:TRANSPORT ROLLER:DRIVEN:NO.1 | U008_S004 | 90 |
| B1326758 | GUIDE:RELAY:PAPER FEED UNIT | U008 | 91 |

| Number | Part Name | Group | ID |
|----------|-------------------------------------|----------------------------------|----------|
| B1326759 | DC MOTOR:RISE:TANDEM LCT:ASS'Y | U024 | 151 |
| B1326761 | INNER COVER:PAPER FEED | U008 | 92 |
| B1326762 | DC SOLENOID:COUPLING:ASS'Y | U024 | 152 |
| B1326763 | BRACKET:CONNECTOR:LEFT | U024 | 153 |
| B1326764 | BRACKET:CONNECTOR:RIGHT | U024 | 154 |
| B1326765 | DC SOLENOID:LOCK:ASS'Y | U024 | 155 |
| B1326791 | PLATE:SIDE FENCE | U007_S001_S001 U007_S002_S001 | 20 20 |
| B1326793 | SIDE FENCE:FRONT:ASS'Y | U007_S001_S001 U007_S002_S001 | 21 21 |
| B1326797 | SIDE FENCE:REAR:AUXILIARY | U007_S001 U007_S002 | 22 22 |
| B1326798 | SPRING PLATE:PAPER TRAY:EAR TH | U007_S001 U007_S002 | 23 23 |
| B1326851 | DUCT:VACUUM:ASS'Y | U023 | 37 |
| B1326855 | DUCT:VACUUM:ENTRANCE | U023 | 38 |
| B1326867 | BRACKET:EXHAUST:HARNESS | U024 | 156 |
| B1326908 | DUCT:EXIT:UPPER:LEFT:ASS'Y | U023 | 39 |
| B1326912 | DUCT:EXIT:UPPER | U023 | 40 |
| B1326921 | DUCT:IMAGING UNIT:FRONT:ASS'Y | U023_S003 | 41 |
| B1326923 | BRACKET:IMAGING UNIT:FAN | U023_S003 U023_S004 | 42 42 |
| B1326924 | SHIELD:DUCT:IMAGING UNIT | U023_S003 U023_S004 | 43 43 |
| B1326927 | DUCT:MACHINE OR COPIER:IMAGING UNIT | U023_S004 | 44 |
| B1326940 | FAN MOTOR:UNIT:DC24V 2.4W | U023 | 45 |
| B1326950 | BRACKET:DUPLEX:EXHAUST:FRONT | U023 | 46 |
| B1326951 | FAN MOTOR:LOWER:UNIT:DC24V 2.64W | U023 | 47 |
| B1326954 | FAN MOTOR:UPPER:DC24V 2.4W | U023 | 48 |
| B1326958 | DUCT:IMAGING UNIT:EXHAUST:ASS'Y | U023 | 49 |
| B1326965 | DUCT:IMAGING UNIT:EXHAUST:ASS'Y | U023 | 50 |

Exclusive Parts

| Number | Part Name | Group | ID |
|----------|---------------------------------|----------------|----|
| B1326966 | SHIELD:SIROCCO | U023_S005 | 51 |
| B1326971 | DUCT:IMAGING UNIT:1ST:ASS'Y | U023 | 52 |
| B1326973 | DUCT:IMAGING UNIT:23ST:ASS'Y | U023 | 53 |
| B1326975 | DUCT:IMAGING UNIT:4ST:ASS'Y | U023 | 54 |
| B1326978 | DUCT:IMAGING UNIT:SUB-ASS'Y | U023 | 55 |
| B1326980 | COVER:DUCT:IMAGING UNIT:ASS'Y | U023 | 56 |
| B1327002 | GEAR:28Z | U020_S001 | 33 |
| B1327004 | GUIDE PLATE:MIDDLE:TRANSPORT | U020_S001_S001 | 34 |
| B1327008 | KNOB:FRONT | U020 | 35 |
| B1327011 | HOLDER:BEARING:FRONT | U020_S001 | 36 |
| B1327013 | SPRING PLATE:UPPER:RIGHT | U020_S001 | 37 |
| B1327015 | GRIP:GUIDE PLATE:LEFT | U020_S001 | 38 |
| B1327018 | STAY:EXIT:ASS'Y | U020 | 39 |
| B1327020 | SPRING PLATE:MIDDLE | U020_S001 | 40 |
| B1327023 | COVER:EXHAUST | U020 | 41 |
| B1327025 | ROLLER:TIGHTENER | U020_S001 | 42 |
| B1327028 | PULLEY:15T | U020_S001 | 43 |
| B1327029 | SHAFT:RELEASE:GUIDE PLATE | U020_S001 | 44 |
| B1327030 | GEAR:Z27 | U020_S001 | 45 |
| B1327031 | ROLLER:MIDDLE | U020_S001 | 46 |
| B1327033 | ROLLER:MM14 | U020_S001 | 47 |
| B1327036 | PULLEY:15T | U020_S001 | 48 |
| B1327038 | STOPPER:PRESSURE | U020 | 49 |
| B1327039 | BRACKET:BEARING:FRONT | U020_S001 | 50 |
| B1327041 | LEVER:STOPPER | U020 | 51 |
| B1327042 | LEVER:OPEN AND CLOSE | U020 | 52 |
| B1327043 | BRACKET:FIX:FRONT | U020 | 53 |
| B1327044 | PAWL:GUIDE PLATE:FIX | U020_S001 | 54 |
| B1327045 | ARM:PRESSURE | U020_S001 | 55 |
| B1327046 | LEVER:RELEASE:GUIDE PLATE:LOWER | U020_S001 | 56 |
| B1327048 | PULLEY:13T | U020_S001 | 57 |
| B1327049 | BRACKET:SENSOR | U020 | 58 |
| B1327050 | BRACKET:FIX:REAR | U020 | 59 |
| B1327051 | PULLEY:19Z | U020_S001 | 60 |
| B1327052 | SHAFT:RELEASE:GUIDE PLATE:U | U020_S001 | 61 |

| Number | Part Name | Group | ID |
|----------|--------------------------------|----------------|----|
| | PPER | | |
| B1327055 | GEAR:22Z | U020_S001 | 62 |
| B1327056 | GRIP:GUIDE PLATE:UPPER | U020_S001 | 63 |
| B1327059 | ROLLER:TIGHTENER | U020_S001 | 64 |
| B1327060 | GEAR:29Z | U020_S001 | 65 |
| B1327069 | BRACKET:CONNECTOR | U020_S001 | 66 |
| B1327070 | HOLDER:SHAFT | U020 | 67 |
| B1327080 | PULLEY:37T | U020_S001 | 68 |
| B1327086 | EXIT ROLLER:EXIT:DRIVE | U020_S001 | 69 |
| B1327088 | ROLLER:MIDDLE:DUPLEX SUB-UNIT | U020_S001_S001 | 70 |
| B1327096 | SHAFT:STOPPER | U020 | 71 |
| B1327097 | STAY:SHAFT:ASS'Y | U020_S001 | 72 |
| B1327098 | LEVER:RELEASE | U020_S001 | 73 |
| B1327101 | BRACKET:SENSOR:ENTRANCE | U020 | 74 |
| B1327103 | GUIDE:ENTRANCE:RIGHT REAR | U020_S001 | 75 |
| B1327105 | STOPPER:PIPE | U020_S001 | 76 |
| B1327107 | BRACKET:SPRING PLATE:ASS'Y | U020 | 77 |
| B1327110 | GUIDE PLAT:LEFT LOWER:ASS'Y | U020_S001 | 78 |
| B1327112 | TIGHTENER:FRONT UPPER:ASS'Y | U020_S001 | 79 |
| B1327115 | GUIDE PLATE:LEFT UPPER:ASS'Y | U020_S001 | 80 |
| B1327116 | TIMING BELT:T198 | U020_S001 | 81 |
| B1327117 | TIMING BELT:T213 | U020_S001 | 82 |
| B1327119 | BRACKET:STAY:LEFT | U020 | 83 |
| B1327123 | SHAFT:LEVER:LEFT INNER REAR | U020 | 84 |
| B1327124 | SOUND PROOFING MATERIAL | U020_S001 | 85 |
| B1327129 | GUIDE PLATE:ENTRANCE:UPPER | U020_S001 | 86 |
| B1327130 | DECAL:LED:E1 | U001_S001 | 41 |
| B1327133 | BRACKET:POSITIONING PLATE:REAR | U020_S001 | 87 |
| B1327138 | GEAR:Z20 | U020_S001 | 88 |
| B1327141 | SHAFT:BASE:TIGHTENER | U020_S001 | 89 |
| B1327143 | SPRING:TIGHTENER | U020_S001 | 90 |
| B1327144 | GEAR:Z28 | U020_S001 | 91 |
| B1327147 | EXIT ROLLER:DRIVEN:UPPER | U020 | 92 |
| B1327151 | GUIDE PLATE:SHAFT:ASS'Y | U020_S001 | 93 |
| B1327155 | STOPPER:GUIDE | U020_S001 | 94 |
| B1327160 | STAY:SUPPORTING PLATE | U020_S001 | 95 |

Exclusive Parts

| Number | Part Name | Group | ID |
|----------|--|----------------|-----|
| B1327162 | PULLEY:Z13 | U020_S001 | 96 |
| B1327164 | GUIDE:ENTRANCE:RIGHT FRONT | U020_S001 | 97 |
| B1327165 | SPACER:DIA21 | U020_S001 | 98 |
| B1327166 | BRACKET:LED:LEFT | U024 | 157 |
| B1327169 | PLATE:TRANSPORT ROLLER | U020_S001_S001 | 99 |
| B1327541 | TRAY BOTTOM PLATE:LEFT REAR | U006_S001 | 79 |
| B1327545 | BASE:TANDEM LCT:RIGHT:WELDING | U006_S002 | 80 |
| B1327547 | DC SOLENOID:END FENCE:FRONT:ASS'Y | U006_S002 | 81 |
| B1327550 | COVER:PULLEY:DRIVE WERE | U006_S002 | 82 |
| B1327561 | BACK FENCE:LEFT | U006_S001 | 83 |
| B1327564 | SLIDER:BACK FENCE:LEFT | U006_S001 | 84 |
| B1327571 | DC SOLENOID:END FENCE:REAR:ASS'Y | U006_S002 | 85 |
| B1327575 | BRACKET:CONNECTOR:TANDEM LCT | U006_S002 | 86 |
| B1327586 | INNER COVER:TANDEM LCT | U006_S002 | 87 |
| B1327590 | RAIL:TANDEM LCT:LEFT:ASS'Y | U024 | 158 |
| B1327591 | RAIL:PAPER TRAY:ASS'Y | U024 | 159 |
| B1329700 | Lubricant Powder | SPECIAL TOOLS | 4 |
| B1406221 | HEAT SINK:HEATER:LOWER:SUB-ASS'Y | U024_S003 | 160 |
| B1406225 | HEAT SINK:HEATER:LOWER:NA:ASS'Y:(for D081) | U024_S003 | 161 |
| B1406339 | PAPER FEED GUIDE PLATE | U008_S001 | 93 |
| | | U008_S002 | 93 |
| B1406377 | GROUND PLATE:REVERSE:PAPER FEED UNIT | U008_S001 | 94 |
| | | U008_S002 | 94 |
| | | U008_S003 | 94 |
| B1406378 | GROUND PLATE:STEPPER MOTOR:PAPER FEED UNIT | U008_S001 | 95 |
| | | U008_S002 | 95 |
| | | U008_S003 | 95 |
| B1406472 | JOINT UNIT GUIDE PLATE ASS'Y | U008 | 96 |
| B1812641 | GUIDE PLATE:OPEN AND CLOSE:MIDDLE | U009 | 137 |
| B1812773 | BRACKET:SENSOR:CONNECTING | U009 | 138 |
| B1812790 | GUIDE PLATE:ENTRANCE:LOWER | U009 | 139 |

| Number | Part Name | Group | ID |
|----------|--|----------------|-----|
| | LEFT:PEEN | | |
| B1814725 | TABLE:DUPLEX:RIGHT | U019_S001 | 126 |
| B1816577 | GUIDE:TANK:DISCHARGE USED TONER | U016 | 55 |
| B1816640 | GUIDE PLATE:SWIVEL:ADHESION | U008_S001 | 97 |
| | | U008_S002 | 97 |
| B1816780 | LINK:END FENCE:PAPER SIZE SENSOR:ASS'Y | U007_S001 | 24 |
| | | U007_S002 | 24 |
| B1816789 | LINK:SIDE FENCE:PAPER SIZE SENSOR | U007_S001 | 25 |
| | | U007_S002 | 25 |
| B1817007 | BRACKET:LEVER | U020_S001 | 100 |
| B1817037 | SHAFT:KNOB | U020_S001 | 101 |
| B1986407 | DECAL:VERMONT:2 | U009 | 140 |
| B2231497 | PCB:APC1:OP-L:SUB-ASS'Y | U002_S001 | 6 |
| B2231518 | KEYTOP - BLANK FB | U002_S001 | 7 |
| B2231520 | KEYTOP - CLEAR/STOP | U002_S001 | 8 |
| B2231528 | KEYTOP - COPY NA | U002_S001 | 9 |
| B2231529 | KEYTOP - DOC NA | U002_S001 | 10 |
| B2231531 | KEYTOP:PRINTER:NA | U002_S001 | 11 |
| B2231532 | KEYTOP:SCANNER:NA | U002_S001 | 12 |
| B2231533 | KEYTOP:FUNCTION:NA | U002_S001 | 13 |
| B2232873 | DECAL:SIDE FENCE:REAR | U007_S001_S002 | 26 |
| | | U007_S002_S002 | 26 |
| B2342624 | BALL BEARING - 8X12X5 | U009 | 141 |
| B2342864 | PAD:CLEANER | U007_S001_S001 | 27 |
| | | U007_S001_S002 | 27 |
| | | U007_S002_S001 | 27 |
| | | U007_S002_S002 | 27 |
| B2346490 | SIDE FENCE:REAR:ASS'Y | U007_S001_S002 | 28 |
| | | U007_S002_S002 | 28 |
| B2346612 | END FENCE - FRONT | U006_S002 | 88 |
| B2346616 | TANDEM LCT UNIT - LEFT | U006_S001 | 89 |
| B2346625 | END FENCE - REAR | U006_S002 | 90 |
| B2346680 | BASE:TANDEM LCT:RIGHT:ADHESION | U006_S002_S002 | 91 |
| B2346686 | SIDE FENCE - RIGHT FRONT | U006_S002_S003 | 92 |
| B2346691 | SIDE FENCE:TANDEM LCT:RIGHT:ASS'Y | U006_S002_S004 | 93 |

Exclusive Parts

| Number | Part Name | Group | ID |
|----------|---|----------------|-----|
| B2347540 | TRAY BOTTOM PLATE:LEFT FRONT | U006_S001 | 94 |
| B2348510 | DECAL:SIZE INDICATION:MULTI-LANGUAGE:C3 | ACCESSORIES | 10 |
| B2371544 | SHEET:DATA:DISPLAY:PLAIN | U002 | 14 |
| B2381504 | KEYTOP - START | U002_S001 | 15 |
| B2381506 | KEYTOP - TRY PRINT | U002_S001 | 16 |
| B2381511 | KEYTOP - COUNTER | U002_S001 | 17 |
| B2381534 | LCD SPACER A | U002_S001 | 18 |
| B2381535 | LCD SPACER B | U002_S001 | 19 |
| B2381547 | SPACER - KEYTOP | U002_S001 | 20 |
| B2381549 | KEYTOP - POWER SOURCE | U002_S001 | 21 |
| B2381550 | KEYTOP - LOGIN | U002_S001 | 22 |
| B2381552 | KEYTOP - KANTAN | U002_S001 | 23 |
| B2473340 | FILTER:DEVELOPMENT | U011_S003 | 16 |
| | | U012_S001_S002 | 14 |
| | | U012_S002_S002 | 14 |
| | | U012_S003_S002 | 14 |
| B2474455 | COMPRESSION SPRING | U020 | 102 |
| B2474456 | SPRING - LOWER EXIT ROLLER | U020_S001 | 103 |
| B2474624 | ROLLER:DRIVEN:DUPLEX | U019_S001 | 127 |
| B2474673 | SHAFT:LEVER:RELEASE | U019_S001 | 128 |
| B2474812 | ROLLER:TRANSPORT:DRIVEN:LEFT:RIGHT | U019_S001 | 129 |
| B2474813 | ROLLER:REVERSAL:DRIVE | U019_S001 | 130 |
| B2474815 | COMPRESSION SPRING | U019_S001 | 131 |
| B2474817 | COMPRESSION SPRING | U019_S001 | 132 |
| B2474825 | ROLLER:DRIVE:LEFT | U019_S001 | 133 |
| B2476174 | BRACKET:POSITIONING:PAPER TRAY:ASS'Y | U024 | 162 |
| B2476335 | SIDE PLATE:REAR:PAPER FEED UNIT:ASS'Y | U008_S001 | 98 |
| | | U008_S002 | 98 |
| | | U008_S003 | 98 |
| B2476366 | BRACKET:DRIVE | U008_S001 | 99 |
| | | U008_S002 | 99 |
| | | U008_S003 | 99 |
| B2476426 | LEVER:RELEASE:VERTICAL TRANSPORT | U008_S004 | 100 |

| Number | Part Name | Group | ID |
|----------|----------------------------------|-----------|-----|
| B2476430 | COVER:RELEASE:VERTICAL TRANSPORT | U008_S004 | 101 |
| B2476632 | PAPER TRAY COVER - LONG | U007 | 29 |
| B2476633 | PAPER TRAY COVER - SHORT | U007 | 30 |
| B2476634 | GRIP - PAPER TRAY COVER | U006 | 95 |
| | | U007 | 31 |
| B2476672 | GUIDE:INTERLOCK:TANDEM LCT | U006_S002 | 96 |
| B2476695 | GUIDE:MISFEED REMOVAL:PAPER TRAY | U006_S002 | 97 |
| | | U007_S001 | 32 |
| | | U007_S002 | 32 |
| B2476753 | LOCK SPRING - LARGE | U024 | 163 |
| B2476754 | LOCK SPRING - SMALL | U024 | 164 |
| B2476781 | BASE:SLIDE RAIL:NO.2:PEEN | U024 | 165 |
| B2476783 | BASE:SLIDE RAIL:NO.3:PEEN | U024 | 166 |
| B2476901 | OIL DAMPER:FALL | U006_S002 | 98 |
| B2476950 | SHAFT:SLIDER:BACK FENCE | U006_S001 | 99 |
| B2476951 | BRACKET:PULLEY:DRIVEN:ASS'Y | U006_S001 | 100 |
| B2476970 | BASE:TANDEM LCT:LEFT:ASS'Y | U006_S001 | 101 |
| B2476982 | STEPPED SCREW - M5 | U008_S004 | 102 |
| B2591131 | SCREW:PCU | U023 | 57 |
| B3011155 | SEPARATION SUPPORT PAD | U003_S001 | 76 |
| B3012141 | PULLEY - 39Z | U003_S001 | 77 |
| B4771161 | RIGHT FRAME STAY | U003_S001 | 79 |
| B4771171 | ARM SHAFT | U003_S001 | 80 |
| B4771181 | SENSOR BRACKET | U003_S001 | 81 |
| B4771185 | SENSOR FEELER | U003_S001 | 82 |
| B4771191 | FRONT LEFT STOPPER | U003_S001 | 83 |
| B4771791 | PAPER FEED COVER | U003_S001 | 84 |
| B4771821 | PAPER FEED COVER GRIP | U003_S001 | 85 |
| B4771825 | PAPER FEED RELEASE LEVER | U003_S001 | 86 |
| B4771831 | GRIP SHAFT | U003_S001 | 87 |
| B4771841 | FRONT COVER BRACKET | U003_S001 | 88 |
| B4771851 | REAR COVER BRACKET | U003_S001 | 89 |
| B4772145 | GUIDE BRACKET | U003_S001 | 90 |
| B4772151 | SEPARATION CAP | U003_S001 | 91 |
| B4772172 | FRONT ENTRANCE GUIDE | U003_S001 | 92 |
| B4772182 | REAR ENTRANCE GUIDE | U003_S001 | 93 |
| B4772191 | SEPARATION SHAFT | U003_S001 | 94 |

Exclusive Parts

| Number | Part Name | Group | ID |
|----------|--------------------------------|----------------|-----|
| B4772222 | PICK-UP ROLLER BRACKET | U003_S001 | 95 |
| B4772225 | PICK-UP ROLLER | U003_S001 | 96 |
| B4772227 | PICKUP ROLLER:COUPLING | U003_S001 | 97 |
| B4772231 | PICK-UP ROLLER LEVER | U003_S001 | 98 |
| B4772244 | STOPPER:SHAFT:SEPARATION | U003_S001 | 99 |
| B4772263 | CUSHION | U003_S001_S001 | 100 |
| B4772264 | BASE CUSHION SHEET | U003_S001_S001 | 101 |
| B4772281 | ORIGINAL SENSOR BRACKET | U003_S001 | 102 |
| B4772323 | LEVER:RISE:BASE | U003_S001 | 103 |
| B4772347 | GUIDE:PAPER FEED:UPPER | U003_S001 | 264 |
| B4772372 | DRIVEN PAPER FEED ROLLER | U003_S001 | 105 |
| B4772495 | PAPER FEED SENSOR BRACKET | U003_S001 | 106 |
| B4772561 | ENTRANCE SCANNING BASE | U003_S001 | 107 |
| B4772574 | ARM:ROLLER:SCANNING:ENTRANCE | U003_S001 | 108 |
| B4772575 | ENTRANCE SCANNING ROLLER SHAFT | U003_S001 | 109 |
| B4772581 | ENTRANCE SCANNING GUIDE | U003_S001 | 110 |
| B4772622 | DISCHARGE BRUSH:L11 | U003_S001 | 111 |
| B4772636 | DRIVEN EXIT SCANNING ROLLER | U003_S001 | 112 |
| B4772637 | DRIVEN EXIT ARM | U003_S001 | 113 |
| B4772665 | REGISTRATION SENSOR BRACKET | U003_S001 | 114 |
| B4772715 | PRESSURE PLATE TAPE | U003_S001 | 115 |
| B4772811 | DRIVE EXIT ROLLER | U003_S001 | 116 |
| B4772826 | DISCHARGE BRUSH:EXIT | U003_S001 | 117 |
| B4772861 | DRIVEN EXIT ROLLER | U003_S001 | 118 |
| B4772872 | EXIT ARM | U003_S001 | 119 |
| B4773111 | PAPER FEED MOTOR BRACKET | U003_S001 | 120 |
| B4773115 | PAPER FEED MOTOR STAY | U003_S001 | 121 |
| B4773123 | GEAR - 24Z | U003_S001 | 122 |
| B4773144 | GEAR:Z20/T21:INPUT:REAR | U003_S001 | 123 |
| B4773145 | PULLEY | U003_S001 | 124 |
| B4773147 | GEAR:Z23:INPUT:FRONT | U003_S001 | 125 |
| B4773151 | GEAR - 31Z | U003_S001 | 126 |
| B4773177 | PULLEY | U003_S001 | 127 |
| B4773217 | PULLEY | U003_S001 | 128 |
| B4773241 | GEAR - 21Z | U003_S001 | 129 |

| Number | Part Name | Group | ID |
|----------|-----------------------------------|---------------|-----|
| B4773251 | PICK-UP ROLLER CAM | U003_S001 | 130 |
| B4773711 | PAPER FEED MOTOR - DC 7.4W | U003_S001 | 131 |
| B4773721 | SCANNING MOTOR- DC 7.4W | U003_S001 | 132 |
| B4774111 | SPRING | U003_S001 | 133 |
| B4774117 | SPRING | U003_S001 | 134 |
| B4774129 | SPRING - 12N | U003_S001 | 135 |
| B4774131 | SPRING | U003_S001 | 136 |
| B4774921 | CLAMP | U003_S001 | 137 |
| B6455010 | SD Card | SPECIAL TOOLS | 5 |
| B6456700 | PCMCIA Card Adapter | SPECIAL TOOLS | 6 |
| B6456800 | USB Reader/Writer | SPECIAL TOOLS | 7 |
| B6521132 | TENSION SPRING | U003_S001 | 138 |
| B6521133 | SHAFT:SLIDER | U003_S001 | 139 |
| B6521134 | COMPRESSION SPRING | U003_S001 | 140 |
| B6521136 | COMPRESSION SPRING | U003_S001 | 141 |
| B6521141 | ADJUSTING PIN:TRANSPORT BELT UNIT | U003_S001 | 142 |
| B6521152 | STAY:FRAME:LEFT | U003_S001 | 78 |
| B6521613 | TIMING BELT:B60S2M212 | U003_S001 | 143 |
| B6521633 | SPACER:REVERSE ROLLER:REAR | U003_S001 | 144 |
| B6521643 | TIMING BELT:B40S3M186 | U003_S001 | 145 |
| B6521673 | TIMING BELT:B40S3M180 | U003_S001 | 146 |
| B6521674 | TIMING BELT:B40S2M170 | U003_S001 | 147 |
| B6521773 | TIMING BELT:B40S2M178 | U003_S001 | 148 |
| B6521816 | LINK:STOPPER:COVER:PAPER FEED | U003_S001 | 149 |
| B6521822 | BRACKET:PRESSURE:PICKUP | U003_S001 | 150 |
| B6521823 | PRESSURE PLATE:PICKUP | U003_S001 | 151 |
| B6521824 | COMPRESSION SPRING | U003_S001 | 152 |
| B6521902 | COVER:FRONT | U003_S001 | 153 |
| B6521952 | COVER:REAR | U003_S001 | 154 |
| B6522146 | HOLDER:SEPARATION PAD | U003_S001 | 155 |
| B6522213 | TIMING BELT:B40S2M142 | U003_S001 | 156 |
| B6522215 | GUIDE:PAPER FEED BELT:FRONT | U003_S001 | 157 |
| B6522376 | ORIGINAL TABLE:FACE FRONT | U003_S001 | 158 |
| B6522379 | DECAL:CAUTION:ORIGINAL:5-LAN | ACCESSORIES | 11 |
| B6522392 | STOPPER:ORIGINAL TABLE | U003_S001 | 159 |

Exclusive Parts

| Number | Part Name | Group | ID |
|----------|--------------------------------------|---------------|-----|
| B6522393 | COMPRESSION SPRING | U003_S001 | 160 |
| B6522411 | ROLLER:SCANNING:ENTRANCE:DRIVE | U003_S001 | 161 |
| B6522421 | ROLLER:SCANNING:EXIT:DRIVE | U003_S001 | 162 |
| B6522471 | GUIDE PLATE:SCANNING:ENTRANCE | U003_S001 | 163 |
| B6522516 | DISCHARGE BRUSH:EXIT:L45 | U003_S001 | 273 |
| B6523116 | GUIDE:TRANSPORT BELT:FRONT | U003_S001 | 164 |
| B6523117 | GUIDE:TRANSPORT BELT:REAR | U003_S001 | 165 |
| B6523119 | STOPPER:ROLLER:DRIVE | U003_S001 | 166 |
| B6523121 | TRANSPORT BELT | U003_S001 | 167 |
| B6523125 | COMPRESSION SPRING | U003_S001 | 169 |
| B6523129 | BRACKET:ROLLER:DRIVEN:TRANSPORT BELT | U003_S001 | 265 |
| B6523135 | TIMING BELT:B60S2M172 | U003_S001 | 170 |
| B6523136 | COVER:ROLLER:SCANNING:PEEN | U003_S001 | 171 |
| B6523148 | HOOK:LOCK:IMAGE READING UNIT:FRONT | U003_S001 | 172 |
| B6523156 | SPACER:TRANSPORT BELT | U003_S001 | 173 |
| B6523174 | TENSION SPRING | U003_S001 | 174 |
| B6524519 | ROLLER:SCANNING:EXIT:DRIVEN | U003_S001 | 175 |
| B7004428 | TIMING BELT:B40S2M158 | U003_S001 | 176 |
| B7005805 | STEPPER MOTOR:PM:S2M:T15:ASSY | U003_S001 | 177 |
| B7125605 | GRIP:APPLICATION | U004 | 81 |
| | | U013_S001 | 44 |
| | | U022 | 70 |
| B7144151 | RAIL:SIDE FENCE | U003_S001 | 262 |
| BC012008 | EXPOSURE GLASS | U004 | 82 |
| C2693957 | TIMING BELT:S2M200 | U003_S001 | 178 |
| C4019503 | 20X Magnification Scope | SPECIAL TOOLS | 8 |
| D0091486 | INVERTOR:TFT | U002_S001 | 24 |
| D0091487 | CABLE:FFC:TFT:LCD | U002_S001 | 25 |
| D0091488 | TOUCH PANEL:W-VGA:MA | U002_S001 | 26 |
| D0091504 | SHADEING PLATE:TOUCH PANEL | U002_S001 | 28 |
| D0141011 | SIDE PLATE:FRONT RIGHT:PEEN | U024 | 167 |
| D0141018 | BRACKET:STAY:DUCT:HORIZONTAL | U024 | 168 |

| Number | Part Name | Group | ID |
|----------|--|-----------|-----|
| D0141020 | BRACKET:CONNECTOR | U024 | 169 |
| D0141127 | STUD:MANUAL FEED:REAR | U024 | 170 |
| D0141150 | BRACKET:KNOB:FUSING | U024 | 171 |
| D0141156 | SHAFT:KNOB:FUSING | U024 | 172 |
| D0141182 | INNER COVER:LEFT | U001_S001 | 42 |
| D0141200 | INNER COVER:MIDDLE | U001 | 43 |
| D0141238 | DRUM STAY:AROUND THE PHOTO CONDUCTOR:SUB-ASS'Y | U024_S001 | 173 |
| D0141248 | PLATE:LEVER:DRUM STAY:LEFT | U024 | 174 |
| D0141251 | DRUM SHAFT | U021 | 53 |
| D0141255 | DC MOTOR:DC24V:9W | U021 | 54 |
| D0141261 | GEAR:60Z/47T | U021 | 55 |
| D0141265 | BRACKET:DC MOTOR | U021 | 56 |
| D0141267 | HOLDER:DRIVE UNIT | U021 | 57 |
| D0141270 | BRACKET:DRIVE UNIT | U021 | 58 |
| D0141275 | BRACKET:AUXILIARY:DRIVE UNIT | U021 | 59 |
| D0141276 | BRACKET:TIGHTENER | U021 | 60 |
| D0141279 | PULLEY:27T | U021 | 61 |
| D0141280 | SHAFT:DRIVE:DEVELOPMENT UNIT | U021 | 62 |
| D0141285 | SHAFT:DRIVE:TRANSPORT SCREW | U021 | 63 |
| D0141300 | DRIVE UNIT:TRANSFER BELT | U021 | 64 |
| D0141326 | SHAFT:DRIVE:TRANSFER | U021 | 65 |
| D0141328 | STUD:BRACKET | U021 | 66 |
| D0141331 | SHAFT:DRIVE:CLEANING | U021 | 67 |
| D0141334 | BRACKET:BRUSHLESS MOTOR | U021 | 68 |
| D0141338 | BRACKET:PLATE | U021 | 69 |
| D0141343 | TONER RECYCLING UNIT | U021 | 70 |
| D0141344 | HOLDER:DRIVE UNIT | U021 | 71 |
| D0141345 | SHAFT:HORIZONTAL | U021_S001 | 72 |
| D0141346 | JOINT:UNIVERSAL | U021_S001 | 80 |
| D0141350 | HOLDER:TONER RECYCLING UNIT | U021 | 73 |
| D0141351 | COVER:TONER RECYCLING UNIT:SHAFT | U021 | 74 |
| D0141352 | COVER:GEAR:USED TONER:SIDE | U024 | 175 |
| D0141371 | GEAR:80Z/30T | U021 | 75 |

Exclusive Parts

| Number | Part Name | Group | ID |
|----------|-----------------------------------|-----------|-----|
| D0141372 | GEAR:86Z | U021 | 76 |
| D0141380 | BRACKET:DRIVE:FUSING UNIT | U021 | 77 |
| D0141450 | OPERATION PANEL BRACKET | U001 | 44 |
| D0141453 | BRACKET:HARNESS:OPERATION PANEL | U001 | 45 |
| D0141455 | HINGE:DOOR:UPPER | U001 | 46 |
| D0141463 | BRACKET:HINGE:DOOR | U001 | 47 |
| D0141466 | HINGE:DOOR:LOWER:ASS'Y | U001 | 48 |
| D0141500 | SEAL:COVER:REAR MIDDLE | U001 | 49 |
| D0141501 | DOOR:FRONT | U001 | 50 |
| D0141505 | COVER:RIGHT MIDDLE | U001 | 51 |
| D0141509 | COVER:LEFT LOWER | U001 | 52 |
| D0141510 | COVER:REAR LOWER | U001 | 53 |
| D0141511 | COVER:FILTER:REAR LOWER | U001 | 54 |
| D0141512 | COVER:CABLE:AC POWER SUPPLY | U001 | 55 |
| D0141514 | COVER:CONNECTOR:KEY COUNTER | U024 | 176 |
| D0141560 | DECAL:TONER SUPPLY | U001 | 56 |
| D0141570 | DECAL:CAUTION:PULL OUT:INNER BACK | U001 | 57 |
| D0141667 | FRAME:REAR | U004 | 83 |
| D0141677 | COVER:SIOB | U004 | 84 |
| D0141681 | SPRING PLATE:COVER:SIOB | U004 | 85 |
| D0141682 | SHEET:COVER:SIOB | U004 | 86 |
| D0141703 | STEPPER MOTOR:DC1.98V 7.13W | U004 | 87 |
| D0141722 | BRACKET:TENSION:INNER BACK:PEEN | U004 | 88 |
| D0141744 | GASKET:MM10X20 | U004 | 89 |
| D0141747 | GASKET:COVER:SHAFT | U004 | 90 |
| D0141748 | GASKET:SHADING PLATE | U004 | 91 |
| D0141751 | CARRIAGE:NO.1 | U004_S002 | 92 |
| D0141861 | BRACKET:ORIGINAL SENSOR | U004 | 93 |
| D0141876 | FILTER:SCANNER | U004 | 94 |
| D0141899 | SPRING PLATE:EARTH:SCANNER UNIT | U004 | 95 |
| D0142196 | GASKET:7X10:50MM | U024 | 177 |
| D0142269 | SEAL - DISCHARGE USED TONER | U011 | 17 |

| Number | Part Name | Group | ID |
|----------|----------------------------|-----------|----|
| | | U012_S001 | 15 |
| | | U012_S002 | 15 |
| | | U012_S003 | 15 |
| D0142270 | SHIELD - FRONT MIDDLE CASE | U011 | 18 |
| | | U012_S001 | 16 |
| | | U012_S002 | 16 |
| | | U012_S003 | 16 |
| D0142271 | FRONT SEAL - DUCT | U011 | 19 |
| | | U012_S001 | 17 |
| | | U012_S002 | 17 |
| | | U012_S003 | 17 |
| D0142276 | SEAL - TONER RECYCLING | U011 | 20 |
| | | U012_S001 | 18 |
| | | U012_S002 | 18 |
| | | U012_S003 | 18 |
| D0142277 | LEVER - PCU | U011 | 21 |
| | | U012_S001 | 19 |
| | | U012_S002 | 19 |
| | | U012_S003 | 19 |
| D0142278 | DISCHARGE LAMP:LED ARRAY | U011 | 22 |
| | | U012_S001 | 20 |
| | | U012_S002 | 20 |
| | | U012_S003 | 20 |
| D0142279 | SEAL - FRONT FRAME | U011 | 23 |
| | | U012_S001 | 21 |
| | | U012_S002 | 21 |
| | | U012_S003 | 21 |
| D0142286 | GEAR - 23Z | U011 | 24 |
| | | U012_S001 | 22 |
| | | U012_S002 | 22 |
| | | U012_S003 | 22 |
| D0142287 | SEAL - REAR FRAME | U011 | 25 |
| | | U012_S001 | 23 |
| | | U012_S002 | 23 |
| | | U012_S003 | 23 |
| D0142288 | REAR SEAL - FRAME | U011 | 26 |
| | | U012_S001 | 24 |
| | | U012_S002 | 24 |

Exclusive Parts

| Number | Part Name | Group | ID |
|-----------------|-----------------------------|------------------|------------|
| | | U012_S003 | 24 |
| D0142297 | SEAL - BLADE HOLDER | U011 | 27 |
| | | U012_S001 | 25 |
| | | U012_S002 | 25 |
| | | U012_S003 | 25 |
| D0142299 | SEAL - BLADE BRACKET | U011 | 28 |
| | | U012_S001 | 26 |
| | | U012_S002 | 26 |
| | | U012_S003 | 26 |
| D0142300 | RAER SEAL - BLADE BRACKET | U011 | 29 |
| | | U012_S001 | 27 |
| | | U012_S002 | 27 |
| | | U012_S003 | 27 |
| D0142301 | FRONT SEAL - BLADE BRACKET | U011 | 30 |
| | | U012_S001 | 28 |
| | | U012_S002 | 28 |
| | | U012_S003 | 28 |
| D0142302 | BUSHING:BLADE:REAR | U011 | 31 |
| | | U012_S001 | 29 |
| | | U012_S002 | 29 |
| | | U012_S003 | 29 |
| D0142303 | BUSHING:BLADE:FRONT | U011 | 32 |
| | | U012_S001 | 30 |
| | | U012_S002 | 30 |
| | | U012_S003 | 30 |
| D0142305 | COMPRESSION SPRING - BLADE | U011 | 33 |
| | | U012_S001 | 31 |
| | | U012_S002 | 31 |
| | | U012_S003 | 31 |
| D0142306 | SPRING HOLDER | U011 | 34 |
| | | U012_S001 | 32 |
| | | U012_S002 | 32 |
| | | U012_S003 | 32 |
| D0142307 | SPRING:EARTH:BRUSH ROLLER | U011 | 35 |
| | | U012_S001 | 33 |
| | | U012_S002 | 33 |
| | | U012_S003 | 33 |
| D0142314 | STAY:PCU:RIGHT:ASS'Y | U011_S001 | 109 |

| Number | Part Name | Group | ID |
|----------|------------------------------|-----------------------|-----------|
| | | U012_S001_S001 | 82 |
| | | U012_S002_S001 | 82 |
| | | U012_S003_S001 | 82 |
| D0142321 | COATING BAR | U011 | 36 |
| | | U012_S001 | 34 |
| | | U012_S002 | 34 |
| | | U012_S003 | 34 |
| D0142324 | ARM - COATING BAR | U011 | 37 |
| | | U012_S001 | 35 |
| | | U012_S002 | 35 |
| | | U012_S003 | 35 |
| D0142325 | TENSION SPRING - COATING BAR | U011 | 38 |
| D0142326 | TENSION SPRING - COATING BAR | U012_S001 | 36 |
| | | U012_S002 | 36 |
| | | U012_S003 | 36 |
| D0142327 | BRACKET - COATING BAR | U011 | 39 |
| | | U012_S001 | 37 |
| | | U012_S002 | 37 |
| | | U012_S003 | 37 |
| D0142328 | SEAL - COATING BAR BRACKET | U011 | 40 |
| | | U011_S001 | 40 |
| | | U012_S001 | 38 |
| | | U012_S001_S001 | 38 |
| | | U012_S002 | 38 |
| | | U012_S002_S001 | 38 |
| | | U012_S003 | 38 |
| | | U012_S003_S001 | 38 |
| D0142333 | GEAR - 17Z | U011 | 41 |
| | | U012_S001 | 39 |
| | | U012_S002 | 39 |
| | | U012_S003 | 39 |
| D0142335 | BRUSH ROLLER - APPLY | U011 | 42 |
| | | U012_S001 | 40 |
| | | U012_S002 | 40 |
| | | U012_S003 | 40 |
| D0142337 | GEAR - 27Z | U011 | 43 |
| | | U012_S001 | 41 |
| | | U012_S002 | 41 |

Exclusive Parts

| Number | Part Name | Group | ID |
|----------|----------------------------------|-----------|----|
| | | U012_S003 | 41 |
| D0142345 | IDLER GEAR - 23Z | U011 | 44 |
| | | U012_S001 | 42 |
| | | U012_S002 | 42 |
| | | U012_S003 | 42 |
| | | | |
| D0142346 | IDLER GEAR - 22Z | U011 | 45 |
| | | U012_S001 | 43 |
| | | U012_S002 | 43 |
| | | U012_S003 | 43 |
| D0142347 | GROUND PLATE - BRUSH ROLLER | U011 | 46 |
| | | U012_S001 | 44 |
| | | U012_S002 | 44 |
| | | U012_S003 | 44 |
| D0142349 | RIGHT SEAL - COATING BAR BRACKET | U011 | 47 |
| | | U012_S001 | 45 |
| | | U012_S002 | 45 |
| | | U012_S003 | 45 |
| D0142352 | CLEANING BLADE | U011 | 48 |
| | | U012_S001 | 46 |
| | | U012_S002 | 46 |
| | | U012_S003 | 46 |
| D0142365 | STAYC - PCU RAIL | U011 | 49 |
| | | U012_S001 | 47 |
| | | U012_S002 | 47 |
| | | U012_S003 | 47 |
| D0142368 | CLEANING BLADE:APPLY | U011 | 50 |
| | | U012_S001 | 48 |
| | | U012_S002 | 48 |
| | | U012_S003 | 48 |
| D0142371 | FRONT SEAL - BLADE GUIDE PLATE | U011 | 51 |
| | | U012_S001 | 49 |
| | | U012_S002 | 49 |
| | | U012_S003 | 49 |
| D0142374 | REAR SEAL - BLADE GUIDE PLATE | U011 | 52 |
| | | U012_S001 | 50 |
| | | U012_S002 | 50 |
| | | U012_S003 | 50 |
| D0142376 | SHEET:DISCHARGE LAMP | U011 | 53 |

| Number | Part Name | Group | ID |
|----------|----------------------------------|-----------|----|
| | | U012_S001 | 51 |
| | | U012_S002 | 51 |
| | | U012_S003 | 51 |
| D0142377 | UPPER SEAL - BLADE GUIDE PLATE | U011 | 54 |
| | | U012_S001 | 52 |
| | | U012_S002 | 52 |
| | | U012_S003 | 52 |
| D0142380 | COMPRESSION SPRING - DRUM | U011 | 55 |
| | | U012_S001 | 53 |
| | | U012_S002 | 53 |
| | | U012_S003 | 53 |
| D0142393 | END BLOCK:FRONT | U011_S002 | 56 |
| D0142395 | END BLOCK:REAR | U011_S002 | 57 |
| D0142396 | HOLDER:CORONA WIRE | U011_S002 | 58 |
| D0142397 | COVER:END BLOCK:FRONT | U011_S002 | 59 |
| D0142398 | COVER:END BLOCK:REAR | U011_S002 | 60 |
| D0142400 | HOLDER:GRID | U011_S002 | 61 |
| D0142401 | SPRING:TERMINAL | U011_S002 | 62 |
| D0142404 | ELECTRODE PLATE:CASE | U011_S002 | 63 |
| D0142405 | ELECTRODE PLATE:SCREW SHAFT | U011_S002 | 64 |
| D0142406 | CUSHION:WIRE:T1.5 | U011_S002 | 65 |
| D0142407 | CLEANER:GRID:ASS'Y | U011_S002 | 66 |
| D0142410 | CLEANER:CORONA WIRE:ASS'Y | U011_S002 | 67 |
| D0142414 | SCREW SHAFT:CHARGE CORONA | U011_S002 | 68 |
| D0142415 | SLIDER:CLEANER:CHARGE CORONA | U011_S002 | 69 |
| D0142416 | CUSHION:SPACER | U011_S002 | 70 |
| D0142417 | HOLDER:SCREW SHAFT | U011_S002 | 71 |
| D0142418 | WASHER:GRID | U011_S002 | 72 |
| D0142419 | GEAR:11Z | U011_S002 | 73 |
| | | U023_S006 | 58 |
| D0142421 | DOCT COVER - CHARGE CORONA | U011 | 74 |
| D0142422 | DUCT- CHARGE CORONA | U011 | 75 |
| D0142425 | GUIDE PLATE - CHARGE CORONA DUCT | U011 | 76 |
| D0142428 | DUCT SEAL - CHARGE CORONA | U011 | 77 |
| D0142430 | SHEET:COVER:FRONT | U011_S002 | 78 |

Exclusive Parts

| Number | Part Name | Group | ID |
|----------|------------------------------------|-----------|-----|
| D0142432 | RIGHT MIDDLE SEAL - BAR BRACKET | U011 | 79 |
| | | U012_S001 | 54 |
| | | U012_S002 | 54 |
| | | U012_S003 | 54 |
| D0142433 | SEAL - BLADE GUIDE PLATE | U011 | 80 |
| | | U012_S001 | 55 |
| | | U012_S002 | 55 |
| | | U012_S003 | 55 |
| D0142434 | CORONA WIRE:CHARGE CORONA | U011_S002 | 81 |
| D0142435 | TENSION SPRING:CORONA WIRE | U011_S002 | 82 |
| D0142436 | SEAL:BLADE:APPLY:FRONT | U011 | 83 |
| | | U012_S001 | 56 |
| | | U012_S002 | 56 |
| | | U012_S003 | 56 |
| D0142437 | SEAL:BLADE:APPLY:FRONT MIDDLE | U011 | 84 |
| | | U012_S001 | 57 |
| | | U012_S002 | 57 |
| | | U012_S003 | 57 |
| D0142438 | SEAL:BLADE:APPLY:REAR | U011 | 85 |
| | | U012_S001 | 58 |
| | | U012_S002 | 58 |
| | | U012_S003 | 58 |
| D0142439 | SEAL:BLADE:APPLY:REAR MIDDLE | U011 | 86 |
| | | U012_S001 | 59 |
| | | U012_S002 | 59 |
| | | U012_S003 | 59 |
| D0142457 | SHIELD:CASE:REAR:COLOR | U012_S001 | 60 |
| | | U012_S002 | 60 |
| | | U012_S003 | 60 |
| D0142460 | SHIELD:CASE:REAR:K | U011 | 87 |
| D0142461 | DRUM STAY:BRUSH ROLLER:COLOR:ASS'Y | U012_S001 | 61 |
| | | U012_S002 | 61 |
| | | U012_S003 | 61 |
| D0142463 | DRUM STAY:BRUSH ROLLER:K:ASS'Y | U011 | 108 |
| D0142465 | JOINT:CLEANING UNIT | U011 | 88 |
| | | U012_S001 | 62 |
| | | U012_S002 | 62 |

| Number | Part Name | Group | ID |
|----------|---|----------------|-----|
| | | U012_S003 | 62 |
| D0142474 | SEAL:FRAME:FRONT LEFT | U011 | 89 |
| | | U012_S001 | 63 |
| | | U012_S002 | 63 |
| | | U012_S003 | 63 |
| D0142479 | COVER:DISCHARGE LAMP | U011 | 90 |
| | | U012_S001 | 64 |
| | | U012_S002 | 64 |
| | | U012_S003 | 64 |
| D0142602 | BRACKET:REMOVE PAPER DUST:ASS'Y | U009 | 142 |
| D0142610 | REGISTRATION GUIDE:LOWER | U009 | 143 |
| D0142620 | BRACKET:REGISTRATION SENSOR | U009 | 144 |
| D0142631 | REGISTRATION GUIDE:UPPER | U009 | 145 |
| D0142636 | GUIDE PLATE:CONNECTING:RIGHT UPPER:ADHESION | U009 | 146 |
| D0142637 | GUIDE PLATE:CONNECTING:LCT | U024 | 178 |
| D0142662 | GUIDE PLATE:LCT:OPEN AND CLOSE | U024 | 179 |
| D0142669 | SIDE PLATE:OPEN AND CLOSE:REAR:PEEN | U009 | 147 |
| D0142800 | MANUAL PAPER FEED UNIT | U009_S001 | 148 |
| D0142810 | MANUAL FEED TABLE:ASS'Y | U009_S002 | 149 |
| D0142825 | GUIDE PLATE:SEPARATOR:ADHESION | U009_S001_S001 | 150 |
| D0142870 | FRICTION PAD:SIDE FENCE:FRONT | U009_S002 | 151 |
| D0143043 | FRONT STAY - PCU | U011 | 92 |
| | | U012_S001 | 66 |
| | | U012_S002 | 66 |
| | | U012_S003 | 66 |
| D0143044 | REAR STAY - PCU | U011 | 93 |
| | | U012_S001 | 67 |
| | | U012_S002 | 67 |
| | | U012_S003 | 67 |
| D0143135 | JOINT:DRIVE:DEVELOPMENT UNIT | ACCESSORIES | 12 |
| | | U011_S003 | 94 |

Exclusive Parts

| Number | Part Name | Group | ID |
|----------|---|----------------|-----|
| | | U012_S001_S002 | 68 |
| | | U012_S002_S002 | 68 |
| | | U012_S003_S002 | 68 |
| D0143136 | BRACKET:PLATE:JOINT | U011 | 95 |
| | | U012_S001 | 69 |
| | | U012_S002 | 69 |
| | | U012_S003 | 69 |
| D0143144 | ADJUSTING PIN:DEVELOPMENT | ACCESSORIES | 13 |
| D0143240 | COVER:DISCHARGE USED TONE R | U024 | 180 |
| D0143241 | SEAL:DISCHARGE USED TONER | U024 | 181 |
| D0143242 | SEAL:DISCHARGE USED TONER:LOWER | U024 | 182 |
| D0143261 | RECEPTACLE:DEVELOPMENT UNIT | U023 | 59 |
| D0143331 | BRACKET:CNB | U010_S001 | 71 |
| D0143340 | TONER CARTRIDGE UNIT:BLACK | U010_S001 | 72 |
| D0143341 | TONER CARTRIDGE UNIT:COLOR | U010_S001 | 73 |
| D0143359 | TONER SUPPLY UNIT:ASS'Y | U010_S001_S006 | 74 |
| | | U010_S001_S007 | 74 |
| | | U010_S001_S008 | 74 |
| | | U010_S001_S009 | 74 |
| D0143366 | SHAFT:MAGNETIC CLUTCH:DRIVE:TRANSPORT SCREW | U010_S001_S006 | 96 |
| | | U010_S001_S007 | 96 |
| | | U010_S001_S008 | 96 |
| | | U010_S001_S009 | 96 |
| D0143550 | CONNECTOR:1POLE | U023 | 60 |
| D0143553 | CLEANING DRAIVE UNIT:CHARGE | U023_S006 | 61 |
| D0143554 | HOUSING:CHARGE CORONA | U023_S006 | 62 |
| D0143558 | SHAFT:DRIVE:CLEANER:CHARGE CORONA | U023_S006 | 63 |
| D0143559 | GEAR:20Z | U023_S006 | 64 |
| D0143567 | DUCT:HORIZONTAL:PCU | U023 | 65 |
| D0143575 | DUCT:EXHAUST:COLOR | U023 | 66 |
| D0143583 | DUCT:EXHAUST:PCU | U023 | 67 |
| D0143584 | COVER:DUCT:EXHAUST | U023 | 68 |
| D0143585 | OZONE FILTER:BLACK | U023 | 69 |
| D0143586 | FILTER:PREVENTFENCE SHEET | U023 | 70 |

| Number | Part Name | Group | ID |
|----------|----------------------------------|-------------|-----|
| D0143587 | BRACKET:DUCT:EXHAUST | U023 | 71 |
| D0143588 | BRACKET:STAY:SIROCCO | U023 | 72 |
| D0143589 | LEVER:COVER:FILTER | U023 | 73 |
| D0143590 | SEAL:DUCT:EXHAUST | U023 | 74 |
| D0143591 | SPRING PLATE:COVER:FILTER | U023 | 75 |
| D0143592 | COVER:FILTER:BLACK | U023 | 76 |
| D0143595 | COVER:FILTER:COLOR | U023 | 77 |
| D0143598 | SPRING PLATE:DUCT:EXHAUST | U023 | 78 |
| D0143601 | DUCT:CONNECTING:FUSING UNIT | U023 | 79 |
| D0143607 | SIROCCO FAN MOTOR:DC24V 1.4 4W | U023 | 80 |
| D0143610 | DUCT:BLOWER:CHARGE CORONA | U023 | 81 |
| D0143611 | COVER:DUCT:BLOWER:CHARGE CORONA | U023 | 82 |
| D0143613 | DUCT:STAY:RIGHT | U023 | 83 |
| D0143616 | DUCT:CHARGE CORONA:SIDE | U023 | 84 |
| D0143624 | DUCT:PCU:SIDE PLATE:MAIN | U023 | 85 |
| D0143630 | DUCT:JOINT:PCU:COLOR | U023 | 86 |
| D0143635 | HUMIDITY CONTROL UNIT | U023_S007 | 87 |
| D0143643 | BRACKET:SENSOR:M | U024 | 183 |
| D0143644 | BRACKET:SENSOR:CYK | U024 | 184 |
| D0143646 | DC SOLENOID:ON-OFF | U024 | 185 |
| D0143655 | ELECTRIC POTENTIAL SENSOR | U024 | 186 |
| D0143656 | HOLDER:ELECTRIC POTENTIAL SENSOR | U024 | 187 |
| D0143657 | SHIELDING PLATE | U024 | 188 |
| D0143659 | DUCT:DRUM STAY:PCU | U024 | 189 |
| D0143661 | RELAY DUCT:BLACK:PCU | U023 | 88 |
| D0143664 | DUCT FILTER - CHARGE CORONA | U023 | 89 |
| D0143671 | DUCT:JOINT:PCU:M&K:LOWER | U023 | 90 |
| D0143672 | DUCT:JOINT:PCU:M&K:UPPER | U023 | 91 |
| D0143690 | HOLDER:PCU:VC2 | ACCESSORIES | 14 |
| D0143850 | PAPER TRANSPORT BELT UNIT | U017_S001 | 14 |
| D0144090 | FUSING BELT | U018_S001 | 92 |
| | | U018_S002 | 92 |
| D0144093 | FRONT STAY - FUSING UNIT | U018_S001 | 93 |
| | | U018_S002 | 93 |

Exclusive Parts

| Number | Part Name | Group | ID |
|----------|-----------------------------------|-----------|-----|
| D0144095 | REAR STAY - FUSING UNIT | U018_S001 | 94 |
| | | U018_S002 | 94 |
| D0144103 | STAY - UPPER | U018_S001 | 95 |
| | | U018_S002 | 95 |
| D0144127 | GUIDE PLATE - PAPER EXIT UNIT | U018_S001 | 96 |
| | | U018_S002 | 96 |
| D0144130 | GUIDE RING - HEAT ROLLER | U018_S001 | 97 |
| | | U018_S002 | 97 |
| D0144133 | FRONT POSITIONING PLATE | U018_S001 | 98 |
| | | U018_S002 | 98 |
| D0144134 | REAR POSITIONING PLATE | U018_S001 | 99 |
| | | U018_S002 | 99 |
| D0144136 | FRONT HEATER HOLDER - HEAT ROLLER | U018_S001 | 100 |
| | | U018_S002 | 100 |
| D0144138 | REAR HEATER HOLDER - HEAT ROLLER | U018_S001 | 101 |
| | | U018_S002 | 101 |
| D0144140 | FRONT LEVER - HEAT ROLLER | U018_S001 | 102 |
| | | U018_S002 | 102 |
| D0144141 | REAR LEVER - HEAT ROLLER | U018_S001 | 103 |
| | | U018_S002 | 103 |
| D0144148 | SPRING BRACKET - SEPARATION | U018_S001 | 104 |
| | | U018_S002 | 104 |
| D0144150 | BRACKET - EXIT UNIT | U018_S001 | 105 |
| | | U018_S002 | 105 |
| D0144151 | FRONT BRACKET - STRIPPER PLATE | U018_S001 | 106 |
| | | U018_S002 | 106 |
| D0144154 | REAR BRACKET - STRIPPER PLATE | U018_S001 | 107 |
| | | U018_S002 | 107 |
| D0144155 | FRONT LEVER - PAPER EXIT UNIT | U018_S001 | 108 |
| | | U018_S002 | 108 |
| D0144156 | REAR LEVER - PAPER EXIT UNIT | U018_S001 | 109 |
| | | U018_S002 | 109 |
| D0144158 | UPPER GUIDE PLATE - FUSING EXIT | U018_S001 | 110 |
| | | U018_S002 | 110 |
| D0144163 | REAR GUIDE PLATE - FUSING UNIT | U018_S001 | 111 |
| | | U018_S002 | 111 |
| D0144167 | ROLLER HOLDER - FUSING EXIT | U018_S001 | 112 |
| | | U018_S002 | 112 |

| Number | Part Name | Group | ID |
|----------|----------------------------------|-----------|-----|
| D0144175 | THERMOSTAT:HEAT ROLLER:WELDING | U018_S001 | 113 |
| | | U018_S002 | 113 |
| D0144188 | ADJUSTING PIN:HEAT ROLLER | U018_S001 | 114 |
| | | U018_S002 | 114 |
| D0144190 | STOPPER - THERMOSTAT | U018_S001 | 115 |
| | | U018_S002 | 115 |
| D0144191 | STOPPER PAD - THERMOSTAT | U018_S001 | 116 |
| | | U018_S002 | 116 |
| D0144194 | DRIVE HAFT | U018_S001 | 117 |
| | | U018_S002 | 117 |
| D0144201 | SIDE PLATE - LOWER FRONT | U018_S001 | 118 |
| | | U018_S002 | 118 |
| D0144202 | SIDE PLATE - LOWER REAR | U018_S001 | 119 |
| | | U018_S002 | 119 |
| D0144203 | STAY - LOWER | U018_S001 | 120 |
| | | U018_S002 | 120 |
| D0144204 | STAY - RIGHT LOWER | U018_S001 | 121 |
| | | U018_S002 | 121 |
| D0144225 | LEVER:PRESSURE:LOWER REAR:ASS'Y | U018_S001 | 122 |
| | | U018_S002 | 122 |
| D0144233 | PIN:CAM:LEVER:PRESSURE | U018_S001 | 123 |
| | | U018_S002 | 123 |
| D0144234 | ENTRANCE GUIDE PLATE - LOWER | U018_S001 | 124 |
| | | U018_S002 | 124 |
| D0144235 | HOUSING:THERMOSTAT:PRESS FIT | U018_S001 | 125 |
| | | U018_S002 | 125 |
| D0144236 | FRONT HEATER HOLDER - PRESSURE | U018_S001 | 126 |
| | | U018_S002 | 126 |
| D0144237 | REAR HEATER HOLDER - PRESSURE | U018_S001 | 127 |
| | | U018_S002 | 127 |
| D0144238 | BRACKET - HEAT ROLLER THERMISTOR | U018_S001 | 128 |
| | | U018_S002 | 128 |
| D0144239 | BRACKET - HOT ROLLER THERMISTOR | U018_S001 | 129 |
| | | U018_S002 | 129 |
| D0144240 | BRACKET - THERMISTOR:PRESSURE | U018_S001 | 130 |
| | | U018_S002 | 130 |
| D0144241 | BRACKET - DRAWER | U018_S001 | 131 |
| | | U018_S002 | 131 |

Exclusive Parts

| Number | Part Name | Group | ID |
|----------|------------------------------------|-----------|-----|
| D0144243 | RELAY TERMINAL | U018_S001 | 132 |
| | | U018_S002 | 132 |
| D0144247 | HOUSING - TEMPERATURE SENSOR | U018_S001 | 133 |
| | | U018_S002 | 133 |
| D0144249 | GUIDE PLATE:SHAFT:CAM:REAR | U018 | 134 |
| D0144250 | BRACKET - CLEANING ROLLER | U018_S001 | 135 |
| | | U018_S002 | 135 |
| D0144253 | FRONT SIDE PLATE - CLEANING ROLLER | U018_S001 | 136 |
| | | U018_S002 | 136 |
| D0144254 | REAR SIDE PLATE - CLEANING ROLLER | U018_S001 | 137 |
| | | U018_S002 | 137 |
| D0144257 | GUIDE - FUSING EXIT | U018_S001 | 138 |
| | | U018_S002 | 138 |
| D0144258 | BRACKET -PAPER FEED SENSOR | U018_S001 | 139 |
| | | U018_S002 | 139 |
| D0144259 | STAY:FUSING UNIT:REAR:EXIT | U018 | 140 |
| D0144260 | FEELER | U018 | 141 |
| D0144261 | SHAFT | U018 | 142 |
| D0144263 | BRACKET:SHAFT:CAM | U018 | 143 |
| D0144264 | BRACKET:PHOTOINTERRUPTOR | U018 | 144 |
| D0144269 | FRONT LOCK BRACKET - FUSING UNIT | U018_S001 | 145 |
| | | U018_S002 | 145 |
| D0144271 | REAR LOCK BRACKET - FUSING UNIT | U018_S001 | 146 |
| | | U018_S002 | 146 |
| D0144274 | GUIDE:HOOK:LOCK:FUSING UNIT | U018 | 147 |
| D0144275 | GUIDE:HOOK:LOCK:FUSING UNIT:REAR | U018 | 148 |
| D0144276 | HOOK:LOCK:FUSING UNIT | U018 | 149 |
| D0144277 | BRACKET:LOCK:FUSING UNIT | U018 | 150 |
| D0144281 | UPPER FRONT LEVER - PRESSURE | U018_S001 | 151 |
| | | U018_S002 | 151 |
| D0144282 | UPPER REAR LEVER - PRESSURE | U018_S001 | 152 |
| | | U018_S002 | 152 |
| D0144284 | LEVER:PRESSURE:LOWER FRONT:ASS'Y | U018_S001 | 153 |
| | | U018_S002 | 153 |
| D0144287 | PIN:LEVER:PRESSURE:CONTROL PLATE | U018_S001 | 154 |
| | | U018_S002 | 154 |
| D0144289 | LEVER:CONTROL PLATE:PRESSURE | U018_S001 | 155 |

| Number | Part Name | Group | ID |
|----------|--|-----------|-----|
| | RE | U018_S002 | 155 |
| D0144290 | HUB:PRESSURE STAND:M5 | U018_S001 | 156 |
| | | U018_S002 | 156 |
| D0144291 | HOLDER:ADJUSTING PIN:M5 | U018_S001 | 157 |
| | | U018_S002 | 157 |
| D0144292 | LEVER:CONTROL PLATE:PRESSURE:LINK:PEEN | U018_S001 | 158 |
| | | U018_S002 | 158 |
| D0144296 | STEPPED SCREW - M5 | U018_S001 | 159 |
| | | U018_S002 | 159 |
| D0144297 | CAM:ON-OFF:PRESSURE ROLLER | U018 | 160 |
| D0144300 | STRIPPER PLATE UNIT | U018_S001 | 161 |
| | | U018_S002 | 161 |
| D0144305 | FRONT POSITIONING PLATE - STRIPPER | U018_S001 | 162 |
| | | U018_S002 | 162 |
| D0144306 | REAR POSITIONING PLATE - STRIPPER | U018_S001 | 163 |
| | | U018_S002 | 163 |
| D0144307 | STAY - BRACKET | U018_S001 | 164 |
| | | U018_S002 | 164 |
| D0144309 | SPACER:HOUSING:THERMOSTAT:FRONT | U018_S001 | 165 |
| | | U018_S002 | 165 |
| D0144324 | FRONT LEVER - STRIPPER PLATE | U018_S001 | 166 |
| | | U018_S002 | 166 |
| D0144325 | REAR LEVER - STRIPPER PLATE | U018_S001 | 167 |
| | | U018_S002 | 167 |
| D0144327 | ROLLER - FUSING EXIT | U018_S001 | 168 |
| | | U018_S002 | 168 |
| D0144342 | SPACER:MAX | U018_S001 | 169 |
| | | U018_S002 | 169 |
| D0144343 | SPACER:MIN | U018_S001 | 170 |
| | | U018_S002 | 170 |
| D0144347 | GUIDE:FUSING EXIT:MIDDLE | U018_S001 | 171 |
| | | U018_S002 | 171 |
| D0144353 | DISCHARGE BRUSH:HEAT ROLLER:UPPER | U018_S001 | 172 |
| | | U018_S002 | 172 |
| D0144356 | GUIDE PLATE:FUSING EXIT:LOWER | U018_S001 | 173 |
| | | U018_S002 | 173 |
| D0144591 | RAIL:RIGHT:MACHINE OR COPIER:ASS'Y | U019 | 134 |

Exclusive Parts

| Number | Part Name | Group | ID |
|----------|--|-----------|-----|
| D0144729 | GROUND PLATE:SENSOR:DUPLE X | U019_S001 | 135 |
| D0144740 | DC SOLENOID:GATE PAWL | U019_S001 | 136 |
| D0144790 | BRACKET:DRAWER:32PIN | U019_S001 | 137 |
| D0144874 | GUIDE PLATE:JOGGER:UPPER | U019_S001 | 138 |
| D0145361 | POWER SUPPLY CORD:STOPPER: NA:ASS'Y:(for D081) | U022 | 71 |
| D0145364 | POWER SUPPLY CORD:STOPPER: NA:250V:ASS'Y:(for D082) | U022 | 72 |
| D0145425 | PCB:DTMB | U022 | 73 |
| D0145430 | PCB:DRB | U022 | 74 |
| D0145440 | PCB:CNB | U010_S001 | 75 |
| D0145465 | PAPER FEED BOARD | U022 | 75 |
| D0145816 | COVER - C/T BOX | U022_S001 | 76 |
| D0145818 | DECAL:CAPTION:INTERFACE | U022 | 77 |
| D0145865 | BRACKET:FINISHER | U022 | 78 |
| D0145869 | BRACKET:C/T BOX:LOWER | U022 | 79 |
| D0145952 | SUPPORTER:UPPER | U022 | 80 |
| D0145953 | SUPPORTER:LOWER | U022 | 81 |
| D0145960 | COVER:C/T BOX:WELDING | U022_S001 | 82 |
| D0145971 | BRACKET:CONTROL BOARD | U022 | 83 |
| D0145973 | COVER:SD-CARD | U022 | 84 |
| D0145974 | COVER:CONNECTOR:EFI | U022 | 85 |
| D0145977 | COVER:CONTROL BOARD:USB | U022 | 86 |
| D0145981 | BRACKET:AC DRIVE BOARD | U022 | 87 |
| D0145985 | BRACKET - POWER PACK | U022 | 88 |
| D0145986 | BRACKET:POWER PACK:UPPER | U022 | 89 |
| D0146014 | SPACER:OPPOSED:TRANSFER:P APER | U013_S001 | 45 |
| D0146055 | ROLLER:DRIVE | U013_S001 | 46 |
| D0146065 | ROLLER:OPPOSED:DENSITY SEN SOR | U013_S001 | 47 |
| D0146070 | ROLLER:INTERMEDIATE TRANSF ER:ASS'Y | U013_S001 | 48 |
| D0146073 | ROLLER:OPPOSED:TRANSFER:PA PER | U013_S001 | 49 |
| D0146115 | BUSHING:INTERMEDIATE TRANSF ER | U013_S001 | 50 |

| Number | Part Name | Group | ID |
|----------|--|----------------|----|
| D0146116 | BUSHING:INTERMEDIATE TRANSF ER | U013_S001 | 51 |
| D0146119 | CAM:ON-OFF | U013_S001 | 52 |
| D0146122 | BRACKET:POSITIONING SENSOR: INTERMEDIATE TRANSFER:ASS'Y | U013_S001_S001 | 53 |
| D0146123 | SHAFT:CAM | U013_S001 | 54 |
| D0146135 | SPRING:TRANSFER:BLACK:FRON T | U013_S001 | 55 |
| D0146136 | SPRING:TRANSFER:BLACK:REAR | U013_S001 | 56 |
| D0146141 | POSITIONING SENSOR | U013_S001 | 57 |
| D0146144 | COMPRESSION SPRING | U013_S001 | 58 |
| D0146145 | INSULATING SHEET:POWER PAC K:INTERMEDIATE TRANSFER | U013_S001 | 59 |
| D0146147 | COMPRESSION SPRING | U013_S001 | 60 |
| D0146151 | SHIELDING PLATE:BLACK | U013_S001 | 61 |
| D0146168 | PLATE:UPPER:POSITIONING SEN SOR | U013_S001 | 62 |
| D0146190 | ROLLER:OPPOSED:BELT CLEANI NG | U013_S001 | 63 |
| D0146250 | TRANSFER UNIT:ASS'Y | U015_S001 | 75 |
| D0146260 | COATING BAR:TRANSFER ROLLE R | U015_S001 | 53 |
| D0146265 | CLEANING BLADE:TRANSFER RO LLER | U015_S001 | 54 |
| D0146268 | BRUSH ROLLER:APPLY | U015_S001 | 55 |
| D0146272 | BUSHING:BRUSH:REAR | U015_S001 | 56 |
| D0146273 | GEAR:16Z | U015_S001 | 57 |
| D0146280 | PAPER TRANSFER ROLLER | U015_S001 | 58 |
| D0146310 | BRACKET:CONTACT POINT | U015 | 59 |
| D0146311 | BRACKET:SIDE FENCE | U015 | 60 |
| D0146312 | STAY | U015 | 61 |
| D0146315 | COMPRESSION SPRING:STAY:ON -OFF | U015 | 62 |
| D0146316 | SHAFT:CONTACT POINT | U015 | 63 |
| D0146318 | BRACKET:MOTOR | U015 | 64 |
| D0146321 | SHAFT:CAM | U015 | 65 |
| D0146322 | FEELER | U015 | 66 |
| D0146323 | GEAR:15Z/24Z | U015 | 67 |

Exclusive Parts

| Number | Part Name | Group | ID |
|----------|---|-----------|----|
| D0146324 | GEAR:45Z | U015 | 68 |
| D0146325 | BRACKET:SENSOR | U015 | 69 |
| D0146326 | CAM | U015 | 70 |
| D0146455 | CLEANING BLADE:BELT | U014_S001 | 9 |
| D0146458 | SPRING:BLADE:NO.1 | U014_S001 | 10 |
| D0146460 | BRUSH:REMOVE PAPER DUST | U014_S001 | 11 |
| D0146462 | SCRAPER:BRUSH | U014_S001 | 12 |
| D0146463 | BRUSH:APPLY | U014_S001 | 13 |
| D0146466 | HOLDER:BLADE:BELT CLEANING UNIT | U014_S001 | 14 |
| D0146470 | COATING BAR | U014_S001 | 15 |
| D0146476 | JOINT:DRIVE:BRUSH | U014_S001 | 16 |
| D0146480 | GEAR:16Z | U014_S001 | 17 |
| D0146481 | GEAR:18Z | U014_S001 | 18 |
| D0146482 | GEAR:14Z | U014_S001 | 19 |
| D0146483 | GEAR:12Z/21Z | U014_S001 | 20 |
| D0146484 | GEAR:9Z | U014_S001 | 21 |
| D0146485 | GEAR:19Z | U014_S001 | 22 |
| D0146486 | HOLDER:BELT CLEANING UNIT | U014_S001 | 23 |
| D0146489 | SPRING:BLADE:APPLY | U014_S001 | 24 |
| D0146490 | TONER COLLECTION COIL | U014_S001 | 25 |
| D0146497 | BRUSH:AGITATOR | U014_S001 | 26 |
| D0146500 | GROUND PLATE:CASE | U014_S001 | 27 |
| D0146501 | COMPRESSION SPRING:EARTH | U014_S001 | 28 |
| D0146504 | SIDE PLATE:CASE | U014_S001 | 29 |
| D0146505 | SHIELD:SIDE PLATE:REAR | U014_S001 | 30 |
| D0146506 | SHIELD:SIDE PLATE:FRONT | U014_S001 | 31 |
| D0146507 | CLEANING BLADE:APPLY | U014_S001 | 32 |
| D0146510 | PIN:POSITIONING:BLADE | U014_S001 | 33 |
| D0146514 | ENTRANCE SEAL:BELT CLEANING | U014_S001 | 34 |
| D0146515 | DUAL FACES TEPE:ENTRANCE SEAL:BELT CLEANING | U014_S001 | 35 |
| D0146517 | SHIELD:HOLDER:BLADE:FRONT UPPER | U014_S001 | 36 |
| D0146518 | SHIELD:HOLDER:BLADE:FRONT LOWER | U014_S001 | 37 |
| D0146519 | SHIELD:CASE:HOLDER:REAR | U014_S001 | 38 |
| D0146520 | SHIELD:CASE:HOLDER:FRONT | U014_S001 | 39 |

| Number | Part Name | Group | ID |
|----------|---|----------------|-----|
| D0146521 | SHIELD:CASE:BRUSH:FRONT | U014_S001 | 40 |
| D0146522 | SHIELD:HOLDER:BLADE:REAR UPPER | U014_S001 | 41 |
| D0146523 | SHIELD:HOLDER:BLADE:REAR LOWER | U014_S001 | 42 |
| D0146524 | SEAL:HOLDER:BEHIND:BELT CLEANING | U014_S001 | 43 |
| D0146525 | SEAL:CASE:BASE:BELT CLEANING | U014_S001 | 44 |
| D0146526 | SEAL:TONER RECYCLING SECTION | U014_S001 | 45 |
| D0146528 | STAY:ROLLER:PRESSURE:FRONT | U014_S001 | 46 |
| D0146529 | STAY:ROLLER:PRESSURE:REAR | U014_S001 | 47 |
| D0146530 | SEAL:SCRAPER:REAR:BELT CLEANING | U014_S001 | 48 |
| D0146531 | SEAL:SCRAPER:FRONT:BELT CLEANING | U014_S001 | 49 |
| D0146532 | BRACKET:USED TONER SENSOR:DC MOTOR | U016 | 56 |
| D0146533 | SHAFT:IDLER:DC MOTOR | U016 | 57 |
| D0146552 | BRACKET:USED TONER SENSOR | U016 | 58 |
| D0146626 | BRACKET:ON OFF DETECTOR:FRONT | U006_S002 | 102 |
| D0146627 | BRACKET:ON OFF DETECTOR:REAR | U006_S002 | 103 |
| D0146668 | SIDE PLATE:TANDEM LCT:RIGHT FRONT:ASS'Y | U006_S002 | 104 |
| D0146671 | COVER - TANDEM LCT | U006 | 105 |
| D0146676 | SIDE PLATE:TANDEM LCT:RIGHT REAR:ASS'Y | U006_S002 | 106 |
| D0146771 | PAPER TRAY:UNIVERSAL:DOM:ASS'Y | U007_S001 | 33 |
| | | U007_S002 | 33 |
| D0146780 | TRAY BOTTOM PLATE:ASS'Y | U007_S001_S003 | 34 |
| | | U007_S002_S003 | 34 |
| D0146783 | ARM:END FENCE:LOCK | U007_S001 | 35 |
| | | U007_S002 | 35 |
| D0146784 | SPRING PLATE:END FENCE | U007_S001 | 36 |
| | | U007_S002 | 36 |

Exclusive Parts

| Number | Part Name | Group | ID |
|----------|---|-----------|-----|
| D0146785 | SPRING PLATE:ARM:END FENCE:LOCK | U007_S001 | 37 |
| | | U007_S002 | 37 |
| D0146786 | DECAL:PAPER SET DIRECTION | U007_S001 | 38 |
| | | U007_S002 | 38 |
| D0146788 | BRACKET - TANDEM LCT COVER | U006 | 107 |
| D0146814 | SEAL:INNER BACK:STAY:INTERMEDIATE TRANSFER:LEFT | U023 | 92 |
| D0146819 | SEAL:LONG:STAY:INTERMEDIATE TRANSFER:LEFT | U023 | 93 |
| D0146821 | SEAL:DUCT:FUSING:EXIT:REAR | U023 | 94 |
| D0146828 | SEAL:HEAT PIPE:FRONT | U023 | 95 |
| D0146829 | SEAL:HEAT PIPE:INNER BACK | U023 | 96 |
| D0146831 | SEAL:DUCT:EXIT:UPPER | U023 | 97 |
| D0146835 | SEAL:DUCT:PCU | U023 | 98 |
| D0146836 | SEAL:DRIVE:EXHAUST | U023 | 99 |
| D0146837 | SEAL:DRAWER:UPPER | U023 | 100 |
| D0146839 | SHIELD:DUCT:DRUM STAY:INTERMEDIATE TRANSFER | U024 | 190 |
| D0146840 | SEAL:DUCT:DRUM STAY:PCU | U024 | 191 |
| D0146841 | SEAL:DUCT:DRUM STAY:1 | U024 | 192 |
| D0146842 | SEAL:DUCT:DRUM STAY:2 | U024 | 193 |
| D0146843 | SEAL:DUCT:DRUM STAY | U001 | 58 |
| | | U024 | 194 |
| D0146845 | SHIELD:INNER COVER:DRUM STAY | U024 | 195 |
| D0146846 | SHIELD:DUCT:INNER COVER | U024 | 196 |
| D0146847 | SEAL:FRAME:IMAGING UNIT | U024 | 197 |
| D0146848 | SHEET:FRAME:IMAGING UNIT | U024 | 198 |
| D0146849 | SEAL:STAY:RIGHT | U024 | 199 |
| D0146850 | SEAL:CASE:BELT CLEANING:1 | U013_S001 | 64 |
| | | U014_S001 | 50 |
| D0146852 | BRACKET:DRIVE:EXHAUST | U023 | 101 |
| D0146855 | SEAL:COVER:RIGHT MIDDLE:FRONT:2 | U001 | 59 |
| D0146856 | SHEET:HEAT PIPE:FRONT | U024 | 200 |
| D0146857 | SHEET:HEAT PIPE:INNER BACK | U024 | 201 |
| D0146858 | SEAL:COVER:RIGHT MIDDLE:MIDDLE:1 | U001 | 60 |

| Number | Part Name | Group | ID |
|----------|-------------------------------------|----------------|-----|
| D0146859 | SEAL:COVER:RIGHT MIDDLE:MIDDLE:2 | U001 | 61 |
| D0146861 | DUCT:EXHAUST | U023_S001 | 102 |
| D0146865 | SEAL:COVER:RIGHT MIDDLE:FRONT | U001 | 62 |
| D0146866 | SEAL:DOOR:FRONT | U001 | 63 |
| D0146871 | DUCT:HEAT SINKER | U023 | 103 |
| D0146876 | DUCT:MAIN:VACUUM | U023_S002 | 104 |
| D0146883 | SEAL:COVER:MANUAL FEED:MAIN:OUTER | U009 | 152 |
| D0146892 | HEAT INSULATION:HEAT PIPE:PANEL | U023 | 105 |
| D0146893 | DUCT:FUSING:EXIT:UPPER | U023 | 106 |
| D0146894 | DUCT:FUSING:EXIT:UPPER:LEFT | U023 | 107 |
| D0146895 | SEAL:COVER:MANUAL FEED:MAIN:INNER | U009 | 153 |
| D0146901 | DUCT:DEVELOPMENT | U024 | 202 |
| D0146904 | DUCT:DEVELOPMENT:BLACK | U024 | 203 |
| D0146907 | DUCT:DEVELOPMENT:FC | U024 | 204 |
| D0146910 | HEAT INSULATION - TONER SUPPLY UNIT | U010_S001 | 76 |
| D0146911 | DUCT:EXIT:EXHAUST | U023_S005 | 108 |
| D0146921 | DUCT:VACUUM:TONER HOPPER | U010_S001 | 77 |
| D0146922 | COVER:LOWER:TONER SUPPLY:COLOR | U010_S001 | 78 |
| D0146923 | DUCT:TONER HOPPER | U010_S001 | 79 |
| D0146924 | SIROCCO FAN MOTOR:DC24V 4.3 2W | U010_S001_S001 | 80 |
| D0146926 | SIROCCO FAN MOTOR:DC24V 4.3 2W | U010_S001_S002 | 81 |
| | | U010_S001_S003 | 81 |
| D0146928 | SIROCCO FAN MOTOR:DC24V 4.3 2W | U010_S001_S004 | 82 |
| D0146930 | SEAL:SIROCCO:TONER SUPPLY UNIT | U010_S001_S005 | 83 |
| | | U024_S002 | 205 |
| D0146933 | SIROCCO FAN MOTOR:DC24V 4.3 2W | U010_S001_S005 | 84 |
| D0146937 | DUCT:TONER HOPPER:LOWER | U010_S001 | 85 |
| D0146938 | FILTER:DUCT:TONER HOPPER:LOW | U010_S001 | 86 |

Exclusive Parts

| Number | Part Name | Group | ID |
|----------|--|----------------|-----|
| | WER | | |
| D0146939 | FILTER:DUCT:TONER HOPPER:LEFT | U010_S001 | 87 |
| D0146942 | DUCT:VACUUM UNIT | U024_S002 | 206 |
| D0146949 | INNER COVER:DRUM STAY | U024 | 207 |
| D0146951 | DUCT:BELT CLEANING:SIDE:ASS'Y | U014_S001 | 51 |
| D0146961 | DUCT:DOOR:FRONT | U001 | 64 |
| D0146974 | SEAL:DUCT:DOOR:FRONT:LONG | U001 | 65 |
| D0146975 | SEAL:DUCT:DOOR:FRONT:SHORT | U001 | 66 |
| D0146977 | DUCT:MAIN:REAR | U001 | 67 |
| D0146978 | FILTER:PREVENTFENCE | U001 | 68 |
| D0146981 | SHIELD:DUCT:IMAGING UNIT:REAR | U023_S004 | 109 |
| D0146982 | SEAL:COVER:RIGHT MIDDLE | U001 | 69 |
| D0146983 | DUCT:IMAGING UNIT:REAR:C2:ASS'Y | U023_S004 | 110 |
| D0146984 | SHIELD:DUCT:MAIN:REAR | U001 | 70 |
| D0146985 | SHIELD:DUCT:MAIN:REAR | U001 | 71 |
| D0146986 | BRACKET:DUCT:MAIN:REAR | U001 | 72 |
| D0146992 | SEAL:DISCHARGE NOZZLE:SIROCCO:TONER HOPPER | U010_S001_S001 | 88 |
| | | U010_S001_S002 | 88 |
| | | U010_S001_S003 | 88 |
| | | U010_S001_S004 | 88 |
| D0146993 | SHEET:REAR:DUCT:MAIN:REAR | U001 | 82 |
| D0146994 | SHEET:RIGHT UPPER:DUCT:MAIN:REAR | U001 | 83 |
| D0146995 | SHEET:RIGHT LOWER:DUCT:MAIN:REAR | U001 | 84 |
| D0146996 | SHEET:LEFT:DUCT:MAIN:REAR | U001 | 85 |
| D0147005 | DECURA:HEAT PIPE:DIA15 | U020_S001 | 104 |
| D0147010 | GUIDE PLATE:RIGHT | U020_S001 | 105 |
| D0147027 | GUIDE PLATE:MIDDLE:ASS'Y | U020_S001_S001 | 106 |
| D0147081 | ROLLER:DRIVE:CONNECTING:REVERSE | U020_S001_S001 | 107 |
| D0147082 | ROLLER:MIDDLE | U020_S001 | 108 |
| D0147131 | DECAL:LED:D1 | U001_S001 | 73 |
| D0147148 | DC SOLENOID | U020_S001 | 109 |

| Number | Part Name | Group | ID |
|----------|--|----------------|-----|
| D0147159 | GATE PAWL:REVERSE:PAPER EXIT UNIT | U020_S001 | 110 |
| D0147223 | LENS:FRONT | U002_S001 | 29 |
| D0147506 | TANDEM LCT:RIGHT:NA:ASS'Y | U006_S002 | 108 |
| D0149510 | OPC DRUM | U011 | 96 |
| | | U012_S001 | 70 |
| | | U012_S002 | 70 |
| | | U012_S003 | 70 |
| D0159500 | G104 Yellow Toner | SPECIAL TOOLS | 9 |
| D0159501 | Zinc Stearate | SPECIAL TOOLS | 10 |
| D0596690 | PLATE:PAPER:ASS'Y | U006_S002_S003 | 109 |
| D0621301 | PANEL:LOGO | U001 | 74 |
| D0621303 | COVER:LARGE CAPACITY TRAY | U001 | 17 |
| D0621474 | PCB:M-C4:OP-R:ASS'Y | U002_S001 | 30 |
| D0621509 | KEYTOP:INTERRUPT | U002_S001 | 31 |
| D0621540 | KEYTOP:10KEY:NA | U002_S001 | 32 |
| D0621583 | KEYTOP:CLEAR MODES | U002_S001 | 33 |
| D0626641 | PAPER FEED UNIT:PAPER BANK:ASS'Y | U008_S001 | 115 |
| | | U008_S002 | 115 |
| D0811184 | LEVER:PULL OUT:PRINTING | U024 | 101 |
| D0811432 | DECAL:CAUTION CHART:COPY:ORIGINAL:ENGLISH | U001 | 40 |
| D0811482 | DECAL:CAUTION CHART:INKJET:MANUAL FEED:ENGLISH | U009_S002 | 72 |
| D0811506 | COVER:LEFT MIDDLE | U001 | 75 |
| D0811507 | COVER:REAR MIDDLE | U001 | 76 |
| D0811532 | SHEET:LOGO:AFICIO:C6501SP | U001 | 77 |
| D0811550 | DECAL:MISFEED REMOVAL | U001 | 78 |
| D0811562 | DECAL:CAUTION:INKJET:PAPER TRAY:NA | ACCESSORIES | 15 |
| | | U006 | 110 |
| | | U007 | 39 |
| D0811683 | SCALE:SHEET THROUGH:NA:ASS'Y | U004 | 96 |
| D0811692 | SCALE:REAR:PRINTING | U004 | 97 |
| D0811716 | COVER:SHAFT | U004 | 98 |
| D0811731 | LENSBLOCK SMD:ASS'Y | U004 | 99 |
| D0811950 | IMAGING UNIT | U005_S001 | 15 |
| D0812157 | POLYGON SCANNER | U005_S001 | 16 |

Exclusive Parts

| Number | Part Name | Group | ID |
|----------|------------------------------------|----------------|-----|
| D0812214 | PCU(BK) | U011 | 97 |
| D0812216 | PCU:FC:SERVICE | U012_S001 | 71 |
| | | U012_S002 | 71 |
| | | U012_S003 | 71 |
| D0812281 | TRANSPORT SCREW:ASS'Y | U011 | 98 |
| | | U012_S001 | 72 |
| | | U012_S002 | 72 |
| | | U012_S003 | 72 |
| D0812391 | CHARGE CORONA:ASS'Y | U011_S002 | 99 |
| D0812399 | GRID:CHARGE CORONA | U011_S002 | 100 |
| D0812441 | CHARGE SECTION:ASS'Y | U012_S001 | 73 |
| | | U012_S002 | 73 |
| | | U012_S003 | 73 |
| D0812485 | COLLECTION COIL:ASS'Y | U011 | 101 |
| | | U012_S001 | 74 |
| | | U012_S002 | 74 |
| | | U012_S003 | 74 |
| D0812861 | SIDE FENCE:FRONT:ASS'Y | U009_S002_S001 | 156 |
| D0813005 | DEVELOPMENT UNIT:ASS'Y | U011_S003 | 105 |
| | | U012_S001_S002 | 79 |
| | | U012_S002_S002 | 79 |
| | | U012_S003_S002 | 79 |
| D0813301 | TONER SUPPLY UNIT | U010_S001 | 89 |
| D0813351 | COVER:LOWER:HOLDER:BK | U010_S001 | 90 |
| D0813352 | COVER:LOWER:HOLDER:M | U010_S001 | 91 |
| D0813353 | COVER:LOWER:HOLDER:C | U010_S001 | 92 |
| D0813354 | COVER:LOWER:HOLDER:Y | U010_S001 | 93 |
| D0814017 | FUSING UNIT:C3ANA:ASS'Y:(for D081) | U018_S001 | 174 |
| D0814027 | FUSING UNIT:C3ANA:ASS'Y:(for D082) | U018_S002 | 175 |
| D0814124 | FUSING COVER:ASS'Y | U018_S001 | 176 |
| | | U018_S002 | 176 |
| D0814147 | FUSING ENTRANCE GUIDE PLATE:UPPER | U018_S001 | 177 |
| | | U018_S002 | 177 |
| D0814230 | GUIDE PLATE:FUSING UNIT:ASS'Y | U024 | 208 |
| D0814232 | BRACKET:MOTOR:ON-OFF | U018 | 178 |
| D0814234 | SHAFT:GEAR:SLOW DOWN | U018 | 179 |

| Number | Part Name | Group | ID |
|----------|---|----------------|-----|
| D0814240 | SHAFT:MOTOR:ON-OFF | U018 | 180 |
| D0814501 | DUPLEX UNIT:ASS'Y | U019_S001 | 147 |
| D0814517 | ROLLER:TURN:DUPLEX | U019_S001 | 139 |
| D0814620 | SIDE PLATE:REAR:REVERSE UNIT:ASS'Y | U019_S001 | 149 |
| D0814627 | SIDE PLATE:FRONT:REVERSE UNIT | U019_S001 | 150 |
| D0814675 | GRIP:RELEASE:DUPLEX UNIT:ASS'Y | U019_S001_S002 | 140 |
| D0814794 | DECAL:GRIP:E4 | U019_S001 | 141 |
| D0814797 | DECAL:H-TEMP WARNING:DUPLEX UNIT | U019 | 142 |
| D0814799 | INNER COVER:DUPLEX UNIT | U019 | 143 |
| D0814818 | REVERSE ROLLER:ENTRANCE | U019_S001 | 144 |
| D0814864 | DECAL:GRIP:E2 | U019 | 145 |
| D0814867 | DECAL:LEVER:GUIDE PLATE | U019_S001_S002 | 146 |
| D0815138 | PCB:VBCU:SUB-ASS'Y | U022 | 99 |
| D0815305 | INTERFACE CABLE:SCANNER:IMAGE PROCESSING UNIT | U004 | 100 |
| D0815422 | PCB:IMAGE PROCESSING UNIT | U022 | 91 |
| D0815490 | PCB:SIOB | U004 | 101 |
| D0815530 | AC CONTROL BOARD:100V:(for D081) | U022 | 92 |
| D0815532 | AC CONTROL BOARD:200V:(for D082) | U022 | 93 |
| D0815721 | PCB:CONTROL:EXP:ASS'Y | U022 | 94 |
| D0815790 | SD-CARD:VM/CALYPSO:ASS'Y | U022 | 95 |
| D0815799 | HDD:ASS'Y | U022 | 96 |
| D0816001 | TRANSFER UNIT:MIDDLE:ASS'Y | U013_S001 | 65 |
| D0816050 | INTERMEDIATE TRANSFER BELT:ASS'Y | U013 | 66 |
| D0816150 | HOLDER:OPPOSED:INTERMEDIATE TRANSFER:REAR:ASS'Y | U013_S001 | 67 |
| D0816260 | COLLECTION COIL:TONER:ASS'Y | U015 | 71 |
| D0816341 | SUPPORTING PLATE:SIDE PLATE:PULL OUT:PRESS FIT | U024 | 209 |
| D0816400 | BELT CLEANING:ASS'Y | U014_S001 | 52 |
| D0816469 | ROLLER:PRESSURE | U014_S001 | 53 |

Exclusive Parts

| Number | Part Name | Group | ID |
|----------|--|-----------|-----|
| D0816478 | SPRING:ROLLER:PRESSURE | U014_S001 | 54 |
| D0816528 | TONER OUTLET SUB-UNIT:PCU:LENGTHWISE:ASS'Y | U016_S002 | 59 |
| D0816558 | TONER OUTLET SUB-UNIT:PCU:SIDE:ASS'Y | U016 | 60 |
| D0816565 | TRANSPORT SCREW:AROUND THE PHOTOCONDUCTOR:LENGTHWISE:ASS'Y | U016_S002 | 61 |
| D0816569 | TONER OUTLET SUB-UNIT:TRANSFER:DIAGONAL SLANTED:ASS'Y | U016 | 62 |
| D0816622 | PAPER FEED UNIT:PAPER BANK:ASS'Y | U008_S003 | 116 |
| D0816639 | GUIDE PLATE:FEED | U008_S003 | 104 |
| D0816664 | STAY:FEED:ASS'Y | U008_S003 | 105 |
| D0816671 | GUIDE PLATE:SWIVEL:AUXILIARY | U008_S003 | 106 |
| D0816672 | GUIDE PLATE:SWIVEL | U008_S003 | 107 |
| D0816771 | TRANSPORT UNIT:VERTICAL TRANSPORT:ASS'Y | U008_S004 | 108 |
| D0816801 | SEAL:COVER:REAR MIDDLE:UPPER RIGHT | U001 | 79 |
| D0816802 | SEAL:COVER:REAR MIDDLE:UPPER LEFT | U001 | 80 |
| D0816882 | HEAT PIPE:ASS'Y | U023 | 111 |
| D0817001 | PAPER EXIT UNIT:ASS'Y | U020_S001 | 111 |
| D0817050 | ROLLER:DECURA:ENTRANCE | U020_S001 | 112 |
| D0817052 | ROLLER:DECURA:EXIT | U020_S001 | 113 |
| D0817114 | GUIDE PLATE:LEFT LOWER:ASS'Y | U020 | 114 |
| D0817116 | GUIDE PLATE:TRANSPORT:UPPER:LEFT | U020_S001 | 115 |
| D0817198 | GUIDE PLATE:MIDDLE:RIGHT | U020_S001 | 116 |
| D0817201 | OPERATION PANEL:NA | U002_S001 | 34 |
| D0817237 | COVER:IC CARD | U002_S001 | 35 |
| D0817238 | COVER:IC CARD | U002_S001 | 36 |
| D0817291 | PCB:LCDC:NA | U002_S001 | 37 |
| D0817420 | ADF:ASS'Y | U003_S001 | 179 |
| D0819590 | NVRAM | U022 | 97 |
| D0819640 | DEVELOPER:BLACK | U011 | 102 |
| D0819660 | DEVELOPER:CYAN | U012 | 75 |

| Number | Part Name | Group | ID |
|-----------------|--------------------------------------|------------------|-----------|
| D0819670 | DEVELOPER:MAGENTA | U012 | 76 |
| D0819680 | DEVELOPER:YELLOW | U012 | 77 |
| D0821502 | COVER:RIGHT UPPER | U001 | 25 |
| D0891498 | LCD:TFT:WVGA:MV | U002_S001 | 27 |
| D3767900 | LICENSE AGREEMENT SHEET | ACCESSORIES | 16 |
| D3767901 | SEAL:CAUTION:18LANGUAGES | ACCESSORIES | 17 |
| D4121131 | BRACKET:PRESSURE:TRANSPORT BELT:REAR | U003_S001 | 180 |
| D4121210 | HINGE:LEFT:ASS'Y | U003_S001 | 181 |
| D4121250 | HINGE:RIGHT:ASS'Y | U003_S001 | 182 |
| D4121622 | SHAFT:SEPARATION:DRIVE:INPUT | U003_S001 | 183 |
| D4121632 | SHAFT:REVERSE ROLLER:SUB-ASS'Y | U003_S001 | 184 |
| D4121651 | GEAR:Z37:REVERSE ROLLER:FRONT | U003_S001 | 185 |
| D4121661 | TIMING PULLEY:T23:S3M | U003_S001 | 186 |
| D4121662 | TIMING PULLEY:T26:S2M | U003_S001 | 187 |
| D4121726 | STAY:MOTOR:SCANNING | U003_S001 | 188 |
| D4121731 | STEPPER MOTOR:EXIT:ASS'Y | U003_S001 | 189 |
| D4121741 | TIMING BELT:40S2M132 | U003_S001 | 190 |
| D4121742 | TIMING BELT:80S3M507 | U003_S001 | 191 |
| D4121743 | TIMING BELT:40S3M291 | U003_S001 | 192 |
| D4121754 | PULLEY:IDLER:DIA18 | U003_S001 | 193 |
| D4121771 | TIMING PULLEY:GEAR:T21-Z21 | U003_S001 | 194 |
| D4121791 | BRACKET:COVER:DRIVE | U003_S001 | 195 |
| D4121922 | COVER:LOWER | U003_S001 | 196 |
| D4122111 | ROLLER:PULL OUT:DRIVE | U003_S001 | 197 |
| D4122115 | DRIVEN ROLLER:PULL OUT:PRESSURE FIT | U003_S001 | 198 |
| D4122121 | ROLLER:MIDDLE:DRIVE | U003_S001 | 199 |
| D4122212 | TIMING PULLEY:T21:S2M | U003_S001 | 200 |
| D4122232 | COMPRESSION SPRING:PAPER FEED BELT | U003_S001 | 201 |
| D4122246 | BRACKET:SHEET:CIS | U003_S001 | 202 |
| D4122248 | SHEET:CIS | U003_S001 | 203 |
| D4122252 | GUIDE:PAPER FEED:LOWER | U003_S001 | 204 |
| D4122255 | ROLLER:GUIDE:MIDDLE | U003_S001 | 205 |

Exclusive Parts

| Number | Part Name | Group | ID |
|----------|---|----------------|-----|
| D4122256 | SHAFT:ROLLER:GUIDE:MIDDLE | U003_S001 | 206 |
| D4122282 | GUIDE PLATE:ORIGINAL TABLE | U003_S001 | 207 |
| D4122292 | SHAFT:RISE:BASE | U003_S001 | 208 |
| D4122321 | STEPPER MOTOR:DIA42:ASS'Y | U003_S001 | 209 |
| D4122345 | GEAR:Z47:M0.8 | U003_S001 | 210 |
| D4122346 | GEAR:Z20/Z47:M0.8:RIGHT:FRONT | U003_S001 | 211 |
| D4122347 | GEAR:Z20/Z47:M0.8:LEFT:REAR | U003_S001 | 212 |
| D4122348 | GEAR:Z20/Z47:M0.8:RIGHT:REAR | U003_S001 | 213 |
| D4122349 | TIMING PULLEY:T30/Z20:S2M/M0.8 | U003_S001 | 214 |
| D4122351 | BASE:ORIGINAL TABLE:ASS'Y | U003_S001_S001 | 215 |
| D4122357 | FEELER:SENSOR:ORIGINAL SENSOR | U003_S001 | 216 |
| D4122361 | SIDE FENCE:ORIGINAL TABLE:ASS'Y | U003_S001_S002 | 217 |
| D4122363 | BRACKET:PRESSURE PLATE:PULL OUT | U003_S001 | 218 |
| D4122383 | ORIGINAL TABLE:BEHIND | U003_S001 | 219 |
| D4122441 | ROLLER:CONTACT IMAGE SENSOR:EXIT:DRIVE | U003_S001 | 220 |
| D4122474 | DISCHARGE BRUSH:L82 | U003_S001 | 221 |
| D4122475 | DISCHARGE BRUSH:L228 | U003_S001 | 222 |
| D4122481 | GUIDE PLATE:SCANNING:EXIT:PEEN | U003_S001 | 223 |
| D4122485 | SHEET:SCANNING:EXIT:UPPER:ASS'Y | U003_S001 | 224 |
| D4122523 | BRACKET:PAPER SIZE SENSOR | U003_S001 | 225 |
| D4122553 | ARM:ROLLER:MIDDLE:DRIVEN | U003_S001 | 226 |
| D4122555 | COMPRESSION SPRING:MIDDLE | U003_S001 | 227 |
| D4122577 | DRIVEN ROLLER:SCANNING:ENTRANCE | U003_S001 | 228 |
| D4122578 | TENSION SPRING:SCANNING:ENTRANCE | U003_S001 | 229 |
| D4122618 | COVER:ROLLER:SCANNING:BEHIND | U003_S001 | 230 |
| D4122632 | GUIDE PLATE:EXIT:LOWER | U003_S001 | 231 |
| D4122641 | SHAFT:CONTACT POINT:SCANNING:EXIT:LONG | U003_S001 | 232 |
| D4122645 | SHAFT:CONTACT POINT:SCANNING:EXIT:SHORT | U003_S001 | 233 |

| Number | Part Name | Group | ID |
|----------|---|-----------|-----|
| | G:EXIT:SHORT | | |
| D4122646 | COMPRESSION SPRING:SCANNING:EXIT | U003_S001 | 234 |
| D4122651 | ROLLER:SCANNING:BEHIND:ASS'Y | U003_S001 | 235 |
| D4122653 | BUSHING:DIA6 | U003_S001 | 236 |
| D4122655 | GUIDE PLATE:CONTACT IMAGE SENSOR:ENTRANCE:CEMENTATION | U003_S001 | 237 |
| D4122662 | SPACER:GUIDE PLATE:CONTACT IMAGE SENSOR:ENTRANCE | U003_S001 | 238 |
| D4122663 | LEVER:GUIDE PLATE:CONTACT IMAGE SENSOR:FRONT | U003_S001 | 239 |
| D4122664 | LEVER:GUIDE PLATE:CONTACT IMAGE SENSOR:REAR | U003_S001 | 240 |
| D4122669 | TENSION SPRING:GUIDE PLATE:PRESSURE:2N | U003_S001 | 241 |
| D4122672 | GUIDE PLATE:EXIT:LOWER | U003_S001 | 242 |
| D4122676 | SHAFT:CONTACT POINT:EXIT | U003_S001 | 243 |
| D4122677 | COMPRESSION SPRING:CONTACT IMAGE SENSOR:EXIT | U003_S001 | 244 |
| D4122825 | GUIDE PLATE:EXIT:UPPER | U003_S001 | 245 |
| D4123113 | ROLLER:SCANNING:PRESSURE | U003_S001 | 246 |
| D4123125 | DRIVEN ROLLER:SC | U003_S001 | 266 |
| D4123145 | TENSION SPRING:LEVER:MISFEED REMOVAL | U003_S001 | 248 |
| D4123146 | SHAFT:LEVER:MISFEED REMOVAL:ASS'Y | U003_S001 | 249 |
| D4123152 | SHAFT:SCANNING:TRANSPORT BELT:DRIVE | U003_S001 | 250 |
| D4123153 | ROLLER:SCANNING:TRANSPORT BELT | U003_S001 | 251 |
| D4123154 | BUSHING:DRIVE ROLLER:TRANSPORT BELT UNIT | U003_S001 | 252 |
| D4123156 | ROLLER:DRIVE ROLLER:TRANSPORT BELT UNIT | U003_S001 | 267 |
| D4124402 | DECAL:SET:ORIGINAL TABLE | U003_S001 | 254 |
| D4124403 | DECAL:DESIGN SKETCH:MISFEED | U003 | 255 |

Exclusive Parts

| Number | Part Name | Group | ID |
|-----------------|--|------------------|------------|
| | REMOVAL:P2 | | |
| D4124811 | TRAY:EXIT | U003_S001 | 256 |
| D4124911 | PRESSURE PLATE:ASS'Y | U003_S001 | 257 |
| D4125505 | PCB:MAIN CONTROL:ASS'Y | U003_S001 | 258 |
| D4125861 | CONTACT IMAGE SENSOR:COLLAR:600DPI:ASS'Y | U003_S001 | 259 |
| D5014406 | DECAL:SIZE:ORIGINAL | U003_S001 | 260 |
| D5014407 | DECAL:BASE:ORIGINAL | U003_S001_S001 | 261 |
| G0111058 | SNAP RING | U014_S001 | 55 |
| G0113305 | GEAR - 16Z | U009_S002 | 154 |
| G0143291 | SNAP RING - PICK UP | U013_S001 | 68 |
| G0219350 | Loop Back Connector | SPECIAL TOOLS | 11 |
| G0294150 | PRESSURE SPRING | U004 | 102 |
| G0473472 | BUSHING:BACK UP:MASTER BELT | U015 | 72 |
| G0601908 | THERMISTOR PLATE | U005_S001 | 17 |
| G0602343 | COLLAR:BRUSH ROLLER:DIA6 | U011 | 103 |
| | | U012_S001 | 78 |
| | | U012_S002 | 78 |
| | | U012_S003 | 78 |
| G1045139 | KNOB SCREW:HDD UNIT | U024 | 210 |
| G1783186 | MAGNETIC CLUTCH:TONER SUPPLY UNIT:ASS'Y | U010_S001_S006 | 97 |
| | | U010_S001_S007 | 97 |
| | | U010_S001_S008 | 97 |
| | | U010_S001_S009 | 97 |
| G1786072 | PCB:PC4200:RAWCARD-A:1GB | U022 | 98 |
| G4042810 | SPRING PLATE - 2ND MIRROR | U004_S001 | 103 |
| G5702731 | GRIP | U004_S002 | 104 |
| G5702834 | PULLEY - HIGH VOLTAGE SUPPLY CORD | U004 | 105 |
| GA003016 | DECAL - Y TONER SUPPLY | U024 | 211 |
| GA003017 | DECAL - M TONER SUPPLY | U024 | 212 |
| GA003018 | DECAL - C TONER SUPPLY | U024 | 213 |
| GA003019 | DECAL - K TONER SUPPLY | U024 | 214 |
| GA003020 | DECAL:DEVELOPMENT UNIT:DISP LAY:Y | U024_S001 | 215 |
| GA003021 | DECAL:DEVELOPMENT UNIT:DISP LAY:M | U024_S001 | 216 |
| GA003022 | DECAL:DEVELOPMENT UNIT:DISP | U024_S001 | 217 |

| Number | Part Name | Group | ID |
|----------|--|----------------|-----|
| | LAY:C | | |
| GA003023 | DECAL:DEVELOPMENT UNIT:DISP LAY:K | U024_S001 | 218 |
| GA003033 | DECAL - SHIELDING PLATE K | U011 | 104 |
| GA003176 | DECAL:SDK | U001 | 81 |
| GX640028 | FAN MOTOR DC24V 1.92W | U003_S001 | 263 |
| H0202318 | NYLON RIVET:NRP345 | U020_S001_S001 | 117 |
| H0531174 | WASHER M6 - SCANNER UNIT | U020_S001 | 118 |
| VSST9502 | Connection Kit Color Test Chart (3 sheets/set) | SPECIAL TOOLS | 12 |

Standard Parts



03130040N
SCREW:M3X4



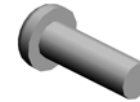
03130060N
SCREW - M3X6



03130080N
PAN HEAD SCREW:M3X8



03130120N
PAN HEAD SCREW:M3X12



03140120N
SCREW - M4X12



03140180N
PAN HEAD SCREW:M4X18



03530030N
SCREW:M3X3



03530040N
SCREW - M3X4



03530050N
SCREW-M3X5



03530060N
BIND SCREW - M3X6



03530080N
SCREW:M3X8



03530250N
SCREW:M3X25



03540060N
SCREW-M4X6



03540080N
SCREW-M4X8



03540120N
SCREW M4X12



03540200N
SCREW:M4X20



03540400N
SCREW:M4X40



03603006N
SCREW - M3X6



03603008N
SCREW:M3X8



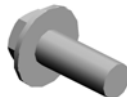
03603014N
SCREW - M3X14



03604006N
SCREW - M4X6



03604008N
SCREW - M4X8



03604010N
SCREW:M4X10



04340060N
PAN SELF-TAPPING SCREW:
M4X6



04340080N
PAN SELF-TAPPING SCREW:
M4X8



04503006N
TAPPING SCREW - M3X6



04503008N
TAPPING SCREW - M3X8



04503010N
TAPPING SCREW - M3X10

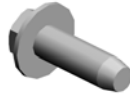
Standard Parts



04504008N
TAPPING SCREW - M4X8



04504010N
TAPPING SCREW:M4X10



04504012N
TAPPING SCREW:4X12



04504014N
TAPPING SCREW:4X14



04513006N
TAPPING SCREW - 3X6



04513008N
TAPPING SCREW - M3X8



04513020N
TAPPING SCREW:3X20



04513025N
TAPPING SCREW:M3X25



04513030N
TAPPING SCREW:3X30



04514006N
TAPPING SCREW - 4X6



04514008N
TAPPING SCREW:4X8



04514010N
TAPPING SCREW:4X10



04514012N
TAPPING SCREW:4X12



04514014N
TAPPING SCREW:M4X14



04514025N
TAPPING SCREW:M4X25



04514030N
TAPPING SCREW:M4X30



04514035N
TAPPING SCREW:4X35



04523006N
BINDING SELF-TAPPING SCREW:3X6



04523008N
TAPPING SCREW - M3X8



04533006N
TAPPING SCREW - M3X6



04534006N
BINDING SELF TAPPING SCREW:4X6



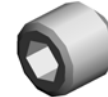
04543006Q
TAPPING SCREW - M3X6



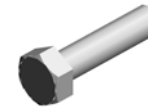
04544006Q
TAPPING SCREW:4X6



04544008Q
TAPPING SCREW - M4X8



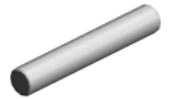
05730030E
HEXAGON HEADLESS SET SCREW - M3X3



05850201N
HEXAGONAL HEAD BOLT:M5 X20

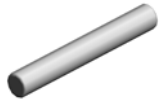


06320100G
PIN - 2X10MM



06320120G
PARALLEL PIN - 2X12

Standard Parts



06320140G
PARALLEL PIN



06320160G
PARALLEL PIN-M2X16



06330120G
PARALLEL PIN - 3X12



06330140G
PARALLEL PIN - 3X14



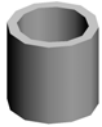
06330160G
PARALLEL PIN - 3X16MM



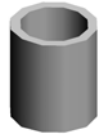
06330200G
PIN - M3X20



07010060N
WASHER DIA6



07074050N
BUSHING - 4X5



07074060N
BUSHING: DIA4X6



07200025E
RETAINING RING - M2.5



07200030E
RETAINING RING - M3



07200040E
RETAINING RING - M4



07200060E
RETAINING RING - M6



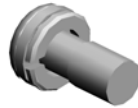
07200080E
RETAINING RING - M8



07250200E
RETAINING RING C - M20



07250300E
RETAINING RING C - M30



09504008N
SCREW: SPRING WASHER: M
4X8



09505012N
SCREW: SPRING WASHER: M
5X12



09513006N
SCREW - M3X6



09514006N
SCREW: POLISHED ROUND:
M4X6



09514008N
SCREW: POLISHED ROUND:
M4X8



09514010N
SCREW: POLISHED ROUND:
M4X10



09543006N
SCREW - M3X6



09543008N
SCREW - M3X8



09543010N
SCREW: POLISHED ROUND/
SPRING: M3X10



09544008N
SCREW - M4X8



11050032
CLAMP



11050328
HARNESS CLAMP - ES-0505

Standard Parts



11050367
SPACER



11050409
KGPS-4S(V0)



11050458
CLAMP - LHL-18



11050487
HARNESS CLAMP



11050488
HARNESS CLAMP



11050489
HARNESS CLAMP - LWS 131
6



11050490
HARNESS CLAMP - IWS-2218



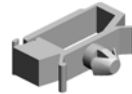
11050508
HARNESS CLAMP - LWS-071
1



11050511
HARNESS CLAMP - LWS-030
6ZC



11050514
EDGE SADDLE - EDS-0607L



11050516
CLAMP



11050518
EDGE SADDLE - LES-1010



11050521
CLAMP - LES-1017



11050522
EDGE SADDLE - LES0510



11050534
CLAMP



11050542
HARNESS CLAMP - MSBS-12
07



11050544
EDGE SADDLE:LES-2017



11050551
CLAMP:LES-0505



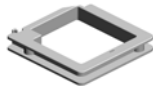
11050559
CLAMP:EMT-5N



11050568
CLAMP:LWSS-0504



11050582
CLAMP:RBWS-0510D-V0



11050599
CLAMP:LESR-25



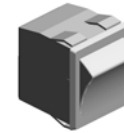
11050600
CLAMP:LWSM-0306-2M



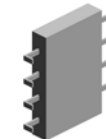
11050625
CLAMP:EMT-6N



12042521
MICRO SWITCH



12042598
SWITCH



14076362
EEPROM:BR24L64-W



16071461
FERRITE CORE

PM Part List

| Number | Part Name | Num | Group | ID |
|----------|---|-----|----------------|-----|
| A8061295 | FEED BELT | 1 | U003_S001 | 47 |
| A8592241 | REVERSE ROLLER | 1 | U003_S001 | 52 |
| AE010080 | HOT ROLLER | 2 | U018_S001 | 54 |
| | | | U018_S002 | 54 |
| AE020185 | PRESSURE ROLLER | 2 | U018_S001 | 56 |
| | | | U018_S002 | 56 |
| AE030076 | RADIAL BALL BEARING:20X3 2X7 | 4 | U018_S001 | 61 |
| | | | U018_S002 | 61 |
| AE040015 | OIL SUPPLY ROLLER:PRESS URE:DIA16 | 2 | U018_S001 | 65 |
| | | | U018_S002 | 65 |
| AE042080 | CLEANING ROLLER:ASS'Y | 2 | U018_S001 | 66 |
| | | | U018_S002 | 66 |
| B1322435 | DUST FILTER | 3 | U023 | 32 |
| B1326268 | PAPER DISCHARGE PLATE | 1 | U015_S001 | 32 |
| B1326609 | TANK:DISCHARGE USED TO NER:EXP:ASS'Y | 1 | U016_S001 | 54 |
| B2473340 | FILTER:DEVELOPMENT | 4 | U011_S003 | 16 |
| | | | U012_S001_S002 | 14 |
| | | | U012_S002_S002 | 14 |
| | | | U012_S003_S002 | 14 |
| B4772225 | PICK-UP ROLLER | 1 | U003_S001 | 96 |
| B6523121 | TRANSPORT BELT | 1 | U003_S001 | 167 |
| D0142286 | GEAR - 23Z | 4 | U011 | 24 |
| | | | U012_S001 | 22 |
| | | | U012_S002 | 22 |
| | | | U012_S003 | 22 |
| D0142321 | COATING BAR | 4 | U011 | 36 |
| | | | U012_S001 | 34 |
| | | | U012_S002 | 34 |
| | | | U012_S003 | 34 |
| D0142333 | GEAR - 17Z | 4 | U011 | 41 |
| | | | U012_S001 | 39 |
| | | | U012_S002 | 39 |
| | | | U012_S003 | 39 |
| D0142335 | BRUSH ROLLER - APPLY | 4 | U011 | 42 |
| | | | U012_S001 | 40 |
| | | | U012_S002 | 40 |
| | | | U012_S003 | 40 |

| Number | Part Name | Num | Group | ID |
|----------|------------------------------------|-----|-----------|-------------------------------|
| D0142337 | GEAR - 27Z | 4 | U011 | 43 |
| | | | U012_S001 | 41 |
| | | | U012_S002 | 41 |
| | | | U012_S003 | 41 |
| D0142345 | IDLER GEAR - 23Z | 4 | U011 | 44 |
| | | | U012_S001 | 42 |
| | | | U012_S002 | 42 |
| | | | U012_S003 | 42 |
| D0142346 | IDLER GEAR - 22Z | 4 | U011 | 45 |
| | | | U012_S001 | 43 |
| | | | U012_S002 | 43 |
| | | | U012_S003 | 43 |
| D0142352 | CLEANING BLADE | 4 | U011 | 48 |
| | | | U012_S001 | 46 |
| | | | U012_S002 | 46 |
| | | | U012_S003 | 46 |
| D0142368 | CLEANING BLADE:APPLY | 4 | U011 | 50 |
| | | | U012_S001 | 48 |
| | | | U012_S002 | 48 |
| | | | U012_S003 | 48 |
| D0142406 | CUSHION:WIRE:T1.5 | 4 | U011_S002 | 65 |
| D0142407 | CLEANER:GRID:ASS'Y | 1 | U011_S002 | 66 |
| D0142410 | CLEANER:CORONA WIRE:A SS'Y | 2 | U011_S002 | 67 |
| | | | D0142434 | CORONA WIRE:CHARGE CO RONA |
| D0142465 | JOINT:CLEANING UNIT | 4 | U011 | 88 |
| | | | U012_S001 | 62 |
| | | | U012_S002 | 62 |
| | | | U012_S003 | 62 |
| D0143586 | FILTER:PREVENTFENCE SH EET | 3 | U023 | 70 |
| D0144090 | FUSING BELT | 2 | U018_S001 | 92 |
| | | | U018_S002 | 92 |
| D0146260 | COATING BAR:TRANSFER R OLLER | 1 | U015_S001 | 53 |
| D0146265 | CLEANING BLADE:TRANSFE R ROLLER | 1 | U015_S001 | 54 |

PM Part List

| Number | Part Name | Num | Group | ID |
|----------|-------------------------------------|-----|-----------|-----|
| D0146280 | PAPER TRANSFER ROLLER | 1 | U015_S001 | 58 |
| D0146455 | CLEANING BLADE:BELT | 1 | U014_S001 | 9 |
| D0146463 | BRUSH:APPLY | 1 | U014_S001 | 13 |
| D0146470 | COATING BAR | 1 | U014_S001 | 15 |
| D0146507 | CLEANING BLADE:APPLY | 1 | U014_S001 | 32 |
| D0146978 | FILTER:PREVENTFENCE | 2 | U001 | 68 |
| D0149510 | OPC DRUM | 4 | U011 | 96 |
| | | | U012_S001 | 70 |
| | | | U012_S002 | 70 |
| | | | U012_S003 | 70 |
| D0812399 | GRID:CHARGE CORONA | 1 | U011_S002 | 100 |
| D0812441 | CHARGE SECTION:ASS'Y | 3 | U012_S001 | 73 |
| | | | U012_S002 | 73 |
| | | | U012_S003 | 73 |
| D0816050 | INTERMEDIATE TRANSFER BELT:ASS'Y | 1 | U013 | 66 |
| D0819640 | DEVELOPER:BLACK | 1 | U011 | 102 |
| D0819660 | DEVELOPER:CYAN | 1 | U012 | 75 |
| D0819670 | DEVELOPER:MAGENTA | 1 | U012 | 76 |
| D0819680 | DEVELOPER:YELLOW | 1 | U012 | 77 |

Design Change List

| Number | Title | Set | Old Part | | New Part | | Index No. | | Q'ty | Interchg | | Reason | Cut-in S/N |
|-----------|-------------------|-----|----------|--|----------|---|--------------------|-----|------|----------|-----|--------|------------|
| | | | P/N | Name | P/N | Name | Group | ID | | Indiv. | Set | | |
| 201111-01 | 1111 Modification | - | D4125500 | PCB:MAIN CONT ROL:ASS'Y | D4125505 | PCB:MAIN CONT ROL:ASS'Y | U003_S001 | 258 | 1 | X/O | | | D08117: |
| 201111-02 | 1111 Modification | - | | | D0142314 | STAY:PCU:RIGH T:ASS'Y | U011_S001 | 109 | 1 | | | | D08117: |
| | | | | | | | U012_S001 _S001 | 82 | 1 | | | | |
| | | | | | | | U012_S002 _S001 | 82 | 1 | | | | |
| | | | | | | | U012_S003 _S001 | 82 | 1 | | | | |
| 201112-01 | 1112 Modification | - | AW000011 | OPTICS SENSOR :PHOTO | AW000012 | OPTICS SENSOR :PHOTO | U009 | 66 | 1 | O/O | | | D08117: |
| 201112-02 | 1112 Modification | - | D0091489 | LCD:TFT:W-VGA: SH | D0891498 | LCD:TFT:WVGA: MV | U002_S001 | 27 | 1 | O/O | | | D08117: |
| 201110-01 | 1110 Modification | - | B1321502 | COVER:RIGHT U PPER | D0821502 | COVER:RIGHT U PPER | U001 | 25 | 1 | O/O | | | D08117: |
| 201110-02 | 1110 Modification | - | B1321482 | DECAL - INKJET: MANUAL FEED | D0811482 | DECAL:CAUTION CHART:INKJET: MANUAL FEED:E NGLISH | U009_S002 | 72 | 1 | O/O | | | D08117: |
| 201110-03 | 1110 Modification | - | B1321583 | DECAL:CAUTION CHART:COPY:O RIGINAL:ENGLIS H | D0811432 | DECAL:CAUTION CHART:COPY:O RIGINAL:ENGLIS H | U001 | 40 | 1 | O/O | | | D08117: |
| 201110-04 | 1110 Modification | - | | | D0146996 | SHEET:LEFT:DU CT:MAIN:REAR | U001 | 85 | 1 | | | | D08117: |
| 201110-05 | 1110 Modification | - | | | D0146995 | SHEET:RIGHT L OWER:DUCT:MAI N:REAR | U001 | 84 | 1 | | | | D08117: |
| 201110-06 | 1110 Modification | - | | | D0146994 | SHEET:RIGHT U PPER:DUCT:MAI | U001 | 83 | 1 | | | | D08117: |

Design Change List

| Number | Title | Set | Old Part | | New Part | | Index No. | | Q'ty | Interchg | | Reason | Cut-in S/N |
|-----------|-------------------|-----|----------|-----------------------------|----------|---|-----------|-----|------|----------|-----|--------|------------|
| | | | P/N | Name | P/N | Name | Group | ID | | Indiv. | Set | | |
| | | - | | | | N:REAR | | | | | | | |
| 201110-07 | 1110 Modification | - | | | D0146993 | SHEET:REAR:DU CT:MAIN:REAR | U001 | 82 | 1 | | | | D08117: |
| 201109-01 | 1109 Modification | - | B1321184 | LEVER:PULL OU T:PRINTING | D0811184 | LEVER:PULL OU T:PRINTING | U024 | 101 | 1 | X/O | | | D08117: |
| 201108-01 | 1108 Modification | - | B4771152 | STAY:FRAME:LE FT | B6521152 | STAY:FRAME:LE FT | U003_S001 | 78 | 1 | O/O | | | D08117: |
| 201108-02 | 1108 Modification | - | D4121682 | CAM:PICKUP RO LLER:ASS'Y | | | U003_S001 | 272 | 1 | | | | D08117: |
| 201108-03 | 1108 Modification | - | | | AA082101 | BUSHING - 6X10 X6 | U003_S001 | 58 | 1 | | | | D08117: |
| 201108-04 | 1108 Modification | - | | | D0141346 | JOINT:UNIVERS AL | U021_S001 | 80 | 1 | | | | D08117: |
| 201108-05 | 1108 Modification | - | | | A6802262 | FEELER - PICK-U P ROLLER CAM | U003_S001 | 40 | 1 | | | | D08117: |
| 201108-06 | 1108 Modification | - | | | B4773251 | PICK-UP ROLLE R CAM | U003_S001 | 130 | 1 | | | | D08117: |
| 201107-01 | 1107 Modification | - | B0651303 | LCT COVER | D0621303 | COVER:LARGE C APACITY TRAY | U001 | 17 | 1 | O/O | | | D08117: |
| 201107-02 | 1107 Modification | - | D0621466 | PCB:M-C4:OP-R: SUB-ASS'Y | D0621474 | PCB:M-C4:OP-R: ASS'Y | U002_S001 | 30 | 1 | O/O | | | D08117: |
| 201106-01 | 1106 Modification | - | | | D0146250 | TRANSFER UNIT :ASS'Y | U015_S001 | 75 | 1 | | | | D08117: |
| 201104-01 | 1104 Modification | - | AX060357 | MOTOR:DC24V 2 4W | AX050501 | DRIVE SUB-UNIT :ON-OFF:PRESS URE ROLLER | U018 | 74 | 2 | O/O | | | D08117: |
| 201104-02 | 1104 Modification | - | G5644151 | RAIL - SIDE FEN CE | B7144151 | RAIL:SIDE FENC E | U003_S001 | 262 | 1 | O/O | | | D08117: |
| 201104-03 | 1104 Modification | - | | | B1321025 | FRAME:PAPER B ANK:RIGHT | U024 | 222 | 1 | | | | D08117: |

Design Change List

| Number | Title | Set | Old Part | | New Part | | Index No. | | Q'ty | Interchg | | Reason | Cut-in S/N |
|-----------|-------------------|-----|----------|-----------------------------------|----------|-------------------------------------|-----------|-----|------|----------|-----|--------|------------|
| | | | P/N | Name | P/N | Name | Group | ID | | Indiv. | Set | | |
| 201105-01 | 1105 Modification | - | | | B6522516 | DISCHARGE BRUSH:EXIT:L45 | U003_S001 | 273 | 1 | | | | D08117: |
| 201102-01 | 1102 Modification | - | B1326621 | PAPER FEED UNIT:PAPER BANK | D0626641 | PAPER FEED UNIT:PAPER BANK: ASS'Y | U008_S001 | 115 | 1 | X/O | | | D08117: |
| | | | B1326621 | PAPER FEED UNIT:PAPER BANK | D0626641 | PAPER FEED UNIT:PAPER BANK: ASS'Y | U008_S002 | 115 | 1 | X/O | | | |
| 201102-02 | 1102 Modification | - | D0816621 | PAPER FEED UNIT:PAPER BANK: ASS'Y | D0816622 | PAPER FEED UNIT:PAPER BANK: ASS'Y | U008_S003 | 116 | 1 | X/O | | | D08117: |
| 201101-01 | 1101 Modification | - | AA060899 | SPRING | AA061076 | COIL SPRING:PRESSURE RELEASE:PICKUP | U008_S001 | 114 | 1 | X/O | | | D08117: |
| | | | | | | | U008_S002 | 114 | 1 | | | | |
| | | | | | | | U008_S003 | 114 | 1 | | | | |
| 201101-02 | 1101 Modification | - | | | D0142463 | DRUM STAY:BRUSH ROLLER:K: ASS'Y | U011 | 108 | 1 | | | | D08117: |
| 201010-01 | 1010 Modification | - | AW010107 | PAPER FEED SENSOR | AW010149 | PHOTO REFLECTION SENSOR:PS122TL8-A | U008_S001 | 111 | 1 | O/O | | | D08117: |
| | | | AW010107 | PAPER FEED SENSOR | AW010149 | PHOTO REFLECTION SENSOR:PS122TL8-A | U008_S001 | 111 | 1 | O/O | | | |
| | | | AW010107 | PAPER FEED SENSOR | AW010149 | PHOTO REFLECTION SENSOR:PS122TL8-A | U008_S002 | 111 | 1 | O/O | | | |
| | | | AW010107 | PAPER FEED SENSOR | AW010149 | PHOTO REFLECTION SENSOR:PS122TL8-A | U008_S002 | 111 | 1 | O/O | | | |
| | | | AW010107 | PAPER FEED SENSOR | AW010149 | PHOTO REFLECTION SENSOR:PS122TL8-A | U008_S002 | 111 | 1 | O/O | | | |

Design Change List

| Number | Title | Set | Old Part | | New Part | | Index No. | | Q'ty | Interchg | | Reason | Cut-in S/N |
|-----------|-------------------|-----|----------|--|-----------|--|--------------------|-----|------|----------|-----|--------|------------|
| | | | P/N | Name | P/N | Name | Group | ID | | Indiv. | Set | | |
| | | - | | NSOR | | ION SENSOR:PS 122TL8-A | | | | | | | |
| | | | AW010107 | PAPER FEED SE NSOR | AW010149 | PHOTO REFIECT ION SENSOR:PS 122TL8-A | U008_S001 | 111 | 1 | O/O | | | |
| 201010-02 | 1010 Modification | - | A6802262 | FEELER - PICK-U P ROLLER CAM | | | U003_S001 | 40 | 1 | | | | D08117: |
| | | | AA082101 | BUSHING - 6X10 X6 | | | U003_S001 | 58 | 1 | | | | |
| | | | B4773251 | PICK-UP ROLLE R CAM | | | U003_S001 | 130 | 1 | | | | |
| 201011-01 | 1011 Modification | - | AX040252 | DC MOTOR:RISI NG TRAY:ASS'Y | AX040254 | DC MOTOR:RISI NG TRAY:ASS'Y | U024 | 221 | 1 | O/O | | | D08117: |
| | | | AX040252 | DC MOTOR:RISI NG TRAY:ASS'Y | AX040254 | DC MOTOR:RISI NG TRAY:ASS'Y | U024 | 221 | 1 | O/O | | | |
| 201011-02 | 1011 Modification | - | AA043575 | TIMING BELT | AA043675 | SYNCHRONOUS BELT:REVERSE: S2M118 | U008 | 112 | 1 | O/O | | | D08117: |
| | | | | | | | U008_S001 | 112 | 1 | | | | |
| | | | | | | | U008_S002 | 112 | 1 | | | | |
| | | | | | | | U008_S003 | 112 | 1 | | | | |
| 201011-03 | 1011 Modification | - | AA043576 | TIMING BELT | AA043676 | SYNCHRONOUS BELT:CONNECTI NG:DC STEPPER MOTOR | U008_S001 | 113 | 1 | O/O | | | D08117: |
| | | | | | | | U008_S002 | 113 | 1 | | | | |
| | | | | | | | U008_S003 | 113 | 1 | | | | |
| 201009-02 | 1009 Modification | - | B1322861 | SIDE FENCE:FR ONT:ASS'Y | D0812861 | SIDE FENCE:FR ONT:ASS'Y | U009_S002 _S001 | 156 | 1 | X/O | | | D08117: |
| 201009-03 | 1009 Modification | - | | | 04503008N | TAPPING SCRE W - M3X8 | U009_S002 | 155 | 1 | | | | D08117: |
| 201008-01 | 1008 Modification | - | B1324620 | SIDE PLATE:REA R:REVERSE UNI T:ASS'Y | D0814620 | SIDE PLATE:REA R:REVERSE UNI T:ASS'Y | U019_S001 | 149 | 1 | X/O | | | D08117: |

Design Change List

| Number | Title | Set | Old Part | | New Part | | Index No. | | Q'ty | Interchg | | Reason | Cut-in S/N |
|-----------|-------------------|-----|----------|--|----------|--|---------------------|-----|------|----------|-----|--------|------------|
| | | | P/N | Name | P/N | Name | Group | ID | | Indiv. | Set | | |
| 201008-02 | 1008 Modification | - | B1324627 | SIDE PLATE:FRO NT:REVERSE UN IT | D0814627 | SIDE PLATE:FRO NT:REVERSE UN IT | U019_S001 | 150 | 1 | X/O | | | D08117: |
| 201007-01 | 1007 Modification | - | | | D0091480 | HARNESS:OP-R: 10 | | | | | | | D08117: |
| | | | D4123124 | DRIVEN ROLLER :SCANNING | D4123125 | DRIVEN ROLLER :SC | U003_S001 | 266 | 1 | X/X | | | |
| 201007-02 | 1007 Modification | - | | | D0091481 | HARNESS:OP-R: 13 | | | | | | | D08117: |
| | | | D4123155 | ROLLER:DRIVE ROLLER:TRANS PORT BELT UNIT | D4123156 | ROLLER:DRIVE ROLLER:TRANS PORT BELT UNIT | U003_S001 | 267 | 2 | X/X | | | |
| 201007-03 | 1007 Modification | - | | | D0091482 | HARNESS:OP-L: 12 | | | | | | | D08117: |
| | | | AA043294 | TIMING BELT - 4 0S2M810G | AA043435 | SYNCHRONOUS BELT:40S2M810 | U019_S001 | 148 | 1 | O/O | | | |
| 201007-04 | 1007 Modification | - | | | D0091483 | HARNESS:OP-L: 13 | | | | | | | D08117: |
| | | | AX310047 | TOTAL COUNT R:7FIG:24V:MI2 | AX310045 | TOTAL COUNT R:7FIG:24V | U022 | 100 | 2 | O/O | | | |
| 201006-02 | 1006 Modification | - | B6523123 | BRACKET:ROLL ER:DRIVEN | B6523129 | BRACKET:ROLL ER:DRIVEN:TRA NSPORT BELT | U003_S001 | 265 | 1 | X/O | | | D08117: |
| 201007-05 | 1007 Modification | - | | | D0091484 | HARNESS:INVER TOR | P to P C4 (4 /5) | | 1 | | | | D08117: |
| 201007-06 | 1007 Modification | - | | | B4775691 | HARNESS:MOTO R:PAPER FEED | P to P B7 (5 /5) | | 1 | | | | D08117: |
| 201007-07 | 1007 Modification | - | | | B1327583 | HARNESS:JOINT UNIT | P to P C2 (1 /5) | | 1 | | | | D08117: |
| 201007-08 | 1007 Modification | - | | | D0145253 | HARNESS:CONN | P to P F5 (2 | | 1 | | | | D08117: |

Design Change List

| Number | Title | Set | Old Part | | New Part | | Index No. | | Q'ty | Interchg | | Reason | Cut-in S/N |
|-----------|-------------------|-----|----------|--|----------|--|-----------------|-----|------|----------|-----|--------|------------|
| | | | P/N | Name | P/N | Name | Group | ID | | Indiv. | Set | | |
| | | - | | | | ECTING:EXIT:CONNECTING:SENSOR | /5) | | | | | | |
| 201007-09 | 1007 Modification | - | | | D0815350 | HARNESS:HIGHT VOLTAGE SUPPLY CORD:MAIN | P to P E8 (1/5) | | 1 | | | | D08117: |
| 201004-01 | 1004 Modification | - | VSST9501 | Connection Kit Color Test Chart (3 sheets/set) | VSST9502 | Connection Kit Color Test Chart (3 sheets/set) | SPECIAL TOOLS | 12 | 1 | X/O | | | D08117: |
| 201005-01 | 1005 Modification | - | B4772344 | GUIDE:PAPER FEED:UPPER | B4772347 | GUIDE:PAPER FEED:UPPER | U003_S001 | 264 | 1 | O/O | | | D08117: |
| 201005-02 | 1005 Modification | - | B1325356 | HARNESS:SEPARATION:HIGHT VOLTAGE SUPPLY CORD | D0815356 | HARNESS:SEPARATION:HIGHT VOLTAGE SUPPLY CORD | P to P D4 (3/5) | | 1 | X/O | | | D08117: |
| 201005-03 | 1005 Modification | - | | | D0814501 | DUPLEX UNIT:ASSY | U019_S001 | 147 | 1 | | | | D08117: |
| 201005-04 | 1005 Modification | - | | | AA082140 | BUSHING:DRIVE SUPPLY:MM6 | U010_S001_S006 | 94 | 1 | | | | D08117: |
| | | | | | | | U010_S001_S007 | 94 | 1 | | | | |
| | | | | | | | U010_S001_S008 | 94 | 1 | | | | |
| | | | | | | | U010_S001_S009 | 94 | 1 | | | | |
| 201005-05 | 1005 Modification | - | | | B1323349 | GEAR:DRIVE:TONER SUPPLY UNIT | U010_S001_S006 | 95 | 1 | | | | D08117: |
| | | | | | | | U010_S001_S007 | 95 | 1 | | | | |
| | | | | | | | U010_S001_S008 | 95 | 1 | | | | |

Design Change List

| Number | Title | Set | Old Part | | New Part | | Index No. | | Q'ty | Interchg | | Reason | Cut-in S/N |
|-----------|-------------------|-----|----------|--------------------|----------|---|----------------|-----|------|----------|-----|--------|------------|
| | | | P/N | Name | P/N | Name | Group | ID | | Indiv. | Set | | |
| | | - | | | | | U010_S008 | | | | | | |
| | | | | | | | U010_S001_S009 | 95 | 1 | | | | |
| 201005-06 | 1005 Modification | - | | | D0143366 | SHAFT:MAGNETIC CLUTCH:DRIVE:TRANSPORT SCREW | U010_S001_S006 | 96 | 1 | | | | D08117: |
| | | | | | | | U010_S001_S007 | 96 | 1 | | | | |
| | | | | | | | U010_S001_S008 | 96 | 1 | | | | |
| | | | | | | | U010_S001_S009 | 96 | 1 | | | | |
| 201005-07 | 1005 Modification | - | | | G1783186 | MAGNETIC CLUTCH:TONER SUPPLY UNIT:ASS'Y | U010_S001_S006 | 97 | 1 | | | | D08117: |
| | | | | | | | U010_S001_S007 | 97 | 1 | | | | |
| | | | | | | | U010_S001_S008 | 97 | 1 | | | | |
| | | | | | | | U010_S001_S009 | 97 | 1 | | | | |
| 201006-01 | 1006 Modification | - | D0815133 | PCB:VBCU:SUB-ASS'Y | D0815138 | PCB:VBCU:SUB-ASS'Y | U022 | 99 | 1 | X/O | | | D08117: |
| 201003-01 | 1003 Modification | - | D0143005 | DEVELOPMENT UNIT | D0813005 | DEVELOPMENT UNIT:ASS'Y | U011_S003 | 105 | 1 | X/O | | | D08117: |
| | | | D0143005 | DEVELOPMENT UNIT | D0813005 | DEVELOPMENT UNIT:ASS'Y | U012_S001_S002 | 79 | 1 | X/O | | | |
| | | | D0143005 | DEVELOPMENT UNIT | D0813005 | DEVELOPMENT UNIT:ASS'Y | U012_S002_S002 | 79 | 1 | X/O | | | |
| | | | D0143005 | DEVELOPMENT UNIT | D0813005 | DEVELOPMENT UNIT:ASS'Y | U012_S003_S002 | 79 | 1 | X/O | | | |

