



RICOH UNIVERSITY

Learning ♦ Knowledge ♦ Performance



D014/D015/D078/D079
PARTS CATALOG

003380MIU

LANIER RICOH SAVIN



**D014/D015/D078/D079
PARTS CATALOG**

**LANIER
RICOH
Savin**



RICOH UNIVERSITY

Learning ♦ Knowledge ♦ Performance

D014/D015/D078/D079 PARTS CATALOG

003380MIU

LANIER RICOH SAVIN®

WWW.SERVICE-MANUAL.NET

It is the reader's responsibility when discussing the information contained within this document to maintain a level of confidentiality that is in the best interest of Ricoh Americas Corporation and its member companies.

**NO PART OF THIS DOCUMENT MAY BE REPRODUCED IN ANY
FASHION AND DISTRIBUTED WITHOUT THE PRIOR
PERMISSION OF RICOH AMERICAS CORPORATION.**

All product names, domain names or product illustrations, including desktop images, used in this document are trademarks, registered trademarks or the property of their respective companies.

They are used throughout this book in an informational or editorial fashion only and for the benefit of such companies. No such use, or the use of any trade name, or web site is intended to convey endorsement or other affiliation with Ricoh products.

© 2008 RICOH Americas Corporation. All rights reserved.

LEGEND

PRODUCT CODE	COMPANY		
	LANIER	RICOH	SAVIN
D014	LD260c	MP C6000	C6055
D015	LD275c	MP C7500	C7570
D078	Pro C550EX	Pro C550EX	Pro C550EX
D079	Pro C700EX	Pro C700EX	Pro C700EX
B328	Copy Connector Type 2105		
B331	A3/11 x 17 Tray Type 2105		
B375	Finisher Adapter Type C (for SR5000 finisher)		
B452	Key Counter Bracket Type 1027		
B498	Key Card Bracket Type 3260		
B499	Tab Sheet Holder Type 3260		
B660	Z Folding Unit ZF4000		

B679	IEEE 1284 Unit Type A
B699	LCT Adapter Type B
B702	Punch Unit Type 3260
B703	Output Jogger Unit Type 3260
B704	Cover Interposer Type 3260
B743/B474/B475	RT43 LCT
B756	Copy Tray 2075
B762	Mailbox CS391
B826	Bluetooth Type 3245
B830	SR5000 (100 Sheet Finisher)
B831	Punch Unit PU5000
B835	Cover Interposer Tray CI5000
D350	RT4000 A3/12 x 18 LCT
D356	G3 Interface & Fax Option Type C7500
D374/D373	SR4010 - 50 sheet document stapler SR4020 Saddle stitch finisher
D376/B829/D377	Printer/Scanner Unit Type C7500

DOCUMENTATION HISTORY

REV. NO.	DATE	COMMENTS
*	01/2007	Original Printing
1	04/2009	D078/D079 Models Added

D014/D015/D078/D079

TABLE OF CONTENTS

D014/D015/D078/D079 PARTS LOCATION AND LIST

Location of Unit	2	22.By-pass Feed 2 (D014/D015/D078/D079)	60
1.Exterior 1 (D014/D015/D078/D079)	18	23.Tandem Tray 1 (D014/D015/D078/D079).....	62
2.Exterior 2 (D014/D015/D078/D079)	20	24.Tandem Tray 2 (D014/D015/D078/D079).....	64
3.Operation Panel (D014/D015/D078/D079)	22	25.Tandem Tray 3 (D014/D015/D078/D079).....	66
4.ARDF Exterior (D014/D015/D078/D079)	24	26.Universal Tray 1 (D014/D015/D078/D079)	68
5.ARDF Original Tray (D014/D015/D078/D079)	26	27.Universal Tray 2 (D014/D015/D078/D079)	70
6.Original Feed 1 (D014/D015/D078/D079).....	28	28.Paper Registration 1 (D014/D015/D078/D079) .	72
7.Original Feed 2 (D014/D015/D078/D079).....	30	29.Paper Registration 2 (D014/D015/D078/D079) .	74
8.Original Trans 1 (D014/D015/D078/D079).....	32	30.Vertical Transport (D014/D015/D078/D079).....	76
9.Original Trans 2 (D014/D015/D078/D079).....	34	31.Tonner Supply 1 (D014/D015/D078/D079).....	78
10.Original Trans 3 (D014/D015/D078/D079).....	36	32.Tonner Supply 2 (D014/D015/D078/D079).....	80
11.Original Exit 1 (D014/D015/D078/D079)	38	33.Tonner Supply 3 (D014/D015/D078/D079).....	82
12.Original Exit 2 (D014/D015/D078/D079)	40	34.PCU 1 (D014/D015/D078/D079).....	84
13.ARDF Drive & Electrical 1 (D014/D015/D078/D079)	42	35.PCU 2 (D014/D015/D078/D079).....	86
14.ARDF Drive & Electrical 2 (D014/D015/D078/D079)	44	36.PCU 3 (D014/D015/D078/D079).....	88
15.ARDF Frame (D014/D015/D078/D079)	46	37.Development Unit (D014/D015/D078/D079).....	90
16.Optics Section 1 (D014/D015/D078/D079)	48	38.Transfer Belt Unit 1 (D014/D015/D078/D079) ...	92
17.Optics Section 2 (D014/D015/D078/D079)	50	39.Transfer Belt Unit 2 (D014/D015/D078/D079) ...	94
18.Optics Section 3 (D014/D015/D078/D079)	52	40.Transfer Belt Unit 3 (D014/D015/D078/D079) ...	96
19.Optics Section 4 (D014/D015/D078/D079)	54	41.Transfer Belt Cleaning 1 (D014/D015/D078/D079)	98
20.Laser Unit (D014/D015/D078/D079)	56	42.Transfer Belt Cleaning 2 (D014/D015/D078/D079)	100
21.By-pass Feed 1 (D014/D015/D078/D079)	58	43.Transfer Cover (D014/D015/D078/D079)	102
		44.Transfer Entrance 1 (D014/D015/D078/D079) .	104
		45.Transfer Entrance 2 (D014/D015/D078/D079) .	106

46.Transfer Entrance 3 (D014/D015/D078/D079)..	108
47.Paper Transfer 1 (D014/D015/D078/D079)	110
48.Paper Transfer 2 (D014/D015/D078/D079)	112
49.Fusing Unit 1 (D014/D015/D078/D079)	114
50.Fusing Unit 2 (D014/D015/D078/D079)	116
51.Fusing Unit 3 (D014/D015/D078/D079)	118
52.Fusing Unit 4 (D014/D015/D078/D079)	120
53.Fusing Unit 5 (D014/D015/D078/D079)	122
54.Fusing Unit 6 (D014/D015/D078/D079)	124
55.Fusing Unit 7 (D014/D015/D078/D079)	126
56.Paper Exit 1 (D014/D015/D078/D079)	128
57.Paper Exit 2 (D014/D015/D078/D079)	130
58.Paper Exit 3 (D014/D015/D078/D079)	132
59.Paper Exit 4 (D014/D015/D078/D079)	134
60.Duplex Unit 1 (D014/D015/D078/D079)	136
61.Duplex Unit 2 (D014/D015/D078/D079)	138
62.Duplex Unit 3 (D014/D015/D078/D079)	140
63.Duplex Unit 4 (D014/D015/D078/D079)	142
64.Duplex Unit 5 (D014/D015/D078/D079)	144
65.Used Toner Section 1 (D014/D015/D078/D079)	146
66.Used Toner Section 2 (D014/D015/D078/D079)	148
67.Drive Section 1 (D014/D015/D078/D079)	150
68.Drive Section 2 (D014/D015/D078/D079)	152
69.Drive Section 3 (D014/D015/D078/D079)	154
70.Drive Section 4 (D014/D015/D078/D079)	156
71.Drive Section 5 (D014/D015/D078/D079)	158
72.Drive Section 6 (D014/D015/D078/D079)	160
73.Electrical Section 1 (D014/D015/D078/D079)...	162
74.Electrical Section 2 (D014/D015/D078/D079)...	164
75.Electrical Section 3 (D014/D015/D078/D079)...	166
76.Electrical Section 4 (D014/D015/D078/D079)...	168

77.Electrical Section 5 (D014/D015/D078/D079)...	170
78.Electrical Section 6 (D014/D015/D078/D079)...	172
79.Electrical Section 7 (D014/D015/D078/D079)...	174
80.Electrical Section 8 (D014/D015/D078/D079)...	176
81.Frame Section 1 (D014/D015/D078/D079).....	178
82.Frame Section 2 (D014/D015/D078/D079).....	180
83.Frame Section 3 (D014/D015/D078/D079).....	182
84.Frame Section 4 (D014/D015/D078/D079).....	184
85.Frame Section 5 (D014/D015/D078/D079).....	186
86.VBCU Board (D014/D015/D078/D079).....	188
87.IPU Board (D014/D015/D078/D079).....	202
88.Control Board (D014/D015/D078/D079)	216
89.Decals and Documents (D014/D015/D078/D079)	238
90.Special Tools (D014/D015/D078/D079).....	246

D014/D015/D078/D079 PARTS INDEX

PARTS INDEX	2
--------------------------	----------

B328 Copy Connector Type 2105 PARTS

LOCATION AND LIST

Location of Unit	2
1.COPY CONNECTOR (B328)	2

B328 Copy Connector Type 2105 PARTS INDEX

PARTS INDEX	2
--------------------------	----------

**A/11”X17” TRAY TYPE 2105 B331 PARTS
LOCATION AND LIST**

1.PAPER TRAY 1 (B331).....	2
2.PAPER TRAY 2 (B331).....	4

**A/11”X17” TRAY TYPE 2105 B331 PARTS INDEX
PARTS INDEX**

	2
--	----------

**KEY COUNTER BRACKET TYPE 1027 B452
PARTS LOCATION AND LIST**

1.KEY COUNTER BRACKET (B452).....	2
-----------------------------------	---

**KEY COUNTER BRACKET TYPE 1027 B452
PARTS INDEX
PARTS INDEX**

	2
--	----------

**CARD READER BRACKET TYPE 3260 B498
PARTS LOCATION AND LIST**

1.CARD READER BRACKET (B498)	2
------------------------------------	---

**CARD READER BRACKET TYPE 3260 B498
PARTS INDEX
PARTS INDEX**

	3
--	----------

**TAB SHEET HOLDER TYPE 3260 B499 PARTS
LOCATION AND LIST**

1.TAB SHEET HOLDER (B499).....	2
--------------------------------	---

TAB SHEET HOLDER TYPE 3260 B499 PARTS

**INDEX
PARTS INDEX**

	3
--	----------

**Z-FOLDING UNIT ZF4000 B660-57/66/67 PARTS
LOCATION AND LIST**

1.EXTERIOR (B66057).....	2
2.PAPER TRANSFER 1 (B66057).....	4
3.PAPER TRANSFER 2 (B66057).....	6
4.FOLDER SECTION 1 (B66057).....	8
5.FOLDER SECTION 2 (B66057).....	10
6.FOLDER SECTION 3 (B66057).....	12
7.FOLDER SECTION 4 (B66057).....	14
8.FOLDER SECTION 5 (B66057).....	16
9.FOLDER SECTION 6 (B66057).....	18
10.DRIVE SECTION (B66057)	20
11.ELECTRICALSECTION (B66057)	22
12.FRAME SECTION (B66057).....	24

**Z-FOLDING UNIT ZF4000 B660-57/66/67 PARTS
INDEX
PARTS INDEX**

	2
--	----------

**IEEE1284 INTERFACE UNIT TYPE A B679 PARTS
LOCATION AND LIST**

1.IEEE1284 INTERFACE BOARD (B679).....	2
--	---

**IEEE1284 INTERFACE UNIT TYPE A B679 PARTS
INDEX
PARTS INDEX**

	2
--	----------

LCT ADAPTER TYPE B B699 PARTS LOCATION AND LIST	
1.LCT ADAPTOR (B699).....	2
LCT ADAPTER TYPE B B699 PARTS INDEX PARTS INDEX	2
PUNCH UNIT TYPE 3260 B702 PARTS LOCATION AND LIST	
1.PUNCH UNIT 1 (B702)	2
2.PUNCH UNIT 2 (B702)	4
PUNCH UNIT TYPE 3260 B702 PARTS PARTS INDEX	2
OUTPUT JOGGER UNIT TYPE 3260 B703 PARTS LOCATION AND LIST	
1.OUTPUT JOGGER UNIT (B703)	2
OUTPUT JOGGER UNIT TYPE 3260 B703 PARTS INDEX PARTS INDEX	2
COVER INTERPOSER TRAY TYPE 3260 B704 PARTS LOCATION AND LIST	
1.EXTERIOR (B704)	2
2.ORIGINAL FEED 1 (B704).....	4
3.ORIGINAL FEED 2 (B704).....	6
4.ORIGINAL FEED 3 (B704).....	8
5.ORIGINAL TRANSFER (B704).....	10
6.DRIVE AND ELECTRICAL (B704).....	12

COVER INTERPOSER TRAY TYPE 3260 B704 PARTS INDEX PARTS INDEX	2
---	----------

LCT RT/8 1/2"X14" PAPER SIZE TRAY TYPE 1075 B473/B474 PARTS LOCATION AND LIST	
1.EXTERIOR (B473)	2
2.PAPER FEED 1 (B473).....	4
3.PAPER FEED 2 (B473).....	6
4.TRAY DRIVE 1 (B473).....	8
5.TRAY DRIVE 2 (B473).....	10
6.TRAY DRIVE 3 (B473).....	12
7.TRAY EXTENSION KIT (B474)	14
8.MAIN CONTROL BOARD (B473).....	16
9.DECALS AND DOCUMENTS (B473/B474).....	18

LCT RT/8 1/2"X14" PAPER SIZE TRAY TYPE 1075 B473/B474 PARTS PARTS INDEX	2
--	----------

COPY TRAY TYPE 2075 B756 PARTS LOCATION AND LIST	
1.COPY TRAY (B756).....	2

COPY TRAY TYPE 2075 B756 PARTS INDEX PARTS INDEX	2
---	----------

MAIL BOX CS391 B762 PARTS LOCATION AND LIST	
1.EXTERIOR (B762)	2
2.PAPER EXIT 1 (B762)	4
3.PAPER EXIT 2 (B762)	6
4.PAPER EXIT 3 (B762)	8

MAIL BOX CS391 B762 PARTS INDEX	
PARTS INDEX	2

BLUETOOTH INTERFACE UNIT TYPE 3245 B826 PARTS LOCATION AND LIST	
1.BLUETOOTH INTERFACE UNIT (B826).....	2

BLUETOOTH INTERFACE UNIT TYPE 3245 B826 PARTS INDEX	
PARTS INDEX	2

FINISHER SR5000 B830 PARTS LOCATION AND LIST	
1.EXTERIOR (B830)	6
2.STAPLE TRAY 1 (B830)	8
3.STAPLE TRAY 2 (B830)	10
4.STAPLE TRAY 3 (B830)	12
5.STAPLE TRAY 4 (B830)	14
6.STAPLE TRAY 5 (B830)	16
7.STAPLE TRAY 6 (B830)	18
8.STAPLE TRAY 7 (B830)	20
9.STAPLE TRAY 8 (B830)	22
10.STAPLER UNIT (B830).....	24

11.STAPLE TRANSPORT 1 (B830)	26
12.STAPLE TRANSPORT 2 (B830)	28
13.STAPLE TRANSPORT 3 (B830)	30
14.STAPLE TRANSPORT 4 (B830)	32
15.STAPLE TRANSPORT 5 (B830)	34
16.PAPER EXIT SECTION 1 (B830)	36
17.PAPER EXIT SECTION 2 (B830)	38
18.PAPER EXIT SECTION 3 (B830)	40
19.TRAY DRIVE SECTION 1 (B830).....	42
20.TRAY DRIVE SECTION 2 (B830).....	44
21.FRAME SECTION 2 (B830).....	46
22.DRIVE SECTION 1 (B830)	48
23.DRIVE SECTION 2 (B830)	50
24.DRIVE SECTION 3 (B830)	52
25.ELECTRICAL SECTION (B830)	54
26.FRAME SECTION 1 (B830).....	56
27.FRAME SECTION 2 (B830).....	58
28.DECAL AND DOCUMENT (B830).....	60

FINISHER SR5000 B830 PARTS INDEX	
PARTS INDEX	2

PUNCH UNIT PU5000 B831 PARTS LOCATION AND LIST	
1.PUNCH UNIT (B831)	2

PUNCH UNIT PU5000 B831 PARTS INDEX	
PARTS INDEX	2

COVER INTERPOSER TRAY CI5000 B835 PARTS LOCATION AND LIST

1.EXTERIOR (B835)	2
2.ORIGINAL TRAY 1 (B835).....	4
3.ORIGINAL TRAY 2 (B835).....	6
4.ORIGINAL FEED 1 (B835).....	8
5.ORIGINAL FEED 2 (B835).....	10
6.ORIGINAL FEED 3 (B835).....	12
7.ORIGINAL TRANSFER 1 (B835).....	14
8.ORIGINAL TRANSFER 2 (B835).....	16
9.ORIGINAL TRANSFER 3 (B835).....	18
10.ELECTRICAL AND DRIVE 1 (B835).....	20
11.ELECTRICAL AND DRIVE 2 (B835).....	22
12.FRAME SECTION 1 (B835).....	24
13.FRAME SECTION 2 (B835).....	26

COVER INTERPOSER TRAY CI5000 B835 PARTS INDEX PARTS INDEX

2

LCIT RT4000 (D350) PARTS LOCATION AND LIST

1.Exterior 1 (D350)	2
2.Exterior 2 (D350)	4
3.Paper Tray 1 (D350).....	6
4.Paper Tray 2 (D350).....	8
5.Paper Tray 3 (D350).....	10
6.Paper Tray 4 (D350).....	12
7.Paper Tray 5 (D350).....	14
8.Paper Tray 6 (D350).....	16
9.Paper Tray 7 (D350).....	18
10.Paper Tray 8 (D350).....	20
11.Paper Feed Section 1 (D350).....	22

12.Paper Feed Section 2 (D350)	24
13.Transfer Section 1 (D350).....	26
14.Transfer Section 2 (D350).....	28
15.Transfer Section 3 (D350).....	30
16.Drive Section (D350).....	32
17.Electrical Section (D350).....	34
18.Frame Section (D350).....	36

LCIT RT4000 (D350) PARTS INDEX

PARTS INDEX	2
--------------------------	----------

Fax Option Type C7500 (D356/D357) PARTS LOCATION AND LIST

1.Fax Option (D356/D357)	2
2.G3 Unit (D356/D357)	4

Fax Option Type C7500 (D356/D357) PARTS INDEX

PARTS INDEX	2
--------------------------	----------

FINISHER SR4020 (D373) PARTS LOCATION AND LIST

1.Exterior (D373)	2
2.Paper Transfer (D373)	4
3.Shift Transfer Section 1 (D373).....	6
4.Shift Transfer Section 2 (D373).....	8
5.Shift Transfer Section 3 (D373).....	10
6.Paper Exit 1 (D373).....	12
7.Paper Exit 2 (D373).....	14
8.Staple Transfer Section 1 (D373).....	16
9.Staple Transfer Section 2 (D373).....	18
10.Staple Tray 1 (D373).....	20

11.Staple Tray 2 (D373)	22
12.Staple Tray 3 (D373)	24
13.Staple Tray 4 (D373)	26
14.Staple Tray 5 (D373)	28
15.Staple Tray 6 (D373)	30
16.Paper fold Section 1 (D373)	32
17.Paper fold Section 2 (D373)	34
18.Paper fold Section 3 (D373)	36
19.Shift Tray (D373)	38
20.Drive Section 1 (D373)	40
21.Drive Section 2 (D373)	42
22.Drive Section 3 (D373)	44
23.Electrical Section (D373)	46
24.Frame Section (D373)	48
25.Decals and Documents (D373)	50

FINISHER SR4020 (D373) PARTS INDEX	
PARTS INDEX	2

FINISHER SR4010 (D374) PARTS LOCATION AND LIST

1.Exterior (D374)	2
2.Paper Transfer (D374)	4
3.Shift Transfer Section 1 (D374)	6
4.Shift Transfer Section 2 (D374)	8
5.Shift Transfer Section 3 (D374)	10
6.Paper Exit 1 (D374)	12
7.Paper Exit 2 (D374)	14
8.Staple Transfer Section 1 (D374)	16
9.Staple Transfer Section 2 (D374)	18
10.Staple Tray 1 (D374)	20
11.Staple Tray 2 (D374)	22

12.Staple Tray 3 (D374)	24
13.Staple Tray 4 (D374)	26
14.Shift Tray (D374)	28
15.Drive Section 1 (D374)	30
16.Drive Section 2 (D374)	32
17.Drive Section 3 (D374)	34
18.Electrical Section (D374)	36
19.Frame Section (D374)	38
20.Decals and Documents (D374)	40

FINISHER SR4010 (D374) PARTS INDEX	
PARTS INDEX	2

Finisher Adapter Type C (D375) PARTS LOCATION AND LIST	
1.Finisher Adapter Type C (D375)	2

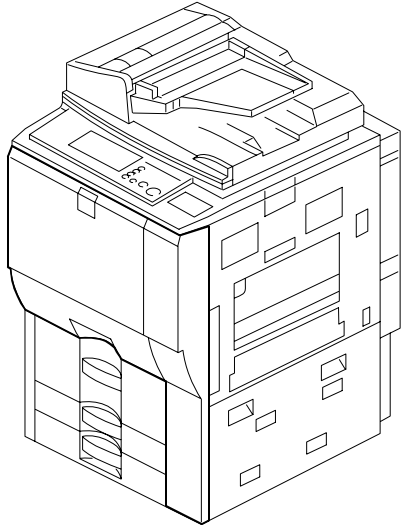
Finisher Adapter Type C (D375) PARTS INDEX	
PARTS INDEX	2

MFP Controller Options (B829D376D377) PARTS LOCATION AND LIST	
1.MFP Controller Options (B829/D376/D377)	2

MFP Controller Options (B829D376D377) PARTS INDEX	
PARTS INDEX	2

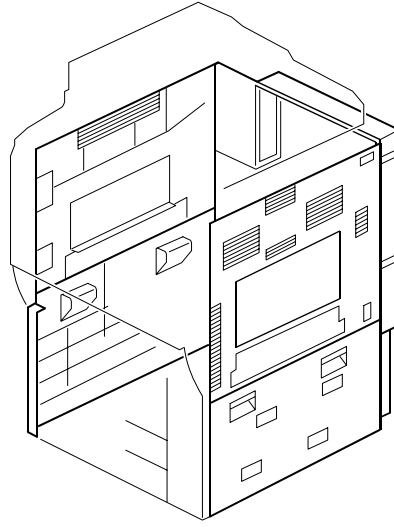
LOCATIONS OF UNITS

1. Exterior 1 (D014/D015/D078/D079)



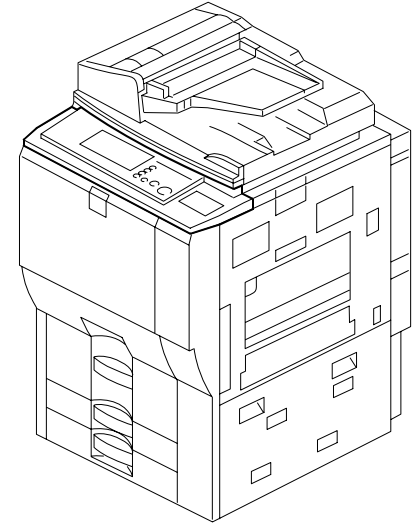
See Page 19

2. Exterior 2 (D014/D015/D078/D079)



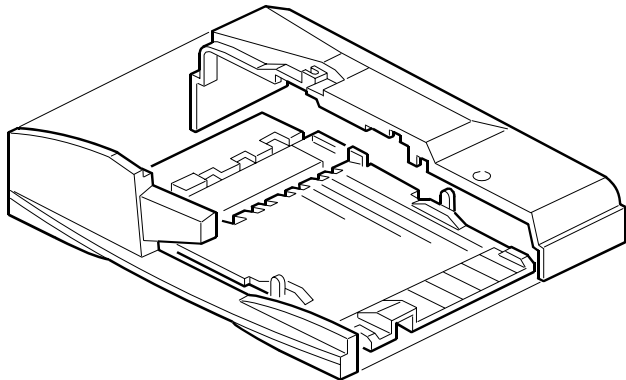
See Page 21

3. Operation Panel (D014/D015/D078/D079)



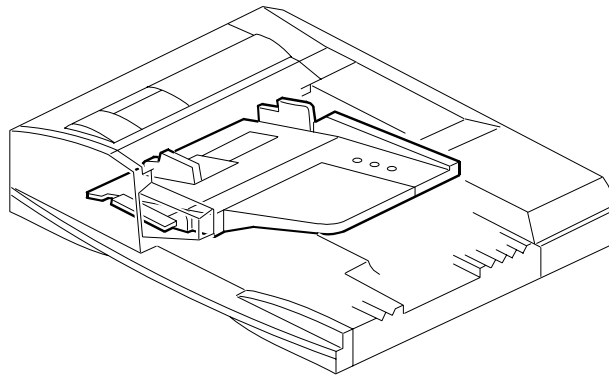
See Page 23

4. ARDF Exterior (D014/D015/D078/D079)



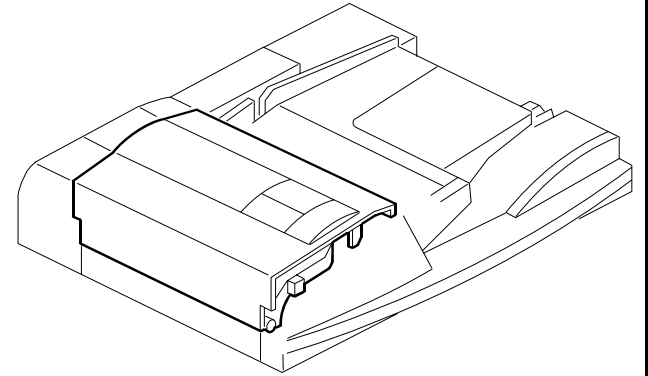
See Page 25

5. ARDF Original Tray (D014/D015/D078/D079)



See Page 27

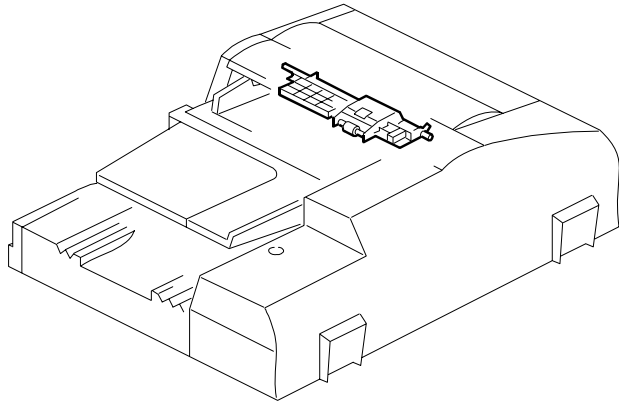
6. Original Feed 1 (D014/D015/D078/D079)



See Page 29

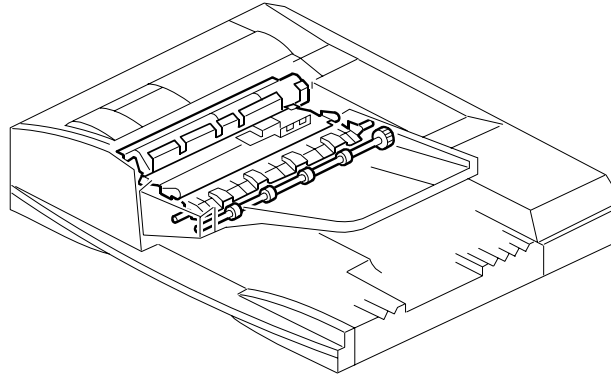
LOCATIONS OF UNITS

7. Original Feed 2 (D014/D015/D078/D079)



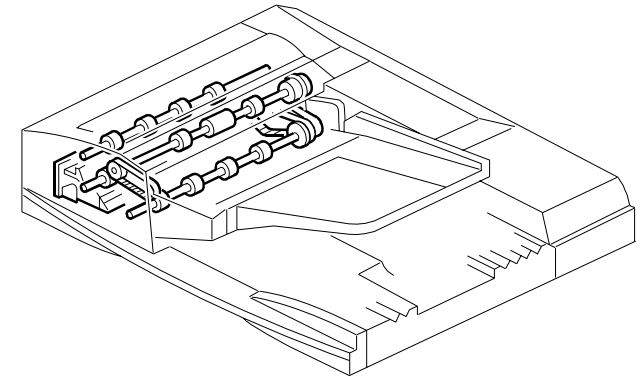
See Page 31

8. Original Trans 1 (D014/D015/D078/D079)



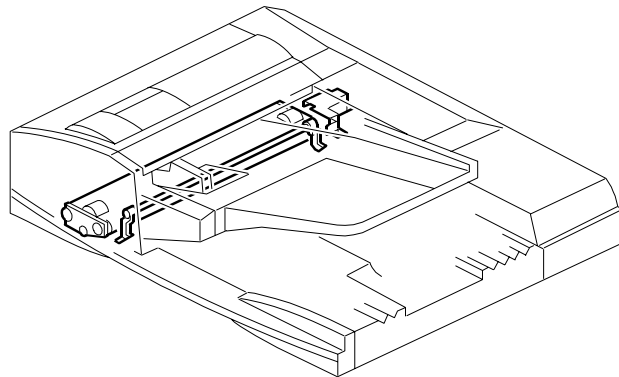
See Page 33

9. Original Trans 2 (D014/D015/D078/D079)



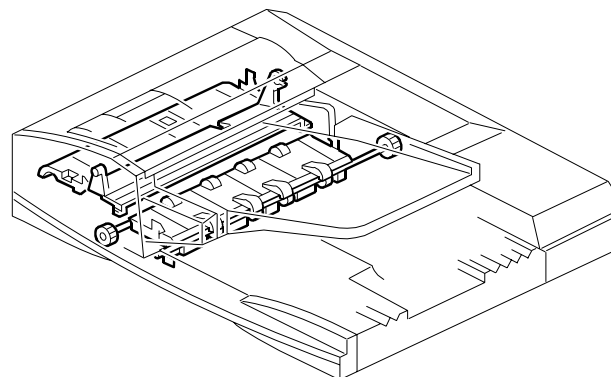
See Page 35

10. Original Trans 3 (D014/D015/D078/D079)



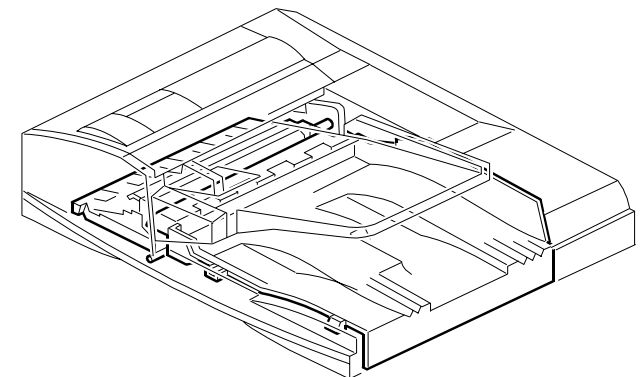
See Page 37

11. Original Exit 1 (D014/D015/D078/D079)



See Page 39

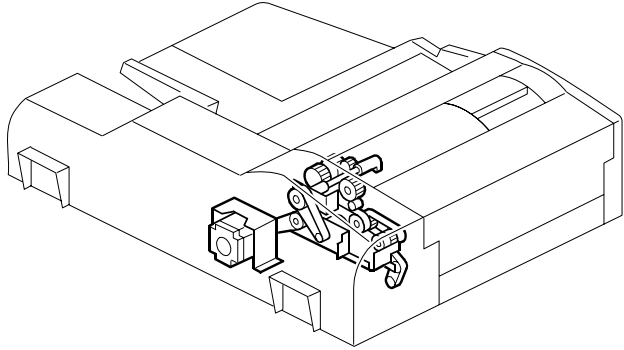
12. Original Exit 2 (D014/D015/D078/D079)



See Page 41

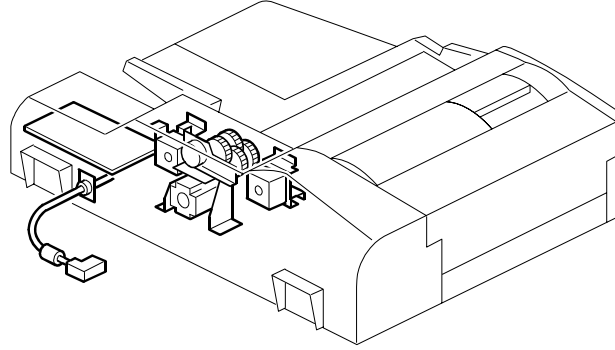
LOCATIONS OF UNITS

13. ARDF Drive & Electrical 1
(D014/D015/D078/D079)



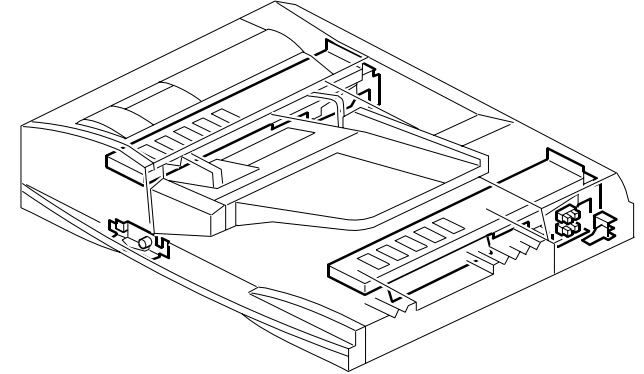
See Page 43

14. ARDF Drive & Electrical 2
(D014/D015/D078/D079)



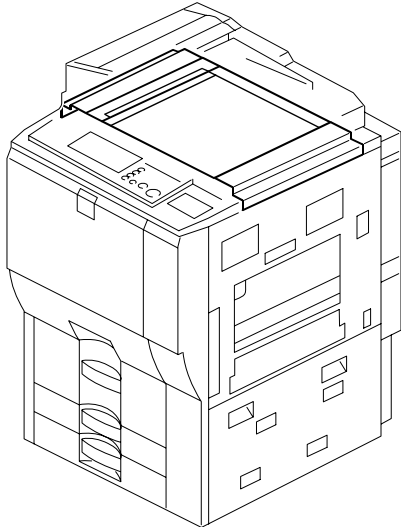
See Page 45

15. ARDF Frame (D014/D015/D078/D079)



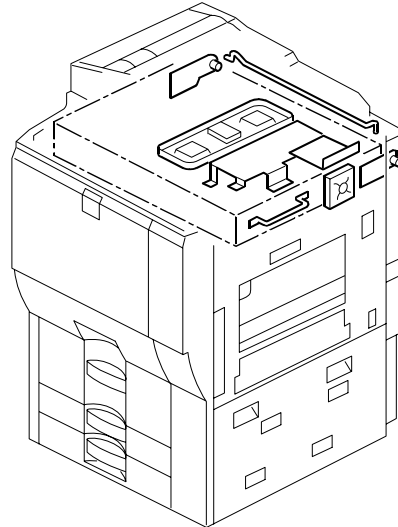
See Page 47

16. Optics Section 1 (D014/D015/D078/D079)



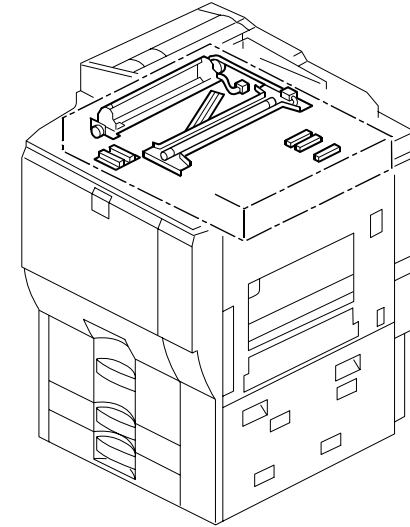
See Page 49

17. Optics Section 2 (D014/D015/D078/D079)



See Page 51

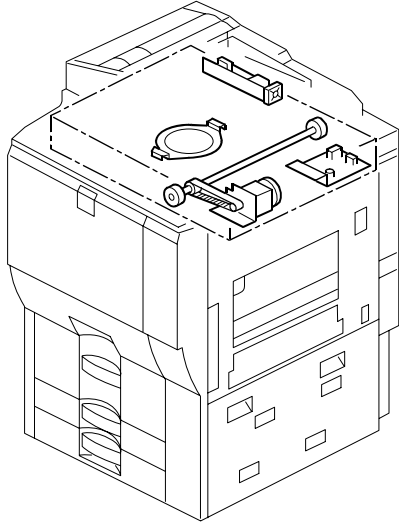
18. Optics Section 3 (D014/D015/D078/D079)



See Page 53

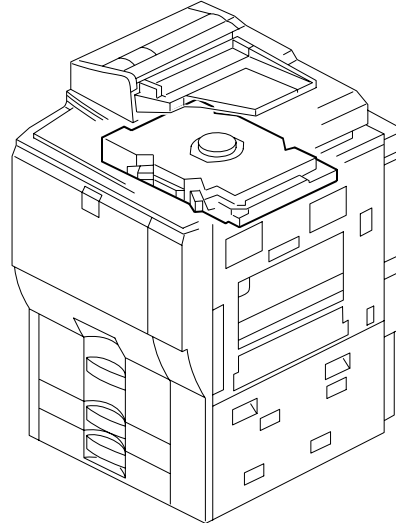
LOCATIONS OF UNITS

19. Optics Section 4 (D014/D015/D078/D079)



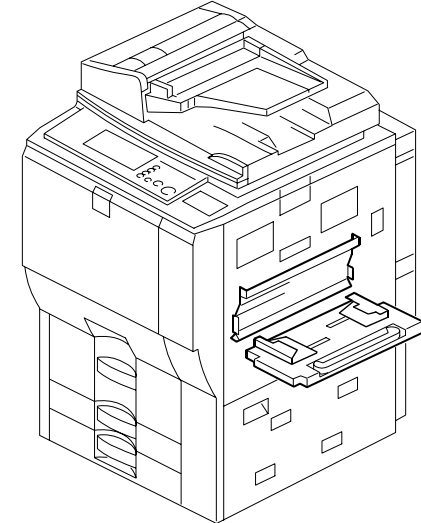
See Page 55

20. Laser Unit (D014/D015/D078/D079)



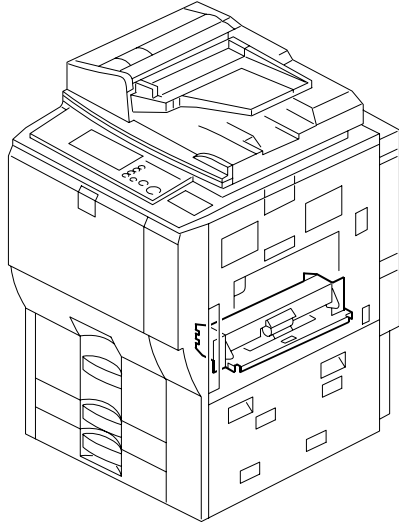
See Page 57

21. By-pass Feed 1 (D014/D015/D078/D079)



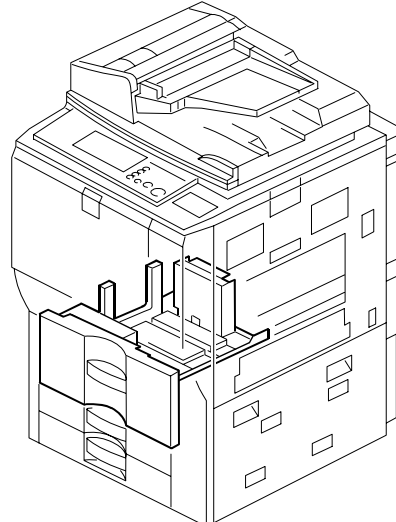
See Page 59

22. By-pass Feed 2 (D014/D015/D078/D079)



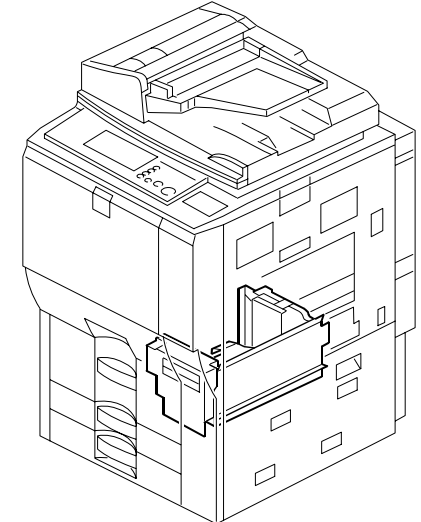
See Page 61

23. Tandem Tray 1 (D014/D015/D078/D079)



See Page 63

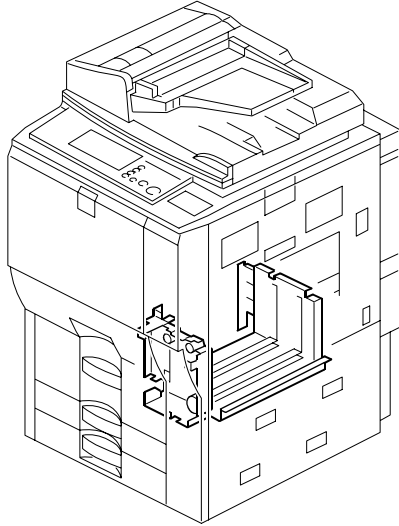
24. Tandem Tray 2 (D014/D015/D078/D079)



See Page 65

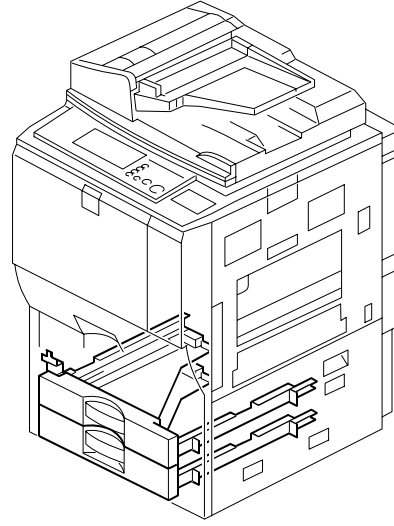
LOCATIONS OF UNITS

25. Tandem Tray 3 (D014/D015/D078/D079)



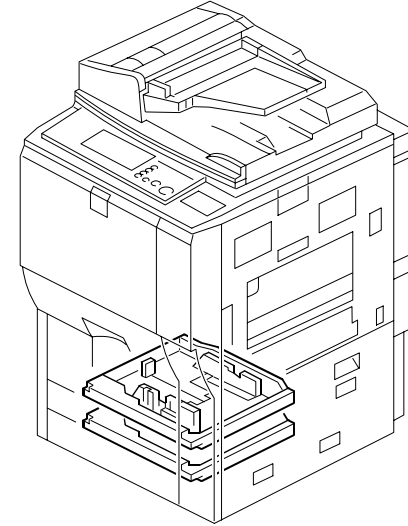
See Page 67

26. Universal Tray 1 (D014/D015/D078/D079)



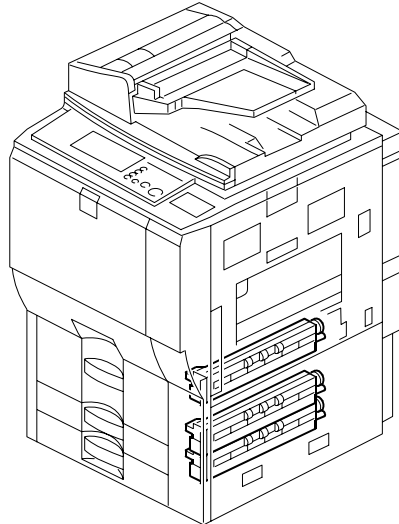
See Page 69

27. Universal Tray 2 (D014/D015/D078/D079)



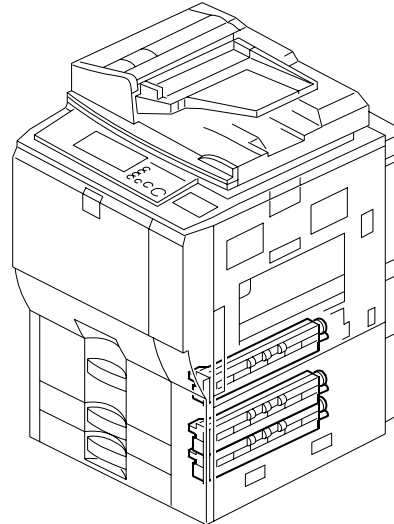
See Page 71

28. Paper Registration 1 (D014/D015/D078/D079)



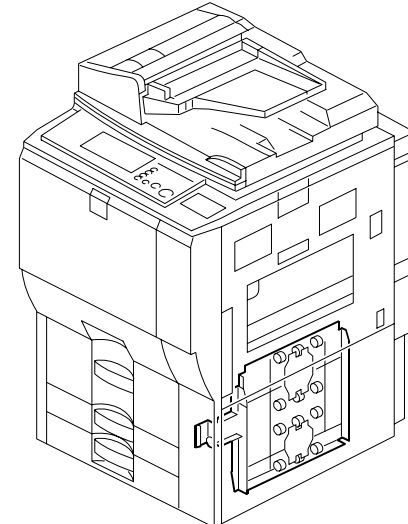
See Page 73

29. Paper Registration 2 (D014/D015/D078/D079)



See Page 75

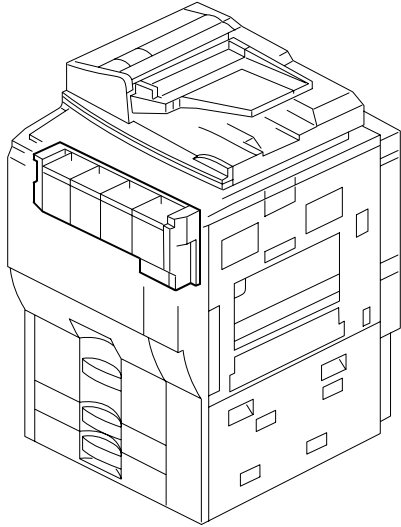
30. Vertical Transport (D014/D015/D078/D079)



See Page 77

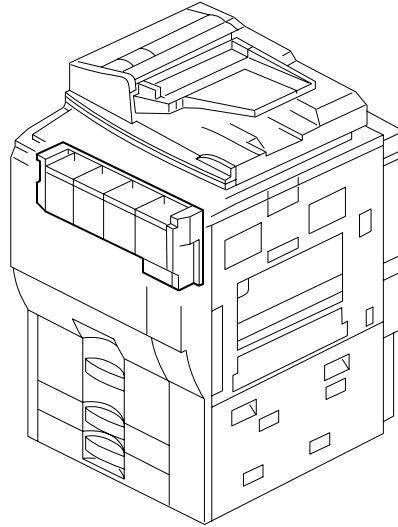
LOCATIONS OF UNITS

31. Toner Supply 1 (D014/D015/D078/D079)



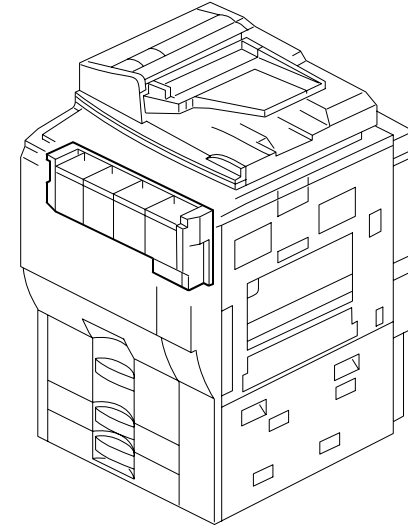
See Page 79

32. Toner Supply 2 (D014/D015/D078/D079)



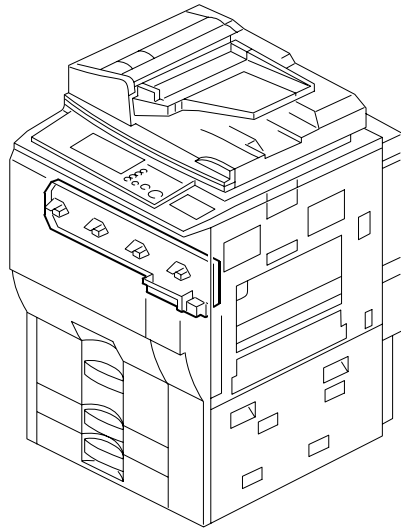
See Page 81

33. Toner Supply 3 (D014/D015/D078/D079)



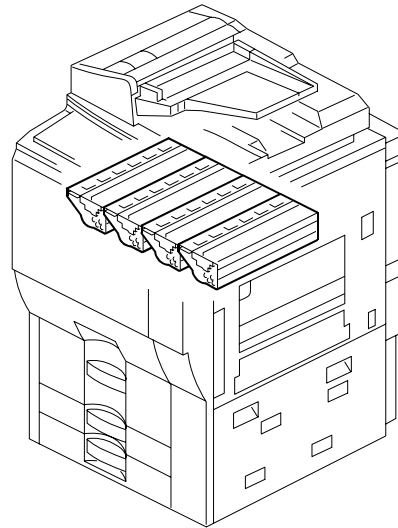
See Page 83

34. PCU 1 (D014/D015/D078/D079)



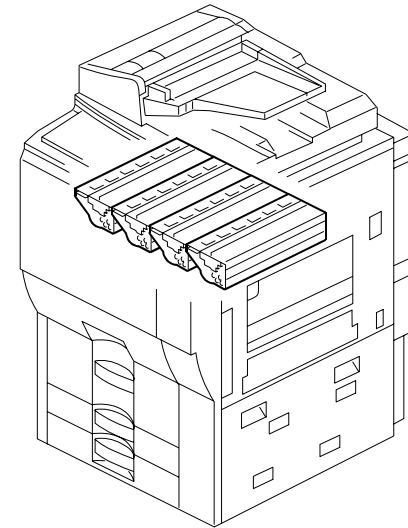
See Page 85

35. PCU 2 (D014/D015/D078/D079)



See Page 87

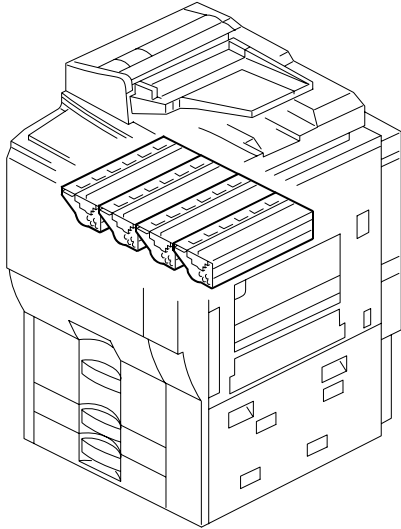
36. PCU 3 (D014/D015/D078/D079)



See Page 89

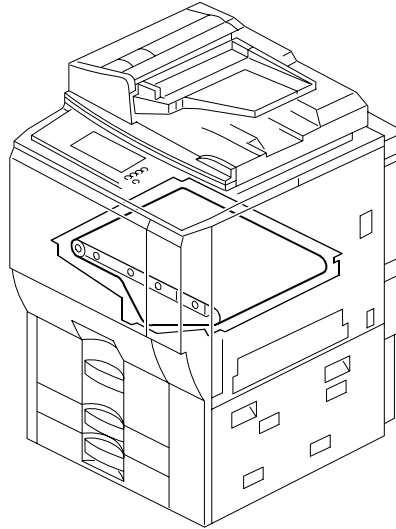
LOCATIONS OF UNITS

37. Development Unit (D014/D015/D078/D079)



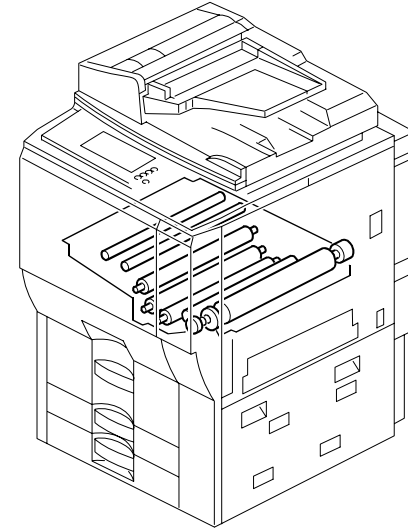
See Page 91

38. Transfer Belt Unit 1 (B132/B181/B200)



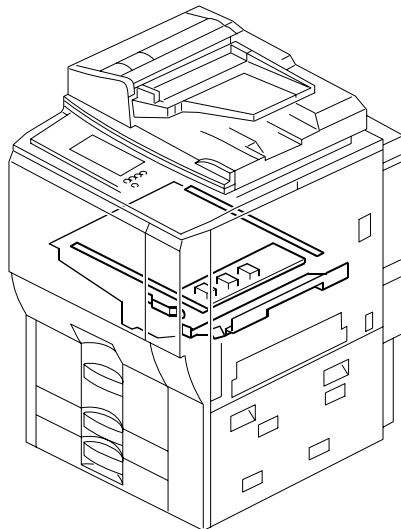
See Page 93

39. Transfer Belt Unit 2 (B132/B181/B200)



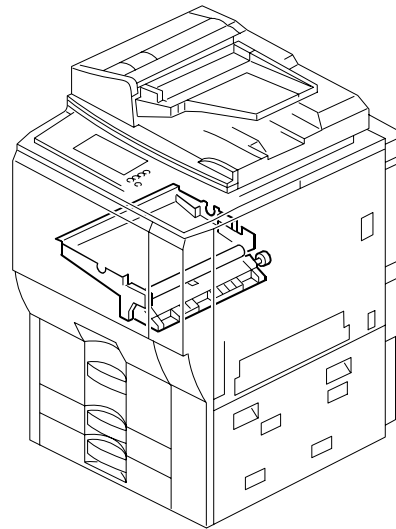
See Page 95

40. Transfer Belt Unit 3 (B132/B181/B200)



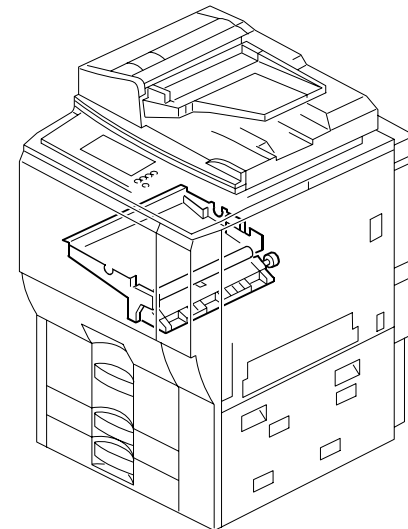
See Page 97

41. Transfer Belt Cleaning 1 (D014/D015/D078/D079)



See Page 99

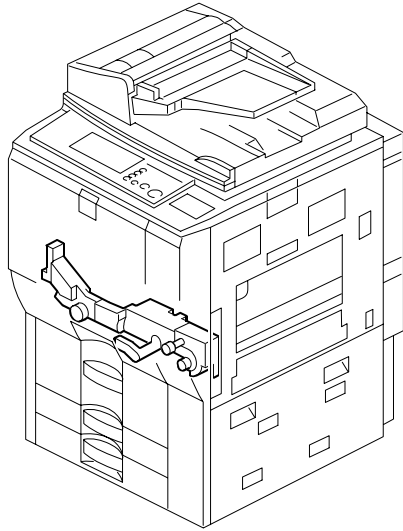
42. Transfer Belt Cleaning 2 (D014/D015/D078/D079)



See Page 101

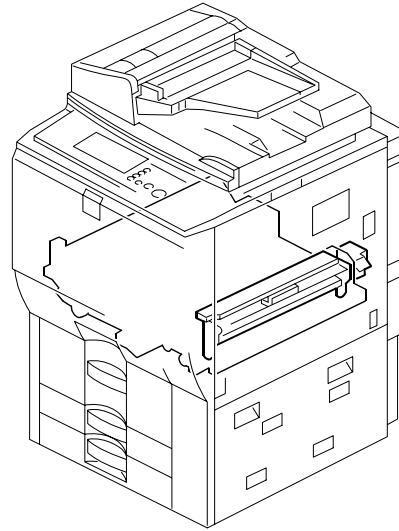
LOCATIONS OF UNITS

43. Transfer Cover (D014/D015/D078/D079)



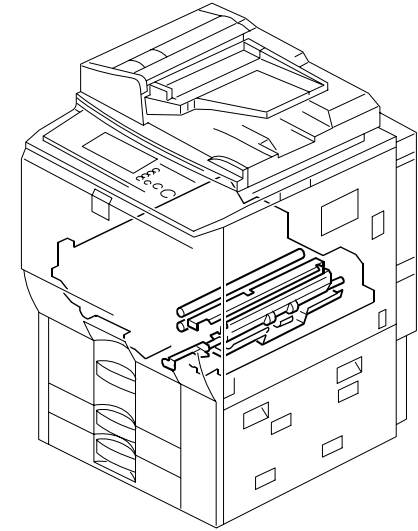
See Page 103

44. Transfer Entrance 1 (D014/D015/D078/D079)



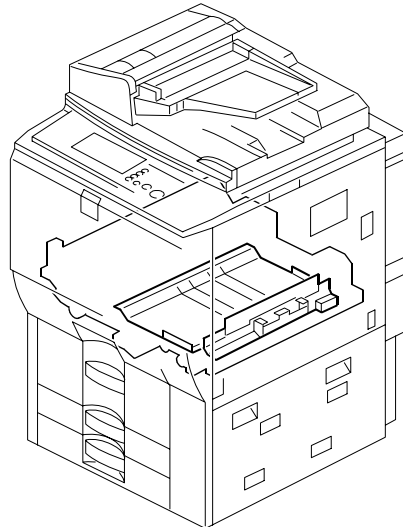
See Page 105

45. Transfer Entrance 2 (D014/D015/D078/D079)



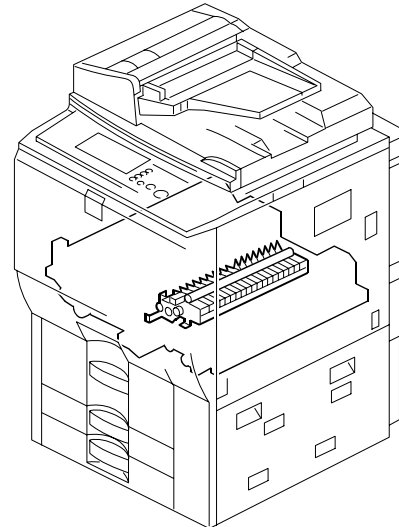
See Page 107

46. Transfer Entrance 3 (D014/D015/D078/D079)



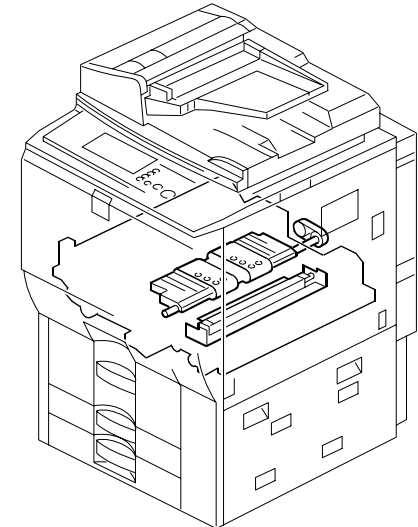
See Page 109

47. Paper Transfer 1 (D014/D015/D078/D079)



See Page 111

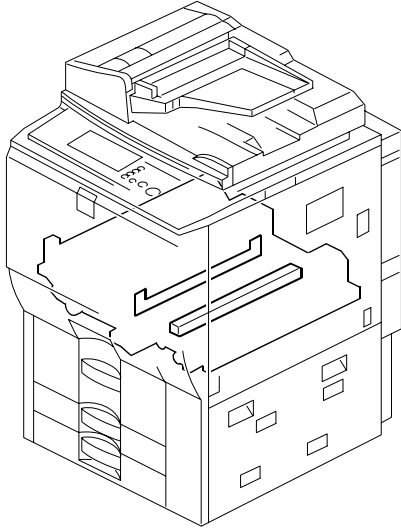
48. Paper Transfer 2 (D014/D015/D078/D079)



See Page 113

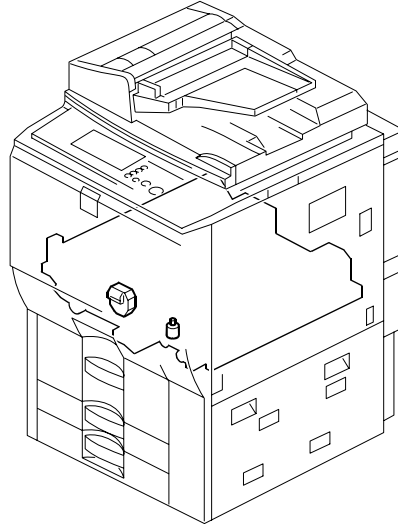
LOCATIONS OF UNITS

49. Fusing Unit 1 (D014/D015/D078/D079)



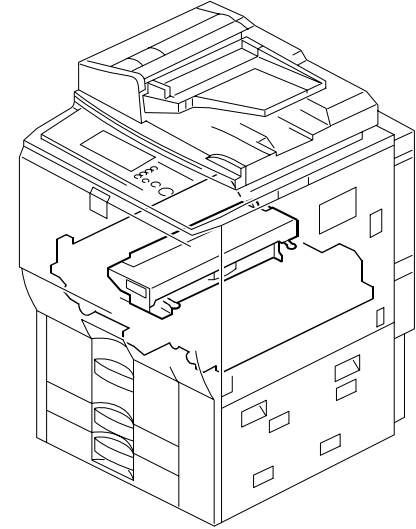
See Page 115

50. Fusing Unit 2 (D014/D015/D078/D079)



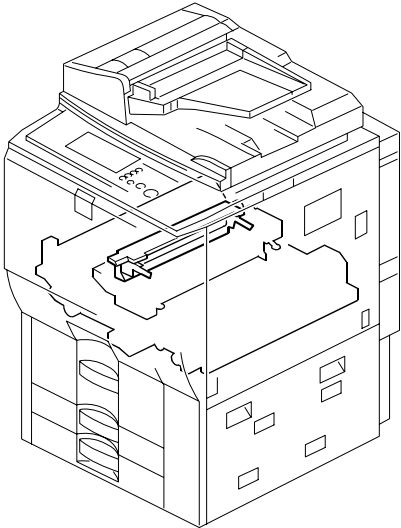
See Page 117

51. Fusing Unit 3 (D014/D015/D078/D079)



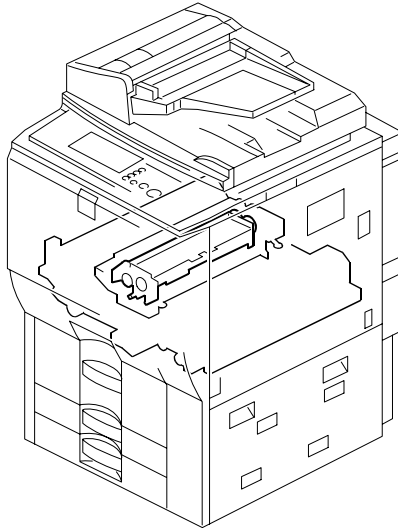
See Page 119

52. Fusing Unit 4 (D014/D015/D078/D079)



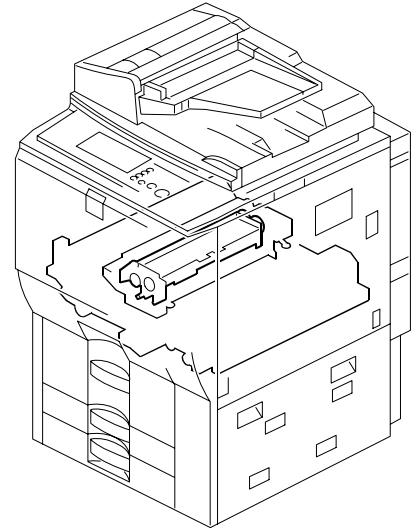
See Page 121

53. Fusing Unit 5 (D014/D015/D078/D079)



See Page 123

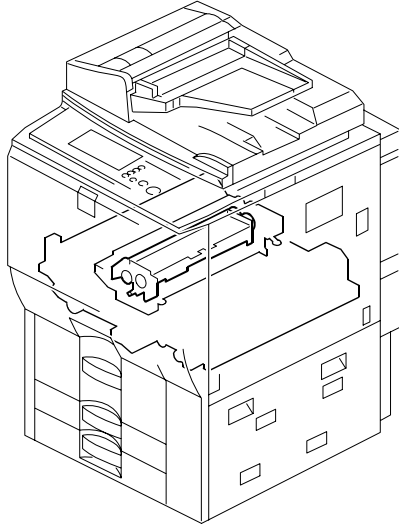
54. Fusing Unit 6 (D014/D015/D078/D079)



See Page 125

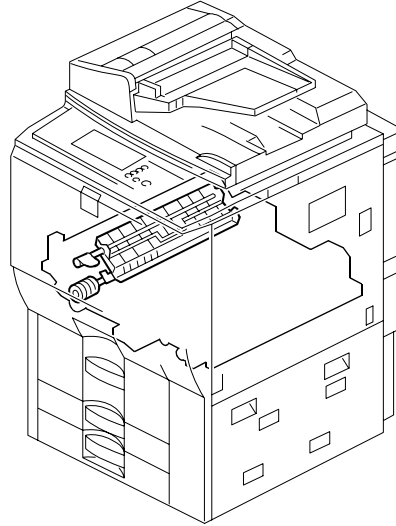
LOCATIONS OF UNITS

55. Fusing Unit 7 (D014/D015/D078/D079)



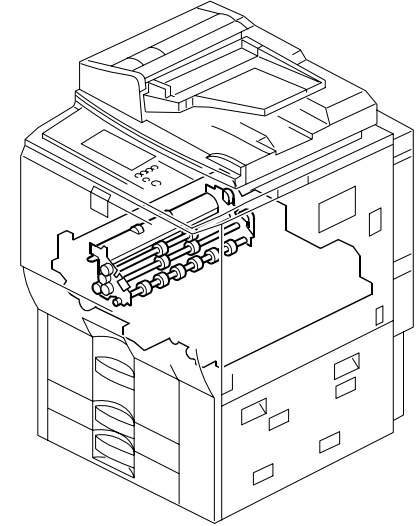
See Page 127

56. Paper Exit 1 (D014/D015/D078/D079)



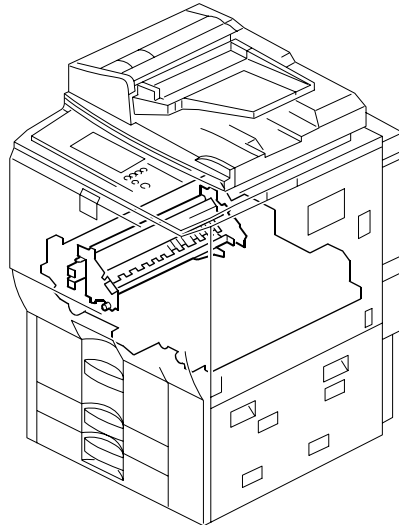
See Page 129

57. Paper Exit 2 (D014/D015/D078/D079)



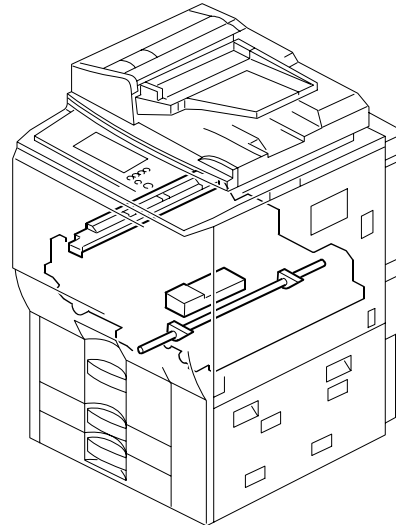
See Page 131

58. Paper Exit 3 (D014/D015/D078/D079)



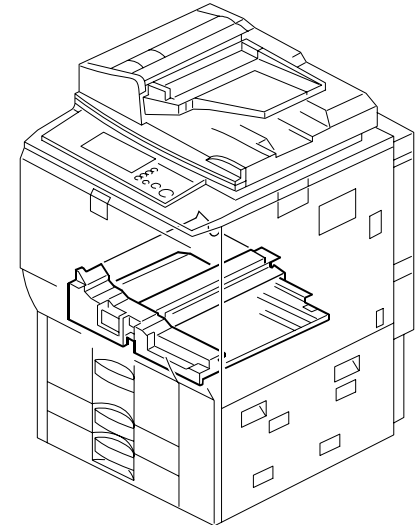
See Page 133

59. Paper Exit 4 (D014/D015/D078/D079)



See Page 135

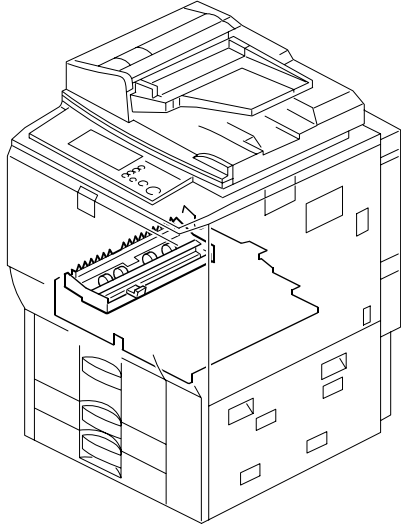
60. Duplex Unit 1 (D014/D015/D078/D079)



See Page 137

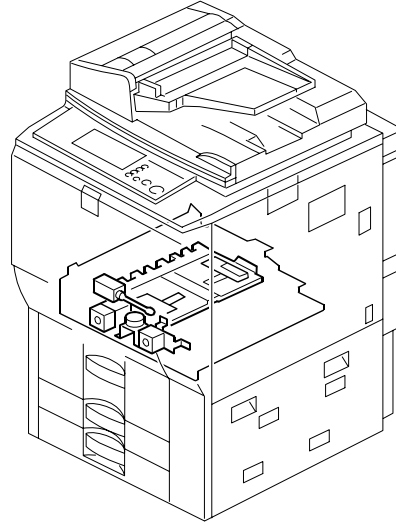
LOCATIONS OF UNITS

61. Duplex Unit 2 (D014/D015/D078/D079)



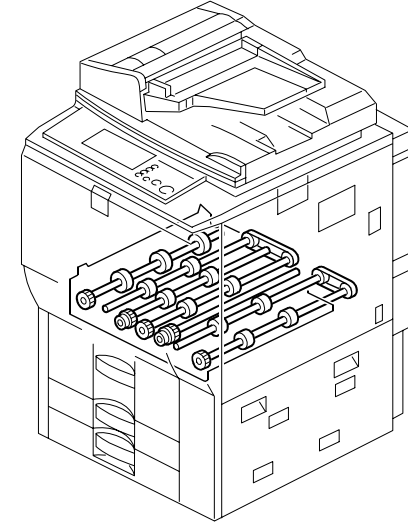
See Page 139

62. Duplex Unit 3 (D014/D015/D078/D079)



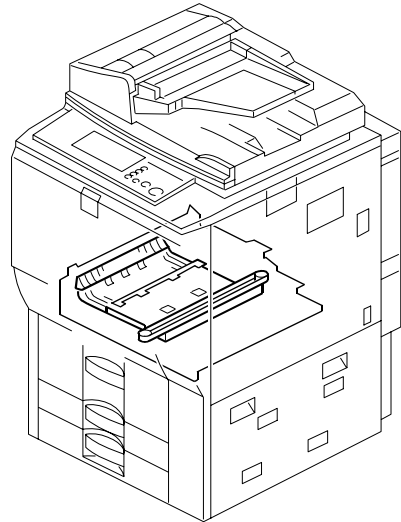
See Page 141

63. Duplex Unit 4 (D014/D015/D078/D079)



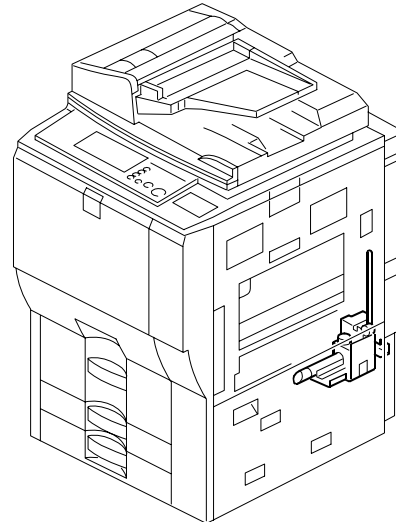
See Page 143

64. Duplex Unit 5 (D014/D015/D078/D079)



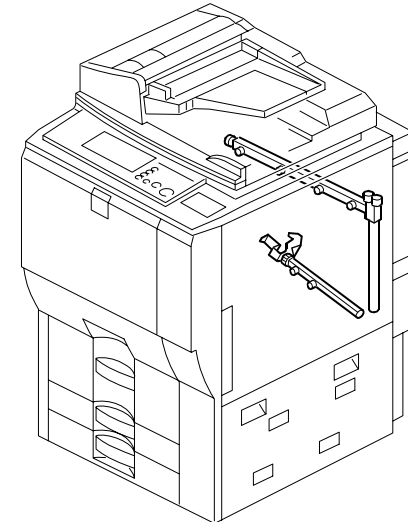
See Page 145

65. Used Toner Section 1 (D014/D015/D078/D079)



See Page 147

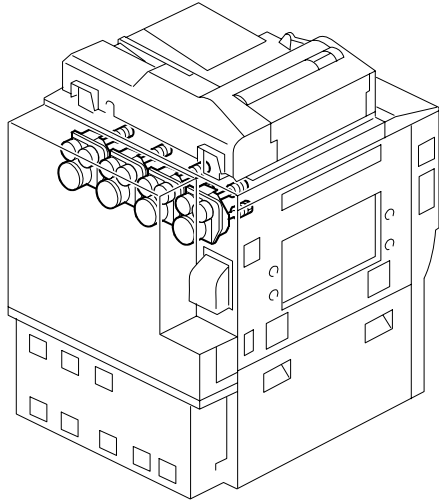
66. Used Toner Section 2 (D014/D015/D078/D079)



See Page 149

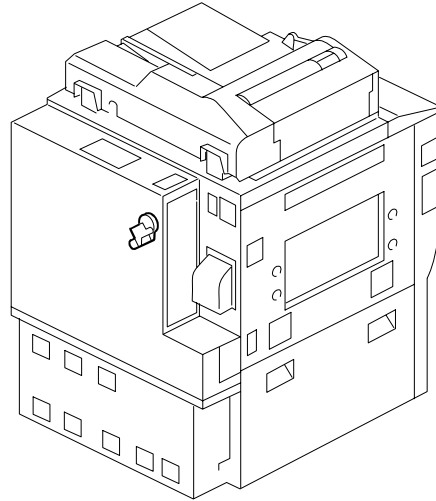
LOCATIONS OF UNITS

67. Drive Section 1 (D014/D015/D078/D079)



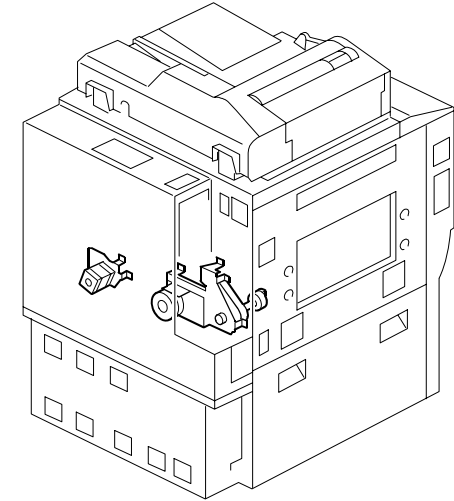
See Page 151

68. Drive Section 2 (D014/D015/D078/D079)



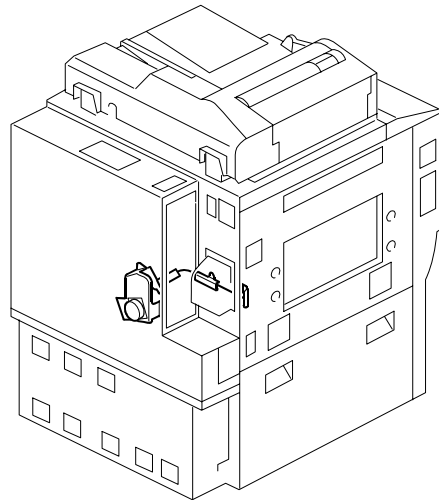
See Page 153

69. Drive Section 3 (D014/D015/D078/D079)



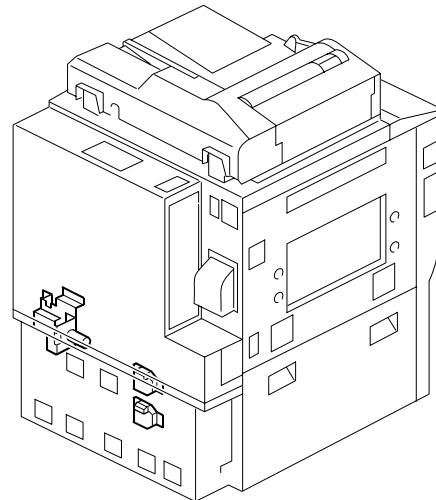
See Page 155

70. Drive Section 4 (D014/D015/D078/D079)



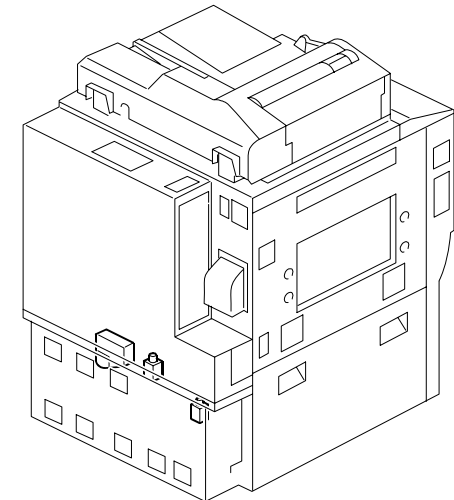
See Page 157

71. Drive Section 5 (D014/D015/D078/D079)



See Page 159

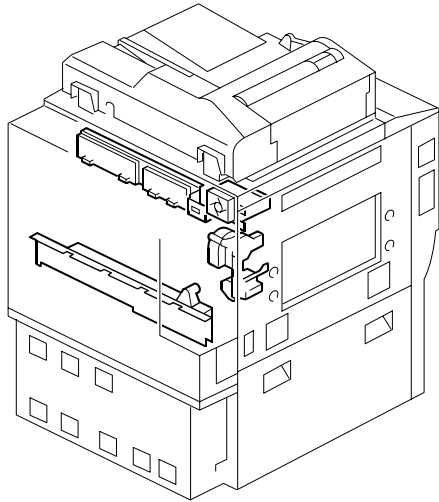
72. Drive Section 6 (D014/D015/D078/D079)



See Page 161

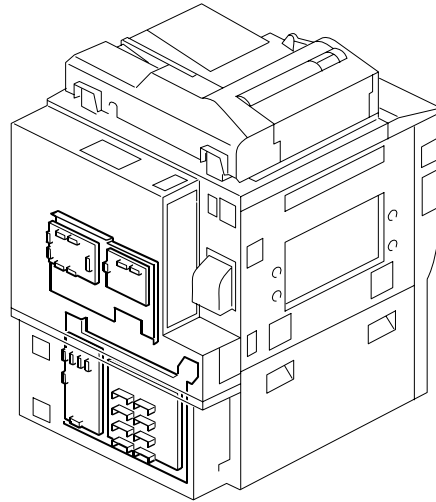
LOCATIONS OF UNITS

73. Electrical Section 1 (D014/D015/D078/D079)



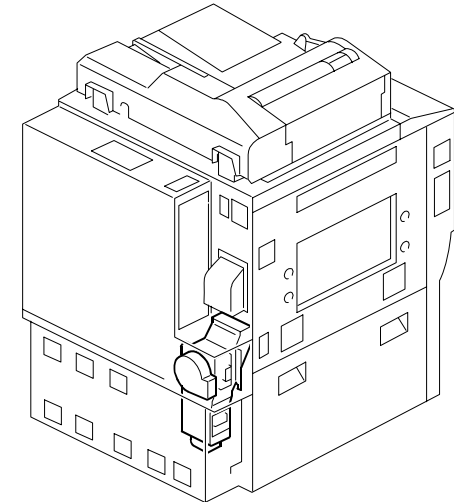
See Page 163

74. Electrical Section 2 (D014/D015/D078/D079)



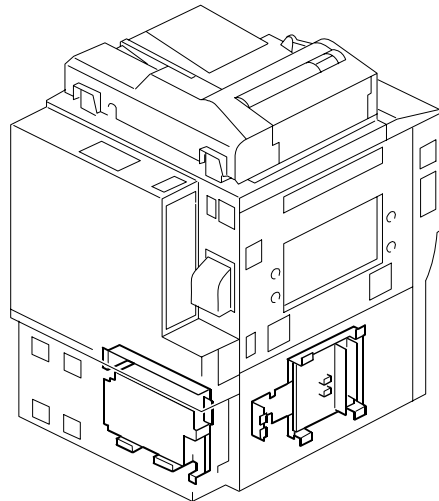
See Page 165

75. Electrical Section 3 (D014/D015/D078/D079)



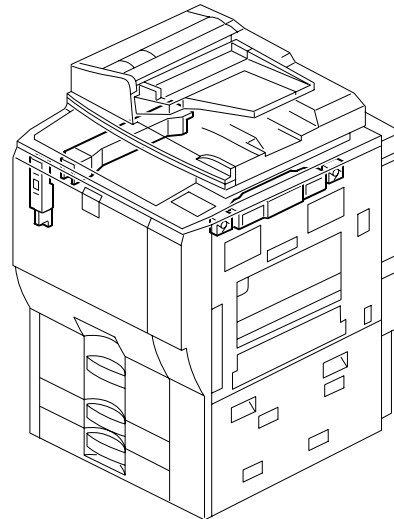
See Page 167

76. Electrical Section 4 (D014/D015/D078/D079)



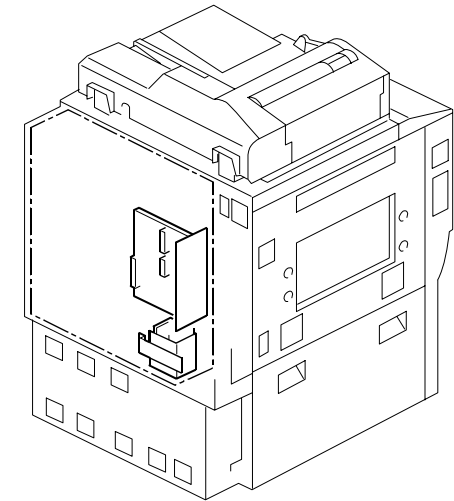
See Page 169

77. Electrical Section 5 (D014/D015/D078/D079)



See Page 171

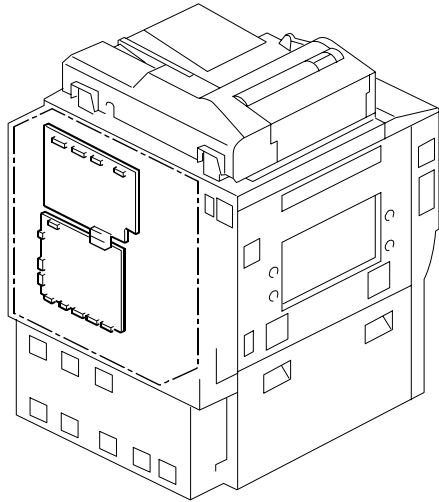
78. Electrical Section 6 (D014/D015/D078/D079)



See Page 173

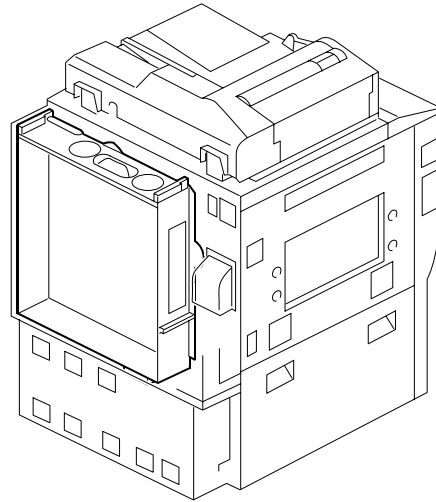
LOCATIONS OF UNITS

79. Electrical Section 7 (D014/D015/D078/D079)



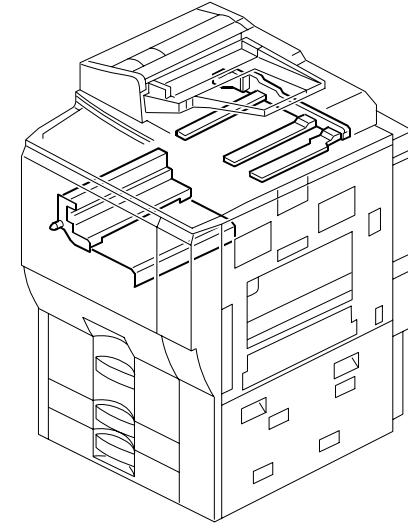
See Page 175

80. Electrical Section 8 (D014/D015/D078/D079)



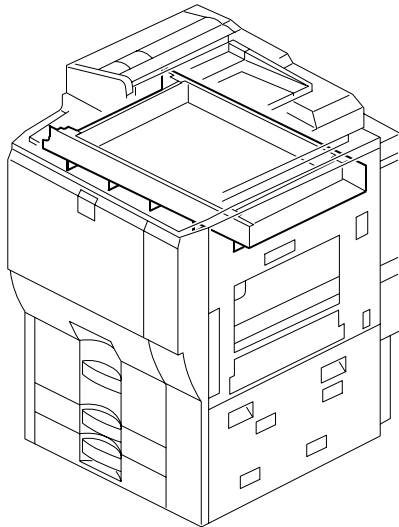
See Page 177

81. Frame Section 1 (D014/D015/D078/D079)



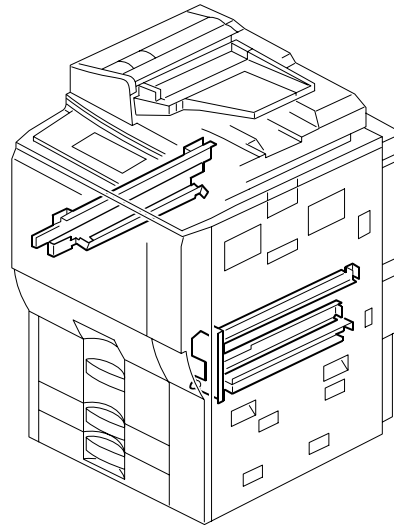
See Page 179

82. Frame Section 2 (D014/D015/D078/D079)



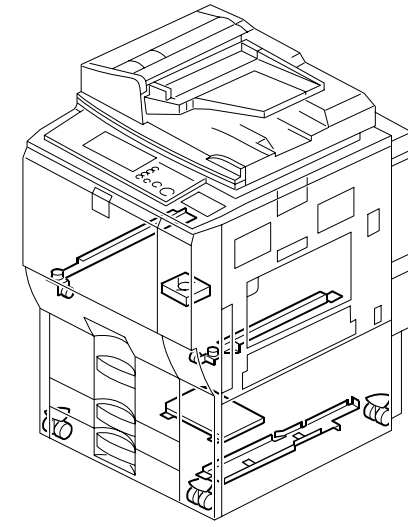
See Page 181

83. Frame Section 3 (D014/D015/D078/D079)



See Page 183

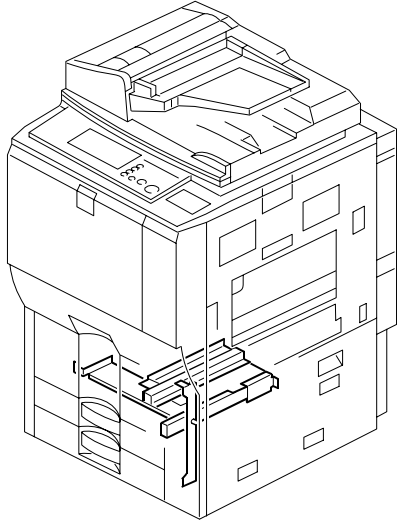
84. Frame Section 4 (D014/D015/D078/D079)



See Page 185

LOCATIONS OF UNITS

85. Frame Section 5 (D014/D015/D078/D079)



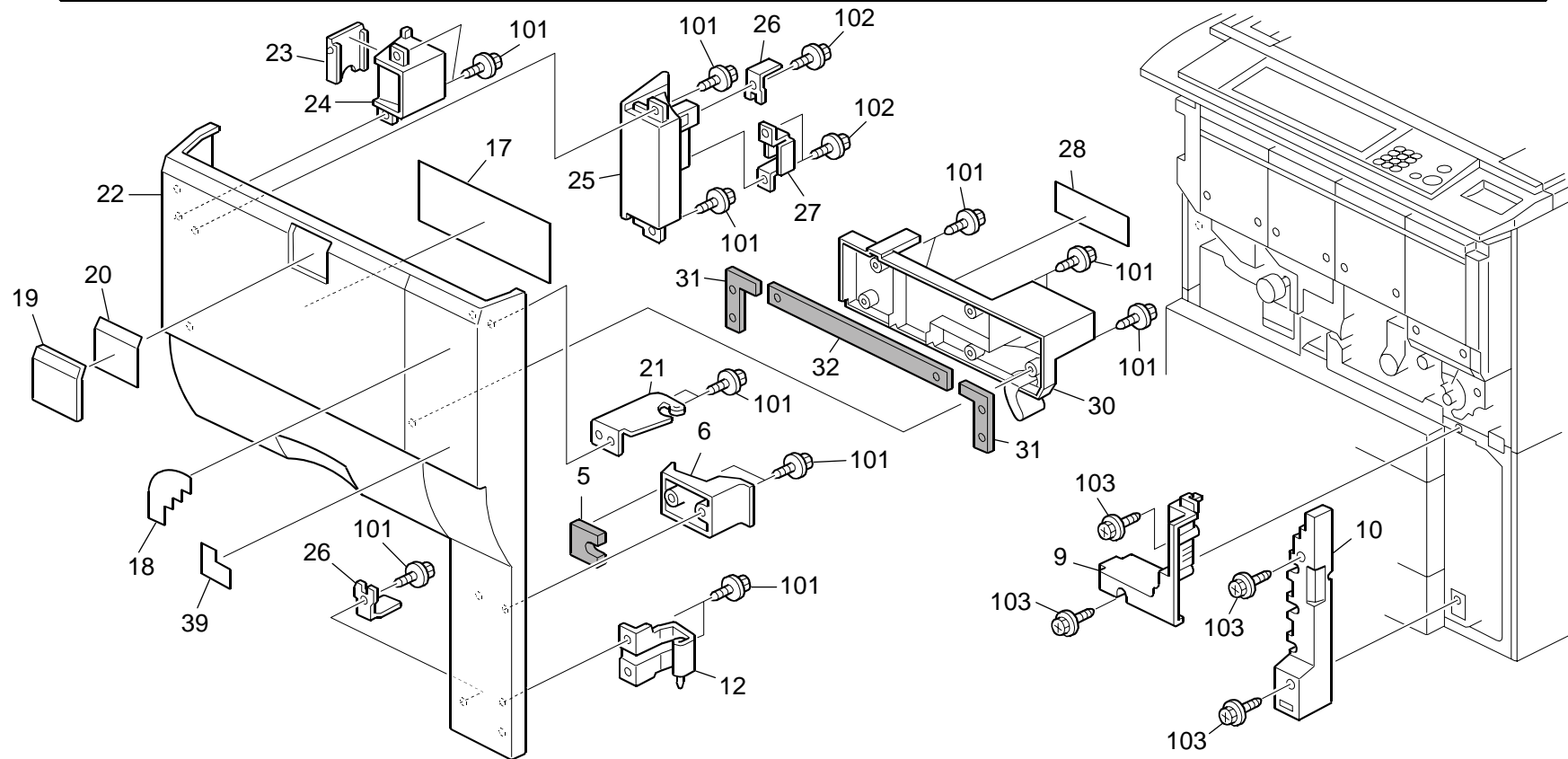
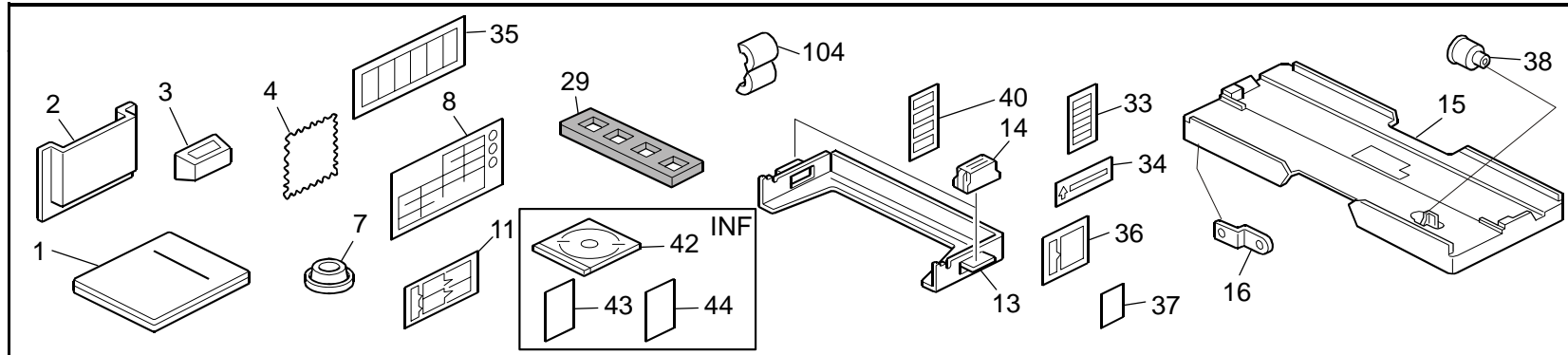
See Page 187

D014/D015/D078/D079 PARTS LOCATION AND LIST

This section instructs you as to the numbers and names of parts on this machine.

1.Exterior 1 (D014/D015/D078/D079)

Rev. 06/25/2008



WWW.SERVICE-MANUAL.NET

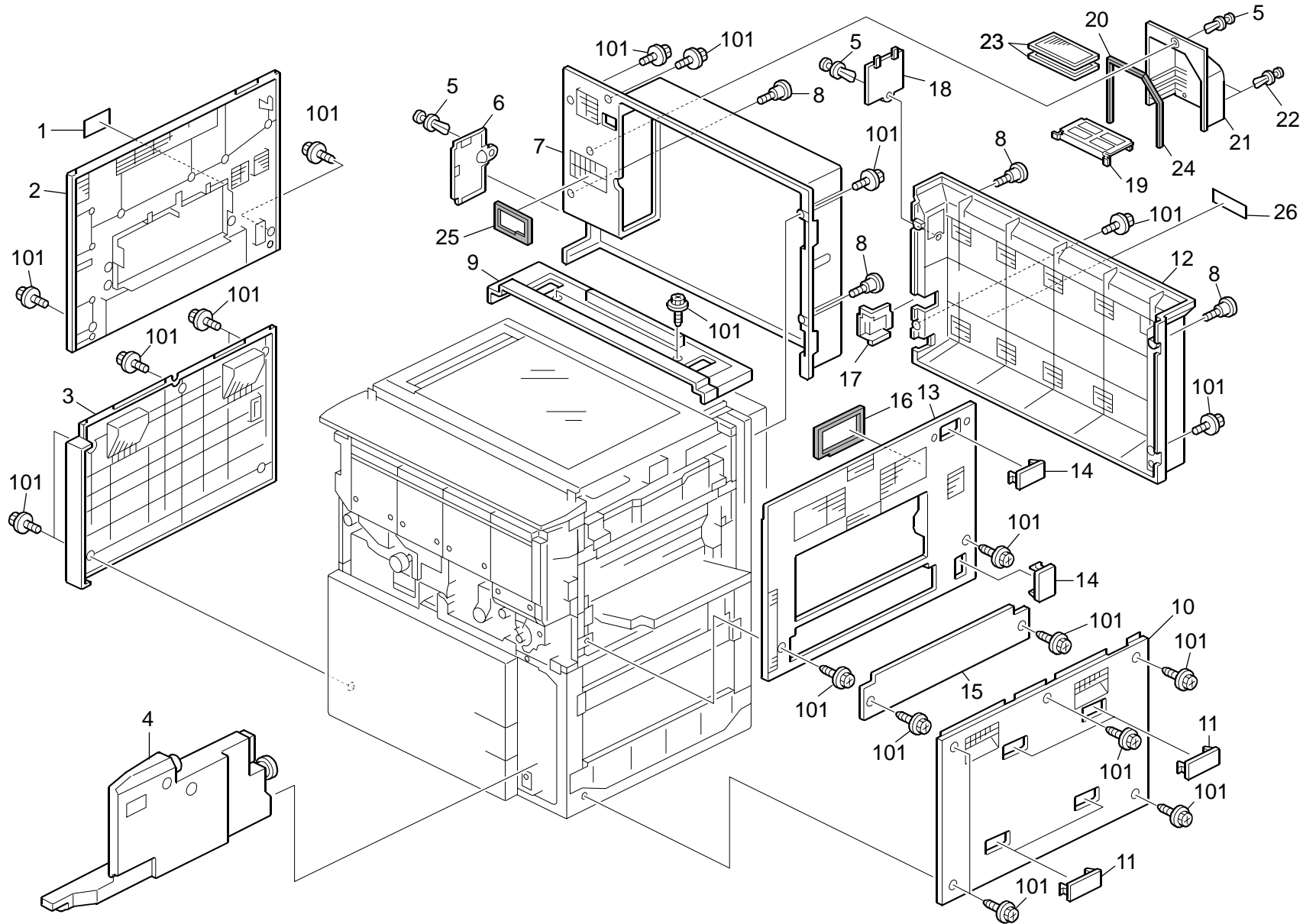
1.Exterior 1 (D014/D015/D078/D079)

Rev. 02/17/2009

Index No.	Part No.	Description	Q'ty Per Assembly
1	D015 7652	Manual: COPY_REF: NA	1
1	D015 7703	Manual: ABOUT_MACHINE: NA	1
1	D015 7708	Manual: TROUBLESHOOT: NA	1
2	B027 8521	O/I Holder - Assembly	1
3	B065 1371	Cloth Holder	1
4	B065 1374	Cloth - DF Exposure Glass	1
5	B132 1529	Sponge: SD-card: Plate	1
6	B132 1511	Lever: Guide Plate	1
7	B132 1226	Holder: Stand	2
8	B065 8490	Decal - Paper Size	1
9	B132 1558	Inner Cover: Paper Feed	1
10	B132 6761	Inner Cover: Paper Feed	1
11	B070 1307	Decal: Paper Set Direction	1
12	D014 1466	Hinge: Door: Lower: Ass'y [TSB#055]	1
13	B132 2393	Tray: Holder: PCU	1
14	AG07 1012	Magnet Catch: Ass'y	2
15	D014 3690	Holder: PCU [TSB#028]	1
16	D014 3144	Adjusting Pin: Development	1
17	D014 1551	Decal: Misfeed Removal [TSB#053]	5
18	AA00 0239	Decal: Color: MFP	1
19	B132 1531	Panel: Logo	1
20	D014 1536	Sheet: Logo: INF: C6000	1
20	D014 1541	Sheet: Logo: INF: C6000SP	1
20	D015 1536	Sheet: Logo: INF: C7500	1
20	D015 1541	Sheet: Logo: INF: C7500SP	1
20	D014 1532	Sheet: Logo: Aficio: C6000 [TSB#040]	1
20	D014 1533	Sheet: Logo: Ges: NA: C6000 [TSB#040]	1
20	D014 1534	Sheet: Logo: Lan: NA: LD260C [TSB#040]	1
20	D014 1535	Sheet: Logo: Svn: C6055 [TSB#040]	1
20	D015 1532	Sheet: Logo: Aficio: C7500 [TSB#040]	1
20	D015 1533	Sheet: Logo: Ges: NA: C7500 [TSB#040]	1
20	D015 1534	Sheet: Logo: Lan: LD275C [TSB#040]	1
20	D015 1535	Sheet: Logo: Svn: C7570 [TSB#040]	1
21	D014 1455	Hinge: Door: Upper	1
22	D014 1501	Door: Front	1

Index No.	Part No.	Description	Q'ty Per Assembly
23	B132 1512	Cover: Main Switch	1
24	B132 1513	Case: Main Switch	1
25	B132 1514	Grip: Door: Front	1
26	B132 1515	Lever: Micro Switch	2
27	B132 1526	Door Catch	1
28	D014 1560	Decal: Toner Supply	1
29	B132 3084	Holder: Cap: Receiving Sub-unit	1
30	D014 6961	Duct: Door: Front	1
31	D014 6975	Seal: Duct: Door: Front: Short [TSB#003]	2
32	D014 6974	Seal: Duct: Door: Front: Long [TSB#003]	1
33	B652 2378	Decal - Display: Original Table	1
34	B132 1548	Decal - Cleaning: Exposure Glass	1
35	B652 2379	Decal: Caution: Original: 5-Lang	1
36	B132 1573	Decal - Power Source: Off	1
37	B237 1544	Sheet: Data: Display: Plain [TSB#043]	1
38	D014 3135	Joint: Drive: Development Unit	1
39	AA00 1477	Decal: Energy-star	1
40	B132 1549	Decal - Cleaning: Exposure Glass	1
41	B234 8510	Decal: Size Indication: Multi-Language: C3	1
42	D376 6515	CD-ROM: SCN: Exp: GEN: Ass'y	1
42	D376 6526	CD-ROM: PRN: EU: INF: Ass'y	1
43	D376 7900	Sheet: EULA: 18Languages	1
44	D376 7901	Seal: Caution: 18Languages	1
101	0450 4012N	Tapping Screw: 4x12	
102	0450 4010N	Tapping Screw: M4x10	
103	0451 4008N	Tapping Screw: 4x8	
104	1607 1461	Ferrite Core	

2.Exterior 2 (D014/D015/D078/D079)



WWW.SERVICE-MANUAL.NET

2.Exterior 2 (D014/D015/D078/D079)

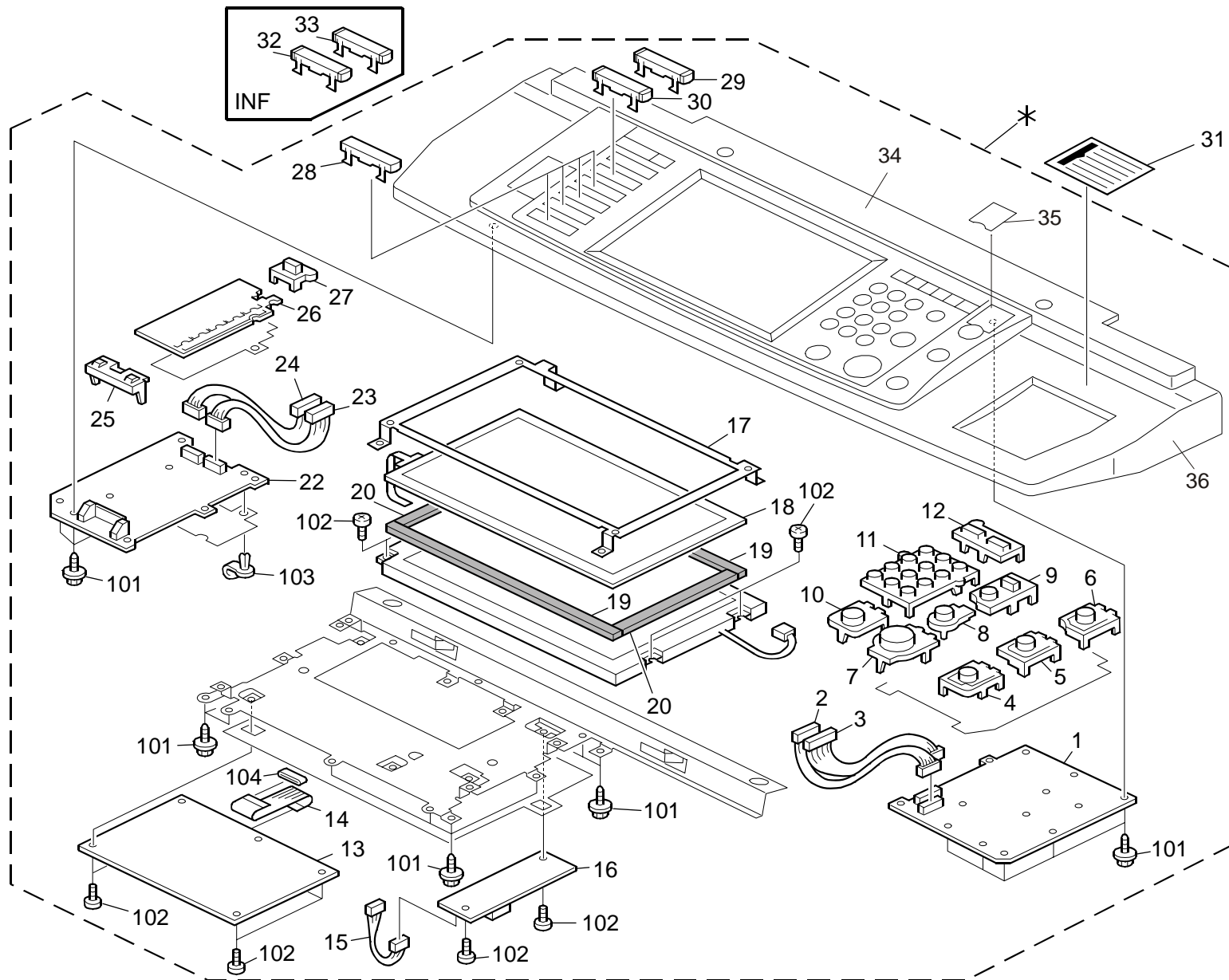
Rev. 7/29/2011

Index No.	Part No.	Description	Q'ty Per Assembly
1	B065 4480	Decal - Cover	1
2	D081 1506	Cover: Left Middle	1
3	D014 1509	Cover: Left Lower	1
4	B132 6609	Waste Toner Bottle	1
5	B039 1367	Rivet - M6	3
6	B132 1516	Cover: Ozone Filter	1
7	D014 1507	Cover: Rear Middle	1
8	AA14 3801	Screw: M4: Exterior	4
9	B132 1504	Cover: Rear Upper	1
10	B132 1508	Cover: Right Lower	1
11	B065 1341	Connector Cap	4
12	D014 1510	Cover: Rear Lower	1
13	D014 1505	Cover: Right Middle	1
14	B065 1344	G4 Cap	2
15	D062 1303	LCT Cover	1
16	D014 6982	Seal: Cover: Right Middle	1
17	D014 1512	Cover: Cable: Ac Power Supply	1
18	D014 1511	Cover: Filter: Rear Lower	1
19	D014 6986	Bracket: Duct: Main: Rear	1
20	D014 6985	Shield: Duct: Main: Rear	1
21	D014 6977	Duct: Main: Rear	1
22	A193 1384	Nylon Clamp	2
23	D014 6978	Dust Filter	2
24	D014 6984	Shield: Duct: Main: Rear	1
25	D014 1500	Seal: Cover: Rear Middle	1
26	B198 6407	Decal: Vermont: 2	1

Index No.	Part No.	Description	Q'ty Per Assembly
101	0451 4010N	Tapping Screw: 4x10	

3.Operation Panel (D014/D015/D078/D079)

Rev. 12/15/2008



WWW.SERVICE-MANUAL.NET

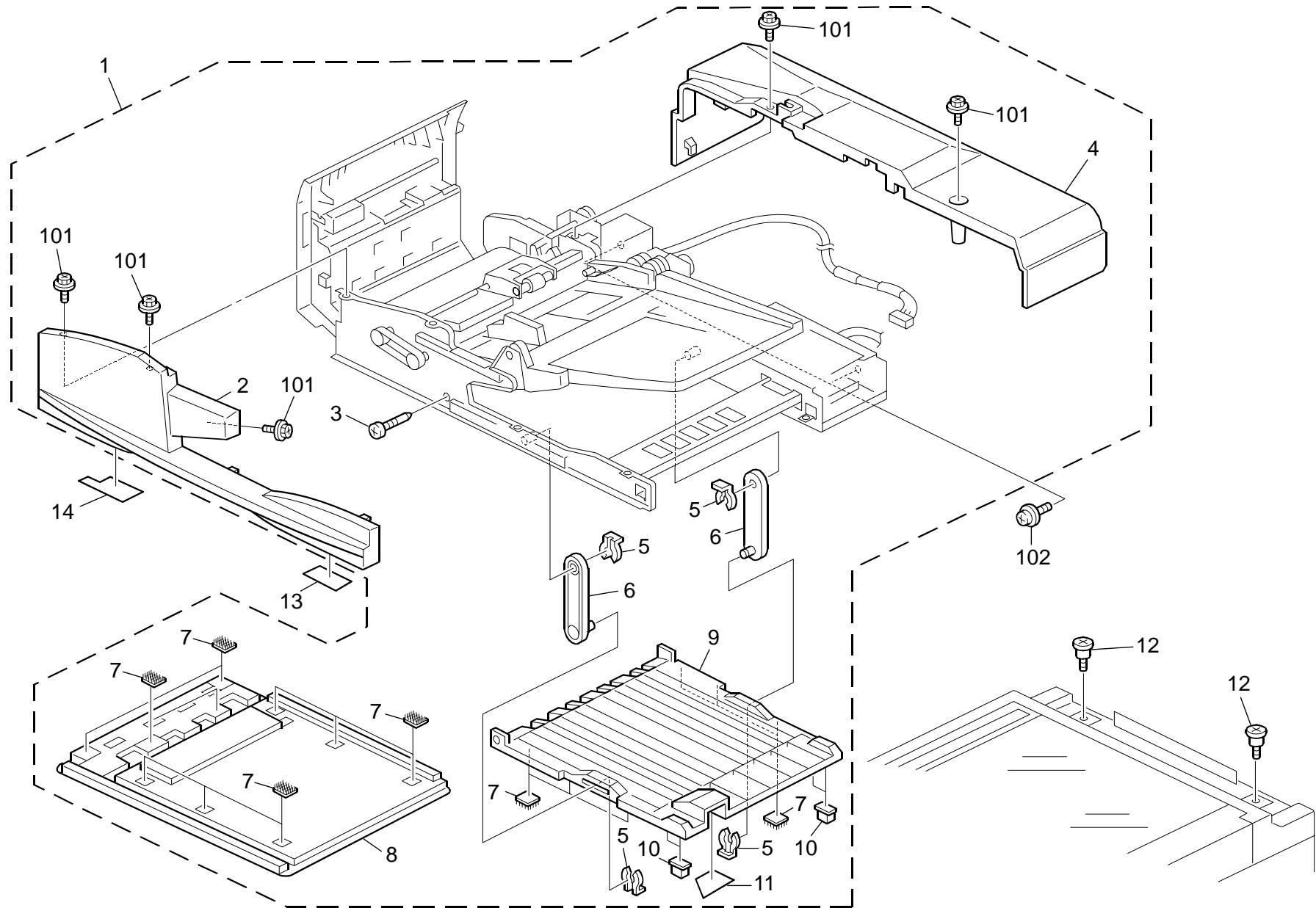
3.Operation Panel (D014/D015/D078/D079)

Rev. 12/09/2011

Index No.	Part No.	Description	Q'ty Per Assembly
*	D014 7201	Operation Panel – NA (D014/D015)	1
*	D014 7202	Operation Panel – EU (D014/D015)	1
*	D078 7201	Operation Panel – NA (D078/D079) [TSB#059]	1
1	D009 1470	PCB: OP-R	1
2	D009 1482	Harness: OP-L: 12	1
3	D009 1483	Harness: OP-L: 13	1
4	B238 1552	Keytop - Kantan	1
5	B238 1550	Keytop - Login	1
6	B238 1549	Keytop - Power Source	1
7	B238 1504	Keytop - Start	1
8	B238 1506	Keytop - Try Print	1
9	B238 1509	Keytop - Interrupt	1
10	B223 1520	Keytop - Clear/Stop	1
11	R7241540	Keytop: 10key: NA	1
11	R724 1521	Keytop: 10key	1
12	B238 1583	Keytop - Clear Modes	1
13	D014 5191	LCDC Board - NA	1
13	D014 5182	LCDC Board - EU	1
14	D009 1487	Cable: FFC: TFT: LCD	1
15	D009 1484	Harness: Inverter	1
16	D009 1486	Inverter: TFT	1
17	D009 1504	Shading Plate: Touch Panel	1
18	D009 1488	Touch Panel: W-VGA: MA	1
19	B238 1535	LCD Spacer B	2
20	B238 1534	LCD Spacer A	2
21	D089 1498	LCD: TFT: W-VGA: SH	1
22	B223 1475	PCB OP-L	1
23	D009 1481	Harness: OP-R: 13	1
24	D009 1480	Harness: OP-R: 10	1
25	D014 7223	Lens: Front	1
26	B238 1547	Spacer - Keytop	1
27	B238 1511	Keytop - Counter	1
28	B223 1518	Keytop - Blank FB (D014/D015)	4
28	D046 1468	Keytop – Blank :BLG-C1(D078/D079) [TSB#059]	1
29	B223 1529	Keytop - Doc NA	1

Index No.	Part No.	Description	Q'ty Per Assembly
29	B223 1535	Keytop: Doc: EU	1
30	B223 1528	Keytop - Copy NA	1
30	B223 1534	Keytop: Copy: EU	1
31	B132 1562	Decal - Inkjet: Paper	1
32	B223 1538	Keytop: Scanner: EU	1
33	B223 1537	Keytop: Printer: EU	1
34	D009 1556	Panel: Upper: NA [TSB#011]	1
34	D009 1557	Panel: Upper: EU [TSB#011]	1
35	B238 1539	Sheet: Power Source: Display: NA [TSB#011]	1
35	B286 1479	Sheet: Power Source: N-C2: EU [TSB#011]	1
36	D014 7221	Cover: Upper: NA [TSB#011R]	1
36	D014 7222	Cover: Upper: EU [TSB#011R]	1
101	0450 3010N	Tapping Screw - M3x10	
102	0353 0060N	Bind Screw - M3x6	
103	1105 0032	Clamp	
104	1607 2053	Ferrite Core: E04FG210810	

4.ARDF Exterior (D014/D015/D078/D079)



WWW.SERVICE-MANUAL.NET

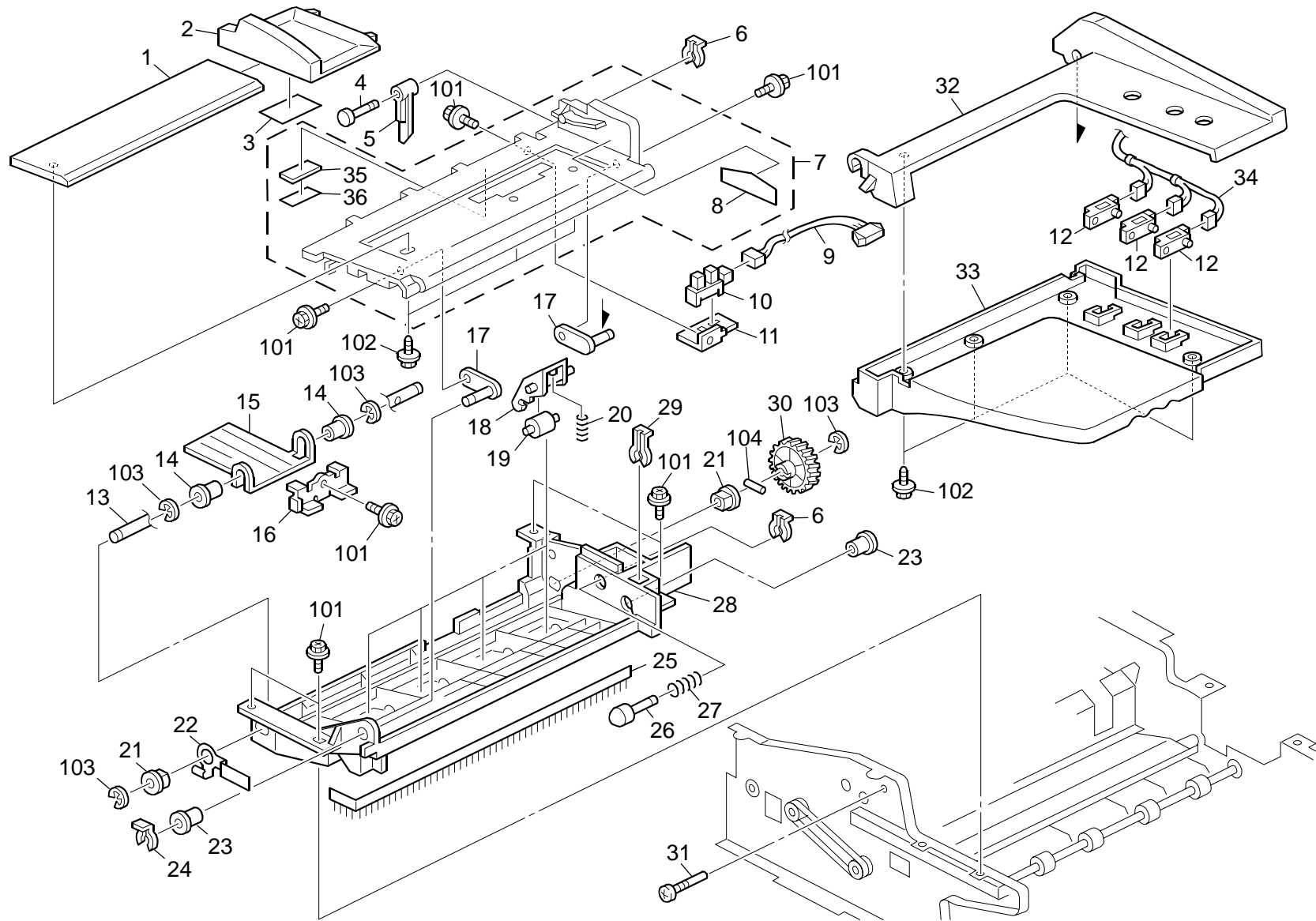
4.ARDF Exterior (D014/D015/D078/D079)

Rev. 04/13/2009

Index No.	Part No.	Description	Q'ty Per Assembly
1	B132 7454	ADF Unit (D014/D015) [TSB#057]	1
1	D078 7450	ADF Unit (D078/D079) [TSB#059]	1
2	B652 1902	Cover: Front	1
3	AA14 3788	Pin: Guide Plate: Paper Feed	1
4	B652 1952	Cover: Rear	1
5	5447 2681	Snap Ring	4
6	B652 4903	Stopper: Guide Plate: Pressure Plate	2
7	B477 2715	Pressure Plate Tape	16
8	B652 4741	Pressure Plate: Ass'y	1
9	B652 4902	Guide Plate: Pressure Plate	1
10	B352 2650	Magnet Catch - 5n	4
11	B652 4905	Decal: Misfeed Removal	1
12	A859 7211	Stepped Screw	2
13	B652 1906	Decal: Misfeed Removal	1
14	B652 1905	Decal: Misfeed Removal: Exit	1

Index No.	Part No.	Description	Q'ty Per Assembly
101	0451 3006N	Tapping Screw - 3x6	
102	0951 5010N	Screw: M5x10	

5.ARDF Original Tray (D014/D015/D078/D079)



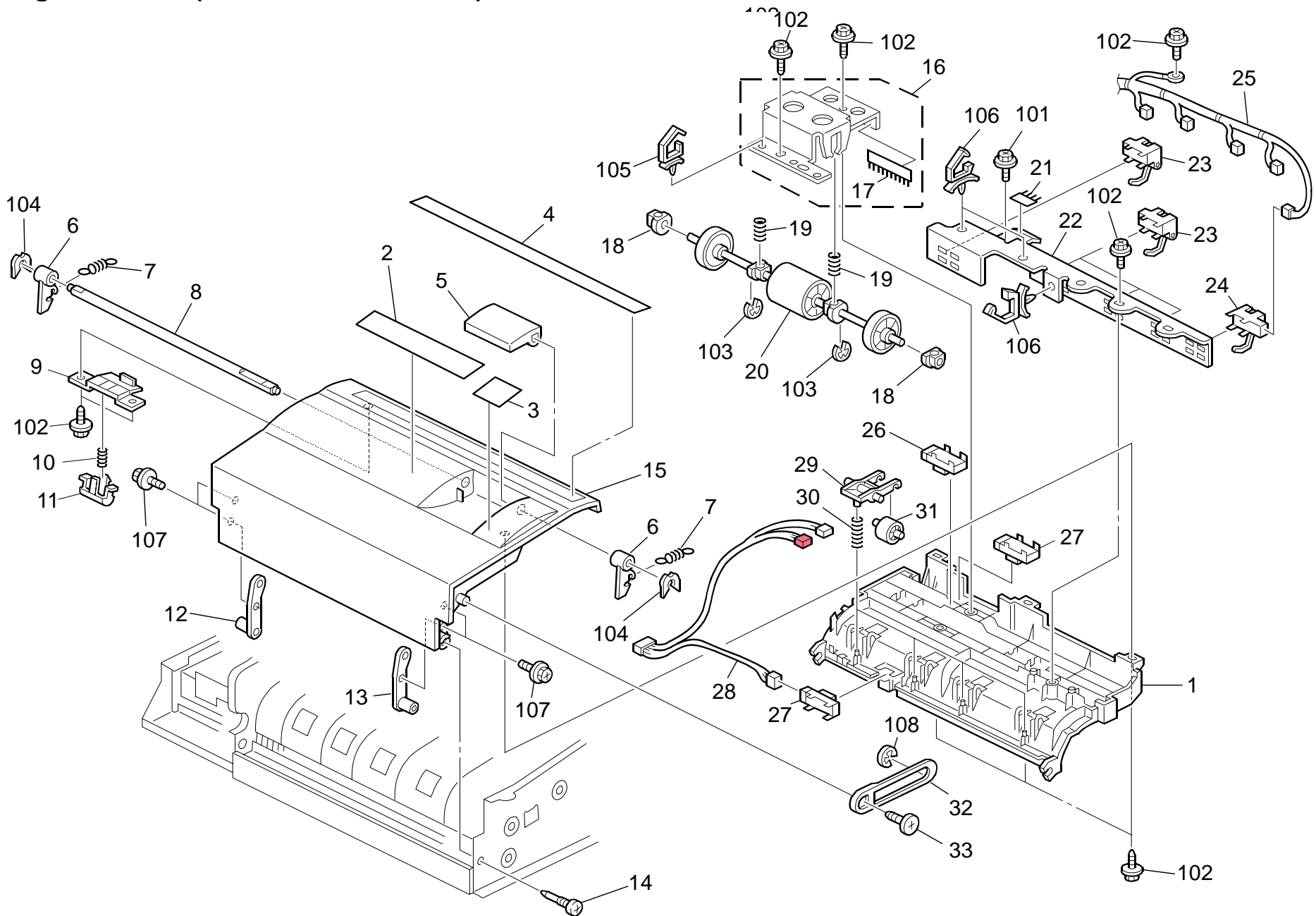
5.ARDF Original Tray (D014/D015/D078/D079)

Rev. 05/10/2011

Index No.	Part No.	Description	Q'ty Per Assembly
1	B714 4151	Rail: Side Fence	1
2	B477 2272	Table Side Fence	1
3	A376 4599	Side Fence Pad	1
4	B477 2286	Original Sensor Feeler Stud	1
5	A806 1351	Original Sensor Feeler	1
6	5206 2686	Snap Ring	2
7	B652 2351	Base: Original Table: Ass'y	1
8	B652 2354	Decal: Base: Original	1
9	B652 5451	Harness: Original Sensor	1
10	AW02 0141	Photointerruptor	1
11	B477 2281	Original Sensor Bracket	1
12	AW01 0112	Photo Reflector Sensor: Original Table	3
13	B652 2333	Shaft: Rise: Base	1
14	A628 1225	Bushing - 8mm	2
15	B652 2334	Lever: Rise: Base	1
16	B652 2335	Bracket: Lever: Rise: Base	1
17	B652 2363	Shaft: Base: Rear: Ass'y	2
18	B652 2403	Arm: Roller: Reverse: Upper	4
19	B351 3752	Pressure Roller - Reverse	4
20	B652 2404	Compression Spring: 3.1n	4
21	5053 0223	Bushing - 8mm	2
22	B652 2323	Ground Plate: Shaft: Base	1
23	B652 2375	Bushing: Original Table	2
24	5447 2681	Snap Ring	1
25	A859 3225	Discharge Brush	1
26	B652 2392	Stopper: Original Table	1
27	B652 2393	Compression Spring	1
28	B652 2322	Guide Plate: Reverse: Upper	1
29	C101 2360	Snap Ring	1
30	D412 2345	Gear: Z47: M0.8 [TSB#045]	1
31	AA14 3789	Shaft: Cleaner	1
32	B652 2376	Original Table: Face Front	1
33	B652 2383	Original Table: Behind (D014/D015)	1
33	B652 2384	Original Table: Behind (D078/D079) [TSB#059]	1
34	B652 5436	Harness: Sensor: Original Table	1

Index No.	Part No.	Description	Q'ty Per Assembly
35	B477 2263	Cushion: Base: Behind	1
36	B477 2264	Sheet: Cushion: Base	1
101	0451 3006N	Tapping Screw - 3x6	
102	0450 3008N	Tapping Screw - M3x8	
103	0720 0060E	Retaining Ring - M6	
104	0632 0140G	Parallel Pin	

6.Original Feed 1 (D014/D015/D078/D079)



WWW.SERVICE-MANUAL.NET

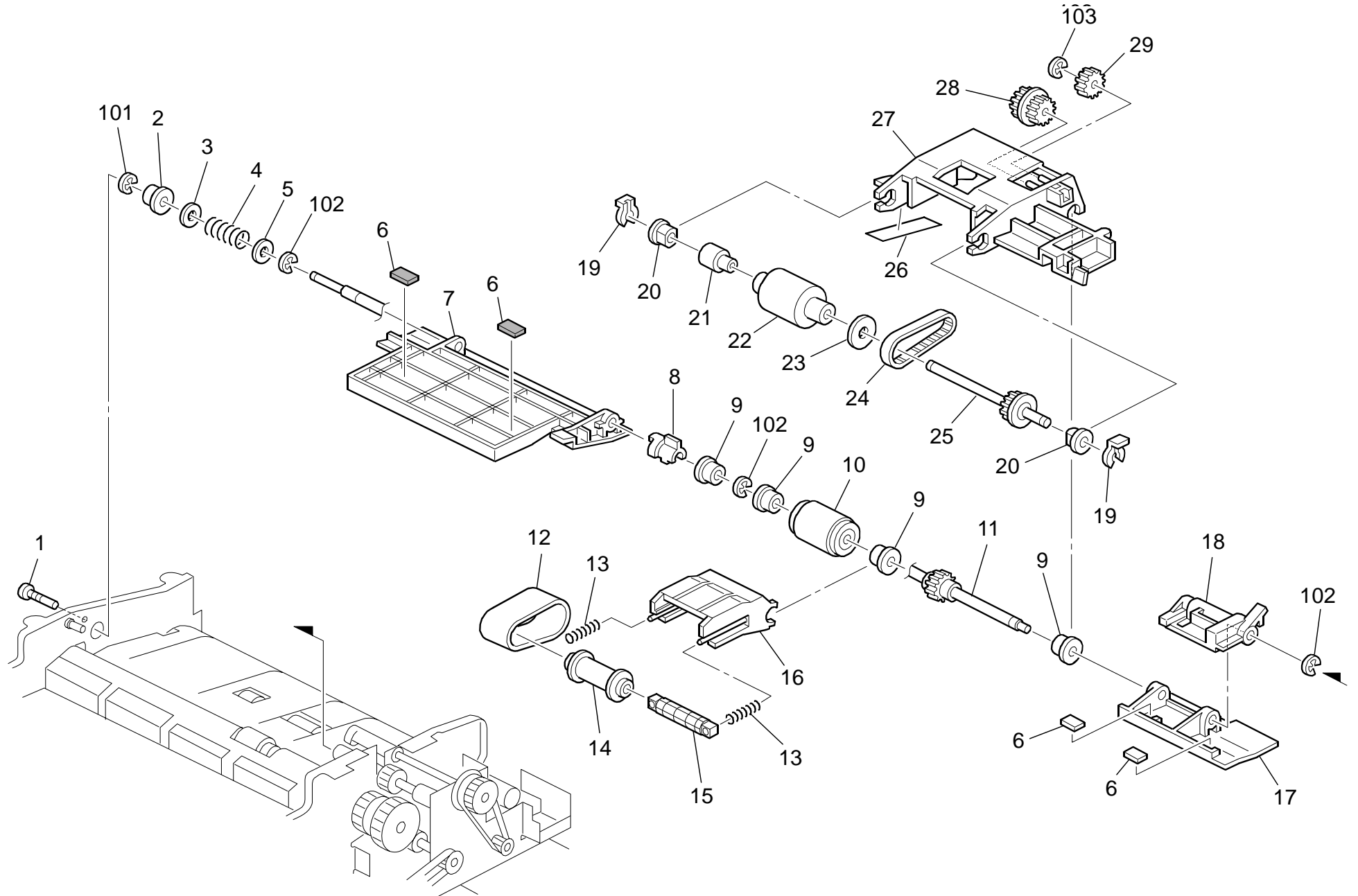
6.Original Feed 1 (D014/D015/D078/D079)

Rev. 2/17/2011

Index No.	Part No.	Description	Q'ty Per Assembly
1	B477 2347	Guide: Paper Feed: Upper	1
2	B652 1811	Decal: Misfeed Removal: Paper Feed	1
3	B652 1812	Decal: Display Guidance	1
4	D501 4406	Decal: Size: Original	1
5	B477 1821	Paper Feed Cover Grip	1
6	B477 1825	Paper Feed Release Lever	2
7	B477 4117	Spring	2
8	B477 1831	Grip Shaft	1
9	B652 1822	Bracket: Pressure: Pickup	1
10	B652 1824	Compression Spring	1
11	B652 1823	Pressure Plate: Pickup	1
12	B477 1851	Rear Cover Bracket	1
13	B477 1841	Front Cover Bracket	1
14	AA14 3788	Pin: Guide Plate: Paper Feed	1
15	B477 1791	Paper Feed Cover	1
16	B652 2362	Bracket: Pressure: Pull Out: Ass'y	1
17	B652 2516	Discharge Brush: Exit: L45	1
18	AA08 0037	Bushing - 6mm	2
19	B477 4111	Spring	2
20	B477 2351	Driven Pull Out Roller	1
21	A697 2131	Antistatic Brush	1
22	B652 2523	Bracket: Paper Size Sensor	1
23	AW02 0155	Photointerruptor: Paper Size Sensor	4
24	AW02 0154	Photointerruptor: Entrance	1
25	B652 5412	Harness: Sensor: Connecting: Paper Size Sensor	1
26	AW01 0107	Paper Feed Sensor	1
27	AW01 0117	Paper Feed Sensor	2
28	B652 5418	Harness: Sensor: Connecting: Stopper Guide	1
29	B477 2373	Relay Roller Arm	4
30	B652 2505	Compression Spring	4
31	B477 2372	Driven Paper Feed Roller	4
32	B652 1816	Link: Stopper: Cover: Paper Feed	1
33	AA14 3846	Tapping Screw: M3x6	1

Index No.	Part No.	Description	Q'ty Per Assembly
101	0451 3006N	Tapping Screw - 3x6	
102	0450 3008N	Tapping Screw - M3x8	
103	0720 0040E	Retaining Ring - M4	
104	0805 0089	Retaining Ring - M4	
105	1105 0487	Harness Clamp	
106	1105 0511	Harness Clamp - LWS-0306ZC	
107	0451 3008N	Tapping Screw - M3x8	
108	0720 0060E	Retaining Ring - M6	

7.Original Feed 2 (D014/D015/D078/D079)



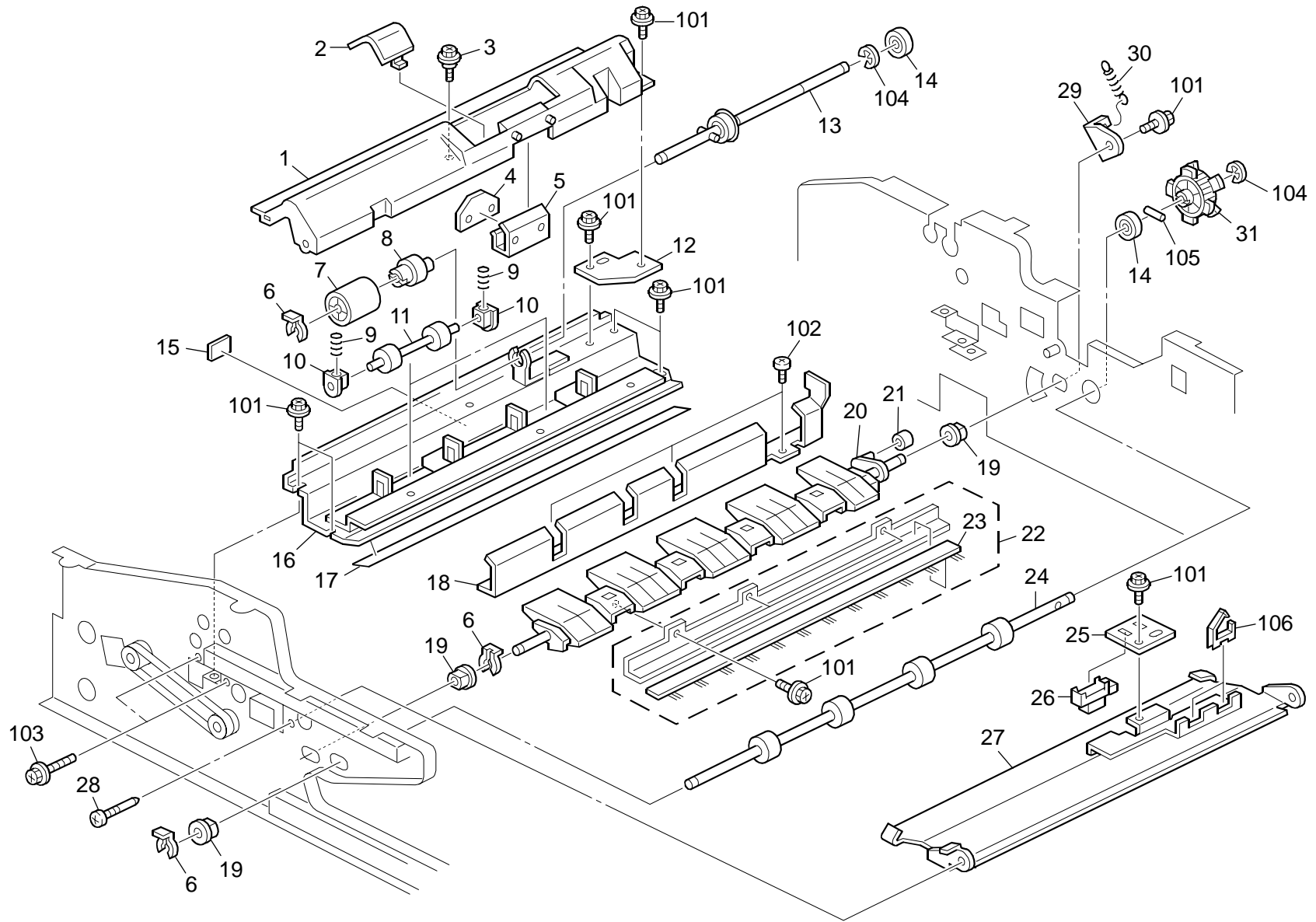
WWW.SERVICE-MANUAL.NET

7.Original Feed 2 (D014/D015/D078/D079)

Index No.	Part No.	Description	Q'ty Per Assembly
1	AA14 3789	Shaft: Cleaner	1
2	B301 1286	Bushing - 6x10x6	1
3	A418 1158	Spacer - M6.5x1	1
4	AA06 3435	Compression Spring: Paper Feed: Joint	1
5	AA13 2013	Spacer	1
6	A806 1163	Guide Plate Cushion	4
7	B477 2172	Front Entrance Guide	1
8	A680 1621	Feed-in Unit Stopper	1
9	A628 1225	Bushing - 8mm	4
10	A806 1293	Feed Belt Drive Roller	1
11	B477 2191	Separation Shaft	1
12	A806 1295	Feed Belt	1
13	A806 4261	Spring Belt Guide Roller	2
14	A806 1294	Feed Belt Driven Roller	1
15	A806 1298	Transport Belt Roller Shaft	1
16	A806 1292	Feed Belt Bracket	1
17	B477 2182	Rear Entrance Guide	1
18	B477 2231	Pick-up Roller Lever	1
19	5447 2681	Snap Ring	2
20	5053 0447	Bushing - 6mm	2
21	B477 2227	Pickup Roller: Coupling	1
22	B477 2225	Pick-Up Roller	1
23	AA13 2171	Spacer - 6x20x1	1
24	B652 2213	Timing Belt: B40S2M142	1
25	B652 2212	Timing Pulley: 21T	1
26	B652 2215	Guide: Paper Feed Belt: Front	1
27	B477 2222	Pick-Up Roller Bracket	1
28	A806 2151	Timing Pulley - T19/Z23 S2M/M0.6	1
29	A806 2271	Gear - Z18	1

Index No.	Part No.	Description	Q'ty Per Assembly
101	0720 0040E	Retaining Ring - M4	
102	0720 0060E	Retaining Ring - M6	
103	0720 0030E	Retaining Ring - M3	

8.Original Trans 1 (D014/D015/D078/D079)

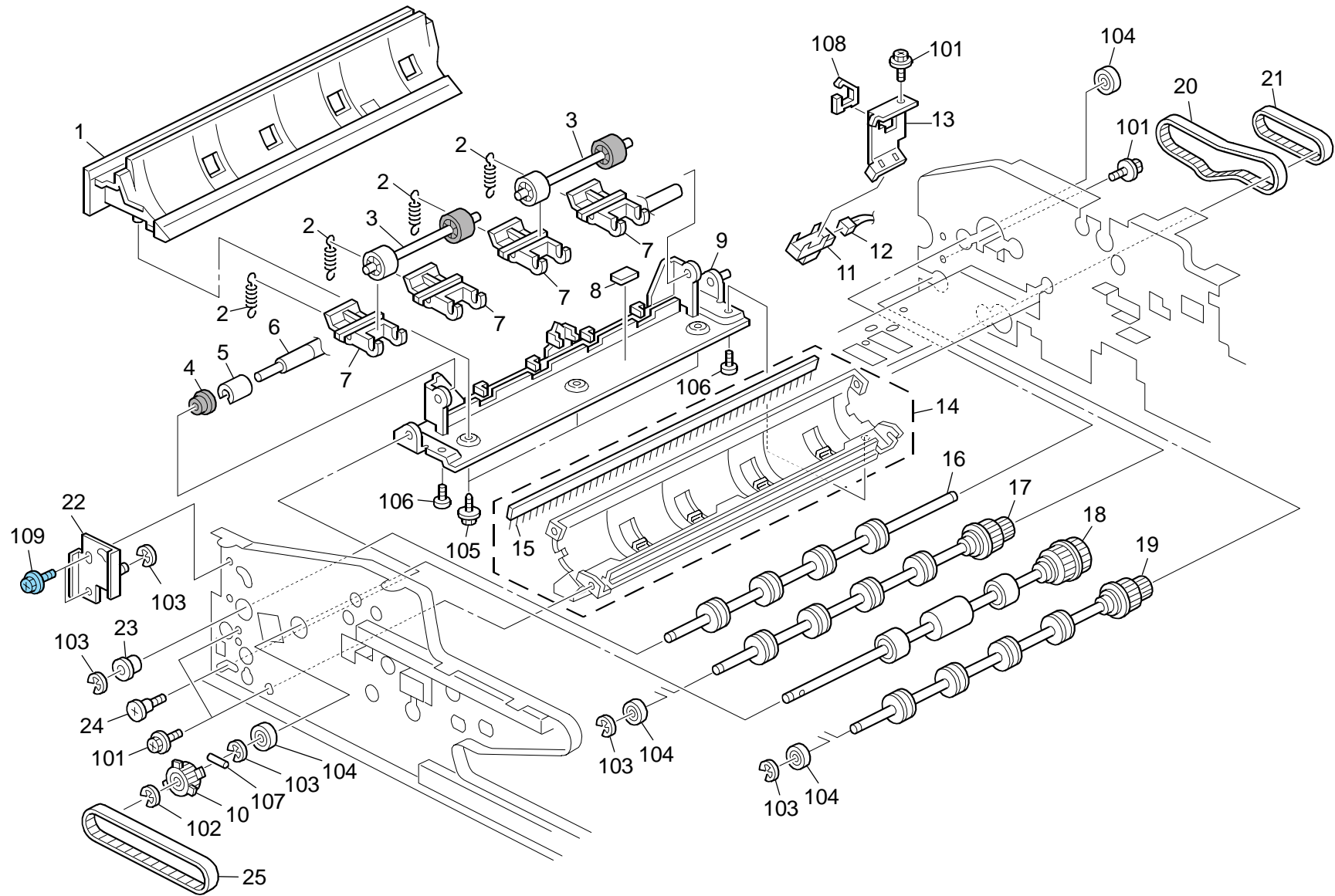


8.Original Trans 1 (D014/D015/D078/D079)

Index No.	Part No.	Description	Q'ty Per Assembly
1	B652 2143	Guide Plate: Paper Feed: Lower	1
2	B477 2151	Separation Cap	1
3	AA14 3790	Screw: Contact Point	1
4	B301 1155	Separation Support Pad	1
5	B652 2146	Holder: Separation Pad	1
6	5447 2681	Snap Ring	3
7	A859 2241	Reverse Roller	1
8	A293 6399	Torque Limiter - Separator	1
9	B652 4156	Compression Spring: 0.5n	4
10	A680 1661	Bushing - 4mm	4
11	B652 4155	Roller: Driven: Reverse: Middle	2
12	B652 2127	Bracket: Guide Plate: Lower	1
13	B477 3131	Reverse Roller Shaft	1
14	A859 2230	Ball Bearing - 6x13x5	2
15	B652 2128	Cushion: Guide Plate: Reverse: Exit	1
16	B652 2122	Stay: Reverse Roller: Ass'y	1
17	B652 2126	Guide: Stay: Reverse Roller	1
18	B652 2433	Guide Plate: Original Table	1
19	5053 0447	Bushing - 6mm	3
20	B652 4203	Gate Pawl: Reverse: Upper	1
21	A458 2251	Cushion - Bin Solenoid Lever	1
22	B652 4205	Bracket: Discharge Brush: Ass'y	1
23	B652 4207	Discharge Brush	1
24	B652 4726	Exit Roller	1
25	B652 4133	Bracket: Sensor: Reverse: Middle	1
26	AW01 0117	Paper Feed Sensor	1
27	B652 4122	Guide Plate: Reverse: Middle: Upper	1
28	AA14 3788	Pin: Guide Plate: Paper Feed	1
29	B652 4212	Hook: Solenoid: Reverse: Upper	1
30	B652 4213	Tension Spring: Hook: Gate Pawl	1
31	B652 4727	Timing Pulley: 44T	1

Index No.	Part No.	Description	Q'ty Per Assembly
101	0451 3006N	Tapping Screw - 3x6	
102	0453 3006N	Tapping Screw - M3x6	
103	0451 3010N	Tapping Screw: 3x10	
104	0720 0040E	Retaining Ring - M4	
105	0632 0120G	Parallel Pin - 2x12	
106	1105 0522	Edge Saddle - LES0510	

9.Original Trans 2 (D014/D015/D078/D079)

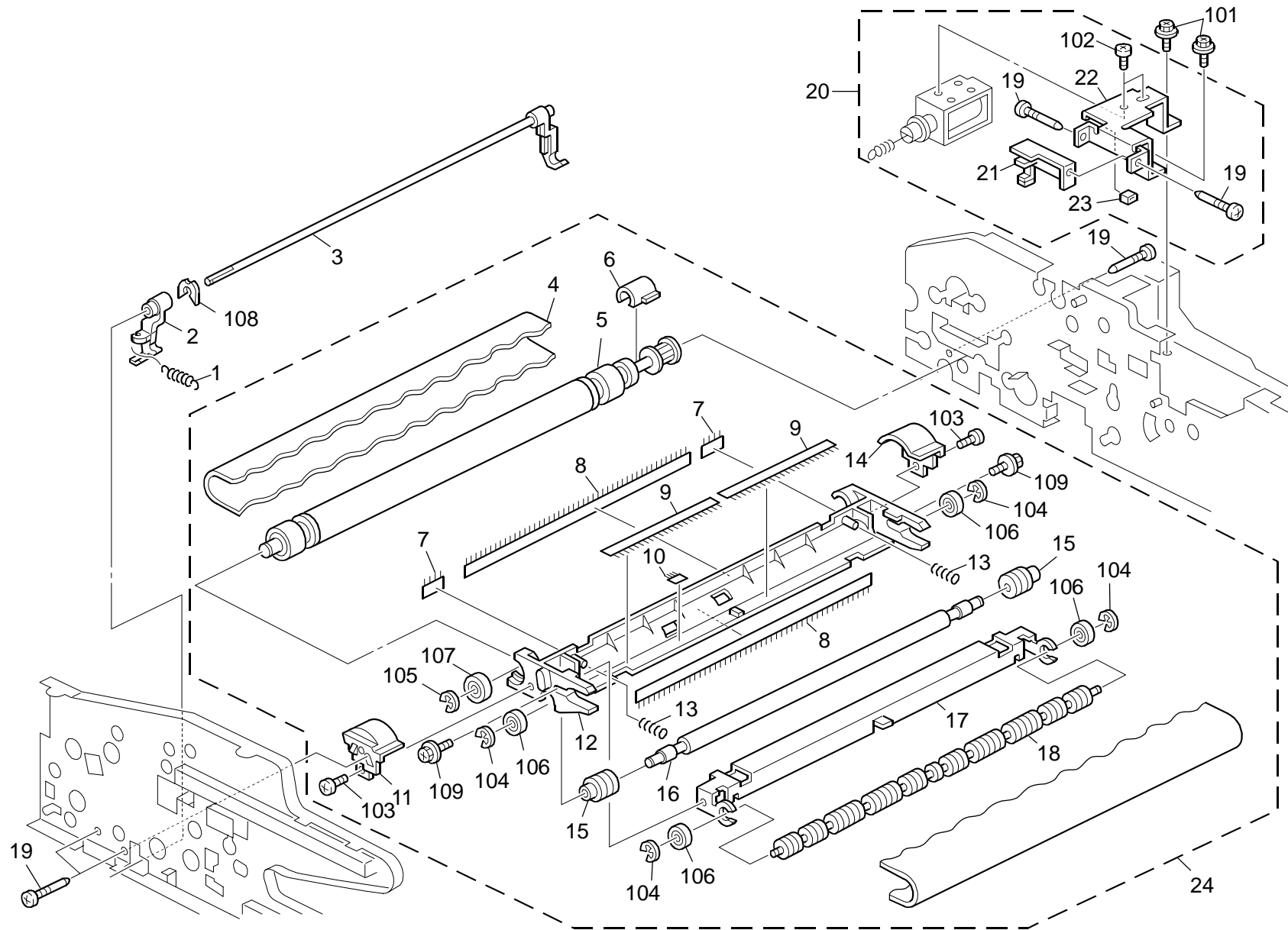


9.Original Trans 2 (D014/D015/D078/D079)

Index No.	Part No.	Description	Q'ty Per Assembly
1	B477 2581	Entrance Scanning Guide	1
2	B477 4115	Spring	4
3	B477 2577	Driven Entrance Scanning Roller	2
4	5324 1658	Bushing- 4x8x4.5mm	1
5	A374 2181	Spacer	1
6	B477 2575	Entrance Scanning Roller Shaft	1
7	B477 2574	Arm: Roller: Scanning: Entrance	4
8	A422 1063	Seal - 0.7x13x20	1
9	B477 2561	Entrance Scanning Base	1
10	A806 2111	Timing Pulley - T28 S2M	1
11	AW01 0117	Paper Feed Sensor	1
12	B652 5431	Harness: Registration Sensor	1
13	B477 2665	Registration Sensor Bracket	1
14	B652 3251	Guide Plate: Entrance: Upper: Ass'y	1
15	A859 3225	Discharge Brush	1
16	B477 2121	Drive Relay Roller	1
17	B652 2411	Roller: Scanning: Entrance: Drive	1
18	B652 2112	Roller: Pull Out: Drive	1
19	B652 2421	Roller: Scanning: Exit: Drive	1
20	B652 1783	Timing Belt: B80S3M417	1
21	B652 3135	Timing Belt: B60S2M172	1
22	B652 1817	Bracket: Link: Cover: Paper Feed: Peen	1
23	AA08 2141	Bushing - 16x18x5	1
24	AA14 3791	Screw: Safety	1
25	B652 4153	Timing Belt: B40S2M230	1

Index No.	Part No.	Description	Q'ty Per Assembly
101	0451 3006N	Tapping Screw - 3x6	
102	0720 0040E	Retaining Ring - M4	
103	0720 0060E	Retaining Ring - M6	
104	0742 3808	Ball Bearing - 8x16x5	
105	0450 3008N	Tapping Screw - M3x8	
106	0453 3006N	Tapping Screw - M3x6	
107	0632 0120G	Parallel Pin - 2x12	
108	1105 0522	Edge Saddle - LES0510	
109	0454 3006Q	Tapping Screw - M3x6	

10.Original Trans 3 (D014/D015/D078/D079)



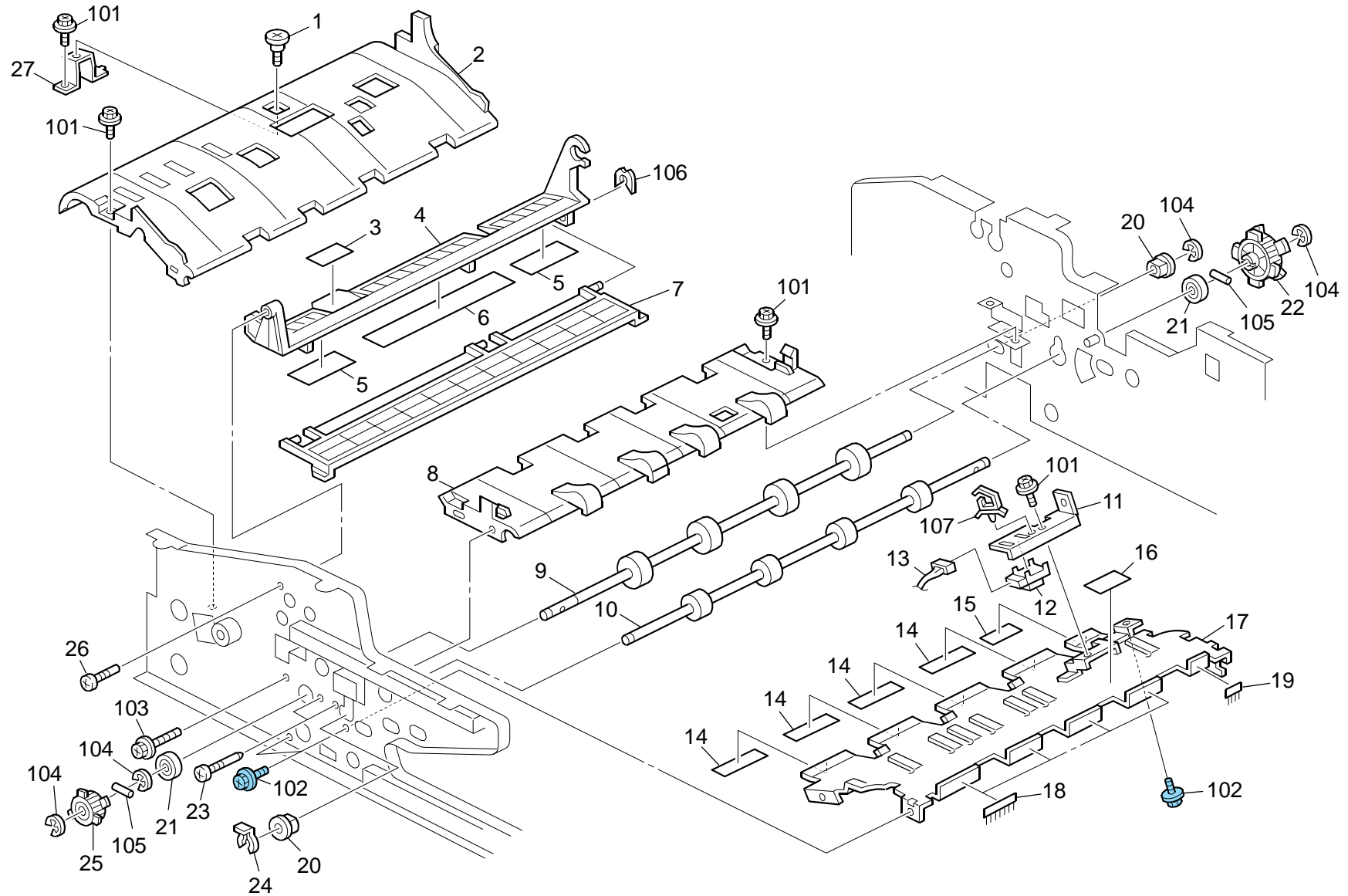
10.Original Trans 3 (D014/D015/D078/D079)

Rev. 10/08/2010

Index No.	Part No.	Description	Q'ty Per Assembly
1	B652 3145	Tension Spring: Lock: Lever	1
2	B652 3148	Hook: Lock: Image Reading Unit: Front	1
3	B652 3146	Shaft: Lever: Misfeed Removal: Ass'y	1
4	B652 3121	Transport Belt	1
5	B652 3112	Roller: Transport Belt: Drive	1
6	B652 3119	Stopper: Roller: Drive	1
7	B652 3158	Discharge Brush: Short	2
8	B652 3157	Discharge Brush: Long	2
9	B652 3159	Discharge Brush: Middle	2
10	B477 2621	Anti-static Brush	1
11	B652 3116	Guide: Transport Belt: Front	1
12	B652 3120	Housing: Transport Belt Unit	1
13	B652 3125	Compression Spring	2
14	B652 3117	Guide: Transport Belt: Rear	1
15	B652 3156	Spacer: Transport Belt	2
16	B652 3113	Roller: Pressure	1
17	B652 3129	Bracket: Roller: Driven	1
18	B652 3181	Driven Roller: Scanning	1
19	AA14 3788	Pin: Guide Plate: Paper Feed	5
20	B652 4766	DC Solenoid: Reverse: Lower: Ass'y	1
21	B652 4532	Lever: Reverse: Lower: Dc Solenoid	1
22	B652 4533	Bracket: Reverse: Lower: Dc Solenoid	1
23	A697 2102	Damper - Junction Gate Solenoid	1
24	B652 0331	Transport Belt Unit: Ass'y	1

Index No.	Part No.	Description	Q'ty Per Assembly
101	0451 3006N	Tapping Screw - 3x6	
102	0353 0040N	Screw - M3x4	
103	0453 3006N	Tapping Screw - M3x6	
104	0720 0040E	Retaining Ring - M4	
105	0720 0060E	Retaining Ring - M6	
106	0740 3706	Ball Bearing - M6x10x3	
107	0740 3508	Ball Bearing -8x14x4	
108	0805 0089	Retaining Ring - M4	
109	0451 3008N	Tapping Screw - M3x8	

11.Original Exit 1 (D014/D015/D078/D079)

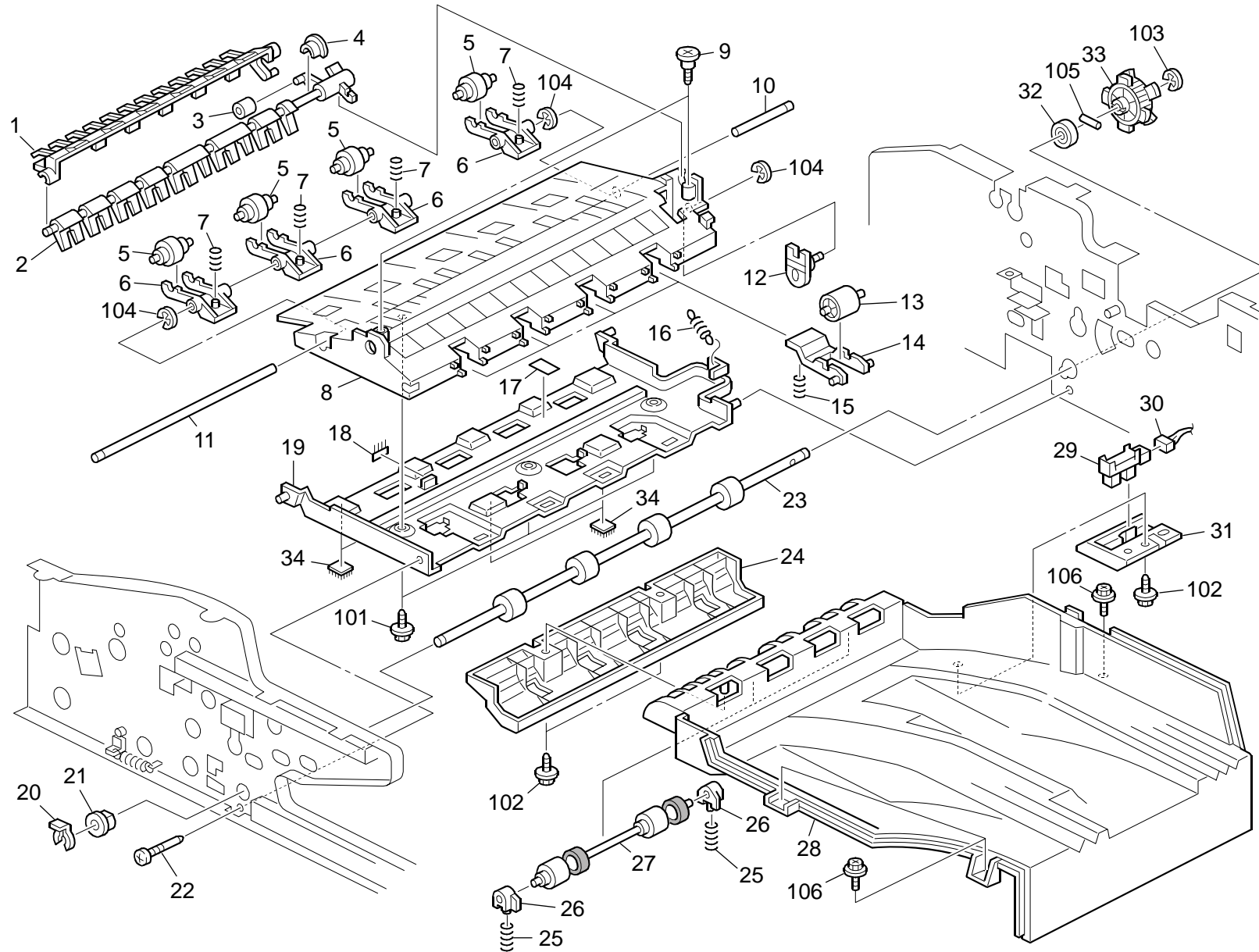


11.Original Exit 1 (D014/D015/D078/D079)

Index No.	Part No.	Description	Q'ty Per Assembly
1	5206 2684	Shoulder Screw - M3	1
2	B652 2152	Guide Plate: Lower: Pull Out	1
3	B652 4119	Decal: Guide Plate: Reverse: Exit	1
4	B652 4114	Guide Plate: Reverse: Exit: Upper	1
5	B652 4116	Guide: Reverse: Exit	2
6	B652 4117	Guide: Reverse: Exit: Middle	1
7	B652 4115	Guide Plate: Reverse: Middle: Upper	1
8	B652 4103	Guide Plate: Reverse: Entrance	1
9	B652 4152	Reverse Roller: Exit: Drive	1
10	B652 4726	Exit Roller	1
11	B477 2495	Paper Feed Sensor Bracket	1
12	AW01 0117	Paper Feed Sensor	1
13	B652 5461	Harness: Sensor: Exit	1
14	B652 4506	Guide: Scanning: Exit: Long	4
15	B652 4507	Guide: Scanning: Exit: Short	1
16	A422 1063	Seal - 0.7x13x20	1
17	B652 4501	Guide: Scanning: Exit: Exit	1
18	B652 4503	Discharge Brush: Exit: L37	4
19	B652 4504	Discharge Brush: Exit: L16	1
20	5053 0447	Bushing - 6mm	2
21	A859 2230	Ball Bearing - 6x13x5	2
22	B652 4727	Timing Pulley: 44T	1
23	AA14 3788	Pin: Guide Plate: Paper Feed	2
24	5447 2681	Snap Ring	1
25	A806 2111	Timing Pulley - T28 S2M	1
26	C105 1866	Pin	1
27	B477 2145	Guide Bracket	1

Index No.	Part No.	Description	Q'ty Per Assembly
101	0451 3006N	Tapping Screw - 3x6	
102	0454 3006Q	Tapping Screw - M3x6	
103	0451 3010N	Tapping Screw: 3x10	
104	0720 0040E	Retaining Ring - M4	
105	0632 0120G	Parallel Pin - 2x12	
106	0805 0092	Retaining Ring - 3M	
107	1105 0511	Harness Clamp - LWS-0306ZC	

12.Original Exit 2 (D014/D015/D078/D079)



WWW.SERVICE-MANUAL.NET

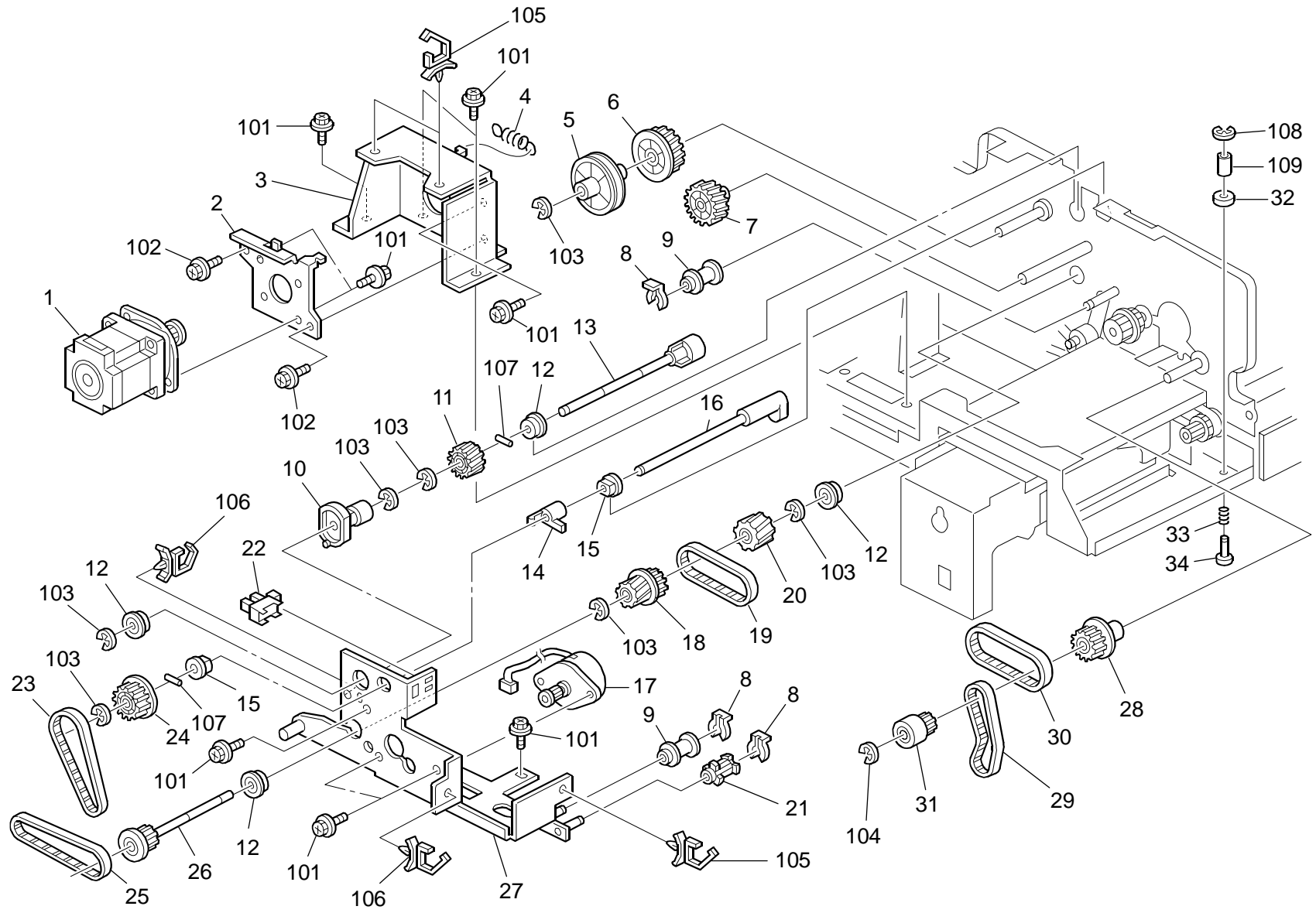
12.Original Exit 2 (D014/D015/D078/D079)

Rev. 6/6/2011

Index No.	Part No.	Description	Q'ty Per Assembly
1	D522 4527	Gate Pawl: Reverse: Lower: Left	1
2	B652 4528	Gate Pawl: Reverse: Lower: Right	1
3	A458 2251	Cushion - Bin Solenoid Lever	1
4	B652 4520	Bushing: Reverse: Lower: Gate Pawl	1
5	B652 4519	Roller: Scanning: Exit: Driven	4
6	B477 2637	Driven Exit Arm	4
7	B477 4127	Exit Arm Spring	4
8	B652 4521	Guide Plate: Reverse: Lower	1
9	AA14 3843	Screw: DIA6	2
10	B477 2645	Short Arm Shaft	1
11	B477 2641	Long Arm Shaft	1
12	B652 4529	Lever: Reverse: Lower	1
13	B477 2636	Driven Exit Scanning Roller	4
14	D552 4517	Arm: Pressure: Reverse: Lower [TSB#089]	4
15	D552 4518	Compression Spring [TSB#089]	4
16	B652 4530	Tension Spring	1
17	A422 1063	Seal - 0.7x13x20	1
18	B477 2621	Anti-static Brush	1
19	B652 4522	Bracket: Reverse: Lower	1
20	5447 2681	Snap Ring	1
21	5053 0447	Bushing - 6mm	1
22	AA14 3788	Pin: Guide Plate: Paper Feed	1
23	B652 4726	Exit Roller	1
24	B652 4602	Guide Plate: Reverse: Lower: Fix	1
25	B652 1853	Compression Spring	4
26	A859 4836	Bushing- Exit Driven Roller	4
27	B477 2861	Driven Exit Roller	2
28	B652 1852	Cover: Exit	1
29	AW01 0117	Paper Feed Sensor	1
30	B652 5456	Harness: Sensor: Reverse: Lower	1
31	B652 1854	Cover: Sensor: Reverse: Lower	1
32	A859 2230	Ball Bearing - 6x13x5	1
33	B652 4727	Timing Pulley: 44T	1
34	B477 2715	Pressure Plate Tape	4

Index No.	Part No.	Description	Q'ty Per Assembly
101	0450 4008N	Tapping Screw - M4x8	
102	0450 3008N	Tapping Screw - M3x8	
103	0720 0040E	Retaining Ring - M4	
104	0720 0030E	Retaining Ring - M3	
105	0632 0120G	Parallel Pin - 2x12	
106	0451 3006N	Tapping Screw - 3x6	

13.ARDF Drive & Electrical 1 (D014/D015/D078/D079)

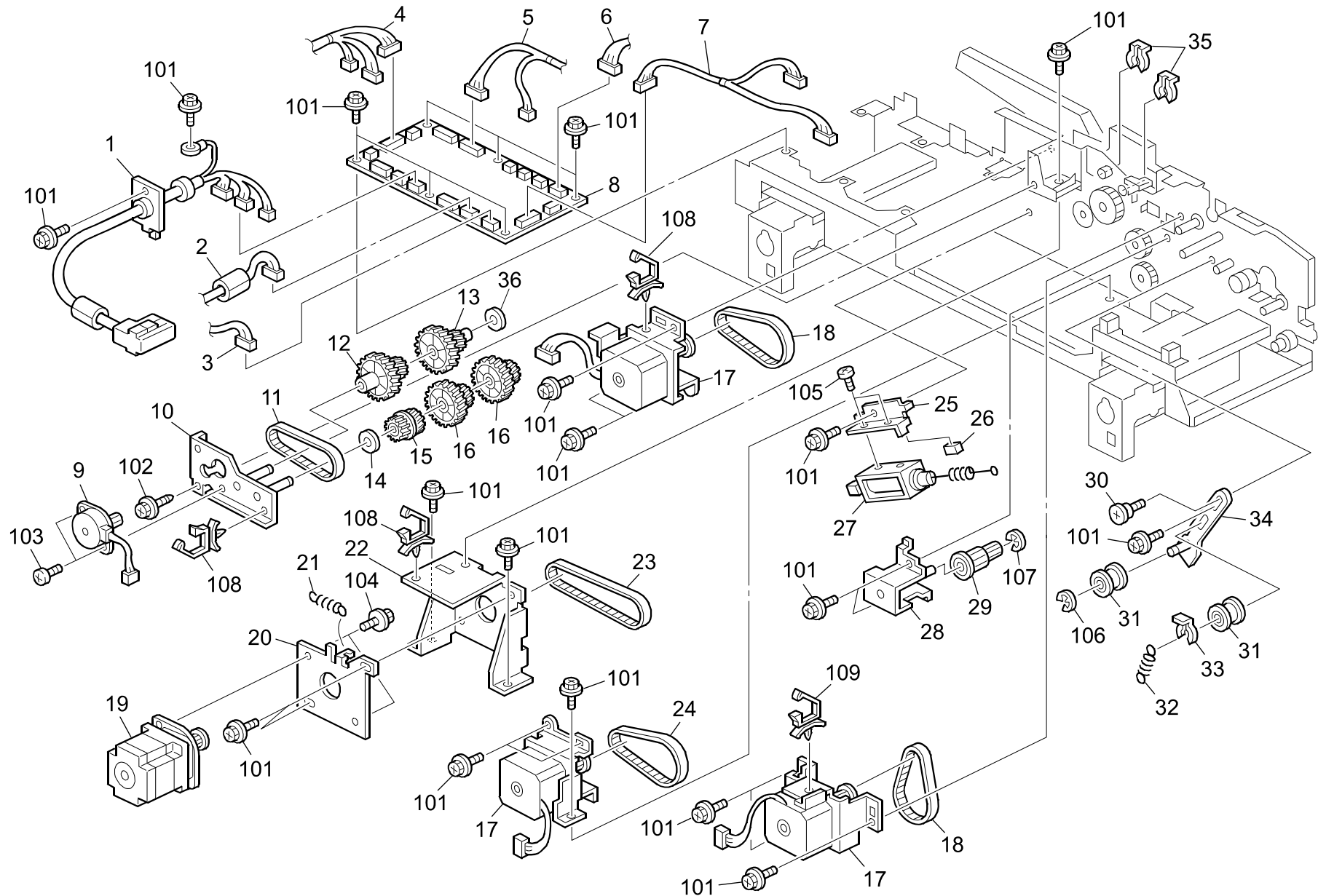


13.ARDF Drive & Electrical 1 (D014/D015/D078/D079)

Rev. 02/13/2012

Index No.	Part No.	Description	Q'ty Per Assembly
1	B477 3711	Paper Feed Motor - DC 7.4W	1
2	B477 3115	Paper Feed Motor Stay	1
3	B477 3111	Paper Feed Motor Bracket	1
4	AA06 0842	Tension Spring	1
5	B652 1633	Spacer: Reverse Roller: Rear	1
6	B477 3164	Gear: Z50: Reverse Roller: Rear	1
7	B477 3151	Gear - 31Z	1
8	5447 2681	Snap Ring	3
9	A548 2139	Pulley	2
10	B477 2244	Stopper: Shaft: Separation	1
11	B477 3123	Gear - 24Z	1
12	A859 2230	Ball Bearing - 6x13x5	4
13	B477 3124	Shaft: Separation: Drive	1
14	A680 2262	Feeler - Pick-up Roller Cam	1
15	5053 0447	Bushing - 6mm	2
16	B477 3251	Pick-up Roller Cam	1
17	AX04 0139	Stepper Motor: Mm42: 0.95A: 9.5V	1
18	B477 3143	Gear - 20Z	1
19	B652 1643	Timing Belt: B40S3M186	1
20	B477 3147	Gear: Z23: Input: Front	1
21	B477 3177	Pulley	1
22	AW02 0141	Photointerruptor	1
23	B652 1773	Timing Belt: B40S2M178	1
24	B301 2141	Pulley - 39Z	1
25	B652 1613	Timing Belt: B60S2M212	1
26	B477 3145	Pulley	1
27	B477 3181	Paper Feed Drive Bracket	1
28	B477 3171	Pulley	1
29	B652 1674	Timing Belt: B40S2M170	1
30	B652 1673	Timing Belt: B40S3M180	1
31	B477 3173	Pulley	1
32	A697 2102	Damper - Junction Gate Solenoid	1
33	B652 1134	Compression Spring	1
34	B652 1133	Shaft: Slider	1

Index No.	Part No.	Description	Q'ty Per Assembly
101	0451 3006N	Tapping Screw - 3x6	
102	0451 4006N	Tapping Screw - 4x6	
103	0720 0040E	Retaining Ring - M4	
104	0720 0060E	Retaining Ring - M6	
105	1105 0487	Harness Clamp	
106	1105 0511	Harness Clamp - LWS-0306ZC	
107	0632 0120G	Parallel Pin - 2x12	
108	0720 0030E	Retaining Ring - M3	
109	0707 4060N	Bushing: DIA4x6	



WWW.SERVICE-MANUAL.NET

14.ARDF Drive & Electrical 2 (D014/D015/D078/D079)

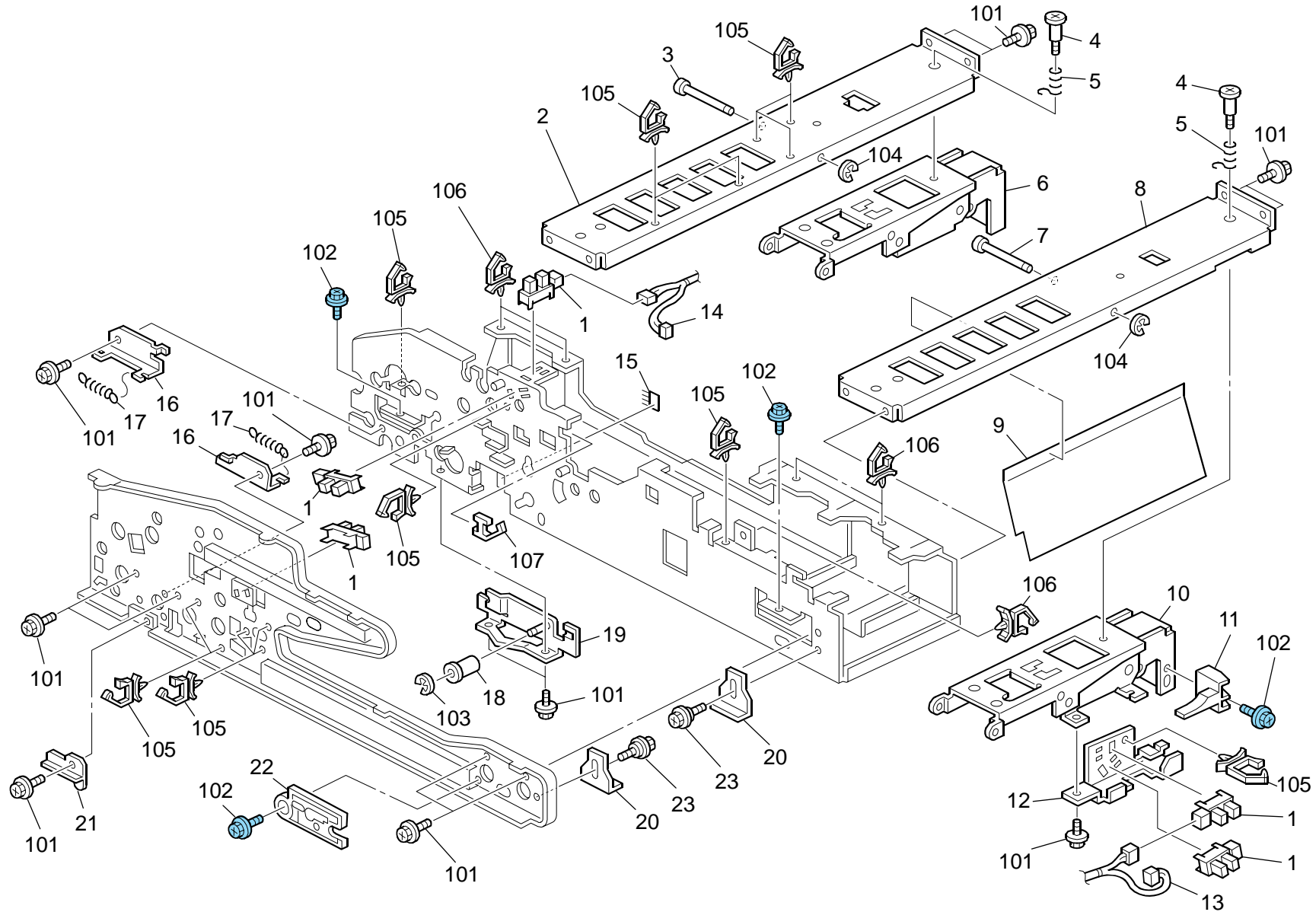
Rev. 08/19/2010

Index No.	Part No.	Description	Q'ty Per Assembly
1	B477 5751	Interface Harness	1
2	B652 5422	Harness: Motor: Exit	1
3	B652 5426	Harness: Solenoid: Reverse	1
4	B652 5406	Harness: Paper Size Sensor	1
5	B652 5401	Harness: Original Sensor	1
6	B652 5441	Harness: Motor: Pick Up	1
7	B477 5691	Paper Feed Motor Harness	1
8	B652 5508	PCB: Main Control: Ass'y	1
9	B652 2911	Stepper Motor: Base: Rise: Ass'y	1
10	B652 2343	Bracket: Motor: Base: Ass'y	1
11	B700 4428	Timing Belt: B40S2M158	1
12	D412 2348	Gear - Z20/Z47 [TSB#045]	1
13	D412 2346	Gear - Z20/Z47 [TSB#045]	1
14	AA13 2152	Spacer - 8x20x1	1
15	D412 2349	Timing Pulley - T30/Z20 S2M/M0.8 [TSB#045]	1
16	D412 2347	Gear - Z20/Z47 [TSB#045]	2
17	B652 4772	DC Stepper Motor: Exit: 2.1W	3
18	B652 4728	Timing Belt: B40S2M138	2
19	B477 3721	Scanning Motor- DC 7.4W	1
20	B652 3211	Bracket: Stepper Motor	1
21	AA06 0991	Tension Spring: Tension: Transport	1
22	B652 3215	Guide Plate: Stepper Motor	1
23	B652 1721	Timing Belt: B60S2M280	1
24	B652 4153	Timing Belt: B40S2M230	1
25	B652 4223	Bracket: Solenoid: Reverse: Upper	1
26	A697 2102	Damper - Junction Gate Solenoid	1
27	B652 4222	DC Solenoid: Ass'y	1
28	B652 1781	Bracket: Shaft: Scanning: Ass'y	1
29	B477 3217	Pulley	1
30	AA14 3791	Screw: Safety	1
31	B477 3175	Pulley	2
32	B652 3174	Tension Spring	1
33	5215 2621	Snap Ring - M6	1
34	B652 3231	Belt Tensioner: Ass'y	1
35	5447 2681	Snap Ring	2

Index No.	Part No.	Description	Q'ty Per Assembly
36	G070 3088	Pulley Spacer [TSB#045R]	1
101	0451 3006N	Tapping Screw - 3x6	
102	0450 3008N	Tapping Screw - M3x8	
103	0353 0050N	Screw-M3x5	
104	0451 4006N	Tapping Screw - 4x6	
105	0353 0040N	Screw - M3x4	
106	0720 0060E	Retaining Ring - M6	
107	0720 0040E	Retaining Ring - M4	
108	1105 0487	Harness Clamp	
109	1105 0511	Harness Clamp - LWS-0306ZC	

WWW.SERVICE-MANUAL.NET

15.ARDF Frame (D014/D015/D078/D079)



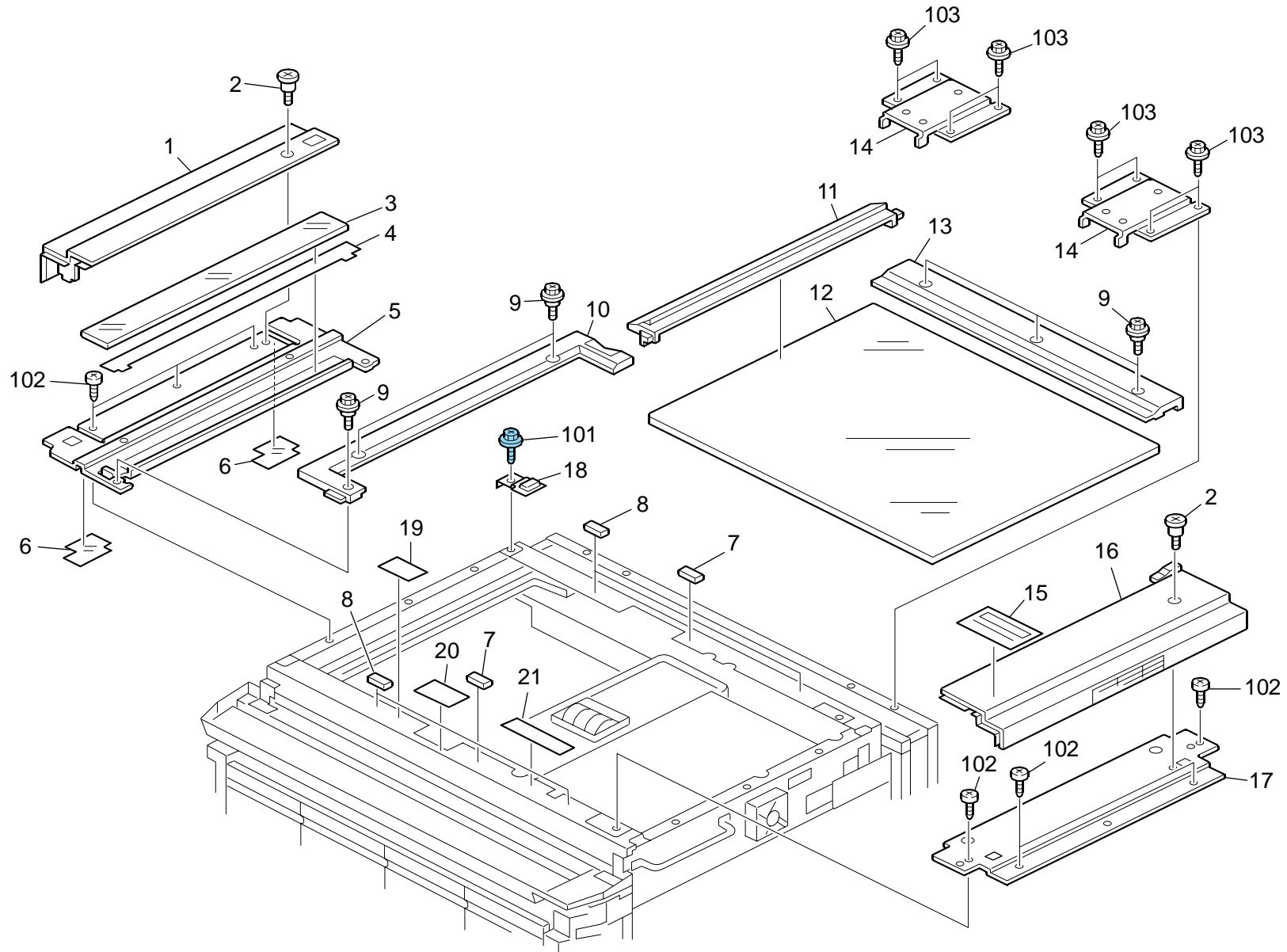
15.ARDF Frame (D014/D015/D078/D079)

Rev. 10/10/2011

Index No.	Part No.	Description	Q'ty Per Assembly
1	AW02 0141	Photointerruptor	5
2	B652 1152	Stay: Frame: Left [TSB#090]	1
3	B477 1171	Arm Shaft	1
4	AA14 3842	Screw: DIA6: 14.5: M4	2
5	B652 1136	Compression Spring	2
6	B652 1240	Hinge: Left: Ass'y	1
7	A806 1135	Contact Point Shaft	1
8	B477 1161	Right Frame Stay	1
9	B652 1135	Sheet: Exit: Lower	1
10	B652 1250	Hinge: Right: Ass'y	1
11	B477 1185	Sensor Feeler	1
12	B477 1181	Sensor Bracket	1
13	B477 5611	Detection Sensor Harness	1
14	B652 5446	Harness: Sensor: Reverse: Upper	1
15	B477 2621	Anti-static Brush	1
16	B652 1131	Bracket: Pressure: Transport Belt	2
17	B652 1132	Tension Spring	2
18	A257 6112	Pulley: Belt Tensioner	1
19	B652 3136	Cover: Roller: Scanning: Peen	1
20	B652 4904	Bracket: Magnet Catch: Pressure Plate	2
21	B477 1191	Front Left Stopper	1
22	B652 1141	Adjusting Pin: Transport Belt Unit	1
23	AA14 3790	Screw: Contact Point	2

Index No.	Part No.	Description	Q'ty Per Assembly
101	0451 3006N	Tapping Screw - 3x6	
102	0454 3006Q	Tapping Screw - M3x6	
103	0720 0040E	Retaining Ring - M4	
104	0720 0030E	Retaining Ring - M3	
105	1105 0511	Harness Clamp - LWS-0306ZC [TSB#090]	
106	1105 0487	Harness Clamp	
107	1105 0522	Edge Saddle - LES0510	

16.Optics Section 1 (D014/D015/D078/D079)



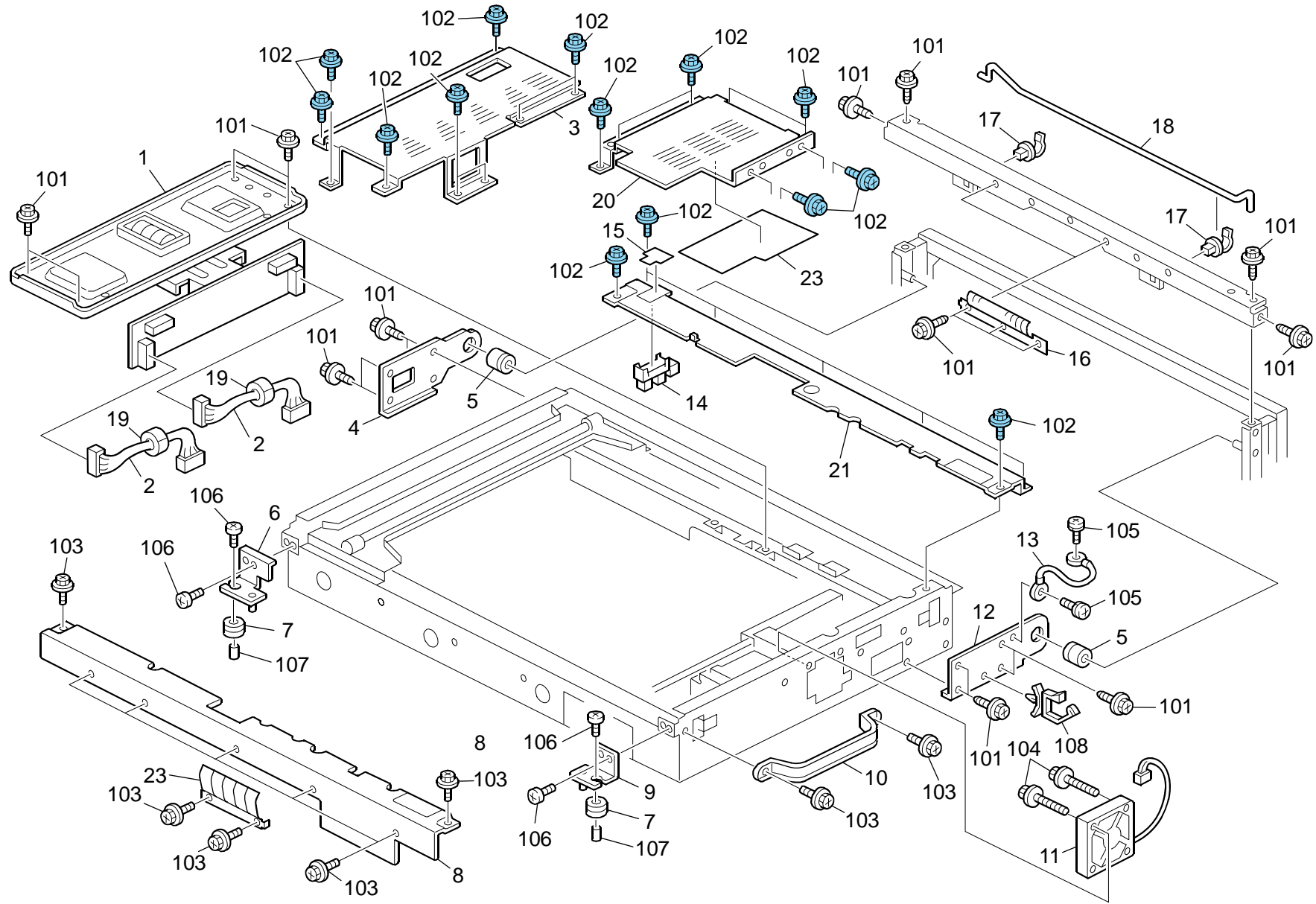
16. Optics Section 1 (D014/D015/D078/D079)

Rev. 11/4/2011

Index No.	Part No.	Description	Q'ty Per Assembly
1	B132 1503	Cover: Left Upper	1
2	AA14 3559	Screw: M4: DIA5	2
3	BC01 2008	Exposure Glass	1
4	B065 1782	Seal	1
5	B065 1787	Scale Bracket	1
6	B065 1773	Scale Bracket Seal	2
7	AA16 1137	Cushion - 0.5	2
8	5442 1924	Exposure Glass Cushion	4
9	AA14 3520	Shoulder Screw - M3	6
10	B065 1772	Left Scale	1
11	B132 1687	Scale: Sheet Through	1
11	B132 1686	Scale: Sheet Through: Ass'y	1
12	A250 1752	Exposure Glass	1
13	B132 1692	Scale: Rear: Printing	1
14	B132 1885	Bracket: ADF	4
15	D081 1432	Decal – Caution Chart: Copy: Original	1
16	D082 1502	Cover: Right Upper	1
17	B065 1785	Right Stay	1
18	B132 1898	Spring Plate: Ground Plate: ADF	1
19	B132 1683	Mylar: Frame: Front	1
20	B132 1684	Mylar: Frame: Middle	1
21	B132 1685	Mylar: Frame: Rear	1

Index No.	Part No.	Description	Q'ty Per Assembly
101	0451 3006N	Tapping Screw - 3x6	
102	0353 0040N	Screw - M3x4	
103	0451 4008N	Tapping Screw: 4x8	
104	0454 3006Q	Tapping Screw - M3x6	

17. Optics Section 2 (D014/D015/D078/D079)



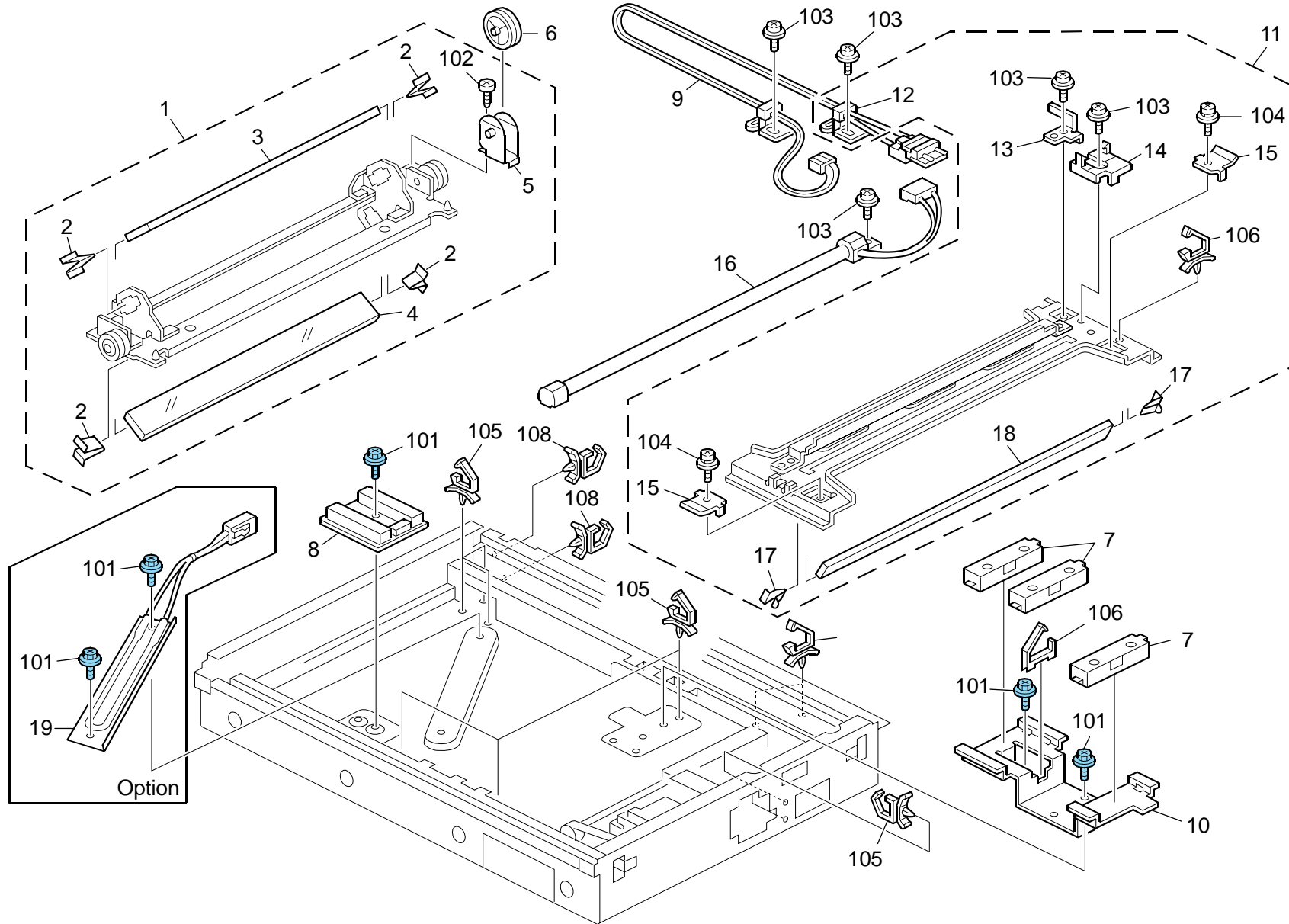
17.Optics Section 2 (D014/D015/D078/D079)

Rev. 03/18/2010

Index No.	Part No.	Description	Q'ty Per Assembly
1	D014 1731	Lens Unit	1
2	D014 5301	Harness: SBU: SCNB	2
3	D081 1674	Cover: Optics Section	1
4	B132 1871	Bracket: Open And Close: Left	1
5	A257 1884	Rubber Bushing	2
6	B132 1877	Bracket: Positioning: Left	1
7	AA16 1104	Cushion - Motor	2
8	B132 1666	Frame: Front	1
9	B132 1874	Bracket: Positioning: Right	1
10	B712 5605	Grip: Application	1
11	AX64 0151	Fan Motor: Mm60	1
12	B132 1872	Bracket: Open And Close: Right	1
13	B132 1896	Ground Wire: Scanner	1
14	AW02 0145	Photointerruptor: Flat	1
15	A267 1820	Sheet - Photointerrupter	1
16	B132 1112	Ground Plate: Scanner: Rear	2
17	B132 1889	Plate: Rod	2
18	B132 1888	Rod: Open And Close: Scanner Unit	1
19	D014 1888	Ferrite Core	2
20	D014 1677	Cover: SIOB	1
21	D014 1667	Frame: Rear	1
22	D014 1682	Sheet: Cover: SIOB	1
23	D014 1899	Spring Plate: Earth: Scanner Unit	1

Index No.	Part No.	Description	Q'ty Per Assembly
101	0451 4008N	Tapping Screw: 4x8	
102	0454 3006Q	Tapping Screw - M3x6	
103	0451 3006N	Tapping Screw - 3x6	
104	0451 4025N	Tapping Screw: M4x25	
105	0950 4008N	Screw: Spring Washer: M4x8	
106	0354 0080N	Screw: M4x8	
107	0707 4050N	Bushing - 4x5	
108	1105 0487	Harness Clamp	

18. Optics Section 3 (D014/D015/D078/D079)

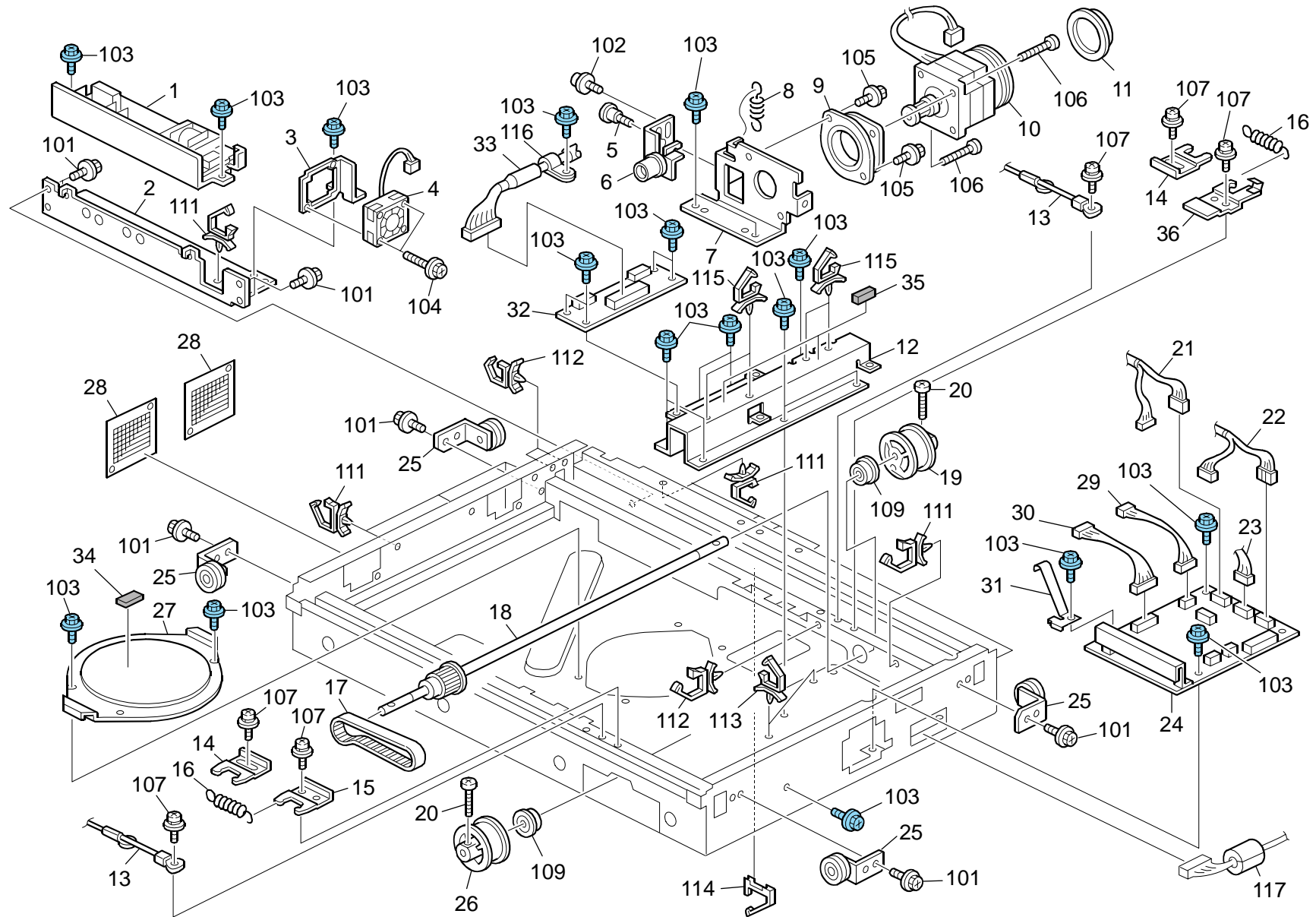


18.Optics Section 3 (D014/D015/D078/D079)

Index No.	Part No.	Description	Q'ty Per Assembly
1	B132 1801	Carriage: No.2: Ass'y	1
2	G404 2810	Spring Plate - 2nd Mirror	4
3	B132 1818	Mirror: No.2	1
4	B132 1819	Mirror: No.3	1
5	B132 1815	Holder: Pulley	1
6	G570 2834	Pulley - High Voltage Supply Cord	1
7	AW01 0133	Original Sensor - 66mm	3
8	AW01 0115	Original Sensor: H=81.5	1
9	B132 5304	Harness: Connecting: Scanner: Lamp	1
10	D014 1861	Bracket: Original Sensor	1
11	D014 1751	Carriage: No.1	1
12	G570 2731	Grip	1
13	B132 1766	Feeler: Home Position Sensor: No.1	1
14	B132 1767	Holder: Connector	1
15	B132 1758	Stay: Wire	2
16	AX50 0101	Xenon Lamp: 50000LX	1
17	A193 1767	1st Mirror Holder	2
18	B132 1757	Mirror: No.1: Ass'y	1
19	AX40 0122	Anticondensation Heater - 120V 9W	1
19	AX40 0123	Anticondensation Heater - 230V 10W	1

Index No.	Part No.	Description	Q'ty Per Assembly
101	0454 3006Q	Tapping Screw - M3x6	
102	0313 0050N	Philips Pan Head Screw - M3x5	
103	0951 3006N	Screw - M3x6	
104	0954 4008N	Screw - M4x8	
105	1105 0511	Harness Clamp - LWS-0306ZC	
106	1105 0516	Clamp	
107	1105 0551	Clamp: LES-0505	
108	1105 0487	Harness Clamp	
109	1105 0488	Harness Clamp	

19.Optics Section 4 (D014/D015/D078/D079)

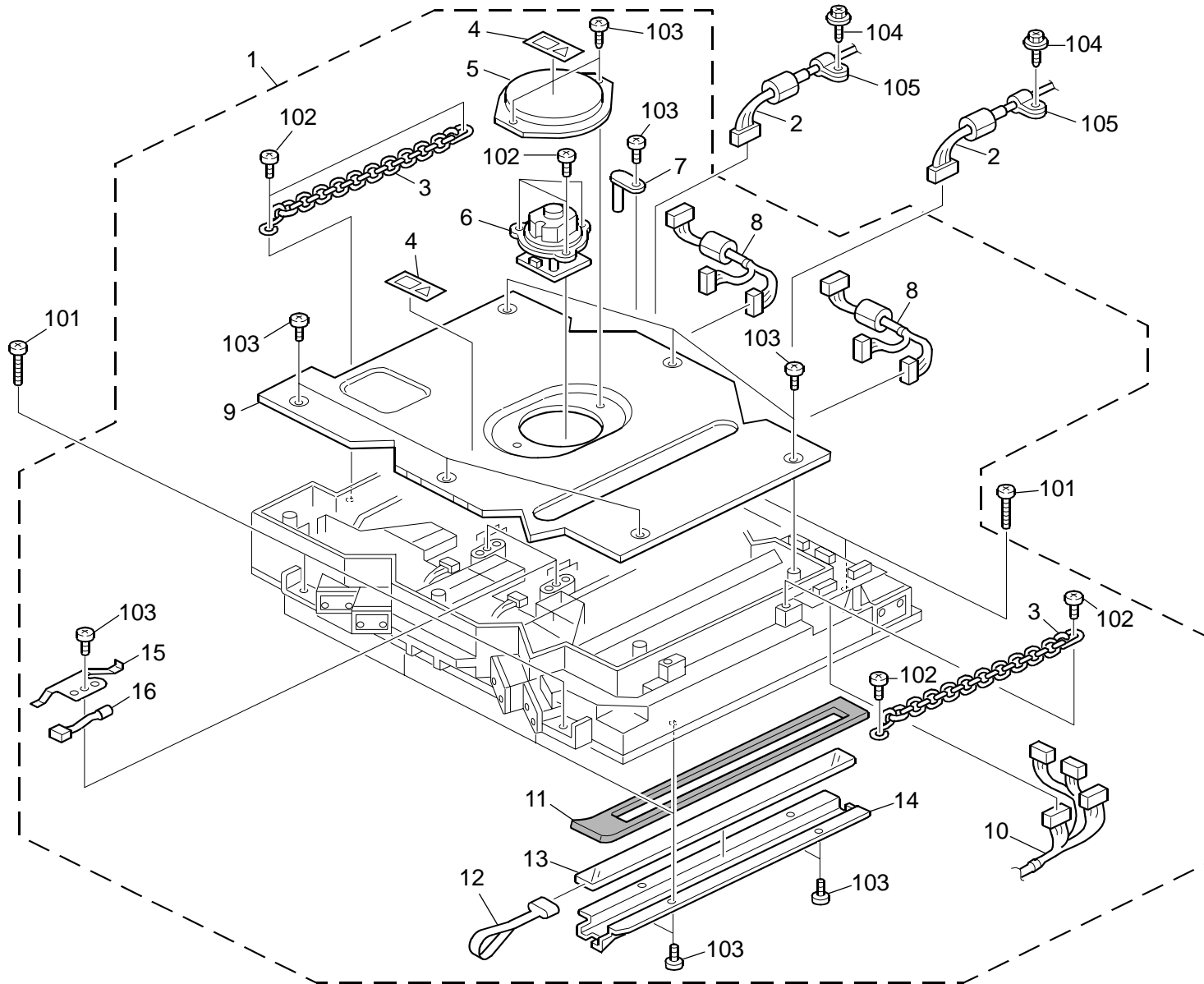


19.Optics Section 4 (D014/D015/D078/D079)

Index No.	Part No.	Description	Q'ty Per Assembly
1	AZ50 0075	Stabilizer	1
2	B132 1851	Bracket: Inverter	1
3	B132 1852	Bracket: Fan: Mm40: Inverter	1
4	AX64 0149	Fan Motor: Mm40: 15mm	1
5	AA14 3802	Screw: 6X1.7	1
6	B132 1710	Pulley: Tension: Timing Belt: Ass'y	1
7	B132 1702	Bracket: Motor	1
8	G029 4150	Pressure Spring	1
9	A134 1724	Cushion - Stepper Motor	1
10	D014 1703	Stepper Motor: Dc1.98v 7.13w	1
11	B132 1714	Cover: Damper	1
12	D014 1716	Cover: Shaft	1
13	B132 1729	Drive Were: Scanner	2
14	B132 1724	Bracket: Tension	2
15	B132 1725	Bracket: Tension: Fix	1
16	B132 1723	Spring: Drive Were	2
17	AA04 3314	Timing Belt: 100S2M266	1
18	B132 1720	Pulley: 40T	1
19	AB03 2070	Pulley	1
20	B132 1719	Screw: Mechanical Drive Section	2
21	D014 5306	Harness: SIOB: VBCU	1
22	D014 5302	Harness: SIOB: Fan: Lamp	1
23	D014 5300	Harness: SIOB: Original Sensor	1
24	D014 5494	PCB: SIOB	1
25	B132 1671	Bracket: Pulley	4
26	AB03 2069	Pulley	1
27	B132 1675	Cover: Polygon Mirror Motor	1
28	D014 1876	Filter: Scanner	2
29	D014 5303	Harness: Sbu	1
30	D014 5304	Harness: Sbu: Power Source	1
31	D014 1681	Spring Plate: Cover: SIOB	1
32	D014 5486	PCB: SCNB	1
33	D014 5305	Interface Cable: Scanner: Image Processing Unit	1
34	D014 1748	Gasket: Shading Plate	1

Index No.	Part No.	Description	Q'ty Per Assembly
35	D014 1747	Gasket: Cover: Shaft	2
36	D014 1722	Bracket: Tension: Inner Back: Peen	1
101	0451 3006N	Tapping Screw - 3x6	
102	0951 3006N	Screw - M3x6	
103	0454 3006Q	Tapping Screw - M3x6	
104	0451 3020N	Tapping Screw: 3x20	
105	0451 4008N	Tapping Screw: 4x8	
106	0314 0120N	Screw - M4x12	
107	0954 4008N	Screw - M4x8	
108	0451 4025N	Tapping Screw: M4x25	
109	0805 3368	Ball Bearing - 8x16x5MM	
110	1105 0487	Harness Clamp	
111	1105 0516	Clamp	
112	1105 0511	Harness Clamp - LWS-0306ZC	
113	1105 0488	Harness Clamp	
114	1105 0518	Edge Saddle - LES-1010	
115	1105 0487	Harness Clamp	
116	1105 0559	Clamp: EMT-5N	
117	1607 1574	Ferrite Core: RFC-H13	

20.Laser Unit (D014/D015/D078/D079)



WWW.SERVICE-MANUAL.NET

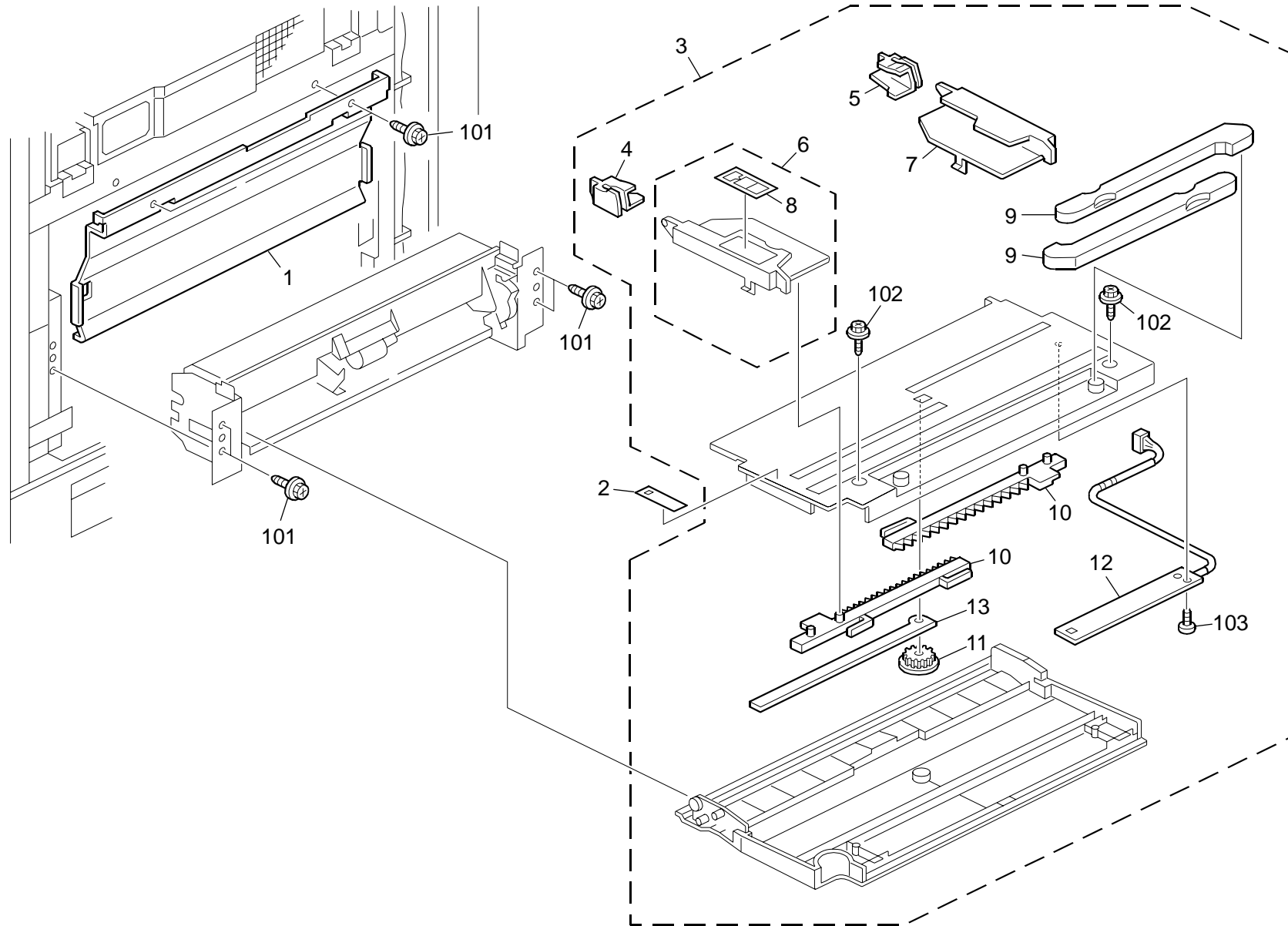
20.Laser Unit (D014/D015/D078/D079)

Rev. 01/19/2011

Index No.	Part No.	Description	Q'ty Per Assembly
1	D014 1950	Imaging Unit	1
2	D014 5367	Cable: LVDS: LDB	1
3	B132 1972	Grip: Imaging Unit	2
4	AA00 0217	Decal - LD 655	2
5	B132 2185	Cover: Polygon Motor: Ass'y	1
6	D081 2157	Polygon Scanner	1
7	B132 1971	Positioning Pin	1
8	D014 5366	Harness: Connecting: LDB: LDD	2
9	B132 2172	Cover: Upper: Sub-Ass'y	1
10	D014 5226	Harness: Imaging Unit	1
11	B132 2085	Shield: Shield Glass	4
12	B132 2094	Grip: Shield Glass	4
13	AC01 5041	Shield Glass	4
14	B132 2093	Rail: Shield Glass	4
15	G060 1908	Thermistor Plate	1
16	AW10 0100	Thermistor: Imaging Unit	1

Index No.	Part No.	Description	Q'ty Per Assembly
101	0354 0200N	Screw: M4x20	
102	0354 0080N	Screw: M4x8	
103	0353 0060N	Bind Screw - M3x6	
104	0451 4006N	Tapping Screw - 4x6	
105	1105 0528	Nylon Clamp - EMT-2N	

21.By-pass Feed 1 (D014/D015/D078/D079)

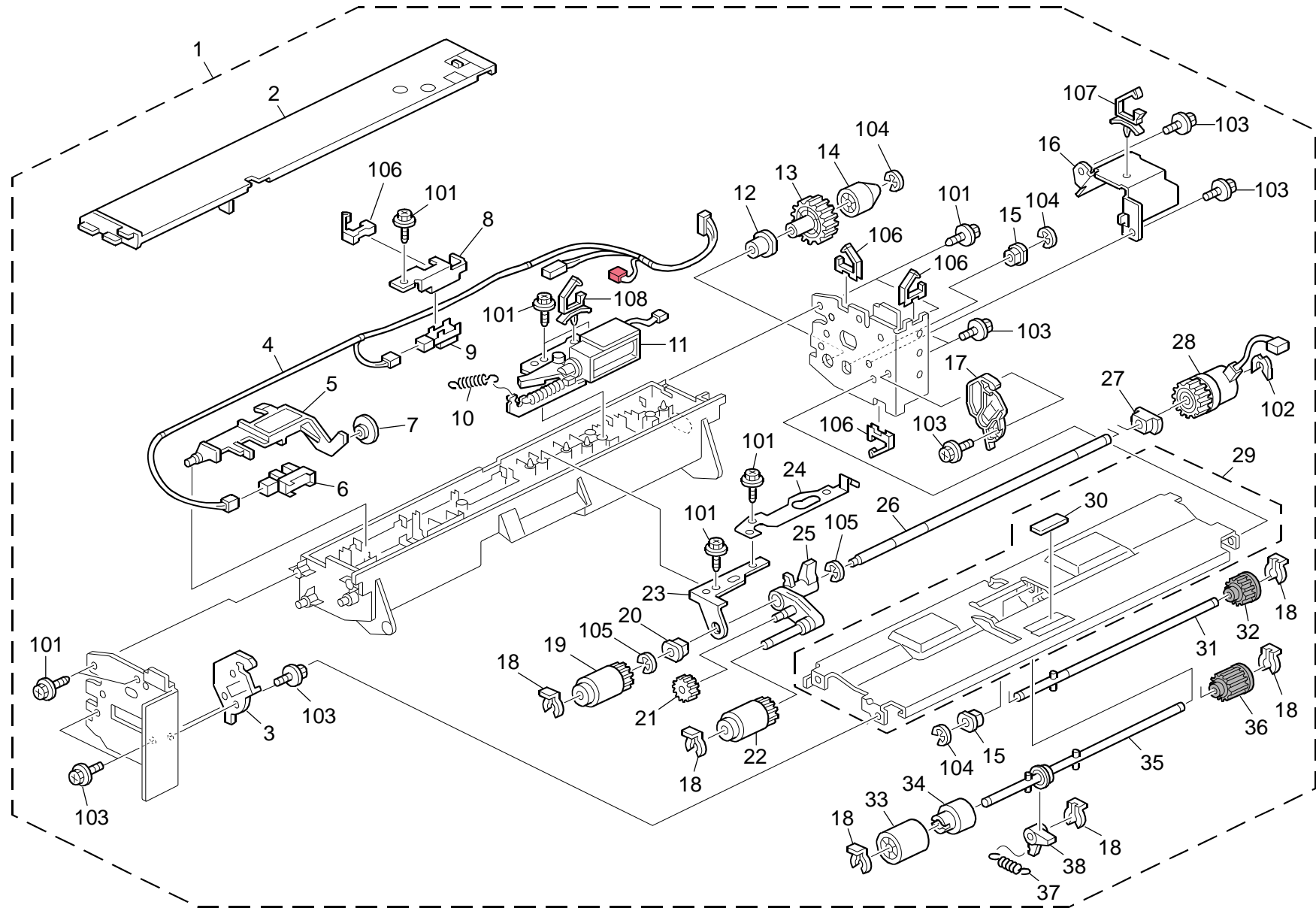


21.By-Pass Feed 1 (D014/D015/D078/D079)

Rev. 11/4/2011

Index No.	Part No.	Description	Q'ty Per Assembly
1	B132 2816	Cover: Manual Feed: Machine Or Copier	1
2	D081 1482	Decal – Caution Chart: Inkjet: Manual Feed	2
3	D014 2810	Manual Feed Table: Ass'y	1
4	B132 2863	Side Fence: Auxiliary: Front	1
5	B132 2866	Side Fence: Auxiliary: Rear	1
6	D081 2861	Side Fence: Front: Ass'y [TSB#086]	1
7	B132 2864	Side Fence: Rear: Ass'y	1
8	B132 2875	Decal: Paper Set Direction	1
9	B132 2868	Guide: Manual Feed Table	2
10	A232 6083	Rear Rack	2
11	G011 3305	Gear - 16Z	1
12	B132 2872	Paper Size Sensor	1
13	D014 2870	Friction Pad: Side Fence: Front	1

Index No.	Part No.	Description	Q'ty Per Assembly
101	0451 4008N	Tapping Screw: 4x8	
102	0450 3010N	Tapping Screw - M3x10	
103	0452 3008N	Tapping Screw - M3x8	
104	0450 3008N	Tapping Screw – M3x8 [TSB#086]	



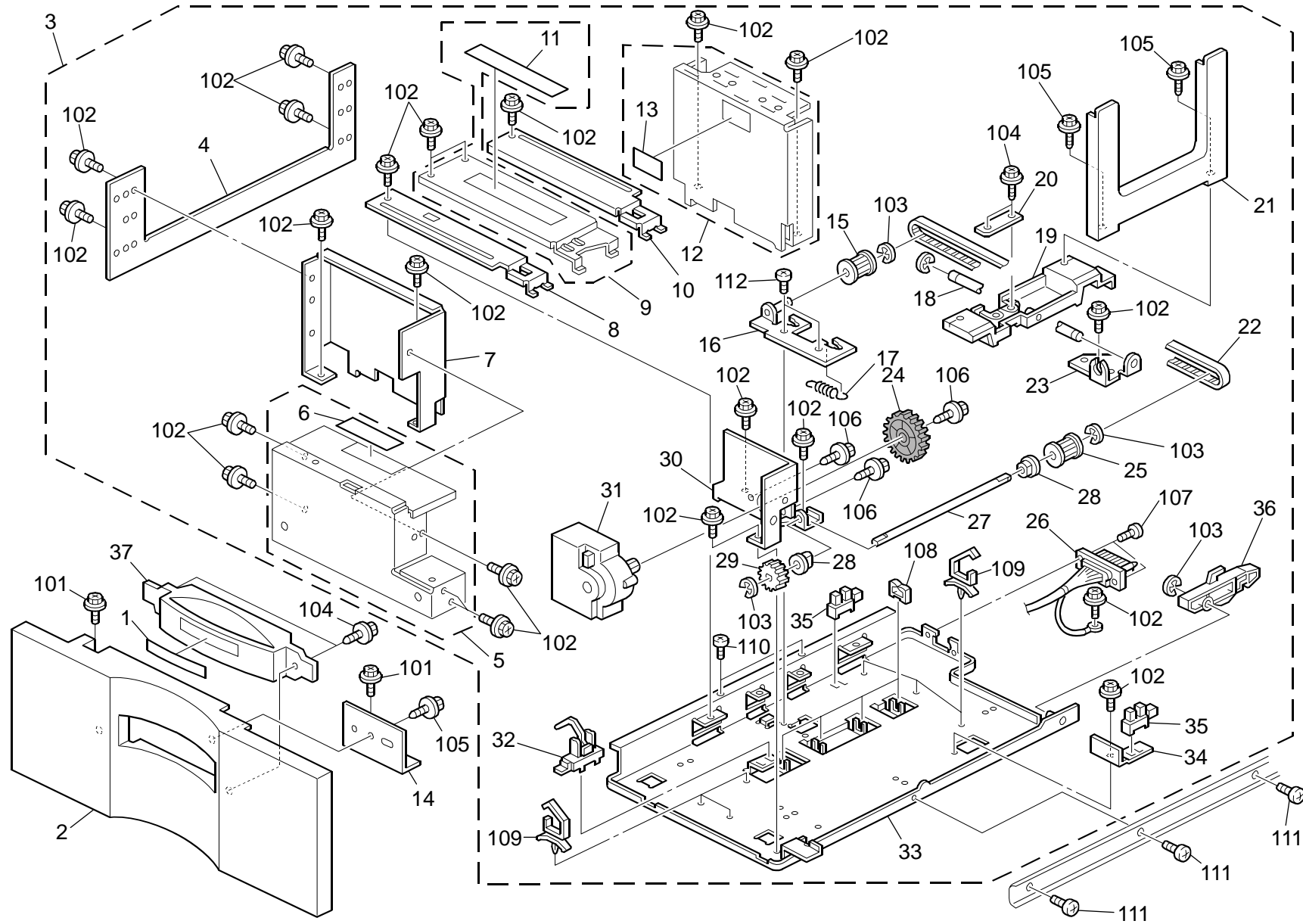
WWW.SERVICE-MANUAL.NET

22.By-pass Feed 2 (D014/D015/D078/D079)

Index No.	Part No.	Description	Q'ty Per Assembly
1	D014 2800	Manual Paper Feed Unit	1
2	B132 2859	Cover: Manual Feed Unit	1
3	B132 2819	Holder: Manual Feed Table: Front	1
4	D014 5249	Harness: Manual Paper Feed Unit	1
5	B132 2845	Feeler: Paper End Sensor	1
6	AW02 0160	Paper Feed Sensor	1
7	A134 2661	Feeler Roller	1
8	B132 2848	Bracket: Sensor: Manual Feed	1
9	AW01 0107	Paper Feed Sensor	1
10	AA06 0952	Tension Spring	1
11	B132 2839	DC Solenoid: Pickup: Ass'y	1
12	AA08 3014	One-way Clutch	1
13	AB01 1307	Gear: 42Z	1
14	B132 2856	Roller: Manual Feed Unit: Drive	1
15	AA08 2118	Bushing - M6	2
16	B132 2857	Stopper: Magnetic Clutch	1
17	B132 2823	Holder: Manual Feed Table: Rear	1
18	5447 2681	Snap Ring	6
19	AF03 1081	Paper Feed Roller: Feed: Manual Feed	1
20	AA08 2116	Bushing - M8	1
21	5447 2706	Gear - 15T	1
22	AF03 0080	Paper Feed Roller: Pickup	1
23	B132 2837	Guide Plate: Feed	1
24	B132 2846	Ground Plate: Manual Feed	1
25	B132 2835	Arm: Pickup: Manual Feed	1
26	AA14 0761	Shaft: Feed Roller	1
27	AA08 3013	Bushing - 8x18x11	1
28	AX20 0277	Magnetic Clutch: 0.53N M: 36Z	1
29	D014 2825	Guide Plate: Separator: Adhesion	1
30	AF01 3016	Bottom Plate Pad	1
31	B132 2849	Shaft: Separator: Drive: Ass'y	1
32	AB01 1306	Gear: 24Z	1
33	AF03 2080	Paper Feed Roller: Separate	1
34	A294 6700	Torque Limiter - 53mnm	1
35	B132 2851	Shaft: Separator: Driven: Ass'y	1

Index No.	Part No.	Description	Q'ty Per Assembly
36	AB01 1305	Gear: 21Z	1
37	AA06 0954	Tension Spring	1
38	B132 2853	Lever: Pressure: Separator	1
101	0450 3010N	Tapping Screw - M3x10	
102	0805 0088	Retaining Ring - M6	
103	0451 3006N	Tapping Screw - 3x6	
104	0720 0040E	Retaining Ring - M4	
105	0720 0060E	Retaining Ring - M6	
106	1105 0522	Edge Saddle - LES0510	
107	1105 0516	Clamp	
108	1105 0511	Harness Clamp - LWS-0306ZC	

23.Tandem Tray 1 (D014/D015/D078/D079)

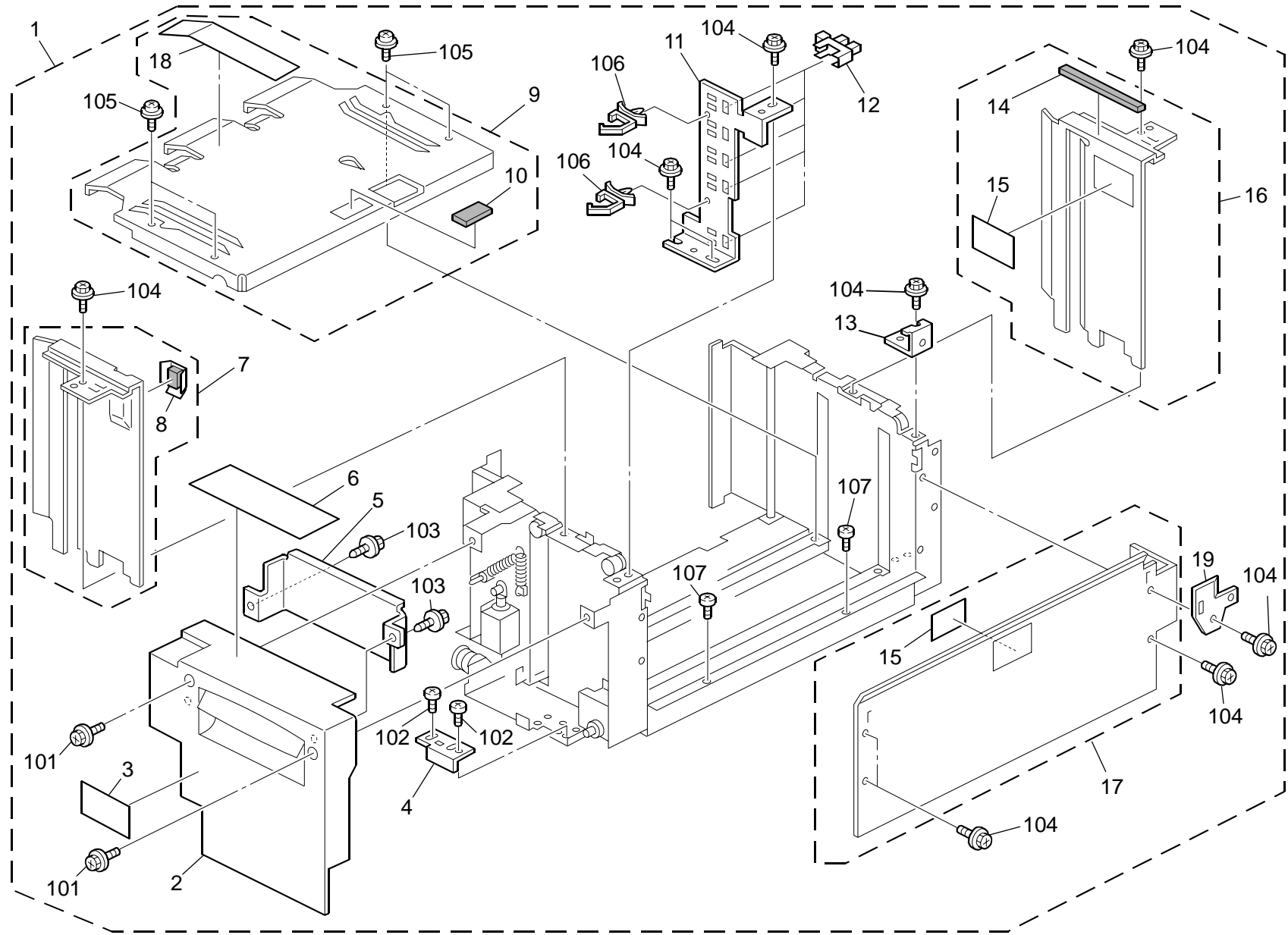


23.Tandem Tray 1 (D014/D015/D078/D079)

Index No.	Part No.	Description	Q'ty Per Assembly
1	AA00 3211	Decal: Paper Tray: Display: 1	1
2	D014 6671	Cover - Tandem LCT	1
3	B234 6616	Tandem LCT Unit - Left	1
4	A294 6645	Left Side Plate	1
5	B070 6516	Bracket: Cover: Tandem LCT: Ass'y	1
6	B065 6846	Decal - Paper Set - Left	1
7	A294 6643	Left Front Fence	1
8	B132 7540	Tray Bottom Plate: Left Front	1
9	B098 6639	Tray Bottom Plate: Left Middle: Ass'y	1
10	B132 7541	Tray Bottom Plate: Left Rear	1
11	A096 6678	Decal - Left Paper Set	1
12	A294 6630	Left Rear Fence	1
13	AA00 2010	Decal - Paper Level	1
14	D014 6788	Bracket - Tandem LCT Cover	1
15	AB03 3085	Timing Pulley - 15T	1
16	B247 6951	Bracket: Pulley: Driven: Ass'y	1
17	AA06 0987	Tension Spring: Timing Belt: 10n	1
18	B247 6950	Shaft: Slider: Back Fence	1
19	B132 7564	Slider: Back Fence: Left	1
20	B065 6823	Timing Belt Cover	1
21	B132 7561	Back Fence: Left	1
22	AA04 3271	Timing Belt S3m 196t	1
23	B065 6830	Pulley Bracket	1
24	AB01 9475	Gear - 48T	1
25	AB03 3084	Timing Pulley - 15T	1
26	B070 5473	DC Harness - Left	1
27	AA14 0686	Shaft - Timing Pulley	1
28	5053 0447	Bushing - 6mm	2
29	AB01 3798	Gear - Z18	1
30	B070 6666	Left DC Motor Bracket	1
31	AX04 0145	DC Motor: Tandem LCT	1
32	AW02 0163	Paper Feed Sensor	1
33	B247 6970	Base: Tandem LCT: Left: Ass'y	1
34	B065 6831	Sensor Bracket	1
35	AW02 0145	Photointerruptor: Flat	2

Index No.	Part No.	Description	Q'ty Per Assembly
36	A248 6615	Coupling Lever - Left	1
37	B247 6634	Grip - Paper Tray Cover	1
101	0451 4008N	Tapping Screw: 4x8	
102	0451 4006N	Tapping Screw - 4x6	
103	0720 0040E	Retaining Ring - M4	
104	0450 4008N	Tapping Screw - M4x8	
105	0450 4010N	Tapping Screw: M4x10	
106	0450 3008N	Tapping Screw - M3x8	
107	0313 0080N	Pan Head Screw: M3x8	
108	1105 0328	Harness Clamp - ES-0505	
109	1105 0516	Clamp	
110	0354 0040N	Screw-M4x4	
111	0434 0060N	Pan Self-Tapping Screw: M4x6	
112	0453 4006N	Binding Self Tapping Screw: 4x6	

24.Tandem Tray 2 (D014/D015/D078/D079)



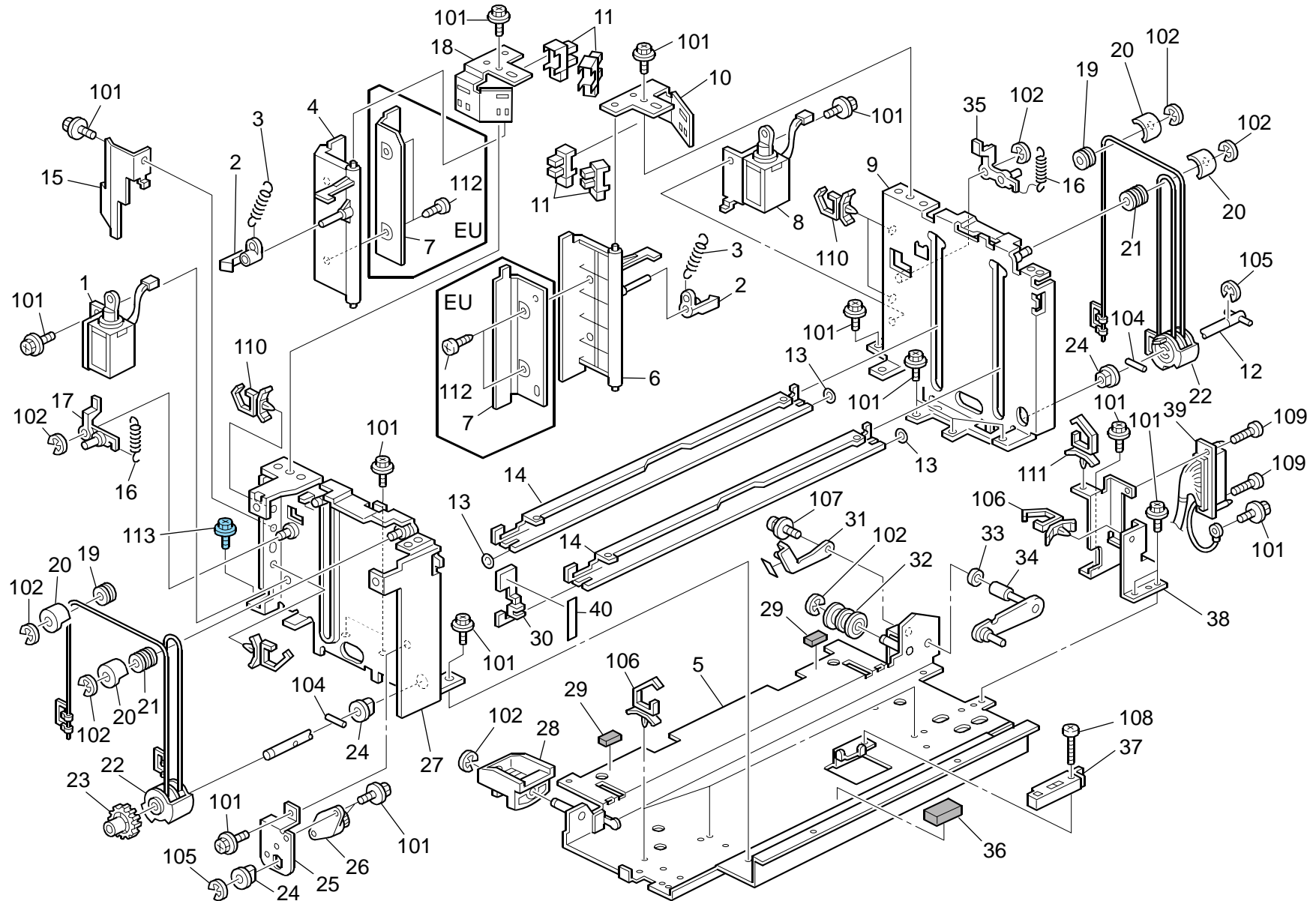
WWW.SERVICE-MANUAL.NET

24. Tandem Tray 2 (D014/D015/D078/D079)

Index No.	Part No.	Description	Q'ty Per Assembly
1	D014 7506	Tandem LCT: Right: NA: Ass'y	1
1	D014 7505	Tandem LCT: Right: EU: Ass'y	1
2	B132 7586	Inner Cover: Tandem LCT	1
3	AA00 2246	Decal - Caution	1
4	B065 6859	Right Stopper	1
5	B065 6875	Protection -inner Cover	1
6	B065 6877	Decal - Paper Set - Right	1
7	B234 6686	Side Fence - Right Front	1
8	B234 6690	Plate: Paper: Ass'y	1
9	B132 7543	Base: Tandem LCT: Right	1
10	5201 2858	Friction Pad	1
11	A294 6706	Sensor Bracket	1
12	AW02 0145	Photointerruptor: Flat	5
13	A176 6695	Misfeed Removal Guide	1
14	B475 6855	Shield: Tandem LCT: Rear Right	1
15	AA00 2010	Decal - Paper Level	2
16	B132 7576	Side Fence: Tandem LCT: Right	1
17	A294 6666	Side Plate	1
18	A096 6677	Decal - Right Paper Set	1

Index No.	Part No.	Description	Q'ty Per Assembly
101	0454 4008Q	Tapping Screw - M4x8	
102	0451 4006N	Tapping Screw - 4x6	
103	0450 4008N	Tapping Screw - M4x8	
104	0451 4008N	Tapping Screw: 4x8	
105	0951 4006N	Screw: Polished Round: M4x6	
106	1105 0534	Clamp	
107	0354 0040N	Screw-M4x4	

25. Tandem Tray 3 (D014/D015/D078/D079)



25.Tandem Tray 3 (D014/D015/D078/D079)

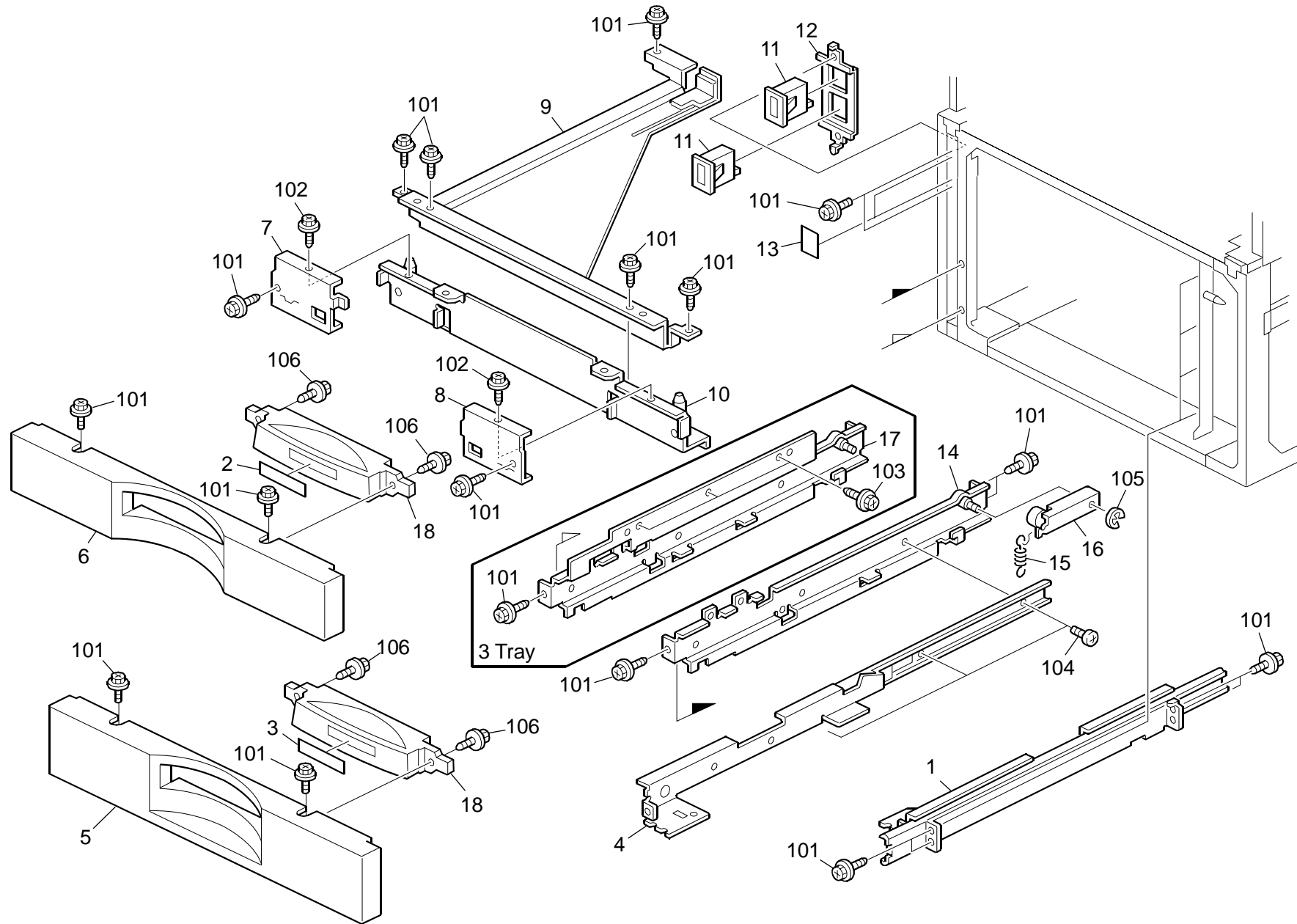
Rev. 07/28/2009

Index No.	Part No.	Description	Q'ty Per Assembly
1	B132 7547	DC Solenoid: End Fence: Front: Ass'y	1
2	A248 6713	Hook - Tension Spring	2
3	AA06 0757	Tension Spring - Long	2
4	B234 6612	End Fence - Front	1
5	B132 7545	Base: Tandem LCT: Right: Welding	1
6	B234 6625	End Fence - Rear	1
7	B234 6630	Guide Plate - End Fence	2
8	B132 7571	DC Solenoid: End Fence: Rear: Ass'y	1
9	A294 6676	Right Rear Side Plate	1
10	B234 6621	On Off Detector Bracket - Rear	1
11	AW02 0145	Photointerruptor: Flat	4
12	A248 6687	Right Drive Shaft	1
13	A248 6694	Wire Ring	2
14	B065 6870	Stay -right base	2
15	B070 6667	End Fence Cover Front	1
16	AA06 0758	Tension Spring - Short	2
17	B070 6683	Lever: Release: Front	1
18	B234 6620	On/Off Detector Bracket - Front	1
19	AB03 2058	Wire Pulley - M10	2
20	A248 6695	Guide - Pulley	4
21	AB03 2719	Pulley - M10	2
22	B132 7550	Cover: Pulley: Drive Were	2
23	AB01 3781	Gear - 30Z	1
24	5053 0223	Bushing - 8mm	3
25	B065 6872	Oil Damper Bracket	1
26	B247 6901	Oil Damper: Fall	1
27	B070 6668	Side Plate: Tandem: Right Front	1
28	A294 6655	Front Roller - Slide Rail	1
29	AA16 1130	Cushion - Small	2
30	A294 6690	Feeler - Paper Height Sensor	1
31	B065 6864	Small Lever	1
32	AF02 2105	Roller - Slide Rail	1
33	AA13 2203	Spacer - 6mm	1
34	B065 6862	Large Lever	1
35	B070 6684	Lever: Release: Rear	1

Index No.	Part No.	Description	Q'ty Per Assembly
36	AA16 1129	Cushion - Large	1
37	AW01 0113	Sensor	1
38	B132 7575	Bracket: Connector: Tandem LCT	1
39	B234 5673	Harness - Tandem LCT Right	1
40	B065 6717	Paper Volume Shield Plate	1
101	0451 4008N	Tapping Screw: 4x8	
102	0720 0040E	Retaining Ring - M4	
103	1105 0328	Harness Clamp - ES-0505	
104	0633 0200G	Pin - M3x20	
105	0720 0060E	Retaining Ring - M6	
106	1105 0488	Harness Clamp	
107	0951 3006N	Screw - M3x6	
108	0313 0120N	Pan Head Screw: M3x12	
109	0313 0080N	Pan Head Screw: M3x8	
110	1105 0534	Clamp	
111	1105 0511	Harness Clamp - LWS-0306ZC	
112	0452 3006N	Binding Self-Tapping Screw: 3x6	
113	0454 4008Q	Tapping Screw - M4x8	

WWW.SERVICE-MANUAL.NET

26. Universal Tray 1 (D014/D015/D078/D079)



WWW.SERVICE-MANUAL.NET

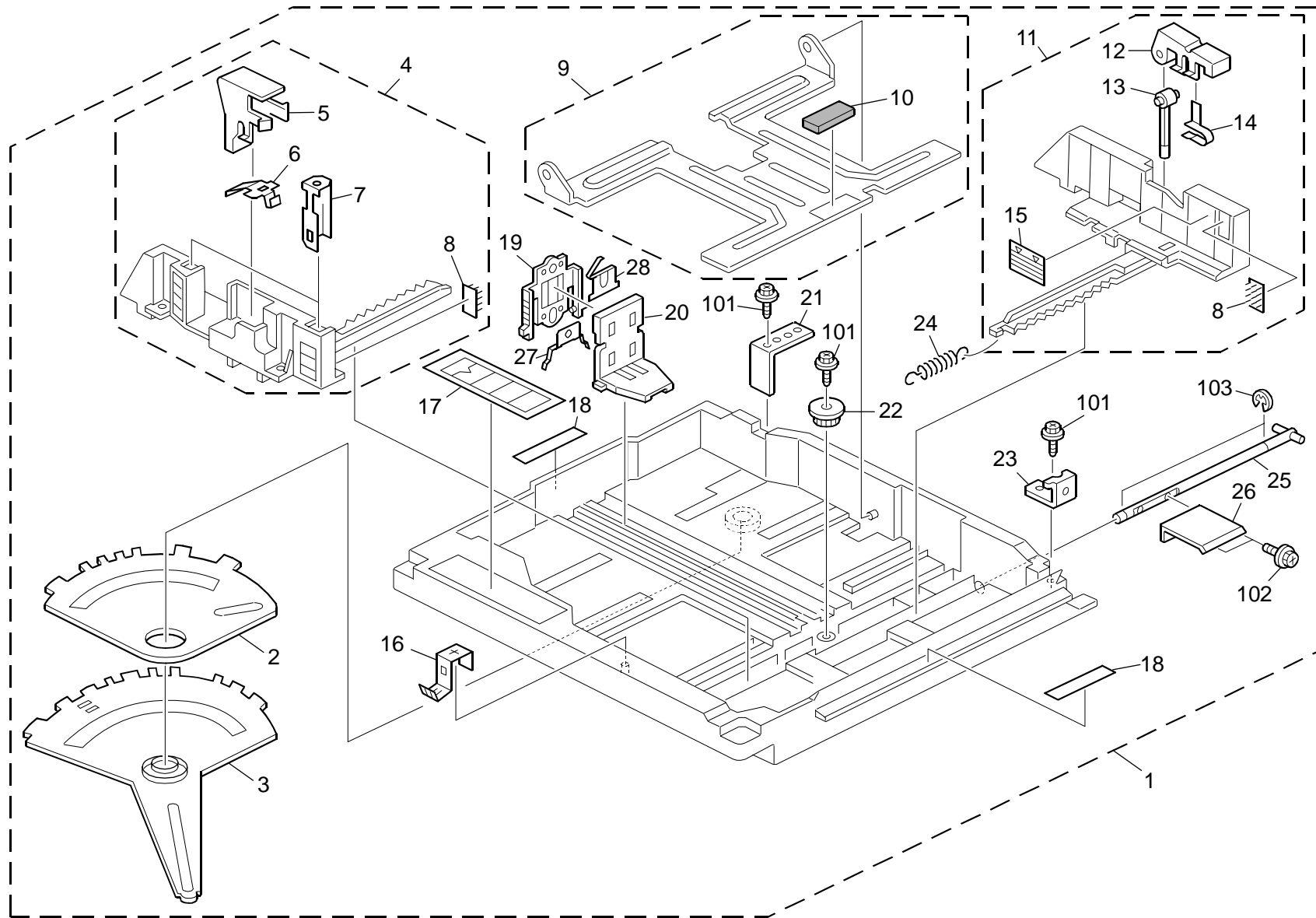
26. Universal Tray 1 (D014/D015/D078/D079)

Rev. 08/19/2010

Index No.	Part No.	Description	Q'ty Per Assembly
1	B132 6693	Slide Rail: Right: Ass'y	2
2	AA00 3213	Decal: Paper Tray: Display: 3	1
3	AA00 3212	Decal: Paper Tray: Display: 2	1
4	B132 6692	Slide Rail: Left: Sub-ass'y	2
5	B247 6632	Paper Tray Cover - Long	1
6	B247 6633	Paper Tray Cover - Short	1
7	B065 6589	Left Support Plate	2
8	B065 6588	Right Support Plate	2
9	B065 6591	Paper Tray Holder Base	2
10	B132 6653	Stay: Holder: Paper Tray: Ass'y	2
11	AX31 0045	Total Counter: 7FIG: 24V	2
12	B132 5976	Bracket: Total Counter	1
13	B132 5996	Decal: Total Counter	2
14	B247 6781	Base: Slide Rail: No.2: Peen	1
15	AA06 0534	Tray Lock Spring - 19mm	2
16	B065 6136	Tray Lock Arm	2
17	B247 6783	Base: Slide Rail: No.3: Peen	1
18	B247 6634	Grip - Paper Tray Cover	2

Index No.	Part No.	Description	Q'ty Per Assembly
101	0451 4008N	Tapping Screw: 4x8	
102	0451 3008N	Tapping Screw - M3x8	
103	0451 3006N	Tapping Screw - 3x6	
104	0453 3006N	Tapping Screw - M3x6	
105	0720 0040E	Retaining Ring - M4	
106	0450 4008N	Tapping Screw - M4x8	

27. Universal Tray 2 (D014/D015/D078/D079)



WWW.SERVICE-MANUAL.NET

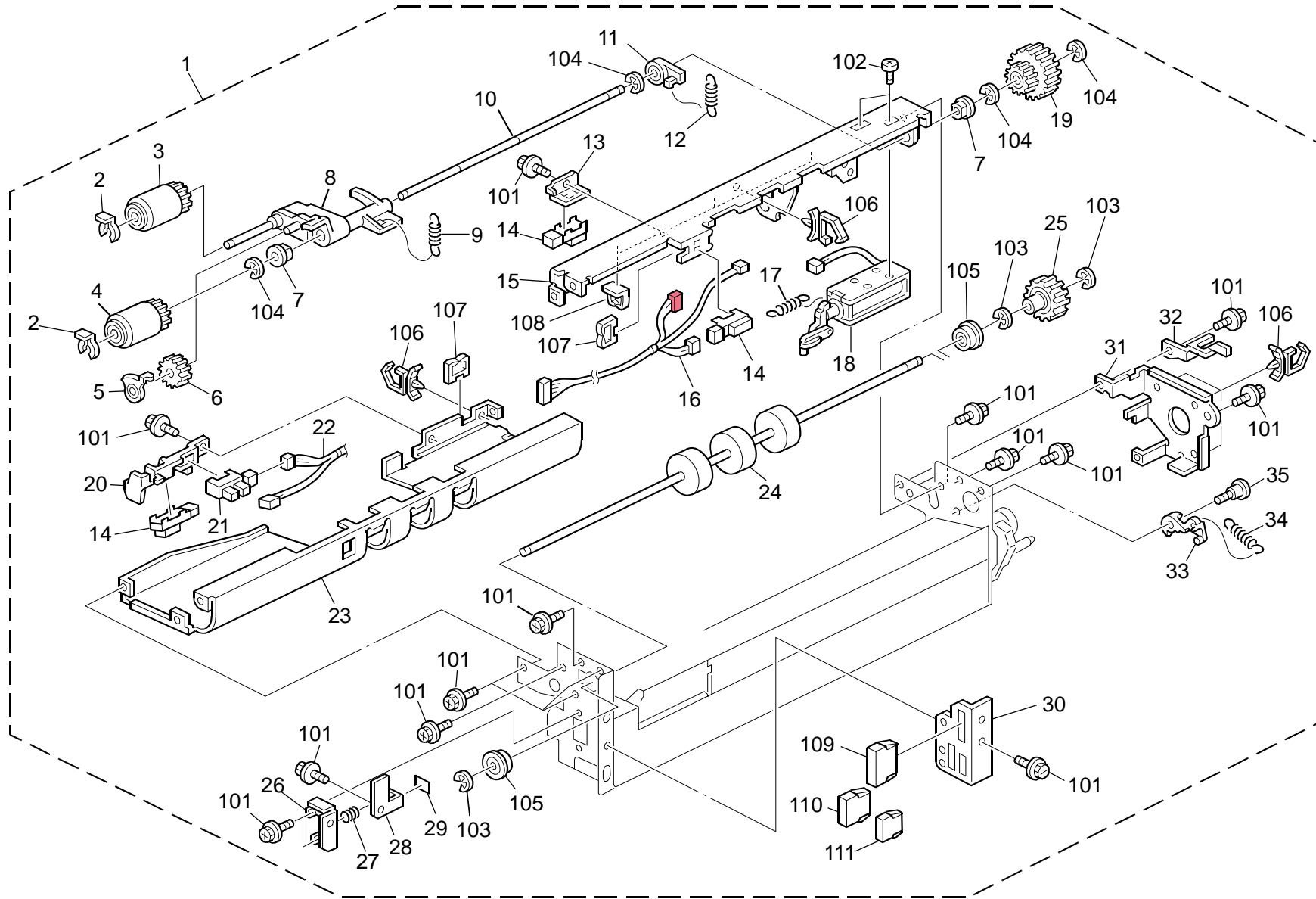
27. Universal Tray 2 (D014/D015/D078/D079)

Rev. 07/29/2009

Index No.	Part No.	Description	Q'ty Per Assembly
1	D014 6771	Paper Tray: Universal: DOM: Ass'y	2
2	B181 6789	Link: Side Fence: Paper Size Sensor	1
3	B181 6780	Link: End Fence: Paper Size Sensor: Ass'y	1
4	B132 6793	Side Fence: Front: Ass'y	1
5	B065 6538	Positioning Stopper Lever	1
6	A134 2978	Spring Plate	1
7	B132 6791	Plate: Side Fence	2
8	B234 2864	Pad: Cleaner	2
9	D014 6780	Tray Bottom Plate: Ass'y	1
10	AF01 3005	Bottom Plate Pad	1
11	B234 6490	Side Fence: Rear: Ass'y	1
12	A267 2860	Rear Lever Stopper	1
13	A267 2859	Side Fence Stopper	1
14	A267 2857	Spring Plate - Side Fence	1
15	AA00 2010	Decal - Paper Level	1
16	B132 6798	Spring Plate: Paper Tray: Earth	1
17	D014 6786	Decal: Paper Set Direction	1
18	B065 6545	Decal - Positioning	2
19	D014 6783	Arm: End Fence: Lock	1
20	AF01 7033	End Fence	1
21	B132 6797	Side Fence: Rear: Auxiliary	1
22	AB01 2327	Gear: 16Z	1
23	A176 6695	Misfeed Removal Guide	1
24	AA06 0961	Tension Spring: Side Fence: Rear	1
25	B065 6524	Bottom Plate Lift Shaft	1
26	B065 6526	Lift Lever	1
27	D014 6784	Spring Plate: End Fence	1
28	D014 6785	Spring Plate: Arm: End Fence: Lock	1

Index No.	Part No.	Description	Q'ty Per Assembly
101	0450 4008N	Tapping Screw - M4x8	
102	0360 4008N	Screw - M4x8	
103	0720 0060E	Retaining Ring - M6	

28.Paper Registration 1 (D014/D015/D078/D079)



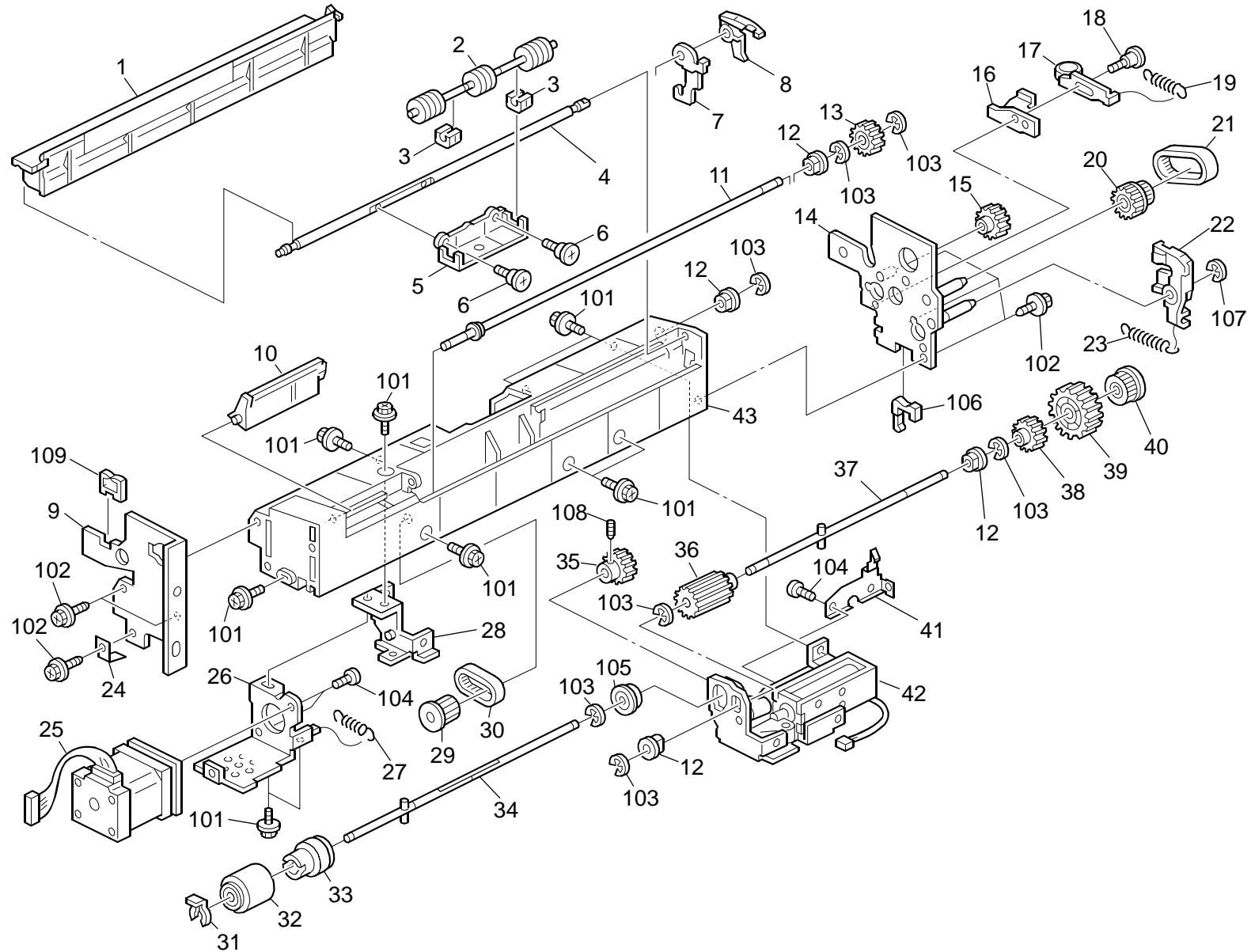
28.Paper Registration 1 (D014/D015/D078/D079)

Rev. 03/07/2011

Index No.	Part No.	Description	Q'ty Per Assembly
1	D062 6641	Paper Feed Unit: Paper Bank Ass'y	3
2	5447 2681	Snap Ring	2
3	AF03 0081	Paper Feed Roller: Pickup	1
4	AF03 1082	Paper Feed Roller: Feed	1
5	B065 6350	Pick-up Gear Cover	1
6	AB01 1465	Idler Gear	1
7	AA08 2118	Bushing - M6	2
8	B065 6357	Pick-up Arm	1
9	AA06 0898	Spring	1
10	AA14 0828	Feed Roller Shaft	1
11	B065 6445	Feed Lever	1
12	AA06 0897	Spring	1
13	B065 6358	Paper Feed Sensor Bracket	1
14	AW01 0149	Paper Feed Sensor	2
15	B065 6364	Feed Stay	1
16	B247 6488	Harness - Paper Feed Unit Upper	1
17	AA06 1076	Coil Spring: Pressure Release: Pickup	1
18	B132 6659	DC Solenoid: Pickup: Ass'y	1
19	AB01 7617	Gear - 21Z/38Z	1
20	B065 6345	Paper End Sensor Bracket	1
21	AW02 0160	Paper Feed Sensor	1
22	B247 6487	Harness - Paper Feed Unit Lower	1
23	B140 6339	Paper Feed Guide Plate	1
24	AF02 0726	Transport Roller	1
25	AB01 1466	Gear - 35Z	1
26	B065 6334	Heat Sink Base	1
27	AA06 3889	Heat Sink Spring	1
28	B065 6337	Heat Sink	1
29	B065 6338	Heat Sink Sheet	1
30	B065 6375	Paper Feed Unit Stay	1
31	B247 6366	Drive Bracket [TSB#070]	1
32	B065 6353	Feed Gear Cover	1
33	B065 6457	Driven Pressure Lever	1
34	AA06 0896	Spring	1
35	AA14 3718	Stepped Screw - M4	1

Index No.	Part No.	Description	Q'ty Per Assembly
101	0451 4008N	Tapping Screw: 4x8	
102	0353 0040N	Screw - M3x4	
103	0720 0060E	Retaining Ring - M6	
104	0720 0040E	Retaining Ring - M4	
105	0742 3808	Ball Bearing - 8x16x5	
106	1105 0511	Harness Clamp - LWS-0306ZC	
107	1105 0328	Harness Clamp - ES-0505	
108	1105 0542	Harness Clamp - MSBS-1207	
109	1102 6252	Connector - 9P	
110	1102 6251	Connector - 8P	
111	1102 6249	Relay Connector - 6P	

29.Paper Registration 2 (D014/D015/D078/D079)



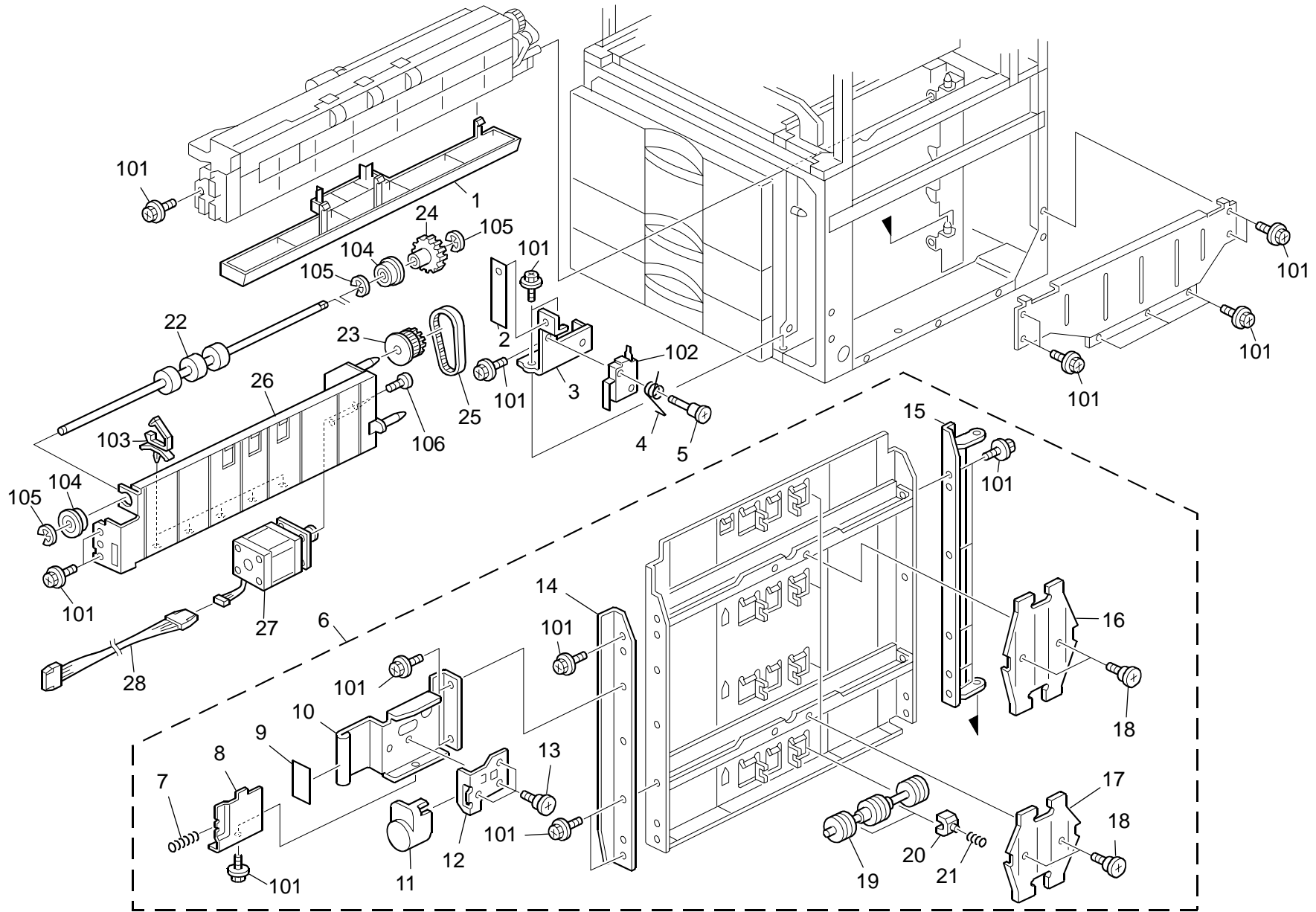
29.Paper Registration 2 (D014/D015/D078/D079)

Rev. 12/22/2010

Index No.	Part No.	Description	Q'ty Per Assembly
1	B181 6640	Guide Plate: Swivel: Adhesion	1
2	AF02 2149	Transport Roller	1
3	AA08 0327	Bushing - M4	2
4	AA14 0829	Driven Shaft	1
5	B065 6453	Transport Roller Lever	1
6	AA14 3812	Screw - Scale	2
7	B065 6454	Driven Release Lever	1
8	B065 6455	Driven Pressure Lever	1
9	B065 6336	Front Side Plate - Paper Feed	1
10	B065 6371	Support Guide Plate	1
11	B065 6317	Relay Shaft	1
12	AA08 2118	Bushing - M6	4
13	AB01 1469	Gear - 19Z	1
14	B247 6335	Rear Side Plate - Paper Feed [TSB#070]	1
15	AB01 1470	Gear - 18Z	1
16	B065 6452	Tray Link Guide	1
17	B065 6346	Paper Tray Link	1
18	5894 2540	Arm Screw	1
19	AA06 0900	Spring	1
20	AB01 7690	Pulley: Idler: 30T/24Z	1
21	AA04 3675	Timing Belt	1
22	B065 6456	Vertical Transport Link	1
23	AA06 0901	Spring	1
24	B140 6378	Ground Plate: Stepper Motor: Paper Feed Unit	1
25	B132 6655	Stepper Motor: Paper Feed Unit: Ass'y	1
26	B065 6394	Motor Bracket	1
27	AA06 0904	Spring	1
28	B065 6415	Motor Base	1
29	AB03 0733	Pulley - 20T	1
30	AA04 3676	Timing Belt	1
31	5447 2681	Snap Ring	1
32	AF03 2080	Paper Feed Roller: Separate	1
33	A294 6700	Torque Limiter - 53mnm	1
34	B065 6307	Reverse Driven Shaft	1
35	AB01 1591	Gear: Reverse	1

Index No.	Part No.	Description	Q'ty Per Assembly
36	AB01 1471	Reverse Gear	1
37	B065 6306	Reverse Drive Shaft	1
38	AB01 1491	Gear - 21Z	1
39	AB01 1490	Gear - 38Z	1
40	AB03 0734	Pulley - 30Z	1
41	B140 6377	Ground Plate: Reverse: Paper Feed Unit	1
42	B132 6670	DC Solenoid: Reverse: Ass'y	1
43	B065 6333	Reverse Housing	1
101	0451 4008N	Tapping Screw: 4x8	
102	0450 4008N	Tapping Screw - M4x8	
103	0720 0040E	Retaining Ring - M4	
104	0353 0040N	Screw - M3x4	
105	0741 3506	Ball Bearing - 6x12x4 MM	
106	1105 0522	Edge Saddle - LES0510	
107	0720 0060E	Retaining Ring - M6	
108	0573 0030E	Hexagon Headless Set Screw - M3x3	
109	1105 0328	Harness Clamp - ES-0505	

30.Vertical Transport (D014/D015/D078/D079)



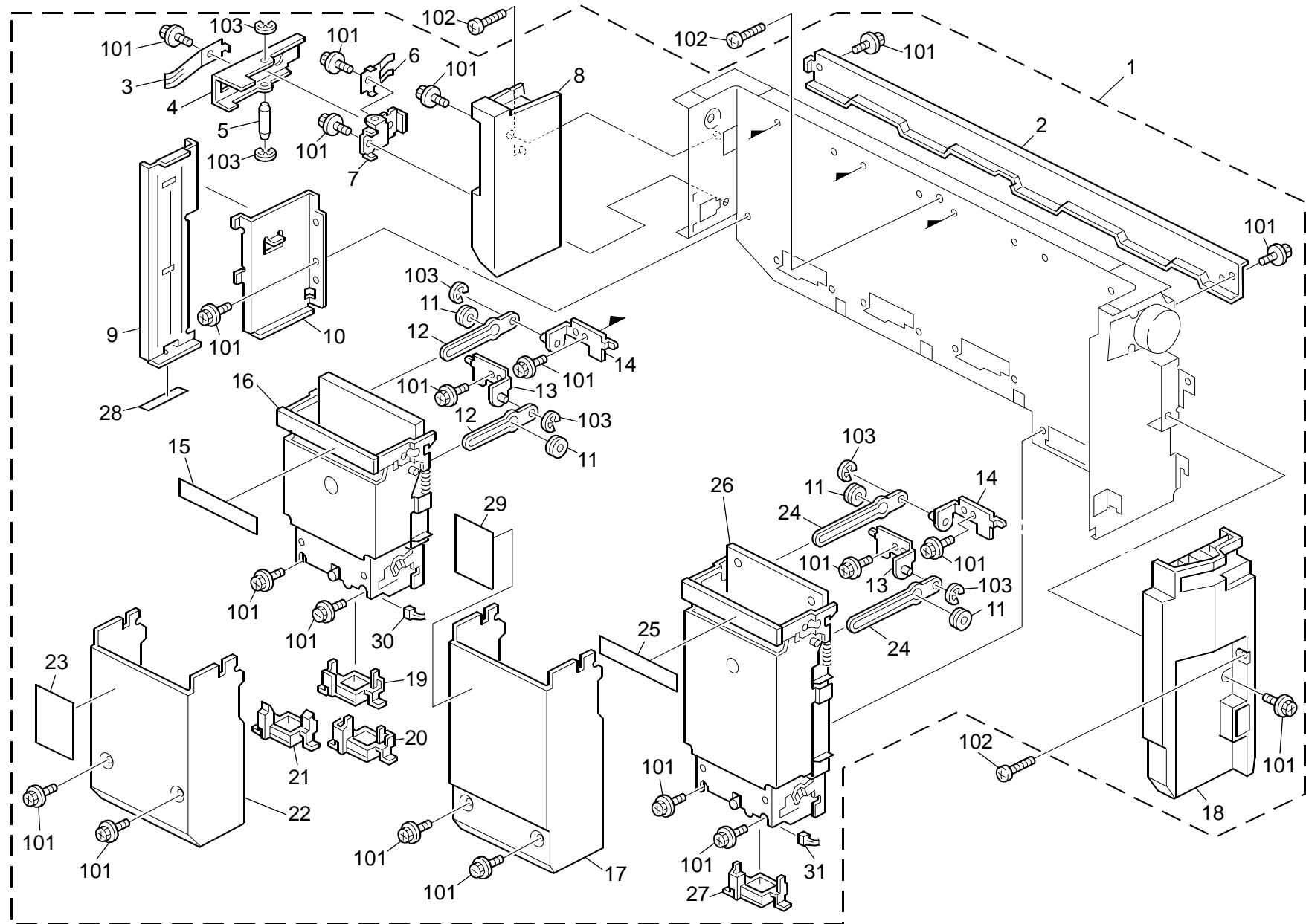
30.Vertical Transport (D014/D015/D078/D079)

Rev. 12/22/2010

Index No.	Part No.	Description	Q'ty Per Assembly
1	B132 6758	Guide: Relay: Paper Feed Unit	1
2	B132 5999	Sheet: Micro Switch: 12mm	1
3	B132 5971	Bracket: Micro Switch: Paper Bank	1
4	B132 5869	Torsion Spring	1
5	B132 5868	Screw: Micro Switch	1
6	B132 6771	Transport Unit: Vertical Transport: Ass'y	1
7	AA06 3487	Spring - 10mm	1
8	B247 6430	Cover: Release: Vertical Transport	1
9	A029 2984	Decal - Grip	1
10	B247 6426	Lever: Release: Vertical Transport	1
11	B065 6428	Release Button - Vertical Transport	1
12	B065 6427	Release Lever - Vertical Transport	1
13	AA14 3560	Stepped Screw - M4	3
14	B132 6753	Side Plate: Front: Vertical Transport	1
15	B132 6754	Side Plate: Rear: Vertical Transport	1
16	B132 6752	Pressure Plate: Transport Roller: Driven: No.1	1
17	B065 6407	Transport Pressure Plate	1
18	B247 6982	Stepped Screw - M5	4
19	AF02 0295	Vertical Driven Roller	4
20	AA08 0241	Bushing - M4	8
21	AA06 3878	Spring	8
22	AF02 0726	Transport Roller	1
23	AB01 7619	Gear - 24Z/40Z	1
24	AB01 1466	Gear - 35Z	1
25	AA04 3675	Timing Belt	1
26	B140 6472	Joint Unit Guide Plate Ass'y	1
27	B132 6655	Stepper Motor: Paper Feed Unit: Ass'y	1
28	B132 7583	Harness - Joint Unit	1

Index No.	Part No.	Description	Q'ty Per Assembly
101	0451 4008N	Tapping Screw: 4x8	
102	1204 2521	Micro Switch	
103	1105 0511	Harness Clamp - LWS-0306ZC	
104	0742 3808	Ball Bearing - 8x16x5	
105	0720 0060E	Retaining Ring - M6	
106	0353 0040N	Screw - M3x4	

31.Tonner Supply 1 (D014/D015/D078/D079)

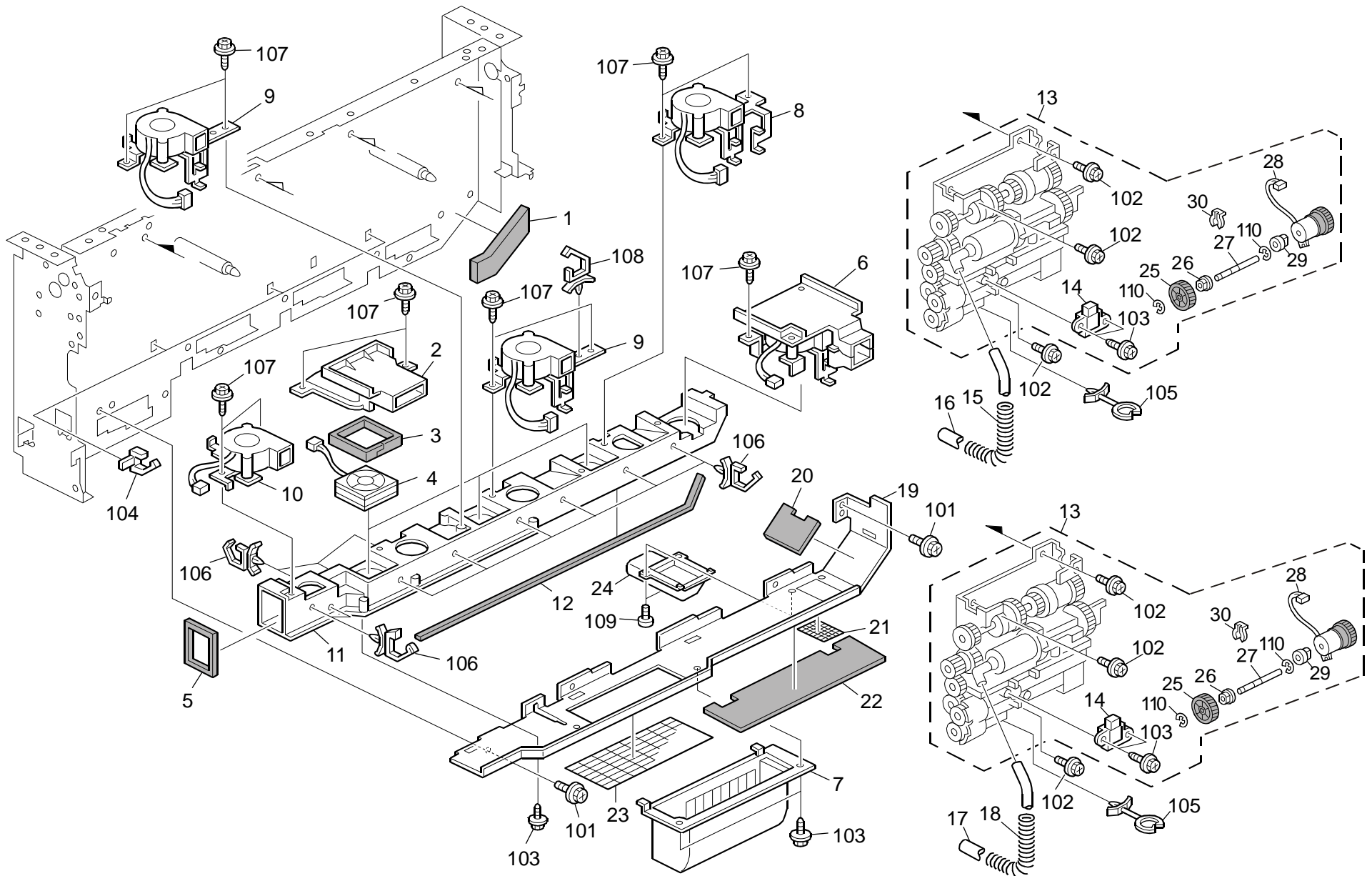


31.Tonner Supply 1 (D014/D015/D078/D079)

Rev. 2/15/2012

Index No.	Part No.	Description	Q'ty Per Assembly
1	D014 3302	Toner Supply Unit: Ass'y D014/D015 [TSB#003]	1
2	B132 3428	Stay	1
3	B132 3240	Spring Plate: Stand	1
4	B132 3239	Lever: Stand	1
5	B132 3216	Shaft: Lever: Stand	1
6	B132 3242	Spring Plate: Lever: Stand	1
7	B132 3241	Guide Plate: Lever: Stand	1
8	B132 3236	Inner Cover: Left	1
9	B132 3237	Stand: Left	1
10	B132 3238	Guide: Stand	1
11	B132 3323	Guide: Arm: Stopper: Holder	8
12	B132 3322	Arm: Stopper: Holder: Color	6
13	B132 3316	Bracket: Stopper: Holder: Left: Ass'y	4
14	B132 3314	Bracket: Stopper: Holder: Right: Ass'y	4
15	B132 3331	Decal: Lever: Toner Supply: M	1
15	B132 3332	Decal: Lever: Toner Supply: C	1
15	B132 3333	Decal: Lever: Toner Supply: Y	1
16	D014 3341	Toner Cartridge Unit: Color	3
17	B132 3232	Cover: Black	1
18	B132 3235	Inner Cover: Right	1
19	D014 3354	Cover: Lower: Holder: Y	1
20	D014 3352	Cover: Lower: Holder: M	1
21	D014 3353	Cover: Lower: Holder: C	1
22	B132 3233	Cover: Color	3
23	B132 3248	Decal: Cover: Toner Supply: M	1
23	B132 3249	Decal: Cover: Toner Supply: C	1
23	B132 3250	Decal: Cover: Toner Supply: Y	1
24	B132 3321	Arm: Stopper: Holder: Black	2
25	B132 3330	Decal: Lever: Toner Supply: K	1
26	D014 3340	Toner Cartridge Unit: Black	1
27	D014 3351	Cover: Lower: Holder: Bk	1
28	B132 3245	Sheet	1
29	B132 3247	Decal: Cover: Toner Supply: Black	1
30	D014 5252	Harness: ID	2
31	D014 5256	Harness: ID: Black	2

Index No.	Part No.	Description	Q'ty Per Assembly
101	0451 4008N	Tapping Screw: 4x8	
102	0354 0080N	Screw: M4x8	
103	0720 0040E	Retaining Ring - M4	



WWW.SERVICE-MANUAL.NET

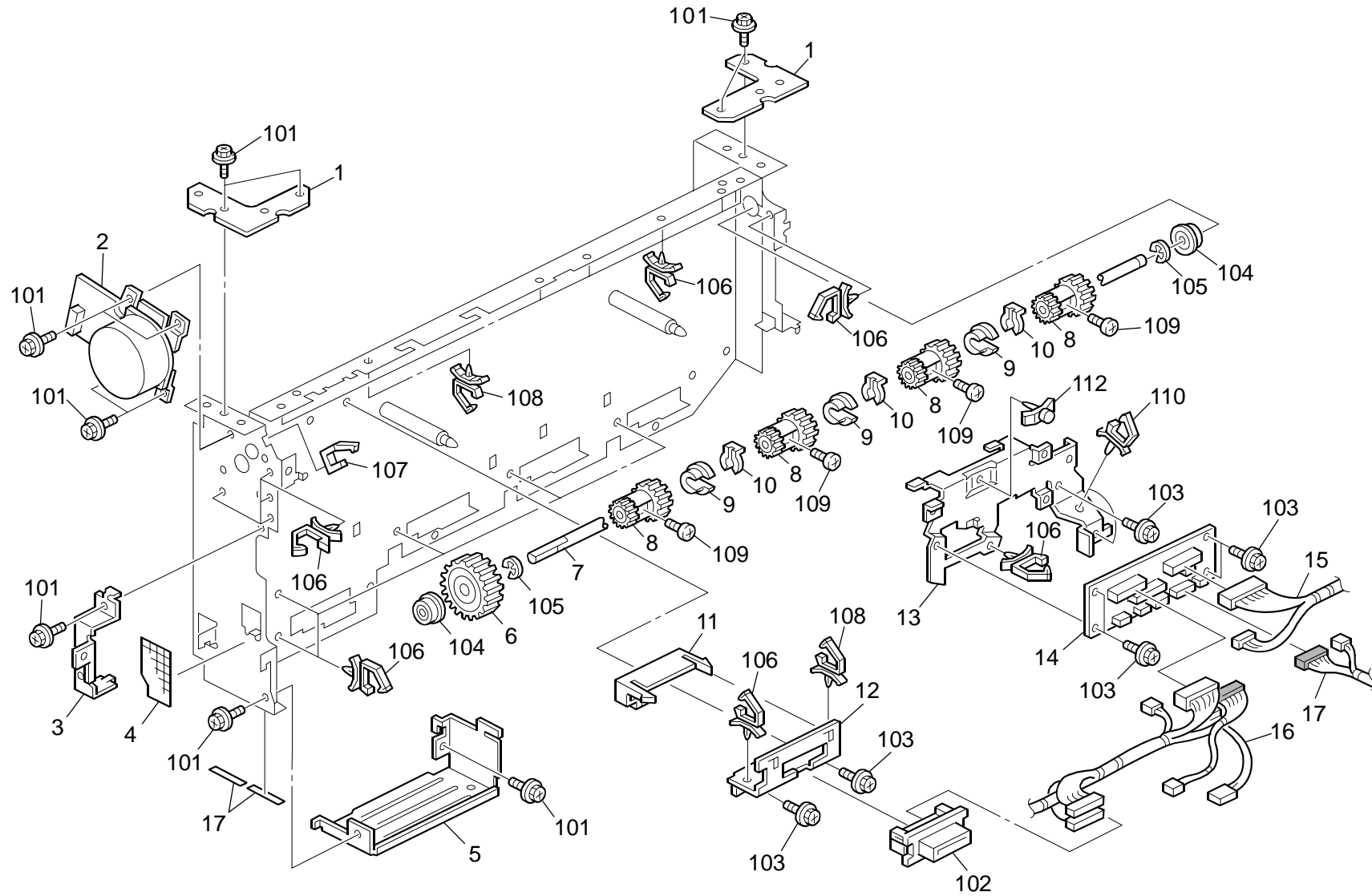
32.Toner Supply 2 (D014/D015/D078/D079)

Rev. 06/01/2010

Index No.	Part No.	Description	Q'ty Per Assembly
1	B132 3227	Shield: Cover: Duct: Lower	1
2	B132 2458	Duct: Development: Front	3
3	B132 2485	Seal: Fan Motor	3
4	AX64 0149	Fan Motor: Mm40: 15mm	4
5	B132 2474	Shield: Duct	1
6	D014 6933	Sirocco Fan Motor: DC24V 4.32W	1
7	D014 6937	Duct: Toner Hopper: Lower	1
8	D014 6924	Sirocco Fan Motor: DC24V 4.32W	1
9	D014 6926	Sirocco Fan Motor: DC24V 4.32W	2
10	D014 6928	Sirocco Fan Motor: DC24V 4.32W	1
11	D014 6923	Duct: Toner Hopper	1
12	B132 2496	Seal: Duct: Toner Hopper: Lower	1
13	D014 3359	Toner Supply Unit: Ass'y	4
14	AW23 0024	Toner End Sensor	4
15	B132 3439	Coil: Guard: Tube: COLOR	3
16	B132 3437	Tube: Color	3
17	B132 3438	Coil: Guard: Tube: BLACK	1
18	B132 3436	Tube: Black	1
19	D014 6922	Cover: Lower: Toner Supply: Color	1
20	B132 2476	Shield: Duct: Left	1
21	D014 6939	Filter: Duct: Toner Hopper: Left	1
22	D014 6910	Heat Insulation - Toner Supply Unit	1
23	D014 6938	Filter: Duct: Toner Hopper: Lower	1
24	D014 6921	Duct: Vacuum: Toner Hopper	1
25	B132 3349	Gear: Drive: Toner Supply Unit [TSB#083]	4
26	AA08 2101	Bushing – 6x10x6 [TSB#083]	4
27	D014 3366	Shaft: Mag Clutch: Drive: Trans Scrw [TSB#083]	4
28	G178 3186	Mag Clutch: Toner Supply Unit: Ass'y [TSB#083]	4
29	AA08 2140	Bushing: Drive: Supply: MM6 [TSB#083]	4
30	5447 2681	Snap Ring [TSB#083]	4

Index No.	Part No.	Description	Q'ty Per Assembly
101	0451 4008N	Tapping Screw: 4x8	
102	0453 3006N	Tapping Screw - M3x6	
103	0450 3008N	Tapping Screw - M3x8	
104	1105 0568	Clamp: LWSS-0504	
105	1105 0458	Clamp - LHL-18	
106	1105 0511	Harness Clamp - LWS-0306ZC	
107	0451 3030N	Tapping Screw: 3x30	
108	1105 0516	Clamp	
109	0353 0060N	Bind Screw - M3x6	
110	0720 0040E	Retaining Ring – M4 [TSB#083]	

33.Tonner Supply 3 (D014/D015/D078/D079)

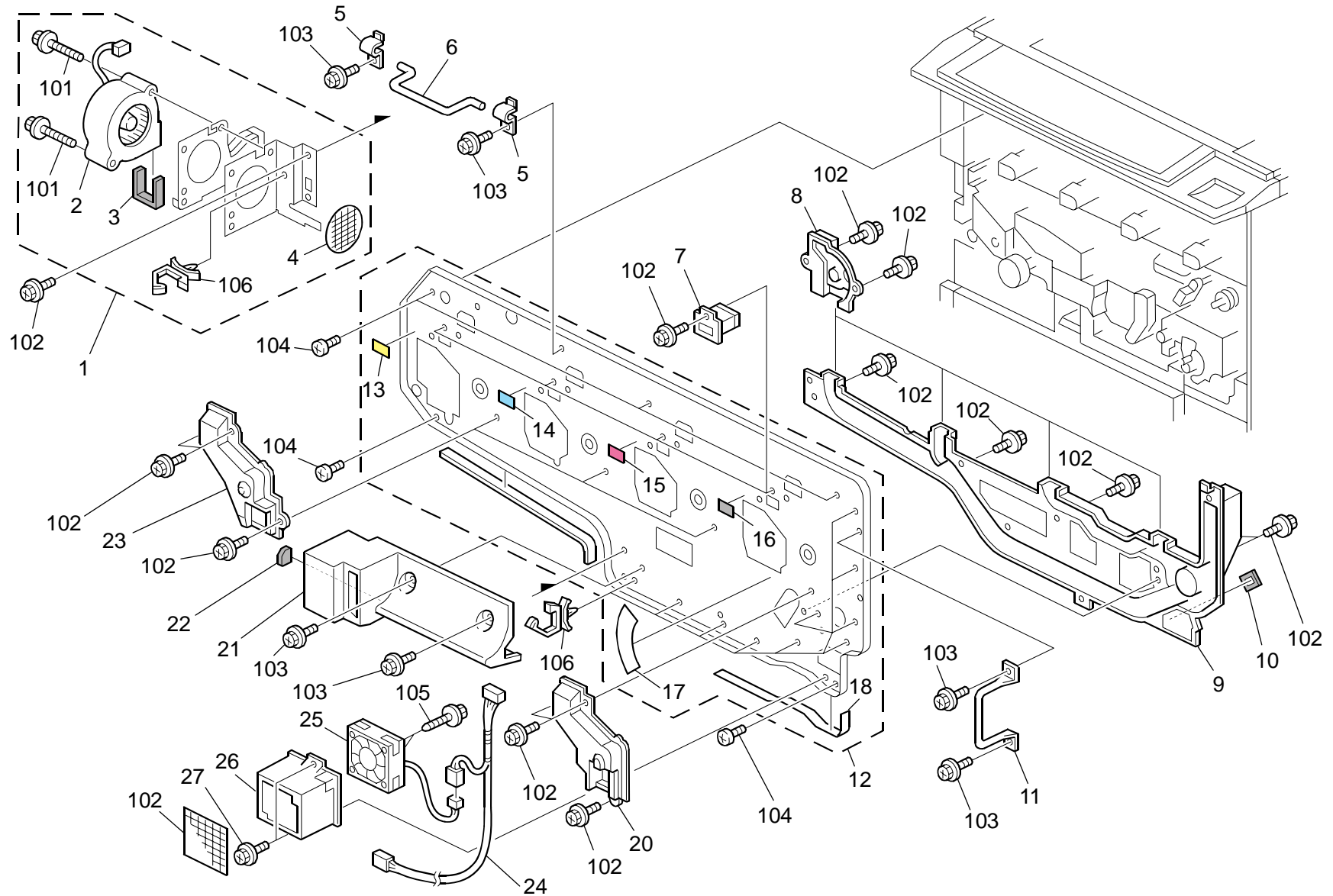


33.Tonner Supply 3 (D014/D015/D078/D079)

Index No.	Part No.	Description	Q'ty Per Assembly
1	B132 3217	Supporting Plate: Side Plate	2
2	AX06 0356	Brushless Motor: DC24V 18W	1
3	B132 3218	Bracket: Fix: Right	1
4	B132 2475	Filter: Duct	1
5	B132 3229	Cover: Lower: Black	1
6	B132 3224	Gear: 75Z	1
7	B132 3222	Shaft: Drive	1
8	B132 3223	Gear: 21/32Z	4
9	AA08 2139	Guide: Shaft: Drive	3
10	5215 2621	Snap Ring - M6	3
11	B132 3435	Cover: Drawer	1
12	B132 3434	Bracket: Drawer	1
13	D014 3331	Bracket: Cnb	1
14	D014 5440	PCB: CNB	1
15	D014 5228	Harness: Cnb: Left	1
16	D014 5227	Harness: Toner Hopper: Uni: Drawer: CNB	1
17	D014 5233	Harness: Toner Hopper: Fan Motor	1

Index No.	Part No.	Description	Q'ty Per Assembly
101	0451 4008N	Tapping Screw: 4x8	
102	1102 9781	Connector: 51405-3919	
103	0451 3006N	Tapping Screw - 3x6	
104	0742 3808	Ball Bearing - 8x16x5	
105	0720 0060E	Retaining Ring - M6	
106	1105 0511	Harness Clamp - LWS-0306ZC	
107	1105 0522	Edge Saddle - LES0510	
108	1105 0487	Harness Clamp	
109	0354 0080N	Screw: M4x8	
110	1105 0516	Clamp	
111	1105 0488	Harness Clamp	
112	1105 0409	Card Spacer- 6.4mm	

34.PCU 1 (D014/D015/D078/D079)

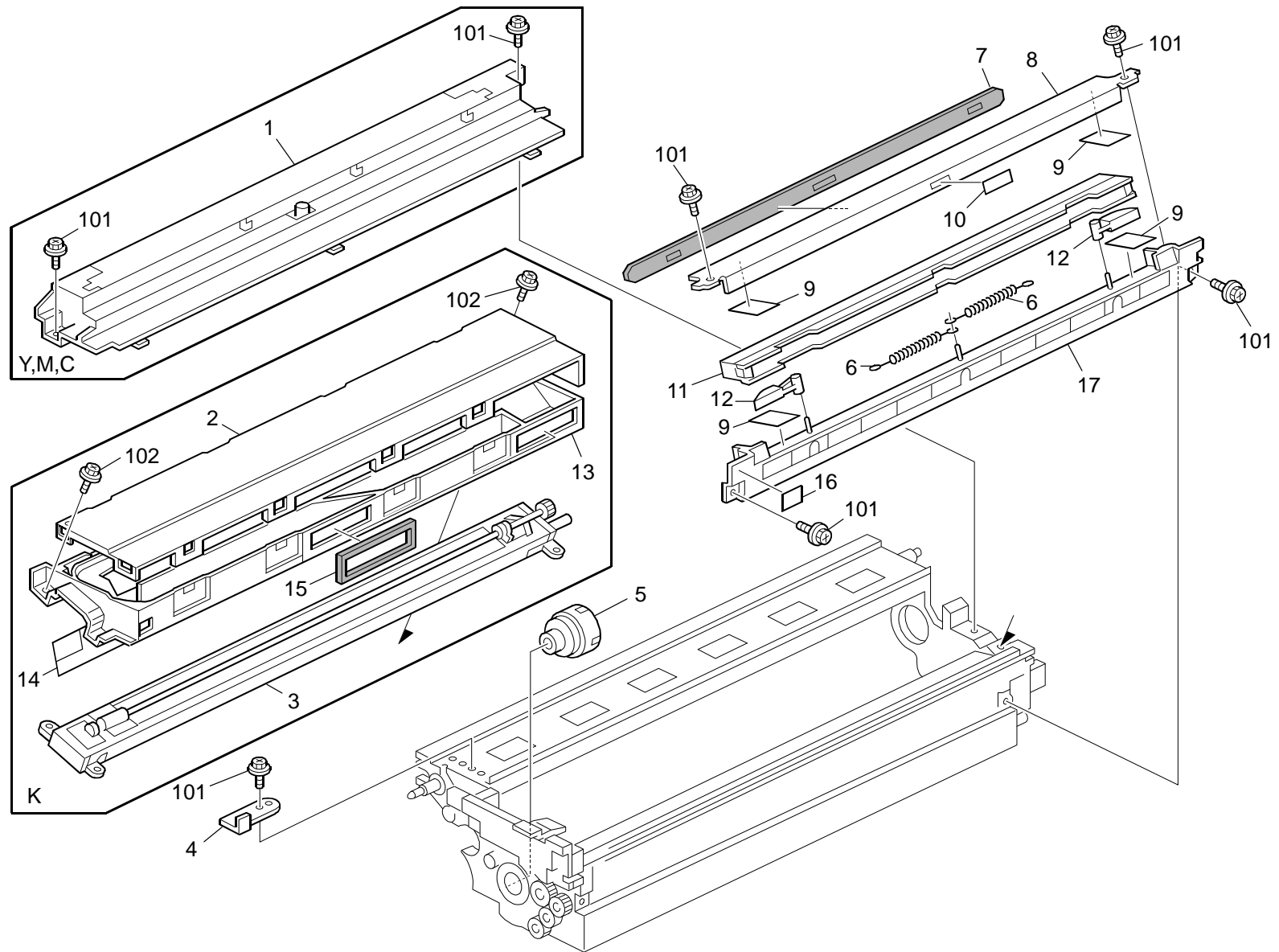


34.PCU 1 (D014/D015/D078/D079)

Rev. 02/13/2008

Index No.	Part No.	Description	Q'ty Per Assembly
1	D014 6942	Duct: Vacuum Unit	1
2	AX64 0193	Sirocco Fan Motor: DC24C 4.32W	1
3	D014 6930	Seal: Sirocco Fan Motor	1
4	D014 6948	Filter: Bracket: Vacuum: Belt Cleaning	1
5	D014 1248	Plate: Lever: Drum Stay: Left	2
6	B132 2366	Lever: Drum Stay: Left	1
7	D014 6901	Duct: Development	4
8	D014 3659	Duct: Drum Stay: PCU	4
9	B132 2442	Duct: Drum Stay	1
10	B132 2450	Shield: Duct: Intermediate Transfer	1
11	A257 3441	Side Plate Lever	1
12	D014 1238	Drum Stay Unit [TSB#003]	1
13	GA00 3020	Decal: Development Unit: Display: Y	1
14	GA00 3022	Decal: Development Unit: Display: C	1
15	GA00 3021	Decal: Development Unit: Display: M	1
16	GA00 3023	Decal: Development Unit: Display: K	1
17	B065 3699	Decal - Release Lever	1
18	B132 2417	Seal: Drum Stay: Lower	1
19	B132 4326	Heat Insulation: Drum Stay	1
20	D014 6904	Duct: Development: Black	1
21	D014 6949	Inner Cover: Drum Stay	1
22	D014 6971	Shield: Duct: Inner Cover	1
23	D014 6907	Duct: Development: Fc	3
24	D014 5232	Harness: Fan	1
25	AX64 0149	Fan Motor: Mm40: 15mm	1
26	B132 2454	Duct: Intermediate Transfer	1
27	B132 2466	Filter: Duct: Intermediate Transfer	1

Index No.	Part No.	Description	Q'ty Per Assembly
101	0451 3030N	Tapping Screw: 3x30	
102	0451 3006N	Tapping Screw - 3x6	
103	0451 4008N	Tapping Screw: 4x8	
104	0354 0080N	Screw: M4x8	
105	0450 3020N	Tapping Screw: M3x20	
106	1105 0600	Clamp: LWSM-0306-2M	

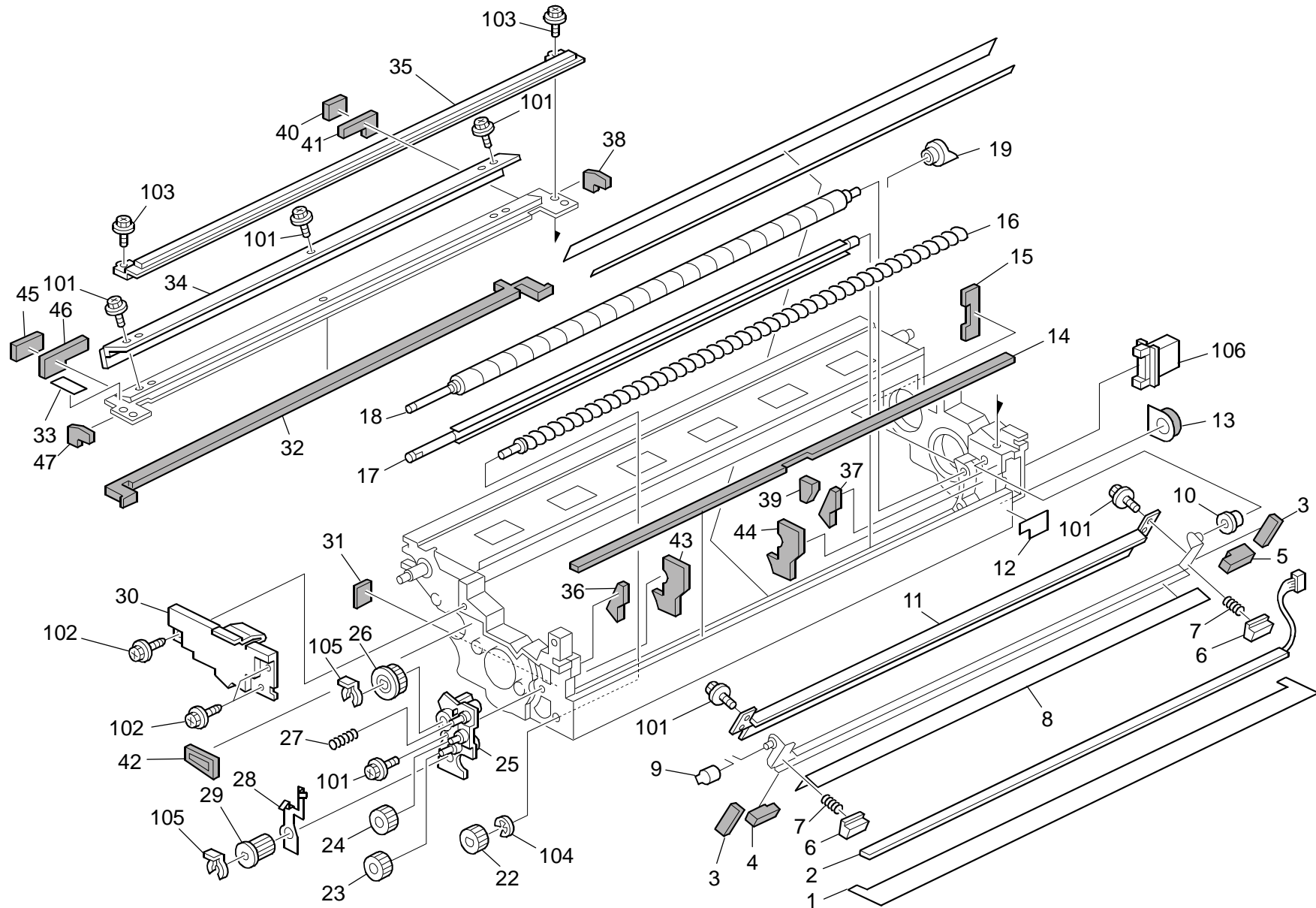


35.PCU 2 (D014/D015/D078/D079)

Rev. 01/25/2010

Index No.	Part No.	Description	Q'ty Per Assembly
1	D014 2441	Charge Roller Unit	3
2	D014 2420	Duct: Charge Corona: Ass'y	1
3	D014 2391	Charge Corona Unit	1
4	B132 2361	Positioning Plate: PCU	4
5	D014 2380	Compression Spring - Drum	4
6	D014 2325	Tension Spring - Coating Bar (K)	2
6	D014 2326	Tension Spring - Coating Bar (YMC)	6
7	D014 2432	Right Middle Seal - Bar Bracket	4
8	D014 2327	Bracket - Coating Bar	4
9	D014 2328	Seal - Coating Bar Bracket	16
10	D014 2349	Right Seal - Coating Bar Bracket	4
11	D014 2321	Drum Lubricant Bar	4
12	D014 2324	Arm - Coating Bar	8
13	D014 2422	Duct - Charge Corona	1
14	D014 2425	Guide Plate - Charge Corona Duct	1
15	D014 2428	Duct Seal - Charge Corona	2
16	GA00 3033	Decal - Shielding Plate K	1
17	D014 2314	Stay: PCU: Right: Ass'y [TSB#063]	1

Index No.	Part No.	Description	Q'ty Per Assembly
101	0360 3006N	Screw - M3x6	

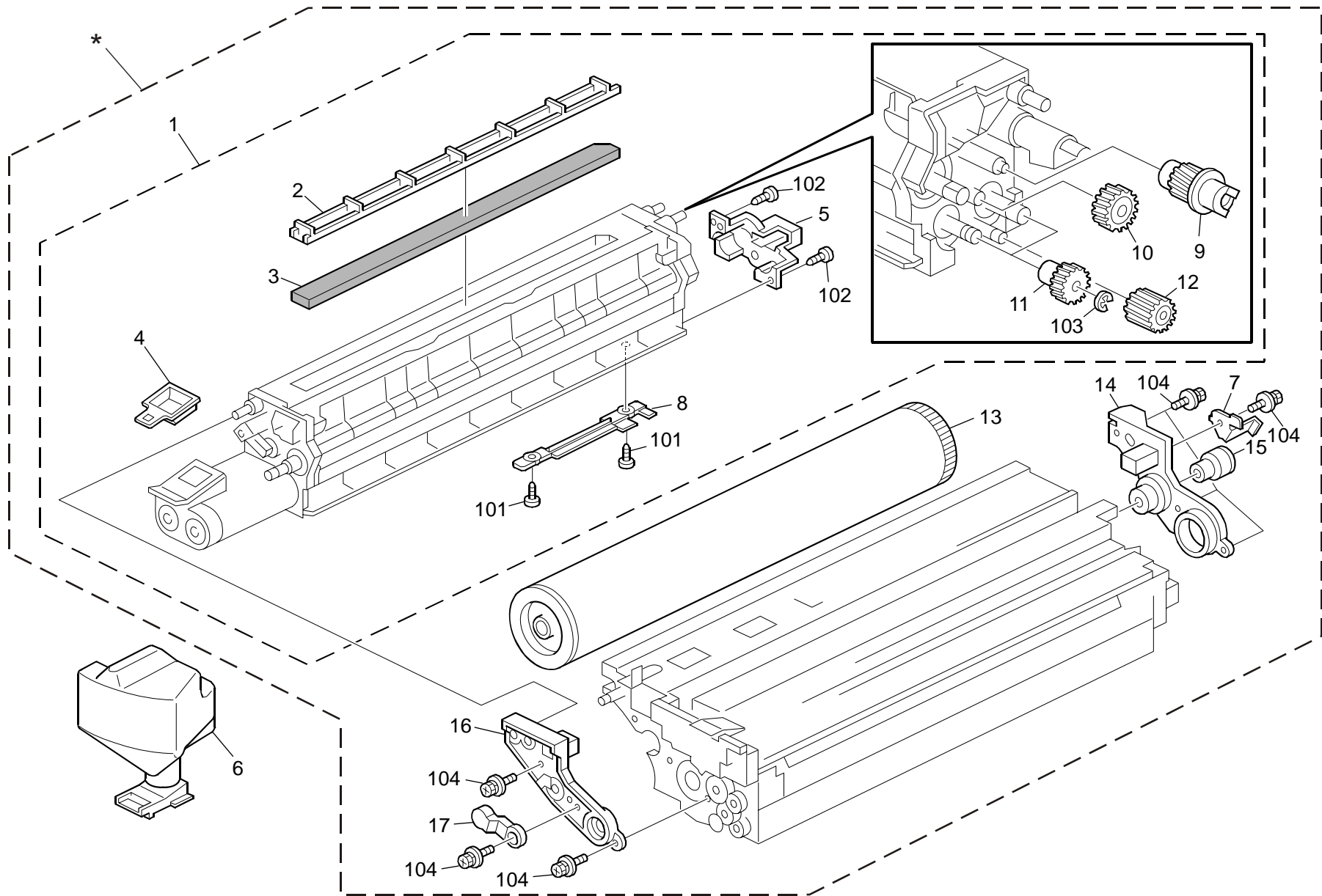


36.PCU 3 (D014/D015/D078/D079)

Rev. 07/07/2010

Index No.	Part No.	Description	Q'ty Per Assembly
1	D014 2376	Sheet: Discharge Lamp	4
2	D014 2278	Discharge Lamp: Led Array: 25MM	4
3	D014 2299	Seal - Blade Bracket	8
4	D014 2301	Front Seal - Blade Bracket	4
5	D014 2300	Rear Seal - Blade Bracket	4
6	D014 2306	Spring Holder	8
7	D014 2305	Compression Spring - Blade	8
8	D014 2297	Seal - Blade Holder	4
9	D014 2303	Bushing: Blade: Front	4
10	D014 2302	Bushing: Blade: Rear	4
11	D014 2352	Cleaning Blade	4
12	D014 2479	Cover: Discharge Lamp	4
13	D014 2269	Seal - Discharge Used Toner	4
14	D014 2276	Seal - Toner Recycling	4
15	D014 2457	Shield: Case: Rear: Color [TSB#043]	3
15	D014 2460	Shield: Case: Rear: K [TSB#043]	1
16	D014 2281	Transport Screw	4
17	D014 2470	Collection Coil: Ass'y	1
18	D014 2335	Drum Lubricant Supply Brush	4
19	D014 2465	Joint PCU [TSB#010]	4
20		Deleted [TSB#084]	
21		Deleted [TSB#084]	
22	D014 2286	Gear - 23Z	4
23	D014 2345	Idler Gear - 23Z	4
24	D014 2346	Idler Gear - 22Z	4
25	D014 2461	Drum Stay: Brush Roller: Color: Ass'y [TSB#046]	3
25	D014 2463	Drum Stay: Brush Roller: K: Ass'y [TSB#046]	1
26	D014 2337	Gear - 27Z	4
27	D014 2307	Spring: Earth: Brush Roller	4
28	D014 2347	Ground Plate - Brush Roller	4
29	D014 2333	Gear - 17Z	4
30	D014 2277	Lever - PCU	4
31	D014 2270	Shield - Front Middle Case	4
32	D014 2433	Seal - Blade Guide Plate	4
33	D014 2377	Upper Seal - Blade Guide Plate	4

Index No.	Part No.	Description	Q'ty Per Assembly
34	D014 2368	Lubricant Supply Blade	4
35	D014 2365	Stay - PCU Rail	1
36	D014 2371	Front Seal - Blade Guide Plate	4
37	D014 2374	Rear Seal - Blade Guide Plate	4
38	D014 2374	Rear Seal - Blade Guide Plate	4
39	D014 2288	Rear Seal - Frame	4
40	D014 2438	Seal: Blade: Apply: Rear	4
41	D014 2439	Seal: Blade: Apply: Rear Middle	4
42	D014 2271	Front Seal - Duct	4
43	D014 2279	Seal - Front Frame	4
44	D014 2287	Seal - Rear Frame	4
45	D014 2436	Seal: Blade: Apply: Front	4
46	D014 2437	Seal: Blade: Apply: Front Middle	4
47	D014 2371	Front Seal - Blade Guide Plate	4
101	0360 3006N	Screw - M3x6	
102	0450 3008N	Tapping Screw - M3x8	
103	0360 3008N	Screw: M3x8	
104	0720 0040E	Retaining Ring - M4	
105	0805 0097	Ring Separator	
106	1102 9423	Connector: PS-26PE-D4T2-M1E	



WWW.SERVICE-MANUAL.NET

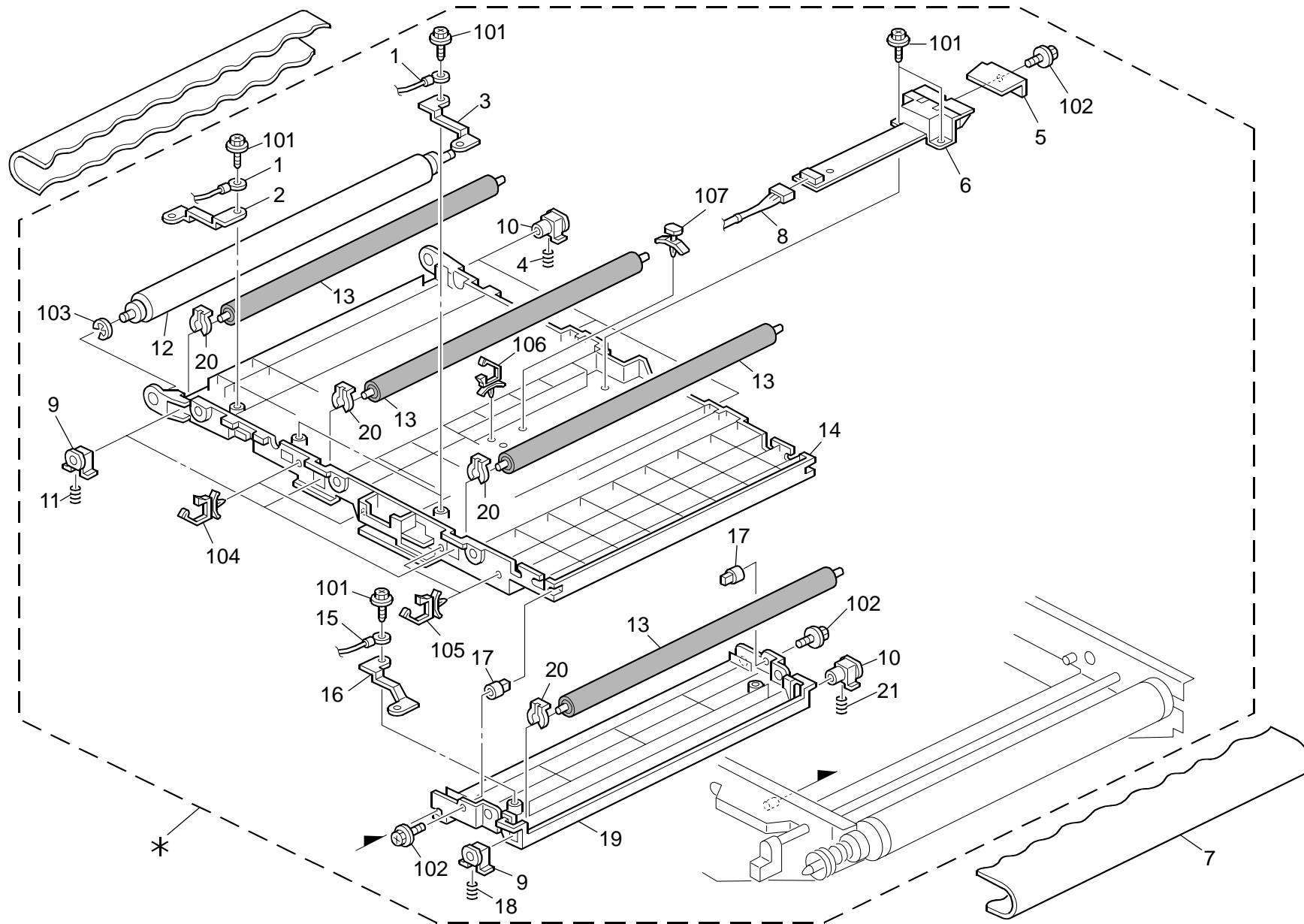
37.Development Unit (D014/D015/D078/D079)

Rev. 09/10/2010

Index No.	Part No.	Description	Q'ty Per Assembly
*	D014 3047	PCU: K: Exp: Ass'y [TSB#010]	1
*	D014 3046	PCU: FC: Exp: New: Ass'y	3
1	D081 3005	Development Unit	4
2	B065 3108	Plate: Filter	4
3	B247 3340	Filter: Development	4
4	B132 3179	Cap: Toner Supply: Upper	4
5	D014 3130	Connector Holder - Density Sensor	4
6	D014 9640	Developer: Black	1
6	D014 9660	Developer: Cyan	1
6	D014 9670	Developer: Magenta	1
6	D014 9680	Developer: Yellow	1
7	D014 3136	Bracket: Plate: Joint	4
8	D014 3132	Plate - Density Sensor	4
9	AB01 1276	Joint Gear - 180Z	4
10	AB01 1277	Idle Gear - 21Z	4
11	AB01 1275	Gear - 17Z	8
12	AB01 1279	Idle Gear - 18Z	4
13	D014 9510	OPC Drum	4
14	D014 3044	Rear Stay - PCU	4
15	D014 3135	Joint: Drive: Development Unit	4
16	D014 3043	Front Stay - PCU	4
17	B132 3159	Adjusting Pin: Magnetic Roller	4

Index No.	Part No.	Description	Q'ty Per Assembly
101	0450 3006P	Tapping Screw - M3x6	
102	0450 3008N	Tapping Screw - M3x8	
103	0720 0040E	Retaining Ring - M4	
104	0804 6123	Hexagonal Bolt: W/Washer: M3x8	

38. Transfer Belt Unit 1 (D014/D015/D078/D079)



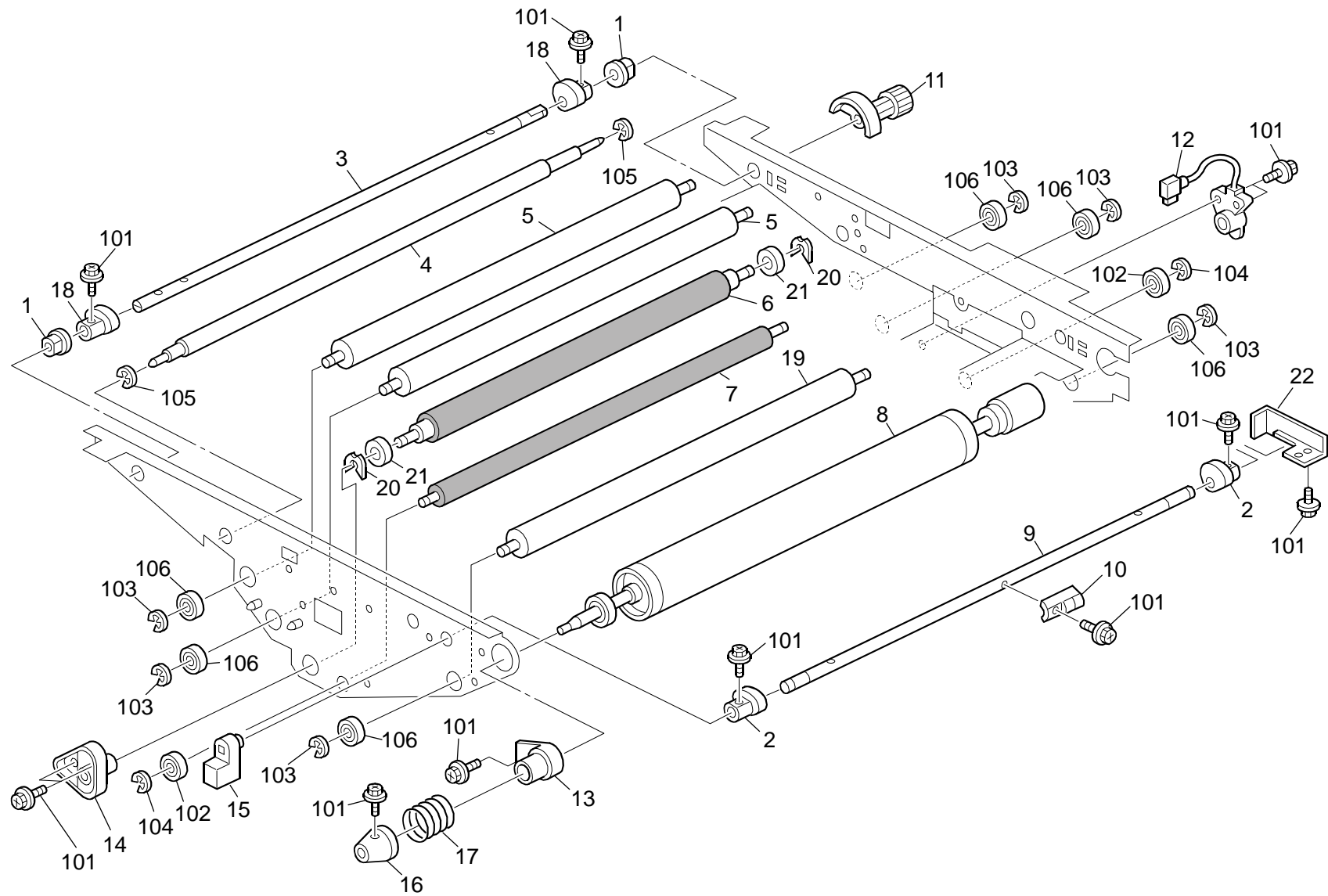
38.Transfer Belt Unit 1 (D014/D015/D078/D079)

Rev. 02/18/2010

Index No.	Part No.	Description	Q'ty Per Assembly
*	D014 6001	Image Transfer Belt Unit	1
1	D014 5352	Harness: High Voltage Supply Cord: MCY	1
2	B132 6140	Terminal: Collar	1
3	B132 6149	Terminal: Yellow	1
4	D014 6147	Compression Spring	3
5	D014 6168	Plate: Upper: Positioning Sensor	1
6	D014 6141	Positioning Sensor	1
7	D081 6050	Image Transfer Belt	1
8	D014 5378	Harness: Positioning Sensor	1
9	D014 6116	Bushing: Intermediate Transfer	4
10	D014 6115	Bushing: Intermediate Transfer	4
11	D014 6144	Compression Spring	3
12	B132 6061	Roller: Driven	1
13	D014 6070	Roller: Intermediate Transfer <i>[TSB#026R]</i>	4
14	B132 6077	Bracket: Collar	1
15	D014 5351	Harness: High Voltage Supply Cord: K	1
16	B132 6137	Terminal: Black	1
17	B132 6098	Shaft: Contact Point: Collar	2
18	D014 6135	Spring: Transfer: Black: Front	1
19	B132 6076	Bracket: On-Off: Black	1
20	G014 3291	Snap Ring - Pick Up	5
21	D014 6136	Spring: Transfer: Black: Rear	1

Index No.	Part No.	Description	Q'ty Per Assembly
101	0450 3008N	Tapping Screw - M3x8	
102	0360 3006N	Screw - M3x6	
103	0720 0040E	Retaining Ring - M4	
104	1105 0511	Harness Clamp - LWS-0306ZC	
105	1105 0516	Clamp	
106	1105 0534	Clamp	
107	1105 0367	Spacer	

39. Transfer Belt Unit 2 (D014/D015/D078/D079)

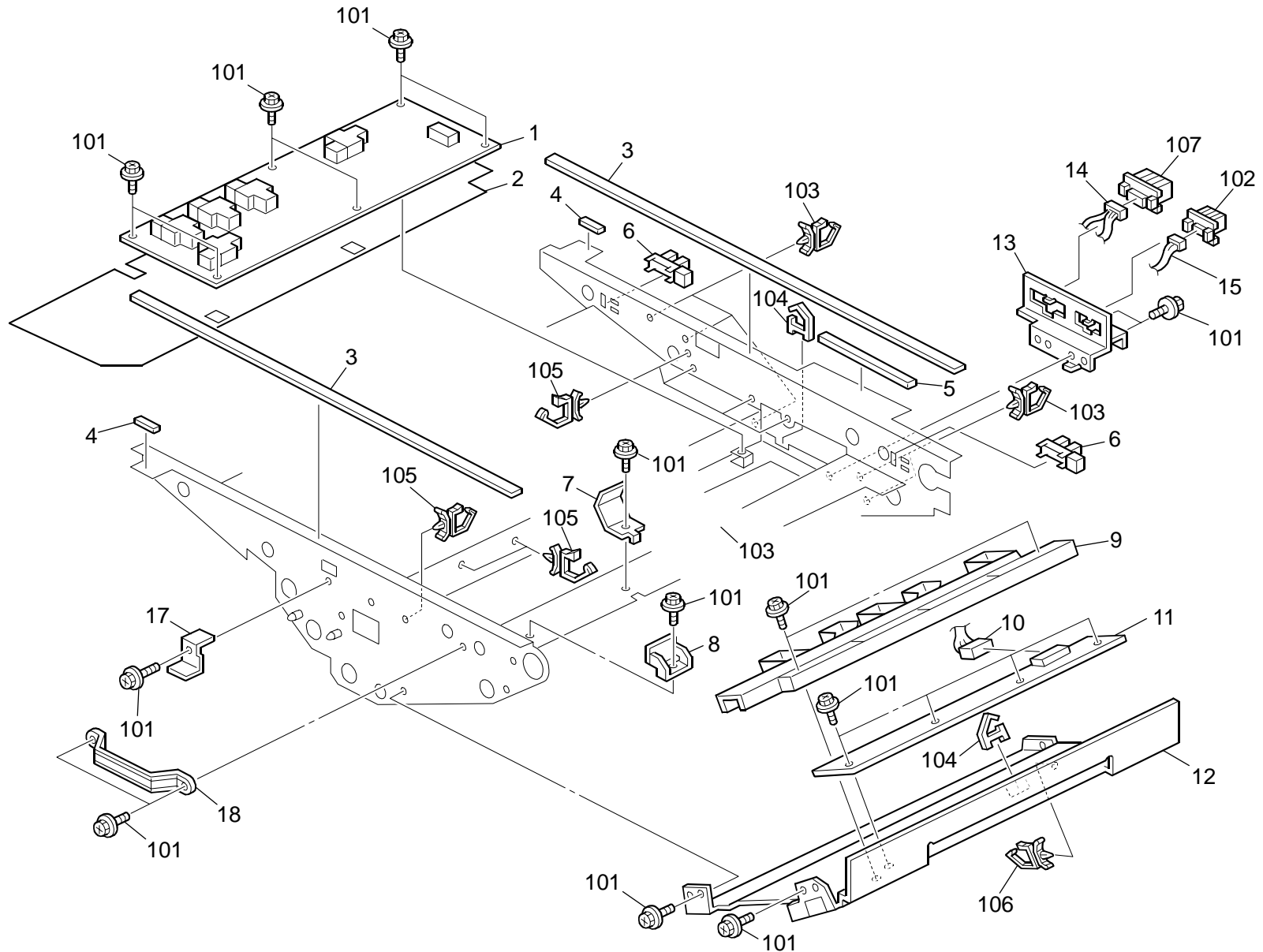


39.Transfer Belt Unit 2 (D014/D015/D078/D079)

Index No.	Part No.	Description	Q'ty Per Assembly
1	AA08 2104	Bushing - 8x12x7	4
2	B132 6111	Cam: On-off	2
3	B132 6112	Shaft: Cam: Color	1
4	B132 6094	Shaft: Positioning	1
5	D014 6190	Roller: Opposed: Belt Cleaning	2
6	D014 6073	Roller: Opposed: Transfer: Paper	1
7	B132 6069	Roller: Transfer: Front	1
8	D014 6055	Roller: Drive	1
9	D014 6123	Shaft: Cam	1
10	B132 6114	Cam: On-Off: Black	1
11	B132 6130	Gear: 16Z	2
12	B132 6150	Holder: Opposed: Rear: Ass'y	1
13	B132 6134	Plate: Intermediate Transfer: Front	1
14	B132 6143	Holder: Opposed: Transfer: Front	1
15	B132 6132	Grip: On-Off	1
16	B132 6175	Joint: Intermediate Transfer: Front: Ass'y	1
17	B132 6136	Compression Spring: Plate: Intermediate Transfer	1
18	D014 6119	Cam: On-Off	2
19	D014 6065	Roller: Opposed: Density Sensor	1
20	AA10 0011	Retaining Ring: Silencer: MM7	2
21	D014 6014	Spacer: Opposed: Transfer: Paper	2
22	D014 6151	Shielding Plate: Black	1

Index No.	Part No.	Description	Q'ty Per Assembly
101	0360 3006N	Screw - M3x6	
102	0805 3496	Ball Bearing - 6x10x3	
103	0720 0060E	Retaining Ring - M6	
104	0720 0040E	Retaining Ring - M4	
105	0720 0080E	Retaining Ring - M8	
106	0805 3511	Bushing 8MM	

40.Transfer Belt Unit 3 (D014/D015/D078/D079)

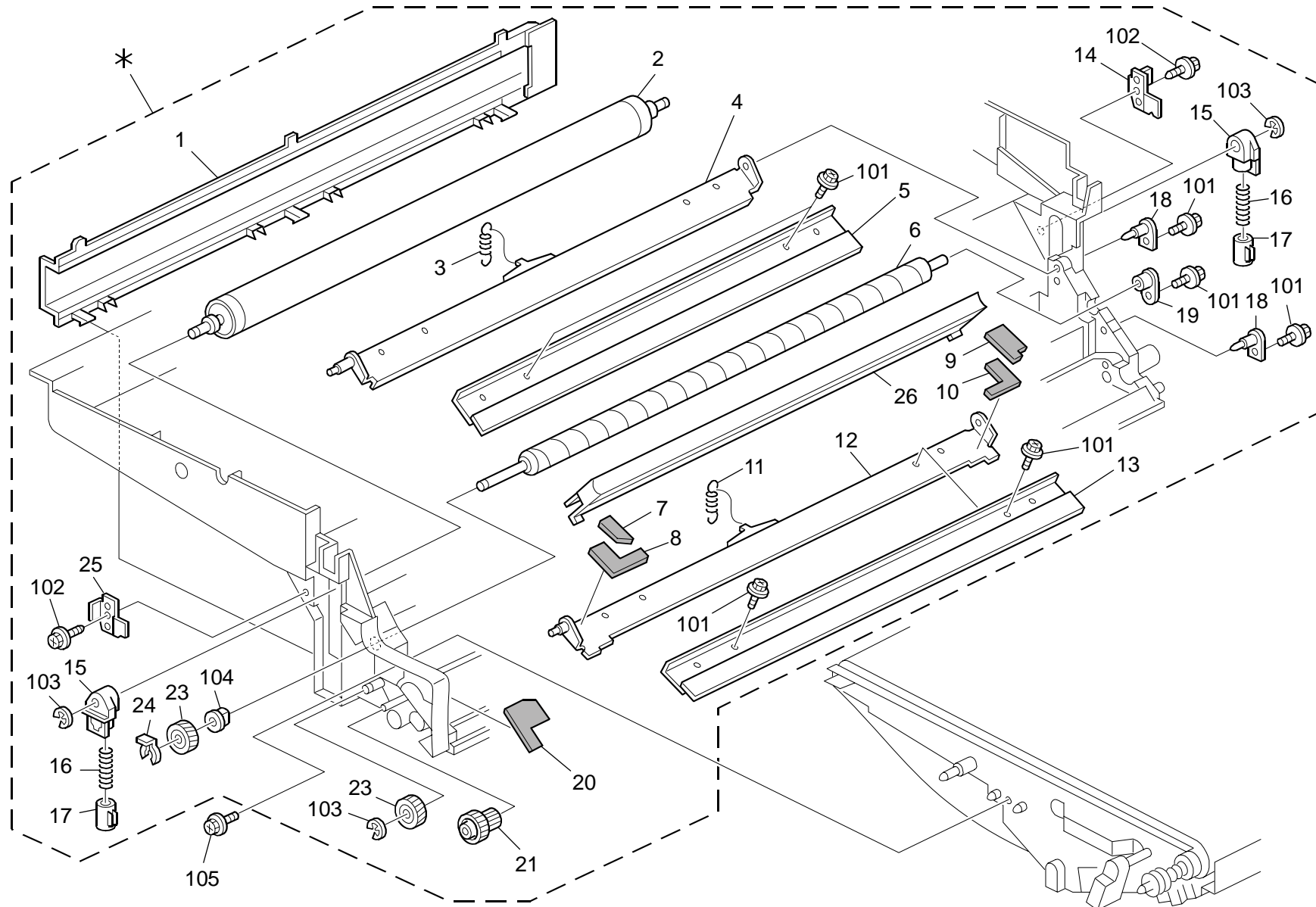


40. Transfer Belt Unit 3 (D014/D015/D078/D079)

Index No.	Part No.	Description	Q'ty Per Assembly
1	AZ32 0170	Power Pack: T1/T2	1
2	D014 6145	Insulating Sheet: Power Pack:	
		Intermediate Tran	1
3	B132 6170	Guard: Right	2
4	B132 6171	Guard: Left	2
5	B132 6172	Guard: Rear	1
6	AW02 0145	Photointerruptor: Flat	2
7	B132 6124	Spring Plate: Cam	1
8	B132 6157	Stopper: On-Off	1
9	B132 6121	Duct	1
10	D014 5237	Harness: Density Sensor	1
11	AW01 0141	Positioning Sensor	1
12	D014 6122	Bracket: Positioning Sensor:	
		Intermediate Trans	1
13	B132 6156	Stand	1
14	D014 5376	Harness: Transfer Belt Unit	1
15	D014 5377	Harness: 18Pin	1
16	B712 5605	Grip: Application	1
17	B132 6165	Plate: Bracket	1

Index No.	Part No.	Description	Q'ty Per Assembly
101	0360 3006N	Screw - M3x6	
102	1102 9782	Connector: 51405-1819	
103	1105 0511	Harness Clamp - LWS-0306ZC	
104	1105 0522	Edge Saddle - LES0510	
105	1105 0516	Clamp	
106	1105 0534	Clamp	
107	1102 9781	Connector: 51405-3919	

41.Transfer Belt Cleaning 1 (D014/D015/D078/D079)



WWW.SERVICE-MANUAL.NET

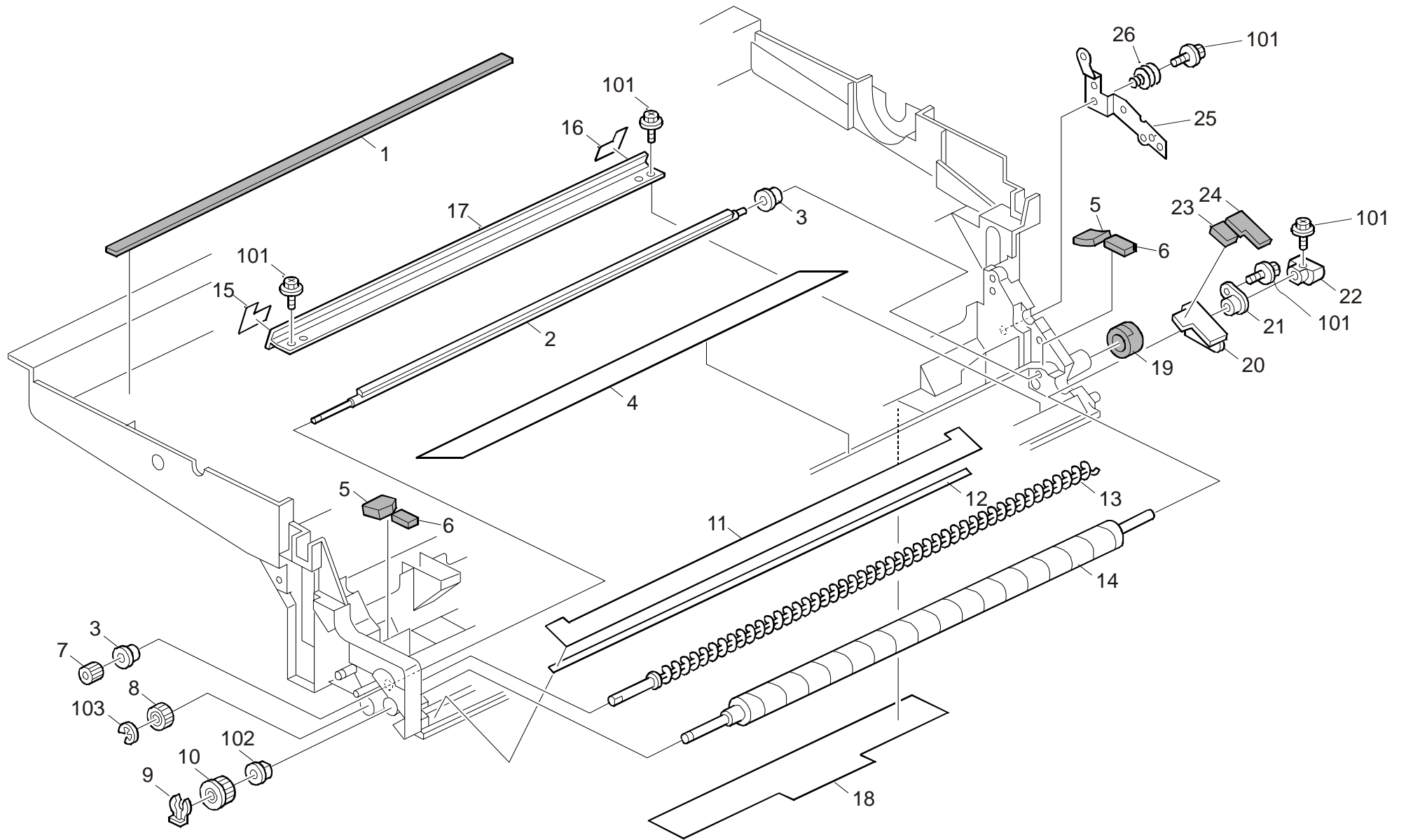
41.Transfer Belt Cleaning 1 (D014/D015/D078/D079)

Index No.	Part No.	Description	Q'ty Per Assembly
*	D014 6400	Belt Cleaning Unit	1
1	D014 6951	Duct: Belt Cleaning: Side: Ass'y	1
2	B132 6469	Roller: Pressure	1
3	D014 6489	Spring: Blade: Apply	1
4	D014 6486	Holder: Belt Cleaning Unit	1
5	D014 6507	Lubricant Supply Blade	1
6	D014 6463	Lubricant Supply Brush	1
7	D014 6517	Shield: Holder: Blade: Front Upper	1
8	D014 6518	Shield: Holder: Blade: Front Lower	1
9	D014 6522	Shield: Holder: Blade: Rear Upper	1
10	D014 6523	Shield: Holder: Blade: Rear Lower	1
11	D014 6458	Spring: Blade: No.1	1
12	D014 6466	Holder: Blade: Belt Cleaning Unit	1
13	D014 6455	Belt Cleaning Blade	1
14	D014 6529	Stay: Roller: Pressure: Rear	1
15	B132 6459	Holder: Spring: Roller: Pressure	2
16	D014 6478	Spring: Roller: Pressure	2
17	B132 6460	Case: Spring: Roller: Pressure	2
18	D014 6510	Pin: Positioning: Blade	2
19	AA08 3022	Bushing: Dia6: Dia8	1
20	D014 6521	Shield: Case: Brush: Front	1
21	D014 6483	Gear: 12Z/21Z	1
22	D014 6485	Gear: 19Z	1
23	D014 6481	Gear: 18Z	1
24	G011 1058	Snap Ring	1
25	D014 6528	Stay: Roller: Pressure: Front	1
26	D014 6470	Belt Cleaning Lubricant Bar	1

Index No.	Part No.	Description	Q'ty Per Assembly
101	0360 3006N	Screw - M3x6	
102	0450 3008N	Tapping Screw - M3x8	
103	0720 0040E	Retaining Ring - M4	
104	0805 3385	Bushing - 6MM	
105	0451 3006N	Tapping Screw - 3x6	

42.Transfer Belt Cleaning 2 (D014/D015/D078/D079)

Rev. 05/28/2008



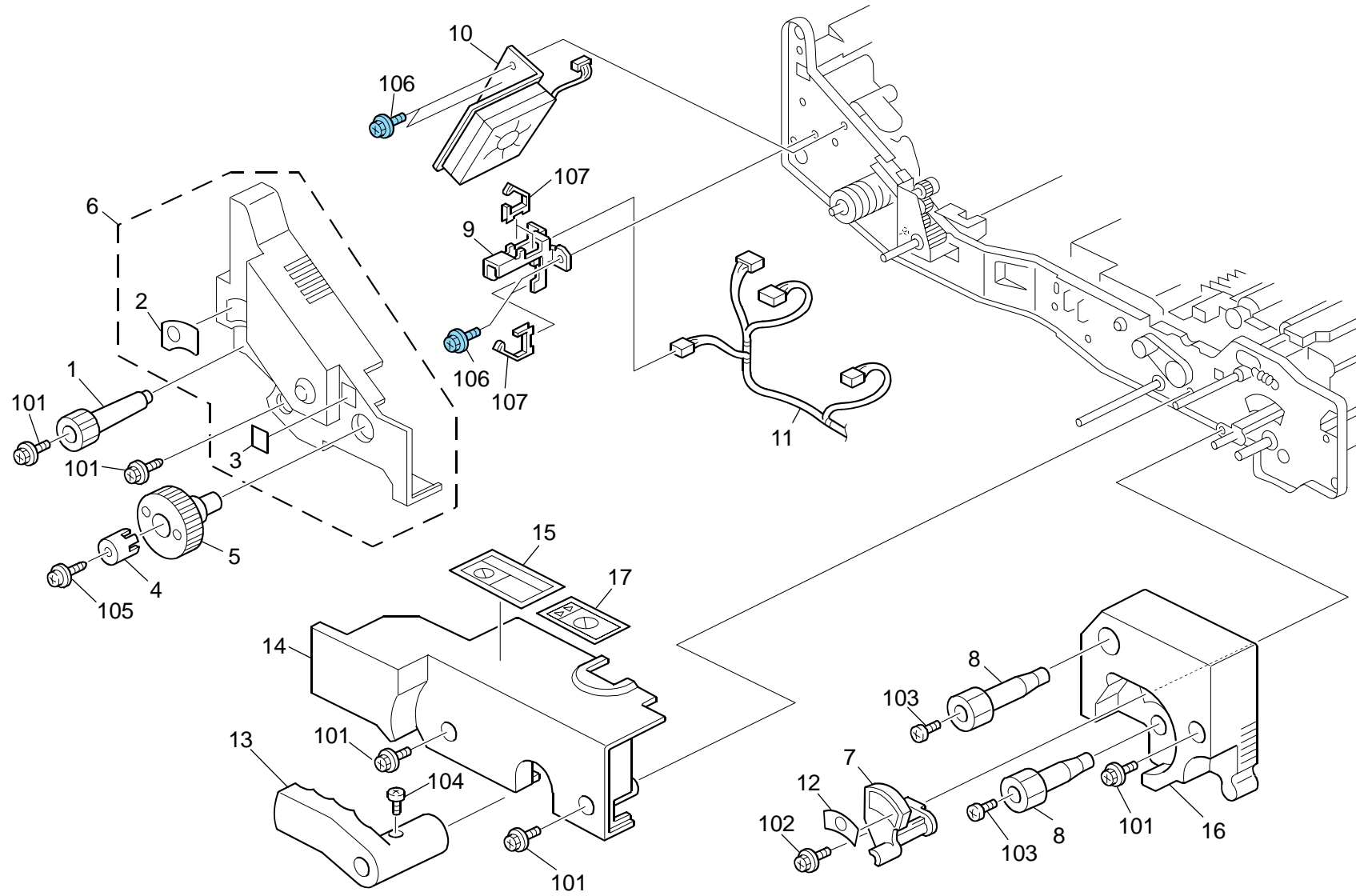
WWW.SERVICE-MANUAL.NET

42.Transfer Belt Cleaning 2 (D014/D015/D078/D079)

Index No.	Part No.	Description	Q'ty Per Assembly
1	B132 6120	Seal: Upper: Belt Cleaning	1
2	D014 6497	Brush: Agitator	1
3	A571 7653	Bushing: Cutter Unit	2
4	D014 6524	Seal: Holder: Behind: Belt Cleaning	1
5	D014 6519	Shield: Case: Holder: Rear	2
6	D014 6520	Shield: Case: Holder: Front	2
7	D014 6484	Gear: 9Z	1
8	D014 6482	Gear: 14Z	1
9	G011 1058	Snap Ring	1
10	D014 6480	Gear: 16Z	1
11	D014 6514	Entrance Seal: Belt Cleaning	1
12	D014 6515	Dual Faces Tape: Entrance Seal: Belt Cleaning	1
13	D014 6490	Toner Collection Coil	1
14	D014 6460	Brush: Remove Paper Dust	1
15	D014 6531	Seal: Scraper: Front: Belt Cleaning	1
16	D014 6530	Seal: Scraper: Rear: Belt Cleaning	1
17	D014 6462	Scraper: Brush	1
18	D014 6525	Seal: Case: Base: Belt Cleaning	1
19	D014 6526	Seal: Toner Recycling Section	1
20	D014 6504	Side Plate: Case	1
21	AA08 3022	Bushing: Dia6: Dia8	1
22	D014 6476	Joint: Drive: Brush	1
23	D014 6506	Shield: Side Plate: Front	1
24	D014 6505	Shield: Side Plate: Rear	1
25	D014 6500	Ground Plate: Case	1
26	D014 6501	Compression Spring: Earth	1

Index No.	Part No.	Description	Q'ty Per Assembly
101	0360 3006N	Screw - M3x6	
102	0805 3385	Bushing - 6MM	
103	0720 0040E	Retaining Ring - M4	

43. Transfer Cover (D014/D015/D078/D079)



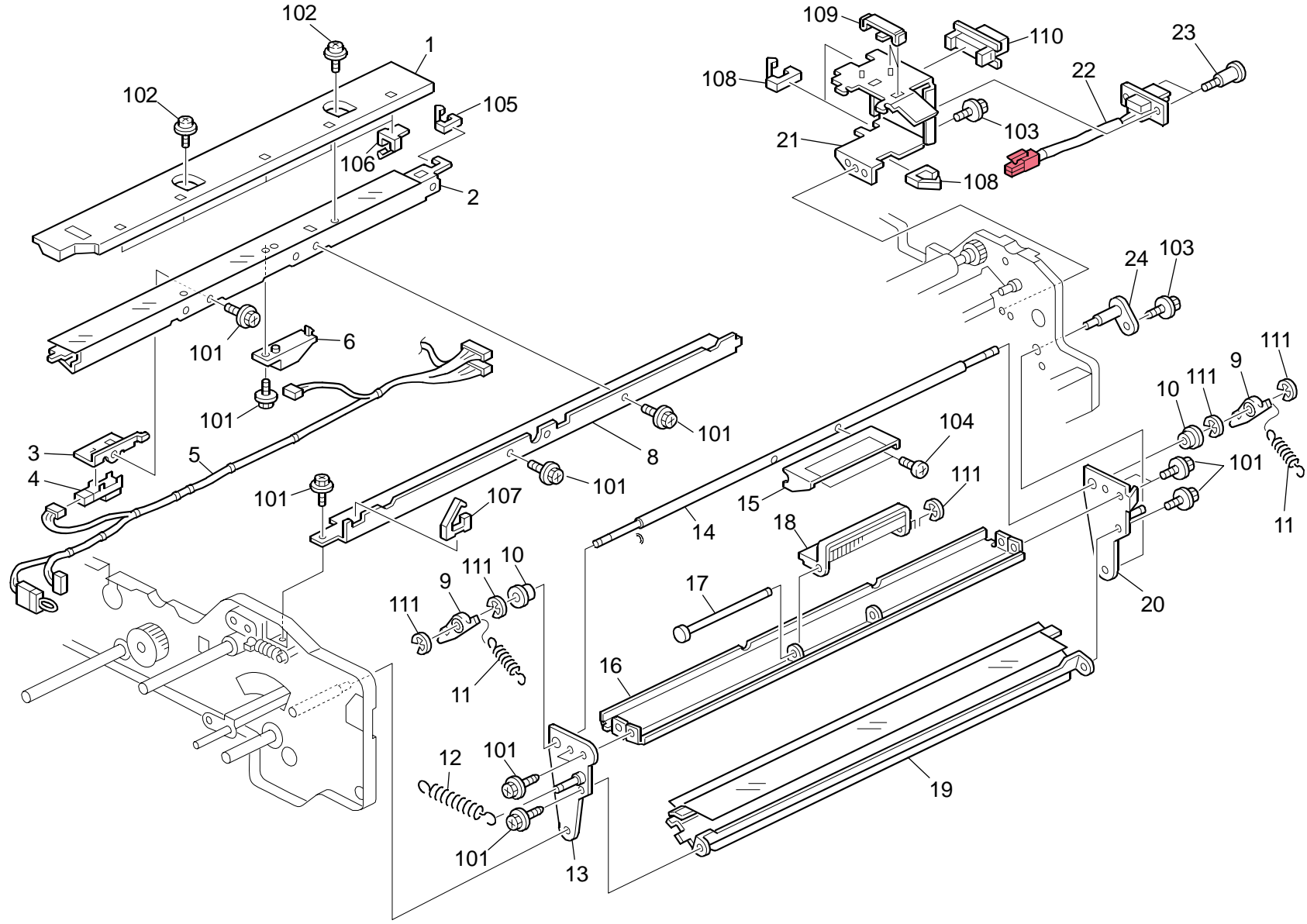
43.Transfer Cover (D014/D015/D078/D079)

Rev. 10/24/2011

Index No.	Part No.	Description	Q'ty Per Assembly
1	B132 7008	Knob: Front	1
2	B132 7130	Decal: LED: E1	1
3	D014 7131	Decal: LED: D1	1
4	A166 4290	Knob Joint	1
5	AG05 1147	Knob: Fusing	1
6	D014 1182	Inner Cover: Left	1
7	B132 2716	Lever: Release	1
8	AG05 0102	Registration Roller Knob	2
9	B132 7166	Bracket: LED: Left	1
10	B132 6940	Fan Motor: Unit: DC24V 2.4W	1
11	D014 5277	Harness: Front: Fan	1
12	B132 2709	Decal: Lever: B4	1
13	D081 1184	Lever: Pull Out: Printing	1
14	D014 1200	Inner Cover: Middle	1
15	B132 1238	Decal: Caution: Pull Out	1
16	B132 1189	Inner Cover: Pull Out: Right	1
17	D014 1570	Decal: Caution: Pull Out: Inner Back	1

Index No.	Part No.	Description	Q'ty Per Assembly
101	0451 4008N	Tapping Screw: 4x8	
102	0451 3006N	Tapping Screw - 3x6	
103	0354 0080N	Screw: M4x8	
104	0354 0060N	Screw-M4x6	
105	0951 4006N	Screw: Polished Round: M4x6	
106	0454 4008Q	Tapping Screw - M4x8	
107	1105 0522	Edge Saddle - LES0510	

44.Transfer Entrance 1 (D014/D015/D078/D079)



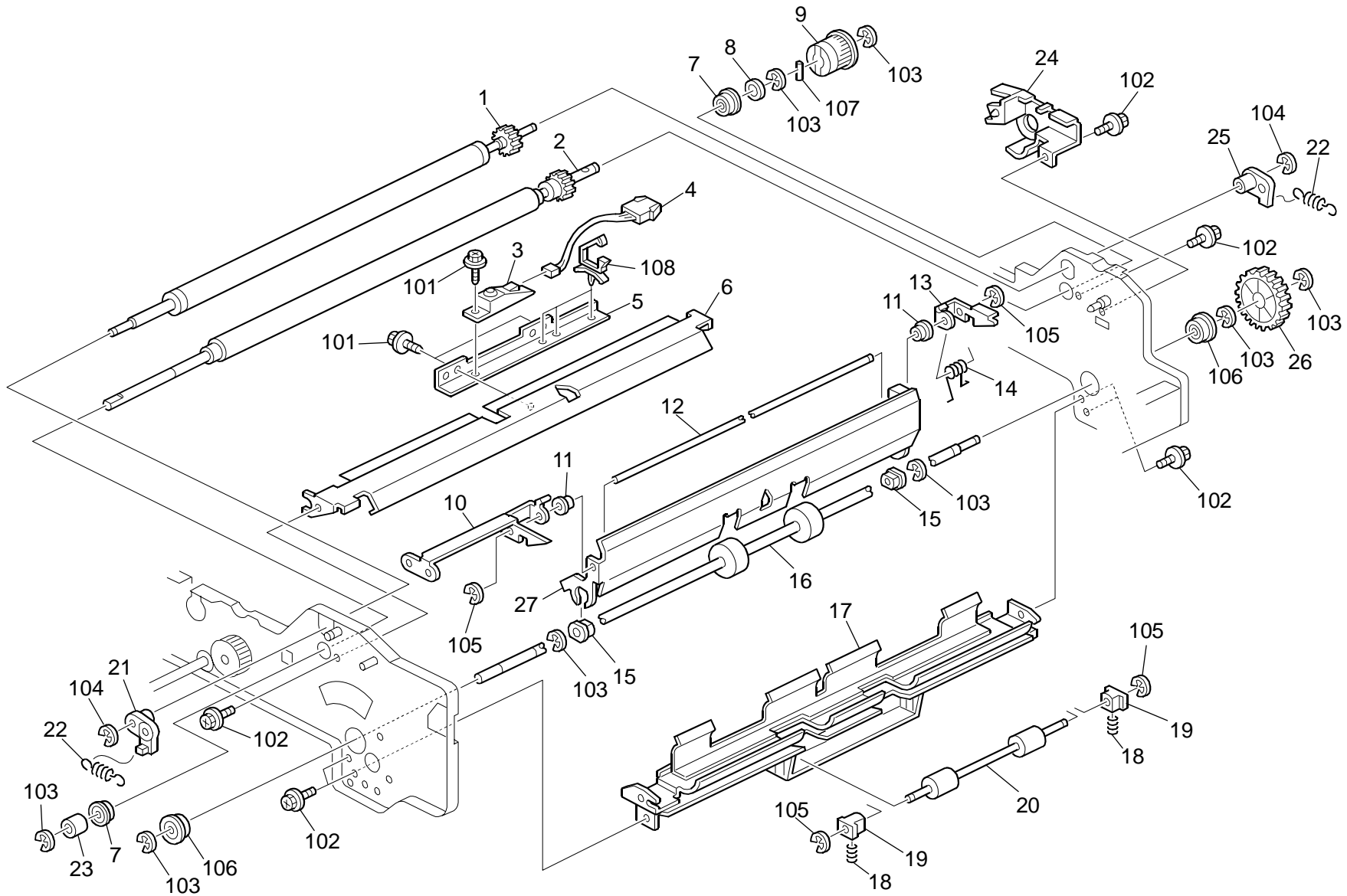
44. Transfer Entrance 1 (D014/D015/D078/D079)

Rev. 12/29/2011

Index No.	Part No.	Description	Q'ty Per Assembly
1	B132 2605	Case: Remove Paper Dust	1
2	D014 2602	Bracket: Remove Paper Dust [TSB#050]	1
3	D014 2620	Bracket: Registration Sensor	1
4	AW01 0107	Paper Feed Sensor	1
5	D014 5245	Harness: Pull Out: Uni: 26pin	1
6	AW00 0012	Optics Sensor: Photo	1
7	B132 2703	Stud: Contact Point	1
8	D014 2631	Registration Guide: Upper	1
9	B132 2671	Lever: Un-Lock	2
10	5443 2668	Bushing - 4x6x7mm	2
11	AA06 1025	Tension Spring: Open and Close	2
12	AA06 1033	Tension Spring: Registration	1
13	B132 2674	Side Plate: Open And Close: Front	1
14	B132 2670	Shaft: Lock	1
15	B132 2644	Lever: Knob: Release	1
16	B132 2682	Registration Guide: Upper	1
17	B132 2681	Shaft: Contact Point: Lever	1
18	B132 2651	Knob: Release	1
19	B132 2680	Registration Guide: Connecting	1
20	D014 2669	Side Plate: Open And Close: Rear: Peen	1
21	B132 1188	Cover: Drive Sub-unit	1
22	D014 5265	Harness: Pull Out: Uni: Dehumidifier	1
23	AA14 3792	Screw: Drawer	2

Index No.	Part No.	Description	Q'ty Per Assembly
101	0451 3006N	Tapping Screw - 3x6	
102	0951 3006N	Screw - M3x6	
103	0451 4008N	Tapping Screw: 4x8	
104	0353 0060N	Bind Screw - M3x6	
105	1105 0551	Clamp: LES-0505	
106	1105 0568	Clamp: LWSS-0504	
107	1105 0534	Clamp	
108	1105 0522	Edge Saddle - LES0510	
109	1105 0604	Clamp: RFC-16V0	
110	1102 9387	Connector: Drawer: 51405-2611	
111	0720 0025E	Retaining Ring - M2.5	

45. Transfer Entrance 2 (D014/D015/D078/D079)



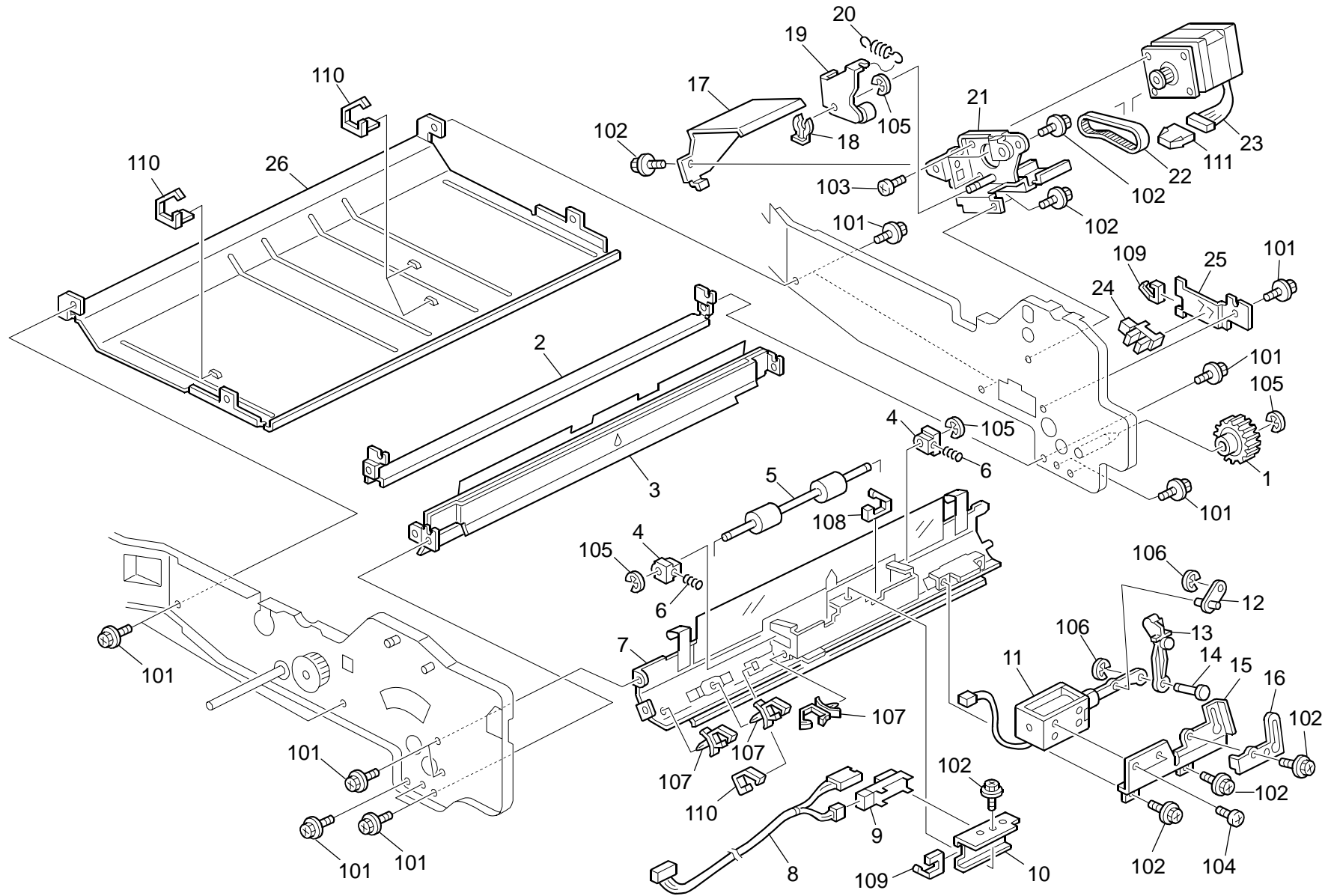
45. Transfer Entrance 2 (D014/D015/D078/D079)

Rev. 03/18/2010

Index No.	Part No.	Description	Q'ty Per Assembly
1	B132 2629	Registration Roller: Upper	1
2	B132 2617	Registration Roller: Lower	1
3	AX56 0011	LED	1
4	D014 5246	Harness: LED: Sensor	1
5	B132 2624	Bracket: Optics Sensor	1
6	D014 2610	Registration Guide: Lower	1
7	B234 2624	Ball Bearing - 8x12x5	2
8	AA13 2025	Spacer - 1x8x12	1
9	AB03 0302	Timing Pulley: 35T	1
10	B132 2708	Pawl: Lock: Front	1
11	5443 2668	Bushing - 4x6x7mm	2
12	B132 2691	Shaft: Lock	1
13	B132 2692	Pawl: Lock: Rear	1
14	AA06 6372	Spring	1
15	AA08 2116	Bushing - M8	2
16	B132 2658	Roller: Connecting: Drive	1
17	B181 2790	Guide Plate: Entrance: Lower Left: Peen	1
18	AA06 3433	Exit Roller Spring	2
19	AA08 0034	Bushing - 4x5x7	2
20	B132 2675	Transport Roller: Driven: Duplex	1
21	B132 2724	Bushing: Registration: Front	1
22	AA06 2329	Spring: Registration: 20n	2
23	5446 2901	Collar - 8mm	1
24	B132 1232	Cover: Harness: Pull Out	1
25	B132 2725	Bushing: Registration: Rear	1
26	AB01 1300	Gear: 50Z	1
27	B181 2641	Guide Plate: Open and Close: Middle	1

Index No.	Part No.	Description	Q'ty Per Assembly
101	0451 3006N	Tapping Screw - 3x6	
102	0451 4008N	Tapping Screw: 4x8	
103	0720 0060E	Retaining Ring - M6	
104	0720 0040E	Retaining Ring - M4	
105	0720 0025E	Retaining Ring - M2.5	
106	0742 3808	Ball Bearing - 8x16x5	
107	0633 0160G	Parallel Pin - 3x16MM	
108	1105 0534	Clamp	

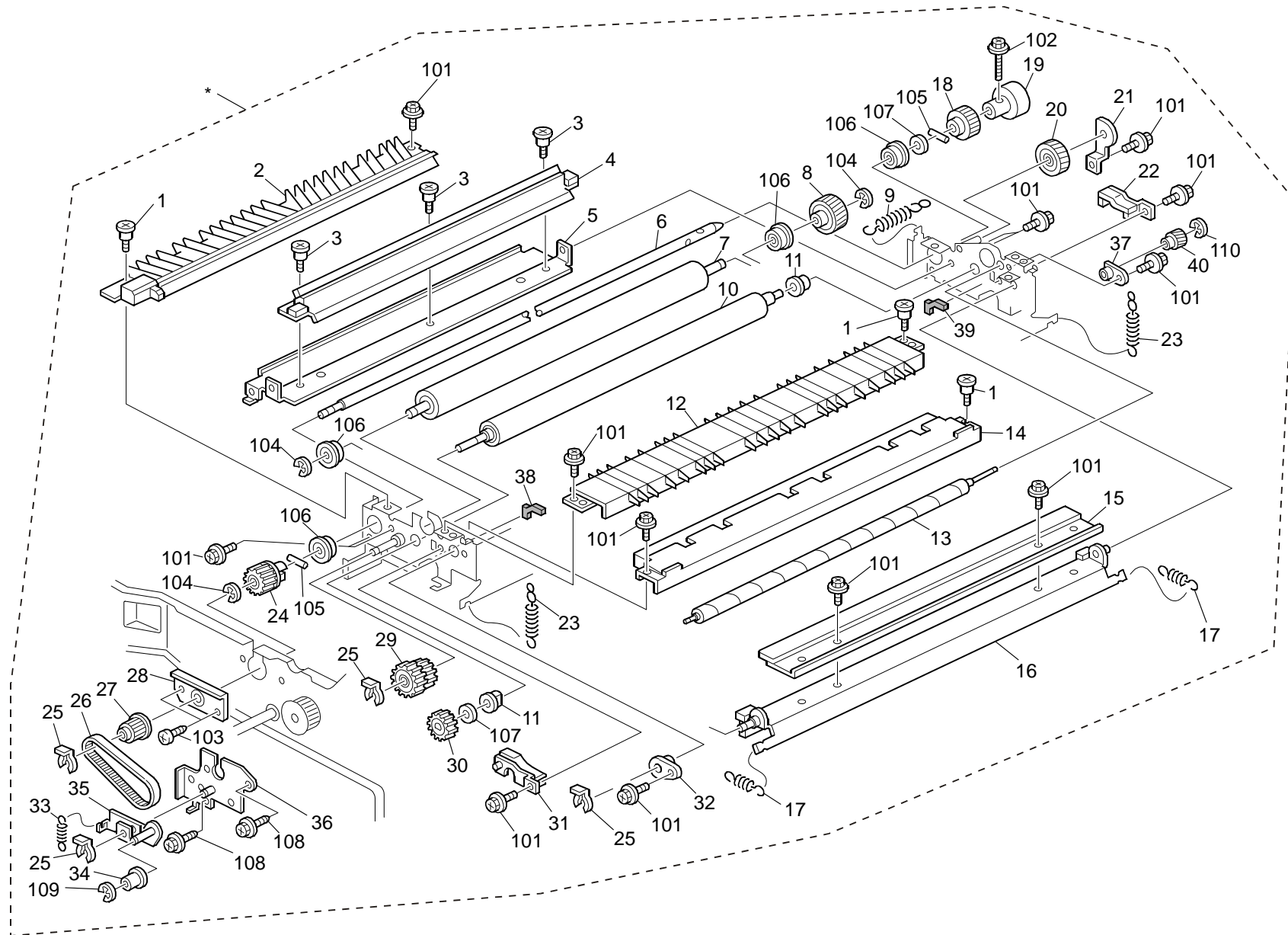
46.Transfer Entrance 3 (D014/D015/D078/D079)



46.Transfer Entrance 3 (D014/D015/D078/D079)

Index No.	Part No.	Description	Q'ty Per Assembly
1	AB01 1301	Gear: 32Z	1
2	B132 1192	Guard: Pull Out	1
3	B132 2767	Guide Plate: Paper Bank: Ass'y	1
4	AA08 0203	Bushing - 6mm	2
5	B132 2639	Transport Roller: Driven	1
6	AA06 3254	Driven Roller Spring	2
7	D014 2636	Guide Plate: Connecting: Right Upper: Adhesion	1
8	D014 5247	Harness: Sensor	1
9	AW01 0107	Paper Feed Sensor	1
10	B181 2773	Bracket: Sensor: Connecting	1
11	B132 2594	DC Solenoid: 24v: 16.5w: Ass'y	1
12	B132 2649	Arm: Guide	1
13	B132 2650	Arm: Perpendicular	1
14	B132 2753	Support Stay: Solenoid	1
15	B132 2661	Bracket: Solenoid	1
16	B132 2667	Rail: Solenoid: Release	1
17	B132 2723	Cover: Motor: Registration	1
18	5206 2686	Snap Ring	1
19	B132 2720	Bracket: Tightener	1
20	B132 2710	Tension Spring	1
21	B132 2711	Bracket: Stepper Motor	1
22	AA04 3312	Timing Belt: 60S2M138	1
23	B132 2722	Stepper Motor: Registration: Ass'y	1
24	AW02 0145	Photointerruptor: Flat	1
25	B132 1233	Bracket: Photointerruptor	1
26	B132 4868	Guide: Duplex: Upper Right	1

Index No.	Part No.	Description	Q'ty Per Assembly
101	0451 4008N	Tapping Screw: 4x8	
102	0451 3006N	Tapping Screw - 3x6	
103	0353 0060N	Bind Screw - M3x6	
104	0353 0040N	Screw - M3x4	
105	0720 0040E	Retaining Ring - M4	
106	0720 0025E	Retaining Ring - M2.5	
107	1105 0511	Harness Clamp - LWS-0306ZC	
108	1105 0522	Edge Saddle - LES0510	
109	1105 0551	Clamp: LES-0505	
110	1105 0568	Clamp: LWSS-0504	
111	1102 6249	Relay Connector - 6P	



WWW.SERVICE-MANUAL.NET

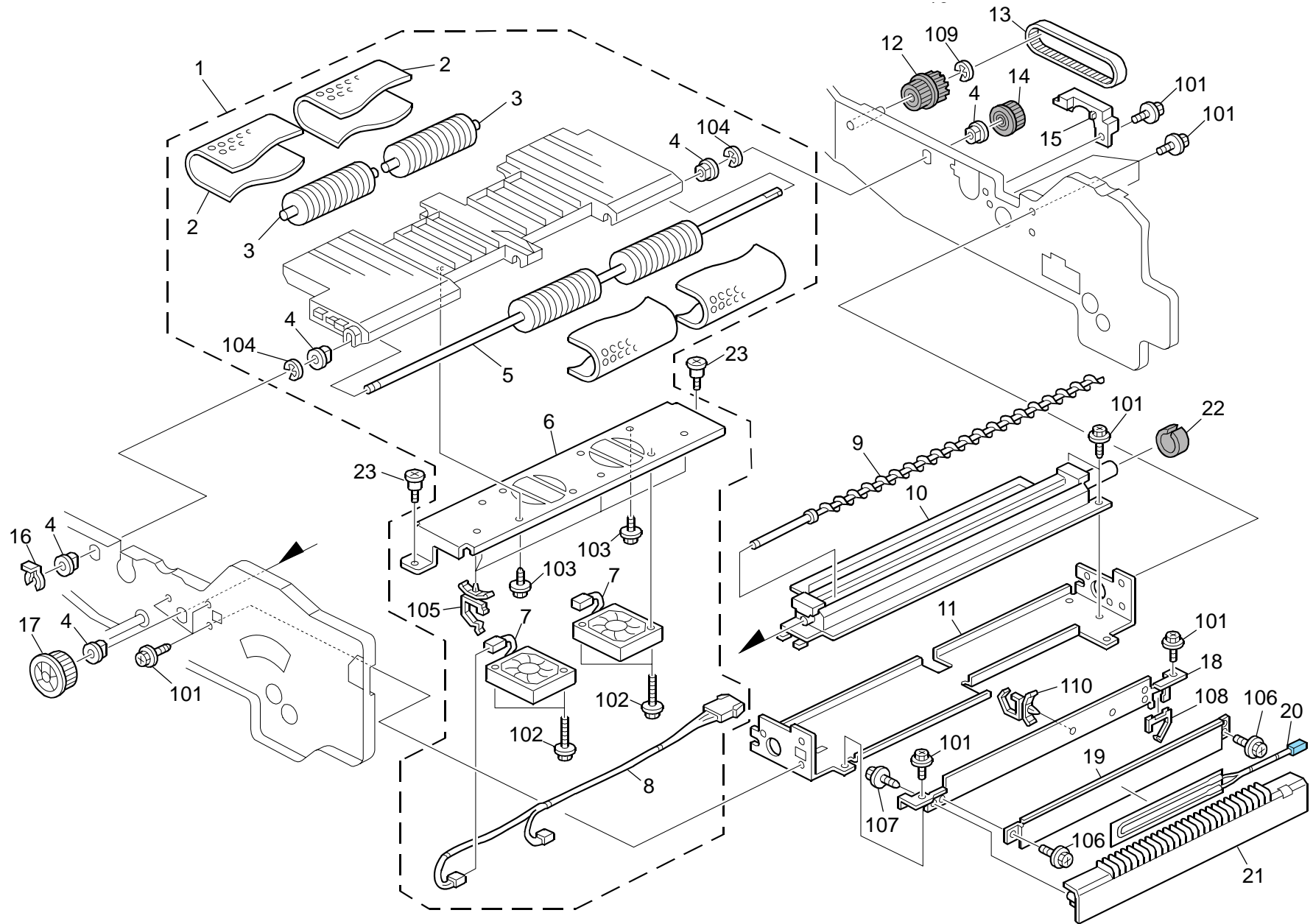
47.Paper Transfer 1 (D014/D015/D078/D079)

Rev. 04/11/2011

Index No.	Part No.	Description	Q'ty Per Assembly
*	D014 6250	Transfer Unit: Ass'y	1
1	5447 2769	Stepped Screw	3
2	B132 6268	Paper Discharge Plate	1
3	AA14 3870	Stepped Screw	3
4	B132 6253	Stay: Brush Roller: Ass'y	1
5	B132 6274	Stay: Transfer Unit	1
6	B132 6287	Shaft: Contact Point	1
7	D014 6280	Paper Transfer Roller	1
8	B132 6303	Gear: 40Z	1
9	B132 6306	Spring: Pressure	1
10	B132 6255	PTR Cleaning Brush	1
11	AA08 2137	Bushing: 6x10x6	2
12	B132 6295	Guide Plate: Entrance: Ass'y	1
13	D014 6268	Brush Roller: Apply	1
14	D014 6260	PTR Lubricant Bar	1
15	D014 6265	PTR Cleaning Blade	1
16	B132 6269	Holder: Blade	1
17	B132 6299	Spring: Blade	2
18	B132 6301	Gear: 40Z	1
19	B132 6284	Joint: Transfer: Drive	1
20	B132 6302	Gear: 40Z	1
21	B132 6311	Bracket: Gear: Idler	1
22	B132 6307	Base: Transfer Roller: Rear: Ass'y	1
23	B132 6288	Spring: Pressure	2
24	AB01 1124	Gear: 21Z	1
25	5447 2681	Snap Ring	4
26	AA04 3587	Timing Belt: S2M170	1
27	AB03 0749	Pulley: 23T	1
28	B132 1186	Supporting Plate: Pull Out	1
29	AB01 1125	Gear: 20/29Z	1
30	AB01 1126	Gear: 20Z	1
31	B132 6314	Base front	1
32	AA08 0154	Rear Bushing	1
33	B132 6337	Spring: Tightener: Transport Screw	1
34	A257 6112	Pulley: Belt Tensioner	1

Index No.	Part No.	Description	Q'ty Per Assembly
35	B132 6331	Tightener: Transfer: Transport Screw: Ass'y	1
36	B132 6334	Side Plate: Positioning: Transfer: Front: Ass'y	1
37	D014 6272	Bushing: Brush: Rear	1
38	B132 6326	Seal: Side Plate: Rear	1
39	B132 6325	Seal: Side Plate: Front	1
40	D014 6273	Gear: 16Z	1
101	0360 3006N	Screw - M3x6	
102	0451 4014N	Tapping Screw: M4x14	
103	0354 0080N	Screw: M4x8	
104	0720 0060E	Retaining Ring - M6	
105	0633 0120G	Parallel Pin - 3x12	
106	0805 3511	Bushing 8MM	
107	0701 0060N	Washer DIA6	
108	0451 4008N	Tapping Screw: 4x8	
109	0720 0040E	Retaining Ring - M4	
110	0720 0030E	Retaining Ring - M3	

48.Paper Transfer 2 (D014/D015/D078/D079)

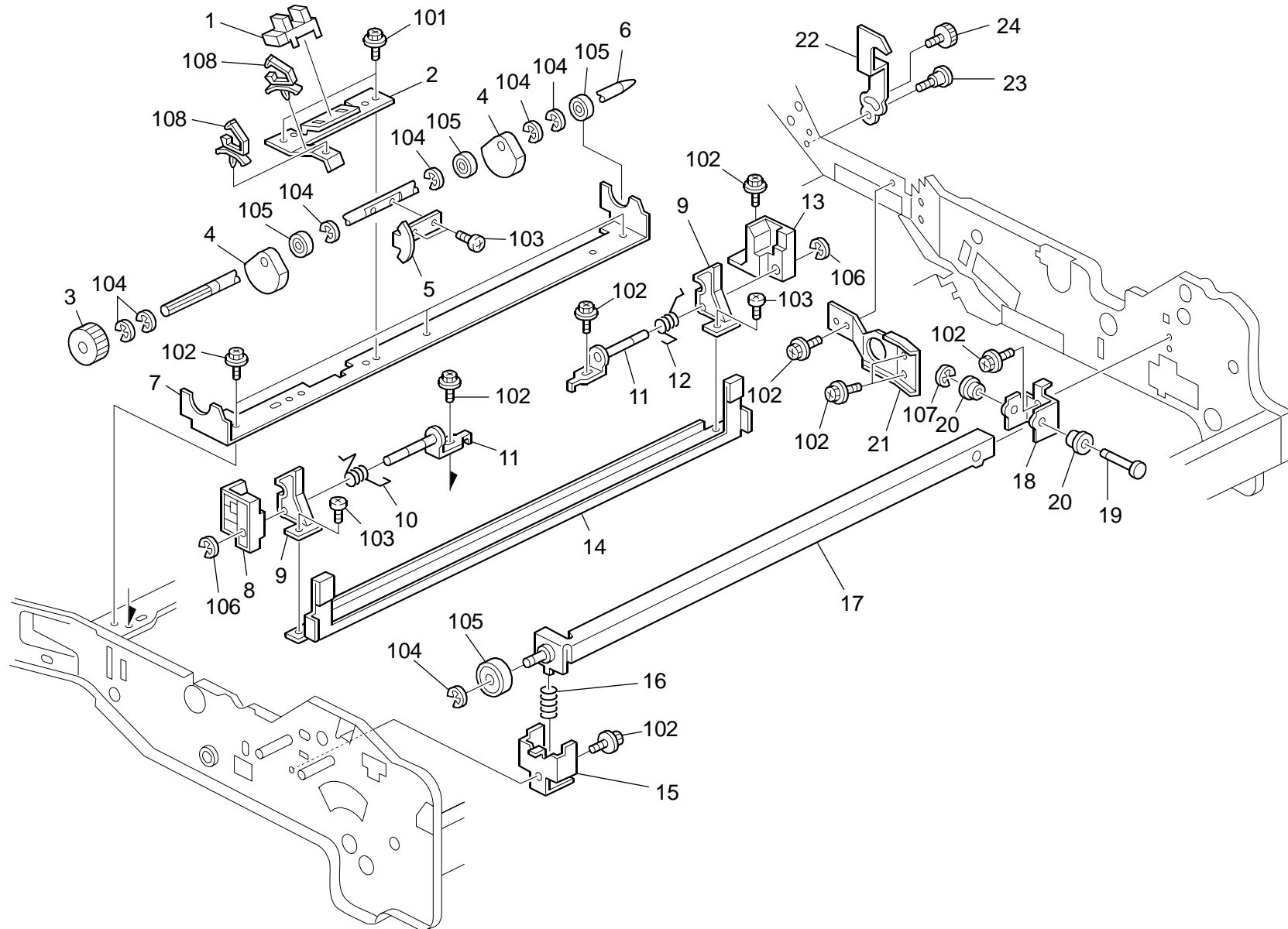


48.Paper Transfer 2 (D014/D015/D078/D079)

Index No.	Part No.	Description	Q'ty Per Assembly
1	D014 3850	Paper Transport Belt Unit	1
2	AA04 0033	Transport Belt	2
3	AF02 2064	Transport Roller: Driven	2
4	AA08 2101	Bushing - 6x10x6	5
5	B132 3851	Transport Roller: Drive	1
6	B132 3862	Supporting Plate: Vacuum	1
7	AX64 0158	Fan Motor Mm60/15mm: 24V	2
8	D014 5248	Harness: Fan Motor	1
9	B132 6260	Collection Coil: Toner: Ass'y	1
10	B132 6257	Tray: Toner Catch pan: Ass'y	1
11	B132 6304	Stay: Pull Out	1
12	AB01 7338	Gear: 30T	1
13	AA04 3578	Timing Belt: S2M208	1
14	AB03 0275	Pulley: 31T	1
15	B132 6286	Stopper: Transfer/separation Unit	1
16	5447 2681	Snap Ring	1
17	AB03 0748	Pulley: 40T	1
18	B132 6507	Holder: Heater	1
19	B132 6506	Heat Sink: Heater: Toner	1
20	AX40 0176	Heater: 115V: 18W: Upper	1
20	AX40 0178	Heater: 240V: 18W: Upper	1
21	B181 6502	Cover: Heater	1
22	B132 6328	Seal: Tray: Toner Recycling Unit	1
23	AA14 3394	Stepped Screw - M3x10	2

Index No.	Part No.	Description	Q'ty Per Assembly
101	0451 4008N	Tapping Screw: 4x8	
102	0451 3020N	Tapping Screw: 3x20	
103	0450 4008N	Tapping Screw - M4x8	
104	0720 0040E	Retaining Ring - M4	
105	1105 0511	Harness Clamp - LWS-0306ZC	
106	0451 3006N	Tapping Screw - 3x6	
107	0450 3010N	Tapping Screw - M3x10	
108	1105 0516	Clamp	
109	0720 0060E	Retaining Ring - M6	
110	1105 0518	Edge Saddle - LES-1010	

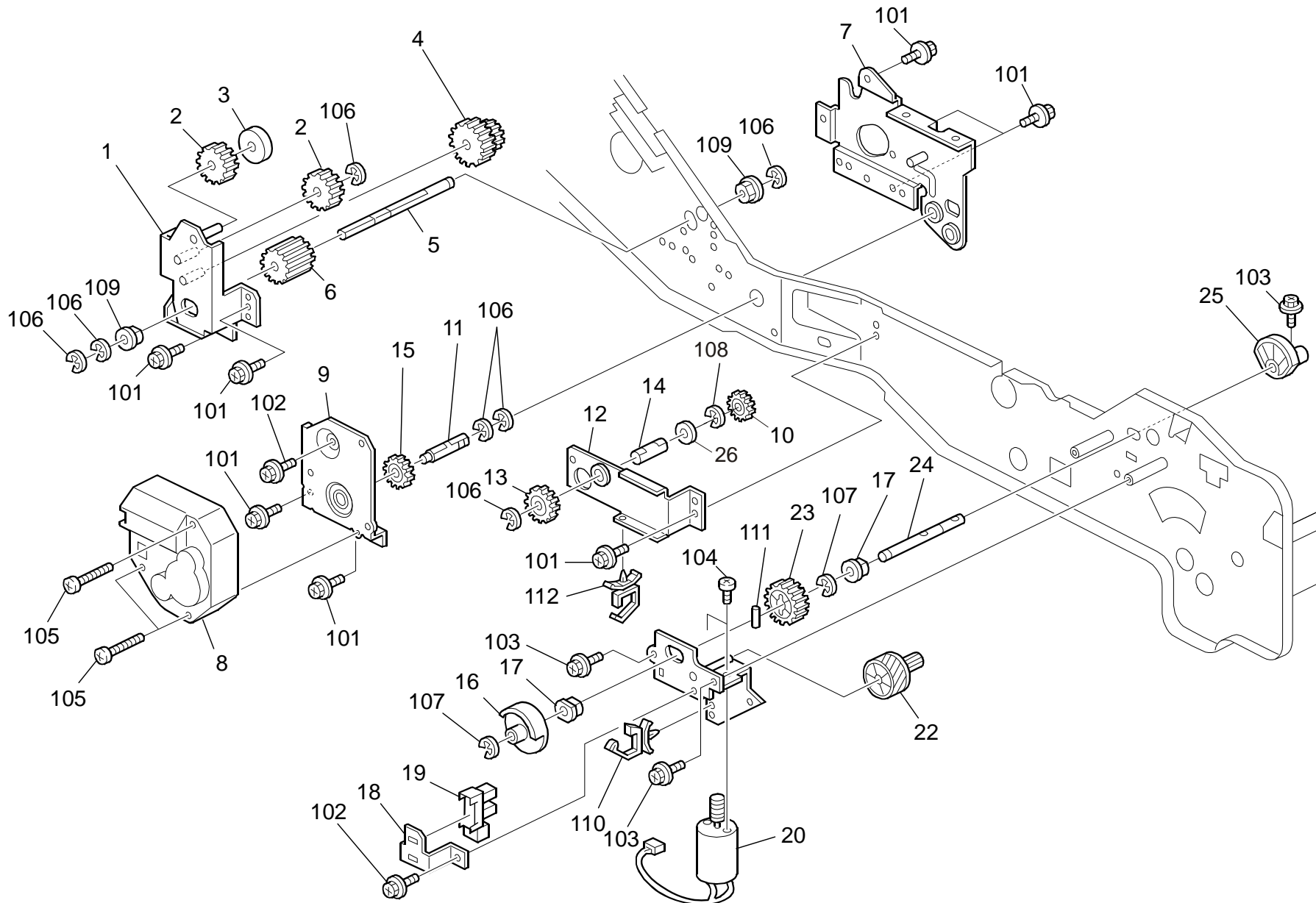
49.Fusing Unit 1 (D014/D015/D078/D079)



49.Fusing Unit 1 (D014/D015/D078/D079)

Index No.	Part No.	Description	Q'ty Per Assembly
1	AW02 0145	Photointerruptor: Flat	1
2	D014 4264	Bracket: Photointerruptor	1
3	AB01 4309	Gear: Shaft: Cam	1
4	D014 4297	Cam: On-Off: Pressure Roller	2
5	D014 4260	Feeler	1
6	D014 4261	Shaft	1
7	D014 4263	Bracket: Shaft: Cam	1
8	D014 4274	Guide: Hook: Lock: Fusing Unit	1
9	D014 4276	Hook: Lock: Fusing Unit	2
10	AA06 6684	Torsion Spring: Front: 2n	1
11	D014 4277	Bracket: Lock: Fusing Unit	2
12	AA06 6685	Torsion Spring: Rear: 2n	1
13	D014 4275	Guide: Hook: Lock: Fusing Unit: Rear	1
14	D014 4280	Stay: Lock: Fusing Unit	1
15	D014 6311	Bracket: Side Fence	1
16	D014 6315	Compression Spring: Stay: On-Off	1
17	D014 6312	Stay	1
18	D014 6310	Bracket: Contact Point	1
19	D014 6316	Shaft: Contact Point	1
20	G047 3472	Bushing: Back Up: Master Belt	2
21	D014 4249	Guide Plate: Shaft: Cam: Rear	1
22	D014 4259	Stay: Fusing Unit: Rear: Exit	1
23	5206 2684	Shoulder Screw - M3	1
24	AA14 3424	Knob Screw - M4x8	1

Index No.	Part No.	Description	Q'ty Per Assembly
101	0451 3006N	Tapping Screw - 3x6	
102	0451 4008N	Tapping Screw: 4x8	
103	0353 0060N	Bind Screw - M3x6	
104	0720 0060E	Retaining Ring - M6	
105	0740 3008	Ball Bearing: DIA8xDIA22x7	
106	0720 0040E	Retaining Ring - M4	
107	0720 0030E	Retaining Ring - M3	



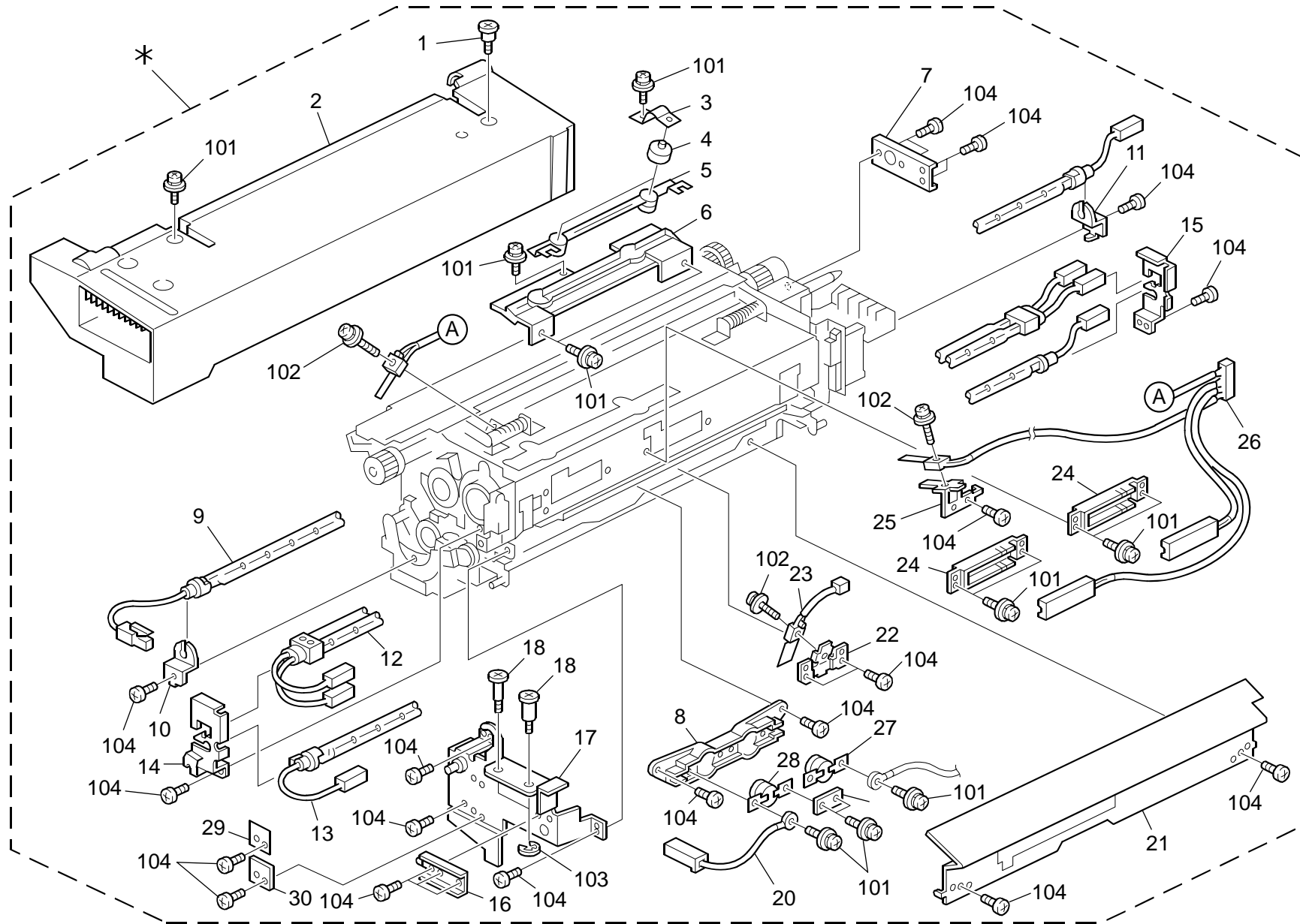
50.Fusing Unit 2 (D014/D015/D078/D079)

Rev. 2/17/2011

Index No.	Part No.	Description	Q'ty Per Assembly
1	D014 1150	Bracket: Knob: Fusing	1
2	AB01 3309	Gear: 18Z	2
3	B132 1235	Collar: Dia18	1
4	AB01 7688	Gear: 13/20Z	1
5	D014 1156	Shaft: Knob: Fusing	1
6	AB01 3363	Gear - 16Z	1
7	D014 1154	Guide Plate: Fusing Unit	1
8	AX05 0501	Drive Sub-Unit: ON-OFF: Pressure Roller	1
9	D014 4265	Bracket: Motor: On-Off: Press Fit	1
10	AB01 4312	Gear: Motor: Drive: 15Z	1
11	D014 4268	Shaft: Motor	1
12	D014 4351	Bracket: Gear: Slow Down: Press Fit	1
13	AB01 4311	Gear: Coupling: Slow Down: 21Z	1
14	D014 4350	Shaft: Gear: Slow Down	1
15	AB01 4310	Gear: Motor: On-Off	1
16	D014 6322	Feeler	1
17	AA08 2101	Bushing - 6x10x6	2
18	D014 6325	Bracket: Sensor	1
19	AW02 0145	Photointerruptor: Flat	1
20	B132 6511	DC Motor: Agitate: Ass'y	1
21	D014 6318	Bracket: Motor	1
22	D014 6323	Gear: 15Z/24Z	1
23	D014 6324	Gear: 45Z	1
24	D014 6321	Shaft: Cam	1
25	D014 6326	Cam	1
26	0807 5044	Spacer – 8.1 MM x 11.5 MM x 0.2 [TSB#011]	1

Index No.	Part No.	Description	Q'ty Per Assembly
101	0451 4008N	Tapping Screw: 4x8	
102	0451 3006N	Tapping Screw - 3x6	
103	0360 3006N	Screw - M3x6	
104	0353 0030N	Screw: M3x3	
105	0353 0250N	Screw: M3x25	
106	0720 0060E	Retaining Ring - M6	
107	0720 0030E	Retaining Ring - M3	
108	0720 0040E	Retaining Ring - M4	
109	0805 3386	Bushing - 8MM	
110	1105 0511	Harness Clamp - LWS-0306ZC	
111	0632 0160G	Parallel Pin-M2x16	
112	1105 0534	Clamp	

51.Fusing Unit 3 (D014/D015/D078/D079)



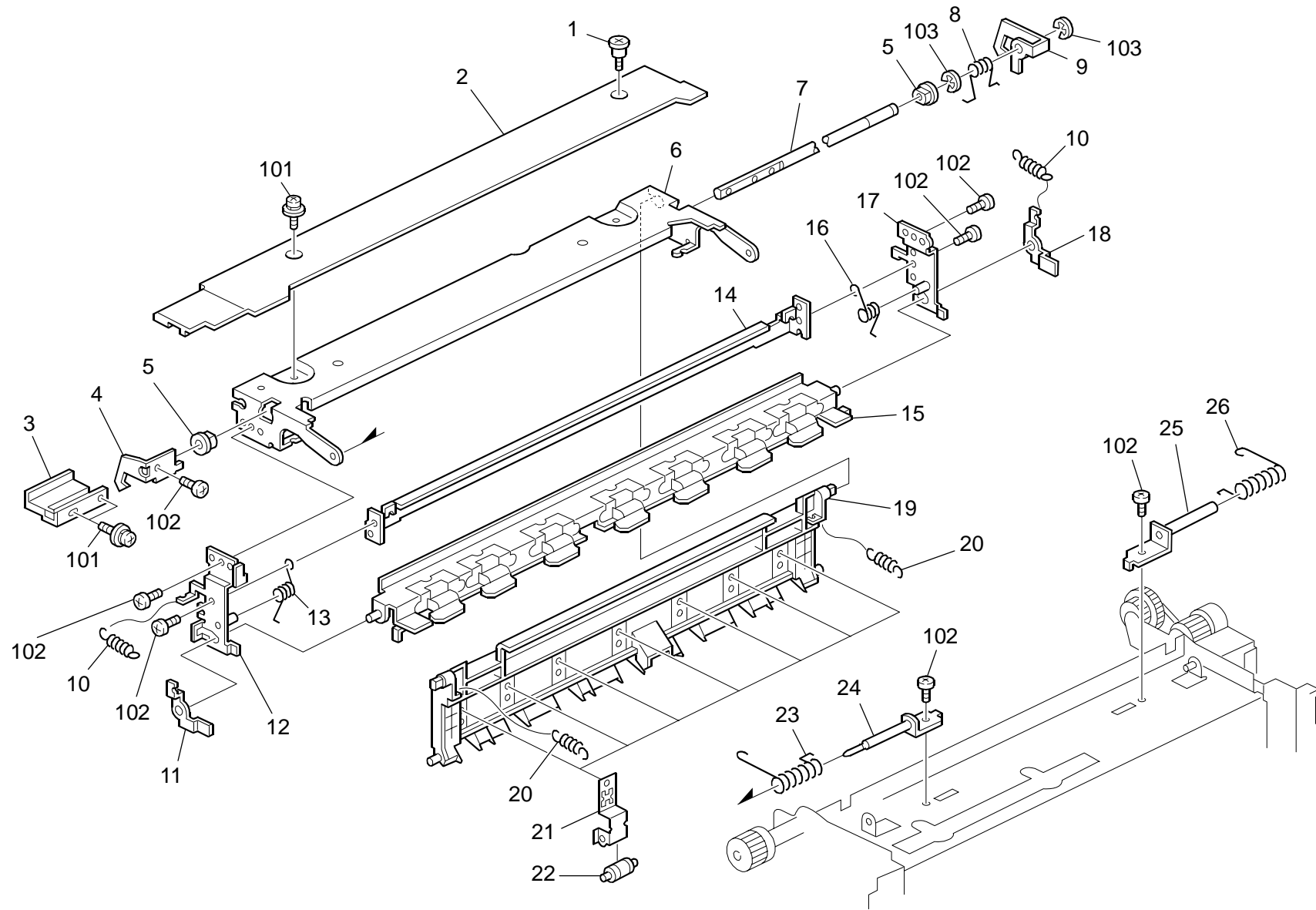
51.Fusing Unit 3 (D014/D015/D078/D079)

Rev. 05/18/2010

Index No.	Part No.	Description	Q'ty Per Assembly
*	D014 4019	Fusing Unit: D014 (120V)	1
*	D014 4028	Fusing Unit: D015 (220V) [TSB#042]	1
1	5206 2684	Shoulder Screw - M3	1
2	D014 4124	Fusing Unit Cover [TSB#003]	1
3	D014 4190	Stopper - Thermostat	2
4	D014 4191	Stopper Pad - Thermostat	2
5	D014 4175	Thermostat: Heat Roller: Welding	1
6	D014 4235	Housing: Thermostat: Press Fit	1
7	D014 4161	Supporting Plate: Positioning: Fusing Unit: Rear	1
8	B132 4148	Housing: Thermostat	1
9	AX43 0186	Heater - 117V 400W	1
9	AX44 0267	Heater - 227V 600W [TSB#028R]	1
10	D014 4236	Front Heater Holder - Pressure	1
11	D014 4237	Rear Heater Holder - Pressure	1
12	AX44 0269	Heater - 117V 700W	1
12	AX44 0271	Heater - 227V 700W	1
13	AX43 0188	Heater - 117V 250W	1
13	AX43 0190	Heater - 227V 400W [TSB#028R]	1
14	D014 4136	Front Heater Holder - Heat Roller	1
15	D014 4138	Rear Heater Holder - Heat Roller	1
16	D014 4164	Supporting Plate: Positioning: Fusing Unit: Front	1
17	D014 4093	Front Stay - Fusing Unit	1
18	B051 4103	Knob Screw - 4m	2
19	B065 4121	Thermostat Terminal	1
20	D014 4298	AC Harness - Thermostat	1
21	D014 4234	Entrance Guide Plate - Lower	1
22	D014 4240	Bracket - Thermistor: Pressure	1
23	AW10 0110	Thermistor	1
24	D014 4247	Housing - Temperature Sensor	2
25	D014 4238	Bracket - Heat Roller Thermistor	1
26	AW10 0114	Temperature Sensor: Upper	1
27	AW11 0044	Thermostat: 150C: 250V/17A	1
28	AW11 0045	Thermostat: 149C: 250V/17A	1

Index No.	Part No.	Description	Q'ty Per Assembly
29	D014 4343	Spacer: Min	1
30	D014 4342	Spacer: Max	1
101	0954 3008N	Screw - M3x8	
102	0954 3010N	Screw: Polished Round/Spring: M3x10	
103	0720 0040E	Retaining Ring - M4	
104	0353 0060N	Bind Screw - M3x6	

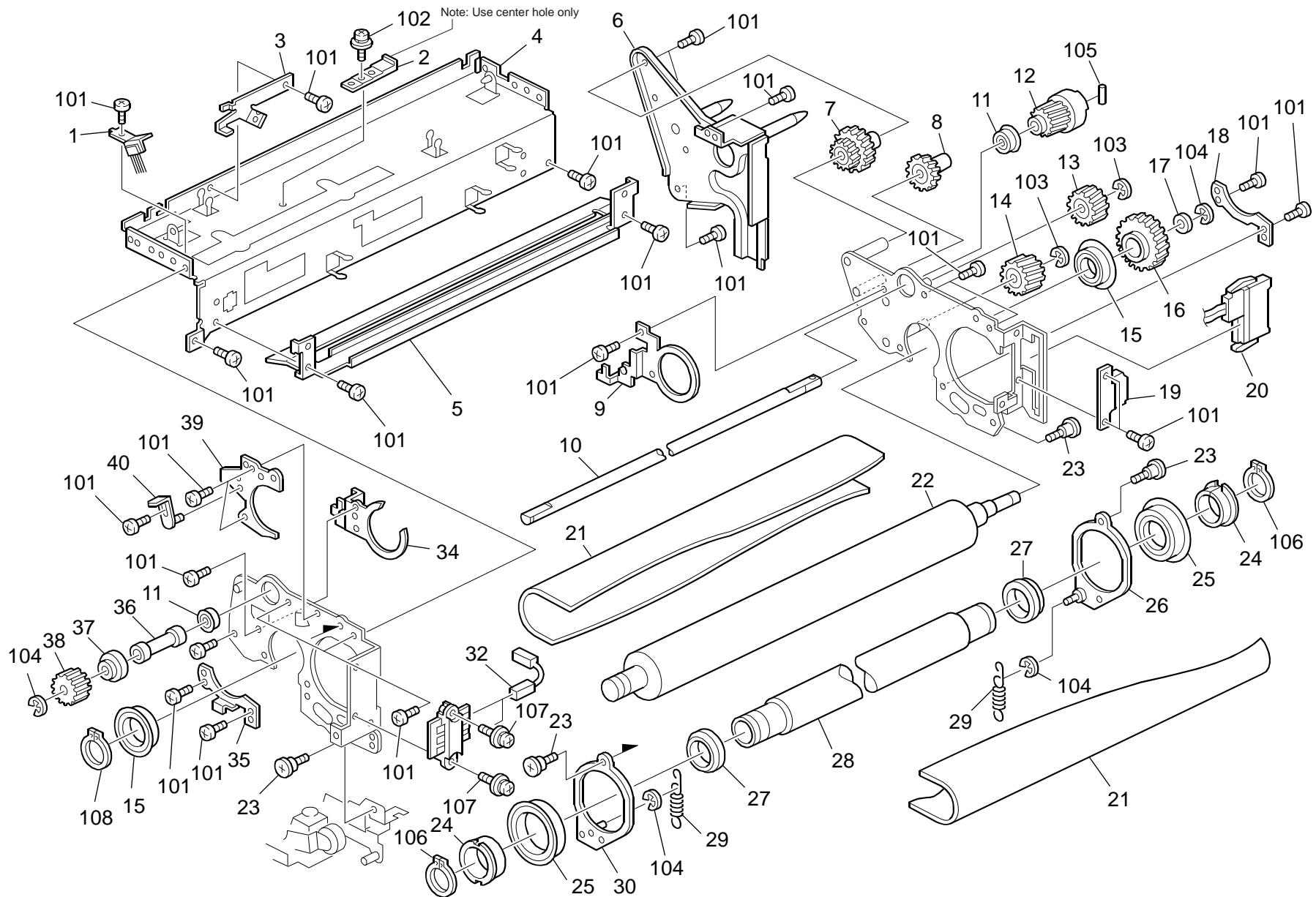
52.Fusing Unit 4 (D014/D015/D078/D079)



52.Fusing Unit 4 (D014/D015/D078/D079)

Index No.	Part No.	Description	Q'ty Per Assembly
1	5206 2684	Shoulder Screw - M3	1
2	D014 4127	Guide Plate - Paper Exit Unit	1
3	B132 4167	Grip: Oil Application Unit: Fiber	1
4	D014 4155	Front Lever - Paper Exit Unit	1
5	AA08 2101	Bushing - 6x10x6	2
6	D014 4150	Bracket - Exit Unit	1
7	B132 4163	Shaft: Oil Application Unit	1
8	B132 4197	Torsion Spring: Lever	1
9	D014 4156	Rear Lever - Paper Exit Unit	1
10	AA06 1019	Tension Spring - Stripper Plate	2
11	D014 4324	Front Lever - Stripper Plate	1
12	D014 4151	Front Bracket - Stripper Plate	1
13	AA06 6382	Front Torsion Spring - Stripper	1
14	D014 4307	Stay - Bracket	1
15	D014 4300	Stripper Plate Unit	1
16	AA06 6383	Rear Torsion Spring - Stripper	1
17	D014 4154	Rear Bracket - Stripper Plate	1
18	D014 4325	Rear Lever - Stripper Plate	1
19	D014 4158	Upper Guide Plate - Fusing Exit	1
20	AA06 1018	Tension Spring	2
21	D014 4167	Roller Holder - Fusing Exit	7
22	D014 4327	Roller - Fusing Exit	7
23	AA06 6682	Torsion Spring - Front	1
24	B132 4127	Bracket: Torsion Spring: Peen	1
25	D014 4148	Spring Bracket - Separation	1
26	AA06 6683	Torsion Spring - Rear	1

Index No.	Part No.	Description	Q'ty Per Assembly
101	0954 3008N	Screw - M3x8	
102	0353 0060N	Bind Screw - M3x6	
103	0720 0040E	Retaining Ring - M4	



53.Fusing Unit 5 (D014/D015/D078/D079)

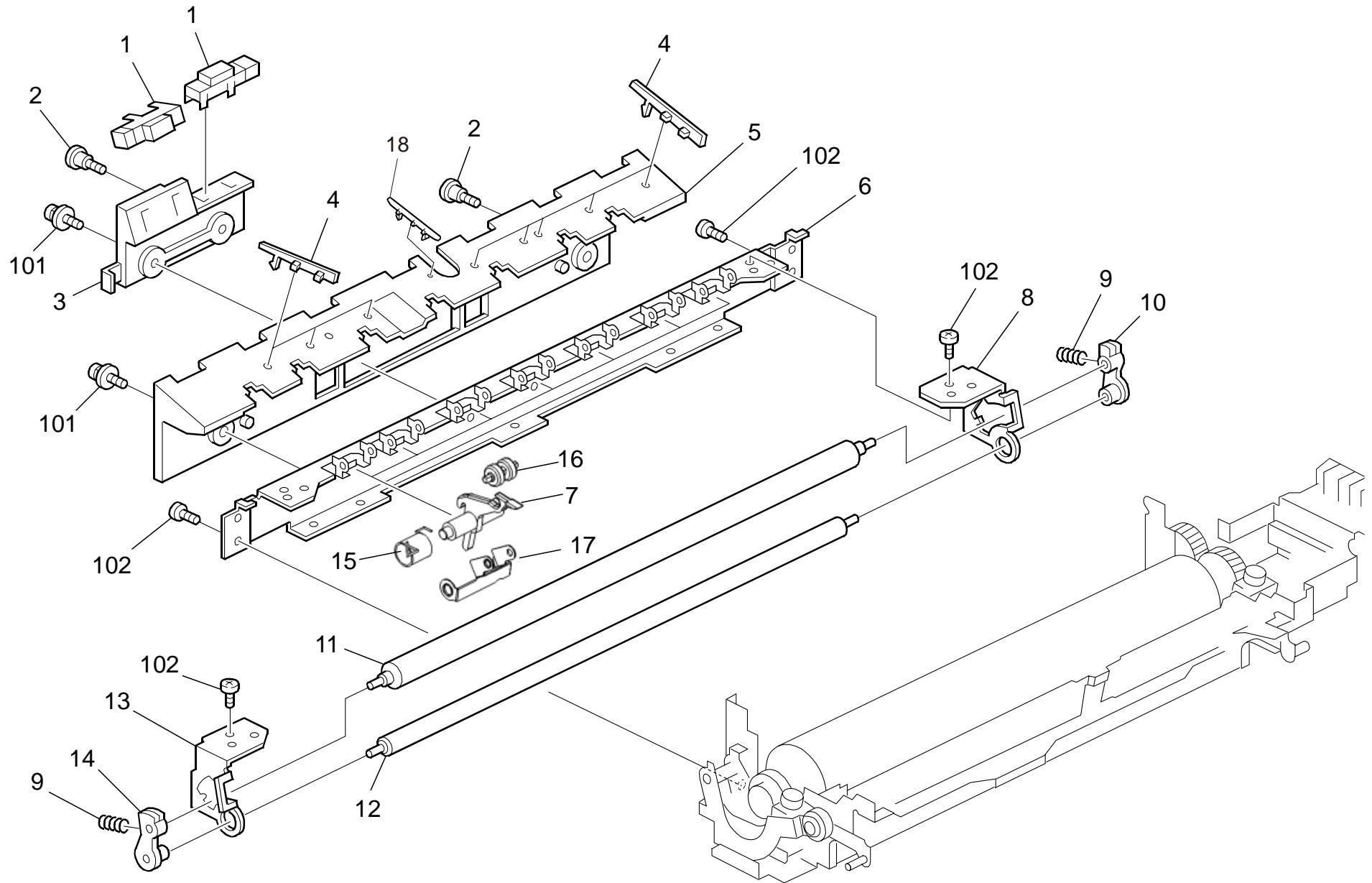
Rev. 06/02/2010

Index No.	Part No.	Description	Q'ty Per Assembly
1	D014 4353	Discharge Brush: Heat Roller: Upper	1
2	D014 4309	Spacer: Housing: Thermostat: Front	1
3	D014 4239	Bracket - Hot Roller Thermistor	1
4	D014 4103	Stay - Upper	1
5	D081 4147	Entrance Guide Plate: Upper	1
6	D014 4095	Rear Stay - Fusing Unit	1
7	AB01 4294	Gear - 30Z/23Z	1
8	AB01 4295	Gear - 20Z	1
9	D014 4306	Rear Positioning Plate - Stripper	1
10	D014 4194	Drive Haft	1
11	AE03 0056	Ball Bearing - 8x16x5	2
12	AB01 4298	Drive Gear - 23Z	1
13	AB01 4323	Gear: Idler: Drive	1
14	AB01 4324	Gear: Idler: Hot Roller	1
15	AE03 0049	Ball Bearing -20x32x7	2
16	AB01 4325	Gear - 34Z	1
17	AA13 2204	Collar	1
18	D014 4134	Rear Positioning Plate	1
19	D014 4163	Rear Guide Plate - Fusing Unit	1
20	D014 5205	AC Harness 2 - Fusing Unit 230V	1
21	D014 4090	Fusing Belt	1
22	AE01 0075	Hot Roller	1
23	5206 2684	Shoulder Screw - M3	3
24	AE03 2031	Thermal Insulating Bushing - 30mm	2
25	AE03 0039	Ball Bearing	2
26	D014 4141	Rear Lever - Heat Roller	1
27	D014 4130	Guide Ring - Heat Roller	2
28	AE01 2032	Heat Roller	1
29	AA06 2351	Tension Spring - Heat Roller	2
30	D014 4140	Front Lever - Heat Roller	1
31	AA14 3517	Guide Plate Screw	1
32	D014 4179	Upper Front Harness - Thermostat	1
33	D014 4243	Relay Terminal	1
34	D014 4305	Front Positioning Plate - Stripper	1
35	D014 4133	Front Positioning Plate	1

Index No.	Part No.	Description	Q'ty Per Assembly
36	B132 4125	Collar: Shaft: Drive	1
37	B132 4138	Roller: Coupling: Knob: Fusing	1
38	AB01 3703	Gear - 24Z	1
39	D014 4188	Adjusting Pin: Heat Roller	1
40	D014 4185	Pin: Adjusting Pin: Heat Roller: Peen	1
101	0353 0060N	Bind Screw - M3x6	
102	0954 3008N	Screw - M3x8	
103	0720 0040E	Retaining Ring - M4	
104	0720 0060E	Retaining Ring - M6	
105	0633 0120G	Parallel Pin - 3x12	
106	0725 0300E	Retaining Ring C - M30	
107	0954 3010N	Screw: Polished Round/Spring: M3x10	
108	0725 0200E	Retaining Ring C - M20	

54.Fusing Unit 6 (D014/D015/D078/D079)

Rev. 07/08/2008



WWW.SERVICE-MANUAL.NET

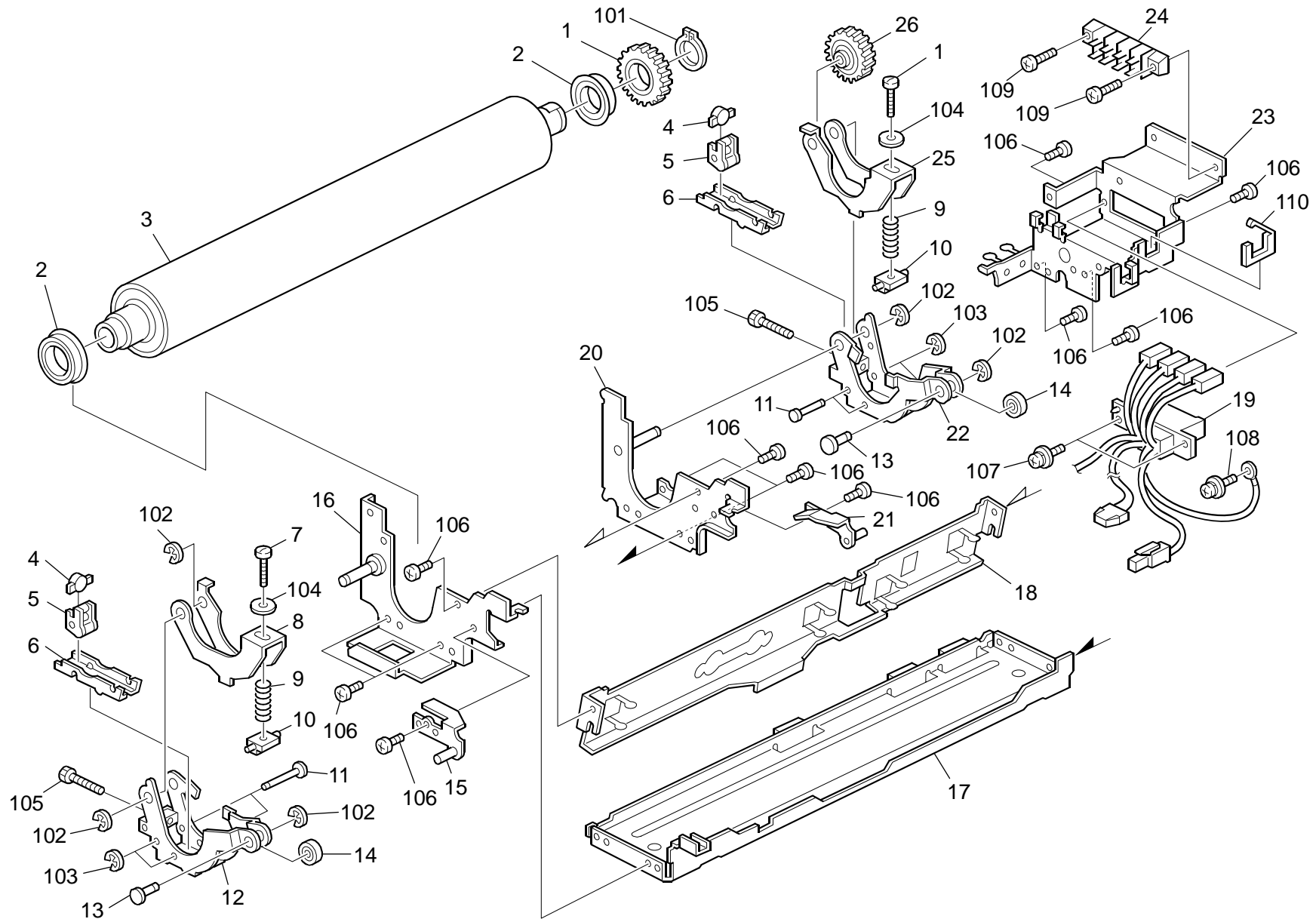
54.Fusing Unit 6 (D014/D015/D078/D079)

Rev. 07/11/2008

Index No.	Part No.	Description	Q'ty Per Assembly
1	AW01 0118	Paper Feed Sensor	2
2	5206 2684	Shoulder Screw - M3	1
3	D014 4258	Bracket -paper Feed Sensor	1
4	D014 4257	Guide - Fusing Exit	9
5	D014 4356	Guide Plate - Fusing Exit [TSB#029]	1
6	D014 4250	Bracket - Cleaning Roller	1
7	AE04 4064	Pickoff Pawl: Pressure Roller [TSB#024]	7
8	D014 4254	Rear Side Plate - Cleaning Roller	1
9	AA06 3991	Spring - Oil Supply Roller	2
10	AE03 1069	Rear Bushing - Cleaning Roller	1
11	AE04 0042	Oil Supply Roller	1
12	AE04 2080	Cleaning Roller: Ass'y	1
13	D014 4253	Front Side Plate - Cleaning Roller	1
14	AE03 1068	Front Bushing - Cleaning Roller	1
15	B132 4196	Spring: Pick-Off Pawl [TSB#024]	7
16	B132 4265	Roller: Pick-Off Pawl [TSB#024]	7
17	B132 4268	Holder: Roller: Pick-Off Pawl [TSB#024]	7
18	D014 4347	Guide: Fusing Exit: Middle [TSB#029]	1

Index No.	Part No.	Description	Q'ty Per Assembly
101	0954 3008N	Screw - M3x8	
102	0353 0060N	Bind Screw - M3x6	

55.Fusing Unit 7 (D014/D015/D078/D079)

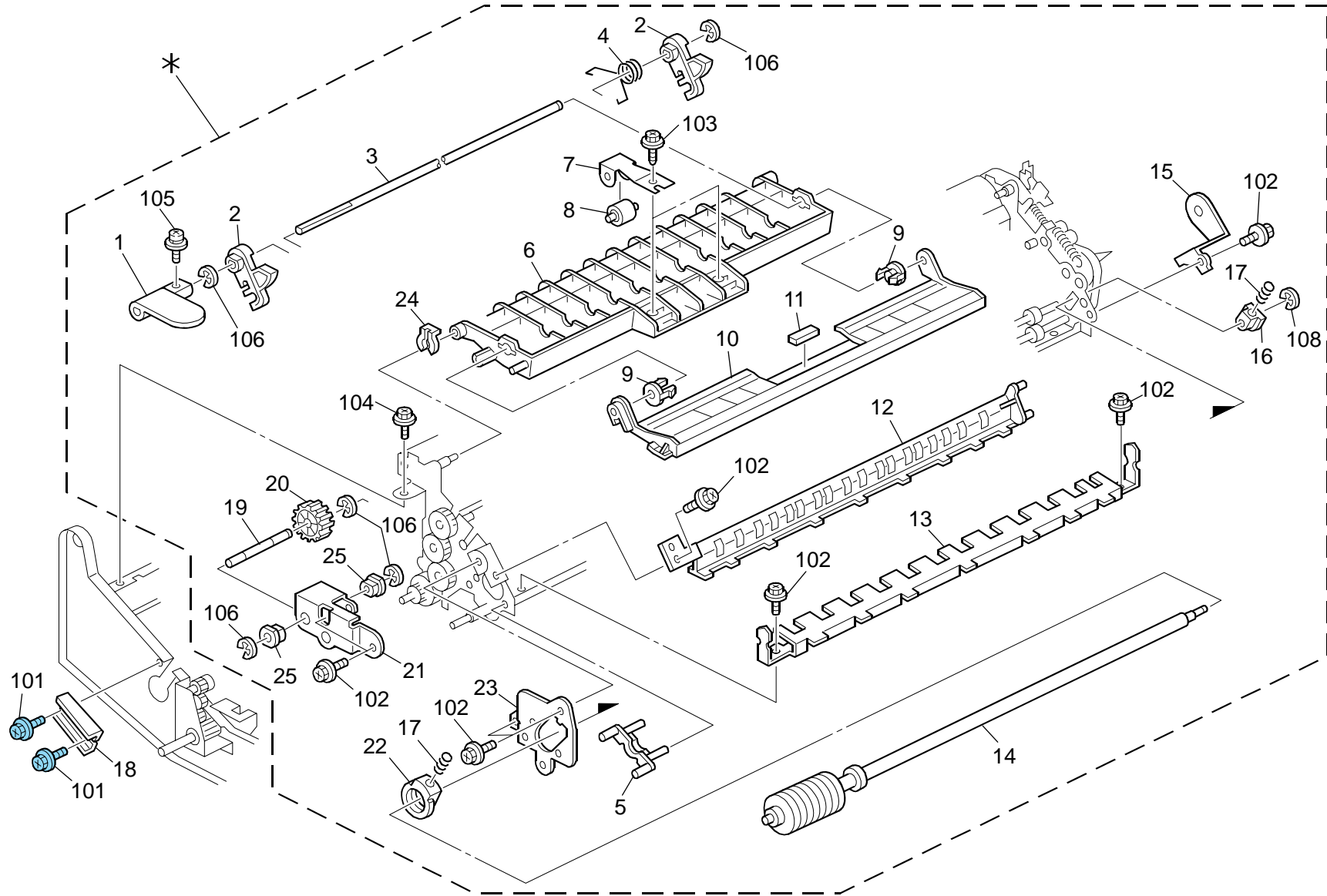


55.Fusing Unit 7 (D014/D015/D078/D079)

Index No.	Part No.	Description	Q'ty Per Assembly
1	AB01 4291	Gear - 32Z	1
2	AE03 0049	Ball Bearing -20x32x7	2
3	AE02 0165	Pressure Roller	1
4	D014 4291	Holder: Adjusting Pin: M5	2
5	D014 4292	Lever: Control Plate: Pressure: Link: Peen	2
6	D014 4289	Lever: Control Plate: Pressure	2
7	D014 4296	Stepped Screw - M5	2
8	D014 4281	Upper Front Lever - Pressure	1
9	AA06 3450	Compression Spring - Pressure	2
10	D014 4290	Hub: Pressure Stand: M5	2
11	D014 4287	Pin: Lever: Pressure: Control Plate	4
12	D014 4284	Lever: Pressure: Lower Front: Ass'y	1
13	D014 4233	Pin: Cam: Lever: Pressure	2
14	AE03 0056	Ball Bearing - 8x16x5	2
15	D014 4269	Front Lock Bracket - Fusing Unit	1
16	D014 4201	Side Plate - Lower Front	1
17	D014 4203	Stay - Lower	1
18	D014 4204	Stay - Right Lower	1
19	D014 5204	AC/DC Harness - Fusing Unit 120V	1
19	D014 5209	AC/DC Harness - Fusing Unit 230V	1
20	D014 4202	Side Plate - Lower Rear	1
21	D014 4271	Rear Lock Bracket - Fusing Unit	1
22	D014 4225	Lever: Pressure: Lower Rear: Ass'y	1
23	D014 4241	Bracket - Drawer	1
24	AA11 3037	Terminal: 4p: 187	1
25	D014 4282	Upper Rear Lever - Pressure	1
26	AB01 4322	Idle Gear - 27Z	1

Index No.	Part No.	Description	Q'ty Per Assembly
101	0725 0200E	Retaining Ring C - M20	
102	0720 0060E	Retaining Ring - M6	
103	0720 0030E	Retaining Ring - M3	
104	0701 0060N	Washer DIA6	
105	0585 0201N	Hexagonal Head Bolt: M5x20	
106	0353 0060N	Bind Screw - M3x6	
107	0954 3010N	Screw: Polished Round/Spring: M3x10	
108	0954 3008N	Screw - M3x8	
109	0354 0120N	Screw M4x12	
110	1105 0518	Edge Saddle - LES-1010	

56.Paper Exit 1 (D014/D015/D078/D079)



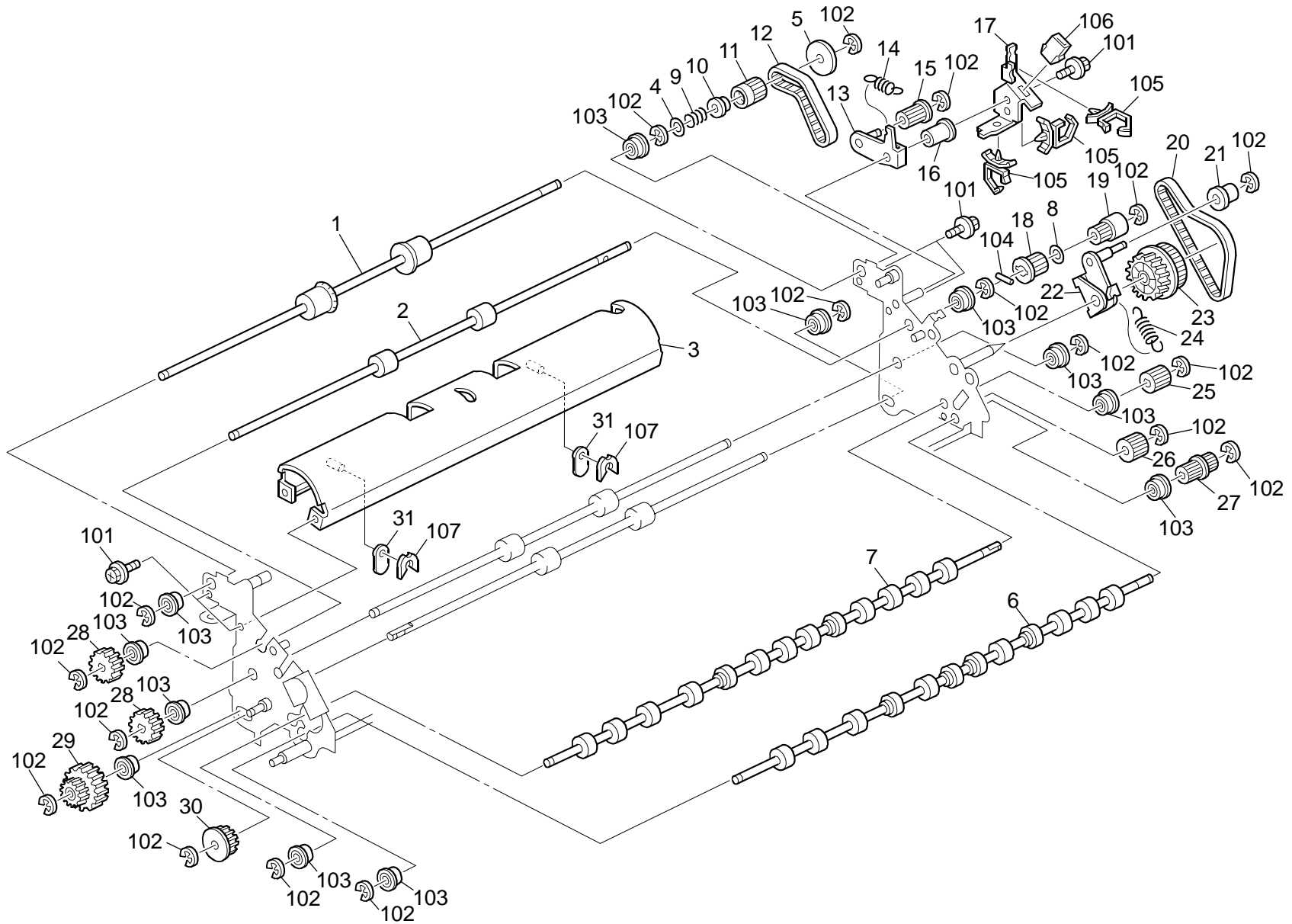
56.Paper Exit 1 (D014/D015/D078/D079)

Rev. 06/23/2009

Index No.	Part No.	Description	Q'ty Per Assembly
*	D014 7001	Paper Exit Unit	1
1	B132 7056	Grip: Guide Plate: Upper	1
2	B132 7044	Pawl: Guide Plate: Fix	2
3	B132 7052	Shaft: Release: Guide Plate: Upper	1
4	AA06 3909	Spring: Guide Plate: Open And Close [TSB#047]	1
5	B132 7105	Stopper: Pipe	1
6	B132 7016	Guide Plate: Transport: Upper: Left	1
7	B132 7013	Spring Plate: Upper: Right	2
8	B132 7033	Roller: Mm14	2
9	AA08 0213	Bushing: Dia6	2
10	D014 7010	Guide Plate: Right	1
11	B132 7124	Sound Proofing Material	1
12	B132 7129	Guide Plate: Entrance: Upper	1
13	B132 7164	Guide: Entrance: Right Front	1
14	D014 7005	Decura: Heat Pipe: Dia15	1
15	B132 7133	Bracket: Positioning Plate: Rear	1
16	AA08 0240	Bushing - Mm5	1
17	AA06 3906	Compression Spring	2
18	B132 1159	Supporting Plate: Pull Out: Front	1
19	B181 7037	Shaft: Knob	1
20	B132 7002	Gear: 28Z	1
21	B181 7007	Bracket: Lever	1
22	B132 7011	Holder: Bearing: Front	1
23	B132 7039	Bracket: Bearing: Front	1
24	5447 2681	Snap Ring	1
25	AA08 2118	Bushing - M6	2

Index No.	Part No.	Description	Q'ty Per Assembly
101	0454 4008Q	Tapping Screw - M4x8	
102	0451 3006N	Tapping Screw - 3x6	
103	0450 3008N	Tapping Screw - M3x8	
104	0451 4006N	Tapping Screw - 4x6	
105	0954 3006N	Screw - M3x6	
106	0720 0040E	Retaining Ring - M4	
107	0741 3706	Ball Bearing - 6x10x3	
108	0720 0030E	Retaining Ring - M3	

57.Paper Exit 2 (D014/D015/D078/D079)



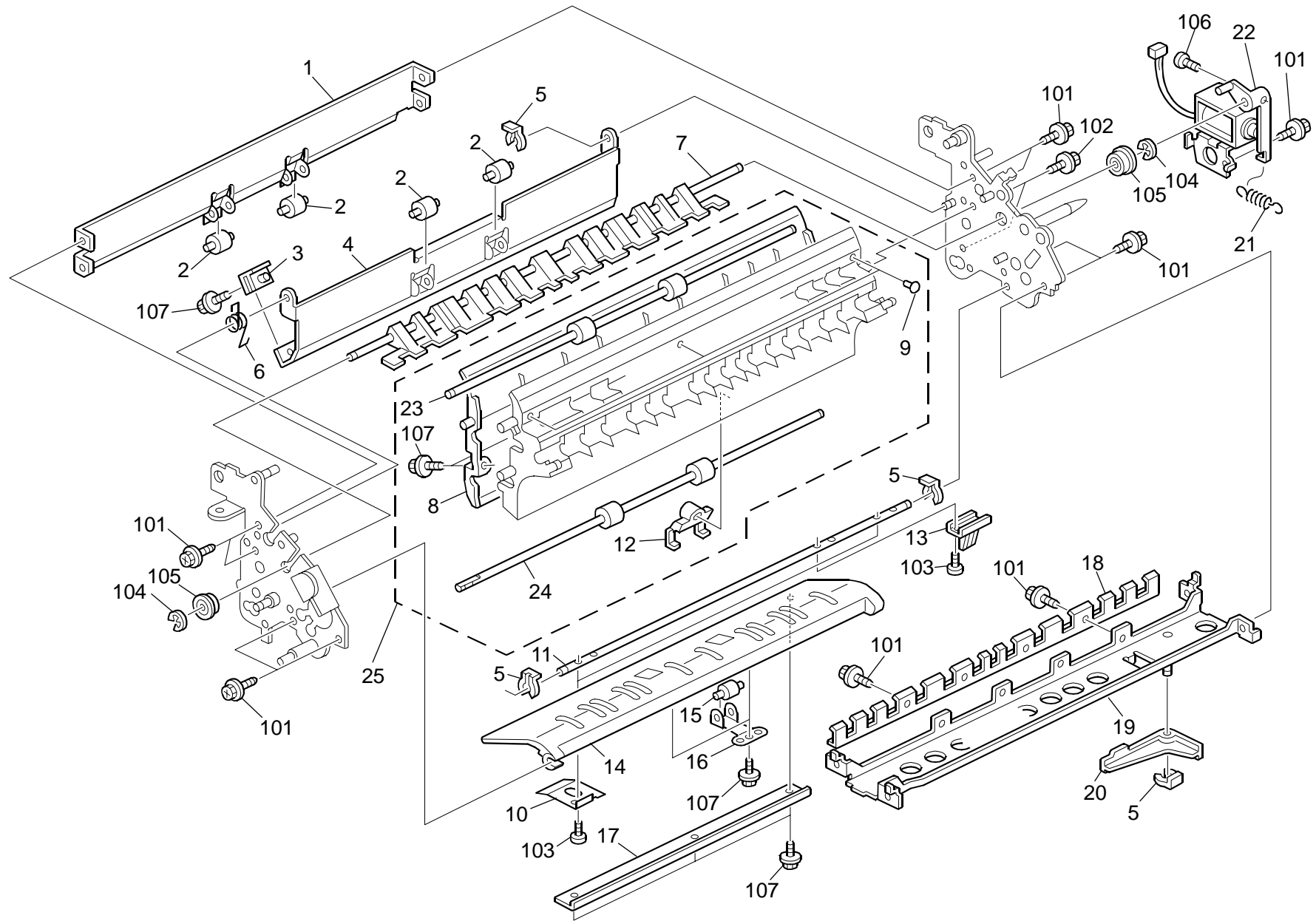
57.Paper Exit 2 (D014/D015/D078/D079)

Rev. 09/04/2008

Index No.	Part No.	Description	Q'ty Per Assembly
1	B132 7086	Exit Roller: Exit: Drive	1
2	D014 7082	Roller: Middle	1
3	B132 7151	Guide Plate: Shaft: Ass'y	1
4	5937 4158	Spring Washer - BD10 [TSB#041]	1
5	B132 7165	Spacer: DIA21 [TSB#041]	1
6	D014 7156	Roller: Decura	1
7	B132 7085	Roller: Decura: Exit	1
8	H053 1174	Washer M6 - Scanner Unit	2
9	B247 4456	Spring - Lower Exit Roller	1
10	A470 1703	Shift Clutch	1
11	B132 7051	Pulley: 19Z	1
12	B132 7116	Timing Belt: T198	1
13	B132 7112	Tightener: Front Upper: Ass'y	1
14	AA06 0695	Tension Spring	1
15	B132 7048	Pulley: 13T	1
16	B132 7025	Roller: Tightener	1
17	B132 7069	Bracket: Connector	1
18	B132 7036	Pulley: 15T	1
19	B132 7028	Pulley: 15T	1
20	B132 7117	Timing Belt: T213	1
21	B132 7059	Roller: Tightener	1
22	B132 7141	Shaft: Base: Tightener	1
23	B132 7080	Pulley: 37T	1
24	B132 7143	Spring: Tightener	1
25	B132 7138	Gear: Z20	1
26	B132 7144	Gear: Z28	1
27	B132 7162	Pulley: Z13	1
28	B132 7030	Gear: Z27	2
29	B132 7060	Gear: 29Z	1
30	B132 7055	Gear: 22Z	1
31	B132 7155	Stopper: Guide	2

Index No.	Part No.	Description	Q'ty Per Assembly
101	0451 3006N	Tapping Screw - 3x6	
102	0720 0040E	Retaining Ring - M4	
103	0741 3706	Ball Bearing - 6x10x3	
104	0632 0100G	Pin - 2x10mm	
105	1105 0511	Harness Clamp - LWS-0306ZC	
106	1102 6245	Relay Connector - 2P	
107	0805 0089	Retaining Ring - M4	

58.Paper Exit 3 (D014/D015/D078/D079)



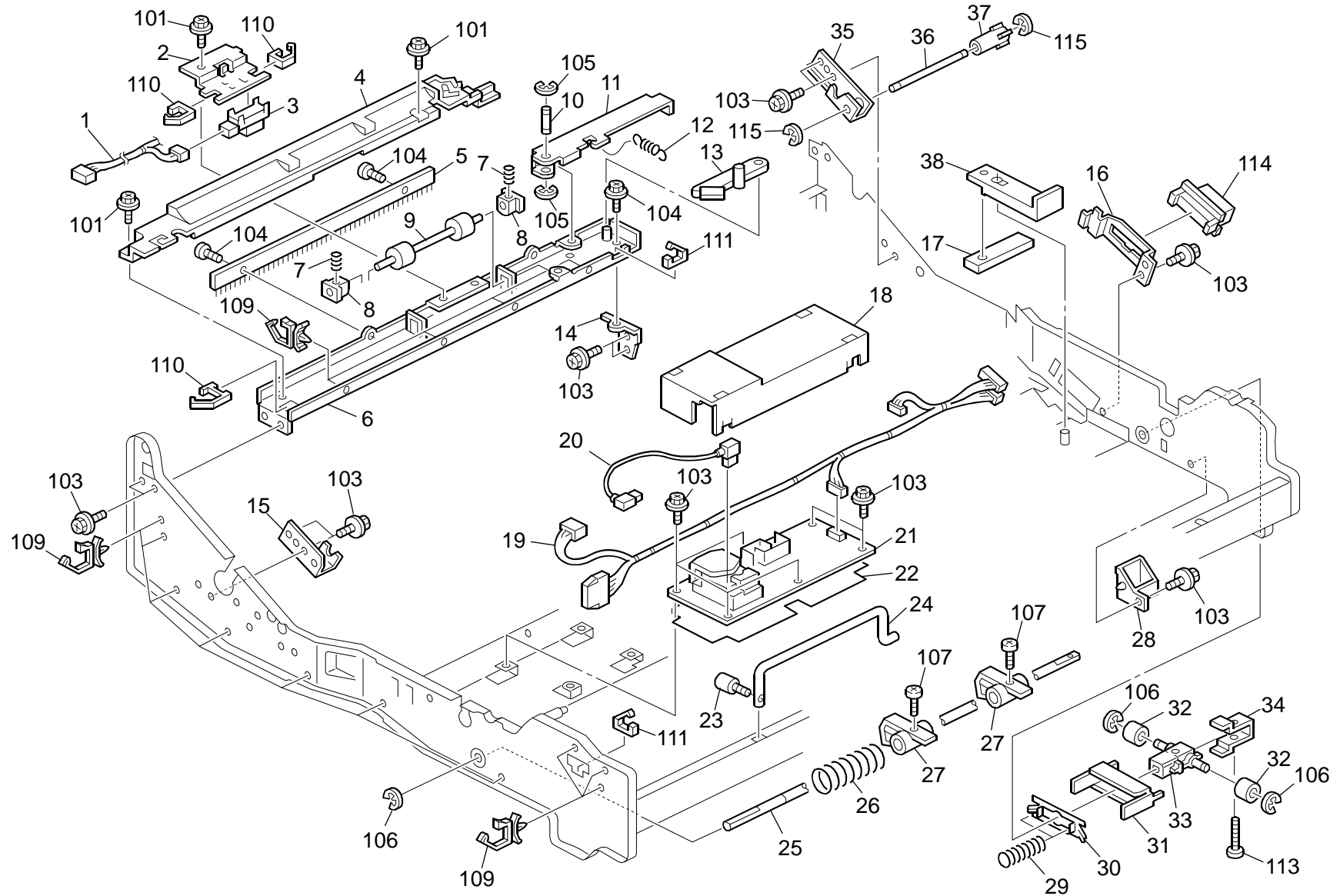
58.Paper Exit 3 (D014/D015/D078/D079)

Rev. 12/04/2008

Index No.	Part No.	Description	Q'ty Per Assembly
1	B132 7115	Guide Plate: Left Upper: Ass'y	1
2	B132 7033	Roller: Mm14	4
3	B132 7015	Grip: Guide Plate: Left	1
4	B132 7110	Guide Plat: Left Lower: Ass'y	1
5	5447 2681	Snap Ring	4
6	AA06 3908	Spring: Tightener [TSB#047]	1
7	D014 7159	Gate Pawl: Reverse: Paper Exit Unit	1
8	B132 7004	Guide Plate: Middle: Transport	1
9	H020 2318	NRP345	3
10	B132 7045	Arm: Pressure	2
11	B132 7029	Shaft: Release: Guide Plate	1
12	B132 7169	Plate: Transport Roller	1
13	B132 7098	Lever: Release	1
14	B132 7017	Guide Plate: Middle: Right	1
15	B132 7031	Roller: Middle	2
16	B132 7020	Spring Plate: Middle	2
17	B132 7160	Stay: Supporting Plate	1
18	B132 7103	Guide: Entrance: Right Rear	1
19	B132 7097	Stay: Shaft: Ass'y	1
20	B132 7046	Lever: Release: Guide Plate: Lower	1
21	AA06 2330	Tension Spring	1
22	D014 7148	DC Solenoid	1
23	B132 7088	Roller: Middle: Duplex Sub-Unit	1
24	D014 7081	Roller: Drive: Connecting: Reverse	1
25	D014 7027	Guide Plate: Middle: Ass'y	1

Index No.	Part No.	Description	Q'ty Per Assembly
101	0451 3006N	Tapping Screw - 3x6	
102	0450 3006N	Tapping Screw - M3x6	
103	0353 0060N	Bind Screw - M3x6	
104	0720 0040E	Retaining Ring - M4	
105	0741 3706	Ball Bearing - 6x10x3	
106	0353 0060N	Bind Screw - M3x6	
107	0450 3008N	Tapping Screw - M3x8	

59.Paper Exit 4 (D014/D015/D078/D079)



59.Paper Exit 4 (D014/D015/D078/D079)

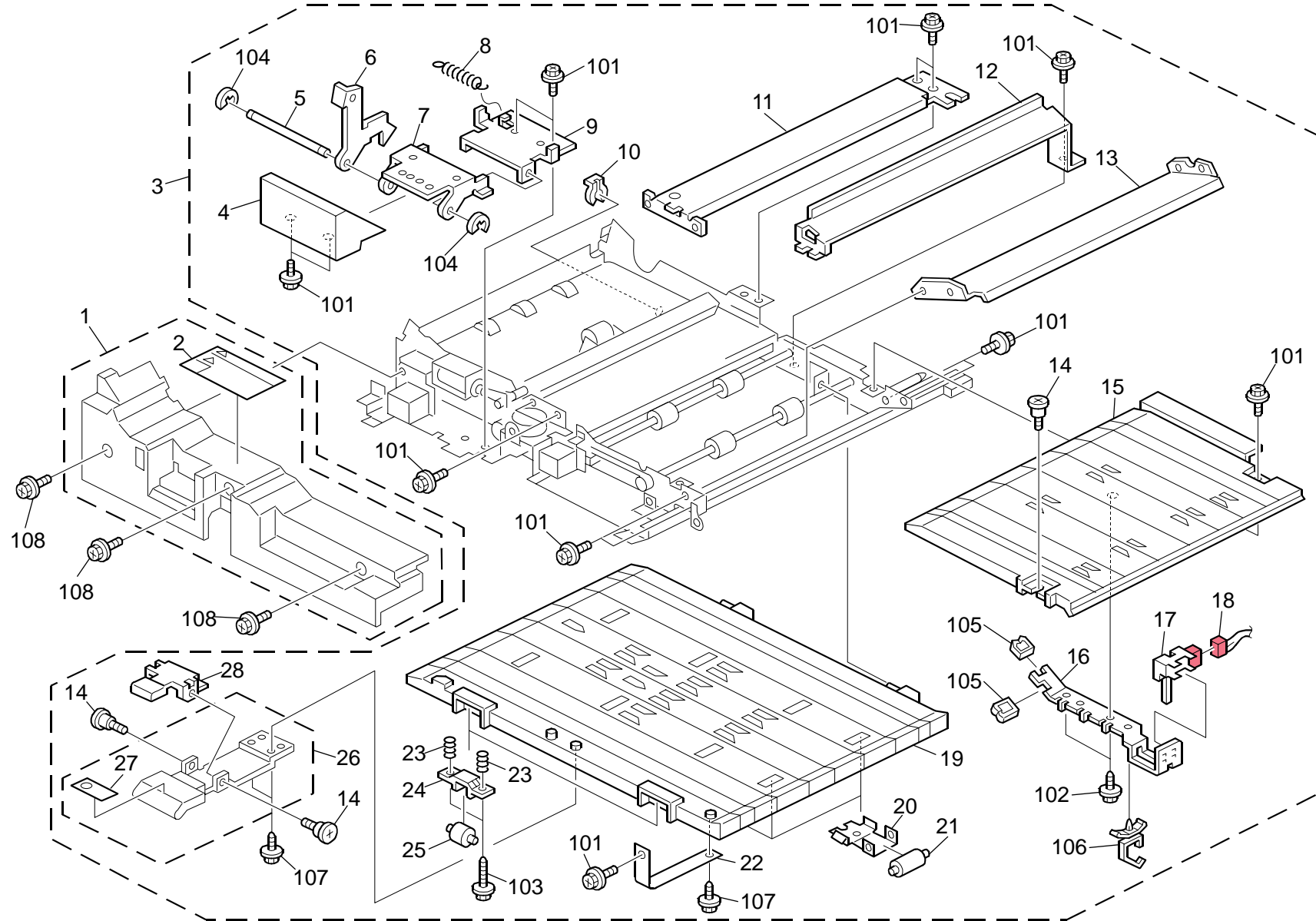
Rev. 06/09/2010

Index No.	Part No.	Description	Q'ty Per Assembly
1	D014 5244	Harness: Paper Exit Unit	1
2	B132 7049	Bracket: Sensor	1
3	AW01 0107	Paper Feed Sensor	1
4	B132 7023	Cover: Exhaust	1
5	AA12 0084	Discharge Brush	1
6	B132 7018	Stay: Exit: Ass'y	1
7	B247 4455	Compression Spring	2
8	AA08 4053	Ball Bearing: Driven: MM4	2
9	B132 7147	Exit Roller: Driven: Upper	1
10	B132 7123	Shaft: Lever: Left Inner Rear	1
11	B132 7041	Lever: Stopper	1
12	AA06 2319	Spring	1
13	B132 7042	Lever: Open And Close	1
14	B132 7119	Bracket: Stay: Left	1
15	B132 7043	Bracket: Fix: Front	1
16	B132 1195	Bracket: Drawer: Pull Out	1
17	B132 1194	Actuator: Pull Out	1
18	B132 1220	Cover: Base: Pull Out	1
19	D014 5242	Harness: Pull Out: Uni: 39pin	1
20	D081 5356	Harness: High Voltage Supply Cord	1
21	AZ31 0029	Power Pack: D	1
22	B132 1228	Insulating Sheet: Pull Out	1
23	5413 1875	Knob Screw	1
24	B132 1191	Handle: Pull Out	1
25	B132 1185	Shaft: Lock: Pull Out	1
26	AA06 3951	Compression Spring	1
27	B132 6305	Cam: Transfer Roller	2
28	B132 6285	Toner Catch pan	1
29	A267 5814	Compression Spring	2
30	B132 1221	Holder: Spring: Pull Out	1
31	B132 1190	Bracket: Release: Lock	1
32	AA13 2300	Roller: Lock: Pull Out	2
33	B132 1183	Bracket: Lock	1
34	B132 1224	Supporting Plate: Bracket: Lock	1
35	B132 7050	Bracket: Fix: Rear	1

Index No.	Part No.	Description	Q'ty Per Assembly
36	B132 7096	Shaft: Stopper	1
37	B132 7070	Holder: Shaft	1
38	B132 1193	Bracket: Interlock: Lever	1
101	0451 3006N	Tapping Screw - 3x6	
102	0451 4006N	Tapping Screw - 4x6	
103	0451 4008N	Tapping Screw: 4x8	
104	0353 0060N	Bind Screw - M3x6	
105	0720 0040E	Retaining Ring - M4	
106	0720 0060E	Retaining Ring - M6	
107	0354 0060N	Screw-M4x6	
108	0805 3386	Bushing - 8MM	
109	1105 0534	Clamp	
110	1105 0551	Clamp: LES-0505	
111	1105 0522	Edge Saddle - LES0510	
112	1105 0516	Clamp	
113	0314 0180N	Pan Head Screw: M4x18	
114	1102 9781	Connector: 51405-3919	
115	0720 0030E	Retaining Ring - M3	

WWW.SERVICE-MANUAL.NET

60.Duplex Unit 1 (D014/D015/D078/D079)



WWW.SERVICE-MANUAL.NET

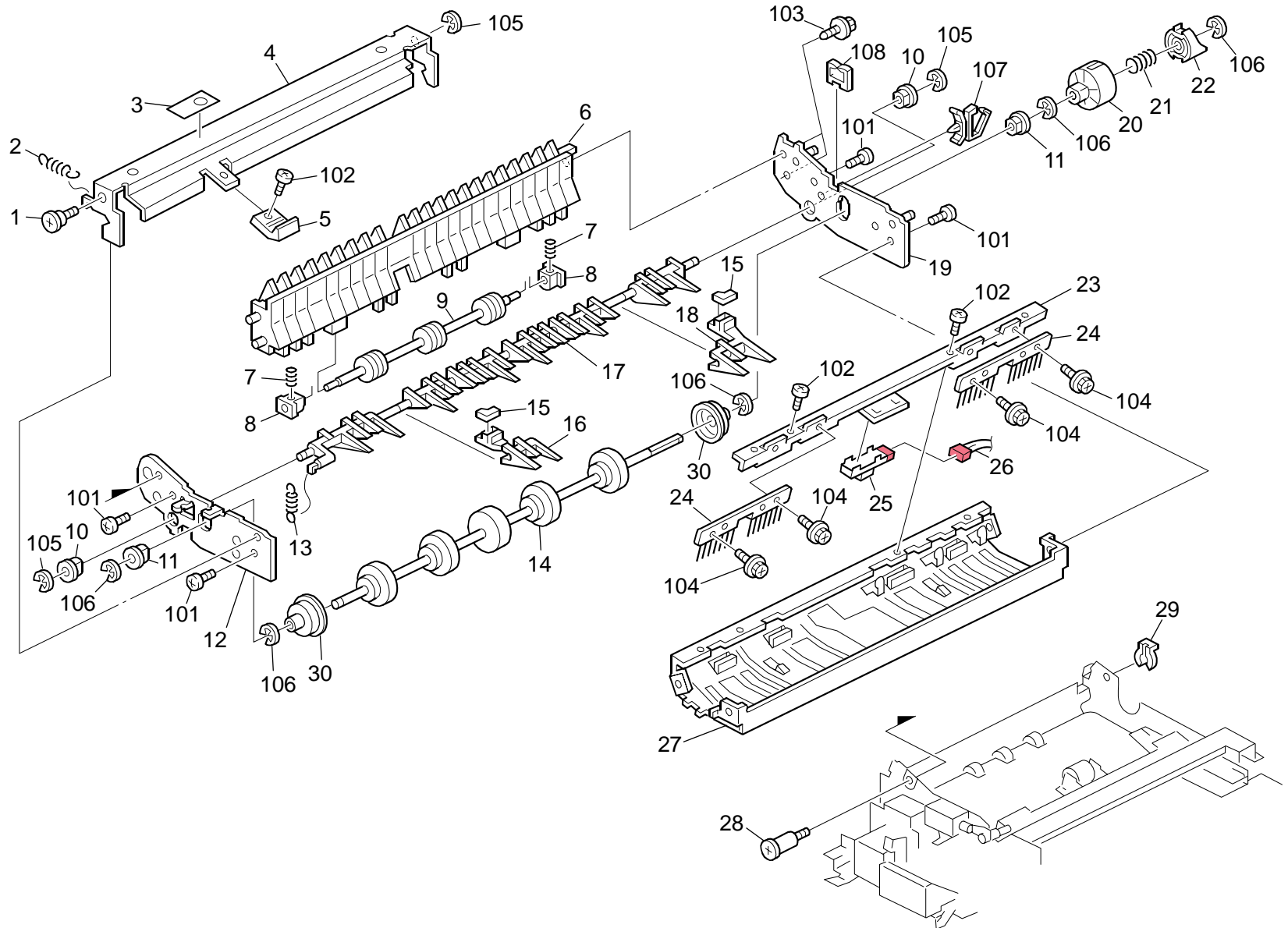
60.Duplex Unit 1 (D014/D015/D078/D079)

Rev. 06/23/2009

Index No.	Part No.	Description	Q'ty Per Assembly
1	B132 4525	Inner Cover: Duplex Unit: Ass'y	1
2	B132 4797	Decal: Warning (High Temperature)	1
3	D014 4501	Duplex Unit	1
4	B247 4675	Grip: Release: Duplex Unit	1
5	B247 4673	Shaft: Lever: Release	1
6	B132 4671	Arm: Lock: Duplex	1
7	B065 4675	Duplex Release Bracket	1
8	AA06 2320	Spring	1
9	B065 4672	Release Lever Bracket	1
10	5447 2681	Snap Ring	1
11	B132 4987	Stay: Duplex Unit: Upper	1
12	D014 4874	Guide Plate: Jogger: Upper	1
13	B132 4869	Guide Plate: Duplex: Exit	1
14	AA14 3811	Stepped Screw - M3x4	3
15	B181 4725	Table: Duplex: Right	1
16	B132 4727	Bracket: Sensor: Right	1
17	AW02 0149	Paper Feed Sensor	1
18	D014 5263	Harness: Sensor: Duplex: 3p	1
19	B132 4730	Guide Plate: Transport: Lower	1
20	B065 4731	Spring Plate - Driven Roller	8
21	AF02 2077	Driven Roller	8
22	A096 4928	Guide Plate Band	1
23	AA06 3581	Compression Spring	4
24	A229 4727	Guide Plate Pressure Holder	2
25	AF02 2067	Guide Stopper Roller	2
26	B065 4531	Guide Plate Lever	1
27	B065 4867	Decal - Guide Plate Lever	1
28	B065 4933	Guide Plate Lever Hook	1

Index No.	Part No.	Description	Q'ty Per Assembly
101	0451 4006N	Tapping Screw - 4x6	
102	0450 4008N	Tapping Screw - M4x8	
103	0450 4010N	Tapping Screw: M4x10	
104	0720 0040E	Retaining Ring - M4	
105	1105 0328	Harness Clamp - ES-0505	
106	1105 0511	Harness Clamp - LWS-0306ZC	
107	0450 3008N	Tapping Screw - M3x8	
108	0451 4008N	Tapping Screw: 4x8	

61.Duplex Unit 2 (D014/D015/D078/D079)



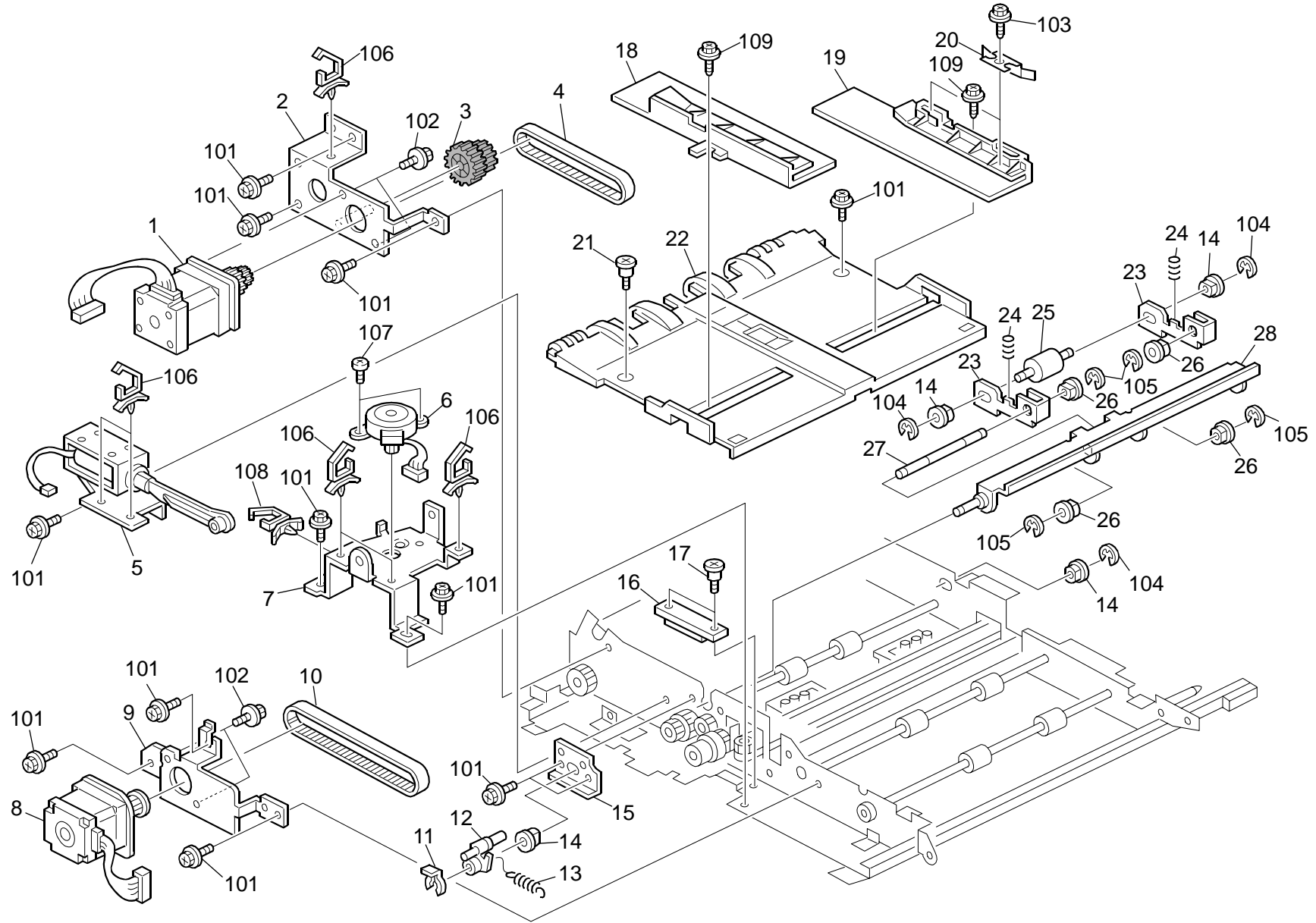
61. Duplex Unit 2 (D014/D015/D078/D079)

Rev. 10/29/2010

Index No.	Part No.	Description	Q'ty Per Assembly
1	AA14 3129	Shoulder Screw - Front Cover	1
2	AA06 2318	Spring	1
3	B132 4796	Decal: Grip: E3	1
4	B132 4647	Lever: Open And Close: Reverse Unit	1
5	AG05 1141	Release Lever	1
6	A229 4623	Lower Entrance Guide Plate	1
7	B247 4817	Compression Spring	2
8	AA08 0034	Bushing - 4x5x7	2
9	B247 4624	Roller: Driven: Duplex	1
10	AA08 2118	Bushing - M6	2
11	AA08 2116	Bushing - M8	2
12	D081 4627	Side Plate: Front: Reverse Unit [TSB#087]	1
13	AA06 2328	Tension Spring: Black	1
14	D014 4818	Reverse Roller: Entrance	1
15	B132 4643	Spacer: Gate Pawl	2
16	A293 4613	Front Gate Pawl	1
17	A293 4611	Reverse Roller	1
18	A293 4614	Rear Gate Pawl	1
19	D081 4620	Side Plate: Rear: Reverse Unit: Ass'y [TSB#087]	1
20	B065 4632	Joint Holder	1
21	B247 4815	Compression Spring	1
22	A229 4740	Drive Joint	1
23	B065 4644	Sensor Bracket	1
24	A229 4617	Duplex Discharge Brush	2
25	AW01 0119	Paper Feed Sensor	1
26	D014 4985	Harness: Sensor: Reverse Unit: 3p	1
27	B132 4640	Guide Plate: Entrance: Upper: Ass'y	1
28	AA14 3426	Stopped Screw - M4x17	1
29	5447 2681	Snap Ring	1
30	D014 4819	Guide: Auxiliary: Reverse Roller	2

Index No.	Part No.	Description	Q'ty Per Assembly
101	0354 0060N	Screw-M4x6	
102	0353 0050N	Screw-M3x5	
103	0450 4010N	Tapping Screw: M4x10	
104	0451 3006N	Tapping Screw - 3x6	
105	0720 0040E	Retaining Ring - M4	
106	0720 0060E	Retaining Ring - M6	
107	1105 0511	Harness Clamp - LWS-0306ZC	
108	1105 0328	Harness Clamp - ES-0505	

62.Duplex Unit 3 (D014/D015/D078/D079)

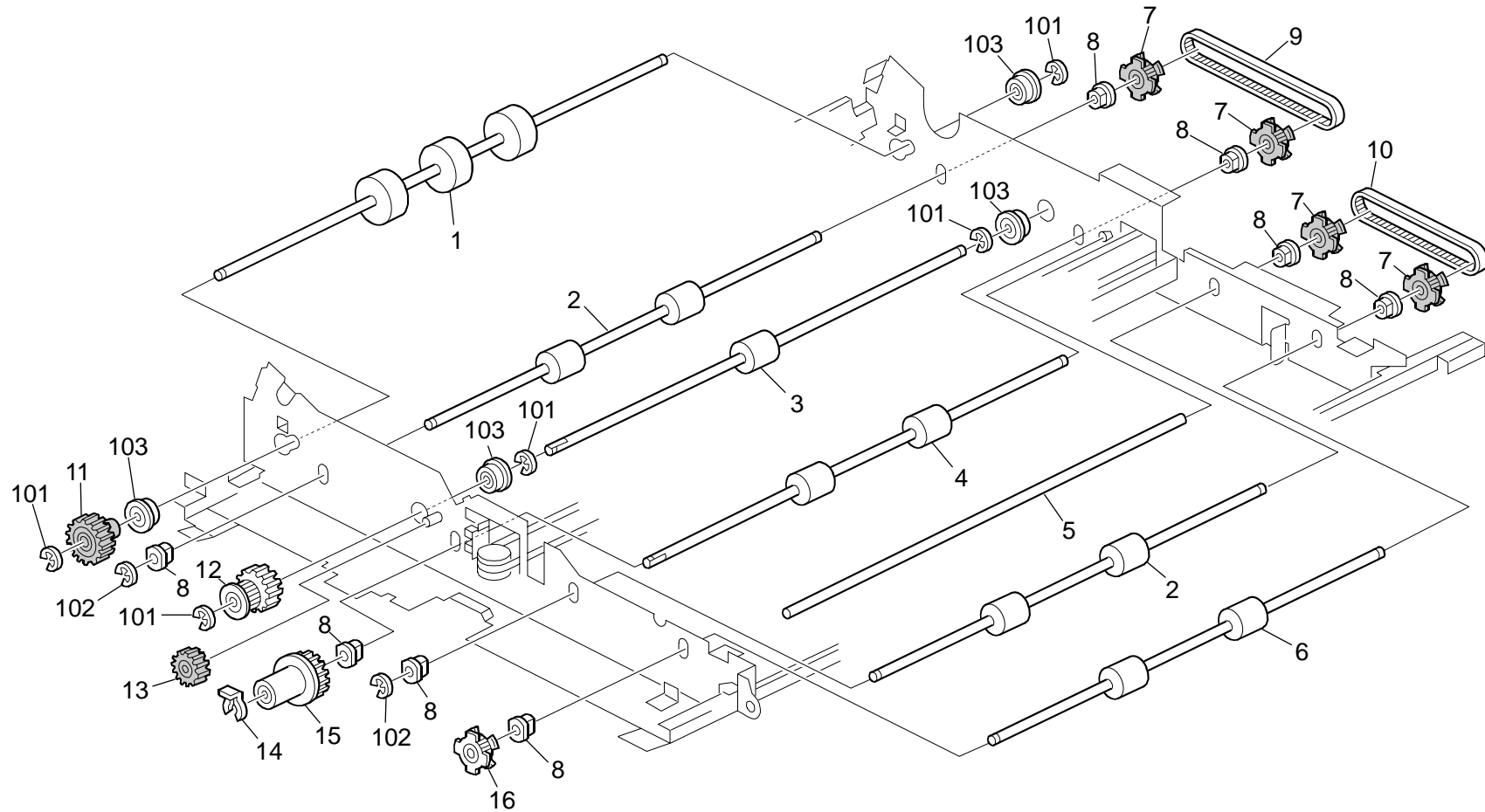


62.Duplex Unit 3 (D014/D015/D078/D079)

Index No.	Part No.	Description	Q'ty Per Assembly
1	B132 4780	Stepper Motor: Reverse: Ass'y	1
2	B132 4810	Bracket: Motor: Reverse: Ass'y	1
3	AB01 7687	Gear: 22/24Z	1
4	AA04 3291	Timing Belt	1
5	B132 4745	DC Solenoid: Reversal: Ass'y	1
6	B132 4650	Stepper Motor: Jogger: Ass'y	1
7	B132 4696	Bracket: Stepper Motor: Jogger	1
8	B132 4785	Stepper Motor: Transport: Ass'y	1
9	B132 4789	Bracket: Stepper Motor: Transport	1
10	AA04 3309	Timing Belt: 40S2M360G	1
11	5447 2681	Snap Ring	1
12	B132 4663	Lever: Roller: Driven: Reversal	1
13	AA06 2327	Tension Spring	1
14	AA08 2118	Bushing - M6	4
15	B132 4665	Stay: Bearing: Reversal	1
16	AA02 1034	Magnetic	1
17	AA14 3183	Stepped Screw	2
18	B132 4681	Jogger Fence: Front	1
19	B132 4682	Jogger Fence: Rear	1
20	B065 4683	Spring Plate - Rear Jogger Fence	1
21	AA14 3811	Stepped Screw - M3x4	1
22	B132 4720	Table: Duplex: Left	1
23	B132 4661	Arm: Roller: Reversal: Driven	2
24	AA06 3592	Compression Spring	2
25	AF02 0690	Roller: Reversal: Driven	1
26	AA08 2063	Bushing - 8x10x5	4
27	AA14 8692	Shaft: Roller: Reversal	1
28	B132 4655	Bracket: Reversal: Driven: Ass'y	1

Index No.	Part No.	Description	Q'ty Per Assembly
101	0451 4006N	Tapping Screw - 4x6	
102	0451 3006N	Tapping Screw - 3x6	
103	0450 3006N	Tapping Screw - M3x6	
104	0720 0040E	Retaining Ring - M4	
105	0720 0030E	Retaining Ring - M3	
106	1105 0534	Clamp	
107	0353 0050N	Screw-M3x5	
108	1105 0508	Harness Clamp - LWS-0711	
109	0450 3008N	Tapping Screw - M3x8	

63.Duplex Unit 4 (D014/D015/D078/D079)



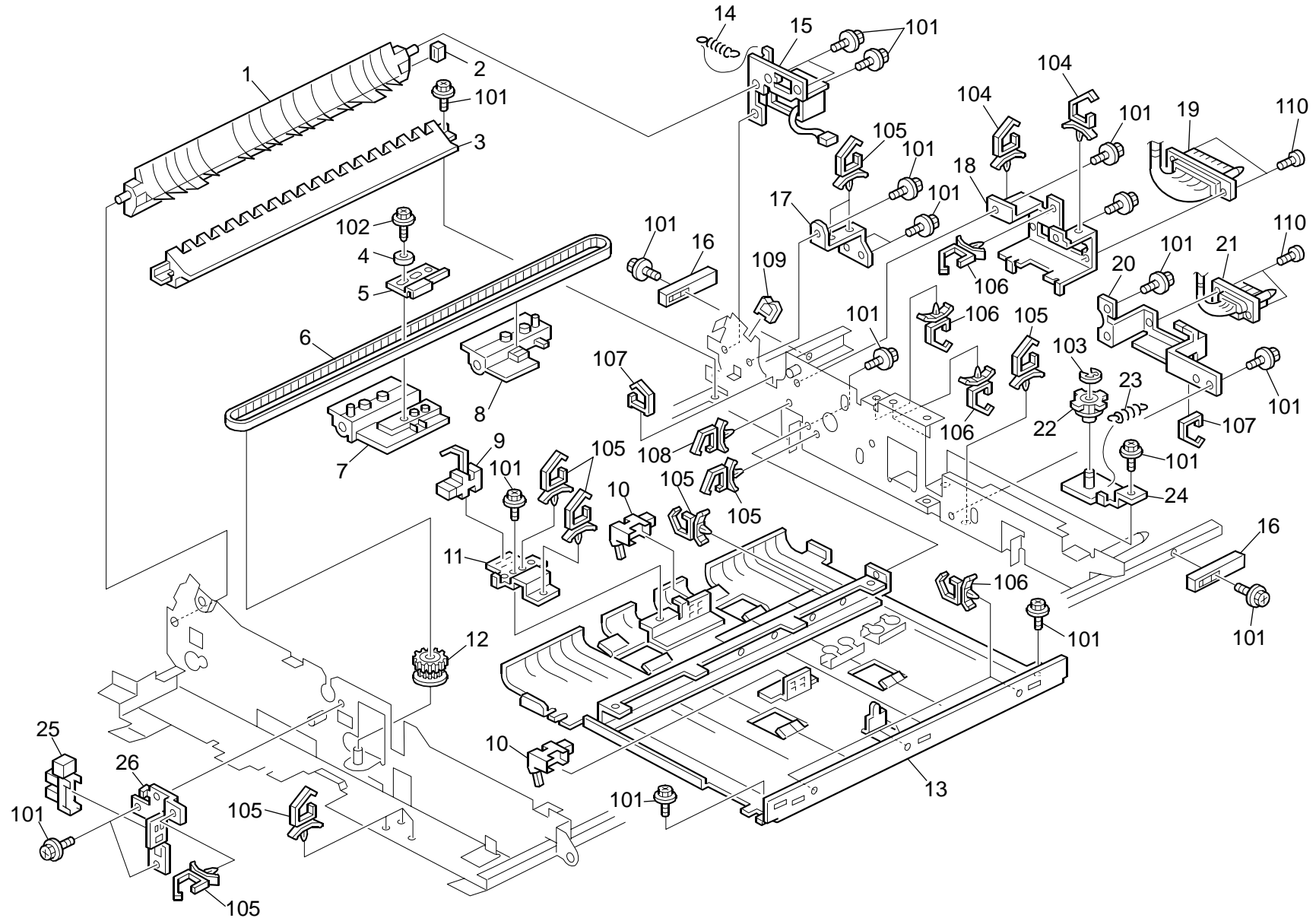
63. Duplex Unit 4 (D014/D015/D078/D079)

Rev. 06/23/2009

Index No.	Part No.	Description	Q'ty Per Assembly
1	AF02 1075	Duplex Turn Roller	1
2	B247 4812	Roller: Transport: Driven: Left: Right	2
3	B247 4813	Roller: Reversal: Drive	1
4	B247 4825	Roller: Drive: Left	1
5	B065 4694	Jogger Guide Rod	1
6	AF02 1079	Right Drive Roller	1
7	AB03 0583	Timing Pulley - 24Z	4
8	AA08 2118	Bushing - M6	8
9	AA04 3310	Timing Belt: 40S2M278G	1
10	AA04 3311	Timing Belt: 40S2M302G	1
11	AB01 1497	Gear: 45Z	1
12	AB01 7614	Pulley	1
13	AB01 1498	Gear: 22Z	1
14	5447 2681	Snap Ring	1
15	AB01 1496	Gear - 32Z	1
16	AB03 0731	Pulley - 29Z	1

Index No.	Part No.	Description	Q'ty Per Assembly
101	0720 0060E	Retaining Ring - M6	
102	0720 0040E	Retaining Ring - M4	
103	0742 3808	Ball Bearing - 8x16x5MM	

64.Duplex Unit 5 (D014/D015/D078/D079)



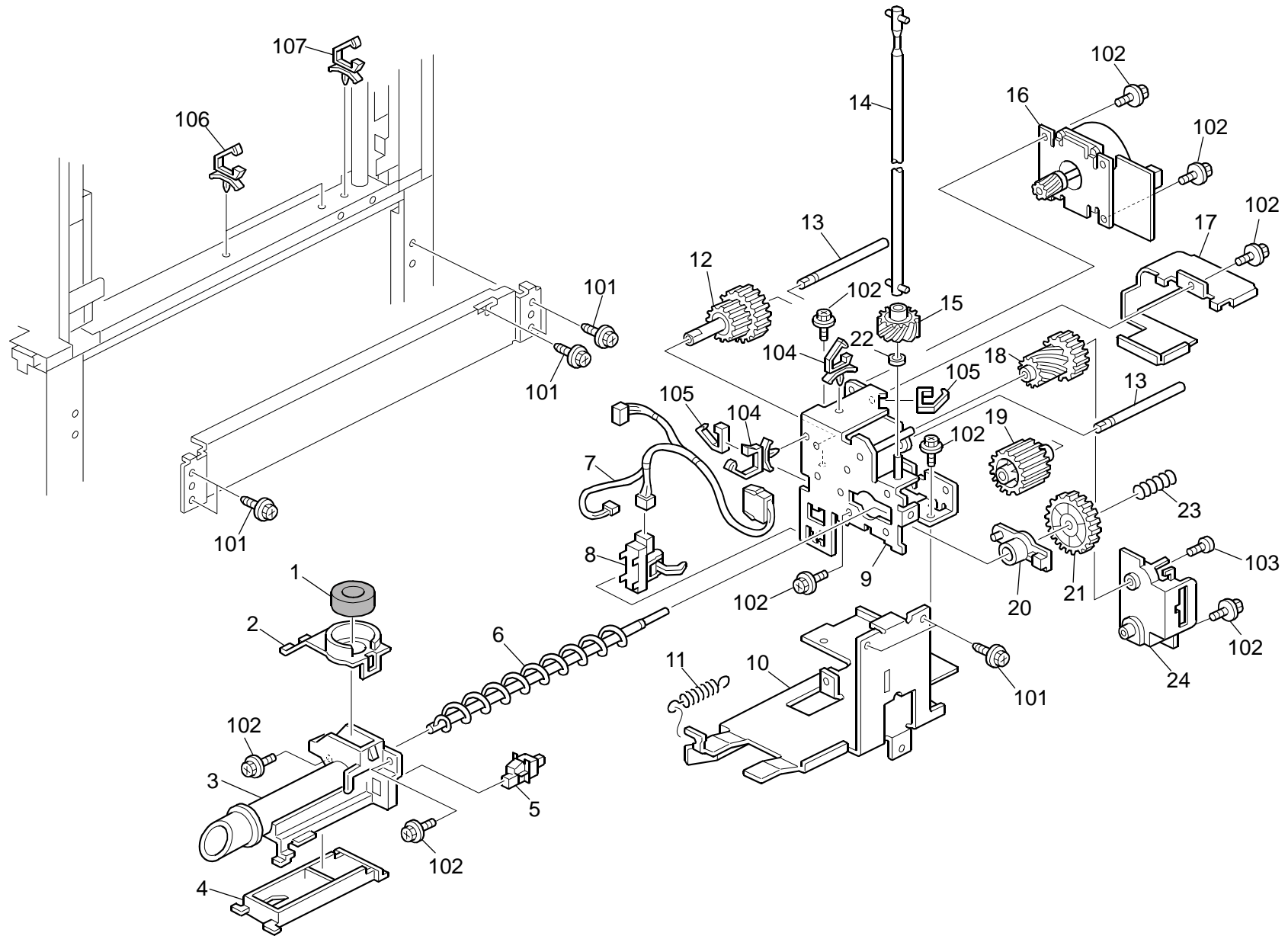
64. Duplex Unit 5 (D014/D015/D078/D079)

Rev. 08/19/2010

Index No.	Part No.	Description	Q'ty Per Assembly
1	B065 4733	Duplex Gate Pawl	1
2	B065 4738	Gate Pawl Cushion	1
3	A294 4626	Lower Duplex Guide Plate	1
4	B065 4865	Spacer	1
5	B132 4689	Stay: Timing Belt	1
6	AA04 3435	Timing Belt: 40S2M810	1
7	B132 4692	Slider: Jogger Fence: Front	1
8	B132 4693	Slider: Jogger Fence: Rear	1
9	AW02 0148	Paper Feed Sensor	1
10	AW02 0149	Paper Feed Sensor	2
11	B132 4715	Bracket: Sensor: Reverse: Exit	1
12	AB01 7615	Gear - 30Z/45Z	1
13	B132 4710	Guide Plate: Transport: Upper: Ass'y	1
14	AA06 0984	Tension Spring	1
15	D014 4740	DC Solenoid: Gate Pawl	1
16	A096 4595	Duplex Guide	2
17	B132 4619	Bracket: Support: Positioning Pin	1
18	D014 4790	Bracket: Drawer: 32pin	1
19	D014 5261	Harness: Duplex Unit: 32pin	1
20	B132 4791	Bracket: Drawer: 12pin: Duplex	1
21	D014 5262	Harness: Duplex Unit: 12pin	1
22	AB03 0732	Jogger Pulley	1
23	AA06 2318	Spring	1
24	B065 4820	Jogger Bracket	1
25	AW02 0145	Photointerruptor: Flat	1
26	B132 4699	Bracket: Home Position Sensor: Jogger	1

Index No.	Part No.	Description	Q'ty Per Assembly
101	0451 4006N	Tapping Screw - 4x6	
102	0450 4008N	Tapping Screw - M4x8	
103	0720 0040E	Retaining Ring - M4	
104	1105 0516	Clamp	
105	1105 0534	Clamp	
106	1105 0508	Harness Clamp - LWS-0711	
107	1105 0522	Edge Saddle - LES0510	
108	1105 0511	Harness Clamp - LWS-0306ZC	
109	1105 0328	Harness Clamp - ES-0505	
110	0353 0080N	Screw: M3x8	

65.Used Toner Section 1 (D014/D015/D078/D079)

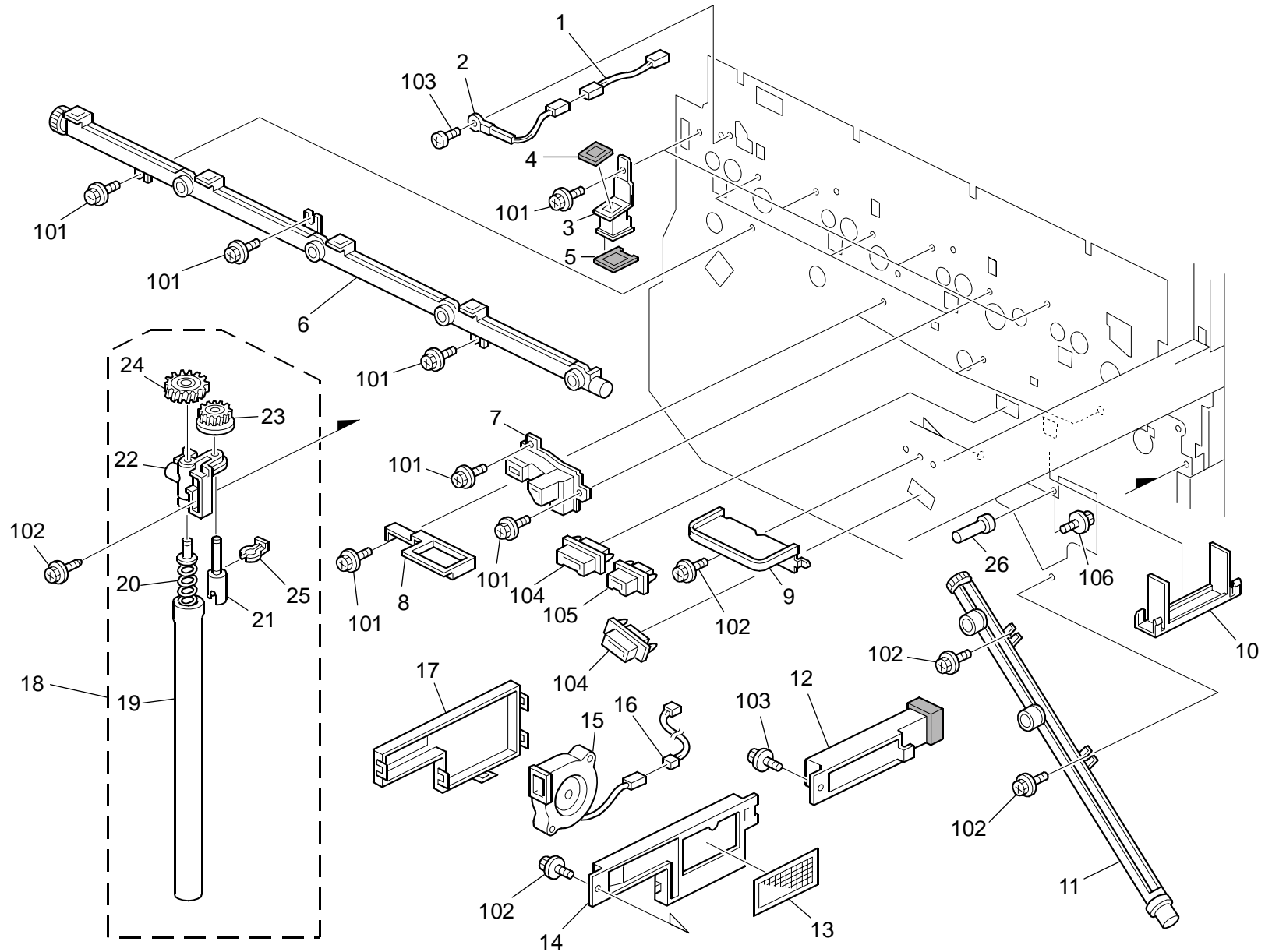


65.Used Toner Section 1 (D014/D015/D078/D079)

Index No.	Part No.	Description	Q'ty Per Assembly
1	B132 6578	Shield: Joint: PCU	1
2	B132 6519	Case: Toner Outlet Sub-unit: Cover	1
3	B132 6518	Case: Toner Outlet Sub-unit	1
4	B132 6539	Toner Catch pan: Tank: Entrance	1
5	AW50 0023	Push Switch	1
6	B132 6520	Transport Screw: Upper: Ass'y	1
7	D014 5393	Harness: Bank	1
8	AW02 0147	Photointerruptor: Feeler: Square	1
9	B132 6512	Base: Toner Outlet Sub-unit: Ass'y	1
10	B132 6514	Bracket: Toner Outlet Sub-unit: Drive	1
11	B132 6542	Tension Spring	1
12	AB01 1029	Gear: 31/44Z	1
13	B132 6527	Shaft: Toner Outlet Sub-unit	2
14	B132 6548	Shaft: Drive: Long: Ass'y	1
15	AB01 3299	Gear: 18Z	1
16	AX06 0302	Brushless MotorDC24V 2.4W	1
17	B132 6537	Cover: Dc Motor	1
18	AB01 1248	Gear: 14/30Z	1
19	AB01 1247	Gear: 32Z	1
20	B132 6536	Bushing: Transport Screw	1
21	B065 3587	Toner Collection Gear	1
22	AA13 2208	Spacer - M6	1
23	B065 3561	Spring	1
24	B132 6526	Guide: Spring: Discharge Used Toner	1

Index No.	Part No.	Description	Q'ty Per Assembly
101	0451 4008N	Tapping Screw: 4x8	
102	0451 3008N	Tapping Screw - M3x8	
103	0353 0080N	Screw: M3x8	
104	1105 0511	Harness Clamp - LWS-0306ZC	
105	1105 0522	Edge Saddle - LES0510	
106	1105 0488	Harness Clamp	
107	1105 0600	Clamp: LWSM-0306-2M	

66.Used Toner Section 2 (D014/D015/D078/D079)



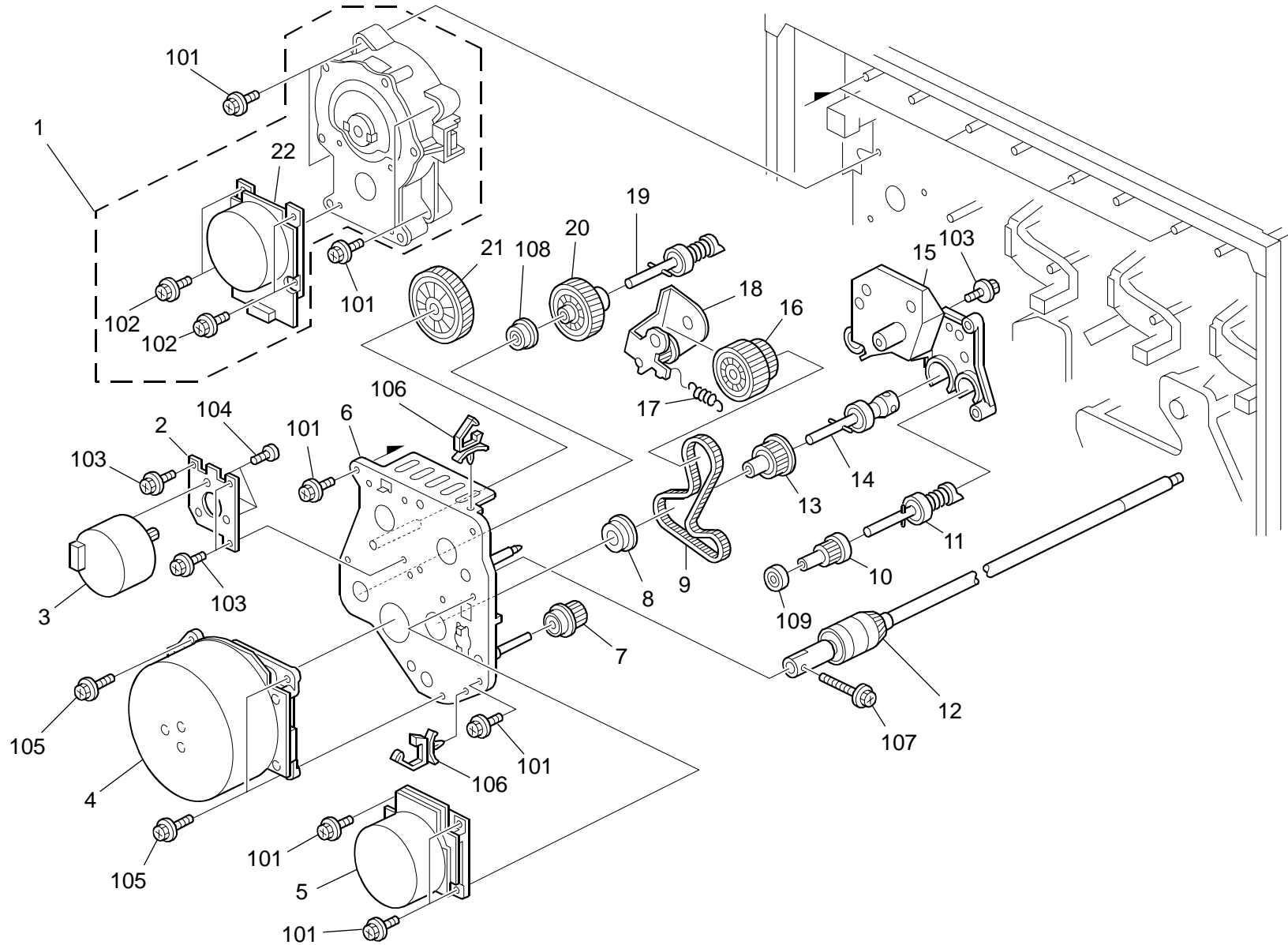
66.Used Toner Section 2 (D014/D015/D078/D079)

Rev. 11/4/2011

Index No.	Part No.	Description	Q'ty Per Assembly
1	D014 5264	Harness: Connecting: Main: Thermistor	1
2	AW10 0107	Thermistor	1
3	D014 3240	Cover: Discharge Used Toner	4
4	D014 3241	Seal: Discharge Used Toner	4
5	D014 3242	Seal: Discharge Used Toner: Lower	4
6	D081 6558	Toner Outlet Unit: PCU	1
7	D014 3624	Duct: PCU: Side Plate: Main	3
8	B132 6599	Toner Catch pan: K	3
9	B132 1229	Cover: Drawer	1
10	D014 3613	Duct: Stay: Right	1
11	D081 6569	Toner Outlet Sub-Unit: Transfer: Diag Slanted	1
12	D014 3616	Duct: Charge Corona: Side	1
13	D014 3664	Duct Filter - Charge Corona	1
14	D014 3611	Cover: Duct: Blower: Charge Corona	1
15	D014 3607	Sirocco Fan Motor: DC24V 1.44W	1
16	D014 5385	Harness: Sirocco Fan Motor	1
17	D014 3610	Duct: Blower: Charge Corona	1
18	D081 6528	Toner Outlet Sub-Unit: PCU: Lengthwise: Ass'y	1
19	B132 6531	Pipe: Toner Recycling Section: Around The Photo	1
20	B132 6561	Transport Screw: Lengthwise	1
21	B132 6545	Shaft: Drive: Short: Ass'y	1
22	B132 6540	Case: Drive: Ass'y	1
23	AB01 3122	Gear: 26Z	1
24	AB01 3189	Gear: 30Z	1
25	5447 2681	Snap Ring	1
26	D014 1127	Stud: Manual Feed: Rear	1

Index No.	Part No.	Description	Q'ty Per Assembly
101	0451 4006N	Tapping Screw - 4x6	
102	0451 4008N	Tapping Screw: 4x8	
103	0353 0060N	Bind Screw - M3x6	
104	1102 9783	Connector: 55949-3919	
105	1102 9785	Connector: 55949-1819	

67. Drive Section 1 (D014/D015/D078/D079)

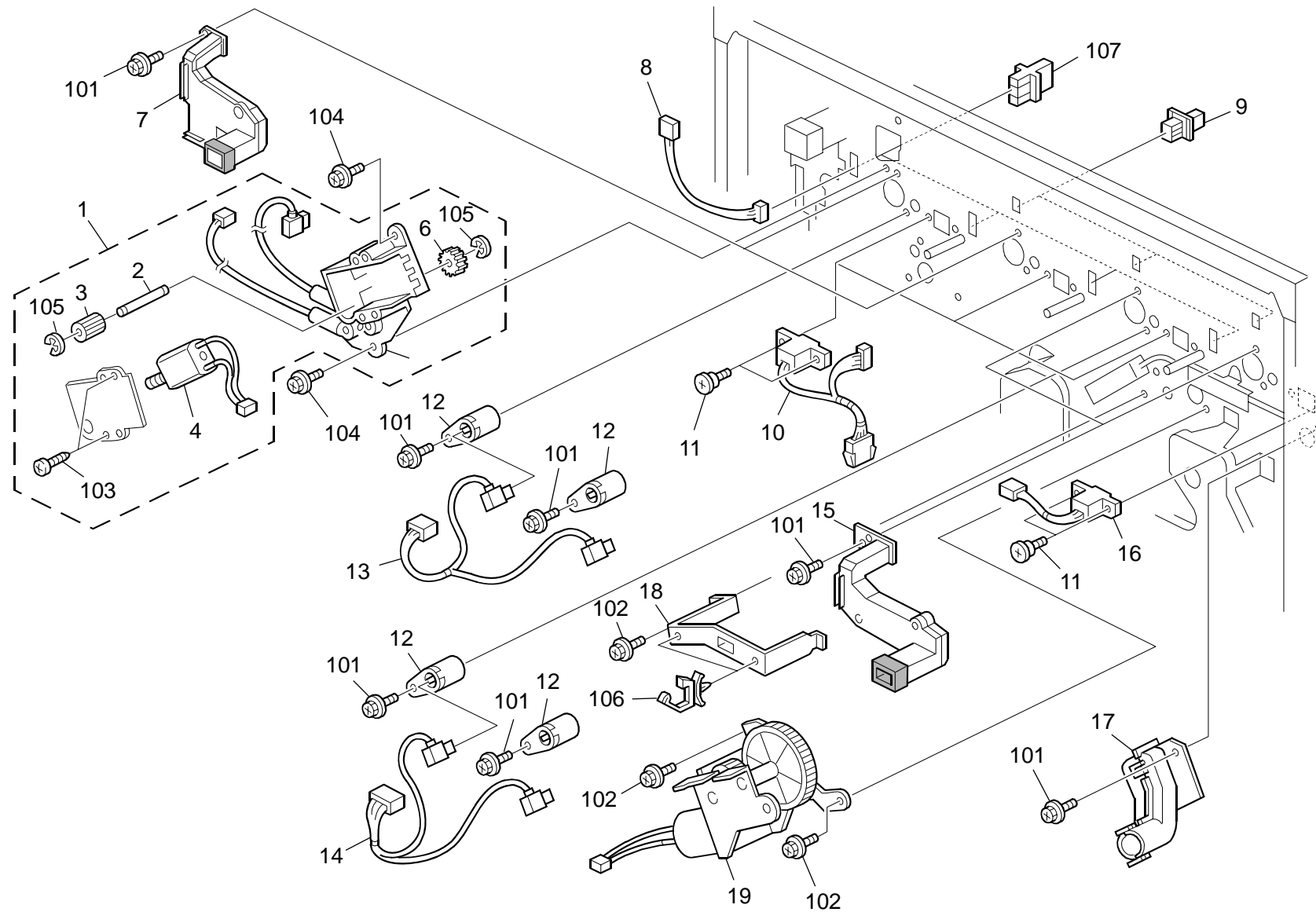


67. Drive Section 1 (D014/D015/D078/D079)

Index No.	Part No.	Description	Q'ty Per Assembly
1	D014 1300	Drive Unit: Transfer Belt	1
2	D014 1265	Bracket: DC Motor	1
3	AX05 0293	DC Motor: DC24V: 6W	1
4	D014 1255	DC Motor: DC24V: 9W	1
5	AX06 0359	DC Motor: DC24V: 21W	1
6	D014 1270	Bracket: Drive Unit	1
7	D014 1279	Pulley: 27T	1
8	D014 1267	Holder: Drive Unit	1
9	AA04 3978	Timing Belt: 40DS2M300	1
10	AB03 0819	Timing Pulley: 23T	1
11	D014 1285	Shaft: Drive: Transport Screw	1
12	D014 1251	Drum Shaft	1
13	AB03 0766	Timing Pulley: 37T	1
14	D014 1280	Shaft: Drive: Development Unit	1
15	D014 1275	Bracket: Auxiliary: Drive Unit	1
16	D014 1261	Gear: 60Z/47T	1
17	AA06 0950	Tension Spring	1
18	D014 1276	Bracket: Tightener	1
19	D014 1285	Shaft: Drive: Transport Screw	1
20	AB01 0143	Gear: 81Z	1
21	AB01 0142	Gear: 93Z	1
22	AX06 0360	DC Motor: MM56: DC24V: 12W	1

Index No.	Part No.	Description	Q'ty Per Assembly
101	0360 4006N	Screw - M4x6	
102	0360 3005N	Screw - M3x5	
103	0451 3006N	Tapping Screw - 3x6	
104	0313 0040N	Screw: M3x4	
105	0360 4010N	Screw: M4x10	
106	1105 0511	Harness Clamp - LWS-0306ZC	
107	0360 3014N	Screw - M3x14	
108	0742 3906	Ball Bearing - 6x14x5MM	
109	0740 3906	Ball Bearing - 6x15x5	

68.Drive Section 2 (D014/D015/D078/D079)

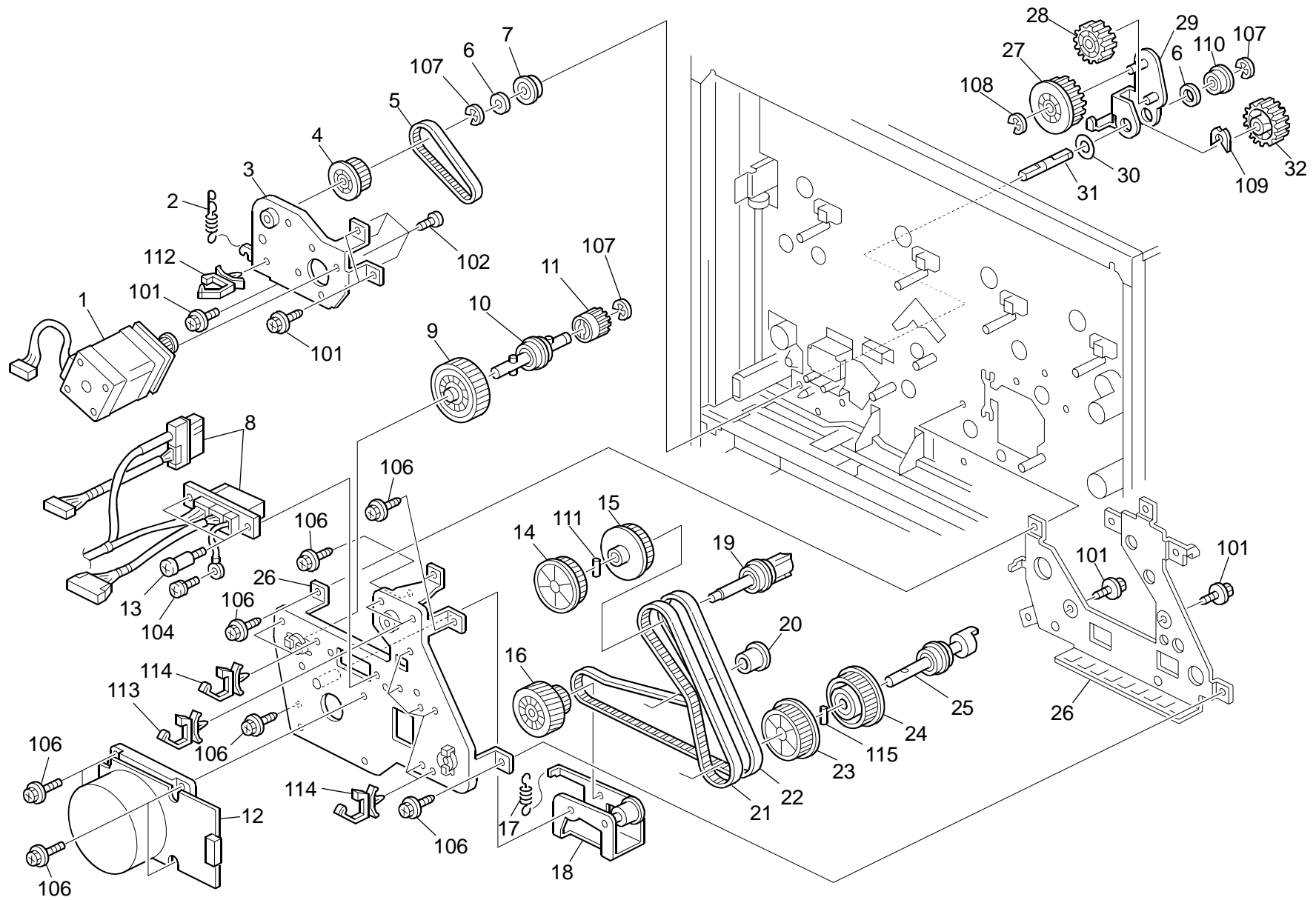


68. Drive Section 2 (D014/D015/D078/D079)

Index No.	Part No.	Description	Q'ty Per Assembly
1	D014 3553	Cleaning Drive Unit: Charge	1
2	D014 3558	Shaft: Drive: Cleaner: Charge Corona	1
3	D014 3559	Gear: 20Z	1
4	AX04 0167	Motor: DC5V 0.71W	1
5	D014 3554	Housing: Charge Corona	1
6	D014 2419	Gear: 11Z	1
7	D014 3670	Duct: Joint: PCU: M&K: Ass'y	1
8	D014 5272	Harness: T: Sensor: Drawer	1
9	D014 3550	Connector: 1Pole	1
10	D014 5271	Harness: PCU: Drawer: MCY	3
11	B259 1131	Screw: PCU	8
12	D014 3261	Receptacle: Development Unit	4
13	D014 5340	Harness: Development: BM	1
14	D014 5342	Harness: Development: CY	1
15	D014 3630	Duct: Joint: PCU: Color	2
16	D014 5270	Harness: PCU: Drawer: Black	1
17	D014 3601	Duct: Connecting: Fusing Unit	1
18	B132 1339	Bracket: On-Off: Plate	1
19	B132 1338	DC Motor: On-Off: Ass'y	1

Index No.	Part No.	Description	Q'ty Per Assembly
101	0451 4008N	Tapping Screw: 4x8	
102	0451 3006N	Tapping Screw - 3x6	
103	0452 3008N	Tapping Screw - M3x8	
104	0360 4006N	Screw - M4x6	
105	0720 0025E	Retaining Ring - M2.5	
106	1105 0511	Harness Clamp - LWS-0306ZC	
107	1102 9430	Connector: Drawer: 1612257-7	

69. Drive Section 3 (D014/D015/D078/D079)



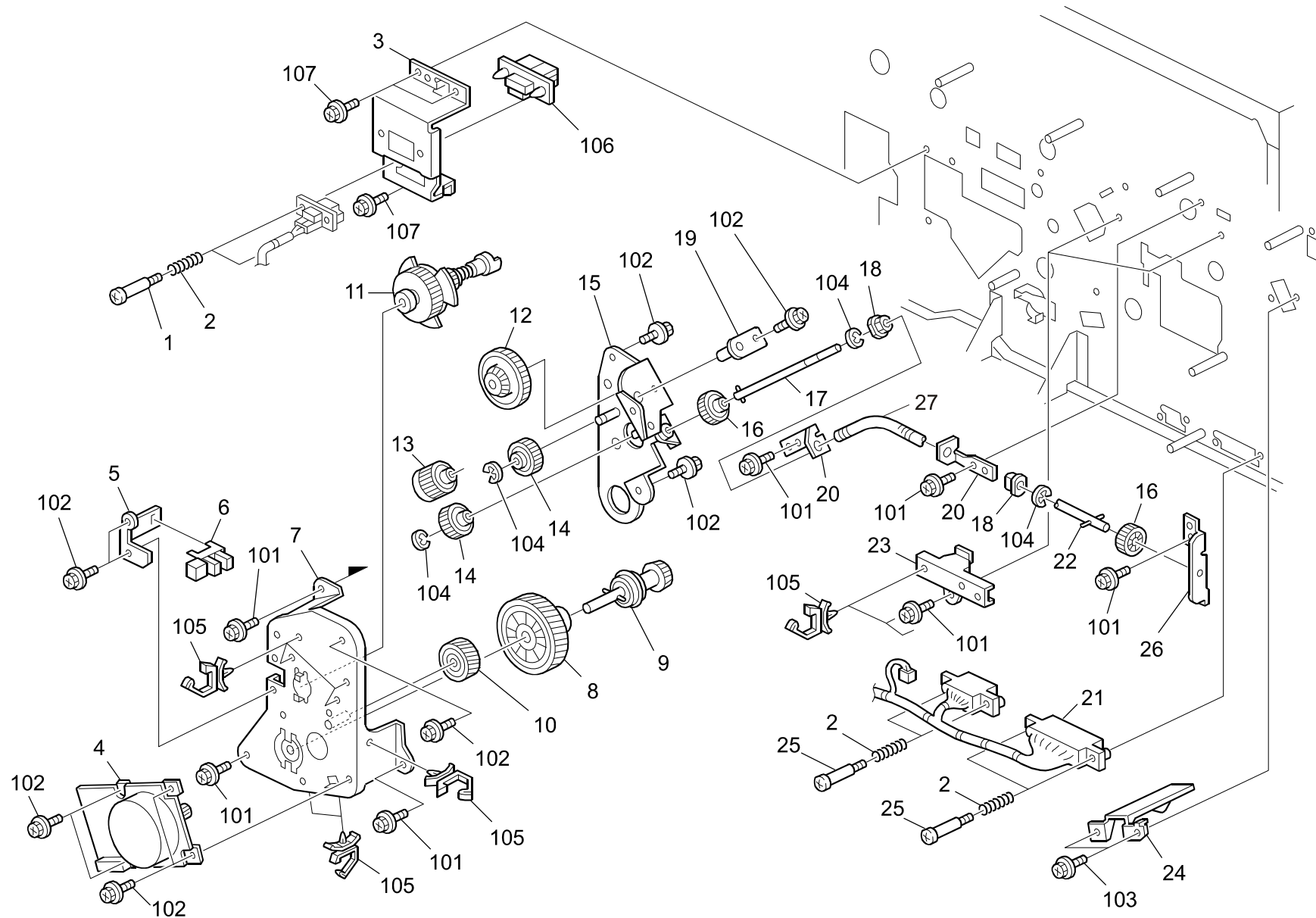
WWW.SERVICE-MANUAL.NET

69. Drive Section 3 (D014/D015/D078/D079)

Rev. 03/18/2010

Index No.	Part No.	Description	Q'ty Per Assembly
1	B132 6655	Stepper Motor: Paper Feed Unit: Ass'y	1
2	AA06 0958	Tension Spring	1
3	B132 2760	Bracket: Drive: Paper Feed Sub-Unit	1
4	AB03 0301	Timing Pulley: 35T	1
5	AA04 3313	Timing Belt: 40S2M150	1
6	AA13 2025	Spacer - 1x8x12	1
7	B234 2624	Ball Bearing - 8x12x5	1
8	D014 5371	Harness: PSU: Fusing: 100V (D014/D078)	1
8	D014 5373	AC/DC Harness - PSU-Fusing 200V (D014 EU)	1
8	D014 5374	Harness - PSU 230V (D015/D079)	1
9	D014 1372	Gear: 86Z	1
10	B132 1367	Shaft: Drive: Vacuum	1
11	AB01 1250	Gear: 22Z	1
12	AX06 0362	Motor: DC24V 48W	1
13	AA14 3301	Stepped Screw - M3x4	2
14	AB03 0770	Timing Pulley: 47T	1
15	AB03 0768	Timing Pulley: 47T	1
16	D014 1371	Gear: 80Z/30T	1
17	AA06 0951	Pressure Spring	1
18	B132 1356	Bracket: Tightener: Ass'y	1
19	B132 1360	Shaft: Drive: Fusing: Ass'y	1
20	B132 1370	Pulley: Idler	1
21	AA04 3965	Timing Belt: 40S3M471	1
22	AA04 3964	Timing Belt: 60S3M741	1
23	AB03 0771	Timing Pulley: 44T	1
24	AB03 0772	Timing Pulley: 44T	1
25	B132 1363	Shaft: Drive: Reverse: Ass'y	1
26	D014 1380	Bracket: Drive: Fusing Unit	1
27	AB01 1304	Gear: 40Z	1
28	AB01 1302	Gear: 30Z	1
29	B132 2679	Bracket: Gear: Swivel	1
30	B132 2699	Spacer: Mm12	1
31	B132 2762	Shaft: Drive: Paper Feed	1
32	AB01 1303	Gear: 33Z	1

Index No.	Part No.	Description	Q'ty Per Assembly
101	0451 3006N	Tapping Screw - 3x6	
102	0353 0060N	Bind Screw - M3x6	
103	0451 4008N	Tapping Screw: 4x8	
104	0954 4008N	Screw - M4x8	
105	0360 4010N	Screw: M4x10	
106	0360 4006N	Screw - M4x6	
107	0720 0060E	Retaining Ring - M6	
108	0720 0040E	Retaining Ring - M4	
109	0805 0088	Retaining Ring - M6	
110	0805 3497	Bushing - 8x12x3.5MM	
111	0633 0140G	Parallel Pin - 3x14	
112	1105 0511	Harness Clamp - LWS-0306ZC	
113	1105 0516	Clamp	
114	1105 0488	Harness Clamp	
115	0633 0160G	Parallel Pin - 3x16MM	



WWW.SERVICE-MANUAL.NET

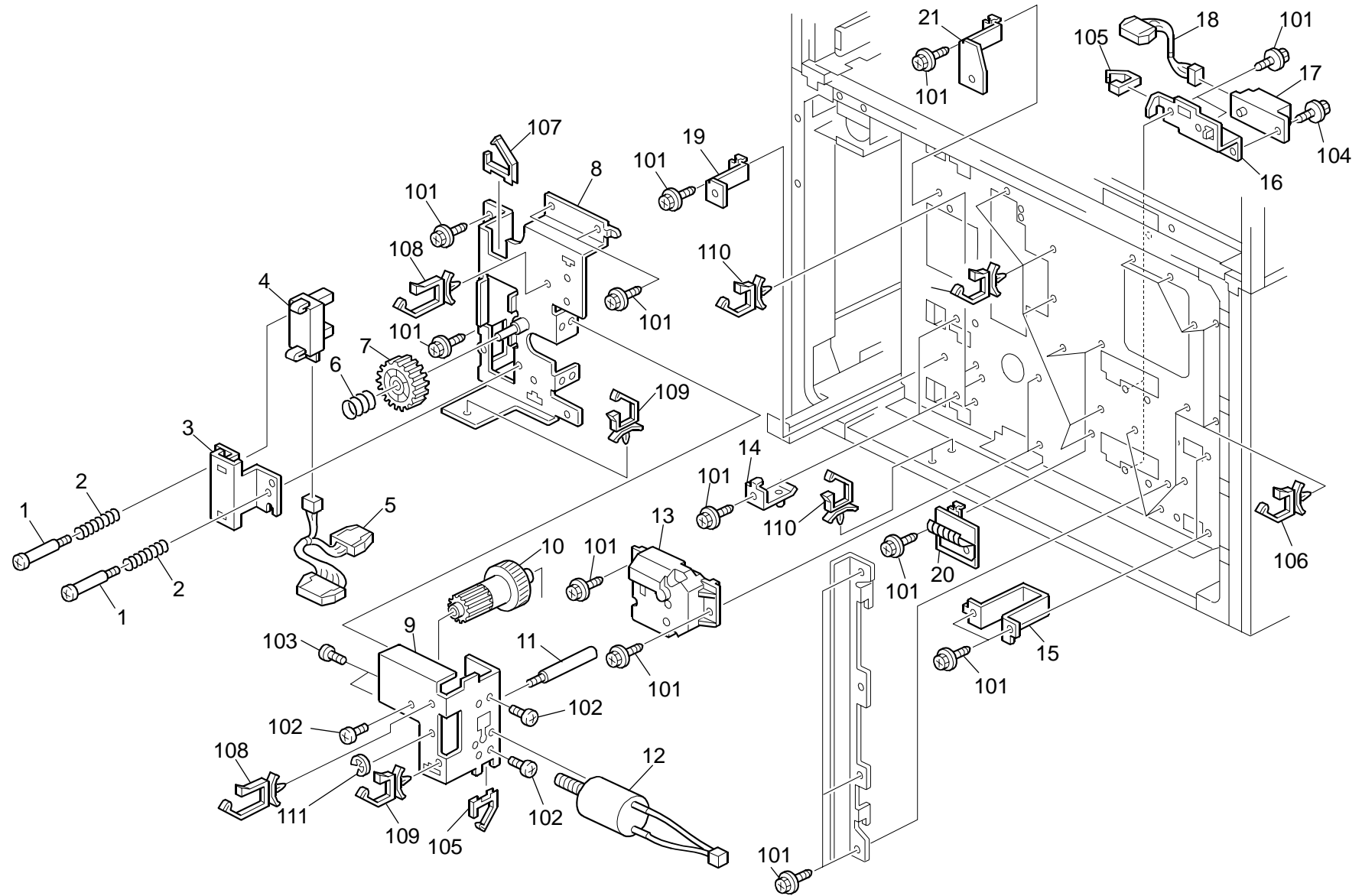
70. Drive Section 4 (D014/D015/D078/D079)

Rev. 10/07/2009

Index No.	Part No.	Description	Q'ty Per Assembly
1	AA14 3794	Screw: Spring: Drawer	2
2	AA06 3670	Spring Connector: 9.8n	6
3	B132 1020	Bracket: Drawer: Paper Feed Unit	1
4	AX06 0361	Motor: DC24V 17W	1
5	B132 1307	Bracket: Sensor	1
6	AW02 0145	Photointerruptor: Flat	1
7	D014 1334	Bracket: Brushless Motor	1
8	AB01 0145	Gear: 96Z	1
9	D014 1326	Shaft: Drive: Transfer	1
10	AB01 0144	Gear: 64Z	1
11	D014 1331	Shaft: Drive: Cleaning	1
12	AB01 7746	Gear: 46Z/25Z	1
13	AB01 7747	Gear: 25Z/25Z	1
14	AB01 1274	Gear: 25Z	2
15	D014 1338	Bracket: Plate	1
16	AB01 1273	Gear: 24Z	2
17	D014 1343	Toner Recycling Unit	1
18	AA08 2063	Bushing - 8x10x5	2
19	D014 1328	Stud: Bracket	1
20	D014 1350	Holder: Toner Recycling Unit	2
21	D014 5260	Harness: Duplex: Drb: Drawer	1
22	D014 1345	Shaft: Horizontal	1
23	D014 1351	Cover: Toner Recycling Unit: Shaft	2
24	B132 7107	Bracket: Spring Plate: Ass'y	1
25	AA14 3797	Connector Guide Pin	4
26	D014 1344	Holder: Drive Unit	1
27	D014 1346	Joint: Universal [TSB#071]	1

Index No.	Part No.	Description	Q'ty Per Assembly
101	0360 4006N	Screw - M4x6	
102	0360 3006N	Screw - M3x6	
103	0451 3006N	Tapping Screw - 3x6	
104	0720 0040E	Retaining Ring - M4	
105	1105 0516	Clamp	
106	1102 9784	Connector: 55949-2619	
107	0451 4008N	Tapping Screw: 4x8	

71.Drive Section 5 (D014/D015/D078/D079)



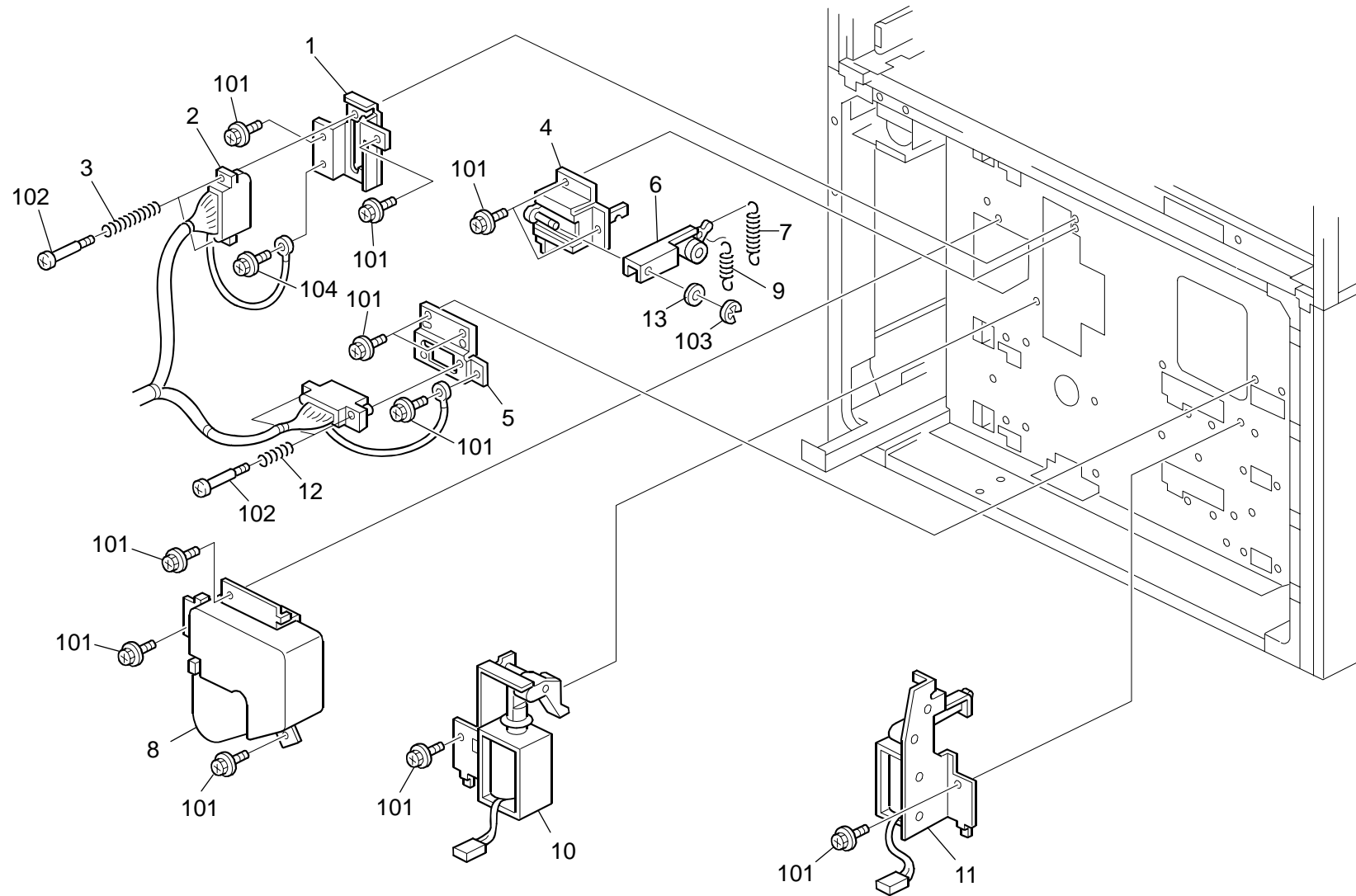
71. Drive Section 5 (D014/D015/D078/D079)

Rev. 12/22/2010

Index No.	Part No.	Description	Q'ty Per Assembly
1	A555 1671	Stepped Screw - M3x26.5	2
2	B132 6550	Compression Spring	2
3	B132 6547	Bracket: Used Toner Sensor: Install	1
4	AW02 0164	Oil End Sensor	1
5	D014 5394	Harness: Bank	1
6	B132 6566	Compression Spring	1
7	AB01 3467	Gear - 30Z	1
8	D014 6552	Bracket: Used Toner Sensor	1
9	D014 6532	Bracket: Used Toner Sensor: DC Motor	1
10	AB01 7000	Gear: 17/51Z	1
11	D014 6533	Shaft: Idler: DC Motor	1
12	B132 6511	DC Motor: Agitate: Ass'y	1
13	AX04 0254	DC Motor: Rise: Paper Tray	2
14	B247 6174	Bracket: Positioning: Paper Tray: Ass'y	2
15	B065 6172	Paper Tray Stopper	2
16	B132 6737	Bracket: Paper Size Sensor: No.1	2
17	AW50 0010	Push Switch	2
18	D014 5397	Harness: Bank: Tray: Paper Size Sensor	2
19	B132 5977	Bracket: Power Supply Unit: Right	1
20	B132 5827	Bracket: Earth: Power Supply Unit: Rear: Peen	2
21	B132 5997	Bracket: Power Supply Unit: Right: Exp	1

Index No.	Part No.	Description	Q'ty Per Assembly
101	0451 4008N	Tapping Screw: 4x8	
102	0354 0080N	Screw: M4x8	
103	0353 0030N	Screw: M3x3	
104	0451 3008N	Tapping Screw - M3x8	
105	1105 0522	Edge Saddle - LES0510	
106	1105 0508	Harness Clamp - LWS-0711	
107	1105 0544	Edge Saddle: LES-2017	
108	1105 0490	Harness Clamp - IWS-2218	
109	1105 0511	Harness Clamp - LWS-0306ZC	
110	1105 0488	Harness Clamp	
111	0720 0030E	Retaining Ring - M3	

72.Drive Section 6 (D014/D015/D078/D079)



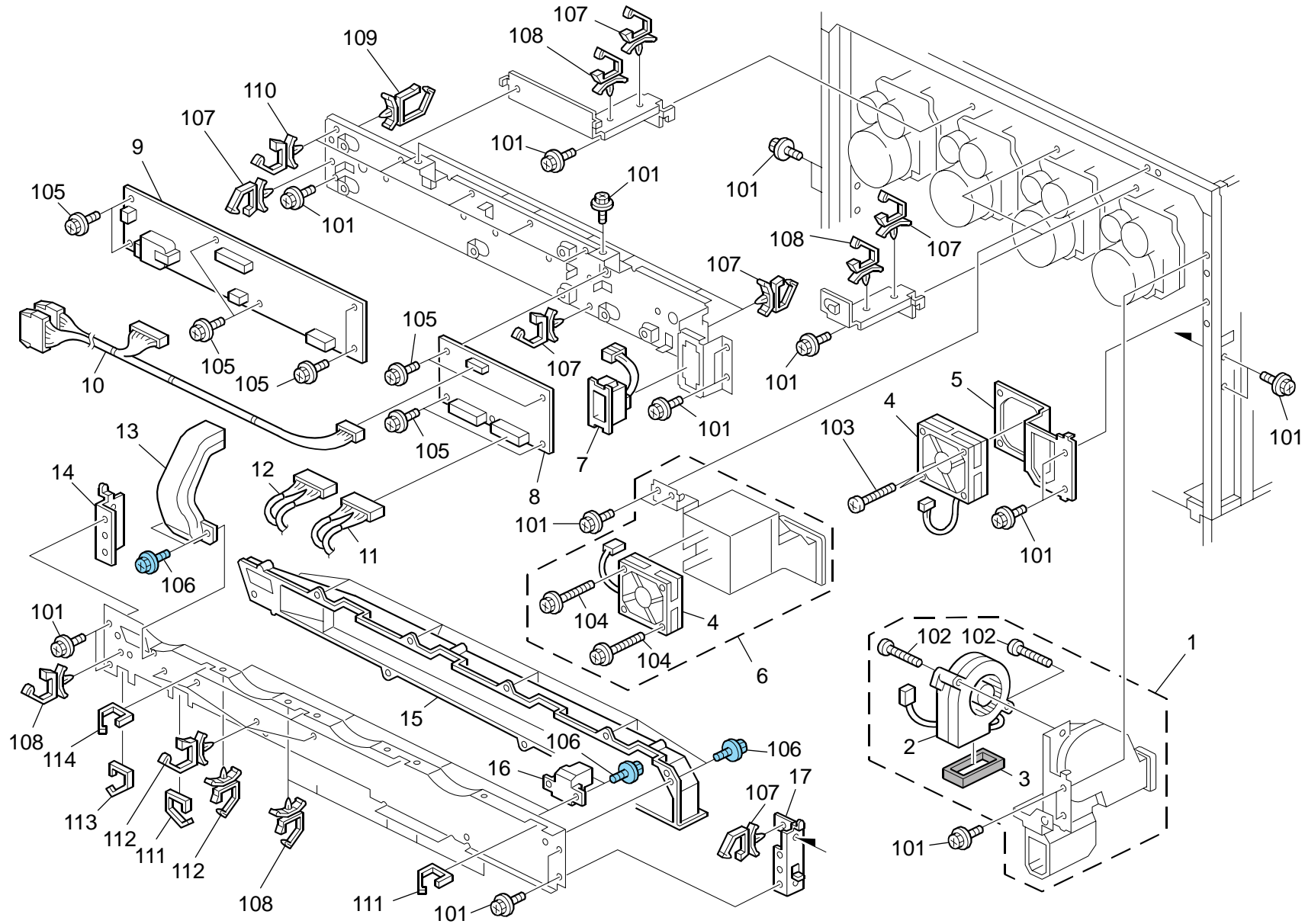
WWW.SERVICE-MANUAL.NET

72. Drive Section 6 (D014/D015/D078/D079)

Index No.	Part No.	Description	Q'ty Per Assembly
1	B132 6764	Bracket: Connector: Right	1
2	D014 5396	DC Harness - Bank Rear	1
3	AA06 3268	Connector Spring	2
4	B132 6726	Bracket: Arm: Ass'y	1
5	B132 6763	Bracket: Connector: Left	1
6	B065 6769	Lock Arm	1
7	B247 6753	Lock Spring - Large	1
8	B132 6759	DC Motor: Rise: Tandem LCT: Ass'y	1
9	B247 6754	Lock Spring - Small	1
10	B132 6762	DC Solenoid: Coupling: Ass'y	1
11	B132 6765	DC Solenoid: Lock: Ass'y	1
12	AA06 3902	Spring: Connector: Tandem LCT	2
13	AA13 2203	Spacer - 6mm	1

Index No.	Part No.	Description	Q'ty Per Assembly
101	0451 4008N	Tapping Screw: 4x8	
102	0803 0058	Stepped Screw	
103	0720 0040E	Retaining Ring - M4	
104	0452 4010N	Binding Self-tapping Screw: 4x10	

73.Electrical Section 1 (D014/D015/D078/D079)



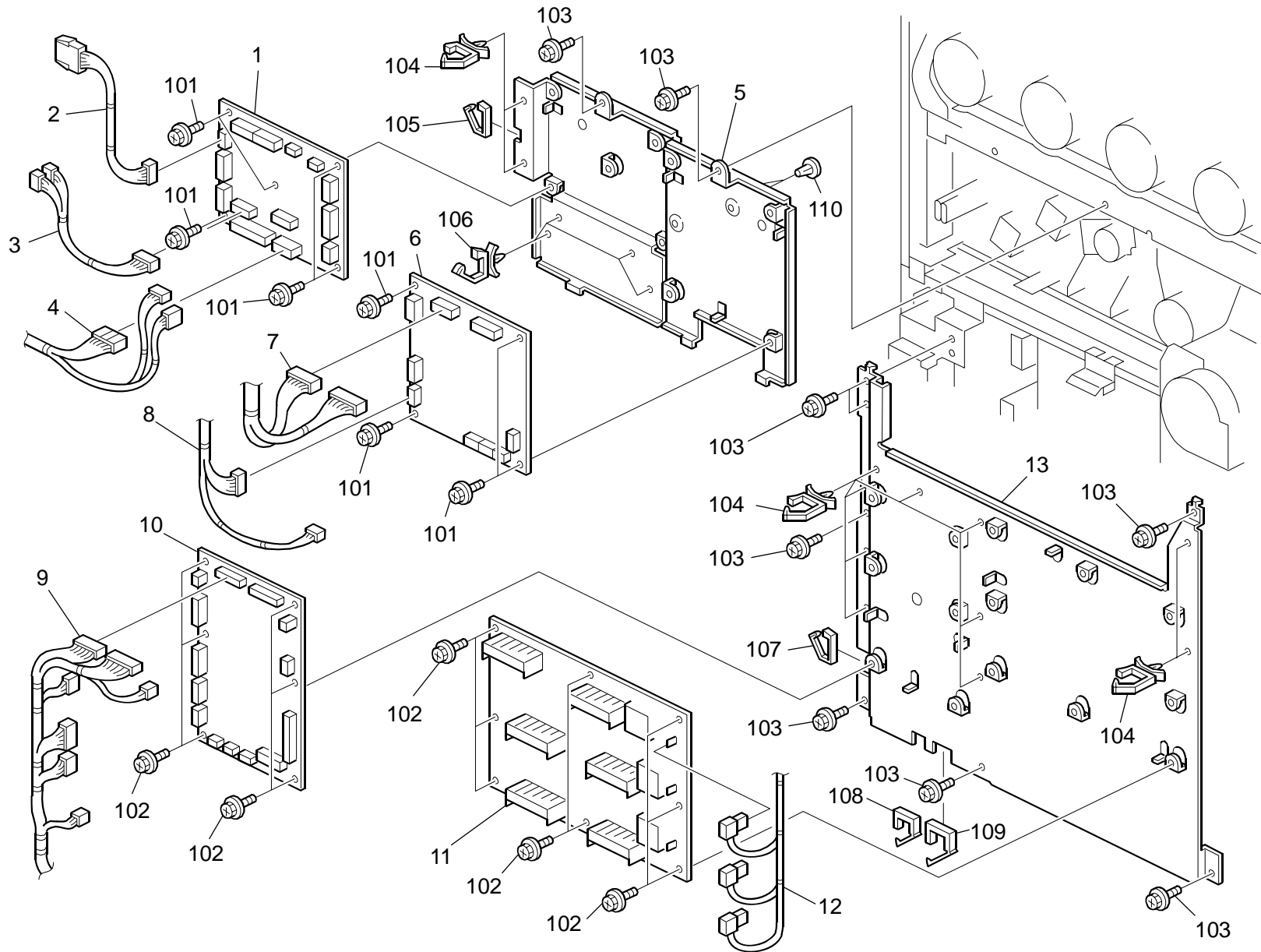
WWW.SERVICE-MANUAL.NET

73.Electrical Section 1 (D014/D015/D078/D079)

Index No.	Part No.	Description	Q'ty Per Assembly
1	D014 6911	Duct: Exit: Exhaust	1
2	AX65 0042	Fan: Sirocco: DC24V: 2Speed	1
3	B132 6966	Shield: Sirocco	1
4	AX64 0150	Fan Motor: Mm60: 25mm: DC24V 4.8W	2
5	D014 6852	Bracket: Drive: Exhaust	1
6	D014 6861	Duct: Exhaust	1
7	D014 5258	Harness: Drb: ADF: Power Source	1
8	B132 5415	Base: Electric Potential Sensor	1
9	AZ32 0169	Power Pack: C/G/B	1
10	D014 5229	Harness: Electric Potential Sensor	1
11	D014 5358	Harness: Sensor: CY	1
12	D014 5357	Harness: Sensor: KM	1
13	D014 3661	Relay Duct: Black: PCU	1
14	B132 2433	Bracket: Stay: Duct: Right	1
15	D014 3567	Duct: Horizontal: PCU	1
16	D014 3575	Duct: Exhaust: Color	1
17	D014 1018	Bracket: Stay: Duct: Horizontal	1

Index No.	Part No.	Description	Q'ty Per Assembly
101	0451 4008N	Tapping Screw: 4x8	
102	0354 0400N	Screw: M4x40	
103	0451 4030N	Tapping Screw: M4x30	
104	0451 4035N	Tapping Screw: 4x35	
105	0360 3006N	Screw - M3x6	
106	0454 3006Q	Tapping Screw - M3x6	
107	1105 0508	Harness Clamp - LWS-0711	
108	1105 0488	Harness Clamp	
109	1105 0490	Harness Clamp - IWS-2218	
110	1105 0511	Harness Clamp - LWS-0306ZC	
111	1105 0521	Clamp - LES-1017	
112	1105 0489	Harness Clamp - LWS 1316	
113	1105 0518	Edge Saddle - LES-1010	
114	1105 0522	Edge Saddle - LES0510	

74.Electrical Section 2 (D014/D015/D078/D079)



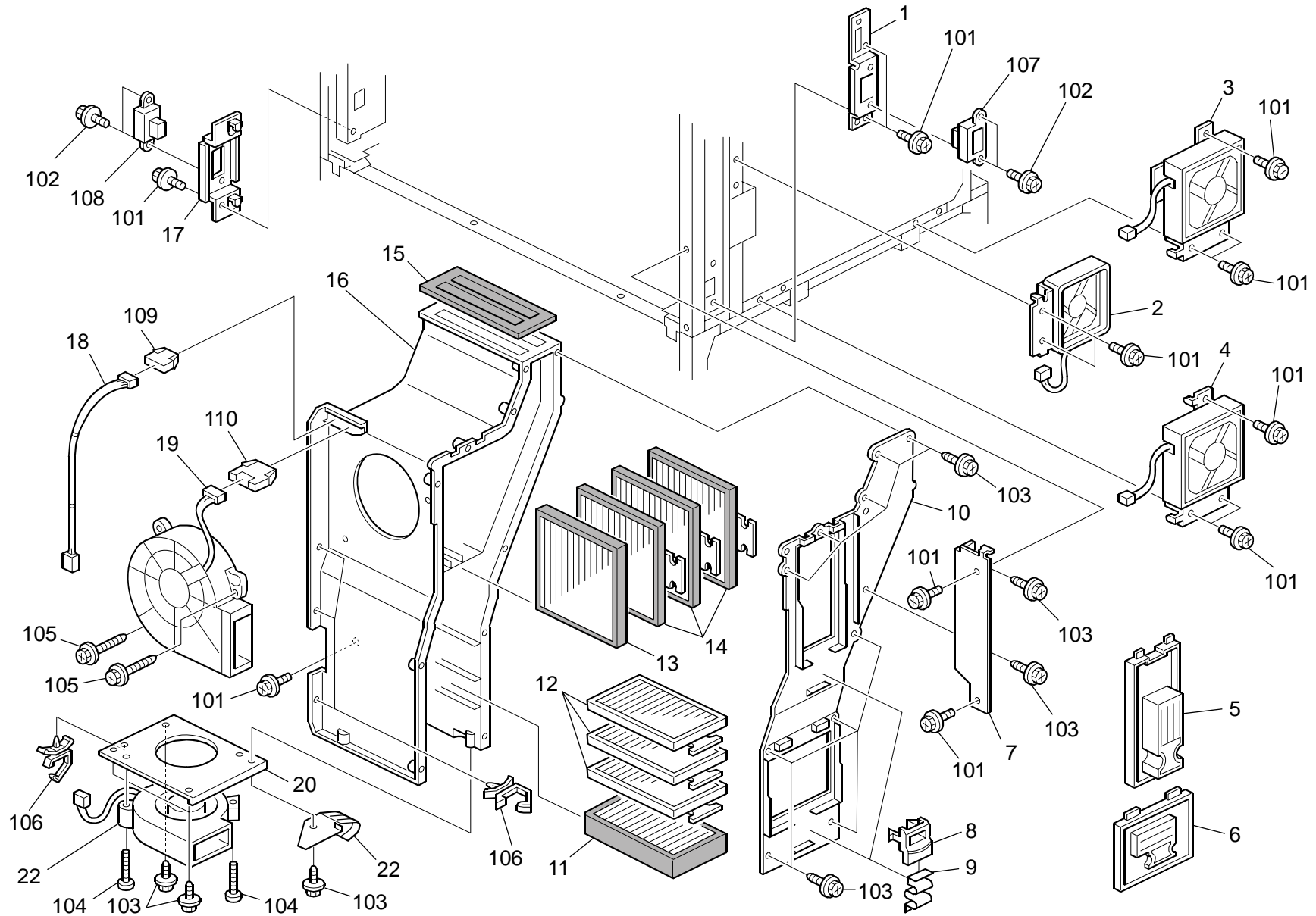
WWW.SERVICE-MANUAL.NET

74.Electrical Section 2 (D014/D015/D078/D079)

Index No.	Part No.	Description	Q'ty Per Assembly
1	D014 5430	PCB: DRB	1
2	D014 5218	Harness: Manual Feed: Stepper Motor	1
3	D014 5216	Harness: Large Capacity Tray: DRB	1
4	D014 5383	Harness: DRB: Safety Switch	1
5	D014 5864	Bracket - DRV	1
6	D014 5425	PCB: DTMB	1
7	D014 5267	Harness: Drum: Motor: KMCY	1
8	D014 5219	Harness: TMB	1
9	D014 5395	DC Harness - Bank Front	1
10	D014 5465	Paper Feed Board	1
11	AZ32 0168	Power Pack: C	1
12	D014 5350	Harness: High Voltage Supply Cord	1
13	D014 5985	Bracket - Power Pack	1

Index No.	Part No.	Description	Q'ty Per Assembly
101	0360 3006N	Screw - M3x6	
102	0451 3006N	Tapping Screw - 3x6	
103	0451 4008N	Tapping Screw: 4x8	
104	1105 0488	Harness Clamp	
105	1105 0522	Edge Saddle - LES0510	
106	1105 0489	Harness Clamp - LWS 1316	
107	1105 0521	Clamp - LES-1017	
108	1105 0518	Edge Saddle - LES-1010	
109	1105 0521	Clamp - LES-1017	
110	1105 0680	Spacer: KGPS-5RF-V0	

75.Electrical Section 3 (D014/D015/D078/D079)



WWW.SERVICE-MANUAL.NET

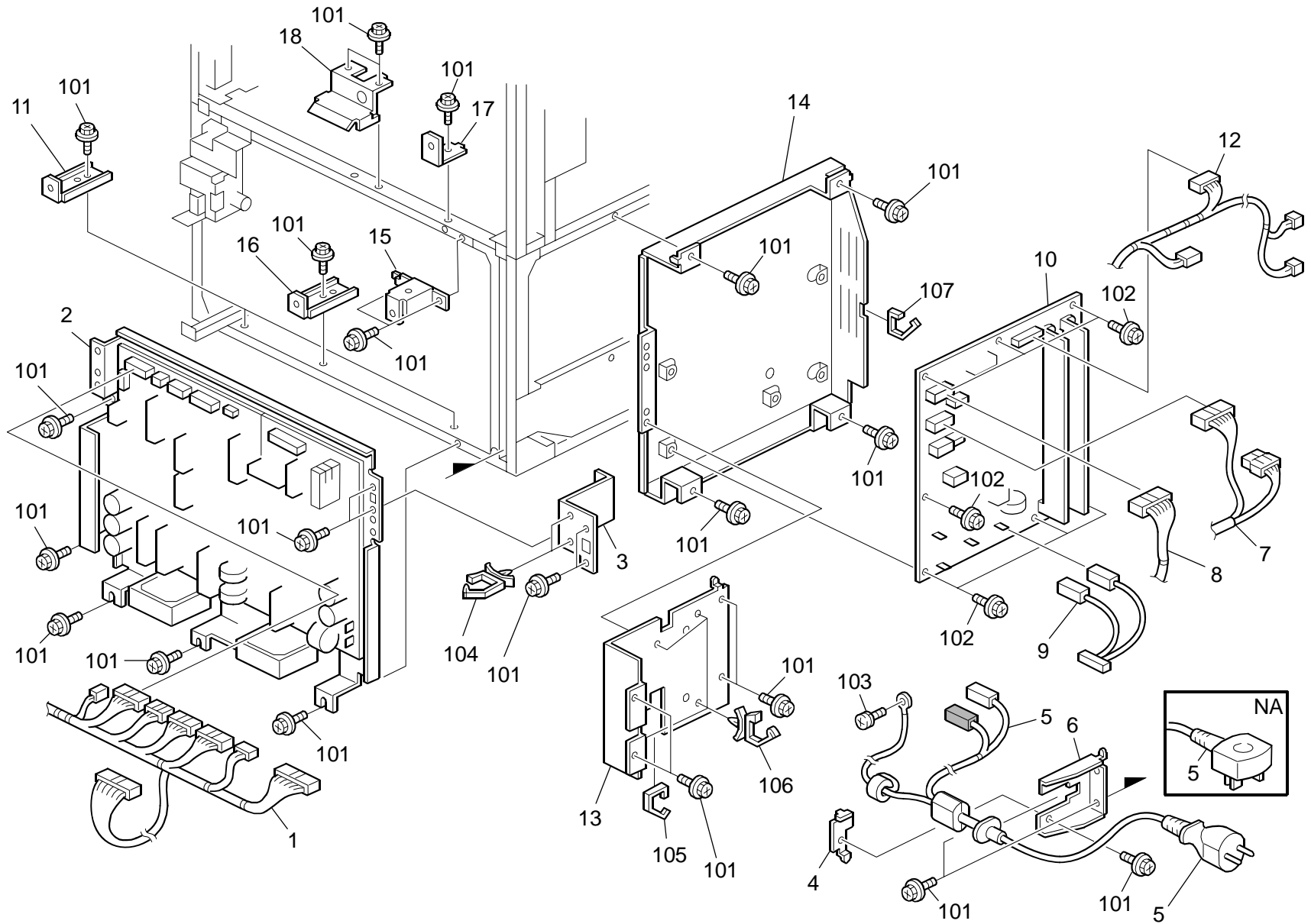
75.Electrical Section 3 (D014/D015/D078/D079)

Rev. 03/11/2010

Index No.	Part No.	Description	Q'ty Per Assembly
1	D014 5865	Bracket: Finisher	1
2	B132 6954	Fan Motor: Upper: DC24V 2.4W	1
3	B132 6950	Bracket: Duplex: Exhaust: Front	1
4	B132 6951	Fan Motor: Lower: Unit: DC24V 2.64W	1
5	D014 3595	Cover: Filter: Color	1
6	D014 3592	Cover: Filter: Black	1
7	D014 3588	Bracket: Stay: Sirocco	1
8	D014 3589	Lever: Cover: Filter	1
9	D014 3591	Spring Plate: Cover: Filter	1
10	D014 3584	Cover: Duct: Exhaust	1
11	D014 3585	Ozone Filter: Black	1
12	D014 3586	Dust Filter	3
13	B132 2436	Ozone Filter	1
14	B132 2435	Dust Filter	3
15	D014 3590	Seal: Duct: Exhaust	1
16	D014 3583	Duct: Exhaust: PCU	1
17	B132 5866	Bracket: LCT	1
18	D014 5385	Harness: Sirocco Fan Motor	1
19	AX65 0041	Fan Motor: Sirocco	1
20	D014 3587	Bracket: Duct: Exhaust	1
21	AX65 0036	Sirocco Fan Motor: DC24V 7.92W	1
22	D014 3598	Spring Plate: Duct: Exhaust	1

Index No.	Part No.	Description	Q'ty Per Assembly
101	0451 4008N	Tapping Screw: 4x8	
102	0451 3008N	Tapping Screw - M3x8	
103	0450 3008N	Tapping Screw - M3x8	
104	0354 0400N	Screw: M4x40	
105	0450 4014N	Tapping Screw: 4x14	
106	1105 0534	Clamp	
107	1102 8502	Connector - 54679-1615	
108	1102 8504	Connector	
109	1102 6246	Relay Connector - 3P	
110	1102 6247	Connector - 4P	

76.Electrical Section 4 (D014/D015/D078/D079)

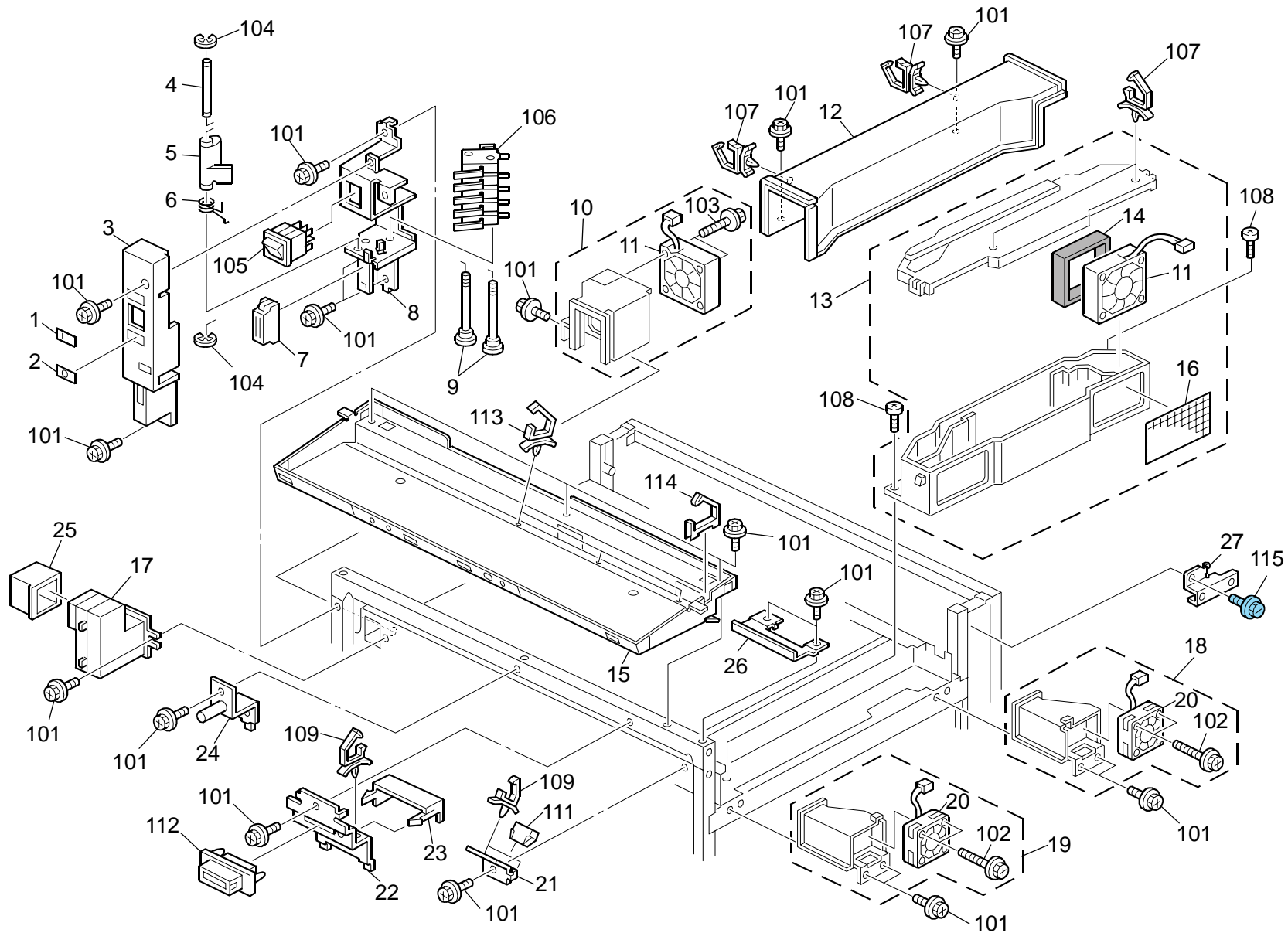


76.Electrical Section 4 (D014/D015/D078/D079)

Index No.	Part No.	Description	Q'ty Per Assembly
1	D014 5210	Harness: DC PSU	1
2	AZ26 0005	Power Supply Unit	1
3	B132 5978	Bracket: Power Supply Unit: Fix: Left	1
4	B132 5995	Stopper: Power Supply Cord	1
5	D014 5361	Power Supply Cord - NA	1
5	D014 5362	Power Supply Cord - 230V	1
5	D014 5364	Power Supply Cord - 230V	1
6	B132 5994	Bracket: Power Supply Cord: Exp	1
7	D014 5200	Harness: AC: Main: Switch	1
8	D014 5392	Harness: Bank: Dehumidifier	1
9	D014 5202	Harness: PSU: Short Circuit	1
10	D014 5530	AC Drive Board: 100V	1
10	D014 5532	AC Drive Board - 230V	1
11	B132 5981	Bracket: Power Pack: Fix: Lower	1
12	D014 5380	Harness: Connecting: AC Drive Board	1
13	B132 5985	Bracket: Leak Breaker	1
14	D014 5981	Bracket: Ac Drive Board	1
15	D014 5986	Bracket: Power Pack: Upper	1
16	B132 5981	Bracket: Power Pack: Fix: Lower	1
17	B132 5911	Bracket: Fix: C/T Box: Lower	1
18	D014 5869	Bracket: C/T Box: Lower	1

Index No.	Part No.	Description	Q'ty Per Assembly
101	0451 4008N	Tapping Screw: 4x8	
102	0451 3006N	Tapping Screw - 3x6	
103	0950 5012N	Screw: Spring Washer: M5x12	
104	1105 0508	Harness Clamp - LWS-0711	
105	1105 0518	Edge Saddle - LES-1010	
106	1105 0488	Harness Clamp	
107	1105 0522	Edge Saddle - LES0510	

77.Electrical Section 5 (D014/D015/D078/D079)

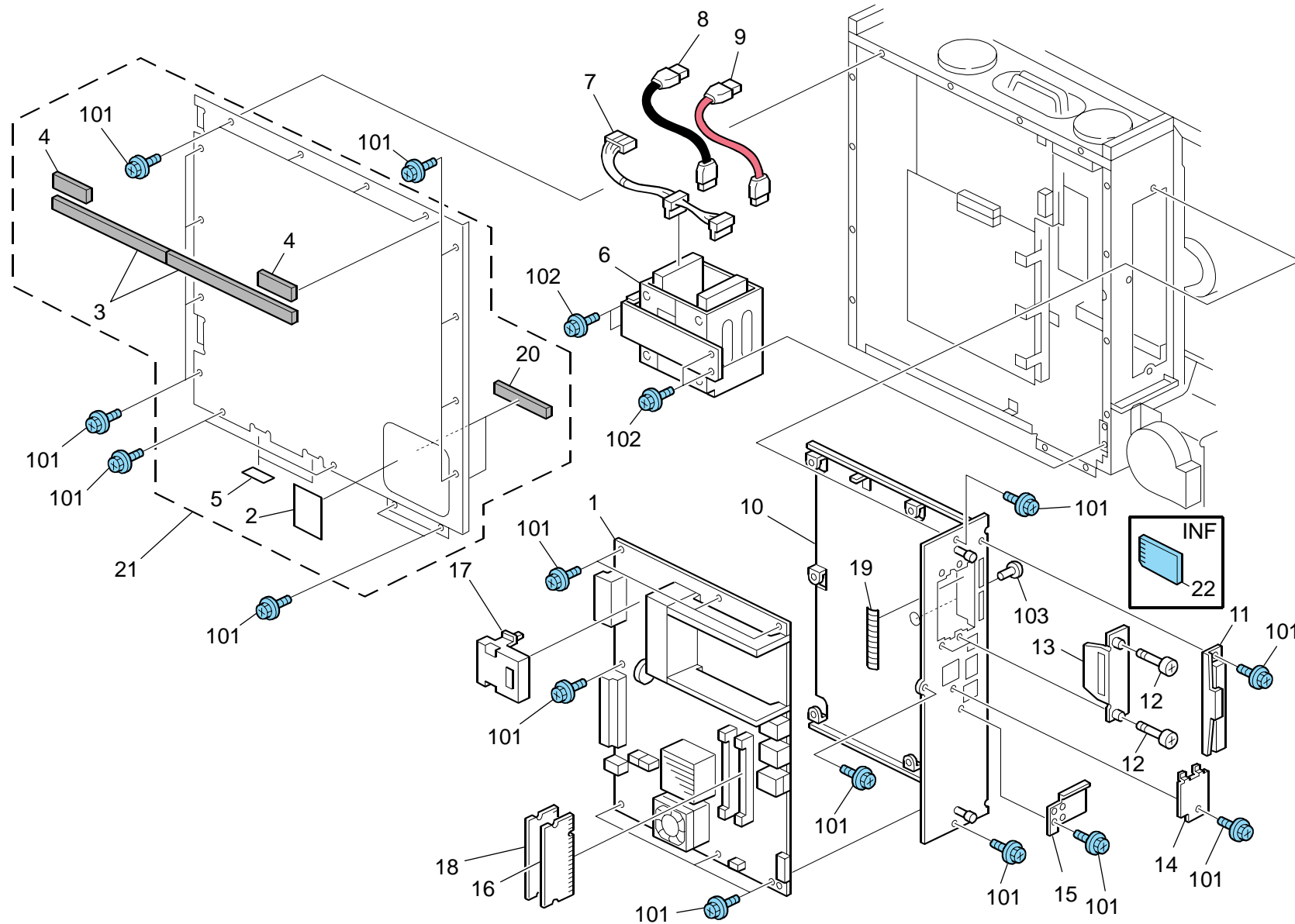


77.Electrical Section 5 (D014/D015/D078/D079)

Index No.	Part No.	Description	Q'ty Per Assembly
1	B132 1553	Decal: Main Switch Display: On	1
2	B132 1555	Decal - Main Switch Display: Off	1
3	B132 1551	Inner Cover: Main Switch	1
4	B132 5855	Shaft: Micro Switch: Front	1
5	B132 5853	Lever: Micro Switch	1
6	A257 1165	Safety Switch Spring	1
7	AG07 1012	Magnet Catch: Ass'y	1
8	B132 5851	Bracket: Main Switch	1
9	B132 5852	Screw: Micro Switch	2
10	D014 6876	Duct: Main: Vacuum	1
11	AX64 0150	Fan Motor: Mm60: 25mm: DC24V 4.8W	2
12	D014 6871	Duct: Heat Sinker	1
13	D014 3635	Humidity Control Unit	1
14	B132 2465	Seal: Fan: Humidity Control	1
15	D014 1450	Operation Panel Bracket	1
16	B132 2468	Filter	1
17	B132 6851	Duct: Vacuum: Ass'y	1
18	D014 6983	Duct: Imaging Unit: Rear: C2: Ass'y	1
19	B132 6921	Duct: Imaging Unit: Front: Ass'y	1
20	AX64 0164	Fan Motor: 15mm: 24V	2
21	D014 1020	Bracket: Connector	1
22	B132 3489	Bracket: Drawer: Toner Supply	1
23	B132 3491	Cover: Drawer	1
24	B132 3493	Bracket: Fix: Toner Supply	1
25	B132 6855	Duct: Vacuum: Entrance	1
26	D014 1453	Bracket: Harness: Operation Panel	1
27	D014 1514	Cover: Connector: Key Counter	1

Index No.	Part No.	Description	Q'ty Per Assembly
101	0451 4008N	Tapping Screw: 4x8	
102	0451 3025N	Tapping Screw: M3x25	
103	0451 4035N	Tapping Screw: 4x35	
104	0720 0040E	Retaining Ring - M4	
105	1204 2598	Switch	
106	1204 2521	Micro Switch	
107	1105 0508	Harness Clamp - LWS-0711	
108	0360 4008N	Screw - M4x8	
109	1105 0516	Clamp	
110	1105 0551	Clamp: LES-0505	
111	1102 6248	Connector - 5P	
112	1102 9783	Connector: 55949-3919	
113	1105 0511	Harness Clamp - LWS-0306ZC	
114	1105 0514	Edge Saddle - EDS-0607I	
115	0454 4008Q	Tapping Screw - M4x8	

78.Electrical Section 6 (D014/D015/D078/D079)



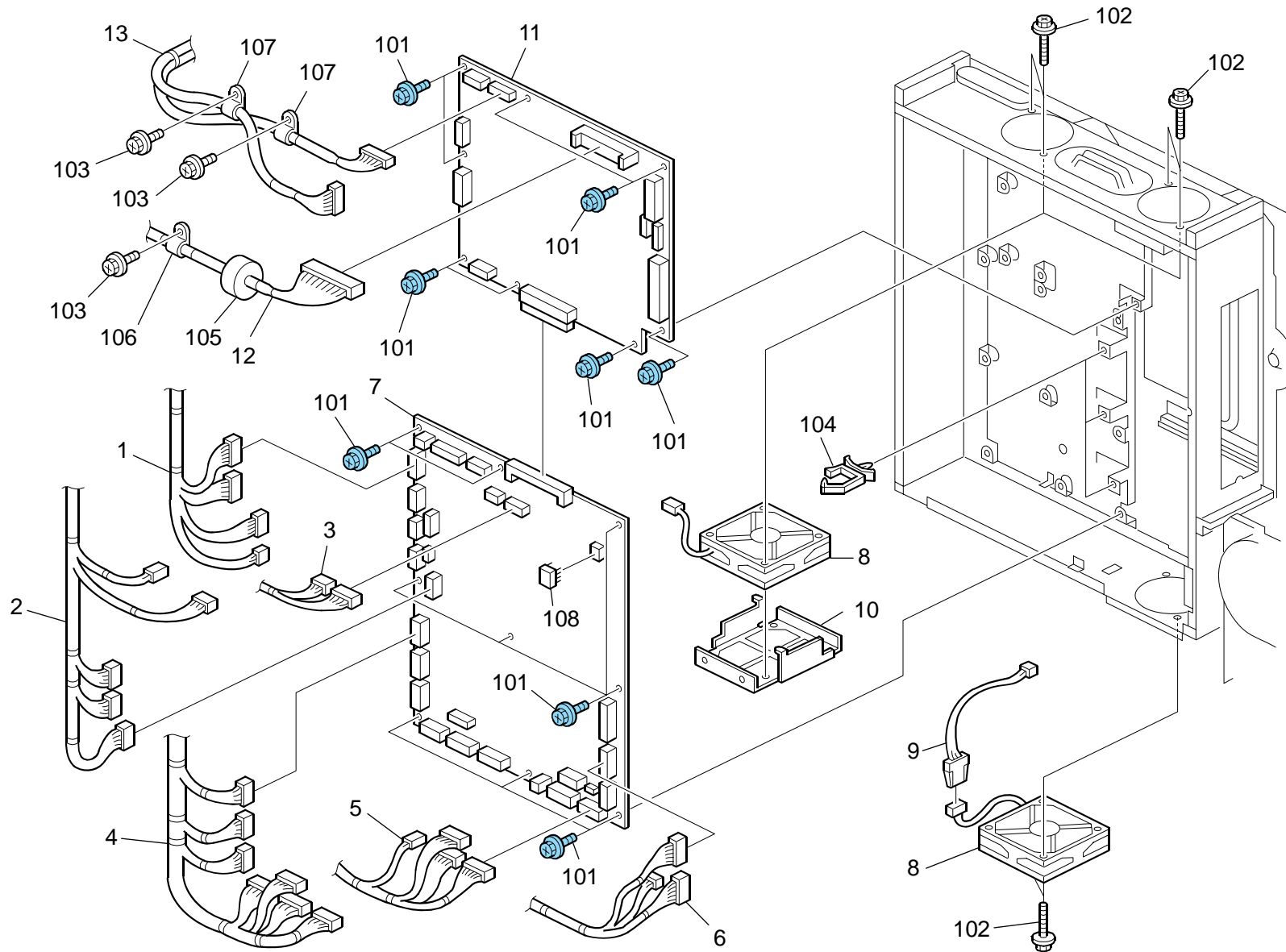
78.Electrical Section 6 (D014/D015/D078/D079)

Rev. 6/6/2011

Index No.	Part No.	Description	Q'ty Per Assembly
1	D014 5748	PCB: Control Board: Ex1: Sub-Ass'y [TSB#085]	1
2	B132 5819	Decal: Caution: HDD: Fan	2
3	B132 5809	Seal: C/T Box: Cover: Middle	2
4	B132 5812	Seal: C/T Box: Cover: Side	2
5	B132 5832	Sheet: Cover: C/T Box	2
6	D081 5799	HDD Unit	1
7	D014 5783	Cable: HDD: Power	1
8	D014 5782	Cable: HDD: Gray	1
9	D014 5781	Cable: HDD: Red	1
10	D014 5971	Bracket: Control Board	1
11	D014 5973	Cover: SD-card	1
12	AA14 1008	Panel Knob Screw	2
13	B132 5835	Panel -Interface	1
14	D014 5974	Cover: Connector: EFI	1
15	D014 5977	Cover: Control Board: USB	1
16	G178 6072	PCB: PC4200: Rawcard-A: 1GB	1
17	D014 9590	NVRAM	1
18	G178 6062	PCB: PC4200: Rawcard-C: 512MB	1
19	B070 6877	Large Drum Stay Ground Plate	1
20	B132 5831	Gasket: Cover: C/T Box	2
21	D014 5816	Cover - C/T Box	1
22	D376 5017	SD-Card - P/S Unit	1

Index No.	Part No.	Description	Q'ty Per Assembly
101	0454 3006Q	Tapping Screw - M3x6	
102	0454 4008Q	Tapping Screw - M4x8	
103	1105 0680	Spacer: KGPS-5RF-V0	

79.Electrical Section 7 (D014/D015/D078/D079)



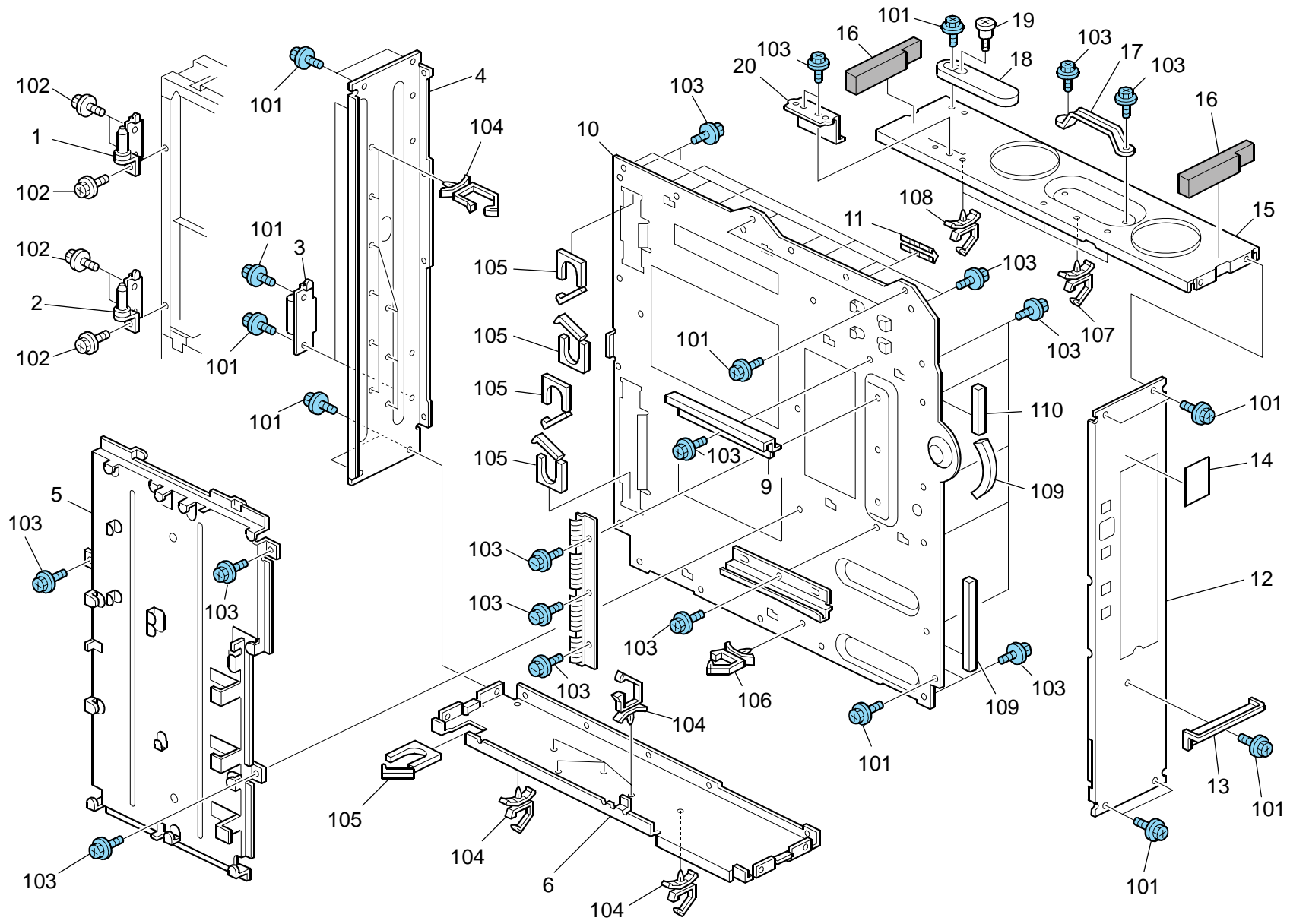
79.Electrical Section 7 (D014/D015/D078/D079)

Rev. 09/05/2008

Index No.	Part No.	Description	Q'ty Per Assembly
1	D014 5375	Harness: Upper Front	1
2	D014 5231	Harness: Upper Rear	1
3	D014 5306	Harness: SIOB: VBCU	1
4	D014 5379	Harness: Middle	1
5	D014 5213	Harness: DRB: VBCU: Power Source	1
6	D014 5381	Harness: VBCU: PP1: PFB	1
7	D014 5133	PCB: VBCU	1
8	AX64 0159	Fan Motor Mm80	2
9	D014 5386	Harness: HDD: Fan Motor	1
10	B132 5944	Bracket: Fan Motor	1
11	D014 5424	PCB: IPU	1
12	D014 5305	Interface Cable: Scanner: Image Processing Unit	1
13	D014 5367	Cable: LVDS: LDB	1

Index No.	Part No.	Description	Q'ty Per Assembly
101	0454 3006Q	Tapping Screw - M3x6	
102	0451 4030N	Tapping Screw: M4x30	
103	0451 3008N	Tapping Screw - M3x8	
104	1105 0508	Harness Clamp - LWS-0711	
105	1607 0721	Ferrite Core - TFC-23-11-14	
106	1105 0559	Clamp: EMT-5N	
107	1105 0528	Nylon Clamp - EMT-2N	
108	1407 6362	EPROM: BR24I64-W	

80.Electrical Section 8 (D014/D015/D078/D079)



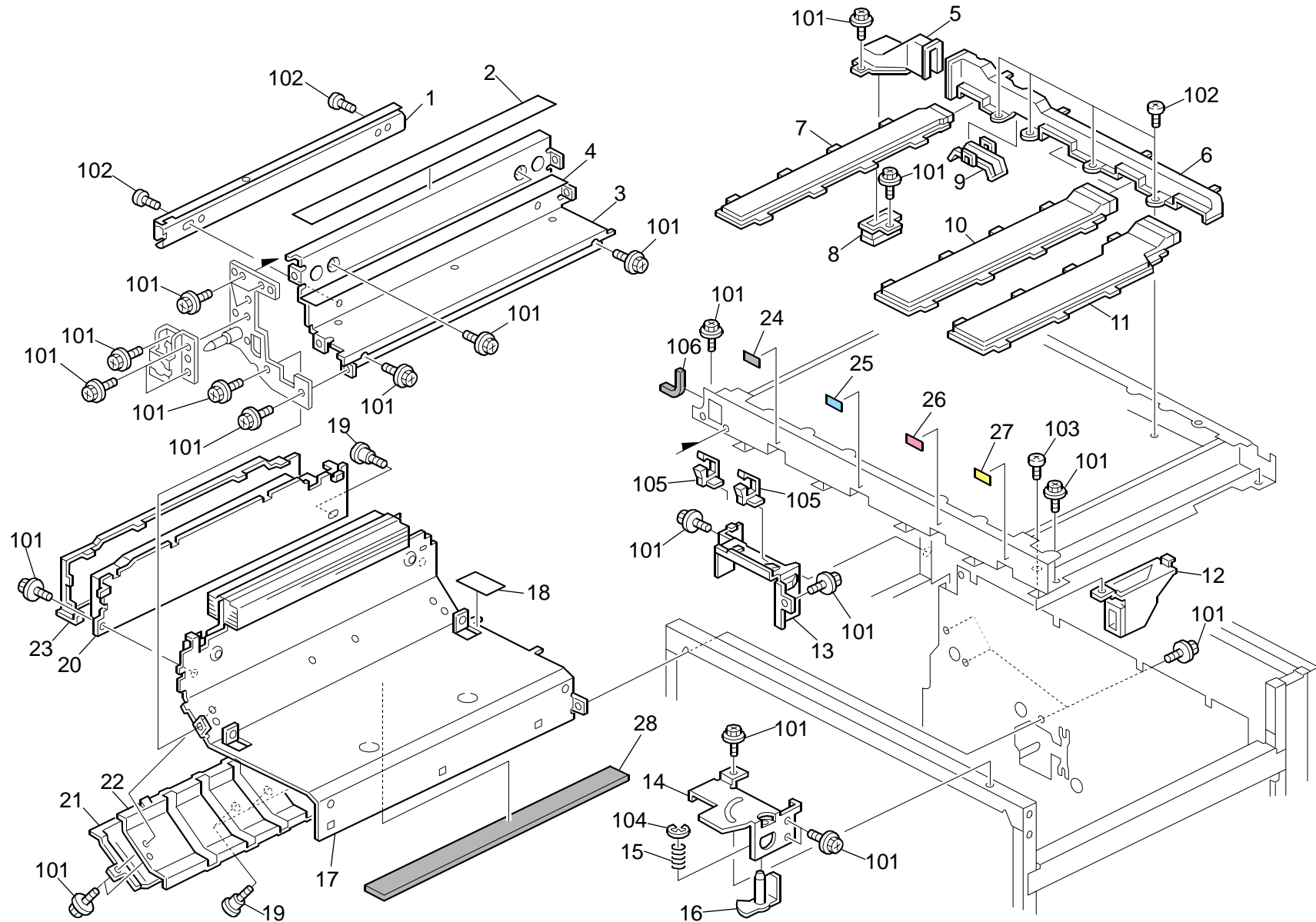
WWW.SERVICE-MANUAL.NET

80.Electrical Section 8 (D014/D015/D078/D079)

Index No.	Part No.	Description	Q'ty Per Assembly
1	B132 5933	Hinge: C/T Box: Upper	1
2	B132 5930	Hinge: C/T Box: Lower	1
3	B132 5947	Arm: Hinge: C/T Box	2
4	D014 5921	Right Frame - C/T Box	1
5	D014 5955	Bracket - IPU/VBCU	1
6	B132 5951	Lower Frame - C/T Box	1
7	B132 5807	Ground Plate: Base: Control Board	1
8	D014 5953	Supporter: Lower	1
9	D014 5952	Supporter: Upper	1
10	D014 5951	Base - C/T Box	1
11	B070 6877	Large Drum Stay Ground Plate	4
12	D014 5931	Left Frame - C/T Box	1
13	B132 1528	Guard: Gap: C/T Box	1
14	D014 5818	Decal: Caption: Interface	1
15	D014 5911	Upper Frame - C/T Box	1
16	B132 5813	Seal: C/T Box: Upper: Side	2
17	B712 5605	Grip: Application	1
18	B132 5989	Stopper: C/T Box: Upper	1
19	AA14 3718	Stepped Screw - M4	1
20	B132 5940	Bracket: C/T Box: Upper	1

Index No.	Part No.	Description	Q'ty Per Assembly
101	0454 4008Q	Tapping Screw - M4x8	
102	0451 4008N	Tapping Screw: 4x8	
103	0454 3006Q	Tapping Screw - M3x6	
104	1105 0490	Harness Clamp - IWS-2218	
105	1105 0599	Clamp: LESR-25	
106	1105 0511	Harness Clamp - LWS-0306ZC	
107	1105 0516	Clamp	
108	1105 0508	Harness Clamp - LWS-0711	
109	1106 0923	Bushing: JKR-100	
110	1106 0922	Bushing: JKR-60	

81.Frame Section 1 (D014/D015/D078/D079)



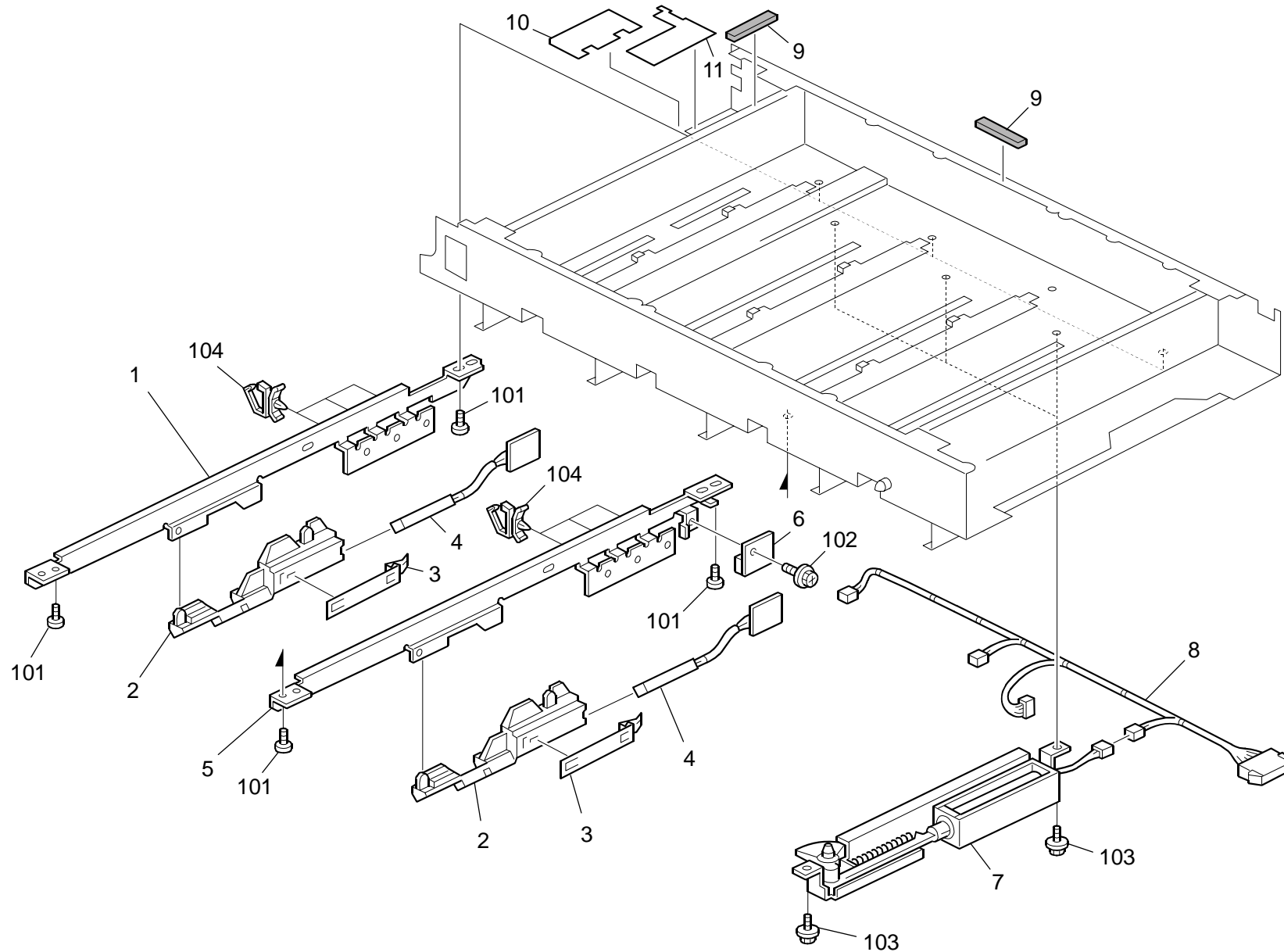
WWW.SERVICE-MANUAL.NET

81.Frame Section 1 (D014/D015/D078/D079)

Index No.	Part No.	Description	Q'ty Per Assembly
1	AA07 0064	Slide Rail: Toner Supply: Ass'y	1
2	D014 6898	Upper Sheet - Stay Left	1
3	D014 1003	Stay: Intermediate Transfer: Left	1
4	D014 6899	Lower Sheet - Stay Left	1
5	B132 6958	Duct: Imaging Unit: Exhaust: Ass'y	1
6	B132 6978	Duct: Imaging Unit: Sub-ass'y	1
7	B132 6971	Duct: Imaging Unit: 1st: Ass'y	1
8	B132 6965	Duct: Imaging Unit: Exhaust: Ass'y	1
9	B132 6980	Cover: Duct: Imaging Unit: Ass'y	1
10	B132 6973	Duct: Imaging Unit: 23st: Ass'y	2
11	B132 6975	Duct: Imaging Unit: 4st: Ass'y	1
12	B132 2470	Duct: Humidity Control: Ass'y	1
13	B132 6867	Bracket: Exhaust: Harness	1
14	D014 1463	Bracket: Hinge: Door	1
15	B132 1465	Spring: Hinge: Upper	1
16	B132 1463	Hinge Shaft	1
17	D014 6882	Heat Pipe	1
18	D014 6891	Sheet - Shielding Plate	1
19	AA14 3791	Screw: Safety	4
20	B132 6912	Duct: Exit: Upper	1
21	D014 6893	Duct: Fusing: Exit: Upper	1
22	D014 6894	Duct: Fusing: Exit: Upper: Left	1
23	B132 6908	Duct: Exit: Upper: Left: Ass'y	1
24	GA00 3016	Decal - Y Toner Supply	1
25	GA00 3018	Decal - C Toner Supply	1
26	GA00 3017	Decal - M Toner Supply	1
27	GA00 3019	Decal - K Toner Supply	1
28	D014 6892	Heat Insulation: Heat Pipe: Panel	1

Index No.	Part No.	Description	Q'ty Per Assembly
101	0451 4008N	Tapping Screw: 4x8	
102	0354 0060N	Screw-M4x6	
103	0354 0080N	Screw: M4x8	
104	0720 0040E	Retaining Ring - M4	
105	1105 0598	Clamp: LWSS-1N	

82.Frame Section 2 (D014/D015/D078/D079)



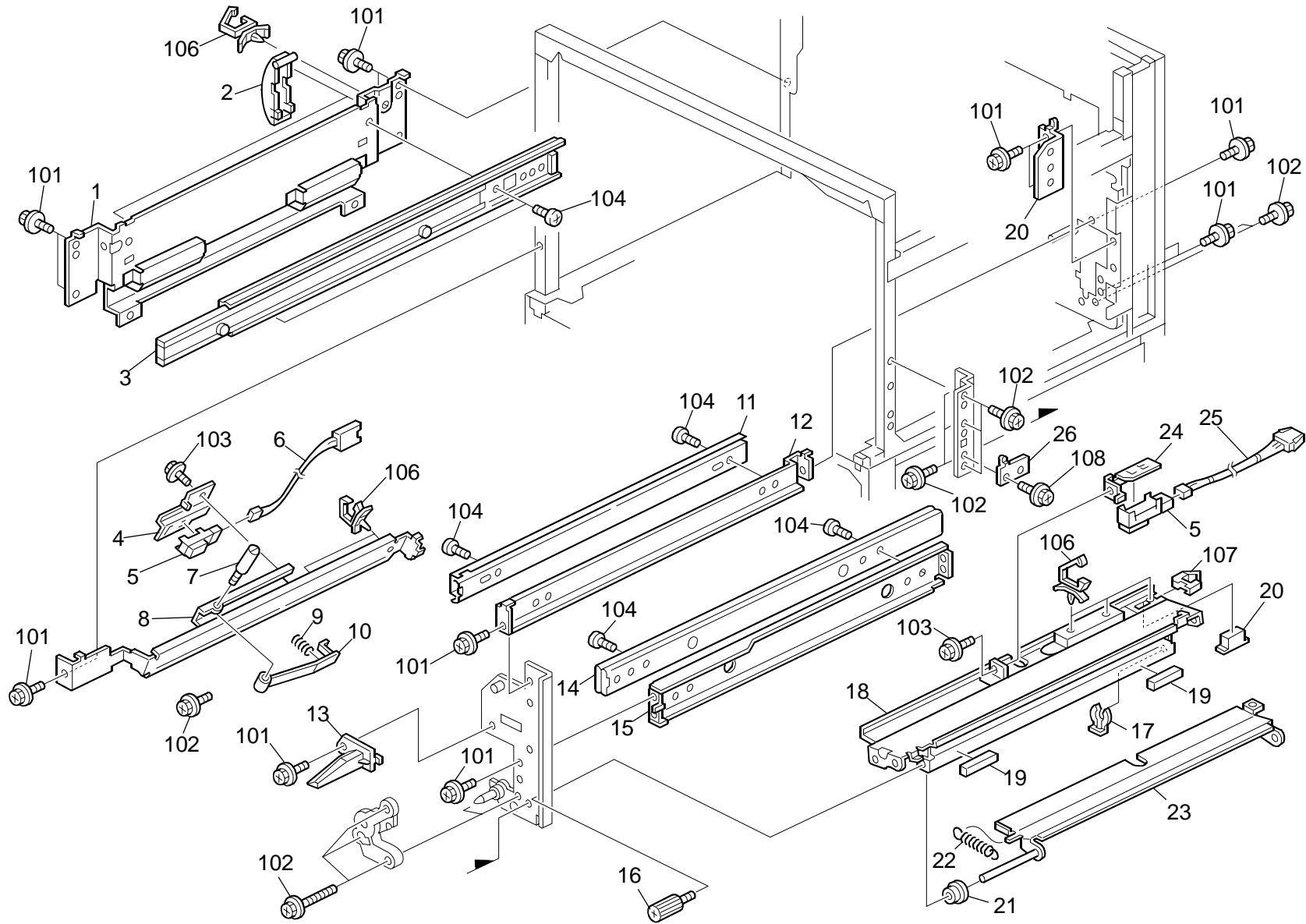
WWW.SERVICE-MANUAL.NET

82.Frame Section 2 (D014/D015/D078/D079)

Index No.	Part No.	Description	Q'ty Per Assembly
1	D014 3644	Bracket: Sensor: CYK	3
2	D014 3656	Holder: Electric Potential Sensor	4
3	D014 3657	Shielding Plate	4
4	D014 3655	Electric Potential Sensor	4
5	D014 3643	Bracket: Sensor: M	1
6	AW14 0015	Temperature & Humidity Sensor	1
7	D014 3646	DC Solenoid: On-Off	3
8	D014 5384	Harness: Solenoid	1
9	D014 2196	Gasket: 7x10: 50mm	2
10	D014 6856	Sheet: Heat Pipe: Front	1
11	D014 6857	Sheet: Heat Pipe: Inner Back	1

Index No.	Part No.	Description	Q'ty Per Assembly
101	0353 0040N	Screw - M3x4	
102	0360 3006N	Screw - M3x6	
103	0451 4006N	Tapping Screw - 4x6	
104	1105 0516	Clamp	

83.Frame Section 3 (D014/D015/D078/D079)



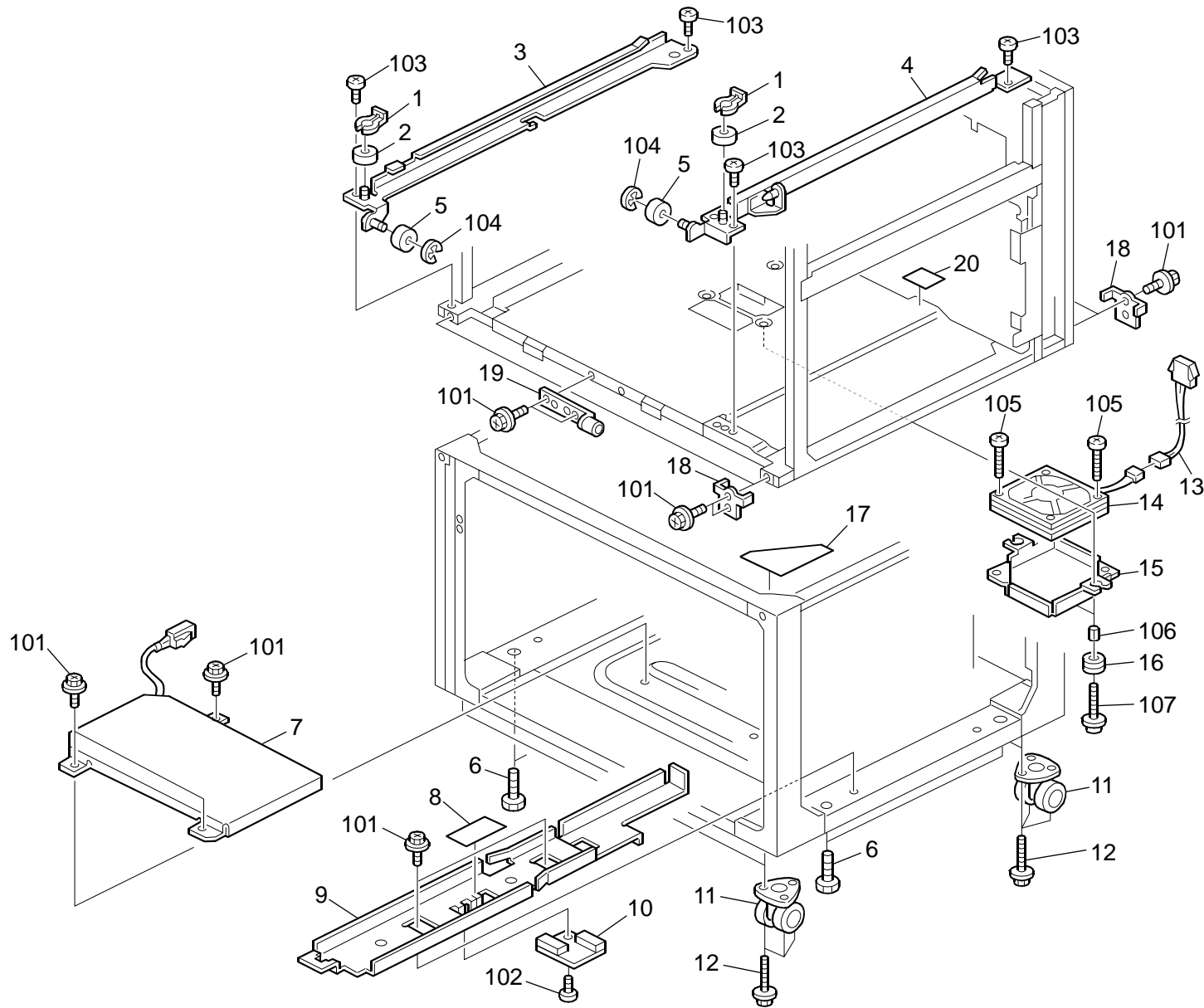
83.Frame Section 3 (D014/D015/D078/D079)

Rev. 12/07/2009

Index No.	Part No.	Description	Q'ty Per Assembly
1	B132 1115	Stay: Machine Or Copier: Left: Peen	1
2	B132 1222	Cover: Stay: Left	2
3	AA07 0066	Slide Rail: Pull Out: Left	1
4	B132 7101	Bracket: Sensor: Entrance	1
5	AW01 0107	Paper Feed Sensor	2
6	D014 5253	Harness: Sensor	1
7	AA14 3421	Stud: Guide Pin	1
8	D081 7114	Guide Plate: Left Lower: Ass'y	1
9	AA06 3907	Compression Spring	1
10	B132 7038	Stopper: Pressure	1
11	AA07 0064	Slide Rail: Toner Supply: Ass'y	1
12	B132 3486	Stay: Slide Rail: Toner Supply	1
13	B132 2718	Guide: Registration: Open And Close	1
14	AA07 0067	Slide Rail: Pull Out: Right	1
15	B132 1004	Stay: Machine Or Copier: Right Lower	1
16	G104 5139	Knob Screw: HDD Unit	1
17	5447 2681	Snap Ring	1
18	D014 2637	Guide Plate: Connecting: LCT	1
19	B010 1289	Left Gasket - Front Rear	2
20	B132 2815	Bracket: Fix: Manual Feed	1
21	AA08 0265	Bushing: 6x8x5	1
22	AA06 0960	Tension Spring	1
23	D014 2662	Guide Plate: LCT: Open And Close	1
24	B132 2654	Bracket: Sensor: Large Capacity Tray	1
25	D014 5250	Harness: Paper Feed Unit: LCT: Sensor	1
26	B132 1008	Bracket: Cover: LCT	1

Index No.	Part No.	Description	Q'ty Per Assembly
101	0451 4008N	Tapping Screw: 4x8	
102	0451 4012N	Tapping Screw: 4x12	
103	0451 3006N	Tapping Screw - 3x6	
104	0354 0060N	Screw-M4x6	
105	0951 3006N	Screw - M3x6	
106	1105 0511	Harness Clamp - LWS-0306ZC	
107	1105 0551	Clamp: LES-0505	
108	0451 4010N	Tapping Screw: 4x10	

84.Frame Section 4 (D014/D015/D078/D079)



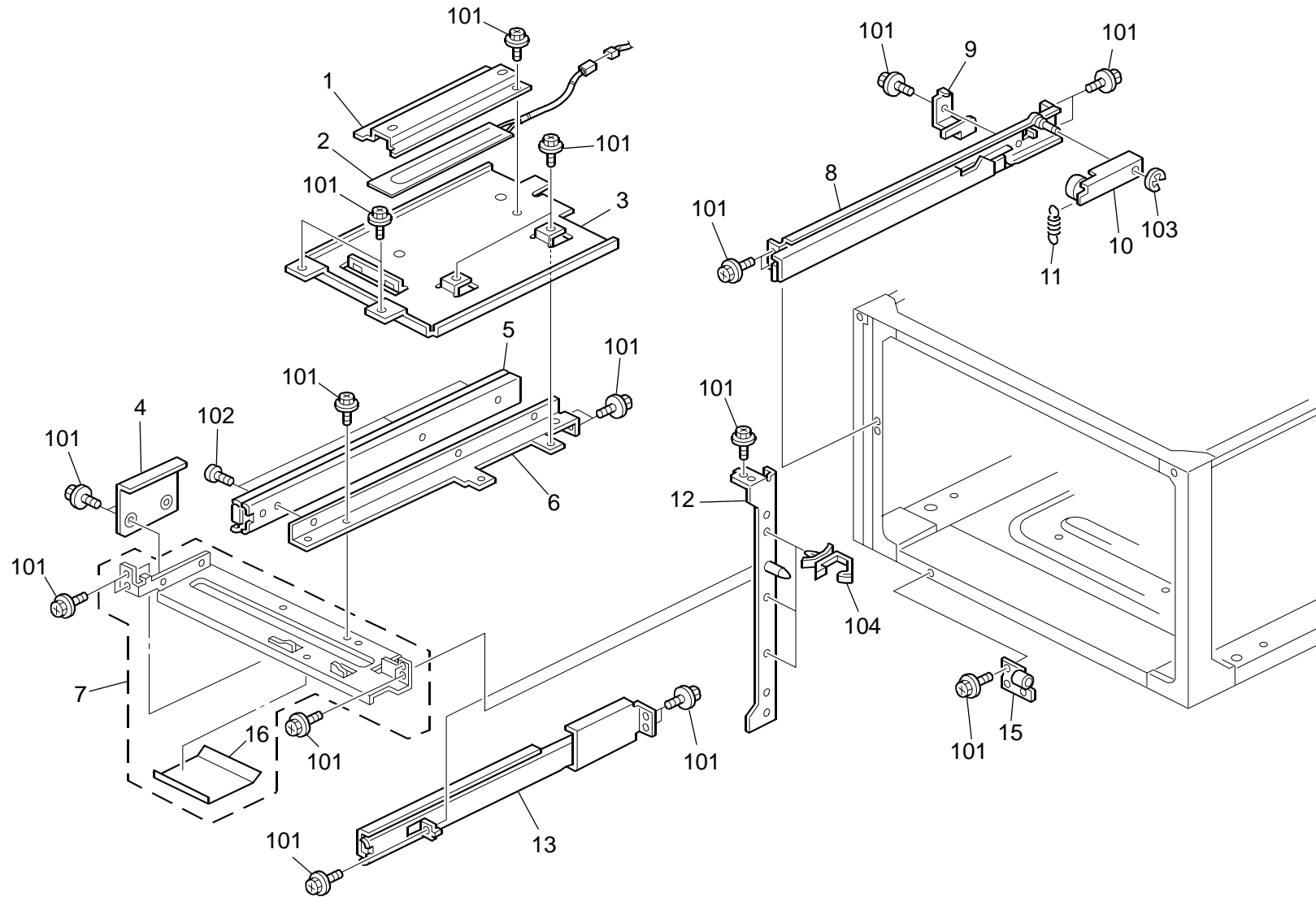
84.Frame Section 4 (D014/D015/D078/D079)

Rev. 03/06/2008

Index No.	Part No.	Description	Q'ty Per Assembly
1	5447 2681	Snap Ring	2
2	A300 2134	Guide Roller - B	2
3	B132 4835	Rail: Left: Ass'y	1
4	D014 4591	Rail: Right: Ass'y	1
5	6754 2866	Roller - Positioning Guide	2
6	AA14 3798	Hexagonal Bolt: M12x35	4
7	B140 6225	Heat Sink: Heater: Lower: NA: Ass'y	1
7	B140 6226	Heat Sink: Heater: Lower: EU: Ass'y	1
8	B132 6579	Cover: Temperature/Humidity Sensor	1
9	B181 6577	Guide: Tank: Discharge Used Toner	1
10	AW14 0015	Temperature & Humidity Sensor	1
11	AH01 2031	Caster: 1470n	4
12	AA14 3803	Flanged Hexagonal Head Bolt: Caster	12
13	D014 5266	Harness: Duplex: Fan: Middle	1
14	AX64 0163	Fan Motor: Mm80	1
15	B132 1118	Bracket: Fan: Duplex	1
16	AA16 1104	Cushion - Motor	2
17	A096 6693	Paper Guide Sheet	1
18	B065 1092	Bracket	4
19	B132 4830	Bracket: Holder: Ass'y	1
20	A222 1193	Sheet: Duct: Lower	1

Index No.	Part No.	Description	Q'ty Per Assembly
101	0451 4008N	Tapping Screw: 4x8	
102	0313 0060N	Screw - M3x6	
103	0434 0080N	Pan Self-Tapping Screw: M4x8	
104	0720 0040E	Retaining Ring - M4	
105	0354 0200N	Screw: M4x20	
106	0707 4050N	Bushing - 4x5	
107	0951 4010N	Screw: Polished Round: M4x10	
108	1105 0516	Clamp	
109	1105 0508	Harness Clamp - LWS-0711	

85.Frame Section 5 (D014/D015/D078/D079)



85.Frame Section 5 (D014/D015/D078/D079)

Index No.	Part No.	Description	Q'ty Per Assembly
1	A248 6103	Guide Plate - Upper Heat Sink	1
2	AX40 0176	Heater: 115V: 18W: Upper	1
2	AX40 0178	Heater: 240V: 18W: Upper	1
3	B070 6293	Heat Sink: Heater: Upper: Fiber	1
4	B132 6669	Supporting Plate: Stay	1
5	AA07 0072	Slide Rail: Tandem LCT	1
6	B065 6774	Slide bracket	1
7	B132 6696	Stay: Tandem LCT	1
8	B132 7590	Rail: Tandem LCT: Left: Ass'y	1
9	B132 6742	Left Rail Bracket	1
10	B065 6135	Lock Arm - Tandem Tray	1
11	AA06 0761	Spring	1
12	B132 6689	Side Plate: Front: Paper Bank	1
13	B132 7591	Rail: Paper Tray: Ass'y	1
14	AA15 0406	Seal - Misfeed Removal	1
15	B132 6630	Bracket: Holder: Ass'y	1

Index No.	Part No.	Description	Q'ty Per Assembly
101	0451 4008N	Tapping Screw: 4x8	
102	0314 0040N	Pan Head Screw - M4x4	
103	0720 0040E	Retaining Ring - M4	
104	1105 0508	Harness Clamp - LWS-0711	

86.VBCU Board (D014/D015/D078/D079)

CAPACITOR

SYMBOL NO.	INDEX NO.	SYMBOL NO.	INDEX NO.	SYMBOL NO.	INDEX NO.	SYMBOL NO.	INDEX NO.	SYMBOL NO.	INDEX NO.	SYMBOL NO.	INDEX NO.	SYMBOL NO.	INDEX NO.
C1	202	C11	202	C21	198	C31	201	C41	200	C51	239	C61	194
---	---	C12	194	C22	198	C32	201	C42	200	---	---	C62	194
---	---	C13	202	C23	198	---	---	C43	200	C53	201	---	---
C4	202	C14	202	C24	194	C34	201	C44	237	C54	201	C64	202
C5	202	C15	200	C25	200	C35	201	C45	202	C55	201	C65	201
C6	202	C16	202	C26	200	C36	201	C46	202	C56	194	C66	201
C7	202	C17	200	C27	200	C37	202	C47	202	C57	194	C67	201
C8	237	C18	198	C28	201	C38	202	C48	202	C58	202	C68	201
C9	202	C19	198	C29	201	C39	202	C49	234	C59	236	C69	201
C10	203	C20	198	C30	201	C40	202	C50	202	C60	193	C70	201

CAPACITOR

SYMBOL NO.	INDEX NO.	SYMBOL NO.	INDEX NO.	SYMBOL NO.	INDEX NO.	SYMBOL NO.	INDEX NO.	SYMBOL NO.	INDEX NO.	SYMBOL NO.	INDEX NO.	SYMBOL NO.	INDEX NO.
C71	201	C81	200	C91	202	C101	198	C111	202	C121	202	C131	201
C72	201	C82	200	C92	200	C102	200	C112	200	C122	215	C132	210
C73	201	C83	200	C93	202	C103	202	C113	202	C123	200	C133	200
C74	202	C84	202	C94	202	C104	200	C114	202	C124	200	C134	200
C75	198	C85	200	C95	200	C105	202	C115	200	C125	202	C135	202
C76	198	C86	202	C96	200	C106	202	C116	205	C126	200	C136	200
C77	202	C87	200	C97	202	C107	200	C117	205	C127	212	C137	209
C78	195	C88	202	C98	202	C108	202	C118	204	C128	202	C138	202
C79	204	C89	202	C99	209	C109	200	C119	213	C129	212	C139	202
C80	196	C90	200	C100	202	C110	202	C120	202	C130	201	---	---

86.VBCU Board (D014/D015/D078/D079)

CAPACITOR

SYMBOL NO.	INDEX NO.	SYMBOL NO.	INDEX NO.	SYMBOL NO.	INDEX NO.	SYMBOL NO.	INDEX NO.	SYMBOL NO.	INDEX NO.	SYMBOL NO.	INDEX NO.	SYMBOL NO.	INDEX NO.
C141	200	C151	210	C161	200	C171	201	C181	201	C191	201	C201	202
C142	200	C152	202	C162	202	C172	201	C182	201	C192	201	---	---
C143	200	C153	210	C163	209	C173	201	C183	201	C193	201	C203	200
---	---	C154	200	C164	202	C174	200	C184	202	C194	201	C204	200
C145	210	C155	198	C165	205	C175	201	C185	201	C195	210	C205	200
C146	200	C156	210	C166	200	C176	201	C186	201	C196	200	---	---
C147	206	C157	200	C167	210	C177	201	C187	205	C197	200	C207	194
C148	197	---	---	C168	200	C178	201	C188	205	C198	200	C208	200
C149	200	C159	200	---	---	C179	202	C189	205	C199	209	C209	198
C150	198	C160	200	C170	201	C180	202	C190	205	C200	202	C210	210

CAPACITOR

SYMBOL NO.	INDEX NO.	SYMBOL NO.	INDEX NO.	SYMBOL NO.	INDEX NO.	SYMBOL NO.	INDEX NO.	SYMBOL NO.	INDEX NO.	SYMBOL NO.	INDEX NO.	SYMBOL NO.	INDEX NO.
C211	202	C221	194	C231	200	C241	201	C251	201	C261	199	C271	205
C212	200	C222	198	C232	200	C242	203	C252	201	C262	199	C272	201
C213	200	C223	200	C233	202	C243	203	C253	201	C263	202	C273	199
C214	209	C224	200	C234	202	C244	203	C254	201	C264	201	C274	202
C215	202	---	---	C235	200	C245	203	C255	201	C265	201	C275	205
C216	202	C226	200	C236	200	C246	202	C256	201	C266	202	C276	201
C217	210	C227	210	C237	200	C247	201	C257	201	C267	214	C277	199
C218	200	C228	200	C238	201	C248	199	C258	201	C268	202	C278	205
C219	210	---	---	C239	201	C249	202	C259	202	C269	214	C279	205
C220	200	C230	200	C240	201	C250	205	C260	202	C270	201	C280	199

86.VBCU Board (D014/D015/D078/D079)

CAPACITOR

SYMBOL NO.	INDEX NO.	SYMBOL NO.	INDEX NO.	SYMBOL NO.	INDEX NO.	SYMBOL NO.	INDEX NO.	SYMBOL NO.	INDEX NO.	SYMBOL NO.	INDEX NO.	SYMBOL NO.	INDEX NO.
C281	199	C291	204	C301	201	C311	204	C321	201	C331	205	C341	201
C282	202	C292	201	C302	201	C312	204	C322	201	C332	205	C342	201
C283	199	C293	201	C303	201	C313	193	C323	201	C333	205	C343	201
C284	199	C294	205	C304	201	C314	205	C324	201	C334	201	C344	201
C285	205	C295	199	C305	201	C315	205	C325	201	C335	201	C345	201
C286	205	C296	202	C306	201	C316	204	C326	201	C336	201	C346	201
C287	205	C297	205	C307	201	C317	204	C327	201	C337	201	C347	201
C288	205	C298	201	C308	201	C318	202	C328	201	C338	200	C348	201
C289	201	C299	199	C309	205	C319	201	C329	201	C339	200	C349	201
C290	204	C300	201	C310	205	C320	201	C330	201	C340	200	C350	201

CAPACITOR

SYMBOL NO.	INDEX NO.	SYMBOL NO.	INDEX NO.	SYMBOL NO.	INDEX NO.	SYMBOL NO.	INDEX NO.	SYMBOL NO.	INDEX NO.	SYMBOL NO.	INDEX NO.	SYMBOL NO.	INDEX NO.
C351	201	C361	235	C371	204	C381	207	C391	202	C401	208	C411	201
C352	201	C362	193	C372	204	C382	207	C392	202	C402	202	C412	205
C353	201	C363	201	C373	201	C383	207	C393	193	C403	202	C413	205
C354	201	C364	201	C374	201	C384	202	C394	205	C404	202	C414	201
C355	201	C365	201	C375	201	C385	200	C395	205	C405	208	C415	201
C356	201	C366	201	C376	193	C386	199	C396	201	C406	208	C416	201
C357	200	C367	201	C377	193	C387	200	C397	204	C407	207	C417	201
C358	200	C368	201	C378	193	C388	199	C398	204	C408	201	C418	205
C359	200	C369	204	C379	193	C389	200	C399	201	C409	201	C419	205
C360	200	C370	204	C380	207	C390	199	C400	208	C410	201	C420	205

86.VBCU Board (D014/D015/D078/D079)

CAPACITOR

SYMBOL NO.	INDEX NO.
C421	205
C422	205
C423	201
C424	201
C425	201
C426	201
C427	201
C428	201
C429	201
C430	201

SYMBOL NO.	INDEX NO.
C431	201
C432	201
C433	201
C434	211
C435	211
C436	211
C437	211
C438	287
C439	287
C440	207

SYMBOL NO.	INDEX NO.
C441	201
C442	207
C443	238
C444	238
C445	202
C446	202

CONNECTOR

SYMBOL NO.	INDEX NO.
---	---
---	---
---	---
---	---
---	---
---	---
---	---
---	---
---	---
---	---
CN200	105

SYMBOL NO.	INDEX NO.
CN201	101
CN202	107
CN203	117
CN204	119
CN205	115
CN206	116
CN207	112
CN208	113
---	---
CN210	119

SYMBOL NO.	INDEX NO.
CN211	113
CN212	117
CN213	116
CN214	114
CN215	117
CN216	116
CN217	114
CN218	118
CN219	110
CN220	117

SYMBOL NO.	INDEX NO.
---	---
---	---
CN223	109
CN224	103
CN225	101
---	---
CN227	104
---	---
---	---
---	---

CONNECTOR

SYMBOL NO.	INDEX NO.
---	---
CN232	120
---	---
---	---
---	---
---	---
---	---
---	---
---	---
---	---

SYMBOL NO.	INDEX NO.
CN301	106
CN303	108
CN304	111
CN305	102
CN306	121

DIODE

SYMBOL NO.	INDEX NO.
D1	140
D2	138
D3	140
D4	140
D5	140
D6	140
D7	139
D8	139
D9	139
D10	139

SYMBOL NO.	INDEX NO.
D11	139
D12	139
D13	139
D14	139
D15	139
D16	140
D17	140
D18	140
D19	140
D20	140

SYMBOL NO.	INDEX NO.
D21	139
D22	139
D23	139
D24	139
D25	139
D26	139
D27	139
D28	139
D29	139
D30	139

SYMBOL NO.	INDEX NO.
D31	139
D32	139
D33	139
D34	141
D35	140
D36	140
D37	144
D38	140
D39	140
D40	140

SYMBOL NO.	INDEX NO.
D41	140
D42	140
D43	140
D44	140
D45	140
D46	141
D47	141
D48	140
D49	140
D50	140

86.VBCU Board (D014/D015/D078/D079)

DIODE

SYMBOL NO.	INDEX NO.
D51	140
D52	138
D53	139
D54	139
D55	140
D56	140
D57	140
D58	139
D59	139
D60	139

SYMBOL NO.	INDEX NO.
D61	139
D62	139
D63	139
D64	139
D65	139
D66	144
D67	140
D68	140
D69	140
D70	139

SYMBOL NO.	INDEX NO.
D71	139
D72	139
D73	141
D74	140
D75	140
D76	139
D76	144
D77	141
D79	140
D80	140

SYMBOL NO.	INDEX NO.
D81	140
D82	140
D83	140
D84	141
D85	141
D86	139
D87	139
D88	139
D89	139
D90	141

SYMBOL NO.	INDEX NO.
D91	141
D92	139
D93	139
D94	139
D95	139
D96	139
D97	139

FIL

SYMBOL NO.	INDEX NO.
FIL1	217
FIL2	217
FIL3	218
FIL4	218
FIL5	216
FIL6	218
FIL7	218
FIL8	218

FUSE

SYMBOL NO.	INDEX NO.
FU1	123
FU2	123
FU3	124
FU4	125

IC

SYMBOL NO.	INDEX NO.
IC1	171
IC2	122
IC3	160
IC4	160
IC5	156
IC6	156
IC7	155
IC8	157
IC9	152
IC10	152

SYMBOL NO.	INDEX NO.
IC11	157
IC12	157
IC13	157
IC14	166
IC15	163
IC16	154
IC17	153
IC18	149
IC19	149
IC20	175

SYMBOL NO.	INDEX NO.
IC21	168
IC22	152
IC23	151
IC24	164
IC25	159
IC26	150
IC27	150
IC28	158
IC29	148
IC30	150

SYMBOL NO.	INDEX NO.
IC31	176
IC32	170
IC33	174
IC34	169
IC35	169
IC36	178
IC37	178
IC38	169
IC39	169
IC40	169

SYMBOL NO.	INDEX NO.
IC41	172
IC42	169
IC43	161
IC44	176
IC45	167
---	---
---	---
---	---
---	---
---	---
---	---

SYMBOL NO.	INDEX NO.
---	---
---	---
---	---
---	---
---	---
---	---
---	---
---	---
---	---
IC100	162

SYMBOL NO.	INDEX NO.
IC101	165
IC102	165
IC103	1
IC104	1
IC105	289
IC106	288
IC107	288

86.VBCU Board (D014/D015/D078/D079)

LED

SYMBOL NO.	INDEX NO.
LED1	146
LED2	146
LED3	146
LED4	146
LED5	146
LED6	145

OSC

SYMBOL NO.	INDEX NO.
OSC1	180
OSC2	179

Q

SYMBOL NO.	INDEX NO.
Q1	129
Q2	129
Q3	134
Q4	129
Q5	127
Q6	135
Q7	135
Q8	135
Q9	135
Q10	133

SYMBOL NO.	INDEX NO.
Q11	133
Q12	133
Q13	133
Q14	133
Q15	133
Q16	136
Q17	128
Q18	127
Q19	133
Q20	133

SYMBOL NO.	INDEX NO.
Q21	133
Q22	133
Q23	133
Q24	133
Q25	129
Q26	135
Q27	135
Q28	132
Q29	133
Q30	135

SYMBOL NO.	INDEX NO.
Q31	136
Q32	136
Q33	136
Q34	134
Q35	136
Q36	136
Q37	136
Q38	129
Q39	131
Q40	133

SYMBOL NO.	INDEX NO.
Q41	133
Q42	133
Q43	133
Q44	133
Q45	133
Q46	133
Q47	130
Q48	130
Q49	130
Q50	130

Q

SYMBOL NO.	INDEX NO.
Q51	133
Q52	133
Q53	133
Q54	133
Q55	133
Q56	133
Q57	133
Q58	133
Q59	133
Q60	133

SYMBOL NO.	INDEX NO.
Q61	133
Q62	133
Q63	136
Q64	133
Q65	136
Q66	133
Q67	133
Q68	133
Q69	133
Q70	133

SYMBOL NO.	INDEX NO.
Q71	133
Q72	129
Q73	133
Q74	133
Q75	133
Q76	133
Q77	133
Q78	133
Q79	133
Q80	136

SYMBOL NO.	INDEX NO.
Q81	136
Q82	133
Q83	135
Q84	135
Q85	133
Q86	133
Q87	133
Q88	133
Q89	129
Q90	133

SYMBOL NO.	INDEX NO.
Q91	133
Q92	133
Q93	129
Q94	129
Q95	129
Q96	133
Q97	133
Q98	133
Q99	133
Q100	133

SYMBOL NO.	INDEX NO.
Q101	129
Q102	133
Q103	136
Q104	129
Q105	130
Q106	133
Q107	133
Q108	127
Q109	127
Q110	127

SYMBOL NO.	INDEX NO.
Q111	127
Q112	129
Q113	130
Q114	130
Q115	133
Q116	133
Q117	133
Q118	136
Q119	136
Q120	136

86.VBCU Board (D014/D015/D078/D079)

Q

RESISTOR

SYMBOL NO.	INDEX NO.
Q121	130
Q122	130
Q123	130
Q124	130
Q125	132
Q126	133
Q127	133
Q128	133
Q129	133
Q130	136

SYMBOL NO.	INDEX NO.
Q131	136
Q132	136
Q133	133
Q134	133
Q135	137
Q136	137
Q137	133
Q138	135
Q139	136

SYMBOL NO.	INDEX NO.
R1	263
R2	263
R3	253
R4	245
R5	253
R6	246
R7	247
R8	247
R9	254
R10	254

SYMBOL NO.	INDEX NO.
R11	254
R12	247
R13	261
R14	254
R15	253
R16	244
R17	244
R18	253
R19	247
R20	246

SYMBOL NO.	INDEX NO.
R21	247
R22	246
R23	247
---	---
R25	246
R26	247
R27	247
R28	253
R29	253
R30	245

SYMBOL NO.	INDEX NO.
R31	245
R32	246
R33	246
---	---
R35	247
---	---
R37	248
R38	248
R39	260
R40	252

SYMBOL NO.	INDEX NO.
R41	252
R42	260
R43	258
R44	258
R45	247
R46	245
R47	247
R48	245
R49	247
R50	245

RESISTOR

SYMBOL NO.	INDEX NO.
R51	245
R52	247
R53	246
R54	246
R55	246
R56	246
R57	266
R58	249
R59	247
R60	254

SYMBOL NO.	INDEX NO.
R61	247
R63	246
R63	268
R64	268
R65	247
R66	247
R67	245
---	---
R69	254
R70	254

SYMBOL NO.	INDEX NO.
R71	254
R72	254
R73	245
R74	245
R75	245
---	---
R77	226
R78	226
R79	246
R80	284

SYMBOL NO.	INDEX NO.
R81	284
R82	246
R83	279
R84	269
R85	247
R86	247
R87	253
R88	253
R89	253
R90	244

SYMBOL NO.	INDEX NO.
R91	245
R92	245
R93	245
R94	247
R95	247
R96	266
R97	261
R98	247
---	---
R100	247

SYMBOL NO.	INDEX NO.
R101	275
R102	248
---	---
R104	246
R105	246
R106	249
R107	254
---	---
R109	246
R110	246

SYMBOL NO.	INDEX NO.
R111	262
R112	262
R113	254
R114	246
R115	233
R116	262
R117	262
R118	247
---	---
---	---

86.VBCU Board (D014/D015/D078/D079)

RESISTOR

SYMBOL NO.	INDEX NO.	SYMBOL NO.	INDEX NO.	SYMBOL NO.	INDEX NO.	SYMBOL NO.	INDEX NO.	SYMBOL NO.	INDEX NO.	SYMBOL NO.	INDEX NO.	SYMBOL NO.	INDEX NO.
---	---	---	---	R141	258	R151	226	R161	262	R171	274	R181	246
R122	247	R132	230	R142	245	R152	227	R162	244	R172	268	R182	246
R123	247	R133	230	R143	245	R153	227	R163	246	R173	274	R183	268
R124	247	R134	246	R144	255	R154	247	R164	246	R174	268	R184	268
R125	246	R135	241	R145	255	R155	246	R165	253	R175	271	R185	268
R126	268	R136	247	R146	246	R156	246	---	---	R176	281	R186	269
R127	247	R137	244	R147	246	R157	246	R167	253	R177	246	R187	277
---	---	R138	247	R148	258	R158	246	R168	247	R178	246	R188	269
---	---	R139	247	R149	258	R159	246	R169	259	R179	270	R189	277
R130	247	R140	258	R150	226	R160	244	R170	259	R180	267	R190	246

RESISTOR

SYMBOL NO.	INDEX NO.	SYMBOL NO.	INDEX NO.	SYMBOL NO.	INDEX NO.	SYMBOL NO.	INDEX NO.	SYMBOL NO.	INDEX NO.	SYMBOL NO.	INDEX NO.	SYMBOL NO.	INDEX NO.
R191	246	R201	181	R211	246	R221	182	R231	268	R241	285	R251	258
R192	246	R202	182	R212	231	R222	247	R232	268	R242	275	R252	256
R193	183	R203	182	R213	246	R223	258	R233	268	R243	285	R253	253
R194	231	R204	280	R214	183	R224	265	R234	268	R244	275	R254	247
R195	246	R205	282	R215	231	R225	265	R235	268	R245	226	R255	268
R196	183	R206	246	R216	246	R226	258	R236	268	R246	226	R256	240
R197	231	R207	282	R217	246	R227	258	R237	280	R247	227	R257	240
R198	246	R208	246	R218	246	R228	265	R238	282	R248	227	R258	240
R199	246	R208	280	R219	181	R229	265	R239	282	R249	226	R259	247
R200	246	R210	183	R220	182	R230	258	R240	280	R250	246	R260	247

86.VBCU Board (D014/D015/D078/D079)

RESISTOR

SYMBOL NO.	INDEX NO.	SYMBOL NO.	INDEX NO.	SYMBOL NO.	INDEX NO.	SYMBOL NO.	INDEX NO.	SYMBOL NO.	INDEX NO.	SYMBOL NO.	INDEX NO.	SYMBOL NO.	INDEX NO.
R261	247	R271	257	R281	250	R291	247	R301	242	R311	280	R321	276
R262	247	R272	264	R282	251	R292	272	R302	227	R312	258	R322	286
R263	250	R273	264	R283	228	R293	275	R303	227	R313	280	R323	229
R264	250	R274	257	R284	232	R294	273	R304	227	R314	283	R324	226
R265	250	R275	257	R285	228	R295	278	R305	227	R315	283	R325	229
R266	250	R276	257	R286	228	R296	278	R306	245	R316	276	R326	246
R267	250	R276	264	R287	275	R297	273	R307	246	R317	276	R327	247
R268	250	R277	264	R288	285	R298	273	R308	246	R318	286	R328	246
R269	250	R279	257	R289	275	R299	278	R309	245	R319	286	R329	247
R270	250	R280	257	R290	285	R300	242	R310	258	R320	283	R330	246

RESISTOR

SYMBOL NO.	INDEX NO.
R331	246
R332	249
R333	247
R334	247
R335	246
R336	247
R337	246
R338	247
R339	243

REG

SYMBOL NO.	INDEX NO.
REG1	177
REG2	173

RN

SYMBOL NO.	INDEX NO.
RN1	221
RN2	221
RN3	221
RN4	221
RN5	221
RN6	191
RN7	220
RN8	219
RN9	219
RN10	219

SYMBOL NO.	INDEX NO.
RN11	185
RN12	224
RN13	224
RN14	186
RN15	185
RN16	185
RN17	189
RN18	185
RN19	190
RN20	185

SYMBOL NO.	INDEX NO.
RN21	185
RN22	185
RN23	185
RN24	188
RN25	185
RN26	185
RN27	192
RN28	185
RN29	185
RN30	185

SYMBOL NO.	INDEX NO.
RN31	185
RN32	185
RN33	189
RN34	185
RN35	189
RN36	185
RN37	189
RN38	190
RN39	220
RN40	186

SYMBOL NO.	INDEX NO.
RN41	219
RN42	220
RN43	219
RN44	219
RN45	219
RN46	219
RN47	219
RN48	186
RN49	219
RN50	222

86.VBCU Board (D014/D015/D078/D079)

RN

SYMBOL NO.	INDEX NO.	SYMBOL NO.	INDEX NO.	SYMBOL NO.	INDEX NO.	SYMBOL NO.	INDEX NO.	SYMBOL NO.	INDEX NO.	SYMBOL NO.	INDEX NO.	SYMBOL NO.	INDEX NO.
RN51	220	RN61	220	RN71	185	RN81	184	RN91	222	RN101	189	RN111	191
RN52	220	RN62	221	RN72	185	RN82	184	RN92	223	RN102	225	RN112	225
RN53	222	RN63	185	RN73	185	RN83	184	RN93	189	RN103	185	RN113	185
RN54	222	RN64	188	RN74	185	RN84	184	RN94	191	RN104	185	RN114	189
RN55	222	RN65	222	RN75	185	RN85	189	RN95	191	RN105	185	RN115	185
RN56	222	RN66	222	RN76	185	RN86	185	RN96	187	RN106	185	RN116	184
RN57	222	RN67	185	RN77	185	RN87	192	RN97	185	RN107	189	RN117	185
RN58	184	RN68	185	RN78	185	RN88	185	RN98	185	RN108	191	RN118	185
RN59	224	RN69	185	RN79	189	RN89	222	RN99	187	RN109	225	RN119	185
RN60	224	RN70	185	RN80	184	RN90	185	---	---	RN110	185	RN120	185

RN

SYMBOL NO.	INDEX NO.	SYMBOL NO.	INDEX NO.	SYMBOL NO.	INDEX NO.	SYMBOL NO.	INDEX NO.	SYMBOL NO.	INDEX NO.	SYMBOL NO.	INDEX NO.	SYMBOL NO.	INDEX NO.
RN121	185	RN131	185	RN141	185	RN151	189	RN161	225	RN171	190	RN181	185
RN122	224	RN132	191	RN142	185	RN152	185	RN162	185	RN172	191	RN182	185
RN123	185	RN133	185	RN143	185	RN153	191	RN163	190	RN173	185	RN183	184
RN124	189	RN134	185	RN144	191	RN154	189	RN164	192	RN174	185		
RN125	184	RN135	189	RN145	185	RN155	185	RN165	185	RN175	224		
RN126	184	RN136	185	RN146	191	RN156	184	RN166	191	RN176	189		
RN127	184	RN137	185	RN147	189	RN157	184	RN167	185	RN177	185		
RN128	184	RN138	185	RN148	184	RN158	184	RN168	185	RN178	185		
RN129	185	RN139	185	RN149	185	RN159	189	RN169	184	RN179	185		
RN130	191	RN140	185	RN150	185	RN160	185	RN170	184	RN180	185		

86.VBCU Board (D014/D015/D078/D079)

SW

SYMBOL NO.	INDEX NO.
SW2	126

V

SYMBOL NO.	INDEX NO.
V1	147

ZU

SYMBOL NO.	INDEX NO.
ZD1	143
ZD2	143
ZD3	142
ZD4	142
ZD5	143
ZD6	143
ZD7	143

86.VBCU Board (D014/D015/D078/D079)

Index No.	Part No.	Description	Q'ty Per Assembly
*	D014 5133	PCB: VBCU	1
1	B238 5503	PWB: VBCU	2

Index No.	Part No.	Description	Q'ty Per Assembly
101	1102 5301	Connector - 2P	
102	1102 6297	Connector: 53324-0460	
103	1102 6298	Connector - 5P	
104	1102 6301	Connector - 8P	
105	1102 6594	Connector - 10P	
106	1102 7626	Connector - TX25-80P-LT-N1	
107	1102 8469	Connector - 55447-0510	
108	1102 8473	Connector - 55447-0910	
109	1102 8477	Connector - 13P	
110	1102 8482	Connector - 55447-1810	
111	1102 8485	Connector - 55451-2210	
112	1102 8486	Connector - 55451-2410	
113	1102 8488	Connector - 5451-2810	
114	1102 8489	Connector - 55451-3010	
115	1102 8490	Connector: 55451-3210	
116	1102 8491	Connector - 55451-3410	
117	1102 8492	Connector - 55451-3610	
118	1102 8493	Connector - 55451-3810	
119	1102 8494	Connector - 55451-4010	
120	1102 9547	Connector: 55451-1870	
121	1103 3426	Connector: FH12-50S-0.5SV(55)	
122	1104 0764	IC Socket - 8 PIN	
123	1107 1194	Fuse: 451003.MRL	
124	1107 1212	Fuse: 451010.MRL	
125	1109 0018	Circuit Protector - SMD100	
126	1204 2802	Dip Switch	
127	1400 0936	Transistor - UMD3N	
128	1400 1190	Transistor - STD1664	
129	1400 0910	Transistor Array: STA401A	
130	1400 1245	Transistor: 2SC5343UF	
131	1400 0909	Transistor: DTA143EUA	
132	1400 1270	Transistor: UMA9N	
133	1400 0823	Transistor: UMG9N	
134	1401 1426	FET: CPH3323-E	
135	1401 1427	FET Array: ECH8616-E	

Index No.	Part No.	Description	Q'ty Per Assembly
136	1401 1428	FET Array: ECH8615-E	
137	1401 1459	FET Array: FW359-E	
138	1402 1620	Diode: UMN11N	
139	1402 1854	Diode: RF071M2S	
140	1402 1977	Diode: SDB310Q	
141	1402 1995	Diode: SDS511	
142	1402 2033	Diode: TDZ6.8	
143	1402 2034	Diode: TDZ13	
144	1402 2037	Diode: SUD494J	
145	1403 0953	LED - SML-310MT	
146	1403 0996	LED - SML-310VT	
147	1404 1056	Varistor: AVR-M1005C120MBAAB	
148	1407 2187	TTLIC - SN74LS07NS	
149	1407 2219	IC - TD62003AP	
150	1407 7005	CMOS Logic: TC74VHCT244AFT(K)	
151	1407 5352	IC - 74LVC32A TSSOP	
152	1407 5353	IC - SN74LV244APW	
153	1407 5366	IC - 74LVC08A TSSOP	
154	1407 5376	IC - SN74LV32APW	
155	1407 5392	IC: SN74LV541APW	
156	1407 5463	IC - SN74LV245APW	
157	1407 5469	IC - SN74LV07APW	
158	1407 5509	IC - SN74AHCT08PW	
159	1407 5511	CMOS Logic: SN74LVC14APW	
160	1407 5633	IC - SN74LV574APW	
161	1407 6133	CMOS Logic - SN74AHCT00PW	
162	1407 6166	IC - ESOC	
163	1407 6235	Driver: TD62003AFG(5)	
164	1407 6631	Clock Generator: ICS180M-53LF	
165	1407 6759	Custom IC: EIO	
166	1407 6843	Interface IC: PCA9515ADP	
167	1408 0436	IC, LB1650, Driver	
168	1408 1033	IC - NJM2103M	
169	1408 1550	IC - LM2902PW	
170	1408 1685	Operational Amplifier: LM2904PW	

Index No.	Part No.	Description	Q'ty Per Assembly
171	1408 1779	IC - R3112Q281A	
172	1408 1829	Op AMP - LM358PW	
173	1408 1850	Regulator - R1170H181B	
174	1408 1911	Comparator - LM2903PW	
175	1408 1995	IC: MB3793-30APNFE1	
176	1408 2029	Comparator: LM2901PW	
177	1408 2398	Series Regulator: AIC1086-33PMJ	
178	1408 2602	Operational Amplifier: LM324APW	
179	1503 0784	Oscillator - MA-406 19.6608MHz	
180	1503 1215	Crystal Oscillator - 17.5MHz	
181	1601 5632	Resistor - 1K Ω \pm 0.1% 1/16W	
182	1601 5711	Resistor - 33K Ω \pm 0.1% 1/16W	
183	1601 5898	Resistor: 150K Ω : \pm 0.1%: 1/16W	
184	1601 7877	Resistor Array 4.7K Ω \pm 5% 1/32W	
185	1601 7887	Resistor Array - 10K Ω \pm 5% 1/32W	
186	1601 7898	Resistor Array	
187	1601 7909	Resistor Array - 10 Ω \pm 5% 1/32W	
188	1601 7943	Resistor Array - 68 Ω \pm 5% 1/32W	
189	1601 7959	Resistor	
190	1601 7960	Resistor Array - 100 Ω \pm 5% 1/16W	
191	1601 7983	Resistor Array: 2.2k Ω : \pm 5%: 1/16W	
192	1601 7992	Resistor - 47K Ω \pm 5% 1/16W	
193	1605 1148	Capacitor - 0.1 μ F+80-20% 50V	
194	1605 1200	Capacitor - 10pF \pm 0.5pF 50V	
195	1605 1202	Capacitor - 15pF \pm 5% 50V	
196	1605 1203	Capacitor - 18pF \pm 5% 50V	
197	1605 1204	Capacitor-pF50V	
198	1605 1208	Capacitor: 100pF: \pm 5%: 50V	
199	1605 1211	Capacitor - 220pF \pm 10% 50V	
200	1605 1212	Capacitor - 470pF \pm 10% 50V	
201	1605 1214	Capacitor - 1000pF \pm 10% 50V	
202	1605 1221	Capacitor - 0.1 μ F+80-20%16V	
203	1605 1234	Capacitor: 4700pF: \pm 10%: 50V	
204	1605 1240	Capacitor - 0.01 μ F \pm 10% 25V	
205	1605 1280	Capacitor: 390pF: \pm 5%: 25V	

Index No.	Part No.	Description	Q'ty Per Assembly
206	1605 1293	Capacitor - 27pF±5%50V	
207	1605 1303	Capacitor - 0.01µF+80-20% 50V	
208	1605 1306	Capacitor - 1µF±10% 10V	
209	1605 1307	Capacitor - 2.2µF+80-20% 11V	
210	1605 1347	Capacitor - 1µF: +80-20%: 16V	
211	1605 1353	Capacitor - 0.1µF±10% 25V	
212	1605 1406	Capacitor - 10µF±10% 6.3V	
213	1605 1427	Capacitor: 1µF: ±10%: 6.3V	
214	1605 1547	Capacitor: 2.2µF: ±10%: 6.3V	
215	1605 1606	Capacitor: 0.33µF: ±10%: 16V	
216	1607 1124	Filter- BLM11A471SGPB	
217	1607 1351	Filter BLM21PG221SN1B	
218	1607 1424	Filter: MMZ1608B601C	
219	1609 0005	Resistor: 33 Ω: ±5%: 1/16W	
220	1609 0006	Resistor: 10k Ω: ±5%: 1/16W	
221	1609 0016	Resistor: 56 Ω: ±5%: 1/16W	
222	1609 0020	Resistor: 10 Ω: ±5%: 1/16W	
223	1609 0037	Resistor Array: 560 Ω: ±5%: 1/16W: 4Number	
224	1609 0070	Resistor Array: 1M Ω: ±5%: 1/16W	
225	1609 0071	Resistor Array: 150K Ω: ±5%: 1/16W: 4Number	
226	1610 1702	Chip Resistor 120 Ω ±5% 1W 6332	
227	1610 1787	Resistor: 56 Ω: ±1%: 1W: 6332	
228	1610 1798	Resistor: 1 Ω: ±5%: 1W: 6332	
229	1610 1847	Resistor: 180 Ω: ±5%: 1W: 6332	
230	1610 1852	Resistor: 2 Ω: ±1%: 1W	
231	1610 1880	Resistor: 10K Ω: ±0.5%: 1/16W 1005	
232	1610 1960	Resistor: 0.22 Ω: ±1%: 1W 6332	
233	1634 0000	Resistor - 0 Ω 1/16W	
234	1640 0102	Capacitor - 1000µF- ±20% - 10V	
235	1640 3101	Capacitor - 100µF±20% 35V	
236	1640 3471	Capacitor - 470µF±20% 35V	
237	1644 1470	Capacitor - 47µF±20% 16V	
238	1644 3220	Capacitor 22µF±20% 35V	
239	1644 6101	Capacitor - 100µF±20% 6.3V	
240	1650 2121	Resistor: 120Ω: ±5%: 1/4W: 3216	

Index No.	Part No.	Description	Q'ty Per Assembly
241	1650 2151	Resistor - 150Ω ±5% 1/4W	
242	1650 3131	Resistor - 130 Ω ±5% 1/8W	
243	1650 3201	Resistor - 200Ω ±5% 1/8W	
244	1650 5100	Chip Resistor - 10 Ω±5%1/16W	
245	1650 5101	Chip Resistor - 100 Ω±5%1/16W	
246	1650 5102	Chip Resistor - 1KΩ±5%1/16W	
247	1650 5103	Chip Resistor - 10KΩ±5%1/16W	
248	1650 5104	Chip Resistor - 100KΩ±5%1/16W	
249	1650 5105	Chip Resistor - 1MΩ±5%1/16W	
250	1650 5154	Chip Resistor - 150KΩ ±5% 1/16W	
251	1650 5162	Resistor: 1.6K Ω: ±5%: 1/16W: 1005	
252	1650 5202	Chip Resistor: 2KΩ: ±5%: 1/16W	
253	1650 5222	Resistor - 2.2KΩ ±5% 1/16W	
254	1650 5330	Chip Resistor - 33Ω±5%1/16W	
255	1650 5332	Resistor - 3.3KΩ ±5% 1/16W	
256	1650 5333	Resistor: 33K Ω: ±5%: 1/16W: 1005	
257	1650 5471	Chip Resistor - 470Ω -5% 1/16W	
258	1650 5472	Chip Resistor: 4.7KΩ: ±5%: 1/16W	
259	1650 5474	Resistor: 470K Ω: ±5%: 1/16W: 1005	
260	1650 5510	Chip Resistor - 51Ω±5%1/16W	
261	1650 5560	Chip Resistor 56Ω ±5% 1/16W	
262	1650 5680	Resistor - 68Ω ±5% 1/16W	
263	1650 5681	Chip Resistor: 680Ω: ±5%: 1/16W	
264	1653 4709	Resistor: 47 Ω: ±1%: 1/8W: 2125	
265	1653 5609	Resistor - 56Ω ±1% 1/8W	
266	1655 0000	Chip Resistor - 0Ω±0%1/16W	
267	1655 1001	Chip Resistor - 1KΩ ±1% 1/16W	
268	1655 1002	Chip Resistor - 10KΩ±1%1/16W	
269	1655 1102	Resistor - 11KΩ ±1% 1/16W	
270	1655 1501	Chip Resistor 1.5KΩ ±1% 1/16W	
271	1655 1602	Resistor: 16k Ω: ±1%: 1/16W	
272	1655 1801	Resistor - 1.8K Ω ±1% 1/16W	
273	1655 1802	Resistor: 18K Ω: ±1%: 1/16W: 1005	
274	1655 2101	Resistor: 2.1K Ω: ±1%: 1/16W: 1005	
275	1655 2202	Chip Resistor - 22KΩ±1%1/16W	

Index No.	Part No.	Description	Q'ty Per Assembly
276	1655 2402	Resistor - 24K Ω \pm 1% 1/16W	
277	1655 2702	Resistor - 27K Ω \pm 1% 1/16W	
278	1655 3001	Resistor: 3K Ω : \pm 1%: 1/16W: 1005	
279	1655 4301	Resistor: 4.3K Ω : \pm 1%: 1/16W	
280	1655 4302	Resistor: 43K Ω : \pm 1%: 1/16W: 1005	
281	1655 5102	Resistor: 51K Ω : \pm 1%: 1/16W: 1005	
282	1655 6492	Resistor: 64.9K Ω : \pm 1%: 1/16W: 1005	
283	1655 6801	Resistor - 6.8K Ω \pm 1% 1/16W	
284	1655 8201	Resistor: 8.2K Ω : \pm 1%: 1/16W: 1005	
285	1655 8451	RESISTOR: 8.45K Ω : \pm 1%: 1/16W: 1005	
286	1655 9101	Resistor - 9.1K Ω \pm 1% 1/16W	
287	1660 4222	Capacitor - 2200pF - \pm 10% - 50V	
288	1902 0076	SRAM: 8M: X16: 55NS: G1	
289	1906 0115	Flash Memory: S29GL064A90TFIR40	

Index No.	Part No.	Description	Q'ty Per Assembly

87.IPU Board (D014/D015/D078/D079)

CAPACITOR

SYMBOL NO.	INDEX NO.	SYMBOL NO.	INDEX NO.	SYMBOL NO.	INDEX NO.	SYMBOL NO.	INDEX NO.	SYMBOL NO.	INDEX NO.	SYMBOL NO.	INDEX NO.	SYMBOL NO.	INDEX NO.
C1	187	C11	176	C21	187	C31	189	---	---	C51	187	C61	186
C2	187	C12	176	C22	194	C32	171	---	---	C52	187	C62	186
---	---	C13	176	C23	187	C33	187	---	---	C53	202	C63	176
---	---	C14	176	C24	187	C34	179	C44	177	C54	187	C64	176
---	---	C15	176	C25	187	C35	172	C45	177	C55	176	C65	187
---	---	C16	176	C26	179	---	---	C46	177	C56	187	C66	186
---	---	C17	202	C27	179	---	---	C47	177	C57	186	C67	186
---	---	C18	202	C28	179	---	---	C48	177	C58	186	C68	186
---	---	C19	187	C29	198	---	---	C49	179	C59	176	C69	186
---	---	C20	190	C30	198	---	---	C50	187	C60	187	C70	166

CAPACITOR

SYMBOL NO.	INDEX NO.	SYMBOL NO.	INDEX NO.	SYMBOL NO.	INDEX NO.	SYMBOL NO.	INDEX NO.	SYMBOL NO.	INDEX NO.	SYMBOL NO.	INDEX NO.	SYMBOL NO.	INDEX NO.
C71	201	C81	168	C91	187	C101	201	C111	192	---	---	C131	201
C72	201	C82	200	C92	179	---	---	---	---	C122	174	---	---
C73	201	C83	192	C93	192	C103	187	C113	178	C123	187	C133	187
C74	201	C84	182	C94	192	C104	169	C114	189	C124	187	C134	179
C75	201	C85	187	C95	187	C105	187	C115	166	C125	187	---	---
C76	187	---	---	C96	179	C106	187	---	---	C126	189	---	---
C77	179	C87	201	---	---	C107	173	---	---	C127	202	---	---
C78	189	C88	201	C98	192	C108	173	C118	187	C128	174	---	---
C79	195	C89	196	C99	196	C109	173	C119	187	C129	189	---	---
C80	187	---	---	C100	201	C110	187	C120	187	C130	202	---	---

87.IPU Board (D014/D015/D078/D079)

CAPACITOR

SYMBOL NO.	INDEX NO.	SYMBOL NO.	INDEX NO.	SYMBOL NO.	INDEX NO.	SYMBOL NO.	INDEX NO.	SYMBOL NO.	INDEX NO.	SYMBOL NO.	INDEX NO.
---	---	C151	187	---	---	C201	165	C211	187	C221	187
---	---	C152	187	---	---	C202	187	C212	187	C222	187
---	---	C153	187	---	---	C203	187	C213	187	C223	187
---	---	C154	187	---	---	C204	173	C214	187	C224	187
C145	187	C155	187	---	---	C205	173	C215	187	C225	187
C146	187	---	---	---	---	C206	173	C216	187	C226	187
C147	177	---	---	C197	179	C207	187	C217	187	C227	187
C148	177	---	---	C198	178	C208	192	C218	187	C228	187
C149	177	---	---	C199	178	C209	187	C219	187	C229	187
C150	187	---	---	C200	178	C210	187	C220	192	---	---
										C232	166
										C233	187
										C234	180
										C235	177
										C236	187
										C237	189
										C238	178
										C239	187
										C240	187

CAPACITOR

SYMBOL NO.	INDEX NO.	SYMBOL NO.	INDEX NO.	SYMBOL NO.	INDEX NO.	SYMBOL NO.	INDEX NO.	SYMBOL NO.	INDEX NO.	SYMBOL NO.	INDEX NO.
C241	187	C251	177	C261	169	C271	177	C281	189	C291	187
C242	187	C252	179	C262	187	---	---	C282	187	C292	187
C243	175	C253	180	C263	169	C273	187	C283	179	C293	187
C244	175	C254	187	C264	189	C274	187	C284	179	C294	187
C245	175	C255	187	C265	189	---	---	C285	179	C295	187
C246	175	C256	187	C266	187	---	---	C286	179	C296	187
C247	187	C257	187	C267	189	---	---	C287	179	C297	187
C248	187	C258	189	C268	189	---	---	C288	179	C298	187
C249	187	C259	167	C269	177	C279	189	C289	179	C299	179
C250	187	C260	189	C270	177	C280	187	C290	179	C300	179
										C301	179
										C302	179
										C303	193
										C304	193
										C305	193
										C306	193
										C307	193
										C308	193
										C309	193
										C310	193

87.IPU Board (D014/D015/D078/D079)

CAPACITOR

SYMBOL NO.	INDEX NO.	SYMBOL NO.	INDEX NO.	SYMBOL NO.	INDEX NO.	SYMBOL NO.	INDEX NO.	SYMBOL NO.	INDEX NO.	SYMBOL NO.	INDEX NO.	SYMBOL NO.	INDEX NO.
C311	179	C321	187	C331	187	C341	194	C351	187	C361	187	C371	189
C312	179	C322	187	C332	199	C342	189	---	---	---	---	C372	187
C313	179	C323	179	C333	189	C343	199	C353	179	C363	179	C373	201
C314	179	C324	179	C334	194	C344	187	C354	187	C364	187	C374	197
C315	193	C325	187	C335	187	C345	179	C355	199	C365	199	C375	185
C316	193	C326	189	C336	189	---	---	C356	189	C366	189	C376	187
C317	193	C327	179	C337	194	C347	187	C357	194	C367	194	C377	189
C318	179	C328	187	C338	194	C348	179	C358	187	C368	187	C378	178
C319	187	---	---	C339	189	C349	194	C359	179	C369	189	C379	178
C320	187	C330	179	C340	187	C350	189	C360	179	C370	194	C380	178

CAPACITOR

SYMBOL NO.	INDEX NO.	SYMBOL NO.	INDEX NO.	SYMBOL NO.	INDEX NO.	SYMBOL NO.	INDEX NO.	SYMBOL NO.	INDEX NO.	SYMBOL NO.	INDEX NO.	SYMBOL NO.	INDEX NO.
C381	178	C391	189	C401	178	C411	187	C421	178	C431	178	C441	178
C382	178	C392	187	C402	194	C412	187	C422	178	C432	189	C442	178
C383	187	C393	187	C403	178	C413	187	C423	187	C433	187	C443	189
C384	187	C394	189	C404	189	C414	189	C424	178	C434	178	C444	187
C385	178	C395	187	C405	178	C415	178	C425	178	C435	189	C445	178
C386	187	C396	189	C406	187	C416	178	C426	178	C436	178	C446	189
C387	178	C397	181	C407	189	C417	189	C427	187	C437	194	C447	187
C388	187	C398	178	C408	178	C418	187	C428	178	C438	178	C448	178
C389	178	C399	187	C409	187	C419	189	C429	187	C439	189	C449	189
C390	178	C400	189	C410	187	C420	187	C430	181	C440	187	C450	187

87.IPU Board (D014/D015/D078/D079)

CAPACITOR

SYMBOL NO.	INDEX NO.	SYMBOL NO.	INDEX NO.	SYMBOL NO.	INDEX NO.	SYMBOL NO.	INDEX NO.	SYMBOL NO.	INDEX NO.	SYMBOL NO.	INDEX NO.	SYMBOL NO.	INDEX NO.
C451	178	C461	178	C471	178	C481	178	C491	187	C501	187	C511	189
C452	194	C462	187	C472	178	C482	189	C492	178	C502	178	C512	187
C453	178	C463	178	C473	178	C483	178	C493	178	C503	178	---	---
C454	187	C464	187	C474	178	C484	187	C494	178	C504	178	---	---
C455	178	C465	178	C475	178	C485	178	C495	187	C505	178	---	---
C456	189	C466	178	C476	189	C486	194	C496	178	C506	178	---	---
C457	187	C467	187	C477	187	C487	178	C497	187	C507	178	---	---
C458	178	C468	178	C478	178	C488	187	C498	178	C508	189	---	---
C459	187	C469	178	C479	189	C489	178	C499	187	C509	187	---	---
C460	187	C470	178	C480	187	C490	189	C500	178	C510	178	---	---

CAPACITOR

SYMBOL NO.	INDEX NO.	SYMBOL NO.	INDEX NO.	SYMBOL NO.	INDEX NO.	SYMBOL NO.	INDEX NO.	SYMBOL NO.	INDEX NO.	SYMBOL NO.	INDEX NO.	SYMBOL NO.	INDEX NO.
C521	197	C531	199	C541	189	C551	194	C561	187	C571	185	C581	189
C522	185	C532	189	C542	199	C552	189	---	---	C572	189	C582	194
C523	189	C533	194	C543	187	C553	199	C563	179	C573	187	C583	187
C524	187	C534	187	C544	179	C554	187	C564	187	C574	201	C584	189
C525	201	C535	189	---	---	C555	179	C565	199	C575	179	C585	194
C526	179	C536	194	C546	187	---	---	C566	189	C576	187	C586	194
C527	187	C537	194	C547	189	C557	187	C567	194	---	---	C587	189
---	---	C538	189	C548	194	C558	189	C568	187	C578	179	C588	187
C529	179	C539	187	C549	179	C559	194	C569	179	C579	187	---	---
C530	187	C540	194	C550	187	C560	179	C570	197	C580	199	C590	179

87.IPU Board (D014/D015/D078/D079)

CAPACITOR

SYMBOL NO.	INDEX NO.	SYMBOL NO.	INDEX NO.	SYMBOL NO.	INDEX NO.	SYMBOL NO.	INDEX NO.	SYMBOL NO.	INDEX NO.	SYMBOL NO.	INDEX NO.	SYMBOL NO.	INDEX NO.
C591	187	C601	179	C611	179	C621	188	C631	187	C641	179	C651	170
C592	199	C602	187	C612	187	C622	188	C632	179	C642	187	C652	179
C593	189	C603	199	C613	199	C623	179	C633	187	C643	188	C653	187
C594	194	C604	189	C614	189	C624	187	C634	179	C644	188	C654	179
C595	187	C605	194	C615	194	C625	178	C635	187	C645	188	C655	179
C596	189	C606	187	C616	187	C626	187	C636	187	C646	188	C656	179
C597	194	C607	189	C617	179	C627	179	C637	179	C647	198	C657	187
C598	179	C608	179	C618	194	C628	179	C638	259	C648	189	C658	187
C599	187	C609	187	C619	188	C629	187	C639	170	C649	198	C659	187
---	---	---	---	C620	188	C630	179	C640	178	C650	259	C660	198

CAPACITOR

SYMBOL NO.	INDEX NO.	SYMBOL NO.	INDEX NO.	SYMBOL NO.	INDEX NO.	SYMBOL NO.	INDEX NO.	SYMBOL NO.	INDEX NO.	SYMBOL NO.	INDEX NO.	SYMBOL NO.	INDEX NO.
C661	198	C671	189	C681	187	C691	179	C701	177	C711	191	---	---
C662	189	C672	198	C682	179	C692	179	C702	179	C712	191	C722	187
C663	170	C673	175	C683	179	C693	179	C703	187	C713	260	C723	180
C664	259	C674	198	C684	187	C694	179	C704	191	C714	260	C724	177
C665	189	C675	198	C685	187	C695	187	C705	260	C715	191	---	---
C666	187	C676	187	C686	187	C696	179	C706	260	C716	191	C726	180
C667	179	C677	179	C687	187	C697	187	C707	191	C717	260	---	---
C668	170	C678	178	C688	187	C698	179	C708	191	C718	260	C728	187
C669	259	C679	187	C689	187	C699	177	C709	260	C719	191	C729	173
C670	198	C680	179	C690	179	C700	178	C710	260	C720	183	C730	187

87.IPU Board (D014/D015/D078/D079)

CAPACITOR

SYMBOL NO.	INDEX NO.
C731	184
C732	177
C733	177
C734	180
C735	180
C736	183
C737	187
C738	187

CONNECTOR

SYMBOL NO.	INDEX NO.
---	---
---	---
---	---
---	---
---	---
---	---
---	---
---	---
---	---
---	---
CN360	107

SYMBOL NO.	INDEX NO.
---	---
CN362	113
CN363	106
CN364	103
CN365	104
CN366	109
---	---
CN368	108
---	---
CN370	101

SYMBOL NO.	INDEX NO.
CN371	103
CN372	102
CN373	110
---	---
CN375	112
CN376	111
---	---
---	---
---	---
---	---

SYMBOL NO.	INDEX NO.
---	---
---	---
---	---
---	---
---	---
---	---
CN387	105

DIODE

SYMBOL NO.	INDEX NO.
D1	122
D2	122
D3	122

FIL

SYMBOL NO.	INDEX NO.
---	---
---	---
FIL3	210
---	---
---	---
---	---
---	---
FIL8	210
FIL9	204
FIL10	204

FIL

SYMBOL NO.	INDEX NO.
FIL11	203
FIL12	203
FIL13	203
FIL14	210
FIL15	203
FIL16	203
FIL17	205
FIL18	205
FIL19	203
FIL20	203

SYMBOL NO.	INDEX NO.
FIL21	203
FIL22	203
FIL23	203
FIL24	203
FIL25	203
FIL26	203
FIL27	203
FIL28	203
FIL29	205
FIL30	205

SYMBOL NO.	INDEX NO.
FIL31	205
FIL32	205

FUSE

SYMBOL NO.	INDEX NO.
FU1	114
FU2	115

IC

SYMBOL NO.	INDEX NO.
IC1	135
IC2	144
IC3	137
IC4	144
IC5	144
IC6	134
IC7	132
IC8	145
IC9	145
IC10	130

SYMBOL NO.	INDEX NO.
IC11	130
IC12	146
IC13	155
IC14	152
IC15	133
IC16	131
IC17	131
IC18	128
IC19	136
IC20	136

SYMBOL NO.	INDEX NO.
IC21	128
---	---
IC23	142
IC24	129
---	---
---	---
---	---
---	---
IC29	131
IC30	131

87.IPU Board (D014/D015/D078/D079)

IC

SYMBOL NO.	INDEX NO.
IC31	149
IC32	140
IC33	140
IC34	138
IC35	143
IC36	147
IC37	141
IC38	154
IC39	150
IC40	147

SYMBOL NO.	INDEX NO.
IC41	127
IC42	139

L

SYMBOL NO.	INDEX NO.
---	---
---	---
---	---
---	---
---	---
---	---
---	---
---	---
L9	206
L10	208

SYMBOL NO.	INDEX NO.
L11	207
L12	211
L13	207
L14	209

LED

SYMBOL NO.	INDEX NO.
LED1	126
LED2	125
LED3	125
LED4	125
LED5	125
LED6	125
LED7	126
LED8	123
LED9	123
LED10	124

SYMBOL NO.	INDEX NO.
LED11	124

OSC

SYMBOL NO.	INDEX NO.
OSC1	158
OSC2	156
---	---
OSC4	157

Q

SYMBOL NO.	INDEX NO.
Q1	116
Q2	121
Q3	120
Q4	120
Q5	118
Q6	119
Q7	119
Q8	116
Q9	116
Q10	116

SYMBOL NO.	INDEX NO.
Q11	116
---	---
Q13	117
Q14	117
Q15	117
Q16	117
Q17	117

RESISTOR

SYMBOL NO.	INDEX NO.
R1	222
R2	222
R3	222
R4	222
R5	222
R6	222
R7	233
R8	233
R9	233
R10	233

SYMBOL NO.	INDEX NO.
R11	233
R12	233
R13	244
R14	244
R15	244
R16	244
R17	244
R18	244
R19	244
R20	244

SYMBOL NO.	INDEX NO.
R21	245
R22	245
R23	245
R24	245
R25	222
R26	221
R27	245
R28	245
R29	245
R30	245

SYMBOL NO.	INDEX NO.
R31	244
R32	244
R33	244
R34	244
R35	244
R36	244
R37	244
R38	244
R39	223
R40	224

SYMBOL NO.	INDEX NO.
R41	245
R42	245
R43	245
R44	245
R45	227
R46	245
R47	245
R48	245
R49	245
---	---

87.IPU Board (D014/D015/D078/D079)

RESISTOR

SYMBOL NO.	INDEX NO.	SYMBOL NO.	INDEX NO.	SYMBOL NO.	INDEX NO.	SYMBOL NO.	INDEX NO.	SYMBOL NO.	INDEX NO.	SYMBOL NO.	INDEX NO.	SYMBOL NO.	INDEX NO.
R51	241	R61	243	R71	243	R81	223	R91	221	R101	230	R111	230
R52	243	R62	240	R72	241	R82	221	R92	223	R102	247	R112	230
R53	240	R63	240	R73	243	R83	230	R93	221	R103	252	R113	223
R54	240	R64	243	R74	240	R84	221	R94	230	R104	160	R114	222
R55	243	R65	241	R75	228	R85	223	R95	221	R105	159	R115	222
R56	241	R66	243	R76	223	R86	221	R96	223	R106	218	R116	223
R57	240	R67	241	R77	223	R87	228	R97	221	R107	224	R117	223
R58	243	R68	240	R78	228	R88	228	R98	230	R108	224	R118	222
R59	241	R69	240	R79	230	R89	223	R99	224	R109	230	R119	223
R60	241	R70	241	R80	221	R90	223	R100	230	R110	230	R120	224

RESISTOR

SYMBOL NO.	INDEX NO.	SYMBOL NO.	INDEX NO.	SYMBOL NO.	INDEX NO.	SYMBOL NO.	INDEX NO.	SYMBOL NO.	INDEX NO.	SYMBOL NO.	INDEX NO.	SYMBOL NO.	INDEX NO.
R121	224	R131	230	R141	232	R151	230	---	---	R171	230	R181	230
R122	230	R132	230	R142	230	---	---	---	---	R172	230	R182	236
R123	230	R133	230	R143	244	R153	233	---	---	R173	230	---	---
R124	223	R134	230	R144	244	R154	244	R164	230	R174	230	R184	222
R125	222	R135	230	---	---	R155	244	R165	230	R175	230	R185	222
R126	222	R136	232	R146	244	---	---	R166	230	R176	230	R186	222
R127	223	R137	232	R147	244	R157	244	R167	230	R177	230	R187	223
R128	223	---	---	---	---	R158	230	R168	230	R178	230	R188	224
R129	230	R139	232	R149	244	R159	230	R169	230	R179	230	R189	224
R130	230	---	---	---	---	---	---	R170	230	R180	230	R190	224

87.IPU Board (D014/D015/D078/D079)

RESISTOR

SYMBOL NO.	INDEX NO.	SYMBOL NO.	INDEX NO.	SYMBOL NO.	INDEX NO.	SYMBOL NO.	INDEX NO.	SYMBOL NO.	INDEX NO.	SYMBOL NO.	INDEX NO.	SYMBOL NO.	INDEX NO.
R191	244	R201	233	R211	221	R221	224	R231	224	R241	236	R251	230
R192	244	R202	221	R212	221	R222	224	R232	224	R242	236	R252	230
R193	244	R203	221	R213	221	R223	224	R233	224	R243	236	R253	224
R194	230	R204	221	R214	221	R224	224	R234	236	R244	236	R254	224
R195	223	R205	221	R215	221	R225	224	R235	236	R245	236	R255	223
R196	237	R206	221	R216	221	R226	224	R236	236	R246	223	R256	223
R197	237	R207	221	R217	221	R227	224	R237	236	R247	230	R257	223
R198	233	R208	221	R218	224	R228	224	R238	236	R248	222	R258	230
R199	233	R209	221	R219	224	R229	224	R239	236	R249	223	R259	244
R200	233	R210	221	R220	224	R230	224	R240	236	R250	223	R260	231

RESISTOR

SYMBOL NO.	INDEX NO.	SYMBOL NO.	INDEX NO.	SYMBOL NO.	INDEX NO.	SYMBOL NO.	INDEX NO.	SYMBOL NO.	INDEX NO.	SYMBOL NO.	INDEX NO.	SYMBOL NO.	INDEX NO.
R261	230	R271	230	R281	236	R291	223	R301	244	R311	226	R321	234
R262	223	R272	230	R282	236	R292	223	R302	231	R312	244	R322	230
R263	223	R273	230	R283	230	R293	223	R303	219	R313	244	R323	223
R264	223	R274	230	R284	230	R294	223	R304	236	R314	244	R324	223
R265	222	---	---	R285	230	R295	223	---	---	---	---	---	---
---	---	---	---	R286	230	R296	223	---	---	R316	224	---	---
R267	244	---	---	R287	230	R297	223	R307	244	R317	223	---	---
---	---	---	---	R288	230	R298	223	R308	226	R318	223	---	---
R269	244	R279	236	R289	230	R299	230	R309	244	R319	223	R329	223
R270	244	R280	236	R290	230	R300	230	R310	226	R320	223	R330	230

87.IPU Board (D014/D015/D078/D079)

RESISTOR

SYMBOL NO.	INDEX NO.	SYMBOL NO.	INDEX NO.	SYMBOL NO.	INDEX NO.	SYMBOL NO.	INDEX NO.	SYMBOL NO.	INDEX NO.	SYMBOL NO.	INDEX NO.	SYMBOL NO.	INDEX NO.
R331	230	R341	230	R351	222	R361	230	R371	244	R381	230	R391	245
R332	230	R342	230	R352	223	R362	230	R372	244	R382	223	R392	245
R333	230	R343	250	R353	230	R363	230	R373	244	R383	245	R393	222
R334	230	R344	230	R354	230	R364	230	R374	250	R384	245	R394	255
R335	230	R345	230	---	---	R365	230	R375	230	R385	245	R395	242
R336	223	R346	223	R356	244	R366	244	R376	223	R386	245	R396	223
R337	223	R347	230	R357	244	R367	244	R377	224	R387	242	R397	223
R338	222	R348	223	R358	223	R368	244	R378	224	R388	255	R398	242
R339	230	R349	223	R359	230	R369	244	R379	250	R389	245	R399	255
R340	230	R350	223	R360	230	R370	244	R380	230	R390	245	R400	242

RESISTOR

SYMBOL NO.	INDEX NO.	SYMBOL NO.	INDEX NO.	SYMBOL NO.	INDEX NO.	SYMBOL NO.	INDEX NO.	SYMBOL NO.	INDEX NO.	SYMBOL NO.	INDEX NO.	SYMBOL NO.	INDEX NO.
R401	255	R411	230	R421	238	---	---	R441	244	R451	254	---	---
R402	223	R412	230	R422	238	R432	244	R442	244	R452	225	R462	223
R403	236	R413	230	R423	239	R433	223	R443	223	R453	258	---	---
R404	223	R414	238	R424	239	R434	234	R444	223	R454	219	---	---
R405	230	R415	239	R425	238	R435	219	R445	223	R455	249	R465	230
R406	230	R416	239	R426	238	R436	256	R446	220	R456	246	R466	224
R407	230	R417	238	R427	239	R437	257	R447	229	R457	229	---	---
R408	233	R418	238	R428	239	R438	224	R448	251	R458	229	R468	231
R409	235	R419	239	R429	238	---	---	R449	219	R459	226	R469	219
R410	230	R420	239	R430	248	R440	220	R450	253	R460	230	R470	219

87.IPU Board (D014/D015/D078/D079)

REG

SYMBOL NO.	INDEX NO.
REG1	148
REG2	151
REG3	153
REG4	153
REG5	153
REG6	153
REG7	153

RN

SYMBOL NO.	INDEX NO.
RN1	163
RN2	163
RN3	163
RN4	163
RN5	217
RN6	214
RN7	214
RN8	214
RN9	214
RN10	214

SYMBOL NO.	INDEX NO.
RN11	213
RN12	162
RN13	214
RN14	213
RN15	216
RN16	216
RN17	215
RN18	215
RN19	215
RN20	215

SYMBOL NO.	INDEX NO.
RN21	161
---	---
RN23	215
RN24	215
RN25	215
RN26	215
RN27	212
RN28	212
RN29	212
RN30	212

SYMBOL NO.	INDEX NO.
RN31	212
RN32	214
RN33	214
RN34	164
RN35	164
RN36	214
RN37	213
RN38	214
RN39	214
RN40	214

SYMBOL NO.	INDEX NO.
RN41	214
RN42	214
RN43	214
RN44	214
RN45	214
RN46	162
RN47	216
RN48	216
RN49	216
RN50	216

SYMBOL NO.	INDEX NO.
RN51	214
RN52	214
RN53	214
RN54	214
RN55	214
RN56	214
RN57	214
RN58	214
RN59	214
RN60	214

RN

SYMBOL NO.	INDEX NO.
RN61	162
RN62	162
RN63	214
RN64	214
RN65	214
RN66	214
RN67	214
RN68	214
RN69	214
RN70	214

SYMBOL NO.	INDEX NO.
RN71	213
RN72	213
RN73	213
RN74	213
RN75	213
RN76	164
RN77	214
RN78	214
RN79	214
RN80	214

SYMBOL NO.	INDEX NO.
RN81	214
RN82	214
RN83	213
RN84	213
RN85	213
RN86	213
RN87	213
RN88	213
RN89	213
RN90	213

SYMBOL NO.	INDEX NO.
RN91	213
RN92	213
RN93	213
RN94	213
RN95	213
RN96	216
RN97	216
---	---
---	---
RN100	213

SYMBOL NO.	INDEX NO.
RN101	213
RN102	213
RN103	213
RN104	213
RN105	163
RN106	163
RN107	216
RN108	216

87.IPU Board (D014/D015/D078/D079)

Index No.	Part No.	Description	Q'ty Per Assembly
*	D014 5422	PCB: IPU	1
1	D014 5423	PWB: VE-C2: Image Processing Unit	1

Index No.	Part No.	Description	Q'ty Per Assembly
101	1102 5304	Connector - 5P	
102	1102 6299	Connector - 6P	
103	1102 6305	Connector - 12P	
104	1102 6306	Connector - 13P	
105	1102 6596	Connector	
106	1102 6895	Connector - 40P	
107	1102 7625	Connector - TX24-80R-LT-N1	
108	1102 8488	Connector - 5451-2810	
109	1102 8494	Connector - 55451-4010	
110	1102 8560	Connector - KX14-60K5D1E	
111	1103 3176	Connector: FH12-45S-0.5SH(89)	
112	1103 3178	Connector - FH12-50S-0.5SH(89)	
113	1103 3947	Connector - 55451-3410	
114	1107 1198	Connector - 55451-3810	
115	1109 0042	Connector - 55451-4010	
116	1400 0810	Transistor: DTC114EUA	
117	1400 0993	Transistor: DTC143TUA	
118	1401 1369	FET: TPC6004	
119	1401 1414	FET: SI3433BDV-E3	
120	1401 1416	FET: SI9433BDY-E3	
121	1401 1466	FET: SI4800BDY-E3	
122	1402 2039	Diode: RSX301LA-30	
123	1403 0953	LED - SML-310MT	
124	1403 0978	LED: SML-310DT	
125	1403 0996	LED - SML-310VT	
126	1403 1033	LED - SML-310YT	
127	1407 4804	IC-TC7SH08FU	
128	1407 4840	IC - TC7SH04FU	
129	1407 5351	IC - SN74LV14APW	
130	1407 5353	IC - SN74LV244APW	
131	1407 5392	IC: SN74LV541APW	
132	1407 5469	IC - SN74LV07APW	
133	1407 5592	CMOS Logic: SN74LV139APW	
134	1407 6447	Custom IC - Gavn Type-W	
135	1407 6520	Custom IC - Garac-C	

Index No.	Part No.	Description	Q'ty Per Assembly
136	1407 6613	Clock Generator: ICS7152M-01LF	
137	1407 6641	Diode - ZTP12B	
138	1407 6677	CMOS Logic: TC7SET14FU	
139	1407 6751	LED - SML-310YT	
140	1407 6801	IC - TD62308AP	
141	1407 6803	TTLIC - SN74LS07NS	
142	1407 6804	IC - TD62003AP	
143	1407 6806	CMOS Logic: TC7WH00FU	
144	1407 6850	Controller: RB5V871	
145	1408 1653	Op amp - LMV324IPW	
146	1408 1751	IC: R3112Q301C	
147	1408 1826	IC - R3112Q421A	
148	1408 1850	Regulator - R1170H181B	
149	1408 2024	IC: R3112Q261A-FA	
150	1408 2088	IC: LTC3701EGN#TRPBF	
151	1408 2246	Series Regulator: R1114N331B-F	
152	1408 2433	IC - SN74LV32APW	
153	1408 2462	Series Regulator: BH18MA3WHFV	
154	1408 2484	IC - SN74LV07APW	
155	1408 2607	IC - SN74LV125APW	
156	1503 1380	Crystal Oscillator: 38.28MHz	
157	1503 1381	Driver - TD62783APG	
158	1503 1406	Crystal Oscillator: 27MHz	
159	1600 1880	Resistor - 25M Ω \pm 1% 1W	
160	1600 1946	Resistor - 33M Ω \pm 1% 1W	
161	1601 7752	Resistor Array - 10K Ω \pm 5%	
162	1601 7887	Resistor Array - 10K Ω \pm 5% 1/32W	
163	1601 7898	Resistor Array	
164	1601 7981	Resistor Array - 100K Ω \pm 5% 1/16W	
165	1604 4728	Capacitor - 100 μ F \pm 20% 16V	
166	1604 4987	Capacitor - 330 μ F \pm 20% 6.3V	
167	1604 5065	Capacitor 10 μ F: \pm 20%: 50V	
168	1604 5336	Capacitor: 47 μ F: \pm 20%: 20V	
169	1604 5432	Capacitor: 220 μ F: \pm 20%: 35V	
170	1605 1166	Capacitor - 0.015 μ F \pm 10% 50V	

Index No.	Part No.	Description	Q'ty Per Assembly
171	1605 1195	Capacitor: 4pF: \pm 0.25pF: 50V	
172	1605 1196	Capacitor - 5pF: \pm 0.25pF: 50V	
173	1605 1200	Capacitor - 10pF \pm 0.5pF 50V	
174	1605 1202	Capacitor - 15pF \pm 5% 50V	
175	1605 1205	Capacitor - 33pF \pm 5% 50V	
176	1605 1206	Capacitor - 47pF \pm 5% 50V	
177	1605 1208	Capacitor: 100pF: \pm 5%: 50V	
178	1605 1212	Capacitor - 470pF \pm 10% 50V	
179	1605 1214	Capacitor - 1000pF \pm 10% 50V	
180	1605 1216	Capacitor - 2200pF \pm 10% 50V	
181	1605 1224	Capacitor 4.7 μ F \pm 10% 6.3V	
182	1605 1281	Capacitor - 0.22 μ F \pm 10% 16V	
183	1605 1283	Capacitor - 680pF \pm 10% 50V	
184	1605 1284	Capacitor: 1500pF: \pm 10%: 50V	
185	1605 1285	Capacitor - 3300pF \pm 10% 50V	
186	1605 1288	Capacitor - 220pF \pm 5% 50V	
187	1605 1289	Capacitor - 0.1 μ F \pm 10% 10V	
188	1605 1301	Capacitor-6800pF \pm 10% 50V	
189	1605 1303	Capacitor - 0.01 μ F \pm 80-20% 50V	
190	1605 1306	Capacitor - 1 μ F \pm 10% 10V	
191	1605 1355	Ceramic Capacitor: 680pF: \pm 10%: 50V	
192	1605 1358	Capacitor - 10 μ F \pm 10% 10V	
193	1605 1451	Capacitor: 0.47 μ F: \pm 10%: 6.3V	
194	1605 1452	Capacitor - 1 μ F \pm 10% 6.3V	
195	1605 1453	Capacitor: 0.022 μ F: \pm 10%: 16V	
196	1605 1474	Capacitor - 47 μ F \pm 20% 6.3V	
197	1605 1544	Resistor - 330pF \pm 5% 50V	
198	1605 1547	Resistor - 100 Ω \pm 5% 1/10W	
199	1605 1585	Resistor - 1K Ω \pm 5% 1/10W	
200	1605 1586	Resistor - 10K Ω \pm 5% 1/10W	
201	1605 1587	Resistor - 100K Ω \pm 5% 1/10W	
202	1605 1687	Resistor - 1M Ω \pm 5% 1/10W	
203	1607 0861	Filter - BK2125HS101	
204	1607 1002	IC - NFM60R30T222	
205	1607 1108	Filter - BLM21PG220SN1B	

Index No.	Part No.	Description	Q'ty Per Assembly
206	1607 1196	Inductor -220UH $\pm 20\%$ 0.33A	
207	1607 1222	Inductor - 3.3UH $\pm 20\%$ 2.5A	
208	1607 1529	Resistor - 2.2K $\Omega \pm 5\%$ 1/10W	
209	1607 1556	Inductor: RLF7030-1R5N6R1	
210	1607 1567	Filter: MPZ2012S101A	
211	1607 1903	Chip Resistor - 33 $\Omega \pm 5\%$ 1/10W	
212	1609 0005	Resistor: 33 Ω : $\pm 5\%$: 1/16W	
213	1609 0006	Resistor: 10k Ω : $\pm 5\%$: 1/16W	
214	1609 0007	Resistor - 68 $\Omega \pm 5\%$ 1/16W	
215	1609 0019	Resistor: 0 Ω : 1608	
216	1609 0027	Resistor - 100K $\Omega \pm 5\%$ 1/16W	
217	1609 0095	Resistor Array: 220 Ω : $\pm 5\%$: 1/16W: 4Number	
218	1610 1960	Resistor - 68 $\Omega \pm 5\%$ 1/10W	
219	1634 0000	Resistor - 0 Ω 1/16W	
220	1650 4100	Resistor - 10 $\Omega \pm 5\%$ 1/10W	
221	1650 5101	Chip Resistor - 100 $\Omega \pm 5\%$ 1/16W	
222	1650 5102	Chip Resistor - 1K $\Omega \pm 5\%$ 1/16W	
223	1650 5103	Chip Resistor - 10K $\Omega \pm 5\%$ 1/16W	
224	1650 5104	Chip Resistor - 100K $\Omega \pm 5\%$ 1/16W	
225	1650 5153	Chip Resistor - 15K $\Omega \pm 5\%$ 1/16W	
226	1650 5220	Resistor - 22 $\Omega \pm 5\%$ 1/16W	
227	1650 5221	Chip Resistor - 220 $\Omega \pm 5\%$ 1/16W	
228	1650 5222	Resistor - 2.2K $\Omega \pm 5\%$ 1/16W	
229	1650 5303	Chip Resistor 30K $\Omega \pm 5\%$ 1/16W	
230	1650 5330	Chip Resistor - 33 $\Omega \pm 5\%$ 1/16W	
231	1650 5332	Resistor - 3.3K $\Omega \pm 5\%$ 1/16W	
232	1650 5470	Chip Resistor 47 $\Omega \pm 5\%$ 1/16W	
233	1650 5471	Chip Resistor - 470 $\Omega - 5\%$ 1/16W	
234	1650 5472	Chip Resistor: 4.7K Ω : $\pm 5\%$: 1/16W	
235	1650 5560	Chip Resistor 56 $\Omega \pm 5\%$ 1/16W	
236	1650 5680	Resistor - 68 $\Omega \pm 5\%$ 1/16W	
237	1650 5751	Resistor: 750 Ω : $\pm 5\%$: 1/16W: 1005	
238	1654 1001	Resistor - 1K $\Omega \pm 1\%$ 1/10W	
239	1654 1002	Resistor - 10K $\Omega \pm 5\%$ 1/10W	
240	1654 1301	Chip Resistor: 1.3K Ω : 1/10W	

Index No.	Part No.	Description	Q'ty Per Assembly
241	1654 2200	Resistor: 220 Ω : $\pm 1\%$: 1/10W: 1608	
242	1654 4300	Resistor - 430 $\Omega \pm 1\%$ 1/10W	
243	1654 6800	Resistor - 680 $\Omega \pm 1\%$ 1/10W	
244	1655 0000	Chip Resistor - 0 $\Omega \pm 0\%$ 1/16W	
245	1655 1000	Chip Resistor: 100 Ω : $\pm 1\%$: 1/16W	
246	1655 1003	Chip Resistor - 100K $\Omega \pm 1\%$ 1/16W	
247	1655 1201	Resistor - 1.2K $\Omega \pm 1\%$ 1/16W	
248	1655 1202	Resistor: 12K Ω : $\pm 1\%$: 1/16W: 1005	
249	1655 1802	Resistor: 18K Ω : $\pm 1\%$: 1/16W: 1005	
250	1655 2400	Resistor: 240 Ω : $\pm 1\%$: 1/16W: 1005	
251	1655 2402	Resistor - 24K $\Omega \pm 1\%$ 1/16W	
252	1655 3001	Resistor: 3K Ω : $\pm 1\%$: 1/16W: 1005	
253	1655 3002	Chip Resistor - 30K $\Omega \pm 1\%$ 1/16W	
254	1655 4222	Resistor: 42.2K Ω : $\pm 1\%$: 1/16W: 1005	
255	1655 4701	Chip Resistor - 4.7K $\Omega \pm 1\%$ 1/16W	
256	1655 5902	Resistor: 59K Ω : $\pm 1\%$: 1/16W: 1005	
257	1655 6202	Chip Resistor - 62K $\Omega \pm 1\%$ 1/16W	
258	1655 8452	Resistor: 84.5K Ω : $\pm 1\%$: 1/16W: 1005	
259	1660 2101	Capacitor - 100pF - $\pm 10\%$ - 50V	
260	1660 2680	Capacitor - 68pF $\pm 5\%$ 50V	

88.Control Board (D014/D015/D078/D079)

BAT

SYMBOL NO.	INDEX NO.
BAT1	120

CAPACITOR

SYMBOL NO.	INDEX NO.
C1	209
C2	226
C3	217
---	---
C5	209
---	---
C7	209
---	---
C9	217
C10	226

SYMBOL NO.	INDEX NO.
C11	209
C12	226
C13	206
C14	209
C15	209
---	---
C16	217
C17	209
C18	203
C19	209
C20	209

SYMBOL NO.	INDEX NO.
C21	209
C22	226
C23	226
C24	209
C25	230
---	---
C26	230
C27	209
C28	209
C29	209
---	---

SYMBOL NO.	INDEX NO.
---	---
C32	207
C33	217
C34	209
C35	226
---	---
C36	224
C37	211
C38	226
C39	226
C40	226

SYMBOL NO.	INDEX NO.
C41	226
C42	217
C43	209
C44	209
---	---
---	---
C46	226
C47	217
C48	226
C49	209
---	---

SYMBOL NO.	INDEX NO.
C51	217
C52	224
C53	203
C54	209
---	---
---	---
C56	226
C57	226
C58	223
C59	226
C60	226

CAPACITOR

SYMBOL NO.	INDEX NO.
C61	223
C62	206
C63	209
C64	209
C65	226
---	---
C66	226
C67	224
C68	226
C69	226
C70	226

SYMBOL NO.	INDEX NO.
C71	209
C72	224
C73	209
C74	226
C75	226
---	---
C76	209
C77	209
C78	226
C79	209
C80	226

SYMBOL NO.	INDEX NO.
C81	226
C82	209
C83	206
C84	224
C85	226
---	---
C86	224
C87	206
C88	226
C89	226
C90	226

SYMBOL NO.	INDEX NO.
C91	210
C92	209
C93	209
C94	226
C95	202
---	---
C97	209
C98	224
C99	209
C100	226

SYMBOL NO.	INDEX NO.
C101	209
C102	209
C103	206
C104	217
C105	217
---	---
C106	222
C107	201
C108	222
C109	206
C110	226

SYMBOL NO.	INDEX NO.
C111	217
C112	217
C113	226
C114	226
C115	217
---	---
C116	222
C117	222
C118	224
C119	209
C120	226

SYMBOL NO.	INDEX NO.
C121	217
---	---
C123	226
C124	224
C125	209
---	---
C126	228
C127	213
C128	229
C129	206
C130	206

88.Control Board (D014/D015/D078/D079)

CAPACITOR

SYMBOL NO.	INDEX NO.	SYMBOL NO.	INDEX NO.	SYMBOL NO.	INDEX NO.	SYMBOL NO.	INDEX NO.	SYMBOL NO.	INDEX NO.	SYMBOL NO.	INDEX NO.	SYMBOL NO.	INDEX NO.
---	---	C141	226	C151	217	C161	200	C171	226	C181	212	C191	226
C132	217	C142	226	C152	209	C162	200	C172	226	C182	224	C192	209
---	---	C143	209	C153	226	C163	226	C173	226	---	---	C193	211
C134	209	C144	226	---	---	C164	228	C174	206	C184	226	C194	224
---	---	---	---	---	---	C165	226	---	---	C185	209	C195	226
C136	217	C146	209	---	---	---	---	C176	226	C186	217	---	---
---	---	C147	215	---	---	---	---	---	---	C187	226	---	---
---	---	C148	209	C158	226	---	---	C178	212	C188	226	C198	226
---	---	C149	228	C159	226	---	---	C179	212	C189	226	C199	209
C140	226	C150	217	C160	226	C170	226	C180	212	C190	226	C200	199

CAPACITOR

SYMBOL NO.	INDEX NO.	SYMBOL NO.	INDEX NO.	SYMBOL NO.	INDEX NO.	SYMBOL NO.	INDEX NO.	SYMBOL NO.	INDEX NO.	SYMBOL NO.	INDEX NO.	SYMBOL NO.	INDEX NO.
C201	199	C211	206	C221	226	---	---	C241	212	C251	212	C261	197
C202	217	C212	226	C222	212	C232	209	---	---	C252	212	C262	197
C203	226	C213	226	C223	226	C233	226	C243	226	C253	212	C263	197
C204	226	C214	226	---	---	C234	226	C244	226	C254	220	C264	197
C205	209	C215	206	C225	226	C235	226	C245	226	C255	226	C265	197
C206	209	---	---	C226	209	C236	203	C246	226	C256	220	C266	197
C207	207	C217	217	C227	225	C237	225	C247	226	---	---	C267	197
C208	226	C218	209	C228	228	C238	209	C248	226	C258	226	C268	217
C209	207	C219	226	C229	228	C239	226	C249	221	C259	206	C269	226
---	---	C220	219	C230	223	C240	223	C250	221	C260	197	---	---

88.Control Board (D014/D015/D078/D079)

CAPACITOR

SYMBOL NO.	INDEX NO.	SYMBOL NO.	INDEX NO.	SYMBOL NO.	INDEX NO.	SYMBOL NO.	INDEX NO.	SYMBOL NO.	INDEX NO.	SYMBOL NO.	INDEX NO.	SYMBOL NO.	INDEX NO.
C271	205	C281	206	C291	225	C301	226	C311	226	C321	226	C331	209
C272	203	C282	230	C292	205	C302	225	C312	221	C322	224	C332	226
C273	223	C283	214	C293	206	C303	205	C313	221	C323	226	C333	226
C274	206	C284	209	C294	226	C304	218	C314	200	C324	226	C334	226
C275	226	C285	218	C295	223	C305	230	C315	200	C325	209	C335	226
C276	215	---	---	C296	224	C306	209	C316	226	C326	204	C336	204
C277	226	C287	209	C297	219	C307	209	C317	226	C327	206	C337	209
C278	225	---	---	---	---	C308	205	C318	226	C328	226	C338	226
C279	205	C289	226	C299	209	C309	206	C319	226	C329	206	C339	230
C280	226	C290	209	C300	226	C310	226	C320	226	C330	223	C340	226

CAPACITOR

SYMBOL NO.	INDEX NO.	SYMBOL NO.	INDEX NO.	SYMBOL NO.	INDEX NO.	SYMBOL NO.	INDEX NO.	SYMBOL NO.	INDEX NO.	SYMBOL NO.	INDEX NO.	SYMBOL NO.	INDEX NO.
C341	226	C351	205	C361	206	C371	226	C381	217	C391	217	C401	209
C342	226	C352	206	C362	226	C372	209	C382	209	C392	226	C402	217
C343	226	C353	225	C363	222	C373	206	C383	217	C393	217	C403	226
C344	226	C354	209	C364	217	C374	226	C384	217	C394	217	C404	217
C345	226	C355	226	C365	209	C375	203	C385	209	C395	209	C405	217
C346	209	C356	217	C366	226	C376	226	C386	209	C396	226	C406	226
C347	209	C357	226	C367	226	C377	203	C387	226	C397	226	C407	226
C348	226	C358	226	C368	209	C378	217	C388	217	C398	209	C408	226
C349	223	C359	222	C369	209	C379	226	C389	226	C399	217	C409	209
C350	223	C360	209	C370	226	C380	209	C390	209	C400	226	C410	209

88.Control Board (D014/D015/D078/D079)

CAPACITOR

SYMBOL NO.	INDEX NO.	SYMBOL NO.	INDEX NO.	SYMBOL NO.	INDEX NO.	SYMBOL NO.	INDEX NO.	SYMBOL NO.	INDEX NO.	SYMBOL NO.	INDEX NO.	SYMBOL NO.	INDEX NO.
C411	209	C421	213	C431	209	C441	222	C451	216	C461	217	C471	209
C412	226	C422	217	C432	209	C442	226	C452	217	C462	217	C472	226
C413	226	C423	226	C433	226	C443	226	C453	226	C463	217	C473	217
C414	216	C424	226	C434	226	C444	226	C454	226	C464	217	C474	226
C415	207	C425	217	C435	217	C445	217	C455	216	C465	226	C475	226
C416	229	C426	209	C436	217	C446	227	C456	198	C466	226	C476	226
C417	226	C427	209	C437	226	C447	209	C457	217	C467	217	C477	226
C418	217	C428	222	C438	217	C448	226	C458	226	C468	198	C478	226
C419	217	C429	209	C439	226	C449	226	C459	217	C469	226	C479	226
C420	216	C430	226	C440	209	C450	209	C460	217	C470	226	C480	226

CAPACITOR

SYMBOL NO.	INDEX NO.	SYMBOL NO.	INDEX NO.	SYMBOL NO.	INDEX NO.	SYMBOL NO.	INDEX NO.	SYMBOL NO.	INDEX NO.	SYMBOL NO.	INDEX NO.	SYMBOL NO.	INDEX NO.
C481	226	C491	206	C501	226	C511	217	C521	226	C531	226	C541	228
C482	226	C492	224	C502	226	C512	226	C522	226	C532	226	C542	226
C483	226	C493	217	C503	226	C513	226	C523	226	C533	226	C543	209
C484	209	C494	226	C504	226	C514	226	C524	226	C534	226	C544	228
C485	206	C495	226	C505	226	C515	226	C525	209	C535	226	C545	226
C486	226	C496	226	C506	226	C516	217	C526	226	C536	226	C546	226
C487	226	C497	226	C507	206	C517	209	C527	226	C537	226	C547	226
C488	226	C498	226	C508	206	C518	209	C528	226	C538	209	C548	226
C489	209	C499	226	C509	226	C519	209	C529	226	C539	226	C549	226
C490	226	C500	209	C510	226	C520	226	C530	226	C540	226	C550	226

88.Control Board (D014/D015/D078/D079)

CAPACITOR

SYMBOL NO.	INDEX NO.	SYMBOL NO.	INDEX NO.	SYMBOL NO.	INDEX NO.	SYMBOL NO.	INDEX NO.	SYMBOL NO.	INDEX NO.	SYMBOL NO.	INDEX NO.	SYMBOL NO.	INDEX NO.
C551	226	C561	226	C571	218	C581	226	C591	226	C601	209	C611	221
C552	226	C562	226	C572	218	C582	206	C592	228	C602	209	C612	226
C553	226	C563	209	C573	224	C583	226	C593	226	C603	226	C613	217
C554	226	C564	209	C574	209	C584	217	C594	212	C604	226	C614	224
C555	226	C565	209	C575	228	C585	217	C595	212	C605	226	C615	226
C556	228	C566	226	C576	226	C586	212	C596	212	C606	209	C616	217
C557	209	C567	220	---	---	C587	217	C597	209	C607	209	C617	217
C558	226	C568	209	---	---	C588	212	C598	226	C608	217	C618	217
C559	226	C569	217	---	---	C589	212	C599	226	C609	226	C619	217
C560	224	C570	217	---	---	C590	212	C600	209	C610	226	C620	217

CAPACITOR

SYMBOL NO.	INDEX NO.	SYMBOL NO.	INDEX NO.	SYMBOL NO.	INDEX NO.	SYMBOL NO.	INDEX NO.	SYMBOL NO.	INDEX NO.	SYMBOL NO.	INDEX NO.	SYMBOL NO.	INDEX NO.
C621	217	C631	226	C641	209	C651	217	C661	226	C671	226	C681	212
C622	217	C632	209	C642	226	C652	217	C662	206	C672	226	C682	212
C623	206	C633	209	C643	209	C653	226	C663	209	C673	228	C683	212
C624	226	C634	226	C644	217	C654	226	C664	226	C674	226	C684	212
C625	226	C635	226	C645	224	C655	226	C665	226	C675	217	C685	212
C626	226	C636	209	C646	217	C656	226	C666	209	C676	217	C686	212
C627	206	C637	217	C647	217	C657	226	C667	206	C677	226	C687	212
C628	217	C638	228	C648	217	C658	209	C668	226	C678	226	---	---
C629	217	C639	226	C649	217	C659	226	C669	226	C679	212	C689	226
C630	226	C640	226	C650	217	C660	217	---	---	C680	212	C690	221

88.Control Board (D014/D015/D078/D079)

CAPACITOR

SYMBOL NO.	INDEX NO.	SYMBOL NO.	INDEX NO.	SYMBOL NO.	INDEX NO.	SYMBOL NO.	INDEX NO.	SYMBOL NO.	INDEX NO.	SYMBOL NO.	INDEX NO.	SYMBOL NO.	INDEX NO.
C691	217	C701	217	C711	217	C721	226	C731	209	C741	226	C751	209
C692	226	C702	217	C712	217	C722	206	C732	209	C742	226	C752	209
C693	226	C703	228	C713	217	C723	209	C733	209	C743	226	C753	223
C694	209	C704	217	C714	206	C724	217	C734	226	C744	226	C754	226
C695	206	C705	217	C715	217	C725	217	C735	226	C745	226	C755	209
C696	206	C706	217	C716	209	C726	209	C736	226	C746	226	C756	209
C697	206	C707	217	C717	206	C727	226	C737	226	C747	226	C757	208
C698	206	C708	217	C718	209	C728	209	C738	226	C748	226	C758	224
C699	226	C709	217	C719	226	C729	209	C739	226	C749	217	C759	226
C700	226	C710	217	C720	206	C730	206	C740	226	C750	209	C760	212

CAPACITOR

SYMBOL NO.	INDEX NO.	SYMBOL NO.	INDEX NO.	SYMBOL NO.	INDEX NO.	SYMBOL NO.	INDEX NO.	SYMBOL NO.	INDEX NO.	SYMBOL NO.	INDEX NO.	SYMBOL NO.	INDEX NO.
C761	225	C771	209	C781	228	C791	226	C801	206	C811	226	C821	208
C762	209	C772	212	---	---	C792	212	C802	206	C812	224	C822	226
C763	209	C773	228	C783	217	C793	212	C803	226	C813	223	C823	226
C764	208	C774	226	C784	212	C794	226	C804	226	C814	226	C824	226
C765	226	C775	209	C785	209	C795	226	C805	226	C815	226	C825	226
C766	209	C776	217	C786	226	C796	226	C806	226	C816	226	C826	226
C767	209	C777	212	C787	226	C797	226	C807	223	C817	226	C827	226
C768	209	C778	226	C788	226	C798	226	C808	209	C818	209	C828	226
C769	224	C779	212	C789	228	C799	223	C809	209	C819	226	C829	226
C770	209	C780	217	C790	209	C800	206	C810	226	C820	225	C830	226

88.Control Board (D014/D015/D078/D079)

CAPACITOR

SYMBOL NO.	INDEX NO.
C831	226
C832	226
C833	226
C834	226
C835	226
---	---
C836	206
C837	225
C838	209
---	---
---	---

SYMBOL NO.	INDEX NO.
---	---
C842	218
---	---
---	---
---	---
C846	206
C847	209
C848	226
C849	217
C850	217

SYMBOL NO.	INDEX NO.
C851	217
C852	209
---	---
---	---
---	---
---	---
---	---
---	---
---	---
---	---

SYMBOL NO.	INDEX NO.
---	---
---	---
---	---
---	---
---	---
---	---
C917	226
C918	226
C919	217
C920	209

SYMBOL NO.	INDEX NO.
C921	212

CONNECTOR

SYMBOL NO.	INDEX NO.
---	---
CN2	112
---	---
---	---
CN5	107
---	---
CN6	111
---	---
CN8	103
CN9	116
CN10	114

SYMBOL NO.	INDEX NO.
CN11	109
CN12	106
CN13	106
CN14	112
CN15	108
---	---
CN16	108
CN17	110
CN18	110
---	---
---	---

CONNECTOR

SYMBOL NO.	INDEX NO.
CN21	101
CN22	104
CN23	102
---	---
---	---
---	---
CN27	103
---	---
---	---
CN30	115

SYMBOL NO.	INDEX NO.
CN31	113
CN32	105

DIODE

SYMBOL NO.	INDEX NO.
D1	137
D2	136
D3	134
D4	135
D5	136
---	---
D6	136
D7	133
D8	136
---	---
D10	137

SYMBOL NO.	INDEX NO.
D11	133
---	---
D13	136
D14	136
D15	136
---	---
D16	136
D17	135
D18	135
D19	137
D20	136

SYMBOL NO.	INDEX NO.
D21	133
D22	136

FIL

SYMBOL NO.	INDEX NO.
---	---
---	---
FIL3	236
FIL4	234
FIL5	231
---	---
FIL6	234
FIL7	236
FIL8	240
FIL9	232
FIL10	236

SYMBOL NO.	INDEX NO.
FIL11	236
FIL12	236
FIL13	236
FIL14	236
FIL15	236
---	---
FIL17	231
FIL18	231
---	---
FIL20	233

88.Control Board (D014/D015/D078/D079)

FIL

SYMBOL NO.	INDEX NO.
FIL21	233
FIL22	233
FIL23	233
FIL24	232

SYMBOL NO.	INDEX NO.
FU1	118
FU2	117
FU3	118

IC

SYMBOL NO.	INDEX NO.
IC1	155
IC2	163
IC3	163
IC4	143
IC5	163
IC6	163
IC7	142
---	---
IC9	188
---	---

SYMBOL NO.	INDEX NO.
IC11	163
IC12	174
---	---
IC14	152
IC15	188
IC16	155
---	---
IC18	146
IC19	183
IC20	141

SYMBOL NO.	INDEX NO.
IC21	187
---	---
---	---
IC24	145
IC25	144
IC26	187
IC27	168
IC28	163
IC29	179
IC30	158

SYMBOL NO.	INDEX NO.
IC31	160
IC32	171
IC33	2
IC34	165
IC35	169
IC36	155
IC37	327
IC38	167
IC39	153
---	---

SYMBOL NO.	INDEX NO.
IC41	158
IC42	162
IC43	164
IC44	159
IC45	179
IC46	181
IC47	155
IC48	175
IC49	172
IC50	161

IC

SYMBOL NO.	INDEX NO.
IC51	185
IC52	150
IC53	151
IC54	163
---	---
IC56	170
---	---
IC58	177
IC59	328
---	---

SYMBOL NO.	INDEX NO.
---	---
IC62	142
---	---
IC64	180
IC65	173
IC66	157
IC67	158
IC68	155
---	---
---	---

SYMBOL NO.	INDEX NO.
---	---
IC72	182
IC73	158
IC74	163
IC75	151
IC76	158
IC77	151
IC78	158
IC79	147
IC80	148

SYMBOL NO.	INDEX NO.
IC81	163
IC82	148
IC83	163
IC84	144
IC85	166
IC86	155
IC87	154
IC88	178
IC89	163
---	---

SYMBOL NO.	INDEX NO.
IC91	154
IC92	177
---	---
IC94	163
IC95	146
IC96	158
IC97	156
IC98	156
IC99	143
IC100	163

SYMBOL NO.	INDEX NO.
IC101	163
IC102	149
IC103	181

L

SYMBOL NO.	INDEX NO.
L1	238
L2	244
L3	245
L4	241
L5	246
L6	239
L7	239
L8	246
L9	237
L10	243

88.Control Board (D014/D015/D078/D079)

L

SYMBOL NO.	INDEX NO.
L11	242
L12	243
L13	238
L14	238
L15	238
L16	242
L17	235

LED

SYMBOL NO.	INDEX NO.
LED1	139
LED2	139
LED3	139
LED4	139
LED5	139
LED6	139
LED7	139
LED8	139
LED9	139
LED10	138

SYMBOL NO.	INDEX NO.
LED11	140

MS

SYMBOL NO.	INDEX NO.
MS1	1
MS2	1
MS3	1
MS4	1

OSC

SYMBOL NO.	INDEX NO.
OSC1	189
OSC2	191
OSC3	192
---	---
OSC5	190
OSC6	194
OSC7	191
OSC8	193

Q

SYMBOL NO.	INDEX NO.
Q1	122
---	---
Q3	132
---	---
Q5	123
Q6	122
Q7	123
Q8	123
Q9	123
Q10	123

SYMBOL NO.	INDEX NO.
Q11	123
Q12	123
---	---
Q14	127
Q15	123
---	---
Q17	121
Q18	132
Q19	123
Q20	129

Q

SYMBOL NO.	INDEX NO.
Q21	132
Q22	122
Q23	129
Q24	122
Q25	123
---	---
Q27	131
Q28	124
Q29	123
Q30	123

SYMBOL NO.	INDEX NO.
Q31	123
Q32	123
---	---
Q34	123
---	---
Q36	125
Q37	127
Q38	130
Q39	125
Q40	123

SYMBOL NO.	INDEX NO.
Q41	123
Q42	123
Q43	123
Q44	121
Q45	123
Q46	122
Q47	123
---	---
Q49	128
Q50	128

SYMBOL NO.	INDEX NO.
Q51	122
Q52	123
Q53	123
Q54	123
Q55	123
Q56	123
Q57	123
Q58	123
Q59	123
Q60	123

SYMBOL NO.	INDEX NO.
Q61	123
Q62	123
Q63	123
Q64	123
Q65	126
Q66	123
---	---
Q68	122
Q69	123
---	---

SYMBOL NO.	INDEX NO.
Q71	123
Q72	123

RESISTOR

SYMBOL NO.	INDEX NO.
---	---
R2	269
R3	269
---	---
R5	302
R6	267
R7	267
R8	269
R9	307
R10	269

88.Control Board (D014/D015/D078/D079)

RESISTOR

SYMBOL NO.	INDEX NO.	SYMBOL NO.	INDEX NO.	SYMBOL NO.	INDEX NO.	SYMBOL NO.	INDEX NO.	SYMBOL NO.	INDEX NO.	SYMBOL NO.	INDEX NO.	SYMBOL NO.	INDEX NO.
R11	307	R21	302	R31	302	R41	267	R51	269	R61	269	---	---
R12	302	R22	267	R32	302	R42	277	R52	272	R62	268	R72	269
R13	290	R23	270	R33	302	R43	270	R53	287	R63	268	R73	269
R14	318	R24	267	R34	302	R44	307	R54	285	R64	254	---	---
R15	269	R25	272	R35	267	R45	269	R55	307	R65	287	R75	268
R16	269	R26	269	R36	269	R46	302	R56	286	R66	269	R76	267
R17	269	R27	286	R37	269	R47	302	R57	287	R67	269	R77	269
R18	269	---	---	R38	302	R48	268	R58	269	R68	270	R78	267
R19	269	R29	269	R39	307	R49	267	R59	269	R69	319	R79	302
R20	307	R30	257	R40	267	R50	270	R60	269	R70	283	R80	267

RESISTOR

SYMBOL NO.	INDEX NO.	SYMBOL NO.	INDEX NO.	SYMBOL NO.	INDEX NO.	SYMBOL NO.	INDEX NO.	SYMBOL NO.	INDEX NO.	SYMBOL NO.	INDEX NO.	SYMBOL NO.	INDEX NO.
R81	268	R91	293	R101	269	R111	269	R121	307	R131	302	R141	280
R82	302	R92	269	R102	302	R112	302	R122	323	R132	269	R142	269
R83	267	R93	302	R103	275	R113	269	R123	323	R133	307	R143	302
R84	267	R94	267	R104	275	R114	269	R124	323	R134	281	R144	258
R85	318	R95	267	R105	269	R115	269	R125	323	R135	269	R145	269
R86	267	R96	267	R106	270	R116	270	R126	267	R136	269	R146	302
R87	267	R97	267	R107	267	R117	323	R127	324	R137	269	R147	269
---	---	R98	269	R108	267	R118	323	R128	307	R138	254	R148	267
R89	302	R99	303	R109	264	R119	269	R129	269	R139	302	R149	323
R90	267	R100	290	R110	269	R120	307	R130	272	R140	302	R150	311

88.Control Board (D014/D015/D078/D079)

RESISTOR

SYMBOL NO.	INDEX NO.	SYMBOL NO.	INDEX NO.	SYMBOL NO.	INDEX NO.	SYMBOL NO.	INDEX NO.	SYMBOL NO.	INDEX NO.	SYMBOL NO.	INDEX NO.	SYMBOL NO.	INDEX NO.
R151	270	R161	256	---	---	---	---	R191	302	R201	310	R211	269
R152	302	R162	269	R172	323	R182	315	R192	302	R202	310	R212	269
R153	302	R163	323	R173	268	R183	255	R193	302	R203	310	R213	302
R154	269	R164	254	R174	302	R184	255	R194	269	R204	310	R214	302
---	---	R165	323	R175	323	R185	255	R195	315	R205	269	R215	302
---	---	R166	277	---	---	R186	302	R196	269	R206	300	R216	302
R157	307	R167	269	R177	268	R187	291	R197	310	R207	269	R217	302
R158	307	R168	323	---	---	R188	288	R198	310	R208	315	R218	302
R159	264	R169	269	R179	267	R189	264	R199	310	R209	302	R219	302
R160	269	R170	323	---	---	R190	307	R200	310	R210	302	R220	302

RESISTOR

SYMBOL NO.	INDEX NO.	SYMBOL NO.	INDEX NO.	SYMBOL NO.	INDEX NO.	SYMBOL NO.	INDEX NO.	SYMBOL NO.	INDEX NO.	SYMBOL NO.	INDEX NO.	SYMBOL NO.	INDEX NO.
R221	302	R231	272	R241	302	R251	272	R261	267	R271	313	R281	302
R222	269	R232	269	R242	302	R252	269	R262	302	R272	295	R282	302
R223	269	R233	272	R243	264	R253	315	R263	275	R273	272	R283	302
R224	272	---	---	R244	269	R254	315	R264	269	R274	272	R284	302
R225	272	R235	302	R245	302	R255	315	R265	269	R275	269	R285	302
R226	272	R236	302	R246	302	R256	315	R266	269	R276	271	R286	315
R227	310	R237	269	R247	272	R257	291	R267	269	R277	286	R287	310
R228	310	R238	302	R248	272	---	---	R268	269	R278	302	R288	310
R229	313	R239	288	R249	268	R259	272	---	---	R279	302	R289	310
R230	272	R240	272	R250	272	R260	272	---	---	R280	302	R290	310

88.Control Board (D014/D015/D078/D079)

RESISTOR

SYMBOL NO.	INDEX NO.	SYMBOL NO.	INDEX NO.	SYMBOL NO.	INDEX NO.	SYMBOL NO.	INDEX NO.	SYMBOL NO.	INDEX NO.	SYMBOL NO.	INDEX NO.	SYMBOL NO.	INDEX NO.
R291	310	R301	317	R311	269	R321	287	---	---	R341	287	R351	320
R292	295	R302	317	R312	267	R322	269	R332	269	R342	287	R352	270
R293	310	R303	269	---	---	---	---	R333	287	R343	270	R353	307
R294	310	R304	302	R314	287	R324	268	R334	269	R344	302	R354	272
R295	310	R305	267	R315	270	R325	287	R335	269	R345	302	R355	269
R296	313	R306	269	---	---	R326	269	R336	287	R346	302	R356	268
R297	315	R307	315	R317	269	R327	302	R337	270	R347	302	R357	269
R298	317	R308	287	R318	270	R328	268	R338	302	R348	269	R358	268
R299	268	R309	315	R319	302	R329	270	R339	269	R349	269	R359	268
R300	284	R310	287	---	---	R330	269	R340	269	---	---	R360	269

RESISTOR

SYMBOL NO.	INDEX NO.	SYMBOL NO.	INDEX NO.	SYMBOL NO.	INDEX NO.	SYMBOL NO.	INDEX NO.	SYMBOL NO.	INDEX NO.	SYMBOL NO.	INDEX NO.	SYMBOL NO.	INDEX NO.
R361	269	R371	305	R381	307	---	---	R401	269	R411	305	R421	276
R362	315	R372	305	R382	268	R392	269	R402	269	R412	305	R422	305
R363	315	R373	273	R383	315	R393	269	R403	254	R413	305	R423	255
R364	315	R374	317	R384	302	R394	270	R404	302	---	---	R424	255
R365	287	R375	271	R385	287	R395	269	---	---	R415	305	R425	255
R366	287	---	---	R386	287	R396	269	R406	270	R416	267	R426	255
R367	287	R377	267	R387	270	R397	270	R407	269	---	---	R427	305
R368	287	R378	269	R388	278	---	---	R408	269	R418	267	R428	310
---	---	---	---	R389	278	R399	253	R409	284	R419	305	R429	305
R370	307	R380	272	---	---	R400	269	R410	302	R420	305	R430	310

88.Control Board (D014/D015/D078/D079)

RESISTOR

SYMBOL NO.	INDEX NO.	SYMBOL NO.	INDEX NO.	SYMBOL NO.	INDEX NO.	SYMBOL NO.	INDEX NO.	SYMBOL NO.	INDEX NO.	SYMBOL NO.	INDEX NO.	SYMBOL NO.	INDEX NO.
R431	269	R441	314	R451	267	---	---	R471	284	R481	283	---	---
R432	305	R442	310	R452	314	---	---	R472	284	R482	307	R492	268
R433	310	R443	310	R453	317	R463	267	R473	284	R483	268	R493	294
R434	269	R444	307	R454	317	R464	307	R474	284	R484	268	R494	254
R435	269	R445	314	R455	317	R465	305	R475	283	R485	307	---	---
R436	268	---	---	R456	317	R466	284	R476	255	R486	307	R496	282
---	---	R447	270	R457	310	---	---	R477	307	R487	275	R497	325
R438	305	R448	316	---	---	R468	302	R478	254	R488	307	R498	304
R439	305	R449	316	---	---	---	---	R479	254	R489	254	R499	301
R440	310	R450	310	---	---	R470	302	R480	254	R490	302	R500	270

RESISTOR

SYMBOL NO.	INDEX NO.	SYMBOL NO.	INDEX NO.	SYMBOL NO.	INDEX NO.	SYMBOL NO.	INDEX NO.	SYMBOL NO.	INDEX NO.	SYMBOL NO.	INDEX NO.	SYMBOL NO.	INDEX NO.
R501	307	R511	275	R521	299	R531	254	R541	267	R551	286	R561	302
R502	298	R512	275	R522	254	R532	309	R542	315	R552	271	R562	267
R503	279	R513	275	R523	261	R533	254	---	---	---	---	R563	302
R504	270	R514	275	---	---	R534	254	R544	267	---	---	R564	267
R505	296	R515	275	R525	267	R535	254	R545	267	---	---	R565	302
R506	307	R516	275	---	---	R536	267	R546	269	---	---	R566	302
R507	307	R517	275	---	---	---	---	R547	272	R557	269	R567	310
R508	307	R518	275	R528	267	R538	269	R548	269	R558	267	R568	302
R509	307	R519	254	---	---	R539	270	R549	302	R559	267	R569	310
R510	275	R520	254	---	---	R540	302	R550	269	R560	310	R570	302

88.Control Board (D014/D015/D078/D079)

RESISTOR

SYMBOL NO.	INDEX NO.	SYMBOL NO.	INDEX NO.	SYMBOL NO.	INDEX NO.	SYMBOL NO.	INDEX NO.	SYMBOL NO.	INDEX NO.	SYMBOL NO.	INDEX NO.	SYMBOL NO.	INDEX NO.
---	---	R581	269	R591	310	R601	310	R611	302	R621	302	---	---
R572	267	R582	310	R592	302	R602	255	R612	269	R622	302	R632	302
R573	267	R583	302	R593	267	R603	302	R613	302	R623	302	---	---
R574	268	---	---	R594	302	R604	310	R614	269	R624	269	R634	286
R575	302	---	---	R595	268	R605	302	R615	269	R625	319	---	---
R576	267	R586	269	R596	269	R606	302	R616	302	---	---	R636	268
R577	267	R587	269	---	---	R607	310	R617	302	---	---	R637	307
R578	302	R588	267	R598	269	---	---	---	---	R628	270	R638	269
R579	267	R589	308	R599	269	---	---	R619	267	R629	269	R639	307
R580	269	R590	302	R600	302	R610	302	R620	267	R630	311	---	---

RESISTOR

SYMBOL NO.	INDEX NO.	SYMBOL NO.	INDEX NO.	SYMBOL NO.	INDEX NO.	SYMBOL NO.	INDEX NO.	SYMBOL NO.	INDEX NO.	SYMBOL NO.	INDEX NO.	SYMBOL NO.	INDEX NO.
R641	286	R651	266	---	---	R671	269	R681	267	R691	267	R701	267
R642	286	---	---	R662	267	R672	269	R682	267	R692	267	R702	267
R643	302	R653	267	R663	267	R673	269	---	---	R693	274	R703	267
R644	286	R654	272	R664	302	R674	302	R684	267	R694	304	R704	269
R645	270	R655	267	R665	302	R675	269	R685	267	R695	271	---	---
R646	254	R656	302	R666	267	R676	267	R686	268	R696	268	R706	269
R647	298	R657	269	R667	269	R677	267	R687	269	R697	297	R707	269
R648	326	R658	267	R668	302	R678	269	---	---	R698	315	R708	269
R649	267	R659	277	R669	269	R679	269	R689	269	R699	269	R709	267
---	---	---	---	R670	269	R680	302	R690	302	R700	269	R710	269

88.Control Board (D014/D015/D078/D079)

RESISTOR

SYMBOL NO.	INDEX NO.	SYMBOL NO.	INDEX NO.	SYMBOL NO.	INDEX NO.	SYMBOL NO.	INDEX NO.	SYMBOL NO.	INDEX NO.	SYMBOL NO.	INDEX NO.	SYMBOL NO.	INDEX NO.
---	---	R721	268	R731	269	R741	323	R750	267	R761	269	R771	323
R712	315	R722	269	R732	323	R742	269	R752	315	R762	269	R772	269
R713	267	R723	269	R733	323	---	---	R753	312	---	---	R773	269
R714	285	R724	269	R734	323	---	---	R754	312	R764	269	R774	269
R715	321	R725	269	R735	314	R745	269	R755	312	R765	307	R775	269
R716	315	---	---	R736	291	R746	289	R756	312	R766	323	R776	268
R717	267	---	---	R737	323	R747	255	R757	312	R767	323	R777	283
R718	269	R728	269	---	---	R748	315	R758	312	R768	269	R778	263
R719	269	R729	268	R739	314	---	---	R759	312	R769	269	R779	269
R720	269	R730	268	R740	323	---	---	R760	312	---	---	R780	302

RESISTOR

SYMBOL NO.	INDEX NO.	SYMBOL NO.	INDEX NO.	SYMBOL NO.	INDEX NO.	SYMBOL NO.	INDEX NO.	SYMBOL NO.	INDEX NO.	SYMBOL NO.	INDEX NO.	SYMBOL NO.	INDEX NO.
R781	307	R791	269	R801	307	R811	287	R821	302	R831	315	R841	269
R782	264	R792	313	R802	302	R812	287	R822	302	R832	315	R842	291
R783	323	R793	268	R803	268	R813	287	R823	302	R833	315	R843	302
R784	323	R794	268	R804	302	R814	287	R824	302	R834	315	R844	269
R785	269	R795	269	R805	267	R815	287	R825	302	---	---	---	---
R786	269	R796	262	R806	268	R816	287	R826	269	R836	264	R846	302
R787	269	R797	268	R807	302	R817	287	R827	302	R837	283	R847	257
R788	323	R798	268	R808	262	R818	287	R828	302	---	---	R848	315
---	---	---	---	R809	264	R819	287	R829	307	R839	269	R849	269
---	---	R800	268	R810	287	R820	287	---	---	R840	269	---	---

88.Control Board (D014/D015/D078/D079)

RESISTOR

SYMBOL NO.	INDEX NO.	SYMBOL NO.	INDEX NO.	SYMBOL NO.	INDEX NO.	SYMBOL NO.	INDEX NO.	SYMBOL NO.	INDEX NO.	SYMBOL NO.	INDEX NO.	SYMBOL NO.	INDEX NO.
R851	267	R861	272	R871	308	R881	262	---	---	R901	268	R911	315
R852	302	R862	269	R872	285	---	---	R892	269	R902	268	R912	315
R853	269	---	---	R873	275	R883	315	R893	269	R903	268	R913	315
R854	254	R864	269	R874	269	R884	302	R894	307	R904	306	R914	315
R855	302	R865	269	R875	285	R885	269	R895	302	R905	306	---	---
R856	302	R866	272	R876	269	---	---	---	---	R906	322	---	---
R857	256	R867	269	R877	269	R887	307	R897	307	---	---	R917	269
R858	257	R868	269	R878	315	---	---	R898	269	R908	307	R918	302
R859	272	R869	317	---	---	R889	269	R899	268	R909	302	R919	269
R860	254	R870	317	R880	269	---	---	R900	268	R910	269	R920	269

RESISTOR

SYMBOL NO.	INDEX NO.	SYMBOL NO.	INDEX NO.	SYMBOL NO.	INDEX NO.	SYMBOL NO.	INDEX NO.	SYMBOL NO.	INDEX NO.	SYMBOL NO.	INDEX NO.	SYMBOL NO.	INDEX NO.
R921	269	R931	302	---	---	R951	269	R961	269	R971	315	R981	269
R922	302	R932	251	---	---	---	---	R962	287	R972	312	---	---
R923	269	R933	270	R943	315	---	---	R963	269	R973	267	R983	287
R924	307	R934	270	R944	322	R954	267	R964	269	R974	268	R984	269
R925	307	R935	307	R945	267	R955	269	R965	268	R975	269	R985	267
R926	269	R936	317	R946	269	R956	287	R966	312	---	---	---	---
R927	302	---	---	R947	307	R957	269	R967	267	R977	287	R987	307
R928	267	R938	307	R948	269	R958	267	R968	268	R978	270	R988	269
---	---	R939	302	R949	269	R959	267	---	---	R979	315	R989	267
---	---	R940	269	R950	267	R960	269	R970	307	R980	267	R990	267

88.Control Board (D014/D015/D078/D079)

RESISTOR

SYMBOL NO.	INDEX NO.	SYMBOL NO.	INDEX NO.	SYMBOL NO.	INDEX NO.	SYMBOL NO.	INDEX NO.	SYMBOL NO.	INDEX NO.	SYMBOL NO.	INDEX NO.	SYMBOL NO.	INDEX NO.
R991	267	R1001	315	R1011	315	R1021	315	R1031	269	R1041	302	R1051	287
R992	267	R1002	315	R1012	315	R1022	315	R1032	307	R1042	302	R1052	270
R993	287	R1003	315	R1013	315	R1023	315	R1033	315	R1043	302	R1053	269
R994	269	R1004	315	R1014	315	R1024	315	R1034	269	R1044	302	R1054	287
R995	267	R1005	315	R1015	315	R1025	315	R1035	287	R1045	302	R1055	267
R996	267	R1006	315	R1016	315	R1026	315	R1036	287	R1046	302	R1056	269
R997	267	R1007	315	R1017	315	R1027	269	R1037	287	R1047	272	R1057	269
R998	287	R1008	315	R1018	315	R1028	272	R1038	302	R1048	302	R1058	269
R999	270	R1009	315	R1019	315	R1029	269	R1039	302	R1049	302	R1059	270
R1000	272	R1010	315	R1020	315	R1030	302	R1040	302	R1050	270	R1060	269

RESISTOR

SYMBOL NO.	INDEX NO.	SYMBOL NO.	INDEX NO.	SYMBOL NO.	INDEX NO.	SYMBOL NO.	INDEX NO.	SYMBOL NO.	INDEX NO.	SYMBOL NO.	INDEX NO.	SYMBOL NO.	INDEX NO.
R1061	269	R1071	269	R1081	268	R1091	268	R1101	284	R1111	302	R1121	302
R1062	270	---	---	R1082	268	R1092	307	R1102	268	R1112	302	R1122	302
R1063	269	R1073	269	R1083	269	R1093	305	R1103	307	R1113	302	R1123	268
R1064	269	R1074	315	---	---	R1094	305	R1104	314	R1114	302	R1124	302
R1065	269	R1075	314	R1085	302	R1095	305	R1105	268	---	---	R1125	269
R1066	307	R1076	284	R1086	284	R1096	284	R1106	269	R1116	264	R1126	284
R1067	269	R1077	284	R1087	323	R1097	284	R1107	315	R1117	264	R1127	269
R1068	315	---	---	---	---	R1098	307	---	---	R1118	302	---	---
R1069	272	R1079	269	---	---	R1099	267	R1109	284	R1119	302	R1129	315
R1070	269	R1080	272	R1090	254	R1100	269	R1110	264	R1120	302	R1130	269

88.Control Board (D014/D015/D078/D079)

RESISTOR

SYMBOL NO.	INDEX NO.	SYMBOL NO.	INDEX NO.	SYMBOL NO.	INDEX NO.	SYMBOL NO.	INDEX NO.	SYMBOL NO.	INDEX NO.	SYMBOL NO.	INDEX NO.	SYMBOL NO.	INDEX NO.
R1131	307	R1141	284	R1151	315	R1161	315	R1171	292	---	---	R1191	307
---	---	R1142	284	R1152	315	R1162	315	R1172	307	---	---	R1192	307
R1133	307	R1143	315	R1153	315	R1163	315	R1173	284	R1183	267	R1193	307
R1134	284	R1144	315	R1154	315	---	---	R1174	284	---	---	---	---
R1135	284	R1145	315	R1155	315	R1165	315	R1175	292	---	---	R1195	270
R1136	305	R1146	315	R1156	315	R1166	315	---	---	R1186	267	R1196	307
R1137	284	R1147	315	R1157	315	R1167	315	R1177	259	---	---	R1197	260
---	---	R1148	315	R1158	315	R1168	315	R1178	285	R1188	267	R1198	264
---	---	R1149	315	R1159	315	R1169	315	R1179	302	R1189	307	R1199	255
R1140	284	R1150	315	R1160	315	R1170	252	R1180	307	R1190	307	R1200	269

RESISTOR

SYMBOL NO.	INDEX NO.	SYMBOL NO.	INDEX NO.	SYMBOL NO.	INDEX NO.	SYMBOL NO.	INDEX NO.	SYMBOL NO.	INDEX NO.
R1201	269	R1211	302	R1221	307	---	---	---	---
R1202	269	R1212	302	R1222	314	R1232	254	R1242	272
R1203	269	R1213	302	R1223	314	R1233	272	---	---
---	---	R1214	302	R1224	314	---	---	---	---
---	---	R1215	302	R1225	302	---	---	R1245	254
R1206	267	R1216	302	---	---	---	---	R1246	254
---	---	---	---	---	---	---	---	R1247	269
---	---	R1218	268	R1228	302	---	---	R1248	255
---	---	R1219	270	R1229	302	---	---	---	---
---	---	R1220	307	R1230	302	---	---	---	---

REG

SYMBOL NO.	INDEX NO.	SYMBOL NO.	INDEX NO.
R1251	255	REG1	184
R1252	255	REG2	186
R1253	302	REG3	176

88.Control Board (D014/D015/D078/D079)

RN

SYMBOL NO.	INDEX NO.
RN1	250
RN2	250
RN3	250
RN4	250
RN5	250
RN6	250
RN7	250
RN8	250
RN9	250
RN10	196

SYMBOL NO.	INDEX NO.
RN11	196
RN12	196
RN13	196
RN14	249
RN15	196
RN16	249
RN17	249
RN18	249
RN19	249
RN20	195

SYMBOL NO.	INDEX NO.
RN21	247
RN22	195
RN23	195
RN24	195
RN25	195
RN26	195
RN27	195
RN28	195
RN29	195
RN30	195

SYMBOL NO.	INDEX NO.
RN31	195
RN32	195
RN33	195
RN34	195
RN35	195
RN36	195
RN37	195
RN38	195
RN39	195
RN40	195

SYMBOL NO.	INDEX NO.
RN41	195
RN42	195
RN43	195
RN44	195
RN45	195
RN46	249
RN47	249
RN48	249
RN49	265
RN50	248

SW

SYMBOL NO.	INDEX NO.
SW1	119
---	---
SW3	119

88.Control Board (D014/D015/D078/D079)

Rev. 08/10/2010

Index No.	Part No.	Description	Q'ty Per Assembly
*	D014 5748	PCB: Control Board: Ex1: Sub-Ass'y [TSB#085]	1
1	B132 5794	Hook: Heat Sink: MCH	1
2	D014 5753	Flash Memory: BIOS: EX1: V-C2	1
3	G178 6001	PWB: CONT: EX1	1
4	G178 6016	Heat Sink: EX1: PEN	1
5	G178 6017	Heat Sink: EX1: GMCH	1

Index No.	Part No.	Description	Q'ty Per Assembly
101	1102 5303	Connector - 4P	
102	1102 6295	Connector - 2P	
103	1102 7615	Connector - B8B-XH-A	
104	1102 7635	Connector: 53398-0210	
105	1102 8028	Connector - 4P	
106	1102 9336	Connector: FPS009-2300-0	
107	1102 9535	Connector - 200PS-JUK-G-B	
108	1102 9686	Connector - RHM-176P-SDK11-U1L1C	
109	1102 9887	Connector: 52588-3090	
110	1103 3481	Connector: 67800-8005	
111	1103 3497	Connector: 87715-9002	
112	1103 3865	Connector: 29 6406 200 101 856+	
113	1103 3964	Connector: WB4P140HA1	
114	1103 3965	Connector: 6605444-6	
115	1103 4137	Connector: UAR64-8K5J00	
116	1103 4138	Connector: UBR24-4K5J00	
117	1107 1095	Fuse - SST 2	
118	1109 0042	Fuse: MINISMDC150F	
119	1204 2622	FET: 2SK1590	
120	1206 0122	Lithium Cell: CR2450/V1A	
121	1400 0714	Transistor - 2SD1781KR	
122	1400 1248	Transistor: 2SC5342SF	
123	1401 0902	FET: 2SK1590	
124	1401 1222	FET: HAT2068R	
125	1401 1234	FET - SSM3J02T	
126	1401 1235	FET: HAT2071R	
127	1401 1296	FET: TPC8115	
128	1401 1317	FET - HAT2197R	
129	1401 1318	FET - HAT2198R	
130	1401 1320	FET - TPC8107	
131	1401 1411	FET - HAT2195R-E	
132	1401 1414	FET: SI3433BDV-E3	
133	1402 1530	Diode - RB520S-30	
134	1402 1537	LED - SML-310MT	
135	1402 1565	Diode - RB	

WWW.SERVICE-MANUAL.NET

Index No.	Part No.	Description	Q'ty Per Assembly
136	1402 1995	Diode: SDS511	
137	1402 2001	Diode: SX34	
138	1403 0953	LED - SML-310MT	
139	1403 1131	LED: SML-311UT	
140	1403 1168	LED: SML-311YT	
141	1407 4919	IC - 74VHCT244 TSSOP	
142	1407 5107	IC: SN74LV132APW	
143	1407 7242	IC - SN74AHCT1G08DCK	
144	1407 5428	CMOS Logic - SN74AHC1G08DCK	
145	1407 5523	ROM - I2C SOP 3V	
146	1407 5531	Clock Generator: ICS960008AFLF	
147	1407 5733	IC: SN74ALVC244PW	
148	1407 5734	CMOS Logic - SN74ALVC245PW	
149	1407 7236	CMOS Logic - SN74LVC2G04DCK	
150	1407 7244	IC: SN74LVC1G04DCK	
151	1407 7239	IC - SN74LVC2G17DCK	
152	1407 7237	IC SN74LVC2G125DCU	
153	1407 6127	Clock Generator: ICS960008AFLF	
154	1407 6158	IC: R3112Q101A	
155	1407 6187	CMOS Logic - SN74LVC1G07DCK	
156	1407 7247	CMOS Logic SN74LVC1G125DCK	
157	1407 6203	CMOS Logic - SN74LVC3G07DCT	
158	1407 7250	CMOS Logic: SN74LVC2G07DCK	
159	1407 7245	CMOS Logic - SN74LVC1G06DCK	
160	1407 7241	CMOS Logic - SN74AHCT1G04DCK	
161	1407 6332	Oscillator - MC-306 32.768MHz	
162	1407 6333	CMOS Logic - SN74LVC2G08DCU	
163	1407 6335	CMOS Logic: SN74LVC1G17DCK	
164	1407 4840	CMOS Logic - SN74AHC1G04DCK	
165	1407 6915	Resistor Array - 10 Ω \pm 5% 1/32W	
166	1407 7249	CMOS Logic - SN74LVC1G32DCK	
167	1407 6517	Custom IC: WHISTLE	
168	1407 6536	ICH6-MNH82801FBM (SL89K)	
169	1407 7029	GMCH: QG82915GME (SLA9K)	
170	1407 6917	Clock Generator: ICS960023BGLF	

Index No.	Part No.	Description	Q'ty Per Assembly
171	1407 6676	Clock Generator: ICS954206BGLF	
172	1407 6683	LAN Controller LSI: BCM5461A1KpFG	
173	1407 6944	USB Controller IC: ST72681/R21	
174	1407 6783	Custom IC: VEENA	
175	1407 6784	Capacitor: 4PF: \pm 0.25pF: 50V	
176	1408 1668	Capacitor - 10PF \pm 0.5pF 50V	
177	1408 1778	IC: R3112Q101A	
178	1408 1779	IC - R3112Q281A	
179	1408 1788	Capacitor - 33pF \pm 5% 50V	
180	1408 1826	IC - R3112Q421A	
181	1408 1839	IC - R3112Q211A	
182	1408 2305	Reset IC - BU4242FVE	
183	1408 2350	IC: R1211D002B-FA	
184	1408 2458	DC/DC Converter: LTC3407EMSE-2#PBF	
185	1408 2463	DDR Terminator - TPS51116PWP4	
186	1408 2464	Capacitor - 470pF \pm 10% 50V	
187	1408 2638	Capacitor - 1000pF \pm 10% 50V	
188	1408 2637	Capacitor - 2200pF \pm 10%50V	
189	1503 0758	Oscillator - MC-306 32.768MHz	
190	1503 1138	Crystal Oscillator - 48MHz	
191	1503 1146	Capacitor - 0.01 μ F \pm 10% 25V	
192	1503 1368	Capacitor: 0.047 μ F: \pm 10%: 16V	
193	1503 1363	Capacitor - 0.22 μ F \pm 10% 16V	
194	1503 1367	Crystal Oscillator: 25MHz	
195	1601 7887	Resistor Array - 10K Ω \pm 5% 1/32W	
196	1601 7896	Resistor Array - 56 Ω \pm 5% 1/32W	
197	1605 1195	Capacitor: 4pF: \pm 0.25pF: 50V	
198	1605 1197	Capacitor - 6pF \pm 0.5pF 50V	
199	1605 1199	Capacitor - 8pF \pm 0.5pF 50V	
200	1605 1200	Capacitor - 10pF \pm 0.5pF 50V	
201	1605 1202	Capacitor - 15pF \pm 5% 50V	
202	1605 1203	Capacitor - 18pF \pm 5% 50V	
203	1605 1204	Capacitor-pF50V	
204	1605 1207	Capacitor - 68pF \pm 5% 50V	
205	1605 1208	Capacitor: 100pF: \pm 5%: 50V	

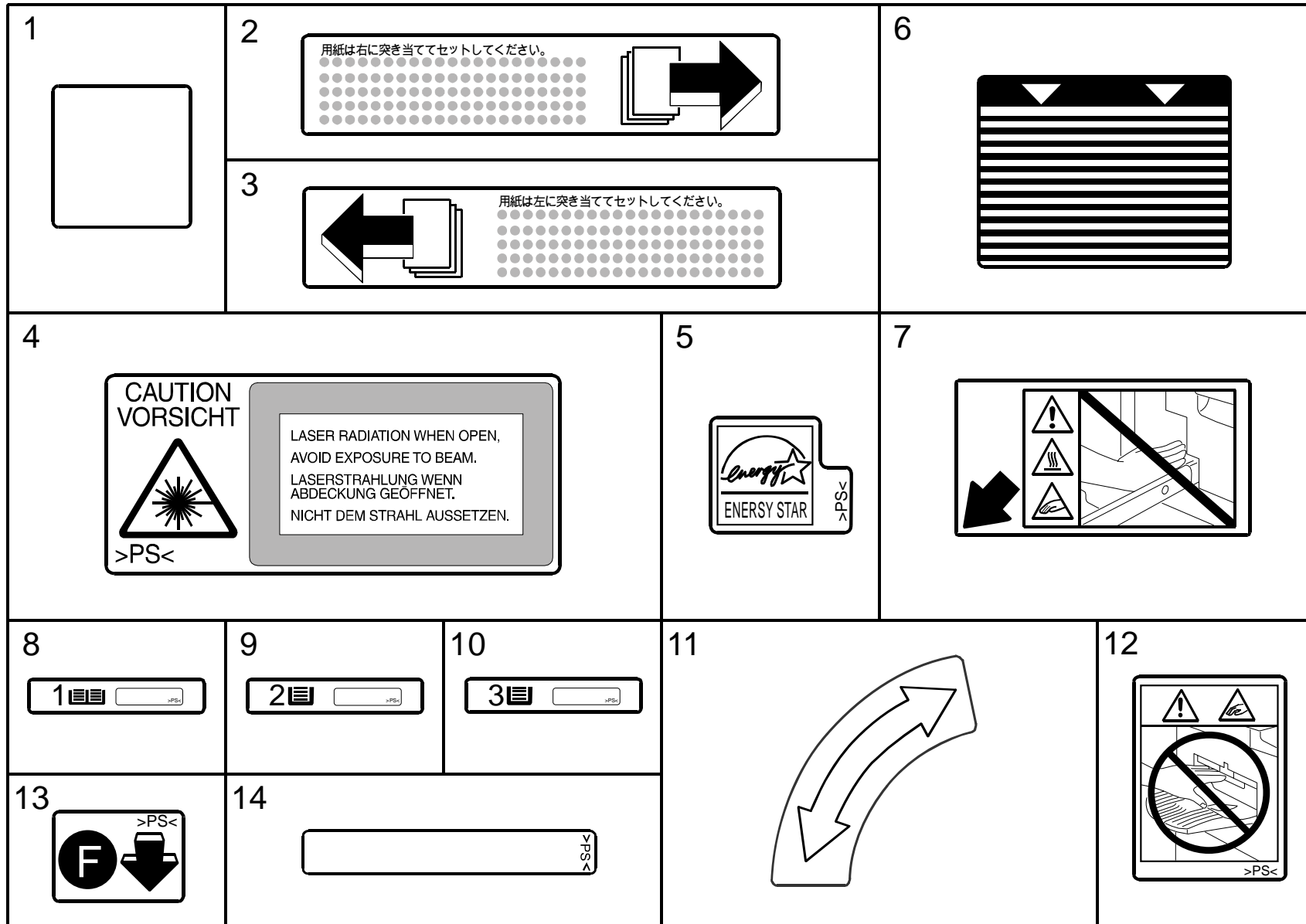
Index No.	Part No.	Description	Q'ty Per Assembly
206	1605 1214	Capacitor - 1000pF ±10% 50V	
207	1605 1216	Capacitor - 2200pF±10%50V	
208	1605 1234	Capacitor: 4700pF: ±10%: 50V	
209	1605 1240	Capacitor - 0.01µF±10% 25V	
210	1605 1275	Capacitor - 820pF ±5% 50V	
211	1605 1288	Capacitor - 220pF ±5% 50V	
212	1605 1291	Capacitor: 2.2µF: ±10%: 10V	
213	1605 1299	Resistor - 56pF ±5% 50V	
214	1605 1300	Capacitor - 270pF ±5% 50V	
215	1605 1367	Capacitor - 0.033µF±10% 16V	
216	1605 1387	Capacitor - 0.68µF±10% 10V	
217	1605 1406	Capacitor - 10µF±10% 6.3V	
218	1605 1419	Capacitor: 4.7µF: ±10%: 16V	
219	1605 1428	Capacitor: 0.22µF: ±10%: 6.3V	
220	1605 1447	Resistor - 470pF ±5% 50V	
221	1605 1450	Resistor - 22µF±10% 6.3V	
222	1605 1453	Capacitor: 0.022µF: ±10%: 16V	
223	1605 1464	Resistor - 10µF±20% 25V	
224	1605 1465	Resistor - 1µF±10% 25V	
225	1605 1544	Resistor - 330pF ±5% 50V	
226	1605 1583	Capacitor - 0.1µF: ±10%: 16V	
227	1605 1635	Resistor - 10M Ω ±5% 1/16W	
228	1605 1689	Capacitor: 100µF: ±20%: 6.3V	
229	1605 1695	Chip Resistor 1Ω ±5% 1/16W	
230	1606 2319	Capacitor: 100µF: ±20%: 6.3V	
231	1607 0810	Filter - BK2125HS121	
232	1607 1051	Filter -FBMJ2125HS420	
233	1607 1061	Filter - BLM11P300SPB	
234	1607 1108	Filter - BLM21PG220SN1B	
235	1607 1228	Inductor - SLF7045-4R7M2R0	
236	1607 1316	Filter - FBMJ1608HS280NT	
237	1607 1362	Coil - ACM3225-800-2P	
238	1607 1388	Inductor: LB2518B1R0M	
239	1607 1438	Chip Resistor - 33Ω±5%1/16W	
240	1607 1489	Filter - MMZ1608B301C	

Index No.	Part No.	Description	Q'ty Per Assembly
241	1607 1651	Inductor - HM73-101R0LF	
242	1607 1744	Inductor: LQH32CNR15M33B	
243	1607 1853	Inductor: LB2518B100M	
244	1607 1854	Chip Resistor 47Ω ±5% 1/16W	
245	1607 1657	Inductor - HM73-10R68LF	
246	1607 1974	Chip Resistor: 4.7KΩ: ±5%: 1/16W	
247	1609 0006	Resistor: 10k Ω: ±5%: 1/16W	
248	1609 0005	Resistor: 33 Ω: ±5%: 1/16W	
249	1609 0122	Resistor Array: 10 Ω: ±5%: 1/16W: 4Number	
250	1609 0123	Chip Resistor 56Ω ±5% 1/16W	
251	1610 1417	Resistor: 0.5 Ω: ±5%: 1/8W: 1608	
252	1610 1804	Resistor: 0.006 Ω: ±1%: 1W	
253	1610 2116	Chip Resistor: 680Ω: ±5%: 1/16W	
254	1633 0000	Resistor - 0 Ω 1/10W	
255	1634 0000	Resistor - 0 Ω 1/16W	
256	1650 4109	Resistor - 1Ω ±5% 1/10W	
257	1650 4229	Resistor - 2.2 Ω ±5% 1/10W	
258	1650 5106	Resistor - 10M Ω ±5% 1/16W	
259	1650 5309	Resistor - 3 Ω ±5% 1/16W	
260	1650 5519	Resistor - 5.1Ω ±5% 1/16W	
261	1653 1009	Resistor: 10 Ω: ±1%: 1/8W: 2125	
262	1654 1000	Resistor - 100Ω ±1% 1/10W	
263	1654 1009	Resistor - 10Ω±1% 1/10W	
264	1655 1000	Chip Resistor: 100Ω: ±1%: 1/16W	
265	1601 7914	Resistor Array - 47 Ω ±5%	
266	1607 1567	Filter: MPZ2012S101A	
267	1655 0000	Chip Resistor - 0Ω±0%1/16W	
268	1655 1001	Chip Resistor - 1KΩ ±1% 1/16W	
269	1655 1002	Chip Resistor - 10KΩ±1%1/16W	
270	1655 1003	Chip Resistor - 100KΩ±1%1/16W	
271	1655 1004	Resistor - 1MΩ ±1% 1/16W	
272	1655 1009	Resistor - 10Ω ±1% 1/16W	
273	1655 1102	Resistor - 11KΩ ±1% 1/16W	
274	1655 1132	Resistor: 11.3K Ω: ±1%: 1/16W: 1005	
275	1655 1201	Resistor - 1.2KΩ ±1% 1/16W	

Index No.	Part No.	Description	Q'ty Per Assembly
276	1655 1241	Resistor - 27.4Ω ±1% 1/16W	
277	1655 1300	Resistor: 130 Ω: ±1%: 1/16W: 1005	
278	1655 1501	Chip Resistor 1.5KΩ ±1% 1/16W	
279	1655 1502	Resistor - 15KΩ ±1% 1/16W	
280	1655 1692	Resistor: 16.9K Ω: ±1%: 1/16W: 1005	
281	1655 1803	Resistor - 330KΩ ±1% 1/16W	
282	1655 1963	Resistor: 196K Ω: ±1%: 1/16W: 1005	
283	1655 2000	Resistor - 200Ω ±1% 1/16W	
284	1655 2001	Resistor - 2KΩ ±1% 1/16W	
285	1655 2002	Chip Resistor - 20KΩ ±1% 1/16W	
286	1655 2201	Resistor: 2.2K Ω: ±1%: 1/16W: 1005	
287	1655 2209	Resistor - 22Ω ±1% 1/16W	
288	1655 2210	Resistor - 221Ω ±1% 1/16W	
289	1655 2269	Resistor - 475Ω ±1% 1/16W	
290	1655 2432	Resistor - 49.9Ω ±1% 1/16W	
291	1655 2499	Resistor - 5.1KΩ ±1% 1/16W	
292	1655 2700	Resistor - 51Ω ±1% 1/16W	
293	1655 2701	Resistor: 2.7K Ω: ±1%: 1/16W: 1005	
294	1655 2741	Resistor - 54.9Ω ±1% 1/16W	
295	1655 2749	Resistor - 27.4Ω ±1% 1/16W	
296	1655 2802	Resistor: 28K Ω: ±1%: 1/16W: 1005	
297	1655 5600	Resistor - 560Ω ±1% 1/16W	
298	1655 3002	Chip Resistor - 30KΩ ±1% 1/16W	
299	1655 3013	Resistor: 301K Ω: ±1%: 1/16W: 1005	
300	1655 3242	Resistor: 32.4K Ω: ±1%: 1/16W: 1005	
301	1655 3303	Resistor - 330KΩ ±1% 1/16W	
302	1655 3309	Resistor - 33Ω ±1% 1/16W	
303	1655 3601	Resistor: 3.6K Ω: ±1%: 1/16W: 1005	
304	1655 3903	Resistor - 82Ω ±1% 1/16W	
305	1655 3909	Resistor 39Ω ±1% 1/16W	
306	1655 4029	Resistor: 40.2 Ω: ±1%: 1/16W: 1005	
307	1655 4701	Chip Resistor - 4.7KΩ ±1% 1/16W	
308	1655 4750	Resistor - 475Ω ±1% 1/16W	
309	1655 4992	Resistor: 49.9K Ω: ±1%: 1/16W: 1005	
310	1655 4999	Resistor - 49.9Ω ±1% 1/16W	

Index No.	Part No.	Description	Q'ty Per Assembly
311	1655 5101	Resistor - 5.1KΩ ±1% 1/16W	
312	1655 5109	Resistor - 51Ω ±1% 1/16W	
313	1655 5499	Resistor - 54.9Ω ±1% 1/16W	
314	1655 5602	Chip Resistor - 56KΩ ±1% 1/16W	
315	1655 5609	Resistor - 56Ω ±1% 1/16W	
316	1655 6043	Resistor: 604K Ω: ±1%: 1/16W: 1005	
317	1655 6800	Resistor: 680 Ω: ±1%: 1/16W: 1005	
318	1655 6801	Resistor - 6.8KΩ ±1% 1/16W	
319	1655 6802	Resistor: 68K Ω: ±1%: 1/16W: 1005	
320	1655 6809	Chip Resistor - 68Ω ±1% 1/16W	
321	1655 7509	Resistor - 75 Ω ±1% 1/16W	
322	1655 8069	Resistor: 80.6 Ω: ±1%: 1/16W: 1005	
323	1655 8201	Resistor: 8.2K Ω: ±1%: 1/16W: 1005	
324	1655 8209	Resistor - 82Ω ±1% 1/16W	
325	1655 8873	Resistor: 887K Ω: ±1%: 1/16W: 1005	
326	1655 9101	Resistor - 9.1K Ω ±1% 1/16W	
327	1906 0101	Flash Memory: S29GL032A90TFIR40	
328	1906 0120	NAND Flash: 1G: X8: 30NS: 3.3V: 2KB	

89.Decals and Documents (D014/D015/D078/D079)

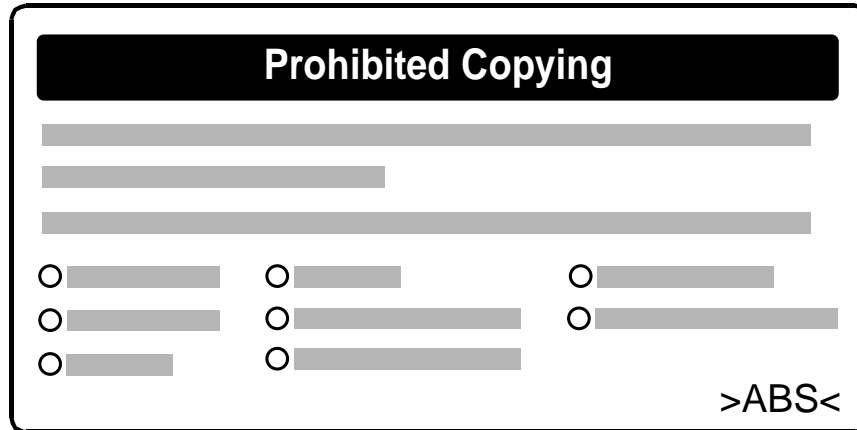


89.Decals and Documents (D014/D015/D078/D079)

<p>15</p>	<p>17</p>	<p>18</p>
<p>16</p>	<p>21</p>	<p>22</p>
<p>19</p>	<p>23</p>	<p>20</p>

89.Decals and Documents (D014/D015/D078/D079)

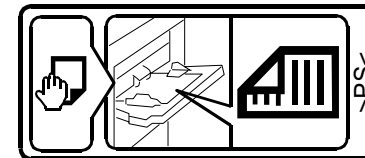
24



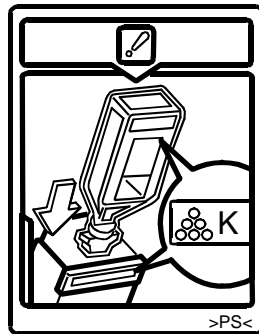
25



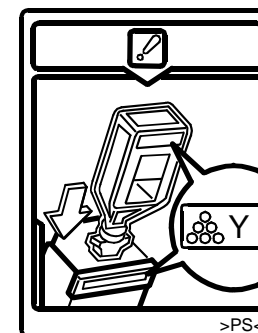
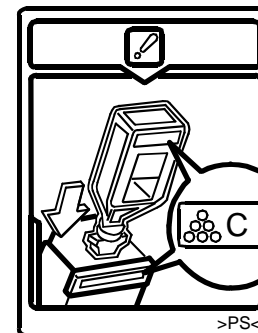
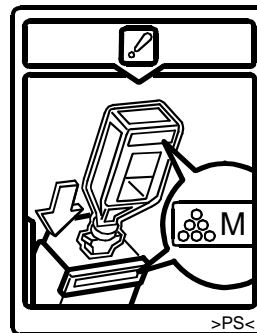
26



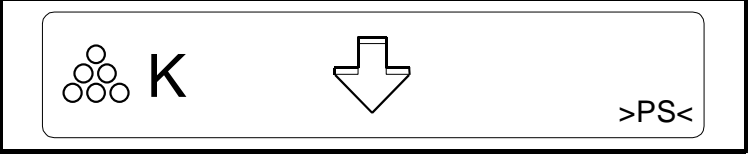


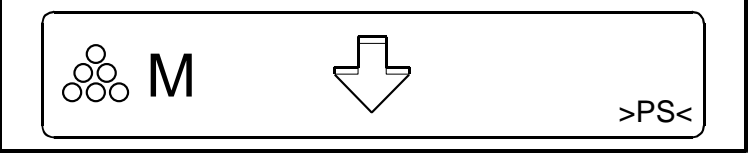
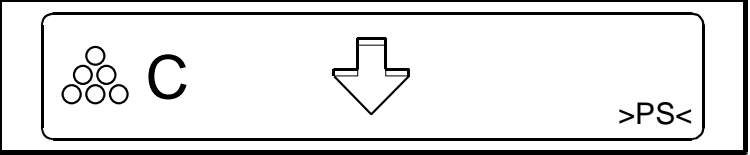
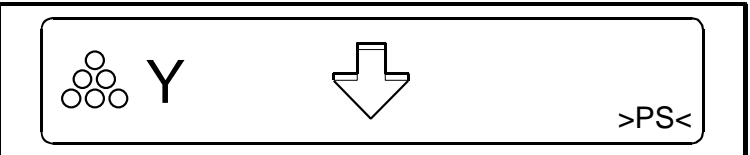
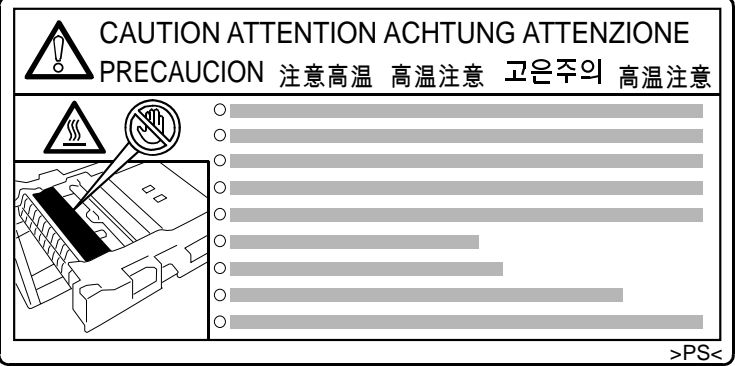
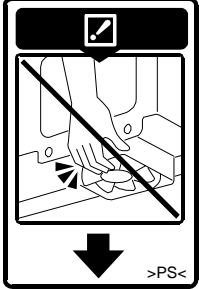
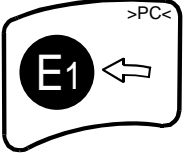

27



28



89.Decals and Documents (D014/D015/D078/D079)

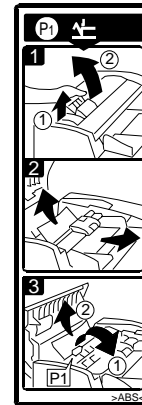
<p>29</p> 	<p>31</p> 	<p>34</p> 
<p>30</p>   	<p>32</p> 	
<p>33</p> 	<p>35</p> 	<p>36</p> 

89.Decals and Documents (D014/D015/D078/D079)

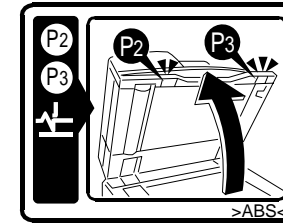
37

1		5 1/2 x 8 1/2	8 1/2 x 13
		8 1/2 x 5 1/2	8 1/2 x 14
A3	A4	7 1/4 x 10 1/2	8 1/2 x 14
A3	A4	10 1/2 x 7 1/4	11 x 17
B4	B5	8 x 13	11 x 17
B4	B5	8 1/4 x 13	12 x 18
A4	B5	8 1/2 x 11	
A4	A5	8 1/2 x 11	
A4	A5	11 x 8 1/2	
A4	A5	11 x 8 1/2	

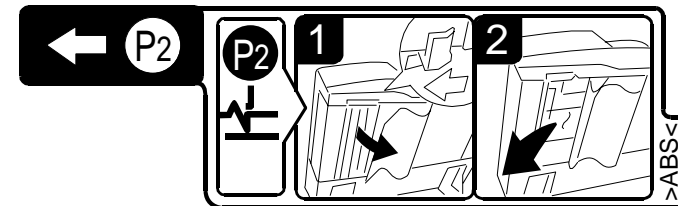
39



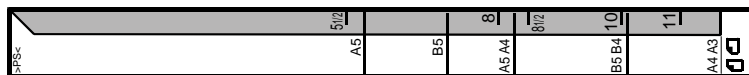
40



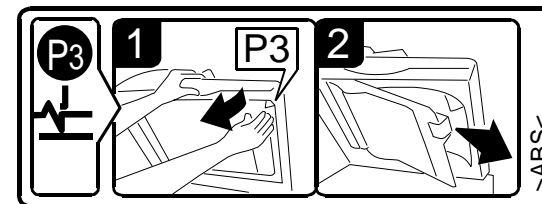
41



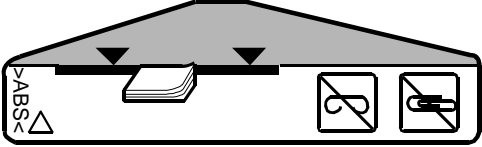

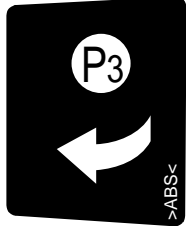
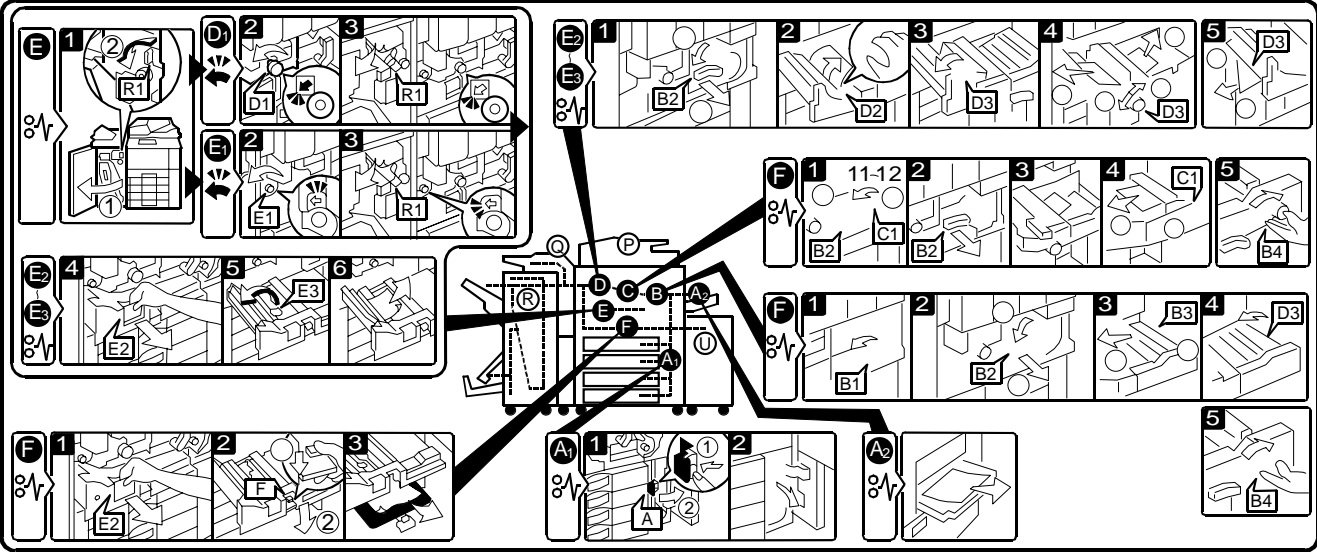
38



42



89.Decals and Documents (D014/D015/D078/D079)

<p>43</p> 	<p>45</p> 	<p>46</p> 
<p>44</p> <div style="border: 1px solid black; padding: 5px;"> <p>Face up >ABS<</p> <p>Face haut >ABS<</p> <p>Bild oben >ABS<</p> <p>Faccia in su >ABS<</p> <p>Boca arriba >ABS<</p> </div>	<p>47</p> 	

89.Decals and Documents (D014/D015/D078/D079)

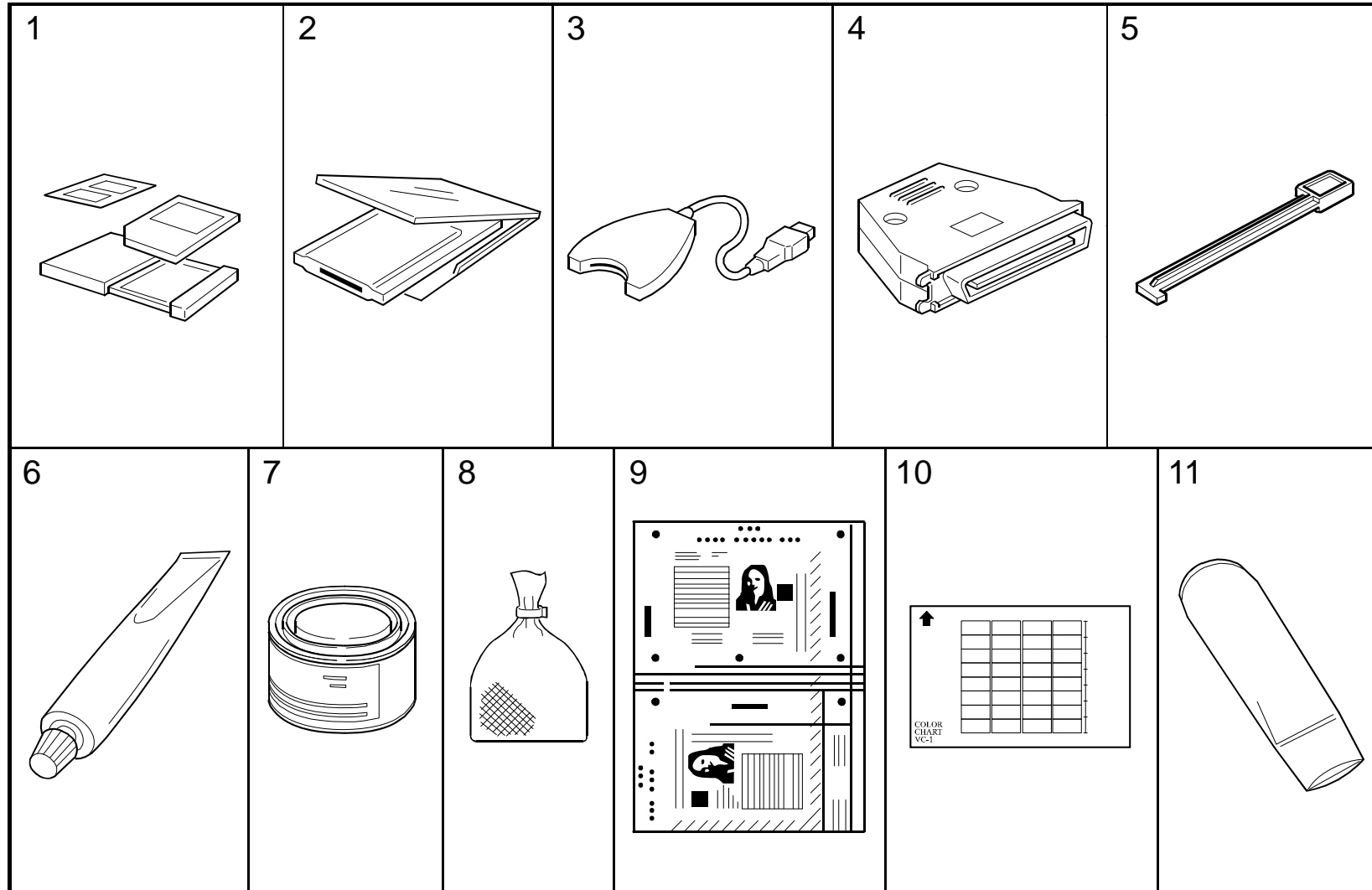
<p>48</p>	<p>52</p>														
<p>49</p>	<p>53</p>														
<p>51</p>	<p>54</p>														
<p>50</p> <table border="1"> <tr><th colspan="2">I/F Card Slot</th></tr> <tr><td>A</td><td>Tandem</td></tr> <tr><td>B</td><td>Option</td></tr> <tr><td>C</td><td>External CTL/GIGA</td></tr> <tr><th colspan="2">SD Card Slot</th></tr> <tr><td>2</td><td>Service Slot</td></tr> <tr><td>1</td><td>Option Slot</td></tr> </table>	I/F Card Slot		A	Tandem	B	Option	C	External CTL/GIGA	SD Card Slot		2	Service Slot	1	Option Slot	<p>55</p>
I/F Card Slot															
A	Tandem														
B	Option														
C	External CTL/GIGA														
SD Card Slot															
2	Service Slot														
1	Option Slot														
<p>56</p>	<p>57</p>														
<p>58</p>	<p>59</p>														

89.Decals and Documents (D014/D015/D078/D079)

Rev. 11/4/2011

Index No.	Part No.	Description	Q'ty Per Assembly
1	A029 2984	Decal - Grip	1
2	A096 6677	Decal - Right Paper Set	1
3	A096 6678	Decal - Left Paper Set	1
4	AA00 0217	Decal - LD 655	1
5	AA00 1477	Decal: Energy-star	1
6	AA00 2010	Decal - Paper Level	1
7	AA00 2246	Decal - Caution	1
8	AA00 3211	Decal: Paper Tray: Display: 1	1
9	AA00 3212	Decal: Paper Tray: Display: 2	1
10	AA00 3213	Decal: Paper Tray: Display: 3	1
11	B065 3699	Decal - Release Lever	1
12	B065 4480	Decal - Cover	1
13	B065 4867	Decal - Guide Plate Lever	1
14	B065 6545	Decal - Positioning	1
15	B065 6846	Decal - Paper Set - Left	1
16	B065 6877	Decal - Paper Set - Right	1
17	B070 1307	Decal: Paper Set Direction	1
18	B132 1238	Decal: Caution: Pull Out	1
19	D081 1482	Decal – Caution Chart: Inkjet: Manual Feed	1
20	B132 1548	Decal - Cleaning: Exposure Glass	1
21	B132 1549	Decal - Cleaning: Exposure Glass	1
22	B132 1562	Decal - Inkjet: Paper	1
23	B132 1573	Decal - Power Source: Off	1
24	D081 1432	Decal – Caution Chart: Copy: Original	1
25	B132 2709	Decal: Lever: B4	1
26	B132 2875	Decal: Paper Set Direction	1
27	B132 3247	Decal: Cover: Toner Supply: Black	1
28	B132 3248	Decal: Cover: Toner Supply: M	1
28	B132 3249	Decal: Cover: Toner Supply: C	1
28	B132 3250	Decal: Cover: Toner Supply: Y	1
29	B132 3330	Decal: Lever: Toner Supply: K	1
30	B132 3331	Decal: Lever: Toner Supply: M	1
30	B132 3332	Decal: Lever: Toner Supply: C	1
30	B132 3333	Decal: Lever: Toner Supply: Y	1
31	B132 4796	Decal: Grip: E3	1

Index No.	Part No.	Description	Q'ty Per Assembly
32	B132 4797	Decal: Warning (High Temperature)	1
33	B132 5819	Decal: Caution: HDD: Fan	1
34	B132 5996	Decal: Total Counter	1
35	B132 7130	Decal: LED: E1	1
36	B198 6407	Decal: Vermont: 2	1
37	B234 8510	Decal: Size Indication: Multi-language: C3	1
38	D501 4406	Decal: Size: Original	1
39	B652 1811	Decal: Misfeed Removal: Paper Feed	1
40	B652 1812	Decal: Display Guidance	1
41	B652 1905	Decal: Misfeed Removal: Exit	1
42	B652 1906	Decal: Misfeed Removal	1
43	B652 2354	Decal: Base: Original	1
44	B652 2378	Decal - Display: Original Table	1
45	B652 4119	Decal: Guide Plate: Reverse: Exit	1
46	B652 4905	Decal: Misfeed Removal	1
47	D014 1551	Decal: Misfeed Removal [TSB#053]	1
48	D014 1560	Decal: Toner Supply	1
49	D014 1570	Decal: Caution: Pull Out: Inner Back	1
50	D014 5818	Decal: Caption: Interface	1
51	D014 6786	Decal: Paper Set Direction	1
52	GA00 3016	Decal - Y Toner Supply	1
53	GA00 3017	Decal - M Toner Supply	1
54	GA00 3018	Decal - C Toner Supply	1
55	GA00 3019	Decal - K Toner Supply	1
56	GA00 3020	Decal: Development Unit: Display: Y	1
57	GA00 3021	Decal: Development Unit: Display: M	1
58	GA00 3022	Decal: Development Unit: Display: C	1
59	GA00 3023	Decal: Development Unit: Display: K	1



90.Special Tools (D014/D015/D078/D079)

Rev. 01/25/2010

Index No.	Part No.	Description	Q'ty Per Assembly
1	B645 5010	SD Card	1
2	B645 6700	PCMCIA Card Adapter	1
3	B645 6800	USB Reader/Writer	1
4	G021 9350	Loop Back Connector	1
5	C401 9503	20X Magnification Scope	1
6	A257 9300	Grease Barrierta - S552R	1
7	5203 9501	Silicon Grease G-501	1
8	B132 9700	Lubricant Powder	1
9	A092 9503	C4 Color Test Chart (3 pcs/set)	1
10	VSST 9501	Connection Kit Color Test Chart (3 Sheets/Set)	1
11	D014 9800	Grease-KS660B [TSB#013]	1

Index No.	Part No.	Description	Q'ty Per Assembly

D014/D015/D078/D079 PARTS INDEX

This section instructs you as to the numbers and names of parts on this machine.

PM Parts Index

Rev. 02/18/2010

Section Name	Part No.	Description in Service Manual	Description in Parts Catalog	Q'ty Per Assembly	Page and Index No.
Exterior 2 (D014/D015)	B132 6609	Waste Toner Bottle	Waste Toner Bottle	1	21 - 4
Exterior 2 (D014/D015)	D014 6978	Upper Air Filter	Dust Filter	1	21 - 23
PCU 2 (D014/D015)	D014 2441	Drum Charge Roller Ass'y	Charge Roller Unit	3	87 - 1
PCU 2 (D014/D015)	D014 2391	Drum Charge Wire Ass'y	Charge Corona Unit	1	87 - 3
PCU 2 (D014/D015)	D014 2321	Drum Lubricant Bar	Drum Lubricant Bar	4	87 - 11
PCU 3 (D014/D015)	D014 2352	Drum Cleaning Blade	Cleaning Blade	4	89 - 11
PCU 3 (D014/D015)	D014 2335	Drum Lubricant Supply Brush	Drum Lubricant Supply Brush	4	89 - 18
PCU 3 (D014/D015)	D014 2338	Joint PCU	Joint PCU	4	89 - 19
PCU 3 (D014/D015)	D014 2286	Waste Toner Collect Gear	Gear - 23Z	4	89 - 22
PCU 3 (D014/D015)	D014 2345	Idle Gear 1	Idler Gear - 23Z	4	89 - 23
PCU 3 (D014/D015)	D014 2346	Idle Gear 2	Idler Gear - 22Z	4	89 - 24
PCU 3 (D014/D015)	D014 2337	Drum Lubricant Supply Brush Gear	Gear - 27Z	4	89 - 26
PCU 3 (D014/D015)	D014 2333	Drum Cleaning Brush Gear	Gear - 17Z	4	89 - 29
PCU 3 (D014/D015)	D014 2368	Drum Lubricant Supply Blade	Lubricant Supply Blade	4	89 - 34
Development Unit (D014/D015)	B247 3340	Development Filter	Filter: Development	4	91 - 3
Development Unit (D014/D015)	D014 9640	Developer Cartridge Black	Developer: Black	1	91 - 6
Development Unit (D014/D015)	D014 9660	Developer Cartridge Cyan	Developer: Cyan	1	91 - 6
Development Unit (D014/D015)	D014 9670	Developer Cartridge Magenta	Developer: Magenta	1	91 - 6
Development Unit (D014/D015)	D014 9680	Developer Cartridge Yellow	Developer: Yellow	1	91 - 6
Development Unit (D014/D015)	D014 9510	OPC Drum	OPC Drum	4	91 - 13
Transfer Belt Unit 1 (D014/D015)	D081 6050	Image Transfer Belt	Image Transfer Belt	1	93 - 7
Transfer Belt Cleaning 1 (D014/D015)	D014 6507	Belt Cleaning Lubricant Supply Blade	Lubricant Supply Blade	1	99 - 5
Transfer Belt Cleaning 1 (D014/D015)	D014 6463	Belt Cleaning Lubricant Supply Brush	Lubricant Supply Brush	1	99 - 6
Transfer Belt Cleaning 1 (D014/D015)	D014 6455	Belt Cleaning Blade	Belt Cleaning Blade	1	99 - 13
Transfer Belt Cleaning 1 (D014/D015)	D014 6470	Belt Cleaning Lubricant Bar	Belt Cleaning Lubricant Bar	1	99 - 26
Paper Transfer 1 (D014/D015)	B132 6268	Paper Discharge Plate	Paper Discharge Plate	1	111 - 2
Paper Transfer 1 (D014/D015)	D014 6280	Paper Transfer Roller	Paper Transfer Roller	1	111 - 7
Paper Transfer 1 (D014/D015)	D014 6260	PTR Lubricant Bar	PTR Lubricant Bar	1	111 - 14
Paper Transfer 1 (D014/D015)	D014 6265	PTR Cleaning Blade	PTR Cleaning Blade	1	111 - 15
Fusing Unit 5 (D014/D015)	AE03 0049	Pressure Roller Bearing	Ball Bearing - 20x32x7	2	123 - 15
Fusing Unit 5 (D014/D015)	D014 4090	Fusing Belt	Fusing Belt	1	123 - 21
Fusing Unit 5 (D014/D015)	AE01 0075	Hot Roller	Hot Roller	1	123 - 22
Fusing Unit 6 (D014/D015)	AE04 2080	Pressure Roller Cleaning Roller	Cleaning Roller: Ass'y	1	125 - 12
Fusing Unit 6 (D014/D015)	AE04 0042	Oil Supply Roller	Oil Supply Roller	1	125 - 11
Fusing Unit 7 (D014/D015)	AE02 0165	Pressure Roller	Pressure Roller	1	127 - 3

Section Name	Part No.	Description in Service Manual	Description in Parts Catalog	Q'ty Per Assembly	Page and Index No.
Electrical Section 3 (D014/D015)	D014 3586	Lower Air Filter	Dust Filter	3	167 - 12
Electrical Section 3 (D014/D015)	B132 2435	Middle Air Filter	Dust Filter	3	167 - 14

Parts Index

Part No.	Description	Page and Index No.
D014 1003	Stay: Intermediate Transfer: Left	179 - 3
D014 1018	Bracket: Stay: Duct: Horizontal	163 - 17
D014 1020	Bracket: Connector	171 - 21
D014 1127	Stud: Manual Feed: Rear	149 - 26
D014 1150	Bracket: Knob: Fusing	117 - 1
D014 1154	Guide Plate: Fusing Unit	117 - 7
D014 1156	Shaft: Knob: Fusing	117 - 5
D014 1182	Inner Cover: Left	103 - 6
D014 1200	Inner Cover: Middle	103 - 14
D014 1242	Drum Stay Unit	85 - 12
D014 1248	Plate: Lever: Drum Stay: Left	85 - 5
D014 1251	Drum Shaft	151 - 12
D014 1255	DC Motor: DC24V: 9W	151 - 4
D014 1261	Gear: 60Z/47T	151 - 16
D014 1265	Bracket: DC Motor	151 - 2
D014 1267	Holder: Drive Unit	151 - 8
D014 1270	Bracket: Drive Unit	151 - 6
D014 1275	Bracket: Auxiliary: Drive Unit	151 - 15
D014 1276	Bracket: Tightener	151 - 18
D014 1279	Pulley: 27T	151 - 7
D014 1280	Shaft: Drive: Development Unit	151 - 14
D014 1285	Shaft: Drive: Transport Screw	151 - 19
D014 1285	Shaft: Drive: Transport Screw	151 - 11
D014 1300	Drive Unit: Transfer Belt	151 - 1
D014 1326	Shaft: Drive: Transfer	157 - 9
D014 1328	Stud: Bracket	157 - 19
D014 1331	Shaft: Drive: Cleaning	157 - 11
D014 1334	Bracket: Brushless Motor	157 - 7
D014 1338	Bracket: Plate	157 - 15
D014 1343	Toner Recycling Unit	157 - 17
D014 1344	Holder: Drive Unit	157 - 26
D014 1345	Shaft: Horizontal	157 - 22
D014 1350	Holder: Toner Recycling Unit	157 - 20
D014 1351	Cover: Toner Recycling Unit: Shaft	157 - 23
D014 1371	Gear: 80Z/30T	155 - 16

Part No.	Description	Page and Index No.
D014 1372	Gear: 86Z	155 - 9
D014 1380	Bracket: Drive: Fusing Unit	155 - 26
D014 1450	Operation Panel Bracket	171 - 15
D014 1453	Bracket: Harness: Operation Panel	171 - 26
D014 1455	Hinge: Door: Upper	19 - 21
D014 1463	Bracket: Hinge: Door	179 - 14
D014 1500	Seal: Cover: Rear Middle	21 - 25
D014 1501	Door: Front	19 - 22
D014 1505	Cover: Right Middle	21 - 13
D014 1507	Cover: Rear Middle	21 - 7
D014 1509	Cover: Left Lower	21 - 3
D014 1510	Cover: Rear Lower	21 - 12
D014 1511	Cover: Filter: Rear Lower	21 - 18
D014 1512	Cover: Cable: Ac Power Supply	21 - 17
D014 1514	Cover: Connector: Key Counter	171 - 27
D014 1536	Sheet: Logo: INF: C6000	19 - 20
D014 1541	Sheet: Logo: INF: C6000SP	19 - 20
D014 1550	Decal: Misfeed Removal	245 - 47
D014 1550	Decal: Misfeed Removal	19 - 17
D014 1560	Decal: Toner Supply	245 - 48
D014 1560	Decal: Toner Supply	19 - 28
D014 1570	Decal: Caution: Pull Out: Inner Back	245 - 49
D014 1570	Decal: Caution: Pull Out: Inner Back	103 - 17
D014 1667	Frame: Rear	51 - 21
D014 1677	Cover: Siob	51 - 20
D014 1681	Spring Plate: Cover: Siob	55 - 31
D014 1682	Sheet: Cover: Siob	51 - 22
D014 1703	Stepper Motor: Dc1.98v 7.13w	55 - 10
D014 1716	Cover: Shaft	55 - 12
D014 1722	Bracket: Tension: Inner Back: Peen	55 - 36
D014 1731	Lens Unit	51 - 1
D014 1747	Gasket: Cover: Shaft	55 - 35
D014 1748	Gasket: Shading Plate	55 - 34
D014 1751	Carriage: No.1	53 - 11
D014 1861	Bracket: Original Sensor	53 - 10

Part No.	Description	Page and Index No.
D014 1876	Filter: Scanner	55 - 28
D014 1888	Ferrite Core	51 - 19
D014 1899	Spring Plate: Earth: Scanner Unit	51 - 23
D014 1950	Imaging Unit	57 - 1
D014 2157	Polygon Mirror Motor	57 - 6
D014 2196	Gasket: 7x10: 50mm	181 - 9
D014 2215	PCU: FC: Exp: New: Ass'y	87 - *
D014 2266	Entrance Seal	89 - 21
D014 2267	Tape: Entrance Seal	89 - 20
D014 2268	Shield - Rear Case	89 - 15
D014 2269	Seal - Discharge Used Toner	89 - 13
D014 2270	Shield - Front Middle Case	89 - 31
D014 2271	Front Seal - Duct	89 - 42
D014 2276	Seal - Toner Recycling	89 - 14
D014 2277	Lever - PCU	89 - 30
D014 2278	Discharge Lamp: Led Array: 25MM	89 - 2
D014 2279	Seal - Front Frame	89 - 43
D014 2281	Transport Screw	89 - 16
D014 2286	Gear - 23Z	89 - 22
D014 2287	Seal - Rear Frame	89 - 44
D014 2288	Rear Seal - Frame	89 - 39
D014 2297	Seal - Blade Holder	89 - 8
D014 2299	Seal - Blade Bracket	89 - 3
D014 2300	Rear Seal - Blade Bracket	89 - 5
D014 2301	Front Seal - Blade Bracket	89 - 4
D014 2302	Bushing: Blade: Rear	89 - 10
D014 2303	Bushing: Blade: Front	89 - 9
D014 2305	Compression Spring - Blade	89 - 7
D014 2306	Spring Holder	89 - 6
D014 2307	Spring: Earth: Brush Roller	89 - 27
D014 2321	Drum Lubricant Bar	87 - 11
D014 2324	Arm - Coating Bar	87 - 12
D014 2325	Tension Spring - Coating Bar (K)	87 - 6
D014 2326	Tension Spring - Coating Bar (YMC)	87 - 6
D014 2327	Bracket - Coating Bar	87 - 8

Part No.	Description	Page and Index No.
D014 2328	Seal - Coating Bar Bracket	87 - 9
D014 2333	Gear - 17Z	89 - 29
D014 2335	Drum Lubricant Supply Brush	89 - 18
D014 2337	Gear - 27Z	89 - 26
D014 2338	Joint PCU	89 - 19
D014 2340	Brush Roller Holder	89 - 25
D014 2345	Idler Gear - 23Z	89 - 23
D014 2346	Idler Gear - 22Z	89 - 24
D014 2347	Ground Plate - Brush Roller	89 - 28
D014 2349	Right Seal - Coating Bar Bracket	87 - 10
D014 2352	Cleaning Blade	89 - 11
D014 2365	Stay - PCU Rail	89 - 35
D014 2368	Lubricant Supply Blade	89 - 34
D014 2371	Front Seal - Blade Guide Plate	89 - 47
D014 2371	Front Seal - Blade Guide Plate	89 - 36
D014 2374	Rear Seal - Blade Guide Plate	89 - 37
D014 2374	Rear Seal - Blade Guide Plate	89 - 38
D014 2376	Sheet: Discharge Lamp	89 - 1
D014 2377	Upper Seal - Blade Guide Plate	89 - 33
D014 2380	Compression Spring - Drum	87 - 5
D014 2391	Charge Corona Unit	87 - 3
D014 2419	Gear: 11Z	153 - 6
D014 2420	Duct: Charge Corona: Ass'y	87 - 2
D014 2432	Right Middle Seal - Bar Bracket	87 - 7
D014 2433	Seal - Blade Guide Plate	89 - 32
D014 2436	Seal: Blade: Apply: Front	89 - 45
D014 2437	Seal: Blade: Apply: Front Middle	89 - 46
D014 2438	Seal: Blade: Apply: Rear	89 - 40
D014 2439	Seal: Blade: Apply: Rear Middle	89 - 41
D014 2441	Charge Roller Unit	87 - 1
D014 2470	Collection Coil: Ass'y	89 - 17
D014 2479	Cover: Discharge Lamp	89 - 12
D014 2601	Bracket: Remove Paper Dust	105 - 2
D014 2610	Registration Guide: Lower	107 - 6
D014 2620	Bracket: Registration Sensor	105 - 3

Part No.	Description	Page and Index No.
D014 2631	Registration Guide: Upper	105 - 8
D014 2636	Guide Plate: Connecting: Right Upper: Adhesion	109 - 7
D014 2637	Guide Plate: Connecting: LCT	183 - 18
D014 2662	Guide Plate: LCT: Open And Close	183 - 23
D014 2669	Side Plate: Open And Close: Rear: Peen	105 - 20
D014 2800	Manual Paper Feed Unit	61 - 1
D014 2810	Manual Feed Table: Ass'y	59 - 3
D014 2825	Guide Plate: Separator: Adhesion	61 - 29
D014 2870	Friction Pad: Side Fence: Front	59 - 13
D014 3005	Development Unit	91 - 1
D014 3043	Front Stay - PCU	91 - 16
D014 3044	Rear Stay - PCU	91 - 14
D014 3048	PCU: K: Exp: Ass'y	87 - *
D014 3130	Connector Holder - Density Sensor	91 - 5
D014 3132	Plate - Density Sensor	91 - 8
D014 3135	Joint: Drive: Development Unit	91 - 15
D014 3135	Joint: Drive: Development Unit	19 - 38
D014 3136	Bracket: Plate: Joint	91 - 7
D014 3144	Adjusting Pin: Development	19 - 16
D014 3240	Cover: Discharge Used Toner	149 - 3
D014 3241	Seal: Discharge Used Toner	149 - 4
D014 3242	Seal: Discharge Used Toner: Lower	149 - 5
D014 3261	Receptacle: Development Unit	153 - 12
D014 3300	Toner Supply Unit	79 - 1
D014 3331	Bracket: Cnb	83 - 13
D014 3340	Toner Cartridge Unit: Black	79 - 26
D014 3341	Toner Cartridge Unit: Color	79 - 16
D014 3351	Cover: Lower: Holder: Bk	79 - 27
D014 3352	Cover: Lower: Holder: M	79 - 20
D014 3353	Cover: Lower: Holder: C	79 - 21
D014 3354	Cover: Lower: Holder: Y	79 - 19
D014 3360	Toner Supply Unit - Drive	81 - 13
D014 3550	Connector: 1Pole	153 - 9
D014 3553	Cleaning Drive Unit: Charge	153 - 1
D014 3554	Housing: Charge Corona	153 - 5

Part No.	Description	Page and Index No.
D014 3558	Shaft: Drive: Cleaner: Charge Corona	153 - 2
D014 3559	Gear: 20Z	153 - 3
D014 3567	Duct: Horizontal: PCU	163 - 15
D014 3575	Duct: Exhaust: Color	163 - 16
D014 3583	Duct: Exhaust: PCU	167 - 16
D014 3584	Cover: Duct: Exhaust	167 - 10
D014 3585	Ozone Filter: Black	167 - 11
D014 3586	Dust Filter	167 - 12
D014 3587	Bracket: Duct: Exhaust	167 - 20
D014 3588	Bracket: Stay: Sirocco	167 - 7
D014 3589	Lever: Cover: Filter	167 - 8
D014 3590	Seal: Duct: Exhaust	167 - 15
D014 3591	Spring Plate: Cover: Filter	167 - 9
D014 3592	Cover: Filter: Black	167 - 6
D014 3595	Cover: Filter: Color	167 - 5
D014 3598	Spring Plate: Duct: Exhaust	167 - 22
D014 3601	Duct: Connecting: Fusing Unit	153 - 17
D014 3607	Sirocco Fan Motor: DC24V 1.44W	149 - 15
D014 3610	Duct: Blower: Charge Corona	149 - 17
D014 3611	Cover: Duct: Blower: Charge Corona	149 - 14
D014 3613	Duct: Stay: Right	149 - 10
D014 3616	Duct: Charge Corona: Side	149 - 12
D014 3624	Duct: PCU: Side Plate: Main	149 - 7
D014 3630	Duct: Joint: PCU: Color	153 - 15
D014 3635	Humidity Control Unit	171 - 13
D014 3643	Bracket: Sensor: M	181 - 5
D014 3644	Bracket: Sensor: CYK	181 - 1
D014 3646	DC Solenoid: On-Off	181 - 7
D014 3655	Electric Potential Sensor	181 - 4
D014 3656	Holder: Electric Potential Sensor	181 - 2
D014 3657	Shielding Plate	181 - 3
D014 3659	Duct: Drum Stay: PCU	85 - 8
D014 3661	Relay Duct: Black: PCU	163 - 13
D014 3664	Duct Filter - Charge Corona	149 - 13
D014 3670	Duct: Joint: PCU: M&K: Ass'y	153 - 7

Part No.	Description	Page and Index No.
D014 3850	Paper Transport Belt Unit	113 - 1
D014 4018	Fusing Unit: C2ANA: Ass'y	119 - *
D014 4028	Fusing Unit: C2EU: Ass'y	119 - *
D014 4090	Fusing Belt	123 - 21
D014 4093	Front Stay - Fusing Unit	119 - 17
D014 4095	Rear Stay - Fusing Unit	123 - 6
D014 4103	Stay - Upper	123 - 4
D014 4125	Fusing Unit Cover	119 - 2
D014 4127	Guide Plate - Paper Exit Unit	121 - 2
D014 4130	Guide Ring - Heat Roller	123 - 27
D014 4133	Front Positioning Plate	123 - 35
D014 4134	Rear Positioning Plate	123 - 18
D014 4136	Front Heater Holder - Heat Roller	119 - 14
D014 4138	Rear Heater Holder - Heat Roller	119 - 15
D014 4140	Front Lever - Heat Roller	123 - 30
D014 4141	Rear Lever - Heat Roller	123 - 26
D014 4147	Entrance Guide Plate - Upper	123 - 5
D014 4148	Spring Bracket - Separation	121 - 25
D014 4150	Bracket - Exit Unit	121 - 6
D014 4151	Front Bracket - Stripper Plate	121 - 12
D014 4154	Rear Bracket - Stripper Plate	121 - 17
D014 4155	Front Lever - Paper Exit Unit	121 - 4
D014 4156	Rear Lever - Paper Exit Unit	121 - 9
D014 4158	Upper Guide Plate - Fusing Exit	121 - 19
D014 4161	Supporting Plate: Positioning: Fusing Unit: Rear	119 - 7
D014 4163	Rear Guide Plate - Fusing Unit	123 - 19
D014 4164	Supporting Plate: Positioning: Fusing Unit: Front	119 - 16
D014 4167	Roller Holder - Fusing Exit	121 - 21
D014 4175	Thermostat: Heat Roller: Welding	119 - 5
D014 4179	Upper Front Harness - Thermostat	123 - 32
D014 4185	Pin: Adjusting Pin: Heat Roller: Peen	123 - 40
D014 4188	Adjusting Pin: Heat Roller	123 - 39
D014 4190	Stopper - Thermostat	119 - 3
D014 4191	Stopper Pad - Thermostat	119 - 4
D014 4194	Drive Haft	123 - 10

Part No.	Description	Page and Index No.
D014 4201	Side Plate - Lower Front	127 - 16
D014 4202	Side Plate - Lower Rear	127 - 20
D014 4203	Stay - Lower	127 - 17
D014 4204	Stay - Right Lower	127 - 18
D014 4225	Lever: Pressure: Lower Rear: Ass'y	127 - 22
D014 4233	Pin: Cam: Lever: Pressure	127 - 13
D014 4234	Entrance Guide Plate - Lower	119 - 21
D014 4235	Housing: Thermostat: Press Fit	119 - 6
D014 4236	Front Heater Holder - Pressure	119 - 10
D014 4237	Rear Heater Holder - Pressure	119 - 11
D014 4238	Bracket - Heat Roller Thermistor	119 - 25
D014 4239	Bracket - Hot Roller Thermistor	123 - 3
D014 4240	Bracket - Thermistor: Pressure	119 - 22
D014 4241	Bracket - Drawer	127 - 23
D014 4243	Relay Terminal	123 - 33
D014 4247	Housing - Temperature Sensor	119 - 24
D014 4249	Guide Plate: Shaft: Cam: Rear	115 - 21
D014 4250	Bracket - Cleaning Roller	125 - 6
D014 4253	Front Side Plate - Cleaning Roller	125 - 13
D014 4254	Rear Side Plate - Cleaning Roller	125 - 8
D014 4255	Pickoff Pawl: Pressure Sub-Unit: Sub-Ass'y	125 - 7
D014 4256	Guide Plate - Fusing Exit	125 - 5
D014 4257	Guide - Fusing Exit	125 - 4
D014 4258	Bracket -paper Feed Sensor	125 - 3
D014 4259	Stay: Fusing Unit: Rear: Exit	115 - 22
D014 4260	Feeler	115 - 5
D014 4261	Shaft	115 - 6
D014 4263	Bracket: Shaft: Cam	115 - 7
D014 4264	Bracket: Photointerruptor	115 - 2
D014 4265	Bracket: Motor: On-Off: Press Fit	117 - 9
D014 4268	Shaft: Motor	117 - 11
D014 4269	Front Lock Bracket - Fusing Unit	127 - 15
D014 4271	Rear Lock Bracket - Fusing Unit	127 - 21
D014 4274	Guide: Hook: Lock: Fusing Unit	115 - 8
D014 4275	Guide: Hook: Lock: Fusing Unit: Rear	115 - 13

Part No.	Description	Page and Index No.
D014 4276	Hook: Lock: Fusing Unit	115 - 9
D014 4277	Bracket: Lock: Fusing Unit	115 - 11
D014 4280	Stay: Lock: Fusing Unit	115 - 14
D014 4281	Upper Front Lever - Pressure	127 - 8
D014 4282	Upper Rear Lever - Pressure	127 - 25
D014 4284	Lever: Pressure: Lower Front: Ass'y	127 - 12
D014 4287	Pin: Lever: Pressure: Control Plate	127 - 11
D014 4289	Lever: Control Plate: Pressure	127 - 6
D014 4290	Hub: Pressure Stand: M5	127 - 10
D014 4291	Holder: Adjusting Pin: M5	127 - 4
D014 4292	Lever: Control Plate: Pressure: Link: Peen	127 - 5
D014 4296	Stepped Screw - M5	127 - 7
D014 4297	Cam: On-Off: Pressure Roller	115 - 4
D014 4298	AC Harness - Thermostat	119 - 20
D014 4300	Stripper Plate Unit	121 - 15
D014 4305	Front Positioning Plate - Stripper	123 - 34
D014 4306	Rear Positioning Plate - Stripper	123 - 9
D014 4307	Stay - Bracket	121 - 14
D014 4309	Spacer: Housing: Thermostat: Front	123 - 2
D014 4324	Front Lever - Stripper Plate	121 - 11
D014 4325	Rear Lever - Stripper Plate	121 - 18
D014 4327	Roller - Fusing Exit	121 - 22
D014 4342	Spacer: Max	119 - 30
D014 4343	Spacer: Min	119 - 29
D014 4350	Shaft: Gear: Slow Down	117 - 14
D014 4351	Bracket: Gear: Slow Down: Press Fit	117 - 12
D014 4353	Discharge Brush: Heat Roller: Upper	123 - 1
D014 4501	Duplex Unit	137 - 3
D014 4740	DC Solenoid: Gate Pawl	145 - 15
D014 4790	Bracket: Drawer: 32pin	145 - 18
D014 4818	Reverse Roller: Entrance	139 - 14
D014 4819	Guide: Auxiliary: Reverse Roller	139 - 30
D014 4874	Guide Plate: Jogger: Upper	137 - 12
D014 4985	Harness: Sensor: Reverse Unit: 3p	139 - 26
D014 5133	PCB: VBCU	199 - *

Part No.	Description	Page and Index No.
D014 5133	PCB: VBCU	175 - 7
D014 5191	LCDC Board - NA	23 - 13
D014 5192	LCDC Board - EU	23 - 13
D014 5200	Harness: AC: Main: Switch	169 - 7
D014 5202	Harness: PSU: Short Circuit	169 - 9
D014 5204	AC/DC Harness - Fusing Unit 120V	127 - 19
D014 5205	AC Harness 2 - Fusing Unit 230V	123 - 20
D014 5209	AC/DC Harness - Fusing Unit 230V	127 - 19
D014 5210	Harness: DC PSU	169 - 1
D014 5213	Harness: DRB: VBCU: Power Source	175 - 5
D014 5216	Harness: Large Capacity Tray: DRB	165 - 3
D014 5218	Harness: Manual Feed: Stepper Motor	165 - 2
D014 5219	Harness: TMB	165 - 8
D014 5226	Harness: Imaging Unit	57 - 10
D014 5227	Harness: Toner Hopper: Uni: Drawer: CNB	83 - 16
D014 5228	Harness: Cnb: Left	83 - 15
D014 5229	Harness: Electric Potential Sensor	163 - 10
D014 5231	Harness: Upper Rear	175 - 2
D014 5232	Harness: Fan	85 - 24
D014 5233	Harness: Toner Hopper: Fan Motor	83 - 17
D014 5237	Harness: Density Sensor	97 - 10
D014 5242	Harness: Pull Out: Uni: 39pin	135 - 19
D014 5244	Harness: Paper Exit Unit	135 - 1
D014 5245	Harness: Pull Out: Uni: 26pin	105 - 5
D014 5246	Harness: LED: Sensor	107 - 4
D014 5247	Harness: Sensor	109 - 8
D014 5248	Harness: Fan Motor	113 - 8
D014 5249	Harness: Manual Paper Feed Unit	61 - 4
D014 5250	Harness: Paper Feed Unit: LCT: Sensor	183 - 25
D014 5252	Harness: ID	79 - 30
D014 5253	Harness: Sensor	183 - 6
D014 5256	Harness: ID: Black	79 - 31
D014 5258	Harness: Drb: ADF: Power Source	163 - 7
D014 5260	Harness: Duplex: Drb: Drawer	157 - 21
D014 5261	Harness: Duplex Unit: 32pin	145 - 19

Part No.	Description	Page and Index No.
D014 5262	Harness: Duplex Unit: 12pin	145 - 21
D014 5263	Harness: Sensor: Duplex: 3p	137 - 18
D014 5264	Harness: Connecting: Main: Thermistor	149 - 1
D014 5265	Harness: Pull Out: Uni: Dehumidifier	105 - 22
D014 5266	Harness: Duplex: Fan: Middle	185 - 13
D014 5267	Harness: Drum: Motor: KMCY	165 - 7
D014 5270	Harness: PCU: Drawer: Black	153 - 16
D014 5271	Harness: PCU: Drawer: MCY	153 - 10
D014 5272	Harness: T: Sensor: Drawer	153 - 8
D014 5277	Harness: Front: Fan	103 - 11
D014 5300	Harness: Siob: Original Sensor	55 - 23
D014 5301	Harness: Sbu: Scnb	51 - 2
D014 5302	Harness: Siob: Fan: Lamp	55 - 22
D014 5303	Harness: Sbu	55 - 29
D014 5304	Harness: Sbu: Power Source	55 - 30
D014 5305	Interface Cable: Scanner: Image Processing Unit	55 - 33
D014 5305	Interface Cable: Scanner: Image Processing Unit	175 - 12
D014 5306	Harness: Siob: VBCU	55 - 21
D014 5306	Harness: SIOB: VBCU	175 - 3
D014 5340	Harness: Development: BM	153 - 13
D014 5342	Harness: Development: CY	153 - 14
D014 5350	Harness: High Voltage Supply Cord	165 - 12
D014 5351	Harness: High Voltage Supply Cord: K	93 - 15
D014 5352	Harness: High Voltage Supply Cord: MCY	93 - 1
D014 5357	Harness: Sensor: KM	163 - 12
D014 5358	Harness: Sensor: CY	163 - 11
D014 5361	Power Supply Cord - NA	169 - 5
D014 5362	Power Supply Cord - 230V	169 - 5
D014 5364	Power Supply Cord - 230V	169 - 5
D014 5366	Harness: Connecting: LDB: LDD	57 - 8
D014 5367	Cable: LVDS: LDB	57 - 2
D014 5367	Cable: LVDS: LDB	175 - 13
D014 5371	Harness: PSU: Fusing: 100V	155 - 8
D014 5373	AC/DC Harness - PSU-Fusing 200V	155 - 8
D014 5374	Harness - PSU 230V	155 - 8

Part No.	Description	Page and Index No.
D014 5375	Harness: Upper Front	175 - 1
D014 5376	Harness: Transfer Belt Unit	97 - 14
D014 5377	Harness: 18Pin	97 - 15
D014 5378	Harness: Positioning Sensor	93 - 8
D014 5379	Harness: Middle	175 - 4
D014 5380	Harness: Connecting: AC Drive Board	169 - 12
D014 5381	Harness: VBCU: PP1: PFB	175 - 6
D014 5383	Harness: DRB: Safety Switch	165 - 4
D014 5384	Harness: Solenoid	181 - 8
D014 5385	Harness: Sirocco Fan Motor	149 - 16
D014 5385	Harness: Sirocco Fan Motor	167 - 18
D014 5386	Harness: HDD: Fan Motor	175 - 9
D014 5392	Harness: Bank: Dehumidifier	169 - 8
D014 5393	Harness: Bank	147 - 7
D014 5394	Harness: Bank	159 - 5
D014 5395	DC Harness - Bank Front	165 - 9
D014 5396	DC Harness - Bank Rear	161 - 2
D014 5397	Harness: Bank: Tray: Paper Size Sensor	159 - 18
D014 5422	PCB: IPU	175 - 11
D014 5422	PCB: IPU	213 - *
D014 5423	PWB: VE-C2: Image Processing Unit	213 - 1
D014 5425	PCB: DTMB	165 - 6
D014 5430	PCB: DRB	165 - 1
D014 5440	PCB: CNB	83 - 14
D014 5465	Paper Feed Board	165 - 10
D014 5486	PCB: SCNB	55 - 32
D014 5494	PCB: SIOB	55 - 24
D014 5530	AC Drive Board: 100V	169 - 10
D014 5532	AC Drive Board - 230V	169 - 10
D014 5711	PCB: Control Board: Ex1	235 - *
D014 5711	PCB: Control Board: Ex1	173 - 1
D014 5720	HDD Unit	173 - 6
D014 5753	Flash Memory: BIOS: EX1: V-C2	235 - 2
D014 5781	Cable: HDD: Red	173 - 9
D014 5782	Cable: HDD: Gray	173 - 8

Part No.	Description	Page and Index No.
D014 5783	Cable: HDD: Power	173 - 7
D014 5816	Cover - C/T Box	173 - 21
D014 5818	Decal: Caption: Interface	177 - 14
D014 5818	Decal: Caption: Interface	245 - 50
D014 5864	Bracket - DRV	165 - 5
D014 5865	Bracket: Finisher	167 - 1
D014 5869	Bracket: C/T Box: Lower	169 - 18
D014 5911	Upper Frame - C/T Box	177 - 15
D014 5921	Right Frame - C/T Box	177 - 4
D014 5931	Left Frame - C/T Box	177 - 12
D014 5951	Base - C/T Box	177 - 10
D014 5952	Supporter: Upper	177 - 9
D014 5953	Supporter: Lower	177 - 8
D014 5955	Bracket - IPU/VBCU	177 - 5
D014 5971	Bracket: Control Board	173 - 10
D014 5973	Cover: SD-card	173 - 11
D014 5974	Cover: Connector: EFI	173 - 14
D014 5977	Cover: Control Board: USB	173 - 15
D014 5981	Bracket: Ac Drive Board	169 - 14
D014 5985	Bracket - Power Pack	165 - 13
D014 5986	Bracket: Power Pack: Upper	169 - 15
D014 6001	Image Transfer Belt Unit	93 - *
D014 6014	Spacer: Opposed: Transfer: Paper	95 - 21
D014 6050	Image Transfer Belt	93 - 7
D014 6055	Roller: Drive	95 - 8
D014 6065	Roller: Opposed: Density Sensor	95 - 19
D014 6073	Roller: Opposed: Transfer: Paper	95 - 6
D014 6080	Roller: Intermediate Transfer	93 - 13
D014 6115	Bushing: Intermediate Transfer	93 - 10
D014 6116	Bushing: Intermediate Transfer	93 - 9
D014 6119	Cam: On-Off	95 - 18
D014 6122	Bracket: Positioning Sensor: Intermediate Trans	97 - 12
D014 6123	Shaft: Cam	95 - 9
D014 6135	Spring: Transfer: Black: Front	93 - 18
D014 6136	Spring: Transfer: Black: Rear	93 - 21

Part No.	Description	Page and Index No.
D014 6141	Positioning Sensor	93 - 6
D014 6144	Compression Spring	93 - 11
D014 6145	Insulating Sheet: Power Pack: Intermediate Tran	97 - 2
D014 6147	Compression Spring	93 - 4
D014 6151	Shielding Plate: Black	95 - 22
D014 6168	Plate: Upper: Positioning Sensor	93 - 5
D014 6190	Roller: Opposed: Belt Cleaning	95 - 5
D014 6260	PTR Lubricant Bar	111 - 14
D014 6265	PTR Cleaning Blade	111 - 15
D014 6268	Brush Roller: Apply	111 - 13
D014 6272	Bushing: Brush: Rear	111 - 37
D014 6273	Gear: 16Z	111 - 40
D014 6280	Paper Transfer Roller	111 - 7
D014 6310	Bracket: Contact Point	115 - 18
D014 6311	Bracket: Side Fence	115 - 15
D014 6312	Stay	115 - 17
D014 6315	Compression Spring: Stay: On-Off	115 - 16
D014 6316	Shaft: Contact Point	115 - 19
D014 6318	Bracket: Motor	117 - 21
D014 6321	Shaft: Cam	117 - 24
D014 6322	Feeler	117 - 16
D014 6323	Gear: 15Z/24Z	117 - 22
D014 6324	Gear: 45Z	117 - 23
D014 6325	Bracket: Sensor	117 - 18
D014 6326	Cam	117 - 25
D014 6400	Belt Cleaning Unit	99 - *
D014 6455	Belt Cleaning Blade	99 - 13
D014 6458	Spring: Blade: No.1	99 - 11
D014 6460	Brush: Remove Paper Dust	101 - 14
D014 6462	Scraper: Brush	101 - 17
D014 6463	Lubricant Supply Brush	99 - 6
D014 6466	Holder: Blade: Belt Cleaning Unit	99 - 12
D014 6470	Belt Cleaning Lubricant Bar	99 - 26
D014 6476	Joint: Drive: Brush	101 - 22
D014 6478	Spring: Roller: Pressure	99 - 16

Part No.	Description	Page and Index No.
D014 6480	Gear: 16Z	101 - 10
D014 6481	Gear: 18Z	99 - 23
D014 6482	Gear: 14Z	101 - 8
D014 6483	Gear: 12Z/21Z	99 - 21
D014 6484	Gear: 9Z	101 - 7
D014 6485	Gear: 19Z	99 - 22
D014 6486	Holder: Belt Cleaning Unit	99 - 4
D014 6489	Spring: Blade: Apply	99 - 3
D014 6490	Toner Collection Coil	101 - 13
D014 6497	Brush: Agitator	101 - 2
D014 6500	Ground Plate: Case	101 - 25
D014 6501	Compression Spring: Earth	101 - 26
D014 6504	Side Plate: Case	101 - 20
D014 6505	Shield: Side Plate: Rear	101 - 24
D014 6506	Shield: Side Plate: Front	101 - 23
D014 6507	Lubricant Supply Blade	99 - 5
D014 6510	Pin: Positioning: Blade	99 - 18
D014 6514	Entrance Seal: Belt Cleaning	101 - 11
D014 6515	Dual Faces Tape: Entrance Seal: Belt Cleaning	101 - 12
D014 6517	Shield: Holder: Blade: Front Upper	99 - 7
D014 6518	Shield: Holder: Blade: Front Lower	99 - 8
D014 6519	Shield: Case: Holder: Rear	101 - 5
D014 6520	Shield: Case: Holder: Front	101 - 6
D014 6521	Shield: Case: Brush: Front	99 - 20
D014 6522	Shield: Holder: Blade: Rear Upper	99 - 9
D014 6523	Shield: Holder: Blade: Rear Lower	99 - 10
D014 6524	Seal: Holder: Behind: Belt Cleaning	101 - 4
D014 6525	Seal: Case: Base: Belt Cleaning	101 - 18
D014 6526	Seal: Toner Recycling Section	101 - 19
D014 6528	Stay: Roller: Pressure: Front	99 - 25
D014 6529	Stay: Roller: Pressure: Rear	99 - 14
D014 6530	Seal: Scraper: Rear: Belt Cleaning	101 - 16
D014 6531	Seal: Scraper: Front: Belt Cleaning	101 - 15
D014 6532	Bracket: Used Toner Sensor: DC Motor	159 - 9
D014 6533	Shaft: Idler: DC Motor	159 - 11

Part No.	Description	Page and Index No.
D014 6552	Bracket: Used Toner Sensor	159 - 8
D014 6558	Toner Outlet Unit: PCU	149 - 6
D014 6569	Toner Outlet Unit: Transfer Belt	149 - 11
D014 6671	Cover - Tandem LCT	63 - 2
D014 6771	Paper Tray: Universal: DOM: Ass'y	71 - 1
D014 6780	Tray Bottom Plate: Ass'y	71 - 9
D014 6783	Arm: End Fence: Lock	71 - 19
D014 6784	Spring Plate: End Fence	71 - 27
D014 6785	Spring Plate: Arm: End Fence: Lock	71 - 28
D014 6786	Decal: Paper Set Direction	71 - 17
D014 6786	Decal: Paper Set Direction	245 - 51
D014 6788	Bracket - Tandem LCT Cover	63 - 14
D014 6852	Bracket: Drive: Exhaust	163 - 5
D014 6856	Sheet: Heat Pipe: Front	181 - 10
D014 6857	Sheet: Heat Pipe: Inner Back	181 - 11
D014 6861	Duct: Exhaust	163 - 6
D014 6871	Duct: Heat Sink	171 - 12
D014 6876	Duct: Main: Vacuum	171 - 10
D014 6882	Heat Pipe	179 - 17
D014 6891	Sheet - Shielding Plate	179 - 18
D014 6892	Heat Insulation: Heat Pipe: Panel	179 - 28
D014 6893	Duct: Fusing: Exit: Upper	179 - 21
D014 6894	Duct: Fusing: Exit: Upper: Left	179 - 22
D014 6898	Upper Sheet - Stay Left	179 - 2
D014 6899	Lower Sheet - Stay Left	179 - 4
D014 6901	Duct: Development	85 - 7
D014 6904	Duct: Development: Black	85 - 20
D014 6907	Duct: Development: Fc	85 - 23
D014 6910	Heat Insulation - Toner Supply Unit	81 - 22
D014 6911	Duct: Exit: Exhaust	163 - 1
D014 6921	Duct: Vacuum: Toner Hopper	81 - 24
D014 6922	Cover: Lower: Toner Supply: Color	81 - 19
D014 6923	Duct: Toner Hopper	81 - 11
D014 6924	Sirocco Fan Motor: DC24V 4.32W	81 - 8
D014 6926	Sirocco Fan Motor: DC24V 4.32W	81 - 9

Part No.	Description	Page and Index No.
D014 6928	Sirocco Fan Motor: DC24V 4.32W	81 - 10
D014 6930	Seal: Sirocco Fan Motor	85 - 3
D014 6933	Sirocco Fan Motor: DC24V 4.32W	81 - 6
D014 6937	Duct: Toner Hopper: Lower	81 - 7
D014 6938	Filter: Duct: Toner Hopper: Lower	81 - 23
D014 6939	Filter: Duct: Toner Hopper: Left	81 - 21
D014 6942	Duct: Vacuum Unit	85 - 1
D014 6948	Filter: Bracket: Vacuum: Belt Cleaning	85 - 4
D014 6949	Inner Cover: Drum Stay	85 - 21
D014 6951	Duct: Belt Cleaning: Side: Ass'y	99 - 1
D014 6961	Duct: Door: Front	19 - 30
D014 6967	Seal: Duct: Door: Front: Short	19 - 31
D014 6968	Seal: Duct: Door: Front: Long	19 - 32
D014 6971	Shield: Duct: Inner Cover	85 - 22
D014 6977	Duct: Main: Rear	21 - 21
D014 6978	Dust Filter	21 - 23
D014 6982	Seal: Cover: Right Middle	21 - 16
D014 6983	Duct: Imaging Unit: Rear: C2: Ass'y	171 - 18
D014 6984	Shield: Duct: Main: Rear	21 - 24
D014 6985	Shield: Duct: Main: Rear	21 - 20
D014 6986	Bracket: Duct: Main: Rear	21 - 19
D014 7001	Paper Exit Unit	129 - *
D014 7010	Guide Plate: Right	129 - 10
D014 7027	Guide Plate: Middle: Ass'y	133 - 25
D014 7081	Roller: Drive: Connecting: Reverse	133 - 24
D014 7082	Roller: Middle	131 - 2
D014 7131	Decal: LED: D1	103 - 3
D014 7148	DC Solenoid	133 - 22
D014 7156	Roller: Decura	131 - 6
D014 7159	Gate Pawl: Reverse: Paper Exit Unit	133 - 7
D014 7201	Operation Panel - NA	23 - *
D014 7202	Operation Panel - EU	23 - *
D014 7223	Lens: Front	23 - 25
D014 7505	Tandem LCT: Right: EU: Ass'y	65 - 1
D014 7506	Tandem LCT: Right: NA: Ass'y	65 - 1

Part No.	Description	Page and Index No.
D014 9510	OPC Drum	91 - 13
D014 9590	NVRAM	173 - 17
D014 9640	Developer: Black	91 - 6
D014 9660	Developer: Cyan	91 - 6
D014 9670	Developer: Magenta	91 - 6
D014 9680	Developer: Yellow	91 - 6
D015 1536	Sheet: Logo: INF: C7500	19 - 20
D015 1541	Sheet: Logo: INF: C7500SP	19 - 20
D015 7652	Manual: COPY_REF: NA	19 - 1
D015 7703	Manual: ABOUT_MACHINE: NA	19 - 1
D015 7708	Manual: TROUBLESHOOT: NA	19 - 1

Part No.	Description	Page and Index No.
A029 2984	Decal - Grip	245 - 1
A029 2984	Decal - Grip	77 - 9
A060 2512	Registration Roller Knob	103 - 8
A092 9503	C4 Color Test Chart (3 pcs/set)	247 - 9
A096 4595	Duplex Guide	145 - 16
A096 4928	Guide Plate Band	137 - 22
A096 6553	Side Fence Pad	71 - 8
A096 6677	Decal - Right Paper Set	245 - 2
A096 6677	Decal - Right Paper Set	65 - 18
A096 6678	Decal - Left Paper Set	245 - 3
A096 6678	Decal - Left Paper Set	63 - 11
A096 6693	Paper Guide Sheet	185 - 17
A134 1724	Cushion - Stepper Motor	55 - 9
A134 2661	Feeler Roller	61 - 7
A134 2978	Spring Plate	71 - 6
A166 4290	Knob Joint	103 - 4
A176 6695	Misfeed Removal Guide	71 - 23
A176 6695	Misfeed Removal Guide	65 - 13
A193 1384	Nylon Clamp	21 - 22
A193 1767	1st Mirror Holder	53 - 17
A222 1193	Sheet: Duct: Lower	185 - 20
A229 4617	Duplex Discharge Brush	139 - 24
A229 4623	Lower Entrance Guide Plate	139 - 6
A229 4727	Guide Plate Pressure Holder	137 - 24
A229 4740	Drive Joint	139 - 22
A232 6083	Rear Rack	59 - 10
A247 2800	Ball Bearing - 8x12x5	155 - 7
A247 2800	Ball Bearing - 8x12x5	107 - 7
A248 6103	Guide Plate - Upper Heat Sink	187 - 1
A248 6615	Coupling Lever - Left	63 - 36
A248 6687	Right Drive Shaft	67 - 12
A248 6694	Wire Ring	67 - 13
A248 6695	Guide - Pulley	67 - 20
A248 6701	Oil Damper	67 - 26
A248 6713	Hook - Tension Spring	67 - 2

Part No.	Description	Page and Index No.
A250 1752	Exposure Glass	49 - 12
A257 1165	Safety Switch Spring	171 - 6
A257 1884	Rubber Bushing	51 - 5
A257 3441	Side Plate Lever	85 - 11
A257 6112	Pulley: Belt Tensioner	111 - 34
A257 6112	Pulley: Belt Tensioner	47 - 18
A257 9300	Grease Barrierta - S552R	247 - 6
A267 1820	Sheet - Photointerrupter	51 - 15
A267 2857	Spring Plate - Side Fence	71 - 14
A267 2859	Side Fence Stopper	71 - 13
A267 2860	Rear Lever Stopper	71 - 12
A267 5814	Compression Spring	135 - 29
A293 4611	Reverse Roller	139 - 17
A293 4613	Front Gate Pawl	139 - 16
A293 4614	Rear Gate Pawl	139 - 18
A293 6399	Torque Limiter - Separator	33 - 8
A294 4626	Lower Duplex Guide Plate	145 - 3
A294 6630	Left Rear Fence	63 - 12
A294 6643	Left Front Fence	63 - 7
A294 6645	Left Side Plate	63 - 4
A294 6655	Front Roller - Slide Rail	67 - 28
A294 6666	Side Plate	65 - 17
A294 6676	Right Rear Side Plate	67 - 9
A294 6690	Feeler - Paper Height Sensor	67 - 30
A294 6700	Torque Limiter - 53mnm	61 - 34
A294 6700	Torque Limiter - 53mnm	75 - 33
A294 6706	Sensor Bracket	65 - 11
A300 2134	Guide Roller - B	185 - 2
A374 2181	Spacer	35 - 5
A376 4599	Side Fence Pad	27 - 3
A418 1158	Spacer - M6.5x1	31 - 3
A422 1063	Seal - 0.7x13x20	35 - 8
A422 1063	Seal - 0.7x13x20	41 - 17
A422 1063	Seal - 0.7x13x20	39 - 16
A458 2251	Cushion - Bin Solenoid Lever	41 - 3

Part No.	Description	Page and Index No.
A458 2251	Cushion - Bin Solenoid Lever	33 - 21
A470 1703	Shift Clutch	131 - 10
A548 2139	Pulley	43 - 9
A555 1671	Stepped Screw - M3x26.5	159 - 1
A571 7653	Bushing: Cutter Unit	101 - 3
A628 1225	Bushing - 8mm	27 - 14
A628 1225	Bushing - 8mm	31 - 9
A680 1621	Feed-in Unit Stopper	31 - 8
A680 1661	Bushing - 4mm	33 - 10
A680 2262	Feeler - Pick-up Roller Cam	43 - 14
A697 2102	Damper - Junction Gate Solenoid	45 - 26
A697 2102	Damper - Junction Gate Solenoid	43 - 32
A697 2102	Damper - Junction Gate Solenoid	37 - 23
A697 2131	Antistatic Brush	29 - 21
A806 1135	Contact Point Shaft	47 - 7
A806 1163	Guide Plate Cushion	31 - 6
A806 1292	Feed Belt Bracket	31 - 16
A806 1293	Feed Belt Drive Roller	31 - 10
A806 1294	Feed Belt Driven Roller	31 - 14
A806 1295	Feed Belt	31 - 12
A806 1298	Transport Belt Roller Shaft	31 - 15
A806 1351	Original Sensor Feeler	27 - 5
A806 2111	Timing Pulley - T28 S2M	39 - 25
A806 2111	Timing Pulley - T28 S2M	35 - 10
A806 2151	Timing Pulley - T19/Z23 S2M/M0.6	31 - 28
A806 2161	Timing Pulley - T30/Z20 S2M/M0.8	45 - 15
A806 2271	Gear - Z18	31 - 29
A806 2281	Gear - Z47	27 - 30
A806 2283	Gear - Z20/Z47	45 - 16
A806 2285	Gear - Z20/Z47	45 - 13
A806 2287	Gear - Z20/Z47	45 - 12
A806 4261	Spring Belt Guide Roller	31 - 13
A859 2230	Ball Bearing - 6x13x5	33 - 14
A859 2230	Ball Bearing - 6x13x5	39 - 21
A859 2230	Ball Bearing - 6x13x5	43 - 12

Part No.	Description	Page and Index No.
A859 2230	Ball Bearing - 6x13x5	41 - 32
A859 2241	Reverse Roller	33 - 7
A859 3225	Discharge Brush	35 - 15
A859 3225	Discharge Brush	27 - 25
A859 4836	Bushing- Exit Driven Roller	41 - 26
A859 7211	Stepped Screw	25 - 12
B010 1289	Left Gasket - Front Rear	183 - 19
B027 8521	O/I Holder - Assembly	19 - 2
B039 1367	Rivet - M6	21 - 5
B051 4103	Knob Screw - 4m	119 - 18
B065 1092	Bracket	185 - 18
B065 1303	LCT Cover	21 - 15
B065 1341	Connector Cap	21 - 11
B065 1344	G4 Cap	21 - 14
B065 1371	Cloth Holder	19 - 3
B065 1374	Cloth - DF Exposure Glass	19 - 4
B065 1772	Left Scale	49 - 10
B065 1773	Scale Bracket Seal	49 - 6
B065 1782	Seal	49 - 4
B065 1785	Right Stay	49 - 17
B065 1787	Scale Bracket	49 - 5
B065 3108	Plate: Filter	91 - 2
B065 3561	Spring	147 - 23
B065 3587	Toner Collection Gear	147 - 21
B065 3699	Decal - Release Lever	85 - 17
B065 3699	Decal - Release Lever	245 - 11
B065 4121	Thermostat Terminal	119 - 19
B065 4480	Decal - Cover	21 - 1
B065 4480	Decal - Cover	245 - 12
B065 4531	Guide Plate Lever	137 - 26
B065 4632	Joint Holder	139 - 20
B065 4644	Sensor Bracket	139 - 23
B065 4672	Release Lever Bracket	137 - 9
B065 4675	Duplex Release Bracket	137 - 7
B065 4683	Spring Plate - Rear Jogger Fence	141 - 20

Part No.	Description	Page and Index No.
B065 4694	Jogger Guide Rod	143 - 5
B065 4731	Spring Plate - Driven Roller	137 - 20
B065 4733	Duplex Gate Pawl	145 - 1
B065 4738	Gate Pawl Cushion	145 - 2
B065 4820	Jogger Bracket	145 - 24
B065 4865	Spacer	145 - 4
B065 4867	Decal - Guide Plate Lever	245 - 13
B065 4867	Decal - Guide Plate Lever	137 - 27
B065 4933	Guide Plate Lever Hook	137 - 28
B065 6135	Lock Arm - Tandem Tray	187 - 10
B065 6136	Tray Lock Arm	69 - 16
B065 6172	Paper Tray Stopper	159 - 15
B065 6306	Reverse Drive Shaft	75 - 37
B065 6307	Reverse Driven Shaft	75 - 34
B065 6317	Relay Shaft	75 - 11
B065 6330	Rear Side Plate - Paper Feed	75 - 14
B065 6333	Reverse Housing	75 - 43
B065 6334	Heat Sink Base	73 - 26
B065 6336	Front Side Plate - Paper Feed	75 - 9
B065 6337	Heat Sink	73 - 28
B065 6338	Heat Sink Sheet	73 - 29
B065 6345	Paper End Sensor Bracket	73 - 20
B065 6346	Paper Tray Link	75 - 17
B065 6350	Pick-up Gear Cover	73 - 5
B065 6353	Feed Gear Cover	73 - 32
B065 6357	Pick-up Arm	73 - 8
B065 6358	Paper Feed Sensor Bracket	73 - 13
B065 6364	Feed Stay	73 - 15
B065 6366	Drive Bracket	73 - 31
B065 6371	Support Guide Plate	75 - 10
B065 6375	Paper Feed Unit Stay	73 - 30
B065 6394	Motor Bracket	75 - 26
B065 6407	Transport Pressure Plate	77 - 17
B065 6415	Motor Base	75 - 28
B065 6427	Release Lever - Vertical Transport	77 - 12

Part No.	Description	Page and Index No.
B065 6428	Release Button - Vertical Transport	77 - 11
B065 6445	Feed Lever	73 - 11
B065 6452	Tray Link Guide	75 - 16
B065 6453	Transport Roller Lever	75 - 5
B065 6454	Driven Release Lever	75 - 7
B065 6455	Driven Pressure Lever	75 - 8
B065 6456	Vertical Transport Link	75 - 22
B065 6457	Driven Pressure Lever	73 - 33
B065 6524	Bottom Plate Lift Shaft	71 - 25
B065 6526	Lift Lever	71 - 26
B065 6538	Positioning Stopper Lever	71 - 5
B065 6545	Decal - Positioning	245 - 14
B065 6545	Decal - Positioning	71 - 18
B065 6588	Right Support Plate	69 - 8
B065 6589	Left Support Plate	69 - 7
B065 6591	Paper Tray Holder Base	69 - 9
B065 6717	Paper Volume Shield Plate	67 - 40
B065 6769	Lock Arm	161 - 6
B065 6774	Slide bracket	187 - 6
B065 6823	Timing Belt Cover	63 - 20
B065 6830	Pulley Bracket	63 - 23
B065 6831	Sensor Bracket	63 - 34
B065 6846	Decal - Paper Set - Left	245 - 15
B065 6846	Decal - Paper Set - Left	63 - 6
B065 6859	Right Stopper	65 - 4
B065 6862	Large Lever	67 - 34
B065 6864	Small Lever	67 - 31
B065 6870	Stay -right base	67 - 14
B065 6872	Oil Damper Bracket	67 - 25
B065 6875	Protection -inner Cover	65 - 5
B065 6877	Decal - Paper Set - Right	65 - 6
B065 6877	Decal - Paper Set - Right	245 - 16
B065 8490	Decal - Paper Size	19 - 8
B070 1307	Decal: Paper Set Direction	19 - 11
B070 1307	Decal: Paper Set Direction	245 - 17

Part No.	Description	Page and Index No.
B070 5473	DC Harness - Left	63 - 26
B070 6293	Heat Sink: Heater: Upper: Fiber	187 - 3
B070 6516	Bracket: Cover: Tandem LCT: Ass'y	63 - 5
B070 6666	Left DC Motor Bracket	63 - 30
B070 6667	End Fence Cover Front	67 - 15
B070 6668	Side Plate: Tandem: Right Front	67 - 27
B070 6683	Lever: Release: Front	67 - 17
B070 6684	Lever: Release: Rear	67 - 35
B070 6877	Large Drum Stay Ground Plate	177 - 11
B070 6877	Large Drum Stay Ground Plate	173 - 19
B098 6639	Tray Bottom Plate: Left Middle: Ass'y	63 - 9
B132 1004	Stay: Machine Or Copier: Right Lower	183 - 15
B132 1008	Bracket: Cover: LCT	183 - 26
B132 1020	Bracket: Drawer: Paper Feed Unit	157 - 3
B132 1112	Ground Plate: Scanner: Rear	51 - 16
B132 1115	Stay: Machine Or Copier: Left: Peen	183 - 1
B132 1118	Bracket: Fan: Duplex	185 - 15
B132 1159	Supporting Plate: Pull Out: Front	129 - 18
B132 1183	Bracket: Lock	135 - 33
B132 1184	Lever: Pull Out: Printing	103 - 13
B132 1185	Shaft: Lock: Pull Out	135 - 25
B132 1186	Supporting Plate: Pull Out	111 - 28
B132 1188	Cover: Drive Sub-unit	105 - 21
B132 1189	Inner Cover: Pull Out: Right	103 - 16
B132 1190	Bracket: Release: Lock	135 - 31
B132 1191	Handle: Pull Out	135 - 24
B132 1192	Guard: Pull Out	109 - 2
B132 1193	Bracket: Interlock: Lever	135 - 38
B132 1194	Actuator: Pull Out	135 - 17
B132 1195	Bracket: Drawer: Pull Out	135 - 16
B132 1220	Cover: Base: Pull Out	135 - 18
B132 1221	Holder: Spring: Pull Out	135 - 30
B132 1222	Cover: Stay: Left	183 - 2
B132 1224	Supporting Plate: Bracket: Lock	135 - 34
B132 1226	Holder: Stand	19 - 7

Part No.	Description	Page and Index No.
B132 1228	Insulating Sheet: Pull Out	135 - 22
B132 1229	Cover: Drawer	149 - 9
B132 1232	Cover: Harness: Pull Out	107 - 24
B132 1233	Bracket: Photointerruptor	109 - 25
B132 1235	Collar: Dia18	117 - 3
B132 1238	Decal: Caution: Pull Out	245 - 18
B132 1238	Decal: Caution: Pull Out	103 - 15
B132 1307	Bracket: Sensor	157 - 5
B132 1338	DC Motor: On-Off: Ass'y	153 - 19
B132 1339	Bracket: On-Off: Plate	153 - 18
B132 1356	Bracket: Tightener: Ass'y	155 - 18
B132 1360	Shaft: Drive: Fusing: Ass'y	155 - 19
B132 1363	Shaft: Drive: Reverse: Ass'y	155 - 25
B132 1367	Shaft: Drive: Vacuum	155 - 10
B132 1370	Pulley: Idler	155 - 20
B132 1463	Hinge Shaft	179 - 16
B132 1464	Hinge: Door: Lower: Ass'y	19 - 12
B132 1465	Spring: Hinge: Upper	179 - 15
B132 1482	Decal - Inkjet: Manual Feed	245 - 19
B132 1482	Decal - Inkjet: Manual Feed	59 - 2
B132 1502	Cover: Right Upper	49 - 16
B132 1503	Cover: Left Upper	49 - 1
B132 1504	Cover: Rear Upper	21 - 9
B132 1506	Cover: Left Middle	21 - 2
B132 1508	Cover: Right Lower	21 - 10
B132 1511	Lever: Guide Plate	19 - 6
B132 1512	Cover: Main Switch	19 - 23
B132 1513	Case: Main Switch	19 - 24
B132 1514	Grip: Door: Front	19 - 25
B132 1515	Lever: Micro Switch	19 - 26
B132 1516	Cover: Ozone Filter	21 - 6
B132 1526	Door Catch	19 - 27
B132 1528	Guard: Gap: C/T Box	177 - 13
B132 1529	Sponge: SD-card: Plate	19 - 5
B132 1531	Panel: Logo	19 - 19

Part No.	Description	Page and Index No.
B132 1544	Sheet: Logo: TEC: 4500C	19 - 37
B132 1548	Decal - Cleaning Exposure Glass	19 - 34
B132 1548	Decal - Cleaning: Exposure Glass	245 - 20
B132 1549	Decal - Cleaning: Exposure Glass	245 - 21
B132 1549	Decal - Cleaning Exposure Glass	19 - 40
B132 1551	Inner Cover: Main Switch	171 - 3
B132 1553	Decal: Main Switch Display: On	171 - 1
B132 1555	Decal - Main Switch Display: Off	171 - 2
B132 1558	Inner Cover: Paper Feed	19 - 9
B132 1562	Decal - Inkjet: Paper	245 - 22
B132 1562	Decal - Inkjet: Paper	23 - 31
B132 1573	Decal - Power Source: Off	245 - 23
B132 1573	Decal - Power Source: Off	19 - 36
B132 1583	Decal - Copy: Original	49 - 15
B132 1583	Decal - Copy: Original	245 - 24
B132 1666	Frame: Front	51 - 8
B132 1671	Bracket: Pulley	55 - 25
B132 1674	Cover	51 - 3
B132 1675	Cover: Polygon Mirror Motor	55 - 27
B132 1683	Mylar: Frame: Front	49 - 19
B132 1684	Mylar: Frame: Middle	49 - 20
B132 1685	Mylar: Frame: Rear	49 - 21
B132 1686	Scale: Sheet Through: Ass'y	49 - 11
B132 1687	Scale: Sheet Through	49 - 11
B132 1692	Scale: Rear: Printing	49 - 13
B132 1702	Bracket: Motor	55 - 7
B132 1710	Pulley: Tension: Timing Belt: Ass'y	55 - 6
B132 1714	Cover: Damper	55 - 11
B132 1719	Screw: Mechanical Drive Section	55 - 20
B132 1720	Pulley: 40T	55 - 18
B132 1723	Spring: Drive Were	55 - 16
B132 1724	Bracket: Tension	55 - 14
B132 1725	Bracket: Tension: Fix	55 - 15
B132 1729	Drive Were Scanner	55 - 13
B132 1757	Mirror: No.1: Ass'y	53 - 18

Part No.	Description	Page and Index No.
B132 1758	Stay: Wire	53 - 15
B132 1766	Feeler: Home Position Sensor: No.1	53 - 13
B132 1767	Holder: Connector	53 - 14
B132 1801	Carriage: No.2: Ass'y	53 - 1
B132 1815	Holder: Pulley	53 - 5
B132 1818	Mirror: No.2	53 - 3
B132 1819	Mirror: No.3	53 - 4
B132 1851	Bracket: Inverter	55 - 2
B132 1852	Bracket: Fan: Mm40: Inverter	55 - 3
B132 1871	Bracket: Open And Close: Left	51 - 4
B132 1872	Bracket: Open And Close: Right	51 - 12
B132 1874	Bracket: Positioning: Right	51 - 9
B132 1877	Bracket: Positioning: Left	51 - 6
B132 1885	Bracket: ADF	49 - 14
B132 1888	Rod: Open And Close: Scanner Unit	51 - 18
B132 1889	Plate: Rod	51 - 17
B132 1896	Ground Wire: Scanner	51 - 13
B132 1898	Spring Plate: Ground Plate: ADF	49 - 18
B132 1971	Positioning Pin	57 - 7
B132 1972	Grip: Imaging Unit	57 - 3
B132 2085	Shield: Shield Glass	57 - 11
B132 2093	Rail: Shield Glass	57 - 14
B132 2094	Grip: Shield Glass	57 - 12
B132 2172	Cover: Upper: Sub-ass'y	57 - 9
B132 2185	Cover: Polygon Motor: Ass'y	57 - 5
B132 2361	Positioning Plate: PCU	87 - 4
B132 2366	Lever: Drum Stay: Left	85 - 6
B132 2391	Holder: PCU	19 - 15
B132 2393	Tray: Holder: PCU	19 - 13
B132 2417	Seal: Drum Stay: Lower	85 - 18
B132 2433	Bracket: Stay: Duct: Right	163 - 14
B132 2435	Dust Filter	167 - 14
B132 2436	Ozone Filter	167 - 13
B132 2442	Duct: Drum Stay	85 - 9
B132 2450	Shield: Duct: Intermediate Transfer	85 - 10

Part No.	Description	Page and Index No.
B132 2454	Duct: Intermediate Transfer	85 - 26
B132 2458	Duct: Development: Front	81 - 2
B132 2465	Seal: Fan: Humidity Control	171 - 14
B132 2466	Filter: Duct: Intermediate Transfer	85 - 27
B132 2468	Filter	171 - 16
B132 2470	Duct: Humidity Control: Ass'y	179 - 12
B132 2474	Shield: Duct	81 - 5
B132 2475	Filter: Duct	83 - 4
B132 2476	Shield: Duct: Left	81 - 20
B132 2485	Seal: Fan Motor	81 - 3
B132 2496	Seal: Duct: Toner Hopper: Lower	81 - 12
B132 2594	DC Solenoid: 24v: 16.5w: Ass'y	109 - 11
B132 2605	Case: Remove Paper Dust	105 - 1
B132 2617	Registration Roller: Lower	107 - 2
B132 2624	Bracket: Optics Sensor	107 - 5
B132 2629	Registration Roller: Upper	107 - 1
B132 2639	Transport Roller: Driven	109 - 5
B132 2644	Lever: Knob: Release	105 - 15
B132 2649	Arm: Guide	109 - 12
B132 2650	Arm: Perpendicular	109 - 13
B132 2651	Knob: Release	105 - 18
B132 2654	Bracket: Sensor: Large Capacity Tray	183 - 24
B132 2658	Roller: Connecting: Drive	107 - 16
B132 2661	Bracket: Solenoid	109 - 15
B132 2667	Rail: Solenoid: Release	109 - 16
B132 2670	Shaft: Lock	105 - 14
B132 2671	Lever: Un Lock	105 - 9
B132 2674	Side Plate: Open And Close: Front	105 - 13
B132 2675	Transport Roller: Driven: Duplex	107 - 20
B132 2679	Bracket: Gear: Swivel	155 - 29
B132 2680	Registration Guide: Connecting	105 - 19
B132 2681	Shaft: Contact Point: Lever	105 - 17
B132 2682	Registration Guide: Upper	105 - 16
B132 2691	Shaft: Lock	107 - 12
B132 2692	Pawl: Lock: Rear	107 - 13

Part No.	Description	Page and Index No.
B132 2699	Spacer: Mm12	155 - 30
B132 2703	Stud: Contact Point	105 - 7
B132 2708	Pawl: Lock: Front	107 - 10
B132 2709	Decal: Lever: B4	245 - 25
B132 2709	Decal: Lever: B4	103 - 12
B132 2710	Tension Spring	109 - 20
B132 2711	Bracket: Stepper Motor	109 - 21
B132 2716	Lever: Release	103 - 7
B132 2718	Guide: Registration: Open And Close	183 - 13
B132 2720	Bracket: Tightener	109 - 19
B132 2722	Stepper Motor: Registration: Ass'y	109 - 23
B132 2723	Cover: Motor: Registration	109 - 17
B132 2724	Bushing: Registration: Front	107 - 21
B132 2725	Bushing: Registration: Rear	107 - 25
B132 2753	Support Stay: Solenoid	109 - 14
B132 2760	Bracket: Drive: Paper Feed Sub-Unit	155 - 3
B132 2762	Shaft: Drive: Paper Feed	155 - 31
B132 2767	Guide Plate: Paper Bank: Ass'y	109 - 3
B132 2815	Bracket: Fix: Manual Feed	183 - 20
B132 2816	Cover: Manual Feed: Machine Or Copier	59 - 1
B132 2819	Holder: Manual Feed Table: Front	61 - 3
B132 2823	Holder: Manual Feed Table: Rear	61 - 17
B132 2835	Arm: Pickup: Manual Feed	61 - 25
B132 2837	Guide Plate: Feed	61 - 23
B132 2839	DC Solenoid: Pickup: Ass'y	61 - 11
B132 2845	Feeler: Paper End Sensor	61 - 5
B132 2846	Ground Plate: Manual Feed	61 - 24
B132 2848	Bracket: Sensor: Manual Feed	61 - 8
B132 2849	Shaft: Separator: Drive: Ass'y	61 - 31
B132 2851	Shaft: Separator: Driven: Ass'y	61 - 35
B132 2853	Lever: Pressure: Separator	61 - 38
B132 2856	Roller: Manual Feed Unit: Drive	61 - 14
B132 2857	Stopper: Magnetic Clutch	61 - 16
B132 2859	Cover: Manual Feed Unit	61 - 2
B132 2861	Side Fence: Front: Ass'y	59 - 6

Part No.	Description	Page and Index No.
B132 2863	Side Fence: Auxiliary: Front	59 - 4
B132 2864	Side Fence: Rear: Ass'y	59 - 7
B132 2866	Side Fence: Auxiliary: Rear	59 - 5
B132 2868	Guide: Manual Feed Table	59 - 9
B132 2872	Paper Size Sensor	59 - 12
B132 2875	Decal: Paper Set Direction	59 - 8
B132 2875	Decal: Paper Set Direction	245 - 26
B132 3084	Holder: Cap: Receiving Sub-unit	19 - 29
B132 3159	Adjusting Pin: Magnetic Roller	91 - 17
B132 3179	Cap: Toner Supply: Upper	91 - 4
B132 3216	Shaft: Lever: Stand	79 - 5
B132 3217	Supporting Plate: Side Plate	83 - 1
B132 3218	Bracket: Fix: Right	83 - 3
B132 3222	Shaft: Drive	83 - 7
B132 3223	Gear: 21/32Z	83 - 8
B132 3224	Gear: 75Z	83 - 6
B132 3227	Shield: Cover: Duct: Lower	81 - 1
B132 3229	Cover: Lower: Black	83 - 5
B132 3232	Cover: Black	79 - 17
B132 3233	Cover: Color	79 - 22
B132 3235	Inner Cover: Right	79 - 18
B132 3236	Inner Cover: Left	79 - 8
B132 3237	Stand: Left	79 - 9
B132 3238	Guide: Stand	79 - 10
B132 3239	Lever: Stand	79 - 4
B132 3240	Spring Plate: Stand	79 - 3
B132 3241	Guide Plate: Lever: Stand	79 - 7
B132 3242	Spring Plate: Lever: Stand	79 - 6
B132 3245	Sheet	79 - 28
B132 3247	Decal: Cover: Toner Supply: Black	79 - 29
B132 3247	Decal: Cover: Toner Supply: Black	245 - 27
B132 3248	Decal: Cover: Toner Supply: M	245 - 28
B132 3248	Decal: Cover: Toner Supply: M	79 - 23
B132 3249	Decal: Cover: Toner Supply: C	79 - 23
B132 3249	Decal: Cover: Toner Supply: C	245 - 28

Part No.	Description	Page and Index No.
B132 3250	Decal: Cover: Toner Supply: Y	245 - 28
B132 3250	Decal: Cover: Toner Supply: Y	79 - 23
B132 3314	Bracket: Stopper: Holder: Right: Ass'y	79 - 14
B132 3316	Bracket: Stopper: Holder: Left: Ass'y	79 - 13
B132 3321	Arm: Stopper: Holder: Black	79 - 24
B132 3322	Arm: Stopper: Holder: Color	79 - 12
B132 3323	Guide: Arm: Stopper: Holder	79 - 11
B132 3330	Decal: Lever: Toner Supply: K	245 - 29
B132 3330	Decal: Lever: Toner Supply: K	79 - 25
B132 3331	Decal: Lever: Toner Supply: M	79 - 15
B132 3331	Decal: Lever: Toner Supply: M	245 - 30
B132 3332	Decal: Lever: Toner Supply: C	79 - 15
B132 3332	Decal: Lever: Toner Supply: C	245 - 30
B132 3333	Decal: Lever: Toner Supply: Y	79 - 15
B132 3333	Decal: Lever: Toner Supply: Y	245 - 30
B132 3428	Stay	79 - 2
B132 3434	Bracket: Drawer	83 - 12
B132 3435	Cover: Drawer	83 - 11
B132 3436	Tube: Black	81 - 18
B132 3437	Tube: Color	81 - 16
B132 3438	Coil: Guard: Tube: BLACK	81 - 17
B132 3439	Coil: Guard: Tube: COLOR	81 - 15
B132 3486	Stay: Slide Rail: Toner Supply	183 - 12
B132 3489	Bracket: Drawer: Toner Supply	171 - 22
B132 3491	Cover: Drawer	171 - 23
B132 3493	Bracket: Fix: Toner Supply	171 - 24
B132 3851	Transport Roller: Drive	113 - 5
B132 3862	Supporting Plate: Vacuum	113 - 6
B132 4125	Collar: Shaft: Drive	123 - 36
B132 4127	Bracket: Torsion Spring: Peen	121 - 24
B132 4138	Roller: Coupling: Knob: Fusing	123 - 37
B132 4148	Housing: Thermostat	119 - 8
B132 4163	Shaft: Oil Application Unit	121 - 7
B132 4167	Grip: Oil Application Unit: Fiber	121 - 3
B132 4197	Torsion Spring: Lever	121 - 8

Part No.	Description	Page and Index No.
B132 4326	Heat Insulation: Drum Stay	85 - 19
B132 4525	Inner Cover: Duplex Unit: Ass'y	137 - 1
B132 4591	Rail: Right: Ass'y	185 - 4
B132 4619	Bracket: Support: Positioning Pin	145 - 17
B132 4620	Side Plate: Rear: Reverse Unit: Ass'y	139 - 19
B132 4627	Side Plate: Front: Reverse Unit	139 - 12
B132 4640	Guide Plate: Entrance: Upper: Ass'y	139 - 27
B132 4643	Spacer: Gate Pawl	139 - 15
B132 4647	Lever: Open And Close: Reverse Unit	139 - 4
B132 4650	Stepper Motor: Jogger: Ass'y	141 - 6
B132 4655	Bracket: Reversal: Driven: Ass'y	141 - 28
B132 4661	Arm: Roller: Reversal: Driven	141 - 23
B132 4663	Lever: Roller: Driven: Reversal	141 - 12
B132 4665	Stay: Bearing: Reversal	141 - 15
B132 4671	Arm: Lock: Duplex	137 - 6
B132 4674	Grip: Release: Duplex Unit	137 - 4
B132 4681	Jogger Fence: Front	141 - 18
B132 4682	Jogger Fence: Rear	141 - 19
B132 4689	Stay: Timing Belt	145 - 5
B132 4692	Slider: Jogger Fence: Front	145 - 7
B132 4693	Slider: Jogger Fence: Rear	145 - 8
B132 4696	Bracket: Stepper Motor: Jogger	141 - 7
B132 4699	Bracket: Home Position Sensor: Jogger	145 - 26
B132 4710	Guide Plate: Transport: Upper: Ass'y	145 - 13
B132 4715	Bracket: Sensor: Reverse: Exit	145 - 11
B132 4720	Table: Duplex: Left	141 - 22
B132 4727	Bracket: Sensor: Right	137 - 16
B132 4730	Guide Plate: Transport: Lower	137 - 19
B132 4745	DC Solenoid: Reversal: Ass'y	141 - 5
B132 4780	Stepper Motor: Reverse: Ass'y	141 - 1
B132 4785	Stepper Motor: Transport: Ass'y	141 - 8
B132 4789	Bracket: Stepper Motor: Transport	141 - 9
B132 4791	Bracket: Drawer: 12pin: Duplex	145 - 20
B132 4796	Decal: Grip: E3	245 - 31
B132 4796	Decal: Grip: E3	139 - 3

Part No.	Description	Page and Index No.
B132 4797	Decal: Warning (High Temperature)	137 - 2
B132 4797	Decal: Warning (High Temperature)	245 - 32
B132 4810	Bracket: Motor: Reverse: Ass'y	141 - 2
B132 4830	Bracket: Holder: Ass'y	185 - 19
B132 4835	Rail: Left: Ass'y	185 - 3
B132 4868	Guide: Duplex: Upper Right	109 - 26
B132 4869	Guide Plate: Duplex: Exit	137 - 13
B132 4987	Stay: Duplex Unit: Upper	137 - 11
B132 5304	Harness: Connecting: Scanner: Lamp	53 - 9
B132 5356	Harness: High Voltage Supply Cord	135 - 20
B132 5415	Base: Electric Potential Sensor	163 - 8
B132 5794	Hook: Heat Sink: MCH	235 - 1
B132 5807	Ground Plate: Base: Control Board	177 - 7
B132 5809	Seal: C/T Box: Cover: Middle	173 - 3
B132 5812	Seal: C/T Box: Cover: Side	173 - 4
B132 5813	Seal: C/T Box: Upper: Side	177 - 16
B132 5819	Decal: Caution: HDD: Fan	245 - 33
B132 5819	Decal: Caution: HDD: Fan	173 - 2
B132 5827	Bracket: Earth: Power Supply Unit: Rear: Peen	159 - 20
B132 5831	Gasket: Cover: C/T Box	173 - 20
B132 5832	Sheet: Cover: C/T Box	173 - 5
B132 5835	Panel -Interface	173 - 13
B132 5851	Bracket: Main Switch	171 - 8
B132 5852	Screw: Micro Switch	171 - 9
B132 5853	Lever: Micro Switch	171 - 5
B132 5855	Shaft: Micro Switch: Front	171 - 4
B132 5866	Bracket: LCT	167 - 17
B132 5868	Screw: Micro Switch	77 - 5
B132 5869	Torsion Spring	77 - 4
B132 5911	Bracket: Fix: C/T Box: Lower	169 - 17
B132 5930	Hinge: C/T Box: Lower	177 - 2
B132 5933	Hinge: C/T Box: Upper	177 - 1
B132 5940	Bracket: C/T Box: Upper	177 - 20
B132 5944	Bracket: Fan Motor	175 - 10
B132 5947	Arm: Hinge: C/T Box	177 - 3

Part No.	Description	Page and Index No.
B132 5951	Lower Frame - C/T Box	177 - 6
B132 5971	Bracket: Micro Switch: Paper Bank	77 - 3
B132 5976	Bracket: Total Counter	69 - 12
B132 5977	Bracket: Power Supply Unit: Right	159 - 19
B132 5978	Bracket: Power Supply Unit: Fix: Left	169 - 3
B132 5981	Bracket: Power Pack: Fix: Lower	169 - 16
B132 5981	Bracket: Power Pack: Fix: Lower	169 - 11
B132 5985	Bracket: Leak Breaker	169 - 13
B132 5989	Stopper: C/T Box: Upper	177 - 18
B132 5994	Bracket: Power Supply Cord: Exp	169 - 6
B132 5995	Stopper: Power Supply Cord	169 - 4
B132 5996	Decal: Total Counter	69 - 13
B132 5996	Decal: Total Counter	245 - 34
B132 5997	Bracket: Power Supply Unit: Right: Exp	159 - 21
B132 5999	Sheet: Micro Switch: 12mm	77 - 2
B132 6061	Roller: Driven	93 - 12
B132 6069	Roller: Transfer: Front	95 - 7
B132 6076	Bracket: On-Off: Black	93 - 19
B132 6077	Bracket: Collar	93 - 14
B132 6094	Shaft: Positioning	95 - 4
B132 6098	Shaft: Contact Point: Collar	93 - 17
B132 6111	Cam: On-off	95 - 2
B132 6112	Shaft: Cam: Color	95 - 3
B132 6114	Cam: On-Off: Black	95 - 10
B132 6120	Seal: Upper: Belt Cleaning	101 - 1
B132 6121	Duct	97 - 9
B132 6124	Spring Plate: Cam	97 - 7
B132 6130	Gear: 16Z	95 - 11
B132 6132	Grip: On-Off	95 - 15
B132 6134	Plate: Intermediate Transfer: Front	95 - 13
B132 6136	Compression Spring: Plate: Intermediate Transfer	95 - 17
B132 6137	Terminal: Black	93 - 16
B132 6140	Terminal: Collar	93 - 2
B132 6143	Holder: Opposed: Transfer: Front	95 - 14
B132 6149	Terminal: Yellow	93 - 3

Part No.	Description	Page and Index No.
B132 6150	Holder: Opposed: Rear: Ass'y	95 - 12
B132 6156	Stand	97 - 13
B132 6157	Stopper: On-Off	97 - 8
B132 6165	Plate: Bracket	97 - 17
B132 6170	Guard: Right	97 - 3
B132 6171	Guard: Left	97 - 4
B132 6172	Guard: Rear	97 - 5
B132 6175	Joint: Intermediate Transfer: Front: Ass'y	95 - 16
B132 6253	Stay: Brush Roller: Ass'y	111 - 4
B132 6255	PTR Cleaning Brush	111 - 10
B132 6257	Tray: Toner Catchpan: Ass'y	113 - 10
B132 6260	Collection Coil: Toner: Ass'y	113 - 9
B132 6268	Paper Discharge Plate	111 - 2
B132 6269	Holder: Blade	111 - 16
B132 6274	Stay: Transfer Unit	111 - 5
B132 6284	Joint: Transfer: Drive	111 - 19
B132 6285	Toner Catchpan	135 - 28
B132 6286	Stopper: Transfer/separation Unit	113 - 15
B132 6287	Shaft: Contact Point	111 - 6
B132 6288	Spring: Pressure	111 - 23
B132 6295	Guide Plate: Entrance: Ass'y	111 - 12
B132 6299	Spring: Blade	111 - 17
B132 6301	Gear: 40Z	111 - 18
B132 6302	Gear: 40Z	111 - 20
B132 6303	Gear: 40Z	111 - 8
B132 6304	Stay: Pull Out	113 - 11
B132 6305	Cam: Transfer Roller	135 - 27
B132 6306	Spring: Pressure	111 - 9
B132 6307	Base: Transfer Roller: Rear: Ass'y	111 - 22
B132 6311	Bracket: Gear: Idler	111 - 21
B132 6314	Base front	111 - 31
B132 6325	Seal: Side Plate: Front	111 - 39
B132 6326	Seal: Side Plate: Rear	111 - 38
B132 6328	Seal: Tray: Toner Recycling Unit	113 - 22
B132 6331	Tightener: Transfer: Transport Screw: Ass'y	111 - 35

Part No.	Description	Page and Index No.
B132 6334	Side Plate: Positioning: Transfer: Front: Ass'y	111 - 36
B132 6337	Spring: Tightener: Transport Screw	111 - 33
B132 6459	Holder: Spring: Roller: Pressure	99 - 15
B132 6460	Case: Spring: Roller: Pressure	99 - 17
B132 6469	Roller: Pressure	99 - 2
B132 6506	Heat Sink: Heater: Toner	113 - 19
B132 6507	Holder: Heater	113 - 18
B132 6511	DC Motor: Agitate: Ass'y	117 - 20
B132 6511	DC Motor: Agitate: Ass'y	159 - 12
B132 6512	Base: Toner Outlet Sub-unit: Ass'y	147 - 9
B132 6514	Bracket: Toner Outlet Sub-unit: Drive	147 - 10
B132 6518	Case: Toner Outlet Sub-unit	147 - 3
B132 6519	Case: Toner Outlet Sub-unit: Cover	147 - 2
B132 6520	Transport Screw: Upper: Ass'y	147 - 6
B132 6526	Guide: Spring: Discharge Used Toner	147 - 24
B132 6527	Shaft: Toner Outlet Sub-unit	147 - 13
B132 6528	Toner Outlet Sub-Unit: PCU: Lengthwise: Ass'y	149 - 18
B132 6531	Pipe: Toner Recycling Section: Around The Photo	149 - 19
B132 6536	Bushing: Transport Screw	147 - 20
B132 6537	Cover: Dc Motor	147 - 17
B132 6539	Toner Catchpan: Tank: Entrance	147 - 4
B132 6540	Case: Drive: Ass'y	149 - 22
B132 6542	Tension Spring	147 - 11
B132 6545	Shaft: Drive: Short: Ass'y	149 - 21
B132 6547	Bracket: Used Toner Sensor: Install	159 - 3
B132 6548	Shaft: Drive: Long: Ass'y	147 - 14
B132 6550	Compression Spring	159 - 2
B132 6561	Transport Screw: Lengthwise	149 - 20
B132 6566	Compression Spring	159 - 6
B132 6578	Shield: Joint: PCU	147 - 1
B132 6579	Cover: Temperature/Humidity Sensor	185 - 8
B132 6599	Toner Catchpan: K	149 - 8
B132 6609	Waste Toner Bottle	21 - 4
B132 6621	Paper Feed Unit: Paper Bank	73 - 1
B132 6630	Bracket: Holder: Ass'y	187 - 15

Part No.	Description	Page and Index No.
B132 6653	Stay: Holder: Paper Tray: Ass'y	69 - 10
B132 6655	Stepper Motor: Paper Feed Unit: Ass'y	75 - 25
B132 6655	Stepper Motor: Paper Feed Unit: Ass'y	155 - 1
B132 6655	Stepper Motor: Paper Feed Unit: Ass'y	77 - 27
B132 6659	DC Solenoid: Pickup: Ass'y	73 - 18
B132 6669	Supporting Plate: Stay	187 - 4
B132 6670	DC Solenoid: Reverse: Ass'y	75 - 42
B132 6689	Side Plate: Front: Paper Bank	187 - 12
B132 6692	Slide Rail: Left: Sub-ass'y	69 - 4
B132 6693	Slide Rail: Right: Ass'y	69 - 1
B132 6696	Stay: Tandem LCT	187 - 7
B132 6726	Bracket: Arm: Ass'y	161 - 4
B132 6737	Bracket: Paper Size Sensor: No.1	159 - 16
B132 6742	Left Rail Bracket	187 - 9
B132 6752	Pressure Plate: Transport Roller: Driven: No.1	77 - 16
B132 6753	Side Plate: Front: Vertical Transport	77 - 14
B132 6754	Side Plate: Rear: Vertical Transport	77 - 15
B132 6758	Guide: Relay: Paper Feed Unit	77 - 1
B132 6759	DC Motor: Rise: Tandem LCT: Ass'y	161 - 8
B132 6761	Inner Cover: Paper Feed	19 - 10
B132 6762	DC Solenoid: Coupling: Ass'y	161 - 10
B132 6763	Bracket: Connector: Left	161 - 5
B132 6764	Bracket: Connector: Right	161 - 1
B132 6765	DC Solenoid: Lock: Ass'y	161 - 11
B132 6771	Transport Unit: Vertical Transport: Ass'y	77 - 6
B132 6791	Plate: Side Fence	71 - 7
B132 6793	Side Fence: Front: Ass'y	71 - 4
B132 6795	Side Fence: Rear: Ass'y	71 - 11
B132 6797	Side Fence: Rear: Auxiliary	71 - 21
B132 6798	Spring Plate: Paper Tray: Earth	71 - 16
B132 6851	Duct: Vacuum: Ass'y	171 - 17
B132 6855	Duct: Vacuum: Entrance	171 - 25
B132 6867	Bracket: Exhaust: Harness	179 - 13
B132 6908	Duct: Exit: Upper: Left: Ass'y	179 - 23
B132 6912	Duct: Exit: Upper	179 - 20

Part No.	Description	Page and Index No.
B132 6921	Duct: Imaging Unit: Front: Ass'y	171 - 19
B132 6940	Fan Motor: Unit: DC24V 2.4W	103 - 10
B132 6950	Bracket: Duplex: Exhaust: Front	167 - 3
B132 6951	Fan Motor: Lower: Unit: DC24V 2.64W	167 - 4
B132 6954	Fan Motor: Upper: DC24V 2.4W	167 - 2
B132 6958	Duct: Imaging Unit: Exhaust: Ass'y	179 - 5
B132 6965	Duct: Imaging Unit: Exhaust: Ass'y	179 - 8
B132 6966	Shield: Sirocco	163 - 3
B132 6971	Duct: Imaging Unit: 1st: Ass'y	179 - 7
B132 6973	Duct: Imaging Unit: 23st: Ass'y	179 - 10
B132 6975	Duct: Imaging Unit: 4st: Ass'y	179 - 11
B132 6978	Duct: Imaging Unit: Sub-ass'y	179 - 6
B132 6980	Cover: Duct: Imaging Unit: Ass'y	179 - 9
B132 7002	Gear: 28Z	129 - 20
B132 7004	Guide Plate: Middle: Transport	133 - 8
B132 7005	Decura: Heat Pipe: Dia15	129 - 14
B132 7008	Knob: Front	103 - 1
B132 7011	Holder: Bearing: Front	129 - 22
B132 7013	Spring Plate: Upper: Right	129 - 7
B132 7015	Grip: Guide Plate: Left	133 - 3
B132 7016	Guide Plate: Transport: Upper: Left	129 - 6
B132 7017	Guide Plate: Middle: Right	133 - 14
B132 7018	Stay: Exit: Ass'y	135 - 6
B132 7020	Spring Plate: Middle	133 - 16
B132 7023	Cover: Exhaust	135 - 4
B132 7025	Roller: Tightener	131 - 16
B132 7028	Pulley: 15T	131 - 19
B132 7029	Shaft: Release: Guide Plate	133 - 11
B132 7030	Gear: Z27	131 - 28
B132 7031	Roller: Middle	133 - 15
B132 7033	Roller: Mm14	133 - 2
B132 7033	Roller: Mm14	129 - 8
B132 7036	Pulley: 15T	131 - 18
B132 7038	Stopper: Pressure	183 - 10
B132 7039	Bracket: Bearing: Front	129 - 23

Part No.	Description	Page and Index No.
B132 7041	Lever: Stopper	135 - 11
B132 7042	Lever: Open And Close	135 - 13
B132 7043	Bracket: Fix: Front	135 - 15
B132 7044	Pawl: Guide Plate: Fix	129 - 2
B132 7045	Arm: Pressure	133 - 10
B132 7046	Lever: Release: Guide Plate: Lower	133 - 20
B132 7048	Pulley: 13T	131 - 15
B132 7049	Bracket: Sensor	135 - 2
B132 7050	Bracket: Fix: Rear	135 - 35
B132 7051	Pulley: 19Z	131 - 11
B132 7052	Shaft: Release: Guide Plate: Upper	129 - 3
B132 7055	Gear: 22Z	131 - 30
B132 7056	Grip: Guide Plate: Upper	129 - 1
B132 7059	Roller: Tightener	131 - 21
B132 7060	Gear: 29Z	131 - 29
B132 7069	Bracket: Connector	131 - 17
B132 7070	Holder: Shaft	135 - 37
B132 7080	Pulley: 37T	131 - 23
B132 7085	Roller: Decura: Exit	131 - 7
B132 7086	Exit Roller: Exit: Drive	131 - 1
B132 7088	Roller: Middle: Duplex Sub-Unit	133 - 23
B132 7096	Shaft: Stopper	135 - 36
B132 7097	Stay: Shaft: Ass'y	133 - 19
B132 7098	Lever: Release	133 - 13
B132 7101	Bracket: Sensor: Entrance	183 - 4
B132 7103	Guide: Entrance: Right Rear	133 - 18
B132 7105	Stopper: Pipe	129 - 5
B132 7107	Bracket: Spring Plate: Ass'y	157 - 24
B132 7110	Guide Plat: Left Lower: Ass'y	133 - 4
B132 7112	Tightener: Front Upper: Ass'y	131 - 13
B132 7114	Guide Plate: Left Lower: Ass'y	183 - 8
B132 7115	Guide Plate: Left Upper: Ass'y	133 - 1
B132 7116	Timing Belt: T198	131 - 12
B132 7117	Timing Belt: T213	131 - 20
B132 7119	Bracket: Stay: Left	135 - 14

Part No.	Description	Page and Index No.
B132 7123	Shaft: Lever: Left Inner Rear	135 - 10
B132 7124	Sound Proofing Material	129 - 11
B132 7129	Guide Plate: Entrance: Upper	129 - 12
B132 7130	Decal: LED: E1	245 - 35
B132 7130	Decal: LED: E1	103 - 2
B132 7133	Bracket: Positioning Plate: Rear	129 - 15
B132 7138	Gear: Z20	131 - 25
B132 7141	Shaft: Base: Tightener	131 - 22
B132 7143	Spring: Tightener	131 - 24
B132 7144	Gear: Z28	131 - 26
B132 7147	Exit Roller: Driven: Upper	135 - 9
B132 7151	Guide Plate: Shaft: Ass'y	131 - 3
B132 7155	Stopper: Guide	131 - 31
B132 7160	Stay: Supporting Plate	133 - 17
B132 7162	Pulley: Z13	131 - 27
B132 7164	Guide: Entrance: Right Front	129 - 13
B132 7165	Spacer: DIA21	131 - 4
B132 7166	Bracket: LED: Left	103 - 9
B132 7169	Plate: Transport Roller	133 - 12
B132 7453	ADF Unit	25 - 1
B132 7540	Tray Bottom Plate: Left Front	63 - 8
B132 7541	Tray Bottom Plate: Left Rear	63 - 10
B132 7543	Base: Tandem LCT: Right	65 - 9
B132 7545	Base: Tandem LCT: Right: Welding	67 - 5
B132 7547	DC Solenoid: End Fence: Front: Ass'y	67 - 1
B132 7550	Cover: Pulley: Drive Were	67 - 22
B132 7561	Back Fence: Left	63 - 21
B132 7564	Slider: Back Fence: Left	63 - 19
B132 7571	DC Solenoid: End Fence: Rear: Ass'y	67 - 8
B132 7575	Bracket: Connector: Tandem LCT	67 - 38
B132 7576	Side Fence: Tandem LCT: Right	65 - 16
B132 7580	Harness - Paper Feed Unit Lower	73 - 22
B132 7581	Harness - Paper Feed Unit Upper	73 - 16
B132 7583	Harness - Joint Unit	77 - 28
B132 7586	Inner Cover: Tandem LCT	65 - 2

Part No.	Description	Page and Index No.
B132 7590	Rail: Tandem LCT: Left: Ass'y	187 - 8
B132 7591	Rail: Paper Tray: Ass'y	187 - 13
B132 9700	Lubricant Powder	247 - 8
B140 6225	Heat Sink: Heater: Lower: NA: Ass'y	185 - 7
B140 6226	Heat Sink: Heater: Lower: EU: Ass'y	185 - 7
B140 6339	Paper Feed Guide Plate	73 - 23
B140 6377	Ground Plate: Reverse: Paper Feed Unit	75 - 41
B140 6378	Ground Plate: Stepper Motor: Paper Feed Unit	75 - 24
B140 6472	Joint Unit Guide Plate Ass'y	77 - 26
B181 2641	Guide Plate: Open And Close: Middle	107 - 27
B181 2773	Bracket: Sensor: Connecting	109 - 10
B181 2790	Guide Plate: Entrance: Lower Left: Peen	107 - 17
B181 4725	Table: Duplex: Right	137 - 15
B181 6502	Cover: Heater	113 - 21
B181 6577	Guide: Tank: Discharge Used Toner	185 - 9
B181 6640	Guide Plate: Swivel: Adhesion	75 - 1
B181 6780	Link: End Fence: Paper Size Sensor: Ass'y	71 - 3
B181 6789	Link: Side Fence: Paper Size Sensor	71 - 2
B181 7007	Bracket: Lever	129 - 21
B181 7037	Shaft: Knob	129 - 19
B198 6407	Decal: Vermont: 2	21 - 26
B198 6407	Decal: Vermont: 2	245 - 36
B223 1475	PCB OP-L	23 - 22
B223 1518	Keytop - Blank FB	23 - 28
B223 1520	Keytop - Clear/Stop	23 - 10
B223 1521	Keytop: 10key	23 - 11
B223 1528	Keytop - Copy NA	23 - 30
B223 1529	Keytop - Doc NA	23 - 29
B223 1534	Keytop: Copy: EU	23 - 30
B223 1535	Keytop: Doc: EU	23 - 29
B223 1537	Keytop: Printer: EU	23 - 33
B223 1538	Keytop: Scanner: EU	23 - 32
B223 1540	Keytop: 10key: NA	23 - 11
B234 5673	Harness - Tandem LCT Right	67 - 39
B234 6612	End Fence - Front	67 - 4

Part No.	Description	Page and Index No.
B234 6616	Tandem LCT Unit - Left	63 - 3
B234 6620	On Off Detector Bracket - Front	67 - 18
B234 6621	On Off Detector Bracket - Rear	67 - 10
B234 6625	End Fence - Rear	67 - 6
B234 6630	Guide Plate - End Fence	67 - 7
B234 6686	Side Fence - Right Front	65 - 7
B234 6690	Plate: Paper: Ass'y	65 - 8
B234 8510	Decal: Size Indication: Multi-language: C3	245 - 37
B234 8510	Decal: Size Indication: Multi-Language: C3	19 - 41
B238 1504	Keytop - Start	23 - 7
B238 1506	Keytop - Try Print	23 - 8
B238 1509	Keytop - Interrupt	23 - 9
B238 1511	Keytop - Counter	23 - 27
B238 1534	LCD Spacer A	23 - 20
B238 1535	LCD Spacer B	23 - 19
B238 1547	Spacer - Keytop	23 - 26
B238 1549	Keytop - Power Source	23 - 6
B238 1550	Keytop - Login	23 - 5
B238 1552	Keytop - Kantan	23 - 4
B238 1583	Keytop - Clear Modes	23 - 12
B238 5503	PWB: VBCU	199 - 1
B247 3340	Filter: Development	91 - 3
B247 4455	Compression Spring	135 - 7
B247 4456	Spring - Lower Exit Roller	131 - 9
B247 4624	Roller: Driven: Duplex	139 - 9
B247 4673	Shaft: Lever: Release	137 - 5
B247 4812	Roller: Transport: Driven: Left: Right	143 - 2
B247 4813	Roller: Reversal: Drive	143 - 3
B247 4815	Compression Spring	139 - 21
B247 4817	Compression Spring	139 - 7
B247 4825	Roller: Drive: Left	143 - 4
B247 6174	Bracket: Positioning: Paper Tray: Ass'y	159 - 14
B247 6426	Lever: Release: Vertical Transport	77 - 10
B247 6430	Cover: Release: Vertical Transport	77 - 8
B247 6632	Paper Tray Cover - Long	69 - 5

Part No.	Description	Page and Index No.
B247 6633	Paper Tray Cover - Short	69 - 6
B247 6634	Grip - Paper Tray Cover	69 - 18
B247 6634	Grip - Paper Tray Cover	63 - 37
B247 6753	Lock Spring - Large	161 - 7
B247 6754	Lock Spring - Small	161 - 9
B247 6781	Base: Slide Rail: No.2: Peen	69 - 14
B247 6783	Base: Slide Rail: No.3: Peen	69 - 17
B247 6950	Shaft: Slider: Back Fence	63 - 18
B247 6951	Bracket: Pulley: Driven: Ass'y	63 - 16
B247 6970	Base: Tandem LCT: Left: Ass'y	63 - 33
B247 6982	Stepped Screw - M5	77 - 18
B259 1131	Screw: PCU	153 - 11
B301 1155	Separation Support Pad	33 - 4
B301 1286	Bushing - 6x10x6	31 - 2
B301 2141	Pulley - 39Z	43 - 24
B351 3752	Pressure Roller - Reverse	27 - 19
B352 2650	Magnet Catch - 5n	25 - 10
B475 6855	Shield: Tandem LCT: Rear Right	65 - 14
B477 1152	Stay: Frame: Left	47 - 2
B477 1161	Right Frame Stay	47 - 8
B477 1171	Arm Shaft	47 - 3
B477 1181	Sensor Bracket	47 - 12
B477 1185	Sensor Feeler	47 - 11
B477 1191	Front Left Stopper	47 - 21
B477 1791	Paper Feed Cover	29 - 15
B477 1821	Paper Feed Cover Grip	29 - 5
B477 1825	Paper Feed Release Lever	29 - 6
B477 1831	Grip Shaft	29 - 8
B477 1841	Front Cover Bracket	29 - 13
B477 1851	Rear Cover Bracket	29 - 12
B477 2121	Drive Relay Roller	35 - 16
B477 2145	Guide Bracket	39 - 27
B477 2151	Separation Cap	33 - 2
B477 2172	Front Entrance Guide	31 - 7
B477 2182	Rear Entrance Guide	31 - 17

Part No.	Description	Page and Index No.
B477 2191	Separation Shaft	31 - 11
B477 2222	Pick-Up Roller Bracket	31 - 27
B477 2225	Pick-Up Roller	31 - 22
B477 2227	Pickup Roller: Coupling	31 - 21
B477 2231	Pick-up Roller Lever	31 - 18
B477 2244	Stopper: Shaft: Separation	43 - 10
B477 2263	Cushion: Base: Behind	27 - 35
B477 2264	Sheet: Cushion: Base	27 - 36
B477 2272	Table Side Fence	27 - 2
B477 2281	Original Sensor Bracket	27 - 11
B477 2286	Original Sensor Feeler Stud	27 - 4
B477 2342	Guide: Paper Feed: Upper	29 - 1
B477 2351	Driven Pull Out Roller	29 - 20
B477 2372	Driven Paper Feed Roller	29 - 31
B477 2373	Relay Roller Arm	29 - 29
B477 2495	Paper Feed Sensor Bracket	39 - 11
B477 2561	Entrance Scanning Base	35 - 9
B477 2574	Arm: Roller: Scanning: Entrance	35 - 7
B477 2575	Entrance Scanning Roller Shaft	35 - 6
B477 2577	Driven Entrance Scanning Roller	35 - 3
B477 2581	Entrance Scanning Guide	35 - 1
B477 2621	Anti-static Brush	37 - 10
B477 2621	Anti-static Brush	41 - 18
B477 2621	Anti-static Brush	47 - 15
B477 2636	Driven Exit Scanning Roller	41 - 13
B477 2637	Driven Exit Arm	41 - 6
B477 2641	Long Arm Shaft	41 - 11
B477 2645	Short Arm Shaft	41 - 10
B477 2665	Registration Sensor Bracket	35 - 13
B477 2715	Pressure Plate Tape	25 - 7
B477 2715	Pressure Plate Tape	41 - 34
B477 2861	Driven Exit Roller	41 - 27
B477 3111	Paper Feed Motor Bracket	43 - 3
B477 3115	Paper Feed Motor Stay	43 - 2
B477 3123	Gear - 24Z	43 - 11

Part No.	Description	Page and Index No.
B477 3124	Shaft: Separation: Drive	43 - 13
B477 3131	Reverse Roller Shaft	33 - 13
B477 3141	Gear - 23Z	43 - 20
B477 3143	Gear - 20Z	43 - 18
B477 3145	Pulley	43 - 26
B477 3151	Gear - 31Z	43 - 7
B477 3161	Gear - 37Z	43 - 6
B477 3171	Pulley	43 - 28
B477 3173	Pulley	43 - 31
B477 3175	Pulley	45 - 31
B477 3177	Pulley	43 - 21
B477 3181	Paper Feed Drive Bracket	43 - 27
B477 3217	Pulley	45 - 29
B477 3251	Pick-up Roller Cam	43 - 16
B477 3711	Paper Feed Motor - DC 7.4W	43 - 1
B477 3721	Scanning Motor- DC 7.4W	45 - 19
B477 4111	Spring	29 - 19
B477 4115	Spring	35 - 2
B477 4117	Spring	29 - 7
B477 4127	Exit Arm Spring	41 - 7
B477 5611	Detection Sensor Harness	47 - 13
B477 5691	Paper Feed Motor Harness	45 - 7
B477 5751	Interface Harness	45 - 1
B645 5010	SD Card	247 - 1
B645 6700	PCMCIA Card Adapter	247 - 2
B645 6800	USB Reader/Writer	247 - 3
B652 0331	Transport Belt Unit: Ass'y	37 - 24
B652 1131	Bracket: Pressure: Transport Belt	47 - 16
B652 1132	Tension Spring	47 - 17
B652 1133	Shaft: Slider	43 - 34
B652 1134	Compression Spring	43 - 33
B652 1135	Sheet: Exit: Lower	47 - 9
B652 1136	Compression Spring	47 - 5
B652 1141	Adjusting Pin: Transport Belt Unit	47 - 22
B652 1210	Hinge: Left: Ass'y	47 - 6

Part No.	Description	Page and Index No.
B652 1220	Hinge: Right: Ass'y	47 - 10
B652 1613	Timing Belt: B60S2M212	43 - 25
B652 1633	Spacer: Reverse Roller: Rear	43 - 5
B652 1643	Timing Belt: B40S3M186	43 - 19
B652 1673	Timing Belt: B40S3M180	43 - 30
B652 1674	Timing Belt: B40S2M170	43 - 29
B652 1721	Timing Belt: B60S2M280	45 - 23
B652 1773	Timing Belt: B40S2M178	43 - 23
B652 1781	Bracket: Shaft: Scanning: Ass'y	45 - 28
B652 1783	Timing Belt: B80S3M417	35 - 20
B652 1807	Decal: Size: Original	29 - 4
B652 1807	Decal: Size: Original	245 - 38
B652 1811	Decal: Misfeed Removal: Paper Feed	29 - 2
B652 1811	Decal: Misfeed Removal: Paper Feed	245 - 39
B652 1812	Decal: Display Guidance	245 - 40
B652 1812	Decal: Display Guidance	29 - 3
B652 1816	Link: Stopper: Cover: Paper Feed	29 - 32
B652 1817	Bracket: Link: Cover: Paper Feed: Peen	35 - 22
B652 1822	Bracket: Pressure: Pickup	29 - 9
B652 1823	Pressure Plate: Pickup	29 - 11
B652 1824	Compression Spring	29 - 10
B652 1852	Cover: Exit	41 - 28
B652 1853	Compression Spring	41 - 25
B652 1854	Cover: Sensor: Reverse: Lower	41 - 31
B652 1902	Cover: Front	25 - 2
B652 1905	Decal: Misfeed Removal: Exit	25 - 14
B652 1905	Decal: Misfeed Removal: Exit	245 - 41
B652 1906	Decal: Misfeed Removal	25 - 13
B652 1906	Decal: Misfeed Removal	245 - 42
B652 1952	Cover: Rear	25 - 4
B652 2112	Roller: Pull Out: Drive	35 - 18
B652 2122	Stay: Reverse Roller: Ass'y	33 - 16
B652 2126	Guide: Stay: Reverse Roller	33 - 17
B652 2127	Bracket: Guide Plate: Lower	33 - 12
B652 2128	Cushion: Guide Plate: Reverse: Exit	33 - 15

Part No.	Description	Page and Index No.
B652 2143	Guide Plate: Paper Feed: Lower	33 - 1
B652 2146	Holder: Separation Pad	33 - 5
B652 2152	Guide Plate: Lower: Pull Out	39 - 2
B652 2212	Timing Pulley: 21T	31 - 25
B652 2213	Timing Belt: B40S2M142	31 - 24
B652 2215	Guide: Paper Feed Belt: Front	31 - 26
B652 2322	Guide Plate: Reverse: Upper	27 - 28
B652 2323	Ground Plate: Shaft: Base	27 - 22
B652 2333	Shaft: Rise: Base	27 - 13
B652 2334	Lever: Rise: Base	27 - 15
B652 2335	Bracket: Lever: Rise: Base	27 - 16
B652 2343	Bracket: Motor: Base: Ass'y	45 - 10
B652 2351	Base: Original Table: Ass'y	27 - 7
B652 2354	Decal: Base: Original	27 - 8
B652 2354	Decal: Base: Original	245 - 43
B652 2362	Bracket: Pressure: Pull Out: Ass'y	29 - 16
B652 2363	Shaft: Base: Rear: Ass'y	27 - 17
B652 2372	Original Table: Face Front: Printing	27 - 32
B652 2375	Bushing: Original Table	27 - 23
B652 2378	Decal - Display: Original Table	245 - 44
B652 2378	Decal - Display: Original Table	19 - 33
B652 2379	Decal: Caution: Original: 5-Lang	19 - 35
B652 2383	Original Table: Behind	27 - 33
B652 2392	Stopper: Original Table	27 - 26
B652 2393	Compression Spring	27 - 27
B652 2403	Arm: Roller: Reverse: Upper	27 - 18
B652 2404	Compression Spring: 3.1n	27 - 20
B652 2411	Roller: Scanning: Entrance: Drive	35 - 17
B652 2421	Roller: Scanning: Exit: Drive	35 - 19
B652 2433	Guide Plate: Original Table	33 - 18
B652 2505	Compression Spring	29 - 30
B652 2516	Discharge Brush: Exit: L45	29 - 17
B652 2523	Bracket: Paper Size Sensor	29 - 22
B652 2911	Stepper Motor: Base: Rise: Ass'y	45 - 9
B652 3112	Roller: Transport Belt: Drive	37 - 5

Part No.	Description	Page and Index No.
B652 3113	Roller: Pressure	37 - 16
B652 3116	Guide: Transport Belt: Front	37 - 11
B652 3117	Guide: Transport Belt: Rear	37 - 14
B652 3119	Stopper: Roller: Drive	37 - 6
B652 3120	Housing: Transport Belt Unit	37 - 12
B652 3121	Transport Belt	37 - 4
B652 3123	Bracket: Roller: Driven	37 - 17
B652 3124	Driven Roller: Scanning	37 - 18
B652 3125	Compression Spring	37 - 13
B652 3135	Timing Belt: B60S2M172	35 - 21
B652 3136	Cover: Roller: Scanning: Peen	47 - 19
B652 3145	Tension Spring: Lock: Lever	37 - 1
B652 3146	Shaft: Lever: Misfeed Removal: Ass'y	37 - 3
B652 3148	Hook: Lock: Image Reading Unit: Front	37 - 2
B652 3156	Spacer: Transport Belt	37 - 15
B652 3157	Discharge Brush: Long	37 - 8
B652 3158	Discharge Brush: Short	37 - 7
B652 3159	Discharge Brush: Middle	37 - 9
B652 3174	Tension Spring	45 - 32
B652 3211	Bracket: Stepper Motor	45 - 20
B652 3215	Guide Plate: Stepper Motor	45 - 22
B652 3231	Belt Tensioner: Ass'y	45 - 34
B652 3251	Guide Plate: Entrance: Upper: Ass'y	35 - 14
B652 4103	Guide Plate: Reverse: Entrance	39 - 8
B652 4114	Guide Plate: Reverse: Exit: Upper	39 - 4
B652 4115	Guide Plate: Reverse: Middle: Upper	39 - 7
B652 4116	Guide: Reverse: Exit	39 - 5
B652 4117	Guide: Reverse: Exit: Middle	39 - 6
B652 4119	Decal: Guide Plate: Reverse: Exit	245 - 45
B652 4119	Decal: Guide Plate: Reverse: Exit	39 - 3
B652 4122	Guide Plate: Reverse: Middle: Upper	33 - 27
B652 4133	Bracket: Sensor: Reverse: Middle	33 - 25
B652 4152	Reverse Roller: Exit: Drive	39 - 9
B652 4153	Timing Belt: B40S2M230	35 - 25
B652 4153	Timing Belt: B40S2M230	45 - 24

Part No.	Description	Page and Index No.
B652 4155	Roller: Driven: Reverse: Middle	33 - 11
B652 4156	Compression Spring: 0.5n	33 - 9
B652 4203	Gate Pawl: Reverse: Upper	33 - 20
B652 4205	Bracket: Discharge Brush: Ass'y	33 - 22
B652 4207	Discharge Brush	33 - 23
B652 4212	Hook: Solenoid: Reverse: Upper	33 - 29
B652 4213	Tension Spring: Hook: Gate Pawl	33 - 30
B652 4222	DC Solenoid: Ass'y	45 - 27
B652 4223	Bracket: Solenoid: Reverse: Upper	45 - 25
B652 4501	Guide: Scanning: Exit: Exit	39 - 17
B652 4503	Discharge Brush: Exit: L37	39 - 18
B652 4504	Discharge Brush: Exit: L16	39 - 19
B652 4506	Guide: Scanning: Exit: Long	39 - 14
B652 4507	Guide: Scanning: Exit: Short	39 - 15
B652 4517	Arm: Pressure: Reverse: Lower	41 - 14
B652 4518	Compression Spring	41 - 15
B652 4519	Roller: Scanning: Exit: Driven	41 - 5
B652 4520	Bushing: Reverse: Lower: Gate Pawl	41 - 4
B652 4521	Guide Plate: Reverse: Lower	41 - 8
B652 4522	Bracket: Reverse: Lower	41 - 19
B652 4527	Gate Pawl: Reverse: Lower: Left	41 - 1
B652 4528	Gate Pawl: Reverse: Lower: Right	41 - 2
B652 4529	Lever: Reverse: Lower	41 - 12
B652 4530	Tension Spring	41 - 16
B652 4532	Lever: Reverse: Lower: Dc Solenoid	37 - 21
B652 4533	Bracket: Reverse: Lower: Dc Solenoid	37 - 22
B652 4602	Guide Plate: Reverse: Lower: Fix	41 - 24
B652 4726	Exit Roller	39 - 10
B652 4726	Exit Roller	33 - 24
B652 4726	Exit Roller	41 - 23
B652 4727	Timing Pulley: 44T	39 - 22
B652 4727	Timing Pulley: 44T	33 - 31
B652 4727	Timing Pulley: 44T	41 - 33
B652 4728	Timing Belt: B40S2M138	45 - 18
B652 4741	Pressure Plate: Ass'y	25 - 8

Part No.	Description	Page and Index No.
B652 4766	DC Solenoid: Reverse: Lower: Ass'y	37 - 20
B652 4772	DC Stepper Motor: Exit: 2.1W	45 - 17
B652 4902	Guide Plate: Pressure Plate	25 - 9
B652 4903	Stopper: Guide Plate: Pressure Plate	25 - 6
B652 4904	Bracket: Magnet Catch: Pressure Plate	47 - 20
B652 4905	Decal: Misfeed Removal	245 - 46
B652 4905	Decal: Misfeed Removal	25 - 11
B652 5401	Harness: Original Sensor	45 - 5
B652 5406	Harness: Paper Size Sensor	45 - 4
B652 5412	Harness: Sensor: Connecting: Paper Size Sensor	29 - 25
B652 5418	Harness: Sensor: Connecting: Stopper Guide	29 - 28
B652 5422	Harness: Motor: Exit	45 - 2
B652 5426	Harness: Solenoid: Reverse	45 - 3
B652 5431	Harness: Registration Sensor	35 - 12
B652 5436	Harness: Sensor: Original Table	27 - 34
B652 5441	Harness: Motor: Pick Up	45 - 6
B652 5446	Harness: Sensor: Reverse: Upper	47 - 14
B652 5451	Harness: Original Sensor	27 - 9
B652 5456	Harness: Sensor: Reverse: Lower	41 - 30
B652 5461	Harness: Sensor: Exit	39 - 13
B652 5504	PCB: Main Control: Ass'y	45 - 8
B700 4428	Timing Belt: B40S2M158	45 - 11
B712 5605	Grip: Application	177 - 17
B712 5605	Grip: Application	51 - 10
B712 5605	Grip: Application	97 - 16
C101 2360	Snap Ring	27 - 29
C105 1866	Pin	39 - 26
C401 9503	20X Magnification Scope	247 - 5
D009 1470	PCB: OP-R	23 - 1
D009 1480	Harness: OP-R: 10	23 - 24
D009 1481	Harness: OP-R: 13	23 - 23
D009 1482	Harness: OP-L: 12	23 - 2
D009 1483	Harness: OP-L: 13	23 - 3
D009 1484	Harness: Inverter	23 - 15
D009 1486	Inverter: TFT	23 - 16

Part No.	Description	Page and Index No.
D009 1487	Cable: FFC: TFT: LCD	23 - 14
D009 1488	Touch Panel: W-VGA: MA	23 - 18
D009 1489	LCD: TFT: W-VGA: SH	23 - 21
D009 1504	Shading Plate: Touch Panel	23 - 17
D376 5017	SD-Card - P/S Unit	173 - 22
D376 6515	CD-ROM: SCN: Exp: GEN: Ass'y	19 - 42
D376 6526	CD-ROM: PRN: EU: INF: Ass'y	19 - 42
D376 7900	Sheet: EULA: 18Languages	19 - 43
D376 7901	Seal: Caution: 18Languages	19 - 44
G011 1058	Snap Ring	99 - 24
G011 1058	Snap Ring	101 - 9
G011 3305	Gear - 16Z	59 - 11
G014 3291	Snap Ring - Pick Up	93 - 20
G021 9350	Loop Back Connector	247 - 4
G029 4150	Pressure Spring	55 - 8
G047 3472	Bushing: Back Up: Master Belt	115 - 20
G060 1908	Thermistor Plate	57 - 15
G104 5139	Knob Screw: HDD Unit	183 - 16
G178 6001	PWB: CONT: EX1	235 - 3
G178 6016	Heat Sink: EX1: PEN	235 - 4
G178 6017	Heat Sink: EX1: GMCH	235 - 5
G178 6062	PCB: PC4200: Rawcard-C: 512MB	173 - 18
G178 6072	PCB: PC4200: Rawcard-A: 1GB	173 - 16
G404 2810	Spring Plate - 2nd Mirror	53 - 2
G564 4151	Rail - Side Fence	27 - 1
G570 2731	Grip	53 - 12
G570 2834	Pulley - High Voltage Supply Cord	53 - 6
H020 2318	NRP345	133 - 9
H053 1174	Washer M6 - Scanner Unit	131 - 8

Part No.	Description	Page and Index No.
AA00 0217	Decal - LD 655	57 - 4
AA00 0217	Decal - LD 655	245 - 4
AA00 0239	Decal: Color: µFP	19 - 18
AA00 1477	Decal: Energy-star	19 - 39
AA00 1477	Decal: Energy-star	245 - 5
AA00 2010	Decal - Paper Level	65 - 15
AA00 2010	Decal - Paper Level	71 - 15
AA00 2010	Decal - Paper Level	63 - 13
AA00 2010	Decal - Paper Level	245 - 6
AA00 2246	Decal - Caution	245 - 7
AA00 2246	Decal - Caution	65 - 3
AA00 3211	Decal: Paper Tray: Display: 1	245 - 8
AA00 3211	Decal: Paper Tray: Display: 1	63 - 1
AA00 3212	Decal: Paper Tray: Display: 2	245 - 9
AA00 3212	Decal: Paper Tray: Display: 2	69 - 3
AA00 3213	Decal: Paper Tray: Display: 3	69 - 2
AA00 3213	Decal: Paper Tray: Display: 3	245 - 10
AA02 1034	Magnetic	141 - 16
AA04 0033	Transport Belt	113 - 2
AA04 3271	Timing Belt S3m 196t	63 - 22
AA04 3291	Timing Belt	141 - 4
AA04 3294	Timing Belt - 40S2M810G	145 - 6
AA04 3309	Timing Belt: 40S2M360G	141 - 10
AA04 3310	Timing Belt: 40S2M278G	143 - 9
AA04 3311	Timing Belt: 40S2M302G	143 - 10
AA04 3312	Timing Belt: 60S2M138	109 - 22
AA04 3313	Timing Belt: 40S2M150	155 - 5
AA04 3314	Timing Belt: 100S2M266	55 - 17
AA04 3575	Timing Belt	77 - 25
AA04 3575	Timing Belt	75 - 21
AA04 3576	Timing Belt	75 - 30
AA04 3578	Timing Belt: S2M208	113 - 13
AA04 3587	Timing Belt: S2M170	111 - 26
AA04 3964	Timing Belt: 60S3M741	155 - 22
AA04 3965	Timing Belt: 40S3M471	155 - 21

Part No.	Description	Page and Index No.
AA04 3978	Timing Belt: 40DS2M300	151 - 9
AA06 0534	Tray Lock Spring - 19mm	69 - 15
AA06 0695	Tension Spring	131 - 14
AA06 0757	Tension Spring - Long	67 - 3
AA06 0758	Tension Spring - Short	67 - 16
AA06 0761	Spring	187 - 11
AA06 0842	Tension Spring	43 - 4
AA06 0896	Spring	73 - 34
AA06 0897	Spring	73 - 12
AA06 0898	Spring	73 - 9
AA06 0899	Spring	73 - 17
AA06 0900	Spring	75 - 19
AA06 0901	Spring	75 - 23
AA06 0904	Spring	75 - 27
AA06 0950	Tension Spring	151 - 17
AA06 0951	Pressure Spring	155 - 17
AA06 0952	Tension Spring	61 - 10
AA06 0954	Tension Spring	61 - 37
AA06 0958	Tension Spring	155 - 2
AA06 0960	Tension Spring	183 - 22
AA06 0961	Tension Spring: Side Fence: Rear	71 - 24
AA06 0984	Tension Spring	145 - 14
AA06 0987	Tension Spring: Timing Belt: 10n	63 - 17
AA06 0991	Tension Spring: Tension: Transport	45 - 21
AA06 1018	Tension Spring	121 - 20
AA06 1019	Tension Spring - Stripper Plate	121 - 10
AA06 1025	Tension Spring: Open And Close	105 - 11
AA06 1033	Tension Spring: Registration	105 - 12
AA06 2318	Spring	145 - 23
AA06 2318	Spring	139 - 2
AA06 2319	Spring	135 - 12
AA06 2320	Spring	137 - 8
AA06 2327	Tension Spring	141 - 13
AA06 2328	Tension Spring: Black	139 - 13
AA06 2329	Spring: Registration: 20n	107 - 22

Part No.	Description	Page and Index No.
AA06 2330	Tension Spring	133 - 21
AA06 2351	Tension Spring - Heat Roller	123 - 29
AA06 3254	Driven Roller Spring	109 - 6
AA06 3268	Connector Spring	161 - 3
AA06 3433	Exit Roller Spring	107 - 18
AA06 3435	Compression Spring: Paper Feed: Joint	31 - 4
AA06 3450	Compression Spring - Pressure	127 - 9
AA06 3487	Spring - 10mm	77 - 7
AA06 3581	Compression Spring	137 - 23
AA06 3592	Compression Spring	141 - 24
AA06 3670	Spring Connector: 9.8n	157 - 2
AA06 3878	Spring	77 - 21
AA06 3889	Heat Sink Spring	73 - 27
AA06 3902	Spring: Connector: Tandem LCT	161 - 12
AA06 3906	Compression Spring	129 - 17
AA06 3907	Compression Spring	183 - 9
AA06 3908	Spring: Tightener	129 - 4
AA06 3909	Spring: Guide Plate: Open And Close	133 - 6
AA06 3951	Compression Spring	135 - 26
AA06 3991	Spring - Oil Supply Roller	125 - 9
AA06 6372	Spring	107 - 14
AA06 6382	Front Torsion Spring - Stripper	121 - 13
AA06 6383	Rear Torsion Spring - Stripper	121 - 16
AA06 6682	Torsion Spring - Front	121 - 23
AA06 6683	Torsion Spring - Rear	121 - 26
AA06 6684	Torsion Spring: Front: 2n	115 - 10
AA06 6685	Torsion Spring: Rear: 2n	115 - 12
AA07 0064	Slide Rail: Toner Supply: Ass'y	179 - 1
AA07 0064	Slide Rail: Toner Supply: Ass'y	183 - 11
AA07 0066	Slide Rail: Pull Out: Left	183 - 3
AA07 0067	Slide Rail: Pull Out: Right	183 - 14
AA07 0072	Slide Rail: Tandem LCT	187 - 5
AA08 0034	Bushing - 4x5x7	107 - 19
AA08 0034	Bushing - 4x5x7	139 - 8
AA08 0037	Bushing - 6mm	29 - 18

Part No.	Description	Page and Index No.
AA08 0154	Rear Bushing	111 - 32
AA08 0203	Bushing - 6mm	109 - 4
AA08 0213	Bushing: Dia6	129 - 9
AA08 0240	Bushing - Mm5	129 - 16
AA08 0241	Bushing - M4	77 - 20
AA08 0265	Bushing: 6x8x5	183 - 21
AA08 0327	Bushing - M4	75 - 3
AA08 2063	Bushing - 8x10x5	141 - 26
AA08 2063	Bushing - 8x10x5	157 - 18
AA08 2101	Bushing - 6x10x6	121 - 5
AA08 2101	Bushing - 6x10x6	117 - 17
AA08 2101	Bushing - 6x10x6	113 - 4
AA08 2104	Bushing - 8x12x7	95 - 1
AA08 2116	Bushing - M8	61 - 20
AA08 2116	Bushing - M8	139 - 11
AA08 2116	Bushing - M8	107 - 15
AA08 2118	Bushing - M6	129 - 25
AA08 2118	Bushing - M6	75 - 12
AA08 2118	Bushing - M6	73 - 7
AA08 2118	Bushing - M6	141 - 14
AA08 2118	Bushing - M6	61 - 15
AA08 2118	Bushing - M6	139 - 10
AA08 2118	Bushing - M6	143 - 8
AA08 2137	Bushing: 6x10x6	111 - 11
AA08 2139	Guide: Shaft: Drive	83 - 9
AA08 2141	Bushing - 16x18x5	35 - 23
AA08 3013	Bushing - 8x18x11	61 - 27
AA08 3014	One-way Clutch	61 - 12
AA08 3022	Bushing: Dia6: Dia8	101 - 21
AA08 3022	Bushing: Dia6: Dia8	99 - 19
AA08 4053	Ball Bearing: Driven: MM4	135 - 8
AA10 0011	Retaining Ring: Silencer: MM7	95 - 20
AA11 3037	Terminal: 4p: 187	127 - 24
AA12 0084	Discharge Brush	135 - 5
AA13 2013	Spacer	31 - 5

Part No.	Description	Page and Index No.
AA13 2025	Spacer - 1x8x12	107 - 8
AA13 2025	Spacer - 1x8x12	155 - 6
AA13 2152	Spacer - 8x20x1	45 - 14
AA13 2171	Spacer - 6x20x1	31 - 23
AA13 2203	Spacer - 6mm	67 - 33
AA13 2203	Spacer - 6mm	161 - 13
AA13 2204	Collar	123 - 17
AA13 2208	Spacer - M6	147 - 22
AA13 2300	Roller: Lock: Pull Out	135 - 32
AA14 0686	Shaft - Timing Pulley	63 - 27
AA14 0761	Shaft: Feed Roller	61 - 26
AA14 0828	Feed Roller Shaft	73 - 10
AA14 0829	Driven Shaft	75 - 4
AA14 1008	Panel Knob Screw	173 - 12
AA14 3129	Shoulder Screw - Front Cover	139 - 1
AA14 3183	Stepped Screw	141 - 17
AA14 3301	Stepped Screw - M3x4	155 - 13
AA14 3394	Stepped Screw - M3x10	113 - 23
AA14 3421	Stud: Guide Pin	183 - 7
AA14 3424	Knob Screw - M4x8	115 - 24
AA14 3426	Stopped Screw - M4x17	139 - 28
AA14 3517	Guide Plate Screw	123 - 31
AA14 3520	Shoulder Screw - M3	49 - 9
AA14 3559	Screw: M4: DIA5	49 - 2
AA14 3560	Stepped Screw - M4	77 - 13
AA14 3718	Stepped Screw - M4	177 - 19
AA14 3718	Stepped Screw - M4	73 - 35
AA14 3788	Pin: Guide Plate: Paper Feed	29 - 14
AA14 3788	Pin: Guide Plate: Paper Feed	33 - 28
AA14 3788	Pin: Guide Plate: Paper Feed	41 - 22
AA14 3788	Pin: Guide Plate: Paper Feed	37 - 19
AA14 3788	Pin: Guide Plate: Paper Feed	39 - 23
AA14 3788	Pin: Guide Plate: Paper Feed	25 - 3
AA14 3789	Shaft: Cleaner	31 - 1
AA14 3789	Shaft: Cleaner	27 - 31

Part No.	Description	Page and Index No.
AA14 3790	Screw: Contact Point	47 - 23
AA14 3790	Screw: Contact Point	33 - 3
AA14 3791	Screw: Safety	179 - 19
AA14 3791	Screw: Safety	45 - 30
AA14 3791	Screw: Safety	35 - 24
AA14 3792	Screw: Drawer	105 - 23
AA14 3794	Screw: Spring: Drawer	157 - 1
AA14 3797	Connector Guide Pin	157 - 25
AA14 3798	Hexagonal Bolt: M12x35	185 - 6
AA14 3801	Screw: M4: Exterior	21 - 8
AA14 3802	Screw: 6X1.7	55 - 5
AA14 3803	Flanged Hexagonal Head Bolt: Caster	185 - 12
AA14 3811	Stepped Screw - M3x4	141 - 21
AA14 3811	Stepped Screw - M3x4	137 - 14
AA14 3812	Screw - Scale	75 - 6
AA14 3842	Screw: DIA6: 14.5: M4	47 - 4
AA14 3843	Screw: DIA6	41 - 9
AA14 3846	Tapping Screw: M3x6	29 - 33
AA14 3870	Stepped Screw	111 - 3
AA14 8692	Shaft: Roller: Reversal	141 - 27
AA15 0406	Seal - Misfeed Removal	187 - 14
AA16 1104	Cushion - Motor	51 - 7
AA16 1104	Cushion - Motor	185 - 16
AA16 1129	Cushion - Large	67 - 36
AA16 1130	Cushion - Small	67 - 29
AA16 1137	Cushion - 0.5	49 - 7
AB01 0142	Gear: 93Z	151 - 21
AB01 0143	Gear: 81Z	151 - 20
AB01 0144	Gear: 64Z	157 - 10
AB01 0145	Gear: 96Z	157 - 8
AB01 1029	Gear: 31/44Z	147 - 12
AB01 1124	Gear: 21Z	111 - 24
AB01 1125	Gear: 20/29Z	111 - 29
AB01 1126	Gear: 20Z	111 - 30
AB01 1247	Gear: 32Z	147 - 19

Part No.	Description	Page and Index No.
AB01 1248	Gear: 14/30Z	147 - 18
AB01 1250	Gear: 22Z	155 - 11
AB01 1273	Gear: 24Z	157 - 16
AB01 1274	Gear: 25Z	157 - 14
AB01 1275	Gear - 17Z	91 - 11
AB01 1276	Joint Gear - 180Z	91 - 9
AB01 1277	Idle Gear - 21Z	91 - 10
AB01 1279	Idle Gear - 18Z	91 - 12
AB01 1300	Gear: 50Z	107 - 26
AB01 1301	Gear: 32Z	109 - 1
AB01 1302	Gear: 30Z	155 - 28
AB01 1303	Gear: 33Z	155 - 32
AB01 1304	Gear: 40Z	155 - 27
AB01 1305	Gear: 21Z	61 - 36
AB01 1306	Gear: 24Z	61 - 32
AB01 1307	Gear: 42Z	61 - 13
AB01 1465	Idler Gear	73 - 6
AB01 1466	Gear - 35Z	73 - 25
AB01 1466	Gear - 35Z	77 - 24
AB01 1469	Gear - 19Z	75 - 13
AB01 1470	Gear - 18Z	75 - 15
AB01 1471	Reverse Gear	75 - 36
AB01 1490	Gear - 38Z	75 - 39
AB01 1491	Gear - 21Z	75 - 38
AB01 1496	Gear - 32Z	143 - 15
AB01 1497	Gear: 45Z	143 - 11
AB01 1498	Gear: 22Z	143 - 13
AB01 1591	Gear: Reverse	75 - 35
AB01 2327	Gear: 16Z	71 - 22
AB01 3122	Gear: 26Z	149 - 23
AB01 3189	Gear: 30Z	149 - 24
AB01 3299	Gear: 18Z	147 - 15
AB01 3309	Gear: 18Z	117 - 2
AB01 3363	Gear - 16Z	117 - 6
AB01 3467	Gear - 30Z	159 - 7

Part No.	Description	Page and Index No.
AB01 3703	Gear - 24Z	123 - 38
AB01 3781	Gear - 30Z	67 - 23
AB01 3798	Gear - Z18	63 - 29
AB01 4290	Gear - 34Z	123 - 16
AB01 4291	Gear - 32Z	127 - 1
AB01 4294	Gear - 30Z/23Z	123 - 7
AB01 4295	Gear - 20Z	123 - 8
AB01 4298	Drive Gear - 23Z	123 - 12
AB01 4309	Gear: Shaft: Cam	115 - 3
AB01 4310	Gear: Motor: On-Off	117 - 10
AB01 4311	Gear: Coupling: Slow Down: 21Z	117 - 13
AB01 4312	Gear: Motor: Drive: 15Z	117 - 15
AB01 4322	Idle Gear - 27Z	127 - 26
AB01 4323	Gear: Idler: Drive	123 - 13
AB01 4324	Gear: Idler: Hot Roller	123 - 14
AB01 7000	Gear: 17/51Z	159 - 10
AB01 7338	Gear: 30T	113 - 12
AB01 7614	Pulley	143 - 12
AB01 7615	Gear - 30Z/45Z	145 - 12
AB01 7617	Gear - 21Z/38Z	73 - 19
AB01 7619	Gear - 24Z/40Z	77 - 23
AB01 7687	Gear: 22/24Z	141 - 3
AB01 7688	Gear: 13/20Z	117 - 4
AB01 7690	Pulley: Idler: 30T/24Z	75 - 20
AB01 7746	Gear: 46Z/25Z	157 - 12
AB01 7747	Gear: 25Z/25Z	157 - 13
AB01 9475	Gear - 48T	63 - 24
AB03 0275	Pulley: 31T	113 - 14
AB03 0301	Timing Pulley: 35T	155 - 4
AB03 0302	Timing Pulley: 35T	107 - 9
AB03 0583	Timing Pulley - 24Z	143 - 7
AB03 0731	Pulley - 29Z	143 - 16
AB03 0732	Jogger Pulley	145 - 22
AB03 0733	Pulley - 20T	75 - 29
AB03 0734	Pulley - 30Z	75 - 40

Part No.	Description	Page and Index No.
AB03 0748	Pulley: 40T	113 - 17
AB03 0749	Pulley: 23T	111 - 27
AB03 0766	Timing Pulley: 37T	151 - 13
AB03 0768	Timing Pulley: 47T	155 - 15
AB03 0770	Timing Pulley: 47T	155 - 14
AB03 0771	Timing Pulley: 44T	155 - 23
AB03 0772	Timing Pulley: 44T	155 - 24
AB03 0819	Timing Pulley: 23T	151 - 10
AB03 2058	Wire Pulley - M10	67 - 19
AB03 2069	Pulley	55 - 26
AB03 2070	Pulley	55 - 19
AB03 2719	Pulley - M10	67 - 21
AB03 3084	Timing Pulley - 15T	63 - 25
AB03 3085	Timing Pulley - 15T	63 - 15
AC01 5041	Shield Glass	57 - 13
AE01 0056	Core: Hot Roller	123 - 11
AE01 0065	Hot Roller	123 - 22
AE01 2032	Heat Roller	123 - 28
AE02 0165	Pressure Roller	127 - 3
AE03 0039	Ball Bearing	123 - 25
AE03 0049	Ball Bearing -20x32x7	127 - 2
AE03 0049	Ball Bearing -20x32x7	123 - 15
AE03 0056	Ball Bearing - 8x16x5	127 - 14
AE03 1068	Front Bushing - Cleaning Roller	125 - 14
AE03 1069	Rear Bushing - Cleaning Roller	125 - 10
AE03 2031	Thermal Insulating Bushing - 30mm	123 - 24
AE04 0042	Oil Supply Roller	125 - 11
AE04 2080	Cleaning Roller: Ass'y	125 - 12
AF01 3005	Bottom Plate Pad	71 - 10
AF01 3016	Bottom Plate Pad	61 - 30
AF01 7033	End Fence	71 - 20
AF02 0295	Vertical Driven Roller	77 - 19
AF02 0562	Transport Roller	77 - 22
AF02 0562	Transport Roller	73 - 24
AF02 0690	Roller: Reversal: Driven	141 - 25

Part No.	Description	Page and Index No.
AF02 1075	Duplex Turn Roller	143 - 1
AF02 1079	Right Drive Roller	143 - 6
AF02 2064	Transport Roller: Driven	113 - 3
AF02 2067	Guide Stopper Roller	137 - 25
AF02 2077	Driven Roller	137 - 21
AF02 2105	Roller - Slide Rail	67 - 32
AF02 2149	Transport Roller	75 - 2
AF03 0080	Paper Feed Roller: Pickup	61 - 22
AF03 0081	Paper Feed Roller: Pickup	73 - 3
AF03 1081	Paper Feed Roller: Feed: Manual Feed	61 - 19
AF03 1082	Paper Feed Roller: Feed	73 - 4
AF03 2080	Paper Feed Roller: Separate	61 - 33
AF03 2080	Paper Feed Roller: Separate	75 - 32
AG05 1141	Release Lever	139 - 5
AG05 1147	Knob: Fusing	103 - 5
AG07 1012	Magnet Catch: Ass'y	171 - 7
AG07 1012	Magnet Catch: Ass'y	19 - 14
AH01 2031	Caster: 1470n	185 - 11
AW00 0011	Optics Sensor: Photo	105 - 6
AW01 0107	Paper Feed Sensor	73 - 14
AW01 0107	Paper Feed Sensor	61 - 9
AW01 0107	Paper Feed Sensor	183 - 5
AW01 0107	Paper Feed Sensor	109 - 9
AW01 0107	Paper Feed Sensor	105 - 4
AW01 0107	Paper Feed Sensor	135 - 3
AW01 0107	Paper Feed Sensor	29 - 26
AW01 0112	Photo Reflector Sensor: Original Table	27 - 12
AW01 0113	Sensor	67 - 37
AW01 0115	Original Sensor: H=81.5	53 - 8
AW01 0117	Paper Feed Sensor	35 - 11
AW01 0117	Paper Feed Sensor	39 - 12
AW01 0117	Paper Feed Sensor	41 - 29
AW01 0117	Paper Feed Sensor	33 - 26
AW01 0117	Paper Feed Sensor	29 - 27
AW01 0118	Paper Feed Sensor	125 - 1

Part No.	Description	Page and Index No.
AW01 0119	Paper Feed Sensor	139 - 25
AW01 0133	Original Sensor - 66mm	53 - 7
AW01 0141	Positioning Sensor	97 - 11
AW02 0141	Photointerruptor	47 - 1
AW02 0141	Photointerruptor	43 - 22
AW02 0141	Photointerruptor	27 - 10
AW02 0145	Photointerruptor: Flat	109 - 24
AW02 0145	Photointerruptor: Flat	51 - 14
AW02 0145	Photointerruptor: Flat	97 - 6
AW02 0145	Photointerruptor: Flat	157 - 6
AW02 0145	Photointerruptor: Flat	67 - 11
AW02 0145	Photointerruptor: Flat	65 - 12
AW02 0145	Photointerruptor: Flat	63 - 35
AW02 0145	Photointerruptor: Flat	117 - 19
AW02 0145	Photointerruptor: Flat	145 - 25
AW02 0145	Photointerruptor: Flat	115 - 1
AW02 0147	Photointerruptor: Feeler: Square	147 - 8
AW02 0148	Paper Feed Sensor	145 - 9
AW02 0149	Paper Feed Sensor	145 - 10
AW02 0149	Paper Feed Sensor	137 - 17
AW02 0154	Photointerruptor: Entrance	29 - 24
AW02 0155	Photointerruptor: Paper Size Sensor	29 - 23
AW02 0160	Paper Feed Sensor	73 - 21
AW02 0160	Paper Feed Sensor	61 - 6
AW02 0163	Paper Feed Sensor	63 - 32
AW02 0164	Oil End Sensor	159 - 4
AW10 0100	Thermistor: Imaging Unit	57 - 16
AW10 0107	Thermistor	149 - 2
AW10 0110	Thermistor	119 - 23
AW10 0114	Temperature Sensor: Upper	119 - 26
AW11 0044	Thermostat: 150C: 250V/17A	119 - 27
AW11 0045	Thermostat: 149C: 250V/17A	119 - 28
AW14 0015	Temperature & Humidity Sensor	185 - 10
AW14 0015	Temperature & Humidity Sensor	181 - 6
AW23 0024	Toner End Sensor	81 - 14

Part No.	Description	Page and Index No.
AW50 0010	Push Switch	159 - 17
AW50 0023	Push Switch	147 - 5
AX04 0139	Stepper Motor: Mm42: 0.95A: 9.5V	43 - 17
AX04 0144	DC Motor: Rise: Paper Tray	159 - 13
AX04 0145	DC Motor: Tandem LCT	63 - 31
AX04 0167	Motor: DC5V 0.71W	153 - 4
AX05 0293	DC Motor: DC24V: 6W	151 - 3
AX06 0302	Brushless MotorDC24V 2.4W	147 - 16
AX06 0356	Brushless Motor: DC24V 18W	83 - 2
AX06 0357	Motor: DC24V 24W	117 - 8
AX06 0359	DC Motor: DC24V: 21W	151 - 5
AX06 0360	DC Motor: MM56: DC24V: 12W	151 - 22
AX06 0361	Motor: DC24V 17W	157 - 4
AX06 0362	Motor: DC24V 48W	155 - 12
AX20 0277	Magnetic Clutch: 0.53N M: 36Z	61 - 28
AX31 0047	Total Counter: 7FIG: 24V: MI2	69 - 11
AX40 0122	Ant condensation Heater - 120V 9W	53 - 19
AX40 0123	Ant condensation Heater - 230V 10W	53 - 19
AX40 0176	Heater: 115V: 18W: Upper	113 - 20
AX40 0176	Heater: 115V: 18W: Upper	187 - 2
AX40 0178	Heater: 240V: 18W: Upper	187 - 2
AX40 0178	Heater: 240V: 18W: Upper	113 - 20
AX43 0186	Heater - 117V 400W	119 - 9
AX43 0188	Heater - 117V 250W	119 - 13
AX43 0190	Heater - 227V 400W	119 - 9
AX44 0267	Heater - 227V 600W	119 - 13
AX44 0269	Heater - 117V 700W	119 - 12
AX44 0271	Heater - 227V 700W	119 - 12
AX50 0101	Xenon Lamp: 50000LX	53 - 16
AX56 0011	LED	107 - 3
AX64 0149	Fan Motor: Mm40: 15mm	85 - 25
AX64 0149	Fan Motor: Mm40: 15mm	81 - 4
AX64 0149	Fan Motor: Mm40: 15mm	55 - 4
AX64 0150	Fan Motor: Mm60: 25mm: DC24V 4.8W	171 - 11
AX64 0150	Fan Motor: Mm60: 25mm: DC24V 4.8W	163 - 4

Part No.	Description	Page and Index No.
AX64 0151	Fan Motor: Mm60	51 - 11
AX64 0158	Fan Motor Mm60/15mm: 24V	113 - 7
AX64 0159	Fan Motor Mm80	175 - 8
AX64 0163	Fan Motor: Mm80	185 - 14
AX64 0164	Fan Motor: 15mm: 24V	171 - 20
AX64 0193	Sirocco Fan Motor: DC24C 4.32W	85 - 2
AX65 0036	Sirocco Fan Motor: DC24V 7.92W	167 - 21
AX65 0041	Fan Motor: Sirocco	167 - 19
AX65 0042	Fan: Sirocco: DC24V: 2Speed	163 - 2
AZ26 0005	Power Supply Unit	169 - 2
AZ31 0029	Power Pack: D	135 - 21
AZ32 0168	Power Pack: C	165 - 11
AZ32 0169	Power Pack: C/G/B	163 - 9
AZ32 0170	Power Pack: T1/T2	97 - 1
AZ50 0075	Stabilizer	55 - 1
BC01 2008	Exposure Glass	49 - 3
GA00 3016	Decal - Y Toner Supply	179 - 24
GA00 3016	Decal - Y Toner Supply	245 - 52
GA00 3017	Decal - M Toner Supply	179 - 26
GA00 3017	Decal - M Toner Supply	245 - 53
GA00 3018	Decal - C Toner Supply	179 - 25
GA00 3018	Decal - C Toner Supply	245 - 54
GA00 3019	Decal - K Toner Supply	179 - 27
GA00 3019	Decal - K Toner Supply	245 - 55
GA00 3020	Decal: Development Unit: Display: Y	85 - 13
GA00 3020	Decal: Development Unit: Display: Y	245 - 56
GA00 3021	Decal: Development Unit: Display: M	85 - 15
GA00 3021	Decal: Development Unit: Display: M	245 - 57
GA00 3022	Decal: Development Unit: Display: C	85 - 14
GA00 3022	Decal: Development Unit: Display: C	245 - 58
GA00 3023	Decal: Development Unit: Display: K	85 - 16
GA00 3023	Decal: Development Unit: Display: K	245 - 59

Part No.	Description	Page and Index No.
VSST 9501	Connection Kit Color Test Chart(3 Sheets/Set)	247 - 10

Part No.	Description	Page and Index No.
0313 0040N	Screw: M3x4	151 -104
0313 0050N	Philips Pan Head Screw - M3x5	53 - 102
0313 0060N	Screw - M3x6	185 -102
0313 0080N	Pan Head Screw: M3x8	67 - 109
0313 0080N	Pan Head Screw: M3x8	63 - 107
0313 0120N	Pan Head Screw: M3x12	67 - 108
0314 0040N	Pan Head Screw - M4x4	187 -102
0314 0120N	Screw - M4x12	55 - 106
0314 0180N	Pan Head Screw: M4x18	135 -113
0353 0030N	Screw: M3x3	159 -103
0353 0030N	Screw: M3x3	117 -104
0353 0040N	Screw - M3x4	73 - 102
0353 0040N	Screw - M3x4	37 - 102
0353 0040N	Screw - M3x4	109 -104
0353 0040N	Screw - M3x4	75 - 104
0353 0040N	Screw - M3x4	77 - 106
0353 0040N	Screw - M3x4	181 -101
0353 0040N	Screw - M3x4	45 - 105
0353 0040N	Screw - M3x4	49 - 102
0353 0050N	Screw-M3x5	141 -107
0353 0050N	Screw-M3x5	45 - 103
0353 0050N	Screw-M3x5	139 -102
0353 0060N	Bind Screw - M3x6	125 -102
0353 0060N	Bind Screw - M3x6	123 -101
0353 0060N	Bind Screw - M3x6	121 -102
0353 0060N	Bind Screw - M3x6	119 -104
0353 0060N	Bind Screw - M3x6	127 -106
0353 0060N	Bind Screw - M3x6	133 -103
0353 0060N	Bind Screw - M3x6	115 -103
0353 0060N	Bind Screw - M3x6	149 -103
0353 0060N	Bind Screw - M3x6	133 -106
0353 0060N	Bind Screw - M3x6	81 - 109
0353 0060N	Bind Screw - M3x6	105 -104
0353 0060N	Bind Screw - M3x6	57 - 103
0353 0060N	Bind Screw - M3x6	109 -103

Part No.	Description	Page and Index No.
0353 0060N	Bind Screw - M3x6	155 -102
0353 0060N	Bind Screw - M3x6	23 - 102
0353 0060N	Bind Screw - M3x6	135 -104
0353 0080N	Screw: M3x8	145 -110
0353 0080N	Screw: M3x8	147 -103
0353 0250N	Screw: M3x25	117 -105
0354 0040N	Screw-M4x4	65 - 107
0354 0040N	Screw-M4x4	63 - 110
0354 0060N	Screw-M4x6	135 -107
0354 0060N	Screw-M4x6	179 -102
0354 0060N	Screw-M4x6	139 -101
0354 0060N	Screw-M4x6	103 -104
0354 0060N	Screw-M4x6	183 -104
0354 0080N	Screw: M4x8	179 -103
0354 0080N	Screw: M4x8	111 -103
0354 0080N	Screw: M4x8	103 -103
0354 0080N	Screw: M4x8	85 - 104
0354 0080N	Screw: M4x8	51 - 106
0354 0080N	Screw: M4x8	57 - 102
0354 0080N	Screw: M4x8	79 - 102
0354 0080N	Screw: M4x8	83 - 109
0354 0080N	Screw: M4x8	159 -102
0354 0120N	Screw M4x12	127 -109
0354 0200N	Screw: M4x20	185 -105
0354 0200N	Screw: M4x20	57 - 101
0354 0400N	Screw: M4x40	163 -102
0354 0400N	Screw: M4x40	167 -104
0360 3005N	Screw - M3x5	151 -102
0360 3006N	Screw - M3x6	111 -101
0360 3006N	Screw - M3x6	181 -102
0360 3006N	Screw - M3x6	157 -102
0360 3006N	Screw - M3x6	93 - 102
0360 3006N	Screw - M3x6	163 -105
0360 3006N	Screw - M3x6	97 - 101
0360 3006N	Screw - M3x6	95 - 101

Part No.	Description	Page and Index No.
0360 3006N	Screw - M3x6	117 -103
0360 3006N	Screw - M3x6	89 - 101
0360 3006N	Screw - M3x6	87 - 101
0360 3006N	Screw - M3x6	99 - 101
0360 3006N	Screw - M3x6	101 -101
0360 3006N	Screw - M3x6	165 -101
0360 3008N	Screw: M3x8	89 - 103
0360 3014N	Screw - M3x14	151 -107
0360 4006N	Screw - M4x6	153 -104
0360 4006N	Screw - M4x6	157 -101
0360 4006N	Screw - M4x6	155 -106
0360 4006N	Screw - M4x6	151 -101
0360 4008N	Screw - M4x8	71 - 102
0360 4008N	Screw - M4x8	171 -108
0360 4010N	Screw: M4x10	151 -105
0360 4010N	Screw: M4x10	155 -105
0434 0060N	Pan Self-Tapping Screw: M4x6	63 - 111
0434 0080N	Pan Self-Tapping Screw: M4x8	185 -103
0450 3006N	Tapping Screw - M3x6	141 -103
0450 3006N	Tapping Screw - M3x6	133 -102
0450 3006P	Tapping Screw - M3x6	91 - 101
0450 3008N	Tapping Screw - M3x8	27 - 102
0450 3008N	Tapping Screw - M3x8	99 - 102
0450 3008N	Tapping Screw - M3x8	167 -103
0450 3008N	Tapping Screw - M3x8	133 -107
0450 3008N	Tapping Screw - M3x8	41 - 102
0450 3008N	Tapping Screw - M3x8	137 -107
0450 3008N	Tapping Screw - M3x8	81 - 103
0450 3008N	Tapping Screw - M3x8	141 -109
0450 3008N	Tapping Screw - M3x8	93 - 101
0450 3008N	Tapping Screw - M3x8	129 -103
0450 3008N	Tapping Screw - M3x8	35 - 105
0450 3008N	Tapping Screw - M3x8	89 - 102
0450 3008N	Tapping Screw - M3x8	29 - 102
0450 3008N	Tapping Screw - M3x8	91 - 102

Part No.	Description	Page and Index No.
0450 3008N	Tapping Screw - M3x8	63 - 106
0450 3008N	Tapping Screw - M3x8	45 - 102
0450 3010N	Tapping Screw - M3x10	23 - 101
0450 3010N	Tapping Screw - M3x10	59 - 102
0450 3010N	Tapping Screw - M3x10	61 - 101
0450 3010N	Tapping Screw - M3x10	113 -107
0450 3020N	Tapping Screw: M3x20	85 - 105
0450 4008N	Tapping Screw - M4x8	75 - 102
0450 4008N	Tapping Screw - M4x8	41 - 101
0450 4008N	Tapping Screw - M4x8	145 -102
0450 4008N	Tapping Screw - M4x8	65 - 103
0450 4008N	Tapping Screw - M4x8	63 - 104
0450 4008N	Tapping Screw - M4x8	71 - 101
0450 4008N	Tapping Screw - M4x8	69 - 106
0450 4008N	Tapping Screw - M4x8	137 -102
0450 4008N	Tapping Screw - M4x8	113 -103
0450 4010N	Tapping Screw: M4x10	63 - 105
0450 4010N	Tapping Screw: M4x10	137 -103
0450 4010N	Tapping Screw: M4x10	139 -103
0450 4010N	Tapping Screw: M4x10	19 - 102
0450 4012N	Tapping Screw: 4x12	19 - 101
0450 4014N	Tapping Screw: 4x14	167 -105
0451 3006N	Tapping Screw - 3x6	35 - 101
0451 3006N	Tapping Screw - 3x6	153 -102
0451 3006N	Tapping Screw - 3x6	33 - 101
0451 3006N	Tapping Screw - 3x6	129 -102
0451 3006N	Tapping Screw - 3x6	169 -102
0451 3006N	Tapping Screw - 3x6	131 -101
0451 3006N	Tapping Screw - 3x6	45 - 101
0451 3006N	Tapping Screw - 3x6	139 -104
0451 3006N	Tapping Screw - 3x6	39 - 101
0451 3006N	Tapping Screw - 3x6	103 -102
0451 3006N	Tapping Screw - 3x6	51 - 103
0451 3006N	Tapping Screw - 3x6	117 -102
0451 3006N	Tapping Screw - 3x6	113 -106

Part No.	Description	Page and Index No.
0451 3006N	Tapping Screw - 3x6	25 - 101
0451 3006N	Tapping Screw - 3x6	133 - 101
0451 3006N	Tapping Screw - 3x6	157 - 103
0451 3006N	Tapping Screw - 3x6	107 - 101
0451 3006N	Tapping Screw - 3x6	115 - 101
0451 3006N	Tapping Screw - 3x6	37 - 101
0451 3006N	Tapping Screw - 3x6	69 - 103
0451 3006N	Tapping Screw - 3x6	151 - 103
0451 3006N	Tapping Screw - 3x6	55 - 101
0451 3006N	Tapping Screw - 3x6	155 - 101
0451 3006N	Tapping Screw - 3x6	165 - 102
0451 3006N	Tapping Screw - 3x6	41 - 106
0451 3006N	Tapping Screw - 3x6	83 - 103
0451 3006N	Tapping Screw - 3x6	85 - 102
0451 3006N	Tapping Screw - 3x6	61 - 103
0451 3006N	Tapping Screw - 3x6	109 - 102
0451 3006N	Tapping Screw - 3x6	135 - 101
0451 3006N	Tapping Screw - 3x6	43 - 101
0451 3006N	Tapping Screw - 3x6	183 - 103
0451 3006N	Tapping Screw - 3x6	49 - 101
0451 3006N	Tapping Screw - 3x6	105 - 101
0451 3006N	Tapping Screw - 3x6	29 - 101
0451 3006N	Tapping Screw - 3x6	47 - 101
0451 3006N	Tapping Screw - 3x6	99 - 105
0451 3006N	Tapping Screw - 3x6	27 - 101
0451 3006N	Tapping Screw - 3x6	141 - 102
0451 3008N	Tapping Screw - M3x8	69 - 102
0451 3008N	Tapping Screw - M3x8	175 - 103
0451 3008N	Tapping Screw - M3x8	167 - 102
0451 3008N	Tapping Screw - M3x8	37 - 109
0451 3008N	Tapping Screw - M3x8	159 - 104
0451 3008N	Tapping Screw - M3x8	147 - 102
0451 3008N	Tapping Screw - M3x8	29 - 107
0451 3010N	Tapping Screw: 3x10	39 - 103
0451 3010N	Tapping Screw: 3x10	33 - 103

Part No.	Description	Page and Index No.
0451 3020N	Tapping Screw: 3x20	113 - 102
0451 3020N	Tapping Screw: 3x20	55 - 104
0451 3025N	Tapping Screw: M3x25	171 - 102
0451 3030N	Tapping Screw: 3x30	85 - 101
0451 3030N	Tapping Screw: 3x30	81 - 107
0451 4006N	Tapping Screw - 4x6	141 - 101
0451 4006N	Tapping Screw - 4x6	181 - 103
0451 4006N	Tapping Screw - 4x6	43 - 102
0451 4006N	Tapping Screw - 4x6	149 - 101
0451 4006N	Tapping Screw - 4x6	57 - 104
0451 4006N	Tapping Screw - 4x6	137 - 101
0451 4006N	Tapping Screw - 4x6	63 - 102
0451 4006N	Tapping Screw - 4x6	45 - 104
0451 4006N	Tapping Screw - 4x6	135 - 102
0451 4006N	Tapping Screw - 4x6	145 - 101
0451 4006N	Tapping Screw - 4x6	65 - 102
0451 4006N	Tapping Screw - 4x6	129 - 104
0451 4008N	Tapping Screw: 4x8	63 - 101
0451 4008N	Tapping Screw: 4x8	79 - 101
0451 4008N	Tapping Screw: 4x8	149 - 102
0451 4008N	Tapping Screw: 4x8	105 - 103
0451 4008N	Tapping Screw: 4x8	81 - 101
0451 4008N	Tapping Screw: 4x8	137 - 108
0451 4008N	Tapping Screw: 4x8	135 - 103
0451 4008N	Tapping Screw: 4x8	163 - 101
0451 4008N	Tapping Screw: 4x8	169 - 101
0451 4008N	Tapping Screw: 4x8	83 - 101
0451 4008N	Tapping Screw: 4x8	109 - 101
0451 4008N	Tapping Screw: 4x8	179 - 101
0451 4008N	Tapping Screw: 4x8	155 - 103
0451 4008N	Tapping Screw: 4x8	51 - 101
0451 4008N	Tapping Screw: 4x8	177 - 102
0451 4008N	Tapping Screw: 4x8	49 - 103
0451 4008N	Tapping Screw: 4x8	165 - 103
0451 4008N	Tapping Screw: 4x8	167 - 101

Part No.	Description	Page and Index No.
0451 4008N	Tapping Screw: 4x8	19 - 103
0451 4008N	Tapping Screw: 4x8	59 - 101
0451 4008N	Tapping Screw: 4x8	85 - 103
0451 4008N	Tapping Screw: 4x8	107 -102
0451 4008N	Tapping Screw: 4x8	183 -101
0451 4008N	Tapping Screw: 4x8	147 -101
0451 4008N	Tapping Screw: 4x8	73 - 101
0451 4008N	Tapping Screw: 4x8	69 - 101
0451 4008N	Tapping Screw: 4x8	153 -101
0451 4008N	Tapping Screw: 4x8	115 -102
0451 4008N	Tapping Screw: 4x8	117 -101
0451 4008N	Tapping Screw: 4x8	157 -107
0451 4008N	Tapping Screw: 4x8	159 -101
0451 4008N	Tapping Screw: 4x8	67 - 101
0451 4008N	Tapping Screw: 4x8	103 -101
0451 4008N	Tapping Screw: 4x8	75 - 101
0451 4008N	Tapping Screw: 4x8	55 - 105
0451 4008N	Tapping Screw: 4x8	113 -101
0451 4008N	Tapping Screw: 4x8	65 - 104
0451 4008N	Tapping Screw: 4x8	111 -108
0451 4008N	Tapping Screw: 4x8	171 -101
0451 4008N	Tapping Screw: 4x8	161 -101
0451 4008N	Tapping Screw: 4x8	77 - 101
0451 4008N	Tapping Screw: 4x8	185 -101
0451 4008N	Tapping Screw: 4x8	187 -101
0451 4010N	Tapping Screw: 4x10	183 -108
0451 4010N	Tapping Screw: 4x10	21 - 101
0451 4012N	Tapping Screw: 4x12	183 -102
0451 4014N	Tapping Screw: M4x14	111 -102
0451 4025N	Tapping Screw: M4x25	51 - 104
0451 4025N	Tapping Screw: M4x25	55 - 108
0451 4030N	Tapping Screw: M4x30	163 -103
0451 4030N	Tapping Screw: M4x30	175 -102
0451 4035N	Tapping Screw: 4x35	163 -104
0451 4035N	Tapping Screw: 4x35	171 -103

Part No.	Description	Page and Index No.
0452 3006N	Binding Self-Tapping Screw: 3x6	67 - 112
0452 3008N	Tapping Screw - M3x8	59 - 103
0452 3008N	Tapping Screw - M3x8	153 -103
0452 4010N	Binding Self-tapping Screw: 4x10	161 -104
0453 3006N	Tapping Screw - M3x6	33 - 102
0453 3006N	Tapping Screw - M3x6	35 - 106
0453 3006N	Tapping Screw - M3x6	69 - 104
0453 3006N	Tapping Screw - M3x6	37 - 103
0453 3006N	Tapping Screw - M3x6	81 - 102
0453 4006N	Binding Self Tapping Screw: 4x6	63 - 112
0454 3006Q	Tapping Screw - M3x6	53 - 101
0454 3006Q	Tapping Screw - M3x6	163 -106
0454 3006Q	Tapping Screw - M3x6	39 - 102
0454 3006Q	Tapping Screw - M3x6	55 - 103
0454 3006Q	Tapping Screw - M3x6	35 - 109
0454 3006Q	Tapping Screw - M3x6	49 - 104
0454 3006Q	Tapping Screw - M3x6	47 - 102
0454 3006Q	Tapping Screw - M3x6	173 -101
0454 3006Q	Tapping Screw - M3x6	175 -101
0454 3006Q	Tapping Screw - M3x6	51 - 102
0454 3006Q	Tapping Screw - M3x6	177 -103
0454 4008Q	Tapping Screw - M4x8	65 - 101
0454 4008Q	Tapping Screw - M4x8	129 -101
0454 4008Q	Tapping Screw - M4x8	67 - 113
0454 4008Q	Tapping Screw - M4x8	173 -102
0454 4008Q	Tapping Screw - M4x8	103 -106
0454 4008Q	Tapping Screw - M4x8	171 -115
0454 4008Q	Tapping Screw - M4x8	177 -101
0573 0030E	Hexagon Headless Set Screw - M3x3	75 - 108
0585 0201N	Hexagonal Head Bolt: M5x20	127 -105
0632 0100G	Pin - 2x10mm	131 -104
0632 0120G	Parallel Pin - 2x12	41 - 105
0632 0120G	Parallel Pin - 2x12	33 - 105
0632 0120G	Parallel Pin - 2x12	43 - 107
0632 0120G	Parallel Pin - 2x12	35 - 107

Part No.	Description	Page and Index No.
0632 0120G	Parallel Pin - 2x12	39 - 105
0632 0140G	Parallel Pin	27 - 104
0632 0160G	Parallel Pin-M2x16	117 -111
0633 0120G	Parallel Pin - 3x12	111 -105
0633 0120G	Parallel Pin - 3x12	123 -105
0633 0140G	Parallel Pin - 3x14	155 -111
0633 0160G	Parallel Pin - 3x16MM	107 -107
0633 0160G	Parallel Pin - 3x16MM	155 -115
0633 0200G	Pin - M3x20	67 - 104
0701 0060N	Washer DIA6	127 -104
0701 0060N	Washer DIA6	111 -107
0707 4050N	Bushing - 4x5	51 - 107
0707 4050N	Bushing - 4x5	185 -106
0707 4060N	Bushing: DIA4x6	43 - 109
0720 0025E	Retaining Ring - M2.5	109 -106
0720 0025E	Retaining Ring - M2.5	105 -111
0720 0025E	Retaining Ring - M2.5	153 -105
0720 0025E	Retaining Ring - M2.5	107 -105
0720 0030E	Retaining Ring - M3	117 -107
0720 0030E	Retaining Ring - M3	115 -107
0720 0030E	Retaining Ring - M3	129 -108
0720 0030E	Retaining Ring - M3	47 - 104
0720 0030E	Retaining Ring - M3	135 -115
0720 0030E	Retaining Ring - M3	127 -103
0720 0030E	Retaining Ring - M3	31 - 103
0720 0030E	Retaining Ring - M3	41 - 104
0720 0030E	Retaining Ring - M3	159 -111
0720 0030E	Retaining Ring - M3	141 -105
0720 0030E	Retaining Ring - M3	43 - 108
0720 0030E	Retaining Ring - M3	111 -110
0720 0040E	Retaining Ring - M4	73 - 104
0720 0040E	Retaining Ring - M4	141 -104
0720 0040E	Retaining Ring - M4	89 - 104
0720 0040E	Retaining Ring - M4	157 -104
0720 0040E	Retaining Ring - M4	69 - 105

Part No.	Description	Page and Index No.
0720 0040E	Retaining Ring - M4	91 - 103
0720 0040E	Retaining Ring - M4	43 - 103
0720 0040E	Retaining Ring - M4	113 -104
0720 0040E	Retaining Ring - M4	115 -106
0720 0040E	Retaining Ring - M4	37 - 104
0720 0040E	Retaining Ring - M4	75 - 103
0720 0040E	Retaining Ring - M4	117 -108
0720 0040E	Retaining Ring - M4	41 - 103
0720 0040E	Retaining Ring - M4	99 - 103
0720 0040E	Retaining Ring - M4	139 -105
0720 0040E	Retaining Ring - M4	119 -103
0720 0040E	Retaining Ring - M4	161 -103
0720 0040E	Retaining Ring - M4	123 -103
0720 0040E	Retaining Ring - M4	121 -103
0720 0040E	Retaining Ring - M4	39 - 104
0720 0040E	Retaining Ring - M4	79 - 103
0720 0040E	Retaining Ring - M4	109 -105
0720 0040E	Retaining Ring - M4	133 -104
0720 0040E	Retaining Ring - M4	143 -102
0720 0040E	Retaining Ring - M4	137 -104
0720 0040E	Retaining Ring - M4	47 - 103
0720 0040E	Retaining Ring - M4	171 -104
0720 0040E	Retaining Ring - M4	95 - 104
0720 0040E	Retaining Ring - M4	187 -103
0720 0040E	Retaining Ring - M4	107 -104
0720 0040E	Retaining Ring - M4	45 - 107
0720 0040E	Retaining Ring - M4	29 - 103
0720 0040E	Retaining Ring - M4	61 - 104
0720 0040E	Retaining Ring - M4	131 -102
0720 0040E	Retaining Ring - M4	145 -103
0720 0040E	Retaining Ring - M4	35 - 102
0720 0040E	Retaining Ring - M4	33 - 104
0720 0040E	Retaining Ring - M4	185 -104
0720 0040E	Retaining Ring - M4	67 - 102
0720 0040E	Retaining Ring - M4	111 -109

Part No.	Description	Page and Index No.
0720 0040E	Retaining Ring - M4	101 -103
0720 0040E	Retaining Ring - M4	93 - 103
0720 0040E	Retaining Ring - M4	135 -105
0720 0040E	Retaining Ring - M4	155 -108
0720 0040E	Retaining Ring - M4	129 -106
0720 0040E	Retaining Ring - M4	179 -104
0720 0040E	Retaining Ring - M4	31 - 101
0720 0040E	Retaining Ring - M4	63 - 103
0720 0060E	Retaining Ring - M6	43 - 104
0720 0060E	Retaining Ring - M6	45 - 106
0720 0060E	Retaining Ring - M6	95 - 103
0720 0060E	Retaining Ring - M6	83 - 105
0720 0060E	Retaining Ring - M6	123 -104
0720 0060E	Retaining Ring - M6	127 -102
0720 0060E	Retaining Ring - M6	37 - 105
0720 0060E	Retaining Ring - M6	73 - 103
0720 0060E	Retaining Ring - M6	61 - 105
0720 0060E	Retaining Ring - M6	155 -107
0720 0060E	Retaining Ring - M6	29 - 108
0720 0060E	Retaining Ring - M6	107 -103
0720 0060E	Retaining Ring - M6	31 - 102
0720 0060E	Retaining Ring - M6	111 -104
0720 0060E	Retaining Ring - M6	135 -106
0720 0060E	Retaining Ring - M6	67 - 105
0720 0060E	Retaining Ring - M6	35 - 103
0720 0060E	Retaining Ring - M6	77 - 105
0720 0060E	Retaining Ring - M6	71 - 103
0720 0060E	Retaining Ring - M6	113 -109
0720 0060E	Retaining Ring - M6	27 - 103
0720 0060E	Retaining Ring - M6	115 -104
0720 0060E	Retaining Ring - M6	117 -106
0720 0060E	Retaining Ring - M6	75 - 107
0720 0060E	Retaining Ring - M6	139 -106
0720 0060E	Retaining Ring - M6	143 -101
0720 0080E	Retaining Ring - M8	95 - 105

Part No.	Description	Page and Index No.
0725 0200E	Retaining Ring C - M20	127 -101
0725 0200E	Retaining Ring C - M20	123 -108
0725 0300E	Retaining Ring C - M30	123 -106
0740 3008	Ball Bearing: DIA8xDIA22x7	115 -105
0740 3508	Ball Bearing -8x14x4	37 - 107
0740 3706	Ball Bearing - M6x10x3	37 - 106
0740 3906	Ball Bearing - 6x15x5	151 -109
0741 3506	Ball Bearing - 6x12x4 MM	75 - 105
0741 3706	Ball Bearing - 6x10x3	133 -105
0741 3706	Ball Bearing - 6x10x3	131 -103
0741 3706	Ball Bearing - 6x10x3	129 -107
0741 3808	Ball Bearing - 8x16x5MM	143 -103
0742 3808	Ball Bearing - 8x16x5	107 -106
0742 3808	Ball Bearing - 8x16x5	73 - 105
0742 3808	Ball Bearing - 8x16x5	83 - 104
0742 3808	Ball Bearing - 8x16x5	77 - 104
0742 3808	Ball Bearing - 8x16x5	35 - 104
0742 3906	Ball Bearing - 6x14x5MM	151 -108
0803 0058	Stepped Screw	161 -102
0804 6123	Hexagonal Bolt: W/Washer: M3x8	91 - 104
0805 0088	Retaining Ring - M6	61 - 102
0805 0088	Retaining Ring - M6	155 -109
0805 0089	Retaining Ring - M4	29 - 104
0805 0089	Retaining Ring - M4	131 -107
0805 0089	Retaining Ring - M4	37 - 108
0805 0092	Retaining Ring - 3M	39 - 106
0805 0097	Ring Separator	89 - 105
0805 3368	Ball Bearing - 8x16x5MM	55 - 109
0805 3385	Bushing - 6MM	99 - 104
0805 3385	Bushing - 6MM	101 -102
0805 3386	Bushing - 8MM	117 -109
0805 3386	Bushing - 8MM	135 -108
0805 3496	Ball Bearing - 6x10x3	95 - 102
0805 3497	Bushing - 8x12x3.5MM	155 -110
0805 3511	Bushing 8MM	111 -106

Part No.	Description	Page and Index No.
0805 3511	Bushing 8MM	95 - 106
0950 4008N	Screw: Spring Washer: M4x8	51 - 105
0950 5012N	Screw: Spring Washer: M5x12	169 -103
0951 3006N	Screw - M3x6	55 - 102
0951 3006N	Screw - M3x6	183 -105
0951 3006N	Screw - M3x6	67 - 107
0951 3006N	Screw - M3x6	53 - 103
0951 3006N	Screw - M3x6	105 -102
0951 4006N	Screw: Polished Round: M4x6	65 - 105
0951 4006N	Screw: Polished Round: M4x6	103 -105
0951 4010N	Screw: Polished Round: M4x10	185 -107
0951 5010N	Screw: M5x10	25 - 102
0954 3006N	Screw - M3x6	129 -105
0954 3008N	Screw - M3x8	127 -108
0954 3008N	Screw - M3x8	119 -101
0954 3008N	Screw - M3x8	121 -101
0954 3008N	Screw - M3x8	123 -102
0954 3008N	Screw - M3x8	125 -101
0954 3010N	Screw: Polished Round/Spring: M3x10	119 -102
0954 3010N	Screw: Polished Round/Spring: M3x10	127 -107
0954 3010N	Screw: Polished Round/Spring: M3x10	123 -107
0954 4008N	Screw - M4x8	155 -104
0954 4008N	Screw - M4x8	55 - 107
0954 4008N	Screw - M4x8	53 - 104
1102 5301	Connector - 2P	199 -101
1102 5303	Connector - 4P	235 -101
1102 5304	Connector - 5P	213 -101
1102 6245	Relay Connector - 2P	131 -106
1102 6246	Relay Connector - 3P	167 -109
1102 6247	Connector - 4P	167 -110
1102 6248	Connector - 5P	171 -111
1102 6249	Relay Connector - 6P	73 - 111
1102 6249	Relay Connector - 6P	109 -111
1102 6251	Connector - 8P	73 - 110
1102 6252	Connector - 9P	73 - 109

Part No.	Description	Page and Index No.
1102 6295	Connector - 2P	235 -102
1102 6297	Connector: 53324-0460	199 -102
1102 6298	Connector - 5P	199 -103
1102 6299	Connector - 6P	213 -102
1102 6301	Connector - 8P	199 -104
1102 6305	Connector - 12P	213 -103
1102 6306	Connector - 13P	213 -104
1102 6594	Connector - 10P	199 -105
1102 6596	Connector	213 -105
1102 6895	Connector - 40P	213 -106
1102 7615	Connector - B8B-XH-A	235 -103
1102 7625	Connector - TX24-80R-LT-N1	213 -107
1102 7626	Connector - TX25-80P-LT-N1	199 -106
1102 7635	Connector: 53398-0210	235 -104
1102 8028	Connector - 4P	235 -105
1102 8469	Connector - 55447-0510	199 -107
1102 8473	Connector - 55447-0910	199 -108
1102 8477	Connector - 13P	199 -109
1102 8482	Connector - 55447-1810	199 -110
1102 8485	Connector - 55451-2210	199 -111
1102 8486	Connector - 55451-2410	199 -112
1102 8488	Connector - 5451-2810	199 -113
1102 8488	Connector - 5451-2810	213 -108
1102 8489	Connector - 55451-3010	199 -114
1102 8490	Connector: 55451-3210	199 -115
1102 8491	Connector - 55451-3410	199 -116
1102 8492	Connector - 55451-3610	199 -117
1102 8493	Connector - 55451-3810	199 -118
1102 8494	Connector - 55451-4010	213 -109
1102 8494	Connector - 55451-4010	199 -119
1102 8502	Connector - 54679-1615	167 -108
1102 8504	Connector	167 -107
1102 8560	Connector - KX14-60K5D1E	213 -110
1102 9336	Connector: FPS009-2300-0	235 -106
1102 9387	Connector: Drawer: 51405-2611	105 -110

Part No.	Description	Page and Index No.
1102 9423	Connector: PS-26PE-D4T2-M1E	89 - 106
1102 9430	Connector: Drawer: 1612257-7	153 -107
1102 9535	Connector - 200PS-JUK-G-B	235 -107
1102 9547	Connector: 55451-1870	199 -120
1102 9686	Connector - RHM-176P-SDK11-U1L1C	235 -108
1102 9781	Connector: 51405-3919	83 - 102
1102 9781	Connector: 51405-3919	135 -114
1102 9781	Connector: 51405-3919	97 - 107
1102 9782	Connector: 51405-1819	97 - 102
1102 9783	Connector: 55949-3919	149 -104
1102 9783	Connector: 55949-3919	171 -112
1102 9784	Connector: 55949-2619	157 -106
1102 9785	Connector: 55949-1819	149 -105
1102 9887	Connector: 52588-3090	235 -109
1103 3176	Connector: FH12-45S-0.5SH(89)	213 -111
1103 3178	Connector - FH12-50S-0.5SH(89)	213 -112
1103 3426	Connector: FH12-50S-0.5SV(55)	199 -121
1103 3481	Connector: 67800-8005	235 -110
1103 3497	Connector: 87715-9002	235 -111
1103 3865	Connector: 29 6406 200 101 856+	235 -112
1103 3947	Connector - 55451-3410	213 -113
1103 3964	Connector: WB4P140HA1	235 -113
1103 3965	Connector: 6605444-6	235 -114
1103 4137	Connector: UAR64-8K5J00	235 -115
1103 4138	Connector: UBR24-4K5J00	235 -116
1104 0764	IC Socket - 8 PIN	199 -122
1105 0032	Clamp	23 - 103
1105 0328	Harness Clamp - ES-0505	145 -109
1105 0328	Harness Clamp - ES-0505	137 -105
1105 0328	Harness Clamp - ES-0505	75 - 109
1105 0328	Harness Clamp - ES-0505	139 -108
1105 0328	Harness Clamp - ES-0505	73 - 107
1105 0328	Harness Clamp - ES-0505	63 - 108
1105 0328	Harness Clamp - ES-0505	67 - 103
1105 0367	Spacer	93 - 107

Part No.	Description	Page and Index No.
1105 0409	Card Spacer- 6.4mm	83 - 112
1105 0458	Clamp - LHL-18	81 - 105
1105 0487	Harness Clamp	55 - 115
1105 0487	Harness Clamp	55 - 110
1105 0487	Harness Clamp	53 - 108
1105 0487	Harness Clamp	51 - 108
1105 0487	Harness Clamp	47 - 106
1105 0487	Harness Clamp	45 - 108
1105 0487	Harness Clamp	29 - 105
1105 0487	Harness Clamp	43 - 105
1105 0487	Harness Clamp	83 - 108
1105 0488	Harness Clamp	155 -114
1105 0488	Harness Clamp	159 -110
1105 0488	Harness Clamp	55 - 113
1105 0488	Harness Clamp	53 - 109
1105 0488	Harness Clamp	165 -104
1105 0488	Harness Clamp	169 -106
1105 0488	Harness Clamp	83 - 111
1105 0488	Harness Clamp	163 -108
1105 0488	Harness Clamp	67 - 106
1105 0488	Harness Clamp	147 -106
1105 0489	Harness Clamp - LWS 1316	165 -106
1105 0489	Harness Clamp - LWS 1316	163 -112
1105 0490	Harness Clamp - IWS-2218	177 -104
1105 0490	Harness Clamp - IWS-2218	159 -108
1105 0490	Harness Clamp - IWS-2218	163 -109
1105 0508	Harness Clamp - LWS-0711	185 -109
1105 0508	Harness Clamp - LWS-0711	175 -104
1105 0508	Harness Clamp - LWS-0711	163 -107
1105 0508	Harness Clamp - LWS-0711	145 -106
1105 0508	Harness Clamp - LWS-0711	177 -108
1105 0508	Harness Clamp - LWS-0711	171 -107
1105 0508	Harness Clamp - LWS-0711	159 -106
1105 0508	Harness Clamp - LWS-0711	169 -104
1105 0508	Harness Clamp - LWS-0711	187 -104

Part No.	Description	Page and Index No.
1105 0508	Harness Clamp - LWS-0711	141 -108
1105 0511	Harness Clamp - LWS-0306ZC	183 -106
1105 0511	Harness Clamp - LWS-0306ZC	45 - 109
1105 0511	Harness Clamp - LWS-0306ZC	131 -105
1105 0511	Harness Clamp - LWS-0306ZC	117 -110
1105 0511	Harness Clamp - LWS-0306ZC	113 -105
1105 0511	Harness Clamp - LWS-0306ZC	177 -106
1105 0511	Harness Clamp - LWS-0306ZC	163 -110
1105 0511	Harness Clamp - LWS-0306ZC	109 -107
1105 0511	Harness Clamp - LWS-0306ZC	147 -104
1105 0511	Harness Clamp - LWS-0306ZC	43 - 106
1105 0511	Harness Clamp - LWS-0306ZC	139 -107
1105 0511	Harness Clamp - LWS-0306ZC	47 - 105
1105 0511	Harness Clamp - LWS-0306ZC	81 - 106
1105 0511	Harness Clamp - LWS-0306ZC	137 -106
1105 0511	Harness Clamp - LWS-0306ZC	77 - 103
1105 0511	Harness Clamp - LWS-0306ZC	53 - 105
1105 0511	Harness Clamp - LWS-0306ZC	151 -106
1105 0511	Harness Clamp - LWS-0306ZC	55 - 112
1105 0511	Harness Clamp - LWS-0306ZC	153 -106
1105 0511	Harness Clamp - LWS-0306ZC	67 - 111
1105 0511	Harness Clamp - LWS-0306ZC	29 - 106
1105 0511	Harness Clamp - LWS-0306ZC	61 - 108
1105 0511	Harness Clamp - LWS-0306ZC	93 - 104
1105 0511	Harness Clamp - LWS-0306ZC	155 -112
1105 0511	Harness Clamp - LWS-0306ZC	73 - 106
1105 0511	Harness Clamp - LWS-0306ZC	171 -113
1105 0511	Harness Clamp - LWS-0306ZC	83 - 106
1105 0511	Harness Clamp - LWS-0306ZC	145 -108
1105 0511	Harness Clamp - LWS-0306ZC	159 -109
1105 0511	Harness Clamp - LWS-0306ZC	97 - 103
1105 0511	Harness Clamp - LWS-0306ZC	39 - 107
1105 0514	Edge Saddle - EDS-0607I	171 -114
1105 0516	Clamp	181 -104
1105 0516	Clamp	171 -109

Part No.	Description	Page and Index No.
1105 0516	Clamp	135 -112
1105 0516	Clamp	97 - 105
1105 0516	Clamp	185 -108
1105 0516	Clamp	83 - 110
1105 0516	Clamp	81 - 108
1105 0516	Clamp	53 - 106
1105 0516	Clamp	55 - 111
1105 0516	Clamp	145 -104
1105 0516	Clamp	61 - 107
1105 0516	Clamp	157 -105
1105 0516	Clamp	63 - 109
1105 0516	Clamp	93 - 105
1105 0516	Clamp	113 -108
1105 0516	Clamp	155 -113
1105 0516	Clamp	177 -107
1105 0518	Edge Saddle - LES-1010	55 - 114
1105 0518	Edge Saddle - LES-1010	163 -113
1105 0518	Edge Saddle - LES-1010	113 -110
1105 0518	Edge Saddle - LES-1010	165 -108
1105 0518	Edge Saddle - LES-1010	169 -105
1105 0518	Edge Saddle - LES-1010	127 -110
1105 0521	Clamp - LES-1017	165 -107
1105 0521	Clamp - LES-1017	163 -111
1105 0521	Clamp - LES-1017	165 -109
1105 0522	Edge Saddle - LES0510	147 -105
1105 0522	Edge Saddle - LES0510	61 - 106
1105 0522	Edge Saddle - LES0510	33 - 106
1105 0522	Edge Saddle - LES0510	145 -107
1105 0522	Edge Saddle - LES0510	109 -108
1105 0522	Edge Saddle - LES0510	75 - 106
1105 0522	Edge Saddle - LES0510	165 -105
1105 0522	Edge Saddle - LES0510	159 -105
1105 0522	Edge Saddle - LES0510	47 - 107
1105 0522	Edge Saddle - LES0510	105 -108
1105 0522	Edge Saddle - LES0510	35 - 108

Part No.	Description	Page and Index No.
1105 0522	Edge Saddle - LES0510	169 -107
1105 0522	Edge Saddle - LES0510	97 - 104
1105 0522	Edge Saddle - LES0510	163 -114
1105 0522	Edge Saddle - LES0510	83 - 107
1105 0522	Edge Saddle - LES0510	135 -111
1105 0522	Edge Saddle - LES0510	103 -107
1105 0528	Nylon Clamp - EMT-2N	175 -107
1105 0528	Nylon Clamp - EMT-2N	57 - 105
1105 0534	Clamp	117 -112
1105 0534	Clamp	65 - 106
1105 0534	Clamp	105 -107
1105 0534	Clamp	93 - 106
1105 0534	Clamp	167 -106
1105 0534	Clamp	135 -109
1105 0534	Clamp	145 -105
1105 0534	Clamp	141 -106
1105 0534	Clamp	67 - 110
1105 0534	Clamp	107 -108
1105 0534	Clamp	97 - 106
1105 0542	Harness Clamp - MSBS-1207	73 - 108
1105 0544	Edge Saddle: LES-2017	159 -107
1105 0551	Clamp: LES-0505	171 -110
1105 0551	Clamp: LES-0505	109 -109
1105 0551	Clamp: LES-0505	105 -105
1105 0551	Clamp: LES-0505	53 - 107
1105 0551	Clamp: LES-0505	135 -110
1105 0551	Clamp: LES-0505	183 -107
1105 0559	Clamp: EMT-5N	175 -106
1105 0559	Clamp: EMT-5N	55 - 116
1105 0568	Clamp: LWSS-0504	105 -106
1105 0568	Clamp: LWSS-0504	81 - 104
1105 0568	Clamp: LWSS-0504	109 -110
1105 0598	Clamp: LWSS-1N	179 -105
1105 0599	Clamp: LESR-25	177 -105
1105 0600	Clamp: LWSM-0306-2M	147 -107

Part No.	Description	Page and Index No.
1105 0600	Clamp: LWSM-0306-2M	85 - 106
1105 0604	Clamp: RFC-16V0	105 -109
1105 0680	Spacer: KGPS-5RF-V0	173 -103
1105 0680	Spacer: KGPS-5RF-V0	165 -110
1106 0922	Bushing: JKR-60	177 -110
1106 0923	Bushing: JKR-100	177 -109
1107 1095	Fuse - SST 2	235 -117
1107 1194	Fuse: 451003.MRL	199 -123
1107 1198	Connector - 55451-3810	213 -114
1107 1212	Fuse: 451010.MRL	199 -124
1109 0018	Circuit Protector - SMD100	199 -125
1109 0042	Fuse: MINISMDC150F	235 -118
1109 0042	Connector - 55451-4010	213 -115
1204 2521	Micro Switch	77 - 102
1204 2521	Micro Switch	171 -106
1204 2598	Switch	171 -105
1204 2622	FET: 2SK1590	235 -119
1204 2802	Dip Switch	199 -126
1206 0122	Lithium Cell: CR2450/V1A	235 -120
1400 0714	Transistor - 2SD1781KR	235 -121
1400 0810	Transistor: DTC114EUA	213 -116
1400 0823	Transistor: UMG9N	199 -133
1400 0909	Transistor: DTA143EUA	199 -131
1400 0910	Transistor Array: STA401A	199 -129
1400 0936	Transistor - UMD3N	199 -127
1400 0993	Transistor: DTC143TUA	213 -117
1400 1190	Transistor - STD1664	199 -128
1400 1245	Transistor: 2SC5343 μ F	199 -130
1400 1248	Transistor: 2SC5342SF	235 -122
1400 1270	Transistor: UMA9N	199 -132
1401 0902	FET: 2SK1590	235 -123
1401 1222	FET: HAT2068R	235 -124
1401 1234	FET - SSM3J02T	235 -125
1401 1235	FET: HAT2071R	235 -126
1401 1296	FET: TPC8115	235 -127

Part No.	Description	Page and Index No.
1401 1317	FET - HAT2197R	235 -128
1401 1318	FET - HAT2198R	235 -129
1401 1320	FET - TPC8107	235 -130
1401 1369	FET: TPC6004	213 -118
1401 1411	FET - HAT2195R-E	235 -131
1401 1414	FET: SI3433BDV-E3	213 -119
1401 1414	FET: SI3433BDV-E3	235 -132
1401 1416	FET: SI9433BDY-E3	213 -120
1401 1426	FET: CPH3323-E	199 -134
1401 1427	FET Array: ECH8616-E	199 -135
1401 1428	FET Array: ECH8615-E	199 -136
1401 1459	FET Array: FW359-E	199 -137
1401 1466	FET: SI4800BDY-E3	213 -121
1402 1530	Diode - RB520S-30	235 -133
1402 1537	LED - SML-310MT	235 -134
1402 1565	Diode - RB	235 -135
1402 1620	Diode: UMN11N	199 -138
1402 1854	Diode: RF071M2S	199 -139
1402 1977	Diode: SDB310Q	199 -140
1402 1995	Diode: SDS511	235 -136
1402 1995	Diode: SDS511	199 -141
1402 2001	Diode: SX34	235 -137
1402 2033	Diode: TDZ6.8	199 -142
1402 2034	Diode: TDZ13	199 -143
1402 2037	Diode: SUD494J	199 -144
1402 2039	Diode: RSX301LA-30	213 -122
1403 0953	LED - SML-310MT	199 -145
1403 0953	LED - SML-310MT	235 -138
1403 0953	LED - SML-310MT	213 -123
1403 0978	LED: SML-310DT	213 -124
1403 0996	LED - SML-310VT	199 -146
1403 0996	LED - SML-310VT	213 -125
1403 1033	LED - SML-310YT	213 -126
1403 1131	LED: SML-311UT	235 -139
1403 1168	LED: SML-311YT	235 -140

Part No.	Description	Page and Index No.
1404 1056	Varistor: AVR-M1005C120MBAAB	199 -147
1407 2187	TTLIC - SN74LS07NS	199 -148
1407 2219	IC - TD62003AP	199 -149
1407 4804	IC-TC7SH08FU	213 -127
1407 4840	IC - TC7SH04FU	213 -128
1407 4919	IC - 74VHCT244 TSSOP	235 -141
1407 5107	IC: SN74LV132APW	235 -142
1407 5351	IC - SN74LV14APW	213 -129
1407 5352	IC - 74LVC32A TSSOP	199 -151
1407 5353	IC - SN74LV244APW	213 -130
1407 5353	IC - SN74LV244APW	199 -152
1407 5366	IC - 74LVC08A TSSOP	199 -153
1407 5376	IC - SN74LV32APW	199 -154
1407 5377	IC - SN74AHCT1G08DCK	235 -143
1407 5392	IC: SN74LV541APW	199 -155
1407 5392	IC: SN74LV541APW	213 -131
1407 5428	CMOS Logic - SN74AHC1G08DCK	235 -144
1407 5463	IC - SN74LV245APW	199 -156
1407 5469	IC - SN74LV07APW	213 -132
1407 5469	IC - SN74LV07APW	199 -157
1407 5509	IC - SN74AHCT08PW	199 -158
1407 5511	CMOS Logic: SN74LVC14APW	199 -159
1407 5523	ROM - I2C SOP 3V	235 -145
1407 5531	Clock Generator: ICS960008AFLF	235 -146
1407 5592	CMOS Logic: SN74LV139APW	213 -133
1407 5633	IC - SN74LV574APW	199 -160
1407 5733	IC: SN74ALVC244PW	235 -147
1407 5734	CMOS Logic - SN74ALVC245PW	235 -148
1407 6080	CMOS Logic - SN74LVC2G04DCK	235 -149
1407 6100	IC: SN74LVC1G04DCK	235 -150
1407 6101	IC - SN74LVC2G17DCK	235 -151
1407 6123	IC SN74IVC2G125DCU	235 -152
1407 6127	Clock Generator: ICS960008AFLF	235 -153
1407 6133	CMOS Logic - SN74AHCT00PW	199 -161
1407 6158	IC: R3112Q101A	235 -154

Part No.	Description	Page and Index No.
1407 6166	IC - ESOC	199 -162
1407 6187	CMOS Logic - SN74LVC1G07DCK	235 -155
1407 6201	CMOS Logic SN74LVC1G125DCK	235 -156
1407 6203	CMOS Logic - SN74LVC3G07DCT	235 -157
1407 6204	CMOS Logic: SN74LVC2G07DCK	235 -158
1407 6205	CMOS Logic - SN74LVC1G06DCK	235 -159
1407 6235	Driver: TD62003AFG(5)	199 -163
1407 6259	CMOS Logic - SN74AHCT1G04DCK	235 -160
1407 6332	Oscillator - MC-306 32.768MHz	235 -161
1407 6333	CMOS Logic - SN74LVC2G08DCU	235 -162
1407 6335	CMOS Logic: SN74LVC1G17DCK	235 -163
1407 6362	EPROM: BR24I64-W	175 -108
1407 6368	CMOS Logic - SN74AHC1G04DCK	235 -164
1407 6447	Custom IC - Gavd Type-W	213 -134
1407 6451	CMOS Logic - SN74LVC1G32DCK	235 -166
1407 6517	Custom IC: WHISTLE	235 -167
1407 6520	Custom IC - Garac-C	213 -135
1407 6536	ICH6-MNH82801FBM(SL89K)	235 -168
1407 6613	Clock Generator: ICS7152M-01LF	213 -136
1407 6631	Clock Generator: ICS180M-53LF	199 -164
1407 6641	Diode - ZTP12B	213 -137
1407 6676	Clock Generator: ICS954206BGLF	235 -171
1407 6677	CMOS Logic: TC7SET14FU	213 -138
1407 6683	LAN Controller LSI: BCM5461A1KPFG	235 -172
1407 6751	LED - SML-310YT	213 -139
1407 6759	Custom IC: EIO	199 -165
1407 6783	Custom IC: VEENA	235 -174
1407 6784	Capacitor: 4PF: $\pm 0.25PF$: 50V	235 -175
1407 6801	IC - TD62308AP	213 -140
1407 6803	TTLIC - SN74LS07NS	213 -141
1407 6804	IC - TD62003AP	213 -142
1407 6806	CMOS Logic: TC7WH00FU	213 -143
1407 6843	Interface IC: PCA9515ADP	199 -166
1407 6850	Controller: RB5V871	213 -144
1407 6915	Resistor Array - 10 Ω $\pm 5\%$ 1/32W	235 -165

Part No.	Description	Page and Index No.
1407 6917	Clock Generator: ICS960023BGLF	235 -170
1407 6944	USB Controller IC: ST72681/R21	235 -173
1407 7005	CMOS Logic: TC74VHCT244AFT(K)	199 -150
1407 7029	GMCH: QG82915GME(SLA9K)	235 -169
1408 0436	IC, LB1650, Driver	199 -167
1408 1033	IC - NJM2103M	199 -168
1408 1550	IC - LM2902PW	199 -169
1408 1653	Op amp - LMV324IPW	213 -145
1408 1668	Capacitor - 10PF $\pm 0.5pF$ 50V	235 -176
1408 1685	Operational Amplifier: LM2904PW	199 -170
1408 1751	IC: R3112Q301C	213 -146
1408 1778	IC: R3112Q101A	235 -177
1408 1779	IC - R3112Q281A	199 -171
1408 1779	IC - R3112Q281A	235 -178
1408 1788	Capacitor - 33pF $\pm 5\%$ 50V	235 -179
1408 1826	IC - R3112Q421A	213 -147
1408 1826	IC - R3112Q421A	235 -180
1408 1829	Op AMP - LM358PW	199 -172
1408 1839	IC - R3112Q211A	235 -181
1408 1850	Regulator - R1170H181B	213 -148
1408 1850	Regulator - R1170H181B	199 -173
1408 1911	Comparator - LM2903PW	199 -174
1408 1995	IC: MB3793-30APNFE1	199 -175
1408 2024	IC: R3112Q261A-FA	213 -149
1408 2029	Comparator: LM2901PW	199 -176
1408 2088	IC: LTC3701EGN#TRPBF	213 -150
1408 2246	Series Regulator: R1114N331B-F	213 -151
1408 2305	Reset IC - BU4242FVE	235 -182
1408 2350	IC: R1211D002B-FA	235 -183
1408 2398	Series Regulator: AIC1086-33PMJ	199 -177
1408 2433	IC - SN74LV32APW	213 -152
1408 2458	DC/DC Converter: LTC3407EMSE-2#PBF	235 -184
1408 2462	Series Regulator: BH18MA3WHFV	213 -153
1408 2463	DDR Terminator - TPS51116PWP4	235 -185
1408 2464	Capacitor - 470pF $\pm 10\%$ 50V	235 -186

Part No.	Description	Page and Index No.
1408 2484	IC - SN74LV07APW	213 -154
1408 2602	Operational Amplifier: LM324APW	199 -178
1408 2607	IC - SN74LV125APW	213 -155
1408 2637	Capacitor - 2200PF±10%50V	235 -188
1408 2638	Capacitor - 1000pF ±10% 50V	235 -187
1503 0758	Oscillator - MC-306 32.768MHz	235 -189
1503 0784	Oscillator - MA-406 19.6608MHz	199 -179
1503 1138	Crystal Oscillator - 48MHz	235 -190
1503 1146	Capacitor - 0.01µF ±10% 25V	235 -191
1503 1215	Crystal Oscillator - 17.5MHz	199 -180
1503 1363	Capacitor - 0.22µF ±10% 16V	235 -193
1503 1367	Crystal Oscillator: 25MHz	235 -194
1503 1368	Capacitor: 0.047µF: ±10%: 16V	235 -192
1503 1380	Crystal Oscillator: 38.28MHz	213 -156
1503 1381	Driver - TD62783APG	213 -157
1503 1406	Crystal Oscillator: 27MHz	213 -158
1600 1880	Resistor - 25M Ω±1% 1W	213 -159
1600 1946	Resistor - 33MΩ ±1% 1W	213 -160
1601 5632	Resistor - 1K Ω ±0.1% 1/16W	199 -181
1601 5711	Resistor - 33K Ω ±0.1% 1/16W	199 -182
1601 5898	Resistor: 150KΩ: ±0.1%: 1/16W	199 -183
1601 7752	Resistor Array - 10K Ω ±5%	213 -161
1601 7877	Resistor Array 4.7K Ω ±5% 1/32W	199 -184
1601 7887	Resistor Array - 10K Ω ±5% 1/32W	199 -185
1601 7887	Resistor Array - 10K Ω ±5% 1/32W	213 -162
1601 7887	Resistor Array - 10K Ω ±5% 1/32W	235 -195
1601 7896	Resistor Array - 56 Ω ±5% 1/32W	235 -196
1601 7898	Resistor Array	213 -163
1601 7898	Resistor Array	199 -186
1601 7909	Resistor Array - 10 Ω ±5% 1/32W	199 -187
1601 7914	Resistor Array - 47 Ω ±5%	235 -265
1601 7943	Resistor Array - 68 Ω ±5% 1/32W	199 -188
1601 7959	Resistor	199 -189
1601 7960	Resistor Array - 100 Ω ±5% 1/16W	199 -190
1601 7981	Resistor Array - 100K Ω±5%1/16W	213 -164

Part No.	Description	Page and Index No.
1601 7983	Resistor Array: 2.2kΩ: ±5%: 1/16W	199 -191
1601 7992	Resistor - 47KΩ ±5% 1/16W	199 -192
1604 4728	Capacitor - 100µF ±20% 16V	213 -165
1604 4987	Capacitor - 330µF ±20% 6.3V	213 -166
1604 5065	Capacitor 10µF: ±20%: 50V	213 -167
1604 5336	Capacitor: 47µF: ±20%: 20V	213 -168
1604 5432	Capacitor: 220µF: ±20%: 35V	213 -169
1605 1148	Capacitor - 0.1µF +80-20% 50V	199 -193
1605 1166	Capacitor - 0.015µF ±10% 50V	213 -170
1605 1195	Capacitor: 4pF: ±0.25pF: 50V	235 -197
1605 1195	Capacitor: 4pF: ±0.25pF: 50V	213 -171
1605 1196	Capacitor - 5pF: ±0.25pF: 50V	213 -172
1605 1197	Capacitor - 6pF ±0.5pF 50V	235 -198
1605 1199	Capacitor - 8pF ±0.5pF 50V	235 -199
1605 1200	Capacitor - 10pF ±0.5pF 50V	213 -173
1605 1200	Capacitor - 10pF ±0.5pF 50V	235 -200
1605 1200	Capacitor - 10pF ±0.5pF 50V	199 -194
1605 1202	Capacitor - 15pF ±5% 50V	199 -195
1605 1202	Capacitor - 15pF ±5% 50V	235 -201
1605 1202	Capacitor - 15pF ±5% 50V	213 -174
1605 1203	Capacitor - 18pF ±5% 50V	199 -196
1605 1203	Capacitor - 18pF ±5% 50V	235 -202
1605 1204	Capacitor-pF50V	199 -197
1605 1204	Capacitor-pF50V	235 -203
1605 1205	Capacitor - 33pF ±5% 50V	213 -175
1605 1206	Capacitor - 47pF ±5% 50V	213 -176
1605 1207	Capacitor - 68pF ±5% 50V	235 -204
1605 1208	Capacitor: 100pF: ±5%: 50V	235 -205
1605 1208	Capacitor: 100pF: ±5%: 50V	213 -177
1605 1208	Capacitor: 100pF: ±5%: 50V	199 -198
1605 1211	Capacitor - 220pF ±10% 50V	199 -199
1605 1212	Capacitor - 470pF ±10% 50V	213 -178
1605 1212	Capacitor - 470pF ±10% 50V	199 -200
1605 1214	Capacitor - 1000pF ±10% 50V	235 -206
1605 1214	Capacitor - 1000pF ±10% 50V	213 -179

Part No.	Description	Page and Index No.
1605 1214	Capacitor - 1000pF ±10% 50V	199 -201
1605 1216	Capacitor - 2200pF±10%50V	235 -207
1605 1216	Capacitor - 2200pF±10%50V	213 -180
1605 1221	Capacitor - 0.1 μF+80-20%16V	199 -202
1605 1224	Capacitor 4.7μF ±10% 6.3V	213 -181
1605 1234	Capacitor: 4700pF: ±10%: 50V	235 -208
1605 1234	Capacitor: 4700pF: ±10%: 50V	199 -203
1605 1240	Capacitor - 0.01μF ±10% 25V	235 -209
1605 1240	Capacitor - 0.01μF ±10% 25V	199 -204
1605 1275	Capacitor - 820pF ±5% 50V	235 -210
1605 1280	Capacitor: 390pF: ±5%: 25V	199 -205
1605 1281	Capacitor - 0.22μF ±10% 16V	213 -182
1605 1283	Capacitor - 680pF ±10% 50V	213 -183
1605 1284	Capacitor: 1500pF: ±10%: 50V	213 -184
1605 1285	Capacitor - 3300pF ±10% 50V	213 -185
1605 1288	Capacitor - 220pF ±5% 50V	213 -186
1605 1288	Capacitor - 220pF ±5% 50V	235 -211
1605 1289	Capacitor - 0.1μF ±10% 10V	213 -187
1605 1291	Capacitor: 2.2μF: ±10%: 10V	235 -212
1605 1293	Capacitor - 27pF±5%50V	199 -206
1605 1299	Resistor - 56pF ±5% 50V	235 -213
1605 1300	Capacitor - 270pF ±5% 50V	235 -214
1605 1301	Capacitor-6800pF ±10% 50V	213 -188
1605 1303	Capacitor - 0.01μF +80-20% 50V	199 -207
1605 1303	Capacitor - 0.01μF +80-20% 50V	213 -189
1605 1306	Capacitor - 1μF ±10% 10V	213 -190
1605 1306	Capacitor - 1μF ±10% 10V	199 -208
1605 1307	Capacitor - 2.2μF +80-20% 11V	199 -209
1605 1347	Capacitor - 1μF: +80-20%: 16V	199 -210
1605 1353	Capacitor - 0.1μF ±10% 25V	199 -211
1605 1355	Ceramic Capacitor: 680pF: ±10%: 50V	213 -191
1605 1358	Capacitor - 10μF ±10% 10V	213 -192
1605 1367	Capacitor - 0.033μF ±10% 16V	235 -215
1605 1387	Capacitor - 0.68μF ±10% 10V	235 -216
1605 1406	Capacitor - 10μF ±10% 6.3V	235 -217

Part No.	Description	Page and Index No.
1605 1406	Capacitor - 10μF ±10% 6.3V	199 -212
1605 1419	Capacitor: 4.7μF: ±10%: 16V	235 -218
1605 1427	Capacitor: 1μF: ±10%: 6.3V	199 -213
1605 1428	Capacitor: 0.22μF: ±10%: 6.3V	235 -219
1605 1447	Resistor - 470pF ±5% 50V	235 -220
1605 1450	Resistor - 22μF ±10% 6.3V	235 -221
1605 1451	Capacitor: 0.47μF: ±10%: 6.3V	213 -193
1605 1452	Capacitor - 1μF ±10% 6.3V	213 -194
1605 1453	Capacitor: 0.022μF: ±10%: 16V	235 -222
1605 1453	Capacitor: 0.022μF: ±10%: 16V	213 -195
1605 1464	Resistor - 10μF ±20% 25V	235 -223
1605 1465	Resistor - 1μF ±10% 25V	235 -224
1605 1474	Capacitor - 47μF ±20% 6.3V	213 -196
1605 1544	Resistor - 330pF ±5% 50V	235 -225
1605 1544	Resistor - 330pF ±5% 50V	213 -197
1605 1547	Capacitor: 2.2μF: ±10%: 6.3V	199 -214
1605 1547	Resistor - 100Ω±5%1/10W	213 -198
1605 1583	Capacitor - 0.1μF: ±10%: 16V	235 -226
1605 1585	Resistor - 1KΩ ±5% 1/10W	213 -199
1605 1586	Resistor - 10KΩ ±5% 1/10W	213 -200
1605 1587	Resistor - 100KΩ±5%1/10W	213 -201
1605 1606	Capacitor: 0.33μF: ±10%: 16V	199 -215
1605 1635	Resistor - 10M Ω ±5% 1/16W	235 -227
1605 1687	Resistor - 1MΩ ±5% 1/10W	213 -202
1605 1689	Capacitor: 100μF: ±20%: 6.3V	235 -228
1605 1695	Chip Resistor 1Ω ±5% 1/16W	235 -229
1606 2319	Capacitor: 100μF: ±20%: 6.3V	235 -230
1607 0721	Ferrite Core - TFC-23-11-14	175 -105
1607 0810	Filter - BK2125HS121	235 -231
1607 0861	Filter - BK2125HS101	213 -203
1607 1002	IC - NFM60R30T222	213 -204
1607 1051	Filter -FBMJ2125HS420	235 -232
1607 1061	Filter - BLM11P300SPB	235 -233
1607 1108	Filter - BLM21PG220SN1B	235 -234
1607 1108	Filter - BLM21PG220SN1B	213 -205

Part No.	Description	Page and Index No.
1607 1124	Filter- BLM11A471SGPB	199 -216
1607 1196	Inductor -220UH $\pm 20\%$ 0.33A	213 -206
1607 1222	Inductor - 3.3UH $\pm 20\%$ 2.5A	213 -207
1607 1228	Inductor - SLF7045-4R7M2R0	235 -235
1607 1316	Filter - FBMJ1608HS280NT	235 -236
1607 1351	Filter BLM21PG221SN1B	199 -217
1607 1362	Coil - ACM3225-800-2P	235 -237
1607 1388	Inductor: LB2518B1R0M	235 -238
1607 1424	Filter: MMZ1608B601C	199 -218
1607 1438	Chip Resistor - $33\Omega \pm 5\%$ 1/16W	235 -239
1607 1461	Ferrite Core	19 - 104
1607 1489	Filter - MMZ1608B301C	235 -240
1607 1529	Resistor - $2.2K\Omega \pm 5\%$ 1/10W	213 -208
1607 1556	Inductor: RLF7030-1R5N6R1	213 -209
1607 1567	Filter: MPZ2012S101A	213 -210
1607 1567	Filter: MPZ2012S101A	235 -266
1607 1574	Ferrite Core: RFC-H13	55 - 117
1607 1651	Inductor - HM73-101R0LF	235 -241
1607 1657	Inductor - HM73-10R68LF	235 -245
1607 1744	Inductor: LQH32CNR15M33B	235 -242
1607 1853	Inductor: LB2518B100M	235 -243
1607 1854	Chip Resistor $47\Omega \pm 5\%$ 1/16W	235 -244
1607 1903	Chip Resistor - $33\Omega \pm 5\%$ 1/10W	213 -211
1607 1974	Chip Resistor: $4.7K\Omega \pm 5\%$ 1/16W	235 -246
1607 2053	Ferrite Core: E04FG210810	23 - 104
1609 0005	Resistor: $33\Omega \pm 5\%$ 1/16W	213 -212
1609 0005	Resistor: $33\Omega \pm 5\%$ 1/16W	235 -248
1609 0005	Resistor: $33\Omega \pm 5\%$ 1/16W	199 -219
1609 0006	Resistor: $10k\Omega \pm 5\%$ 1/16W	235 -247
1609 0006	Resistor: $10k\Omega \pm 5\%$ 1/16W	199 -220
1609 0006	Resistor: $10k\Omega \pm 5\%$ 1/16W	213 -213
1609 0007	Resistor - $68\Omega \pm 5\%$ 1/16W	213 -214
1609 0016	Resistor: $56\Omega \pm 5\%$ 1/16W	199 -221
1609 0019	Resistor: 0Ω : 1608	213 -215
1609 0020	Resistor: $10\Omega \pm 5\%$ 1/16W	199 -222

Part No.	Description	Page and Index No.
1609 0027	Resistor - $100K\Omega \pm 5\%$ 1/16W	213 -216
1609 0037	Resistor Array: $560\Omega \pm 5\%$: 1/16W: 4Number	199 -223
1609 0070	Resistor Array: $1M\Omega \pm 5\%$: 1/16W	199 -224
1609 0071	Resistor Array: $150K\Omega \pm 5\%$: 1/16W: 4Number	199 -225
1609 0095	Resistor Array: $220\Omega \pm 5\%$: 1/16W: 4Number	213 -217
1609 0122	Resistor Array: $10\Omega \pm 5\%$: 1/16W: 4Number	235 -249
1609 0123	Chip Resistor $56\Omega \pm 5\%$ 1/16W	235 -250
1610 1417	Resistor: $0.5\Omega \pm 5\%$: 1/8W: 1608	235 -251
1610 1702	Chip Resistor $120\Omega \pm 5\%$ 1W 6332	199 -226
1610 1787	Resistor: $56\Omega \pm 1\%$: 1W: 6332	199 -227
1610 1798	Resistor: $1\Omega \pm 5\%$: 1W: 6332	199 -228
1610 1804	Resistor: $0.006\Omega \pm 1\%$: 1W	235 -252
1610 1847	Resistor: $180\Omega \pm 5\%$: 1W: 6332	199 -229
1610 1852	Resistor: $2\Omega \pm 1\%$: 1W	199 -230
1610 1880	Resistor: $10K\Omega \pm 0.5\%$: 1/16W 1005	199 -231
1610 1960	Resistor - $68\Omega \pm 5\%$ 1/10W	213 -218
1610 1960	Resistor: $0.22\Omega \pm 1\%$: 1W 6332	199 -232
1610 2116	Chip Resistor: $680\Omega \pm 5\%$: 1/16W	235 -253
1633 0000	Resistor - 0Ω 1/10W	235 -254
1634 0000	Resistor - 0Ω 1/16W	213 -219
1634 0000	Resistor - 0Ω 1/16W	199 -233
1634 0000	Resistor - 0Ω 1/16W	235 -255
1640 0102	Capacitor - $1000\mu F - \pm 20\%$ - 10V	199 -234
1640 3101	Capacitor - $100\mu F \pm 20\%$ 35V	199 -235
1640 3471	Capacitor - $470\mu F \pm 20\%$ 35V	199 -236
1644 1470	Capacitor - $47\mu F \pm 20\%$ 16V	199 -237
1644 3220	Capacitor $22\mu F \pm 20\%$ 35V	199 -238
1644 6101	Capacitor - $100\mu F \pm 20\%$ 6.3V	199 -239
1650 2121	Resistor: $120\Omega \pm 5\%$: 1/4W: 3216	199 -240
1650 2151	Resistor - $150\Omega \pm 5\%$ 1/4W	199 -241
1650 3131	Resistor - $130\Omega \pm 5\%$ 1/8W	199 -242
1650 3201	Resistor - $200\Omega \pm 5\%$ 1/8W	199 -243
1650 4100	Resistor - $10\Omega \pm 5\%$ 1/10W	213 -220
1650 4109	Resistor - $1\Omega \pm 5\%$ 1/10W	235 -256
1650 4229	Resistor - $2.2\Omega \pm 5\%$ 1/10W	235 -257

Part No.	Description	Page and Index No.
1650 5100	Chip Resistor - 10 Ω ±5%1/16W	199 -244
1650 5101	Chip Resistor - 100 Ω ±5%1/16W	213 -221
1650 5101	Chip Resistor - 100 Ω ±5%1/16W	199 -245
1650 5102	Chip Resistor - 1K Ω ±5%1/16W	213 -222
1650 5102	Chip Resistor - 1K Ω ±5%1/16W	199 -246
1650 5103	Chip Resistor - 10K Ω ±5%1/16W	213 -223
1650 5103	Chip Resistor - 10K Ω ±5%1/16W	199 -247
1650 5104	Chip Resistor - 100K Ω ±5%1/16W	213 -224
1650 5104	Chip Resistor - 100K Ω ±5%1/16W	199 -248
1650 5105	Chip Resistor - 1M Ω ±5%1/16W	199 -249
1650 5106	Resistor - 10M Ω ±5% 1/16W	235 -258
1650 5153	Chip Resistor - 15K Ω ±5% 1/16W	213 -225
1650 5154	Chip Resistor - 150K Ω ±5% 1/16W	199 -250
1650 5162	Resistor: 1.6K Ω : ±5%: 1/16W: 1005	199 -251
1650 5202	Chip Resistor: 2K Ω : ±5%: 1/16W	199 -252
1650 5220	Resistor - 22 Ω ±5% 1/16W	213 -226
1650 5221	Chip Resistor - 220 Ω ±5%1/16W	213 -227
1650 5222	Resistor - 2.2K Ω ±5% 1/16W	199 -253
1650 5222	Resistor - 2.2K Ω ±5% 1/16W	213 -228
1650 5303	Chip Resistor 30K Ω ±5% 1/16W	213 -229
1650 5309	Resistor - 3 Ω ±5% 1/16W	235 -259
1650 5330	Chip Resistor - 33 Ω ±5%1/16W	199 -254
1650 5330	Chip Resistor - 33 Ω ±5%1/16W	213 -230
1650 5332	Resistor - 3.3K Ω ±5% 1/16W	213 -231
1650 5332	Resistor - 3.3K Ω ±5% 1/16W	199 -255
1650 5333	Resistor: 33K Ω : ±5%: 1/16W: 1005	199 -256
1650 5470	Chip Resistor 47 Ω ±5% 1/16W	213 -232
1650 5471	Chip Resistor - 470 Ω -5% 1/16W	199 -257
1650 5471	Chip Resistor - 470 Ω -5% 1/16W	213 -233
1650 5472	Chip Resistor: 4.7K Ω : ±5%: 1/16W	199 -258
1650 5472	Chip Resistor: 4.7K Ω : ±5%: 1/16W	213 -234
1650 5474	Resistor: 470K Ω : ±5%: 1/16W: 1005	199 -259
1650 5510	Chip Resistor - 51 Ω ±5%1/16W	199 -260
1650 5519	Resistor - 5.1 Ω ±5% 1/16W	235 -260
1650 5560	Chip Resistor 56 Ω ±5% 1/16W	213 -235

Part No.	Description	Page and Index No.
1650 5560	Chip Resistor 56 Ω ±5% 1/16W	199 -261
1650 5680	Resistor - 68 Ω ±5% 1/16W	213 -236
1650 5680	Resistor - 68 Ω ±5% 1/16W	199 -262
1650 5681	Chip Resistor: 680 Ω : ±5%: 1/16W	199 -263
1650 5751	Resistor: 750 Ω : ±5%: 1/16W: 1005	213 -237
1653 1009	Resistor: 10 Ω : ±1%: 1/8W: 2125	235 -261
1653 4709	Resistor: 47 Ω : ±1%: 1/8W: 2125	199 -264
1653 5609	Resistor - 56 Ω ±1% 1/8W	199 -265
1654 1000	Resistor - 100 Ω ±1% 1/10W	235 -262
1654 1001	Resistor - 1K Ω ±1%1/10W	213 -238
1654 1002	Resistor - 10K Ω ±5%1/10W	213 -239
1654 1009	Resistor - 10 Ω ±1% 1/10W	235 -263
1654 1301	Chip Resistor: 1.3K Ω : 1/10W	213 -240
1654 2200	Resistor: 220 Ω : ±1%: 1/10W: 1608	213 -241
1654 4300	Resistor - 430 Ω ±1% 1/10W	213 -242
1654 6800	Resistor - 680 Ω ±1% 1/10W	213 -243
1655 0000	Chip Resistor - 0 Ω ±0%1/16W	199 -266
1655 0000	Chip Resistor - 0 Ω ±0%1/16W	235 -267
1655 0000	Chip Resistor - 0 Ω ±0%1/16W	213 -244
1655 1000	Chip Resistor: 100 Ω : ±1%: 1/16W	213 -245
1655 1000	Chip Resistor: 100 Ω : ±1%: 1/16W	235 -264
1655 1001	Chip Resistor - 1K Ω ±1% 1/16W	199 -267
1655 1001	Chip Resistor - 1K Ω ±1% 1/16W	235 -268
1655 1002	Chip Resistor - 10K Ω ±1%1/16W	199 -268
1655 1002	Chip Resistor - 10K Ω ±1%1/16W	235 -269
1655 1003	Chip Resistor - 100K Ω ±1%1/16W	235 -270
1655 1003	Chip Resistor - 100K Ω ±1%1/16W	213 -246
1655 1004	Resistor - 1M Ω ±1% 1/16W	235 -271
1655 1009	Resistor - 10 Ω ±1% 1/16W	235 -272
1655 1102	Resistor - 11K Ω ±1% 1/16W	199 -269
1655 1102	Resistor - 11K Ω ±1% 1/16W	235 -273
1655 1132	Resistor: 11.3K Ω : ±1%: 1/16W: 1005	235 -274
1655 1201	Resistor - 1.2K Ω ±1% 1/16W	213 -247
1655 1201	Resistor - 1.2K Ω ±1% 1/16W	235 -275
1655 1202	Resistor: 12K Ω : ±1%: 1/16W: 1005	213 -248

Part No.	Description	Page and Index No.
1655 1241	Resistor - 27.4Ω ±1% 1/16W	235 -276
1655 1300	Resistor: 130 Ω: ±1%: 1/16W: 1005	235 -277
1655 1501	Chip Resistor 1.5KΩ ±1% 1/16W	235 -278
1655 1501	Chip Resistor 1.5KΩ ±1% 1/16W	199 -270
1655 1502	Resistor - 15KΩ ±1% 1/16W	235 -279
1655 1602	Resistor: 16K Ω: ±1%: 1/16W	199 -271
1655 1692	Resistor: 16.9K Ω: ±1%: 1/16W: 1005	235 -280
1655 1801	Resistor - 1.8K Ω ±1% 1/16W	199 -272
1655 1802	Resistor: 18K Ω: ±1%: 1/16W: 1005	199 -273
1655 1802	Resistor: 18K Ω: ±1%: 1/16W: 1005	213 -249
1655 1803	Resistor - 330KΩ ±1% 1/16W	235 -281
1655 1963	Resistor: 196K Ω: ±1%: 1/16W: 1005	235 -282
1655 2000	Resistor - 200Ω ±1% 1/16W	235 -283
1655 2001	Resistor - 2KΩ ±1% 1/16W	235 -284
1655 2002	Chip Resistor - 20KΩ±1%1/16W	235 -285
1655 2101	Resistor: 2.1K Ω: ±1%: 1/16W: 1005	199 -274
1655 2201	Resistor: 2.2K Ω: ±1%: 1/16W: 1005	235 -286
1655 2202	Chip Resistor - 22KΩ±1%1/16W	199 -275
1655 2209	Resistor - 22Ω ±1% 1/16W	235 -287
1655 2210	Resistor - 221Ω ±1% 1/16W	235 -288
1655 2269	Resistor - 475Ω ±1% 1/16W	235 -289
1655 2400	Resistor: 240 Ω: ±1%: 1/16W: 1005	213 -250
1655 2402	Resistor - 24KΩ ±1% 1/16W	199 -276
1655 2402	Resistor - 24KΩ ±1% 1/16W	213 -251
1655 2432	Resistor - 49.9Ω ±1% 1/16W	235 -290
1655 2499	Resistor - 5.1KΩ ±1% 1/16W	235 -291
1655 2700	Resistor - 51Ω ±1% 1/16W	235 -292
1655 2701	Resistor: 2.7K Ω: ±1%: 1/16W: 1005	235 -293
1655 2702	Resistor - 27KΩ ±1% 1/16W	199 -277
1655 2741	Resistor - 54.9Ω ±1% 1/16W	235 -294
1655 2749	Resistor - 27.4Ω ±1% 1/16W	235 -295
1655 2802	Resistor: 28K Ω: ±1%: 1/16W: 1005	235 -296
1655 3001	Resistor: 3K Ω: ±1%: 1/16W: 1005	199 -278
1655 3001	Resistor: 3K Ω: ±1%: 1/16W: 1005	213 -252
1655 3002	Chip Resistor - 30KΩ±1%1/16W	235 -298

Part No.	Description	Page and Index No.
1655 3002	Chip Resistor - 30KΩ±1%1/16W	213 -253
1655 3013	Resistor: 301K Ω: ±1%: 1/16W: 1005	235 -299
1655 3242	Resistor: 32.4K Ω: ±1%: 1/16W: 1005	235 -300
1655 3303	Resistor - 330KΩ ±1% 1/16W	235 -301
1655 3309	Resistor - 33Ω ±1% 1/16W	235 -302
1655 3601	Resistor: 3.6K Ω: ±1%: 1/16W: 1005	235 -303
1655 3903	Resistor - 82Ω ±1% 1/16W	235 -304
1655 3909	Resistor 39Ω ±1% 1/16W	235 -305
1655 4029	Resistor: 40.2 Ω: ±1%: 1/16W: 1005	235 -306
1655 4222	Resistor: 42.2K Ω: ±1%: 1/16W: 1005	213 -254
1655 4301	Resistor: 4.3K Ω: ±1%: 1/16W	199 -279
1655 4302	Resistor: 43K Ω: ±1%: 1/16W: 1005	199 -280
1655 4701	Chip Resistor - 4.7KΩ±1%1/16W	235 -307
1655 4701	Chip Resistor - 4.7KΩ±1%1/16W	213 -255
1655 4750	Resistor - 475Ω ±1% 1/16W	235 -308
1655 4992	Resistor: 49.9K Ω: ±1%: 1/16W: 1005	235 -309
1655 4999	Resistor - 49.9Ω ±1% 1/16W	235 -310
1655 5101	Resistor - 5.1KΩ ±1% 1/16W	235 -311
1655 5102	Resistor: 51K Ω: ±1%: 1/16W: 1005	199 -281
1655 5109	Resistor - 51Ω ±1% 1/16W	235 -312
1655 5499	Resistor - 54.9Ω ±1% 1/16W	235 -313
1655 5600	Resistor - 560Ω ±1% 1/16W	235 -297
1655 5602	Chip Resistor - 56KΩ±1%1/16W	235 -314
1655 5609	Resistor - 56Ω ±1% 1/16W	235 -315
1655 5902	Resistor: 59K Ω: ±1%: 1/16W: 1005	213 -256
1655 6043	Resistor: 604K Ω: ±1%: 1/16W: 1005	235 -316
1655 6202	Chip Resistor - 62KΩ±1%1/16W	213 -257
1655 6492	Resistor: 64.9K Ω: ±1%: 1/16W: 1005	199 -282
1655 6800	Resistor: 680 Ω: ±1%: 1/16W: 1005	235 -317
1655 6801	Resistor - 6.8KΩ ±1% 1/16W	199 -283
1655 6801	Resistor - 6.8KΩ ±1% 1/16W	235 -318
1655 6802	Resistor: 68K Ω: ±1%: 1/16W: 1005	235 -319
1655 6809	Chip Resistor - 68Ω±1%1/16W	235 -320
1655 7509	Resistor - 75 Ω ±1% 1/16W	235 -321
1655 8069	Resistor: 80.6 Ω: ±1%: 1/16W: 1005	235 -322

Part No.	Description	Page and Index No.
1655 8201	Resistor: 8.2K Ω : $\pm 1\%$: 1/16W: 1005	199 -284
1655 8201	Resistor: 8.2K Ω : $\pm 1\%$: 1/16W: 1005	235 -323
1655 8209	Resistor - 82 Ω $\pm 1\%$ 1/16W	235 -324
1655 8451	RESISTOR: 8.45K Ω : $\pm 1\%$: 1/16W: 1005	199 -285
1655 8452	Resistor: 84.5K Ω : $\pm 1\%$: 1/16W: 1005	213 -258
1655 8873	Resistor: 887K Ω : $\pm 1\%$: 1/16W: 1005	235 -325
1655 9101	Resistor - 9.1K Ω $\pm 1\%$ 1/16W	199 -286
1655 9101	Resistor - 9.1K Ω $\pm 1\%$ 1/16W	235 -326
1660 2101	Capacitor - 100pF - $\pm 10\%$ - 50V	213 -259
1660 2680	Capacitor - 68pF $\pm 5\%$ 50V	213 -260
1660 4222	Capacitor - 2200pF - $\pm 10\%$ - 50V	199 -287
1902 0076	SRAM: 8M: X16: 55NS: G1	199 -288
1906 0101	Flash Memory: S29GL032A90TFIR40	235 -327
1906 0115	Flash Memory: S29GL064A90TFIR40	199 -289
1906 0120	NAND Flash: 1G: X8: 30NS: 3.3V: 2KB	235 -328

Part No.	Description	Page and Index No.
5053 0223	Bushing - 8mm	27 - 21
5053 0223	Bushing - 8mm	67 - 24
5053 0447	Bushing - 6mm	43 - 15
5053 0447	Bushing - 6mm	31 - 20
5053 0447	Bushing - 6mm	33 - 19
5053 0447	Bushing - 6mm	39 - 20
5053 0447	Bushing - 6mm	63 - 28
5053 0447	Bushing - 6mm	41 - 21
5201 2858	Friction Pad	65 - 10
5203 9501	Silicon Grease G-501	247 - 7
5206 2684	Shoulder Screw - M3	121 - 1
5206 2684	Shoulder Screw - M3	123 - 23
5206 2684	Shoulder Screw - M3	125 - 2
5206 2684	Shoulder Screw - M3	119 - 1
5206 2684	Shoulder Screw - M3	115 - 23
5206 2684	Shoulder Screw - M3	39 - 1
5206 2686	Snap Ring	27 - 6
5206 2686	Snap Ring	109 - 18
5215 2621	Snap Ring - M6	45 - 33
5215 2621	Snap Ring - M6	83 - 10
5324 1658	Bushing- 4x8x4.5mm	35 - 4
5413 1875	Knob Screw	135 - 23
5442 1924	Exposure Glass Cushion	49 - 8
5443 2668	Bushing - 4x6x7mm	107 - 11
5443 2668	Bushing - 4x6x7mm	105 - 10
5446 2901	Collar - 8mm	107 - 23
5447 2681	Snap Ring	139 - 29
5447 2681	Snap Ring	25 - 5
5447 2681	Snap Ring	185 - 1
5447 2681	Snap Ring	141 - 11
5447 2681	Snap Ring	183 - 17
5447 2681	Snap Ring	129 - 24
5447 2681	Snap Ring	133 - 5
5447 2681	Snap Ring	149 - 25
5447 2681	Snap Ring	137 - 10

Part No.	Description	Page and Index No.
5447 2681	Snap Ring	143 - 14
5447 2681	Snap Ring	75 - 31
5447 2681	Snap Ring	113 - 16
5447 2681	Snap Ring	111 - 25
5447 2681	Snap Ring	73 - 2
5447 2681	Snap Ring	61 - 18
5447 2681	Snap Ring	45 - 35
5447 2681	Snap Ring	43 - 8
5447 2681	Snap Ring	41 - 20
5447 2681	Snap Ring	39 - 24
5447 2681	Snap Ring	33 - 6
5447 2681	Snap Ring	31 - 19
5447 2681	Snap Ring	27 - 24
5447 2706	Gear - 15T	61 - 21
5447 2769	Stepped Screw	111 - 1
5894 2540	Arm Screw	75 - 18
5937 4158	Spring Washer - BD10	131 - 5
6754 2866	Roller - Positioning Guide	185 - 5

Part No.	Description	Page and Index No.

