

MP C4504/C5504/C6004/C4504ex/C5504ex/C6004ex series
(D240/D241/D242/D0AE/D0AF/D0AG)
Parts Catalog

Parts change information sample

 **Add**

 **Update**

 **Delete**

Model	Product Code	PC Style
MP C3004/C3504/C3004ex/C3504ex series/DSc1230	D238/D239/D0AC/D0AD	3D
MP C4504/C5504/C6004/C4504ex/C5504ex/C6004ex series/DSc1245/DSc1260	D240/D241/D242/D0AE/D0AF/D0AG	3D
SPDF DF3100	D3B0	3D
Finisher SR3210	D3B8	3D
Booklet Finisher SR3220	D3B9	3D
Booklet Finisher SR3240	D3BB	3D
Finisher SR3230	D3BA	3D
1 Bin Tray BN3110	D3CQ	3D
Bridge Unit BU3070	D685	3D
Internal Finisher SR3130	D690	3D
Side Tray Type M3	D725	3D
Internal Finisher SR3180	D766	3D
Smart Operation Panel	D241	2D
IEEE 802.11a/g/n Interface Unit Type M19	D3BR	2D
Memory Unit Type M19 4GB	D3BX	2D
Extended USB Board Type M19	D3BS	2D
IEEE 1284 Interface Board Type M19 XPS	D3C0	2D
Direct Print Option Type M19	D3BC	2D
USB Device Server Option Type M19	D3BC	2D
PostScript3 Unit Type M19	D3BD	2D
Camera Direct Print Card Type M19	D3BD	2D
File Format Converter Type M19	D3BR	2D
DataOverwriteSecurity Unit Type M19	D3BS	2D
IPDS Unit Type M20	D3BC	2D
Imageable Area Extension Unit Type M19	D3BR	2D
Enhanced Security HDD Option Type M12	D3A6	2D
OCR Unit Type M13	D3AC	2D
NFC Card Reader Type M19	D3BS	2D
Smart Card Reader Built-in Unit Type M19	D3BS	2D
External Keyboard Bracket Type M19	D3BR	2D
Caster Table Type M3	D178	2D
Platen Cover PN2000	D700	2D
ADF Handle TypeC	D593	2D
Card Reader Bracket Type 3352	D593	2D
Key Counter Bracket Type M3	D739	2D
Bluetooth Interfance Unit Type D	D566	2D

Unit All



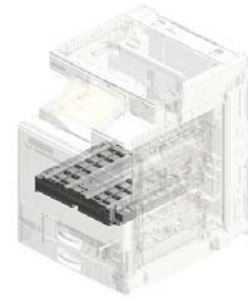
U001
EXTERIOR



U002
OPERATION



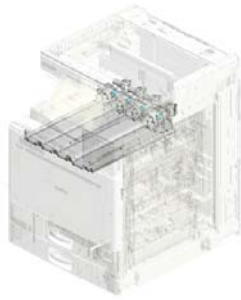
U003
SCANNER



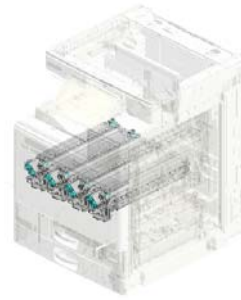
U004
LASER UNIT



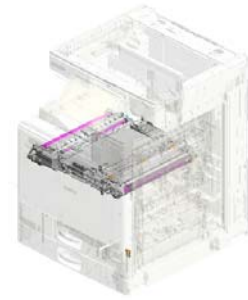
U005
PAPER FEED



U006
TONER SUPPLY



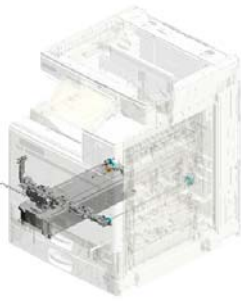
U007
PCDU



U008
ITB UNIT



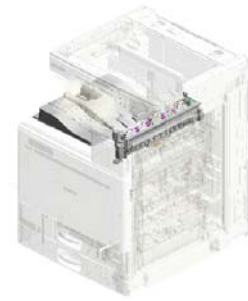
U009
SEPARATION/PAPER TRANSPORT



U010
USED TONER



U011
FUSING



U012
PAPER EXIT

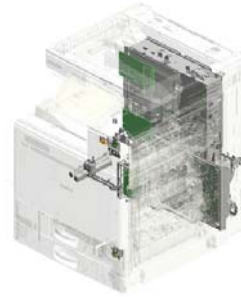
Unit All



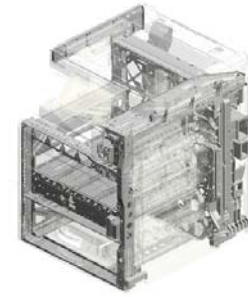
U013
DUPLEX



U014
MAIN DRIVE



U015
ELECTRICAL



U016
MAIN FRAME



U017
OPTION



U018
ACCESSORIES

U001 EXTERIOR

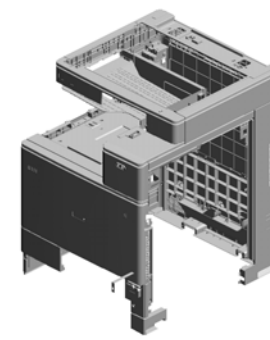
14.D1491243 COVER:FRONT:UP
PER:OPERATION S
UB-UNIT

20.D1491281 COVER:SCANNER:
FRONT

19.D1491278 TORSION SPRING:
COVER:USED TON
ER

5.52062686 SNAP RING

7.AA143537 (x2)
SCREW:M3:BLACK



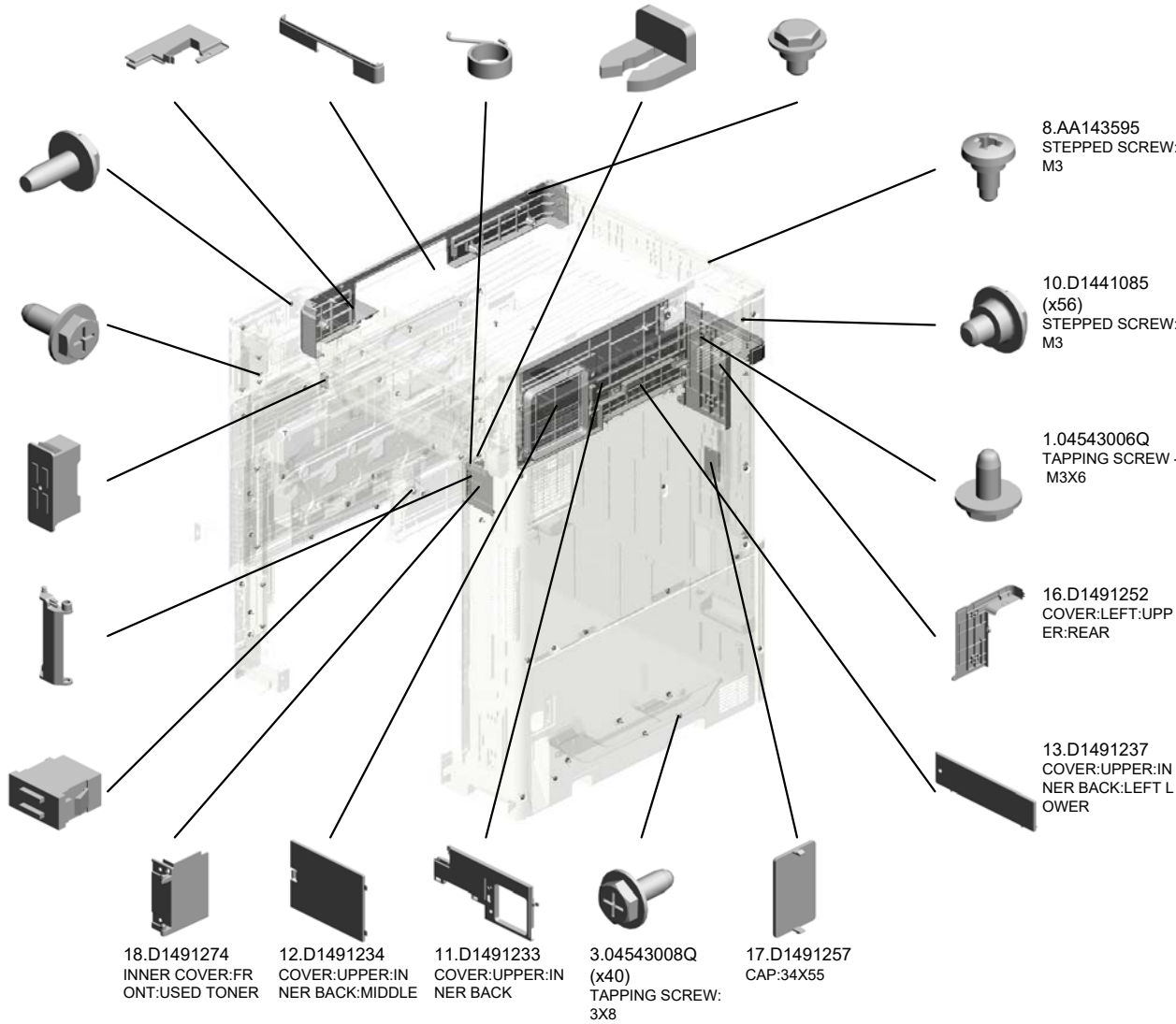
4.04583008N (x47)
HEXAGON HEAD T
APPING SCREW:3
X8

2.04543008N (x52)
TAPPING SCREW:
ROUND POINT:3X8

9.AG070513
MAGNET CATCH

15.D1491248
HINGE:COVER:FR
ONT:USED TONER

6.AA021031
MAGNETIC CATCH



18.D1491274
INNER COVER:FR
ONT:USED TONER

12.D1491234
COVER:UPPER:IN
NER BACK:MIDDLE

11.D1491233
COVER:UPPER:IN
NER BACK

3.04543008Q (x40)
TAPPING SCREW:
3X8

17.D1491257
CAP:34X55

8.AA143595
STEPPED SCREW:
M3

10.D1441085 (x56)
STEPPED SCREW:
M3

1.04543006Q
TAPPING SCREW -
M3X6

16.D1491252
COVER:LEFT:UPP
ER:REAR

13.D1491237
COVER:UPPER:IN
NER BACK:LEFT L
OWER

4.04583008N (x 1)
HEXAGON HEAD TAPPING SCREW:3X
8

U001 EXTERIOR

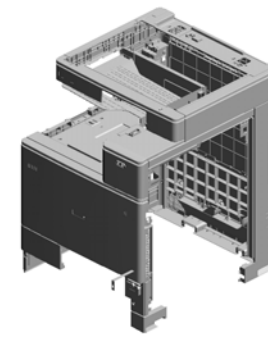
23.D1491302
CLEANER:SHIELD
GLASS:ASS'Y

40.D2421231
[B]
COVER:UPPER:FR
ONT
201702-02 X/O

29.D1496859
DECAL:CLEANING:
SHIELD GLASS

37.D1501282
COVER:SCANNER:
UPPER:FRONT

26.D1494492
TRAY:REVERSE



31.D1496894
DECAL:PCU:CYAN



25.D1491307
SPRING PLATE:BA
ND



30.D1496893
DECAL:PCU:BLAC
K



27.D1495883
KEYTOP:MAIN SWI
TCH



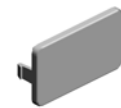
28.D1495884
COMPRESSION SP
RING:KEYTOP



32.D1496895
DECAL:PCU:MAGE
NTA



33.D1496896
DECAL:PCU:YELL
OW



24.D1491305
(x2)
CAP:TOTAL COUN
TER



21.D1491291
(x8)
CAP:HARNESS



34.D1497984
(x8)
DUCT:REAR:POW
ER SUPPLY UNIT



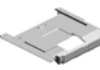
35.D1501235
COVER:UPPER:IN
NER BACK:BIN



38.D1501290
COVER:SCANNER:
UPPER:REAR



22.D1491294
(x5)
(EU(D24027/D2402
8/D24066/D24127/D
24128/D24165/D24
166/D24266/D0AE2
7/D0AF27));(CHN(D

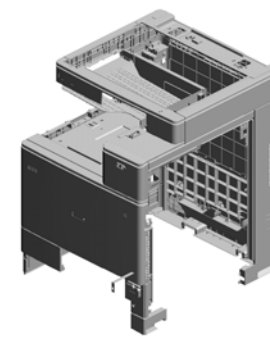


39.D2411230
COVER:UPPER



36.D1501250
COVER:LEFT

U001 EXTERIOR



44.D2411245 COVER:FRONT:UPPER
 54.D2411276 INNER COVER:TONE BOTTLE
 58.D2411288 COVER:SCANNER:UPPER:RIGHT
 57.D2411287 COVER:SCANNER:RIGHT
 41.D2411232 COVER:UPPER:EXIT

43.D2411244 COVER:FRONT:RIGHT UPPER

42.D2411241 COVER:FRONT

52.D2411273 INNER COVER:FRONT:LOWER

60.D2411298 INNER COVER:RIGHT

53.D2411275 INNER COVER:FRONT:RIGHT LOWER

51.D2411266 COVER:RIGHT:FRONT LOWER

45.D2421247 [A] COVER:FRONT:USED TONER 201611-03 X/O

50.D2411263 (x8) CAP:LOUVER:DEODORIZE FILTER

48.D2411260 (x8) COVER:REAR:LOWER

49.D2411261 (x8) COVER:REAR

56.D2411285 COVER:SCANNER:UPPER:LEFT

55.D2411284 COVER:SCANNER:LEFT

59.D2411297 BRACKET:COVER:LEFT UPPER REAR

47.D2411256 CAP:COVER:INTERFACE

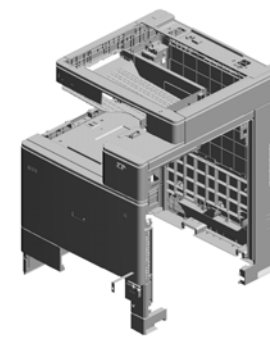
46.D2411255 COVER:LEFT:INTERFACE

U001 EXTERIOR

62.D2411309 (x2)
MAGNET CATCH

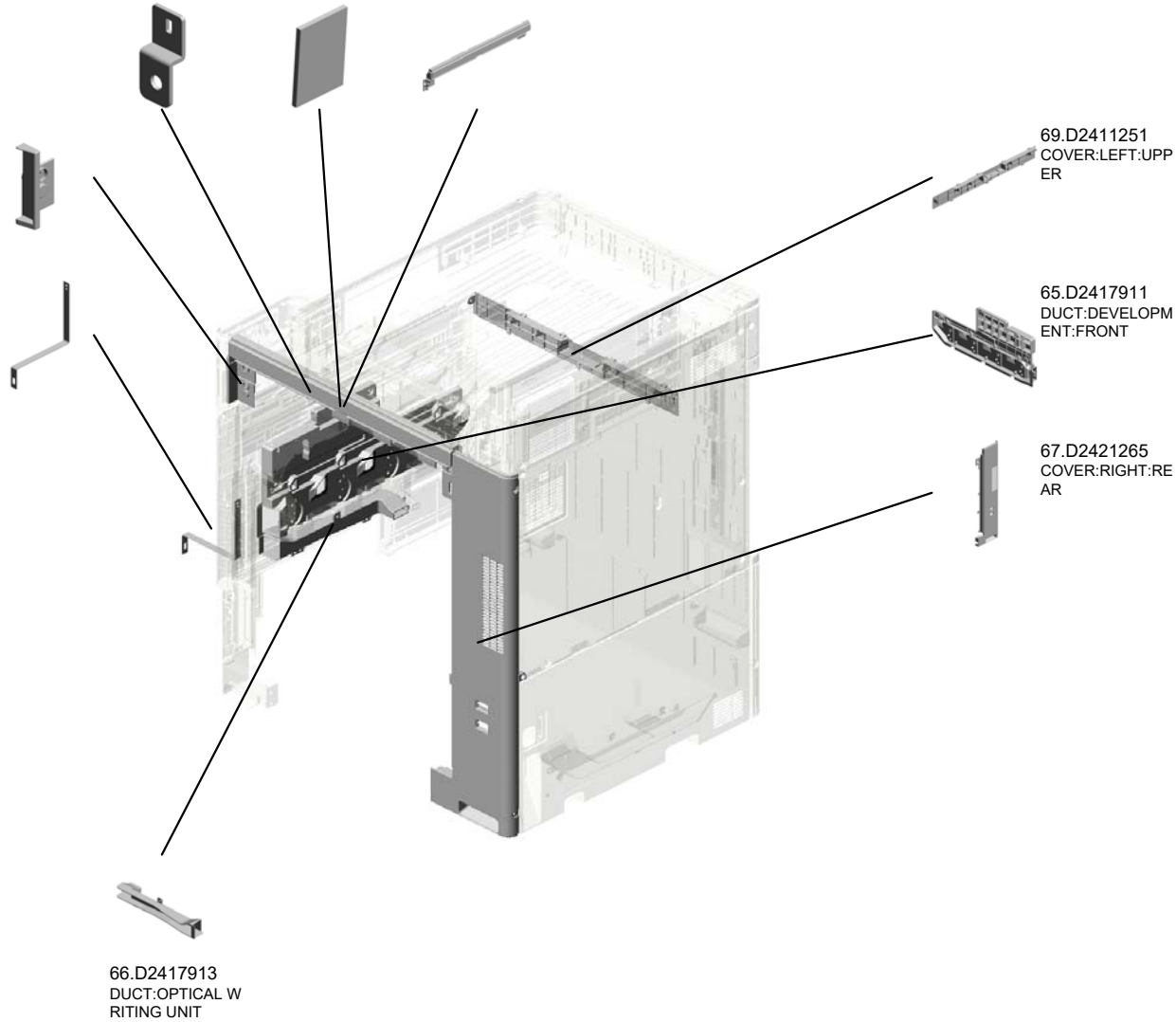
63.D2414458 (x4)
GUIDE:COVER:UPPER

68.D2421267
COVER:RIGHT:UPPER



64.D2415711
COVER:HUMAN DETECTION SENSOR:CONNECTOR

61.D2411308
BAND:STOPPER:DOOR



U002.OPERATION

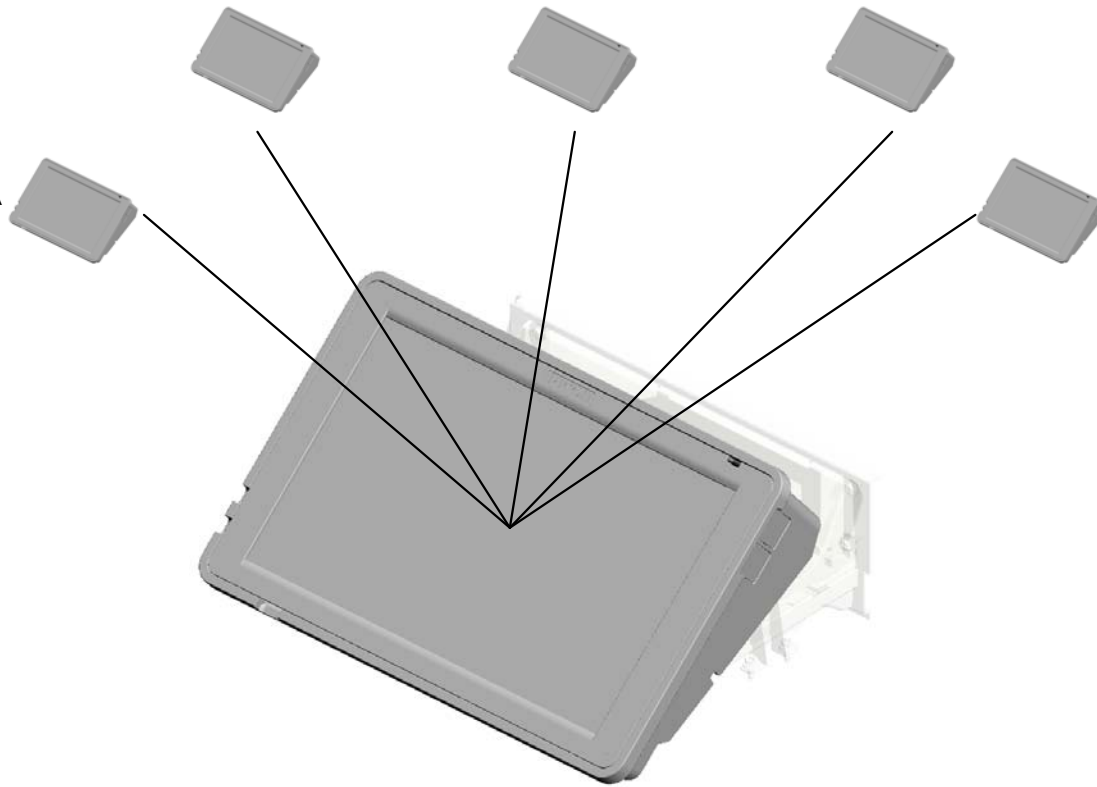
U002_S001
D0AC1410
(EU/NA/AA/KOR/TWN):OPER
ATION PANEL:ASS'Y

U002_S002
D0AC1410
(EU/NA/AA/KOR/TWN):OPER
ATION PANEL:ASS'Y

U002_S003
D0AC1410
(EU/NA/AA/KOR/TWN):OPER
ATION PANEL:ASS'Y

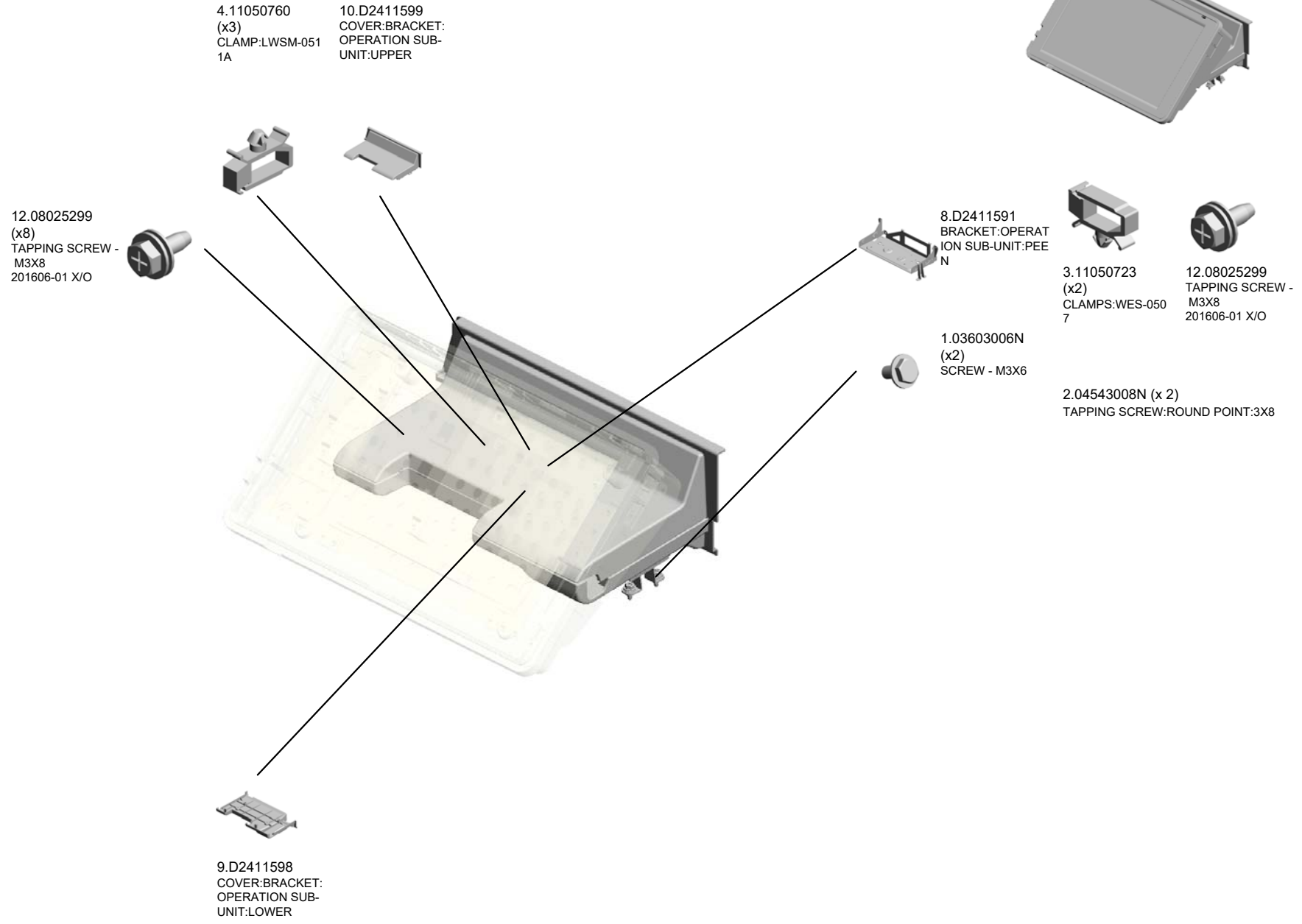
U002_S005
D0AC1411
(CHN):OPERATION PANEL:A
SS'Y

U002_S004
D0AC1410
(EU/NA/AA/KOR/TWN):OPER
ATION PANEL:ASS'Y

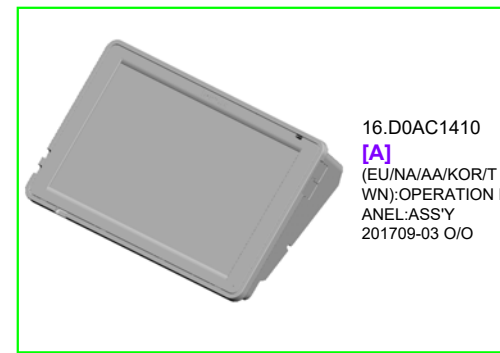


U001	U002	U003	U004	U005	U006	U007	U008	U009	U010	U011	U012	U013	U014	U015	U016	U017	U018
------	-------------	------	------	------	------	------	------	------	------	------	------	------	------	------	------	------	------

U002 OPERATION

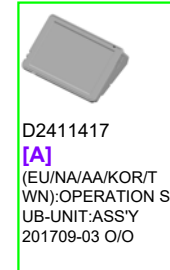


U002_S001
(EU/NA/AA/KOR/TWN):OPERATION PANEL:ASS'Y



See 2D parts catalog for the components of the Smart Operation Panel.

11.Note
See 2D parts catalog for the components of the Smart Operation Panel.



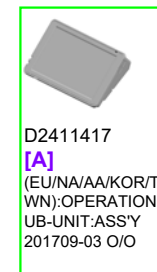
U001	U002	U003	U004	U005	U006	U007	U008	U009	U010	U011	U012	U013	U014	U015	U016	U017	U018
------	------	------	------	------	------	------	------	------	------	------	------	------	------	------	------	------	------

U002_S002
(EU/NA/AA/KOR/TWN):OPERATION PANEL:ASS'Y



See 2D parts catalog for the components of the Smart Operation Panel.

11.Note
See 2D parts catalog for the components of the Smart Operation Panel.



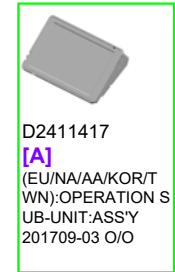
U001	U002	U003	U004	U005	U006	U007	U008	U009	U010	U011	U012	U013	U014	U015	U016	U017	U018
------	------	------	------	------	------	------	------	------	------	------	------	------	------	------	------	------	------

U002_S003
(EU/NA/AA/KOR/TWN):OPERATION PANEL:ASS'Y



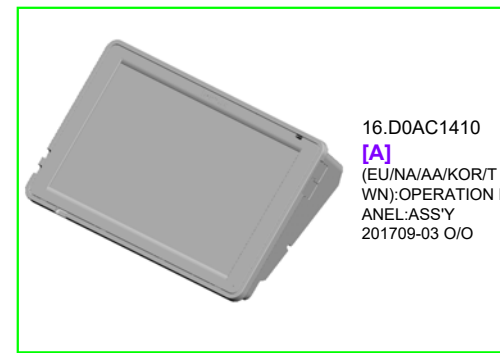
See 2D parts catalog for the components of the Smart Operation Panel.

11.Note
See 2D parts catalog for the components of the Smart Operation Panel.



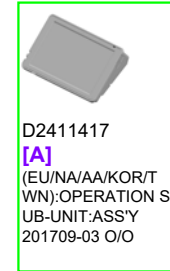
U001	U002	U003	U004	U005	U006	U007	U008	U009	U010	U011	U012	U013	U014	U015	U016	U017	U018
------	------	------	------	------	------	------	------	------	------	------	------	------	------	------	------	------	------

U002_S004
(EU/NA/AA/KOR/TWN):OPERATION PANEL:ASS'Y



See 2D parts catalog for the components of the Smart Operation Panel.

11.Note
See 2D parts catalog for the components of the Smart Operation Panel.



U001	U002	U003	U004	U005	U006	U007	U008	U009	U010	U011	U012	U013	U014	U015	U016	U017	U018
------	------	------	------	------	------	------	------	------	------	------	------	------	------	------	------	------	------

U002_S005
(CHN):OPERATION PANEL:ASS'Y



15.D0AC1411
[A]
(CHN):OPERATION
PANEL:ASS'Y
201706-06 O/O

See 2D parts catalog
for the components of
the Smart Operation
Panel.

11.Note
See 2D parts catalog
for the components of
the Smart Operation
Panel.

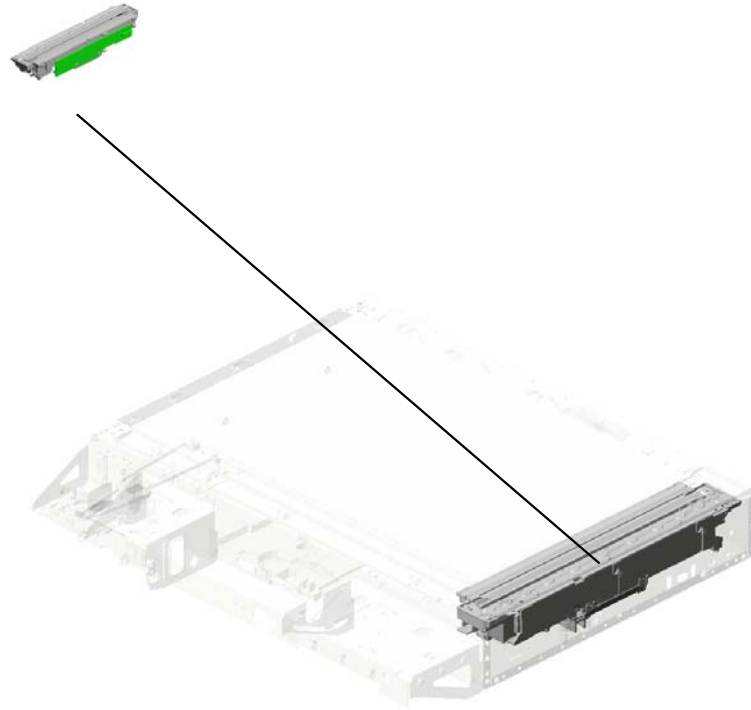


D2411418
[A]
(CHN):OPERATION
SUB-UNIT:ASS'Y
201706-06 O/O

U001	U002	U003	U004	U005	U006	U007	U008	U009	U010	U011	U012	U013	U014	U015	U016	U017	U018
------	------	------	------	------	------	------	------	------	------	------	------	------	------	------	------	------	------

U003.SCANNER

U003 S001
D0AC1640
OPTICAL READING UNIT:CA
RRIAGE:SCANNER



U001	U002	U003	U004	U005	U006	U007	U008	U009	U010	U011	U012	U013	U014	U015	U016	U017	U018
------	------	------	------	------	------	------	------	------	------	------	------	------	------	------	------	------	------

U003 SCANNER

- 10.08050104 RETAINING RINGS (x3)
-E:SILENCER:DIA4
- 9.08050103 RETAINING RINGS (x3)
-E:SILENCER:DIA3
- 8.08046123 (x13)
HEXAGONAL BOLT :W/WASHER:M3X8
- 18.AA143537 (x6)
SCREW:M3:BLACK
- 19.AW010155 (x2)
ORIGINAL SENSO R:66MM:3.3V



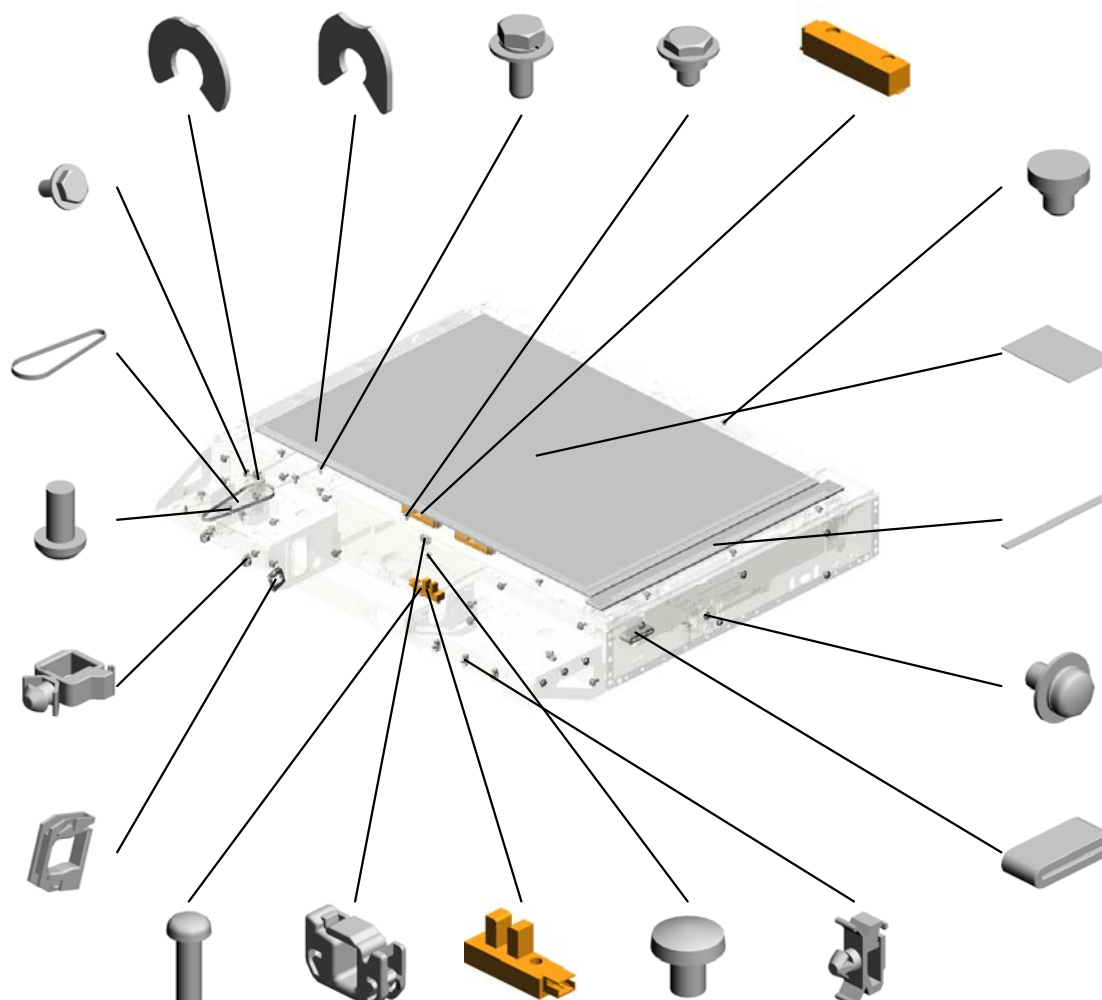
6.03603006N
(x20)
SCREW - M3X6

23.D1491706
SYNCHRONOUS B
ELT:138ST1.5-4.0

1.03130060N
(x2)
SCREW - M3X6

15.11050759
(x2)
CLAMP:LWSM-060
5A

13.11050724
CLAMPS:WES-121
0



2.03140120N
SCREW - M4X12

12.11050692
CLAMP:LES-0503

20.AW020207
PHOTOINTERRUP
TOR:FLAT:PICH2M
M:M4

4.03530040N
SCREW - M3X4

14.11050758
(x4)
CLAMP:LWSM-030
6A

21.D1444183
SCREW:M3

14.11050758
CLAMP:LWSM-030
6A

17.A2501752
EXPOSURE GLASS

22.D1471805
EXPOSURE GLASS
:DOCUMENT FEED
ER:APPLY

11.09543005N
(x3)
SCREW:POLISHED
ROUND/SPRING:M
3X5

16.16072525
FERRITE CORE:K3
FF 35.00X14.60X7.
70X1.40

U003 SCANNER

29.D2411681
(x2)
STAY:GUIDE ROD

39.D2411708
TIGHTENER:DIA8

33.D2411688
SHEET:GLASS:LAR
GE

43.D2411713
SYNCHRONOUS B
ELT:890ST55-4.0

28.D2411680
GUIDE ROD



41.D2411711
CAP:IDLER:TRAILI
NG EDGE

40.D2411710
PULLEY:IDLER:TR
AILING EDGE

26.D1491833
(x5)
SHEET:GLASS

42.D2411712
TENSION SPRING:
TIGHTENER:TENSI
ON:4N

30.D2411684
COVER:HARNES:
SCANNER

27.D2411678
SHEET:FFC:LOWE
R

25.D1491804
(x2)
HOLDER:EXPOSU
RE GLASS:SCANN
ER

37.D2411701
PULLEY:IDLER:LE
ADING EDGE

38.D2411702
(x2)
CAP:PULLEY:IDLE
R:LEADING EDGE

31.D2411685
SPRING PLATE:GU
IDE ROD

36.D2411698
COVER:BASE:SCA
NNER

34.D2411689
(x6)
HOLDER:EXPOSU
RE GLASS

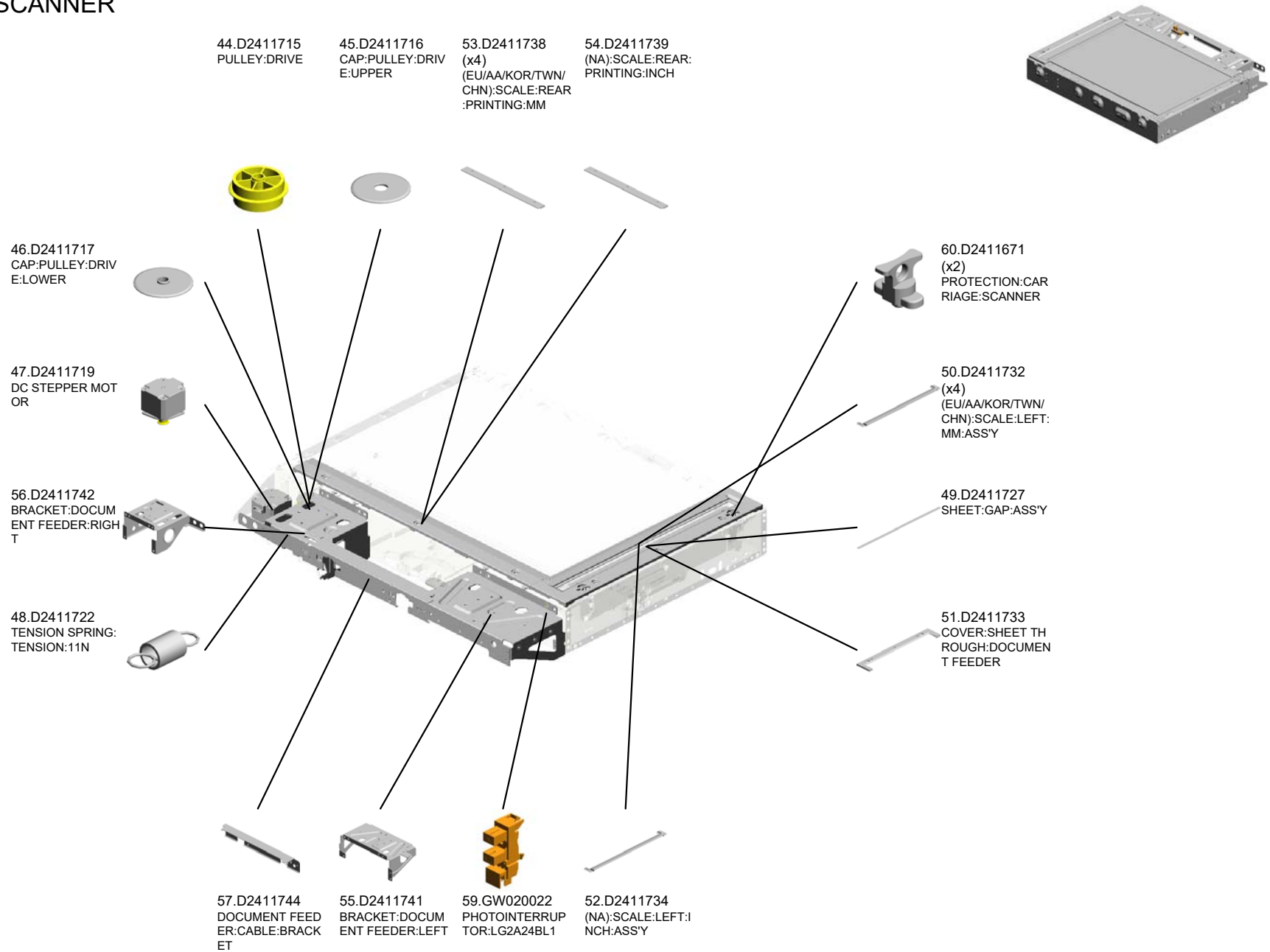
35.D2411697
SLIDE RAIL

24.D1491798
(x2)
SEAL:SHEET THR
OUGH:DOCUMENT
FEEDER

32.D2411686
(x2)
CLAMP:STAY:GUID
E ROD

U001	U002	U003	U004	U005	U006	U007	U008	U009	U010	U011	U012	U013	U014	U015	U016	U017	U018
------	------	------	------	------	------	------	------	------	------	------	------	------	------	------	------	------	------

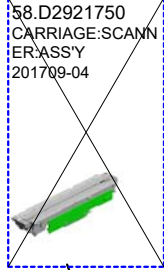
U003 SCANNER



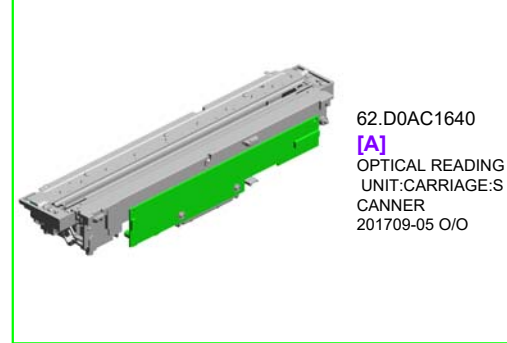
U001	U002	U003	U004	U005	U006	U007	U008	U009	U010	U011	U012	U013	U014	U015	U016	U017	U018
------	------	------	------	------	------	------	------	------	------	------	------	------	------	------	------	------	------

U003_S001
OPTICAL READING UNIT:CARRIAGE:SCANNER

7.04583010N
(x4)
HEXAGON HEAD TAPPING SCREW:3X10

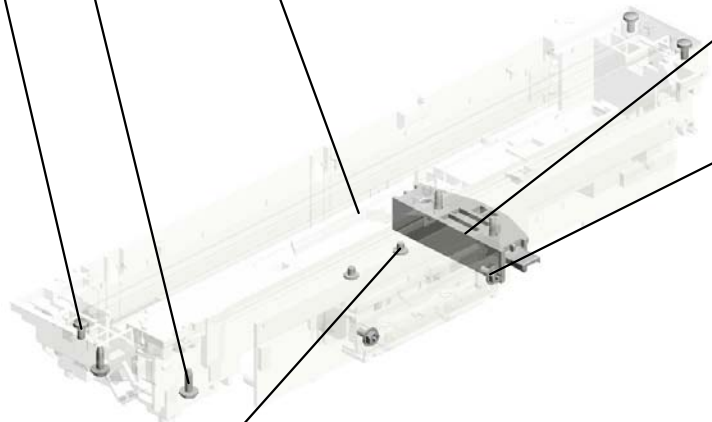


58.D2921750
CARRIAGE:SCANNER ASS'Y
201709-04



62.D0AC1640
[A]
OPTICAL READING UNIT:CARRIAGE:SCANNER
201709-05 O/O

5.03530060N
(x3)
BIND SCREW - M3X6



61.D2411767
PLAIN SHAFT BEARING RING:90ANG



6.03603006N
(x2)
SCREW - M3X6



3.03530030N
(x2)
SCREW:M3X3

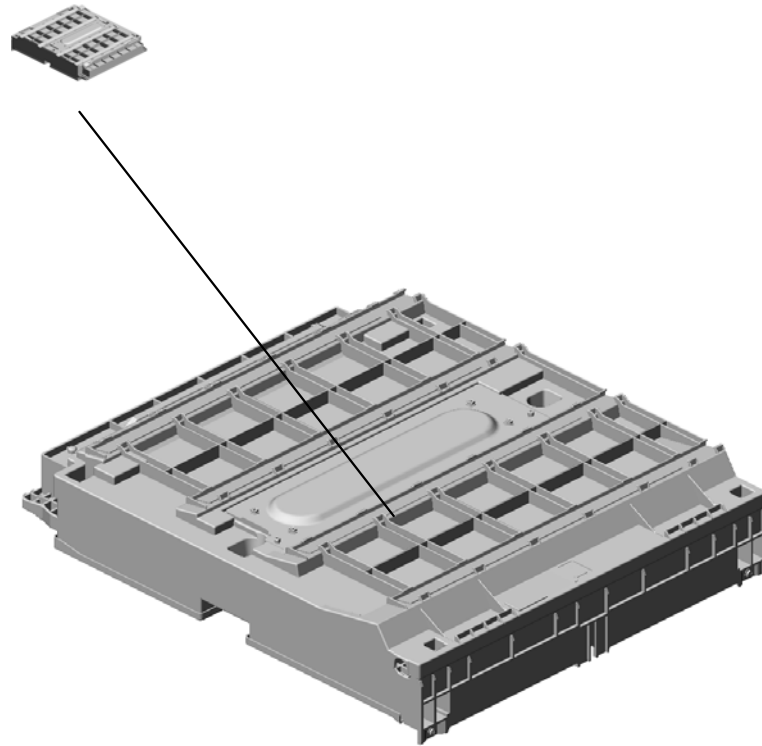


D2411640
[A]
OPTICAL READING UNIT:CARRIAGE:SCANNER
201709-05 O/O

U001	U002	U003	U004	U005	U006	U007	U008	U009	U010	U011	U012	U013	U014	U015	U016	U017	U018
------	------	------	------	------	------	------	------	------	------	------	------	------	------	------	------	------	------

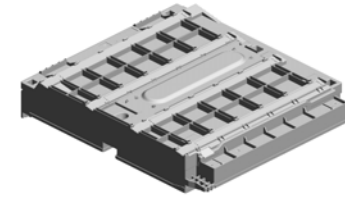
U004.LASER UNIT

U004 S001
D2411855
OPTICAL WRITING UNIT



U001	U002	U003	U004	U005	U006	U007	U008	U009	U010	U011	U012	U013	U014	U015	U016	U017	U018
------	------	------	------	------	------	------	------	------	------	------	------	------	------	------	------	------	------

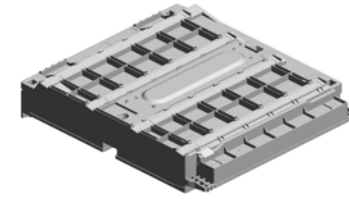
U004
LASER UNIT



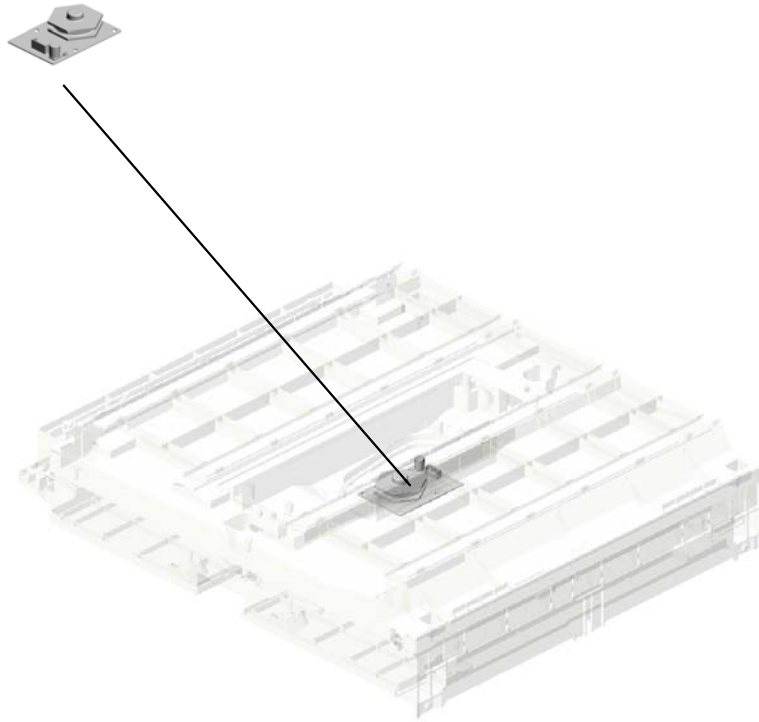
U001	U002	U003	U004	U005	U006	U007	U008	U009	U010	U011	U012	U013	U014	U015	U016	U017	U018
------	------	------	------	------	------	------	------	------	------	------	------	------	------	------	------	------	------

U004_S001
OPTICAL WRITING UNIT

2.AX060492
DC POLYGON MIR
ROR MOTOR



1.D2411855
OPTICAL WRITING
UNIT



U001	U002	U003	U004	U005	U006	U007	U008	U009	U010	U011	U012	U013	U014	U015	U016	U017	U018
------	------	------	-------------	------	------	------	------	------	------	------	------	------	------	------	------	------	------

U005.PAPER FEED

U005 S006
D2412800
PAPER TRAY:NO.1:ASS'Y

U005 S001
D1492905
SUPPORTER:RIGHT:NO.1:AS
S'Y

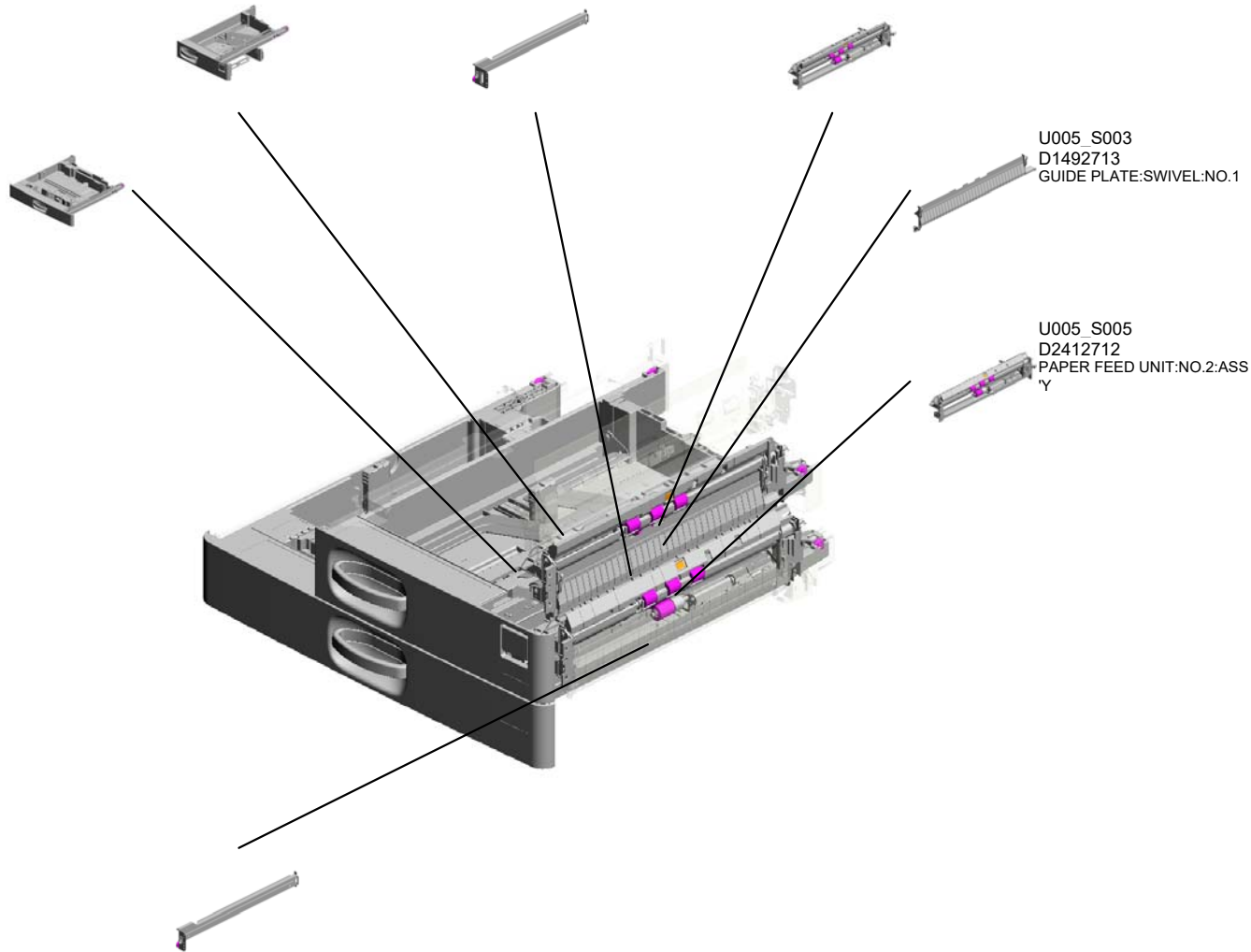
U005 S004
D2412711
PAPER FEED UNIT:NO.1:ASS
'Y

U005 S007
D2412805
PAPER TRAY:NO.2:ASS'Y

U005 S003
D1492713
GUIDE PLATE:SWIVEL:NO.1

U005 S005
D2412712
PAPER FEED UNIT:NO.2:ASS
'Y

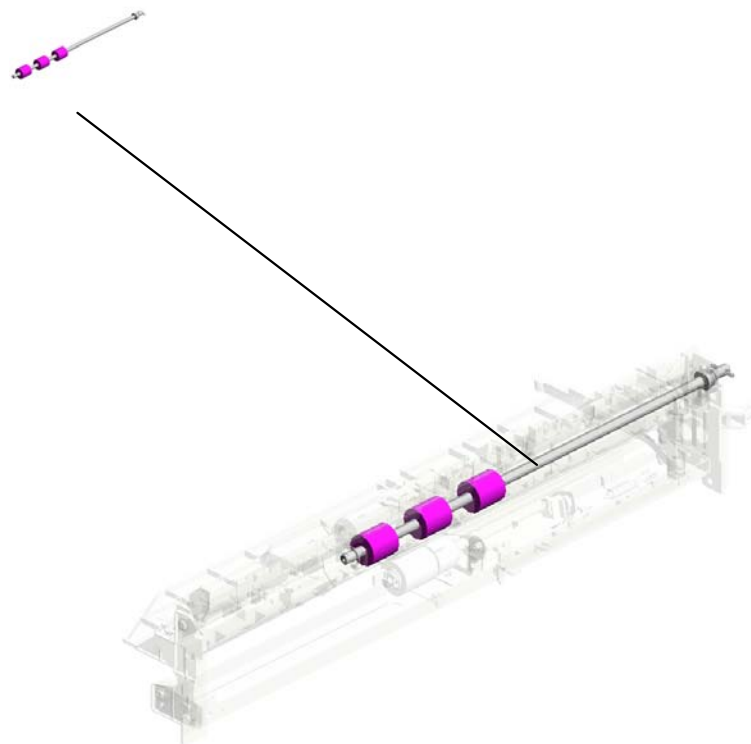
U005 S002
D1492903
SUPPORTER:RIGHT:NO.2:AS
S'Y



U001	U002	U003	U004	U005	U006	U007	U008	U009	U010	U011	U012	U013	U014	U015	U016	U017	U018
------	------	------	------	------	------	------	------	------	------	------	------	------	------	------	------	------	------

U005_S004.PAPER FEED UNIT:NO.1:ASS'Y

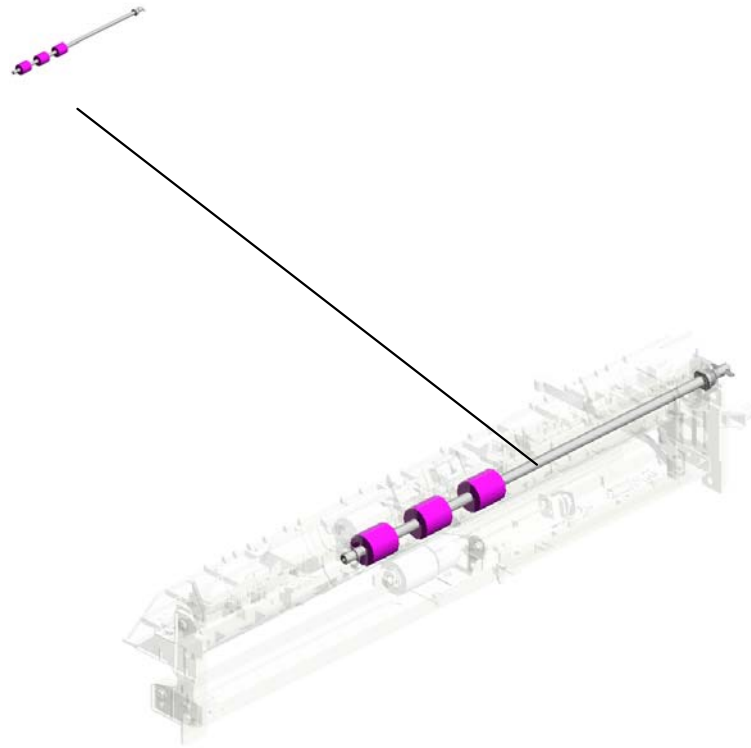
U005 S004 S001
D2412759
TRANSPORT ROLLER:VERTI
CAL TRANSPORT:ASS'Y



U001	U002	U003	U004	U005	U006	U007	U008	U009	U010	U011	U012	U013	U014	U015	U016	U017	U018
------	------	------	------	------	------	------	------	------	------	------	------	------	------	------	------	------	------

U005_S005.PAPER FEED UNIT:NO.2:ASS'Y

U005 S005 S001
D2412759
TRANSPORT ROLLER:VERTI
CAL TRANSPORT:ASS'Y



U001	U002	U003	U004	U005	U006	U007	U008	U009	U010	U011	U012	U013	U014	U015	U016	U017	U018
------	------	------	------	------	------	------	------	------	------	------	------	------	------	------	------	------	------

U005_S006.PAPER TRAY:NO.1:ASS'Y

U005 S006 S004
D1492850
TRAY BOTTOM PLATE:ASS'Y

U005_S006_S003
D1492840
END FENCE:PAPER TRAY:AS
SS'Y

U005_S006_S002
D1492838
SIDE FENCE:REAR:NO.1:AS
S'Y

U005 S006 S001
D1492828
SIDE FENCE:FRONT:NO.1:A
SS'Y

U001	U002	U003	U004	U005	U006	U007	U008	U009	U010	U011	U012	U013	U014	U015	U016	U017	U018
------	------	------	------	------	------	------	------	------	------	------	------	------	------	------	------	------	------

U005_S007.PAPER TRAY:NO.2:ASS'Y

U005 S007 S001
D1492840
END FENCE:PAPER TRAY:A
SS'Y

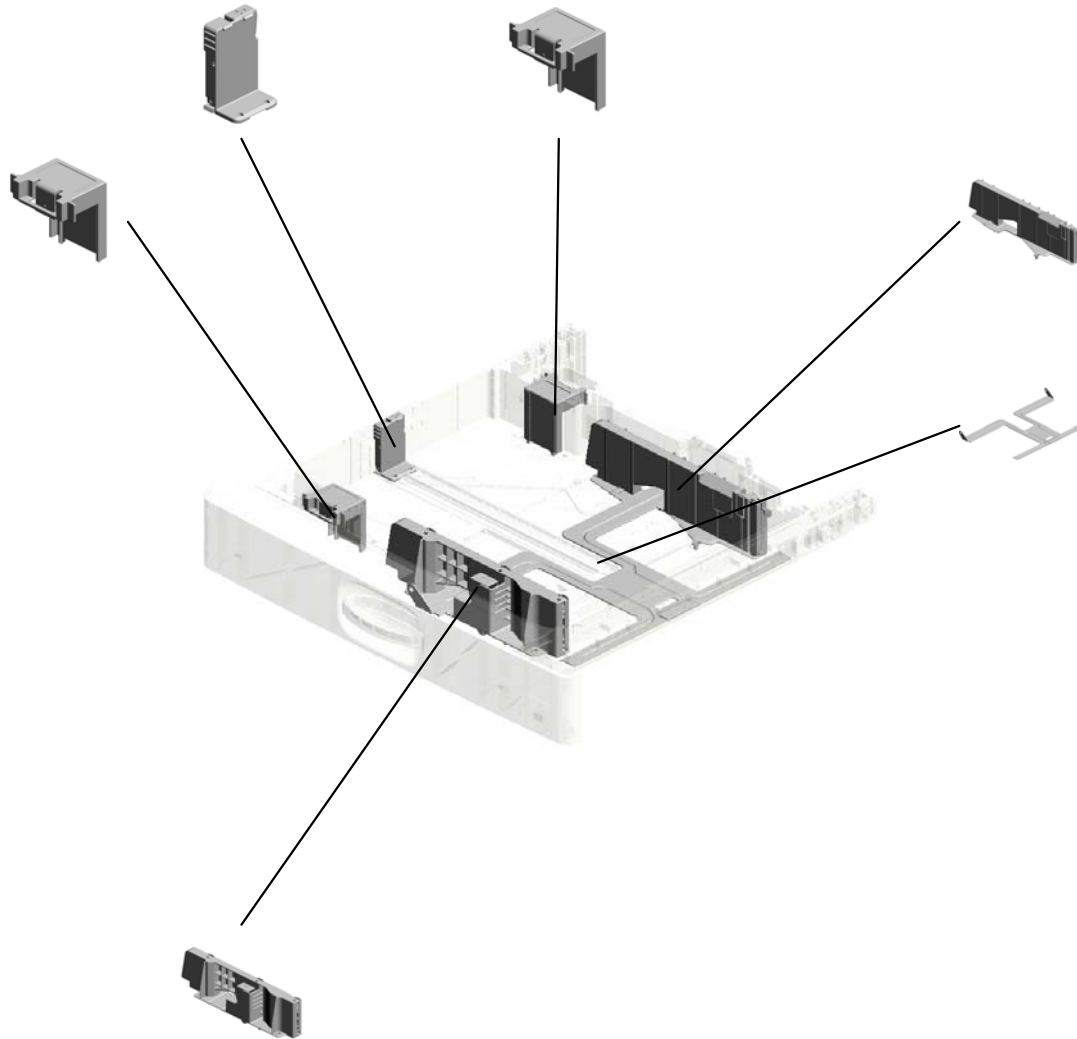
U005 S007 S006
D2412873
SIDE FENCE:AUXILIARY

U005_S007_S005
D2412873
SIDE FENCE:AUXILIARY

U005_S007_S004
D2412880
SIDE FENCE:REAR:ASS'Y

U005 S007 S002
D1492873
TRAY BOTTOM PLATE:NO.2:
ASS'Y

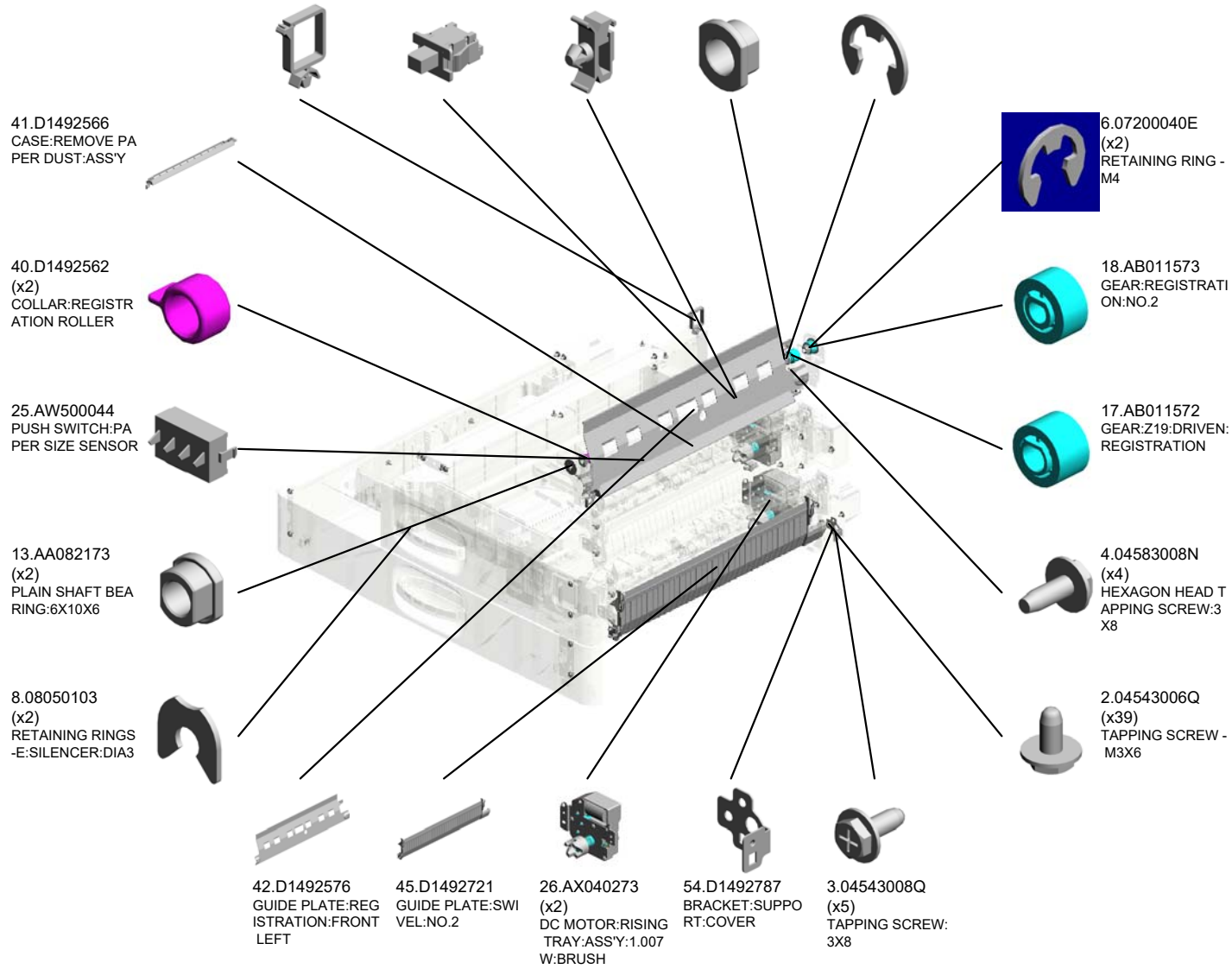
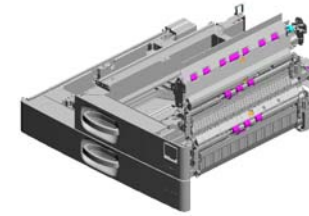
U005 S007 S003
D2412875
SIDE FENCE:FRONT:ASS'Y



U001	U002	U003	U004	U005	U006	U007	U008	U009	U010	U011	U012	U013	U014	U015	U016	U017	U018
------	------	------	------	-------------	------	------	------	------	------	------	------	------	------	------	------	------	------

U005 PAPER FEED

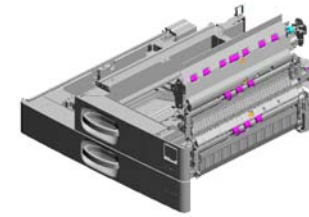
- 11.11050765 CLAMP:LWS-2218A
- 24.AW500040 (x2) PUSH SWITCH:SW1AG-550:10MA
- 10.11050758 (x2) CLAMP:LWSM-030 6A
- 15.AA082175 (x2) PLAIN SHAFT BEARING:8X12X7
- 7.07200060E (x3) RETAINING RING - M6



U001	U002	U003	U004	U005	U006	U007	U008	U009	U010	U011	U012	U013	U014	U015	U016	U017	U018
------	------	------	------	------	------	------	------	------	------	------	------	------	------	------	------	------	------

U005 PAPER FEED

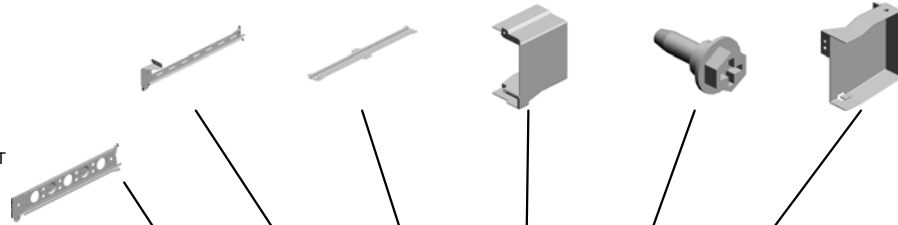
95.D1492930 SUPPORTER:LEFT LOWER:NO.1:PEE N
 90.D1492918 SUPPORTER:LEFT UPPER:NO.1
 87.D1492889 COVER:TRAY:REA R LEFT:NO.2
 119.GA143003 SCREW:MM5:2.5M M
 85.D1492887 COVER:TRAY:REA R LEFT:NO.1



93.D1492925 SUPPORTER:LEFT :NO.2

99.D1492958 ROLLER:SUPPORT ER:PAPER TRAY:L EFT

94.D1492928 ROLLER:SUPPORT ER:PAPER TRAY:L EFT



84.D1492886 COVER:TRAY:REA R RIGHT:NO.1

122.D2412906 (x2) LEVER:STRETCH: PAPER TRAY:ASS' Y 201708-03 O/O

86.D1492888 COVER:TRAY:REA R RIGHT:NO.2

55.D1492788 INNER COVER:HA RNNESS:PAPER FE ED UNIT

121.D2412731 (x2) STOPPER:GUIDE P LATE:SWIVEL 201702-04

101.D2412559 SHAFT:REGISTRA TION ROLLER:DRI VEN

120.GW010007 PHOTO REFLECTI ON SENSOR:EXIT



U005_S001
SUPPORTER:RIGHT:NO.1:ASS'Y

2.04543006Q
(x3)
TAPPING SCREW -
M3X6



89.D1492905
SUPPORTER:RIGH
T:NO.1:ASS'Y

92.D1492924
STOPPER:PAPER
TRAY



98.D1492956
ROLLER:SUPPORT
ER:PAPER TRAY



8.08050103
RETAINING RINGS
-E:SILENCER:DIA3



U001	U002	U003	U004	U005	U006	U007	U008	U009	U010	U011	U012	U013	U014	U015	U016	U017	U018
------	------	------	------	-------------	------	------	------	------	------	------	------	------	------	------	------	------	------

U005_S002
SUPPORTER:RIGHT:NO.2:ASS'Y

92.D1492924
STOPPER:PAPER
TRAY

88.D1492903
SUPPORTER:RIGH
T:NO.2:ASS'Y

2.04543006Q
(x3)
TAPPING SCREW -
M3X6

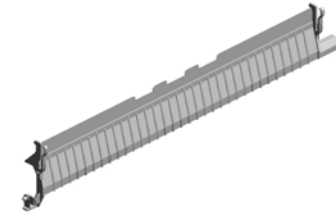
91.D1492923
ROLLER:SUPPORT
ER:PAPER TRAY

8.08050103
RETAINING RINGS
-E:SILENCER:DIA3

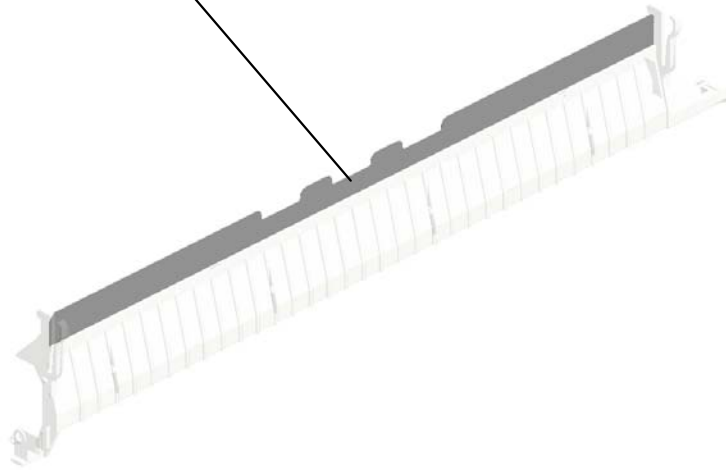
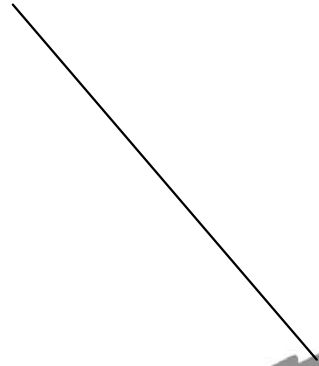
U001	U002	U003	U004	U005	U006	U007	U008	U009	U010	U011	U012	U013	U014	U015	U016	U017	U018
------	------	------	------	------	------	------	------	------	------	------	------	------	------	------	------	------	------

U005_S003
GUIDE PLATE:SWIVEL:NO.1

43.D1492712
SHEET:GUIDE PLA
TE:SWIVEL

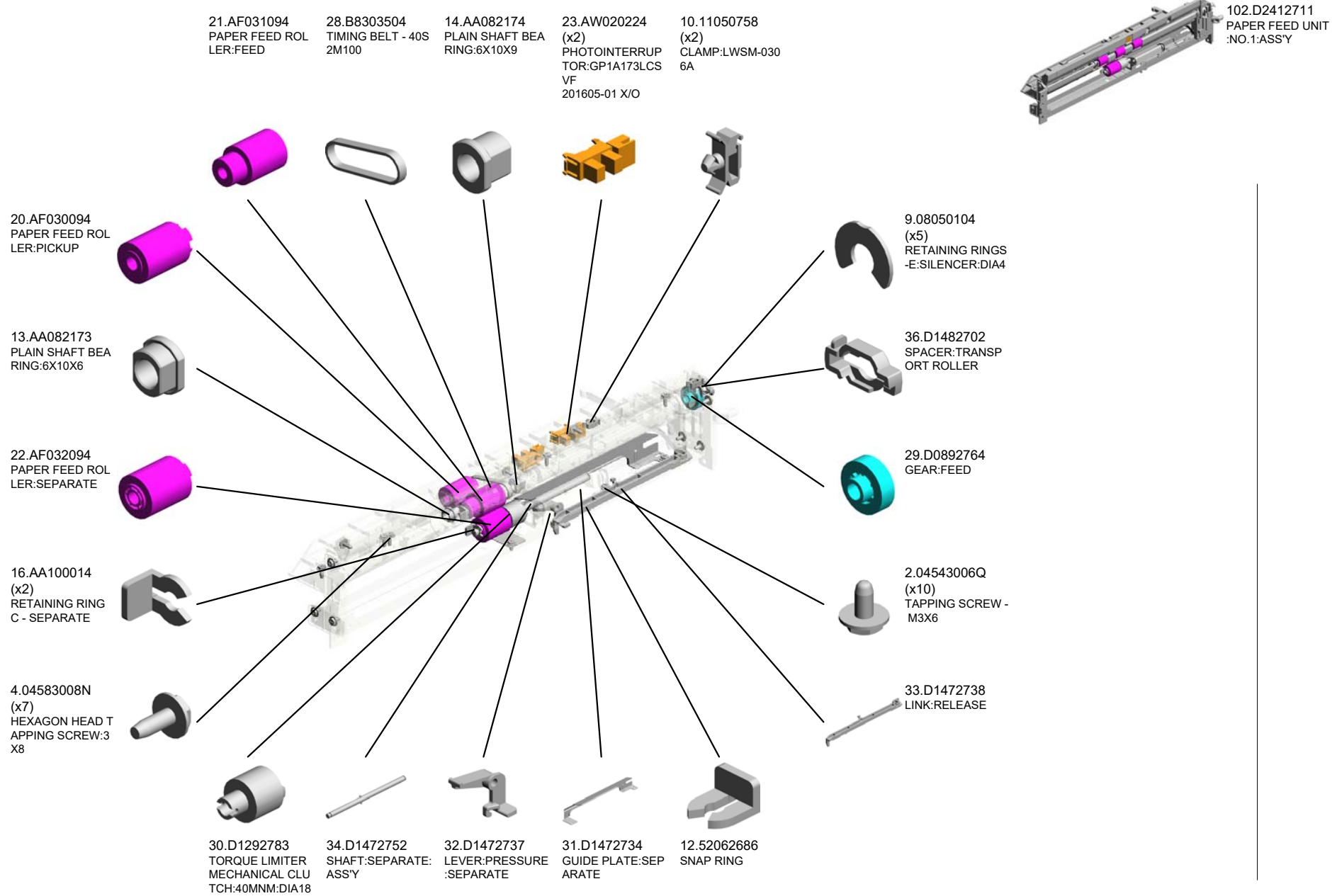


44.D1492713
GUIDE PLATE:SWI
VEL:NO.1



U001	U002	U003	U004	U005	U006	U007	U008	U009	U010	U011	U012	U013	U014	U015	U016	U017	U018
------	------	------	------	------	------	------	------	------	------	------	------	------	------	------	------	------	------

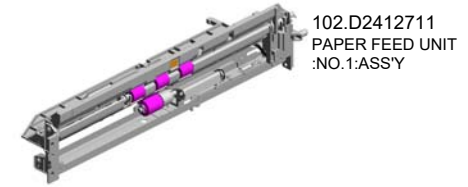
U005_S004 PAPER FEED UNIT:NO.1:ASS'Y



U001	U002	U003	U004	U005	U006	U007	U008	U009	U010	U011	U012	U013	U014	U015	U016	U017	U018
------	------	------	------	------	------	------	------	------	------	------	------	------	------	------	------	------	------

U005_S004
PAPER FEED UNIT:NO.1:ASS'Y

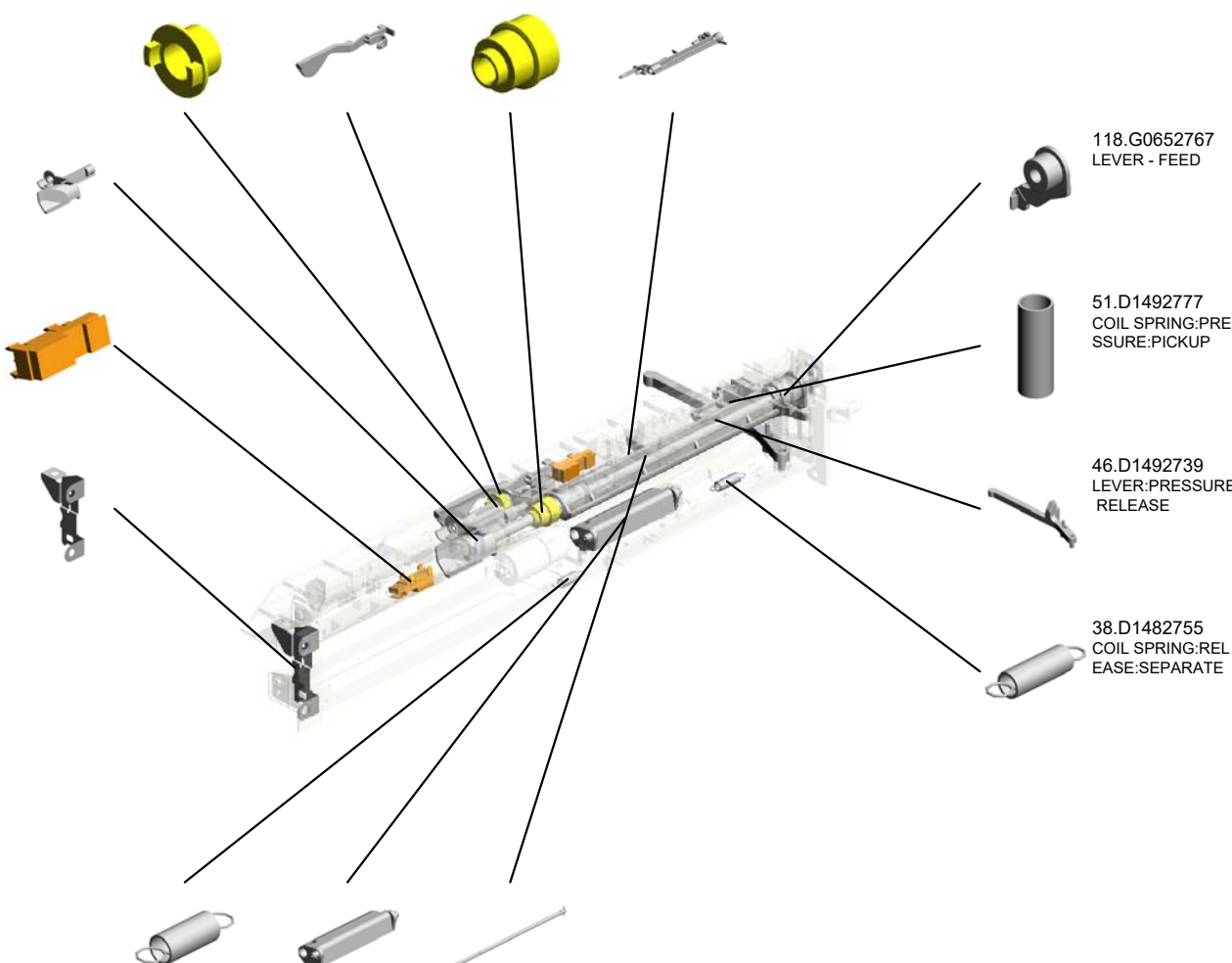
- 49.D1492774 PULLEY:IDLER:PI
KUP
- 52.D1492778 FEELER:PAPER E
ND
- 48.D1492773 PULLEY:PICKUP:M
ECHANICAL ROLL
ER CLUTCH
- 47.D1492772 ARM:PICKUP



56.D1492791
GUIDE:FEED

120.GW010007
(x2)
PHOTO REFLECTI
ON SENSOR:EXIT

53.D1492781
GROUND PLATE:P
APER FEED UNIT



118.G0652767
LEVER - FEED

51.D1492777
COIL SPRING:PRE
SSURE:PICKUP

46.D1492739
LEVER:PRESSURE
RELEASE

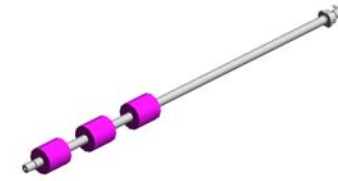
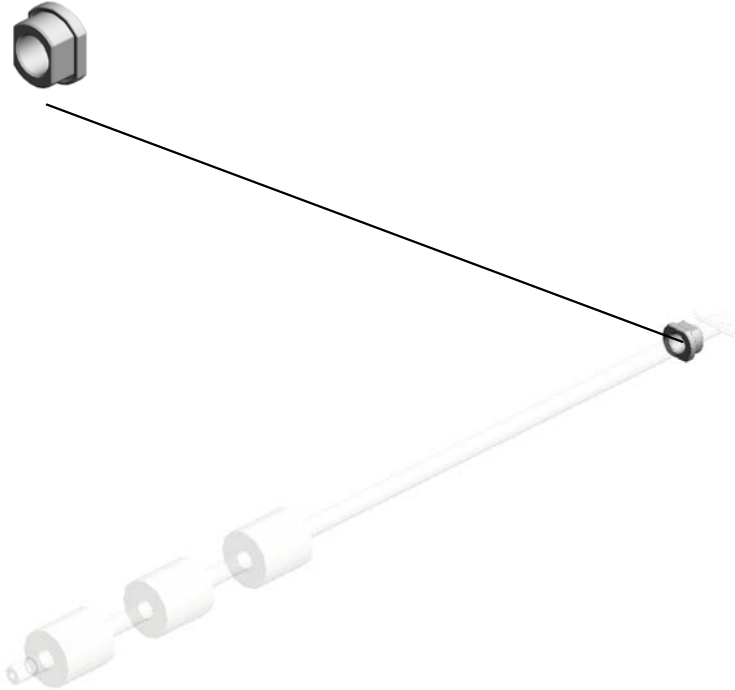
38.D1482755
COIL SPRING:REL
EASE:SEPARATE

- 104.D2412754 COIL SPRING:PRE
SSURE:SEPARATE
- 37.D1482751 ARM:PRESSURE:S
EPARATE
- 50.D1492775 SHAFT:FEED:ASS'
Y

U001	U002	U003	U004	U005	U006	U007	U008	U009	U010	U011	U012	U013	U014	U015	U016	U017	U018
------	------	------	------	------	------	------	------	------	------	------	------	------	------	------	------	------	------

U005_S004_S001
TRANSPORT ROLLER:VERTICAL TRANSPORT:ASS'Y

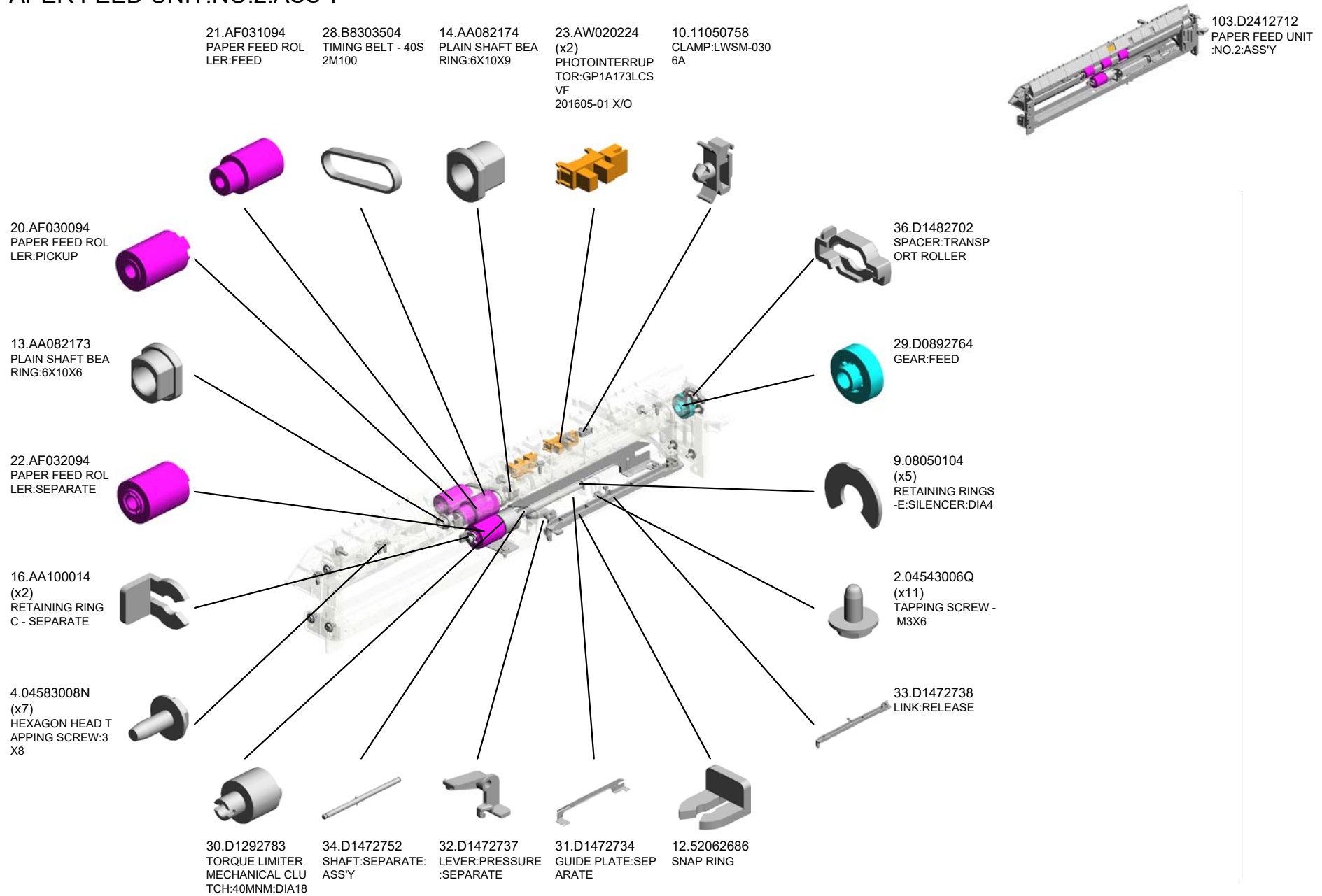
13.AA082173
PLAIN SHAFT BEARING
RING:6X10X6



105.D2412759
TRANSPORT ROLLER:VERTICAL TRANSPORT:ASS'Y

U001	U002	U003	U004	U005	U006	U007	U008	U009	U010	U011	U012	U013	U014	U015	U016	U017	U018
------	------	------	------	------	------	------	------	------	------	------	------	------	------	------	------	------	------

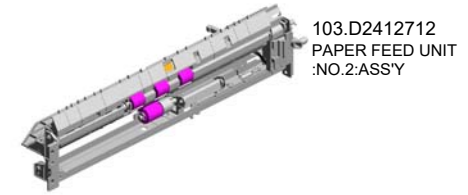
U005_S005
PAPER FEED UNIT:NO.2:ASS'Y



U001	U002	U003	U004	U005	U006	U007	U008	U009	U010	U011	U012	U013	U014	U015	U016	U017	U018
------	------	------	------	------	------	------	------	------	------	------	------	------	------	------	------	------	------

U005_S005
 PAPER FEED UNIT:NO.2:ASS'Y

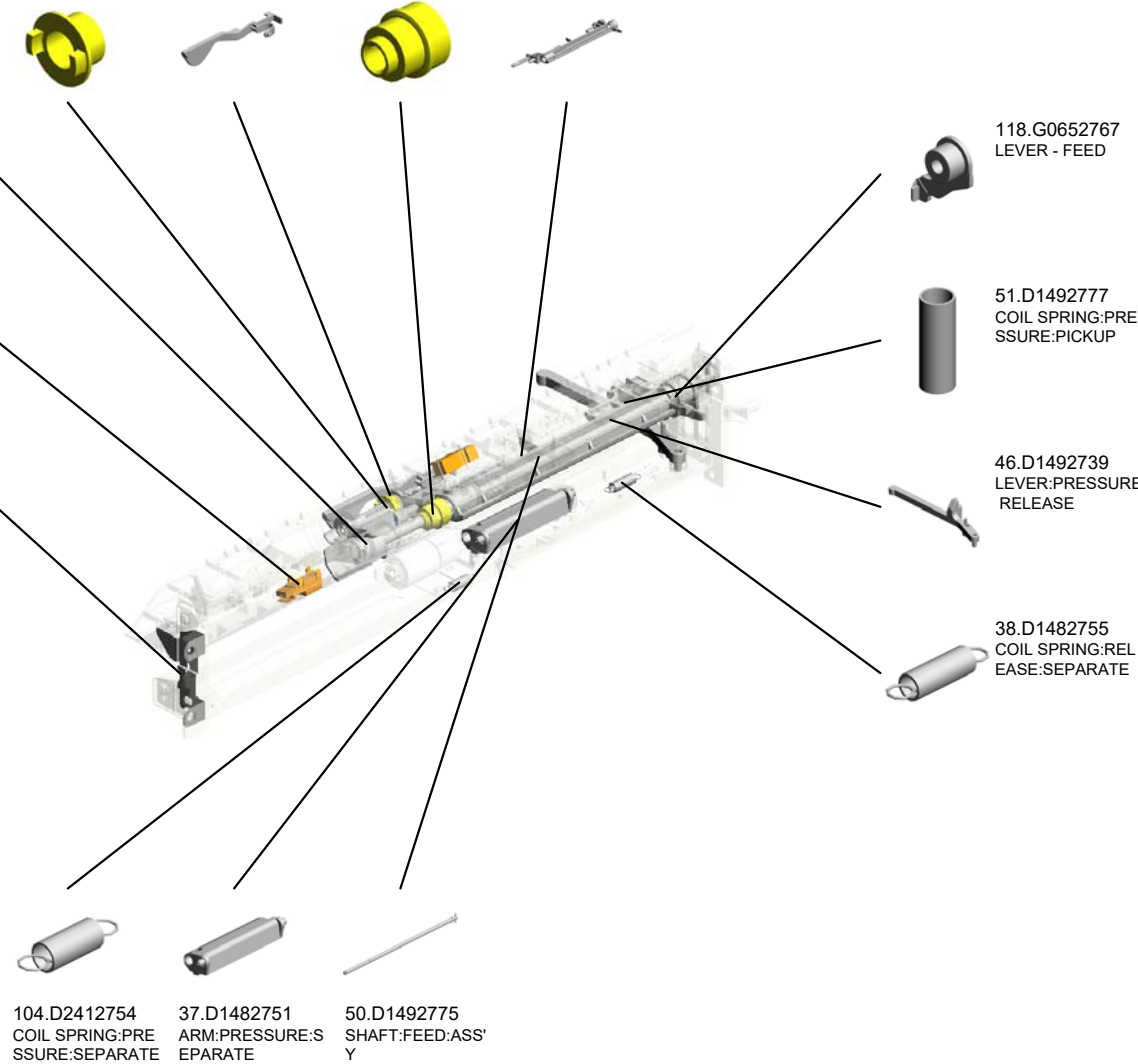
- 49.D1492774 PULLEY:IDLER:PI
KUP
- 52.D1492778 FEELER:PAPER E
ND
- 48.D1492773 PULLEY:PICKUP:M
ECHANICAL ROLL
ER CLUTCH
- 47.D1492772 ARM:PICKUP



56.D1492791
 GUIDE:FEED

120.GW010007
 (x2)
 PHOTO REFLECTI
 ON SENSOR.EXIT

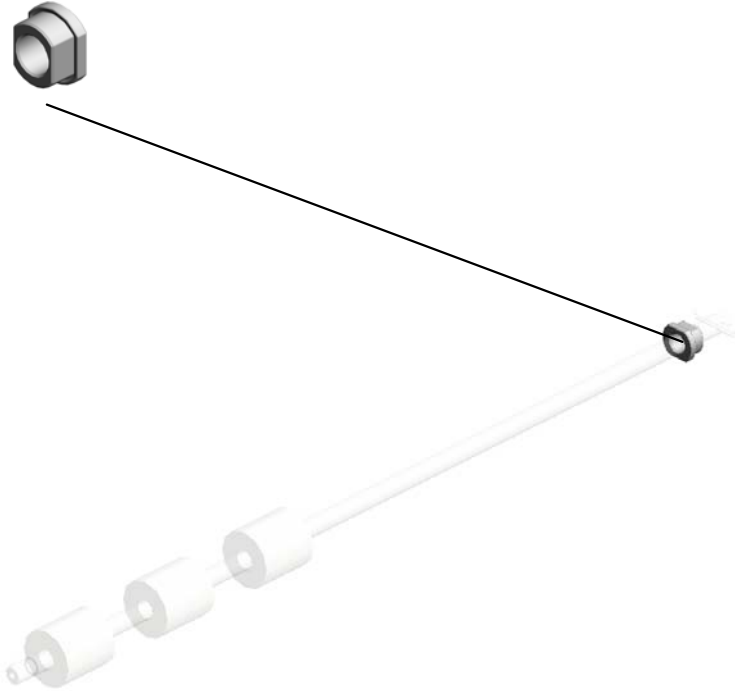
53.D1492781
 GROUND PLATE:P
 APER FEED UNIT



U001	U002	U003	U004	U005	U006	U007	U008	U009	U010	U011	U012	U013	U014	U015	U016	U017	U018
------	------	------	------	------	------	------	------	------	------	------	------	------	------	------	------	------	------

U005_S005_S001
TRANSPORT ROLLER:VERTICAL TRANSPORT:ASS'Y

13.AA082173
PLAIN SHAFT BEARING
RING:6X10X6



105.D2412759
TRANSPORT ROLLER:VERTICAL TRANSPORT:ASS'Y

U001	U002	U003	U004	U005	U006	U007	U008	U009	U010	U011	U012	U013	U014	U015	U016	U017	U018
------	------	------	------	-------------	------	------	------	------	------	------	------	------	------	------	------	------	------

U005_S006
PAPER TRAY:NO.1:ASS'Y

74.D1492846
DECAL:SIZE INDIC
ATION:END FENCE
:NO.1:FRONT

75.D1492847
DECAL:SIZE INDIC
ATION:END FENCE
:NO.1:REAR

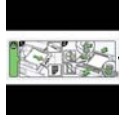
59.D1492814
COIL SPRING:EAR
TH

57.D1492812
(x4)
ROLLER:PAPER T
RAY:DIA19



106.D2412800
PAPER TRAY:NO.1
:ASS'Y

80.D1492863
DECAL:PAPER SE
T DIRECTION:TRA
Y:NO.1



5.04583010N
(x2)
HEXAGON HEAD T
APPING SCREW:3
X10



79.D2442856
GRIP:PAPER TRAY
201702-05 X/O



109.D2412865
COVER:PAPER TR
AY:NO.1



58.D1492813
PIN:STRETCH:TRA
Y

5.04583010N (x 3)
HEXAGON HEAD TAPPING SCREW:3X
10

9.08050104
RETAINING RINGS
-E:SILENCER:DIA4



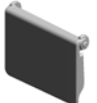
60.D1492816
SHAFT:RISE:ASS'Y



61.D1492818
LEVER:RISE



100.D2411242
COVER:MAIN SWIT
CH



67.D1492835
(x2)
RACK:SIDE FENCE



1.03603006N
(x2)
SCREW - M3X6

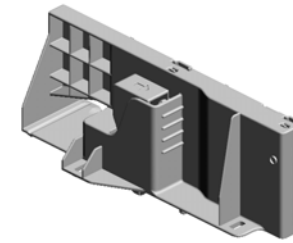


68.D1492836
GEAR:Z20



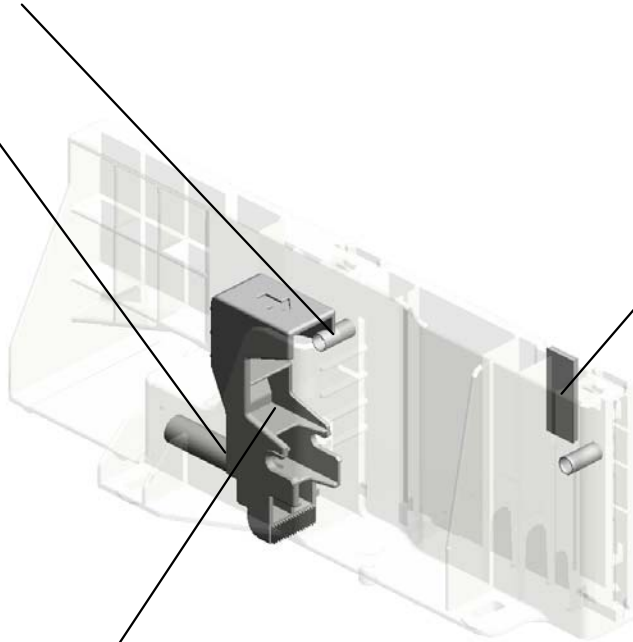
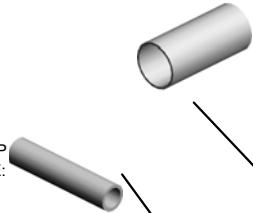
U005_S006_S001
SIDE FENCE:FRONT:NO.1:ASS'Y

63.D1492826
(x2)
COMPRESSION SP
RING:SIDE FENCE:
PLATE:FRONT



65.D1492828
SIDE FENCE:FRON
T:NO.1:ASS'Y

64.D1492827
COMPRESSION SP
RING:SIDE FENCE:
POSITIONING



27.B2342864
PAD:CLEANER



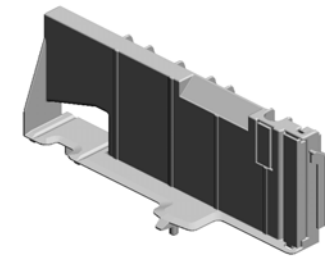
62.D1492824
LEVER:STOPPER:
FRONT



U001	U002	U003	U004	U005	U006	U007	U008	U009	U010	U011	U012	U013	U014	U015	U016	U017	U018
------	------	------	------	-------------	------	------	------	------	------	------	------	------	------	------	------	------	------

U005_S006_S002
SIDE FENCE:REAR:NO.1:ASS'Y

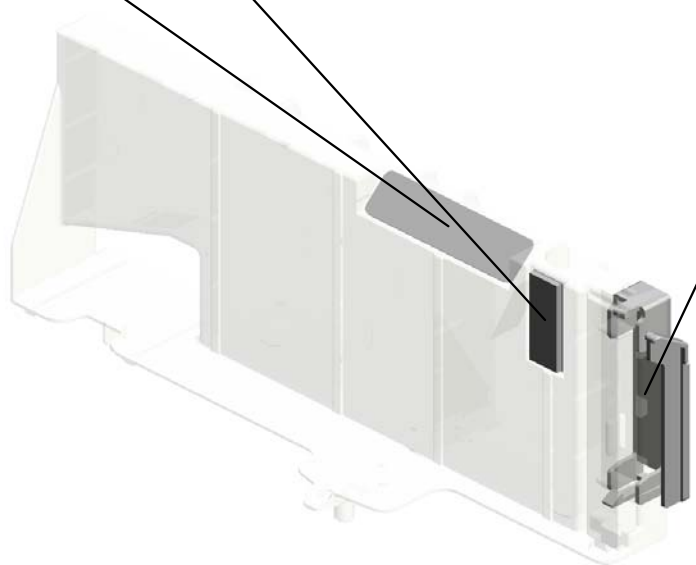
96.D1492952 27.B2342864
DECAL:SIDE FENC PAD:CLEANER
E:PAPER VOLUME



69.D1492838
SIDE FENCE:REAR
:NO.1:ASSY



66.D1492834
GUIDE:FEELER:PA
PER END



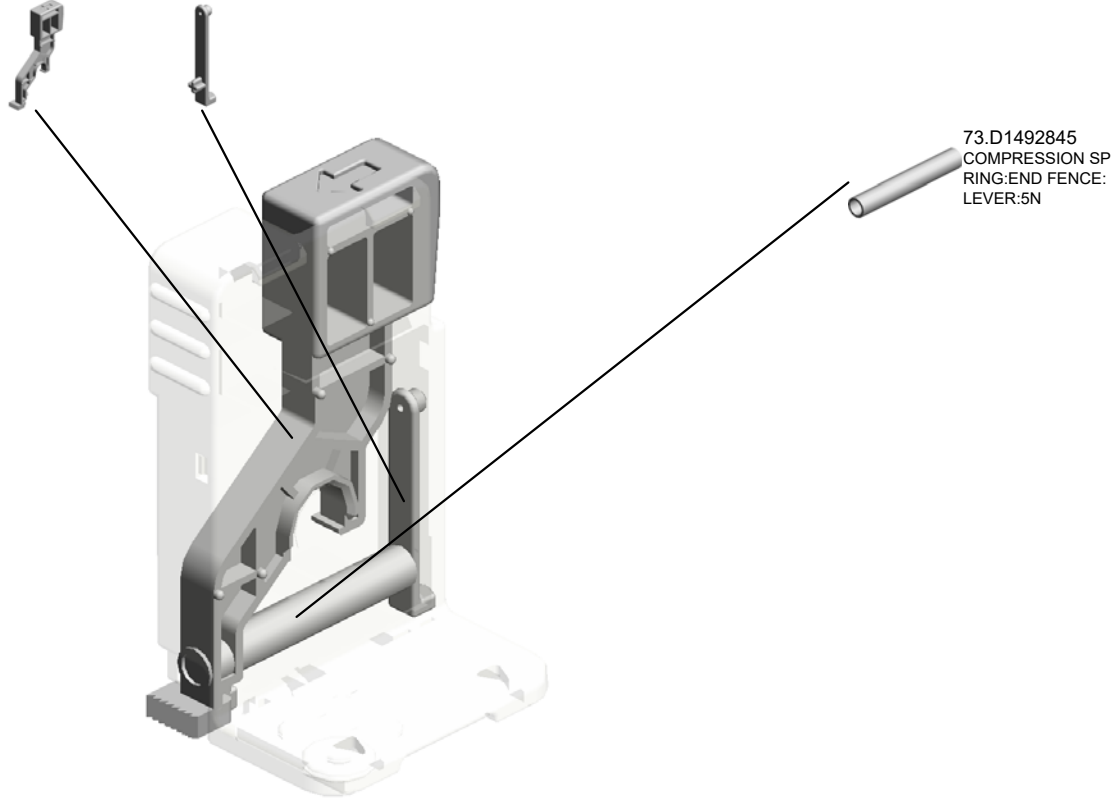
U001	U002	U003	U004	U005	U006	U007	U008	U009	U010	U011	U012	U013	U014	U015	U016	U017	U018
------	------	------	------	------	------	------	------	------	------	------	------	------	------	------	------	------	------

U005_S006_S003
END FENCE:PAPER TRAY:ASS'Y

71.D1492842 72.D1492843
LEVER:END FENC CLICK:END FENCE
E



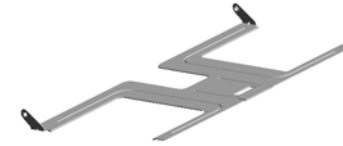
70.D1492840
END FENCE:PAPE
R TRAY:ASS'Y



U001	U002	U003	U004	U005	U006	U007	U008	U009	U010	U011	U012	U013	U014	U015	U016	U017	U018
------	------	------	------	-------------	------	------	------	------	------	------	------	------	------	------	------	------	------

U005_S006_S004
TRAY BOTTOM PLATE:ASS'Y

19.AF013006
BOTTOM PLATE P
AD



78.D1492850
TRAY BOTTOM PL
ATE:ASS'Y



U001	U002	U003	U004	U005	U006	U007	U008	U009	U010	U011	U012	U013	U014	U015	U016	U017	U018
------	------	------	------	------	------	------	------	------	------	------	------	------	------	------	------	------	------

U005_S007
PAPER TRAY:NO.2:ASS'Y

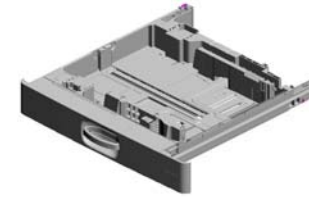
108.D2412837
DECAL:SET:SIDE FENCE:AUXILIARY

76.D1492848
DECAL:SIZE INDICATION:END FENCE:NO.2:FRONT

82.D1492872
LINK:END FENCE:PAPER SIZE SENSOR

115.D2412884
DECAL:SIZE INDICATION:SIDE FENCE:AUXILIARY:REAR

57.D1492812 (x4)
ROLLER:PAPER TRAY:DIA19



107.D2412805
PAPER TRAY:NO.2:ASS'Y

114.D2412883
DECAL:SIZE INDICATION:SIDE FENCE:AUXILIARY:FRONT



81.D1492864
DECAL:PAPER SET DIRECTION:TRAY:NO.2



110.D2412869
DECAL:SIZE INDICATION:SIDE FENCE:NO.2



79.D2442856
GRIP:PAPER TRAY 201702-05 X/O



35.D1472866
COVER:PAPER TRAY:NO.2



77.D1492849
DECAL:SIZE INDICATION:END FENCE:NO.2:REAR



117.D6932867
SUPPORTING PLATE:COVER:FRONT:PAPER TRAY



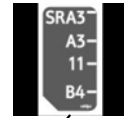
67.D1492835 (x2)
RACK:SIDE FENCE



68.D1492836
GEAR:Z20



1.03603006N (x2)
SCREW - M3X6



59.D1492814
COIL SPRING:EAR TH



9.08050104
RETAINING RINGS -E:SILENCER:DIA4



5.04583010N (x6)
HEXAGON HEAD TAPPING SCREW:3X10



58.D1492813
PIN:STRETCH:TRAY



60.D1492816
SHAFT:RISE:ASS'Y



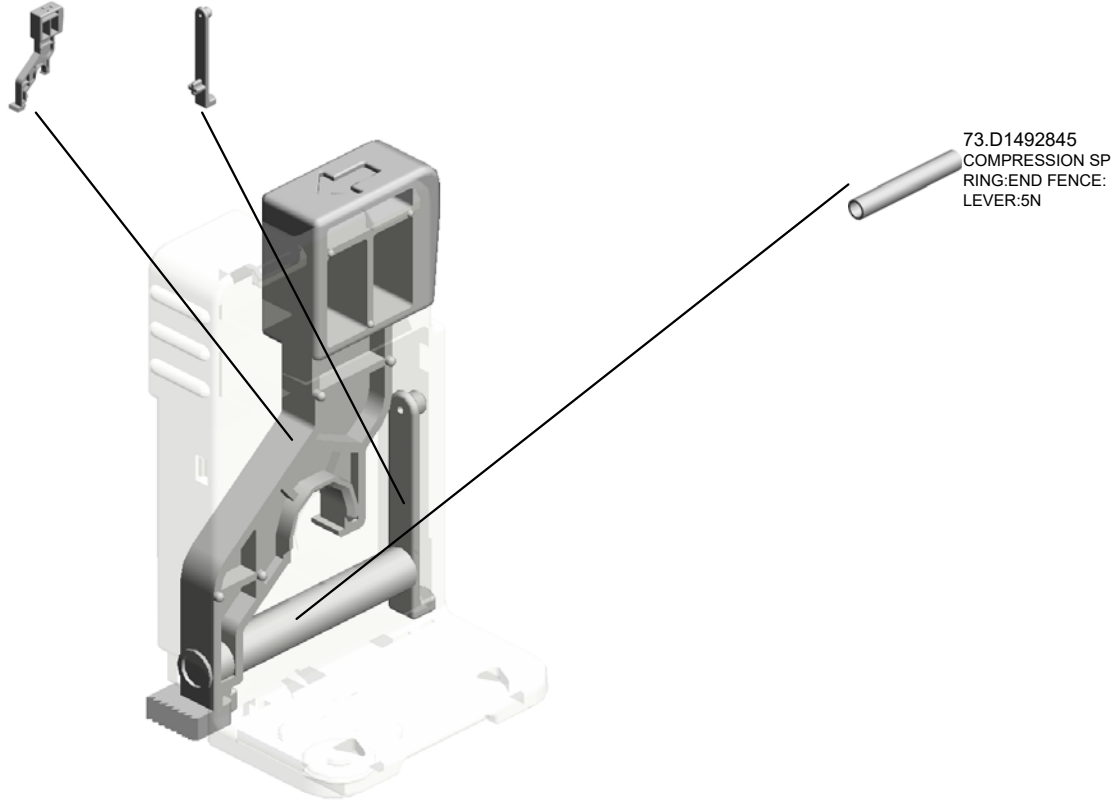
61.D1492818
LEVER:RISE

U005_S007_S001
END FENCE:PAPER TRAY:ASS'Y

71.D1492842 72.D1492843
LEVER:END FENC CLICK:END FENCE
E



70.D1492840
END FENCE:PAPE
R TRAY:ASS'Y



73.D1492845
COMPRESSION SP
RING:END FENCE:
LEVER:5N

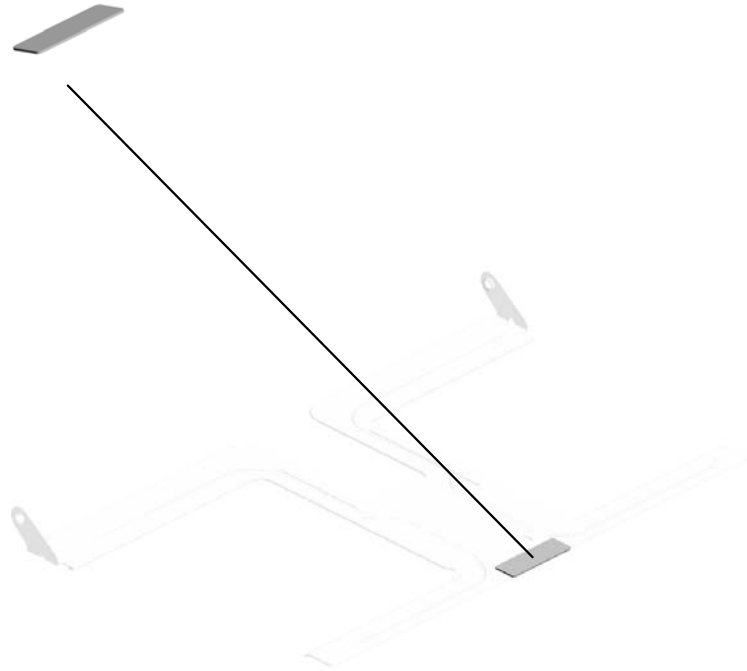
U001	U002	U003	U004	U005	U006	U007	U008	U009	U010	U011	U012	U013	U014	U015	U016	U017	U018
------	------	------	------	-------------	------	------	------	------	------	------	------	------	------	------	------	------	------

U005_S007_S002
TRAY BOTTOM PLATE:NO.2:ASS'Y

19.AF013006
BOTTOM PLATE P
AD



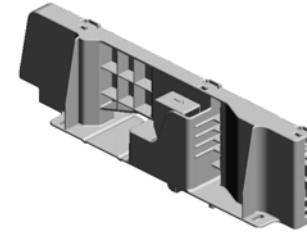
83.D1492873
TRAY BOTTOM PL
ATE:NO.2:ASS'Y



U001	U002	U003	U004	U005	U006	U007	U008	U009	U010	U011	U012	U013	U014	U015	U016	U017	U018
------	------	------	------	------	------	------	------	------	------	------	------	------	------	------	------	------	------

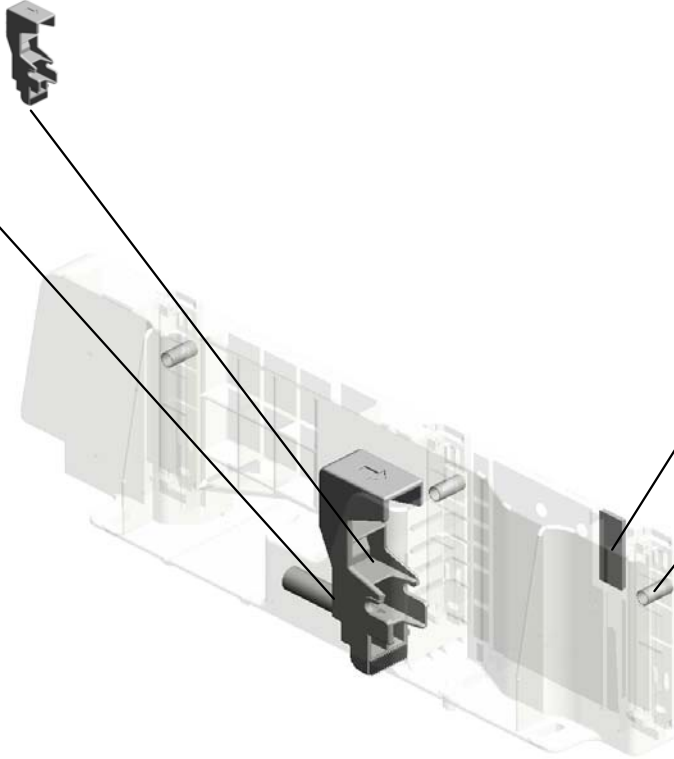
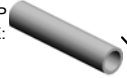
U005_S007_S003
SIDE FENCE:FRONT:ASS'Y

62.D1492824
LEVER:STOPPER:
FRONT



112.D2412875
SIDE FENCE:FRON
T:ASSY

64.D1492827
COMPRESSION SP
RING:SIDE FENCE:
POSITIONING



27.B2342864
PAD:CLEANER



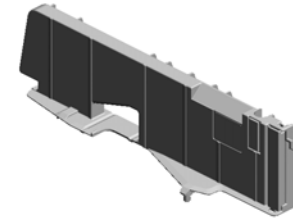
63.D1492826
(x3)
COMPRESSION SP
RING:SIDE FENCE:
PLATE:FRONT

U001	U002	U003	U004	U005	U006	U007	U008	U009	U010	U011	U012	U013	U014	U015	U016	U017	U018
------	------	------	------	-------------	------	------	------	------	------	------	------	------	------	------	------	------	------

U005_S007_S004
SIDE FENCE:REAR:ASS'Y

96.D1492952
DECAL:SIDE FENC
E:PAPER VOLUME

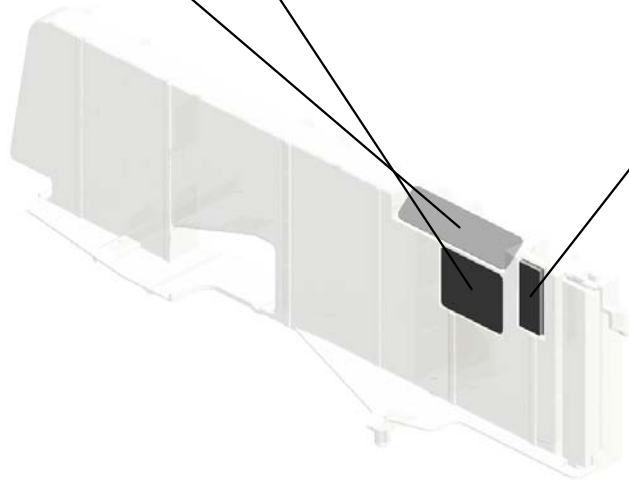
97.D1492954
DECAL:SIDE FENC
E:PAPER VOLUME:
ENVELOPE



113.D2412880
SIDE FENCE:REAR
:ASS'Y



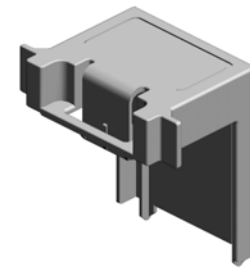
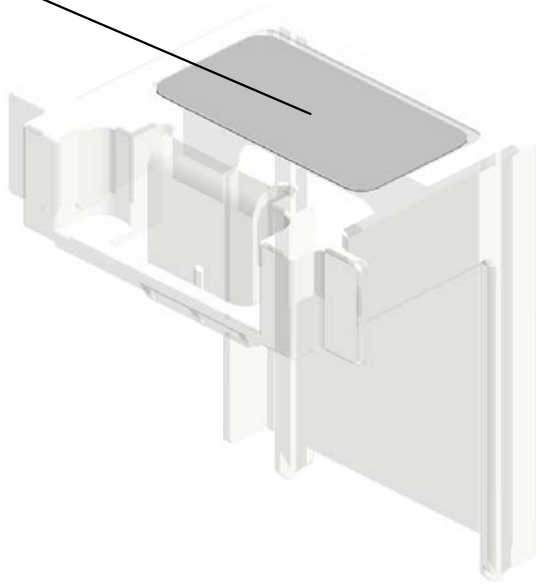
27.B2342864
PAD:CLEANER



U001	U002	U003	U004	U005	U006	U007	U008	U009	U010	U011	U012	U013	U014	U015	U016	U017	U018
------	------	------	------	------	------	------	------	------	------	------	------	------	------	------	------	------	------

U005_S007_S005
SIDE FENCE:AUXILIARY

116.D2412885
DECAL:SIDE FENC
E:AUXILIARY

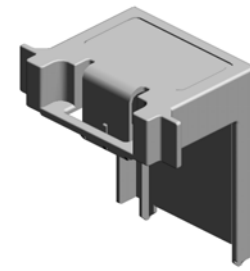
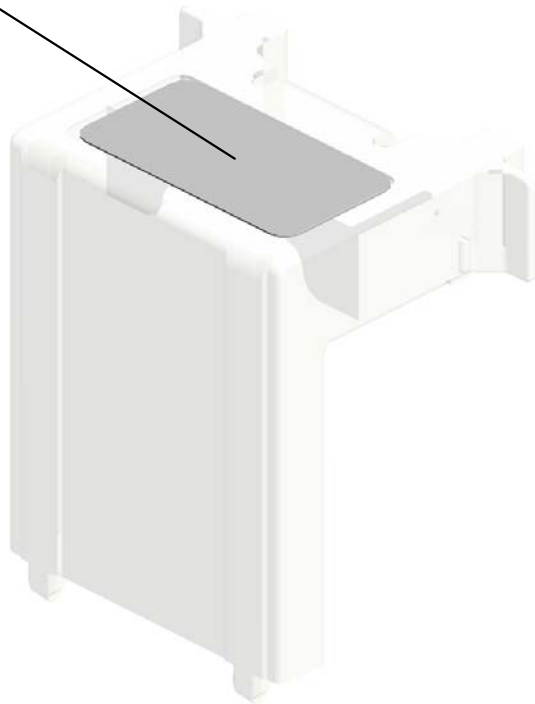


111.D2412873
SIDE FENCE:AUXIL
IARY

U001	U002	U003	U004	U005	U006	U007	U008	U009	U010	U011	U012	U013	U014	U015	U016	U017	U018
------	------	------	------	------	------	------	------	------	------	------	------	------	------	------	------	------	------

U005_S007_S006
SIDE FENCE:AUXILIARY

116.D2412885
DECAL:SIDE FENC
E:AUXILIARY



111.D2412873
SIDE FENCE:AUXIL
IARY

U001	U002	U003	U004	U005	U006	U007	U008	U009	U010	U011	U012	U013	U014	U015	U016	U017	U018
------	------	------	------	------	------	------	------	------	------	------	------	------	------	------	------	------	------

U006.TONER SUPPLY

U006_S005
D1473281
HOUSING:TONER CARTRID
GE:BK:ASS'Y

U006_S001
D1473269
DRIVE UNIT:TONER BOTTLE
:ASS'Y

U006_S007
D1473282
HOUSING:TONER CARTRID
GE:CMY:ASS'Y

U006_S004
D1473269
DRIVE UNIT:TONER BOTTLE
:ASS'Y

U006_S008
D1473282
HOUSING:TONER CARTRID
GE:CMY:ASS'Y

U006_S003
D1473269
DRIVE UNIT:TONER BOTTLE
:ASS'Y

U006_S002
D1473269
DRIVE UNIT:TONER BOTTLE
:ASS'Y

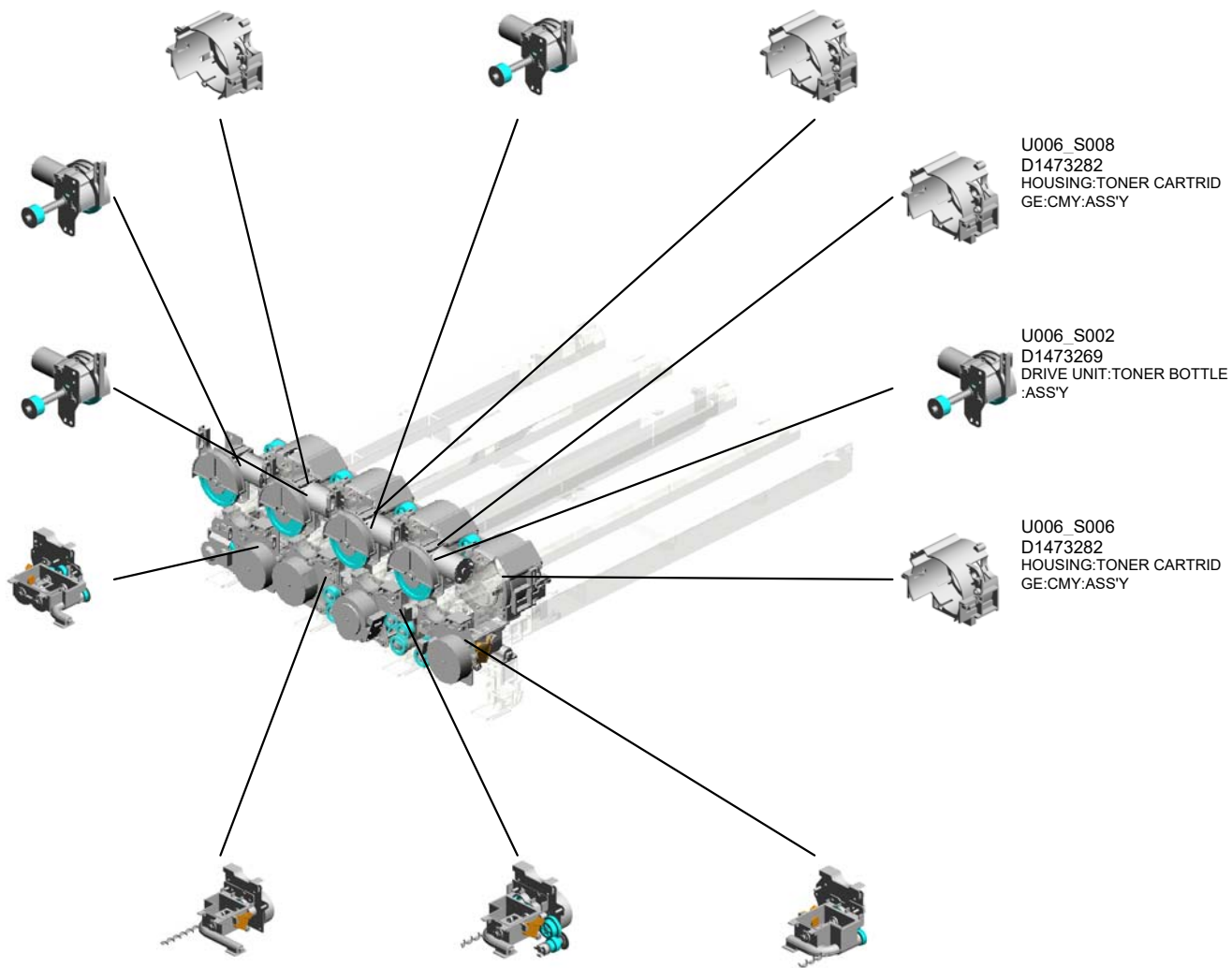
U006_S009
D1493240
TONER HOPPER:TONER SU
PPLY:BK:ASS'Y

U006_S006
D1473282
HOUSING:TONER CARTRID
GE:CMY:ASS'Y

U006_S010
D1493270
TONER HOPPER:TONER SU
PPLY:C:ASS'Y

U006_S011
D1493280
TONER HOPPER:TONER SU
PPLY:M:ASS'Y

U006_S012
D1493310
TONER HOPPER:TONER SU
PPLY:Y:ASS'Y



U001	U002	U003	U004	U005	U006	U007	U008	U009	U010	U011	U012	U013	U014	U015	U016	U017	U018
------	------	------	------	------	------	------	------	------	------	------	------	------	------	------	------	------	------

U006 TONER SUPPLY

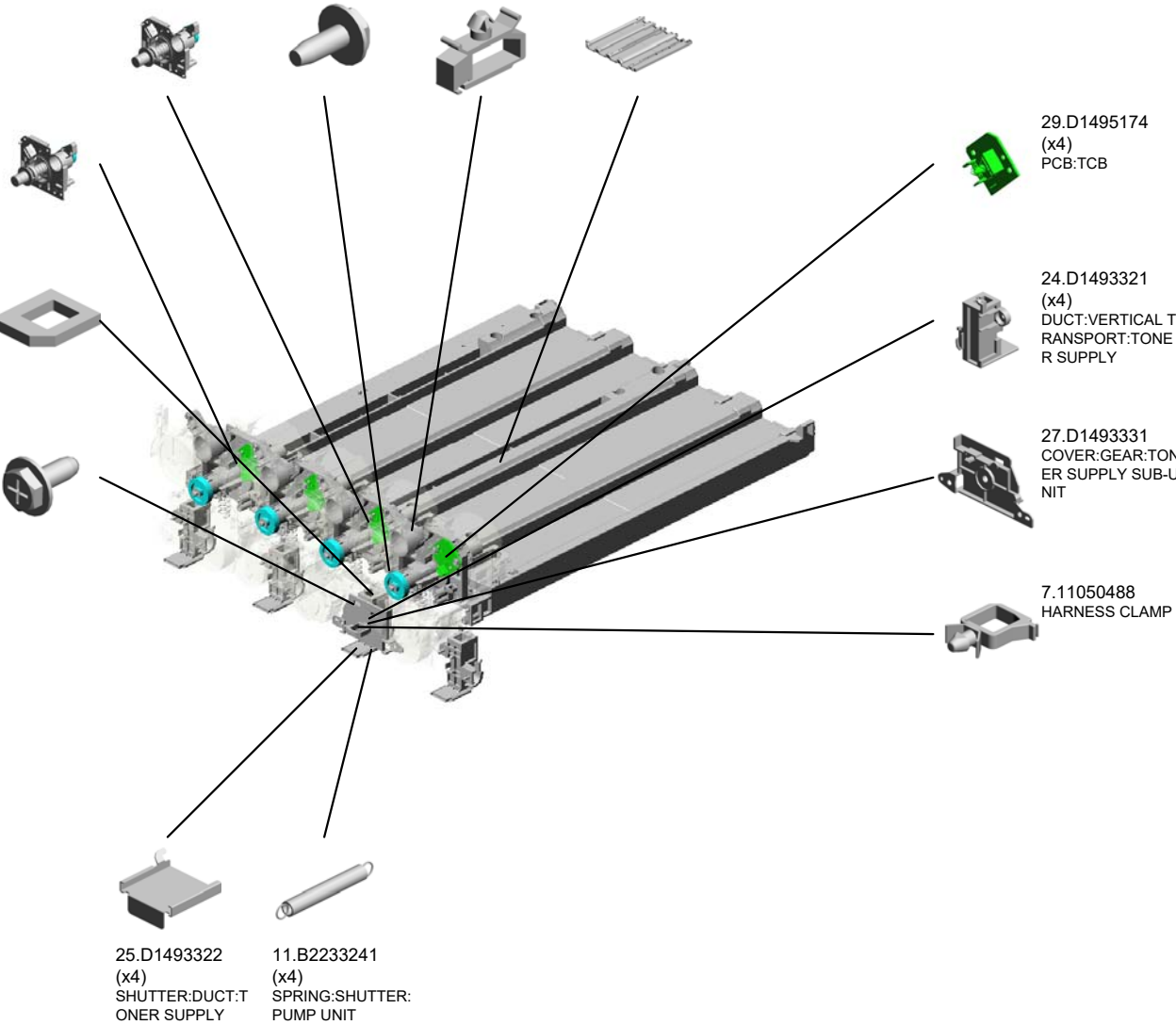
- 16.D1473288 (x3) TRANSPORT SCR EW:NOZZLE:CMY: ASS'Y 201705-08 X/O
- 3.04583008N (x35) HEXAGON HEAD T APPING SCREW:3 X8
- 9.11050760 (x3) CLAMP:LWSM-051 1A
- 22.D1493307 BASE:TONER SUP PLY



- 15.D1473287 (x3) TRANSPORT SCR EW:NOZZLE:BK:AS S'Y 201702-06 X/O

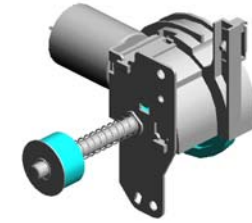
- 26.D1493330 (x4) SEAL:CONNECTIO N:CARTRIDGE:TO NER SUPPLY

- 2.04543008Q (x18) TAPPING SCREW: 3X8



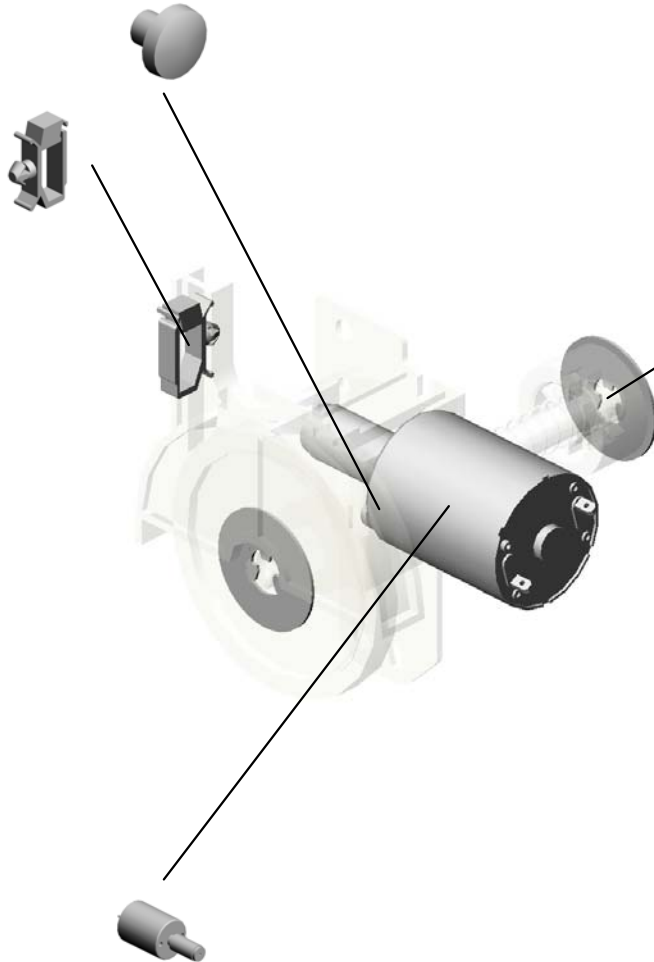
U006_S001
DRIVE UNIT:TONER BOTTLE:ASS'Y

1.03530030N
(x2)
SCREW:M3X3



12.D1473269
DRIVE UNIT:TONE
R BOTTLE:ASS'Y

10.11050762
CLAMP:LWS-0711A



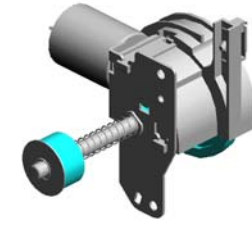
5.07200040E
(x2)
RETAINING RING -
M4

18.D1493210
DC MOTOR:TONE
R BOTTLE:ASS'Y:5.
28W:BRUSH

U001	U002	U003	U004	U005	U006	U007	U008	U009	U010	U011	U012	U013	U014	U015	U016	U017	U018
------	------	------	------	------	-------------	------	------	------	------	------	------	------	------	------	------	------	------

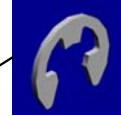
U006_S002
DRIVE UNIT:TONER BOTTLE:ASS'Y

1.03530030N
(x2)
SCREW:M3X3

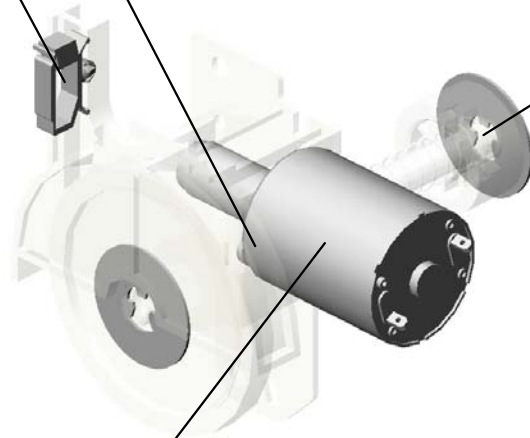


12.D1473269
DRIVE UNIT: TONE
R BOTTLE: ASS'Y

10.11050762
CLAMP:LWS-0711A



5.07200040E
(x2)
RETAINING RING -
M4



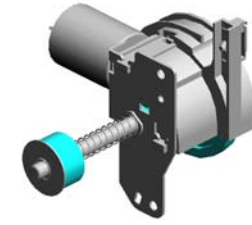
18.D1493210
DC MOTOR:TONE
R BOTTLE:ASS'Y:5.
28W:BRUSH



U001	U002	U003	U004	U005	U006	U007	U008	U009	U010	U011	U012	U013	U014	U015	U016	U017	U018
------	------	------	------	------	-------------	------	------	------	------	------	------	------	------	------	------	------	------

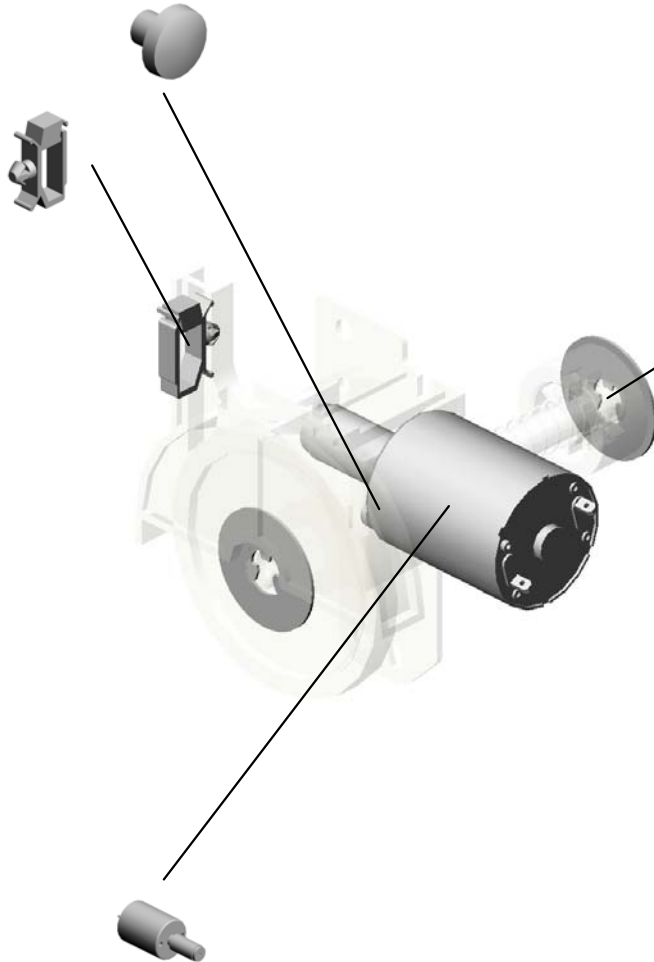
U006_S003
DRIVE UNIT:TONER BOTTLE:ASS'Y

1.03530030N
(x2)
SCREW:M3X3



12.D1473269
DRIVE UNIT: TONE
R BOTTLE: ASS'Y

10.11050762
CLAMP:LWS-0711A



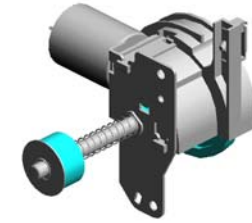
5.07200040E
(x2)
RETAINING RING -
M4

18.D1493210
DC MOTOR:TONE
R BOTTLE:ASS'Y:5.
28W:BRUSH

U001	U002	U003	U004	U005	U006	U007	U008	U009	U010	U011	U012	U013	U014	U015	U016	U017	U018
------	------	------	------	------	-------------	------	------	------	------	------	------	------	------	------	------	------	------

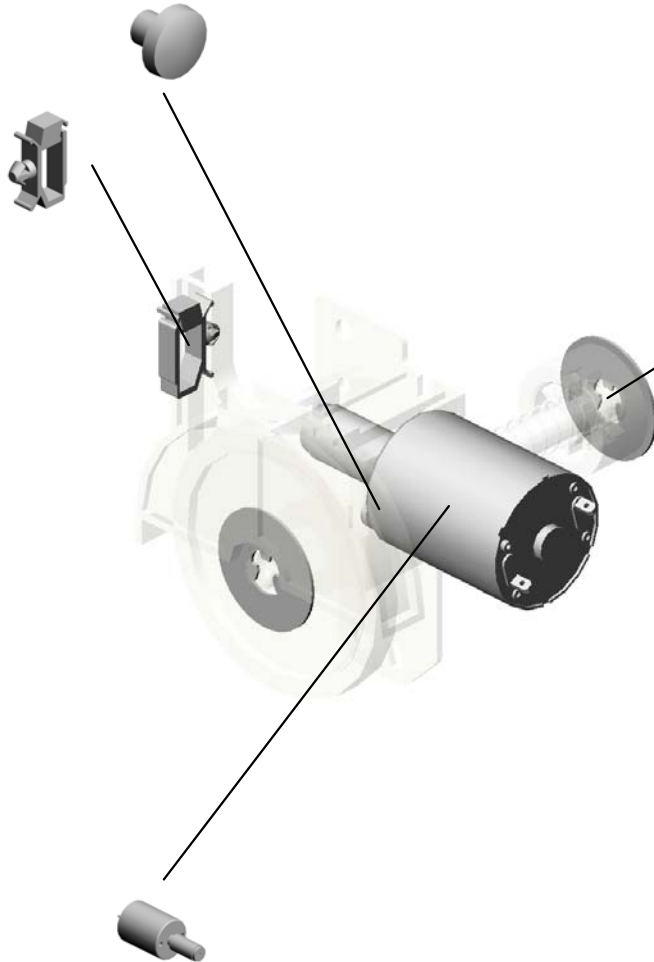
U006_S004
DRIVE UNIT:TONER BOTTLE:ASS'Y

1.03530030N
(x2)
SCREW:M3X3



12.D1473269
DRIVE UNIT:TONE
R BOTTLE:ASS'Y

10.11050762
CLAMP:LWS-0711A



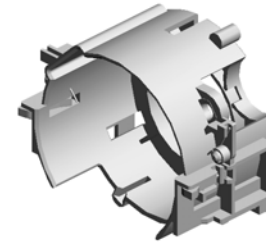
5.07200040E
(x2)
RETAINING RING -
M4

18.D1493210
DC MOTOR:TONE
R BOTTLE:ASS'Y:5.
28W:BRUSH

U001	U002	U003	U004	U005	U006	U007	U008	U009	U010	U011	U012	U013	U014	U015	U016	U017	U018
------	------	------	------	------	-------------	------	------	------	------	------	------	------	------	------	------	------	------

U006_S005
HOUSING:TONER CARTRIDGE:BK:ASS'Y

17.D1473325
(x2)
TORSION SPRING:
STOPPER:TONER
CARTRIDGE:4.8N

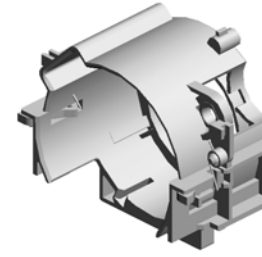


13.D1473281
HOUSING:TONER
CARTRIDGE:BK:AS
SY

U001	U002	U003	U004	U005	U006	U007	U008	U009	U010	U011	U012	U013	U014	U015	U016	U017	U018
------	------	------	------	------	-------------	------	------	------	------	------	------	------	------	------	------	------	------

U006_S006
HOUSING:TONER CARTRIDGE:CMY:ASS'Y

17.D1473325
(x2)
TORSION SPRING:
STOPPER:TONER
CARTRIDGE:4.8N

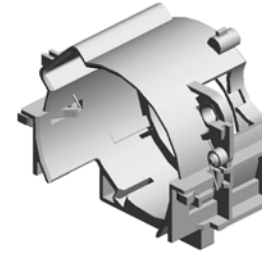


14.D1473282
HOUSING:TONER
CARTRIDGE:CMY:
ASS'Y

U001	U002	U003	U004	U005	U006	U007	U008	U009	U010	U011	U012	U013	U014	U015	U016	U017	U018
------	------	------	------	------	-------------	------	------	------	------	------	------	------	------	------	------	------	------

U006_S007
HOUSING:TONER CARTRIDGE:CMY:ASS'Y

17.D1473325
(x2)
TORSION SPRING:
STOPPER:TONER
CARTRIDGE:4.8N

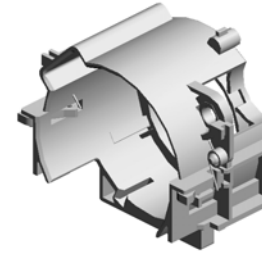


14.D1473282
HOUSING:TONER
CARTRIDGE:CMY:
ASS'Y

U001	U002	U003	U004	U005	U006	U007	U008	U009	U010	U011	U012	U013	U014	U015	U016	U017	U018
------	------	------	------	------	-------------	------	------	------	------	------	------	------	------	------	------	------	------

U006_S008
HOUSING:TONER CARTRIDGE:CMY:ASS'Y

17.D1473325
(x2)
TORSION SPRING:
STOPPER:TONER
CARTRIDGE:4.8N

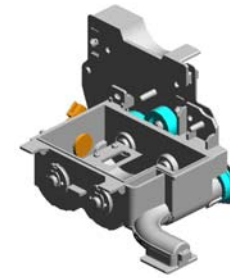


14.D1473282
HOUSING:TONER
CARTRIDGE:CMY:
ASS'Y

U001	U002	U003	U004	U005	U006	U007	U008	U009	U010	U011	U012	U013	U014	U015	U016	U017	U018
------	------	------	------	------	-------------	------	------	------	------	------	------	------	------	------	------	------	------

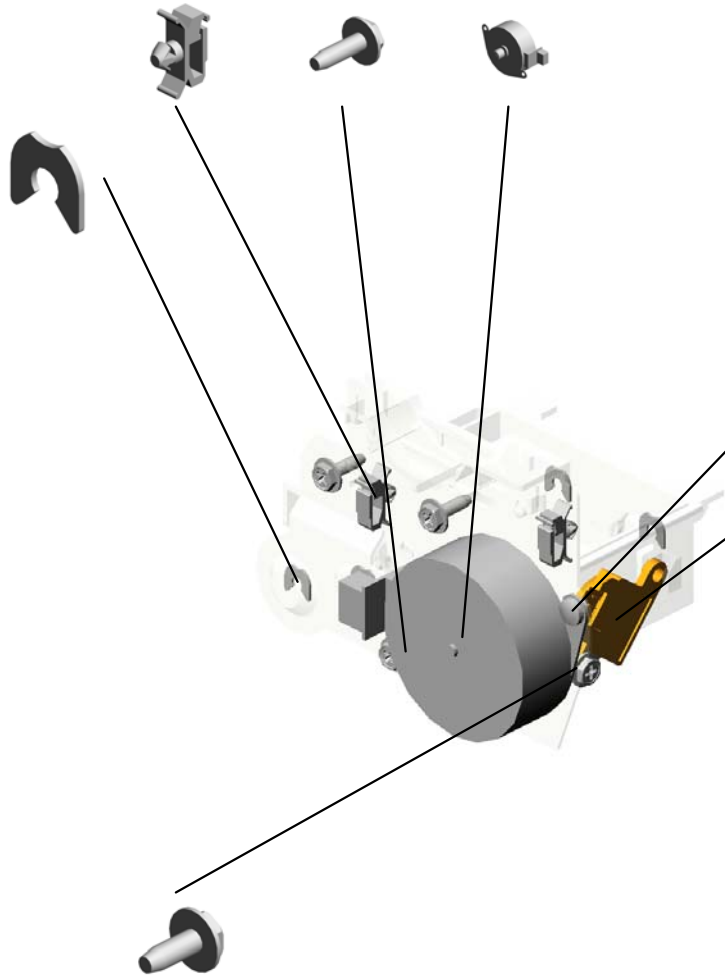
U006_S009
 TONER HOPPER:TONER SUPPLY:BK:ASS'Y

8.11050758 (x2) CLAMP:LWSM-030 6A
 4.04583010N (x3) HEXAGON HEAD TAPPING SCREW:3 X10
 28.D1493350 DC STEPPER MOTOR:TONER SUPPLY



19.D1493240
 TONER HOPPER:TONER SUPPLY:BK:ASS'Y

6.08050103 (x5) RETAINING RINGS -E:SILENCER:DIA3



1.03530030N (x2) SCREW:M3X3

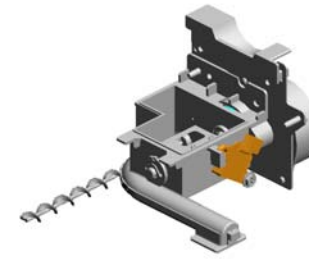
31.GW230008 TONER END SENSOR

3.04583008N HEXAGON HEAD TAPPING SCREW:3 X8

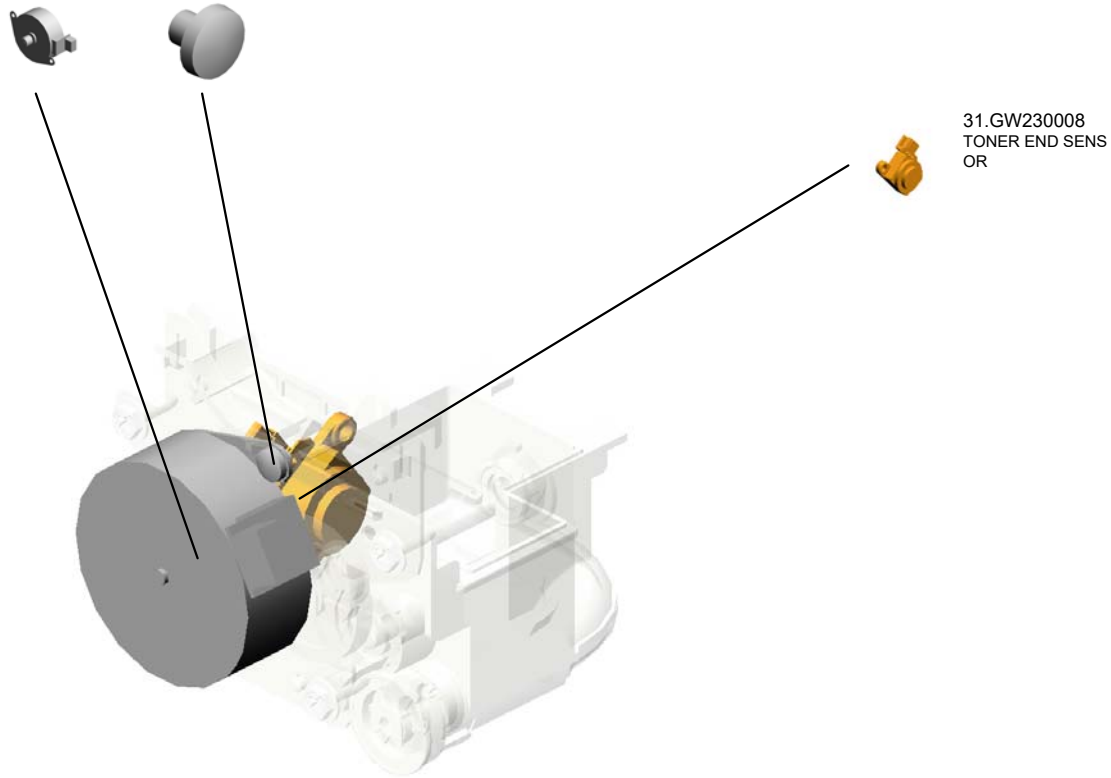
U001	U002	U003	U004	U005	U006	U007	U008	U009	U010	U011	U012	U013	U014	U015	U016	U017	U018
------	------	------	------	------	------	------	------	------	------	------	------	------	------	------	------	------	------

U006_S010
TONER HOPPER:TONER SUPPLY:C:ASS'Y

28.D1493350 1.03530030N
DC STEPPER MOT (x2)
OR:TONER SUPPL SCREW:M3X3
Y



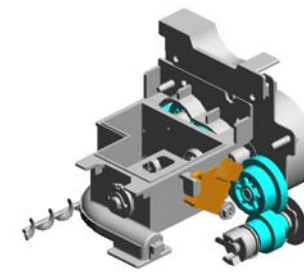
20.D1493270
TONER HOPPER:T
ONER SUPPLY:C:A
SS'Y



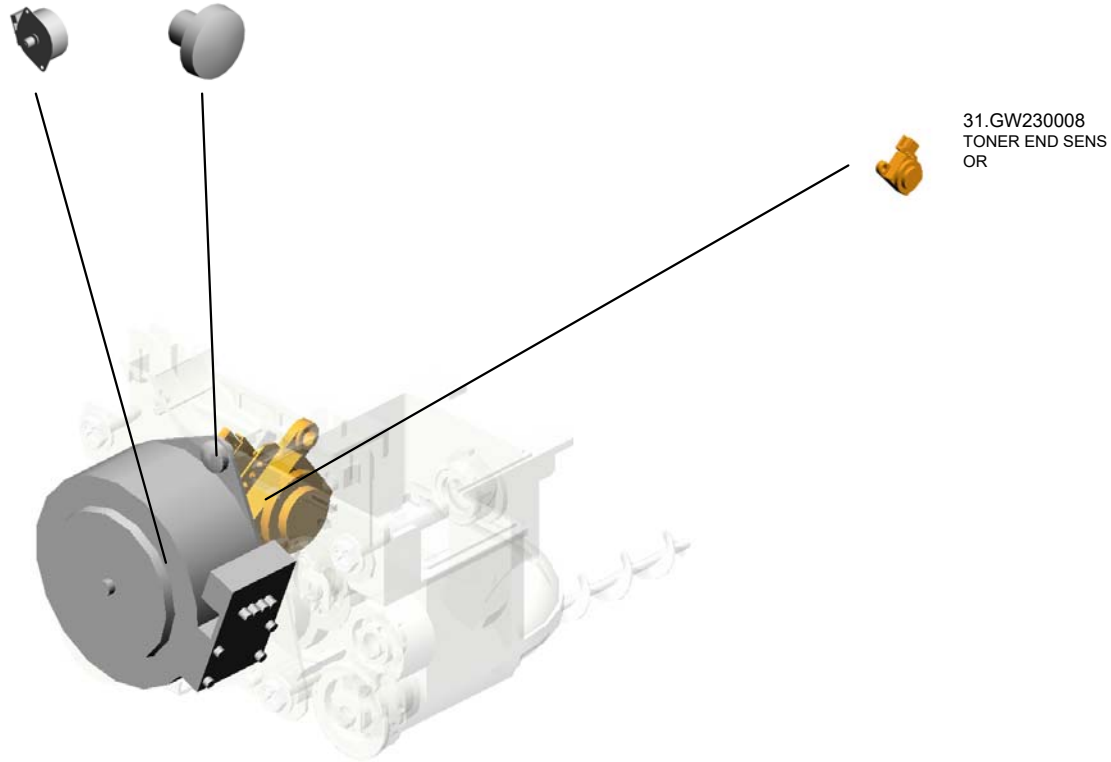
U001	U002	U003	U004	U005	U006	U007	U008	U009	U010	U011	U012	U013	U014	U015	U016	U017	U018
------	------	------	------	------	-------------	------	------	------	------	------	------	------	------	------	------	------	------

U006_S011
TONER HOPPER:TONER SUPPLY:M:ASS'Y

30.D1496318 1.03530030N
DC STEPPER MOT (x2)
OR:ON-OFF SCREW:M3X3



21.D1493280
TONER HOPPER:T
ONER SUPPLY:M:A
SS'Y



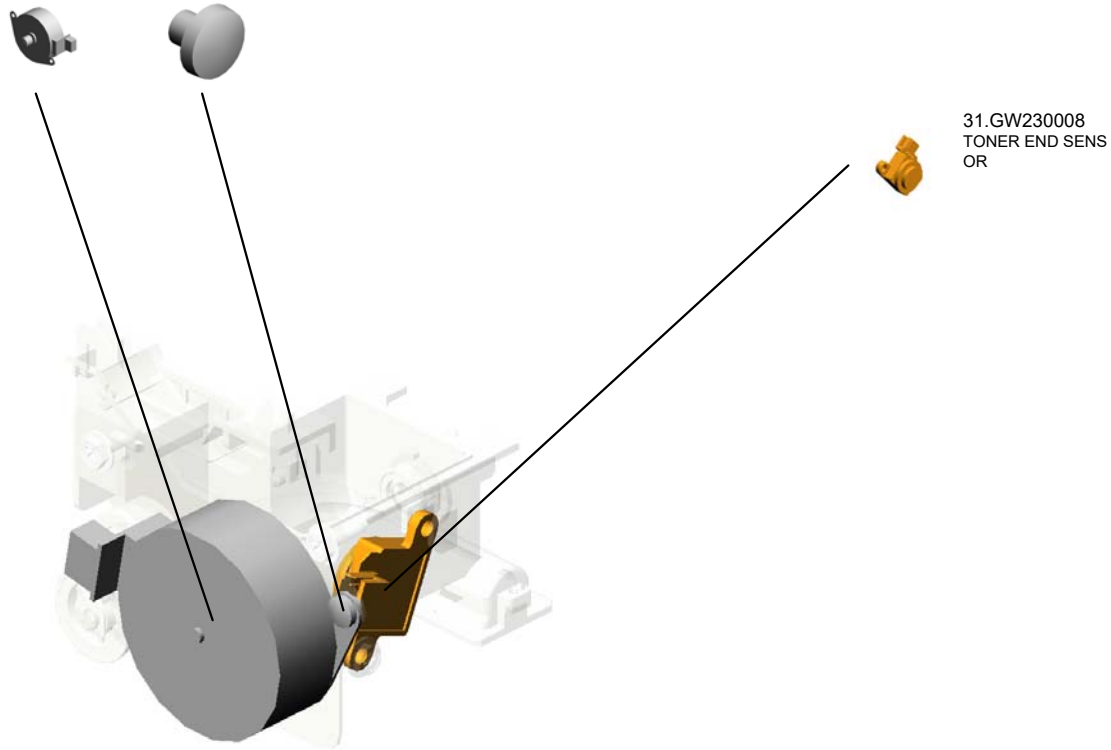
U001	U002	U003	U004	U005	U006	U007	U008	U009	U010	U011	U012	U013	U014	U015	U016	U017	U018
------	------	------	------	------	-------------	------	------	------	------	------	------	------	------	------	------	------	------

U006_S012
TONER HOPPER:TONER SUPPLY:Y:ASS'Y

28.D1493350 1.03530030N
DC STEPPER MOT (x2)
OR:TONER SUPPL SCREW:M3X3
Y



23.D1493310
TONER HOPPER:T
ONER SUPPLY:Y:A
SS'Y



31.GW230008
TONER END SENS
OR

U001	U002	U003	U004	U005	U006	U007	U008	U009	U010	U011	U012	U013	U014	U015	U016	U017	U018
------	------	------	------	------	-------------	------	------	------	------	------	------	------	------	------	------	------	------

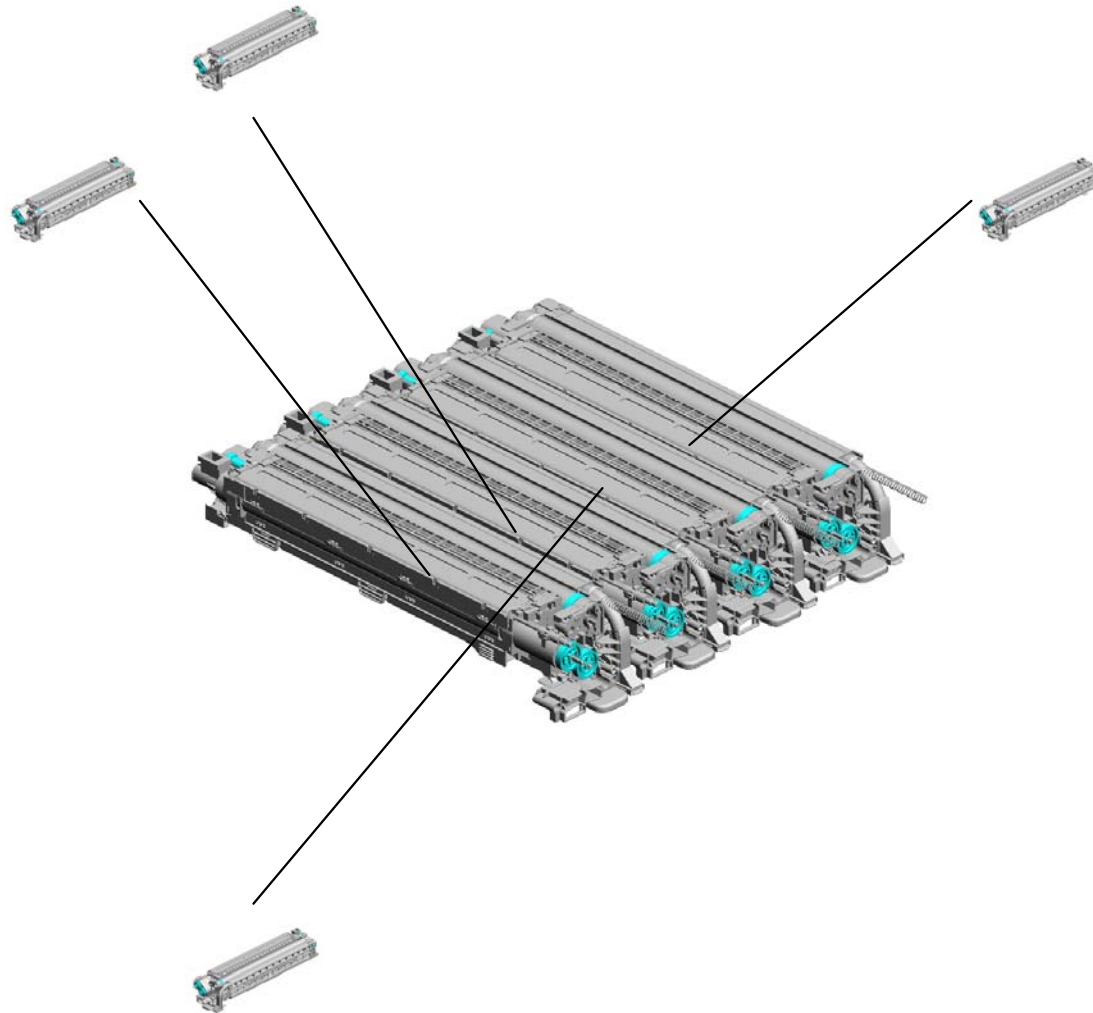
U007.PCDU

U007_S003
D2422236
PCDU:M

U007_S004
D2422237
PCDU:Y

U007_S001
D2392284
PCDU:K

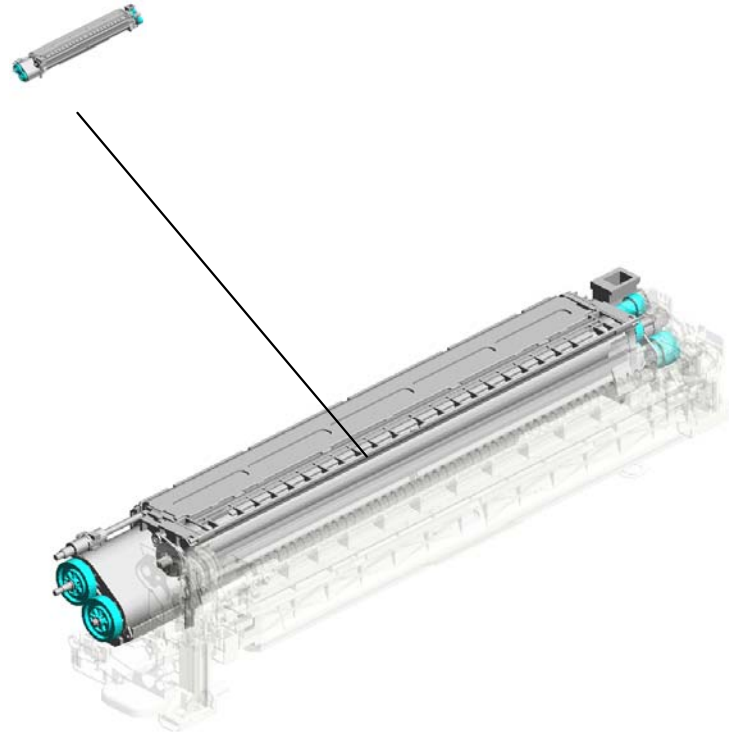
U007_S002
D2422235
PCDU:C



U001	U002	U003	U004	U005	U006	U007	U008	U009	U010	U011	U012	U013	U014	U015	U016	U017	U018
------	------	------	------	------	------	------	------	------	------	------	------	------	------	------	------	------	------

U007_S001.PCDU:K

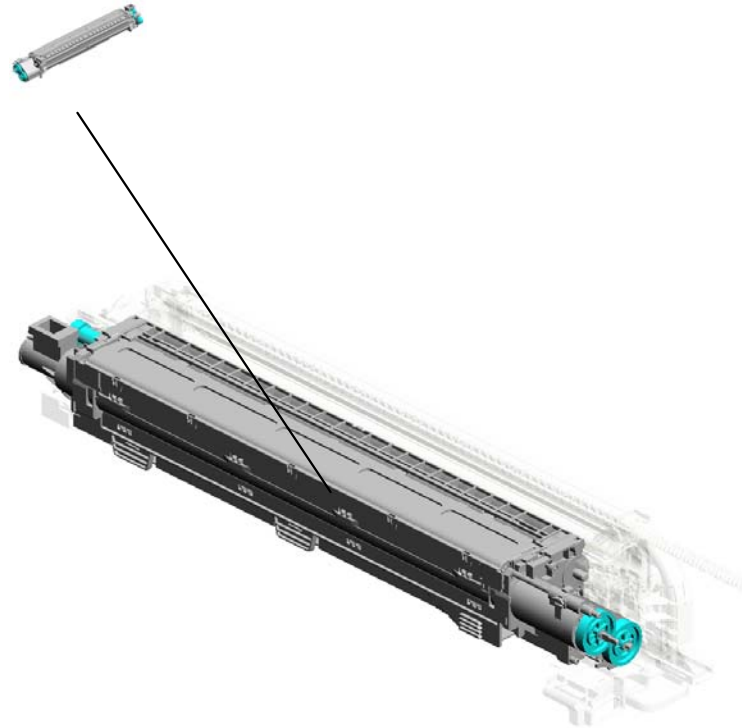
U007 S001 S001
D2423060
DEVELOPMENT UNIT:K



U001	U002	U003	U004	U005	U006	U007	U008	U009	U010	U011	U012	U013	U014	U015	U016	U017	U018
------	------	------	------	------	------	------	------	------	------	------	------	------	------	------	------	------	------

U007_S002.PCDU:C

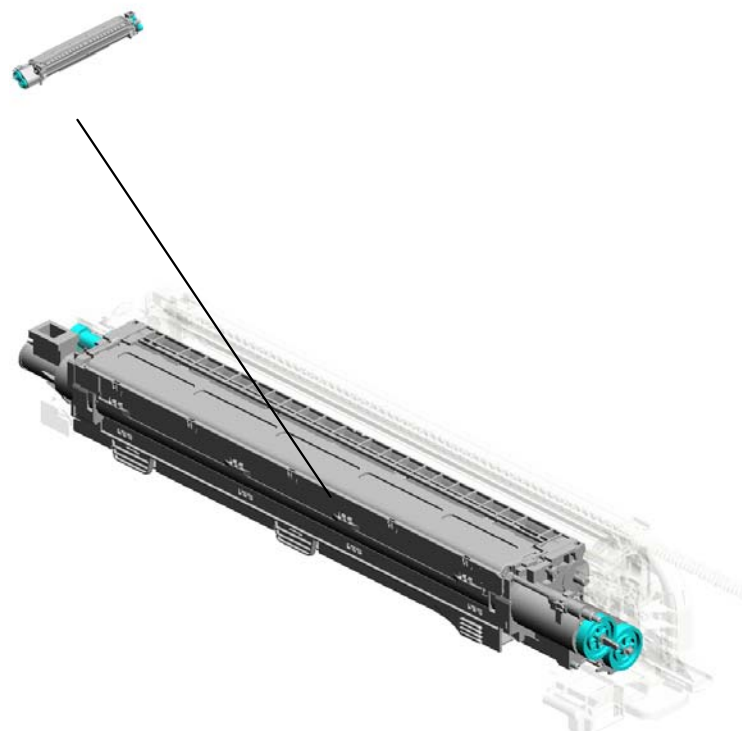
U007 S002 S001
D2423065
DEVELOPMENT UNIT:C



U001	U002	U003	U004	U005	U006	U007	U008	U009	U010	U011	U012	U013	U014	U015	U016	U017	U018
------	------	------	------	------	------	------	------	------	------	------	------	------	------	------	------	------	------

U007_S003.PCDU:M

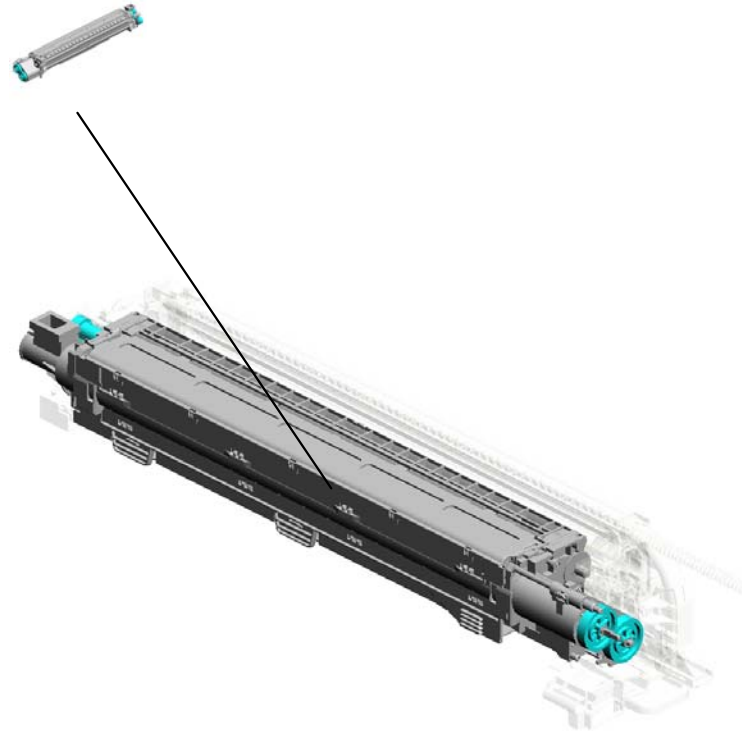
U007 S003 S001
D2423066
DEVELOPMENT UNIT:M



U001	U002	U003	U004	U005	U006	U007	U008	U009	U010	U011	U012	U013	U014	U015	U016	U017	U018
------	------	------	------	------	------	------	------	------	------	------	------	------	------	------	------	------	------

U007_S004.PCDU:Y

U007 S004 S001
D2423063
DEVELOPMENT UNIT:Y



U001	U002	U003	U004	U005	U006	U007	U008	U009	U010	U011	U012	U013	U014	U015	U016	U017	U018
------	------	------	------	------	------	------	------	------	------	------	------	------	------	------	------	------	------

U007
PCDU




U001	U002	U003	U004	U005	U006	U007	U008	U009	U010	U011	U012	U013	U014	U015	U016	U017	U018
------	------	------	------	------	------	------	------	------	------	------	------	------	------	------	------	------	------

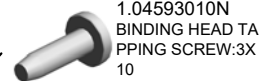
17.D2392242
[B]
PCU:K
201709-02 O/O



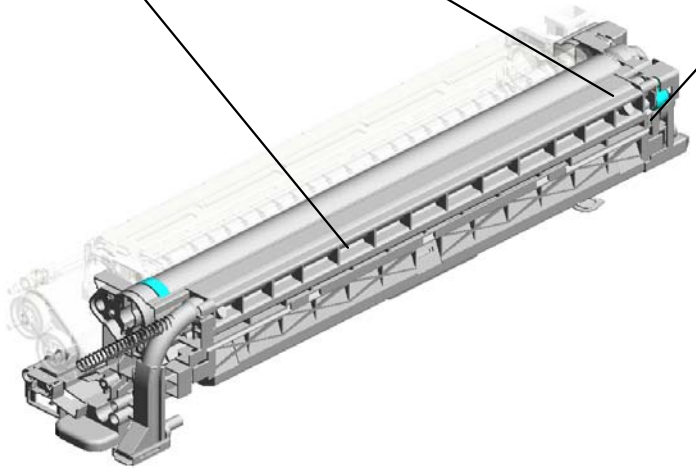
2.D1492329
DUCT:GEAR:DEVE
LOPMENT:ASS'Y



13.D2392284
[A]
PCDU:K
201706-01 O/O



1.04593010N
BINDING HEAD TA
PPING SCREW:3X
10



D2392264
[A]
PCDU:K
201706-01 O/O

D2392240
[B]
PCU:K
201709-02 O/O

U007_S001_S001
DEVELOPMENT UNIT:K

16.08050100
RETAINING RING -
M2.5
201709-01



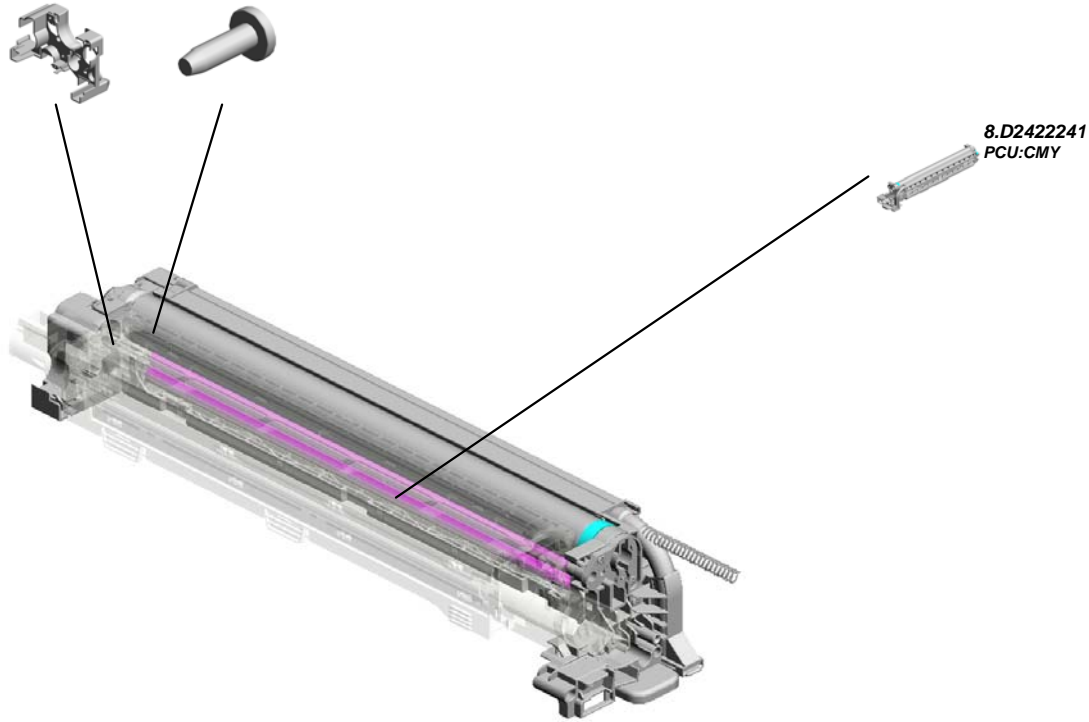
9.D2423060
DEVELOPMENT UN
IT:K

U001	U002	U003	U004	U005	U006	U007	U008	U009	U010	U011	U012	U013	U014	U015	U016	U017	U018
------	------	------	------	------	------	------	------	------	------	------	------	------	------	------	------	------	------

U007_S002
PCDU:C

2.D1492329
DUCT:GEAR:DEVE
LOPMENT:ASSY


1.04593010N
BINDING HEAD TA
PPING SCREW:3X
10



U001	U002	U003	U004	U005	U006	U007	U008	U009	U010	U011	U012	U013	U014	U015	U016	U017	U018
------	------	------	------	------	------	------	------	------	------	------	------	------	------	------	------	------	------

U007_S002_S001
DEVELOPMENT UNIT:C

16.08050100
RETAINING RING -
M2.5
201709-01



14.D2423065
[A]
DEVELOPMENT UN
IT:C
201708-01 O/O



D2423061
[A]
DEVELOPMENT UN
IT:C
201708-01 O/O

U001	U002	U003	U004	U005	U006	U007	U008	U009	U010	U011	U012	U013	U014	U015	U016	U017	U018
------	------	------	------	------	------	------	------	------	------	------	------	------	------	------	------	------	------

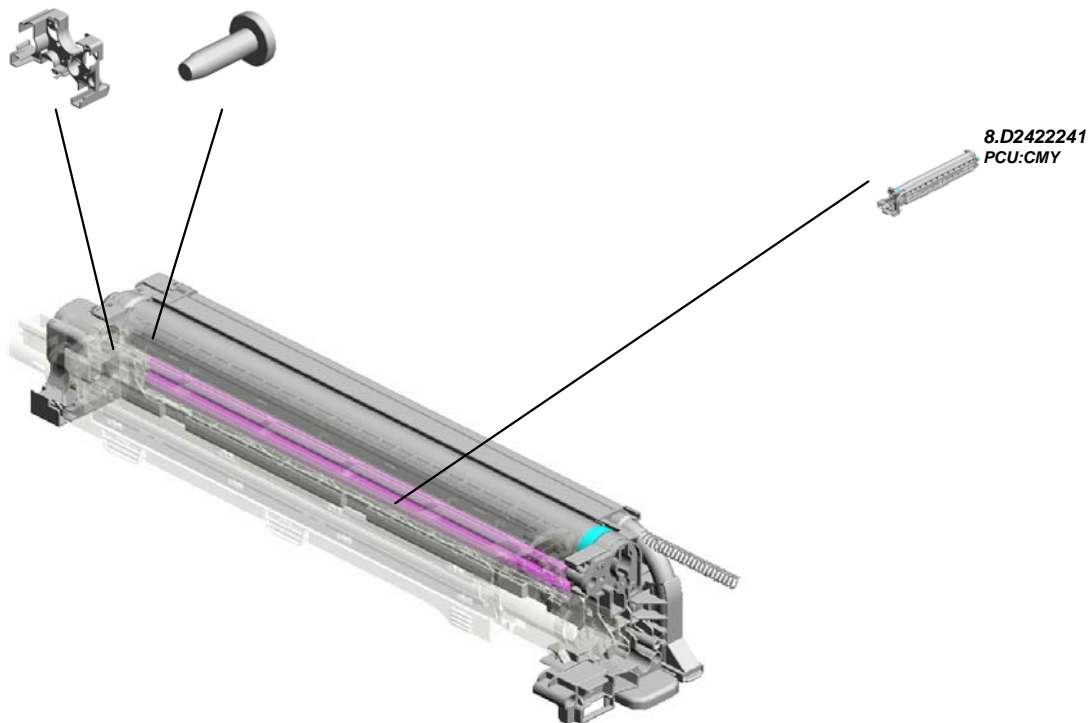
U007_S003
PCDU:M

2.D1492329
DUCT:GEAR:DEVE
LOPMENT:ASSY

1.04593010N
BINDING HEAD TA
PPING SCREW:3X
10



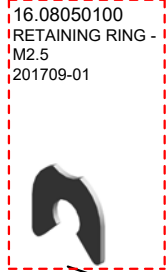
6.D2422236
PCDU:M



8.D2422241
PCU:CMY

U001	U002	U003	U004	U005	U006	U007	U008	U009	U010	U011	U012	U013	U014	U015	U016	U017	U018
------	------	------	------	------	------	------	------	------	------	------	------	------	------	------	------	------	------

U007_S003_S001
DEVELOPMENT UNIT:M



15.D2423066
[A]
DEVELOPMENT UN
IT:M
201708-02 O/O



D2423062
[A]
DEVELOPMENT UN
IT:M
201708-02 O/O

U001	U002	U003	U004	U005	U006	U007	U008	U009	U010	U011	U012	U013	U014	U015	U016	U017	U018
------	------	------	------	------	------	------	------	------	------	------	------	------	------	------	------	------	------

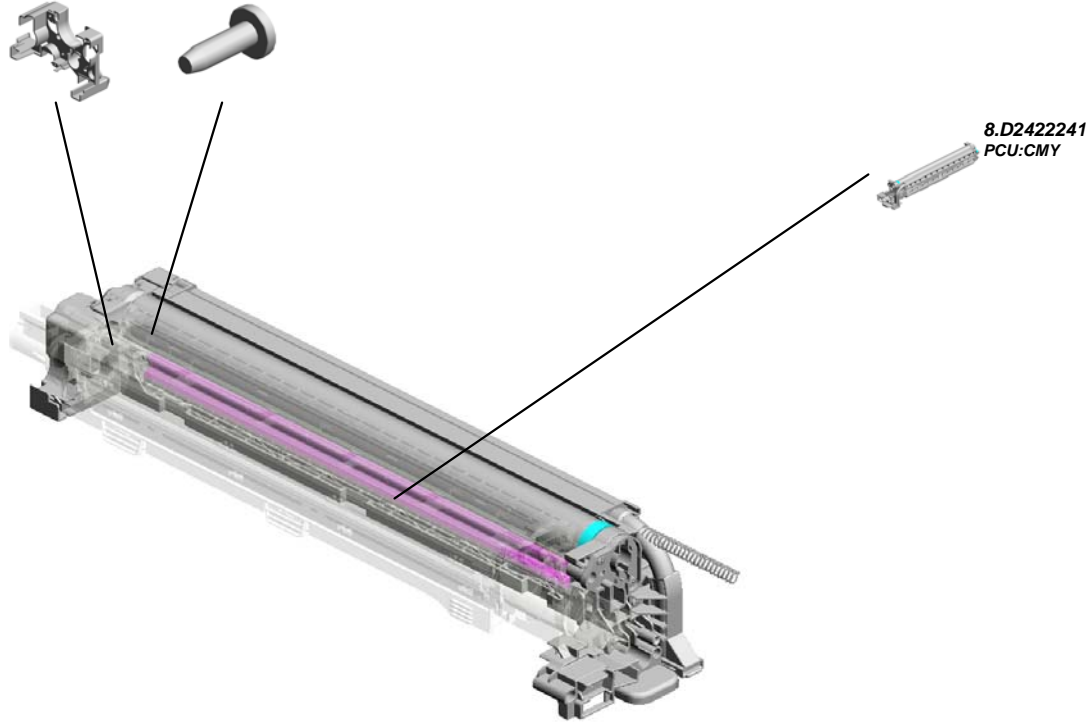
U007_S004
PCDU:Y

2.D1492329
DUCT:GEAR:DEVE
LOPMENT:ASSY

1.04593010N
BINDING HEAD TA
PPING SCREW:3X
10



7.D2422237
PCDU:Y

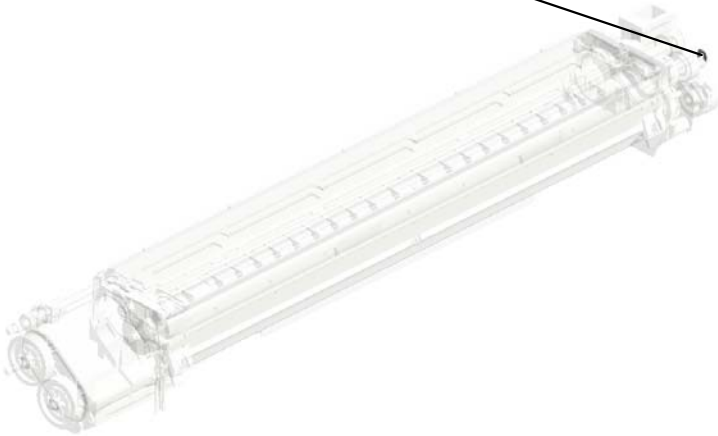


8.D2422241
PCU:CMY

U001	U002	U003	U004	U005	U006	U007	U008	U009	U010	U011	U012	U013	U014	U015	U016	U017	U018
------	------	------	------	------	------	------	------	------	------	------	------	------	------	------	------	------	------

U007_S004_S001
DEVELOPMENT UNIT:Y

16.08050100
RETAINING RING -
M2.5
201709-01



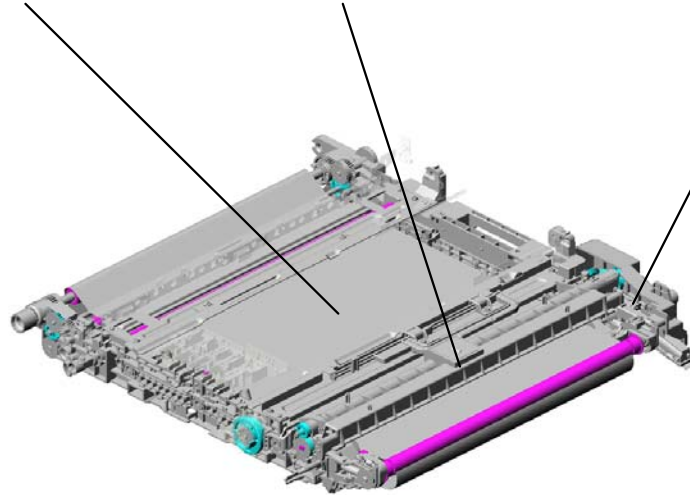
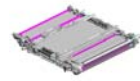
12.D2423063
DEVELOPMENT UN
IT:Y

U001	U002	U003	U004	U005	U006	U007	U008	U009	U010	U011	U012	U013	U014	U015	U016	U017	U018
------	------	------	------	------	------	------	------	------	------	------	------	------	------	------	------	------	------

U008.ITB UNIT

U008_S001
D2416001
TRANSFER UNIT:INTERMEDI
ATE TRANSFER:ASS'Y

U008_S003
D2416141
CLEANING UNIT:BELT CLEA
NING:ASS'Y

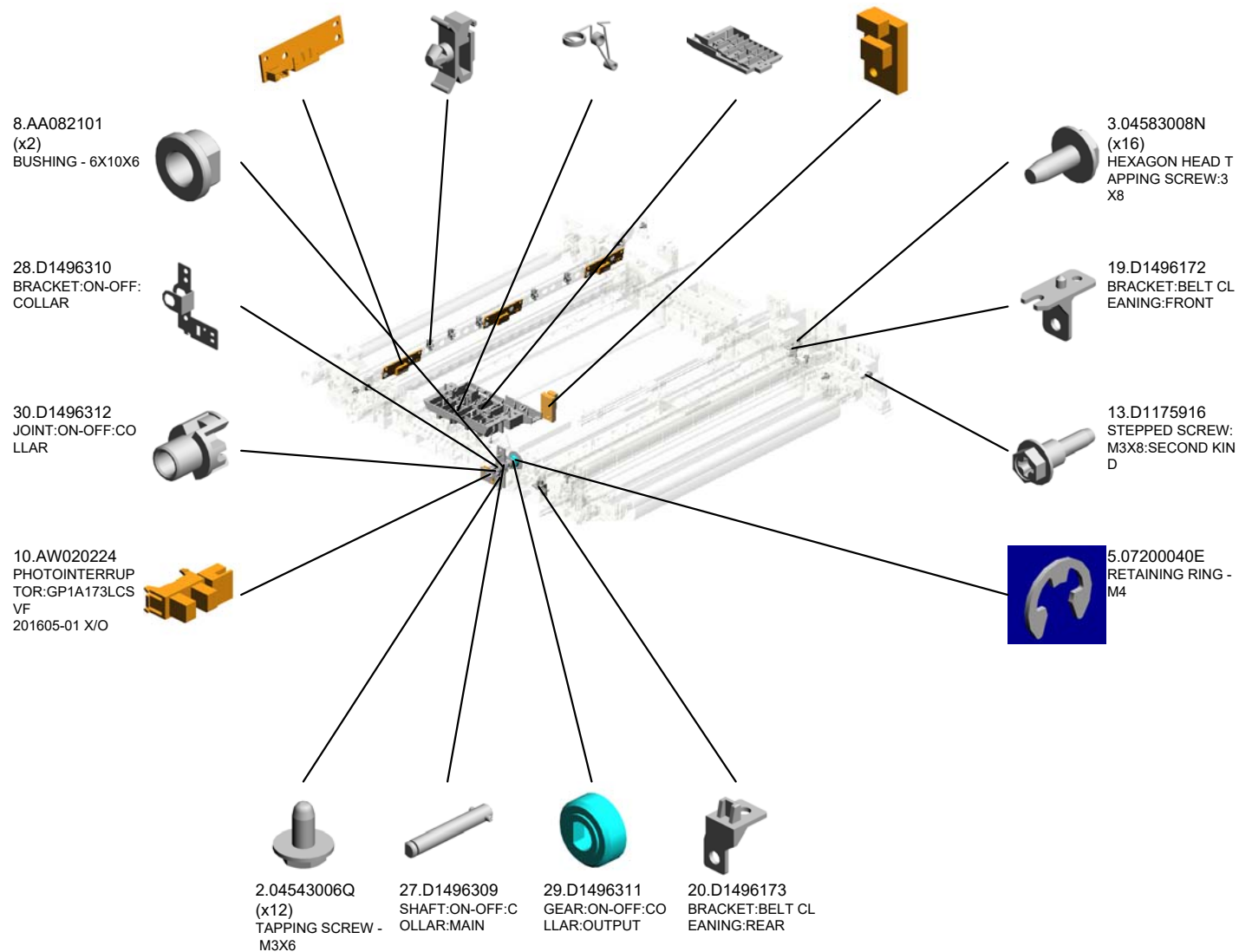
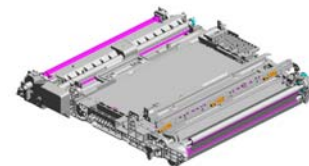


U008_S002
D1496370
TONER OUTLET UNIT:BELT
CLEANING:ASS'Y

U001	U002	U003	U004	U005	U006	U007	U008	U009	U010	U011	U012	U013	U014	U015	U016	U017	U018
------	------	------	------	------	------	------	-------------	------	------	------	------	------	------	------	------	------	------

U008 ITB UNIT

- 39.GW010009 (x3) DENSITY SENSOR
- 7.11050758 (x5) CLAMP:LWSM-030 6A
- 31.D1496320 (x5) TERMINAL:BIAS:IN TERMEDIAE TR ANSFER:MAIN
- 32.D1496321 HOLDER:TERMINA L:INTERMEDIATE T RANSFER:MAIN
- 11.AW140026 TEMPERATURE & HUMIDITY SENSO R



U001	U002	U003	U004	U005	U006	U007	U008	U009	U010	U011	U012	U013	U014	U015	U016	U017	U018
------	------	------	------	------	------	------	------	------	------	------	------	------	------	------	------	------	------

U008_S001

TRANSFER UNIT:INTERMEDIATE TRANSFER:ASS'Y

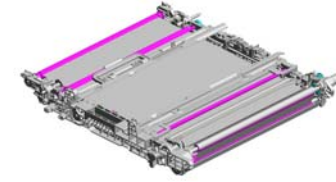
6.08050106
(x2)
RETAINING RINGS
-E:SILENCER:DIA6

40.D1496112
ROLLER:FLAT BELT-TRANSFER:FACE FRONT:ASS'Y

34.D1496345
CAM:SHUTTER:TM
SENSOR
201605-03

5.07200040E
(x6)
RETAINING RING - M4

9.AA132208
(x2)
SPACER - M6



36.D2416001
TRANSFER UNIT:INTERMEDIATE TRANSFER:ASS'Y

12.B2236069
JOINT:DRIVE:INTERMEDIATE TRANSFER

3.04583008N
(x13)
HEXAGON HEAD TAPPING SCREW:3X8

1.03603006N
(x4)
SCREW - M3X6

16.D1496037
STOPPER:RIGHT:INTERMEDIATE TRANSFER

4.07200030E
RETAINING RING - M3

37.D2416097
FLAT BELT-TRANSFER:INTERMEDIATE TRANSFER:TT

17.D1496038
LEVER:ON-OFF:BK

15.D1496036
(x2)
CAM:ON-OFF:BK

14.D1496030
CAM:ON-OFF:COLLAR

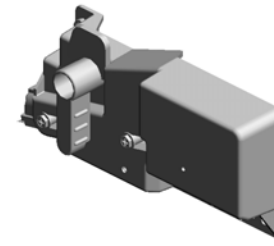
33.D1496336
(x4)
TRANSFER ROLLER:ASS'Y

U001	U002	U003	U004	U005	U006	U007	U008	U009	U010	U011	U012	U013	U014	U015	U016	U017	U018
------	------	------	------	------	------	------	-------------	------	------	------	------	------	------	------	------	------	------

U008_S002

TONER OUTLET UNIT:BELT CLEANING:ASS'Y

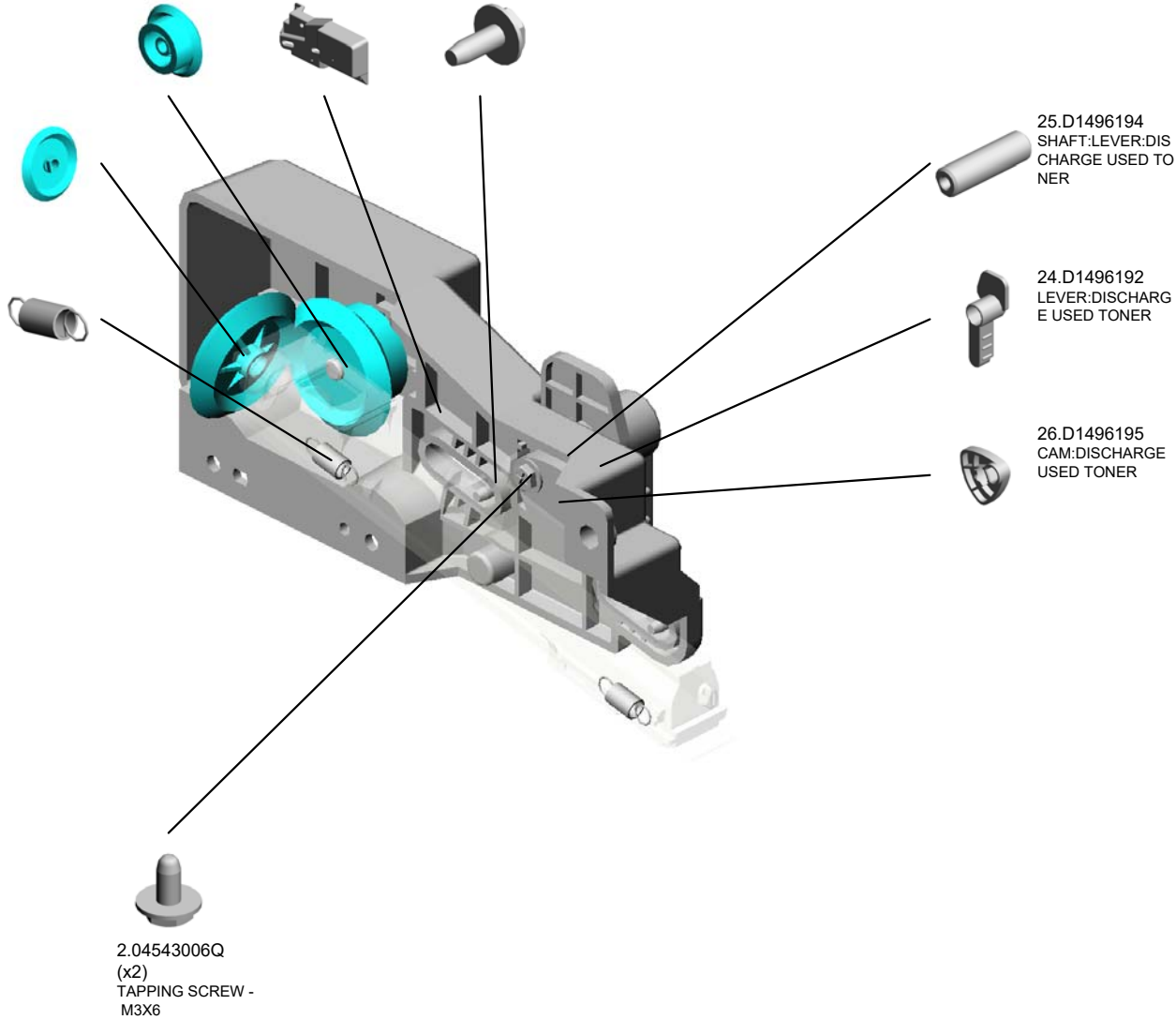
22.D1496179 GEAR:IDLER:DISCHARGE USED TONER
21.D1496177 HOLDER:DISCHARGE USED TONER:ASSY
3.04583008N (x2) HEXAGON HEAD TAPPING SCREW:3X8



35.D1496370 TONER OUTLET UNIT:BELT CLEANING:ASS'Y

23.D1496190 GEAR:DISCHARGE USED TONER

18.D1496163 (x2) TENSION SPRING:SHUTTER:BELT CLEANING



U001	U002	U003	U004	U005	U006	U007	U008	U009	U010	U011	U012	U013	U014	U015	U016	U017	U018
------	------	------	------	------	------	------	-------------	------	------	------	------	------	------	------	------	------	------

U008_S003
CLEANING UNIT:BELT CLEANING:ASS'Y

18.D1496163
TENSION SPRING:
SHUTTER:BELT CL
EANING

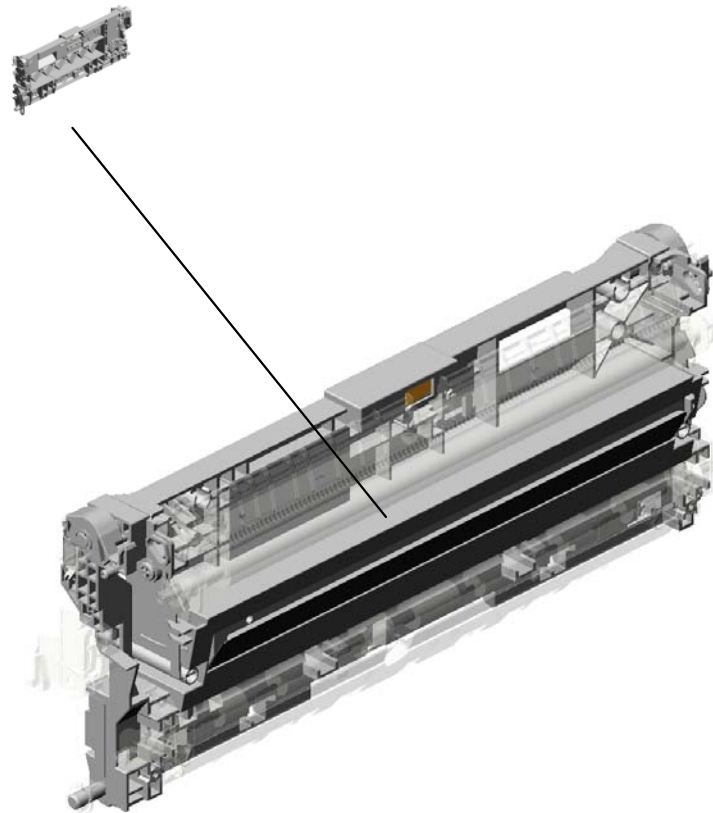


38.D2416141
CLEANING UNIT:BELT
CLEANING:ASS'Y

U001	U002	U003	U004	U005	U006	U007	U008	U009	U010	U011	U012	U013	U014	U015	U016	U017	U018
------	------	------	------	------	------	------	-------------	------	------	------	------	------	------	------	------	------	------

U009.SEPARATION/PAPER TRANSPORT

U009 S001
D2416215
GUIDE PLATE:TRANSFER:S
ECOND:ASSY



U001	U002	U003	U004	U005	U006	U007	U008	U009	U010	U011	U012	U013	U014	U015	U016	U017	U018
------	------	------	------	------	------	------	------	------	------	------	------	------	------	------	------	------	------

U009 SEPARATION/PAPER TRANSPORT

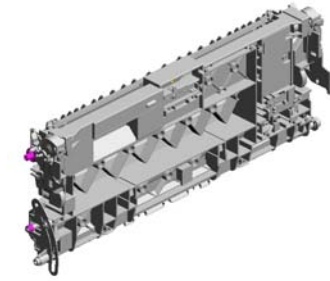
38.D1496291
GUIDE:SET:TRANS
FER/SEPARATION
UNIT:REAR

15.AW020224
PHOTOINTERRUPTOR:
GP1A173LCS
VF
201605-01 X/O

9.AA063942
COMPRESSION SP
RING:REGISTRATI
ON:DRIVE

21.D1492990
PLAIN SHAFT BEA
RING:DRIVE:REGI
STRATION ROLLE
R

11.AA080346
(x2)
BUSHING:FLANGE
TYPE:DIA6



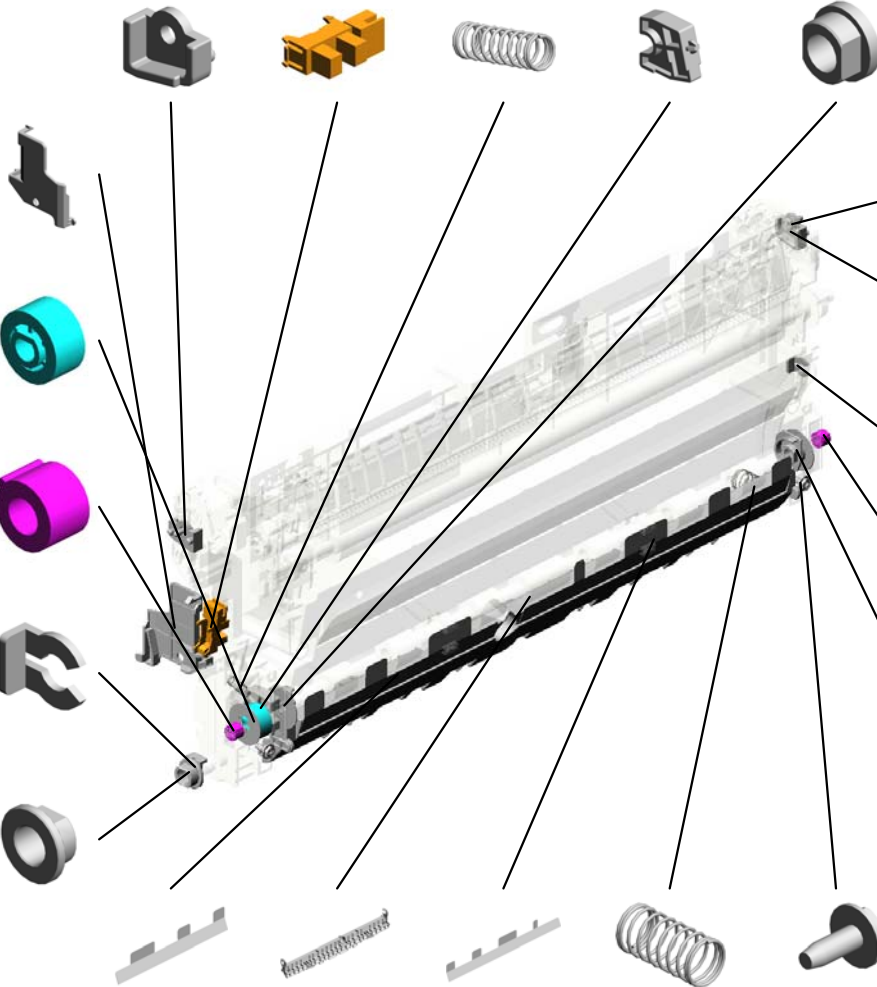
39.D1496295
COVER:HARNES
S:TRANSFER/SEPAR
ATION UNIT

13.AB011571
GEAR:Z19:DRIVE:R
EGISTRATION

18.D1492584
(x2)
COLLAR:SHAFT:R
EGISTRATION ROL
LER

7.52152621
SNAP RING - M6

12.AA082144
BUSHING - 8X12X7



2.04543008Q
(x2)
TAPPING SCREW:
3X8

37.D1496290
GUIDE:SET:TRANS
FER/SEPARATION
UNIT:FRONT

8.54472681
SNAP RING

4.07200030E
(x2)
RETAINING RING -
M3

5.07200040E
(x3)
RETAINING RING -
M4

19.D1492585
GUIDE:REGISTRAT
ION:REAR RIGHT

17.D1492582
GUIDE PLATE:REG
ISTRATION:FRONT
RIGHT

20.D1492586
GUIDE:REGISTRAT
ION:FRONT RIGHT

10.AA063943
(x2)
COMPRESSION SP
RING:GUIDE PLAT
E:REGISTRATION:
4N

3.04583008N
(x2)
HEXAGON HEAD T
APPING SCREW:3
X8

U001	U002	U003	U004	U005	U006	U007	U008	U009	U010	U011	U012	U013	U014	U015	U016	U017	U018
------	------	------	------	------	------	------	------	-------------	------	------	------	------	------	------	------	------	------

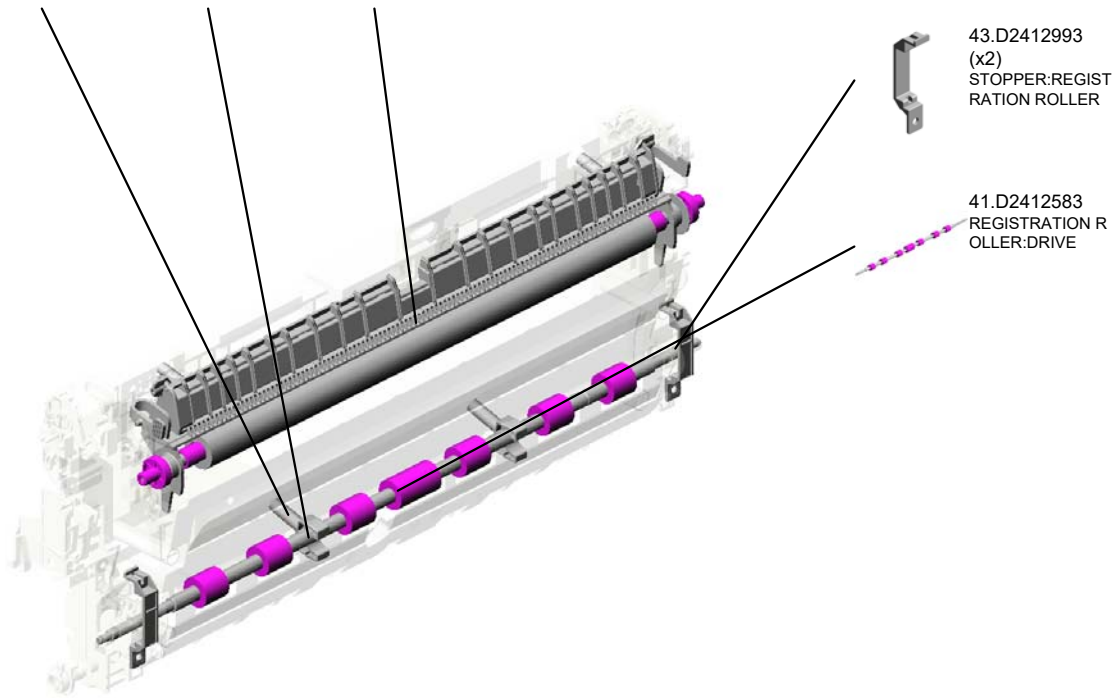
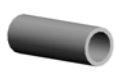
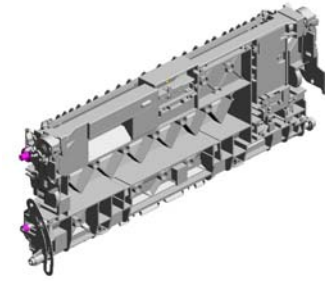
U009

SEPARATION/PAPER TRANSPORT

44.D2412994
(x2)
COMPRESSION SP
RING:REGISTRATI
ON:INNER:DRIVE

42.D2412991
(x2)
PLAIN SHAFT BEA
RING:INNER:DRIV
E:REGISTRATION
ROLLER

45.D2416212
TRANSFER ROLLE
R:SECOND:ASS'Y



43.D2412993
(x2)
STOPPER:REGIST
RATION ROLLER



41.D2412583
REGISTRATION R
OLLER:DRIVE

U001	U002	U003	U004	U005	U006	U007	U008	U009	U010	U011	U012	U013	U014	U015	U016	U017	U018
------	------	------	------	------	------	------	------	-------------	------	------	------	------	------	------	------	------	------

U009_S001
GUIDE PLATE:TRANSFER:SECOND:ASS'Y

27.D1496231
LEVER:TRANSFER
/SEPARATION UNI
T:REAR

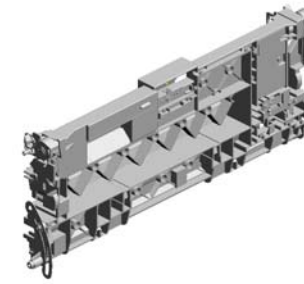
3.04583008N
(x6)
HEXAGON HEAD T
APPING SCREW:3
X8

16.D1185170
PCB:DIODE

14.AW010200
PAPER FEED SEN
SOR:FUSING EXIT

22.D1494662
DIFFUSION PLATE:
LED

46.D2416215
GUIDE PLATE:TRA
NSFER:SECOND:A
SS'Y



6.07200060E
(x2)
RETAINING RING -
M6

29.D1496233
TORSION SPRING:
LEVER:SET:REAR

28.D1496232
LEVER:SET:REAR

1.04543006Q
TAPPING SCREW -
M3X6

31.D1496243
RECEIVE PLATE:C
OMPRESSION SPR
ING:TRANSFER R
OLLER

36.D1496257
GROUND PLATE:R
EGISTRATION ROL
LER

32.D1496245
GROUND PLATE:T
RANSFER/SEPARA
TION UNIT

34.D1496248
CAP:LED

35.D1496254
DECAL:GRIP:B:LO
WER

33.D1496246
LINK:TRANSFER/S
EPARATION UNIT

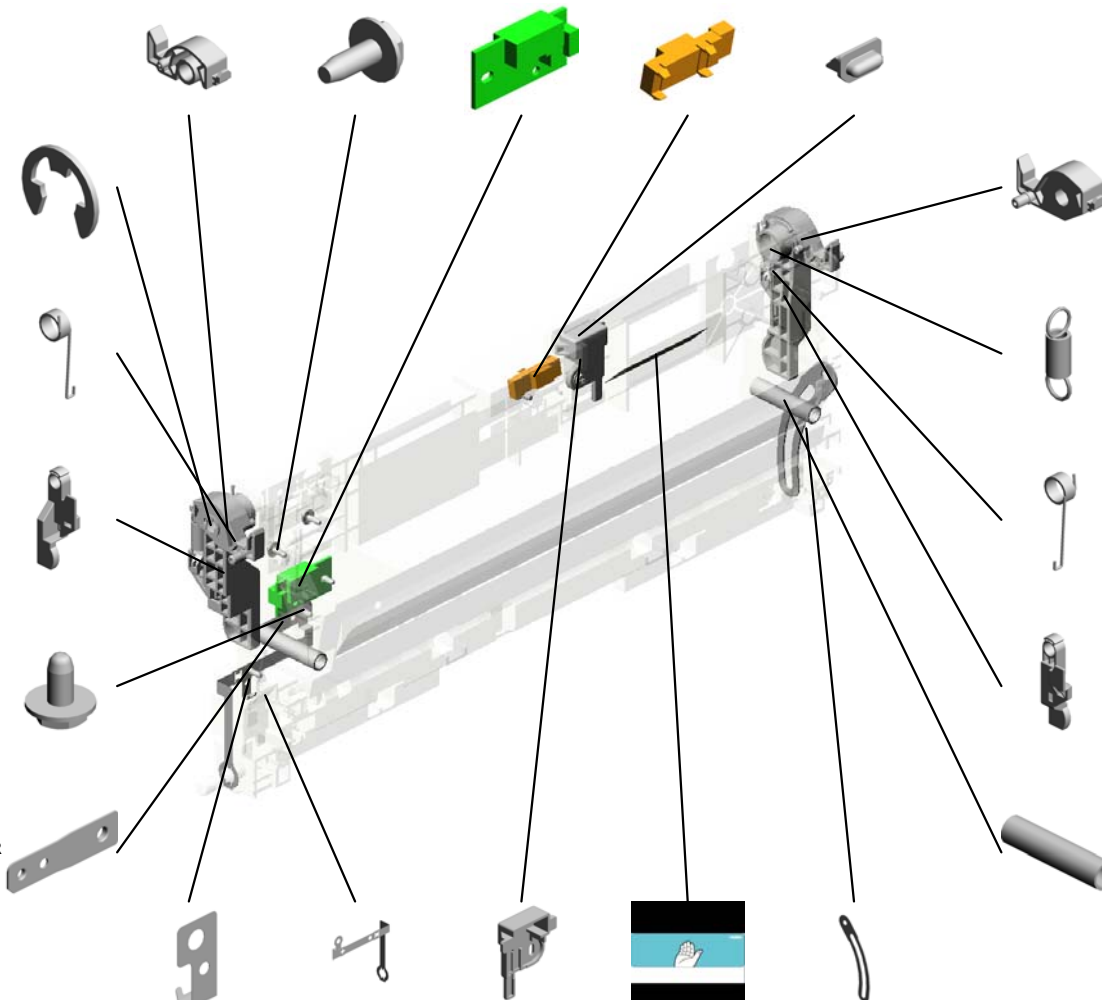
23.D1496226
LEVER:TRANSFER
/SEPARATION UNI
T:FRONT

26.D1496229
(x2)
TENSION SPRING:
LEVER:SET

25.D1496228
TORSION SPRING:
LEVER:SET:FRON
T

24.D1496227
LEVER:SET:FRON
T

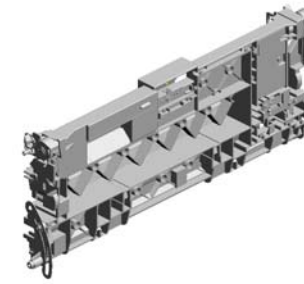
30.D1496242
(x2)
COMPRESSION SP
RING:PRESSURE:T
RANSFER ROLLER



U001	U002	U003	U004	U005	U006	U007	U008	U009	U010	U011	U012	U013	U014	U015	U016	U017	U018
------	------	------	------	------	------	------	------	------	------	------	------	------	------	------	------	------	------

U009_S001
GUIDE PLATE:TRANSFER:SECOND:ASS'Y

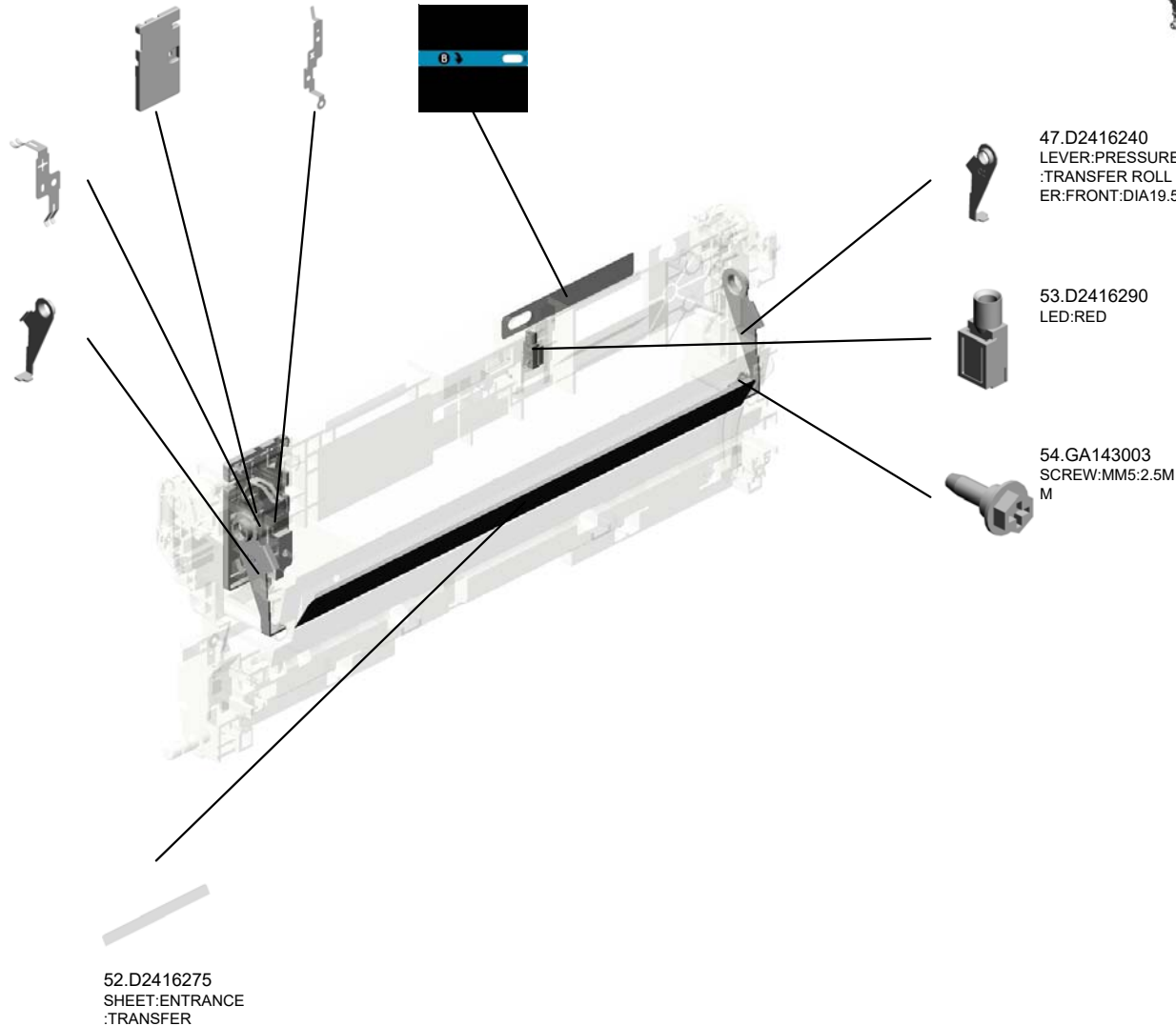
51.D2416258 COVER:TRANSFER/SEPARATION UNIT
50.D2416256 GROUND PLATE:GUIDE:TRANSPORT
40.D2026255 DECAL:GRIP:B



46.D2416215
GUIDE PLATE:TRANSFER:SECOND:ASS'Y

49.D2416244
GROUND PLATE:SEPARATION

48.D2416241
LEVER:PRESSURE:TRANSFER ROLLER:REAR:DIA19.5



47.D2416240
LEVER:PRESSURE:TRANSFER ROLLER:FRONT:DIA19.5

53.D2416290
LED:RED

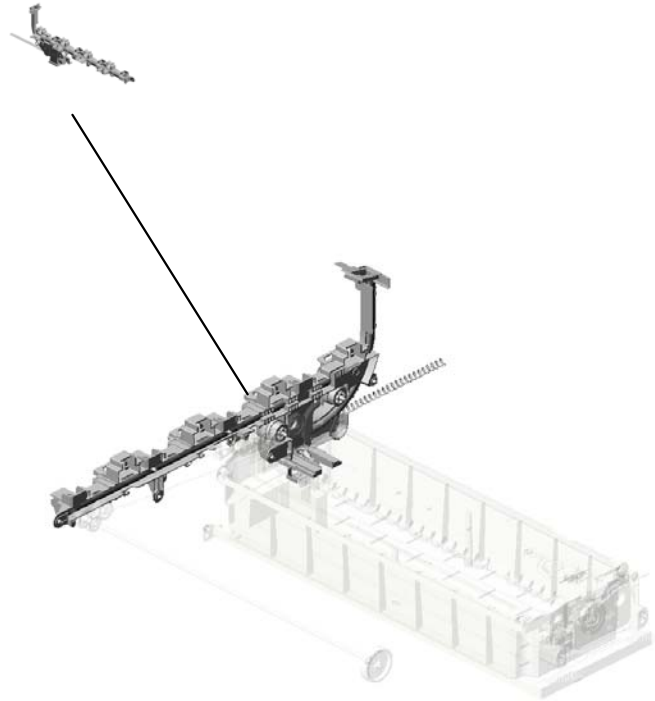
54.GA143003
SCREW:MM5:2.5MM

52.D2416275
SHEET:ENTRANCE:TRANSFER

U001	U002	U003	U004	U005	U006	U007	U008	U009	U010	U011	U012	U013	U014	U015	U016	U017	U018
------	------	------	------	------	------	------	------	------	------	------	------	------	------	------	------	------	------

U010.USED TONER

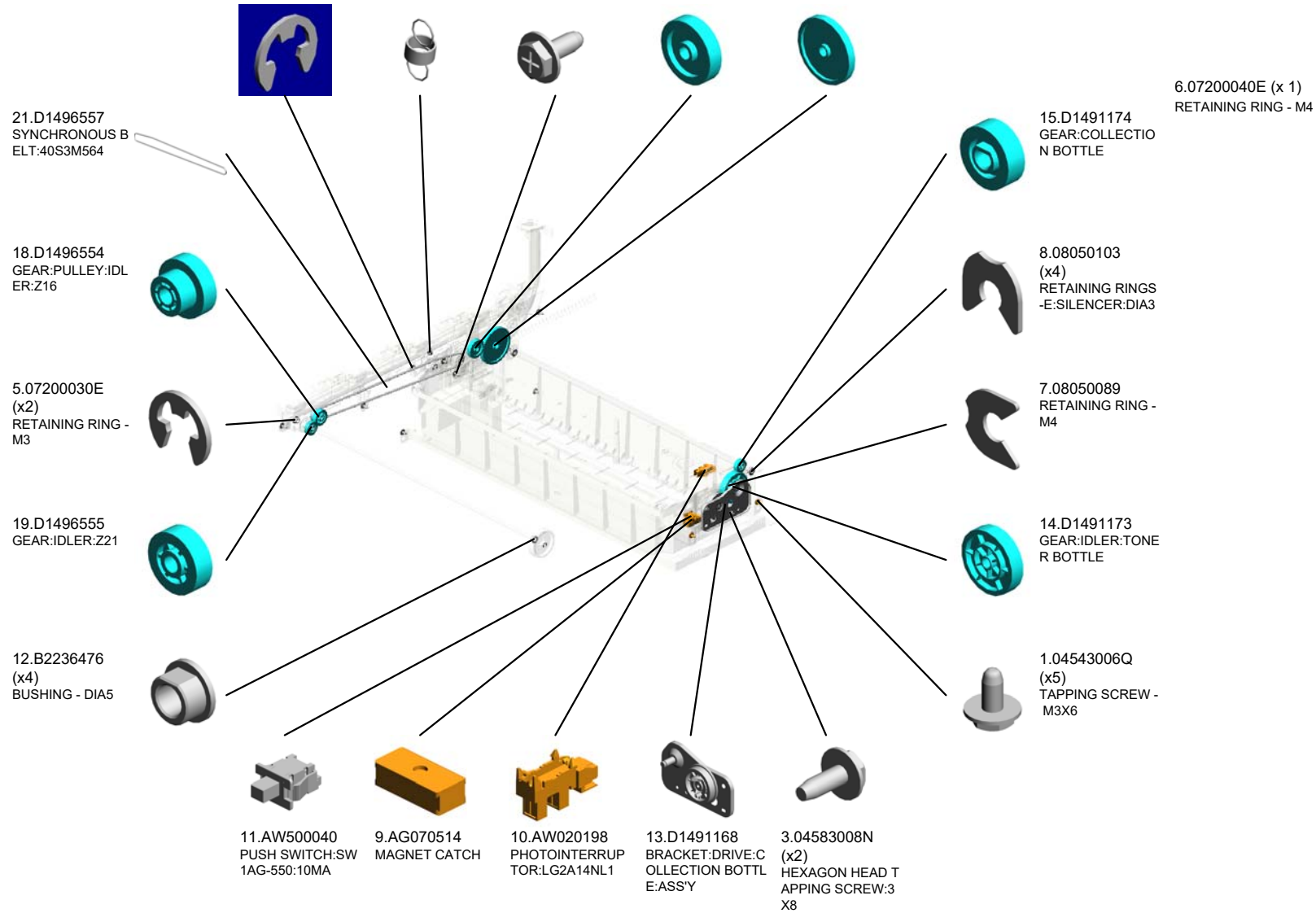
U010 S001
D2426511
PIPE:ASS'Y



U001	U002	U003	U004	U005	U006	U007	U008	U009	U010	U011	U012	U013	U014	U015	U016	U017	U018
------	------	------	------	------	------	------	------	------	------	------	------	------	------	------	------	------	------

U010 USED TONER

6.07200040E (x7) RETAINING RING - M4
 20.D1496556 TENSION SPRING: BELT TENSIONER
 2.04543008Q (x4) TAPPING SCREW: 3X8
 16.D1496552 GEAR:IDLER:Z30
 17.D1496553 GEAR:IDLER:Z61



U010 USED TONER

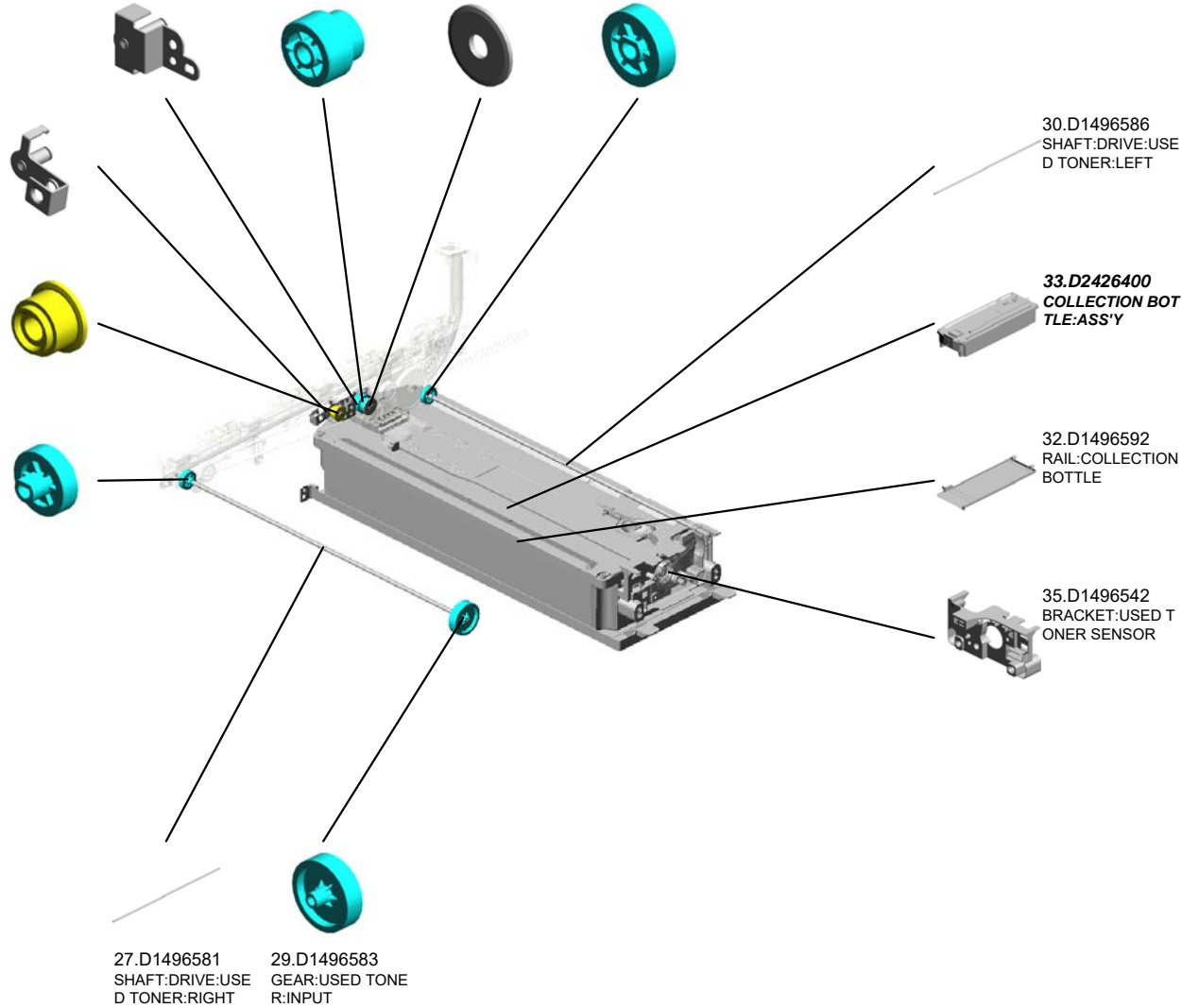
24.D1496571 BRACKET:PULLEY:
IDLER:USED TONE
R
25.D1496574 GEAR:PULLEY:IDL
ER:Z18
26.D1496575 FLANGE:IDLER:US
ED TONER
31.D1496587 GEAR:USED TONE
R:LEFT



23.D1496562 BRACKET:TIGHTE
NER:USED TONER

22.D1496561 PULLEY:USED TO
NER

28.D1496582 GEAR:USED TONE
R:RIGHT



U001	U002	U003	U004	U005	U006	U007	U008	U009	U010	U011	U012	U013	U014	U015	U016	U017	U018
------	------	------	------	------	------	------	------	------	-------------	------	------	------	------	------	------	------	------

U010_S001
PIPE:ASS'Y

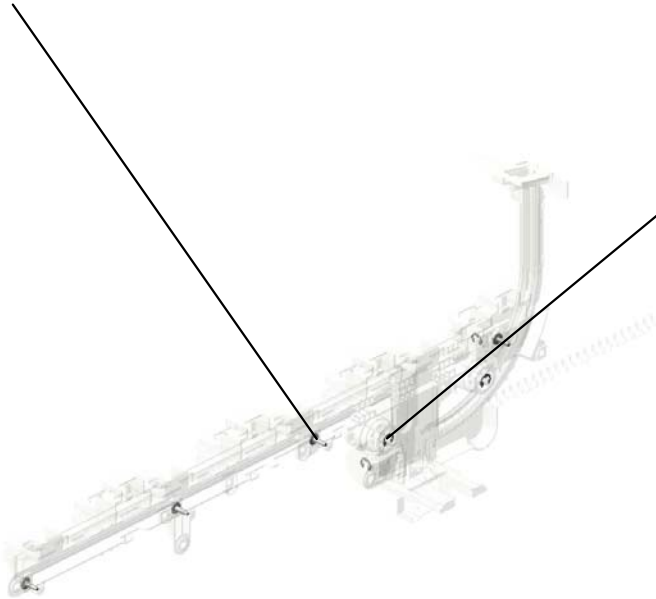
4.04583010N
(x4)
HEXAGON HEAD TAPPING SCREW:3
X10



34.D2426511
PIPE:ASS'Y



6.07200040E
(x4)
RETAINING RING -
M4



U001	U002	U003	U004	U005	U006	U007	U008	U009	U010	U011	U012	U013	U014	U015	U016	U017	U018
------	------	------	------	------	------	------	------	------	------	------	------	------	------	------	------	------	------

U011.FUSING

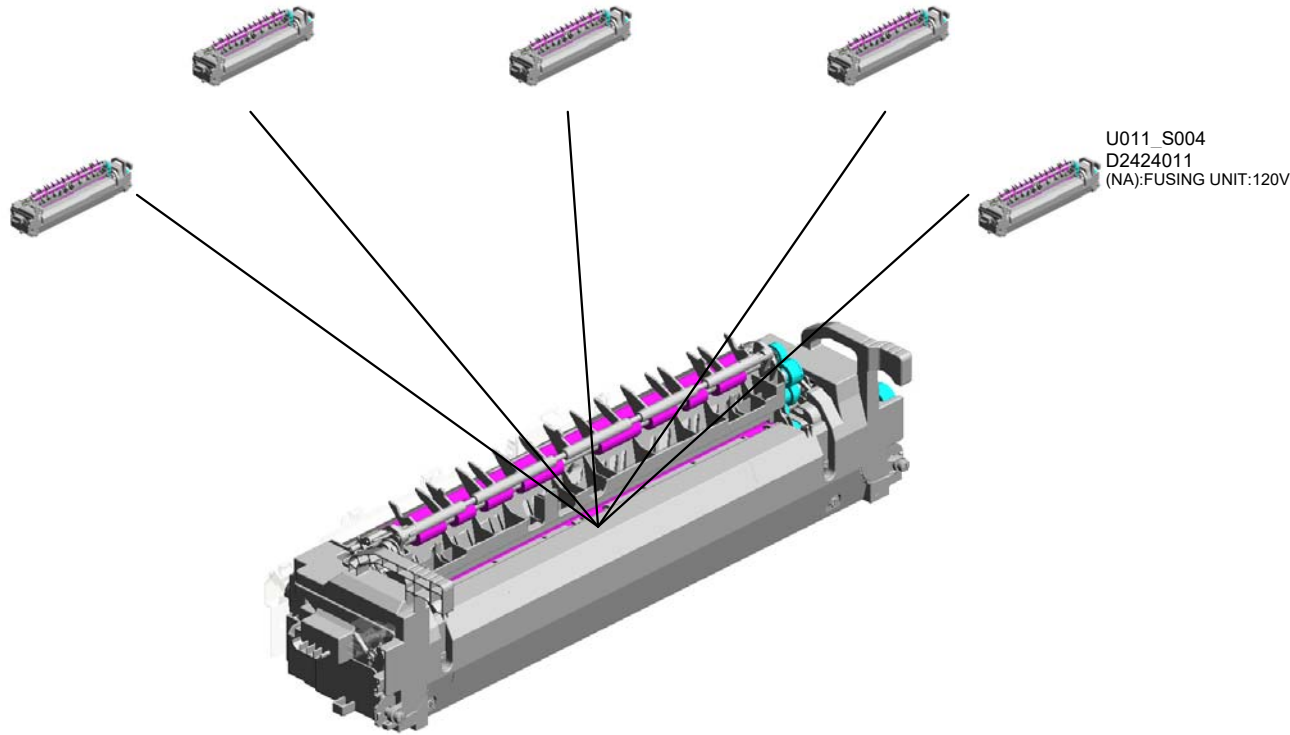
U011_S001
D2424012
(EU/AA/KOR/CHN):FUSING U
NIT:220/240V

U011_S002
D2424012
(EU/AA/KOR/CHN):FUSING U
NIT:220/240V

U011_S003
D2424012
(EU/AA/KOR/CHN):FUSING U
NIT:220/240V

U011_S005
D2424013
(TWN):FUSING UNIT:110V

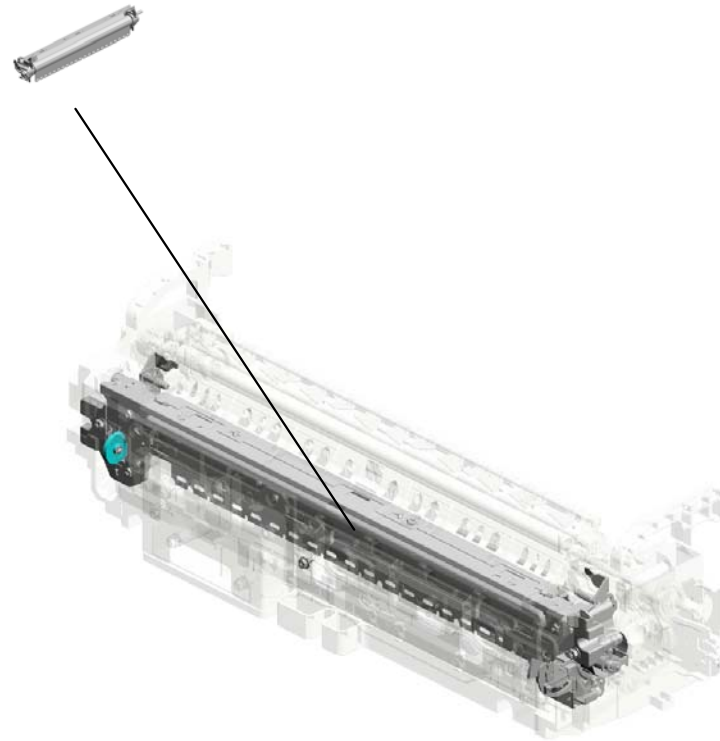
U011_S004
D2424011
(NA):FUSING UNIT:120V



U001	U002	U003	U004	U005	U006	U007	U008	U009	U010	U011	U012	U013	U014	U015	U016	U017	U018
------	------	------	------	------	------	------	------	------	------	------	------	------	------	------	------	------	------

U011_S001.(EU/AA/KOR/CHN):FUSING UNIT:220/240V

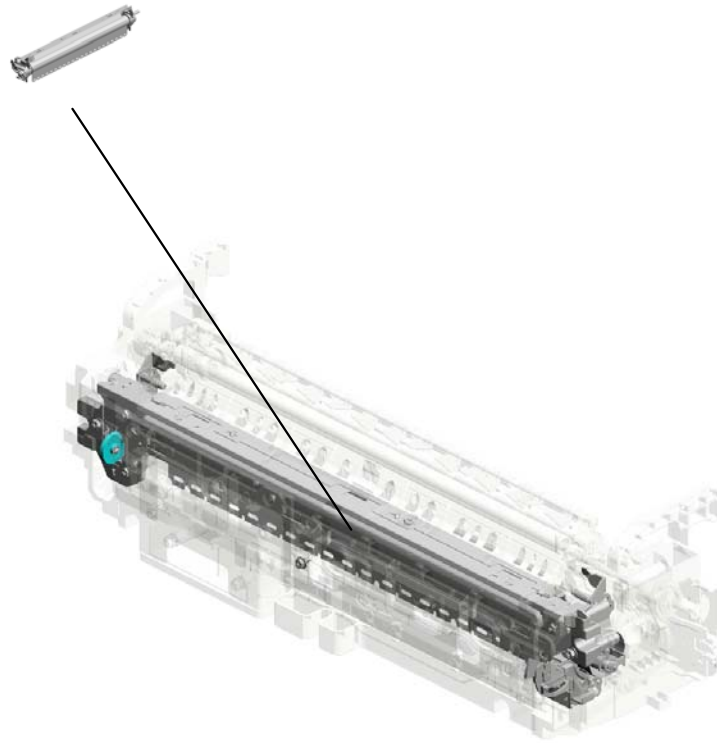
U011 S001 S001
D2424042
(EU/AA/KOR/CHN):SLEEVE:F
USING:220/240V



U001	U002	U003	U004	U005	U006	U007	U008	U009	U010	U011	U012	U013	U014	U015	U016	U017	U018
------	------	------	------	------	------	------	------	------	------	------	------	------	------	------	------	------	------

U011_S002.(EU/AA/KOR/CHN):FUSING UNIT:220/240V

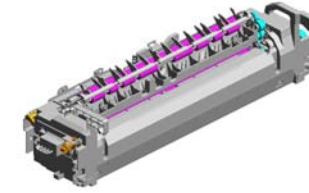
U011 S002 S001
D2424042
(EU/AA/KOR/CHN):SLEEVE:F
USING:220/240V



U001	U002	U003	U004	U005	U006	U007	U008	U009	U010	U011	U012	U013	U014	U015	U016	U017	U018
------	------	------	------	------	------	------	------	------	------	------	------	------	------	------	------	------	------

U011 FUSING

- 14.11050692 CLAMP:LES-0503
- 18.11050759 CLAMP:LWSM-060 5A
- 13.09574008N SCREW:SMALL ROUND/SPRING:M4X8
- 2.04543006Q (x8) TAPPING SCREW - M3X6
- 16.11050723 (x2) CLAMPS:WES-050 7



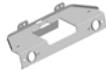
11.08046129
(x4)
HEXAGON HEAD BOLT:IB-LOCK:M3X6



86.D2414367
(x2)
STOPPER:THERMOPILE



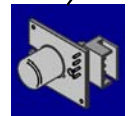
85.D2414366
BRACKET:THERMOPILE



84.D2414365
(x2)
HOLDER:THERMOPILE



43.AW020190
(x2)
PHOTOINTERRUPTOR



47.AW100183
(x2)
THERMOPILE



28.AA143219
(x2)
STEPPED SCREW



17.11050758
CLAMP:LWSM-030 6A



1.03530060N
(x2)
BIND SCREW - M3 X6



94.D2424382
DC STEPPER MOTOR:ASSY



19.AA061207
TENSION SPRING: BRACKET:IDLER



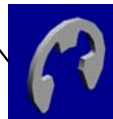
31.AB012102
GEAR:IDLER:WORM GEAR



29.AA148871
SHAFT:GEAR:IDLER: WORM GEAR



32.AB012104
GEAR:IDLER:LIGHT SHIELDING PLATE

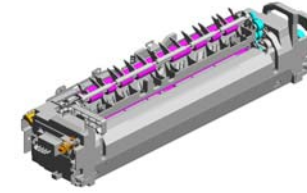


6.07200040E
(x2)
RETAINING RING - M4

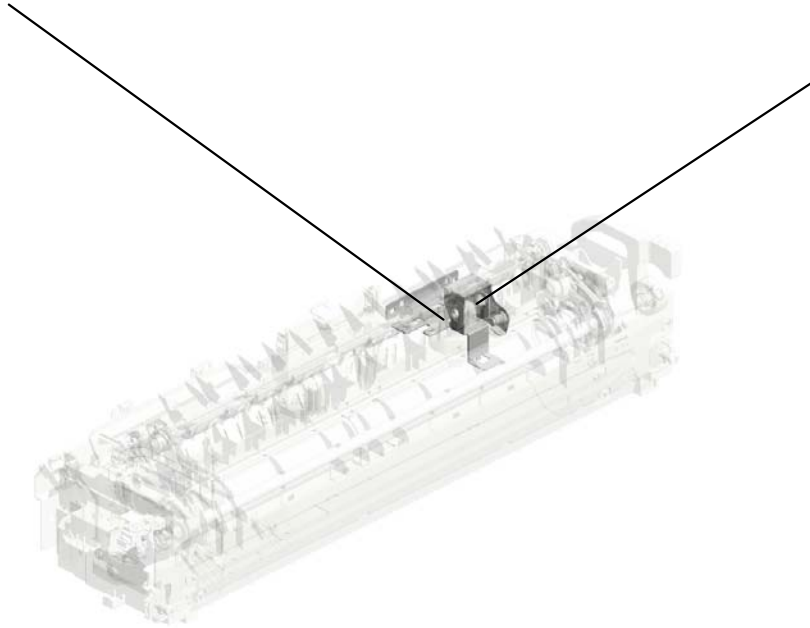
U001	U002	U003	U004	U005	U006	U007	U008	U009	U010	U011	U012	U013	U014	U015	U016	U017	U018
------	------	------	------	------	------	------	------	------	------	------	------	------	------	------	------	------	------

U011 FUSING

96.D2424386
BRACKET:DC STE
PPER MOTOR



95.D2424383
BRACKET:IDLER:D
C STEPPER MOTO
R



U001	U002	U003	U004	U005	U006	U007	U008	U009	U010	U011	U012	U013	U014	U015	U016	U017	U018
------	------	------	------	------	------	------	------	------	------	------	------	------	------	------	------	------	------

U011_S001
(EU/AA/KOR/CHN):FUSING UNIT:220/240V

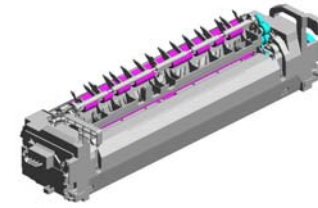
26.AA100016
(x2)
RETAINING RINGS
-C:DIA3

36.AB012110
GEAR:EXIT ROLLE
R:FUSING EXIT:RI
GHT

6.07200040E
(x3)
RETAINING RING -
M4

25.AA080388
PLAIN SHAFT BEA
RING:EXIT ROLLE
R:FUSING EXIT:RI
GHT:REAR

33.AB012107
GEAR:IDLER:EXIT:
FUSING EXIT:1



88.D2424012
(EU/AA/KOR/CHN):
FUSING UNIT:220/2
40V

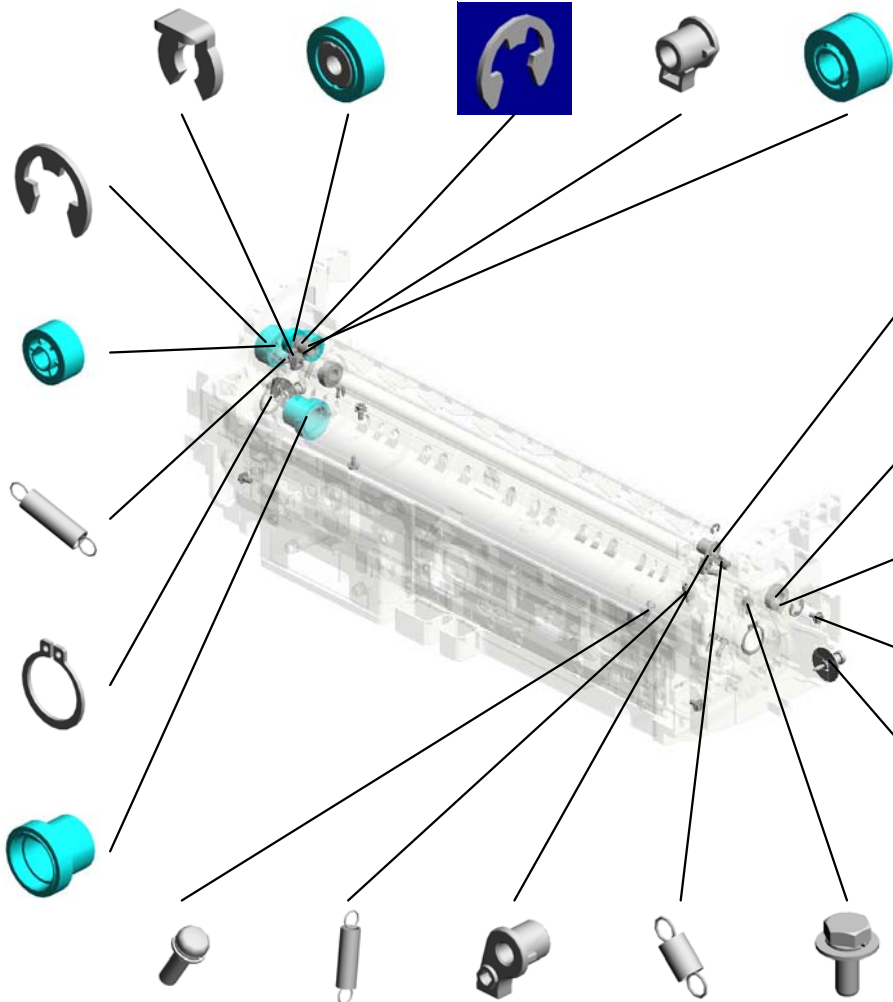
7.07200060E
(x4)
RETAINING RING -
M6

30.AB012099
GEAR:ON-OFF:PR
ESSURE ROLLER

22.AA061211
(x2)
TENSION SPRING:
HOLDER:FUSING E
XIT

8.07250170E
(x2)
RETAINING RING
C - M17

37.AB012111
GEAR:PRESSURE
ROLLER:EXIT



5.07200030E
(x3)
RETAINING RING -
M3

9.07403808
(x2)
BALL BEARING - 8
X16X5MM

3.06330100G
(x2)
PARALLEL PIN - 3X
10

11.08046129
(x5)
HEXAGON HEAD B
OLT:IB-LOCK:M3X6

27.AA100018
(x2)
STEPPED SCREW:
FIX:FUSING



12.09573010N
(x3)
SCREW:SMALL RO
UND/SPRING:M3X1
0

20.AA061208
(x2)
TENSION SPRING:
STRIPPER PLATE

24.AA080387
PLAIN SHAFT BEA
RING:EXIT ROLLE
R:FUSING EXIT:RI
GHT:FRONT

21.AA061209
TENSION SPRING:
GATE PAWL

10.08046123
(x2)
HEXAGONAL BOLT
:W/WASHER:M3X8

U011_S001
(EU/AA/KOR/CHN):FUSING UNIT:220/240V

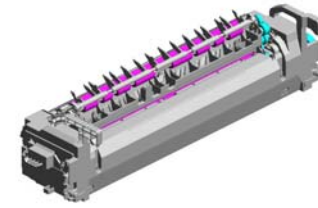
52.D1494205
(x2)
BRAKE:CAM

63.D2414121
INNER COVER:PR
ESSURE ROLLER:
REAR

61.D2414105
GUIDE PLATE:FUSI
NG EXIT:LEFT

60.D2414102
DRIVEN ROLLER:F
USING EXIT:ASSY

55.D1494209
SHAFT:ON-OFF:PR
ESSURE ROLLER



88.D2424012
(EU/AA/KOR/CHN):
FUSING UNIT:220/2
40V

54.D1494208
(x2)
CAM:ON-OFF:PRE
SSURE ROLLER



59.D2414024
HOLDER:DRIVEN
ROLLER:FUSING E
XIT:REAR



40.AB012118
GEAR:PRESSURE
ROLLER



56.D1494235
(x10)
STEPPED SCREW:
M3



65.D2414123
DISCHARGE BRUS
H:PRESSURE ROL
LER



41.AE020238
PRESSURE ROLLER:
DIA32



50.D1124264
DECAL:WARNING (H
IGH TEMPERATURE)
:FUSING



46.AW100182
THERMISTOR:PRE
SSURE:MIDDLE



62.D2414113
BRACKET:THERMI
STOR:PRESSURE
ROLLER



45.AW100181
THERMISTOR:PRE
SSURE:FRONT



64.D2414122
INNER COVER:PR
ESSURE ROLLER:
FRONT



58.D2414023
HOLDER:DRIVEN
ROLLER:FUSING E
XIT:FRONT



53.D1494207
(x2)
PLATE:CAM



51.D1494202
ENCODER:ON-OFF
:PRESSURE ROLL
ER

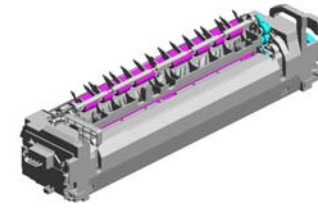


42.AE030074
(x2)
BALL BEARING:DI
A17XDIA26X5



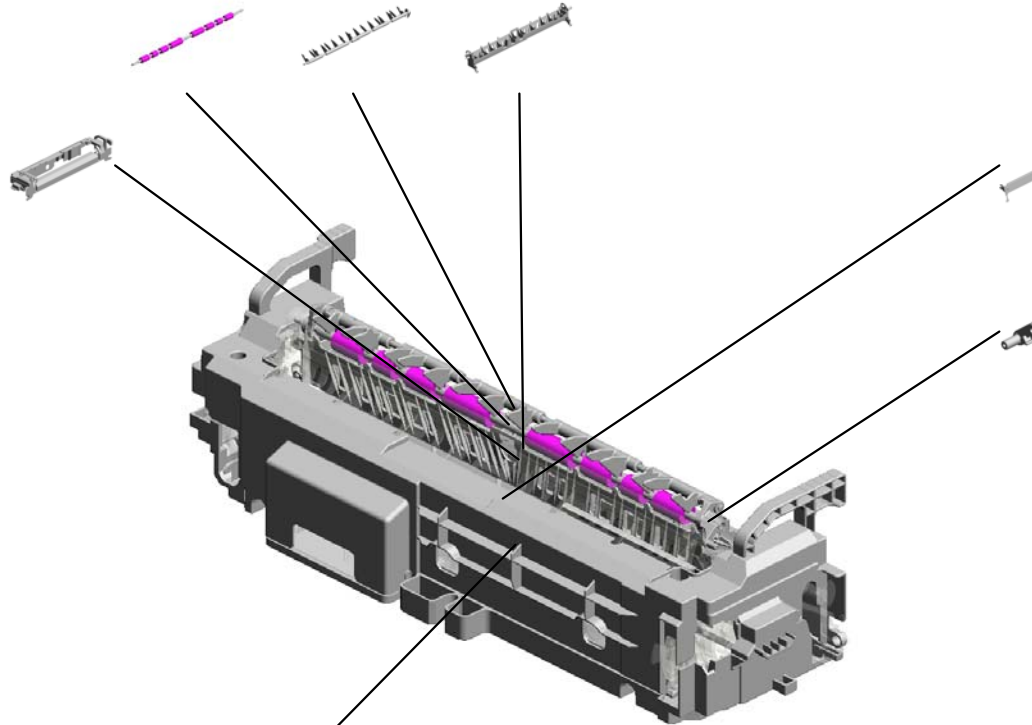
U011_S001
 (EU/AA/KOR/CHN):FUSING UNIT:220/240V

71.D2414214 EXIT ROLLER:FUSING EXIT:RIGHT
 70.D2414212 GATE PAWL:FUSING EXIT
 72.D2414215 GUIDE:FUSING EXIT:RIGHT:ASSY



88.D2424012
 (EU/AA/KOR/CHN):
 FUSING UNIT:220/240V

77.D2414261
 FUSING COVER:UPPER



75.D2414221
 STRIPPER PLATE:
 FUSING EXIT:ASSY

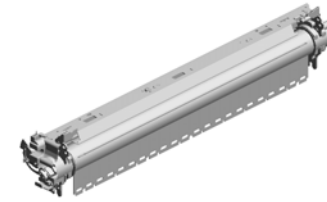
73.D2414218
 LINK:GATE PAWL:
 FUSING EXIT

93.D2424262
 FUSING COVER:LOWER

U001	U002	U003	U004	U005	U006	U007	U008	U009	U010	U011	U012	U013	U014	U015	U016	U017	U018
------	------	------	------	------	------	------	------	------	------	------	------	------	------	------	------	------	------

U011_S001_S001
(EU/AA/KOR/CHN):SLEEVE:FUSING:220/240V

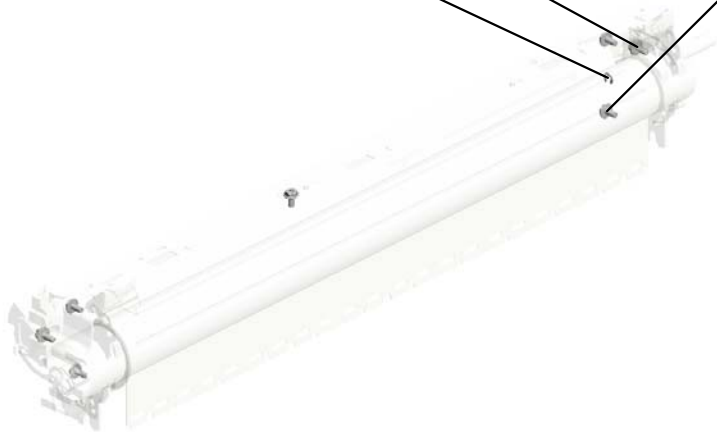
4.07200025E 10.08046123
RETAINING RING - (x2)
M2.5 HEXAGONAL BOLT
 :WASHER:M3X8



91.D2424042
(EU/AA/KOR/CHN):
SLEEVE:FUSING:2
20/240V



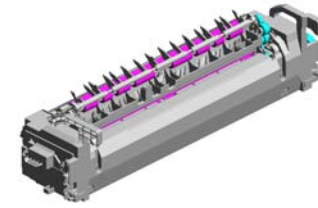
11.08046129
(x5)
HEXAGON HEAD B
OLT:IB-LOCK:M3X6



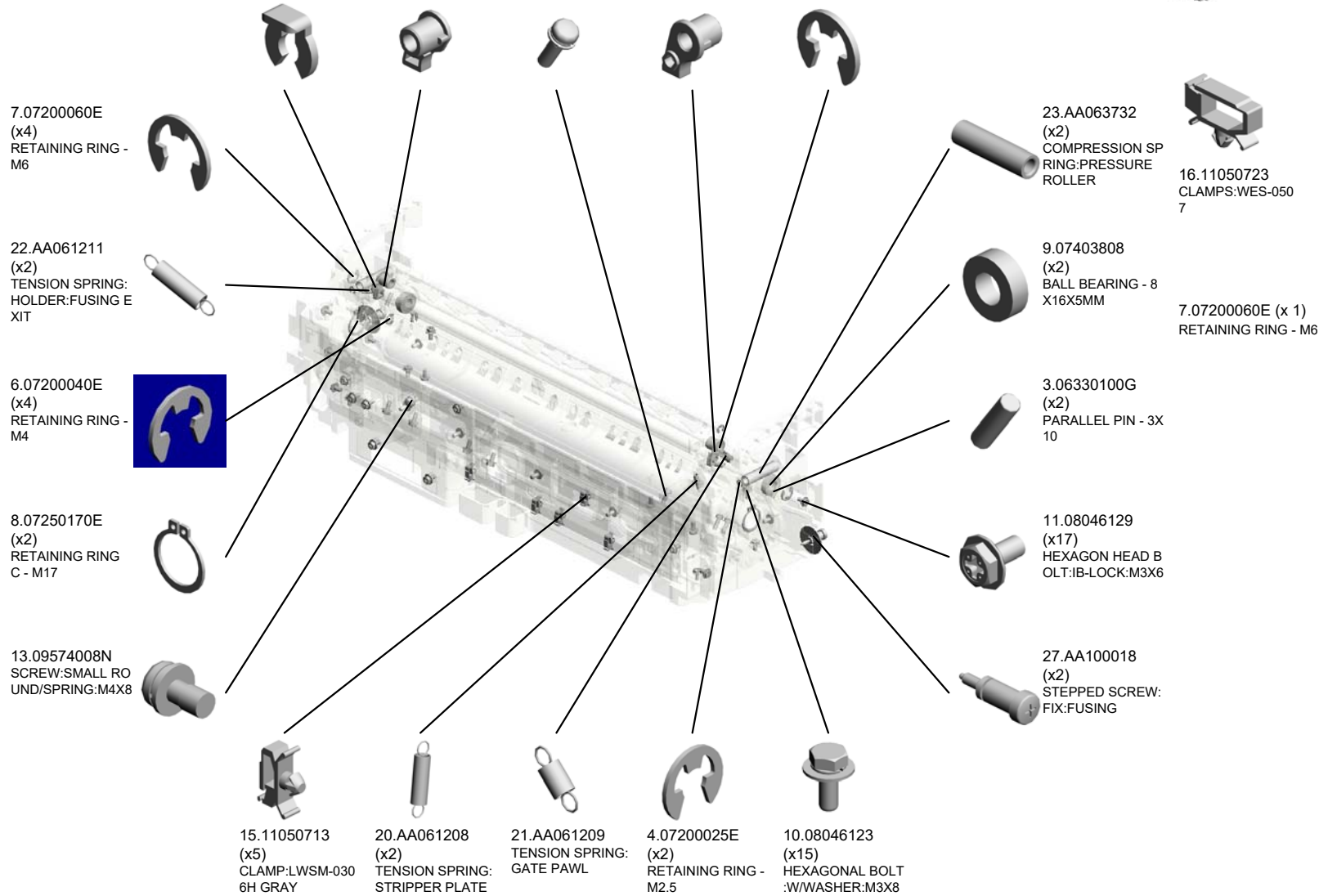
U001	U002	U003	U004	U005	U006	U007	U008	U009	U010	U011	U012	U013	U014	U015	U016	U017	U018
------	------	------	------	------	------	------	------	------	------	------	------	------	------	------	------	------	------

U011_S002
(EU/AA/KOR/CHN):FUSING UNIT:220/240V

- 26.AA100016 (x2) RETAINING RINGS -C:DIA3
- 25.AA080388 PLAIN SHAFT BEARING:EXIT ROLLER:FUSING EXIT:RIGHT:REAR
- 12.09573010N (x3) SCREW:SMALL ROUND:SPRING:M3X10
- 24.AA080387 PLAIN SHAFT BEARING:EXIT ROLLER:FUSING EXIT:RIGHT:FRONT
- 5.07200030E (x3) RETAINING RING - M3



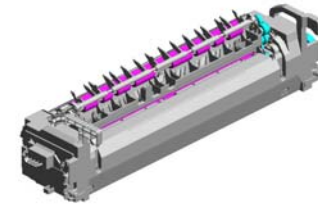
88.D2424012
(EU/AA/KOR/CHN):
FUSING UNIT:220/240V



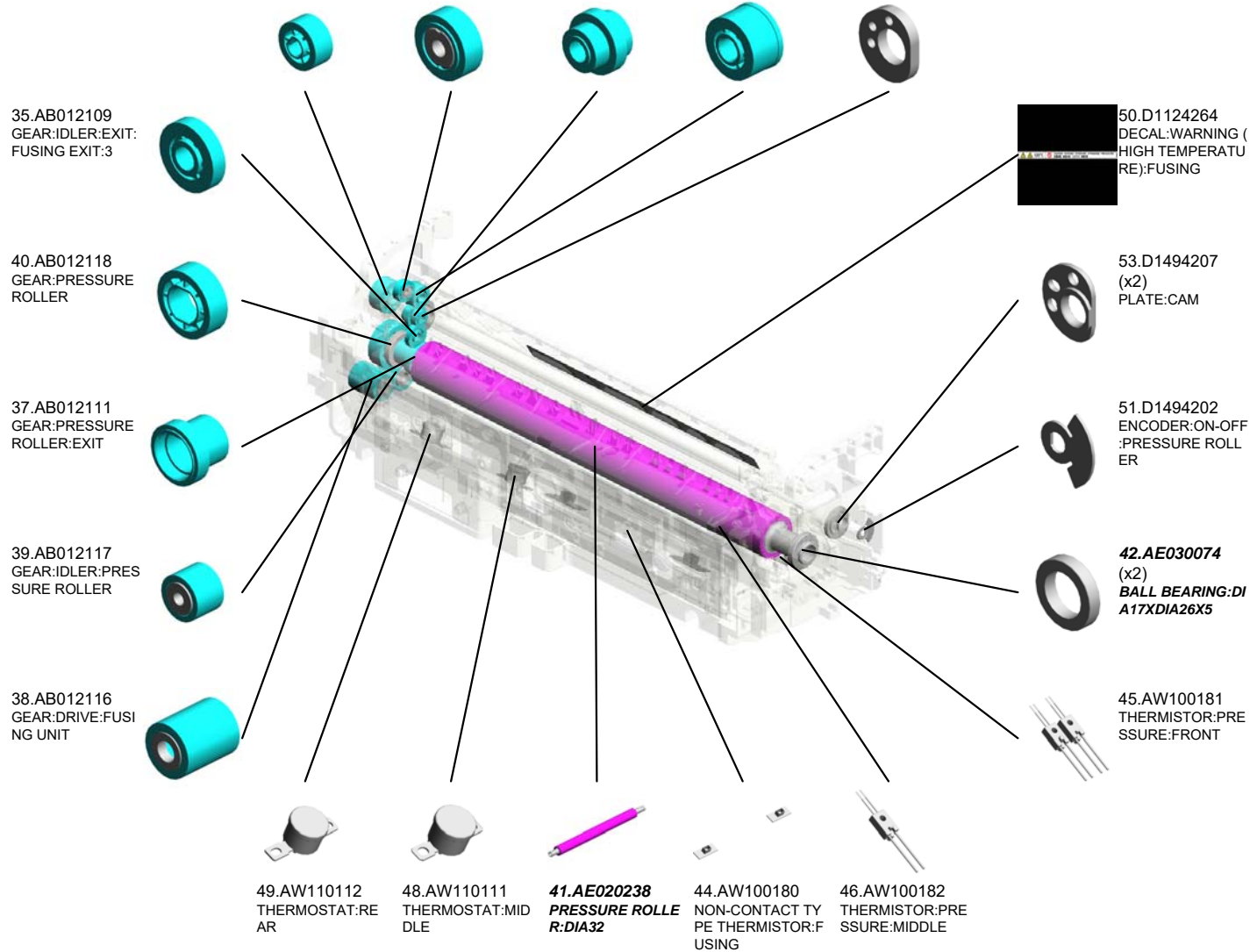
U001	U002	U003	U004	U005	U006	U007	U008	U009	U010	U011	U012	U013	U014	U015	U016	U017	U018
------	------	------	------	------	------	------	------	------	------	------	------	------	------	------	------	------	------

U011_S002
(EU/AA/KOR/CHN):FUSING UNIT:220/240V

- 30.AB012099 GEAR:ON-OFF:PRESSURE ROLLER
- 36.AB012110 GEAR:EXIT ROLLER:FUSING EXIT:RIGHT
- 34.AB012108 GEAR:IDLER:EXIT:FUSING EXIT:2
- 33.AB012107 GEAR:IDLER:EXIT:FUSING EXIT:1
- 52.D1494205 (x2) BRAKE:CAM



88.D2424012
(EU/AA/KOR/CHN):
FUSING UNIT:220/240V



U001	U002	U003	U004	U005	U006	U007	U008	U009	U010	U011	U012	U013	U014	U015	U016	U017	U018
------	------	------	------	------	------	------	------	------	------	------	------	------	------	------	------	------	------

U011_S002
(EU/AA/KOR/CHN):FUSING UNIT:220/240V

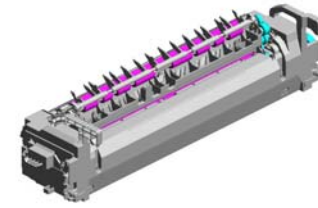
59.D2414024
HOLDER:DRIVEN
ROLLER:FUSING E
XIT:REAR

54.D1494208
(x2)
CAM:ON-OFF:PRE
SSURE ROLLER

63.D2414121
INNER COVER:PR
ESSURE ROLLER:
REAR

60.D2414102
DRIVEN ROLLER:F
USING EXIT:ASSY

70.D2414212
GATE PAWL:FUSIN
G EXIT



88.D2424012
(EU/AA/KOR/CHN):
FUSING UNIT:220/2
40V

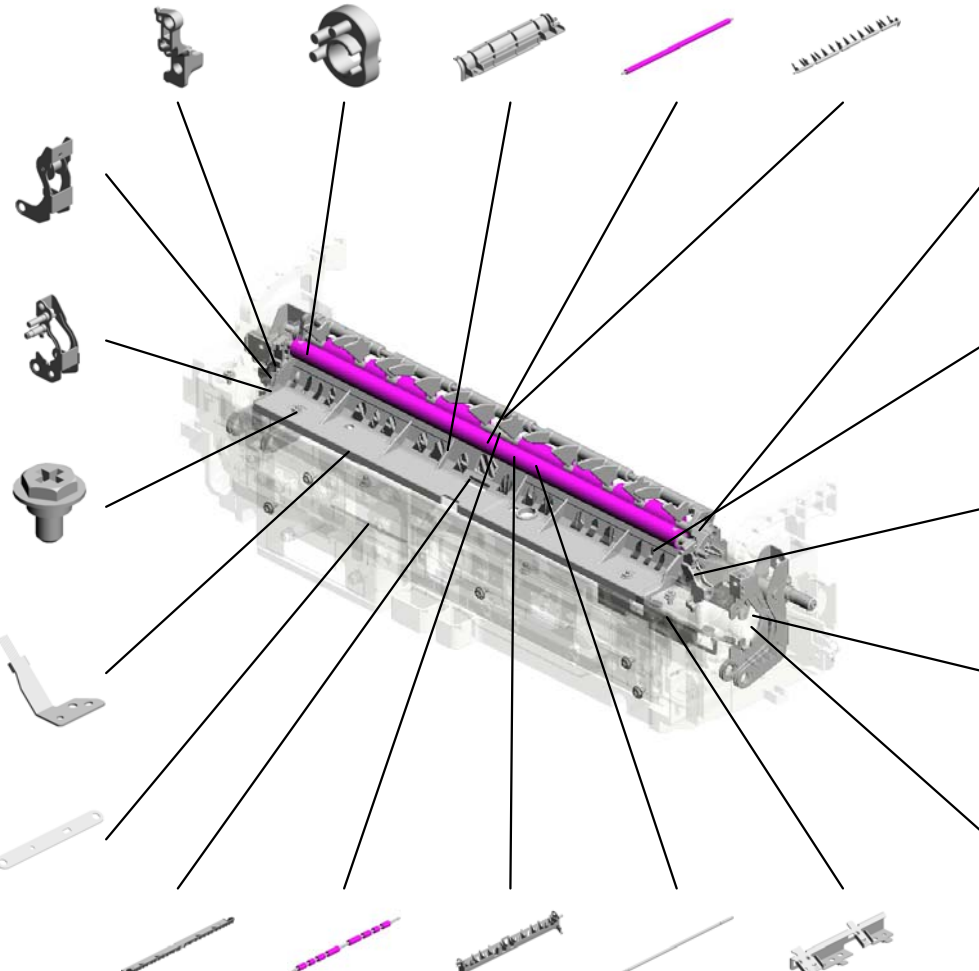
69.D2414160
LEVER:PRESSURE
:REAR:PEEN

68.D2414155
HOLDER:PRESSU
RE:REAR:ASSY

56.D1494235
(x15)
STEPPED SCREW:
M3

65.D2414123
DISCHARGE BRUS
H:PRESSURE ROL
LER

57.D1494335
ELECTRODE PLAT
E:CONNECTING:T
HERMOSTAT



73.D2414218
LINK:GATE PAWL:
FUSING EXIT

64.D2414122
INNER COVER:PR
ESSURE ROLLER:
FRONT

58.D2414023
HOLDER:DRIVEN
ROLLER:FUSING E
XIT:FRONT

66.D2414137
LEVER:PRESSURE
:FRONT:PEEN

67.D2414140
HOLDER:PRESSU
RE:FRONT:ASSY

61.D2414105
GUIDE PLATE:FUSI
NG EXIT:LEFT

71.D2414214
EXIT ROLLER:FUSI
NG EXIT:RIGHT

72.D2414215
GUIDE:FUSING EXI
T:RIGHT:ASSY

55.D1494209
SHAFT:ON-OFF:PR
ESSURE ROLLER

62.D2414113
BRACKET:THERMI
STOR:PRESSURE
ROLLER

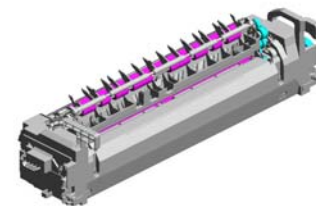
U011_S002
 (EU/AA/KOR/CHN):FUSING UNIT:220/240V

79.D2414332
 HOUSING:THERM
 OSTAT

82.D2414338
 TERMINAL:THERM
 OSTAT:HEATER

78.D2414317
 GUIDE:HARNES
 S:DRAWER:PRESS F
 IT

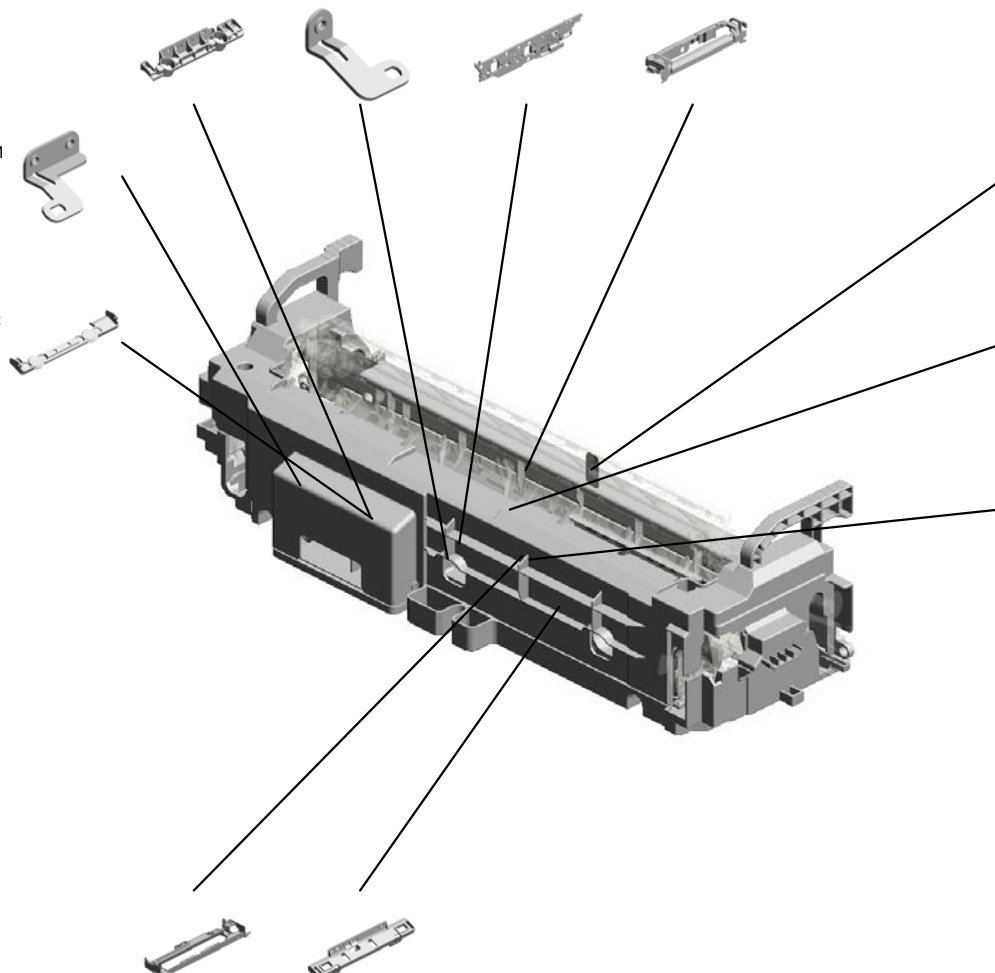
77.D2414261
 FUSING COVER:U
 PPER



88.D2424012
 (EU/AA/KOR/CHN):
 FUSING UNIT:220/2
 40V

81.D2414337
 TERMINAL:THERM
 OSTAT:DRAWER

80.D2414334
 COVER:HOUSING:
 THERMOSTAT



74.D2414219
 DECAL:C:GUIDE P
 LATE:FUSING EXIT

75.D2414221
 STRIPPER PLATE:
 FUSING EXIT:ASS'
 Y

76.D2414252
 FUSING ENTRANC
 E GUIDE PLATE

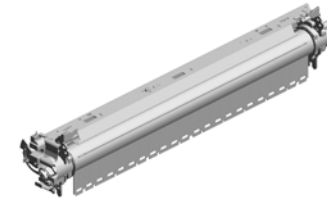
93.D2424262
 FUSING COVER:L
 OWER

83.D2414342
 HOUSING:NON-CO
 NTACT TYPE THE
 RMISTOR

U001	U002	U003	U004	U005	U006	U007	U008	U009	U010	U011	U012	U013	U014	U015	U016	U017	U018
------	------	------	------	------	------	------	------	------	------	------	------	------	------	------	------	------	------

U011_S002_S001
(EU/AA/KOR/CHN):SLEEVE:FUSING:220/240V

4.07200025E 10.08046123
RETAINING RING - (x3)
M2.5 HEXAGONAL BOLT
 :WASHER:M3X8



91.D2424042
(EU/AA/KOR/CHN):
SLEEVE:FUSING:2
20/240V

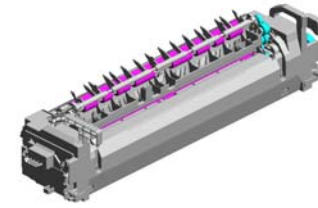


11.08046129
(x7)
HEXAGON HEAD B
OLT:IB-LOCK:M3X6

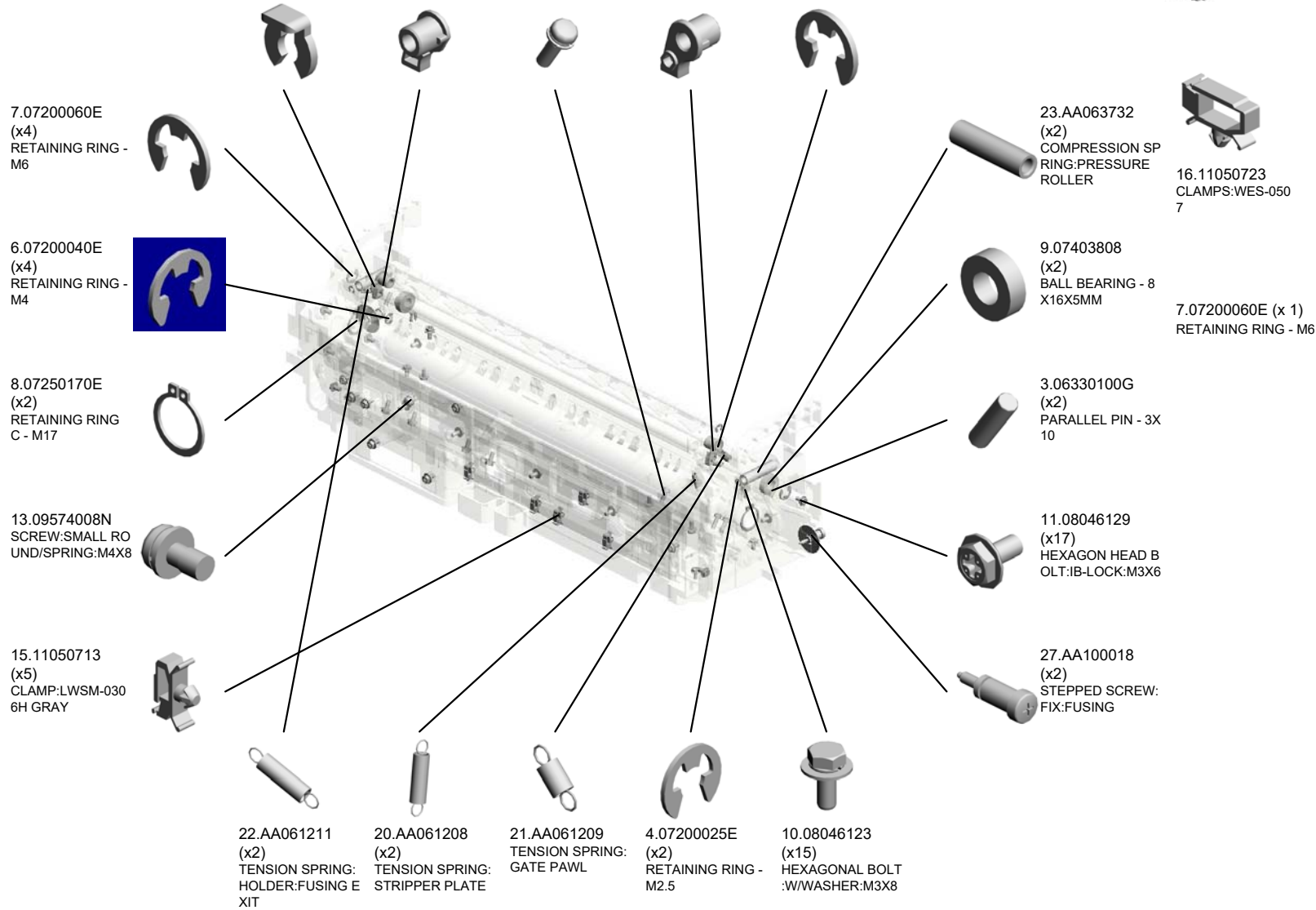
U001	U002	U003	U004	U005	U006	U007	U008	U009	U010	U011	U012	U013	U014	U015	U016	U017	U018
------	------	------	------	------	------	------	------	------	------	------	------	------	------	------	------	------	------

U011_S003
(EU/AA/KOR/CHN):FUSING UNIT:220/240V

- 26.AA100016 (x2) RETAINING RINGS -C:DIA3
- 25.AA080388 PLAIN SHAFT BEARING:EXIT ROLLER:FUSING EXIT:RIGHT:REAR
- 12.09573010N (x3) SCREW:SMALL ROUND:SPRING:M3X10
- 24.AA080387 PLAIN SHAFT BEARING:EXIT ROLLER:FUSING EXIT:RIGHT:FRONT
- 5.07200030E (x3) RETAINING RING -M3



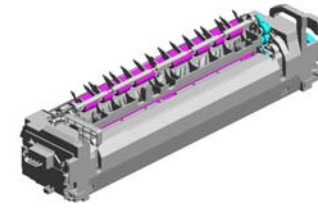
88.D2424012
(EU/AA/KOR/CHN):
FUSING UNIT:220/240V



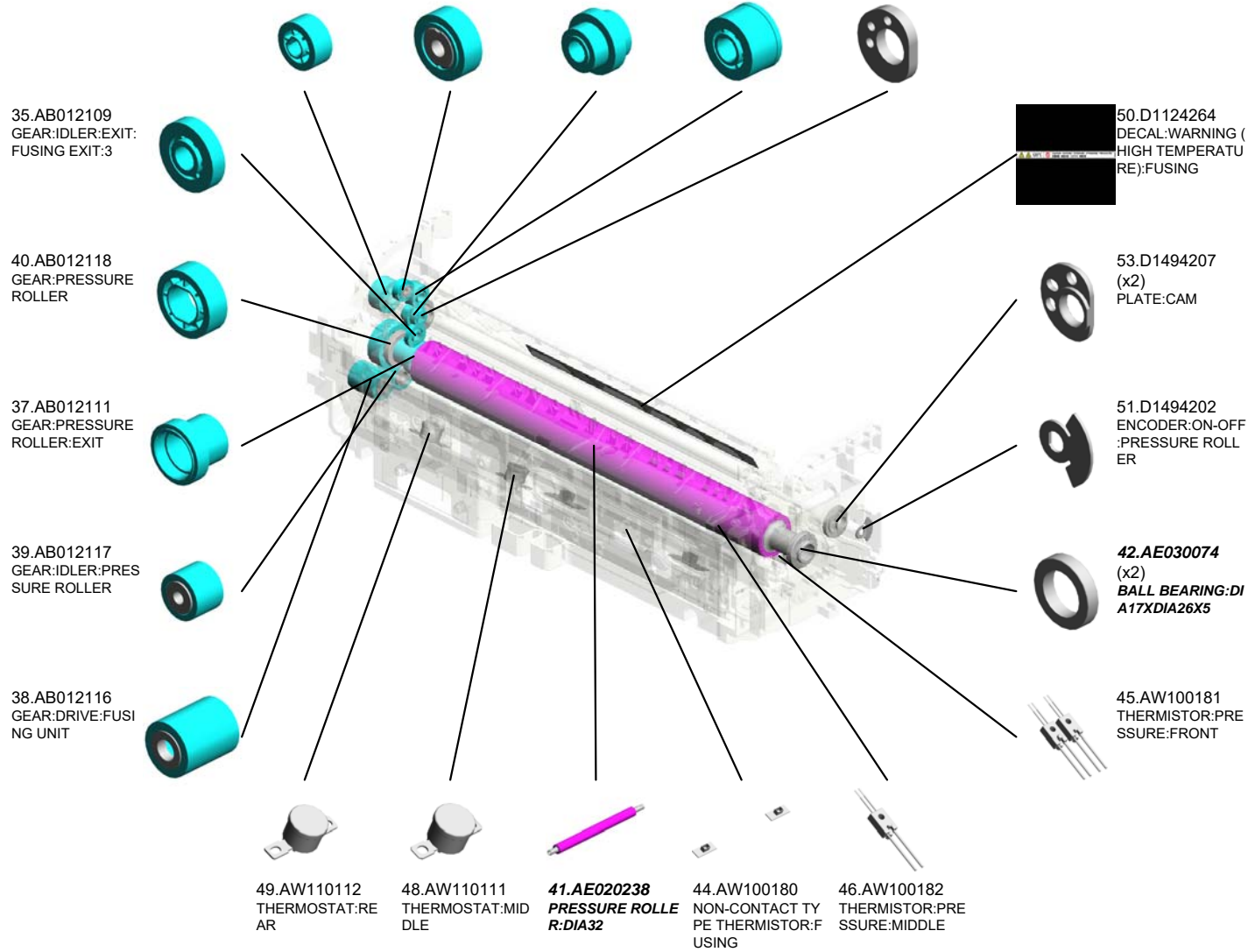
U001	U002	U003	U004	U005	U006	U007	U008	U009	U010	U011	U012	U013	U014	U015	U016	U017	U018
------	------	------	------	------	------	------	------	------	------	------	------	------	------	------	------	------	------

U011_S003
(EU/AA/KOR/CHN):FUSING UNIT:220/240V

- 30.AB012099 GEAR:ON-OFF:PRESSURE ROLLER
- 36.AB012110 GEAR:EXIT ROLLER:FUSING EXIT:RIGHT
- 34.AB012108 GEAR:IDLER:EXIT:FUSING EXIT:2
- 33.AB012107 GEAR:IDLER:EXIT:FUSING EXIT:1
- 52.D1494205 (x2) BRAKE:CAM



88.D2424012
(EU/AA/KOR/CHN):
FUSING UNIT:220/240V



U001	U002	U003	U004	U005	U006	U007	U008	U009	U010	U011	U012	U013	U014	U015	U016	U017	U018
------	------	------	------	------	------	------	------	------	------	------	------	------	------	------	------	------	------

U011_S003
(EU/AA/KOR/CHN):FUSING UNIT:220/240V

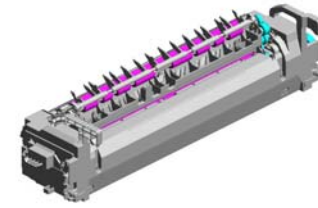
59.D2414024
HOLDER:DRIVEN
ROLLER:FUSING E
XIT:REAR

54.D1494208
(x2)
CAM:ON-OFF:PRE
SSURE ROLLER

63.D2414121
INNER COVER:PR
ESSURE ROLLER:
REAR

60.D2414102
DRIVEN ROLLER:F
USING EXIT:ASSY

70.D2414212
GATE PAWL:FUSIN
G EXIT



88.D2424012
(EU/AA/KOR/CHN):
FUSING UNIT:220/2
40V

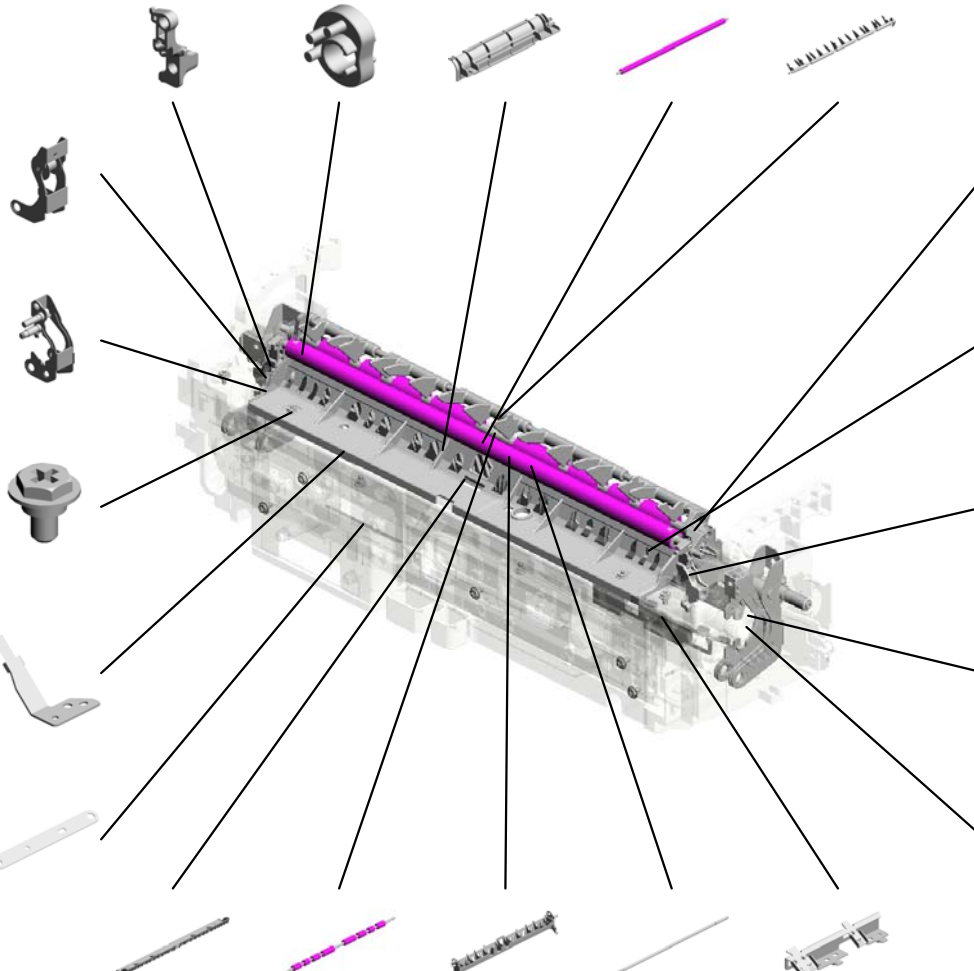
69.D2414160
LEVER:PRESSURE
:REAR:PEEN

68.D2414155
HOLDER:PRESSU
RE:REAR:ASSY

56.D1494235
(x15)
STEPPED SCREW:
M3

65.D2414123
DISCHARGE BRUS
H:PRESSURE ROL
LER

57.D1494335
ELECTRODE PLAT
E:CONNECTING:T
HERMOSTAT



73.D2414218
LINK:GATE PAWL:
FUSING EXIT

64.D2414122
INNER COVER:PR
ESSURE ROLLER:
FRONT

58.D2414023
HOLDER:DRIVEN
ROLLER:FUSING E
XIT:FRONT

66.D2414137
LEVER:PRESSURE
:FRONT:PEEN

67.D2414140
HOLDER:PRESSU
RE:FRONT:ASSY

61.D2414105
GUIDE PLATE:FUSI
NG EXIT:LEFT

71.D2414214
EXIT ROLLER:FUSI
NG EXIT:RIGHT

72.D2414215
GUIDE:FUSING EXI
T:RIGHT:ASSY

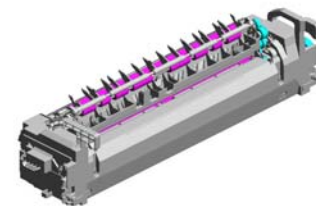
55.D1494209
SHAFT:ON-OFF:PR
ESSURE ROLLER

62.D2414113
BRACKET:THERMI
STOR:PRESSURE
ROLLER

U001	U002	U003	U004	U005	U006	U007	U008	U009	U010	U011	U012	U013	U014	U015	U016	U017	U018
------	------	------	------	------	------	------	------	------	------	------	------	------	------	------	------	------	------

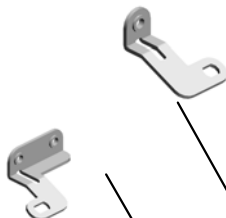
U011_S003
 (EU/AA/KOR/CHN):FUSING UNIT:220/240V

82.D2414338 78.D2414317 77.D2414261
 TERMINAL:THERM GUIDE:HARNESS: FUSING COVER:U
 OSTAT:HEATER DRAWER:PRESS F PPER
 IT



88.D2424012
 (EU/AA/KOR/CHN):
 FUSING UNIT:220/240V

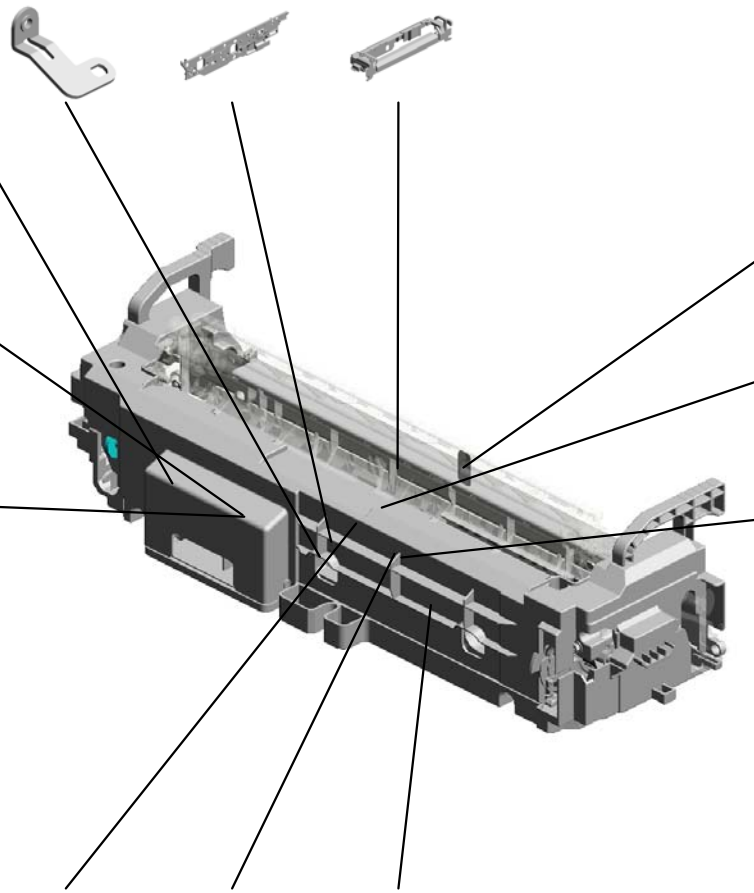
81.D2414337
 TERMINAL:THERM
 OSTAT:DRAWER



79.D2414332
 HOUSING:THERM
 OSTAT



80.D2414334
 COVER:HOUSING:
 THERMOSTAT



74.D2414219
 DECAL:C:GUIDE P
 LATE:FUSING EXIT

75.D2414221
 STRIPPER PLATE:
 FUSING EXIT:ASS'
 Y

76.D2414252
 FUSING ENTRANC
 E GUIDE PLATE

91.D2424042
 (EU/AA/KOR/CHN):
 SLEEVE:FUSING:2
 20/240V



93.D2424262
 FUSING COVER:L
 OWER

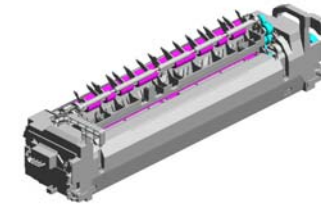


83.D2414342
 HOUSING:NON-CO
 NTACTION TYPE THE
 RMISTOR



U001	U002	U003	U004	U005	U006	U007	U008	U009	U010	U011	U012	U013	U014	U015	U016	U017	U018
------	------	------	------	------	------	------	------	------	------	------	------	------	------	------	------	------	------

U011_S004
(NA):FUSING UNIT:120V



87.D2424011
(NA):FUSING UNIT:
120V

- 26.AA100016 (x2) RETAINING RINGS -C:DIA3
- 25.AA080388 PLAIN SHAFT BEARING:EXIT ROLLER:FUSING EXIT:RIGHT:REAR
- 12.09573010N (x3) SCREW:SMALL ROUND:SPRING:M3X10
- 24.AA080387 PLAIN SHAFT BEARING:EXIT ROLLER:FUSING EXIT:RIGHT:FRONT
- 5.07200030E (x3) RETAINING RING -M3

7.07200060E (x4) RETAINING RING -M6

6.07200040E (x4) RETAINING RING -M4

8.07250170E (x2) RETAINING RING C - M17

13.09574008N SCREW:SMALL ROUND:SPRING:M4X8

15.11050713 (x5) CLAMP:LWSM-030 6H GRAY

22.AA061211 (x2) TENSION SPRING: HOLDER:FUSING EXIT

20.AA061208 (x2) TENSION SPRING: STRIPPER PLATE

21.AA061209 TENSION SPRING: GATE PAWL

4.07200025E (x2) RETAINING RING -M2.5

10.08046123 (x15) HEXAGONAL BOLT :W/WASHER:M3X8

23.AA063732 (x2) COMPRESSION SPRING:PRESSURE ROLLER

9.07403808 (x2) BALL BEARING - 8 X16X5MM

3.06330100G (x2) PARALLEL PIN - 3X 10

11.08046129 (x17) HEXAGON HEAD BOLT:IB-LOCK:M3X6

27.AA100018 (x2) STEPPED SCREW: FIX:FUSING

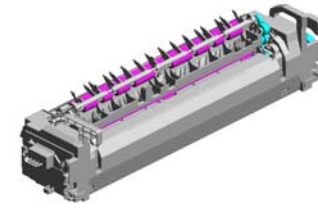
16.11050723 CLAMPS:WES-050 7

7.07200060E (x 1) RETAINING RING - M6

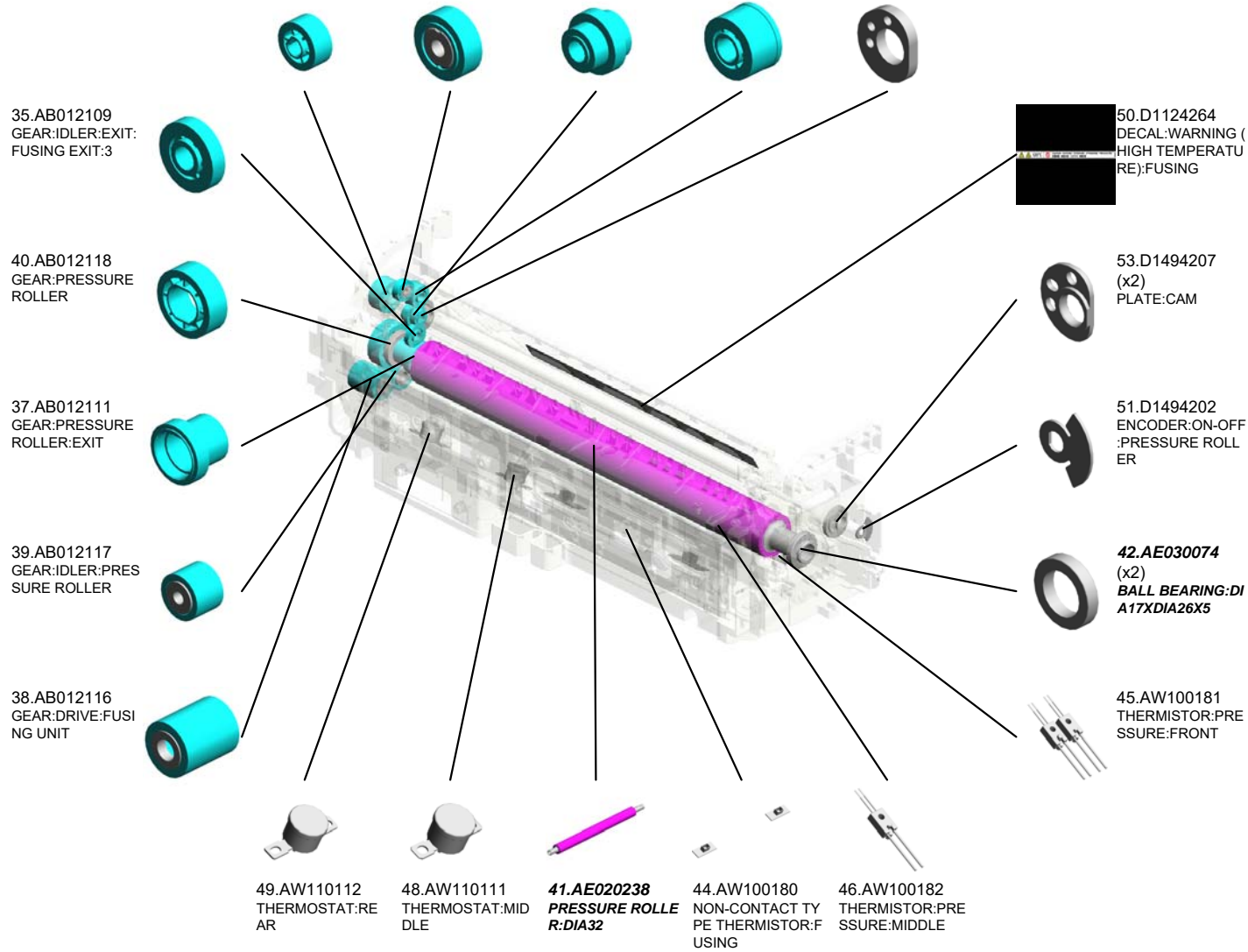
U001	U002	U003	U004	U005	U006	U007	U008	U009	U010	U011	U012	U013	U014	U015	U016	U017	U018
------	------	------	------	------	------	------	------	------	------	------	------	------	------	------	------	------	------

U011_S004
(NA):FUSING UNIT:120V

- 30.AB012099 GEAR:ON-OFF:PRESSURE ROLLER
- 36.AB012110 GEAR:EXIT ROLLER:FUSING EXIT:RIGHT
- 34.AB012108 GEAR:IDLER:EXIT:FUSING EXIT:2
- 33.AB012107 GEAR:IDLER:EXIT:FUSING EXIT:1
- 52.D1494205 (x2) BRAKE:CAM



87.D2424011
(NA):FUSING UNIT:120V



U001	U002	U003	U004	U005	U006	U007	U008	U009	U010	U011	U012	U013	U014	U015	U016	U017	U018
------	------	------	------	------	------	------	------	------	------	------	------	------	------	------	------	------	------

U011_S004
(NA):FUSING UNIT:120V

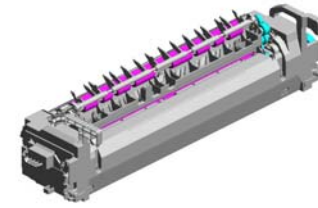
59.D2414024
HOLDER:DRIVEN
ROLLER:FUSING E
XIT:REAR

54.D1494208
(x2)
CAM:ON-OFF:PRE
SSURE ROLLER

63.D2414121
INNER COVER:PR
ESSURE ROLLER:
REAR

60.D2414102
DRIVEN ROLLER:F
USING EXIT:ASSY

70.D2414212
GATE PAWL:FUSIN
G EXIT



87.D2424011
(NA):FUSING UNIT:
120V

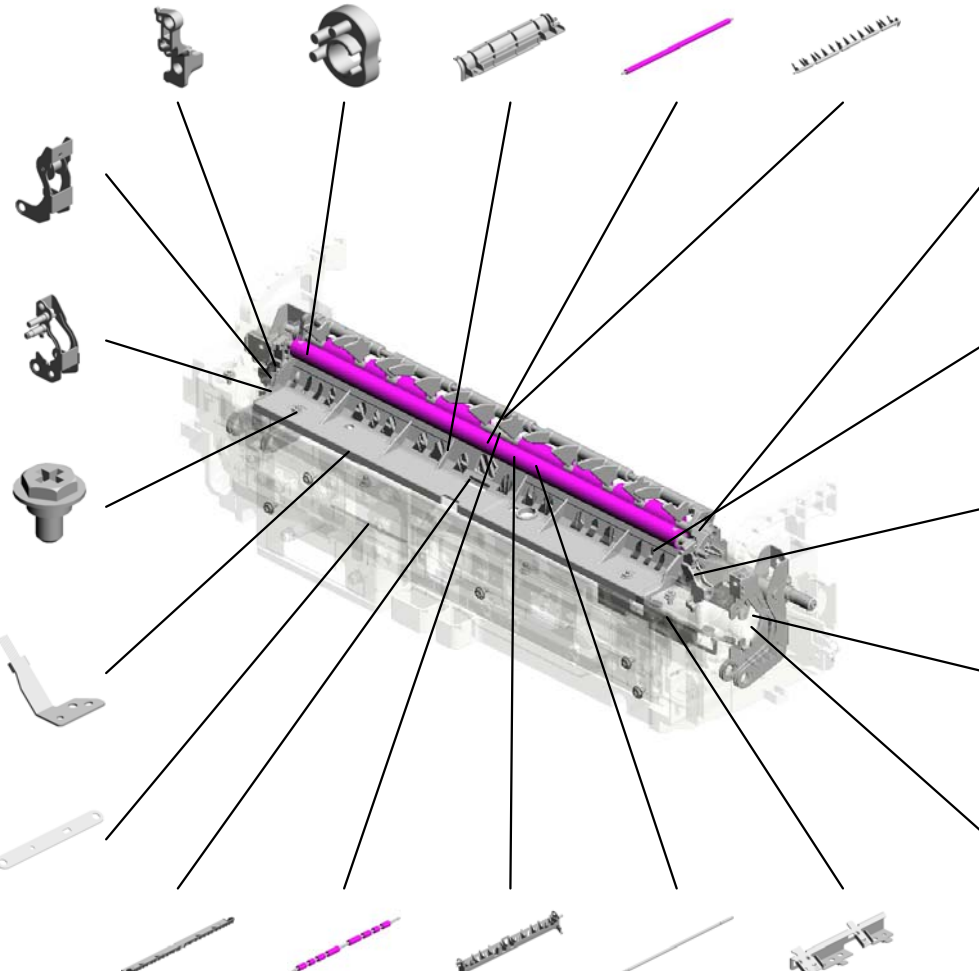
69.D2414160
LEVER:PRESSURE
:REAR:PEEN

68.D2414155
HOLDER:PRESSU
RE:REAR:ASSY

56.D1494235
(x15)
STEPPED SCREW:
M3

65.D2414123
DISCHARGE BRUS
H:PRESSURE ROL
LER

57.D1494335
ELECTRODE PLAT
E:CONNECTING:T
HERMOSTAT



73.D2414218
LINK:GATE PAWL:
FUSING EXIT

64.D2414122
INNER COVER:PR
ESSURE ROLLER:
FRONT

58.D2414023
HOLDER:DRIVEN
ROLLER:FUSING E
XIT:FRONT

66.D2414137
LEVER:PRESSURE
:FRONT:PEEN

67.D2414140
HOLDER:PRESSU
RE:FRONT:ASSY

61.D2414105
GUIDE PLATE:FUSI
NG EXIT:LEFT

71.D2414214
EXIT ROLLER:FUSI
NG EXIT:RIGHT

72.D2414215
GUIDE:FUSING EXI
T:RIGHT:ASSY

55.D1494209
SHAFT:ON-OFF:PR
ESSURE ROLLER

62.D2414113
BRACKET:THERMI
STOR:PRESSURE
ROLLER

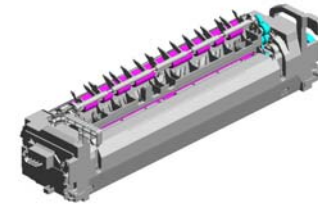
U001	U002	U003	U004	U005	U006	U007	U008	U009	U010	U011	U012	U013	U014	U015	U016	U017	U018
------	------	------	------	------	------	------	------	------	------	------	------	------	------	------	------	------	------

U011_S004
(NA):FUSING UNIT:120V

82.D2414338
TERMINAL:THERM
OSTAT:HEATER

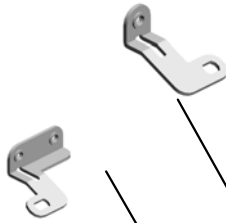
78.D2414317
GUIDE:HARNES
DRAWER:PRESS F
IT

77.D2414261
FUSING COVER:U
PPER



87.D2424011
(NA):FUSING UNIT:
120V

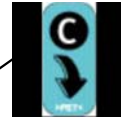
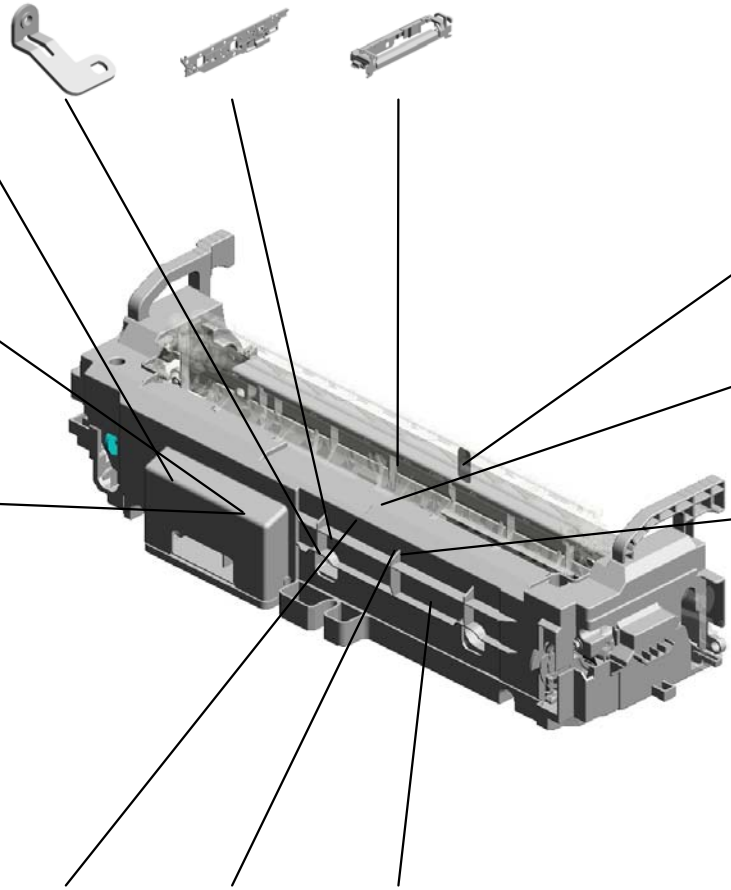
81.D2414337
TERMINAL:THERM
OSTAT:DRAWER



79.D2414332
HOUSING:THERM
OSTAT



80.D2414334
COVER:HOUSING:
THERMOSTAT



74.D2414219
DECAL:C:GUIDE P
LATE:FUSING EXIT

75.D2414221
STRIPPER PLATE:
FUSING EXIT:ASS'
Y

76.D2414252
FUSING ENTRANC
E GUIDE PLATE

90.D2424041
SLEEVE:FUSING:1
20V



93.D2424262
FUSING COVER:L
OWER

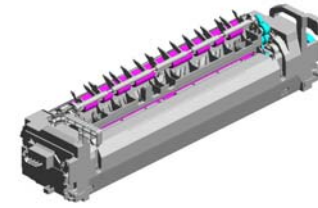


83.D2414342
HOUSING:NON-CO
NTACT TYPE THE
RMISTOR



U001	U002	U003	U004	U005	U006	U007	U008	U009	U010	U011	U012	U013	U014	U015	U016	U017	U018
------	------	------	------	------	------	------	------	------	------	------	------	------	------	------	------	------	------

U011_S005
(TWN):FUSING UNIT:110V



89.D2424013
(TWN):FUSING UNI
T:110V

- 26.AA100016 (x2) RETAINING RINGS -C:DIA3
- 25.AA080388 PLAIN SHAFT BEARING:EXIT ROLLER:FUSING EXIT:RIGHT:REAR
- 12.09573010N (x3) SCREW:SMALL ROUND:SPRING:M3X10
- 24.AA080387 PLAIN SHAFT BEARING:EXIT ROLLER:FUSING EXIT:RIGHT:FRONT
- 5.07200030E (x3) RETAINING RING -M3

7.07200060E (x4) RETAINING RING -M6

6.07200040E (x4) RETAINING RING -M4

8.07250170E (x2) RETAINING RING C - M17

13.09574008N SCREW:SMALL ROUND:SPRING:M4X8

15.11050713 (x5) CLAMP:LWSM-030 6H GRAY

22.AA061211 (x2) TENSION SPRING: HOLDER:FUSING EXIT

20.AA061208 (x2) TENSION SPRING: STRIPPER PLATE

21.AA061209 TENSION SPRING: GATE PAWL

4.07200025E (x2) RETAINING RING -M2.5

10.08046123 (x15) HEXAGONAL BOLT :W/WASHER:M3X8

23.AA063732 (x2) COMPRESSION SPRING:PRESSURE ROLLER

9.07403808 (x2) BALL BEARING - 8 X16X5MM

3.06330100G (x2) PARALLEL PIN - 3X10

11.08046129 (x17) HEXAGON HEAD BOLT:IB-LOCK:M3X6

27.AA100018 (x2) STEPPED SCREW: FIX:FUSING

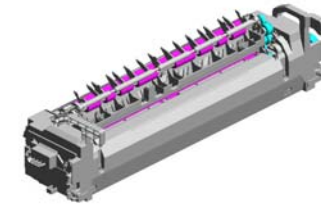
16.11050723 CLAMPS:WES-050 7

7.07200060E (x 1) RETAINING RING - M6

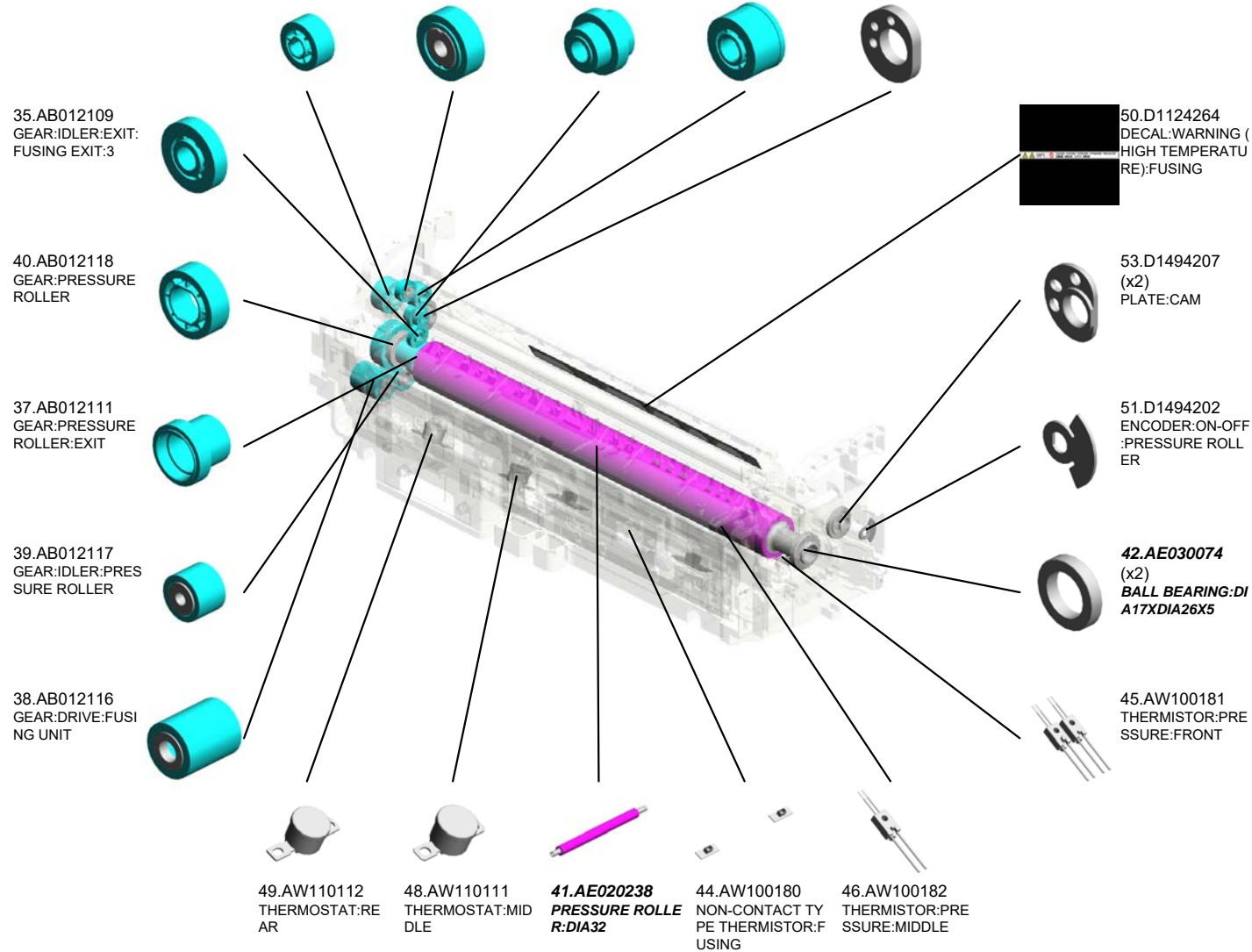
U001	U002	U003	U004	U005	U006	U007	U008	U009	U010	U011	U012	U013	U014	U015	U016	U017	U018
------	------	------	------	------	------	------	------	------	------	------	------	------	------	------	------	------	------

U011_S005
(TWN):FUSING UNIT:110V

- 30.AB012099 GEAR:ON-OFF:PRESSURE ROLLER
- 36.AB012110 GEAR:EXIT ROLLER:FUSING EXIT:RIGHT
- 34.AB012108 GEAR:IDLER:EXIT:FUSING EXIT:2
- 33.AB012107 GEAR:IDLER:EXIT:FUSING EXIT:1
- 52.D1494205 (x2) BRAKE:CAM

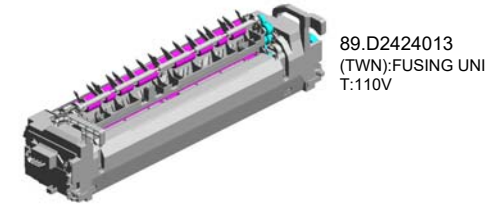


89.D2424013
(TWN):FUSING UNIT:110V



U001	U002	U003	U004	U005	U006	U007	U008	U009	U010	U011	U012	U013	U014	U015	U016	U017	U018
------	------	------	------	------	------	------	------	------	------	------	------	------	------	------	------	------	------

U011_S005
(TWN):FUSING UNIT:110V



89.D2424013
(TWN):FUSING UNI
T:110V

- 59.D2414024 HOLDER:DRIVEN ROLLER:FUSING EXIT:REAR
- 54.D1494208 (x2) CAM:ON-OFF:PRESSURE ROLLER
- 63.D2414121 INNER COVER:PRESSURE ROLLER:REAR
- 60.D2414102 DRIVEN ROLLER:FUSING EXIT:ASSY
- 70.D2414212 GATE PAWL:FUSING EXIT

69.D2414160 LEVER:PRESSURE ROLLER:REAR:PEEN

68.D2414155 HOLDER:PRESSURE ROLLER:REAR:ASSY

56.D1494235 (x15) STEPPED SCREW: M3

65.D2414123 DISCHARGE BRUSH:PRESSURE ROLLER

57.D1494335 ELECTRODE PLATE:CONNECTING:THERMOSTAT

61.D2414105 GUIDE PLATE:FUSING EXIT:LEFT

71.D2414214 EXIT ROLLER:FUSING EXIT:RIGHT

72.D2414215 GUIDE:FUSING EXIT:RIGHT:ASSY

55.D1494209 SHAFT:ON-OFF:PRESSURE ROLLER

62.D2414113 BRACKET:THERMOSTOR:PRESSURE ROLLER

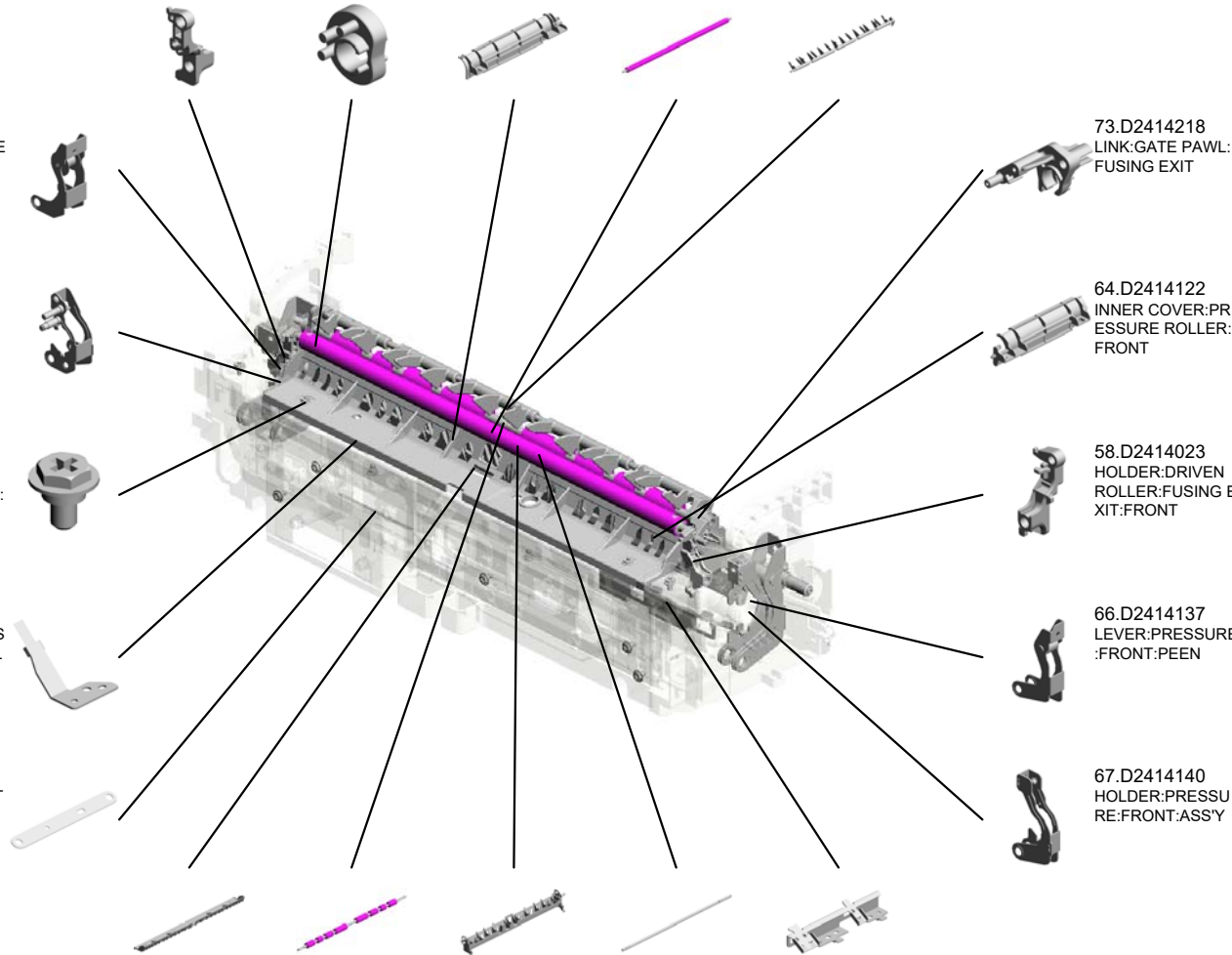
73.D2414218 LINK:GATE PAWL:FUSING EXIT

64.D2414122 INNER COVER:PRESSURE ROLLER:FRONT

58.D2414023 HOLDER:DRIVEN ROLLER:FUSING EXIT:FRONT

66.D2414137 LEVER:PRESSURE ROLLER:FRONT:PEEN

67.D2414140 HOLDER:PRESSURE ROLLER:FRONT:ASSY



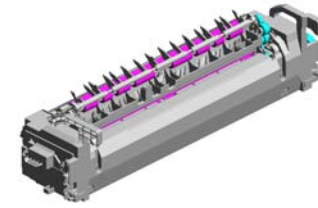
U001	U002	U003	U004	U005	U006	U007	U008	U009	U010	U011	U012	U013	U014	U015	U016	U017	U018
------	------	------	------	------	------	------	------	------	------	------	------	------	------	------	------	------	------

U011_S005
(TWN):FUSING UNIT:110V

82.D2414338
TERMINAL:THERM
OSTAT:HEATER

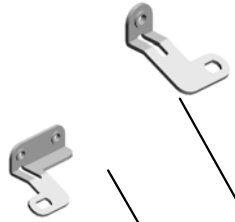
78.D2414317
GUIDE:HARNES
DRAWER:PRESS F
IT

77.D2414261
FUSING COVER:U
PPER



89.D2424013
(TWN):FUSING UNI
T:110V

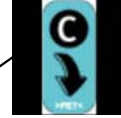
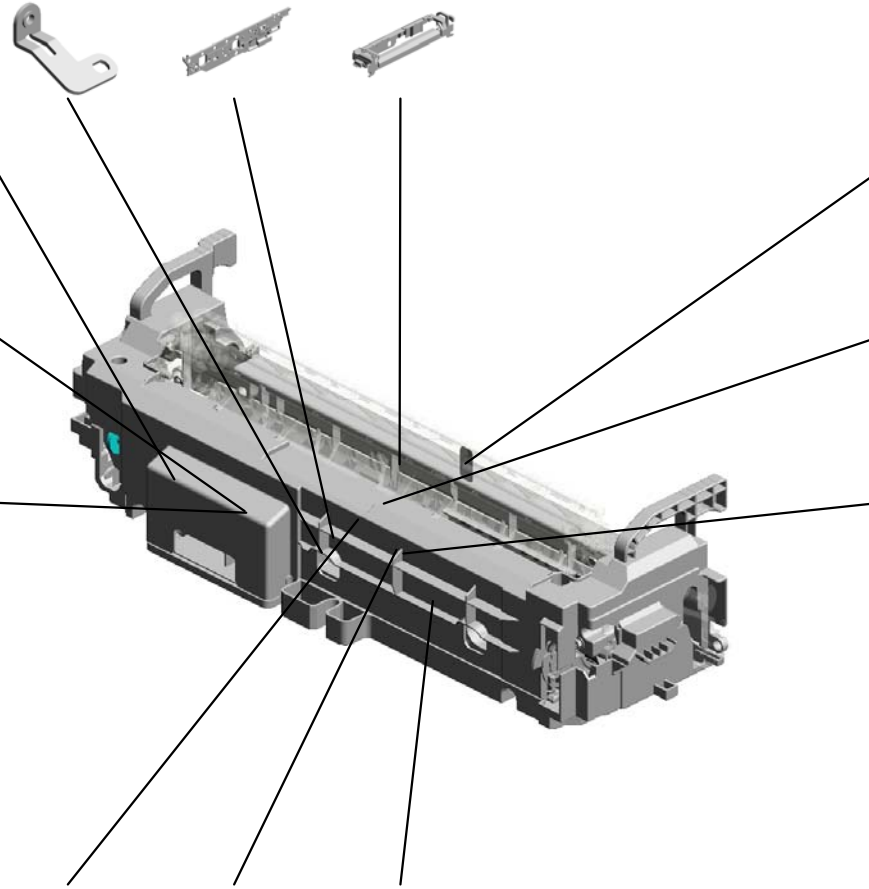
81.D2414337
TERMINAL:THERM
OSTAT:DRAWER



79.D2414332
HOUSING:THERM
OSTAT



80.D2414334
COVER:HOUSING:
THERMOSTAT



74.D2414219
DECAL:C:GUIDE P
LATE:FUSING EXIT

75.D2414221
STRIPPER PLATE:
FUSING EXIT:ASS'
Y

76.D2414252
FUSING ENTRANC
E GUIDE PLATE

92.D2424043
SLEEVE:FUSING:1
10V



93.D2424262
FUSING COVER:L
OWER



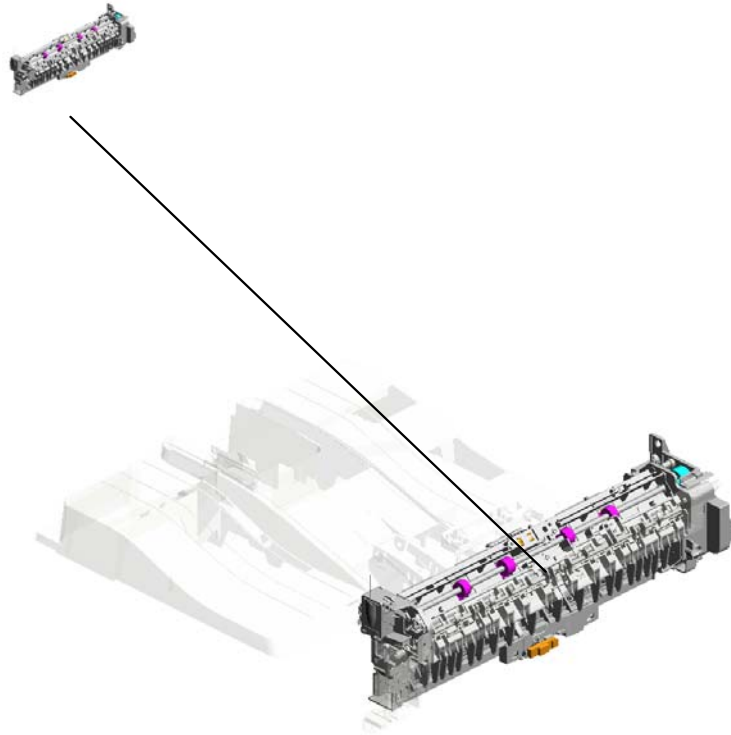
83.D2414342
HOUSING:NON-CO
NTACT TYPE THE
RMISTOR



U001	U002	U003	U004	U005	U006	U007	U008	U009	U010	U011	U012	U013	U014	U015	U016	U017	U018
------	------	------	------	------	------	------	------	------	------	------	------	------	------	------	------	------	------

U012.PAPER EXIT

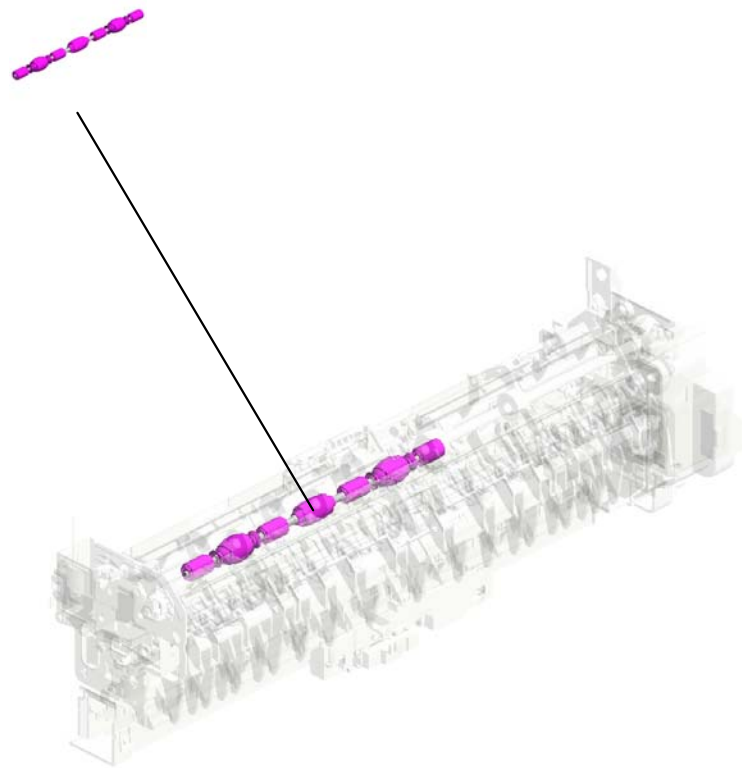
U012 S001
D2414404
PAPER EXIT UNIT:ASSY



U001	U002	U003	U004	U005	U006	U007	U008	U009	U010	U011	U012	U013	U014	U015	U016	U017	U018
------	------	------	------	------	------	------	------	------	------	------	------	------	------	------	------	------	------

U012_S001.PAPER EXIT UNIT:ASS'Y

U012_S001_S001
D2414950
ROLLER:EXIT:PRESSURE:2T
YPE:ASS'Y



U001	U002	U003	U004	U005	U006	U007	U008	U009	U010	U011	U012	U013	U014	U015	U016	U017	U018
------	------	------	------	------	------	------	------	------	------	------	------	------	------	------	------	------	------

U012 PAPER EXIT

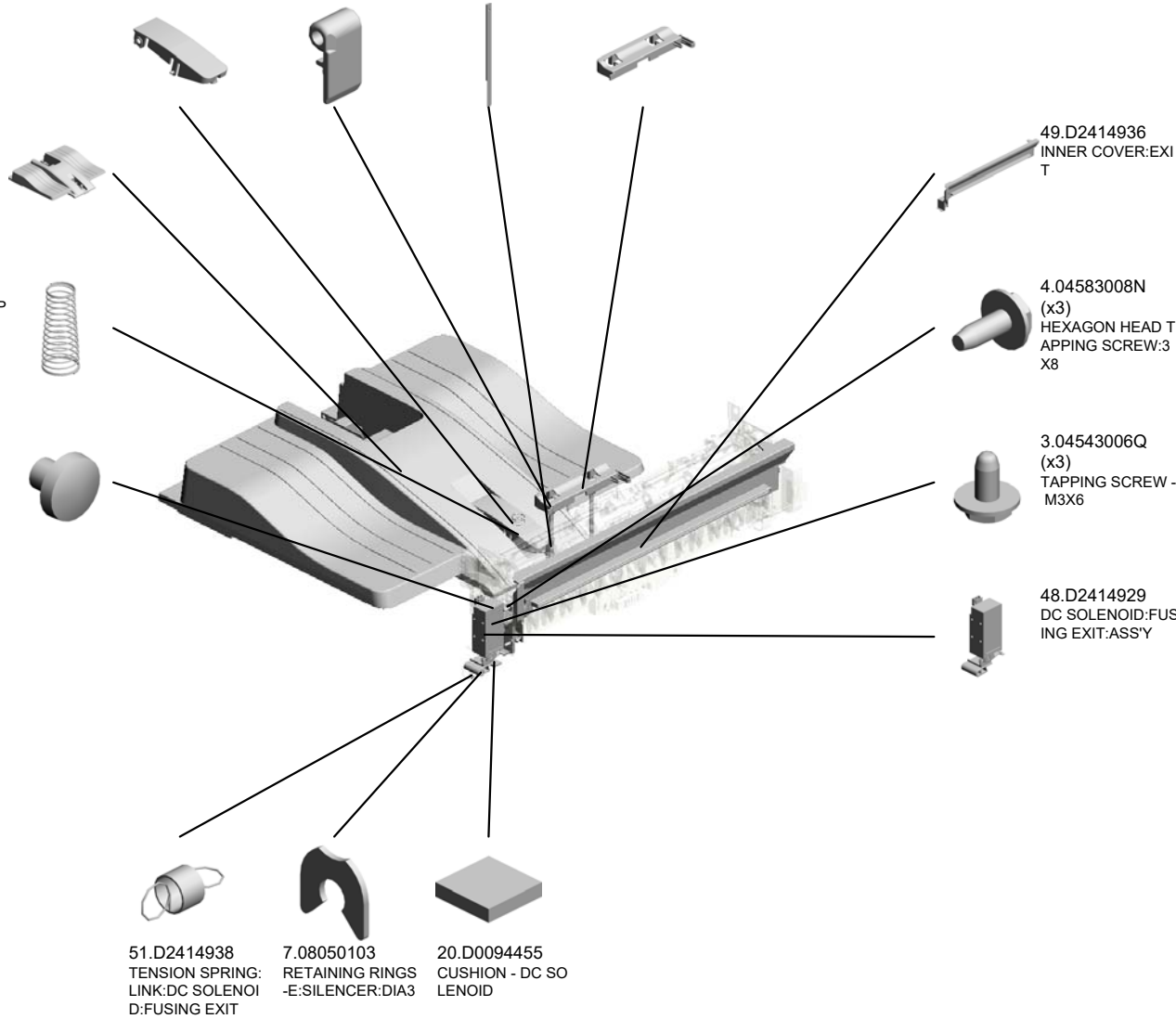
45.D2414494 TRAY:AUXILIARY:EXIT
74.D2414971 (x2) LINK:PLATE:EXIT
75.D2414972 (x2) GUIDE:PLATE:EXIT
73.D2414960 BASE:PLATE:EXIT



76.M0AJ4497
TRAY:EXIT
201706-02 O/O

47.D2414499
COMPRESSION SP
RING:BASE:TRAY:
EXIT

1.03530030N
(x2)
SCREW:M3X3



49.D2414936
INNER COVER:EXI
T

4.04583008N
(x3)
HEXAGON HEAD T
APPING SCREW:3
X8

3.04543006Q
(x3)
TAPPING SCREW -
M3X6

48.D2414929
DC SOLENOID:FUS
ING EXIT:ASS'Y

51.D2414938
TENSION SPRING:
LINK:DC SOLENOI
D:FUSING EXIT

7.08050103
RETAINING RINGS
-E:SILENCER:DIA3

20.D0094455
CUSHION - DC SO
LENOID

U001	U002	U003	U004	U005	U006	U007	U008	U009	U010	U011	U012	U013	U014	U015	U016	U017	U018
------	------	------	------	------	------	------	------	------	------	------	------	------	------	------	------	------	------

U012_S001 PAPER EXIT UNIT:ASS'Y

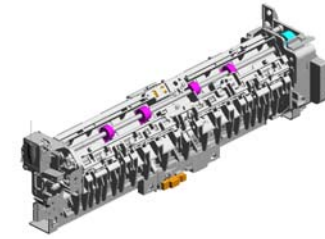
7.08050103
(x13)
RETAINING RINGS
-E:SILENCER:DIA3

11.11050759
CLAMP:LWSM-060
5A

13.AA080252
(x2)
BUSHING - M4

19.D0094407
FEELER - OVERFL
OW

21.D0394925
(x4)
ROLLER:REVERSE
:DRIVEN



37.D2414404
PAPER EXIT UNIT:
ASS'Y

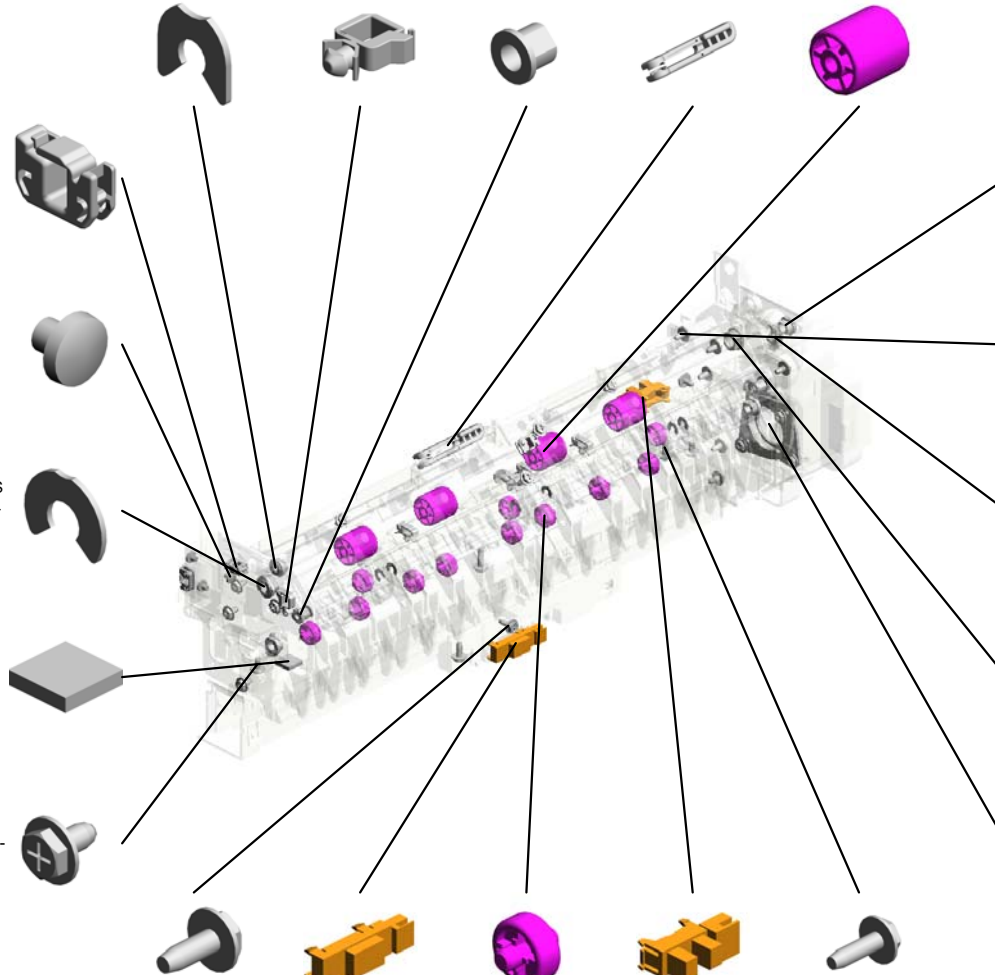
9.11050692
(x3)
CLAMP:LES-0503

1.03530030N
(x3)
SCREW:M3X3

8.08050104
RETAINING RINGS
-E:SILENCER:DIA4

20.D0094455
CUSHION - DC SO
LENOID

2.04513006N
(x6)
TAPPING SCREW -
3X6



14.AA082170
(x4)
PLAIN SHAFT BEA
RING:DIA4X DIA8X5
:EG-1

3.04543006Q
(x13)
TAPPING SCREW -
M3X6

10.11050758
(x6)
CLAMP:LWSM-030
6A

15.AA082173
(x2)
PLAIN SHAFT BEA
RING:6X10X6

12.A2324666
CUSHION - STEPP
ER MOTOR

4.04583008N
(x5)
HEXAGON HEAD T
APPING SCREW:3
X8

17.AW010147
PHOTO REFLECTI
ON SENSOR

16.AF040571
(x11)
GUIDE ROLLER

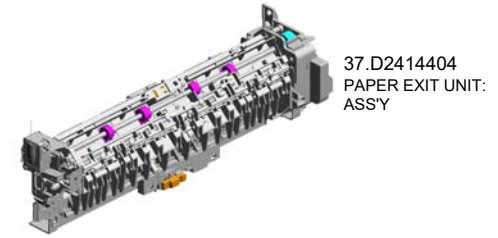
18.AW020224
PHOTOINTERRUP
TOR:GP1A173LCS
VF
201605-01 X/O

5.04583010N
(x3)
HEXAGON HEAD T
APPING SCREW:3
X10

U001	U002	U003	U004	U005	U006	U007	U008	U009	U010	U011	U012	U013	U014	U015	U016	U017	U018
------	------	------	------	------	------	------	------	------	------	------	------	------	------	------	------	------	------

U012_S001 PAPER EXIT UNIT:ASS'Y

32.D1494468 SHAFT:DRIVEN:REVERSE ROLLER
 41.D2414466 GUIDE PLATE:REVERSE:LOWER
 42.D2414476 EXIT ROLLER
 36.D2024477 REVERSE ROLLER
 39.D2414448 SHAFT:FEELER:OVERFLOW



22.D0394927 (x2)
COMPRESSION SPRING:PRESSURE:REVERSE:DRIVEN

38.D2414441 GUIDE PLATE:EXIT:UPPER

23.D1444484 (x3)
SHOULDER SCREW - M3

31.D1494434 TENSION SPRING:LEVER:GATE PAWL

35.D1494484 TORSION SPRING:LEVER:GATE PAWL

40.D2414461 GUIDE PLATE:REVERSE:UPPER

33.D1494469 (x2)
SPRING PLATE:ROLLER:DRIVEN:REVERSE ROLLER

34.D1494471 (x2)
SHAFT:DRIVEN:REVERSE ROLLER:OUTER

29.D1494428 GROUND PLATE:PAPER EXIT UNIT

26.D1494423 SYNCHRONOUS BELT:40S2M122

24.D1494421 GEAR:EXIT ROLLER

25.D1494422 GEAR:REVERSE ROLLER

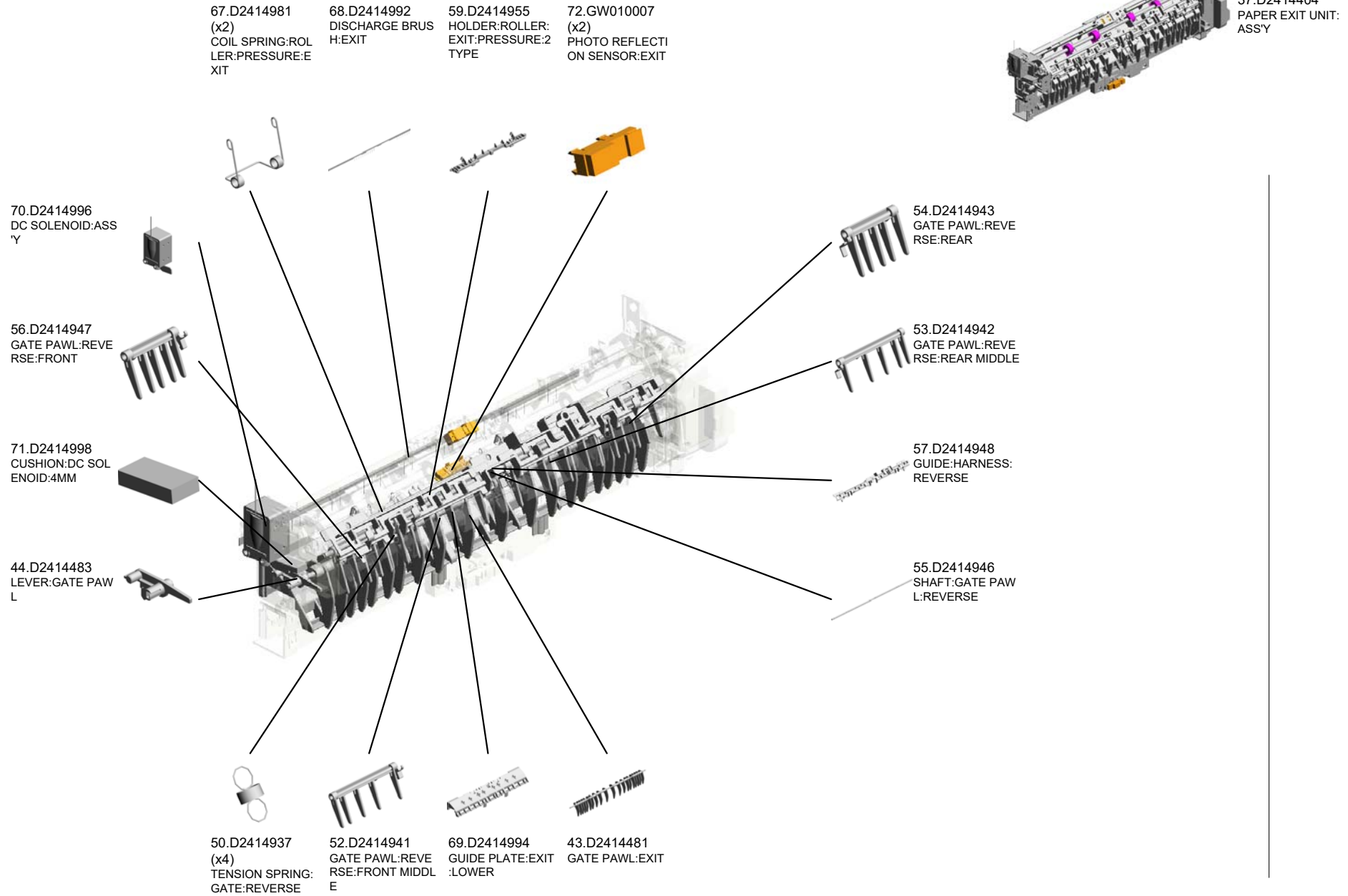
28.D1494427 STUD:PULLEY:BRACKET:DC STEPPER MOTOR

30.D1494429 PULLEY:GEAR:REVERSE

27.D1494425 DC STEPPER MOTOR:REVERSE:SUB-ASS'Y

U001	U002	U003	U004	U005	U006	U007	U008	U009	U010	U011	U012	U013	U014	U015	U016	U017	U018
------	------	------	------	------	------	------	------	------	------	------	------	------	------	------	------	------	------

U012_S001
PAPER EXIT UNIT:ASS'Y

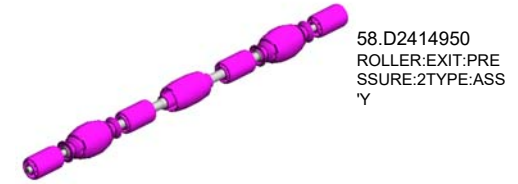


U001	U002	U003	U004	U005	U006	U007	U008	U009	U010	U011	U012	U013	U014	U015	U016	U017	U018
------	------	------	------	------	------	------	------	------	------	------	------	------	------	------	------	------	------

U012_S001_S001

ROLLER:EXIT:PRESSURE:2TYPE:ASS'Y

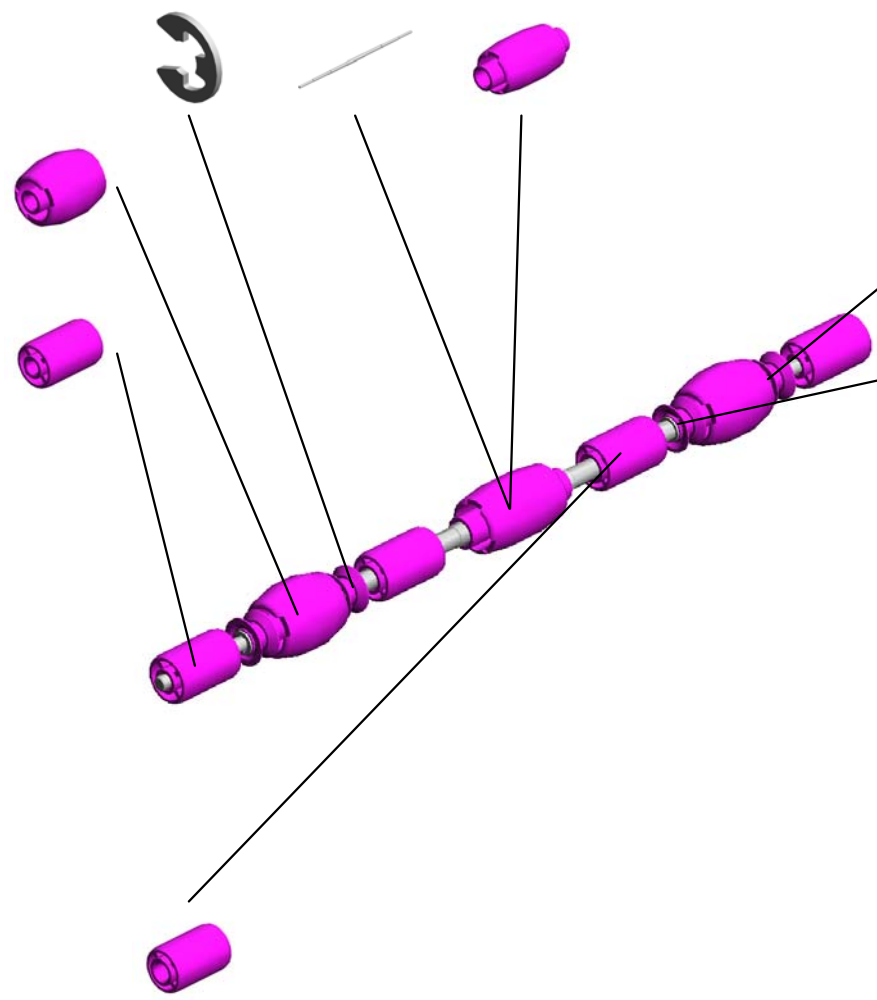
6.07200020G (x4) RETAINING RING - M2
 60.D2414957 SHAFT:ROLLER:PRESSURE:EXIT:2TYPE
 64.D2414976 ROLLER:EXIT:PRESSURE:MIDDLE



58.D2414950 ROLLER:EXIT:PRESSURE:2TYPE:ASS'Y

62.D2414964 (x2) ROLLER:EXIT:PRESSURE

61.D2414962 (x2) ROLLER:DRIVEN:EXIT



66.D2414978 (x2) COLLAR:ROLLER:EXIT:PRESSURE:BOTH ENDS

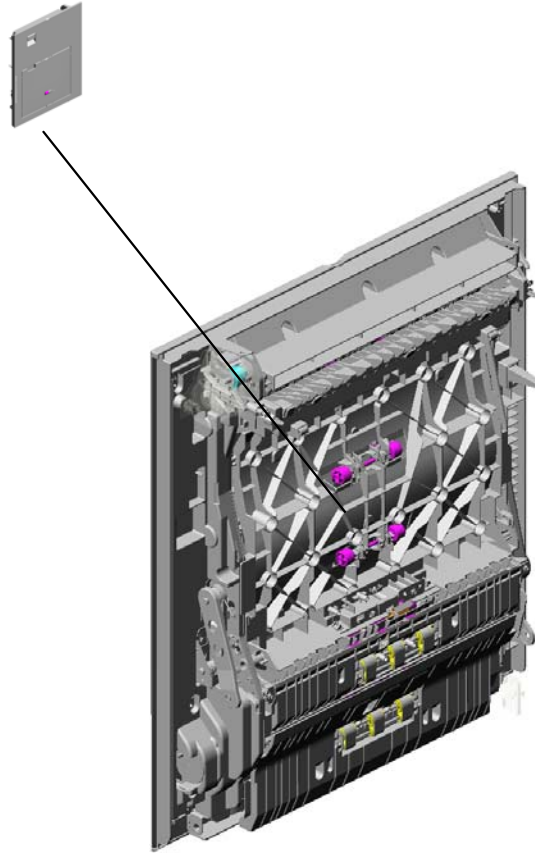
63.D2414965 (x2) COLLAR:ROLLER:EXIT:PRESSURE

65.D2414977 (x2) ROLLER:DRIVEN:EXIT:MIDDLE

U001	U002	U003	U004	U005	U006	U007	U008	U009	U010	U011	U012	U013	U014	U015	U016	U017	U018
------	------	------	------	------	------	------	------	------	------	------	------	------	------	------	------	------	------

U013.DUPLEX

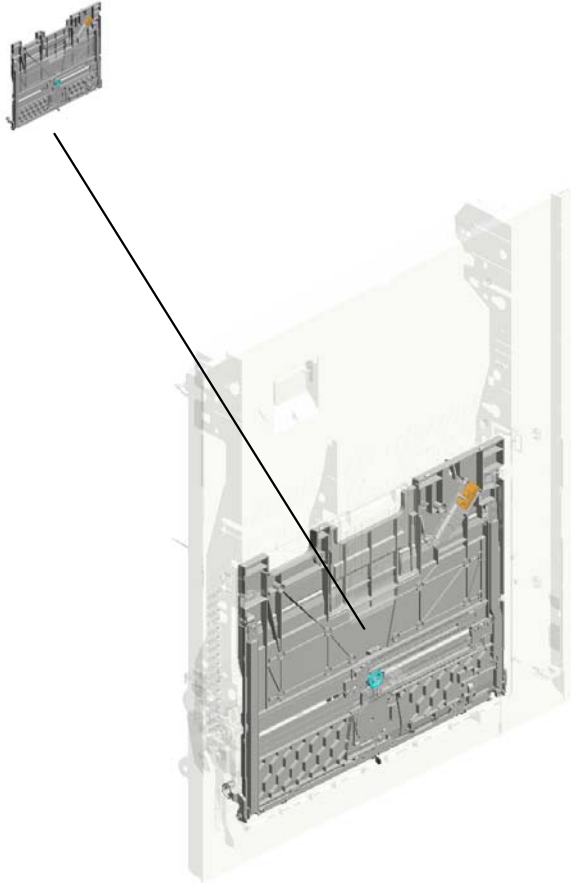
U013 S001
D2414515
DUPLEX UNIT:ASSY



U001	U002	U003	U004	U005	U006	U007	U008	U009	U010	U011	U012	U013	U014	U015	U016	U017	U018
------	------	------	------	------	------	------	------	------	------	------	------	------	------	------	------	------	------

U013_S001.DUPLEX UNIT:ASS'Y

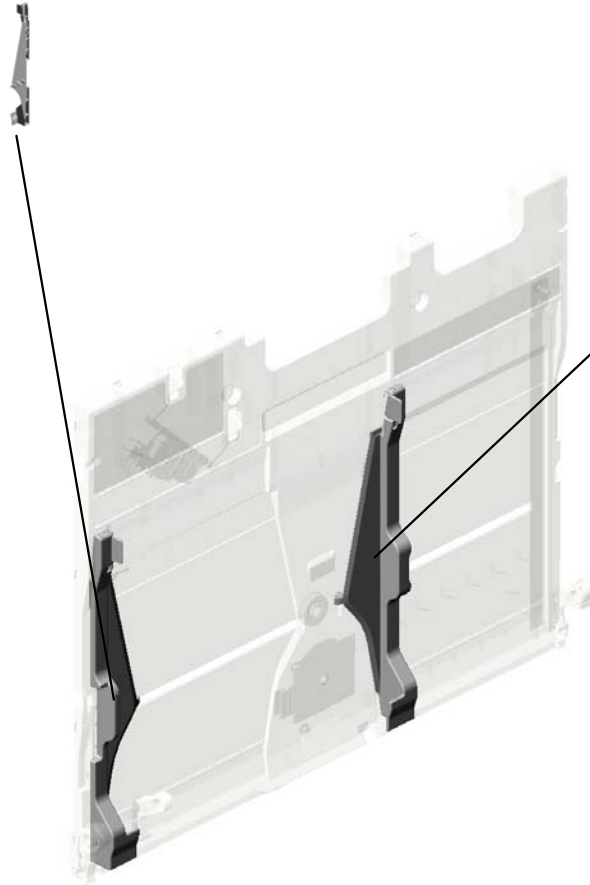
U013 S001 S001
D2412627
MANUAL FEED TABLE:ASS'Y



U001	U002	U003	U004	U005	U006	U007	U008	U009	U010	U011	U012	U013	U014	U015	U016	U017	U018
------	------	------	------	------	------	------	------	------	------	------	------	------	------	------	------	------	------

U013_S001_S001.MANUAL FEED TABLE:ASS'Y

U013 S001 S001 S002
D2412691
SIDE FENCE:REAR:ASS'Y



U013_S001_S001_S001
D2412690
SIDE FENCE:FRONT:ASS'Y

U001	U002	U003	U004	U005	U006	U007	U008	U009	U010	U011	U012	U013	U014	U015	U016	U017	U018
------	------	------	------	------	------	------	------	------	------	------	------	------	------	------	------	------	------

U013 DUPLEX

6.04583008N (x3)
HEXAGON HEAD TAPPING SCREW:3X8

173.D2414755
GEAR:OUTPUT:DUPLEX:ENTRANCE

4.04543006Q (x3)
TAPPING SCREW - M3X6

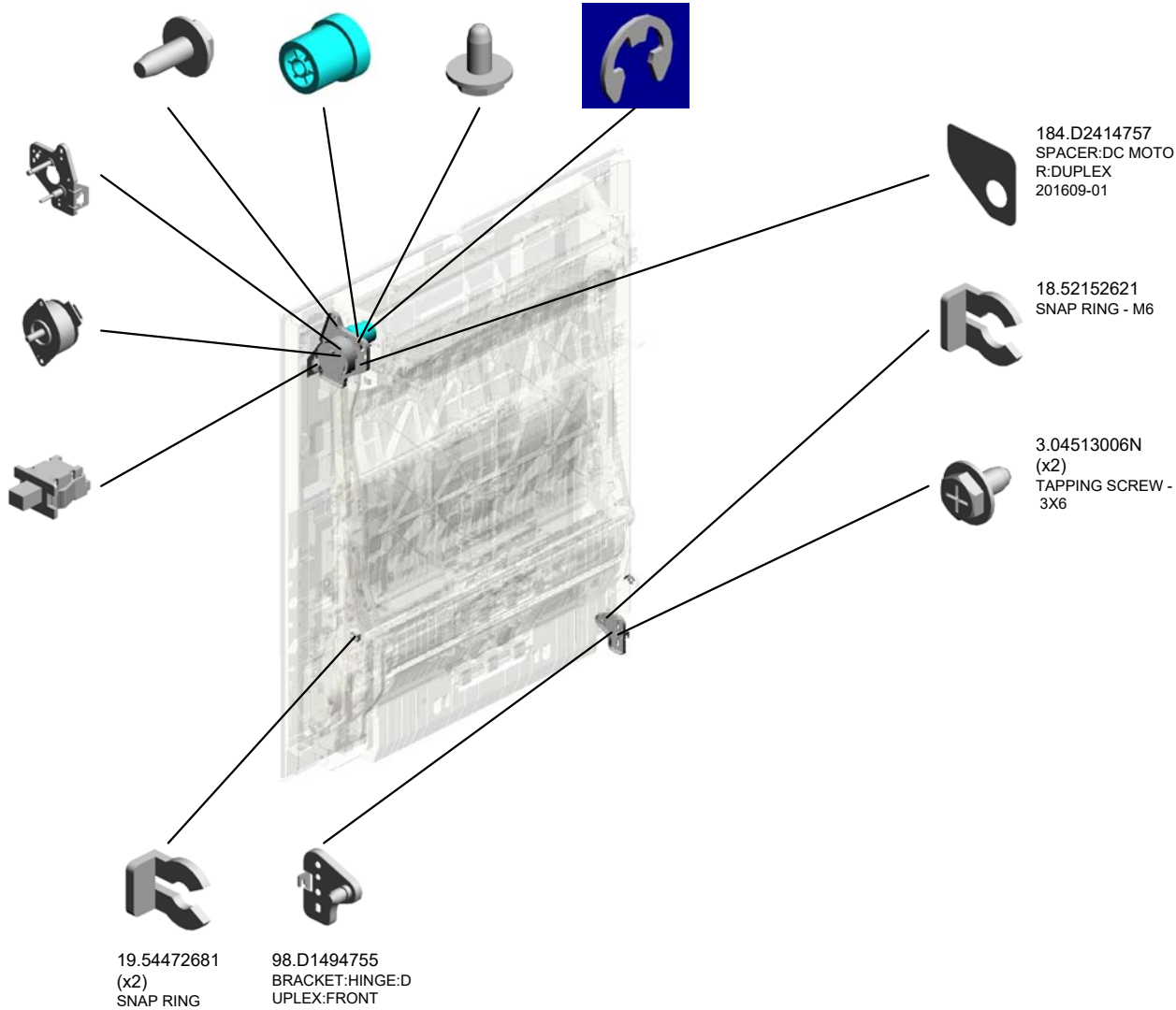
10.07200040E
RETAINING RING - M4



172.D2414750
BRACKET:MOTOR:DUPLEX

41.AX060464
DC MOTOR:ENCO DER:NO:10W:GEAR:BRUSHLESS

40.AW500040
PUSH SWITCH:SW 1AG-550:10MA



2.03603006N (x 1)
SCREW - M3X6

184.D2414757
SPACER:DC MOTOR:DUPLEX
201609-01

18.52152621
SNAP RING - M6

3.04513006N (x2)
TAPPING SCREW - 3X6

19.54472681 (x2)
SNAP RING

98.D1494755
BRACKET:HINGE:DUPLEX:FRONT

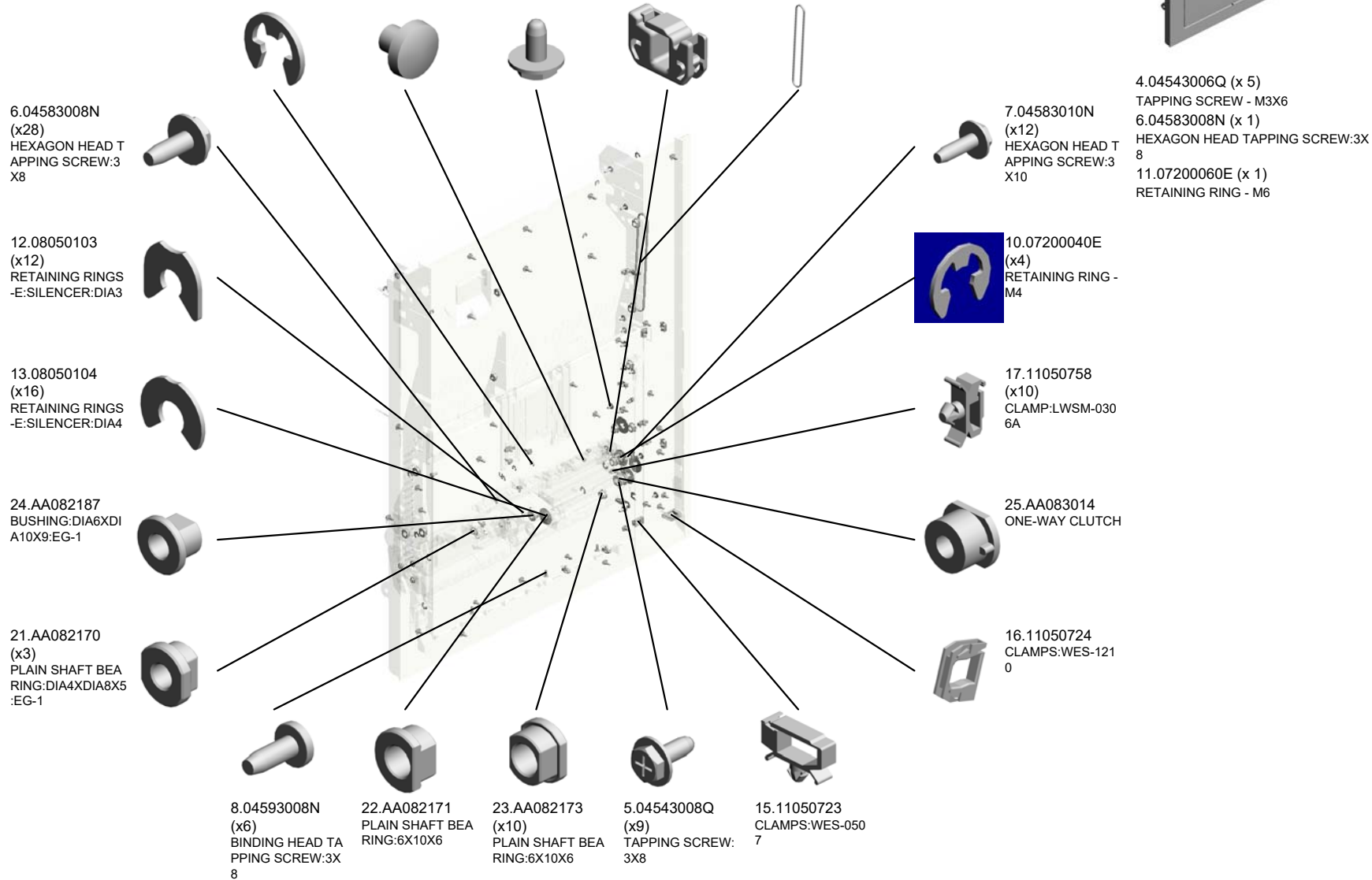
U001	U002	U003	U004	U005	U006	U007	U008	U009	U010	U011	U012	U013	U014	U015	U016	U017	U018
------	------	------	------	------	------	------	------	------	------	------	------	------	------	------	------	------	------

U013_S001
 DUPLEX UNIT:ASS'Y



185.D2414515
 [A]
 DUPLEX UNIT:ASS'
 Y
 201704-04 O/O

- 9.07200030E (x4) RETAINING RING - M3
- 1.03530030N (x2) SCREW:M3X3
- 4.04543006Q (x6) TAPPING SCREW - M3X6
- 14.11050692 (x5) CLAMP:LES-0503
- 20.AA043980 TIMING BELT:30S2 M300



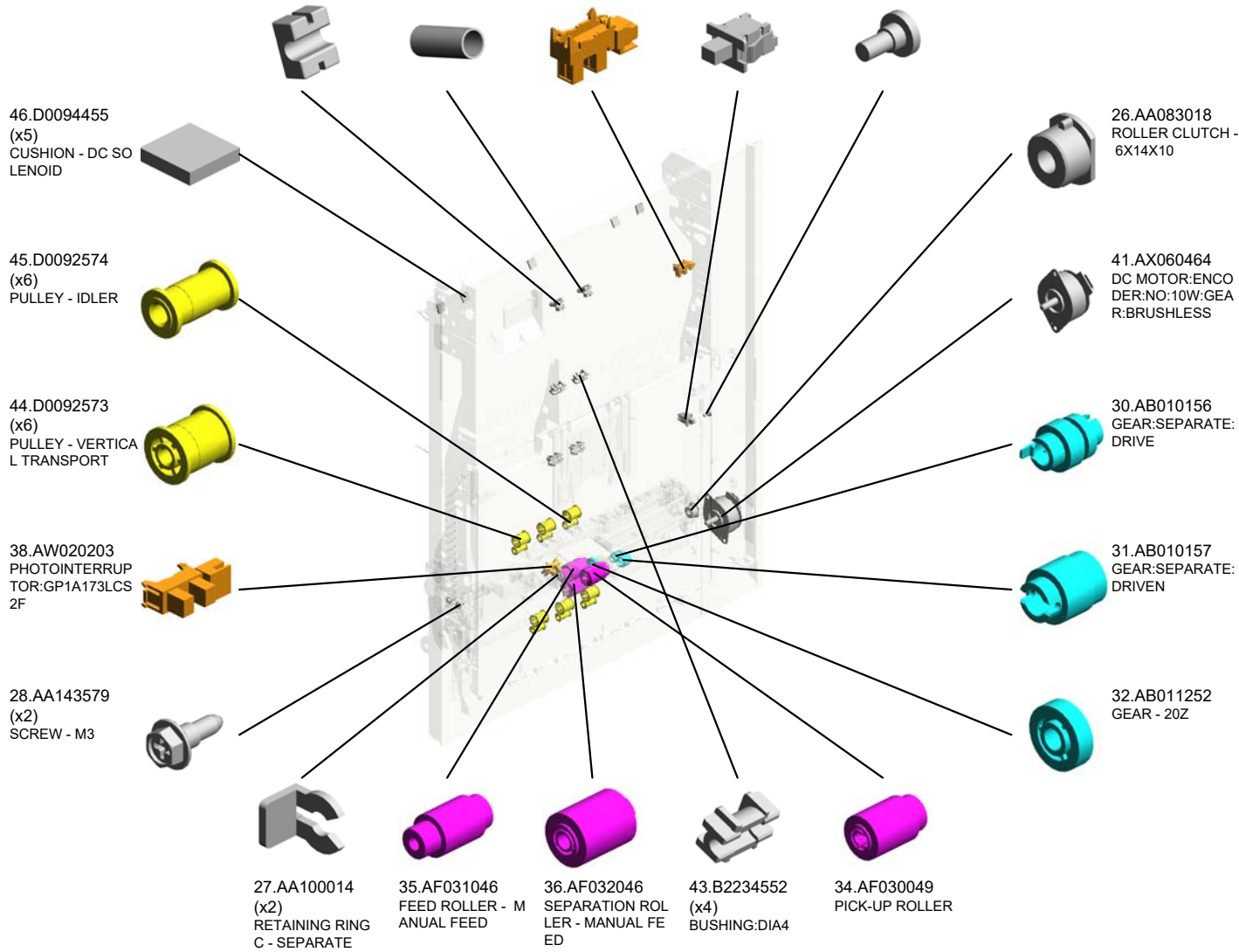
U001	U002	U003	U004	U005	U006	U007	U008	U009	U010	U011	U012	U013	U014	U015	U016	U017	U018
------	------	------	------	------	------	------	------	------	------	------	------	------	------	------	------	------	------

U013_S001
 DUPLEX UNIT:ASS'Y



185.D2414515
 [A]
 DUPLEX UNIT:ASS'
 Y
 201704-04 O/O

- 47.D0094485 (x2) BUSHING - GATE
- 48.D0094487 (x2) COMPRESSION SPRING - GATE
- 37.AW020198 PHOTOINTERRUPTOR:LG2A14NL1
- 40.AW500040 PUSH SWITCH:SW 1AG-550:10MA
- 29.AA143807 SCREW:A

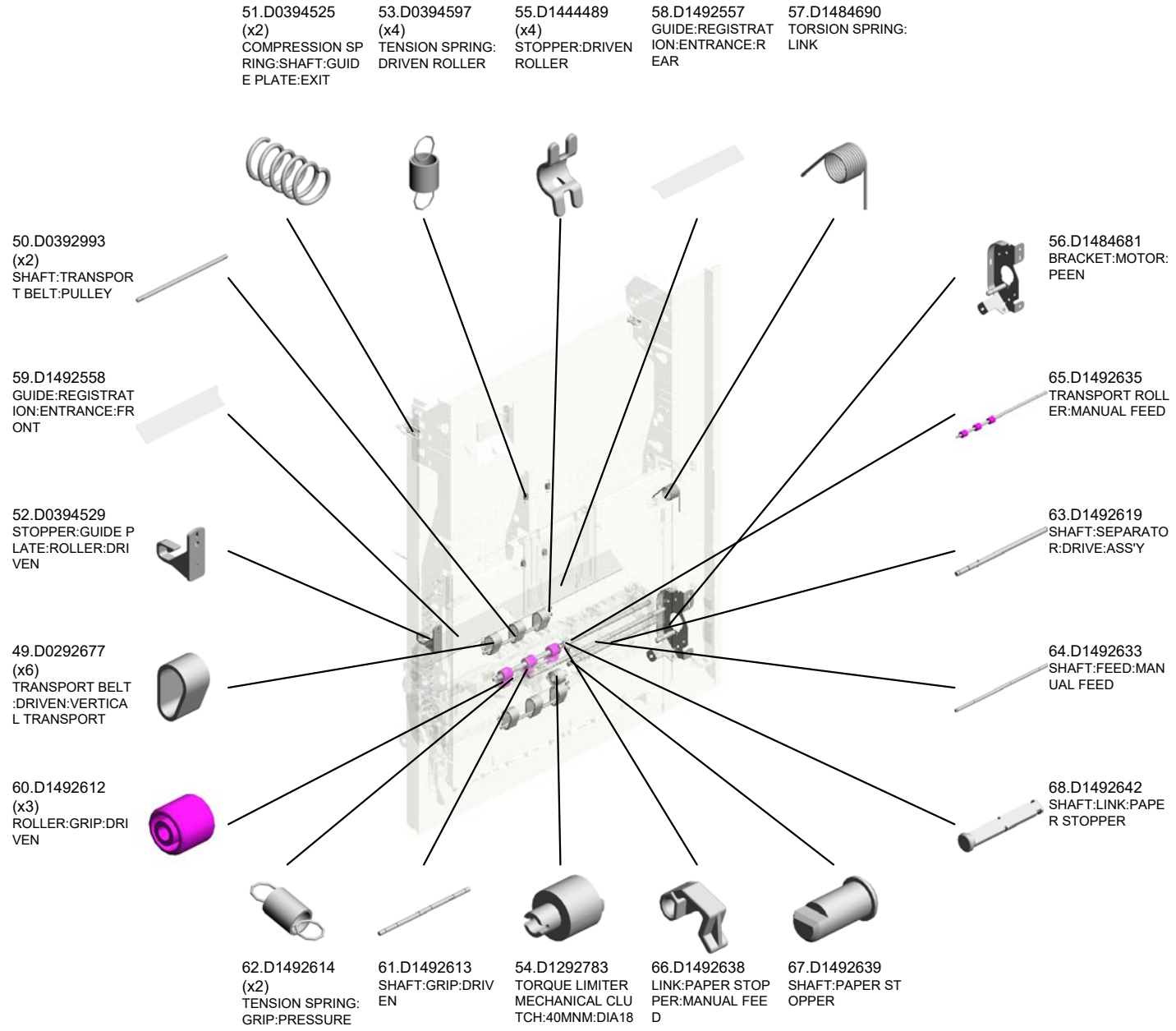


U001	U002	U003	U004	U005	U006	U007	U008	U009	U010	U011	U012	U013	U014	U015	U016	U017	U018
------	------	------	------	------	------	------	------	------	------	------	------	------	------	------	------	------	------

U013_S001
 DUPLEX UNIT:ASS'Y



185.D2414515
 [A]
 DUPLEX UNIT:ASS'
 Y
 201704-04 O/O



U001	U002	U003	U004	U005	U006	U007	U008	U009	U010	U011	U012	U013	U014	U015	U016	U017	U018
------	------	------	------	------	------	------	------	------	------	------	------	------	------	------	------	------	------

U013_S001
 DUPLEX UNIT:ASS'Y



185.D2414515
 [A]
 DUPLEX UNIT:ASS'
 Y
 201704-04 O/O

83.D1494655 GRIP:DUPLEX UNIT
 78.D2414643 (x2) TRANSPORT ROLLER:ENTRANCE 201608-01 X/O
 82.D1494653 TENSION SPRING:SWIVEL
 85.D1494657 HOOK:STOPPER:DUPLEX UNIT:REAR
 81.D1494647 SYNCHRONOUS BELT:30S2M212

86.D1494658 COIL SPRING:LEVER:DUPLEX

84.D1494656 HOOK:STOPPER:DUPLEX UNIT:FRONT

76.D1492694 (x2) COMPRESSION SPRING:STOPPER:MANUAL FEED TABLE

80.D1494646 SYNCHRONOUS BELT:30S2M262

79.D1494645 SYNCHRONOUS BELT:30S2M118

74.D1492692 ARM:MANUAL FEED:FRONT UPPER

69.D1492655 FEELER:PAPER END SENSOR

70.D1492656 TORSION SPRING:PAPER END SENSOR

87.D1494672 (x4) COMPRESSION SPRING:DRIVEN

71.D1492658 COVER:PAPER FEED ROLLER

75.D1492693 (x2) STOPPER:MANUAL FEED TABLE

77.D1494638 GUIDE:WIRE

73.D1492688 TENSION SPRING:WIRE

88.D1494675 COVER:PUSH SWITCH

72.D1492686 WIRE:MANUAL FEED TABLE:TC075

U001	U002	U003	U004	U005	U006	U007	U008	U009	U010	U011	U012	U013	U014	U015	U016	U017	U018
------	------	------	------	------	------	------	------	------	------	------	------	------	------	------	------	------	------

U013_S001 DUPLEX UNIT:ASS'Y

92.D1494715
DECAL:GRIP:Z

108.D1754654
SHAFT:LEVER:LOC
K

117.D2022640
EXTENSION TRAY:
NO.1

118.D2022641
EXTENSION TRAY:
NO.2

99.D2414766
(x2)
TRANSPORT ROLL
ER:EXIT:DIA8
201608-02 X/O



185.D2414515
[A]
DUPLEX UNIT:ASS'
Y
201704-04 O/O

104.D1494850
ARM:PUSH SWITC
H

109.D1754737
(x4)
PLAIN SHAFT BEA
RING:DUPLEX:EXI
T

101.D1494777
(x4)
COMPRESSION SP
RING:FLAT CONVE
YER BELT:DRIVEN

99.D2414766
TRANSPORT ROLL
ER:EXIT:DIA8
201608-04 X/O

90.D1494695
LINK:FRONT

115.D2022624
COVER:PAPER EN
D

102.D2414640
TRANSPORT ROLL
ER:EXIT:DIA8
201608-03 X/O

103.D1494815
GUIDE PLATE:SEP
ARATOR:ASS'Y

111.D2022617
ARM:PICKUP:MAN
UAL FEED

100.D1494770
SHAFT:SEPARATO
R:DRIVEN:ASS'Y

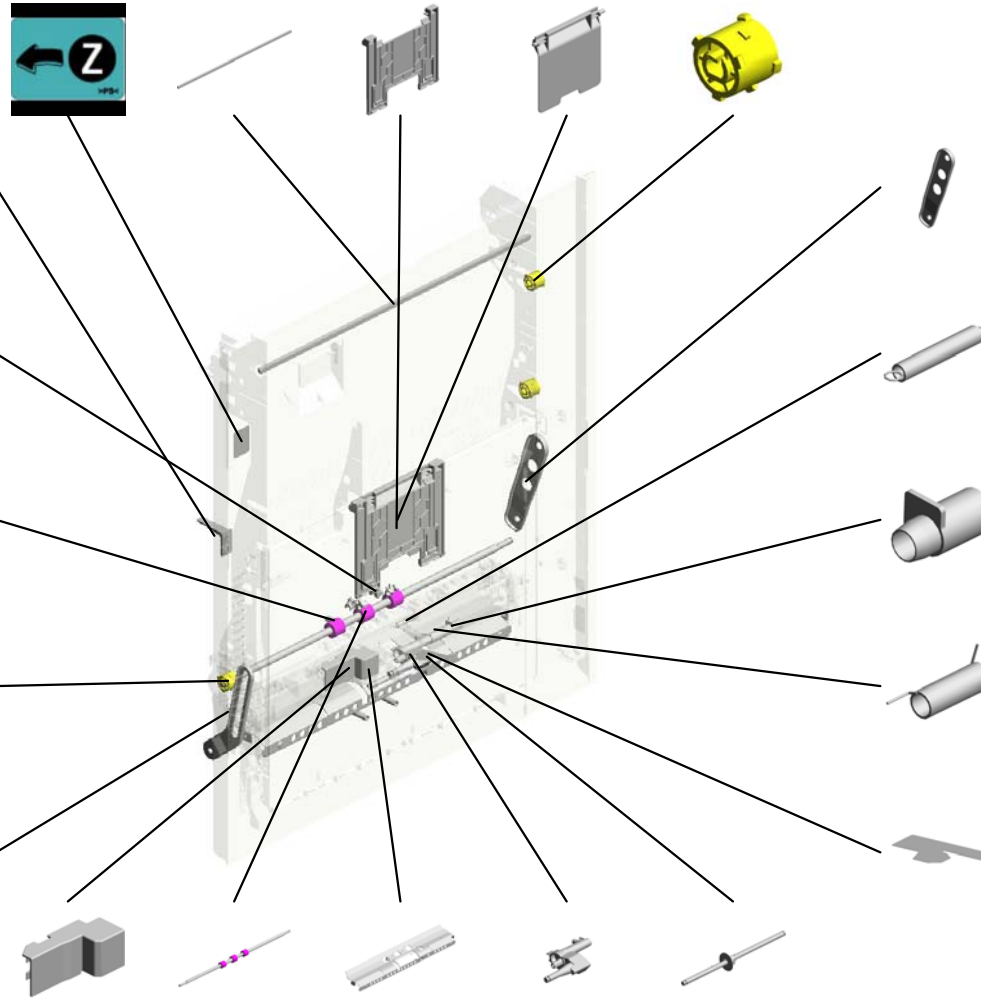
89.D1494688
LINK:DUPLEX:MAI
N

110.D2022614
COIL SPRING:REL
EASE:PICKUP:MAN
UAL FEED

114.D2022620
SHOE:TORSION S
PRING:PICKUP

113.D2022619
TORSION SPRING:
PICKUP

112.D2022618
SHEET:PICKUP



U001	U002	U003	U004	U005	U006	U007	U008	U009	U010	U011	U012	U013	U014	U015	U016	U017	U018
------	------	------	------	------	------	------	------	------	------	------	------	------	------	------	------	------	------

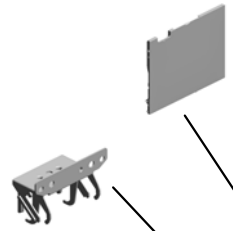
U013_S001
 DUPLEX UNIT:ASS'Y



185.D2414515
 [A]
 DUPLEX UNIT:ASS'
 Y
 201704-04 O/O

122.D2022669 COVER:MANUAL FEED TABLE
 126.D2024674 TORSION SPRING: DUPLEX:ENTRANCE SENSOR
 125.D2024673 FEELER:DUPLEX:ENTRANCE SENSOR
 130.D2024692 (x2) SHAFT:PRESSURE:GUIDE PLATE:UPPER
 132.D2024722 LINK:DUPLEX

128.D2024680 BRACKET:DRIVEN ROLLER:PRESSURE



127.D2024679 DRIVEN ROLLER:DIAMETER:16:DUPLEX



129.D2024682 DRIVEN ROLLER:DIAMETER:16



144.D2412652 GROUND PLATE:SHAFT:FEED



121.D2022654 (x2) CUSHION:GUIDE PLATE:SEPARATOR



140.D2412637 PAPER STOPPER:MANUAL FEED



141.D2412641 COVER:PAPER STOPPER:MANUAL FEED



143.D2412644 TORSION SPRING:LINK:PAPER STOPPER



142.D2412643 ARM:LINK:PAPER STOPPER



134.D2412612 DC SOLENOID:PICTURE:ASS'Y



131.D2024721 BRACKET:LINK:DUPLEX



133.D2024726 TORSION SPRING:LINK:CONTACT POINT



119.D2022642 PULLEY:WIRE:MANUAL FEED TABLE



135.D2412622 COVER:DAMPER



120.D2022646 ARM:MANUAL FEED:REAR UPPER



U001	U002	U003	U004	U005	U006	U007	U008	U009	U010	U011	U012	U013	U014	U015	U016	U017	U018
------	------	------	------	------	------	------	------	------	------	------	------	------	------	------	------	------	------

U013_S001
 DUPLEX UNIT:ASS'Y

160.D2414660
 GUIDE PLATE:UPPER:RIGHT:DUPLEX

156.D2414635
 SHEET:CUSHION

167.D2414694
 CAP:BELT:DUPLEX

159.D2414652
 GEAR:PULLEY:SWIVEL

165.D2414692
 INNER COVER:REAR:DUPLEX



185.D2414515
 [A]
 DUPLEX UNIT:ASS'Y
 201704-04 O/O

162.D2414676
 (x2)
 LEVER:PRESSURE:EXIT:DUPLEX

163.D2414677
 (x2)
 COMPRESSION SPRING:EXIT:UPPER

157.D2414642
 TRANSPORT ROLLER:DUPLEX:1

148.D2412673
 GUIDE PLATE:VERTICAL TRANSPORT:NO.1:DRIVEN

166.D2414693
 INNER COVER:FRONT:DUPLEX

151.D2412678
 (x2)
 SHAFT:FLAT CONVEYER BELT:DRIVEN

150.D2412676
 (x2)
 HOLDER:DRIVEN:BELT

149.D2412674
 GUIDE PLATE:VERTICAL TRANSPORT:NO.2:DRIVEN

161.D2414673
 GUIDE PLATE:DRIVEN

145.D2412653
 COIL SPRING:PRESSURE:SEPARATOR

158.D2414644
 GEAR:MECHANICAL ROLLER CLUTCH

155.D2414628
 GUIDE PLATE:DUPLEX:EXIT

154.D2414617
 TRANSPORT ROLLER:DUPLEX:2:DIAM

164.D2414684
 GEAR:OUTPUT

146.D2412656
 HOLDER:HARNESSES

U001	U002	U003	U004	U005	U006	U007	U008	U009	U010	U011	U012	U013	U014	U015	U016	U017	U018
------	------	------	------	------	------	------	------	------	------	------	------	------	------	------	------	------	------

U013_S001
 DUPLEX UNIT:ASS'Y

180.D2414995
 GUIDE PLATE:UPPER

175.D2414762
 DRIVEN ROLLER:DI
 A18

186.D2414627
 COVER:DUPLEX

176.D2414763
 GUIDE:HARNESS:
 ENTRANCE SENS
 OR:DUPLEX



185.D2414515
 [A]
 DUPLEX UNIT:ASS'
 Y
 201704-04 O/O

174.D2414761
 (x2)
 DRIVEN ROLLER:D
 IA16

181.GW010007
 PHOTO REFLECTI
 ON SENSOR:EXIT

177.D2414765
 (x2)
 PULLEY:T26

178.D2414921
 COVER:GUIDE PLA
 TE:DRIVEN

179.D2414923
 STAY:CONTACT P
 OINT:DUPLEX

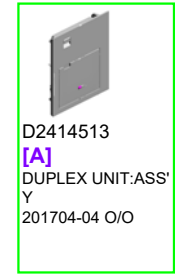
169.D2414708
 GEAR:SEPARATO
 R:MANUAL FEED:D
 RIVE

171.D2414710
 GEAR:IDLER

170.D2414709
 GEAR:TRANSPOR
 T ROLLER:MANUA
 L FEED

168.D2414707
 GEAR:FEED:MANU
 AL FEED:DRIVE

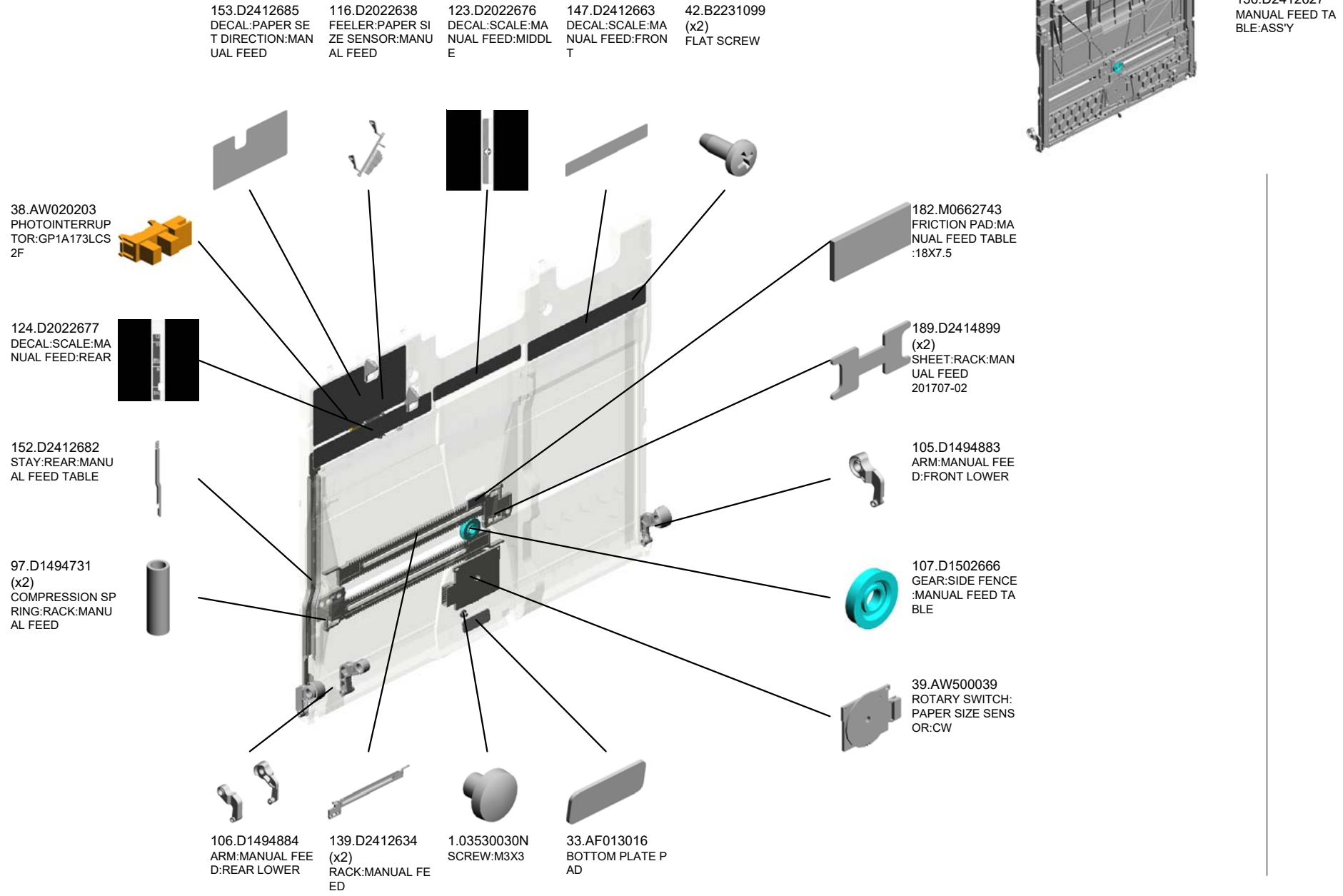
183.M0662749
 OIL DAMPER:STRA
 IGH:30N



D2414513
 [A]
 DUPLEX UNIT:ASS'
 Y
 201704-04 O/O

U001	U002	U003	U004	U005	U006	U007	U008	U009	U010	U011	U012	U013	U014	U015	U016	U017	U018
------	------	------	------	------	------	------	------	------	------	------	------	------	------	------	------	------	------

U013_S001_S001 MANUAL FEED TABLE:ASS'Y



U001	U002	U003	U004	U005	U006	U007	U008	U009	U010	U011	U012	U013	U014	U015	U016	U017	U018
------	------	------	------	------	------	------	------	------	------	------	------	-------------	------	------	------	------	------

U013_S001_S001_S001
SIDE FENCE:FRONT:ASS'Y

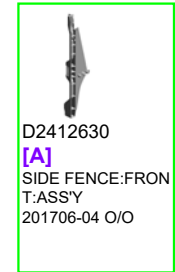
93.D1494717
PLATE:SIDE FENC
E:FRONT



94.D1494718
TORSION SPRING:
SIDE FENCE:FRON
T



187.D2412690
[A]
SIDE FENCE:FRON
T:ASS'Y
201706-04 O/O



D2412630
[A]
SIDE FENCE:FRON
T:ASS'Y
201706-04 O/O

U001	U002	U003	U004	U005	U006	U007	U008	U009	U010	U011	U012	U013	U014	U015	U016	U017	U018
------	------	------	------	------	------	------	------	------	------	------	------	------	------	------	------	------	------

U013_S001_S001_S002
SIDE FENCE:REAR:ASS'Y

95.D1494720
PLATE:SIDE FENC
E:REAR

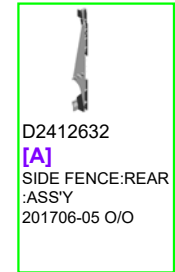
96.D1494721
TORSION SPRING:
SIDE FENCE:REAR



188.D2412691
[A]
SIDE FENCE:REAR
:ASS'Y
201706-05 O/O



91.D1494711
DECAL:SIDE FENC
E:MANUAL FEED



D2412632
[A]
SIDE FENCE:REAR
:ASS'Y
201706-05 O/O

U001	U002	U003	U004	U005	U006	U007	U008	U009	U010	U011	U012	U013	U014	U015	U016	U017	U018
------	------	------	------	------	------	------	------	------	------	------	------	------	------	------	------	------	------

U014.MAIN DRIVE

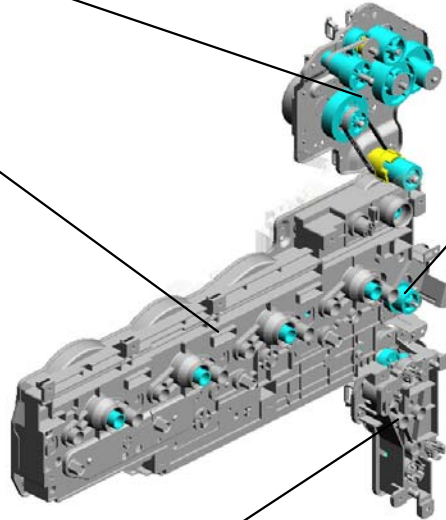
U014_S004
D2411357
DRIVE UNIT:FUSING/PAPER
EXIT UNIT:ASS'Y



U014_S002
D2411117
DRIVE UNIT:ENGINE:ASSY



U014_S001
D1491351
DRIVE UNIT:REGISTRATION:
ASS'Y



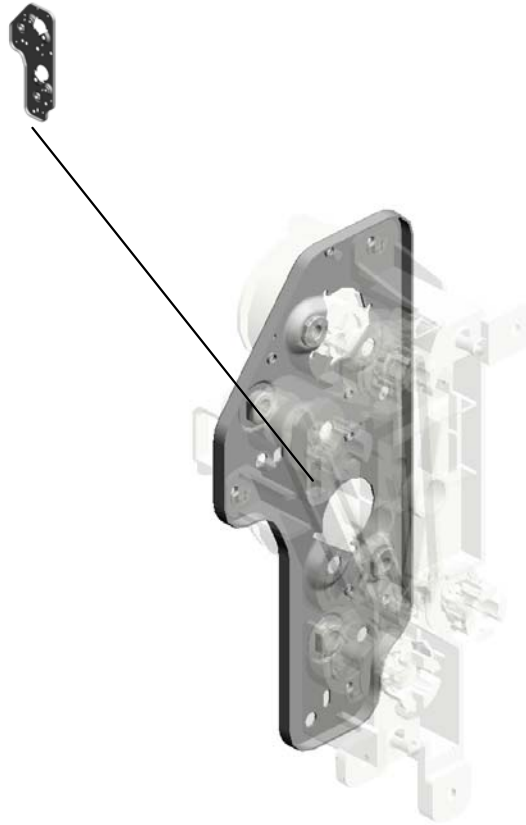
U014_S003
D2411399
DRIVE UNIT:PAPER FEED:AS
S'Y



U001	U002	U003	U004	U005	U006	U007	U008	U009	U010	U011	U012	U013	U014	U015	U016	U017	U018
------	------	------	------	------	------	------	------	------	------	------	------	------	------	------	------	------	------

U014_S003.DRIVE UNIT:PAPER FEED:ASS'Y

U014 S003 S001
D2021152
BRACKET:DRIVE UNIT:PAPE
R FEED:ASS'Y



U001	U002	U003	U004	U005	U006	U007	U008	U009	U010	U011	U012	U013	U014	U015	U016	U017	U018
------	------	------	------	------	------	------	------	------	------	------	------	------	------	------	------	------	------

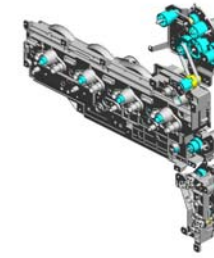
U014 MAIN DRIVE

34.D1491199
DRIVE UNIT:ON-OFF:TRANSFER

1.03603006N
(x18)
SCREW - M3X6

40.D1491394
GROUND PLATE:DRIVE UNIT:FUSING/PAPER EXIT UNIT

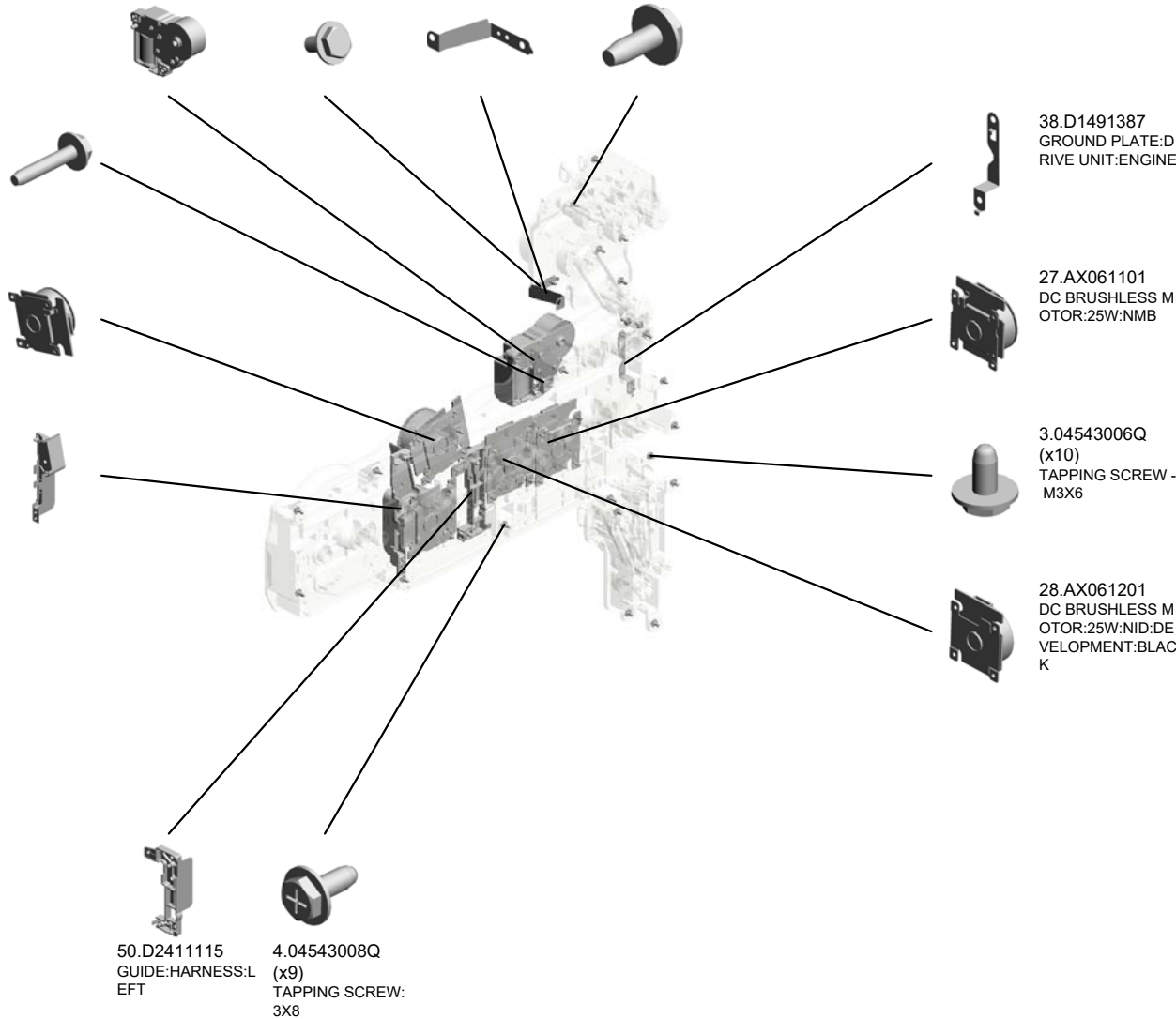
5.04583008N
(x7)
HEXAGON HEAD TAPPING SCREW:3X8



2.03603016N
(x2)
SCREW - M3X16

26.AX061001
(x2)
DC BRUSHLESS MOTOR:40W:NMB

49.D2411113
GUIDE:HARNES:RIGHT



38.D1491387
GROUND PLATE:DRIVE UNIT:ENGINE

27.AX061101
DC BRUSHLESS MOTOR:25W:NMB

3.04543006Q
(x10)
TAPPING SCREW - M3X6

28.AX061201
DC BRUSHLESS MOTOR:25W:NID:DEVELOPMENT:BLACK

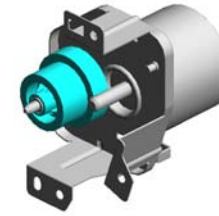
50.D2411115
GUIDE:HARNES:LEFT

4.04543008Q
(x9)
TAPPING SCREW:3X8

U001	U002	U003	U004	U005	U006	U007	U008	U009	U010	U011	U012	U013	U014	U015	U016	U017	U018
------	------	------	------	------	------	------	------	------	------	------	------	------	-------------	------	------	------	------

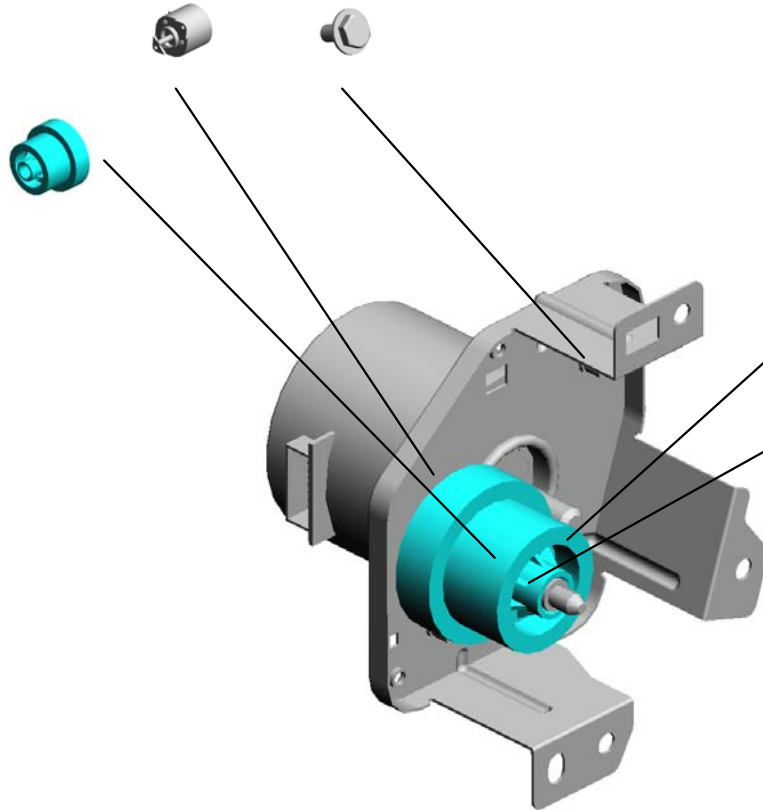
U014_S001
 DRIVE UNIT:REGISTRATION:ASS'Y

24.AX060435 1.03603006N
 DC MOTOR:GEAR: (x2)
 10W:BRUSHLESS SCREW - M3X6



35.D1491351
 DRIVE UNIT:REGISTRATION:ASSY

37.D1491355
 GEAR:REGISTRATION:NO.1



36.D1491352
 BRACKET:DRIVE UNIT:REGISTRATION:ASSY



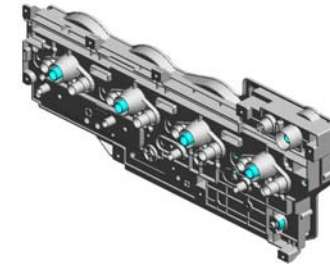
14.11050759
 CLAMP:LWSM-060 5A

U001	U002	U003	U004	U005	U006	U007	U008	U009	U010	U011	U012	U013	U014	U015	U016	U017	U018
------	------	------	------	------	------	------	------	------	------	------	------	------	------	------	------	------	------

U014_S002
DRIVE UNIT:ENGINE:ASS'Y

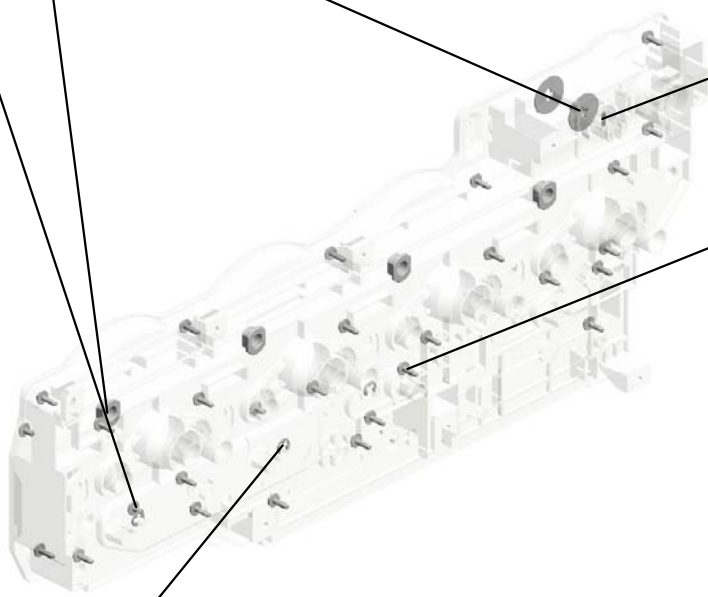
23.AA082175
(x4)
PLAIN SHAFT BEA
RING:8X12X7

20.AA080346
BUSHING:FLANGE
TYPE:DIA6



51.D2411117
DRIVE UNIT:ENGIN
E:ASSY

1.03603006N
(x3)
SCREW - M3X6



7.06220080E
SPRING PIN - 2X8
MM



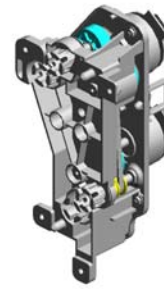
6.04583010N
(x25)
HEXAGON HEAD T
APPING SCREW:3
X10



10.07200040E
(x5)
RETAINING RING -
M4

U001	U002	U003	U004	U005	U006	U007	U008	U009	U010	U011	U012	U013	U014	U015	U016	U017	U018
------	------	------	------	------	------	------	------	------	------	------	------	------	------	------	------	------	------

U014_S003 DRIVE UNIT:PAPER FEED:ASS'Y



55.D2411399
DRIVE UNIT:PAPE
R FEED:ASS'Y

8.06320100G
(x2)
PIN - 2X10MM

45.D2021191
GEAR:GRIP:NO.1

46.D2021193
(x2)
STUD:PAPER FEE
D:GRIP:ASS'Y

13.11050655
(x2)
CLAMP:LWSR-181
6S

33.D1491197
GEAR:IDLER:PAPE
R FEED:GRIP:NO.1

12.08050104
(x3)
RETAINING RINGS
-E:SILENCER:DIA4

30.D1491194
PULLEY:PAPER FE
ED:FEED:NO.1:ME
CHANICAL ROLLE
R CLUTCH

39.D1491392
FLANGE:PAPER F
EED:FEED

43.D2021143
(x4)
JOINT:DRIVE

25.AX060464
(x2)
DC MOTOR:ENCO
DER:NO:10W:GEA
R:BRUSHLESS

10.07200040E
(x8)
RETAINING RING -
M4

31.D1491195
GEAR:IDLER:PAPE
R FEED:FEED

32.D1491196
GEAR:PAPER FEE
D:FEED:NO.2:MEC
HANICAL ROLLER
CLUTCH

1.03603006N
(x8)
SCREW - M3X6

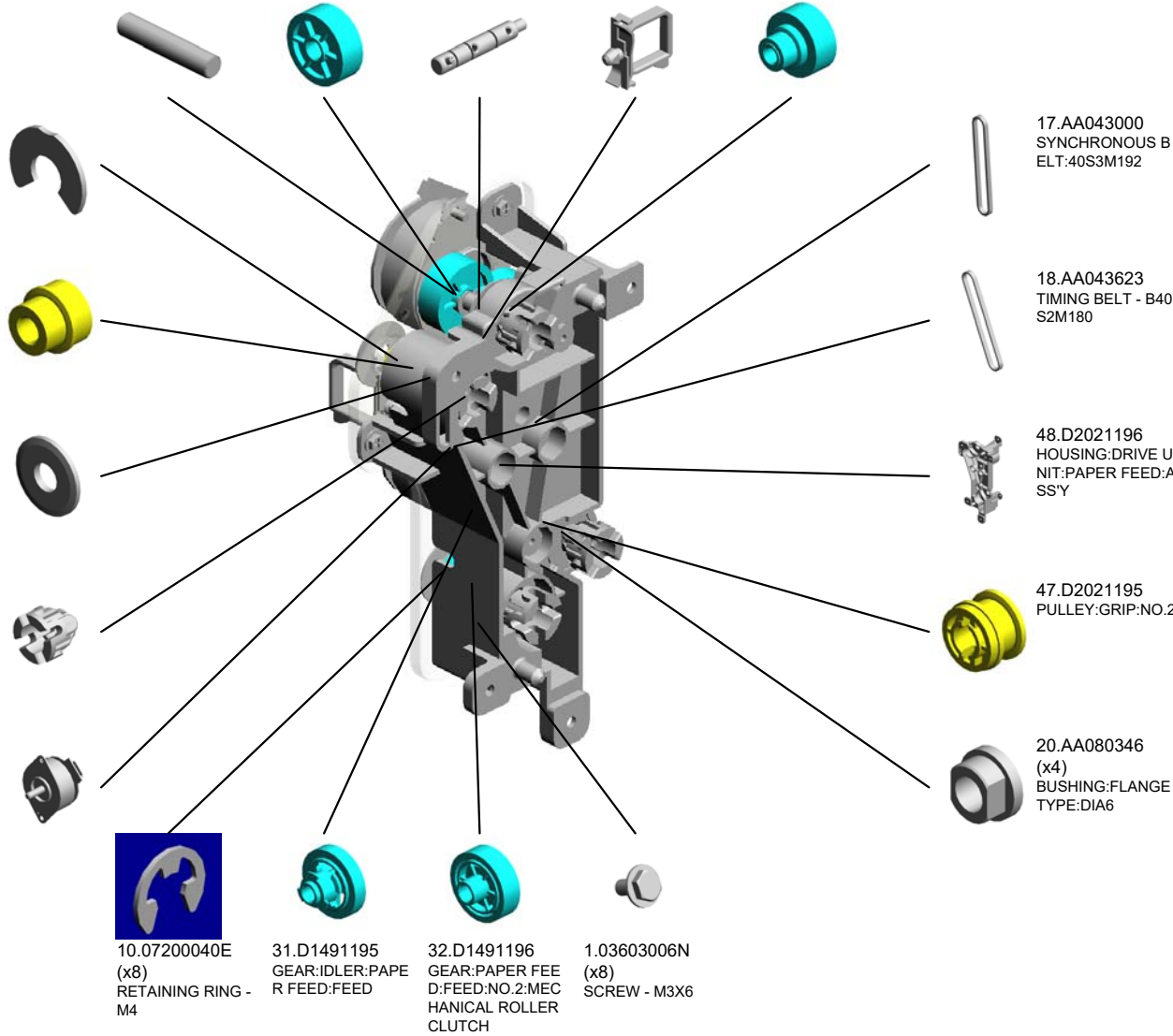
17.AA043000
SYNCHRONOUS B
ELT:40S3M192

18.AA043623
TIMING BELT - B40
S2M180

48.D2021196
HOUSING:DRIVE U
NIT:PAPER FEED:A
SS'Y

47.D2021195
PULLEY:GRIP:NO.2

20.AA080346
(x4)
BUSHING:FLANGE
TYPE:DIA6



U001	U002	U003	U004	U005	U006	U007	U008	U009	U010	U011	U012	U013	U014	U015	U016	U017	U018
------	------	------	------	------	------	------	------	------	------	------	------	------	------	------	------	------	------

U014_S003_S001
BRACKET:DRIVE UNIT:PAPER FEED:ASS'Y

22.AA082173
(x2)
PLAIN SHAFT BEA
RING:6X10X6



21.AA082170
(x2)
PLAIN SHAFT BEA
RING:DIA4XDIA8X5
:EG-1



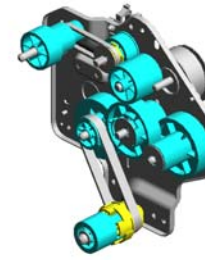
44.D2021152
BRACKET:DRIVE U
NIT:PAPER FEED:A
SS'Y

U001	U002	U003	U004	U005	U006	U007	U008	U009	U010	U011	U012	U013	U014	U015	U016	U017	U018
------	------	------	------	------	------	------	------	------	------	------	------	------	------	------	------	------	------

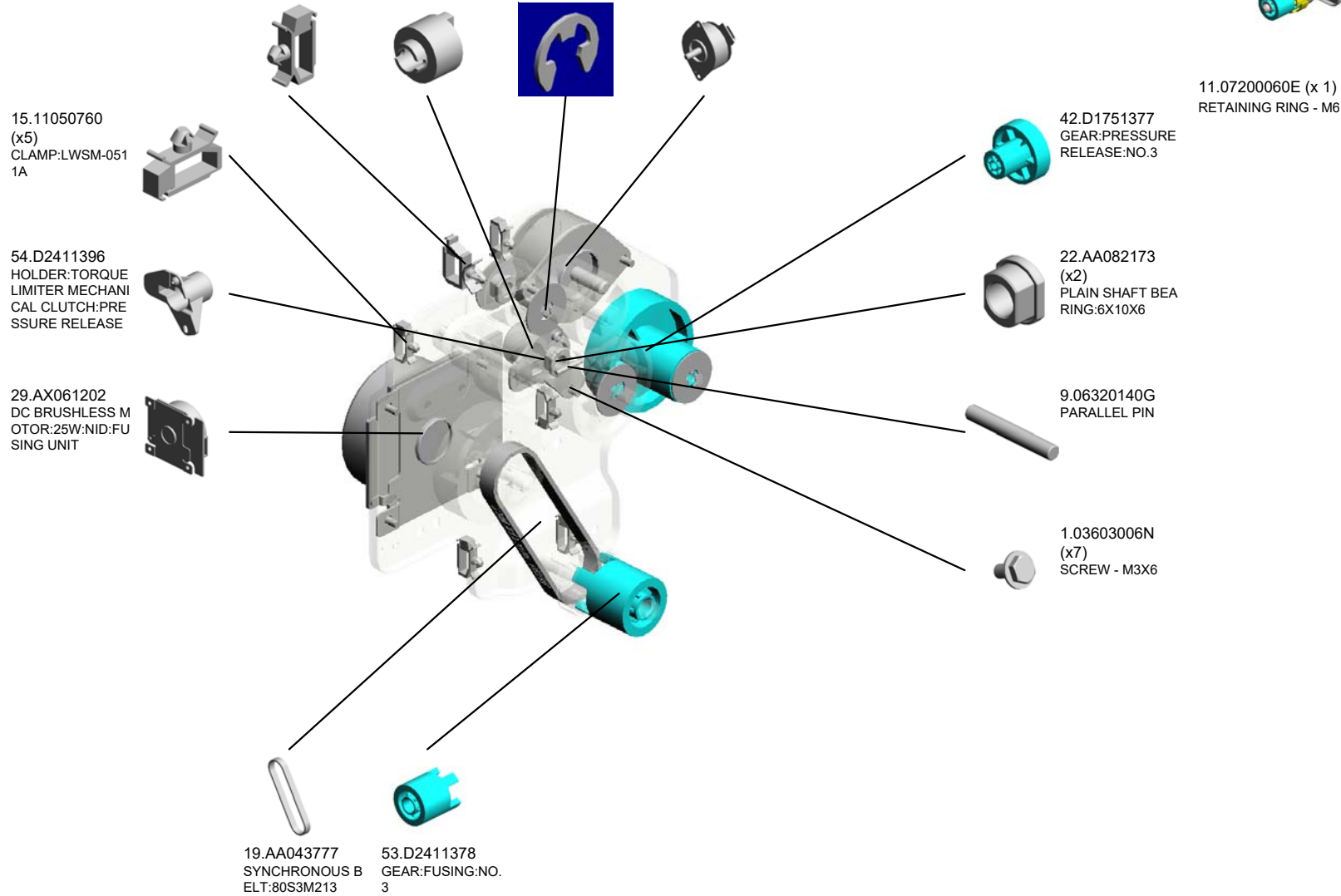
U014_S004

DRIVE UNIT:FUSING/PAPER EXIT UNIT:ASS'Y

- 16.11050762 CLAMP:LWS-0711A
- 41.D1491397 TORQUE LIMITER MECHANICAL CLUTCH:49MMM:DIA14
- 10.07200040E (x5) RETAINING RING - M4
- 25.AX060464 DC MOTOR:ENCODER:NO:10W:GEAR:BRUSHLESS

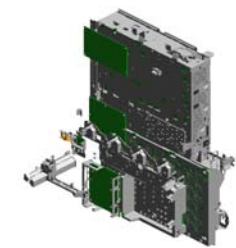
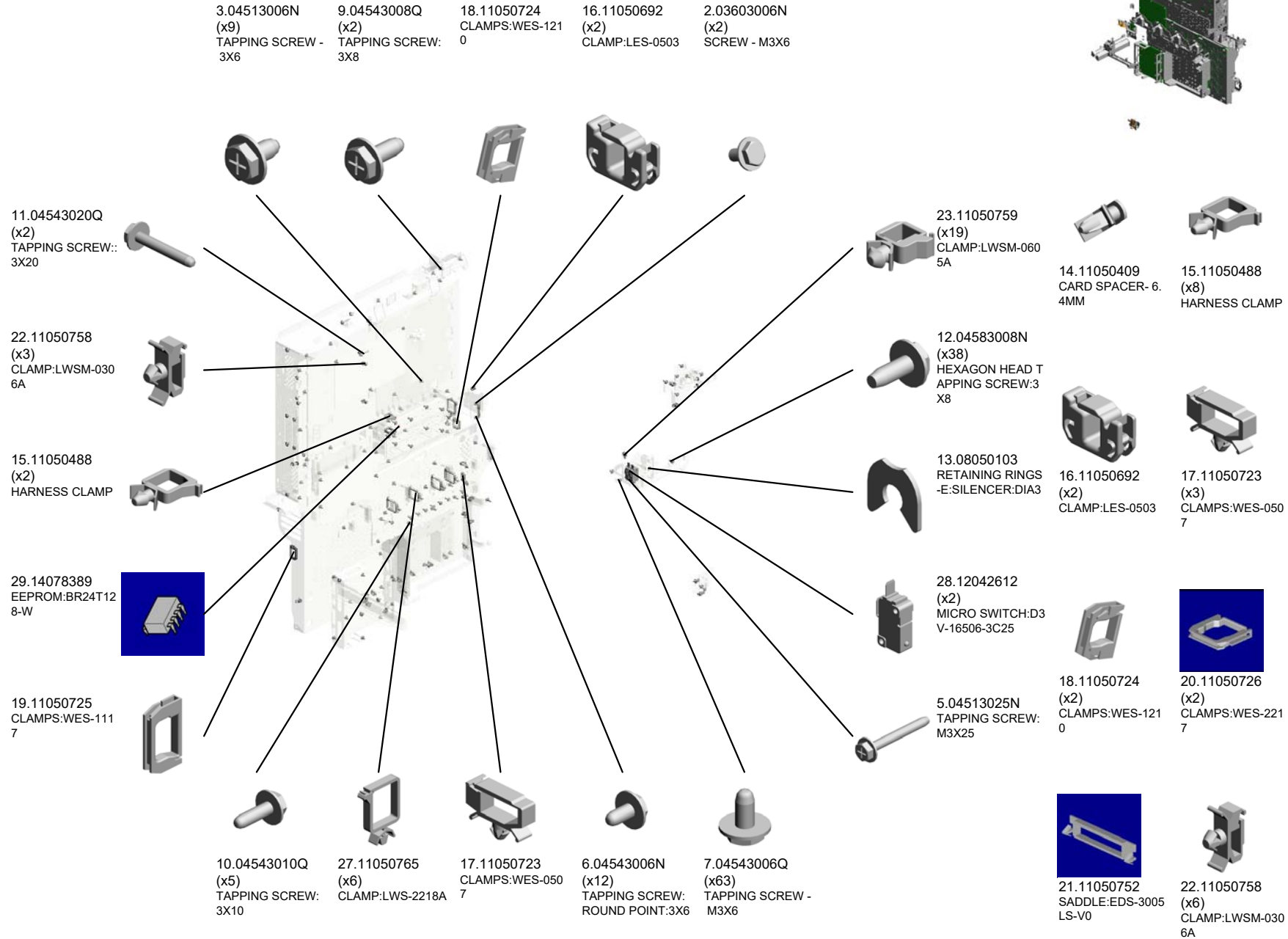


52.D2411357
DRIVE UNIT:FUSING/PAPER EXIT UNIT:ASSY



U001	U002	U003	U004	U005	U006	U007	U008	U009	U010	U011	U012	U013	U014	U015	U016	U017	U018
------	------	------	------	------	------	------	------	------	------	------	------	------	------	------	------	------	------

U015 ELECTRICAL



U015 ELECTRICAL

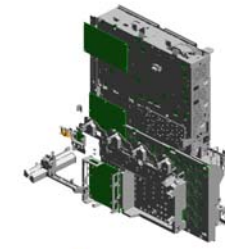
35.AA161167
(x4)
BUSHING:HDD

36.AX640236
FAN:MM60X15

39.AZ320197
POWER PACK:TTS
:H

40.AZ320216
POWER PACK:CB:
H

30.16072525
FERRITE CORE:K3
FF 35.00X14.60X7.
70X1.40



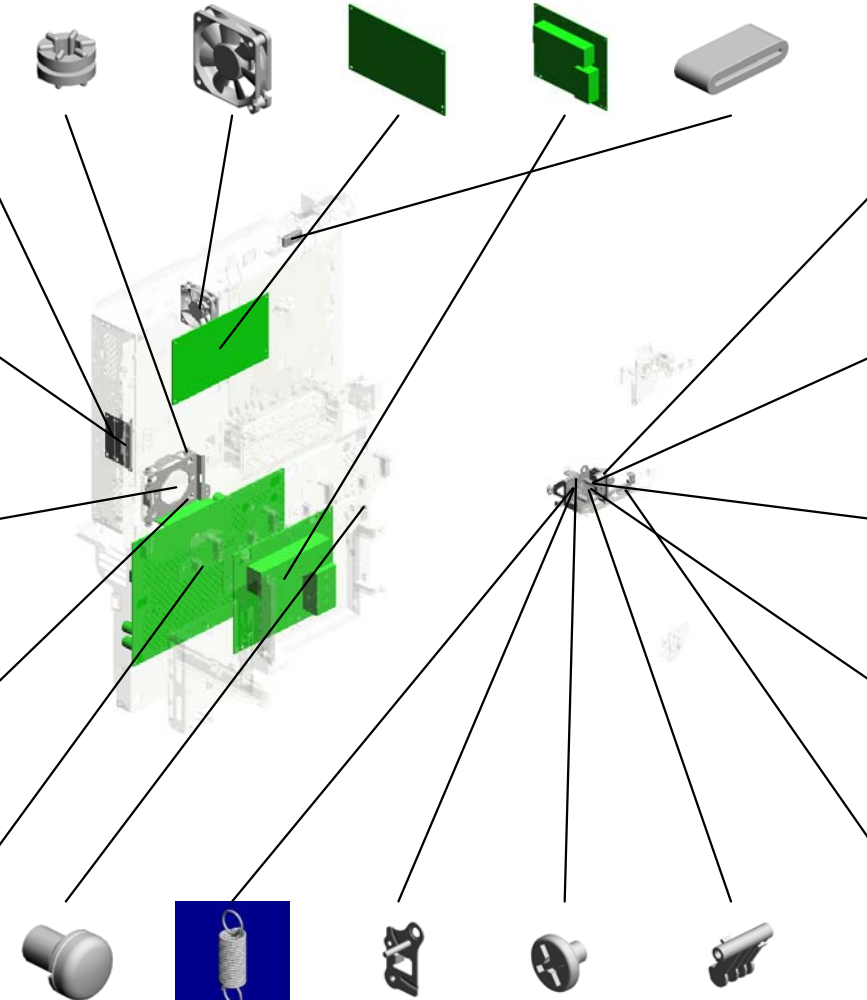
43.D0895887
(x2)
PANEL:INTERFAC
E

42.D0895824
COVER:SD-CARD:
D086/D087

45.D1465786
BRACKET:HDD

34.AA143848
(x4)
STEPPED SCREW
- M3

37.AZ240315
(x2)
(NA)(TWN(D240,D2
42)):DC POWER S
UPPLY
201705-05 X/O



33.AA143592
SCREW- M4X6

32.AA061128
TENSION SPRING:
SAFETY SWITCH:R
IGHT

46.D1495703
BRACKET:MICRO
SWITCH

41.B2231317
(x3)
SCREW

48.D1495713
ARM:SAFETY SWI
TCH:FRONT

31.AA061127
(x2)
TENSION SPRING:
SAFETY SWITCH:F
RONT

49.D1495714
SHAFT:ARM:SAFE
TY SWITCH

47.D1495711
BRACKET:ARM:SA
FETY SWITCH:FR
ONT

50.D1495717
BASE:SAFETY SWI
TCH

44.D1421805
(x2)
SHAFT:SCALE

23.11050759
(x36)
CLAMP:LWSM-060
5A

24.11050760
(x37)
CLAMP:LWSM-051
1A

25.11050762
(x13)
CLAMP:LWS-0711A

26.11050764
(x7)
CLAMP:LWS-1316A

27.11050765
(x6)
CLAMP:LWS-2218A

1.03530060N (x 1)
BIND SCREW - M3X6
3.04513006N (x 6)
TAPPING SCREW - 3X6

U015 ELECTRICAL

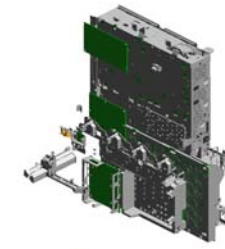
64.D2395899
CAP:HELM

62.D2395884
BRACKET:BCU

63.D2395898
BRACKET:HELM

61.D2395883
GROUND PLATE:BCU

55.D1495810
BRACKET:RACK:UPPER



54.D1495776
COVER:USB:SMALL

58.D2385682
(D240);PCB:SERVICE
201704-01 O/O

59.D2385683
(EU);(D241);PCB:SERVICE
201702-03 O/O

60.D2385684
(D242);PCB:SERVICE
201704-02 O/O

66.D2415112
PCB:IOB:ENGINE

57.D1495824
COVER:CONNECTOR:HEATER:0.4MM

53.D1495742
COVER:HARNESS:OPTICAL WRITING UNIT

56.D1495818
SPACER:FFC

70.D2415764
COVER:POWER PACK:CB

71.D2415765
CASE:POWER PACK:CB

68.D2415192
PCB:MSENS2

67.D2415190
(x2)
PCB:MSENS1

51.D1495718
TORSION SPRING:SAFETY SWITCH

52.D1495726
LEVER:SAFETY SWITCH:RIGHT

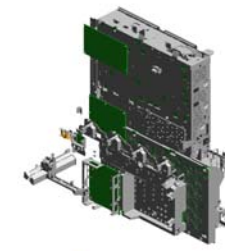
69.D2415737
BRACKET:MAIN SWITCH

4.04513008N (x14)
TAPPING SCREW - M3X8
6.04543006N (x 4)
TAPPING SCREW:ROUND POINT:3X6
7.04543006Q (x23)
TAPPING SCREW - M3X6
8.04543008N (x 2)
TAPPING SCREW:ROUND POINT:3X8

12.04583008N (x 3)
HEXAGON HEAD TAPPING SCREW:3X8

U015 ELECTRICAL

74.D2415801 COVER:RACK:REA
R
76.D2415803 GUIDE:HARNESS:
C/T BOX
72.D2415796 RACK:MIDDLE
75.D2415802 GUIDE:FFC:SCANN
ER
73.D2415800 RACK:RIGHT:AUXI
LIARY



77.D2415817
GUIDE:FFC:2

78.D2415831
(x4)
CAP:GUIDE:WIRE

80.D2415841
BASE:GUIDE:WIRE

88.D2415856
WIRE:CHARGE:Y

79.D2415832
(x4)
CAP:GUIDE:COIL S
PRING

89.D2415857
WIRE:DEVELOPME
NT:Y

90.D2415875
(x4)
WIRE:CHARGE:CB

87.D2415855
WIRE:DEVELOPME
NT:M

81.D2415842
COVER:GUIDE:WI
RE

91.D2415876
WIRE:DEVELOPME
NT:CB:K

82.D2415850
WIRE:CHARGE:K

83.D2415851
WIRE:DEVELOPME
NT:K

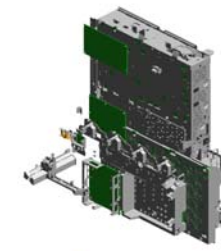
84.D2415852
WIRE:CHARGE:C

85.D2415853
WIRE:DEVELOPME
NT:C

86.D2415854
WIRE:CHARGE:M

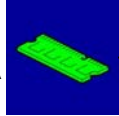
U001	U002	U003	U004	U005	U006	U007	U008	U009	U010	U011	U012	U013	U014	U015	U016	U017	U018
------	------	------	------	------	------	------	------	------	------	------	------	------	------	------	------	------	------

U015 ELECTRICAL



- 104.D0AD5682 (D0AE):PCB:CTL:SERVICE 201703-02
- 105.D0AD5683 (x2) (D0AF-NA/EU):PCB:CTL:SERVICE 201703-03
- 96.D0AG5114 BCU:TYPE-H3:ASS'Y 201705-03 X/O
- 100.D2425646 PCB:IMAGE PROCESSING UNIT_CDE
- 95.D2415889 SPRING PLATE:IMAGE PROCESSING UNIT

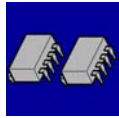
99.D2425605 (EU/NA(-17)/AA/KOR/TWN/CHN):PCB:DDR3-DIMM:2GB:ASS'Y



106.D0AD5684 (D0AG):PCB:CTL:SERVICE 201703-04



101.D2429591 NVRAM



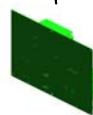
103.M4445201 HDD:320GB:AQUARIUS



108.D2415110 PCB:IOB:TRANSPORT 201707-01 O/O



107.AZ240317 (x3) (EU/AA/KOR/CHN):DC POWER SUPPLY 201706-03 X/O



92.D2415877 WIRE:DEVELOPMENT:CB:C



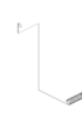
102.D2445730 PCB:DCSW



93.D2415878 WIRE:DEVELOPMENT:CB:M



94.D2415879 WIRE:DEVELOPMENT:CB:Y



98.D2425186 (x3) (EU/AA/KOR/CHN):AC CONTROL BOARD

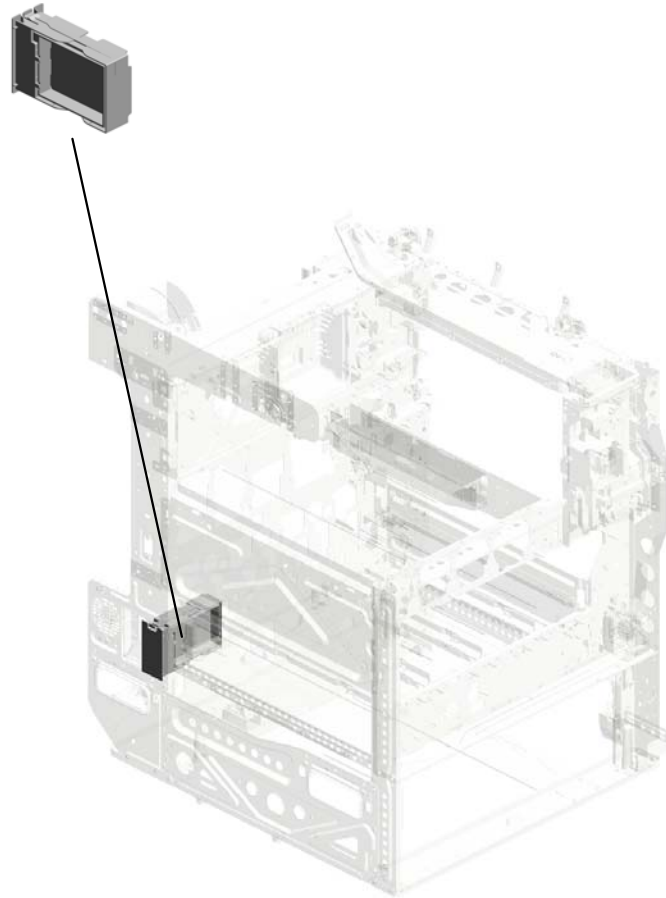


97.D2425184 (x2) (NA)(TWN(D240,D242)):AC CONTROL BOARD



U016.MAIN FRAME

U016 S001
D1497935
CASE:FILTER:ASSY



U001	U002	U003	U004	U005	U006	U007	U008	U009	U010	U011	U012	U013	U014	U015	U016	U017	U018
------	------	------	------	------	------	------	------	------	------	------	------	------	------	------	------	------	------

U016 MAIN FRAME

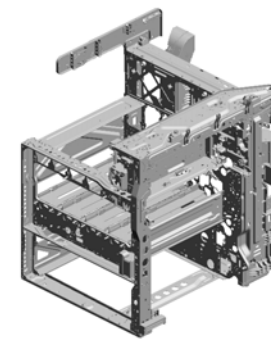
10.AX640199
(x2)
FAN:MM80:25MM:D
C 2.16W

6.04543008Q
(x3)
TAPPING SCREW:
3X8

16.D1175303
THERMISTOR

5.04543006Q
(x7)
TAPPING SCREW -
M3X6

3.04533008N
BINDING SELF TAP
PING SCREW:3X8



9.11050764
CLAMP:LWS-1316A

4.04543006N
(x2)
TAPPING SCREW:
ROUND POINT:3X6

1.04503025N
(x2)
TAPPING SCREW:
3X25

13.AX660015
DC FAN MOTOR:SI
ROCCO:DC24V:PW
M

12.AX640236
FAN:MM60X15

22.D1497931
DUCT:DEVELOPM
ENT:EXHAUST

21.D1497923
DUCT:DEVELOPM
ENT:RIGHT LOWE
R

8.08025328
(x2)
HEXAGON HEAD T
APPING SCREW:3
X40

20.D1497922
COVER:FAN:DEVE
LOPMENT:RIGHT L
OWER

15.B2381089
COVER - POSITIO
NING PIN

11.AX640219
(x5)
DC FAN MOTOR:D
C24V:MM60:25MM

14.B2381088
COVER - CONNEC
TOR

18.D1491099
(x2)
COVER:GRIP:LEFT

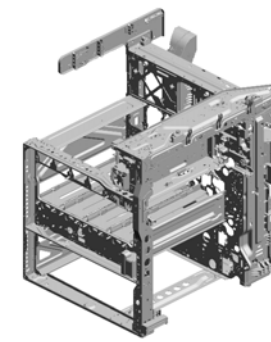
7.04583008N
(x13)
HEXAGON HEAD T
APPING SCREW:3
X8

19.D1491338
GUIDE PLATE:PAP
ER FEED TABLE:F
RONT

2.04503035N
(x2)
TAPPING SCREW:
3X35

U001	U002	U003	U004	U005	U006	U007	U008	U009	U010	U011	U012	U013	U014	U015	U016	U017	U018
------	------	------	------	------	------	------	------	------	------	------	------	------	------	------	------	------	------

U016 MAIN FRAME



27.D1497952 DUCT:SUPPLY:B
 30.D1497955 DUCT:SUPPLY:FAN:UPPER
 31.D1497956 DUCT:SUPPLY:FAN:LOWER
 42.D2417941 DUCT:EXHAUST:UPPER:A
 43.D2417942 DUCT:EXHAUST:UPPER:B

35.D1497972 DUCT:EXHAUST:REAR:B

36.D1497973 DUCT:EXHAUST:REAR:C

26.D1497951 DUCT:SUPPLY:A

34.D1497971 DUCT:EXHAUST:REAR:A

37.D1497981 DUCT:POWER SUPPLY UNIT:EXHAUST

39.D1497983 BRACKET:FAN:POWER SUPPLY UNIT
 38.D1497982 DUCT:POWER SUPPLY UNIT
 23.D1497932 DUCT:PCU:EXHAUST
 32.D1497957 DUCT:DRIVE:COOLING:A
 40.D1497986 GUIDE:THERMISTOR

44.D2417943 DUCT:EXHAUST:UPPER:C

41.D1501095 BRACKET:POSITIONING:FUSING UNIT:M3

33.D1497958 DUCT:DRIVE:COOLING:B

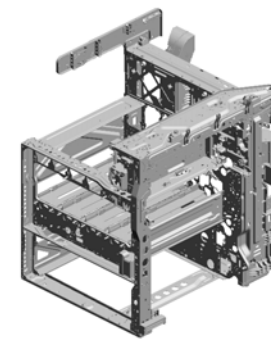
29.D1497954 DUCT:SUPPLY:D

28.D1497953 DUCT:SUPPLY:C

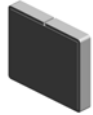
U001	U002	U003	U004	U005	U006	U007	U008	U009	U010	U011	U012	U013	U014	U015	U016	U017	U018
------	------	------	------	------	------	------	------	------	------	------	------	------	------	------	------	------	------

U016 MAIN FRAME

45.D2417944
DUCT:EXHAUST:U
PPER:D



46.D2417945
DEODORIZE FILTE
R



48.D2417984
DUCT:DEVELOPM
ENT:REAR:B

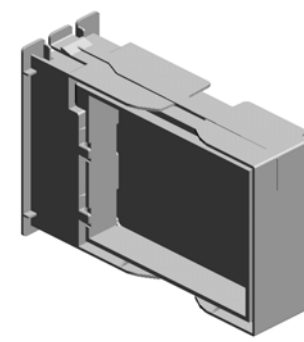


47.D2417983
DUCT:DEVELOPM
ENT:REAR:A

U001	U002	U003	U004	U005	U006	U007	U008	U009	U010	U011	U012	U013	U014	U015	U016	U017	U018
------	------	------	------	------	------	------	------	------	------	------	------	------	------	------	-------------	------	------

U016_S001
CASE:FILTER:ASS'Y

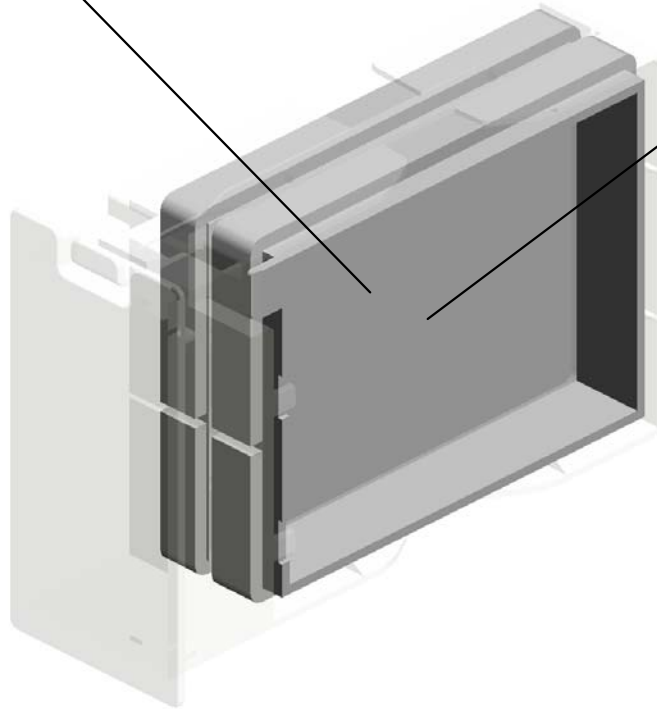
25.D1497938
OZONE FILTER



24.D1497935
CASE:FILTER:ASS'
Y



17.D1477937
FILTER:PREVENTF
ENCE:10



U001	U002	U003	U004	U005	U006	U007	U008	U009	U010	U011	U012	U013	U014	U015	U016	U017	U018
------	------	------	------	------	------	------	------	------	------	------	------	------	------	------	------	------	------

U017 OPTION

8.D3BR2201
(x2)
(NA)(TWN(D240,D242)):HEATER:PHOTOCONDUCTOR:ASSY
201705-06 X/O

1.D2380071
(x2)
(NA)(TWN(D240,D242)):HEATER:SCANNER:120V:ASSY

2.D2380072
(x3)
(EU/AA/KOR/CHN):HEATER:SCANNER:220/240V:ASSY

9.D3BR2202
(x3)
(EU/AA/KOR/CHN):HEATER:PHOTOCONDUCTOR:ASSY
201705-07 X/O

3.D2386630
(x2)
(NA)(TWN(D240,D242)):HEATER:PAPER TRAY:120V:ASSY

4.D2386640
(x3)
(EU/AA/KOR/CHN):HEATER:PAPER TRAY:220/240V:ASSY

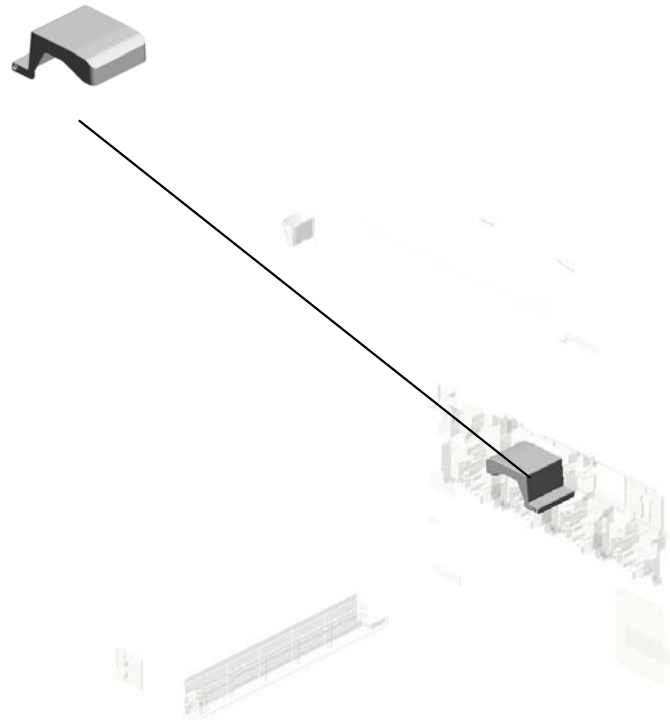
5.D2386650
(x5)
PCB:DHB:ASSY

6.D2386661
(x2)
(NA)(TWN(D240,D242)):HEATER:PAPER TRAY:ELECTRICAL COMPONENTS SECTION:ASSY

7.D2386662
(x3)
(EU/AA/KOR/CHN):HEATER:PAPER TRAY:ELECTRICAL COMPONENTS SECTION:ASSY

U018.ACCESSORIES

U018 S001
D2414472
END FENCE:TRAY:EXIT:ASS'
Y



U001	U002	U003	U004	U005	U006	U007	U008	U009	U010	U011	U012	U013	U014	U015	U016	U017	U018
------	------	------	------	------	------	------	------	------	------	------	------	------	------	------	------	------	------

U018 ACCESSORIES

25.D1496766 (x3)
(EU/NA/AA/KOR):DECAL:CAUTION:ORIGINAL:ENGLISH

26.D1496767 (CHN):DECAL:CAUTION:ORIGINAL:CHINESE

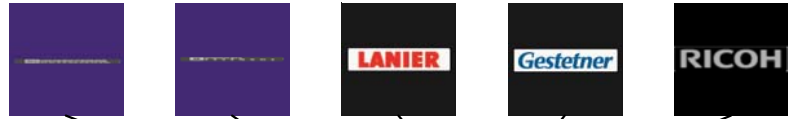
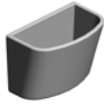
13.D1201556 (AA/KOR):SHEET:LOGO:LAN

14.D1201557 (x2)
(AA/KOR/CHN(-22)):SHEET:LOGO:GESTETNER

21.D1491553 (EU/NA/AA/KOR/TWN):SHEET:LOGO:RICOH



16.D2581317
HOLDER:GLASS:CLEANER:ASS'Y
201610-01 O/O



27.D1496768 (TWN):DECAL:CAUTION:ORIGINAL:TAIWAN



28.D1496851 (x2)
(NA/AA/KOR):DECAL:MAIN SWITCH:ON-STANDBY:ENGLISH



29.D1496852 (x3)
(EU/TWN/CHN):DECAL:MAIN SWITCH:ON-STANDBY



15.D1491264
CAP:ROCKER SWITCH



10.AA001565 (AA/KOR):PLATE:LOGOTYPE:LAN



11.AA001567 (x2)
(AA/KOR/CHN(-22)):PLATE:LOGOTYPE:GESTETNER



22.D1494390 (x2)
(NA/AA/KOR):DECAL:CAUTION:INKJET
201611-04



23.D1496667 (CHN):DECAL:CAUTION:INKJET
201611-05



24.D1496668 (TWN):DECAL:CAUTION:INKJET
201611-06



17.D1491321 (x4)
(EU/NA/AA/KOR/TWN):DECAL:TONE R BOTTLE:BLACK



18.D1491322 (x4)
(EU/NA/AA/KOR/TWN):DECAL:TONE R BOTTLE:C



9.AA001564 (EU/NA/AA/KOR/TWN/CHN(-21)):PLATE:LOGOTYPE:RICOH



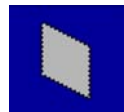
19.D1491323 (x4)
(EU/NA/AA/KOR/TWN):DECAL:TONE R BOTTLE:M



20.D1491324 (x4)
(EU/NA/AA/KOR/TWN):DECAL:TONE R BOTTLE:YELLOW



8.16072470 (x3)
(EU/AA/KOR/CHN):FERRITE CORE:G RFC-10



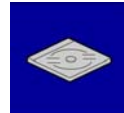
12.B0651374 CLOTH - DF EXPOSURE GLASS



32.D2197454 (x3)
(NA/AA/KOR/TWN):CAUTION CHART



41.D2417852 (EU):CD-ROM:DRIVER:ASS'Y



47.D2447854 (CHN):CD-ROM:DRIVER:ASS'Y



50.D3B06303 (x4)
(EU(D24065/D24066/D24165/D24166/D24227/D24266/D0AE65/D0AE66/D0AF65/D0AF66/D0AG27/



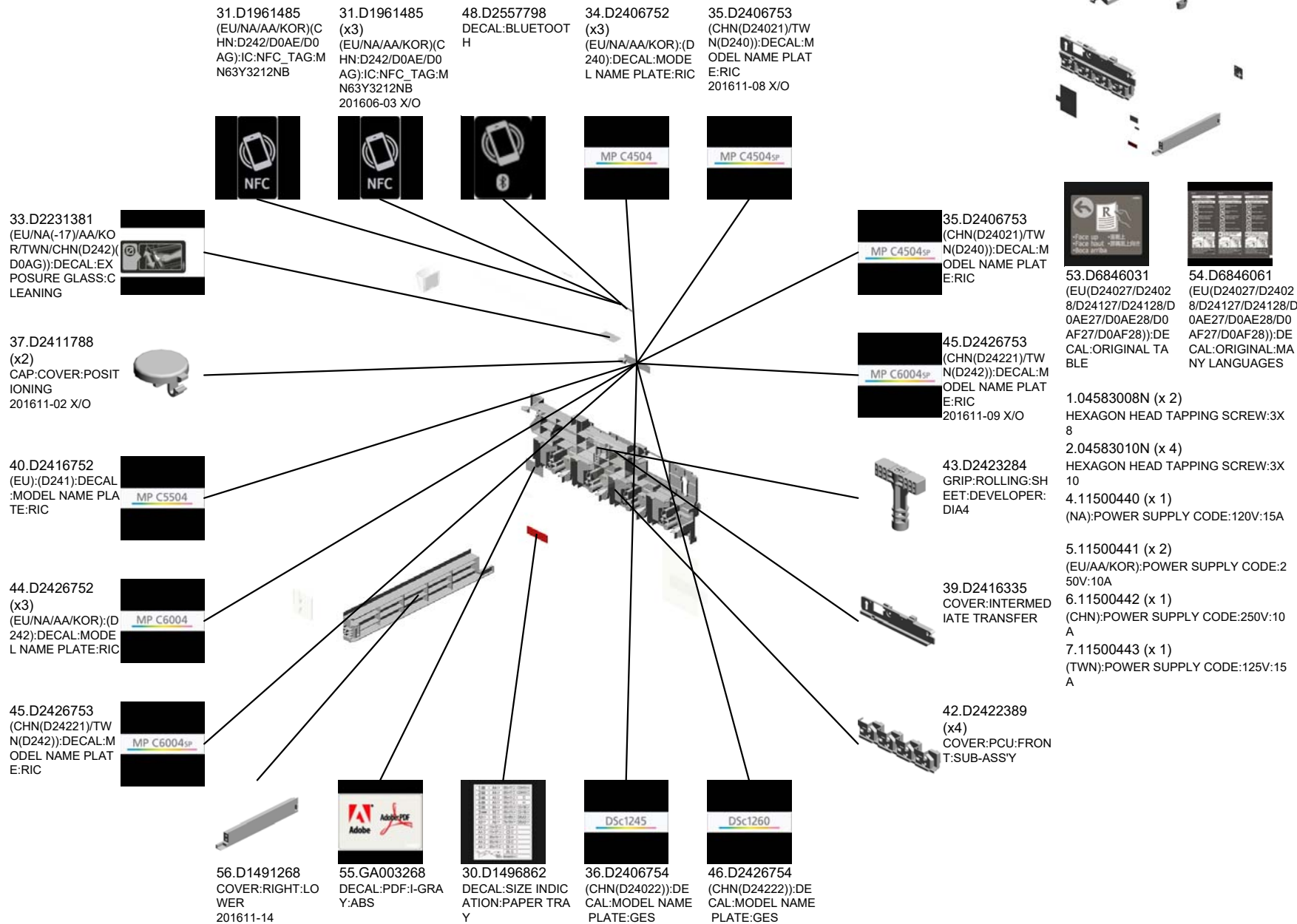
51.D3B06304 (CHN):(D240/D0AG):DECAL:CAUTION:ORIGINAL



52.D6836031 (EU(D24065/D24066/D24165/D24166/D24227/D24266/D0AE65/D0AE66/D0AF65/D0AF66/D0AG27/D0AG66)/NA/AA/KO

U001	U002	U003	U004	U005	U006	U007	U008	U009	U010	U011	U012	U013	U014	U015	U016	U017	U018
------	------	------	------	------	------	------	------	------	------	------	------	------	------	------	------	------	------

U018 ACCESSORIES

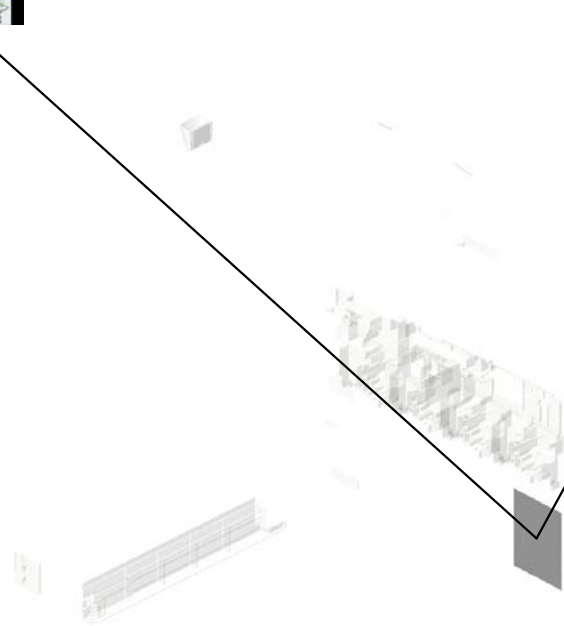
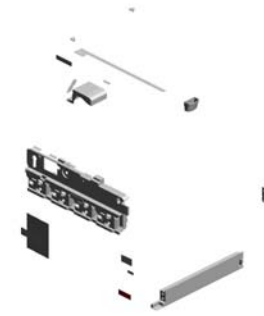


U018 ACCESSORIES

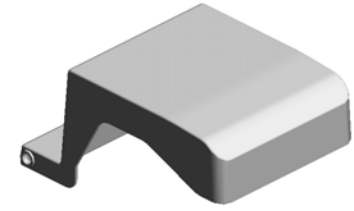
57.M0AJ6870
(CHN):(D240/D242/
D0AE/D0AG)DECA
L:INKJET:MULTI-LA
NGUAGE:CH
201611-07



58.M0AJ6871
(TWN):DECAL:INKJ
ET:MULTI-LANGUA
GE
201704-03



U018_S001
END FENCE:TRAY:EXIT:ASS'Y



38.D2414472
END FENCE:TRAY:
EXIT:ASS'Y



3.08050103
RETAINING RINGS
-E:SILENCER:DIA3

U001	U002	U003	U004	U005	U006	U007	U008	U009	U010	U011	U012	U013	U014	U015	U016	U017	U018
------	------	------	------	------	------	------	------	------	------	------	------	------	------	------	------	------	------

SPECIAL TOOLS



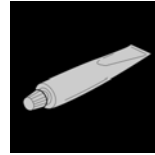
1.52039502
Silicon Grease G-501



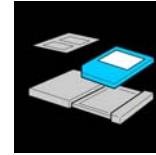
2.A0929503
C4 Color Test Chart (3 pcs/set)



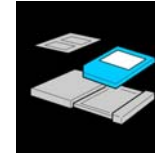
3.A1849501
Scanner Positioning Pin (2pcs/set)



4.A2579300
Grease Barrierta S552R



5.B6455020
SD Card (1GB)



6.B6455060
SD Card (16GB)



7.C4019503
20X Magnification Scope



8.VSSG9002
FLUOTRIBO MG GREASE: 100G

Exclusive Parts

Number	Part Name	Group	ID
52039502	Silicon Grease G-501	SPECIAL TOOLS	1
52062686	SNAP RING	U001	5
		U005_S004	12
		U005_S005	12
52152621	SNAP RING - M6	U009	7
		U013	18
54472681	SNAP RING	U009	8
		U013	19
A0929503	C4 Color Test Chart (3 pcs/set)	SPECIAL TOOLS	2
A1849501	Scanner Positioning Pin (2pcs/set)	SPECIAL TOOLS	3
A2324666	CUSHION - STEPPER MOTOR	U012_S001	12
A2501752	EXPOSURE GLASS	U003	17
A2579300	Grease Barrierta S552R	SPECIAL TOOLS	4
AA001564	(EU/NA/AA/KOR/TWN/CHN(-21)):PLATE:LOGOTYPE:RIC	U018	9
AA001565	(AA/KOR):PLATE:LOGOTYPE:LAN	U018	10
AA001567	(AA/KOR/CHN(-22)):PLATE:LOGOTYPE:GES	U018	11
AA021031	MAGNETIC CATCH	U001	6
AA043000	SYNCHRONOUS BELT:40S3M192	U014_S003	17
AA043623	TIMING BELT - B40S2M180	U014_S003	18
AA043777	SYNCHRONOUS BELT:80S3M213	U014_S004	19
AA043980	TIMING BELT:30S2M300	U013_S001	20
AA061127	TENSION SPRING:SAFETY SWITCH:FRONT	U015	31
AA061128	TENSION SPRING:SAFETY SWITCH:RIGHT	U015	32
AA061207	TENSION SPRING:BRACKET:IDLER	U011	19
AA061208	TENSION SPRING:STRIPPER PLATE	U011_S001	20
		U011_S002	20
		U011_S003	20
		U011_S004	20
		U011_S005	20
AA061209	TENSION SPRING:GATE PAWL	U011_S001	21
		U011_S002	21
		U011_S003	21
		U011_S004	21

Number	Part Name	Group	ID
		U011_S005	21
AA061211	TENSION SPRING:HOLDER:FUSING EXIT	U011_S001	22
		U011_S002	22
		U011_S003	22
		U011_S004	22
		U011_S005	22
AA063732	COMPRESSION SPRING:PRESSURE ROLLER	U011_S002	23
		U011_S003	23
		U011_S004	23
		U011_S005	23
AA063942	COMPRESSION SPRING:REGISTRATION:DRIVE	U009	9
AA063943	COMPRESSION SPRING:GUIDE PLATE:REGISTRATION:4N	U009	10
AA080252	BUSHING - M4	U012_S001	13
AA080346	BUSHING:FLANGE TYPE:DIA6	U009	11
		U014_S002	20
		U014_S003	20
AA080387	PLAIN SHAFT BEARING:EXIT ROLLER:FUSING EXIT:RIGHT:FRONT	U011_S001	24
		U011_S002	24
		U011_S003	24
		U011_S004	24
		U011_S005	24
AA080388	PLAIN SHAFT BEARING:EXIT ROLLER:FUSING EXIT:RIGHT:REAR	U011_S001	25
		U011_S002	25
		U011_S003	25
		U011_S004	25
		U011_S005	25
AA082101	BUSHING - 6X10X6	U008	8
AA082144	BUSHING - 8X12X7	U009	12
AA082170	PLAIN SHAFT BEARING:DIA4XDIA8X5:EG-1	U012_S001	14
		U013_S001	21
		U014_S003_S001	21
AA082171	PLAIN SHAFT BEARING:6X10X6	U013_S001	22
AA082173	PLAIN SHAFT BEARING:6X10X6	U005	13
		U005_S004	13
		U005_S004_S001	13
		U005_S005	13

Exclusive Parts

Number	Part Name	Group	ID
		U005_S005_S001	13
		U012_S001	15
		U013_S001	23
		U014_S003_S001	22
		U014_S004	22
AA082174	PLAIN SHAFT BEARING:6X10X9	U005_S004	14
		U005_S005	14
AA082175	PLAIN SHAFT BEARING:8X12X7	U005	15
		U014_S002	23
AA082187	BUSHING:DIA6XDIA10X9:EG-1	U013_S001	24
AA083014	ONE-WAY CLUTCH	U013_S001	25
AA083018	ROLLER CLUTCH - 6X14X10	U013_S001	26
AA100014	RETAINING RING C - SEPARATE	U005_S004	16
		U005_S005	16
		U013_S001	27
AA100016	RETAINING RINGS-C:DIA3	U011_S001	26
		U011_S002	26
		U011_S003	26
		U011_S004	26
		U011_S005	26
AA100018	STEPPED SCREW:FIX:FUSING	U011_S001	27
		U011_S002	27
		U011_S003	27
		U011_S004	27
		U011_S005	27
AA132208	SPACER - M6	U008_S001	9
AA143219	STEPPED SCREW	U011	28
AA143537	SCREW:M3:BLACK	U001	7
		U003	18
AA143579	SCREW - M3	U013_S001	28
AA143592	SCREW- M4X6	U015	33
AA143595	STEPPED SCREW:M3	U001	8
AA143807	SCREW:A	U013_S001	29
AA143848	STEPPED SCREW - M3	U015	34
AA148871	SHAFT:GEAR:IDLER:WORM GEAR	U011	29
AA161167	BUSHING:HDD	U015	35
AB010156	GEAR:SEPARATE:DRIVE	U013_S001	30
AB010157	GEAR:SEPARATE:DRIVEN	U013_S001	31

Number	Part Name	Group	ID
AB011252	GEAR - 20Z	U013_S001	32
AB011571	GEAR:Z19:DRIVE:REGISTRATION	U009	13
AB011572	GEAR:Z19:DRIVEN:REGISTRATIO N	U005	17
AB011573	GEAR:REGISTRATION:NO.2	U005	18
AB012099	GEAR:ON-OFF:PRESSURE ROLLE R	U011_S001	30
		U011_S002	30
		U011_S003	30
		U011_S004	30
		U011_S005	30
AB012102	GEAR:IDLER:WORM GEAR	U011	31
AB012104	GEAR:IDLER:LIGHT SHIELDING PL ATE	U011	32
AB012107	GEAR:IDLER:EXIT:FUSING EXIT:1	U011_S001	33
		U011_S002	33
		U011_S003	33
		U011_S004	33
		U011_S005	33
AB012108	GEAR:IDLER:EXIT:FUSING EXIT:2	U011_S002	34
		U011_S003	34
		U011_S004	34
		U011_S005	34
AB012109	GEAR:IDLER:EXIT:FUSING EXIT:3	U011_S002	35
		U011_S003	35
		U011_S004	35
		U011_S005	35
AB012110	GEAR:EXIT ROLLER:FUSING EXIT: RIGHT	U011_S001	36
		U011_S002	36
		U011_S003	36
		U011_S004	36
		U011_S005	36
AB012111	GEAR:PRESSURE ROLLER:EXIT	U011_S001	37
		U011_S002	37
		U011_S003	37
		U011_S004	37
		U011_S005	37
AB012116	GEAR:DRIVE:FUSING UNIT	U011_S002	38
		U011_S003	38

Exclusive Parts

Number	Part Name	Group	ID
		U011_S004	38
		U011_S005	38
AB012117	GEAR:IDLER:PRESSURE ROLLER	U011_S002	39
		U011_S003	39
		U011_S004	39
		U011_S005	39
AB012118	GEAR:PRESSURE ROLLER	U011_S001	40
		U011_S002	40
		U011_S003	40
		U011_S004	40
		U011_S005	40
AE020238	PRESSURE ROLLER:DIA32	U011_S001	41
		U011_S002	41
		U011_S003	41
		U011_S004	41
		U011_S005	41
AE030074	BALL BEARING:DIA17XDIA26X5	U011_S001	42
		U011_S002	42
		U011_S003	42
		U011_S004	42
		U011_S005	42
AF013006	BOTTOM PLATE PAD	U005_S006_S004	19
		U005_S007_S002	19
AF013016	BOTTOM PLATE PAD	U013_S001_S001	33
AF030049	PICK-UP ROLLER	U013_S001	34
AF030094	PAPER FEED ROLLER:PICKUP	U005_S004	20
		U005_S005	20
AF031046	FEED ROLLER - MANUAL FEED	U013_S001	35
AF031094	PAPER FEED ROLLER:FEED	U005_S004	21
		U005_S005	21
AF032046	SEPARATION ROLLER - MANUAL FEED	U013_S001	36
AF032094	PAPER FEED ROLLER:SEPARATE	U005_S004	22
		U005_S005	22
AF040571	GUIDE ROLLER	U012_S001	16
AG070513	MAGNET CATCH	U001	9
AG070514	MAGNET CATCH	U010	9
AW010147	PHOTO REFLECTION SENSOR	U012_S001	17

Number	Part Name	Group	ID
AW010155	ORIGINAL SENSOR:66MM:3.3V	U003	19
AW010200	PAPER FEED SENSOR:FUSING EX IT	U009_S001	14
AW020190	PHOTOINTERRUPTOR	U011	43
AW020198	PHOTOINTERRUPTOR:LG2A14NL 1	U010	10
		U013_S001	37
AW020203	PHOTOINTERRUPTOR:GP1A173L CS2F	U013_S001	38
		U013_S001_S001	38
AW020207	PHOTOINTERRUPTOR:FLAT:PICH 2MM:M4	U003	20
AW020224	PHOTOINTERRUPTOR:GP1A173L CSVF	U005_S004	23
		U005_S005	23
		U008	10
		U009	15
		U012_S001	18
AW100180	NON-CONTACT TYPE THERMISTOR:FUSING	U011_S002	44
		U011_S003	44
		U011_S004	44
		U011_S005	44
AW100181	THERMISTOR:PRESSURE:FRONT	U011_S001	45
		U011_S002	45
		U011_S003	45
		U011_S004	45
		U011_S005	45
AW100182	THERMISTOR:PRESSURE:MIDDLE	U011_S001	46
		U011_S002	46
		U011_S003	46
		U011_S004	46
		U011_S005	46
AW100183	THERMOPILE	U011	47
AW110111	THERMOSTAT:MIDDLE	U011_S002	48
		U011_S003	48
		U011_S004	48
		U011_S005	48
AW110112	THERMOSTAT:REAR	U011_S002	49
		U011_S003	49
		U011_S004	49
		U011_S005	49

Exclusive Parts

Number	Part Name	Group	ID
AW140026	TEMPERATURE & HUMIDITY SENSOR	U008	11
AW500039	ROTARY SWITCH:PAPER SIZE SENSOR: CW	U013_S001_S001	39
AW500040	PUSH SWITCH:SW1AG-550:10MA	U005	24
		U010	11
		U013	40
		U013_S001	40
AW500044	PUSH SWITCH:PAPER SIZE SENSOR	U005	25
AX040273	DC MOTOR:RISING TRAY:ASS'Y:1.007W:BRUSH	U005	26
AX060435	DC MOTOR:GEAR:10W:BRUSHLESS	U014_S001	24
AX060464	DC MOTOR:ENCODER:NO:10W:GEAR:BRUSHLESS	U013	41
		U013_S001	41
		U014_S003	25
		U014_S004	25
AX060492	DC POLYGON MIRROR MOTOR	U004_S001	2
AX061001	DC BRUSHLESS MOTOR:40W:NMB	U014	26
AX061101	DC BRUSHLESS MOTOR:25W:NMB	U014	27
AX061201	DC BRUSHLESS MOTOR:25W:NID:DEVELOPMENT:BLACK	U014	28
AX061202	DC BRUSHLESS MOTOR:25W:NID:FUSING UNIT	U014_S004	29
AX640199	FAN:MM80:25MM:DC 2.16W	U016	10
AX640219	DC FAN MOTOR:DC24V:MM60:25MM	U016	11
AX640236	FAN:MM60X15	U015	36
		U016	12
AX660015	DC FAN MOTOR:SIROCCO:DC24V:PWM	U016	13
AZ240315	(NA)(TWN(D240,D242)):DC POWER SUPPLY	U015	37
AZ240317	(EU/AA/KOR/CHN):DC POWER SUPPLY	U015	107

Number	Part Name	Group	ID
AZ320197	POWER PACK:TTS:H	U015	39
AZ320216	POWER PACK:CB:H	U015	40
B0651374	CLOTH - DF EXPOSURE GLASS	U018	12
B2231099	FLAT SCREW	U013_S001_S001	42
B2231317	SCREW	U015	41
B2233241	SPRING:SHUTTER:PUMP UNIT	U006	11
B2234552	BUSHING:DIA4	U013_S001	43
B2236069	JOINT:DRIVE:INTERMEDIATE TRANSFER	U008_S001	12
B2236476	BUSHING - DIA5	U010	12
B2342864	PAD:CLEANER	U005_S006_S001	27
		U005_S006_S002	27
		U005_S007_S003	27
		U005_S007_S004	27
B2381088	COVER - CONNECTOR	U016	14
B2381089	COVER - POSITIONING PIN	U016	15
B6455020	SD Card (1GB)	SPECIAL TOOLS	5
B6455060	SD Card (16GB)	SPECIAL TOOLS	6
B8303504	TIMING BELT - 40S2M100	U005_S004	28
		U005_S005	28
C4019503	20X Magnification Scope	SPECIAL TOOLS	7
D0092573	PULLEY - VERTICAL TRANSPORT	U013_S001	44
D0092574	PULLEY - IDLER	U013_S001	45
D0094407	FEELER - OVERFLOW	U012_S001	19
D0094455	CUSHION - DC SOLENOID	U012	20
		U012_S001	20
		U013_S001	46
D0094485	BUSHING - GATE	U013_S001	47
D0094487	COMPRESSION SPRING - GATE	U013_S001	48
D0292677	TRANSPORT BELT:DRIVEN:VERTICAL TRANSPORT	U013_S001	49
D0392993	SHAFT:TRANSPORT BELT:PULLEY	U013_S001	50
D0394525	COMPRESSION SPRING:SHAFT:GUIDE PLATE:EXIT	U013_S001	51
D0394529	STOPPER:GUIDE PLATE:ROLLER:DRIVEN	U013_S001	52
D0394597	TENSION SPRING:DRIVEN ROLLER	U013_S001	53

Exclusive Parts

Number	Part Name	Group	ID
	R		
D0394925	ROLLER:REVERSE:DRIVEN	U012_S001	21
D0394927	COMPRESSION SPRING:PRESSURE:REVERSE:DRIVEN	U012_S001	22
D0892764	GEAR:FEED	U005_S004	29
		U005_S005	29
D0895824	COVER:SD-CARD:D086/D087	U015	42
D0895887	PANEL:INTERFACE	U015	43
D0AC1410	(EU/NA/AA/KOR/TWN):OPERATION PANEL:ASS'Y	U002_S001	16
		U002_S002	16
		U002_S003	16
		U002_S004	16
D0AC1411	(CHN):OPERATION PANEL:ASS'Y	U002_S005	15
D0AC1640	OPTICAL READING UNIT:CARRIAGE:SCANNER	U003_S001	62
D0AD5682	(D0AE):PCB:CTL:SERVICE	U015	104
D0AD5683	(D0AF-NA/EU):PCB:CTL:SERVICE	U015	105
D0AD5684	(D0AG):PCB:CTL:SERVICE	U015	106
D0AG5114	BCU:TYPE-H3:ASS'Y	U015	96
D1124264	DECAL:WARNING (HIGH TEMPERATURE):FUSING	U011_S001	50
		U011_S002	50
		U011_S003	50
		U011_S004	50
		U011_S005	50
D1175303	THERMISTOR	U016	16
D1175916	STEPPED SCREW:M3X8:SECOND KIND	U008	13
D1185170	PCB:DIODE	U009_S001	16
D1201556	(AA/KOR):SHEET:LOGO:LAN	U018	13
D1201557	(AA/KOR/CHN(-22)):SHEET:LOGO:GES	U018	14
D1292783	TORQUE LIMITER MECHANICAL CLUTCH:40MM:DIA18	U005_S004	30
		U005_S005	30
		U013_S001	54
D1421805	SHAFT:SCALE	U015	44
D1441085	STEPPED SCREW:M3	U001	10
D1444183	SCREW:M3	U003	21
D1444484	SHOULDER SCREW - M3	U012_S001	23

Number	Part Name	Group	ID
D1444489	STOPPER:DRIVEN ROLLER	U013_S001	55
D1465786	BRACKET:HDD	U015	45
D1471805	EXPOSURE GLASS:DOCUMENT FEEDER:APPLY	U003	22
D1472734	GUIDE PLATE:SEPARATE	U005_S004	31
		U005_S005	31
D1472737	LEVER:PRESSURE:SEPARATE	U005_S004	32
		U005_S005	32
D1472738	LINK:RELEASE	U005_S004	33
		U005_S005	33
D1472752	SHAFT:SEPARATE:ASS'Y	U005_S004	34
		U005_S005	34
D1472866	COVER:PAPER TRAY:NO.2	U005_S007	35
D1473269	DRIVE UNIT:TONER BOTTLE:ASS'Y	U006_S001	12
		U006_S002	12
		U006_S003	12
		U006_S004	12
D1473281	HOUSING:TONER CARTRIDGE:BK:ASS'Y	U006_S005	13
D1473282	HOUSING:TONER CARTRIDGE:CMY:ASS'Y	U006_S006	14
		U006_S007	14
		U006_S008	14
D1473287	TRANSPORT SCREW:NOZZLE:BK:ASS'Y	U006	15
D1473288	TRANSPORT SCREW:NOZZLE:CMY:ASS'Y	U006	16
D1473325	TORSION SPRING:STOPPER:TONER CARTRIDGE:4.8N	U006_S005	17
		U006_S006	17
		U006_S007	17
		U006_S008	17
D1477937	FILTER:PREVENTFENCE:10	U016_S001	17
D1482702	SPACER:TRANSPORT ROLLER	U005_S004	36
		U005_S005	36
D1482751	ARM:PRESSURE:SEPARATE	U005_S004	37
		U005_S005	37
D1482755	COIL SPRING:RELEASE:SEPARATE	U005_S004	38
		U005_S005	38
D1484681	BRACKET:MOTOR:PEEN	U013_S001	56

Exclusive Parts

Number	Part Name	Group	ID
D1484690	TORSION SPRING:LINK	U013_S001	57
D1491099	COVER:GRIP:LEFT	U016	18
D1491168	BRACKET:DRIVE:COLLECTION BOTTLE:ASS'Y	U010	13
D1491173	GEAR:IDLER:TONER BOTTLE	U010	14
D1491174	GEAR:COLLECTION BOTTLE	U010	15
D1491194	PULLEY:PAPER FEED:FEED:NO.1:MECHANICAL ROLLER CLUTCH	U014_S003	30
D1491195	GEAR:IDLER:PAPER FEED:FEED	U014_S003	31
D1491196	GEAR:PAPER FEED:FEED:NO.2:MECHANICAL ROLLER CLUTCH	U014_S003	32
D1491197	GEAR:IDLER:PAPER FEED:GRIP:NO.1	U014_S003	33
D1491199	DRIVE UNIT:ON-OFF:TRANSFER	U014	34
D1491233	COVER:UPPER:INNER BACK	U001	11
D1491234	COVER:UPPER:INNER BACK:MIDDLE	U001	12
D1491237	COVER:UPPER:INNER BACK:LEFT LOWER	U001	13
D1491243	COVER:FRONT:UPPER:OPERATION SUB-UNIT	U001	14
D1491248	HINGE:COVER:FRONT:USED TONER	U001	15
D1491252	COVER:LEFT:UPPER:REAR	U001	16
D1491257	CAP:34X55	U001	17
D1491264	CAP:ROCKER SWITCH	U018	15
D1491268	COVER:RIGHT:LOWER	U018	56
D1491274	INNER COVER:FRONT:USED TONER	U001	18
D1491278	TORSION SPRING:COVER:USED TONER	U001	19
D1491281	COVER:SCANNER:FRONT	U001	20
D1491291	CAP:HARNESS	U001	21
D1491294	(EU(D24027/D24028/D24066/D24127/D24128/D24165/D24166/D24266/D0AE27/D0AF27)):(CHN(D240)(D0AE)):(CAP:HARNESS:CORNER	U001	22
D1491302	CLEANER:SHIELD GLASS:ASS'Y	U001	23

Number	Part Name	Group	ID
D1491305	CAP:TOTAL COUNTER	U001	24
D1491307	SPRING PLATE:BAND	U001	25
D1491321	(EU/NA/AA/KOR/TWN):DECAL:TONER BOTTLE:BK	U018	17
D1491322	(EU/NA/AA/KOR/TWN):DECAL:TONER BOTTLE:C	U018	18
D1491323	(EU/NA/AA/KOR/TWN):DECAL:TONER BOTTLE:M	U018	19
D1491324	(EU/NA/AA/KOR/TWN):DECAL:TONER BOTTLE:Y	U018	20
D1491338	GUIDE PLATE:PAPER FEED TABLE:FRONT	U016	19
D1491351	DRIVE UNIT:REGISTRATION:ASS'Y	U014_S001	35
D1491352	BRACKET:DRIVE UNIT:REGISTRATION:ASS'Y	U014_S001	36
D1491355	GEAR:REGISTRATION:NO.1	U014_S001	37
D1491387	GROUND PLATE:DRIVE UNIT:ENGINE	U014	38
D1491392	FLANGE:PAPER FEED:FEED	U014_S003	39
D1491394	GROUND PLATE:DRIVE UNIT:FUSING/PAPER EXIT UNIT	U014	40
D1491397	TORQUE LIMITER MECHANICAL CLUTCH:49MM:DIA14	U014_S004	41
D1491553	(EU/NA/AA/KOR/TWN/CHN(-21)):SHEET:LOGO	U018	21
D1491706	SYNCHRONOUS BELT:138ST1.5-4.0	U003	23
D1491798	SEAL:SHEET THROUGH:DOCUMENT FEEDER	U003	24
D1491804	HOLDER:EXPOSURE GLASS:SCANNER	U003	25
D1491833	SHEET:GLASS	U003	26
D1492329	DUCT:GEAR:DEVELOPMENT:ASS'Y	U007_S001	2
		U007_S002	2
		U007_S003	2
		U007_S004	2
D1492557	GUIDE:REGISTRATION:ENTRANCE:REAR	U013_S001	58

Exclusive Parts

Number	Part Name	Group	ID
D1492558	GUIDE:REGISTRATION:ENTRANCE:FRONT	U013_S001	59
D1492562	COLLAR:REGISTRATION ROLLER	U005	40
D1492566	CASE:REMOVE PAPER DUST:ASS'Y	U005	41
D1492576	GUIDE PLATE:REGISTRATION:FRONT LEFT	U005	42
D1492582	GUIDE PLATE:REGISTRATION:FRONT RIGHT	U009	17
D1492584	COLLAR:SHAFT:REGISTRATION ROLLER	U009	18
D1492585	GUIDE:REGISTRATION:REAR RIGHT	U009	19
D1492586	GUIDE:REGISTRATION:FRONT RIGHT	U009	20
D1492612	ROLLER:GRIP:DRIVEN	U013_S001	60
D1492613	SHAFT:GRIP:DRIVEN	U013_S001	61
D1492614	TENSION SPRING:GRIP:PRESSURE	U013_S001	62
D1492619	SHAFT:SEPARATOR:DRIVE:ASS'Y	U013_S001	63
D1492633	SHAFT:FEED:MANUAL FEED	U013_S001	64
D1492635	TRANSPORT ROLLER:MANUAL FEED	U013_S001	65
D1492638	LINK:PAPER STOPPER:MANUAL FEED	U013_S001	66
D1492639	SHAFT:PAPER STOPPER	U013_S001	67
D1492642	SHAFT:LINK:PAPER STOPPER	U013_S001	68
D1492655	FEELER:PAPER END SENSOR	U013_S001	69
D1492656	TORSION SPRING:PAPER END SENSOR	U013_S001	70
D1492658	COVER:PAPER FEED ROLLER	U013_S001	71
D1492686	WIRE:MANUAL FEED TABLE:TC075	U013_S001	72
D1492688	TENSION SPRING:WIRE	U013_S001	73
D1492692	ARM:MANUAL FEED:FRONT UPPER	U013_S001	74
D1492693	STOPPER:MANUAL FEED TABLE	U013_S001	75
D1492694	COMPRESSION SPRING:STOPPER	U013_S001	76

Number	Part Name	Group	ID
	R:MANUAL FEED TABLE		
D1492712	SHEET:GUIDE PLATE:SWIVEL	U005_S003	43
D1492713	GUIDE PLATE:SWIVEL:NO.1	U005_S003	44
D1492721	GUIDE PLATE:SWIVEL:NO.2	U005	45
D1492739	LEVER:PRESSURE RELEASE	U005_S004	46
		U005_S005	46
D1492772	ARM:PICKUP	U005_S004	47
		U005_S005	47
D1492773	PULLEY:PICKUP:MECHANICAL ROLLER CLUTCH	U005_S004	48
		U005_S005	48
D1492774	PULLEY:IDLER:PICKUP	U005_S004	49
		U005_S005	49
D1492775	SHAFT:FEED:ASS'Y	U005_S004	50
		U005_S005	50
D1492777	COIL SPRING:PRESSURE:PICKUP	U005_S004	51
		U005_S005	51
D1492778	FEELER:PAPER END	U005_S004	52
		U005_S005	52
D1492781	GROUND PLATE:PAPER FEED UNIT	U005_S004	53
		U005_S005	53
D1492787	BRACKET:SUPPORT:COVER	U005	54
D1492788	INNER COVER:HARNESS:PAPER FEED UNIT	U005	55
D1492791	GUIDE:FEED	U005_S004	56
		U005_S005	56
D1492812	ROLLER:PAPER TRAY:DIA19	U005_S006	57
		U005_S007	57
D1492813	PIN:STRETCH:TRAY	U005_S006	58
		U005_S007	58
D1492814	COIL SPRING:EARTH	U005_S006	59
		U005_S007	59
D1492816	SHAFT:RISE:ASS'Y	U005_S006	60
		U005_S007	60
D1492818	LEVER:RISE	U005_S006	61
		U005_S007	61
D1492824	LEVER:STOPPER:FRONT	U005_S006_S001	62
		U005_S007_S003	62
D1492826	COMPRESSION SPRING:SIDE FEELER	U005_S006_S001	63

Exclusive Parts

Number	Part Name	Group	ID
	CE:PLATE:FRONT	U005_S007_S003	63
D1492827	COMPRESSION SPRING:SIDE FENCE:POSITIONING	U005_S006_S001	64
		U005_S007_S003	64
D1492828	SIDE FENCE:FRONT:NO.1:ASS'Y	U005_S006_S001	65
D1492834	GUIDE:FEELER:PAPER END	U005_S006_S002	66
D1492835	RACK:SIDE FENCE	U005_S006	67
		U005_S007	67
D1492836	GEAR:Z20	U005_S006	68
		U005_S007	68
D1492838	SIDE FENCE:REAR:NO.1:ASS'Y	U005_S006_S002	69
D1492840	END FENCE:PAPER TRAY:ASS'Y	U005_S006_S003	70
		U005_S007_S001	70
D1492842	LEVER:END FENCE	U005_S006_S003	71
		U005_S007_S001	71
D1492843	CLICK:END FENCE	U005_S006_S003	72
		U005_S007_S001	72
D1492845	COMPRESSION SPRING:END FENCE:LEVER:5N	U005_S006_S003	73
		U005_S007_S001	73
D1492846	DECAL:SIZE INDICATION:END FENCE:NO.1:FRONT	U005_S006	74
D1492847	DECAL:SIZE INDICATION:END FENCE:NO.1:REAR	U005_S006	75
D1492848	DECAL:SIZE INDICATION:END FENCE:NO.2:FRONT	U005_S007	76
D1492849	DECAL:SIZE INDICATION:END FENCE:NO.2:REAR	U005_S007	77
D1492850	TRAY BOTTOM PLATE:ASS'Y	U005_S006_S004	78
D1492863	DECAL:PAPER SET DIRECTION:TRAY:NO.1	U005_S006	80
D1492864	DECAL:PAPER SET DIRECTION:TRAY:NO.2	U005_S007	81
D1492872	LINK:END FENCE:PAPER SIZE SENSOR	U005_S007	82
D1492873	TRAY BOTTOM PLATE:NO.2:ASS'Y	U005_S007_S002	83
D1492886	COVER:TRAY:REAR RIGHT:NO.1	U005	84
D1492887	COVER:TRAY:REAR LEFT:NO.1	U005	85
D1492888	COVER:TRAY:REAR RIGHT:NO.2	U005	86
D1492889	COVER:TRAY:REAR LEFT:NO.2	U005	87

Number	Part Name	Group	ID
D1492903	SUPPORTER:RIGHT:NO.2:ASS'Y	U005_S002	88
D1492905	SUPPORTER:RIGHT:NO.1:ASS'Y	U005_S001	89
D1492918	SUPPORTER:LEFT UPPER:NO.1	U005	90
D1492923	ROLLER:SUPPORTER:PAPER TRAY	U005_S002	91
D1492924	STOPPER:PAPER TRAY	U005_S001	92
		U005_S002	92
D1492925	SUPPORTER:LEFT:NO.2	U005	93
D1492928	ROLLER:SUPPORTER:PAPER TRAY:LEFT	U005	94
D1492930	SUPPORTER:LEFT LOWER:NO.1:PEEN	U005	95
D1492952	DECAL:SIDE FENCE:PAPER VOLUME	U005_S006_S002	96
		U005_S007_S004	96
D1492954	DECAL:SIDE FENCE:PAPER VOLUME:ENVELOPE	U005_S007_S004	97
D1492956	ROLLER:SUPPORTER:PAPER TRAY	U005_S001	98
D1492958	ROLLER:SUPPORTER:PAPER TRAY:LEFT	U005	99
D1492990	PLAIN SHAFT BEARING:DRIVE:REGISTRATION ROLLER	U009	21
D1493210	DC MOTOR:TONER BOTTLE:ASS'Y:5.28W:BRUSH	U006_S001	18
		U006_S002	18
		U006_S003	18
		U006_S004	18
D1493240	TONER HOPPER:TONER SUPPLY:BK:ASS'Y	U006_S009	19
D1493270	TONER HOPPER:TONER SUPPLY:CY:ASS'Y	U006_S010	20
D1493280	TONER HOPPER:TONER SUPPLY:CM:ASS'Y	U006_S011	21
D1493307	BASE:TONER SUPPLY	U006	22
D1493310	TONER HOPPER:TONER SUPPLY:Y:ASS'Y	U006_S012	23
D1493321	DUCT:VERTICAL TRANSPORT:TONER SUPPLY	U006	24
D1493322	SHUTTER:DUCT:TONER SUPPLY	U006	25

Exclusive Parts

Number	Part Name	Group	ID
D1493330	SEAL:CONNECTION:CARTRIDGE: TONER SUPPLY	U006	26
D1493331	COVER:GEAR:TONER SUPPLY SU B-UNIT	U006	27
D1493350	DC STEPPER MOTOR:TONER SUP PLY	U006_S009	28
		U006_S010	28
		U006_S012	28
D1494202	ENCODER:ON-OFF:PRESSURE R OLLER	U011_S001	51
		U011_S002	51
		U011_S003	51
		U011_S004	51
		U011_S005	51
D1494205	BRAKE:CAM	U011_S001	52
		U011_S002	52
		U011_S003	52
		U011_S004	52
		U011_S005	52
D1494207	PLATE:CAM	U011_S001	53
		U011_S002	53
		U011_S003	53
		U011_S004	53
		U011_S005	53
D1494208	CAM:ON-OFF:PRESSURE ROLLER	U011_S001	54
		U011_S002	54
		U011_S003	54
		U011_S004	54
		U011_S005	54
D1494209	SHAFT:ON-OFF:PRESSURE ROLL ER	U011_S001	55
		U011_S002	55
		U011_S003	55
		U011_S004	55
		U011_S005	55
D1494235	STEPPED SCREW:M3	U011_S001	56
		U011_S002	56
		U011_S003	56
		U011_S004	56
		U011_S005	56
D1494335	ELECTRODE PLATE:CONNECTING	U011_S002	57

Number	Part Name	Group	ID
	:THERMOSTAT	U011_S003	57
		U011_S004	57
		U011_S005	57
D1494421	GEAR:EXIT ROLLER	U012_S001	24
D1494422	GEAR:REVERSE ROLLER	U012_S001	25
D1494423	SYNCHRONOUS BELT:40S2M122	U012_S001	26
D1494425	DC STEPPER MOTOR:REVERSE:S UB-ASS'Y	U012_S001	27
D1494427	STUD:PULLEY:BRACKET:DC STEP PER MOTOR	U012_S001	28
D1494428	GROUND PLATE:PAPER EXIT UNI T	U012_S001	29
D1494429	PULLEY:GEAR:REVERSE	U012_S001	30
D1494434	TENSION SPRING:LEVER:GATE P AWL	U012_S001	31
D1494468	SHAFT:DRIVEN:REVERSE ROLLE R	U012_S001	32
D1494469	SPRING PLATE:ROLLER:DRIVEN: REVERSE ROLLER	U012_S001	33
D1494471	SHAFT:DRIVEN:REVERSE ROLLE R:OUTER	U012_S001	34
D1494484	TORSION SPRING:LEVER:GATE P AWL	U012_S001	35
D1494492	TRAY:REVERSE	U001	26
D1494638	GUIDE:WIRE	U013_S001	77
D1494645	SYNCHRONOUS BELT:30S2M118	U013_S001	79
D1494646	SYNCHRONOUS BELT:30S2M262	U013_S001	80
D1494647	SYNCHRONOUS BELT:30S2M212	U013_S001	81
D1494653	TENSION SPRING:SWIVEL	U013_S001	82
D1494655	GRIP:DUPLEX UNIT	U013_S001	83
D1494656	HOOK:STOPPER:DUPLEX UNIT:FR ONT	U013_S001	84
D1494657	HOOK:STOPPER:DUPLEX UNIT:RE AR	U013_S001	85
D1494658	COIL SPRING:LEVER:DUPLEX	U013_S001	86
D1494662	DIFFUSION PLATE:LED	U009_S001	22
D1494672	COMPRESSION SPRING:DRIVEN	U013_S001	87
D1494675	COVER:PUSH SWITCH	U013_S001	88

Exclusive Parts

Number	Part Name	Group	ID
D1494688	LINK:DUPLEX:MAIN	U013_S001	89
D1494695	LINK:FRONT	U013_S001	90
D1494711	DECAL:SIDE FENCE:MANUAL FEE D	U013_S001_S001 S002	91
D1494715	DECAL:GRIP:Z	U013_S001	92
D1494717	PLATE:SIDE FENCE:FRONT	U013_S001_S001 S001	93
D1494718	TORSION SPRING:SIDE FENCE:FR ONT	U013_S001_S001 S001	94
D1494720	PLATE:SIDE FENCE:REAR	U013_S001_S001 S002	95
D1494721	TORSION SPRING:SIDE FENCE:R EAR	U013_S001_S001 S002	96
D1494731	COMPRESSION SPRING:RACK:MA NUAL FEED	U013_S001_S001	97
D1494755	BRACKET:HINGE:DUPLEX:FRONT	U013	98
D1494770	SHAFT:SEPARATOR:DRIVEN:ASS' Y	U013_S001	100
D1494777	COMPRESSION SPRING:FLAT CO NVEYER BELT:DRIVEN	U013_S001	101
D1494815	GUIDE PLATE:SEPARATOR:ASS'Y	U013_S001	103
D1494850	ARM:PUSH SWITCH	U013_S001	104
D1494883	ARM:MANUAL FEED:FRONT LOWE R	U013_S001_S001	105
D1494884	ARM:MANUAL FEED:REAR LOWE R	U013_S001_S001	106
D1495174	PCB:TCB	U006	29
D1495703	BRACKET:MICRO SWITCH	U015	46
D1495711	BRACKET:ARM:SAFETY SWITCH:F RONT	U015	47
D1495713	ARM:SAFETY SWITCH:FRONT	U015	48
D1495714	SHAFT:ARM:SAFETY SWITCH	U015	49
D1495717	BASE:SAFETY SWITCH	U015	50
D1495718	TORSION SPRING:SAFETY SWITC H	U015	51
D1495726	LEVER:SAFETY SWITCH:RIGHT	U015	52
D1495742	COVER:HARNESS:OPTICAL WRITI NG UNIT	U015	53

Number	Part Name	Group	ID
D1495776	COVER:USB:SMALL	U015	54
D1495810	BRACKET:RACK:UPPER	U015	55
D1495818	SPACER:FFC	U015	56
D1495824	COVER:CONNECTOR:HEATER:0.4 MM	U015	57
D1495883	KEYTOP:MAIN SWITCH	U001	27
D1495884	COMPRESSION SPRING:KEYTOP	U001	28
D1496030	CAM:ON-OFF:COLLAR	U008_S001	14
D1496036	CAM:ON-OFF:BK	U008_S001	15
D1496037	STOPPER:RIGHT:INTERMEDIATE TRANSFER	U008_S001	16
D1496038	LEVER:ON-OFF:BK	U008_S001	17
D1496112	ROLLER:FLAT BELT-TRANSFER:F ACE FRONT:ASS'Y	U008_S001	40
D1496163	TENSION SPRING:SHUTTER:BELT CLEANING	U008_S002 U008_S003	18 18
D1496172	BRACKET:BELT CLEANING:FRON T	U008	19
D1496173	BRACKET:BELT CLEANING:REAR	U008	20
D1496177	HOLDER:DISCHARGE USED TONE R:ASS'Y	U008_S002	21
D1496179	GEAR:IDLER:DISCHARGE USED T ONER	U008_S002	22
D1496190	GEAR:DISCHARGE USED TONER	U008_S002	23
D1496192	LEVER:DISCHARGE USED TONER	U008_S002	24
D1496194	SHAFT:LEVER:DISCHARGE USED TONER	U008_S002	25
D1496195	CAM:DISCHARGE USED TONER	U008_S002	26
D1496226	LEVER:TRANSFER/SEPARATION UNIT:FRONT	U009_S001	23
D1496227	LEVER:SET:FRONT	U009_S001	24
D1496228	TORSION SPRING:LEVER:SET:FR ONT	U009_S001	25
D1496229	TENSION SPRING:LEVER:SET	U009_S001	26
D1496231	LEVER:TRANSFER/SEPARATION UNIT:REAR	U009_S001	27
D1496232	LEVER:SET:REAR	U009_S001	28
D1496233	TORSION SPRING:LEVER:SET:RE	U009_S001	29

Exclusive Parts

Number	Part Name	Group	ID
	AR		
D1496242	COMPRESSION SPRING:PRESSURE:TRANSFER ROLLER	U009_S001	30
D1496243	RECEIVE PLATE:COMPRESSION SPRING:TRANSFER ROLLER	U009_S001	31
D1496245	GROUND PLATE:TRANSFER/SEPARATION UNIT	U009_S001	32
D1496246	LINK:TRANSFER/SEPARATION UNIT	U009_S001	33
D1496248	CAP:LED	U009_S001	34
D1496254	DECAL:GRIP:B:LOWER	U009_S001	35
D1496257	GROUND PLATE:REGISTRATION ROLLER	U009_S001	36
D1496290	GUIDE:SET:TRANSFER/SEPARATION UNIT:FRONT	U009	37
D1496291	GUIDE:SET:TRANSFER/SEPARATION UNIT:REAR	U009	38
D1496295	COVER:HARNESS:TRANSFER/SEPARATION UNIT	U009	39
D1496309	SHAFT:ON-OFF:COLLAR:MAIN	U008	27
D1496310	BRACKET:ON-OFF:COLLAR	U008	28
D1496311	GEAR:ON-OFF:COLLAR:OUTPUT	U008	29
D1496312	JOINT:ON-OFF:COLLAR	U008	30
D1496318	DC STEPPER MOTOR:ON-OFF	U006_S011	30
D1496320	TERMINAL:BIAS:INTERMEDIATE TRANSFER:MAIN	U008	31
D1496321	HOLDER:TERMINAL:INTERMEDIATE TRANSFER:MAIN	U008	32
D1496336	TRANSFER ROLLER:ASS'Y	U008_S001	33
D1496370	TONER OUTLET UNIT:BELT CLEANING:ASS'Y	U008_S002	35
D1496542	BRACKET:USED TONER SENSOR	U010	35
D1496552	GEAR:IDLER:Z30	U010	16
D1496553	GEAR:IDLER:Z61	U010	17
D1496554	GEAR:PULLEY:IDLER:Z16	U010	18
D1496555	GEAR:IDLER:Z21	U010	19
D1496556	TENSION SPRING:BELT TENSIONER	U010	20

Number	Part Name	Group	ID
D1496557	SYNCHRONOUS BELT:40S3M564	U010	21
D1496561	PULLEY:USED TONER	U010	22
D1496562	BRACKET:TIGHTENER:USED TONER	U010	23
D1496571	BRACKET:PULLEY:IDLER:USED TONER	U010	24
D1496574	GEAR:PULLEY:IDLER:Z18	U010	25
D1496575	FLANGE:IDLER:USED TONER	U010	26
D1496581	SHAFT:DRIVE:USED TONER:RIGHT	U010	27
D1496582	GEAR:USED TONER:RIGHT	U010	28
D1496583	GEAR:USED TONER:INPUT	U010	29
D1496586	SHAFT:DRIVE:USED TONER:LEFT	U010	30
D1496587	GEAR:USED TONER:LEFT	U010	31
D1496592	RAIL:COLLECTION BOTTLE	U010	32
D1496766	(EU/NA/AA/KOR):DECAL:CAUTION:ORIGINAL:ENGLISH	U018	25
D1496767	(CHN):DECAL:CAUTION:ORIGINAL:CHINESE	U018	26
D1496768	(TWN):DECAL:CAUTION:ORIGINAL:TAIWAN	U018	27
D1496851	(NA/AA/KOR):DECAL:MAIN SWITCH:ON-STANDBY:ENGLISH	U018	28
D1496852	(EU/TWN/CHN):DECAL:MAIN SWITCH:ON-STANDBY	U018	29
D1496859	DECAL:CLEANING:SHIELD GLASS	U001	29
D1496862	DECAL:SIZE INDICATION:PAPER TRAY	U018	30
D1496893	DECAL:PCU:BLACK	U001	30
D1496894	DECAL:PCU:CYAN	U001	31
D1496895	DECAL:PCU:MAGENTA	U001	32
D1496896	DECAL:PCU:YELLOW	U001	33
D1497922	COVER:FAN:DEVELOPMENT:RIGHT LOWER	U016	20
D1497923	DUCT:DEVELOPMENT:RIGHT LOWER	U016	21
D1497931	DUCT:DEVELOPMENT:EXHAUST	U016	22
D1497932	DUCT:PCU:EXHAUST	U016	23

Exclusive Parts

Number	Part Name	Group	ID
D1497935	CASE:FILTER:ASS'Y	U016_S001	24
D1497938	OZONE FILTER	U016_S001	25
D1497951	DUCT:SUPPLY:A	U016	26
D1497952	DUCT:SUPPLY:B	U016	27
D1497953	DUCT:SUPPLY:C	U016	28
D1497954	DUCT:SUPPLY:D	U016	29
D1497955	DUCT:SUPPLY:FAN:UPPER	U016	30
D1497956	DUCT:SUPPLY:FAN:LOWER	U016	31
D1497957	DUCT:DRIVE:COOLING:A	U016	32
D1497958	DUCT:DRIVE:COOLING:B	U016	33
D1497971	DUCT:EXHAUST:REAR:A	U016	34
D1497972	DUCT:EXHAUST:REAR:B	U016	35
D1497973	DUCT:EXHAUST:REAR:C	U016	36
D1497981	DUCT:POWER SUPPLY UNIT:EXHAUST	U016	37
D1497982	DUCT:POWER SUPPLY UNIT	U016	38
D1497983	BRACKET:FAN:POWER SUPPLY UNIT	U016	39
D1497984	DUCT:REAR:POWER SUPPLY UNIT	U001	34
D1497986	GUIDE:THERMISTOR	U016	40
D1501095	BRACKET:POSITIONING:FUSING UNIT:M3	U016	41
D1501235	COVER:UPPER:INNER BACK:BIN	U001	35
D1501250	COVER:LEFT	U001	36
D1501282	COVER:SCANNER:UPPER:FRONT	U001	37
D1501290	COVER:SCANNER:UPPER:REAR	U001	38
D1502666	GEAR:SIDE FENCE:MANUAL FEED TABLE	U013_S001_S001	107
D1751377	GEAR:PRESSURE RELEASE:NO.3	U014_S004	42
D1754654	SHAFT:LEVER:LOCK	U013_S001	108
D1754737	PLAIN SHAFT BEARING:DUPLEX:EXIT	U013_S001	109
D1961485	(EU/NA/AA/KOR)(CHN:D242/D0AE/D0AG):IC:NFC_TAG:MN63Y3212NB	U018	31
D2021143	JOINT:DRIVE	U014_S003	43
D2021152	BRACKET:DRIVE UNIT:PAPER FEED:ASS'Y	U014_S003_S001	44

Number	Part Name	Group	ID
D2021191	GEAR:GRIP:NO.1	U014_S003	45
D2021193	STUD:PAPER FEED:GRIP:ASS'Y	U014_S003	46
D2021195	PULLEY:GRIP:NO.2	U014_S003	47
D2021196	HOUSING:DRIVE UNIT:PAPER FEED:ASS'Y	U014_S003	48
D2022614	COIL SPRING:RELEASE:PICKUP:MANUAL FEED	U013_S001	110
D2022617	ARM:PICKUP:MANUAL FEED	U013_S001	111
D2022618	SHEET:PICKUP	U013_S001	112
D2022619	TORSION SPRING:PICKUP	U013_S001	113
D2022620	SHOE:TORSION SPRING:PICKUP	U013_S001	114
D2022624	COVER:PAPER END	U013_S001	115
D2022638	FEELER:PAPER SIZE SENSOR:MANUAL FEED	U013_S001_S001	116
D2022640	EXTENSION TRAY:NO.1	U013_S001	117
D2022641	EXTENSION TRAY:NO.2	U013_S001	118
D2022642	PULLEY:WIRE:MANUAL FEED TABLE	U013_S001	119
D2022646	ARM:MANUAL FEED:REAR UPPER	U013_S001	120
D2022654	CUSHION:GUIDE PLATE:SEPARATOR	U013_S001	121
D2022669	COVER:MANUAL FEED TABLE	U013_S001	122
D2022676	DECAL:SCALE:MANUAL FEED:MIDDLE	U013_S001_S001	123
D2022677	DECAL:SCALE:MANUAL FEED:REAR	U013_S001_S001	124
D2024477	REVERSE ROLLER	U012_S001	36
D2024673	FEELER:DUPLEX:ENTRANCE SENSOR	U013_S001	125
D2024674	TORSION SPRING:DUPLEX:ENTRANCE SENSOR	U013_S001	126
D2024679	DRIVEN ROLLER:DIA16:DUPLEX	U013_S001	127
D2024680	BRACKET:DRIVEN ROLLER:PRESSURE	U013_S001	128
D2024682	DRIVEN ROLLER:DIA16	U013_S001	129
D2024692	SHAFT:PRESSURE:GUIDE PLATE:UPPER	U013_S001	130
D2024721	BRACKET:LINK:DUPLEX	U013_S001	131

Exclusive Parts

Number	Part Name	Group	ID
D2024722	LINK:DUPLEX	U013_S001	132
D2024726	TORSION SPRING:LINK:CONTACT POINT	U013_S001	133
D2026255	DECAL:GRIP:B	U009_S001	40
D2197454	(NA/AA/KOR/TWN):CAUTION CHARACTER	U018	32
D2231381	(EU/NA(-17)/AA/KOR/TWN/CHN(D242)(D0AG)):DECAL:EXPOSURE GLASS:CLEANING	U018	33
D2380071	(NA)(TWN(D240,D242)):HEATER:SCANNER:120V:ASS'Y	U017	1
D2380072	(EU/AA/KOR/CHN):HEATER:SCANNER:220/240V:ASS'Y	U017	2
D2385682	(D240):PCB:SERVICE	U015	58
D2385683	(EU):(D241):PCB:SERVICE	U015	59
D2385684	(D242):PCB:SERVICE	U015	60
D2386630	(NA)(TWN(D240,D242)):HEATER:PAPER TRAY:120V:ASS'Y	U017	3
D2386640	(EU/AA/KOR/CHN):HEATER:PAPER TRAY:220/240V:ASS'Y	U017	4
D2386650	PCB:DHB:ASS'Y	U017	5
D2386661	(NA)(TWN(D240,D242)):HEATER:PAPER TRAY:ELECTRICAL COMPONENTS SECTION:ASS'Y	U017	6
D2386662	(EU/AA/KOR/CHN):HEATER:PAPER TRAY:ELECTRICAL COMPONENTS SECTION:ASS'Y	U017	7
D2392242	PCU:K	U007_S001	17
D2392284	PCDU:K	U007_S001	13
D2395883	GROUND PLATE:BCU	U015	61
D2395884	BRACKET:BCU	U015	62
D2395898	BRACKET:HELM	U015	63
D2395899	CAP:HELM	U015	64
D2406752	(EU/NA/AA/KOR):(D240):DECAL:MODEL NAME PLATE:RIC	U018	34
D2406753	(CHN(D24021)/TWN(D240)):DECAL:MODEL NAME PLATE:RIC	U018	35
D2406754	(CHN(D24022)):DECAL:MODEL NAME	U018	36

Number	Part Name	Group	ID
	ME PLATE:GES		
D2411113	GUIDE:HARNESS:RIGHT	U014	49
D2411115	GUIDE:HARNESS:LEFT	U014	50
D2411117	DRIVE UNIT:ENGINE:ASS'Y	U014_S002	51
D2411230	COVER:UPPER	U001	39
D2411232	COVER:UPPER:EXIT	U001	41
D2411241	COVER:FRONT	U001	42
D2411242	COVER:MAIN SWITCH	U005_S006	100
D2411244	COVER:FRONT:RIGHT UPPER	U001	43
D2411245	COVER:FRONT:UPPER	U001	44
D2411251	COVER:LEFT:UPPER	U001	69
D2411255	COVER:LEFT:INTERFACE	U001	46
D2411256	CAP:COVER:INTERFACE	U001	47
D2411260	COVER:REAR:LOWER	U001	48
D2411261	COVER:REAR	U001	49
D2411263	CAP:LOUVER:DEODORIZE FILTER	U001	50
D2411266	COVER:RIGHT:FRONT LOWER	U001	51
D2411273	INNER COVER:FRONT:LOWER	U001	52
D2411275	INNER COVER:FRONT:RIGHT LOWER	U001	53
D2411276	INNER COVER:TONER BOTTLE	U001	54
D2411284	COVER:SCANNER:LEFT	U001	55
D2411285	COVER:SCANNER:UPPER:LEFT	U001	56
D2411287	COVER:SCANNER:RIGHT	U001	57
D2411288	COVER:SCANNER:UPPER:RIGHT	U001	58
D2411297	BRACKET:COVER:LEFT UPPER REAR	U001	59
D2411298	INNER COVER:RIGHT	U001	60
D2411308	BAND:STOPPER:DOOR	U001	61
D2411309	MAGNET CATCH	U001	62
D2411357	DRIVE UNIT:FUSING/PAPER EXIT UNIT:ASS'Y	U014_S004	52
D2411378	GEAR:FUSING:NO.3	U014_S004	53
D2411396	HOLDER:TORQUE LIMITER MECHANICAL CLUTCH:PRESSURE RELEASE	U014_S004	54
D2411399	DRIVE UNIT:PAPER FEED:ASS'Y	U014_S003	55
D2411591	BRACKET:OPERATION SUB-UNIT:	U002	8

Exclusive Parts

Number	Part Name	Group	ID
	PEEN		
D2411598	COVER:BRACKET:OPERATION SUB-UNIT:LOWER	U002	9
D2411599	COVER:BRACKET:OPERATION SUB-UNIT:UPPER	U002	10
D2411671	PROTECTION:CARRIAGE:SCANNER	U003	60
D2411678	SHEET:FFC:LOWER	U003	27
D2411680	GUIDE ROD	U003	28
D2411681	STAY:GUIDE ROD	U003	29
D2411684	COVER:HARNESS:SCANNER	U003	30
D2411685	SPRING PLATE:GUIDE ROD	U003	31
D2411686	CLAMP:STAY:GUIDE ROD	U003	32
D2411688	SHEET:GLASS:LARGE	U003	33
D2411689	HOLDER:EXPOSURE GLASS	U003	34
D2411697	SLIDE RAIL	U003	35
D2411698	COVER:BASE:SCANNER	U003	36
D2411701	PULLEY:IDLER:LEADING EDGE	U003	37
D2411702	CAP:PULLEY:IDLER:LEADING EDGE	U003	38
D2411708	TIGHTENER:DIA8	U003	39
D2411710	PULLEY:IDLER:TRAILING EDGE	U003	40
D2411711	CAP:IDLER:TRAILING EDGE	U003	41
D2411712	TENSION SPRING:TIGHTENER:TENSION:4N	U003	42
D2411713	SYNCHRONOUS BELT:890ST55-4.0	U003	43
D2411715	PULLEY:DRIVE	U003	44
D2411716	CAP:PULLEY:DRIVE:UPPER	U003	45
D2411717	CAP:PULLEY:DRIVE:LOWER	U003	46
D2411719	DC STEPPER MOTOR	U003	47
D2411722	TENSION SPRING:TENSION:11N	U003	48
D2411727	SHEET:GAP:ASS'Y	U003	49
D2411732	(EU/AA/KOR/TWN/CHN):SCALE:LEFT:MM:ASS'Y	U003	50
D2411733	COVER:SHEET THROUGH:DOCUMENT FEEDER	U003	51
D2411734	(NA):SCALE:LEFT:INCH:ASS'Y	U003	52

Number	Part Name	Group	ID
D2411738	(EU/AA/KOR/TWN/CHN):SCALE:REAR:PRINTING:MM	U003	53
D2411739	(NA):SCALE:REAR:PRINTING:INCH	U003	54
D2411741	BRACKET:DOCUMENT FEEDER:LEFT	U003	55
D2411742	BRACKET:DOCUMENT FEEDER:RIGHT	U003	56
D2411744	DOCUMENT FEEDER:CABLE:BRACKET	U003	57
D2411767	PLAIN SHAFT BEARING:90ANG	U003_S001	61
D2411788	CAP:COVER:POSITIONING	U018	37
D2411855	OPTICAL WRITING UNIT	U004_S001	1
D2412559	SHAFT:REGISTRATION ROLLER:DRIVEN	U005	101
D2412583	REGISTRATION ROLLER:DRIVE	U009	41
D2412612	DC SOLENOID:PICKUP:ASS'Y	U013_S001	134
D2412622	COVER:DAMPER	U013_S001	135
D2412627	MANUAL FEED TABLE:ASS'Y	U013_S001_S001	136
D2412634	RACK:MANUAL FEED	U013_S001_S001	139
D2412637	PAPER STOPPER:MANUAL FEED	U013_S001	140
D2412641	COVER:PAPER STOPPER:MANUAL FEED	U013_S001	141
D2412643	ARM:LINK:PAPER STOPPER	U013_S001	142
D2412644	TORSION SPRING:LINK:PAPER STOPPER	U013_S001	143
D2412652	GROUND PLATE:SHAFT:FEED	U013_S001	144
D2412653	COIL SPRING:PRESSURE:SEPARATOR	U013_S001	145
D2412656	HOLDER:HARNESS	U013_S001	146
D2412663	DECAL:SCALE:MANUAL FEED:FRONT	U013_S001_S001	147
D2412673	GUIDE PLATE:VERTICAL TRANSPORT:NO.1:DRIVEN	U013_S001	148
D2412674	GUIDE PLATE:VERTICAL TRANSPORT:NO.2:DRIVEN	U013_S001	149
D2412676	HOLDER:DRIVEN:BELT	U013_S001	150
D2412678	SHAFT:FLAT CONVEYER BELT:DRIVEN	U013_S001	151

Exclusive Parts

Number	Part Name	Group	ID
D2412682	STAY:REAR:MANUAL FEED TABLE	U013_S001_S001	152
D2412685	DECAL:PAPER SET DIRECTION:MANUAL FEED	U013_S001_S001	153
D2412690	SIDE FENCE:FRONT:ASS'Y	U013_S001_S001	187
D2412691	SIDE FENCE:REAR:ASS'Y	U013_S001_S001 S002	188
D2412711	PAPER FEED UNIT:NO.1:ASS'Y	U005_S004	102
D2412712	PAPER FEED UNIT:NO.2:ASS'Y	U005_S005	103
D2412731	STOPPER:GUIDE PLATE:SWIVEL	U005	121
D2412754	COIL SPRING:PRESSURE:SEPARATE	U005_S004	104
		U005_S005	104
D2412759	TRANSPORT ROLLER:VERTICAL TRANSPORT:ASS'Y	U005_S004_S001	105
		U005_S005_S001	105
D2412800	PAPER TRAY:NO.1:ASS'Y	U005_S006	106
D2412805	PAPER TRAY:NO.2:ASS'Y	U005_S007	107
D2412837	DECAL:SET:SIDE FENCE:AUXILIARY	U005_S007	108
D2412865	COVER:PAPER TRAY:NO.1	U005_S006	109
D2412869	DECAL:SIZE INDICATION:SIDE FENCE:NO.2	U005_S007	110
D2412873	SIDE FENCE:AUXILIARY	U005_S007_S005	111
		U005_S007_S006	111
D2412875	SIDE FENCE:FRONT:ASS'Y	U005_S007_S003	112
D2412880	SIDE FENCE:REAR:ASS'Y	U005_S007_S004	113
D2412883	DECAL:SIZE INDICATION:SIDE FENCE:AUXILIARY:FRONT	U005_S007	114
D2412884	DECAL:SIZE INDICATION:SIDE FENCE:AUXILIARY:REAR	U005_S007	115
D2412885	DECAL:SIDE FENCE:AUXILIARY	U005_S007_S005	116
		U005_S007_S006	116
D2412906	LEVER:STRETCH:PAPER TRAY:ASS'Y	U005	122
D2412991	PLAIN SHAFT BEARING:INNER:DRIVE:REGISTRATION ROLLER	U009	42
D2412993	STOPPER:REGISTRATION ROLLER	U009	43
D2412994	COMPRESSION SPRING:REGISTRATION	U009	44

Number	Part Name	Group	ID
	ATION:INNER:DRIVE		
D2414023	HOLDER:DRIVEN ROLLER:FUSING EXIT:FRONT	U011_S001	58
		U011_S002	58
		U011_S003	58
		U011_S004	58
		U011_S005	58
D2414024	HOLDER:DRIVEN ROLLER:FUSING EXIT:REAR	U011_S001	59
		U011_S002	59
		U011_S003	59
		U011_S004	59
		U011_S005	59
D2414102	DRIVEN ROLLER:FUSING EXIT:ASS'Y	U011_S001	60
		U011_S002	60
		U011_S003	60
		U011_S004	60
		U011_S005	60
D2414105	GUIDE PLATE:FUSING EXIT:LEFT	U011_S001	61
		U011_S002	61
		U011_S003	61
		U011_S004	61
		U011_S005	61
D2414113	BRACKET:THERMISTOR:PRESSURE ROLLER	U011_S001	62
		U011_S002	62
		U011_S003	62
		U011_S004	62
		U011_S005	62
D2414121	INNER COVER:PRESSURE ROLLER:REAR	U011_S001	63
		U011_S002	63
		U011_S003	63
		U011_S004	63
		U011_S005	63
D2414122	INNER COVER:PRESSURE ROLLER:FRONT	U011_S001	64
		U011_S002	64
		U011_S003	64
		U011_S004	64
		U011_S005	64
D2414123	DISCHARGE BRUSH:PRESSURE ROLLER	U011_S001	65
		U011_S002	65

Exclusive Parts

Number	Part Name	Group	ID
		U011_S003	65
		U011_S004	65
		U011_S005	65
D2414137	LEVER:PRESSURE:FRONT:PEEN	U011_S002	66
		U011_S003	66
		U011_S004	66
		U011_S005	66
		U011_S005	66
D2414140	HOLDER:PRESSURE:FRONT:ASS'Y	U011_S002	67
		U011_S003	67
		U011_S004	67
		U011_S005	67
D2414155	HOLDER:PRESSURE:REAR:ASS'Y	U011_S002	68
		U011_S003	68
		U011_S004	68
		U011_S005	68
D2414160	LEVER:PRESSURE:REAR:PEEN	U011_S002	69
		U011_S003	69
		U011_S004	69
		U011_S005	69
D2414212	GATE PAWL:FUSING EXIT	U011_S001	70
		U011_S002	70
		U011_S003	70
		U011_S004	70
		U011_S005	70
D2414214	EXIT ROLLER:FUSING EXIT:RIGHT	U011_S001	71
		U011_S002	71
		U011_S003	71
		U011_S004	71
		U011_S005	71
D2414215	GUIDE:FUSING EXIT:RIGHT:ASS'Y	U011_S001	72
		U011_S002	72
		U011_S003	72
		U011_S005	72
D2414218	LINK:GATE PAWL:FUSING EXIT	U011_S001	73
		U011_S002	73
		U011_S003	73
		U011_S004	73

Number	Part Name	Group	ID
D2414219	DECAL:C:GUIDE PLATE:FUSING EXIT	U011_S005	73
		U011_S002	74
		U011_S003	74
		U011_S004	74
		U011_S005	74
D2414221	STRIPPER PLATE:FUSING EXIT:ASS'Y	U011_S001	75
		U011_S002	75
		U011_S003	75
		U011_S004	75
D2414252	FUSING ENTRANCE GUIDE PLATE	U011_S002	76
		U011_S003	76
		U011_S005	76
D2414261	FUSING COVER:UPPER	U011_S001	77
		U011_S002	77
		U011_S003	77
		U011_S004	77
		U011_S005	77
D2414317	GUIDE:HARNES:DRAWER:PRES S FIT	U011_S002	78
		U011_S003	78
		U011_S004	78
		U011_S005	78
		U011_S005	78
D2414332	HOUSING:THERMOSTAT	U011_S002	79
		U011_S003	79
		U011_S004	79
		U011_S005	79
D2414334	COVER:HOUSING:THERMOSTAT	U011_S002	80
		U011_S003	80
		U011_S004	80
		U011_S005	80
D2414337	TERMINAL:THERMOSTAT:DRAWE R	U011_S002	81
		U011_S003	81
		U011_S004	81
		U011_S005	81
D2414338	TERMINAL:THERMOSTAT:HEATER	U011_S002	82
		U011_S003	82
		U011_S004	82

Exclusive Parts

Number	Part Name	Group	ID
		U011_S005	82
D2414342	HOUSING:NON-CONTACT TYPE THERMISTOR	U011_S002	83
		U011_S003	83
		U011_S004	83
		U011_S005	83
D2414365	HOLDER:THERMOPILE	U011	84
D2414366	BRACKET:THERMOPILE	U011	85
D2414367	STOPPER:THERMOPILE	U011	86
D2414404	PAPER EXIT UNIT:ASS'Y	U012_S001	37
D2414441	GUIDE PLATE:EXIT:UPPER	U012_S001	38
D2414448	SHAFT:FEELER:OVERFLOW	U012_S001	39
D2414458	GUIDE:COVER:UPPER	U001	63
D2414461	GUIDE PLATE:REVERSE:UPPER	U012_S001	40
D2414466	GUIDE PLATE:REVERSE:LOWER	U012_S001	41
D2414472	END FENCE:TRAY:EXIT:ASS'Y	U018_S001	38
D2414476	EXIT ROLLER	U012_S001	42
D2414481	GATE PAWL:EXIT	U012_S001	43
D2414483	LEVER:GATE PAWL	U012_S001	44
D2414494	TRAY:AUXILIARY:EXIT	U012	45
D2414499	COMPRESSION SPRING:BASE:TRAY:EXIT	U012	47
D2414515	DUPLEX UNIT:ASS'Y	U013_S001	185
D2414617	TRANSPORT ROLLER:DUPLEX:2:DIA8	U013_S001	154
D2414627	COVER:DUPLEX	U013_S001	186
D2414628	GUIDE PLATE:DUPLEX:EXIT	U013_S001	155
D2414635	SHEET:CUSHION	U013_S001	156
D2414640	TRANSPORT ROLLER:EXIT:DIA8	U013_S001	102
D2414642	TRANSPORT ROLLER:DUPLEX:1	U013_S001	157
D2414643	TRANSPORT ROLLER:ENTRANCE	U013_S001	78
D2414644	GEAR:MECHANICAL ROLLER CLUTCH	U013_S001	158
D2414652	GEAR:PULLEY:SWIVEL	U013_S001	159
D2414660	GUIDE PLATE:UPPER:RIGHT:DUPLEX	U013_S001	160
D2414673	GUIDE PLATE:DRIVEN	U013_S001	161
D2414676	LEVER:PRESSURE:DUPLEX	U013_S001	162
D2414677	COMPRESSION SPRING:EXIT:UPPER	U013_S001	163

Number	Part Name	Group	ID
	ER		
D2414684	GEAR:OUTPUT	U013_S001	164
D2414692	INNER COVER:REAR:DUPLEX	U013_S001	165
D2414693	INNER COVER:FRONT:DUPLEX	U013_S001	166
D2414694	CAP:BELT:DUPLEX	U013_S001	167
D2414707	GEAR:FEED:MANUAL FEED:DRIVE	U013_S001	168
D2414708	GEAR:SEPARATOR:MANUAL FEED:DRIVE	U013_S001	169
D2414709	GEAR:TRANSPORT ROLLER:MANUAL FEED	U013_S001	170
D2414710	GEAR:IDLER	U013_S001	171
D2414750	BRACKET:MOTOR:DUPLEX	U013	172
D2414755	GEAR:OUTPUT:DUPLEX:ENTRANCE	U013	173
D2414757	SPACER:DC MOTOR:DUPLEX	U013	184
D2414761	DRIVEN ROLLER:DIA16	U013_S001	174
D2414762	DRIVEN ROLLER:DIA18	U013_S001	175
D2414763	GUIDE:HARNESS:ENTRANCE SENSOR:DUPLEX	U013_S001	176
D2414765	PULLEY:T26	U013_S001	177
D2414766	TRANSPORT ROLLER:EXIT:DIA8	U013_S001	99
D2414899	SHEET:RACK:MANUAL FEED	U013_S001_S001	189
D2414921	COVER:GUIDE PLATE:DRIVEN	U013_S001	178
D2414923	STAY:CONTACT POINT:DUPLEX	U013_S001	179
D2414929	DC SOLENOID:FUSING EXIT:ASS'Y	U012	48
D2414936	INNER COVER:EXIT	U012	49
D2414937	TENSION SPRING:GATE:REVERSE	U012_S001	50
D2414938	TENSION SPRING:LINK:DC SOLENOID:FUSING EXIT	U012	51
D2414941	GATE PAWL:REVERSE:FRONT MIDDLE	U012_S001	52
D2414942	GATE PAWL:REVERSE:REAR MIDDLE	U012_S001	53
D2414943	GATE PAWL:REVERSE:REAR	U012_S001	54
D2414946	SHAFT:GATE PAWL:REVERSE	U012_S001	55
D2414947	GATE PAWL:REVERSE:FRONT	U012_S001	56
D2414948	GUIDE:HARNESS:REVERSE	U012_S001	57

Exclusive Parts

Number	Part Name	Group	ID
D2414950	ROLLER:EXIT:PRESSURE:2TYPE:ASS'Y	U012_S001_S001	58
D2414955	HOLDER:ROLLER:EXIT:PRESSURE:2TYPE	U012_S001	59
D2414957	SHAFT:ROLLER:PRESSURE:EXIT:2TYPE	U012_S001_S001	60
D2414960	BASE:PLATE:EXIT	U012	73
D2414962	ROLLER:DRIVEN:EXIT	U012_S001_S001	61
D2414964	ROLLER:EXIT:PRESSURE	U012_S001_S001	62
D2414965	COLLAR:ROLLER:EXIT:PRESSURE	U012_S001_S001	63
D2414971	LINK:PLATE:EXIT	U012	74
D2414972	GUIDE:PLATE:EXIT	U012	75
D2414976	ROLLER:EXIT:PRESSURE:MIDDLE	U012_S001_S001	64
D2414977	ROLLER:DRIVEN:EXIT:MIDDLE	U012_S001_S001	65
D2414978	COLLAR:ROLLER:EXIT:PRESSURE:BOTH ENDS	U012_S001_S001	66
D2414981	COIL SPRING:ROLLER:PRESSURE:EXIT	U012_S001	67
D2414992	DISCHARGE BRUSH:EXIT	U012_S001	68
D2414994	GUIDE PLATE:EXIT:LOWER	U012_S001	69
D2414995	GUIDE PLATE:UPPER	U013_S001	180
D2414996	DC SOLENOID:ASS'Y	U012_S001	70
D2414998	CUSHION:DC SOLENOID:4MM	U012_S001	71
D2415110	PCB:IOB:TRANSPORT	U015	108
D2415112	PCB:IOB:ENGINE	U015	66
D2415190	PCB:MSSENS1	U015	67
D2415192	PCB:MSSENS2	U015	68
D2415711	COVER:HUMAN DETECTION SENSOR:CONNECTOR	U001	64
D2415737	BRACKET:MAIN SWITCH	U015	69
D2415764	COVER:POWER PACK:CB	U015	70
D2415765	CASE:POWER PACK:CB	U015	71
D2415796	RACK:MIDDLE	U015	72
D2415800	RACK:RIGHT:AUXILIARY	U015	73
D2415801	COVER:RACK:REAR	U015	74
D2415802	GUIDE:FFC:SCANNER	U015	75
D2415803	GUIDE:HARNESS:C/T BOX	U015	76
D2415817	GUIDE:FFC:2	U015	77

Number	Part Name	Group	ID
D2415831	CAP:GUIDE:WIRE	U015	78
D2415832	CAP:GUIDE:COIL SPRING	U015	79
D2415841	BASE:GUIDE:WIRE	U015	80
D2415842	COVER:GUIDE:WIRE	U015	81
D2415850	WIRE:CHARGE:K	U015	82
D2415851	WIRE:DEVELOPMENT:K	U015	83
D2415852	WIRE:CHARGE:C	U015	84
D2415853	WIRE:DEVELOPMENT:C	U015	85
D2415854	WIRE:CHARGE:M	U015	86
D2415855	WIRE:DEVELOPMENT:M	U015	87
D2415856	WIRE:CHARGE:Y	U015	88
D2415857	WIRE:DEVELOPMENT:Y	U015	89
D2415875	WIRE:CHARGE:CB	U015	90
D2415876	WIRE:DEVELOPMENT:CB:K	U015	91
D2415877	WIRE:DEVELOPMENT:CB:C	U015	92
D2415878	WIRE:DEVELOPMENT:CB:M	U015	93
D2415879	WIRE:DEVELOPMENT:CB:Y	U015	94
D2415889	SPRING PLATE:IMAGE PROCESSING UNIT	U015	95
D2416001	TRANSFER UNIT:INTERMEDIATE TRANSFER:ASS'Y	U008_S001	36
D2416097	FLAT BELT-TRANSFER:INTERMEDIATE TRANSFER:TT	U008_S001	37
D2416141	CLEANING UNIT:BELT CLEANING:ASS'Y	U008_S003	38
D2416212	TRANSFER ROLLER:SECOND:ASS'Y	U009	45
D2416215	GUIDE PLATE:TRANSFER:SECOND:ASS'Y	U009_S001	46
D2416240	LEVER:PRESSURE:TRANSFER ROLLER:FRONT:DIA19.5	U009_S001	47
D2416241	LEVER:PRESSURE:TRANSFER ROLLER:REAR:DIA19.5	U009_S001	48
D2416244	GROUND PLATE:SEPARATION	U009_S001	49
D2416256	GROUND PLATE:GUIDE:TRANSPORT	U009_S001	50
D2416258	COVER:TRANSFER/SEPARATION UNIT	U009_S001	51

Exclusive Parts

Number	Part Name	Group	ID
D2416275	SHEET:ENTRANCE:TRANSFER	U009_S001	52
D2416290	LED:RED	U009_S001	53
D2416335	COVER:INTERMEDIATE TRANSFER	U018	39
D2416752	(EU):(D241):DECAL:MODEL NAME PLATE:RIC	U018	40
D2417852	(EU):CD-ROM:DRV:ASS'Y	U018	41
D2417911	DUCT:DEVELOPMENT:FRONT	U001	65
D2417913	DUCT:OPTICAL WRITING UNIT	U001	66
D2417941	DUCT:EXHAUST:UPPER:A	U016	42
D2417942	DUCT:EXHAUST:UPPER:B	U016	43
D2417943	DUCT:EXHAUST:UPPER:C	U016	44
D2417944	DUCT:EXHAUST:UPPER:D	U016	45
D2417945	DEODORIZE FILTER	U016	46
D2417983	DUCT:DEVELOPMENT:REAR:A	U016	47
D2417984	DUCT:DEVELOPMENT:REAR:B	U016	48
D2421231	COVER:UPPER:FRONT	U001	40
D2421247	COVER:FRONT:USED TONER	U001	45
D2421265	COVER:RIGHT:REAR	U001	67
D2421267	COVER:RIGHT:UPPER	U001	68
D2422235	PCDU:C	U007_S002	5
D2422236	PCDU:M	U007_S003	6
D2422237	PCDU:Y	U007_S004	7
D2422241	PCU:CMY	U007_S002	8
		U007_S003	8
		U007_S004	8
D2422389	COVER:PCU:FRONT:SUB-ASS'Y	U018	42
D2423060	DEVELOPMENT UNIT:K	U007_S001_S001	9
D2423063	DEVELOPMENT UNIT:Y	U007_S004_S001	12
D2423065	DEVELOPMENT UNIT:C	U007_S002_S001	14
D2423066	DEVELOPMENT UNIT:M	U007_S003_S001	15
D2423284	GRIP:ROLLING:SHEET:DEVELOPER:DIA4	U018	43
D2424011	(NA):FUSING UNIT:120V	U011_S004	87
D2424012	(EU/AA/KOR/CHN):FUSING UNIT:220/240V	U011_S001	88
		U011_S002	88
		U011_S003	88
D2424013	(TWN):FUSING UNIT:110V	U011_S005	89

Number	Part Name	Group	ID
D2424041	SLEEVE:FUSING:120V	U011_S004	90
D2424042	(EU/AA/KOR/CHN):SLEEVE:FUSING:220/240V	U011_S001_S001	91
		U011_S002_S001	91
		U011_S003	91
D2424043	SLEEVE:FUSING:110V	U011_S005	92
D2424262	FUSING COVER:LOWER	U011_S001	93
		U011_S002	93
		U011_S003	93
		U011_S004	93
		U011_S005	93
D2424382	DC STEPPER MOTOR:ASS'Y	U011	94
D2424383	BRACKET:IDLER:DC STEPPER MOTOR	U011	95
D2424386	BRACKET:DC STEPPER MOTOR	U011	96
D2425184	(NA)(TWN(D240,D242)):AC CONTROL BOARD	U015	97
D2425186	(EU/AA/KOR/CHN):AC CONTROL BOARD	U015	98
D2425605	(EU/NA(-17)/AA/KOR/TWN/CHN):PCB:DDR3-DIMM:2GB:ASS'Y	U015	99
D2425646	PCB:IMAGE PROCESSING UNIT_CDE	U015	100
D2426400	COLLECTION BOTTLE:ASS'Y	U010	33
D2426511	PIPE:ASS'Y	U010_S001	34
D2426752	(EU/NA/AA/KOR):(D242):DECAL:MODEL NAME PLATE:RIC	U018	44
D2426753	(CHN(D24221)/TWN(D242)):DECAL:MODEL NAME PLATE:RIC	U018	45
D2426754	(CHN(D24222)):DECAL:MODEL NAME PLATE:GES	U018	46
D2429591	NVRAM	U015	101
D2442856	GRIP:PAPER TRAY	U005_S006	79
		U005_S007	79
D2445730	PCB:DCSW	U015	102
D2447854	(CHN):CD-ROM:DRV/OI:ASS'Y	U018	47
D2557798	DECAL:BLUETOOTH	U018	48
D2581317	HOLDER:GLASS:CLEANER:ASS'Y	U018	16
D3B06303	(EU(D24065/D24066/D24165/D2416	U018	50

Exclusive Parts

Number	Part Name	Group	ID
	6/D24227/D24266/D0AE65/D0AE66/D0AF65/D0AF66/D0AG27/D0AG66)/NA/AA/KOR/TWN):DECAL:CAUTION:ORIGINAL:MANY LANGUAGES		
D3B06304	(CHN):(D240/D0AG):DECAL:CAUTION:ORIGINAL	U018	51
D3BR2201	(NA)(TWN(D240,D242)):HEATER:PHOTOCONDUCTOR:ASS'Y	U017	8
D3BR2202	(EU/AA/KOR/CHN):HEATER:PHOTOCONDUCTOR:ASS'Y	U017	9
D6836031	(EU(D24065/D24066/D24165/D24166/D24227/D24266/D0AE65/D0AE66/D0AF65/D0AF66/D0AG27/D0AG66)/NA/AA/KOR/TWN/CHN(D242/D0AG)):DECAL:SET:ORIGINAL TABLE	U018	52
D6846031	(EU(D24027/D24028/D24127/D24128/D0AE27/D0AE28/D0AF27/D0AF28)):DECAL:ORIGINAL TABLE	U018	53
D6846061	(EU(D24027/D24028/D24127/D24128/D0AE27/D0AE28/D0AF27/D0AF28)):DECAL:ORIGINAL:MANY LANGUAGES	U018	54
D6932867	SUPPORTING PLATE:COVER:FRONT:PAPER TRAY	U005_S007	117
G0652767	LEVER - FEED	U005_S004 U005_S005	118 118
GA003268	DECAL:PDF:I-GRAY:ABS	U018	55
GA143003	SCREW:MM5:2.5MM	U005 U009_S001	119 54
GW010007	PHOTO REFLECTION SENSOR:EXIT	U005 U005_S004 U005_S005 U012_S001 U013_S001	120 120 120 72 181
GW010009	DENSITY SENSOR	U008	39
GW020022	PHOTOINTERRUPTOR:LG2A24BL1	U003	59
GW230008	TONER END SENSOR	U006_S009 U006_S010	31 31

Number	Part Name	Group	ID
		U006_S011	31
		U006_S012	31
M0662743	FRICITION PAD:MANUAL FEED TABLE:18X7.5	U013_S001_S001	182
M0662749	OIL DAMPER:STRAIGHT:30N	U013_S001	183
M0AJ4497	TRAY:EXIT	U012	76
M0AJ6870	(CHN):(D240/D242/D0AE/D0AG)DECAL:INKJET:MULTI-LANGUAGE:CH	U018	57
M0AJ6871	(TWN):DECAL:INKJET:MULTI-LANGUAGE	U018	58
M4445201	HDD:320GB:AQUARIUS	U015	103
Note	See 2D parts catalog for the components of the Smart Operation Panel.	U002_S001 U002_S002 U002_S003 U002_S004 U002_S005	11 11 11 11 11
VSSG9002	FLUOTRIBO MG GREASE: 100G	SPECIAL TOOLS	8

Standard Parts



03130060N
SCREW - M3X6



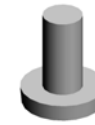
03140120N
SCREW - M4X12



03530030N
SCREW:M3X3



03530040N
SCREW - M3X4



03530060N
BIND SCREW - M3X6



03603006N
SCREW - M3X6



03603016N
SCREW - M3X16



04503025N
TAPPING SCREW:3X25



04503035N
TAPPING SCREW:3X35



04513006N
TAPPING SCREW - 3X6



04513008N
TAPPING SCREW - M3X8



04513025N
TAPPING SCREW:M3X25



04533008N
BINDING SELF TAPPING SCREW:3X8



04543006N
TAPPING SCREW:ROUND POINT:3X6



04543006Q
TAPPING SCREW - M3X6



04543008N
TAPPING SCREW:ROUND POINT:3X8



04543008Q
TAPPING SCREW:3X8



04543010Q
TAPPING SCREW:3X10



04543020Q
TAPPING SCREW::3X20



04583008N
HEXAGON HEAD TAPPING SCREW:3X8



04583010N
HEXAGON HEAD TAPPING SCREW:3X10



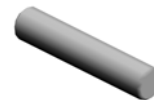
04593008N
BINDING HEAD TAPPING SCREW:3X8



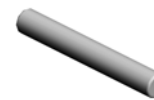
04593010N
BINDING HEAD TAPPING SCREW:3X10



06220080E
SPRING PIN - 2X8MM



06320100G
PIN - 2X10MM



06320140G
PARALLEL PIN



06330100G
PARALLEL PIN - 3X10



07200020G
RETAINING RING - M2

Standard Parts



07200025E
RETAINING RING - M2.5



07200030E
RETAINING RING - M3



07200040E
RETAINING RING - M4



07200060E
RETAINING RING - M6



07250170E
RETAINING RING C - M17



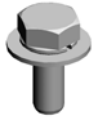
07403808
BALL BEARING - 8X16X5MM



08025299
TAPPING SCREW - M3X8



08025328
HEXAGON HEAD TAPPING S
CREW:3X40



08046123
HEXAGONAL BOLT:W/WASH
ER:M3X8



08046129
HEXAGON HEAD BOLT:IB-LO
CK:M3X6



08050089
RETAINING RING - M4



08050100
RETAINING RING - M2.5



08050103
RETAINING RINGS-E:SILENC
ER:DIA3



08050104
RETAINING RINGS-E:SILENC
ER:DIA4



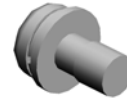
08050106
RETAINING RINGS-E:SILENC
ER:DIA6



09543005N
SCREW:POLISHED ROUND/
SPRING:M3X5



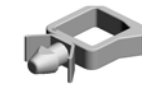
09573010N
SCREW:SMALL ROUND/SPRI
NG:M3X10



09574008N
SCREW:SMALL ROUND/SPRI
NG:M4X8



11050409
CARD SPACER- 6.4MM



11050488
HARNES CLAMP



11050655
CLAMP:LWSR-1816S



11050692
CLAMP:LES-0503



11050713
CLAMP:LWSM-0306H GRAY



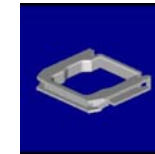
11050723
CLAMPS:WES-0507



11050724
CLAMPS:WES-1210



11050725
CLAMPS:WES-1117



11050726
CLAMPS:WES-2217



11050752
SADDLE:EDS-3005LS-V0

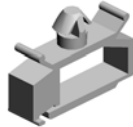
Standard Parts



11050758
CLAMP:LWSM-0306A



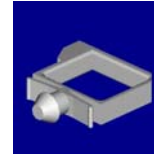
11050759
CLAMP:LWSM-0605A



11050760
CLAMP:LWSM-0511A



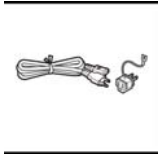
11050762
CLAMP:LWS-0711A



11050764
CLAMP:LWS-1316A



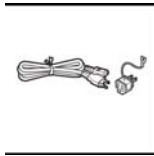
11050765
CLAMP:LWS-2218A



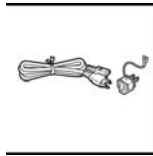
11500440
(NA):POWER SUPPLY CODE:
120V:15A



11500441
(EU/AA/KOR):POWER SUPPL
Y CODE:250V:10A



11500442
(CHN):POWER SUPPLY COD
E:250V:10A



11500443
(TWN):POWER SUPPLY COD
E:125V:15A



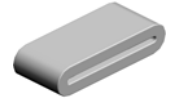
12042612
MICRO SWITCH:D3V-16506-3
C25



14078389
EEPROM:BR24T128-W



16072470
(EU/AA/KOR/CHN):FERRITE
CORE:GRFC-10



16072525
FERRITE CORE:K3 FF 35.00X
14.60X7.70X1.40

PM Part List

Number	Part Name	Num	Group	ID
AE020238	PRESSURE ROLLER:DIA32	5	U011_S001	41
			U011_S002	41
			U011_S003	41
			U011_S004	41
			U011_S005	41
AE030074	BALL BEARING:DIA17XDIA26 X5	10	U011_S001	42
			U011_S002	42
			U011_S003	42
			U011_S004	42
			U011_S005	42
D1477937	FILTER:PREVENTFENCE:10	1	U016_S001	17
D2392242	PCU:K	1	U007_S001	17
D2416001	TRANSFER UNIT:INTERMEDIATE TRANSFER:ASS'Y	1	U008_S001	36
D2416141	CLEANING UNIT:BELT CLEANING:ASS'Y	1	U008_S003	38
D2416212	TRANSFER ROLLER:SECOND:ASS'Y	1	U009	45
D2422241	PCU:CMY	3	U007_S002	8
			U007_S003	8
			U007_S004	8
D2423060	DEVELOPMENT UNIT:K	1	U007_S001_S001	9
D2423063	DEVELOPMENT UNIT:Y	1	U007_S004_S001	12
D2423065	DEVELOPMENT UNIT:C	1	U007_S002_S001	14
D2423066	DEVELOPMENT UNIT:M	1	U007_S003_S001	15
D2424041	SLEEVE:FUSING:120V	1	U011_S004	90
D2424042	(EU/AA/KOR/CHN):SLEEVE:FUSING:220/240V	3	U011_S001_S001	91
			U011_S002_S001	91
			U011_S003	91
D2424043	SLEEVE:FUSING:110V	1	U011_S005	92
D2426400	COLLECTION BOTTLE:ASS'Y	1	U010	33

Design Change List

Number	Title	Set	Old Part		New Part		Index No.		Q'ty	Interchg		Reason	Cut-in S/N
			P/N	Name	P/N	Name	Group	ID		Indiv.	Set		
201709-01	1709 Modification	-			08050100	RETAINING RING - M2.5	U007_S001	16	1				
							S001	16					
							S003	16					
							S004	16					
201709-02	1709 Modification	-	D2392240	PCU:K	D2392242	PCU:K	U007_S001	17	1	O/O			
201709-03	1709 Modification	-	D2411417	(EU/NA/AA/KOR/ TWN):OPERATIO N SUB-UNIT:ASS' Y	D0AC1410	(EU/NA/AA/KOR/ TWN):OPERATIO N PANEL:ASS'Y	U002_S001	16	1	O/O			
			D2411417	(EU/NA/AA/KOR/ TWN):OPERATIO N SUB-UNIT:ASS' Y	D0AC1410	(EU/NA/AA/KOR/ TWN):OPERATIO N PANEL:ASS'Y	U002_S002	16					
			D2411417	(EU/NA/AA/KOR/ TWN):OPERATIO N SUB-UNIT:ASS' Y	D0AC1410	(EU/NA/AA/KOR/ TWN):OPERATIO N PANEL:ASS'Y	U002_S003	16					
			D2411417	(EU/NA/AA/KOR/ TWN):OPERATIO N SUB-UNIT:ASS' Y	D0AC1410	(EU/NA/AA/KOR/ TWN):OPERATIO N PANEL:ASS'Y	U002_S004	16					
201709-04	1709 Modification	-	D2921750	CARRIAGE:SCA NNER:ASS'Y			U003_S001	58	1				
201709-05	1709 Modification	-	D2411640	OPTICAL READI NG UNIT:CARRIA GE:SCANNER	D0AC1640	OPTICAL READI NG UNIT:CARRIA GE:SCANNER	U003_S001	62	1	O/O			

Design Change List

Number	Title	Set	Old Part		New Part		Index No.		Q'ty	Interchg		Reason	Cut-in S/N
			P/N	Name	P/N	Name	Group	ID		Indiv.	Set		
201708-01	1708 Modification	-	D2423061	DEVELOPMENT UNIT:C	D2423065	DEVELOPMENT UNIT:C	U007_S002_S001	14	1	O/O			
201708-02	1708 Modification	-	D2423062	DEVELOPMENT UNIT:M	D2423066	DEVELOPMENT UNIT:M	U007_S003_S001	15	1	O/O			
201708-03	1708 Modification	-	D1482906	LEVER:STRETC H:PAPER TRAY: ASS'Y	D2412906	LEVER:STRETC H:PAPER TRAY: ASS'Y	U005	122	1	O/O			
			D1482906	LEVER:STRETC H:PAPER TRAY: ASS'Y	D2412906	LEVER:STRETC H:PAPER TRAY: ASS'Y	U005	122	1	O/O			
201707-01	1707 Modification	-	D2415109	PCB:IOB:TRANS PORT	D2415110	PCB:IOB:TRANS PORT	U015	108	1	O/O			
201707-02	1707 Modification	-			D2414899	SHEET:RACK:MA NUAL FEED	U013_S001_S001	189	1				
					D2414899	SHEET:RACK:MA NUAL FEED	U013_S001_S001	189	1				
201706-01	1706 Modification	-	D2392264	PCDU:K	D2392284	PCDU:K	U007_S001	13	1	O/O			
201706-02	1706 Modification	-	D2414497	TRAY:EXIT	M0AJ4497	TRAY:EXIT	U012	76	1	O/O			
201706-03	1706 Modification	-	AZ240269	(EU/AA/KOR/CHN):DC POWER SU PPLY	AZ240317	(EU/AA/KOR/CHN):DC POWER SU PPLY	U015	107	1	X/O			
			AZ240269	(EU/AA/KOR/CHN):DC POWER SU PPLY	AZ240317	(EU/AA/KOR/CHN):DC POWER SU PPLY	U015	107	1	X/O			
			AZ240269	(EU/AA/KOR/CHN):DC POWER SU PPLY	AZ240317	(EU/AA/KOR/CHN):DC POWER SU PPLY	U015	107	1	X/O			
201706-04	1706 Modification	A	D2412630	SIDE FENCE:FR ONT:ASS'Y	D2412690	SIDE FENCE:FR ONT:ASS'Y	U013_S001_S001	187	1	O/O			

Design Change List

Number	Title	Set	Old Part		New Part		Index No.		Q'ty	Interchg		Reason	Cut-in S/N
			P/N	Name	P/N	Name	Group	ID		Indiv.	Set		
201706-05	1706 Modification	A	D2412632	SIDE FENCE:REAR:ASS'Y	D2412691	SIDE FENCE:REAR:ASS'Y	U013_S001_S002	188	1	O/O			
201706-06	1706 Modification	-	D2411418	(CHN):OPERATION SUB-UNIT:ASS'Y	D0AC1411	(CHN):OPERATION PANEL:ASS'Y	U002_S005	15	1	O/O			
201705-03	1705 Modification	-	D2425114	BCU:TYPE-H3:ASS'Y	D0AG5114	BCU:TYPE-H3:ASS'Y	U015	96	1	X/O			
201705-04	1705 Modification	-	D2392234	PCDU:K	D2392264	PCDU:K	U007	3	1	O/O			
201705-05	1705 Modification	-	AZ240267	(NA)(TWN(D240, D242)):DC POWER SUPPLY	AZ240315	(NA)(TWN(D240, D242)):DC POWER SUPPLY	U015	37	1	X/O			
			AZ240267	(NA)(TWN(D240, D242)):DC POWER SUPPLY	AZ240315	(NA)(TWN(D240, D242)):DC POWER SUPPLY	U015	37	1	X/O			
201705-06	1705 Modification	-	D7390116	(NA)(TWN(D240, D242)):HEATER:PHOTOCONDUCTOR:ASS'Y	D3BR2201	(NA)(TWN(D240, D242)):HEATER:PHOTOCONDUCTOR:ASS'Y	U017	8	2	X/O			
201705-07	1705 Modification	-	D7390117	(EU/AA/KOR/CHN):HEATER:PHOTOCONDUCTOR:ASS'Y	D3BR2202	(EU/AA/KOR/CHN):HEATER:PHOTOCONDUCTOR:ASS'Y	U017	9	3	X/O			
201705-08	1705 Modification	-	D1473286	TRANSPORT SCREW:NOZZLE:CMY:ASS'Y	D1473288	TRANSPORT SCREW:NOZZLE:CMY:ASS'Y	U006	16	1	X/O			
			D1473286	TRANSPORT SCREW:NOZZLE:CMY:ASS'Y	D1473288	TRANSPORT SCREW:NOZZLE:CMY:ASS'Y	U006	16	1	X/O			
			D1473286	TRANSPORT SCREW:NOZZLE:CMY:ASS'Y	D1473288	TRANSPORT SCREW:NOZZLE:CMY:ASS'Y	U006	16	1	X/O			

Design Change List

Number	Title	Set	Old Part		New Part		Index No.		Q'ty	Interchg		Reason	Cut-in S/N
			P/N	Name	P/N	Name	Group	ID		Indiv.	Set		
		-		REW:NOZZLE:CMY:ASS'Y		REW:NOZZLE:CMY:ASS'Y							
201705-09	1705 Modification	-	D2425235	HARNESS:LSU:MOTOR			D9(1/2),F6(2/2)		0				
201704-01	1704 Modification	-	D2385662	(D240):PCB:SERVICE	D2385682	(D240):PCB:SERVICE	U015	58	1	O/O			
201704-02	1704 Modification	-	D2385664	(D242):PCB:SERVICE	D2385684	(D242):PCB:SERVICE	U015	60	1	O/O			
201704-03	1704 Modification	-			M0AJ6871	(TWN):DECAL:INKJET:MULTI-LANGUAGE	U018	58	1				
201704-04	1704 Modification	-	D2414513	DUPLEX UNIT:ASS'Y	D2414515	DUPLEX UNIT:ASS'Y	U013_S001	185	1	O/O			
201704-05	1704 Modification	-	D2415334	HARNESS:CT:3P:CONNECTING	D1495334	HARNESS:CT:3P:CONNECTING	B6,C6(1/2)		4	X/O			
201703-01	1703 Modification	-			D1496542	BRACKET:USED TONER SENSOR	U010	35	1				
201703-02	1703 Modification	-			D0AD5682	(D0AE):PCB:CTL:SERVICE	U015	104	1				
201703-03	1703 Modification	-			D0AD5683	(D0AF-NA/EU):PCB:CTL:SERVICE	U015	105	1				
					D0AD5683	(D0AF-NA/EU):PCB:CTL:SERVICE	U015	105	1				
201703-04	1703 Modification	-			D0AD5684	(D0AG):PCB:CTL:SERVICE	U015	106	1				
201702-01	1702 Modification	-	D2411750	CARRIAGE:SCANNER:ASS'Y			U003_S001	58	1	O/O			
201702-02	1702 Modification	-	D2411231	COVER:UPPER:FRONT	D2421231	COVER:UPPER:FRONT	U001	40	1	X/O			
201702-03	1702 Modification	-	D2385663	(EU):(D241):PCB:	D2385683	(EU):(D241):PCB:	U015	59	1	O/O			

Design Change List

Number	Title	Set	Old Part		New Part		Index No.		Q'ty	Interchg		Reason	Cut-in S/N
			P/N	Name	P/N	Name	Group	ID		Indiv.	Set		
		-		SERVICE		SERVICE							
201702-04	1702 Modification	-			D2412731	STOPPER:GUIDE PLATE:SWIVEL	U005	121	1				
					D2412731	STOPPER:GUIDE PLATE:SWIVEL	U005	121	1				
201702-05	1702 Modification	-	D1492856	GRIP:PAPER TRAY	D2442856	GRIP:PAPER TRAY	U005_S006	79	1	X/O			
							U005_S007	79	1				
201702-06	1702 Modification	-	D1473285	TRANSPORT SCREW:NOZZLE:BACK:ASS'Y	D1473287	TRANSPORT SCREW:NOZZLE:BACK:ASS'Y	U006	15	1	X/O			
201701-01	1701 Modification	-			D2414627	COVER:DUPLEX	U013_S001	186	1				
201701-02	1701 Modification	-			D1496112	ROLLER:FLAT BELT-TRANSFER:FACE FRONT:ASS'Y	U008_S001	40	1				
201612-01	1612 Modification	-			D2411767	PLAIN SHAFT BEARING:90ANG	U003_S001	61	1				
201611-01	1611 Modification	-			D2414513	DUPLEX UNIT:ASS'Y	U013	185	1				
201611-02	1611 Modification	-	D2411718	CAP:COVER	D2411788	CAP:COVER:POSITIONING	U018	37	1	X/O			
			D2411718	CAP:COVER	D2411788	CAP:COVER:POSITIONING	U018	37	1		X/O		
201611-03	1611 Modification	-	D2411247	COVER:FRONT:USED TONER	D2421247	COVER:FRONT:USED TONER	U001	45	1	X/O			
201611-04	1611 Modification	-	D1494390	(NA/AA/KOR):DECAL:CAUTION:INKJET			U018	22	2				
201611-05	1611 Modification	-	D1496667	(CHN):DECAL:CAUTION:INKJET			U018	23	1				

Design Change List

Number	Title	Set	Old Part		New Part		Index No.		Q'ty	Interchg		Reason	Cut-in S/N
			P/N	Name	P/N	Name	Group	ID		Indiv.	Set		
201611-06	1611 Modification	-	D1496668	(TWN):DECAL:CAUTION:INKJET			U018	24	1				
201611-07	1611 Modification	-			M0AJ6870	(CHN):(D240/D242/D0AE/D0AG)DECAL:INKJET:MULTI-LANGUAGE:CH	U018	57	1				
201611-08	1611 Modification	-	D2406752	(EU/NA/AA/KOR):(D240):DECAL:MODEL NAME PLATE:RIC	D2406753	(CHN(D24021)/TWN(D240)):DECAL:MODEL NAME PLATE:RIC	U018	35	1	X/O			
201611-09	1611 Modification	-	D2426752	(EU/NA/AA/KOR):(D242):DECAL:MODEL NAME PLATE:RIC	D2426753	(CHN(D24221)/TWN(D242)):DECAL:MODEL NAME PLATE:RIC	U018	45	1	X/O			
201611-10	1611 Modification	-			D2411671	PROTECTION:CARRIAGE:SCANNER	U003	60	2				
201611-11	1611 Modification	-			D2414960	BASE:PLATE:EXIT	U012	73	1				
201611-12	1611 Modification	-			D2414971	LINK:PLATE:EXIT	U012	74	2				
201611-13	1611 Modification	-			D2414972	GUIDE:PLATE:EXIT	U012	75	2				
201611-14	1611 Modification	-			D1491268	COVER:RIGHT:LOWER	U018	56	1				
201610-01	1610 Modification	-	D1491317	HOLDER:GLASS:CLEANER:ASS'Y	D2581317	HOLDER:GLASS:CLEANER:ASS'Y	U018	16	1	O/O			
201609-01	1609 Modification	-			D2414757	SPACER:DC MOTOR:DUPLEX	U013	184	1				
201608-01	1608 Modification	B	D1494643	TRANSPORT RO	D2414643	TRANSPORT RO	U013_S001	78	2	X/O	X/O		

Design Change List

Number	Title	Set	Old Part		New Part		Index No.		Q'ty	Interchg		Reason	Cut-in S/N
			P/N	Name	P/N	Name	Group	ID		Indiv.	Set		
				LLER:ENTRANC E		LLER:ENTRANC E							
201608-02	1608 Modification	B	D1494766	PULLEY:T26/T26	D2414766	TRANSPORT RO LLER:EXIT:DIA8	U013_S001	99	1	X/O	X/O		
			D1494766	PULLEY:T26/T26	D2414766	TRANSPORT RO LLER:EXIT:DIA8	U013_S001	99	1	X/O			
201608-03	1608 Modification	A	D1494779	TRANSPORT RO LLER:EXIT:DIA8	D2414640	TRANSPORT RO LLER:EXIT:DIA8	U013_S001	102	1	X/O	X/O		
201608-04	1608 Modification	A	D1494766	PULLEY:T26/T26	D2414766	TRANSPORT RO LLER:EXIT:DIA8	U013_S001	99	1	X/O	X/O		
201607-01	1607 Modification	-			AX060492	DC POLYGON MI RROR MOTOR	U004_S001	2	1				
201607-02	1607 Modification	-	D2411424	(EU/NA/AA/KOR/ TWN):OPERATIO N SUB-UNIT:ASS' Y	D2411417	(EU/NA/AA/KOR/ TWN):OPERATIO N SUB-UNIT:ASS' Y	U002	13	1	O/O			
			D2411424	(EU/NA/AA/KOR/ TWN):OPERATIO N SUB-UNIT:ASS' Y	D2411417	(EU/NA/AA/KOR/ TWN):OPERATIO N SUB-UNIT:ASS' Y	U002	13	1	O/O			
			D2411424	(EU/NA/AA/KOR/ TWN):OPERATIO N SUB-UNIT:ASS' Y	D2411417	(EU/NA/AA/KOR/ TWN):OPERATIO N SUB-UNIT:ASS' Y	U002	13	1	O/O			
			D2411424	(EU/NA/AA/KOR/ TWN):OPERATIO N SUB-UNIT:ASS' Y	D2411417	(EU/NA/AA/KOR/ TWN):OPERATIO N SUB-UNIT:ASS' Y	U002	13	1	O/O			
201607-03	1607 Modification	-	D2411426	(CHN):OPERATI ON SUB-UNIT:AS	D2411418	(CHN):OPERATI ON SUB-UNIT:AS	U002	14	1	O/O			

Design Change List

Number	Title	Set	Old Part		New Part		Index No.		Q'ty	Interchg		Reason	Cut-in S/N
			P/N	Name	P/N	Name	Group	ID		Indiv.	Set		
		-		S'Y		S'Y							
201606-01	1606 Modification	-	D1771592	SCREW:M3X6	08025299	TAPPING SCREW - M3X8	U002	12	9	X/O			
201606-02	1606 Modification	-			D2411251	COVER:LEFT:UPPER	U001	69	1				
201606-03	1606 Modification	-	D2591485	(EU/NA/AA/KOR): IC:NFC_TAG:RCH-NTG215	D1961485	(EU/NA/AA/KOR)(CHN:D242/D0AE/D0AG):IC:NFC_TAG:MN63Y3212NB	U018	31	1	X/O			
			D2591485	(EU/NA/AA/KOR): IC:NFC_TAG:RCH-NTG215	D1961485	(EU/NA/AA/KOR)(CHN:D242/D0AE/D0AG):IC:NFC_TAG:MN63Y3212NB	U018	31	1	X/O			
			D2591485	(EU/NA/AA/KOR): IC:NFC_TAG:RCH-NTG215	D1961485	(EU/NA/AA/KOR)(CHN:D242/D0AE/D0AG):IC:NFC_TAG:MN63Y3212NB	U018	31	1	X/O			
201605-01	1605 Modification	-	AW020203	PHOTOINTERRUPTOR:GP1A173LCS2F	AW020224	PHOTOINTERRUPTOR:GP1A173LCSVF	U005_S004	23	1	X/O			
			AW020203	PHOTOINTERRUPTOR:GP1A173LCS2F	AW020224	PHOTOINTERRUPTOR:GP1A173LCSVF	U005_S004	23	1	X/O			
			AW020203	PHOTOINTERRUPTOR:GP1A173LCS2F	AW020224	PHOTOINTERRUPTOR:GP1A173LCSVF	U005_S005	23	1	X/O			
			AW020203	PHOTOINTERRUPTOR:GP1A173LCS2F	AW020224	PHOTOINTERRUPTOR:GP1A173LCSVF	U005_S005	23	1	X/O			

Design Change List

Number	Title	Set	Old Part		New Part		Index No.		Q'ty	Interchg		Reason	Cut-in S/N
			P/N	Name	P/N	Name	Group	ID		Indiv.	Set		
		-		PTOR:GP1A173L CS2F		PTOR:GP1A173L CSVF							
			AW020203	PHOTOINTERRU PTOR:GP1A173L CS2F	AW020224	PHOTOINTERRU PTOR:GP1A173L CSVF	U008	10	1	X/O			
			AW020203	PHOTOINTERRU PTOR:GP1A173L CS2F	AW020224	PHOTOINTERRU PTOR:GP1A173L CSVF	U009	15	1	X/O			
			AW020203	PHOTOINTERRU PTOR:GP1A173L CS2F	AW020224	PHOTOINTERRU PTOR:GP1A173L CSVF	U012_S001	18	1	X/O			
201605-02	1605 Modification	-	D2411416	(CHN):OPERATI ON PANEL:ASS'Y	D2411426	(CHN):OPERATI ON SUB-UNIT:AS S'Y	U002	7	1	X/O			
201605-03	1605 Modification	-	D1496345	CAM:SHUTTER:T M SENSOR			U008_S001	34	1				
201605-04	1605 Modification	-	D2411414	(EU/NA/AA/KOR/ TWN):OPERATIO N PANEL:ASS'Y	D2411424	(EU/NA/AA/KOR/ TWN):OPERATIO N SUB-UNIT:ASS' Y	U002	6	1	X/O			
			D2411414	(EU/NA/AA/KOR/ TWN):OPERATIO N PANEL:ASS'Y	D2411424	(EU/NA/AA/KOR/ TWN):OPERATIO N SUB-UNIT:ASS' Y	U002	6	1	X/O			
			D2411414	(EU/NA/AA/KOR/ TWN):OPERATIO N PANEL:ASS'Y	D2411424	(EU/NA/AA/KOR/ TWN):OPERATIO N SUB-UNIT:ASS' Y	U002	6	1	X/O			
			D2411414	(EU/NA/AA/KOR/ TWN):OPERATIO N PANEL:ASS'Y	D2411424	(EU/NA/AA/KOR/ TWN):OPERATIO N SUB-UNIT:ASS' Y	U002	6	1	X/O			

Design Change List

Number	Title	Set	Old Part		New Part		Index No.		Q'ty	Interchg		Reason	Cut-in S/N
			P/N	Name	P/N	Name	Group	ID		Indiv.	Set		
		-		N PANEL:ASS'Y		N SUB-UNIT:ASS'Y							

