

Model GR-C2
(D196/D214/D219/D220/D236)
Parts Catalog

Model	Product Code	PC Style
MP C306ZSP/C306ZSPF/MP C406ZSP/MP C406ZSPF	D196/D214/D219/D220/D236	3D
ARDF DF1040	D3BE	3D
Paper Feed Unit PB1080	D573	3D
1 Bin Tray BN1020	D574	3D
Smart Operation Panel	D196	Traditional
Fax Connection Unit Type M13	D3AA	Traditional
Fax Option Type M13	D3A9	Traditional
Handset Type C5502	D645	Traditional
IEEE 802.11a/g/n Interface Unit Type M2	D164	Traditional
IEEE 1284 Interface Board Type A	B679	Traditional
Bluetooth Interface Unit Type D	D566	Traditional
Camera Direct Print Card Type M13	D3AC	Traditional
XPS Direct Print Option Type M13	D3AC	Traditional
USB Device Server Option Type M12	D3A7	Traditional
SD Card for Fonts Type D	D641	Traditional
File Format Converter Type E	D377	Traditional
Copy Data Security Unit Type G	D640	Traditional
Enhanced Security HDD Option Type M10	D792	Traditional
Data Overwrite Security Unit Type I	D362	Traditional
OCR Unit Type M13	D3AC	Traditional
Optional Counter Interface Unit Type M12	B870	Traditional
NFC Card Reader Type M13	D3AC	Traditional
Platen Cover PN1010	D607	Traditional

Unit All



U001
EXTERIOR



U002
OPERATION



U003
SCANNER



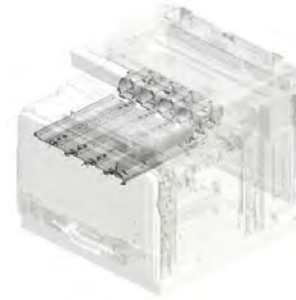
U004
LASER UNIT



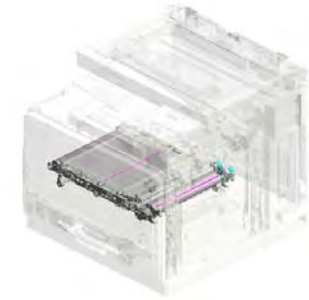
U005
PAPER FEED



U006
PCDU



U007
DEVELOPMENT



U008
ITB UNIT



U009
SEPARATION/TRANSPORT



U010
USED TONER



U011
FUSING



U012
PAPER EXIT

Unit All



U013
DUPLIX



U014
MAIN DRIVE



U015
ELECTRICAL

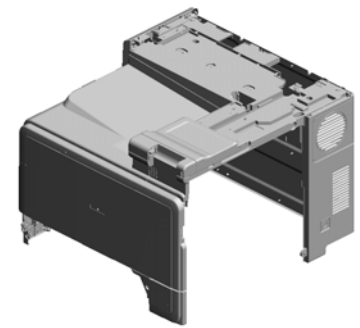
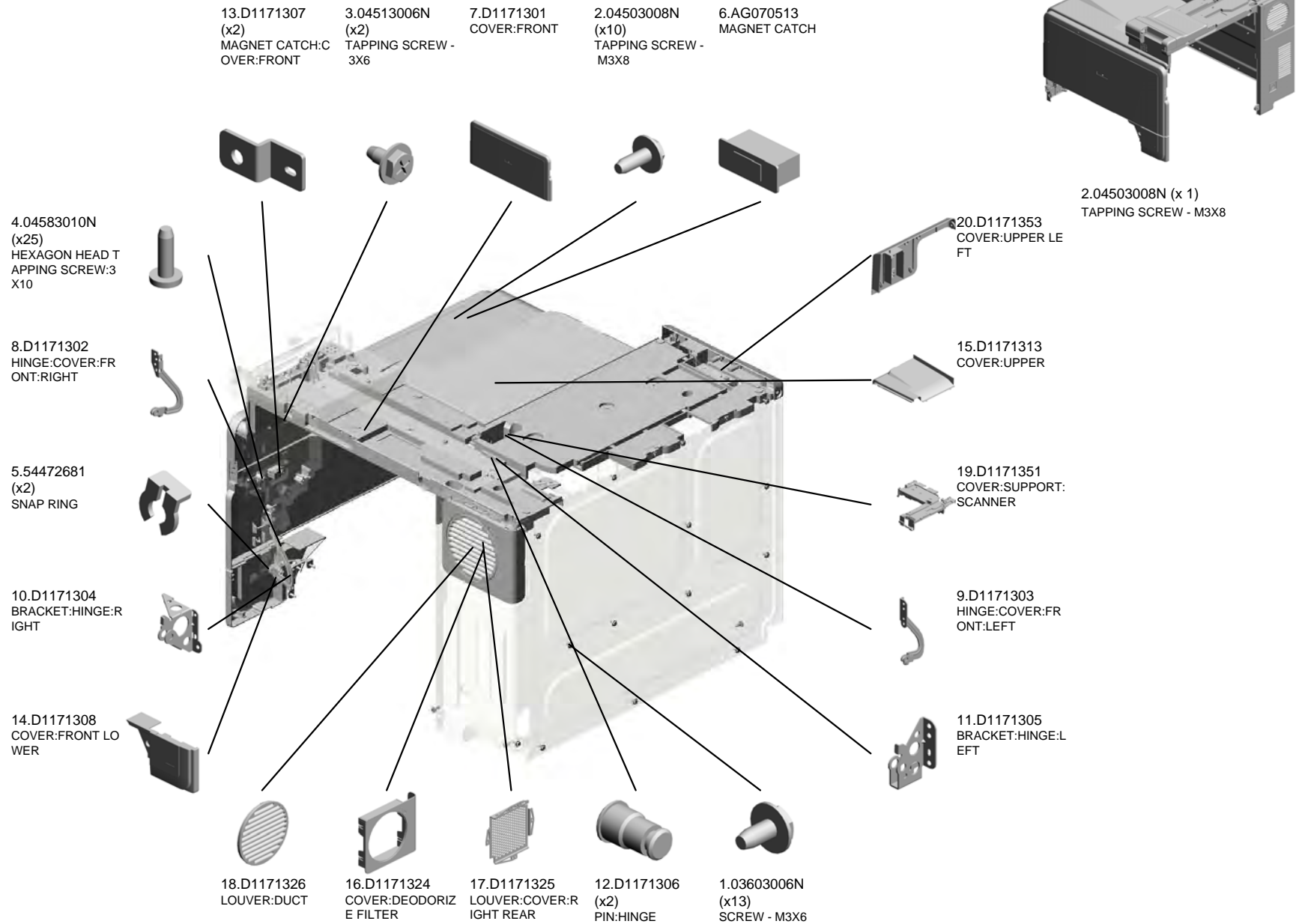


U016
MAIN FRAME



U017
OPTION

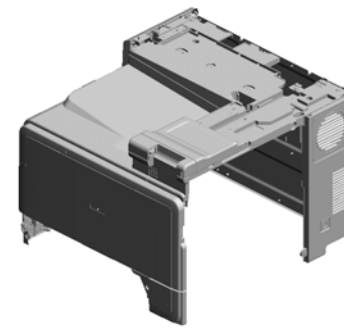
U001 EXTERIOR



U001	U002	U003	U004	U005	U006	U007	U008	U009	U010	U011	U012	U013	U014	U015	U016	U017
------	------	------	------	------	------	------	------	------	------	------	------	------	------	------	------	------

U001 EXTERIOR

30.D1681353 COVER:UPPER RI
GHT:REAR:VW
22.D1174495 EXTENSION TRAY:
EXIT
23.D1174496 END FENCE:EXIT
24.D1174498 STOPPER:END FE
NCE:EXIT
25.D1174499 COMPRESSION SP
RING:END FENCE:
EXIT

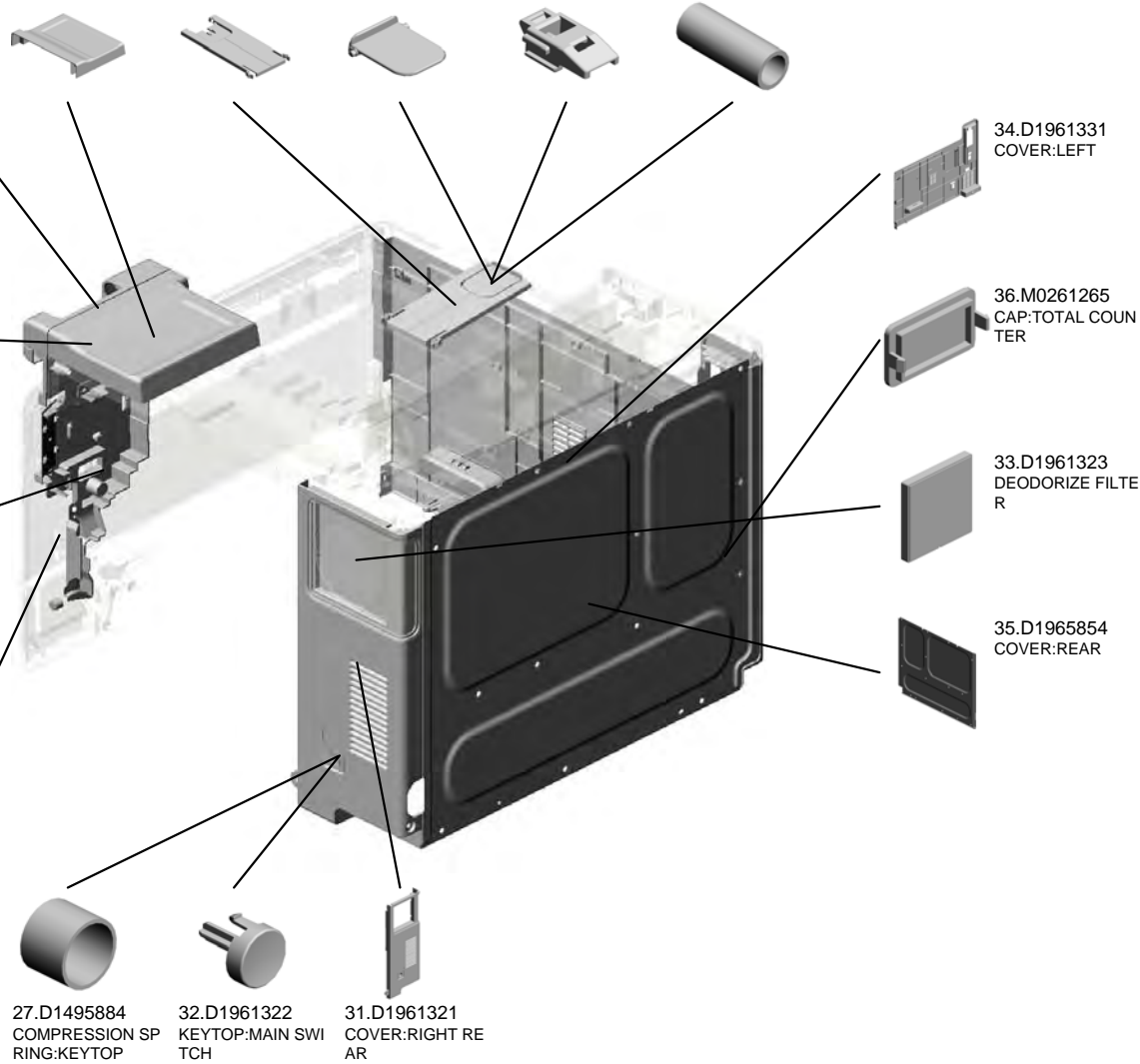


29.D1681352 COVER:UPPER RI
GHT:FRONT:VW

28.D1681351 COVER:UPPER FR
ONT:VW

21.D1171361 INNER COVER:UP
PER

26.D1175927 ACTUATOR:FRON
T:SAFETY SWITCH



34.D1961331 COVER:LEFT

36.M0261265 CAP:TOTAL COUN
TER

33.D1961323 DEODORIZE FILTE
R

35.D1965854 COVER:REAR

27.D1495884 COMPRESSION SP
RING:KEYTOP

32.D1961322 KEYTOP:MAIN SWI
TCH

31.D1961321 COVER:RIGHT RE
AR

U002.OPERATION

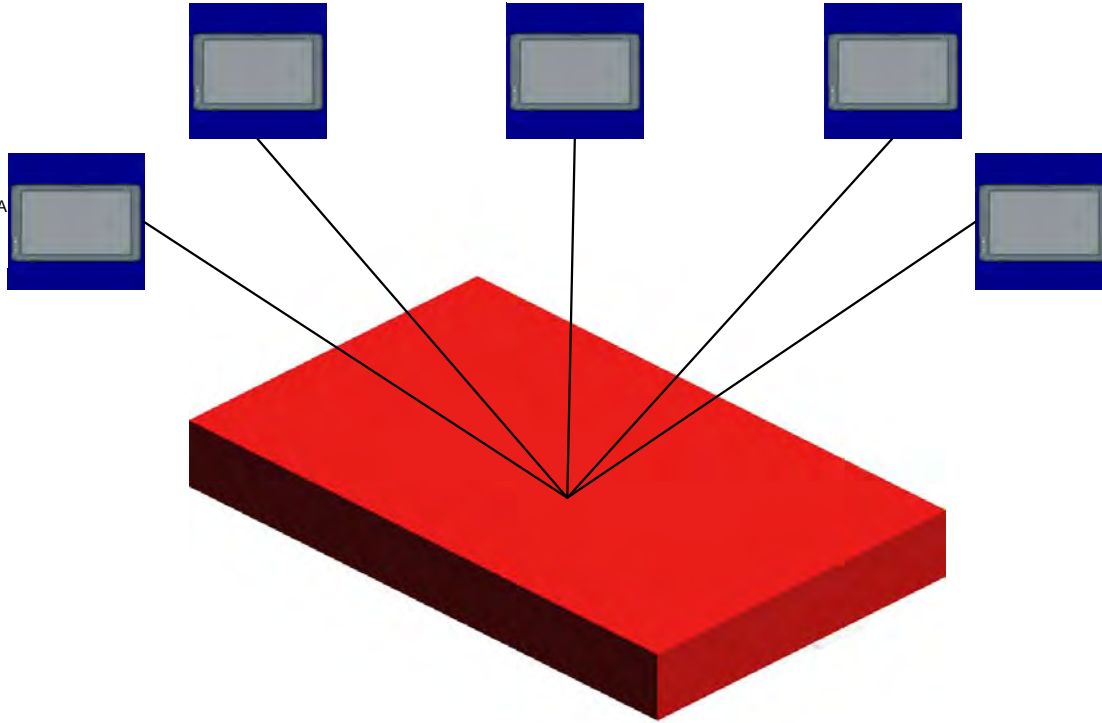
U002_S001
D1961480
(-EU,-NA,-AA,-KOR,-TWN):OP
ERATION PANEL:ASS'Y

U002_S002
D1961480
(-EU,-NA,-AA,-KOR,-TWN):OP
ERATION PANEL:ASS'Y

U002_S003
D1961480
(-EU,-NA,-AA,-KOR,-TWN):OP
ERATION PANEL:ASS'Y

U002_S005
D1961500
(-CHN):OPERATION PANEL:ASS'Y

U002_S004
D1961480
(-EU,-NA,-AA,-KOR,-TWN):OP
ERATION PANEL:ASS'Y



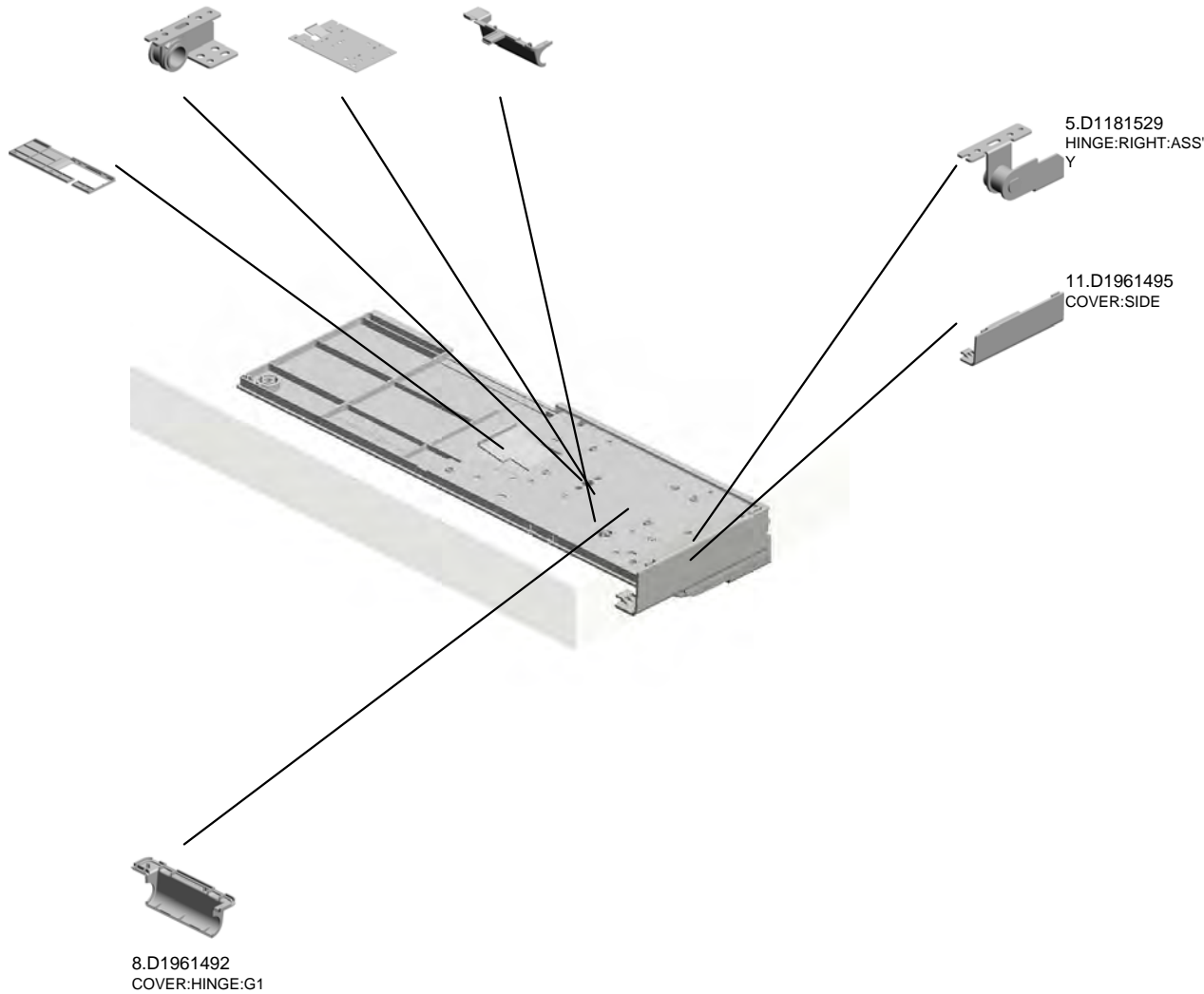
U001	U002	U003	U004	U005	U006	U007	U008	U009	U010	U011	U012	U013	U014	U015	U016	U017
------	------	------	------	------	------	------	------	------	------	------	------	------	------	------	------	------

U002 OPERATION

6.D1181530 HINGE:LEFT:ASSY
 12.D1961496 PLATE:HINGE
 9.D1961493 COVER:HINGE:G2



10.D1961494
 COVER:REAR:MID
 DLE



4.11050582
 (x2)
 CLAMP:RBWS-051
 0D-V0

5.D1181529
 HINGE:RIGHT:ASSY

11.D1961495
 COVER:SIDE

1.03530040N (x 8)
 SCREW - M3X4
 2.03530060N (x 3)
 BIND SCREW - M3X6
 3.04583010N (x 5)
 HEXAGON HEAD TAPPING SCREW:3X
 10

8.D1961492
 COVER:HINGE:G1

U001	U002	U003	U004	U005	U006	U007	U008	U009	U010	U011	U012	U013	U014	U015	U016	U017
------	-------------	------	------	------	------	------	------	------	------	------	------	------	------	------	------	------

U002_S001
(-EU,-NA,-AA,-KOR,-TWN):OPERATION PANEL:ASS'Y



7.D1961480
(-EU,-NA,-AA,-KOR,
-TWN):OPERATION
PANEL:ASS'Y

See 2D parts catalog
for the components of
the Smart Operation
Panel.

14.Note
See 2D parts catalog
for the components of
the Smart Operation
Panel.

U001	U002	U003	U004	U005	U006	U007	U008	U009	U010	U011	U012	U013	U014	U015	U016	U017
------	------	------	------	------	------	------	------	------	------	------	------	------	------	------	------	------

U002_S002
(-EU,-NA,-AA,-KOR,-TWN):OPERATION PANEL:ASS'Y



7.D1961480
(-EU,-NA,-AA,-KOR,
-TWN):OPERATION
PANEL:ASS'Y

See 2D parts catalog
for the components of
the Smart Operation
Panel.

14.Note
See 2D parts catalog
for the components of
the Smart Operation
Panel.

U001	U002	U003	U004	U005	U006	U007	U008	U009	U010	U011	U012	U013	U014	U015	U016	U017
------	------	------	------	------	------	------	------	------	------	------	------	------	------	------	------	------

U002_S003
(-EU,-NA,-AA,-KOR,-TWN):OPERATION PANEL:ASS'Y



7.D1961480
(-EU,-NA,-AA,-KOR,
-TWN):OPERATION
PANEL:ASS'Y

See 2D parts catalog
for the components of
the Smart Operation
Panel.

14.Note
See 2D parts catalog
for the components of
the Smart Operation
Panel.

U001	U002	U003	U004	U005	U006	U007	U008	U009	U010	U011	U012	U013	U014	U015	U016	U017
------	------	------	------	------	------	------	------	------	------	------	------	------	------	------	------	------

U002_S004
(-EU,-NA,-AA,-KOR,-TWN):OPERATION PANEL:ASS'Y



7.D1961480
(-EU,-NA,-AA,-KOR,
-TWN):OPERATION
PANEL:ASS'Y

See 2D parts catalog
for the components of
the Smart Operation
Panel.

14.Note
See 2D parts catalog
for the components of
the Smart Operation
Panel.

U001	U002	U003	U004	U005	U006	U007	U008	U009	U010	U011	U012	U013	U014	U015	U016	U017
------	------	------	------	------	------	------	------	------	------	------	------	------	------	------	------	------

U002_S005
(-CHN):OPERATION PANEL:ASS'Y



13.D1961500
(-CHN):OPERATIO
N PANEL:ASS'Y

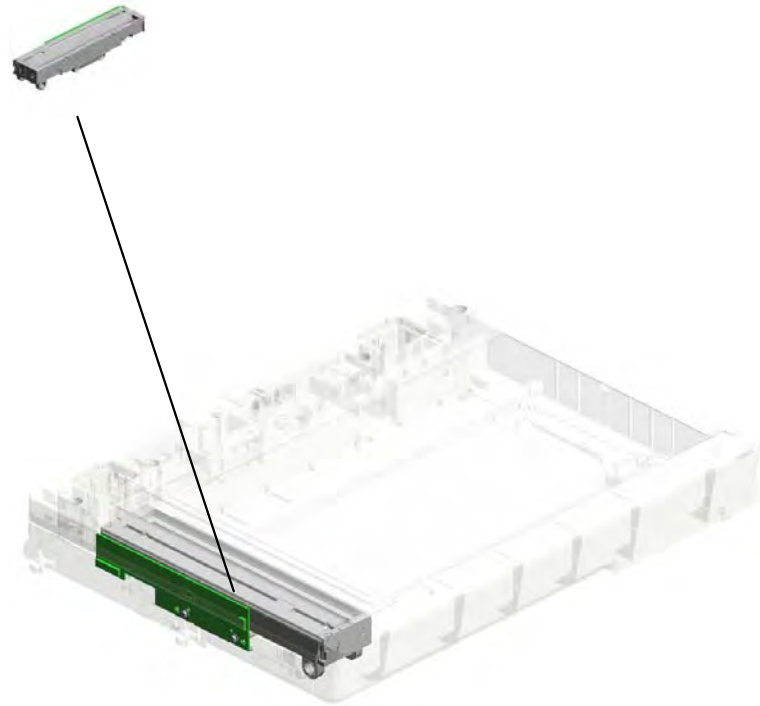
See 2D parts catalog
for the components of
the Smart Operation
Panel.

14.Note
See 2D parts catalog
for the components of
the Smart Operation Panel.

U001	U002	U003	U004	U005	U006	U007	U008	U009	U010	U011	U012	U013	U014	U015	U016	U017
------	------	------	------	------	------	------	------	------	------	------	------	------	------	------	------	------

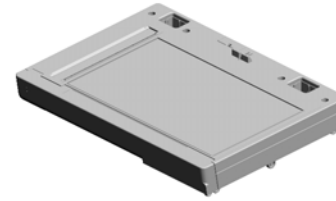
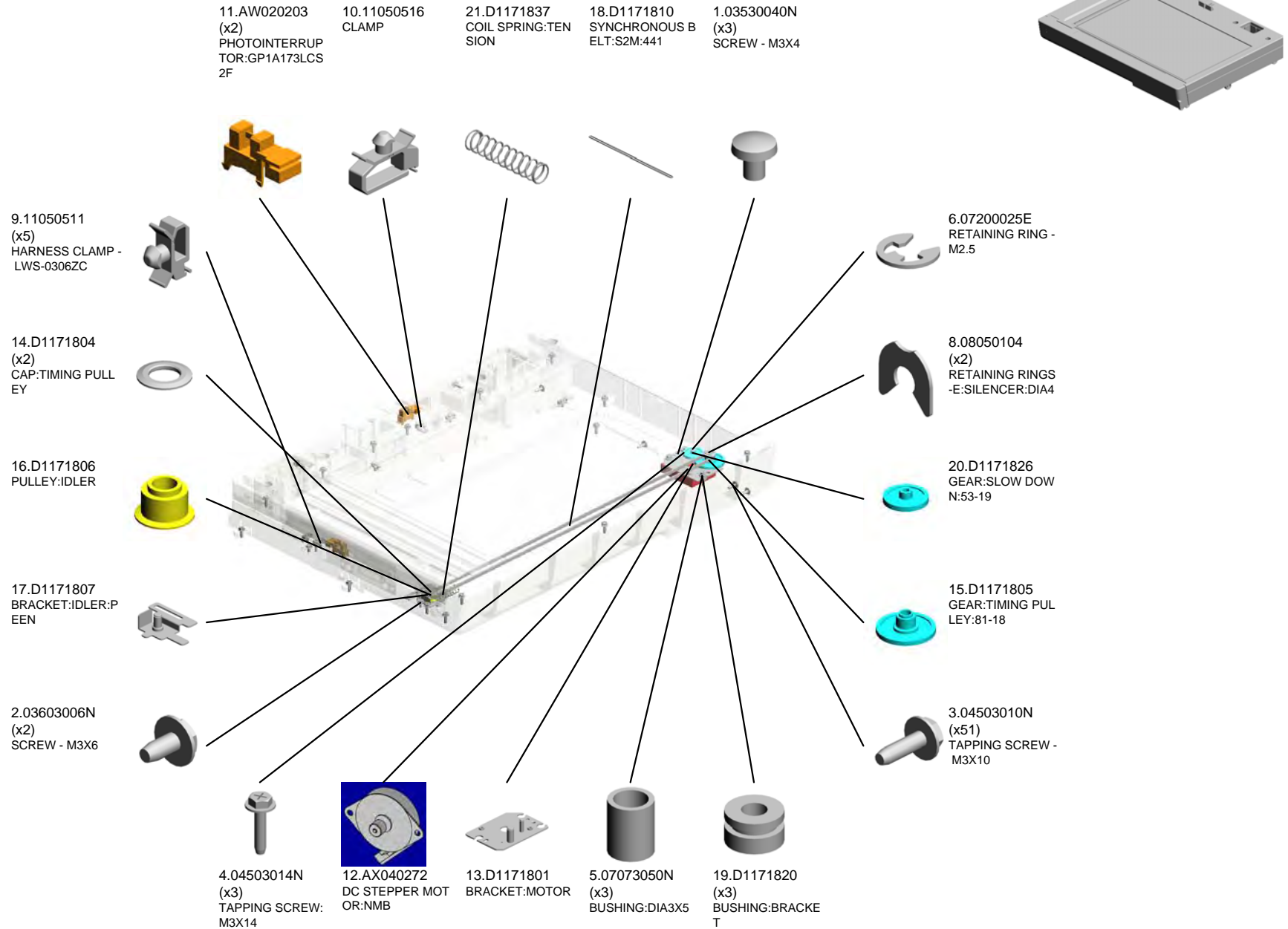
U003.SCANNER

U003_S001
D1961651
CARRIAGE:SCANNER:ASSY

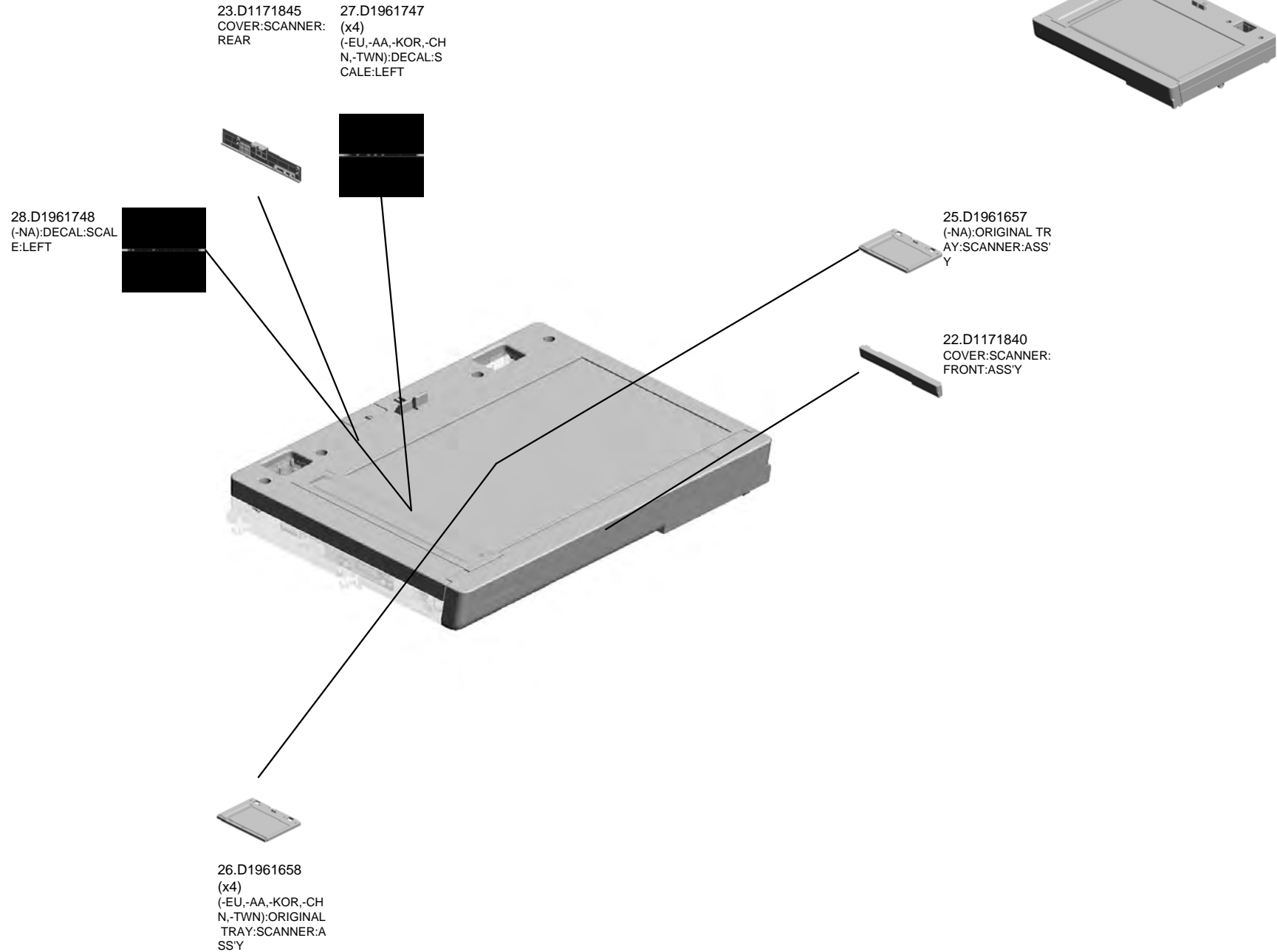


U001	U002	U003	U004	U005	U006	U007	U008	U009	U010	U011	U012	U013	U014	U015	U016	U017
------	------	------	------	------	------	------	------	------	------	------	------	------	------	------	------	------

U003 SCANNER



U003 SCANNER



U001	U002	U003	U004	U005	U006	U007	U008	U009	U010	U011	U012	U013	U014	U015	U016	U017
------	------	-------------	------	------	------	------	------	------	------	------	------	------	------	------	------	------

U003_S001
CARRIAGE:SCANNER:ASS'Y

7.08046123
(x8)
HEXAGONAL BOLT
:W/WASHER:M3X8



24.D1961651
CARRIAGE:SCANN
ER:ASSY



U001	U002	U003	U004	U005	U006	U007	U008	U009	U010	U011	U012	U013	U014	U015	U016	U017
------	------	------	------	------	------	------	------	------	------	------	------	------	------	------	------	------

U004.LASER UNIT

U004_S001
D1961860
(D196/D214/D236):OPTICAL
WRITING UNIT:ASS'Y

U004_S003
D2191860
(D219/D220):OPTICAL WRITI
NG UNIT:ASS'Y

U004_S005
D2191860
(D219/D220):OPTICAL WRITI
NG UNIT:ASS'Y

U004_S002
D1961860
(D196/D214/D236):OPTICAL
WRITING UNIT:ASS'Y

U004_S007
D2191860
(D219/D220):OPTICAL WRITI
NG UNIT:ASS'Y

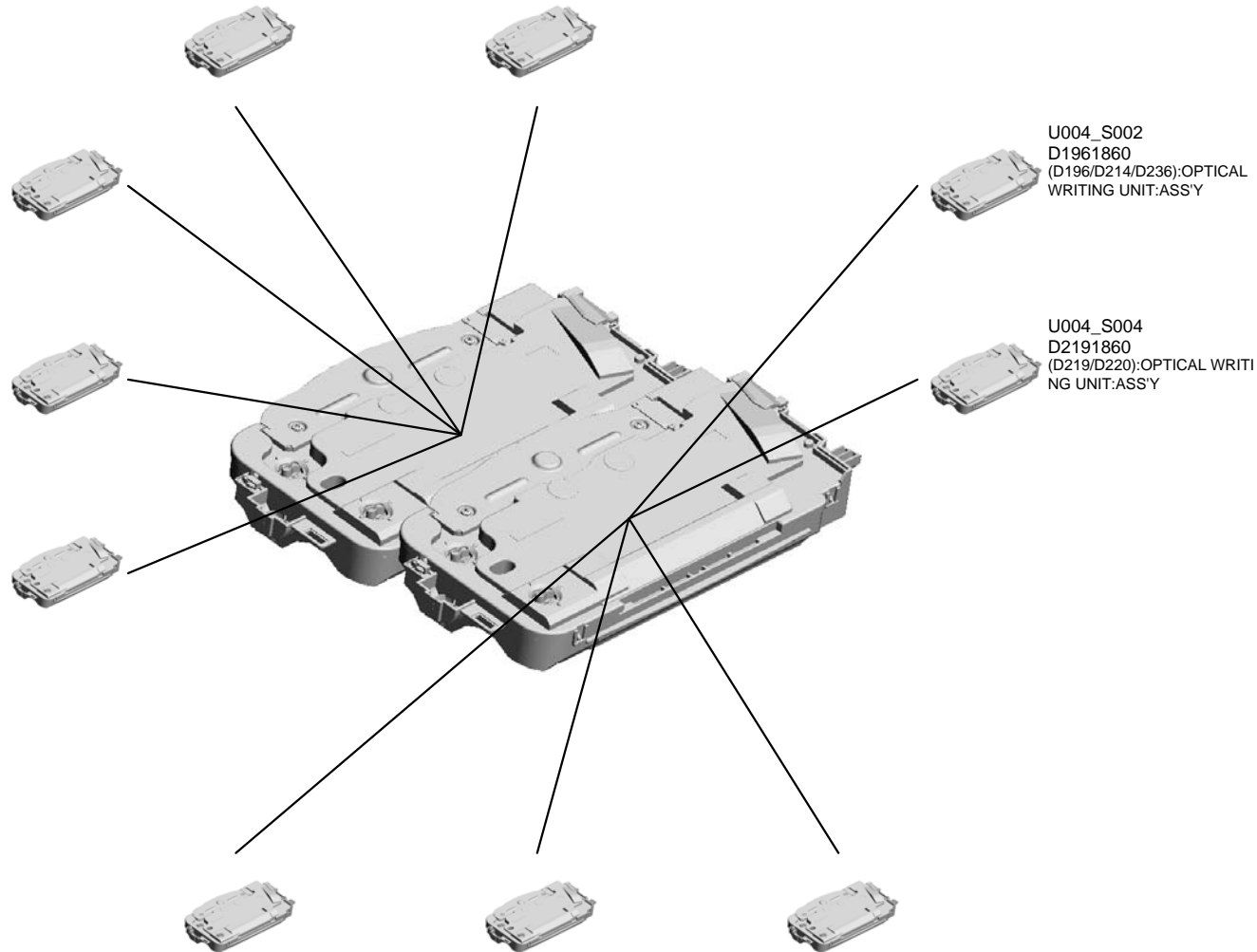
U004_S004
D2191860
(D219/D220):OPTICAL WRITI
NG UNIT:ASS'Y

U004_S009
D2191860
(D219/D220):OPTICAL WRITI
NG UNIT:ASS'Y

U004_S006
D2191860
(D219/D220):OPTICAL WRITI
NG UNIT:ASS'Y

U004_S008
D2191860
(D219/D220):OPTICAL WRITI
NG UNIT:ASS'Y

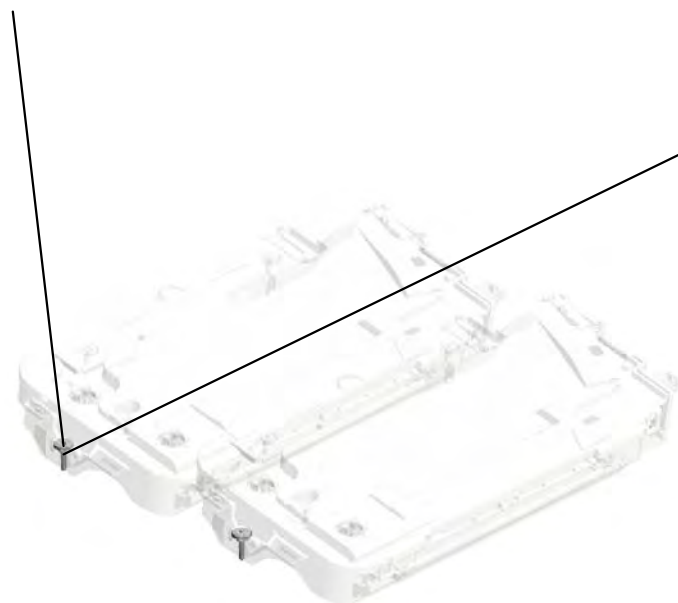
U004_S010
D2191860
(D219/D220):OPTICAL WRITI
NG UNIT:ASS'Y



U001	U002	U003	U004	U005	U006	U007	U008	U009	U010	U011	U012	U013	U014	U015	U016	U017
------	------	------	------	------	------	------	------	------	------	------	------	------	------	------	------	------

U004 LASER UNIT

4.D1171991
(x10)
SPRING LOCK WA
SHER:DIA6.4XDIA1
1X1.5



3.D1171990
(x10)
STEPPED SCREW

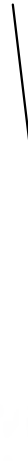
U001	U002	U003	U004	U005	U006	U007	U008	U009	U010	U011	U012	U013	U014	U015	U016	U017
------	------	------	-------------	------	------	------	------	------	------	------	------	------	------	------	------	------

U004_S001
(D196/D214/D236):OPTICAL WRITING UNIT:ASS'Y

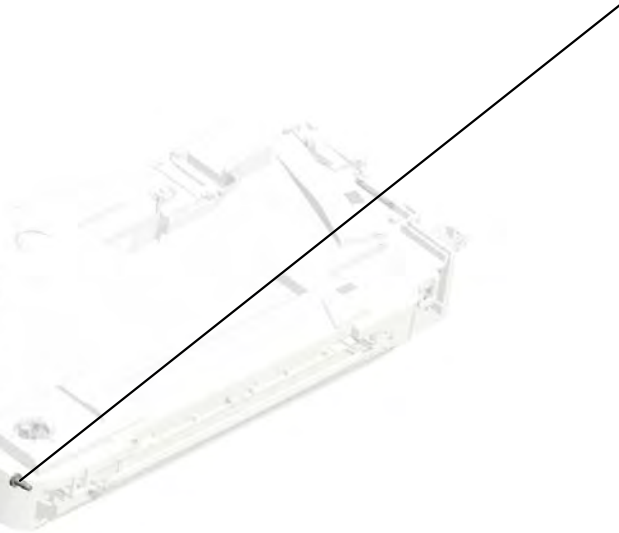
2.11050511
HARNESS CLAMP -
LWS-0306ZC



5.D1961860
(D196/D214/D236):
OPTICAL WRITING
UNIT:ASSY



1.03530060N
(x2)
BIND SCREW - M3
X6



U001	U002	U003	U004	U005	U006	U007	U008	U009	U010	U011	U012	U013	U014	U015	U016	U017
------	------	------	-------------	------	------	------	------	------	------	------	------	------	------	------	------	------

U004_S002
(D196/D214/D236):OPTICAL WRITING UNIT:ASS'Y

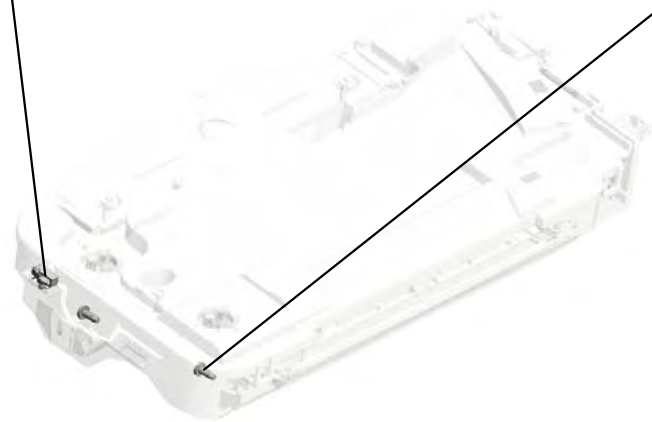
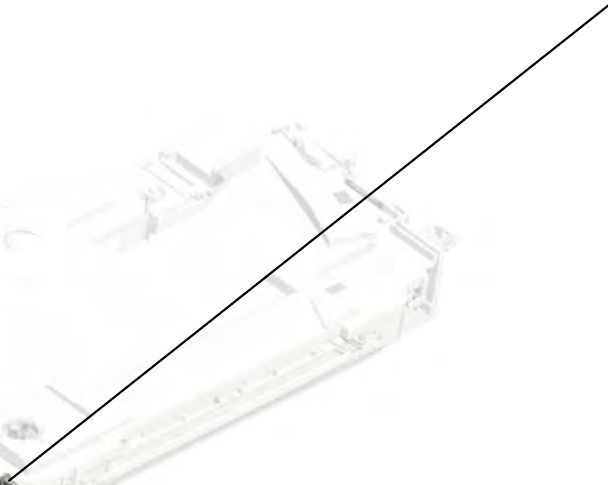
2.11050511
HARNESS CLAMP -
LWS-0306ZC



5.D1961860
(D196/D214/D236):
OPTICAL WRITING
UNIT:ASSY



1.03530060N
(x2)
BIND SCREW - M3
X6



U001	U002	U003	U004	U005	U006	U007	U008	U009	U010	U011	U012	U013	U014	U015	U016	U017
------	------	------	------	------	------	------	------	------	------	------	------	------	------	------	------	------

U004_S003
(D219/D220):OPTICAL WRITING UNIT:ASS'Y

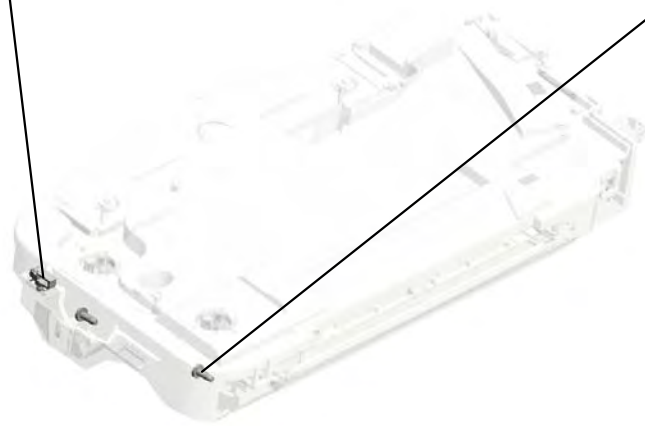
2.11050511
HARNESS CLAMP -
LWS-0306ZC



6.D2191860
(D219/D220):OPTIC
AL WRITING UNIT:
ASS'Y



1.03530060N
(x2)
BIND SCREW - M3
X6



U001	U002	U003	U004	U005	U006	U007	U008	U009	U010	U011	U012	U013	U014	U015	U016	U017
------	------	------	------	------	------	------	------	------	------	------	------	------	------	------	------	------

U004_S004
(D219/D220):OPTICAL WRITING UNIT:ASS'Y

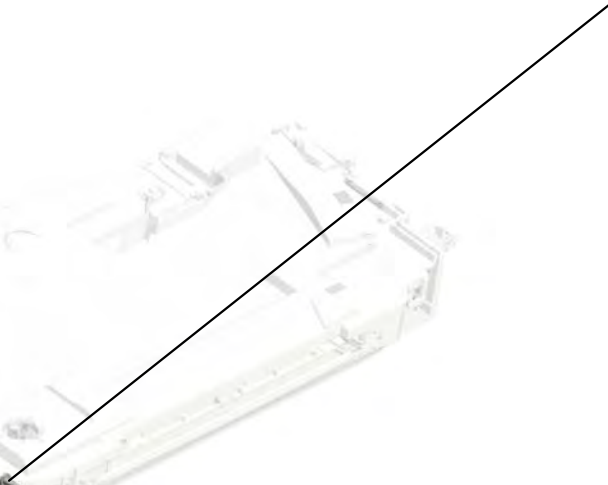
2.11050511
HARNESS CLAMP -
LWS-0306ZC



6.D2191860
(D219/D220):OPTIC
AL WRITING UNIT:
ASS'Y



1.03530060N
(x2)
BIND SCREW - M3
X6



U001	U002	U003	U004	U005	U006	U007	U008	U009	U010	U011	U012	U013	U014	U015	U016	U017
------	------	------	------	------	------	------	------	------	------	------	------	------	------	------	------	------

U004_S005
(D219/D220):OPTICAL WRITING UNIT:ASS'Y

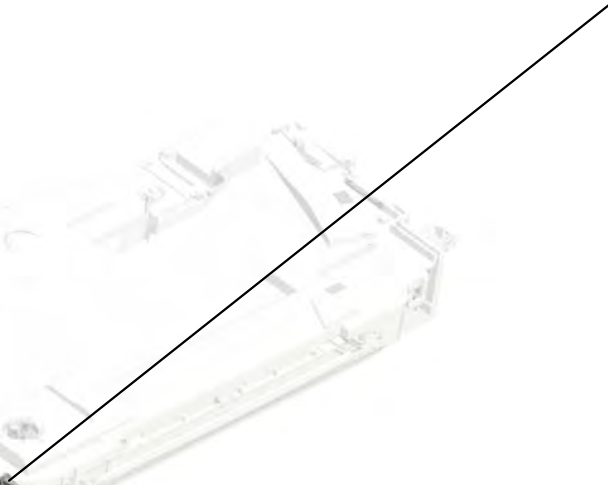
2.11050511
HARNESS CLAMP -
LWS-0306ZC



6.D2191860
(D219/D220):OPTIC
AL WRITING UNIT:
ASS'Y



1.03530060N
(x2)
BIND SCREW - M3
X6



U001	U002	U003	U004	U005	U006	U007	U008	U009	U010	U011	U012	U013	U014	U015	U016	U017
------	------	------	------	------	------	------	------	------	------	------	------	------	------	------	------	------

U004_S006
(D219/D220):OPTICAL WRITING UNIT:ASS'Y

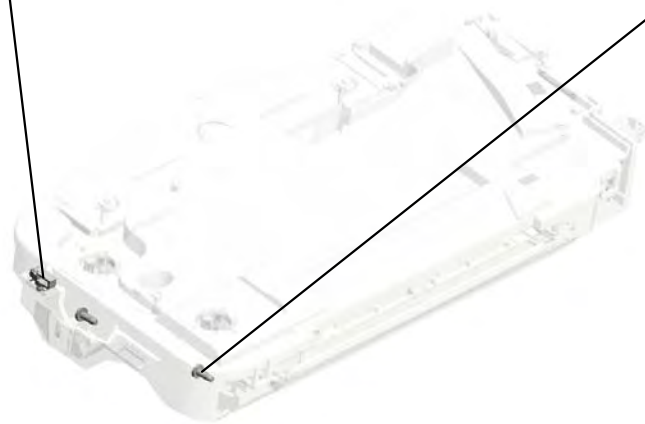
2.11050511
HARNESS CLAMP -
LWS-0306ZC



6.D2191860
(D219/D220):OPTIC
AL WRITING UNIT:
ASS'Y



1.03530060N
(x2)
BIND SCREW - M3
X6



U001	U002	U003	U004	U005	U006	U007	U008	U009	U010	U011	U012	U013	U014	U015	U016	U017
------	------	------	------	------	------	------	------	------	------	------	------	------	------	------	------	------

U004_S007
(D219/D220):OPTICAL WRITING UNIT:ASS'Y

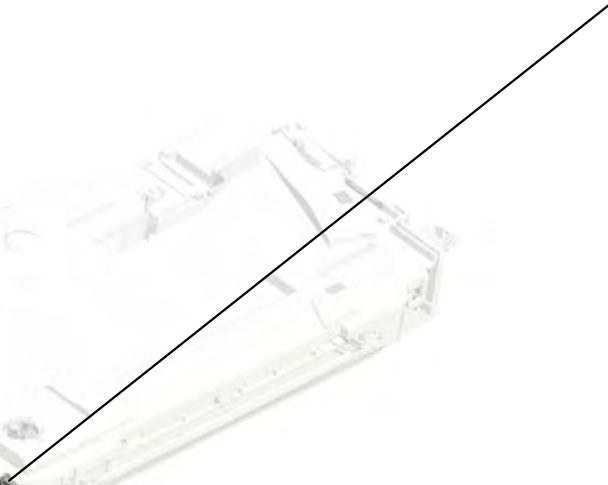
2.11050511
HARNESS CLAMP -
LWS-0306ZC



6.D2191860
(D219/D220):OPTIC
AL WRITING UNIT:
ASS'Y



1.03530060N
(x2)
BIND SCREW - M3
X6



U001	U002	U003	U004	U005	U006	U007	U008	U009	U010	U011	U012	U013	U014	U015	U016	U017
------	------	------	------	------	------	------	------	------	------	------	------	------	------	------	------	------

U004_S008
(D219/D220):OPTICAL WRITING UNIT:ASS'Y

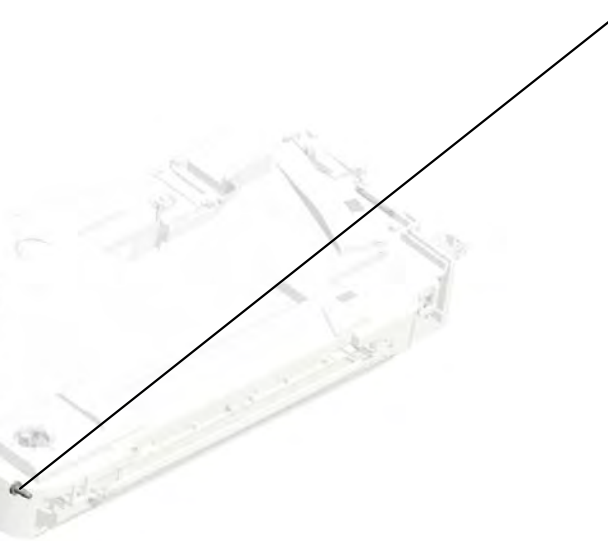
2.11050511
HARNES CLAMP -
LWS-0306ZC



6.D2191860
(D219/D220):OPTIC
AL WRITING UNIT:
ASS'Y



1.03530060N
(x2)
BIND SCREW - M3
X6



U001	U002	U003	U004	U005	U006	U007	U008	U009	U010	U011	U012	U013	U014	U015	U016	U017
------	------	------	------	------	------	------	------	------	------	------	------	------	------	------	------	------

U004_S009
(D219/D220):OPTICAL WRITING UNIT:ASS'Y

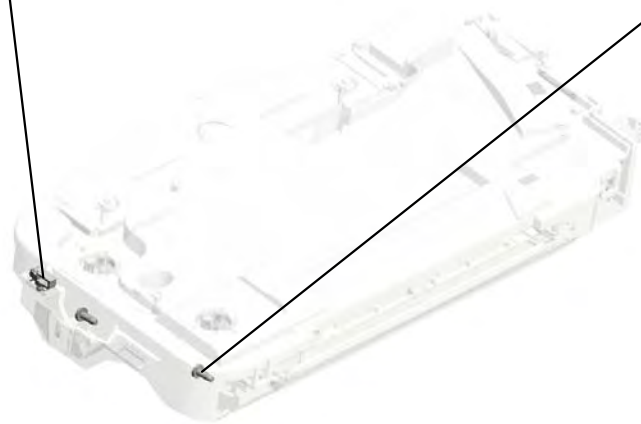
2.11050511
HARNESS CLAMP -
LWS-0306ZC



6.D2191860
(D219/D220):OPTIC
AL WRITING UNIT:
ASS'Y



1.03530060N
(x2)
BIND SCREW - M3
X6



U001	U002	U003	U004	U005	U006	U007	U008	U009	U010	U011	U012	U013	U014	U015	U016	U017
------	------	------	------	------	------	------	------	------	------	------	------	------	------	------	------	------

U004_S010
(D219/D220):OPTICAL WRITING UNIT:ASS'Y

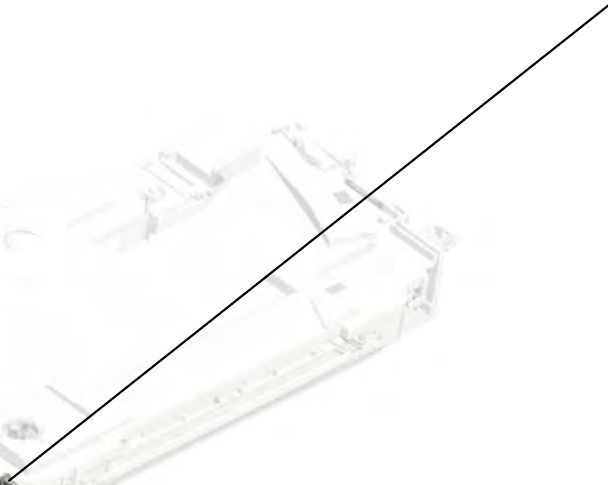
2.11050511
HARNESS CLAMP -
LWS-0306ZC



6.D2191860
(D219/D220):OPTIC
AL WRITING UNIT:
ASS'Y



1.03530060N
(x2)
BIND SCREW - M3
X6



U001	U002	U003	U004	U005	U006	U007	U008	U009	U010	U011	U012	U013	U014	U015	U016	U017
------	------	------	------	------	------	------	------	------	------	------	------	------	------	------	------	------

U005.PAPER FEED

U005_S004
D1172762
MANUAL FEED TABLE:ASS'Y

U005_S005
D1172717
SHAFT:PAPER FEED:MANUA
L FEED

U005_S006
D1962720
TRAY BOTTOM PLATE:MANU
AL FEED:ASS'Y

U005_S003
D1962800
PAPER TRAY:ASS'Y

U005_S002
D1172899
LEVER:STRETCH:TRAY:UNI:
ASS'Y

U005_S001
D1172533
BASE:RISE:ASS'Y

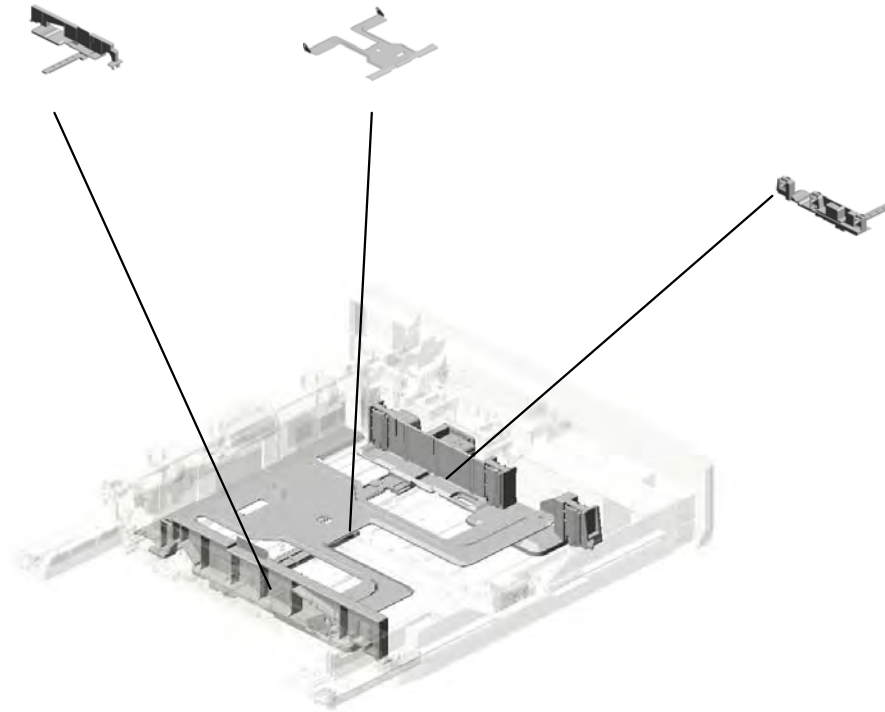
U001	U002	U003	U004	U005	U006	U007	U008	U009	U010	U011	U012	U013	U014	U015	U016	U017
------	------	------	------	-------------	------	------	------	------	------	------	------	------	------	------	------	------

U005_S003.PAPER TRAY:ASS'Y

U005_S003_S002
D1172836
SIDE FENCE:REAR:ASS'Y

U005_S003_S003
D1962845
BASE:TRAY:ASS'Y

U005_S003_S001
D1172825
SIDE FENCE:FRONT:ASS'Y



U001	U002	U003	U004	U005	U006	U007	U008	U009	U010	U011	U012	U013	U014	U015	U016	U017
------	------	------	------	------	------	------	------	------	------	------	------	------	------	------	------	------

U005 PAPER FEED

29.AF020791
REGISTRATION R
OLLER:DRIVE

30.AF021088
REGISTRATION R
OLLER:DRIVEN

14.08050104
(x11)
RETAINING RINGS
-E:SILENCER:DIA4

8.04523008N
TAPPING SCREW -
M3X8

24.AB011539
GEAR:REGISTRATI
ON ROLLER:DRIVE



31.AF031092
PAPER FEED ROL
LER:MANUAL FEE
D



21.AA082161
(x2)
PLAIN SHAFT BEA
RING:REGISTRATI
ON ROLLER



23.AB011538
GEAR:REGISTRATI
ON ROLLER:INNER
BACK



20.AA082101
(x4)
BUSHING - 6X10X6



9.04543006Q
(x8)
TAPPING SCREW -
M3X6



15.11050511
(x6)
HARNES CLAMP -
LWS-0306ZC



6.04513006N
(x4)
TAPPING SCREW -
3X6



7.04513008N
TAPPING SCREW -
M3X8



16.11050692
(x2)
CLAMP:LES-0503



10.04543008Q
(x4)
TAPPING SCREW:
3X8



13.07200040E
(x4)
RETAINING RING -
M4



22.AB011537
GEAR:REGISTRATI
ON ROLLER:FRON
T



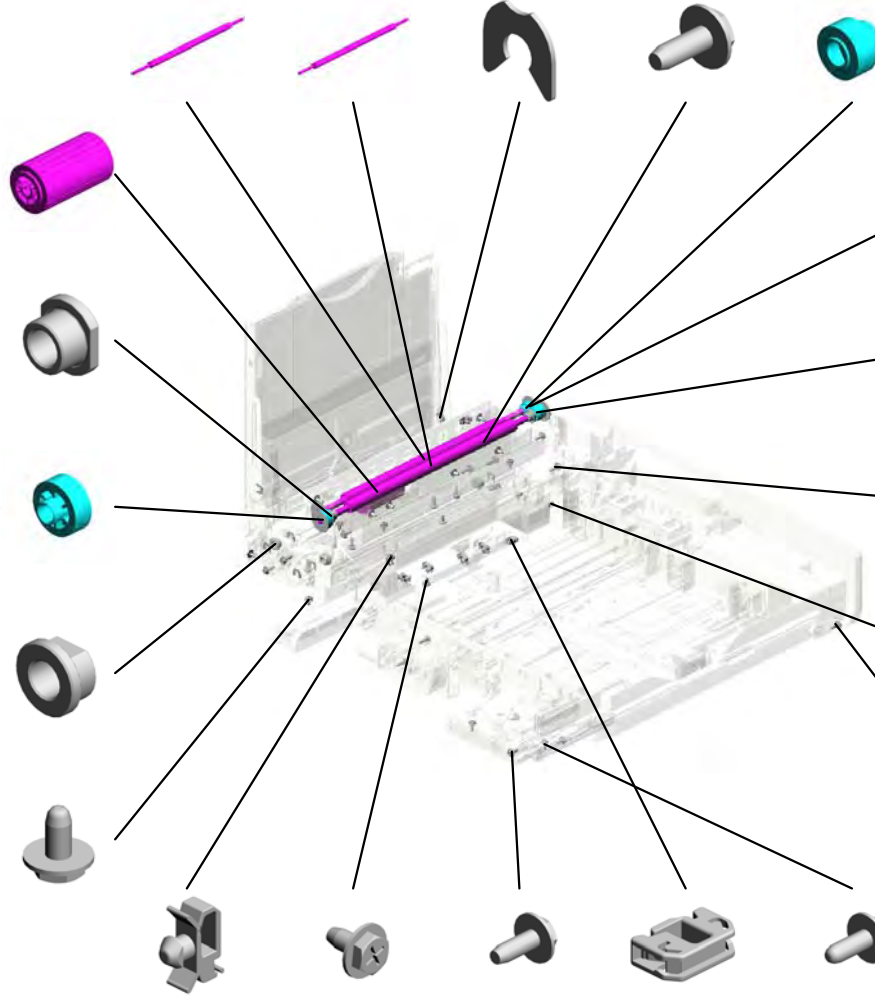
4.04503010N
(x15)
TAPPING SCREW -
M3X10



12.07200025E
RETAINING RING -
M2.5



3.04503008N
(x3)
TAPPING SCREW -
M3X8



U005 PAPER FEED

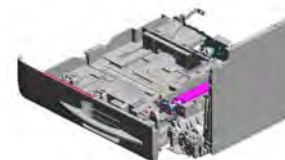
59.D1172710
GUIDE PLATE:MAN
UAL FEED:LOWER

50.D1172635
BRACKET:FRAME:
REGISTRATION

53.D1172638
GUIDE PLATE:REG
ISTRATION ROLLE
R:DRIVE

51.D1172636
(x2)
HOLDER:REGISTR
ATION

52.D1172637
(x2)
COMPRESSION SP
RING:ROLLER:TEN
SION



55.D1172640
GUIDE:REGISTRAT
ION:DRIVE:INNER
BACK



49.D1172633
(x2)
BUSHING:REGIST
RATION ROLLER:DR
IVE



48.D1172631
(x2)
COLLAR:REGISTR
ATION



60.D1172711
FRICTION PAD:MA
NUAL FEED:ADHE
SION



34.AX200328
ELECTROMAGNET
IC CLUTCH:DRIVE:
MANUAL FEED



42.D1172611
GUIDE PLATE:VER
TICAL TRANSPOR
T:LOWER



44.D1172613
GUIDE:VERTICAL
TRANSPORT



43.D1172612
GUIDE PLATE:VER
TICAL TRANSPOR
T:UPPER



35.B0392730
PAPER END SENS
OR



33.AW020203
(x4)
PHOTOINTERRUP
TOR:GP1A173LCS
2F



54.D1172639
GUIDE:REGISTRAT
ION:DRIVE:FRONT



46.D1172618
GUIDE:REMOVE P
APER DUST



45.D1172617
CASE:REMOVE PA
PER DUST



47.D1172619
GUIDE PLATE:REG
ISTRATION ROLLE
R:DRIVEN



32.AW010107
(x2)
PAPER FEED SEN
SOR



U005 PAPER FEED

72.D1172733
FEELER:PAPER END SENSOR:MANUAL FEED

71.D1172732 (x2)
HOLDER:PAPER END SENSOR:MANUAL FEED

61.D1172714
COMPRESSION SPRING:SEPARATION:MANUAL FEED

74.D1172735
SUPPORTING PLATE:MANUAL FEED

67.D1172725 (x2)
COMPRESSION SPRING:PAPER FEED:MANUAL FEED



77.D1172742
CAM:MANUAL FEED:REAR



63.D1172719
GEAR:PAPER FEED:MANUAL FEED



73.D1172734 (x2)
TORSION SPRING:PAPER END SENSOR:MANUAL FEED



83.D1172749
BRACKET:MANUAL FEED:REAR



80.D1172745 (x2)
GEAR:CAM:IDLER:STEPPED



75.D1172740
SHAFT:CAM:MANUAL FEED



69.D1172728
SHEET:MANUAL FEED



68.D1172727
GUIDE PLATE:MANUAL FEED:MIDDLE



84.D1172751
BRACKET:MANUAL FEED:FRONT



79.D1172744 (x2)
GEAR:CAM:IDLER:LOWER



76.D1172741
CAM:MANUAL FEED:FRONT



82.D1172747
FEELER:CAM:MANUAL FEED



70.D1172729
TENSION SPRING:GUIDE PLATE:MANUAL FEED



81.D1172746 (x2)
GEAR:CAM:IDLER:UPPER



78.D1172743 (x2)
GEAR:CAM:MANUAL FEED



U005 PAPER FEED

153.D1962626
GROUND PLATE:BRACKET:REMOVE PAPER DUST

156.D1962793
GROUND PLATE:TRAY BOTTOM PLATE:MANUAL FEED: INNER BACK

157.D1962794
HOLDER:RESISTOR:MANUAL FEED:BASE

86.D1172756
FEELER:PAPER SIZE SENSOR:MANUAL FEED

85.D1172752
SPRING PLATE:HOME POSITION SENSOR:MANUAL FEED



88.D1172761
(x2)
LINK:MANUAL FEED TABLE

87.D1172760
SUPPORTING PLATE:SMALL:MANUAL FEED

105.D1172787
STOPPER:MANUAL FEED TABLE

158.D1962798
INSULATING SHEET:BASE:MANUAL FEED

163.G0205626
PUSH SWITCH

155.D1962791
GROUND PLATE:TRAY BOTTOM PLATE:MANUAL FEED: FRONT

150.D1172901
BRACKET:STRETCH:TRAY

138.D1172866
ROLLER:RAIL:RIGHT

151.D1962623
GROUND PLATE:REGISTRATION ROLLER

167.M0963989
(x2)
RESISTOR:TRANSFER/SEPARATION

152.D1962624
HOLDER:RESISTOR:REGISTRATION

112.D1172813
STOPPER:PAPER TRAY

148.D1172897
BRACKET:LEFT:ROLLER:ASSY

U005_S001
BASE:RISE:ASS'Y



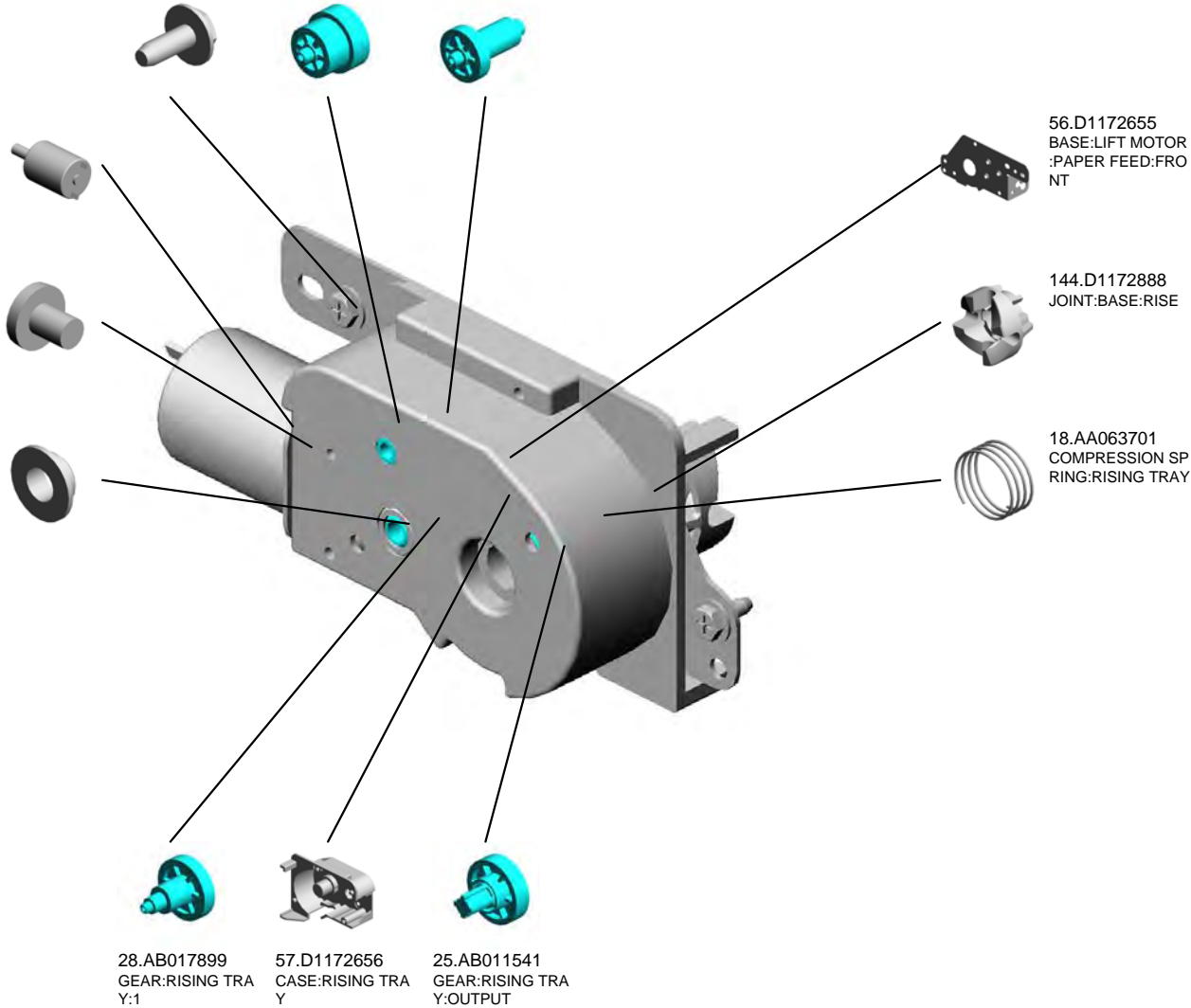
41.D1172533
BASE:RISE:ASS'Y

- 8.04523008N (x2) TAPPING SCREW - M3X8
- 27.AB017835 GEAR:RISING TRAY:3
- 26.AB017834 GEAR:RISING TRAY:2

58.D1172660 DC MOTOR:2.6W:BRUSH

1.03530030N (x2) SCREW:M3X3

19.AA080361 PLAIN SHAFT BEARING RING:CASE:RISING TRAY



56.D1172655 BASE:LIFT MOTOR: PAPER FEED:FRONT

144.D1172888 JOINT:BASE:RISE

18.AA063701 COMPRESSION SPRING: RISING TRAY

- 28.AB017899 GEAR:RISING TRAY:1
- 57.D1172656 CASE:RISING TRAY
- 25.AB011541 GEAR:RISING TRAY:OUTPUT

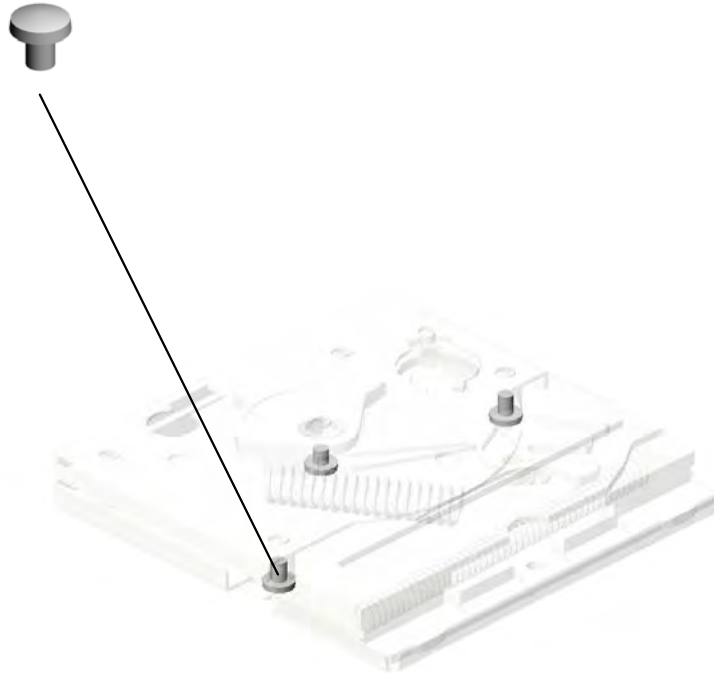
U001	U002	U003	U004	U005	U006	U007	U008	U009	U010	U011	U012	U013	U014	U015	U016	U017
------	------	------	------	------	------	------	------	------	------	------	------	------	------	------	------	------

U005_S002
LEVER:STRETCH:TRAY:UNI:ASS'Y

2.03530040N
(x3)
SCREW - M3X4



149.D1172899
LEVER:STRETCH:T
RAY:UNI:ASS'Y



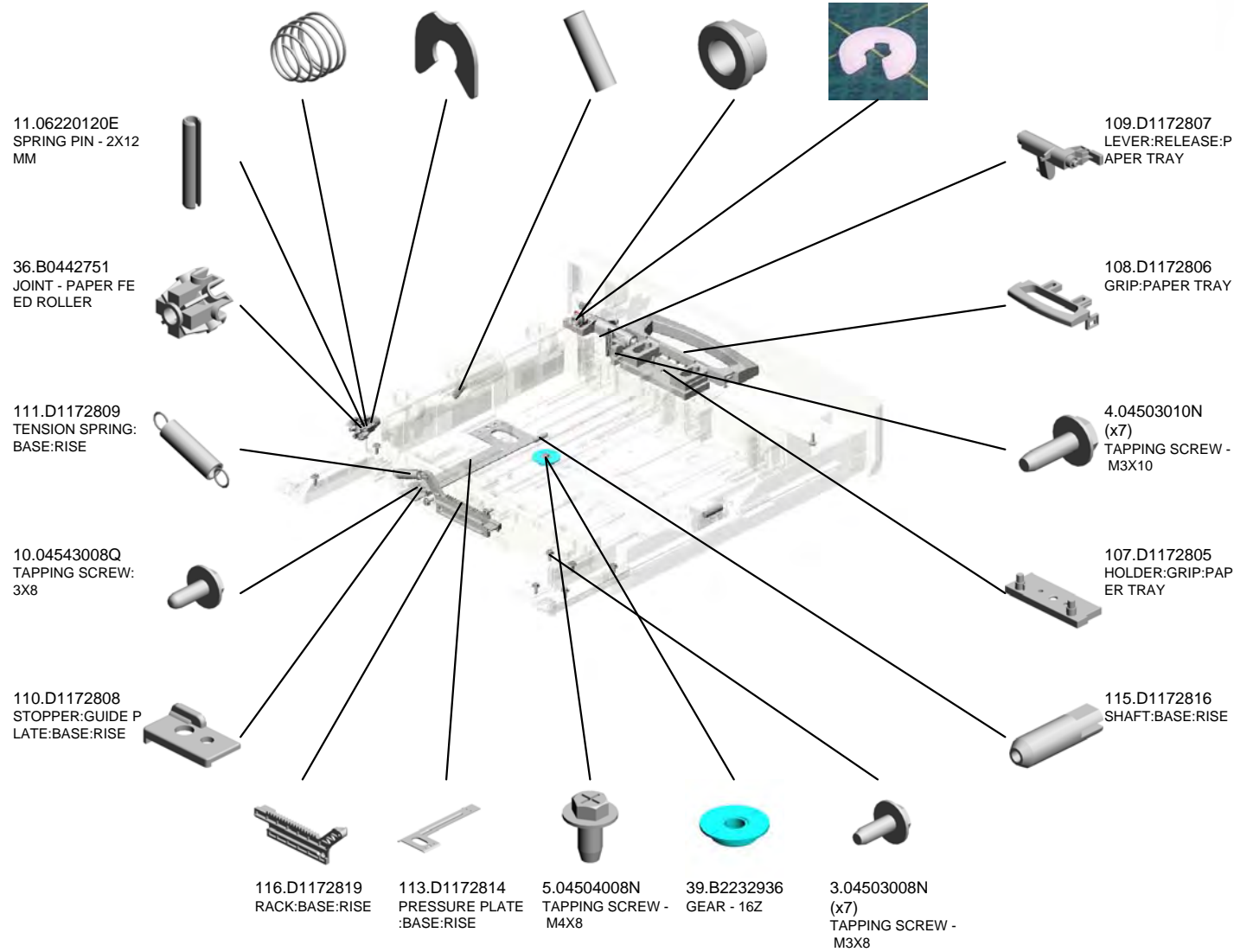
U001	U002	U003	U004	U005	U006	U007	U008	U009	U010	U011	U012	U013	U014	U015	U016	U017
------	------	------	------	------	------	------	------	------	------	------	------	------	------	------	------	------

U005_S003
PAPER TRAY:ASS'Y

- 37.B0442756 SPRING - PAPER FEED ROLLER
- 14.08050104 RETAINING RINGS -E:SILENCER:DIA4
- 17.AA063629 (x2) SPRING - 2.8N
- 20.AA082101 (x2) BUSHING - 6X10X6
- 38.B1043928 BIAS ROLLER SPACER



159.D1962800
PAPER TRAY:ASS'Y



U005_S003 PAPER TRAY:ASS'Y

140.D1172872
FRICTION PAD:AS
S'Y

135.D1172852
SHAFT:PAPER FEE
D ROLLER:ASS'Y

134.D1172851
PAPER FEED ROL
LER:PAPER TRAY

122.D1172828
COMPRESSION SP
RING:BASE:RISE:A
UXILIARY

145.D1172890
TENSION SPRING:
GRIP:RIGHT



159.D1962800
PAPER TRAY:ASS'
Y

139.D1172870
(x2)
PAPER FEED ROL
LER:AUXILIARY

123.D1172829
COVER:PRESSUR
E PLATE:BASE:RISE

132.D1172846
RETAINING RINGS
-E:SILENCER:DIA3

142.D1172884
PLATE:ROLLER:PA
PER TRAY:RIGHT

136.D1172856
ROLLER:PAPER T
RAY:RIGHT

118.D1172822
BRACKET:PINION:
BASE:RISE

117.D1172820
PINION:BASE:RISE

137.D1172858
ROLLER:PAPER T
RAY:LEFT

143.D1172886
PLATE:ROLLER:PA
PER TRAY:LEFT

127.D1172838
END FENCE

133.D1172848
COVER:PAPER TR
AY

141.D1172882
TENSION SPRING:
GRIP:LEFT

130.D1172843
DECAL:PAPER SE
T DIRECTION:TRA
Y:LEFT

128.D1172839
LEVER:UN LOCK:E
ND FENCE

129.D1172840
COVER:END FENC
E

U001	U002	U003	U004	U005	U006	U007	U008	U009	U010	U011	U012	U013	U014	U015	U016	U017
------	------	------	------	------	------	------	------	------	------	------	------	------	------	------	------	------

U005_S003
PAPER TRAY:ASS'Y

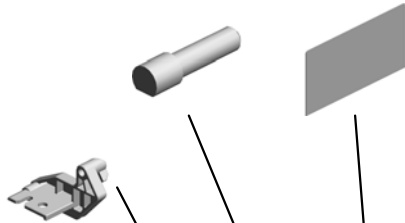
146.D1172894
SHAFT:PINION:BASE:RISE

147.D1172896
SHEET:PLATE:FRIC
TION PAD



159.D1962800
PAPER TRAY:ASS'Y

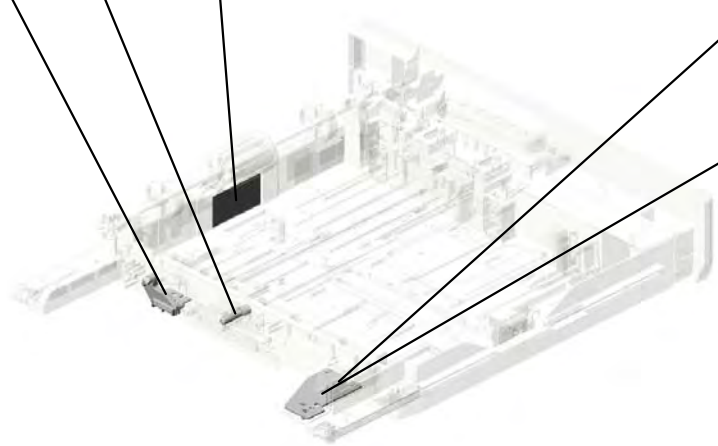
160.D1962817
LEVER:BASE:RISE



167.M0963989
RESISTOR:TRANSFER/SEPARATION



162.D1962849
BRACKET:PIN:STR
ETCH:TRAY:PEEN



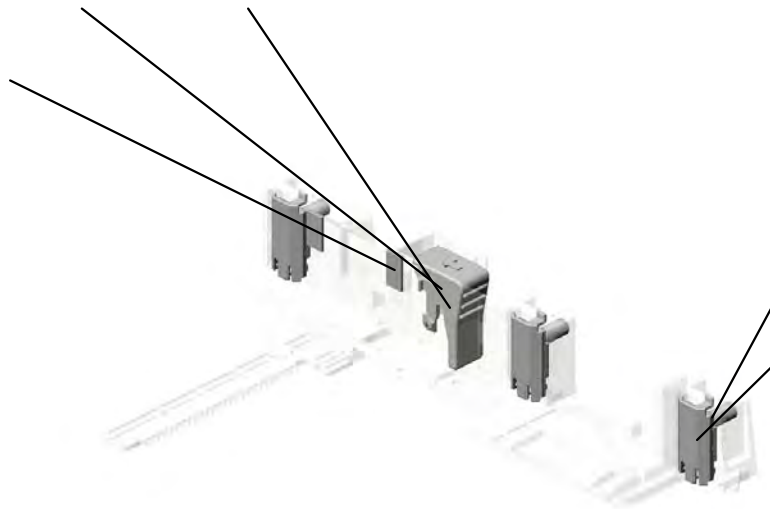
U001	U002	U003	U004	U005	U006	U007	U008	U009	U010	U011	U012	U013	U014	U015	U016	U017
------	------	------	------	------	------	------	------	------	------	------	------	------	------	------	------	------

U005_S003_S001
SIDE FENCE:FRONT:ASS'Y

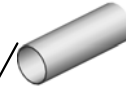
114.D1172815 124.D1172830
SPRING PLATE:SI LEVER:STOPPER:
DE FENCE:FRONT FRONT

120.D1172825
SIDE FENCE:FRON
T:ASSY

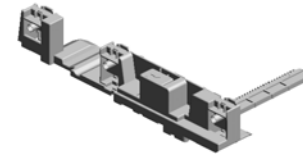
119.D1172823
(x2)
PAD:SIDE FENCE



121.D1172826
(x3)
COMPRESSION SP
RING:SIDE FENCE:
PLATE



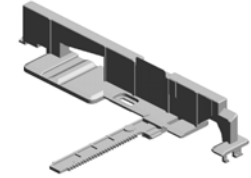
125.D1172834
(x3)
PLATE:SIDE FENC
E



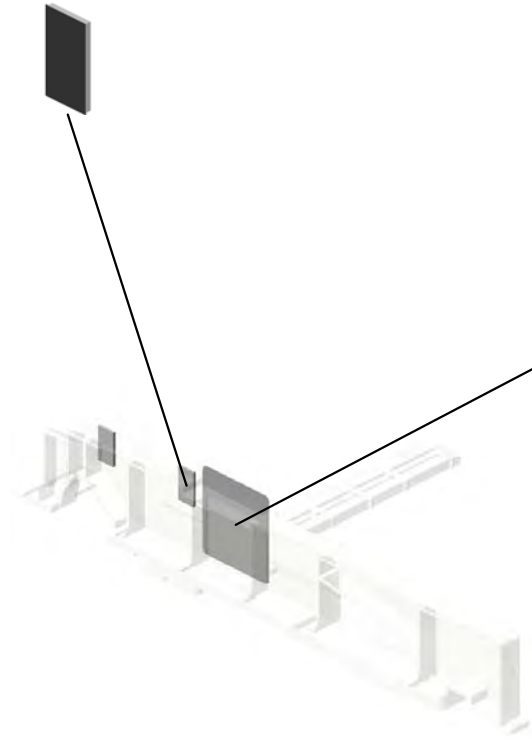
U001	U002	U003	U004	U005	U006	U007	U008	U009	U010	U011	U012	U013	U014	U015	U016	U017
------	------	------	------	------	------	------	------	------	------	------	------	------	------	------	------	------

U005_S003_S002
SIDE FENCE:REAR:ASS'Y

119.D1172823
(x2)
PAD:SIDE FENCE



126.D1172836
SIDE FENCE:REAR
:ASS'Y

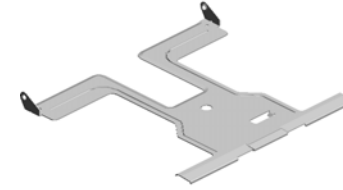
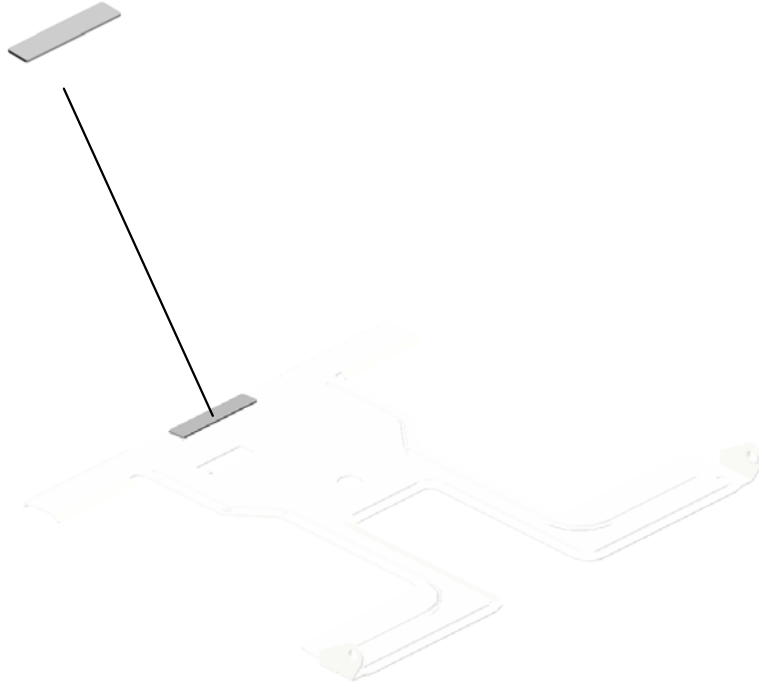


131.D1172844
DECAL:SIDE FENC
E:REAR

U001	U002	U003	U004	U005	U006	U007	U008	U009	U010	U011	U012	U013	U014	U015	U016	U017
------	------	------	------	------	------	------	------	------	------	------	------	------	------	------	------	------

U005_S003_S003
BASE:TRAY:ASS'Y

164.G5553069
BASEPAD

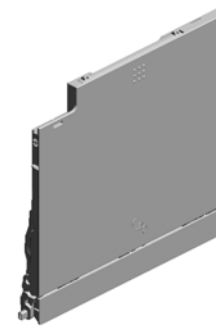


161.D1962845
BASE:TRAY:ASS'Y

U001	U002	U003	U004	U005	U006	U007	U008	U009	U010	U011	U012	U013	U014	U015	U016	U017
------	------	------	------	-------------	------	------	------	------	------	------	------	------	------	------	------	------

U005_S004 MANUAL FEED TABLE:ASS'Y

95.D1172771 EXTENSION TRAY: MANUAL FEED
 92.D1172768 GEAR:SIDE FENCE
 100.D1172779 PIN:PINION GEAR
 94.D1172770 COVER:MANUAL FEED TABLE
 106.D1172792 DECAL:SCALE:MANUAL FEED



89.D1172762
MANUAL FEED TABLE:ASS'Y

96.D1172772 (x2)
COMPRESSION SPRING:EXTENSION TRAY:MANUAL FEED



101.D1172781
COIL SPRING:PINION GEAR:MANUAL FEED



93.D1172769 (x2)
RACK:MANUAL FEED



165.M0262993
DECAL:SIDE FENCE:MANUAL FEED



91.D1172767
SIDE FENCE:MANUAL FEED:REAR



103.D1172784 (x2)
LINK:COVER:FRONT REAR



97.D1172773
COVER:MANUAL FEED TABLE:LOWER



98.D1172776
TORSION SPRING:COVER:MANUAL FEED TABLE



104.D1172785
LINK:COVER:MIDDLE



99.D1172778 (x2)
COMPRESSION SPRING:RACK:MANUAL FEED



90.D1172766
SIDE FENCE:MANUAL FEED:FRONT



40.D0392752
DISC:SIDE FENCE



166.M0662743 (x2)
FRICTION PAD:MANUAL FEED TABLE:18X7.5

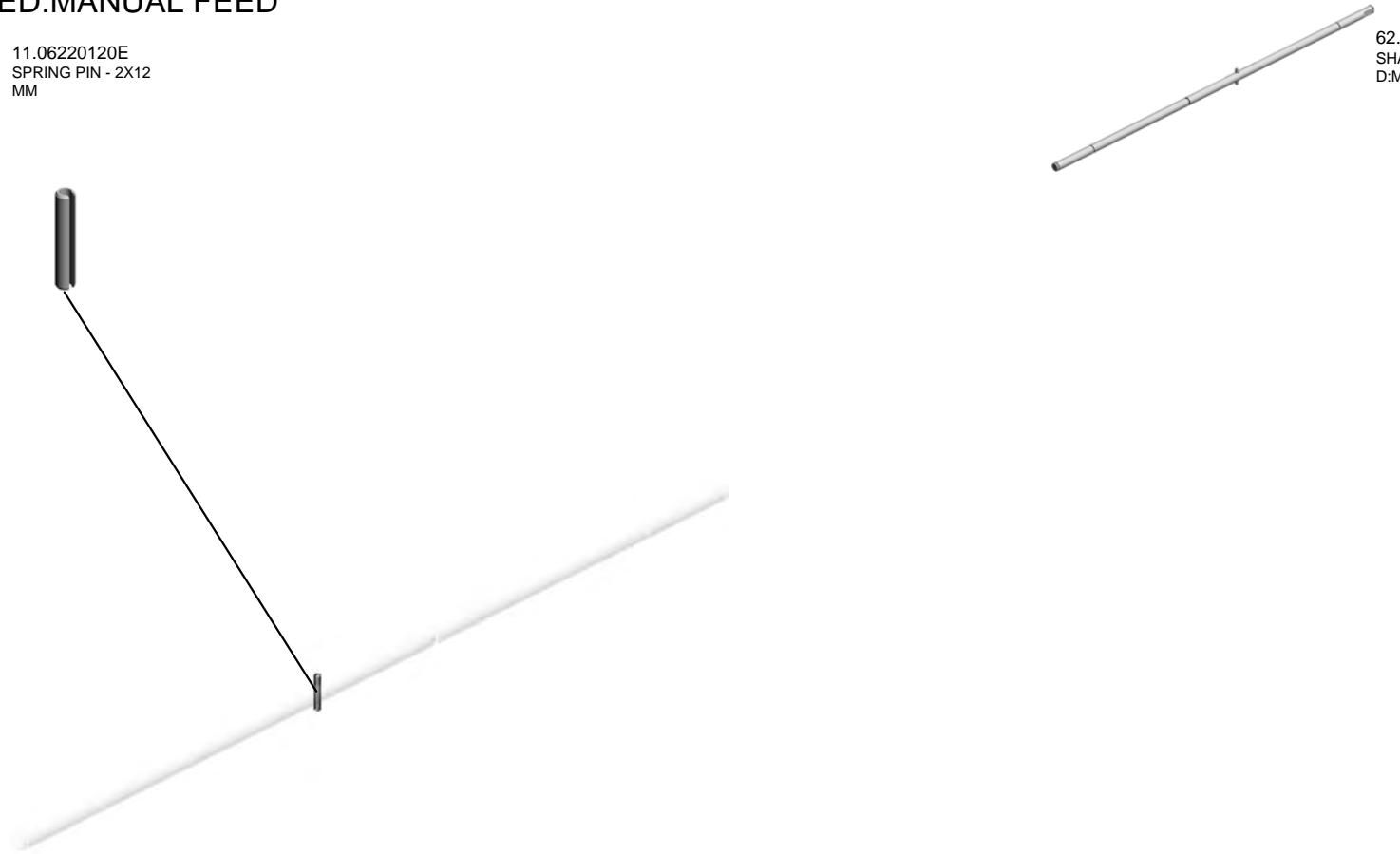


U001	U002	U003	U004	U005	U006	U007	U008	U009	U010	U011	U012	U013	U014	U015	U016	U017
------	------	------	------	------	------	------	------	------	------	------	------	------	------	------	------	------

U005_S005
SHAFT:PAPER FEED:MANUAL FEED

11.06220120E
SPRING PIN - 2X12
MM

62.D1172717
SHAFT:PAPER FEE
D:MANUAL FEED



U001	U002	U003	U004	U005	U006	U007	U008	U009	U010	U011	U012	U013	U014	U015	U016	U017
------	------	------	------	------	------	------	------	------	------	------	------	------	------	------	------	------

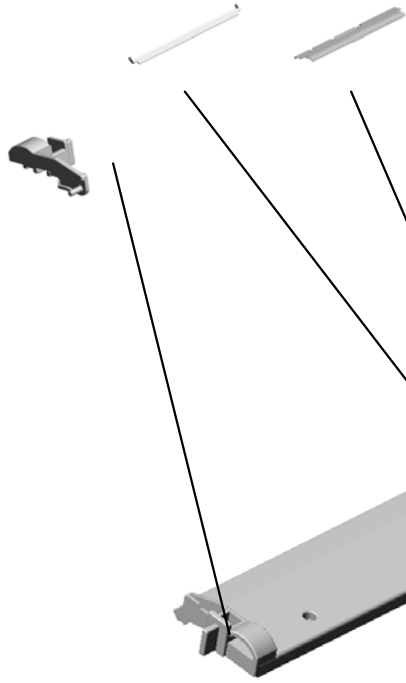
U005_S006
TRAY BOTTOM PLATE:MANUAL FEED:ASS'Y

102.D1172782
GUIDE PLATE:MAN
UAL FEED TABLE

64.D1172721
TRAY BOTTOM PL
ATE:MANUAL FEE
D



66.D1172724
GUIDE:BASE:REAR

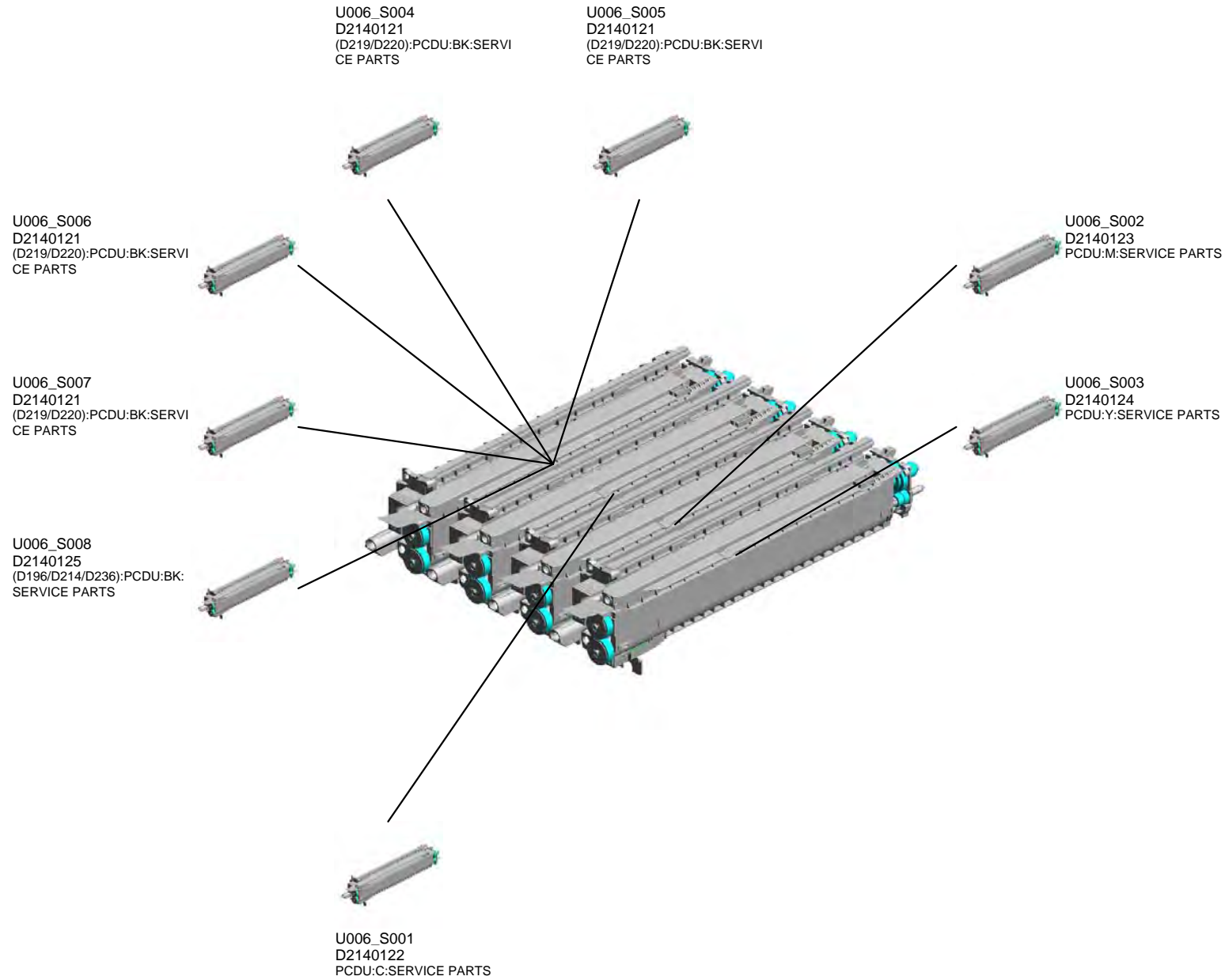


65.D1172723
GUIDE:BASE:FRO
NT

164.G5553069
BASEPAD

U001	U002	U003	U004	U005	U006	U007	U008	U009	U010	U011	U012	U013	U014	U015	U016	U017
------	------	------	------	-------------	------	------	------	------	------	------	------	------	------	------	------	------

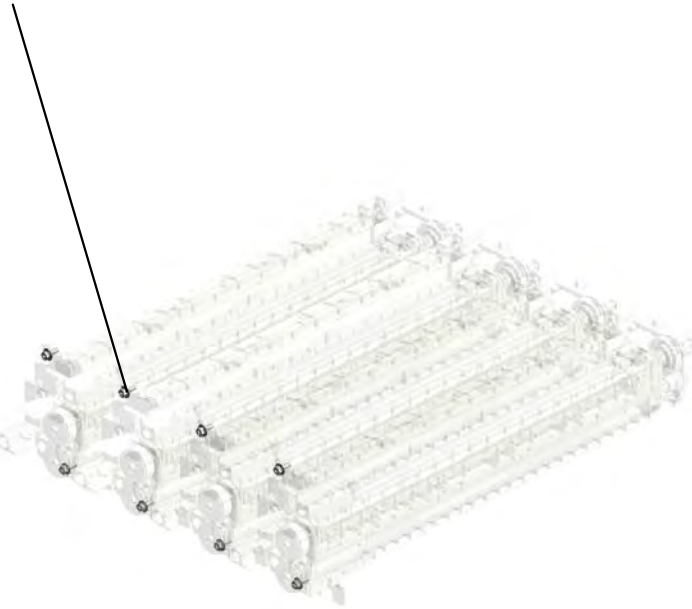
U006.PCDU



U001	U002	U003	U004	U005	U006	U007	U008	U009	U010	U011	U012	U013	U014	U015	U016	U017
------	------	------	------	------	-------------	------	------	------	------	------	------	------	------	------	------	------

U006
PCDU

8.08046128
(x8)
HEXAGONAL BOLT
:DOUBLE SCREW:
M3X10

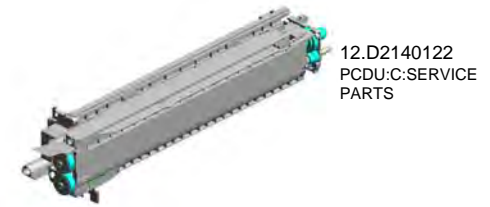


U001	U002	U003	U004	U005	U006	U007	U008	U009	U010	U011	U012	U013	U014	U015	U016	U017
------	------	------	------	------	-------------	------	------	------	------	------	------	------	------	------	------	------

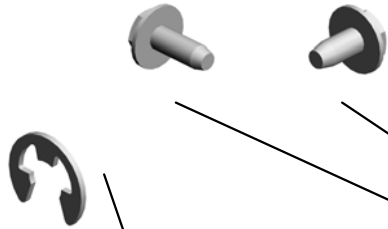
U006_S001
PCDU:C:SERVICE PARTS

3.04583008N (x2)
HEXAGON HEAD TAPPING SCREW:3 X8

1.03603006N (x2)
SCREW - M3X6



7.07200040E (x2)
RETAINING RING - M4



10.11050511
HARNESS CLAMP - LWS-0306ZC



6.07200030E
RETAINING RING - M3



9.08050104
RETAINING RINGS -E:SILENCER:DI4



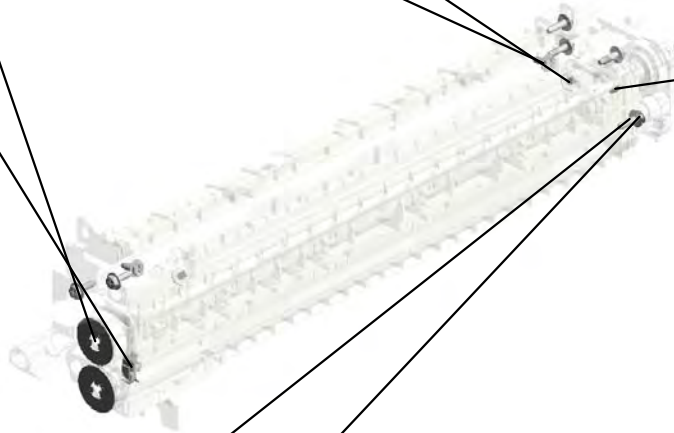
4.06320080G
PARALLEL KEY - 2 X8MM



2.04503010N (x6)
TAPPING SCREW - M3X10



5.07200025E
RETAINING RING - M2.5



U001	U002	U003	U004	U005	U006	U007	U008	U009	U010	U011	U012	U013	U014	U015	U016	U017
------	------	------	------	------	-------------	------	------	------	------	------	------	------	------	------	------	------

U006_S002
PCDU:M:SERVICE PARTS

3.04583008N (x2)
HEXAGON HEAD TAPPING SCREW:3 X8

1.03603006N (x2)
SCREW - M3X6

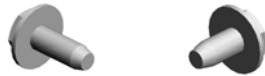


13.D2140123
PCDU:M:SERVICE PARTS

7.07200040E (x2)
RETAINING RING - M4



10.11050511
HARNESS CLAMP - LWS-0306ZC



6.07200030E
RETAINING RING - M3



9.08050104
RETAINING RINGS -E:SILENCER:DI4

4.06320080G
PARALLEL KEY - 2 X8MM



2.04503010N (x6)
TAPPING SCREW - M3X10



5.07200025E
RETAINING RING - M2.5



U001	U002	U003	U004	U005	U006	U007	U008	U009	U010	U011	U012	U013	U014	U015	U016	U017
------	------	------	------	------	-------------	------	------	------	------	------	------	------	------	------	------	------

U006_S003
PCDU:Y:SERVICE PARTS

3.04583008N (x2)
HEXAGON HEAD TAPPING SCREW:3 X8

1.03603006N (x2)
SCREW - M3X6

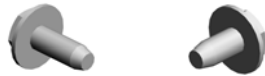


14.D2140124
PCDU:Y:SERVICE PARTS

7.07200040E (x2)
RETAINING RING - M4



10.11050511
HARNESS CLAMP - LWS-0306ZC



2.04503010N (x6)
TAPPING SCREW - M3X10



5.07200025E
RETAINING RING - M2.5



6.07200030E
RETAINING RING - M3



4.06320080G
PARALLEL KEY - 2 X8MM



9.08050104
RETAINING RINGS -E:SILENCER:DIA4

U001	U002	U003	U004	U005	U006	U007	U008	U009	U010	U011	U012	U013	U014	U015	U016	U017
------	------	------	------	------	-------------	------	------	------	------	------	------	------	------	------	------	------

U006_S004
 (D219/D220):PCDU:BK:SERVICE PARTS

9.08050104
 RETAINING RINGS
 -E:SILENCER:DIA4

3.04583008N
 (x2)
 HEXAGON HEAD TAPPING SCREW:3
 X8

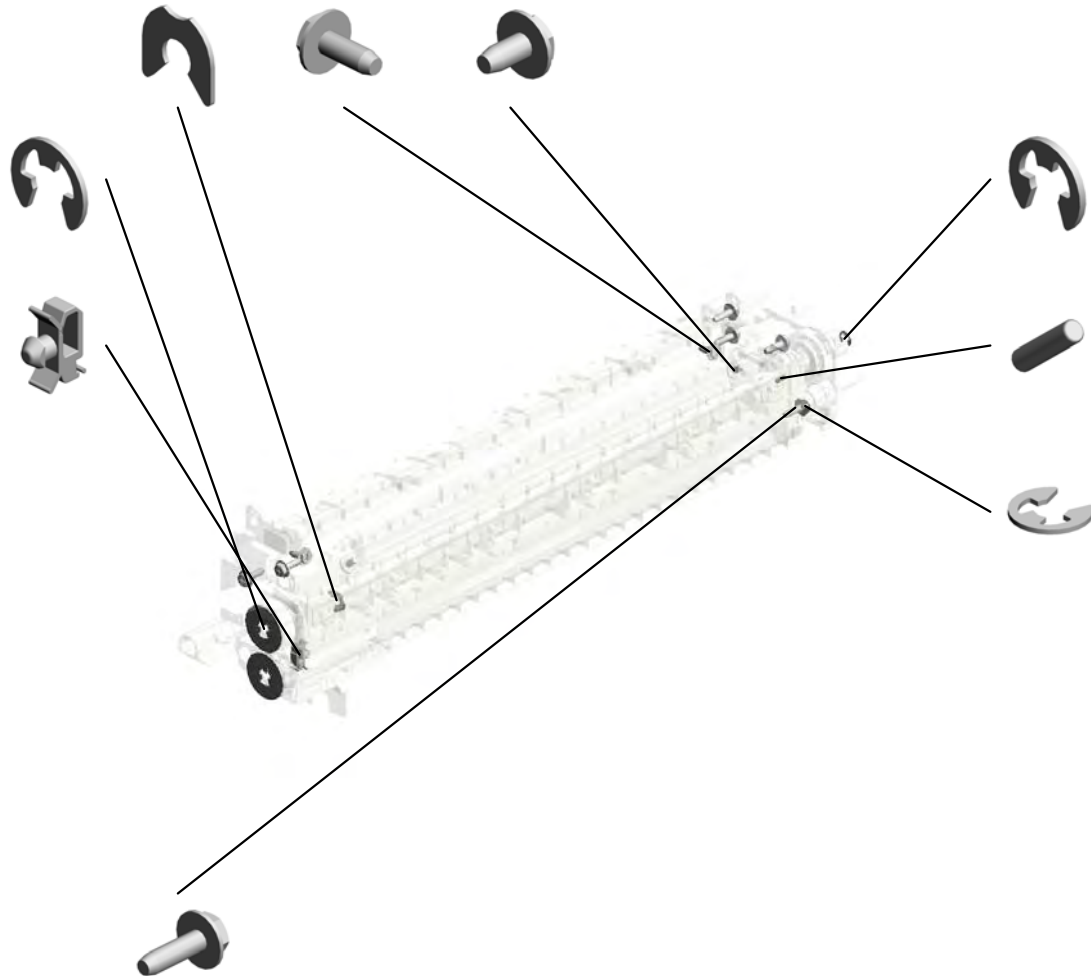
1.03603006N
 (x2)
 SCREW - M3X6



11.D2140121
 (D219/D220):PCDU:
 BK:SERVICE PART
 S

7.07200040E
 (x2)
 RETAINING RING -
 M4

10.11050511
 HARNESS CLAMP -
 LWS-0306ZC



6.07200030E
 RETAINING RING -
 M3

4.06320080G
 PARALLEL KEY - 2
 X8MM

5.07200025E
 RETAINING RING -
 M2.5

2.04503010N
 (x6)
 TAPPING SCREW -
 M3X10

U001	U002	U003	U004	U005	U006	U007	U008	U009	U010	U011	U012	U013	U014	U015	U016	U017
------	------	------	------	------	------	------	------	------	------	------	------	------	------	------	------	------

U006_S005
 (D219/D220):PCDU:BK:SERVICE PARTS

9.08050104
 RETAINING RINGS
 -E:SILENCER:DIA4

3.04583008N
 (x2)
 HEXAGON HEAD TAPPING SCREW:3
 X8

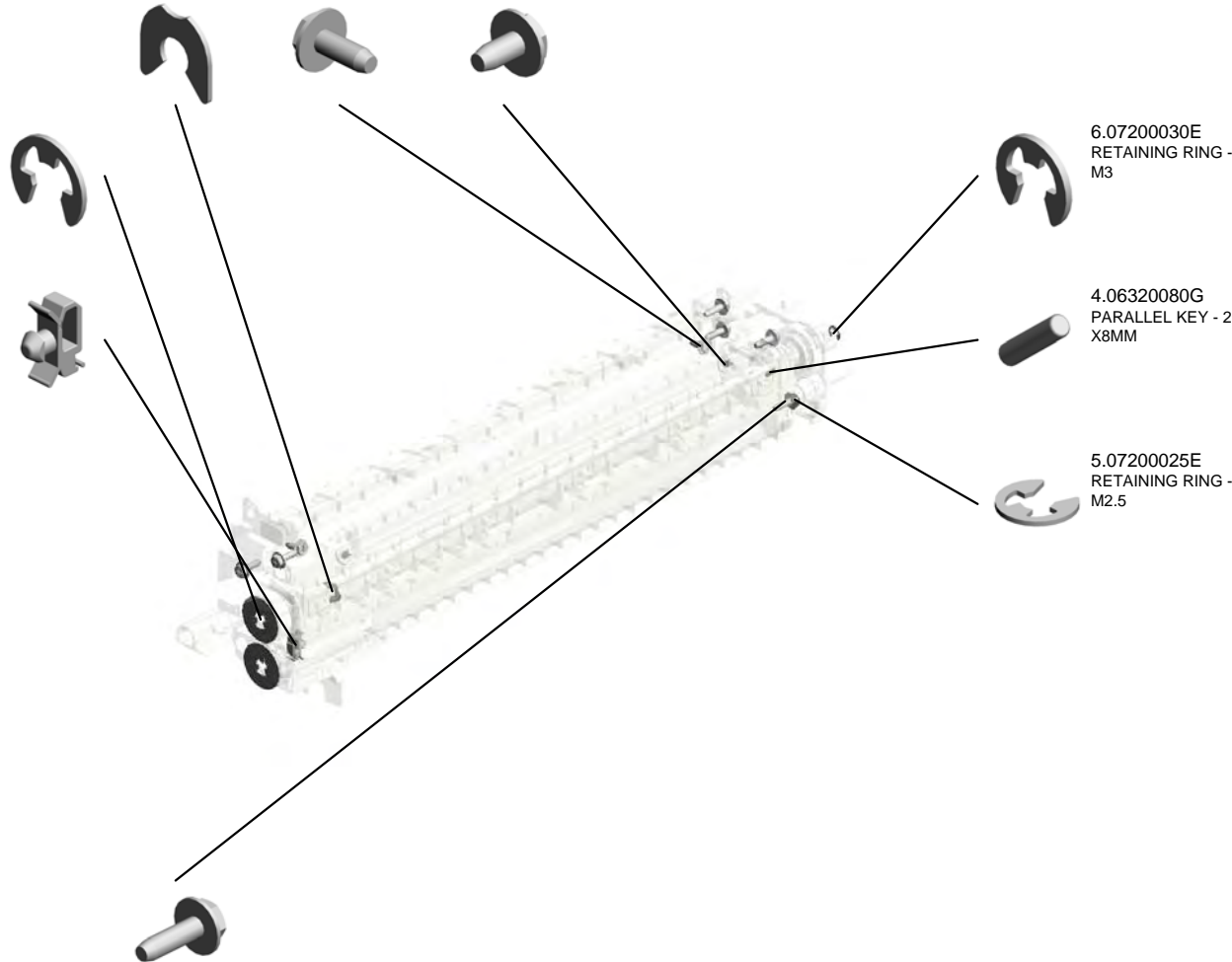
1.03603006N
 (x2)
 SCREW - M3X6



11.D2140121
 (D219/D220):PCDU:
 BK:SERVICE PART
 S

7.07200040E
 (x2)
 RETAINING RING -
 M4

10.11050511
 HARNESS CLAMP -
 LWS-0306ZC



6.07200030E
 RETAINING RING -
 M3

4.06320080G
 PARALLEL KEY - 2
 X8MM

5.07200025E
 RETAINING RING -
 M2.5

2.04503010N
 (x6)
 TAPPING SCREW -
 M3X10

U001	U002	U003	U004	U005	U006	U007	U008	U009	U010	U011	U012	U013	U014	U015	U016	U017
------	------	------	------	------	------	------	------	------	------	------	------	------	------	------	------	------

U006_S006
 (D219/D220):PCDU:BK:SERVICE PARTS

9.08050104
 RETAINING RINGS
 -E:SILENCER:DIA4

3.04583008N
 (x2)
 HEXAGON HEAD TAPPING SCREW:3
 X8

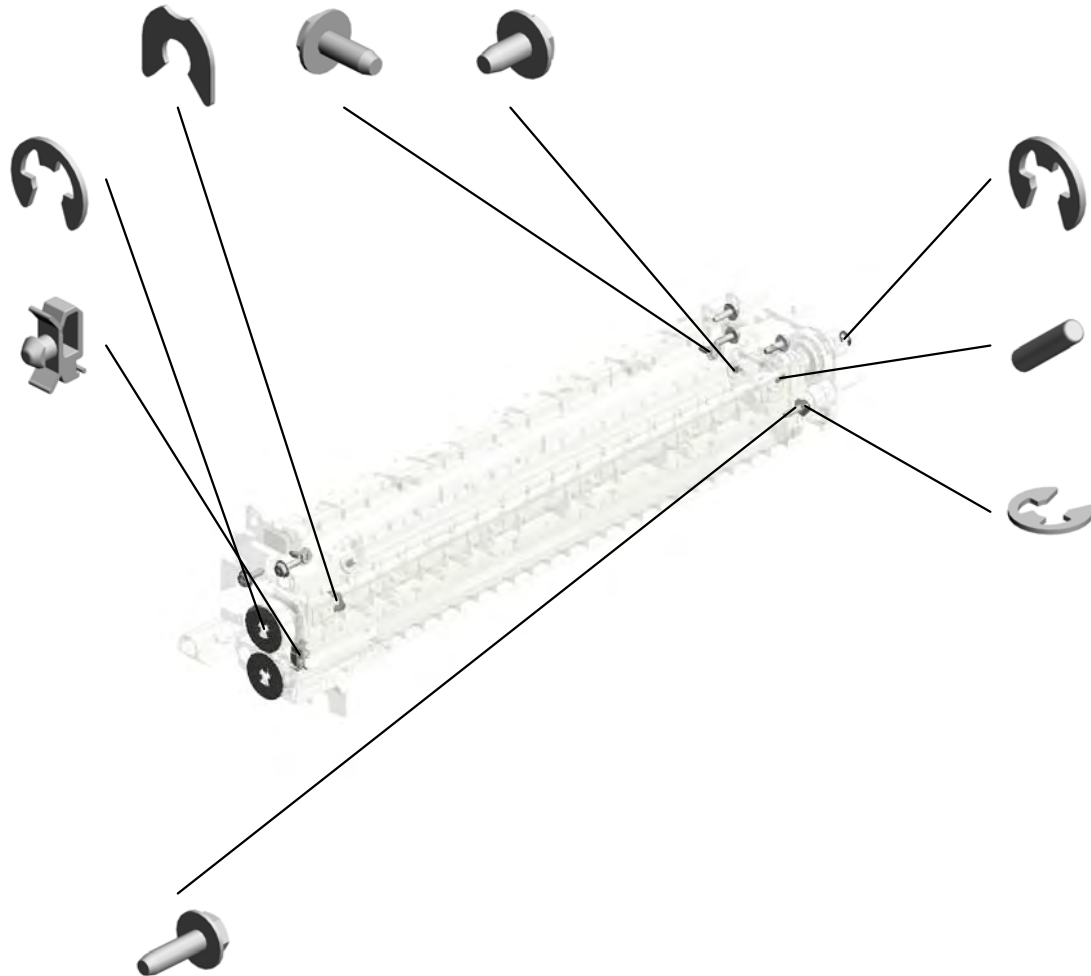
1.03603006N
 (x2)
 SCREW - M3X6



11.D2140121
 (D219/D220):PCDU:
 BK:SERVICE PART
 S

7.07200040E
 (x2)
 RETAINING RING -
 M4

10.11050511
 HARNESS CLAMP -
 LWS-0306ZC



6.07200030E
 RETAINING RING -
 M3

4.06320080G
 PARALLEL KEY - 2
 X8MM

5.07200025E
 RETAINING RING -
 M2.5

2.04503010N
 (x6)
 TAPPING SCREW -
 M3X10

U001	U002	U003	U004	U005	U006	U007	U008	U009	U010	U011	U012	U013	U014	U015	U016	U017
------	------	------	------	------	------	------	------	------	------	------	------	------	------	------	------	------

U006_S007
 (D219/D220):PCDU:BK:SERVICE PARTS

9.08050104
 RETAINING RINGS
 -E:SILENCER:DIA4

3.04583008N
 (x2)
 HEXAGON HEAD TAPPING SCREW:3
 X8

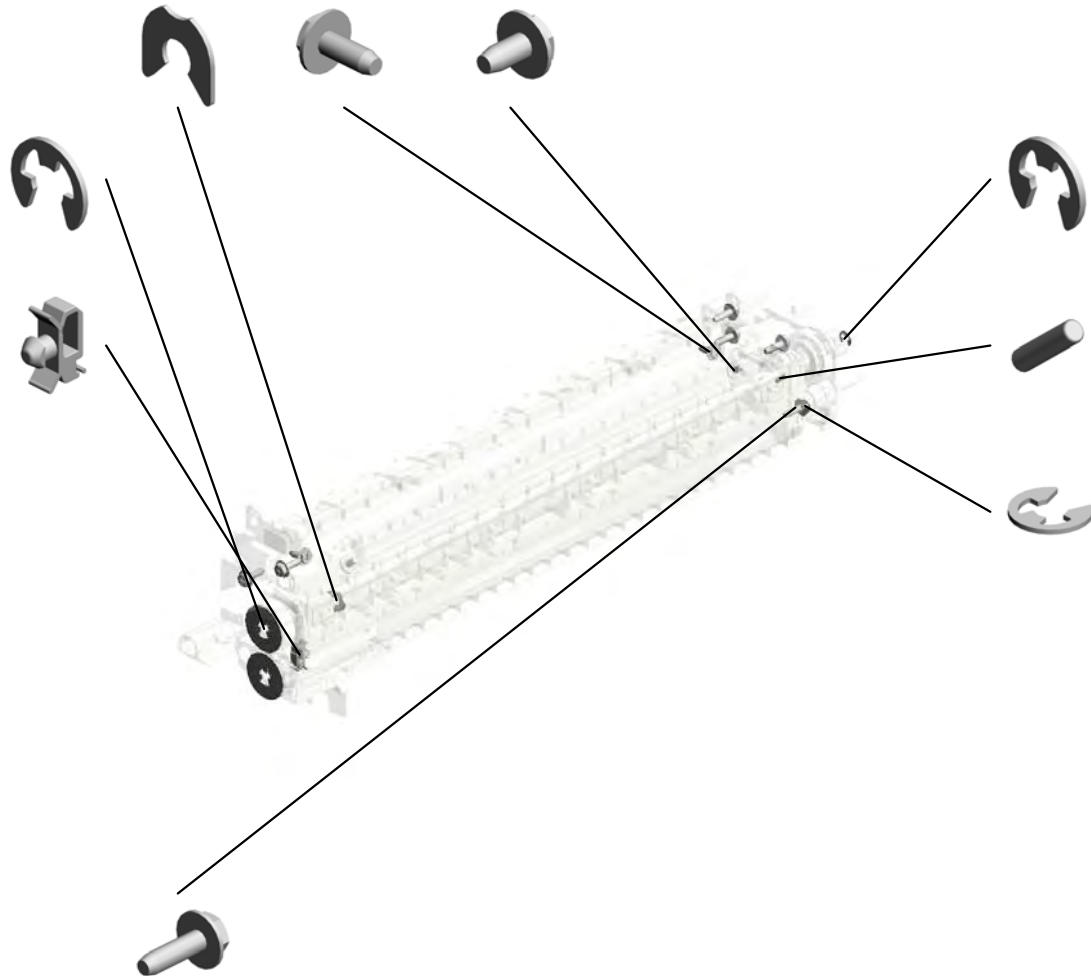
1.03603006N
 (x2)
 SCREW - M3X6



11.D2140121
 (D219/D220):PCDU:
 BK:SERVICE PARTS

7.07200040E
 (x2)
 RETAINING RING -
 M4

10.11050511
 HARNESS CLAMP -
 LWS-0306ZC



6.07200030E
 RETAINING RING -
 M3

4.06320080G
 PARALLEL KEY - 2
 X8MM

5.07200025E
 RETAINING RING -
 M2.5

2.04503010N
 (x6)
 TAPPING SCREW -
 M3X10

U001	U002	U003	U004	U005	U006	U007	U008	U009	U010	U011	U012	U013	U014	U015	U016	U017
------	------	------	------	------	-------------	------	------	------	------	------	------	------	------	------	------	------

U006_S008
 (D196/D214/D236):PCDU:BK:SERVICE PARTS

9.08050104
 RETAINING RINGS
 -E:SILENCER:DIA4

3.04583008N
 (x2)
 HEXAGON HEAD TAPPING SCREW:3
 X8

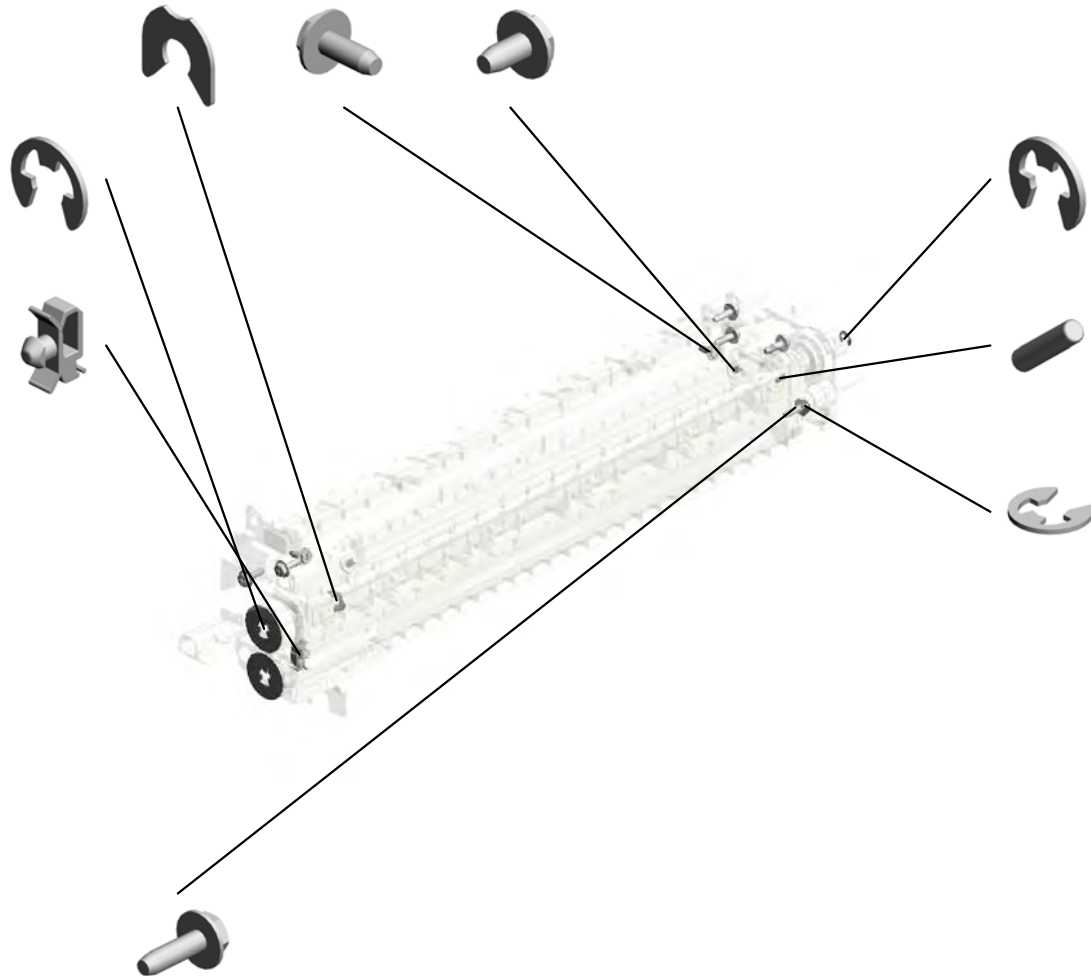
1.03603006N
 (x2)
 SCREW - M3X6



15.D2140125
 (D196/D214/D236):
 PCDU:BK:SERVICE
 PARTS

7.07200040E
 (x2)
 RETAINING RING -
 M4

10.11050511
 HARNESS CLAMP -
 LWS-0306ZC



6.07200030E
 RETAINING RING -
 M3

4.06320080G
 PARALLEL KEY - 2
 X8MM

5.07200025E
 RETAINING RING -
 M2.5

2.04503010N
 (x6)
 TAPPING SCREW -
 M3X10

U001	U002	U003	U004	U005	U006	U007	U008	U009	U010	U011	U012	U013	U014	U015	U016	U017
------	------	------	------	------	-------------	------	------	------	------	------	------	------	------	------	------	------

U007.DEVELOPMENT

U007_S006
D1963304
DRIVE UNIT:TONER SUPPLY
:ASS'Y

U007_S001
D1963301
HOUSING:TONER SUPPLY:A
SS'Y

U007_S009
D1963304
DRIVE UNIT:TONER SUPPLY
:ASS'Y

U007_S002
D1963302
TONER HOPPER:TONER SU
PPLY:BK:ASS'Y

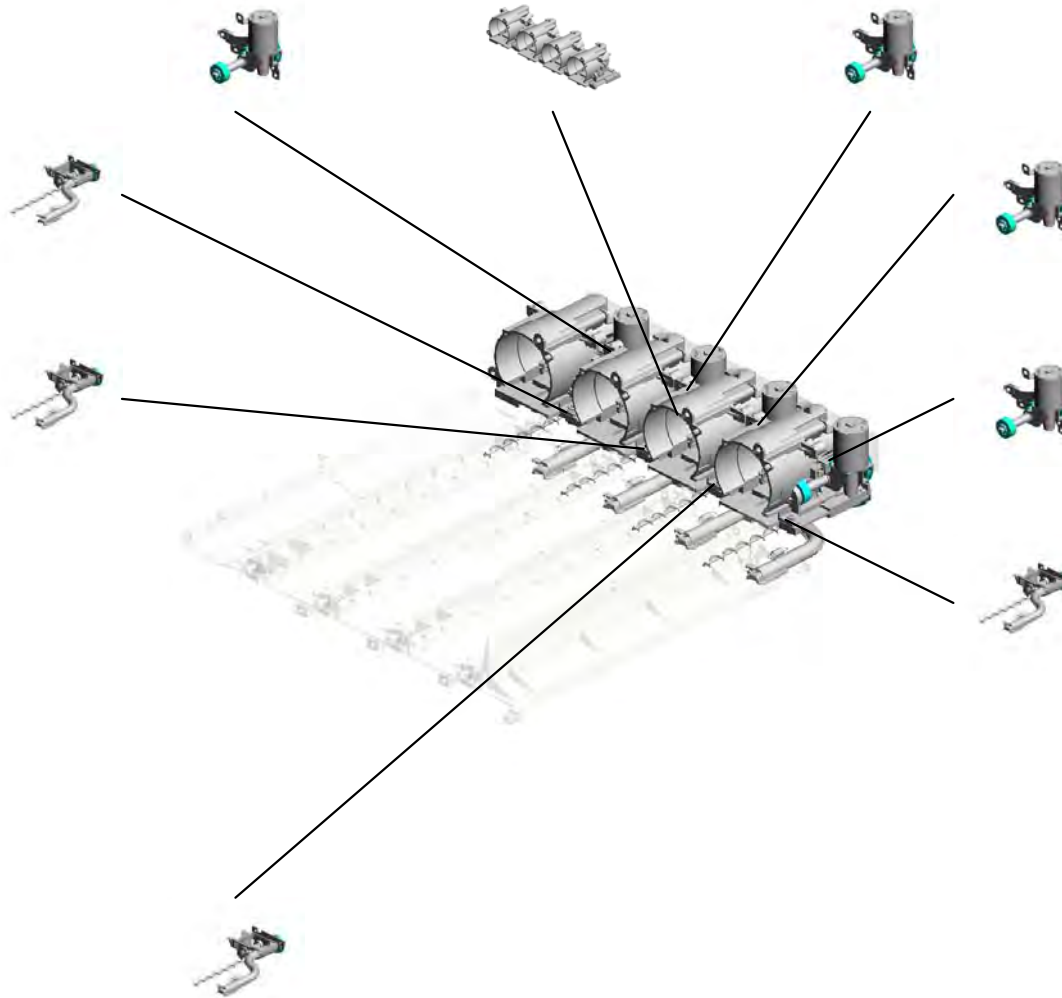
U007_S008
D1963304
DRIVE UNIT:TONER SUPPLY
:ASS'Y

U007_S005
D1963303
TONER HOPPER:TONER SU
PPLY:CMY:ASS'Y

U007_S007
D1963304
DRIVE UNIT:TONER SUPPLY
:ASS'Y

U007_S003
D1963303
TONER HOPPER:TONER SU
PPLY:CMY:ASS'Y

U007_S004
D1963303
TONER HOPPER:TONER SU
PPLY:CMY:ASS'Y



U001	U002	U003	U004	U005	U006	U007	U008	U009	U010	U011	U012	U013	U014	U015	U016	U017
------	------	------	------	------	------	------	------	------	------	------	------	------	------	------	------	------

U007 DEVELOPMENT

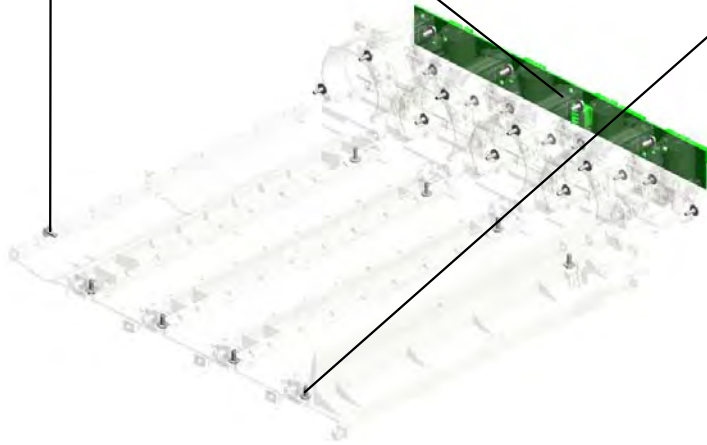
3.04583008N
(x13)
HEXAGON HEAD T
APPING SCREW:3
X8

20.D1965160
PCB:BRB



3.04583008N (x 4)
HEXAGON HEAD TAPPING SCREW:3X
8

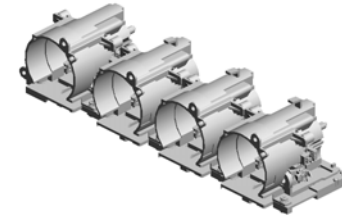
4.04583010N
(x16)
HEXAGON HEAD T
APPING SCREW:3
X10



U001	U002	U003	U004	U005	U006	U007	U008	U009	U010	U011	U012	U013	U014	U015	U016	U017
------	------	------	------	------	------	------	------	------	------	------	------	------	------	------	------	------

U007_S001
HOUSING:TONER SUPPLY:ASS'Y

2.04503008N
(x8)
TAPPING SCREW -
M3X8



15.D1963301
HOUSING:TONER
SUPPLY:ASS'Y



8.D1173354
(x4)
COLLAR:TONER S
UPPLY:HOUSING

U001	U002	U003	U004	U005	U006	U007	U008	U009	U010	U011	U012	U013	U014	U015	U016	U017
------	------	------	------	------	------	------	------	------	------	------	------	------	------	------	------	------

U007_S002
TONER HOPPER:TONER SUPPLY:BK:ASS'Y

5.07200030E
(x2)
RETAINING RING -
M3



16.D1963302
TONER HOPPER:T
ONER SUPPLY:BK:
ASS'Y



6.08050103
RETAINING RINGS
-E.SILENCER:DI3



U001	U002	U003	U004	U005	U006	U007	U008	U009	U010	U011	U012	U013	U014	U015	U016	U017
------	------	------	------	------	------	------	------	------	------	------	------	------	------	------	------	------

U007_S003

TONER HOPPER:TONER SUPPLY:CMY:ASS'Y

5.07200030E
(x2)
RETAINING RING -
M3

2.04503008N
TAPPING SCREW -
M3X8



17.D1963303
TONER HOPPER:T
ONER SUPPLY:CM
Y:ASSY



U001	U002	U003	U004	U005	U006	U007	U008	U009	U010	U011	U012	U013	U014	U015	U016	U017
------	------	------	------	------	------	------	------	------	------	------	------	------	------	------	------	------

U007_S004

TONER HOPPER:TONER SUPPLY:CMY:ASS'Y

5.07200030E
(x2)
RETAINING RING -
M3

2.04503008N
TAPPING SCREW -
M3X8



17.D1963303
TONER HOPPER:T
ONER SUPPLY:CM
Y:ASSY



U001	U002	U003	U004	U005	U006	U007	U008	U009	U010	U011	U012	U013	U014	U015	U016	U017
------	------	------	------	------	------	------	------	------	------	------	------	------	------	------	------	------

U007_S005

TONER HOPPER:TONER SUPPLY:CMY:ASS'Y

5.07200030E
(x2)
RETAINING RING -
M3

2.04503008N
TAPPING SCREW -
M3X8



17.D1963303
TONER HOPPER:T
ONER SUPPLY:CM
Y:ASSY



U001	U002	U003	U004	U005	U006	U007	U008	U009	U010	U011	U012	U013	U014	U015	U016	U017
------	------	------	------	------	------	------	------	------	------	------	------	------	------	------	------	------

U007_S006
 DRIVE UNIT:TONER SUPPLY:ASS'Y

7.11050511
 HARNESS CLAMP -
 LWS-0306ZC

10.D1173401
 (x2)
 COLLAR:DRIVE:BR
 ACKET

13.D1173404
 SHAFT:DRIVE:AGI
 TATOR



18.D1963304
 DRIVE UNIT:TONER
 SUPPLY:ASS'Y

14.D1173405
 COMPRESSION SP
 RING:GEAR:TONER
 BOTTLE

12.D1173403
 GEAR:IDLER:TONER
 BOTTLE



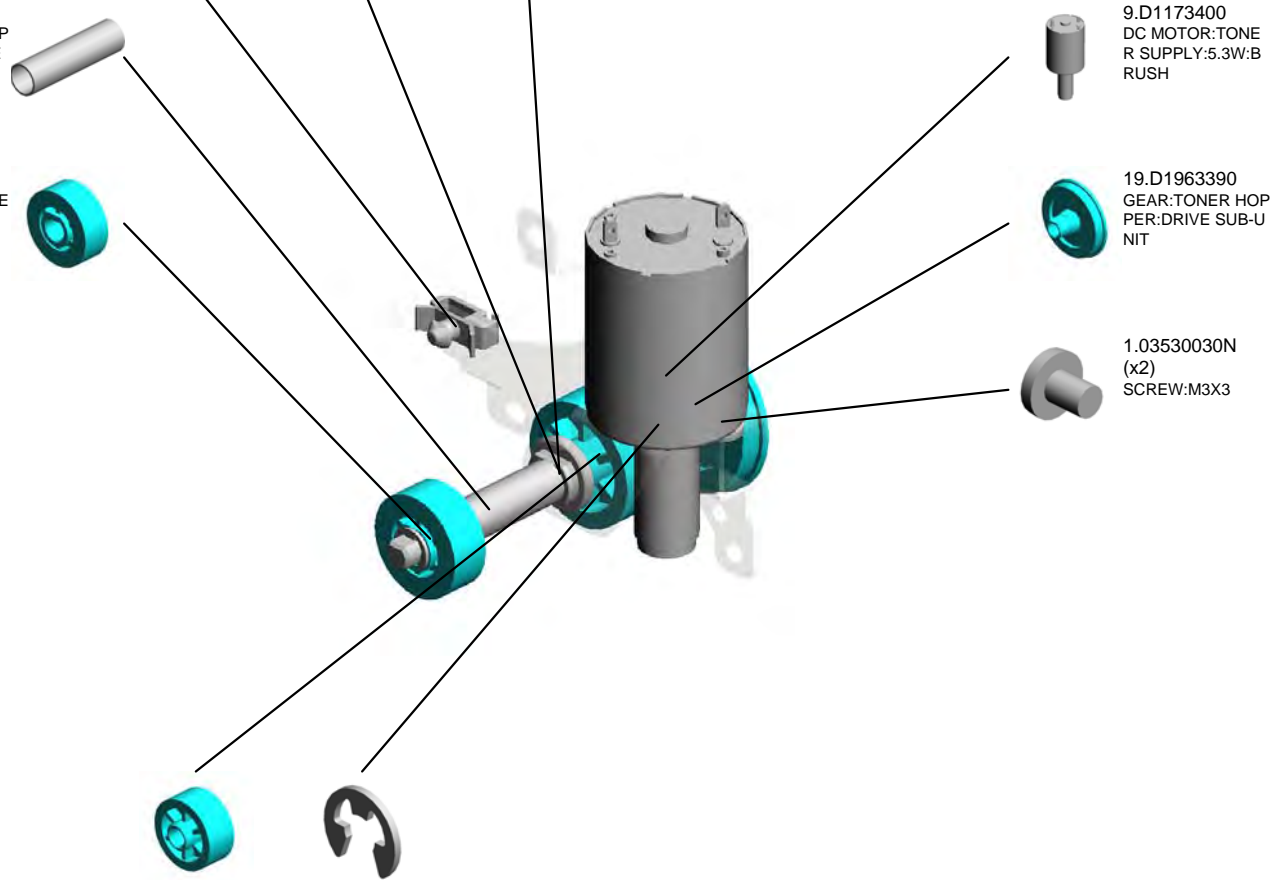
9.D1173400
 DC MOTOR:TONER
 SUPPLY:5.3W:BRUSH

19.D1963390
 GEAR:TONER HOP
 PER:DRIVE SUB-UNIT

1.03530030N
 (x2)
 SCREW:M3X3

11.D1173402
 GEAR:IDLER:DC MOTOR

5.07200030E
 (x3)
 RETAINING RING -
 M3



U001	U002	U003	U004	U005	U006	U007	U008	U009	U010	U011	U012	U013	U014	U015	U016	U017
------	------	------	------	------	------	------	------	------	------	------	------	------	------	------	------	------

U007_S007
 DRIVE UNIT:TONER SUPPLY:ASS'Y

7.11050511 HARNES CLAMP - LWS-0306ZC
 10.D1173401 (x2) COLLAR:DRIVE:BRACKET
 13.D1173404 SHAFT:DRIVE:AGITATOR



18.D1963304
 DRIVE UNIT:TONER SUPPLY:ASS'Y

14.D1173405
 COMPRESSION SPRING:GEAR:TONER BOTTLE

12.D1173403
 GEAR:IDLER:TONER BOTTLE



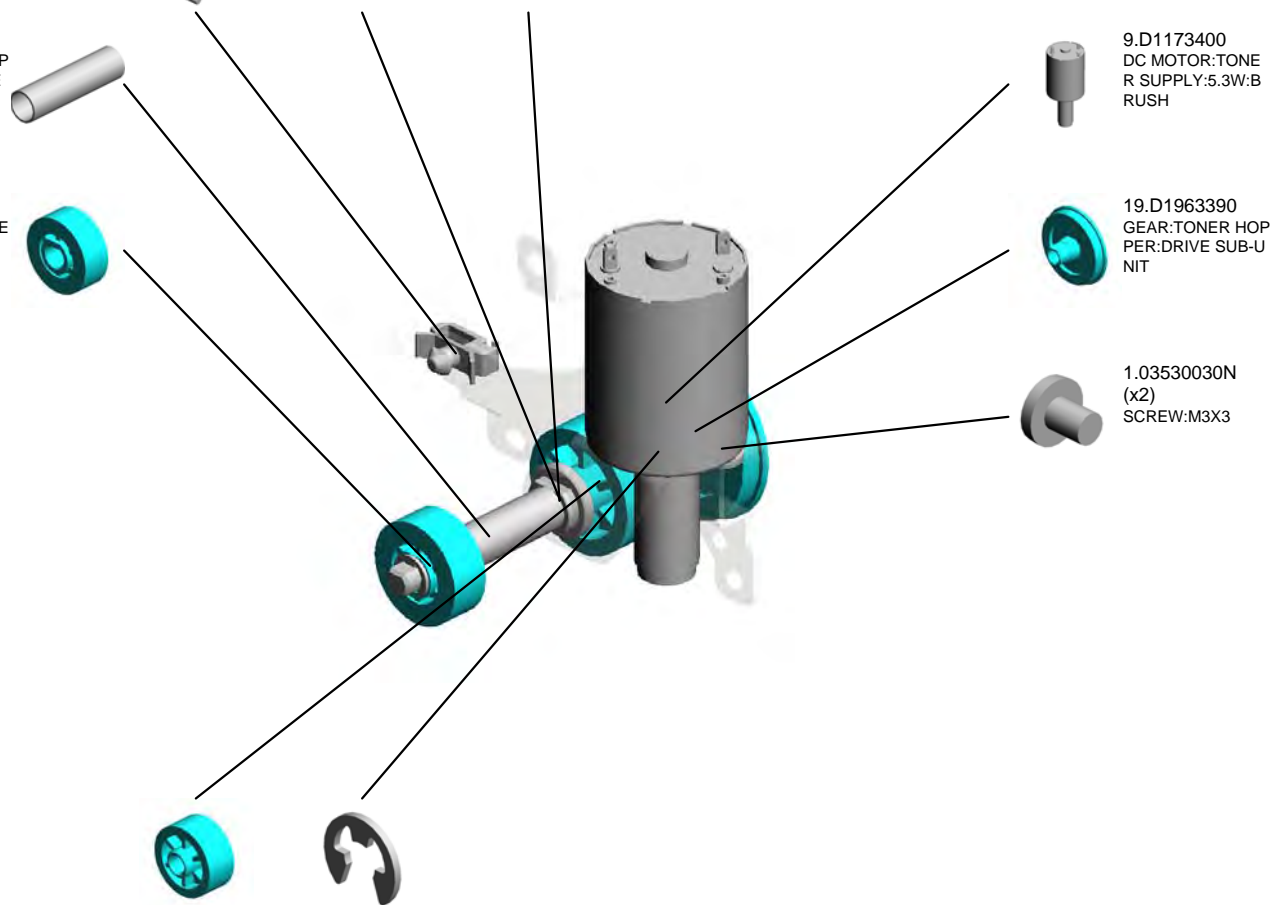
9.D1173400
 DC MOTOR:TONER SUPPLY:5.3W:BRUSH

19.D1963390
 GEAR:TONER HOPPER:DRIVE SUB-UNIT

1.03530030N (x2)
 SCREW:M3X3

11.D1173402
 GEAR:IDLER:DC MOTOR

5.07200030E (x3)
 RETAINING RING - M3



U001	U002	U003	U004	U005	U006	U007	U008	U009	U010	U011	U012	U013	U014	U015	U016	U017
------	------	------	------	------	------	------	------	------	------	------	------	------	------	------	------	------

U007_S008
 DRIVE UNIT:TONER SUPPLY:ASS'Y

7.11050511 HARNESS CLAMP - LWS-0306ZC
 10.D1173401 (x2) COLLAR:DRIVE:BRACKET
 13.D1173404 SHAFT:DRIVE:AGITATOR



18.D1963304
 DRIVE UNIT:TONER SUPPLY:ASS'Y

14.D1173405
 COMPRESSION SPRING:GEAR:TONER BOTTLE

12.D1173403
 GEAR:IDLER:TONER BOTTLE



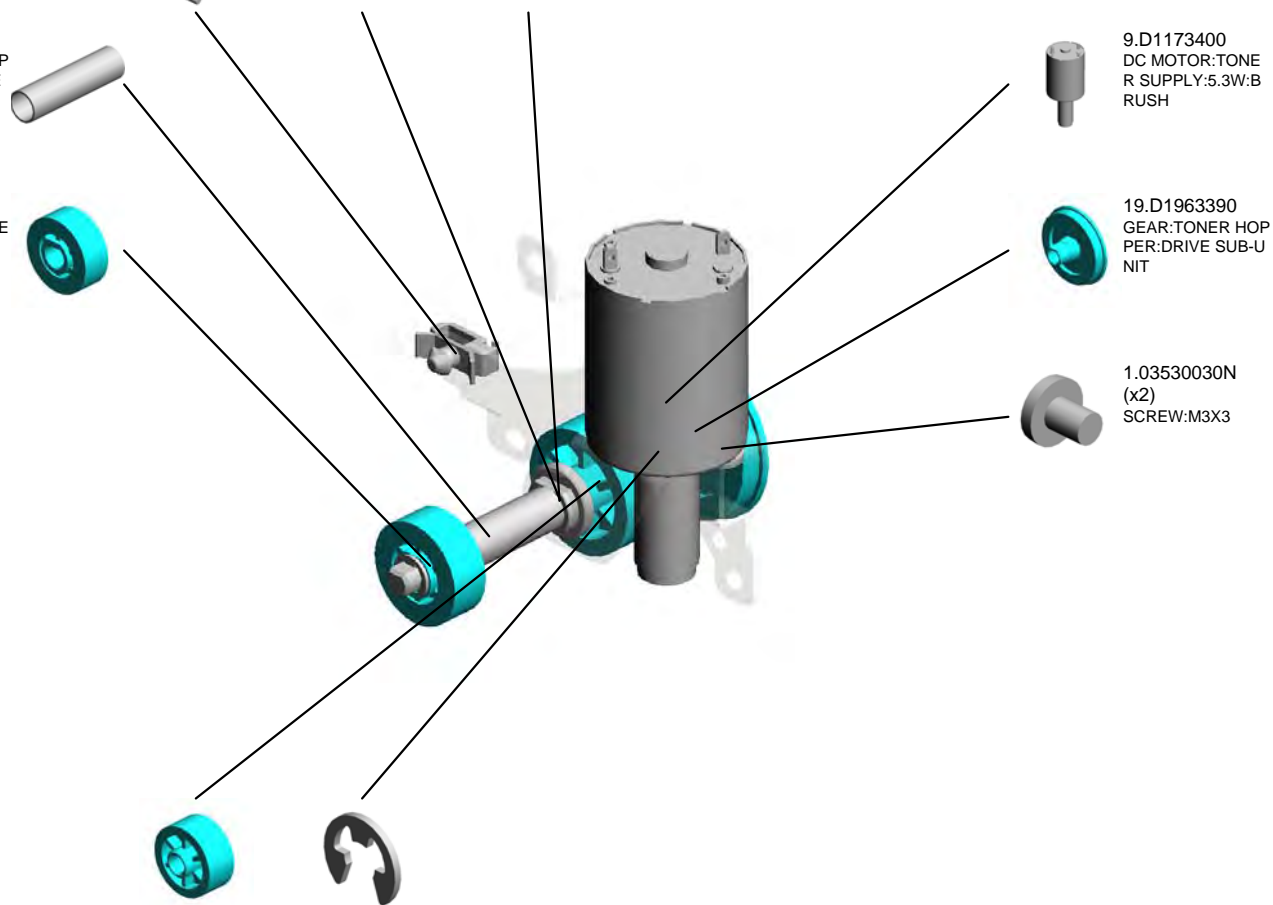
9.D1173400
 DC MOTOR:TONER SUPPLY:5.3W:BRUSH

19.D1963390
 GEAR:TONER HOPPER:DRIVE SUB-UNIT

1.03530030N (x2)
 SCREW:M3X3

11.D1173402
 GEAR:IDLER:DC MOTOR

5.07200030E (x3)
 RETAINING RING - M3



U001	U002	U003	U004	U005	U006	U007	U008	U009	U010	U011	U012	U013	U014	U015	U016	U017
------	------	------	------	------	------	------	------	------	------	------	------	------	------	------	------	------

U007_S009

DRIVE UNIT:TONER SUPPLY:ASS'Y

7.11050511
HARNES CLAMP -
LWS-0306ZC

10.D1173401
(x2)
COLLAR:DRIVE:BR
ACKET

13.D1173404
SHAFT:DRIVE:AGI
TATOR



18.D1963304
DRIVE UNIT:TONER
SUPPLY:ASS'Y

14.D1173405
COMPRESSION SP
RING:GEAR:TONER
BOTTLE

12.D1173403
GEAR:IDLER:TONER
BOTTLE



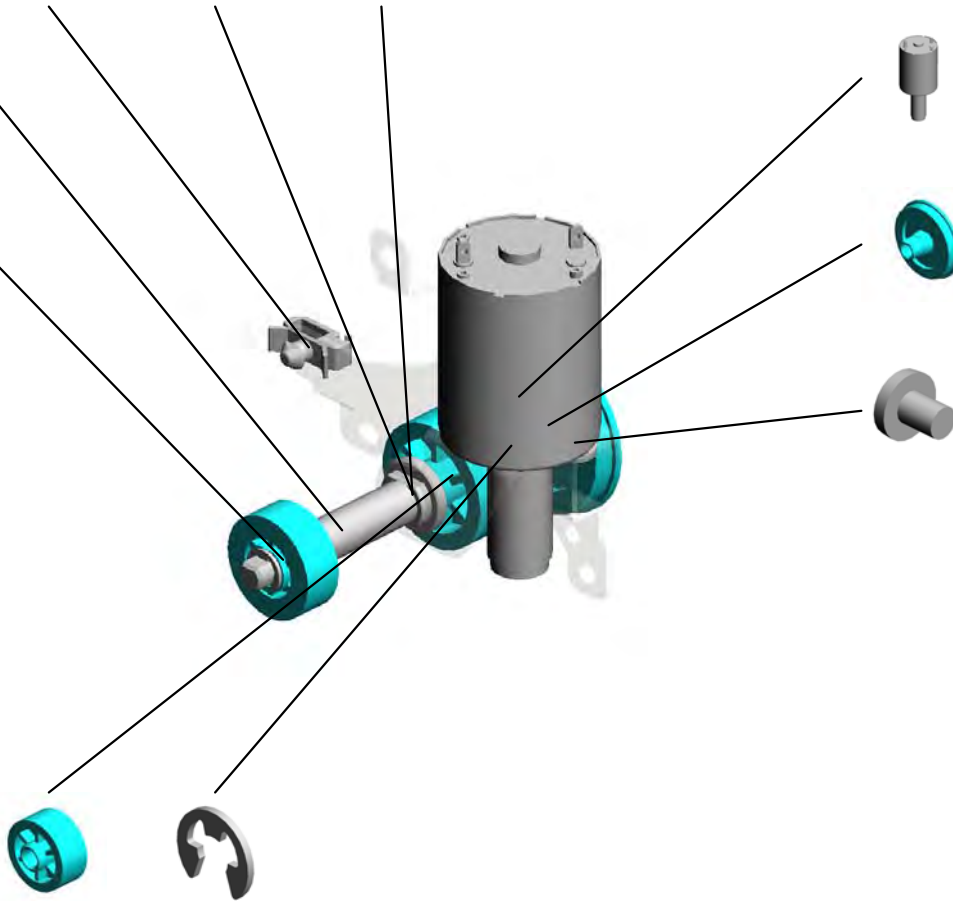
9.D1173400
DC MOTOR:TONER
SUPPLY:5.3W:BRUSH

19.D1963390
GEAR:TONER HOP
PER:DRIVE SUB-UNIT

1.03530030N
(x2)
SCREW:M3X3

11.D1173402
GEAR:IDLER:DC MOTOR

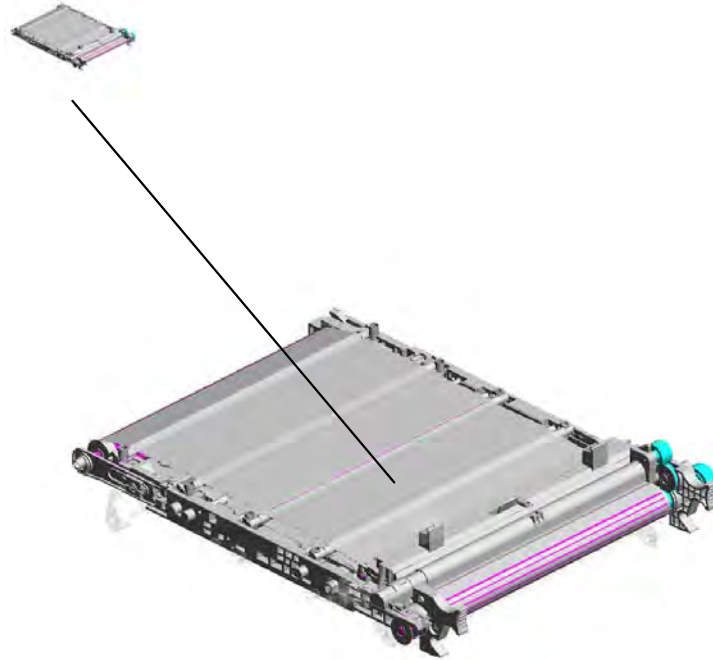
5.07200030E
(x3)
RETAINING RING -
M3



U001	U002	U003	U004	U005	U006	U007	U008	U009	U010	U011	U012	U013	U014	U015	U016	U017
------	------	------	------	------	------	-------------	------	------	------	------	------	------	------	------	------	------

U008.ITB UNIT

U008_S001
D1966002
TRANSFER UNIT:INTERMEDI
ATE TRANSFER:SERVICE:AS
SY



U001	U002	U003	U004	U005	U006	U007	U008	U009	U010	U011	U012	U013	U014	U015	U016	U017
------	------	------	------	------	------	------	-------------	------	------	------	------	------	------	------	------	------

U008 ITB UNIT

24.D1176136
SHAFT:CAM:ON-O
FF:BK

10.04583010N
HEXAGON HEAD T
APPING SCREW:3
X10

14.08050104
(x2)
RETAINING RINGS
-E:SILENCER:DIA4

20.AA143520
SHOULDER SCRE
W - M3

17.AA061084
TENSION SPRING:
FEELER



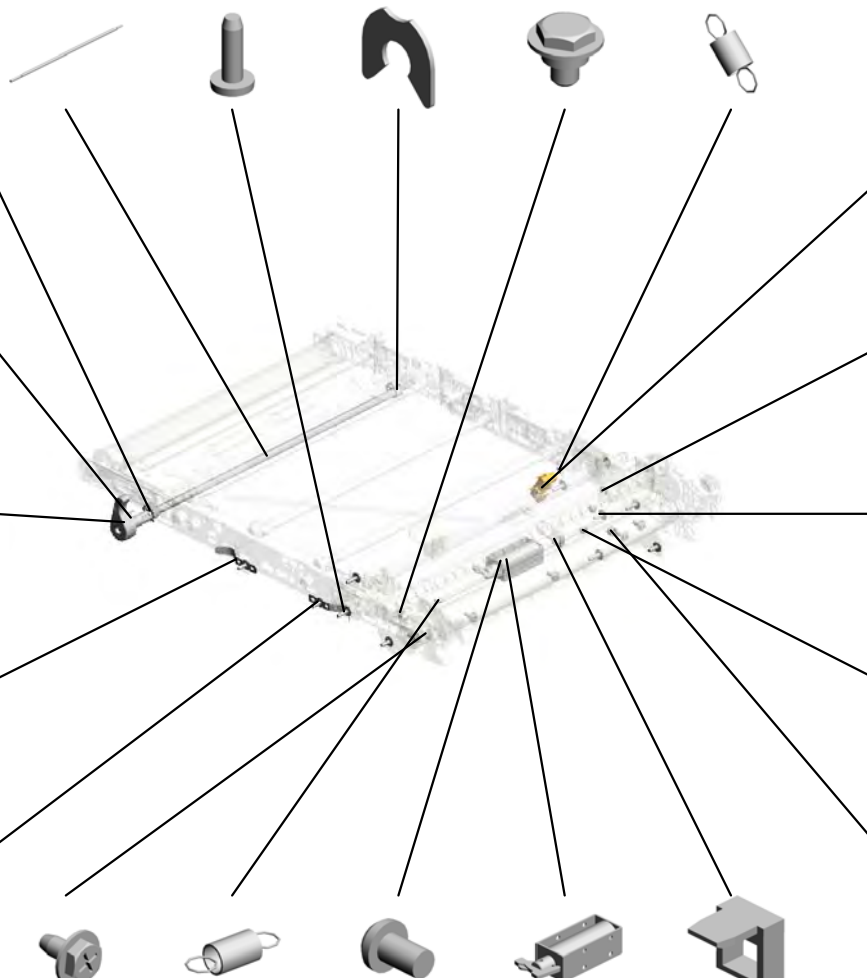
23.D1176135
(x2)
CAM:ON-OFF:BK

25.D1176137
LEVER:ON-OFF:BK
:INTERMEDIATE T
RANSFER

18.AA066695
TORSION SPRING:
LEVER:ON-OFF

26.D1176138
(x2)
PRESSURE PLATE
:INTERMEDIATE T
RANSFER

5.04503010N
(x9)
TAPPING SCREW -
M3X10



6.04513006N
(x3)
TAPPING SCREW -
3X6

16.AA060151
TENSION SPRING

1.03125040N
(x2)
SCREW - M2.5X4

22.B2385875
DC SOLENOID DC2
4V

15.11050542
HARNESS CLAMP -
MSBS-1207

21.AW020203
PHOTOINTERRUP
TOR:GP1A173LCS
2F

4.03603006N (x 1)
SCREW - M3X6
6.04513006N (x 1)
TAPPING SCREW - 3X6

11.07200030E
RETAINING RING -
M3

7.04513008N
(x4)
TAPPING SCREW -
M3X8

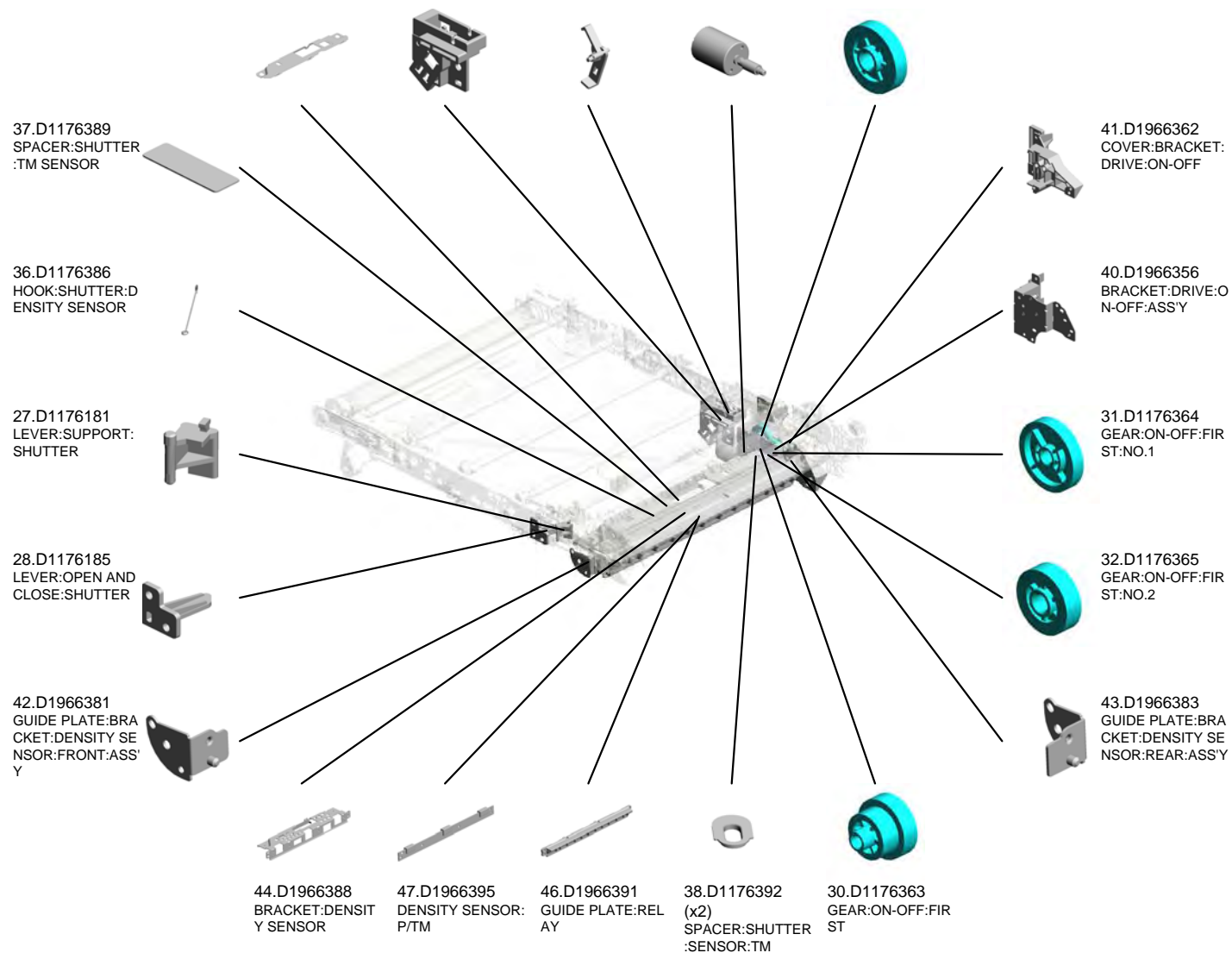
2.03530030N
(x2)
SCREW:M3X3

19.AA082109
PLAIN SHAFT BEA
RING:DIA4

U001	U002	U003	U004	U005	U006	U007	U008	U009	U010	U011	U012	U013	U014	U015	U016	U017
------	------	------	------	------	------	------	------	------	------	------	------	------	------	------	------	------

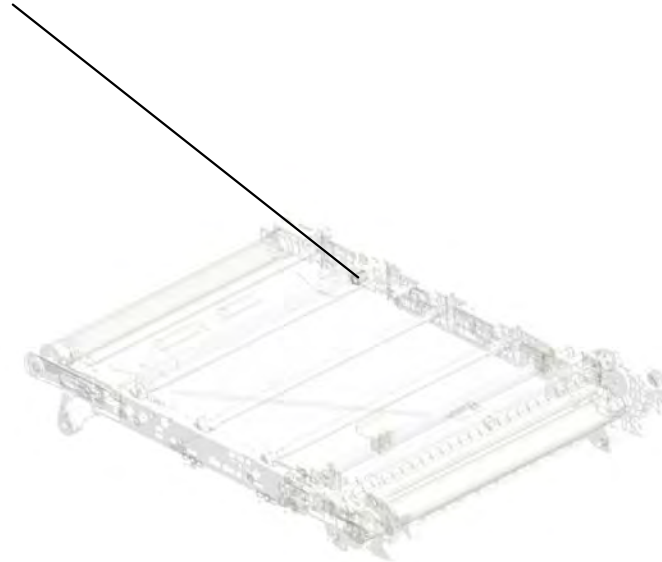
U008 ITB UNIT

45.D1966390 SHUTTER:DENSITY SENSOR
 34.D1176375 BRACKET:FEELER:ON-OFF
 35.D1176376 FEELER:ON-OFF:FIRST
 29.D1176350 DC MOTOR:ON-OFF:FIRST:ASSY:5.3
 W:BRUSH
 33.D1176366 GEAR:ON-OFF:FIRST:NO.3



U008
ITB UNIT

48.G1666057
PLAIN SHAFT BEA
RING:ROLLER:BLA
DE



U001	U002	U003	U004	U005	U006	U007	U008	U009	U010	U011	U012	U013	U014	U015	U016	U017
------	------	------	------	------	------	------	-------------	------	------	------	------	------	------	------	------	------

U008_S001

TRANSFER UNIT:INTERMEDIATE TRANSFER:SERVICE:ASS'Y

11.07200030E (x3) RETAINING RING - M3
13.08050103 (x2) RETAINING RINGS -E:SILENCER:DIA3



39.D1966002
TRANSFER UNIT:INTERMEDIATE TR:ANSFER:SERVICE:ASS'Y

3.03530060N (x4) BIND SCREW - M3 X6



9.04523010N (x4) BINDING SELF-TAPPING SCREW:3X10



12.07200040E (x3) RETAINING RING - M4



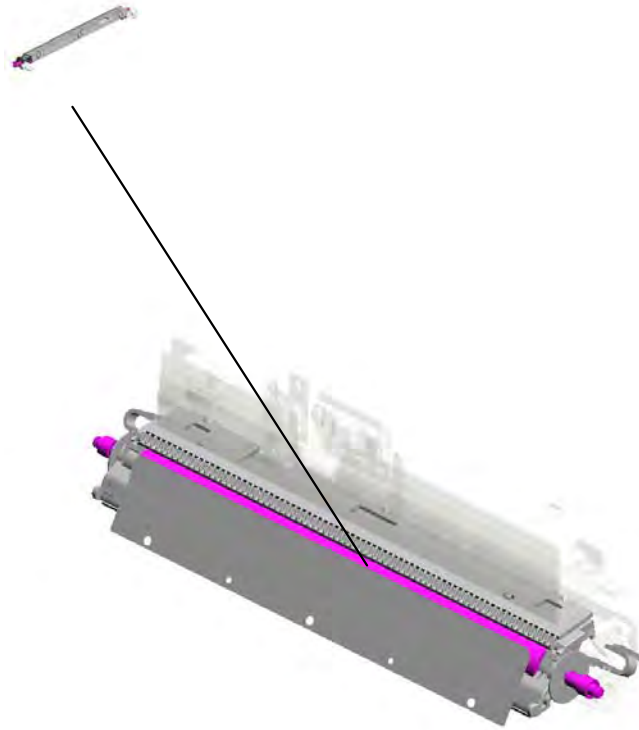
8.04523008N (x10) TAPPING SCREW - M3X8



U001	U002	U003	U004	U005	U006	U007	U008	U009	U010	U011	U012	U013	U014	U015	U016	U017
------	------	------	------	------	------	------	------	------	------	------	------	------	------	------	------	------

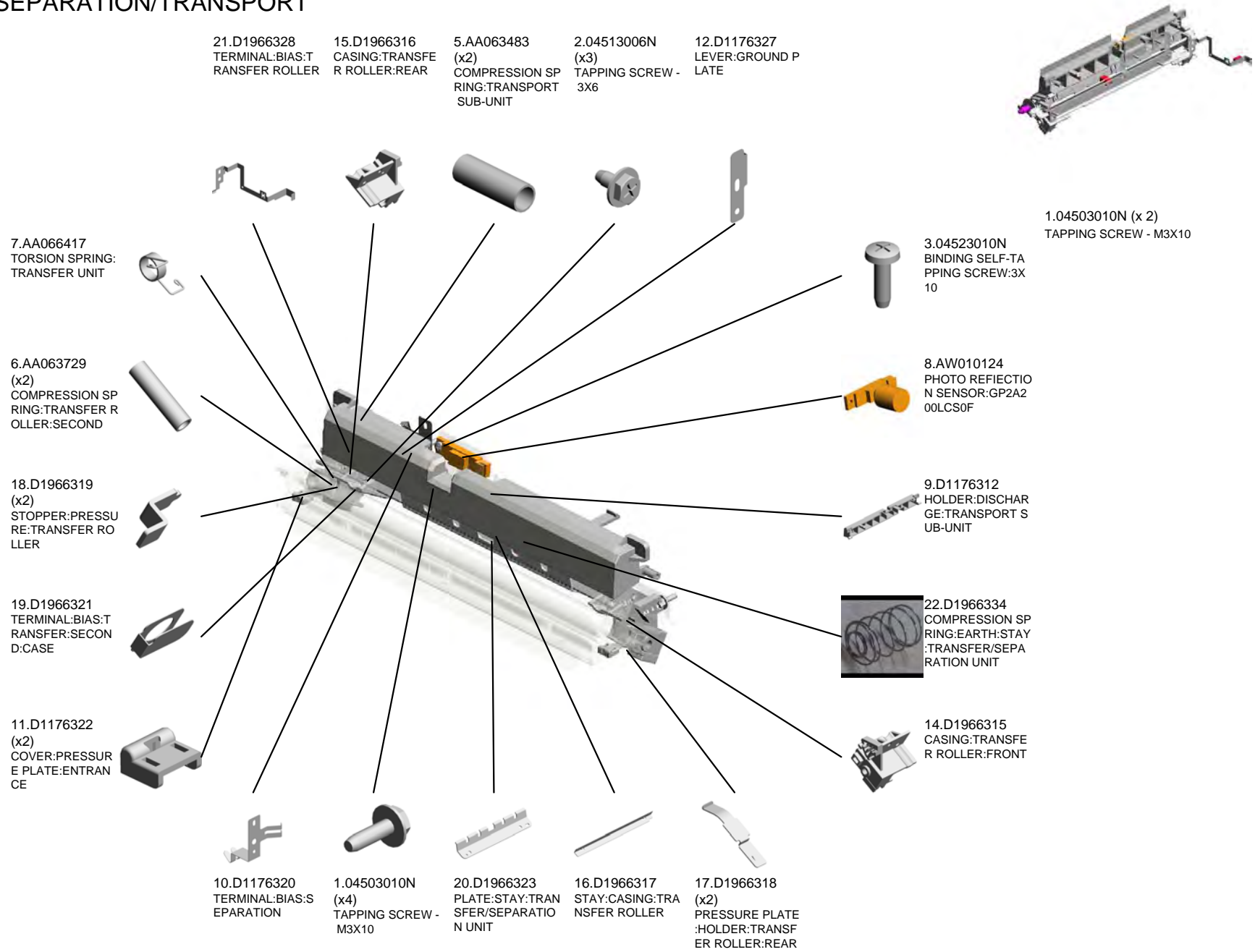
U009.SEPARATION/TRANSPORT

U009_S001
D1966201
TRANSFER/SEPARATION UN
IT:SECOND:ASSY



U001	U002	U003	U004	U005	U006	U007	U008	U009	U010	U011	U012	U013	U014	U015	U016	U017
------	------	------	------	------	------	------	------	------	------	------	------	------	------	------	------	------

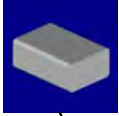
U009 SEPARATION/TRANSPORT



U001	U002	U003	U004	U005	U006	U007	U008	U009	U010	U011	U012	U013	U014	U015	U016	U017
------	------	------	------	------	------	------	------	------	------	------	------	------	------	------	------	------

U009
SEPARATION/TRANSPORT

23.D2051526
GASKET:HINGE



U001	U002	U003	U004	U005	U006	U007	U008	U009	U010	U011	U012	U013	U014	U015	U016	U017
------	------	------	------	------	------	------	------	------	------	------	------	------	------	------	------	------

U009_S001
TRANSFER/SEPARATION UNIT:SECOND:ASS'Y

4.07200040E
(x2)
RETAINING RING -
M4

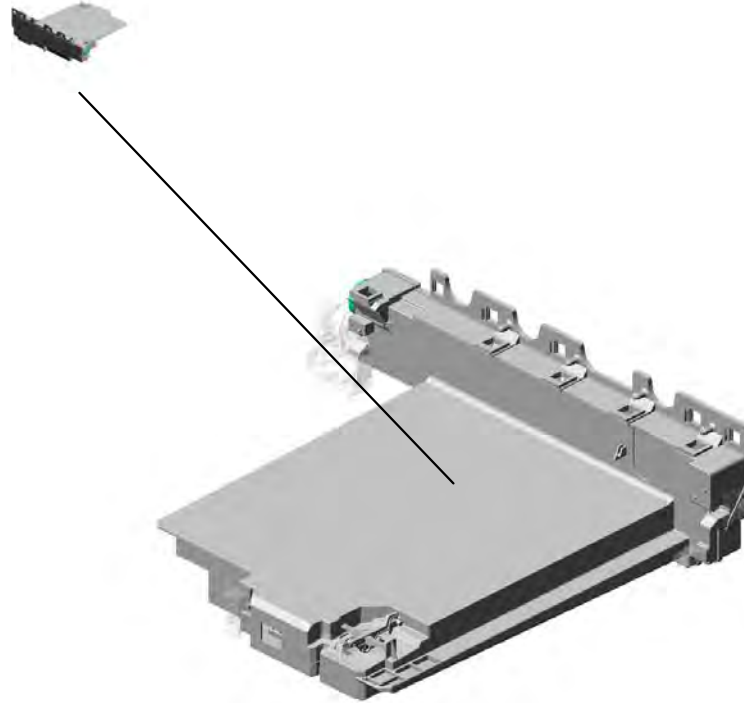


13.D1966201
TRANSFER/SEPARATION UNIT:SECOND:ASS'Y

U001	U002	U003	U004	U005	U006	U007	U008	U009	U010	U011	U012	U013	U014	U015	U016	U017
------	------	------	------	------	------	------	------	------	------	------	------	------	------	------	------	------

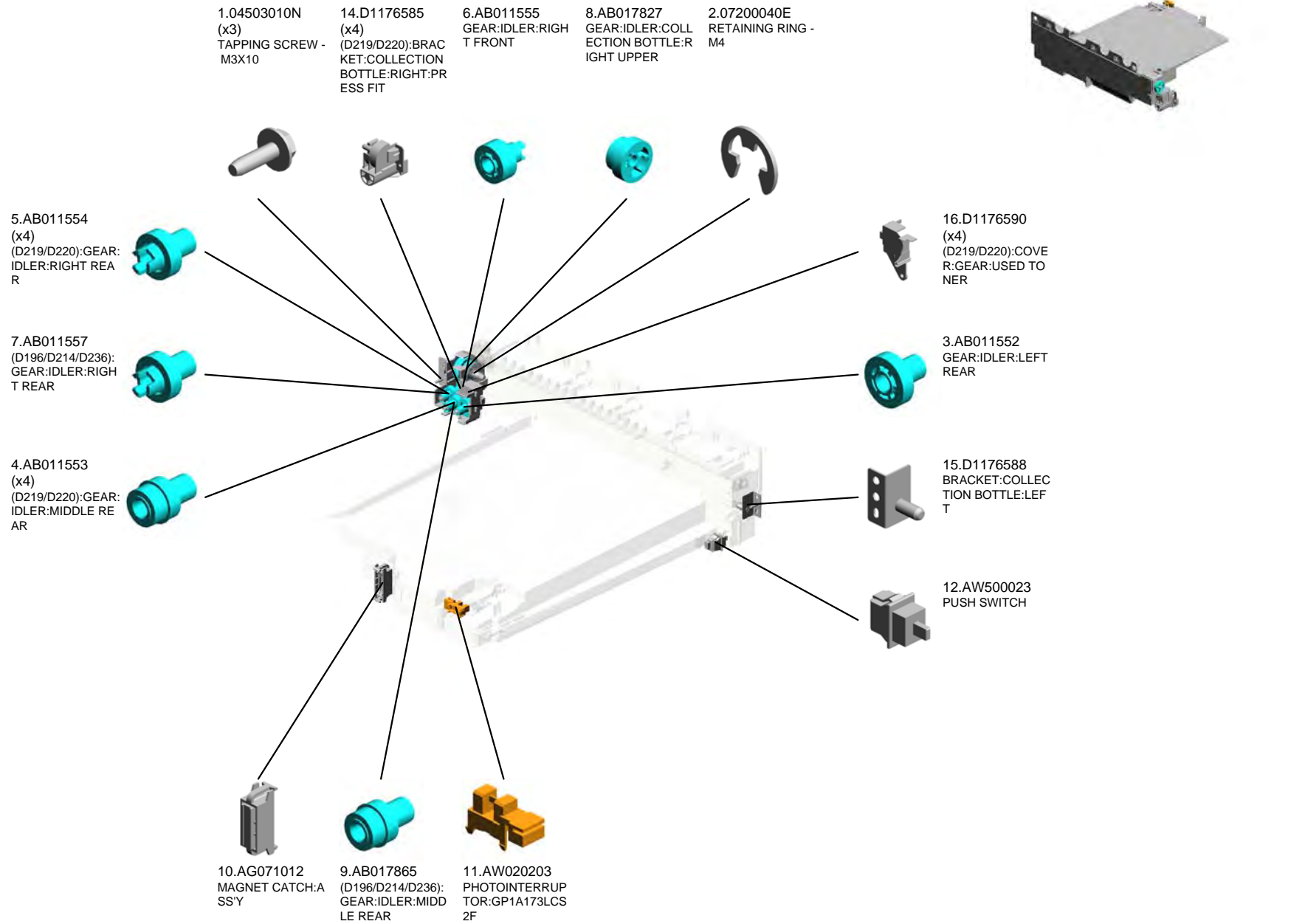
U010.USED TONER

U010_S001
D1176401
COLLECTION BOTTLE:ASSY



U001	U002	U003	U004	U005	U006	U007	U008	U009	U010	U011	U012	U013	U014	U015	U016	U017
------	------	------	------	------	------	------	------	------	------	------	------	------	------	------	------	------

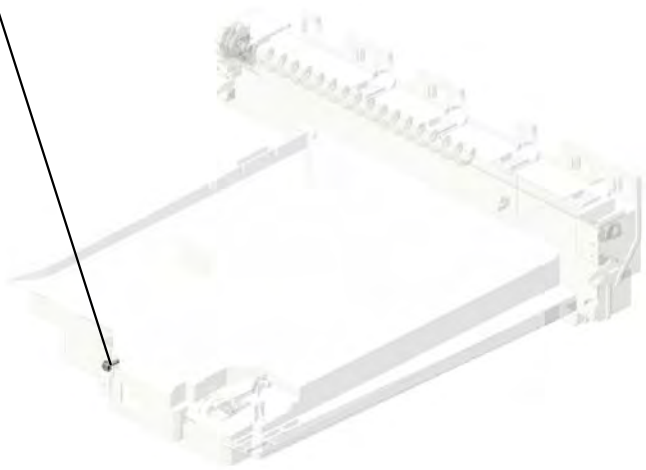
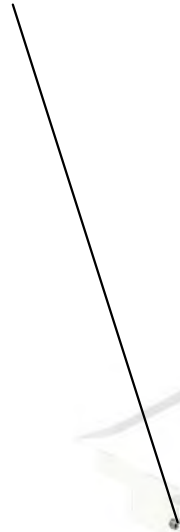
U010 USED TONER



U001	U002	U003	U004	U005	U006	U007	U008	U009	U010	U011	U012	U013	U014	U015	U016	U017
------	------	------	------	------	------	------	------	------	------	------	------	------	------	------	------	------

U010_S001
COLLECTION BOTTLE:ASS'Y

1.04503010N
TAPPING SCREW -
M3X10



13.D1176401
COLLECTION BOT
TLE:ASS'Y

U001	U002	U003	U004	U005	U006	U007	U008	U009	U010	U011	U012	U013	U014	U015	U016	U017
------	------	------	------	------	------	------	------	------	------	------	------	------	------	------	------	------

U011.FUSING

U011_S001
D1964032
(-EU,-AA,-KOR,-CHN):FUSING UNIT:SERVICE PARTS

U011_S002
D1964032
(-EU,-AA,-KOR,-CHN):FUSING UNIT:SERVICE PARTS

U011_S003
D1964032
(-EU,-AA,-KOR,-CHN):FUSING UNIT:SERVICE PARTS

U011_S005
D1964033
(-TWN):FUSING UNIT:SERVICE PARTS

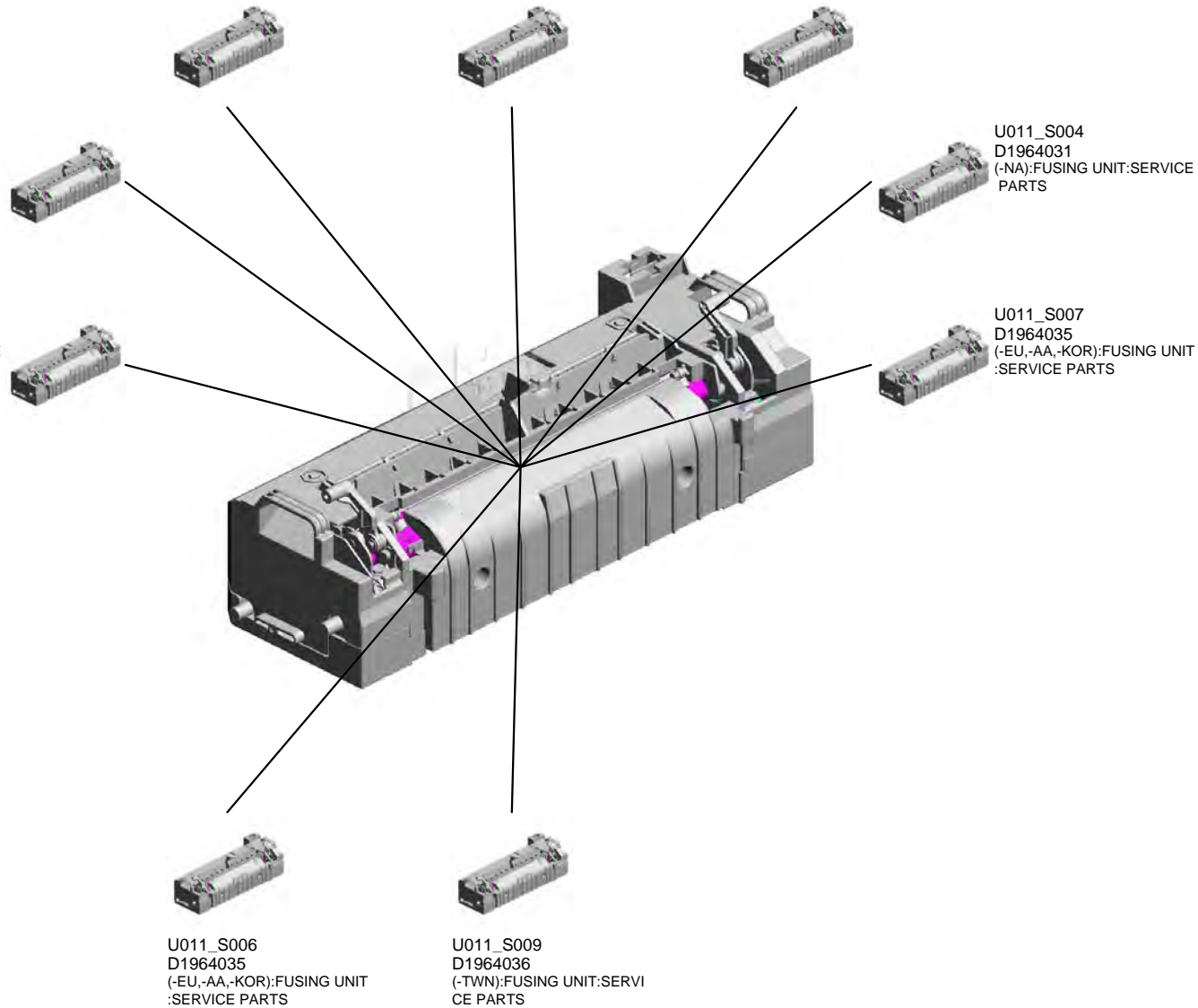
U011_S004
D1964031
(-NA):FUSING UNIT:SERVICE PARTS

U011_S008
D1964034
(-NA):FUSING UNIT:SERVICE PARTS

U011_S007
D1964035
(-EU,-AA,-KOR):FUSING UNIT:SERVICE PARTS

U011_S006
D1964035
(-EU,-AA,-KOR):FUSING UNIT:SERVICE PARTS

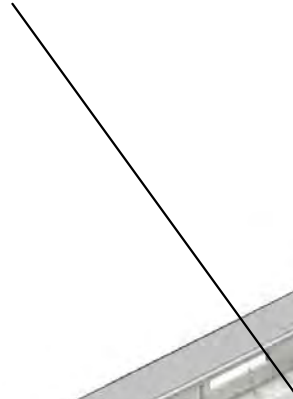
U011_S009
D1964036
(-TWN):FUSING UNIT:SERVICE PARTS



U001	U002	U003	U004	U005	U006	U007	U008	U009	U010	U011	U012	U013	U014	U015	U016	U017
------	------	------	------	------	------	------	------	------	------	------	------	------	------	------	------	------

U011_S001.(-EU,-AA,-KOR,-CHN):FUSING UNIT:SERVICE PARTS

U011_S001_S02
D1964038
(-EU,-AA,-KOR,-CHN):SLEEV
E:FUSING:ASS'Y



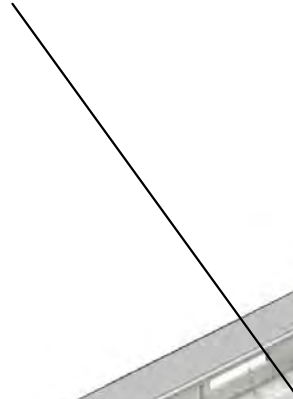
U011_S001_S01
D1174261
FUSING COVER:UPPER:ASS'
Y



U001	U002	U003	U004	U005	U006	U007	U008	U009	U010	U011	U012	U013	U014	U015	U016	U017
------	------	------	------	------	------	------	------	------	------	------	------	------	------	------	------	------

U011_S002.(-EU,-AA,-KOR,-CHN):FUSING UNIT:SERVICE PARTS

U011_S002_S02
D1964038
(-EU,-AA,-KOR,-CHN):SLEEV
E:FUSING:ASS'Y



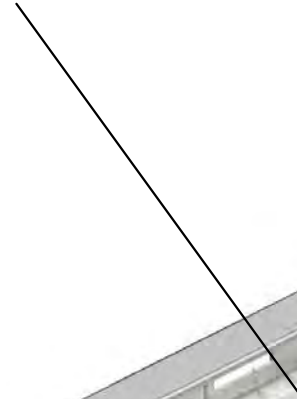
U011_S002_S01
D1174261
FUSING COVER:UPPER:ASS'
Y



U001	U002	U003	U004	U005	U006	U007	U008	U009	U010	U011	U012	U013	U014	U015	U016	U017
------	------	------	------	------	------	------	------	------	------	------	------	------	------	------	------	------

U011_S003.(-EU,-AA,-KOR,-CHN):FUSING UNIT:SERVICE PARTS

U011_S003_S002
D1964038
(-EU,-AA,-KOR,-CHN):SLEEV
E:FUSING:ASS'Y



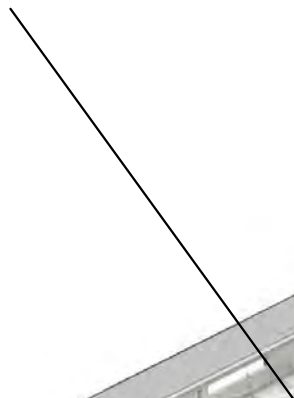
U011_S003_S001
D1174261
FUSING COVER:UPPER:ASS'
Y



U001	U002	U003	U004	U005	U006	U007	U008	U009	U010	U011	U012	U013	U014	U015	U016	U017
------	------	------	------	------	------	------	------	------	------	------	------	------	------	------	------	------

U011_S004.(-NA):FUSING UNIT:SERVICE PARTS

U011_S004_S002
D1964037
(-NA):SLEEVE:FUSING:ASS'Y



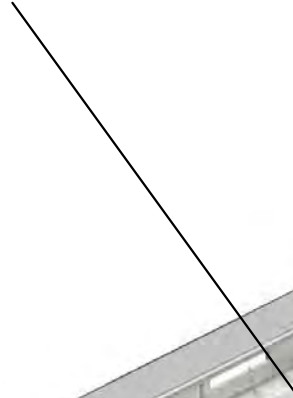
U011_S004_S001
D1174261
FUSING COVER:UPPER:ASS'
Y



U001	U002	U003	U004	U005	U006	U007	U008	U009	U010	U011	U012	U013	U014	U015	U016	U017
------	------	------	------	------	------	------	------	------	------	------	------	------	------	------	------	------

U011_S005.(-TWN):FUSING UNIT:SERVICE PARTS

U011_S005_S002
D1964039
(-TWN):SLEEVE:FUSING:ASS
Y



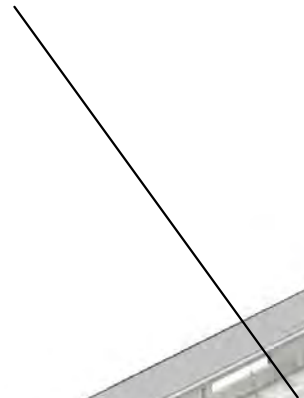
U011_S005_S001
D1174261
FUSING COVER:UPPER:ASS
Y



U001	U002	U003	U004	U005	U006	U007	U008	U009	U010	U011	U012	U013	U014	U015	U016	U017
------	------	------	------	------	------	------	------	------	------	------	------	------	------	------	------	------

U011_S006.(-EU,-AA,-KOR):FUSING UNIT:SERVICE PARTS

U011_S006_S02
D1964038
(-EU,-AA,-KOR,-CHN):SLEEV
E:FUSING:ASS'Y



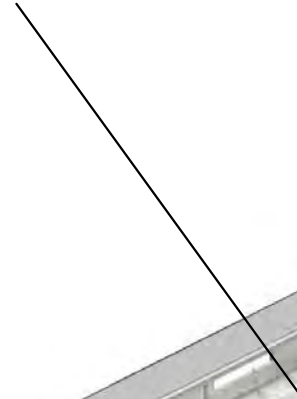
U011_S006_S01
D1174261
FUSING COVER:UPPER:ASS'
Y



U001	U002	U003	U004	U005	U006	U007	U008	U009	U010	U011	U012	U013	U014	U015	U016	U017
------	------	------	------	------	------	------	------	------	------	------	------	------	------	------	------	------

U011_S007.(-EU,-AA,-KOR):FUSING UNIT:SERVICE PARTS

U011_S007_S002
D1964038
(-EU,-AA,-KOR,-CHN):SLEEV
E:FUSING:ASS'Y



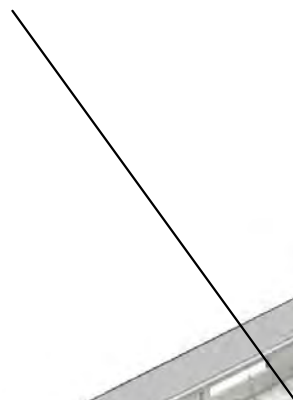
U011_S007_S001
D1174261
FUSING COVER:UPPER:ASS'
Y



U001	U002	U003	U004	U005	U006	U007	U008	U009	U010	U011	U012	U013	U014	U015	U016	U017
------	------	------	------	------	------	------	------	------	------	------	------	------	------	------	------	------

U011_S008.(-NA):FUSING UNIT:SERVICE PARTS

U011_S008_S002
D1964037
(-NA):SLEEVE:FUSING:ASS'Y



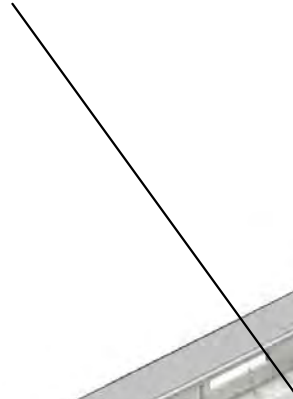
U011_S008_S001
D1174261
FUSING COVER:UPPER:ASS'
Y



U001	U002	U003	U004	U005	U006	U007	U008	U009	U010	U011	U012	U013	U014	U015	U016	U017
------	------	------	------	------	------	------	------	------	------	------	------	------	------	------	------	------

U011_S009.(-TWN):FUSING UNIT:SERVICE PARTS

U011_S009_S002
D1964039
(-TWN):SLEEVE:FUSING:ASS
Y



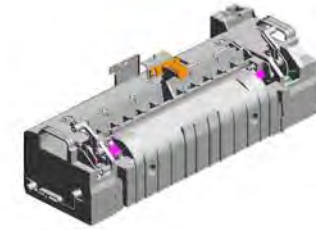
U011_S009_S001
D1174261
FUSING COVER:UPPER:ASS
Y



U001	U002	U003	U004	U005	U006	U007	U008	U009	U010	U011	U012	U013	U014	U015	U016	U017
------	------	------	------	------	------	------	------	------	------	------	------	------	------	------	------	------

U011 FUSING

3.04543006Q (x2)
TAPPING SCREW - M3X6
30.D1054365
HOLDER:THERMO
PILE



9.08046123
HEXAGONAL BOLT
:W/WASHER:M3X8



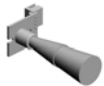
21.AW010124
PHOTO REFLECTIO
N SENSOR:GP2A2
00LCS0F



14.09573010N
SCREW:SMALL RO
UND/SPRING:M3X1
0



22.AW100138
THERMOPILE



U001	U002	U003	U004	U005	U006	U007	U008	U009	U010	U011	U012	U013	U014	U015	U016	U017
------	------	------	------	------	------	------	------	------	------	------	------	------	------	------	------	------

U011_S001 (-EU,-AA,-KOR,-CHN):FUSING UNIT:SERVICE PARTS

23.AW110101
THERMOSTAT:LOW
TEMPERATURE

27.BW100150
NON-CONTACT TYPE
THERMISTOR

24.BE020204
PRESSURE ROLLER
R:DIA25

10.08046128
(x3)
HEXAGONAL BOLT
:DOUBLE SCREW:
M3X10

16.AA061088
TORSION SPRING:
STRIPPER PLATE:
REAR



44.D1964032
(-EU,-AA,-KOR,-CH
N):FUSING UNIT:SER
VICE PARTS

5.07200040E
(x2)
RETAINING RING -
M4

15.AA061087
TORSION SPRING:
STRIPPER PLATE:
FRONT

18.AA062086
(x2)
COIL SPRING:PRE
SSURE

8.07330406
(x2)
BUSHING - 4X6

2.03603006N
(x16)
SCREW - M3X6

4.07200030E
(x4)
RETAINING RING -
M3

19.AA143870
STEPPED SCREW

9.08046123
HEXAGONAL BOLT
:W/WASHER:M3X8

1.03530060N
(x4)
BIND SCREW - M3
X6

26.BW100147
(x3)
THERMISTOR:PRE
SSURE

13.09544012N
(x2)
SCREW:POLISHED
ROUND/SPRING:M
4X12

9.08046123
(x2)
HEXAGONAL BOLT
:W/WASHER:M3X8

10.08046128
(x8)
HEXAGONAL BOLT
:DOUBLE SCREW:
M3X10

7.07270080E
(x2)
RETAINING RING -
M8

2.03603006N (x 4)
SCREW - M3X6

6.07200060E (x 1)
RETAINING RING - M6

12.09544008N (x 1)
SCREW - M4X8

11.08053579
(x2)
BALL BEARING:DIA
8XDIA16X5

17.AA061089
(x2)
COIL SPRING:GUI
DE PLATE:FUSING
EXIT

20.AB012076
GEAR:DRIVE:Z21

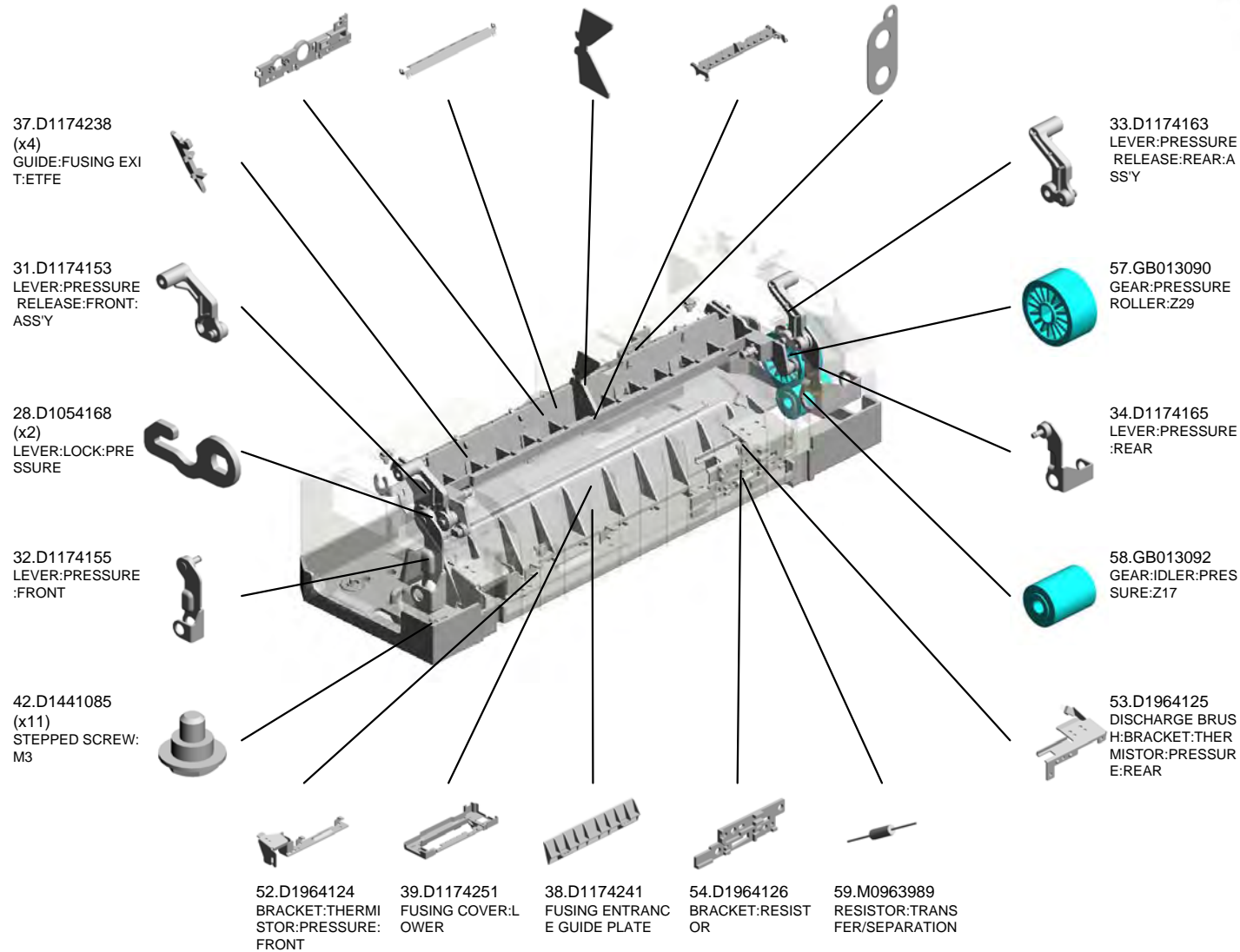
U001	U002	U003	U004	U005	U006	U007	U008	U009	U010	U011	U012	U013	U014	U015	U016	U017
------	------	------	------	------	------	------	------	------	------	------	------	------	------	------	------	------

U011_S001 (-EU,-AA,-KOR,-CHN):FUSING UNIT:SERVICE PARTS

55.D1964194 GUIDE:HARNESS:FUSING
56.D1964231 STRIPPER PLATE
36.D1174236 SHEET:C.LEVER
35.D1174235 GUIDE PLATE:FUSING EXIT
29.D1054303 ELECTRODE PLATE:FUSING:NEUTRAL



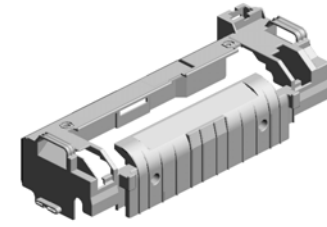
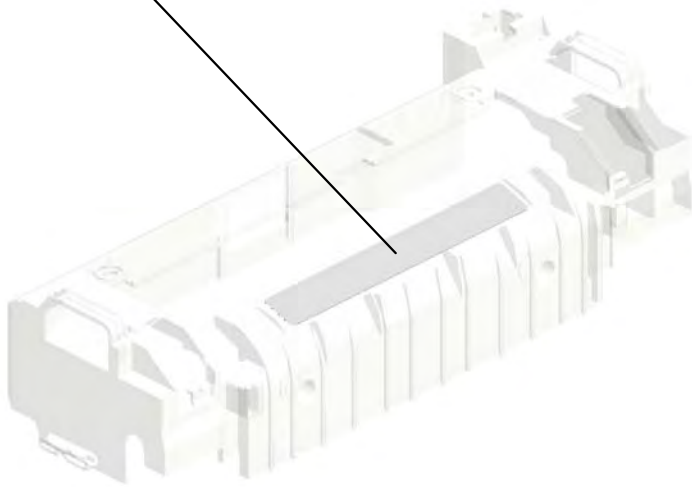
44.D1964032 (-EU,-AA,-KOR,-CHN):FUSING UNIT:SERVICE PARTS



U001	U002	U003	U004	U005	U006	U007	U008	U009	U010	U011	U012	U013	U014	U015	U016	U017
------	------	------	------	------	------	------	------	------	------	------	------	------	------	------	------	------

U011_S001_S001
FUSING COVER:UPPER:ASS'Y

41.D1174263
DECAL:H-TEMP W
ARNING:FUSING

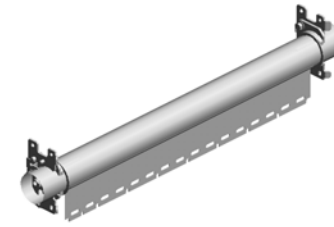


40.D1174261
FUSING COVER:U
PPER:ASS'Y

U001	U002	U003	U004	U005	U006	U007	U008	U009	U010	U011	U012	U013	U014	U015	U016	U017
------	------	------	------	------	------	------	------	------	------	------	------	------	------	------	------	------

U011_S001_S002
(-EU,-AA,-KOR,-CHN):SLEEVE:FUSING:ASS'Y

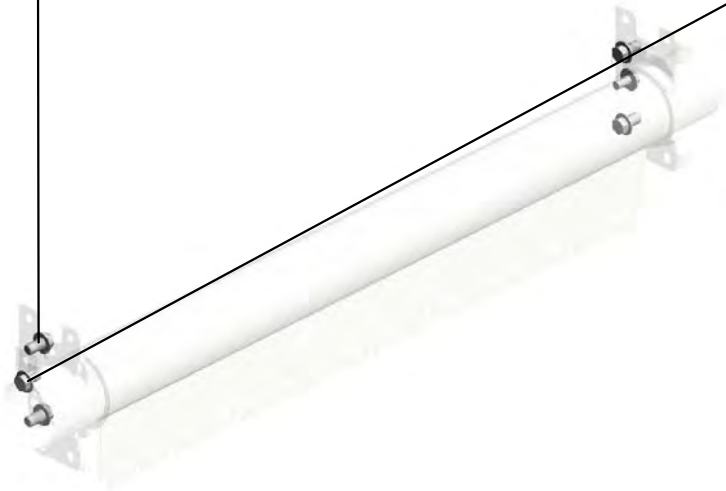
10.08046128
(x4)
HEXAGONAL BOLT
:DOUBLE SCREW:
M3X10



50.D1964038
(-EU,-AA,-KOR,-CH
N):SLEEVE:FUSIN
G:ASS'Y



2.03603006N
(x2)
SCREW - M3X6



U001	U002	U003	U004	U005	U006	U007	U008	U009	U010	U011	U012	U013	U014	U015	U016	U017
------	------	------	------	------	------	------	------	------	------	------	------	------	------	------	------	------

U011_S002 (-EU,-AA,-KOR,-CHN):FUSING UNIT:SERVICE PARTS

23.AW110101
THERMOSTAT:LOW
TEMPERATURE

27.BW100150
NON-CONTACT TYPE
THERMISTOR

24.BE020204
PRESSURE ROLLER
R:DIA25

10.08046128
(x2)
HEXAGONAL BOLT
:DOUBLE SCREW:
M3X10

16.AA061088
TORSION SPRING:
STRIPPER PLATE:
REAR



44.D1964032
(-EU,-AA,-KOR,-CH
N):FUSING UNIT:SER
VICE PARTS

5.07200040E
(x2)
RETAINING RING -
M4

15.AA061087
TORSION SPRING:
STRIPPER PLATE:
FRONT

18.AA062086
(x2)
COIL SPRING:PRE
SSURE

8.07330406
(x2)
BUSHING - 4X6

2.03603006N
(x16)
SCREW - M3X6

4.07200030E
(x4)
RETAINING RING -
M3

19.AA143870
STEPPED SCREW

9.08046123
(x4)
HEXAGONAL BOLT
:W/WASHER:M3X8

1.03530060N
(x4)
BIND SCREW - M3
X6

26.BW100147
(x3)
THERMISTOR:PRE
SSURE

13.09544012N
(x2)
SCREW:POLISHED
ROUND/SPRING:M
4X12

9.08046123
(x2)
HEXAGONAL BOLT
:W/WASHER:M3X8

10.08046128
(x9)
HEXAGONAL BOLT
:DOUBLE SCREW:
M3X10

7.07270080E
(x2)
RETAINING RING -
M8

2.03603006N (x 4)
SCREW - M3X6

6.07200060E (x 1)
RETAINING RING - M6

12.09544008N (x 1)
SCREW - M4X8

11.08053579
(x2)
BALL BEARING: DIA
8X DIA16X5

17.AA061089
(x2)
COIL SPRING:GUI
DE PLATE:FUSING
EXIT

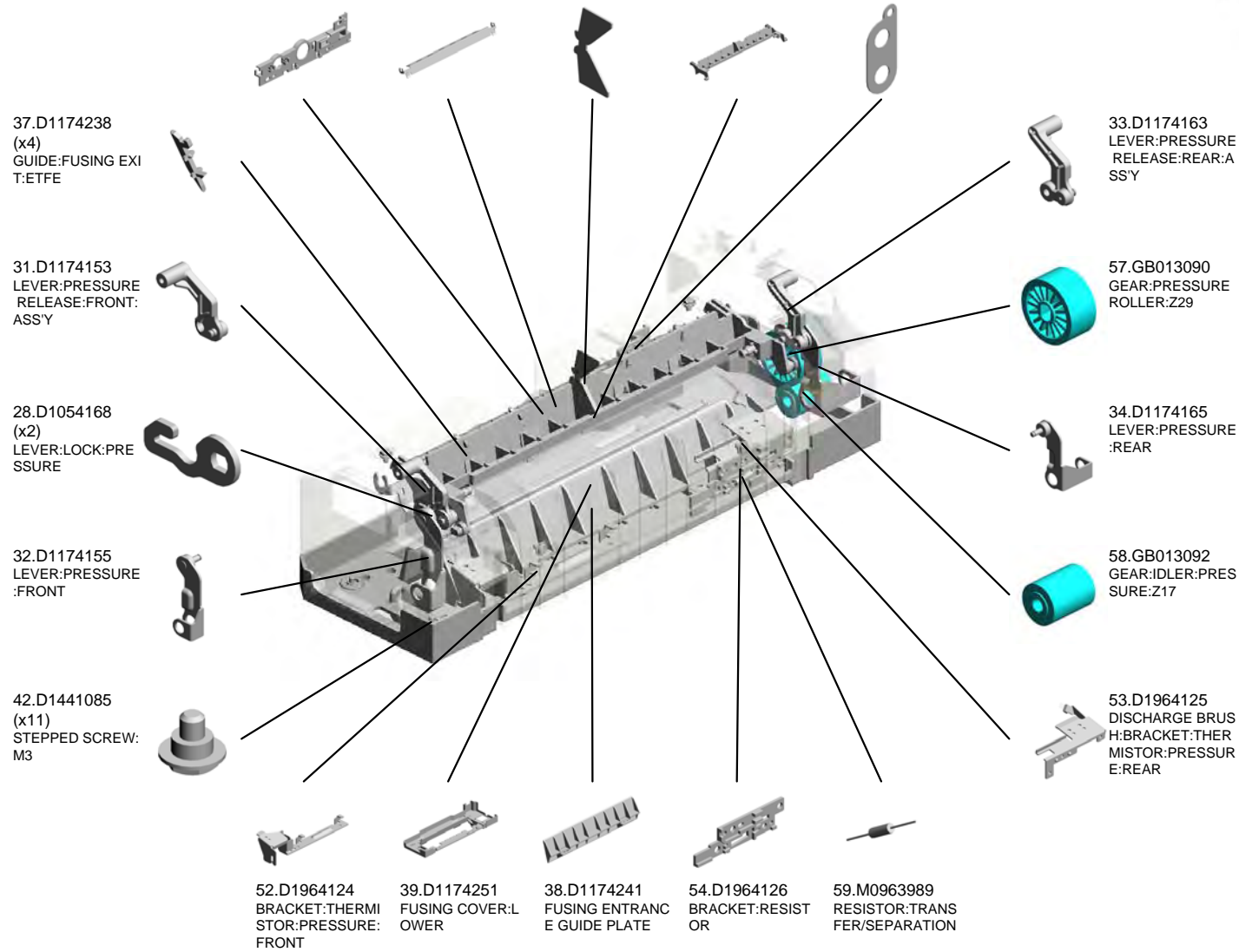
20.AB012076
GEAR:DRIVE:Z21

U011_S002
 (-EU,-AA,-KOR,-CHN):FUSING UNIT:SERVICE PARTS

55.D1964194 GUIDE:HARNESS:FUSING
 56.D1964231 STRIPPER PLATE
 36.D1174236 SHEET:C.LEVER
 35.D1174235 GUIDE PLATE:FUSING
 29.D1054303 ELECTRODE PLATE:FUSING:NEUTRAL

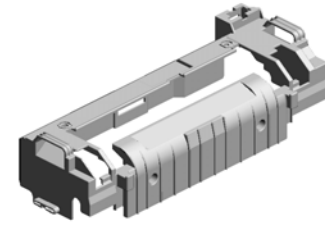
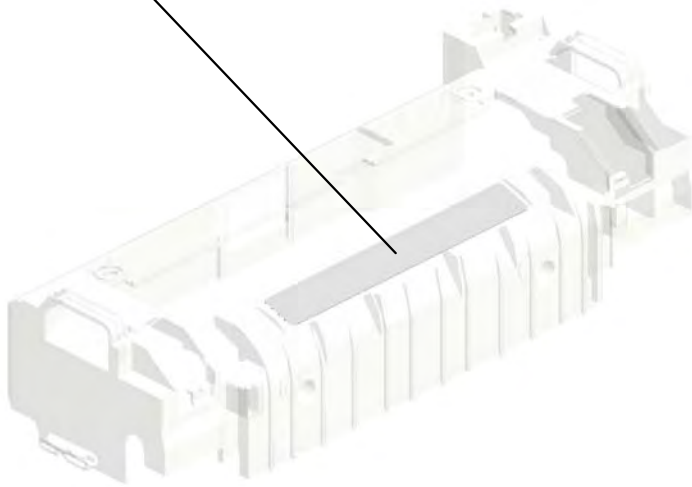


44.D1964032
 (-EU,-AA,-KOR,-CHN):FUSING UNIT:SERVICE PARTS



U011_S002_S001
FUSING COVER:UPPER:ASS'Y

41.D1174263
DECAL:H-TEMP W
ARNING:FUSING

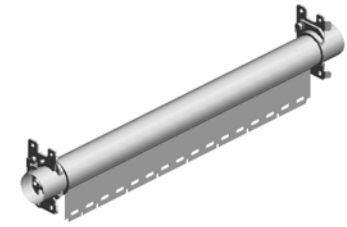


40.D1174261
FUSING COVER:U
PPER:ASS'Y

U001	U002	U003	U004	U005	U006	U007	U008	U009	U010	U011	U012	U013	U014	U015	U016	U017
------	------	------	------	------	------	------	------	------	------	------	------	------	------	------	------	------

U011_S002_S002
(-EU,-AA,-KOR,-CHN):SLEEVE:FUSING:ASS'Y

10.08046128
(x4)
HEXAGONAL BOLT
:DOUBLE SCREW:
M3X10



50.D1964038
(-EU,-AA,-KOR,-CH
N):SLEEVE:FUSIN
G:ASS'Y



2.03603006N
(x2)
SCREW - M3X6

U001	U002	U003	U004	U005	U006	U007	U008	U009	U010	U011	U012	U013	U014	U015	U016	U017
------	------	------	------	------	------	------	------	------	------	------	------	------	------	------	------	------

U011_S003
 (-EU,-AA,-KOR,-CHN):FUSING UNIT:SERVICE PARTS

23.AW110101
 THERMOSTAT:LOW
 THERMISTOR

27.BW100150
 NON-CONTACT TYPE
 THERMISTOR

24.BE020204
 PRESSURE ROLLER
 R:DIA25

10.08046128
 (x2)
 HEXAGONAL BOLT
 :DOUBLE SCREW:
 M3X10

16.AA061088
 TORSION SPRING:
 STRIPPER PLATE:
 REAR



44.D1964032
 (-EU,-AA,-KOR,-CH
 N):FUSING UNIT:SER
 VICE PARTS

5.07200040E
 (x2)
 RETAINING RING -
 M4

15.AA061087
 TORSION SPRING:
 STRIPPER PLATE:
 FRONT

18.AA062086
 (x2)
 COIL SPRING:PRE
 SSURE

8.07330406
 (x2)
 BUSHING - 4X6

2.03603006N
 (x16)
 SCREW - M3X6

4.07200030E
 (x4)
 RETAINING RING -
 M3

19.AA143870
 STEPPED SCREW

9.08046123
 (x4)
 HEXAGONAL BOLT
 :W/WASHER:M3X8

1.03530060N
 (x4)
 BIND SCREW - M3
 X6

26.BW100147
 (x3)
 THERMISTOR:PRE
 SSURE

13.09544012N
 (x2)
 SCREW:POLISHED
 ROUND/SPRING:M
 4X12

9.08046123
 (x2)
 HEXAGONAL BOLT
 :W/WASHER:M3X8

10.08046128
 (x9)
 HEXAGONAL BOLT
 :DOUBLE SCREW:
 M3X10

7.07270080E
 (x2)
 RETAINING RING -
 M8

2.03603006N (x 4)
 SCREW - M3X6

6.07200060E (x 1)
 RETAINING RING - M6

12.09544008N (x 1)
 SCREW - M4X8

11.08053579
 (x2)
 BALL BEARING:DIA
 8XDIA16X5

17.AA061089
 (x2)
 COIL SPRING:GUI
 DE PLATE:FUSING
 EXIT

20.AB012076
 GEAR:DRIVE:Z21

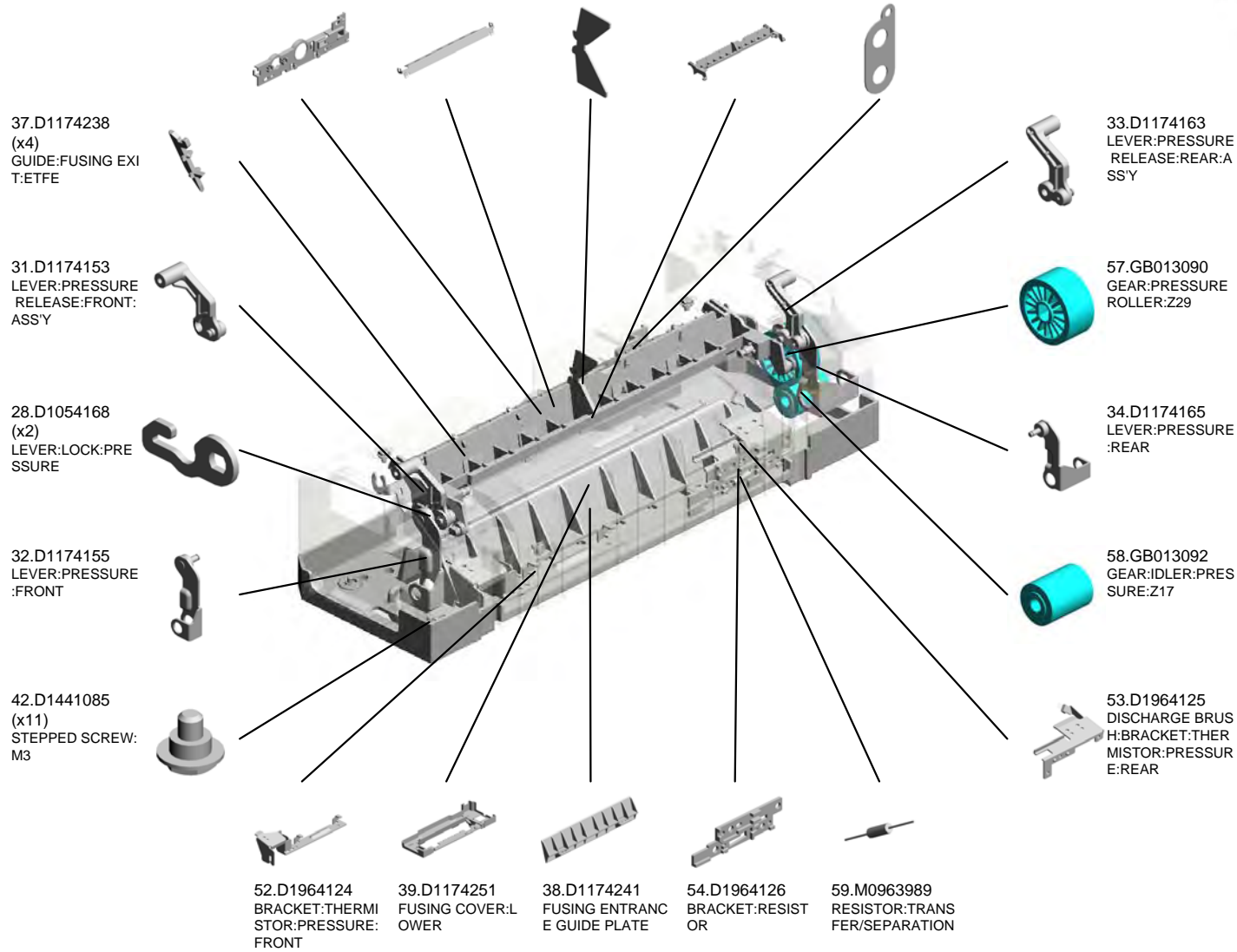
U001	U002	U003	U004	U005	U006	U007	U008	U009	U010	U011	U012	U013	U014	U015	U016	U017
------	------	------	------	------	------	------	------	------	------	------	------	------	------	------	------	------

U011_S003
 (-EU,-AA,-KOR,-CHN):FUSING UNIT:SERVICE PARTS

55.D1964194 GUIDE:HARNESS:FUSING
 56.D1964231 STRIPPER PLATE
 36.D1174236 SHEET:C.LEVER
 35.D1174235 GUIDE PLATE:FUSING EXIT
 29.D1054303 ELECTRODE PLATE:FUSING NEUTRAL



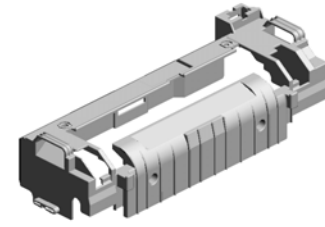
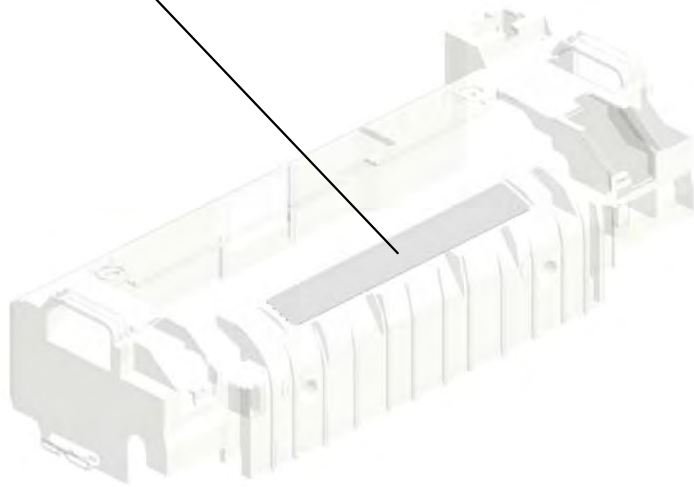
44.D1964032 (-EU,-AA,-KOR,-CHN):FUSING UNIT:SERVICE PARTS



U001	U002	U003	U004	U005	U006	U007	U008	U009	U010	U011	U012	U013	U014	U015	U016	U017
------	------	------	------	------	------	------	------	------	------	------	------	------	------	------	------	------

U011_S003_S001
FUSING COVER:UPPER:ASS'Y

41.D1174263
DECAL:H-TEMP W
ARNING:FUSING

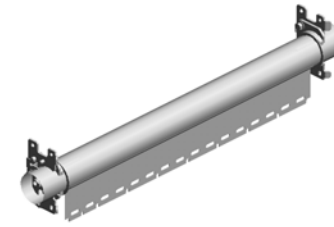


40.D1174261
FUSING COVER:U
PPER:ASS'Y

U001	U002	U003	U004	U005	U006	U007	U008	U009	U010	U011	U012	U013	U014	U015	U016	U017
------	------	------	------	------	------	------	------	------	------	------	------	------	------	------	------	------

U011_S003_S002
(-EU,-AA,-KOR,-CHN):SLEEVE:FUSING:ASS'Y

10.08046128
(x4)
HEXAGONAL BOLT
:DOUBLE SCREW:
M3X10



50.D1964038
(-EU,-AA,-KOR,-CH
N):SLEEVE:FUSIN
G:ASS'Y



2.03603006N
(x2)
SCREW - M3X6

U001	U002	U003	U004	U005	U006	U007	U008	U009	U010	U011	U012	U013	U014	U015	U016	U017
------	------	------	------	------	------	------	------	------	------	------	------	------	------	------	------	------

U011_S004 (-NA):FUSING UNIT:SERVICE PARTS

23.AW110101
THERMOSTAT:LOW
TEMPERATURE

27.BW100150
NON-CONTACT TYPE
THERMISTOR

24.BE020204
PRESSURE ROLLER:
DIA25

10.08046128
(x2)
HEXAGONAL BOLT
:DOUBLE SCREW:
M3X10

16.AA061088
TORSION SPRING:
STRIPPER PLATE:
REAR

43.D1964031
(-NA):FUSING UNIT
:SERVICE PARTS



5.07200040E
(x2)
RETAINING RING -
M4



15.AA061087
TORSION SPRING:
STRIPPER PLATE:
FRONT



18.AA062086
(x2)
COIL SPRING:PRE
SSURE



8.07330406
(x2)
BUSHING - 4X6



2.03603006N
(x16)
SCREW - M3X6



4.07200030E
(x4)
RETAINING RING -
M3



19.AA143870
STEPPED SCREW



9.08046123
HEXAGONAL BOLT
:W/WASHER:M3X8



1.03530060N
(x4)
BIND SCREW - M3
X6



26.BW100147
(x3)
THERMISTOR:PRE
SSURE



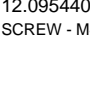
13.09544012N
(x2)
SCREW:POLISHED
ROUND/SPRING:M
4X12



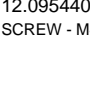
7.07270080E
(x2)
RETAINING RING -
M8



2.03603006N (x 4)
SCREW - M3X6
6.07200060E (x 1)
RETAINING RING - M6
12.09544008N (x 1)
SCREW - M4X8



11.08053579
(x2)
BALL BEARING: DIA
8X DIA16X5



17.AA061089
(x2)
COIL SPRING:GUI
DE PLATE:FUSING
EXIT



20.AB012076
GEAR:DRIVE:Z21



9.08046123
(x2)
HEXAGONAL BOLT
:W/WASHER:M3X8



10.08046128
(x9)
HEXAGONAL BOLT
:DOUBLE SCREW:
M3X10



U001	U002	U003	U004	U005	U006	U007	U008	U009	U010	U011	U012	U013	U014	U015	U016	U017
------	------	------	------	------	------	------	------	------	------	------	------	------	------	------	------	------

U011_S004 (-NA):FUSING UNIT:SERVICE PARTS

55.D1964194
GUIDE:HARNESSE:FUSING

56.D1964231
STRIPPER PLATE

36.D1174236
SHEET:C.LEVER

35.D1174235
GUIDE PLATE:FUSING EXIT

29.D1054303
ELECTRODE PLATE:FUSING:NEUTRAL



43.D1964031
(-NA):FUSING UNIT:SERVICE PARTS

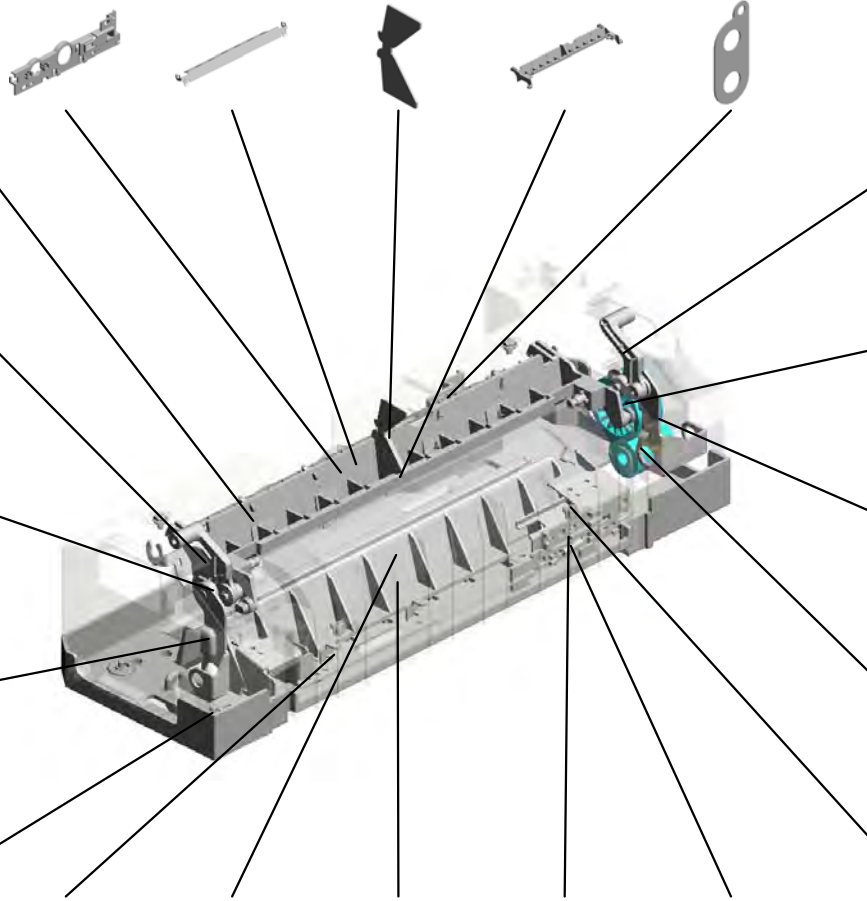
37.D1174238
(x4)
GUIDE:FUSING EXIT:ETFE

31.D1174153
LEVER:PRESSURE RELEASE:FRONT:ASSY

28.D1054168
(x2)
LEVER:LOCK:PRESSURE

32.D1174155
LEVER:PRESSURE:FRONT

42.D1441085
(x11)
STEPPED SCREW:M3



33.D1174163
LEVER:PRESSURE RELEASE:REAR:ASSY

57.GB013090
GEAR:PRESSURE ROLLER:Z29

34.D1174165
LEVER:PRESSURE:REAR

58.GB013092
GEAR:IDLER:PRESSURE:Z17

53.D1964125
DISCHARGE BRUSH:BRACKET:THERMISTOR:PRESSURE:REAR

52.D1964124
BRACKET:THERMISTOR:PRESSURE:FRONT

39.D1174251
FUSING COVER:LOWER

38.D1174241
FUSING ENTRANCE GUIDE PLATE

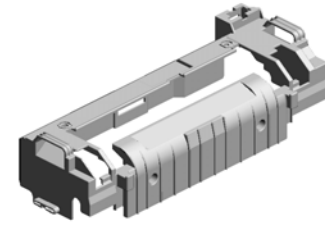
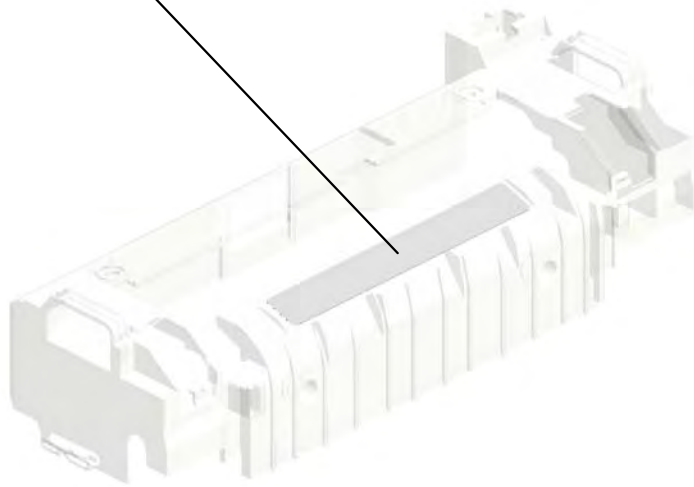
54.D1964126
BRACKET:RESISTOR

59.M0963989
RESISTOR:TRANSFER/SEPARATION

U001	U002	U003	U004	U005	U006	U007	U008	U009	U010	U011	U012	U013	U014	U015	U016	U017
------	------	------	------	------	------	------	------	------	------	------	------	------	------	------	------	------

U011_S004_S001
FUSING COVER:UPPER:ASS'Y

41.D1174263
DECAL:H-TEMP W
ARNING:FUSING

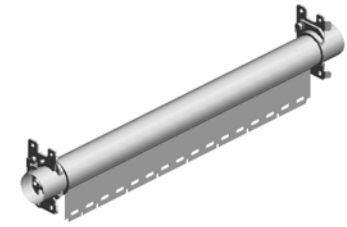


40.D1174261
FUSING COVER:U
PPER:ASS'Y

U001	U002	U003	U004	U005	U006	U007	U008	U009	U010	U011	U012	U013	U014	U015	U016	U017
------	------	------	------	------	------	------	------	------	------	------	------	------	------	------	------	------

U011_S004_S002
(-NA):SLEEVE:FUSING:ASS'Y

10.08046128
(x4)
HEXAGONAL BOLT
:DOUBLE SCREW:
M3X10



49.D1964037
(-NA):SLEEVE:FUSI
NG:ASS'Y



2.03603006N
(x2)
SCREW - M3X6

U001	U002	U003	U004	U005	U006	U007	U008	U009	U010	U011	U012	U013	U014	U015	U016	U017
------	------	------	------	------	------	------	------	------	------	------	------	------	------	------	------	------

U011_S005 (-TWN):FUSING UNIT:SERVICE PARTS

23.AW110101
THERMOSTAT:LOW
TEMPERATURE

27.BW100150
NON-CONTACT TYPE
THERMISTOR

24.BE020204
PRESSURE ROLLER:
R:DIA25

10.08046128
(x2)
HEXAGONAL BOLT
:DOUBLE SCREW:
M3X10

16.AA061088
TORSION SPRING:
STRIPPER PLATE:
REAR



45.D1964033
(-TWN):FUSING UNIT:
SERVICE PARTS

5.07200040E
(x2)
RETAINING RING -
M4

15.AA061087
TORSION SPRING:
STRIPPER PLATE:
FRONT

18.AA062086
(x2)
COIL SPRING:PRE
SSURE

8.07330406
(x2)
BUSHING - 4X6

2.03603006N
(x16)
SCREW - M3X6

4.07200030E
(x4)
RETAINING RING -
M3

19.AA143870
STEPPED SCREW

9.08046123
HEXAGONAL BOLT
:W/WASHER:M3X8

1.03530060N
(x4)
BIND SCREW - M3
X6

26.BW100147
(x3)
THERMISTOR:PRE
SSURE

13.09544012N
(x2)
SCREW:POLISHED
ROUND/SPRING:M
4X12

9.08046123
(x2)
HEXAGONAL BOLT
:W/WASHER:M3X8

10.08046128
(x9)
HEXAGONAL BOLT
:DOUBLE SCREW:
M3X10

7.07270080E
(x2)
RETAINING RING -
M8

2.03603006N (x 4)
SCREW - M3X6

6.07200060E (x 1)
RETAINING RING - M6

12.09544008N (x 1)
SCREW - M4X8

11.08053579
(x2)
BALL BEARING: DIA
8X DIA16X5

17.AA061089
(x2)
COIL SPRING:GUI
DE PLATE:FUSING
EXIT

20.AB012076
GEAR:DRIVE:Z21

U011_S005 (-TWN):FUSING UNIT:SERVICE PARTS

55.D1964194
GUIDE:HARNESS:F
USING

56.D1964231
STRIPPER PLATE

36.D1174236
SHEET:C.LEVER

35.D1174235
GUIDE PLATE:FUSI
NG EXIT

29.D1054303
ELECTRODE PLAT
E:FUSING:NEUTRA
L



45.D1964033
(-TWN):FUSING UN
IT:SERVICE PARTS

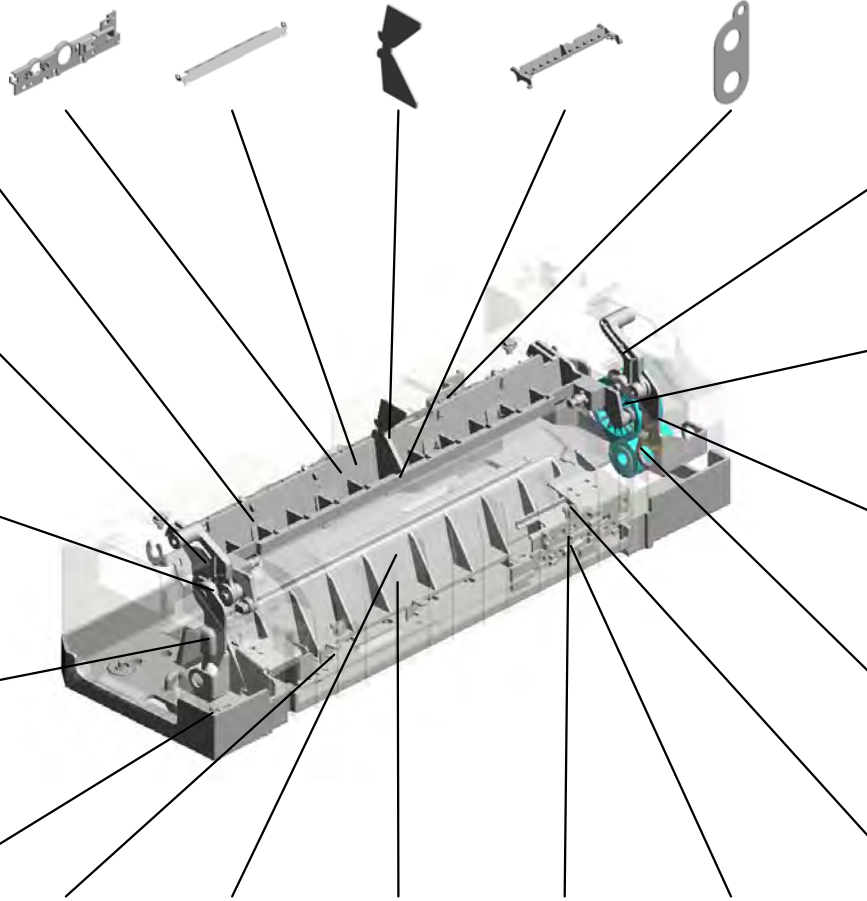
37.D1174238
(x4)
GUIDE:FUSING EXI
T:ETFE

31.D1174153
LEVER:PRESSURE
RELEASE:FRONT:
ASS'Y

28.D1054168
(x2)
LEVER:LOCK:PRE
SSURE

32.D1174155
LEVER:PRESSURE
:FRONT

42.D1441085
(x11)
STEPPED SCREW:
M3



33.D1174163
LEVER:PRESSURE
RELEASE:REAR:A
SS'Y

57.GB013090
GEAR:PRESSURE
ROLLER:Z29

34.D1174165
LEVER:PRESSURE
:REAR

58.GB013092
GEAR:IDLER:PRES
SURE:Z17

53.D1964125
DISCHARGE BRUS
H:BRACKET:THER
MISTOR:PRESSUR
E:REAR

52.D1964124
BRACKET:THERMI
STOR:PRESSURE:
FRONT

39.D1174251
FUSING COVER:L
OWER

38.D1174241
FUSING ENTRANC
E GUIDE PLATE

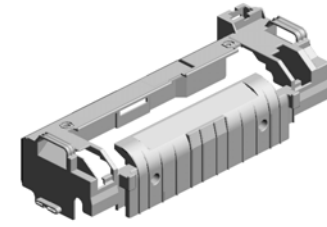
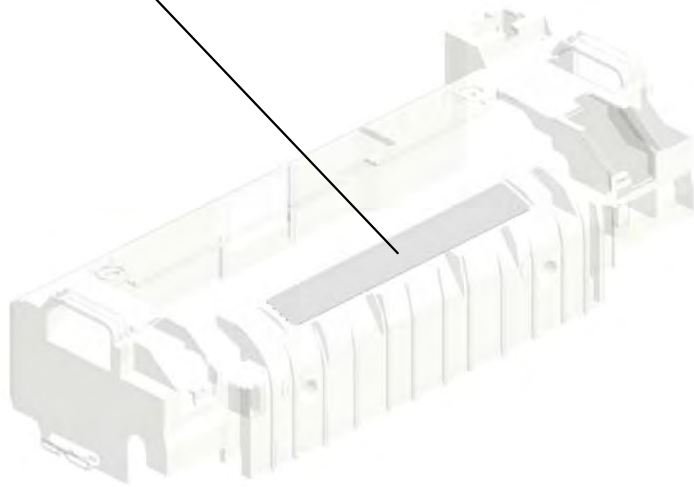
54.D1964126
BRACKET:RESIST
OR

59.M0963989
RESISTOR:TRANS
FER/SEPARATION

U001	U002	U003	U004	U005	U006	U007	U008	U009	U010	U011	U012	U013	U014	U015	U016	U017
------	------	------	------	------	------	------	------	------	------	------	------	------	------	------	------	------

U011_S005_S001
FUSING COVER:UPPER:ASS'Y

41.D1174263
DECAL:H-TEMP W
ARNING:FUSING

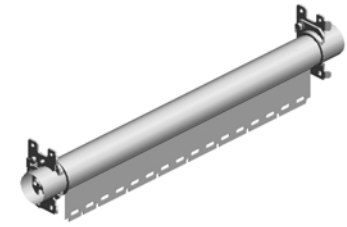


40.D1174261
FUSING COVER:U
PPER:ASS'Y

U001	U002	U003	U004	U005	U006	U007	U008	U009	U010	U011	U012	U013	U014	U015	U016	U017
------	------	------	------	------	------	------	------	------	------	------	------	------	------	------	------	------

U011_S005_S002
(-TWN):SLEEVE:FUSING:ASS'Y

10.08046128
(x4)
HEXAGONAL BOLT
:DOUBLE SCREW:
M3X10



51.D1964039
(-TWN):SLEEVE:FU
SING:ASS'Y



2.03603006N
(x2)
SCREW - M3X6

U001	U002	U003	U004	U005	U006	U007	U008	U009	U010	U011	U012	U013	U014	U015	U016	U017
------	------	------	------	------	------	------	------	------	------	------	------	------	------	------	------	------

U011_S006 (-EU,-AA,-KOR):FUSING UNIT:SERVICE PARTS

23.AW110101
THERMOSTAT:LOW
TEMPERATURE

27.BW100150
NON-CONTACT TYPE
THERMISTOR

25.BE020304
PRESSURE ROLLER:
R:DIA25

10.08046128
(x2)
HEXAGONAL BOLT
:DOUBLE SCREW:
M3X10

16.AA061088
TORSION SPRING:
STRIPPER PLATE:
REAR



47.D1964035
(-EU,-AA,-KOR):FU
SING UNIT:SERVIC
E PARTS

5.07200040E
(x2)
RETAINING RING -
M4

15.AA061087
TORSION SPRING:
STRIPPER PLATE:
FRONT

18.AA062086
(x2)
COIL SPRING:PRE
SSURE

8.07330406
(x2)
BUSHING - 4X6

2.03603006N
(x16)
SCREW - M3X6

4.07200030E
(x4)
RETAINING RING -
M3

19.AA143870
STEPPED SCREW

9.08046123
HEXAGONAL BOLT
:W/WASHER:M3X8

1.03530060N
(x4)
BIND SCREW - M3
X6

26.BW100147
(x3)
THERMISTOR:PRE
SSURE

13.09544012N
(x2)
SCREW:POLISHED
ROUND/SPRING:M
4X12

9.08046123
(x2)
HEXAGONAL BOLT
:W/WASHER:M3X8

10.08046128
(x9)
HEXAGONAL BOLT
:DOUBLE SCREW:
M3X10

7.07270080E
(x2)
RETAINING RING -
M8

2.03603006N (x 4)
SCREW - M3X6

6.07200060E (x 1)
RETAINING RING - M6

12.09544008N (x 1)
SCREW - M4X8

11.08053579
(x2)
BALL BEARING: DIA
8X DIA16X5

17.AA061089
(x2)
COIL SPRING:GUI
DE PLATE:FUSING
EXIT

20.AB012076
GEAR:DRIVE:Z21

U011_S006 (-EU,-AA,-KOR):FUSING UNIT:SERVICE PARTS

55.D1964194
GUIDE:HARNESS:FUSING

56.D1964231
STRIPPER PLATE

36.D1174236
SHEET:C.LEVER

35.D1174235
GUIDE PLATE:FUSING EXIT

29.D1054303
ELECTRODE PLATE:FUSING:NEUTRAL



47.D1964035
(-EU,-AA,-KOR):FUSING UNIT:SERVICE PARTS

37.D1174238
(x4)
GUIDE:FUSING EXIT:ETFE

31.D1174153
LEVER:PRESSURE RELEASE:FRONT:ASSY

28.D1054168
(x2)
LEVER:LOCK:PRESSURE

32.D1174155
LEVER:PRESSURE:FRONT

42.D1441085
(x11)
STEPPED SCREW:M3

52.D1964124
BRACKET:THERMISTOR:PRESSURE:FRONT

39.D1174251
FUSING COVER:LOWER

38.D1174241
FUSING ENTRANCE GUIDE PLATE

54.D1964126
BRACKET:RESISTOR

59.M0963989
RESISTOR:TRANSFER/SEPARATION

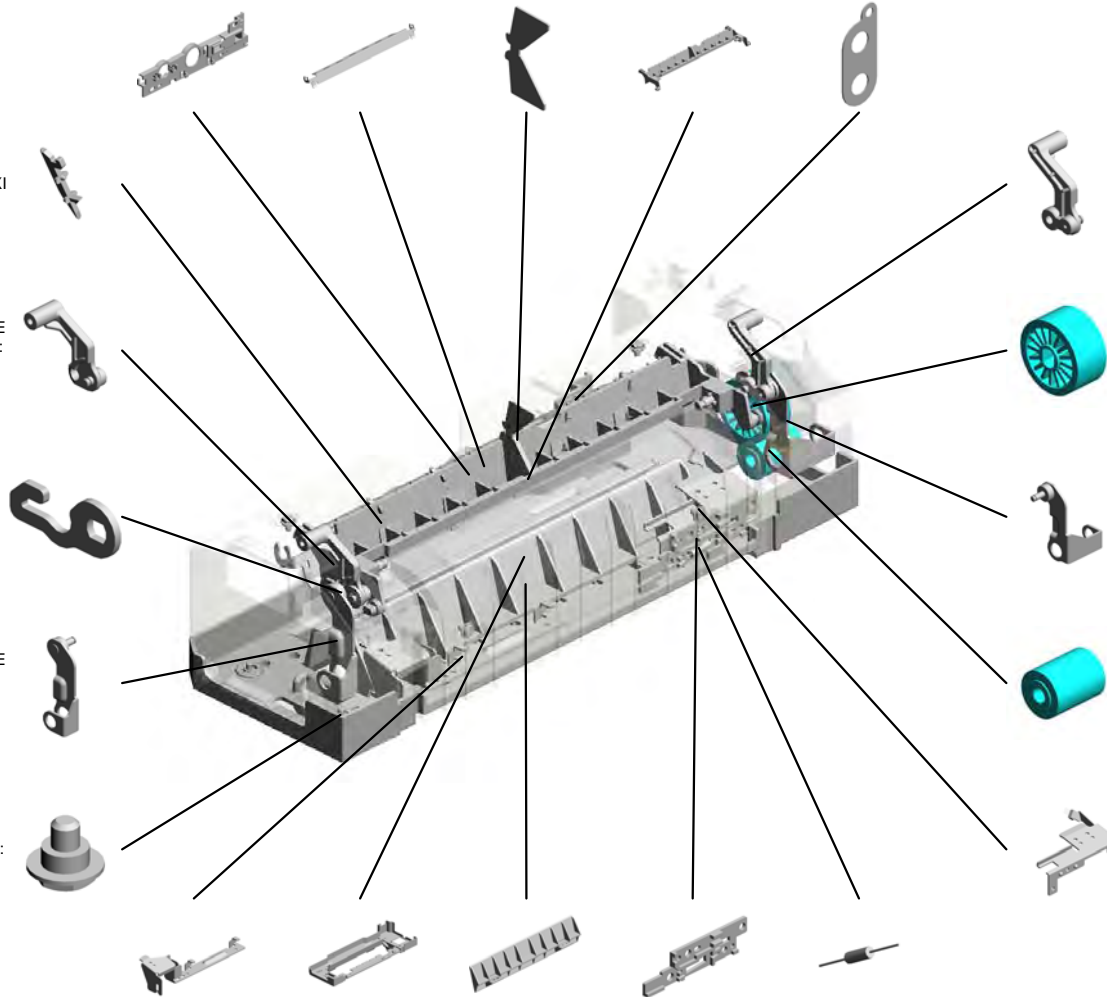
33.D1174163
LEVER:PRESSURE RELEASE:REAR:ASSY

57.GB013090
GEAR:PRESSURE ROLLER:Z29

34.D1174165
LEVER:PRESSURE:REAR

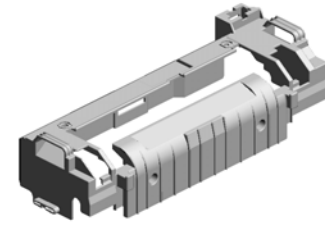
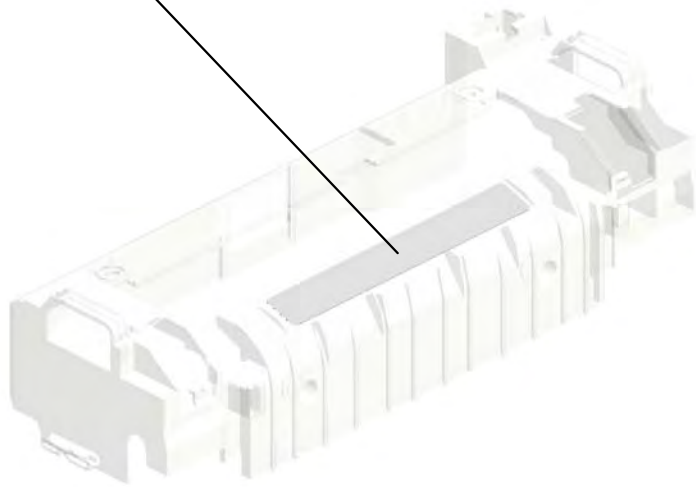
58.GB013092
GEAR:IDLER:PRESSURE:Z17

53.D1964125
DISCHARGE BRUSH:BRACKET:THERMISTOR:PRESSURE:REAR



U011_S006_S001
FUSING COVER:UPPER:ASS'Y

41.D1174263
DECAL:H-TEMP W
ARNING:FUSING

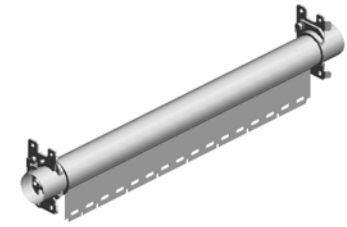


40.D1174261
FUSING COVER:U
PPER:ASS'Y

U001	U002	U003	U004	U005	U006	U007	U008	U009	U010	U011	U012	U013	U014	U015	U016	U017
------	------	------	------	------	------	------	------	------	------	------	------	------	------	------	------	------

U011_S006_S002
(-EU,-AA,-KOR,-CHN):SLEEVE:FUSING:ASS'Y

10.08046128
(x4)
HEXAGONAL BOLT
:DOUBLE SCREW:
M3X10



50.D1964038
(-EU,-AA,-KOR,-CH
N):SLEEVE:FUSIN
G:ASS'Y



2.03603006N
(x2)
SCREW - M3X6



U001	U002	U003	U004	U005	U006	U007	U008	U009	U010	U011	U012	U013	U014	U015	U016	U017
------	------	------	------	------	------	------	------	------	------	------	------	------	------	------	------	------

U011_S007 (-EU,-AA,-KOR):FUSING UNIT:SERVICE PARTS

23.AW110101
THERMOSTAT:LOW
TEMPERATURE

27.BW100150
NON-CONTACT TYP
E THERMISTOR

25.BE020304
PRESSURE ROLLER:
R:DIA25

10.08046128
(x2)
HEXAGONAL BOLT
:DOUBLE SCREW:
M3X10

16.AA061088
TORSION SPRING:
STRIPPER PLATE:
REAR



47.D1964035
(-EU,-AA,-KOR):FU
SING UNIT:SERVIC
E PARTS

5.07200040E
(x2)
RETAINING RING -
M4

15.AA061087
TORSION SPRING:
STRIPPER PLATE:
FRONT

18.AA062086
(x2)
COIL SPRING:PRE
SSURE

8.07330406
(x2)
BUSHING - 4X6

2.03603006N
(x16)
SCREW - M3X6

4.07200030E
(x4)
RETAINING RING -
M3

19.AA143870
STEPPED SCREW

9.08046123
HEXAGONAL BOLT
:W/WASHER:M3X8

1.03530060N
(x4)
BIND SCREW - M3
X6

26.BW100147
(x3)
THERMISTOR:PRE
SSURE

13.09544012N
(x2)
SCREW:POLISHED
ROUND/SPRING:M
4X12

9.08046123
(x2)
HEXAGONAL BOLT
:W/WASHER:M3X8

10.08046128
(x9)
HEXAGONAL BOLT
:DOUBLE SCREW:
M3X10

7.07270080E
(x2)
RETAINING RING -
M8

2.03603006N (x 4)
SCREW - M3X6

6.07200060E (x 1)
RETAINING RING - M6

12.09544008N (x 1)
SCREW - M4X8

11.08053579
(x2)
BALL BEARING: DIA
8XDIA16X5

17.AA061089
(x2)
COIL SPRING:GUI
DE PLATE:FUSING
EXIT

20.AB012076
GEAR:DRIVE:Z21

U011_S007
 (-EU,-AA,-KOR):FUSING UNIT:SERVICE PARTS

55.D1964194
 GUIDE:HARNESS:FUSING

56.D1964231
 STRIPPER PLATE

36.D1174236
 SHEET:C.LEVER

35.D1174235
 GUIDE PLATE:FUSING EXIT

29.D1054303
 ELECTRODE PLATE:FUSING:NEUTRAL



47.D1964035
 (-EU,-AA,-KOR):FUSING UNIT:SERVICE PARTS

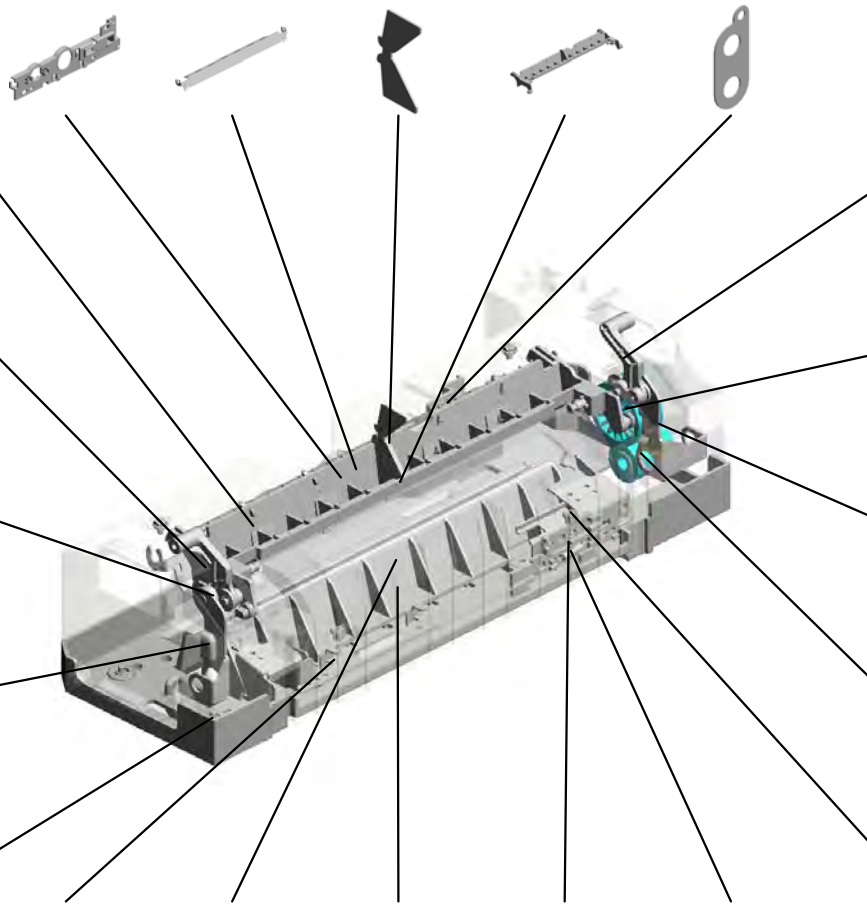
37.D1174238
 (x4)
 GUIDE:FUSING EXIT:ETFE

31.D1174153
 LEVER:PRESSURE RELEASE:FRONT:ASSY

28.D1054168
 (x2)
 LEVER:LOCK:PRESSURE

32.D1174155
 LEVER:PRESSURE:FRONT

42.D1441085
 (x11)
 STEPPED SCREW:M3



33.D1174163
 LEVER:PRESSURE RELEASE:REAR:ASSY

57.GB013090
 GEAR:PRESSURE ROLLER:Z29

34.D1174165
 LEVER:PRESSURE:REAR

58.GB013092
 GEAR:IDLER:PRESSURE:Z17

53.D1964125
 DISCHARGE BRUSH:BRACKET:THERMISTOR:PRESSURE:REAR

52.D1964124
 BRACKET:THERMISTOR:PRESSURE:FRONT

39.D1174251
 FUSING COVER:LOWER

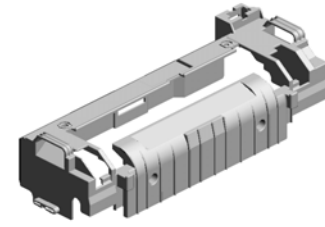
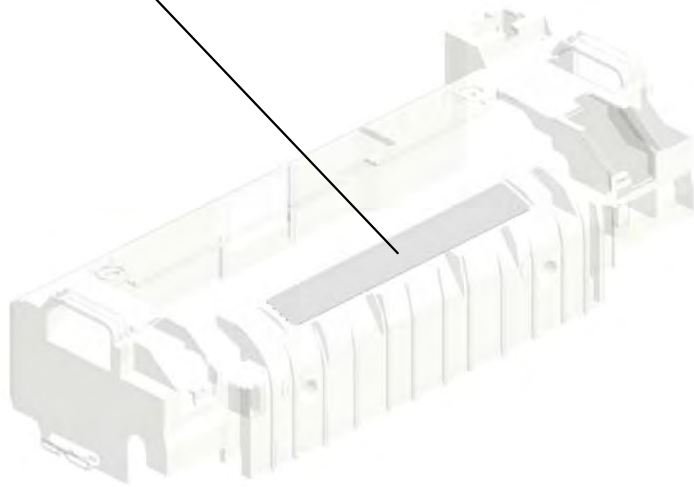
38.D1174241
 FUSING ENTRANCE GUIDE PLATE

54.D1964126
 BRACKET:RESISTOR

59.M0963989
 RESISTOR:TRANSFER/SEPARATION

U011_S007_S001
FUSING COVER:UPPER:ASS'Y

41.D1174263
DECAL:H-TEMP W
ARNING:FUSING

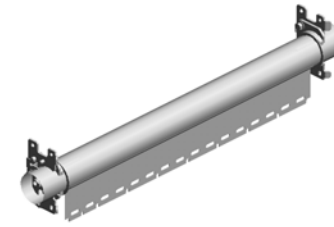


40.D1174261
FUSING COVER:U
PPER:ASS'Y

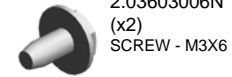
U001	U002	U003	U004	U005	U006	U007	U008	U009	U010	U011	U012	U013	U014	U015	U016	U017
------	------	------	------	------	------	------	------	------	------	------	------	------	------	------	------	------

U011_S007_S002
(-EU,-AA,-KOR,-CHN):SLEEVE:FUSING:ASS'Y

10.08046128
(x4)
HEXAGONAL BOLT
:DOUBLE SCREW:
M3X10



50.D1964038
(-EU,-AA,-KOR,-CH
N):SLEEVE:FUSIN
G:ASS'Y



2.03603006N
(x2)
SCREW - M3X6

U001	U002	U003	U004	U005	U006	U007	U008	U009	U010	U011	U012	U013	U014	U015	U016	U017
------	------	------	------	------	------	------	------	------	------	------	------	------	------	------	------	------

U011_S008

(-NA):FUSING UNIT:SERVICE PARTS

23.AW110101
THERMOSTAT:LOW
TEMPERATURE

27.BW100150
NON-CONTACT TYP
E THERMISTOR

25.BE020304
PRESSURE ROLLER:
R:DIA25

10.08046128
(x2)
HEXAGONAL BOLT
:DOUBLE SCREW:
M3X10

16.AA061088
TORSION SPRING:
STRIPPER PLATE:
REAR

46.D1964034
(-NA):FUSING UNIT
:SERVICE PARTS



5.07200040E
(x2)
RETAINING RING -
M4



15.AA061087
TORSION SPRING:
STRIPPER PLATE:
FRONT



18.AA062086
(x2)
COIL SPRING:PRE
SSURE



8.07330406
(x2)
BUSHING - 4X6



2.03603006N
(x16)
SCREW - M3X6



4.07200030E
(x4)
RETAINING RING -
M3



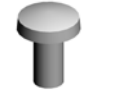
19.AA143870
STEPPED SCREW



9.08046123
HEXAGONAL BOLT
:W/WASHER:M3X8



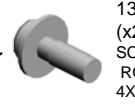
1.03530060N
(x4)
BIND SCREW - M3
X6



26.BW100147
(x3)
THERMISTOR:PRE
SSURE



13.09544012N
(x2)
SCREW:POLISHED
ROUND/SPRING:M
4X12



9.08046123
(x2)
HEXAGONAL BOLT
:W/WASHER:M3X8



10.08046128
(x9)
HEXAGONAL BOLT
:DOUBLE SCREW:
M3X10



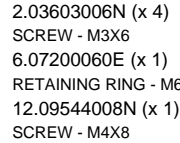
7.07270080E
(x2)
RETAINING RING -
M8



2.03603006N (x 4)
SCREW - M3X6

6.07200060E (x 1)
RETAINING RING - M6

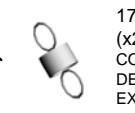
12.09544008N (x 1)
SCREW - M4X8



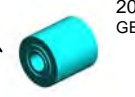
11.08053579
(x2)
BALL BEARING:DIA
8XDIA16X5



17.AA061089
(x2)
COIL SPRING:GUI
DE PLATE:FUSING
EXIT



20.AB012076
GEAR:DRIVE:Z21



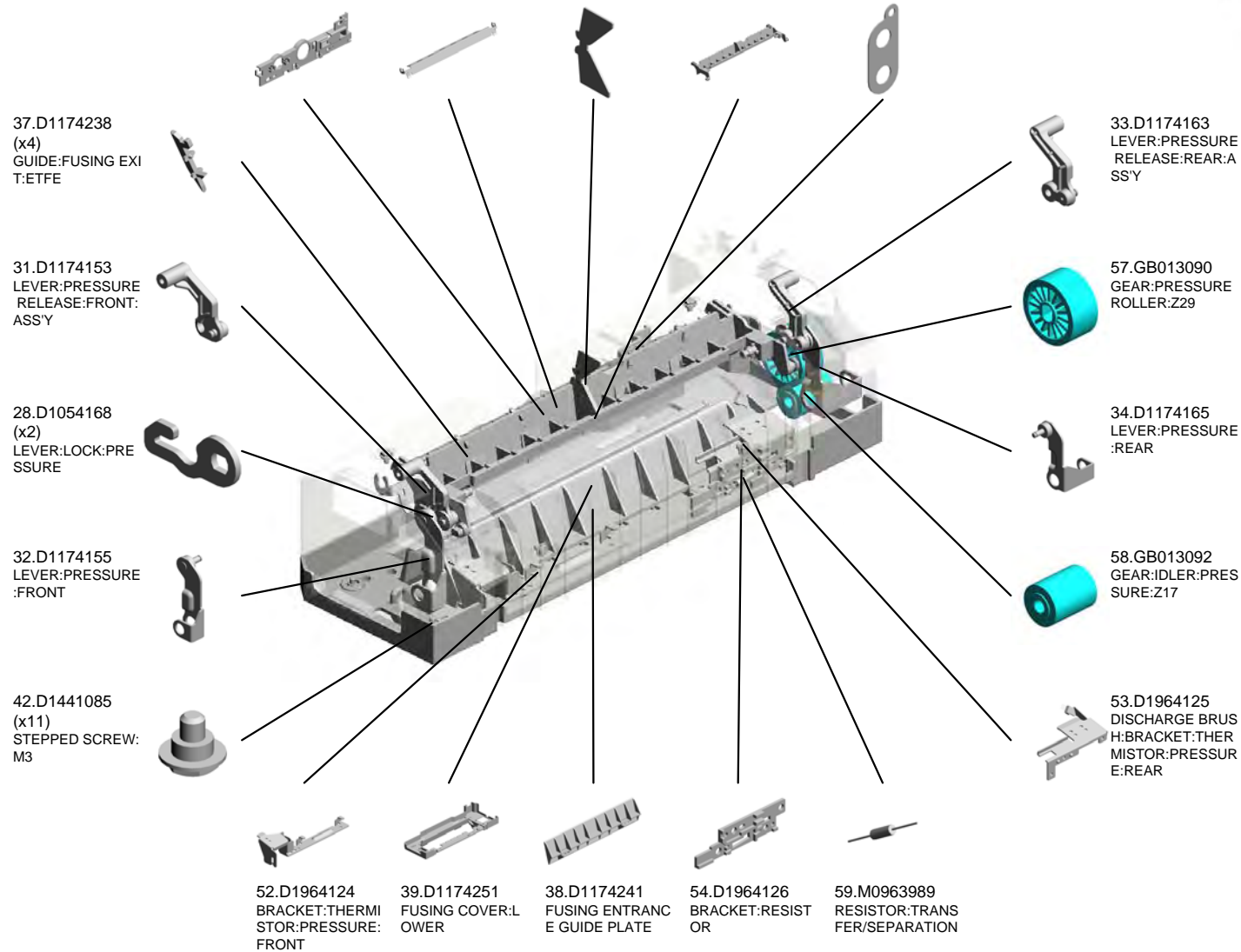
U001	U002	U003	U004	U005	U006	U007	U008	U009	U010	U011	U012	U013	U014	U015	U016	U017
------	------	------	------	------	------	------	------	------	------	------	------	------	------	------	------	------

U011_S008 (-NA):FUSING UNIT:SERVICE PARTS

55.D1964194 GUIDE:HARNESS:FUSING
56.D1964231 STRIPPER PLATE
36.D1174236 SHEET:C.LEVER
35.D1174235 GUIDE PLATE:FUSING EXIT
29.D1054303 ELECTRODE PLATE:FUSING:NEUTRAL



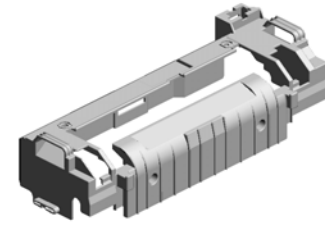
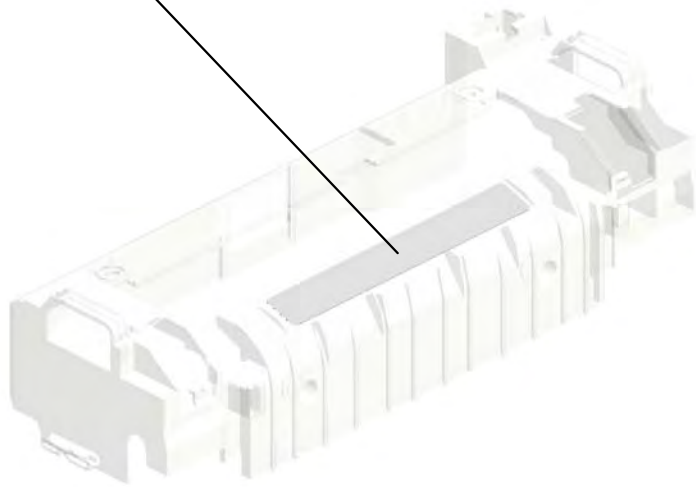
46.D1964034 (-NA):FUSING UNIT:SERVICE PARTS



U001	U002	U003	U004	U005	U006	U007	U008	U009	U010	U011	U012	U013	U014	U015	U016	U017
------	------	------	------	------	------	------	------	------	------	------	------	------	------	------	------	------

U011_S008_S001
FUSING COVER:UPPER:ASS'Y

41.D1174263
DECAL:H-TEMP W
ARNING:FUSING

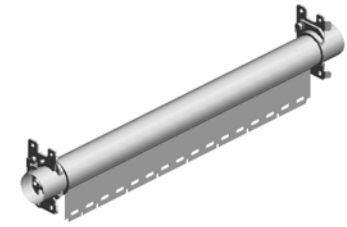


40.D1174261
FUSING COVER:U
PPER:ASS'Y

U001	U002	U003	U004	U005	U006	U007	U008	U009	U010	U011	U012	U013	U014	U015	U016	U017
------	------	------	------	------	------	------	------	------	------	------	------	------	------	------	------	------

U011_S008_S002
(-NA):SLEEVE:FUSING:ASS'Y

10.08046128
(x4)
HEXAGONAL BOLT
:DOUBLE SCREW:
M3X10



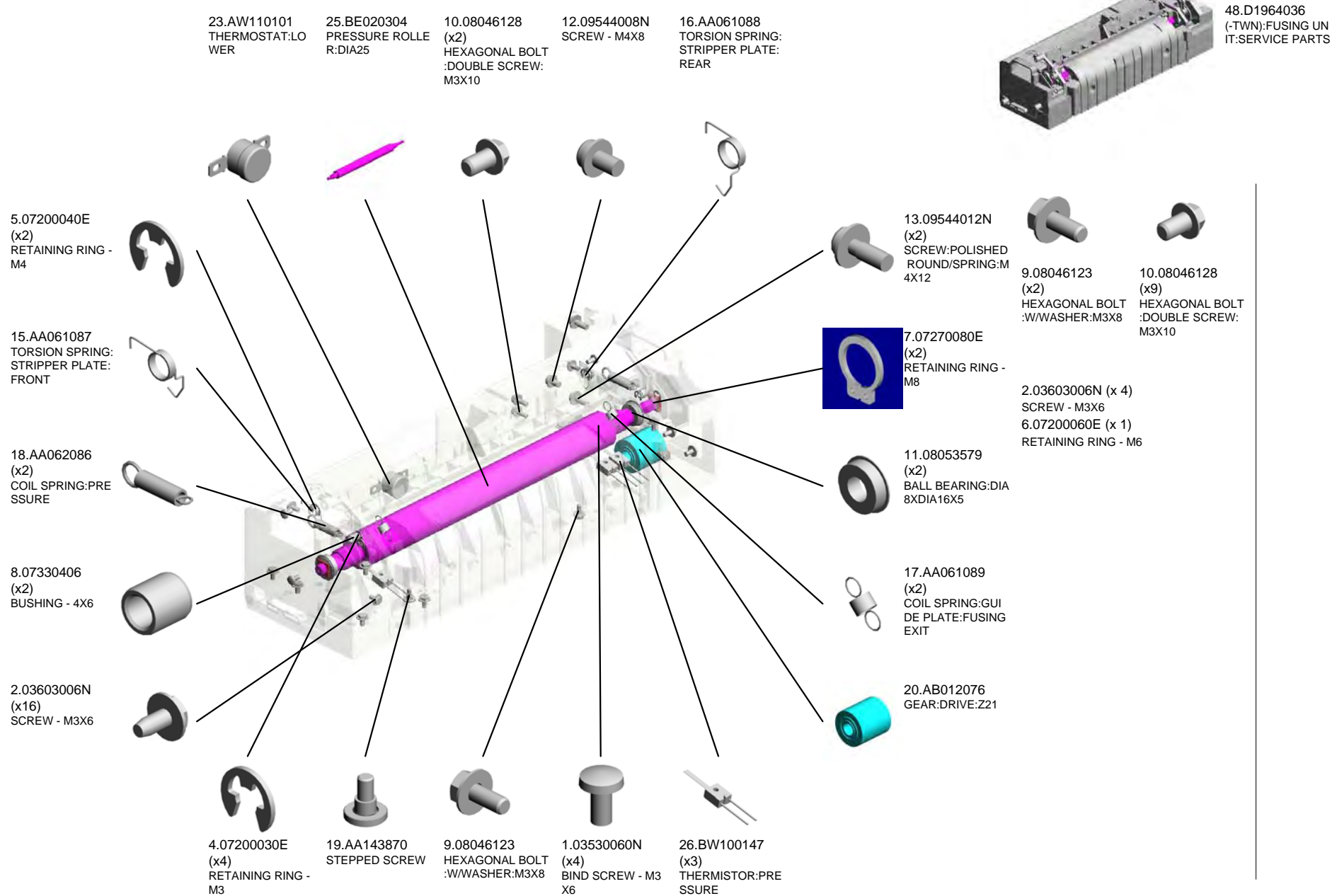
49.D1964037
(-NA):SLEEVE:FUSI
NG:ASS'Y



2.03603006N
(x2)
SCREW - M3X6

U001	U002	U003	U004	U005	U006	U007	U008	U009	U010	U011	U012	U013	U014	U015	U016	U017
------	------	------	------	------	------	------	------	------	------	------	------	------	------	------	------	------

U011_S009 (-TWN):FUSING UNIT:SERVICE PARTS



U001	U002	U003	U004	U005	U006	U007	U008	U009	U010	U011	U012	U013	U014	U015	U016	U017
------	------	------	------	------	------	------	------	------	------	------	------	------	------	------	------	------

U011_S009 (-TWN):FUSING UNIT:SERVICE PARTS

56.D1964231
STRIPPER PLATE

36.D1174236
SHEET:C:LEVER

27.BW100150
NON-CONTACT TYPE THERMISTOR

35.D1174235
GUIDE PLATE:FUSING UNIT EXIT

29.D1054303
ELECTRODE PLATE:FUSING:NEUTRAL



48.D1964036
(-TWN):FUSING UNIT:SERVICE PARTS

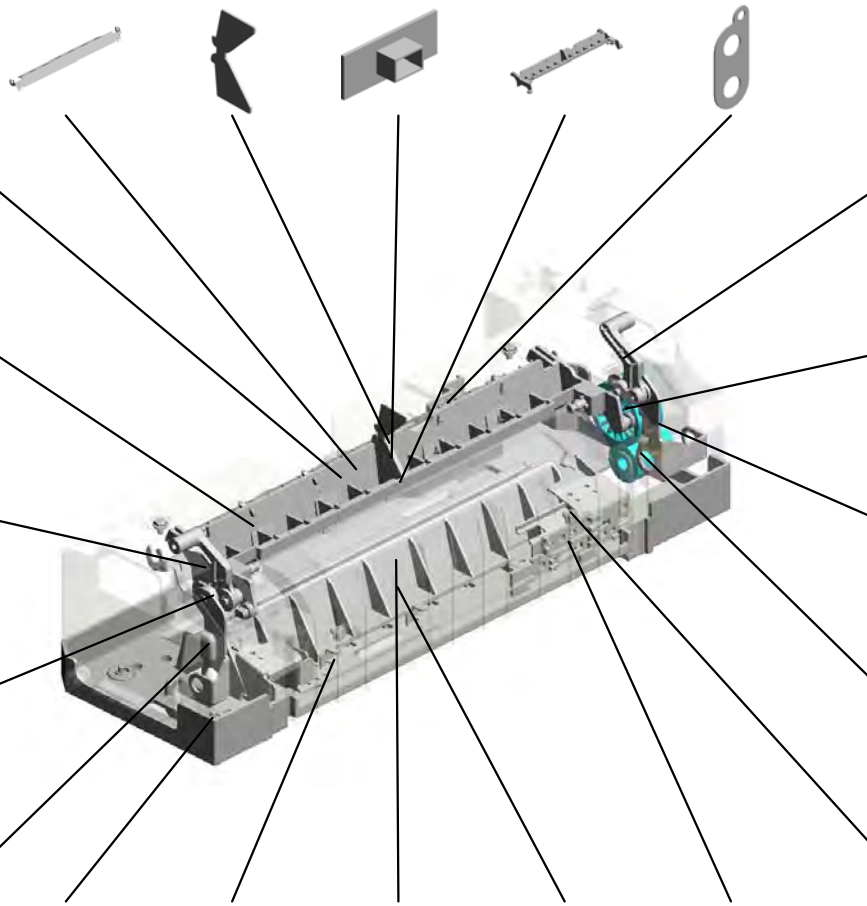
55.D1964194
GUIDE:HARNESSES:FRONT

37.D1174238
(x4)
GUIDE:FUSING UNIT:ETFE

31.D1174153
LEVER:PRESSURE RELEASE:FRONT:ASSY

28.D1054168
(x2)
LEVER:LOCK:PRESSURE

32.D1174155
LEVER:PRESSURE:FRONT



33.D1174163
LEVER:PRESSURE RELEASE:REAR:ASSY

57.GB013090
GEAR:PRESSURE ROLLER:Z29

34.D1174165
LEVER:PRESSURE:REAR

58.GB013092
GEAR:IDLER:PRESSURE:Z17

53.D1964125
DISCHARGE BRUSH:BRACKET:THERMISTOR:PRESSURE:REAR

42.D1441085
(x11)
STEPPED SCREW:M3

52.D1964124
BRACKET:THERMISTOR:PRESSURE:FRONT

39.D1174251
FUSING COVER:LOWER

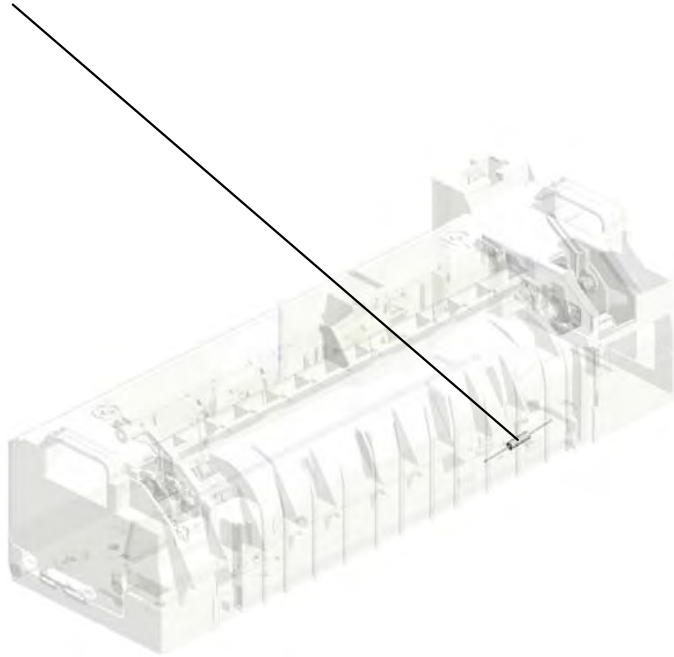
38.D1174241
FUSING ENTRANCE GUIDE PLATE

54.D1964126
BRACKET:RESISTOR

U001	U002	U003	U004	U005	U006	U007	U008	U009	U010	U011	U012	U013	U014	U015	U016	U017
------	------	------	------	------	------	------	------	------	------	------	------	------	------	------	------	------

U011_S009
(-TWN):FUSING UNIT:SERVICE PARTS

59.M0963989
RESISTOR:TRANS
FER/SEPARATION

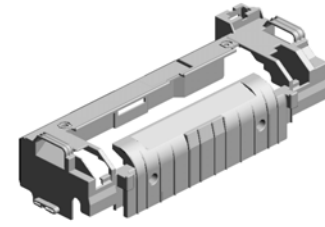
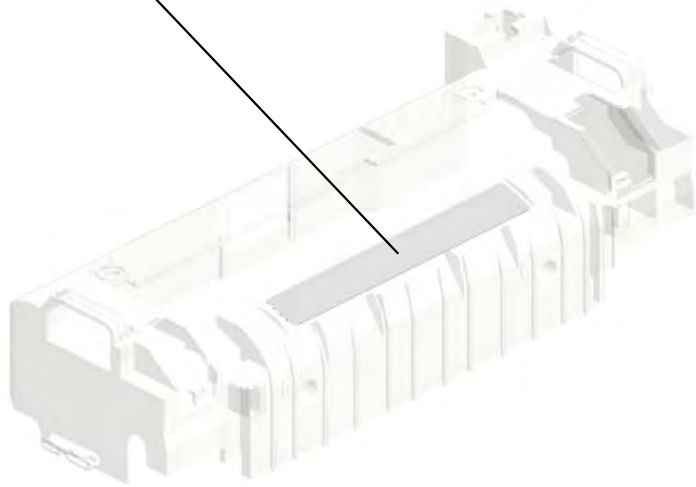


48.D1964036
(-TWN):FUSING UN
IT:SERVICE PARTS

U001	U002	U003	U004	U005	U006	U007	U008	U009	U010	U011	U012	U013	U014	U015	U016	U017
------	------	------	------	------	------	------	------	------	------	------	------	------	------	------	------	------

U011_S009_S001
FUSING COVER:UPPER:ASS'Y

41.D1174263
DECAL:H-TEMP W
ARNING:FUSING

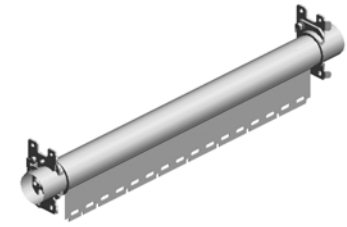


40.D1174261
FUSING COVER:U
PPER:ASS'Y

U001	U002	U003	U004	U005	U006	U007	U008	U009	U010	U011	U012	U013	U014	U015	U016	U017
------	------	------	------	------	------	------	------	------	------	------	------	------	------	------	------	------

U011_S009_S002
(-TWN):SLEEVE:FUSING:ASS'Y

10.08046128
(x4)
HEXAGONAL BOLT
:DOUBLE SCREW:
M3X10



51.D1964039
(-TWN):SLEEVE:FU
SING:ASS'Y



2.03603006N
(x2)
SCREW - M3X6

U001	U002	U003	U004	U005	U006	U007	U008	U009	U010	U011	U012	U013	U014	U015	U016	U017
------	------	------	------	------	------	------	------	------	------	------	------	------	------	------	------	------

U012 PAPER EXIT

11.D1174452 GATE PAWL:REVERSE
17.D1174489 DISCHARGE BRUSH
12.D1174454 EXIT ROLLER
4.11050511 (x2) HARNESS CLAMP - LWS-03062C
19.D1964455 GEAR:EXIT



1.04543008Q (x3) TAPPING SCREW: 3X8

2.04583010N (x7) HEXAGON HEAD TAPPING SCREW: 3X10

13.D1174457 (x2) BRACKET:ROLLER:EXIT

10.D1174451 GUIDE PLATE:EXIT:LOWER

18.D1174492 (x6) ROLLER:EXIT

15.D1174477 BRACKET:IDLER:EXIT

16.D1174481 SHAFT:COUPLING:EXIT

5.52152621 SNAP RING - M6

7.AA080346 (x2) BUSHING:FLANGE TYPE:DIA6

9.AB030854 TIMING PULLEY:EXIT ROLLER

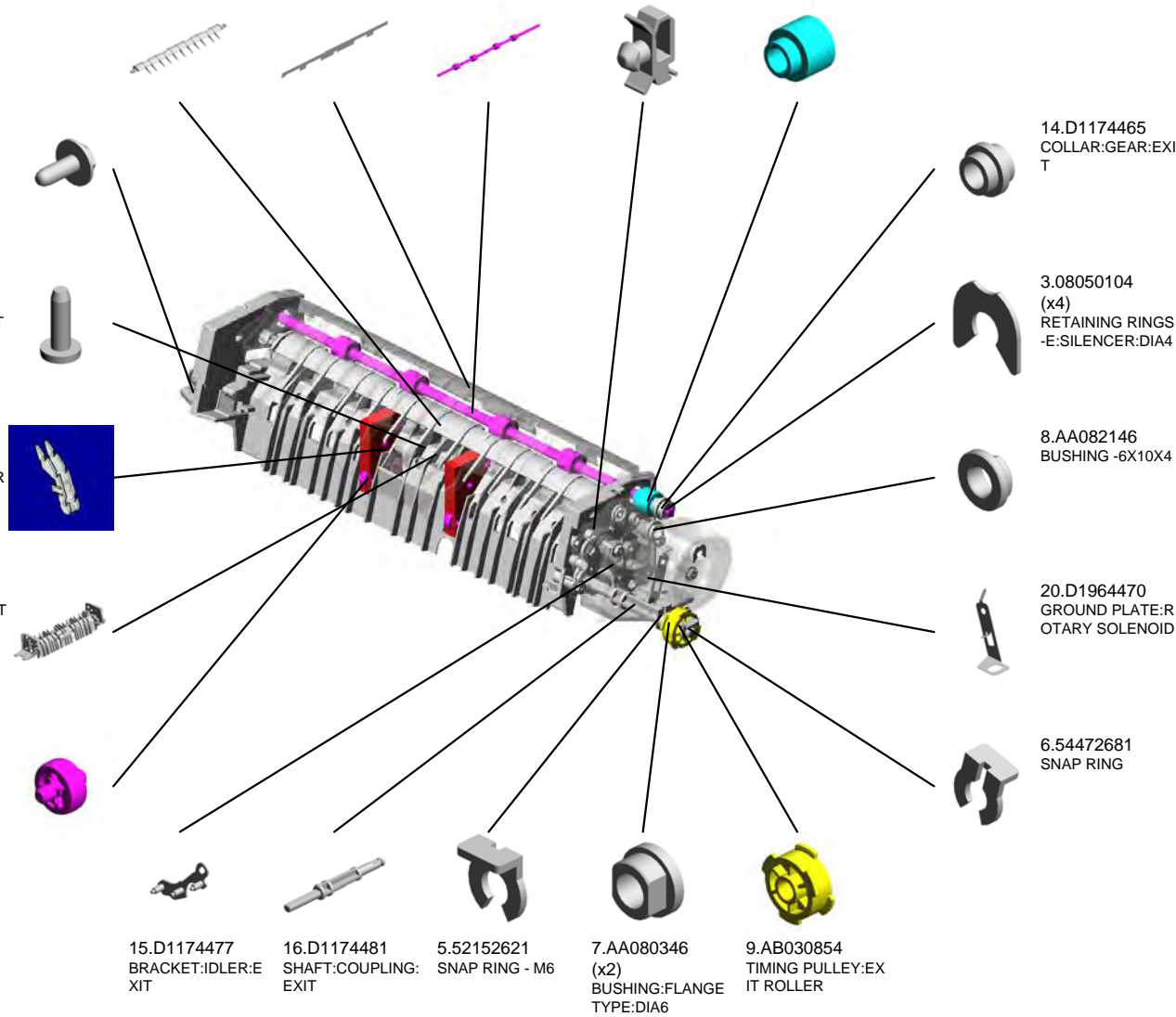
14.D1174465 COLLAR:GEAR:EXIT

3.08050104 (x4) RETAINING RINGS -E:SILENCER:DIA4

8.AA082146 BUSHING -6X10X4

20.D1964470 GROUND PLATE:ROTARY SOLENOID

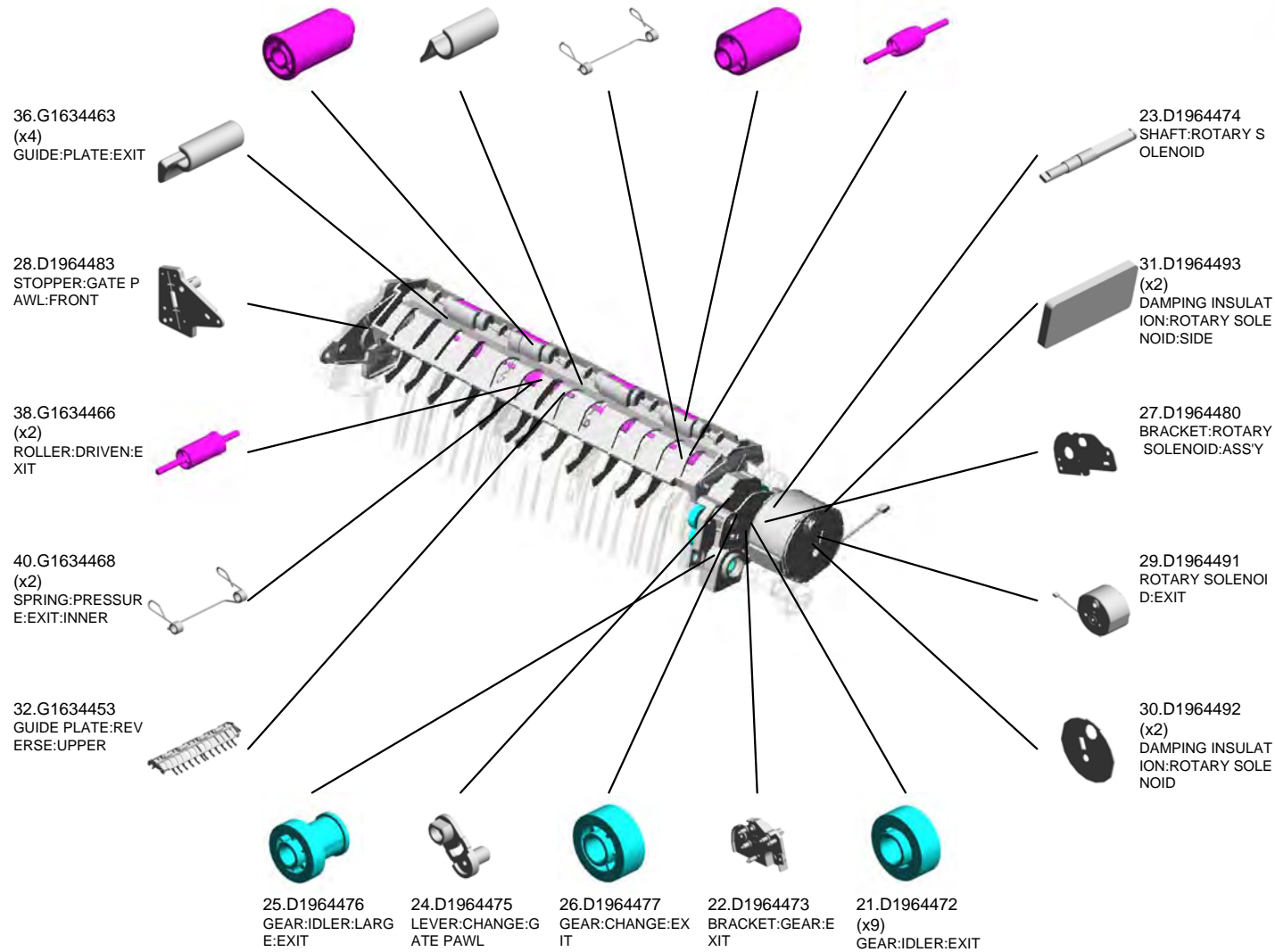
6.54472681 SNAP RING



U001	U002	U003	U004	U005	U006	U007	U008	U009	U010	U011	U012	U013	U014	U015	U016	U017
------	------	------	------	------	------	------	------	------	------	------	------	------	------	------	------	------

U012 PAPER EXIT

- 37.G1634465 (x2) ROLLER:DRIVEN:DUPLIX:INNER
- 33.G1634459 STOPPER:EXIT:EXIT
- 35.G1634461 (x2) SPRING:PRESSURE:EXIT:OUTER
- 39.G1634467 (x2) ROLLER:DRIVEN:DUPLIX
- 34.G1634460 (x2) ROLLER:DRIVEN:EXIT

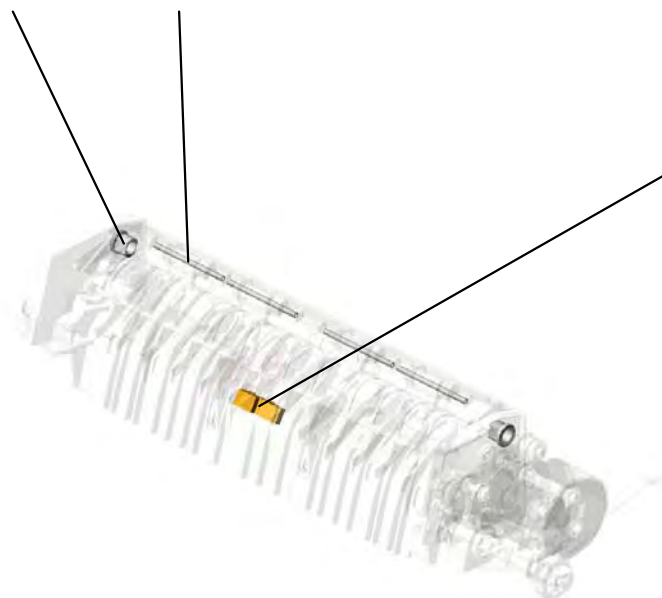


U001	U002	U003	U004	U005	U006	U007	U008	U009	U010	U011	U012	U013	U014	U015	U016	U017
------	------	------	------	------	------	------	------	------	------	------	------	------	------	------	------	------

U012 PAPER EXIT

42.GA082014 (x2)
PLAIN SHAFT BEA
RING:DIA6:DIA10:9

41.G1634469 (x4)
SPRING:PRESSUR
E:DUPLEX

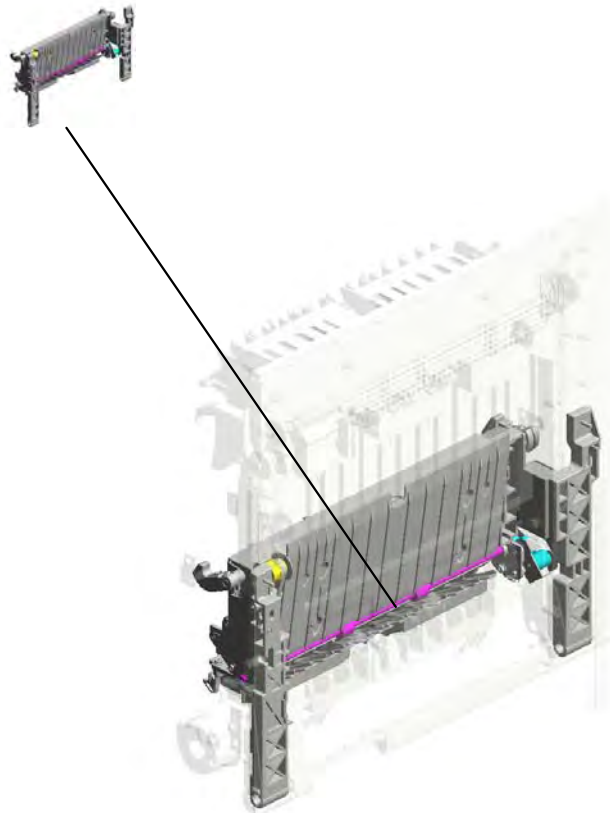


43.GW010007
PHOTO REFLECTI
ON SENSOR:EXIT

U001	U002	U003	U004	U005	U006	U007	U008	U009	U010	U011	U012	U013	U014	U015	U016	U017
------	------	------	------	------	------	------	------	------	------	------	------	------	------	------	------	------

U013.DUPLEX

U013_S001
D1174520
FRAME:DUPLEX:ASS'Y



U001	U002	U003	U004	U005	U006	U007	U008	U009	U010	U011	U012	U013	U014	U015	U016	U017
------	------	------	------	------	------	------	------	------	------	------	------	------	------	------	------	------

U013 DUPLEX

- 21.D1174608 LEVER:FUSING:RE LEASE:FRONT
- 13.B7002649 TIMING BELT:40S2 M144
- 1.03603006N (x2) SCREW - M3X6
- 12.AW020203 PHOTOINTERRUP TOR:GP1A173LCS 2F
- 22.D1174609 LEVER:FUSING:RE LEASE:INNER BAC K



7.07200040E
(x5)
RETAINING RING - M4

5.04513006N
(x6)
TAPPING SCREW - 3X6

14.D1174501
(x2)
PIN:HOOK:FRAME: DUPLEX:ASS'Y

6.07200030E
RETAINING RING - M3

15.D1174514
SHAFT:STOPPER: COVER:RIGHT

25.D1174613
BASE:HINGE:FRO NT

23.D1174611
(x2)
SHAFT:HINGE:DUP LEX

26.D1174614
COVER:HARNES: DUPLEX

8.07200060E
(x2)
RETAINING RING - M6

18.D1174600
COVER:RIGHT:DU PLEX

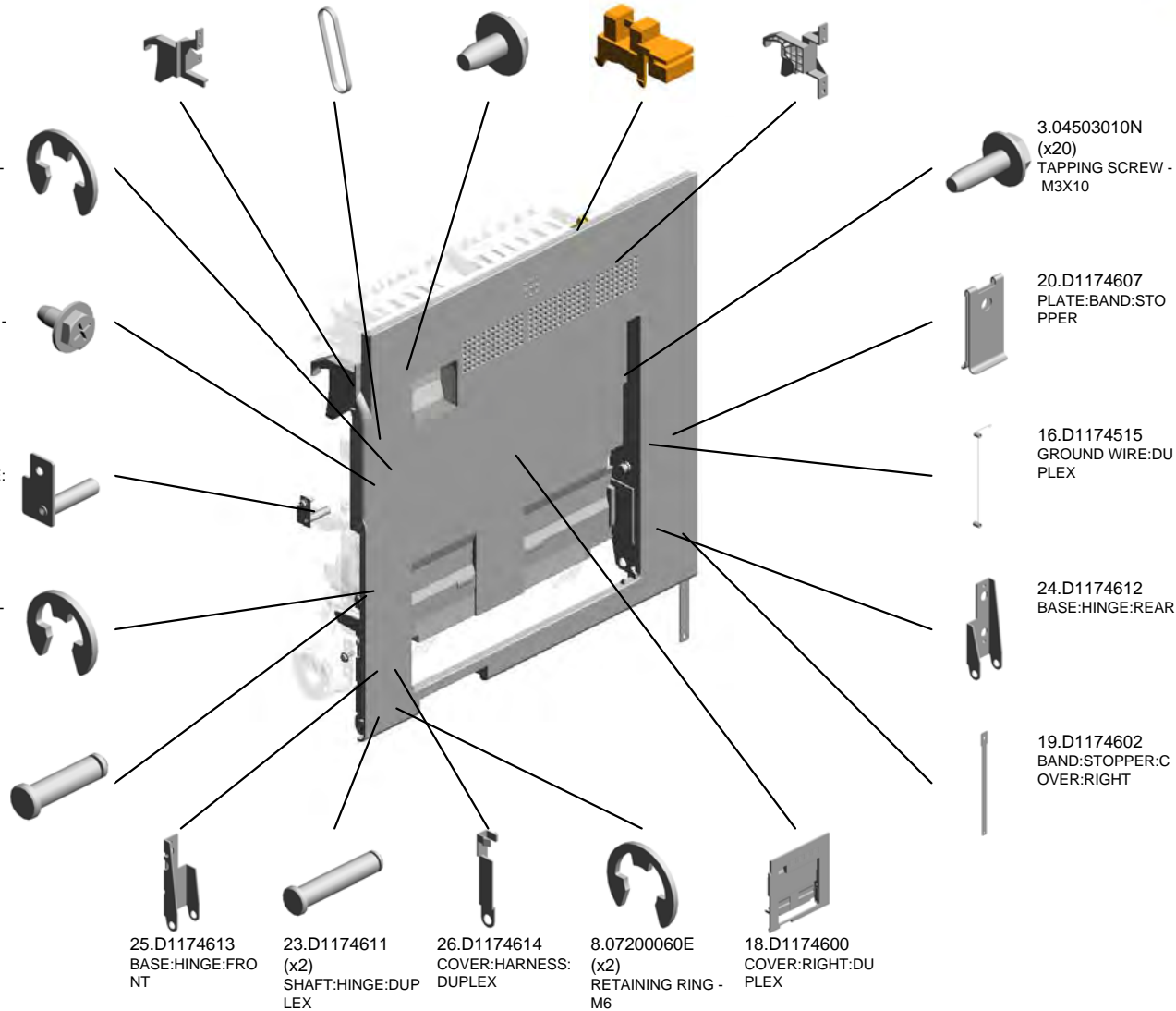
3.04503010N
(x20)
TAPPING SCREW - M3X10

20.D1174607
PLATE:BAND:STO PPER

16.D1174515
GROUND WIRE:DU PLEX

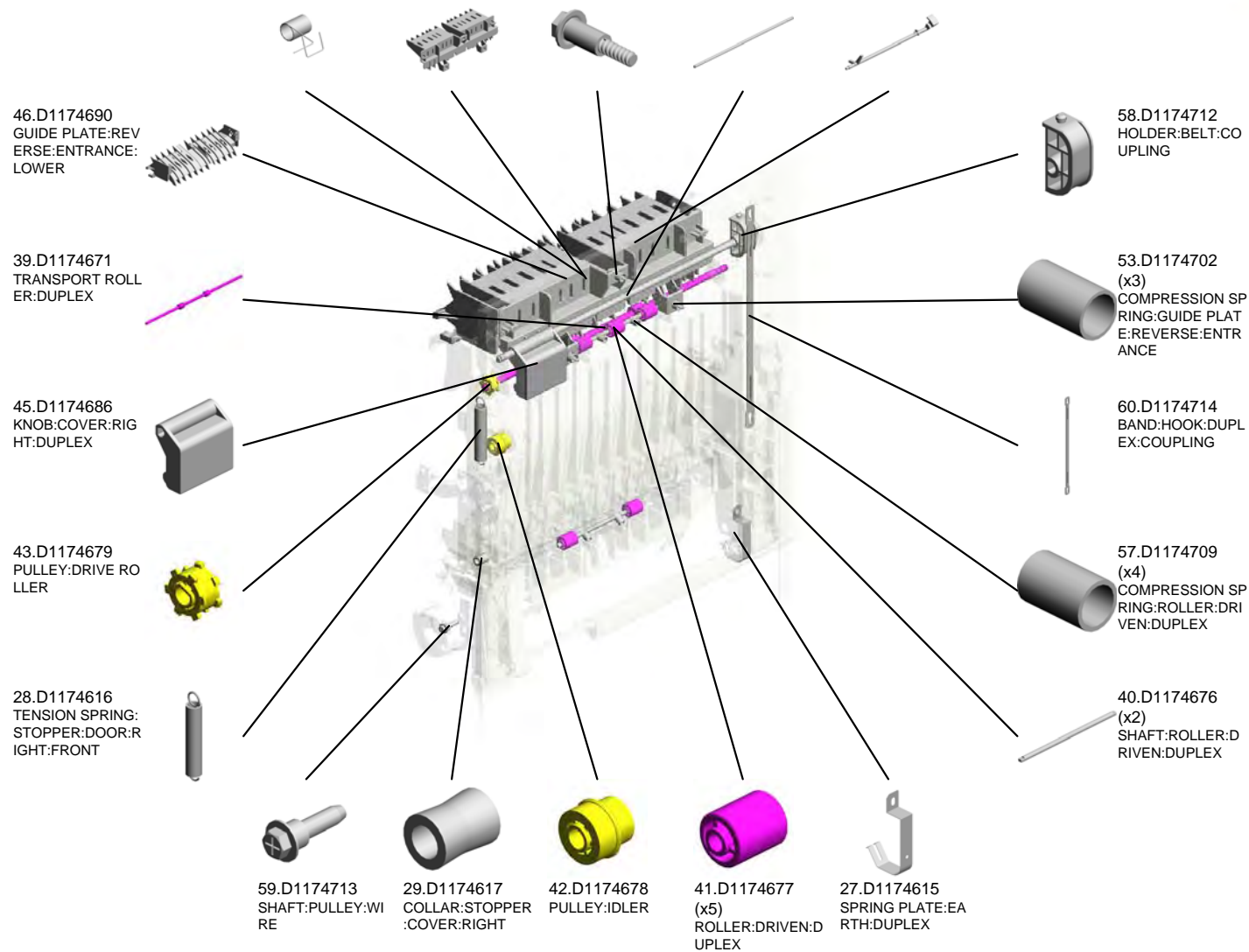
24.D1174612
BASE:HINGE:REAR

19.D1174602
BAND:STOPPER:C OVER:RIGHT



U013 DUPLIX

- 61.D1174716 TORSION SPRING: FEELER: ENTRANCE SENSOR
- 50.D1174698 GUIDE PLATE: REVERSE: ENTRANCE: UPPER
- 51.D1174699 (x3) SHAFT: GUIDE PLATE: REVERSE: ENTRANCE: UPPER
- 44.D1174682 SHAFT: HOOK: STOPPER
- 52.D1174700 FEELER: ENTRANCE SENSOR: REVERSE: DUPLIX



U001	U002	U003	U004	U005	U006	U007	U008	U009	U010	U011	U012	U013	U014	U015	U016	U017
------	------	------	------	------	------	------	------	------	------	------	------	------	------	------	------	------

U013 DUPLEX

76.D1964723
SPONGE:DOOR:RI
GHT:UPPER

78.D1964730
(x4)
SHEET:COVER:RI
GHT:4

75.D1964717
COVER:ENTRANC
E SENSOR

79.GA082010
(x2)
BUSHING:DIA6:DIA
10:9

77.D1964729
(x2)
SHEET:COVER:RI
GHT:2

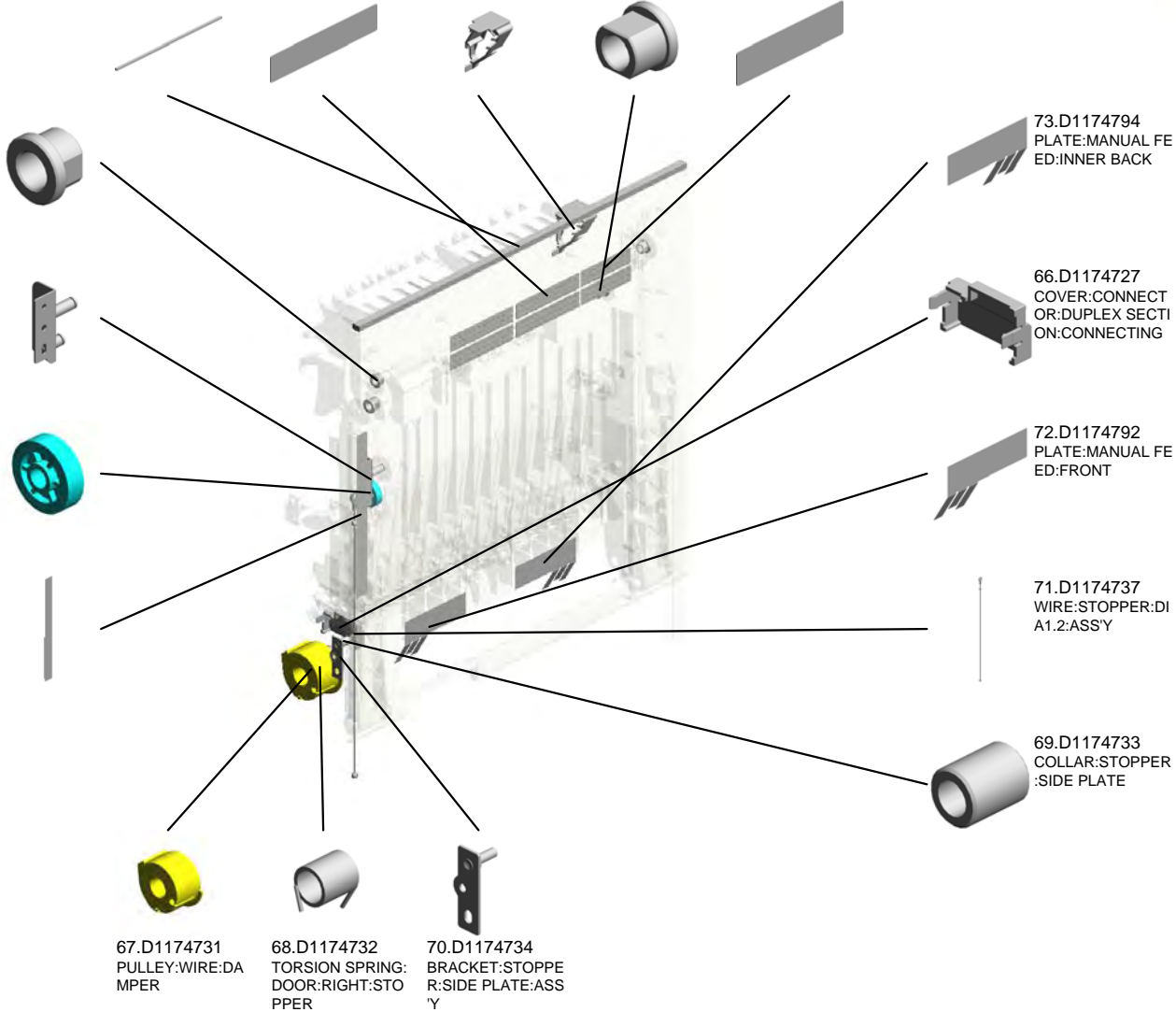


80.GA082015
(x2)
PLAIN SHAFT BEA
RING:DIA6:DIA9:7

64.D1174720
SHAFT:PULLEY:ID
LER:COUPLING:AS
SY

65.D1174724
GEAR:IDLER:TIMIN
G PULLEY:DUPLEX

62.D1174718
SHEET:COVER:RI
GHT FRONT



73.D1174794
PLATE:MANUAL FE
ED:INNER BACK

66.D1174727
COVER:CONNECT
OR:DUPLEX SECTI
ON:CONNECTING

72.D1174792
PLATE:MANUAL FE
ED:FRONT

71.D1174737
WIRE:STOPPER:DI
A1.2:ASS'Y

69.D1174733
COLLAR:STOPPER
:SIDE PLATE

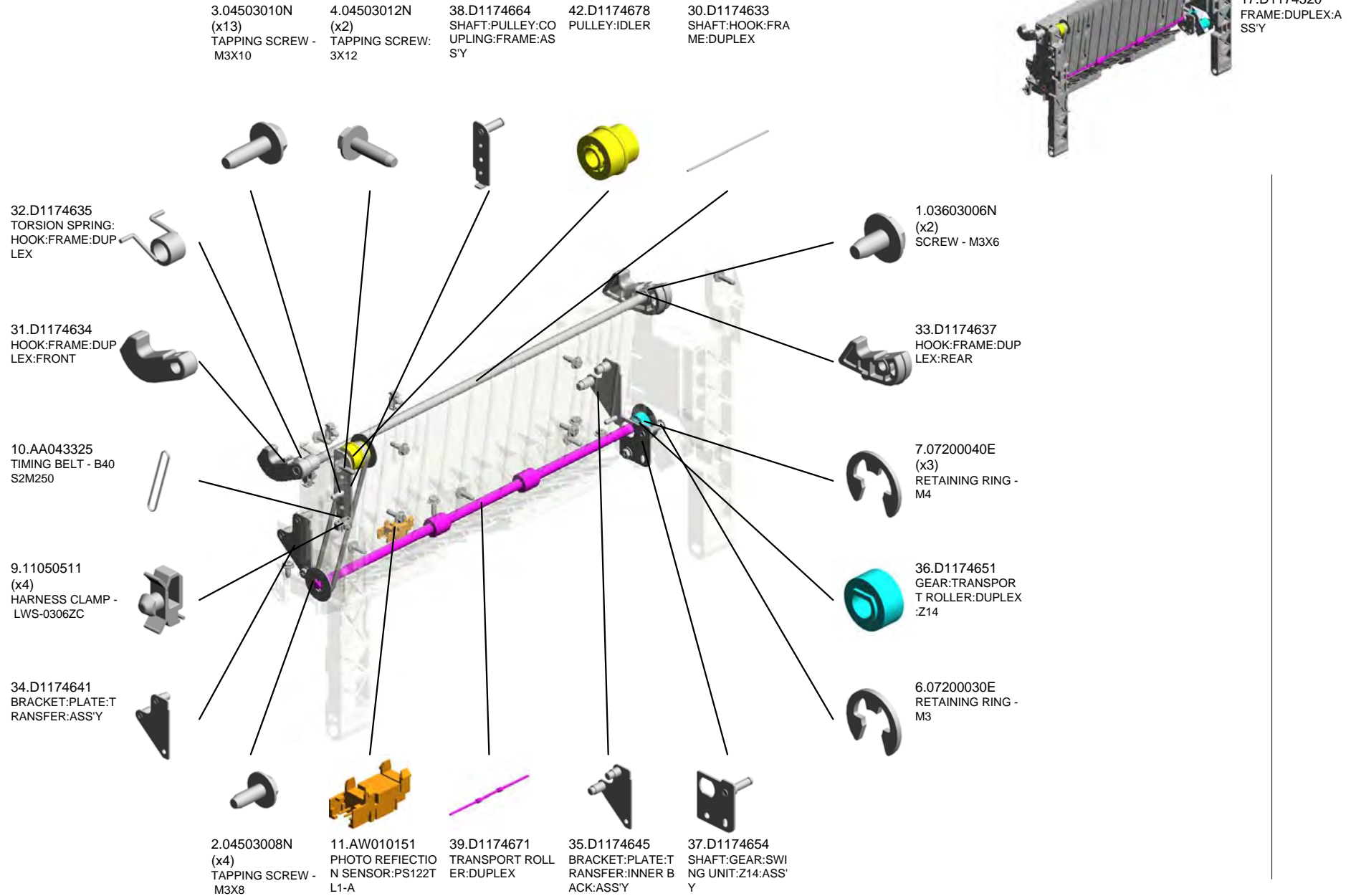
67.D1174731
PULLEY:WIRE:DA
MPER

68.D1174732
TORSION SPRING:
DOOR:RIGHT:STO
PPER

70.D1174734
BRACKET:STOPPE
R:SIDE PLATE:ASS
Y

U001	U002	U003	U004	U005	U006	U007	U008	U009	U010	U011	U012	U013	U014	U015	U016	U017
------	------	------	------	------	------	------	------	------	------	------	------	-------------	------	------	------	------

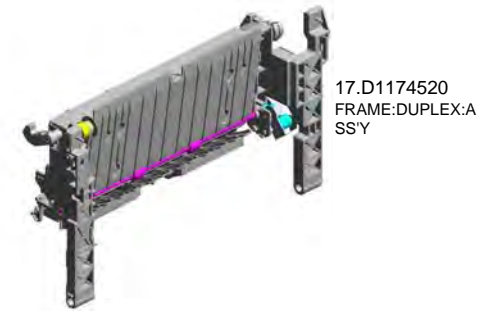
U013_S001
FRAME:DUPLEX:ASS'Y



U001	U002	U003	U004	U005	U006	U007	U008	U009	U010	U011	U012	U013	U014	U015	U016	U017
------	------	------	------	------	------	------	------	------	------	------	------	-------------	------	------	------	------

U013_S001
 FRAME:DUPLEX:ASS'Y

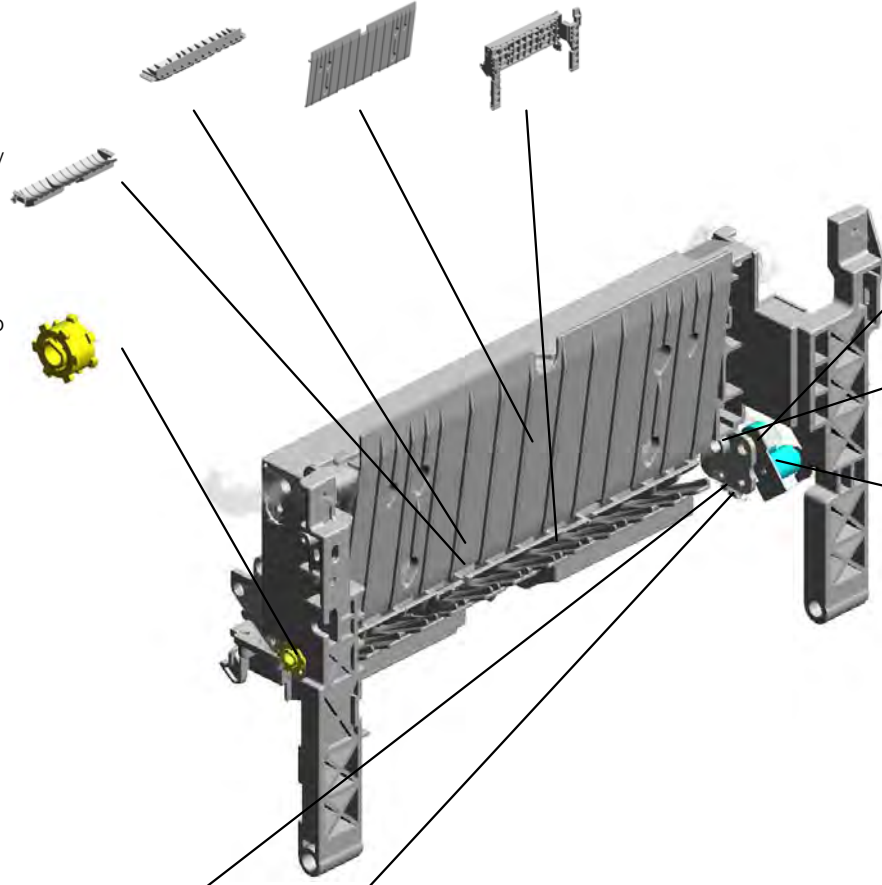
48.D1174693 GUIDE PLATE:REV
 ERSE:EXIT:UPPER
 49.D1174697 GUIDE PLATE:MID
 DLE
 74.D1964630 FRAME:DUPLEX



17.D1174520
 FRAME:DUPLEX:A
 SS'Y

47.D1174691
 GUIDE PLATE:REV
 ERSE:EXIT:LOWE
 R

43.D1174679
 PULLEY:DRIVE RO
 LLER



55.D1174706
 GEAR:IDLER:SWIV
 EL:COUPLING

79.GA082010
 (x2)
 BUSHING:DIA6:DIA
 10:9

54.D1174705
 BRACKET:GEAR:S
 WIVEL:ASS'Y

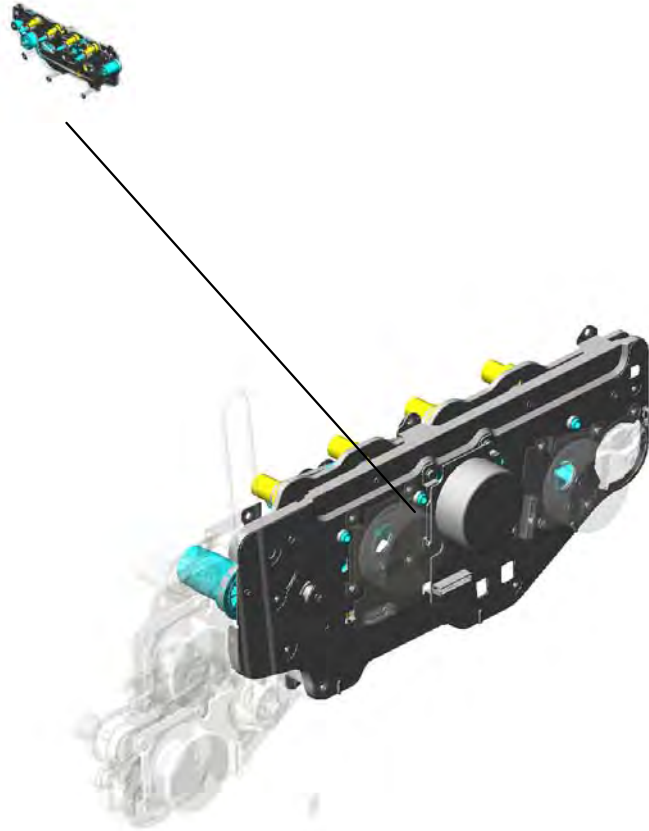
63.D1174719
 TUBE:STOPPER

56.D1174708
 TENSION SPRING:
 GEAR:SWING UNIT

U001	U002	U003	U004	U005	U006	U007	U008	U009	U010	U011	U012	U013	U014	U015	U016	U017
------	------	------	------	------	------	------	------	------	------	------	------	------	------	------	------	------

U014.MAIN DRIVE

U014_S001
D1961152
DRIVE UNIT:DRUM:DEVELO
PMENT:TRANSFER:ASS'Y



U001	U002	U003	U004	U005	U006	U007	U008	U009	U010	U011	U012	U013	U014	U015	U016	U017
------	------	------	------	------	------	------	------	------	------	------	------	------	------	------	------	------

U014 MAIN DRIVE



- 18.AB017850 GEAR:DRIVE UNIT: FUSING:NO.3
- 12.AB017840 GEAR:ELECTROMAGNETIC CLUTCH: OUTPUT:Z30
- 20.AB017934 GEAR:DRIVE UNIT: FUSING:NO.1
- 10.AA080347 (x4) BUSHING - 8MM
- 2.04503008N (x4) TAPPING SCREW - M3X8

7.11050511
HARNES CLAMP -
LWS-0306ZC

17.AB017847
GEAR:MANUAL FEED:
BASE

21.AB017935
GEAR:TRANSPORT:
NO.1

13.AB017841
(x2)
GEAR:ELECTROMAGNETIC CLUTCH:
OUTPUT:Z19

15.AB017845
GEAR:TRANSPORT:
NO.3

16.AB017846
GEAR:TRANSPORT:
NO.4

14.AB017842
SHAFT:JOINT:PA
PER FEED ROLLER

19.AB017851
GEAR:TIMING PUL
LEY:PAPER EXIT U
NIT

6.08050104
(x5)
RETAINING RINGS
-E:SILENCER:DIA4

1.03603006N
(x22)
SCREW - M3X6

9.AA080346
BUSHING:FLANGE
TYPE:DIA6

11.AB010929
GEAR:DRIVE:DEVE
LOPMENT:NO.2

4.07200040E
(x5)
RETAINING RING -
M4

8.54472681
SNAP RING

3.04503010N
(x13)
TAPPING SCREW -
M3X10

U001	U002	U003	U004	U005	U006	U007	U008	U009	U010	U011	U012	U014	U015	U016	U017
------	------	------	------	------	------	------	------	------	------	------	------	------	------	------	------

U014 MAIN DRIVE

28.AX060484
DC BRUSHLESS M
OTOR:DRIVE SUB-
UNIT:FUSING:34.9
W:40CPM

23.AB017940
GEAR:DRIVE UNIT:
FUSING:NO.2

24.AB033120
TIGHTENER:SYNC
HROUS BELT:P
APER EXIT UNIT

34.B7027105
TIMING BELT:B40S
2M520:

35.D1171192
(x4)
TERMINAL:DEVEL
OPMENT BIAS:ASS
Y

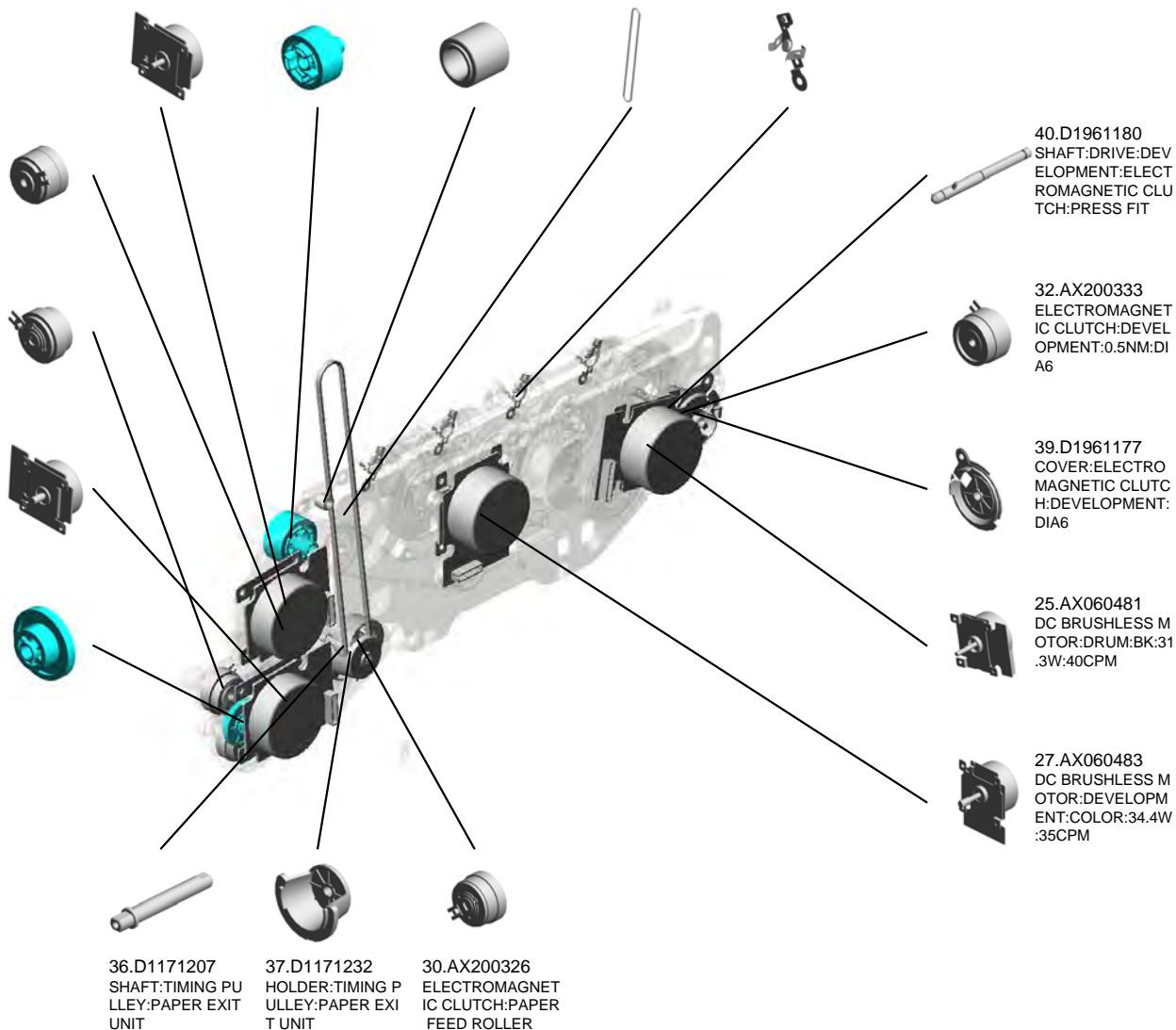


31.AX200327
ELECTROMAGNET
IC CLUTCH:REGIS
TRATION

33.AX200360
(x2)
ELECTROMAGNET
IC CLUTCH:DRIVE:
MANUAL FEED:DU
PLEX

29.AX060485
DC BRUSHLESS M
OTOR:DRIVE SUB-
UNIT:TRANSPORT:
18.5W:40CPM

22.AB017936
GEAR:TRANSPOR
T:NO.2



40.D1961180
SHAFT:DRIVE:DEV
ELOPMENT:ELECT
ROMAGNETIC CLU
TCH:PRESS FIT

32.AX200333
ELECTROMAGNET
IC CLUTCH:DEVEL
OPMENT:0.5NM:DI
A6

39.D1961177
COVER:ELECTRO
MAGNETIC CLUTC
H:DEVELOPMENT:
DIA6

25.AX060481
DC BRUSHLESS M
OTOR:DRUM:BK:31
.3W:40CPM

27.AX060483
DC BRUSHLESS M
OTOR:DEVELOPM
ENT:COLOR:34.4W
.35CPM

36.D1171207
SHAFT:TIMING PU
LLEY:PAPER EXIT
UNIT

37.D1171232
HOLDER:TIMING P
ULLEY:PAPER EXI
T UNIT

30.AX200326
ELECTROMAGNET
IC CLUTCH:PAPER
FEED ROLLER

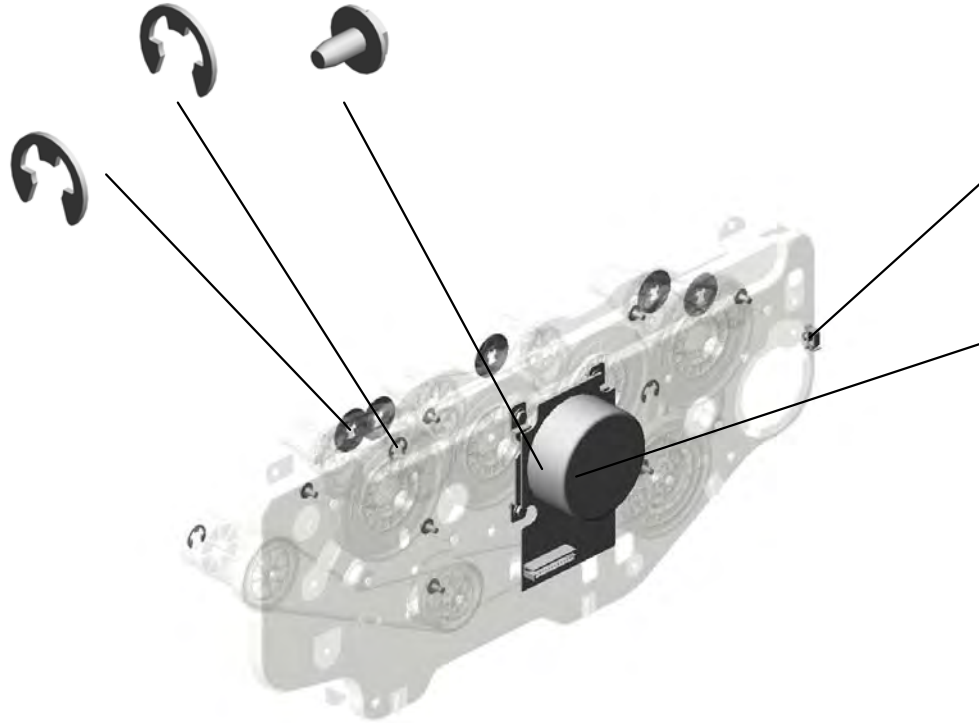
U014_S001
 DRIVE UNIT:DRUM:DEVELOPMENT:TRANSFER:ASS'Y

5.07200060E (x3) RETAINING RING - M6
 1.03603006N (x12) SCREW - M3X6



38.D1961152
 DRIVE UNIT:DRUM
 :DEVELOPMENT:T
 RANSFER:ASS'Y

4.07200040E (x5) RETAINING RING - M4



7.11050511
 HARNESS CLAMP -
 LWS-0306ZC

26.AX060482
 DC BRUSHLESS M
 OTOR:DRUM:COLL
 AR:20.4W:35CPM

U001	U002	U003	U004	U005	U006	U007	U008	U009	U010	U011	U012	U013	U014	U015	U016	U017
------	------	------	------	------	------	------	------	------	------	------	------	------	------	------	------	------

U015.ELECTRICAL

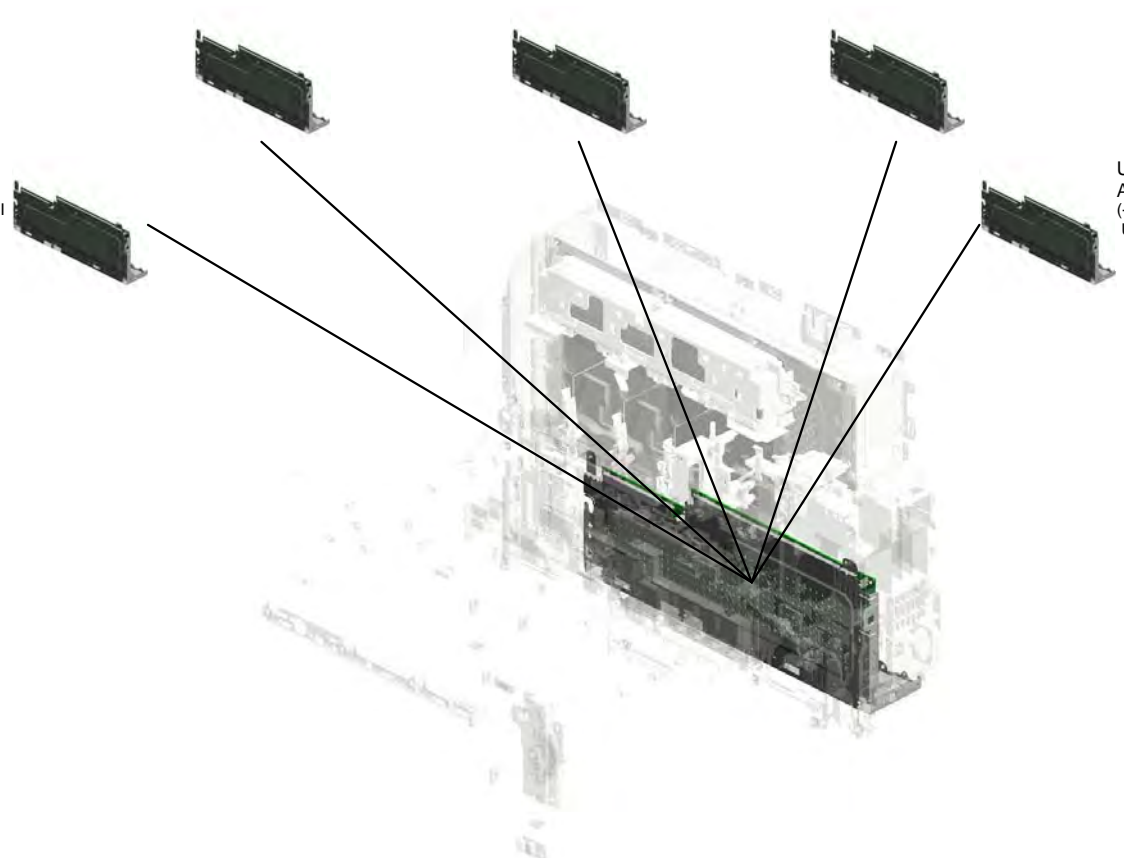
U015_S001
AZ240291
(-EU,-AA,-KOR):POWER SUP
PLY UNIT:248W

U015_S002
AZ240291
(-EU,-AA,-KOR):POWER SUP
PLY UNIT:248W

U015_S003
AZ240290
(-NA,-TWN):POWER SUPPLY
UNIT:248W

U015_S005
AZ240292
(-CHN):POWER SUPPLY UNI
T

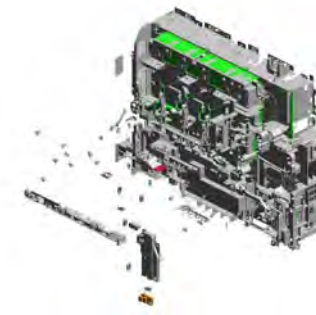
U015_S004
AZ240290
(-NA,-TWN):POWER SUPPLY
UNIT:248W



U001	U002	U003	U004	U005	U006	U007	U008	U009	U010	U011	U012	U013	U014	U015	U016	U017
------	------	------	------	------	------	------	------	------	------	------	------	------	------	------	------	------

U015 ELECTRICAL

- 1.03530060N BIND SCREW - M3 X6
- 4.04503035N (x2) TAPPING SCREW: 3X35
- 23.AA143848 (x4) STEPPED SCREW - M3
- 24.AA161125 (x4) RUBBER CUSHION
- 9.11050348 (x2) CLAMP



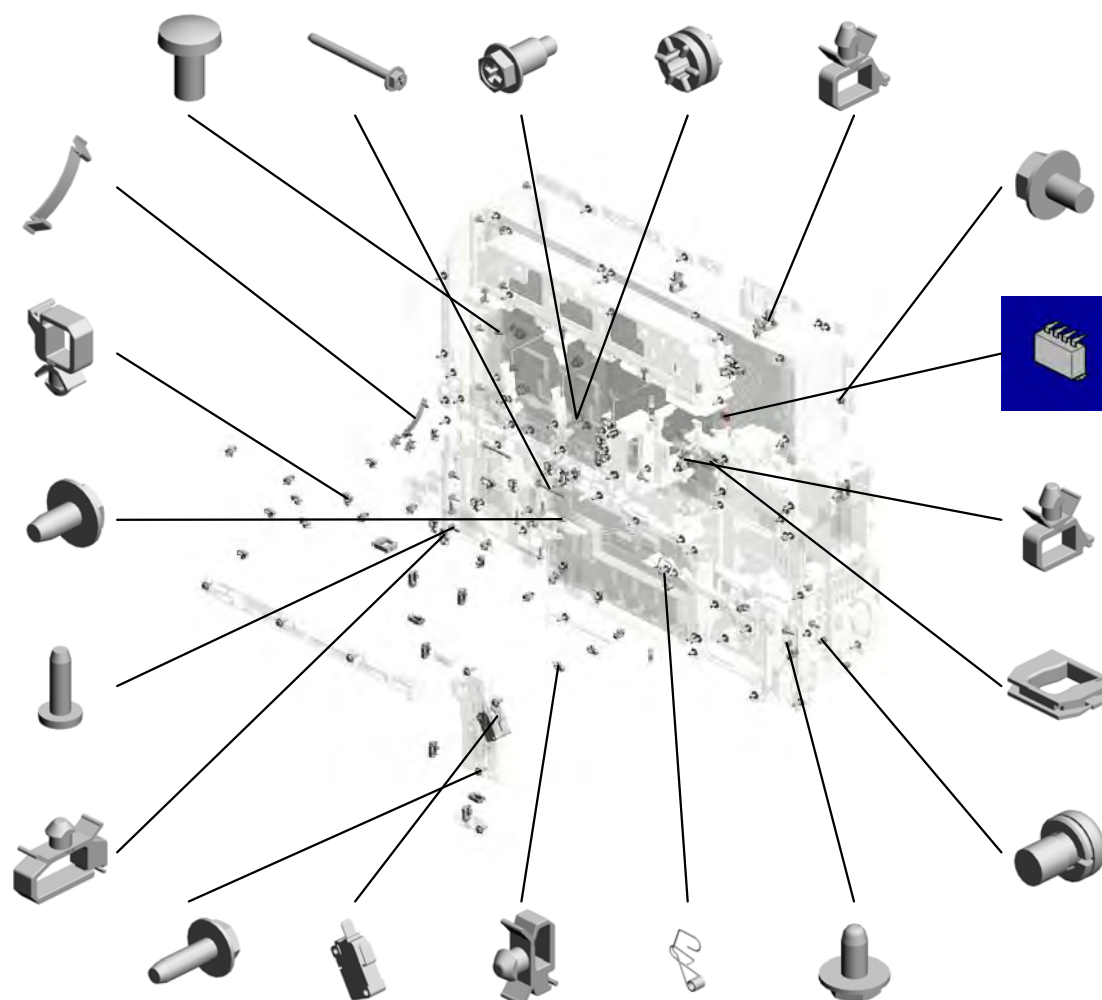
14.11050545
CLAMP:FCR-30

13.11050534
(x3)
CLAMP

2.03603006N
(x38)
SCREW - M3X6

6.04583010N
(x10)
HEXAGON HEAD TAPPING SCREW:3 X10

12.11050516
(x16)
CLAMP



3.04503010N
(x58)
TAPPING SCREW - M3X10

17.12042612
(x2)
MICRO SWITCH:D3 V-16506-3C25

11.11050511
(x28)
HARNESS CLAMP - LWS-0306ZC

21.AA066696
(x22)
TORSION SPRING: TERMINAL:DRIVE ROLLER:INTERMEDIATE TRANSFER

5.04543006Q
TAPPING SCREW - M3X6

7.08010231
HEXAGONAL HEAD BOLT W/WASHER:M3X6

18.14077667
EEPROM:BR24T12 8-W

10.11050508
(x4)
HARNESS CLAMP - LWS-0711

16.11050724
(x2)
CLAMPS:WES-1210

22.AA143592
SCREW-M4X6

11.11050511
HARNESS CLAMP - LWS-0306ZC

19.16072298
FERRITE CORE:K3 FF 33.50X8.00X6.50X1.30

20.16072358
FERRITE CORE:K3 FF 33.50X20.00X6.50X1.30

2.03603006N (x 1)
SCREW - M3X6
3.04503010N (x 1)
TAPPING SCREW - M3X10

U015 ELECTRICAL

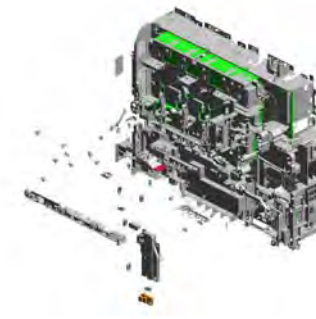
33.D0095891
LEFT RAIL - FAX C
ONTROL UNIT

34.D0095899
RIGHT RAIL - SMA
LL

31.AZ320212
POWER PACK:CB

46.D1175876
WIRE:HIGH VOLTA
GE:DEVELOPMEN
T:M

47.D1175877
WIRE:HIGH VOLTA
GE:DEVELOPMEN
T:Y



38.D1175864
GUIDE:HARNESS:F
FC:OPTICAL WRITI
NG UNIT

44.D1175874
WIRE:HIGH VOLTA
GE:DEVELOPMEN
T:BK

45.D1175875
WIRE:HIGH VOLTA
GE:DEVELOPMEN
T:C

35.D1175180
(x2)
(-NA,-TWN):PCB:A
CVB:100V

36.D1175190
(x3)
(-EU,-AA,-KOR,-CH
N):PCB:ACVB:200V

25.AG070513
MAGNET CATCH

26.AW140026
TEMPERATURE &
HUMIDITY SENSO
R

40.D1175869
WIRE:HIGH VOLTA
GE:TRANSFER:BK

41.D1175870
WIRE:HIGH VOLTA
GE:TRANSFER:C

42.D1175871
WIRE:HIGH VOLTA
GE:TRANSFER:M

37.D1175303
THERMISTOR

32.AZ320213
POWER PACK:T1T
2

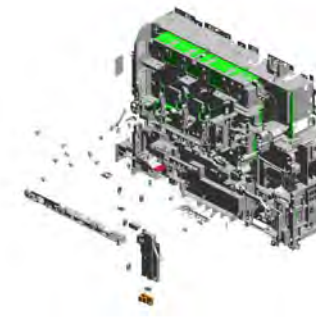
39.D1175867
GUIDE:HARNESS:
POWER SUPPLY U
NIT

27.AW500023
PUSH SWITCH

43.D1175872
WIRE:HIGH VOLTA
GE:TRANSFER:Y

U015 ELECTRICAL

49.D1175879 WIRE:HIGH VOLTAGE:CHARGE:C
 50.D1175880 WIRE:HIGH VOLTAGE:CHARGE:M
 51.D1175881 WIRE:HIGH VOLTAGE:CHARGE:Y
 66.D1175904 BRACKET:DRAWER:FUSING
 53.D1175883 WIRE:HIGH VOLTAGE:DEVELOPMENT:C:CONNECTING



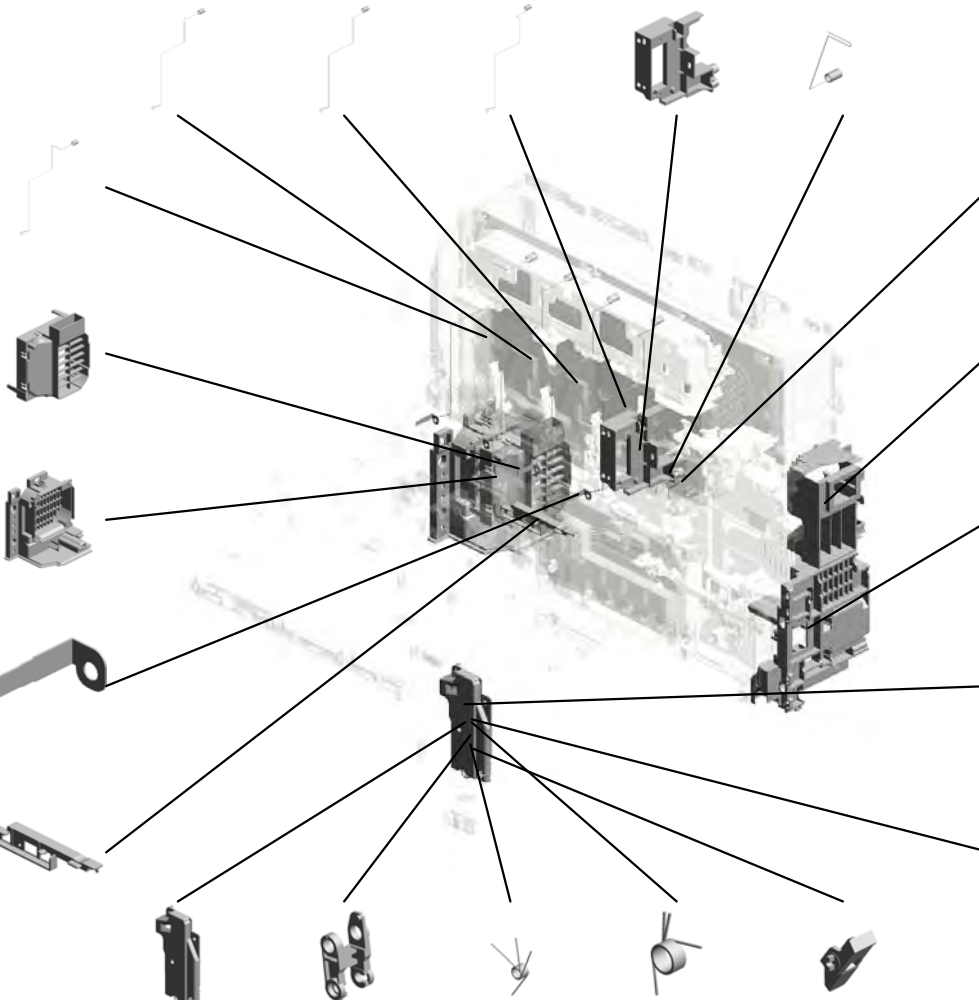
48.D1175878 WIRE:HIGH VOLTAGE:CHARGE:BK

54.D1175886 DUCT:POWER SUPPLY UNIT:ENTRANCE

57.D1175891 GRIP:LEFT REAR

62.D1175899 (x4) TERMINAL:CHARGE

67.D1175905 GUIDE:WIRE:HIGH VOLTAGE:TRANSFER:SECOND



52.D1175882 WIRE:HIGH VOLTAGE:DEVELOPMENT:BK:CONNECTING

55.D1175887 DUCT:POWER SUPPLY UNIT:EXHAUST

56.D1175890 GRIP:RIGHT REAR

60.D1175894 LEVER:FRONT:SAFETY SWITCH

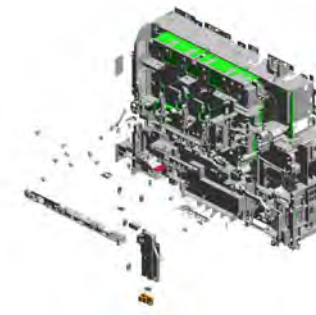
64.D1175902 COLLAR:SHAFT:SAFETY SWITCH

65.D1175903 INNER COVER:SAFETY SWITCH
 58.D1175892 BRACKET:SWIVEL:SAFETY SWITCH
 63.D1175901 TORSION SPRING:LEVER:RIGHT:SAFETY SWITCH
 61.D1175895 TORSION SPRING:SAFETY SWITCH
 59.D1175893 LEVER:RIGHT:SAFETY SWITCH

U001	U002	U003	U004	U005	U006	U007	U008	U009	U010	U011	U012	U013	U014	U015	U016	U017
------	------	------	------	------	------	------	------	------	------	------	------	------	------	------	------	------

U015 ELECTRICAL

82.D2025818 BRACKET:HDD
 84.D3AW5681 (x4) (D219/D220):PCB:C TL_JL2_S:2ND
 85.D3AW5682 (D196/D214/D236): PCB:CTL_JL2_S:2N D
 87.M4445201 HDD:320GB:AQUA RIUS
 81.D1969590 NVRAM



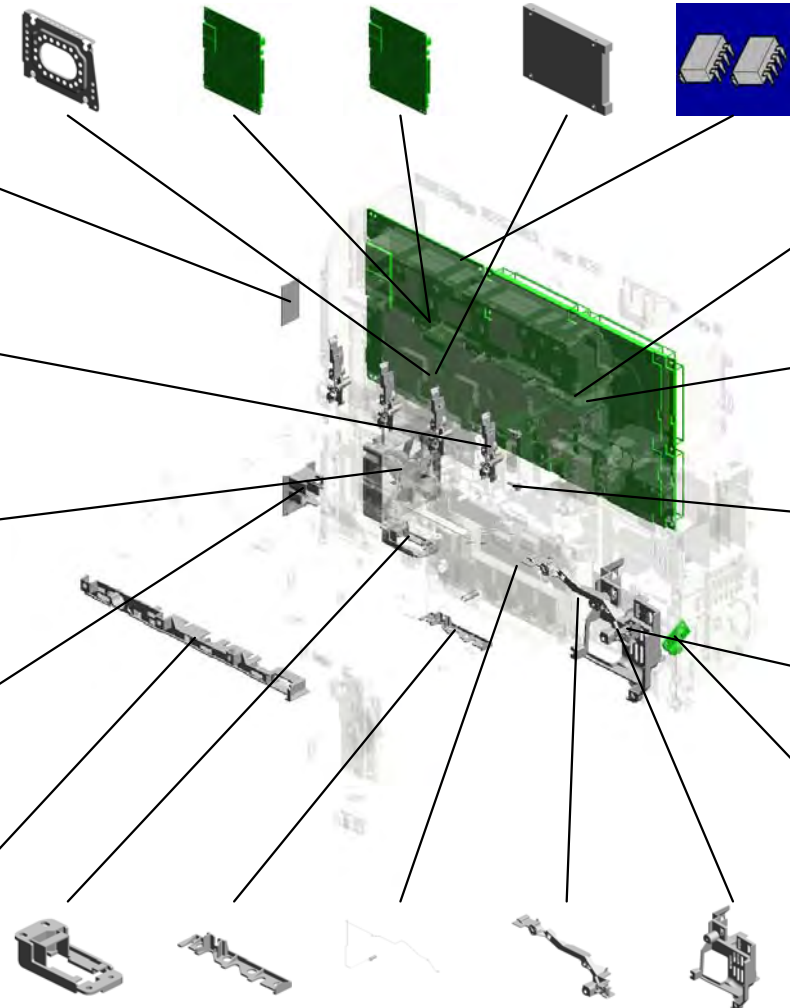
74.D1175945 SPACER:FFC

70.D1175915 (x4) GUIDE:WIRE:HIGH VOLTAGE:CHARGE

86.GX645734 FAN MOTOR:MM80 DC24V 3.12W

69.D1175912 BRACKET:SWITCH :HEATER

78.D1965930 COVER:HARNES: PCU:FRONT



76.D1965100 (D196/D214/D236): PCB:BICU:ASSY

83.D2195100 (x4) (D219/D220):PCB:B ICU:ASSY

71.D1175916 (x2) STEPPED SCREW: M3X8:SECOND KIND

80.D1965967 TERMINAL:HIGH VOLTAGE:TRANSFER:SECOND

75.D1495686 PCB:DCSW

68.D1175908 BRACKET:DRAWER:OPTION TRAY

72.D1175924 STOPPER:WIRE:HIGH VOLTAGE:TRANSFER

77.D1965873 WIRE:HIGH VOLTAGE:TRANSFER:SE COND

79.D1965961 GUIDE:WIRE:HIGH VOLTAGE:TRANSFER:CONNECTING

73.D1175925 GUIDE:HARNES: PAPER FEED DRIVE

U015_S001
(-EU,-AA,-KOR):POWER SUPPLY UNIT:248W

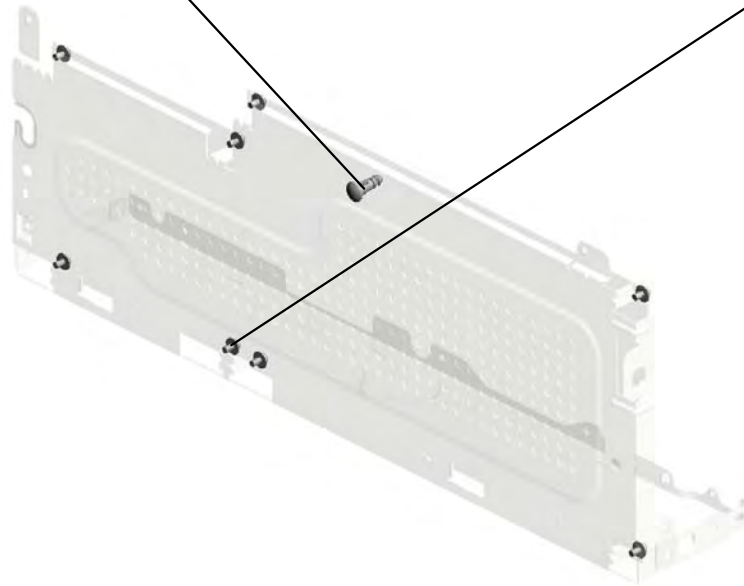
15.11050637
HARNES CLAMP -
KGLS-10RT(V0)



29.AZ240291
(-EU,-AA,-KOR):PO
WER SUPPLY UNI
T:248W



8.09543006N
(x8)
SCREW - M3X6



U001	U002	U003	U004	U005	U006	U007	U008	U009	U010	U011	U012	U013	U014	U015	U016	U017
------	------	------	------	------	------	------	------	------	------	------	------	------	------	------	------	------

U015_S002
(-EU,-AA,-KOR):POWER SUPPLY UNIT:248W

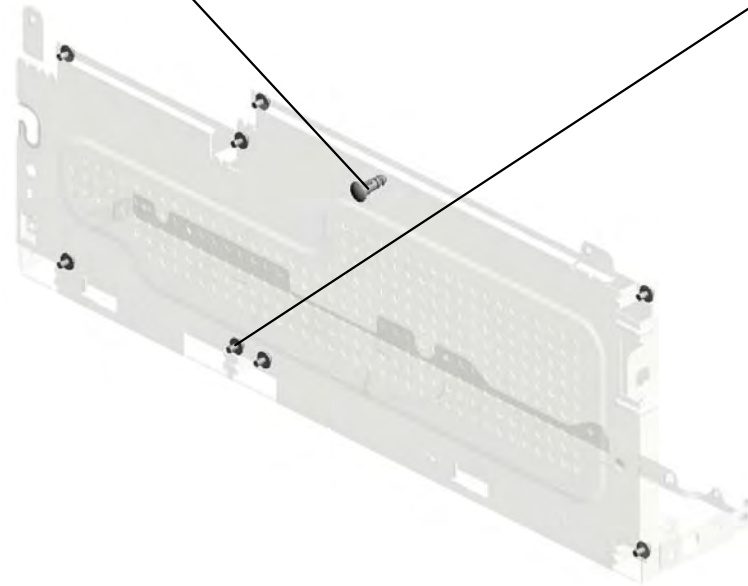
15.11050637
HARNES CLAMP -
KGLS-10RT(V0)



29.AZ240291
(-EU,-AA,-KOR):PO
WER SUPPLY UNI
T:248W



8.09543006N
(x8)
SCREW - M3X6



U001	U002	U003	U004	U005	U006	U007	U008	U009	U010	U011	U012	U013	U014	U015	U016	U017
------	------	------	------	------	------	------	------	------	------	------	------	------	------	------	------	------

U015_S003
(-NA,-TWN):POWER SUPPLY UNIT:248W

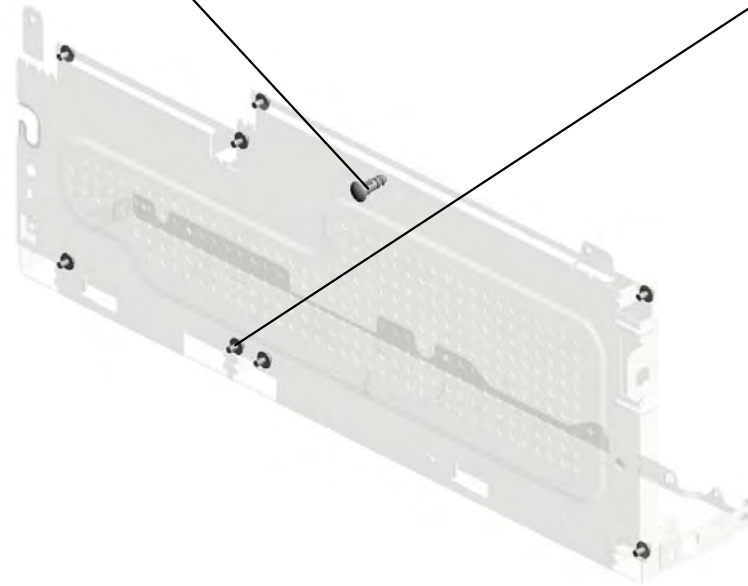
15.11050637
HARNES CLAMP -
KGLS-10RT(V0)



28.AZ240290
(-NA,-TWN):POWE
R SUPPLY UNIT:24
8W



8.09543006N
(x8)
SCREW - M3X6



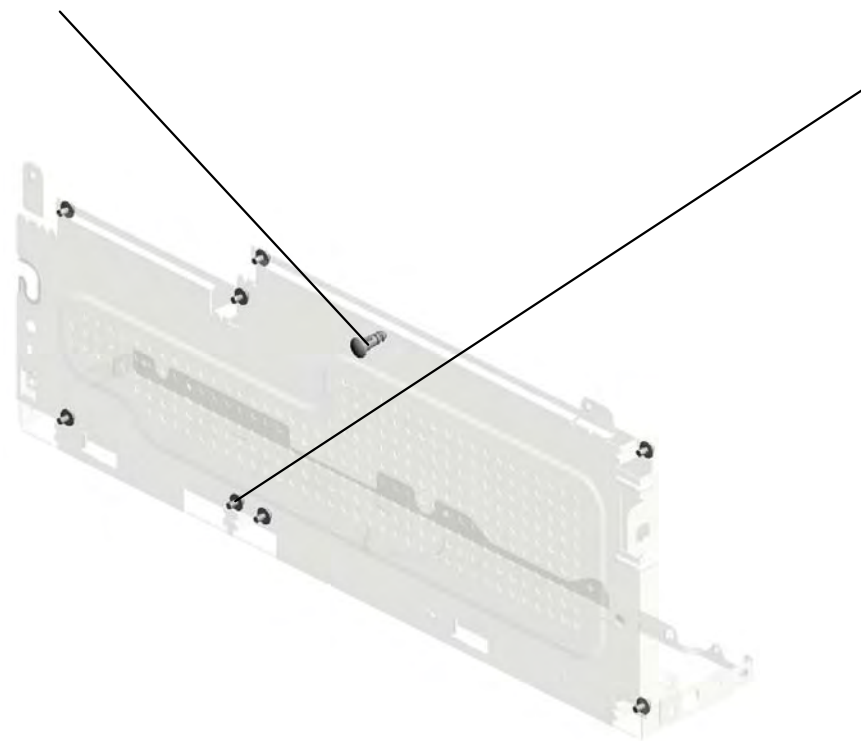
U001	U002	U003	U004	U005	U006	U007	U008	U009	U010	U011	U012	U013	U014	U015	U016	U017
------	------	------	------	------	------	------	------	------	------	------	------	------	------	------	------	------

U015_S004
(-NA,-TWN):POWER SUPPLY UNIT:248W

15.11050637
HARNES CLAMP -
KGLS-10RT(V0)



28.AZ240290
(-NA,-TWN):POWE
R SUPPLY UNIT:24
8W



8.09543006N
(x8)
SCREW - M3X6

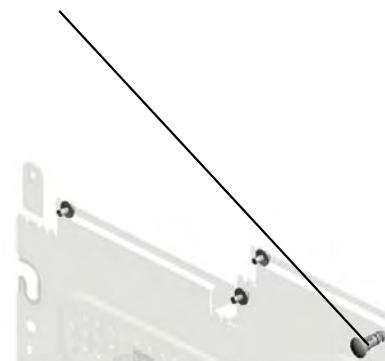
U001	U002	U003	U004	U005	U006	U007	U008	U009	U010	U011	U012	U013	U014	U015	U016	U017
------	------	------	------	------	------	------	------	------	------	------	------	------	------	------	------	------

U015_S005
(-CHN):POWER SUPPLY UNIT

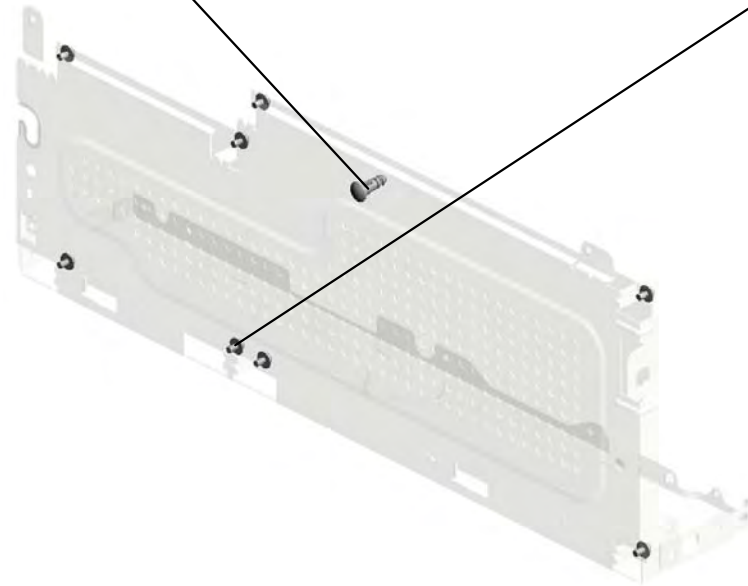
15.11050637
HARNES CLAMP -
KGLS-10RT(V0)



30.AZ240292
(-CHN):POWER SU
PLY UNIT

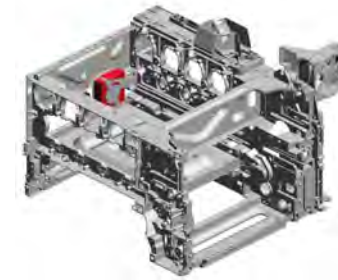


8.09543006N
(x8)
SCREW - M3X6

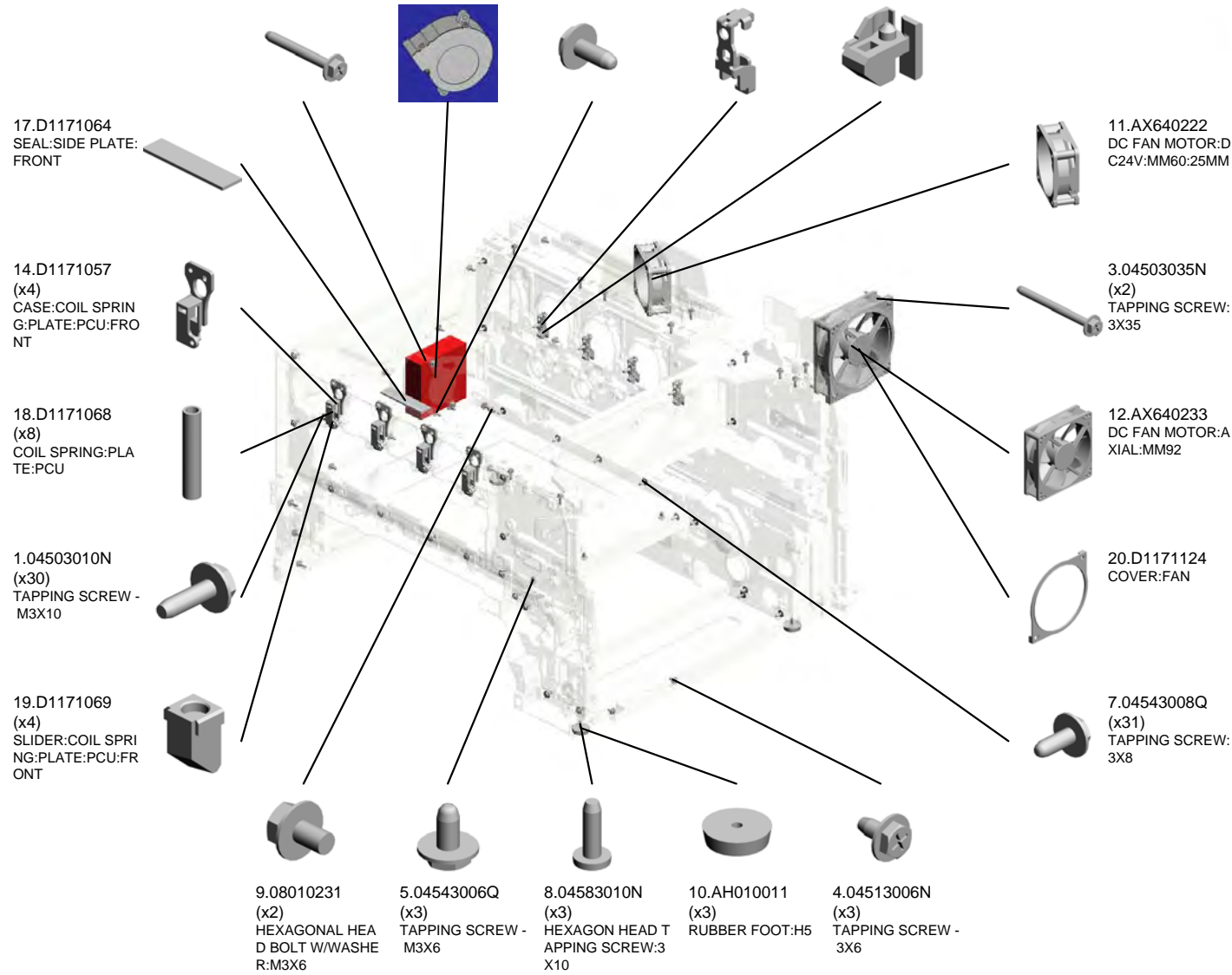


U001	U002	U003	U004	U005	U006	U007	U008	U009	U010	U011	U012	U013	U014	U015	U016	U017
------	------	------	------	------	------	------	------	------	------	------	------	------	------	------	------	------

U016 MAIN FRAME



- 2.04503025N (x2) TAPPING SCREW: 3X25
- 13.AX640234 FAN:SIROCCO:DC 24V:60MM
- 6.04543008N (x2) TAPPING SCREW: ROUND POINT:3X8
- 15.D1171058 (x4) CASE:COIL SPRING:PLATE:PCU:REAR
- 16.D1171059 (x4) SLIDER:COIL SPRING:PLATE:PCU:REAR



U001	U002	U003	U004	U005	U006	U007	U008	U009	U010	U011	U012	U013	U014	U015	U016	U017
------	------	------	------	------	------	------	------	------	------	------	------	------	------	------	------	------

U016 MAIN FRAME

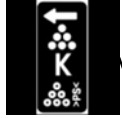
27.D1961036 (x2)
SEAL:COVER:LEFT

30.D1961127
DUCT:LEFT:VACUUM

31.D1961128
COVER:DUCT:LEFT:VACUUM



23.D1173410
DECAL:COLORED
DISPLAY:INNER COVER:K



24.D1173411
DECAL:COLORED
DISPLAY:INNER COVER:C



25.D1173412
DECAL:COLORED
DISPLAY:INNER COVER:M



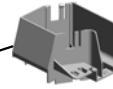
26.D1173413
DECAL:COLORED
DISPLAY:INNER COVER:Y



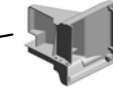
28.D1961066
LEVER:LOCK:FRONT



22.D1171126
DUCT:OPTICAL W RITING MD



32.D1961143
DUCT:REAR:BASE



21.D1171125 (x2)
SEAL:COVER:FAN



29.D1961087
LEVER:LOCK:REAR



U017.OPTION

U017_S001
D1175097
(-EU,-AA,-KOR,-CHN):HEATE
R:ASS'Y

U017_S002
D1175097
(-EU,-AA,-KOR,-CHN):HEATE
R:ASS'Y

U017_S003
D1175097
(-EU,-AA,-KOR,-CHN):HEATE
R:ASS'Y

U017_S005
D1175091
(-NA,-TWN):HEATER:ASS'Y

U017_S004
D1175091
(-NA,-TWN):HEATER:ASS'Y

U017_S006
D5730401
(-EU,-AA,-KOR,-CHN):HEATE
R:DEHUMIDIFIER

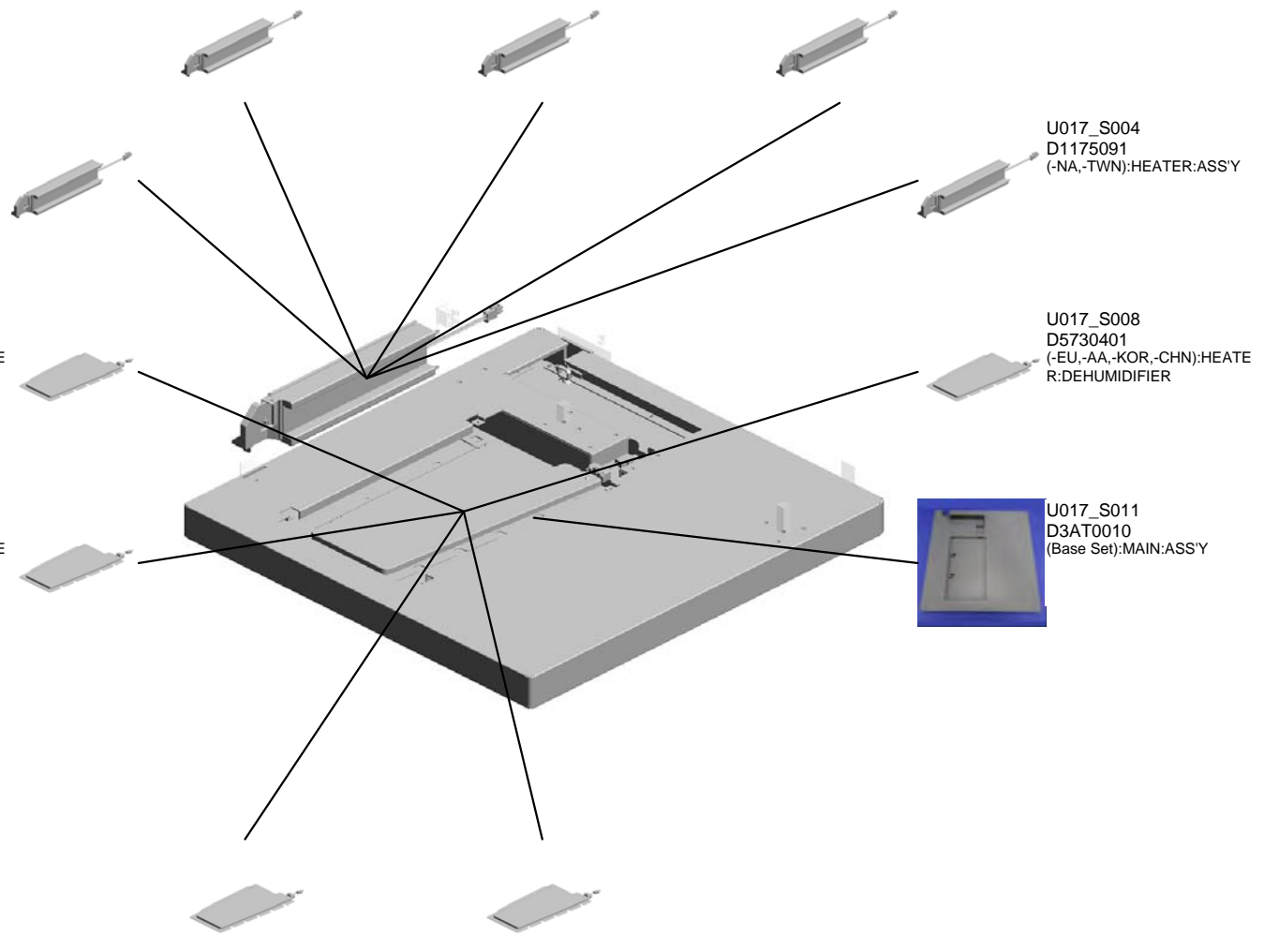
U017_S008
D5730401
(-EU,-AA,-KOR,-CHN):HEATE
R:DEHUMIDIFIER

U017_S007
D5730401
(-EU,-AA,-KOR,-CHN):HEATE
R:DEHUMIDIFIER

U017_S011
D3AT0010
(Base Set):MAIN:ASS'Y

U017_S009
D5730400
(-NA,-TWN):HEATER:DEHUM
IDIFIER

U017_S010
D5730400
(-NA,-TWN):HEATER:DEHUM
IDIFIER

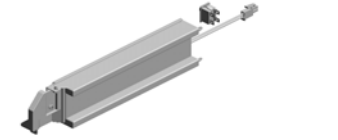


U001	U002	U003	U004	U005	U006	U007	U008	U009	U010	U011	U012	U013	U014	U015	U016	U017
------	------	------	------	------	------	------	------	------	------	------	------	------	------	------	------	------

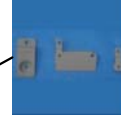
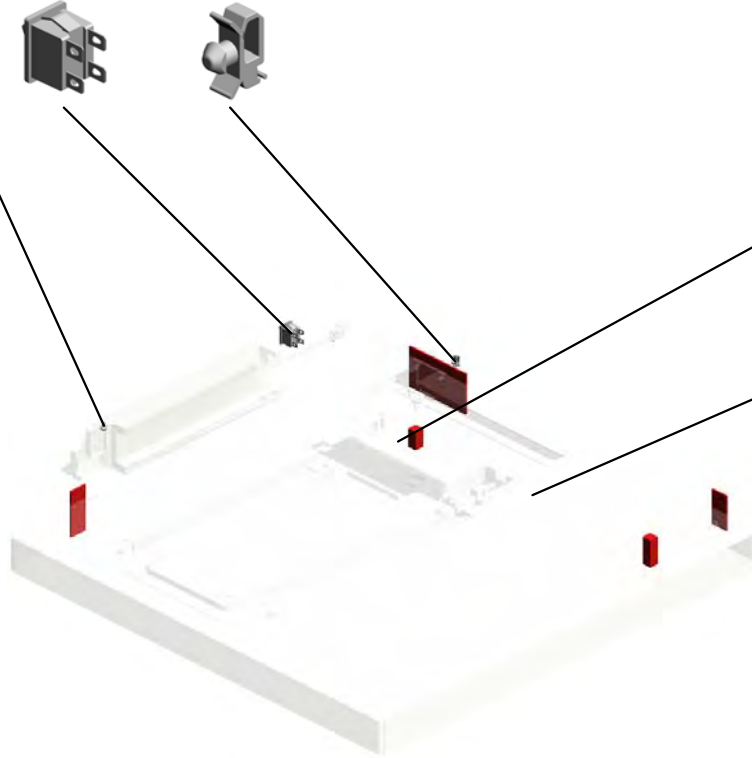
U017 OPTION

9.12042570 (x5)
ROCKER SWITCH: SDDJE13200

7.11050511 (x5)
HARNESS CLAMP - LWS-0306ZC



5.08010231 (x5)
HEXAGONAL HEAD BOLT W/WASHER: M3X6



16.D7728431
(Bracket Set):BRACKET ASS'Y



15.D7728411
(Pin Set):STUD ASS'Y

U017_S001
(-EU,-AA,-KOR,-CHN):HEATER:ASS'Y

2.03603006N
SCREW - M3X6



11.D1175097
(-EU,-AA,-KOR,-CH
N):HEATER:ASSY



U001	U002	U003	U004	U005	U006	U007	U008	U009	U010	U011	U012	U013	U014	U015	U016	U017
------	------	------	------	------	------	------	------	------	------	------	------	------	------	------	------	------

U017_S002
(-EU,-AA,-KOR,-CHN):HEATER:ASS'Y

2.03603006N
SCREW - M3X6



11.D1175097
(-EU,-AA,-KOR,-CH
N):HEATER:ASSY



U001	U002	U003	U004	U005	U006	U007	U008	U009	U010	U011	U012	U013	U014	U015	U016	U017
------	------	------	------	------	------	------	------	------	------	------	------	------	------	------	------	------

U017_S003
(-EU,-AA,-KOR,-CHN):HEATER:ASS'Y

2.03603006N
SCREW - M3X6



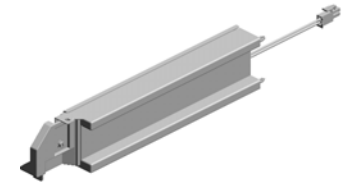
11.D1175097
(-EU,-AA,-KOR,-CH
N):HEATER:ASSY



U001	U002	U003	U004	U005	U006	U007	U008	U009	U010	U011	U012	U013	U014	U015	U016	U017
------	------	------	------	------	------	------	------	------	------	------	------	------	------	------	------	------

U017_S004
(-NA,-TWN):HEATER:ASS'Y

2.03603006N
SCREW - M3X6



10.D1175091
(-NA,-TWN):HEATE
R:ASS'Y



U001	U002	U003	U004	U005	U006	U007	U008	U009	U010	U011	U012	U013	U014	U015	U016	U017
------	------	------	------	------	------	------	------	------	------	------	------	------	------	------	------	------

U017_S005
(-NA,-TWN):HEATER:ASS'Y

2.03603006N
SCREW - M3X6



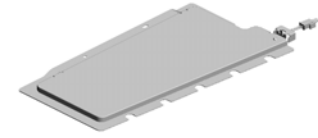
10.D1175091
(-NA,-TWN):HEATE
R:ASS'Y



U001	U002	U003	U004	U005	U006	U007	U008	U009	U010	U011	U012	U013	U014	U015	U016	U017
------	------	------	------	------	------	------	------	------	------	------	------	------	------	------	------	------

U017_S006
(-EU,-AA,-KOR,-CHN):HEATER:DEHUMIDIFIER

7.11050511
HARNES CLAMP -
LWS-0306ZC



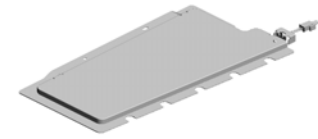
14.D5730401
(-EU,-AA,-KOR,-CH
N):HEATER:DEHU
MIDIFIER

2.03603006N (x11)
SCREW - M3X6
3.03603012N (x 1)
SCREW:M3X12
4.04503008N (x 3)
TAPPING SCREW - M3X8

U001	U002	U003	U004	U005	U006	U007	U008	U009	U010	U011	U012	U013	U014	U015	U016	U017
------	------	------	------	------	------	------	------	------	------	------	------	------	------	------	------	------

U017_S007
(-EU,-AA,-KOR,-CHN):HEATER:DEHUMIDIFIER

7.11050511
HARNESS CLAMP -
LWS-0306ZC



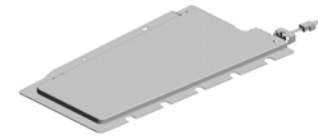
14.D5730401
(-EU,-AA,-KOR,-CH
N):HEATER:DEHU
MIDIFIER

2.03603006N (x11)
SCREW - M3X6
3.03603012N (x 1)
SCREW:M3X12
4.04503008N (x 3)
TAPPING SCREW - M3X8

U001	U002	U003	U004	U005	U006	U007	U008	U009	U010	U011	U012	U013	U014	U015	U016	U017
------	------	------	------	------	------	------	------	------	------	------	------	------	------	------	------	------

U017_S008
(-EU,-AA,-KOR,-CHN):HEATER:DEHUMIDIFIER

7.11050511
HARNES CLAMP -
LWS-0306ZC



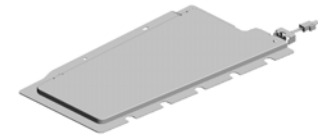
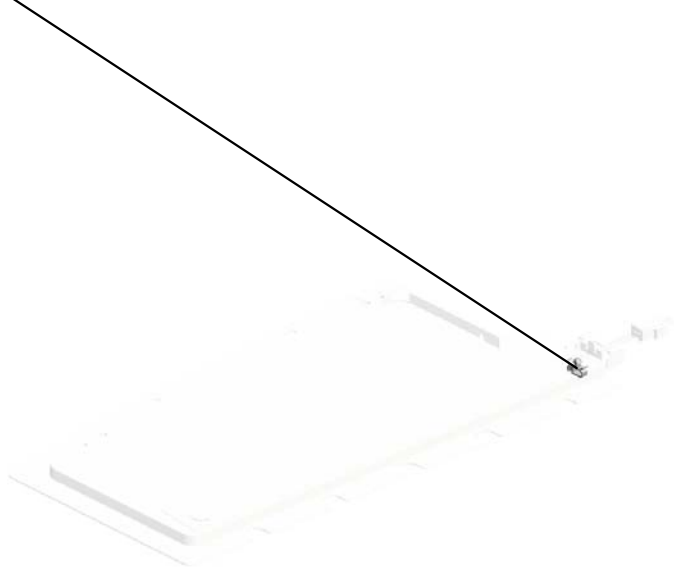
14.D5730401
(-EU,-AA,-KOR,-CH
N):HEATER:DEHU
MIDIFIER

2.03603006N (x11)
SCREW - M3X6
3.03603012N (x 1)
SCREW:M3X12
4.04503008N (x 3)
TAPPING SCREW - M3X8

U001	U002	U003	U004	U005	U006	U007	U008	U009	U010	U011	U012	U013	U014	U015	U016	U017
------	------	------	------	------	------	------	------	------	------	------	------	------	------	------	------	------

U017_S009
(-NA.-TWN):HEATER:DEHUMIDIFIER

7.11050511
HARNES CLAMP -
LWS-0306ZC



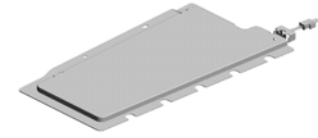
13.D5730400
(-NA.-TWN):HEATE
R:DEHUMIDIFIER

2.03603006N (x11)
SCREW - M3X6
3.03603012N (x 1)
SCREW:M3X12
4.04503008N (x 3)
TAPPING SCREW - M3X8

U001	U002	U003	U004	U005	U006	U007	U008	U009	U010	U011	U012	U013	U014	U015	U016	U017
------	------	------	------	------	------	------	------	------	------	------	------	------	------	------	------	------

U017_S010
(-NA.-TWN):HEATER:DEHUMIDIFIER

7.11050511
HARNES CLAMP -
LWS-0306ZC



13.D5730400
(-NA.-TWN):HEATE
R:DEHUMIDIFIER

- 2.03603006N (x11)
SCREW - M3X6
- 3.03603012N (x 1)
SCREW:M3X12
- 4.04503008N (x 3)
TAPPING SCREW - M3X8

U001	U002	U003	U004	U005	U006	U007	U008	U009	U010	U011	U012	U013	U014	U015	U016	U017
------	------	------	------	------	------	------	------	------	------	------	------	------	------	------	------	------

U017_S011
(Base Set):MAIN:ASS'Y

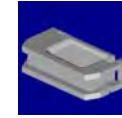
6.11050508
(x2)
HARNESS CLAMP -
LWS-0711



2.03603006N
(x2)
SCREW - M3X6

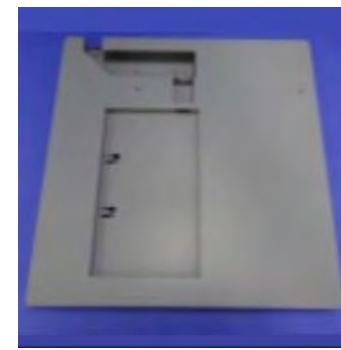


6.11050508
HARNESS CLAMP -
LWS-0711



8.11050723
CLAMPS:WES-050
7

1.03130060N (x 5)
SCREW - M3X6
2.03603006N (x28)
SCREW - M3X6



12.D3AT0010
(Base Set):MAIN:AS
SY

ACCESSORIES



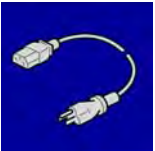
1.03603014N
SCREW - M3X14



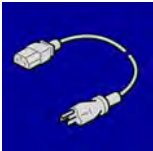
2.04503008N
(x2)
TAPPING SCREW - M3X8



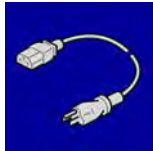
3.11050042
WIRE BAND



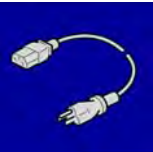
4.11500409
(-TWN):POWER SUPPLY CODE:125V
:15A



5.11500427
(-NA):POWER SUPPLY CODE:125V:1
5A



6.11500456
(-CHN):POWER SUPPLY CODE:250V:
10A



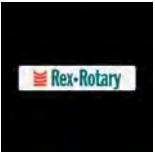
7.11500458
(x2)
(-EU,-AA,-KOR):POWER SUPPLY CO
DE:250V:10A



8.16072251
(x4)
(D219/D220):(-EU,-NA,-AA):FERRITE
CORE:K3 NF-75(N)BK0



9.AA001527
(x2)
(-EU,-AA,-KOR):PLATE:LOGOTYPE:G
ES



10.AA001528
(-EU):PLATE:LOGOTYPE:REX



11.AA001529
(-EU):PLATE:LOGO:INF



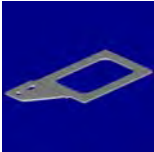
12.AA001530
(-EU):PLATE:LOGO:NSA



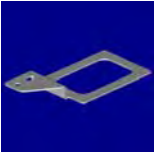
13.AX310049
TOTAL COUNTER:7FIG:24V



14.D1171332
BRACKET:KEY COUNTER HOLDER



15.D1171371
BRACKET:CARD READER



16.D1171372
BRACKET:CARD READER



17.D1172796
(-CHN):DECAL:TRAY:MANUAL FEED:
INKJET:CHINESE



18.D1172797
(-TWN):DECAL:TRAY:MANUAL FEED:
INKJET:TAIWAN



19.D1172799
(x2)
(-NA,-AA,-KOR):DECAL:TRAY:MANUA
L FEED:INKJET



20.D1172842
(x2)
(-NA,-AA,-KOR):DECAL:PAPER SET D
IRECTION:TRAY:RIGHT



21.D1172875
(-CHN):DECAL:PAPER SET DIRECTI
ON:TRAY:RIGHT:CHINESE



22.D1172876
(-TWN):DECAL:PAPER SET DIRECTI
ON:TRAY:RIGHT:TAIWAN



23.D1172877
DECAL:PAPER TRAY:SIZE INDICATI
ON



24.D1176877
(-CHN):DECAL:CAUTION:ORIGINAL:
CHINESE

ACCESSORIES



25.D1176878
(-TWN):DECAL:CAUTION:ORIGINAL:
TAIWAN



26.D1201557
(-EU):SHEET:LOGO:GES



27.D1201558
(-EU):SHEET:LOGO:REX



28.D1201559
(-EU):SHEET:LOGO:NAS



29.D1201560
(-EU):SHEET:LOGO:INF



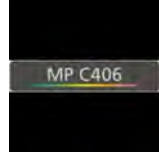
30.D1491553
SHEET:LOGO



31.D1916884
(-NA):DECAL:MAIN SWITCH:ON-STA
NDBY



32.D1916885
(x4)
(-EU,-AA,-KOR,-CHN,-TWN):DECAL:M
AIN SWITCH:ON-STANDBY



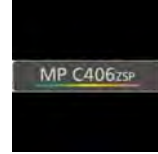
33.D1966801
(x3)
(D196/D214):(-EU,-NA,-AA,-KOR):DEC
AL:MODEL NAME PLATE:RIC



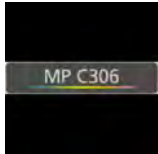
34.D1966811
(-AA,-KOR):SHEET:LOGO:LAN



35.D1966812
(-AA,-KOR):SHEET:LOGO:GES



36.D2146801
(-CHN):DECAL:MODEL NAME PLATE:
RIC



37.D2196800
(x3)
(D219/D220):(-EU,-NA,-AA,-KOR):DEC
AL:MODEL NAME PLATE:RIC



38.D2206801
(D220):(-TWN):DECAL:MODEL NAME
PLATE:RIC



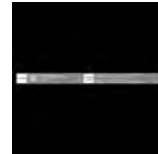
39.D2366801
(D236):(-TWN):DECAL:MODEL NAME
PLATE:RIC



40.D3A95262
(-NA):MODULER CORD:CORE



41.H5235350
TELEPHONE CABLE

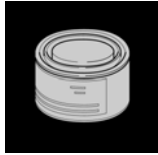


42.M0266890
(x3)
(-EU,-NA,-AA,-KOR):DECAL:CAUTION
:ORIGINAL:ENGLISH

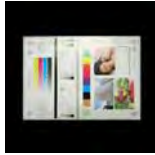


43.M1011301
PLATE:LOGO:RIC

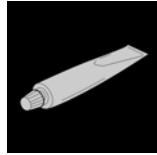
SPECIAL TOOLS



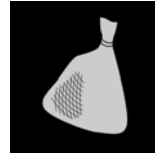
1.52039502
Silicon Grease G-501



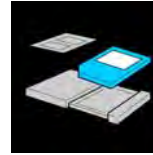
2.A0929503
C4 Color Test Chart (3 pcs/set)



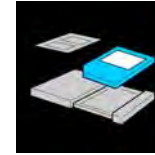
3.A2579300
Grease Barrierta - S552R



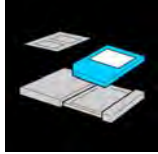
4.B1329700
Lubricant Powder



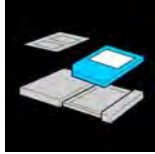
5.B6455010
SD Card 128MB



6.B6455020
SD Card 1GB



7.B6455030
SD Card 2GB



8.B6455040
SD Card 8GB



9.C4019503
20X Magnification Scope

Exclusive Parts

Number	Part Name	Group	ID
52039502	Silicon Grease G-501	SPECIAL TOOLS	1
52152621	SNAP RING - M6	U012	5
54472681	SNAP RING	U001	5
		U012	6
		U014	8
A0929503	C4 Color Test Chart (3 pcs/set)	SPECIAL TOOLS	2
A2579300	Grease Barrierta - S552R	SPECIAL TOOLS	3
AA001527	(-EU,-AA,-KOR):PLATE:LOGOTYPE:GES	ACCESSORIES	9
AA001528	(-EU):PLATE:LOGOTYPE:REX	ACCESSORIES	10
AA001529	(-EU):PLATE:LOGO:INF	ACCESSORIES	11
AA001530	(-EU):PLATE:LOGO:NSA	ACCESSORIES	12
AA043325	TIMING BELT - B40S2M250	U013_S001	10
AA060151	TENSION SPRING	U008	16
AA061084	TENSION SPRING:FEELER	U008	17
AA061087	TORSION SPRING:STRIPPER PLATE:FRONT	U011_S001	15
		U011_S002	15
		U011_S003	15
		U011_S004	15
		U011_S005	15
		U011_S006	15
		U011_S007	15
		U011_S008	15
		U011_S009	15
AA061088	TORSION SPRING:STRIPPER PLATE:REAR	U011_S001	16
		U011_S002	16
		U011_S003	16
		U011_S004	16
		U011_S005	16
		U011_S006	16
		U011_S007	16
		U011_S008	16
		U011_S009	16
AA061089	COIL SPRING:GUIDE PLATE:FUSING EXIT	U011_S001	17
		U011_S002	17
		U011_S003	17
		U011_S004	17
		U011_S005	17

Number	Part Name	Group	ID
		U011_S006	17
		U011_S007	17
		U011_S008	17
		U011_S009	17
AA062086	COIL SPRING:PRESSURE	U011_S001	18
		U011_S002	18
		U011_S003	18
		U011_S004	18
		U011_S005	18
		U011_S006	18
		U011_S007	18
		U011_S008	18
		U011_S009	18
AA063483	COMPRESSION SPRING:TRANSPORT SUB-UNIT	U009	5
AA063629	SPRING - 2.8N	U005_S003	17
AA063701	COMPRESSION SPRING:RISING TRAY	U005_S001	18
AA063729	COMPRESSION SPRING:TRANSFER ROLLER:SECOND	U009	6
AA066417	TORSION SPRING:TRANSFER UNIT	U009	7
AA066695	TORSION SPRING:LEVER:ON-OFF	U008	18
AA066696	TORSION SPRING:TERMINAL:DRIVE ROLLER:INTERMEDIATE TRANSFER	U015	21
AA080346	BUSHING:FLANGE TYPE:DIA6	U012	7
		U014	9
AA080347	BUSHING - 8MM	U014	10
AA080361	PLAIN SHAFT BEARING:CASE:RISING TRAY	U005_S001	19
AA082101	BUSHING - 6X10X6	U005	20
		U005_S003	20
AA082109	PLAIN SHAFT BEARING:DIA4	U008	19
AA082146	BUSHING -6X10X4	U012	8
AA082161	PLAIN SHAFT BEARING:REGISTRATION ROLLER	U005	21
AA143520	SHOULDER SCREW - M3	U008	20

Exclusive Parts

Number	Part Name	Group	ID
AA143592	SCREW- M4X6	U015	22
AA143848	STEPPED SCREW - M3	U015	23
AA143870	STEPPED SCREW	U011_S001	19
		U011_S002	19
		U011_S003	19
		U011_S004	19
		U011_S005	19
		U011_S006	19
		U011_S007	19
		U011_S008	19
		U011_S009	19
AA161125	RUBBER CUSHION	U015	24
AB010929	GEAR:DRIVE:DEVELOPMENT:NO.2	U014	11
AB011537	GEAR:REGISTRATION ROLLER:FRONT	U005	22
AB011538	GEAR:REGISTRATION ROLLER:INNER BACK	U005	23
AB011539	GEAR:REGISTRATION ROLLER:DRIVE	U005	24
AB011541	GEAR:RISING TRAY:OUTPUT	U005_S001	25
AB011552	GEAR:IDLER:LEFT REAR	U010	3
AB011553	(D219/D220):GEAR:IDLER:MIDDLE REAR	U010	4
AB011554	(D219/D220):GEAR:IDLER:RIGHT REAR	U010	5
AB011555	GEAR:IDLER:RIGHT FRONT	U010	6
AB011557	(D196/D214/D236):GEAR:IDLER:RIGHT REAR	U010	7
AB012076	GEAR:DRIVE:Z21	U011_S001	20
		U011_S002	20
		U011_S003	20
		U011_S004	20
		U011_S005	20
		U011_S006	20
		U011_S007	20
		U011_S008	20
		U011_S009	20

Number	Part Name	Group	ID
AB017827	GEAR:IDLER:COLLECTION BOTTLE:RIGHT UPPER	U010	8
AB017834	GEAR:RISING TRAY:2	U005_S001	26
AB017835	GEAR:RISING TRAY:3	U005_S001	27
AB017840	GEAR:ELECTROMAGNETIC CLUTCH:OUTPUT:Z30	U014	12
AB017841	GEAR:ELECTROMAGNETIC CLUTCH:OUTPUT:Z19	U014	13
AB017842	SHAFT:JOINT:PAPER FEED ROLLER	U014	14
AB017845	GEAR:TRANSPORT:NO.3	U014	15
AB017846	GEAR:TRANSPORT:NO.4	U014	16
AB017847	GEAR:MANUAL FEED:BASE	U014	17
AB017850	GEAR:DRIVE UNIT:FUSING:NO.3	U014	18
AB017851	GEAR:TIMING PULLEY:PAPER EXIT UNIT	U014	19
AB017865	(D196/D214/D236):GEAR:IDLER:MIDDLE REAR	U010	9
AB017899	GEAR:RISING TRAY:1	U005_S001	28
AB017934	GEAR:DRIVE UNIT:FUSING:NO.1	U014	20
AB017935	GEAR:TRANSPORT:NO.1	U014	21
AB017936	GEAR:TRANSPORT:NO.2	U014	22
AB017940	GEAR:DRIVE UNIT:FUSING:NO.2	U014	23
AB030854	TIMING PULLEY:EXIT ROLLER	U012	9
AB033120	TIGHTENER:SYNCHRONOUS BELT:PAPER EXIT UNIT	U014	24
AF020791	REGISTRATION ROLLER:DRIVE	U005	29
AF021088	REGISTRATION ROLLER:DRIVEN	U005	30
AF031092	PAPER FEED ROLLER:MANUAL FEED	U005	31
AG070513	MAGNET CATCH	U001	6
		U015	25
AG071012	MAGNET CATCH:ASS'Y	U010	10
AH010011	RUBBER FOOT:H5	U016	10
AW010107	PAPER FEED SENSOR	U005	32
AW010124	PHOTO REFLECTION SENSOR:GP2A200LCS0F	U009	8
		U011	21
AW010151	PHOTO REFLECTION SENSOR:PS1	U013_S001	11

Exclusive Parts

Number	Part Name	Group	ID
	22TL1-A		
AW020203	PHOTOINTERRUPTOR:GP1A173LCS2F	U003	11
		U005	33
		U008	21
		U010	11
		U013	12
AW100138	THERMOPILE	U011	22
AW110101	THERMOSTAT:LOWER	U011_S001	23
		U011_S002	23
		U011_S003	23
		U011_S004	23
		U011_S005	23
		U011_S006	23
		U011_S007	23
		U011_S008	23
		U011_S009	23
AW140026	TEMPERATURE & HUMIDITY SENSOR	U015	26
AW500023	PUSH SWITCH	U010	12
		U015	27
AX040272	DC STEPPER MOTOR:NMB	U003	12
AX060481	DC BRUSHLESS MOTOR:DRUM:BK:31.3W:40CPM	U014	25
AX060482	DC BRUSHLESS MOTOR:DRUM:COLLAR:20.4W:35CPM	U014_S001	26
AX060483	DC BRUSHLESS MOTOR:DEVELOPMENT:COLOR:34.4W:35CPM	U014	27
AX060484	DC BRUSHLESS MOTOR:DRIVE SUB-UNIT:FUSING:34.9W:40CPM	U014	28
AX060485	DC BRUSHLESS MOTOR:DRIVE SUB-UNIT:TRANSPORT:18.5W:40CPM	U014	29
AX200326	ELECTROMAGNETIC CLUTCH:PA PER FEED ROLLER	U014	30
AX200327	ELECTROMAGNETIC CLUTCH:RE GISTRATION	U014	31
AX200328	ELECTROMAGNETIC CLUTCH:DRIVE:MANUAL FEED	U005	34

Number	Part Name	Group	ID
AX200333	ELECTROMAGNETIC CLUTCH:DEVELOPMENT:0.5NM:DIA6	U014	32
AX200360	ELECTROMAGNETIC CLUTCH:DRIVE:MANUAL FEED:DUPLEX	U014	33
AX310049	TOTAL COUNTER:7FIG:24V	ACCESSORIES	13
AX640222	DC FAN MOTOR:DC24V:MM60:25MM	U016	11
AX640233	DC FAN MOTOR:AXIAL:MM92	U016	12
AX640234	FAN:SIROCCO:DC24V:60MM	U016	13
AZ240290	(-NA,-TWN):POWER SUPPLY UNIT:248W	U015_S003	28
		U015_S004	28
AZ240291	(-EU,-AA,-KOR):POWER SUPPLY UNIT:248W	U015_S001	29
		U015_S002	29
AZ240292	(-CHN):POWER SUPPLY UNIT	U015_S005	30
AZ320212	POWER PACK:CB	U015	31
AZ320213	POWER PACK:T1T2	U015	32
B0392730	PAPER END SENSOR	U005	35
B0442751	JOINT - PAPER FEED ROLLER	U005_S003	36
B0442756	SPRING - PAPER FEED ROLLER	U005_S003	37
B1043928	BIAS ROLLER SPACER	U005_S003	38
B1329700	Lubricant Powder	SPECIAL TOOLS	4
B2232936	GEAR - 16Z	U005_S003	39
B2385875	DC SOLENOID DC24V	U008	22
B6455010	SD Card 128MB	SPECIAL TOOLS	5
B6455020	SD Card 1GB	SPECIAL TOOLS	6
B6455030	SD Card 2GB	SPECIAL TOOLS	7
B6455040	SD Card 8GB	SPECIAL TOOLS	8
B7002649	TIMING BELT:40S2M144	U013	13
B7027105	TIMING BELT:B40S2M520:	U014	34
BE020204	PRESSURE ROLLER:DIA25	U011_S001	24
		U011_S002	24
		U011_S003	24
		U011_S004	24
		U011_S005	24
BE020304	PRESSURE ROLLER:DIA25	U011_S006	25
		U011_S007	25
		U011_S008	25
		U011_S009	25

Exclusive Parts

Number	Part Name	Group	ID
BW100147	THERMISTOR:PRESSURE	U011_S001	26
		U011_S002	26
		U011_S003	26
		U011_S004	26
		U011_S005	26
		U011_S006	26
		U011_S007	26
		U011_S008	26
		U011_S009	26
BW100150	NON-CONTACT TYPE THERMISTOR	U011_S001	27
		U011_S002	27
		U011_S003	27
		U011_S004	27
		U011_S005	27
		U011_S006	27
		U011_S007	27
		U011_S008	27
		U011_S009	27
C4019503	20X Magnification Scope	SPECIAL TOOLS	9
D0095891	LEFT RAIL - FAX CONTROL UNIT	U015	33
D0095899	RIGHT RAIL - SMALL	U015	34
D0392752	DISC:SIDE FENCE	U005_S004	40
D1054168	LEVER:LOCK:PRESSURE	U011_S001	28
		U011_S002	28
		U011_S003	28
		U011_S004	28
		U011_S005	28
		U011_S006	28
		U011_S007	28
		U011_S008	28
		U011_S009	28
D1054303	ELECTRODE PLATE:FUSING:NEUTRAL	U011_S001	29
		U011_S002	29
		U011_S003	29
		U011_S004	29
		U011_S005	29
		U011_S006	29
		U011_S007	29

Number	Part Name	Group	ID
		U011_S008	29
		U011_S009	29
D1054365	HOLDER:THERMOPILE	U011	30
D1171057	CASE:COIL SPRING:PLATE:PCU:FRONT	U016	14
D1171058	CASE:COIL SPRING:PLATE:PCU:REAR	U016	15
D1171059	SLIDER:COIL SPRING:PLATE:PCU:REAR	U016	16
D1171064	SEAL:SIDE PLATE:FRONT	U016	17
D1171068	COIL SPRING:PLATE:PCU	U016	18
D1171069	SLIDER:COIL SPRING:PLATE:PCU:FRONT	U016	19
D1171124	COVER:FAN	U016	20
D1171125	SEAL:COVER:FAN	U016	21
D1171126	DUCT:OPTICAL WRITING MD	U016	22
D1171192	TERMINAL:DEVELOPMENT BIAS:ASSY	U014	35
D1171207	SHAFT:TIMING PULLEY:PAPER EXIT UNIT	U014	36
D1171232	HOLDER:TIMING PULLEY:PAPER EXIT UNIT	U014	37
D1171301	COVER:FRONT	U001	7
D1171302	HINGE:COVER:FRONT:RIGHT	U001	8
D1171303	HINGE:COVER:FRONT:LEFT	U001	9
D1171304	BRACKET:HINGE:RIGHT	U001	10
D1171305	BRACKET:HINGE:LEFT	U001	11
D1171306	PIN:HINGE	U001	12
D1171307	MAGNET CATCH:COVER:FRONT	U001	13
D1171308	COVER:FRONT LOWER	U001	14
D1171313	COVER:UPPER	U001	15
D1171324	COVER:DEODORIZE FILTER	U001	16
D1171325	LOUVER:COVER:RIGHT REAR	U001	17
D1171326	LOUVER:DUCT	U001	18
D1171332	BRACKET:KEY COUNTER HOLDER	ACCESSORIES	14
D1171351	COVER:SUPPORT:SCANNER	U001	19
D1171353	COVER:UPPER LEFT	U001	20

Exclusive Parts

Number	Part Name	Group	ID
D1171361	INNER COVER:UPPER	U001	21
D1171371	BRACKET:CARD READER	ACCESSORIES	15
D1171372	BRACKET:CARD READER	ACCESSORIES	16
D1171801	BRACKET:MOTOR	U003	13
D1171804	CAP:TIMING PULLEY	U003	14
D1171805	GEAR:TIMING PULLEY:81-18	U003	15
D1171806	PULLEY:IDLER	U003	16
D1171807	BRACKET:IDLER:PEEN	U003	17
D1171810	SYNCHRONOUS BELT:S2M:441	U003	18
D1171820	BUSHING:BRACKET	U003	19
D1171826	GEAR:SLOW DOWN:53-19	U003	20
D1171837	COIL SPRING:TENSION	U003	21
D1171840	COVER:SCANNER:FRONT:ASS'Y	U003	22
D1171845	COVER:SCANNER:REAR	U003	23
D1171990	STEPPED SCREW	U004	3
D1171991	SPRING LOCK WASHER:DIA6.4XDA11X1.5	U004	4
D1172533	BASE:RISE:ASS'Y	U005_S001	41
D1172611	GUIDE PLATE:VERTICAL TRANSPORT:LOWER	U005	42
D1172612	GUIDE PLATE:VERTICAL TRANSPORT:UPPER	U005	43
D1172613	GUIDE:VERTICAL TRANSPORT	U005	44
D1172617	CASE:REMOVE PAPER DUST	U005	45
D1172618	GUIDE:REMOVE PAPER DUST	U005	46
D1172619	GUIDE PLATE:REGISTRATION ROLLER:DRIVEN	U005	47
D1172631	COLLAR:REGISTRATION	U005	48
D1172633	BUSHING:REGISTRATION ROLLER:DRIVE	U005	49
D1172635	BRACKET:FRAME:REGISTRATION	U005	50
D1172636	HOLDER:REGISTRATION	U005	51
D1172637	COMPRESSION SPRING:ROLLER:TENSION	U005	52
D1172638	GUIDE PLATE:REGISTRATION ROLLER:DRIVE	U005	53
D1172639	GUIDE:REGISTRATION:DRIVE:FRONT	U005	54

Number	Part Name	Group	ID
D1172640	GUIDE:REGISTRATION:DRIVE:INNER BACK	U005	55
D1172655	BASE:LIFT MOTOR:PAPER FEED:FRONT	U005_S001	56
D1172656	CASE:RISING TRAY	U005_S001	57
D1172660	DC MOTOR:2.6W:BRUSH	U005_S001	58
D1172710	GUIDE PLATE:MANUAL FEED:LOWER	U005	59
D1172711	FRICTION PAD:MANUAL FEED:ADHESION	U005	60
D1172714	COMPRESSION SPRING:SEPARATION:MANUAL FEED	U005	61
D1172717	SHAFT:PAPER FEED:MANUAL FEED	U005_S005	62
D1172719	GEAR:PAPER FEED:MANUAL FEED	U005	63
D1172721	TRAY BOTTOM PLATE:MANUAL FEED	U005_S006	64
D1172723	GUIDE:BASE:FRONT	U005_S006	65
D1172724	GUIDE:BASE:REAR	U005_S006	66
D1172725	COMPRESSION SPRING:PAPER FEED:MANUAL FEED	U005	67
D1172727	GUIDE PLATE:MANUAL FEED:MIDDLE	U005	68
D1172728	SHEET:MANUAL FEED	U005	69
D1172729	TENSION SPRING:GUIDE PLATE:MANUAL FEED	U005	70
D1172732	HOLDER:PAPER END SENSOR:MANUAL FEED	U005	71
D1172733	FEELER:PAPER END SENSOR:MANUAL FEED	U005	72
D1172734	TORSION SPRING:PAPER END SENSOR:MANUAL FEED	U005	73
D1172735	SUPPORTING PLATE:MANUAL FEED	U005	74
D1172740	SHAFT:CAM:MANUAL FEED	U005	75
D1172741	CAM:MANUAL FEED:FRONT	U005	76
D1172742	CAM:MANUAL FEED:REAR	U005	77

Exclusive Parts

Number	Part Name	Group	ID
D1172743	GEAR:CAM:MANUAL FEED	U005	78
D1172744	GEAR:CAM:IDLER:LOWER	U005	79
D1172745	GEAR:CAM:IDLER:STEPPED	U005	80
D1172746	GEAR:CAM:IDLER:UPPER	U005	81
D1172747	FEELER:CAM:MANUAL FEED	U005	82
D1172749	BRACKET:MANUAL FEED:REAR	U005	83
D1172751	BRACKET:MANUAL FEED:FRONT	U005	84
D1172752	SPRING PLATE:HOME POSITION S ENSOR:MANUAL FEED	U005	85
D1172756	FEELER:PAPER SIZE SENSOR:MA NUAL FEED	U005	86
D1172760	SUPPORTING PLATE:SMALL:MAN UAL FEED	U005	87
D1172761	LINK:MANUAL FEED TABLE	U005	88
D1172762	MANUAL FEED TABLE:ASS'Y	U005_S004	89
D1172766	SIDE FENCE:MANUAL FEED:FRON T	U005_S004	90
D1172767	SIDE FENCE:MANUAL FEED:REAR	U005_S004	91
D1172768	GEAR:SIDE FENCE	U005_S004	92
D1172769	RACK:MANUAL FEED	U005_S004	93
D1172770	COVER:MANUAL FEED TABLE	U005_S004	94
D1172771	EXTENSION TRAY:MANUAL FEED	U005_S004	95
D1172772	COMPRESSION SPRING:EXTENSI ON TRAY:MANUAL FEED	U005_S004	96
D1172773	COVER:MANUAL FEED TABLE:LO WER	U005_S004	97
D1172776	TORSION SPRING:COVER:MANUA L FEED TABLE	U005_S004	98
D1172778	COMPRESSION SPRING:RACK:MA NUAL FEED	U005_S004	99
D1172779	PIN:PINION GEAR	U005_S004	100
D1172781	COIL SPRING:PINION GEAR:MANU AL FEED	U005_S004	101
D1172782	GUIDE PLATE:MANUAL FEED TAB LE	U005_S006	102
D1172784	LINK:COVER:FRONT REAR	U005_S004	103
D1172785	LINK:COVER:MIDDLE	U005_S004	104
D1172787	STOPPER:MANUAL FEED TABLE	U005	105

Number	Part Name	Group	ID
D1172792	DECAL:SCALE:MANUAL FEED	U005_S004	106
D1172796	(-CHN):DECAL:TRAY:MANUAL FEE D:INKJET:CHINESE	ACCESSORIES	17
D1172797	(-TWN):DECAL:TRAY:MANUAL FEE D:INKJET:TAIWAN	ACCESSORIES	18
D1172799	(-NA,-AA,-KOR):DECAL:TRAY:MAN UAL FEED:INKJET	ACCESSORIES	19
D1172805	HOLDER:GRIP:PAPER TRAY	U005_S003	107
D1172806	GRIP:PAPER TRAY	U005_S003	108
D1172807	LEVER:RELEASE:PAPER TRAY	U005_S003	109
D1172808	STOPPER:GUIDE PLATE:BASE:RIS E	U005_S003	110
D1172809	TENSION SPRING:BASE:RISE	U005_S003	111
D1172813	STOPPER:PAPER TRAY	U005	112
D1172814	PRESSURE PLATE:BASE:RISE	U005_S003	113
D1172815	SPRING PLATE:SIDE FENCE:FRO NT	U005_S003_S001	114
D1172816	SHAFT:BASE:RISE	U005_S003	115
D1172819	RACK:BASE:RISE	U005_S003	116
D1172820	PINION:BASE:RISE	U005_S003	117
D1172822	BRACKET:PINION:BASE:RISE	U005_S003	118
D1172823	PAD:SIDE FENCE	U005_S003_S001 U005_S003_S002	119 119
D1172825	SIDE FENCE:FRONT:ASS'Y	U005_S003_S001	120
D1172826	COMPRESSION SPRING:SIDE FEN CE:PLATE	U005_S003_S001	121
D1172828	COMPRESSION SPRING:BASE:RIS E:AUXILIARY	U005_S003	122
D1172829	COVER:PRESSURE PLATE:BASE: RISE	U005_S003	123
D1172830	LEVER:STOPPER:FRONT	U005_S003_S001	124
D1172834	PLATE:SIDE FENCE	U005_S003_S001	125
D1172836	SIDE FENCE:REAR:ASS'Y	U005_S003_S002	126
D1172838	END FENCE	U005_S003	127
D1172839	LEVER:UN LOCK:END FENCE	U005_S003	128
D1172840	COVER:END FENCE	U005_S003	129
D1172842	(-NA,-AA,-KOR):DECAL:PAPER SE T DIRECTION:TRAY:RIGHT	ACCESSORIES	20

Exclusive Parts

Number	Part Name	Group	ID
D1172843	DECAL:PAPER SET DIRECTION:TRAY:LEFT	U005_S003	130
D1172844	DECAL:SIDE FENCE:REAR	U005_S003_S002	131
D1172846	RETAINING RINGS-E:SILENCER:DI A3	U005_S003	132
D1172848	COVER:PAPER TRAY	U005_S003	133
D1172851	PAPER FEED ROLLER:PAPER TRAY	U005_S003	134
D1172852	SHAFT:PAPER FEED ROLLER:ASSY	U005_S003	135
D1172856	ROLLER:PAPER TRAY:RIGHT	U005_S003	136
D1172858	ROLLER:PAPER TRAY:LEFT	U005_S003	137
D1172866	ROLLER:RAIL:RIGHT	U005	138
D1172870	PAPER FEED ROLLER:AUXILIARY	U005_S003	139
D1172872	FRICTION PAD:ASSY	U005_S003	140
D1172875	(-CHN):DECAL:PAPER SET DIRECTION:TRAY:RIGHT:CHINESE	ACCESSORIES	21
D1172876	(-TWN):DECAL:PAPER SET DIRECTION:TRAY:RIGHT:TAIWAN	ACCESSORIES	22
D1172877	DECAL:PAPER TRAY:SIZE INDICATION	ACCESSORIES	23
D1172882	TENSION SPRING:GRIP:LEFT	U005_S003	141
D1172884	PLATE:ROLLER:PAPER TRAY:RIGHT	U005_S003	142
D1172886	PLATE:ROLLER:PAPER TRAY:LEFT	U005_S003	143
D1172888	JOINT:BASE:RISE	U005_S001	144
D1172890	TENSION SPRING:GRIP:RIGHT	U005_S003	145
D1172894	SHAFT:PINION:BASE:RISE	U005_S003	146
D1172896	SHEET:PLATE:FRICTION PAD	U005_S003	147
D1172897	BRACKET:LEFT:ROLLER:ASSY	U005	148
D1172899	LEVER:STRETCH:TRAY:UNI:ASSY	U005_S002	149
D1172901	BRACKET:STRETCH:TRAY	U005	150
D1173354	COLLAR:TONER SUPPLY:HOUSING	U007_S001	8
D1173400	DC MOTOR:TONER SUPPLY:5.3W:BRUSH	U007_S006	9
		U007_S007	9
		U007_S008	9

Number	Part Name	Group	ID
		U007_S009	9
D1173401	COLLAR:DRIVE:BRACKET	U007_S006	10
		U007_S007	10
		U007_S008	10
		U007_S009	10
D1173402	GEAR:IDLER:DC MOTOR	U007_S006	11
		U007_S007	11
		U007_S008	11
		U007_S009	11
D1173403	GEAR:IDLER:TONER BOTTLE	U007_S006	12
		U007_S007	12
		U007_S008	12
		U007_S009	12
D1173404	SHAFT:DRIVE:AGITATOR	U007_S006	13
		U007_S007	13
		U007_S008	13
		U007_S009	13
D1173405	COMPRESSION SPRING:GEAR:TONER BOTTLE	U007_S006	14
		U007_S007	14
		U007_S008	14
		U007_S009	14
D1173410	DECAL:COLORED DISPLAY:INNER COVER:K	U016	23
D1173411	DECAL:COLORED DISPLAY:INNER COVER:C	U016	24
D1173412	DECAL:COLORED DISPLAY:INNER COVER:M	U016	25
D1173413	DECAL:COLORED DISPLAY:INNER COVER:Y	U016	26
D1174153	LEVER:PRESSURE RELEASE:FRONT:ASSY	U011_S001	31
		U011_S002	31
		U011_S003	31
		U011_S004	31
		U011_S005	31
		U011_S006	31
		U011_S007	31
		U011_S008	31
		U011_S009	31

Exclusive Parts

Number	Part Name	Group	ID
D1174155	LEVER:PRESSURE:FRONT	U011_S001	32
		U011_S002	32
		U011_S003	32
		U011_S004	32
		U011_S005	32
		U011_S006	32
		U011_S007	32
		U011_S008	32
		U011_S009	32
D1174163	LEVER:PRESSURE RELEASE:REAR:ASS'Y	U011_S001	33
		U011_S002	33
		U011_S003	33
		U011_S004	33
		U011_S005	33
		U011_S006	33
		U011_S007	33
		U011_S008	33
		U011_S009	33
D1174165	LEVER:PRESSURE:REAR	U011_S001	34
		U011_S002	34
		U011_S003	34
		U011_S004	34
		U011_S005	34
		U011_S006	34
		U011_S007	34
		U011_S008	34
		U011_S009	34
D1174235	GUIDE PLATE:FUSING EXIT	U011_S001	35
		U011_S002	35
		U011_S003	35
		U011_S004	35
		U011_S005	35
		U011_S006	35
		U011_S007	35
		U011_S008	35
		U011_S009	35
D1174236	SHEET:C:LEVER	U011_S001	36
		U011_S002	36

Number	Part Name	Group	ID		
		U011_S003	36		
		U011_S004	36		
		U011_S005	36		
		U011_S006	36		
		U011_S007	36		
		U011_S008	36		
		U011_S009	36		
		D1174238	GUIDE:FUSING EXIT:ETFE	U011_S001	37
				U011_S002	37
U011_S003	37				
U011_S004	37				
U011_S005	37				
U011_S006	37				
U011_S007	37				
U011_S008	37				
U011_S009	37				
D1174241	FUSING ENTRANCE GUIDE PLATE	U011_S001	38		
		U011_S002	38		
		U011_S003	38		
		U011_S004	38		
		U011_S005	38		
		U011_S006	38		
		U011_S007	38		
		U011_S008	38		
		U011_S009	38		
D1174251	FUSING COVER:LOWER	U011_S001	39		
		U011_S002	39		
		U011_S003	39		
		U011_S004	39		
		U011_S005	39		
		U011_S006	39		
		U011_S007	39		
		U011_S008	39		
		U011_S009	39		
D1174261	FUSING COVER:UPPER:ASS'Y	U011_S001_S001	40		
		U011_S002_S001	40		
		U011_S003_S001	40		
		U011_S004_S001	40		

Exclusive Parts

Number	Part Name	Group	ID
		U011_S005_S001	40
		U011_S006_S001	40
		U011_S007_S001	40
		U011_S008_S001	40
		U011_S009_S001	40
D1174263	DECAL:H-TEMP WARNING:FUSING	U011_S001_S001	41
		U011_S002_S001	41
		U011_S003_S001	41
		U011_S004_S001	41
		U011_S005_S001	41
		U011_S006_S001	41
		U011_S007_S001	41
		U011_S008_S001	41
		U011_S009_S001	41
D1174451	GUIDE PLATE:EXIT:LOWER	U012	10
D1174452	GATE PAWL:REVERSE	U012	11
D1174454	EXIT ROLLER	U012	12
D1174457	BRACKET:ROLLER:EXIT	U012	13
D1174465	COLLAR:GEAR:EXIT	U012	14
D1174477	BRACKET:IDLER:EXIT	U012	15
D1174481	SHAFT:COUPLING:EXIT	U012	16
D1174489	DISCHARGE BRUSH:EXIT	U012	17
D1174492	ROLLER:EXIT	U012	18
D1174495	EXTENSION TRAY:EXIT	U001	22
D1174496	END FENCE:EXIT	U001	23
D1174498	STOPPER:END FENCE:EXIT	U001	24
D1174499	COMPRESSION SPRING:END FENCE:EXIT	U001	25
D1174501	PIN:HOOK:FRAME:DUPLEX:ASS'Y	U013	14
D1174514	SHAFT:STOPPER:COVER:RIGHT	U013	15
D1174515	GROUND WIRE:DUPLEX	U013	16
D1174520	FRAME:DUPLEX:ASS'Y	U013_S001	17
D1174600	COVER:RIGHT:DUPLEX	U013	18
D1174602	BAND:STOPPER:COVER:RIGHT	U013	19
D1174607	PLATE:BAND:STOPPER	U013	20
D1174608	LEVER:FUSING:RELEASE:FRONT	U013	21
D1174609	LEVER:FUSING:RELEASE:INNER BACK	U013	22

Number	Part Name	Group	ID
D1174611	SHAFT:HINGE:DUPLEX	U013	23
D1174612	BASE:HINGE:REAR	U013	24
D1174613	BASE:HINGE:FRONT	U013	25
D1174614	COVER:HARNESS:DUPLEX	U013	26
D1174615	SPRING PLATE:EARTH:DUPLEX	U013	27
D1174616	TENSION SPRING:STOPPER:DOOR:RIGHT:FRONT	U013	28
D1174617	COLLAR:STOPPER:COVER:RIGHT	U013	29
D1174633	SHAFT:HOOK:FRAME:DUPLEX	U013_S001	30
D1174634	HOOK:FRAME:DUPLEX:FRONT	U013_S001	31
D1174635	TORSION SPRING:HOOK:FRAME:DUPLEX	U013_S001	32
D1174637	HOOK:FRAME:DUPLEX:REAR	U013_S001	33
D1174641	BRACKET:PLATE:TRANSFER:ASS'Y	U013_S001	34
D1174645	BRACKET:PLATE:TRANSFER:INNER BACK:ASS'Y	U013_S001	35
D1174651	GEAR:TRANSPORT ROLLER:DUPLEX:Z14	U013_S001	36
D1174654	SHAFT:GEAR:SWING UNIT:Z14:ASS'Y	U013_S001	37
D1174664	SHAFT:PULLEY:COUPLING:FRAME:ASS'Y	U013_S001	38
D1174671	TRANSPORT ROLLER:DUPLEX	U013 U013_S001	39 39
D1174676	SHAFT:ROLLER:DRIVEN:DUPLEX	U013	40
D1174677	ROLLER:DRIVEN:DUPLEX	U013	41
D1174678	PULLEY:IDLER	U013 U013_S001	42 42
D1174679	PULLEY:DRIVE ROLLER	U013 U013_S001	43 43
D1174682	SHAFT:HOOK:STOPPER	U013	44
D1174686	KNOB:COVER:RIGHT:DUPLEX	U013	45
D1174690	GUIDE PLATE:REVERSE:ENTRANCE:LOWER	U013	46
D1174691	GUIDE PLATE:REVERSE:EXIT:LOWER	U013_S001	47
D1174693	GUIDE PLATE:REVERSE:EXIT:UPPER	U013_S001	48

Exclusive Parts

Number	Part Name	Group	ID
	ER		
D1174697	GUIDE PLATE:MIDDLE	U013_S001	49
D1174698	GUIDE PLATE:REVERSE:ENTRANCE:UPPER	U013	50
D1174699	SHAFT:GUIDE PLATE:REVERSE:ENTRANCE:UPPER	U013	51
D1174700	FEELER:ENTRANCE SENSOR:REVERSE:DUPLEX	U013	52
D1174702	COMPRESSION SPRING:GUIDE PLATE:REVERSE:ENTRANCE	U013	53
D1174705	BRACKET:GEAR:SWIVEL:ASS'Y	U013_S001	54
D1174706	GEAR:IDLER:SWIVEL:COUPLING	U013_S001	55
D1174708	TENSION SPRING:GEAR:SWING UNIT	U013_S001	56
D1174709	COMPRESSION SPRING:ROLLER:DRIVEN:DUPLEX	U013	57
D1174712	HOLDER:BELT:COUPLING	U013	58
D1174713	SHAFT:PULLEY:WIRE	U013	59
D1174714	BAND:HOOK:DUPLEX:COUPLING	U013	60
D1174716	TORSION SPRING:FEELER:ENTRANCE SENSOR	U013	61
D1174718	SHEET:COVER:RIGHT FRONT	U013	62
D1174719	TUBE:STOPPER	U013_S001	63
D1174720	SHAFT:PULLEY:IDLER:COUPLING:ASS'Y	U013	64
D1174724	GEAR:IDLER:TIMING PULLEY:DUPLEX	U013	65
D1174727	COVER:CONNECTOR:DUPLEX SECTION:CONNECTING	U013	66
D1174731	PULLEY:WIRE:DAMPER	U013	67
D1174732	TORSION SPRING:DOOR:RIGHT:STOPPER	U013	68
D1174733	COLLAR:STOPPER:SIDE PLATE	U013	69
D1174734	BRACKET:STOPPER:SIDE PLATE:ASS'Y	U013	70
D1174737	WIRE:STOPPER:DIA1.2:ASS'Y	U013	71
D1174792	PLATE:MANUAL FEED:FRONT	U013	72
D1174794	PLATE:MANUAL FEED:INNER BACK	U013	73

Number	Part Name	Group	ID
	K		
D1175091	(-NA,-TWN):HEATER:ASS'Y	U017_S004	10
		U017_S005	10
D1175097	(-EU,-AA,-KOR,-CHN):HEATER:ASS'Y	U017_S001	11
		U017_S002	11
		U017_S003	11
D1175180	(-NA,-TWN):PCB:ACVB:100V	U015	35
D1175190	(-EU,-AA,-KOR,-CHN):PCB:ACVB:200V	U015	36
D1175303	THERMISTOR	U015	37
D1175864	GUIDE:HARNESS:FFC:OPTICAL WRITING UNIT	U015	38
D1175867	GUIDE:HARNESS:POWER SUPPLY UNIT	U015	39
D1175869	WIRE:HIGH VOLTAGE:TRANSFER: BK	U015	40
D1175870	WIRE:HIGH VOLTAGE:TRANSFER: C	U015	41
D1175871	WIRE:HIGH VOLTAGE:TRANSFER: M	U015	42
D1175872	WIRE:HIGH VOLTAGE:TRANSFER: Y	U015	43
D1175874	WIRE:HIGH VOLTAGE:DEVELOPMENT: BK	U015	44
D1175875	WIRE:HIGH VOLTAGE:DEVELOPMENT: C	U015	45
D1175876	WIRE:HIGH VOLTAGE:DEVELOPMENT: M	U015	46
D1175877	WIRE:HIGH VOLTAGE:DEVELOPMENT: Y	U015	47
D1175878	WIRE:HIGH VOLTAGE:CHARGE: BK	U015	48
D1175879	WIRE:HIGH VOLTAGE:CHARGE: C	U015	49
D1175880	WIRE:HIGH VOLTAGE:CHARGE: M	U015	50
D1175881	WIRE:HIGH VOLTAGE:CHARGE: Y	U015	51
D1175882	WIRE:HIGH VOLTAGE:DEVELOPMENT: BK:CONNECTING	U015	52
D1175883	WIRE:HIGH VOLTAGE:DEVELOPMENT: C:CONNECTING	U015	53

Exclusive Parts

Number	Part Name	Group	ID
D1175886	DUCT:POWER SUPPLY UNIT:ENT RANCE	U015	54
D1175887	DUCT:POWER SUPPLY UNIT:EXH AUST	U015	55
D1175890	GRIP:RIGHT REAR	U015	56
D1175891	GRIP:LEFT REAR	U015	57
D1175892	BRACKET:SWIVEL:SAFETY SWITC H	U015	58
D1175893	LEVER:RIGHT:SAFETY SWITCH	U015	59
D1175894	LEVER:FRONT:SAFETY SWITCH	U015	60
D1175895	TORSION SPRING:SAFETY SWITC H	U015	61
D1175899	TERMINAL:CHARGE	U015	62
D1175901	TORSION SPRING:LEVER:RIGHT:S AFETY SWITCH	U015	63
D1175902	COLLAR:SHAFT:SAFETY SWITCH	U015	64
D1175903	INNER COVER:SAFETY SWITCH	U015	65
D1175904	BRACKET:DRAWER:FUSING	U015	66
D1175905	GUIDE:WIRE:HIGH VOLTAGE:TRA NSFER:SECOND	U015	67
D1175908	BRACKET:DRAWER:OPTION TRAY	U015	68
D1175912	BRACKET:SWITCH:HEATER	U015	69
D1175915	GUIDE:WIRE:HIGH VOLTAGE:CHA RGE	U015	70
D1175916	STEPPED SCREW:M3X8:SECOND KIND	U015	71
D1175924	STOPPER:WIRE:HIGH VOLTAGE:T RANSFER	U015	72
D1175925	GUIDE:HARNES: PAPER FEED D RIVE	U015	73
D1175927	ACTUATOR:FRONT:SAFETY SWIT CH	U001	26
D1175945	SPACER:FFC	U015	74
D1176135	CAM:ON-OFF:BK	U008	23
D1176136	SHAFT:CAM:ON-OFF:BK	U008	24
D1176137	LEVER:ON-OFF:BK:INTERMEDIAT E TRANSFER	U008	25
D1176138	PRESSURE PLATE:INTERMEDIAT	U008	26

Number	Part Name	Group	ID
	E TRANSFER		
D1176181	LEVER:SUPPORT:SHUTTER	U008	27
D1176185	LEVER:OPEN AND CLOSE:SHUTT ER	U008	28
D1176312	HOLDER:DISCHARGE:TRANSPOR T SUB-UNIT	U009	9
D1176320	TERMINAL:BIAS:SEPARATION	U009	10
D1176322	COVER:PRESSURE PLATE:ENTRA NCE	U009	11
D1176327	LEVER:GROUND PLATE	U009	12
D1176350	DC MOTOR:ON-OFF:FIRST:ASS'Y: 5.3W:BRUSH	U008	29
D1176363	GEAR:ON-OFF:FIRST	U008	30
D1176364	GEAR:ON-OFF:FIRST:NO.1	U008	31
D1176365	GEAR:ON-OFF:FIRST:NO.2	U008	32
D1176366	GEAR:ON-OFF:FIRST:NO.3	U008	33
D1176375	BRACKET:FEELER:ON-OFF	U008	34
D1176376	FEELER:ON-OFF:FIRST	U008	35
D1176386	HOOK:SHUTTER:DENSITY SENSO R	U008	36
D1176389	SPACER:SHUTTER:TM SENSOR	U008	37
D1176392	SPACER:SHUTTER:SENSOR:TM	U008	38
D1176401	COLLECTION BOTTLE:ASS'Y	U010_S001	13
D1176585	(D219/D220):BRACKET:COLLECTI ON BOTTLE:RIGHT:PRESS FIT	U010	14
D1176588	BRACKET:COLLECTION BOTTLE:L EFT	U010	15
D1176590	(D219/D220):COVER:GEAR:USED TONER	U010	16
D1176877	(-CHN):DECAL:CAUTION:ORIGINA L:CHINESE	ACCESSORIES	24
D1176878	(-TWN):DECAL:CAUTION:ORIGINA L:TAIWAN	ACCESSORIES	25
D1181529	HINGE:RIGHT:ASS'Y	U002	5
D1181530	HINGE:LEFT:ASS'Y	U002	6
D1201557	(-EU):SHEET:LOGO:GES	ACCESSORIES	26
D1201558	(-EU):SHEET:LOGO:REX	ACCESSORIES	27
D1201559	(-EU):SHEET:LOGO:NAS	ACCESSORIES	28

Exclusive Parts

Number	Part Name	Group	ID
D1201560	(-EU):SHEET:LOGO:INF	ACCESSORIES	29
D1441085	STEPPED SCREW:M3	U011_S001	42
		U011_S002	42
		U011_S003	42
		U011_S004	42
		U011_S005	42
		U011_S006	42
		U011_S007	42
		U011_S008	42
		U011_S009	42
D1491553	SHEET:LOGO	ACCESSORIES	30
D1495686	PCB:DCSW	U015	75
D1495884	COMPRESSION SPRING:KEYTOP	U001	27
D1681351	COVER:UPPER FRONT:VW	U001	28
D1681352	COVER:UPPER RIGHT:FRONT:VW	U001	29
D1681353	COVER:UPPER RIGHT:REAR:VW	U001	30
D1916884	(-NA):DECAL:MAIN SWITCH:ON-STANDBY	ACCESSORIES	31
D1916885	(-EU,-AA,-KOR,-CHN,-TWN):DECAL:MAIN SWITCH:ON-STANDBY	ACCESSORIES	32
D1961036	SEAL:COVER:LEFT	U016	27
D1961066	LEVER:LOCK:FRONT	U016	28
D1961087	LEVER:LOCK:REAR	U016	29
D1961127	DUCT:LEFT:VACUUM	U016	30
D1961128	COVER:DUCT:LEFT:VACUUM	U016	31
D1961143	DUCT:REAR:BASE	U016	32
D1961152	DRIVE UNIT:DRUM:DEVELOPMENT:TRANSFER:ASS'Y	U014_S001	38
D1961177	COVER:ELECTROMAGNETIC CLUTCH:DEVELOPMENT:DIA6	U014	39
D1961180	SHAFT:DRIVE:DEVELOPMENT:ELECTROMAGNETIC CLUTCH:PRESS FIT	U014	40
D1961321	COVER:RIGHT REAR	U001	31
D1961322	KEYTOP:MAIN SWITCH	U001	32
D1961323	DEODORIZE FILTER	U001	33
D1961331	COVER:LEFT	U001	34
D1961480	(-EU,-NA,-AA,-KOR,-TWN):OPERAT	U002_S001	7

Number	Part Name	Group	ID
	ION PANEL:ASS'Y	U002_S002	7
		U002_S003	7
		U002_S004	7
D1961492	COVER:HINGE:G1	U002	8
D1961493	COVER:HINGE:G2	U002	9
D1961494	COVER:REAR:MIDDLE	U002	10
D1961495	COVER:SIDE	U002	11
D1961496	PLATE:HINGE	U002	12
D1961500	(-CHN):OPERATION PANEL:ASS'Y	U002_S005	13
D1961651	CARRIAGE:SCANNER:ASS'Y	U003_S001	24
D1961657	(-NA):ORIGINAL TRAY:SCANNER:ASS'Y	U003	25
D1961658	(-EU,-AA,-KOR,-CHN,-TWN):ORIGINAL TRAY:SCANNER:ASS'Y	U003	26
D1961747	(-EU,-AA,-KOR,-CHN,-TWN):DECAL:SCALE:LEFT	U003	27
D1961748	(-NA):DECAL:SCALE:LEFT	U003	28
D1961860	(D196/D214/D236):OPTICAL WRITING UNIT:ASS'Y	U004_S001	5
		U004_S002	5
D1962623	GROUND PLATE:REGISTRATION ROLLER	U005	151
D1962624	HOLDER:RESISTOR:REGISTRATION	U005	152
D1962626	GROUND PLATE:BRACKET:REMOVE PAPER DUST	U005	153
D1962720	TRAY BOTTOM PLATE:MANUAL FEED:ASS'Y	U005_S006	154
D1962791	GROUND PLATE:TRAY BOTTOM PLATE:MANUAL FEED:FRONT	U005	155
D1962793	GROUND PLATE:TRAY BOTTOM PLATE:MANUAL FEED:INNER BACK	U005	156
D1962794	HOLDER:RESISTOR:MANUAL FEED:BASE	U005	157
D1962798	INSULATING SHEET:BASE:MANUAL FEED	U005	158
D1962800	PAPER TRAY:ASS'Y	U005_S003	159
D1962817	LEVER:BASE:RISE	U005_S003	160
D1962845	BASE:TRAY:ASS'Y	U005_S003_S003	161

Exclusive Parts

Number	Part Name	Group	ID
D1962849	BRACKET:PIN:STRETCH:TRAY:PE EN	U005_S003	162
D1963301	HOUSING:TONER SUPPLY:ASS'Y	U007_S001	15
D1963302	TONER HOPPER:TONER SUPPLY: BK:ASS'Y	U007_S002	16
D1963303	TONER HOPPER:TONER SUPPLY: CMY:ASS'Y	U007_S003	17
		U007_S004	17
		U007_S005	17
D1963304	DRIVE UNIT:TONER SUPPLY:ASS' Y	U007_S006	18
		U007_S007	18
		U007_S008	18
		U007_S009	18
D1963390	GEAR:TONER HOPPER:DRIVE SU B-UNIT	U007_S006	19
		U007_S007	19
		U007_S008	19
		U007_S009	19
D1964031	(-NA):FUSING UNIT:SERVICE PAR TS	U011_S004	43
D1964032	(-EU,-AA,-KOR,-CHN):FUSING UNIT :SERVICE PARTS	U011_S001	44
		U011_S002	44
		U011_S003	44
D1964033	(-TWN):FUSING UNIT:SERVICE PA RTS	U011_S005	45
D1964034	(-NA):FUSING UNIT:SERVICE PAR TS	U011_S008	46
D1964035	(-EU,-AA,-KOR):FUSING UNIT:SER VICE PARTS	U011_S006	47
		U011_S007	47
D1964036	(-TWN):FUSING UNIT:SERVICE PA RTS	U011_S009	48
D1964037	(-NA):SLEEVE:FUSING:ASS'Y	U011_S004_S002	49
		U011_S008_S002	49
D1964038	(-EU,-AA,-KOR,-CHN):SLEEVE:FUS ING:ASS'Y	U011_S001_S002	50
		U011_S002_S002	50
		U011_S003_S002	50
		U011_S006_S002	50
		U011_S007_S002	50
D1964039	(-TWN):SLEEVE:FUSING:ASS'Y	U011_S005_S002	51
		U011_S009_S002	51

Number	Part Name	Group	ID
D1964124	BRACKET:THERMISTOR:PRESSU RE:FRONT	U011_S001	52
		U011_S002	52
		U011_S003	52
		U011_S004	52
		U011_S005	52
		U011_S006	52
		U011_S007	52
		U011_S008	52
		U011_S009	52
D1964125	DISCHARGE BRUSH:BRACKET:TH ERMISTOR:PRESSURE:REAR	U011_S001	53
		U011_S002	53
		U011_S003	53
		U011_S004	53
		U011_S005	53
		U011_S006	53
		U011_S007	53
		U011_S008	53
		U011_S009	53
D1964126	BRACKET:RESISTOR	U011_S001	54
		U011_S002	54
		U011_S003	54
		U011_S004	54
		U011_S005	54
		U011_S006	54
		U011_S007	54
		U011_S008	54
		U011_S009	54
D1964194	GUIDE:HARNESS:FUSING	U011_S001	55
		U011_S002	55
		U011_S003	55
		U011_S004	55
		U011_S005	55
		U011_S006	55
		U011_S007	55
		U011_S008	55
		U011_S009	55
D1964231	STRIPPER PLATE	U011_S001	56
		U011_S002	56

Exclusive Parts

Number	Part Name	Group	ID
		U011_S003	56
		U011_S004	56
		U011_S005	56
		U011_S006	56
		U011_S007	56
		U011_S008	56
		U011_S009	56
D1964455	GEAR:EXIT	U012	19
D1964470	GROUND PLATE:ROTARY SOLENOID	U012	20
D1964472	GEAR:IDLER:EXIT	U012	21
D1964473	BRACKET:GEAR:EXIT	U012	22
D1964474	SHAFT:ROTARY SOLENOID	U012	23
D1964475	LEVER:CHANGE:GATE PAWL	U012	24
D1964476	GEAR:IDLER:LARGE:EXIT	U012	25
D1964477	GEAR:CHANGE:EXIT	U012	26
D1964480	BRACKET:ROTARY SOLENOID:ASSY	U012	27
D1964483	STOPPER:GATE PAWL:FRONT	U012	28
D1964491	ROTARY SOLENOID:EXIT	U012	29
D1964492	DAMPING INSULATION:ROTARY SOLENOID	U012	30
D1964493	DAMPING INSULATION:ROTARY SOLENOID:SIDE	U012	31
D1964630	FRAME:DUPLEX	U013_S001	74
D1964717	COVER:ENTRANCE SENSOR	U013	75
D1964723	SPONGE:DOOR:RIGHT:UPPER	U013	76
D1964729	SHEET:COVER:RIGHT:2	U013	77
D1964730	SHEET:COVER:RIGHT:4	U013	78
D1965100	(D196/D214/D236):PCB:BICU:ASSY	U015	76
D1965160	PCB:BRB	U007	20
D1965854	COVER:REAR	U001	35
D1965873	WIRE:HIGH VOLTAGE:TRANSFER:SECOND	U015	77
D1965930	COVER:HARNESS:PCU:FRONT	U015	78
D1965961	GUIDE:WIRE:HIGH VOLTAGE:TRANSFER:CONNECTING	U015	79
D1965967	TERMINAL:HIGH VOLTAGE:TRANSFER	U015	80

Number	Part Name	Group	ID
	FER:SECOND		
D1966002	TRANSFER UNIT:INTERMEDIATE TRANSFER:SERVICE:ASSY	U008_S001	39
D1966201	TRANSFER/SEPARATION UNIT:SE COND:ASSY	U009_S001	13
D1966315	CASING:TRANSFER ROLLER:FRONT	U009	14
D1966316	CASING:TRANSFER ROLLER:REAR	U009	15
D1966317	STAY:CASING:TRANSFER ROLLER	U009	16
D1966318	PRESSURE PLATE:HOLDER:TRANSFER ROLLER:REAR	U009	17
D1966319	STOPPER:PRESSURE:TRANSFER ROLLER	U009	18
D1966321	TERMINAL:BIAS:TRANSFER:SECOND:CASE	U009	19
D1966323	PLATE:STAY:TRANSFER/SEPARATION UNIT	U009	20
D1966328	TERMINAL:BIAS:TRANSFER ROLLER	U009	21
D1966334	COMPRESSION SPRING:EARTH:STAY:TRANSFER/SEPARATION UNIT	U009	22
D1966356	BRACKET:DRIVE:ON-OFF:ASSY	U008	40
D1966362	COVER:BRACKET:DRIVE:ON-OFF	U008	41
D1966381	GUIDE PLATE:BRACKET:DENSITY SENSOR:FRONT:ASSY	U008	42
D1966383	GUIDE PLATE:BRACKET:DENSITY SENSOR:REAR:ASSY	U008	43
D1966388	BRACKET:DENSITY SENSOR	U008	44
D1966390	SHUTTER:DENSITY SENSOR	U008	45
D1966391	GUIDE PLATE:RELAY	U008	46
D1966395	DENSITY SENSOR:P/TM	U008	47
D1966801	(D196/D214):(-EU,-NA,-AA,-KOR):DECAL:MODEL NAME PLATE:RIC	ACCESSORIES	33
D1966811	(-AA,-KOR):SHEET:LOGO:LAN	ACCESSORIES	34
D1966812	(-AA,-KOR):SHEET:LOGO:GES	ACCESSORIES	35

Exclusive Parts

Number	Part Name	Group	ID
D1969590	NVRAM	U015	81
D2025818	BRACKET:HDD	U015	82
D2051526	GASKET:HINGE	U009	23
D2140121	(D219/D220):PCDU:BK:SERVICE PARTS	U006_S004	11
		U006_S005	11
		U006_S006	11
		U006_S007	11
D2140122	PCDU:C:SERVICE PARTS	U006_S001	12
D2140123	PCDU:M:SERVICE PARTS	U006_S002	13
D2140124	PCDU:Y:SERVICE PARTS	U006_S003	14
D2140125	(D196/D214/D236):PCDU:BK:SERVICE PARTS	U006_S008	15
D2146801	(-CHN):DECAL:MODEL NAME PLATE:RIC	ACCESSORIES	36
D2191860	(D219/D220):OPTICAL WRITING UNIT:ASS'Y	U004_S003	6
		U004_S004	6
		U004_S005	6
		U004_S006	6
		U004_S007	6
		U004_S008	6
		U004_S009	6
		U004_S010	6
D2195100	(D219/D220):PCB:BICU:ASS'Y	U015	83
D2196800	(D219/D220):(-EU,-NA,-AA,-KOR):DECAL:MODEL NAME PLATE:RIC	ACCESSORIES	37
D2206801	(D220):(-TWN):DECAL:MODEL NAME PLATE:RIC	ACCESSORIES	38
D2366801	(D236):(-TWN):DECAL:MODEL NAME PLATE:RIC	ACCESSORIES	39
D3A95262	(-NA):MODULER CORD:CORE	ACCESSORIES	40
D3AT0010	(Base Set):MAIN:ASS'Y	U017_S011	12
D3AW5681	(D219/D220):PCB:CTL_JL2_S:2ND	U015	84
D3AW5682	(D196/D214/D236):PCB:CTL_JL2_S:2ND	U015	85
D5730400	(-NA.-TWN):HEATER:DEHUMIDIFIER	U017_S009	13
		U017_S010	13
D5730401	(-EU,-AA,-KOR,-CHN):HEATER:DEHUMIDIFIER	U017_S006	14
		U017_S007	14

Number	Part Name	Group	ID
		U017_S008	14
D7728411	(Pin Set):STUD:ASS'Y	U017	15
D7728431	(Bracket Set):BRACKET:ASS'Y	U017	16
G0205626	PUSH SWITCH	U005	163
G1634453	GUIDE PLATE:REVERSE:UPPER	U012	32
G1634459	STOPPER:EXIT:EXIT	U012	33
G1634460	ROLLER:DRIVEN:EXIT	U012	34
G1634461	SPRING:PRESSURE:EXIT:OUTER	U012	35
G1634463	GUIDE:PLATE:EXIT	U012	36
G1634465	ROLLER:DRIVEN:DUPLEX:INNER	U012	37
G1634466	ROLLER:DRIVEN:EXIT	U012	38
G1634467	ROLLER:DRIVEN:DUPLEX	U012	39
G1634468	SPRING:PRESSURE:EXIT:INNER	U012	40
G1634469	SPRING:PRESSURE:DUPLEX	U012	41
G1666057	PLAIN SHAFT BEARING:ROLLER:BLADE	U008	48
G5553069	BASEPAD	U005_S003_S003	164
		U005_S006	164
GA082010	BUSHING:DIA6:DIA10:9	U013	79
		U013_S001	79
GA082014	PLAIN SHAFT BEARING:DIA6:DIA10:9	U012	42
GA082015	PLAIN SHAFT BEARING:DIA6:DIA9:7	U013	80
GB013090	GEAR:PRESSURE ROLLER:Z29	U011_S001	57
		U011_S002	57
		U011_S003	57
		U011_S004	57
		U011_S005	57
		U011_S006	57
		U011_S007	57
		U011_S008	57
		U011_S009	57
GB013092	GEAR:IDLER:PRESSURE:Z17	U011_S001	58
		U011_S002	58
		U011_S003	58
		U011_S004	58
		U011_S005	58

Exclusive Parts

Number	Part Name	Group	ID
		U011_S006	58
		U011_S007	58
		U011_S008	58
		U011_S009	58
GW010007	PHOTO REFLECTION SENSOR:EXIT	U012	43
GX645734	FAN MOTOR:MM80 DC24V 3.12W	U015	86
H5235350	TELEPHONE CABLE	ACCESSORIES	41
M0261265	CAP:TOTAL COUNTER	U001	36
M0262993	DECAL:SIDE FENCE:MANUAL FEED	U005_S004	165
M0266890	(-EU,-NA,-AA,-KOR):DECAL:CAUTION:ORIGINAL:ENGLISH	ACCESSORIES	42
M0662743	FRICTION PAD:MANUAL FEED TABLE:18X7.5	U005_S004	166
M0963989	RESISTOR:TRANSFER/SEPARATION	U005	167
		U005_S003	167
		U011_S001	59
		U011_S002	59
		U011_S003	59
		U011_S004	59
		U011_S005	59
		U011_S006	59
		U011_S007	59
		U011_S008	59
		U011_S009	59
M1011301	PLATE:LOGO:RIC	ACCESSORIES	43
M4445201	HDD:320GB:AQUARIUS	U015	87
Note	See 2D parts catalog for the components of the Smart Operation Panel.	U002_S001	14
		U002_S002	14
		U002_S003	14
		U002_S004	14
		U002_S005	14

Standard Parts



03125040N
SCREW - M2.5X4



03130060N
SCREW - M3X6



03530030N
SCREW:M3X3



03530040N
SCREW - M3X4



03530060N
BIND SCREW - M3X6



03603006N
SCREW - M3X6



03603012N
SCREW:M3X12



03603014N
SCREW - M3X14



04503008N
TAPPING SCREW - M3X8



04503010N
TAPPING SCREW - M3X10



04503012N
TAPPING SCREW:3X12



04503014N
TAPPING SCREW:M3X14



04503025N
TAPPING SCREW:3X25



04503035N
TAPPING SCREW:3X35



04504008N
TAPPING SCREW - M4X8



04513006N
TAPPING SCREW - 3X6



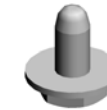
04513008N
TAPPING SCREW - M3X8



04523008N
TAPPING SCREW - M3X8



04523010N
BINDING SELF-TAPPING SCREW:3X10



04543006Q
TAPPING SCREW - M3X6



04543008N
TAPPING SCREW:ROUND POINT:3X8



04543008Q
TAPPING SCREW:3X8



04583008N
HEXAGON HEAD TAPPING SCREW:3X8



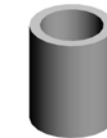
04583010N
HEXAGON HEAD TAPPING SCREW:3X10



06220120E
SPRING PIN - 2X12MM



06320080G
PARALLEL KEY - 2X8MM



07073050N
BUSHING:DIA3X5



07200025E
RETAINING RING - M2.5

Standard Parts



07200030E
RETAINING RING - M3



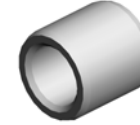
07200040E
RETAINING RING - M4



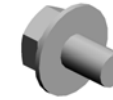
07200060E
RETAINING RING - M6



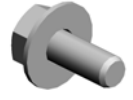
07270080E
RETAINING RING - M8



07330406
BUSHING - 4X6



08010231
HEXAGONAL HEAD BOLT W/
WASHER:M3X6



08046123
HEXAGONAL BOLT:W/WASH
ER:M3X8



08046128
HEXAGONAL BOLT:DOUBLE
SCREW:M3X10



08050103
RETAINING RINGS-E:SILENC
ER:DIA3



08050104
RETAINING RINGS-E:SILENC
ER:DIA4



08053579
BALL BEARING:DIA8XDIA16X
5



09543006N
SCREW - M3X6



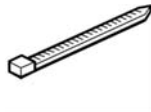
09544008N
SCREW - M4X8



09544012N
SCREW:POLISHED ROUND/
SPRING:M4X12



09573010N
SCREW:SMALL ROUND/SPRI
NG:M3X10



11050042
WIRE BAND



11050348
CLAMP



11050508
HARNESS CLAMP - LWS-071
1



11050511
HARNESS CLAMP - LWS-030
6ZC



11050516
CLAMP



11050534
CLAMP



11050542
HARNESS CLAMP - MSBS-12



11050545
CLAMP:FCR-30



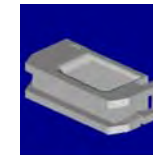
11050582
CLAMP:RBWS-0510D-V0



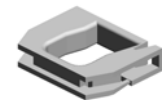
11050637
HARNESS CLAMP - KGLS-10
RT(V0)



11050692
CLAMP:LES-0503

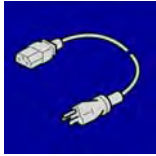


11050723
CLAMPS:WES-0507

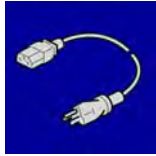


11050724
CLAMPS:WES-1210

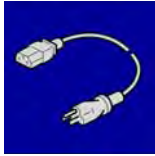
Standard Parts



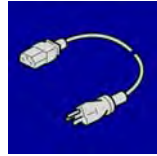
11500409
(-TWN):POWER SUPPLY CODE:125V:15A



11500427
(-NA):POWER SUPPLY CODE:125V:15A



11500456
(-CHN):POWER SUPPLY CODE:250V:10A



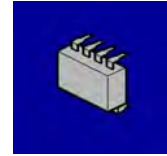
11500458
(-EU,-AA,-KOR):POWER SUPPLY CODE:250V:10A



12042570
ROCKER SWITCH:SDDJE13200



12042612
MICRO SWITCH:D3V-16506-3C25



14077667
EEPROM:BR24T128-W



16072251
(D219/D220):(-EU,-NA,-AA):FERRITE CORE:K3 NF-75(N)BK0



16072298
FERRITE CORE:K3 FF 33.50X8.00X6.50X1.30



16072358
FERRITE CORE:K3 FF 33.50X20.00X6.50X1.30

PM Part List

Number	Part Name	Num	Group	ID
D1176401	COLLECTION BOTTLE:ASSY	1	U010_S001	13
D1964037	(-NA):SLEEVE:FUSING:ASSY	2	U011_S004_S002	49
			U011_S008_S002	49
D1964038	(-EU,-AA,-KOR,-CHN):SLEEVE:FUSING:ASSY	5	U011_S001_S002	50
			U011_S002_S002	50
			U011_S003_S002	50
			U011_S006_S002	50
			U011_S007_S002	50
D1964039	(-TWN):SLEEVE:FUSING:ASSY	2	U011_S005_S002	51
			U011_S009_S002	51
D2140121	(D219/D220):PCDU:BK:SERVICE PARTS	4	U006_S004	11
			U006_S005	11
			U006_S006	11
			U006_S007	11
D2140125	(D196/D214/D236):PCDU:BK:SERVICE PARTS	1	U006_S008	15

