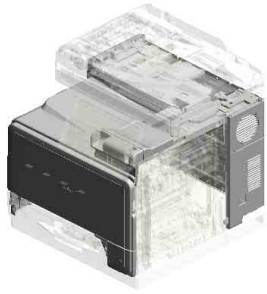


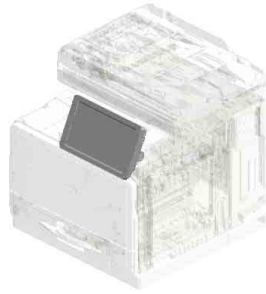
**MP C307SP/C307SPF/C307SPFG/C407SP/C407SPF**  
**(D296/D297/D298/D299)**  
**Parts Catalog**

Model	Product Code	PC Style
MP C307SP/SPF/SPFG MP C407SP/SPF	D297/D298 D296/D299	3D
1 Bin Tray BN1030	D574	3D
Paper Feed Unit PB1080/PB1080TE	D573	3D
PostScript3 Unit Type M28	D3E6	Traditional
Camera Direct Print Card Type M26	D3D8	Traditional
XPS Direct Print Option Type M28	D3E6	Traditional
Data Overwrite Security Unit Type M19	D3BS	Traditional
OCR Unit Type M13	D3AC	Traditional
IEEE 1284 Interface Board Type M19	D3C0	Traditional
IEEE 802.11a/g/n Interface Unit Type M19	D3BR	Traditional
USB Device Server Option Type M19	D3BC	Traditional
Extended USB Board Type M19	D3BS	Traditional
Enhanced Security HDD Option Type M10	D792	Traditional
File Format Converter Type M19	D3BR	Traditional
NFC Card Reader Type M13	D3AC	Traditional
Optional Counter Interface Unit Type M12	B870	Traditional
Page Keeper Type M28	D3DQ	Traditional
Fax Option Type M28	D3E7	Traditional
Fax Connection Unit Type M28	D3E7	Traditional
Handset Type C5502	D645	Traditional
Smart Operation Panel	D296	Traditional

# Unit All



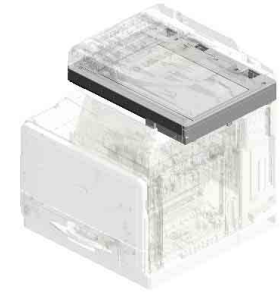
U001  
EXTERIOR



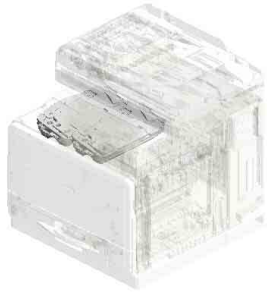
U002  
OPERATION



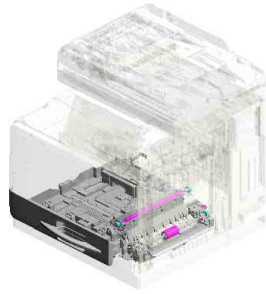
U003  
ADF



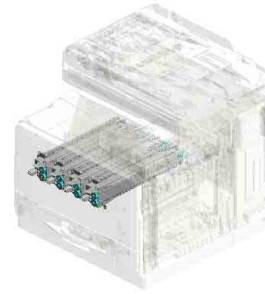
U004  
SCANNER



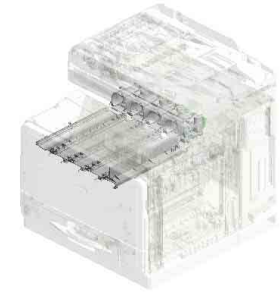
U005  
LASER UNIT



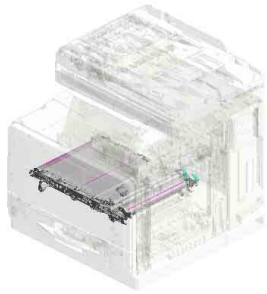
U006  
PAPER FEED



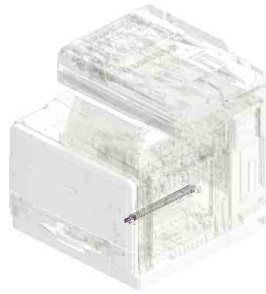
U007  
PCDU



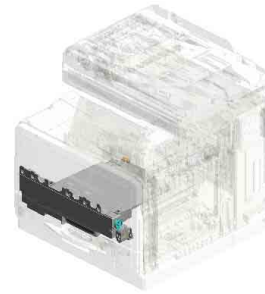
U008  
DEVELOPMENT



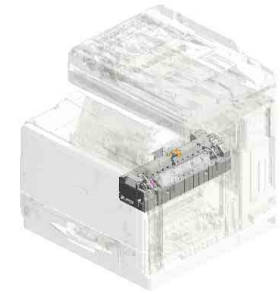
U009  
ITB UNIT



U010  
TRANSFER/SEPARATION

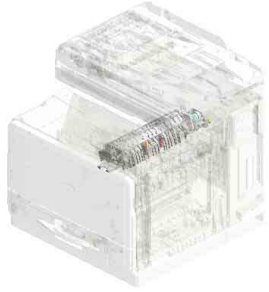


U011  
USED TONER



U012  
FUSING

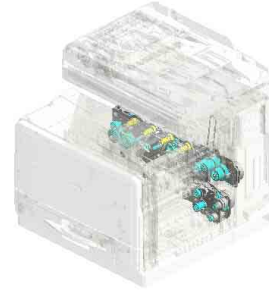
# Unit All



U013  
PAPER EXIT



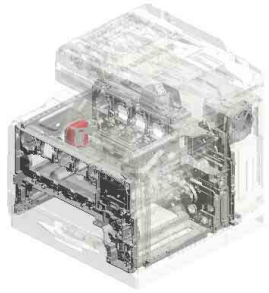
U014  
DUPLEX



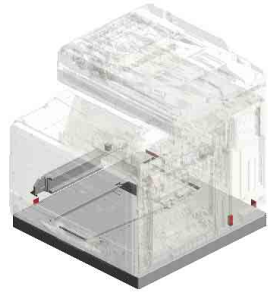
U015  
MAIN DRIVE



U016  
ELECTRICAL



U017  
MAIN FRAME



U018  
OPTION

# U001 EXTERIOR

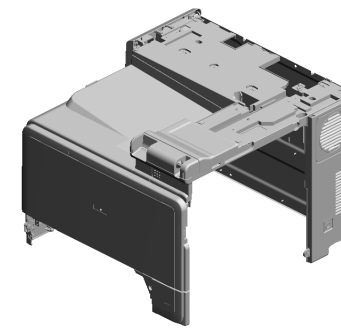
3.04513006N  
TAPPING SCREW -  
3X6

20.D1171361  
INNER COVER:UP  
PER

7.D1171301  
COVER:FRONT

2.04503008N  
(x10)  
TAPPING SCREW -  
M3X8

6.AG070513  
MAGNET CATCH



2.04503008N (x 1)  
TAPPING SCREW - M3X8

13.D1171307  
(x2)  
MAGNET CATCH:C  
OVER:FRONT

4.04583010N  
(x25)  
HEXAGON HEAD T  
APPING SCREW:3  
X10

8.D1171302  
HINGE:COVER:FR  
ONT:RIGHT

5.54472681  
(x2)  
SNAP RING

14.D1171308  
COVER:FRONT LO  
WER

10.D1171304  
BRACKET:HINGE:R  
IGHT

18.D1171326  
LOUVER:DUCT

16.D1171324  
COVER:DEODORIZ  
E FILTER

17.D1171325  
LOUVER:COVER:R  
IGHT REAR

1.03603006N  
(x8)  
SCREW - M3X6

19.D1171353  
COVER:UPPER LE  
FT

15.D1171313  
COVER:UPPER

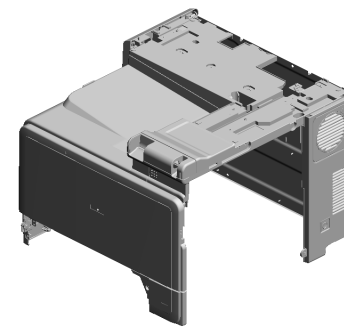
9.D1171303  
HINGE:COVER:FR  
ONT:LEFT

12.D1171306  
(x2)  
PIN:HINGE

11.D1171305  
BRACKET:HINGE:L  
EFT

# U001 EXTERIOR

- 35.D2961358 GROUND PLATE:UPPER
- 21.D1174495 EXTENSION TRAY:EXIT
- 22.D1174496 END FENCE:EXIT
- 23.D1174498 STOPPER:END FENCE:EXIT
- 24.D1174499 COMPRESSION SPRING:END FENCE:EXIT

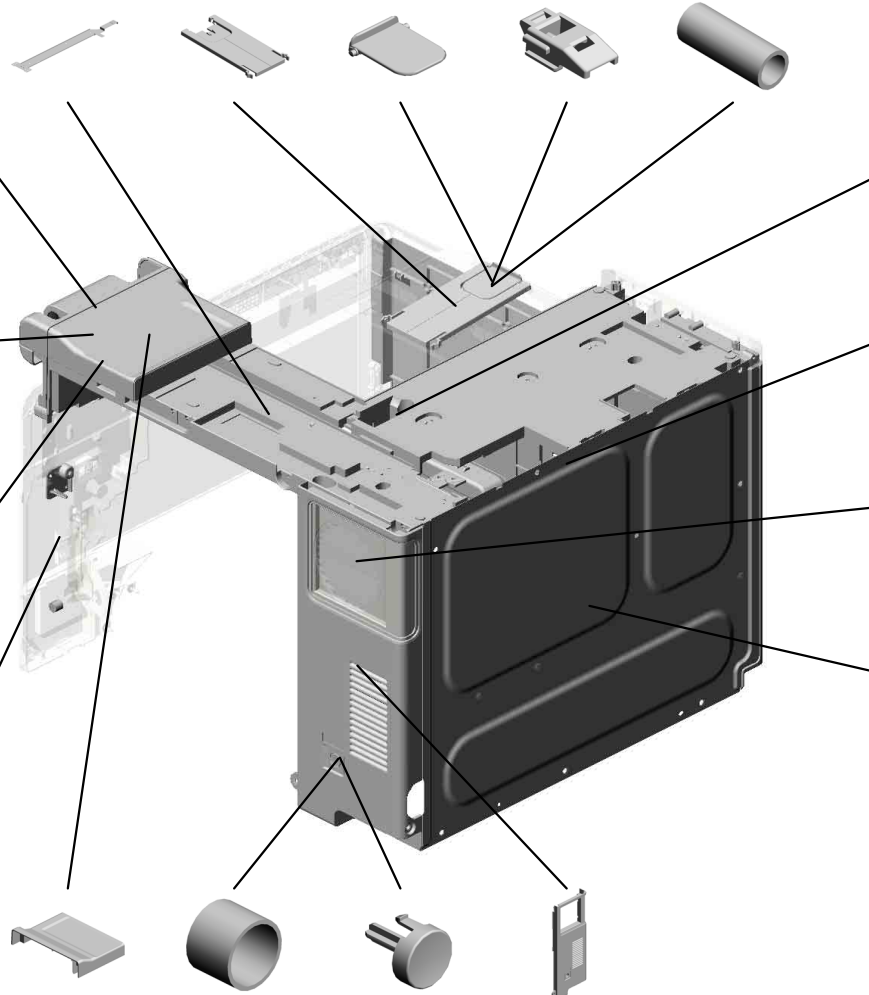


32.D2961352  
COVER:UPPER RIGHT:FRONT

34.D2961354  
COVER:UPPER FRONT

36.D2961359  
GROUND PLATE:FRONT

25.D1175927  
ACTUATOR:FRONT:SAFETY SWITCH



31.D2961351  
COVER:SUPPORT:SCANNER

30.D2961331  
COVER:LEFT

29.D1961323  
DEODORIZE FILTER

37.D2965854  
COVER:REAR

33.D2961353  
COVER:UPPER RIGHT:REAR

26.D1495884  
COMPRESSION SPRING:KEYTOP

28.D1961322  
KEYTOP:MAIN SWITCH

27.D1961321  
COVER:RIGHT REAR

U001	U002	U003	U004	U005	U006	U007	U008	U009	U010	U011	U012	U013	U014	U015	U016	U017	U018
------	------	------	------	------	------	------	------	------	------	------	------	------	------	------	------	------	------

# U002.OPERATION

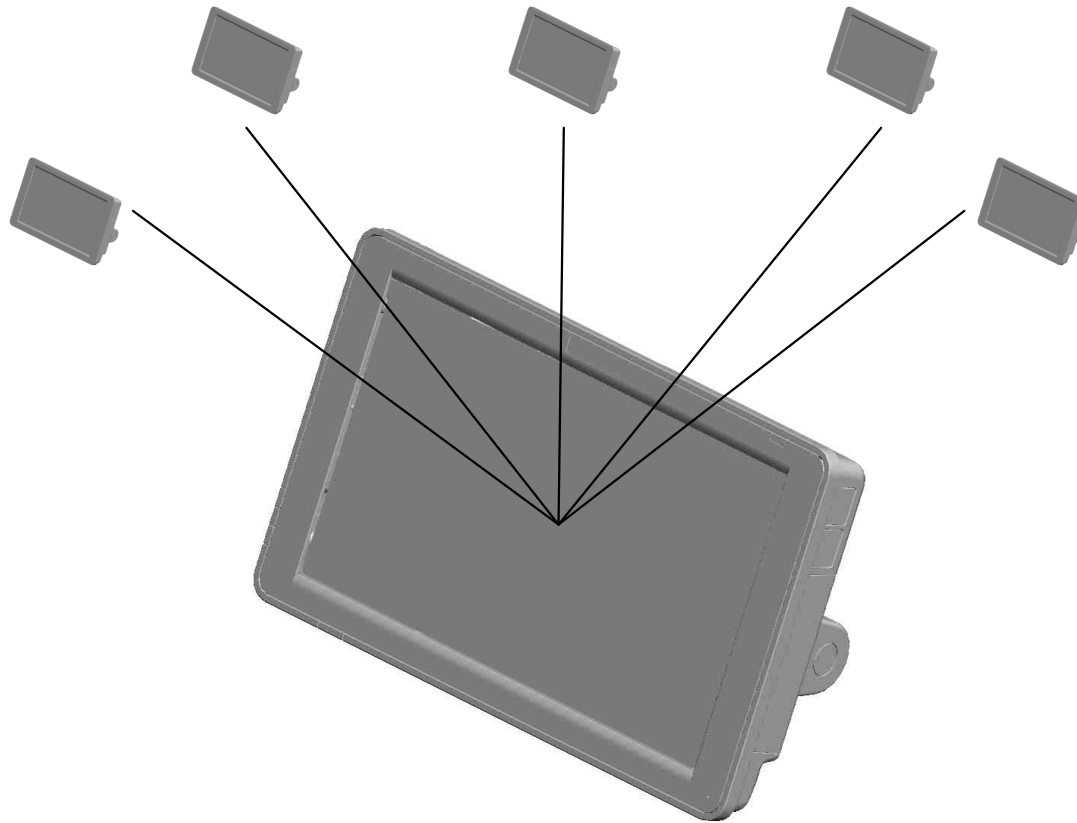
U002\_S001  
D2961481  
(CHN):OPERATION PANEL:ASSY

U002\_S002  
D2961480  
(EU/NA/AA/KOR/TWN):OPERATION PANEL:ASSY

U002\_S003  
D2961480  
(EU/NA/AA/KOR/TWN):OPERATION PANEL:ASSY

U002\_S005  
D2961480  
(EU/NA/AA/KOR/TWN):OPERATION PANEL:ASSY

U002\_S004  
D2961480  
(EU/NA/AA/KOR/TWN):OPERATION PANEL:ASSY



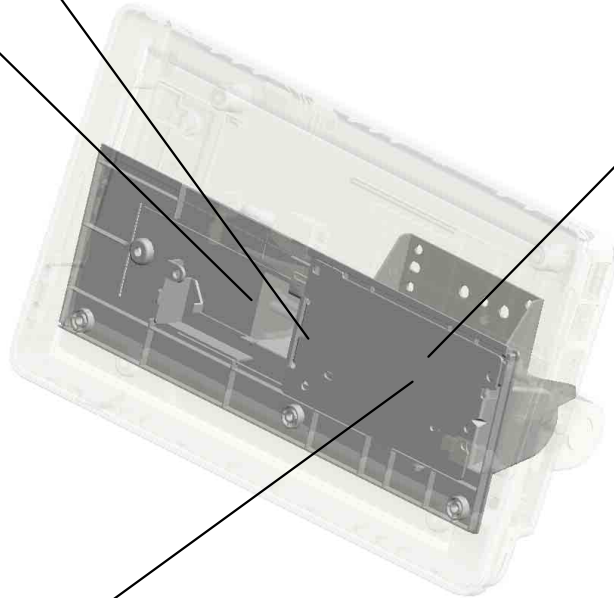
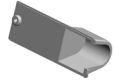
U001	<b>U002</b>	U003	U004	U005	U006	U007	U008	U009	U010	U011	U012	U013	U014	U015	U016	U017	U018
------	-------------	------	------	------	------	------	------	------	------	------	------	------	------	------	------	------	------

# U002 OPERATION

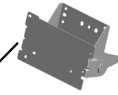
11.M0A01422  
COVER:REAR:LA  
RGE:OPERATION S  
UB-UNIT



9.M0A01420  
COVER:HINGE:OP  
ERATION PANEL



8.D2961500  
HINGE:GRI-C3:OP  
ERATION SUB-UNI  
T



5.11050582  
CLAMP:RBWS-051  
0D-V0

1.03530040N (x 5)  
SCREW - M3X4  
2.03530060N (x 4)  
BIND SCREW - M3X6  
3.04513008N (x 1)  
TAPPING SCREW - M3X8  
4.04583010N (x 4)  
HEXAGON HEAD TAPPING SCREW:3X  
10

10.M0A01421  
COVER:REAR:SM  
ALL:OPERATION S  
UB-UNIT





U002\_S001  
(CHN):OPERATION PANEL:ASS'Y



7.D2961481  
(CHN):OPERATION  
PANEL:ASS'Y

See 2D parts catalog  
for the components of  
the Smart Operation  
Panel.

12.Note  
See 2D parts catalog  
for the components of the Smart Operation Panel.

U001	U002	U003	U004	U005	U006	U007	U008	U009	U010	U011	U012	U013	U014	U015	U016	U017	U018
------	------	------	------	------	------	------	------	------	------	------	------	------	------	------	------	------	------

U002\_S002  
(EU/NA/AA/KOR/TWN):OPERATION PANEL:ASS'Y



6.D2961480  
(EU/NA/AA/KOR/T  
WN):OPERATION P  
ANEL:ASS'Y

See 2D parts catalog  
for the components of  
the Smart Operation  
Panel.

12.Note  
See 2D parts catalog  
for the components of the Smart Operation Panel.

U001	U002	U003	U004	U005	U006	U007	U008	U009	U010	U011	U012	U013	U014	U015	U016	U017	U018
------	------	------	------	------	------	------	------	------	------	------	------	------	------	------	------	------	------

U002\_S003  
(EU/NA/AA/KOR/TWN):OPERATION PANEL:ASS'Y



6.D2961480  
(EU/NA/AA/KOR/T  
WN):OPERATION P  
ANEL:ASS'Y

See 2D parts catalog  
for the components of  
the Smart Operation  
Panel.

12.Note  
See 2D parts catalog  
for the components of the Smart Operation Panel.

U001	U002	U003	U004	U005	U006	U007	U008	U009	U010	U011	U012	U013	U014	U015	U016	U017	U018
------	------	------	------	------	------	------	------	------	------	------	------	------	------	------	------	------	------

U002\_S004  
(EU/NA/AA/KOR/TWN):OPERATION PANEL:ASS'Y



6.D2961480  
(EU/NA/AA/KOR/T  
WN):OPERATION P  
ANEL:ASS'Y

See 2D parts catalog  
for the components of  
the Smart Operation  
Panel.

12.Note  
See 2D parts catalog  
for the components of the Smart Operation Panel.

U001	U002	U003	U004	U005	U006	U007	U008	U009	U010	U011	U012	U013	U014	U015	U016	U017	U018
------	------	------	------	------	------	------	------	------	------	------	------	------	------	------	------	------	------

U002\_S005  
(EU/NA/AA/KOR/TWN):OPERATION PANEL:ASS'Y



6.D2961480  
(EU/NA/AA/KOR/T  
WN):OPERATION P  
ANEL:ASS'Y

See 2D parts catalog  
for the components of  
the Smart Operation  
Panel.

12.Note  
See 2D parts catalog  
for the components of the Smart Operation Panel.

U001	U002	U003	U004	U005	U006	U007	U008	U009	U010	U011	U012	U013	U014	U015	U016	U017	U018
------	------	------	------	------	------	------	------	------	------	------	------	------	------	------	------	------	------

# U003.ADF

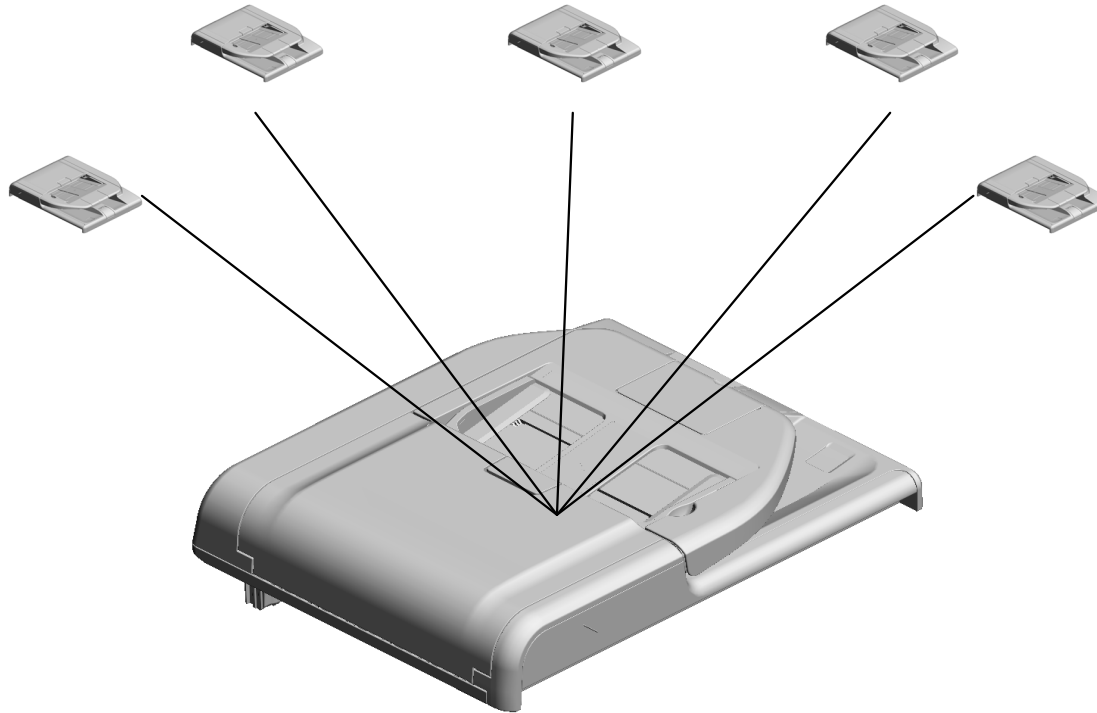
U003\_S001  
D2961803  
(EU):ADF:ASS'Y

U003\_S002  
D2961800  
(NA/AA/KOR):ADF:ASS'Y

U003\_S003  
D2961800  
(NA/AA/KOR):ADF:ASS'Y

U003\_S005  
D2961801  
(CHN):ADF:ASS'Y

U003\_S004  
D2961802  
(TWN):ADF:ASS'Y

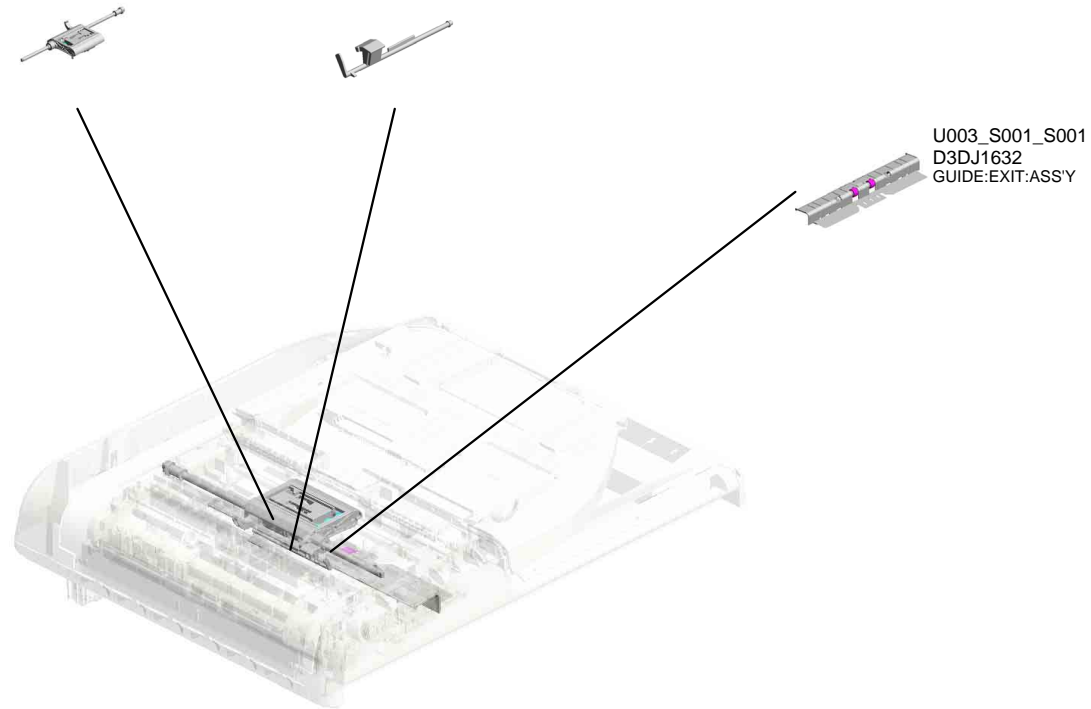


U001	U002	U003	U004	U005	U006	U007	U008	U009	U010	U011	U012	U013	U014	U015	U016	U017	U018
------	------	------	------	------	------	------	------	------	------	------	------	------	------	------	------	------	------

# U003\_S001.(EU):ADF:ASS'Y

U003\_S001\_S003  
D3DJ2200  
PAPER FEED UNIT:ASS'Y

U003\_S001\_S002  
D3DJ4530  
FEELER:FEED:REAR:ASS'Y

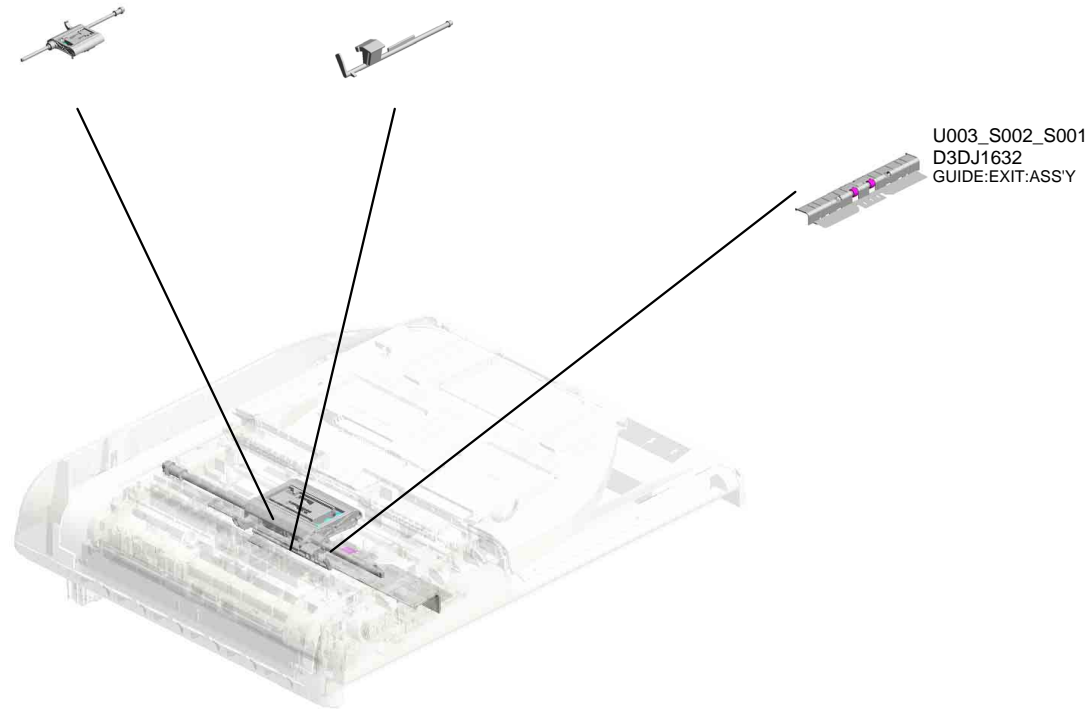


U001	U002	U003	U004	U005	U006	U007	U008	U009	U010	U011	U012	U013	U014	U015	U016	U017	U018
------	------	------	------	------	------	------	------	------	------	------	------	------	------	------	------	------	------

# U003\_S002.(NA/AA/KOR):ADF:ASS'Y

U003\_S002\_S003  
D3DJ2200  
PAPER FEED UNIT:ASS'Y

U003\_S002\_S002  
D3DJ4530  
FEELER:FEED:REAR:ASS'Y



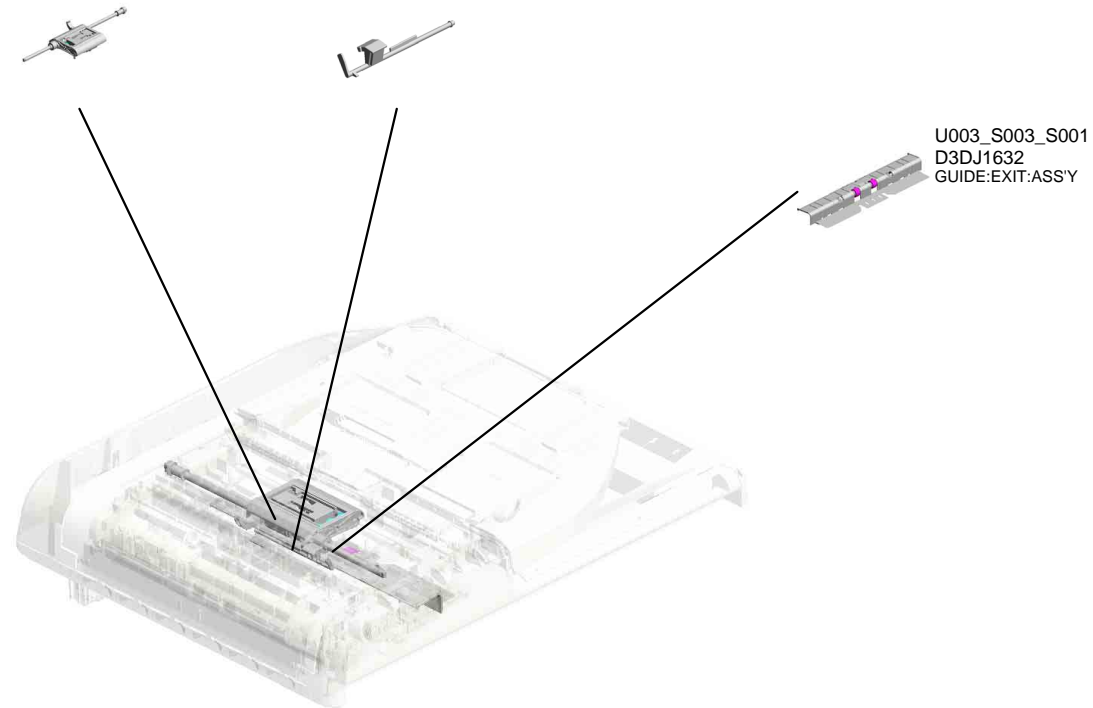
U001	U002	U003	U004	U005	U006	U007	U008	U009	U010	U011	U012	U013	U014	U015	U016	U017	U018
------	------	------	------	------	------	------	------	------	------	------	------	------	------	------	------	------	------



# U003\_S003.(NA/AA/KOR):ADF:ASS'Y

U003\_S003\_S003  
D3DJ2200  
PAPER FEED UNIT:ASS'Y

U003\_S003\_S002  
D3DJ4530  
FEELER:FEED:REAR:ASS'Y

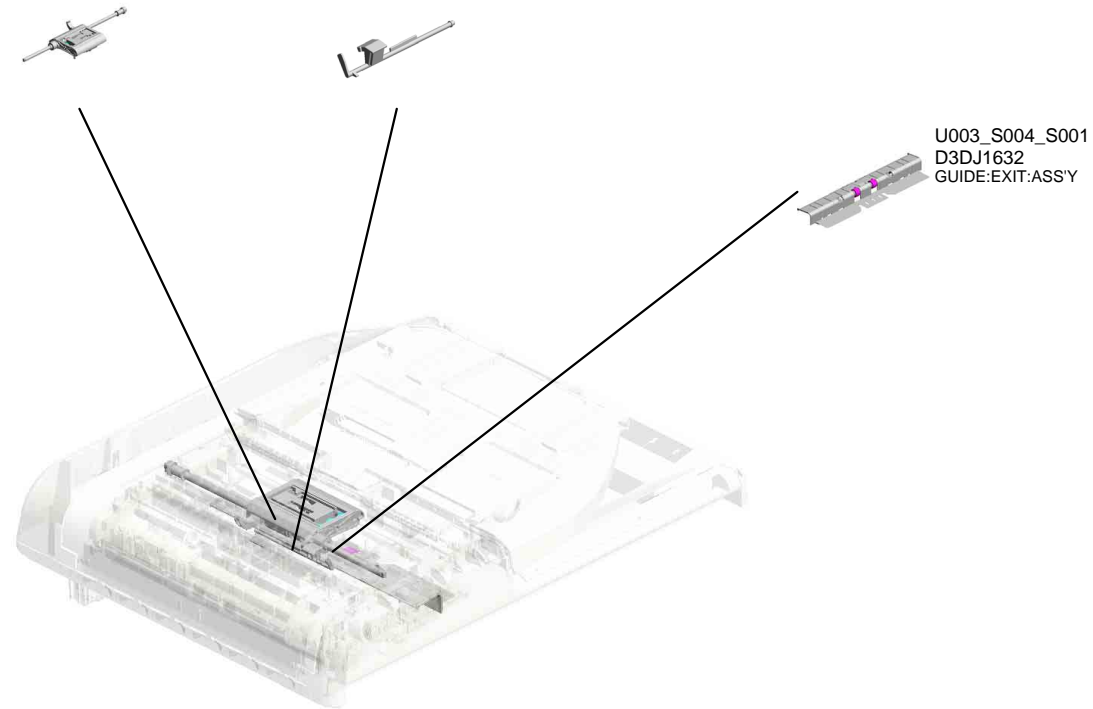


U001	U002	U003	U004	U005	U006	U007	U008	U009	U010	U011	U012	U013	U014	U015	U016	U017	U018
------	------	------	------	------	------	------	------	------	------	------	------	------	------	------	------	------	------

# U003\_S004.(TWN):ADF:ASS'Y

U003\_S004\_S003  
D3DJ2200  
PAPER FEED UNIT:ASS'Y

U003\_S004\_S002  
D3DJ4530  
FEELER:FEED:REAR:ASS'Y

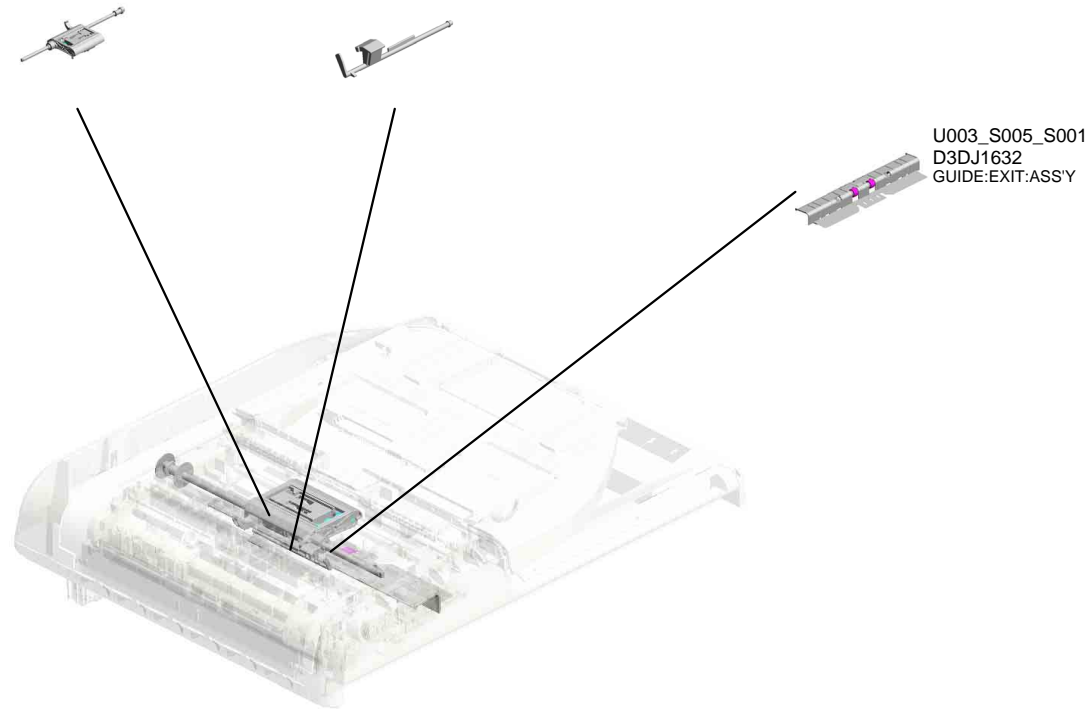


U001	U002	U003	U004	U005	U006	U007	U008	U009	U010	U011	U012	U013	U014	U015	U016	U017	U018
------	------	------	------	------	------	------	------	------	------	------	------	------	------	------	------	------	------

# U003\_S005.(CHN):ADF:ASS'Y

U003\_S005\_S003  
D3DJ2200  
PAPER FEED UNIT:ASS'Y

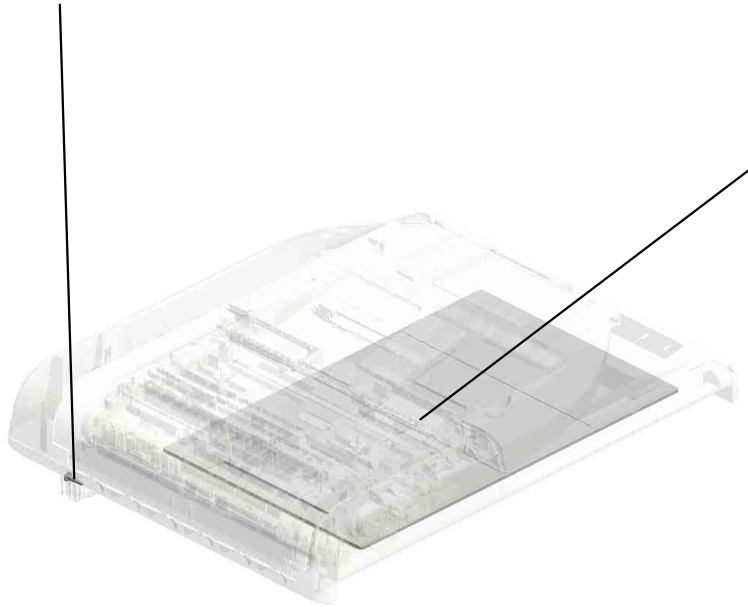
U003\_S005\_S002  
D3DJ4530  
FEELER:FEED:REAR:ASS'Y



U001	U002	U003	U004	U005	U006	U007	U008	U009	U010	U011	U012	U013	U014	U015	U016	U017	U018
------	------	------	------	------	------	------	------	------	------	------	------	------	------	------	------	------	------

U003  
ADF

153.D6060028  
SCREW:HINGE



149.D3DJ4910  
PRESSURE PLATE  
:ASS'Y

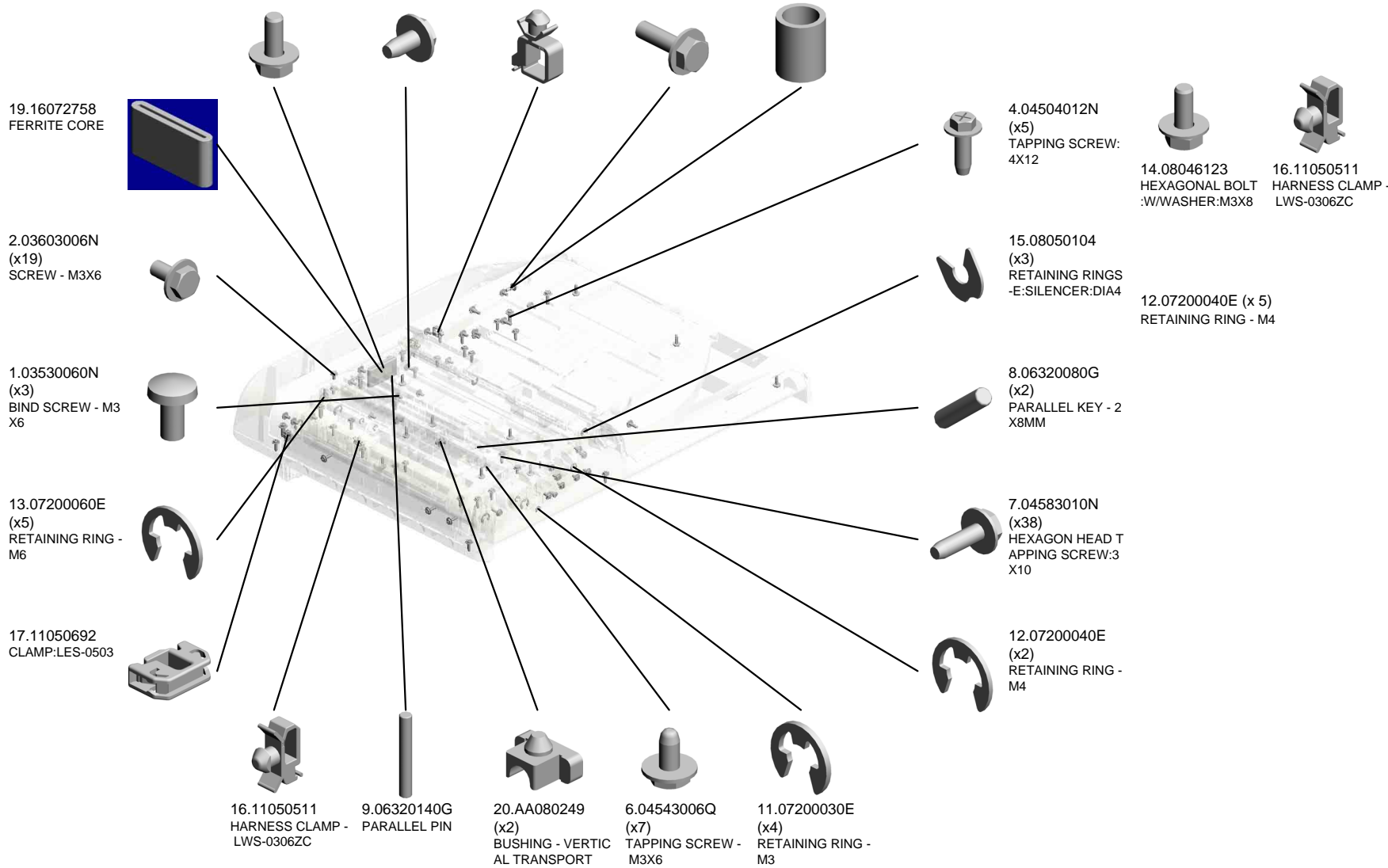
U001	U002	U003	U004	U005	U006	U007	U008	U009	U010	U011	U012	U013	U014	U015	U016	U017	U018
------	------	------	------	------	------	------	------	------	------	------	------	------	------	------	------	------	------

U003\_S001  
(EU):ADF:ASS'Y

- 14.08046123 (x3) HEXAGONAL BOLT :W/WASHER:M3X8
- 5.04513006N (x2) TAPPING SCREW - 3X6
- 18.11050759 (x2) CLAMP:LWSM-060 5A
- 3.03603010N (x3) SCREW:M3X10
- 10.07073050N (x3) BUSHING:DIA3X5



35.D2961803  
(EU):ADF:ASS'Y



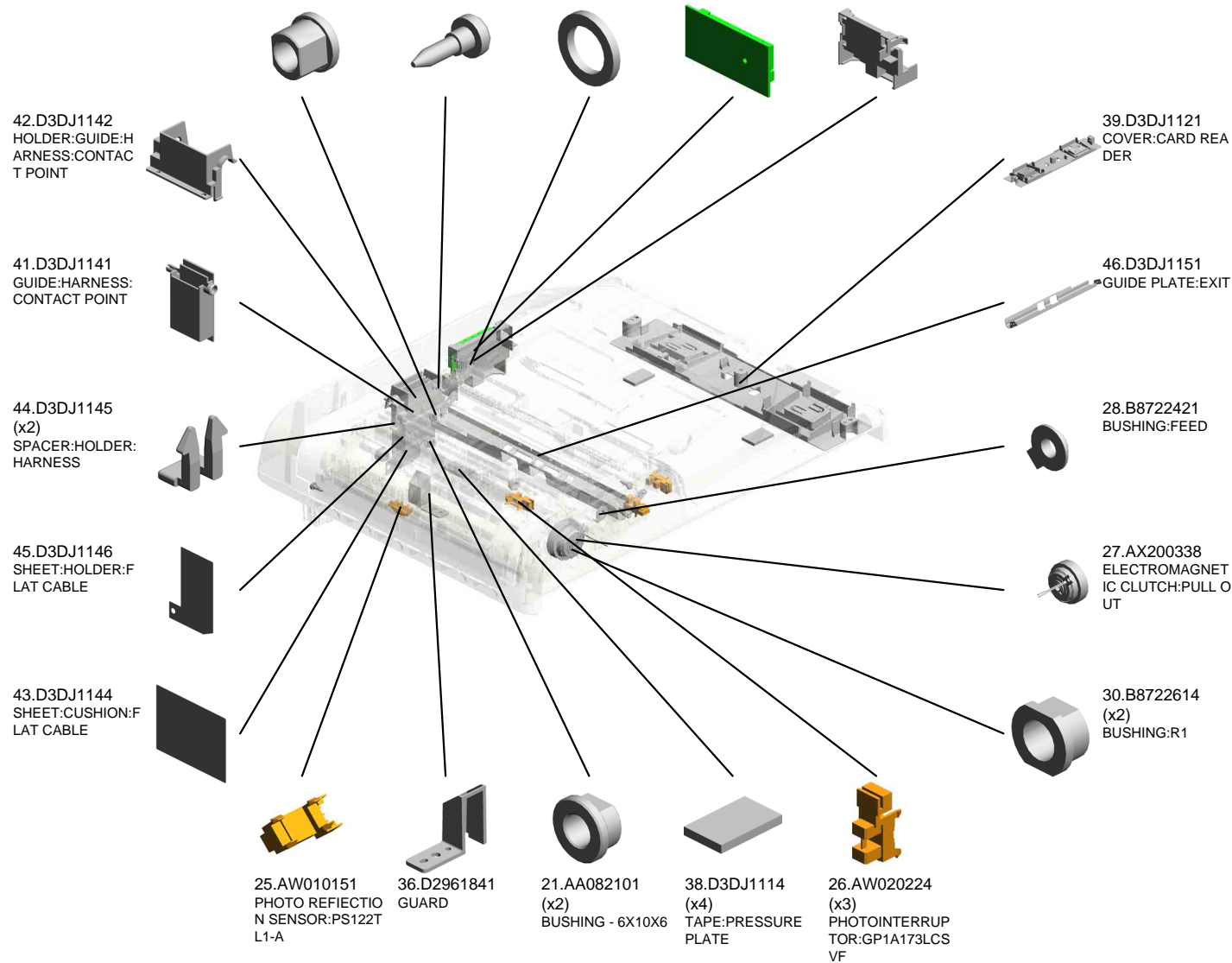
U001	U002	U003	U004	U005	U006	U007	U008	U009	U010	U011	U012	U013	U014	U015	U016	U017	U018
------	------	------	------	------	------	------	------	------	------	------	------	------	------	------	------	------	------

U003\_S001  
(EU):ADF:ASS'Y

- 22.AA082180 (x2) PLAIN SHAFT BEARING:R1  
RING:DIA6:DIA10:9
- 24.AA143788 (x3) PIN:GUIDE PLATE: PAPER FEED
- 31.D0094511 SPACER:DIA8.0:1.5 MM
- 37.D2965300 PCB:DFRB3-MF
- 40.D3DJ1131 HOLDER:DFRB



35.D2961803  
(EU):ADF:ASS'Y



U001	U002	U003	U004	U005	U006	U007	U008	U009	U010	U011	U012	U013	U014	U015	U016	U017	U018
------	------	------	------	------	------	------	------	------	------	------	------	------	------	------	------	------	------

U003\_S001  
(EU):ADF:ASS'Y



35.D2961803  
(EU):ADF:ASS'Y

- 68.D3DJ1673 (x2) PAWL:GUIDE PLATE:LOWER:OPEN/CLOSE
- 64.D3DJ1654 PLAIN SHAFT BEARING:GUIDE:BEHIND:IN/BACK
- 66.D3DJ1664 SHAFT:CAM:PRESS FIT
- 55.D3DJ1620 OPTICAL READING SECTION:EXIT:DRIVEN:ASS'Y
- 48.D3DJ1160 (x3) SHEET:EXIT:ASS'Y

52.D3DJ1414 (x2) ROLLER:ENTRANCE



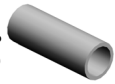
49.D3DJ1410 GUIDE PLATE:SCANNING:FRONT LOWER



51.D3DJ1413 LEVER:DRIVEN:SCANNING



53.D3DJ1416 (x2) COMPRESSION SPRING:SCANNING:DRIVEN



50.D3DJ1411 (x2) SHEET:SCANNING:FRONT LOWER



69.D3DJ1674 SHAFT:LEVER:GUIDE PL:LOWER:OPEN/CLOSE

54.D3DJ1417 SPRING PLATE:DISCHARGE:SCANNING

60.D3DJ1642 GUIDE:TARGETS PLATE:BEHIND:ASS'Y

70.D3DJ1676 TORSION SPRING:GUIDE PL:LOWER:OPEN/CLOSE

67.D3DJ1672 LEVER:GUIDE PLATE:LOWER:OPEN/CLOSE

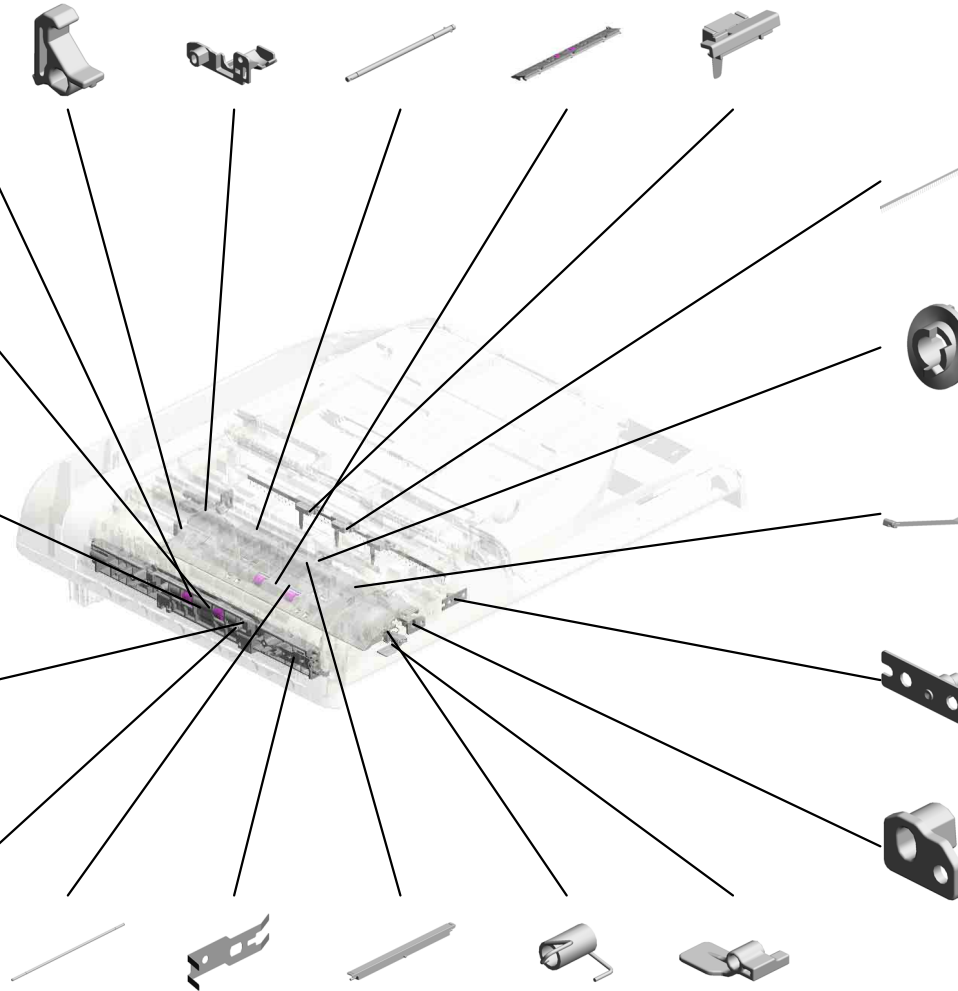
47.D3DJ1152 DISCHARGE BRUSH:EXIT:SUS

65.D3DJ1662 (x2) CAM:MOVE:REFLECTANCE TARGETS PLATE:BEHIND

62.D3DJ1650 (x2) SPRING PLATE:GUIDE:BEHIND

71.D3DJ1681 PIN:GUIDE PLATE

63.D3DJ1653 PLAIN SHAFT BEARING:GUIDE:BEHIND:FRONT



U003\_S001  
(EU):ADF:ASS'Y

76.D3DJ1833  
COVER:PAPER FEED:MIDDLE

73.D3DJ1812  
GUIDE PLATE:PAPER FEED

75.D3DJ1815  
COMPRESSION SPRING:SEPARATION

74.D3DJ1814  
HOLDER:FRICTION PAD:COIL SPRING:FIX

77.D3DJ1840  
HINGE:RIGHT:NON DAMPER:D296



35.D2961803  
(EU):ADF:ASS'Y

94.D3DJ3831  
GUIDE:HARNESSTransport:REAR

78.D3DJ1841  
HINGE:LEFT:DAMPER:D296

88.D3DJ3410  
TRANSPORT ROLLER:PULL OUT

85.D3DJ3210  
GUIDE PLATE:TRANSPORT

89.D3DJ3510  
TRANSPORT ROLLER:ENTRANCE

92.D3DJ3811  
GUIDE PLATE:SCANNING:FACE FRONT

90.D3DJ3610  
TRANSPORT ROLLER:EXIT

86.D3DJ3211 (x2)  
SPRING PLATE:GUIDE:EXPOSURE GLASS

87.D3DJ3216 (x2)  
SPRING PLATE:DISCHARGE:EXPOSURE GLASS

95.D3DJ3836  
GUIDE:HARNESSTransport:FRONT

91.D3DJ3710  
TRANSPORT ROLLER:EXIT

84.D3DJ3119 (x2)  
CUSHION:SEPARATION

72.D3DJ1710  
OPTICAL READING MD:BEHIND:ASS'Y

96.D3DJ4110  
POSITIONING PLATE:DRIVE:FRONT

93.D3DJ3821  
PIN:GUIDE PLATE



U003\_S001  
(EU):ADF:ASS'Y



35.D2961803  
(EU):ADF:ASS'Y

112.D3DJ4130  
(x3)  
GUIDE PLATE:RADIAL BALL BEARING

103.D3DJ4119  
GEAR:IDLER:SHADING

105.D3DJ4121  
GEAR:ROLLER:DIAMETER 6

106.D3DJ4122  
GEAR:IDLER:CLUTCH:UPPER POSITION

116.D3DJ4136  
FLANGE:SLIDER

111.D3DJ4129  
(x2)  
GEAR:ROLLER:DIAMETER 8

115.D3DJ4135  
PULLEY:SLOW DOWN:MIDDLE

104.D3DJ4120  
GEAR:ROLLER:DIAMETER 8

102.D3DJ4116  
(x3)  
GEAR:IDLER:SMALL

101.D3DJ4115  
(x4)  
GEAR:IDLER:LARGE

107.D3DJ4123  
GEAR:IDLER:CLUTCH:LOWER

113.D3DJ4132  
GUIDE PLATE:BALL BEARING:PULL OUT

110.D3DJ4128  
SPACER:DIAMETER 8

108.D3DJ4124  
BUSHING:FEED

100.D3DJ4114  
GEAR:SLOW DOWN:FEED

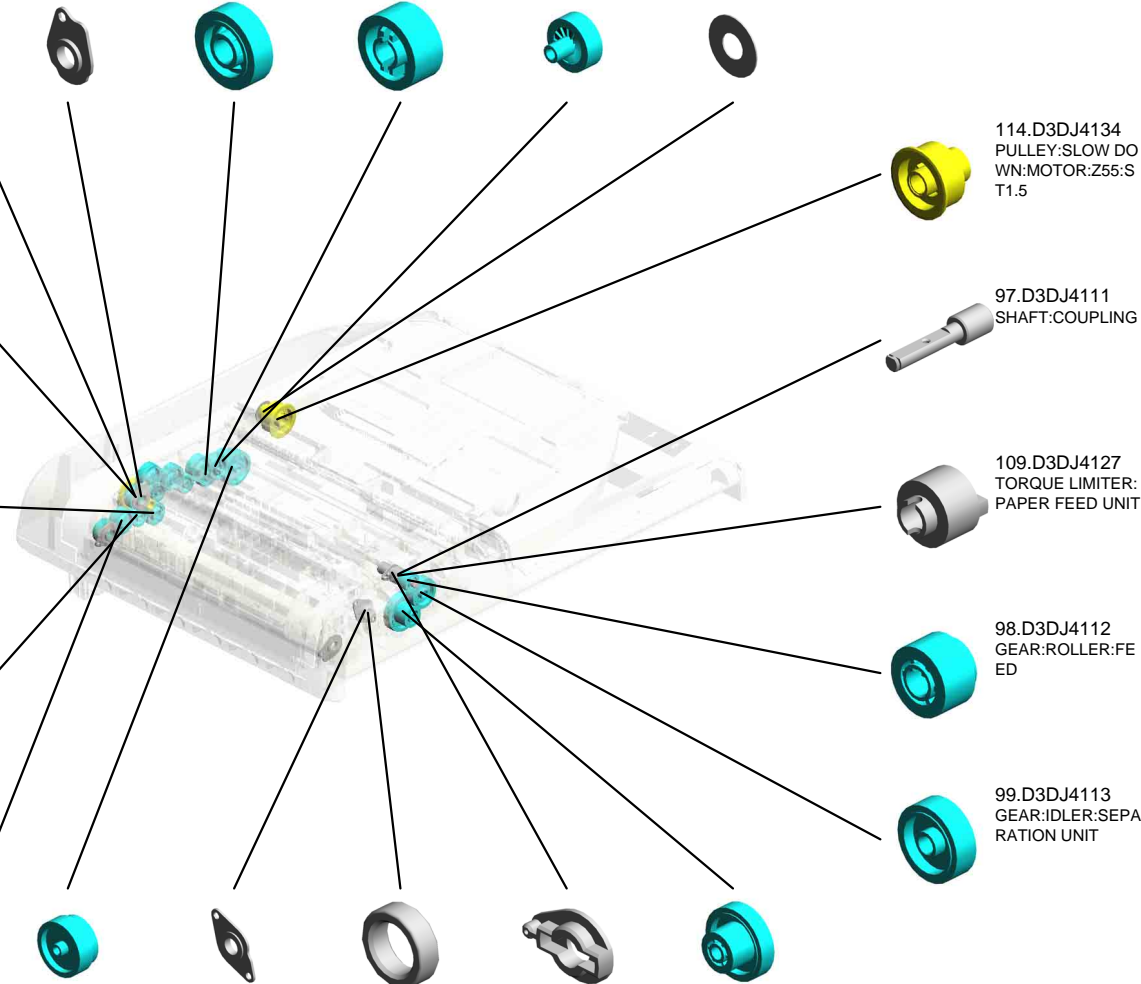
114.D3DJ4134  
PULLEY:SLOW DOWN:MOTOR:Z55:ST1.5

97.D3DJ4111  
SHAFT:COUPLING

109.D3DJ4127  
TORQUE LIMITER:PAPER FEED UNIT

98.D3DJ4112  
GEAR:ROLLER:FEED

99.D3DJ4113  
GEAR:IDLER:SEPARATION UNIT



U001	U002	U003	U004	U005	U006	U007	U008	U009	U010	U011	U012	U013	U014	U015	U016	U017	U018
------	------	------	------	------	------	------	------	------	------	------	------	------	------	------	------	------	------

U003\_S001  
(EU):ADF:ASS'Y

118.D3DJ4323  
PULLEY:IDLER:DI  
A 10

126.D3DJ4515  
TORSION SPRING:  
COVER:PF:INNER  
BACK

121.D3DJ4332  
SYNCHRONOUS B  
ELT:149ST1.5-4.0

124.D3DJ4360  
DC MOTOR:10W:2  
8T:BRUSHLESS

122.D3DJ4335  
TENSION SPRING:  
TENSION:MOTOR



35.D2961803  
(EU):ADF:ASS'Y

119.D3DJ4326  
TENSION SPRING:  
TENSION:MIDDLE

117.D3DJ4322  
BELT TENSIONER

123.D3DJ4344  
SYNCHRONOUS B  
ELT:252ST1.5-4.0

120.D3DJ4327  
(x6)  
HEXAGON HEAD B  
OLT:M3X6

127.D3DJ4518  
(x2)  
COMPRESSION SP  
RING:DRIVEN R:P  
ULL OUT

129.D3DJ4520  
SEAL:COVER:PAP  
ER FEED

131.D3DJ4525  
(x2)  
ROLLER:PULL OUT

130.D3DJ4523  
SPACER:COVER:P  
APER FEED:MIDDL  
E

134.D3DJ4541  
COVER:PAPER FE  
ED

132.D3DJ4527  
CUSHION:FEELER:  
FEED:REAR

136.D3DJ4612  
SIDE FENCE:INNE  
R BACK

135.D3DJ4542  
LEVER:COVER:PA  
PER FEED

125.D3DJ4512  
SHAFT:LEVER:CO  
VER:PAPER FEED

137.D3DJ4613  
SIDE FENCE:FRON  
T

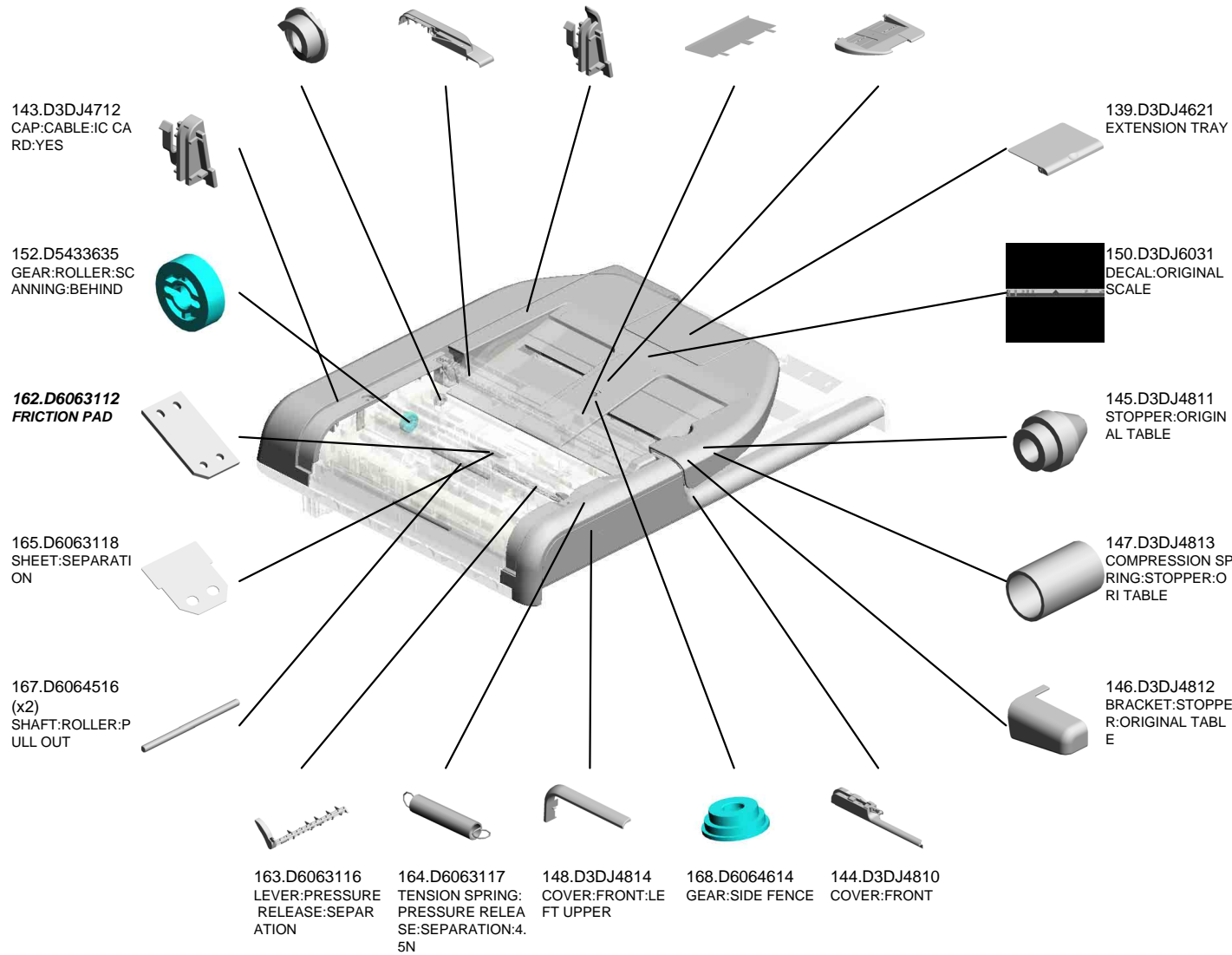
128.D3DJ4519  
FEELER:ORIGINAL  
SENSOR

U003\_S001  
(EU):ADF:ASS'Y

166.D6064124 COLLAR:REVERSE  
 141.D3DJ4710 COVER:REAR  
 142.D3DJ4711 CAP:CABLE:IC CARD:NO  
 140.D3DJ4622 SHEET:ORIGINAL TABLE  
 138.D3DJ4614 ORIGINAL TABLE



35.D2961803  
(EU):ADF:ASS'Y



U001	U002	U003	U004	U005	U006	U007	U008	U009	U010	U011	U012	U013	U014	U015	U016	U017	U018
------	------	------	------	------	------	------	------	------	------	------	------	------	------	------	------	------	------

U003\_S001  
(EU):ADF:ASS'Y

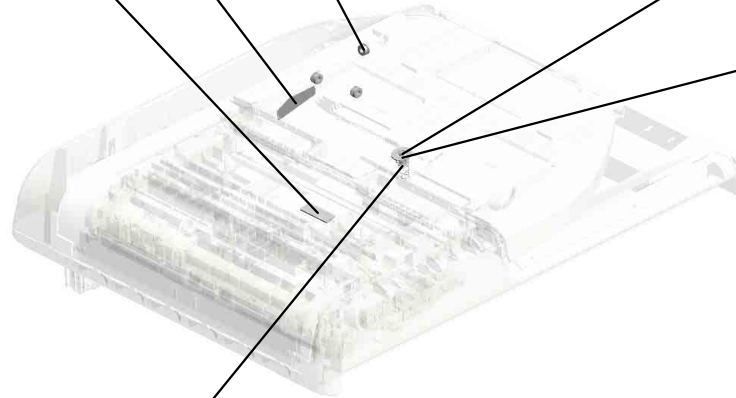
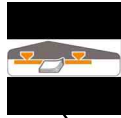
174.M1604930  
DECAL:SIDE FENC  
E

173.J5023127  
(x3)  
BUSHING:STEPPE  
R MOTOR



35.D2961803  
(EU):ADF:ASS'Y

172.H5211350  
PAD - PICK-UP



170.D6064616  
DISC:SIDE FENCE



169.D6064615  
PIN:SIDE FENCE



171.D6064617  
COIL SPRING:SIDE  
FENCE:ARDF:12N

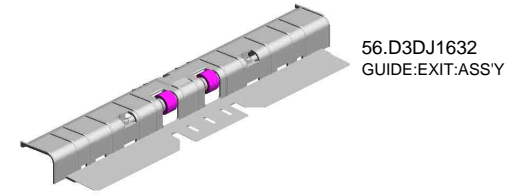


U001	U002	U003	U004	U005	U006	U007	U008	U009	U010	U011	U012	U013	U014	U015	U016	U017	U018
------	------	------	------	------	------	------	------	------	------	------	------	------	------	------	------	------	------

U003\_S001\_S001  
GUIDE:EXIT:ASS'Y

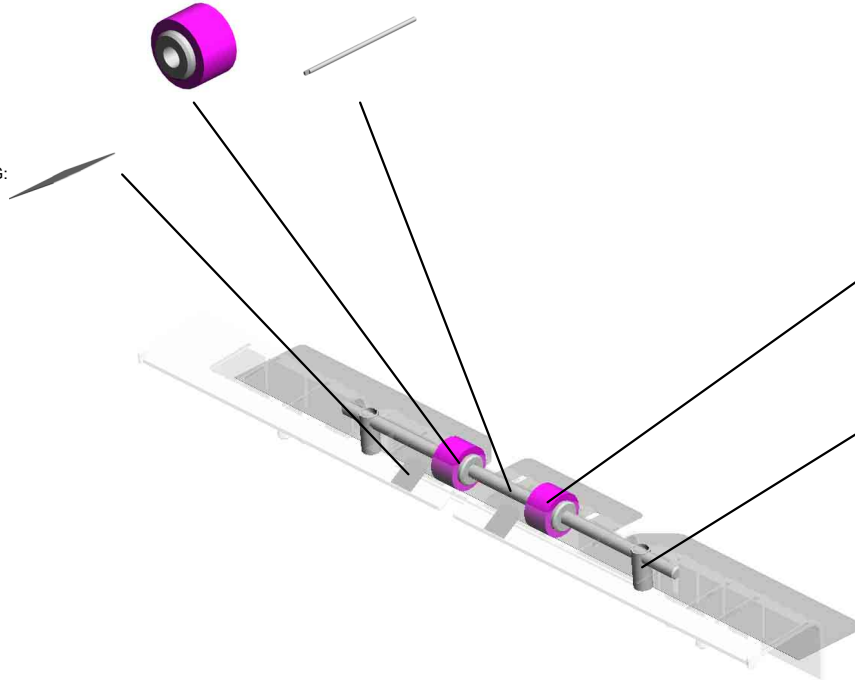
52.D3DJ1414 (x2)  
ROLLER:ENTRANCE

57.D3DJ1634  
SHAFT:EXIT:DRIVE



56.D3DJ1632  
GUIDE:EXIT:ASS'Y

61.D3DJ1649 (x2)  
SHEET:SCANNING:BEHIND:PLATE



59.D3DJ1639  
SHEET:TRAY

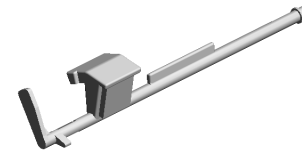
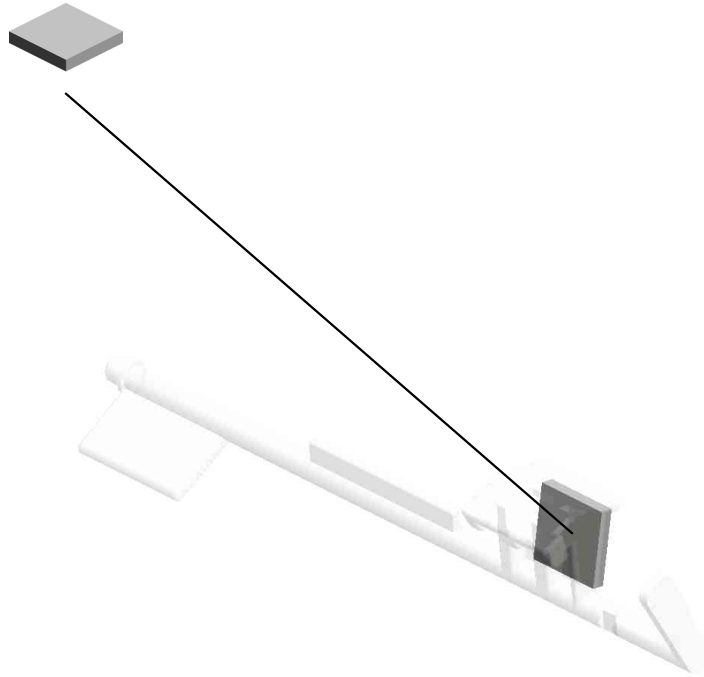


58.D3DJ1636 (x2)  
COMPRESSION SPRING:EXIT:DRIVEN



U003\_S001\_S002  
FEELER:FEED:REAR:ASS'Y

132.D3DJ4527  
CUSHION:FEELER:  
FEED:REAR



133.D3DJ4530  
FEELER:FEED:REA  
R:ASS'Y

U001	U002	U003	U004	U005	U006	U007	U008	U009	U010	U011	U012	U013	U014	U015	U016	U017	U018
------	------	------	------	------	------	------	------	------	------	------	------	------	------	------	------	------	------

U003\_S001\_S003  
PAPER FEED UNIT:ASS'Y

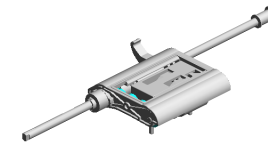
79.D3DJ2101  
SHAFT:PAPER FEE  
D UNIT:ASS'Y

159.D6062119  
ARM:PAPER STOP  
PER

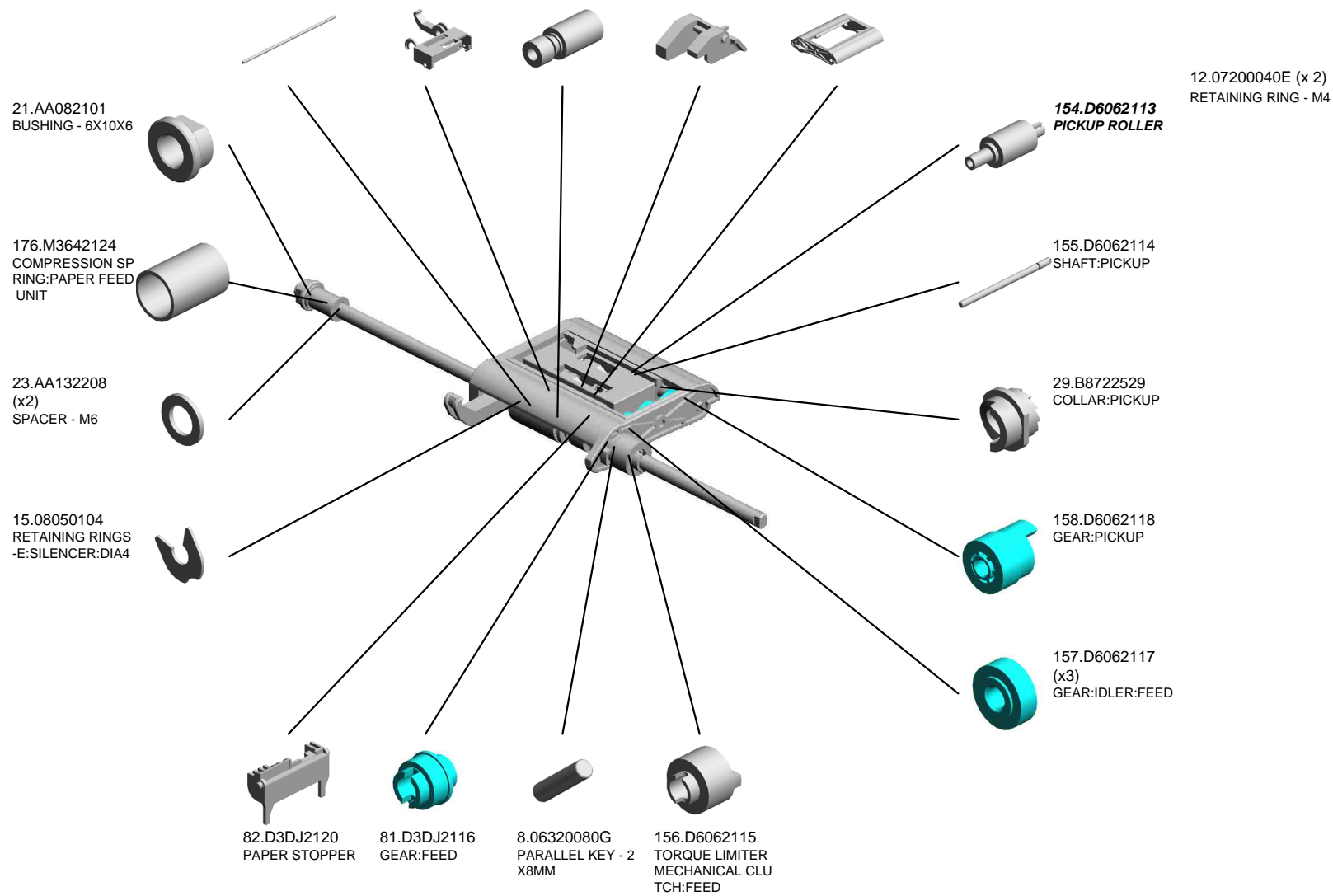
**80.D3DJ2111**  
**FEED ROLLER**

160.D6062121  
LINK:PAPER STOP  
PER

161.D6062122  
HOLDER:PICKUP R  
OLLER



83.D3DJ2200  
PAPER FEED UNIT  
:ASS'Y



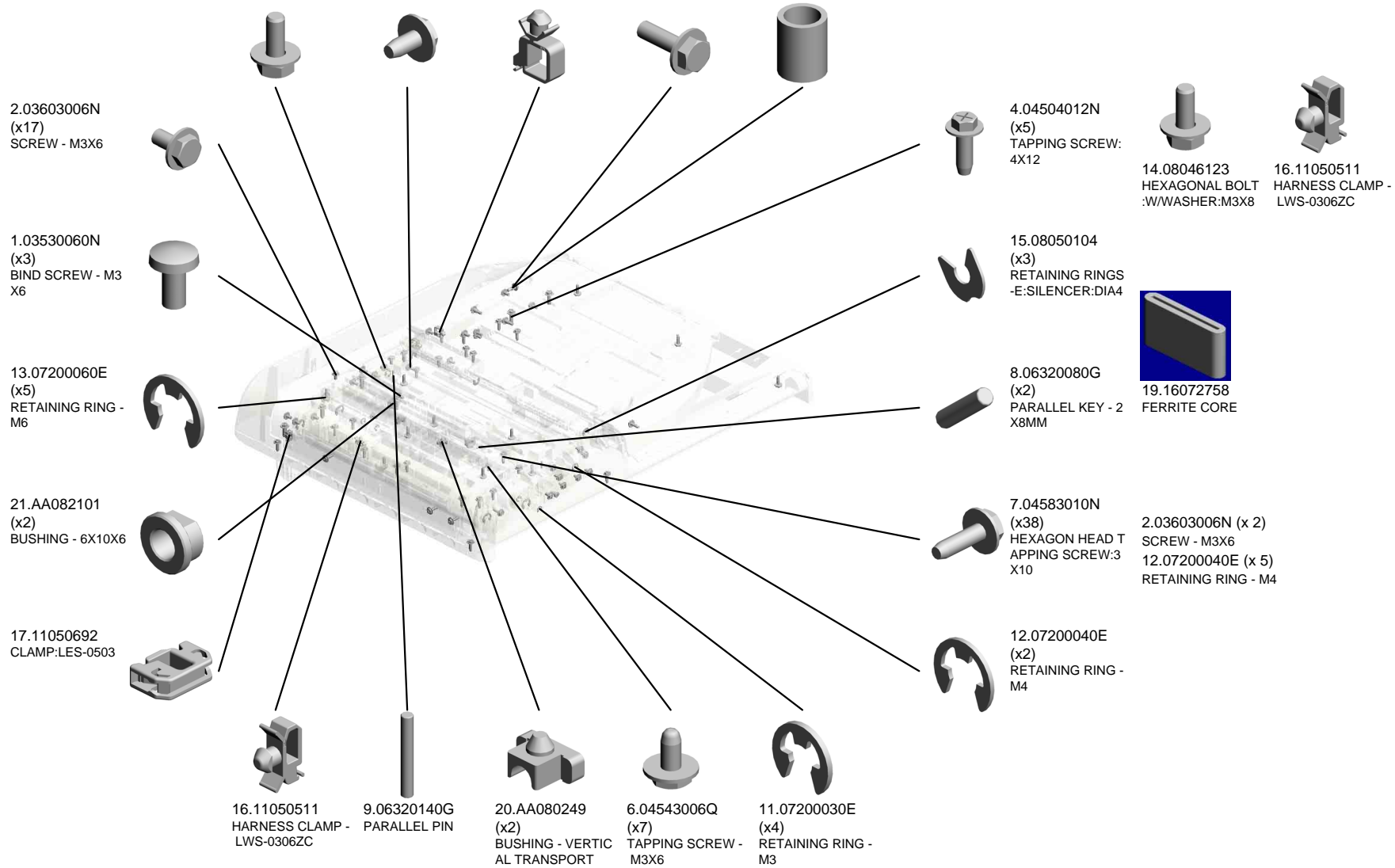
U001	U002	U003	U004	U005	U006	U007	U008	U009	U010	U011	U012	U013	U014	U015	U016	U017	U018
------	------	------	------	------	------	------	------	------	------	------	------	------	------	------	------	------	------

U003\_S002  
(NA/AA/KOR):ADF:ASS'Y

14.08046123 (x3) HEXAGONAL BOLT :W/WASHER:M3X8  
 5.04513006N (x2) TAPPING SCREW - 3X6  
 18.11050759 (x2) CLAMP:LWSM-060 5A  
 3.03603010N (x3) SCREW:M3X10  
 10.07073050N (x3) BUSHING:DIA3X5



32.D2961800  
(NA/AA/KOR):ADF:  
ASS'Y





U003\_S002  
(NA/AA/KOR):ADF:ASS'Y

22.AA082180 (x2) PLAIN SHAFT BEARING:R1  
RING:DIA6:DIA10:9

24.AA143788 (x3) PIN:GUIDE PLATE: PAPER FEED

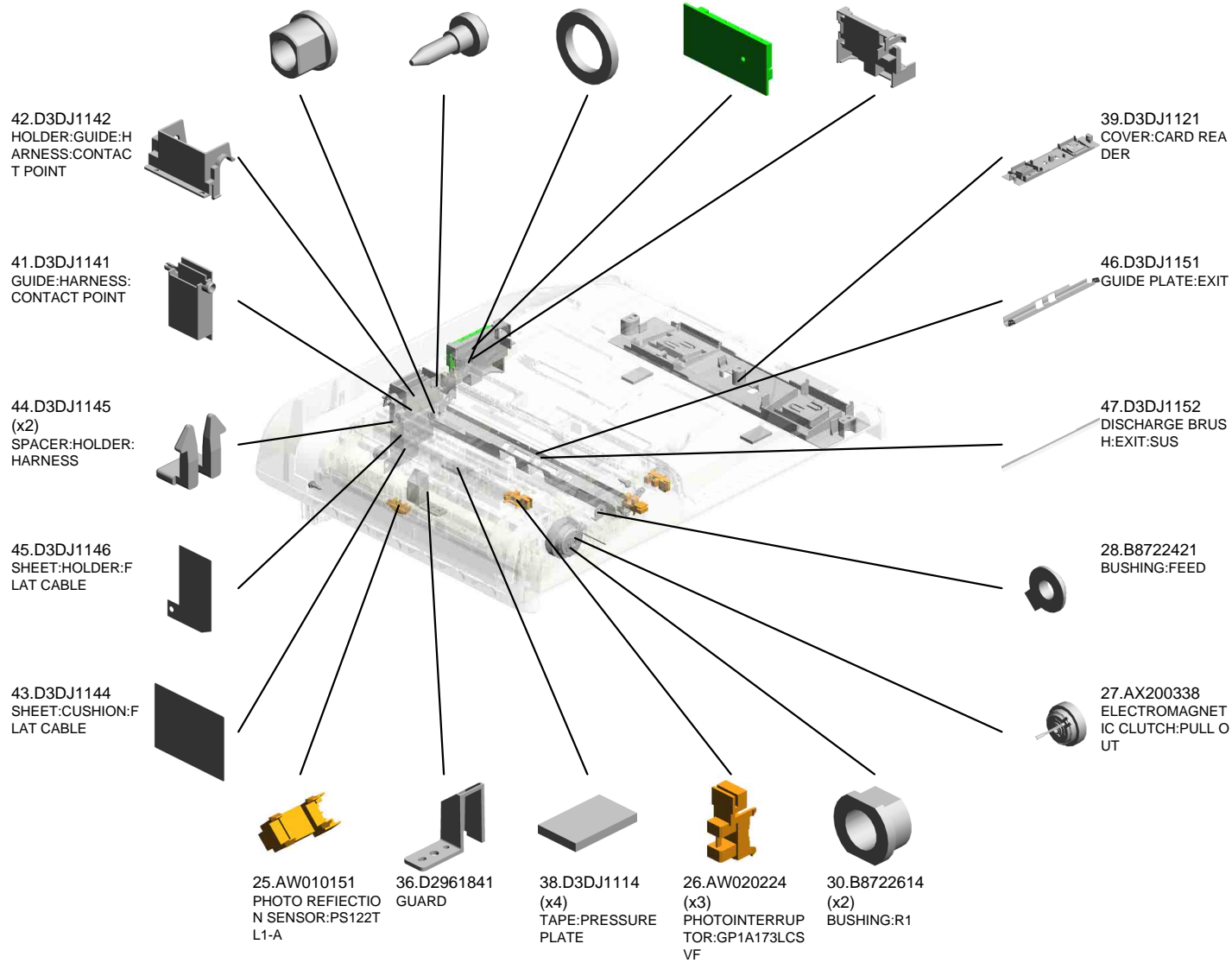
31.D0094511 SPACER:DIA8.0:1.5 MM

37.D2965300 PCB:DFRB3-MF

40.D3DJ1131 HOLDER:DFRB



32.D2961800 (NA/AA/KOR):ADF: ASS'Y



U003\_S002  
(NA/AA/KOR):ADF:ASS'Y



32.D2961800  
(NA/AA/KOR):ADF:  
ASS'Y

64.D3DJ1654 PLAIN SHAFT BEARING:GUIDE:BEHIND:IN/BACK  
66.D3DJ1664 SHAFT:CAM:PRESS FIT  
55.D3DJ1620 OPTICAL READING SECTION:EXIT:DRIVEN:ASSY  
72.D3DJ1710 OPTICAL READING MD:BEHIND:ASSY  
48.D3DJ1160 (x3) SHEET:EXIT:ASSY

68.D3DJ1673 (x2) PAWL:GUIDE PLATE:LOWER:OPEN/CLOSE



52.D3DJ1414 (x2) ROLLER:ENTRANCE



49.D3DJ1410 GUIDE PLATE:SCANNING:FRONT LOWER



51.D3DJ1413 LEVER:DRIVEN:SCANNING



50.D3DJ1411 (x2) SHEET:SCANNING:FRONT LOWER



53.D3DJ1416 (x2) COMPRESSION SPRING:SCANNING:DRIVEN

69.D3DJ1674 SHAFT:LEVER:GUIDE PL:LOWER:OPEN/CLOSE

54.D3DJ1417 SPRING PLATE:DISCHARGE:SCANNING

60.D3DJ1642 GUIDE:TARGETS PLATE:BEHIND:ASSY

67.D3DJ1672 LEVER:GUIDE PLATE:LOWER:OPEN/CLOSE

65.D3DJ1662 (x2) CAM:MOVE:REFLECTANCE TARGETS PLATE:BEHIND



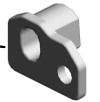
62.D3DJ1650 (x2) SPRING PLATE:GUIDE:BEHIND



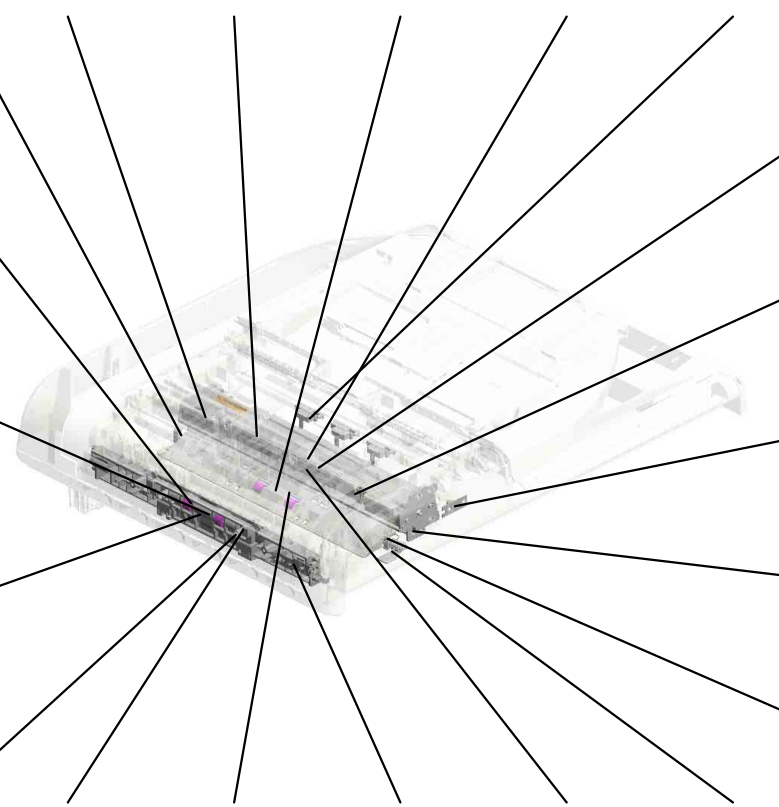
71.D3DJ1681 PIN:GUIDE PLATE



63.D3DJ1653 PLAIN SHAFT BEARING:GUIDE:BEHIND:FRONT



70.D3DJ1676 TORSION SPRING:GUIDE PL:LOWER:OPEN/CLOSE



U003\_S002  
(NA/AA/KOR):ADF:ASS'Y

76.D3DJ1833  
COVER:PAPER FEED:MIDDLE

73.D3DJ1812  
GUIDE PLATE:PAPER FEED

75.D3DJ1815  
COMPRESSION SPRING:SEPARATION

74.D3DJ1814  
HOLDER:FRICTION PAD:COIL SPRING:FIX

77.D3DJ1840  
HINGE:RIGHT:NON DAMPER:D296



32.D2961800  
(NA/AA/KOR):ADF:ASS'Y

94.D3DJ3831  
GUIDE:HARNESS:TRANSPORT:REAR

78.D3DJ1841  
HINGE:LEFT:DAMPER:D296

88.D3DJ3410  
TRANSPORT ROLLER:PULL OUT

85.D3DJ3210  
GUIDE PLATE:TRANSPORT

89.D3DJ3510  
TRANSPORT ROLLER:ENTRANCE

92.D3DJ3811  
GUIDE PLATE:SCANNING:FACE FRONT

90.D3DJ3610  
TRANSPORT ROLLER:EXIT

86.D3DJ3211 (x2)  
SPRING PLATE:GUIDE:EXPOSURE GLASS

87.D3DJ3216 (x2)  
SPRING PLATE:DISCHARGE:EXPOSURE GLASS

95.D3DJ3836  
GUIDE:HARNESS:TRANSPORT:FRONT

91.D3DJ3710  
TRANSPORT ROLLER:EXIT

84.D3DJ3119 (x2)  
CUSHION:SEPARATION

97.D3DJ4111  
SHAFT:COUPLING

96.D3DJ4110  
POSITIONING PLATE:DRIVE:FRONT

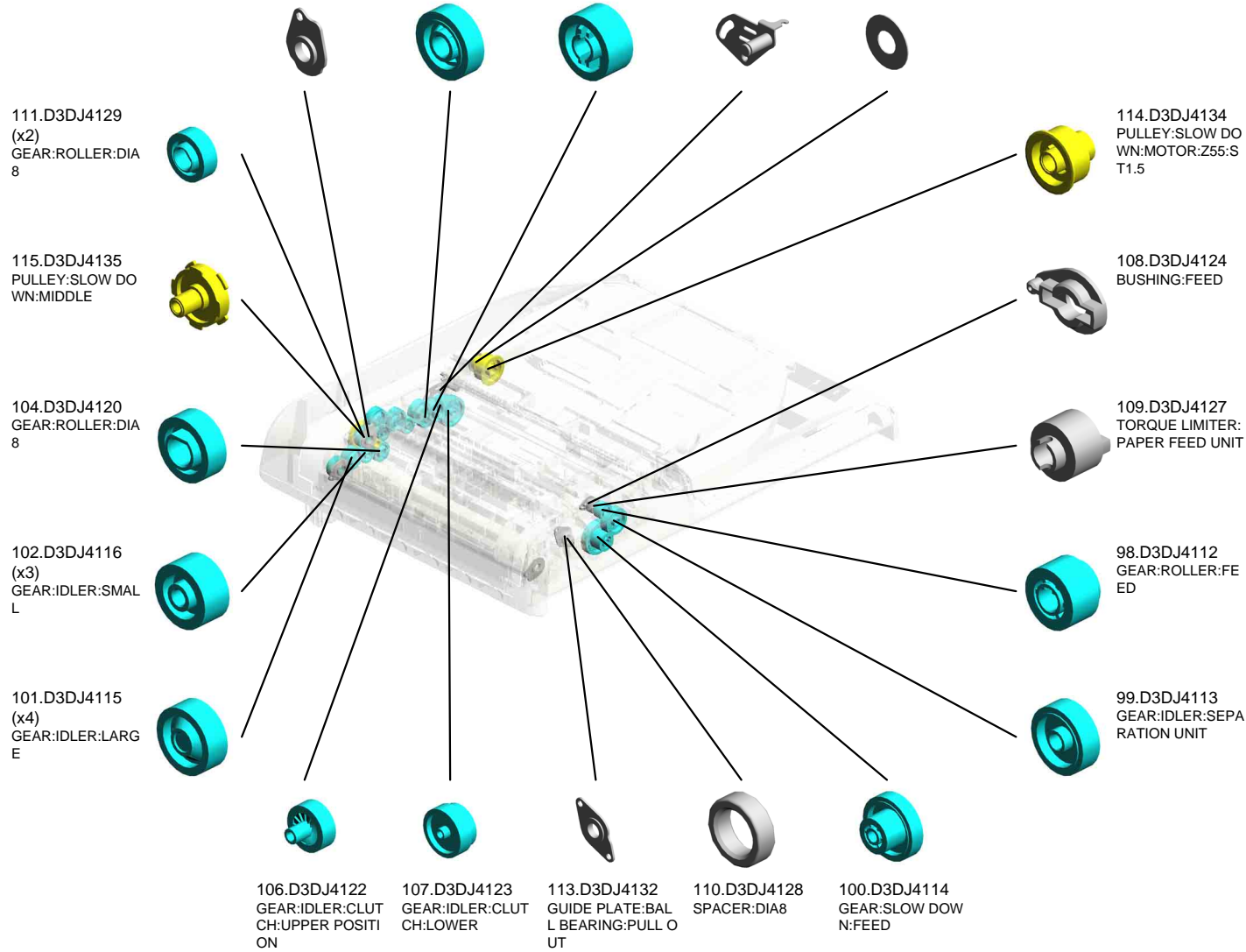
93.D3DJ3821  
PIN:GUIDE PLATE

U003\_S002  
(NA/AA/KOR):ADF:ASS'Y

112.D3DJ4130 (x3) GUIDE PLATE:RADIAL BALL BEARING  
 103.D3DJ4119 GEAR:IDLER:SHADING  
 105.D3DJ4121 GEAR:ROLLER:DIAMETER  
 117.D3DJ4322 BELT TENSIONER  
 116.D3DJ4136 FLANGE:SLIDER



32.D2961800  
(NA/AA/KOR):ADF:ASS'Y



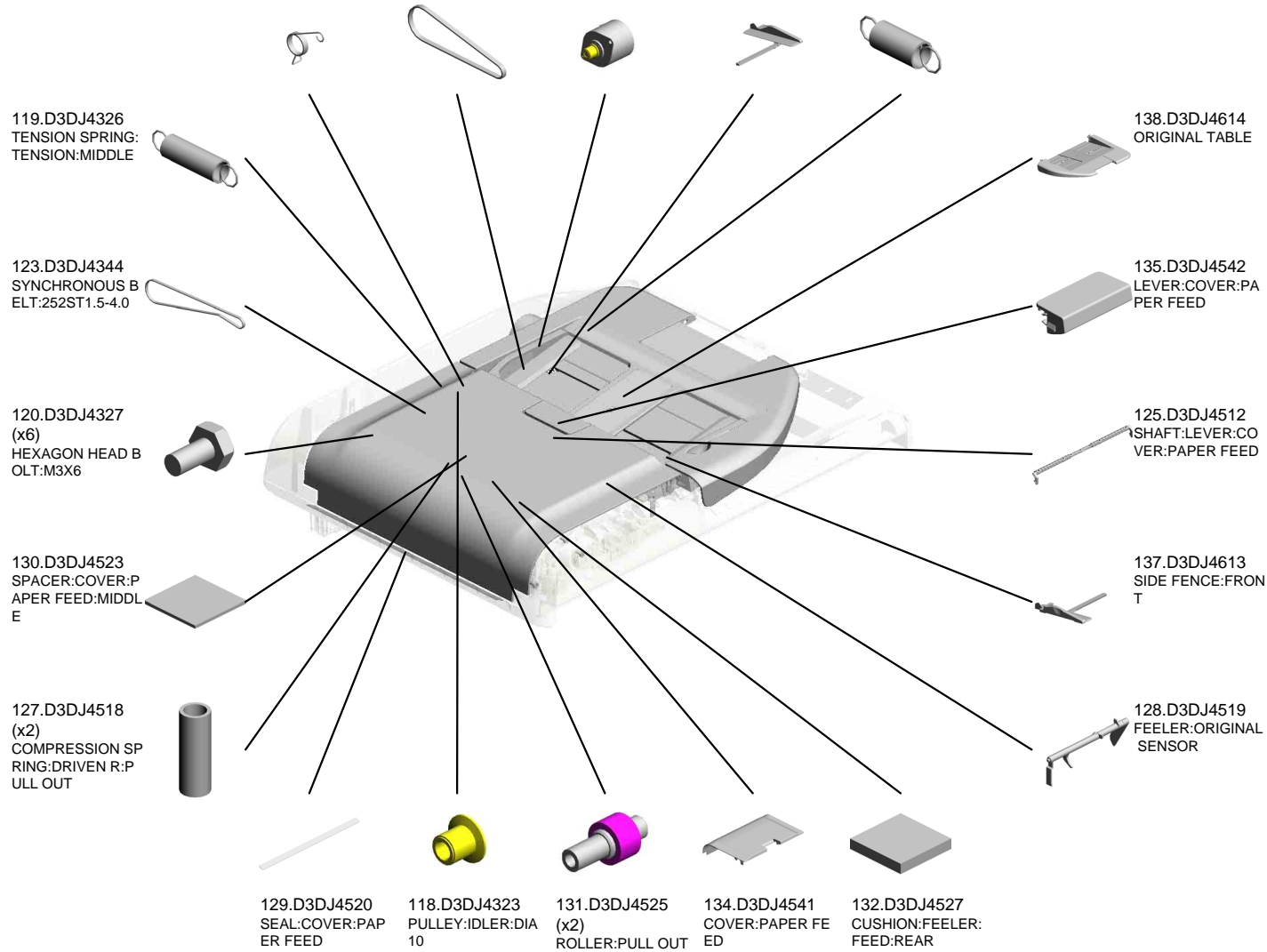
U001	U002	U003	U004	U005	U006	U007	U008	U009	U010	U011	U012	U013	U014	U015	U016	U017	U018
------	------	------	------	------	------	------	------	------	------	------	------	------	------	------	------	------	------

U003\_S002  
(NA/AA/KOR):ADF:ASS'Y

- 126.D3DJ4515 TORSION SPRING: COVER:PF:INNER BACK
- 121.D3DJ4332 SYNCHRONOUS BELT:149ST1.5-4.0
- 124.D3DJ4360 DC MOTOR:10W:28T:BRUSHLESS
- 136.D3DJ4612 SIDE FENCE:INNER BACK
- 122.D3DJ4335 TENSION SPRING: TENSION:MOTOR



32.D2961800  
(NA/AA/KOR):ADF:  
ASS'Y



U003\_S002  
(NA/AA/KOR):ADF:ASS'Y



32.D2961800  
(NA/AA/KOR):ADF:  
ASS'Y

166.D6064124  
COLLAR:REVERSE

141.D3DJ4710  
COVER:REAR

142.D3DJ4711  
CAP:CABLE:IC CA  
RD:NO

140.D3DJ4622  
SHEET:ORIGINAL  
TABLE

151.D3DJ6032  
(NA/AA/KOR):DECA  
L:ORIGINAL TABLE  
:ENGLISH

143.D3DJ4712  
CAP:CABLE:IC CA  
RD:YES

152.D5433635  
GEAR:ROLLER:SC  
ANNING:BEHIND

162.D6063112  
FRICTION PAD

165.D6063118  
SHEET:SEPARATI  
ON

167.D6064516  
(x2)  
SHAFT:ROLLER:P  
ULL OUT

163.D6063116  
LEVER:PRESSURE  
RELEASE:SEPAR  
ATION

164.D6063117  
TENSION SPRING:  
PRESSURE RELEA  
SE:SEPARATION:4.  
5N

148.D3DJ4814  
COVER:FRONT:LE  
FT UPPER

168.D6064614  
GEAR:SIDE FENCE

144.D3DJ4810  
COVER:FRONT

139.D3DJ4621  
EXTENSION TRAY

150.D3DJ6031  
DECAL:ORIGINAL  
SCALE

145.D3DJ4811  
STOPPER:ORIGIN  
AL TABLE

147.D3DJ4813  
COMPRESSION SP  
RING:STOPPER:O  
RI TABLE

146.D3DJ4812  
BRACKET:STOPPE  
R:ORIGINAL TABL  
E

U003\_S002  
(NA/AA/KOR):ADF:ASS'Y

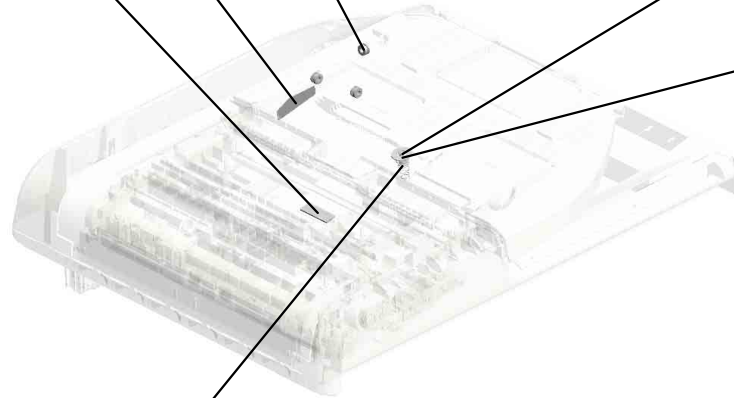
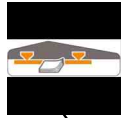
174.M1604930  
DECAL:SIDE FENCE

173.J5023127  
(x3)  
BUSHING:STEPPE  
R MOTOR



32.D2961800  
(NA/AA/KOR):ADF:  
ASS'Y

172.H5211350  
PAD - PICK-UP



170.D6064616  
DISC:SIDE FENCE



169.D6064615  
PIN:SIDE FENCE



171.D6064617  
COIL SPRING:SIDE  
FENCE:ARDF:12N

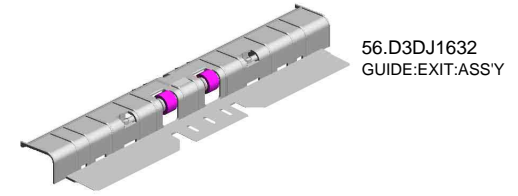


U001	U002	U003	U004	U005	U006	U007	U008	U009	U010	U011	U012	U013	U014	U015	U016	U017	U018
------	------	------	------	------	------	------	------	------	------	------	------	------	------	------	------	------	------

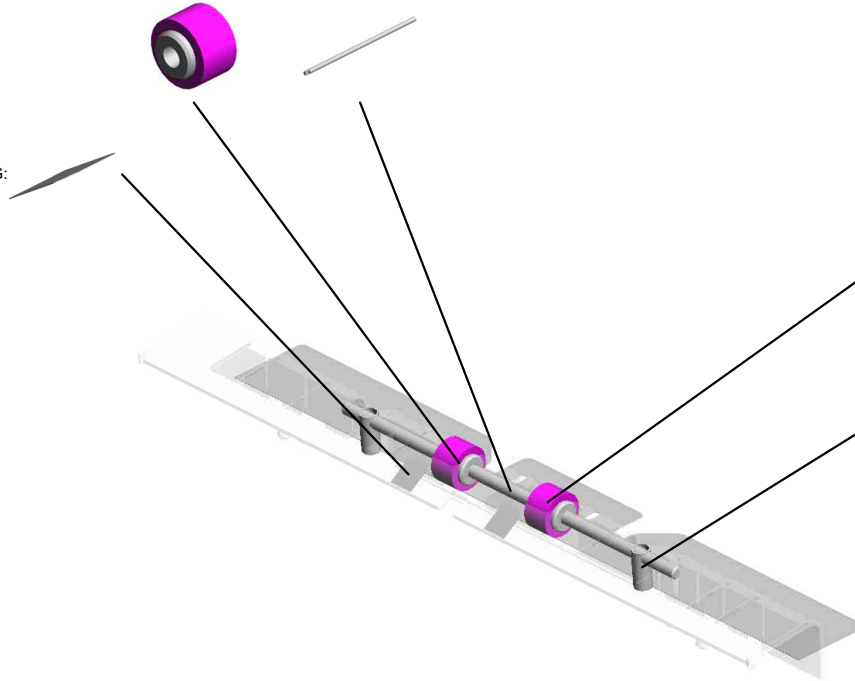
U003\_S002\_S001  
GUIDE:EXIT:ASS'Y

52.D3DJ1414  
(x2)  
ROLLER:ENTRANC  
E

57.D3DJ1634  
SHAFT:EXIT:DRIVE  
N



61.D3DJ1649  
(x2)  
SHEET:SCANNING:  
BEHIND:PLATE



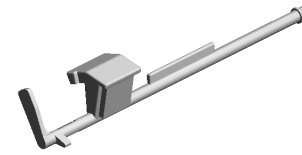
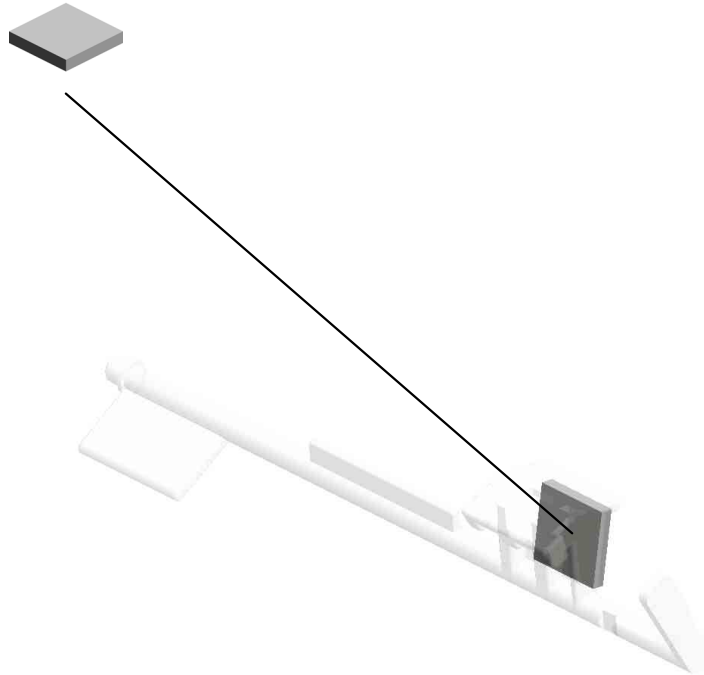
59.D3DJ1639  
SHEET:TRAY

58.D3DJ1636  
(x2)  
COMPRESSION SP  
RING:EXIT:DRIVEN



U003\_S002\_S002  
FEELER:FEED:REAR:ASS'Y

132.D3DJ4527  
CUSHION:FEELER:  
FEED:REAR



133.D3DJ4530  
FEELER:FEED:REA  
R:ASS'Y

U001	U002	U003	U004	U005	U006	U007	U008	U009	U010	U011	U012	U013	U014	U015	U016	U017	U018
------	------	------	------	------	------	------	------	------	------	------	------	------	------	------	------	------	------

U003\_S002\_S003  
PAPER FEED UNIT:ASS'Y

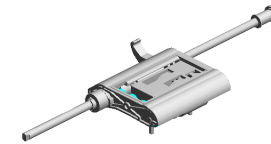
79.D3DJ2101  
SHAFT:PAPER FEE  
D UNIT:ASS'Y

159.D6062119  
ARM:PAPER STOP  
PER

**80.D3DJ2111**  
**FEED ROLLER**

160.D6062121  
LINK:PAPER STOP  
PER

161.D6062122  
HOLDER:PICKUP R  
OLLER



83.D3DJ2200  
PAPER FEED UNIT  
:ASS'Y

21.AA082101  
BUSHING - 6X10X6

176.M3642124  
COMPRESSION SP  
RING:PAPER FEED  
UNIT

23.AA132208  
(x2)  
SPACER - M6

15.08050104  
RETAINING RINGS  
-E:SILENCER:DIA4

82.D3DJ2120  
PAPER STOPPER

81.D3DJ2116  
GEAR:FEED

8.06320080G  
PARALLEL KEY - 2  
X8MM

156.D6062115  
TORQUE LIMITER  
MECHANICAL CLU  
TCH:FEED

**154.D6062113**  
**PICKUP ROLLER**

155.D6062114  
SHAFT:PICKUP

29.B8722529  
COLLAR:PICKUP

158.D6062118  
GEAR:PICKUP

157.D6062117  
(x3)  
GEAR:IDLER:FEED

12.07200040E (x 2)  
RETAINING RING - M4

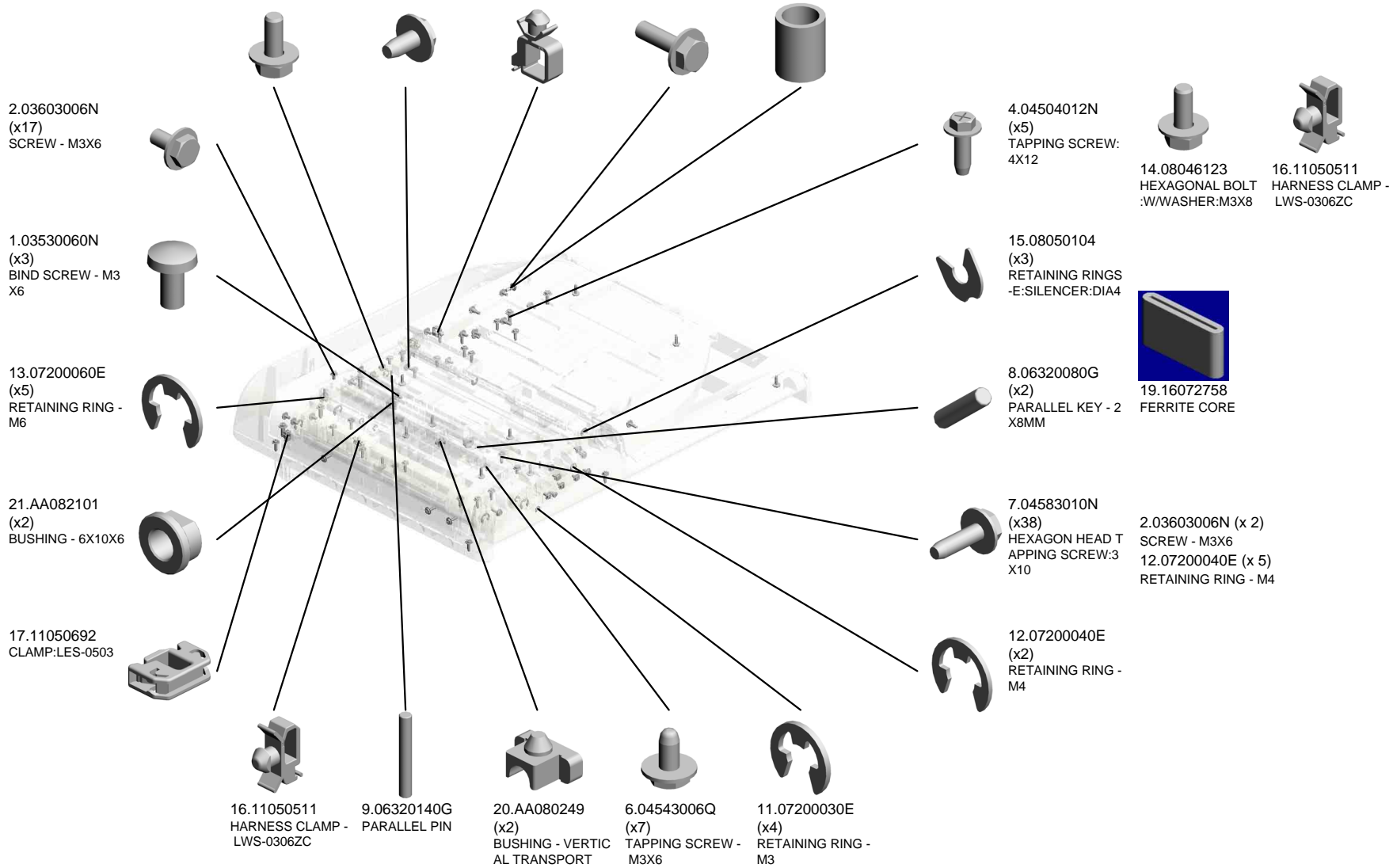
U001	U002	U003	U004	U005	U006	U007	U008	U009	U010	U011	U012	U013	U014	U015	U016	U017	U018
------	------	------	------	------	------	------	------	------	------	------	------	------	------	------	------	------	------

U003\_S003  
(NA/AA/KOR):ADF:ASS'Y

14.08046123 (x3) HEXAGONAL BOLT :W/WASHER:M3X8  
 5.04513006N (x2) TAPPING SCREW - 3X6  
 18.11050759 (x2) CLAMP:LWSM-060 5A  
 3.03603010N (x3) SCREW:M3X10  
 10.07073050N (x3) BUSHING:DIA3X5



32.D2961800  
(NA/AA/KOR):ADF:  
ASS'Y

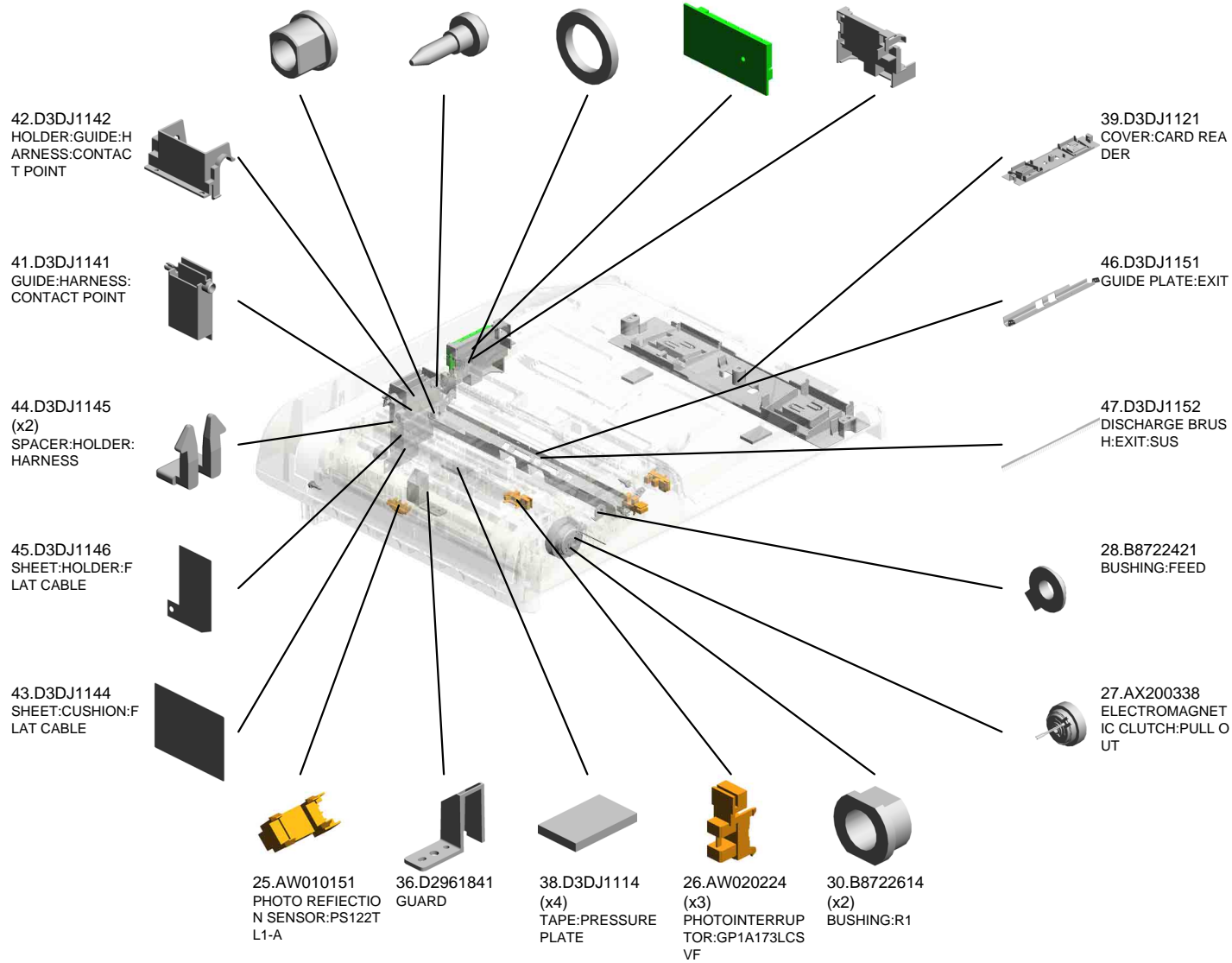


U003\_S003  
(NA/AA/KOR):ADF:ASS'Y

- 22.AA082180 (x2) PLAIN SHAFT BEARING: DIA6: DIA10:9
- 24.AA143788 (x3) PIN: GUIDE PLATE: PAPER FEED
- 31.D0094511 SPACER: DIA8.0: 1.5 MM
- 37.D2965300 PCB: DFRB3-MF
- 40.D3DJ1131 HOLDER: DFRB



32.D2961800  
(NA/AA/KOR):ADF:  
ASS'Y



U003\_S003  
(NA/AA/KOR):ADF:ASS'Y



32.D2961800  
(NA/AA/KOR):ADF:  
ASS'Y

64.D3DJ1654 PLAIN SHAFT BEARING:GUIDE:BEHIND:IN/BACK  
66.D3DJ1664 SHAFT:CAM:PRESS FIT  
55.D3DJ1620 OPTICAL READING SECTION:EXIT:DRIVEN:ASSY  
72.D3DJ1710 OPTICAL READING MD:BEHIND:ASSY  
48.D3DJ1160 (x3) SHEET:EXIT:ASSY

68.D3DJ1673 (x2) PAWL:GUIDE PLATE:LOWER:OPEN/CLOSE



52.D3DJ1414 (x2) ROLLER:ENTRANCE



49.D3DJ1410 GUIDE PLATE:SCANNING:FRONT LOWER



51.D3DJ1413 LEVER:DRIVEN:SCANNING



50.D3DJ1411 (x2) SHEET:SCANNING:FRONT LOWER



53.D3DJ1416 (x2) COMPRESSION SPRING:SCANNING:DRIVEN



69.D3DJ1674 SHAFT:LEVER:GUIDE PL:LOWER:OPEN/CLOSE



54.D3DJ1417 SPRING PLATE:DISCHARGE:SCANNING



60.D3DJ1642 GUIDE:TARGETS PLATE:BEHIND:ASSY



67.D3DJ1672 LEVER:GUIDE PLATE:LOWER:OPEN/CLOSE



65.D3DJ1662 (x2) CAM:MOVE:REFLECTANCE TARGETS PLATE:BEHIND



62.D3DJ1650 (x2) SPRING PLATE:GUIDE:BEHIND



71.D3DJ1681 PIN:GUIDE PLATE



63.D3DJ1653 PLAIN SHAFT BEARING:GUIDE:BEHIND:FRONT



70.D3DJ1676 TORSION SPRING:GUIDE PL:LOWER:OPEN/CLOSE



U003\_S003  
(NA/AA/KOR):ADF:ASS'Y

76.D3DJ1833  
COVER:PAPER FEED:MIDDLE

73.D3DJ1812  
GUIDE PLATE:PAPER FEED

75.D3DJ1815  
COMPRESSION SPRING:SEPARATION

74.D3DJ1814  
HOLDER:FRICTION PAD:COIL SPRING:FIX

77.D3DJ1840  
HINGE:RIGHT:NON DAMPER:D296



32.D2961800  
(NA/AA/KOR):ADF:ASS'Y

94.D3DJ3831  
GUIDE:HARNESS:TRANSPORT:REAR

78.D3DJ1841  
HINGE:LEFT:DAMPER:D296

88.D3DJ3410  
TRANSPORT ROLLER:PULL OUT

85.D3DJ3210  
GUIDE PLATE:TRANSPORT

89.D3DJ3510  
TRANSPORT ROLLER:ENTRANCE

92.D3DJ3811  
GUIDE PLATE:SCANNING:FACE FRONT

90.D3DJ3610  
TRANSPORT ROLLER:EXIT

86.D3DJ3211 (x2)  
SPRING PLATE:GUIDE:EXPOSURE GLASS

87.D3DJ3216 (x2)  
SPRING PLATE:DISCHARGE:EXPOSURE GLASS

95.D3DJ3836  
GUIDE:HARNESS:TRANSPORT:FRONT

91.D3DJ3710  
TRANSPORT ROLLER:EXIT

84.D3DJ3119 (x2)  
CUSHION:SEPARATION

97.D3DJ4111  
SHAFT:COUPLING

96.D3DJ4110  
POSITIONING PLATE:DRIVE:FRONT

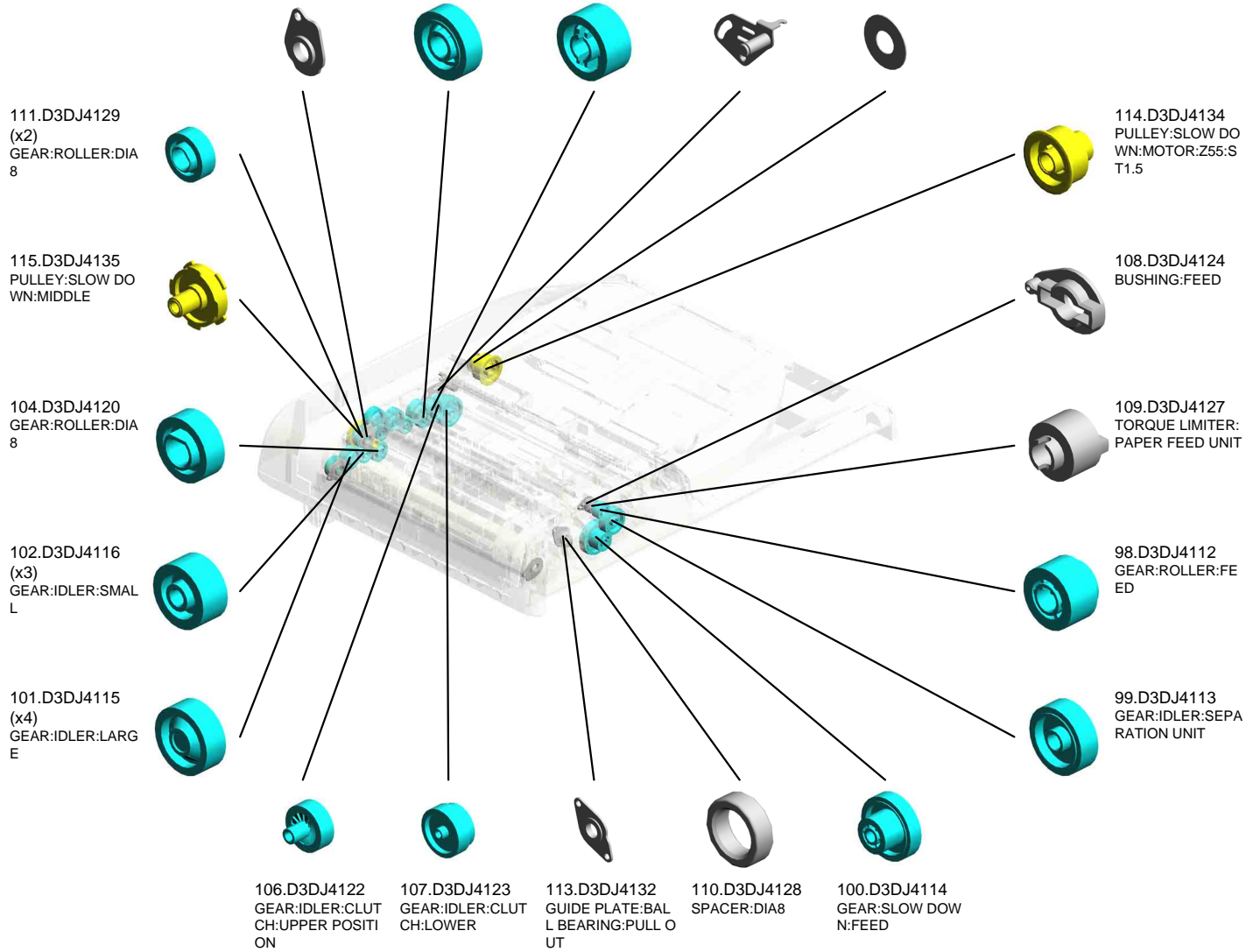
93.D3DJ3821  
PIN:GUIDE PLATE

U003\_S003  
(NA/AA/KOR):ADF:ASS'Y

112.D3DJ4130 (x3) GUIDE PLATE:RADIAL BALL BEARING  
 103.D3DJ4119 GEAR:IDLER:SHADING  
 105.D3DJ4121 GEAR:ROLLER:DIAMETER  
 117.D3DJ4322 BELT TENSIONER  
 116.D3DJ4136 FLANGE:SLIDER



32.D2961800  
(NA/AA/KOR):ADF:ASS'Y



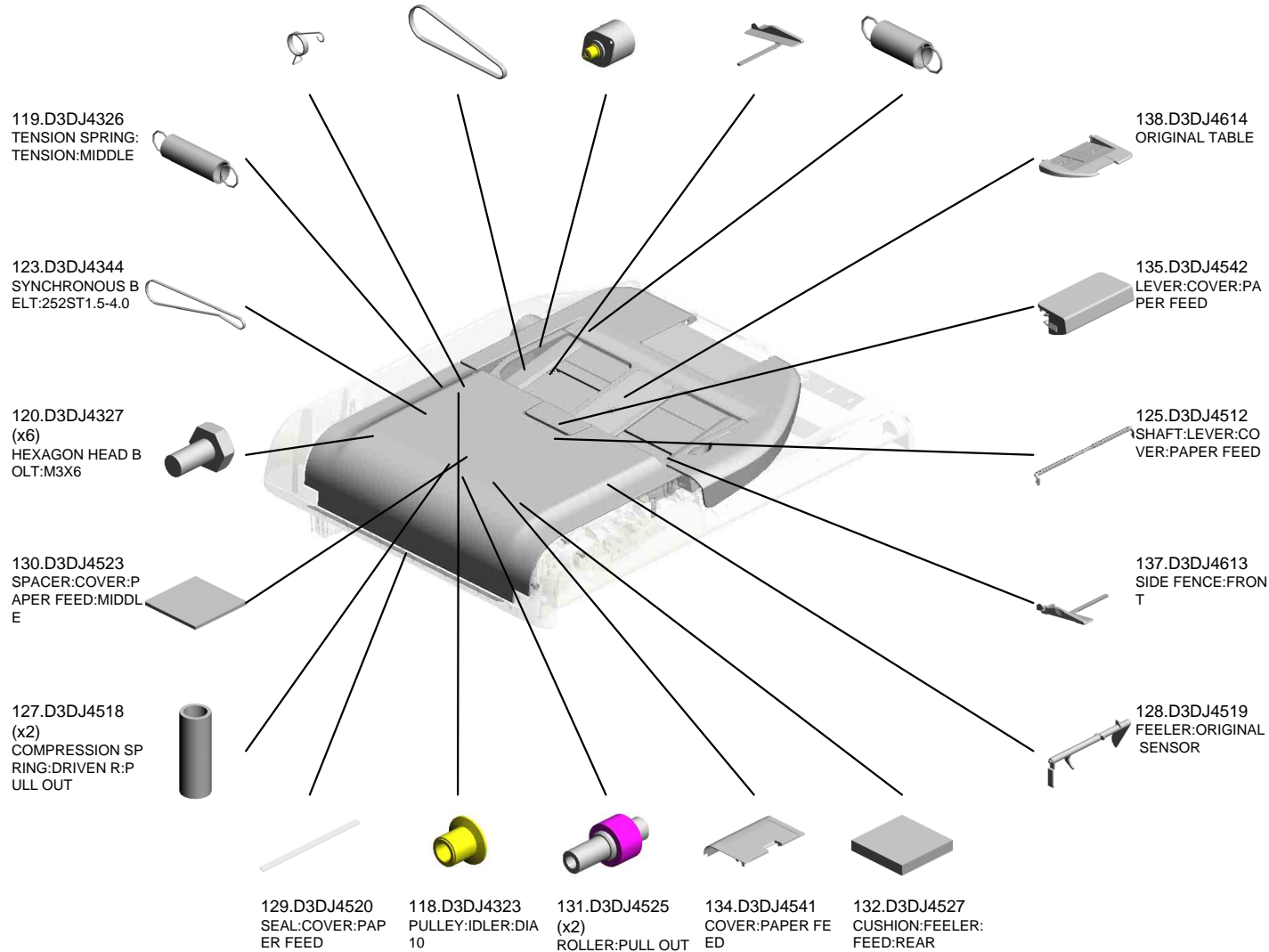
U001	U002	U003	U004	U005	U006	U007	U008	U009	U010	U011	U012	U013	U014	U015	U016	U017	U018
------	------	------	------	------	------	------	------	------	------	------	------	------	------	------	------	------	------

U003\_S003  
(NA/AA/KOR):ADF:ASS'Y

- 126.D3DJ4515 TORSION SPRING: COVER:PF:INNER BACK
- 121.D3DJ4332 SYNCHRONOUS BELT:149ST1.5-4.0
- 124.D3DJ4360 DC MOTOR:10W:28T:BRUSHLESS
- 136.D3DJ4612 SIDE FENCE:INNER BACK
- 122.D3DJ4335 TENSION SPRING: TENSION:MOTOR



32.D2961800  
(NA/AA/KOR):ADF:  
ASS'Y





U003\_S003  
(NA/AA/KOR):ADF:ASS'Y

166.D6064124  
COLLAR:REVERSE

141.D3DJ4710  
COVER:REAR

142.D3DJ4711  
CAP:CABLE:IC CA  
RD:NO

140.D3DJ4622  
SHEET:ORIGINAL  
TABLE

151.D3DJ6032  
(NA/AA/KOR):DECA  
L:ORIGINAL TABLE  
:ENGLISH



32.D2961800  
(NA/AA/KOR):ADF:  
ASS'Y

143.D3DJ4712  
CAP:CABLE:IC CA  
RD:YES

152.D5433635  
GEAR:ROLLER:SC  
ANNING:BEHIND

162.D6063112  
FRICTION PAD

165.D6063118  
SHEET:SEPARATI  
ON

167.D6064516  
(x2)  
SHAFT:ROLLER:P  
ULL OUT

163.D6063116  
LEVER:PRESSURE  
RELEASE:SEPAR  
ATION

164.D6063117  
TENSION SPRING:  
PRESSURE RELEA  
SE:SEPARATION:4.  
5N

148.D3DJ4814  
COVER:FRONT:LE  
FT UPPER

168.D6064614  
GEAR:SIDE FENCE

144.D3DJ4810  
COVER:FRONT

139.D3DJ4621  
EXTENSION TRAY

150.D3DJ6031  
DECAL:ORIGINAL  
SCALE

145.D3DJ4811  
STOPPER:ORIGIN  
AL TABLE

147.D3DJ4813  
COMPRESSION SP  
RING:STOPPER:O  
RI TABLE

146.D3DJ4812  
BRACKET:STOPPE  
R:ORIGINAL TABL  
E

U003\_S003  
(NA/AA/KOR):ADF:ASS'Y

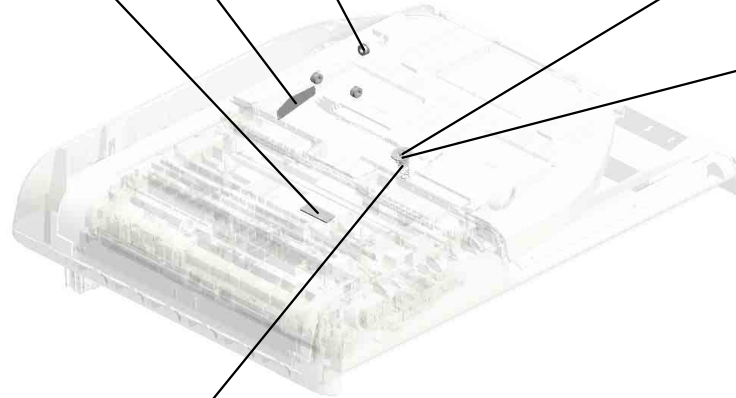
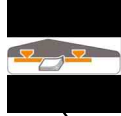
174.M1604930  
DECAL:SIDE FENCE

173.J5023127  
(x3)  
BUSHING:STEPPE  
R MOTOR



32.D2961800  
(NA/AA/KOR):ADF:  
ASS'Y

172.H5211350  
PAD - PICK-UP



170.D6064616  
DISC:SIDE FENCE



169.D6064615  
PIN:SIDE FENCE



171.D6064617  
COIL SPRING:SIDE  
FENCE:ARDF:12N

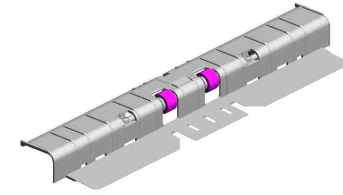


U001	U002	U003	U004	U005	U006	U007	U008	U009	U010	U011	U012	U013	U014	U015	U016	U017	U018
------	------	------	------	------	------	------	------	------	------	------	------	------	------	------	------	------	------

U003\_S003\_S001  
GUIDE:EXIT:ASS'Y

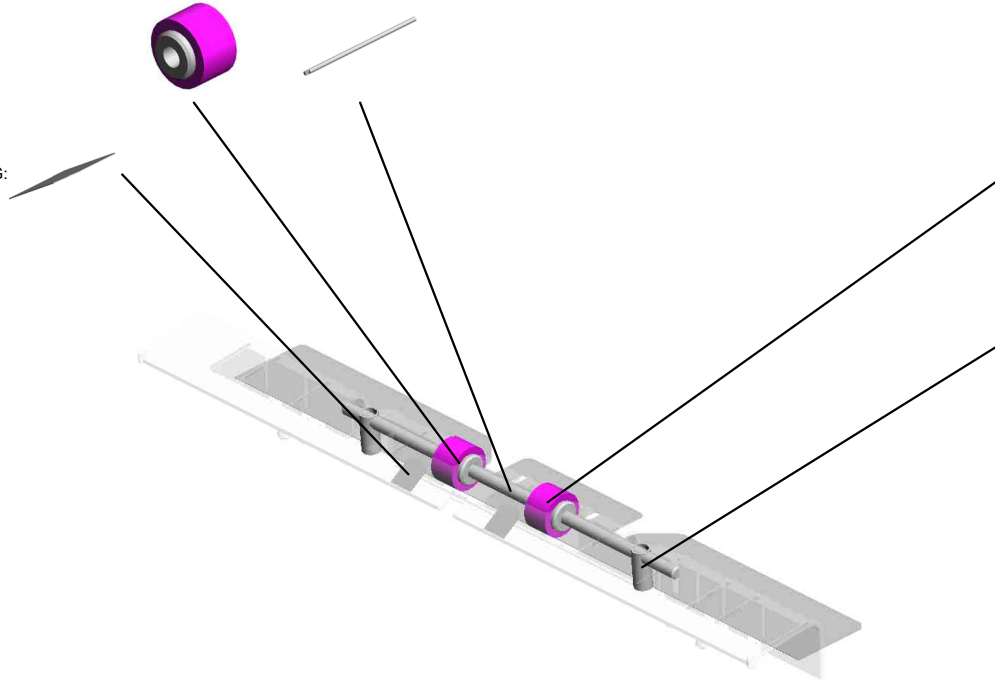
52.D3DJ1414  
(x2)  
ROLLER:ENTRANC  
E

57.D3DJ1634  
SHAFT:EXIT:DRIVE  
N



56.D3DJ1632  
GUIDE:EXIT:ASS'Y

61.D3DJ1649  
(x2)  
SHEET:SCANNING:  
BEHIND:PLATE



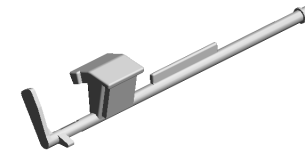
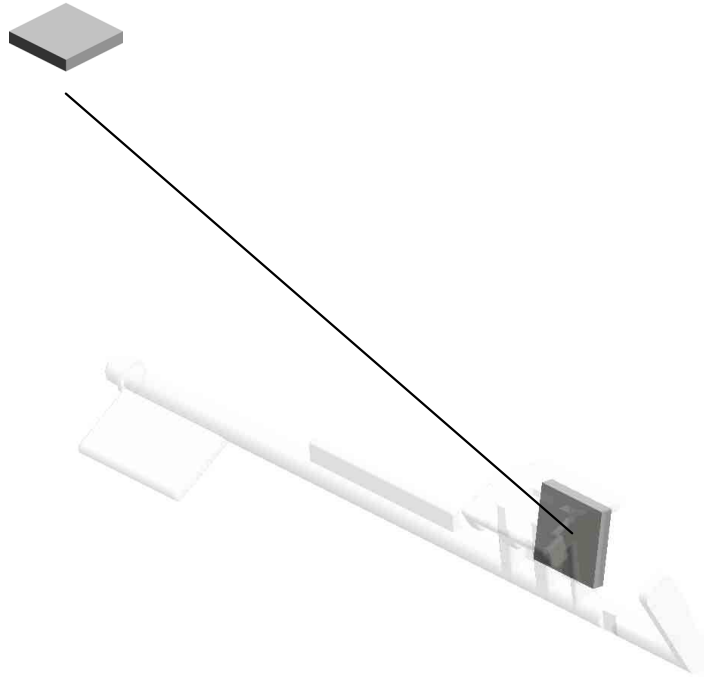
59.D3DJ1639  
SHEET:TRAY

58.D3DJ1636  
(x2)  
COMPRESSION SP  
RING:EXIT:DRIVEN

U001	U002	U003	U004	U005	U006	U007	U008	U009	U010	U011	U012	U013	U014	U015	U016	U017	U018
------	------	------	------	------	------	------	------	------	------	------	------	------	------	------	------	------	------

U003\_S003\_S002  
FEELER:FEED:REAR:ASS'Y

132.D3DJ4527  
CUSHION:FEELER:  
FEED:REAR



133.D3DJ4530  
FEELER:FEED:REA  
R:ASS'Y

U001	U002	U003	U004	U005	U006	U007	U008	U009	U010	U011	U012	U013	U014	U015	U016	U017	U018
------	------	------	------	------	------	------	------	------	------	------	------	------	------	------	------	------	------

U003\_S003\_S003  
 PAPER FEED UNIT:ASS'Y

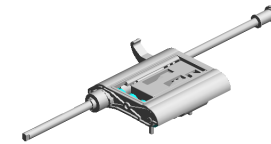
79.D3DJ2101  
 SHAFT:PAPER FEED UNIT:ASS'Y

159.D6062119  
 ARM:PAPER STOPPER

**80.D3DJ2111**  
**FEED ROLLER**

160.D6062121  
 LINK:PAPER STOPPER

161.D6062122  
 HOLDER:PICKUP ROLLER



83.D3DJ2200  
 PAPER FEED UNIT:ASS'Y

21.AA082101  
 BUSHING - 6X10X6

176.M3642124  
 COMPRESSION SPRING:PAPER FEED UNIT

23.AA132208  
 (x2)  
 SPACER - M6

15.08050104  
 RETAINING RINGS -E:SILENCER:DIA4

82.D3DJ2120  
 PAPER STOPPER

81.D3DJ2116  
 GEAR:FEED

8.06320080G  
 PARALLEL KEY - 2 X8MM

156.D6062115  
 TORQUE LIMITER MECHANICAL CLUTCH:FEED

12.07200040E (x 2)  
 RETAINING RING - M4

**154.D6062113**  
**PICKUP ROLLER**

155.D6062114  
 SHAFT:PICKUP

29.B8722529  
 COLLAR:PICKUP

158.D6062118  
 GEAR:PICKUP

157.D6062117  
 (x3)  
 GEAR:IDLER:FEED

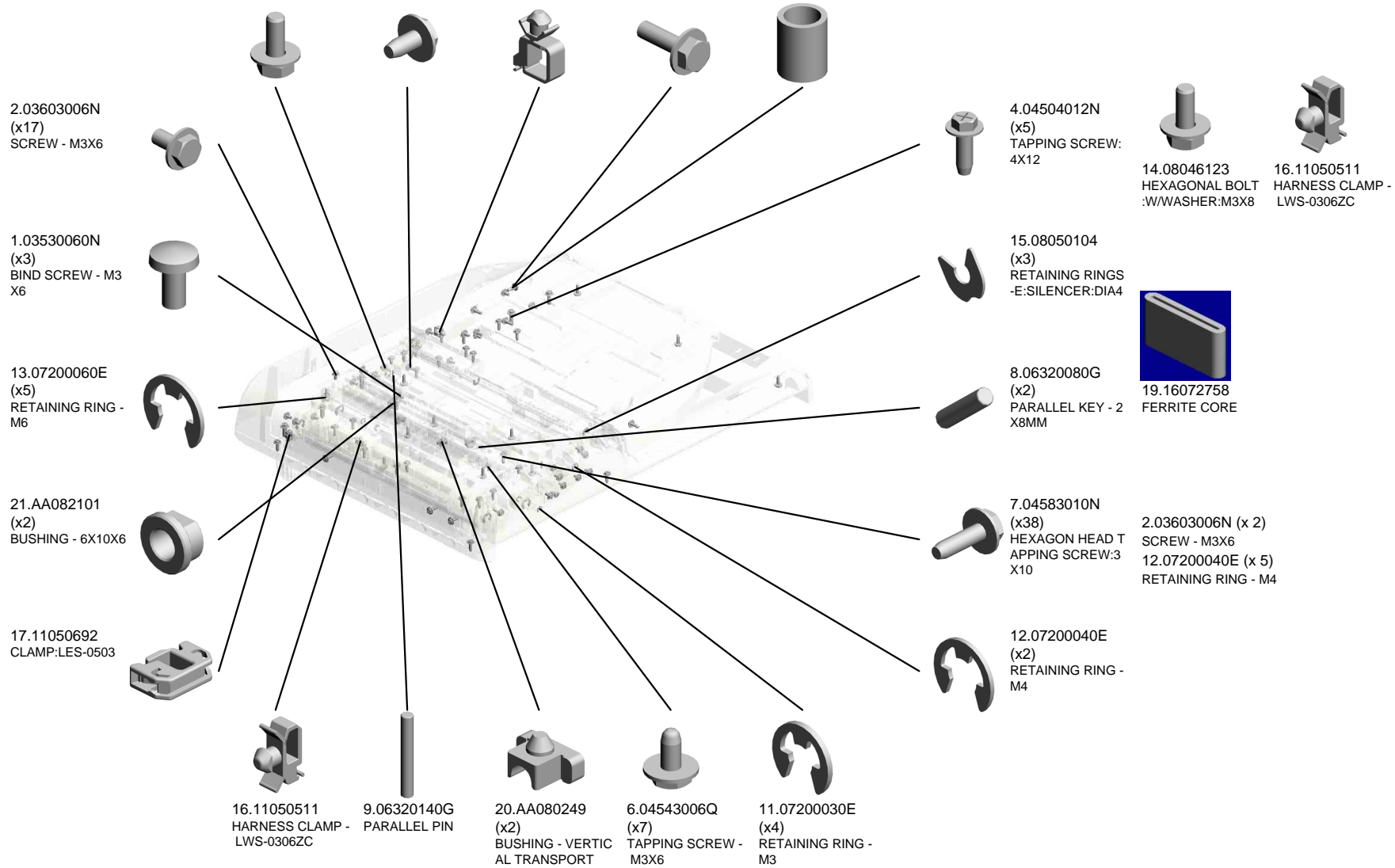
U001	U002	U003	U004	U005	U006	U007	U008	U009	U010	U011	U012	U013	U014	U015	U016	U017	U018
------	------	------	------	------	------	------	------	------	------	------	------	------	------	------	------	------	------

U003\_S004  
(TWN):ADF:ASS'Y

14.08046123 (x3) HEXAGONAL BOLT :W/WASHER:M3X8  
 5.04513006N (x2) TAPPING SCREW - 3X6  
 18.11050759 (x2) CLAMP:LWSM-060 5A  
 3.03603010N (x3) SCREW:M3X10  
 10.07073050N (x3) BUSHING:DIA3X5



34.D2961802  
(TWN):ADF:ASS'Y



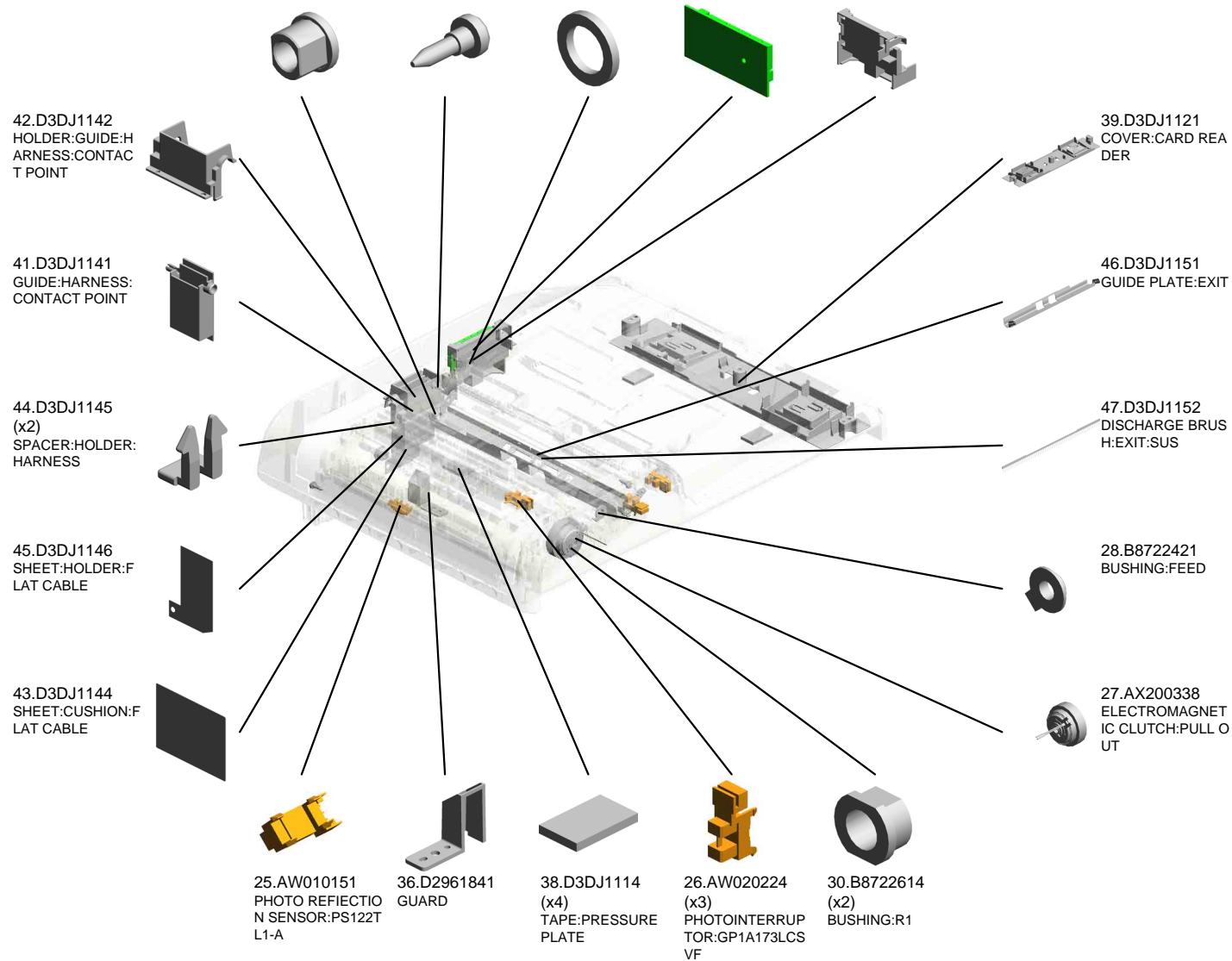
U001	U002	U003	U004	U005	U006	U007	U008	U009	U010	U011	U012	U013	U014	U015	U016	U017	U018
------	------	------	------	------	------	------	------	------	------	------	------	------	------	------	------	------	------

U003\_S004  
(TWN):ADF:ASS'Y

- 22.AA082180 (x2) PLAIN SHAFT BEARING:R1  
RING:DIA6:DIA10:9
- 24.AA143788 (x3) PIN:GUIDE PLATE: PAPER FEED
- 31.D0094511 SPACER:DIA8.0:1.5 MM
- 37.D2965300 PCB:DFRB3-MF
- 40.D3DJ1131 HOLDER:DFRB



34.D2961802  
(TWN):ADF:ASS'Y



U001	U002	U003	U004	U005	U006	U007	U008	U009	U010	U011	U012	U013	U014	U015	U016	U017	U018
------	------	------	------	------	------	------	------	------	------	------	------	------	------	------	------	------	------

U003\_S004  
(TWN):ADF:ASS'Y



34.D2961802  
(TWN):ADF:ASS'Y

64.D3DJ1654 PLAIN SHAFT BEARING:GUIDE:BEHIND:IN/BACK  
 66.D3DJ1664 SHAFT:CAM:PRESS FIT  
 55.D3DJ1620 OPTICAL READING SECTION:EXIT:DRIVEN:ASSY  
 72.D3DJ1710 OPTICAL READING MD:BEHIND:ASSY  
 48.D3DJ1160 (x3) SHEET:EXIT:ASSY

68.D3DJ1673 (x2) PAWL:GUIDE PLATE:LOWER:OPEN/CLOSE



52.D3DJ1414 (x2) ROLLER:ENTRANCE



49.D3DJ1410 GUIDE PLATE:SCANNING:FRONT LOWER



51.D3DJ1413 LEVER:DRIVEN:SCANNING



50.D3DJ1411 (x2) SHEET:SCANNING:FRONT LOWER



53.D3DJ1416 (x2) COMPRESSION SPRING:SCANNING:DRIVEN

69.D3DJ1674 SHAFT:LEVER:GUIDE PL:LOWER:OPEN/CLOSE

54.D3DJ1417 SPRING PLATE:DISCHARGE:SCANNING

60.D3DJ1642 GUIDE:TARGETS PLATE:BEHIND:ASSY

67.D3DJ1672 LEVER:GUIDE PLATE:LOWER:OPEN/CLOSE

65.D3DJ1662 (x2) CAM:MOVE:REFLECTANCE TARGETS PLATE:BEHIND



62.D3DJ1650 (x2) SPRING PLATE:GUIDE:BEHIND



71.D3DJ1681 PIN:GUIDE PLATE



63.D3DJ1653 PLAIN SHAFT BEARING:GUIDE:BEHIND:FRONT



70.D3DJ1676 TORSION SPRING:GUIDE PL:LOWER:OPEN/CLOSE





U003\_S004  
(TWN):ADF:ASS'Y

76.D3DJ1833  
COVER:PAPER FEED:MIDDLE

73.D3DJ1812  
GUIDE PLATE:PAPER FEED

75.D3DJ1815  
COMPRESSION SPRING:SEPARATION

74.D3DJ1814  
HOLDER:FRICTION PAD:COIL SPRING:FIX

77.D3DJ1840  
HINGE:RIGHT:NON DAMPER:D296



34.D2961802  
(TWN):ADF:ASS'Y

94.D3DJ3831  
GUIDE:HARNESS:TRANSPORT:REAR

78.D3DJ1841  
HINGE:LEFT:DAMPER:D296

88.D3DJ3410  
TRANSPORT ROLLER:PULL OUT

85.D3DJ3210  
GUIDE PLATE:TRANSPORT

89.D3DJ3510  
TRANSPORT ROLLER:ENTRANCE

92.D3DJ3811  
GUIDE PLATE:SCANNING:FACE FRONT

90.D3DJ3610  
TRANSPORT ROLLER:EXIT

86.D3DJ3211 (x2)  
SPRING PLATE:GUIDE:EXPOSURE GLASS

87.D3DJ3216 (x2)  
SPRING PLATE:DISCHARGE:EXPOSURE GLASS

95.D3DJ3836  
GUIDE:HARNESS:TRANSPORT:FRONT

91.D3DJ3710  
TRANSPORT ROLLER:EXIT

84.D3DJ3119 (x2)  
CUSHION:SEPARATION

97.D3DJ4111  
SHAFT:COUPLING

96.D3DJ4110  
POSITIONING PLATE:DRIVE:FRONT

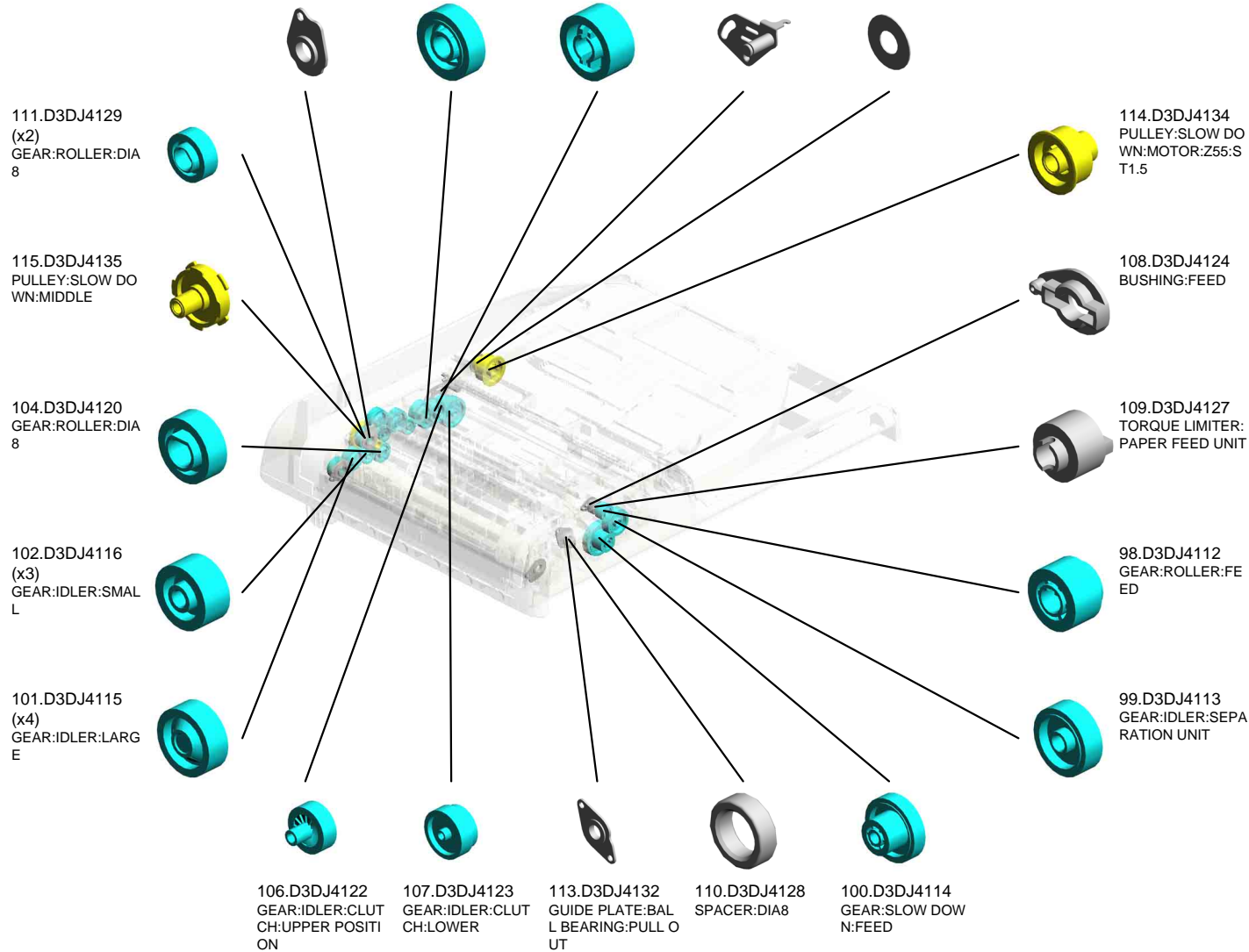
93.D3DJ3821  
PIN:GUIDE PLATE

U003\_S004  
(TWN):ADF:ASS'Y

112.D3DJ4130 (x3) GUIDE PLATE:RADIAL BALL BEARING  
 103.D3DJ4119 GEAR:IDLER:SHADING  
 105.D3DJ4121 GEAR:ROLLER:DIAMETER 6  
 117.D3DJ4322 BELT TENSIONER  
 116.D3DJ4136 FLANGE:SLIDER



34.D2961802  
(TWN):ADF:ASS'Y



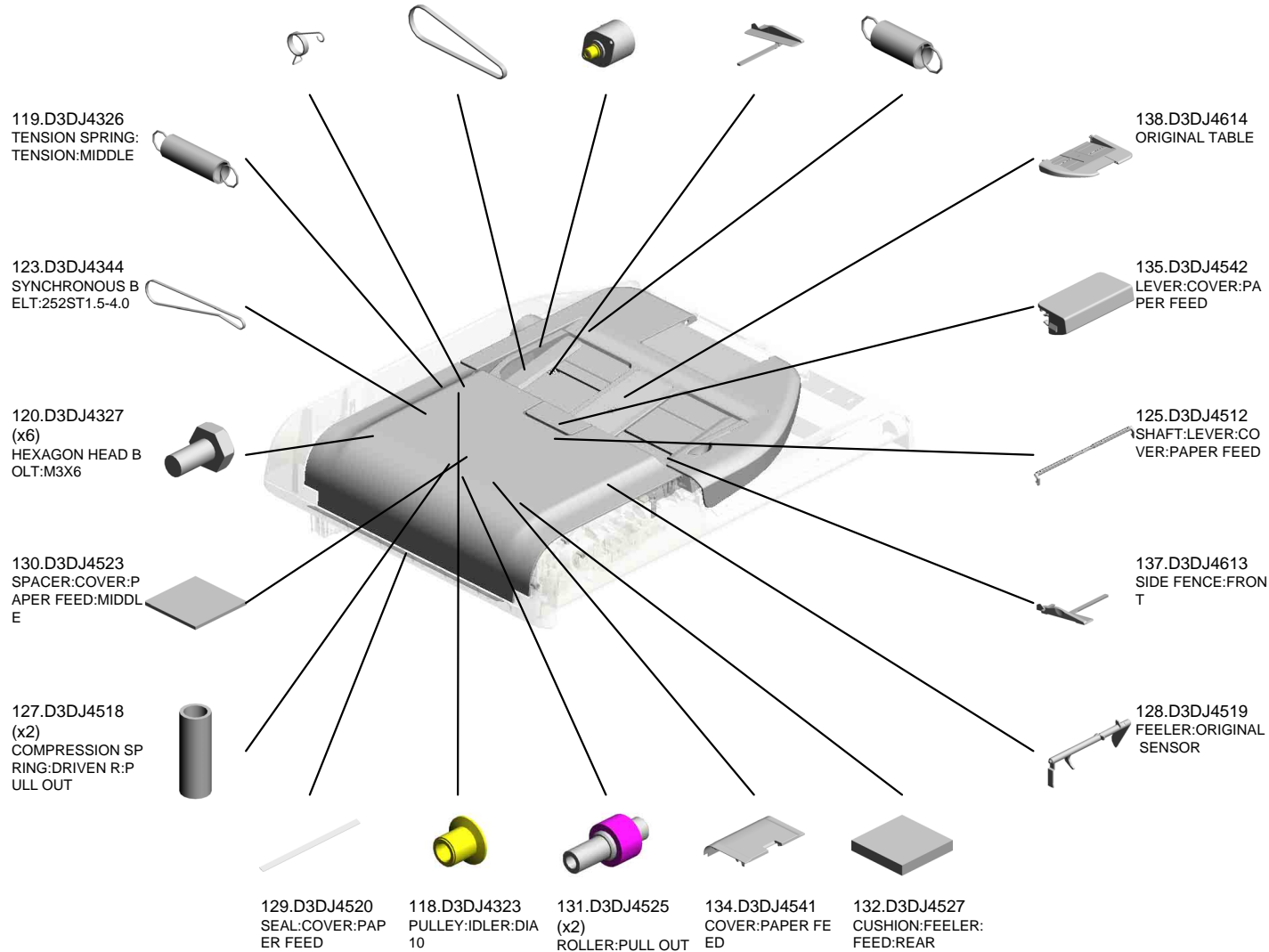
U001	U002	U003	U004	U005	U006	U007	U008	U009	U010	U011	U012	U013	U014	U015	U016	U017	U018
------	------	------	------	------	------	------	------	------	------	------	------	------	------	------	------	------	------

U003\_S004  
(TWN):ADF:ASS'Y

- 126.D3DJ4515 TORSION SPRING: COVER:PF:INNER BACK
- 121.D3DJ4332 SYNCHRONOUS BELT:149ST1.5-4.0
- 124.D3DJ4360 DC MOTOR:10W:28T:BRUSHLESS
- 136.D3DJ4612 SIDE FENCE:INNER BACK
- 122.D3DJ4335 TENSION SPRING: TENSION:MOTOR



34.D2961802  
(TWN):ADF:ASS'Y



U003\_S004  
(TWN):ADF:ASS'Y

166.D6064124  
COLLAR:REVERSE

141.D3DJ4710  
COVER:REAR

142.D3DJ4711  
CAP:CABLE:IC CA  
RD:NO

140.D3DJ4622  
SHEET:ORIGINAL  
TABLE

169.D6064615  
PIN:SIDE FENCE



34.D2961802  
(TWN):ADF:ASS'Y

143.D3DJ4712  
CAP:CABLE:IC CA  
RD:YES

152.D5433635  
GEAR:ROLLER:SC  
ANNING:BEHIND

162.D6063112  
FRICTION PAD

165.D6063118  
SHEET:SEPARATI  
ON

167.D6064516  
(x2)  
SHAFT:ROLLER:P  
ULL OUT

163.D6063116  
LEVER:PRESSURE  
RELEASE:SEPAR  
ATION

164.D6063117  
TENSION SPRING:  
PRESSURE RELEA  
SE:SEPARATION:4.  
5N

148.D3DJ4814  
COVER:FRONT:LE  
FT UPPER

168.D6064614  
GEAR:SIDE FENCE

144.D3DJ4810  
COVER:FRONT

139.D3DJ4621  
EXTENSION TRAY

150.D3DJ6031  
DECAL:ORIGINAL  
SCALE

145.D3DJ4811  
STOPPER:ORIGIN  
AL TABLE

147.D3DJ4813  
COMPRESSION SP  
RING:STOPPER:O  
RI TABLE

146.D3DJ4812  
BRACKET:STOPPE  
R:ORIGINAL TABL  
E

U003\_S004  
(TWN):ADF:ASS'Y

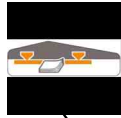
174.M1604930  
DECAL:SIDE FENC  
E

173.J5023127  
(x3)  
BUSHING:STEPPE  
R MOTOR



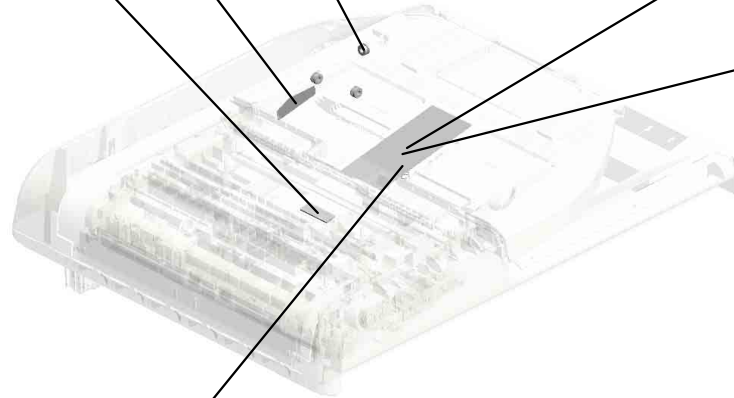
34.D2961802  
(TWN):ADF:ASS'Y

172.H5211350  
PAD - PICK-UP



175.M1604931  
(TWN):DECAL:ORI  
GINAL TABLE:TAI  
WAN

170.D6064616  
DISC:SIDE FENCE



171.D6064617  
COIL SPRING:SIDE  
FENCE:ARDF:12N

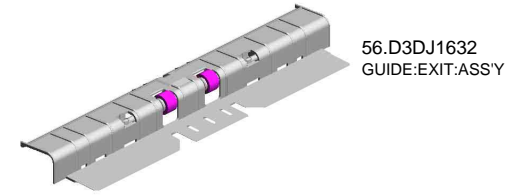


U001	U002	U003	U004	U005	U006	U007	U008	U009	U010	U011	U012	U013	U014	U015	U016	U017	U018
------	------	------	------	------	------	------	------	------	------	------	------	------	------	------	------	------	------

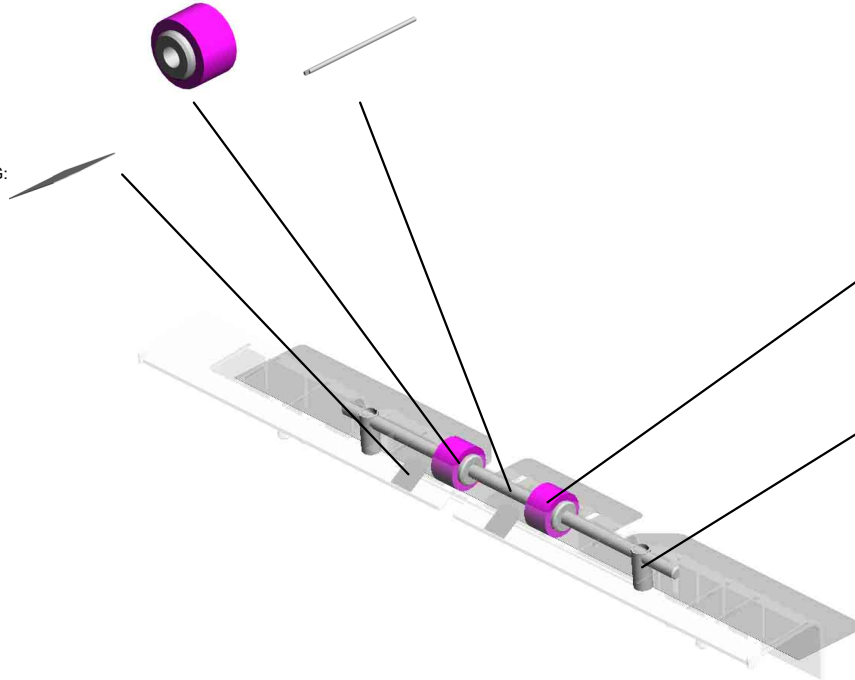
U003\_S004\_S001  
GUIDE:EXIT:ASS'Y

52.D3DJ1414 (x2)  
ROLLER:ENTRANCE

57.D3DJ1634  
SHAFT:EXIT:DRIVE



61.D3DJ1649 (x2)  
SHEET:SCANNING:  
BEHIND:PLATE



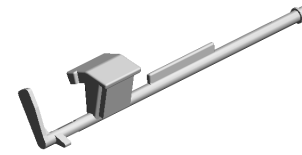
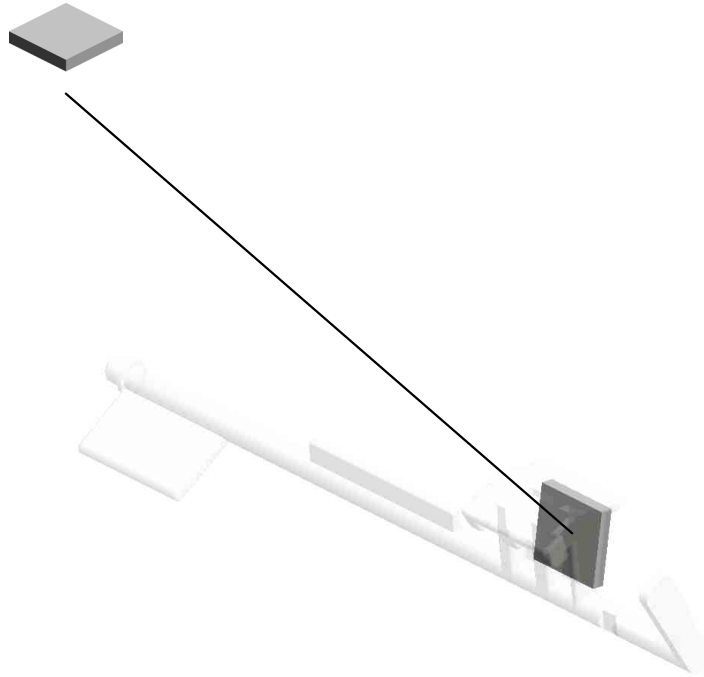
59.D3DJ1639  
SHEET:TRAY

58.D3DJ1636 (x2)  
COMPRESSION SP  
RING:EXIT:DRIVEN

U001	U002	U003	U004	U005	U006	U007	U008	U009	U010	U011	U012	U013	U014	U015	U016	U017	U018
------	------	------	------	------	------	------	------	------	------	------	------	------	------	------	------	------	------

U003\_S004\_S002  
FEELER:FEED:REAR:ASS'Y

132.D3DJ4527  
CUSHION:FEELER:  
FEED:REAR



133.D3DJ4530  
FEELER:FEED:REA  
R:ASS'Y

U001	U002	U003	U004	U005	U006	U007	U008	U009	U010	U011	U012	U013	U014	U015	U016	U017	U018
------	------	------	------	------	------	------	------	------	------	------	------	------	------	------	------	------	------

U003\_S004\_S003  
PAPER FEED UNIT:ASS'Y

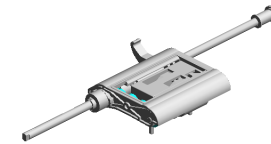
79.D3DJ2101  
SHAFT:PAPER FEED UNIT:ASS'Y

159.D6062119  
ARM:PAPER STOPPER

**80.D3DJ2111**  
**FEED ROLLER**

160.D6062121  
LINK:PAPER STOPPER

161.D6062122  
HOLDER:PICKUP ROLLER



83.D3DJ2200  
PAPER FEED UNIT:ASS'Y

21.AA082101  
BUSHING - 6X10X6



176.M3642124  
COMPRESSION SPRING:PAPER FEED UNIT



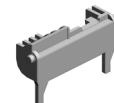
23.AA132208  
(x2)  
SPACER - M6



15.08050104  
RETAINING RINGS -E:SILENCER:DIA4



82.D3DJ2120  
PAPER STOPPER



81.D3DJ2116  
GEAR:FEED



8.06320080G  
PARALLEL KEY - 2 X8MM



156.D6062115  
TORQUE LIMITER MECHANICAL CLUTCH:FEED



**154.D6062113**  
**PICKUP ROLLER**



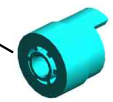
155.D6062114  
SHAFT:PICKUP



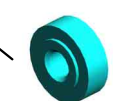
29.B8722529  
COLLAR:PICKUP



158.D6062118  
GEAR:PICKUP



157.D6062117  
(x3)  
GEAR:IDLER:FEED



12.07200040E (x 2)  
RETAINING RING - M4

U001	U002	U003	U004	U005	U006	U007	U008	U009	U010	U011	U012	U013	U014	U015	U016	U017	U018
------	------	------	------	------	------	------	------	------	------	------	------	------	------	------	------	------	------

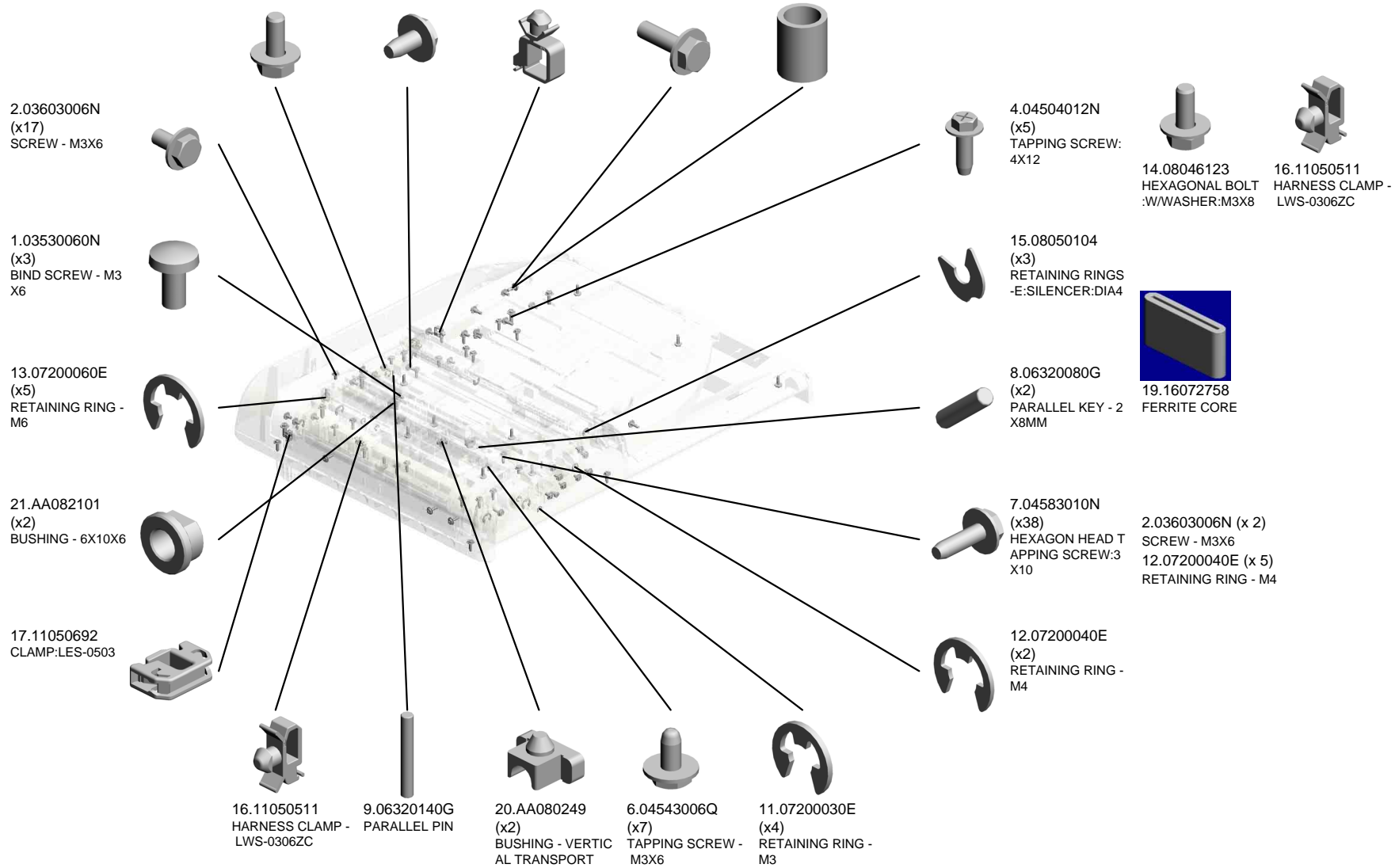


U003\_S005  
(CHN):ADF:ASS'Y

14.08046123 (x3) HEXAGONAL BOLT :W/WASHER:M3X8  
 5.04513006N (x2) TAPPING SCREW - 3X6  
 18.11050759 (x2) CLAMP:LWSM-060 5A  
 3.03603010N (x3) SCREW:M3X10  
 10.07073050N (x3) BUSHING:DIA3X5



33.D2961801  
(CHN):ADF:ASS'Y

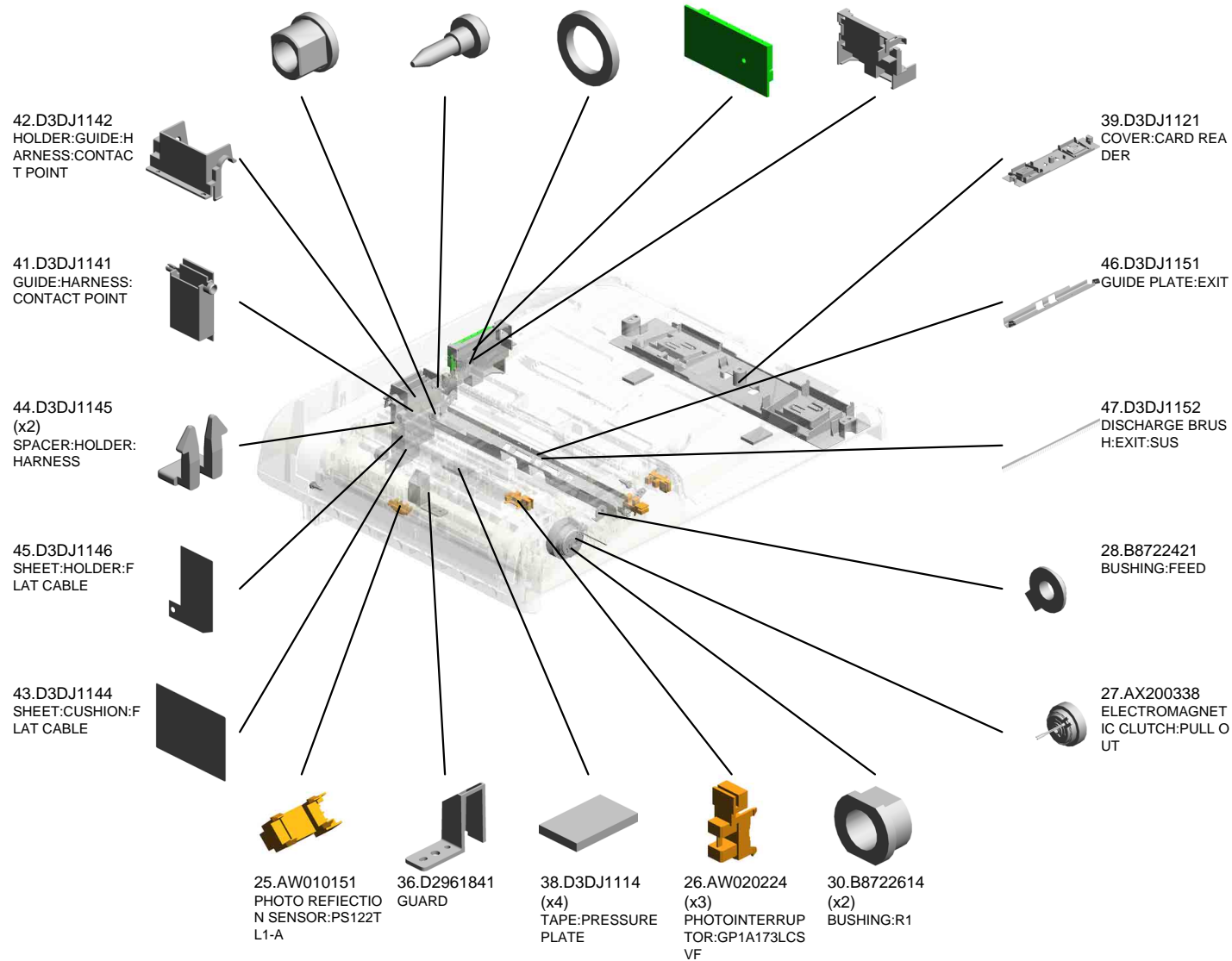


U003\_S005  
(CHN):ADF:ASS'Y

- 22.AA082180 (x2) PLAIN SHAFT BEARING:R1  
RING:DIA6:DIA10:9
- 24.AA143788 (x3) PIN:GUIDE PLATE: PAPER FEED
- 31.D0094511 SPACER:DIA8.0:1.5 MM
- 37.D2965300 PCB:DFRB3-MF
- 40.D3DJ1131 HOLDER:DFRB



33.D2961801  
(CHN):ADF:ASS'Y



U003\_S005  
(CHN):ADF:ASS'Y



33.D2961801  
(CHN):ADF:ASS'Y

64.D3DJ1654 PLAIN SHAFT BEARING:GUIDE:BEHIND:IN/BACK  
 66.D3DJ1664 SHAFT:CAM:PRESS FIT  
 55.D3DJ1620 OPTICAL READING SECTION:EXIT:DRIVEN:ASSY  
 72.D3DJ1710 OPTICAL READING MD:BEHIND:ASSY  
 48.D3DJ1160 (x3) SHEET:EXIT:ASSY

68.D3DJ1673 (x2) PAWL:GUIDE PLATE:LOWER:OPEN/CLOSE



52.D3DJ1414 (x2) ROLLER:ENTRANCE



49.D3DJ1410 GUIDE PLATE:SCANNING:FRONT LOWER



51.D3DJ1413 LEVER:DRIVEN:SCANNING



50.D3DJ1411 (x2) SHEET:SCANNING:FRONT LOWER



53.D3DJ1416 (x2) COMPRESSION SPRING:SCANNING:DRIVEN

69.D3DJ1674 SHAFT:LEVER:GUIDE PL:LOWER:OPEN/CLOSE

54.D3DJ1417 SPRING PLATE:DISCHARGE:SCANNING

60.D3DJ1642 GUIDE:TARGETS PLATE:BEHIND:ASSY

67.D3DJ1672 LEVER:GUIDE PLATE:LOWER:OPEN/CLOSE

65.D3DJ1662 (x2) CAM:MOVE:REFLECTANCE TARGETS PLATE:BEHIND



62.D3DJ1650 (x2) SPRING PLATE:GUIDE:BEHIND



71.D3DJ1681 PIN:GUIDE PLATE



63.D3DJ1653 PLAIN SHAFT BEARING:GUIDE:BEHIND:FRONT



70.D3DJ1676 TORSION SPRING:GUIDE PL:LOWER:OPEN/CLOSE



U003\_S005  
(CHN):ADF:ASS'Y

76.D3DJ1833  
COVER:PAPER FEED:MIDDLE

73.D3DJ1812  
GUIDE PLATE:PAPER FEED

75.D3DJ1815  
COMPRESSION SPRING:SEPARATION

74.D3DJ1814  
HOLDER:FRICTION PAD:COIL SPRING:FIX

77.D3DJ1840  
HINGE:RIGHT:NON DAMPER:D296



33.D2961801  
(CHN):ADF:ASS'Y

94.D3DJ3831  
GUIDE:HARNESSTransport:REAR



78.D3DJ1841  
HINGE:LEFT:DAMPER:D296



88.D3DJ3410  
TRANSPORT ROLLER:PULL OUT



85.D3DJ3210  
GUIDE PLATE:TRANSPORT



89.D3DJ3510  
TRANSPORT ROLLER:ENTRANCE



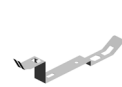
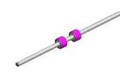
92.D3DJ3811  
GUIDE PLATE:SCANNING:FACE FRONT

90.D3DJ3610  
TRANSPORT ROLLER:EXIT

86.D3DJ3211 (x2)  
SPRING PLATE:GUIDE:EXPOSURE GLASS

87.D3DJ3216 (x2)  
SPRING PLATE:DISCHARGE:EXPOSURE GLASS

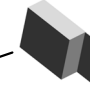
95.D3DJ3836  
GUIDE:HARNESSTransport:FRONT



91.D3DJ3710  
TRANSPORT ROLLER:EXIT



84.D3DJ3119 (x2)  
CUSHION:SEPARATION



97.D3DJ4111  
SHAFT:COUPLING



96.D3DJ4110  
POSITIONING PLATE:DRIVE:FRONT



93.D3DJ3821  
PIN:GUIDE PLATE

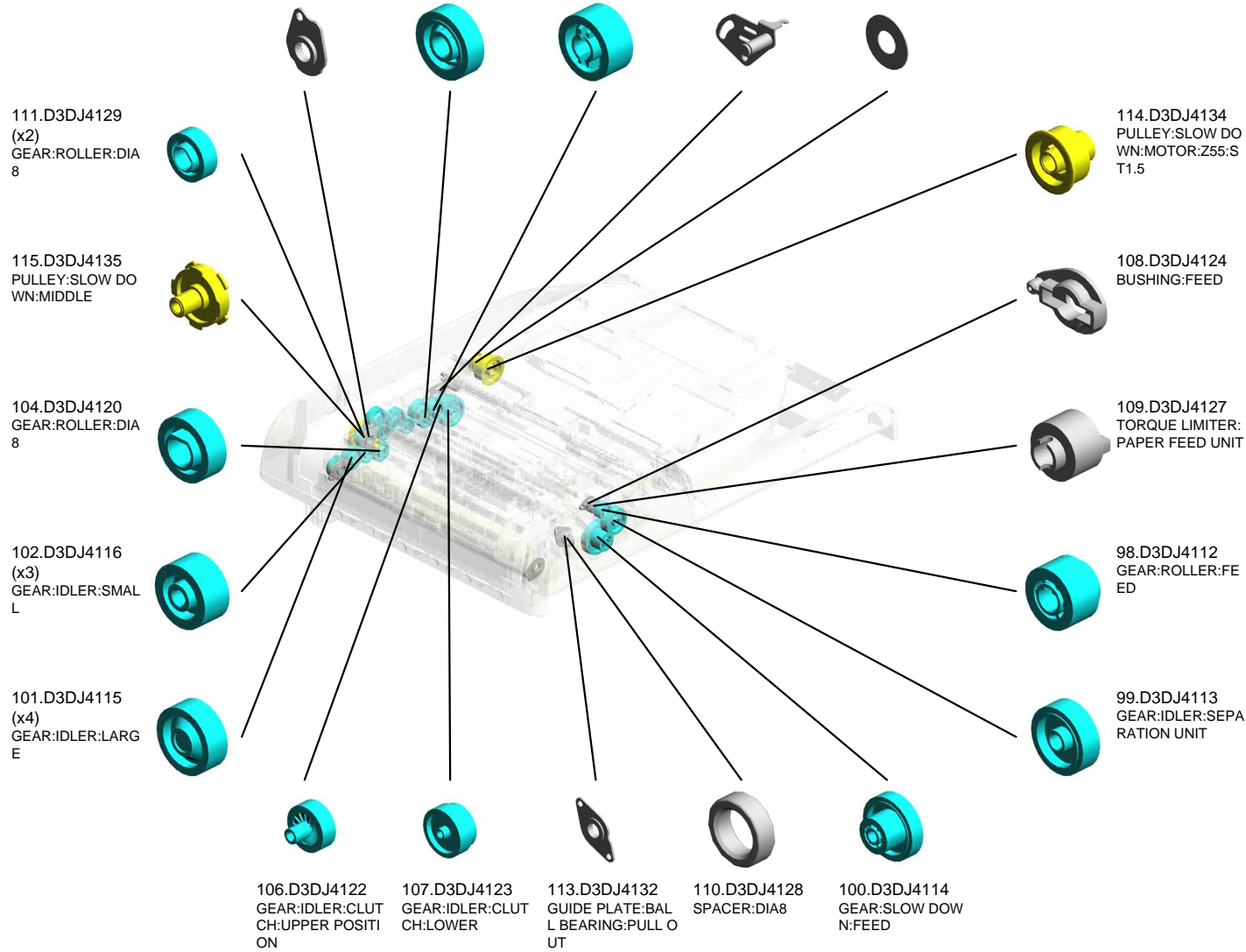


U003\_S005  
(CHN):ADF:ASS'Y

112.D3DJ4130 (x3) GUIDE PLATE:RADIAL BALL BEARING  
 103.D3DJ4119 GEAR:IDLER:SHADING  
 105.D3DJ4121 GEAR:ROLLER:DIAMETER 6  
 117.D3DJ4322 BELT TENSIONER  
 116.D3DJ4136 FLANGE:SLIDER



33.D2961801  
(CHN):ADF:ASS'Y



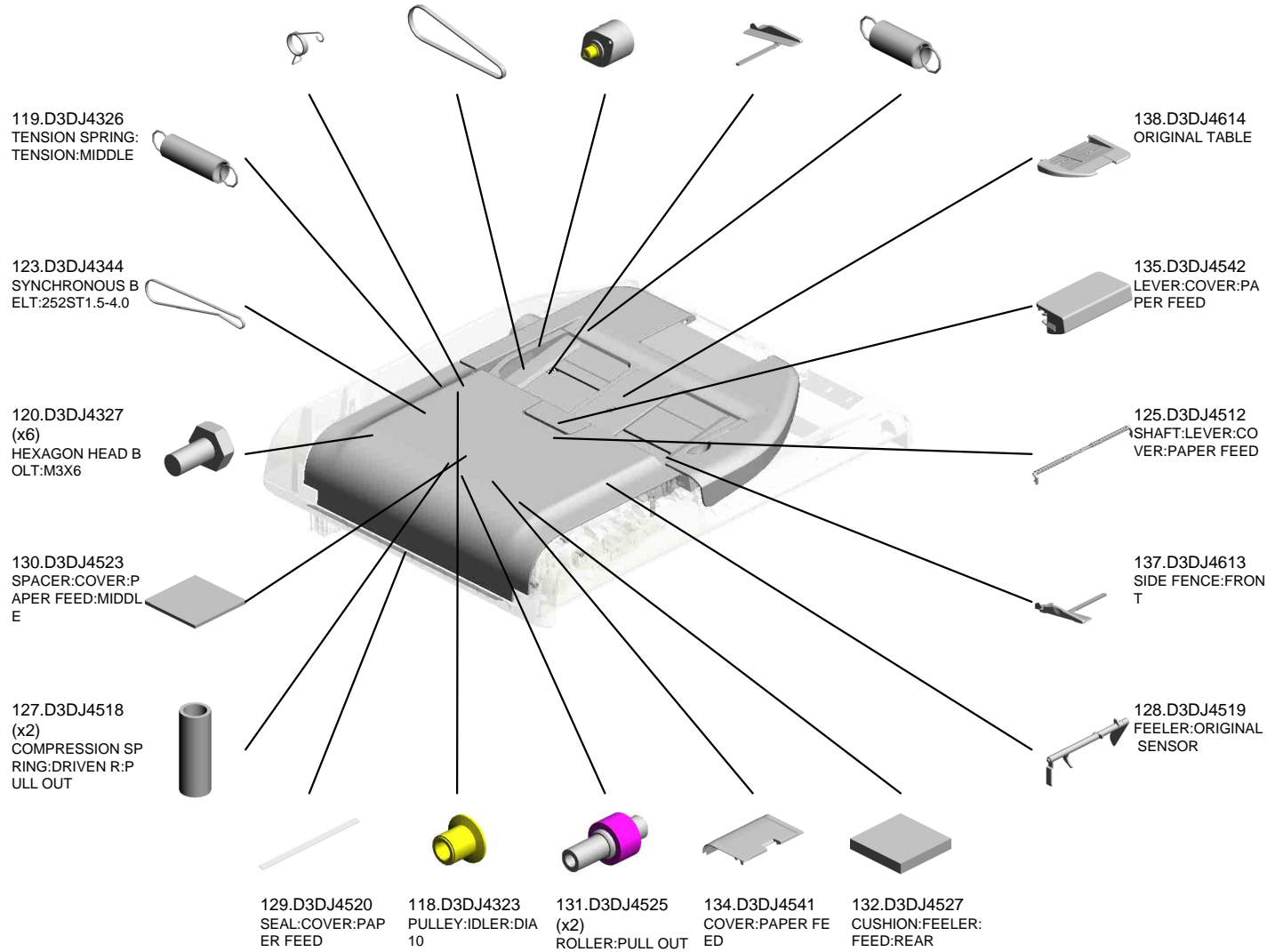
U001	U002	U003	U004	U005	U006	U007	U008	U009	U010	U011	U012	U013	U014	U015	U016	U017	U018
------	------	------	------	------	------	------	------	------	------	------	------	------	------	------	------	------	------

U003\_S005  
(CHN):ADF:ASS'Y

- 126.D3DJ4515 TORSION SPRING: COVER:PF:INNER BACK
- 121.D3DJ4332 SYNCHRONOUS BELT:149ST1.5-4.0
- 124.D3DJ4360 DC MOTOR:10W:28T:BRUSHLESS
- 136.D3DJ4612 SIDE FENCE:INNER BACK
- 122.D3DJ4335 TENSION SPRING: TENSION:MOTOR



33.D2961801  
(CHN):ADF:ASS'Y

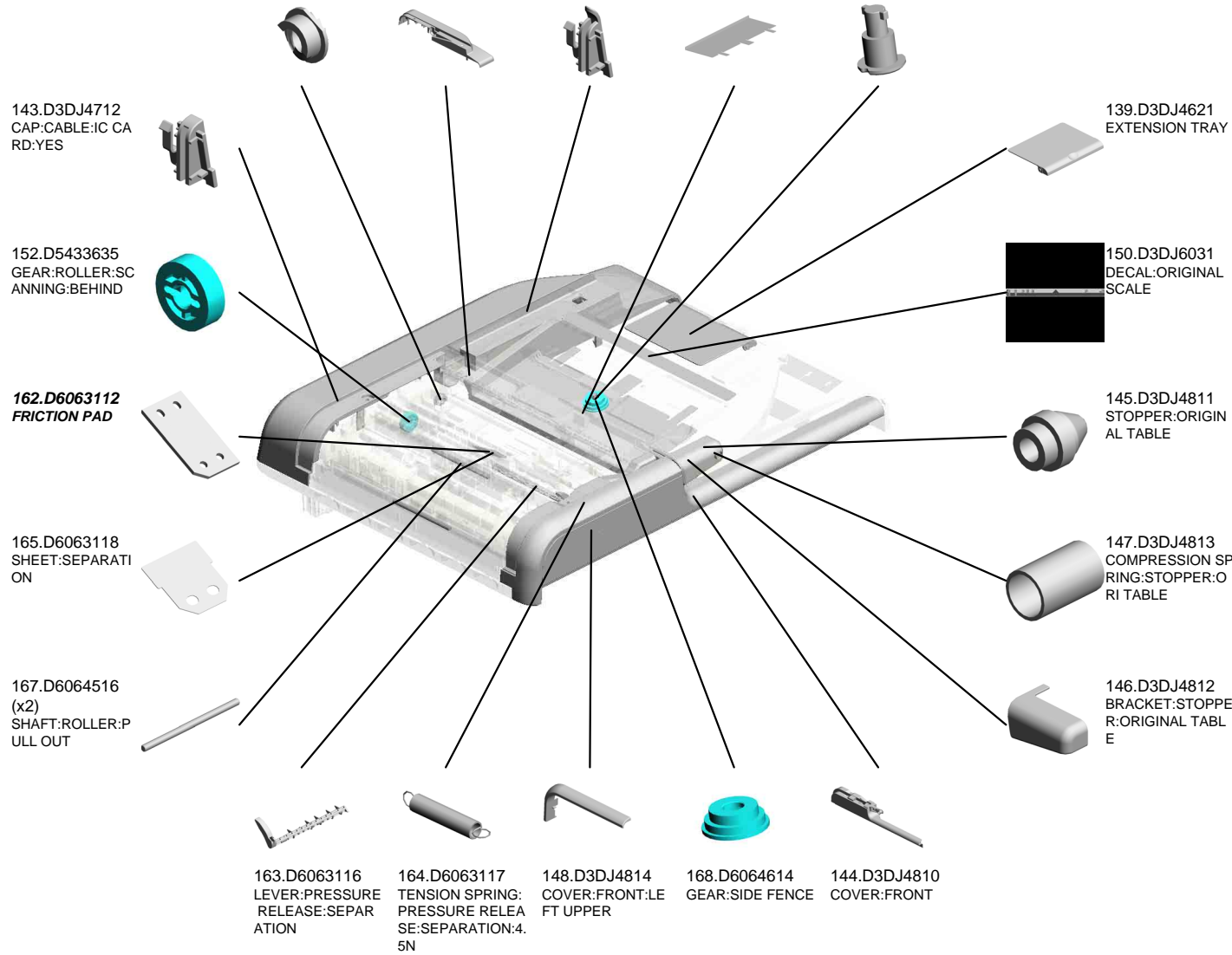


U003\_S005  
(CHN):ADF:ASS'Y

166.D6064124 COLLAR:REVERSE  
 141.D3DJ4710 COVER:REAR  
 142.D3DJ4711 CAP:CABLE:IC CA  
RD:NO  
 140.D3DJ4622 SHEET:ORIGINAL  
TABLE  
 169.D6064615 PIN:SIDE FENCE



33.D2961801  
(CHN):ADF:ASS'Y



U003\_S005  
(CHN):ADF:ASS'Y

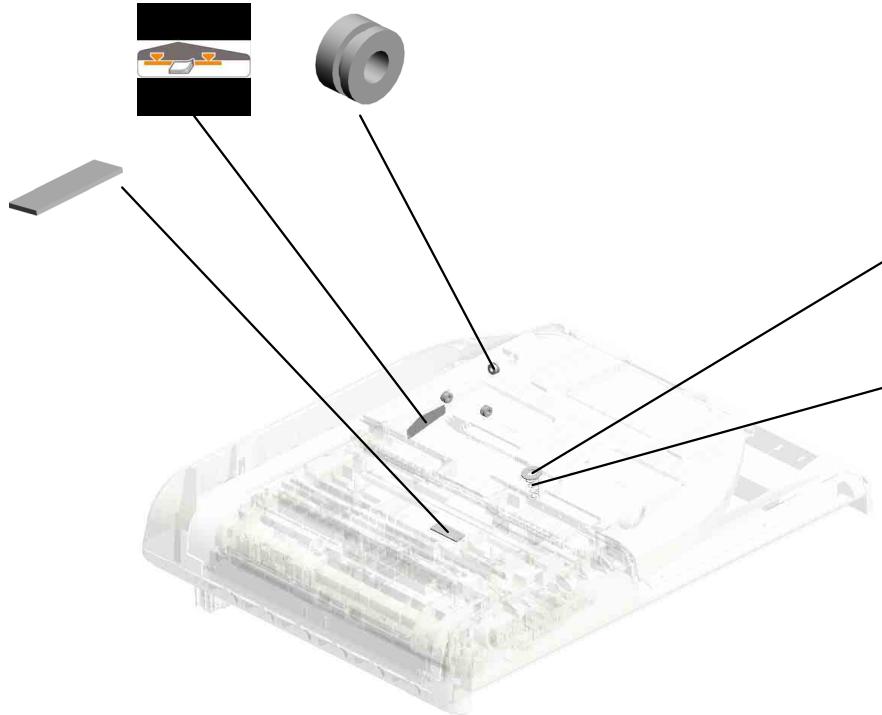
174.M1604930  
DECAL:SIDE FENCE

173.J5023127  
(x3)  
BUSHING:STEPPE  
R MOTOR



33.D2961801  
(CHN):ADF:ASS'Y

172.H5211350  
PAD - PICK-UP



170.D6064616  
DISC:SIDE FENCE

171.D6064617  
COIL SPRING:SIDE  
FENCE:ARDF:12N

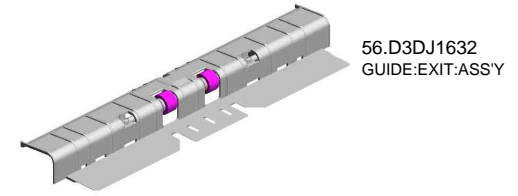
U001	U002	U003	U004	U005	U006	U007	U008	U009	U010	U011	U012	U013	U014	U015	U016	U017	U018
------	------	------	------	------	------	------	------	------	------	------	------	------	------	------	------	------	------



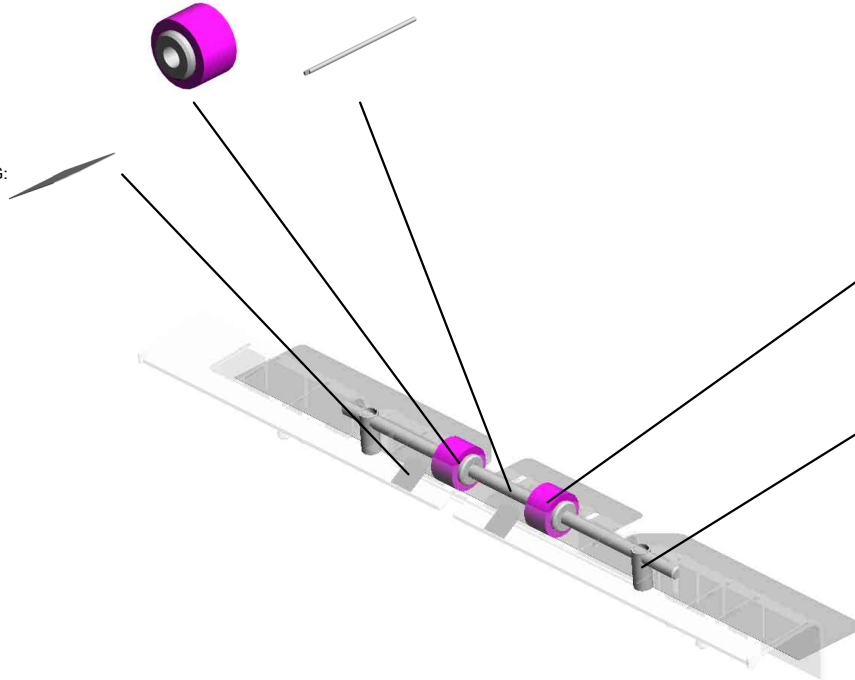
U003\_S005\_S001  
GUIDE:EXIT:ASS'Y

52.D3DJ1414 (x2)  
ROLLER:ENTRANCE

57.D3DJ1634  
SHAFT:EXIT:DRIVE



61.D3DJ1649 (x2)  
SHEET:SCANNING:  
BEHIND:PLATE

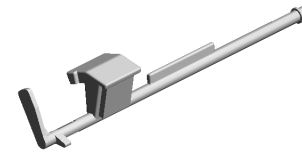


58.D3DJ1636 (x2)  
COMPRESSION SP  
RING:EXIT:DRIVEN

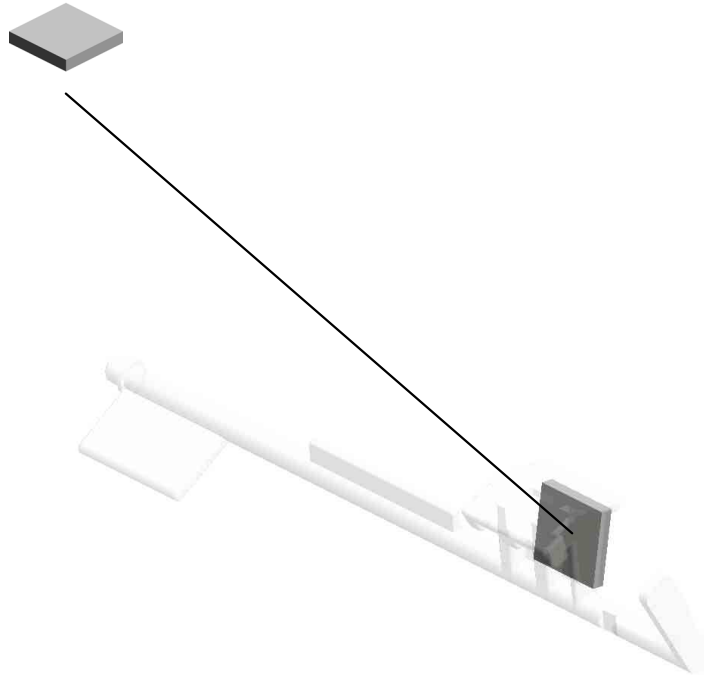
U001	U002	U003	U004	U005	U006	U007	U008	U009	U010	U011	U012	U013	U014	U015	U016	U017	U018
------	------	------	------	------	------	------	------	------	------	------	------	------	------	------	------	------	------

U003\_S005\_S002  
FEELER:FEED:REAR:ASS'Y

132.D3DJ4527  
CUSHION:FEELER:  
FEED:REAR



133.D3DJ4530  
FEELER:FEED:REA  
R:ASS'Y



U001	U002	U003	U004	U005	U006	U007	U008	U009	U010	U011	U012	U013	U014	U015	U016	U017	U018
------	------	------	------	------	------	------	------	------	------	------	------	------	------	------	------	------	------

U003\_S005\_S003  
 PAPER FEED UNIT:ASS'Y

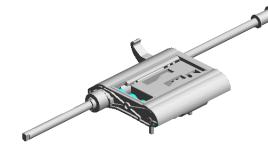
79.D3DJ2101  
 SHAFT:PAPER FEE  
 D UNIT:ASS'Y

159.D6062119  
 ARM:PAPER STOP  
 PER

**80.D3DJ2111**  
**FEED ROLLER**

160.D6062121  
 LINK:PAPER STOP  
 PER

161.D6062122  
 HOLDER:PICKUP R  
 OLLER



83.D3DJ2200  
 PAPER FEED UNIT  
 :ASS'Y

21.AA082101  
 BUSHING - 6X10X6

176.M3642124  
 COMPRESSION SP  
 RING:PAPER FEED  
 UNIT

23.AA132208  
 (x2)  
 SPACER - M6

12.07200040E  
 (x2)  
 RETAINING RING -  
 M4

15.08050104  
 RETAINING RINGS  
 -E:SILENCER:DIA4

82.D3DJ2120  
 PAPER STOPPER

81.D3DJ2116  
 GEAR:FEED

8.06320080G  
 PARALLEL KEY - 2  
 X8MM

156.D6062115  
 TORQUE LIMITER  
 MECHANICAL CLU  
 TCH:FEED

**154.D6062113**  
**PICKUP ROLLER**

155.D6062114  
 SHAFT:PICKUP

29.B8722529  
 COLLAR:PICKUP

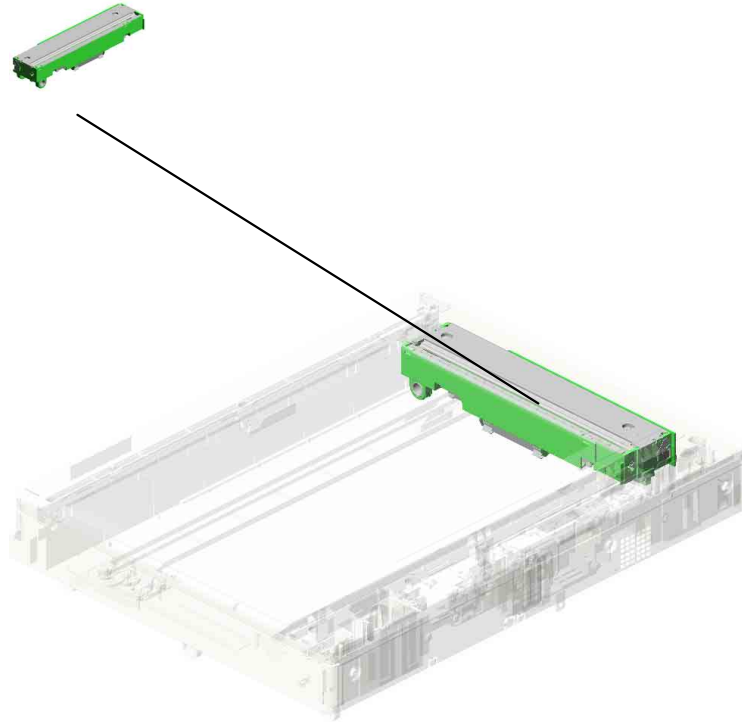
158.D6062118  
 GEAR:PICKUP

157.D6062117  
 (x3)  
 GEAR:IDLER:FEED

U001	U002	U003	U004	U005	U006	U007	U008	U009	U010	U011	U012	U013	U014	U015	U016	U017	U018
------	------	------	------	------	------	------	------	------	------	------	------	------	------	------	------	------	------

# U004.SCANNER

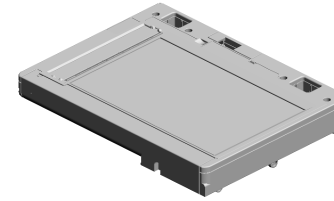
U004\_S001  
M0A01651  
CARRIAGE:SCANNER:ASSY



U001	U002	U003	U004	U005	U006	U007	U008	U009	U010	U011	U012	U013	U014	U015	U016	U017	U018
------	------	------	------	------	------	------	------	------	------	------	------	------	------	------	------	------	------

# U004 SCANNER

5.07073050N (x3) BUSHING:DIA3X5  
 6.07200025E RETAINING RING - M2.5  
 13.D1171801 BRACKET:MOTOR  
 12.AX040272 DC STEPPER MOTOR:NMB  
 1.03530040N (x3) SCREW - M3X4



8.08050104 (x2) RETAINING RINGS -E:SILENCER:DIA4



15.D1171805 GEAR:TIMING PULLEY:81-18



20.D1171826 GEAR:SLOW DOWN:53-19



19.D1171820 (x3) BUSHING:BRACKET



4.04503014N (x3) TAPPING SCREW: M3X14



3.04503010N (x18) TAPPING SCREW - M3X10



18.D1171810 SYNCHRONOUS BELT:S2M:441



22.D2961650 (x4) (EU/AA/KOR/CHN/TWN):ORIGINAL TRAY:SCANNER:ASSY



11.AW020224 (x2) PHOTOINTERERRUPTOR:GP1A173LCS VF



9.11050759 CLAMP:LWSM-060 5A



3.04503010N (x 8) TAPPING SCREW - M3X10

2.03603006N (x5) SCREW - M3X6



14.D1171804 (x2) CAP:TIMING PULLEY



16.D1171806 PULLEY:IDLER



17.D1171807 BRACKET:IDLER:PEEN

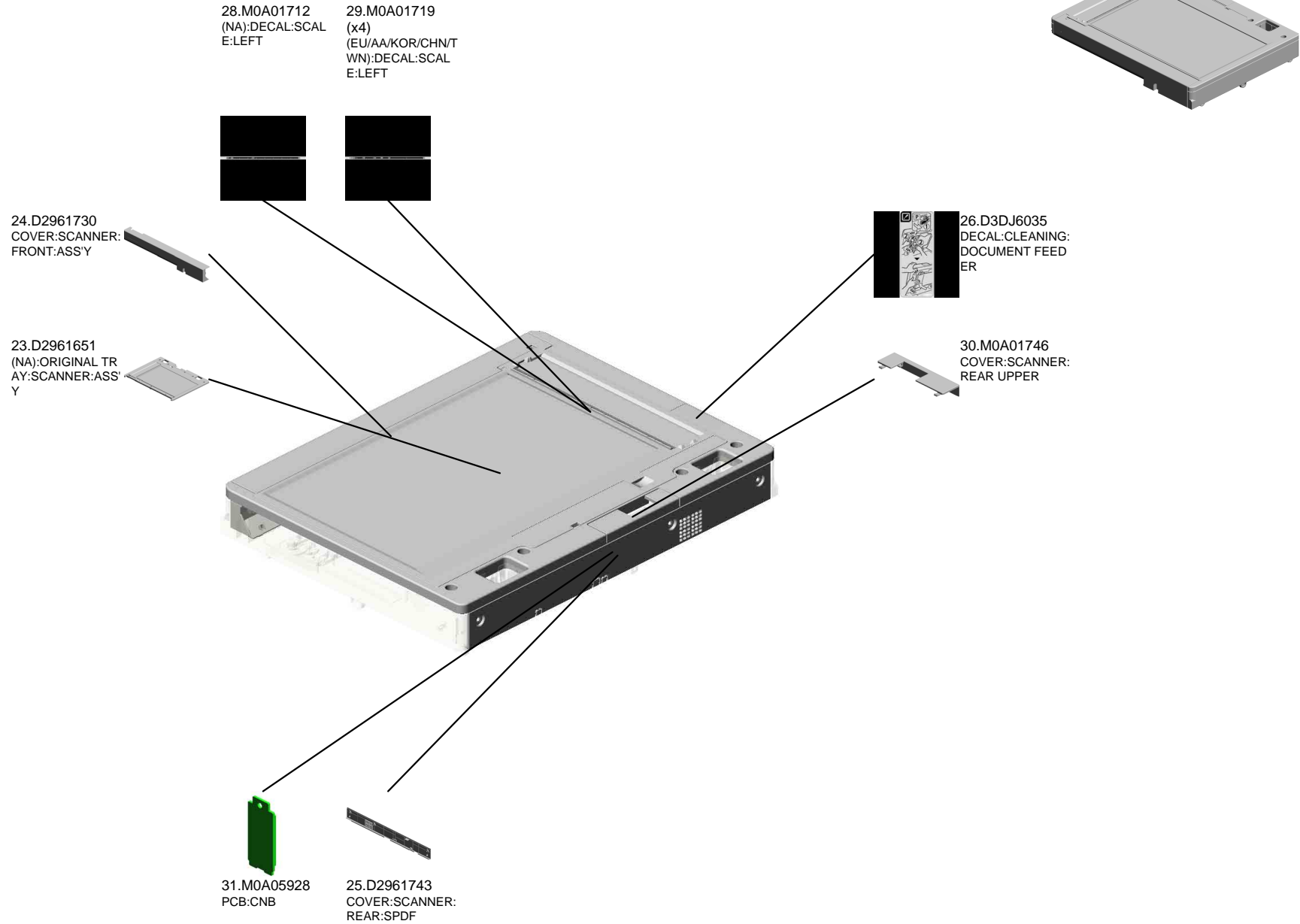


21.D1171837 COIL SPRING:TENSION



U001	U002	U003	U004	U005	U006	U007	U008	U009	U010	U011	U012	U013	U014	U015	U016	U017	U018
------	------	------	------	------	------	------	------	------	------	------	------	------	------	------	------	------	------

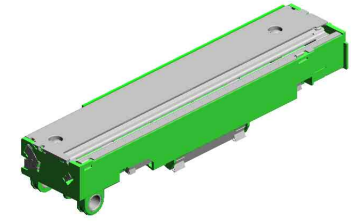
# U004 SCANNER



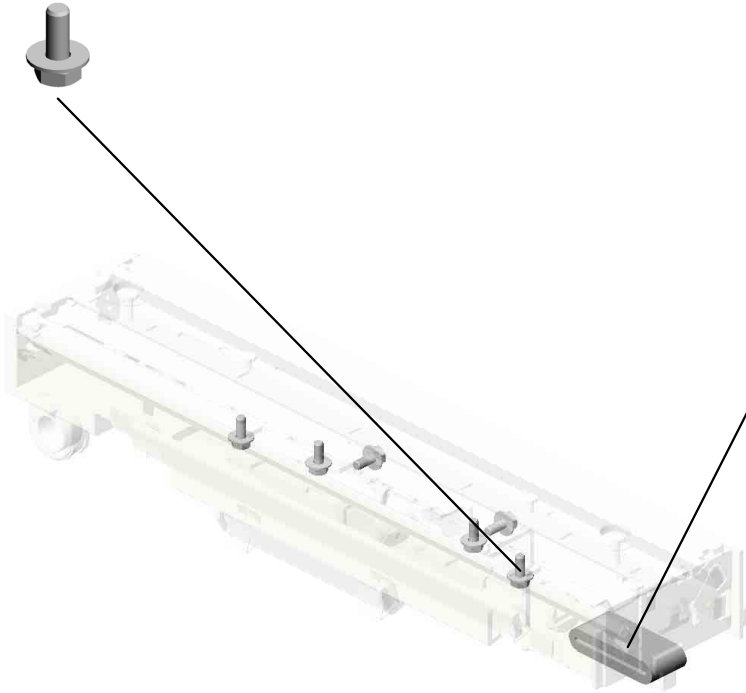
U001	U002	U003	U004	U005	U006	U007	U008	U009	U010	U011	U012	U013	U014	U015	U016	U017	U018
------	------	------	------	------	------	------	------	------	------	------	------	------	------	------	------	------	------

U004\_S001  
CARRIAGE:SCANNER:ASS'Y

7.08046123  
(x6)  
HEXAGONAL BOLT  
:W/WASHER:M3X8



27.M0A01651  
CARRIAGE:SCANN  
ER:ASS'Y



10.16072525  
FERRITE CORE:K3  
FF 35.00X14.60X7.  
70X1.40



7.08046123  
(x2)  
HEXAGONAL BOLT  
:W/WASHER:M3X8

U001	U002	U003	U004	U005	U006	U007	U008	U009	U010	U011	U012	U013	U014	U015	U016	U017	U018
------	------	------	------	------	------	------	------	------	------	------	------	------	------	------	------	------	------

# U005.LASER UNIT

U005\_S001  
D2961860  
(D296/D299):(OPTICAL WRITING UNIT:ASS'Y

U005\_S003  
D2971860E  
(D297/D298):(EU/NA/AA/KOR/TWN):(OPTICAL WRITING UNIT:ASS'Y

U005\_S002  
D2961860  
(D296/D299):(OPTICAL WRITING UNIT:ASS'Y

U005\_S004  
D2971860  
(D297/D298):(EU/NA/AA/KOR/TWN):(OPTICAL WRITING UNIT:ASS'Y

U005\_S005  
D2971860E  
(D297/D298):(EU/NA/AA/KOR/TWN):(OPTICAL WRITING UNIT:ASS'Y

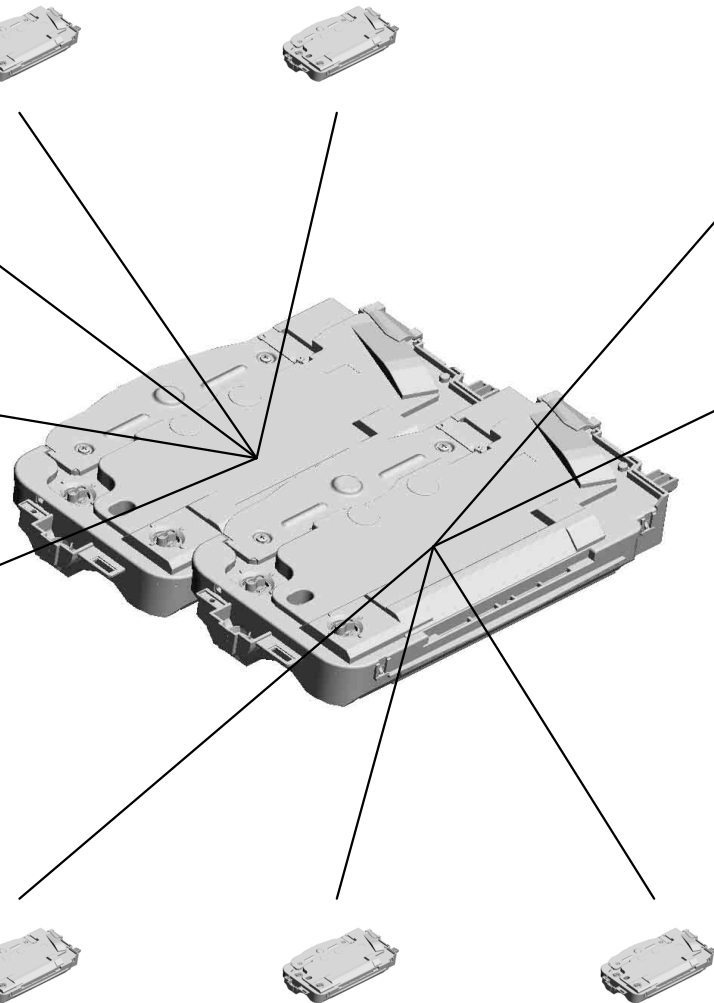
U005\_S007  
D2971860E  
(D297/D298):(EU/NA/AA/KOR/TWN):(OPTICAL WRITING UNIT:ASS'Y

U005\_S009  
D2971860E  
(D297/D298):(EU/NA/AA/KOR/TWN):(OPTICAL WRITING UNIT:ASS'Y

U005\_S006  
D2971860  
(D297/D298):(EU/NA/AA/KOR/TWN):(OPTICAL WRITING UNIT:ASS'Y

U005\_S008  
D2971860  
(D297/D298):(EU/NA/AA/KOR/TWN):(OPTICAL WRITING UNIT:ASS'Y

U005\_S010  
D2971860  
(D297/D298):(EU/NA/AA/KOR/TWN):(OPTICAL WRITING UNIT:ASS'Y

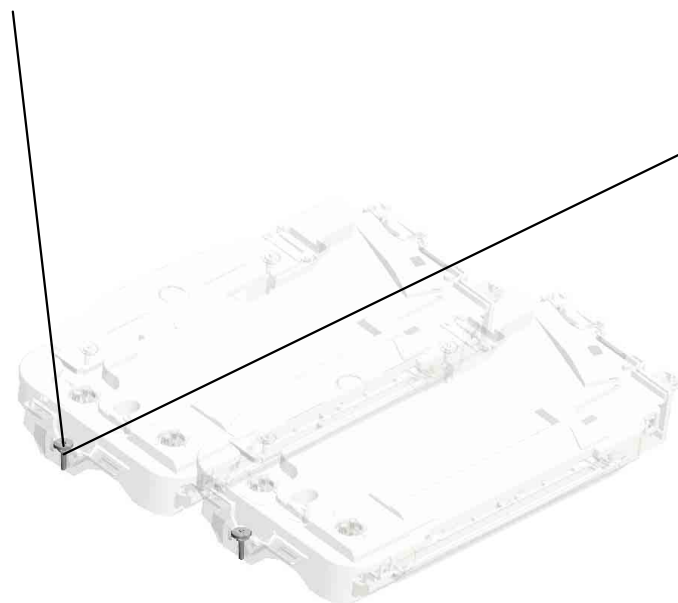
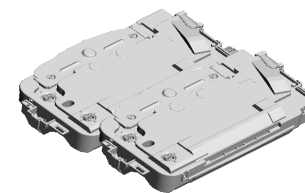


U001	U002	U003	U004	U005	U006	U007	U008	U009	U010	U011	U012	U013	U014	U015	U016	U017	U018
------	------	------	------	------	------	------	------	------	------	------	------	------	------	------	------	------	------



U005  
LASER UNIT

5.D1171991  
(x10)  
SPRING LOCK WA  
SHER:DIA6.4XDIA1  
1X1.5



4.D1171990  
(x10)  
STEPPED SCREW

U001	U002	U003	U004	U005	U006	U007	U008	U009	U010	U011	U012	U013	U014	U015	U016	U017	U018
------	------	------	------	------	------	------	------	------	------	------	------	------	------	------	------	------	------

U005\_S001  
(D296/D299):OPTICAL WRITING UNIT:ASS'Y

2.04593010N  
(x23)  
BINDING HEAD TA  
PPING SCREW:3X  
10



6.D2961860  
(D296/D299):OPTIC  
AL WRITING UNIT:  
ASS'Y



3.11050511  
HARNESS CLAMP -  
LWS-0306ZC

1.03530060N (x 2)  
BIND SCREW - M3X6

U001	U002	U003	U004	<b>U005</b>	U006	U007	U008	U009	U010	U011	U012	U013	U014	U015	U016	U017	U018
------	------	------	------	-------------	------	------	------	------	------	------	------	------	------	------	------	------	------

U005\_S002  
(D296/D299):OPTICAL WRITING UNIT:ASS'Y

2.04593010N  
(x23)  
BINDING HEAD TA  
PPING SCREW:3X  
10



6.D2961860  
(D296/D299):OPTIC  
AL WRITING UNIT:  
ASS'Y



3.11050511  
HARNESS CLAMP -  
LWS-0306ZC

1.03530060N (x 2)  
BIND SCREW - M3X6

U001	U002	U003	U004	<b>U005</b>	U006	U007	U008	U009	U010	U011	U012	U013	U014	U015	U016	U017	U018
------	------	------	------	-------------	------	------	------	------	------	------	------	------	------	------	------	------	------

U005\_S003  
(D297/D298):(EU/NA/AA/KOR/TWN):OPTICAL WRITING UNIT:ASS'Y

2.04593010N  
(x23)  
BINDING HEAD TA  
PPING SCREW:3X  
10



8.D2971860E  
(D297/D298):(EU/N  
A/AA/KOR/TWN):O  
PTICAL WRITING U  
NIT:ASS'Y



3.11050511  
HARNESS CLAMP -  
LWS-0306ZC

1.03530060N (x 2)  
BIND SCREW - M3X6

U001	U002	U003	U004	<b>U005</b>	U006	U007	U008	U009	U010	U011	U012	U013	U014	U015	U016	U017	U018
------	------	------	------	-------------	------	------	------	------	------	------	------	------	------	------	------	------	------

U005\_S004  
(D297/D298):(EU/NA/AA/KOR/TWN):OPTICAL WRITING UNIT:ASS'Y

2.04593010N  
(x23)  
BINDING HEAD TA  
PPING SCREW:3X  
10



7.D2971860  
(D297/D298):(EU/N  
A/AA/KOR/TWN):O  
PTICAL WRITING U  
NIT:ASS'Y



3.11050511  
HARNESS CLAMP -  
LWS-0306ZC

1.03530060N (x 2)  
BIND SCREW - M3X6

U001	U002	U003	U004	<b>U005</b>	U006	U007	U008	U009	U010	U011	U012	U013	U014	U015	U016	U017	U018
------	------	------	------	-------------	------	------	------	------	------	------	------	------	------	------	------	------	------

U005\_S005  
(D297/D298):(EU/NA/AA/KOR/TWN):OPTICAL WRITING UNIT:ASS'Y

2.04593010N  
(x23)  
BINDING HEAD TA  
PPING SCREW:3X  
10



8.D2971860E  
(D297/D298):(EU/N  
A/AA/KOR/TWN):O  
PTICAL WRITING U  
NIT:ASS'Y



3.11050511  
HARNESS CLAMP -  
LWS-0306ZC

1.03530060N (x 2)  
BIND SCREW - M3X6

U001	U002	U003	U004	<b>U005</b>	U006	U007	U008	U009	U010	U011	U012	U013	U014	U015	U016	U017	U018
------	------	------	------	-------------	------	------	------	------	------	------	------	------	------	------	------	------	------

U005\_S006  
(D297/D298):(EU/NA/AA/KOR/TWN):OPTICAL WRITING UNIT:ASS'Y

2.04593010N  
(x23)  
BINDING HEAD TA  
PPING SCREW:3X  
10



7.D2971860  
(D297/D298):(EU/N  
A/AA/KOR/TWN):O  
PTICAL WRITING U  
NIT:ASS'Y



3.11050511  
HARNESS CLAMP -  
LWS-0306ZC

1.03530060N (x 2)  
BIND SCREW - M3X6

U001	U002	U003	U004	<b>U005</b>	U006	U007	U008	U009	U010	U011	U012	U013	U014	U015	U016	U017	U018
------	------	------	------	-------------	------	------	------	------	------	------	------	------	------	------	------	------	------

U005\_S007  
(D297/D298):(EU/NA/AA/KOR/TWN):OPTICAL WRITING UNIT:ASS'Y

2.04593010N  
(x23)  
BINDING HEAD TA  
PPING SCREW:3X  
10



8.D2971860E  
(D297/D298):(EU/N  
A/AA/KOR/TWN):O  
PTICAL WRITING U  
NIT:ASS'Y



3.11050511  
HARNESS CLAMP -  
LWS-0306ZC

1.03530060N (x 2)  
BIND SCREW - M3X6

U001	U002	U003	U004	<b>U005</b>	U006	U007	U008	U009	U010	U011	U012	U013	U014	U015	U016	U017	U018
------	------	------	------	-------------	------	------	------	------	------	------	------	------	------	------	------	------	------



U005\_S008  
(D297/D298):(EU/NA/AA/KOR/TWN):OPTICAL WRITING UNIT:ASS'Y

2.04593010N  
(x23)  
BINDING HEAD TA  
PPING SCREW:3X  
10



7.D2971860  
(D297/D298):(EU/N  
A/AA/KOR/TWN):O  
PTICAL WRITING U  
NIT:ASS'Y



3.11050511  
HARNESS CLAMP -  
LWS-0306ZC

1.03530060N (x 2)  
BIND SCREW - M3X6

U001	U002	U003	U004	<b>U005</b>	U006	U007	U008	U009	U010	U011	U012	U013	U014	U015	U016	U017	U018
------	------	------	------	-------------	------	------	------	------	------	------	------	------	------	------	------	------	------

U005\_S009  
(D297/D298):(EU/NA/AA/KOR/TWN):OPTICAL WRITING UNIT:ASS'Y

2.04593010N  
(x23)  
BINDING HEAD TA  
PPING SCREW:3X  
10



8.D2971860E  
(D297/D298):(EU/N  
A/AA/KOR/TWN):O  
PTICAL WRITING U  
NIT:ASS'Y



3.11050511  
HARNESS CLAMP -  
LWS-0306ZC

1.03530060N (x 2)  
BIND SCREW - M3X6

U001	U002	U003	U004	<b>U005</b>	U006	U007	U008	U009	U010	U011	U012	U013	U014	U015	U016	U017	U018
------	------	------	------	-------------	------	------	------	------	------	------	------	------	------	------	------	------	------

U005\_S010  
(D297/D298):(EU/NA/AA/KOR/TWN):OPTICAL WRITING UNIT:ASS'Y

2.04593010N  
(x23)  
BINDING HEAD TA  
PPING SCREW:3X  
10



7.D2971860  
(D297/D298):(EU/N  
A/AA/KOR/TWN):O  
PTICAL WRITING U  
NIT:ASS'Y



3.11050511  
HARNESS CLAMP -  
LWS-0306ZC

1.03530060N (x 2)  
BIND SCREW - M3X6

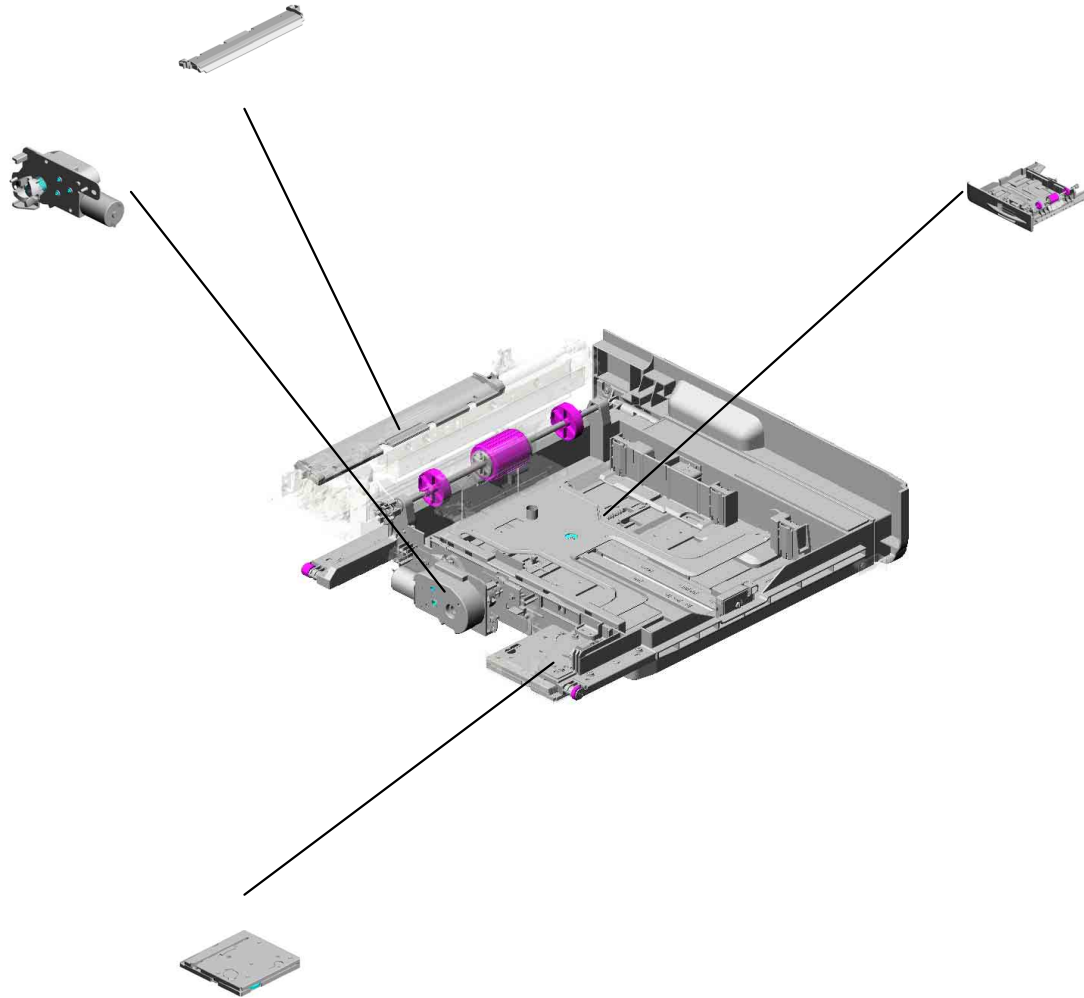
U001	U002	U003	U004	<b>U005</b>	U006	U007	U008	U009	U010	U011	U012	U013	U014	U015	U016	U017	U018
------	------	------	------	-------------	------	------	------	------	------	------	------	------	------	------	------	------	------

# U006.PAPER FEED

U006\_S004  
D1962720  
TRAY BOTTOM PLATE:MANU  
AL FEED:ASS'Y

U006\_S001  
D1172533  
BASE:RISE:ASS'Y

U006\_S003  
D2962800  
PAPER TRAY:ASS'Y



U006\_S002  
D1172899  
LEVER:STRETCH:TRAY:UNI:  
ASS'Y

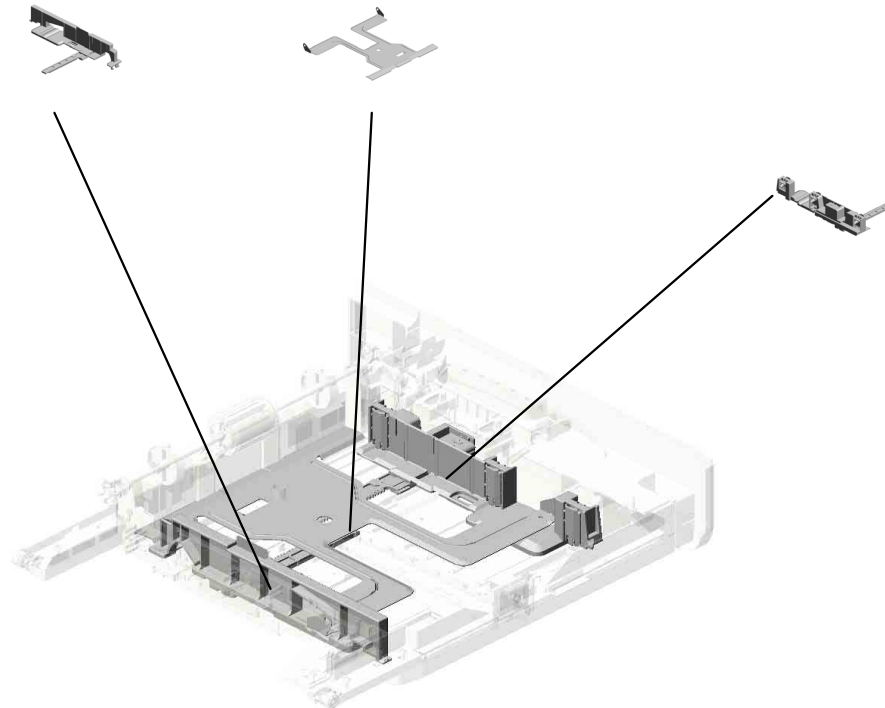
U001	U002	U003	U004	U005	<b>U006</b>	U007	U008	U009	U010	U011	U012	U013	U014	U015	U016	U017	U018
------	------	------	------	------	-------------	------	------	------	------	------	------	------	------	------	------	------	------

# U006\_S003.PAPER TRAY:ASS'Y

U006\_S003\_S003  
D2962836  
SIDE FENCE:REAR:ASS'Y

U006\_S003\_S001  
D1962845  
BASE:TRAY:ASS'Y

U006\_S003\_S002  
D1172825  
SIDE FENCE:FRONT:ASS'Y



U001	U002	U003	U004	U005	<b>U006</b>	U007	U008	U009	U010	U011	U012	U013	U014	U015	U016	U017	U018
------	------	------	------	------	-------------	------	------	------	------	------	------	------	------	------	------	------	------

# U006 PAPER FEED

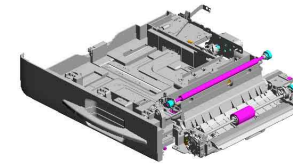
**29.AF031092**  
PAPER FEED ROLL  
ER:MANUAL FEED

37.D1172611  
GUIDE PLATE:VER  
TICAL TRANSPOR  
T:LOWER

28.AF021088  
REGISTRATION R  
OLLER:DRIVEN

9.04543006Q  
(x8)  
TAPPING SCREW -  
M3X6

8.04523008N  
TAPPING SCREW -  
M3X8



21.AA082161  
(x2)  
PLAIN SHAFT BEA  
RING:REGISTRATI  
ON ROLLER



23.AB011538  
GEAR:REGISTRATI  
ON ROLLER:INNER  
BACK



20.AA082101  
(x4)  
BUSHING - 6X10X6



14.08050104  
(x9)  
RETAINING RINGS  
-E:SILENCER:DIA4



31.AX200328  
ELECTROMAGNET  
IC CLUTCH:DRIVE:  
MANUAL FEED



15.11050511  
(x6)  
HARNES CLAMP -  
LWS-0306ZC



6.04513006N  
(x4)  
TAPPING SCREW -  
3X6



30.AW020224  
(x4)  
PHOTOINTERRUP  
TOR:GP1A173LCS  
VF



7.04513008N  
TAPPING SCREW -  
M3X8



10.04543008Q  
(x4)  
TAPPING SCREW:  
3X8



22.AB011537  
GEAR:REGISTRATI  
ON ROLLER:FRONT



4.04503010N  
(x13)  
TAPPING SCREW -  
M3X10



12.07200025E  
RETAINING RING -  
M2.5



16.11050692  
(x2)  
CLAMP:LES-0503



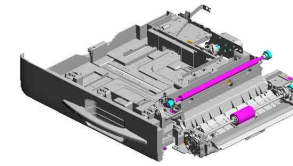
3.04503008N  
(x3)  
TAPPING SCREW -  
M3X8



13.07200040E (x 2)  
RETAINING RING - M4

# U006 PAPER FEED

- 46.D1172711 FRICTION PAD:MANUAL FEED:ADHESION
- 45.D1172710 GUIDE PLATE:MANUAL FEED:LOWER
- 48.D1172717 SHAFT:PAPER FEED:MANUAL FEED
- 47.D1172714 COMPRESSION SPRING:SEPARATION:MANUAL FEED
- 52.D1172725 COMPRESSION SPRING(x2):PAPER FEED:MANUAL FEED



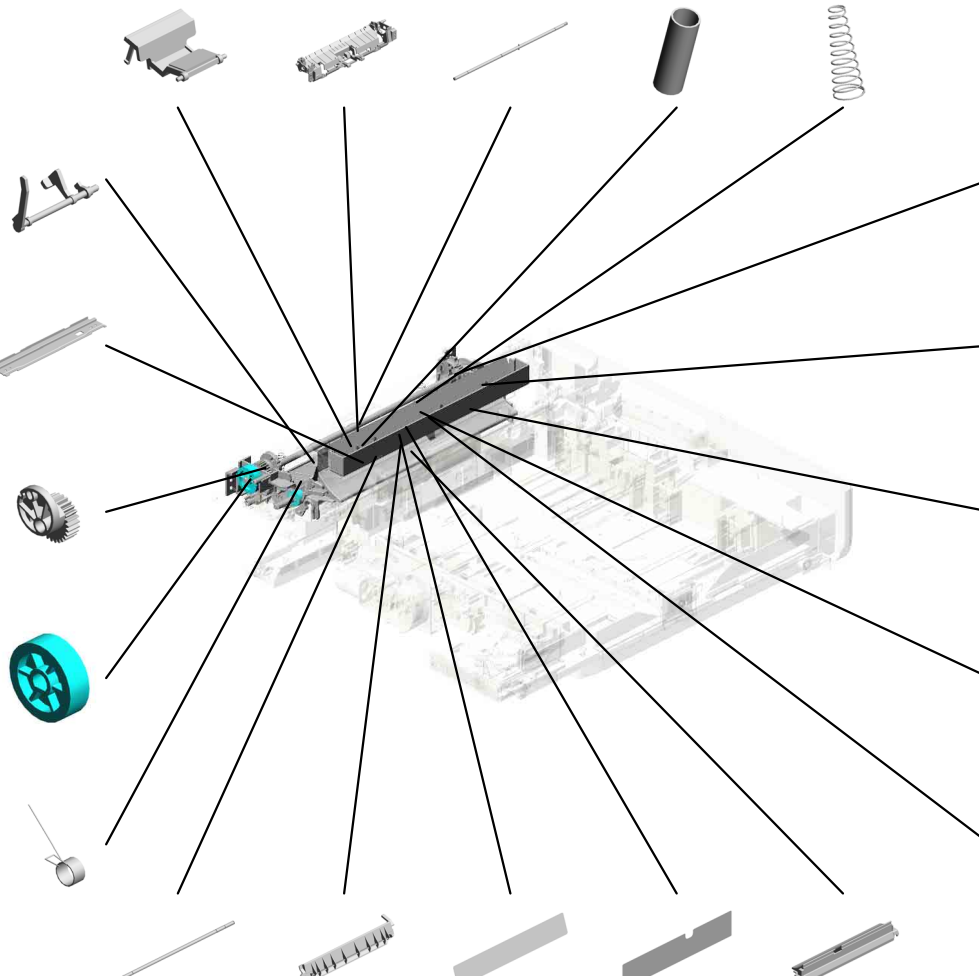
56.D1172733  
FEELER:PAPER END SENSOR:MANUAL FEED

58.D1172735  
SUPPORTING PLATE:MANUAL FEED

61.D1172742  
CAM:MANUAL FEED:REAR

49.D1172719  
GEAR:PAPER FEED:MANUAL FEED

57.D1172734  
(x2)  
TORSION SPRING:PAPER END SENSOR:MANUAL FEED



60.D1172741  
CAM:MANUAL FEED:FRONT

55.D1172729  
TENSION SPRING:GUIDE PLATE:MANUAL FEED

62.D1172743  
(x2)  
GEAR:CAM:MANUAL FEED

41.D1172618  
GUIDE:REMOVE PAPER DUST

40.D1172617  
CASE:REMOVE PAPER DUST

59.D1172740  
SHAFT:CAM:MANUAL FEED

53.D1172727  
GUIDE PLATE:MANUAL FEED:MIDDLE

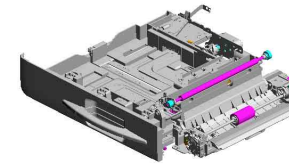
54.D1172728  
SHEET:MANUAL FEED

39.D1172613  
GUIDE:VERTICAL TRANSPORT

38.D1172612  
GUIDE PLATE:VERTICAL TRANSPORT:UPPER

# U006 PAPER FEED

120.D1962794 HOLDER:RESISTOR:MANUAL FEED:BASE  
 70.D1172756 FEELER:PAPER SIZE SENSOR:MANUAL FEED  
 126.D2962619 GUIDE PLATE:REGISTRATION ROLLER:DRIVEN  
 118.D1962791 GROUND PLATE:TRAY BOTTOM PLATE:MANUAL FEED:FRONT  
 69.D1172752 SPRING PLATE:HOME POSITION SENSOR:MANUAL FEED



71.D1172760 SUPPORTING PLATE:SMALL:MANUAL FEED

116.D1962626 GROUND PLATE:BRACKET:REMOVE PAPER DUST

121.D1962798 INSULATING SHEET:BASE:MANUAL FEED

67.D1172749 BRACKET:MANUAL FEED:REAR

64.D1172745 (x2) GEAR:CAM:IDLER:STEPPED

119.D1962793 GROUND PLATE:TRAY BOTTOM PLATE:MANUAL FEED:INNER BACK

125.D2052526 PAPER DETECTOR

68.D1172751 BRACKET:MANUAL FEED:FRONT

63.D1172744 (x2) GEAR:CAM:IDLER:LOWER

115.D1172901 BRACKET:STRETCH:TRAY

66.D1172747 FEELER:CAM:MANUAL FEED

65.D1172746 (x2) GEAR:CAM:IDLER:UPPER

78.D1172813 STOPPER:PAPER TRAY

103.D1172866 ROLLER:RAIL:RIGHT

113.D1172897 BRACKET:LEFT:ROLLER:ASS'Y

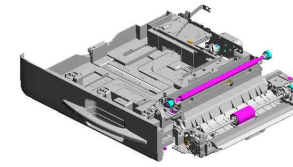


# U006 PAPER FEED

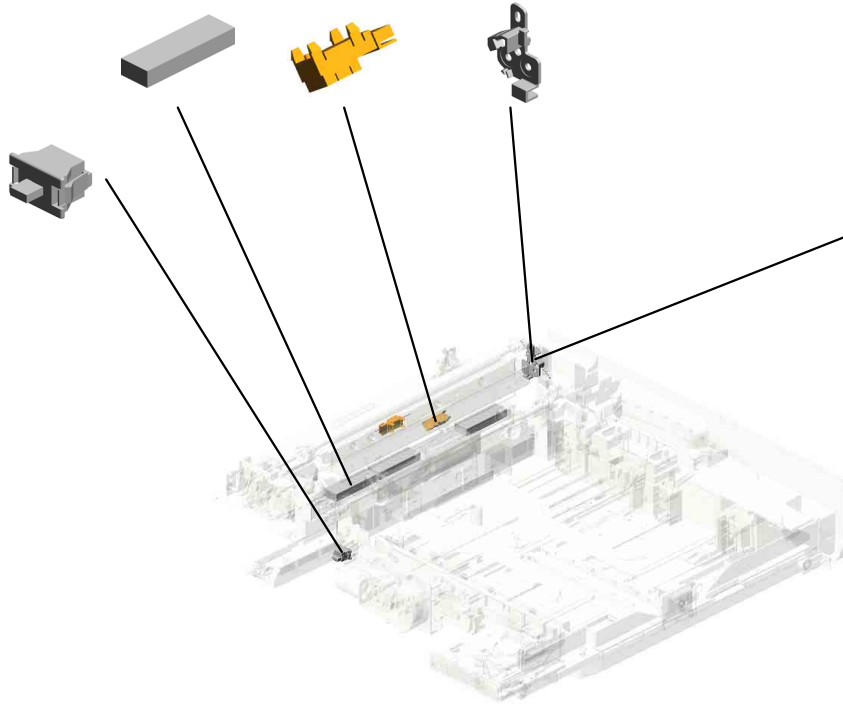
127.D2962641  
(x3)  
CUSHION:GUIDE P  
LATE:V TRANSP  
RT

133.GW010007  
(x2)  
PHOTO REFLECTI  
ON SENSOR:EXIT

128.D2962642  
HOLDER:RESISTO  
R:REGISTRATION



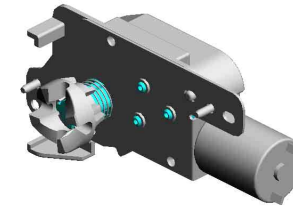
131.G0205626  
PUSH SWITCH



134.M0963989  
(x2)  
RESISTOR:TRANS  
FER/SEPARATION

U001	U002	U003	U004	U005	<b>U006</b>	U007	U008	U009	U010	U011	U012	U013	U014	U015	U016	U017	U018
------	------	------	------	------	-------------	------	------	------	------	------	------	------	------	------	------	------	------

U006\_S001  
BASE:RISE:ASS'Y



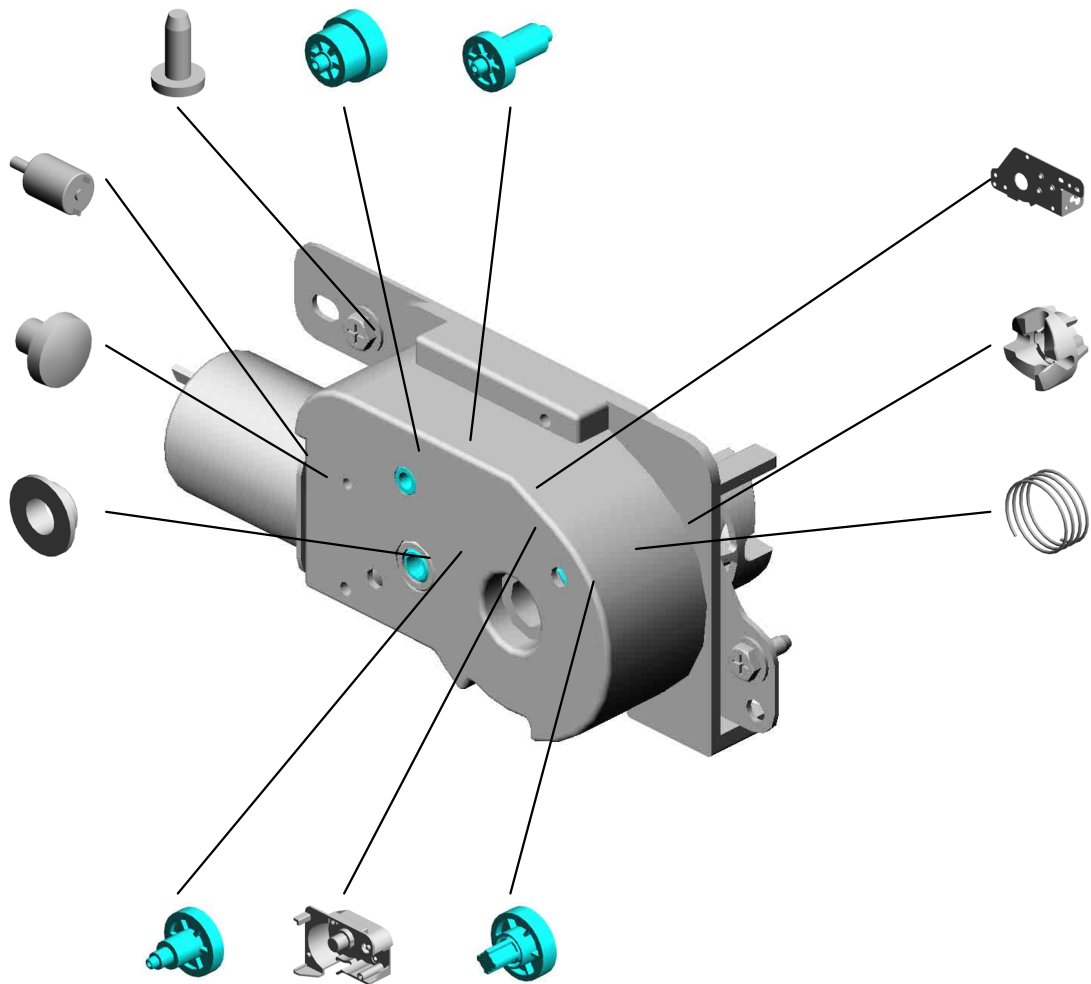
36.D1172533  
BASE:RISE:ASS'Y

- 8.04523008N (x2)  
TAPPING SCREW - M3X8
- 26.AB017835  
GEAR:RISING TRA Y:3
- 25.AB017834  
GEAR:RISING TRA Y:2

44.D1172660  
DC MOTOR:2.6W:B RUSH

1.03530030N (x2)  
SCREW:M3X3

19.AA080361  
PLAIN SHAFT BEARING:CASE:RISING TRAY



42.D1172655  
BASE:LIFT MOTOR :PAPER FEED:FRONT

109.D1172888  
JOINT:BASE:RISE

18.AA063701  
COMPRESSION SPRING:RISING TRAY

- 27.AB017899  
GEAR:RISING TRAY:1
- 43.D1172656  
CASE:RISING TRAY
- 24.AB011541  
GEAR:RISING TRAY:OUTPUT

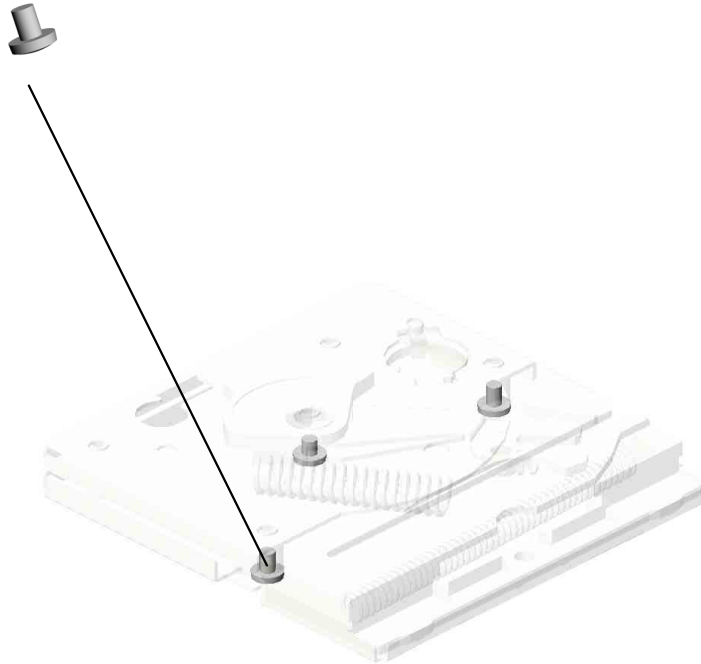
U001	U002	U003	U004	U005	U006	U007	U008	U009	U010	U011	U012	U013	U014	U015	U016	U017	U018
------	------	------	------	------	------	------	------	------	------	------	------	------	------	------	------	------	------

U006\_S002  
LEVER:STRETCH:TRAY:UNI:ASS'Y

2.03530040N  
(x3)  
SCREW - M3X4



114.D1172899  
LEVER:STRETCH:T  
RAY:UNI:ASS'Y



U001	U002	U003	U004	U005	<b>U006</b>	U007	U008	U009	U010	U011	U012	U013	U014	U015	U016	U017	U018
------	------	------	------	------	-------------	------	------	------	------	------	------	------	------	------	------	------	------

U006\_S003  
PAPER TRAY:ASS'Y

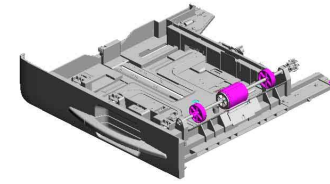
11.06220120E  
SPRING PIN - 2X12  
MM

14.08050104  
RETAINING RINGS  
-E:SILENCER:DIA4

17.AA063629  
(x2)  
SPRING - 2.8N

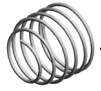
20.AA082101  
(x2)  
BUSHING - 6X10X6

34.B1043928  
BIAS ROLLER SPA  
CER



129.D2962800  
PAPER TRAY:ASS'  
Y

33.B0442756  
SPRING - PAPER F  
EED ROLLER



32.B0442751  
JOINT - PAPER FE  
ED ROLLER



77.D1172809  
TENSION SPRING:  
BASE:RISE



10.04543008Q  
TAPPING SCREW:  
3X8



76.D1172808  
STOPPER:GUIDE P  
LATE:BASE:RISE



82.D1172819  
RACK:BASE:RISE



79.D1172814  
PRESSURE PLATE  
:BASE:RISE



5.04504008N  
TAPPING SCREW -  
M4X8



35.B2232936  
GEAR - 16Z



3.04503008N  
(x7)  
TAPPING SCREW -  
M3X8



75.D1172807  
LEVER:RELEASE:P  
APER TRAY



74.D1172806  
GRIP:PAPER TRAY



4.04503010N  
(x7)  
TAPPING SCREW -  
M3X10



73.D1172805  
HOLDER:GRIP:PAP  
ER TRAY



81.D1172816  
SHAFT:BASE:RISE



U006\_S003  
PAPER TRAY:ASS'Y

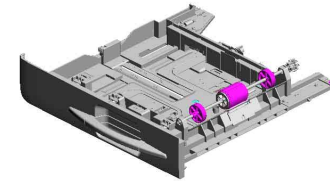
105.D1172872  
FRICTION PAD:AS  
S'Y

100.D1172852  
SHAFT:PAPER FEE  
D ROLLER:ASS'Y

99.D1172851  
PAPER FEED ROLL  
ER:PAPER TRAY

88.D1172828  
COMPRESSION SP  
RING:BASE:RISE:A  
UXILIARY

110.D1172890  
TENSION SPRING:  
GRIP:RIGHT



129.D2962800  
PAPER TRAY:ASS'  
Y

104.D1172870  
(x2)  
PAPER FEED ROL  
LER:AUXILIARY

89.D1172829  
COVER:PRESSUR  
E PLATE:BASE:RIS  
E

97.D1172846  
RETAINING RINGS  
-E:SILENCER:DIA3

107.D1172884  
PLATE:ROLLER:PA  
PER TRAY:RIGHT

101.D1172856  
ROLLER:PAPER T  
RAY:RIGHT

84.D1172822  
BRACKET:PINION:  
BASE:RISE

83.D1172820  
PINION:BASE:RISE

102.D1172858  
ROLLER:PAPER T  
RAY:LEFT

108.D1172886  
PLATE:ROLLER:PA  
PER TRAY:LEFT

92.D1172838  
END FENCE

98.D1172848  
COVER:PAPER TR  
AY

106.D1172882  
TENSION SPRING:  
GRIP:LEFT

95.D1172843  
DECAL:PAPER SE  
T DIRECTION:TRA  
Y:LEFT

93.D1172839  
LEVER:UN LOCK:E  
ND FENCE

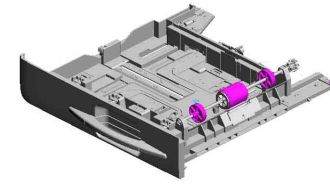
94.D1172840  
COVER:END FENC  
E

U001	U002	U003	U004	U005	U006	U007	U008	U009	U010	U011	U012	U013	U014	U015	U016	U017	U018
------	------	------	------	------	------	------	------	------	------	------	------	------	------	------	------	------	------

U006\_S003  
PAPER TRAY:ASS'Y

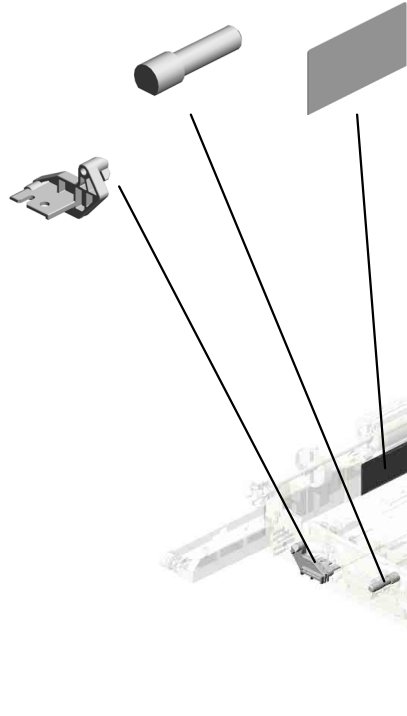
111.D1172894  
SHAFT:PINION:BASE:RISE

112.D1172896  
SHEET:PLATE:FRiction PAD



129.D2962800  
PAPER TRAY:ASS'Y

122.D1962817  
LEVER:BASE:RISE



134.M0963989  
RESISTOR:TRANSFER/SEPARATION



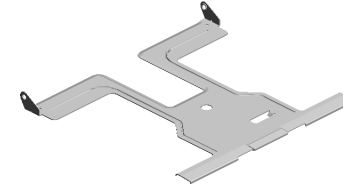
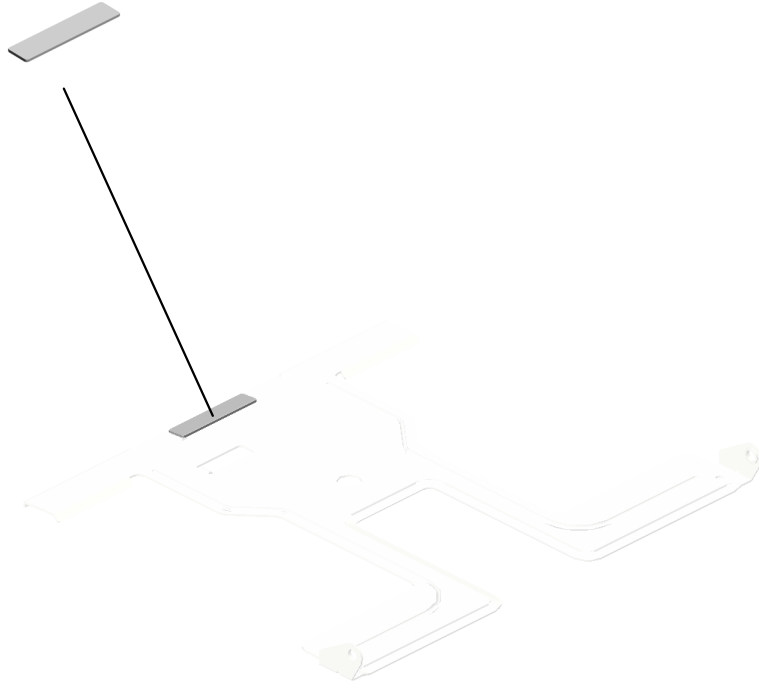
124.D1962849  
BRACKET:PIN:STR  
ETCH:TRAY:PEEN



U001	U002	U003	U004	U005	<b>U006</b>	U007	U008	U009	U010	U011	U012	U013	U014	U015	U016	U017	U018
------	------	------	------	------	-------------	------	------	------	------	------	------	------	------	------	------	------	------

U006\_S003\_S001  
BASE:TRAY:ASS'Y

132.G5553069  
BASEPAD

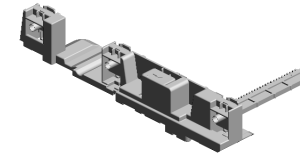


123.D1962845  
BASE:TRAY:ASS'Y

U001	U002	U003	U004	U005	<b>U006</b>	U007	U008	U009	U010	U011	U012	U013	U014	U015	U016	U017	U018
------	------	------	------	------	-------------	------	------	------	------	------	------	------	------	------	------	------	------

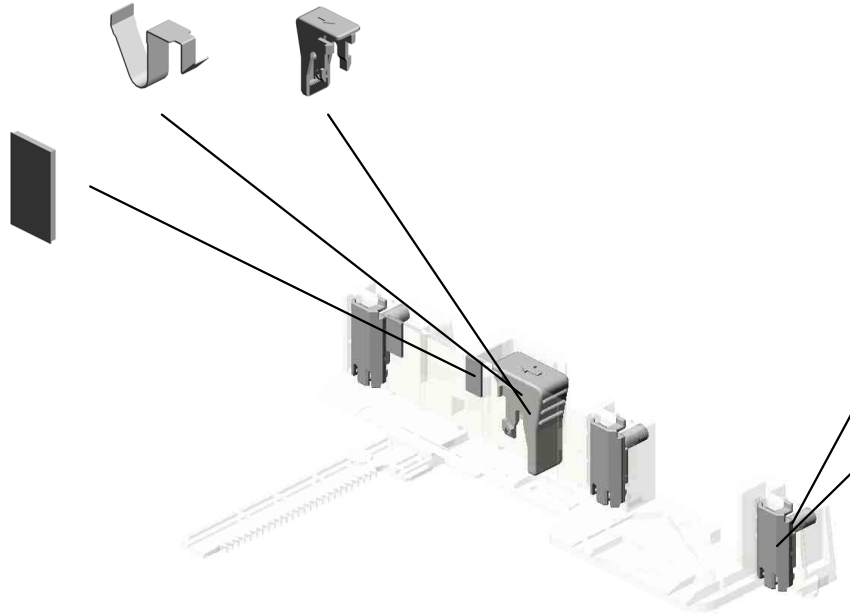
U006\_S003\_S002  
SIDE FENCE:FRONT:ASS'Y

80.D1172815    90.D1172830  
SPRING PLATE:SI    LEVER:STOPPER:  
DE FENCE:FRONT    FRONT



86.D1172825  
SIDE FENCE:FRON  
T:ASSY

85.D1172823  
(x2)  
PAD:SIDE FENCE



87.D1172826  
(x3)  
COMPRESSION SP  
RING:SIDE FENCE:  
PLATE

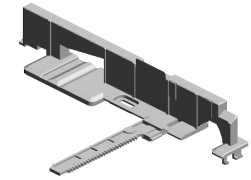
91.D1172834  
(x3)  
PLATE:SIDE FENC  
E

U001	U002	U003	U004	U005	U006	U007	U008	U009	U010	U011	U012	U013	U014	U015	U016	U017	U018
------	------	------	------	------	------	------	------	------	------	------	------	------	------	------	------	------	------

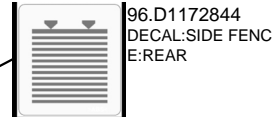
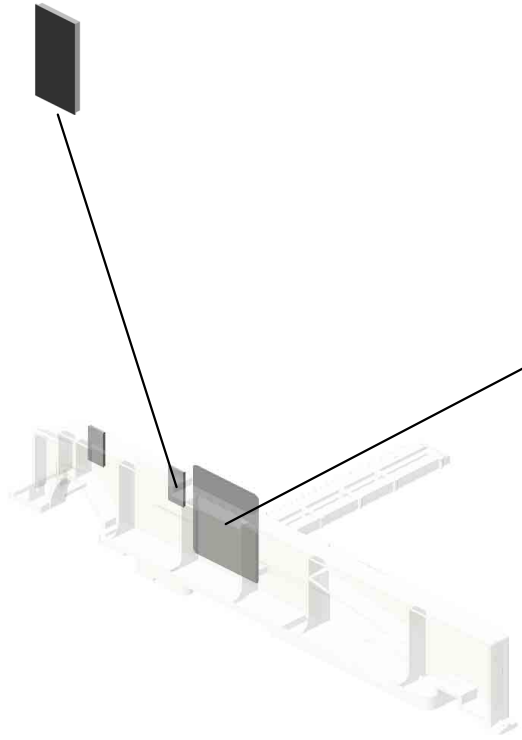


U006\_S003\_S003  
SIDE FENCE:REAR:ASS'Y

85.D1172823  
(x2)  
PAD:SIDE FENCE



130.D2962836  
SIDE FENCE:REAR  
:ASS'Y

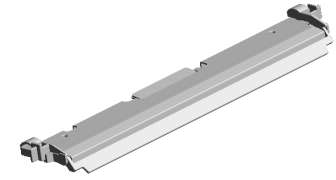


96.D1172844  
DECAL:SIDE FENC  
E:REAR

U001	U002	U003	U004	U005	<b>U006</b>	U007	U008	U009	U010	U011	U012	U013	U014	U015	U016	U017	U018
------	------	------	------	------	-------------	------	------	------	------	------	------	------	------	------	------	------	------

U006\_S004  
TRAY BOTTOM PLATE:MANUAL FEED:ASS'Y

72.D1172782  
GUIDE PLATE:MAN  
UAL FEED TABLE

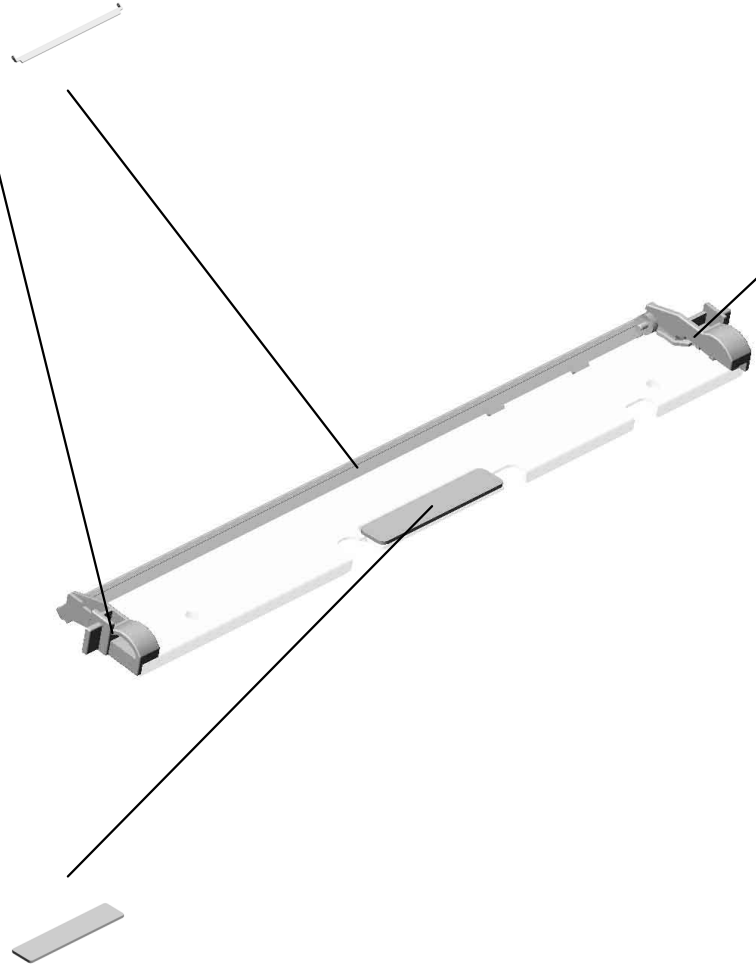


117.D1962720  
TRAY BOTTOM PL  
ATE:MANUAL FEE  
D:ASS'Y

51.D1172724  
GUIDE:BASE:REAR



50.D1172723  
GUIDE:BASE:FRO  
NT



132.G5553069  
BASEPAD

U001	U002	U003	U004	U005	<b>U006</b>	U007	U008	U009	U010	U011	U012	U013	U014	U015	U016	U017	U018
------	------	------	------	------	-------------	------	------	------	------	------	------	------	------	------	------	------	------

# U007.PCDU

U007\_S006  
D2140122  
PCDU:C:SERVICE PARTS

U007\_S001  
D2140121  
(D297/D298):(EU/NA/AA/KOR/  
TWN);PCDU:K:SERVICE PARTS

U007\_S002  
D2140121  
(D297/D298):(EU/NA/AA/KOR/  
TWN);PCDU:K:SERVICE PARTS

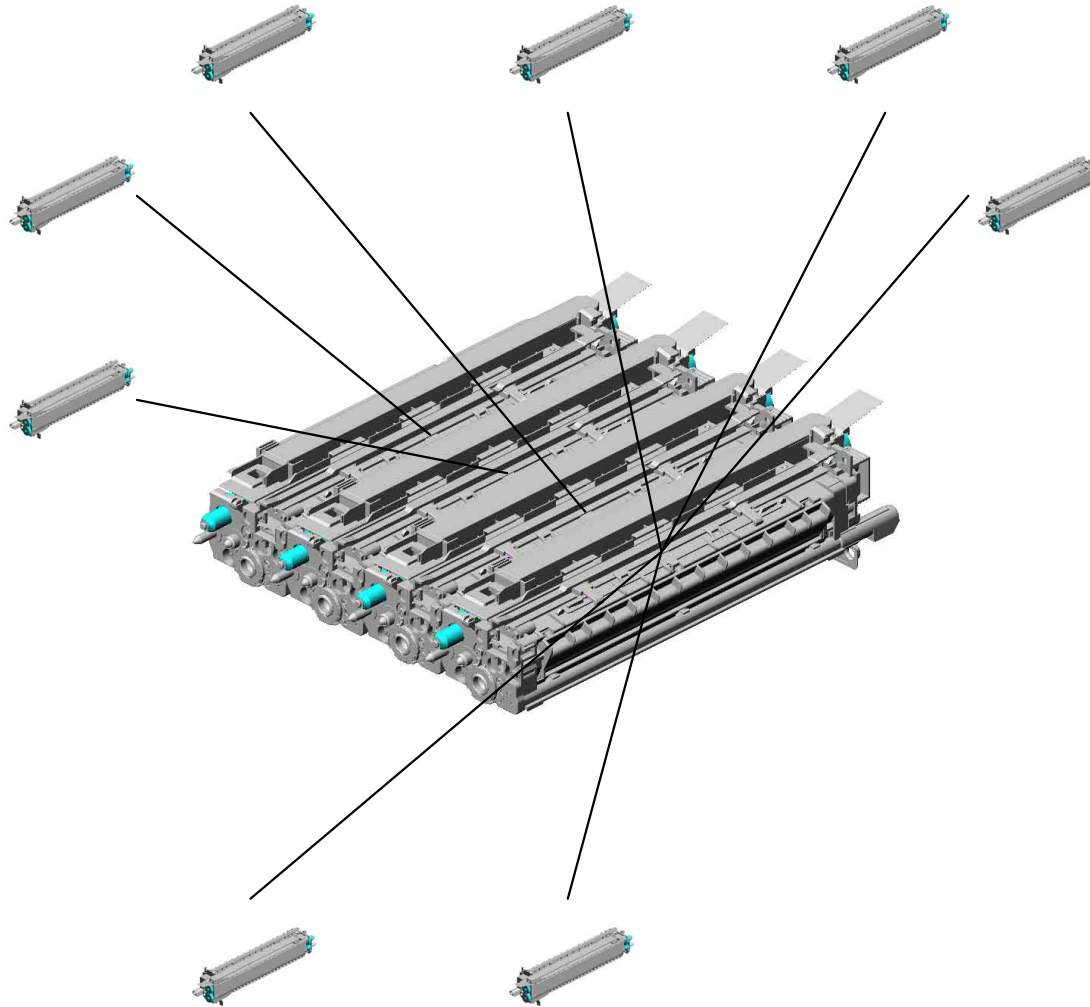
U007\_S003  
D2140121  
(D297/D298):(EU/NA/AA/KOR/  
TWN);PCDU:K:SERVICE PARTS

U007\_S008  
D2140124  
PCDU:Y:SERVICE PARTS

U007\_S007  
D2140123  
PCDU:M:SERVICE PARTS

U007\_S004  
D2140121  
(D297/D298):(EU/NA/AA/KOR/  
TWN);PCDU:K:SERVICE PARTS

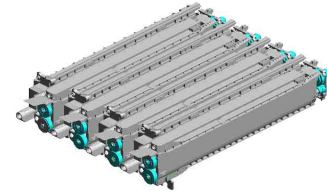
U007\_S005  
D2140125  
(D296/D299):PCDU:K:SERVICE PARTS



U001	U002	U003	U004	U005	U006	U007	U008	U009	U010	U011	U012	U013	U014	U015	U016	U017	U018
------	------	------	------	------	------	------	------	------	------	------	------	------	------	------	------	------	------

U007  
PCDU

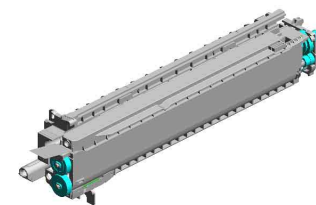
8.08046128  
(x8)  
HEXAGONAL BOLT  
:DOUBLE SCREW:  
M3X10



U001	U002	U003	U004	U005	U006	U007	U008	U009	U010	U011	U012	U013	U014	U015	U016	U017	U018
------	------	------	------	------	------	------	------	------	------	------	------	------	------	------	------	------	------

U007\_S001  
 (D297/D298):(EU/NA/AA/KOR/TWN):PCDU:K:SERVICE PARTS

3.04583008N (x2)  
 HEXAGON HEAD TAPPING SCREW:3X8  
 1.03603006N (x2)  
 SCREW - M3X6



11.D2140121  
 (D297/D298):(EU/NA/AA/KOR/TWN):PCDU:K:SERVICE PARTS

9.08050104  
 RETAINING RINGS  
 -E:SILENCER:DIA4



10.11050511  
 HARNESS CLAMP -  
 LWS-0306ZC



6.07200030E  
 RETAINING RING -  
 M3

7.07200040E (x 2)  
 RETAINING RING - M4



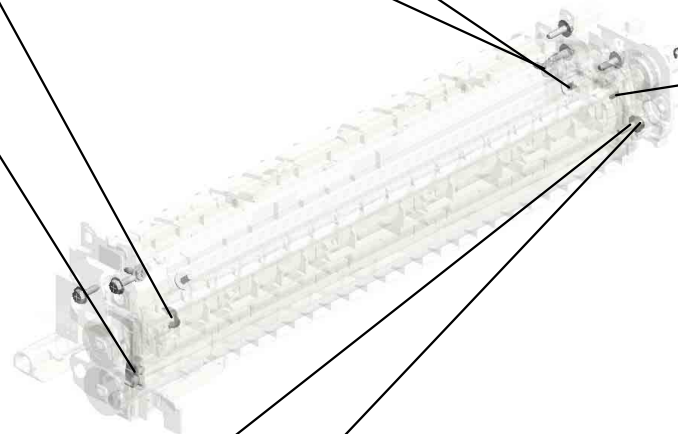
4.06320080G  
 PARALLEL KEY - 2  
 X8MM



2.04503010N  
 (x6)  
 TAPPING SCREW -  
 M3X10



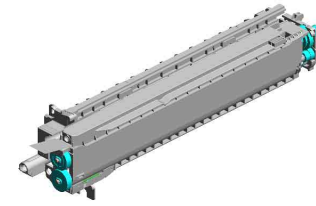
5.07200025E  
 RETAINING RING -  
 M2.5



U001	U002	U003	U004	U005	U006	U007	U008	U009	U010	U011	U012	U013	U014	U015	U016	U017	U018
------	------	------	------	------	------	------	------	------	------	------	------	------	------	------	------	------	------

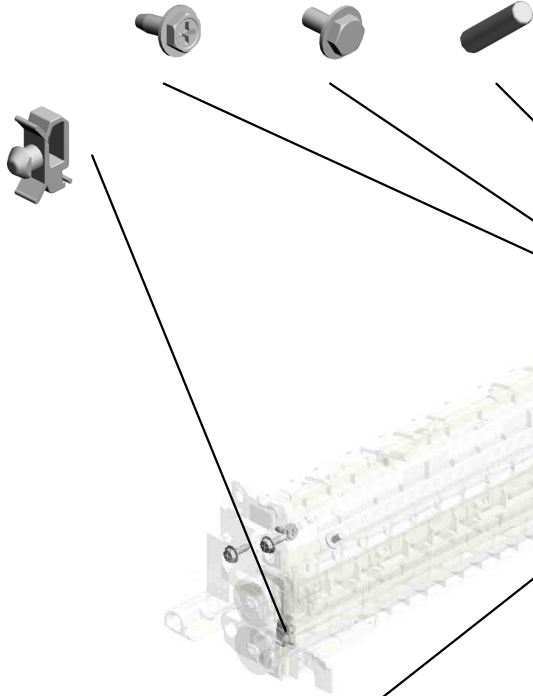
U007\_S002  
 (D297/D298):(EU/NA/AA/KOR/TWN):PCDU:K:SERVICE PARTS

3.04583008N (x2) HEXAGON HEAD TAPPING SCREW:3 X8  
 1.03603006N (x2) SCREW - M3X6  
 4.06320080G PARALLEL KEY - 2 X8MM



11.D2140121  
 (D297/D298):(EU/NA/AA/KOR/TWN):PCDU:K:SERVICE PARTS

10.11050511  
 HARNESS CLAMP - LWS-0306ZC



6.07200030E  
 RETAINING RING - M3



9.08050104  
 RETAINING RINGS -E:SILENCER:DIA4

5.07200025E  
 RETAINING RING - M2.5



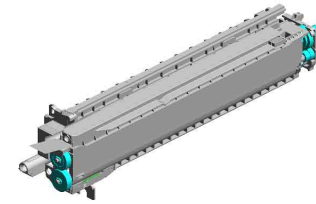
7.07200040E (x 2)  
 RETAINING RING - M4

2.04503010N  
 (x6)  
 TAPPING SCREW - M3X10

U001	U002	U003	U004	U005	U006	U007	U008	U009	U010	U011	U012	U013	U014	U015	U016	U017	U018
------	------	------	------	------	------	------	------	------	------	------	------	------	------	------	------	------	------

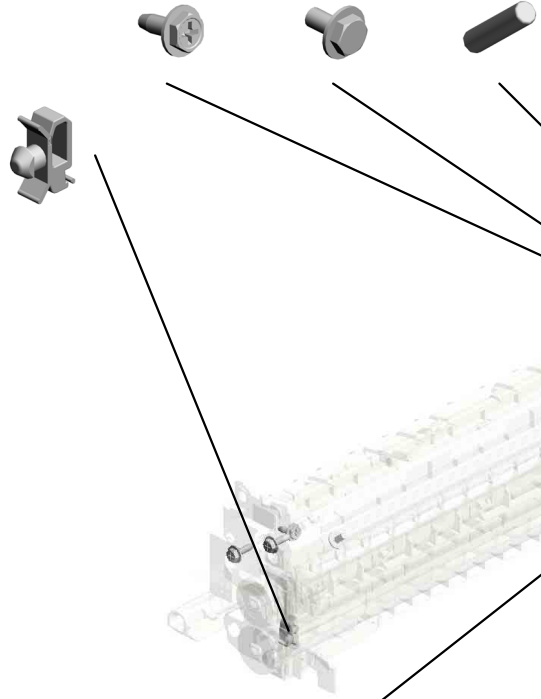
U007\_S003  
 (D297/D298):(EU/NA/AA/KOR/TWN):PCDU:K:SERVICE PARTS

3.04583008N (x2) HEXAGON HEAD TAPPING SCREW:3 X8  
 1.03603006N (x2) SCREW - M3X6  
 4.06320080G PARALLEL KEY - 2 X8MM



11.D2140121  
 (D297/D298):(EU/NA/AA/KOR/TWN):PCDU:K:SERVICE PARTS

10.11050511  
 HARNESS CLAMP - LWS-0306ZC



2.04503010N (x6) TAPPING SCREW - M3X10



6.07200030E  
 RETAINING RING - M3



9.08050104  
 RETAINING RINGS -E:SILENCER:DIA4



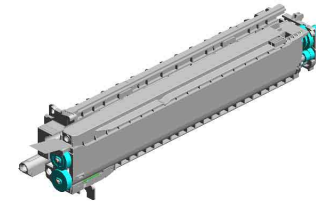
5.07200025E  
 RETAINING RING - M2.5

7.07200040E (x 2)  
 RETAINING RING - M4

U001	U002	U003	U004	U005	U006	U007	U008	U009	U010	U011	U012	U013	U014	U015	U016	U017	U018
------	------	------	------	------	------	------	------	------	------	------	------	------	------	------	------	------	------

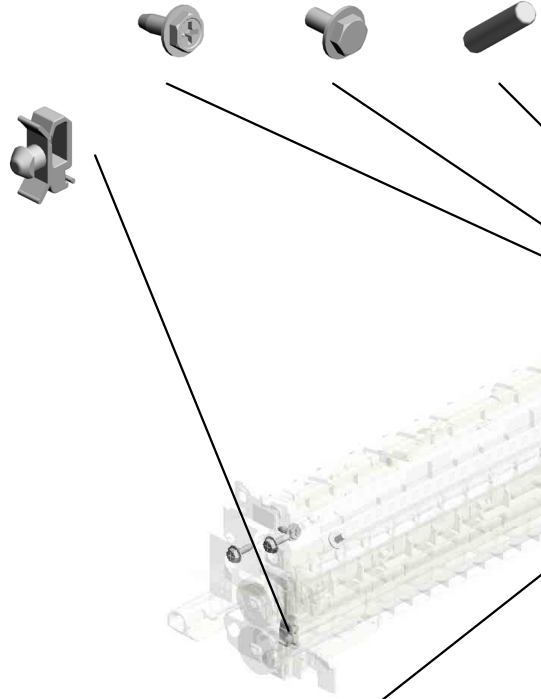
U007\_S004  
 (D297/D298):(EU/NA/AA/KOR/TWN):PCDU:K:SERVICE PARTS

3.04583008N (x2) HEXAGON HEAD TAPPING SCREW:3 X8  
 1.03603006N (x2) SCREW - M3X6  
 4.06320080G PARALLEL KEY - 2 X8MM



11.D2140121  
 (D297/D298):(EU/NA/AA/KOR/TWN):PCDU:K:SERVICE PARTS

10.11050511  
 HARNESS CLAMP - LWS-0306ZC



6.07200030E  
 RETAINING RING - M3



9.08050104  
 RETAINING RINGS -E:SILENCER:DIA4

5.07200025E  
 RETAINING RING - M2.5



7.07200040E (x 2)  
 RETAINING RING - M4

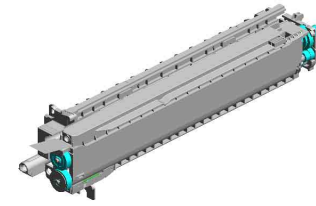
2.04503010N  
 (x6)  
 TAPPING SCREW - M3X10

U001	U002	U003	U004	U005	U006	U007	U008	U009	U010	U011	U012	U013	U014	U015	U016	U017	U018
------	------	------	------	------	------	------	------	------	------	------	------	------	------	------	------	------	------



U007\_S005  
 (D296/D299):PCDU:K:SERVICE PARTS

3.04583008N (x2)  
 HEXAGON HEAD TAPPING SCREW:3 X8  
 1.03603006N (x2)  
 SCREW - M3X6



15.D2140125  
 (D296/D299):PCDU:  
 K:SERVICE PARTS

10.11050511  
 HARNESS CLAMP - LWS-0306ZC



7.07200040E  
 RETAINING RING - M4



6.07200030E  
 RETAINING RING - M3



9.08050104  
 RETAINING RINGS -E:SILENCER:DIA4

4.06320080G  
 PARALLEL KEY - 2 X8MM



7.07200040E (x 1)  
 RETAINING RING - M4

2.04503010N (x6)  
 TAPPING SCREW - M3X10



5.07200025E  
 RETAINING RING - M2.5



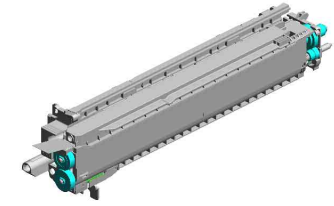
U001	U002	U003	U004	U005	U006	U007	U008	U009	U010	U011	U012	U013	U014	U015	U016	U017	U018
------	------	------	------	------	------	------	------	------	------	------	------	------	------	------	------	------	------

U007\_S006  
PCDU:C:SERVICE PARTS

3.04583008N  
(x2)  
HEXAGON HEAD TAPPING SCREW:3  
X8

1.03603006N  
(x2)  
SCREW - M3X6

4.06320080G  
PARALLEL KEY - 2  
X8MM



12.D2140122  
PCDU:C:SERVICE PARTS

10.11050511  
HARNESS CLAMP -  
LWS-0306ZC



6.07200030E  
RETAINING RING -  
M3



9.08050104  
RETAINING RINGS  
-E:SILENCER:DIA4



5.07200025E  
RETAINING RING -  
M2.5

7.07200040E (x 2)  
RETAINING RING - M4



2.04503010N  
(x6)  
TAPPING SCREW -  
M3X10

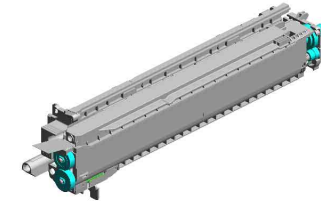
U001	U002	U003	U004	U005	U006	U007	U008	U009	U010	U011	U012	U013	U014	U015	U016	U017	U018
------	------	------	------	------	------	------	------	------	------	------	------	------	------	------	------	------	------

U007\_S007  
PCDU:M:SERVICE PARTS

3.04583008N  
(x2)  
HEXAGON HEAD TAPPING SCREW - M3X6  
X8

1.03603006N  
(x2)  
SCREW - M3X6

4.06320080G  
PARALLEL KEY - 2  
X8MM



13.D2140123  
PCDU:M:SERVICE PARTS

10.11050511  
HARNESS CLAMP - LWS-0306ZC



6.07200030E  
RETAINING RING - M3



9.08050104  
RETAINING RINGS - E:SILENCER-DIA4



5.07200025E  
RETAINING RING - M2.5

7.07200040E (x 2)  
RETAINING RING - M4



2.04503010N  
(x6)  
TAPPING SCREW - M3X10

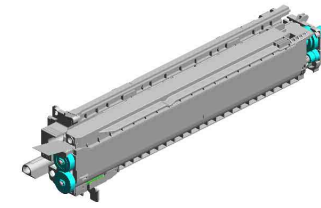
U001	U002	U003	U004	U005	U006	U007	U008	U009	U010	U011	U012	U013	U014	U015	U016	U017	U018
------	------	------	------	------	------	------	------	------	------	------	------	------	------	------	------	------	------

U007\_S008  
PCDU:Y:SERVICE PARTS

3.04583008N  
(x2)  
HEXAGON HEAD TAPPING SCREW:3  
X8

1.03603006N  
(x2)  
SCREW - M3X6

4.06320080G  
PARALLEL KEY - 2  
X8MM



14.D2140124  
PCDU:Y:SERVICE  
PARTS

10.11050511  
HARNESS CLAMP -  
LWS-0306ZC



6.07200030E  
RETAINING RING -  
M3



9.08050104  
RETAINING RINGS  
-E:SILENCER:DIA4



5.07200025E  
RETAINING RING -  
M2.5

7.07200040E (x 2)  
RETAINING RING - M4



2.04503010N  
(x6)  
TAPPING SCREW -  
M3X10

U001	U002	U003	U004	U005	U006	U007	U008	U009	U010	U011	U012	U013	U014	U015	U016	U017	U018
------	------	------	------	------	------	------	------	------	------	------	------	------	------	------	------	------	------

# U008.DEVELOPMENT

U008\_S009  
D1963300  
(D296/D299):HOUSING:TONE  
R SUPPLY:ASS'Y

U008\_S010  
D1963301  
(D297/D298):(EU/NA/AA/KOR/  
TWN):HOUSING:TONER SUP  
PLY:ASS'Y

U008\_S008  
D1963304  
DRIVE UNIT:TONER SUPPLY  
:ASS'Y

U008\_S005  
D1963304  
DRIVE UNIT:TONER SUPPLY  
:ASS'Y

U008\_S007  
D1963304  
DRIVE UNIT:TONER SUPPLY  
:ASS'Y

U008\_S001  
D1963302  
TONER HOPPER:TONER SU  
PPLY:BK:ASS'Y

U008\_S006  
D1963304  
DRIVE UNIT:TONER SUPPLY  
:ASS'Y

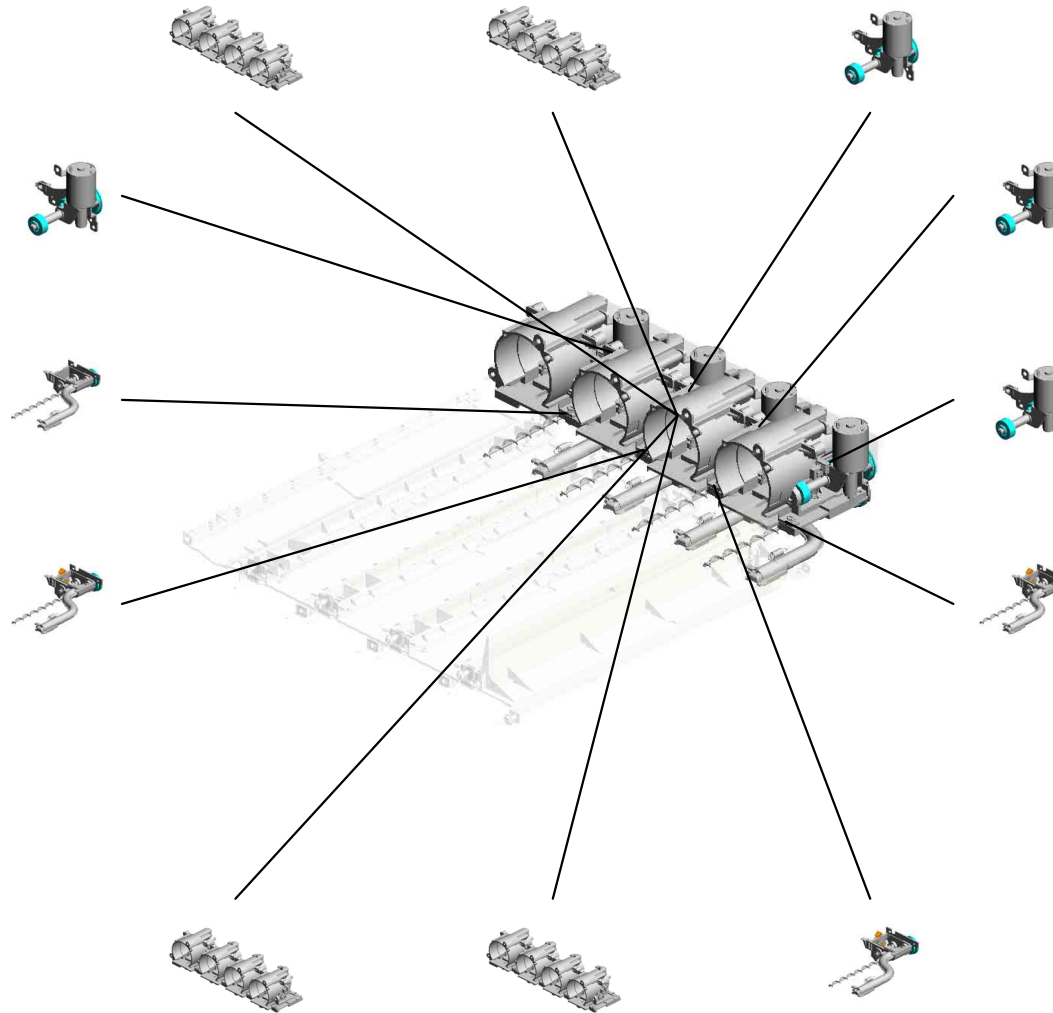
U008\_S004  
D1963303  
TONER HOPPER:TONER SU  
PPLY:CMY:ASS'Y

U008\_S002  
D1963303  
TONER HOPPER:TONER SU  
PPLY:CMY:ASS'Y

U008\_S011  
D1963301  
(D297/D298):(EU/NA/AA/KOR/  
TWN):HOUSING:TONER SUP  
PLY:ASS'Y

U008\_S012  
D1963301  
(D297/D298):(EU/NA/AA/KOR/  
TWN):HOUSING:TONER SUP  
PLY:ASS'Y

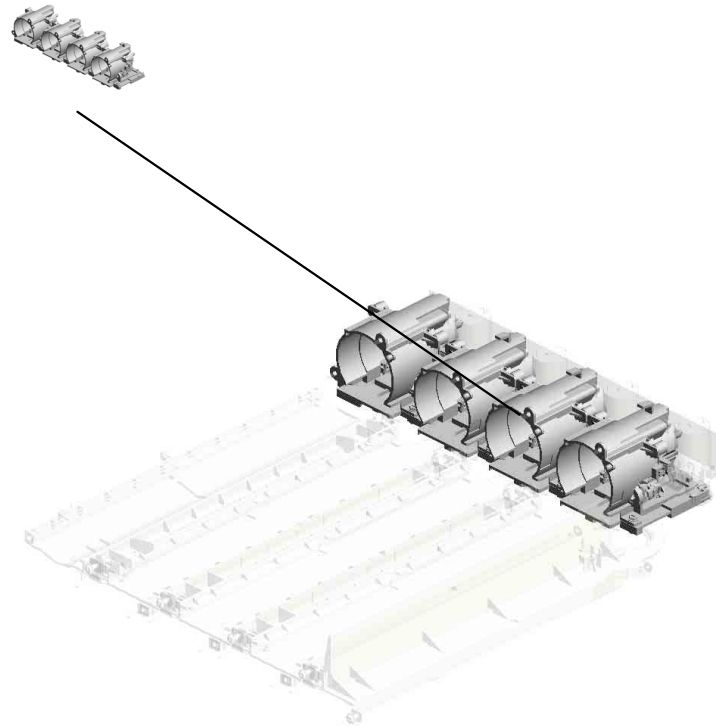
U008\_S003  
D1963303  
TONER HOPPER:TONER SU  
PPLY:CMY:ASS'Y



U001	U002	U003	U004	U005	U006	U007	U008	U009	U010	U011	U012	U013	U014	U015	U016	U017	U018
------	------	------	------	------	------	------	------	------	------	------	------	------	------	------	------	------	------

# U008.DEVELOPMENT

U008\_S013  
D1963301  
(D297/D298):(EU/NA/AA/KOR/  
TWN):HOUSING:TONER SUP  
PLY:ASS'Y

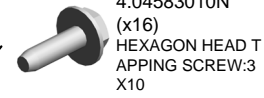
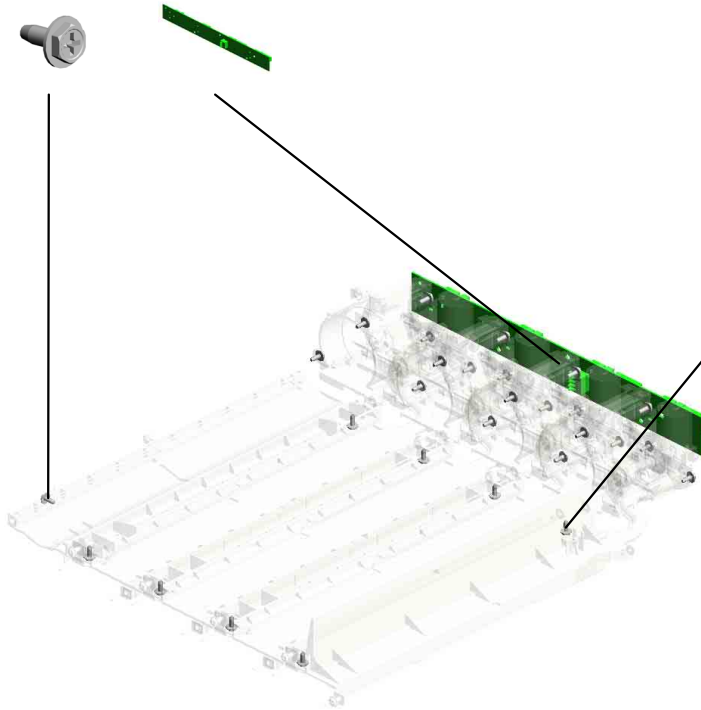
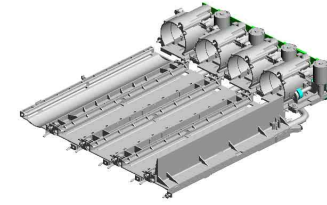


U001	U002	U003	U004	U005	U006	U007	<b>U008</b>	U009	U010	U011	U012	U013	U014	U015	U016	U017	U018
------	------	------	------	------	------	------	-------------	------	------	------	------	------	------	------	------	------	------

# U008 DEVELOPMENT

3.04583008N  
(x13)  
HEXAGON HEAD TAPPING SCREW:3X8

19.D1965160  
PCB:BRB:GRI-C2



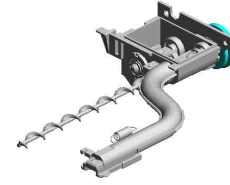
4.04583010N  
(x16)  
HEXAGON HEAD TAPPING SCREW:3X10

3.04583008N (x 4)  
HEXAGON HEAD TAPPING SCREW:3X8

U001	U002	U003	U004	U005	U006	U007	<b>U008</b>	U009	U010	U011	U012	U013	U014	U015	U016	U017	U018
------	------	------	------	------	------	------	-------------	------	------	------	------	------	------	------	------	------	------

U008\_S001  
TONER HOPPER:TONER SUPPLY:BK:ASS'Y

5.07200030E  
(x2)  
RETAINING RING -  
M3



15.D1963302  
TONER HOPPER:T  
ONER SUPPLY:BK:  
ASS'Y

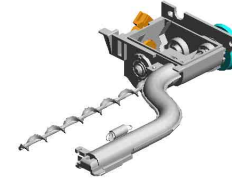


U001	U002	U003	U004	U005	U006	U007	<b>U008</b>	U009	U010	U011	U012	U013	U014	U015	U016	U017	U018
------	------	------	------	------	------	------	-------------	------	------	------	------	------	------	------	------	------	------



U008\_S002  
TONER HOPPER:TONER SUPPLY:CMY:ASS'Y

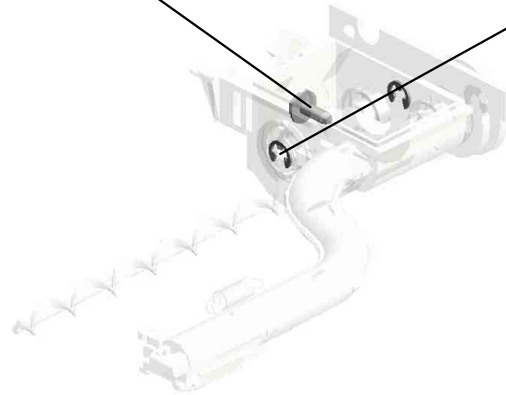
2.04503008N  
TAPPING SCREW -  
M3X8



16.D1963303  
TONER HOPPER:T  
ONER SUPPLY:CM  
Y:ASSY



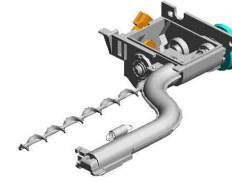
5.07200030E  
(x2)  
RETAINING RING -  
M3



U001	U002	U003	U004	U005	U006	U007	<b>U008</b>	U009	U010	U011	U012	U013	U014	U015	U016	U017	U018
------	------	------	------	------	------	------	-------------	------	------	------	------	------	------	------	------	------	------

U008\_S003  
TONER HOPPER:TONER SUPPLY:CMY:ASS'Y

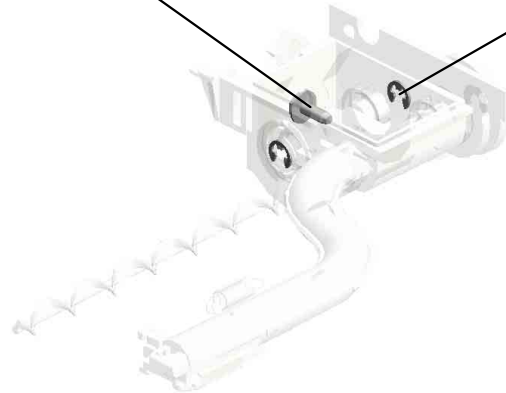
2.04503008N  
TAPPING SCREW -  
M3X8



16.D1963303  
TONER HOPPER:T  
ONER SUPPLY:CM  
Y:ASSY



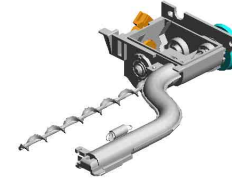
5.07200030E  
(x2)  
RETAINING RING -  
M3



U001	U002	U003	U004	U005	U006	U007	U008	U009	U010	U011	U012	U013	U014	U015	U016	U017	U018
------	------	------	------	------	------	------	------	------	------	------	------	------	------	------	------	------	------

U008\_S004  
TONER HOPPER:TONER SUPPLY:CMY:ASS'Y

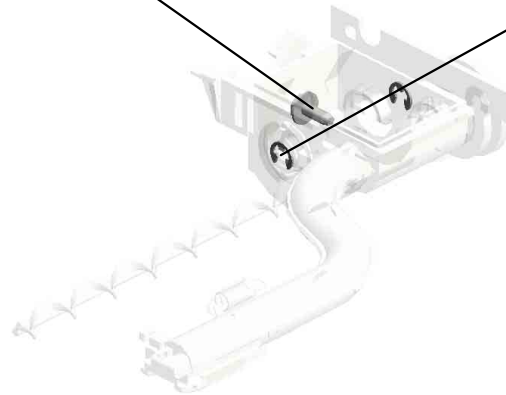
2.04503008N  
TAPPING SCREW -  
M3X8



16.D1963303  
TONER HOPPER:T  
ONER SUPPLY:CM  
Y:ASSY



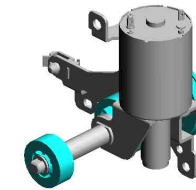
5.07200030E  
(x2)  
RETAINING RING -  
M3



U001	U002	U003	U004	U005	U006	U007	<b>U008</b>	U009	U010	U011	U012	U013	U014	U015	U016	U017	U018
------	------	------	------	------	------	------	-------------	------	------	------	------	------	------	------	------	------	------

U008\_S005  
 DRIVE UNIT:TONER SUPPLY:ASS'Y

6.11050511 HARNESS CLAMP - LWS-0306ZC  
 9.D1173401 (x2) COLLAR:DRIVE:BRACKET  
 12.D1173404 SHAFT:DRIVE:AGITATOR



17.D1963304  
 DRIVE UNIT:TONER SUPPLY:ASS'Y

13.D1173405  
 COMPRESSION SPRING:GEAR:TONER BOTTLE

11.D1173403  
 GEAR:IDLER:TONER BOTTLE

5.07200030E (x3)  
 RETAINING RING - M3

10.D1173402  
 GEAR:IDLER:DC MOTOR

8.D1173400  
 DC MOTOR:TONER SUPPLY:5.3W:BRUSH

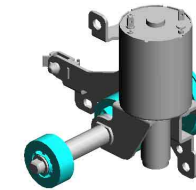
18.D1963390  
 GEAR:TONER HOPPER:DRIVE SUB-UNIT

1.03530030N (x2)  
 SCREW:M3X3

U001	U002	U003	U004	U005	U006	U007	U008	U009	U010	U011	U012	U013	U014	U015	U016	U017	U018
------	------	------	------	------	------	------	------	------	------	------	------	------	------	------	------	------	------

U008\_S006  
 DRIVE UNIT:TONER SUPPLY:ASS'Y

6.11050511 HARNESS CLAMP - LWS-0306ZC  
 9.D1173401 (x2) COLLAR:DRIVE:BRACKET  
 12.D1173404 SHAFT:DRIVE:AGITATOR



17.D1963304  
 DRIVE UNIT:TONER SUPPLY:ASS'Y

13.D1173405  
 COMPRESSION SPRING:GEAR:TONER BOTTLE

11.D1173403  
 GEAR:IDLER:TONER BOTTLE

5.07200030E (x3)  
 RETAINING RING - M3

10.D1173402  
 GEAR:IDLER:DC MOTOR

8.D1173400  
 DC MOTOR:TONER SUPPLY:5.3W:BRUSH

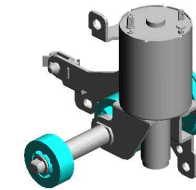
18.D1963390  
 GEAR:TONER HOPPER:DRIVE SUB-UNIT

1.03530030N (x2)  
 SCREW:M3X3

U001	U002	U003	U004	U005	U006	U007	U008	U009	U010	U011	U012	U013	U014	U015	U016	U017	U018
------	------	------	------	------	------	------	------	------	------	------	------	------	------	------	------	------	------

U008\_S007  
 DRIVE UNIT:TONER SUPPLY:ASS'Y

6.11050511 HARNESS CLAMP - LWS-0306ZC  
 9.D1173401 (x2) COLLAR:DRIVE:BRACKET  
 12.D1173404 SHAFT:DRIVE:AGITATOR



17.D1963304  
 DRIVE UNIT:TONER SUPPLY:ASS'Y

13.D1173405  
 COMPRESSION SPRING:GEAR:TONER BOTTLE

11.D1173403  
 GEAR:IDLER:TONER BOTTLE

5.07200030E (x3)  
 RETAINING RING - M3

10.D1173402  
 GEAR:IDLER:DC MOTOR

8.D1173400  
 DC MOTOR:TONER SUPPLY:5.3W:BRUSH

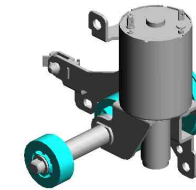
18.D1963390  
 GEAR:TONER HOPPER:DRIVE SUB-UNIT

1.03530030N (x2)  
 SCREW:M3X3

U001	U002	U003	U004	U005	U006	U007	U008	U009	U010	U011	U012	U013	U014	U015	U016	U017	U018
------	------	------	------	------	------	------	------	------	------	------	------	------	------	------	------	------	------

U008\_S008  
 DRIVE UNIT:TONER SUPPLY:ASS'Y

6.11050511 HARNESS CLAMP - LWS-0306ZC  
 9.D1173401 (x2) COLLAR:DRIVE:BRACKET  
 12.D1173404 SHAFT:DRIVE:AGITATOR



17.D1963304  
 DRIVE UNIT:TONER SUPPLY:ASS'Y

13.D1173405  
 COMPRESSION SPRING:GEAR:TONER BOTTLE

11.D1173403  
 GEAR:IDLER:TONER BOTTLE

5.07200030E (x3)  
 RETAINING RING - M3

10.D1173402  
 GEAR:IDLER:DC MOTOR

8.D1173400  
 DC MOTOR:TONER SUPPLY:5.3W:BRUSH

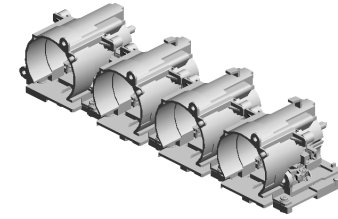
18.D1963390  
 GEAR:TONER HOPPER:DRIVE SUB-UNIT

1.03530030N (x2)  
 SCREW:M3X3

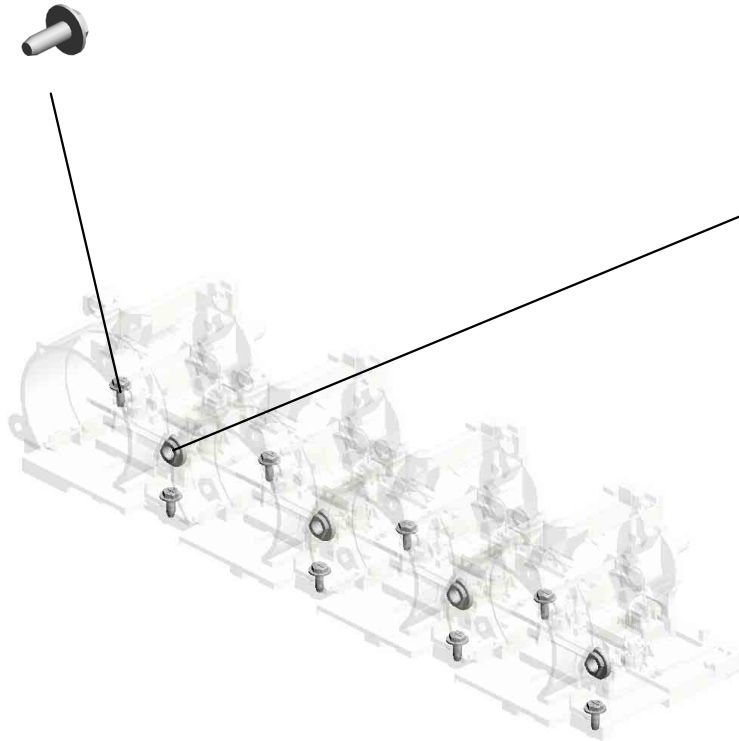
U001	U002	U003	U004	U005	U006	U007	U008	U009	U010	U011	U012	U013	U014	U015	U016	U017	U018
------	------	------	------	------	------	------	------	------	------	------	------	------	------	------	------	------	------

U008\_S009  
(D296/D299):HOUSING:TONER SUPPLY:ASS'Y

2.04503008N  
(x8)  
TAPPING SCREW -  
M3X8



20.D2963300  
(D296/D299):HOUSI  
NG:TONER SUPPL  
Y:ASSY



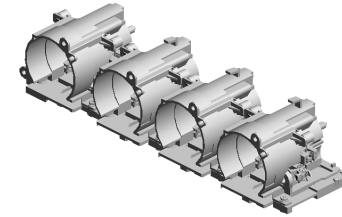
7.D1173354  
(x4)  
COLLAR:TONER S  
UPPLY:HOUSING

U001	U002	U003	U004	U005	U006	U007	U008	U009	U010	U011	U012	U013	U014	U015	U016	U017	U018
------	------	------	------	------	------	------	------	------	------	------	------	------	------	------	------	------	------

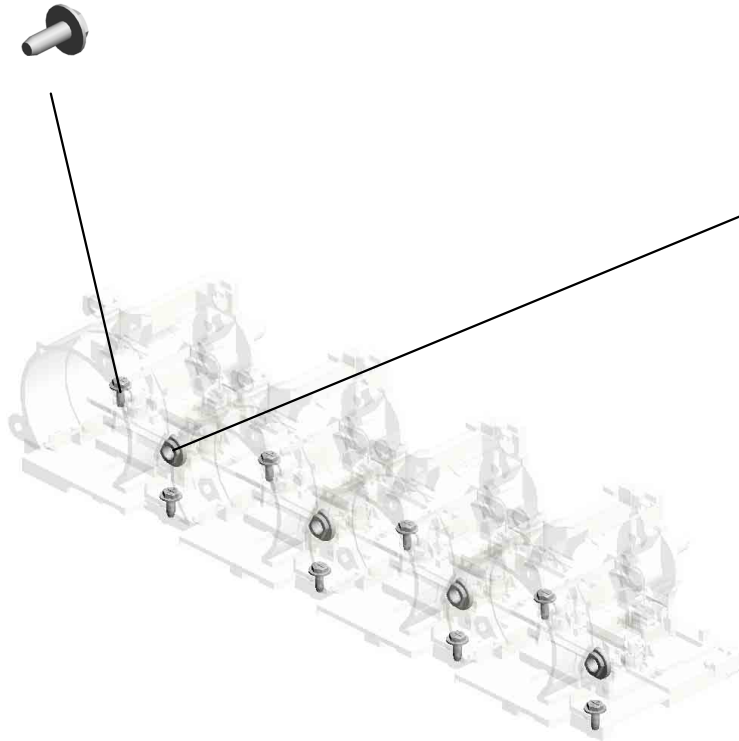


U008\_S010  
(D297/D298):(EU/NA/AA/KOR/TWN):HOUSING:TONER SUPPLY:ASS'Y

2.04503008N  
(x8)  
TAPPING SCREW -  
M3X8



14.D1963301  
(D297/D298):(EU/N  
A/AA/KOR/TWN):H  
OUSING:TONER S  
UPPLY:ASS'Y

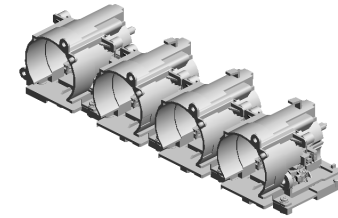


7.D1173354  
(x4)  
COLLAR:TONER S  
UPPLY:HOUSING

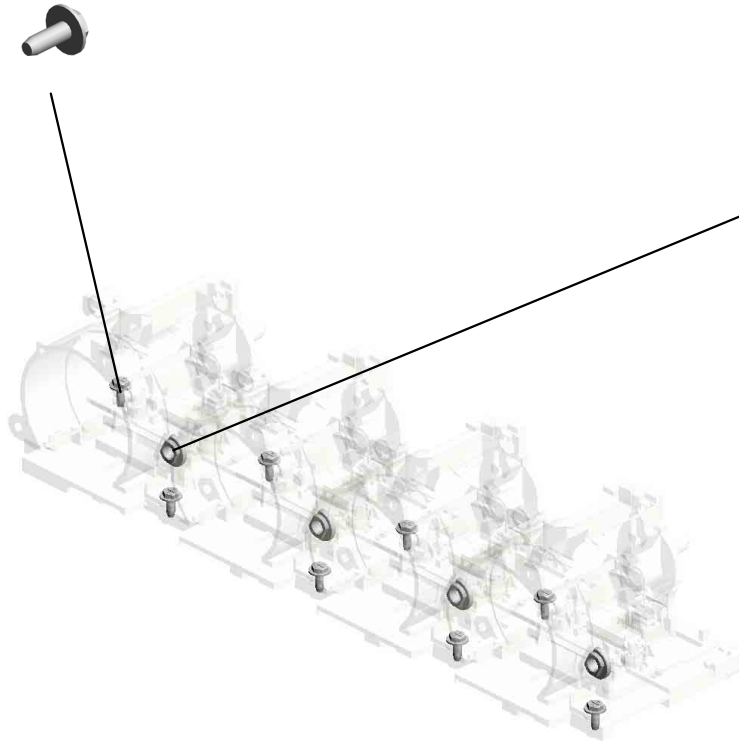
U001	U002	U003	U004	U005	U006	U007	<b>U008</b>	U009	U010	U011	U012	U013	U014	U015	U016	U017	U018
------	------	------	------	------	------	------	-------------	------	------	------	------	------	------	------	------	------	------

U008\_S011  
(D297/D298):(EU/NA/AA/KOR/TWN):HOUSING:TONER SUPPLY:ASS'Y

2.04503008N  
(x8)  
TAPPING SCREW -  
M3X8



14.D1963301  
(D297/D298):(EU/N  
A/AA/KOR/TWN):H  
OUSING:TONER S  
UPPLY:ASS'Y

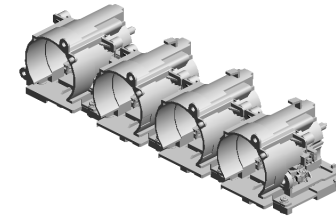


7.D1173354  
(x4)  
COLLAR:TONER S  
UPPLY:HOUSING

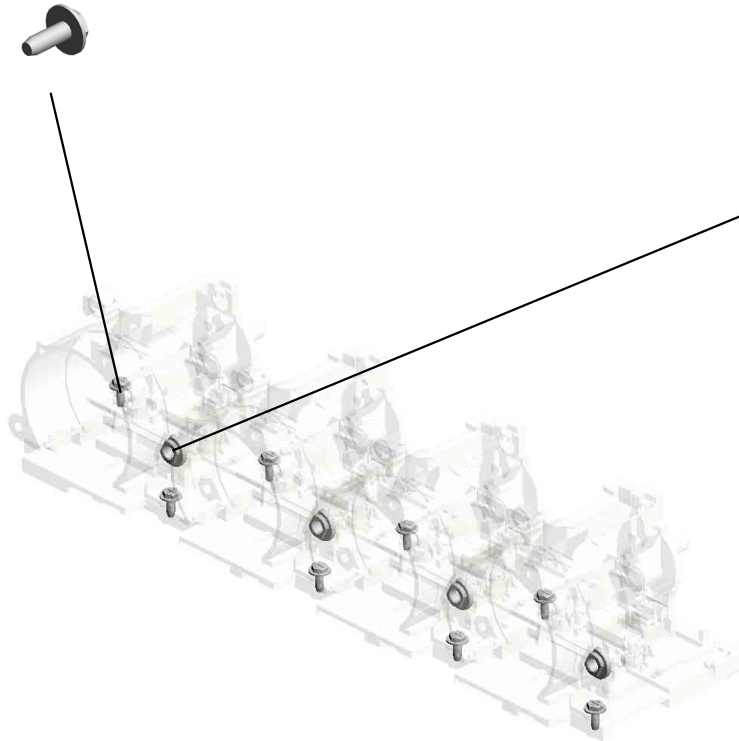
U001	U002	U003	U004	U005	U006	U007	U008	U009	U010	U011	U012	U013	U014	U015	U016	U017	U018
------	------	------	------	------	------	------	------	------	------	------	------	------	------	------	------	------	------

U008\_S012  
(D297/D298):(EU/NA/AA/KOR/TWN):HOUSING:TONER SUPPLY:ASS'Y

2.04503008N  
(x8)  
TAPPING SCREW -  
M3X8



14.D1963301  
(D297/D298):(EU/N  
A/AA/KOR/TWN):H  
OUSING:TONER S  
UPPLY:ASS'Y

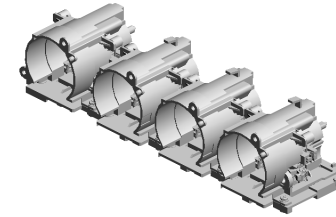


7.D1173354  
(x4)  
COLLAR:TONER S  
UPPLY:HOUSING

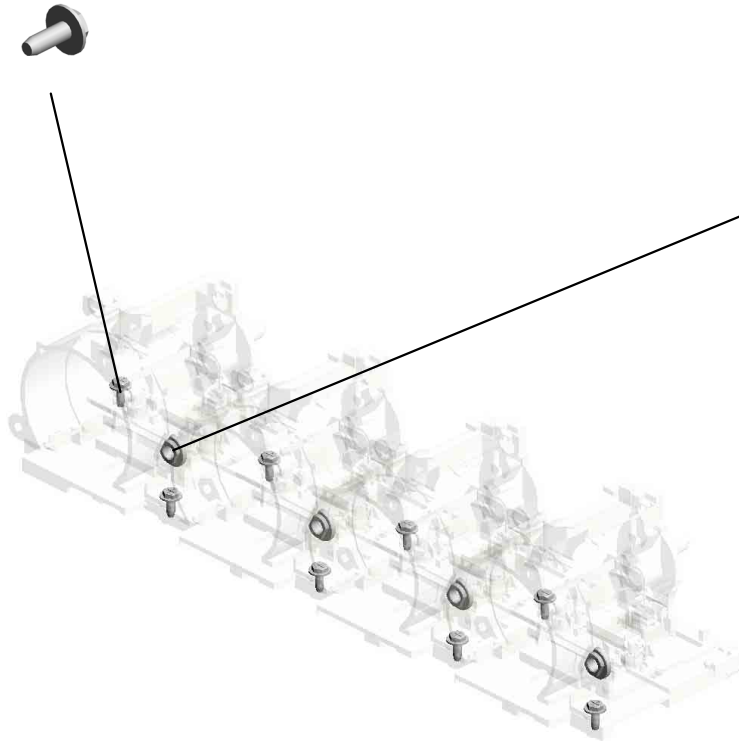
U001	U002	U003	U004	U005	U006	U007	U008	U009	U010	U011	U012	U013	U014	U015	U016	U017	U018
------	------	------	------	------	------	------	------	------	------	------	------	------	------	------	------	------	------

U008\_S013  
(D297/D298):(EU/NA/AA/KOR/TWN):HOUSING:TONER SUPPLY:ASS'Y

2.04503008N  
(x8)  
TAPPING SCREW -  
M3X8



14.D1963301  
(D297/D298):(EU/N  
A/AA/KOR/TWN):H  
OUSING:TONER S  
UPPLY:ASS'Y

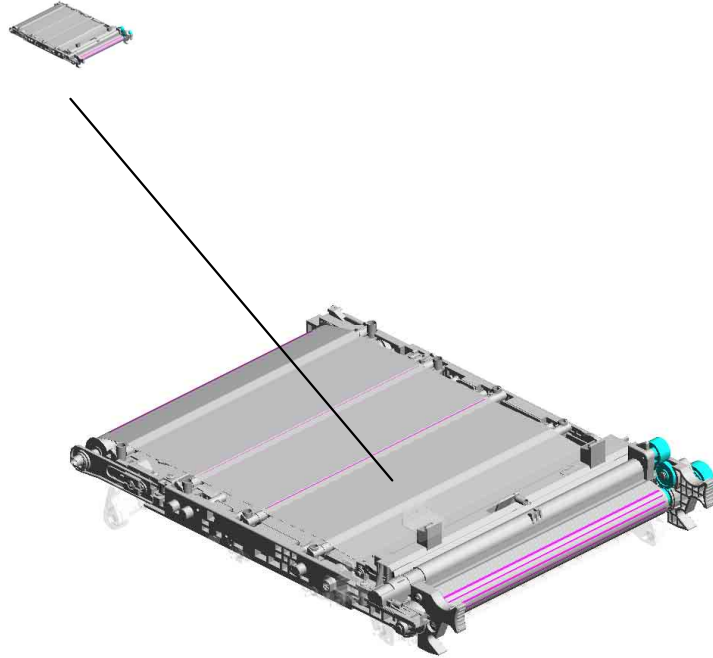


7.D1173354  
(x4)  
COLLAR:TONER S  
UPPLY:HOUSING

U001	U002	U003	U004	U005	U006	U007	<b>U008</b>	U009	U010	U011	U012	U013	U014	U015	U016	U017	U018
------	------	------	------	------	------	------	-------------	------	------	------	------	------	------	------	------	------	------

# U009.ITB UNIT

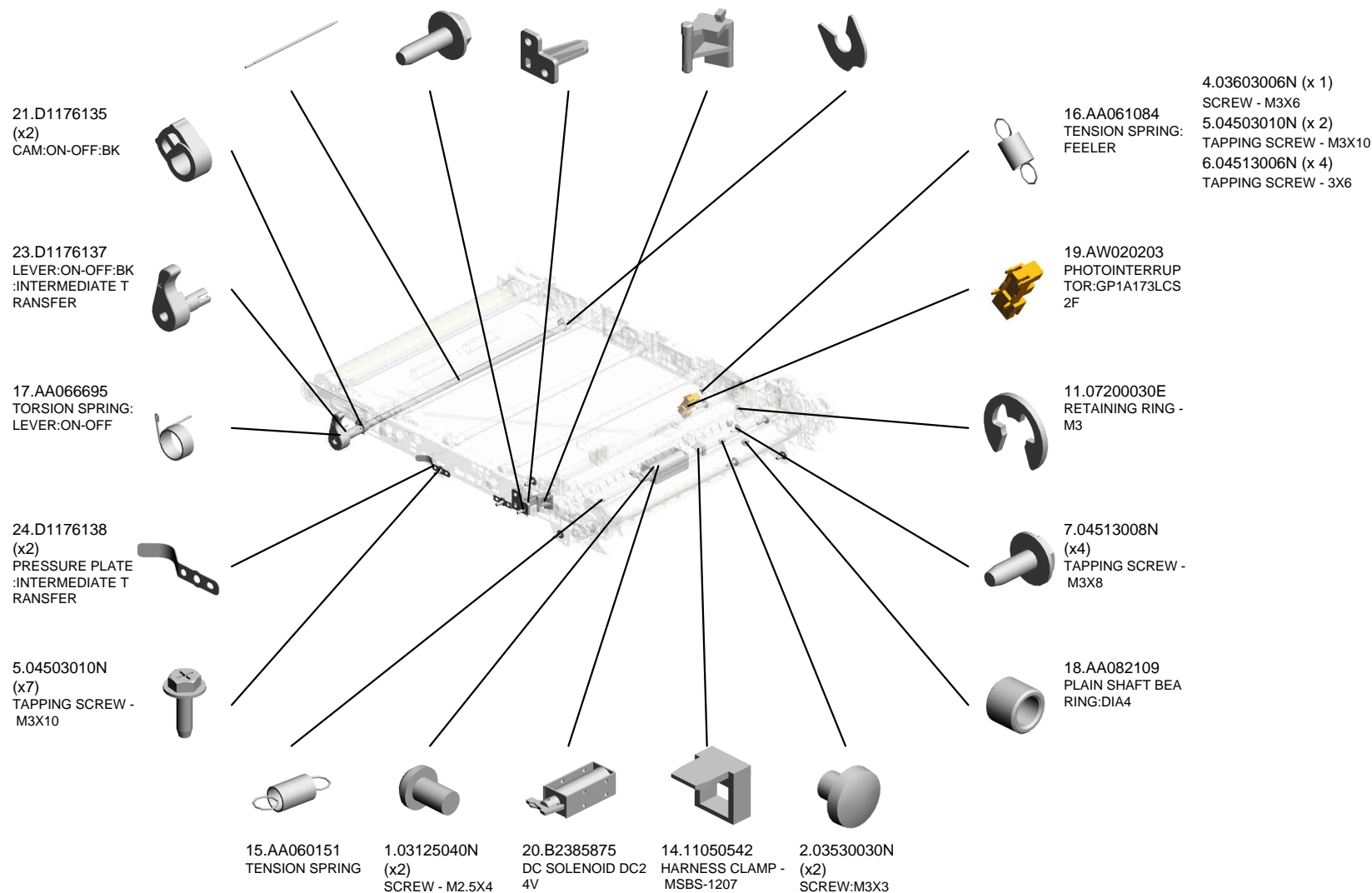
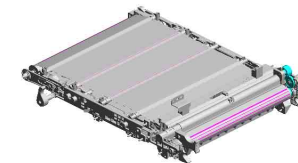
U009\_S001  
D1966002  
TRANSFER UNIT:INTERMEDI  
ATE TRANSFER:SERVICE:AS  
SY



U001	U002	U003	U004	U005	U006	U007	U008	U009	U010	U011	U012	U013	U014	U015	U016	U017	U018
------	------	------	------	------	------	------	------	------	------	------	------	------	------	------	------	------	------

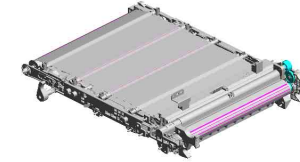
# U009 ITB UNIT

22.D1176136 SHAFT:CAM:ON-O  
FF:BK  
10.04583010N HEXAGON HEAD T  
APPING SCREW:3  
X10  
26.D1176185 LEVER:OPEN AND  
CLOSE:SHUTTER  
25.D1176181 LEVER:SUPPORT:  
SHUTTER  
13.08050104 (x2)  
RETAINING RINGS  
-E:SILENCER:DIA4

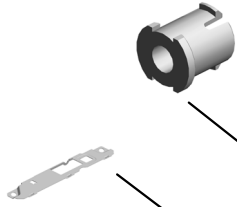


# U009 ITB UNIT

47.G1666057 PLAIN SHAFT BEARING:ROLLER:BLADE  
32.D1176375 BRACKET:FEELER:ON-OFF  
33.D1176376 FEELER:ON-OFF:FIRST  
27.D1176350 DC MOTOR:ON-OFF:FIRST:ASSY:5.3 W:BRUSH  
31.D1176366 GEAR:ON-OFF:FIRST:NO.3



44.D1966390 SHUTTER:DENSITY SENSOR



35.D1176389 SPACER:SHUTTER:TM SENSOR



43.D1966388 BRACKET:DENSITY SENSOR



34.D1176386 HOOK:SHUTTER:DENSITY SENSOR



41.D1966381 GUIDE PLATE:BRACKET:DENSITY SENSOR:FRONT:ASSY



46.D1966395 DENSITY SENSOR: P/TM



45.D1966391 GUIDE PLATE:REAR:ASSY



36.D1176392 (x2) SPACER:SHUTTER:SENSOR:TM



37.D1441085 (x2) STEPPED SCREW: M3



28.D1176363 GEAR:ON-OFF:FIRST



40.D1966362 COVER:BRACKET:DRIVE:ON-OFF



39.D1966356 BRACKET:DRIVE:ON-OFF:ASSY



29.D1176364 GEAR:ON-OFF:FIRST:NO.1



30.D1176365 GEAR:ON-OFF:FIRST:NO.2



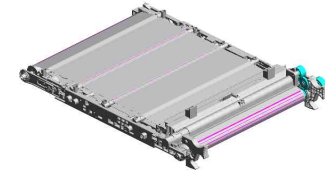
42.D1966383 GUIDE PLATE:BRACKET:DENSITY SENSOR:REAR:ASSY



U001 U002 U003 U004 U005 U006 U007 U008 **U009** U010 U011 U012 U013 U014 U015 U016 U017 U018

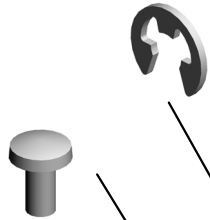
U009\_S001  
TRANSFER UNIT:INTERMEDIATE TRANSFER:SERVICE:ASS'Y

11.07200030E  
(x3)  
RETAINING RING -  
M3



38.D1966002  
TRANSFER UNIT:IN  
TERMEDIATE TRA  
NSFER:SERVICE:A  
SS'Y

3.03530060N  
(x4)  
BIND SCREW - M3  
X6



9.04523010N  
(x4)  
BINDING SELF-TA  
PPING SCREW:3X  
10

12.07200040E (x 3)  
RETAINING RING - M4

8.04523008N  
(x10)  
TAPPING SCREW -  
M3X8

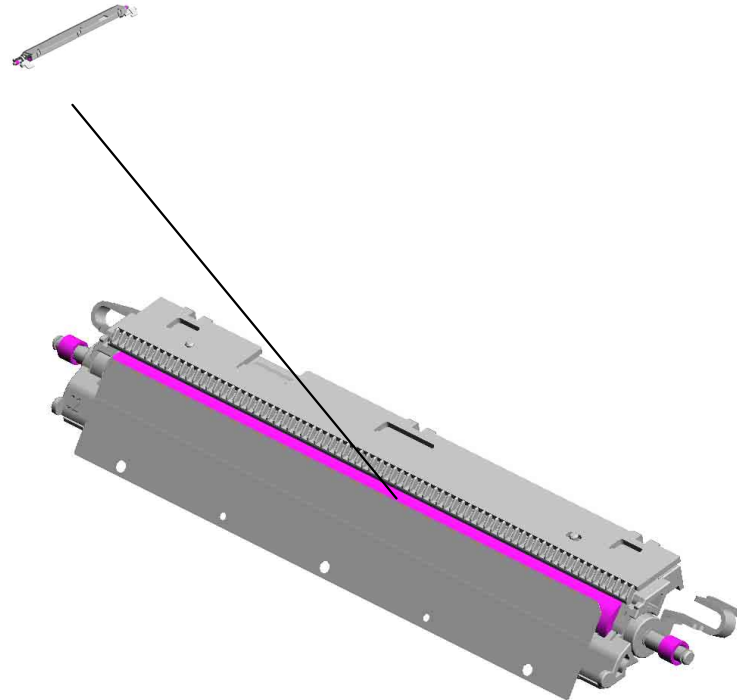


U001	U002	U003	U004	U005	U006	U007	U008	U009	U010	U011	U012	U013	U014	U015	U016	U017	U018
------	------	------	------	------	------	------	------	------	------	------	------	------	------	------	------	------	------



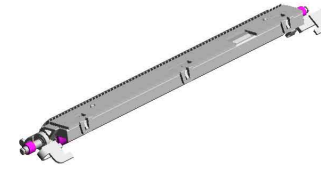
# U010.TRANSFER/SEPARATION

U010\_S001  
D1966201  
TRANSFER/SEPARATION UN  
IT:SECOND:ASSY



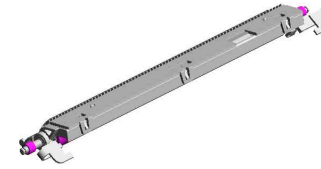
U001	U002	U003	U004	U005	U006	U007	U008	U009	U010	U011	U012	U013	U014	U015	U016	U017	U018
------	------	------	------	------	------	------	------	------	------	------	------	------	------	------	------	------	------

U010  
TRANSFER/SEPARATION



U001	U002	U003	U004	U005	U006	U007	U008	U009	U010	U011	U012	U013	U014	U015	U016	U017	U018
------	------	------	------	------	------	------	------	------	------	------	------	------	------	------	------	------	------

U010\_S001  
TRANSFER/SEPARATION UNIT:SECOND:ASS'Y



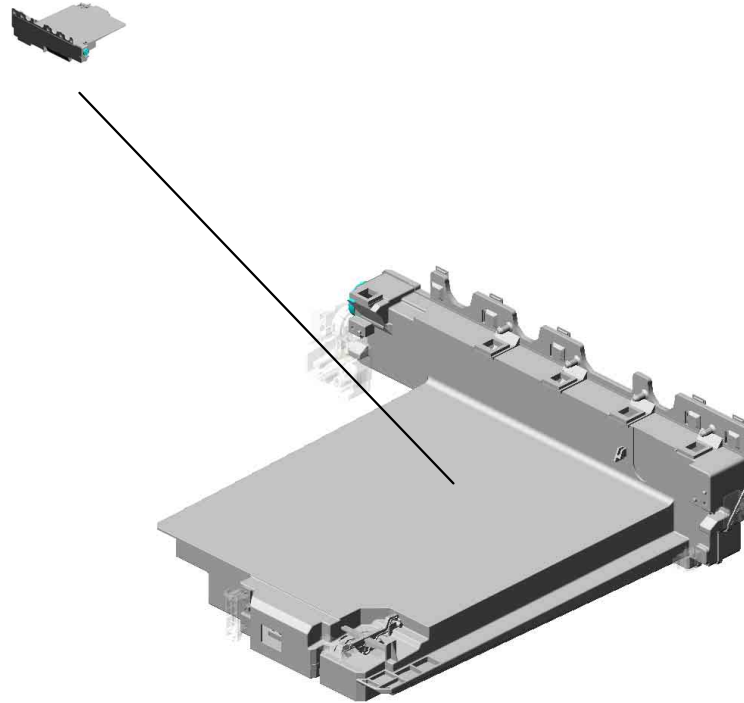
**3.D1966201**  
TRANSFER/SEPARATION UNIT:SECOND:ASS'Y

1.07200030E (x 2)  
RETAINING RING - M3  
2.07200040E (x 2)  
RETAINING RING - M4

U001	U002	U003	U004	U005	U006	U007	U008	U009	U010	U011	U012	U013	U014	U015	U016	U017	U018
------	------	------	------	------	------	------	------	------	------	------	------	------	------	------	------	------	------

# U011.USED TONER

U011\_S001  
D1176401  
COLLECTION BOTTLE:ASSY



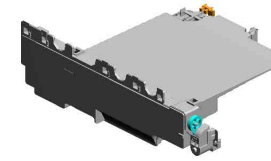
U001	U002	U003	U004	U005	U006	U007	U008	U009	U010	U011	U012	U013	U014	U015	U016	U017	U018
------	------	------	------	------	------	------	------	------	------	------	------	------	------	------	------	------	------

# U011 USED TONER

1.04503010N  
(x3)  
TAPPING SCREW -  
M3X10

6.AB011555  
GEAR:IDLER:RIGH  
T FRONT

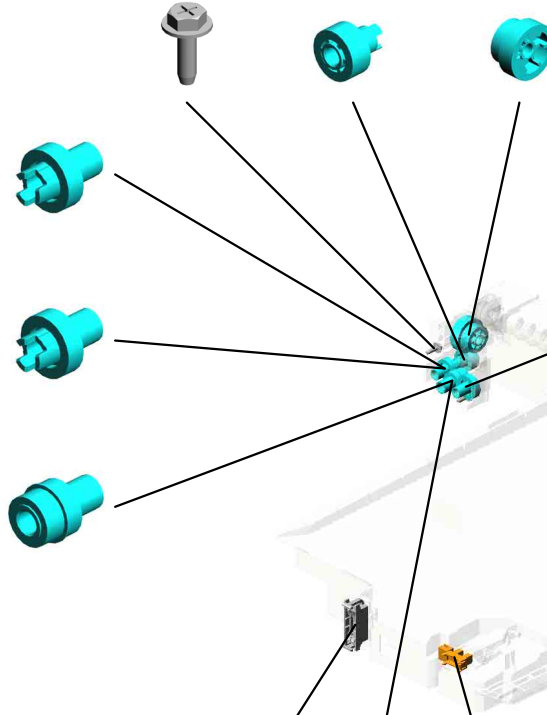
8.AB017827  
GEAR:IDLER:COLL  
ECTION BOTTLE:R  
IGHT UPPER



5.AB011554  
(x4)  
(D297/D298):(EU/N  
A/AA/KOR/TWN):G  
EAR:IDLER:RIGHT  
REAR

7.AB011557  
(D296/D299):GEAR:  
IDLER:RIGHT REA  
R:C2

4.AB011553  
(x4)  
(D297/D298):(EU/N  
A/AA/KOR/TWN):G  
EAR:IDLER:MIDDL  
E REAR



10.AG071012  
MAGNET CATCH:A  
SSY

9.AB017865  
(D296/D299):GEAR:  
IDLER:MIDDLE RE  
AR:C2

11.AW020224  
PHOTOINTERRUP  
TOR:GP1A173LCS  
VF

3.AB011552  
GEAR:IDLER:LEFT  
REAR

14.D1176588  
BRACKET:COLLEC  
TION BOTTLE:LEF  
T

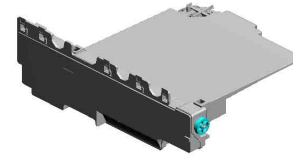
12.AW500045  
PUSH SWITCH

2.07200040E (x 1)  
RETAINING RING - M4

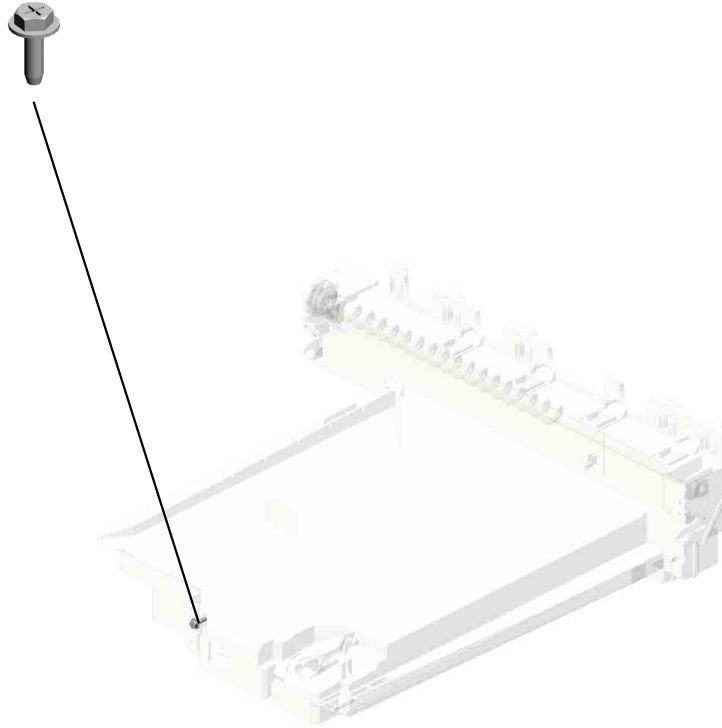
U001	U002	U003	U004	U005	U006	U007	U008	U009	U010	U011	U012	U013	U014	U015	U016	U017	U018
------	------	------	------	------	------	------	------	------	------	------	------	------	------	------	------	------	------

U011\_S001  
COLLECTION BOTTLE:ASS'Y

1.04503010N  
TAPPING SCREW -  
M3X10



13.D1176401  
COLLECTION BOT  
TLE:ASS'Y



U001	U002	U003	U004	U005	U006	U007	U008	U009	U010	U011	U012	U013	U014	U015	U016	U017	U018
------	------	------	------	------	------	------	------	------	------	------	------	------	------	------	------	------	------

# U012.FUSING

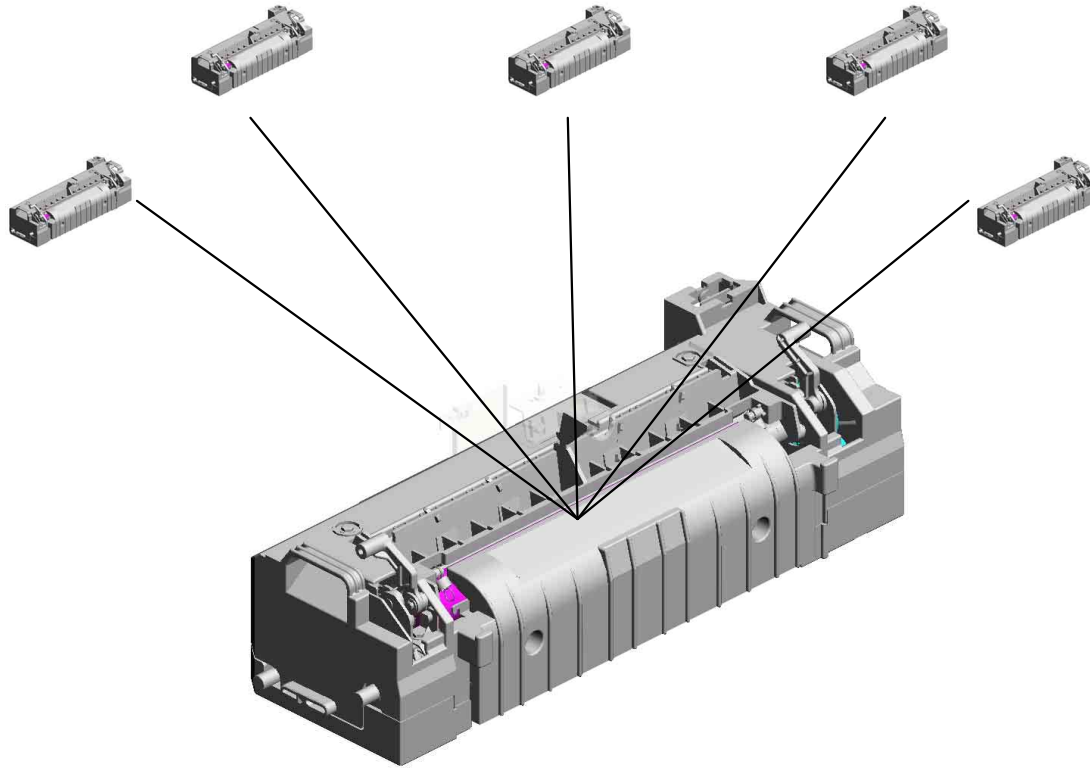
U012\_S001  
D2964032  
(EU/AA/KOR/CHN):FUSING U  
NIT:SERVICE PARTS

U012\_S002  
D2964032  
(EU/AA/KOR/CHN):FUSING U  
NIT:SERVICE PARTS

U012\_S003  
D2964032  
(EU/AA/KOR/CHN):FUSING U  
NIT:SERVICE PARTS

U012\_S005  
D2964033  
(TWN):FUSING UNIT:SERVIC  
E PARTS

U012\_S004  
D2964031  
(NA):FUSING UNIT:SERVIC  
E PARTS



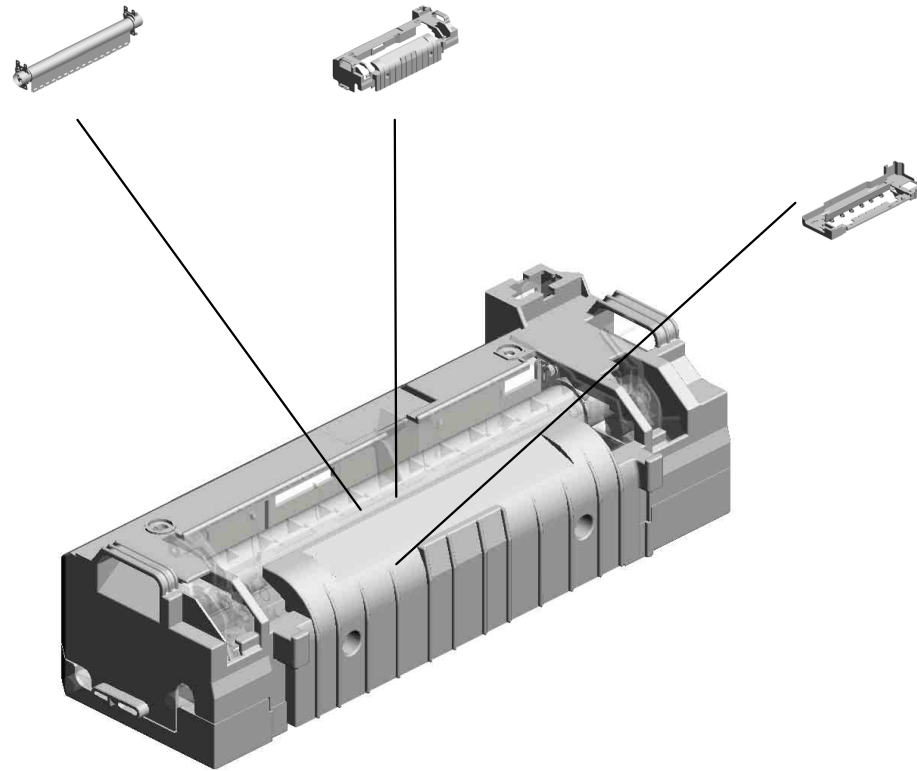
U001	U002	U003	U004	U005	U006	U007	U008	U009	U010	U011	U012	U013	U014	U015	U016	U017	U018
------	------	------	------	------	------	------	------	------	------	------	------	------	------	------	------	------	------

# U012\_S001.(EU/AA/KOR/CHN):FUSING UNIT:SERVICE PARTS

U012\_S001\_S003  
D2964038  
(EU/AA/KOR/CHN):SLEEVE:F  
USING:SERVICE PARTS

U012\_S001\_S001  
D1174261  
FUSING COVER:UPPER:ASS'  
Y

U012\_S001\_S002  
D1964084  
FUSING COVER:LOWER:AS  
S'Y



U001	U002	U003	U004	U005	U006	U007	U008	U009	U010	U011	U012	U013	U014	U015	U016	U017	U018
------	------	------	------	------	------	------	------	------	------	------	------	------	------	------	------	------	------

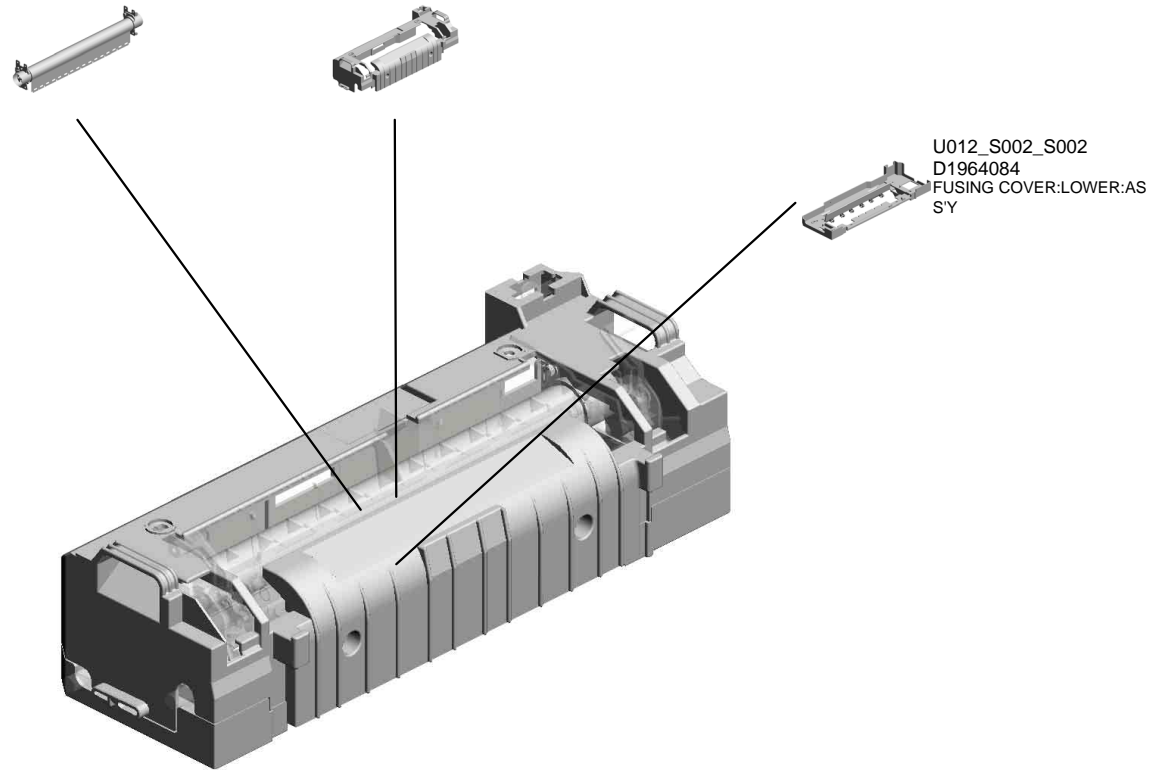


# U012\_S002.(EU/AA/KOR/CHN):FUSING UNIT:SERVICE PARTS

U012\_S002\_S003  
D2964038  
(EU/AA/KOR/CHN):SLEEVE:F  
USING:SERVICE PARTS

U012\_S002\_S001  
D1174261  
FUSING COVER:UPPER:ASS'  
Y

U012\_S002\_S002  
D1964084  
FUSING COVER:LOWER:AS  
S'Y



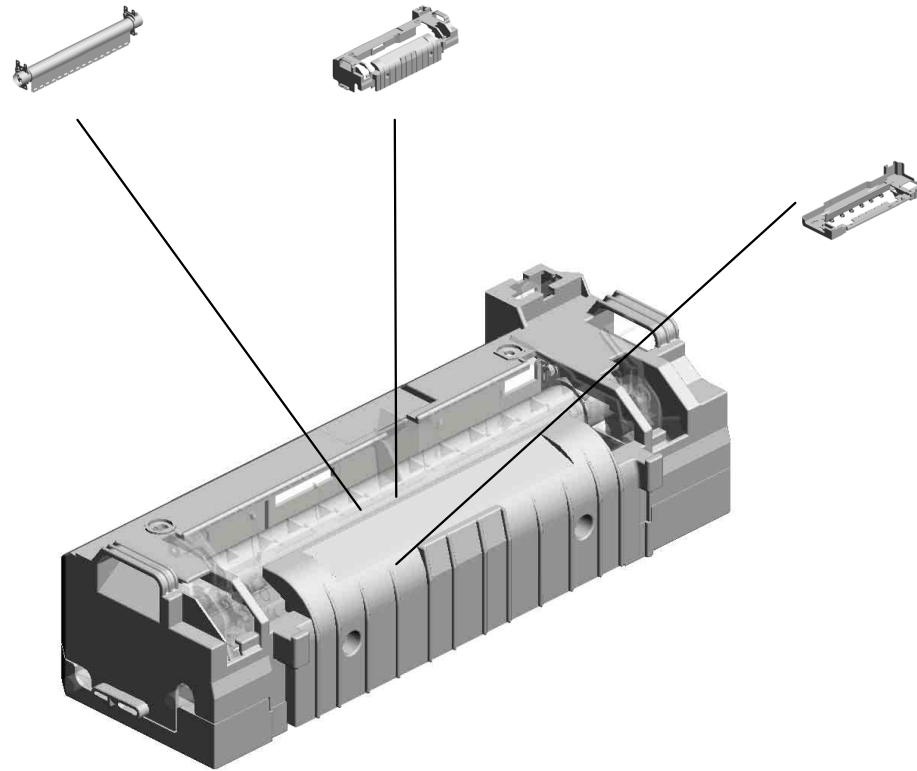
U001	U002	U003	U004	U005	U006	U007	U008	U009	U010	U011	U012	U013	U014	U015	U016	U017	U018
------	------	------	------	------	------	------	------	------	------	------	------	------	------	------	------	------	------

# U012\_S003.(EU/AA/KOR/CHN):FUSING UNIT:SERVICE PARTS

U012\_S003\_S003  
D2964038  
(EU/AA/KOR/CHN):SLEEVE:F  
USING:SERVICE PARTS

U012\_S003\_S001  
D1174261  
FUSING COVER:UPPER:ASS'  
Y

U012\_S003\_S002  
D1964084  
FUSING COVER:LOWER:AS  
S'Y

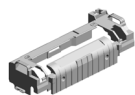


U001	U002	U003	U004	U005	U006	U007	U008	U009	U010	U011	U012	U013	U014	U015	U016	U017	U018
------	------	------	------	------	------	------	------	------	------	------	------	------	------	------	------	------	------

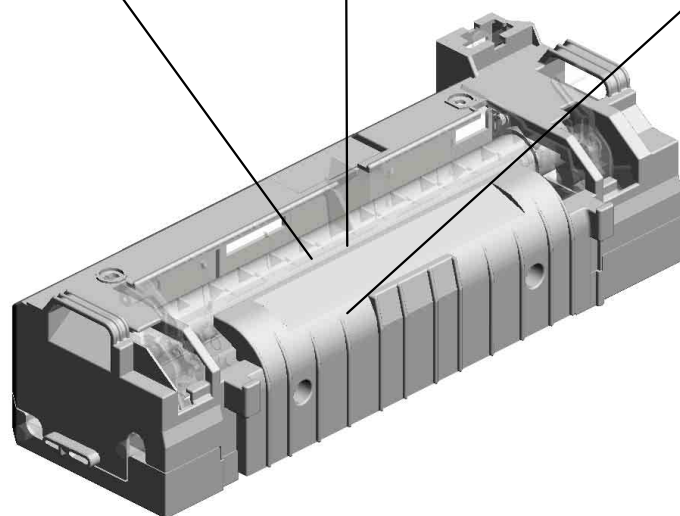
# U012\_S004.(NA):FUSING UNIT:SERVICE PARTS

U012\_S004\_S003  
D2964037  
(NA):SLEEVE:FUSING:SERVI  
CE PARTS

U012\_S004\_S001  
D1174261  
FUSING COVER:UPPER:ASS'  
Y



U012\_S004\_S002  
D1964084  
FUSING COVER:LOWER:AS  
S'Y

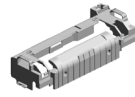


U001	U002	U003	U004	U005	U006	U007	U008	U009	U010	U011	U012	U013	U014	U015	U016	U017	U018
------	------	------	------	------	------	------	------	------	------	------	------	------	------	------	------	------	------

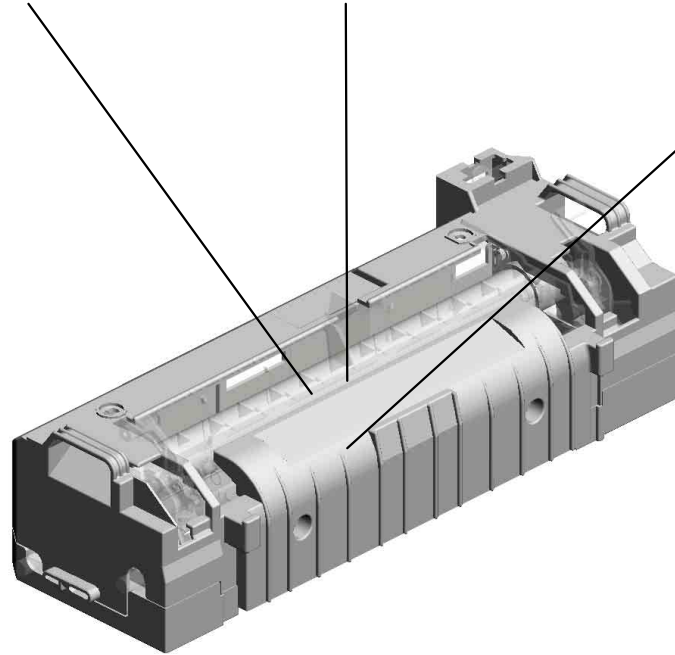
# U012\_S005.(TWN):FUSING UNIT:SERVICE PARTS

U012\_S005\_S003  
D2964039  
(TWN):SLEEVE:FUSING:SER  
VICE PARTS

U012\_S005\_S001  
D1174261  
FUSING COVER:UPPER:ASS'  
Y



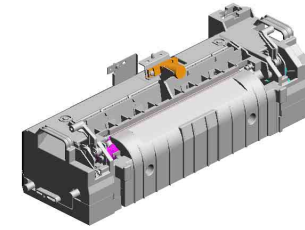
U012\_S005\_S002  
D1964084  
FUSING COVER:LOWER:AS  
S'Y



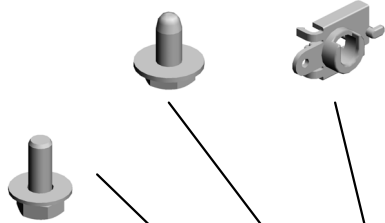
U001	U002	U003	U004	U005	U006	U007	U008	U009	U010	U011	U012	U013	U014	U015	U016	U017	U018
------	------	------	------	------	------	------	------	------	------	------	------	------	------	------	------	------	------

# U012 FUSING

2.04543006Q (x2)  
TAPPING SCREW - M3X6  
29.D1054365  
HOLDER:THERMOPILE



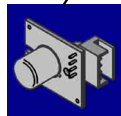
8.08046123  
HEXAGONAL BOLT :W/WASHER:M3X8



20.AW010124  
PHOTO REFLECTIVE SENSOR:GP2A200LCS0F



13.09573010N  
SCREW:SMALL ROUND/SPRING:M3X1.0

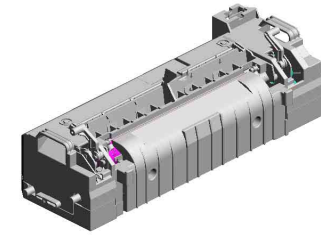


21.AW100138  
THERMOPILE

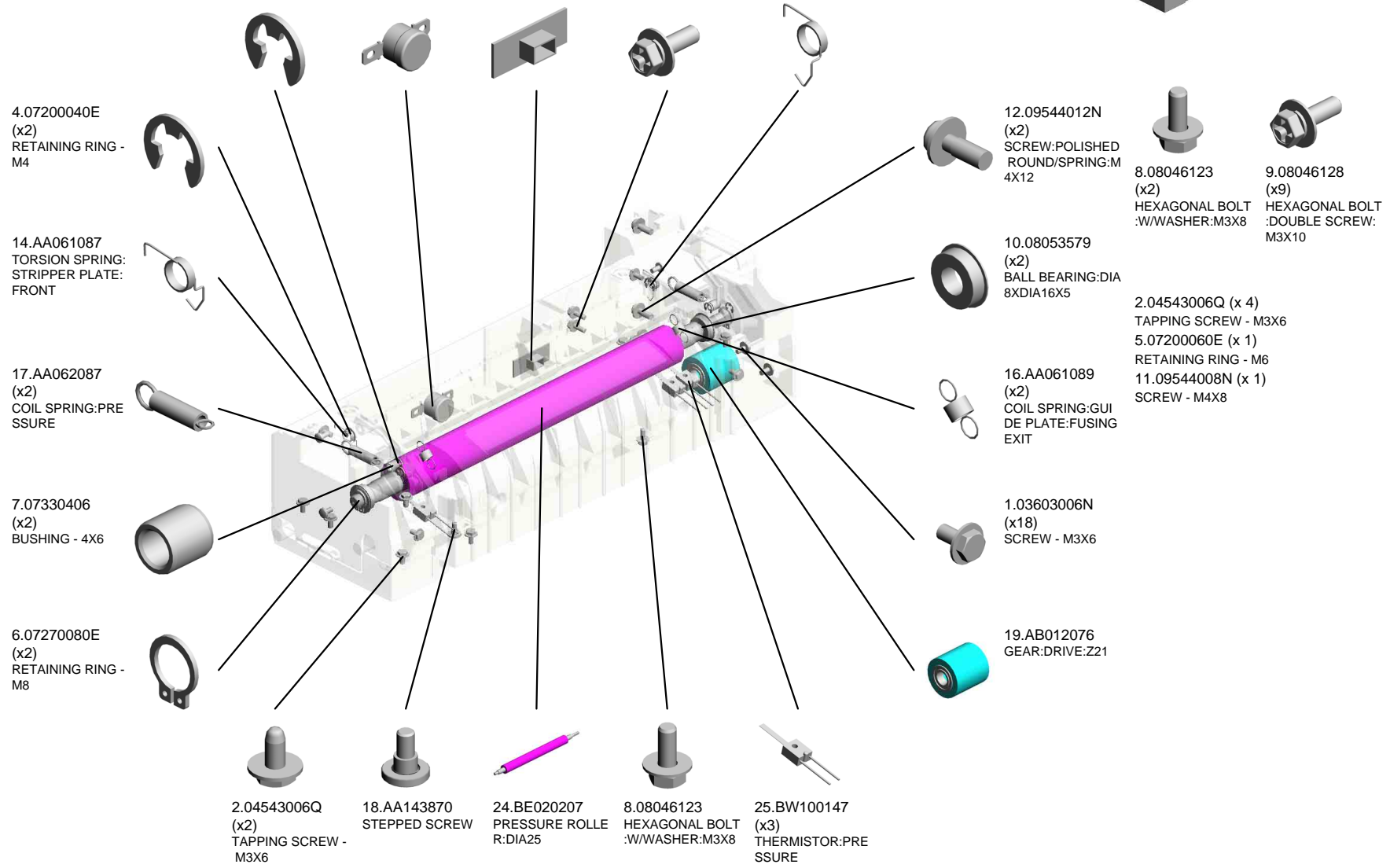
U001	U002	U003	U004	U005	U006	U007	U008	U009	U010	U011	U012	U013	U014	U015	U016	U017	U018
------	------	------	------	------	------	------	------	------	------	------	------	------	------	------	------	------	------

U012\_S001  
(EU/AA/KOR/CHN):FUSING UNIT:SERVICE PARTS

- 3.07200030E (x4) RETAINING RING - M3
- 22.AW110101 THERMOSTAT:LOWER
- 26.BW100150 NON-CONTACT TYPE THERMISTOR
- 9.08046128 (x2) HEXAGONAL BOLT :DOUBLE SCREW: M3X10
- 15.AA061088 TORSION SPRING: STRIPPER PLATE: REAR



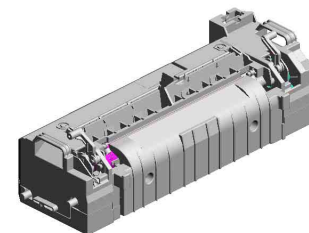
**49.D2964032**  
(EU/AA/KOR/CHN):  
FUSING UNIT:SERVICE PARTS



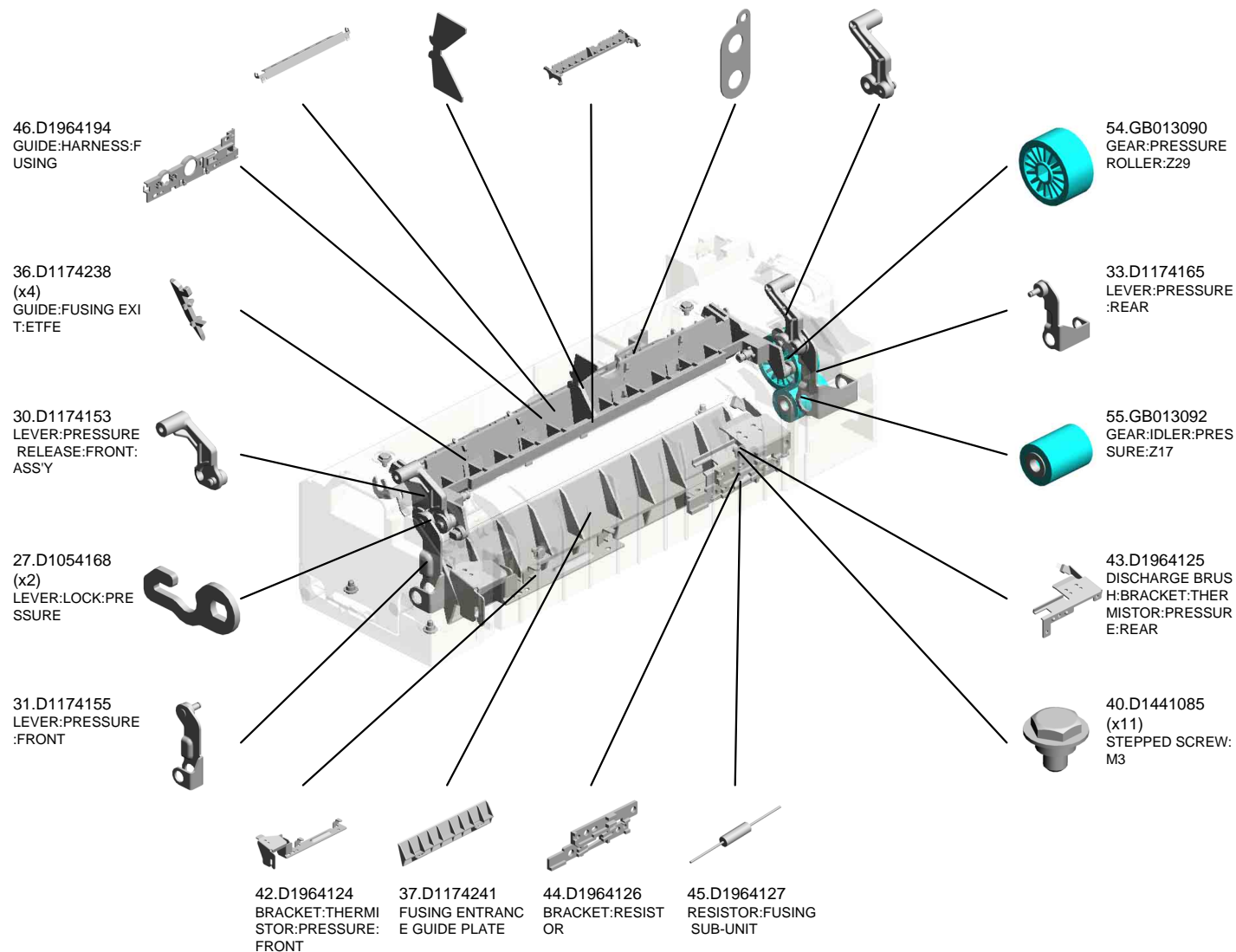
U001	U002	U003	U004	U005	U006	U007	U008	U009	U010	U011	U012	U013	U014	U015	U016	U017	U018
------	------	------	------	------	------	------	------	------	------	------	------	------	------	------	------	------	------

U012\_S001  
(EU/AA/KOR/CHN):FUSING UNIT:SERVICE PARTS

47.D1964231 STRIPPER PLATE  
 35.D1174236 SHEET:C:LEVER  
 34.D1174235 GUIDE PLATE:FUSING EXIT  
 28.D1054303 ELECTRODE PLATE:FUSING:NEUTRAL  
 32.D1174163 LEVER:PRESSURE RELEASE:REAR:ASSY



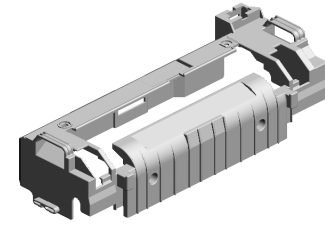
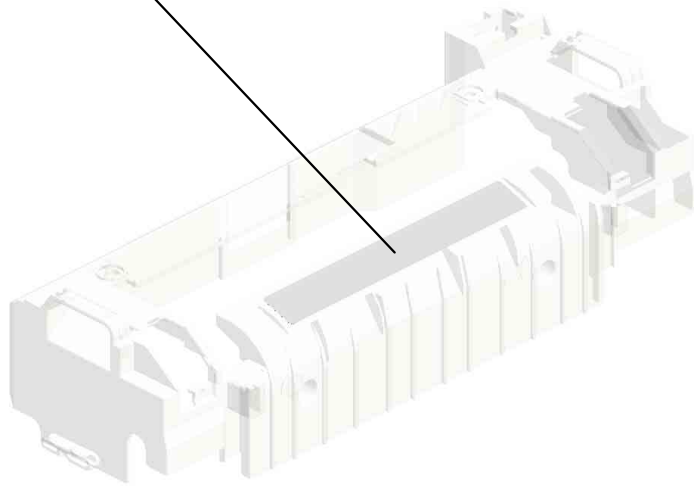
49.D2964032  
(EU/AA/KOR/CHN):  
FUSING UNIT:SERVICE PARTS



U001	U002	U003	U004	U005	U006	U007	U008	U009	U010	U011	U012	U013	U014	U015	U016	U017	U018
------	------	------	------	------	------	------	------	------	------	------	------	------	------	------	------	------	------

U012\_S001\_S001  
FUSING COVER:UPPER:ASS'Y

39.D1174263  
DECAL:H-TEMP W  
ARNING:FUSING



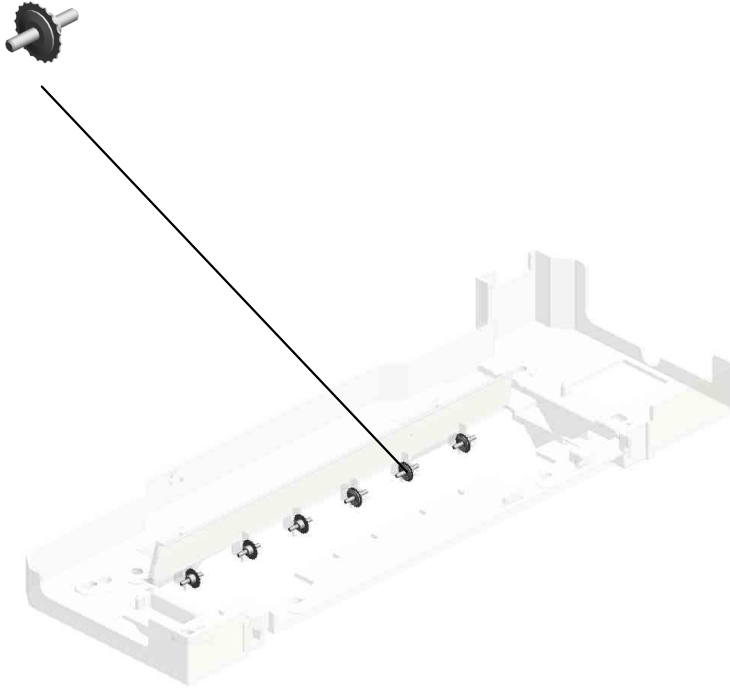
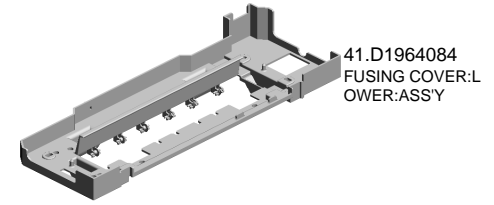
38.D1174261  
FUSING COVER:U  
PPER:ASS'Y

U001	U002	U003	U004	U005	U006	U007	U008	U009	U010	U011	U012	U013	U014	U015	U016	U017	U018
------	------	------	------	------	------	------	------	------	------	------	------	------	------	------	------	------	------



U012\_S001\_S002  
FUSING COVER:LOWER:ASS'Y

23.B0042310  
(x6)  
SPUR



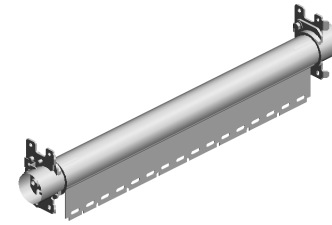
U001	U002	U003	U004	U005	U006	U007	U008	U009	U010	U011	U012	U013	U014	U015	U016	U017	U018
------	------	------	------	------	------	------	------	------	------	------	------	------	------	------	------	------	------

U012\_S001\_S003  
(EU/AA/KOR/CHN):SLEEVE:FUSING:SERVICE PARTS

9.08046128  
(x4)  
HEXAGONAL BOLT  
:DOUBLE SCREW:  
M3X10



1.03603006N  
(x2)  
SCREW - M3X6

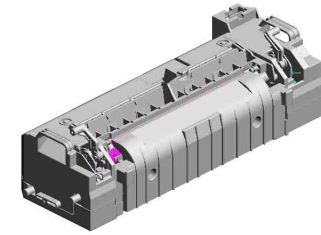


52.D2964038  
(EU/AA/KOR/CHN):  
SLEEVE:FUSING:S  
ERVICE PARTS

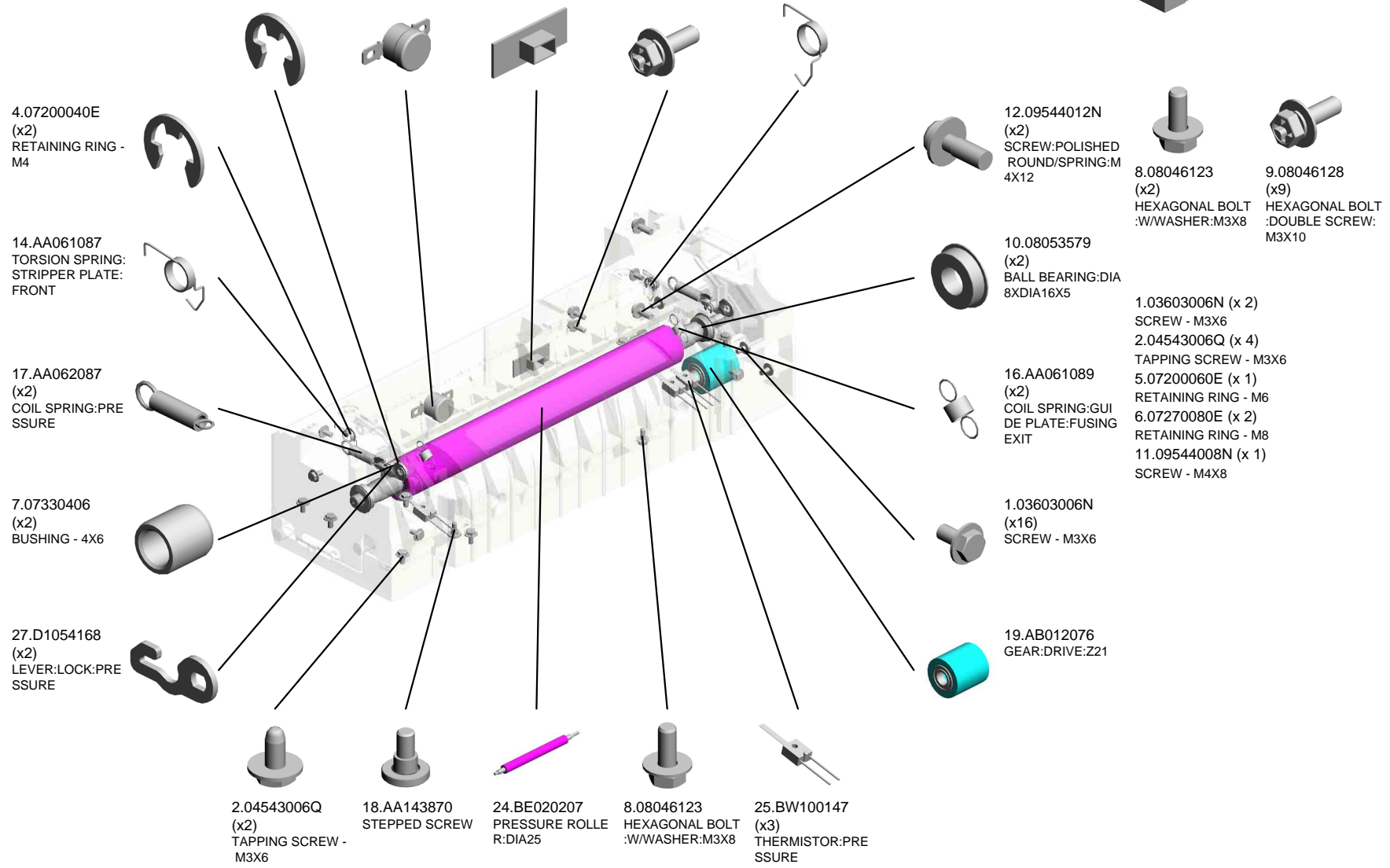
U001	U002	U003	U004	U005	U006	U007	U008	U009	U010	U011	U012	U013	U014	U015	U016	U017	U018
------	------	------	------	------	------	------	------	------	------	------	------	------	------	------	------	------	------

U012\_S002  
(EU/AA/KOR/CHN):FUSING UNIT:SERVICE PARTS

- 3.07200030E (x4) RETAINING RING - M3
- 22.AW110101 THERMOSTAT:LOWER
- 26.BW100150 NON-CONTACT TYPE THERMISTOR
- 9.08046128 (x2) HEXAGONAL BOLT :DOUBLE SCREW: M3X10
- 15.AA061088 TORSION SPRING: STRIPPER PLATE: REAR



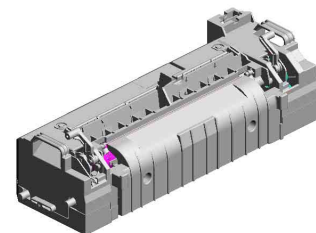
**49.D2964032**  
(EU/AA/KOR/CHN):  
FUSING UNIT:SERVICE PARTS



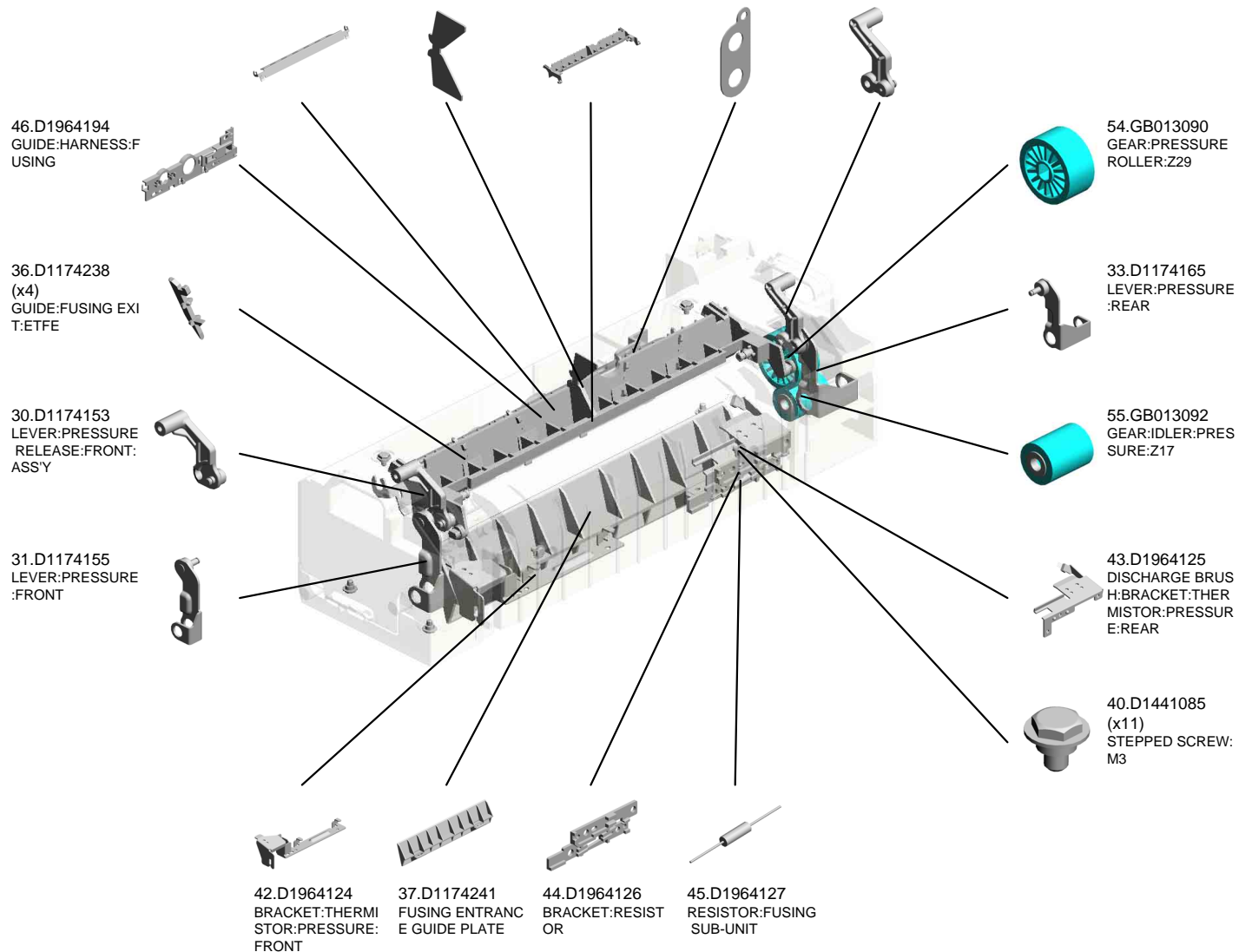
U001	U002	U003	U004	U005	U006	U007	U008	U009	U010	U011	U012	U013	U014	U015	U016	U017	U018
------	------	------	------	------	------	------	------	------	------	------	------	------	------	------	------	------	------

U012\_S002  
(EU/AA/KOR/CHN):FUSING UNIT:SERVICE PARTS

47.D1964231 STRIPPER PLATE  
 35.D1174236 SHEET:C:LEVER  
 34.D1174235 GUIDE PLATE:FUSING EXIT  
 28.D1054303 ELECTRODE PLATE:FUSING:NEUTRAL  
 32.D1174163 LEVER:PRESSURE RELEASE:REAR:ASSY

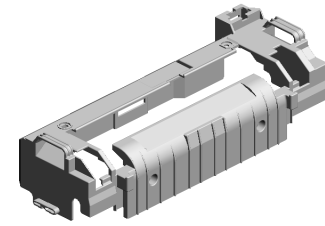
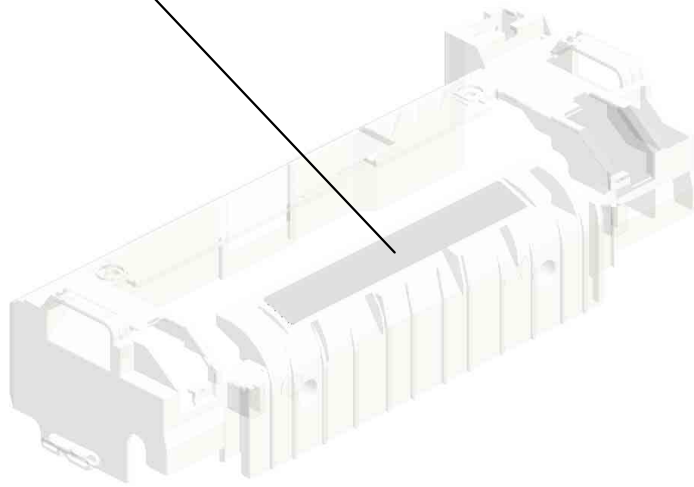


**49.D2964032**  
(EU/AA/KOR/CHN):  
FUSING UNIT:SERVICE PARTS



U012\_S002\_S001  
FUSING COVER:UPPER:ASS'Y

39.D1174263  
DECAL:H-TEMP W  
ARNING:FUSING

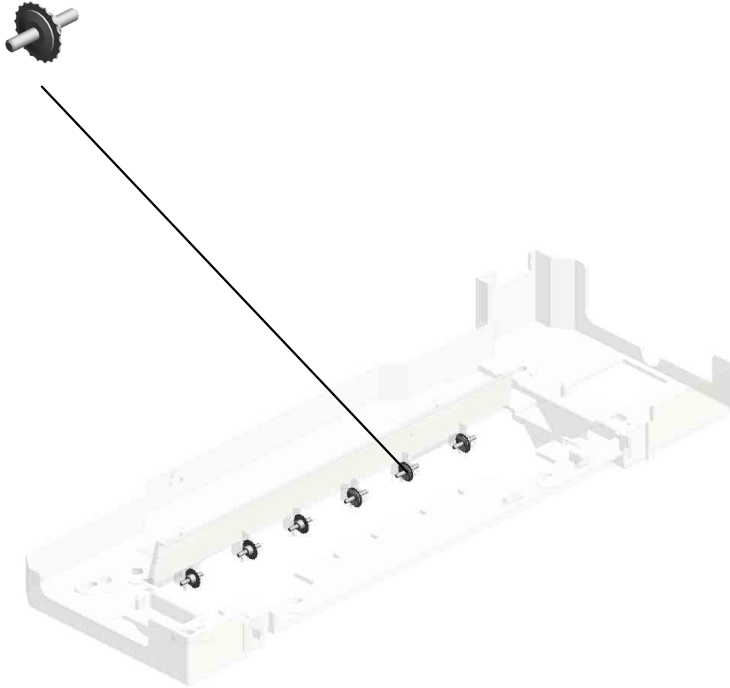
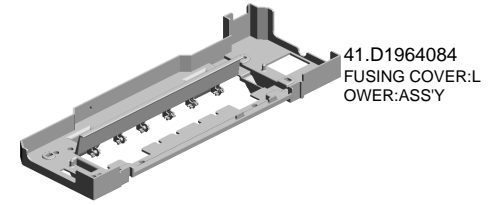


38.D1174261  
FUSING COVER:U  
PPER:ASS'Y

U001	U002	U003	U004	U005	U006	U007	U008	U009	U010	U011	U012	U013	U014	U015	U016	U017	U018
------	------	------	------	------	------	------	------	------	------	------	------	------	------	------	------	------	------

U012\_S002\_S002  
FUSING COVER:LOWER:ASS'Y

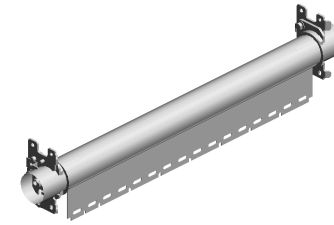
23.B0042310  
(x6)  
SPUR



U001	U002	U003	U004	U005	U006	U007	U008	U009	U010	U011	U012	U013	U014	U015	U016	U017	U018
------	------	------	------	------	------	------	------	------	------	------	------	------	------	------	------	------	------

U012\_S002\_S003  
(EU/AA/KOR/CHN):SLEEVE:FUSING:SERVICE PARTS

9.08046128  
(x4)  
HEXAGONAL BOLT  
:DOUBLE SCREW:  
M3X10



**52.D2964038**  
(EU/AA/KOR/CHN):  
SLEEVE:FUSING:S  
ERVICE PARTS

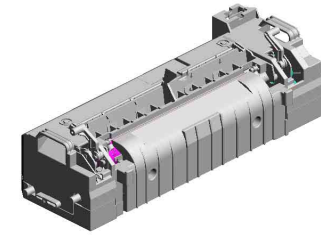
1.03603006N (x 2)  
SCREW - M3X6

U001	U002	U003	U004	U005	U006	U007	U008	U009	U010	U011	U012	U013	U014	U015	U016	U017	U018
------	------	------	------	------	------	------	------	------	------	------	------	------	------	------	------	------	------

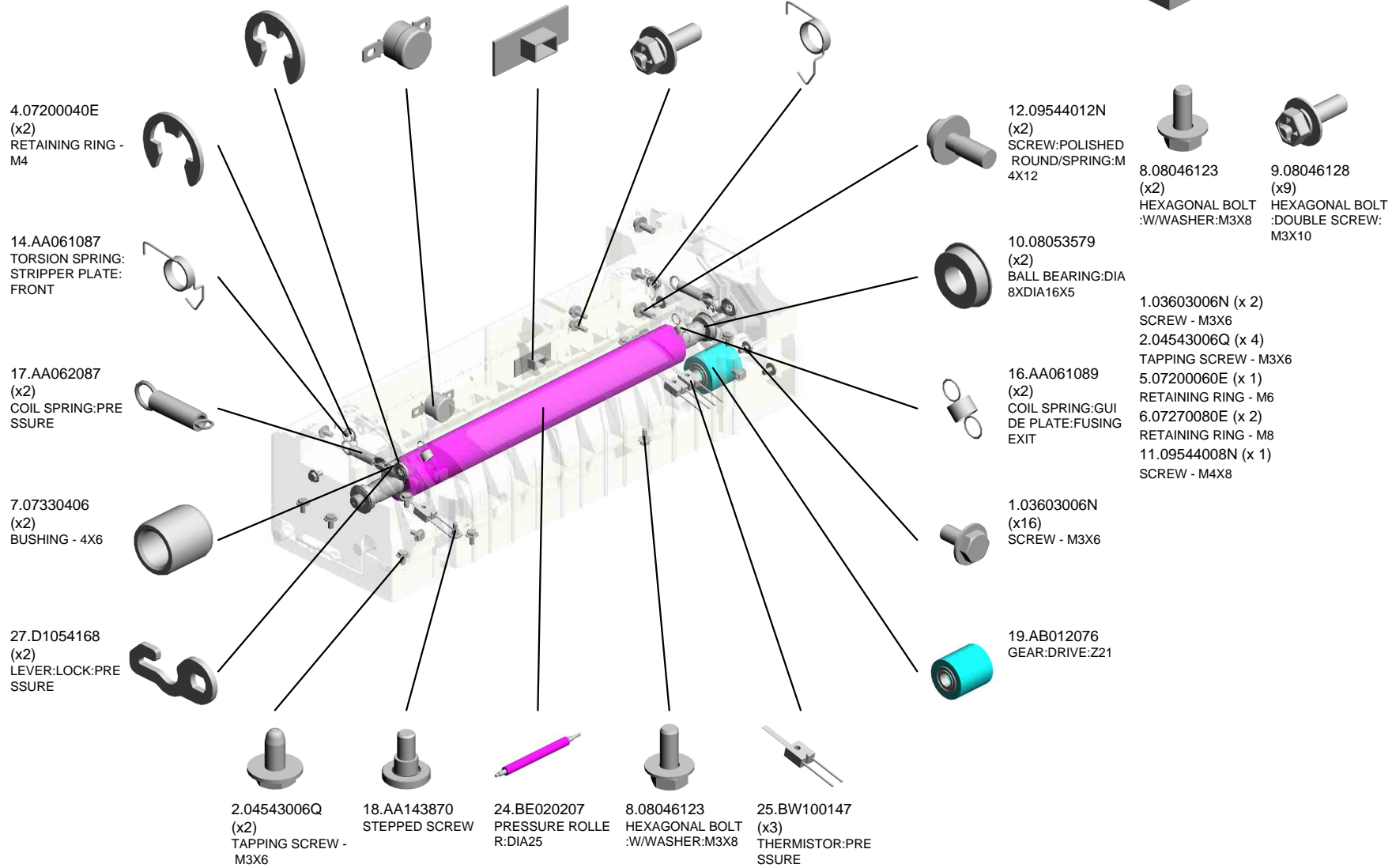
U012\_S003

(EU/AA/KOR/CHN):FUSING UNIT:SERVICE PARTS

- 3.07200030E (x4) RETAINING RING - M3
- 22.AW110101 THERMOSTAT:LOWER
- 26.BW100150 NON-CONTACT TYPE THERMISTOR
- 9.08046128 (x2) HEXAGONAL BOLT :DOUBLE SCREW: M3X10
- 15.AA061088 TORSION SPRING: STRIPPER PLATE: REAR



**49.D2964032**  
(EU/AA/KOR/CHN):  
FUSING UNIT:SERVICE PARTS

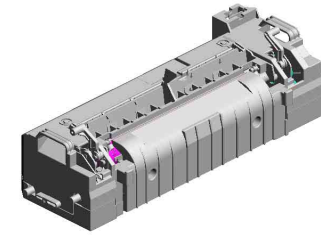


U001	U002	U003	U004	U005	U006	U007	U008	U009	U010	U011	U012	U013	U014	U015	U016	U017	U018
------	------	------	------	------	------	------	------	------	------	------	------	------	------	------	------	------	------

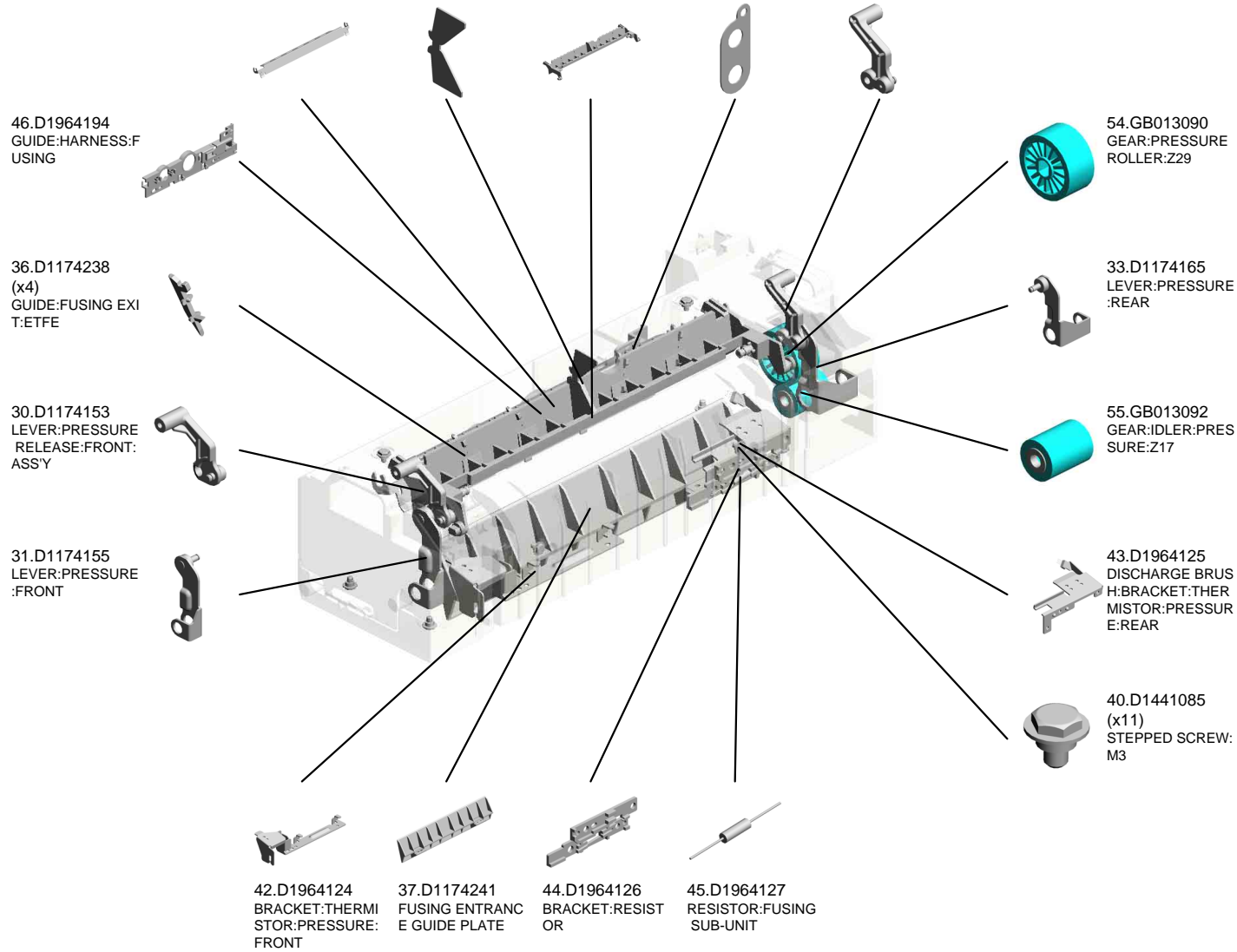


U012\_S003  
(EU/AA/KOR/CHN):FUSING UNIT:SERVICE PARTS

47.D1964231 STRIPPER PLATE  
 35.D1174236 SHEET:C:LEVER  
 34.D1174235 GUIDE PLATE:FUSING EXIT  
 28.D1054303 ELECTRODE PLATE:FUSING:NEUTRAL  
 32.D1174163 LEVER:PRESSURE RELEASE:REAR:ASSY

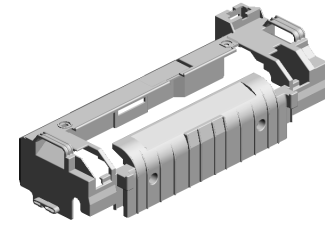
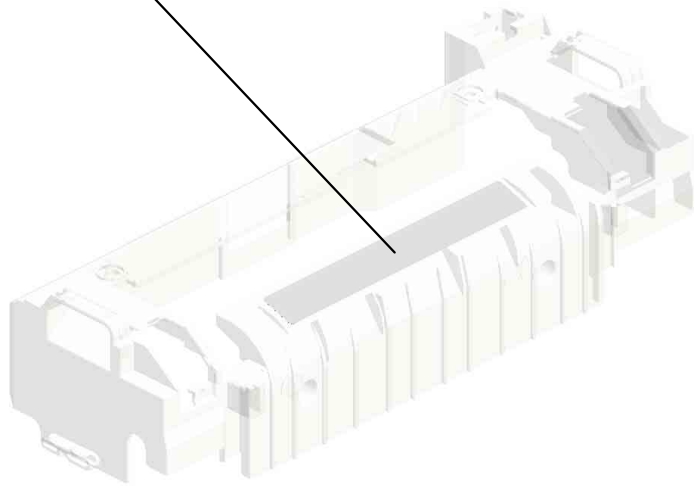


**49.D2964032**  
(EU/AA/KOR/CHN):  
FUSING UNIT:SERVICE PARTS



U012\_S003\_S001  
FUSING COVER:UPPER:ASS'Y

39.D1174263  
DECAL:H-TEMP W  
ARNING:FUSING

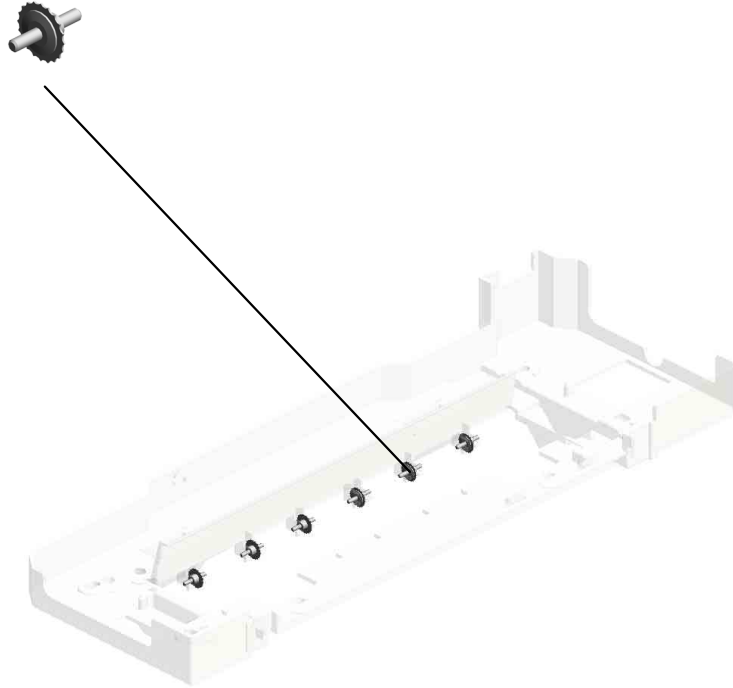
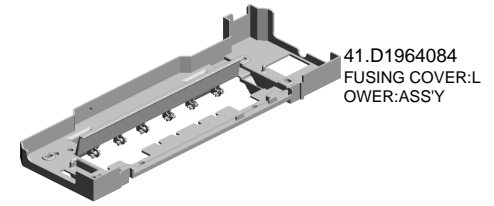


38.D1174261  
FUSING COVER:U  
PPER:ASS'Y

U001	U002	U003	U004	U005	U006	U007	U008	U009	U010	U011	U012	U013	U014	U015	U016	U017	U018
------	------	------	------	------	------	------	------	------	------	------	------	------	------	------	------	------	------

U012\_S003\_S002  
FUSING COVER:LOWER:ASS'Y

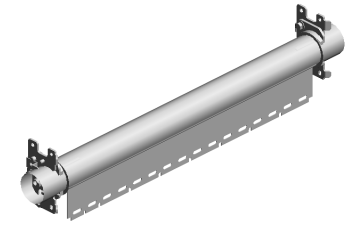
23.B0042310  
(x6)  
SPUR



U001	U002	U003	U004	U005	U006	U007	U008	U009	U010	U011	U012	U013	U014	U015	U016	U017	U018
------	------	------	------	------	------	------	------	------	------	------	------	------	------	------	------	------	------

U012\_S003\_S003  
(EU/AA/KOR/CHN):SLEEVE:FUSING:SERVICE PARTS

9.08046128  
(x4)  
HEXAGONAL BOLT  
:DOUBLE SCREW:  
M3X10



**52.D2964038**  
(EU/AA/KOR/CHN):  
SLEEVE:FUSING:S  
ERVICE PARTS

1.03603006N (x 2)  
SCREW - M3X6

U001	U002	U003	U004	U005	U006	U007	U008	U009	U010	U011	U012	U013	U014	U015	U016	U017	U018
------	------	------	------	------	------	------	------	------	------	------	------	------	------	------	------	------	------

# U012\_S004 (NA):FUSING UNIT:SERVICE PARTS

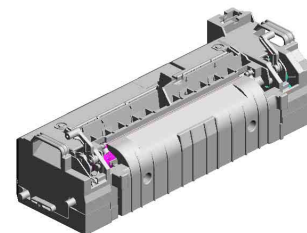
3.07200030E  
(x4)  
RETAINING RING -  
M3

22.AW110101  
THERMOSTAT:LO  
WER

26.BW100150  
NON-CONTACT TY  
PE THERMISTOR

9.08046128  
(x2)  
HEXAGONAL BOLT  
:DOUBLE SCREW:  
M3X10

15.AA061088  
TORSION SPRING:  
STRIPPER PLATE:  
REAR



**48.D2964031**  
**(NA):FUSING UNIT:**  
**SERVICE PARTS**

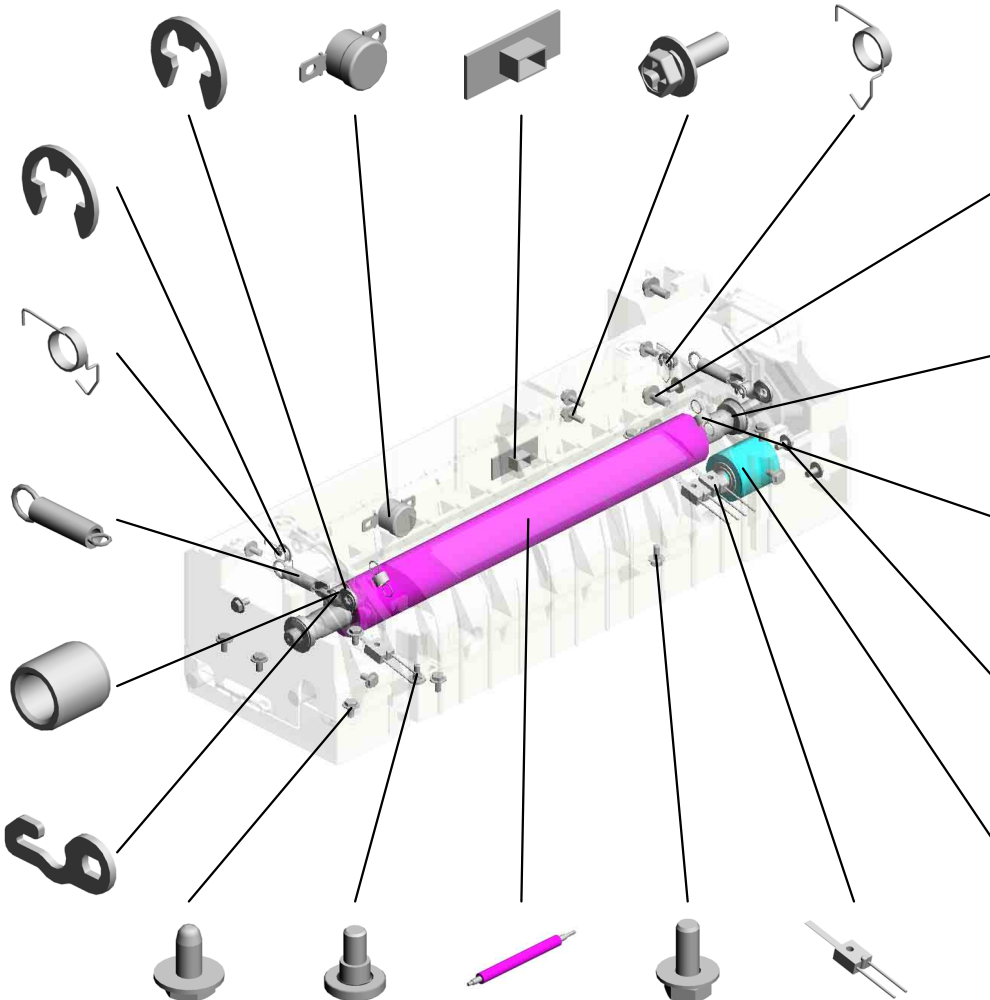
4.07200040E  
(x2)  
RETAINING RING -  
M4

14.AA061087  
TORSION SPRING:  
STRIPPER PLATE:  
FRONT

17.AA062087  
(x2)  
COIL SPRING:PRE  
SSURE

7.07330406  
(x2)  
BUSHING - 4X6

27.D1054168  
(x2)  
LEVER:LOCK:PRE  
SSURE



12.09544012N  
(x2)  
SCREW:POLISHED  
ROUND/SPRING:M  
4X12

8.08046123  
(x2)  
HEXAGONAL BOLT  
:W/WASHER:M3X8

9.08046128  
(x9)  
HEXAGONAL BOLT  
:DOUBLE SCREW:  
M3X10

10.08053579  
(x2)  
BALL BEARING:DIA  
8XDIA16X5

16.AA061089  
(x2)  
COIL SPRING:GUI  
DE PLATE:FUSING  
EXIT

40.D1441085  
STEPPED SCREW:  
M3

1.03603006N  
(x16)  
SCREW - M3X6

1.03603006N (x 2)  
SCREW - M3X6  
2.04543006Q (x 4)  
TAPPING SCREW - M3X6  
5.07200060E (x 1)  
RETAINING RING - M6  
6.07270080E (x 2)  
RETAINING RING - M8  
11.09544008N (x 1)  
SCREW - M4X8

19.AB012076  
GEAR:DRIVE:Z21

2.04543006Q  
(x2)  
TAPPING SCREW -  
M3X6

18.AA143870  
STEPPED SCREW

24.BE020207  
PRESSURE ROLLE  
R:DIA25

8.08046123  
HEXAGONAL BOLT  
:W/WASHER:M3X8

25.BW100147  
(x3)  
THERMISTOR:PRE  
SSURE

U001	U002	U003	U004	U005	U006	U007	U008	U009	U010	U011	U012	U013	U014	U015	U016	U017	U018
------	------	------	------	------	------	------	------	------	------	------	------	------	------	------	------	------	------

U012\_S004  
(NA):FUSING UNIT:SERVICE PARTS

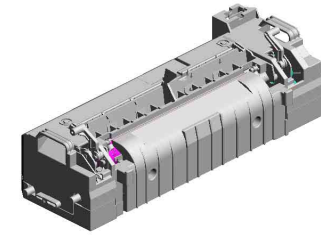
47.D1964231  
STRIPPER PLATE

35.D1174236  
SHEET:C:LEVER

34.D1174235  
GUIDE PLATE:FUSI  
NG EXIT

28.D1054303  
ELECTRODE PLAT  
E:FUSING:NEUTRA  
L

32.D1174163  
LEVER:PRESSURE  
RELEASE:REAR:A  
SSY



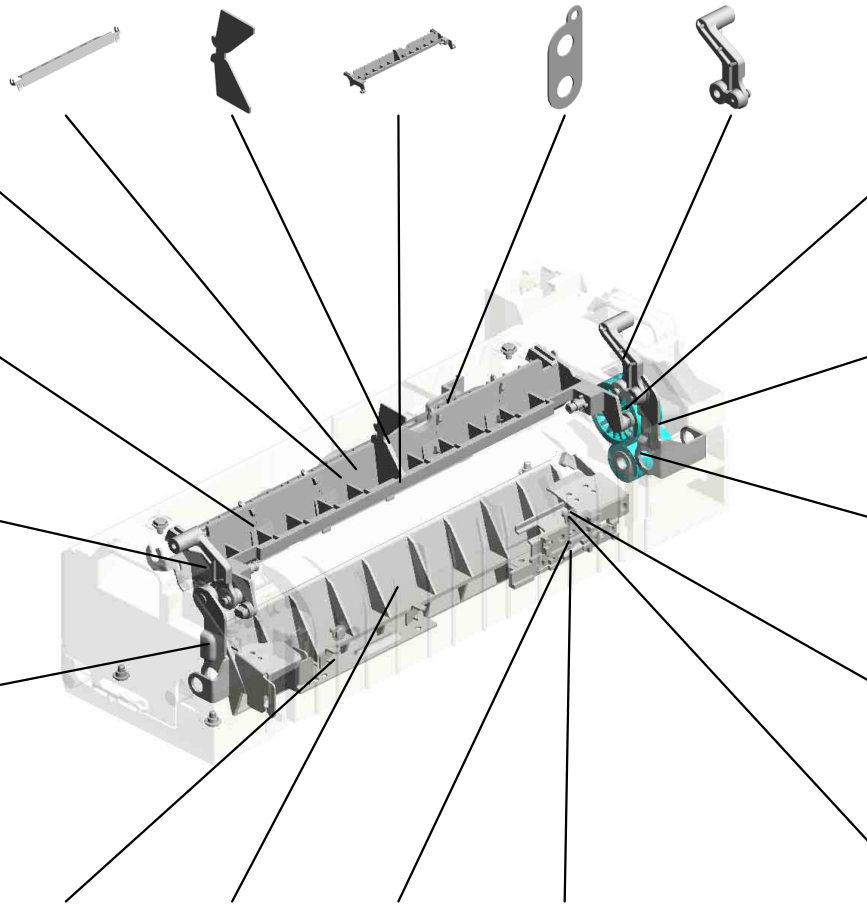
**48.D2964031**  
**(NA):FUSING UNIT:**  
**SERVICE PARTS**

46.D1964194  
GUIDE:HARNES:F  
USING

36.D1174238  
(x4)  
GUIDE:FUSING EXI  
T:ETFE

30.D1174153  
LEVER:PRESSURE  
RELEASE:FRONT:  
ASS'Y

31.D1174155  
LEVER:PRESSURE  
:FRONT



54.GB013090  
GEAR:PRESSURE  
ROLLER:Z29

33.D1174165  
LEVER:PRESSURE  
:REAR

55.GB013092  
GEAR:IDLER:PRES  
SURE:Z17

43.D1964125  
DISCHARGE BRUS  
H:BRACKET:THER  
MISTOR:PRESSUR  
E:REAR

40.D1441085  
(x10)  
STEPPED SCREW:  
M3

42.D1964124  
BRACKET:THERMI  
STOR:PRESSURE:  
FRONT

37.D1174241  
FUSING ENTRANC  
E GUIDE PLATE

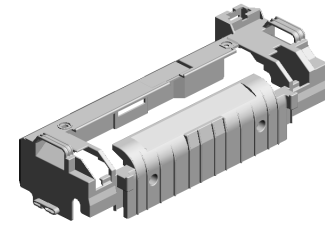
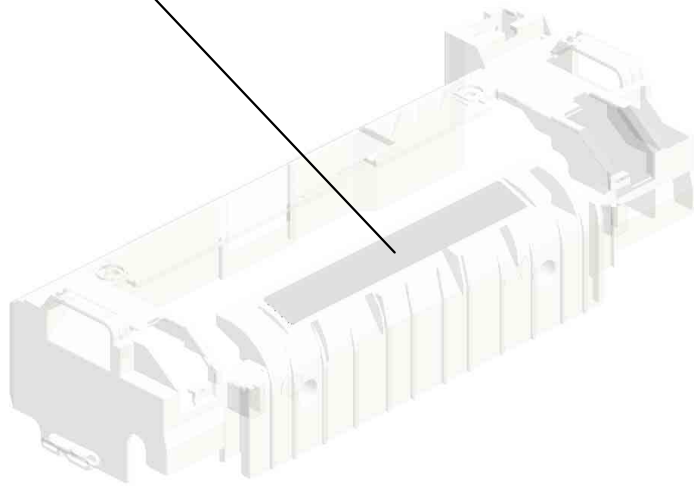
44.D1964126  
BRACKET:RESIST  
OR

45.D1964127  
RESISTOR:FUSING  
SUB-UNIT

U001	U002	U003	U004	U005	U006	U007	U008	U009	U010	U011	U012	U013	U014	U015	U016	U017	U018
------	------	------	------	------	------	------	------	------	------	------	------	------	------	------	------	------	------

U012\_S004\_S001  
FUSING COVER:UPPER:ASS'Y

39.D1174263  
DECAL:H-TEMP W  
ARNING:FUSING

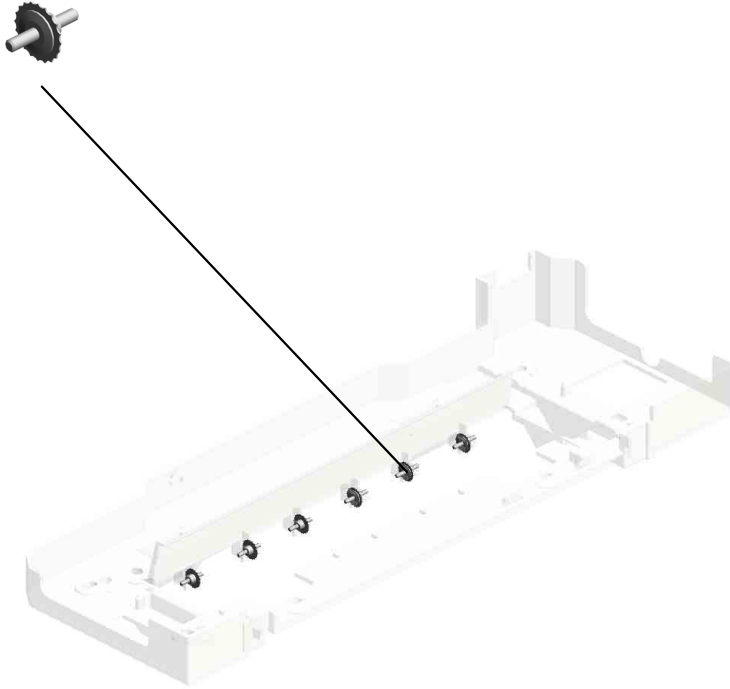
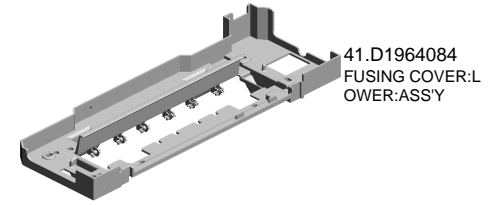


38.D1174261  
FUSING COVER:U  
PPER:ASS'Y

U001	U002	U003	U004	U005	U006	U007	U008	U009	U010	U011	U012	U013	U014	U015	U016	U017	U018
------	------	------	------	------	------	------	------	------	------	------	------	------	------	------	------	------	------

U012\_S004\_S002  
FUSING COVER:LOWER:ASS'Y

23.B0042310  
(x6)  
SPUR

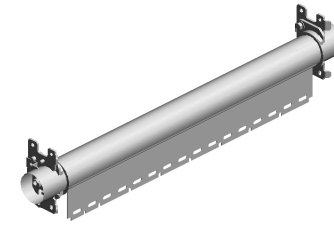


U001	U002	U003	U004	U005	U006	U007	U008	U009	U010	U011	U012	U013	U014	U015	U016	U017	U018
------	------	------	------	------	------	------	------	------	------	------	------	------	------	------	------	------	------



U012\_S004\_S003  
(NA):SLEEVE:FUSING:SERVICE PARTS

9.08046128  
(x4)  
HEXAGONAL BOLT  
:DOUBLE SCREW:  
M3X10

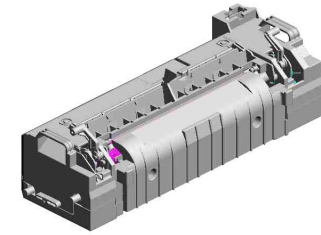


51.D2964037  
(NA):SLEEVE:FUSI  
NG:SERVICE PART  
S

1.03603006N (x 2)  
SCREW - M3X6

U001	U002	U003	U004	U005	U006	U007	U008	U009	U010	U011	U012	U013	U014	U015	U016	U017	U018
------	------	------	------	------	------	------	------	------	------	------	------	------	------	------	------	------	------

# U012\_S005 (TWN):FUSING UNIT:SERVICE PARTS



**50.D2964033**  
**(TWN):FUSING UNIT:SERVICE PARTS**

- 3.07200030E (x4) RETAINING RING - M3
- 22.AW110101 THERMOSTAT:LOWER
- 26.BW100150 NON-CONTACT TYPE THERMISTOR
- 9.08046128 (x2) HEXAGONAL BOLT :DOUBLE SCREW: M3X10
- 15.AA061088 TORSION SPRING: STRIPPER PLATE: REAR

4.07200040E (x2) RETAINING RING - M4

14.AA061087 TORSION SPRING: STRIPPER PLATE: FRONT

17.AA062087 (x2) COIL SPRING:PRESSURE

7.07330406 (x2) BUSHING - 4X6

27.D1054168 (x2) LEVER:LOCK:PRESSURE

2.04543006Q (x2) TAPPING SCREW - M3X6

18.AA143870 STEPPED SCREW

24.BE020207 PRESSURE ROLLER: DIA25

8.08046123 HEXAGONAL BOLT :W/WASHER:M3X8

25.BW100147 (x3) THERMISTOR:PRESSURE

12.09544012N (x2) SCREW:POLISHED ROUND/SPRING:M4X12

8.08046123 (x2) HEXAGONAL BOLT :W/WASHER:M3X8

9.08046128 (x9) HEXAGONAL BOLT :DOUBLE SCREW: M3X10

10.08053579 (x2) BALL BEARING: DIA 8XDIA16X5

1.03603006N (x 2) SCREW - M3X6  
2.04543006Q (x 4) TAPPING SCREW - M3X6

16.AA061089 (x2) COIL SPRING:GUIDE PLATE:FUSING EXIT

5.07200060E (x 1) RETAINING RING - M6  
6.07270080E (x 2) RETAINING RING - M8  
11.09544008N (x 1) SCREW - M4X8

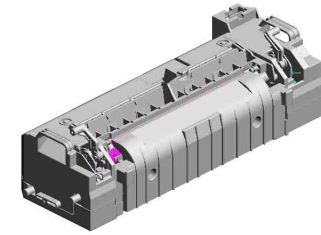
1.03603006N (x16) SCREW - M3X6

19.AB012076 GEAR:DRIVE:Z21

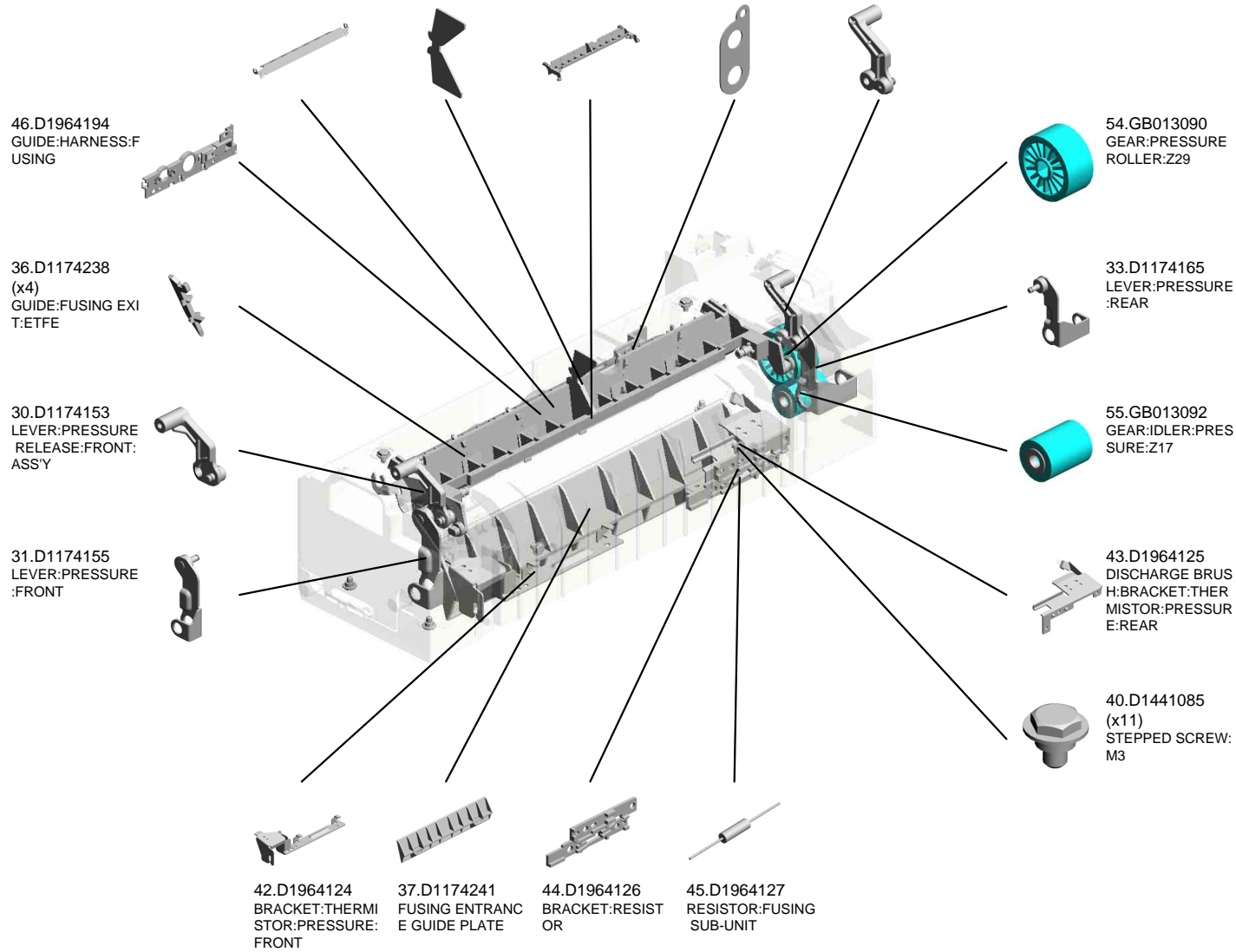
U001	U002	U003	U004	U005	U006	U007	U008	U009	U010	U011	U012	U013	U014	U015	U016	U017	U018
------	------	------	------	------	------	------	------	------	------	------	------	------	------	------	------	------	------

U012\_S005  
(TWN):FUSING UNIT:SERVICE PARTS

47.D1964231 STRIPPER PLATE  
 35.D1174236 SHEET:C:LEVER  
 34.D1174235 GUIDE PLATE:FUSING EXIT  
 28.D1054303 ELECTRODE PLATE:FUSING:NEUTRAL  
 32.D1174163 LEVER:PRESSURE RELEASE:REAR:ASSY



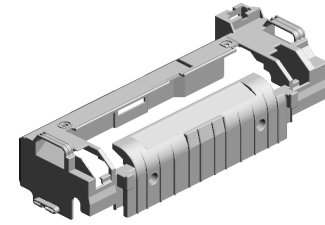
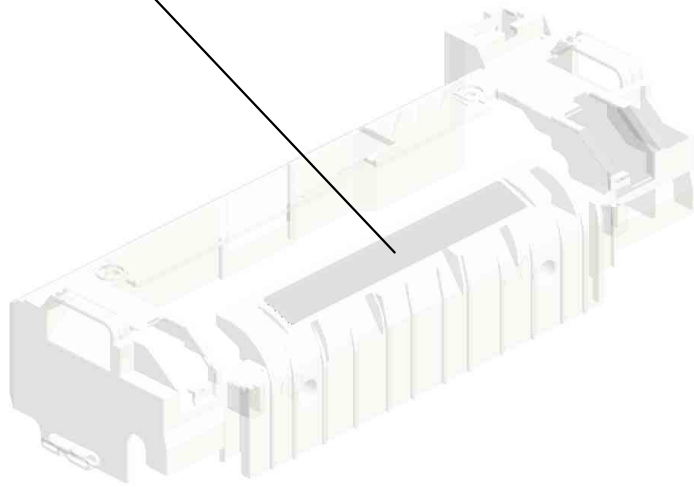
50.D2964033  
(TWN):FUSING UNIT:SERVICE PARTS



U001	U002	U003	U004	U005	U006	U007	U008	U009	U010	U011	U012	U013	U014	U015	U016	U017	U018
------	------	------	------	------	------	------	------	------	------	------	------	------	------	------	------	------	------

U012\_S005\_S001  
FUSING COVER:UPPER:ASS'Y

39.D1174263  
DECAL:H-TEMP W  
ARNING:FUSING

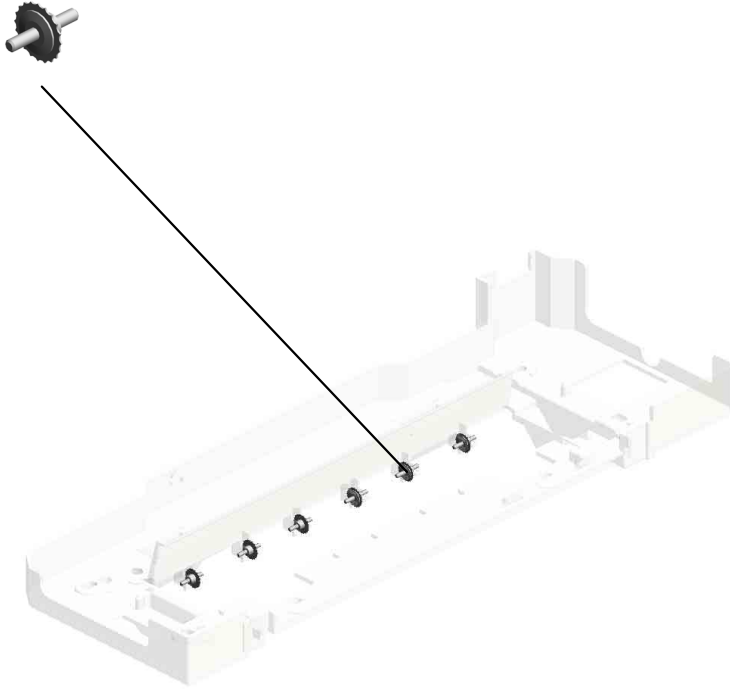
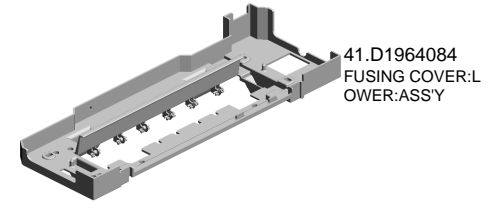


38.D1174261  
FUSING COVER:U  
PPER:ASS'Y

U001	U002	U003	U004	U005	U006	U007	U008	U009	U010	U011	U012	U013	U014	U015	U016	U017	U018
------	------	------	------	------	------	------	------	------	------	------	------	------	------	------	------	------	------

U012\_S005\_S002  
FUSING COVER:LOWER:ASS'Y

23.B0042310  
(x6)  
SPUR

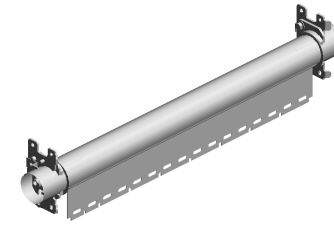


U001	U002	U003	U004	U005	U006	U007	U008	U009	U010	U011	U012	U013	U014	U015	U016	U017	U018
------	------	------	------	------	------	------	------	------	------	------	------	------	------	------	------	------	------

U012\_S005\_S003

(TWN):SLEEVE:FUSING:SERVICE PARTS

9.08046128  
(x4)  
HEXAGONAL BOLT  
:DOUBLE SCREW:  
M3X10



53.D2964039  
(TWN):SLEEVE:FU  
SING:SERVICE PA  
RTS

1.03603006N (x 2)  
SCREW - M3X6

U001	U002	U003	U004	U005	U006	U007	U008	U009	U010	U011	U012	U013	U014	U015	U016	U017	U018
------	------	------	------	------	------	------	------	------	------	------	------	------	------	------	------	------	------

# U013 PAPER EXIT

11.AA082174  
(x2)  
PLAIN SHAFT BEA  
RING:6X10X9

9.AA080247  
(x4)  
BUSHING - B-F6-3

15.D1174454  
EXIT ROLLER

14.D1174452  
GATE PAWL:REVE  
RSE

13.D1174451  
GUIDE PLATE:EXIT  
:LOWER



12.AB030854  
TIMING PULLEY:EX  
IT ROLLER



10.AA082101  
(x2)  
BUSHING - 6X10X6



8.54472681  
(x2)  
SNAP RING



18.D1174465  
COLLAR:GEAR:EXI  
T



16.D1174455  
GEAR:EXIT



4.04583010N  
(x5)  
HEXAGON HEAD T  
APPING SCREW:3  
X10



17.D1174457  
(x2)  
BRACKET:ROLLER  
:EXIT



6.11050511  
(x3)  
HARNESS CLAMP -  
LWS-0306ZC



5.08050104  
(x4)  
RETAINING RINGS  
-E:SILENCER:DIA4



3.04543008Q  
(x3)  
TAPPING SCREW:  
3X8



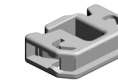
20.D1174484  
LINK:GATE PAWL:  
EXIT



6.11050511  
(x2)  
HARNESS CLAMP -  
LWS-0306ZC



7.11050692  
CLAMP:LES-0503



19.D1174483  
LEVER:GATE PAWL  
L:EXIT



1.03530040N  
(x2)  
SCREW - M3X4



21.D1174485  
BRACKET:DC SOL  
ENOID:GATE PAWL

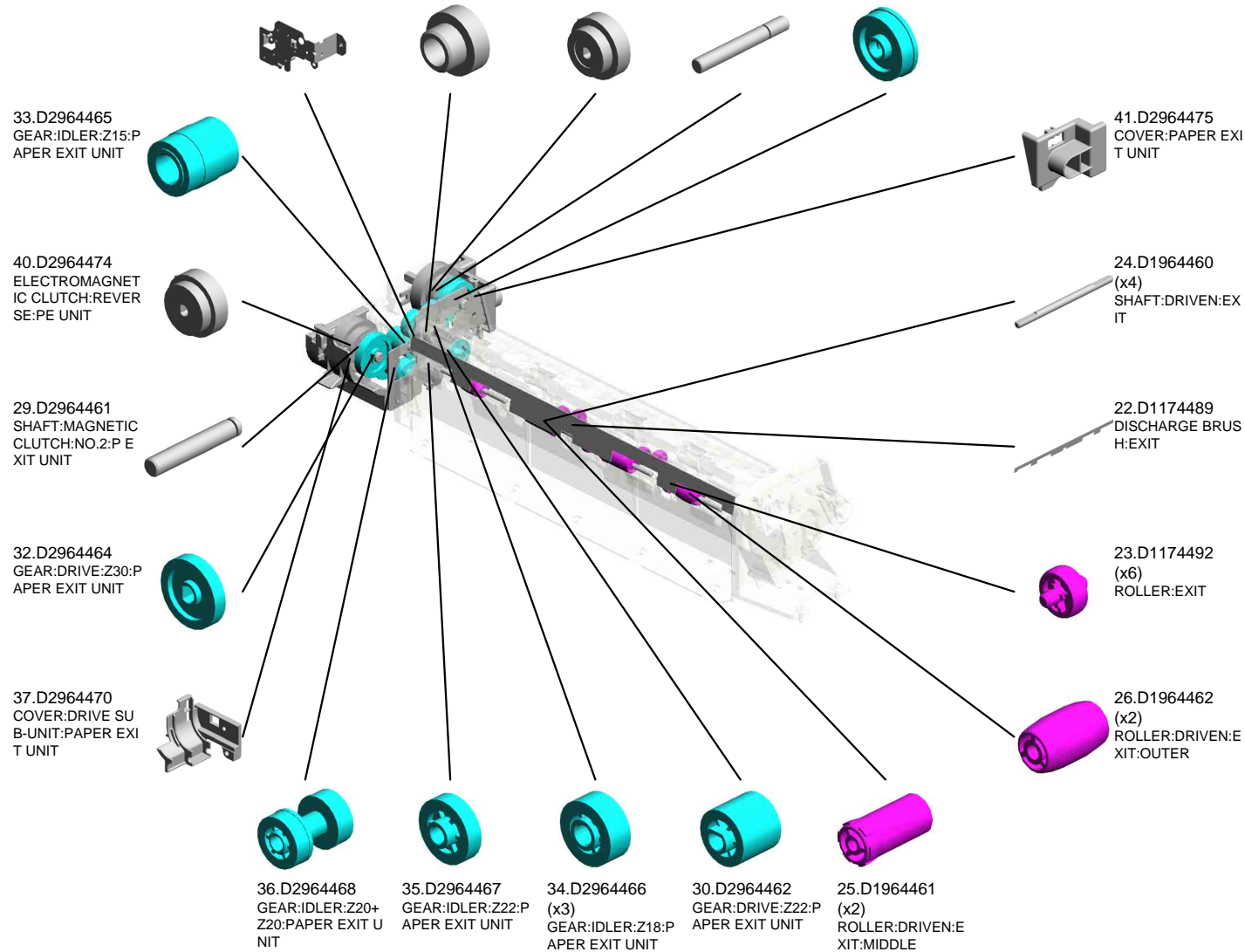
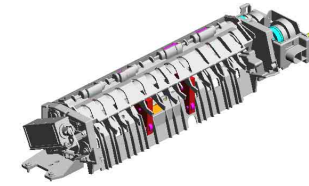


2.03603006N  
(x6)  
SCREW - M3X6



# U013 PAPER EXIT

- 27.D2964451 BRACKET:GEAR:NONIT
- 38.D2964471 PLAIN SHAFT BEARING:GATE PAWL:PE EXIT UNIT
- 39.D2964473 ELECTROMAGNETIC CLUTCH:EXIT:PE UNIT
- 28.D2964460 SHAFT:MAGNETIC CLUTCH:NO.1:PE EXIT UNIT
- 31.D2964463 GEAR:DRIVE:Z28:PEAPER EXIT UNIT

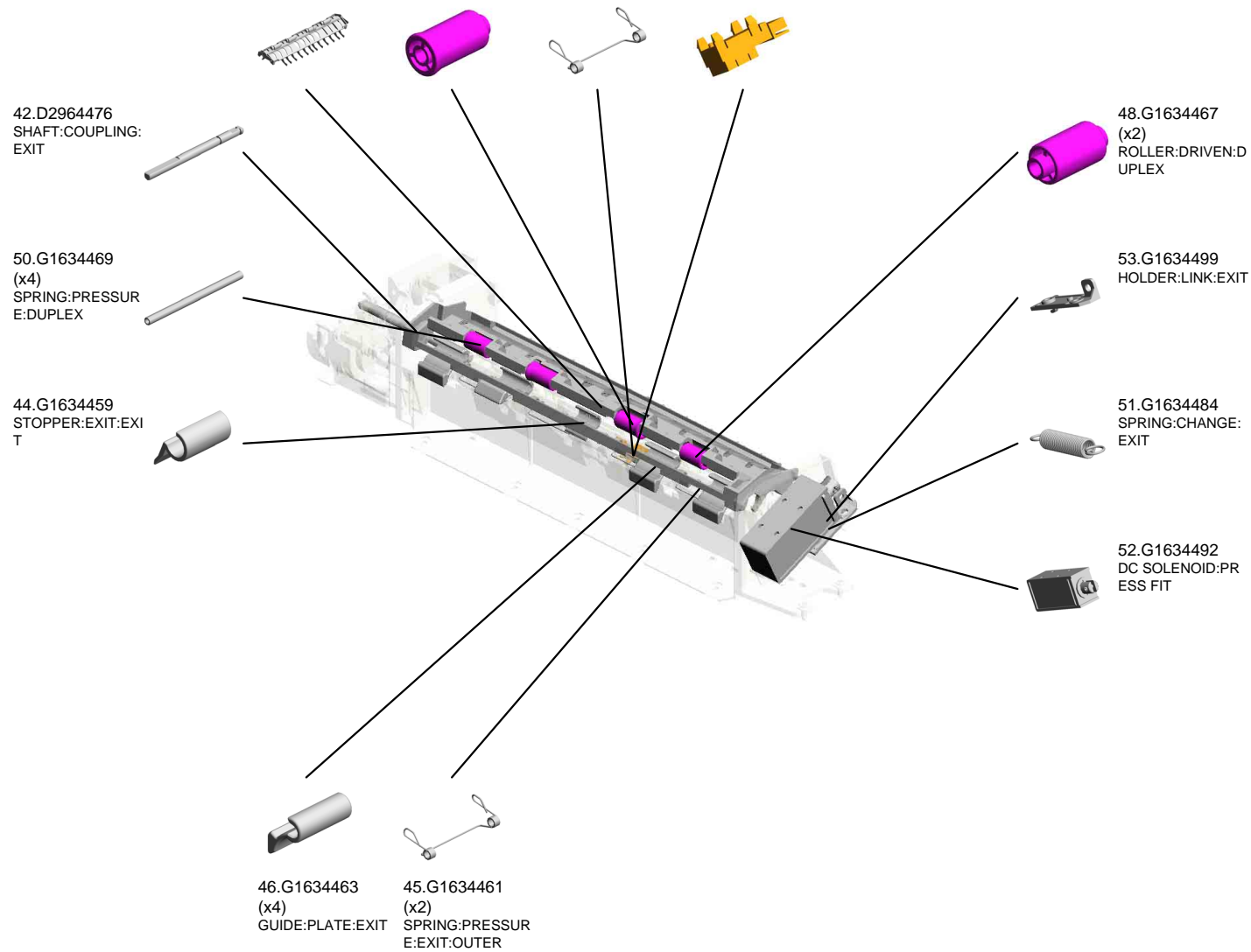


U001	U002	U003	U004	U005	U006	U007	U008	U009	U010	U011	U012	U013	U014	U015	U016	U017	U018
------	------	------	------	------	------	------	------	------	------	------	------	------	------	------	------	------	------



# U013 PAPER EXIT

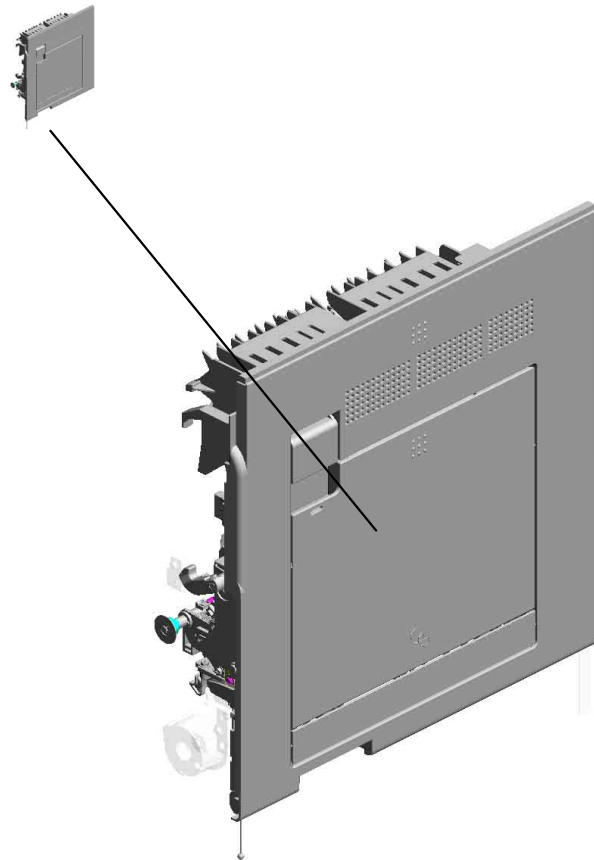
- 43.G1634453 GUIDE PLATE:REV  
ERSE:UPPER
- 47.G1634465 (x2) ROLLER:DRIVEN:D  
UPLEX:INNER
- 49.G1634468 (x2) SPRING:PRESSUR  
E:EXIT:INNER
- 54.GW010007 PHOTO REFLECTI  
ON SENSOR:EXIT



U001	U002	U003	U004	U005	U006	U007	U008	U009	U010	U011	U012	U013	U014	U015	U016	U017	U018
------	------	------	------	------	------	------	------	------	------	------	------	------	------	------	------	------	------

# U014.DUPLEX

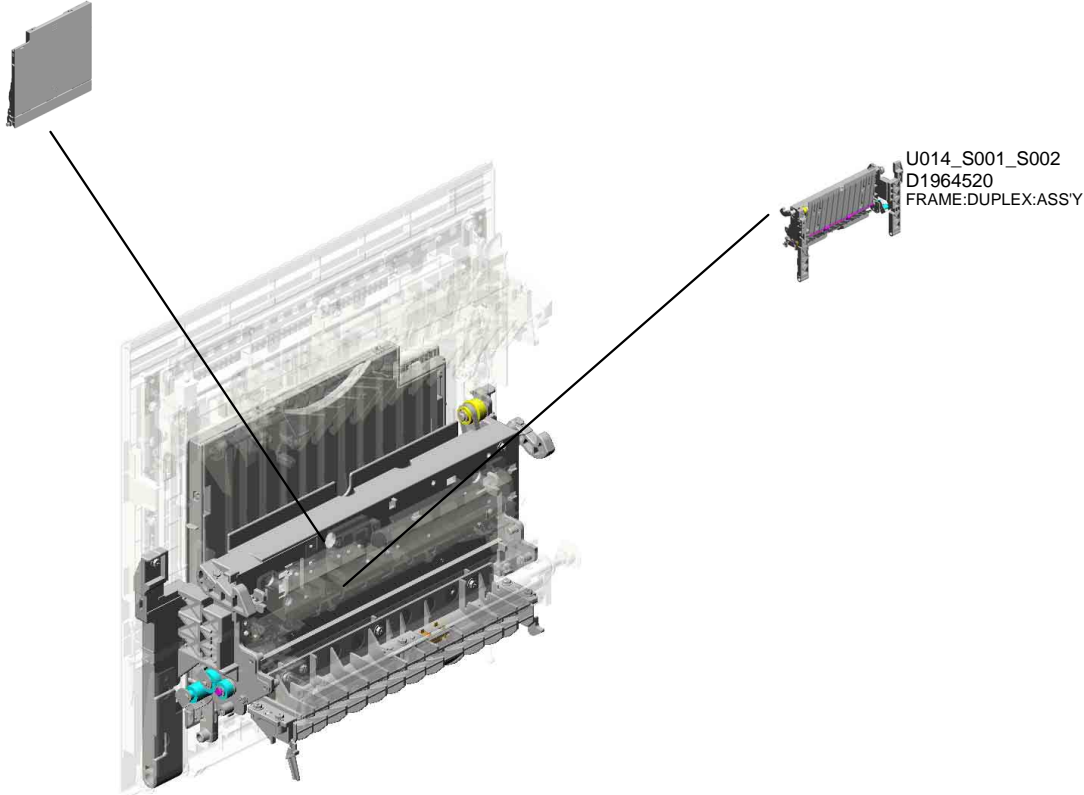
U014\_S001  
D2960251  
DUPLEX UNIT:ASSY



U001	U002	U003	U004	U005	U006	U007	U008	U009	U010	U011	U012	U013	U014	U015	U016	U017	U018
------	------	------	------	------	------	------	------	------	------	------	------	------	------	------	------	------	------

# U014\_S001.DUPLEX UNIT:ASS'Y

U014\_S001\_S001  
D1172762  
MANUAL FEED TABLE:ASS'Y



U001	U002	U003	U004	U005	U006	U007	U008	U009	U010	U011	U012	U013	U014	U015	U016	U017	U018
------	------	------	------	------	------	------	------	------	------	------	------	------	------	------	------	------	------

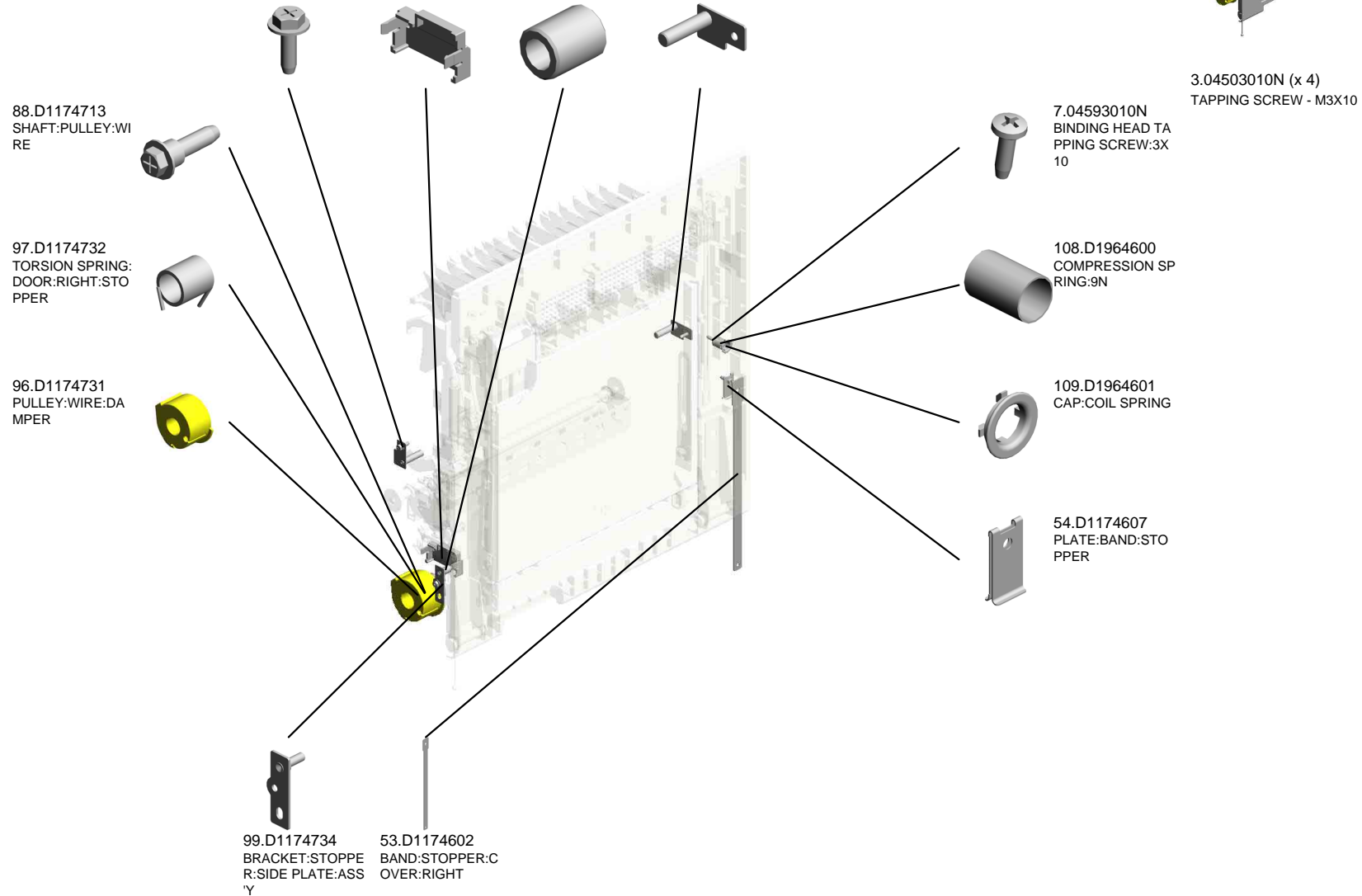
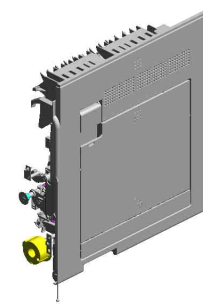
# U014 DUPLEX

3.04503010N (x4)  
TAPPING SCREW - M3X10

95.D1174727  
COVER:CONNECTOR:DUPL  
X SECTION:CONNECTING

98.D1174733  
COLLAR:STOPPER:SIDE PLATE

50.D1174501 (x2)  
PIN:HOOK:FRAME:DUPL  
EX:ASSY



U001	U002	U003	U004	U005	U006	U007	U008	U009	U010	U011	U012	U013	U014	U015	U016	U017	U018
------	------	------	------	------	------	------	------	------	------	------	------	------	------	------	------	------	------

U014\_S001  
 DUPLEX UNIT:ASS'Y

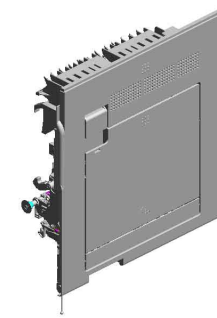
21.AW020224  
 PHOTOINTERRUP  
 TOR:GP1A173LCS  
 VF

6.04523010N  
 BINDING SELF-TA  
 PPING SCREW:3X  
 10

19.AW010124  
 PHOTO REFLECTIO  
 N SENSOR:GP2A2  
 00LCS0F

1.03603006N  
 (x2)  
 SCREW - M3X6

22.B7002649  
 TIMING BELT:40S2  
 M144



129.D2960251  
 DUPLEX UNIT:ASS'  
 Y

14.AA063483  
 (x2)  
 COMPRESSION SP  
 RING:TRANSPORT  
 SUB-UNIT

5.04513006N  
 (x11)  
 TAPPING SCREW -  
 3X6

15.AA063729  
 (x2)  
 COMPRESSION SP  
 RING:TRANSFER R  
 OLLER:SECOND

16.AA066417  
 TORSION SPRING:  
 TRANSFER UNIT

11.08050104  
 (x2)  
 RETAINING RINGS  
 -E:SILENCER:DIA4

24.D1172631  
 (x2)  
 COLLAR:REGISTR  
 ATION

25.D1172633  
 (x2)  
 BUSHING:REGIST  
 RATION ROLLER:D  
 RIVE

26.D1172635  
 BRACKET:FRAME:  
 REGISTRATION

18.AF020791  
 REGISTRATION R  
 OLLER:DRIVE

10.07200060E  
 (x2)  
 RETAINING RING -  
 M6

8.07200030E  
 RETAINING RING -  
 M3

9.07200040E  
 (x7)  
 RETAINING RING -  
 M4

17.AB011539  
 GEAR:REGISTRATI  
 ON ROLLER:DRIVE

3.04503010N  
 (x10)  
 TAPPING SCREW -  
 M3X10

27.D1172636  
 (x2)  
 HOLDER:REGISTR  
 ATION

3.04503010N (x10)  
 TAPPING SCREW - M3X10

U001	U002	U003	U004	U005	U006	U007	U008	U009	U010	U011	U012	U013	U014	U015	U016	U017	U018
------	------	------	------	------	------	------	------	------	------	------	------	------	------	------	------	------	------

U014\_S001  
 DUPLEX UNIT:ASS'Y

69.D1174671  
 TRANSPORT ROLLER:DU  
 PLEX

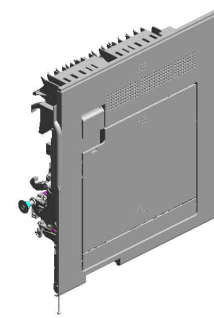
72.D1174678  
 PULLEY:IDLER

73.D1174679  
 PULLEY:DRIVE ROLLER

60.D1174616  
 TENSION SPRING:STOPPER:DOOR:R  
 IGH:FRONT

55.D1174608  
 LEVER:FUSING:RE  
 LEASE:FRONT

129.D2960251  
 DUPLEX UNIT:ASS'  
 Y



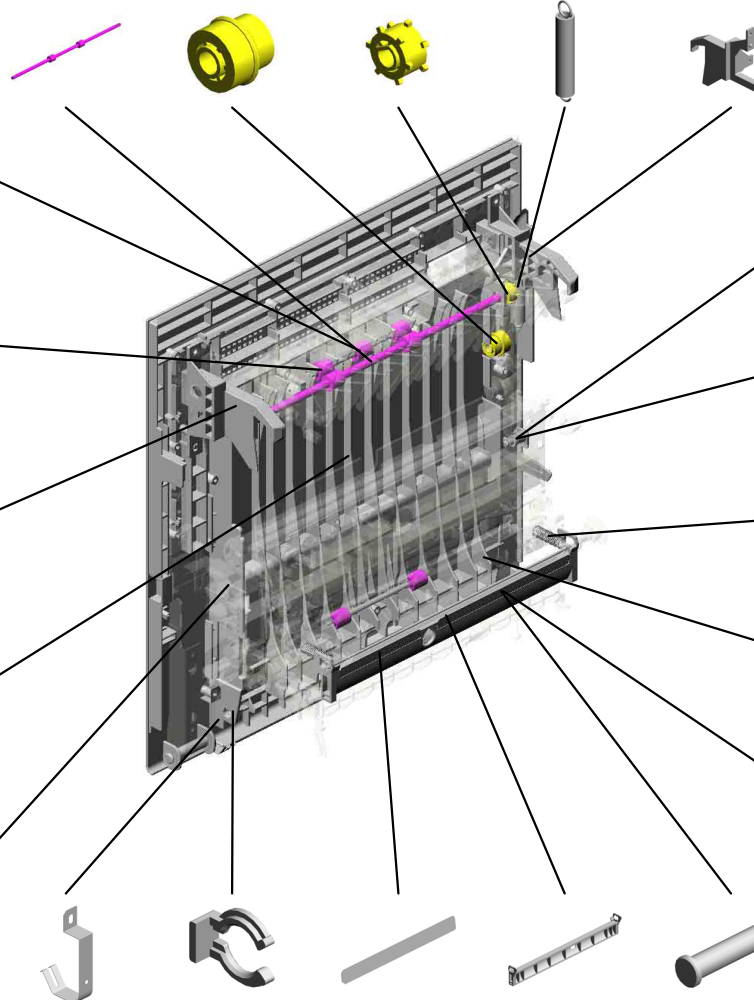
70.D1174676  
 (x2)  
 SHAFT:ROLLER:DRIVEN:DU  
 PLEX

71.D1174677  
 (x5)  
 ROLLER:DRIVEN:DU  
 PLEX

56.D1174609  
 LEVER:FUSING:RE  
 LEASE:INNER BACK

52.D1174600  
 COVER:RIGHT:DU  
 PLEX

32.D1172761  
 (x2)  
 LINK:MANUAL FEED TABLE



51.D1174514  
 SHAFT:STOPPER:COVER:RIGHT

61.D1174617  
 COLLAR:STOPPER:COVER:RIGHT

28.D1172637  
 (x2)  
 COMPRESSION SPRING:ROLLER:TENSION

58.D1174614  
 COVER:HARNES:DU  
 PLEX

30.D1172639  
 GUIDE:REGISTRATION:DRIVE:FRONT

59.D1174615  
 SPRING PLATE:EA  
 RTH:DU  
 PLEX

48.D1172787  
 STOPPER:MANUAL FEED TABLE

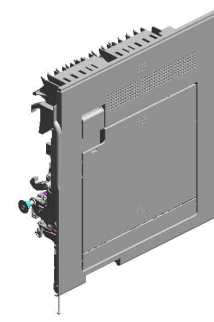
31.D1172640  
 GUIDE:REGISTRATION:DRIVE:INNER  
 BACK

29.D1172638  
 GUIDE PLATE:REGISTRATION ROLLER:DRIVE

57.D1174611  
 (x2)  
 SHAFT:HINGE:DU  
 PLEX

U001	U002	U003	U004	U005	U006	U007	U008	U009	U010	U011	U012	U013	U014	U015	U016	U017	U018
------	------	------	------	------	------	------	------	------	------	------	------	------	------	------	------	------	------

U014\_S001  
 DUPLEX UNIT:ASS'Y



129.D2960251  
 DUPLEX UNIT:ASS'  
 Y

- 81.D1174699 (x3) SHAFT:GUIDE PLATE:REVERSE:ENTRANCE:UPPER
- 82.D1174702 (x3) COMPRESSION SPRING:GUIDE PLATE:REVERSE:ENTRANCE
- 80.D1174698 GUIDE PLATE:REVERSE:ENTRANCE:UPPER
- 76.D1174690 GUIDE PLATE:REVERSE:ENTRANCE:LOWER
- 75.D1174686 KNOB:COVER:RIGHT:DUPLEX

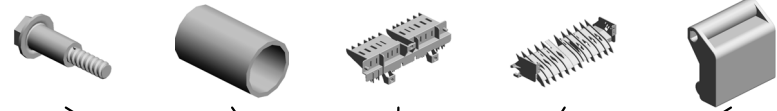
74.D1174682  
 SHAFT:HOOK:STOPPER

86.D1174709 (x4)  
 COMPRESSION SPRING:ROLLER:DRIVEN:DUPLEX

90.D1174716  
 TORSION SPRING:FEELER:ENTRANCE SENSOR

87.D1174712  
 HOLDER:BELT:COUPLING

89.D1174714  
 BAND:HOOK:DUPLEX:COUPLING



93.D1174720  
 SHAFT:PULLEY:IDLER:COUPLING:ASS'Y

91.D1174718  
 SHEET:COVER:RIGHT FRONT

94.D1174724  
 GEAR:IDLER:TIMING PULLEY:DUPLEX

100.D1174737  
 WIRE:STOPPER:DI A1.2:ASS'Y

103.D1176312  
 HOLDER:DISCHARGE:TRANSPORT SUB-UNIT

102.D1174794  
 PLATE:MANUAL FEED:INNER BACK

105.D1176322 (x2)  
 COVER:PRESSURE PLATE:ENTRANCE

106.D1176327  
 LEVER:GROUND PLATE

104.D1176320  
 TERMINAL:BIAS:SEPARATION

101.D1174792  
 PLATE:MANUAL FEED:FRONT



U001	U002	U003	U004	U005	U006	U007	U008	U009	U010	U011	U012	U013	U014	U015	U016	U017	U018
------	------	------	------	------	------	------	------	------	------	------	------	------	------	------	------	------	------

U014\_S001  
 DUPLEX UNIT:ASS'Y

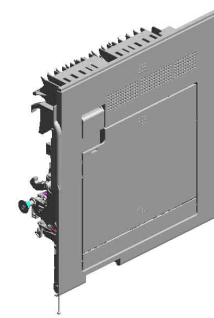
117.D1964723  
 SPONGE:DOOR:RI  
 GHT:UPPER

115.D1964700  
 FEELER:ENTRANC  
 E SENSOR:REVER  
 SE:DUPLEX

119.D1964730  
 (x4)  
 SHEET:COVER:RI  
 GHT:4

131.GA082015  
 (x2)  
 PLAIN SHAFT BEA  
 RING:DIA6:DIA9:7

130.GA082010  
 (x2)  
 BUSHING:DIA6:DIA  
 10:9



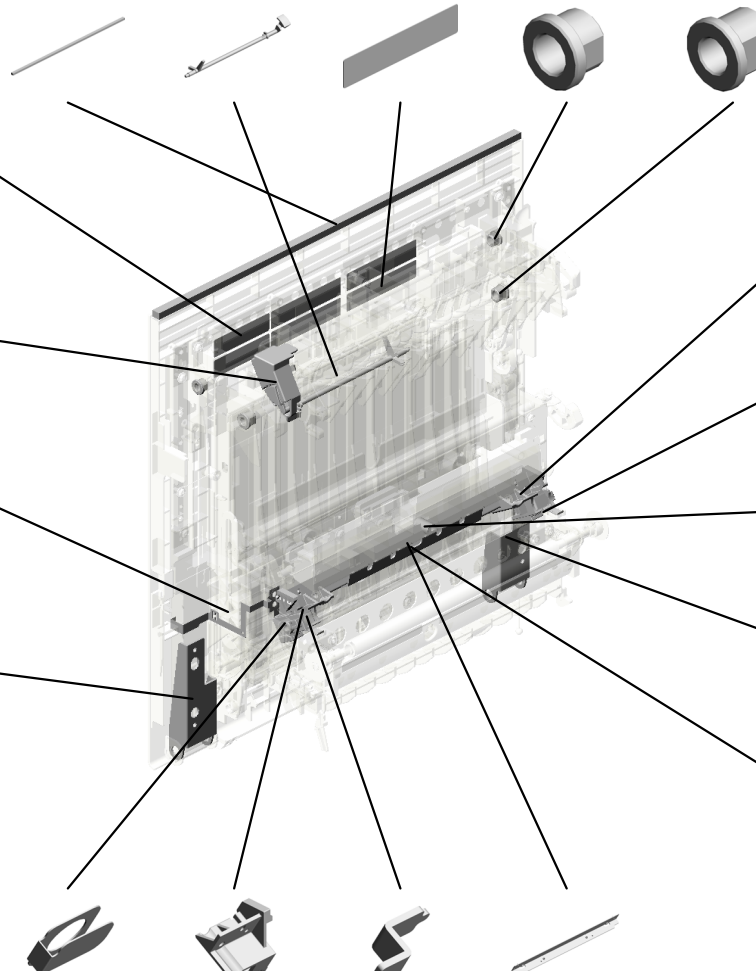
129.D2960251  
 DUPLEX UNIT:ASS'  
 Y

118.D1964729  
 (x2)  
 SHEET:COVER:RI  
 GHT:2

116.D1964717  
 COVER:ENTRANC  
 E SENSOR

127.D1966328  
 TERMINAL:BIAS:T  
 RANSFER ROLLER

112.D1964612  
 BASE:HINGE:REAR



120.D1966315  
 CASING:TRANSFE  
 R ROLLER:FRONT

123.D1966318  
 (x2)  
 PRESSURE PLATE  
 :HOLDER:TRANSF  
 ER ROLLER:REAR

128.D1966334  
 COMPRESSION SP  
 RING:EARTH:STAY  
 :TRANSFER/SEPA  
 RATION UNIT

113.D1964613  
 BASE:HINGE:FRO  
 NT

126.D1966323  
 PLATE:STAY:TRAN  
 SFER/SEPARATIO  
 N UNIT

125.D1966321  
 TERMINAL:BIAS:T  
 RANSFER:SECON  
 D:CASE

121.D1966316  
 CASING:TRANSFE  
 R ROLLER:REAR

124.D1966319  
 (x2)  
 STOPPER:PRESSU  
 RE:TRANSFER RO  
 LLER

122.D1966317  
 (x2)  
 STAY:CASING:TRA  
 NSFER ROLLER



# U014\_S001\_S001 MANUAL FEED TABLE:ASS'Y

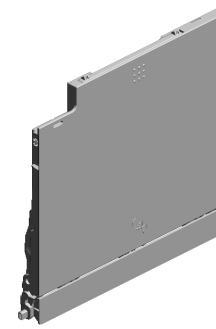
39.D1172771  
EXTENSION TRAY:  
MANUAL FEED

36.D1172768  
GEAR:SIDE FENCE

44.D1172779  
PIN:PINION GEAR

38.D1172770  
COVER:MANUAL F  
EED TABLE

49.D1172792  
DECAL:SCALE:MA  
NUAL FEED



33.D1172762  
MANUAL FEED TA  
BLE:ASS'Y

40.D1172772  
(x2)  
COMPRESSION SP  
RING:EXTENSION  
TRAY:MANUAL FE  
ED

45.D1172781  
COIL SPRING:PINI  
ON GEAR:MANUAL  
FEED

37.D1172769  
(x2)  
RACK:MANUAL FE  
ED

132.M0262993  
DECAL:SIDE FENC  
E:MANUAL FEED

35.D1172767  
SIDE FENCE:MAN  
UAL FEED:REAR

46.D1172784  
(x2)  
LINK:COVER:FRON  
T REAR

41.D1172773  
COVER:MANUAL F  
EED TABLE:LOWE  
R

42.D1172776  
TORSION SPRING:  
COVER:MANUAL F  
EED TABLE

47.D1172785  
LINK:COVER:MIDD  
LE

43.D1172778  
(x2)  
COMPRESSION SP  
RING:RACK:MANU  
AL FEED

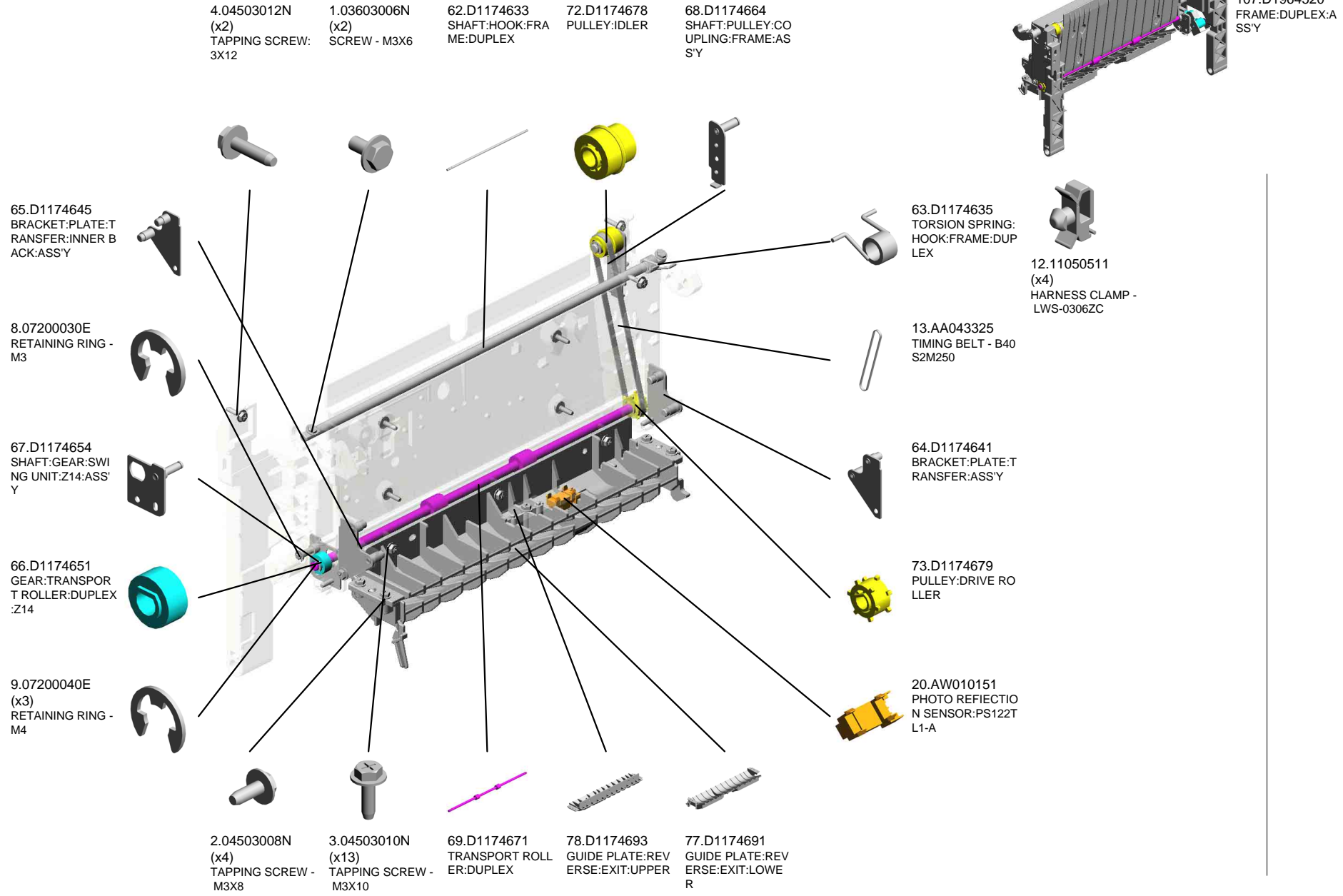
34.D1172766  
SIDE FENCE:MAN  
UAL FEED:FRONT

23.D0392752  
DISC:SIDE FENCE

133.M0662743  
(x2)  
FRICTION PAD:MA  
NUAL FEED TABLE  
:18X7.5

U001	U002	U003	U004	U005	U006	U007	U008	U009	U010	U011	U012	U013	U014	U015	U016	U017	U018
------	------	------	------	------	------	------	------	------	------	------	------	------	------	------	------	------	------

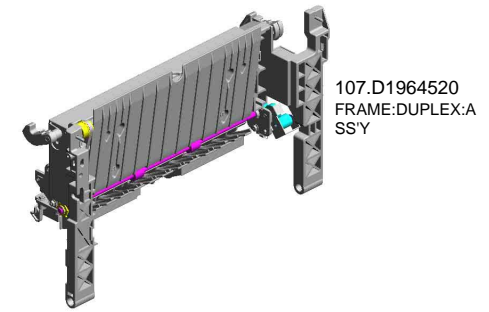
U014\_S001\_S002  
 FRAME:DUPLEX:ASS'Y



U001	U002	U003	U004	U005	U006	U007	U008	U009	U010	U011	U012	U013	U014	U015	U016	U017	U018
------	------	------	------	------	------	------	------	------	------	------	------	------	------	------	------	------	------

U014\_S001\_S002  
 FRAME:DUPLEX:ASS'Y

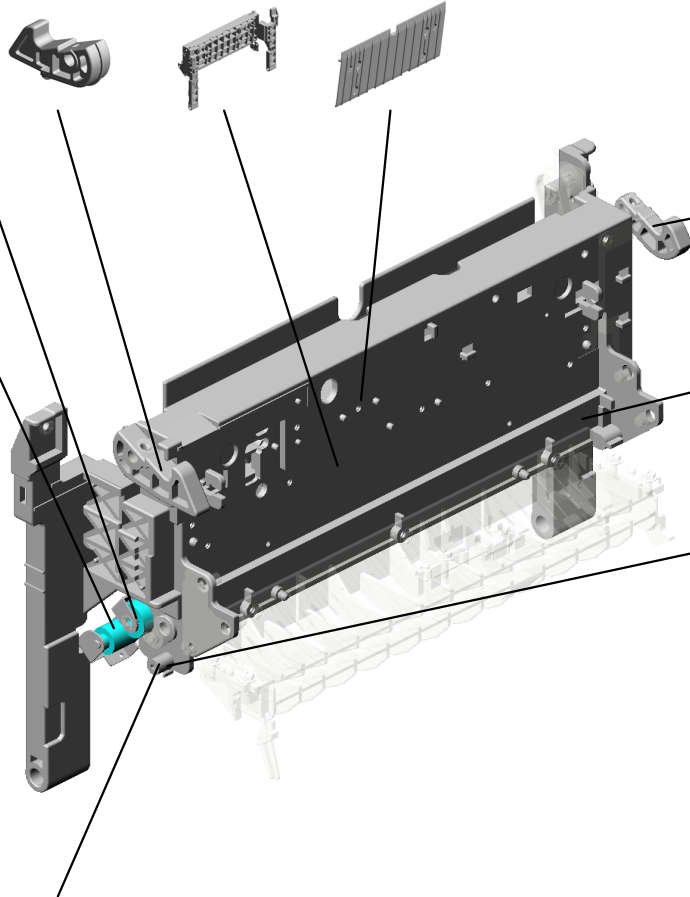
111.D1964603 HOOK:FRAME:DUPLEX:REAR  
 114.D1964630 FRAME:DUPLEX  
 79.D1174697 GUIDE PLATE:MIDDLE



84.D1174706  
 GEAR:IDLER:SWIVEL:COUPLING



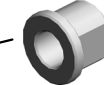
83.D1174705  
 BRACKET:GEAR:SWIVEL:ASS'Y



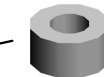
110.D1964602  
 HOOK:FRAME:DUPLEX:FRONT



130.GA082010  
 (x2)  
 BUSHING:DIA6:DIA10:9



92.D1174719  
 TUBE:STOPPER



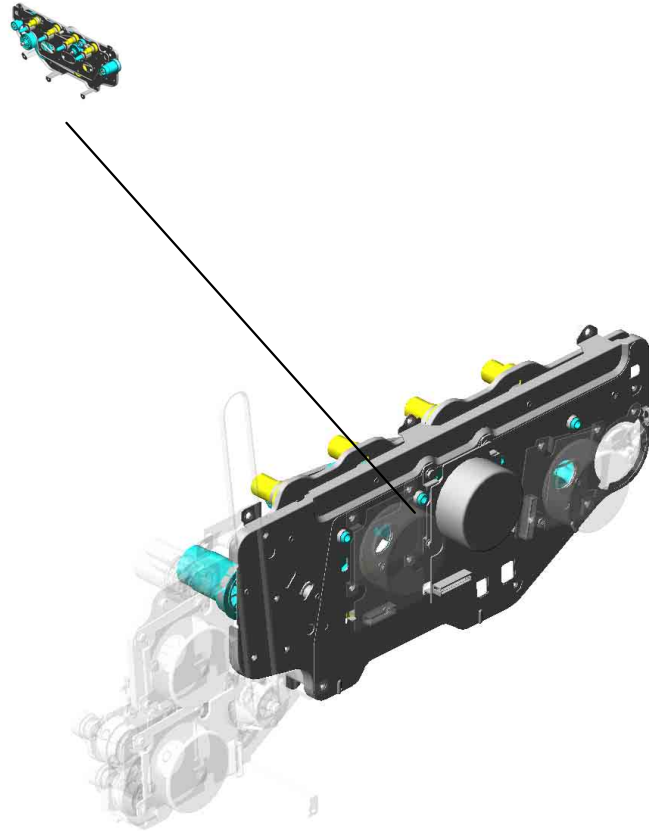
85.D1174708  
 TENSION SPRING:GEAR:SWING UNIT



U001	U002	U003	U004	U005	U006	U007	U008	U009	U010	U011	U012	U013	<b>U014</b>	U015	U016	U017	U018
------	------	------	------	------	------	------	------	------	------	------	------	------	-------------	------	------	------	------

# U015.MAIN DRIVE

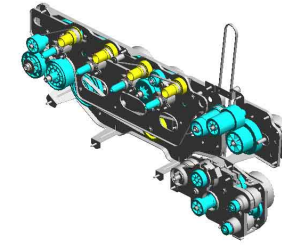
U015\_S001  
D1961152  
DRIVE UNIT:DRUM:DEVELO  
PMENT:TRANSFER:ASS'Y



U001	U002	U003	U004	U005	U006	U007	U008	U009	U010	U011	U012	U013	U014	U015	U016	U017	U018
------	------	------	------	------	------	------	------	------	------	------	------	------	------	------	------	------	------

# U015 MAIN DRIVE

- 16.AB017850 GEAR:DRIVE UNIT: FUSING:NO.3
- 12.AB017840 GEAR:ELECTROMAGNETIC CLUTCH: OUTPUT:Z30
- 18.AB017934 GEAR:DRIVE UNIT: FUSING:NO.1
- 20.AB017940 GEAR:DRIVE UNIT: FUSING:NO.2
- 6.08050104 (x5) RETAINING RINGS -E:SILENCER:DIA4



10.AA080347 (x4) BUSHING - 8MM

7.11050511 HARNESS CLAMP - LWS-0306ZC

15.AB017847 GEAR:MANUAL FEED:BASE

21.AB017958 GEAR:TRANSPORT:NO.1

13.AB017841 (x2) GEAR:ELECTROMAGNETIC CLUTCH: OUTPUT:Z19

19.AB017936 GEAR:TRANSPORT:NO.2

14.AB017842 SHAFT:JOINT:PAPER FEED ROLLER

17.AB017851 GEAR:TIMING PULLEY:PAPER EXIT UNIT

1.03603006N (x23) SCREW - M3X6

3.04503010N (x13) TAPPING SCREW - M3X10

2.04503008N (x4) TAPPING SCREW - M3X8

9.AA080346 BUSHING:FLANGE TYPE:DIA6

11.AB010929 GEAR:DRIVE:DEVELOPMENT:NO.2

4.07200040E (x2) RETAINING RING - M4

8.54472681 SNAP RING

4.07200040E (x3) RETAINING RING - M4

U001	U002	U003	U004	U005	U006	U007	U008	U009	U010	U011	U012	U013	U014	U015	U016	U017	U018
------	------	------	------	------	------	------	------	------	------	------	------	------	------	------	------	------	------

# U015 MAIN DRIVE

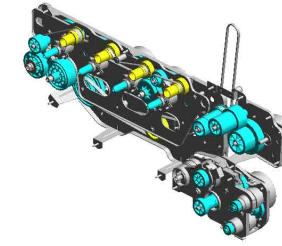
28.AX060484  
DC BRUSHLESS MOTOR:DRIVE SUB-UNIT:FUSING:34.9W:40CPM

24.AB033120  
TIGHTENER:SYNCHRONOUS BELT:PAPER EXIT UNIT

34.B7027105  
TIMING BELT:B40S 2M520:

36.D1171207  
SHAFT:TIMING PULLEY:PAPER EXIT UNIT

35.D1171192  
(x4)  
TERMINAL:DEVELOPMENT BIAS:ASSY

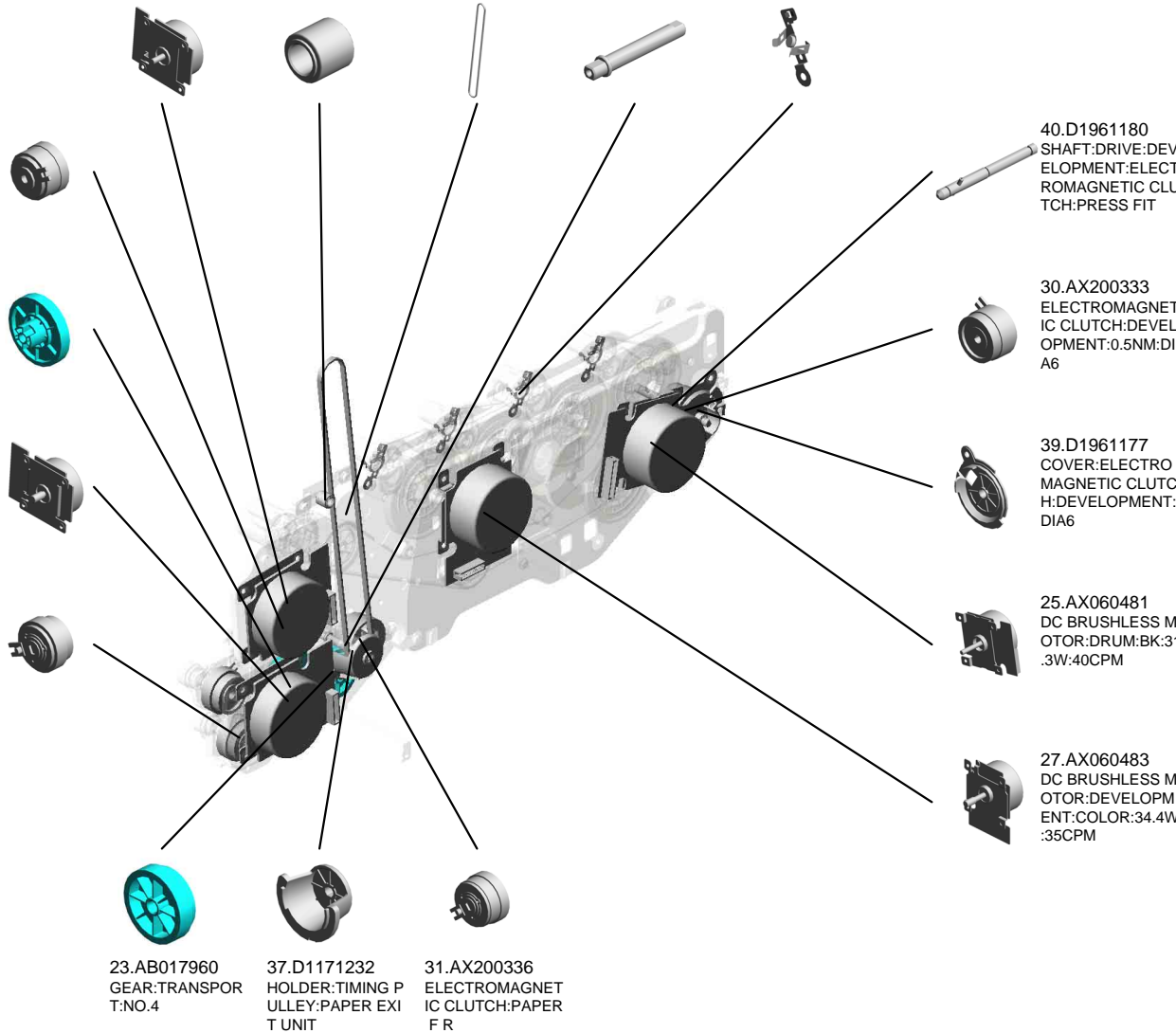


32.AX200337  
ELECTROMAGNETIC CLUTCH:REGISTRATION

22.AB017959  
GEAR:TRANSPORT:NO.3

29.AX060485  
DC BRUSHLESS MOTOR:DRIVE SUB-UNIT:TRANSPORT:18.5W:40CPM

33.AX200360  
(x2)  
ELECTROMAGNETIC CLUTCH:DRIVE:MANUAL FEED:DUPLICEX



40.D1961180  
SHAFT:DRIVE:DEVELOPMENT:ELECTROMAGNETIC CLUTCH:PRESS FIT

30.AX200333  
ELECTROMAGNETIC CLUTCH:DEVELOPMENT:0.5NM:DIA6

39.D1961177  
COVER:ELECTROMAGNETIC CLUTCH:DEVELOPMENT:DIA6

25.AX060481  
DC BRUSHLESS MOTOR:DRUM:BK:31.3W:40CPM

27.AX060483  
DC BRUSHLESS MOTOR:DEVELOPMENT:COLOR:34.4W:35CPM

23.AB017960  
GEAR:TRANSPORT:NO.4

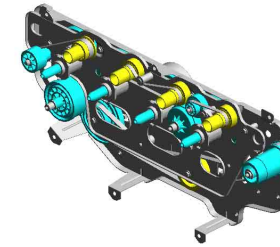
37.D1171232  
HOLDER:TIMING PULLEY:PAPER EXIT UNIT

31.AX200336  
ELECTROMAGNETIC CLUTCH:PAPER FEED

U001	U002	U003	U004	U005	U006	U007	U008	U009	U010	U011	U012	U013	U014	U015	U016	U017	U018
------	------	------	------	------	------	------	------	------	------	------	------	------	------	------	------	------	------

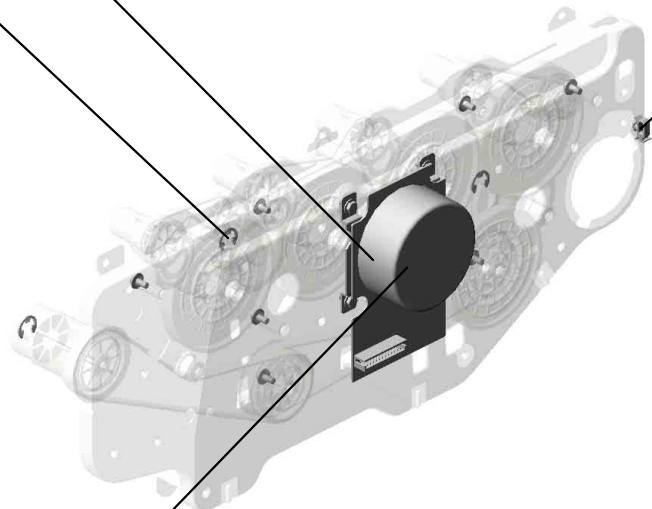
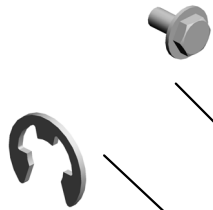
U015\_S001  
DRIVE UNIT:DRUM:DEVELOPMENT:TRANSFER:ASS'Y

1.03603006N  
(x12)  
SCREW - M3X6



38.D1961152  
DRIVE UNIT:DRUM  
:DEVELOPMENT:T  
RANSFER:ASS'Y

5.07200060E  
(x3)  
RETAINING RING -  
M6



7.11050511  
HARNES CLAMP -  
LWS-0306ZC

4.07200040E (x 5)  
RETAINING RING - M4

26.AX060482  
DC BRUSHLESS M  
OTOR:DRUM:COLL  
AR:20.4W:35CPM

U001	U002	U003	U004	U005	U006	U007	U008	U009	U010	U011	U012	U013	U014	U015	U016	U017	U018
------	------	------	------	------	------	------	------	------	------	------	------	------	------	------	------	------	------

# U016 ELECTRICAL

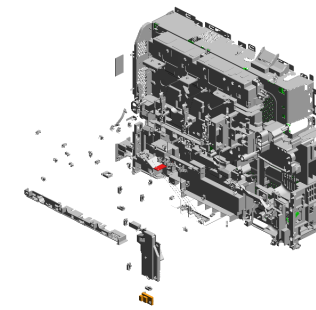
18.16072758  
FERRITE CORE

17.16072525  
FERRITE CORE:K3  
FF 35.00X14.60X7.  
70X1.40

16.14078389  
EEPROM:BR24T12  
8-W

8.08010231  
HEXAGONAL HEA  
D BOLT W/WASHE  
R:M3X6

9.11050508  
(x7)  
HARNESS CLAMP -  
LWS-0711



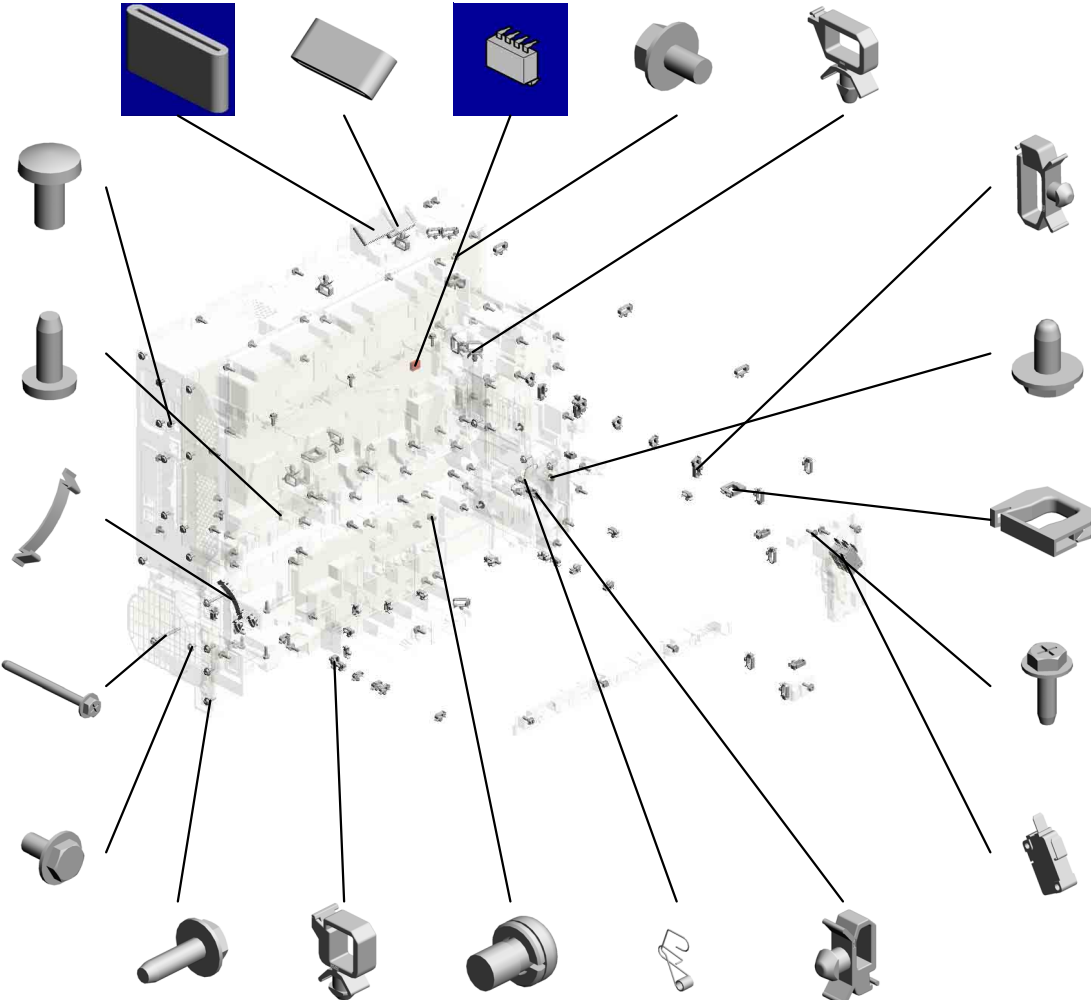
1.03530060N  
BIND SCREW - M3  
X6

5.04523008N  
(x12)  
TAPPING SCREW -  
M3X8

13.11050545  
CLAMP:FCR-30

4.04503035N  
(x2)  
TAPPING SCREW:  
3X35

2.03603006N  
(x46)  
SCREW - M3X6



11.11050516  
(x16)  
CLAMP

10.11050511  
(x2)  
HARNESS CLAMP -  
LWS-0306ZC

6.04543006Q  
TAPPING SCREW -  
M3X6

2.03603006N (x 5)  
SCREW - M3X6  
3.04503010N (x 1)  
TAPPING SCREW - M3X10

14.11050724  
(x2)  
CLAMPS:WES-121  
0

3.04503010N  
(x58)  
TAPPING SCREW -  
M3X10

15.12042612  
(x2)  
MICRO SWITCH:D3  
V-16506-3C25

7.04583010N  
(x10)  
HEXAGON HEAD T  
APPING SCREW:3  
X10

12.11050534  
(x3)  
CLAMP

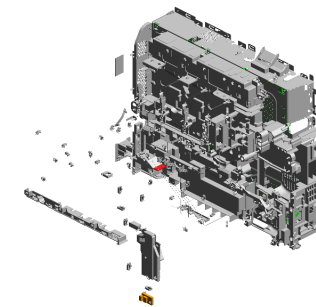
20.AA143592  
SCREW- M4X6

19.AA066696  
TORSION SPRING:  
TERMINAL:DRIVE  
ROLLER:INTERME  
DIATE TRANSFER

10.11050511  
(x28)  
HARNESS CLAMP -  
LWS-0306ZC



# U016 ELECTRICAL



- 22.AA161125 (x4) RUBBER CUSHION
- 21.AA143848 (x4) STEPPED SCREW - M3
- 29.AZ320212 POWER PACK:CB
- 37.D1175867 GUIDE:HARNESS: POWER SUPPLY U NIT
- 35.D1175303 THERMISTOR

32.D0895824  
COVER:SD-CARD:  
D086/D087

31.B1345050  
(x4)  
(D296/D297):(EU/N  
A/AA/KOR/TWN):S  
PEAKER:B134

27.AZ240295  
(x2)  
(EU/AA/KOR):POW  
ER SUPPLY UNIT:2  
59W

28.AZ240297  
(CHN):POWER SU  
PPLY UNIT

36.D1175864  
GUIDE:HARNESS:F  
FC:OPTICAL WRITI  
NG UNIT

33.D1175180  
(x2)  
(NA/TWN):PCB:AC  
VB:100V

34.D1175190  
(x3)  
(EU/AA/KOR/CHN):  
PCB:ACVB:200V

26.AZ240293  
(x2)  
(NA/TWN):POWER  
SUPPLY UNIT:259  
W

30.AZ320213  
POWER PACK:T1T  
2

38.D1175869  
WIRE:HIGH VOLTA  
GE:TRANSFER:BK

25.AW500045  
PUSH SWITCH

23.AG070513  
MAGNET CATCH

40.D1175871  
WIRE:HIGH VOLTA  
GE:TRANSFER:M

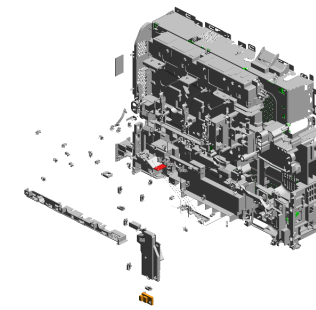
39.D1175870  
WIRE:HIGH VOLTA  
GE:TRANSFER:C

24.AW140026  
TEMPERATURE &  
HUMIDITY SENSO  
R

U001	U002	U003	U004	U005	U006	U007	U008	U009	U010	U011	U012	U013	U014	U015	U016	U017	U018
------	------	------	------	------	------	------	------	------	------	------	------	------	------	------	------	------	------

# U016 ELECTRICAL

49.D1175881 WIRE:HIGH VOLTA  
GE:CHARGE:Y  
51.D1175883 WIRE:HIGH VOLTA  
GE:DEVELOPMEN  
T:C:CONNECTING  
45.D1175877 WIRE:HIGH VOLTA  
GE:DEVELOPMEN  
T:Y  
44.D1175876 WIRE:HIGH VOLTA  
GE:DEVELOPMEN  
T:M  
53.D1175887 DUCT:POWER SU  
PLY UNIT:EXHAU  
ST



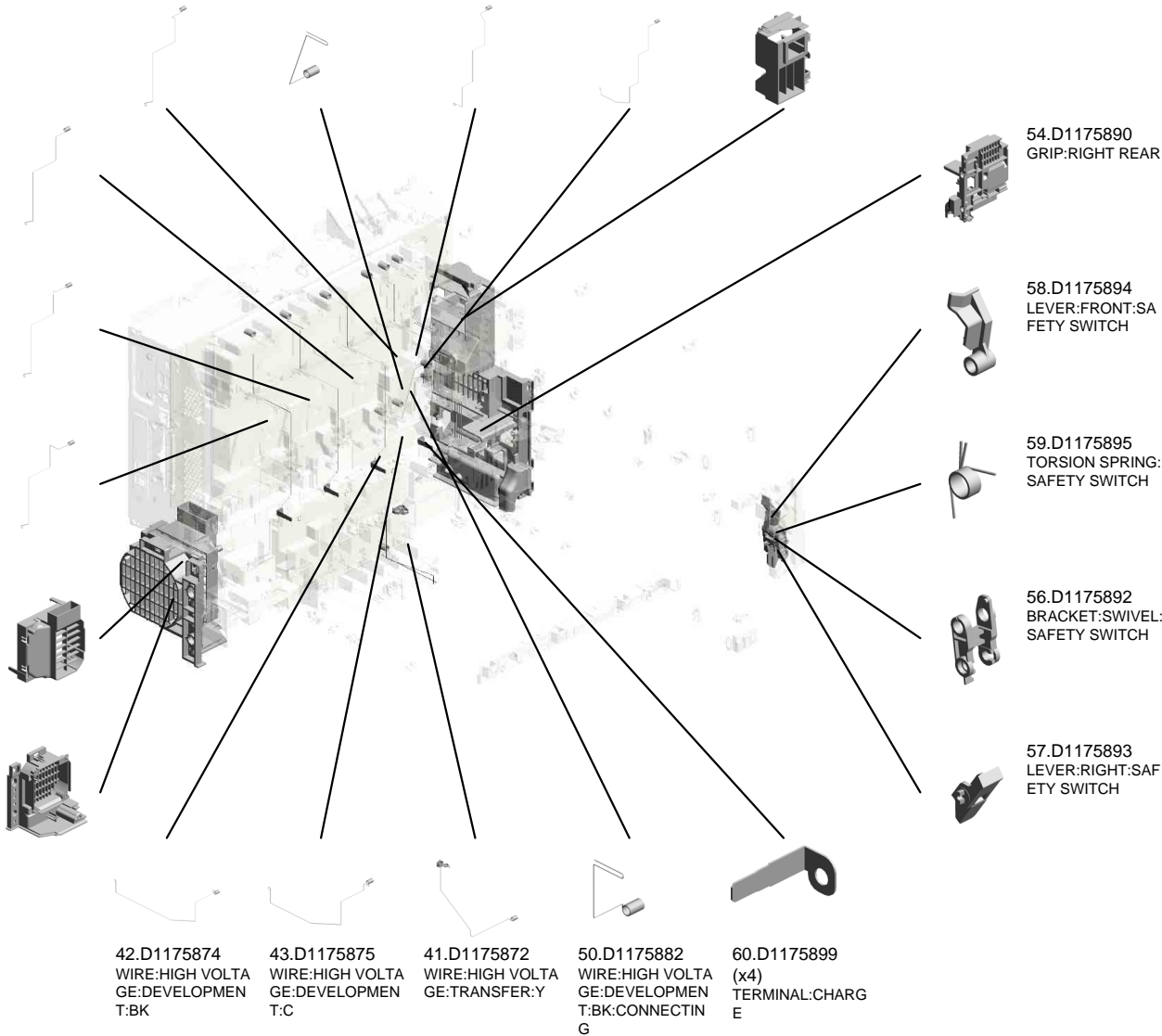
48.D1175880 WIRE:HIGH VOLTA  
GE:CHARGE:M

47.D1175879 WIRE:HIGH VOLTA  
GE:CHARGE:C

46.D1175878 WIRE:HIGH VOLTA  
GE:CHARGE:BK

52.D1175886 DUCT:POWER SU  
PLY UNIT:ENTRA  
NCE

55.D1175891 GRIP:LEFT REAR



54.D1175890 GRIP:RIGHT REAR

58.D1175894 LEVER:FRONT:SA  
FETY SWITCH

59.D1175895 TORSION SPRING:  
SAFETY SWITCH

56.D1175892 BRACKET:SWIVEL:  
SAFETY SWITCH

57.D1175893 LEVER:RIGHT:SAF  
ETY SWITCH

42.D1175874 WIRE:HIGH VOLTA  
GE:DEVELOPMEN  
T:BK

43.D1175875 WIRE:HIGH VOLTA  
GE:DEVELOPMEN  
T:C

41.D1175872 WIRE:HIGH VOLTA  
GE:TRANSFER:Y

50.D1175882 WIRE:HIGH VOLTA  
GE:DEVELOPMEN  
T:BK:CONNECTIN  
G

60.D1175899 (x4)  
TERMINAL:CHARG  
E

# U016 ELECTRICAL

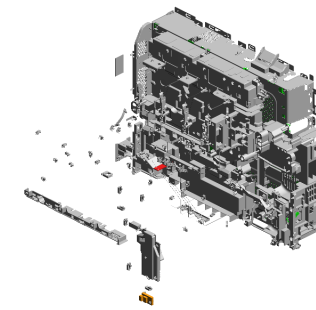
77.D2969590  
NVRAM

76.D2965100  
(D296/D299):PCB:B  
ICU:ASSY

78.D2975100  
(x4)  
(D297/D298):(EU/N  
A/AA/KOR/TWN):P  
CB:BICU:ASSY

68.D1175915  
(x4)  
GUIDE:WIRE:HIG  
H VOLTAGE:CHARG  
E

64.D1175904  
BRACKET:DRAWE  
R:FUSING



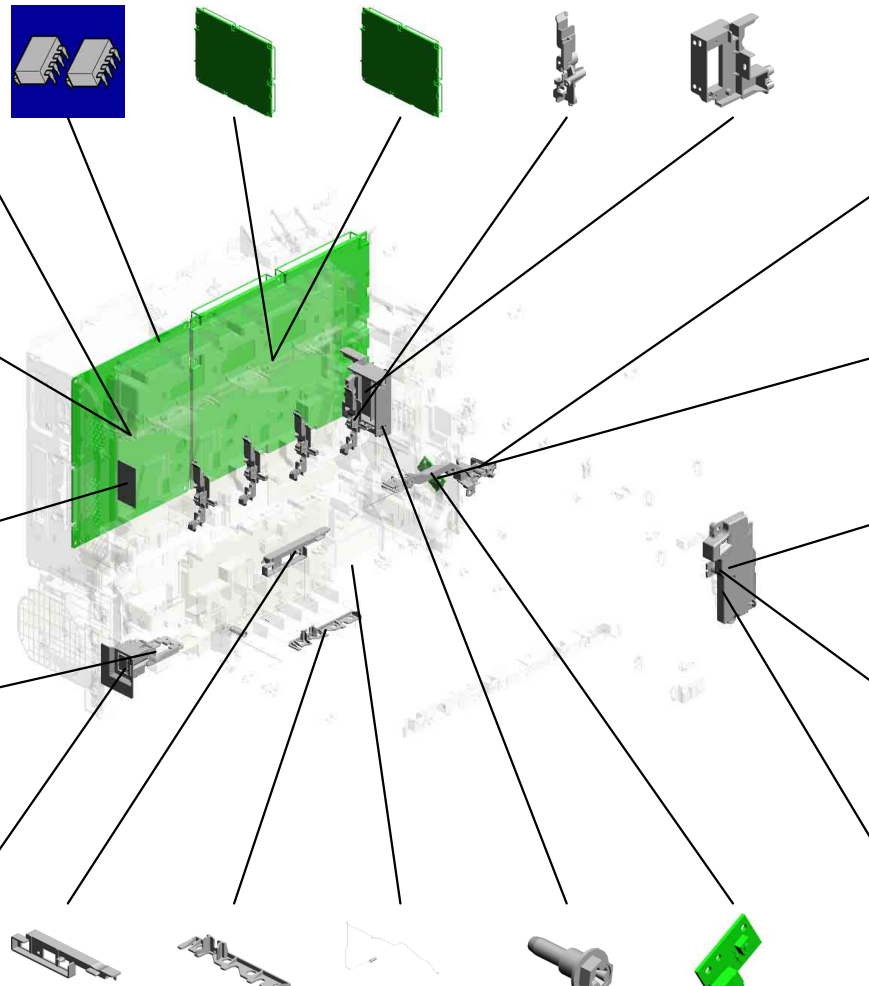
79.D3E15681  
(x4)  
(D297/D298):(EU/N  
A/AA/KOR/TWN):P  
CB:CTL\_JX2L

80.D3E15682  
(D296/D299):PCB:C  
TL\_JX2L

71.D1175945  
SPACER:FFC

66.D1175908  
BRACKET:DRAWE  
R:OPTION TRAY

67.D1175912  
BRACKET:SWITCH  
:HEATER



75.D1965967  
TERMINAL:HIG V  
OLTAGE:TRANSFE  
R:SECOND

74.D1965961  
GUIDE:WIRE:HIG  
H VOLTAGE:TRANSF  
ER:CONNECTING

63.D1175903  
INNER COVER:SAF  
ETY SWITCH

62.D1175902  
COLLAR:SHAFT:SA  
FETY SWITCH

61.D1175901  
TORSION SPRING:  
LEVER:RIGHT:SAF  
ETY SWITCH

65.D1175905  
GUIDE:WIRE:HIG  
H VOLTAGE:TRANSF  
ER:SECOND

70.D1175924  
STOPPER:WIRE:HI  
GH VOLTAGE:TRA  
NSFER

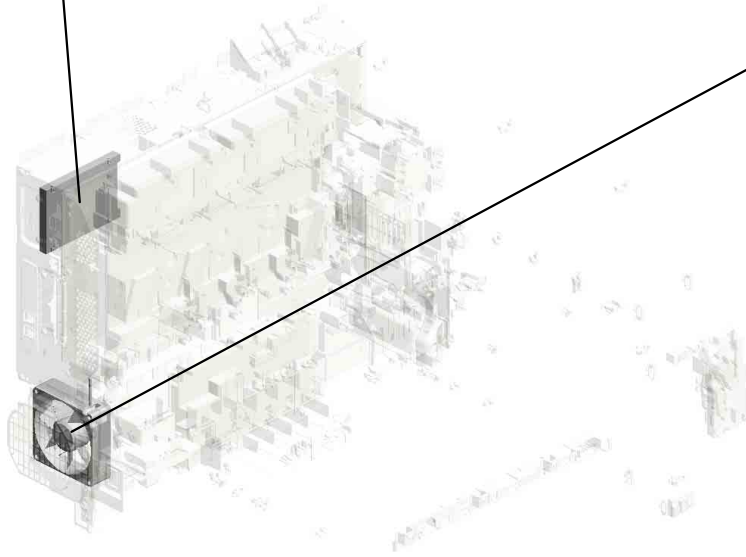
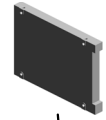
73.D1965873  
WIRE:HIG VOLT  
AGE:TRANSFER:SE  
COND

69.D1175916  
(x2)  
STEPPED SCREW:  
M3X8:SECOND KIN  
D

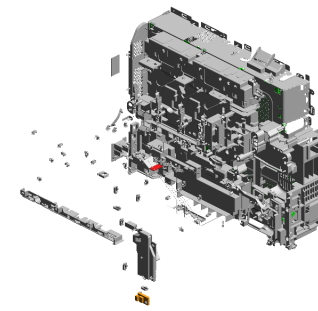
72.D1175686  
PCB:DCSW

U016  
ELECTRICAL

82.M4445201  
HDD:320GB:AQUA  
RIUS

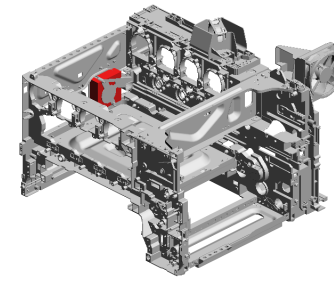


81.GX645734  
FAN MOTOR:MM80  
DC24V 3.12W

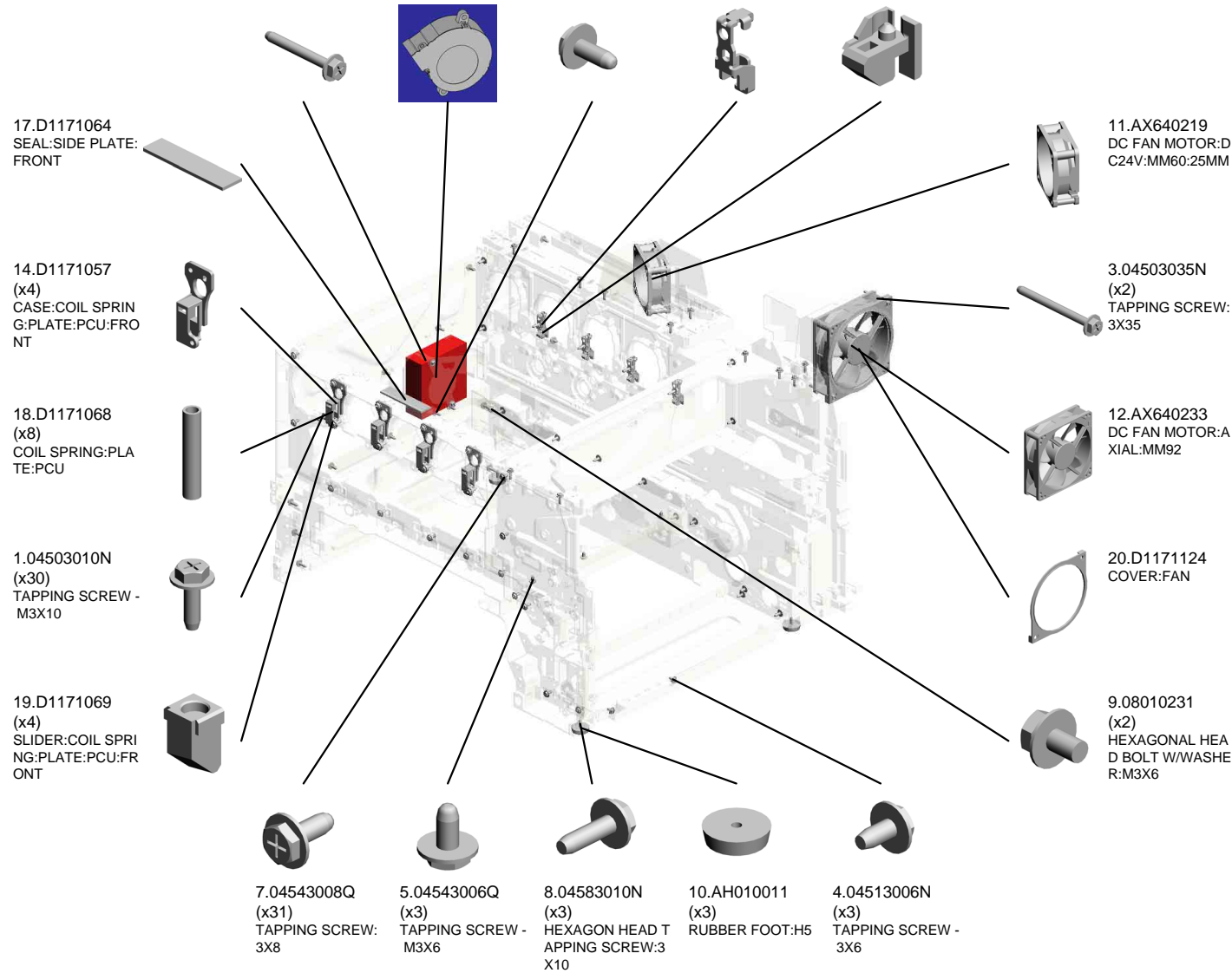


U001	U002	U003	U004	U005	U006	U007	U008	U009	U010	U011	U012	U013	U014	U015	<b>U016</b>	U017	U018
------	------	------	------	------	------	------	------	------	------	------	------	------	------	------	-------------	------	------

# U017 MAIN FRAME



- 2.04503025N (x2) TAPPING SCREW: 3X25
- 13.AX640234 FAN:SIROCCO:DC 24V:60MM
- 6.04543008N (x2) TAPPING SCREW: ROUND POINT:3X8
- 15.D1171058 (x4) CASE:COIL SPRING:PLATE:PCU:REAR
- 16.D1171059 (x4) SLIDER:COIL SPRING:PLATE:PCU:REAR

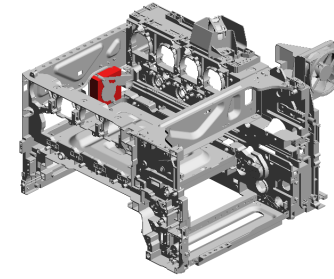


# U017 MAIN FRAME

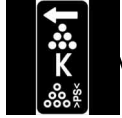
27.D1961036 (x2)  
SEAL:COVER:LEFT

30.D1961127  
DUCT:LEFT:VACUUM

31.D1961128  
COVER:DUCT:LEFT:VACUUM



23.D1173410  
DECAL:COLORED  
DISPLAY:INNER COVER:K



24.D1173411  
DECAL:COLORED  
DISPLAY:INNER COVER:C



25.D1173412  
DECAL:COLORED  
DISPLAY:INNER COVER:M



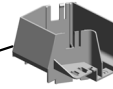
26.D1173413  
DECAL:COLORED  
DISPLAY:INNER COVER:Y



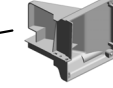
28.D1961066  
LEVER:LOCK:FRONT



22.D1171126  
DUCT:OPTICAL WIRING MD



32.D1961143  
DUCT:REAR:BASE



21.D1171125 (x2)  
SEAL:COVER:FAN



29.D1961087  
LEVER:LOCK:REAR



# U018.OPTION

U018\_S001  
D1175097  
(EU/AA/KOR/CHN):HEATER:E  
U:ASS'Y

U018\_S002  
D1175097  
(EU/AA/KOR/CHN):HEATER:E  
U:ASS'Y

U018\_S003  
D1175097  
(EU/AA/KOR/CHN):HEATER:E  
U:ASS'Y

U018\_S005  
D1175091  
(NA/TWN):HEATER:EU:ASS'Y

U018\_S004  
D1175091  
(NA/TWN):HEATER:EU:ASS'Y

U018\_S007  
D5730401  
(EU/AA/KOR/CHN):(Heater Kit  
):HEATER:DEHUMIDIFIER

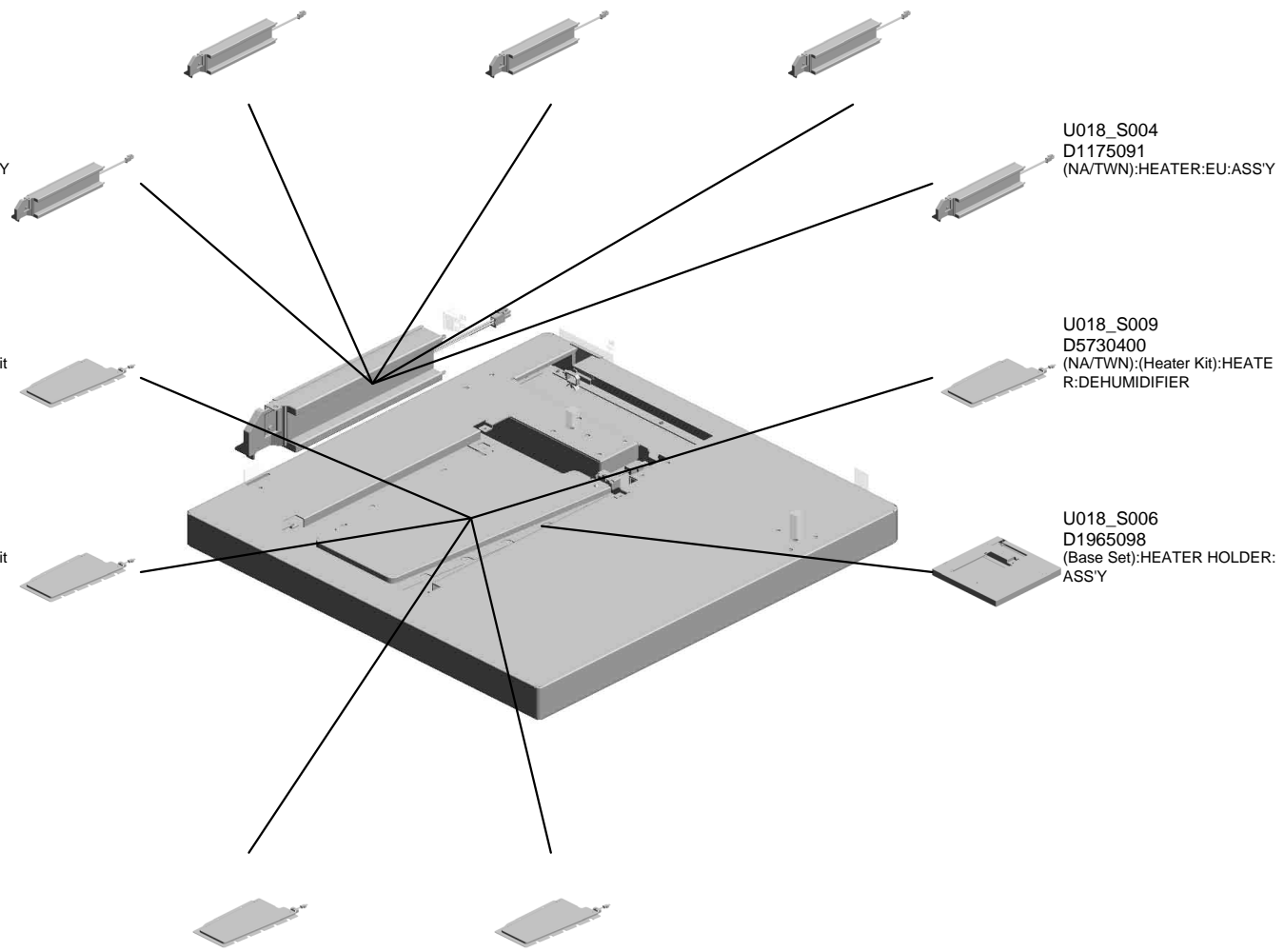
U018\_S009  
D5730400  
(NA/TWN):(Heater Kit):HEATE  
R:DEHUMIDIFIER

U018\_S008  
D5730401  
(EU/AA/KOR/CHN):(Heater Kit  
):HEATER:DEHUMIDIFIER

U018\_S006  
D1965098  
(Base Set):HEATER HOLDER:  
ASS'Y

U018\_S010  
D5730401  
(EU/AA/KOR/CHN):(Heater Kit  
):HEATER:DEHUMIDIFIER

U018\_S011  
D5730400  
(NA/TWN):(Heater Kit):HEATE  
R:DEHUMIDIFIER

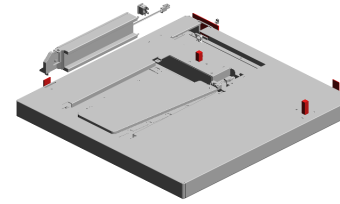


U001	U002	U003	U004	U005	U006	U007	U008	U009	U010	U011	U012	U013	U014	U015	U016	U017	U018
------	------	------	------	------	------	------	------	------	------	------	------	------	------	------	------	------	------

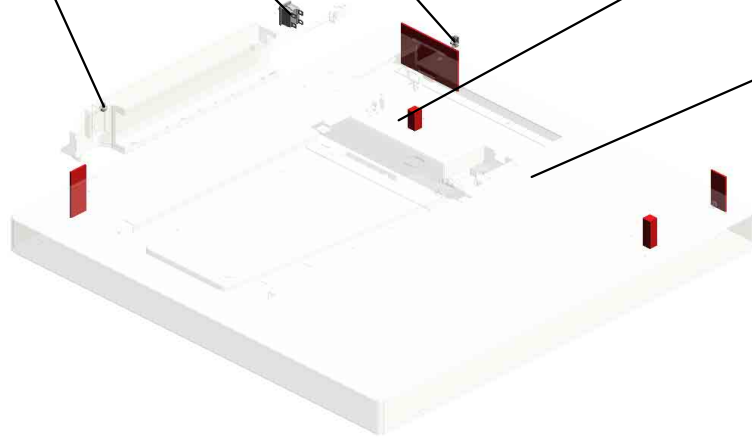
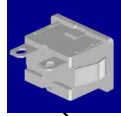
# U018 OPTION

7.12042570  
(x5)  
ROCKER SWITCH:  
SDDJE13200

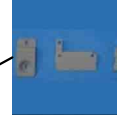
6.11050511  
(x5)  
HARNESS CLAMP -  
LWS-0306ZC



4.08010231  
(x5)  
HEXAGONAL HEAD  
BOLT W/WASHER:  
M3X6



11.D1965093  
(Bracket Set):BRAC  
KET:ASS'Y



10.D1965092  
(Pin Set):STUD:ASS  
Y

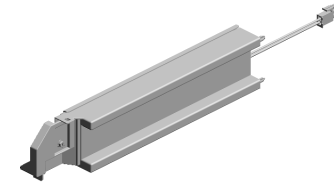


13.D1965265  
(x6)  
HARNESS:OPTION  
:DEHUMIDIFIER:HE  
ATER

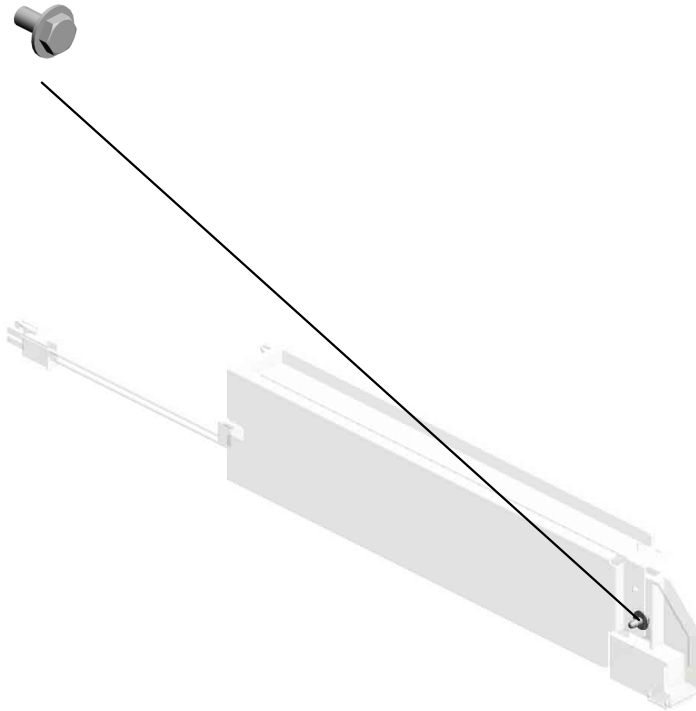


U018\_S001  
(EU/AA/KOR/CHN):HEATER:EU:ASS'Y

2.03603006N  
SCREW - M3X6



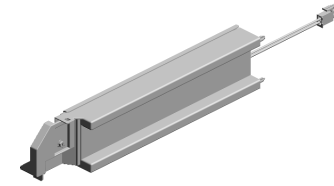
9.D1175097  
(EU/AA/KOR/CHN):  
HEATER:EU:ASS'Y



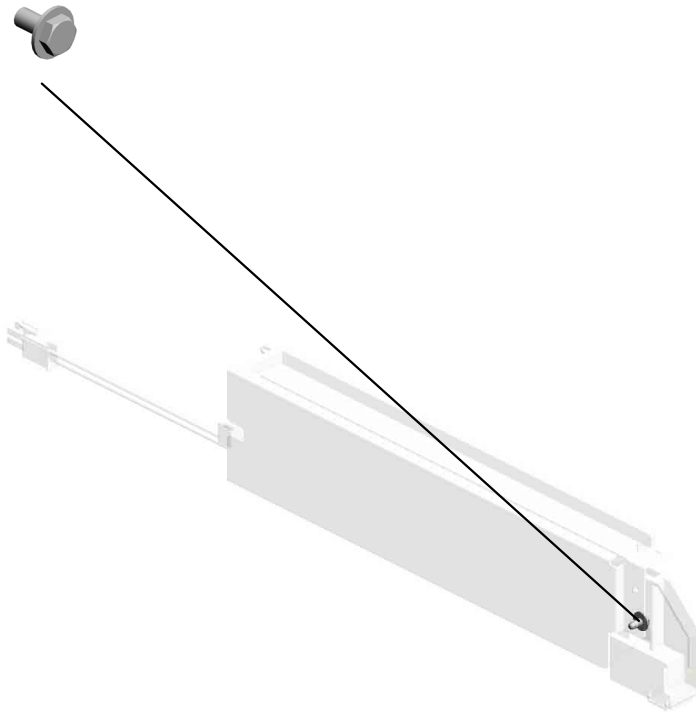
U001	U002	U003	U004	U005	U006	U007	U008	U009	U010	U011	U012	U013	U014	U015	U016	U017	U018
------	------	------	------	------	------	------	------	------	------	------	------	------	------	------	------	------	------

U018\_S002  
(EU/AA/KOR/CHN):HEATER:EU:ASS'Y

2.03603006N  
SCREW - M3X6



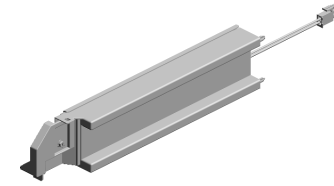
9.D1175097  
(EU/AA/KOR/CHN):  
HEATER:EU:ASS'Y



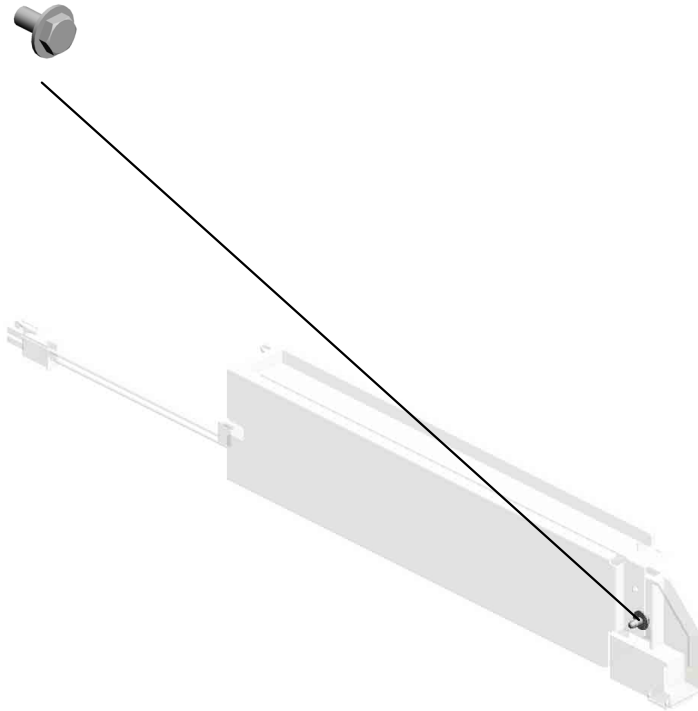
U001	U002	U003	U004	U005	U006	U007	U008	U009	U010	U011	U012	U013	U014	U015	U016	U017	U018
------	------	------	------	------	------	------	------	------	------	------	------	------	------	------	------	------	------

U018\_S003  
(EU/AA/KOR/CHN):HEATER:EU:ASS'Y

2.03603006N  
SCREW - M3X6



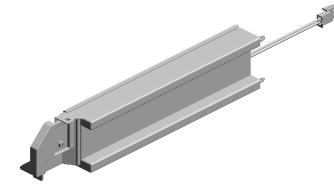
9.D1175097  
(EU/AA/KOR/CHN):  
HEATER:EU:ASS'Y



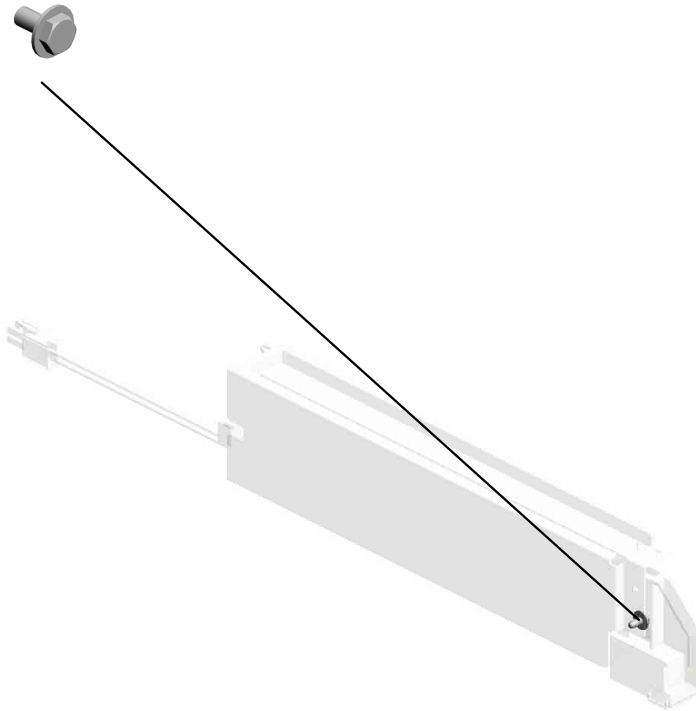
U001	U002	U003	U004	U005	U006	U007	U008	U009	U010	U011	U012	U013	U014	U015	U016	U017	U018
------	------	------	------	------	------	------	------	------	------	------	------	------	------	------	------	------	------

U018\_S004  
(NA/TWN):HEATER:EU:ASS'Y

2.03603006N  
SCREW - M3X6



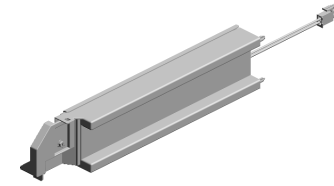
8.D1175091  
(NA/TWN):HEATER  
:EU:ASS'Y



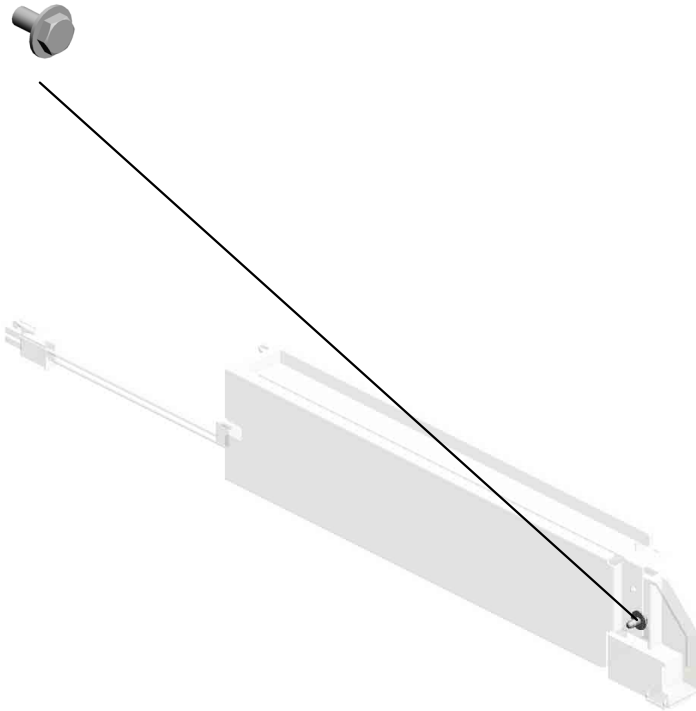
U001	U002	U003	U004	U005	U006	U007	U008	U009	U010	U011	U012	U013	U014	U015	U016	U017	U018
------	------	------	------	------	------	------	------	------	------	------	------	------	------	------	------	------	------

U018\_S005  
(NA/TWN):HEATER:EU:ASS'Y

2.03603006N  
SCREW - M3X6



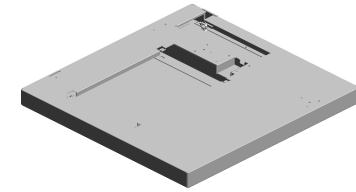
8.D1175091  
(NA/TWN):HEATER  
:EU:ASS'Y



U001	U002	U003	U004	U005	U006	U007	U008	U009	U010	U011	U012	U013	U014	U015	U016	U017	U018
------	------	------	------	------	------	------	------	------	------	------	------	------	------	------	------	------	------

U018\_S006  
(Base Set):HEATER HOLDER:ASS'Y

5.11050508  
(x2)  
HARNESS CLAMP -  
LWS-0711



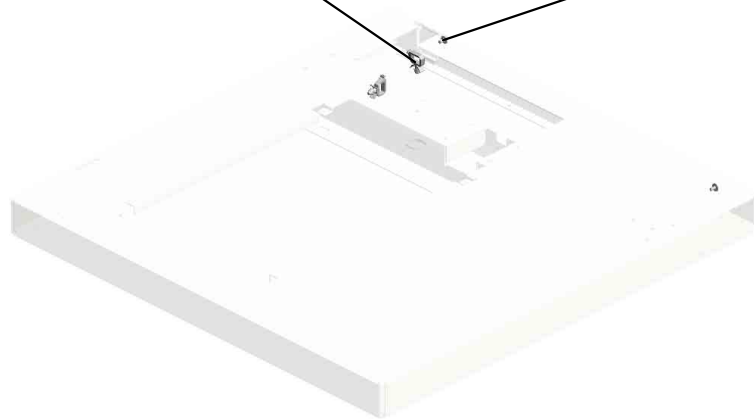
12.D1965098  
(Base Set):HEATER  
HOLDER:ASSY



2.03603006N  
(x2)  
SCREW - M3X6



5.11050508  
HARNESS CLAMP -  
LWS-0711



1.03130060N (x 5)  
SCREW - M3X6  
2.03603006N (x28)  
SCREW - M3X6

U018\_S007  
(EU/AA/KOR/CHN):(Heater Kit):HEATER:DEHUMIDIFIER

6.11050511  
HARNES CLAMP -  
LWS-0306ZC



15.D5730401  
(EU/AA/KOR/CHN):(Heater Kit):HEATER  
:DEHUMIDIFIER

2.03603006N (x11)  
SCREW - M3X6  
3.04503008N (x 3)  
TAPPING SCREW - M3X8

U001	U002	U003	U004	U005	U006	U007	U008	U009	U010	U011	U012	U013	U014	U015	U016	U017	U018
------	------	------	------	------	------	------	------	------	------	------	------	------	------	------	------	------	------

U018\_S008  
(EU/AA/KOR/CHN):(Heater Kit):HEATER:DEHUMIDIFIER

6.11050511  
HARNES CLAMP -  
LWS-0306ZC



15.D5730401  
(EU/AA/KOR/CHN):(Heater Kit):HEATER  
:DEHUMIDIFIER

2.03603006N (x11)  
SCREW - M3X6  
3.04503008N (x 3)  
TAPPING SCREW - M3X8

U001	U002	U003	U004	U005	U006	U007	U008	U009	U010	U011	U012	U013	U014	U015	U016	U017	U018
------	------	------	------	------	------	------	------	------	------	------	------	------	------	------	------	------	------



U018\_S009  
(NA/TWN):(Heater Kit):HEATER:DEHUMIDIFIER

6.11050511  
HARNES CLAMP -  
LWS-0306ZC



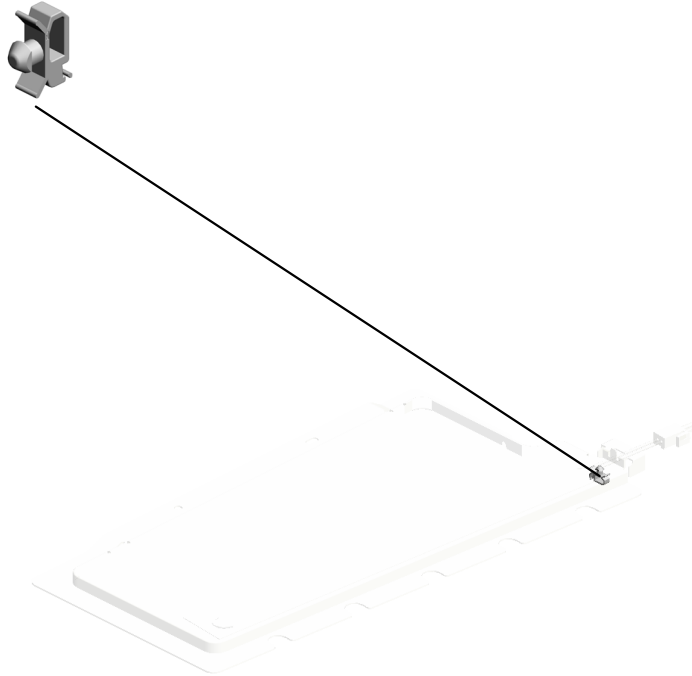
14.D5730400  
(NA/TWN):(Heater  
Kit):HEATER:DEHU  
MIDIFIER

2.03603006N (x11)  
SCREW - M3X6  
3.04503008N (x 3)  
TAPPING SCREW - M3X8

U001	U002	U003	U004	U005	U006	U007	U008	U009	U010	U011	U012	U013	U014	U015	U016	U017	U018
------	------	------	------	------	------	------	------	------	------	------	------	------	------	------	------	------	------

U018\_S010  
(EU/AA/KOR/CHN):(Heater Kit):HEATER:DEHUMIDIFIER

6.11050511  
HARNES CLAMP -  
LWS-0306ZC



15.D5730401  
(EU/AA/KOR/CHN):(Heater Kit):HEATER  
:DEHUMIDIFIER

2.03603006N (x11)  
SCREW - M3X6  
3.04503008N (x 3)  
TAPPING SCREW - M3X8

U001	U002	U003	U004	U005	U006	U007	U008	U009	U010	U011	U012	U013	U014	U015	U016	U017	U018
------	------	------	------	------	------	------	------	------	------	------	------	------	------	------	------	------	------

U018\_S011  
(NA/TWN):(Heater Kit):HEATER:DEHUMIDIFIER

6.11050511  
HARNES CLAMP -  
LWS-0306ZC



14.D5730400  
(NA/TWN):(Heater  
Kit):HEATER:DEHU  
MIDIFIER

2.03603006N (x11)  
SCREW - M3X6  
3.04503008N (x 3)  
TAPPING SCREW - M3X8

U001	U002	U003	U004	U005	U006	U007	U008	U009	U010	U011	U012	U013	U014	U015	U016	U017	U018
------	------	------	------	------	------	------	------	------	------	------	------	------	------	------	------	------	------

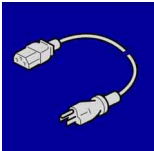
# ACCESSORIES



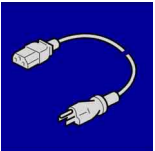
1.03603014N  
SCREW - M3X14



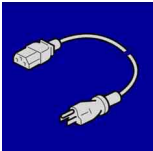
2.04503008N  
(x2)  
TAPPING SCREW - M3X8



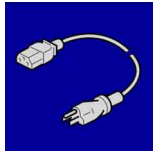
3.11500456  
(CHN):POWER SUPPLY CODE:250V:  
10A



4.11500478  
(TWN):POWER SUPPLY CODE:125V:  
15A



5.11500481  
(NA):POWER SUPPLY CODE:125V:15  
A



6.11500482  
(x2)  
(EU/AA/KOR):POWER SUPPLY CODE  
:250V:10A



7.16072251  
(x4)  
(D296/D297):(EU/NA/AA/KOR/TWN):F  
ERRITE CORE:K3 NF-75(N)BK0



8.AA001527  
(x2)  
(EU/AA/KOR):PLATE:LOGOTYPE:GE  
S



9.AA001528  
(EU):PLATE:LOGOTYPE:REX



10.AA001529  
(EU):PLATE:LOGO:INF



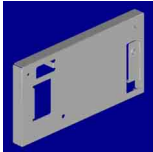
11.AA001530  
(EU):PLATE:LOGO:NSA



12.AA001531  
(AA/KOR):PLATE:LOGO:LAN



13.AX310049  
TOTAL COUNTER:7FIG:24V



14.D1171332  
BRACKET:KEY COUNTER HOLDER



15.D1171371  
BRACKET:CARD READER



16.D1171372  
BRACKET:CARD READER



17.D1172796  
(CHN):DECAL:TRAY:MANUAL FEED:I  
NKJET



18.D1172797  
(TWN):DECAL:TRAY:MANUAL FEED:I  
NKJET



19.D1172799  
(x2)  
(NA/AA/KOR):DECAL:TRAY:MANUAL  
FEED:INKJET



20.D1172842  
(x2)  
(NA/AA/KOR):DECAL:PAPER SET DIR  
ECTION:TRAY:RIGHT



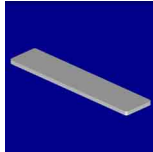
21.D1172875  
(CHN):DECAL:PAPER SET DIRECTIO  
N:TRAY:RIGHT



22.D1172876  
(TWN):DECAL:PAPER SET DIRECTIO  
N:TRAY:RIGHT

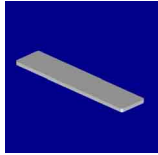


23.D1172877  
DECAL:PAPER TRAY:SIZE INDICATI  
ON

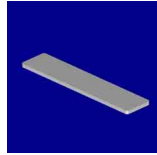


24.D1201557  
(EU):SHEET:LOGO:GES

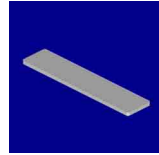
## ACCESSORIES



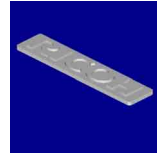
25.D1201558  
(EU):SHEET:LOGO:REX



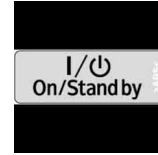
26.D1201559  
(EU):SHEET:LOGO:NAS



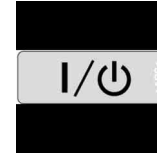
27.D1201560  
(EU):SHEET:LOGO:INF



28.D1491553  
SHEET:LOGO



29.D1916884  
(NA):DECAL:MAIN SWITCH:ON-STAN  
DBY



30.D1916885  
(x4)  
(EU/AA/KOR/CHN/TWN):DECAL:MAIN  
SWITCH:ON-STANDBY



31.D1961485  
IC:NFC\_TAG:MN63Y3212NB



32.D1966811  
(AA/KOR):SHEET:LOGO:LAN



33.D1966812  
(AA/KOR):SHEET:LOGO:GES



34.D2961745  
(TWN):DECAL:CLEANING:SCANNER



35.D2961746  
(TWN):DECAL:CAUTION:ORIGINAL



36.D2961747  
(CHN):DECAL:CLEANING:SCANNER



37.D2961748  
(CHN):DECAL:CAUTION:ORIGINAL



38.D2966801  
(x3)  
(D296/D299):(EU/NA/AA/KOR):DECAL  
:MODEL NAME PLATE:RIC



39.D2966808  
(D296)(TWN):DECAL:MODEL NAME  
PLATE:RIC



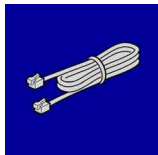
40.D2976801  
(x3)  
(D297/D298):(EU/NA/AA/KOR):DECAL  
:MODEL NAME PLATE:RIC



41.D2976808  
(D297)(TWN):DECAL:MODEL NAME  
PLATE:RIC



42.D2996807  
(CHN):DECAL:MODEL NAME PLATE:  
RIC



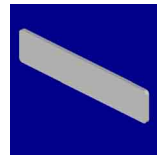
43.D3A95262  
(NA):MODULER CORD:CORE



44.M0A01704  
(x3)  
(EU/NA/AA/KOR):DECAL:CAUTION:O  
RIGINAL:ENGLISH



45.M0A01705  
(x2)  
(NA/AA/KOR):DECAL:CLEANING:SCA  
NNER:ENGLISH

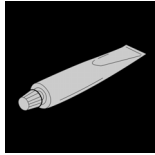


46.M1011301  
PLATE:LOGO:RIC

## SPECIAL TOOLS



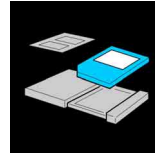
1.52039502  
Silicon Grease G-501



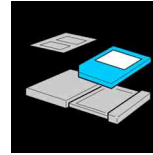
2.A2579300  
Grease Barrierta - S552R



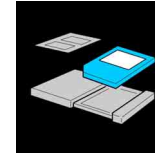
3.B1329700  
Lubricant Powder



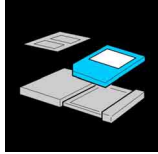
4.B6455010  
SD Card 128MB



5.B6455020  
SD Card 1GB



6.B6455030  
SD Card 2GB



7.B6455040  
SD Card 8GB



8.C4019503  
20X Magnification Scope



9.VSST9003  
C5Y Color Chart (2 piece set/ 3 pcs)

## Exclusive Parts

Number	Part Name	Group	ID
52039502	Silicon Grease G-501	SPECIAL TOOLS	1
54472681	SNAP RING	U001	5
		U013	8
		U015	8
A2579300	Grease Barrierta - S552R	SPECIAL TOOLS	2
AA001527	(EU/AA/KOR):PLATE:LOGOTYPE:GES	ACCESSORIES	8
AA001528	(EU):PLATE:LOGOTYPE:REX	ACCESSORIES	9
AA001529	(EU):PLATE:LOGO:INF	ACCESSORIES	10
AA001530	(EU):PLATE:LOGO:NSA	ACCESSORIES	11
AA001531	(AA/KOR):PLATE:LOGO:LAN	ACCESSORIES	12
AA043325	TIMING BELT - B40S2M250	U014_S001_S002	13
AA060151	TENSION SPRING	U009	15
AA061084	TENSION SPRING:FEELER	U009	16
AA061087	TORSION SPRING:STRIPPER PLATE:FRONT	U012_S001	14
		U012_S002	14
		U012_S003	14
		U012_S004	14
		U012_S005	14
AA061088	TORSION SPRING:STRIPPER PLATE:REAR	U012_S001	15
		U012_S002	15
		U012_S003	15
		U012_S004	15
		U012_S005	15
AA061089	COIL SPRING:GUIDE PLATE:FUSING EXIT	U012_S001	16
		U012_S002	16
		U012_S003	16
		U012_S004	16
		U012_S005	16
AA062087	COIL SPRING:PRESSURE	U012_S001	17
		U012_S002	17
		U012_S003	17
		U012_S004	17
		U012_S005	17
AA063483	COMPRESSION SPRING:TRANSPORT SUB-UNIT	U014_S001	14
AA063629	SPRING - 2.8N	U006_S003	17
AA063701	COMPRESSION SPRING:RISING T	U006_S001	18

Number	Part Name	Group	ID
	RAY		
AA063729	COMPRESSION SPRING:TRANSFER ROLLER:SECOND	U014_S001	15
AA066417	TORSION SPRING:TRANSFER UNIT	U014_S001	16
AA066695	TORSION SPRING:LEVER:ON-OFF	U009	17
AA066696	TORSION SPRING:TERMINAL:DRIVE ROLLER:INTERMEDIATE TRANSFER	U016	19
AA080247	BUSHING - B-F6-3	U013	9
AA080249	BUSHING - VERTICAL TRANSPORT	U003_S001	20
		U003_S002	20
		U003_S003	20
		U003_S004	20
		U003_S005	20
AA080346	BUSHING:FLANGE TYPE:DIA6	U015	9
AA080347	BUSHING - 8MM	U015	10
AA080361	PLAIN SHAFT BEARING:CASE:RISING TRAY	U006_S001	19
AA082101	BUSHING - 6X10X6	U003_S001	21
		U003_S001_S003	21
		U003_S002	21
		U003_S002_S003	21
		U003_S003	21
		U003_S003_S003	21
		U003_S004	21
		U003_S004_S003	21
		U003_S005	21
		U003_S005_S003	21
		U006	20
U006_S003	20		
U013	10		
AA082109	PLAIN SHAFT BEARING:DIA4	U009	18
AA082161	PLAIN SHAFT BEARING:REGISTRATION ROLLER	U006	21
AA082174	PLAIN SHAFT BEARING:6X10X9	U013	11
AA082180	PLAIN SHAFT BEARING:DIA6:DIA10:9	U003_S001	22
		U003_S002	22

## Exclusive Parts

Number	Part Name	Group	ID
		U003_S003	22
		U003_S004	22
		U003_S005	22
AA132208	SPACER - M6	U003_S001_S003	23
		U003_S002_S003	23
		U003_S003_S003	23
		U003_S004_S003	23
		U003_S005_S003	23
AA143592	SCREW- M4X6	U016	20
AA143788	PIN:GUIDE PLATE:PAPER FEED	U003_S001	24
		U003_S002	24
		U003_S003	24
		U003_S004	24
		U003_S005	24
AA143848	STEPPED SCREW - M3	U016	21
AA143870	STEPPED SCREW	U012_S001	18
		U012_S002	18
		U012_S003	18
		U012_S004	18
		U012_S005	18
AA161125	RUBBER CUSHION	U016	22
AB010929	GEAR:DRIVE:DEVELOPMENT:NO.2	U015	11
AB011537	GEAR:REGISTRATION ROLLER:FRONT	U006	22
AB011538	GEAR:REGISTRATION ROLLER:INNER BACK	U006	23
AB011539	GEAR:REGISTRATION ROLLER:DRIVE	U014_S001	17
AB011541	GEAR:RISING TRAY:OUTPUT	U006_S001	24
AB011552	GEAR:IDLER:LEFT REAR	U011	3
AB011553	(D297/D298):(EU/NA/AA/KOR/TWN):GEAR:IDLER:MIDDLE REAR	U011	4
AB011554	(D297/D298):(EU/NA/AA/KOR/TWN):GEAR:IDLER:RIGHT REAR	U011	5
AB011555	GEAR:IDLER:RIGHT FRONT	U011	6
AB011557	(D296/D299):GEAR:IDLER:RIGHT REAR:C2	U011	7

Number	Part Name	Group	ID
AB012076	GEAR:DRIVE:Z21	U012_S001	19
		U012_S002	19
		U012_S003	19
		U012_S004	19
		U012_S005	19
AB017827	GEAR:IDLER:COLLECTION BOTTLE:RIGHT UPPER	U011	8
AB017834	GEAR:RISING TRAY:2	U006_S001	25
AB017835	GEAR:RISING TRAY:3	U006_S001	26
AB017840	GEAR:ELECTROMAGNETIC CLUTCH:OUTPUT:Z30	U015	12
AB017841	GEAR:ELECTROMAGNETIC CLUTCH:OUTPUT:Z19	U015	13
AB017842	SHAFT:JOINT:PAPER FEED ROLLER	U015	14
AB017847	GEAR:MANUAL FEED:BASE	U015	15
AB017850	GEAR:DRIVE UNIT:FUSING:NO.3	U015	16
AB017851	GEAR:TIMING PULLEY:PAPER EXIT UNIT	U015	17
AB017865	(D296/D299):GEAR:IDLER:MIDDLE REAR:C2	U011	9
AB017899	GEAR:RISING TRAY:1	U006_S001	27
AB017934	GEAR:DRIVE UNIT:FUSING:NO.1	U015	18
AB017936	GEAR:TRANSPORT:NO.2	U015	19
AB017940	GEAR:DRIVE UNIT:FUSING:NO.2	U015	20
AB017958	GEAR:TRANSPORT:NO.1	U015	21
AB017959	GEAR:TRANSPORT:NO.3	U015	22
AB017960	GEAR:TRANSPORT:NO.4	U015	23
AB030854	TIMING PULLEY:EXIT ROLLER	U013	12
AB033120	TIGHTENER:SYNCHRONOUS BELT:PAPER EXIT UNIT	U015	24
AF020791	REGISTRATION ROLLER:DRIVE	U014_S001	18
AF021088	REGISTRATION ROLLER:DRIVEN	U006	28
AF031092	PAPER FEED ROLLER:MANUAL FEED	U006	29
AG070513	MAGNET CATCH	U001	6
		U016	23
AG071012	MAGNET CATCH:ASS'Y	U011	10



## Exclusive Parts

Number	Part Name	Group	ID
AH010011	RUBBER FOOT:H5	U017	10
AW010124	PHOTO REFLECTION SENSOR:GP 2A200LCS0F	U012	20
		U014_S001	19
AW010151	PHOTO REFLECTION SENSOR:PS1 22TL1-A	U003_S001	25
		U003_S002	25
		U003_S003	25
		U003_S004	25
		U003_S005	25
		U014_S001_S002	20
AW020203	PHOTOINTERRUPTOR:GP1A173L CS2F	U009	19
AW020224	PHOTOINTERRUPTOR:GP1A173L CSVF	U003_S001	26
		U003_S002	26
		U003_S003	26
		U003_S004	26
		U003_S005	26
		U004	11
		U006	30
		U011	11
		U014_S001	21
AW100138	THERMOPILE	U012	21
AW110101	THERMOSTAT:LOWER	U012_S001	22
		U012_S002	22
		U012_S003	22
		U012_S004	22
		U012_S005	22
AW140026	TEMPERATURE & HUMIDITY SEN SOR	U016	24
AW500045	PUSH SWITCH	U011	12
		U016	25
AX040272	DC STEPPER MOTOR:NMB	U004	12
AX060481	DC BRUSHLESS MOTOR:DRUM:B K:31.3W:40CPM	U015	25
AX060482	DC BRUSHLESS MOTOR:DRUM:C OLLAR:20.4W:35CPM	U015_S001	26
AX060483	DC BRUSHLESS MOTOR:DEVELO PMENT:COLOR:34.4W:35CPM	U015	27
AX060484	DC BRUSHLESS MOTOR:DRIVE S	U015	28

Number	Part Name	Group	ID
	UB-UNIT:FUSING:34.9W:40CPM		
AX060485	DC BRUSHLESS MOTOR:DRIVE S UB-UNIT:TRANSPORT:18.5W:40CP M	U015	29
AX200328	ELECTROMAGNETIC CLUTCH:DRIVE: MANUAL FEED	U006	31
AX200333	ELECTROMAGNETIC CLUTCH:DE VELOPMENT:0.5NM:DIA6	U015	30
AX200336	ELECTROMAGNETIC CLUTCH:PA PER F R	U015	31
AX200337	ELECTROMAGNETIC CLUTCH:RE GISTRATION	U015	32
AX200338	ELECTROMAGNETIC CLUTCH:PUL L OUT	U003_S001	27
		U003_S002	27
		U003_S003	27
		U003_S004	27
		U003_S005	27
AX200360	ELECTROMAGNETIC CLUTCH:DRIVE: MANUAL FEED:DUPLEX	U015	33
AX310049	TOTAL COUNTER:7FIG:24V	ACCESSORIES	13
AX640219	DC FAN MOTOR:DC24V:MM60:25M M	U017	11
AX640233	DC FAN MOTOR:AXIAL:MM92	U017	12
AX640234	FAN:SIROCCO:DC24V:60MM	U017	13
AZ240293	(NA/TWN):POWER SUPPLY UNIT:2 59W	U016	26
AZ240295	(EU/AA/KOR):POWER SUPPLY UNI T:259W	U016	27
AZ240297	(CHN):POWER SUPPLY UNIT	U016	28
AZ320212	POWER PACK:CB	U016	29
AZ320213	POWER PACK:T1T2	U016	30
B0042310	SPUR	U012_S001_S002	23
		U012_S002_S002	23
		U012_S003_S002	23
		U012_S004_S002	23
		U012_S005_S002	23
B0442751	JOINT - PAPER FEED ROLLER	U006_S003	32
B0442756	SPRING - PAPER FEED ROLLER	U006_S003	33

## Exclusive Parts

Number	Part Name	Group	ID
B1043928	BIAS ROLLER SPACER	U006_S003	34
B1329700	Lubricant Powder	SPECIAL TOOLS	3
B1345050	(D296/D297):(EU/NA/AA/KOR/TWN) :SPEAKER:B134	U016	31
B2232936	GEAR - 16Z	U006_S003	35
B2385875	DC SOLENOID DC24V	U009	20
B6455010	SD Card 128MB	SPECIAL TOOLS	4
B6455020	SD Card 1GB	SPECIAL TOOLS	5
B6455030	SD Card 2GB	SPECIAL TOOLS	6
B6455040	SD Card 8GB	SPECIAL TOOLS	7
B7002649	TIMING BELT:40S2M144	U014_S001	22
B7027105	TIMING BELT:B40S2M520:	U015	34
B8722421	BUSHING:FEED	U003_S001	28
		U003_S002	28
		U003_S003	28
		U003_S004	28
		U003_S005	28
B8722529	COLLAR:PICKUP	U003_S001_S003	29
		U003_S002_S003	29
		U003_S003_S003	29
		U003_S004_S003	29
		U003_S005_S003	29
B8722614	BUSHING:R1	U003_S001	30
		U003_S002	30
		U003_S003	30
		U003_S004	30
		U003_S005	30
BE020207	PRESSURE ROLLER:DIA25	U012_S001	24
		U012_S002	24
		U012_S003	24
		U012_S004	24
		U012_S005	24
BW100147	THERMISTOR:PRESSURE	U012_S001	25
		U012_S002	25
		U012_S003	25
		U012_S004	25
		U012_S005	25
BW100150	NON-CONTACT TYPE THERMISTO	U012_S001	26

Number	Part Name	Group	ID
	R	U012_S002	26
		U012_S003	26
		U012_S004	26
		U012_S005	26
C4019503	20X Magnification Scope	SPECIAL TOOLS	8
D0094511	SPACER:DIA8.0:1.5MM	U003_S001	31
		U003_S002	31
		U003_S003	31
		U003_S004	31
		U003_S005	31
D0392752	DISC:SIDE FENCE	U014_S001_S001	23
D0895824	COVER:SD-CARD:D086/D087	U016	32
D1054168	LEVER:LOCK:PRESSURE	U012_S001	27
		U012_S002	27
		U012_S003	27
		U012_S004	27
		U012_S005	27
D1054303	ELECTRODE PLATE:FUSING:NEU TRAL	U012_S001	28
		U012_S002	28
		U012_S003	28
		U012_S004	28
		U012_S005	28
D1054365	HOLDER:THERMOPILE	U012	29
D1171057	CASE:COIL SPRING:PLATE:PCU:F RONT	U017	14
D1171058	CASE:COIL SPRING:PLATE:PCU:R EAR	U017	15
D1171059	SLIDER:COIL SPRING:PLATE:PCU: REAR	U017	16
D1171064	SEAL:SIDE PLATE:FRONT	U017	17
D1171068	COIL SPRING:PLATE:PCU	U017	18
D1171069	SLIDER:COIL SPRING:PLATE:PCU: FRONT	U017	19
D1171124	COVER:FAN	U017	20
D1171125	SEAL:COVER:FAN	U017	21
D1171126	DUCT:OPTICAL WRITING MD	U017	22
D1171192	TERMINAL:DEVELOPMENT BIAS:A SS'Y	U015	35

## Exclusive Parts

Number	Part Name	Group	ID
D1171207	SHAFT:TIMING PULLEY:PAPER EXIT UNIT	U015	36
D1171232	HOLDER:TIMING PULLEY:PAPER EXIT UNIT	U015	37
D1171301	COVER:FRONT	U001	7
D1171302	HINGE:COVER:FRONT:RIGHT	U001	8
D1171303	HINGE:COVER:FRONT:LEFT	U001	9
D1171304	BRACKET:HINGE:RIGHT	U001	10
D1171305	BRACKET:HINGE:LEFT	U001	11
D1171306	PIN:HINGE	U001	12
D1171307	MAGNET CATCH:COVER:FRONT	U001	13
D1171308	COVER:FRONT LOWER	U001	14
D1171313	COVER:UPPER	U001	15
D1171324	COVER:DEODORIZE FILTER	U001	16
D1171325	LOUVER:COVER:RIGHT REAR	U001	17
D1171326	LOUVER:DUCT	U001	18
D1171332	BRACKET:KEY COUNTER HOLDER	ACCESSORIES	14
D1171353	COVER:UPPER LEFT	U001	19
D1171361	INNER COVER:UPPER	U001	20
D1171371	BRACKET:CARD READER	ACCESSORIES	15
D1171372	BRACKET:CARD READER	ACCESSORIES	16
D1171801	BRACKET:MOTOR	U004	13
D1171804	CAP:TIMING PULLEY	U004	14
D1171805	GEAR:TIMING PULLEY:81-18	U004	15
D1171806	PULLEY:IDLER	U004	16
D1171807	BRACKET:IDLER:PEEN	U004	17
D1171810	SYNCHRONOUS BELT:S2M:441	U004	18
D1171820	BUSHING:BRACKET	U004	19
D1171826	GEAR:SLOW DOWN:53-19	U004	20
D1171837	COIL SPRING:TENSION	U004	21
D1171990	STEPPED SCREW	U005	4
D1171991	SPRING LOCK WASHER:DIA6.4XDA11X1.5	U005	5
D1172533	BASE:RISE:ASS'Y	U006_S001	36
D1172611	GUIDE PLATE:VERTICAL TRANSPORT:LOWER	U006	37
D1172612	GUIDE PLATE:VERTICAL TRANSPORT:UPPER	U006	38

Number	Part Name	Group	ID
	ORT:UPPER		
D1172613	GUIDE:VERTICAL TRANSPORT	U006	39
D1172617	CASE:REMOVE PAPER DUST	U006	40
D1172618	GUIDE:REMOVE PAPER DUST	U006	41
D1172631	COLLAR:REGISTRATION	U014_S001	24
D1172633	BUSHING:REGISTRATION ROLLER:DRIVE	U014_S001	25
D1172635	BRACKET:FRAME:REGISTRATION	U014_S001	26
D1172636	HOLDER:REGISTRATION	U014_S001	27
D1172637	COMPRESSION SPRING:ROLLER:TENSION	U014_S001	28
D1172638	GUIDE PLATE:REGISTRATION ROLLER:DRIVE	U014_S001	29
D1172639	GUIDE:REGISTRATION:DRIVE:FRONT	U014_S001	30
D1172640	GUIDE:REGISTRATION:DRIVE:INNER BACK	U014_S001	31
D1172655	BASE:LIFT MOTOR:PAPER FEED:FRONT	U006_S001	42
D1172656	CASE:RISING TRAY	U006_S001	43
D1172660	DC MOTOR:2.6W:BRUSH	U006_S001	44
D1172710	GUIDE PLATE:MANUAL FEED:LOWER	U006	45
D1172711	FRICTION PAD:MANUAL FEED:ADHESION	U006	46
D1172714	COMPRESSION SPRING:SEPARATION:MANUAL FEED	U006	47
D1172717	SHAFT:PAPER FEED:MANUAL FEED	U006	48
D1172719	GEAR:PAPER FEED:MANUAL FEED	U006	49
D1172723	GUIDE:BASE:FRONT	U006_S004	50
D1172724	GUIDE:BASE:REAR	U006_S004	51
D1172725	COMPRESSION SPRING:PAPER FEED:MANUAL FEED	U006	52
D1172727	GUIDE PLATE:MANUAL FEED:MIDDLE	U006	53
D1172728	SHEET:MANUAL FEED	U006	54

## Exclusive Parts

Number	Part Name	Group	ID
D1172729	TENSION SPRING:GUIDE PLATE:MANUAL FEED	U006	55
D1172733	FEELER:PAPER END SENSOR:MANUAL FEED	U006	56
D1172734	TORSION SPRING:PAPER END SENSOR:MANUAL FEED	U006	57
D1172735	SUPPORTING PLATE:MANUAL FEED	U006	58
D1172740	SHAFT:CAM:MANUAL FEED	U006	59
D1172741	CAM:MANUAL FEED:FRONT	U006	60
D1172742	CAM:MANUAL FEED:REAR	U006	61
D1172743	GEAR:CAM:MANUAL FEED	U006	62
D1172744	GEAR:CAM:IDLER:LOWER	U006	63
D1172745	GEAR:CAM:IDLER:STEPPED	U006	64
D1172746	GEAR:CAM:IDLER:UPPER	U006	65
D1172747	FEELER:CAM:MANUAL FEED	U006	66
D1172749	BRACKET:MANUAL FEED:REAR	U006	67
D1172751	BRACKET:MANUAL FEED:FRONT	U006	68
D1172752	SPRING PLATE:HOME POSITION SENSOR:MANUAL FEED	U006	69
D1172756	FEELER:PAPER SIZE SENSOR:MANUAL FEED	U006	70
D1172760	SUPPORTING PLATE:SMALL:MANUAL FEED	U006	71
D1172761	LINK:MANUAL FEED TABLE	U014_S001	32
D1172762	MANUAL FEED TABLE:ASS'Y	U014_S001_S001	33
D1172766	SIDE FENCE:MANUAL FEED:FRONT	U014_S001_S001	34
D1172767	SIDE FENCE:MANUAL FEED:REAR	U014_S001_S001	35
D1172768	GEAR:SIDE FENCE	U014_S001_S001	36
D1172769	RACK:MANUAL FEED	U014_S001_S001	37
D1172770	COVER:MANUAL FEED TABLE	U014_S001_S001	38
D1172771	EXTENSION TRAY:MANUAL FEED	U014_S001_S001	39
D1172772	COMPRESSION SPRING:EXTENSION TRAY:MANUAL FEED	U014_S001_S001	40
D1172773	COVER:MANUAL FEED TABLE:LOWER	U014_S001_S001	41
D1172776	TORSION SPRING:COVER:MANUAL FEED	U014_S001_S001	42

Number	Part Name	Group	ID
	L FEED TABLE		
D1172778	COMPRESSION SPRING:RACK:MANUAL FEED	U014_S001_S001	43
D1172779	PIN:PINION GEAR	U014_S001_S001	44
D1172781	COIL SPRING:PINION GEAR:MANUAL FEED	U014_S001_S001	45
D1172782	GUIDE PLATE:MANUAL FEED TABLE	U006_S004	72
D1172784	LINK:COVER:FRONT REAR	U014_S001_S001	46
D1172785	LINK:COVER:MIDDLE	U014_S001_S001	47
D1172787	STOPPER:MANUAL FEED TABLE	U014_S001	48
D1172792	DECAL:SCALE:MANUAL FEED	U014_S001_S001	49
D1172796	(CHN):DECAL:TRAY:MANUAL FEED:INKJET	ACCESSORIES	17
D1172797	(TWN):DECAL:TRAY:MANUAL FEED:INKJET	ACCESSORIES	18
D1172799	(NA/AA/KOR):DECAL:TRAY:MANUAL FEED:INKJET	ACCESSORIES	19
D1172805	HOLDER:GRIP:PAPER TRAY	U006_S003	73
D1172806	GRIP:PAPER TRAY	U006_S003	74
D1172807	LEVER:RELEASE:PAPER TRAY	U006_S003	75
D1172808	STOPPER:GUIDE PLATE:BASE:RISE	U006_S003	76
D1172809	TENSION SPRING:BASE:RISE	U006_S003	77
D1172813	STOPPER:PAPER TRAY	U006	78
D1172814	PRESSURE PLATE:BASE:RISE	U006_S003	79
D1172815	SPRING PLATE:SIDE FENCE:FRONT	U006_S003_S002	80
D1172816	SHAFT:BASE:RISE	U006_S003	81
D1172819	RACK:BASE:RISE	U006_S003	82
D1172820	PINION:BASE:RISE	U006_S003	83
D1172822	BRACKET:PINION:BASE:RISE	U006_S003	84
D1172823	PAD:SIDE FENCE	U006_S003_S002	85
		U006_S003_S003	85
D1172825	SIDE FENCE:FRONT:ASS'Y	U006_S003_S002	86
D1172826	COMPRESSION SPRING:SIDE FENCE:PLATE	U006_S003_S002	87
D1172828	COMPRESSION SPRING:BASE:RISE	U006_S003	88

## Exclusive Parts

Number	Part Name	Group	ID
	E:AUXILIARY		
D1172829	COVER:PRESSURE PLATE:BASE:RISE	U006_S003	89
D1172830	LEVER:STOPPER:FRONT	U006_S003_S002	90
D1172834	PLATE:SIDE FENCE	U006_S003_S002	91
D1172838	END FENCE	U006_S003	92
D1172839	LEVER:UN LOCK:END FENCE	U006_S003	93
D1172840	COVER:END FENCE	U006_S003	94
D1172842	(NA/AA/KOR):DECAL:PAPER SET DIRECTION:TRAY:RIGHT	ACCESSORIES	20
D1172843	DECAL:PAPER SET DIRECTION:TRAY:LEFT	U006_S003	95
D1172844	DECAL:SIDE FENCE:REAR	U006_S003_S003	96
D1172846	RETAINING RINGS-E:SILENCER:DI A3	U006_S003	97
D1172848	COVER:PAPER TRAY	U006_S003	98
D1172851	PAPER FEED ROLLER:PAPER TRAY	U006_S003	99
D1172852	SHAFT:PAPER FEED ROLLER:ASS'Y	U006_S003	100
D1172856	ROLLER:PAPER TRAY:RIGHT	U006_S003	101
D1172858	ROLLER:PAPER TRAY:LEFT	U006_S003	102
D1172866	ROLLER:RAIL:RIGHT	U006	103
D1172870	PAPER FEED ROLLER:AUXILIARY	U006_S003	104
D1172872	FRICTION PAD:ASS'Y	U006_S003	105
D1172875	(CHN):DECAL:PAPER SET DIRECTION:TRAY:RIGHT	ACCESSORIES	21
D1172876	(TWN):DECAL:PAPER SET DIRECTION:TRAY:RIGHT	ACCESSORIES	22
D1172877	DECAL:PAPER TRAY:SIZE INDICATION	ACCESSORIES	23
D1172882	TENSION SPRING:GRIP:LEFT	U006_S003	106
D1172884	PLATE:ROLLER:PAPER TRAY:RIGHT	U006_S003	107
D1172886	PLATE:ROLLER:PAPER TRAY:LEFT	U006_S003	108
D1172888	JOINT:BASE:RISE	U006_S001	109
D1172890	TENSION SPRING:GRIP:RIGHT	U006_S003	110

Number	Part Name	Group	ID
D1172894	SHAFT:PINION:BASE:RISE	U006_S003	111
D1172896	SHEET:PLATE:FRICTION PAD	U006_S003	112
D1172897	BRACKET:LEFT:ROLLER:ASS'Y	U006	113
D1172899	LEVER:STRETCH:TRAY:UNI:ASS'Y	U006_S002	114
D1172901	BRACKET:STRETCH:TRAY	U006	115
D1173354	COLLAR:TONER SUPPLY:HOUSING	U008_S009	7
		U008_S010	7
		U008_S011	7
		U008_S012	7
		U008_S013	7
D1173400	DC MOTOR:TONER SUPPLY:5.3W:BRUSH	U008_S005	8
		U008_S006	8
		U008_S007	8
		U008_S008	8
D1173401	COLLAR:DRIVE:BRACKET	U008_S005	9
		U008_S006	9
		U008_S007	9
		U008_S008	9
D1173402	GEAR:IDLER:DC MOTOR	U008_S005	10
		U008_S006	10
		U008_S007	10
		U008_S008	10
D1173403	GEAR:IDLER:TONER BOTTLE	U008_S005	11
		U008_S006	11
		U008_S007	11
		U008_S008	11
D1173404	SHAFT:DRIVE:AGITATOR	U008_S005	12
		U008_S006	12
		U008_S007	12
		U008_S008	12
D1173405	COMPRESSION SPRING:GEAR:TONER BOTTLE	U008_S005	13
		U008_S006	13
		U008_S007	13
		U008_S008	13
D1173410	DECAL:COLORED DISPLAY:INNER COVER:K	U017	23
D1173411	DECAL:COLORED DISPLAY:INNER COVER:C	U017	24

## Exclusive Parts

Number	Part Name	Group	ID
D1173412	DECAL:COLORED DISPLAY:INNER COVER:M	U017	25
D1173413	DECAL:COLORED DISPLAY:INNER COVER:Y	U017	26
D1174153	LEVER:PRESSURE RELEASE:FRO NT:ASS'Y	U012_S001	30
		U012_S002	30
		U012_S003	30
		U012_S004	30
		U012_S005	30
D1174155	LEVER:PRESSURE:FRONT	U012_S001	31
		U012_S002	31
		U012_S003	31
		U012_S004	31
		U012_S005	31
D1174163	LEVER:PRESSURE RELEASE:REA R:ASS'Y	U012_S001	32
		U012_S002	32
		U012_S003	32
		U012_S004	32
		U012_S005	32
D1174165	LEVER:PRESSURE:REAR	U012_S001	33
		U012_S002	33
		U012_S003	33
		U012_S004	33
		U012_S005	33
D1174235	GUIDE PLATE:FUSING EXIT	U012_S001	34
		U012_S002	34
		U012_S003	34
		U012_S004	34
		U012_S005	34
D1174236	SHEET:C:LEVER	U012_S001	35
		U012_S002	35
		U012_S003	35
		U012_S004	35
		U012_S005	35
D1174238	GUIDE:FUSING EXIT:ETFE	U012_S001	36
		U012_S002	36
		U012_S003	36
		U012_S004	36

Number	Part Name	Group	ID
		U012_S005	36
D1174241	FUSING ENTRANCE GUIDE PLATE	U012_S001	37
		U012_S002	37
		U012_S003	37
		U012_S004	37
		U012_S005	37
D1174261	FUSING COVER:UPPER:ASS'Y	U012_S001_S001	38
		U012_S002_S001	38
		U012_S003_S001	38
		U012_S004_S001	38
		U012_S005_S001	38
D1174263	DECAL:H-TEMP WARNING:FUSIN G	U012_S001_S001	39
		U012_S002_S001	39
		U012_S003_S001	39
		U012_S004_S001	39
		U012_S005_S001	39
D1174451	GUIDE PLATE:EXIT:LOWER	U013	13
D1174452	GATE PAWL:REVERSE	U013	14
D1174454	EXIT ROLLER	U013	15
D1174455	GEAR:EXIT	U013	16
D1174457	BRACKET:ROLLER:EXIT	U013	17
D1174465	COLLAR:GEAR:EXIT	U013	18
D1174483	LEVER:GATE PAWL:EXIT	U013	19
D1174484	LINK:GATE PAWL:EXIT	U013	20
D1174485	BRACKET:DC SOLENOID:GATE PA WL	U013	21
D1174489	DISCHARGE BRUSH:EXIT	U013	22
D1174492	ROLLER:EXIT	U013	23
D1174495	EXTENSION TRAY:EXIT	U001	21
D1174496	END FENCE:EXIT	U001	22
D1174498	STOPPER:END FENCE:EXIT	U001	23
D1174499	COMPRESSION SPRING:END FEN CE:EXIT	U001	24
D1174501	PIN:HOOK:FRAME:DUPLEX:ASS'Y	U014	50
D1174514	SHAFT:STOPPER:COVER:RIGHT	U014_S001	51
D1174600	COVER:RIGHT:DUPLEX	U014_S001	52
D1174602	BAND:STOPPER:COVER:RIGHT	U014	53
D1174607	PLATE:BAND:STOPPER	U014	54

## Exclusive Parts

Number	Part Name	Group	ID
D1174608	LEVER:FUSING:RELEASE:FRONT	U014_S001	55
D1174609	LEVER:FUSING:RELEASE:INNER BACK	U014_S001	56
D1174611	SHAFT:HINGE:DUPLEX	U014_S001	57
D1174614	COVER:HARNESS:DUPLEX	U014_S001	58
D1174615	SPRING PLATE:EARTH:DUPLEX	U014_S001	59
D1174616	TENSION SPRING:STOPPER:DOOR:RIGHT:FRONT	U014_S001	60
D1174617	COLLAR:STOPPER:COVER:RIGHT	U014_S001	61
D1174633	SHAFT:HOOK:FRAME:DUPLEX	U014_S001_S002	62
D1174635	TORSION SPRING:HOOK:FRAME:DUPLEX	U014_S001_S002	63
D1174641	BRACKET:PLATE:TRANSFER:ASS'Y	U014_S001_S002	64
D1174645	BRACKET:PLATE:TRANSFER:INNER BACK:ASS'Y	U014_S001_S002	65
D1174651	GEAR:TRANSPORT ROLLER:DUPLICATE:Z14	U014_S001_S002	66
D1174654	SHAFT:GEAR:SWING UNIT:Z14:ASS'Y	U014_S001_S002	67
D1174664	SHAFT:PULLEY:COUPLING:FRAME:ASS'Y	U014_S001_S002	68
D1174671	TRANSPORT ROLLER:DUPLEX	U014_S001 U014_S001_S002	69 69
D1174676	SHAFT:ROLLER:DRIVEN:DUPLEX	U014_S001	70
D1174677	ROLLER:DRIVEN:DUPLEX	U014_S001	71
D1174678	PULLEY:IDLER	U014_S001 U014_S001_S002	72 72
D1174679	PULLEY:DRIVE ROLLER	U014_S001 U014_S001_S002	73 73
D1174682	SHAFT:HOOK:STOPPER	U014_S001	74
D1174686	KNOB:COVER:RIGHT:DUPLEX	U014_S001	75
D1174690	GUIDE PLATE:REVERSE:ENTRANCE:LOWER	U014_S001	76
D1174691	GUIDE PLATE:REVERSE:EXIT:LOWER	U014_S001_S002	77
D1174693	GUIDE PLATE:REVERSE:EXIT:UPPER	U014_S001_S002	78

Number	Part Name	Group	ID
D1174697	GUIDE PLATE:MIDDLE	U014_S001_S002	79
D1174698	GUIDE PLATE:REVERSE:ENTRANCE:UPPER	U014_S001	80
D1174699	SHAFT:GUIDE PLATE:REVERSE:ENTRANCE:UPPER	U014_S001	81
D1174702	COMPRESSION SPRING:GUIDE PLATE:REVERSE:ENTRANCE	U014_S001	82
D1174705	BRACKET:GEAR:SWIVEL:ASS'Y	U014_S001_S002	83
D1174706	GEAR:IDLER:SWIVEL:COUPLING	U014_S001_S002	84
D1174708	TENSION SPRING:GEAR:SWING UNIT	U014_S001_S002	85
D1174709	COMPRESSION SPRING:ROLLER:DRIVEN:DUPLEX	U014_S001	86
D1174712	HOLDER:BELT:COUPLING	U014_S001	87
D1174713	SHAFT:PULLEY:WIRE	U014	88
D1174714	BAND:HOOK:DUPLEX:COUPLING	U014_S001	89
D1174716	TORSION SPRING:FEELER:ENTRANCE SENSOR	U014_S001	90
D1174718	SHEET:COVER:RIGHT FRONT	U014_S001	91
D1174719	TUBE:STOPPER	U014_S001_S002	92
D1174720	SHAFT:PULLEY:IDLER:COUPLING:ASS'Y	U014_S001	93
D1174724	GEAR:IDLER:TIMING PULLEY:DUPLEX	U014_S001	94
D1174727	COVER:CONNECTOR:DUPLEX SECTION:CONNECTING	U014	95
D1174731	PULLEY:WIRE:DAMPER	U014	96
D1174732	TORSION SPRING:DOOR:RIGHT:STOPPER	U014	97
D1174733	COLLAR:STOPPER:SIDE PLATE	U014	98
D1174734	BRACKET:STOPPER:SIDE PLATE:ASS'Y	U014	99
D1174737	WIRE:STOPPER:DIA1.2:ASS'Y	U014_S001	100
D1174792	PLATE:MANUAL FEED:FRONT	U014_S001	101
D1174794	PLATE:MANUAL FEED:INNER BACK	U014_S001	102
D1175091	(NA/TWN):HEATER:EU:ASS'Y	U018_S004 U018_S005	8 8

## Exclusive Parts

Number	Part Name	Group	ID
D1175097	(EU/AA/KOR/CHN):HEATER:EU:AS S'Y	U018_S001	9
		U018_S002	9
		U018_S003	9
D1175180	(NA/TWN):PCB:ACVB:100V	U016	33
D1175190	(EU/AA/KOR/CHN):PCB:ACVB:200V	U016	34
D1175303	THERMISTOR	U016	35
D1175864	GUIDE:HARNESS:FFC:OPTICAL WRITING UNIT	U016	36
D1175867	GUIDE:HARNESS:POWER SUPPLY UNIT	U016	37
D1175869	WIRE:HIGH VOLTAGE:TRANSFER: BK	U016	38
D1175870	WIRE:HIGH VOLTAGE:TRANSFER: C	U016	39
D1175871	WIRE:HIGH VOLTAGE:TRANSFER: M	U016	40
D1175872	WIRE:HIGH VOLTAGE:TRANSFER: Y	U016	41
D1175874	WIRE:HIGH VOLTAGE:DEVELOPMENT: BK	U016	42
D1175875	WIRE:HIGH VOLTAGE:DEVELOPMENT: C	U016	43
D1175876	WIRE:HIGH VOLTAGE:DEVELOPMENT: M	U016	44
D1175877	WIRE:HIGH VOLTAGE:DEVELOPMENT: Y	U016	45
D1175878	WIRE:HIGH VOLTAGE:CHARGE: BK	U016	46
D1175879	WIRE:HIGH VOLTAGE:CHARGE: C	U016	47
D1175880	WIRE:HIGH VOLTAGE:CHARGE: M	U016	48
D1175881	WIRE:HIGH VOLTAGE:CHARGE: Y	U016	49
D1175882	WIRE:HIGH VOLTAGE:DEVELOPMENT: BK:CONNECTING	U016	50
D1175883	WIRE:HIGH VOLTAGE:DEVELOPMENT: C:CONNECTING	U016	51
D1175886	DUCT:POWER SUPPLY UNIT:ENTRANCE	U016	52
D1175887	DUCT:POWER SUPPLY UNIT:EXHAUST	U016	53

Number	Part Name	Group	ID
D1175890	GRIP:RIGHT REAR	U016	54
D1175891	GRIP:LEFT REAR	U016	55
D1175892	BRACKET:SWIVEL:SAFETY SWITCH	U016	56
D1175893	LEVER:RIGHT:SAFETY SWITCH	U016	57
D1175894	LEVER:FRONT:SAFETY SWITCH	U016	58
D1175895	TORSION SPRING:SAFETY SWITCH	U016	59
D1175899	TERMINAL:CHARGE	U016	60
D1175901	TORSION SPRING:LEVER:RIGHT:SAFETY SWITCH	U016	61
D1175902	COLLAR:SHAFT:SAFETY SWITCH	U016	62
D1175903	INNER COVER:SAFETY SWITCH	U016	63
D1175904	BRACKET:DRAWER:FUSING	U016	64
D1175905	GUIDE:WIRE:HIGH VOLTAGE:TRANSFER:SECOND	U016	65
D1175908	BRACKET:DRAWER:OPTION TRAY	U016	66
D1175912	BRACKET:SWITCH:HEATER	U016	67
D1175915	GUIDE:WIRE:HIGH VOLTAGE:CHARGE	U016	68
D1175916	STEPPED SCREW:M3X8:SECOND KIND	U016	69
D1175924	STOPPER:WIRE:HIGH VOLTAGE:TRANSFER	U016	70
D1175927	ACTUATOR:FRONT:SAFETY SWITCH	U001	25
D1175945	SPACER:FFC	U016	71
D1176135	CAM:ON-OFF: BK	U009	21
D1176136	SHAFT:CAM:ON-OFF: BK	U009	22
D1176137	LEVER:ON-OFF: BK:INTERMEDIATE TRANSFER	U009	23
D1176138	PRESSURE PLATE:INTERMEDIATE TRANSFER	U009	24
D1176181	LEVER:SUPPORT:SHUTTER	U009	25
D1176185	LEVER:OPEN AND CLOSE:SHUTTER	U009	26
D1176312	HOLDER:DISCHARGE:TRANSPORT SUB-UNIT	U014_S001	103



## Exclusive Parts

Number	Part Name	Group	ID
D1176320	TERMINAL:BIAS:SEPARATION	U014_S001	104
D1176322	COVER:PRESSURE PLATE:ENTRANCE	U014_S001	105
D1176327	LEVER:GROUND PLATE	U014_S001	106
D1176350	DC MOTOR:ON-OFF:FIRST:ASS'Y:5.3W:BRUSH	U009	27
D1176363	GEAR:ON-OFF:FIRST	U009	28
D1176364	GEAR:ON-OFF:FIRST:NO.1	U009	29
D1176365	GEAR:ON-OFF:FIRST:NO.2	U009	30
D1176366	GEAR:ON-OFF:FIRST:NO.3	U009	31
D1176375	BRACKET:FEELER:ON-OFF	U009	32
D1176376	FEELER:ON-OFF:FIRST	U009	33
D1176386	HOOK:SHUTTER:DENSITY SENSOR	U009	34
D1176389	SPACER:SHUTTER:TM SENSOR	U009	35
D1176392	SPACER:SHUTTER:SENSOR:TM	U009	36
D1176401	COLLECTION BOTTLE:ASS'Y	U011_S001	13
D1176588	BRACKET:COLLECTION BOTTLE:LEFT	U011	14
D1201557	(EU):SHEET:LOGO:GES	ACCESSORIES	24
D1201558	(EU):SHEET:LOGO:REX	ACCESSORIES	25
D1201559	(EU):SHEET:LOGO:NAS	ACCESSORIES	26
D1201560	(EU):SHEET:LOGO:INF	ACCESSORIES	27
D1441085	STEPPED SCREW:M3	U009	37
		U012_S001	40
		U012_S002	40
		U012_S003	40
		U012_S004	40
		U012_S005	40
D1491553	SHEET:LOGO	ACCESSORIES	28
D1495884	COMPRESSION SPRING:KEYTOP	U001	26
D1775686	PCB:DCSW	U016	72
D1916884	(NA):DECAL:MAIN SWITCH:ON-STANDBY	ACCESSORIES	29
D1916885	(EU/AA/KOR/CHN/TWN):DECAL:MAIN SWITCH:ON-STANDBY	ACCESSORIES	30
D1961036	SEAL:COVER:LEFT	U017	27
D1961066	LEVER:LOCK:FRONT	U017	28

Number	Part Name	Group	ID
D1961087	LEVER:LOCK:REAR	U017	29
D1961127	DUCT:LEFT:VACUUM	U017	30
D1961128	COVER:DUCT:LEFT:VACUUM	U017	31
D1961143	DUCT:REAR:BASE	U017	32
D1961152	DRIVE UNIT:DRUM:DEVELOPMENT:TRANSFER:ASS'Y	U015_S001	38
D1961177	COVER:ELECTROMAGNETIC CLUTCH:DEVELOPMENT:DIA6	U015	39
D1961180	SHAFT:DRIVE:DEVELOPMENT:ELECTROMAGNETIC CLUTCH:PRESS FIT	U015	40
D1961321	COVER:RIGHT REAR	U001	27
D1961322	KEYTOP:MAIN SWITCH	U001	28
D1961323	DEODORIZE FILTER	U001	29
D1961485	IC:NFC_TAG:MN63Y3212NB	ACCESSORIES	31
D1962626	GROUND PLATE:BRACKET:REMOVE PAPER DUST	U006	116
D1962720	TRAY BOTTOM PLATE:MANUAL FEED:ASS'Y	U006_S004	117
D1962791	GROUND PLATE:TRAY BOTTOM PLATE:MANUAL FEED:FRONT	U006	118
D1962793	GROUND PLATE:TRAY BOTTOM PLATE:MANUAL FEED:INNER BACK	U006	119
D1962794	HOLDER:RESISTOR:MANUAL FEED:BASE	U006	120
D1962798	INSULATING SHEET:BASE:MANUAL FEED	U006	121
D1962817	LEVER:BASE:RISE	U006_S003	122
D1962845	BASE:TRAY:ASS'Y	U006_S003_S001	123
D1962849	BRACKET:PIN:STRETCH:TRAY:PEN	U006_S003	124
D1963301	(D297/D298):(EU/NA/AA/KOR/TWN):HOUSING:TONER SUPPLY:ASS'Y	U008_S010	14
		U008_S011	14
		U008_S012	14
		U008_S013	14
D1963302	TONER HOPPER:TONER SUPPLY:BACK:ASS'Y	U008_S001	15
D1963303	TONER HOPPER:TONER SUPPLY:	U008_S002	16

Exclusive Parts

Number	Part Name	Group	ID
	CMY:ASS'Y	U008_S003	16
		U008_S004	16
D1963304	DRIVE UNIT:TONER SUPPLY:ASS'Y	U008_S005	17
		U008_S006	17
		U008_S007	17
		U008_S008	17
D1963390	GEAR:TONER HOPPER:DRIVE SUB-UNIT	U008_S005	18
		U008_S006	18
		U008_S007	18
		U008_S008	18
D1964084	FUSING COVER:LOWER:ASS'Y	U012_S001_S002	41
		U012_S002_S002	41
		U012_S003_S002	41
		U012_S004_S002	41
		U012_S005_S002	41
D1964124	BRACKET:THERMISTOR:PRESSURE:FRONT	U012_S001	42
		U012_S002	42
		U012_S003	42
		U012_S004	42
		U012_S005	42
D1964125	DISCHARGE BRUSH:BRACKET:THERMISTOR:PRESSURE:REAR	U012_S001	43
		U012_S002	43
		U012_S003	43
		U012_S004	43
		U012_S005	43
D1964126	BRACKET:RESISTOR	U012_S001	44
		U012_S002	44
		U012_S003	44
		U012_S004	44
		U012_S005	44
D1964127	RESISTOR:FUSING SUB-UNIT	U012_S001	45
		U012_S002	45
		U012_S003	45
		U012_S004	45
		U012_S005	45
D1964194	GUIDE:HARNESS:FUSING	U012_S001	46
		U012_S002	46
		U012_S003	46

Number	Part Name	Group	ID
		U012_S004	46
		U012_S005	46
D1964231	STRIPPER PLATE	U012_S001	47
		U012_S002	47
		U012_S003	47
		U012_S004	47
		U012_S005	47
D1964460	SHAFT:DRIVEN:EXIT	U013	24
D1964461	ROLLER:DRIVEN:EXIT:MIDDLE	U013	25
D1964462	ROLLER:DRIVEN:EXIT:OUTER	U013	26
D1964520	FRAME:DUPLEX:ASS'Y	U014_S001_S002	107
D1964600	COMPRESSION SPRING:9N	U014	108
D1964601	CAP:COIL SPRING	U014	109
D1964602	HOOK:FRAME:DUPLEX:FRONT	U014_S001_S002	110
D1964603	HOOK:FRAME:DUPLEX:REAR	U014_S001_S002	111
D1964612	BASE:HINGE:REAR	U014_S001	112
D1964613	BASE:HINGE:FRONT	U014_S001	113
D1964630	FRAME:DUPLEX	U014_S001_S002	114
D1964700	FEELER:ENTRANCE SENSOR:REVERSE:DUPLEX	U014_S001	115
D1964717	COVER:ENTRANCE SENSOR	U014_S001	116
D1964723	SPONGE:DOOR:RIGHT:UPPER	U014_S001	117
D1964729	SHEET:COVER:RIGHT:2	U014_S001	118
D1964730	SHEET:COVER:RIGHT:4	U014_S001	119
D1965092	(Pin Set):STUD:ASS'Y	U018	10
D1965093	(Bracket Set):BRACKET:ASS'Y	U018	11
D1965098	(Base Set):HEATER HOLDER:ASS'Y	U018_S006	12
D1965160	PCB:BRB:GRI-C2	U008	19
D1965265	HARNESS:OPTION:DEHUMIDIFIER:HEATER	U018	13
D1965873	WIRE:HIGH VOLTAGE:TRANSFER:SECOND	U016	73
D1965961	GUIDE:WIRE:HIGH VOLTAGE:TRANSFER:CONNECTING	U016	74
D1965967	TERMINAL:HIGH VOLTAGE:TRANSFER:SECOND	U016	75
D1966002	TRANSFER UNIT:INTERMEDIATE	U009_S001	38

## Exclusive Parts

Number	Part Name	Group	ID
	TRANSFER:SERVICE:ASS'Y		
D1966201	TRANSFER/SEPARATION UNIT:SE COND:ASS'Y	U010_S001	3
D1966315	CASING:TRANSFER ROLLER:FRO NT	U014_S001	120
D1966316	CASING:TRANSFER ROLLER:REA R	U014_S001	121
D1966317	STAY:CASING:TRANSFER ROLLE R	U014_S001	122
D1966318	PRESSURE PLATE:HOLDER:TRAN SFER ROLLER:REAR	U014_S001	123
D1966319	STOPPER:PRESSURE:TRANSFER ROLLER	U014_S001	124
D1966321	TERMINAL:BIAS:TRANSFER:SECO ND:CASE	U014_S001	125
D1966323	PLATE:STAY:TRANSFER/SEPARA TION UNIT	U014_S001	126
D1966328	TERMINAL:BIAS:TRANSFER ROLL ER	U014_S001	127
D1966334	COMPRESSION SPRING:EARTH:S TAY:TRANSFER/SEPARATION UNI T	U014_S001	128
D1966356	BRACKET:DRIVE:ON-OFF:ASS'Y	U009	39
D1966362	COVER:BRACKET:DRIVE:ON-OFF	U009	40
D1966381	GUIDE PLATE:BRACKET:DENSITY SENSOR:FRONT:ASS'Y	U009	41
D1966383	GUIDE PLATE:BRACKET:DENSITY SENSOR:REAR:ASS'Y	U009	42
D1966388	BRACKET:DENSITY SENSOR	U009	43
D1966390	SHUTTER:DENSITY SENSOR	U009	44
D1966391	GUIDE PLATE:RELAY	U009	45
D1966395	DENSITY SENSOR:P/TM	U009	46
D1966811	(AA/KOR):SHEET:LOGO:LAN	ACCESSORIES	32
D1966812	(AA/KOR):SHEET:LOGO:GES	ACCESSORIES	33
D2052526	PAPER DETECTOR	U006	125
D2140121	(D297/D298):(EU/NA/AA/KOR/TWN) :PCDU:K:SERVICE PARTS	U007_S001	11
		U007_S002	11
		U007_S003	11

Number	Part Name	Group	ID
		U007_S004	11
D2140122	PCDU:C:SERVICE PARTS	U007_S006	12
D2140123	PCDU:M:SERVICE PARTS	U007_S007	13
D2140124	PCDU:Y:SERVICE PARTS	U007_S008	14
D2140125	(D296/D299):PCDU:K:SERVICE PA RTS	U007_S005	15
D2960251	DUPLEX UNIT:ASS'Y	U014_S001	129
D2961331	COVER:LEFT	U001	30
D2961351	COVER:SUPPORT:SCANNER	U001	31
D2961352	COVER:UPPER RIGHT:FRONT	U001	32
D2961353	COVER:UPPER RIGHT:REAR	U001	33
D2961354	COVER:UPPER FRONT	U001	34
D2961358	GROUND PLATE:UPPER	U001	35
D2961359	GROUND PLATE:FRONT	U001	36
D2961480	(EU/NA/AA/KOR/TWN):OPERATION PANEL:ASS'Y	U002_S002	6
		U002_S003	6
		U002_S004	6
		U002_S005	6
D2961481	(CHN):OPERATION PANEL:ASS'Y	U002_S001	7
D2961500	HINGE:GRI-C3:OPERATION SUB-U NIT	U002	8
D2961650	(EU/AA/KOR/CHN/TWN):ORIGINAL TRAY:SCANNER:ASS'Y	U004	22
D2961651	(NA):ORIGINAL TRAY:SCANNER:A SS'Y	U004	23
D2961730	COVER:SCANNER:FRONT:ASS'Y	U004	24
D2961743	COVER:SCANNER:REAR:SPDF	U004	25
D2961745	(TWN):DECAL:CLEANING:SCANNE R	ACCESSORIES	34
D2961746	(TWN):DECAL:CAUTION:ORIGINAL	ACCESSORIES	35
D2961747	(CHN):DECAL:CLEANING:SCANNE R	ACCESSORIES	36
D2961748	(CHN):DECAL:CAUTION:ORIGINAL	ACCESSORIES	37
D2961800	(NA/AA/KOR):ADF:ASS'Y	U003_S002	32
		U003_S003	32
D2961801	(CHN):ADF:ASS'Y	U003_S005	33
D2961802	(TWN):ADF:ASS'Y	U003_S004	34
D2961803	(EU):ADF:ASS'Y	U003_S001	35

## Exclusive Parts

Number	Part Name	Group	ID
D2961841	GUARD	U003_S001	36
		U003_S002	36
		U003_S003	36
		U003_S004	36
		U003_S005	36
D2961860	(D296/D299):OPTICAL WRITING UNIT:ASS'Y	U005_S001	6
		U005_S002	6
D2962619	GUIDE PLATE:REGISTRATION ROLLER:DRIVEN	U006	126
D2962641	CUSHION:GUIDE PLATE:V TRANSPORT	U006	127
D2962642	HOLDER:RESISTOR:REGISTRATION	U006	128
D2962800	PAPER TRAY:ASS'Y	U006_S003	129
D2962836	SIDE FENCE:REAR:ASS'Y	U006_S003_S003	130
D2963300	(D296/D299):HOUSING:TONER SUPPLY:ASS'Y	U008_S009	20
D2964031	(NA):FUSING UNIT:SERVICE PARTS	U012_S004	48
D2964032	(EU/AA/KOR/CHN):FUSING UNIT:SERVICE PARTS	U012_S001	49
		U012_S002	49
		U012_S003	49
D2964033	(TWN):FUSING UNIT:SERVICE PARTS	U012_S005	50
D2964037	(NA):SLEEVE:FUSING:SERVICE PARTS	U012_S004_S003	51
D2964038	(EU/AA/KOR/CHN):SLEEVE:FUSING:SERVICE PARTS	U012_S001_S003	52
		U012_S002_S003	52
		U012_S003_S003	52
D2964039	(TWN):SLEEVE:FUSING:SERVICE PARTS	U012_S005_S003	53
D2964451	BRACKET:GEAR:NO.1:PAPER EXIT UNIT	U013	27
D2964460	SHAFT:MAGNETIC CLUTCH:NO.1:P EXIT UNIT	U013	28
D2964461	SHAFT:MAGNETIC CLUTCH:NO.2:P EXIT UNIT	U013	29
D2964462	GEAR:DRIVE:Z22:PAPER EXIT UNIT	U013	30

Number	Part Name	Group	ID
	T		
D2964463	GEAR:DRIVE:Z28:PAPER EXIT UNIT	U013	31
D2964464	GEAR:DRIVE:Z30:PAPER EXIT UNIT	U013	32
D2964465	GEAR:IDLER:Z15:PAPER EXIT UNIT	U013	33
D2964466	GEAR:IDLER:Z18:PAPER EXIT UNIT	U013	34
D2964467	GEAR:IDLER:Z22:PAPER EXIT UNIT	U013	35
D2964468	GEAR:IDLER:Z20+Z20:PAPER EXIT UNIT	U013	36
D2964470	COVER:DRIVE SUB-UNIT:PAPER EXIT UNIT	U013	37
D2964471	PLAIN SHAFT BEARING:GATE PAWL:P EXIT UNIT	U013	38
D2964473	ELECTROMAGNETIC CLUTCH:EXIT:PE UNIT	U013	39
D2964474	ELECTROMAGNETIC CLUTCH:REVERSE:PE UNIT	U013	40
D2964475	COVER:PAPER EXIT UNIT	U013	41
D2964476	SHAFT:COUPLING:EXIT	U013	42
D2965100	(D296/D299):PCB:BICU:ASS'Y	U016	76
D2965300	PCB:DFRB3-MF	U003_S001	37
		U003_S002	37
		U003_S003	37
		U003_S004	37
		U003_S005	37
D2965854	COVER:REAR	U001	37
D2966801	(D296/D299):(EU/NA/AA/KOR):DECAL:MODEL NAME PLATE:RIC	ACCESSORIES	38
D2966808	(D296)F(TWN):DECAL:MODEL NAME PLATE:RIC	ACCESSORIES	39
D2969590	NVRAM	U016	77
D2971860	(D297/D298):(EU/NA/AA/KOR/TWN):OPTICAL WRITING UNIT:ASS'Y	U005_S004	7
		U005_S006	7
		U005_S008	7

## Exclusive Parts

Number	Part Name	Group	ID
		U005_S010	7
D2971860E	(D297/D298):(EU/NA/AA/KOR/TWN):OPTICAL WRITING UNIT:ASS'Y	U005_S003	8
		U005_S005	8
		U005_S007	8
		U005_S009	8
D2975100	(D297/D298):(EU/NA/AA/KOR/TWN):PCB:BICU:ASS'Y	U016	78
D2976801	(D297/D298):(EU/NA/AA/KOR):DECAL:MODEL NAME PLATE:RIC	ACCESSORIES	40
D2976808	(D297)F(TWN):DECAL:MODEL NAME PLATE:RIC	ACCESSORIES	41
D2996807	(CHN):DECAL:MODEL NAME PLATE:RIC	ACCESSORIES	42
D3A95262	(NA):MODULER CORD:CORE	ACCESSORIES	43
D3DJ1114	TAPE:PRESSURE PLATE	U003_S001	38
		U003_S002	38
		U003_S003	38
		U003_S004	38
		U003_S005	38
D3DJ1121	COVER:CARD READER	U003_S001	39
		U003_S002	39
		U003_S003	39
		U003_S004	39
		U003_S005	39
D3DJ1131	HOLDER:DFRB	U003_S001	40
		U003_S002	40
		U003_S003	40
		U003_S004	40
		U003_S005	40
D3DJ1141	GUIDE:HARNESS:CONTACT POINT	U003_S001	41
		U003_S002	41
		U003_S003	41
		U003_S004	41
		U003_S005	41
D3DJ1142	HOLDER:GUIDE:HARNESS:CONTACT POINT	U003_S001	42
		U003_S002	42
		U003_S003	42
		U003_S004	42

Number	Part Name	Group	ID
		U003_S005	42
D3DJ1144	SHEET:CUSHION:FLAT CABLE	U003_S001	43
		U003_S002	43
		U003_S003	43
		U003_S004	43
		U003_S005	43
D3DJ1145	SPACER:HOLDER:HARNESS	U003_S001	44
		U003_S002	44
		U003_S003	44
		U003_S004	44
D3DJ1146	SHEET:HOLDER:FLAT CABLE	U003_S001	45
		U003_S002	45
		U003_S003	45
		U003_S004	45
		U003_S005	45
D3DJ1151	GUIDE PLATE:EXIT	U003_S001	46
		U003_S002	46
		U003_S003	46
		U003_S004	46
		U003_S005	46
D3DJ1152	DISCHARGE BRUSH:EXIT:SUS	U003_S001	47
		U003_S002	47
		U003_S003	47
		U003_S004	47
		U003_S005	47
D3DJ1160	SHEET:EXIT:ASS'Y	U003_S001	48
		U003_S002	48
		U003_S003	48
		U003_S004	48
		U003_S005	48
D3DJ1410	GUIDE PLATE:SCANNING:FRONT LOWER	U003_S001	49
		U003_S002	49
		U003_S003	49
		U003_S004	49
		U003_S005	49
D3DJ1411	SHEET:SCANNING:FRONT LOWER	U003_S001	50
		U003_S002	50

## Exclusive Parts

Number	Part Name	Group	ID
		U003_S003	50
		U003_S004	50
		U003_S005	50
D3DJ1413	LEVER:DRIVEN:SCANNING	U003_S001	51
		U003_S002	51
		U003_S003	51
		U003_S004	51
		U003_S005	51
D3DJ1414	ROLLER:ENTRANCE	U003_S001	52
		U003_S001_S001	52
		U003_S002	52
		U003_S002_S001	52
		U003_S003	52
		U003_S003_S001	52
		U003_S004	52
		U003_S004_S001	52
		U003_S005	52
D3DJ1416	COMPRESSION SPRING:SCANNING:DRIVEN	U003_S001	53
		U003_S002	53
		U003_S003	53
		U003_S004	53
		U003_S005	53
D3DJ1417	SPRING PLATE:DISCHARGE:SCANNING	U003_S001	54
		U003_S002	54
		U003_S003	54
		U003_S004	54
		U003_S005	54
D3DJ1620	OPTICAL READING SECTION:EXIT:DRIVEN:ASS'Y	U003_S001	55
		U003_S002	55
		U003_S003	55
		U003_S004	55
		U003_S005	55
D3DJ1632	GUIDE:EXIT:ASS'Y	U003_S001_S001	56
		U003_S002_S001	56
		U003_S003_S001	56
		U003_S004_S001	56
		U003_S005_S001	56

Number	Part Name	Group	ID
D3DJ1634	SHAFT:EXIT:DRIVEN	U003_S001_S001	57
		U003_S002_S001	57
		U003_S003_S001	57
		U003_S004_S001	57
		U003_S005_S001	57
D3DJ1636	COMPRESSION SPRING:EXIT:DRIVEN	U003_S001_S001	58
		U003_S002_S001	58
		U003_S003_S001	58
		U003_S004_S001	58
		U003_S005_S001	58
D3DJ1639	SHEET:TRAY	U003_S001_S001	59
		U003_S002_S001	59
		U003_S003_S001	59
		U003_S004_S001	59
		U003_S005_S001	59
D3DJ1642	GUIDE:TARGETS PLATE:BEHIND:ASS'Y	U003_S001	60
		U003_S002	60
		U003_S003	60
		U003_S004	60
		U003_S005	60
D3DJ1649	SHEET:SCANNING:BEHIND:PLATE	U003_S001_S001	61
		U003_S002_S001	61
		U003_S003_S001	61
		U003_S004_S001	61
		U003_S005_S001	61
D3DJ1650	SPRING PLATE:GUIDE:BEHIND	U003_S001	62
		U003_S002	62
		U003_S003	62
		U003_S004	62
		U003_S005	62
D3DJ1653	PLAIN SHAFT BEARING:GUIDE:BEHIND:FRONT	U003_S001	63
		U003_S002	63
		U003_S003	63
		U003_S004	63
		U003_S005	63
D3DJ1654	PLAIN SHAFT BEARING:GUIDE:BEHIND:IN/BACK	U003_S001	64
		U003_S002	64
		U003_S003	64

## Exclusive Parts

Number	Part Name	Group	ID
		U003_S004	64
		U003_S005	64
D3DJ1662	CAM:MOVE:REFLECTANCE TARGETS PLATE:BEHIND	U003_S001	65
		U003_S002	65
		U003_S003	65
		U003_S004	65
		U003_S005	65
D3DJ1664	SHAFT:CAM:PRESS FIT	U003_S001	66
		U003_S002	66
		U003_S003	66
		U003_S004	66
		U003_S005	66
D3DJ1672	LEVER:GUIDE PLATE:LOWER:OPEN/CLOSE	U003_S001	67
		U003_S002	67
		U003_S003	67
		U003_S004	67
		U003_S005	67
D3DJ1673	PAWL:GUIDE PLATE:LOWER:OPEN/CLOSE	U003_S001	68
		U003_S002	68
		U003_S003	68
		U003_S004	68
		U003_S005	68
D3DJ1674	SHAFT:LEVER:GUIDE PL:LOWER:OPEN/CLOSE	U003_S001	69
		U003_S002	69
		U003_S003	69
		U003_S004	69
		U003_S005	69
D3DJ1676	TORSION SPRING:GUIDE PL:LOWER:OPEN/CLOSE	U003_S001	70
		U003_S002	70
		U003_S003	70
		U003_S004	70
		U003_S005	70
D3DJ1681	PIN:GUIDE PLATE	U003_S001	71
		U003_S002	71
		U003_S003	71
		U003_S004	71
		U003_S005	71
D3DJ1710	OPTICAL READING MD:BEHIND:A	U003_S001	72

Number	Part Name	Group	ID
	SS'Y	U003_S002	72
		U003_S003	72
		U003_S004	72
		U003_S005	72
D3DJ1812	GUIDE PLATE:PAPER FEED	U003_S001	73
		U003_S002	73
		U003_S003	73
		U003_S004	73
		U003_S005	73
D3DJ1814	HOLDER:FRICITION PAD:COIL SPRING:FIX	U003_S001	74
		U003_S002	74
		U003_S003	74
		U003_S004	74
		U003_S005	74
D3DJ1815	COMPRESSION SPRING:SEPARATION	U003_S001	75
		U003_S002	75
		U003_S003	75
		U003_S004	75
		U003_S005	75
D3DJ1833	COVER:PAPER FEED:MIDDLE	U003_S001	76
		U003_S002	76
		U003_S003	76
		U003_S004	76
		U003_S005	76
D3DJ1840	HINGE:RIGHT:NON DAMPER:D296	U003_S001	77
		U003_S002	77
		U003_S003	77
		U003_S004	77
		U003_S005	77
D3DJ1841	HINGE:LEFT:DAMPER:D296	U003_S001	78
		U003_S002	78
		U003_S003	78
		U003_S004	78
		U003_S005	78
D3DJ2101	SHAFT:PAPER FEED UNIT:ASS'Y	U003_S001_S003	79
		U003_S002_S003	79
		U003_S003_S003	79
		U003_S004_S003	79

## Exclusive Parts

Number	Part Name	Group	ID
		U003_S005_S003	79
D3DJ2111	FEED ROLLER	U003_S001_S003	80
		U003_S002_S003	80
		U003_S003_S003	80
		U003_S004_S003	80
		U003_S005_S003	80
D3DJ2116	GEAR:FEED	U003_S001_S003	81
		U003_S002_S003	81
		U003_S003_S003	81
		U003_S004_S003	81
		U003_S005_S003	81
D3DJ2120	PAPER STOPPER	U003_S001_S003	82
		U003_S002_S003	82
		U003_S003_S003	82
		U003_S004_S003	82
		U003_S005_S003	82
D3DJ2200	PAPER FEED UNIT:ASS'Y	U003_S001_S003	83
		U003_S002_S003	83
		U003_S003_S003	83
		U003_S004_S003	83
		U003_S005_S003	83
D3DJ3119	CUSHION:SEPARATION	U003_S001	84
		U003_S002	84
		U003_S003	84
		U003_S004	84
		U003_S005	84
D3DJ3210	GUIDE PLATE:TRANSPORT	U003_S001	85
		U003_S002	85
		U003_S003	85
		U003_S004	85
		U003_S005	85
D3DJ3211	SPRING PLATE:GUIDE:EXPOSURE GLASS	U003_S001	86
		U003_S002	86
		U003_S003	86
		U003_S004	86
		U003_S005	86
D3DJ3216	SPRING PLATE:DISCHARGE:EXPOSURE GLASS	U003_S001	87
		U003_S002	87

Number	Part Name	Group	ID
		U003_S003	87
		U003_S004	87
		U003_S005	87
D3DJ3410	TRANSPORT ROLLER:PULL OUT	U003_S001	88
		U003_S002	88
		U003_S003	88
		U003_S004	88
		U003_S005	88
D3DJ3510	TRANSPORT ROLLER:ENTRANCE	U003_S001	89
		U003_S002	89
		U003_S003	89
		U003_S004	89
		U003_S005	89
D3DJ3610	TRANSPORT ROLLER:EXIT	U003_S001	90
		U003_S002	90
		U003_S003	90
		U003_S004	90
		U003_S005	90
D3DJ3710	TRANSPORT ROLLER:EXIT	U003_S001	91
		U003_S002	91
		U003_S003	91
		U003_S004	91
		U003_S005	91
D3DJ3811	GUIDE PLATE:SCANNING:FACE FRONT	U003_S001	92
		U003_S002	92
		U003_S003	92
		U003_S004	92
		U003_S005	92
D3DJ3821	PIN:GUIDE PLATE	U003_S001	93
		U003_S002	93
		U003_S003	93
		U003_S004	93
		U003_S005	93
D3DJ3831	GUIDE:HARNESS:TRANSPORT:REAR	U003_S001	94
		U003_S002	94
		U003_S003	94
		U003_S004	94
		U003_S005	94



## Exclusive Parts

Number	Part Name	Group	ID
D3DJ3836	GUIDE:HARNESSTransport:FRONT	U003_S001	95
		U003_S002	95
		U003_S003	95
		U003_S004	95
		U003_S005	95
D3DJ4110	POSITIONING PLATE:DRIVE:FRONT	U003_S001	96
		U003_S002	96
		U003_S003	96
		U003_S004	96
		U003_S005	96
D3DJ4111	SHAFT:COUPLING	U003_S001	97
		U003_S002	97
		U003_S003	97
		U003_S004	97
		U003_S005	97
D3DJ4112	GEAR:ROLLER:FEED	U003_S001	98
		U003_S002	98
		U003_S003	98
		U003_S004	98
		U003_S005	98
D3DJ4113	GEAR:IDLER:SEPARATION UNIT	U003_S001	99
		U003_S002	99
		U003_S003	99
		U003_S004	99
		U003_S005	99
D3DJ4114	GEAR:SLOW DOWN:FEED	U003_S001	100
		U003_S002	100
		U003_S003	100
		U003_S004	100
		U003_S005	100
D3DJ4115	GEAR:IDLER:LARGE	U003_S001	101
		U003_S002	101
		U003_S003	101
		U003_S004	101
		U003_S005	101
D3DJ4116	GEAR:IDLER:SMALL	U003_S001	102
		U003_S002	102
		U003_S003	102

Number	Part Name	Group	ID
D3DJ4119	GEAR:IDLER:SHADING	U003_S004	102
		U003_S005	102
		U003_S001	103
		U003_S002	103
		U003_S003	103
D3DJ4120	GEAR:ROLLER:DIA8	U003_S004	103
		U003_S005	103
		U003_S001	104
		U003_S002	104
		U003_S003	104
D3DJ4121	GEAR:ROLLER:DIA6	U003_S004	104
		U003_S005	104
		U003_S001	105
		U003_S002	105
		U003_S003	105
D3DJ4122	GEAR:IDLER:CLUTCH:UPPER POSITION	U003_S004	105
		U003_S005	105
		U003_S001	106
		U003_S002	106
		U003_S003	106
D3DJ4123	GEAR:IDLER:CLUTCH:LOWER	U003_S004	106
		U003_S005	106
		U003_S001	107
		U003_S002	107
		U003_S003	107
D3DJ4124	BUSHING:FEED	U003_S004	107
		U003_S005	107
		U003_S001	108
		U003_S002	108
		U003_S003	108
D3DJ4127	TORQUE LIMITER:PAPER FEED UNIT	U003_S004	108
		U003_S005	108
		U003_S001	109
		U003_S002	109
		U003_S003	109
D3DJ4128	SPACER:DIA8	U003_S004	109
		U003_S005	109
		U003_S001	110

## Exclusive Parts

Number	Part Name	Group	ID
		U003_S002	110
		U003_S003	110
		U003_S004	110
		U003_S005	110
D3DJ4129	GEAR:ROLLER:DIA8	U003_S001	111
		U003_S002	111
		U003_S003	111
		U003_S004	111
		U003_S005	111
D3DJ4130	GUIDE PLATE:RADIAL BALL BEARING	U003_S001	112
		U003_S002	112
		U003_S003	112
		U003_S004	112
		U003_S005	112
D3DJ4132	GUIDE PLATE:BALL BEARING:PUL L OUT	U003_S001	113
		U003_S002	113
		U003_S003	113
		U003_S004	113
		U003_S005	113
D3DJ4134	PULLEY:SLOW DOWN:MOTOR:Z55 :ST1.5	U003_S001	114
		U003_S002	114
		U003_S003	114
		U003_S004	114
		U003_S005	114
D3DJ4135	PULLEY:SLOW DOWN:MIDDLE	U003_S001	115
		U003_S002	115
		U003_S003	115
		U003_S004	115
		U003_S005	115
D3DJ4136	FLANGE:SLIDER	U003_S001	116
		U003_S002	116
		U003_S003	116
		U003_S004	116
		U003_S005	116
D3DJ4322	BELT TENSIONER	U003_S001	117
		U003_S002	117
		U003_S003	117
		U003_S004	117

Number	Part Name	Group	ID
		U003_S005	117
D3DJ4323	PULLEY:IDLER:DIA10	U003_S001	118
		U003_S002	118
		U003_S003	118
		U003_S004	118
		U003_S005	118
D3DJ4326	TENSION SPRING:TENSION:MIDD LE	U003_S001	119
		U003_S002	119
		U003_S003	119
		U003_S004	119
		U003_S005	119
D3DJ4327	HEXAGON HEAD BOLT:M3X6	U003_S001	120
		U003_S002	120
		U003_S003	120
		U003_S004	120
		U003_S005	120
D3DJ4332	SYNCHRONOUS BELT:149ST1.5-4. 0	U003_S001	121
		U003_S002	121
		U003_S003	121
		U003_S004	121
		U003_S005	121
D3DJ4335	TENSION SPRING:TENSION:MOTO R	U003_S001	122
		U003_S002	122
		U003_S003	122
		U003_S004	122
		U003_S005	122
D3DJ4344	SYNCHRONOUS BELT:252ST1.5-4. 0	U003_S001	123
		U003_S002	123
		U003_S003	123
		U003_S004	123
		U003_S005	123
D3DJ4360	DC MOTOR:10W:28T:BRUSHLESS	U003_S001	124
		U003_S002	124
		U003_S003	124
		U003_S004	124
		U003_S005	124
D3DJ4512	SHAFT:LEVER:COVER:PAPER FEE D	U003_S001	125
		U003_S002	125

## Exclusive Parts

Number	Part Name	Group	ID
		U003_S003	125
		U003_S004	125
		U003_S005	125
D3DJ4515	TORSION SPRING:COVER:PF:INNER BACK	U003_S001	126
		U003_S002	126
		U003_S003	126
		U003_S004	126
		U003_S005	126
D3DJ4518	COMPRESSION SPRING:DRIVEN R:PULL OUT	U003_S001	127
		U003_S002	127
		U003_S003	127
		U003_S004	127
		U003_S005	127
D3DJ4519	FEELER:ORIGINAL SENSOR	U003_S001	128
		U003_S002	128
		U003_S003	128
		U003_S004	128
		U003_S005	128
D3DJ4520	SEAL:COVER:PAPER FEED	U003_S001	129
		U003_S002	129
		U003_S003	129
		U003_S004	129
		U003_S005	129
D3DJ4523	SPACER:COVER:PAPER FEED:MI DDLE	U003_S001	130
		U003_S002	130
		U003_S003	130
		U003_S004	130
		U003_S005	130
D3DJ4525	ROLLER:PULL OUT	U003_S001	131
		U003_S002	131
		U003_S003	131
		U003_S004	131
		U003_S005	131
D3DJ4527	CUSHION:FEELER:FEED:REAR	U003_S001	132
		U003_S001_S002	132
		U003_S002	132
		U003_S002_S002	132
		U003_S003	132

Number	Part Name	Group	ID
		U003_S003_S002	132
		U003_S004	132
		U003_S004_S002	132
		U003_S005	132
		U003_S005_S002	132
D3DJ4530	FEELER:FEED:REAR:ASS'Y	U003_S001_S002	133
		U003_S002_S002	133
		U003_S003_S002	133
		U003_S004_S002	133
		U003_S005_S002	133
D3DJ4541	COVER:PAPER FEED	U003_S001	134
		U003_S002	134
		U003_S003	134
		U003_S004	134
		U003_S005	134
D3DJ4542	LEVER:COVER:PAPER FEED	U003_S001	135
		U003_S002	135
		U003_S003	135
		U003_S004	135
		U003_S005	135
D3DJ4612	SIDE FENCE:INNER BACK	U003_S001	136
		U003_S002	136
		U003_S003	136
		U003_S004	136
		U003_S005	136
D3DJ4613	SIDE FENCE:FRONT	U003_S001	137
		U003_S002	137
		U003_S003	137
		U003_S004	137
		U003_S005	137
D3DJ4614	ORIGINAL TABLE	U003_S001	138
		U003_S002	138
		U003_S003	138
		U003_S004	138
		U003_S005	138
D3DJ4621	EXTENSION TRAY	U003_S001	139
		U003_S002	139
		U003_S003	139

## Exclusive Parts

Number	Part Name	Group	ID
		U003_S004	139
		U003_S005	139
D3DJ4622	SHEET:ORIGINAL TABLE	U003_S001	140
		U003_S002	140
		U003_S003	140
		U003_S004	140
		U003_S005	140
D3DJ4710	COVER:REAR	U003_S001	141
		U003_S002	141
		U003_S003	141
		U003_S004	141
		U003_S005	141
D3DJ4711	CAP:CABLE:IC CARD:NO	U003_S001	142
		U003_S002	142
		U003_S003	142
		U003_S004	142
		U003_S005	142
D3DJ4712	CAP:CABLE:IC CARD:YES	U003_S001	143
		U003_S002	143
		U003_S003	143
		U003_S004	143
		U003_S005	143
D3DJ4810	COVER:FRONT	U003_S001	144
		U003_S002	144
		U003_S003	144
		U003_S004	144
		U003_S005	144
D3DJ4811	STOPPER:ORIGINAL TABLE	U003_S001	145
		U003_S002	145
		U003_S003	145
		U003_S004	145
		U003_S005	145
D3DJ4812	BRACKET:STOPPER:ORIGINAL TABLE	U003_S001	146
		U003_S002	146
		U003_S003	146
		U003_S004	146
		U003_S005	146
D3DJ4813	COMPRESSION SPRING:STOPPE	U003_S001	147

Number	Part Name	Group	ID
	R:ORI TABLE	U003_S002	147
		U003_S003	147
		U003_S004	147
		U003_S005	147
D3DJ4814	COVER:FRONT:LEFT UPPER	U003_S001	148
		U003_S002	148
		U003_S003	148
		U003_S004	148
		U003_S005	148
D3DJ4910	PRESSURE PLATE:ASS'Y	U003	149
D3DJ6031	DECAL:ORIGINAL SCALE	U003_S001	150
		U003_S002	150
		U003_S003	150
		U003_S004	150
		U003_S005	150
D3DJ6032	(NA/AA/KOR):DECAL:ORIGINAL TABLE:ENGLISH	U003_S002	151
		U003_S003	151
D3DJ6035	DECAL:CLEANING:DOCUMENT FEEDER	U004	26
D3E15681	(D297/D298):(EU/NA/AA/KOR/TWN):PCB:CTL_JX2L	U016	79
D3E15682	(D296/D299):PCB:CTL_JX2L	U016	80
D5433635	GEAR:ROLLER:SCANNING:BEHIND	U003_S001	152
		U003_S002	152
		U003_S003	152
		U003_S004	152
		U003_S005	152
D5730400	(NA/TWN):(Heater Kit):HEATER:DEHUMIDIFIER	U018_S009	14
		U018_S011	14
D5730401	(EU/AA/KOR/CHN):(Heater Kit):HEATER:DEHUMIDIFIER	U018_S007	15
		U018_S008	15
		U018_S010	15
D6060028	SCREW:HINGE	U003	153
D6062113	PICKUP ROLLER	U003_S001_S003	154
		U003_S002_S003	154
		U003_S003_S003	154
		U003_S004_S003	154
		U003_S005_S003	154

## Exclusive Parts

Number	Part Name	Group	ID
D6062114	SHAFT:PICKUP	U003_S001_S003	155
		U003_S002_S003	155
		U003_S003_S003	155
		U003_S004_S003	155
		U003_S005_S003	155
D6062115	TORQUE LIMITER MECHANICAL CLUTCH:FEED	U003_S001_S003	156
		U003_S002_S003	156
		U003_S003_S003	156
		U003_S004_S003	156
		U003_S005_S003	156
D6062117	GEAR:IDLER:FEED	U003_S001_S003	157
		U003_S002_S003	157
		U003_S003_S003	157
		U003_S004_S003	157
		U003_S005_S003	157
D6062118	GEAR:PICKUP	U003_S001_S003	158
		U003_S002_S003	158
		U003_S003_S003	158
		U003_S004_S003	158
		U003_S005_S003	158
D6062119	ARM:PAPER STOPPER	U003_S001_S003	159
		U003_S002_S003	159
		U003_S003_S003	159
		U003_S004_S003	159
		U003_S005_S003	159
D6062121	LINK:PAPER STOPPER	U003_S001_S003	160
		U003_S002_S003	160
		U003_S003_S003	160
		U003_S004_S003	160
		U003_S005_S003	160
D6062122	HOLDER:PICKUP ROLLER	U003_S001_S003	161
		U003_S002_S003	161
		U003_S003_S003	161
		U003_S004_S003	161
		U003_S005_S003	161
D6063112	FRICTION PAD	U003_S001	162
		U003_S002	162
		U003_S003	162

Number	Part Name	Group	ID
		U003_S004	162
		U003_S005	162
D6063116	LEVER:PRESSURE RELEASE:SEPARATION	U003_S001	163
		U003_S002	163
		U003_S003	163
		U003_S004	163
		U003_S005	163
D6063117	TENSION SPRING:PRESSURE RELEASE:SEPARATION:4.5N	U003_S001	164
		U003_S002	164
		U003_S003	164
		U003_S004	164
		U003_S005	164
D6063118	SHEET:SEPARATION	U003_S001	165
		U003_S002	165
		U003_S003	165
		U003_S004	165
		U003_S005	165
D6064124	COLLAR:REVERSE	U003_S001	166
		U003_S002	166
		U003_S003	166
		U003_S004	166
		U003_S005	166
D6064516	SHAFT:ROLLER:PULL OUT	U003_S001	167
		U003_S002	167
		U003_S003	167
		U003_S004	167
		U003_S005	167
D6064614	GEAR:SIDE FENCE	U003_S001	168
		U003_S002	168
		U003_S003	168
		U003_S004	168
		U003_S005	168
D6064615	PIN:SIDE FENCE	U003_S001	169
		U003_S002	169
		U003_S003	169
		U003_S004	169
		U003_S005	169
D6064616	DISC:SIDE FENCE	U003_S001	170

## Exclusive Parts

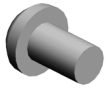
Number	Part Name	Group	ID
		U003_S002	170
		U003_S003	170
		U003_S004	170
		U003_S005	170
D6064617	COIL SPRING:SIDE FENCE:ARDF:12N	U003_S001	171
		U003_S002	171
		U003_S003	171
		U003_S004	171
		U003_S005	171
G0205626	PUSH SWITCH	U006	131
G1634453	GUIDE PLATE:REVERSE:UPPER	U013	43
G1634459	STOPPER:EXIT:EXIT	U013	44
G1634461	SPRING:PRESSURE:EXIT:OUTER	U013	45
G1634463	GUIDE:PLATE:EXIT	U013	46
G1634465	ROLLER:DRIVEN:DUPLEX:INNER	U013	47
G1634467	ROLLER:DRIVEN:DUPLEX	U013	48
G1634468	SPRING:PRESSURE:EXIT:INNER	U013	49
G1634469	SPRING:PRESSURE:DUPLEX	U013	50
G1634484	SPRING:CHANGE:EXIT	U013	51
G1634492	DC SOLENOID:PRESS FIT	U013	52
G1634499	HOLDER:LINK:EXIT	U013	53
G1666057	PLAIN SHAFT BEARING:ROLLER:BLADE	U009	47
G5553069	BASEPAD	U006_S003_S001	132
		U006_S004	132
GA082010	BUSHING:DIA6:DIA10:9	U014_S001	130
		U014_S001_S002	130
GA082015	PLAIN SHAFT BEARING:DIA6:DIA9:7	U014_S001	131
GB013090	GEAR:PRESSURE ROLLER:Z29	U012_S001	54
		U012_S002	54
		U012_S003	54
		U012_S004	54
		U012_S005	54
GB013092	GEAR:IDLER:PRESSURE:Z17	U012_S001	55
		U012_S002	55
		U012_S003	55
		U012_S004	55

Number	Part Name	Group	ID
		U012_S005	55
GW010007	PHOTO REFLECTION SENSOR:EXIT	U006	133
		U013	54
GX645734	FAN MOTOR:MM80 DC24V 3.12W	U016	81
H5211350	PAD - PICK-UP	U003_S001	172
		U003_S002	172
		U003_S003	172
		U003_S004	172
		U003_S005	172
J5023127	BUSHING:STEPPER MOTOR	U003_S001	173
		U003_S002	173
		U003_S003	173
		U003_S004	173
		U003_S005	173
M0262993	DECAL:SIDE FENCE:MANUAL FEED	U014_S001_S001	132
M0662743	FRICTION PAD:MANUAL FEED TABLE:18X7.5	U014_S001_S001	133
M0963989	RESISTOR:TRANSFER/SEPARATION	U006	134
		U006_S003	134
M0A01420	COVER:HINGE:OPERATION PANEL	U002	9
M0A01421	COVER:REAR:SMALL:OPERATION SUB-UNIT	U002	10
M0A01422	COVER:REAR:LARGE:OPERATION SUB-UNIT	U002	11
M0A01651	CARRIAGE:SCANNER:ASS'Y	U004_S001	27
M0A01704	(EU/NA/AA/KOR):DECAL:CAUTION:ORIGINAL:ENGLISH	ACCESSORIES	44
M0A01705	(NA/AA/KOR):DECAL:CLEANING:SCANNER:ENGLISH	ACCESSORIES	45
M0A01712	(NA):DECAL:SCALE:LEFT	U004	28
M0A01719	(EU/AA/KOR/CHN/TWN):DECAL:SCALE:LEFT	U004	29
M0A01746	COVER:SCANNER:REAR UPPER	U004	30
M0A05928	PCB:CNB	U004	31
M1011301	PLATE:LOGO:RIC	ACCESSORIES	46
M1604930	DECAL:SIDE FENCE	U003_S001	174

## Exclusive Parts

Number	Part Name	Group	ID
		U003_S002	174
		U003_S003	174
		U003_S004	174
		U003_S005	174
M1604931	(TWN):DECAL:ORIGINAL TABLE:T AIWAN	U003_S004	175
M3642124	COMPRESSION SPRING:PAPER F EED UNIT	U003_S001_S003	176
		U003_S002_S003	176
		U003_S003_S003	176
		U003_S004_S003	176
		U003_S005_S003	176
M4445201	HDD:320GB:AQUARIUS	U016	82
Note	See 2D parts catalog for the compon ents of the Smart Operation Panel.	U002_S001	12
		U002_S002	12
		U002_S003	12
		U002_S004	12
		U002_S005	12
VSST9003	C5Y Color Chart (2 piece set/ 3 pcs)	SPECIAL TOOLS	9

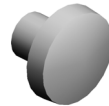
## Standard Parts



03125040N  
SCREW - M2.5X4



03130060N  
SCREW - M3X6



03530030N  
SCREW:M3X3



03530040N  
SCREW - M3X4



03530060N  
BIND SCREW - M3X6



03603006N  
SCREW - M3X6



03603010N  
SCREW:M3X10



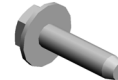
03603014N  
SCREW - M3X14



04503008N  
TAPPING SCREW - M3X8



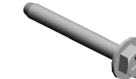
04503010N  
TAPPING SCREW - M3X10



04503012N  
TAPPING SCREW:3X12



04503014N  
TAPPING SCREW:M3X14



04503025N  
TAPPING SCREW:3X25



04503035N  
TAPPING SCREW:3X35



04504008N  
TAPPING SCREW - M4X8



04504012N  
TAPPING SCREW:4X12



04513006N  
TAPPING SCREW - 3X6



04513008N  
TAPPING SCREW - M3X8



04523008N  
TAPPING SCREW - M3X8



04523010N  
BINDING SELF-TAPPING SCREW:3X10



04543006Q  
TAPPING SCREW - M3X6



04543008N  
TAPPING SCREW:ROUND POINT:3X8



04543008Q  
TAPPING SCREW:3X8



04583008N  
HEXAGON HEAD TAPPING SCREW:3X8



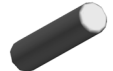
04583010N  
HEXAGON HEAD TAPPING SCREW:3X10



04593010N  
BINDING HEAD TAPPING SCREW:3X10



06220120E  
SPRING PIN - 2X12MM



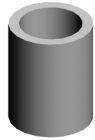
06320080G  
PARALLEL KEY - 2X8MM



## Standard Parts



06320140G  
PARALLEL PIN



07073050N  
BUSHING: DIA3X5



07200025E  
RETAINING RING - M2.5



07200030E  
RETAINING RING - M3



07200040E  
RETAINING RING - M4



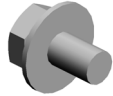
07200060E  
RETAINING RING - M6



07270080E  
RETAINING RING - M8



07330406  
BUSHING - 4X6



08010231  
HEXAGONAL HEAD BOLT W/  
WASHER: M3X6



08046123  
HEXAGONAL BOLT: W/WASH  
ER: M3X8



08046128  
HEXAGONAL BOLT: DOUBLE  
SCREW: M3X10



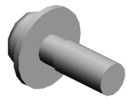
08050104  
RETAINING RINGS-E: SILENC  
ER: DIA4



08053579  
BALL BEARING: DIA8XDIA16X  
5



09544008N  
SCREW - M4X8



09544012N  
SCREW: POLISHED ROUND/  
SPRING: M4X12



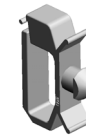
09573010N  
SCREW: SMALL ROUND/SPRI  
NG: M3X10



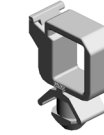
11050508  
HARNESS CLAMP - LWS-071  
1



11050511  
HARNESS CLAMP - LWS-030  
6ZC



11050516  
CLAMP



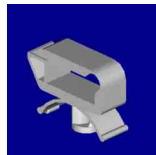
11050534  
CLAMP



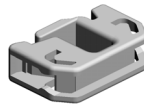
11050542  
HARNESS CLAMP - MSBS-12  
07



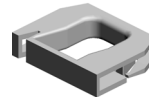
11050545  
CLAMP: FCR-30



11050582  
CLAMP: RBWS-0510D-V0



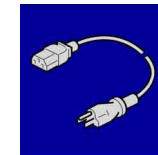
11050692  
CLAMP: LES-0503



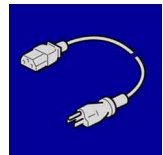
11050724  
CLAMPS: WES-1210



11050759  
CLAMP: LWSM-0605A

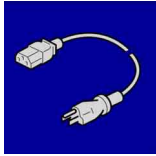


11500456  
(CHN): POWER SUPPLY COD  
E: 250V:10A



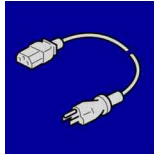
11500478  
(TWN): POWER SUPPLY COD  
E: 125V:15A

## Standard Parts



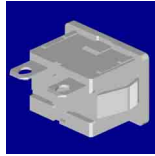
11500481

(NA):POWER SUPPLY CODE:  
125V:15A



11500482

(EU/AA/KOR):POWER SUPPL  
Y CODE:250V:10A



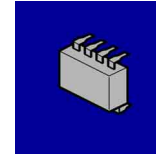
12042570

ROCKER SWITCH:SDDJE132  
00



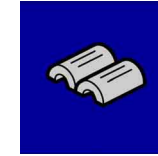
12042612

MICRO SWITCH:D3V-16506-3  
C25



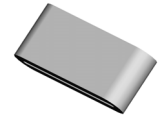
14078389

EEPROM:BR24T128-W



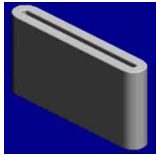
16072251

(D296/D297):(EU/NA/AA/KOR/  
TWN):FERRITE CORE:K3 NF-  
75(N)BK0



16072525

FERRITE CORE:K3 FF 35.00X  
14.60X7.70X1.40



16072758

FERRITE CORE

PM Part List

Number	Part Name	Num	Group	ID
AF031092	PAPER FEED ROLLER:MANUAL FEED	1	U006	29
D1172851	PAPER FEED ROLLER:PAPE R TRAY	1	U006_S003	99
D1172872	FRICITION PAD:ASS'Y	1	U006_S003	105
D1176401	COLLECTION BOTTLE:ASS'Y	1	U011_S001	13
D1966002	TRANSFER UNIT:INTERMEDIATE TRANSFER:SERVICE:ASS'Y	1	U009_S001	38
D1966201	TRANSFER/SEPARATION UNIT:SECOND:ASS'Y	1	U010_S001	3
D2140121	(D297/D298):(EU/NA/AA/KOR/TWN):PCDU:K:SERVICE PARTS	4	U007_S001	11
			U007_S002	11
			U007_S003	11
			U007_S004	11
D2140122	PCDU:C:SERVICE PARTS	1	U007_S006	12
D2140123	PCDU:M:SERVICE PARTS	1	U007_S007	13
D2140124	PCDU:Y:SERVICE PARTS	1	U007_S008	14
D2140125	(D296/D299):PCDU:K:SERVICE PARTS	1	U007_S005	15
D2964031	(NA):FUSING UNIT:SERVICE PARTS	1	U012_S004	48
D2964032	(EU/AA/KOR/CHN):FUSING UNIT:SERVICE PARTS	3	U012_S001	49
			U012_S002	49
			U012_S003	49
D2964033	(TWN):FUSING UNIT:SERVICE PARTS	1	U012_S005	50
D2964037	(NA):SLEEVE:FUSING:SERVICE PARTS	1	U012_S004_S003	51
D2964038	(EU/AA/KOR/CHN):SLEEVE:FUSING:SERVICE PARTS	3	U012_S001_S003	52
			U012_S002_S003	52
			U012_S003_S003	52
D2964039	(TWN):SLEEVE:FUSING:SERVICE PARTS	1	U012_S005_S003	53
D3DJ2111	FEED ROLLER	5	U003_S001_S003	80
			U003_S002_S003	80
			U003_S003_S003	80
			U003_S004_S003	80

Number	Part Name	Num	Group	ID
			U003_S005_S003	80
D6062113	PICKUP ROLLER	5	U003_S001_S003	154
			U003_S002_S003	154
			U003_S003_S003	154
			U003_S004_S003	154
			U003_S005_S003	154
D6063112	FRICITION PAD	5	U003_S001	162
			U003_S002	162
			U003_S003	162
			U003_S004	162
			U003_S005	162

