

## Product Support Guide

### Model

MP C305SPF/ MP C305SP

## Introduction

Model Type	COLOR MFP
Launch Date	5/2012
S/N Configuration	W79/W80
Product Code	D117/D118

## Brand/Model Name

Product Code	Lanier	Ricoh	Savin
D117	MP C305SPF	MP C305SPF	MP C305SPF
D118	MP C305SP	MP C305SP	MP C305SP

## Product Concept

The new D117/D118 color compact MFP is being introduced as a high performance all in one solution for your desk top featuring :

- Adjustable 4.3 inches operation panel, with USB/SD slot
- Customizable Home Screen for each user
- Twin Laser Scanning Unit
- Enhanced GW+ controller features
- QSU fusing unit (Quick Start Up Direct Heating fusing system)



# Product Support Guide

## Model D117/D118

### Order Numbers

#### Main Frame

Item	Model Name	EDP Code	Notes
Color MFP	MP C305SPF	416011	Copier, Fax, Printer
Color MFP	MP C305SP	416014	Copier, Printer

*NOTE: Order Numbers are provided for reference purposes only. Please use your Pricing Guide for proper order numbers to insure you receive the correct branding emblem.*

#### Options

Item	Description	EDP Code	Product Code	Common / Unique	Notes
PB1050	Paper Feed Unit	416017	D573	Unique	
BN1010	1 Bin Tray BN1010	416018	D57417	Unique	
Browser Unit Type H	Browser Unit	416131	D656	Unique	
Camera Direct Print Card Type K	Pictbridge	416122	D658	Unique	
HDD Option Type C305	HDD	416126	D656	Unique	
Fax Option Type C305	Fax Option	416168	D649	Unique	
Fax Connection Unit Type D	Fax Connection Unit	416123	D657	Unique	
SD Card for NetWare Printing Type J	NetWare	416127	D656	Unique	
Copy Data Security Unit Type G	Copy Data Security	416391	D640-41	Common	D129/D130
VM CARD Type U	VM CARD	416163	D640-21	Common	D129/D130
Handset Type C5502	Handset	416324	D645	Common	D143/D144
Bluetooth Interface Unit Type D	Bluetooth (USB)	415818	D566	Common	D120/D121/D122

# Product Support Guide

## Model D117/D118

### Options - *continued*

Item	Description	EDP Code	Product Code	Common / Unique	Notes
IEEE 1284 Interface Board Type A	IEEE1284	411699	B679	Common	D120/D121/D122
IEEE 802.11a/g Interface Unit Type J	IEEE 802.11a/g NA	414008	D377	Common	D120/D121/D122
File Format Converter Type E	File Format Converter	414007	D377	Common	D120/D121/D122
Gigabit Ethernet Board Type A	Gigabit Ethernet	402547	G874	Current	D120/D121/D122
Optional Counter Interface Unit Type A	Optional Counter Interface Unit Type A	413012	B870	Current	M022/M024/M026/M028
Unicode Font Package for SAP 1 License	Unicode Font Package for SAP 1 License	413009	B869-01	Current	D120/D121/D122
Unicode Font Package for SAP 10 License	Unicode Font Package for SAP 10 License	413010	B869-02	Current	D120/D121/D122
Unicode Font Package for SAP 100 License	Unicode Font Package for SAP 100 License	413011	B869-03	Current	D120/D121/D122
ACK3400-C Keyboard Only	Keyboard	100266FNG	-	Current	
MPC305 Low Cabinet	Low Cabinet	100468FNG	-	Unique	
MPC305 Medium Cabinet	Medium Cabinet	100469FNG	-	Unique	
MPC305 High Cabinet	High Cabinet	100470FNG	-	Unique	

# Product Support Guide

## Model D117/D118

### Supplies/Yields

Item	Name	Order Code	Target Yield	
<b>Lanier</b>				
<b>K</b>	Toner Black	Print Cartridge Black MP C305H	841621	12,000 prints/bottle*
<b>C</b>	Toner Cyan	Print Cartridge Cyan MP C305	841591	4,000 prints/bottle*
<b>M</b>	Toner Magenta	Print Cartridge Magenta MP C305	841592	4,000 prints/bottle*
<b>Y</b>	Toner Yellow	Print Cartridge Yellow MP C305	841593	4,000 prints/bottle*
<b>Ricoh</b>				
<b>K</b>	Toner Black	Print Cartridge Black MP C305H	841621	12,000 prints/bottle*
<b>C</b>	Toner Cyan	Print Cartridge Cyan MP C305	841591	4,000 prints/bottle*
<b>M</b>	Toner Magenta	Print Cartridge Magenta MP C305	841592	4,000 prints/bottle*
<b>Y</b>	Toner Yellow	Print Cartridge Yellow MP C305	841593	4,000 prints/bottle*
<b>Savin</b>				
<b>K</b>	Toner Black	Print Cartridge Black MP C305H	841621	12,000 prints/bottle*
<b>C</b>	Toner Cyan	Print Cartridge Cyan MP C305	841591	4,000 prints/bottle*
<b>M</b>	Toner Magenta	Print Cartridge Magenta MP C305	841592	4,000 prints/bottle*
<b>Y</b>	Toner Yellow	Print Cartridge Yellow MP C305	841593	4,000 prints/bottle*

*Note: 5% chart is used to measure the above yield. Storage period for toner is max. 1 year.*

# Product Support Guide

## Model D117/D118

### Branding Information

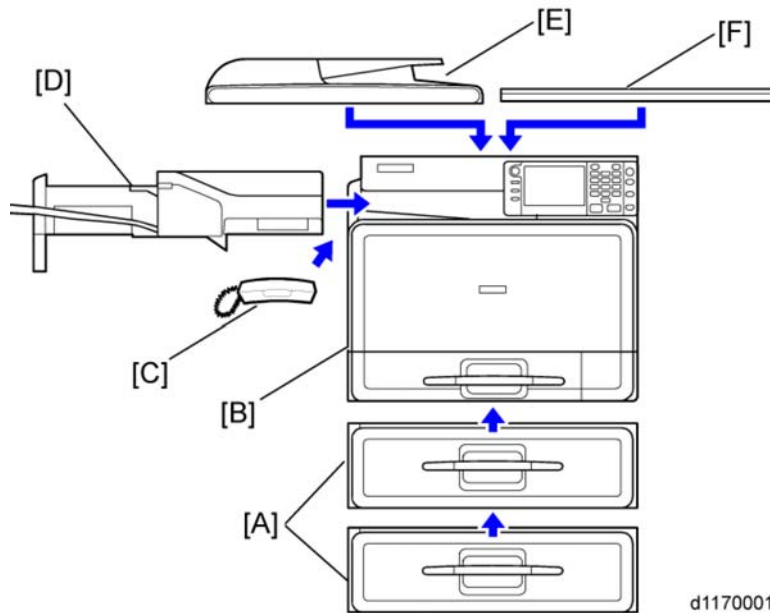
Branding is required as the machines are shipped as a generic version.

**Ricoh version machines:** You must attach the model label (provided) to the front cover.

**Savin/Lanier:** You must attach the model label (provided) to the front cover and set the Plug and Play name with SP 5-907.

### Configuration

#### Main Frame Configuration



d1170001

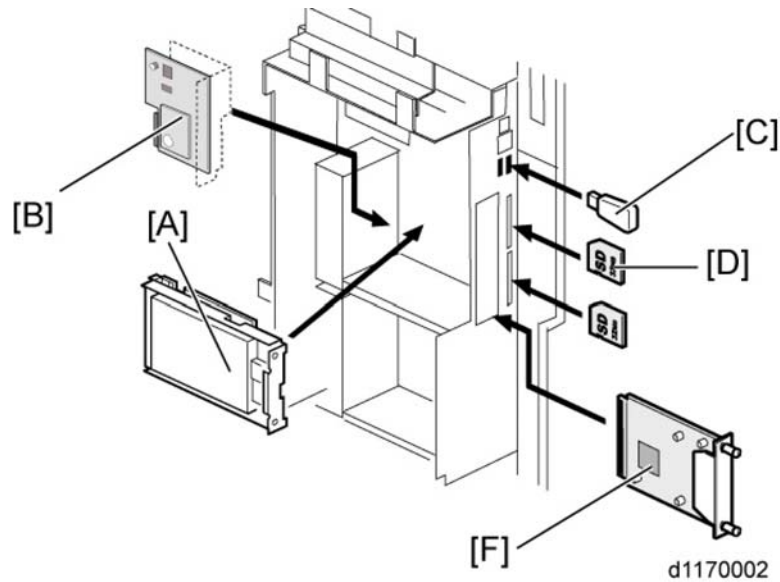
Item	Item	Machine Code	Remarks
B	Main Unit	D117/D118	D117: MP 305SPF/D118: MP 305SP
A	Paper Feed Unit PB-1050	D573	Up to 2 can be stacked
D	1 Bin Tray BN1010	D574	-
E	ARDF DF1030	D606	NA/Asia Standard
F	Platen Cover PN1010	D607	EU/China Optional for D118
C	Handset Type C5502 (Only for NA)	D645 (NA)	Requires the Fax Option.

# Product Support Guide

## Model D117/D118

### MFP Options

#### MFP Option Board Slot / SD Card Assignment



Item	Description	Machine Code	Remarks
B	Fax Option Type C305	D649	Only for D118
A	HDD Option Type C305	D656-00	
C	Bluetooth Interface Unit Type D (USB)	D566	One of two USB slots. It cannot be used with Wireless LAN Unit Type J/K simultaneously.
F	IEEE1284 Interface Board Type A	B679	One from these four cards can be installed at the same time.
F	Wireless LAN Unit Type J/K (IEEE 802.11a/g, g)	D377-01 (NA)	
F	File Format Converter Type E	D377-04	
F	Gigabit Ethernet Board Type A	G874	
	Copy Data Security Unit Type G	D640	
D	VM Card Type T	D656	If multiple applications are required, merge all applications in one SD card with the SP mode (SD Card Application Move)
D	Browser Unit Type H	D656-05	
D	Camera Direct Print Card Type K	D658	
D	SD Card for Netware Printing Type J	D656-01	
	Optional Counter Type A	B870	

# Product Support Guide

## Model D117/D118

### Installation

#### Installation Requirements

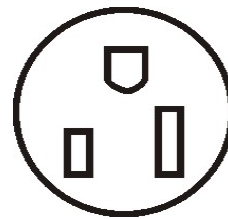
Temperature Range:	10° C to 32° C (50° F to 89.6° F)
Humidity Range:	15% to 80% RH
Ambient Illumination:	Less than 1,500 lux (do not expose to direct sunlight)
Ventilation:	3 times/hr/person or more.
Ambient Dust:	Less than 0.075 mg/m <sup>3</sup> (2.0 x 10-6oz/yd <sup>3</sup> )
Avoid areas exposed to sudden temperature changes:	
Areas directly exposed to cool air from an air conditioner.	
Areas directly exposed to heat from a heater.	
Do not place machine where it will be exposed to corrosive gas or vapor.	
Do not install the machine at any location over 2,000m (6,500 ft.) above sea level.	
Place the machine on a strong and level base. Inclination on any side should be no more than 5mm (0.2")	
Do not place the machine where it may be subject to strong vibrations.	
Machine level	<ul style="list-style-type: none"> <li>• Front to back: within 5mm (0.2") of level</li> </ul>
	<ul style="list-style-type: none"> <li>• Right to left: within 5mm (0.2") of level</li> </ul>

#### Power Requirements

Input voltage level: **120 to 127 V, 60 Hz 15 Amp**

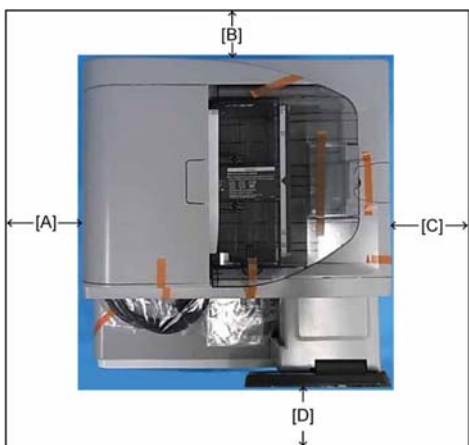
Do not place anything on power cord.

Required wall outlet:



**NEMA 5-15R**  
Receptacle

#### Space Requirements

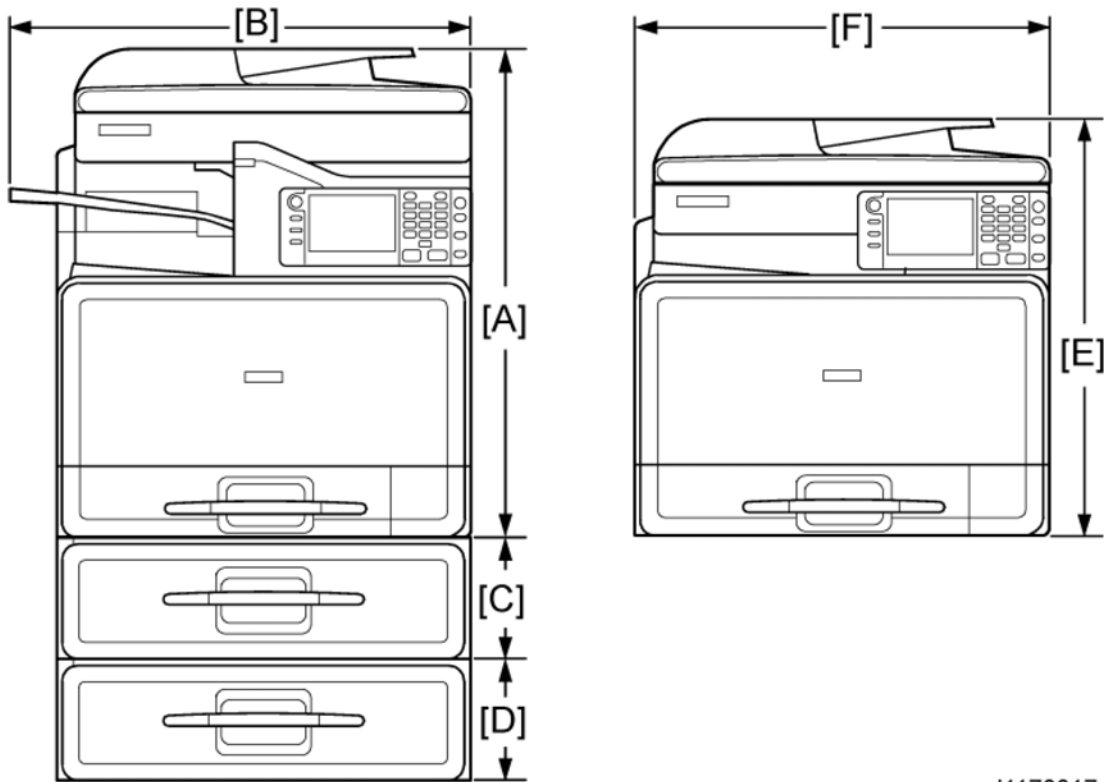


A (Left)	Over 70 mm (2.8 ") (Base machine) 120 mm (4.7 ") (with 1-bin tray unit)
B (Rear)	Over 100 mm (3.9 ")
C (Right)	Over 420 mm (16.5")
D (Front)	Over 420 mm (16.5")

# Product Support Guide

## Model D117/D118

### Foot Print



d1170017

[A]: 621 mm (24.4") Copier with one Bin Tray

[B]: 540 mm (21.3") Copier with one Bin Tray

[C]: 150 mm (5.9")

[D]: 150 mm (5.9")

[E]: 505 mm (19.8") Base Copier

[F]: 498 mm (19.6") Base Copier

Dimensions (W x D x H): 498 x 532 x 505 mm (19.6" x 20.9" x 19.9") (including ARDF and operation panel)



# Product Support Guide

## Model D117/D118

### Power Consumption / Noise Emission

#### Power Consumption

	Model		BTU	
	D117	D118	D117	D118
Max Power	1300W	1300W	4436	4436
Full Option Max Power	1300W	1300W	4436	4436
Operating Power	590W	590W	2013	2013
Ready Mode	49W	45W	167	154
Sleep Mode	1.2W	1.1W	4.0	3.75
TEC (Typical Electricity Consumption)	1231 Wh	1198 Wh	-	-

#### Noise Emission

Sound Power Level (Main frame only)	Stand by	Less than 28.5 dB
	Copying	Less than 63 dB (B&W)
		Less than 64.9 dB (FC)
Sound Power Level (Full System)	Stand by	Less than 29.4 dB
	Copying	Less than 67.9 dB (B&W)
		Less than 67.9 dB (FC)
Sound Pressure Level (Main frame only)	Stand by	Less than 16.6 dB
	Copying	Less than 56.6 dB (B&W)
		Less than 57.7 dB (FC)
Sound Pressure Level (Full System)	Stand by	Less than 16.8 dB
	Copying	Less than 61.3 dB (B&W)
		Less than 61.3 dB (FC)

**NOTE:** *The above measurements were made in accordance with ISO7779. The measurements were taken from the normal position of the operator.*

# Product Support Guide

## Model D117/D118

### Installation Times

Unit	Installation Time (Minutes)	Unit	Installation Time (Minutes)
Copier	30	FAX Option	15
ARDF	15	PostScript3	5
One Tray Paper Feed unit	10	Browser Unit	5
Internal 1 bin Tray	15	Bluetooth	5
Option Counter Interface	10	Gigabit Ethernet	5
VM Card	5	IEEE 1284	5
Copy Data Security Unit	10	IEEE802.11a/ g	5
Netware	5	File Format Converter	10
HDD unit	10	PictBridge	5

### Storage/Transportation

	Storage	Transportation
<b>Mainframe</b>	Temperature - 30 ~ 45C (-22 ~104F) Humidity 15~80 % RH Storage Period 12 months	Temperature - 30 ~ 45C (-22 ~104F) Humidity 15~95 % RH

*Note: (Do not store more than 12 hours under the temperature between 40 and 50°C. Do not store more than a month under the temperature between 35 and 40°C. Store in a dry, dark place where temperature does not exceed 40°C on continuance storage/transportation conditions.*

### Transporting the Machine after Installation

The following should be done before transporting the machine.

1. Move the ITB lock lever down to the shipping position. This moves the ITB away from the Black PCDU.
2. Do SP 4806-001 to move the scanner carriage from the home position. This prevents dust from falling into the machine during transportation.
3. Remove the toner bottles. This prevents toner flow into the toner supply tube, which is caused by vibration during transport. This can also cause the tube to be clogged with toner.
4. Make sure there is no paper left in the paper trays. Then fix down the bottom plates with a sheet of paper and tape.
5. Attach securing tape to stop the waste toner bottle from coming out.
6. Do one of the following:
  - Secure covers and doors with shipping tape.
  - Shrink-wrap the machine tightly.

# Product Support Guide

## Model D117/D118

### Maintenance Parts / Special Tools

#### PM Parts

**Unique/Common**

**U:** Unique for this model

**C:** Common with listed model

**Mainframe: D117/D118**

Part Number	Description	Q'ty/ Unit	Target Yield	Yield Affected by P/J	Unique or Common
<b>PCDU</b>					
D1170121	Drum Unit-K	1	60K	Yes*	U
<b>Misc</b>					
D1176401	Waste Toner Bottle	1	90K	No	U

**Note:** The yield figures in the above table are based on the following conditions:

- A4 (LT) short-edge feed
- 5% image coverage ratio
- Color ratio: 20%
- 2 print/job

#### Yield Parts

**Unique/Common**

**U:** Unique for this model

**C:** Common with listed model

**Mainframe: D117/D118**

Part Number	Description	Q'ty/ Unit	Expected Yield	Yield Affected by P/J	Unique or Common
<b>PCDU</b>					
D1170122	Drum Unit-C	1	24K	Yes*	U
D1170123	Drum Unit-M	1	24K	Yes*	U
D1170124	Drum Unit-Y	1	24K	Yes*	U
<b>Transfer</b>					
D1176002	Image Transfer Belt Unit	1	120K	Yes*	U
D1176201	Paper Transfer Roller Unit	1	120K	Yes*	U
<b>Fusing</b>					
D1174025	Fusing Unit	1	120K	Yes*	U
<b>Paper Feed</b>					
D1172851	Feed Roller	1	120K	No	U
D1172872	Friction Pad	1	120K	No	U
AF031092	By-pass Feed Roller	1	120K	No	U

*\* The actual yield for these parts will depend on P/J (pages per job). For more details, see PM/Yield Parts Yield table at the end of this section.*

# Product Support Guide

## Model D117/D118

### Options

**Unique/Common**

**U:** Unique for this model

**C:** Common with listed model

***Paper Feed Unit: D573***

Part Number	Description	Q'ty /Unit	Expected Yield	Unique or Common
AF031063	Feed Roller	1	120K	C
D5732908	Friction Pad	1	120K	U

### PM / Yield Parts Yields

PM parts as well as yield parts are affected by the number of prints per job (P/J). The actual part life is determined by the number of its rotations, which depends on the P/J. The number of rotations a part makes per page increases, if the P/J is lower. This is because the machine always stops at a certain (fixed) time after the last sheet is fed out, regardless of the P/J. The lower the P/J, the more revolutions are made per page.

The table below shows the expected number of prints made for 1 P/J vs. 4 P/J.

Unit	Number of Prints (K copies/prints)			
	1 P/J	2 P/J	3 P/J	4 P/J
Black PCDU	40K	60K	60K	60K
Color PCDU	15K	24K	24K	24K
Image Transfer Belt Cleaning Unit	81K	120K	120K	120K
Paper Transfer Roller Unit	81K	120K	120K	120K
Fusing Unit	70K	120K	120K	120K

The expected yield of all PM & Yield parts is calculated assuming the following conditions:

- A4 (LT) short-edge feed
- Color ratio: 20%
- Expected ACV: 2k

# Product Support Guide

## Model D117/D118

### Special Tools & Lubricants

Item	Part Number	Description	Q'ty	Unique or Common
1	B6455010	SD Card	1	C (General)
2	52039502	Silicon Grease G-501	1	C (General)
3	A2579300	Grease Barrierta – S552R	1	C (General)
4	G0219350	Loop-back Connector – Parallel	1	C (General)
5	C4019503	20X Magnification Scope	1	C (General)
6	A0929503	C4 Color Test Chart (3 pcs/set)	1	C (General)
7	B6795100	Plug - IEEE1284 Type C	1	C (General)
8	B1329700	Lubricant Powder	1	C (General)

**Note 1:** Loop-back Connector – Parallel (item 4) requires Plug - IEEE1284 Type C (item 7).

**Note 2:** The color development units and color developer are treated as EM parts, as the actual yield of these units depends on the actual color ratio.

**Note 3:** A PC (Personal Computer) is required for creating the Encryption key file to an SD card when replacing the controller board for a model in which HDD encryption has been enabled.

### Target Reliability

Model	D117/D118
Average Monthly Volume	2K
Max. Monthly Volume	5K
Color Ratio	20%
PM Interval	60K

# Product Support Guide

## Model D117/D118

### Specifications / Documentation

Copier General Features			
Configuration:	Desktop		
Print Process:	Laser beam scanning and electro-photographic printing 4 drums tandem method		
Copy Speed:	30 cpm (A4/LT)		
First Copy Time:	Color: 11 seconds or less (A4, LT, SEF) Black and White: 7 seconds or less (A4, LT, SEF)		
Warm-up Time:	23 seconds or less (23°C)		
Print Paper Capacity: (80 g/m2, 20lb)	Standard tray: 250 sheets By-pass tray: 100 sheets Optional paper feed tray: 500 sheets		
Print Paper Size:	-	Minimum	Maximum
	Standard Tray	A5 (SEF)	A4 / 8.5" x 11" (SEF)
	By-pass	76.2 x 139 mm (3.0 x 5.0 in.)	216 x 600 mm (8.5 x 23.7 in.)
	Optional Tray	A5 (SEF)	A4 / 8.5" x 14"
Printing Paper Weight:	Standard tray: 60-163 g/m2 (16-44 lb) By-pass tray: 60-220 g/m2 (16-59 lb) Optional paper feed tray: 60-163 g/m2 (16-44 lb) Duplex: 60-163 g/m2 (16-44 lb)		
Output Paper Capacity:	Basic model: Up to 500 sheets (A4/ LT/ 80 g/m2 / 20 lb)		
Memory:	1 GB		
Continuous copy	Up to 99 sheets		
Hard disk	128GB (Optional)		
Power Consumption:	110 V: 1300 W or less 120 V: 1300 W or less Energy Saver: 1.1 W (D118)/1.2 W (D117) or less		
Dimensions (W x D x H):	498 x 532 x 505 mm (19.6" x 20.9" x 19.9") (including ARDF and operation panel)		
Weight:	Basic model (D118): 42 kg (93 lb) ADF model (D117): 45 kg (100 lb)		

# Product Support Guide

## Model D117/D118

Copier Enhanced Features		
First Copy Time		B&W: 6.94 sec.(A4,LT,SEF) FC: 10.8 sec(A4, LT, SEF)
CPM Black		30cpm(A4), 31cpm(LT) ARDF 1 to 1: 30cpm
CPM Color		30cpm(A4), 31cpm(LT) ARDF 1 to 1: 20cpm
Multiple Copying		Up to 99 copies
Reproduction Ratio		155%, 129%, 100%, 93%, 78%, 65%
		200%, 141%, 100%, 93%, 71%, 50%
Zoom		From 25% to 400% in 1% step
Number of Copy Reservations		not available
Image Density		Auto Density Selection, Manual : 9 levels
Color Mode		Yes
Copy Mode		Yes
Copy Mode -Photo Type Selection		Yes
Paper Selection		Yes
Book	Booklet	not available
	Magazine	not available
Series	Book to simplex	not available
	2 sided original to simplex	Yes
Combine	2 into 1 simplex	Yes
	4 into 1 simplex	Yes
	8 into 1 simplex	not available
	1 duplex into 1 simplex	Yes
	2 duplex into 1 simplex	Yes
	4 duplex into 1 simplex	not available
	4 into 1 duplex	Yes
	8 into 1 duplex	Yes
	16 into 1 duplex	not available
	2 duplex into 1 duplex	Yes
	4 duplex into 1 duplex	Yes
	8 duplex into 1 duplex	not available
Shift/Erase/Margin Adjustment	Centering	not available
	Cornering	not available
	Margin Adjustment	Yes
	Erase Center	not available
	Erase Border	not available
Cover Sheet/Chapter/Slip Sheets	Erase Center/Border	not available
	Front Cover	not available
	Front & Back Cover	not available
	Chapter	not available
	Slip Sheets	not available
	OHP Slip Sheets	not available

## Product Support Guide Model D117/D118

<b>Copier Enhanced Features - <i>continued</i></b>		
Image Rotation		Yes
Electronic Sort	Without Shift Sort	not available
	Rotate Sort	not available
	Shift Sort	not available
Electronic Stack		Yes
Stapling		not available
Color Creation	Color Conversion	not available
	Color Erase	not available
	Color Background	not available
Image Creation	Repeat	not available
	Double Copy	not available
	Mirror	not available
	Positive/Negative	not available
Stamp/Numbering	Preset Stamp	not available
	User Stamp	not available
	Date Stamp	not available
	Page Number	not available
Color Balance Adjustment		Yes
Color Balance Program		Yes
Auto Color Calibration(ACC)		Yes
Sharp/Soft		7 levels
Contrast		9 levels
Background Density Adjustment		9 levels
Under Color Removal(UCR) Adjustment		9 levels
Text & Photo Separation Sensitivity Adjustment		9 levels
Color Erase Sensitivity Adjustment		5 levels
Job Programs		Yes
User Code		Yes (1000 codes, eight digits)
Interrupt Copy		not available
Auto Start		not available
Job Preset		not available
Sample Copy		not available



# Product Support Guide

## Model D117/D118

### Options

<b>ARDF (D606) Standard</b>			
Paper Size/Weight:	Simplex	Size	A4 to A5, LG to HLT
		Weight	52 to 128 g/m2 (14 to 34 lb.)
	Duplex	Size	A4 to A5, LG to HLT
		Weight	64 to 105 g/m2 (17 to 28 lb.)
Table Capacity:	50 sheets (80 g/m2, 20 lb. Bond or less) 20 sheets (more than 80 g/m2, 20 lb. Bond)		
Separation:	Friction pad		
Original Transport:	Roller transport		
Original Feed Order:	From the top original		
Power Source:	DC 24V, 5V from the scanner unit		
Power Consumption:	20 W or less		
Dimensions (W x D x H):	476 x 360 x 79.8 mm (18.8" x 14.2" x 3.2")		
Approx. 3 kg (6.6 lb.)	Approx. 3 kg (6.6 lb.)		

<b>Paper Feed Unit (D573)</b>	
Paper Feed System:	Feed Roller and Friction Pad
Paper Height Detection:	Empty only
Capacity:	500 sheets
Paper Weight:	60 to 163 g/m2 (16 to 43.5 lb.)
Paper Size:	A5 SEF to A4/LG SEF
Power Source:	DC 24V, 5V (from the main frame)
Power Consumption:	Less than 27 W (Power is supplied from the main unit.)
Dimensions (W x D x H):	498 mm x 552 mm x 150 mm (19.6" x 21.7" x 5.9")
Weight:	10.4 kg (23.0 lb.) or less

# Product Support Guide

## Model D117/D118

### Options - *continued*

<b>1-Bin Tray Unit (D574)</b>	
Tray Capacity:	100 sheets (80 g/m2)
Paper Weight:	60 to 163 g/m2 , 16 to 43.5 lb.
Paper Size:	Width: 139.7 to 216mm (5.0" to 8.5") Length: 210 to 600mm (8.3" to 23.7")
Power Source:	DC 24V, 5V (from the main frame)
Power Consumption:	Less than 1 W (Power is supplied from the main unit.)
Dimensions (W x D x H):	540 mm x 460 mm x 116 mm (21.3" x 18.1" x 4.6")
Weight:	3.0 kg (6.6 lb.) or less

# Product Support Guide

## Model D117/D118

### Printer

Print Controller General Features		
CPU		RM7035C-533MHz
RAM		1GB
Print Drivers	Std	PCL5c, PCL6, PS3, XPS
Print Resolution	PCL 5c	300x300 dpi Grayscale, 600x600dpi (1,2bit)
	PCL6	600 x 600 dpi(1,2bit), 1200 x 1200 dpi (1 bit)
	RPCS	not supported
	PS3	600 x 600 dpi(1,2bit), 1200 x 1200 dpi (1 bit)
	XPS	600 x 600 dpi(1,2bit), 1200 x 1200 dpi (1 bit)
Host Interfaces	Std	USB2.0 (TypeA & B) 、 Ethernet (100BASE-TX/10BASE-T)
	Option	Gigabit Ethernet (1000BASE-T)、 Wireless LAN (IEEE802.11a/b/g), Bluetooth,IEEE1284
Network Protocol		TCP/IP (V4/V6) IPX/SPX
Standard MIB		MIB-II(RFC1213), Host Resource(RFC1514), Printer Mib(RFC1759), SNMPv3(RFC2574)
Private MIB		Ricoh private MIB
Network/Operating System	PCL5c driver :	
	OS 1)WindowsXP/Server2003/Vista/Server2008/7(32bit) 2)WindowsXP/Server2003/Vista/Server2008/Sever2008 R2/7(64bit)	
	Citrix 1)Metaframe XP(32bit) 2)Citrix Presentation Server4.5(32bit) 3)Citrix XenApp5.0/6.0(32bit)	
Network/Operating System	PCL6 driver:	
	OS 1)WindowsXP/Server2003/Vista/Server2008/7(32bit) 2)WindowsXP/Server2003/Vista/Server2008/Server2008 R2/7(64bit)	
	Citrix 1)Citrix Presentation Server4.5(32bit/64bit) 2)Citrix XenApp5.0/6.0(32bit/64bit)	

# Product Support Guide

## Model D117/D118

Print Controller General Features - <i>continued</i>	
Network/Operating System	PS driver: OS 1)WindowsXP/Server2003/Vista/Server2008/7(32bit) 2)WindowsXP/Server2003/Vista/Server2008/Server2008 R2/7(64bit) 3)MacOS 10.2x~10.4.x 4)MacOS 10.5x~
	Citrix 1)Citrix Presentation Server4.5(32bit/64bit) 2)Citrix XenApp5.0/6.0(32bit/64bit)
	XPS driver OS 1)WindowsVista/Server2008/7(32bit) 2)WindowsVista/Server2008/Server2008R2/7(64bit)
	Citrix Not available
	PCL6(XL)/PostScript Universal Driver OS 1)WindowsXP/Server2003/Vista/Server2008/7(32bit) 2)WindowsXP/Server2003/Vista/Server2008/Server2008 R2/7(64bit)
	Citrix 1)Citrix Presentation Server4.5(32bit/64bit) 2)Citrix XenApp5.0/6.0(32bit/64bit)

# Product Support Guide

## Model D117/D118

Scanner		
Color Scan		Std
Scanning Speed	B&W	over 31 ipm (A4, SEF, 200dpi, Mono 1bit, MH compression with ADF) over 31 ipm (A4, SEF, 300dpi, Mono 1bit, MH compression with ADF)
	Color	over 20 ipm (A4, SEF, 300dpi with FC letter/photo/ JPEG standard compression with ADF) over 30ipm (A4, SEF, 200dpi with FC letter/photo/ JPEG standard compression with ADF)
Scanning Resolution	Std	100,200,300,400,600dpi
	Default	200dpi
Auto Size Detection	Contact Glass	Not supported
	ARDF	Not supported
Scan Area	Contact Glass	216 x 356 (A4 available from contact glass)
		8.5 x 14 (LT/LG available from contact glass)
	ARDF	Simplex: 216 x 600 Duplex: 216 x 356
		Simplex: 8.5 x 23.6 Duplex: 8.5 x 14
sRGB Support		Not supported
Network Interface	Std	Ethernet (100BASE-TX/10BASE-T)
	Option	Gigabit Ethernet (1000BASE-T), Wireless LAN (IEEE802.11a/b/g)
Protocol		Network: TCP/IP Sending E-mail: SMTP, POP3Scan to Folder: SMB, FTP, NCP(option), Web Services on Devices for Scanning *NCP is available with Netware option.
Compression Method	B&W	see "File Format"
	Color	see "File Format"
Scan Mode		Standard BW/ Text/ Line Art, BW TextPhoto, BW Photo, BW Grayscale, FC Text/Photo, FC Glossy Photo, Standard ACS (Standard: BW Text/Line Art)
Image Density		Yes (adjustable with 7 steps)
Image Rotation		Yes
SADF/Batch Mode		Batch Mode :Yes / SADF Mode: Not supported
Mixed Size Mode		Yes (Letter & Legal)
File Format	Compression On / Off	Data / Compression Method

# Product Support Guide

## Model D117/D118

<b>Scanner - <i>continued</i></b>		
Single Page TIFF	On	BW 1bit / (MH, MR or MMR)
	Off	BW 1bit, BW Grayscale or Full Color
Multi Page TIFF	On	BW 1bit / (MH, MR or MMR)
	Off	BW 1bit, BW Grayscale or Full Color
Single Page JPEG	On	BW Grayscale or Full Color / (JPEG)
	Off	-
Single Page PDF	On	BW 1bit / (MH, MR, MMR or JBIG2), BW Grayscale / (JPEG), Full Color / (JPEG)
	Off	BW 1bit, BW Grayscale or Full Color
Multi Page PDF	On	BW 1bit / (MH, MR, MMR or JBIG2), BW Grayscale / (JPEG), Full Color / (JPEG)
	Off	BW 1bit, BW Grayscale or Full Color
Single Page High Compression PDF	On	BW Grayscale / (JPEG or JPEG2000), Full Color / (JPEG or JPEG2000)
	Off	-
Multi Page High Compression PDF	On	BW Grayscale / (JPEG or JPEG2000), Full Color / (JPEG or JPEG2000)
	Off	-
Single Page PDF-A	On	BW 1bit / (MH, MR, MMR or JBIG2), BW Grayscale / (JPEG), Full Color / (JPEG)
	Off	BW 1bit, BW Grayscale or Full Color
Multi Page PDF-A	On	BW 1bit / (MH, MR, MMR or JBIG2), BW Grayscale / (JPEG), Full Color / (JPEG)
	Off	BW 1bit, BW Grayscale or Full Color

# Product Support Guide

## Model D117/D118

Scan to E-mail		
Requirement (Mail Protocol, Transmission Protocol, Protocol)		POP, SMTP, IMAP4
Authorization Function		SMTP authentication, POP before SMTP authentication
Resolution	Std	100,200,300,400,600dpi
	Default	200dpi
Max Email Address in HDD		2000(with optional HDD) 200(standard)
Register Group Address in HDD		100(with optional HDD) 10(standard)
Maintain Email Address in HDD		Direct input on operation panel, Web Image Monitor, Smart Device Monitor for Admin
Input of Destination E-mail Address via Soft Key		Yes
Search method of Email Address in HDD		By name and E-mail address
LDAP Search		Yes
Max Address Numbers Per Send	Input via Address Book	Standard : Max. 100 destinations With HDD Option : Max. 500 destinations
	Manual input	Standard : Max. 50 destinations With HDD Option : Max. 100 destinations
Attention		To, cc, bcc
Max Email Size	with size restriction	Selectable from 128 – 102,400KB (Default = 2,048KB)
	w/o size restriction	No limitation (as far as memory can read)
Input Subject	Manual	Max. 128 Characters via soft key *with HDD option
	User Pre-register	Yes
Input Main Body Text	Manual	Max. 80 Characters * 5 lines via soft key *with HDD option
	User Pre-register	Yes
	Preset	Yes
Input File Name		Yes *with HDD option
File type		TIFF(Single page/Multiple page), JPEG(Single page), PDF(Single page/Multiple page), High Compression PDF(Single page/Multiple page)、PDF/A(Single Page/Multiple Page)
Program User Settings		Yes (Only scanning condition can be programmed. Destination cannot be programmed.)
Divide and send Email (If the file size exceed the max size.)		Yes
Resend		Standard : No, with HDD : Yes
Max Address Numbers Per Send (Combination of scan to email + folder)		Standard : Max. 132 destinations (To Folder: 32, To E-mail: 100)  With HDD Option: Max. 550 destinations (To Folder: 50, To E-mail: 500)

# Product Support Guide

## Model D117/D118

Scan to folder		
Protocol Support		SMB, FTP, NCP *NCP is available with NetWare option.
Security		Client folder log-in (log-in name and password)Encryption of log-in name and password during transmission
Resolution	Std	100,200,300,400,600dpi
	Default	200dpi
Register client folder address in HDD		Max. 2,000 folders(with optional HDD), 150. without HDD
Maintain client folder address in HDD		Direct input on operation panel, Web Image Monitor, Smart Device Monitor for Admin
Destination client folder address input via soft key		Yes SMB: Network path -> Client folder -> Password FTP: Server -> Network path -> User account -> Password NCP: Network path -> User account -> Password -> Connection. *NCP is available with NetWare option
Search client folder		SMB: Browsing directly to the designated folders FTP: By client folder name NCP: Browsing. *NCP is available with NetWare option
Max. client folder numbers per send		Max. 50 client folders / PCs per send
Simultaneous Transmission		Max. 132 destinations (To Folder: 32, To E-mail: 100) With HDD Option : Max. 132 destinations (To Folder: 50, To E-mail: 500)
Group address		Yes
Input File Name		Yes
Max File size		2,000MB (with HDD) , 140MB (without HDD)
Max file Size when combined Scan to Folder & Scan to E-mail		Same as "Scan to E-mail max file size with restriction". Selectable from 128 – 102,400KB (Default=2,048KB)
File Type		TIFF(Single page/Multiple page), JPEG(Single page), PDF(Single page/Multiple page), High Compression PDF(Single page/Multiple page), PDF/A(Single Page/Multiple Page)
Program User Settings		Yes (Only scanning condition can be programmed. Destination cannot be programmed.)
Divide the File in Scan to Email (If the file size exceeds the max size.)		No
Resend		Standard : No , with HDD : Yes
Max Address Numbers Per Send (Combination with E-mail)	Input via Address Book	Standard : Max. 32 destinations (To E-mail: 100) With HDD Option : Max. 50 destinations (To E-mail: 500)
	Manual input	Standard : Max. 32 destinations (To E-mail: 50) With HDD Option : Max. 50 destinations (To E-mail: 100)



# Product Support Guide

## Model D117/D118

Network TWAIN Driver	
OS	32bit/64bit: Windows XP, Vista, 7, Server2003/2008 64bit: Windows Server 2008R2 (Operates in 32-bit compatibility mode on 64-bit operating systems)
Resolution	B&W Book: 100~1200dpi by 1bit each ARDF: 100~600dpi by 1bit each
	Color Book: 100~1200dpi by 1bit each ARDF: 100~600dpi by 1bit each
Scan Mode	Standard / Photo / OCR / Filing
Image Adjustment	Brightness / Contrast / Threshold / Gamma Adjustment /Halftone Pattern
Endorser	Date / Page Number / Text
Stamp	Not Supported

FAX General Features	
Circuit	PSTN, PBX
Compatibility	ITU-T,G3
Resolution	200 x 100 dpi, 200 x 200 dpi
Compression Method	MH/MR/MMR/JBIG
Scanning Speed	2.4 second (200x200/200x100, 8x15.4/mm/A4)
Scan Page per Minute(DF used)	A4/LT SEF 22 pages/ minute (200x100dpi, 200x200dpi, 8x15.4/mm/A4)
	A4/LT LEF Image Rotation
Modem Speed	33.6K~2400bps with Auto Fallback
Transmission Speed	TBA
Page Memory Size	Std 4 MB No page memory option available
	with Optional SAF Memory No
SAF Memory Size	Std 320 sheets (ITU-T No. 1 chart)
	with Optional SAF Memory No
Memory Backup	12 hours
Smoothing	Standard (Binary)
TTI/RTI	Yes
CSI	Yes
Quick Dial	Yes (address book, 200:Standard 2000:With HDD option)

# Product Support Guide

## Model D117/D118

<b>FAX General Features - <i>continued</i></b>	
Group Dial	Standard (10 groups: Standard , Max. 100 numbers per group: With HDD option)
Program	Yes
Redial	Yes (Automatic/Manual)
Direct Fax Number Entry	Yes
Dual access	Yes
User Code	Yes (1,000 personal codes)
Page Counter	Yes
Auto Reduction	not available
Wild Cards	Yes
Summer Time	Yes
Memory Lock ID Code	Yes
SID Code (Sender ID)	Yes
Programming by OMR	not available
User Function Key	Yes (3 keys)
Energy Saver	Yes
LCD Prompt	Yes
Remaining Memory Indication	Yes
Clock Adjustment	Yes
User Parameter Settings	Yes
User Data Transfer	No

# Product Support Guide

## Model D117/D118

<b>Transmission Features</b>	
Remote Fax	Yes(option)
Immediate Transmission	Yes
Parallel Memory Transmission	Yes
Memory Transmission	Yes
Serial Broadcasting	Yes (Max: 500 numbers)
Send Later	Yes
Error Correction Mode	Yes
Page Retransmission	Yes
Forwarding	Yes
Image Rotation	not available
Book Fax	Yes
Closed Network Transmission	Yes
Double Sided Transmission	Yes

<b>Reception Features</b>	
Automatic Reception	Yes
Manual Reception	Yes
Night Timer	Yes
Substitute Reception	Yes
Authorized Reception	Yes
Multi Copy	Yes
Closed Network	Yes
Reception Time Printing	Yes
Center Mark	Yes
Checkered Mark	Yes(only cover page)
Economy Printing Mode	not available
Duplex Reception	Yes

# Product Support Guide

## Model D117/D118

<b>LAN-Fax Specification</b>	
Paper Size	A4 (default for EU/Asia model), Letter (default for NA model), Legal, B5, A5
Resolution	Detail (200 x 200 dpi) *default Standard (200 x 100 dpi)
Gray Scale	not available
Number of Address	500
OS	Windows XP, Windows Server 2003, Windows Vista, Windows Server 2008, Windows 7, Windows Server 2008 R2
LAN-Fax Editor Support Language	1.English, 2.German, 3.French, 4.Italian, 5.Spanish, 6.Dutch, 7.Swedish, 8.Norwegian, 9.Danish, 10.Finnish, 11.Hungarian, 12.Czech, 13.Polish, 14.Portuguese, 15.Russian, 16.Traditional Chinese, 17.Catalan, 18.Turkish, 19.Simplified Chinese, 20.Greek, 21.Brazilian Portuguese Condition: OS need to have the same language
Memory	OS recommended spec
CPU	OS recommended spec
HDD	OS recommended spec

<b>Internet Fax (T.37 Full mode) Basic Specification</b>	
Requirement of Mainframe	Either SPF model or Fax Option is required.
Number of Address	2000(with optional HDD) 200(standard)
Email Address Input	Direct input on operation panel, Web Image Monitor, Smart Device Monitor for Admin
Attention	500
Destination Combination	Internet Fax + G3 Fax, Internet Fax to PC + G3 Fax
Network	Ethernet (100BASE-TX/10BASE-T) Gigabit Ethernet (1000BASE-T)、Wireless LAN (IEEE802.11a/b/g)
Transmit Function	E-mail
Scan Line Density	200 x 100 dpi (Standard character), 200 x 200 dpi Detail character).
Original Size: Scanning width	A4
Communication Protocol	Transmission: SMTP, TCP/IP Reception: POP3, SMTP, IMAP4, TCP/IP
Email Format	Single/Multi-part, MIME Conversion Attached file forms: TIFF-F(MH, MR MMR compression)
Authentication Method	SMTP-AUTH, POP before SMTP, A-POP
Internet Communication	Send and receive e-mail with a computer that has an e-mail address
Email Send Functions	Automatic conversion of sent documents to e-mail format and e-mail transmission. Memory transmission only.
Email Receive Functions	Automatic detection and printing of appended TIFF-F(MH) files and ASCII text. Memory reception only.

# Product Support Guide

## Model D117/D118

<b>IP-Fax Specifications</b> <i>HDD option is required</i>		
Network Interface	Std	Ethernet (100BASE-TX/10BASE-T)
	Option	Gigabit Ethernet (1000BASE-T), Wireless LAN (IEEE802.11a/b/g)
Scan Line Density		8 x 3.85 lines/mm, 200 x 100 dpi (Standard character), 8 x 7.7 lines/mm, 200 x 200 dpi(Details character),
Original Size		Maximum A4 or 8.5" x 14"
Max Scanning Size		Standard: A4, 216mm x 356mm
Transmission Protocol		Recommended: T.38 Annex, TCP, UDP/IP communication, SIP(RFC 3261 compliant), H.323 v2
Compatible Machines		IP-Fax compatible machines
IP-Fax Transmission Function		Specify an IP address and send faxes to an IP-Fax compatible fax through a network. Also capable of sending faxes from a G3 fax connected to a telephone line via a VoIP gateway.
IP-Fax Reception Function		Receive faxes sent from an IP-Fax compatible fax through a network. Also capable of receiving faxes from a G3 fax connected to a telephone line via a VoIP gateway

<b>Document Server</b>	
HDD Capacity	128 GB *Shared with other features. User can use 128 GB only to enhance response rate for storing and loading data.
Max Stored Documents	3,000
Max Stored Documents	1,000
Max Pages of All Stored Documents	9,000

# Product Support Guide

## Model D117/D118

<b>Security Specifications</b>	
Network User Authentication	Yes
IP Address Filtering	Yes
MAC Address Filtering	not available
HDD Overwrite	Yes *HDD option required
HDD Encryption	Yes *HDD option required
Secure Print	Yes *HDD option required
Encrypted Secure Print	not available
Encrypted PDF Mode	Yes
Digitally signed PDF	Yes
IP Sec	Yes
Secure Sockets Layer(SSL)	Yes
SNMPv3	Yes
IPv6	Yes
Transport Layer Security	Yes
Removable HDD	not available

# Product Support Guide

## Model D117/D118

### Productivity

#### Thick Paper Mode

Paper Mode	BK CPM	FC CPM
Plain Paper 1	30	30
Plain Paper 2	30	30
Middle Thick	30	30
Thick Paper 1	15	15
Thick Paper 2	15	15
Thick Paper 3	15	15

#### B&W Copy Speed ADF Mode (CPM)

ADF 1 to1 Simplex to Simplex (cpm)						
	A4	A5	B5	Legal	Letter	Half Letter
1st Tray	30.79	11.53	9.33		32.45	11.06
2nd Tray	30.36	10.55	9.22	26.30	32.22	10.10
3rd Tray	30.47	10.56	9.33	26.32	32.52	10.17
Bypass	28.59	9.18	8.58	24.68	30.06	9.15

ADF 1 to1 Simplex to Duplex (cpm)						
	A4	A5	B5	Legal	Letter	Half Letter
1st Tray	30.82	9.68	9.32		32.41	10.62
2nd Tray	30.94	9.34	9.29	14.72	32.54	10.15
3rd Tray	30.90	9.36	9.32	14.68	32.47	11.83
Bypass	28.59	9.24	8.92	14.46	30.02	11.46

ADF 1 to1 Duplex to Duplex (cpm)						
	A4	A5	B5	Legal	Letter	Half Letter
1st Tray	10.99	10.66	8.30		11.33	9.64
2nd Tray	11.01	9.55	8.30	10.20	11.35	9.55
3rd Tray	10.97	8.48	8.29	10.12	11.31	9.38
Bypass	11.04	8.97	7.99	10.18	11.25	11.43

# Product Support Guide

## Model D117/D118

### Full Color Copy Speed ADF Mode (CPM)

ADF 1 to1 Simplex to Simplex (cpm)						
	A4	A5	B5	Legal	Letter	Half Letter
1st Tray	20.56	6.09	8.28		22.23	6.62
2nd Tray	20.70	6.91	8.28	17.62	22.53	6.63
3rd Tray	20.49	6.05	8.31	17.86	22.11	6.61
Bypass	20.56	5.50	7.61	17.65	22.30	5.95

ADF 1 to1 Simplex to Duplex (cpm)						
	A4	A5	B5	Legal	Letter	Half Letter
1st Tray	20.37	6.10	8.27		21.58	6.34
2nd Tray	20.48	6.10	8.45	14.74	21.44	5.94
3rd Tray	20.58	6.09	8.28	14.69	22.11	6.34
Bypass	20.27	4.27	7.53	14.46	22.30	5.68

ADF 1 o1 Duplex to Duplex (cpm)						
	A4	A5	B5	Legal	Letter	Half Letter
1st Tray	9.48	6.10	7.47		9.80	5.42
2nd Tray	9.55	5.54	7.47	8.54	9.81	3.43
3rd Tray	9.48	6.09	7.47	8.55	9.80	5.41
Bypass	9.48	6.08	7.18	8.59	9.78	5.15



# Product Support Guide

## Model D117/D118

### B&W Copy Speed ADF Mode (Sec.)

ADF 1 to1 Simplex to Simplex (sec)						
	A4	A5	B5	Legal	Letter	Half Letter
1st Tray	19.49	52.02	64.34		18.49	54.26
2nd Tray	19.76	56.86	65.09	22.81	18.62	59.41
3rd Tray	19.69	56.83	64.32	22.80	18.45	59.00
Bypass	20.99	65.37	69.94	24.31	19.96	65.56

ADF 1 to1 Simplex to Duplex (sec)						
	A4	A5	B5	Legal	Letter	Half Letter
1st Tray	19.47	61.97	64.35		18.51	56.48
2nd Tray	19.39	64.21	64.56	40.76	18.44	59.10
3rd Tray	19.42	64.10	64.41	40.87	18.48	50.70
Bypass	20.99	64.93	67.28	41.50	19.99	52.37

ADF 1 to1 Duplex to Duplex (sec)						
	A4	A5	B5	Legal	Letter	Half Letter
1st Tray	54.60	56.27	72.25		52.98	62.26
2nd Tray	54.48	62.82	72.25	58.82	52.86	62.81
3rd Tray	54.67	70.79	72.40	59.26	53.06	63.97
Bypass	54.37	66.90	75.09	58.93	53.31	52.48

# Product Support Guide

## Model D117/D118

### Full Color Copy Speed ADF Mode (Sec.)

ADF 1 to 1 Simplex to Simplex (sec)						
	A4	A5	B5	Legal	Letter	Half Letter
1st Tray	29.18	98.51	72.46		26.99	90.60
2nd Tray	28.99	86.84	72.46	34.05	26.63	90.56
3rd Tray	29.28	99.11	72.24	33.59	27.14	90.81
Bypass	29.18	109.08	78.82	33.99	26.90	100.90

ADF 1 to 1 Simplex to Duplex (sec)						
	A4	A5	B5	Legal	Letter	Half Letter
1st Tray	29.46	98.43	72.58		27.80	94.65
2nd Tray	29.29	98.39	71.01	40.71	27.98	100.96
3rd Tray	29.15	98.50	72.45	40.84	27.14	94.61
Bypass	29.60	140.62	79.65	41.50	26.90	105.61

ADF 1 to 1 Duplex to Duplex (sec)						
	A4	A5	B5	Legal	Letter	Half Letter
1st Tray	63.29	98.38	80.34		61.22	110.70
2nd Tray	62.86	108.24	80.37	70.28	61.19	175.11
3rd Tray	63.26	98.48	80.32	70.18	61.24	110.83
Bypass	63.28	98.74	83.61	69.88	61.34	116.44

# Product Support Guide

## Model D117/D118

### B&W Copy Speed Platen Mode (CPM)

Platen Cover : Simplex (cpm)						
	A4	A5	B5	LG	Letter	Half Letter
1st Tray	30.80	11.03	10.54		32.99	10.36
2nd Tray	30.79	10.55	9.38	26.33	32.49	9.19
3rd Tray	30.72	9.34	10.45	26.35	32.19	10.79
Bypass	28.63	8.49	9.69	24.80	29.97	9.39

Platen Cover : Duplex (cpm)						
	A4	A5	B5	LG	Letter	Half Letter
1st Tray	30.67	9.35	9.33		32.40	9.49
2nd Tray	30.83	9.72	9.32	14.74	32.36	9.50
3rd Tray	30.85	9.36	9.32	14.78	32.45	9.51
Bypass	28.65	8.90	8.93	14.46	30.02	8.72

### Full Color Copy Speed Platen Mode (CPM)

Platen Cover : Simplex (cpm)						
	A4	A5	B5	LG	Letter	Half Letter
1st Tray	30.15	6.91	8.27		32.10	5.96
2nd Tray	30.21	6.93	8.15	26.16	32.15	5.96
3rd Tray	30.12	6.91	8.28	26.13	32.26	5.96
Bypass	28.36	6.29	7.62	24.45	29.82	5.32

Platen Cover : Duplex (cpm)						
	A4	A5	B5	LG	Letter	Half Letter
1st Tray	30.80	5.98	8.27		32.36	5.95
2nd Tray	30.80	6.09	8.28	14.74	31.78	5.96
3rd Tray	30.79	6.09	8.27	14.76	31.80	5.96
Bypass	28.63	5.80	7.52	14.50	30.05	5.68

# Product Support Guide

## Model D117/D118

### B&W Copy Speed Platen Mode (Sec.)

Platen Cover : Simplex (sec)						
	A4	A5	B5	LG	Letter	Half Letter
1st Tray	19.48	54.38	56.90		18.19	57.92
2nd Tray	19.49	56.85	64.00	22.79	18.47	65.32
3rd Tray	19.53	64.24	57.39	22.77	18.64	55.63
Bypass	20.96	70.67	61.89	24.19	20.02	63.88

Platen Cover : Duplex (sec)						
	A4	A5	B5	LG	Letter	Half Letter
1st Tray	19.56	64.18	64.31		18.52	63.24
2nd Tray	19.46	61.71	64.39	40.70	18.54	63.13
3rd Tray	19.45	64.07	64.39	40.60	18.49	63.12
Bypass	20.94	67.43	67.21	41.48	19.99	68.82

### Full Color Copy Speed Platen Mode (Sec.)

Platen Cover : Simplex (sec)						
	A4	A5	B5	LG	Letter	Half Letter
1st Tray	19.90	86.78	72.54		18.69	100.61
2nd Tray	19.86	86.57	73.60	22.94	18.66	100.66
3rd Tray	19.92	86.85	72.48	22.96	18.60	100.71
Bypass	21.16	95.36	78.72	24.54	20.12	112.76

Platen Cover : Duplex (sec)						
	A4	A5	B5	LG	Letter	Half Letter
1st Tray	19.48	100.31	72.57		18.54	100.76
2nd Tray	19.48	98.51	72.47	40.70	18.88	100.62
3rd Tray	19.49	98.55	72.52	40.64	18.87	100.72
Bypass	20.96	103.40	79.77	41.39	19.97	105.70

# Product Support Guide

## Model D117/D118

### MFP Supported Environments

Windows Environments					
OS	Type	PCL5c	PCL6	PostScript3	XPS
Windows 2000	Professional	N	N	N	N
	Server	N	N	N	N
	Advanced Server	N	N	N	N
	Datacenter Server	N	N	N	N
Windows XP	Professional	Y	Y	Y	N
	Home Edition	Y	Y	Y	N
Windows Server 2003	Standard Edition	Y	Y	Y	N
	Enterprise Edition	Y	Y	Y	N
	Datacenter Edition	N	N	N	N
	Web Edition	N	N	N	N
Windows Vista	Home Basic	Y	Y	Y	Y*1
	Home Premium	Y	Y	Y	Y*1
	Business	Y	Y	Y	Y*1
	Ultimate	Y	Y	Y	Y*1
	Enterprise	Y	Y	Y	Y*1
Windows Server 2008	Standard Edition	Y	Y	Y	Y
	Enterprise Edition	Y	Y	Y	Y
	Datacenter Edition	N	N	N	N
	Web Edition	N	N	N	N
Windows Server 2008 R2	Standard Edition	Y	Y	Y	Y
	Enterprise Edition	Y	Y	Y	Y
	Datacenter Edition	N	N	N	N
	Web Server 2008 R2	N	N	N	N
Windows 7	Home Basic	N	N	N	N
	Starter	N	N	N	N
	Home Premium	Y	Y	Y	Y
	Professional	Y	Y	Y	Y
	Enterprise	Y	Y	Y	Y
	Ultimate	Y	Y	Y	Y

\*1: SP1 or later is recommended

# Product Support Guide

## Model D117/D118

<b>Point &amp; Print</b>					
<b>Windows OS</b>		<b>Drivers</b>			
<b>Server</b>	<b>Client (Push to)</b>	<b>PCL5c</b>	<b>PCL6</b>	<b>PS</b>	<b>XPS</b>
Windows Server 2003	Vista	Y	Y	Y	N
	XP	Y	Y	Y	N
	W2K Pro	N	N	N	N
	Windows Server 2003	Y	Y	Y	N
	Windows Server 2008	Y	Y	Y	N
	Windows Server 2008 R2	Y	Y	Y	N
	Windows 7	Y	Y	Y	N
Windows XP Professional	Vista	Y	Y	Y	N
	XP	Y	Y	Y	N
	W2K Pro	N	N	N	N
	Windows Server 2003	Y	Y	Y	N
	Windows Server 2008	Y	Y	Y	N
	Windows Server 2008 R2	Y	Y	Y	N
	Windows 7	Y	Y	Y	N
Windows 2000 Professional Server & Advanced Server	Vista	N	N	N	N
	XP	N	N	N	N
	W2K Pro	N	N	N	N
	Windows Server 2003	N	N	N	N
	Windows Server 2008	N	N	N	N
	Windows Server 2008 R2	N	N	N	N
	Windows 7	N	N	N	N
Windows Vista	Vista	Y	Y	Y	Y
	XP	Y	Y	Y	N
	W2K Pro	N	N	N	N
	Windows Server 2003	Y	Y	Y	N
	Windows Server 2008	Y	Y	Y	Y
	Windows Server 2008 R2	Y	Y	Y	Y
	Windows 7	Y	Y	Y	Y
Windows Server 2008	Vista	Y	Y	Y	Y
	XP	Y	Y	Y	N
	W2K Pro	N	N	N	N
	Windows Server 2003	Y	Y	Y	N
	Windows Server 2008	Y	Y	Y	Y
	Windows Server 2008 R2	Y	Y	Y	Y
	Windows 7	Y	Y	Y	Y
Windows Server 2008 R2	Vista	Y	Y	Y	Y
	XP	Y	Y	Y	N
	W2K Pro	N	N	N	N
	Windows Server 2003	Y	Y	Y	N
	Windows Server 2008	Y	Y	Y	Y
	Windows Server 2008 R2	Y	Y	Y	Y
	Windows 7	Y	Y	Y	Y
Windows 7	Vista	Y	Y	Y	Y
	XP	Y	Y	Y	N
	W2K Pro	N	N	N	N
	Windows Server 2003	Y	Y	Y	N
	Windows Server 2008	Y	Y	Y	Y
	Windows Server 2008 R2	Y	Y	Y	Y
	Windows 7	Y	Y	Y	Y

# Product Support Guide

## Model D117/D118

<b>Terminal Service and Citrix Meta Frame</b>			
<b>Server</b>	<b>Driver</b>		
	<b>PCL5c</b>	<b>PCL6</b>	<b>PS</b>
Windows Server 2008	Y	Y	Y
Windows Server 2008 R2	Y	Y	Y
Windows Server 2003	Y	Y	Y
Windows 2000 Server	N	N	N
Win 2003 Servers + MetaFrame	N	N	N
Win 2000 Servers + MetaFrame	N	N	N
Win 2003 Servers + Citrix Presentation Server4.0	Y	N	N
Win 2000 Servers + Citrix Presentation Server4.0	N	N	N
Win 2003 Servers + Citrix Presentation Server4.5	Y	Y	Y
Win 2000 Servers + Citrix Presentation Server4.5	N	N	N
Win 2003 Servers + Citrix Xen APP5.0	Y	Y	Y
Windows Server 2008 + Citrix Xen App 5.0	Y	Y	Y
Windows Server 2008R2 + Citrix Xen App 6.0	Y	Y	Y

<b>Mac OS Environment</b>		
	<b>PostScript3</b>	<b>Printer Utility for Mac</b>
Mac OS 8.6 or later, Mac OS X classic	N	N
Mac OS X Native: v.10.2 or later	Y	N

<b>UNIX Filter</b>	
<b>UNIX Platforms</b>	<b>Version</b>
Sun Solaris	2.6/7/8/9/10
HP-UX	10.x, 11.x, 11i v2, 11i v3
Red Hat Linux	Enterprise V4, V5, V6
SCO Open Server	5.0.6, 5.0.7, 6.0
IBM AIX	V5.3, V6.1, V7.1

# Product Support Guide

## Model D117/D118

Novell Netware		
Netware Server	<b>Supported Version</b>	<b>Netware 6.5</b>
	Client OS	Windows XP (Professional) /Vista/Windows 2008/7

SAP R/3 Environment (Device Type / Barcode & OCR Package)		
Supported Environments	R/3 Version	3.x or later , mySAP ERP2004 or later
	Platform	Independent
	PDL	PCL5
	Character Set	Latin 1 (Western European), Latin 2 (Eastern European) Unicode *1
	Localization	English only
Supported Features	i.e.: Input/Output Bin, Duplex, Stapling, Punching, Resolution, Collation, EconoMode / Toner Saving, Smoothing, Page Protect, Auto Tray Change/Opt Tray select, POSS	
Supported Barcode & OCR Fonts*2	Barcode Fonts	Code 128, Code 39, Code 93, Coda bar, 2 of 5 interleaved/Industrial/Matrix, MSI, USPS, UPC/EAN
	OCR Fonts	OCR A, OCR B

*\*1 Need to purchase Unicode Font Package for SAP and HDD option.*

*\*2 Requires Barcode & OCR Package. (Third party)*



# Product Support Guide

## Model D117/D118

### Utility Software

Software	Description
For GW Controller Font Manager	This software enables you to use screen fonts.
Smart Device Monitor for Admin	This software enables you to manage and monitor printers and other devices over the network.
Desk Top Binder – Smart Device Monitor for Client	This software enables you to access networked printers to print, monitor or to receive notifications. With Desk Top Binder Lite you can connect client computers to I/O devices enabling you to efficiently manage data.
Device Graphic Update Module	Device Graphic Update Module provides bitmap images used to represent the various statuses of devices graphically within Smart Device Monitor or Web Smart Device Monitor. Available on website.
Printer Utility for Mac	This is a utility for Macintosh that provides access to several network printing administrative features.
PS Descriptions	PPD for Mac By interacting with the Adobe PostScript 3 controller in the device, this PPD is able to produce an accurate representation of the screen image.
Mac OS X PPD Installer	This PPD installer is used to install a PPD (Postscript Printer Description) file on Mac OSX. PPD files contain descriptions of printer capabilities such as paper sizes, number of input trays and duplexing. Once the PPD file is installed on the system using the PPD installer, the PS driver that comes bundled with Mac OS X can use the information in the PPD to control the print device and enable full functionality. It supports the Mac OS X 10.1 or later. Please see the Readme file for information about compatibility with versions of Mac OS X.
LAN FAX Driver M10	This software enables you to fax documents directly from your computer. The Address Book Editor and Cover Sheet Editor are installed as well. This software requires the optional fax unit to be installed on the machine. M10 Driver
PCL 6 Driver	Printer driver for B/W printing in Windows. It supports HP PCL XL commands and is optimized for the Windows GDI. High performance printing can be expected.
PCL 5e Driver	Printer driver for printing in Windows. It supports HP PCL 5e commands.
Post Script Driver	By interacting with the Adobe PostScript 3 controller in the device, this driver is able to produce an accurate representation of the screen image.
GW Controller Network TWAIN Driver	TWAIN scanner driver for network connections with new features Combine/Series, compatible with SNMP V3 and Network Connection Tool.

# Product Support Guide

## Model D117/D118

### Print Driver Information

Driver Features	PCL 5c	PCL 6	PostScript 3		XPS
			Windows	Mac OS X	
			XP/Vista/2008	v.10.2 or later	
Send to job Binding	N	N	N	N	N
Send to Document Server	Y*5	Y*5	Y*5	Y*5	Y*5
Sample Print	Y*5	Y*5	Y*5	Y*5	Y*5
Locked Print	Y*5	Y*5	Y*5	Y*5	Y*5
Hold Print	Y*5	Y*5	Y*5	Y*5	Y*5
Scheduled Print	N	Y*5	Y*5	Y*1	N
Stored Print	Y*5	Y*5	Y*5	Y*5	Y*5
Stored Print(Shared)	Y*5	Y*5	N	N	N
Store and Print	Y*5	Y*5	Y*5	Y*5	Y*5
Store and Print(Shared)	Y*5	Y*5	N	N	N
Send to Document Server(RGB)	N	N	N	N	N
Reduce/Enlarge(Zoom/Scaling)	Y*2	Y	Y	Y	Y
Reduce/Enlarge Centering	N	Y*2	N	N	N
Fit to Paper Size	Y	Y	Y	Y	N
Unauthorized Copy Control	N	Y	Y	N	N
Layout(N-up, Page per sheet)	Y	Y	Y	Y	Y
Poster	N	N	N	N	N
Duplex	Y	Y	Y	Y	Y
Booklet1	N	N	N	N	N
Booklet2(Magazine)	Y	Y	Y	N	Y
Non-Reduction Booklet	N	N	N	N	N
Layout + Booklet	N	Y	N	N	N
Watermark	Y	Y	Y	Y	N
Overlay	N	N	N	N	N
Header/Footer	N	N	N	N	N
Adjust Image Position	N	N	N	N	N
Binding Margins	N	N	N	N	N
Collate	Y	Y	Y	Y	Y
Punch	N	N	N	N	N
Staple	N	N	N	N	N
Cover Sheet(Front Cover)	N	N	N	N	N
Front and Back Cover	N	N	N	N	N
Slip Sheet	N	N	N	N	N
Banner Page Print	Y	Y	Y	Y	N
Chaptering	N	N	N	N	N
Rotate by 180 degrees	Y	Y	Y	Y	Y
Reverse Order Print	N	Y	Y	Y*4	Y
Do not print Blank Pages	N	N	N	N	N
Dithering	Y	Y	Y	Y	N
Toner Saving	N	N	Y	Y	Y*3
Black Over Print	Y	Y	Y	Y	N
CLP Color Simulation	Y	Y	Y	Y	N
POP Display	N	Y	Y	Y	N
Quality	N	Y	N	N	N
Speed	Y	Y	N	N	N
High Speed	N	Y	N	N	N
User ID	Y	Y	Y	Y	Y
User Code	Y	Y	Y	Y	Y

# Product Support Guide

## Model D117/D118

Driver Features - <i>continued</i>	PCL 5c	PCL 6	PostScript 3		XPS
			Windows	Mac OS X	
			XP/Vista/2008	v.10.2 or later	
User Authentication	Y	Y	N	N	N
Encryption/Encoding	Y	Y	N	N	N
Mirror image Print	N	N	Y	N	N
Negative Image Print	N	N	N	N	N
Edge to Edge Print	Y	Y	Y	Y	N
Limitation Setting	Y	N	N	N	N
Classification Code	Y	Y	N	N	N
Security Marking Type	N	N	N	N	N
Embed Barcode to Print Original Files	N	N	N	N	N

\*1: This function is available on Mac OS 10.5 or later. HDD is required.

\*2: "Centering" feature cannot be selected from PCL driver. However PCL has this feature as the original function.

\*3: This function is available only when "Black and White" is selected.

\*4: This function is available on Mac OS 10.3 or later.

\*5: HDD is required.

## Counters

Use the following procedure to view and print counters.

1. User Tools / Counter → Arrow Down → Counter → Print Counter List.
2. User Tools → System Settings → Administrator Tools → Arrow Down → Display/Print Counter → Print Counter List.

### Available counters

	Type	Description of what is included in Meter	Q'ty	Location	Total number of digits
1	Electronic	Total Counter (B & W)	1	Control Panel	9
2	Electronic	Total Counter (Color)	1	Control Panel	9
3	Electronic	Copier Counter (B & W)	1	Control Panel	9
4	Electronic	Copier Counter (Color)	1	Control Panel	9
5	Electronic	Printer Counter (B & W)	1	Control Panel	9
6	Electronic	Printer Counter (Color)	1	Control Panel	9
7	Electronic	Scanner Counter	1	Control Panel	9

# Product Support Guide

## Model D117/D118

### Paper

#### Non Recommended Throughput Material

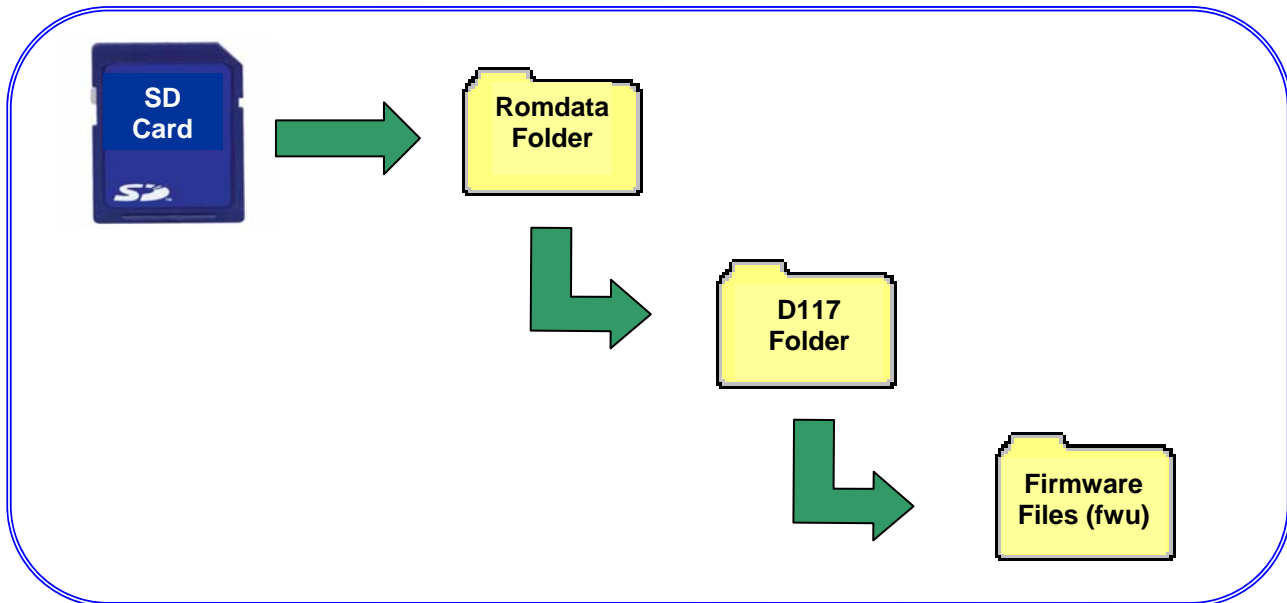
Refer to pages in the Operators Instructions Hardware Guide.

Do not use any of the following kinds of paper or a fault might occur:

- Aluminum Foil, Carbon paper,
- Conductive paper
- Paper meant for an inkjet printer
- Bent, folded, or creased paper
- Torn paper
- Thermal fax paper
- Art paper
- Paper with perforated lines
- Hemmed-edge paper
- Tab stock
- Slippery paper
- Perforated paper
- Rough paper
- Thin paper with little stiffness
- Paper with a dusty surface

### Firmware Information

#### SD Card Firmware Arrangement



## Product Support Guide Model D117/D118

SD Card Firmware	Firmware File Name as Posted	RFG-e Source Number
Animation	D117_Animation_vxxx_SD Card	rfg052019
Bank_1	D573_Bank_1_vxxx_SD Card	rfg052078
Bank_2	D573_Bank_2_vxxx_SD Card	rfg052080
browser	D117_Browser_vxxx_SD Card	rfg052020
Engine	D117_Engine_vxxx_SD Card	rfg052023
Fax	D117_Fax_vxxx_SD Card	rfg052024
Font EXP	D117_Font EXP_vxxx_SD Card	rfg052026
FCU	D117_FCU_vxxx_SD Card	rfg052029
Network Support	D117_Network Support_vxxx_SD Card	rfg052031
NetworkDocBox	D117_Network Doc Box_vxxx_SD Card	rfg052033
LCDC	D117_LCDC_vxxx_SD Card	rfg052036
Option PctBrdg	D117_PictBridge_vxxx_SD Card	rfg052039
PCL	D117_PCL_vxxx_SD Card	rfg052041
PCL Font	D117_PCL Font_vxxx_SD Card	rfg052043
PDF	D117_PDF_vxxx_SD Card	rfg052045
PowerSaving Sys	D117_Power Saving Sys_vxxx_SD Card	rfg052047
Printer	D117_Printer_vxxx_SD Card	rfg052049
PS3	D117_PS3_vxxx_SD Card	rfg052051
PS3 Font	D117_PS3 Font_vxxx_SD Card	rfg052053
RemoteFax	D117_Remote Fax_vxxx_SD Card	rfg052055
RPCS	D117_RPCS_vxxx_SD Card	rfg052057
Scanner	D117_Scanner_vxxx_SD Card	rfg052059
System/Copy	D117_System_vxxx_SD Card	rfg052064
Web Support	D117_Web Support_vxxx_SD Card	rfg052066
Web Uapl	D117_Web Uapl_vxxx_SD Card	rfg052068

## Product Support Guide Model D117/D118

Remote Firmware	Firmware File Name as Posted	RFG-e Source Number
Animation	D117_Animation_vxxx_Remote	rfg052017
Bank_1	D573_Bank_1_vxxx_Remote	rfg052079
Bank_2	D573_Bank_2_vxxx_Remote	rfg052081
browser	D117_Browser_vxxx_Remote	rfg052021
Engine	D117_Engine_vxxx_Remote	rfg052022
Fax	D117_Fax_vxxx_Remote	rfg052025
Font EXP	D117_Font EXP_vxxx_Remote	rfg052027
FCU	D117_FCU_vxxx_Remote	rfg052030
Network Support	D117_Network Support_vxxx_Remote	rfg052032
NetworkDocBox	D117_Network Doc Box_vxxx_Remote	rfg052034
LCDC	D117_LCDC_vxxx_Remote	rfg052038
Option PctBrdg	D117_PictBridge_vxxx_Remote	rfg052040
PCL	D117_PCL_vxxx_Remote	rfg052042
PCL Font	D117_PCL Font_vxxx_Remote	rfg052044
PDF	D117_PDF_vxxx_Remote	rfg052046
PowerSaving Sys	D117_Power Saving Sys_vxxx_Remote	rfg052048
Printer	D117_Printer_vxxx_Remote	rfg052050
PS3	D117_PS3_vxxx_Remote	rfg052052
PS3 Font	D117_PS3 Font_vxxx_Remote	rfg052054
RemoteFax	D117_Remote Fax_vxxx_Remote	rfg052056
RPCS	D117_RPCS_vxxx_Remote	rfg052058
Scanner	D117_Scanner_vxxx_Remote	rfg052061
System/Copy	D117_System_vxxx_Remote	rfg052065
Web Support	D117_Web Support_vxxx_Remote	rfg052067
Web Uapl	D117_Web Uapl_vxxx_Remote	rfg052069

# Product Support Guide

## Model D117/D118

### Contact Information

Name	Contact
Technical Services Call Center (Hotline)	Ricoh: (800) 537-4264 Savin: (800) 291-6044 Lanier: (800) 333-3147
Application Help Desk (Software Issues)	Ricoh Phone Card: 2 Call - 000781MIU, 5 Call - 000900MIU Savin Phone Card: 2 Call - 12992, 5 Call - 12993
Hytec Parts and Logistics Control	(800) 557-4264 <a href="http://www.nrc-usa.com">http://www.nrc-usa.com</a>
Technology Solutions Resource Center	<a href="http://www.tscweb.net">http://www.tscweb.net</a>
Headquarter Web Sites	Ricoh Corporation: <a href="http://www.ricoh-usa.com">http://www.ricoh-usa.com</a> Savin Corporation: <a href="http://www.savin.com">http://www.savin.com</a> Gestetner Corporation: <a href="http://www.gestetnerusa.com/">http://www.gestetnerusa.com/</a> Lanier Corporation: <a href="http://www.lanier.com">http://www.lanier.com</a>
Material Safety Data Sheets	(800) 336-MSDS (6737)
Ricoh University	973-882-2200 <a href="http://www.ricohuniversity.com">http://www.ricohuniversity.com</a>

### Training Information

#### Documentation

Description	RFG E-Source Number
D117/D118 Service Manual	rfg052401
D117/D118 Parts Catalog	rfg052402
D117/D118 Point to Point	rfg052403
D117/D118 Operating Manual	rfg052404

Please refer to the <http://www.ricohuniversity.com/> web site for the most up to date training information.

Please be aware that once a model or series is out of production, the Field Service Manual, Technical Service Bulletins and Ricoh University should be referenced for the most current information. Check the TSRC website and e-Source.

# Product Support Guide

## Model D117/D118

### Revisions

ver. 1.0 -Original.

ver. 1.1 - Updated PM Part Yield Info Pages 10 -12.