



RICOH UNIVERSITY

Learning ♦ Knowledge ♦ Performance



D117/D118 PARTS CATALOG

It is the reader's responsibility when discussing the information contained within this document to maintain a level of confidentiality that is in the best interest of Ricoh Americas Corporation and its member companies.

**NO PART OF THIS DOCUMENT MAY BE REPRODUCED IN ANY
FASHION AND DISTRIBUTED WITHOUT THE PRIOR
PERMISSION OF RICOH AMERICAS CORPORATION.**

All product names, domain names or product illustrations, including desktop images, used in this document are trademarks, registered trademarks or the property of their respective companies.

They are used throughout this book in an informational or editorial fashion only and for the benefit of such companies. No such use, or the use of any trade name, or web site is intended to convey endorsement or other affiliation with Ricoh products.

© 2012 RICOH Americas Corporation. All rights reserved.

WWW.SERVICE-MANUAL.NET

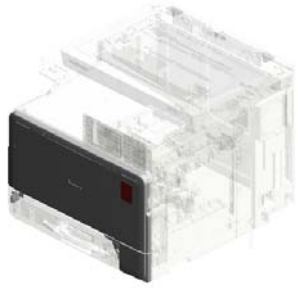
LEGEND

PRODUCT CODE	COMPANY		
	LANIER	RICOH	SAVIN
D117	MP C305SPF	MP C305SPF	MP C305SPF
D118	MP C305SP	MP C305SP	MP C305SP
D573	Paper Feed Unit PB1050		
D574	1 Bin Tray BN1010		
D606	ARDF DF1030		
D607	Platen Cover PN1010		
D649	Fax Option Type C305		
D656	Controller Options		

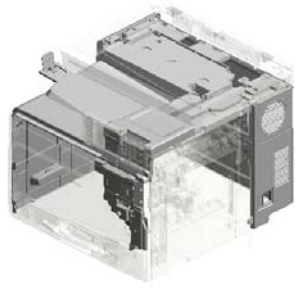
DOCUMENTATION HISTORY

REV. NO.	DATE	COMMENTS
*	05/2012	Original Printing

Unit All



U001
Exterior-1



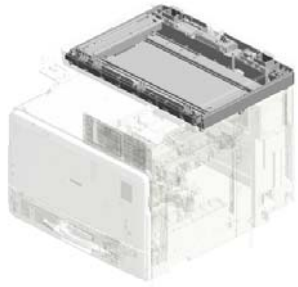
U002
Exterior-2



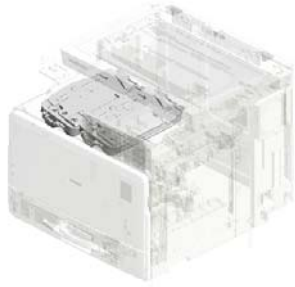
U003
Operation



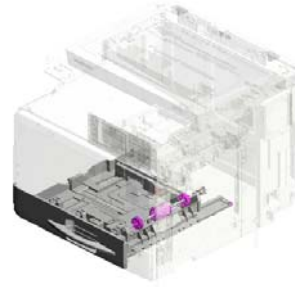
U004
Scanner-1



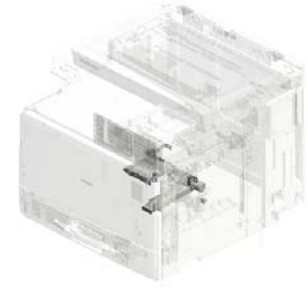
U005
Scanner-2



U006
Laser Unit



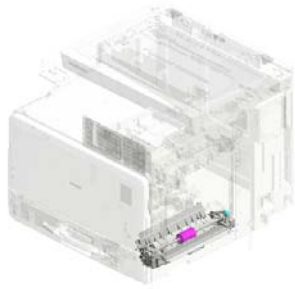
U007
Paper Feed-1



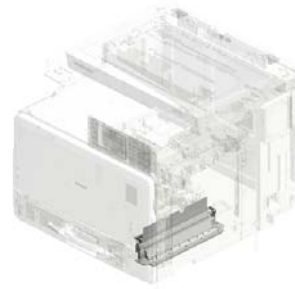
U008
Paper Feed-1



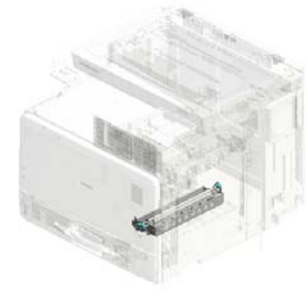
U009
By-pass Feed-1



U010
By-pass Feed-2

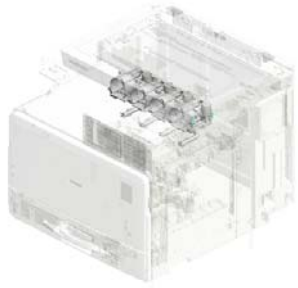


U011
Vertical Transport

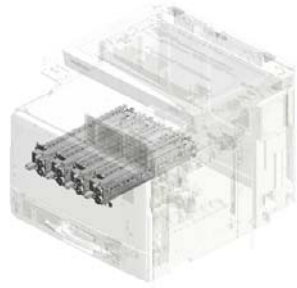


U012
Paper Registration

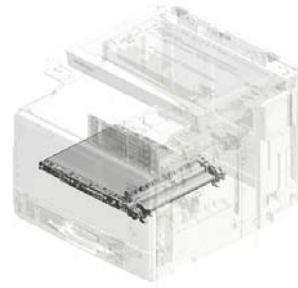
Unit All



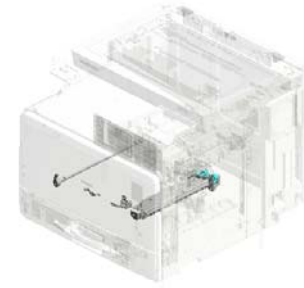
U013
Toner Supply



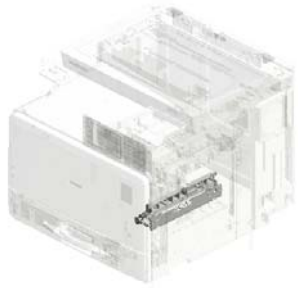
U014
PCDU



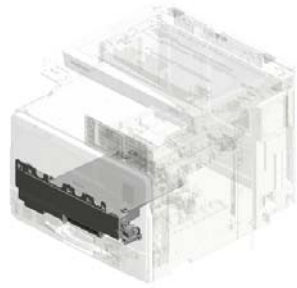
U015
ITB Unit-1



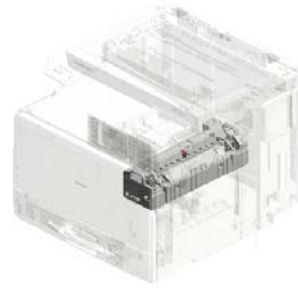
U016
ITB Unit-2



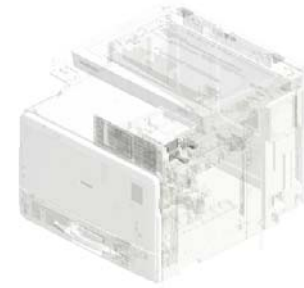
U017
Paper Transfer



U018
Used Toner



U019
Fusing-1



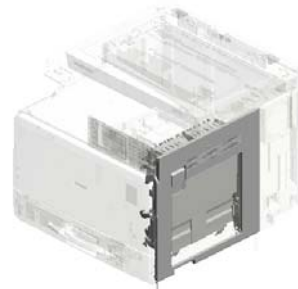
U020
Fusing-2



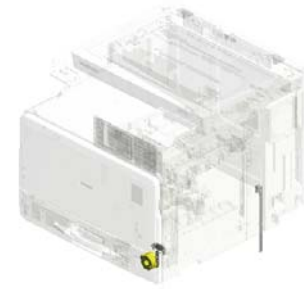
U021
Paper Exit-1



U022
Paper Exit-2



U023
Duplex-1



U024
Duplex-2

WWW.SERVICE-MANUAL.NET

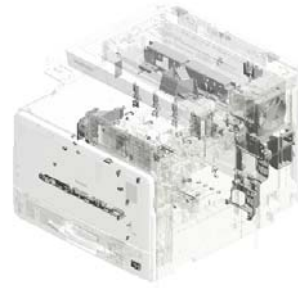
Unit All



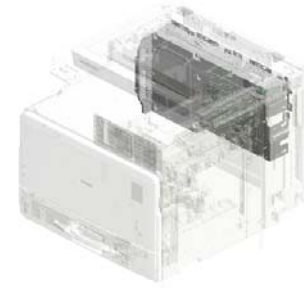
U025
Main Drive-1



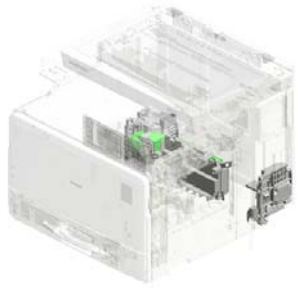
U026
Main Drive-2



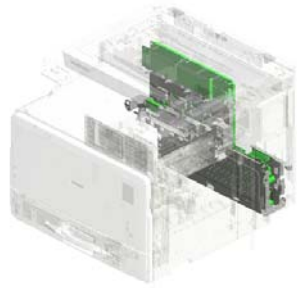
U027
Electrical-1



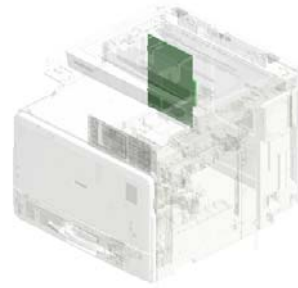
U028
Electrical-2



U029
Electrical-3



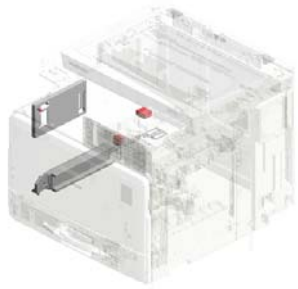
U030
Electrical-4



U031
Controller

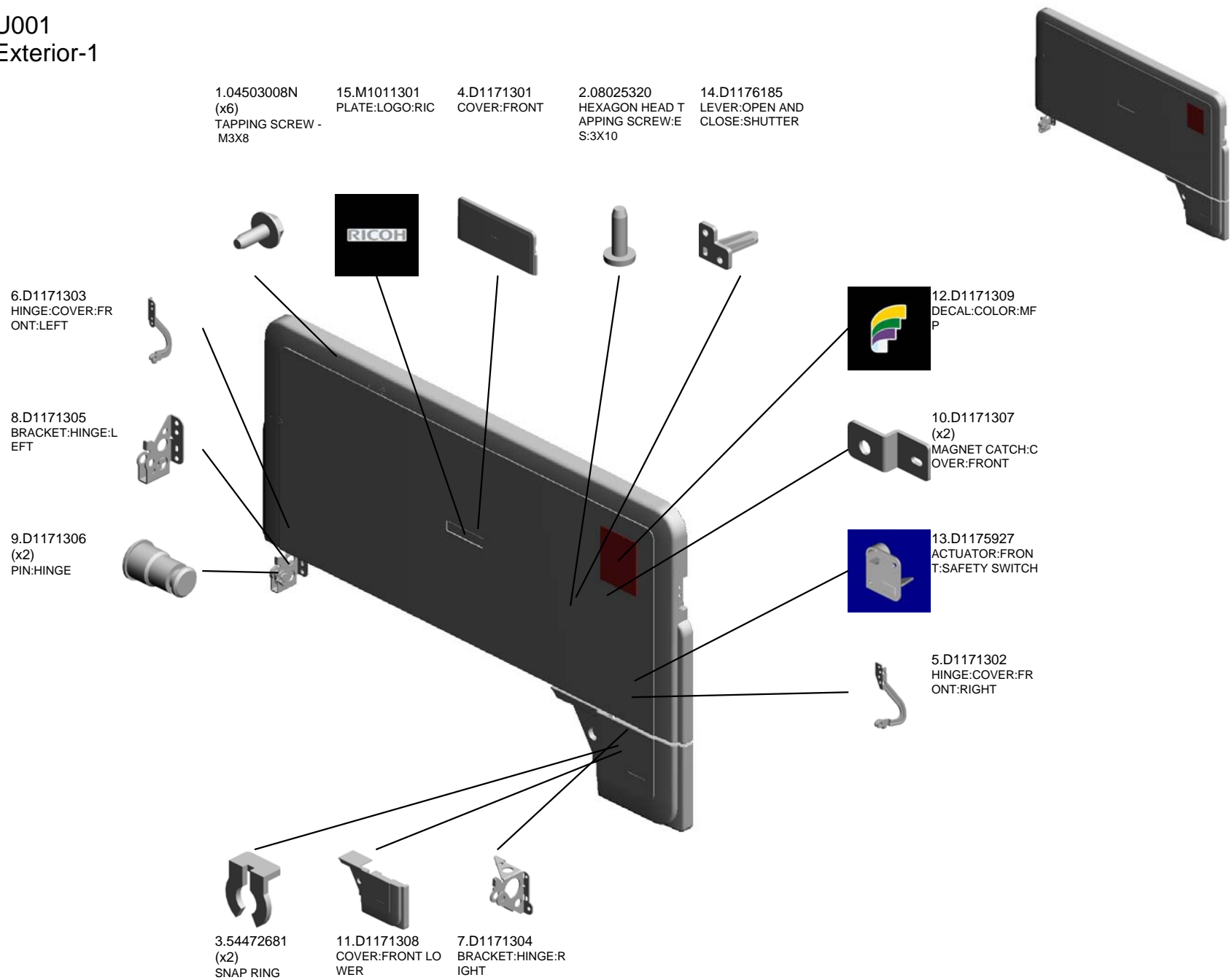


U032
Main Frame



U033
Option

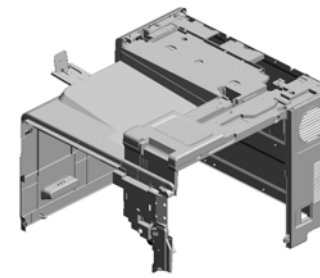
U001 Exterior-1



WWW.SERVICE-MANUAL.NET

U001	U002	U003	U004	U005	U006	U007	U008	U009	U010	U011	U012	U013	U014	U015	U016	U017	U018	U019	U020	U021
------	------	------	------	------	------	------	------	------	------	------	------	------	------	------	------	------	------	------	------	------

U002 Exterior-2



- 8.D1171311 COVER:UPPER
- 17.D1171353 COVER:UPPER LEFT
- 16.D1171352 COVER:UPPER RIGHT
- 1.03603006N (x13) SCREW - M3X6
- 15.D1171351 COVER:SUPPORT:SCANNER

20.D1174495
EXTENSION TRAY:
EXIT

5.08025320
(x20)
HEXAGON HEAD TAPPING SCREW:ES:3X10

14.D1171331
COVER:LEFT

7.AG070513
(x2)
MAGNET CATCH

18.D1171354
COVER:UPPER FRONT

19.D1171361
INNER COVER:UPPER

4.04513006N
(x2)
TAPPING SCREW - M3X6

3.04503010N
(x3)
TAPPING SCREW - M3X10

6.12042612
(x2)
MICRO SWITCH:D3V-16506-3C25

9.D1171321
COVER:RIGHT REAR

2.04503008N
(x4)
TAPPING SCREW - M3X8

11.D1171324
COVER:DEODORIZE FILTER

12.D1171325
LOUVER:COVER:RIGHT REAR

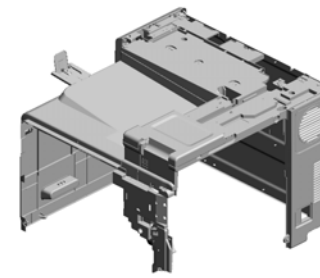
10.D1171323
DEODORIZE FILTER

13.D1171326
LOUVER:DUCT

WWW.SERVICE-MANUAL.NET

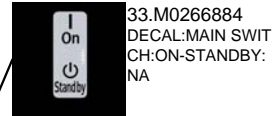
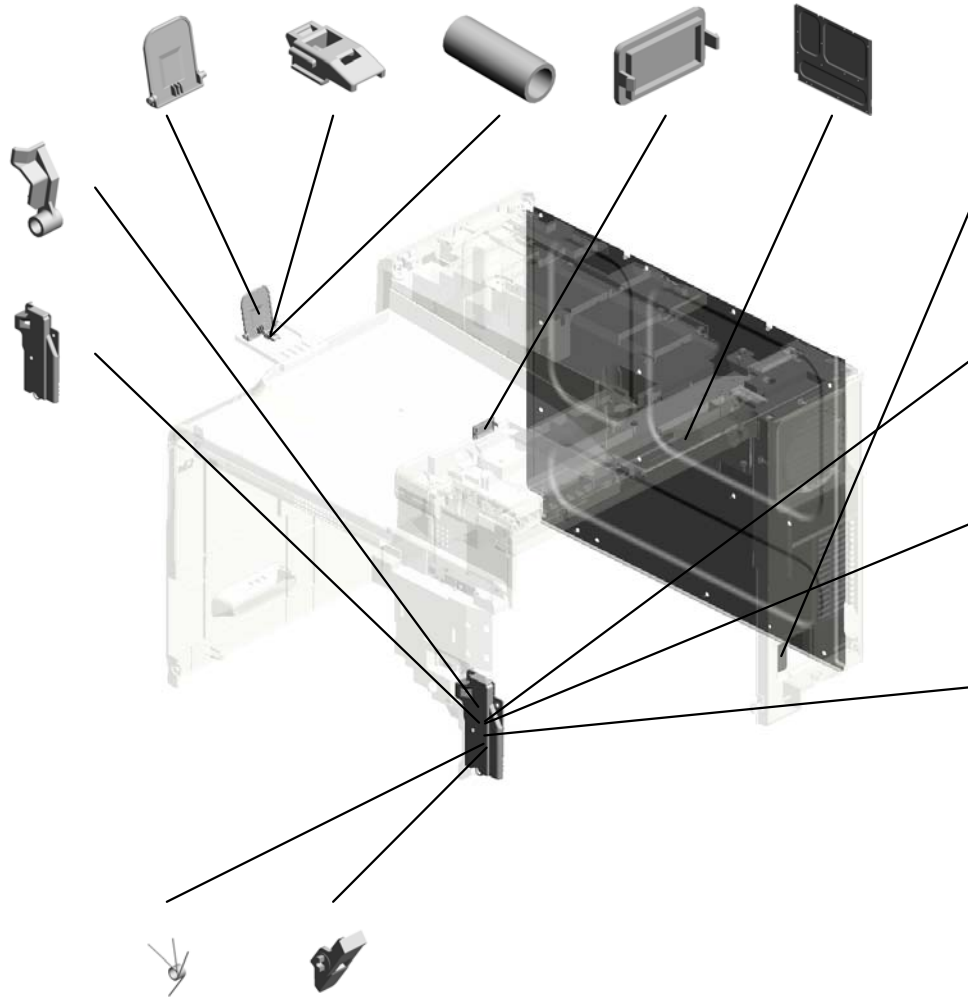
U002 Exterior-2

- 21.D1174496 END FENCE:EXIT
- 22.D1174498 STOPPER:END FENCE:EXIT
- 23.D1174499 COMPRESSION SPRING:END FENCE:EXIT
- 32.M0261265 CAP:TOTAL COUNTER
- 24.D1175854 COVER:REAR



- 27.D1175894 LEVER:FRONT:SAFETY SWITCH

- 31.D1175903 INNER COVER:SAFETY SWITCH



- 33.M0266884 DECAL:MAIN SWITCH:ON-STANDBY:NA



- 30.D1175902 COLLAR:SHAFT:SAFETY SWITCH



- 28.D1175895 TORSION SPRING:SAFETY SWITCH



- 25.D1175892 BRACKET:SWIVEL:SAFETY SWITCH

- 29.D1175901 TORSION SPRING:LEVER:RIGHT:SAFETY SWITCH

- 26.D1175893 LEVER:RIGHT:SAFETY SWITCH

WWW.SERVICE-MANUAL.NET

U003.Operation

U003_S001
D1171411
OPERATION PANEL:NA



WWW.SERVICE-MANUAL.NET

U001	U002	U003	U004	U005	U006	U007	U008	U009	U010	U011	U012	U013	U014	U015	U016	U017	U018	U019	U020	U021
------	------	------	------	------	------	------	------	------	------	------	------	------	------	------	------	------	------	------	------	------



U003_S001
OPERATION PANEL:NA

1.03520030N
(x14)
SCREW:M2X3

9.D1171497
LCD:UWVGA:MV:A
SS'Y

20.D1171516
BRACKET:LCDC

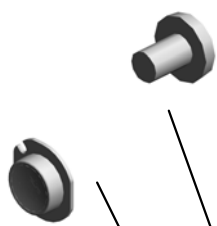
5.D1171431
PCB:LCDCARFT:A
SS'Y

10.D1171501
COVER:REAR

4.D1171411
OPERATION PANE
L:NA



12.D1171503
KEYTOP:HOME



7.D1171465
PCB:UWVGA:OP-L:
ASS'Y



14.D1171505
KEYTOP:LEFT



18.D1171513
LENS:FRONT



8.D1171470
FPC:LED:ASS'Y



19.D1171514
SHAFT:CABLE



17.D1171511
KEYTOP:STOP



16.D1171510
KEYTOP:START



6.D1171460
PCB:UWVGA:OP-R
:ASS'Y



13.D1171504
KEYTOP:RIGHT



15.D1171508
KEYTOP:RESET S
WITCH



11.D1171502
COVER:HINGE



2.04522006N
(x22)
BINDING SELF-TA
PPING SCREW - M
2X6



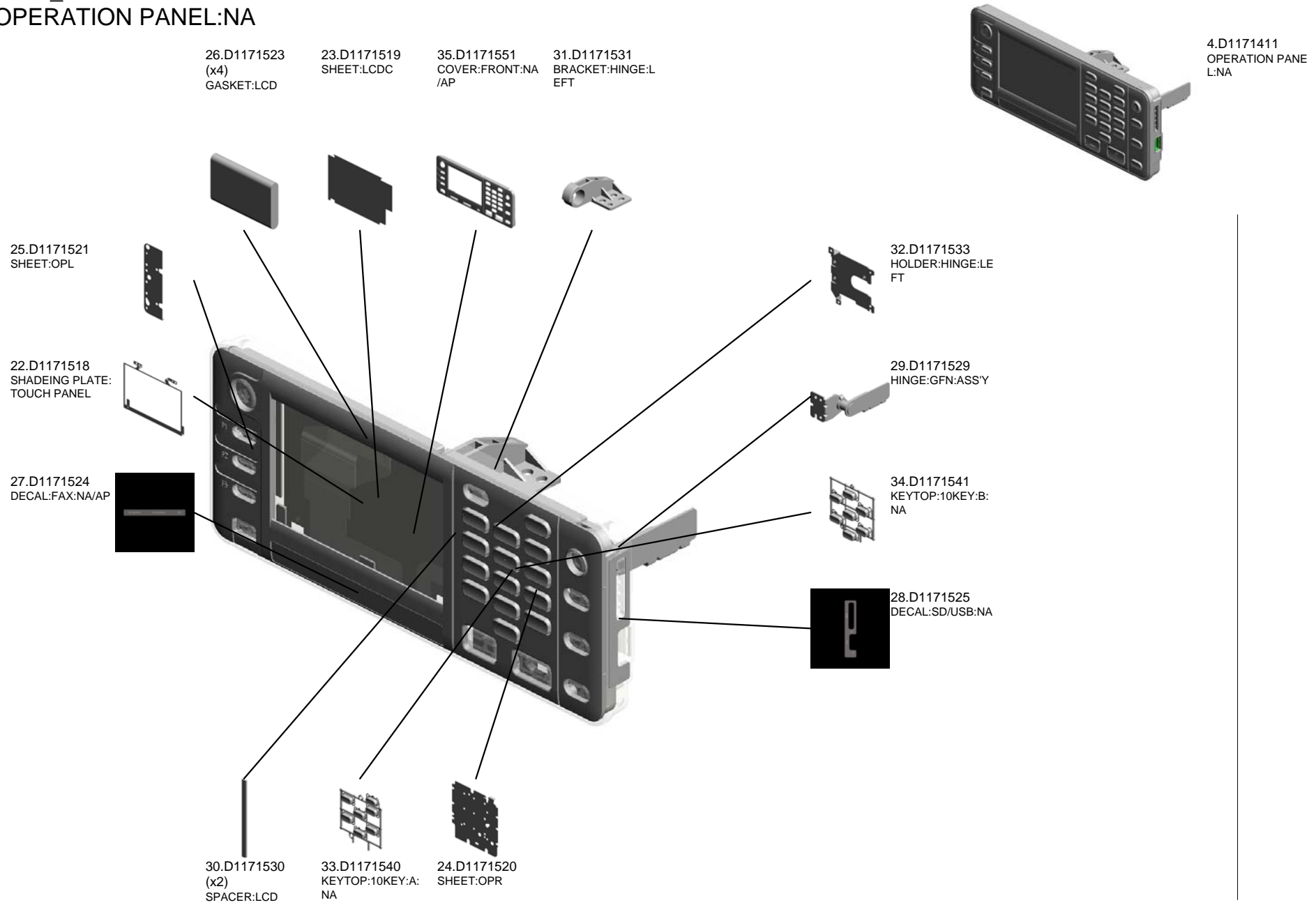
3.04522008P
BINDING SELF-TA
PPING SCREW:2X
8



21.D1171517
BRACKET:HINGE



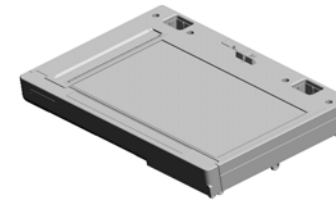
U003_S001
OPERATION PANEL:NA



U004 Scanner-1

7.M0261710
DECAL:SCALE:LEF
T:NA

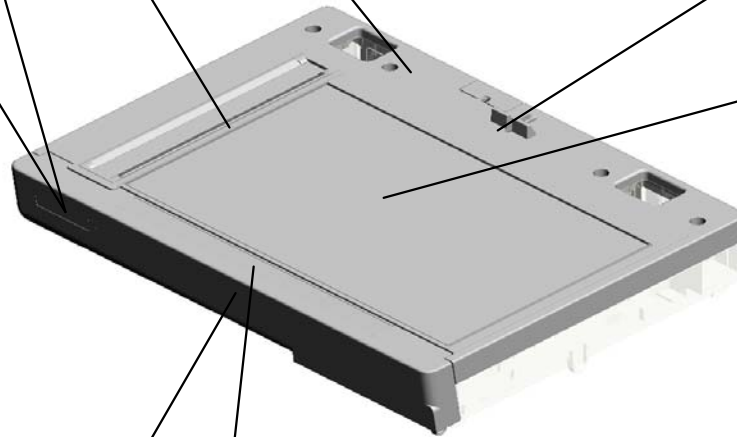
1.04503010N
(x10)
TAPPING SCREW -
M3X10



5.D1176801
DECAL:MODEL NA
ME PLATE:RIC:EXP
:(for D117)



6.D1186801
DECAL:MODEL NA
ME PLATE:RIC:EXP
:(for D118)



3.D1171845
COVER:SCANNER:
REAR



2.D1171657
EXPOSURE GLASS
UNIT:SCANNER:A
SS'Y



4.D1171846
COVER:SCANNER:
FRONT



8.M0266890
DECAL:CAUTION:O
RIGINAL:ENGLISH



U005.Scanner-2

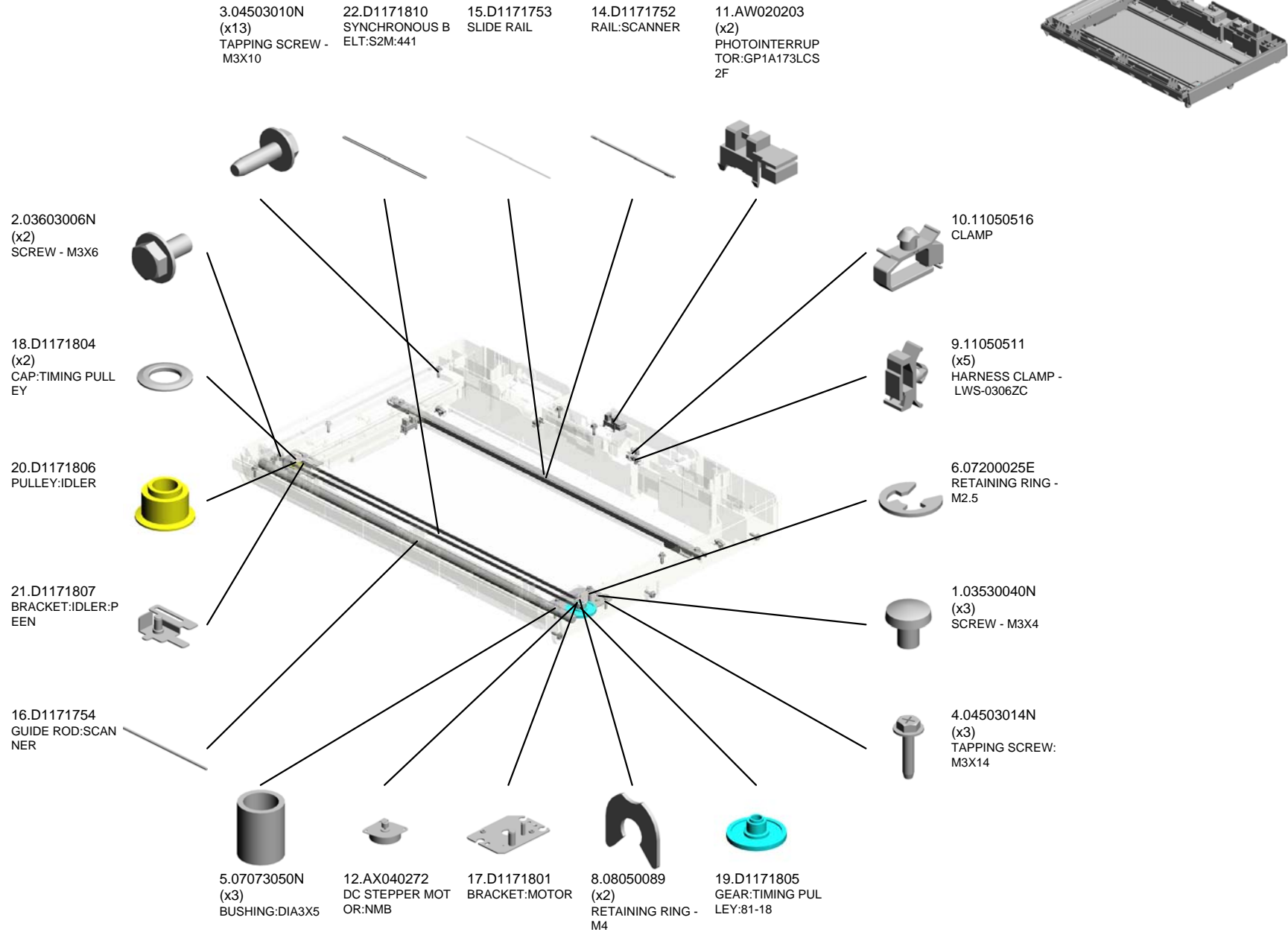
U005_S001
D1171651
CARRIAGE:SCANNER:ASSY



WWW.SERVICE-MANUAL.NET

U001	U002	U003	U004	U005	U006	U007	U008	U009	U010	U011	U012	U013	U014	U015	U016	U017	U018	U019	U020	U021
------	------	------	------	-------------	------	------	------	------	------	------	------	------	------	------	------	------	------	------	------	------

U005 Scanner-2



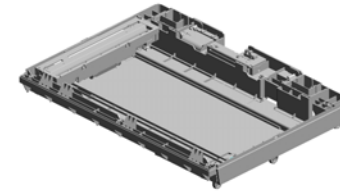
WWW.SERVICE-MANUAL.NET

U001	U002	U003	U004	U005	U006	U007	U008	U009	U010	U011	U012	U013	U014	U015	U016	U017	U018	U019	U020	U021
------	------	------	------	-------------	------	------	------	------	------	------	------	------	------	------	------	------	------	------	------	------

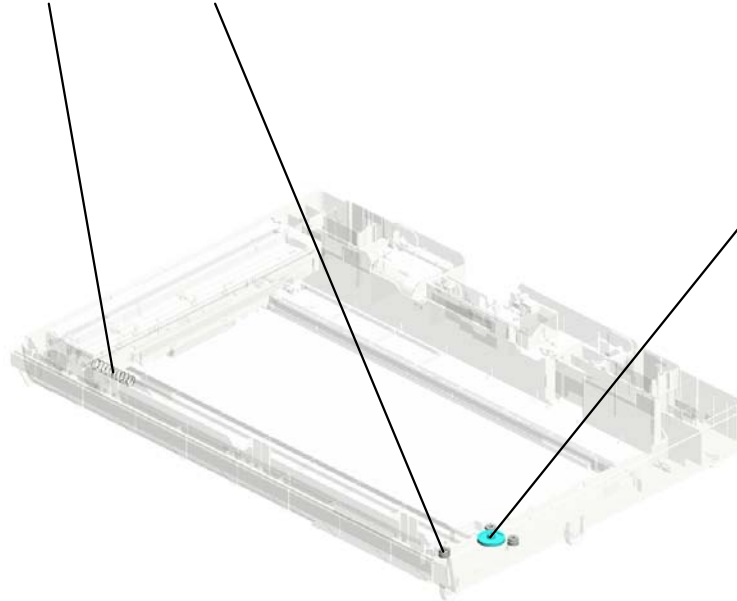
U005
Scanner-2

25.D1171837
COIL SPRING:TEN
SION

23.D1171820
(x3)
BUSHING:BRACKE
T



24.D1171826
GEAR:SLOW DOW
N:53-19



U005_S001
CARRIAGE:SCANNER:ASS'Y

7.08046123
(x8)
HEXAGONAL BOLT
:W/WASHER:M3X8



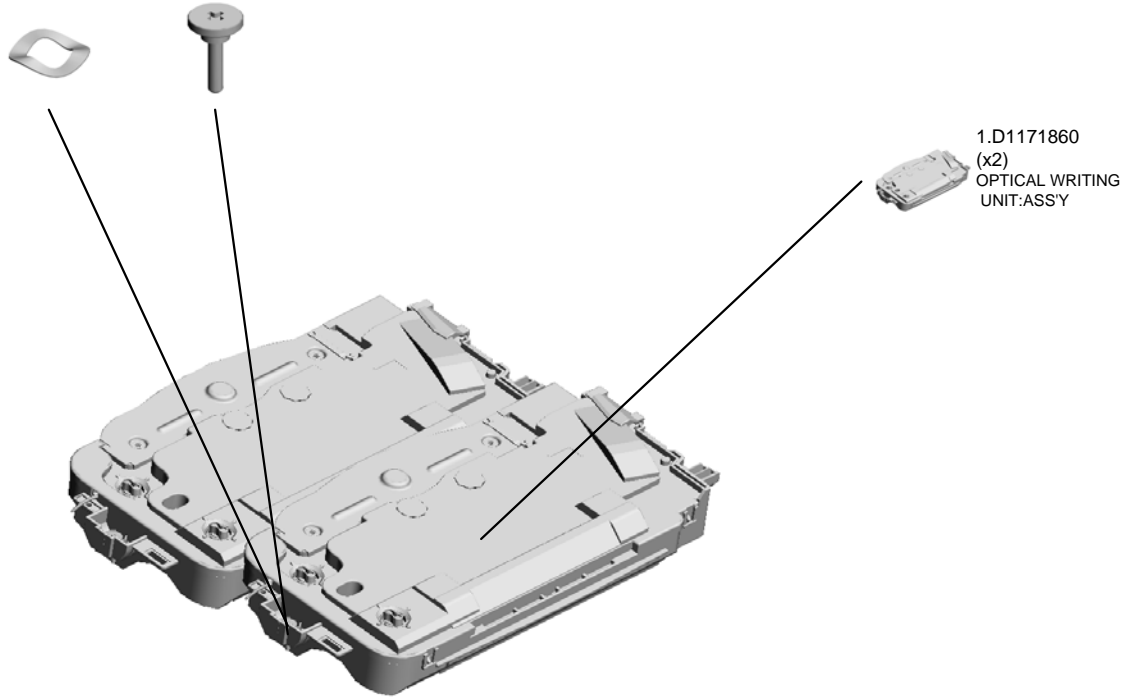
13.D1171651
CARRIAGE:SCANN
ER:ASS'Y



U006
Laser Unit

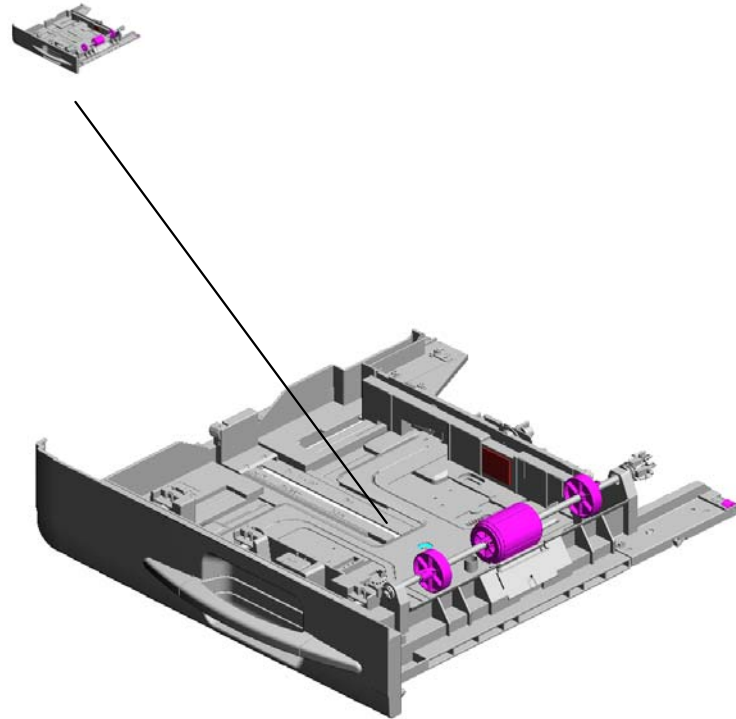
3.D1171991
(x2)
SPRING LOCK WA
SHER:DIA6.4XDIA1
1X1.5

2.D1171990
(x2)
STEPPED SCREW



U007.Paper Feed-1

U007_S001
D1172800
PAPER TRAY:ASSY



WWW.SERVICE-MANUAL.NET

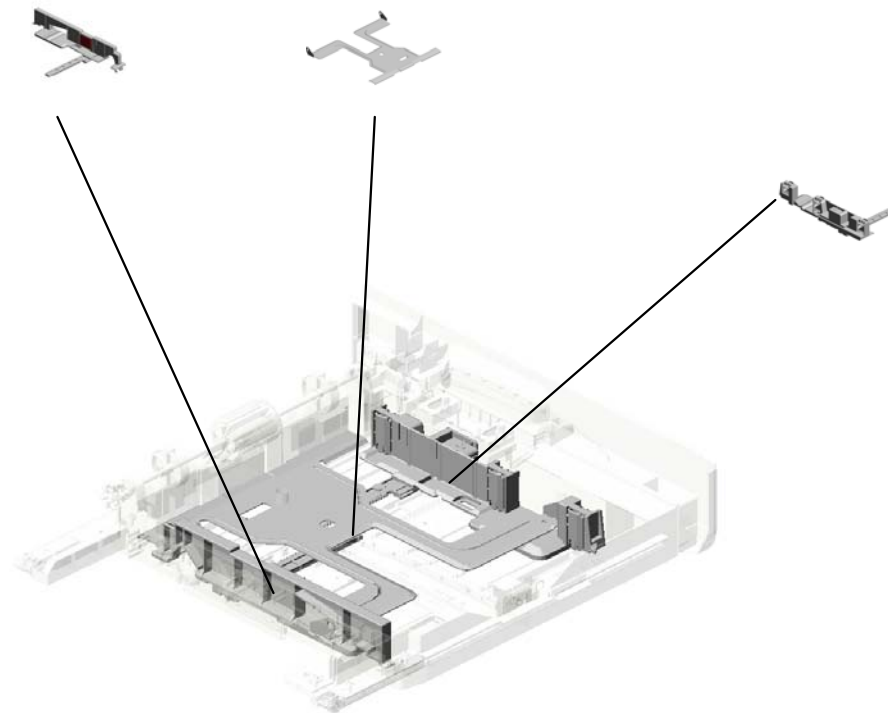
U001	U002	U003	U004	U005	U006	U007	U008	U009	U010	U011	U012	U013	U014	U015	U016	U017	U018	U019	U020	U021
------	------	------	------	------	------	------	------	------	------	------	------	------	------	------	------	------	------	------	------	------

U007_S001.PAPER TRAY:ASS'Y

U007_S001_S002
D1172836
SIDE FENCE:REAR:ASS'Y

U007_S001_S003
D1172845
BASE:TRAY:ASS'Y

U007_S001_S001
D1172825
SIDE FENCE:FRONT:ASS'Y

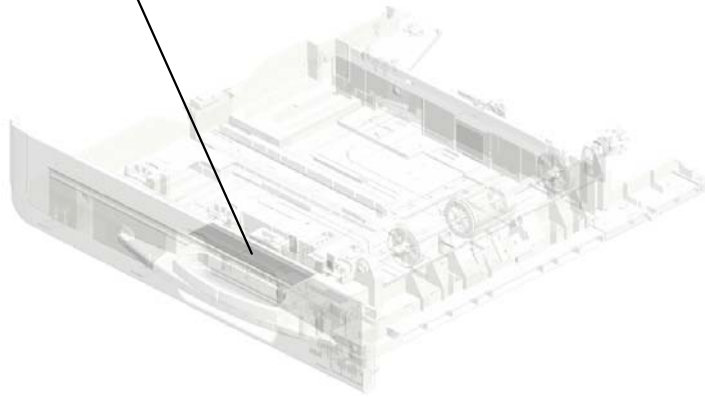
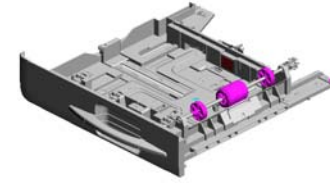


WWW.SERVICE-MANUAL.NET

U001	U002	U003	U004	U005	U006	U007	U008	U009	U010	U011	U012	U013	U014	U015	U016	U017	U018	U019	U020	U021
------	------	------	------	------	------	------	------	------	------	------	------	------	------	------	------	------	------	------	------	------

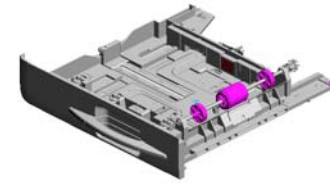
U007
Paper Feed-1

37.D1172842
DECAL:PAPER SE
T DIRECTION:TRA
Y:RIGHT



U007_S001 PAPER TRAY:ASS'Y

- 5.08050089 RETAINING RING - M4
- 11.B0442756 SPRING - PAPER FEED ROLLER
- 8.AA063629 (x2) SPRING - 2.8N
- 9.AA082101 (x2) BUSHING - 6X10X6
- 7.54472681 SNAP RING



13.D1172800
PAPER TRAY:ASS'Y

4.06220120E
SPRING PIN - 2X12
MM

10.B0442751
JOINT - PAPER FEED ROLLER

18.D1172809
TENSION SPRING:
BASE:RISE

22.D1172817
LEVER:BASE:RISE

3.04543008Q
TAPPING SCREW:
3X8

17.D1172808
STOPPER:GUIDE PLATE:BASE:RISE

19.D1172814
PRESSURE PLATE:BASE:RISE

23.D1172819
RACK:BASE:RISE

2.04504008N
TAPPING SCREW - M4X8

1.04503008N (x11)
TAPPING SCREW - M3X8

16.D1172807
LEVER:RELEASE: PAPER TRAY

15.D1172806
GRIP:PAPER TRAY

14.D1172805
HOLDER:GRIP:PAPER TRAY

21.D1172816
SHAFT:BASE:RISE

12.B2232936
GEAR - 16Z

WWW.SERVICE-MANUAL.NET

U007_S001 PAPER TRAY:ASS'Y

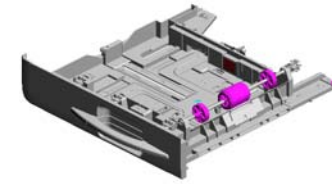
49.D1172872
FRICTION PAD:AS
S'Y

45.D1172852
SHAFT:PAPER FEE
D ROLLER:ASS'Y

44.D1172851
PAPER FEED ROL
LER:PAPER TRAY

48.D1172870
(x2)
PAPER FEED ROL
LER:AUXILIARY

50.D1172881
TENSION SPRING:
GRIP:RIGHT



13.D1172800
PAPER TRAY:ASS'
Y

30.D1172829
COVER:PRESSUR
E PLATE:BASE:RIS
E

41.D1172846
RETAINING RINGS
-E:SILENCER:DIA3

29.D1172828
COMPRESSION SP
RING:BASE:RISE:A
UXILIARY

52.D1172884
PLATE:ROLLER:PA
PER TRAY:RIGHT

46.D1172856
ROLLER:PAPER T
RAY:RIGHT

25.D1172822
BRACKET:PINION:
BASE:RISE

24.D1172820
PINION:BASE:RISE

43.D1172849
BRACKET:PIN:STR
ETCH:TRAY

47.D1172858
ROLLER:PAPER T
RAY:LEFT

34.D1172838
END FENCE

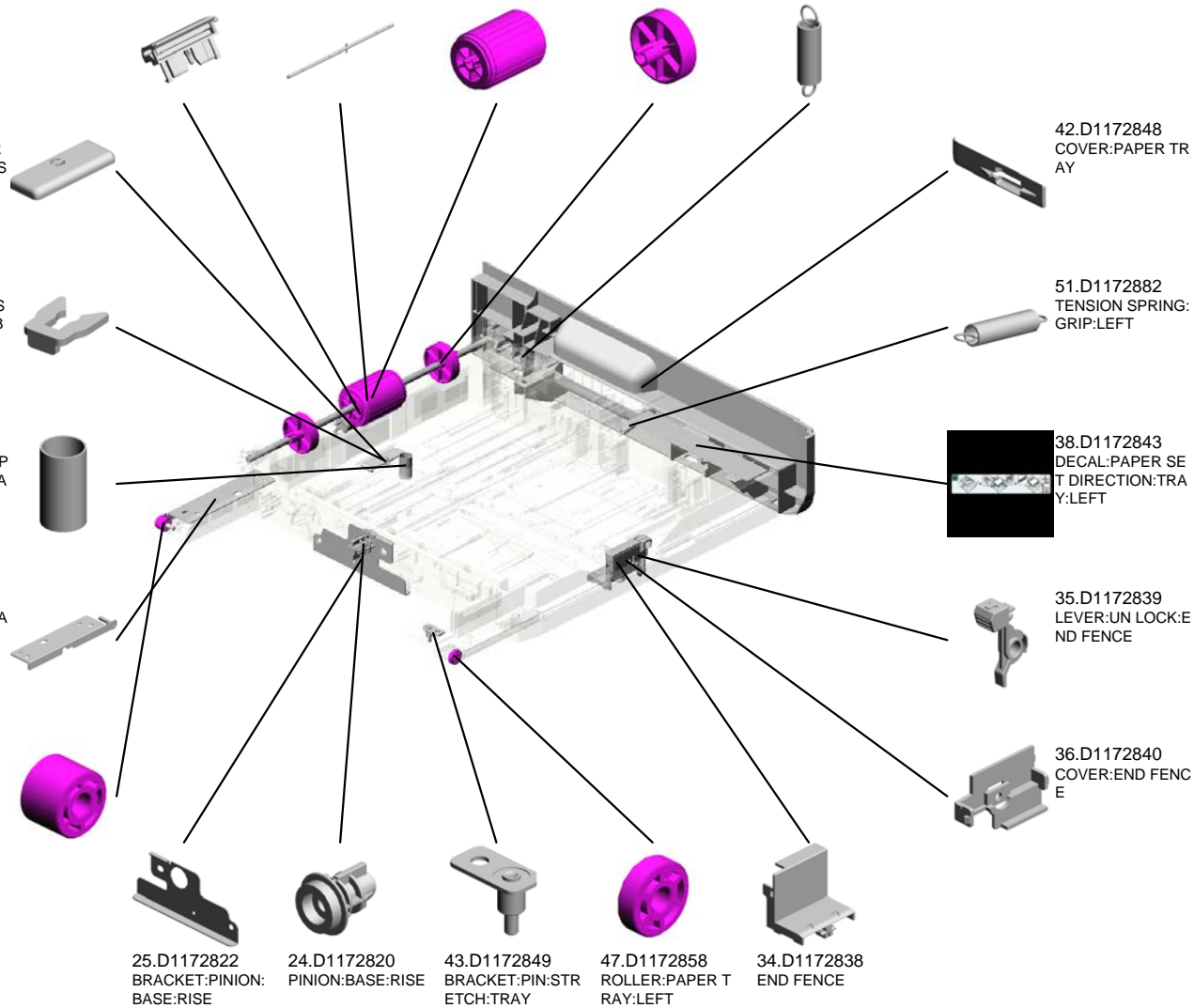
42.D1172848
COVER:PAPER TR
AY

51.D1172882
TENSION SPRING:
GRIP:LEFT

38.D1172843
DECAL:PAPER SE
T DIRECTION:TRA
Y:LEFT

35.D1172839
LEVER:UN LOCK:E
ND FENCE

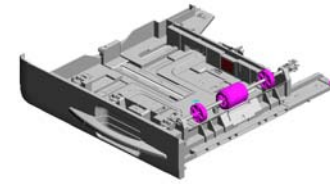
36.D1172840
COVER:END FENC
E



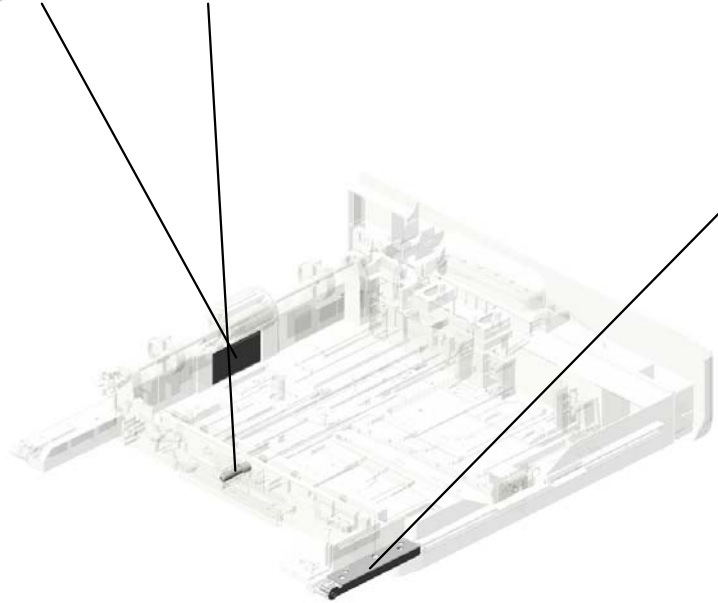
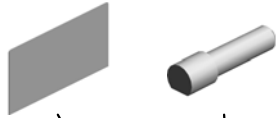
U007_S001
PAPER TRAY:ASS'Y

55.D1172896
SHEET:PLATE:FRI
CTION PAD

54.D1172894
SHAFT:PINION:BA
SE:RISE



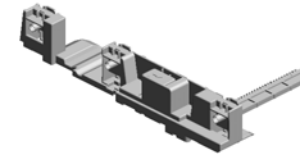
13.D1172800
PAPER TRAY:ASS'
Y



53.D1172886
PLATE:ROLLER:PA
PER TRAY:LEFT

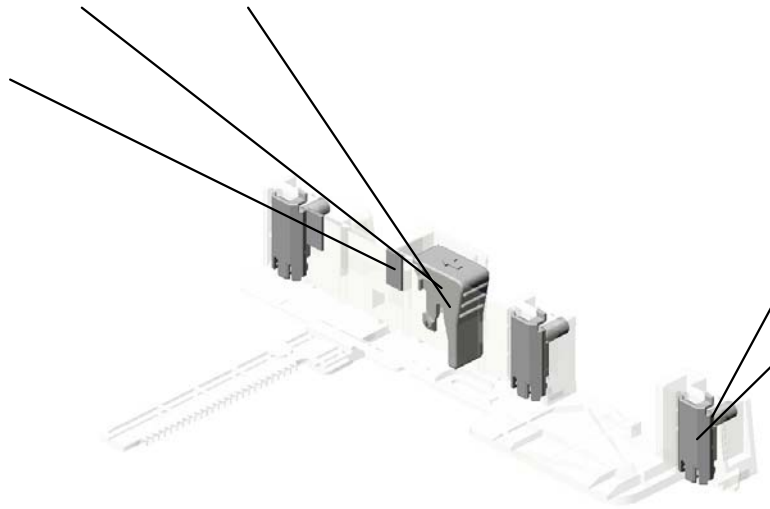
U007_S001_S001
SIDE FENCE:FRONT:ASS'Y

20.D1172815 31.D1172830
SPRING PLATE:SI LEVER:STOPPER:
DE FENCE:FRONT FRONT



27.D1172825
SIDE FENCE:FRON
T:ASS'Y

26.D1172823
(x2)
PAD:SIDE FENCE



28.D1172826
(x3)
COMPRESSION SP
RING:SIDE FENCE:
PLATE

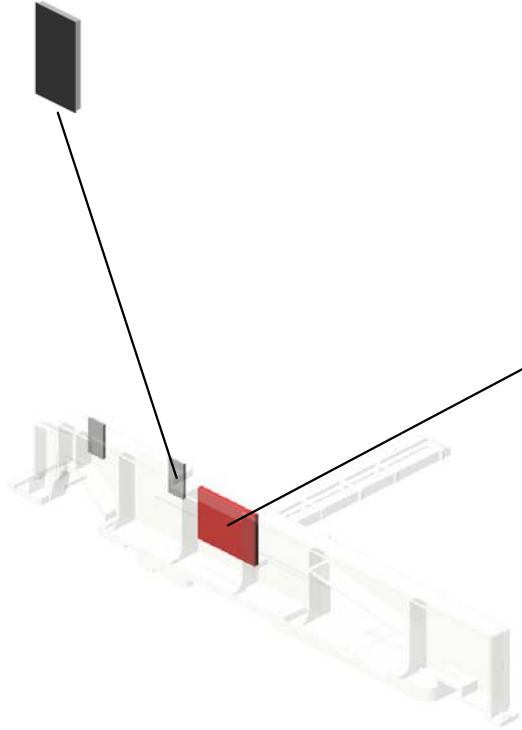


32.D1172834
(x3)
PLATE:SIDE FENC
E

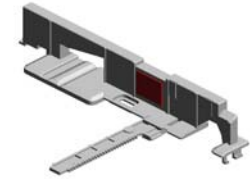


U007_S001_S002
SIDE FENCE:REAR:ASS'Y

26.D1172823
(x2)
PAD:SIDE FENCE



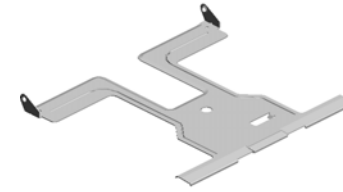
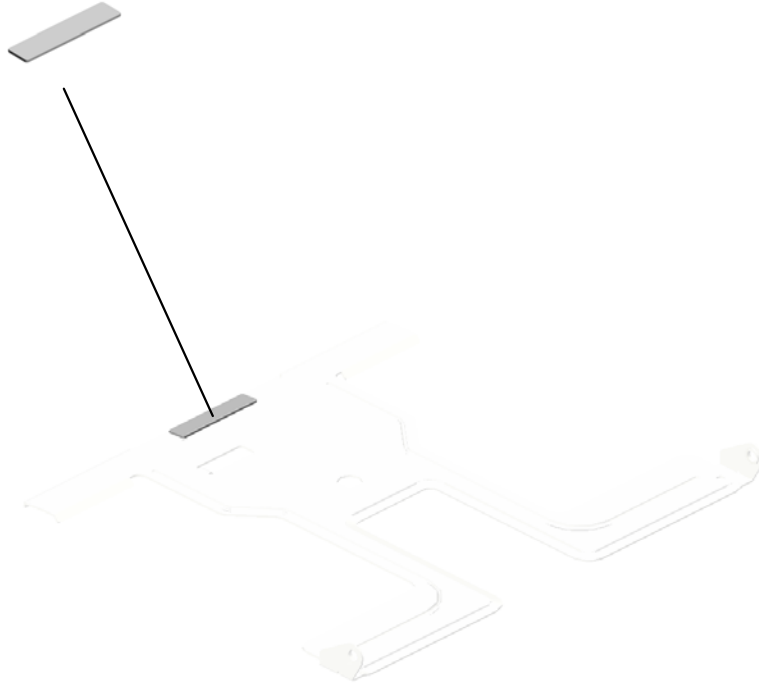
39.D1172844
DECAL:SIDE FENCE:REAR



33.D1172836
SIDE FENCE:REAR
:ASS'Y

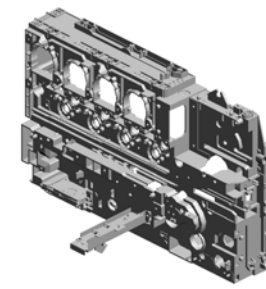
U007_S001_S003
BASE:TRAY:ASS'Y

6.52152713
BOTTOM PLATE P
AD



40.D1172845
BASE:TRAY:ASS'Y

U008 Paper Feed-1



- 5.04513008N TAPPING SCREW - M3X8
- 10.AA063701 COMPRESSION SPRING:RISING TRAY
- 12.AB011541 GEAR:RISING TRAY:OUTPUT
- 18.D1172655 BASE:LIFT MOTOR: PAPER FEED: FRONT
- 19.D1172656 CASE:RISING TRAY

7.04543008Q (x2)
TAPPING SCREW: 3X8

2.04503008N (x2)
TAPPING SCREW - M3X8

3.04503010N (x2)
TAPPING SCREW - M3X10

16.AW020203 PHOTOINTERRUPTOR:GP1A173LCS 2F

9.11050692 (x2)
CLAMP:LES-0503

17.B0392730 PAPER END SENSOR

4.04513006N (x2)
TAPPING SCREW - 3X6

13.AB017781 GEAR:RISING TRAY:Y:1

6.04523008N (x2)
TAPPING SCREW - M3X8

8.11050511 (x4)
HARNES CLAMP - LWS-0306ZC

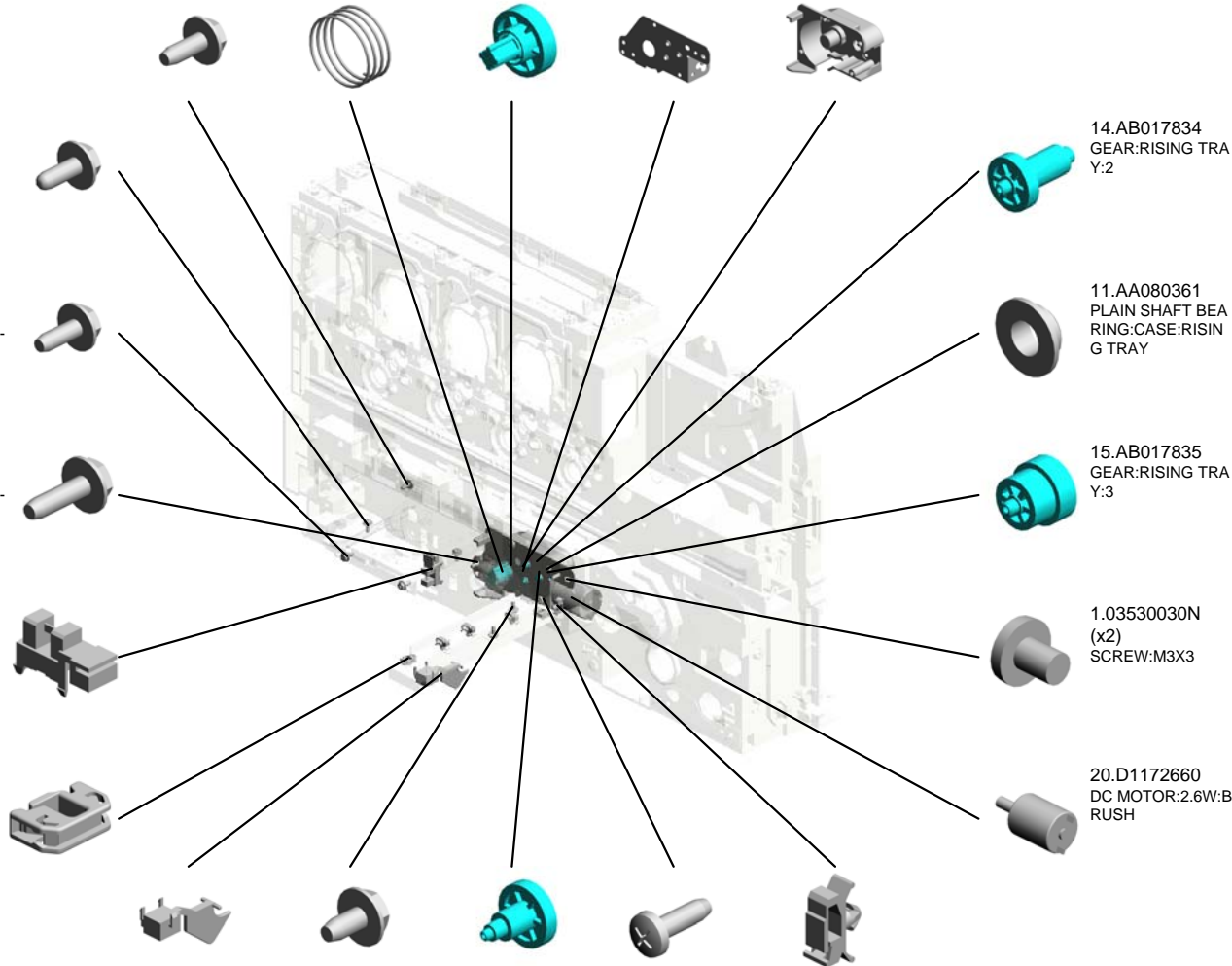
14.AB017834 GEAR:RISING TRAY:2

11.AA080361 PLAIN SHAFT BEARING:CASE:RISING TRAY

15.AB017835 GEAR:RISING TRAY:3

1.03530030N (x2)
SCREW:M3X3

20.D1172660 DC MOTOR:2.6W:BRUSH



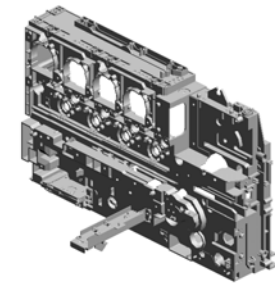
U008 Paper Feed-1

23.D1172901
BRACKET:STRETC
H:TRAY

22.D1172899
LEVER:STRETCH:T
RAY:UNI:ASS'Y

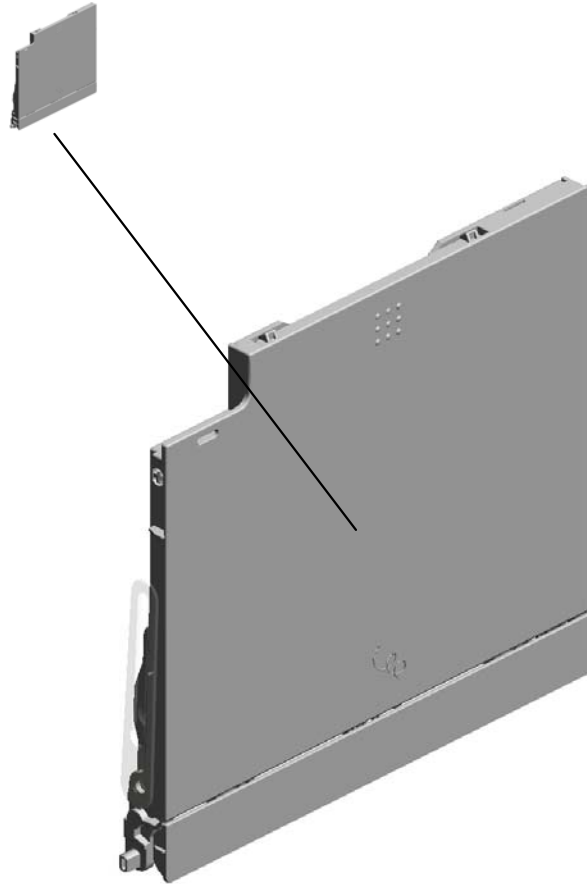
24.G0205626
PUSH SWITCH

21.D1172888
JOINT:BASE:RISE



U009.By-pass Feed-1

U009_S001
D1172762
MANUAL FEED TABLE:ASS'Y



WWW.SERVICE-MANUAL.NET

U001	U002	U003	U004	U005	U006	U007	U008	U009	U010	U011	U012	U013	U014	U015	U016	U017	U018	U019	U020	U021
------	------	------	------	------	------	------	------	------	------	------	------	------	------	------	------	------	------	------	------	------

U009
By-pass Feed-1

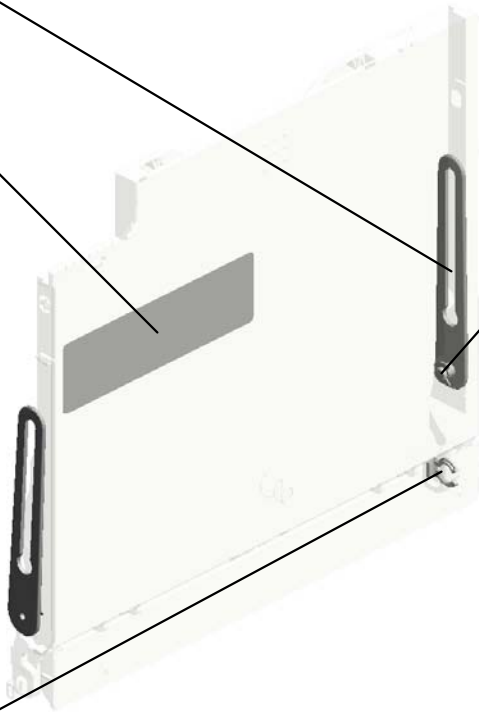
3.D1172761
(x2)
LINK:MANUAL FEE
D TABLE



21.D1172799
DECAL:TRAY:MAN
UAL FEED:INKJET



1.08050089
(x2)
RETAINING RING -
M4

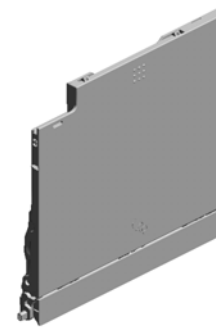


19.D1172787
STOPPER:MANUA
L FEED TABLE



U009_S001 MANUAL FEED TABLE:ASS'Y

16.D1172781 COIL SPRING:PINI
ON GEAR:MANUAL
FEED
10.D1172771 EXTENSION TRAY:
MANUAL FEED
7.D1172768 GEAR:SIDE FENCE
9.D1172770 COVER:MANUAL F
EED TABLE
20.D1172792 DECAL:SCALE:MA
NUAL FEED



4.D1172762
MANUAL FEED TA
BLE:ASS'Y

11.D1172772
(x2)
COMPRESSION SP
RING:EXTENSION
TRAY:MANUAL FE
ED

8.D1172769
(x2)
RACK:MANUAL FE
ED

22.M0262993
DECAL:SIDE FENC
E:MANUAL FEED

6.D1172767
SIDE FENCE:MAN
UAL FEED:REAR

17.D1172784
(x2)
LINK:COVER:FRON
T REAR

23.M0662743
(x2)
FRICTION PAD:MA
NUAL FEED TABLE
:18X7.5

12.D1172773
COVER:MANUAL F
EED TABLE:LOWE
R

18.D1172785
LINK:COVER:MIDD
LE

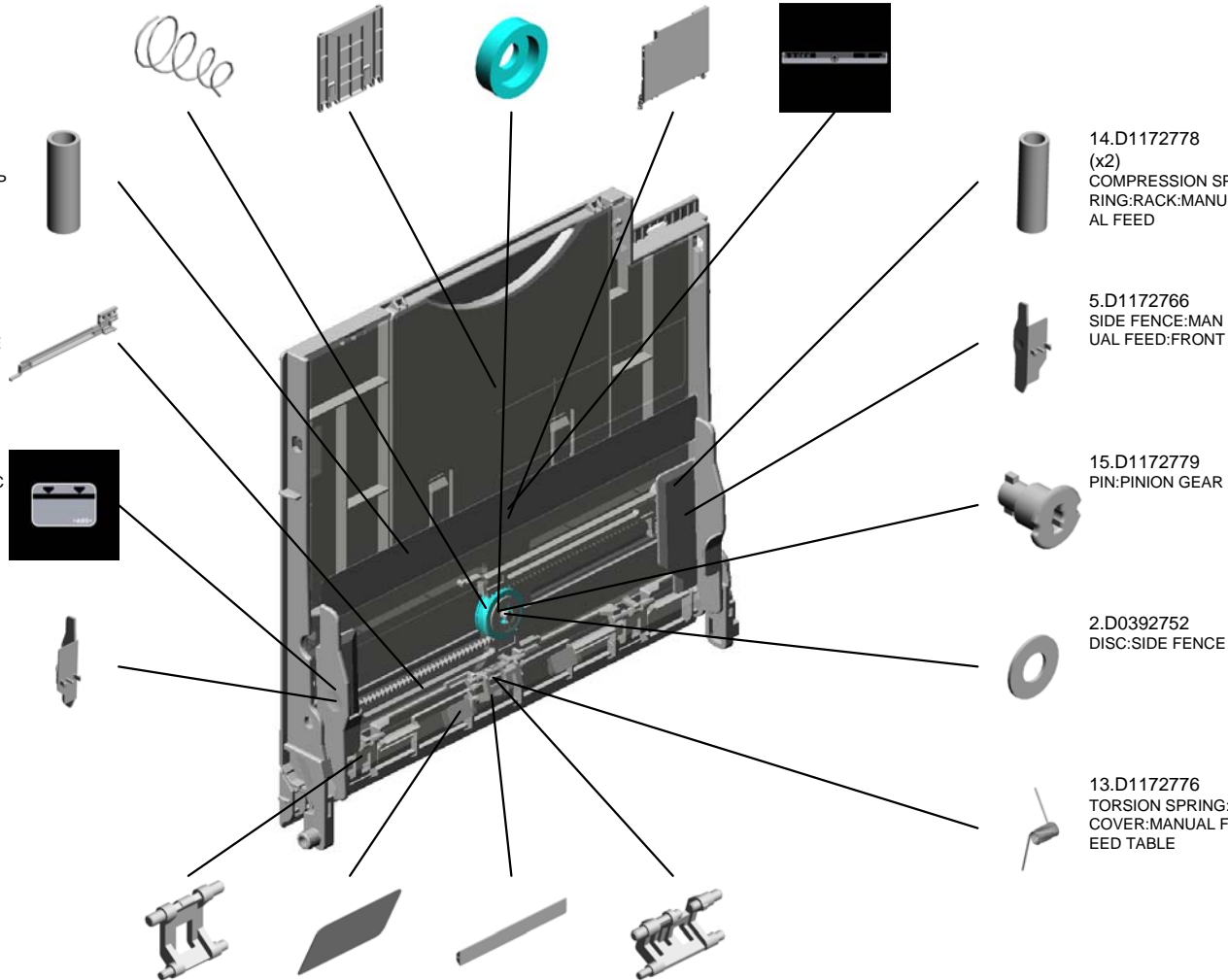
14.D1172778
(x2)
COMPRESSION SP
RING:RACK:MANU
AL FEED

5.D1172766
SIDE FENCE:MAN
UAL FEED:FRONT

15.D1172779
PIN:PINION GEAR

2.D0392752
DISC:SIDE FENCE

13.D1172776
TORSION SPRING:
COVER:MANUAL F
EED TABLE



U010.By-pass Feed-2

U010_S001
D1172720
TRAY BOTTOM PLATE:MANU
AL FEED:ASS'Y

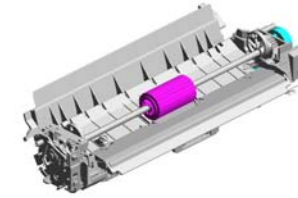


WWW.SERVICE-MANUAL.NET

U001	U002	U003	U004	U005	U006	U007	U008	U009	U010	U011	U012	U013	U014	U015	U016	U017	U018	U019	U020	U021
------	------	------	------	------	------	------	------	------	------	------	------	------	------	------	------	------	------	------	------	------

U010 By-pass Feed-2

20.D1172727 GUIDE PLATE:MANUAL FEED:MIDDLE
 21.D1172728 SHEET:MANUAL FEED
 13.D1172717 SHAFT:PAPER FEEDER:MANUAL FEED
 7.AF031092 PAPER FEED ROLLER:MANUAL FEED
 10.D1172710 GUIDE PLATE:MANUAL FEED:LOWER



12.D1172714 COMPRESSION SPRING:SEPARATION:MANUAL FEED



22.D1172729 TENSION SPRING:GUIDE PLATE:MANUAL FEED



4.11050511 (x2) HARNESS CLAMP - LWS-0306ZC



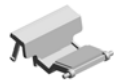
19.D1172725 (x2) COMPRESSION SPRING:PAPER FEEDER:MANUAL FEED



1.04503010N (x10) TAPPING SCREW - M3X10



11.D1172711 FRICTION PAD:MANUAL FEED:ADHESION



23.D1172732 (x2) HOLDER:PAPER END SENSOR:MANUAL FEED



2.04513006N (x2) TAPPING SCREW - 3X6



8.AW020203 (x3) PHOTOINTERRUPTOR:GP1A173LCS2F



24.D1172733 FEELER:PAPER END SENSOR:MANUAL FEED



3.08050089 (x9) RETAINING RING - M4



14.D1172719 GEAR:PAPER FEEDER:MANUAL FEED



6.AA082101 (x4) BUSHING - 6X10X6



9.AX200328 ELECTROMAGNETIC CLUTCH:DRIVE:MANUAL FEED



25.D1172734 (x2) TORSION SPRING:PAPER END SENSOR:MANUAL FEED



WWW.SERVICE-MANUAL.NET

U001	U002	U003	U004	U005	U006	U007	U008	U009	U010	U011	U012	U013	U014	U015	U016	U017	U018	U019	U020	U021
------	------	------	------	------	------	------	------	------	-------------	------	------	------	------	------	------	------	------	------	------	------

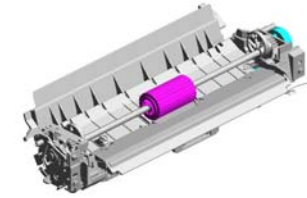
U010 By-pass Feed-2

30.D1172743
(x2)
GEAR:CAM:MANU
AL FEED

34.D1172747
FEELER:CAM:MAN
UAL FEED

37.D1172752
SPRING PLATE:HO
ME POSITION SEN
SOR:MANUAL FEE
D

28.D1172741
CAM:MANUAL FEE
D:FRONT



31.D1172744
(x2)
GEAR:CAM:IDLER:
LOWER

36.D1172751
BRACKET:MANUAL
FEED:FRONT

33.D1172746
(x2)
GEAR:CAM:IDLER:
UPPER

29.D1172742
CAM:MANUAL FEE
D:REAR

35.D1172749
BRACKET:MANUAL
FEED:REAR

32.D1172745
(x2)
GEAR:CAM:IDLER:
STEPPED

27.D1172740
SHAFT:CAM:MANU
AL FEED

38.D1172756
FEELER:PAPER SI
ZE SENSOR:MANU
AL FEED

26.D1172735
SUPPORTING PLA
TE:MANUAL FEED

39.D1172760
SUPPORTING PLA
TE:SMALL:MANUA
L FEED

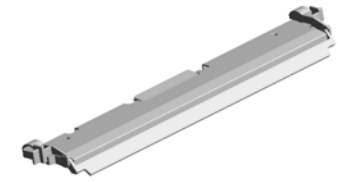
WWW.SERVICE-MANUAL.NET

U010_S001

TRAY BOTTOM PLATE:MANUAL FEED:ASS'Y

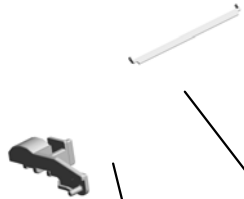
40.D1172782
GUIDE PLATE:MAN
UAL FEED TABLE

16.D1172721
TRAY BOTTOM PL
ATE:MANUAL FEE
D



15.D1172720
TRAY BOTTOM PL
ATE:MANUAL FEE
D:ASS'Y

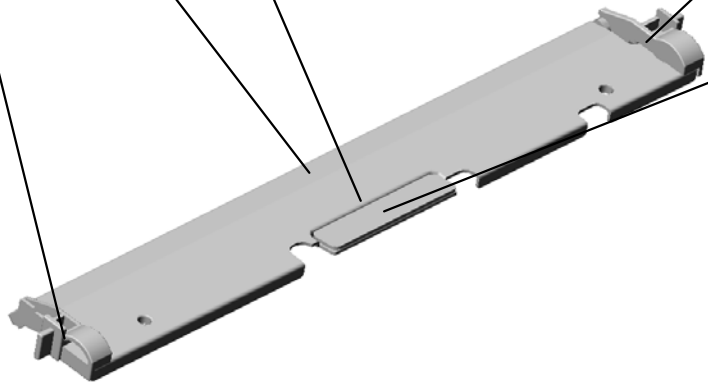
18.D1172724
GUIDE:BASE:REAR



17.D1172723
GUIDE:BASE:FRO
NT

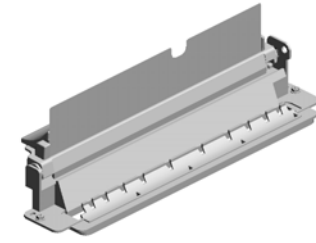


5.52152713
BOTTOM PLATE P
AD

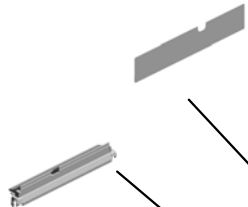


U011 Vertical Transport

4.D1172613
GUIDE:VERTICAL
TRANSPORT



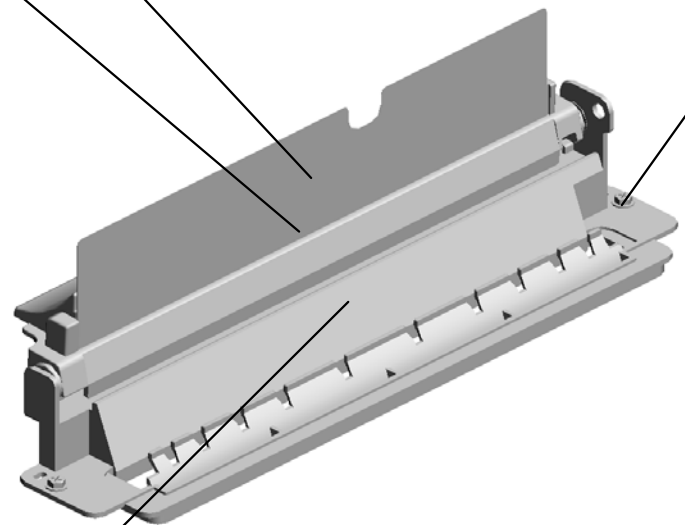
3.D1172612
GUIDE PLATE:VER
TICAL TRANSPOR
T:UPPER



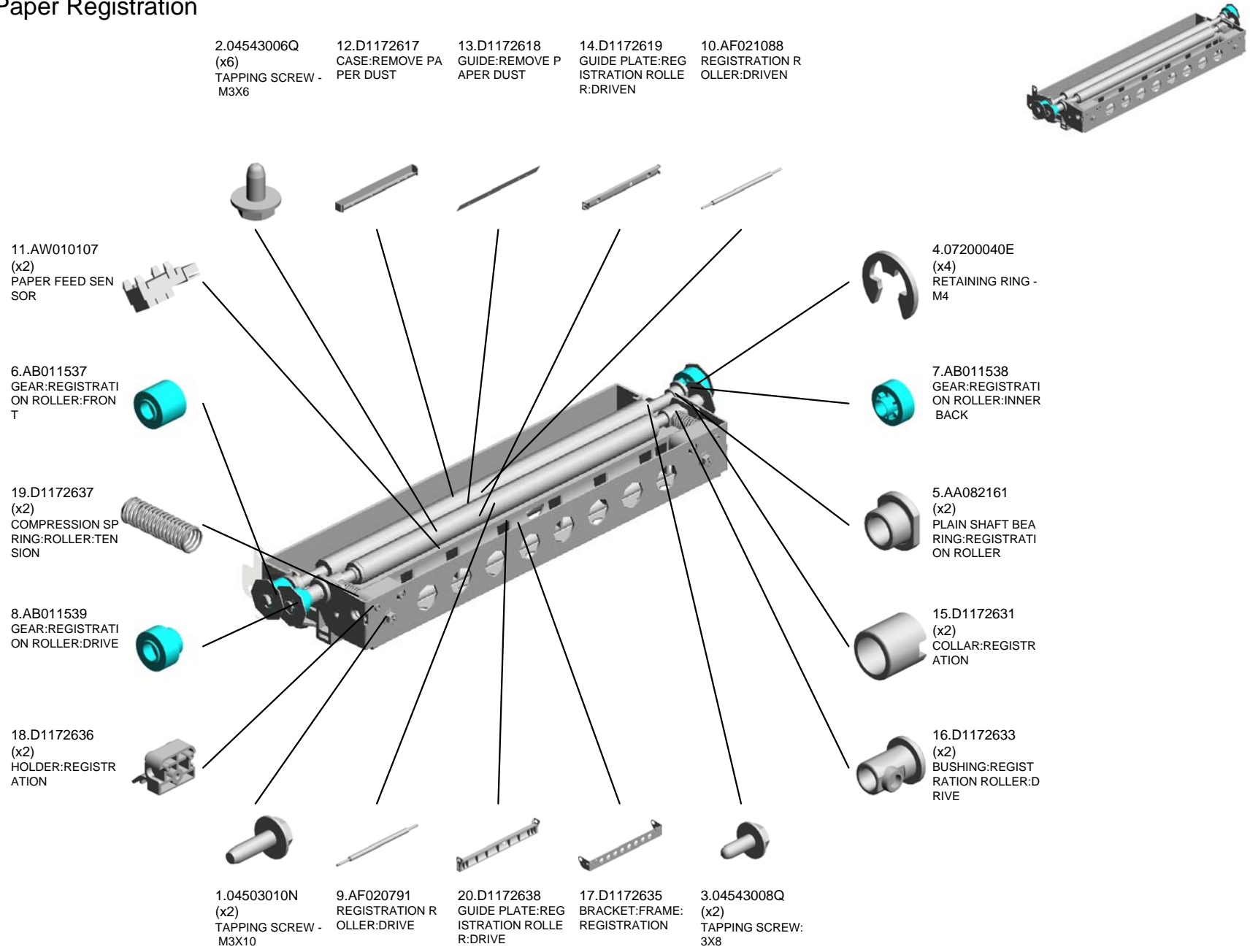
1.04543006Q
(x2)
TAPPING SCREW -
M3X6



2.D1172611
GUIDE PLATE:VER
TICAL TRANSPOR
T:LOWER



U012 Paper Registration

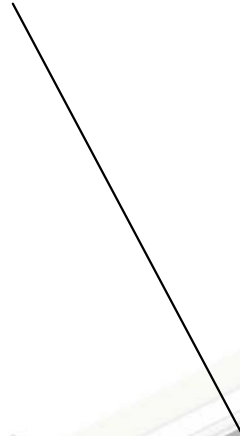


WWW.SERVICE-MANUAL.NET

U001	U002	U003	U004	U005	U006	U007	U008	U009	U010	U011	U012	U013	U014	U015	U016	U017	U018	U019	U020	U021
------	------	------	------	------	------	------	------	------	------	------	------	------	------	------	------	------	------	------	------	------

U012 Paper Registration

21.D1172639
GUIDE:REGISTRAT
ION:DRIVE:FRONT



22.D1172640
GUIDE:REGISTRAT
ION:DRIVE:INNER
BACK

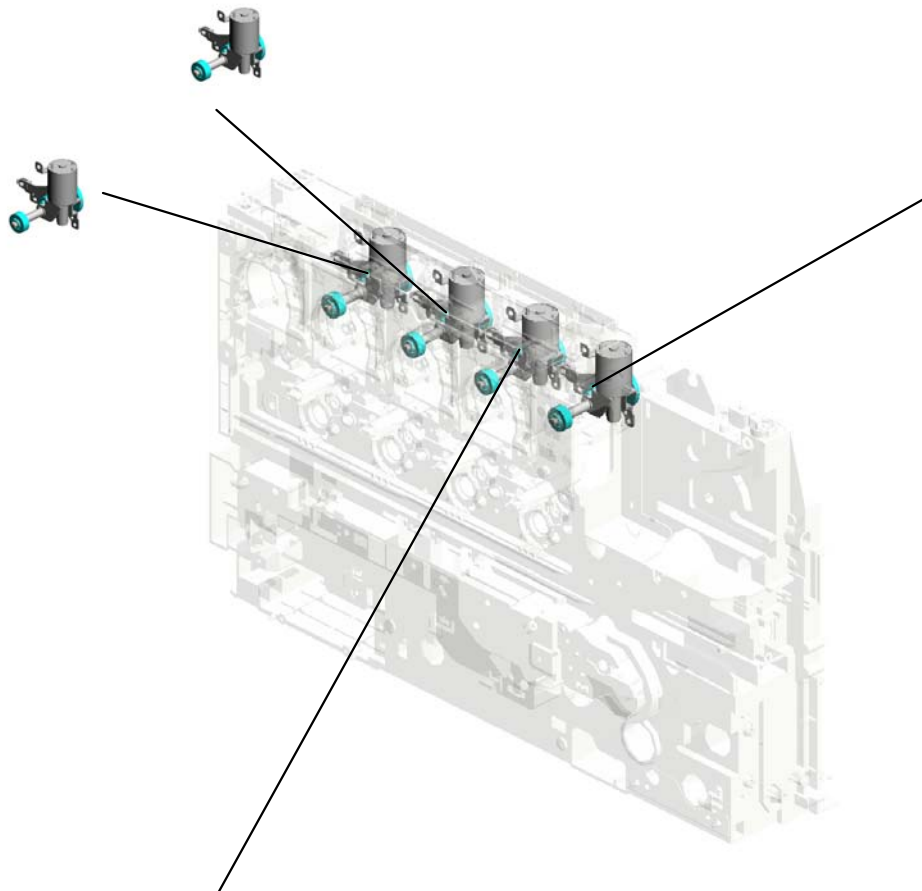


U013.Toner Supply

U013_S004
D1173304
DRIVE UNIT:TONER SUPPLY
:ASS'Y

U013_S001
D1173304
DRIVE UNIT:TONER SUPPLY
:ASS'Y

U013_S002
D1173304
DRIVE UNIT:TONER SUPPLY
:ASS'Y



U013_S003
D1173304
DRIVE UNIT:TONER SUPPLY
:ASS'Y

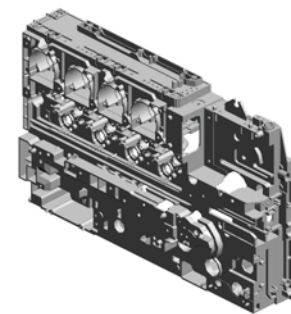
WWW.SERVICE-MANUAL.NET

U001	U002	U003	U004	U005	U006	U007	U008	U009	U010	U011	U012	U013	U014	U015	U016	U017	U018	U019	U020	U021
------	------	------	------	------	------	------	------	------	------	------	------	------	------	------	------	------	------	------	------	------

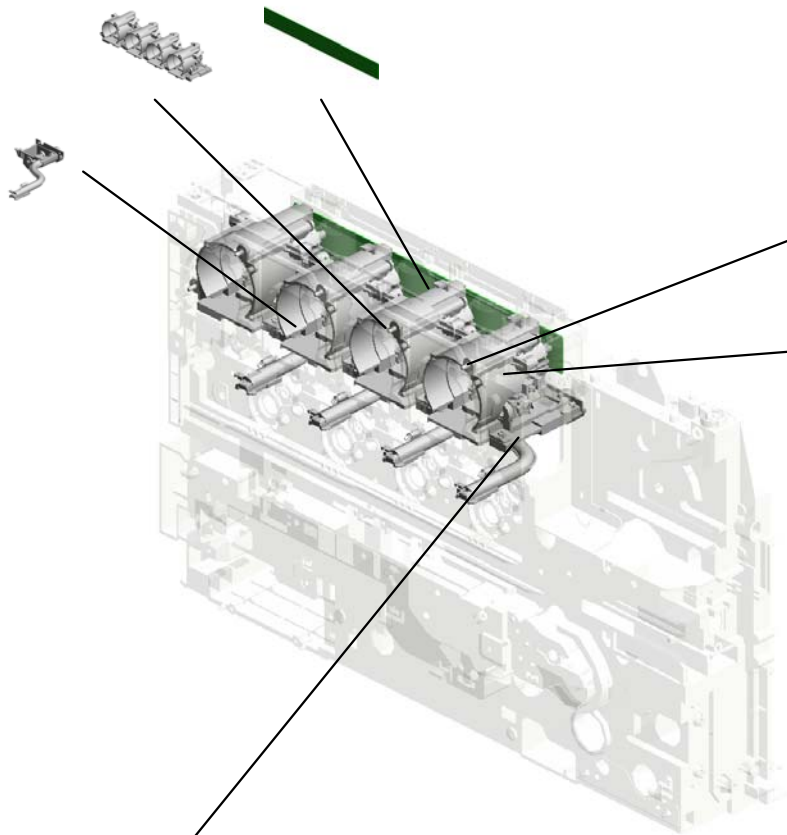
U013 Toner Supply

6.D1173301
HOUSING:TONER
SUPPLY:ASSY

17.D1175160
PCB:BRB



7.D1173302
TONER HOPPER:T
ONER SUPPLY:BK:
ASS'Y



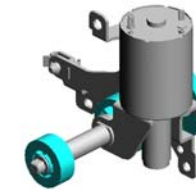
2.04583008N
(x12)
HEXAGON HEAD T
APPING SCREW:3
X8

3.04583010N
(x8)
HEXAGON HEAD T
APPING SCREW:3
X10

8.D1173303
(x3)
TONER HOPPER:T
ONER SUPPLY:CO
L:ASS'Y

U013_S001
DRIVE UNIT:TONER SUPPLY:ASS'Y

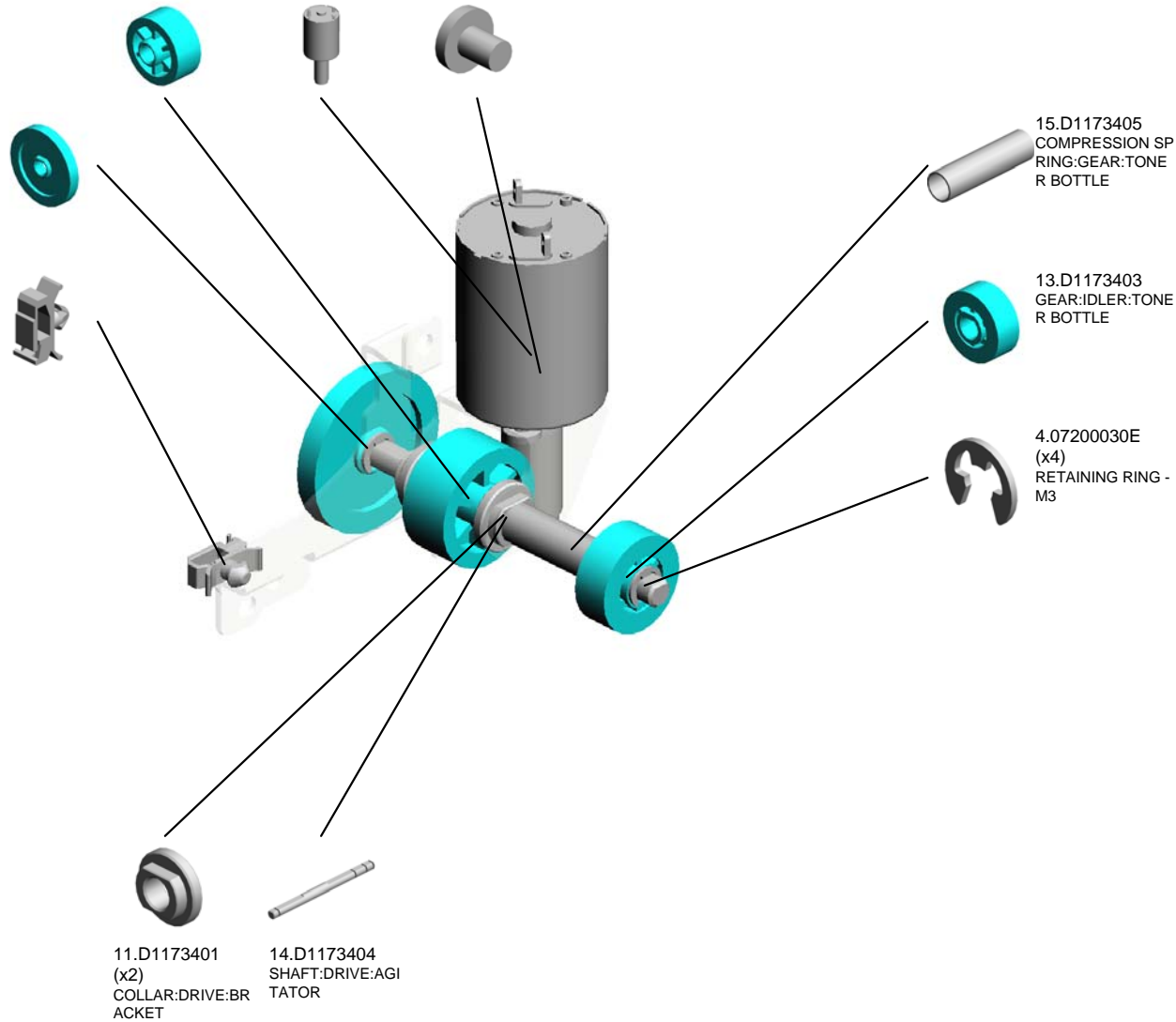
12.D1173402 GEAR:IDLER:DC MOTOR
10.D1173400 DC MOTOR:TONER SUPPLY:5.3W:BRUSH
1.03530030N (x2) SCREW:M3X3



9.D1173304
DRIVE UNIT:TONER SUPPLY:ASS'Y

16.D1173407
GEAR:IDLER:TONER HOPPER:30

5.11050511
HARNES CLAMP - LWS-0306ZC



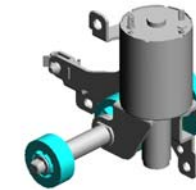
WWW.SERVICE-MANUAL.NET

U001	U002	U003	U004	U005	U006	U007	U008	U009	U010	U011	U012	U013	U014	U015	U016	U017	U018	U019	U020	U021
------	------	------	------	------	------	------	------	------	------	------	------	------	------	------	------	------	------	------	------	------

U013_S002

DRIVE UNIT:TONER SUPPLY:ASS'Y

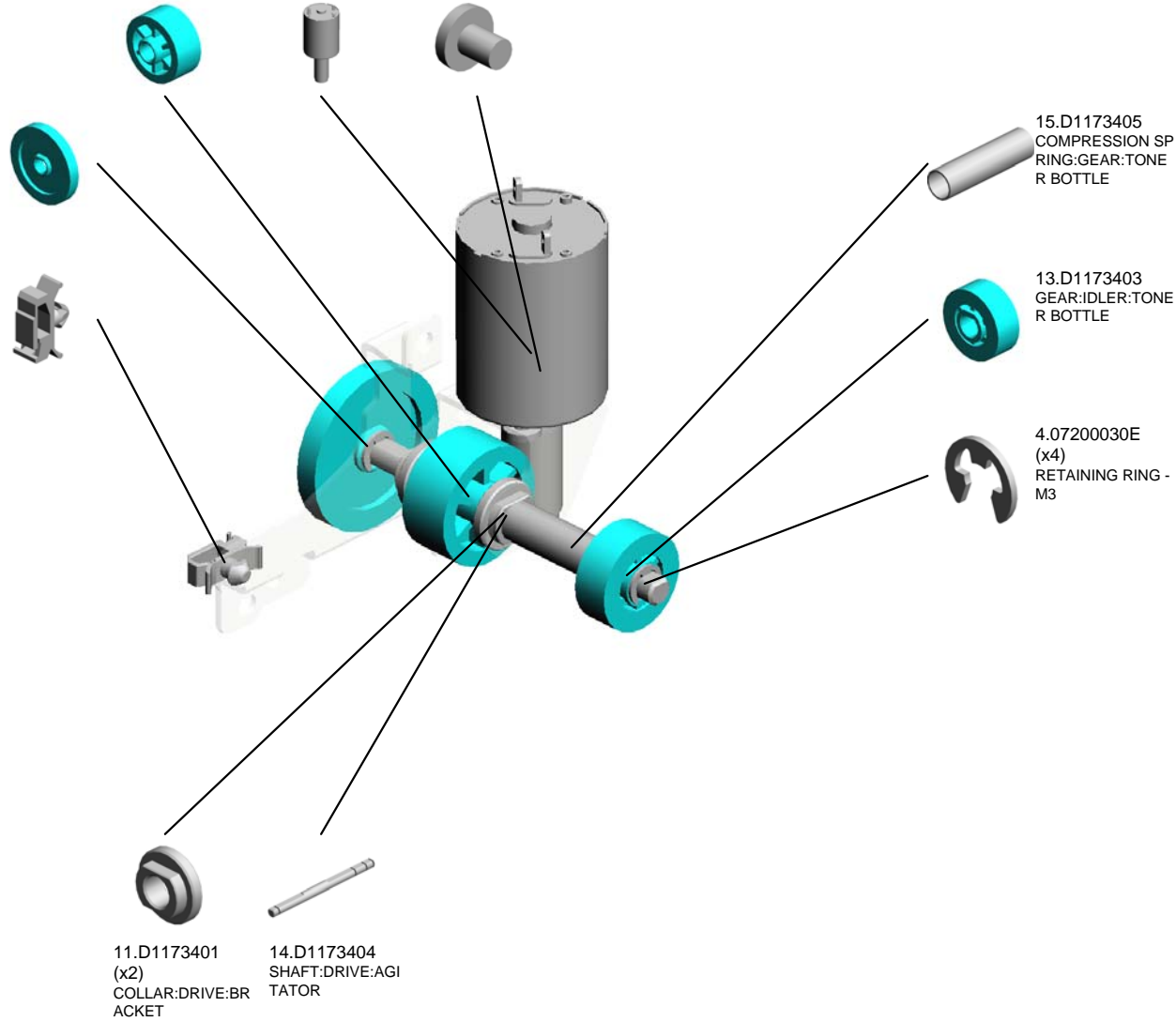
12.D1173402 GEAR:IDLER:DC MOTOR
 10.D1173400 DC MOTOR:TONER SUPPLY:5.3W:BRUSH
 1.03530030N (x2) SCREW:M3X3



9.D1173304 DRIVE UNIT:TONER SUPPLY:ASS'Y

16.D1173407 GEAR:IDLER:TONER HOPPER:30

5.11050511 HARNESS CLAMP - LWS-0306ZC



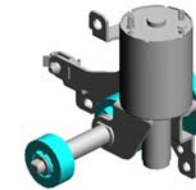
WWW.SERVICE-MANUAL.NET

U001	U002	U003	U004	U005	U006	U007	U008	U009	U010	U011	U012	U013	U014	U015	U016	U017	U018	U019	U020	U021
------	------	------	------	------	------	------	------	------	------	------	------	------	------	------	------	------	------	------	------	------

U013_S003

DRIVE UNIT:TONER SUPPLY:ASS'Y

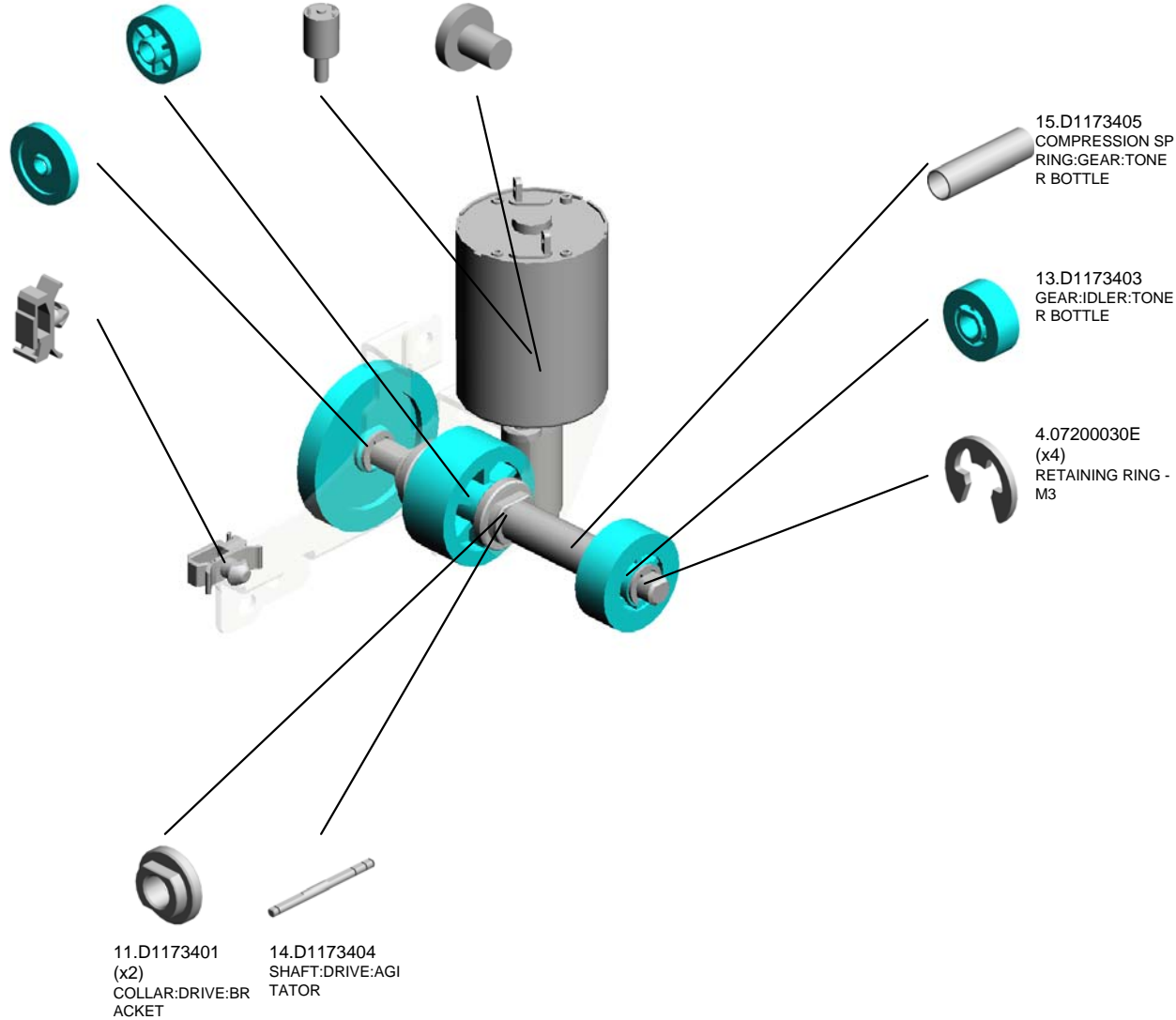
12.D1173402 GEAR:IDLER:DC MOTOR
 10.D1173400 DC MOTOR:TONER SUPPLY:5.3W:BRUSH
 1.03530030N (x2) SCREW:M3X3



9.D1173304 DRIVE UNIT:TONER SUPPLY:ASS'Y

16.D1173407 GEAR:IDLER:TONER HOPPER:30

5.11050511 HARNESS CLAMP - LWS-0306ZC

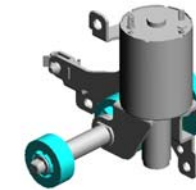


WWW.SERVICE-MANUAL.NET

U001	U002	U003	U004	U005	U006	U007	U008	U009	U010	U011	U012	U013	U014	U015	U016	U017	U018	U019	U020	U021
------	------	------	------	------	------	------	------	------	------	------	------	------	------	------	------	------	------	------	------	------

U013_S004
DRIVE UNIT:TONER SUPPLY:ASS'Y

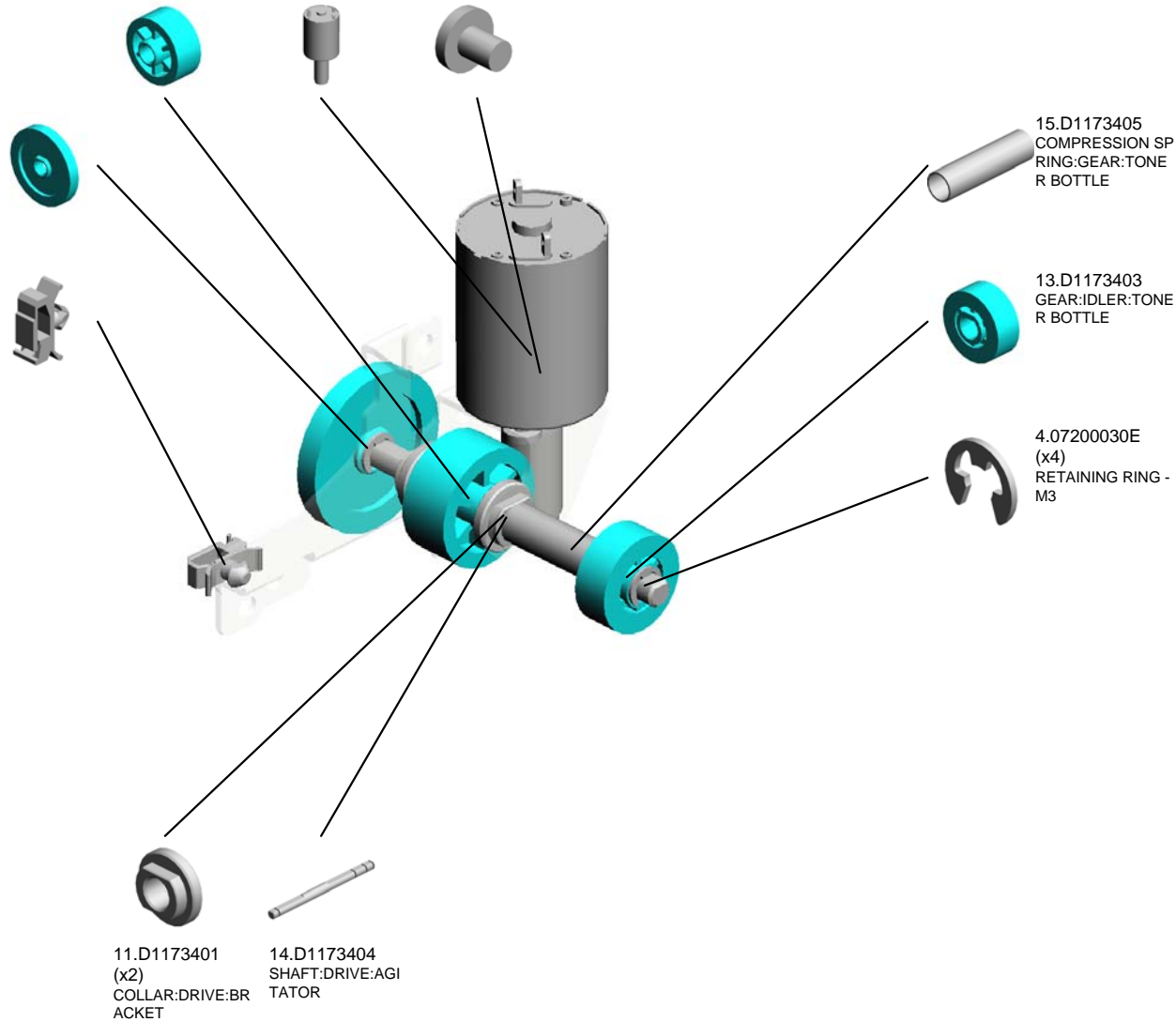
12.D1173402 GEAR:IDLER:DC MOTOR
10.D1173400 DC MOTOR:TONER SUPPLY:5.3W:BRUSH
1.03530030N (x2) SCREW:M3X3



9.D1173304
DRIVE UNIT:TONER SUPPLY:ASS'Y

16.D1173407
GEAR:IDLER:TONER HOPPER:30

5.11050511
HARNESS CLAMP - LWS-0306ZC



15.D1173405
COMPRESSION SPRING:GEAR:TONER BOTTLE

13.D1173403
GEAR:IDLER:TONER BOTTLE

4.07200030E (x4)
RETAINING RING - M3

11.D1173401 (x2)
COLLAR:DRIVE:BRACKET

14.D1173404
SHAFT:DRIVE:AGITATOR

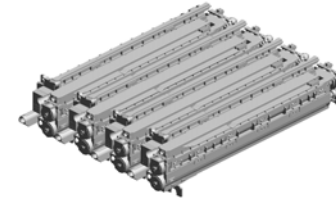
WWW.SERVICE-MANUAL.NET

U001	U002	U003	U004	U005	U006	U007	U008	U009	U010	U011	U012	U013	U014	U015	U016	U017	U018	U019	U020	U021
------	------	------	------	------	------	------	------	------	------	------	------	------	------	------	------	------	------	------	------	------

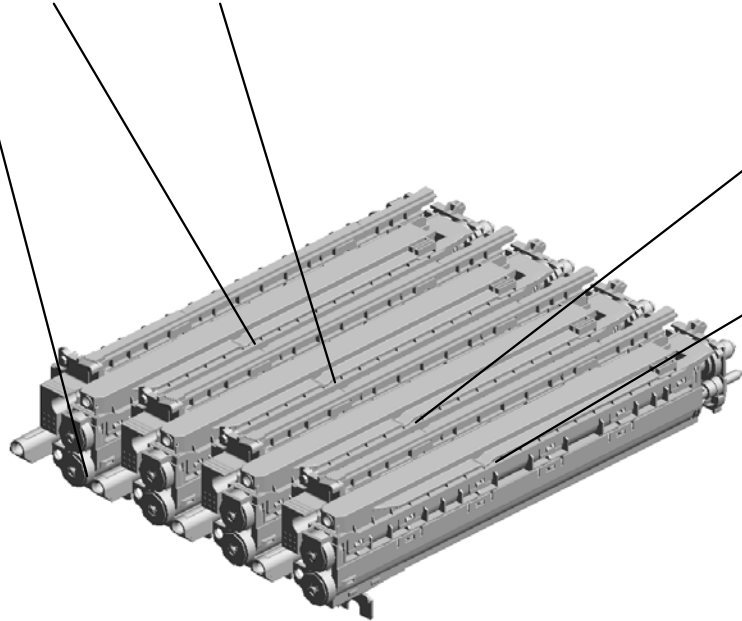
U014 PCDU

2.D1170121
PCDU:BK:SERVICE
PARTS

3.D1170122
PCDU:C:SERVICE
PARTS



1.08046128
(x8)
HEXAGONAL BOLT
:DOUBLE SCREW:
M3X10



4.D1170123
PCDU:M:SERVICE
PARTS

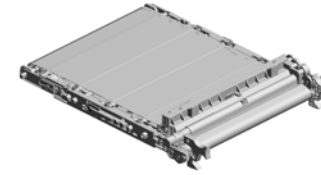
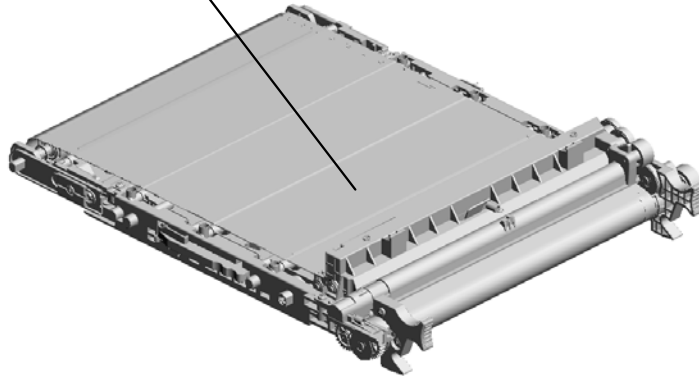
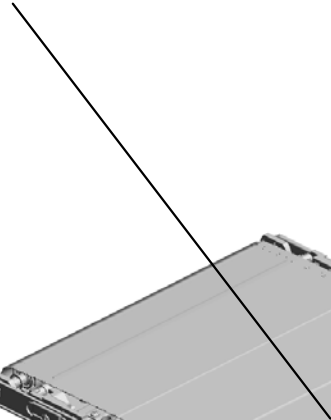
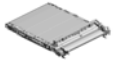


5.D1170124
PCDU:Y:SERVICE
PARTS



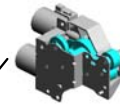
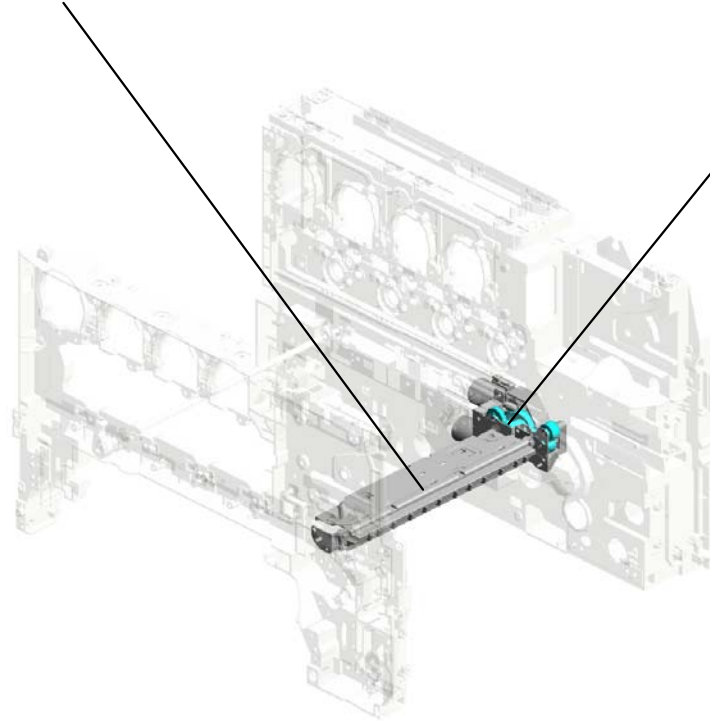
U015
ITB Unit-1

1.D1176002
TRANSFER UNIT: I
NTERMEDIATE TR
ANSFER: ASSY



U016.ITB Unit-2

U016_S002
D1176245
DENSITY SENSOR:TM/P:ASSY



U016_S001
D1176241
DRIVE UNIT:ON-OFF:TRANSFER ROLLER:ASSY

WWW.SERVICE-MANUAL.NET

U001	U002	U003	U004	U005	U006	U007	U008	U009	U010	U011	U012	U013	U014	U015	U016	U017	U018	U019	U020	U021
------	------	------	------	------	------	------	------	------	------	------	------	------	------	------	-------------	------	------	------	------	------

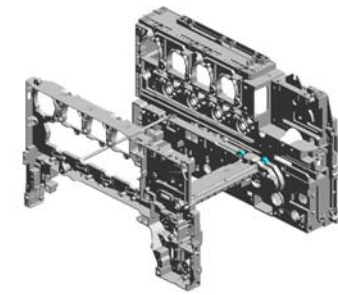
U016
ITB Unit-2

16.D1176138
(x2)
PRESSURE PLATE
:INTERMEDIATE T
RANSFER

14.D1176136
SHAFT:CAM:ON-O
FF:BK

6.08050089
(x2)
RETAINING RING -
M4

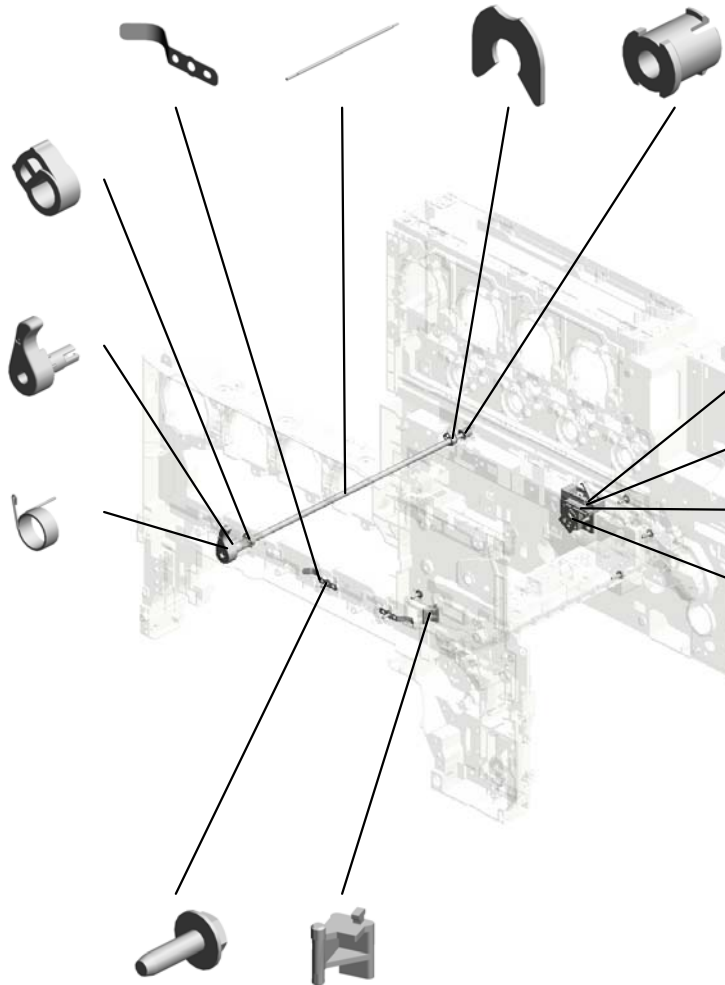
37.G1666057
PLAIN SHAFT BEA
RING:ROLLER:BLA
DE



13.D1176135
(x2)
CAM:ON-OFF:BK

15.D1176137
LEVER:ON-OFF:BK
:INTERMEDIATE T
RANSFER

9.AA066695
TORSION SPRING:
LEVER:ON-OFF



31.D1176376
FEELER:ON-OFF:FI
RST

8.AA061084
TENSION SPRING:
FEELER

30.D1176375
BRACKET:FEELER:
ON-OFF

11.AW020203
PHOTOINTERRUP
TOR:GP1A173LCS
2F

2.04503010N
(x7)
TAPPING SCREW -
M3X10

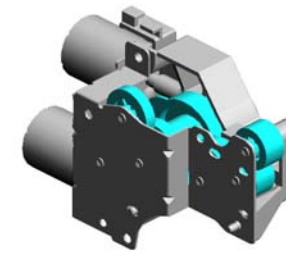
17.D1176181
LEVER:SUPPORT:
SHUTTER

WWW.SERVICE-MANUAL.NET

U016_S001

DRIVE UNIT:ON-OFF:TRANSFER ROLLER:ASS'Y

- 24.D1176365 GEAR:ON-OFF:FIR ST:NO.2
- 23.D1176364 GEAR:ON-OFF:FIR ST:NO.1
- 25.D1176366 GEAR:ON-OFF:FIR ST:NO.3
- 5.07200030E RETAINING RING - M3

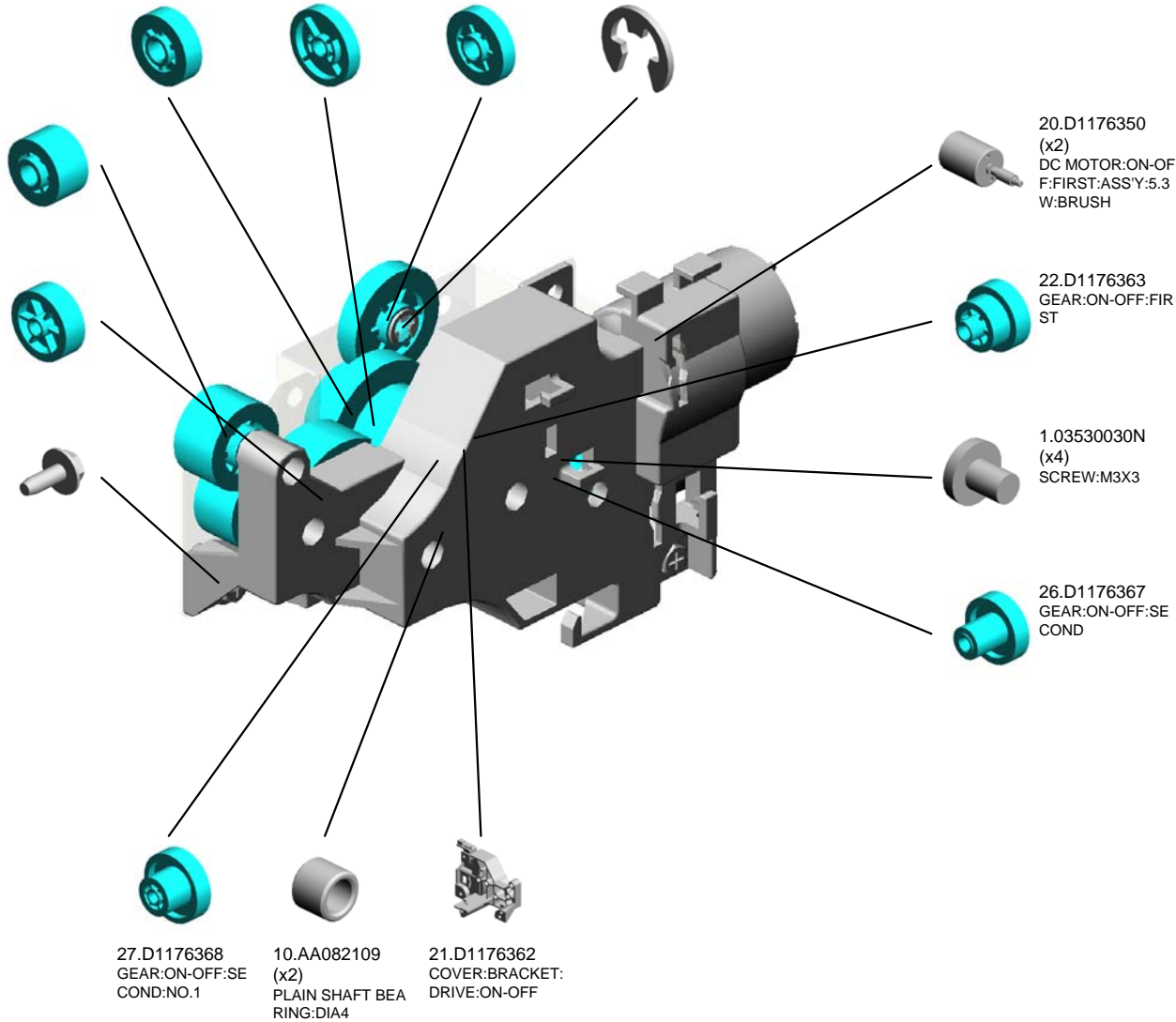


18.D1176241
DRIVE UNIT:ON-OFF:TRANSFER ROLLER:ASSY

29.D1176370
(x2)
GEAR:ON-OFF:SE
COND:NO.3

28.D1176369
GEAR:ON-OFF:SE
COND:NO.2

4.04513008N
(x2)
TAPPING SCREW -
M3X8



27.D1176368
GEAR:ON-OFF:SE
COND:NO.1

10.AA082109
(x2)
PLAIN SHAFT BEA
RING:DIA4

21.D1176362
COVER:BRACKET:
DRIVE:ON-OFF

20.D1176350
(x2)
DC MOTOR:ON-OF
F:FIRST:ASSY:5.3
W:BRUSH

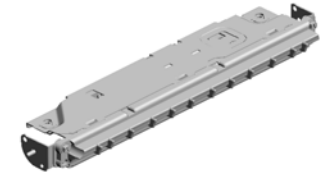
22.D1176363
GEAR:ON-OFF:FIR
ST

1.03530030N
(x4)
SCREW:M3X3

26.D1176367
GEAR:ON-OFF:SE
COND

U016_S002
 DENSITY SENSOR:TM/P:ASS'Y

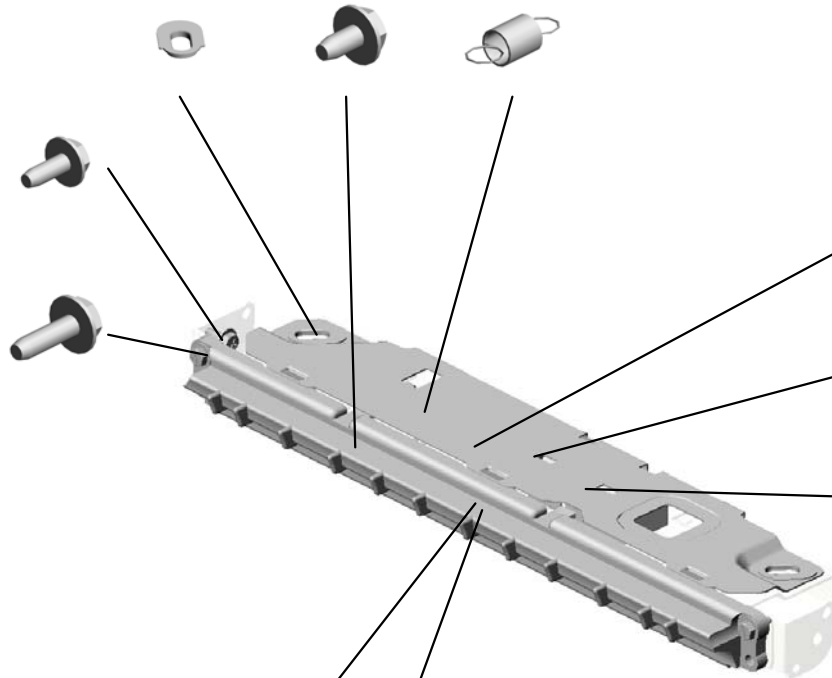
35.D1176392 (x2) SPACER:SHUTTER :SENSOR:TM
 3.04513006N (x3) TAPPING SCREW - 3X6
 7.AA060151 TENSION SPRING



19.D1176245
 DENSITY SENSOR:
 TMP:ASSY

4.04513008N
 (x2)
 TAPPING SCREW -
 M3X8

2.04503010N
 (x2)
 TAPPING SCREW -
 M3X10



32.D1176386
 HOOK:SHUTTER:D
 ENSITY SENSOR

33.D1176390
 SHUTTER:DENSIT
 Y SENSOR

12.B2385875
 DC SOLENOID DC2
 4V

34.D1176391
 GUIDE PLATE:REL
 AY

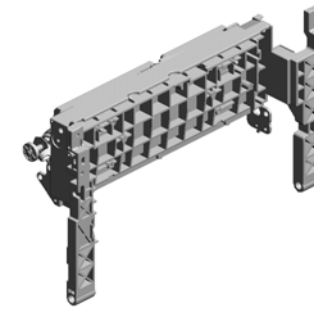
36.D1176395
 DENSITY SENSOR

WWW.SERVICE-MANUAL.NET

U001	U002	U003	U004	U005	U006	U007	U008	U009	U010	U011	U012	U013	U014	U015	U016	U017	U018	U019	U020	U021
------	------	------	------	------	------	------	------	------	------	------	------	------	------	------	-------------	------	------	------	------	------

U017 Paper Transfer

- 16.D1176312 HOLDER:DISCHARGE:TRANSPORT SUB-UNIT
- 19.D1176317 STAY:CASING:TRANSFER ROLLER
- 9.AW010124 PHOTO REFLECTION SENSOR:GP2A200LCS0F
- 3.04523010N BINDING SELF-TAPPING SCREW:3X10
- 7.AA063483 (x2) COMPRESSION SPRING:TRANSPORT SUB-UNIT



11.D1176201
TRANSFER/SEPARATION UNIT:SECOND:ASSY

10.AW020203
PHOTOINTERRUPTOR:GP1A17LCS2F

17.D1176315
CASING:TRANSFER ROLLER:FRONT

20.D1176318
PRESSURE PLATE:HOLDER:TRANSFER ROLLER:FRONT

14.D1176305
LEVER:PRESSURE:TRANSFER ROLLER:FRONT

12.D1176301
BASE:PRESSURE:TRANSFER ROLLER

4.07200025E
RETAINING RING - M2.5

13.D1176304
SPACER:LEVER:PRESSURE

15.D1176306
LEVER:PRESSURE:TRANSFER ROLLER:REAR

6.AA061085 (x2)
TENSION SPRING:PRESSURE:TRANSFER ROLLER

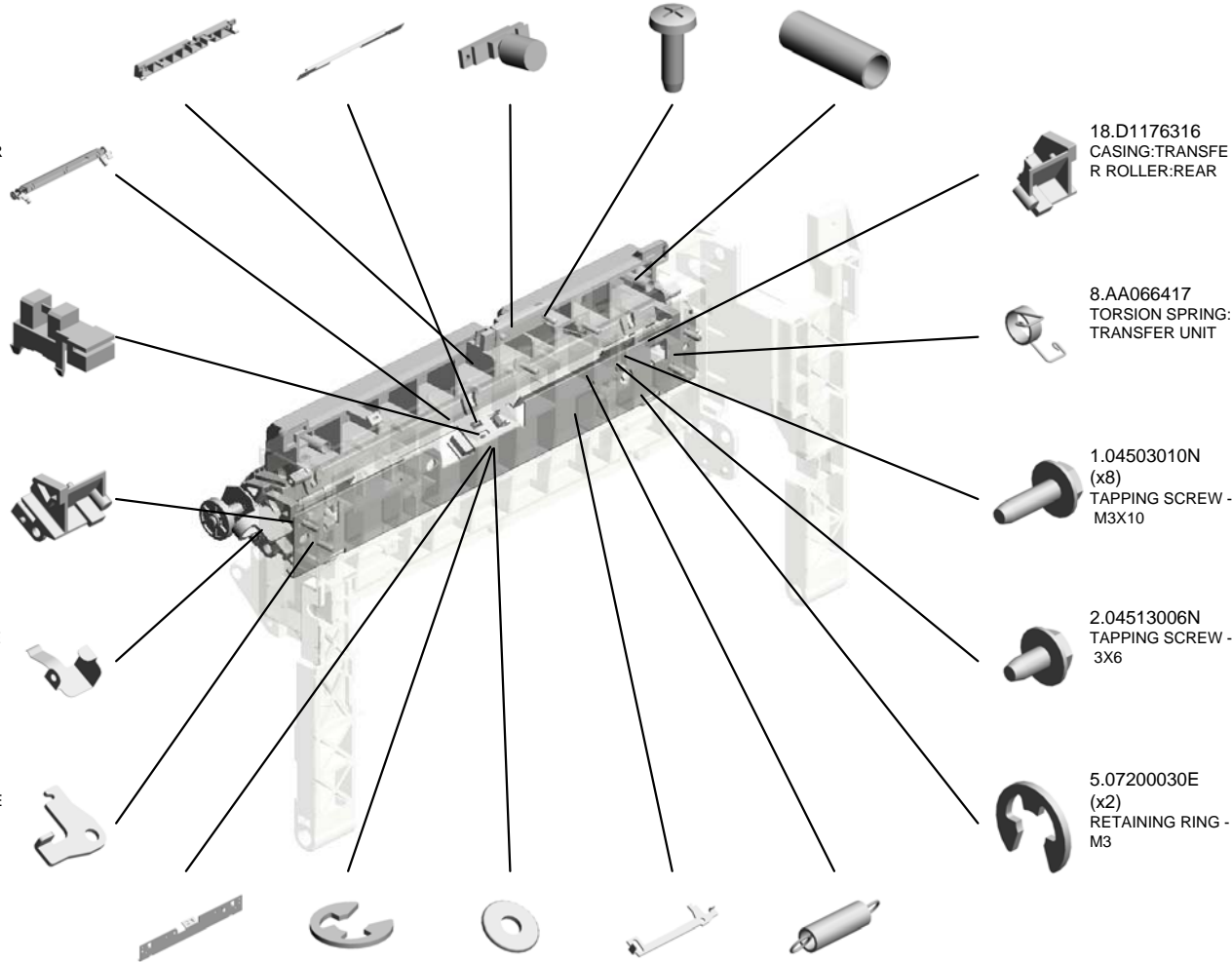
18.D1176316
CASING:TRANSFER ROLLER:REAR

8.AA066417
TORSION SPRING:TRANSFER UNIT

1.04503010N (x8)
TAPPING SCREW - M3X10

2.04513006N
TAPPING SCREW - 3X6

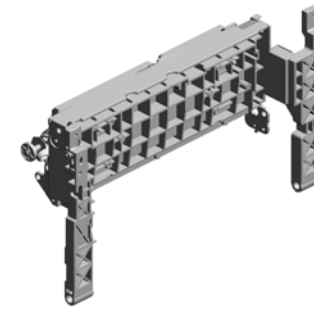
5.07200030E (x2)
RETAINING RING - M3



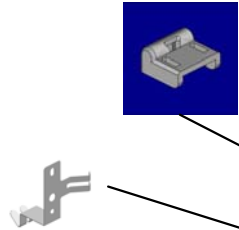
U017 Paper Transfer

23.D1176322 (x2)
COVER:PRESSUR
E PLATE:ENTRAN
CE

24.D1176327
LEVER:GROUND P
LATE



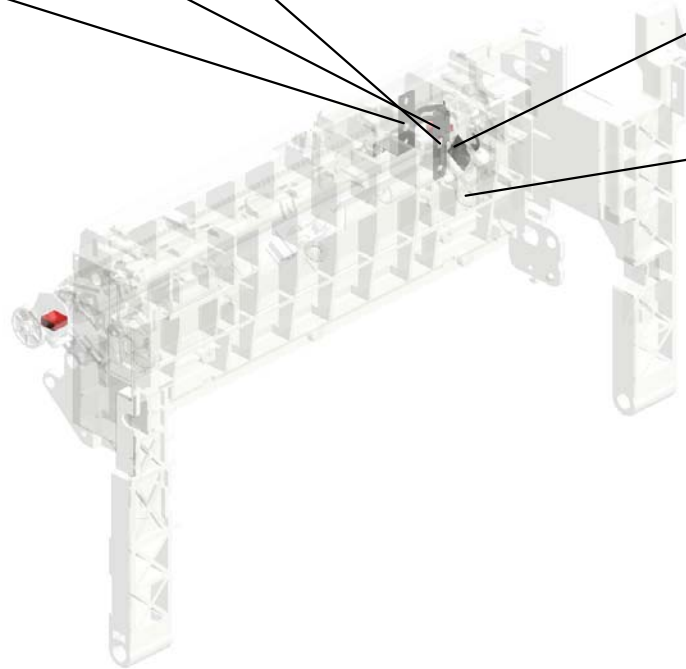
22.D1176320
TERMINAL:BIAS:S
EPARATION



21.D1176319
PRESSURE PLATE
:HOLDER:TRANSF
ER ROLLER:REAR

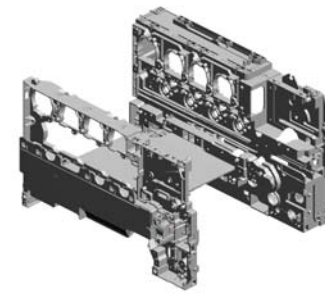


25.H3103640
(x3)
SPACER



U018 Used Toner

- 11.D1176401 COLLECTION BOTTLE:ASS'Y
- 13.D1176590 COVER:GEAR:USED TONER
- 9.AW020203 PHOTOINTERRUPTOR:GP1A173LCS 2F
- 8.AG071012 MAGNET CATCH:ASS'Y



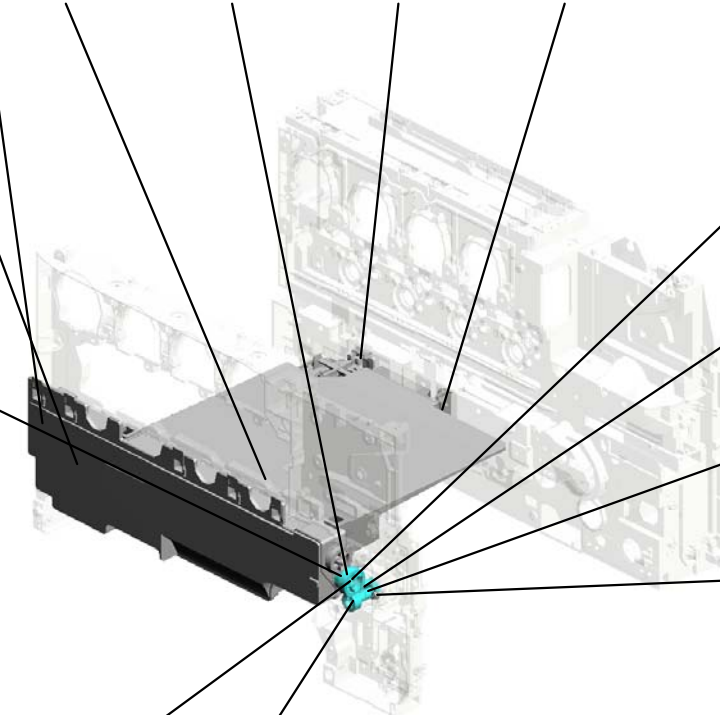
12.D1176588
BRACKET:COLLECTION BOTTLE:LEFT



10.AW500023
PUSH SWITCH



2.07200040E
RETAINING RING - M4



3.AB011552
GEAR:IDLER:LEFT REAR



4.AB011553
GEAR:IDLER:MIDDLE REAR



5.AB011554
GEAR:IDLER:RIGHT REAR



1.04503010N
(x3)
TAPPING SCREW - M3X10



7.AB017827
GEAR:IDLER:COLLECTION BOTTLE:RIGHT UPPER

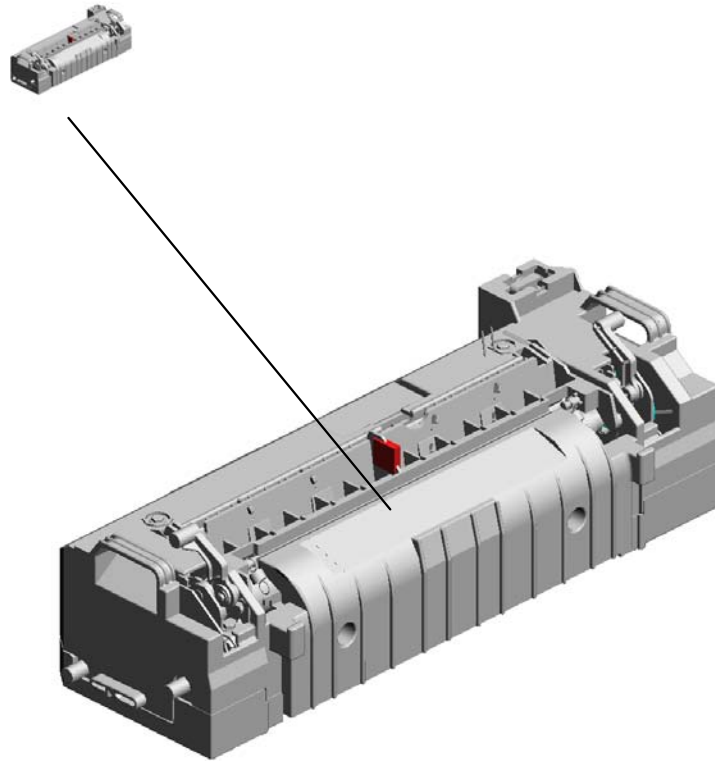


6.AB011555
GEAR:IDLER:RIGHT FRONT



U019.Fusing-1

U019_S001
D1174025
FUSING UNIT:NA:SERVICE:A
SS'Y

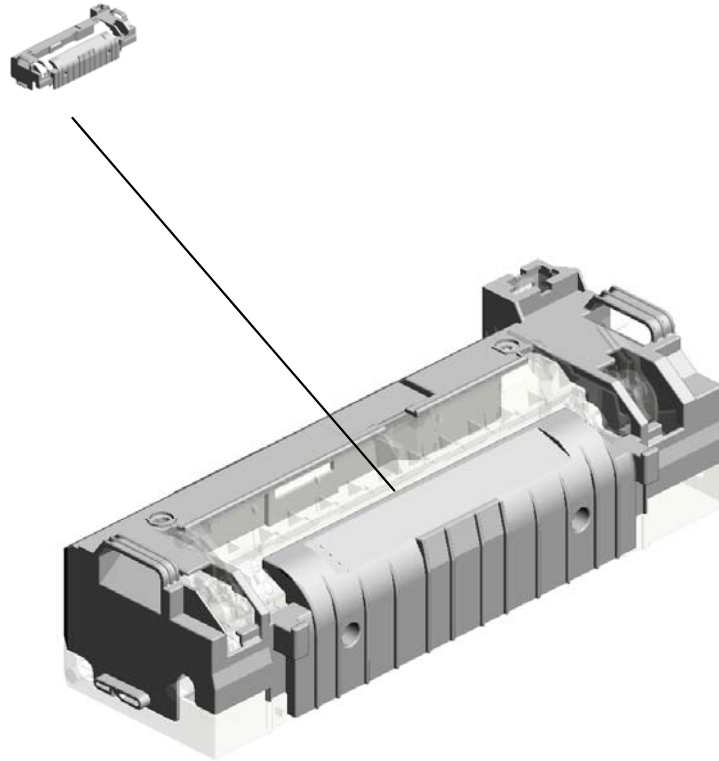


WWW.SERVICE-MANUAL.NET

U001	U002	U003	U004	U005	U006	U007	U008	U009	U010	U011	U012	U013	U014	U015	U016	U017	U018	U019	U020	U021
------	------	------	------	------	------	------	------	------	------	------	------	------	------	------	------	------	------	------	------	------

U019_S001.FUSING UNIT:NA:SERVICE:ASS'Y

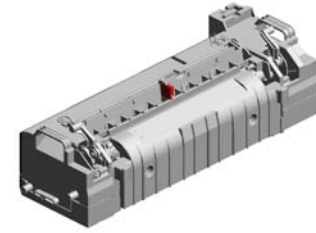
U019_S001_S001
D1174261
FUSING COVER:UPPER:ASS'
Y



WWW.SERVICE-MANUAL.NET

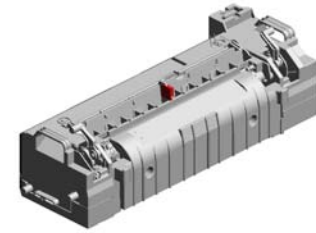
U001	U002	U003	U004	U005	U006	U007	U008	U009	U010	U011	U012	U013	U014	U015	U016	U017	U018	U019	U020	U021
------	------	------	------	------	------	------	------	------	------	------	------	------	------	------	------	------	------	------	------	------

U019
Fusing-1

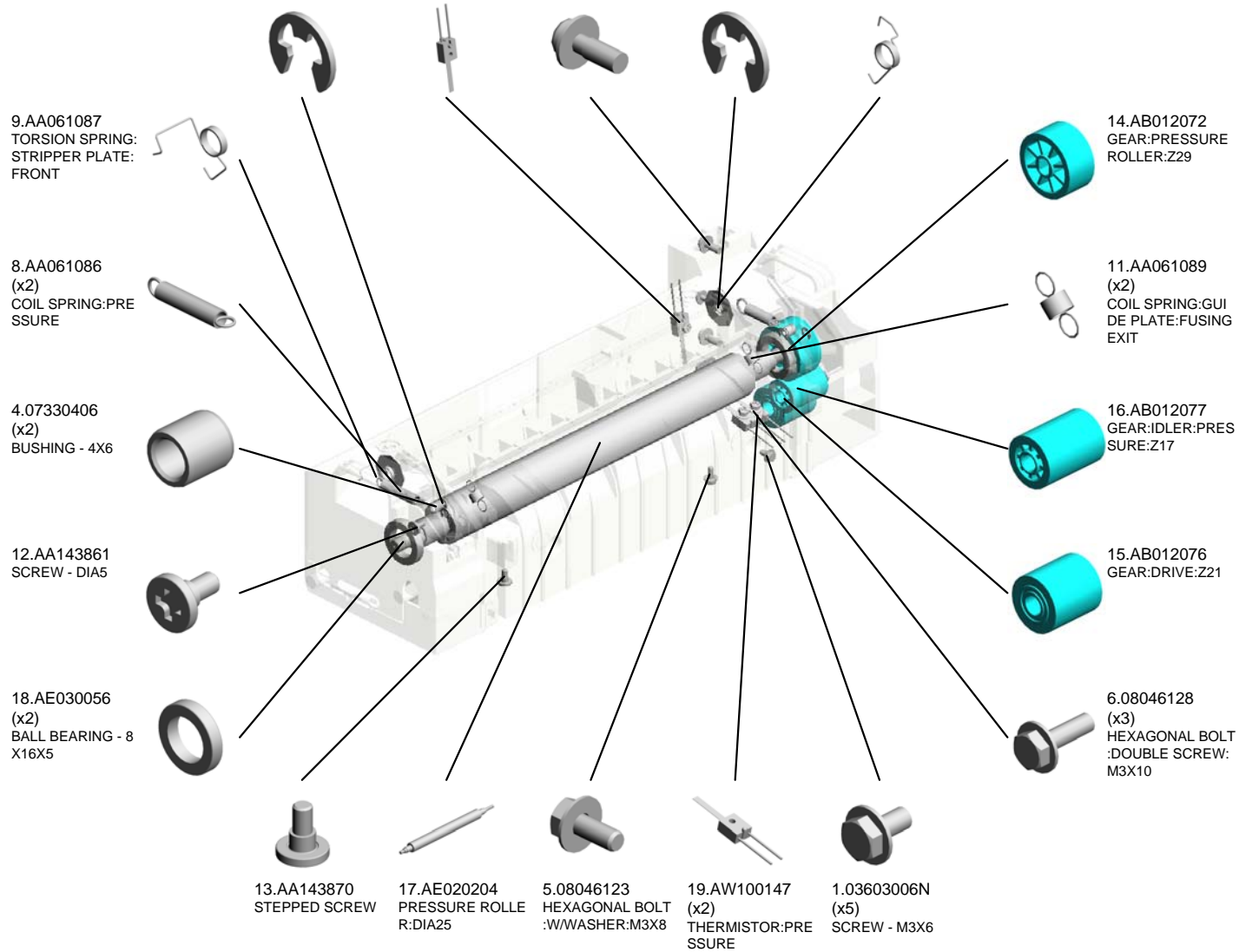


U019_S001
FUSING UNIT:NA:SERVICE:ASS'Y

- 2.07200030E (x4) RETAINING RING - M3
- 20.AW100149 THERMISTOR:SLEVE:FUSING
- 7.09544012N (x2) SCREW:POLISHED ROUND/SPRING:M 4X12
- 3.07200040E (x2) RETAINING RING - M4
- 10.AA061088 TORSION SPRING: STRIPPER PLATE: REAR



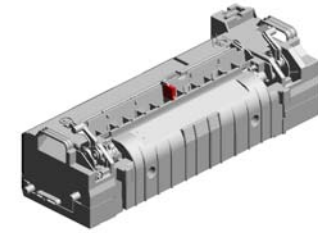
24.D1174025
FUSING UNIT:NA:SERVICE:ASS'Y



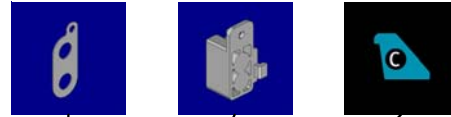
WWW.SERVICE-MANUAL.NET

U019_S001
FUSING UNIT:NA:SERVICE:ASS'Y

34.D1174231 STRIPPER PLATE: COAT
 25.D1174053 SLEEVE:FUSING:NA:ASS'Y
 23.D1054303 ELECTRODE PLATE:FUSING:NEUTRAL
 31.D1174174 TERMINAL:HEATER:REAR
 36.D1174236 SHEET:C:LEVER



24.D1174025 FUSING UNIT:NA:SERVICE:ASS'Y



32.D1174177 HOUSING:THERMOSTAT



21.AW110110 THERMOSTAT



27.D1174153 LEVER:PRESSURE RELEASE:FRONT:ASS'Y



22.D1054168 (x2) LEVER:LOCK:PRESSURE



28.D1174155 LEVER:PRESSURE:FRONT



26.D1174124 DISCHARGE BRUSH:PRESSURE ROLLER



39.D1174251 FUSING COVER:LOWER



38.D1174241 FUSING ENTRANCE GUIDE PLATE



35.D1174235 GUIDE PLATE:FUSING EXIT



29.D1174163 LEVER:PRESSURE RELEASE:REAR:ASS'Y



37.D1174238 (x4) GUIDE:FUSING EXIT:ETFE



33.D1174194 BRACKET:THERMOSTOR:SLEEVE:NA



30.D1174165 LEVER:PRESSURE:REAR

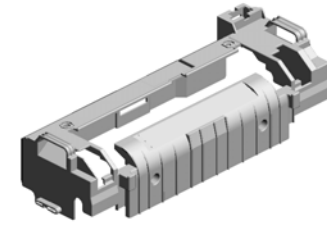
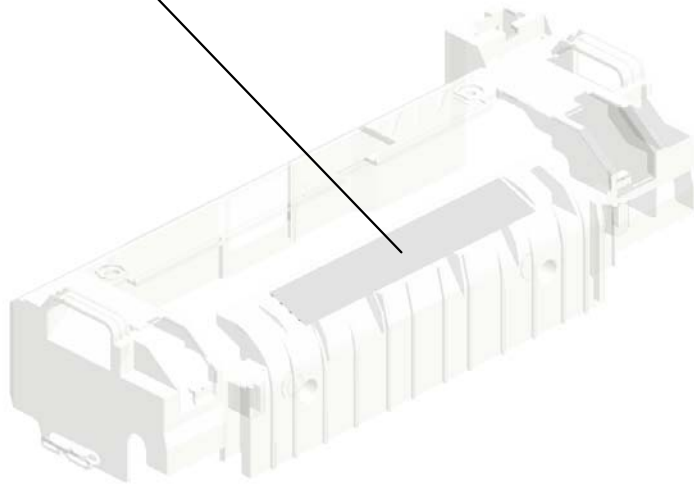


42.D1441085 (x8) STEPPED SCREW:M3



U019_S001_S001
FUSING COVER:UPPER:ASS'Y

41.D1174263
DECAL:H-TEMP W
ARNING:FUSING

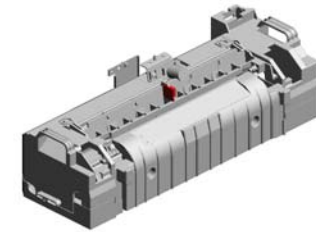


40.D1174261
FUSING COVER:U
PPER:ASS'Y

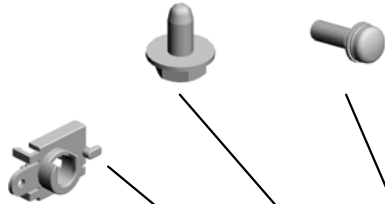
U020 Fusing-2

1.04543006Q (x2)
TAPPING SCREW - M3X6

2.09573010N
SCREW:SMALL ROUND/SPRING:M3X10



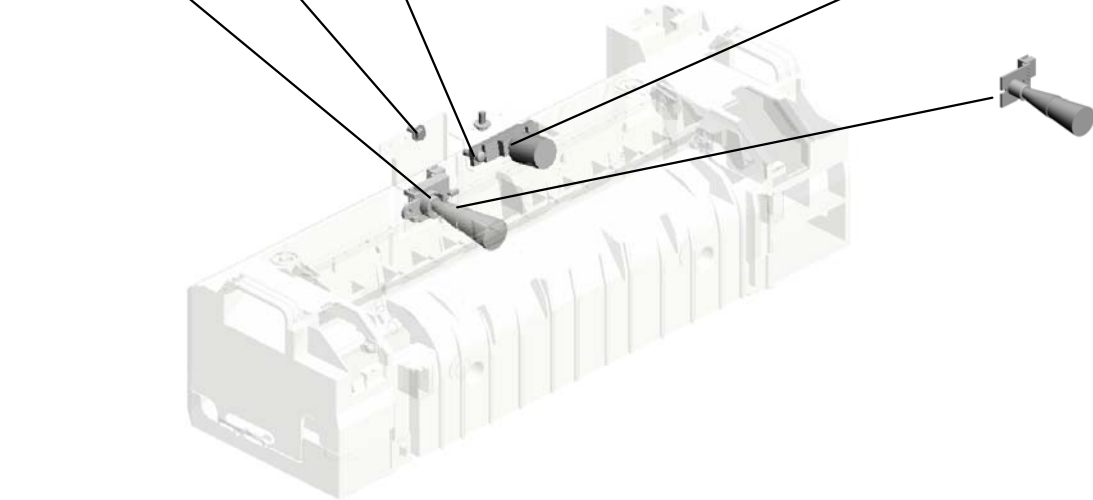
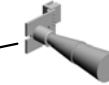
5.D1054365
HOLDER:THERMOPILE



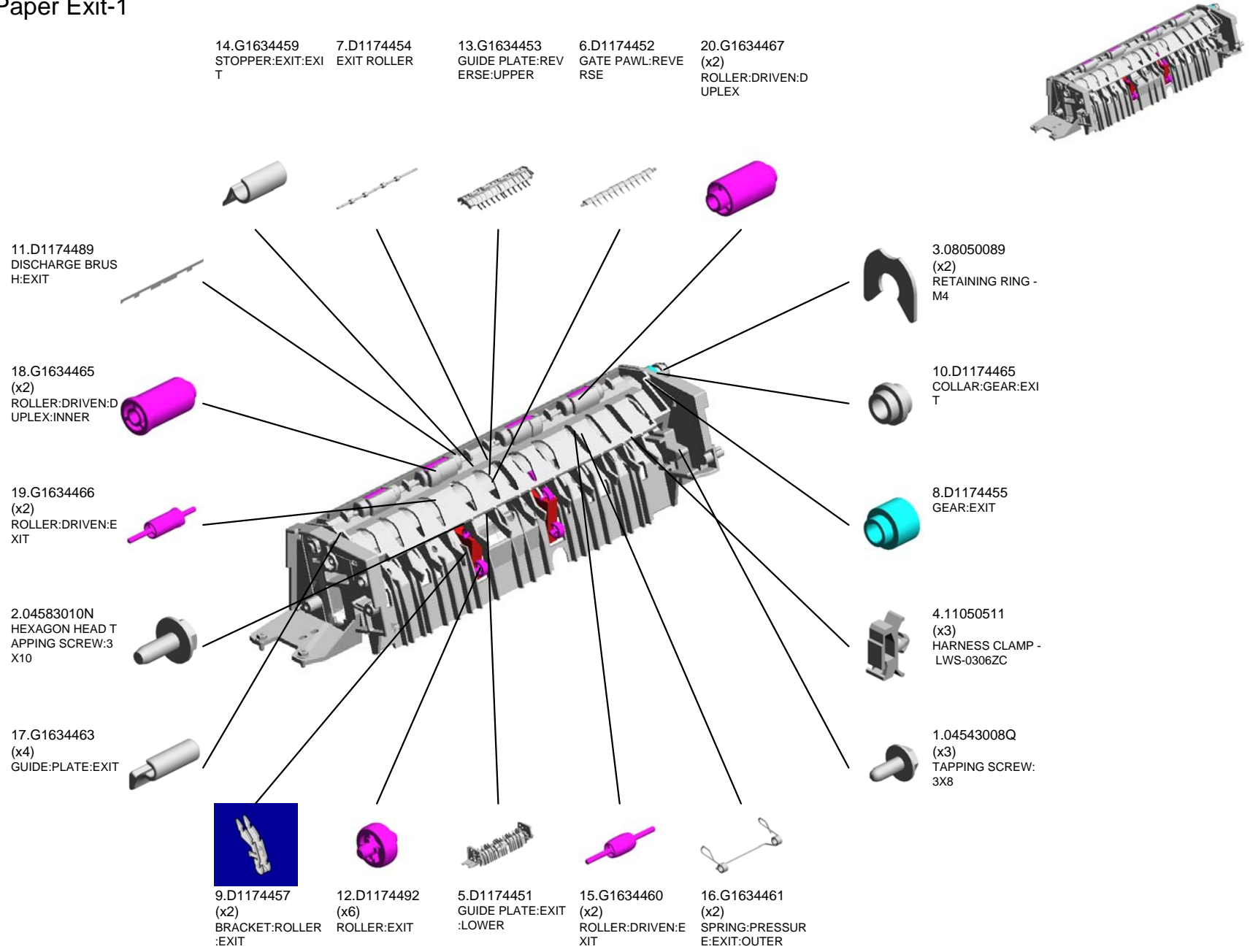
3.AW010124
PHOTO REFLECTIVE SENSOR:GP2A200LCS0F



4.AW100138
THERMOPILE



U021 Paper Exit-1

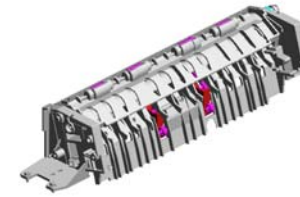


WWW.SERVICE-MANUAL.NET

U001	U002	U003	U004	U005	U006	U007	U008	U009	U010	U011	U012	U013	U014	U015	U016	U017	U018	U019	U020	U021
------	------	------	------	------	------	------	------	------	------	------	------	------	------	------	------	------	------	------	------	------

U021 Paper Exit-1

22.G1634469
(x4)
SPRING:PRESSUR
E:DUPLEX

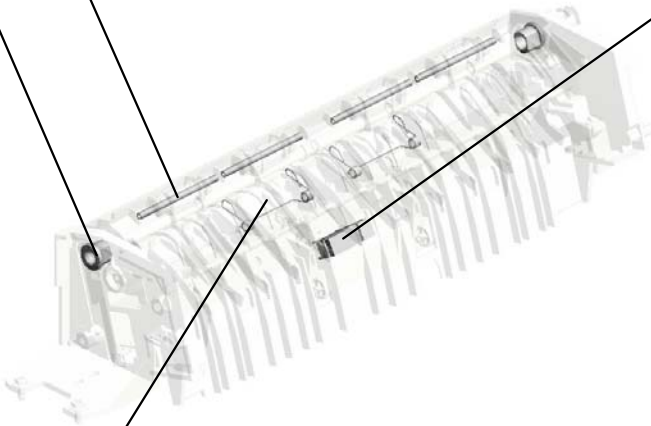


23.GA082014
(x2)
PLAIN SHAFT BEA
RING:DIA6:DIA10:9



21.G1634468
(x2)
SPRING:PRESSUR
E:EXIT:INNER

24.GW010007
PHOTO REFLECTI
ON SENSOR:EXIT



U022 Paper Exit-2

10.D1174475 LEVER:CHANGE:EXIT
 3.04583010N (x6) HEXAGON HEAD TAPPING SCREW:3X10
 8.D1174473 BRACKET:GEAR:EXIT
 13.D1174478 LINK:CHANGE:EXIT
 1.03530040N (x4) SCREW - M3X4



20.G1634478 GEAR:CHANGE:EXIT



12.D1174477 BRACKET:IDLER:EXIT



17.D1174483 LEVER:GATE PAWL:EXIT



18.D1174484 LINK:GATE PAWL:EXIT



19.D1174485 BRACKET:DC SOLENOID:GATE PAWL



6.AA080346 (x2) BUSHING:FLANGE TYPE:DIA6



9.D1174474 GEAR:IDLER:LARGE:EXIT



14.D1174479 BRACKET:DC SOLENOID:CHANGE



11.D1174476 TENSION SPRING:CHANGE:EXIT



16.D1174481 SHAFT:COUPLING:EXIT



2.03603006N (x4) SCREW - M3X6



15.D1174480 HOLDER:LINK:EXIT



5.54472681 SNAP RING



7.AB030854 TIMING PULLEY:EXIT ROLLER



4.52152621 SNAP RING - M6



WWW.SERVICE-MANUAL.NET

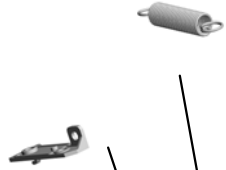
U001	U002	U003	U004	U005	U006	U007	U008	U009	U010	U011	U012	U013	U014	U015	U016	U017	U018	U019	U020	U021
------	------	------	------	------	------	------	------	------	------	------	------	------	------	------	------	------	------	------	------	------

U022 Paper Exit-2

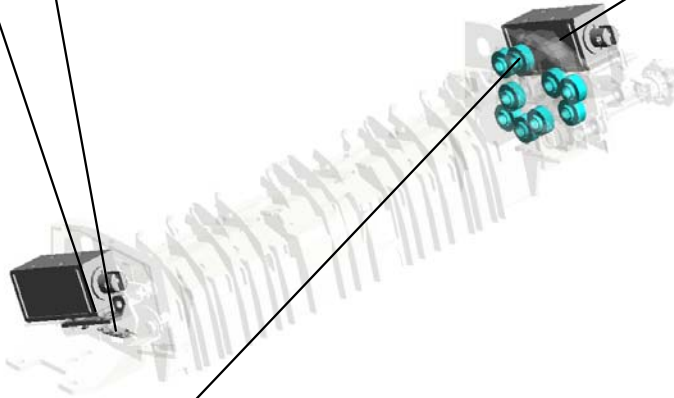
22.G1634484
SPRING:CHANGE:
EXIT



24.G1634499
HOLDER:LINK:EXIT



23.G1634492
(x2)
DC SOLENOID:PR
ESS FIT



21.G1634479
(x9)
GEAR:IDLER:EXIT

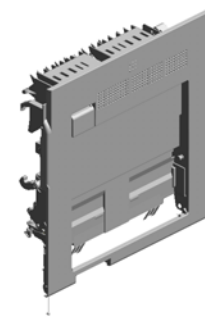


WWW.SERVICE-MANUAL.NET

U001	U002	U003	U004	U005	U006	U007	U008	U009	U010	U011	U012	U013	U014	U015	U016	U017	U018	U019	U020	U021
------	------	------	------	------	------	------	------	------	------	------	------	------	------	------	------	------	------	------	------	------

U023 Duplex-1

- 5.04513006N (x6) TAPPING SCREW - 3X6
- 1.03603006N (x4) SCREW - M3X6
- 11.AW020203 PHOTOINTERRUPTOR:GP1A173LCS 2F
- 17.D1174609 LEVER:FUSING:RE LEASE:INNER BACK
- 7.07200040E (x7) RETAINING RING - M4



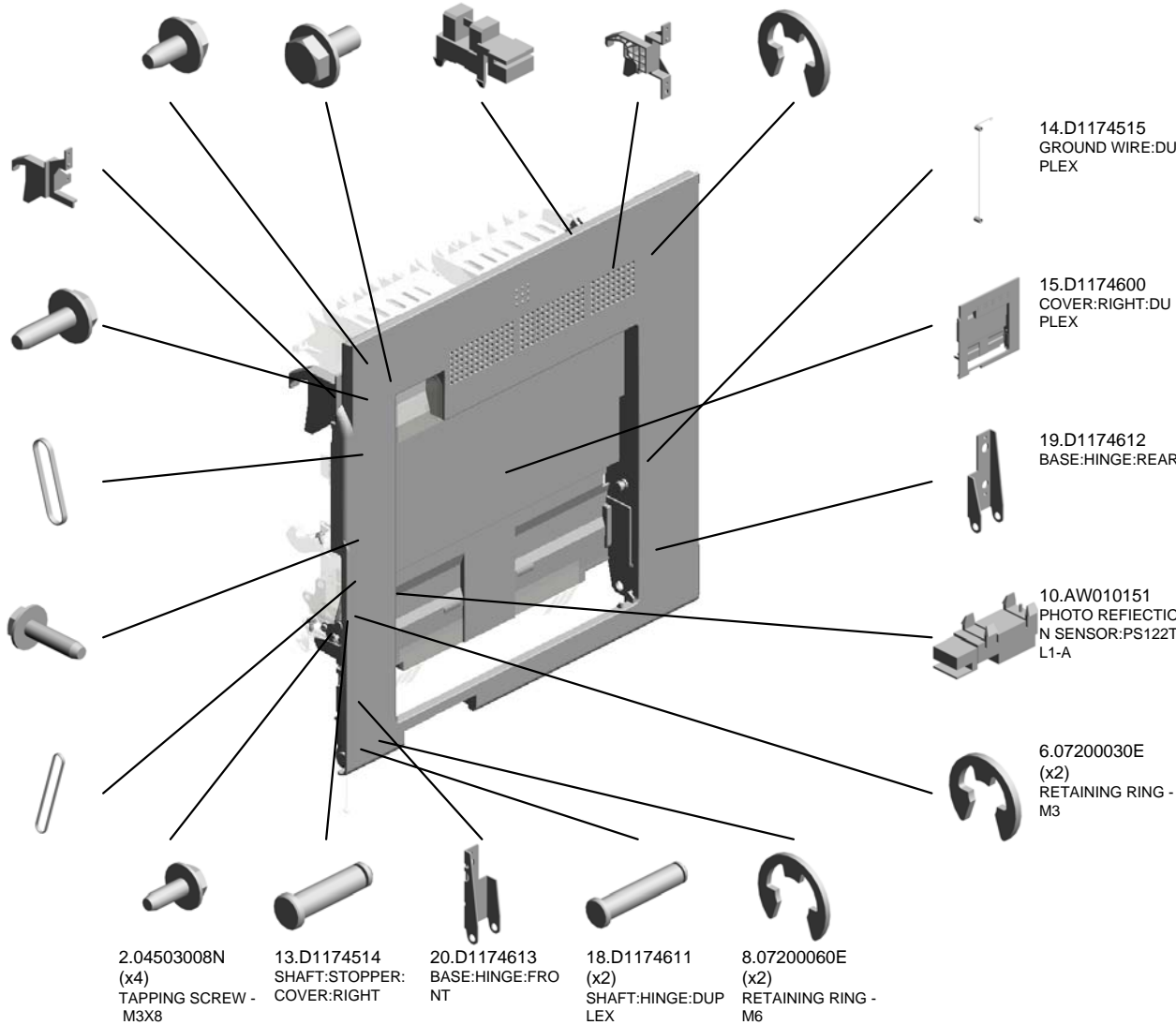
16.D1174608
LEVER:FUSING:RE
LEASE:FRONT

3.04503010N
(x28)
TAPPING SCREW -
M3X10

12.B7002649
TIMING BELT:40S2
M144

4.04503012N
(x2)
TAPPING SCREW:
3X12

9.AA043325
TIMING BELT - B40
S2M250



2.04503008N
(x4)
TAPPING SCREW -
M3X8

13.D1174514
SHAFT:STOPPER:
COVER:RIGHT

20.D1174613
BASE:HINGE:FRO
NT

18.D1174611
(x2)
SHAFT:HINGE:DUP
LEX

8.07200060E
(x2)
RETAINING RING -
M6

14.D1174515
GROUND WIRE:DU
PLEX

15.D1174600
COVER:RIGHT:DU
PLEX

19.D1174612
BASE:HINGE:REAR

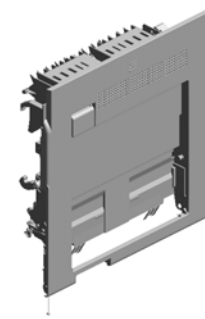
10.AW010151
PHOTO REFLECTIO
N SENSOR:PS122T
L1-A

6.07200030E
(x2)
RETAINING RING -
M3

WWW.SERVICE-MANUAL.NET

U001	U002	U003	U004	U005	U006	U007	U008	U009	U010	U011	U012	U013	U014	U015	U016	U017	U018	U019	U020	U021
------	------	------	------	------	------	------	------	------	------	------	------	------	------	------	------	------	------	------	------	------

U023 Duplex-1



- 23.D1174616 TENSION SPRING: STOPPER:DOOR:RIGHT:FRONT
- 40.D1174686 KNOB:COVER:RIGHT:DUPL
- 36.D1174677 (x5) ROLLER:DRIVEN:DUPL
- 35.D1174676 (x2) SHAFT:ROLLER:DRIVEN:DUPL
- 39.D1174682 SHAFT:HOOK:STOPPER

37.D1174678 (x2) PULLEY:IDLER

27.D1174635 TORSION SPRING: HOOK:FRAME:DUPL

26.D1174634 HOOK:FRAME:DUPL

33.D1174664 SHAFT:PULLEY:COUPLING:FRAME:ASSY

29.D1174641 BRACKET:PLATE:TRANSFER:ASSY

38.D1174679 (x2) PULLEY:DRIVE ROLLER

24.D1174617 COLLAR:STOPPER:COVER:RIGHT

21.D1174614 COVER:HARNESS:DUPL

25.D1174633 SHAFT:HOOK:FRAME:DUPL

34.D1174671 (x2) TRANSPORT ROLLER:DUPL

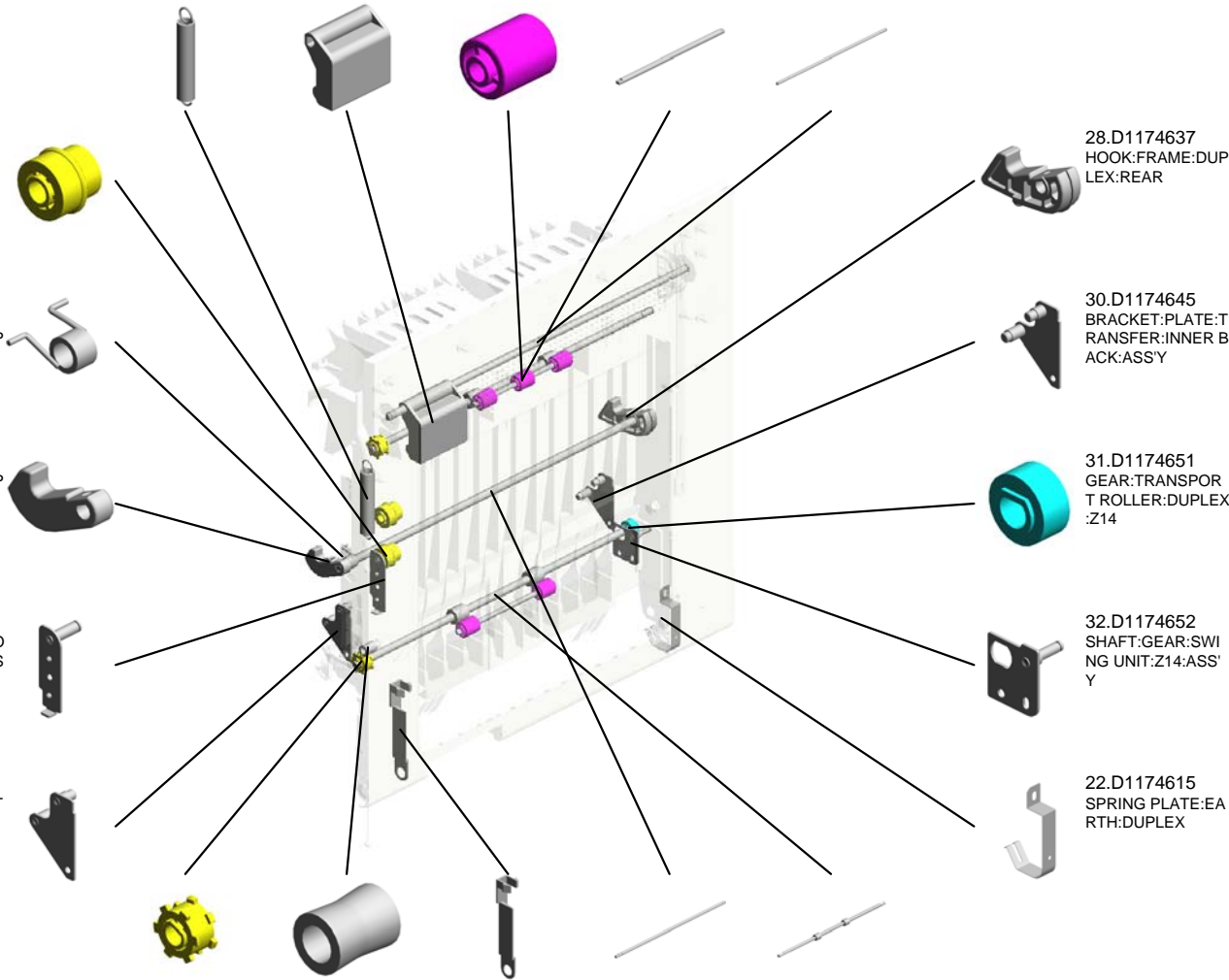
28.D1174637 HOOK:FRAME:DUPL

30.D1174645 BRACKET:PLATE:TRANSFER:INNER BACK:ASSY

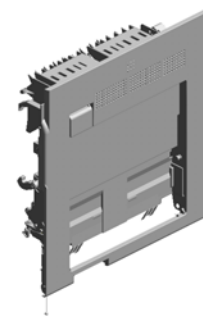
31.D1174651 GEAR:TRANSPORT ROLLER:DUPL

32.D1174652 SHAFT:GEAR:SWITCHING UNIT:Z14:ASSY

22.D1174615 SPRING PLATE:EA



U023 Duplex-1



- 55.D1174716 TORSION SPRING: FEELER: ENTRANCE SENSOR
- 46.D1174699 (x3) SHAFT: GUIDE PLATE: REVERSE: ENTRANCE: UPPER
- 52.D1174709 (x4) COMPRESSION SPRING: ROLLER: DRIVER: DUPLEX
- 47.D1174700 FEELER: ENTRANCE SENSOR: REVERSE: DUPLEX
- 56.D1174717 COVER: ENTRANCE SENSOR

41.D1174690
GUIDE PLATE: REVERSE: ENTRANCE: LOWER

45.D1174698
GUIDE PLATE: REVERSE: ENTRANCE: UPPER

59.D1174720
SHAFT: PULLEY: IDLER: COUPLING: ASSY

60.D1174724
GEAR: IDLER: TIMING PULLEY: DUPLEX

57.D1174718
SHEET: COVER: RIGHT FRONT

42.D1174691
GUIDE PLATE: REVERSE: EXIT: LOWER

43.D1174693
GUIDE PLATE: REVERSE: EXIT: UPPER

44.D1174697
GUIDE PLATE: MIDDLE

58.D1174719
TUBE: STOPPER

51.D1174708
TENSION SPRING: GEAR: SWING UNIT

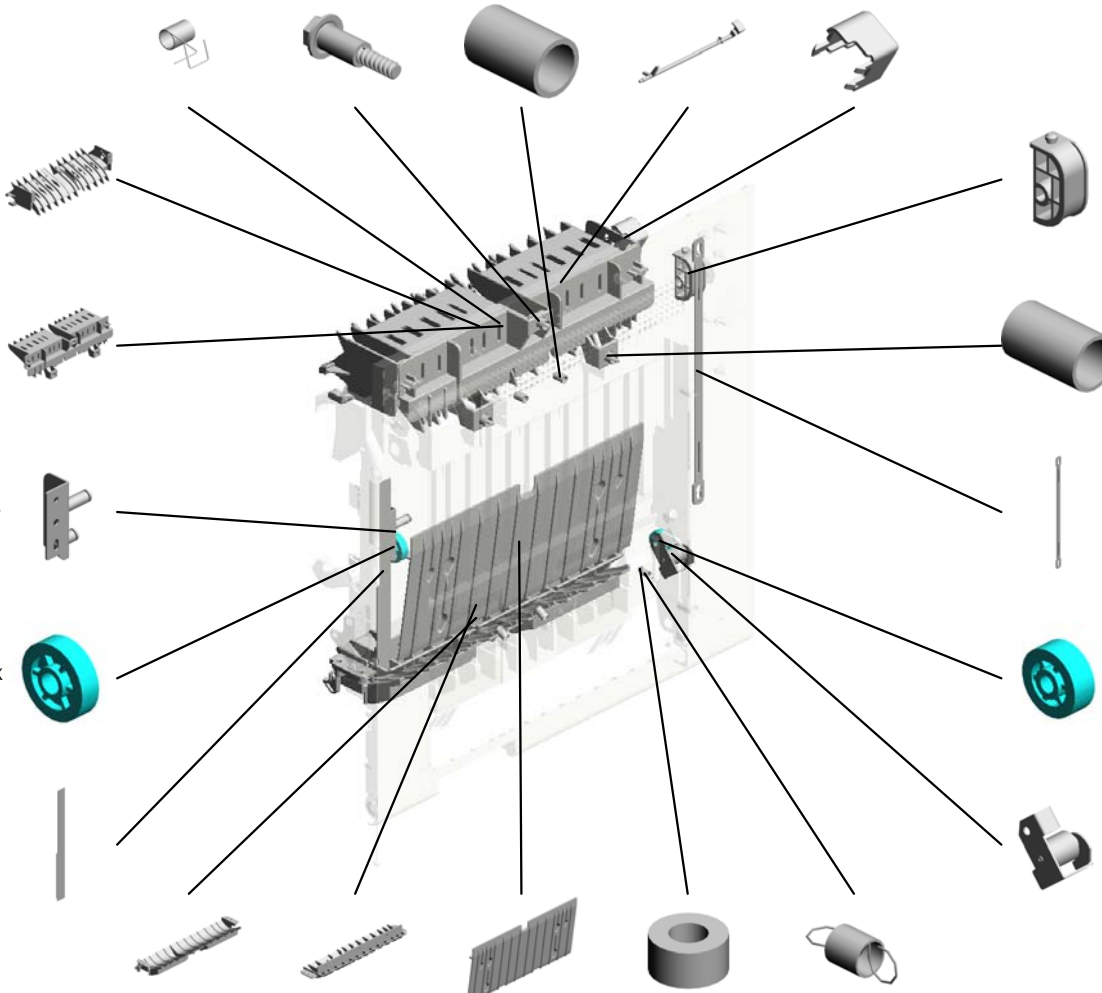
53.D1174712
HOLDER: BELT: COUPLING

48.D1174702 (x3)
COMPRESSION SPRING: GUIDE PLATE: REVERSE: ENTRANCE

54.D1174714
BAND: HOOK: DUPLEX: COUPLING

50.D1174706
GEAR: IDLER: SWIVEL: COUPLING

49.D1174705
BRACKET: GEAR: SWIVEL: ASSY



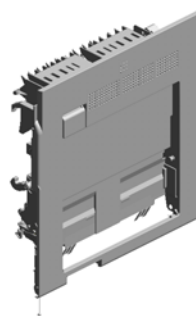
WWW.SERVICE-MANUAL.NET

U001	U002	U003	U004	U005	U006	U007	U008	U009	U010	U011	U012	U013	U014	U015	U016	U017	U018	U019	U020	U021
------	------	------	------	------	------	------	------	------	------	------	------	------	------	------	------	------	------	------	------	------

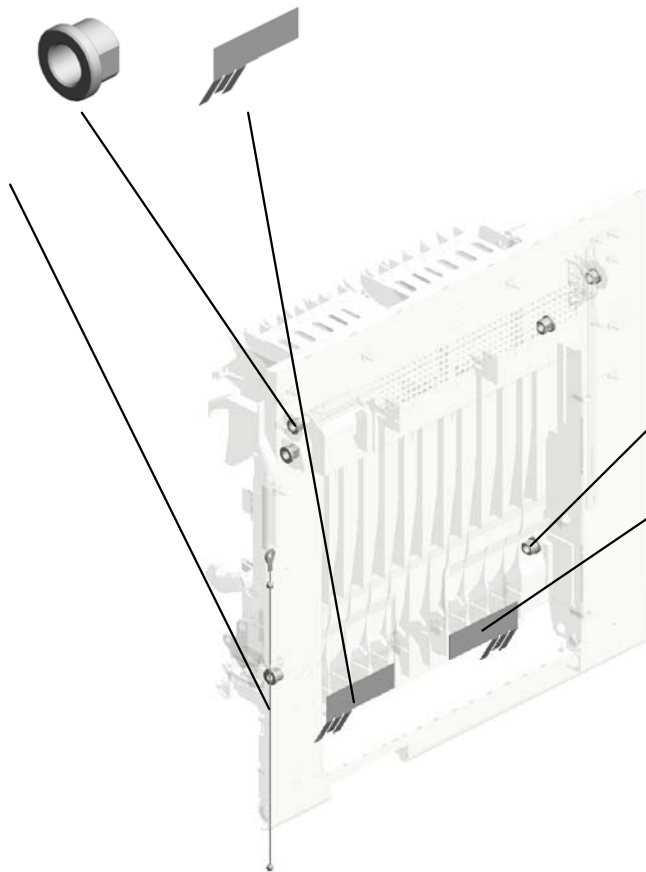
U023
Duplex-1

65.GA082015
(x2)
PLAIN SHAFT BEA
RING:DIA6:DIA9:7

62.D1174792
PLATE:MANUAL FE
ED:FRONT



61.D1174737
WIRE:STOPPER:DI
A1.2:ASS'Y



64.GA082010
(x4)
BUSHING:DIA6:DIA
10:9

63.D1174794
PLATE:MANUAL FE
ED:INNER BACK

WWW.SERVICE-MANUAL.NET

U001	U002	U003	U004	U005	U006	U007	U008	U009	U010	U011	U012	U013	U014	U015	U016	U017	U018	U019	U020	U021
------	------	------	------	------	------	------	------	------	------	------	------	------	------	------	------	------	------	------	------	------

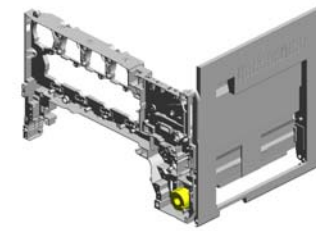
U024 Duplex-2

4.D1174713
SHAFT:PULLEY:WI
RE

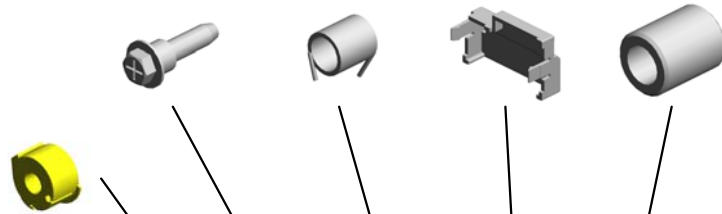
7.D1174732
TORSION SPRING:
DOOR:RIGHT:STO
PPER

5.D1174727
COVER:CONNECT
OR:DUPLX SECTI
ON:CONNECTING

8.D1174733
COLLAR:STOPPER
:SIDE PLATE



6.D1174731
PULLEY:WIRE:DA
MPER



1.04503010N
(x2)
TAPPING SCREW -
M3X10



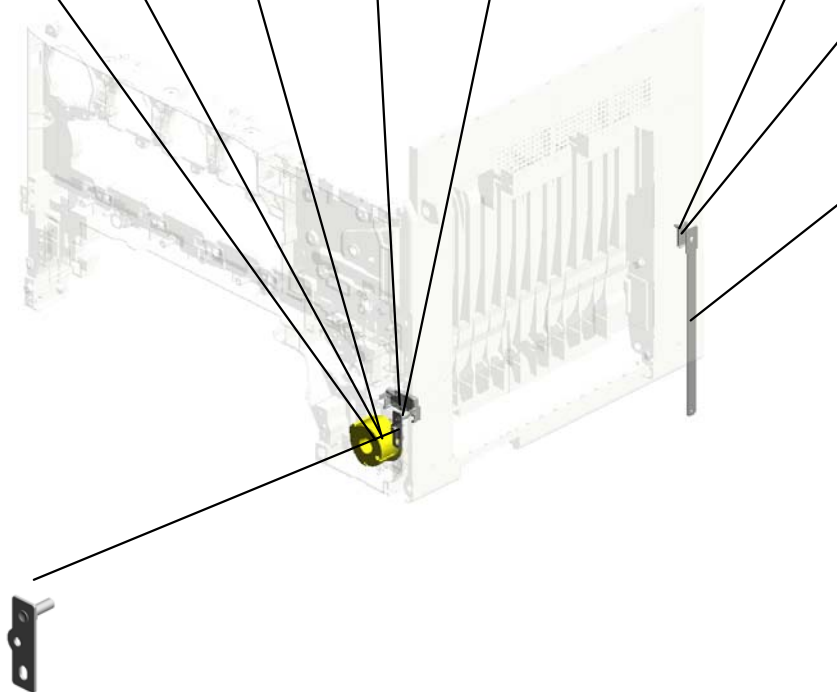
3.D1174607
PLATE:BAND:STO
PPER



2.D1174602
BAND:STOPPER:C
OVER:RIGHT



9.D1174734
BRACKET:STOPPE
R:SIDE PLATE:ASS
'Y

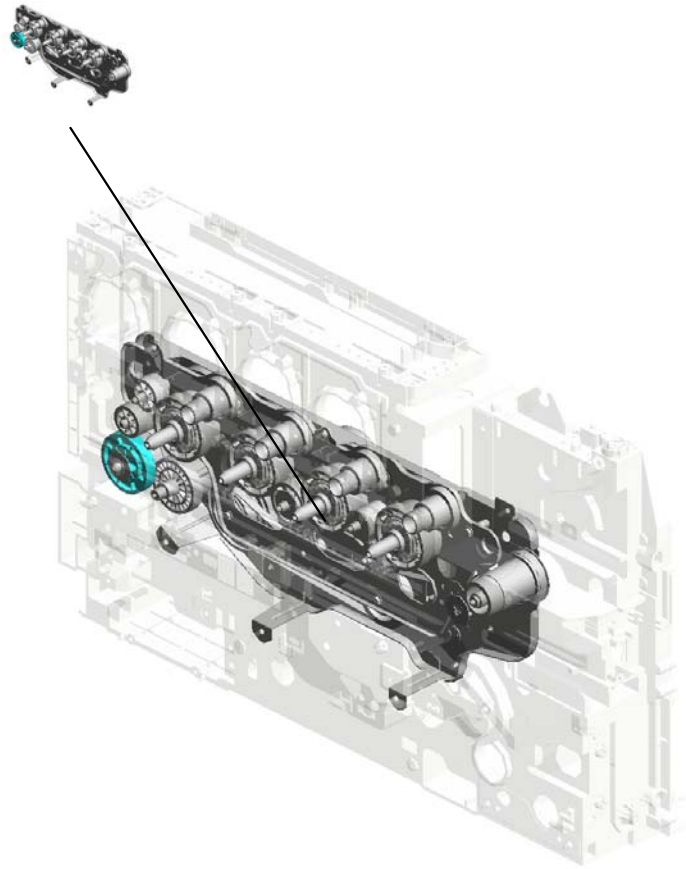


WWW.SERVICE-MANUAL.NET

U001	U002	U003	U004	U005	U006	U007	U008	U009	U010	U011	U012	U013	U014	U015	U016	U017	U018	U019	U020	U021
------	------	------	------	------	------	------	------	------	------	------	------	------	------	------	------	------	------	------	------	------

U025.Main Drive-1

U025_S001
D1171151
DRIVE UNIT:DRUM:DEVELO
PMENT:TRANSFER:ASS'Y

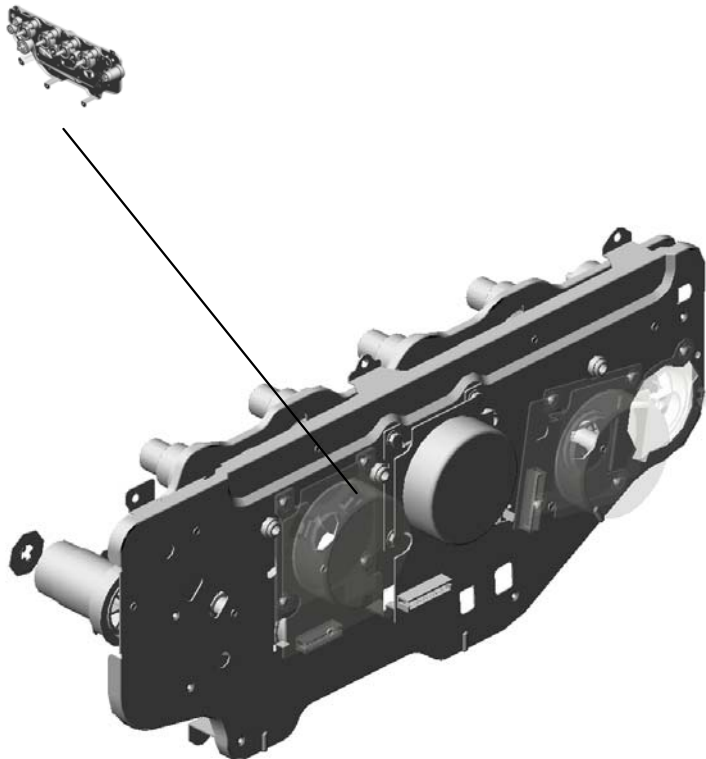


WWW.SERVICE-MANUAL.NET

U001	U002	U003	U004	U005	U006	U007	U008	U009	U010	U011	U012	U013	U014	U015	U016	U017	U018	U019	U020	U021
------	------	------	------	------	------	------	------	------	------	------	------	------	------	------	------	------	------	------	------	------

U025_S001.DRIVE UNIT:DRUM:DEVELOPMENT:TRANSFER:ASS'Y

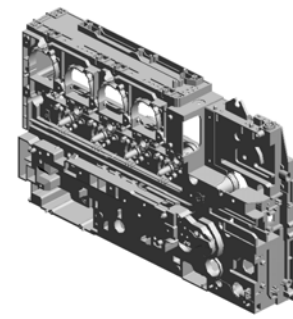
U025_S001_S001
D1171152
DRIVE UNIT:DRUM:DEVELO
PMENT:TRANSFER



WWW.SERVICE-MANUAL.NET

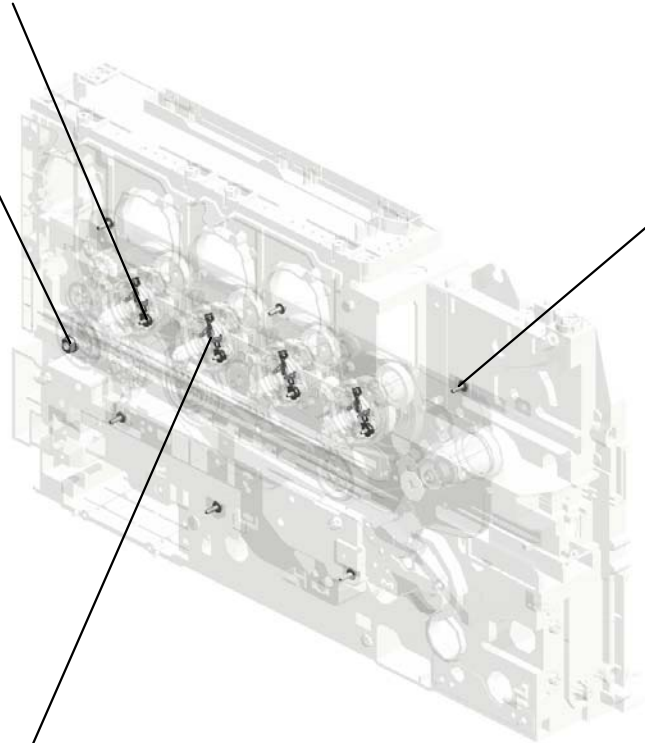
U001	U002	U003	U004	U005	U006	U007	U008	U009	U010	U011	U012	U013	U014	U015	U016	U017	U018	U019	U020	U021
------	------	------	------	------	------	------	------	------	------	------	------	------	------	------	------	------	------	------	------	------

U025 Main Drive-1



2.04503008N
(x4)
TAPPING SCREW -
M3X8

6.AA080346
BUSHING:FLANGE
TYPE:DIA6



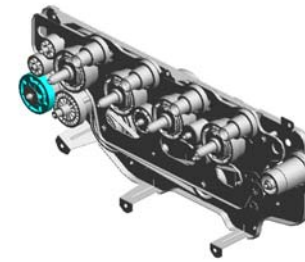
3.04503010N
(x6)
TAPPING SCREW -
M3X10

16.D1171192
(x4)
TERMINAL:DEVEL
OPMENT BIAS:ASS
Y



U025_S001
 DRIVE UNIT:DRUM:DEVELOPMENT:TRANSFER:ASS'Y

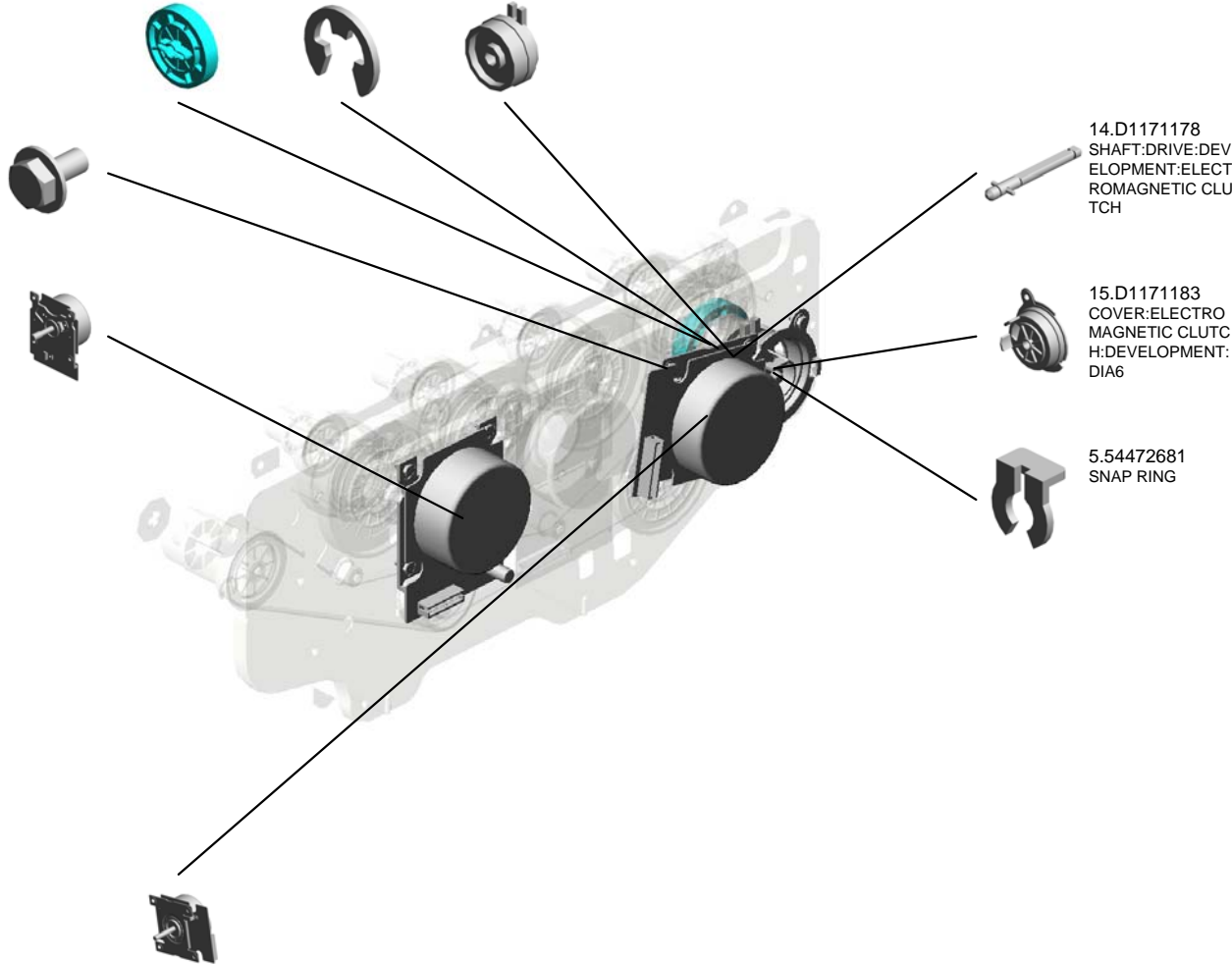
7.AB017892 GEAR:DRIVE:DEVELOPMENT:NO.2
 4.07200040E (x2) RETAINING RING - M4
 11.AX200329 ELECTROMAGNETIC CLUTCH:DEVELOPMENT:0.5N:DIA6



12.D1171151
 DRIVE UNIT:DRUM:DEVELOPMENT:TRANSFER:ASS'Y

1.03603006N (x9)
 SCREW - M3X6

10.AX060429
 DC BRUSHLESS MOTOR:DEVELOPMENT:COLOR:36.1W



8.AX060421
 DC BRUSHLESS MOTOR:DRUM:BK:28.5W

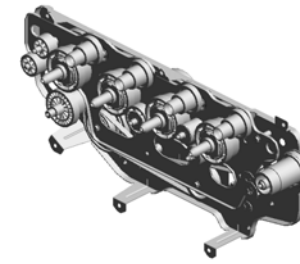
14.D1171178
 SHAFT:DRIVE:DEVELOPMENT:ELECTROMAGNETIC CLUTCH

15.D1171183
 COVER:ELECTROMAGNETIC CLUTCH:DEVELOPMENT:DIA6

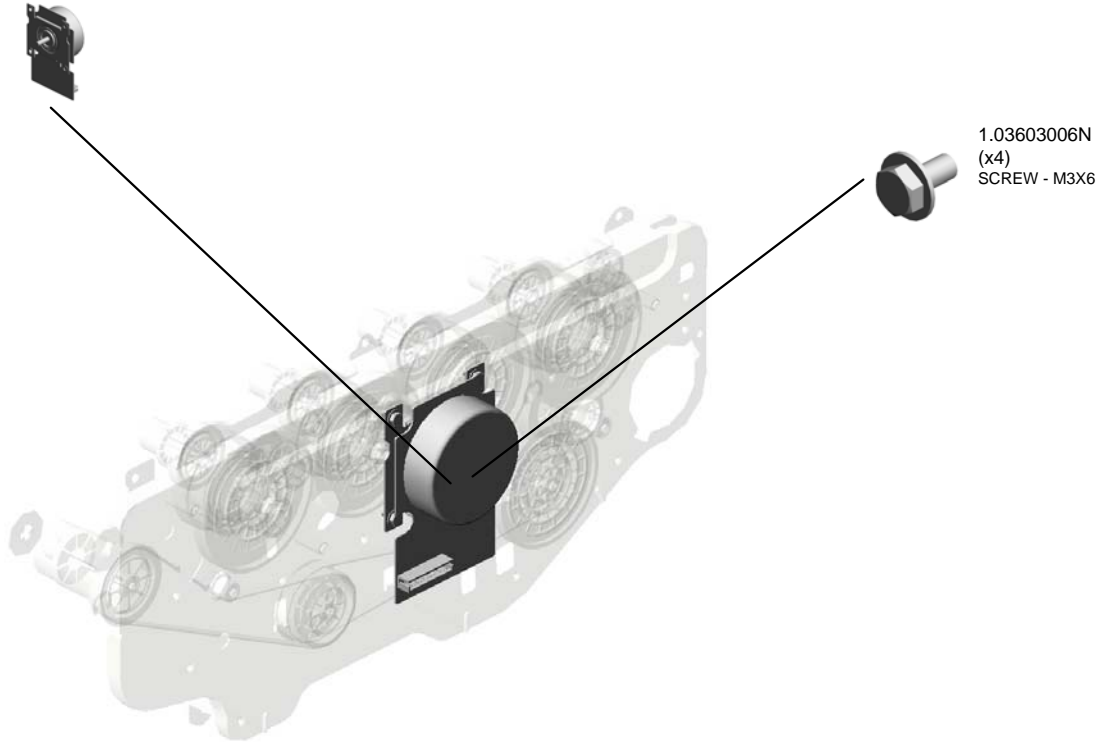
5.54472681
 SNAP RING

U025_S001_S001
DRIVE UNIT:DRUM:DEVELOPMENT:TRANSFER

9.AX060422
DC BRUSHLESS M
OTOR:DRUM:COLL
AR:21.6W



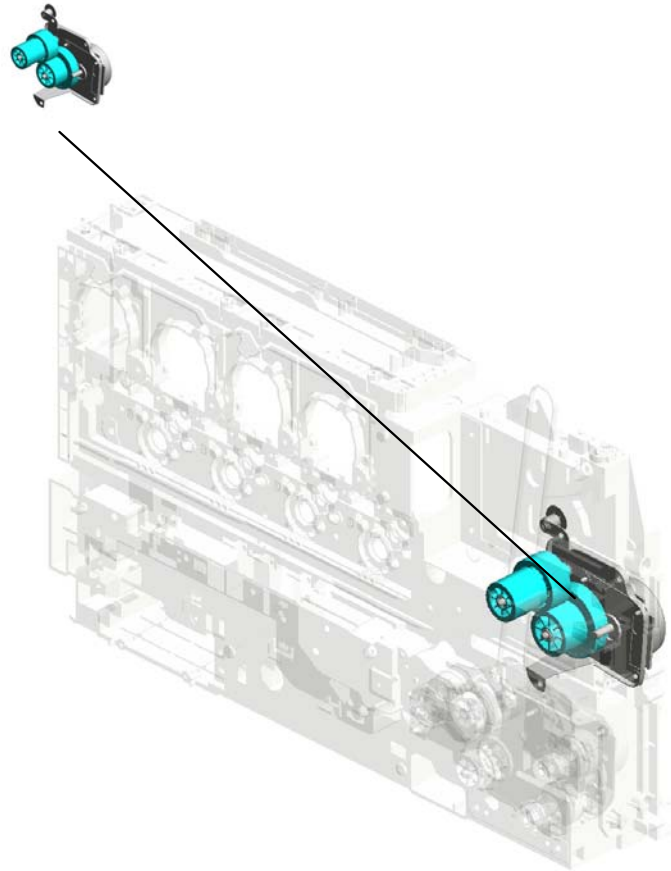
13.D1171152
DRIVE UNIT:DRUM
:DEVELOPMENT:T
RANSFER



1.03603006N
(x4)
SCREW - M3X6

U026.Main Drive-2

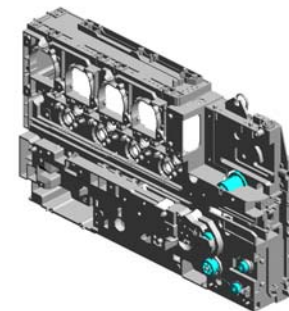
U026_S001
D1171220
FUSING DRIVE UNIT:ASS'Y



WWW.SERVICE-MANUAL.NET

U001	U002	U003	U004	U005	U006	U007	U008	U009	U010	U011	U012	U013	U014	U015	U016	U017	U018	U019	U020	U021
------	------	------	------	------	------	------	------	------	------	------	------	------	------	------	------	------	------	------	------	------

U026 Main Drive-2



- 6.AB017840 GEAR:ELECTROMAGNETIC CLUTCH: OUTPUT:Z30
- 25.D1171207 SHAFT:TIMING PULLEY:PAPER EXIT UNIT
- 22.AX200327 ELECTROMAGNETIC CLUTCH:REGISTRATION
- 17.AB017851 GEAR:TIMING PULLEY:PAPER EXIT UNIT
- 24.B7027105 TIMING BELT:B40S 2M520:

4.08050089
(x4)
RETAINING RING - M4

21.AX200326
ELECTROMAGNETIC CLUTCH:PAPER FEED ROLLER

8.AB017842
SHAFT:JOINT:PAPER FEED ROLLER

5.AA080347
(x4)
BUSHING - 8MM

12.AB017846
GEAR:TRANSPORT:NO.4

3.07200040E
(x3)
RETAINING RING - M4

13.AB017847
GEAR:MANUAL FEED:BASE

11.AB017845
GEAR:TRANSPORT:NO.3

1.03603006N
(x8)
SCREW - M3X6

23.AX200328
(x2)
ELECTROMAGNETIC CLUTCH:DRIVE:MANUAL FEED

2.04503010N
(x7)
TAPPING SCREW - M3X10

9.AB017843
GEAR:TRANSPORT:NO.1

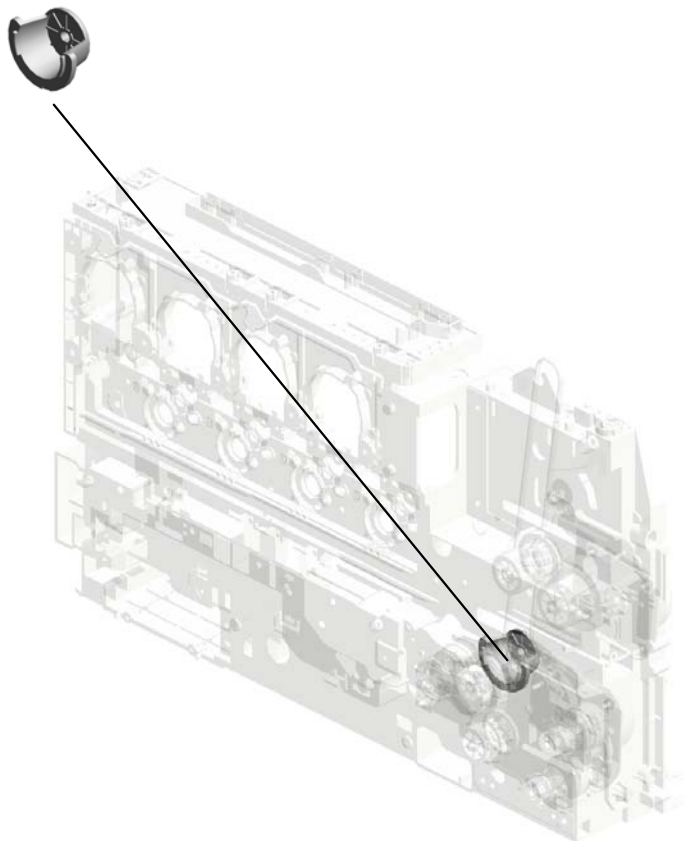
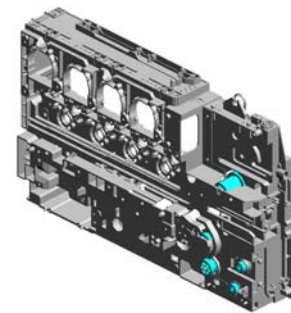
19.AX060404
DC BRUSHLESS MOTOR:DRIVE SUB-UNIT:TRANSPORT:13.0W

7.AB017841
(x2)
GEAR:ELECTROMAGNETIC CLUTCH: OUTPUT:Z19

10.AB017844
GEAR:TRANSPORT:NO.2

U026
Main Drive-2

27.D1171232
HOLDER:TIMING P
ULLEY:PAPER EXI
T UNIT

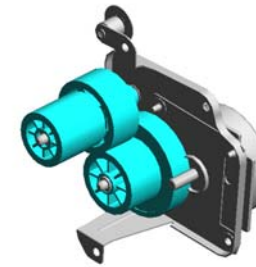


U026_S001
FUSING DRIVE UNIT:ASS'Y

16.AB017850
GEAR:DRIVE UNIT:
FUSING:NO.3

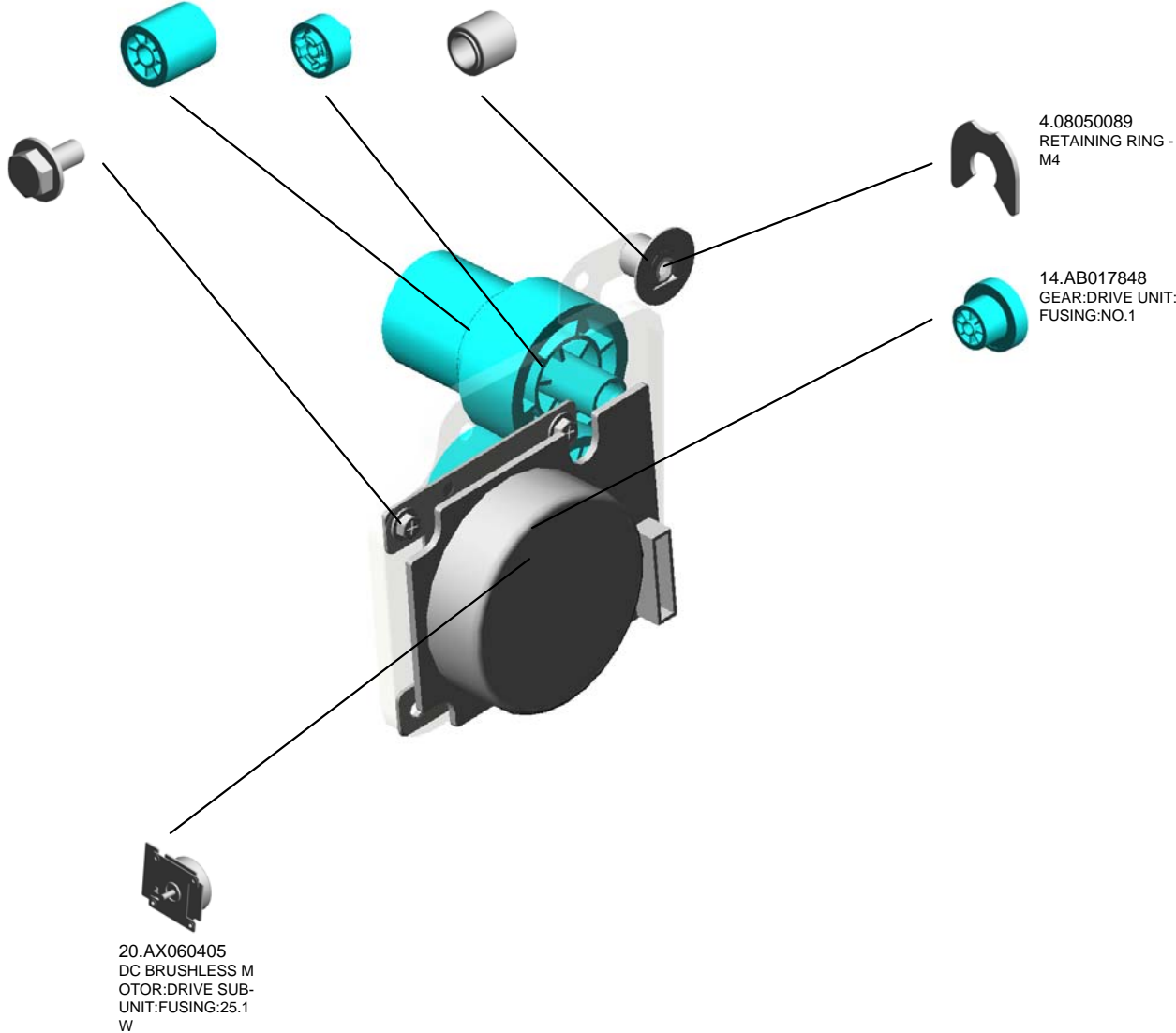
15.AB017849
GEAR:DRIVE UNIT:
FUSING:NO.2

18.AB033120
TIGHTENER:SYNC
HRONOUS BELT:P
APER EXIT UNIT



26.D1171220
FUSING DRIVE UNI
T:ASSY

1.03603006N
(x3)
SCREW - M3X6



4.08050089
RETAINING RING -
M4

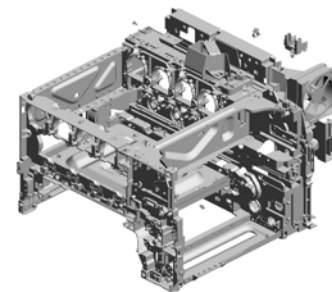
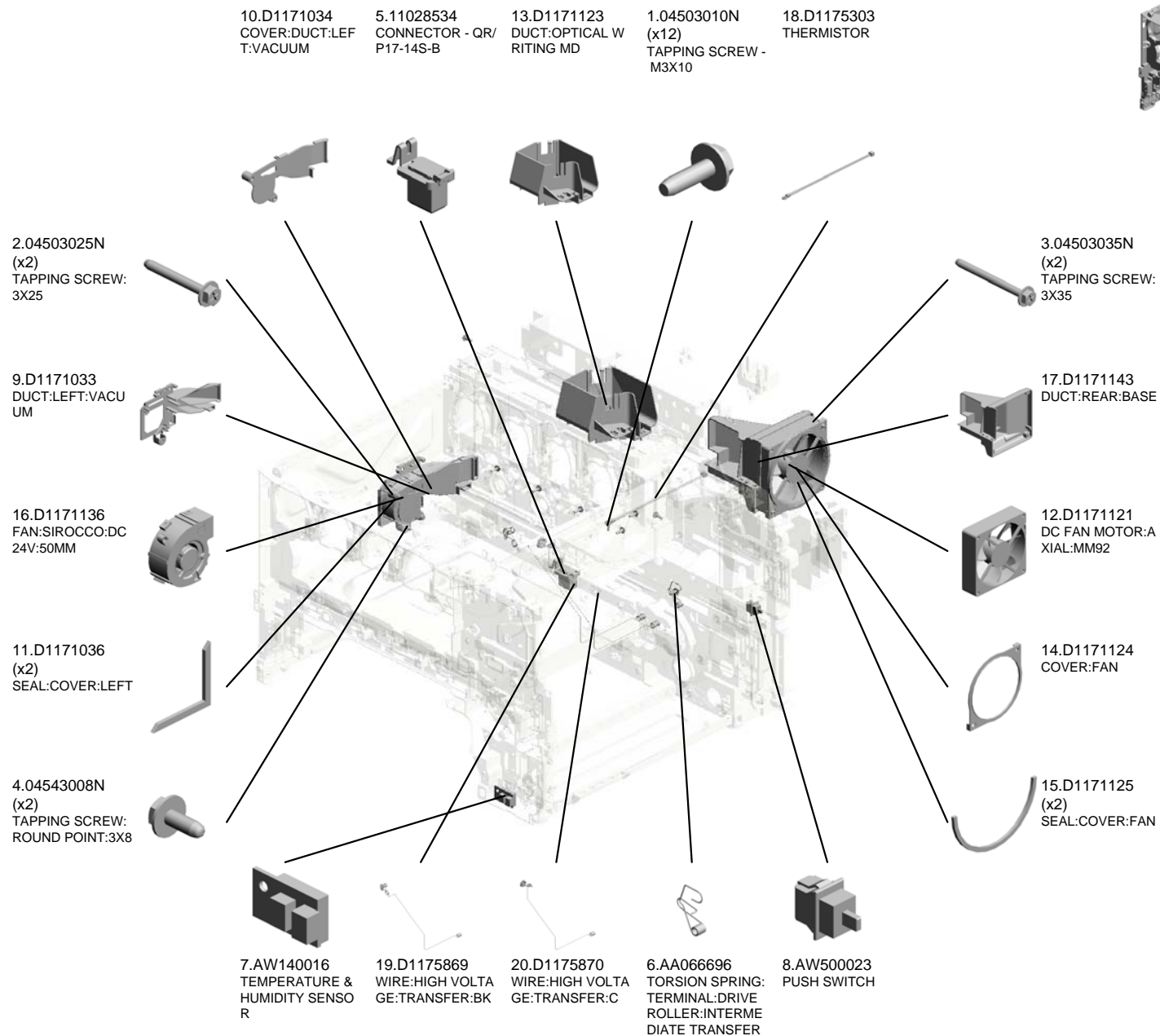
14.AB017848
GEAR:DRIVE UNIT:
FUSING:NO.1

20.AX060405
DC BRUSHLESS M
OTOR:DRIVE SUB-
UNIT:FUSING:25.1
W

WWW.SERVICE-MANUAL.NET

U001	U002	U003	U004	U005	U006	U007	U008	U009	U010	U011	U012	U013	U014	U015	U016	U017	U018	U019	U020	U021
------	------	------	------	------	------	------	------	------	------	------	------	------	------	------	------	------	------	------	------	------

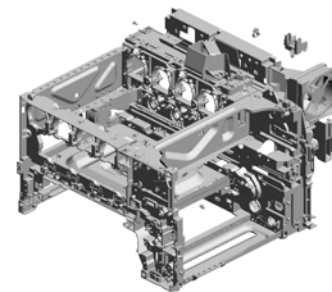
U027 Electrical-1



WWW.SERVICE-MANUAL.NET

U001	U002	U003	U004	U005	U006	U007	U008	U009	U010	U011	U012	U013	U014	U015	U016	U017	U018	U019	U020	U021
------	------	------	------	------	------	------	------	------	------	------	------	------	------	------	------	------	------	------	------	------

U027 Electrical-1



- 29.D1175879 WIRE:HIGH VOLTA
GE:CHARGE:C
- 30.D1175880 WIRE:HIGH VOLTA
GE:CHARGE:M
- 38.D1175915 (x4)
GUIDE:WIRE:HIGH
VOLTAGE:CHARG
E
- 26.D1175876 WIRE:HIGH VOLTA
GE:DEVELOPMEN
T:M
- 31.D1175881 WIRE:HIGH VOLTA
GE:CHARGE:Y

28.D1175878
WIRE:HIGH VOLTA
GE:CHARGE:BK

37.D1175912
BRACKET:SWITCH
:HEATER

24.D1175874
WIRE:HIGH VOLTA
GE:DEVELOPMEN
T:BK

35.D1175905
GUIDE:WIRE:HIGH
VOLTAGE:TRANSF
ER:SECOND

36.D1175908
BRACKET:DRAW
R:OPTION TRAY

40.D1175924
STOPPER:WIRE:HI
GH VOLTAGE:TRA
NSFER

21.D1175871
WIRE:HIGH VOLTA
GE:TRANSFER:M

33.D1175899 (x4)
TERMINAL:CHARG
E

23.D1175873
WIRE:HIGH VOLTA
GE:TRANSFER:SE
COND

22.D1175872
WIRE:HIGH VOLTA
GE:TRANSFER:Y

27.D1175877
WIRE:HIGH VOLTA
GE:DEVELOPMEN
T:Y

34.D1175904
BRACKET:DRAW
R:FUSING

39.D1175916 (x2)
STEPPED SCREW:
M3X8:SECOND KIN
D

25.D1175875
WIRE:HIGH VOLTA
GE:DEVELOPMEN
T:C

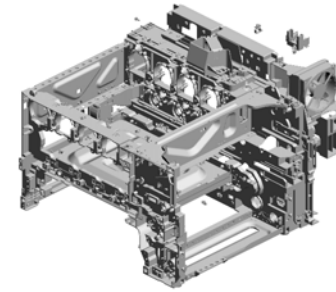
32.D1175887
DUCT:POWER SU
PPLY UNIT:EXHAU
ST

WWW.SERVICE-MANUAL.NET

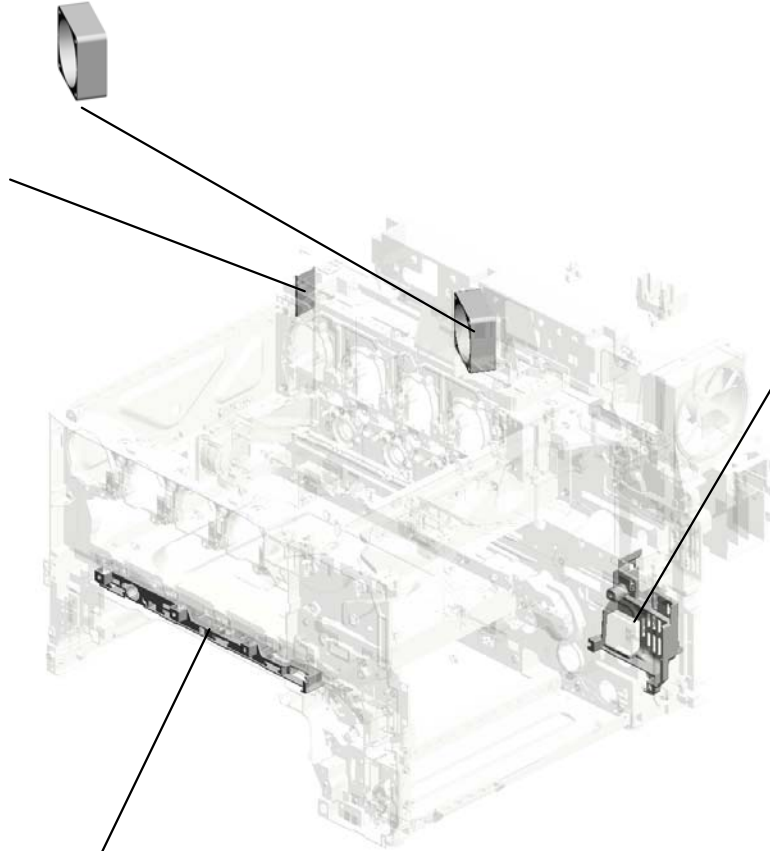
U001	U002	U003	U004	U005	U006	U007	U008	U009	U010	U011	U012	U013	U014	U015	U016	U017	U018	U019	U020	U021
------	------	------	------	------	------	------	------	------	------	------	------	------	------	------	------	------	------	------	------	------

U027
Electrical-1

44.GX640021
FAN MOTOR DC24
V 1.92W



43.D1175945
SPACER:FFC



41.D1175925
GUIDE:HARNESS:
PAPER FEED DRIV
E



42.D1175930
COVER:HARNESS:
PCU:FRONT

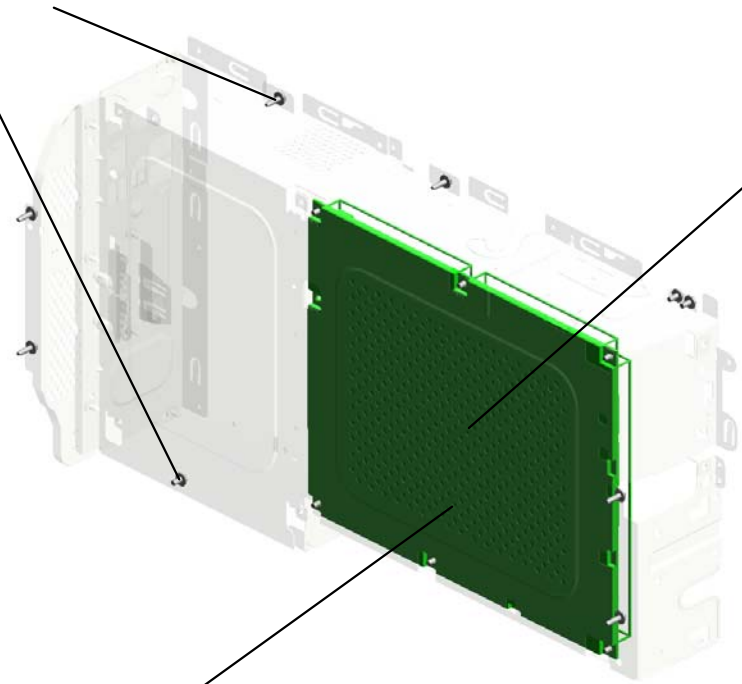
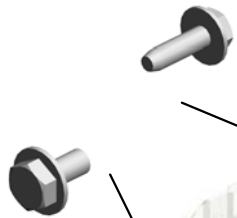


U028
Electrical-2

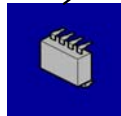
2.04503010N
(x6)
TAPPING SCREW -
M3X10



1.03603006N
(x9)
SCREW - M3X6



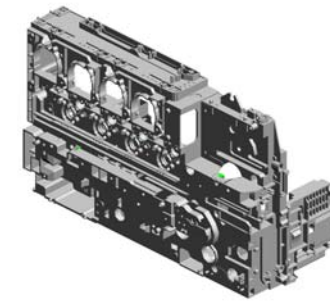
4.D1175112
PCB:BICU:ASS'Y



3.14077667
EEPROM:BR24T12
8-W

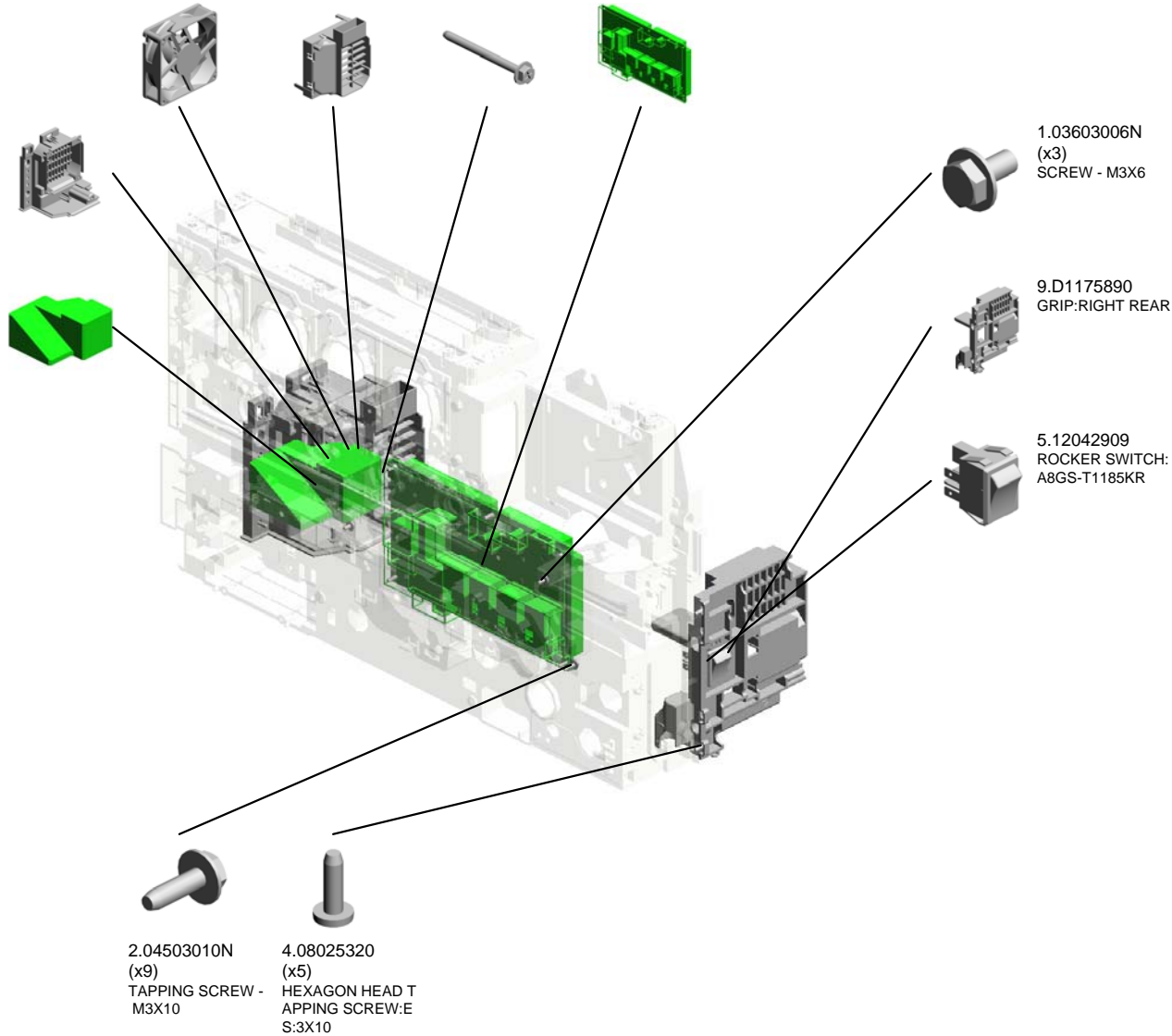
U029 Electrical-3

- 11.GX645734 FAN MOTOR:MM80 DC24V 3.12W
- 8.D1175886 DUCT:POWER SUPPLY UNIT:ENTRANCE
- 3.04503035N (x2) TAPPING SCREW: 3X35
- 6.AZ320192 POWER PACK:T1T 2



10.D1175891
GRIP:LEFT REAR

7.D1175180
PCB:ACVB:100V



1.03603006N
(x3)
SCREW - M3X6

9.D1175890
GRIP:RIGHT REAR

5.12042909
ROCKER SWITCH:
A8GS-T1185KR

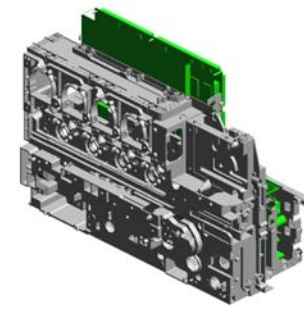
2.04503010N
(x9)
TAPPING SCREW -
M3X10

4.08025320
(x5)
HEXAGON HEAD T
APPING SCREW:E
S:3X10

WWW.SERVICE-MANUAL.NET

U001	U002	U003	U004	U005	U006	U007	U008	U009	U010	U011	U012	U013	U014	U015	U016	U017	U018	U019	U020	U021
------	------	------	------	------	------	------	------	------	------	------	------	------	------	------	------	------	------	------	------	------

U030 Electrical-4



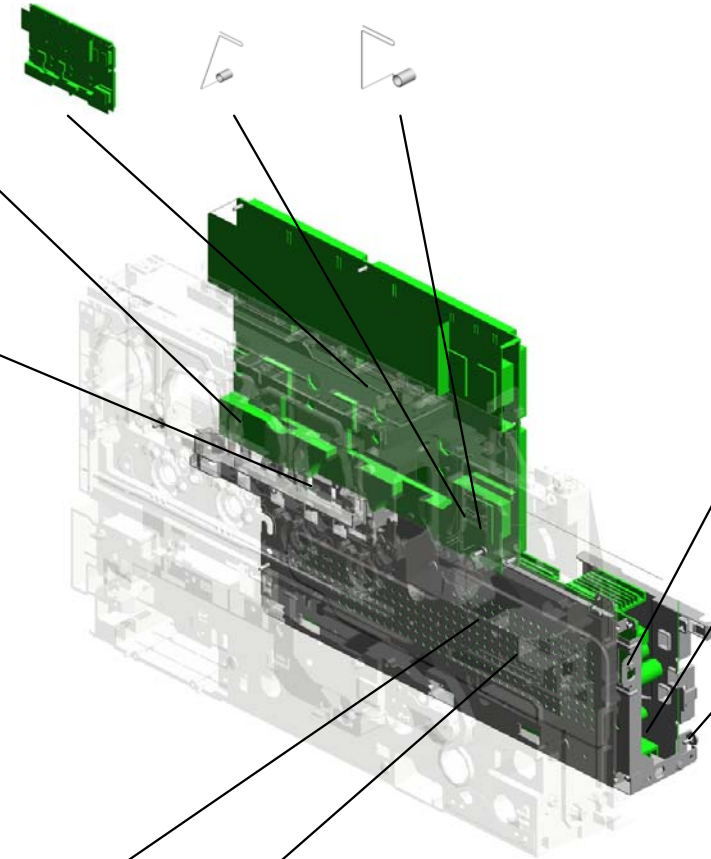
5.AZ320191
POWER PACK:CB

10.D1175883
WIRE:HIGH VOLTA
GE:DEVELOPMEN
T:C:CONNECTING

9.D1175882
WIRE:HIGH VOLTA
GE:DEVELOPMEN
T:BK:CONNECTIN
G

3.08025320
(x5)
HEXAGON HEAD T
APPING SCREW: E
S:3X10

7.D1175864
GUIDE:HARNESS:F
FC:OPTICAL WRITI
NG UNIT



6.D1175060
POWER SUPPLY U
NIT:100V:280W

8.D1175867
GUIDE:HARNESS:
POWER SUPPLY U
NIT

1.03603006N
(x4)
SCREW - M3X6

4.AA143592
SCREW- M4X6

2.04503010N
(x6)
TAPPING SCREW -
M3X10

WWW.SERVICE-MANUAL.NET

U001	U002	U003	U004	U005	U006	U007	U008	U009	U010	U011	U012	U013	U014	U015	U016	U017	U018	U019	U020	U021
------	------	------	------	------	------	------	------	------	------	------	------	------	------	------	------	------	------	------	------	------

U031 Controller

5.D1179590
NV-RAM

1.03603006N
(x4)
SCREW - M3X6



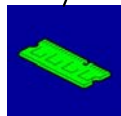
3.D0095899
RIGHT RAIL - SMA
LL



4.D1175401
PCB:CTL:EXP:ASS'
Y

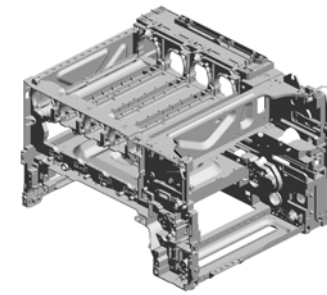


2.D0095891
LEFT RAIL - FAX C
ONTROL UNIT



6.M0525391
(x2)
PCB:MEMORY:512
MB

U032 Main Frame



- 17.D1173411 DECAL:COLORED DISPLAY:INNER COVER:C
- 18.D1173412 DECAL:COLORED DISPLAY:INNER COVER:M
- 19.D1173413 DECAL:COLORED DISPLAY:INNER COVER:Y
- 8.D1171058 (x4) CASE:COIL SPRING:PLATE:REAR
- 9.D1171059 (x4) SLIDER:COIL SPRING:PLATE:REAR

- 7.D1171057 (x4) CASE:COIL SPRING:PLATE:FRONT

- 16.D1173410 DECAL:COLORED DISPLAY:INNER COVER:K

- 11.D1171068 (x8) COIL SPRING:PLATE:PCU

- 12.D1171069 (x4) SLIDER:COIL SPRING:PLATE:FRONT

- 15.D1172897 BRACKET:LEFT:ROLLER:ASSY

- 1.04503008N (x2) TAPPING SCREW - M3X8

- 3.07200025E RETAINING RING - M2.5

- 14.D1172866 ROLLER:RAIL:RIGHT

- 13.D1172813 STOPPER:PAPER TRAY

- 5.AH010011 (x3) RUBBER FOOT:H5

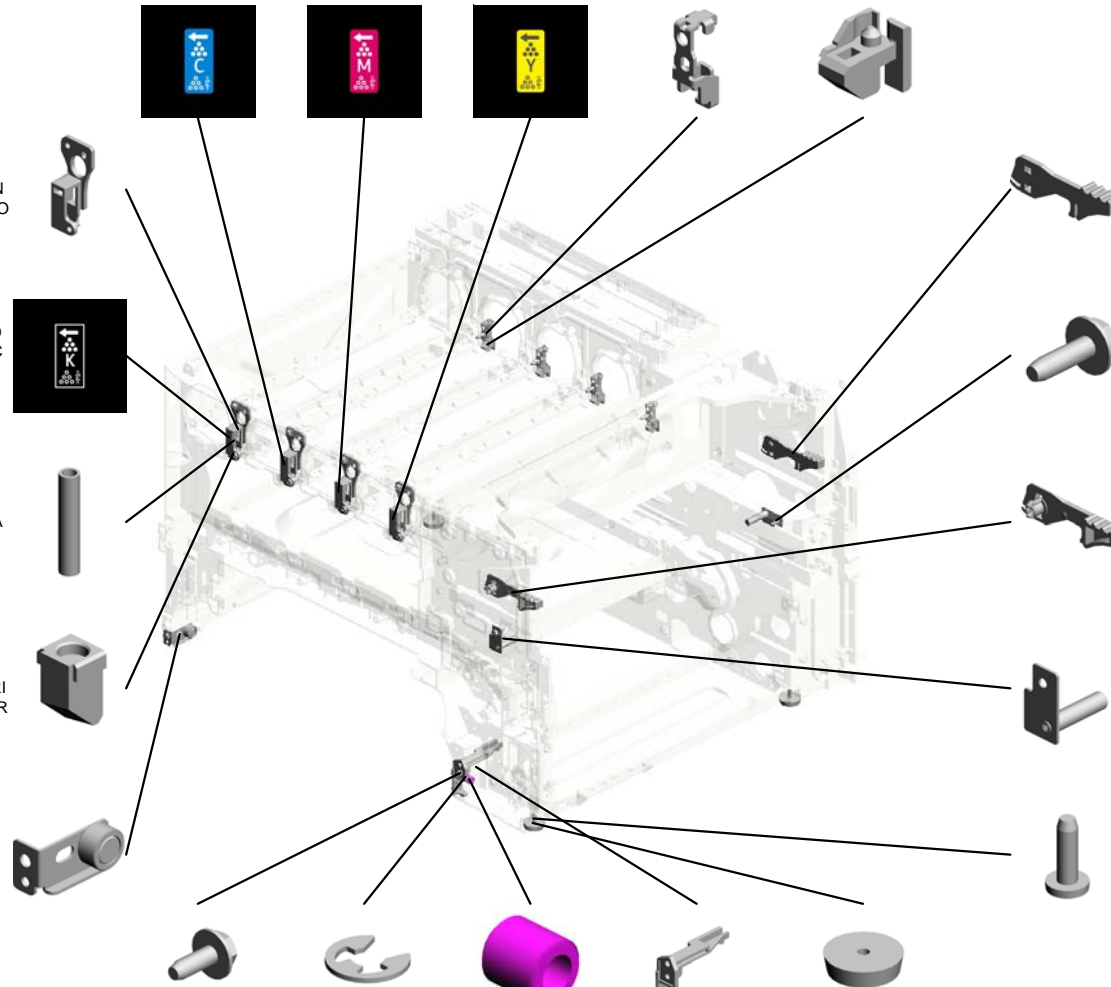
- 6.D0391087 LEVER:LOCK:REAR

- 2.04503010N (x14) TAPPING SCREW - M3X10

- 10.D1171066 LEVER:LOCK:FRONT

- 20.D1174501 (x2) PIN:HOOK:FRAME:DUPLIX:ASSY

- 4.08025320 (x3) HEXAGON HEAD TAPPING SCREW:ES:3X10

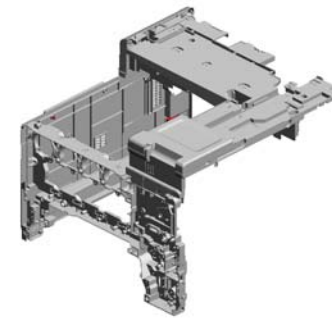


WWW.SERVICE-MANUAL.NET

U033 Option

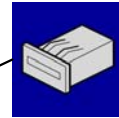
1.03603014N
SCREW - M3X14

5.D1171332
BRACKET:KEY CO
UNTER HOLDER



8.D1175091
HEATER:NA:ASS'Y

2.08010231
HEXAGONAL HEA
D BOLT W/WASHE
R:M3X6



4.AX310049
TOTAL COUNTER:
7FIG:24V



7.D1171372
BRACKET:CARD R
EADER:(for 1 Bin Tr
ay)



3.12042570
ROCKER SWITCH:
SDDJE13200

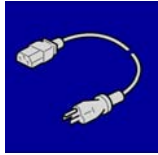


6.D1171371
BRACKET:CARD R
EADER

WWW.SERVICE-MANUAL.NET

U001	U002	U003	U004	U005	U006	U007	U008	U009	U010	U011	U012	U013	U014	U015	U016	U017	U018	U019	U020	U021
------	------	------	------	------	------	------	------	------	------	------	------	------	------	------	------	------	------	------	------	------

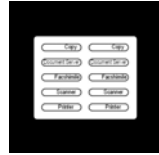
Accessories



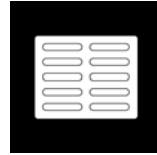
1.11500427
POWER SUPPLY CODE:125V:15A:NA



2.16072251
FERRITE CORE:K3 NF-75(N)BK0:(for D117)



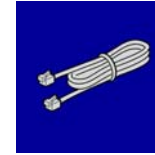
3.D1171571
DECAL:FUNCTION:MULTI-LANGUAG
E:NA



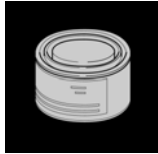
4.D1171573
DECAL:FUNCTION:BLANK:MULTI-LA
NGUAGE



5.D1172877
DECAL:PAPER TRAY:SIZE INDICATI
ON



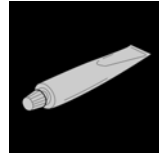
6.H5235350
TELEPHONE CABLE:(for D117)



1.52039502
Silicon Grease G-501



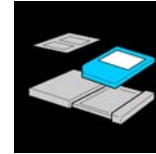
2.A0929503
C4 Color Test Chart (3 pcs/set)



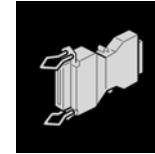
3.A2579300
Grease Barrierta S552R



4.B1329700
Lubricant Powder



5.B6455010
SD Card

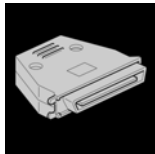


6.B6795100
Plug - IEEE1284 Type C

Special Tools



7.C4019503
20X Magnification Scope



8.G0219350
Loop-back Connector Parallel

Exclusive Parts

Number	Part Name	Group	ID
52039502	Silicon Grease G-501	Special Tools	1
52152621	SNAP RING - M6	U022	4
52152713	BOTTOM PLATE PAD	U007_S001_S003	6
		U010_S001	5
54472681	SNAP RING	U001	3
		U007_S001	7
		U022	5
		U025_S001	5
A0929503	C4 Color Test Chart (3 pcs/set)	Special Tools	2
A2579300	Grease Barrierta S552R	Special Tools	3
AA043325	TIMING BELT - B40S2M250	U023	9
AA060151	TENSION SPRING	U016_S002	7
AA061084	TENSION SPRING:FEELER	U016	8
AA061085	TENSION SPRING:PRESSURE:TR ANSFER ROLLER	U017	6
AA061086	COIL SPRING:PRESSURE	U019_S001	8
AA061087	TORSION SPRING:STRIPPER PLA TE:FRONT	U019_S001	9
AA061088	TORSION SPRING:STRIPPER PLA TE:REAR	U019_S001	10
AA061089	COIL SPRING:GUIDE PLATE:FUSI NG EXIT	U019_S001	11
AA063483	COMPRESSION SPRING:TRANSP ORT SUB-UNIT	U017	7
AA063629	SPRING - 2.8N	U007_S001	8
AA063701	COMPRESSION SPRING:RISING T RAY	U008	10
AA066417	TORSION SPRING:TRANSFER UNI T	U017	8
AA066695	TORSION SPRING:LEVER:ON-OFF	U016	9
AA066696	TORSION SPRING:TERMINAL:DRI VE ROLLER:INTERMEDIATE TRAN SFER	U027	6
AA080346	BUSHING:FLANGE TYPE:DIA6	U022	6
		U025	6
AA080347	BUSHING - 8MM	U026	5
AA080361	PLAIN SHAFT BEARING:CASE:RISI NG TRAY	U008	11

Number	Part Name	Group	ID
AA082101	BUSHING - 6X10X6	U007_S001	9
		U010	6
AA082109	PLAIN SHAFT BEARING:DIA4	U016_S001	10
AA082161	PLAIN SHAFT BEARING:REGISTR ATION ROLLER	U012	5
AA143592	SCREW- M4X6	U030	4
AA143861	SCREW - DIA5	U019_S001	12
AA143870	STEPPED SCREW	U019_S001	13
AB011537	GEAR:REGISTRATION ROLLER:FR ONT	U012	6
AB011538	GEAR:REGISTRATION ROLLER:IN NER BACK	U012	7
AB011539	GEAR:REGISTRATION ROLLER:D RIVE	U012	8
AB011541	GEAR:RISING TRAY:OUTPUT	U008	12
AB011552	GEAR:IDLER:LEFT REAR	U018	3
AB011553	GEAR:IDLER:MIDDLE REAR	U018	4
AB011554	GEAR:IDLER:RIGHT REAR	U018	5
AB011555	GEAR:IDLER:RIGHT FRONT	U018	6
AB012072	GEAR:PRESSURE ROLLER:Z29	U019_S001	14
AB012076	GEAR:DRIVE:Z21	U019_S001	15
AB012077	GEAR:IDLER:PRESSURE:Z17	U019_S001	16
AB017781	GEAR:RISING TRAY:1	U008	13
AB017827	GEAR:IDLER:COLLECTION BOTTL E:RIGHT UPPER	U018	7
AB017834	GEAR:RISING TRAY:2	U008	14
AB017835	GEAR:RISING TRAY:3	U008	15
AB017840	GEAR:ELECTROMAGNETIC CLUT CH:OUTPUT:Z30	U026	6
AB017841	GEAR:ELECTROMAGNETIC CLUT CH:OUTPUT:Z19	U026	7
AB017842	SHAFT:JOINT:PAPER FEED ROLL ER	U026	8
AB017843	GEAR:TRANSPORT:NO.1	U026	9
AB017844	GEAR:TRANSPORT:NO.2	U026	10
AB017845	GEAR:TRANSPORT:NO.3	U026	11
AB017846	GEAR:TRANSPORT:NO.4	U026	12
AB017847	GEAR:MANUAL FEED:BASE	U026	13

WWW.SERVICE-MANUAL.NET

Exclusive Parts

Number	Part Name	Group	ID
AB017848	GEAR:DRIVE UNIT:FUSING:NO.1	U026_S001	14
AB017849	GEAR:DRIVE UNIT:FUSING:NO.2	U026_S001	15
AB017850	GEAR:DRIVE UNIT:FUSING:NO.3	U026_S001	16
AB017851	GEAR:TIMING PULLEY:PAPER EXIT UNIT	U026	17
AB017892	GEAR:DRIVE:DEVELOPMENT:NO.2	U025_S001	7
AB030854	TIMING PULLEY:EXIT ROLLER	U022	7
AB033120	TIGHTENER:SYNCHRONOUS BELT:PAPER EXIT UNIT	U026_S001	18
AE020204	PRESSURE ROLLER:DIA25	U019_S001	17
AE030056	BALL BEARING - 8X16X5	U019_S001	18
AF020791	REGISTRATION ROLLER:DRIVE	U012	9
AF021088	REGISTRATION ROLLER:DRIVEN	U012	10
AF031092	PAPER FEED ROLLER:MANUAL FEED	U010	7
AG070513	MAGNET CATCH	U002	7
AG071012	MAGNET CATCH:ASS'Y	U018	8
AH010011	RUBBER FOOT:H5	U032	5
AW010107	PAPER FEED SENSOR	U012	11
AW010124	PHOTO REFLECTION SENSOR:GP2A200LCS0F	U017	9
		U020	3
AW010151	PHOTO REFLECTION SENSOR:PS122TL1-A	U023	10
AW020203	PHOTO INTERRUPTOR:GP1A173LCS2F	U005	11
		U008	16
		U010	8
		U016	11
		U017	10
		U018	9
		U023	11
AW100138	THERMOPILE	U020	4
AW100147	THERMISTOR:PRESSURE	U019_S001	19
AW100149	THERMISTOR:SLEEVE:FUSING	U019_S001	20
AW110110	THERMOSTAT	U019_S001	21
AW140016	TEMPERATURE & HUMIDITY SENSOR	U027	7
AW500023	PUSH SWITCH	U018	10

Number	Part Name	Group	ID
		U027	8
AX040272	DC STEPPER MOTOR:NMB	U005	12
AX060404	DC BRUSHLESS MOTOR:DRIVE SUB-UNIT:TRANSPORT:13.0W	U026	19
AX060405	DC BRUSHLESS MOTOR:DRIVE SUB-UNIT:FUSING:25.1W	U026_S001	20
AX060421	DC BRUSHLESS MOTOR:DRUM:BLACK:28.5W	U025_S001	8
AX060422	DC BRUSHLESS MOTOR:DRUM:COLLAR:21.6W	U025_S001_S001	9
AX060429	DC BRUSHLESS MOTOR:DEVELOPMENT:COLOR:36.1W	U025_S001	10
AX200326	ELECTROMAGNETIC CLUTCH:PA PER FEED ROLLER	U026	21
AX200327	ELECTROMAGNETIC CLUTCH:REGISTRATION	U026	22
AX200328	ELECTROMAGNETIC CLUTCH:DRIVE:MANUAL FEED	U010	9
		U026	23
AX200329	ELECTROMAGNETIC CLUTCH:DEVELOPMENT:0.5N:DIA6	U025_S001	11
AX310049	TOTAL COUNTER:7FIG:24V	U033	4
AZ320191	POWER PACK:CB	U030	5
AZ320192	POWER PACK:T1T2	U029	6
B0392730	PAPER END SENSOR	U008	17
B0442751	JOINT - PAPER FEED ROLLER	U007_S001	10
B0442756	SPRING - PAPER FEED ROLLER	U007_S001	11
B1329700	Lubricant Powder	Special Tools	4
B2232936	GEAR - 16Z	U007_S001	12
B2385875	DC SOLENOID DC24V	U016_S002	12
B6455010	SD Card	Special Tools	5
B6795100	Plug - IEEE1284 Type C	Special Tools	6
B7002649	TIMING BELT:40S2M144	U023	12
B7027105	TIMING BELT:B40S2M520:	U026	24
C4019503	20X Magnification Scope	Special Tools	7
D0095891	LEFT RAIL - FAX CONTROL UNIT	U031	2
D0095899	RIGHT RAIL - SMALL	U031	3
D0391087	LEVER:LOCK:REAR	U032	6
D0392752	DISC:SIDE FENCE	U009_S001	2

WWW.SERVICE-MANUAL.NET

Exclusive Parts

Number	Part Name	Group	ID
D1054168	LEVER:LOCK:PRESSURE	U019_S001	22
D1054303	ELECTRODE PLATE:FUSING:NEUTRAL	U019_S001	23
D1054365	HOLDER:THERMOPILE	U020	5
D1170121	PCDU:BK:SERVICE PARTS	U014	2
D1170122	PCDU:C:SERVICE PARTS	U014	3
D1170123	PCDU:M:SERVICE PARTS	U014	4
D1170124	PCDU:Y:SERVICE PARTS	U014	5
D1171033	DUCT:LEFT:VACUUM	U027	9
D1171034	COVER:DUCT:LEFT:VACUUM	U027	10
D1171036	SEAL:COVER:LEFT	U027	11
D1171057	CASE:COIL SPRING:PLATE:PCU:FRONT	U032	7
D1171058	CASE:COIL SPRING:PLATE:PCU:REAR	U032	8
D1171059	SLIDER:COIL SPRING:PLATE:PCU:REAR	U032	9
D1171066	LEVER:LOCK:FRONT	U032	10
D1171068	COIL SPRING:PLATE:PCU	U032	11
D1171069	SLIDER:COIL SPRING:PLATE:PCU:FRONT	U032	12
D1171121	DC FAN MOTOR:AXIAL:MM92	U027	12
D1171123	DUCT:OPTICAL WRITING MD	U027	13
D1171124	COVER:FAN	U027	14
D1171125	SEAL:COVER:FAN	U027	15
D1171136	FAN:SIROCCO:DC24V:50MM	U027	16
D1171143	DUCT:REAR:BASE	U027	17
D1171151	DRIVE UNIT:DRUM:DEVELOPMENT:TRANSFER:ASS'Y	U025_S001	12
D1171152	DRIVE UNIT:DRUM:DEVELOPMENT:TRANSFER	U025_S001_S001	13
D1171178	SHAFT:DRIVE:DEVELOPMENT:ELECTROMAGNETIC CLUTCH	U025_S001	14
D1171183	COVER:ELECTROMAGNETIC CLUTCH:DEVELOPMENT:DIA6	U025_S001	15
D1171192	TERMINAL:DEVELOPMENT BIAS:ASS'Y	U025	16
D1171207	SHAFT:TIMING PULLEY:PAPER EX	U026	25

Number	Part Name	Group	ID
	IT UNIT		
D1171220	FUSING DRIVE UNIT:ASS'Y	U026_S001	26
D1171232	HOLDER:TIMING PULLEY:PAPER EXIT UNIT	U026	27
D1171301	COVER:FRONT	U001	4
D1171302	HINGE:COVER:FRONT:RIGHT	U001	5
D1171303	HINGE:COVER:FRONT:LEFT	U001	6
D1171304	BRACKET:HINGE:RIGHT	U001	7
D1171305	BRACKET:HINGE:LEFT	U001	8
D1171306	PIN:HINGE	U001	9
D1171307	MAGNET CATCH:COVER:FRONT	U001	10
D1171308	COVER:FRONT LOWER	U001	11
D1171309	DECAL:COLOR:MFP	U001	12
D1171311	COVER:UPPER	U002	8
D1171321	COVER:RIGHT REAR	U002	9
D1171323	DEODORIZE FILTER	U002	10
D1171324	COVER:DEODORIZE FILTER	U002	11
D1171325	LOUVER:COVER:RIGHT REAR	U002	12
D1171326	LOUVER:DUCT	U002	13
D1171331	COVER:LEFT	U002	14
D1171332	BRACKET:KEY COUNTER HOLDER	U033	5
D1171351	COVER:SUPPORT:SCANNER	U002	15
D1171352	COVER:UPPER RIGHT	U002	16
D1171353	COVER:UPPER LEFT	U002	17
D1171354	COVER:UPPER FRONT	U002	18
D1171361	INNER COVER:UPPER	U002	19
D1171371	BRACKET:CARD READER	U033	6
D1171372	BRACKET:CARD READER:(for 1 Bin Tray)	U033	7
D1171411	OPERATION PANEL:NA	U003_S001	4
D1171431	PCB:LCD CARFT:ASS'Y	U003_S001	5
D1171460	PCB:UWVGA:OP-R:ASS'Y	U003_S001	6
D1171465	PCB:UWVGA:OP-L:ASS'Y	U003_S001	7
D1171470	FPC:LED:ASS'Y	U003_S001	8
D1171497	LCD:UWVGA:MV:ASS'Y	U003_S001	9
D1171501	COVER:REAR	U003_S001	10
D1171502	COVER:HINGE	U003_S001	11

WWW.SERVICE-MANUAL.NET

Exclusive Parts

Number	Part Name	Group	ID
D1171503	KEYTOP:HOME	U003_S001	12
D1171504	KEYTOP:RIGHT	U003_S001	13
D1171505	KEYTOP:LEFT	U003_S001	14
D1171508	KEYTOP:RESET SWITCH	U003_S001	15
D1171510	KEYTOP:START	U003_S001	16
D1171511	KEYTOP:STOP	U003_S001	17
D1171513	LENS:FRONT	U003_S001	18
D1171514	SHAFT:CABLE	U003_S001	19
D1171516	BRACKET:LCDC	U003_S001	20
D1171517	BRACKET:HINGE	U003_S001	21
D1171518	SHADEING PLATE:TOUCH PANEL	U003_S001	22
D1171519	SHEET:LCDC	U003_S001	23
D1171520	SHEET:OPR	U003_S001	24
D1171521	SHEET:OPL	U003_S001	25
D1171523	GASKET:LCD	U003_S001	26
D1171524	DECAL:FAX:NA/AP	U003_S001	27
D1171525	DECAL:SD/USB:NA	U003_S001	28
D1171529	HINGE:GFN:ASS'Y	U003_S001	29
D1171530	SPACER:LCD	U003_S001	30
D1171531	BRACKET:HINGE:LEFT	U003_S001	31
D1171533	HOLDER:HINGE:LEFT	U003_S001	32
D1171540	KEYTOP:10KEY:A:NA	U003_S001	33
D1171541	KEYTOP:10KEY:B:NA	U003_S001	34
D1171551	COVER:FRONT:NA/AP	U003_S001	35
D1171571	DECAL:FUNCTION:MULTI-LANGUA GE:NA	Accessories	3
D1171573	DECAL:FUNCTION:BLANK:MULTI-L ANGUAGE	Accessories	4
D1171651	CARRIAGE:SCANNER:ASS'Y	U005_S001	13
D1171657	EXPOSURE GLASS UNIT:SCANNE R:ASS'Y	U004	2
D1171752	RAIL:SCANNER	U005	14
D1171753	SLIDE RAIL	U005	15
D1171754	GUIDE ROD:SCANNER	U005	16
D1171801	BRACKET:MOTOR	U005	17
D1171804	CAP:TIMING PULLEY	U005	18
D1171805	GEAR:TIMING PULLEY:81-18	U005	19
D1171806	PULLEY:IDLER	U005	20

Number	Part Name	Group	ID
D1171807	BRACKET:IDLER:PEEN	U005	21
D1171810	SYNCHRONOUS BELT:S2M:441	U005	22
D1171820	BUSHING:BRACKET	U005	23
D1171826	GEAR:SLOW DOWN:53-19	U005	24
D1171837	COIL SPRING:TENSION	U005	25
D1171845	COVER:SCANNER:REAR	U004	3
D1171846	COVER:SCANNER:FRONT	U004	4
D1171860	OPTICAL WRITING UNIT:ASS'Y	U006	1
D1171990	STEPPED SCREW	U006	2
D1171991	SPRING LOCK WASHER:DIA6.4XD A11X1.5	U006	3
D1172611	GUIDE PLATE:VERTICAL TRANSP ORT:LOWER	U011	2
D1172612	GUIDE PLATE:VERTICAL TRANSP ORT:UPPER	U011	3
D1172613	GUIDE:VERTICAL TRANSPORT	U011	4
D1172617	CASE:REMOVE PAPER DUST	U012	12
D1172618	GUIDE:REMOVE PAPER DUST	U012	13
D1172619	GUIDE PLATE:REGISTRATION RO LLER:DRIVEN	U012	14
D1172631	COLLAR:REGISTRATION	U012	15
D1172633	BUSHING:REGISTRATION ROLLE R:DRIVE	U012	16
D1172635	BRACKET:FRAME:REGISTRATION	U012	17
D1172636	HOLDER:REGISTRATION	U012	18
D1172637	COMPRESSION SPRING:ROLLER: TENSION	U012	19
D1172638	GUIDE PLATE:REGISTRATION RO LLER:DRIVE	U012	20
D1172639	GUIDE:REGISTRATION:DRIVE:FR ONT	U012	21
D1172640	GUIDE:REGISTRATION:DRIVE:INN ER BACK	U012	22
D1172655	BASE:LIFT MOTOR:PAPER FEED:F RONT	U008	18
D1172656	CASE:RISING TRAY	U008	19
D1172660	DC MOTOR:2.6W:BRUSH	U008	20
D1172710	GUIDE PLATE:MANUAL FEED:LOW	U010	10

WWW.SERVICE-MANUAL.NET

Exclusive Parts

Number	Part Name	Group	ID
	ER		
D1172711	FRICTION PAD:MANUAL FEED:ADHESION	U010	11
D1172714	COMPRESSION SPRING:SEPARATION:MANUAL FEED	U010	12
D1172717	SHAFT:PAPER FEED:MANUAL FEED	U010	13
D1172719	GEAR:PAPER FEED:MANUAL FEED	U010	14
D1172720	TRAY BOTTOM PLATE:MANUAL FEED:ASS'Y	U010_S001	15
D1172721	TRAY BOTTOM PLATE:MANUAL FEED	U010_S001	16
D1172723	GUIDE:BASE:FRONT	U010_S001	17
D1172724	GUIDE:BASE:REAR	U010_S001	18
D1172725	COMPRESSION SPRING:PAPER FEED:MANUAL FEED	U010	19
D1172727	GUIDE PLATE:MANUAL FEED:MIDDLE	U010	20
D1172728	SHEET:MANUAL FEED	U010	21
D1172729	TENSION SPRING:GUIDE PLATE:MANUAL FEED	U010	22
D1172732	HOLDER:PAPER END SENSOR:MANUAL FEED	U010	23
D1172733	FEELER:PAPER END SENSOR:MANUAL FEED	U010	24
D1172734	TORSION SPRING:PAPER END SENSOR:MANUAL FEED	U010	25
D1172735	SUPPORTING PLATE:MANUAL FEED	U010	26
D1172740	SHAFT:CAM:MANUAL FEED	U010	27
D1172741	CAM:MANUAL FEED:FRONT	U010	28
D1172742	CAM:MANUAL FEED:REAR	U010	29
D1172743	GEAR:CAM:MANUAL FEED	U010	30
D1172744	GEAR:CAM:IDLER:LOWER	U010	31
D1172745	GEAR:CAM:IDLER:STEPPED	U010	32
D1172746	GEAR:CAM:IDLER:UPPER	U010	33
D1172747	FEELER:CAM:MANUAL FEED	U010	34

Number	Part Name	Group	ID
D1172749	BRACKET:MANUAL FEED:REAR	U010	35
D1172751	BRACKET:MANUAL FEED:FRONT	U010	36
D1172752	SPRING PLATE:HOME POSITION SENSOR:MANUAL FEED	U010	37
D1172756	FEELER:PAPER SIZE SENSOR:MANUAL FEED	U010	38
D1172760	SUPPORTING PLATE:SMALL:MANUAL FEED	U010	39
D1172761	LINK:MANUAL FEED TABLE	U009	3
D1172762	MANUAL FEED TABLE:ASS'Y	U009_S001	4
D1172766	SIDE FENCE:MANUAL FEED:FRONT	U009_S001	5
D1172767	SIDE FENCE:MANUAL FEED:REAR	U009_S001	6
D1172768	GEAR:SIDE FENCE	U009_S001	7
D1172769	RACK:MANUAL FEED	U009_S001	8
D1172770	COVER:MANUAL FEED TABLE	U009_S001	9
D1172771	EXTENSION TRAY:MANUAL FEED	U009_S001	10
D1172772	COMPRESSION SPRING:EXTENSION TRAY:MANUAL FEED	U009_S001	11
D1172773	COVER:MANUAL FEED TABLE:LOWER	U009_S001	12
D1172776	TORSION SPRING:COVER:MANUAL FEED TABLE	U009_S001	13
D1172778	COMPRESSION SPRING:RACK:MANUAL FEED	U009_S001	14
D1172779	PIN:PINION GEAR	U009_S001	15
D1172781	COIL SPRING:PINION GEAR:MANUAL FEED	U009_S001	16
D1172782	GUIDE PLATE:MANUAL FEED TABLE	U010_S001	40
D1172784	LINK:COVER:FRONT REAR	U009_S001	17
D1172785	LINK:COVER:MIDDLE	U009_S001	18
D1172787	STOPPER:MANUAL FEED TABLE	U009	19
D1172792	DECAL:SCALE:MANUAL FEED	U009_S001	20
D1172799	DECAL:TRAY:MANUAL FEED:INKJET	U009	21
D1172800	PAPER TRAY:ASS'Y	U007_S001	13
D1172805	HOLDER:GRIP:PAPER TRAY	U007_S001	14

WWW.SERVICE-MANUAL.NET

Exclusive Parts

Number	Part Name	Group	ID
D1172806	GRIP:PAPER TRAY	U007_S001	15
D1172807	LEVER:RELEASE:PAPER TRAY	U007_S001	16
D1172808	STOPPER:GUIDE PLATE:BASE:RISE	U007_S001	17
D1172809	TENSION SPRING:BASE:RISE	U007_S001	18
D1172813	STOPPER:PAPER TRAY	U032	13
D1172814	PRESSURE PLATE:BASE:RISE	U007_S001	19
D1172815	SPRING PLATE:SIDE FENCE:FRONT	U007_S001_S001	20
D1172816	SHAFT:BASE:RISE	U007_S001	21
D1172817	LEVER:BASE:RISE	U007_S001	22
D1172819	RACK:BASE:RISE	U007_S001	23
D1172820	PINION:BASE:RISE	U007_S001	24
D1172822	BRACKET:PINION:BASE:RISE	U007_S001	25
D1172823	PAD:SIDE FENCE	U007_S001_S001	26
		U007_S001_S002	26
D1172825	SIDE FENCE:FRONT:ASS'Y	U007_S001_S001	27
D1172826	COMPRESSION SPRING:SIDE FENCE:PLATE	U007_S001_S001	28
D1172828	COMPRESSION SPRING:BASE:RISE:AUXILIARY	U007_S001	29
D1172829	COVER:PRESSURE PLATE:BASE:RISE	U007_S001	30
D1172830	LEVER:STOPPER:FRONT	U007_S001_S001	31
D1172834	PLATE:SIDE FENCE	U007_S001_S001	32
D1172836	SIDE FENCE:REAR:ASS'Y	U007_S001_S002	33
D1172838	END FENCE	U007_S001	34
D1172839	LEVER:UN LOCK:END FENCE	U007_S001	35
D1172840	COVER:END FENCE	U007_S001	36
D1172842	DECAL:PAPER SET DIRECTION:TRAY:RIGHT	U007	37
D1172843	DECAL:PAPER SET DIRECTION:TRAY:LEFT	U007_S001	38
D1172844	DECAL:SIDE FENCE:REAR	U007_S001_S002	39
D1172845	BASE:TRAY:ASS'Y	U007_S001_S003	40
D1172846	RETAINING RINGS-E:SILENCER:DI A3	U007_S001	41
D1172848	COVER:PAPER TRAY	U007_S001	42

Number	Part Name	Group	ID
D1172849	BRACKET:PIN:STRETCH:TRAY	U007_S001	43
D1172851	PAPER FEED ROLLER:PAPER TRAY	U007_S001	44
D1172852	SHAFT:PAPER FEED ROLLER:ASS'Y	U007_S001	45
D1172856	ROLLER:PAPER TRAY:RIGHT	U007_S001	46
D1172858	ROLLER:PAPER TRAY:LEFT	U007_S001	47
D1172866	ROLLER:RAIL:RIGHT	U032	14
D1172870	PAPER FEED ROLLER:AUXILIARY	U007_S001	48
D1172872	FRICTION PAD:ASS'Y	U007_S001	49
D1172877	DECAL:PAPER TRAY:SIZE INDICATION	Accessories	5
D1172881	TENSION SPRING:GRIP:RIGHT	U007_S001	50
D1172882	TENSION SPRING:GRIP:LEFT	U007_S001	51
D1172884	PLATE:ROLLER:PAPER TRAY:RIGHT	U007_S001	52
D1172886	PLATE:ROLLER:PAPER TRAY:LEFT	U007_S001	53
D1172888	JOINT:BASE:RISE	U008	21
D1172894	SHAFT:PINION:BASE:RISE	U007_S001	54
D1172896	SHEET:PLATE:FRICTION PAD	U007_S001	55
D1172897	BRACKET:LEFT:ROLLER:ASS'Y	U032	15
D1172899	LEVER:STRETCH:TRAY:UNI:ASS'Y	U008	22
D1172901	BRACKET:STRETCH:TRAY	U008	23
D1173301	HOUSING:TONER SUPPLY:ASS'Y	U013	6
D1173302	TONER HOPPER:TONER SUPPLY:BACK:ASS'Y	U013	7
D1173303	TONER HOPPER:TONER SUPPLY:COL:ASS'Y	U013	8
D1173304	DRIVE UNIT:TONER SUPPLY:ASS'Y	U013_S001	9
		U013_S002	9
		U013_S003	9
		U013_S004	9
D1173400	DC MOTOR:TONER SUPPLY:5.3W:BRUSH	U013_S001	10
		U013_S002	10
		U013_S003	10
		U013_S004	10
D1173401	COLLAR:DRIVE:BRACKET	U013_S001	11

WWW.SERVICE-MANUAL.NET

Exclusive Parts

Number	Part Name	Group	ID
		U013_S002	11
		U013_S003	11
		U013_S004	11
D1173402	GEAR:IDLER:DC MOTOR	U013_S001	12
		U013_S002	12
		U013_S003	12
		U013_S004	12
D1173403	GEAR:IDLER:TONER BOTTLE	U013_S001	13
		U013_S002	13
		U013_S003	13
		U013_S004	13
D1173404	SHAFT:DRIVE:AGITATOR	U013_S001	14
		U013_S002	14
		U013_S003	14
		U013_S004	14
D1173405	COMPRESSION SPRING:GEAR:TONER BOTTLE	U013_S001	15
		U013_S002	15
		U013_S003	15
		U013_S004	15
D1173407	GEAR:IDLER:TONER HOPPER:30	U013_S001	16
		U013_S002	16
		U013_S003	16
		U013_S004	16
D1173410	DECAL:COLORED DISPLAY:INNER COVER:K	U032	16
D1173411	DECAL:COLORED DISPLAY:INNER COVER:C	U032	17
D1173412	DECAL:COLORED DISPLAY:INNER COVER:M	U032	18
D1173413	DECAL:COLORED DISPLAY:INNER COVER:Y	U032	19
D1174025	FUSING UNIT:NA:SERVICE:ASS'Y	U019_S001	24
D1174053	SLEEVE:FUSING:NA:ASS'Y	U019_S001	25
D1174124	DISCHARGE BRUSH:PRESSURE ROLLER	U019_S001	26
D1174153	LEVER:PRESSURE RELEASE:FRONT:ASS'Y	U019_S001	27
D1174155	LEVER:PRESSURE:FRONT	U019_S001	28

Number	Part Name	Group	ID
D1174163	LEVER:PRESSURE RELEASE:REAR:ASS'Y	U019_S001	29
D1174165	LEVER:PRESSURE:REAR	U019_S001	30
D1174174	TERMINAL:HEATER:REAR	U019_S001	31
D1174177	HOUSING:THERMOSTAT	U019_S001	32
D1174194	BRACKET:THERMISTOR:SLEEVE:NA	U019_S001	33
D1174231	STRIPPER PLATE:COAT	U019_S001	34
D1174235	GUIDE PLATE:FUSING EXIT	U019_S001	35
D1174236	SHEET:C:LEVER	U019_S001	36
D1174238	GUIDE:FUSING EXIT:ETFE	U019_S001	37
D1174241	FUSING ENTRANCE GUIDE PLATE	U019_S001	38
D1174251	FUSING COVER:LOWER	U019_S001	39
D1174261	FUSING COVER:UPPER:ASS'Y	U019_S001_S001	40
D1174263	DECAL:H-TEMP WARNING:FUSING	U019_S001_S001	41
D1174451	GUIDE PLATE:EXIT:LOWER	U021	5
D1174452	GATE PAWL:REVERSE	U021	6
D1174454	EXIT ROLLER	U021	7
D1174455	GEAR:EXIT	U021	8
D1174457	BRACKET:ROLLER:EXIT	U021	9
D1174465	COLLAR:GEAR:EXIT	U021	10
D1174473	BRACKET:GEAR:EXIT	U022	8
D1174474	GEAR:IDLER:LARGE:EXIT	U022	9
D1174475	LEVER:CHANGE:EXIT	U022	10
D1174476	TENSION SPRING:CHANGE:EXIT	U022	11
D1174477	BRACKET:IDLER:EXIT	U022	12
D1174478	LINK:CHANGE:EXIT	U022	13
D1174479	BRACKET:DC SOLENOID:CHANGE	U022	14
D1174480	HOLDER:LINK:EXIT	U022	15
D1174481	SHAFT:COUPLING:EXIT	U022	16
D1174483	LEVER:GATE PAWL:EXIT	U022	17
D1174484	LINK:GATE PAWL:EXIT	U022	18
D1174485	BRACKET:DC SOLENOID:GATE PAWL	U022	19
D1174489	DISCHARGE BRUSH:EXIT	U021	11
D1174492	ROLLER:EXIT	U021	12
D1174495	EXTENSION TRAY:EXIT	U002	20

WWW.SERVICE-MANUAL.NET

Exclusive Parts

Number	Part Name	Group	ID
D1174496	END FENCE:EXIT	U002	21
D1174498	STOPPER:END FENCE:EXIT	U002	22
D1174499	COMPRESSION SPRING:END FENCE:EXIT	U002	23
D1174501	PIN:HOOK:FRAME:DUPLEX:ASS'Y	U032	20
D1174514	SHAFT:STOPPER:COVER:RIGHT	U023	13
D1174515	GROUND WIRE:DUPLEX	U023	14
D1174600	COVER:RIGHT:DUPLEX	U023	15
D1174602	BAND:STOPPER:COVER:RIGHT	U024	2
D1174607	PLATE:BAND:STOPPER	U024	3
D1174608	LEVER:FUSING:RELEASE:FRONT	U023	16
D1174609	LEVER:FUSING:RELEASE:INNER BACK	U023	17
D1174611	SHAFT:HINGE:DUPLEX	U023	18
D1174612	BASE:HINGE:REAR	U023	19
D1174613	BASE:HINGE:FRONT	U023	20
D1174614	COVER:HARNESS:DUPLEX	U023	21
D1174615	SPRING PLATE:EARTH:DUPLEX	U023	22
D1174616	TENSION SPRING:STOPPER:DOOR:RIGHT:FRONT	U023	23
D1174617	COLLAR:STOPPER:COVER:RIGHT	U023	24
D1174633	SHAFT:HOOK:FRAME:DUPLEX	U023	25
D1174634	HOOK:FRAME:DUPLEX:FRONT	U023	26
D1174635	TORSION SPRING:HOOK:FRAME:DUPLEX	U023	27
D1174637	HOOK:FRAME:DUPLEX:REAR	U023	28
D1174641	BRACKET:PLATE:TRANSFER:ASS'Y	U023	29
D1174645	BRACKET:PLATE:TRANSFER:INNER BACK:ASS'Y	U023	30
D1174651	GEAR:TRANSPORT ROLLER:DUPLEX:Z14	U023	31
D1174652	SHAFT:GEAR:SWING UNIT:Z14:ASS'Y	U023	32
D1174664	SHAFT:PULLEY:COUPLING:FRAME:ASS'Y	U023	33
D1174671	TRANSPORT ROLLER:DUPLEX	U023	34
D1174676	SHAFT:ROLLER:DRIVEN:DUPLEX	U023	35

Number	Part Name	Group	ID
D1174677	ROLLER:DRIVEN:DUPLEX	U023	36
D1174678	PULLEY:IDLER	U023	37
D1174679	PULLEY:DRIVE ROLLER	U023	38
D1174682	SHAFT:HOOK:STOPPER	U023	39
D1174686	KNOB:COVER:RIGHT:DUPLEX	U023	40
D1174690	GUIDE PLATE:REVERSE:ENTRANCE:LOWER	U023	41
D1174691	GUIDE PLATE:REVERSE:EXIT:LOWER	U023	42
D1174693	GUIDE PLATE:REVERSE:EXIT:UPPER	U023	43
D1174697	GUIDE PLATE:MIDDLE	U023	44
D1174698	GUIDE PLATE:REVERSE:ENTRANCE:UPPER	U023	45
D1174699	SHAFT:GUIDE PLATE:REVERSE:ENTRANCE:UPPER	U023	46
D1174700	FEELER:ENTRANCE SENSOR:REVERSE:DUPLEX	U023	47
D1174702	COMPRESSION SPRING:GUIDE PLATE:REVERSE:ENTRANCE	U023	48
D1174705	BRACKET:GEAR:SWIVEL:ASS'Y	U023	49
D1174706	GEAR:IDLER:SWIVEL:COUPLING	U023	50
D1174708	TENSION SPRING:GEAR:SWING UNIT	U023	51
D1174709	COMPRESSION SPRING:ROLLER:DRIVEN:DUPLEX	U023	52
D1174712	HOLDER:BELT:COUPLING	U023	53
D1174713	SHAFT:PULLEY:WIRE	U024	4
D1174714	BAND:HOOK:DUPLEX:COUPLING	U023	54
D1174716	TORSION SPRING:FEELER:ENTRANCE SENSOR	U023	55
D1174717	COVER:ENTRANCE SENSOR	U023	56
D1174718	SHEET:COVER:RIGHT FRONT	U023	57
D1174719	TUBE:STOPPER	U023	58
D1174720	SHAFT:PULLEY:IDLER:COUPLING:ASS'Y	U023	59
D1174724	GEAR:IDLER:TIMING PULLEY:DUPLEX	U023	60

Exclusive Parts

Number	Part Name	Group	ID
D1174727	COVER:CONNECTOR:DUPLEX SECTION:CONNECTING	U024	5
D1174731	PULLEY:WIRE:DAMPER	U024	6
D1174732	TORSION SPRING:DOOR:RIGHT:STOPPER	U024	7
D1174733	COLLAR:STOPPER:SIDE PLATE	U024	8
D1174734	BRACKET:STOPPER:SIDE PLATE:ASS'Y	U024	9
D1174737	WIRE:STOPPER:DIA1.2:ASS'Y	U023	61
D1174792	PLATE:MANUAL FEED:FRONT	U023	62
D1174794	PLATE:MANUAL FEED:INNER BACK	U023	63
D1175060	POWER SUPPLY UNIT:100V:280W	U030	6
D1175091	HEATER:NA:ASS'Y	U033	8
D1175112	PCB:BICU:ASS'Y	U028	4
D1175160	PCB:BRB	U013	17
D1175180	PCB:ACVB:100V	U029	7
D1175303	THERMISTOR	U027	18
D1175401	PCB:CTL:EXP:ASS'Y	U031	4
D1175854	COVER:REAR	U002	24
D1175864	GUIDE:HARNESS:FFC:OPTICAL WRITING UNIT	U030	7
D1175867	GUIDE:HARNESS:POWER SUPPLY UNIT	U030	8
D1175869	WIRE:HIGH VOLTAGE:TRANSFER: BK	U027	19
D1175870	WIRE:HIGH VOLTAGE:TRANSFER: C	U027	20
D1175871	WIRE:HIGH VOLTAGE:TRANSFER: M	U027	21
D1175872	WIRE:HIGH VOLTAGE:TRANSFER: Y	U027	22
D1175873	WIRE:HIGH VOLTAGE:TRANSFER: SECOND	U027	23
D1175874	WIRE:HIGH VOLTAGE:DEVELOPMENT: BK	U027	24
D1175875	WIRE:HIGH VOLTAGE:DEVELOPMENT: C	U027	25

Number	Part Name	Group	ID
D1175876	WIRE:HIGH VOLTAGE:DEVELOPMENT: M	U027	26
D1175877	WIRE:HIGH VOLTAGE:DEVELOPMENT: Y	U027	27
D1175878	WIRE:HIGH VOLTAGE:CHARGE: BK	U027	28
D1175879	WIRE:HIGH VOLTAGE:CHARGE: C	U027	29
D1175880	WIRE:HIGH VOLTAGE:CHARGE: M	U027	30
D1175881	WIRE:HIGH VOLTAGE:CHARGE: Y	U027	31
D1175882	WIRE:HIGH VOLTAGE:DEVELOPMENT: BK:CONNECTING	U030	9
D1175883	WIRE:HIGH VOLTAGE:DEVELOPMENT: C:CONNECTING	U030	10
D1175886	DUCT:POWER SUPPLY UNIT:ENTRANCE	U029	8
D1175887	DUCT:POWER SUPPLY UNIT:EXHAUST	U027	32
D1175890	GRIP:RIGHT REAR	U029	9
D1175891	GRIP:LEFT REAR	U029	10
D1175892	BRACKET:SWIVEL:SAFETY SWITCH	U002	25
D1175893	LEVER:RIGHT:SAFETY SWITCH	U002	26
D1175894	LEVER:FRONT:SAFETY SWITCH	U002	27
D1175895	TORSION SPRING:SAFETY SWITCH	U002	28
D1175899	TERMINAL:CHARGE	U027	33
D1175901	TORSION SPRING:LEVER:RIGHT:SAFETY SWITCH	U002	29
D1175902	COLLAR:SHAFT:SAFETY SWITCH	U002	30
D1175903	INNER COVER:SAFETY SWITCH	U002	31
D1175904	BRACKET:DRAWER:FUSING	U027	34
D1175905	GUIDE:WIRE:HIGH VOLTAGE:TRANSFER:SECOND	U027	35
D1175908	BRACKET:DRAWER:OPTION TRAY	U027	36
D1175912	BRACKET:SWITCH:HEATER	U027	37
D1175915	GUIDE:WIRE:HIGH VOLTAGE:CHARGE	U027	38
D1175916	STEPPED SCREW:M3X8:SECOND KIND	U027	39

WWW.SERVICE-MANUAL.NET

Exclusive Parts

Number	Part Name	Group	ID
D1175924	STOPPER:WIRE:HIGH VOLTAGE:TRANSFER	U027	40
D1175925	GUIDE:HARNESS:PAPER FEED DRIVE	U027	41
D1175927	ACTUATOR:FRONT:SAFETY SWITCH	U001	13
D1175930	COVER:HARNESS:PCU:FRONT	U027	42
D1175945	SPACER:FFC	U027	43
D1176002	TRANSFER UNIT:INTERMEDIATE TRANSFER:ASS'Y	U015	1
D1176135	CAM:ON-OFF:BK	U016	13
D1176136	SHAFT:CAM:ON-OFF:BK	U016	14
D1176137	LEVER:ON-OFF:BK:INTERMEDIATE TRANSFER	U016	15
D1176138	PRESSURE PLATE:INTERMEDIATE TRANSFER	U016	16
D1176181	LEVER:SUPPORT:SHUTTER	U016	17
D1176185	LEVER:OPEN AND CLOSE:SHUTTER	U001	14
D1176201	TRANSFER/SEPARATION UNIT:SECOND:ASS'Y	U017	11
D1176241	DRIVE UNIT:ON-OFF:TRANSFER ROLLER:ASS'Y	U016_S001	18
D1176245	DENSITY SENSOR:TM/P:ASS'Y	U016_S002	19
D1176301	BASE:PRESSURE:TRANSFER ROLLER	U017	12
D1176304	SPACER:LEVER:PRESSURE	U017	13
D1176305	LEVER:PRESSURE:TRANSFER ROLLER:FRONT	U017	14
D1176306	LEVER:PRESSURE:TRANSFER ROLLER:REAR	U017	15
D1176312	HOLDER:DISCHARGE:TRANSPORT SUB-UNIT	U017	16
D1176315	CASING:TRANSFER ROLLER:FRONT	U017	17
D1176316	CASING:TRANSFER ROLLER:REAR	U017	18
D1176317	STAY:CASING:TRANSFER ROLLER	U017	19

Number	Part Name	Group	ID
	R		
D1176318	PRESSURE PLATE:HOLDER:TRANSFER ROLLER:FRONT	U017	20
D1176319	PRESSURE PLATE:HOLDER:TRANSFER ROLLER:REAR	U017	21
D1176320	TERMINAL:BIAS:SEPARATION	U017	22
D1176322	COVER:PRESSURE PLATE:ENTRANCE	U017	23
D1176327	LEVER:GROUND PLATE	U017	24
D1176350	DC MOTOR:ON-OFF:FIRST:ASS'Y:5.3W:BRUSH	U016_S001	20
D1176362	COVER:BRACKET:DRIVE:ON-OFF	U016_S001	21
D1176363	GEAR:ON-OFF:FIRST	U016_S001	22
D1176364	GEAR:ON-OFF:FIRST:NO.1	U016_S001	23
D1176365	GEAR:ON-OFF:FIRST:NO.2	U016_S001	24
D1176366	GEAR:ON-OFF:FIRST:NO.3	U016_S001	25
D1176367	GEAR:ON-OFF:SECOND	U016_S001	26
D1176368	GEAR:ON-OFF:SECOND:NO.1	U016_S001	27
D1176369	GEAR:ON-OFF:SECOND:NO.2	U016_S001	28
D1176370	GEAR:ON-OFF:SECOND:NO.3	U016_S001	29
D1176375	BRACKET:FEELER:ON-OFF	U016	30
D1176376	FEELER:ON-OFF:FIRST	U016	31
D1176386	HOOK:SHUTTER:DENSITY SENSOR	U016_S002	32
D1176390	SHUTTER:DENSITY SENSOR	U016_S002	33
D1176391	GUIDE PLATE:RELAY	U016_S002	34
D1176392	SPACER:SHUTTER:SENSOR:TM	U016_S002	35
D1176395	DENSITY SENSOR	U016_S002	36
D1176401	COLLECTION BOTTLE:ASS'Y	U018	11
D1176588	BRACKET:COLLECTION BOTTLE:LEFT	U018	12
D1176590	COVER:GEAR:USED TONER	U018	13
D1176801	DECAL:MODEL NAME PLATE:RICOH:EXP:(for D117)	U004	5
D1179590	NV-RAM	U031	5
D1186801	DECAL:MODEL NAME PLATE:RICOH:EXP:(for D118)	U004	6
D1441085	STEPPED SCREW:M3	U019_S001	42

WWW.SERVICE-MANUAL.NET

Exclusive Parts

Number	Part Name	Group	ID
G0205626	PUSH SWITCH	U008	24
G0219350	Loop-back Connector Parallel	Special Tools	8
G1634453	GUIDE PLATE:REVERSE:UPPER	U021	13
G1634459	STOPPER:EXIT:EXIT	U021	14
G1634460	ROLLER:DRIVEN:EXIT	U021	15
G1634461	SPRING:PRESSURE:EXIT:OUTER	U021	16
G1634463	GUIDE:PLATE:EXIT	U021	17
G1634465	ROLLER:DRIVEN:DUPLEX:INNER	U021	18
G1634466	ROLLER:DRIVEN:EXIT	U021	19
G1634467	ROLLER:DRIVEN:DUPLEX	U021	20
G1634468	SPRING:PRESSURE:EXIT:INNER	U021	21
G1634469	SPRING:PRESSURE:DUPLEX	U021	22
G1634478	GEAR:CHANGE:EXIT	U022	20
G1634479	GEAR:IDLER:EXIT	U022	21
G1634484	SPRING:CHANGE:EXIT	U022	22
G1634492	DC SOLENOID:PRESS FIT	U022	23
G1634499	HOLDER:LINK:EXIT	U022	24
G1666057	PLAIN SHAFT BEARING:ROLLER:BLADE	U016	37
GA082010	BUSHING:DIA6:DIA10:9	U023	64
GA082014	PLAIN SHAFT BEARING:DIA6:DIA10:9	U021	23
GA082015	PLAIN SHAFT BEARING:DIA6:DIA9:7	U023	65
GW010007	PHOTO REFLECTION SENSOR:EXIT	U021	24
GX640021	FAN MOTOR DC24V 1.92W	U027	44
GX645734	FAN MOTOR:MM80 DC24V 3.12W	U029	11
H3103640	SPACER	U017	25
H5235350	TELEPHONE CABLE:(for D117)	Accessories	6
M0261265	CAP:TOTAL COUNTER	U002	32
M0261710	DECAL:SCALE:LEFT:NA	U004	7
M0262993	DECAL:SIDE FENCE:MANUAL FEE D	U009_S001	22
M0266884	DECAL:MAIN SWITCH:ON-STANDBY:NA	U002	33
M0266890	DECAL:CAUTION:ORIGINAL:ENGLISH	U004	8

Number	Part Name	Group	ID
M0525391	PCB:MEMORY:512MB	U031	6
M0662743	FRICITION PAD:MANUAL FEED TABLE:18X7.5	U009_S001	23
M1011301	PLATE:LOGO:RIC	U001	15

WWW.SERVICE-MANUAL.NET

Standard Parts



03520030N
SCREW:M2X3



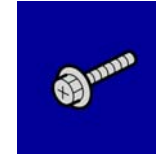
03530030N
SCREW:M3X3



03530040N
SCREW - M3X4



03603006N
SCREW - M3X6



03603014N
SCREW - M3X14



04503008N
TAPPING SCREW - M3X8



04503010N
TAPPING SCREW - M3X10



04503012N
TAPPING SCREW:3X12



04503014N
TAPPING SCREW:M3X14



04503025N
TAPPING SCREW:3X25



04503035N
TAPPING SCREW:3X35



04504008N
TAPPING SCREW - M4X8



04513006N
TAPPING SCREW - 3X6



04513008N
TAPPING SCREW - M3X8



04522006N
BINDING SELF-TAPPING SCREW - M2X6



04522008P
BINDING SELF-TAPPING SCREW:2X8



04523008N
TAPPING SCREW - M3X8



04523010N
BINDING SELF-TAPPING SCREW:3X10



04543006Q
TAPPING SCREW - M3X6



04543008N
TAPPING SCREW:ROUND POINT:3X8



04543008Q
TAPPING SCREW:3X8



04583008N
HEXAGON HEAD TAPPING SCREW:3X8



04583010N
HEXAGON HEAD TAPPING SCREW:3X10



06220120E
SPRING PIN - 2X12MM



07073050N
BUSHING:DIA3X5



07200025E
RETAINING RING - M2.5



07200030E
RETAINING RING - M3



07200040E
RETAINING RING - M4

Standard Parts



07200060E
RETAINING RING - M6



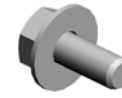
07330406
BUSHING - 4X6



08010231
HEXAGONAL HEAD BOLT W/
WASHER:M3X6



08025320
HEXAGON HEAD TAPPING S
CREW:ES:3X10



08046123
HEXAGONAL BOLT:W/WASH
ER:M3X8



08046128
HEXAGONAL BOLT:DOUBLE
SCREW:M3X10



08050089
RETAINING RING - M4



09544012N
SCREW:POLISHED ROUND/
SPRING:M4X12



09573010N
SCREW:SMALL ROUND/SPRI
NG:M3X10



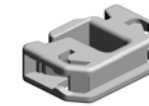
11028534
CONNECTOR - QR/P17-14S-
B



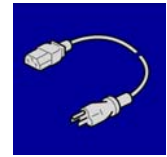
11050511
HARNESS CLAMP - LWS-030
6ZC



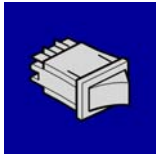
11050516
CLAMP



11050692
CLAMP:LES-0503



11500427
POWER SUPPLY CODE:125V
:15A:NA



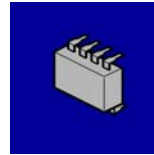
12042570
ROCKER SWITCH:SDDJE132
00



12042612
MICRO SWITCH:D3V-16506-3
C25



12042909
ROCKER SWITCH:A8GS-T11
85KR



14077667
EEPROM:BR24T128-W



16072251
FERRITE CORE:K3 NF-75(N)
BK0:(for D117)

PM Part List

Number	Part Name	Num	Group	ID
D1170121	PCDU:BK:SERVICE PARTS	1	U014	2
D1176401	COLLECTION BOTTLE:ASSY	1	U018	11

