

MP C3004SP/ASP/SPG/ C3504SP/ASP/SPG

(D238/D239)

Parts Catalog

Parts change information sample

 **Add**

 **Update**

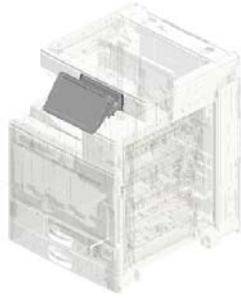
 **Delete**

Model	Product Code	PC Style
MP C3004SP/ASP/SPG MP C3504SP/ASP/SPG DSc1230	D238/D239	3D
MP C4504SP/ASP/SPG MP C5504SP/ASP MP C6004SP/SPG DSc1245/DSc1260	D240/D241/D242	3D
SPDF DF3100	D3B0	3D
Finisher SR3210	D3B8	3D
Booklet Finisher SR3220	D3B9	3D
Booklet Finisher SR3240	D3BB	3D
Finisher SR3230	D3BA	3D
1 Bin Tray BN3110	D3CQ	3D
Bridge Unit BU3070	D685	3D
Internal Finisher SR3130	D690	3D
Side Tray Type M3	D725	3D
Internal Finisher SR3180	D766	3D
Smart Operation Panel	D241	Traditional
IEEE 802.11a/g/n Interface Unit Type M19	D3BR	Traditional
Memory Unit Type M19 4GB	D3BX	Traditional
Extended USB Board Type M19	D3BS	Traditional
IEEE 1284 Interface Board Type M19 XPS	D3C0	Traditional
Direct Print Option Type M19	D3BC	Traditional
USB Device Server Option Type M19	D3BC	Traditional
PostScript3 Unit Type M19	D3BD	Traditional
Camera Direct Print Card Type M19	D3BD	Traditional
File Format Converter Type M19	D3BR	Traditional
DataOverwriteSecurity Unit Type M19	D3BS	Traditional
IPDS Unit Type M20	D3BC	Traditional
Imageable Area Extension Unit Type M19	D3BR	Traditional
Enhanced Security HDD Option Type M12	D3A6	Traditional
OCR Unit Type M13	D3AC	Traditional
NFC Card Reader Type M19	D3BS	Traditional
Smart Card Reader Built-in Unit Type M19	D3BS	Traditional
External Keyboard Bracket Type M19	D3BR	Traditional
Caster Table Type M3	D178	Traditional
Platen Cover PN2000	D700	Traditional
ADF Handle TypeC	D593	Traditional
Card Reader Bracket Type 3352	D593	Traditional
Key Counter Bracket Type M3	D739	Traditional
Bluetooth Interfance Unit Type D	D566	Traditional

Unit All



U001
EXTERIOR



U002
OPERATION



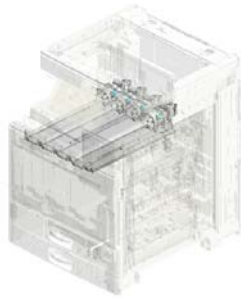
U003
SCANNER



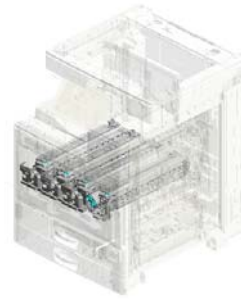
U004
LASER UNIT



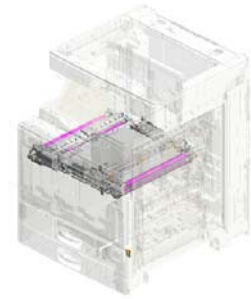
U005
PAPER FEED



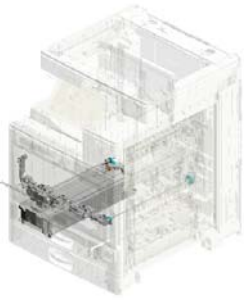
U006
TONER SUPPLY



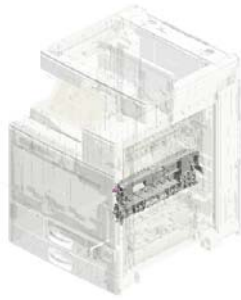
U007
PCDU



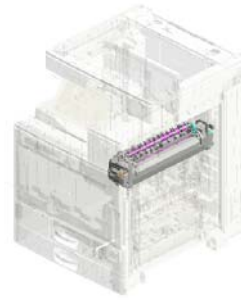
U008
ITB UNIT



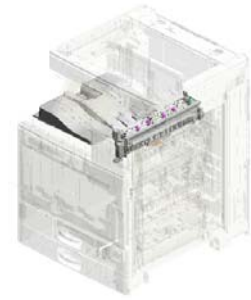
U009
USED TONER



U010
PAPER TRANSPORT



U011
FUSING

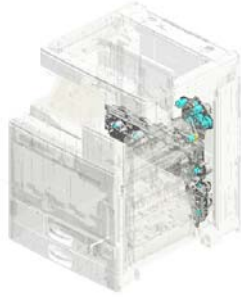


U012
PAPER EXIT

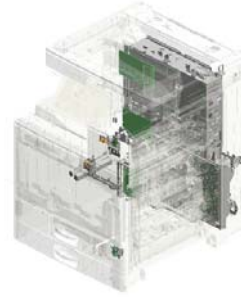
Unit All



U013
DUPLEX



U014
MAIN DRIVE

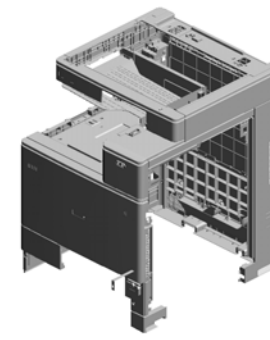


U015
ELECTRICAL



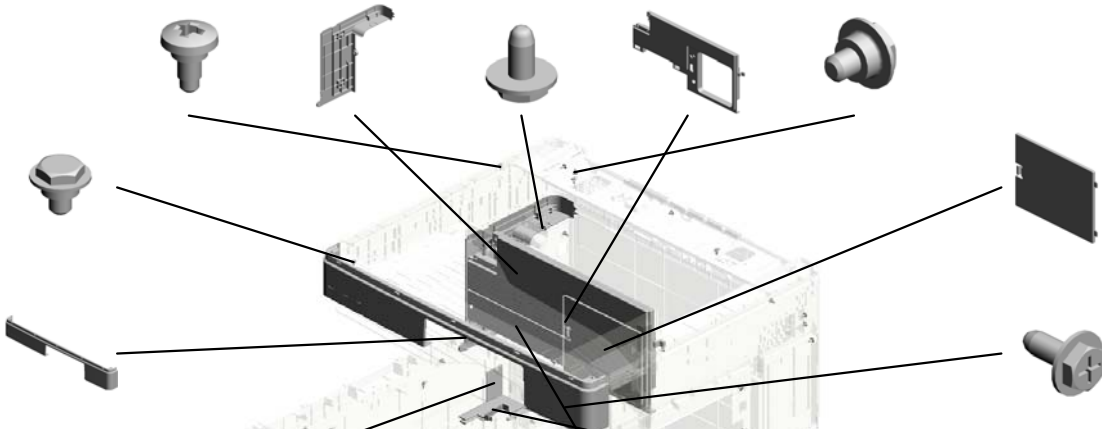
U016
MAIN FRAME

U001 EXTERIOR



- 8.AA143595 (x5) STEPPED SCREW: M3
- 16.D1491252 (x5) COVER:LEFT:UPPER:REAR
- 1.04543006Q (x5) TAPPING SCREW - M3X6
- 11.D1491233 (x5) COVER:UPPER:INNER BACK
- 10.D1441085 (x35) STEPPED SCREW: M3

7.AA143537 (x10) SCREW:M3:BLACK



12.D1491234 (x5) COVER:UPPER:INNER BACK:MIDDLE

4.04583008N (x15) HEXAGON HEAD TAPPING SCREW:3X8

20.D1491281 (x5) COVER:SCANNER:FRONT

2.04543008N (x260) TAPPING SCREW: ROUND POINT:3X8

17.D1491257 (x5) CAP:34X55

14.D1491243 (x5) COVER:FRONT:UPPER:OPERATIONS UNIT

5.52062686 (x5) SNAP RING

9.AG070513 (x5) MAGNET CATCH

19.D1491278 (x5) TORSION SPRING: COVER:USED TONER

3.04543008Q (x25) TAPPING SCREW: 3X8

15.D1491248 (x5) HINGE:COVER:FRONT:USED TONER

18.D1491274 (x5) INNER COVER:FRONT:USED TONER

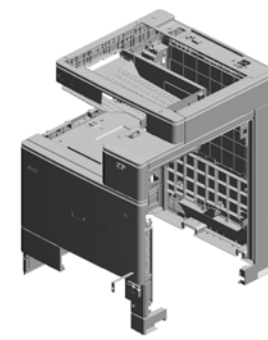
6.AA021031 (x5) MAGNETIC CATCH

4.04583008N (x100) HEXAGON HEAD TAPPING SCREW:3X8

13.D1491237 (x5) COVER:UPPER:INNER BACK:LEFT LOWER

U001 EXTERIOR

37.D1501282 (x5) COVER:SCANNER:UPPER:FRONT
 35.D1501235 (x5) COVER:UPPER:INNER BACK:BIN
 26.D1494492 (x5) TRAY:REVERSE
 39.D2391255 (x5) COVER:LEFT:INTERFACE
 38.D1501290 (x5) COVER:SCANNER:UPPER:REAR



29.D1496859 (x5) DECAL:CLEANING:SHIELD GLASS



36.D1501250 (x5) COVER:LEFT



23.D1491302 (x5) CLEANER:SHIELD GLASS:ASSY



33.D1496896 (x5) DECAL:PCU:YELLOW



32.D1496895 (x5) DECAL:PCU:MAGENTA



31.D1496894 (x5) DECAL:PCU:CYAN



40.D2391276 (x5) INNER COVER:TO INNER BOTTLE



30.D1496893 (x5) DECAL:PCU:BLACK



27.D1495883 (x5) KEYTOP:MAIN SWITCH



28.D1495884 (x5) COMPRESSION SPRING:KEYTOP



22.D1491294 (x6) (EU(-27,-28,-66)/CH N/AA/KOR/TWN):CAP:HARNESS:CORNER



21.D1491291 (x5) CAP:HARNESS



24.D1491305 (x10) CAP:TOTAL COUNTER



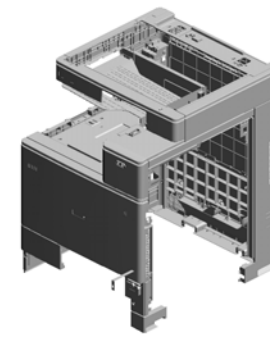
34.D1497984 (x5) DUCT:REAR:POWER SUPPLY UNIT



25.D1491307 (x5) SPRING PLATE: BAND

U001 EXTERIOR

54.D2411284 (x5) COVER:SCANNER: LEFT
 55.D2411285 (x5) COVER:SCANNER: UPPER:LEFT
 46.D2411245 (x5) COVER:FRONT:UPPER
 58.D2411297 (x5) BRACKET:COVER: LEFT UPPER REAR
 43.D2411232 (x5) COVER:UPPER:EXI T



41.D2411230 (x5) COVER:UPPER

57.D2411288 (x5) COVER:SCANNER: UPPER:RIGHT

45.D2411244 (x5) COVER:FRONT:RIGHT UPPER

49.D2411261 (x5) COVER:REAR

42.D2411231 (x5) COVER:UPPER:FRONT

50.D2411263 (x5) CAP:LOUVER:DEODORIZE FILTER

44.D2411241 (x5) COVER:FRONT

56.D2411287 (x5) COVER:SCANNER: RIGHT

47.D2421247 (x5) [A] COVER:FRONT:USED TONER 201611-04 X/O

48.D2411260 (x5) COVER:REAR:LOWER

52.D2411273 (x5) INNER COVER:FRONT:LOWER

60.D2411308 (x5) BAND:STOPPER:DOOR

53.D2411275 (x5) INNER COVER:FRONT:RIGHT LOWER

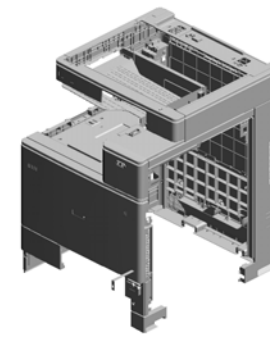
59.D2411298 (x5) INNER COVER:RIGHT

51.D2411266 (x5) COVER:RIGHT:FRONT LOWER

U001 EXTERIOR

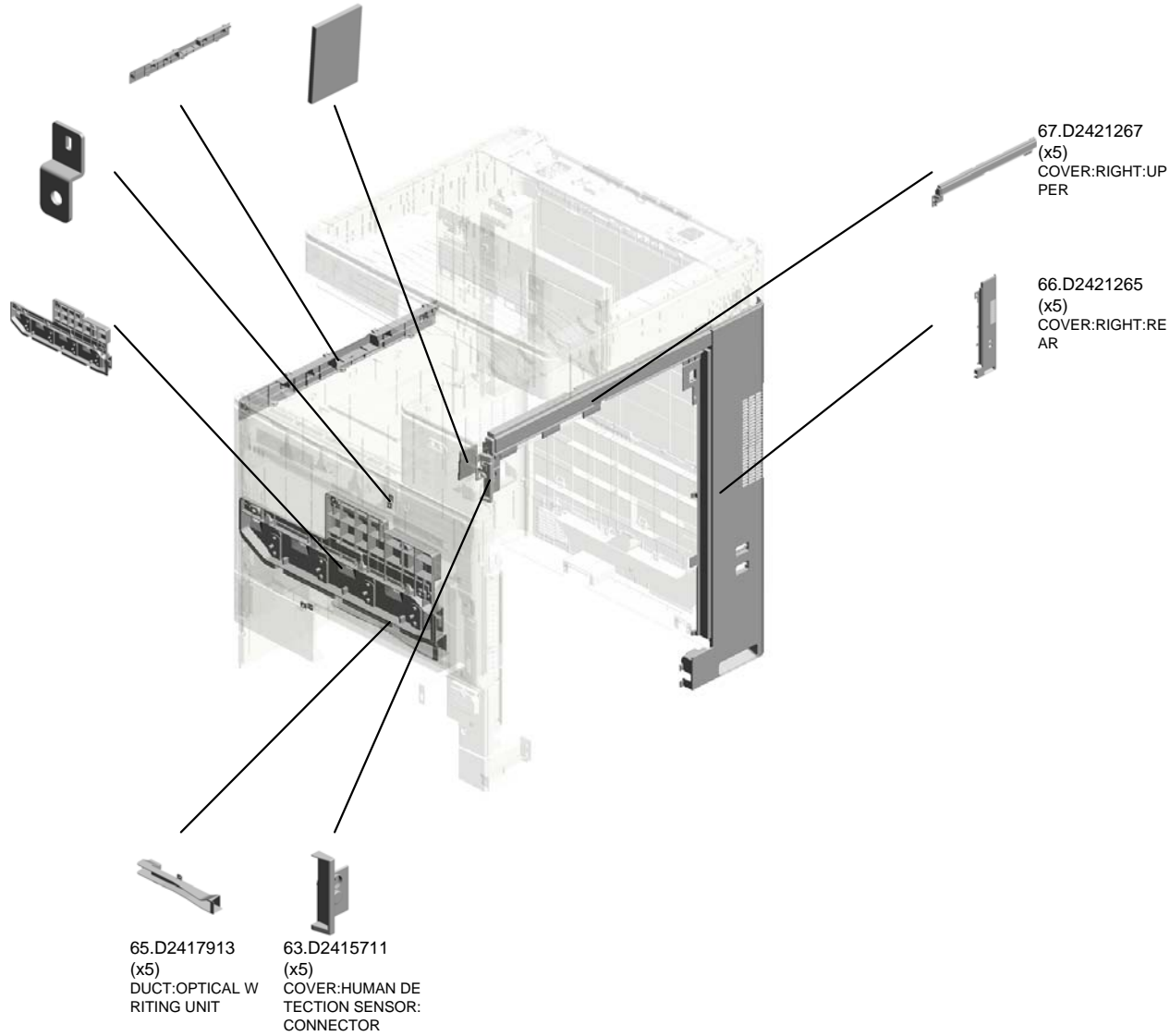
68.D2411251
(x5)
COVER:LEFT:UPP
ER

62.D2414458
(x20)
GUIDE:COVER:UP
PER



61.D2411309
(x10)
MAGNET CATCH

64.D2417911
(x5)
DUCT:DEVELOPM
ENT:FRONT



65.D2417913
(x5)
DUCT:OPTICAL W
RITING UNIT

63.D2415711
(x5)
COVER:HUMAN DE
TECTION SENSOR:
CONNECTOR

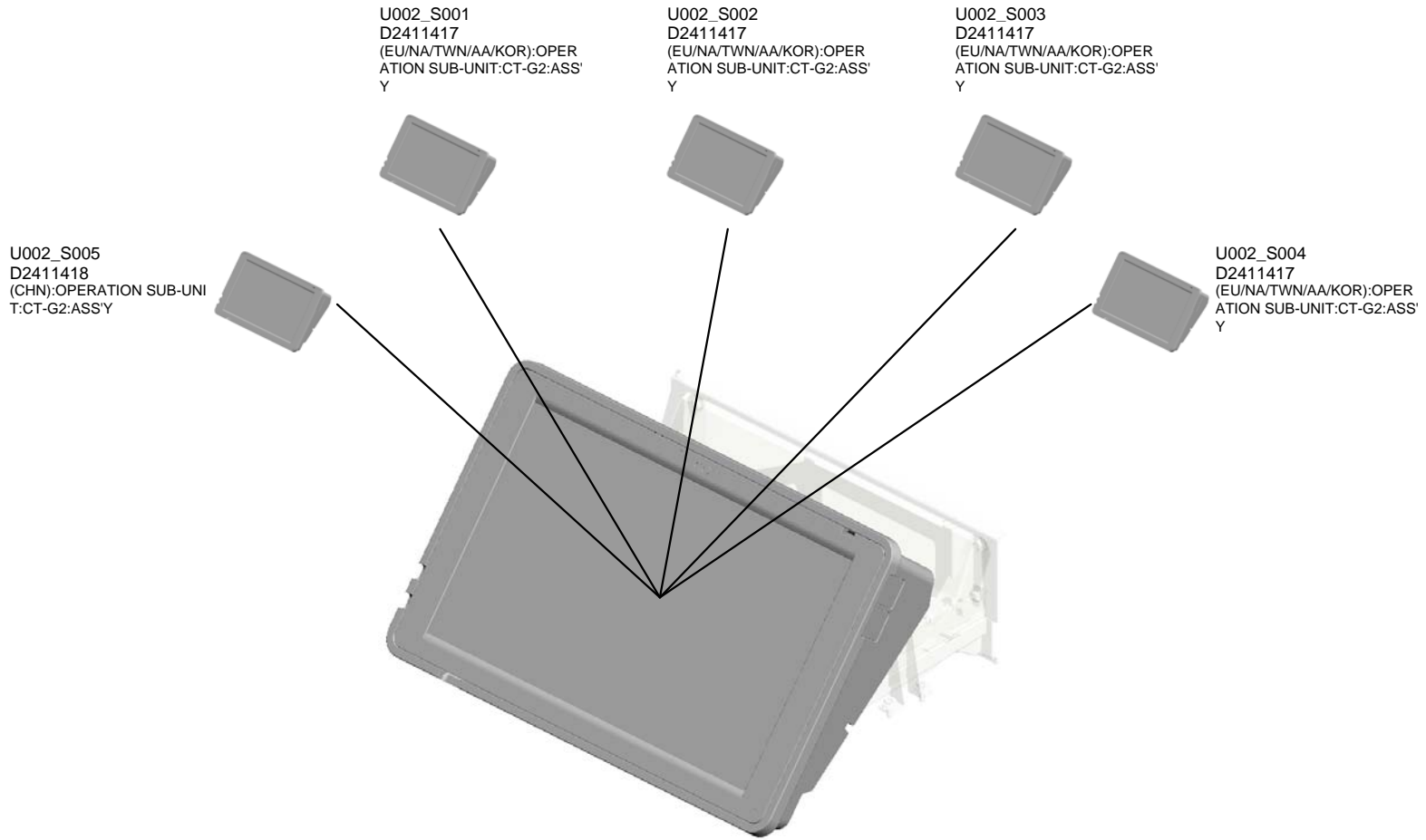
67.D2421267
(x5)
COVER:RIGHT:UP
PER

66.D2421265
(x5)
COVER:RIGHT:RE
AR



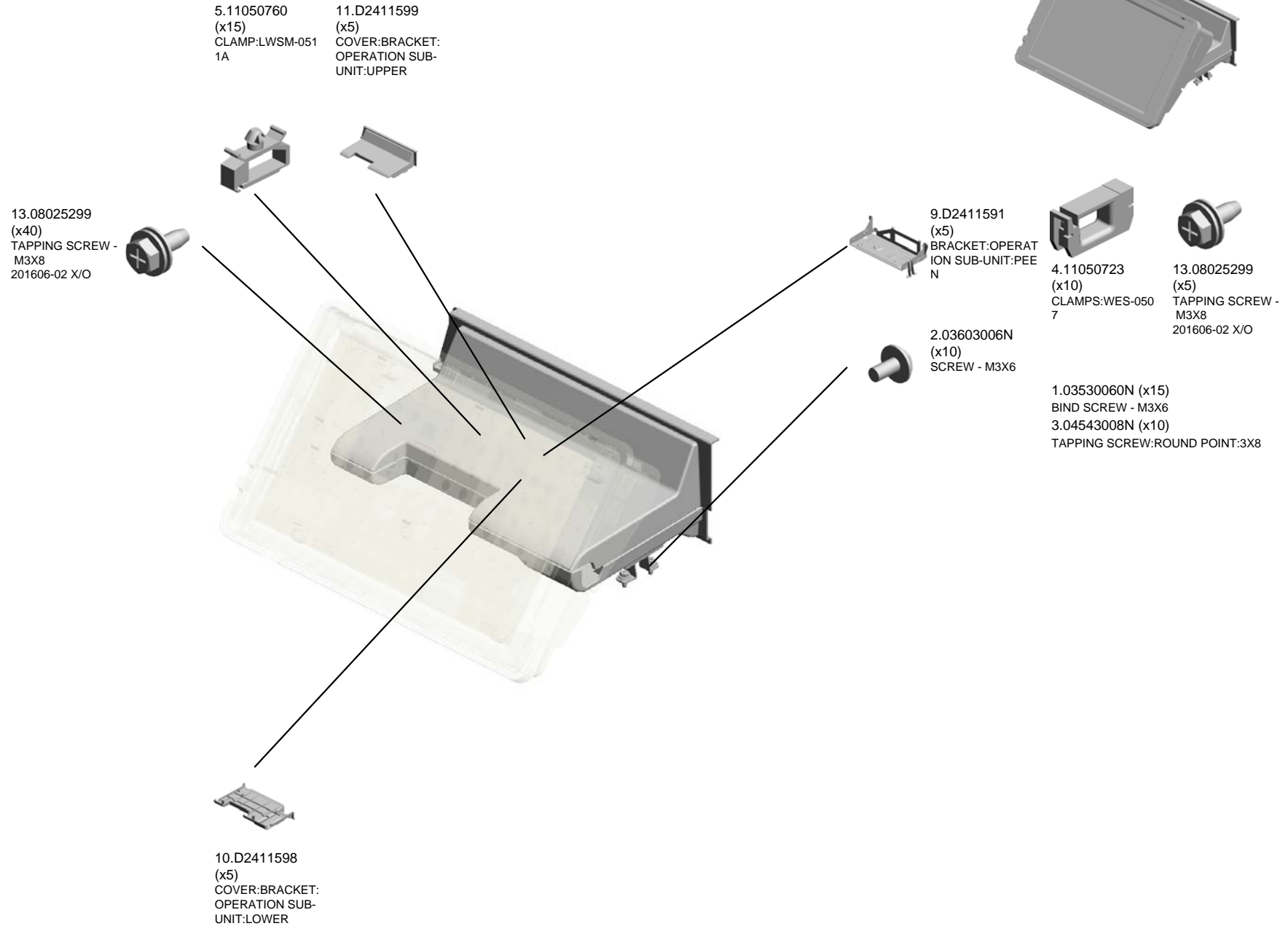
D2411247
[A]
COVER:FRONT:US
ED TONER
201611-04 X/O

U002.OPERATION



U001	U002	U003	U004	U005	U006	U007	U008	U009	U010	U011	U012	U013	U014	U015	U016
------	-------------	------	------	------	------	------	------	------	------	------	------	------	------	------	------

U002 OPERATION



U002_S001
(EU/NA/TWN/AA/KOR):OPERATION SUB-UNIT:CT-G2:ASS'Y



14.D2411417
[A]
(EU/NA/TWN/AA/KOR):OPERATION SUB-UNIT:CT-G2:ASS'Y
201606-04 O/O

See 2D parts catalog for the components of the Smart Operation Panel.

12.Note
See 2D parts catalog for the components of the Smart Operation Panel.



D2411424
[A]
(EU/NA/TWN/AA/KOR):OPERATION SUB-UNIT:ASS'Y
201606-04 O/O

U002_S002
(EU/NA/TWN/AA/KOR):OPERATION SUB-UNIT:CT-G2:ASS'Y



14.D2411417
[A]
(EU/NA/TWN/AA/KOR):OPERATION SUB-UNIT:CT-G2:ASS'Y
201606-04 O/O

See 2D parts catalog for the components of the Smart Operation Panel.

12.Note
See 2D parts catalog for the components of the Smart Operation Panel.



D2411424
[A]
(EU/NA/TWN/AA/KOR):OPERATION SUB-UNIT:ASS'Y
201606-04 O/O

U001	U002	U003	U004	U005	U006	U007	U008	U009	U010	U011	U012	U013	U014	U015	U016
------	------	------	------	------	------	------	------	------	------	------	------	------	------	------	------

U002_S003
(EU/NA/TWN/AA/KOR):OPERATION SUB-UNIT:CT-G2:ASS'Y



14.D2411417
[A]
(EU/NA/TWN/AA/KOR):OPERATION SUB-UNIT:CT-G2:ASS'Y
201606-04 O/O

See 2D parts catalog for the components of the Smart Operation Panel.

12.Note
See 2D parts catalog for the components of the Smart Operation Panel.



D2411424
[A]
(EU/NA/TWN/AA/KOR):OPERATION SUB-UNIT:ASS'Y
201606-04 O/O

U001	U002	U003	U004	U005	U006	U007	U008	U009	U010	U011	U012	U013	U014	U015	U016
------	------	------	------	------	------	------	------	------	------	------	------	------	------	------	------

U002_S004
(EU/NA/TWN/AA/KOR):OPERATION SUB-UNIT:CT-G2:ASS'Y



14.D2411417
[A]
(EU/NA/TWN/AA/KOR):OPERATION SUB-UNIT:CT-G2:ASS'Y
201606-04 O/O

See 2D parts catalog for the components of the Smart Operation Panel.

12.Note
See 2D parts catalog for the components of the Smart Operation Panel.



D2411424
[A]
(EU/NA/TWN/AA/KOR):OPERATION SUB-UNIT:ASS'Y
201606-04 O/O

U002_S005
(CHN):OPERATION SUB-UNIT:CT-G2:ASS'Y



15.D2411418
[A]
(CHN):OPERATION
SUB-UNIT:CT-G2:
ASS'Y
201606-05 O/O

See 2D parts catalog
for the components of
the Smart Operation
Panel.

12.Note
See 2D parts catalog
for the components of
the Smart Operation
Panel.



D2411426
[A]
(CHN):OPERATION
SUB-UNIT:ASS'Y
201606-05 O/O

U001	U002	U003	U004	U005	U006	U007	U008	U009	U010	U011	U012	U013	U014	U015	U016
------	------	------	------	------	------	------	------	------	------	------	------	------	------	------	------

U003.SCANNER

U003_S002
D2411750
CARRIAGE:SCANNER:ASS'Y

U003_S004
D2411750
CARRIAGE:SCANNER:ASS'Y

U003_S006
D2411750
CARRIAGE:SCANNER:ASS'Y

U003_S008
D2411750
CARRIAGE:SCANNER:ASS'Y

U003_S010
D2411750
CARRIAGE:SCANNER:ASS'Y

U003_S001
D2411719
DC STEPPER MOTOR

U003_S003
D2411719
DC STEPPER MOTOR

U003_S005
D2411719
DC STEPPER MOTOR

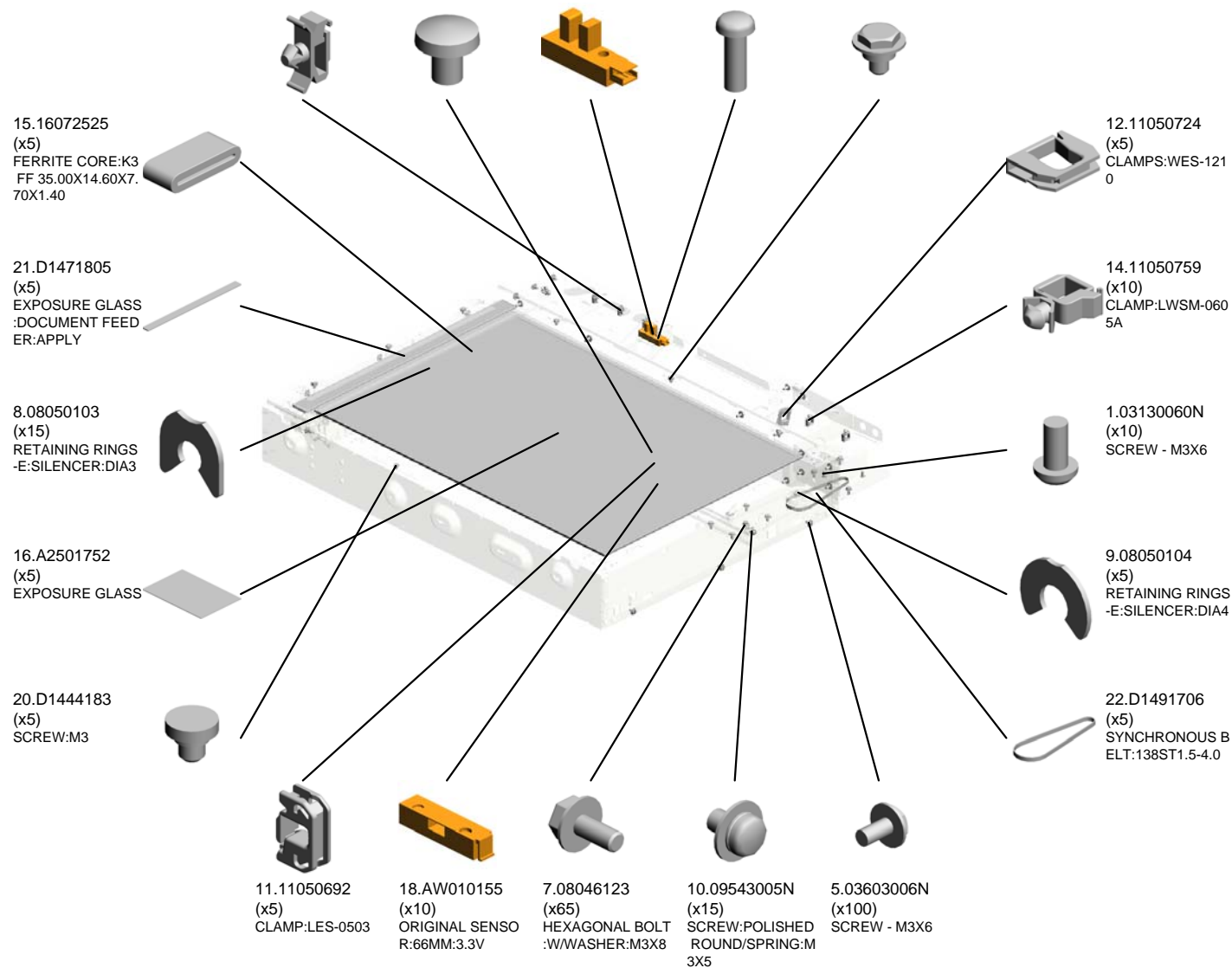
U003_S007
D2411719
DC STEPPER MOTOR

U003_S009
D2411719
DC STEPPER MOTOR

U001	U002	U003	U004	U005	U006	U007	U008	U009	U010	U011	U012	U013	U014	U015	U016
------	------	------	------	------	------	------	------	------	------	------	------	------	------	------	------

U003 SCANNER

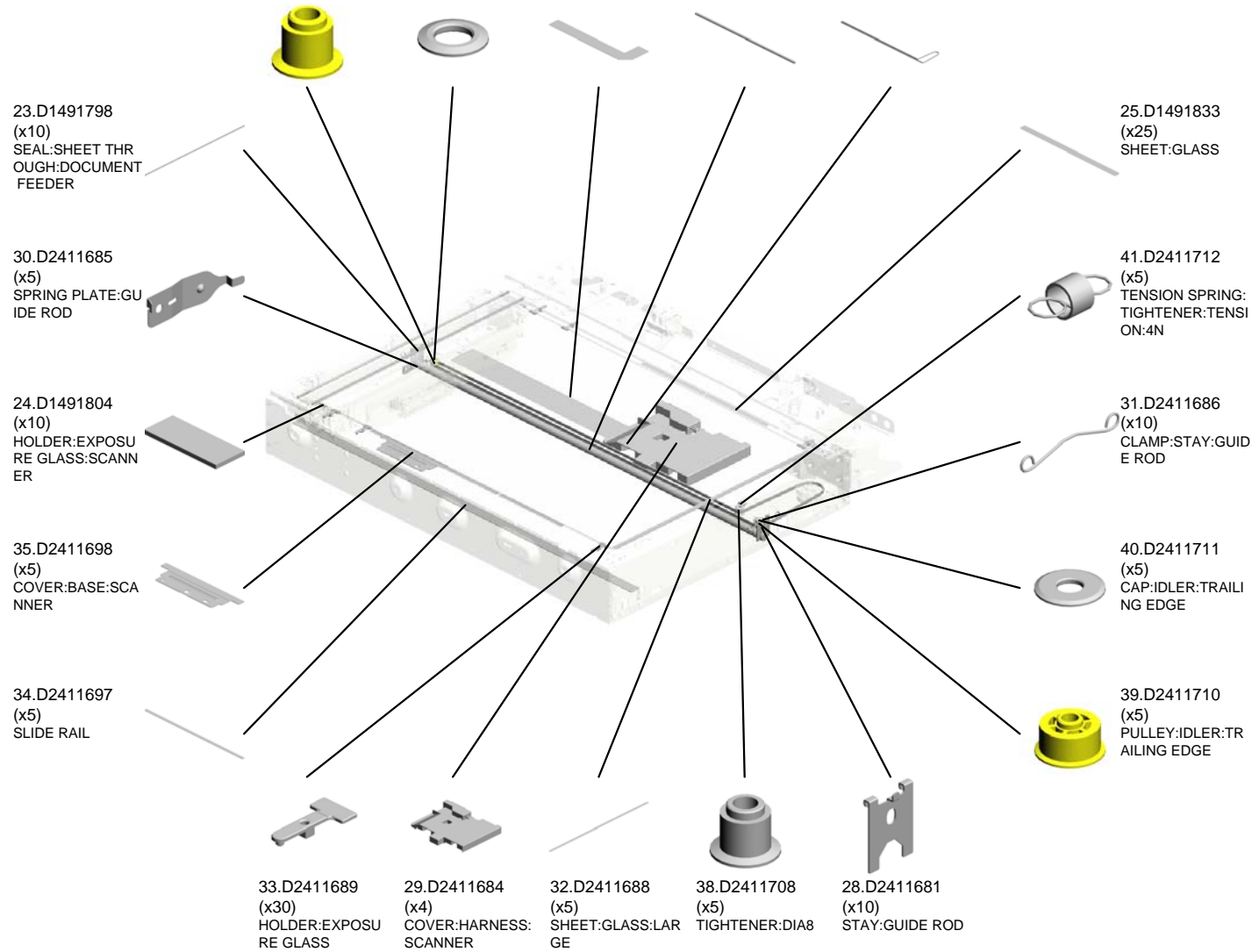
- 13.11050758 (x25) CLAMP:LWSM-030 6A
- 3.03530040N (x5) SCREW - M3X4
- 19.AW020207 (x5) PHOTOINTERUP TOR:FLAT:PICH2M M:M4
- 2.03140120N (x5) SCREW - M4X12
- 17.AA143537 (x30) SCREW:M3:BLACK



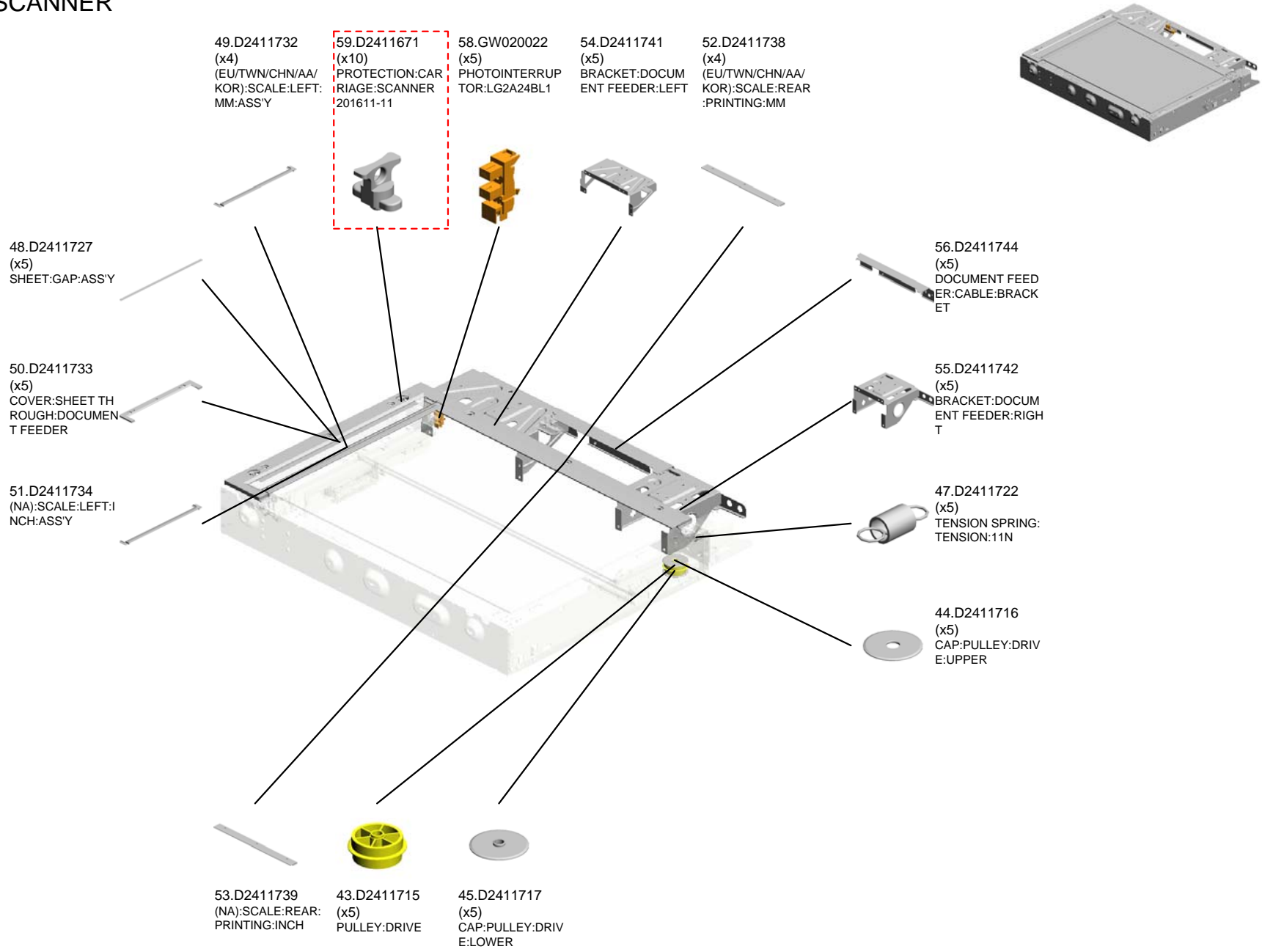
U003 SCANNER



- 36.D2411701 (x5) PULLEY:IDLER:LEADING EDGE
- 37.D2411702 (x10) CAP:PULLEY:IDLER:LEADING EDGE
- 26.D2411678 (x5) SHEET:FFC:LOWE R
- 27.D2411680 (x5) GUIDE ROD
- 42.D2411713 (x5) SYNCHRONOUS BELT:890ST55-4.0

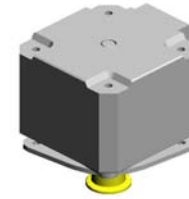


U003 SCANNER



U003_S001
DC STEPPER MOTOR

4.03530060N
(x2)
BIND SCREW - M3
X6



46.D2411719
DC STEPPER MOT
OR



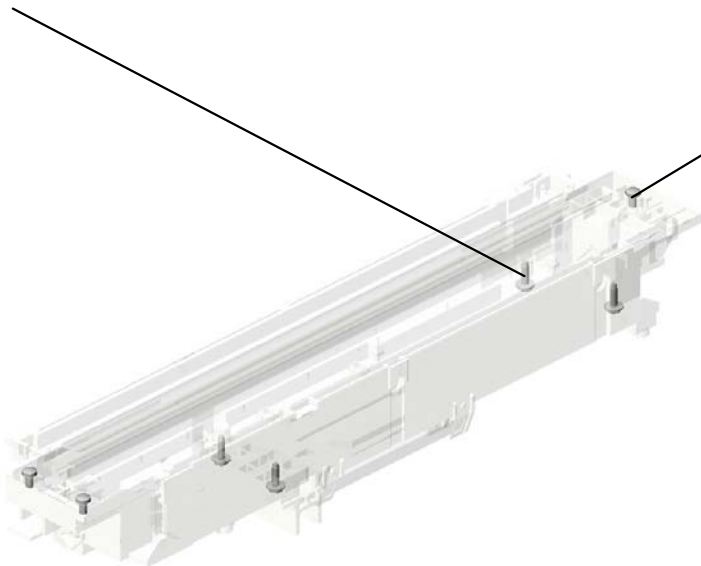
U001	U002	U003	U004	U005	U006	U007	U008	U009	U010	U011	U012	U013	U014	U015	U016
------	------	------	------	------	------	------	------	------	------	------	------	------	------	------	------

U003_S002
CARRIAGE:SCANNER:ASS'Y

6.04583010N
(x4)
HEXAGON HEAD TAPPING SCREW:3
X10



57.D2411750
CARRIAGE:SCANNER:ASS'Y

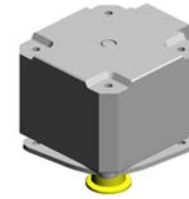


4.03530060N
(x3)
BIND SCREW - M3
X6

U001	U002	U003	U004	U005	U006	U007	U008	U009	U010	U011	U012	U013	U014	U015	U016
------	------	------	------	------	------	------	------	------	------	------	------	------	------	------	------

U003_S003
DC STEPPER MOTOR

4.03530060N
(x2)
BIND SCREW - M3
X6



46.D2411719
DC STEPPER MOT
OR



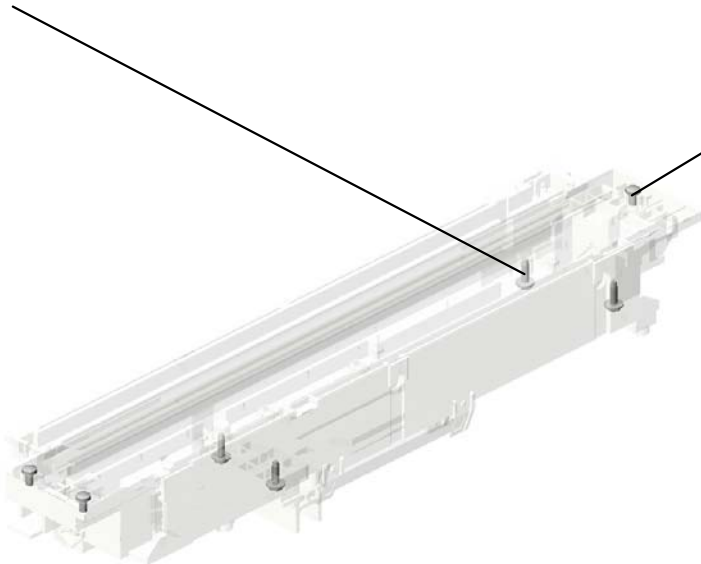
U001	U002	U003	U004	U005	U006	U007	U008	U009	U010	U011	U012	U013	U014	U015	U016
------	------	------	------	------	------	------	------	------	------	------	------	------	------	------	------

U003_S004
CARRIAGE:SCANNER:ASS'Y

6.04583010N
(x4)
HEXAGON HEAD TAPPING SCREW:3
X10



57.D2411750
CARRIAGE:SCANNER:ASS'Y

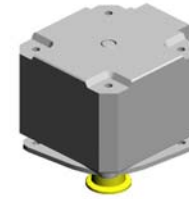


4.03530060N
(x3)
BIND SCREW - M3
X6

U001	U002	U003	U004	U005	U006	U007	U008	U009	U010	U011	U012	U013	U014	U015	U016
------	------	------	------	------	------	------	------	------	------	------	------	------	------	------	------

U003_S005
DC STEPPER MOTOR

4.03530060N
(x2)
BIND SCREW - M3
X6



46.D2411719
DC STEPPER MOT
OR



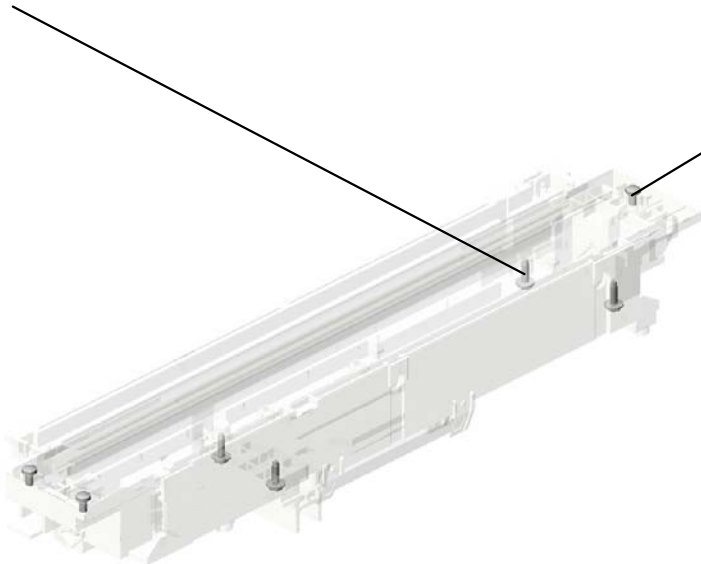
U001	U002	U003	U004	U005	U006	U007	U008	U009	U010	U011	U012	U013	U014	U015	U016
------	------	------	------	------	------	------	------	------	------	------	------	------	------	------	------

U003_S006
CARRIAGE:SCANNER:ASS'Y

6.04583010N
(x4)
HEXAGON HEAD TAPPING SCREW:3
X10



57.D2411750
CARRIAGE:SCANNER:ASS'Y

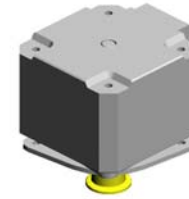


4.03530060N
(x3)
BIND SCREW - M3
X6

U001	U002	U003	U004	U005	U006	U007	U008	U009	U010	U011	U012	U013	U014	U015	U016
------	------	------	------	------	------	------	------	------	------	------	------	------	------	------	------

U003_S007
DC STEPPER MOTOR

4.03530060N
(x2)
BIND SCREW - M3
X6



46.D2411719
DC STEPPER MOT
OR



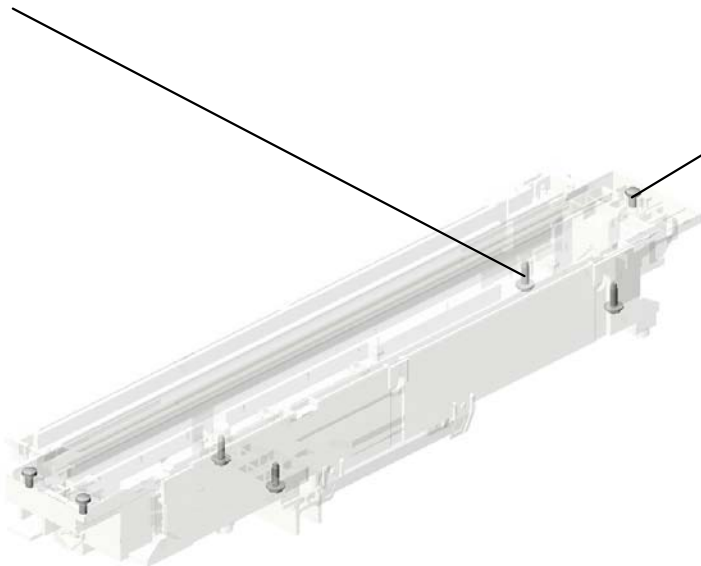
U001	U002	U003	U004	U005	U006	U007	U008	U009	U010	U011	U012	U013	U014	U015	U016
------	------	------	------	------	------	------	------	------	------	------	------	------	------	------	------

U003_S008
CARRIAGE:SCANNER:ASS'Y

6.04583010N
(x4)
HEXAGON HEAD TAPPING SCREW:3
X10



57.D2411750
CARRIAGE:SCANNER:ASS'Y

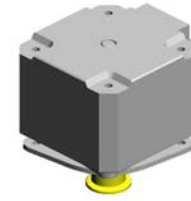


4.03530060N
(x3)
BIND SCREW - M3
X6

U001	U002	U003	U004	U005	U006	U007	U008	U009	U010	U011	U012	U013	U014	U015	U016
------	------	------	------	------	------	------	------	------	------	------	------	------	------	------	------

U003_S009
DC STEPPER MOTOR

4.03530060N
(x2)
BIND SCREW - M3
X6



46.D2411719
DC STEPPER MOT
OR

U001	U002	U003	U004	U005	U006	U007	U008	U009	U010	U011	U012	U013	U014	U015	U016
------	------	------	------	------	------	------	------	------	------	------	------	------	------	------	------

U003_S010
CARRIAGE:SCANNER:ASS'Y

6.04583010N
(x4)
HEXAGON HEAD TAPPING SCREW:3
X10



57.D2411750
CARRIAGE:SCANNER:ASS'Y

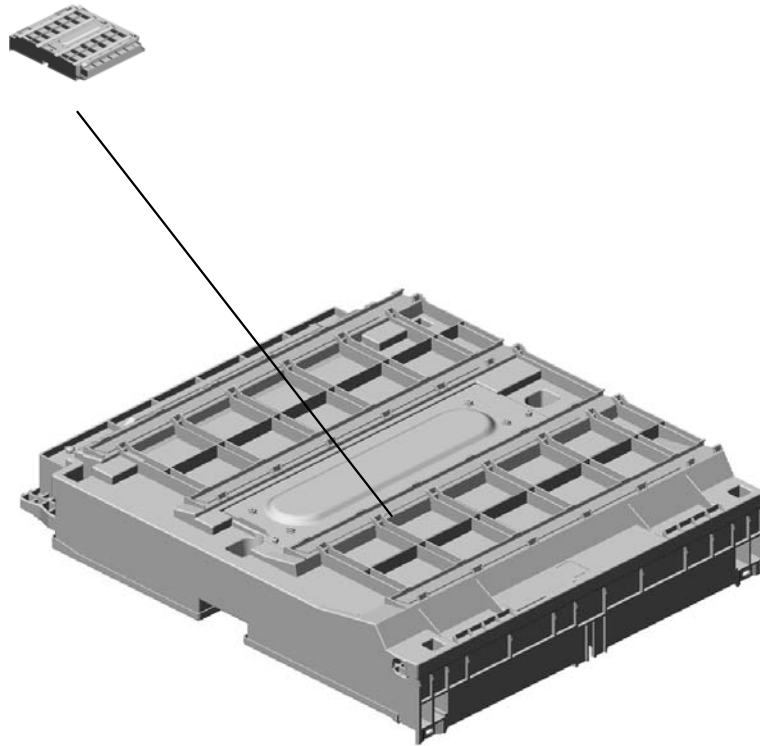


4.03530060N
(x3)
BIND SCREW - M3
X6

U001	U002	U003	U004	U005	U006	U007	U008	U009	U010	U011	U012	U013	U014	U015	U016
------	------	------	------	------	------	------	------	------	------	------	------	------	------	------	------

U004.LASER UNIT

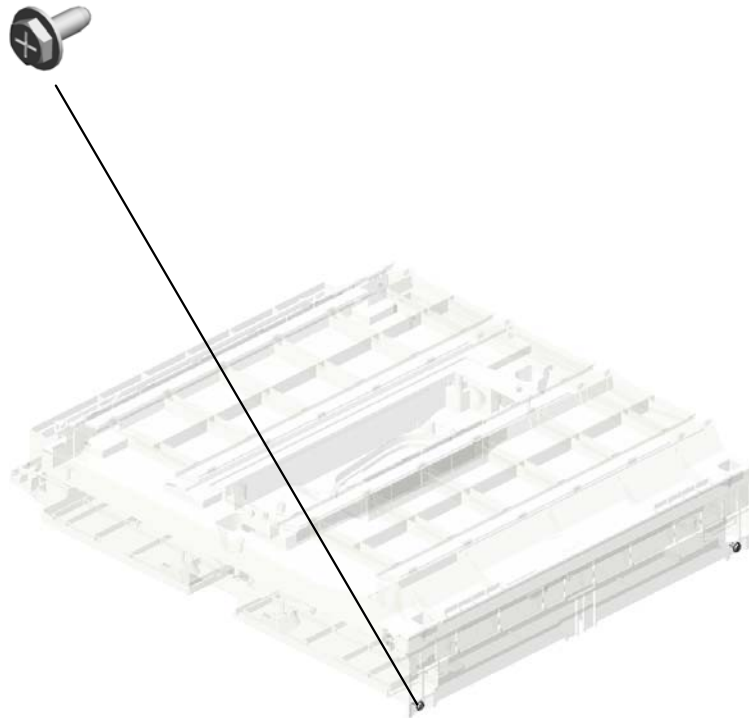
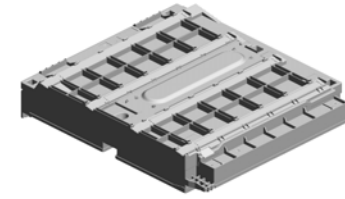
U004_S001
D2391855
OPTICAL WRITING UNIT



U001	U002	U003	U004	U005	U006	U007	U008	U009	U010	U011	U012	U013	U014	U015	U016
------	------	------	------	------	------	------	------	------	------	------	------	------	------	------	------

U004
LASER UNIT

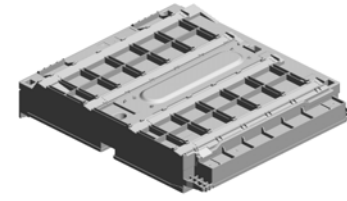
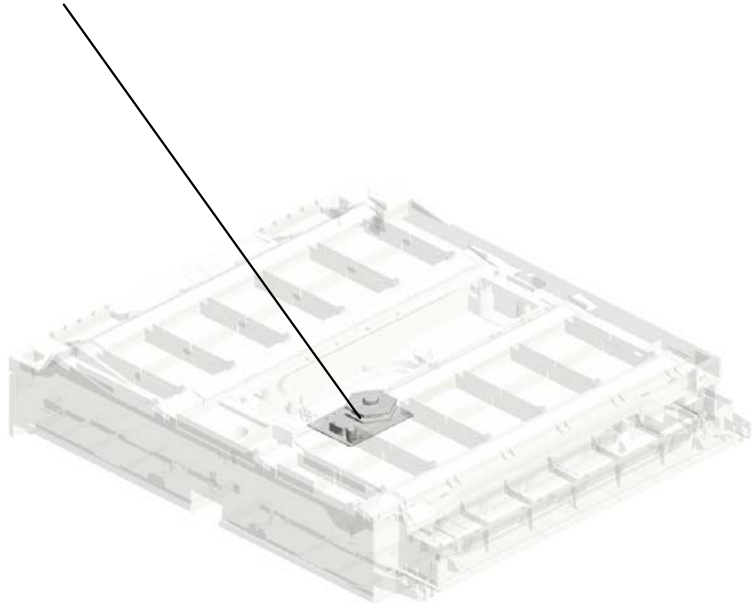
1.04543008Q
(x2)
TAPPING SCREW:
3X8



U001	U002	U003	U004	U005	U006	U007	U008	U009	U010	U011	U012	U013	U014	U015	U016
------	------	------	------	------	------	------	------	------	------	------	------	------	------	------	------

U004_S001
OPTICAL WRITING UNIT

3.AX060491
DC POLYGON MIRROR MOTOR



2.D2391855
OPTICAL WRITING
UNIT

U001	U002	U003	U004	U005	U006	U007	U008	U009	U010	U011	U012	U013	U014	U015	U016
------	------	------	------	------	------	------	------	------	------	------	------	------	------	------	------

U005.PAPER FEED

U005_S001
D1492905
SUPPORTER:RIGHT:NO.1:AS
SY

U005_S005
D2412711
PAPER FEED UNIT:NO.1:ASS
Y

U005_S007
D2412800
PAPER TRAY:NO.1:ASSY

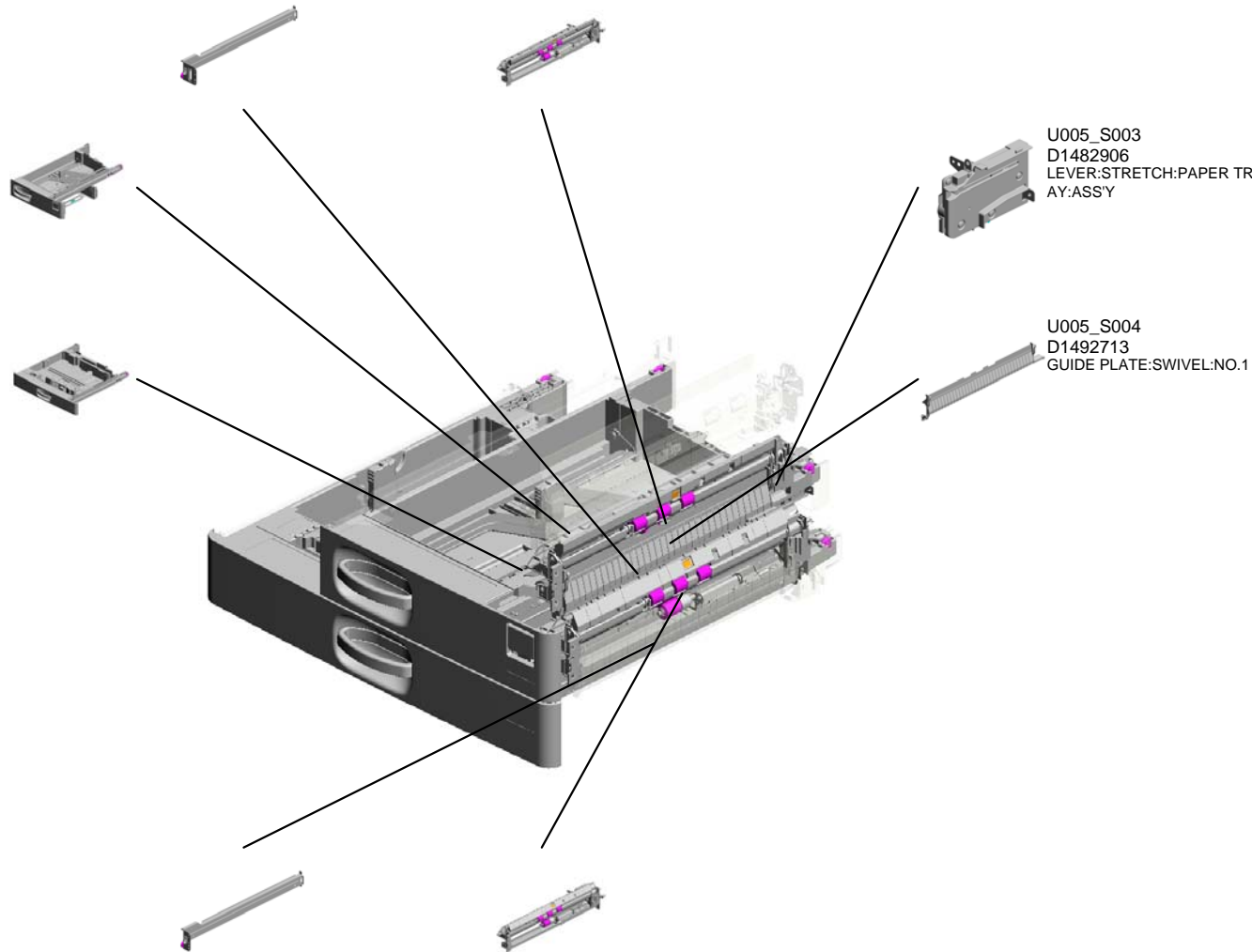
U005_S003
D1482906
LEVER:STRETCH:PAPER TR
AY:ASSY

U005_S008
D2412805
PAPER TRAY:NO.2:ASSY

U005_S004
D1492713
GUIDE PLATE:SWIVEL:NO.1

U005_S002
D1492903
SUPPORTER:RIGHT:NO.2:AS
SY

U005_S006
D2412712
PAPER FEED UNIT:NO.2:ASS
Y



U001	U002	U003	U004	U005	U006	U007	U008	U009	U010	U011	U012	U013	U014	U015	U016
------	------	------	------	------	------	------	------	------	------	------	------	------	------	------	------

U005_S007.PAPER TRAY:NO.1:ASS'Y

U005_S007_S004
D1492850
TRAY BOTTOM PLATE:ASS'Y

U005_S007_S003
D1492840
END FENCE:PAPER TRAY:AS
SS'Y

U005_S007_S002
D1492838
SIDE FENCE:REAR:NO.1:AS
S'Y

U005_S007_S001
D1492828
SIDE FENCE:FRONT:NO.1:AS
SS'Y

U001	U002	U003	U004	U005	U006	U007	U008	U009	U010	U011	U012	U013	U014	U015	U016
------	------	------	------	------	------	------	------	------	------	------	------	------	------	------	------

U005_S008.PAPER TRAY:NO.2:ASS'Y

U005_S008_S001
D1492840
END FENCE:PAPER TRAY:A
SS'Y

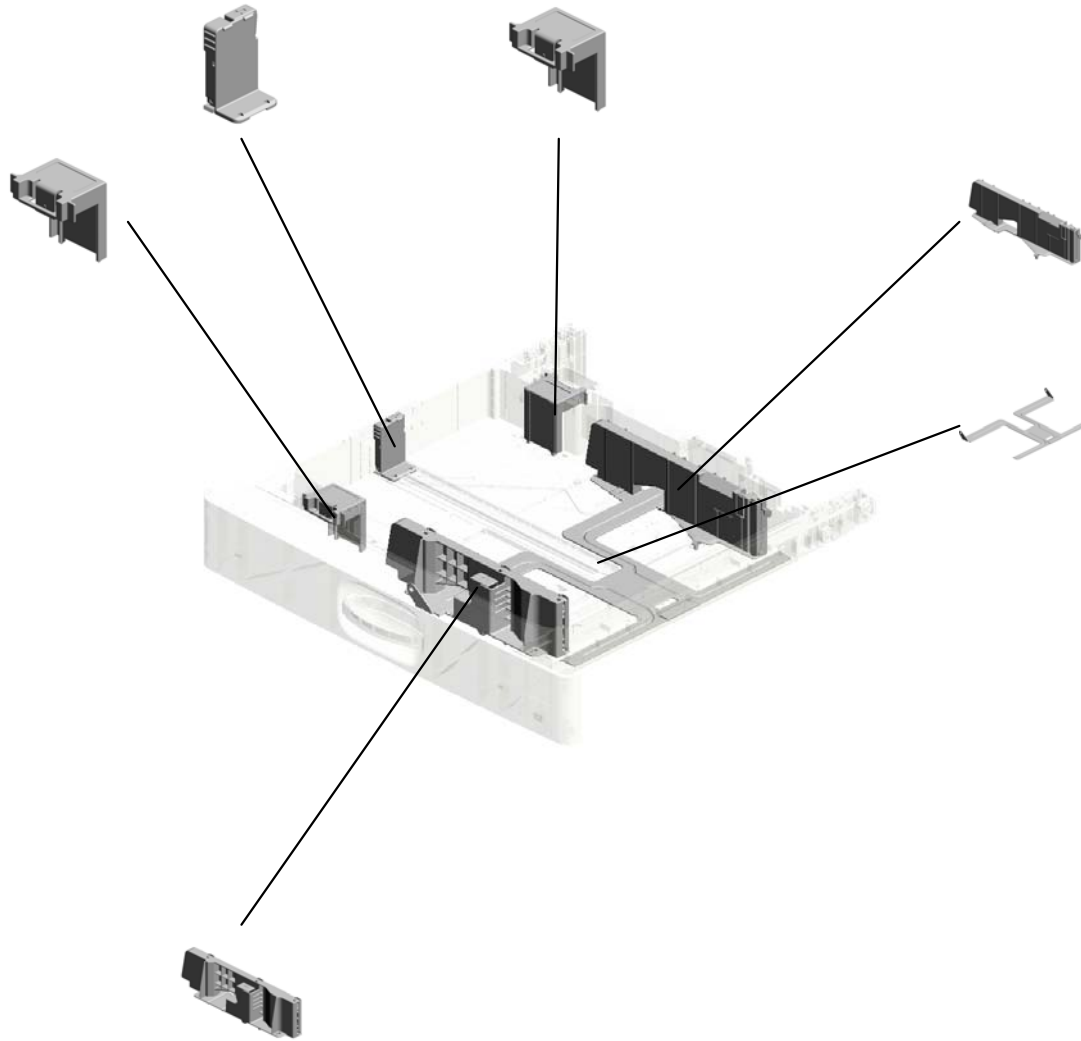
U005_S008_S006
D2412873
SIDE FENCE:AUXILIARY

U005_S008_S005
D2412873
SIDE FENCE:AUXILIARY

U005_S008_S004
D2412880
SIDE FENCE:REAR:ASS'Y

U005_S008_S002
D1492873
TRAY BOTTOM PLATE:NO.2:
ASS'Y

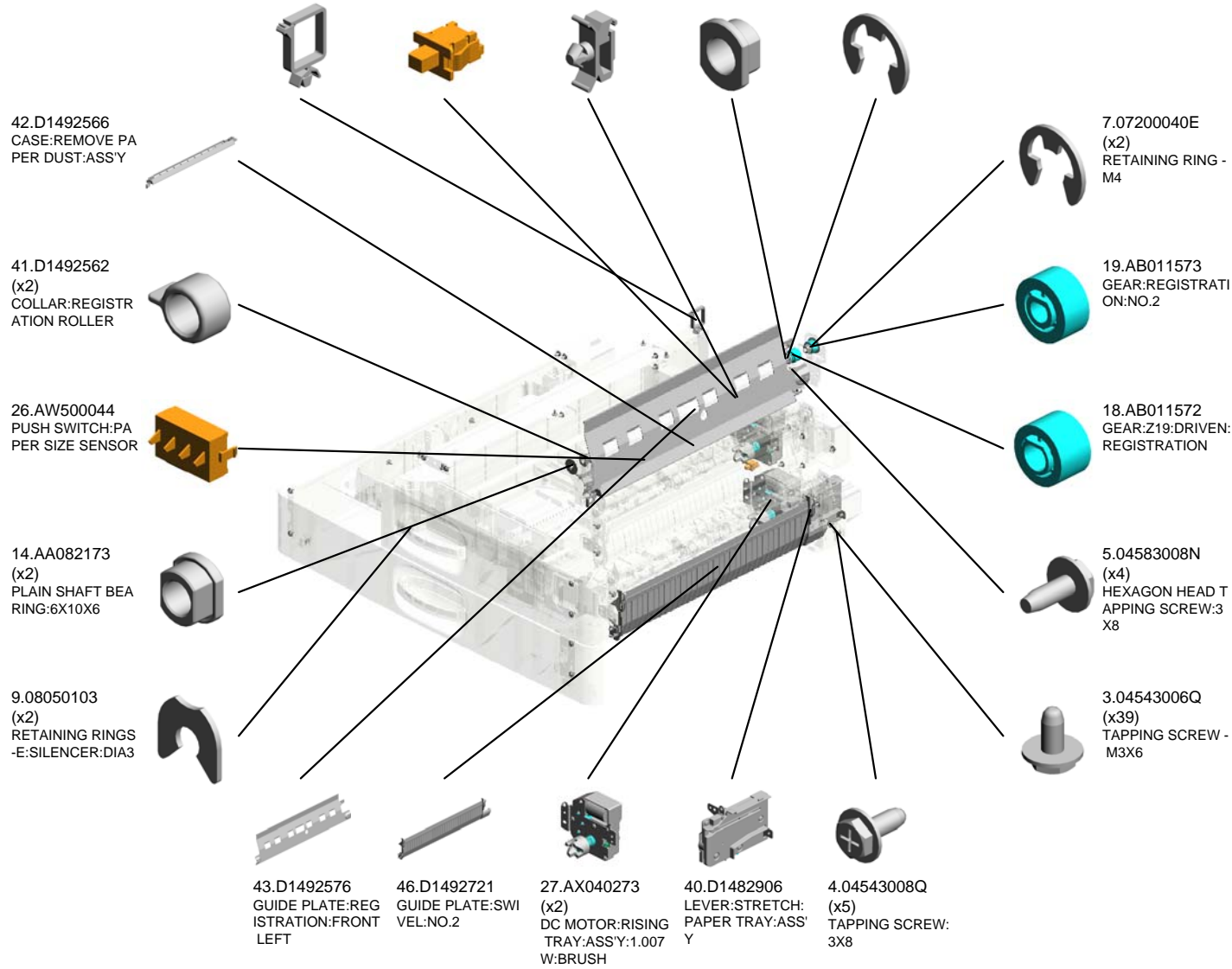
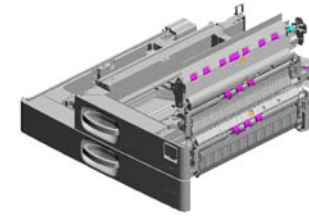
U005_S008_S003
D2412875
SIDE FENCE:FRONT:ASS'Y



U001	U002	U003	U004	U005	U006	U007	U008	U009	U010	U011	U012	U013	U014	U015	U016
------	------	------	------	-------------	------	------	------	------	------	------	------	------	------	------	------

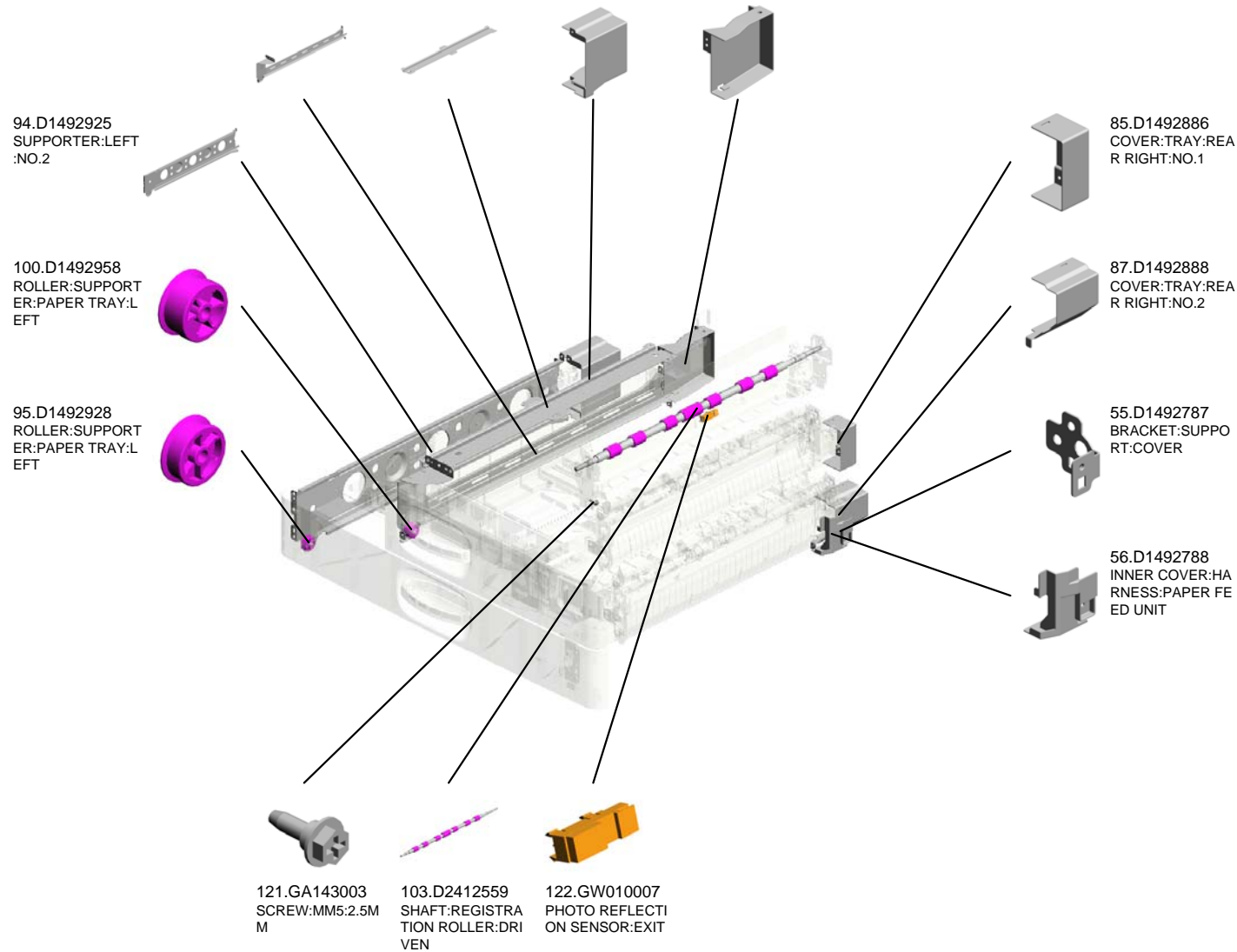
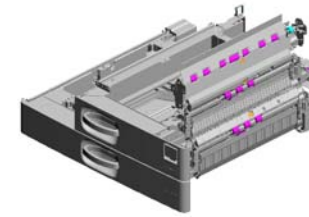
U005 PAPER FEED

- 12.11050765 CLAMP:LWS-2218A
- 25.AW500040 (x2) PUSH SWITCH:SW1AG-550:10MA
- 11.11050758 (x2) CLAMP:LWSM-030 6A
- 16.AA082175 (x2) PLAIN SHAFT BEARING:8X12X7
- 8.07200060E (x3) RETAINING RING - M6



U005 PAPER FEED

96.D1492930 SUPPORTER:LEFT LOWER:NO.1:PEE N
 91.D1492918 SUPPORTER:LEFT UPPER:NO.1
 88.D1492889 COVER:TRAY:REA R LEFT:NO.2
 86.D1492887 COVER:TRAY:REA R LEFT:NO.1



U005_S001
SUPPORTER:RIGHT:NO.1:ASS'Y

3.04543006Q
(x3)
TAPPING SCREW -
M3X6



90.D1492905
SUPPORTER:RIGH
T:NO.1:ASS'Y

93.D1492924
STOPPER:PAPER
TRAY



99.D1492956
ROLLER:SUPPORT
ER:PAPER TRAY



9.08050103
RETAINING RINGS
-E:SILENCER:DIA3



U001	U002	U003	U004	U005	U006	U007	U008	U009	U010	U011	U012	U013	U014	U015	U016
------	------	------	------	-------------	------	------	------	------	------	------	------	------	------	------	------

U005_S002
SUPPORTER:RIGHT:NO.2:ASS'Y

93.D1492924
STOPPER:PAPER
TRAY

89.D1492903
SUPPORTER:RIGHT:
NO.2:ASS'Y

3.04543006Q
(x3)
TAPPING SCREW -
M3X6

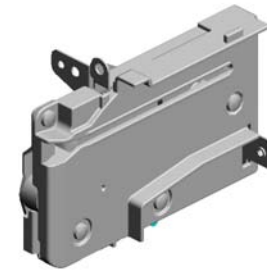
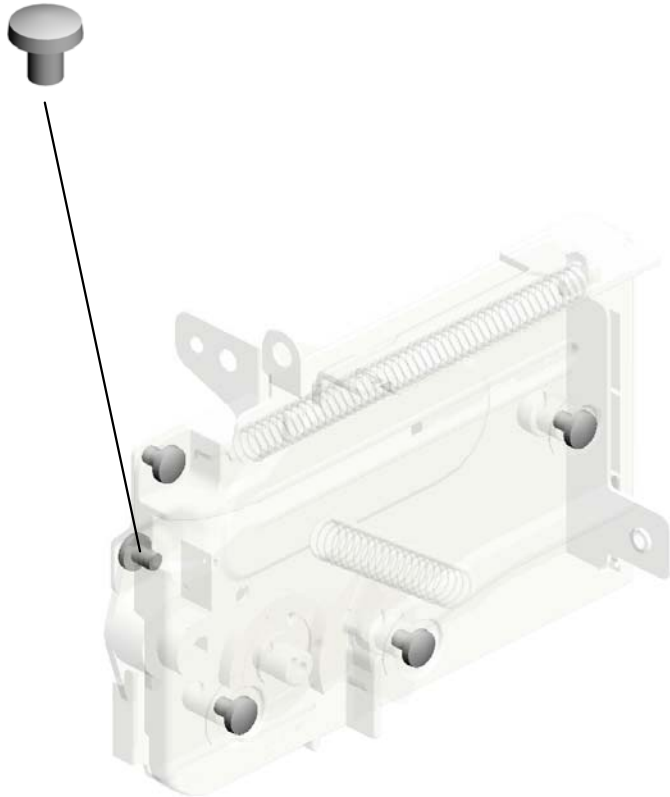
92.D1492923
ROLLER:SUPPORT
ER:PAPER TRAY

9.08050103
RETAINING RINGS
-E:SILENCER:DIA3

U001	U002	U003	U004	U005	U006	U007	U008	U009	U010	U011	U012	U013	U014	U015	U016
------	------	------	------	------	------	------	------	------	------	------	------	------	------	------	------

U005_S003
LEVER:STRETCH:PAPER TRAY:ASS'Y

1.03530040N
(x5)
SCREW - M3X4

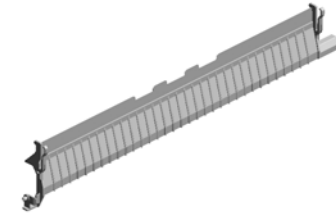


40.D1482906
LEVER:STRETCH:
PAPER TRAY:ASS'
Y

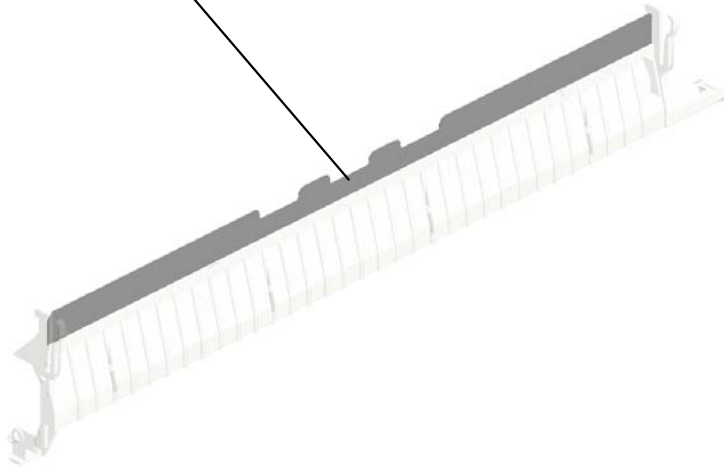
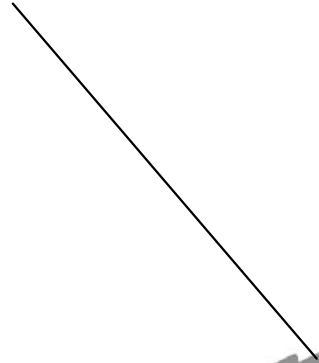
U001	U002	U003	U004	U005	U006	U007	U008	U009	U010	U011	U012	U013	U014	U015	U016
------	------	------	------	-------------	------	------	------	------	------	------	------	------	------	------	------

U005_S004
GUIDE PLATE:SWIVEL:NO.1

44.D1492712
SHEET:GUIDE PLA
TE:SWIVEL

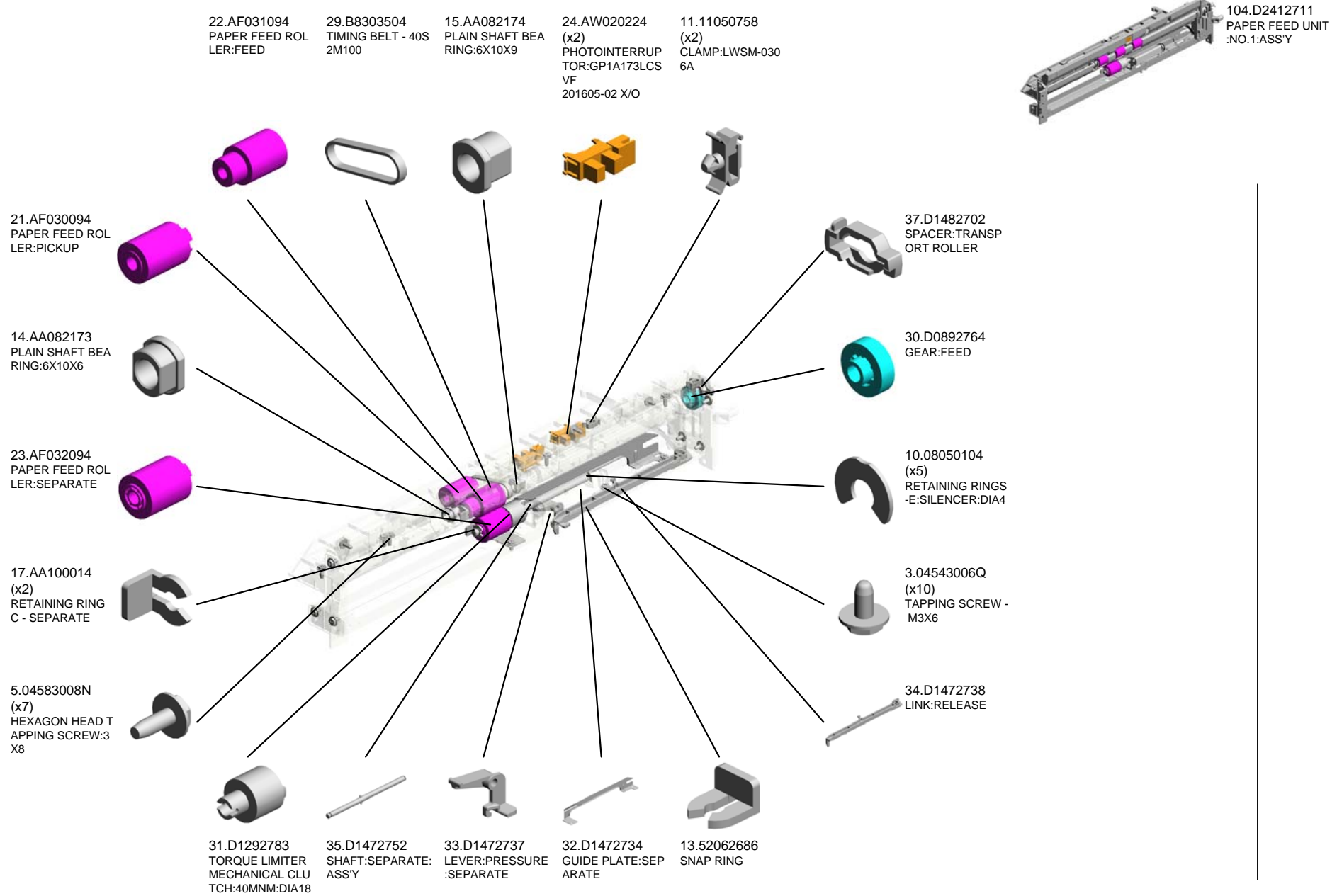


45.D1492713
GUIDE PLATE:SWI
VEL:NO.1



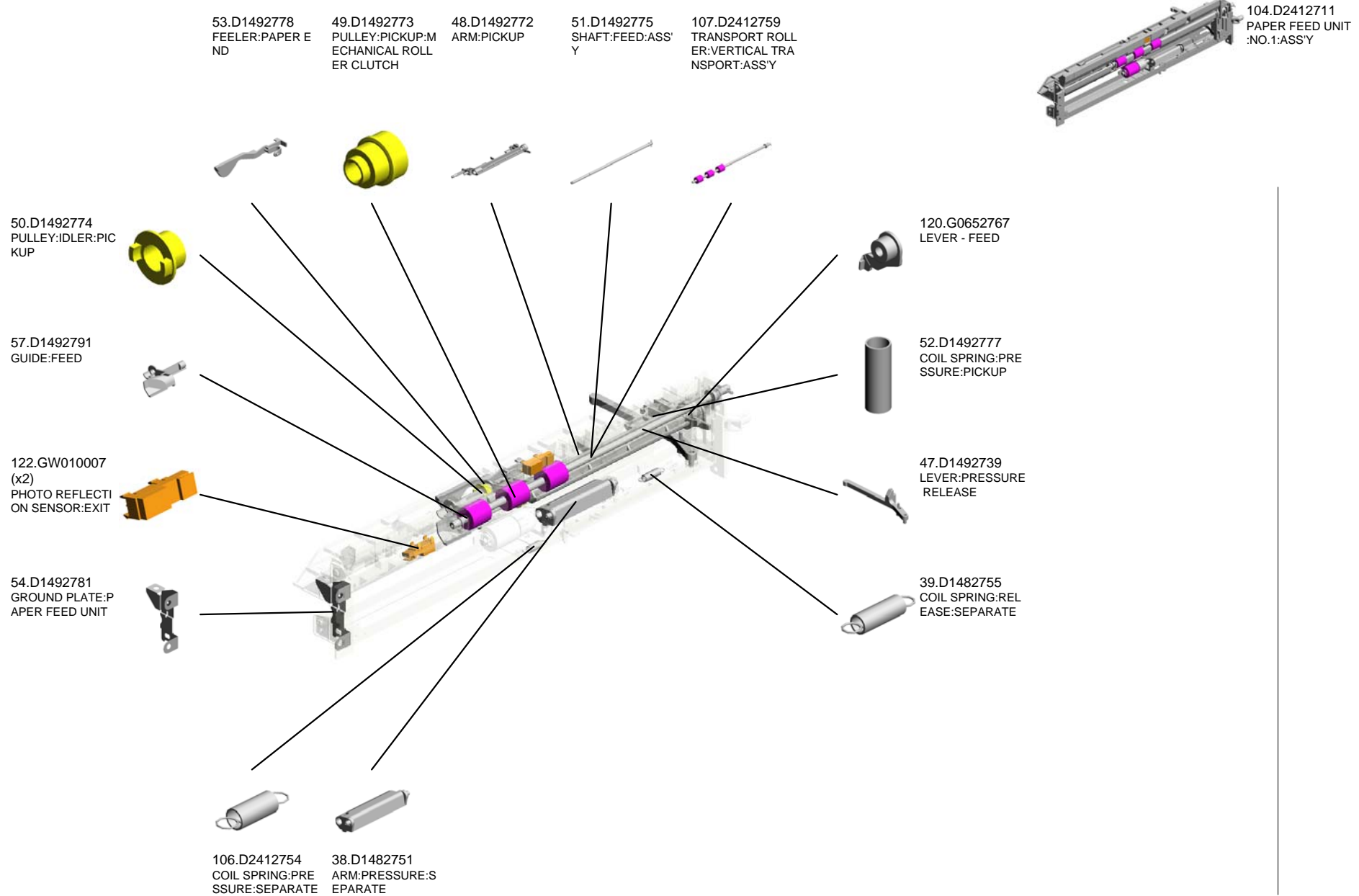
U001	U002	U003	U004	U005	U006	U007	U008	U009	U010	U011	U012	U013	U014	U015	U016
------	------	------	------	------	------	------	------	------	------	------	------	------	------	------	------

U005_S005 PAPER FEED UNIT:NO.1:ASS'Y



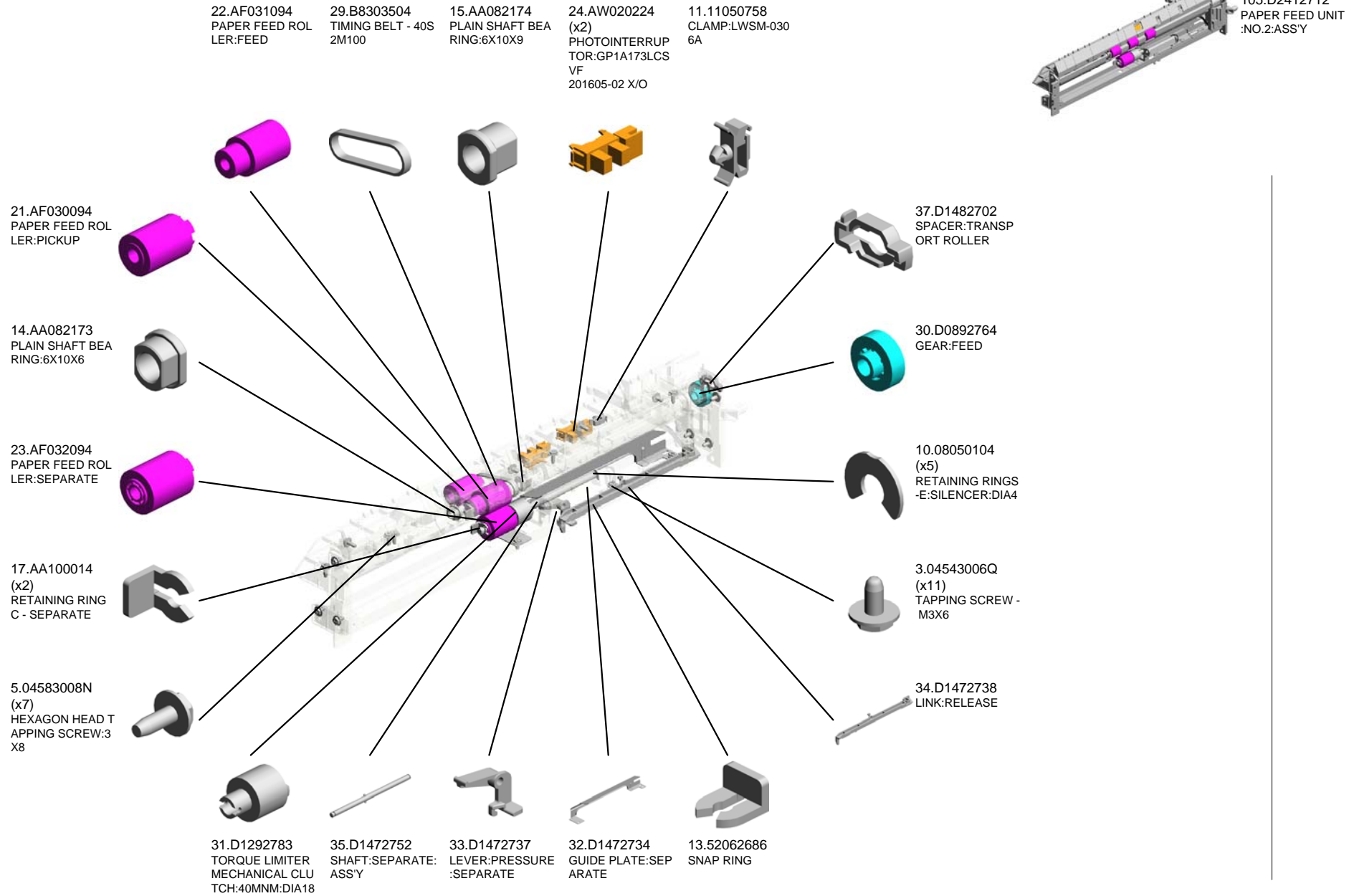
U001	U002	U003	U004	U005	U006	U007	U008	U009	U010	U011	U012	U013	U014	U015	U016
------	------	------	------	------	------	------	------	------	------	------	------	------	------	------	------

U005_S005
 PAPER FEED UNIT:NO.1:ASS'Y



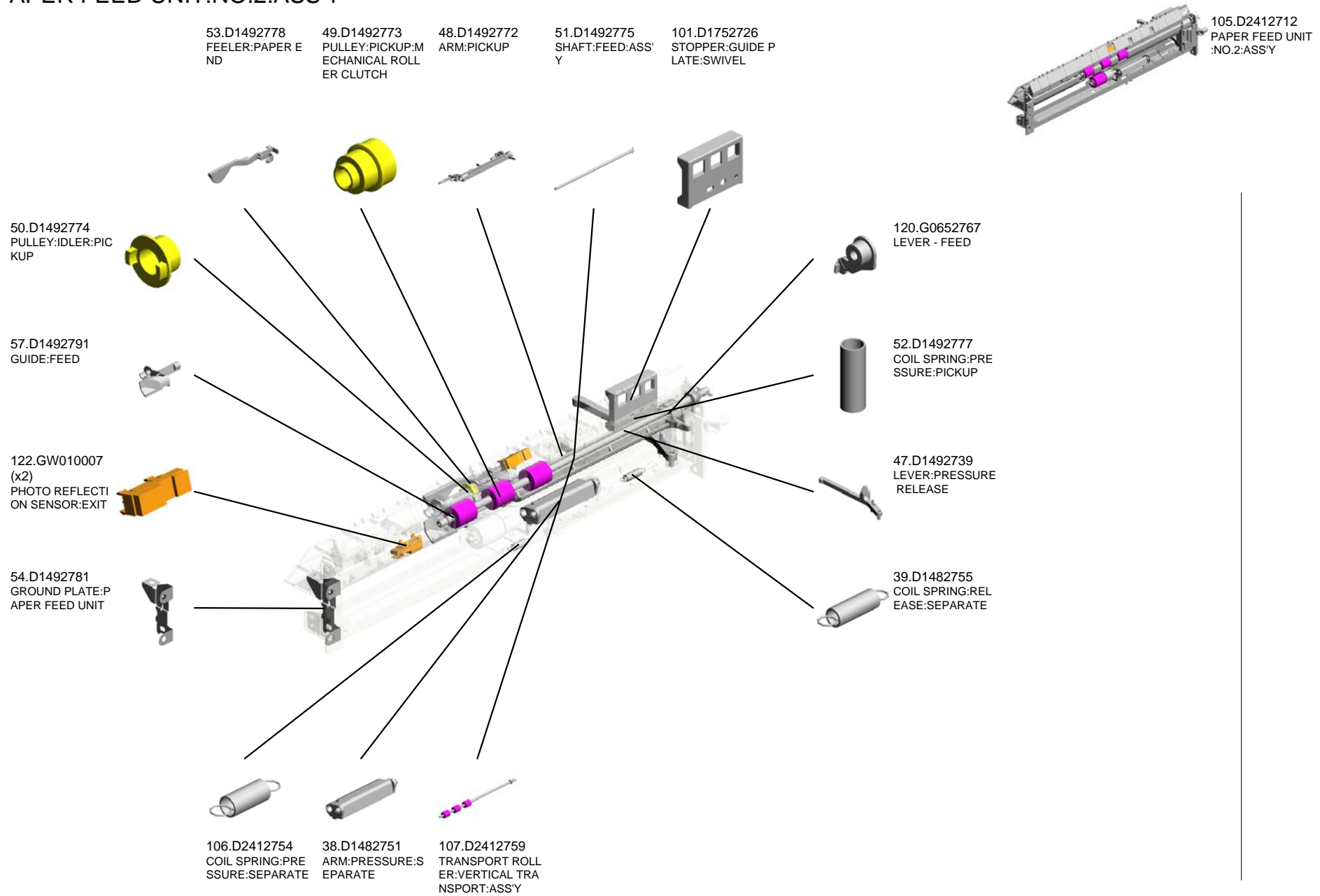
U001	U002	U003	U004	U005	U006	U007	U008	U009	U010	U011	U012	U013	U014	U015	U016
------	------	------	------	------	------	------	------	------	------	------	------	------	------	------	------

U005_S006
PAPER FEED UNIT:NO.2:ASS'Y



U001	U002	U003	U004	U005	U006	U007	U008	U009	U010	U011	U012	U013	U014	U015	U016
------	------	------	------	------	------	------	------	------	------	------	------	------	------	------	------

U005_S006
PAPER FEED UNIT:NO.2:ASS'Y



U001	U002	U003	U004	U005	U006	U007	U008	U009	U010	U011	U012	U013	U014	U015	U016
------	------	------	------	------	------	------	------	------	------	------	------	------	------	------	------

U005_S007
PAPER TRAY:NO.1:ASS'Y

75.D1492846
DECAL:SIZE INDIC
ATION:END FENCE
:NO.1:FRONT

76.D1492847
DECAL:SIZE INDIC
ATION:END FENCE
:NO.1:REAR

60.D1492814
COIL SPRING:EAR
TH

58.D1492812
(x4)
ROLLER:PAPER T
RAY:DIA19



108.D2412800
PAPER TRAY:NO.1
:ASS'Y

81.D1492863
DECAL:PAPER SE
T DIRECTION:TRA
Y:NO.1

6.04583010N
(x2)
HEXAGON HEAD T
APPING SCREW:3
X10

80.D1492856
GRIP:PAPER TRAY

111.D2412865
COVER:PAPER TR
AY:NO.1

102.D2411242
COVER:MAIN SWIT
CH

68.D1492835
(x2)
RACK:SIDE FENCE

2.03603006N
(x2)
SCREW - M3X6

69.D1492836
GEAR:Z20

59.D1492813
PIN:STRETCH:TRA
Y

10.08050104
RETAINING RINGS
-E:SILENCER:DIA4

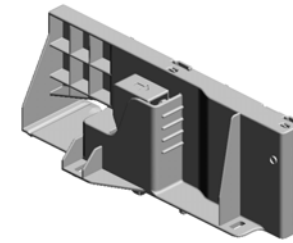
61.D1492816
SHAFT:RISE:ASS'Y

62.D1492818
LEVER:RISE

6.04583010N (x 3)
HEXAGON HEAD TAPPING SCREW:3X
10

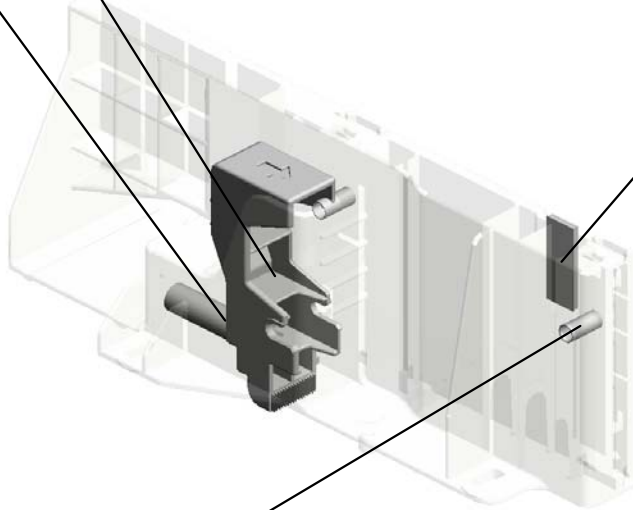
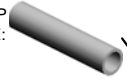
U005_S007_S001
SIDE FENCE:FRONT:NO.1:ASS'Y

63.D1492824
LEVER:STOPPER:
FRONT



66.D1492828
SIDE FENCE:FRON
T:NO.1:ASS'Y

65.D1492827
COMPRESSION SP
RING:SIDE FENCE:
POSITIONING



28.B2342864
PAD:CLEANER

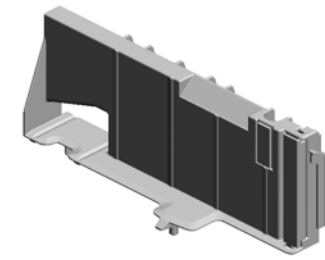


64.D1492826
(x2)
COMPRESSION SP
RING:SIDE FENCE:
PLATE:FRONT

U001	U002	U003	U004	U005	U006	U007	U008	U009	U010	U011	U012	U013	U014	U015	U016
------	------	------	------	-------------	------	------	------	------	------	------	------	------	------	------	------

U005_S007_S002
SIDE FENCE:REAR:NO.1:ASS'Y

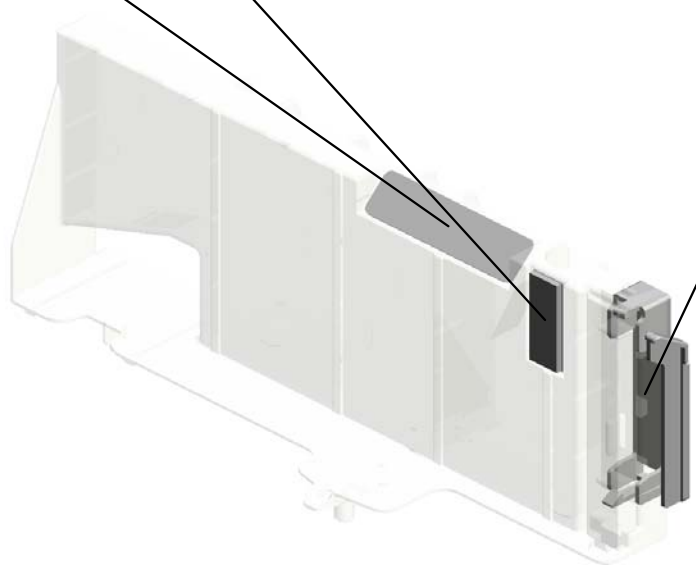
97.D1492952 28.B2342864
DECAL:SIDE FENC PAD:CLEANER
E:PAPER VOLUME



70.D1492838
SIDE FENCE:REAR
:NO.1:ASSY



67.D1492834
GUIDE:FEELER:PA
PER END



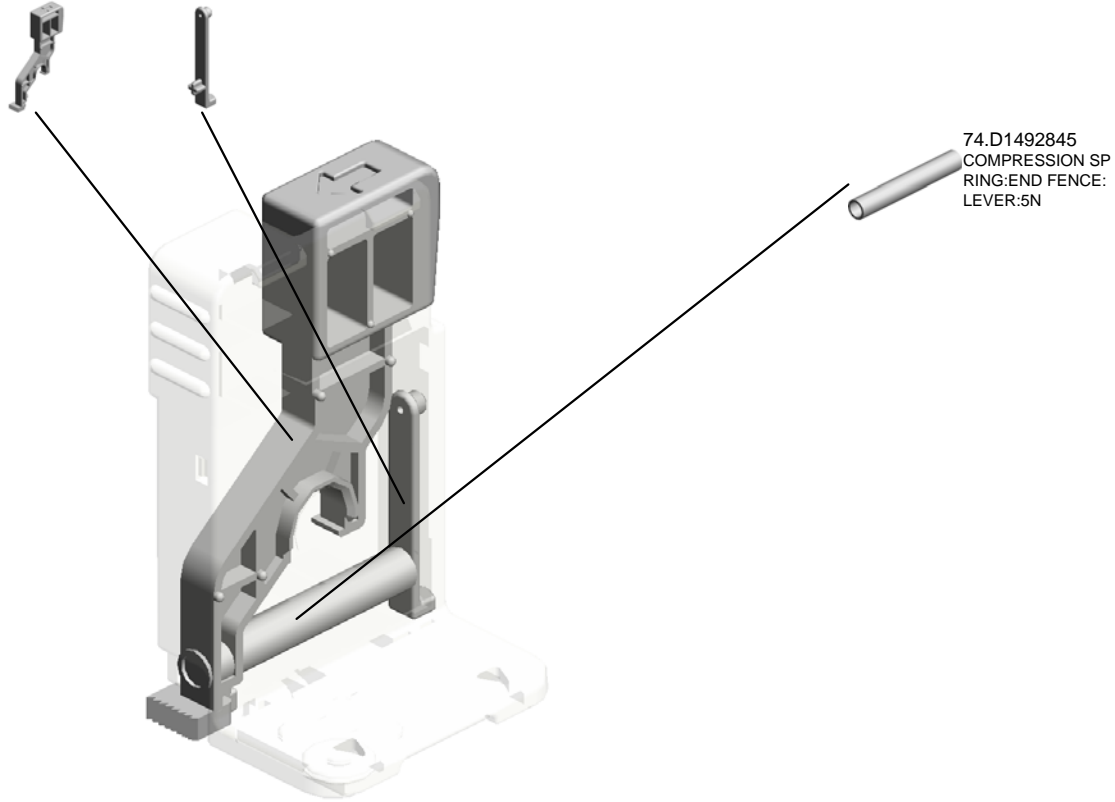
U001	U002	U003	U004	U005	U006	U007	U008	U009	U010	U011	U012	U013	U014	U015	U016
------	------	------	------	------	------	------	------	------	------	------	------	------	------	------	------

U005_S007_S003
END FENCE:PAPER TRAY:ASS'Y

72.D1492842 73.D1492843
LEVER:END FENC CLICK:END FENCE
E



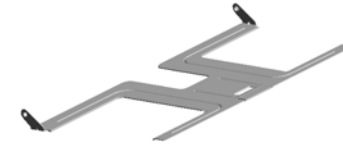
71.D1492840
END FENCE:PAPE
R TRAY:ASS'Y



U001	U002	U003	U004	U005	U006	U007	U008	U009	U010	U011	U012	U013	U014	U015	U016
------	------	------	------	-------------	------	------	------	------	------	------	------	------	------	------	------

U005_S007_S004
TRAY BOTTOM PLATE:ASS'Y

20.AF013006
BOTTOM PLATE P
AD



79.D1492850
TRAY BOTTOM PL
ATE:ASS'Y



U001	U002	U003	U004	U005	U006	U007	U008	U009	U010	U011	U012	U013	U014	U015	U016
------	------	------	------	------	------	------	------	------	------	------	------	------	------	------	------

U005_S008
PAPER TRAY:NO.2:ASS'Y

110.D2412837
DECAL:SET:SIDE FENCE:AUXILIARY

77.D1492848
DECAL:SIZE INDICATION:END FENCE:NO.2:FRONT

83.D1492872
LINK:END FENCE:PAPER SIZE SENSOR

117.D2412884
DECAL:SIZE INDICATION:SIDE FENCE:AUXILIARY:REAR

58.D1492812 (x4)
ROLLER:PAPER TRAY:DIA19



109.D2412805
PAPER TRAY:NO.2:ASS'Y

116.D2412883
DECAL:SIZE INDICATION:SIDE FENCE:AUXILIARY:FRONT



82.D1492864
DECAL:PAPER SET DIRECTION:TRAY:NO.2



112.D2412869
DECAL:SIZE INDICATION:SIDE FENCE:NO.2



80.D1492856
GRIP:PAPER TRAY



36.D1472866
COVER:PAPER TRAY:NO.2



78.D1492849
DECAL:SIZE INDICATION:END FENCE:NO.2:REAR

68.D1492835 (x2)
RACK:SIDE FENCE

69.D1492836
GEAR:Z20

2.03603006N (x2)
SCREW - M3X6

62.D1492818
LEVER:RISE

6.04583010N (x 1)
HEXAGON HEAD TAPPING SCREW:3X10

60.D1492814
COIL SPRING:EAR TH

6.04583010N (x6)
HEXAGON HEAD TAPPING SCREW:3X10

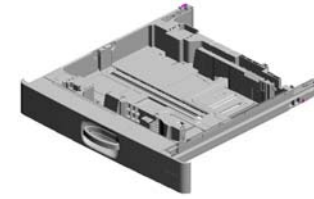
59.D1492813
PIN:STRETCH:TRAY

10.08050104
RETAINING RINGS -E:SILENCER:DIA4

61.D1492816
SHAFT:RISE:ASS'Y

U005_S008
PAPER TRAY:NO.2:ASS'Y

119.D6932867
SUPPORTING PLA
TE:COVER:FRONT:
PAPER TRAY



109.D2412805
PAPER TRAY:NO.2
:ASS'Y



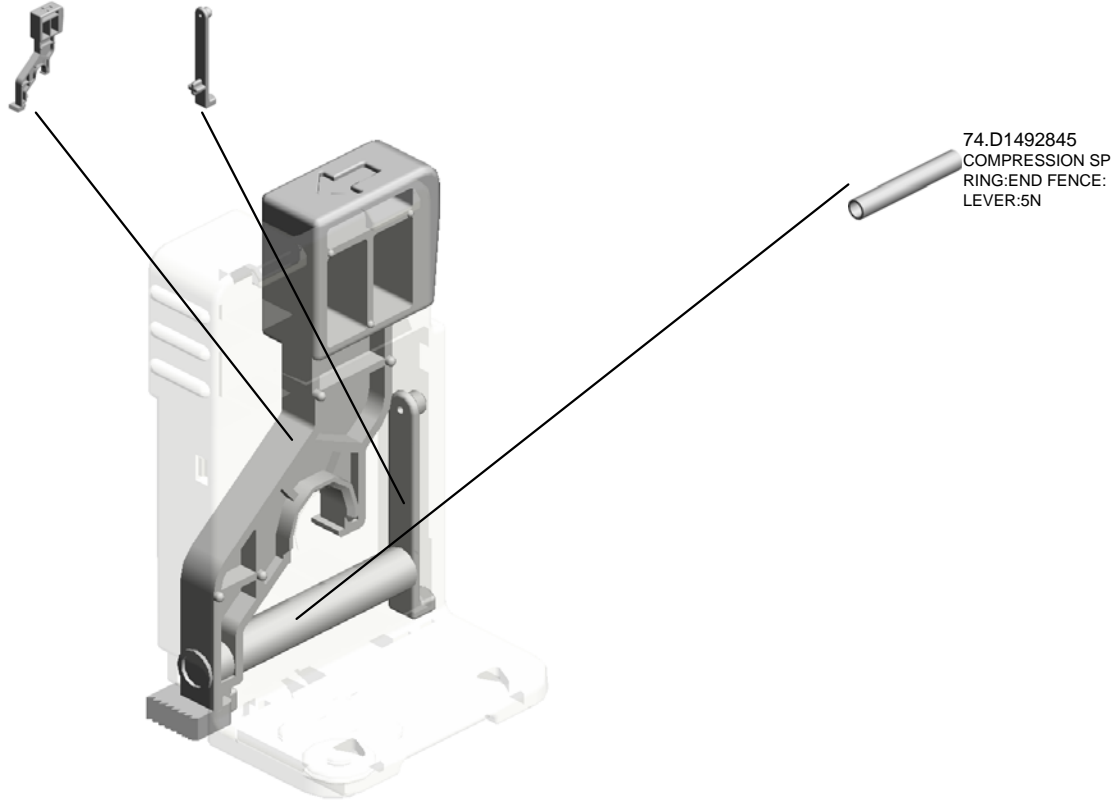
U001	U002	U003	U004	U005	U006	U007	U008	U009	U010	U011	U012	U013	U014	U015	U016
------	------	------	------	------	------	------	------	------	------	------	------	------	------	------	------

U005_S008_S001
END FENCE:PAPER TRAY:ASS'Y

72.D1492842 73.D1492843
LEVER:END FENC CLICK:END FENCE
E



71.D1492840
END FENCE:PAPE
R TRAY:ASS'Y



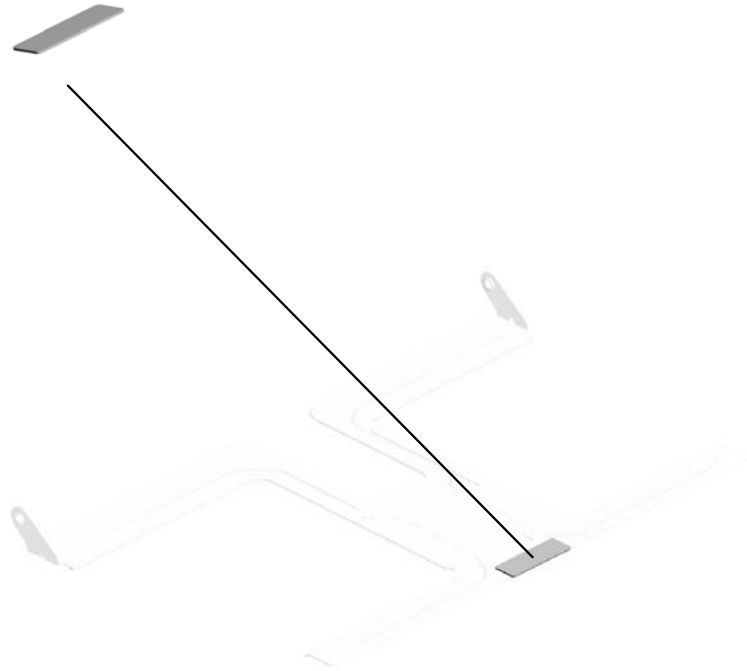
U001	U002	U003	U004	U005	U006	U007	U008	U009	U010	U011	U012	U013	U014	U015	U016
------	------	------	------	------	------	------	------	------	------	------	------	------	------	------	------

U005_S008_S002
TRAY BOTTOM PLATE:NO.2:ASS'Y

20.AF013006
BOTTOM PLATE P
AD



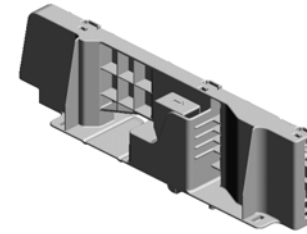
84.D1492873
TRAY BOTTOM PL
ATE:NO.2:ASS'Y



U001	U002	U003	U004	U005	U006	U007	U008	U009	U010	U011	U012	U013	U014	U015	U016
------	------	------	------	------	------	------	------	------	------	------	------	------	------	------	------

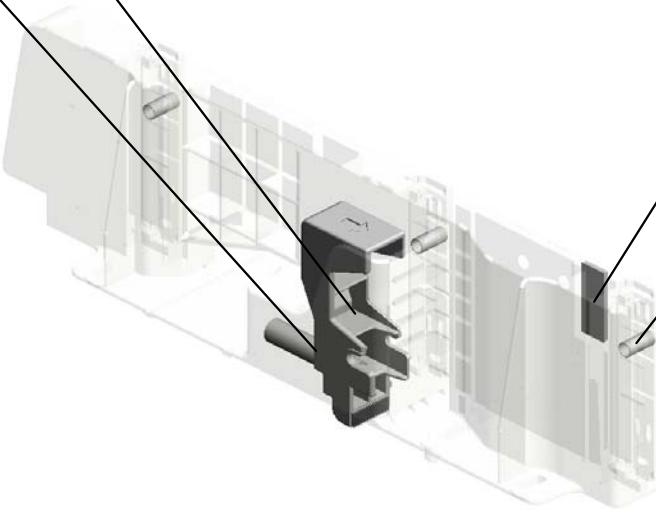
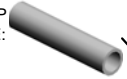
U005_S008_S003
SIDE FENCE:FRONT:ASS'Y

63.D1492824
LEVER:STOPPER:
FRONT

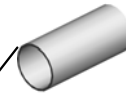


114.D2412875
SIDE FENCE:FRON
T:ASS'Y

65.D1492827
COMPRESSION SP
RING:SIDE FENCE:
POSITIONING



28.B2342864
PAD:CLEANER



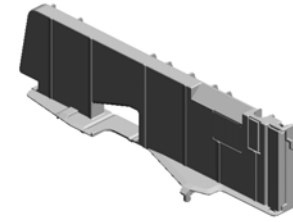
64.D1492826
(x3)
COMPRESSION SP
RING:SIDE FENCE:
PLATE:FRONT

U001	U002	U003	U004	U005	U006	U007	U008	U009	U010	U011	U012	U013	U014	U015	U016
------	------	------	------	------	------	------	------	------	------	------	------	------	------	------	------

U005_S008_S004
SIDE FENCE:REAR:ASS'Y

97.D1492952
DECAL:SIDE FENC
E:PAPER VOLUME

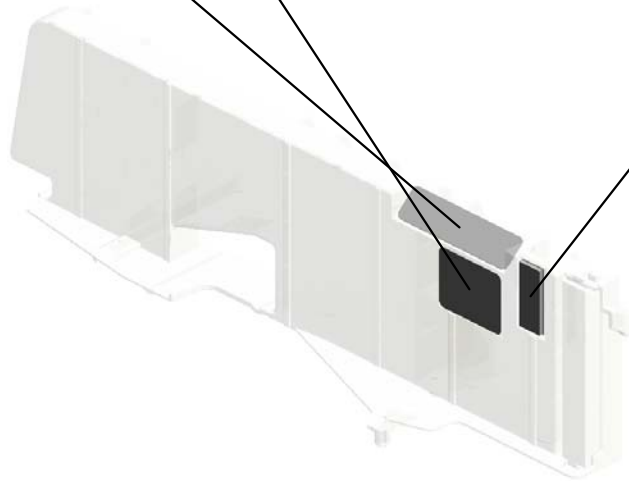
98.D1492954
DECAL:SIDE FENC
E:PAPER VOLUME:
ENVELOPE



115.D2412880
SIDE FENCE:REAR
:ASS'Y



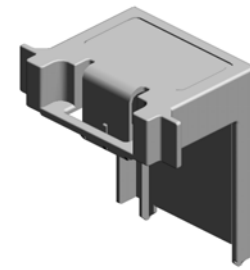
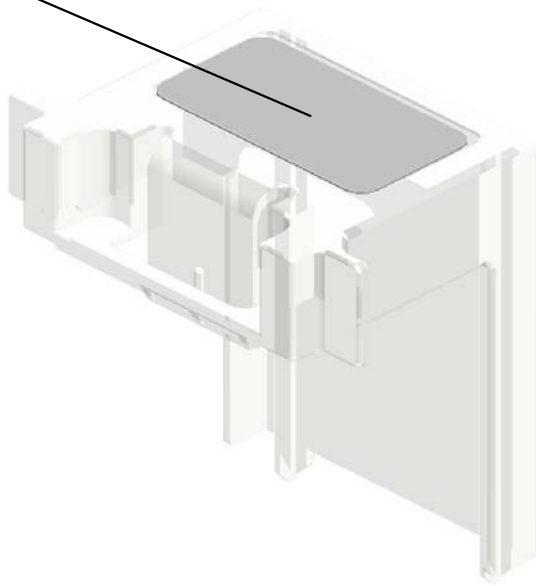
28.B2342864
PAD:CLEANER



U001	U002	U003	U004	U005	U006	U007	U008	U009	U010	U011	U012	U013	U014	U015	U016
------	------	------	------	------	------	------	------	------	------	------	------	------	------	------	------

U005_S008_S005
SIDE FENCE:AUXILIARY

118.D2412885
DECAL:SIDE FENC
E:AUXILIARY

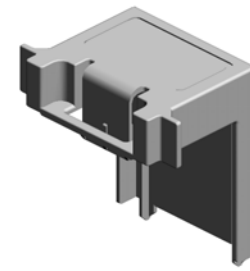
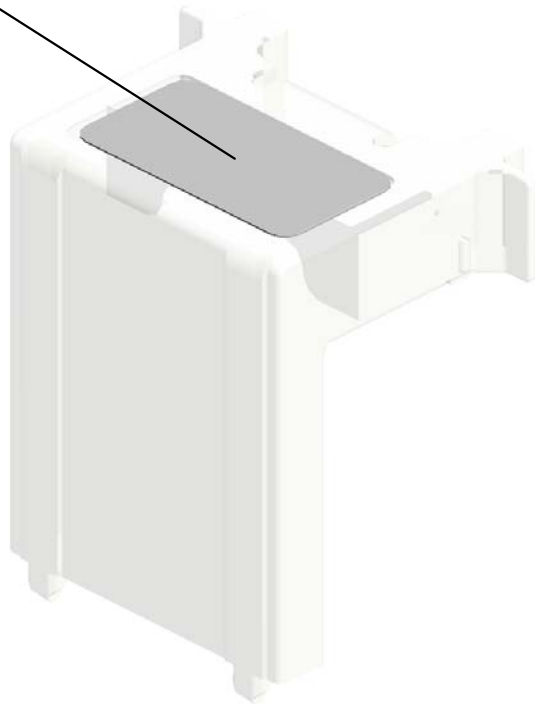


113.D2412873
SIDE FENCE:AUXIL
IARY

U001	U002	U003	U004	U005	U006	U007	U008	U009	U010	U011	U012	U013	U014	U015	U016
------	------	------	------	------	------	------	------	------	------	------	------	------	------	------	------

U005_S008_S006
SIDE FENCE:AUXILIARY

118.D2412885
DECAL:SIDE FENC
E:AUXILIARY



113.D2412873
SIDE FENCE:AUXIL
IARY

U001	U002	U003	U004	U005	U006	U007	U008	U009	U010	U011	U012	U013	U014	U015	U016
------	------	------	------	------	------	------	------	------	------	------	------	------	------	------	------

U006.TONER SUPPLY

U006_S005
D1473281
HOUSING:TONER CARTRID
GE:BK:ASS'Y

U006_S001
D1473269
DRIVE UNIT:TONER BOTTLE
:ASS'Y

U006_S006
D1473282
HOUSING:TONER CARTRID
GE:CMY:ASS'Y

U006_S004
D1473269
DRIVE UNIT:TONER BOTTLE
:ASS'Y

U006_S007
D1473282
HOUSING:TONER CARTRID
GE:CMY:ASS'Y

U006_S003
D1473269
DRIVE UNIT:TONER BOTTLE
:ASS'Y

U006_S002
D1473269
DRIVE UNIT:TONER BOTTLE
:ASS'Y

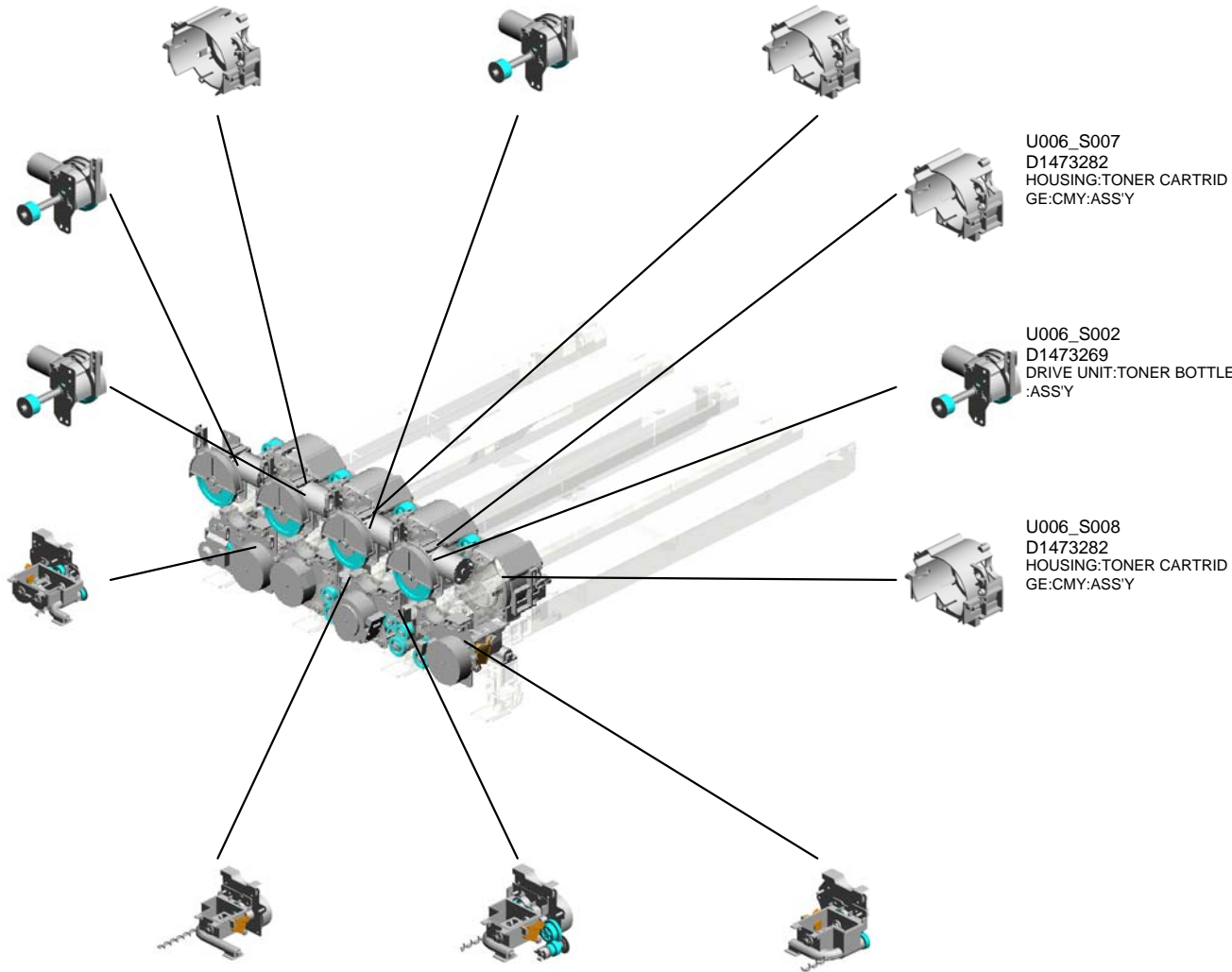
U006_S009
D1493240
TONER HOPPER:TONER SU
PPLY:BK:ASS'Y

U006_S008
D1473282
HOUSING:TONER CARTRID
GE:CMY:ASS'Y

U006_S010
D1493270
TONER HOPPER:TONER SU
PPLY:C:ASS'Y

U006_S011
D1493280
TONER HOPPER:TONER SU
PPLY:M:ASS'Y

U006_S012
D1493310
TONER HOPPER:TONER SU
PPLY:Y:ASS'Y



U001	U002	U003	U004	U005	U006	U007	U008	U009	U010	U011	U012	U013	U014	U015	U016
------	------	------	------	------	------	------	------	------	------	------	------	------	------	------	------

U006 TONER SUPPLY

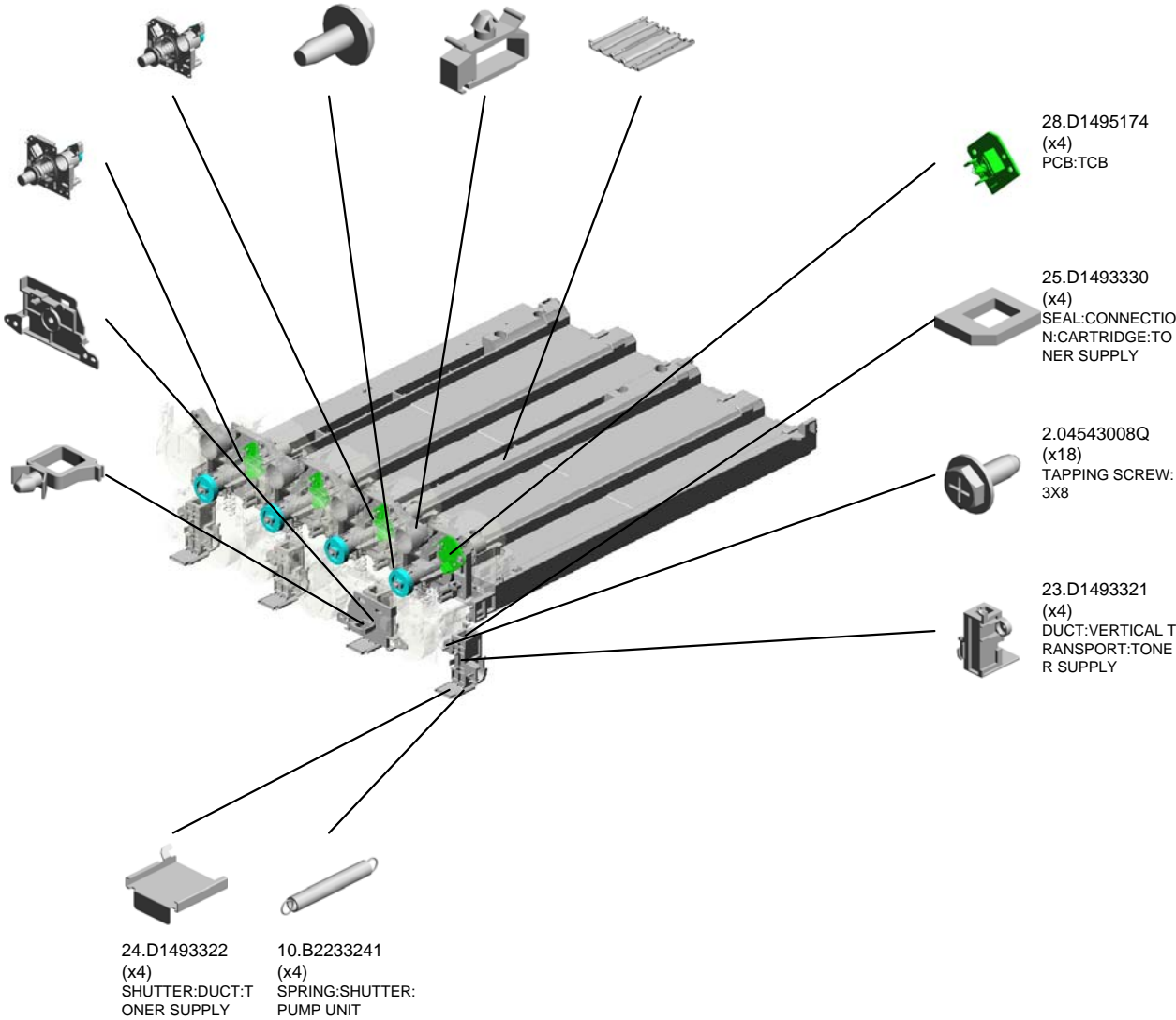


- 15.D1473286 (x3) TRANSPORT SCR EW:NOZZLE:CMY: ASS'Y
- 3.04583008N (x35) HEXAGON HEAD T APPING SCREW:3 X8
- 8.11050760 (x3) CLAMP:LWSM-051 1A
- 21.D1493307 BASE:TONER SUP PLY

- 14.D1473285 TRANSPORT SCR EW:NOZZLE:BK:ASS'Y

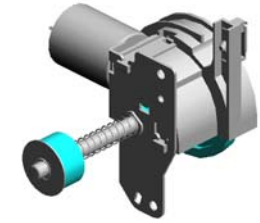
- 26.D1493331 COVER:GEAR:TONER SUPPLY SUB-UNIT

- 7.11050488 HARNESS CLAMP

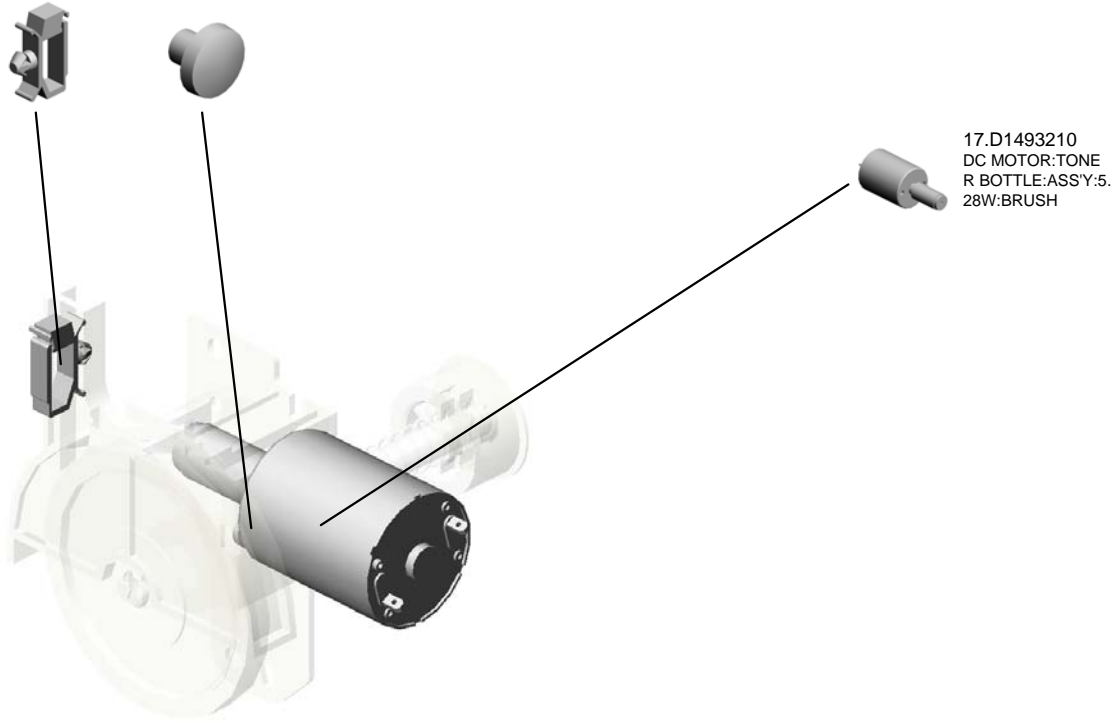


U006_S001
DRIVE UNIT:TONER BOTTLE:ASS'Y

9.11050762 1.03530030N
CLAMP:LWS-0711A (x2)
SCREW:M3X3



11.D1473269
DRIVE UNIT:TONER
BOTTLE:ASS'Y



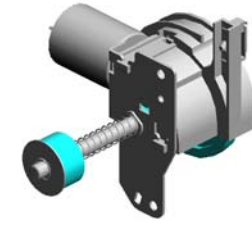
17.D1493210
DC MOTOR:TONER
BOTTLE:ASS'Y:5.
28W:BRUSH

U001	U002	U003	U004	U005	U006	U007	U008	U009	U010	U011	U012	U013	U014	U015	U016
------	------	------	------	------	-------------	------	------	------	------	------	------	------	------	------	------

U006_S002

DRIVE UNIT:TONER BOTTLE:ASS'Y

9.11050762 1.03530030N
CLAMP:LWS-0711A (x2)
SCREW:M3X3



11.D1473269
DRIVE UNIT:TONER
BOTTLE:ASS'Y

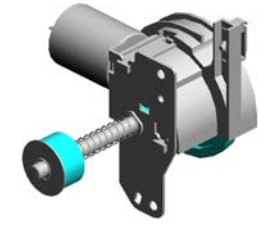


17.D1493210
DC MOTOR:TONER
BOTTLE:ASS'Y:5.
28W:BRUSH

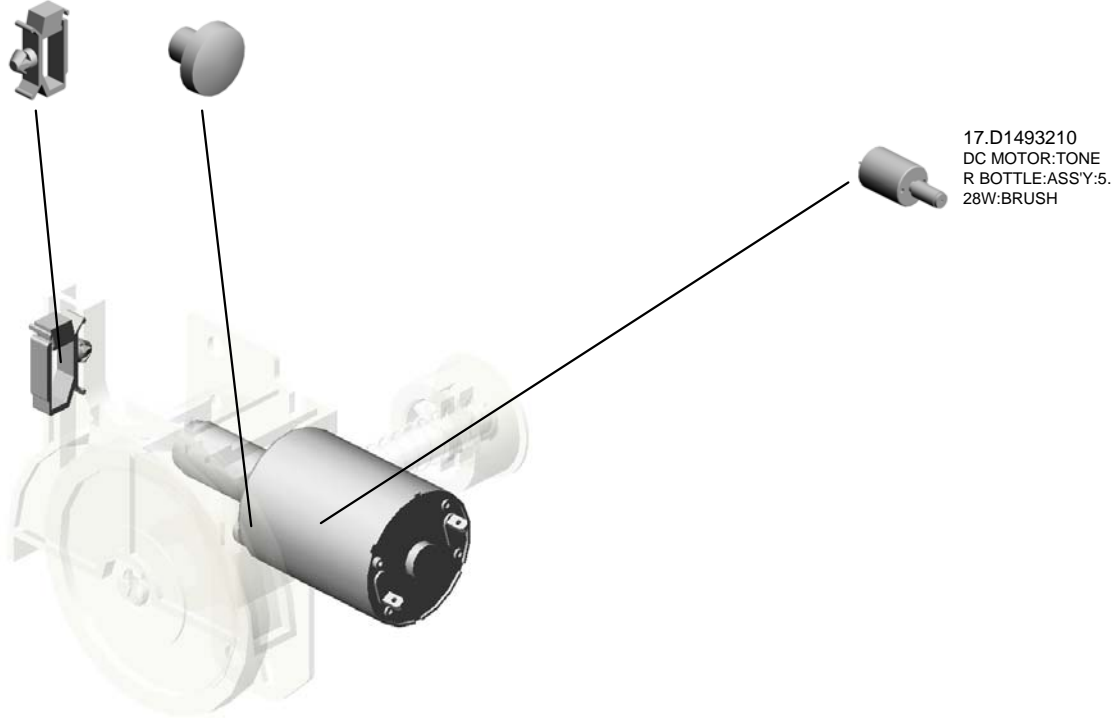
U001	U002	U003	U004	U005	U006	U007	U008	U009	U010	U011	U012	U013	U014	U015	U016
------	------	------	------	------	-------------	------	------	------	------	------	------	------	------	------	------

U006_S003
DRIVE UNIT:TONER BOTTLE:ASS'Y

9.11050762 1.03530030N
CLAMP:LWS-0711A (x2)
SCREW:M3X3



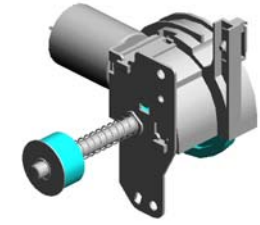
11.D1473269
DRIVE UNIT:TONER
BOTTLE:ASS'Y



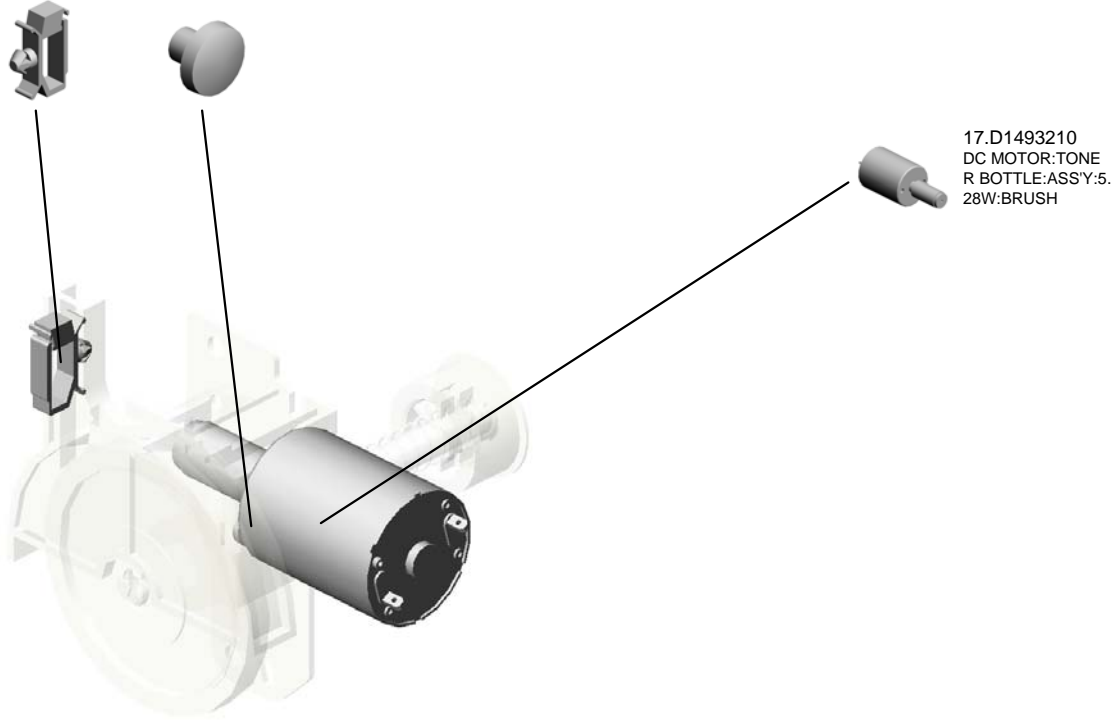
U001	U002	U003	U004	U005	U006	U007	U008	U009	U010	U011	U012	U013	U014	U015	U016
------	------	------	------	------	-------------	------	------	------	------	------	------	------	------	------	------

U006_S004
DRIVE UNIT:TONER BOTTLE:ASS'Y

9.11050762 1.03530030N
CLAMP:LWS-0711A (x2)
SCREW:M3X3



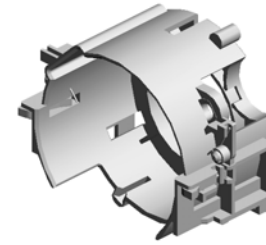
11.D1473269
DRIVE UNIT:TONER
BOTTLE:ASS'Y



U001	U002	U003	U004	U005	U006	U007	U008	U009	U010	U011	U012	U013	U014	U015	U016
------	------	------	------	------	-------------	------	------	------	------	------	------	------	------	------	------

U006_S005
HOUSING:TONER CARTRIDGE:BK:ASS'Y

16.D1473325
(x2)
TORSION SPRING:
STOPPER:TONER
CARTRIDGE:4.8N



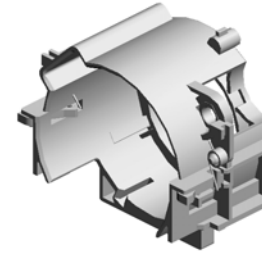
12.D1473281
HOUSING:TONER
CARTRIDGE:BK:AS
SY



U001	U002	U003	U004	U005	U006	U007	U008	U009	U010	U011	U012	U013	U014	U015	U016
------	------	------	------	------	-------------	------	------	------	------	------	------	------	------	------	------

U006_S006
HOUSING:TONER CARTRIDGE:CMY:ASS'Y

16.D1473325
(x2)
TORSION SPRING:
STOPPER:TONER
CARTRIDGE:4.8N

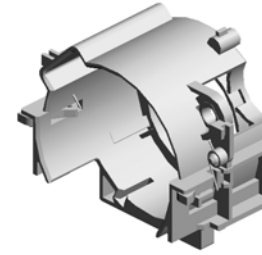


13.D1473282
HOUSING:TONER
CARTRIDGE:CMY:
ASS'Y

U001	U002	U003	U004	U005	U006	U007	U008	U009	U010	U011	U012	U013	U014	U015	U016
------	------	------	------	------	-------------	------	------	------	------	------	------	------	------	------	------

U006_S007
HOUSING:TONER CARTRIDGE:CMY:ASS'Y

16.D1473325
(x2)
TORSION SPRING:
STOPPER:TONER
CARTRIDGE:4.8N

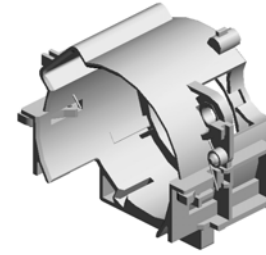


13.D1473282
HOUSING:TONER
CARTRIDGE:CMY:
ASS'Y

U001	U002	U003	U004	U005	U006	U007	U008	U009	U010	U011	U012	U013	U014	U015	U016
------	------	------	------	------	-------------	------	------	------	------	------	------	------	------	------	------

U006_S008
HOUSING:TONER CARTRIDGE:CMY:ASS'Y

16.D1473325
(x2)
TORSION SPRING:
STOPPER:TONER
CARTRIDGE:4.8N

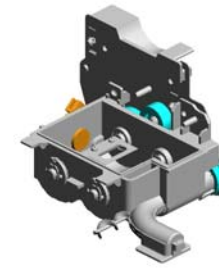


13.D1473282
HOUSING:TONER
CARTRIDGE:CMY:
ASS'Y

U001	U002	U003	U004	U005	U006	U007	U008	U009	U010	U011	U012	U013	U014	U015	U016
------	------	------	------	------	-------------	------	------	------	------	------	------	------	------	------	------

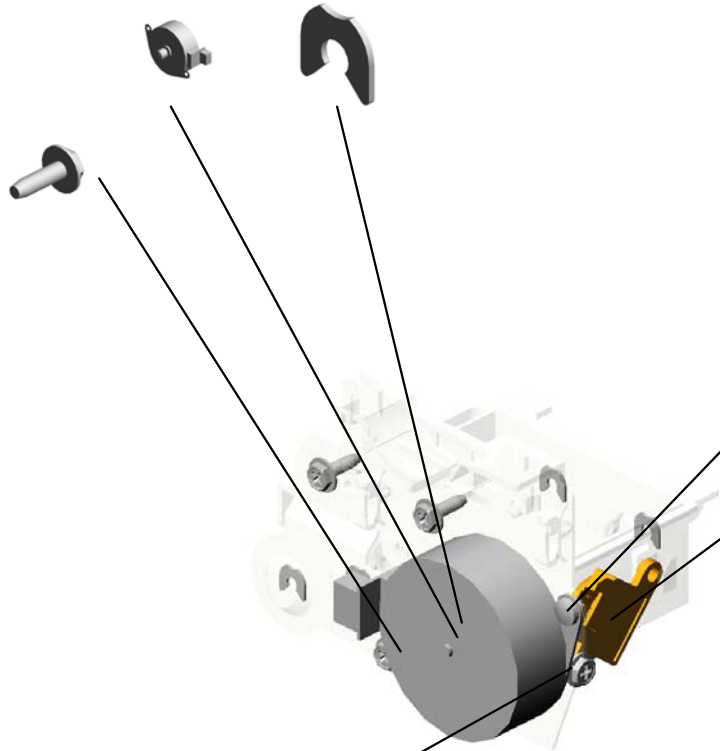
U006_S009
 TONER HOPPER:TONER SUPPLY:BK:ASS'Y

27.D1493350 DC STEPPER MOT
 OR:TONER SUPPL Y
 6.08050103 (x5)
 RETAINING RINGS
 -E:SILENCER:DIA3



18.D1493240
 TONER HOPPER:T
 ONER SUPPLY:BK:
 ASS'Y

4.04583010N
 (x3)
 HEXAGON HEAD T
 APPING SCREW:3
 X10



1.03530030N
 (x2)
 SCREW:M3X3

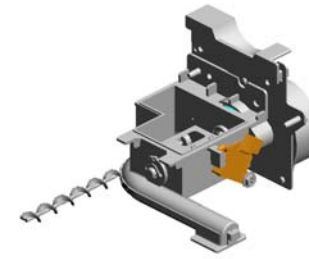
30.GW230008
 TONER END SENS
 OR

3.04583008N
 HEXAGON HEAD T
 APPING SCREW:3
 X8

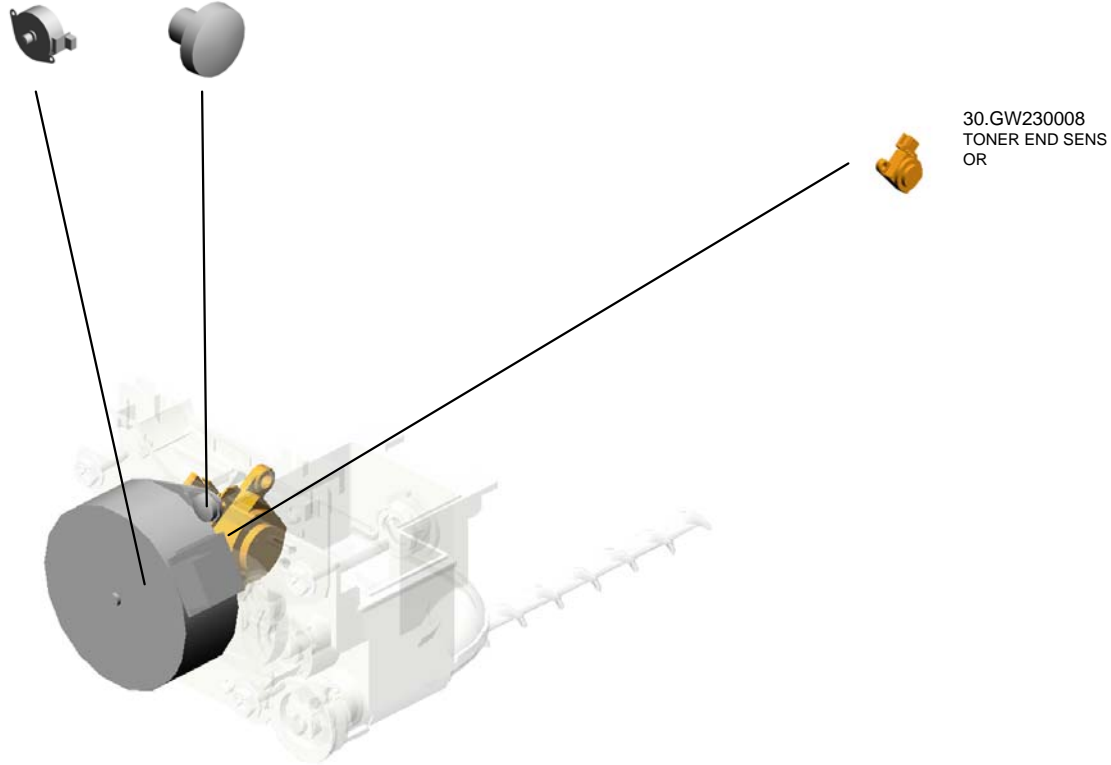
U001	U002	U003	U004	U005	U006	U007	U008	U009	U010	U011	U012	U013	U014	U015	U016
------	------	------	------	------	-------------	------	------	------	------	------	------	------	------	------	------

U006_S010
TONER HOPPER:TONER SUPPLY:C:ASS'Y

27.D1493350 1.03530030N
DC STEPPER MOT (x2)
OR:TONER SUPPL SCREW:M3X3
Y



19.D1493270
TONER HOPPER:T
ONER SUPPLY:C:A
SS'Y

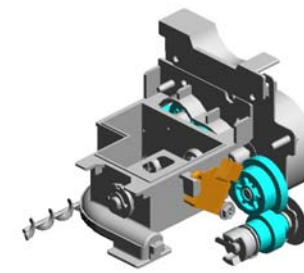


30.GW230008
TONER END SENS
OR

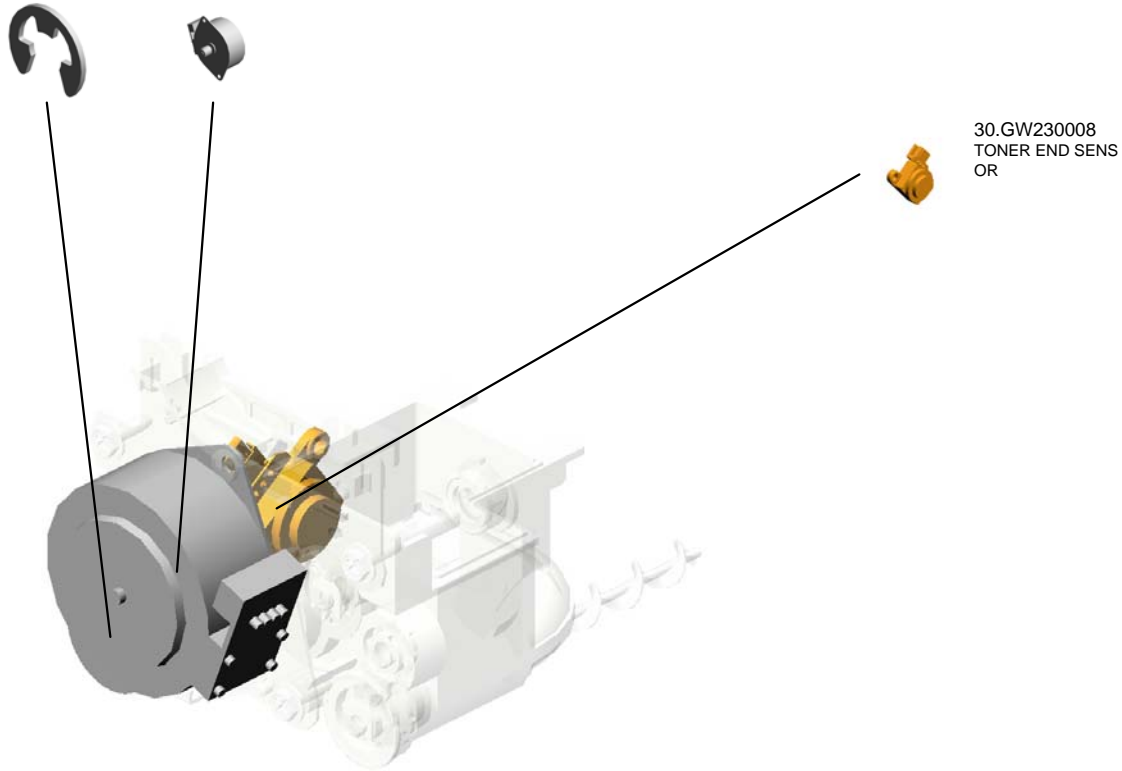
U001	U002	U003	U004	U005	U006	U007	U008	U009	U010	U011	U012	U013	U014	U015	U016
------	------	------	------	------	-------------	------	------	------	------	------	------	------	------	------	------

U006_S011
TONER HOPPER:TONER SUPPLY:M:ASS'Y

5.07200040E 29.D1496318
RETAINING RING - DC STEPPER MOT
M4 OR:ON-OFF



20.D1493280
TONER HOPPER:T
ONER SUPPLY:M:A
SS'Y



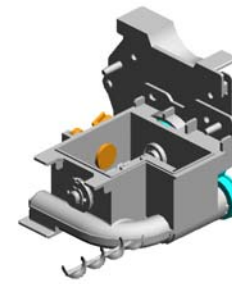
30.GW230008
TONER END SENS
OR

U001	U002	U003	U004	U005	U006	U007	U008	U009	U010	U011	U012	U013	U014	U015	U016
------	------	------	------	------	-------------	------	------	------	------	------	------	------	------	------	------

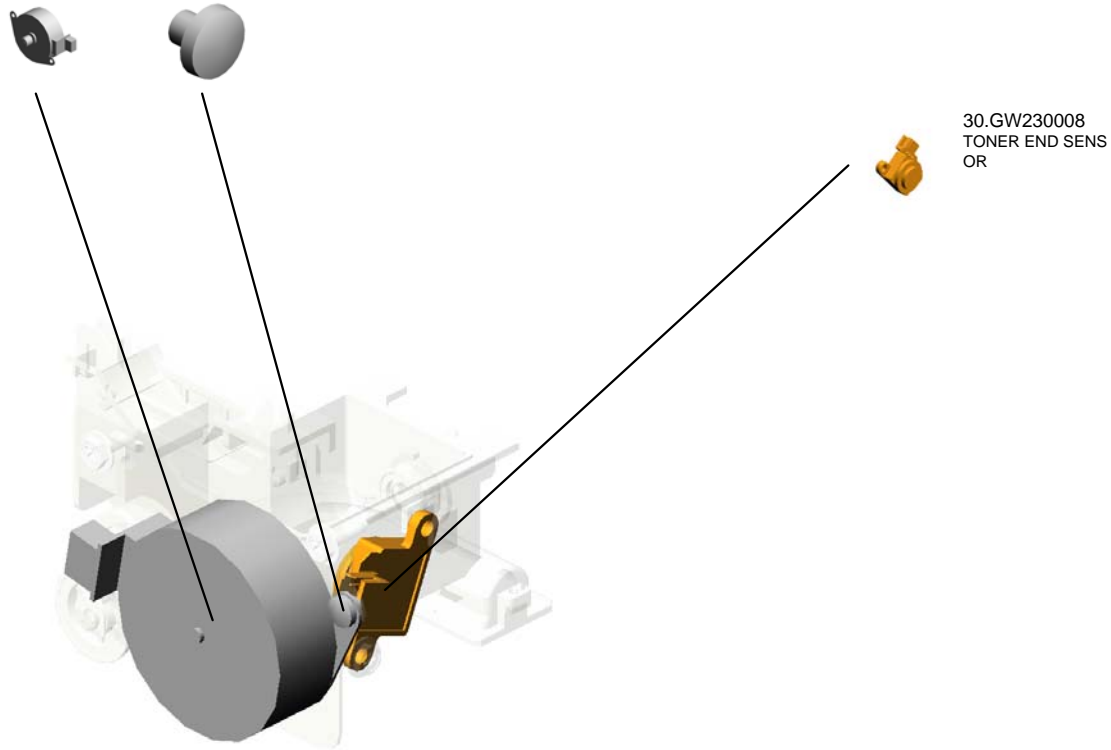
U006_S012

TONER HOPPER:TONER SUPPLY:Y:ASS'Y

27.D1493350 1.03530030N
DC STEPPER MOT (x2)
OR:TONER SUPPL SCREW:M3X3
Y



22.D1493310
TONER HOPPER:T
ONER SUPPLY:Y:A
SS'Y



U001	U002	U003	U004	U005	U006	U007	U008	U009	U010	U011	U012	U013	U014	U015	U016
------	------	------	------	------	-------------	------	------	------	------	------	------	------	------	------	------

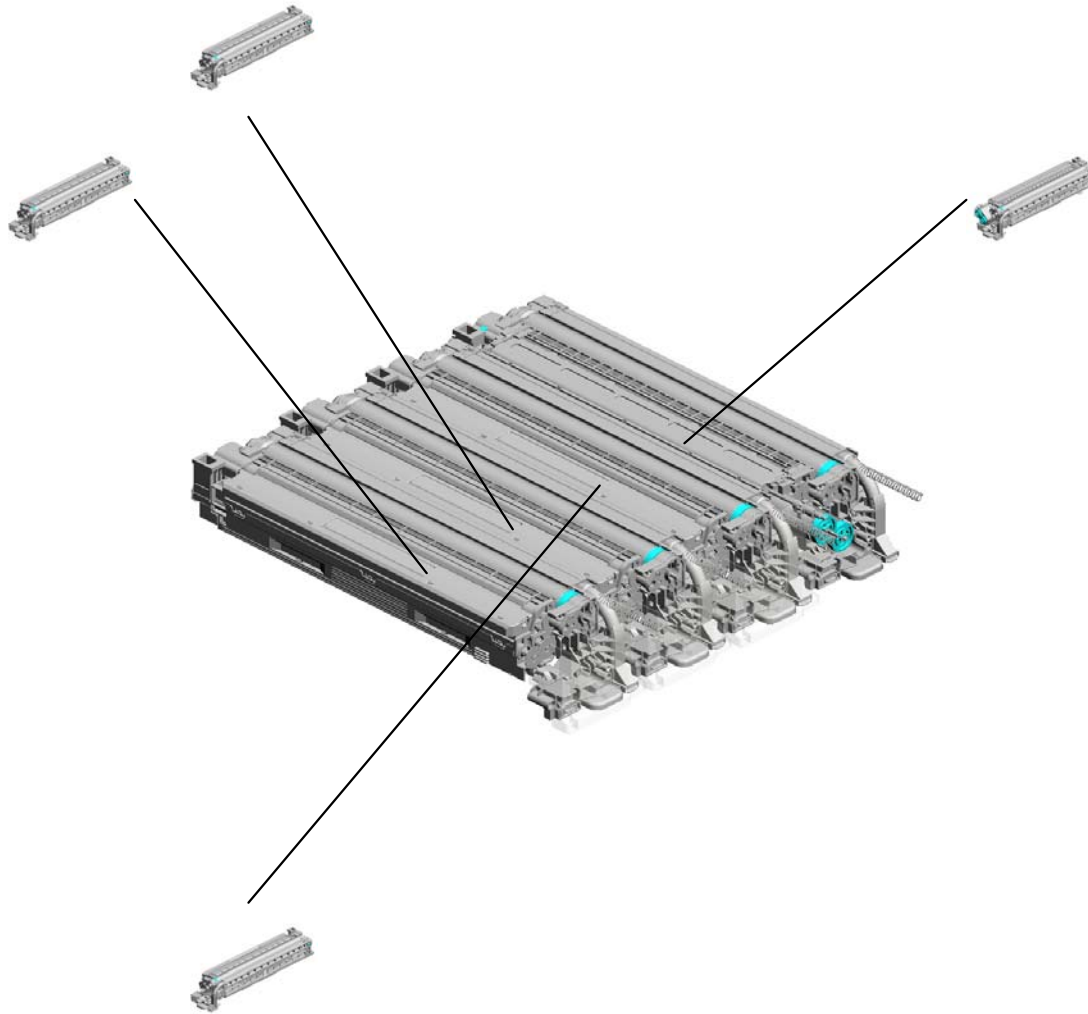
U007.PCDU

U007_S003
D2392232
PCDU:M

U007_S004
D2392233
PCDU:Y

U007_S001
D2392234
PCDU:K

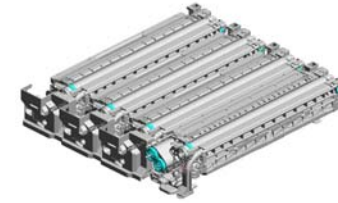
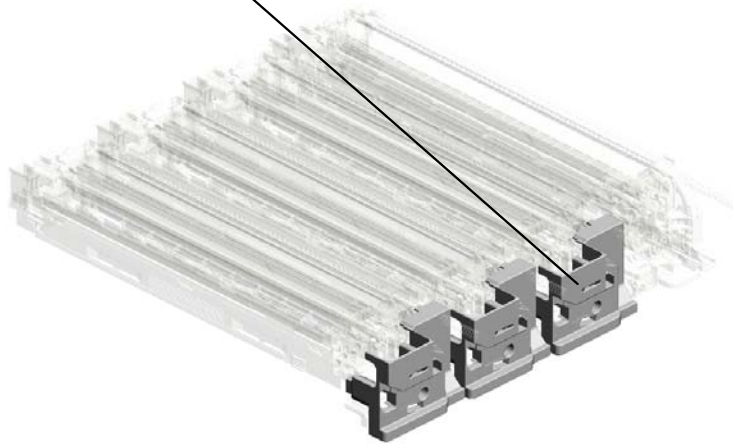
U007_S002
D2392231
PCDU:C



U001	U002	U003	U004	U005	U006	U007	U008	U009	U010	U011	U012	U013	U014	U015	U016
------	------	------	------	------	------	-------------	------	------	------	------	------	------	------	------	------

U007
PCDU

15.D2422389
(x3)
COVER:PCU:FRON
T:SUB-ASSY



1.03603006N (x 4)
SCREW - M3X6
2.04583010N (x 3)
HEXAGON HEAD TAPPING SCREW:3X
10

U001	U002	U003	U004	U005	U006	U007	U008	U009	U010	U011	U012	U013	U014	U015	U016
------	------	------	------	------	------	------	------	------	------	------	------	------	------	------	------

U007_S001
PCDU:K

3.04593010N
BINDING HEAD TA
PPING SCREW:3X
10

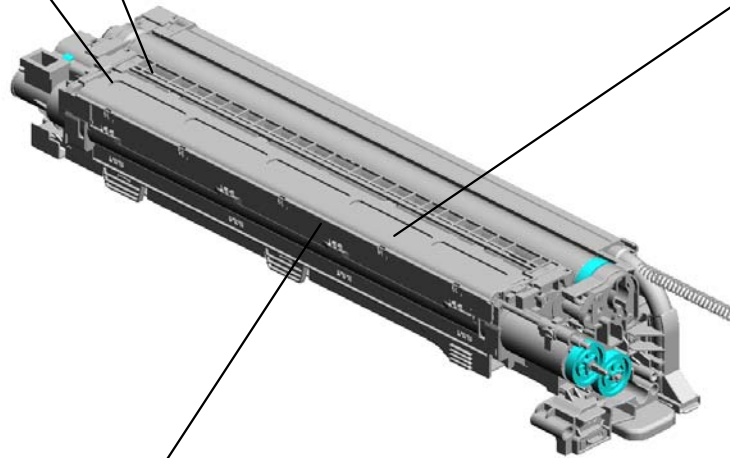


8.D2392234
PCDU:K

4.D1492329
DUCT:GEAR:DEVE
LOPMENT:ASS'Y



10.D2392240
PCU:K



16.D2423060
DEVELOPMENT UN
IT:K



U001	U002	U003	U004	U005	U006	U007	U008	U009	U010	U011	U012	U013	U014	U015	U016
------	------	------	------	------	------	------	------	------	------	------	------	------	------	------	------

U007_S002
PCDU:C

3.04593010N
BINDING HEAD TA
PPING SCREW:3X
10

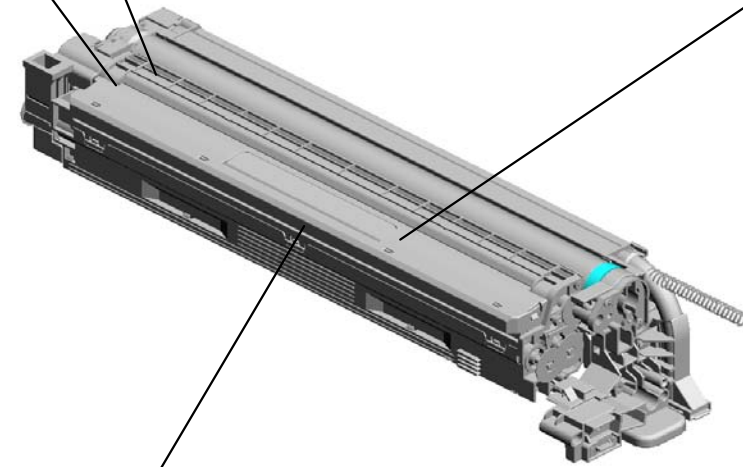


5.D2392231
PCDU:C

14.D2393492
COVER:PCU:REAR
:ASS'Y



9.D2392239
PCU:CMY



11.D2393061
DEVELOPMENT UN
IT:C

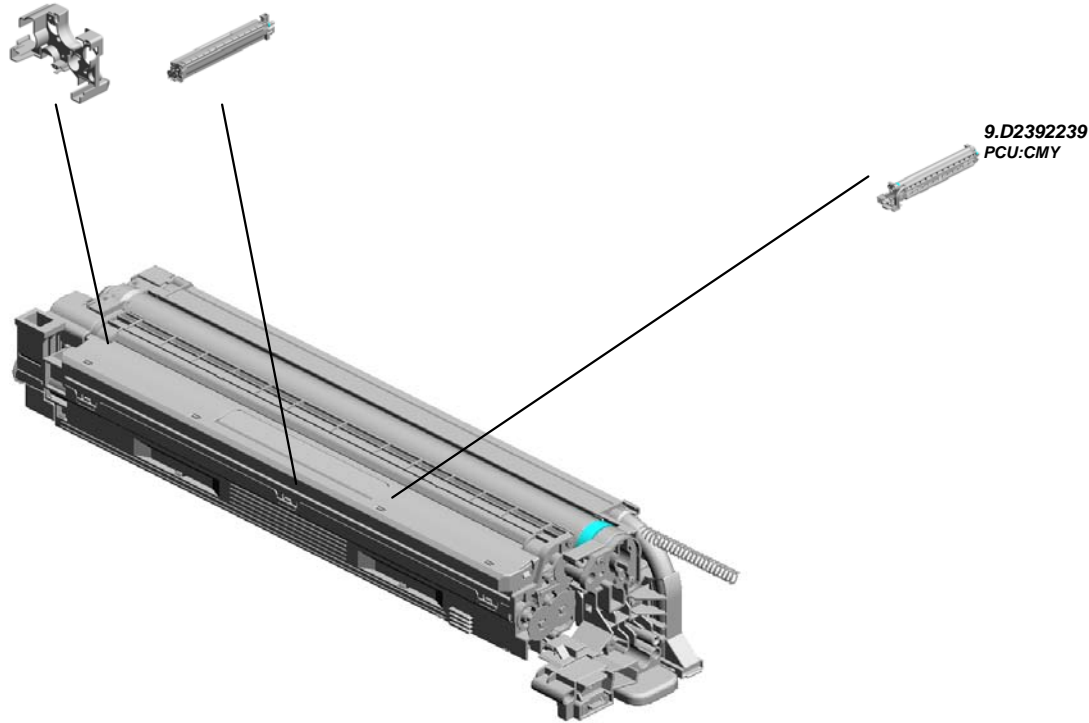


U001	U002	U003	U004	U005	U006	U007	U008	U009	U010	U011	U012	U013	U014	U015	U016
------	------	------	------	------	------	------	------	------	------	------	------	------	------	------	------

U007_S003
PCDU:M

14.D2393492
COVER:PCU:REAR
:ASSY

12.D2393062
DEVELOPMENT UN
IT:M

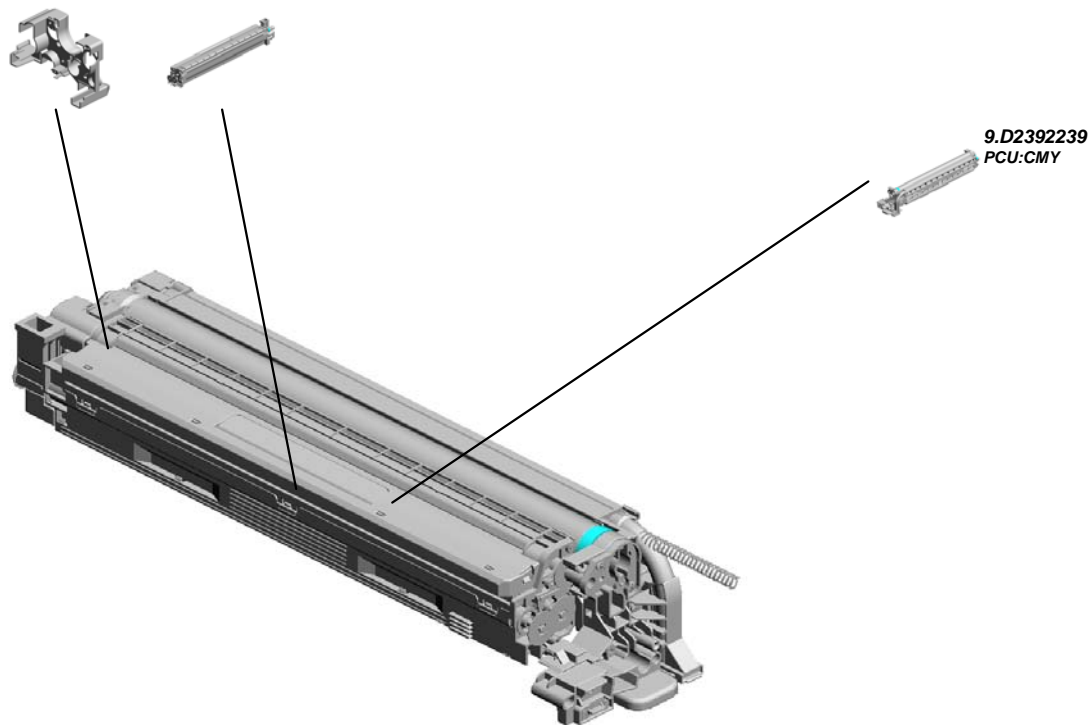


U001	U002	U003	U004	U005	U006	U007	U008	U009	U010	U011	U012	U013	U014	U015	U016
------	------	------	------	------	------	-------------	------	------	------	------	------	------	------	------	------

U007_S004
PCDU:Y

14.D2393492
COVER:PCU:REAR
:ASSY

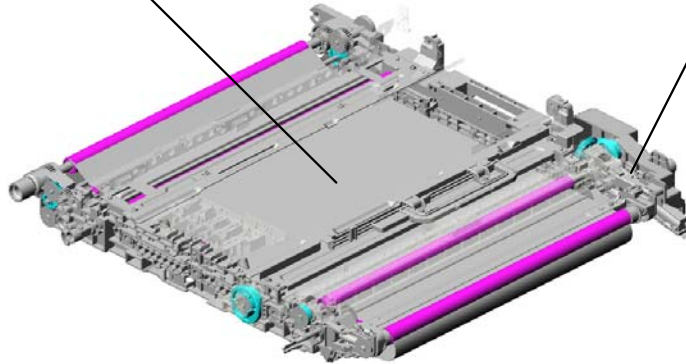
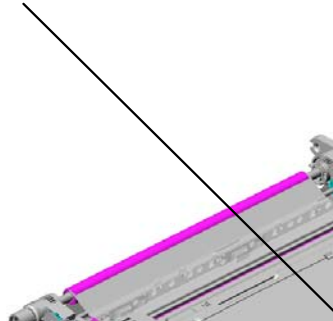
13.D2393063
DEVELOPMENT UN
IT:Y



U001	U002	U003	U004	U005	U006	U007	U008	U009	U010	U011	U012	U013	U014	U015	U016
------	------	------	------	------	------	-------------	------	------	------	------	------	------	------	------	------

U008.ITB UNIT

U008_S001
D2416001
TRANSFER UNIT:INTERMEDI
ATE TRANSFER:ASS'Y



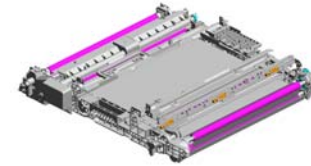
U008_S002
D1496370
TONER OUTLET UNIT:BELT
CLEANING:ASS'Y



U001	U002	U003	U004	U005	U006	U007	U008	U009	U010	U011	U012	U013	U014	U015	U016
------	------	------	------	------	------	------	-------------	------	------	------	------	------	------	------	------

U008 ITB UNIT

- 37.GW010009 (x3) DENSITY SENSOR
- 7.11050758 (x5) CLAMP:LWSM-0306A
- 29.D1496320 (x5) TERMINAL:BIAS:IN
TERMEDIAE TR
NSFER:MAIN
- 30.D1496321 HOLDER:TERMINA
L:INTERMEDIATE T
RANSFER:MAIN
- 11.AW140026 TEMPERATURE &
HUMIDITY SENSO
R



25.D1496309
SHAFT:ON-OFF:COLLAR:MAIN

8.AA082101
(x2)
BUSHING - 6X10X6

26.D1496310
BRACKET:ON-OFF:COLLAR

28.D1496312
JOINT:ON-OFF:COLLAR

10.AW020224
PHOTOINTERRUPTOR:GP1A173LCS
VF
201605-02 X/O

2.04543006Q
(x12)
TAPPING SCREW - M3X6

27.D1496311
GEAR:ON-OFF:COLLAR:OUTPUT

5.07200040E
RETAINING RING - M4

19.D1496173
BRACKET:BELT CLEANING:REAR

3.04583008N
(x16)
HEXAGON HEAD TAPPING SCREW:3 X8

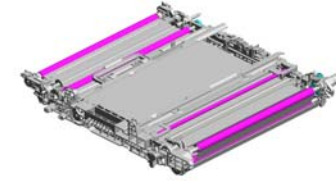
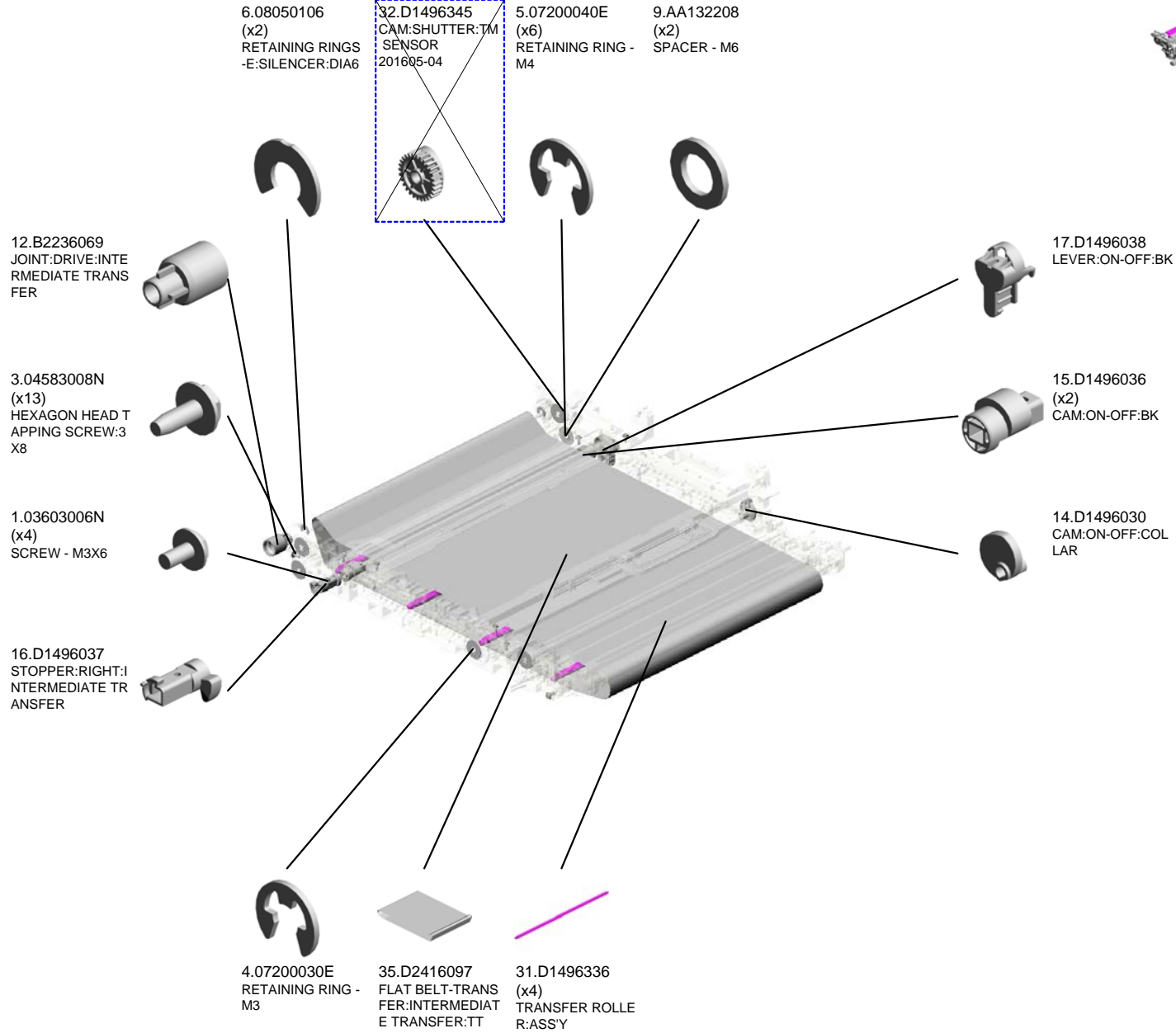
18.D1496172
BRACKET:BELT CLEANING:FRONT

13.D1175916
STEPPED SCREW: M3X8:SECOND KIND

36.D2416141
CLEANING UNIT:BELT CLEANING:AS S'Y

U008_S001

TRANSFER UNIT:INTERMEDIATE TRANSFER:ASS'Y



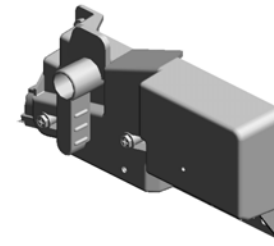
34.D2416001
TRANSFER UNIT:INTERMEDIATE TRANSFER:ASS'Y

U001	U002	U003	U004	U005	U006	U007	U008	U009	U010	U011	U012	U013	U014	U015	U016
------	------	------	------	------	------	------	-------------	------	------	------	------	------	------	------	------

U008_S002

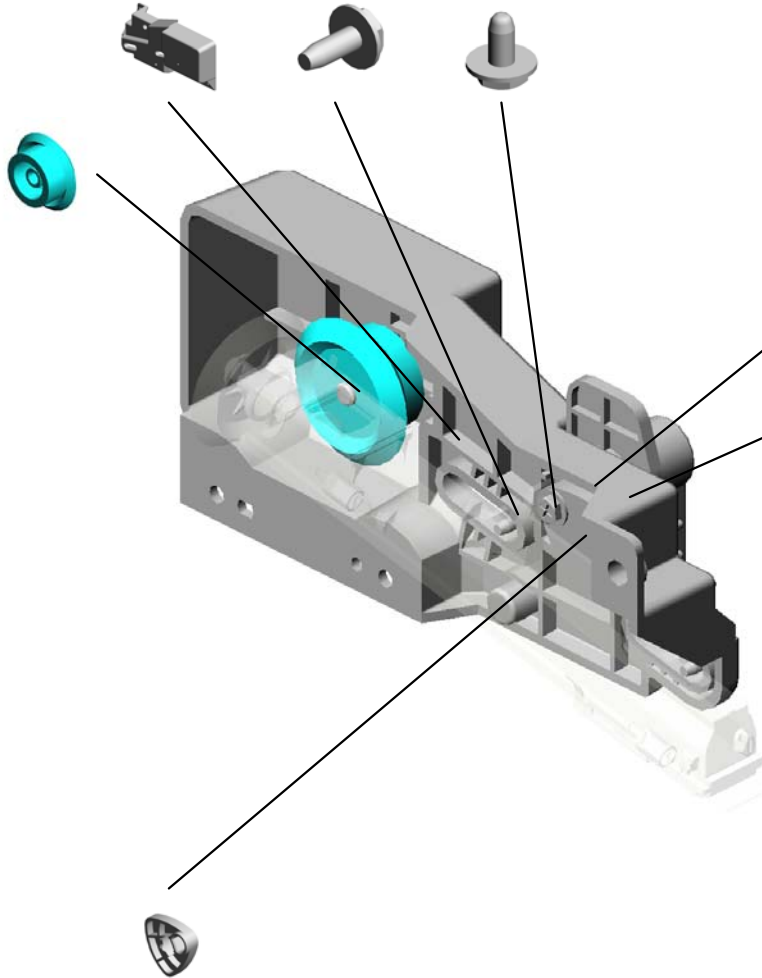
TONER OUTLET UNIT:BELT CLEANING:ASS'Y

20.D1496177 3.04583008N 2.04543006Q
HOLDER:DISCHARGE USED TONER: (x2)
ASS'Y HEXAGON HEAD TAPPING SCREW:3 M3X6
X8



33.D1496370
TONER OUTLET UNIT:BELT CLEANING:ASS'Y

21.D1496179
GEAR:IDLER:DISCHARGE USED TONER



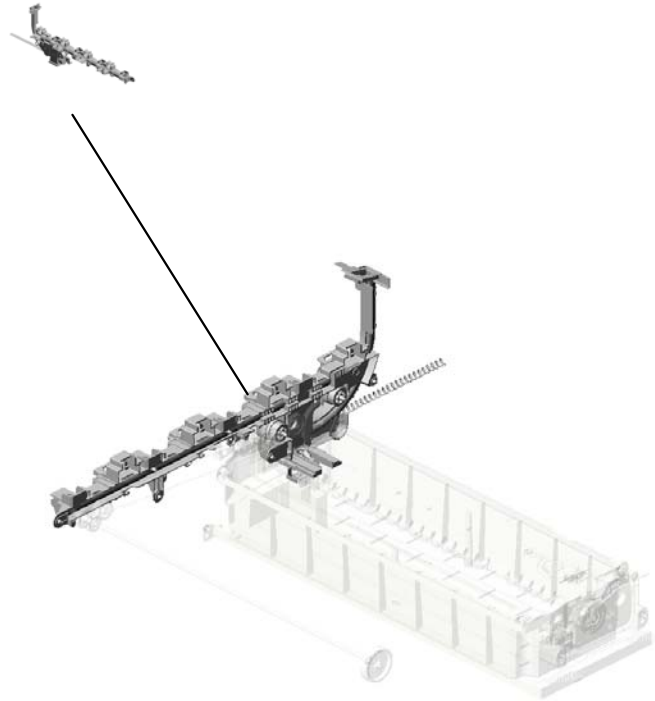
23.D1496194
SHAFT:LEVER:DISCHARGE USED TONER

22.D1496192
LEVER:DISCHARGE USED TONER

24.D1496195
CAM:DISCHARGE USED TONER

U009.USED TONER

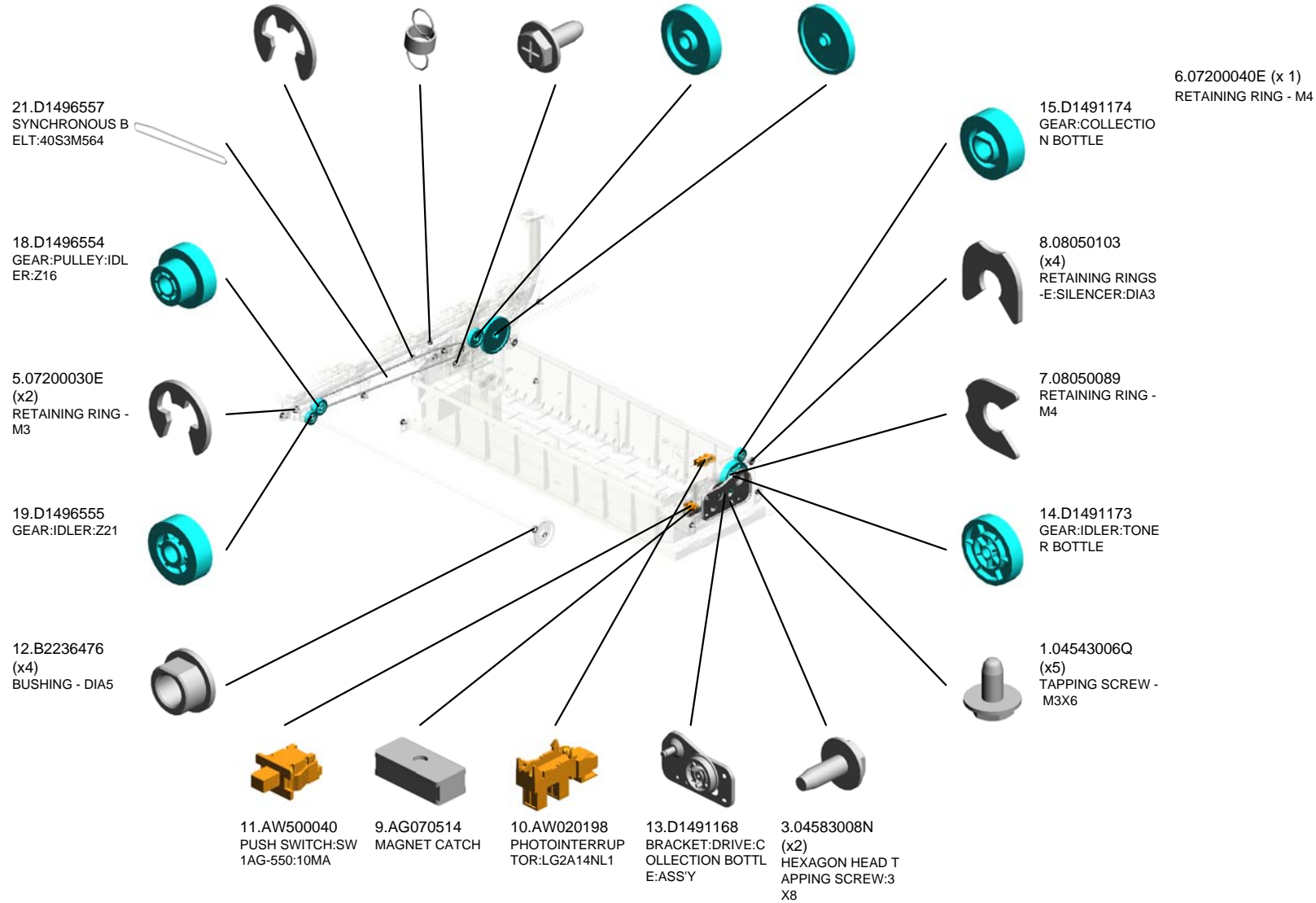
U009_S001
D2426511
PIPE:ASS'Y



U001	U002	U003	U004	U005	U006	U007	U008	U009	U010	U011	U012	U013	U014	U015	U016
------	------	------	------	------	------	------	------	------	------	------	------	------	------	------	------

U009 USED TONER

6.07200040E (x7) RETAINING RING - M4
 20.D1496556 TENSION SPRING: BELT TENSIONER
 2.04543008Q (x4) TAPPING SCREW:
 3X8
 16.D1496552 GEAR:IDLER:Z30
 17.D1496553 GEAR:IDLER:Z61



U009 USED TONER

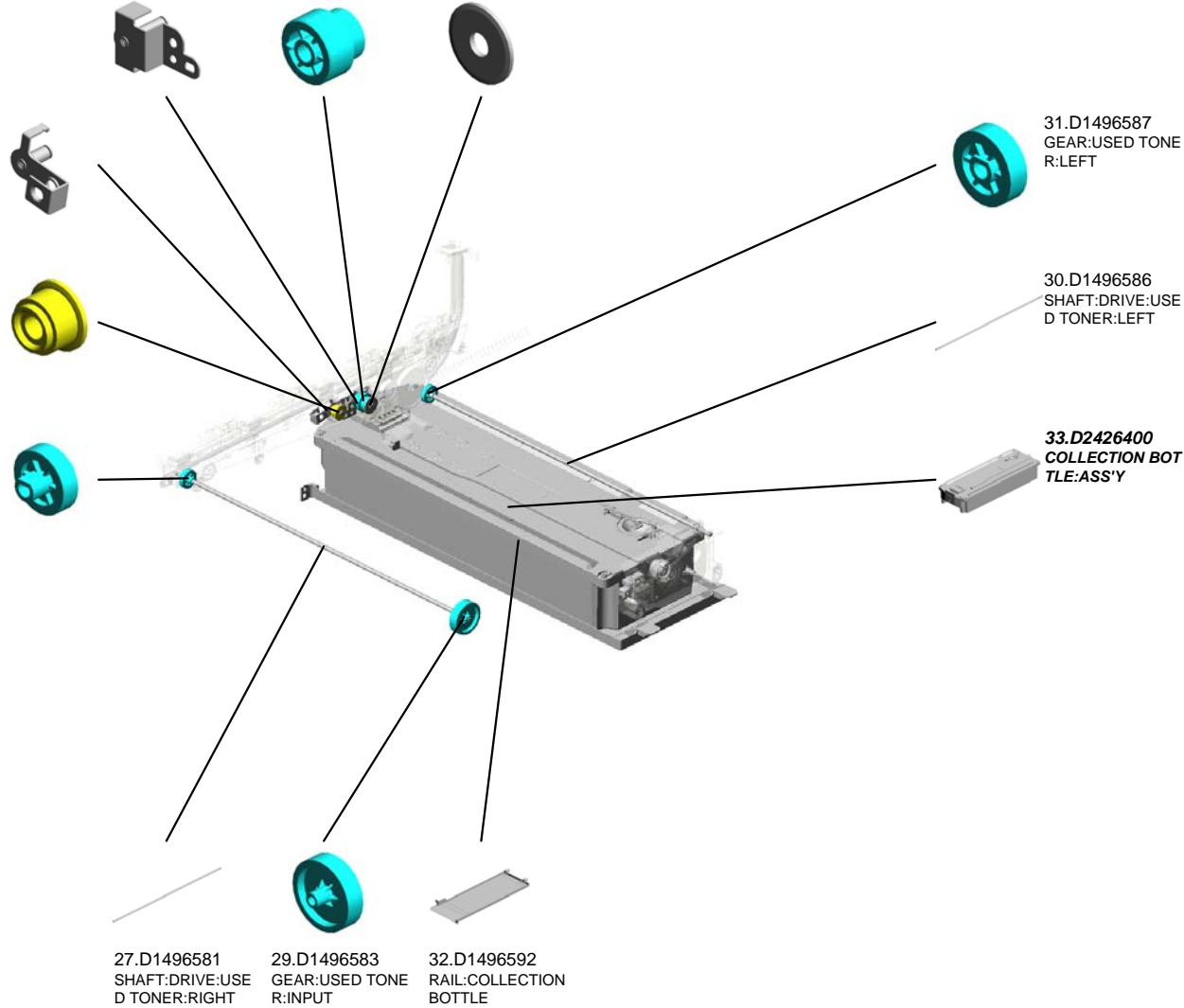
24.D1496571 BRACKET:PULLEY:
IDLER:USED TONE
R
25.D1496574 GEAR:PULLEY:IDL
ER:Z18
26.D1496575 FLANGE:IDLER:US
ED TONER



23.D1496562 BRACKET:TIGHTE
NER:USED TONER

22.D1496561 PULLEY:USED TO
NER

28.D1496582 GEAR:USED TONE
R:RIGHT



27.D1496581 SHAFT:DRIVE:USE
D TONER:RIGHT

29.D1496583 GEAR:USED TONE
R:INPUT

32.D1496592 RAIL:COLLECTION
BOTTLE

31.D1496587 GEAR:USED TONE
R:LEFT

30.D1496586 SHAFT:DRIVE:USE
D TONER:LEFT

33.D2426400 COLLECTION BOT
TLE:ASS'Y

U009_S001
PIPE:ASS'Y

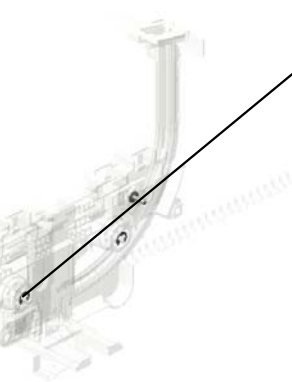
4.04583010N
(x4)
HEXAGON HEAD TAPPING SCREW:3
X10



34.D2426511
PIPE:ASS'Y



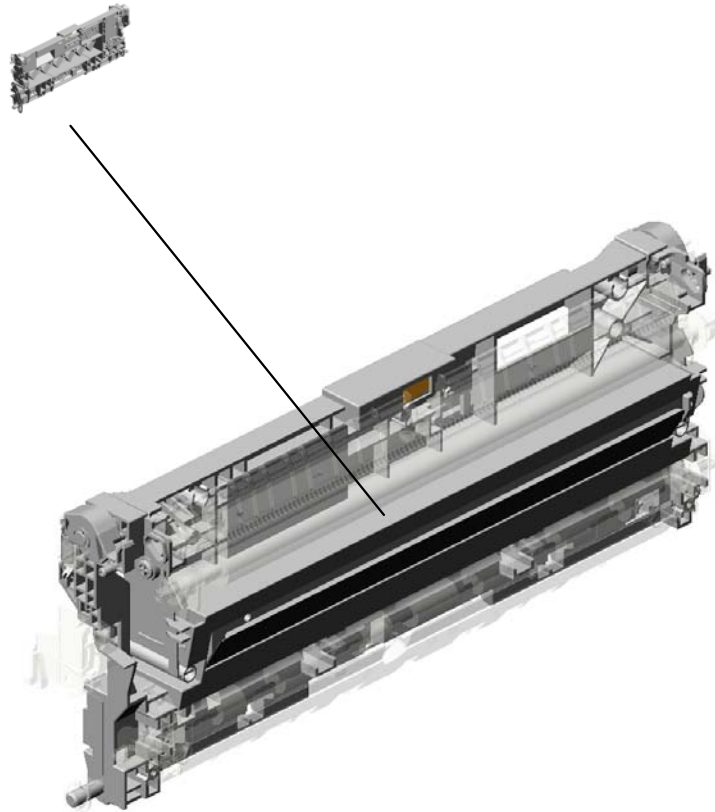
6.07200040E
(x2)
RETAINING RING -
M4



U001	U002	U003	U004	U005	U006	U007	U008	U009	U010	U011	U012	U013	U014	U015	U016
------	------	------	------	------	------	------	------	------	------	------	------	------	------	------	------

U010.PAPER TRANSPORT

U010_S001
D2416215
GUIDE PLATE:TRANSFER:S
ECOND:ASSY



U001	U002	U003	U004	U005	U006	U007	U008	U009	U010	U011	U012	U013	U014	U015	U016
------	------	------	------	------	------	------	------	------	------	------	------	------	------	------	------

U010 PAPER TRANSPORT

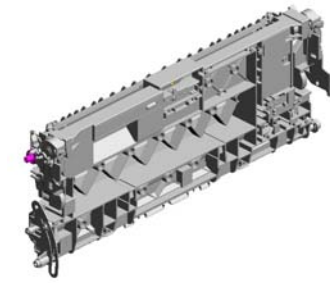
38.D1496291
GUIDE:SET:TRANS
FER/SEPARATION
UNIT:REAR

15.AW020224
PHOTOINTERRUPTOR:
GP1A173LCS
VF
201605-02 X/O

9.AA063942
COMPRESSION SP
RING:REGISTRATI
ON:DRIVE

21.D1492990
PLAIN SHAFT BEA
RING:DRIVE:REGI
STRATION ROLLE
R

11.AA080346
(x2)
BUSHING:FLANGE
TYPE:DIA6



39.D1496295
COVER:HARNES
S:TRANSFER/SEPAR
ATION UNIT

13.AB011571
GEAR:Z19:DRIVE:R
EGISTRATION

18.D1492584
(x2)
COLLAR:SHAFT:R
EGISTRATION ROL
LER

7.52152621
SNAP RING - M6

12.AA082144
BUSHING - 8X12X7

19.D1492585
GUIDE:REGISTRAT
ION:REAR RIGHT

17.D1492582
GUIDE PLATE:REG
ISTRATION:FRONT
RIGHT

20.D1492586
GUIDE:REGISTRAT
ION:FRONT RIGHT

10.AA063943
(x2)
COMPRESSION SP
RING:GUIDE PLAT
E:REGISTRATION:
4N

3.04583008N
(x2)
HEXAGON HEAD T
APPING SCREW:3
X8

2.04543008Q
(x2)
TAPPING SCREW:
3X8

37.D1496290
GUIDE:SET:TRANS
FER/SEPARATION
UNIT:FRONT

8.54472681
SNAP RING

4.07200030E
(x2)
RETAINING RING -
M3

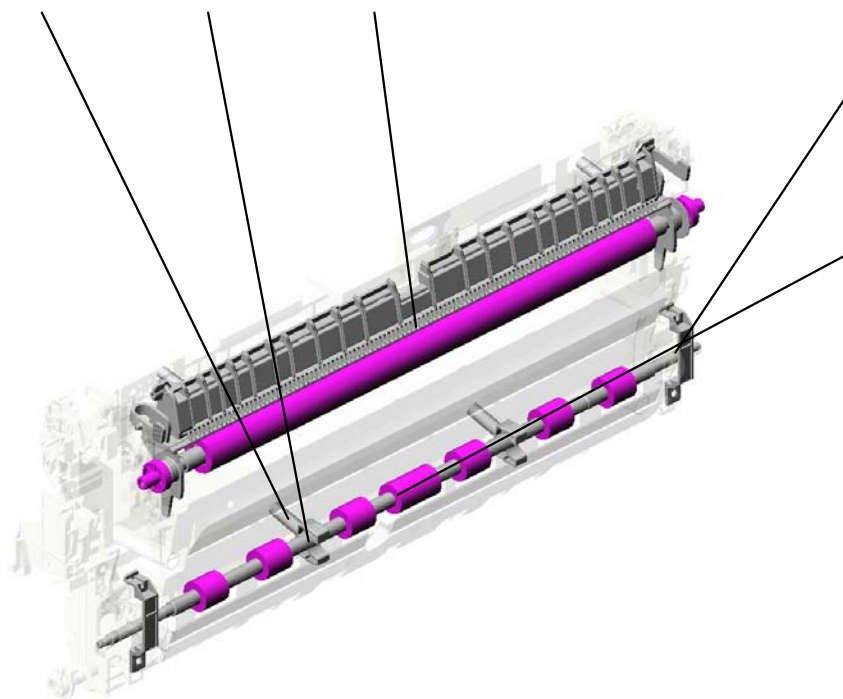
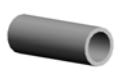
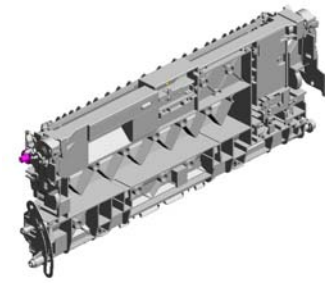
5.07200040E
(x3)
RETAINING RING -
M4

U010 PAPER TRANSPORT

44.D2412994
(x2)
COMPRESSION SP
RING:REGISTRATI
ON:INNER:DRIVE

42.D2412991
(x2)
PLAIN SHAFT BEA
RING:INNER:DRIV
E:REGISTRATION
ROLLER

45.D2416212
TRANSFER ROLLE
R:SECOND:ASS'Y



43.D2412993
(x2)
STOPPER:REGIST
RATION ROLLER



41.D2412583
REGISTRATION R
OLLER:DRIVE

U001	U002	U003	U004	U005	U006	U007	U008	U009	U010	U011	U012	U013	U014	U015	U016
------	------	------	------	------	------	------	------	------	------	------	------	------	------	------	------

U010_S001 GUIDE PLATE:TRANSFER:SECOND:ASS'Y

27.D1496231
LEVER:TRANSFER
/SEPARATION UNI
T:REAR

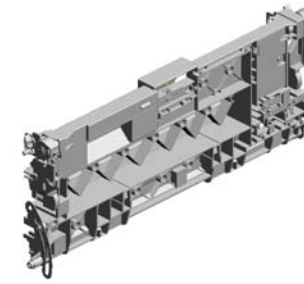
3.04583008N
(x6)
HEXAGON HEAD T
APPING SCREW:3
X8

16.D1185170
PCB:DIODE

14.AW010200
PAPER FEED SEN
SOR:FUSING EXIT

22.D1494662
DIFFUSION PLATE:
LED

46.D2416215
GUIDE PLATE:TRA
NSFER:SECOND:A
SS'Y



6.07200060E
(x2)
RETAINING RING -
M6

29.D1496233
TORSION SPRING:
LEVER:SET:REAR

28.D1496232
LEVER:SET:REAR

1.04543006Q
TAPPING SCREW -
M3X6

31.D1496243
RECEIVE PLATE:C
OMPRESSION SPR
ING:TRANSFER R
OLLER

36.D1496257
GROUND PLATE:R
EGISTRATION ROL
LER

32.D1496245
GROUND PLATE:T
RANSFER/SEPARA
TION UNIT

34.D1496248
CAP:LED

35.D1496254
DECAL:GRIP:B:LO
WER

33.D1496246
LINK:TRANSFER/S
EPARATION UNIT

23.D1496226
LEVER:TRANSFER
/SEPARATION UNI
T:FRONT

26.D1496229
(x2)
TENSION SPRING:
LEVER:SET

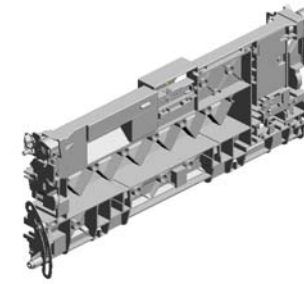
25.D1496228
TORSION SPRING:
LEVER:SET:FRON
T

24.D1496227
LEVER:SET:FRON
T

30.D1496242
(x2)
COMPRESSION SP
RING:PRESSURE:T
RANSFER ROLLER

U010_S001
GUIDE PLATE:TRANSFER:SECOND:ASS'Y

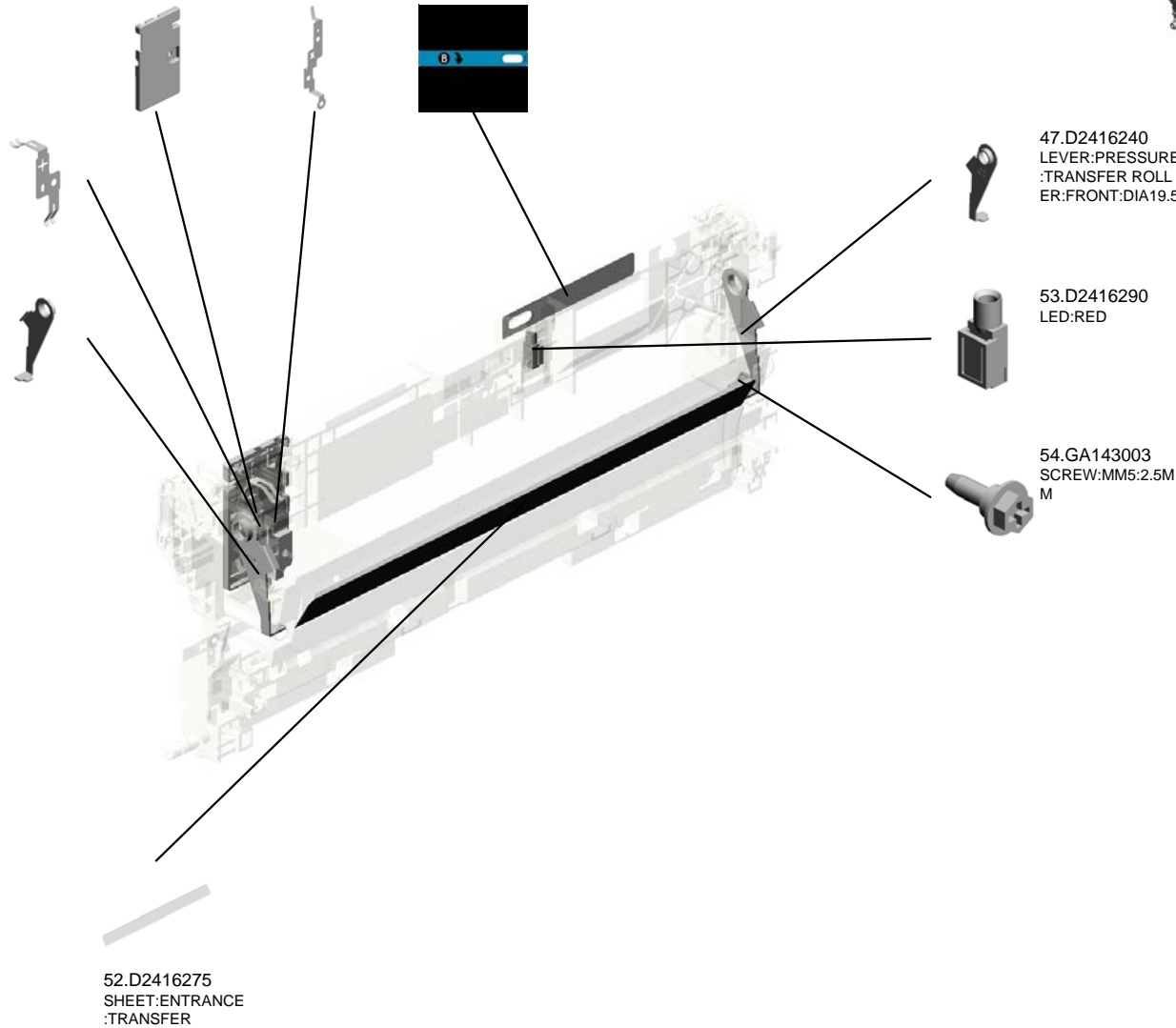
51.D2416258 COVER:TRANSFER/SEPARATION UNIT
50.D2416256 GROUND PLATE:GUIDE:TRANSPORT
40.D2026255 DECAL:GRIP:B



46.D2416215
GUIDE PLATE:TRANSFER:SECOND:ASS'Y

49.D2416244
GROUND PLATE:SEPARATION

48.D2416241
LEVER:PRESSURE:TRANSFER ROLLER:REAR:DIA19.5



47.D2416240
LEVER:PRESSURE:TRANSFER ROLLER:FRONT:DIA19.5

53.D2416290
LED:RED

54.GA143003
SCREW:MM5:2.5MM

52.D2416275
SHEET:ENTRANCE:TRANSFER

U011.FUSING

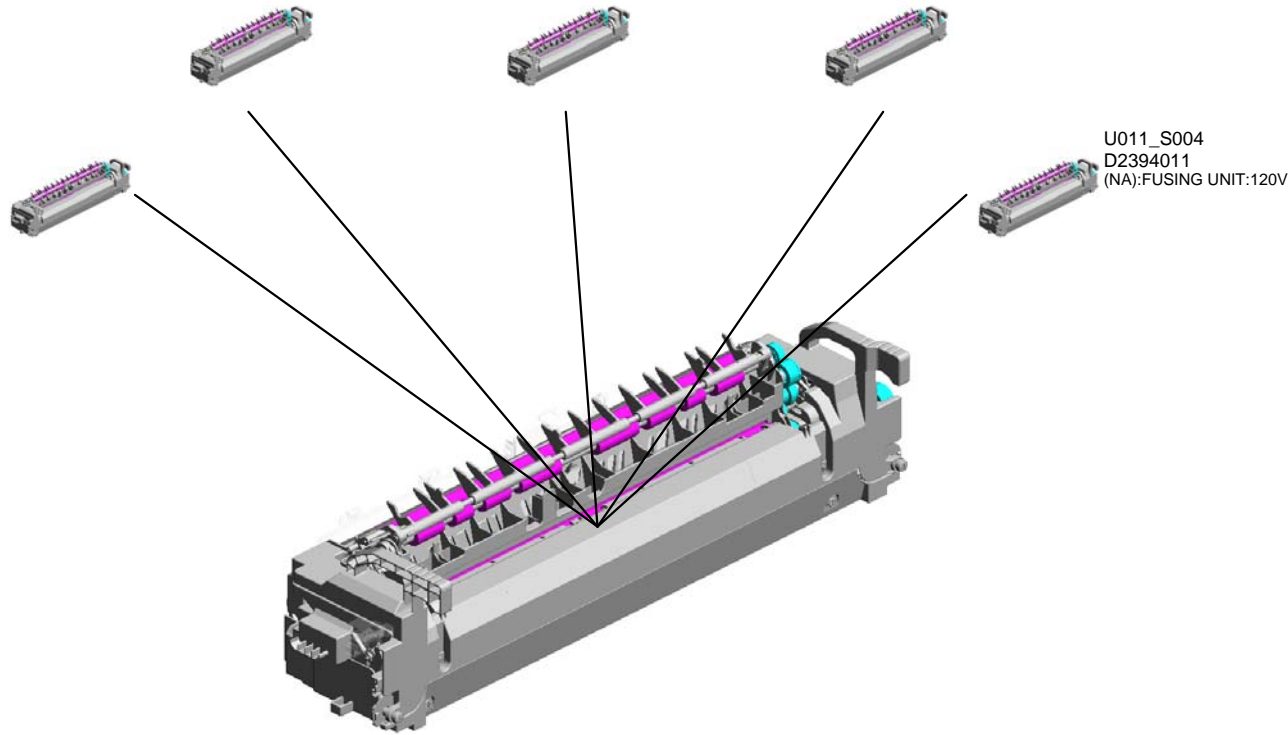
U011_S001
D2394012
(EU/CHN/AA/KOR):FUSING U
NIT:220/240V

U011_S002
D2394012
(EU/CHN/AA/KOR):FUSING U
NIT:220/240V

U011_S003
D2394012
(EU/CHN/AA/KOR):FUSING U
NIT:220/240V

U011_S005
D2394013
(TWN):FUSING UNIT:110V

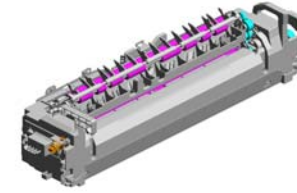
U011_S004
D2394011
(NA):FUSING UNIT:120V



U001	U002	U003	U004	U005	U006	U007	U008	U009	U010	U011	U012	U013	U014	U015	U016
------	------	------	------	------	------	------	------	------	------	------	------	------	------	------	------

U011 FUSING

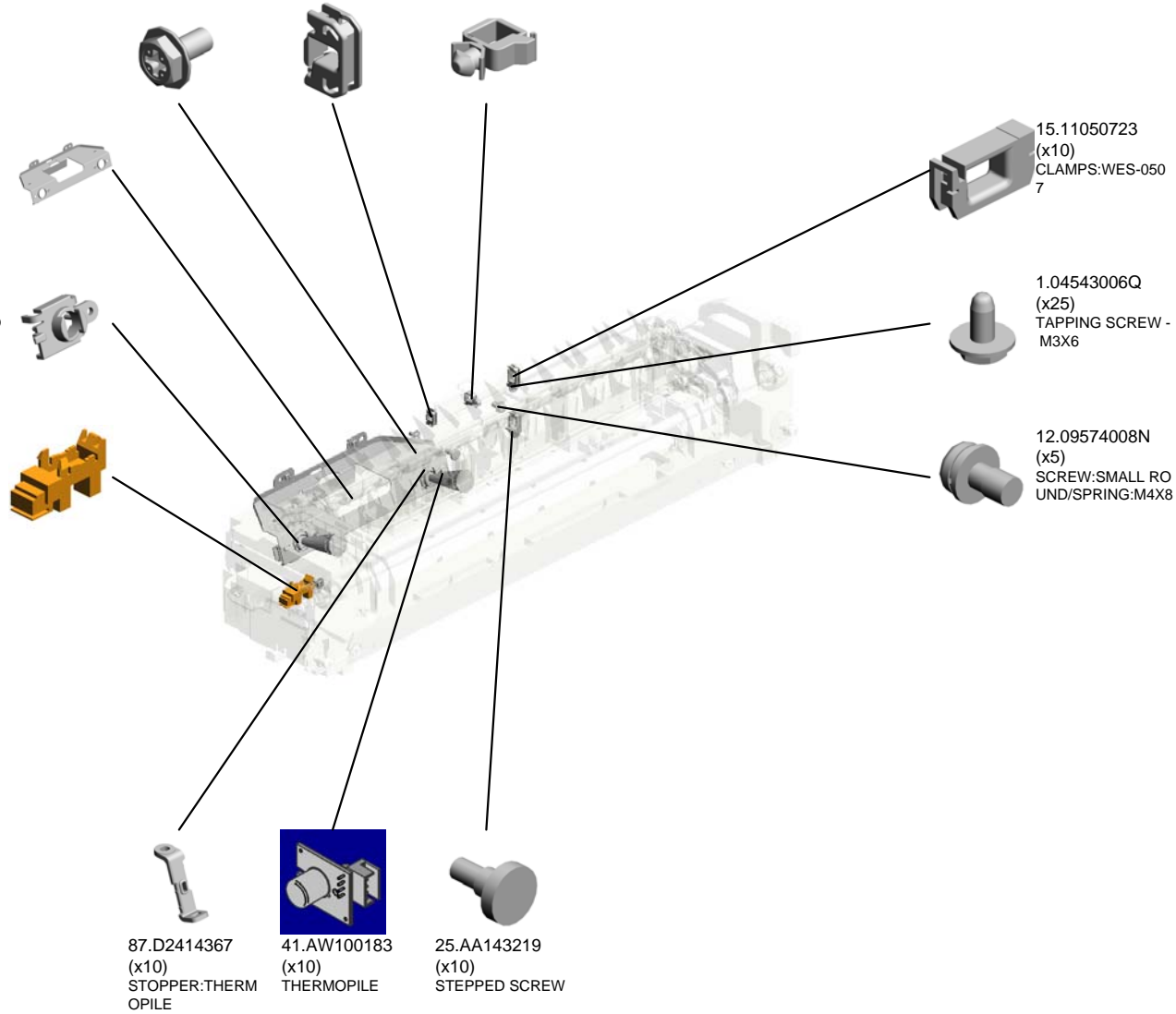
10.08046129 (x20) HEXAGON HEAD BOLT:IB-LOCK:M3X6
 13.11050692 (x5) CLAMP:LES-0503
 16.11050759 (x5) CLAMP:LWSM-0605A



86.D2414366 (x5) BRACKET:THERMOPILE

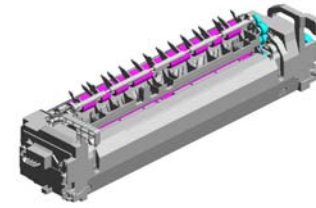
85.D2414365 (x10) HOLDER:THERMOPILE

37.AW020190 (x5) PHOTOINTERRUPTOR

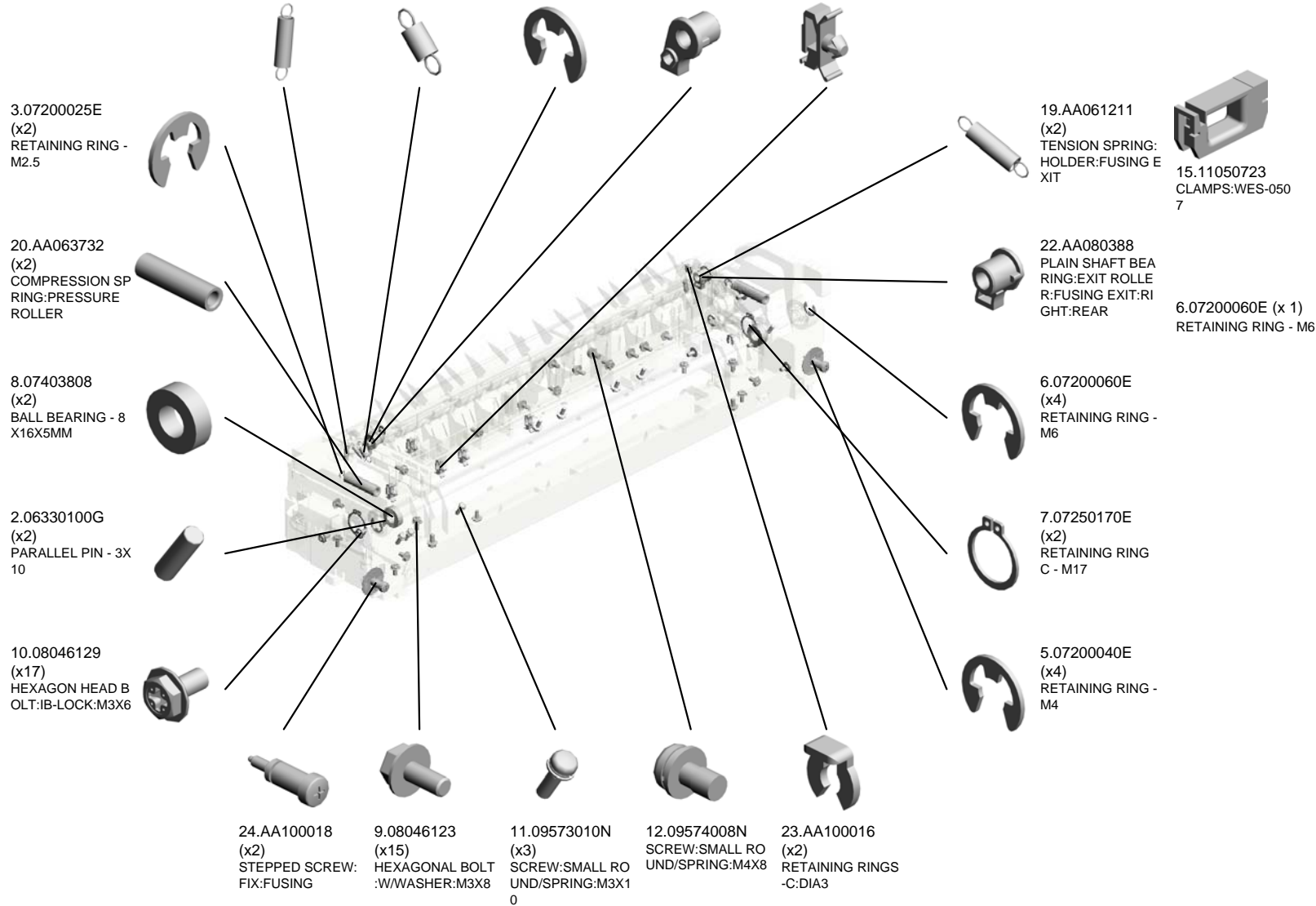


U011_S001
(EU/CHN/AA/KOR):FUSING UNIT:220/240V

- 17.AA061208 (x2) TENSION SPRING: STRIPPER PLATE
- 18.AA061209 TENSION SPRING: GATE PAWL
- 4.07200030E (x3) RETAINING RING - M3
- 21.AA080387 PLAIN SHAFT BEARING:EXIT ROLLER:FUSING EXIT:RIGHT:FRONT
- 14.11050713 (x5) CLAMP:LW5M-030 6H GRAY



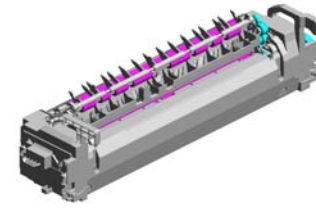
53.D2394012
(EU/CHN/AA/KOR):
FUSING UNIT:220/240V



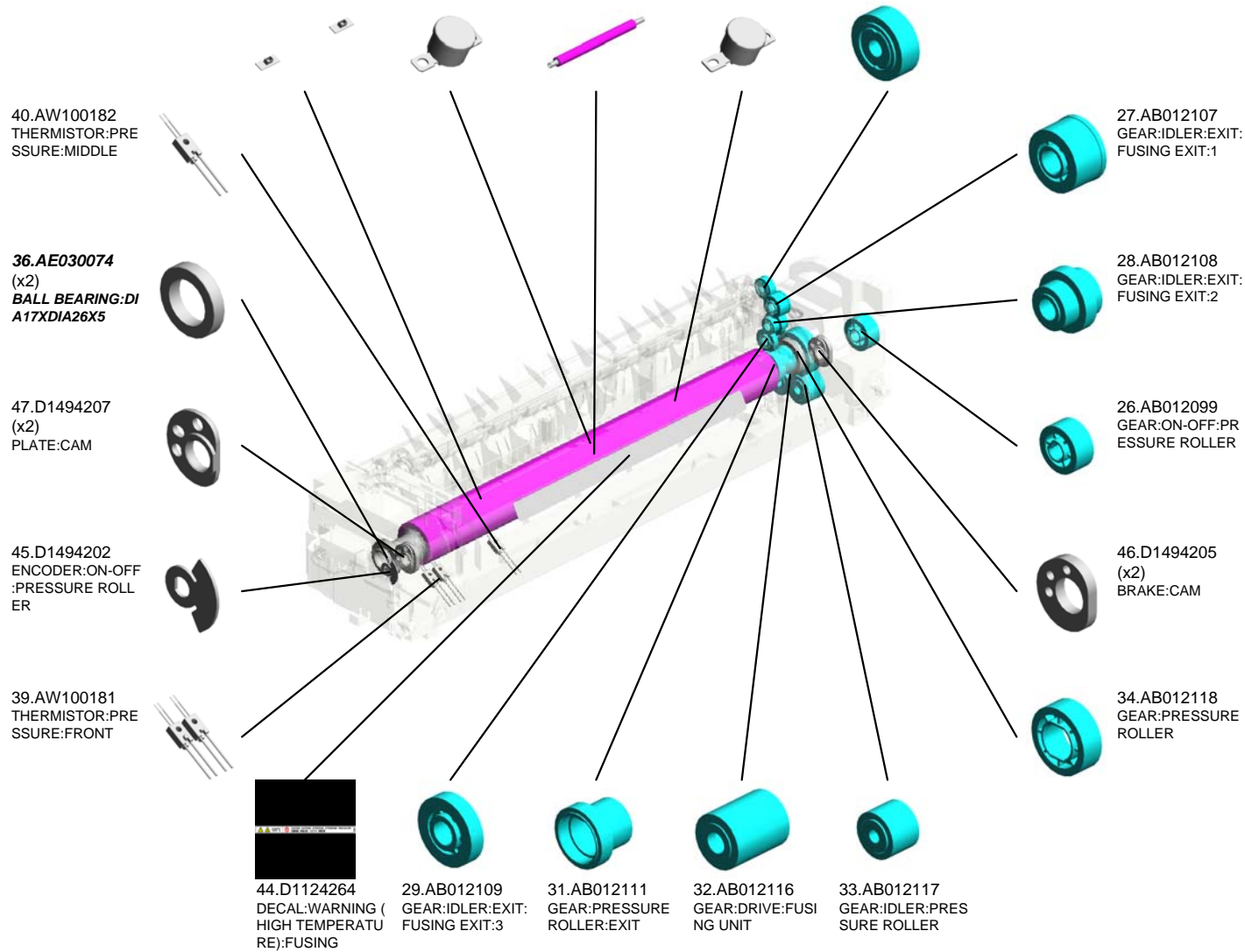
U001	U002	U003	U004	U005	U006	U007	U008	U009	U010	U011	U012	U013	U014	U015	U016
------	------	------	------	------	------	------	------	------	------	------	------	------	------	------	------

U011_S001
(EU/CHN/AA/KOR):FUSING UNIT:220/240V

- 38.AW100180 NON-CONTACT TYPE THERMISTOR:FUSING
- 42.AW110111 THERMOSTAT:MIDDLE
- 35.AE020238** **PRESSURE ROLLER:DIA32**
- 43.AW110112 THERMOSTAT:REAR
- 30.AB012110 GEAR:EXIT ROLLER:FUSING EXIT:RIGHT



53.D2394012
(EU/CHN/AA/KOR):
FUSING UNIT:220/240V



U011_S001
(EU/CHN/AA/KOR):FUSING UNIT:220/240V

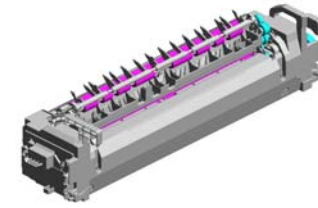
62.D2414105
GUIDE PLATE:FUSI
NG EXIT:LEFT

56.D2394042
(EU/CHN/AA/KOR):
SLEEVE:FUSING:2
20/240V

61.D2414102
DRIVEN ROLLER:F
USING EXIT:ASS'Y

72.D2414214
EXIT ROLLER:FUSI
NG EXIT:RIGHT

71.D2414212
GATE PAWL:FUSIN
G EXIT



53.D2394012
(EU/CHN/AA/KOR):
FUSING UNIT:220/2
40V

59.D2414023
HOLDER:DRIVEN
ROLLER:FUSING E
XIT:FRONT



65.D2414122
INNER COVER:PR
ESSURE ROLLER:
FRONT



68.D2414140
HOLDER:PRESSU
RE:FRONT:ASS'Y



67.D2414137
LEVER:PRESSURE
:FRONT:PEEN



50.D1494235
(x15)
STEPPED SCREW:
M3



63.D2414113
BRACKET:THERMI
STOR:PRESSURE
ROLLER

58.D2394262
FUSING COVER:L
OWER

49.D1494209
SHAFT:ON-OFF:PR
ESSURE ROLLER

51.D1494335
ELECTRODE PLAT
E:CONNECTING:T
HERMOSTAT

64.D2414121
INNER COVER:PR
ESSURE ROLLER:
REAR

60.D2414024
HOLDER:DRIVEN
ROLLER:FUSING E
XIT:REAR



69.D2414155
HOLDER:PRESSU
RE:REAR:ASS'Y



48.D1494208
(x2)
CAM:ON-OFF:PRE
SSURE ROLLER



70.D2414160
LEVER:PRESSURE
:REAR:PEEN

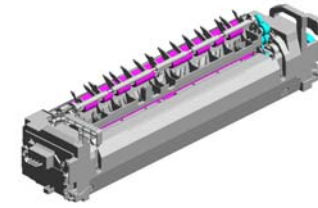


66.D2414123
DISCHARGE BRUS
H:PRESSURE ROL
LER

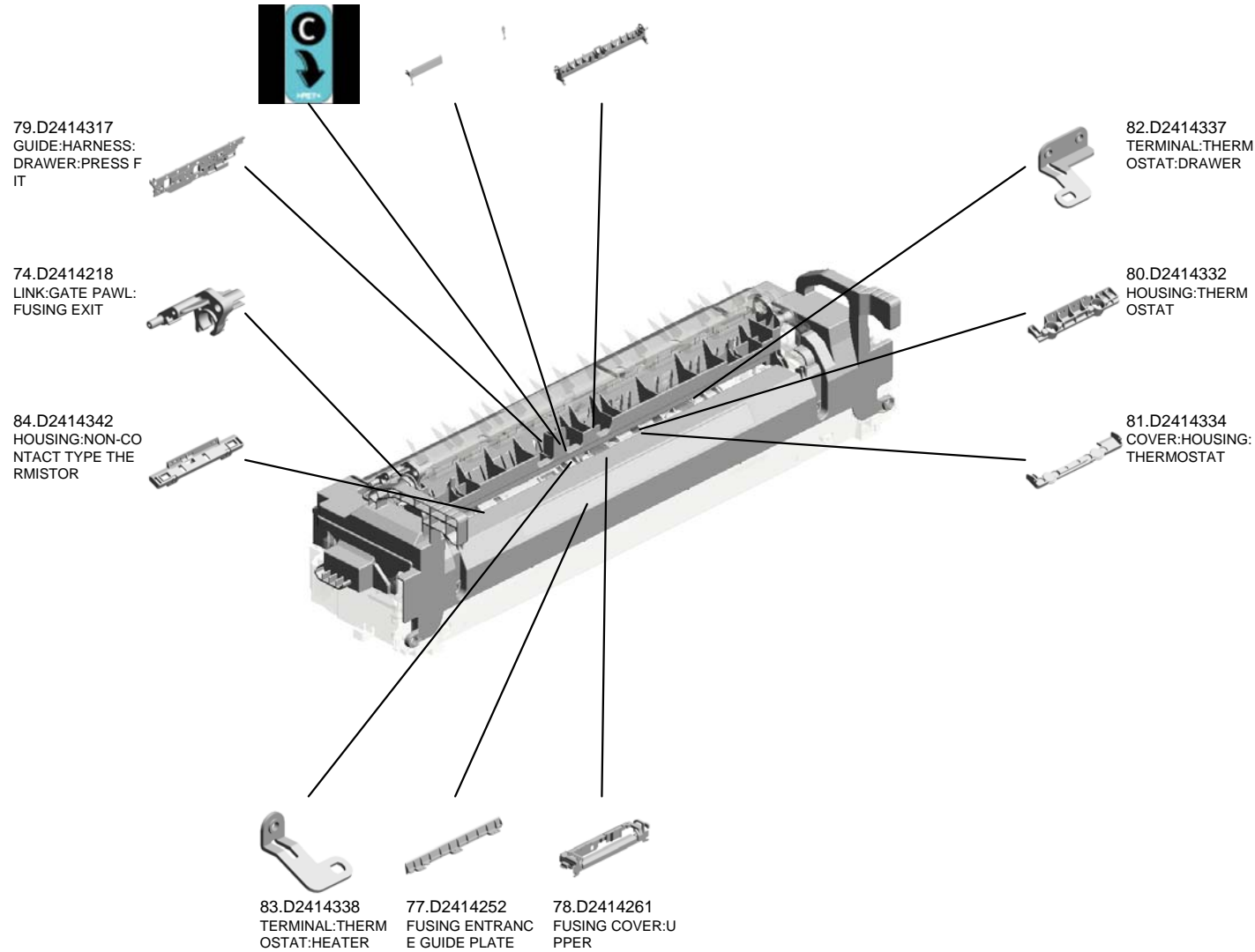


U011_S001
 (EU/CHN/AA/KOR):FUSING UNIT:220/240V

75.D2414219 DECAL:C:GUIDE PLATE:FUSING EXIT
 76.D2414221 STRIPPER PLATE:FUSING EXIT:ASS'Y
 73.D2414215 GUIDE:FUSING EXIT:RIGHT:ASS'Y

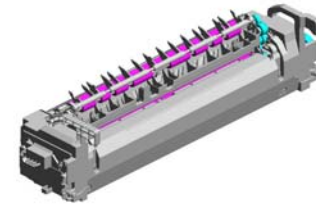


53.D2394012
 (EU/CHN/AA/KOR):
 FUSING UNIT:220/240V

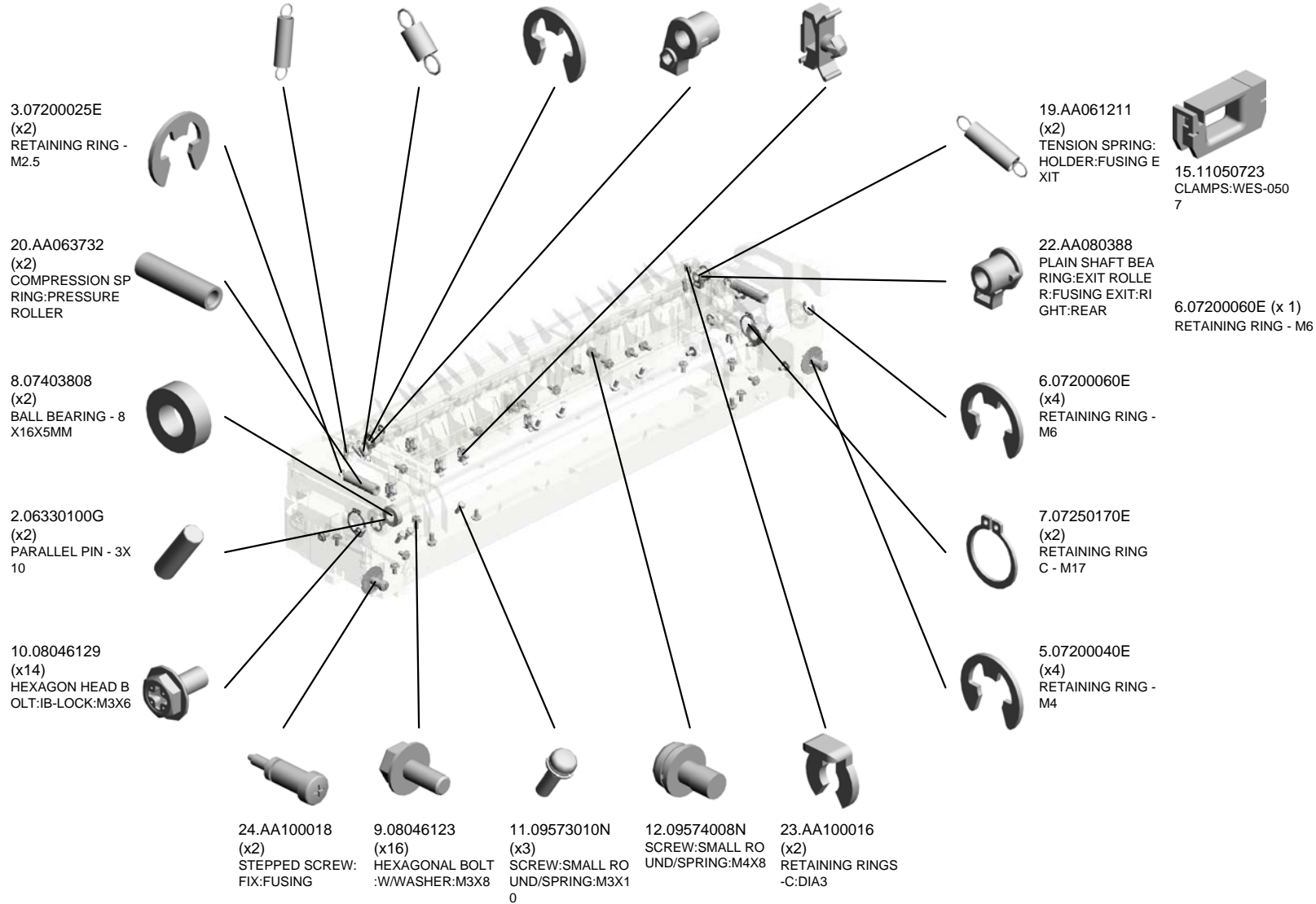


U011_S002
(EU/CHN/AA/KOR):FUSING UNIT:220/240V

- 17.AA061208 (x2) TENSION SPRING: STRIPPER PLATE
- 18.AA061209 TENSION SPRING: GATE PAWL
- 4.07200030E (x3) RETAINING RING - M3
- 21.AA080387 PLAIN SHAFT BEARING:EXIT ROLLER:FUSING EXIT:RIGHT:FRONT
- 14.11050713 (x5) CLAMP:LW5M-030 6H GRAY

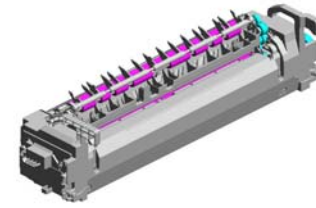


53.D2394012
(EU/CHN/AA/KOR):
FUSING UNIT:220/240V

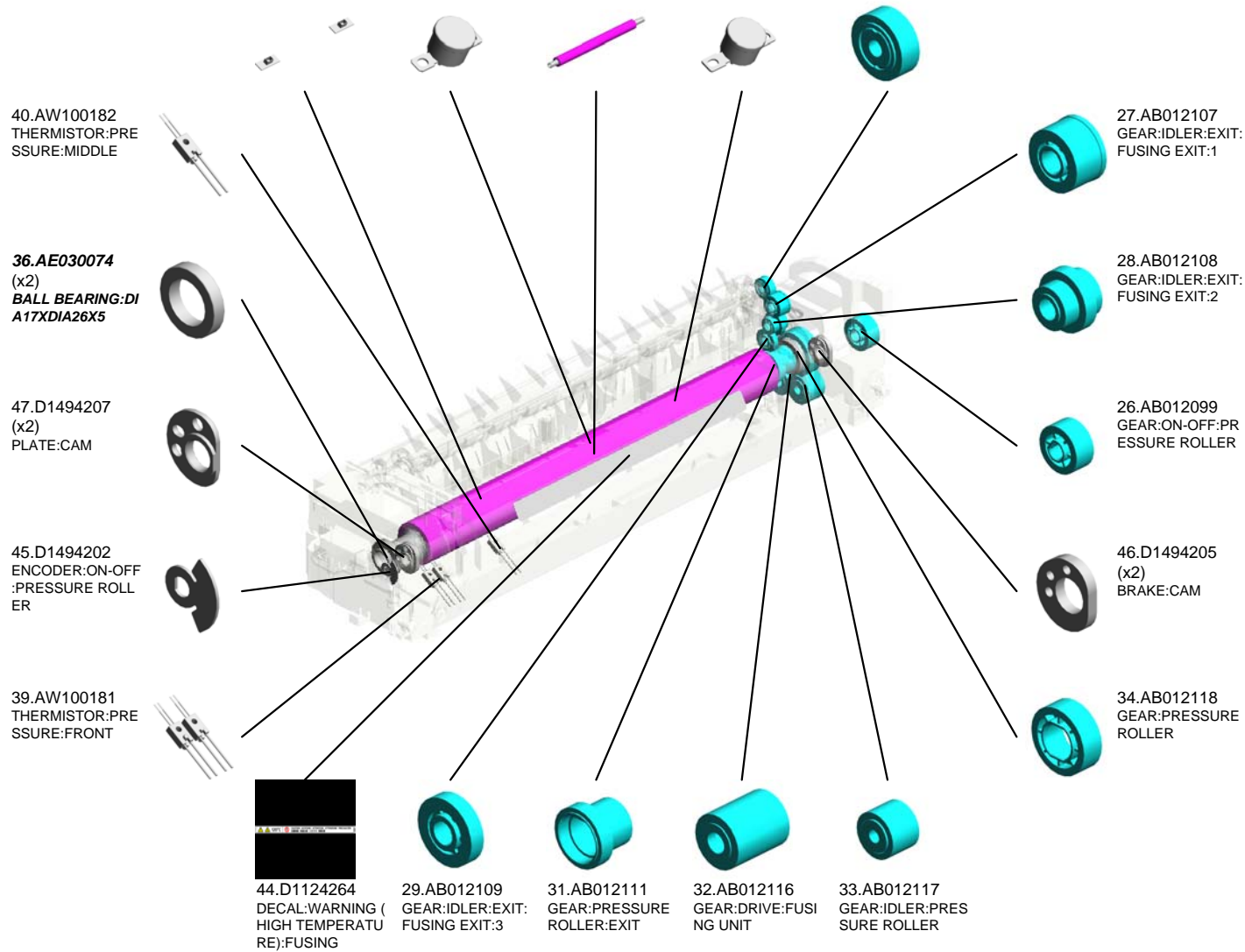


U011_S002
(EU/CHN/AA/KOR):FUSING UNIT:220/240V

- 38.AW100180 NON-CONTACT TYPE THERMISTOR:FUSING
- 42.AW110111 THERMOSTAT:MIDDLE
- 35.AE020238** **PRESSURE ROLLER:DIA32**
- 43.AW110112 THERMOSTAT:REAR
- 30.AB012110 GEAR:EXIT ROLLER:FUSING EXIT:RIGHT



53.D2394012
(EU/CHN/AA/KOR):
FUSING UNIT:220/240V



U011_S002
(EU/CHN/AA/KOR):FUSING UNIT:220/240V

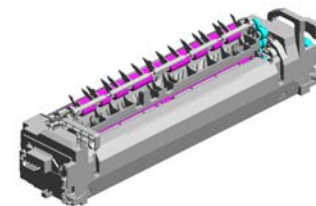
62.D2414105
GUIDE PLATE:FUSI
NG EXIT:LEFT

56.D2394042
(EU/CHN/AA/KOR):
SLEEVE:FUSING:2
20/240V

61.D2414102
DRIVEN ROLLER:F
USING EXIT:ASS'Y

72.D2414214
EXIT ROLLER:FUSI
NG EXIT:RIGHT

71.D2414212
GATE PAWL:FUSIN
G EXIT



53.D2394012
(EU/CHN/AA/KOR):
FUSING UNIT:220/2
40V

59.D2414023
HOLDER:DRIVEN
ROLLER:FUSING E
XIT:FRONT



65.D2414122
INNER COVER:PR
ESSURE ROLLER:
FRONT



68.D2414140
HOLDER:PRESSU
RE:FRONT:ASS'Y



67.D2414137
LEVER:PRESSURE
:FRONT:PEEN



50.D1494235
(x15)
STEPPED SCREW:
M3



63.D2414113
BRACKET:THERMI
STOR:PRESSURE
ROLLER

58.D2394262
FUSING COVER:L
OWER

49.D1494209
SHAFT:ON-OFF:PR
ESSURE ROLLER

51.D1494335
ELECTRODE PLAT
E:CONNECTING:T
HERMOSTAT

64.D2414121
INNER COVER:PR
ESSURE ROLLER:
REAR

60.D2414024
HOLDER:DRIVEN
ROLLER:FUSING E
XIT:REAR



69.D2414155
HOLDER:PRESSU
RE:REAR:ASS'Y



48.D1494208
(x2)
CAM:ON-OFF:PRE
SSURE ROLLER



70.D2414160
LEVER:PRESSURE
:REAR:PEEN

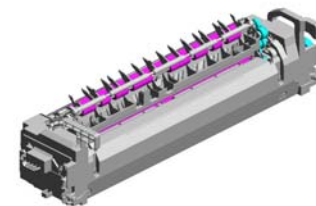


66.D2414123
DISCHARGE BRUS
H:PRESSURE ROL
LER

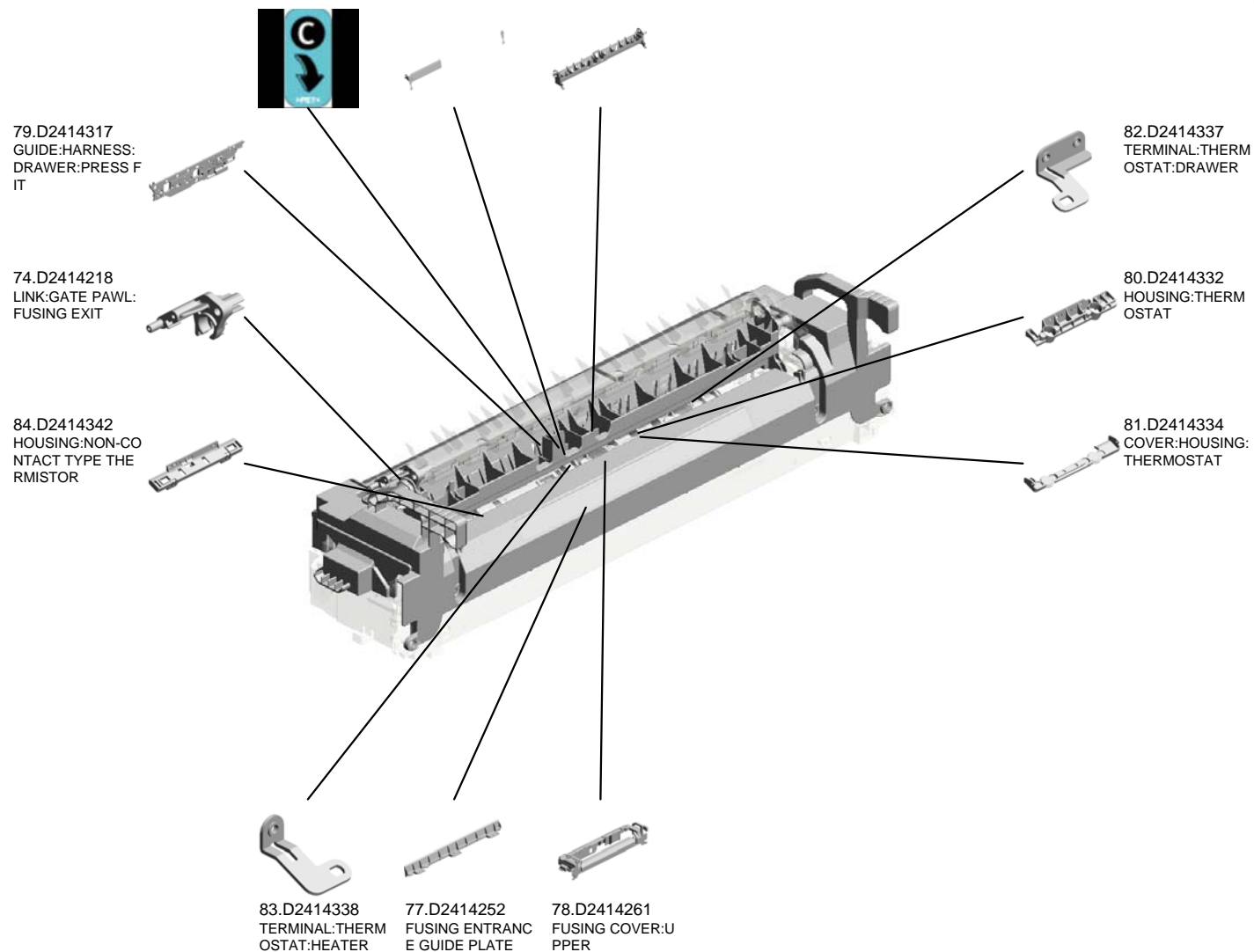


U011_S002
(EU/CHN/AA/KOR):FUSING UNIT:220/240V

75.D2414219 DECAL:C:GUIDE PLATE:FUSING EXIT
 76.D2414221 STRIPPER PLATE:FUSING EXIT:ASS'Y
 73.D2414215 GUIDE:FUSING EXIT:RIGHT:ASS'Y

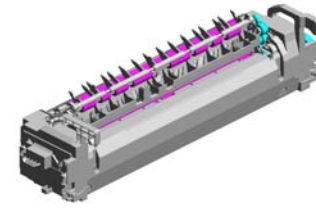


53.D2394012
(EU/CHN/AA/KOR):
FUSING UNIT:220/240V

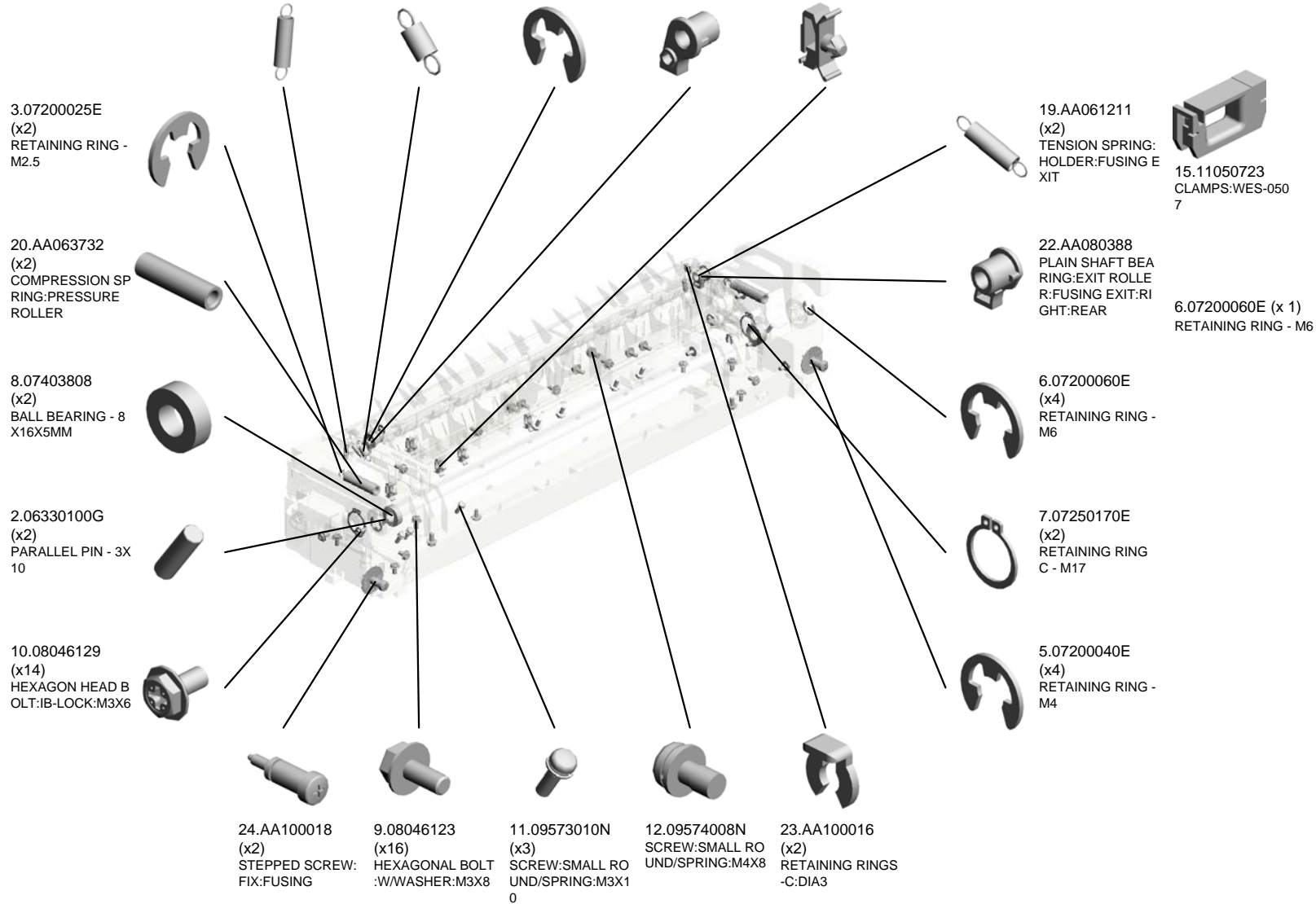


U011_S003
(EU/CHN/AA/KOR):FUSING UNIT:220/240V

- 17.AA061208 (x2) TENSION SPRING: STRIPPER PLATE
- 18.AA061209 TENSION SPRING: GATE PAWL
- 4.07200030E (x3) RETAINING RING - M3
- 21.AA080387 PLAIN SHAFT BEARING:EXIT ROLLER:FUSING EXIT:RIGHT:FRONT
- 14.11050713 (x5) CLAMP:LW5M-030 6H GRAY

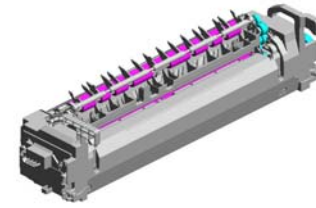


53.D2394012
(EU/CHN/AA/KOR):
FUSING UNIT:220/240V

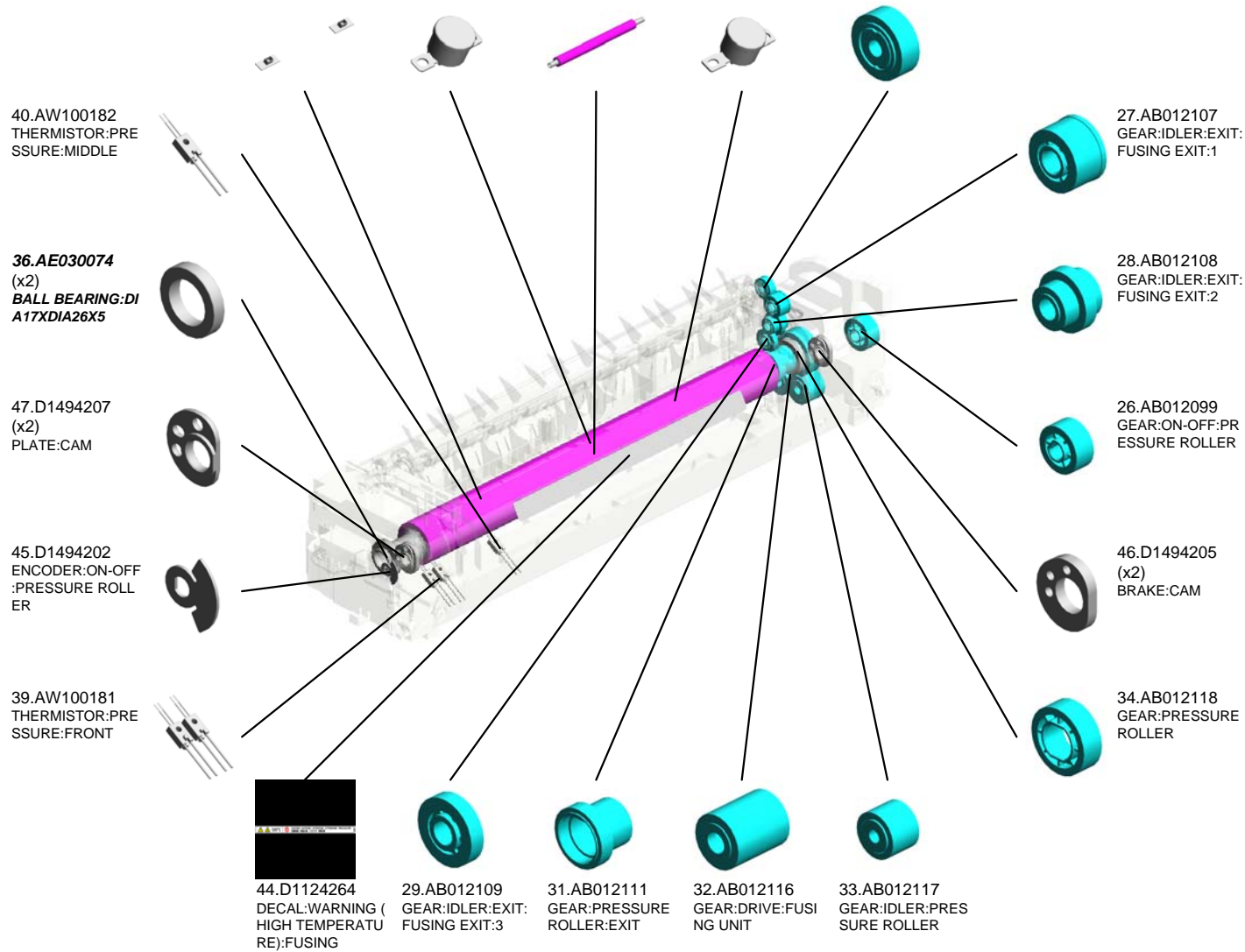


U011_S003
(EU/CHN/AA/KOR):FUSING UNIT:220/240V

- 38.AW100180 NON-CONTACT TYPE THERMISTOR:FUSING
- 42.AW110111 THERMOSTAT:MIDDLE
- 35.AE020238** PRESSURE ROLLER:DIA32
- 43.AW110112 THERMOSTAT:REAR
- 30.AB012110 GEAR:EXIT ROLLER:FUSING EXIT:RIGHT



53.D2394012
(EU/CHN/AA/KOR):
FUSING UNIT:220/240V



U011_S003
(EU/CHN/AA/KOR):FUSING UNIT:220/240V

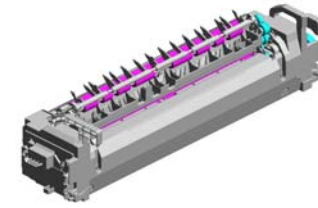
62.D2414105
GUIDE PLATE:FUSI
NG EXIT:LEFT

56.D2394042
(EU/CHN/AA/KOR):
SLEEVE:FUSING:2
20/240V

61.D2414102
DRIVEN ROLLER:F
USING EXIT:ASS'Y

72.D2414214
EXIT ROLLER:FUSI
NG EXIT:RIGHT

71.D2414212
GATE PAWL:FUSIN
G EXIT



53.D2394012
(EU/CHN/AA/KOR):
FUSING UNIT:220/2
40V

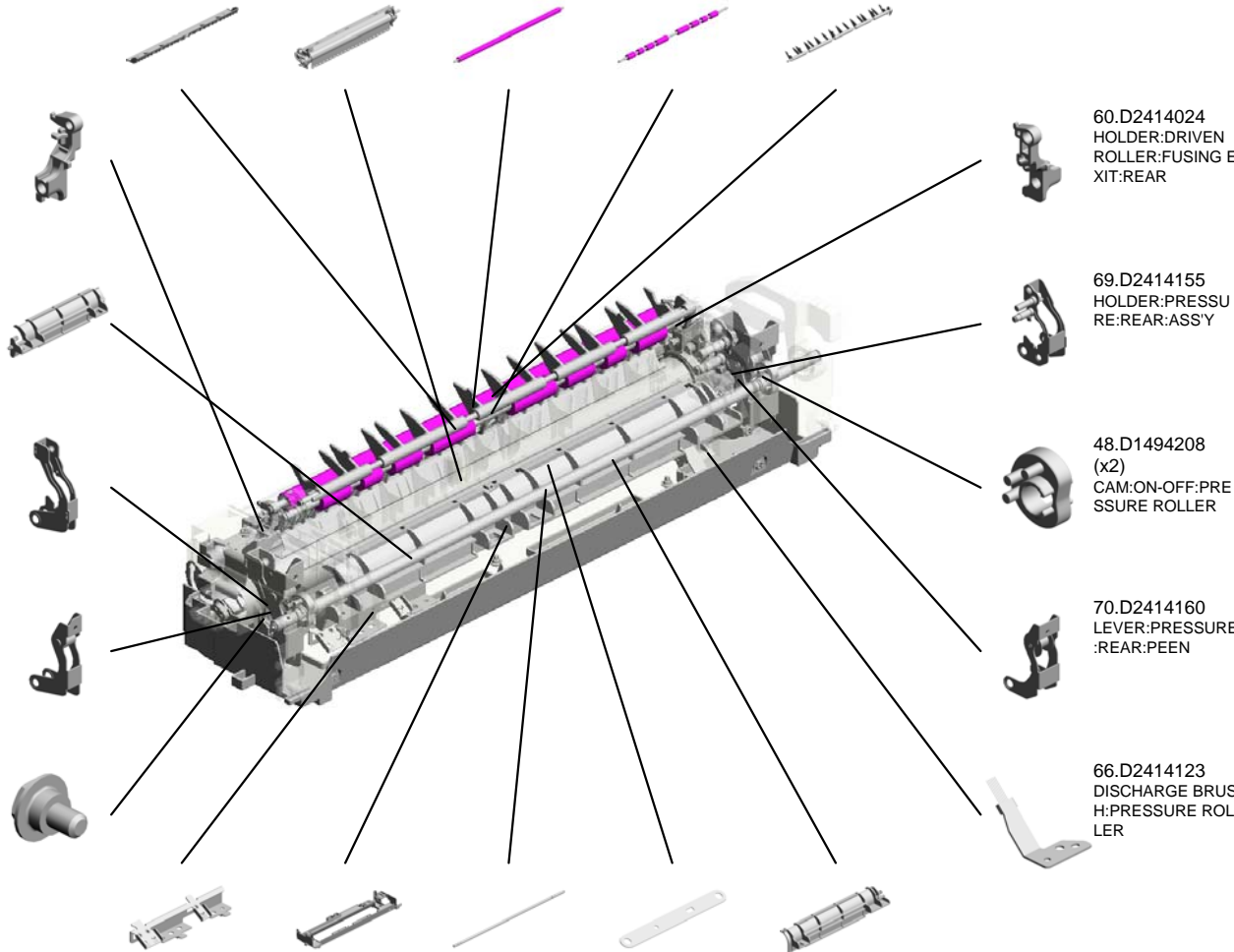
59.D2414023
HOLDER:DRIVEN
ROLLER:FUSING E
XIT:FRONT

65.D2414122
INNER COVER:PR
ESSURE ROLLER:
FRONT

68.D2414140
HOLDER:PRESSU
RE:FRONT:ASS'Y

67.D2414137
LEVER:PRESSURE
:FRONT:PEEN

50.D1494235
(x15)
STEPPED SCREW:
M3



60.D2414024
HOLDER:DRIVEN
ROLLER:FUSING E
XIT:REAR

69.D2414155
HOLDER:PRESSU
RE:REAR:ASS'Y

48.D1494208
(x2)
CAM:ON-OFF:PRE
SSURE ROLLER

70.D2414160
LEVER:PRESSURE
:REAR:PEEN

66.D2414123
DISCHARGE BRUS
H:PRESSURE ROL
LER

63.D2414113
BRACKET:THERMI
STOR:PRESSURE
ROLLER

58.D2394262
FUSING COVER:L
OWER

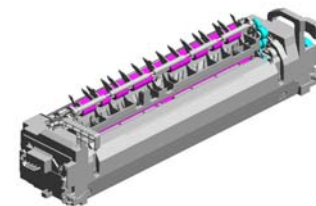
49.D1494209
SHAFT:ON-OFF:PR
ESSURE ROLLER

51.D1494335
ELECTRODE PLAT
E:CONNECTING:T
HERMOSTAT

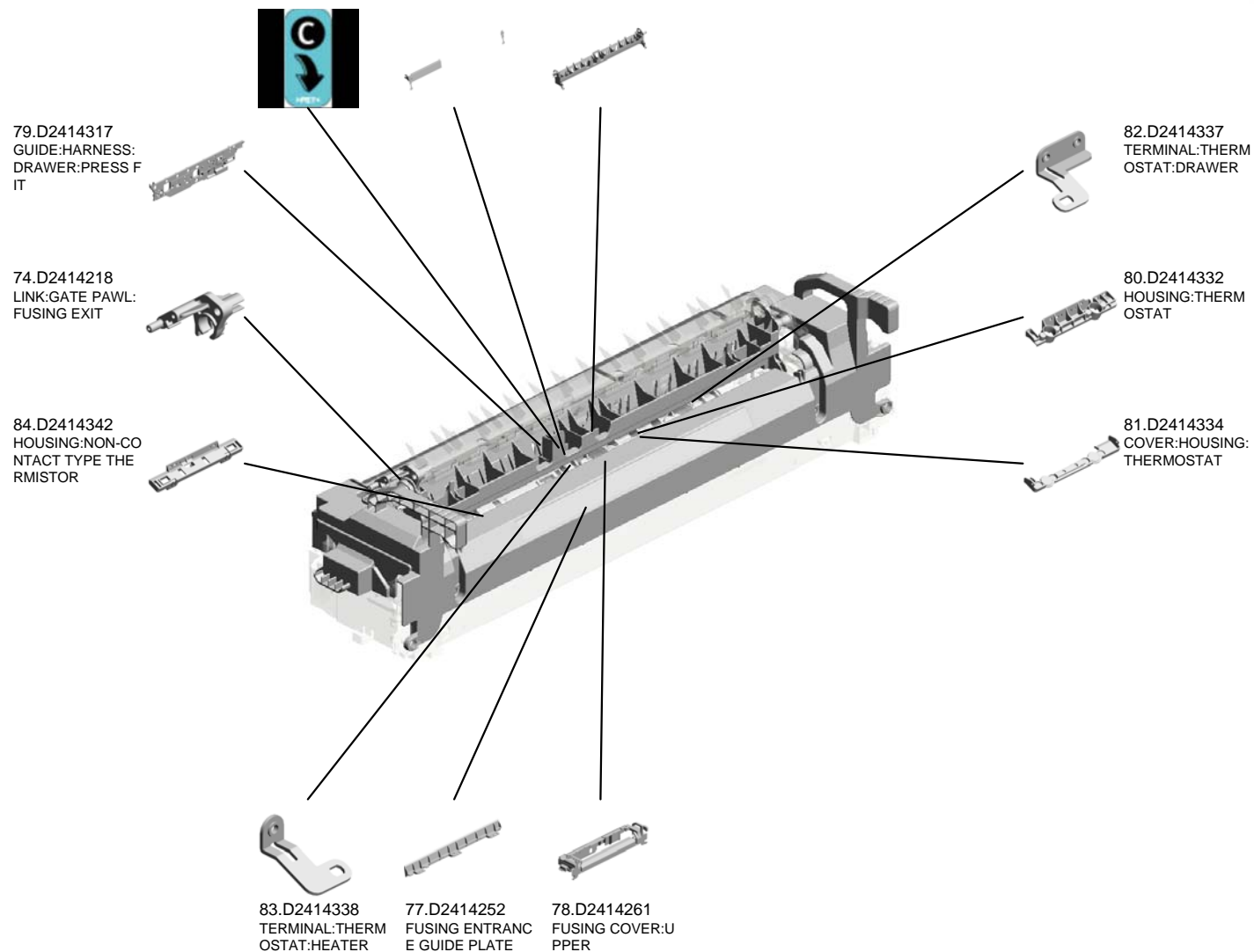
64.D2414121
INNER COVER:PR
ESSURE ROLLER:
REAR

U011_S003
(EU/CHN/AA/KOR):FUSING UNIT:220/240V

75.D2414219 DECAL:C:GUIDE PLATE:FUSING EXIT
 76.D2414221 STRIPPER PLATE:FUSING EXIT:ASS'Y
 73.D2414215 GUIDE:FUSING EXIT:RIGHT:ASS'Y



53.D2394012
(EU/CHN/AA/KOR):
FUSING UNIT:220/240V



U011_S004
(NA):FUSING UNIT:120V

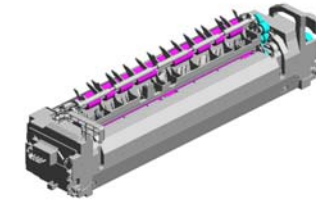
23.AA100016
(x2)
RETAINING RINGS
-C:DIA3

22.AA080388
PLAIN SHAFT BEARING
RING:EXIT ROLLER
R:FUSING EXIT:RI
GHT:REAR

11.09573010N
(x3)
SCREW:SMALL RO
UND/SPRING:M3X1
0

21.AA080387
PLAIN SHAFT BEARING
RING:EXIT ROLLER
R:FUSING EXIT:RI
GHT:FRONT

4.07200030E
(x3)
RETAINING RING -
M3



52.D2394011
(NA):FUSING UNIT:
120V

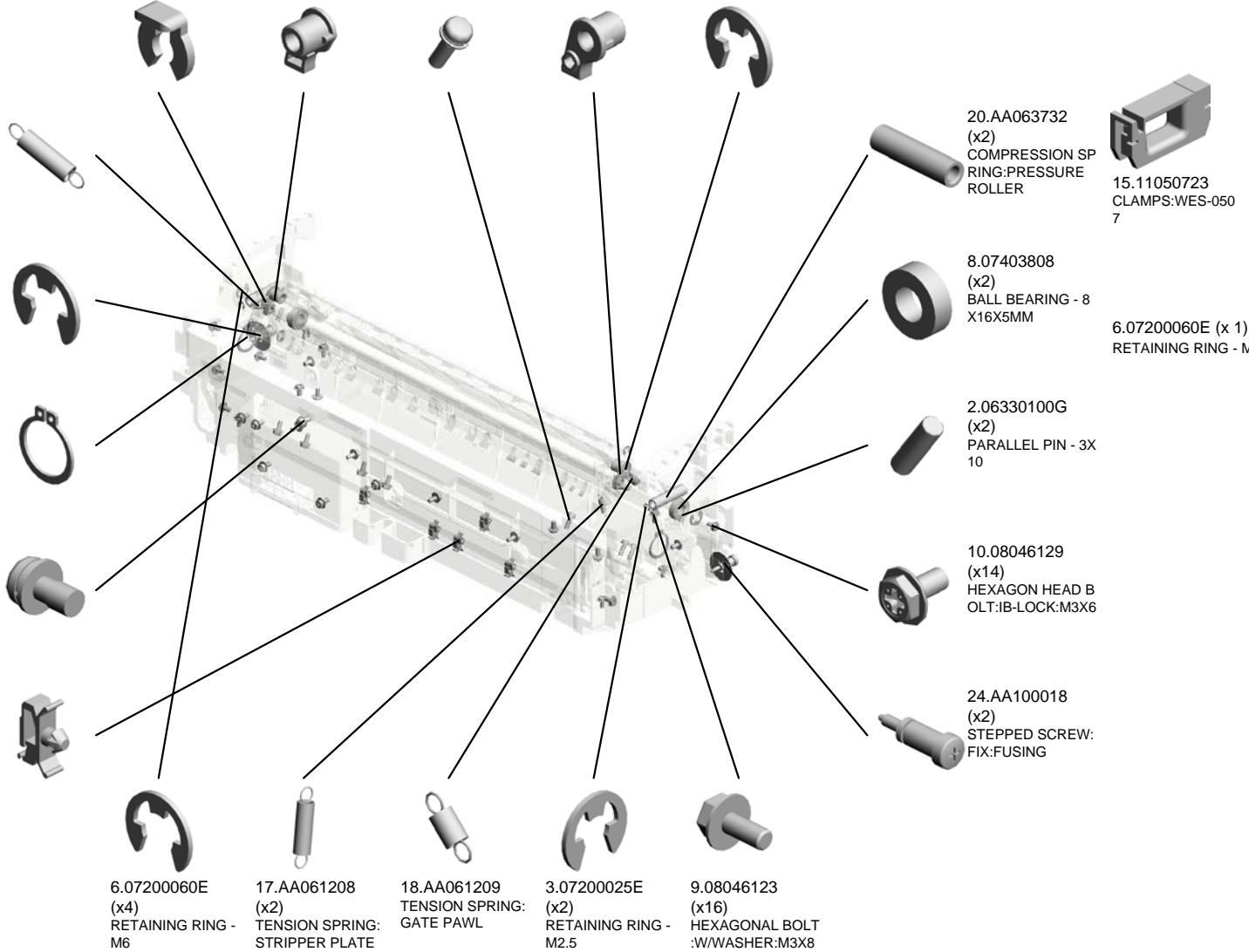
19.AA061211
(x2)
TENSION SPRING:
HOLDER:FUSING E
XIT

5.07200040E
(x4)
RETAINING RING -
M4

7.07250170E
(x2)
RETAINING RING
C - M17

12.09574008N
SCREW:SMALL RO
UND/SPRING:M4X8

14.11050713
(x5)
CLAMP:LWSM-030
6H GRAY



20.AA063732
(x2)
COMPRESSION SP
RING:PRESSURE
ROLLER

15.11050723
CLAMPS:WES-050
7

8.07403808
(x2)
BALL BEARING - 8
X16X5MM

6.07200060E (x 1)
RETAINING RING - M6

2.06330100G
(x2)
PARALLEL PIN - 3X
10

10.08046129
(x14)
HEXAGON HEAD B
OLT:IB-LOCK:M3X6

24.AA100018
(x2)
STEPPED SCREW:
FIX:FUSING

6.07200060E
(x4)
RETAINING RING -
M6

17.AA061208
(x2)
TENSION SPRING:
STRIPPER PLATE

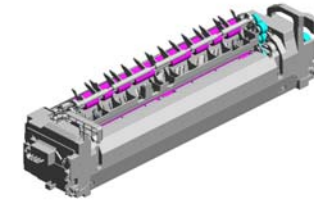
18.AA061209
TENSION SPRING:
GATE PAWL

3.07200025E
(x2)
RETAINING RING -
M2.5

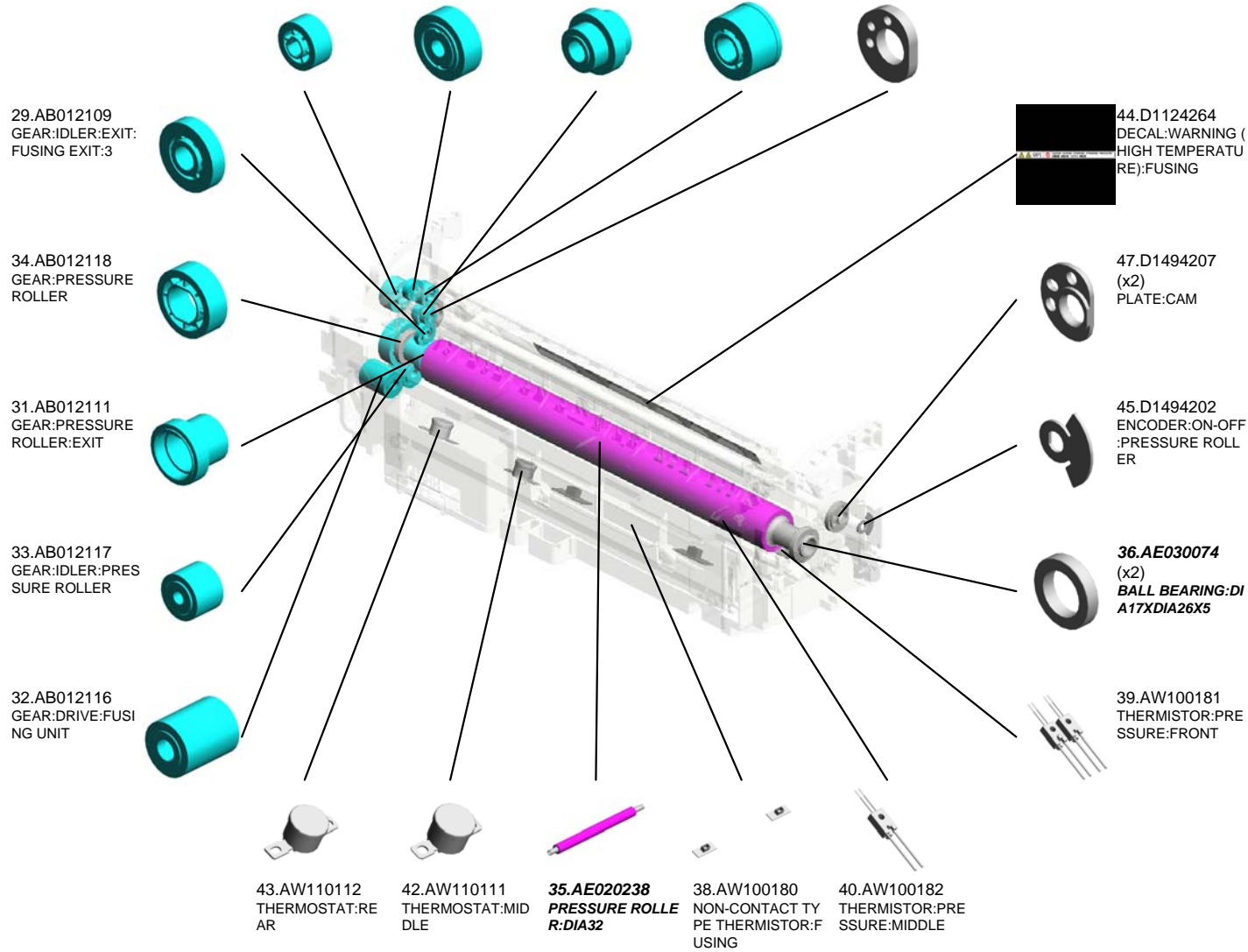
9.08046123
(x16)
HEXAGONAL BOLT
:W/WASHER:M3X8

U011_S004
(NA):FUSING UNIT:120V

- 26.AB012099 GEAR:ON-OFF:PRESSURE ROLLER
- 30.AB012110 GEAR:EXIT ROLLER:FUSING EXIT:RIGHT
- 28.AB012108 GEAR:IDLER:EXIT:FUSING EXIT:2
- 27.AB012107 GEAR:IDLER:EXIT:FUSING EXIT:1
- 46.D1494205 (x2) BRAKE:CAM



52.D2394011
(NA):FUSING UNIT:120V



U011_S004
(NA):FUSING UNIT:120V

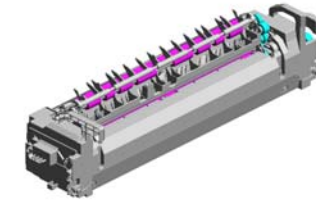
48.D1494208
(x2)
CAM:ON-OFF:PRE
SSURE ROLLER

64.D2414121
INNER COVER:PR
ESSURE ROLLER:
REAR

61.D2414102
DRIVEN ROLLER:F
USING EXIT:ASS'Y

72.D2414214
EXIT ROLLER:FUSI
NG EXIT:RIGHT

71.D2414212
GATE PAWL:FUSIN
G EXIT



52.D2394011
(NA):FUSING UNIT:
120V

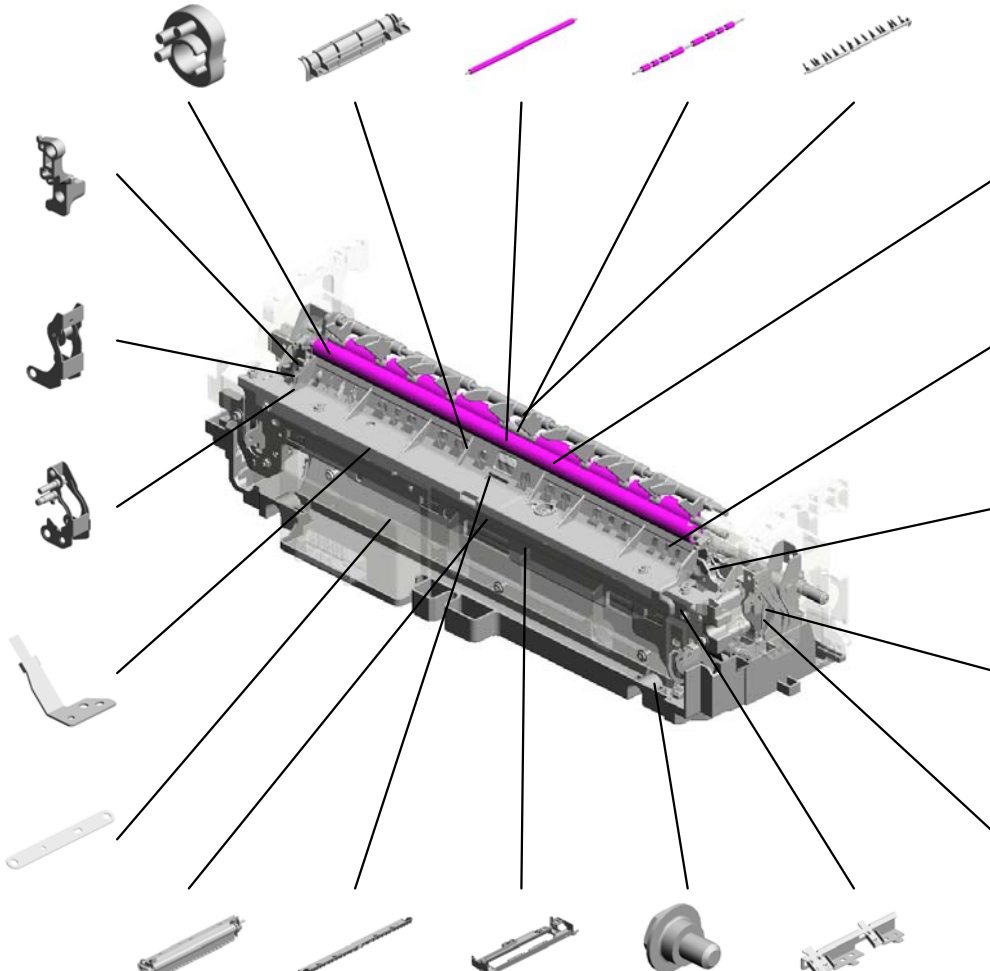
60.D2414024
HOLDER:DRIVEN
ROLLER:FUSING E
XIT:REAR

70.D2414160
LEVER:PRESSURE
:REAR:PEEN

69.D2414155
HOLDER:PRESSU
RE:REAR:ASSY

66.D2414123
DISCHARGE BRUS
H:PRESSURE ROL
LER

51.D1494335
ELECTRODE PLAT
E:CONNECTING:T
HERMOSTAT



49.D1494209
SHAFT:ON-OFF:PR
ESSURE ROLLER

65.D2414122
INNER COVER:PR
ESSURE ROLLER:
FRONT

59.D2414023
HOLDER:DRIVEN
ROLLER:FUSING E
XIT:FRONT

67.D2414137
LEVER:PRESSURE
:FRONT:PEEN

68.D2414140
HOLDER:PRESSU
RE:FRONT:ASS'Y

55.D2394041
(NA):SLEEVE:FUSI
NG:120V

62.D2414105
GUIDE PLATE:FUSI
NG EXIT:LEFT

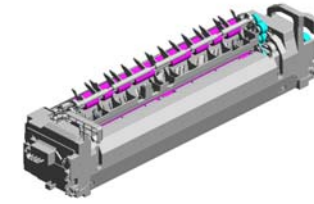
58.D2394262
FUSING COVER:L
OWER

50.D1494235
(x15)
STEPPED SCREW:
M3

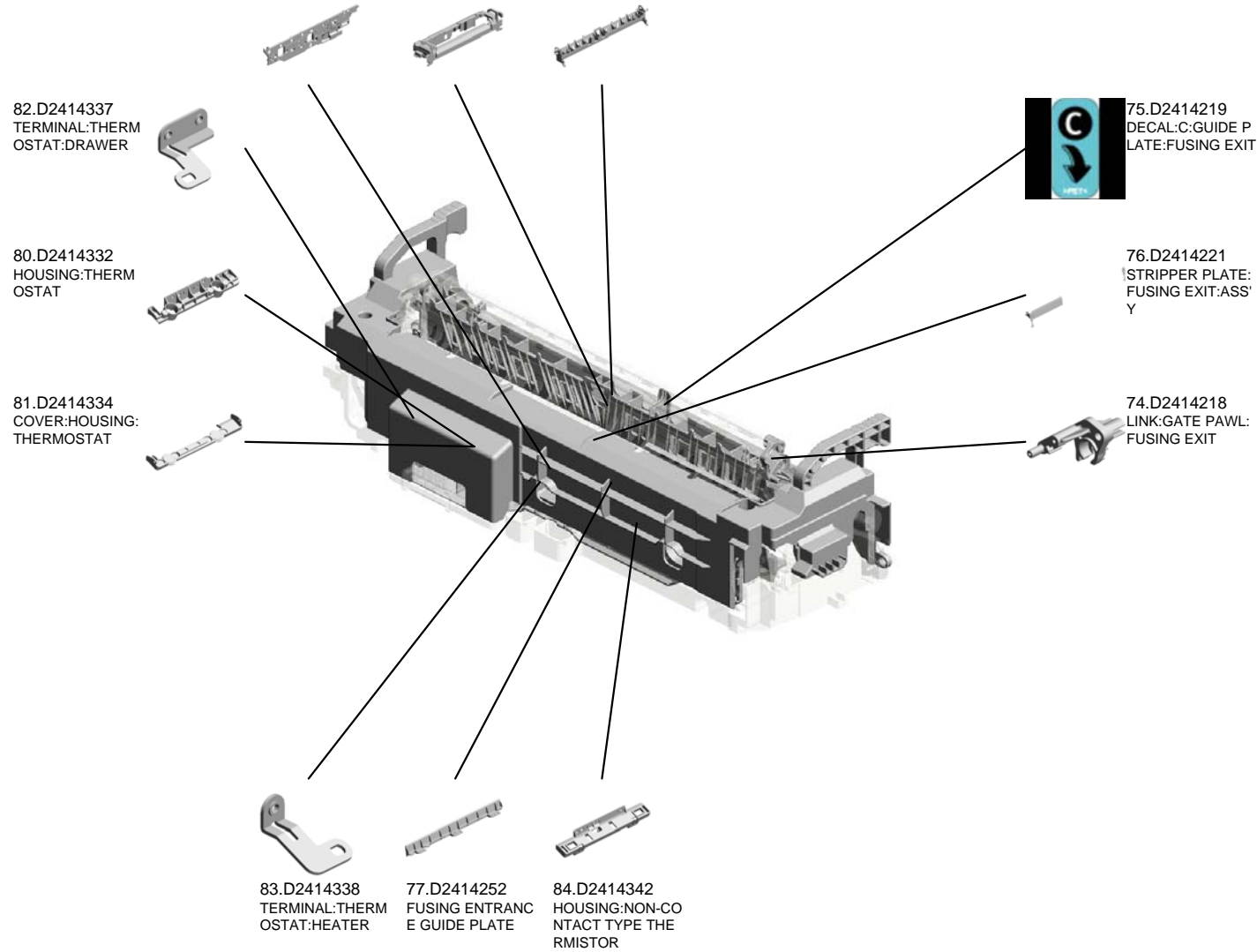
63.D2414113
BRACKET:THERMI
STOR:PRESSURE
ROLLER

U011_S004
(NA):FUSING UNIT:120V

79.D2414317 GUIDE:HARNESS: DRAWER:PRESS FIT
 78.D2414261 FUSING COVER:UPPER
 73.D2414215 GUIDE:FUSING EXIT:RIGHT:ASS'Y



52.D2394011 (NA):FUSING UNIT:120V



U011_S005
(TWN):FUSING UNIT:110V

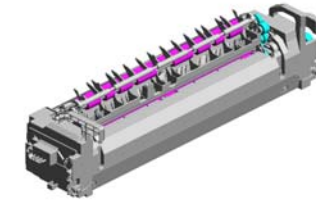
17.AA061208
(x2)
TENSION SPRING:
STRIPPER PLATE

18.AA061209
TENSION SPRING:
GATE PAWL

4.07200030E
(x3)
RETAINING RING -
M3

21.AA080387
PLAIN SHAFT BEA
RING:EXIT ROLLE
R:FUSING EXIT:RI
GHT:FRONT

14.11050713
(x5)
CLAMP:LW5M-030
6H GRAY



54.D2394013
(TWN):FUSING UNI
T:110V

3.07200025E
(x2)
RETAINING RING -
M2.5

20.AA063732
(x2)
COMPRESSION SP
RING:PRESSURE
ROLLER

8.07403808
(x2)
BALL BEARING - 8
X16X5MM

2.06330100G
(x2)
PARALLEL PIN - 3X
10

10.08046129
(x14)
HEXAGON HEAD B
OLT:IB-LOCK:M3X6

24.AA100018
(x2)
STEPPED SCREW:
FIX:FUSING

9.08046123
(x16)
HEXAGONAL BOLT
:W/WASHER:M3X8

11.09573010N
(x3)
SCREW:SMALL RO
UND/SPRING:M3X1
0

12.09574008N
SCREW:SMALL RO
UND/SPRING:M4X8

23.AA100016
(x2)
RETAINING RINGS
-C:DIA3

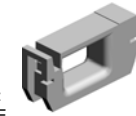
19.AA061211
(x2)
TENSION SPRING:
HOLDER:FUSING E
XIT

22.AA080388
PLAIN SHAFT BEA
RING:EXIT ROLLE
R:FUSING EXIT:RI
GHT:REAR

6.07200060E
(x4)
RETAINING RING -
M6

7.07250170E
(x2)
RETAINING RING
C - M17

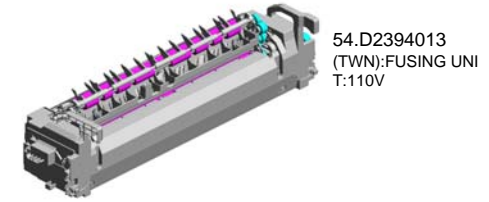
5.07200040E
(x4)
RETAINING RING -
M4



15.11050723
CLAMPS:WES-050
7

6.07200060E (x 1)
RETAINING RING - M6

U011_S005
(TWN):FUSING UNIT:110V



54.D2394013
(TWN):FUSING UNIT:110V

- 38.AW100180 NON-CONTACT TYPE THERMISTOR:FUSING
- 42.AW110111 THERMOSTAT:MIDDLE
- 35.AE020238** **PRESSURE ROLLER:R:DIA32**
- 43.AW110112 THERMOSTAT:REAR
- 30.AB012110 GEAR:EXIT ROLLER:FUSING EXIT:RIGHT

40.AW100182 THERMISTOR:PRESSURE:MIDDLE

36.AE030074
(x2)
BALL BEARING:DIAMETER17XDIAMETER26X5

47.D1494207
(x2)
PLATE:CAM

45.D1494202 ENCODER:ON-OFF:PRESSURE ROLLER

39.AW100181 THERMISTOR:PRESSURE:FRONT

44.D1124264 DECAL:WARNING (HIGH TEMPERATURE):FUSING

29.AB012109 GEAR:IDLER:EXIT:FUSING EXIT:3

31.AB012111 GEAR:PRESSURE ROLLER:EXIT

32.AB012116 GEAR:DRIVE:FUSING UNIT

33.AB012117 GEAR:IDLER:PRESSURE ROLLER

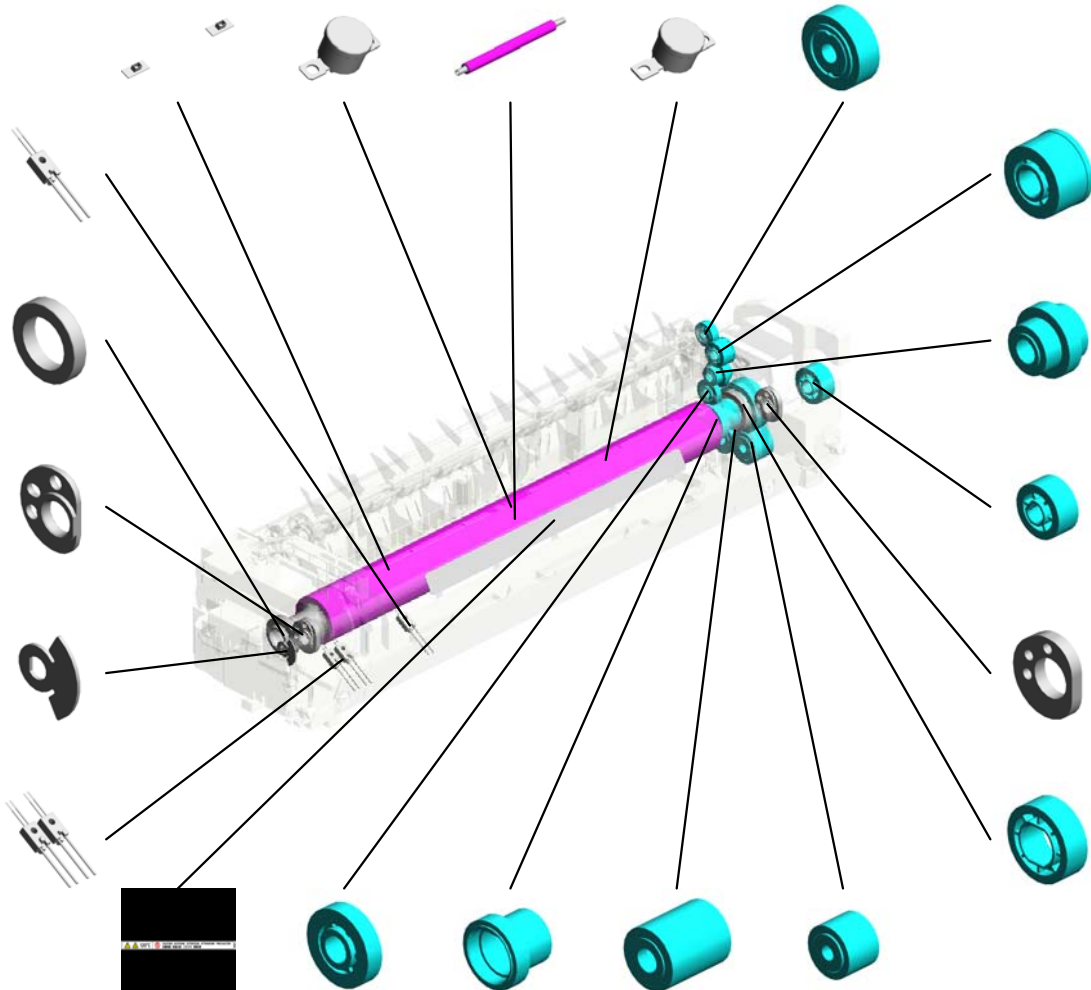
27.AB012107 GEAR:IDLER:EXIT:FUSING EXIT:1

28.AB012108 GEAR:IDLER:EXIT:FUSING EXIT:2

26.AB012099 GEAR:ON-OFF:PRESSURE ROLLER

46.D1494205
(x2)
BRAKE:CAM

34.AB012118 GEAR:PRESSURE ROLLER



U011_S005
(TWN):FUSING UNIT:110V

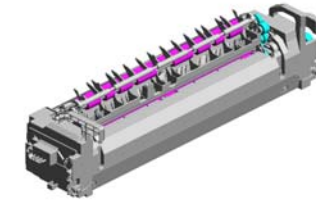
62.D2414105
GUIDE PLATE:FUSI
NG EXIT:LEFT

57.D2394043
(TWN):SLEEVE:FU
SING:110V

61.D2414102
DRIVEN ROLLER:F
USING EXIT:ASSY

72.D2414214
EXIT ROLLER:FUSI
NG EXIT:RIGHT

71.D2414212
GATE PAWL:FUSIN
G EXIT



54.D2394013
(TWN):FUSING UNI
T:110V

59.D2414023
HOLDER:DRIVEN
ROLLER:FUSING E
XIT:FRONT



65.D2414122
INNER COVER:PR
ESSURE ROLLER:
FRONT



68.D2414140
HOLDER:PRESSU
RE:FRONT:ASSY



67.D2414137
LEVER:PRESSURE
:FRONT:PEEN



50.D1494235
(x15)
STEPPED SCREW:
M3



63.D2414113
BRACKET:THERMI
STOR:PRESSURE
ROLLER



58.D2394262
FUSING COVER:L
OWER



49.D1494209
SHAFT:ON-OFF:PR
ESSURE ROLLER



51.D1494335
ELECTRODE PLAT
E:CONNECTING:T
HERMOSTAT



64.D2414121
INNER COVER:PR
ESSURE ROLLER:
REAR



60.D2414024
HOLDER:DRIVEN
ROLLER:FUSING E
XIT:REAR



69.D2414155
HOLDER:PRESSU
RE:REAR:ASSY



48.D1494208
(x2)
CAM:ON-OFF:PRE
SSURE ROLLER



70.D2414160
LEVER:PRESSURE
:REAR:PEEN

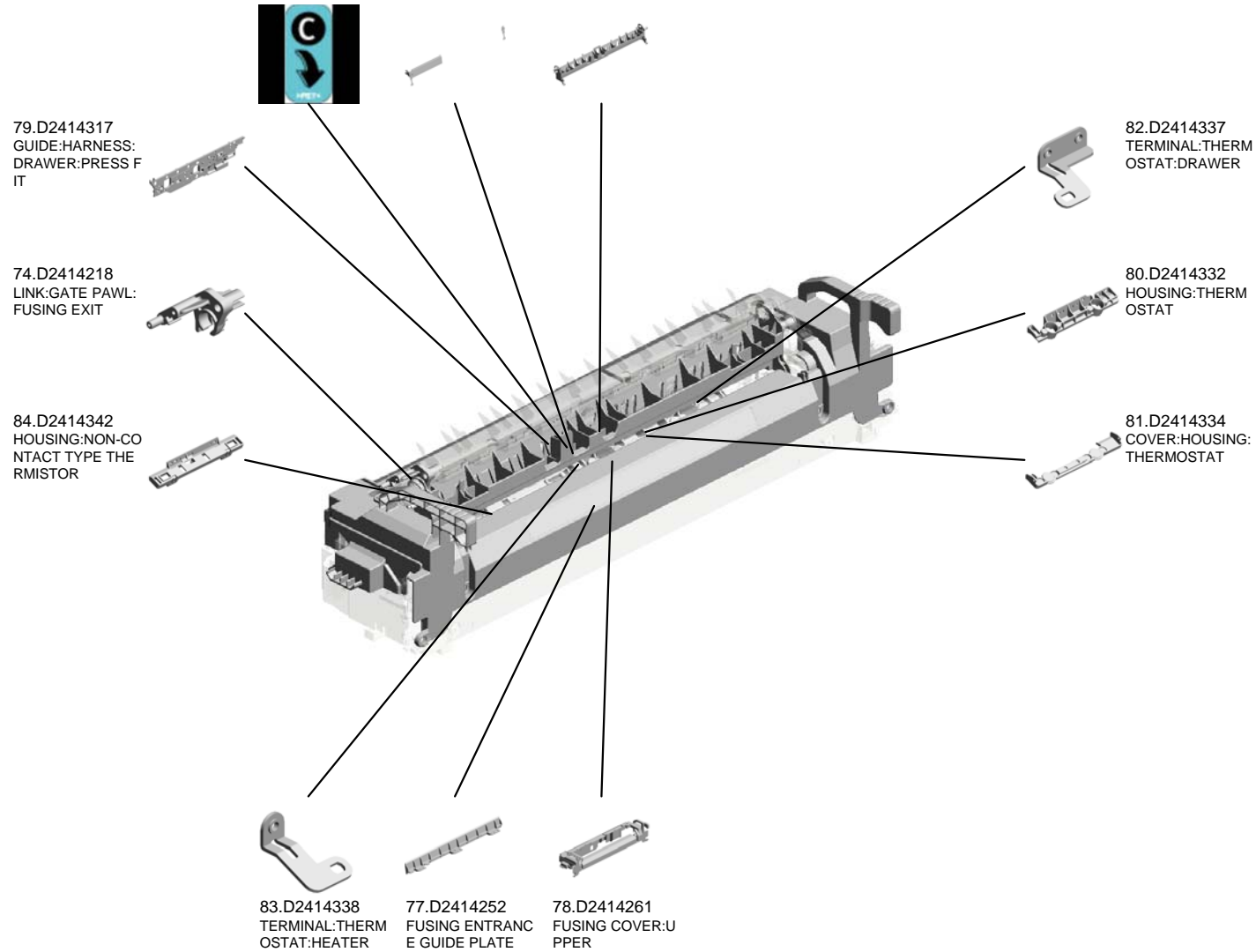
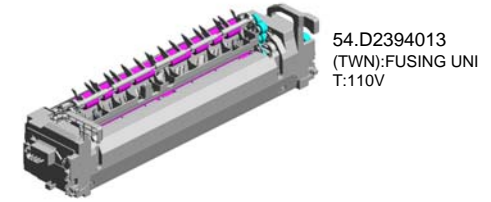


66.D2414123
DISCHARGE BRUS
H:PRESSURE ROL
LER



U011_S005
(TWN):FUSING UNIT:110V

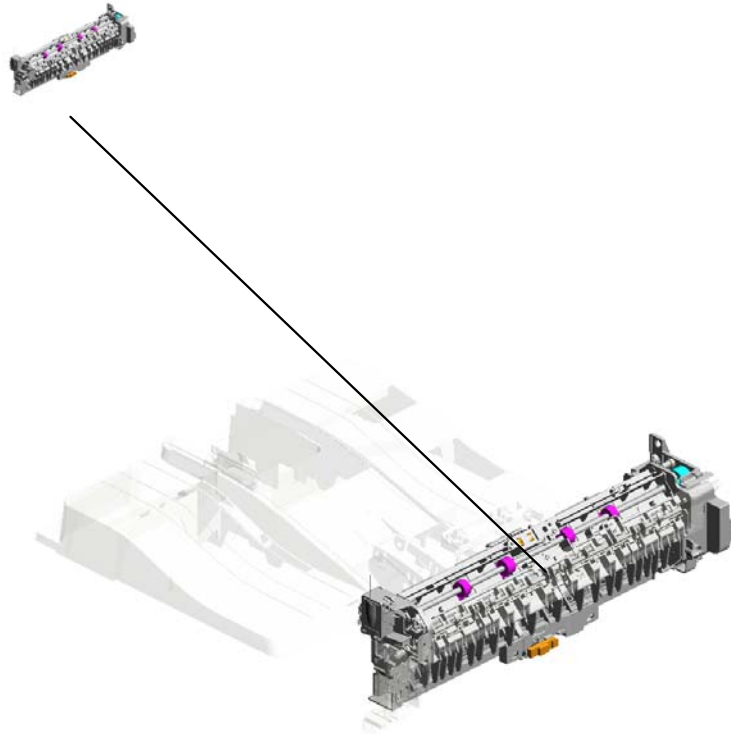
75.D2414219 DECAL:C:GUIDE PLATE:FUSING EXIT
 76.D2414221 STRIPPER PLATE:FUSING EXIT:ASS'Y
 73.D2414215 GUIDE:FUSING EXIT:RIGHT:ASS'Y



U001	U002	U003	U004	U005	U006	U007	U008	U009	U010	U011	U012	U013	U014	U015	U016
------	------	------	------	------	------	------	------	------	------	------	------	------	------	------	------

U012.PAPER EXIT

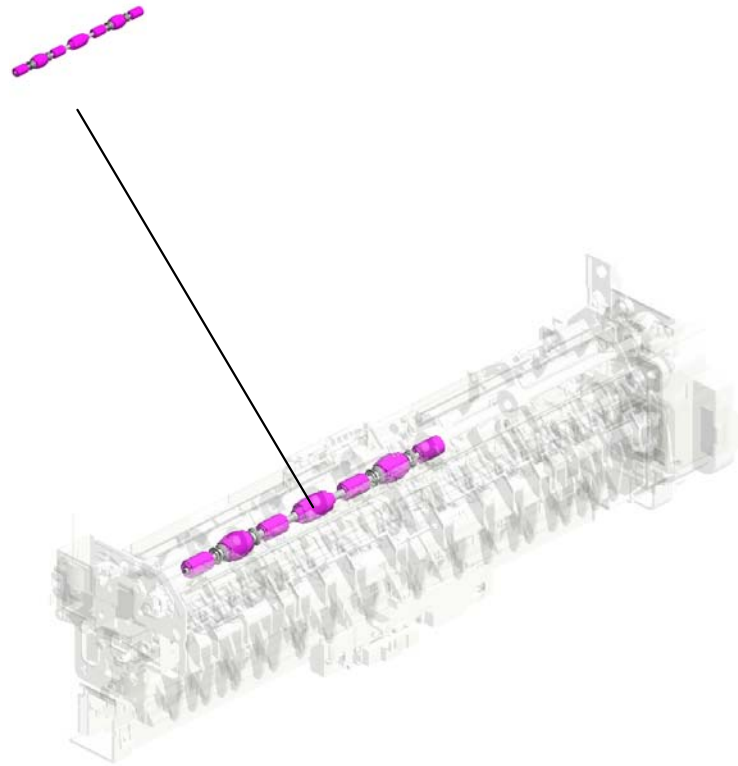
U012_S001
D2414404
PAPER EXIT UNIT:ASSY



U001	U002	U003	U004	U005	U006	U007	U008	U009	U010	U011	U012	U013	U014	U015	U016
------	------	------	------	------	------	------	------	------	------	------	------	------	------	------	------

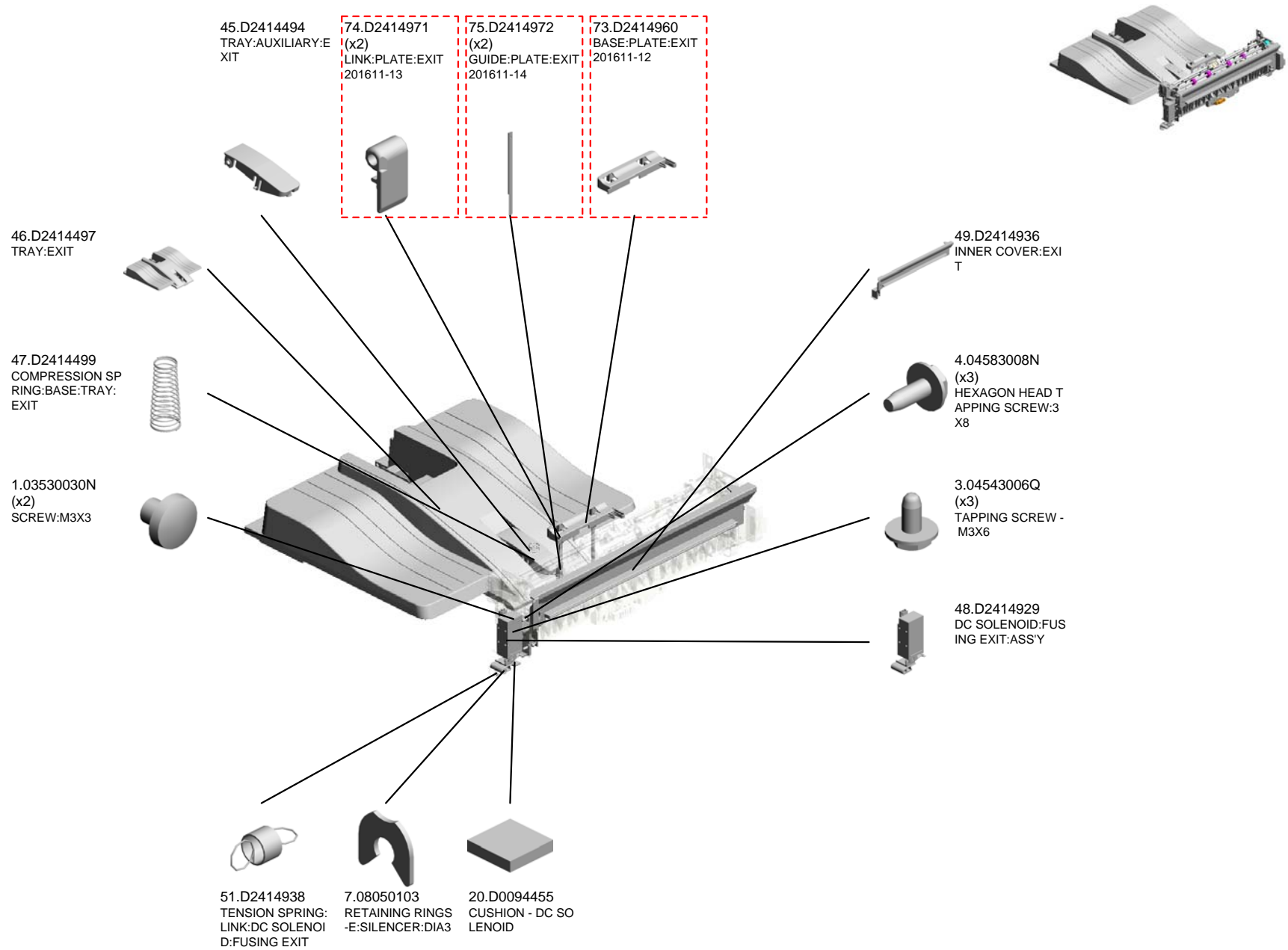
U012_S001.PAPER EXIT UNIT:ASS'Y

U012_S001_S001
D2414950
ROLLER:EXIT:PRESSURE:2T
YPE:ASS'Y



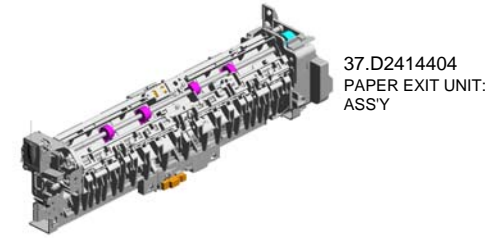
U001	U002	U003	U004	U005	U006	U007	U008	U009	U010	U011	U012	U013	U014	U015	U016
------	------	------	------	------	------	------	------	------	------	------	------	------	------	------	------

U012 PAPER EXIT



U001	U002	U003	U004	U005	U006	U007	U008	U009	U010	U011	U012	U013	U014	U015	U016
------	------	------	------	------	------	------	------	------	------	------	------	------	------	------	------

U012_S001 PAPER EXIT UNIT:ASS'Y



37.D2414404
PAPER EXIT UNIT:
ASS'Y

- 7.08050103 (x13) RETAINING RINGS -E:SILENCER:DIA3
- 11.11050759 CLAMP:LWSM-060 5A
- 13.AA080252 (x2) BUSHING - M4
- 19.D0094407 FEELER - OVERFL OW
- 3.04543006Q (x13) TAPPING SCREW - M3X6

9.11050692 (x3) CLAMP:LES-0503

1.03530030N (x3) SCREW:M3X3

8.08050104 RETAINING RINGS -E:SILENCER:DIA4

20.D0094455 CUSHION - DC SO LENOID

2.04513006N (x6) TAPPING SCREW - 3X6

4.04583008N (x5) HEXAGON HEAD T APPING SCREW:3 X8

17.AW010147 PHOTO REFLECTI ON SENSOR

16.AF040571 (x11) GUIDE ROLLER

21.D0394925 (x4) ROLLER:REVERSE :DRIVEN

5.04583010N (x3) HEXAGON HEAD T APPING SCREW:3 X10

14.AA082170 (x4) PLAIN SHAFT BEA RING:DIA4XDIA8X5 :EG-1

10.11050758 (x6) CLAMP:LWSM-030 6A

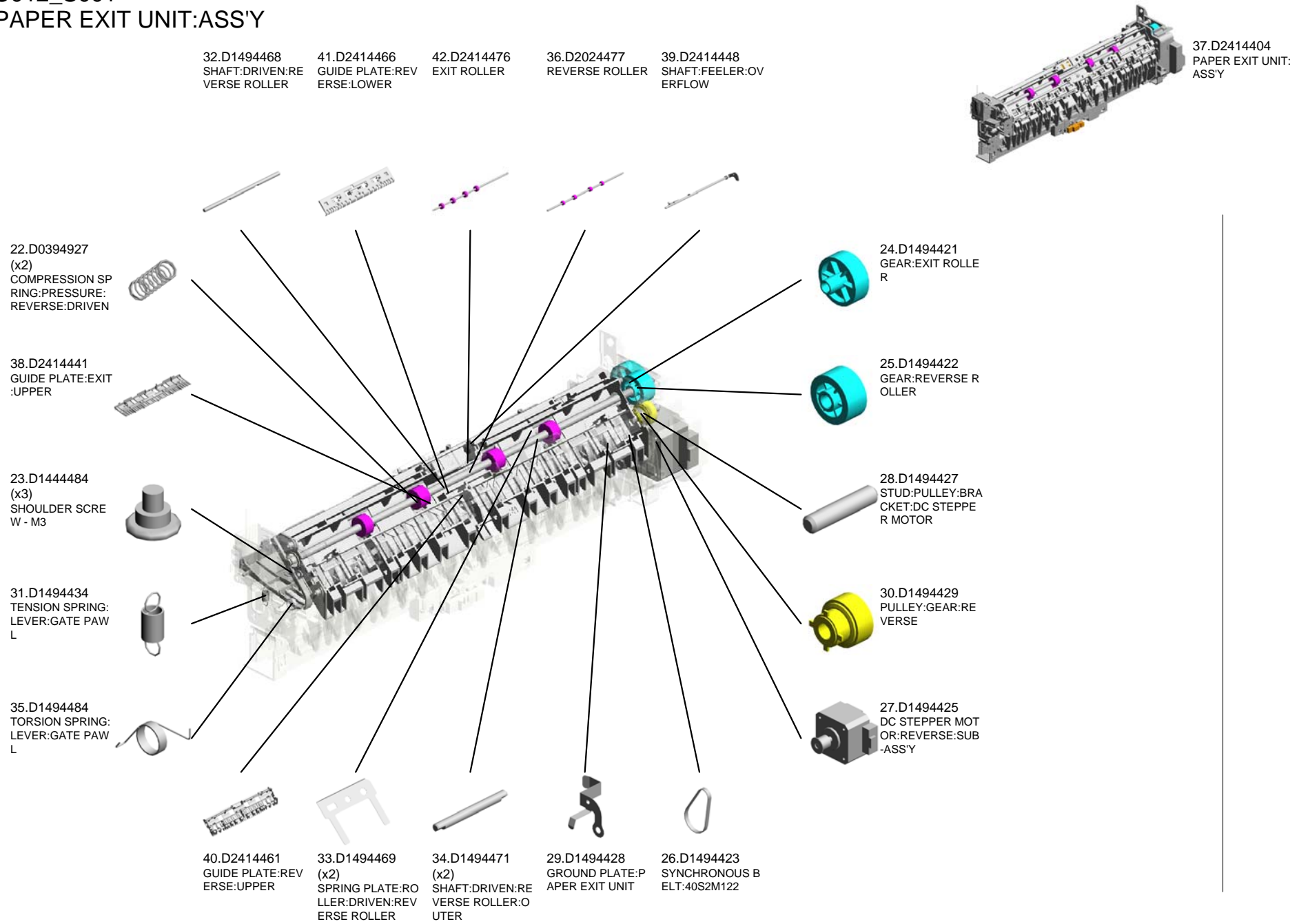
15.AA082173 (x2) PLAIN SHAFT BEA RING:6X10X6

18.AW020224 PHOTOINTERRUP TOR:GP1A173LCS VF 201605-02 X/O

12.A2324666 CUSHION - STEPP ER MOTOR

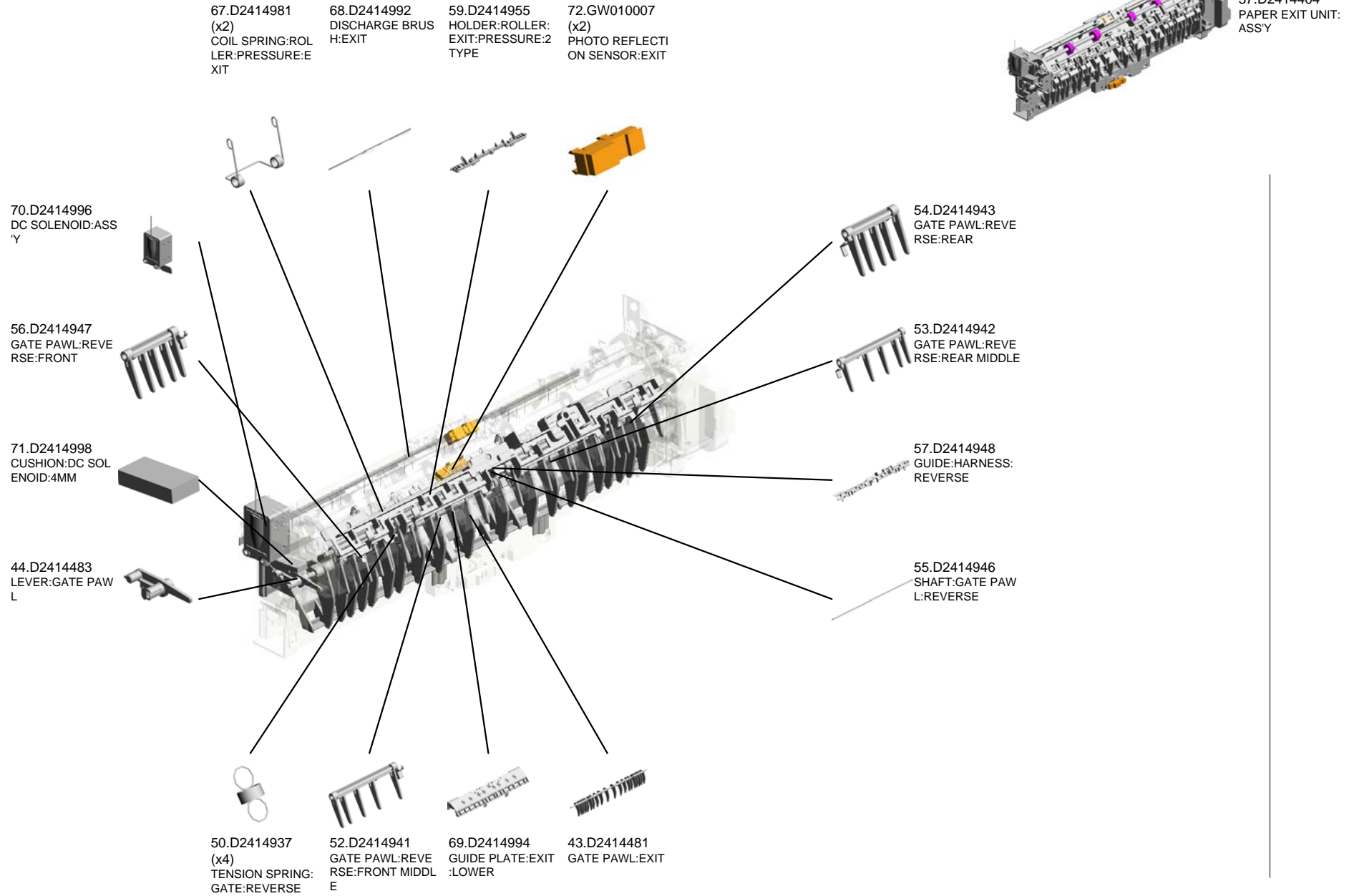
U001	U002	U003	U004	U005	U006	U007	U008	U009	U010	U011	U012	U013	U014	U015	U016
------	------	------	------	------	------	------	------	------	------	------	------	------	------	------	------

U012_S001
PAPER EXIT UNIT:ASS'Y



U001	U002	U003	U004	U005	U006	U007	U008	U009	U010	U011	U012	U013	U014	U015	U016
------	------	------	------	------	------	------	------	------	------	------	------	------	------	------	------

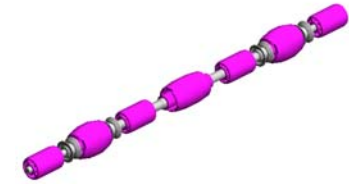
U012_S001
PAPER EXIT UNIT:ASS'Y



U012_S001_S001

ROLLER:EXIT:PRESSURE:2TYPE:ASS'Y

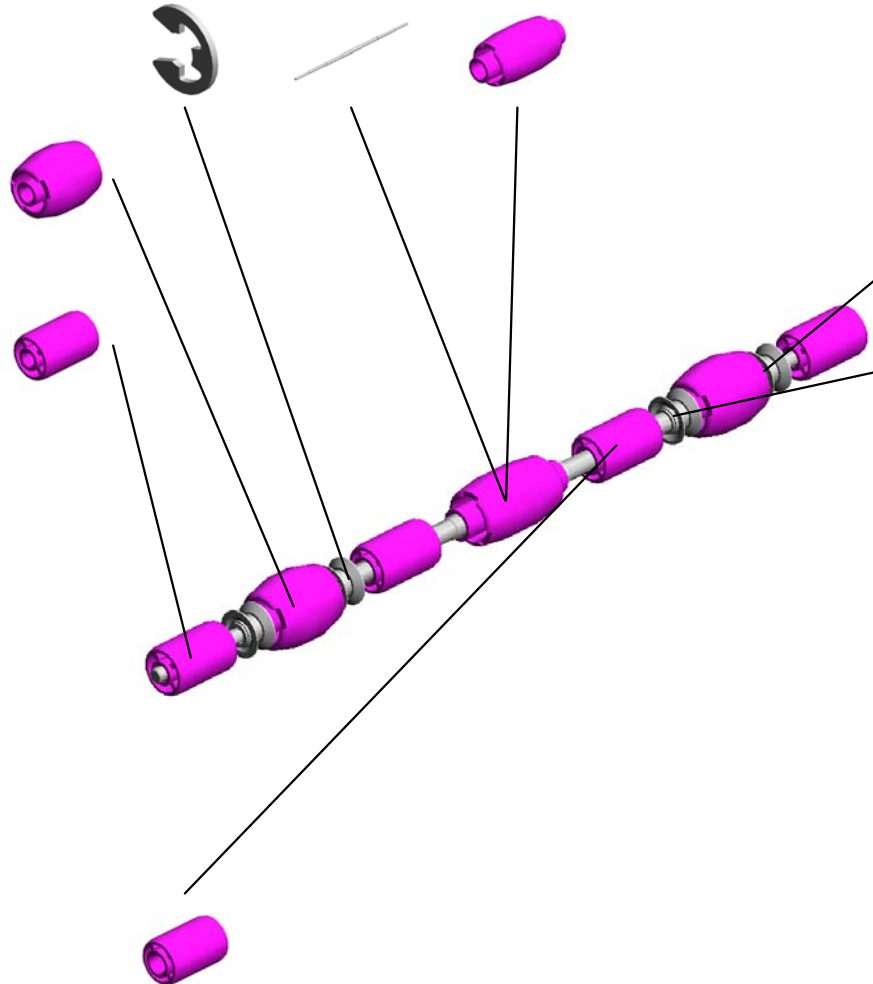
6.07200020G (x4) RETAINING RING - M2
60.D2414957 SHAFT:ROLLER:PRESSURE:EXIT:2TYPE
64.D2414976 ROLLER:EXIT:PRESSURE:MIDDLE



58.D2414950 ROLLER:EXIT:PRESSURE:2TYPE:ASS'Y

62.D2414964 (x2) ROLLER:EXIT:PRESSURE

61.D2414962 (x2) ROLLER:DRIVEN:EXIT



66.D2414978 (x2) COLLAR:ROLLER:EXIT:PRESSURE:BOTH ENDS

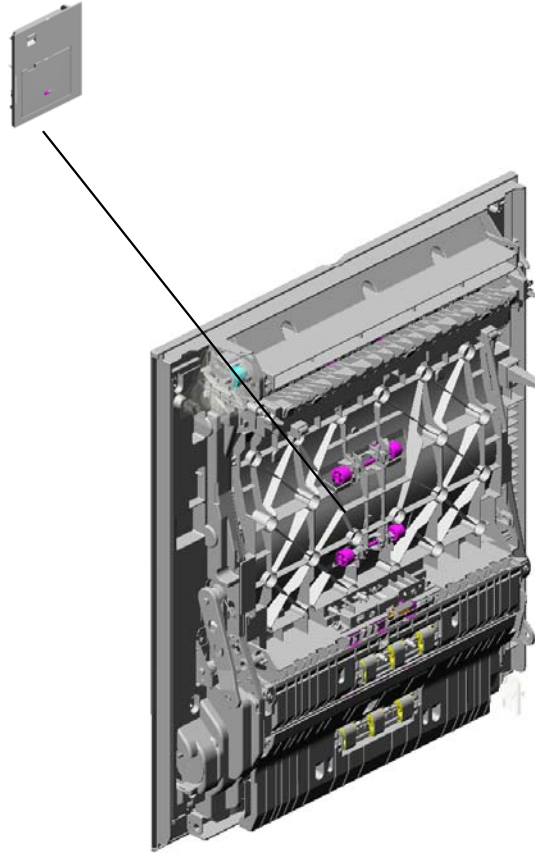
63.D2414965 (x2) COLLAR:ROLLER:EXIT:PRESSURE

65.D2414977 (x2) ROLLER:DRIVEN:EXIT:MIDDLE

U001	U002	U003	U004	U005	U006	U007	U008	U009	U010	U011	U012	U013	U014	U015	U016
------	------	------	------	------	------	------	------	------	------	------	------	------	------	------	------

U013.DUPLEX

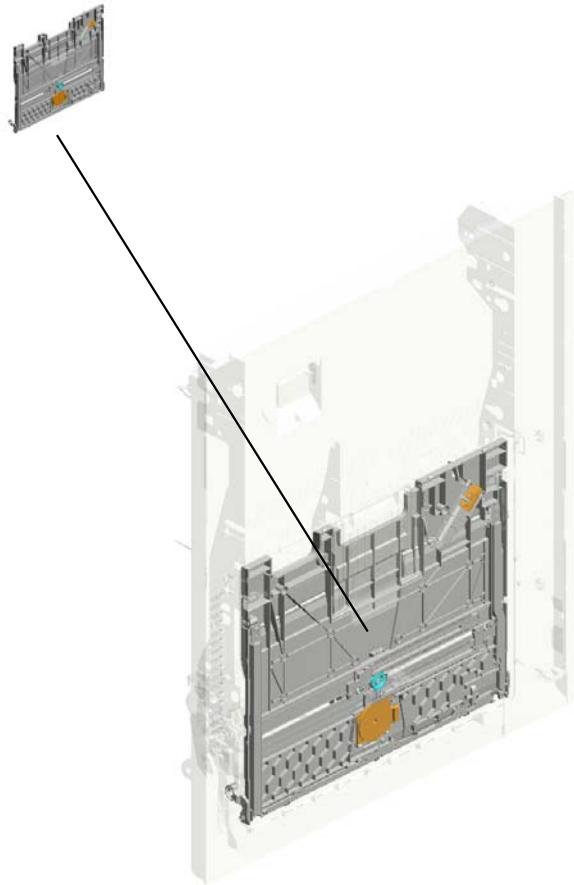
U013_S001
D2414513
DUPLEX UNIT:ASSY



U001	U002	U003	U004	U005	U006	U007	U008	U009	U010	U011	U012	U013	U014	U015	U016
------	------	------	------	------	------	------	------	------	------	------	------	------	------	------	------

U013_S001.DUPLEX UNIT:ASS'Y

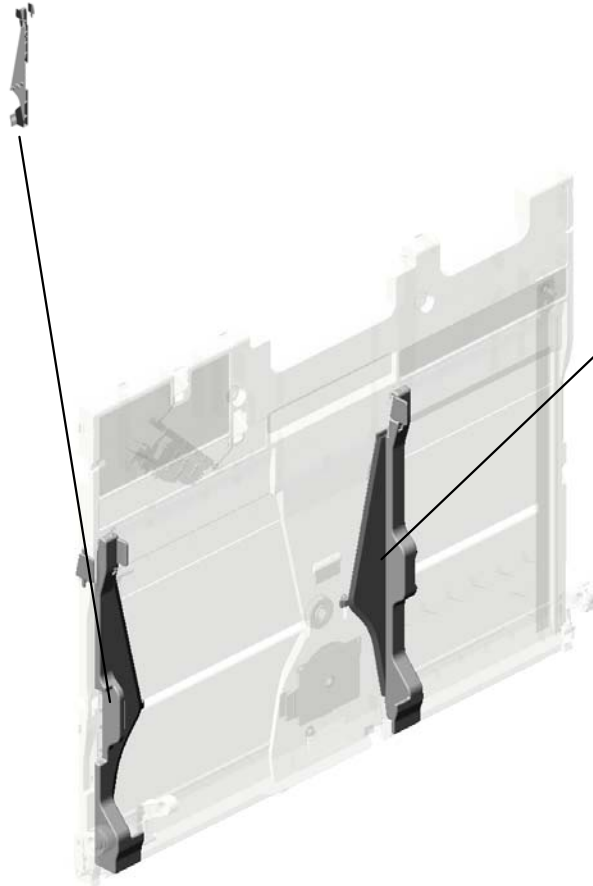
U013_S001_S001
D2412627
MANUAL FEED TABLE:ASS'Y



U001	U002	U003	U004	U005	U006	U007	U008	U009	U010	U011	U012	U013	U014	U015	U016
------	------	------	------	------	------	------	------	------	------	------	------	------	------	------	------

U013_S001_S001.MANUAL FEED TABLE:ASS'Y

U013_S001_S001_S002
D2412632
SIDE FENCE:REAR:ASS'Y



U013_S001_S001_S001
D2412630
SIDE FENCE:FRONT:ASS'Y

U001	U002	U003	U004	U005	U006	U007	U008	U009	U010	U011	U012	U013	U014	U015	U016
------	------	------	------	------	------	------	------	------	------	------	------	------	------	------	------

U013 DUPLEX

6.04583008N (x3)
HEXAGON HEAD TAPPING SCREW:3 X8

4.04543006Q (x3)
TAPPING SCREW - M3X6

174.D2414755
GEAR:OUTPUT:DUPLEX:ENTRANCE

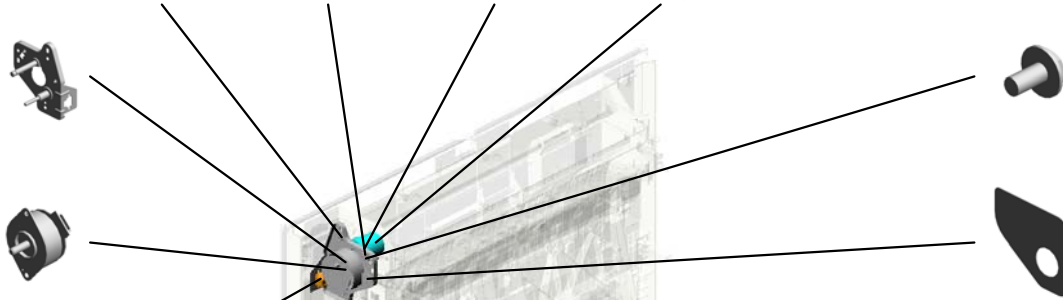
10.07200040E
RETAINING RING - M4



173.D2414750
BRACKET:MOTOR:DUPLEX



41.AX060464
DC MOTOR:ENCODER:NO:10W:GEAR:BRUSHLESS



2.03603006N
SCREW - M3X6



40.AW500040
PUSH SWITCH:SW 1AG-550:10MA



185.D2414757
SPACER:DC MOTOR:DUPLEX 201609-02



18.52152621
SNAP RING - M6



3.04513006N (x2)
TAPPING SCREW - 3X6



19.54472681 (x2)
SNAP RING



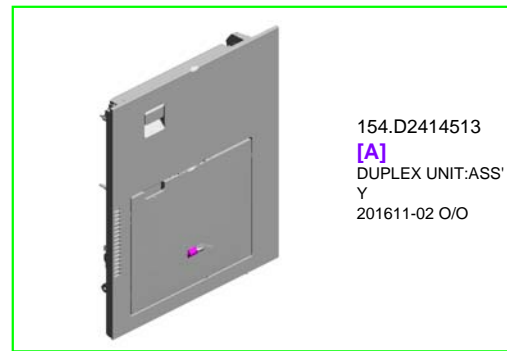
98.D1494755
BRACKET:HINGE:DUPLEX:FRONT



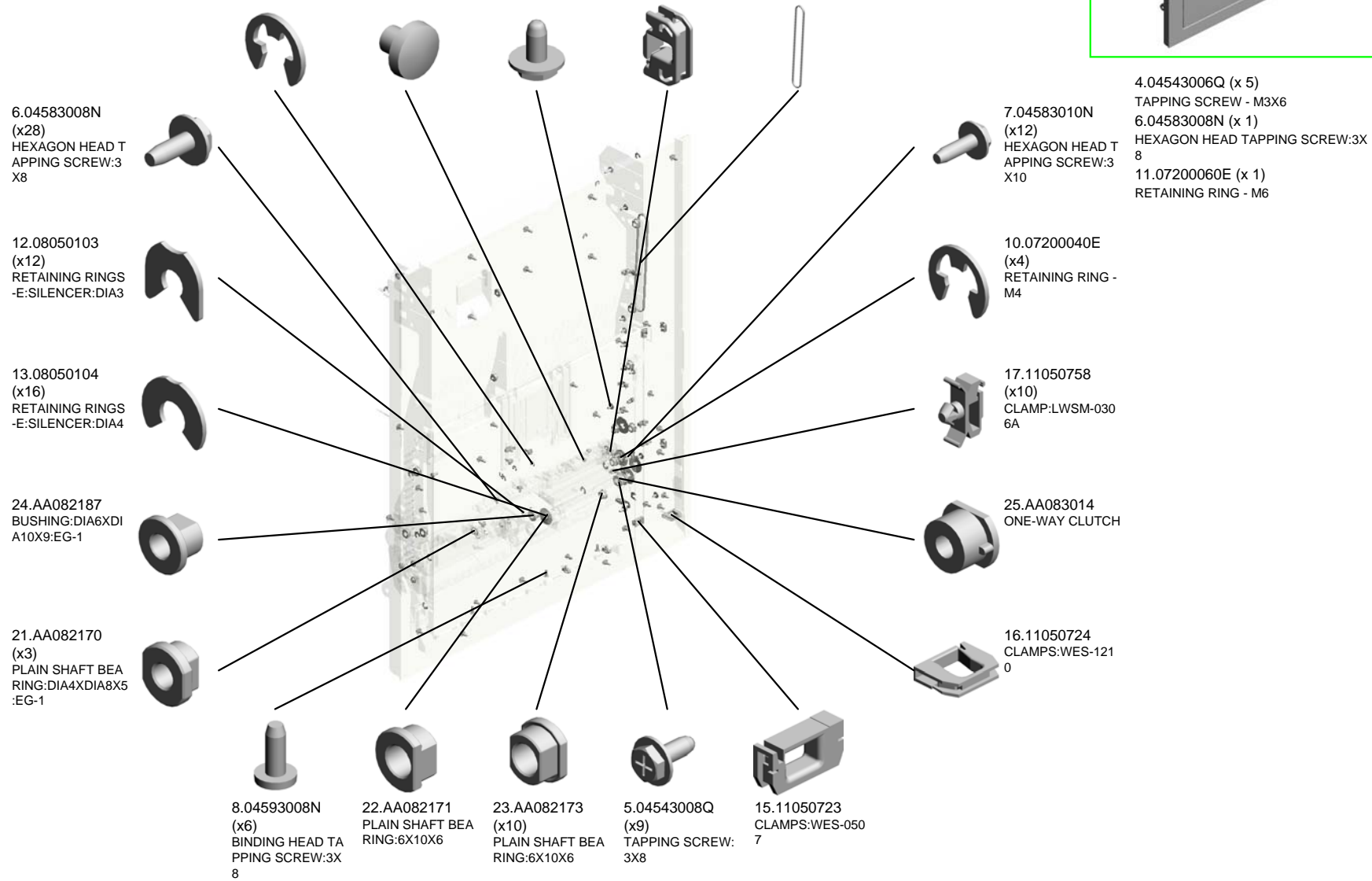
U001 U002 U003 U004 U005 U006 U007 U008 U009 U010 U011 U012 **U013** U014 U015 U016

U013_S001
 DUPLEX UNIT:ASS'Y

- 9.07200030E (x4) RETAINING RING - M3
- 1.03530030N (x2) SCREW:M3X3
- 4.04543006Q (x6) TAPPING SCREW - M3X6
- 14.11050692 (x5) CLAMP:LES-0503
- 20.AA043980 TIMING BELT:30S2 M300



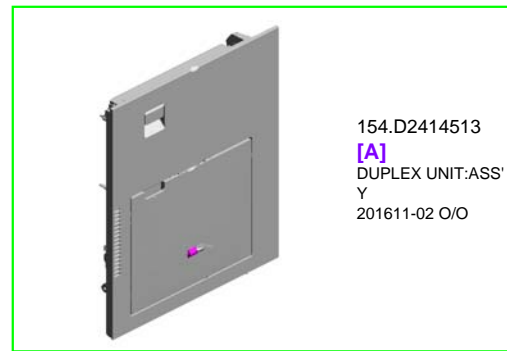
154.D2414513
 [A]
 DUPLEX UNIT:ASS'
 Y
 201611-02 O/O



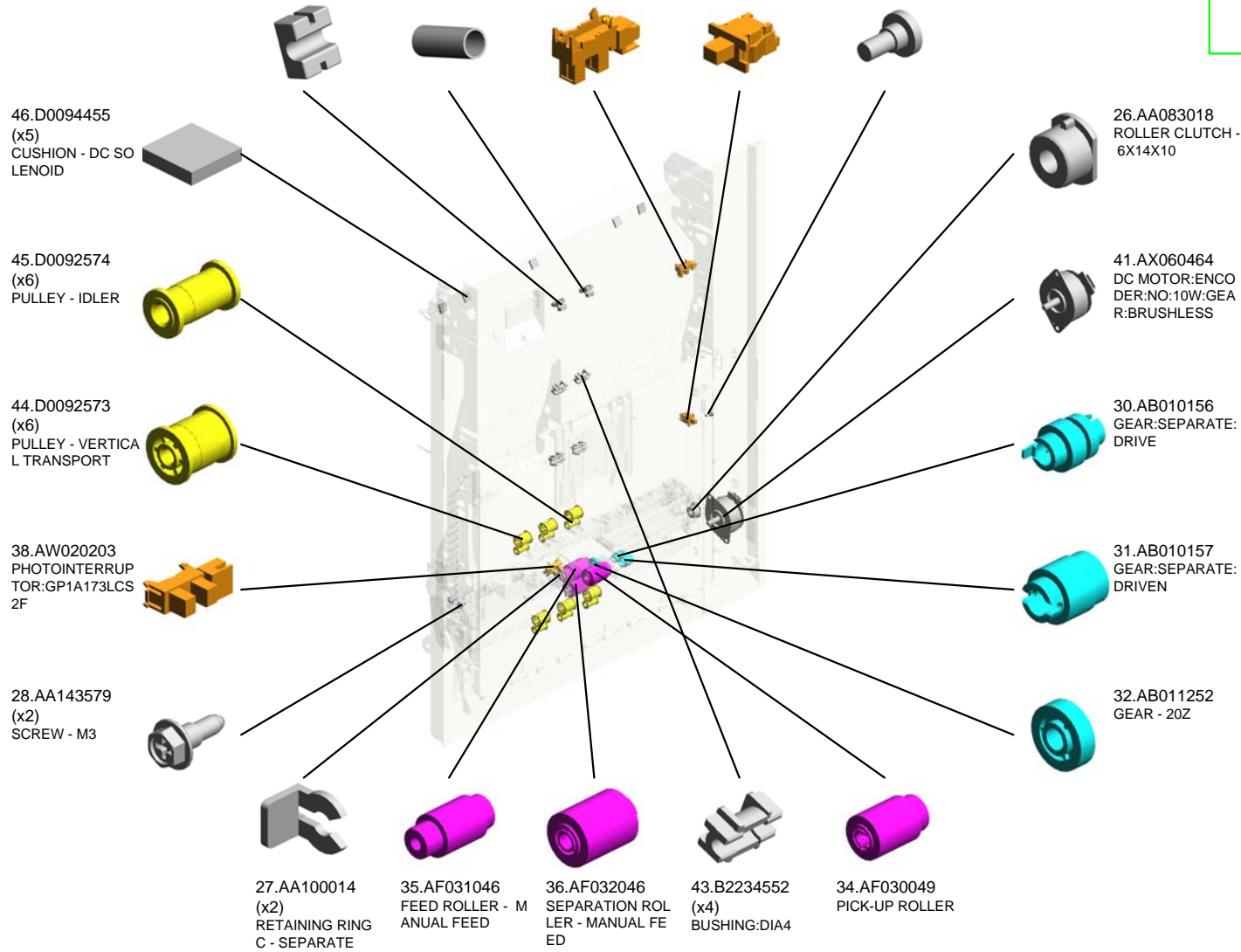
U001	U002	U003	U004	U005	U006	U007	U008	U009	U010	U011	U012	U013	U014	U015	U016
------	------	------	------	------	------	------	------	------	------	------	------	------	------	------	------

U013_S001
 DUPLEX UNIT:ASS'Y

- 47.D0094485 (x2) BUSHING - GATE
- 48.D0094487 (x2) COMPRESSION SPRING - GATE
- 37.AW020198 PHOTOINTERRUPTOR:LG2A14NL1
- 40.AW500040 PUSH SWITCH:SW1AG-550:10MA
- 29.AA143807 SCREW:A

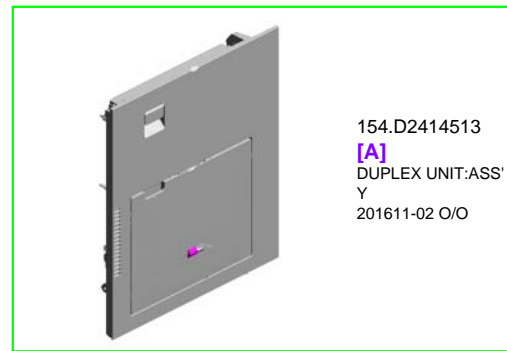


154.D2414513
 [A]
 DUPLEX UNIT:ASS'Y
 201611-02 O/O



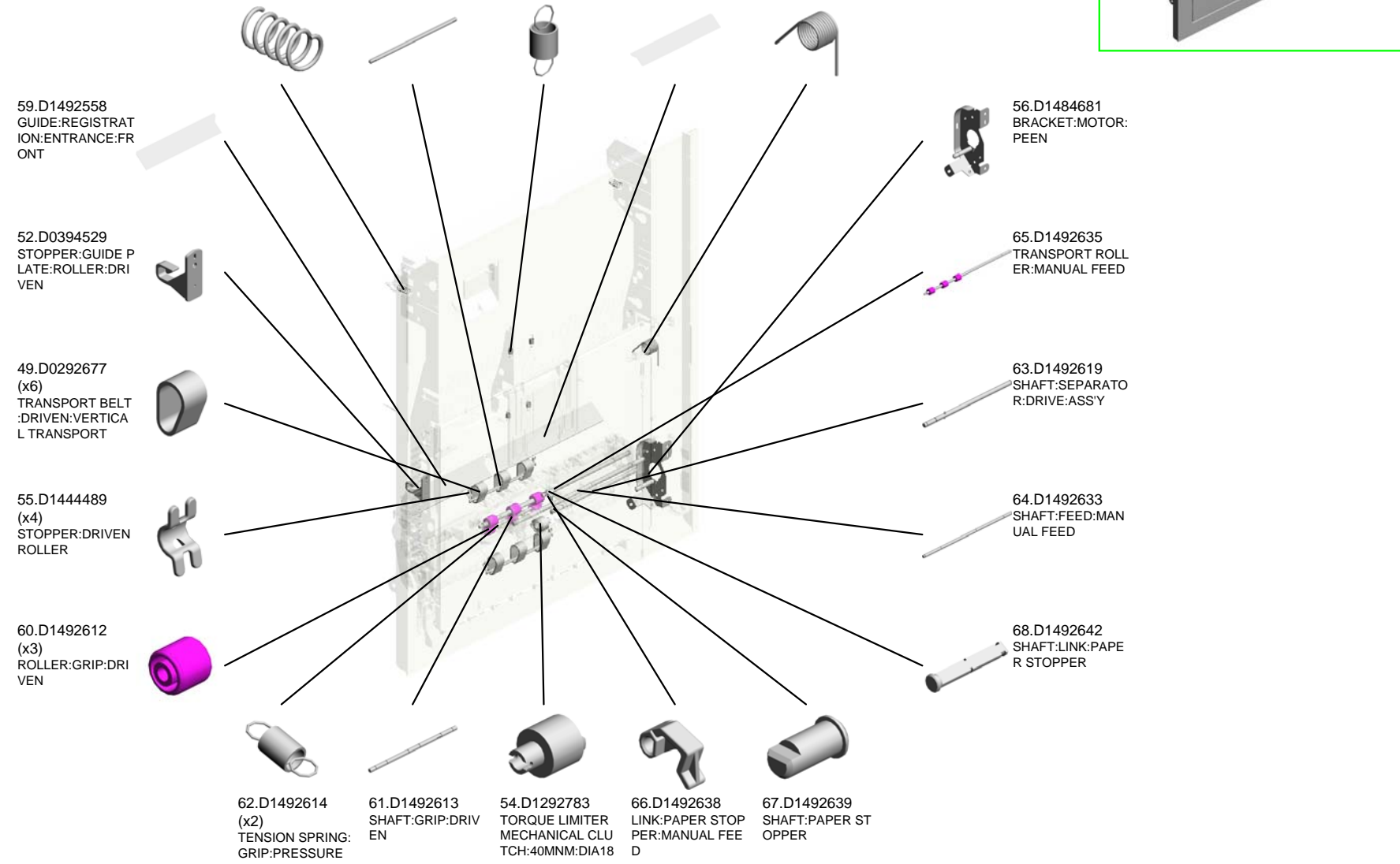
U001	U002	U003	U004	U005	U006	U007	U008	U009	U010	U011	U012	U013	U014	U015	U016
------	------	------	------	------	------	------	------	------	------	------	------	------	------	------	------

U013_S001
 DUPLEX UNIT:ASS'Y



154.D2414513
 [A]
 DUPLEX UNIT:ASS'
 Y
 201611-02 O/O

- 51.D0394525 (x2) COMPRESSION SPRING:SHAFT:GUIDE PLATE:EXIT
- 50.D0392993 (x2) SHAFT:TRANSPORT BELT:PULLEY
- 53.D0394597 (x4) TENSION SPRING:DRIVEN ROLLER
- 58.D1492557 GUIDE:REGISTRATION:ENTRANCE:REAR
- 57.D1484690 TORSION SPRING:LINK



59.D1492558
 GUIDE:REGISTRATION:ENTRANCE:FRONT

52.D0394529
 STOPPER:GUIDE PLATE:ROLLER:DRIVEN

49.D0292677 (x6)
 TRANSPORT BELT:DRIVEN:VERTICAL TRANSPORT

55.D1444489 (x4)
 STOPPER:DRIVEN ROLLER

60.D1492612 (x3)
 ROLLER:GRIP:DRIVEN

62.D1492614 (x2)
 TENSION SPRING:GRIP:PRESSURE

61.D1492613
 SHAFT:GRIP:DRIVEN

54.D1292783
 TORQUE LIMITER MECHANICAL CLUTCH:40NM:DIAMETER 18

66.D1492638
 LINK:PAPER STOPPER:MANUAL FEED

67.D1492639
 SHAFT:PAPER STOPPER

56.D1484681
 BRACKET:MOTOR:PEEN

65.D1492635
 TRANSPORT ROLLER:MANUAL FEED

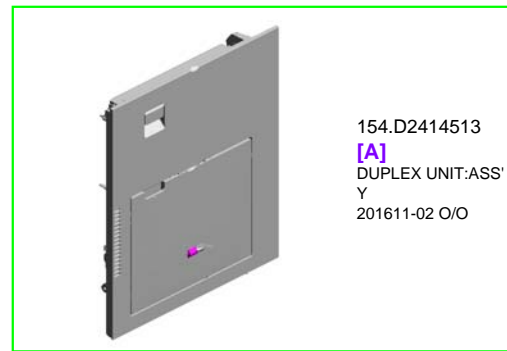
63.D1492619
 SHAFT:SEPARATOR:DRIVE:ASS'Y

64.D1492633
 SHAFT:FEED:MANUAL FEED

68.D1492642
 SHAFT:LINK:PAPER STOPPER

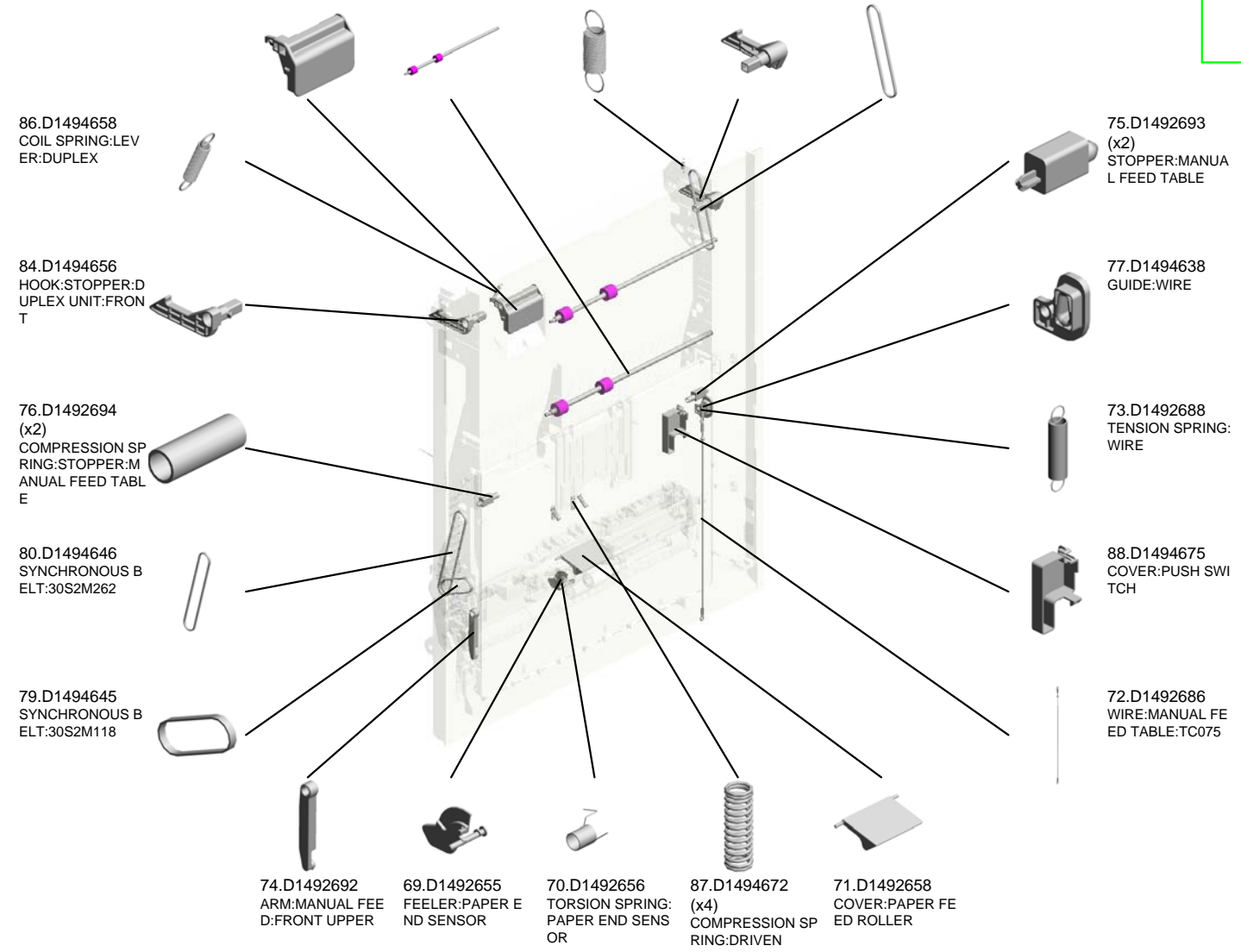
U001	U002	U003	U004	U005	U006	U007	U008	U009	U010	U011	U012	U013	U014	U015	U016
------	------	------	------	------	------	------	------	------	------	------	------	------	------	------	------

U013_S001
 DUPLEX UNIT:ASS'Y



154.D2414513
 [A]
 DUPLEX UNIT:ASS'
 Y
 201611-02 O/O

83.D1494655 GRIP:DUPLEX UNIT
 78.D2414643 (x2) TRANSPORT ROLLER:ENTRANCE 201608-01 X/O
 82.D1494653 TENSION SPRING: SWIVEL
 85.D1494657 HOOK:STOPPER:DUPLEX UNIT:REAR
 81.D1494647 SYNCHRONOUS BELT:30S2M212



86.D1494658 COIL SPRING:LEVER:DUPLEX

84.D1494656 HOOK:STOPPER:DUPLEX UNIT:FRONT

76.D1492694 (x2) COMPRESSION SPRING:STOPPER:MANUAL FEED TABLE

80.D1494646 SYNCHRONOUS BELT:30S2M262

79.D1494645 SYNCHRONOUS BELT:30S2M118

74.D1492692 ARM:MANUAL FEED:FRONT UPPER

69.D1492655 FEELER:PAPER END SENSOR

70.D1492656 TORSION SPRING: PAPER END SENSOR

87.D1494672 (x4) COMPRESSION SPRING:DRIVEN

71.D1492658 COVER:PAPER FEED ROLLER

75.D1492693 (x2) STOPPER:MANUAL FEED TABLE

77.D1494638 GUIDE:WIRE

73.D1492688 TENSION SPRING: WIRE

88.D1494675 COVER:PUSH SWITCH

72.D1492686 WIRE:MANUAL FEED TABLE:TC075

U001	U002	U003	U004	U005	U006	U007	U008	U009	U010	U011	U012	U013	U014	U015	U016
------	------	------	------	------	------	------	------	------	------	------	------	------	------	------	------

U013_S001
 DUPLEX UNIT:ASS'Y

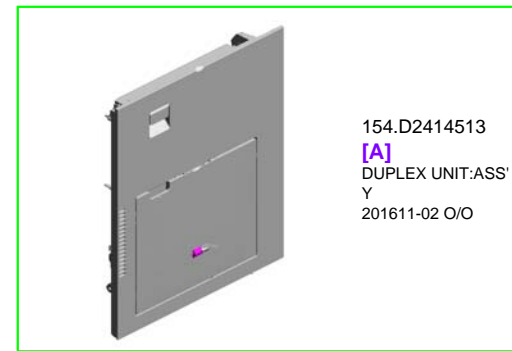
92.D1494715
 DECAL:GRIP:Z

108.D1754654
 SHAFT:LEVER:LOC
 K

117.D2022640
 EXTENSION TRAY:
 NO.1

118.D2022641
 EXTENSION TRAY:
 NO.2

99.D2414766
 (x2)
 TRANSPORT ROLL
 ER:EXIT:DIA8
 201608-02 X/O



154.D2414513
 [A]
 DUPLEX UNIT:ASS'
 Y
 201611-02 O/O

104.D1494850
 ARM:PUSH SWITC
 H

109.D1754737
 (x4)
 PLAIN SHAFT BEA
 RING:DUPLEX:EXI
 T

101.D1494777
 (x4)
 COMPRESSION SP
 RING:FLAT CONVE
 YER BELT:DRIVEN

99.D2414766
 TRANSPORT ROLL
 ER:EXIT:DIA8
 201608-04 X/O

90.D1494695
 LINK:FRONT



115.D2022624
 COVER:PAPER EN
 D

102.D2414640
 TRANSPORT ROLL
 ER:EXIT:DIA8
 201608-03 X/O

103.D1494815
 GUIDE PLATE:SEP
 ARATOR:ASS'Y

111.D2022617
 ARM:PICKUP:MAN
 UAL FEED

100.D1494770
 SHAFT:SEPARATO
 R:DRIVEN:ASS'Y

89.D1494688
 LINK:DUPLEX:MAI
 N

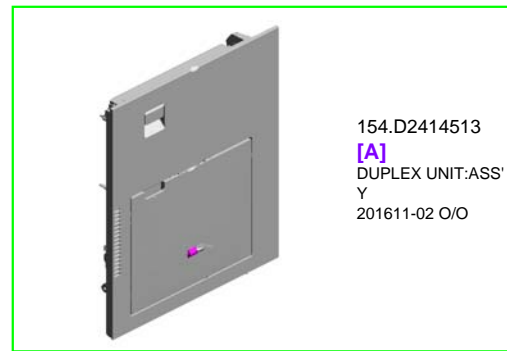
110.D2022614
 COIL SPRING:REL
 EASE:PICKUP:MAN
 UAL FEED

114.D2022620
 SHOE:TORSION S
 PRING:PICKUP

113.D2022619
 TORSION SPRING:
 PICKUP

112.D2022618
 SHEET:PICKUP

U013_S001
 DUPLEX UNIT:ASS'Y



154.D2414513
 [A]
 DUPLEX UNIT:ASS'
 Y
 201611-02 O/O

122.D2022669 COVER:MANUAL FEED TABLE
 126.D2024674 TORSION SPRING: DUPLEX:ENTRANCE SENSOR
 125.D2024673 FEELER:DUPLEX:ENTRANCE SENSOR
 130.D2024692 (x2) SHAFT:PRESSURE:GUIDE PLATE:UPPER
 132.D2024722 LINK:DUPLEX

128.D2024680 BRACKET:DRIVEN ROLLER:PRESSURE

127.D2024679 DRIVEN ROLLER:DIAMETER:16:DUPLEX

129.D2024682 DRIVEN ROLLER:DIAMETER:16

144.D2412652 GROUND PLATE:SHAFT:FEED

121.D2022654 (x2) CUSHION:GUIDE PLATE:SEPARATOR

140.D2412637 PAPER STOPPER:MANUAL FEED

141.D2412641 COVER:PAPER STOPPER:MANUAL FEED

143.D2412644 TORSION SPRING:LINK:PAPER STOPPER

142.D2412643 ARM:LINK:PAPER STOPPER

134.D2412612 DC SOLENOID:PICTURE:ASS'Y

131.D2024721 BRACKET:LINK:DUPLEX

133.D2024726 TORSION SPRING:LINK:CONTACT POINT

119.D2022642 PULLEY:WIRE:MANUAL FEED TABLE

135.D2412622 COVER:DAMPER

120.D2022646 ARM:MANUAL FEED:REAR UPPER

U001	U002	U003	U004	U005	U006	U007	U008	U009	U010	U011	U012	U013	U014	U015	U016
------	------	------	------	------	------	------	------	------	------	------	------	-------------	------	------	------

U013_S001
 DUPLEX UNIT:ASS'Y

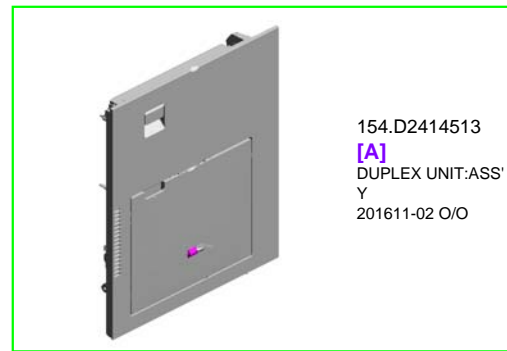
161.D2414660
 GUIDE PLATE:UPPER:RIGHT:DUPLEX

157.D2414635
 SHEET:CUSHION

168.D2414694
 CAP:BELT:DUPLEX

160.D2414652
 GEAR:PULLEY:SWIVEL

166.D2414692
 INNER COVER:REAR:DUPLEX



154.D2414513
 [A]
 DUPLEX UNIT:ASS'Y
 201611-02 O/O

163.D2414676
 (x2)
 LEVER:PRESSURE:DUPL

164.D2414677
 (x2)
 COMPRESSION SPRING:EXIT:UPPER

158.D2414642
 TRANSPORT ROLLER:DUPL

148.D2412673
 GUIDE PLATE:VERTICAL TRANSPORT:NO.1:DRIVEN

167.D2414693
 INNER COVER:FRONT:DUPL

151.D2412678
 (x2)
 SHAFT:FLAT CONVEYER BELT:DRIVEN

150.D2412676
 (x2)
 HOLDER:DRIVEN:BELT

149.D2412674
 GUIDE PLATE:VERTICAL TRANSPORT:NO.2:DRIVEN

162.D2414673
 GUIDE PLATE:DRIVEN

145.D2412653
 COIL SPRING:PRESSURE:SEPARATOR

159.D2414644
 GEAR:MECHANICAL ROLLER CLUTCH

156.D2414628
 GUIDE PLATE:DUPL:EXIT

155.D2414617
 TRANSPORT ROLLER:DUPL:2:DIAM

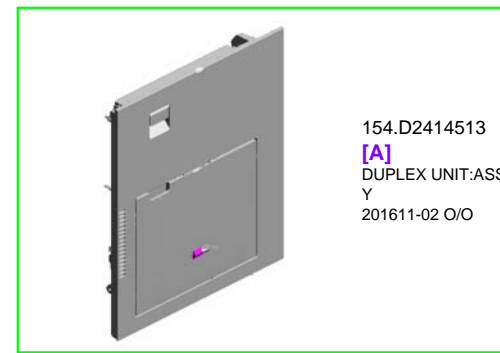
165.D2414684
 GEAR:OUTPUT

146.D2412656
 HOLDER:HARNES

U001	U002	U003	U004	U005	U006	U007	U008	U009	U010	U011	U012	U013	U014	U015	U016
------	------	------	------	------	------	------	------	------	------	------	------	-------------	------	------	------

U013_S001
 DUPLEX UNIT:ASS'Y

181.D2414995 GUIDE PLATE:UPPER
 175.D2414761 (x2) DRIVEN ROLLER:DI
 176.D2414762 DRIVEN ROLLER:DI
 177.D2414763 GUIDE:HARNESS:
 ENTRANCE SENS
 OR:DUPLEX



154.D2414513
 [A]
 DUPLEX UNIT:ASS'
 Y
 201611-02 O/O

179.D2414921
 COVER:GUIDE PL
 TE:DRIVEN

182.GW010007
 PHOTO REFLECTI
 ON SENSOR:EXIT

178.D2414765
 (x2)
 PULLEY:T26

180.D2414923
 STAY:CONTACT P
 OINT:DUPLEX

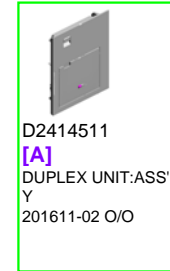
170.D2414708
 GEAR:SEPARATO
 R:MANUAL FEED:DI
 RIVE

172.D2414710
 GEAR:IDLER

171.D2414709
 GEAR:TRANSPOR
 T ROLLER:MANUA
 L FEED

169.D2414707
 GEAR:FEED:MANU
 AL FEED:DRIVE

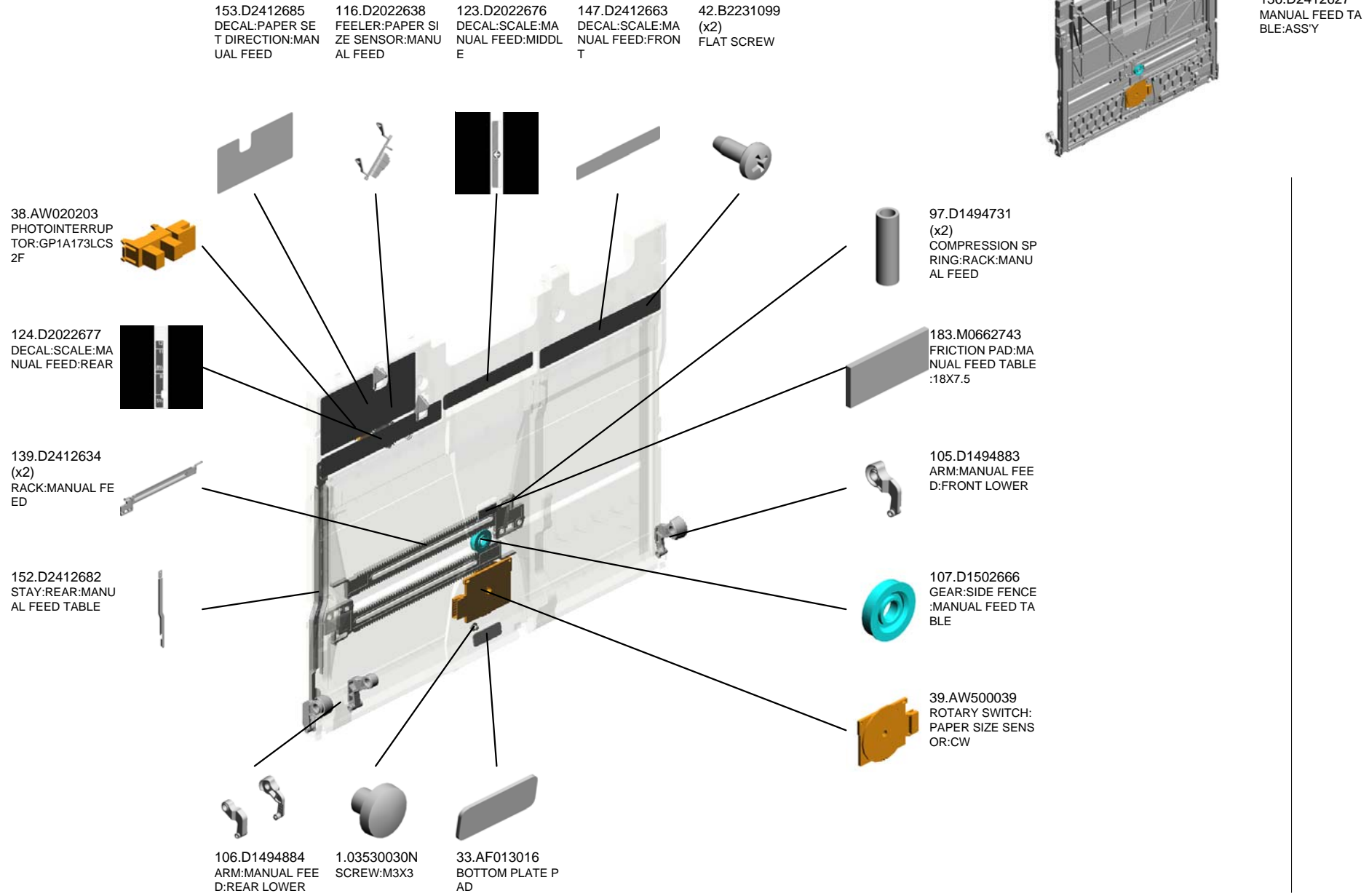
184.M0662749
 OIL DAMPER:STRA
 IGH:30N



D2414511
 [A]
 DUPLEX UNIT:ASS'
 Y
 201611-02 O/O

U001	U002	U003	U004	U005	U006	U007	U008	U009	U010	U011	U012	U013	U014	U015	U016
------	------	------	------	------	------	------	------	------	------	------	------	------	------	------	------

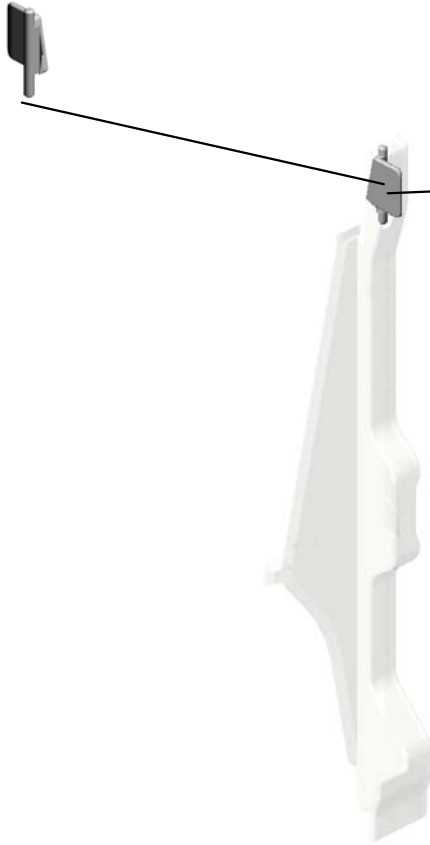
U013_S001_S001 MANUAL FEED TABLE:ASS'Y



U001	U002	U003	U004	U005	U006	U007	U008	U009	U010	U011	U012	U013	U014	U015	U016
------	------	------	------	------	------	------	------	------	------	------	------	-------------	------	------	------

U013_S001_S001_S001
SIDE FENCE:FRONT:ASS'Y

93.D1494717
PLATE:SIDE FENC
E:FRONT



94.D1494718
TORSION SPRING:
SIDE FENCE:FRON
T



137.D2412630
SIDE FENCE:FRON
T:ASSY

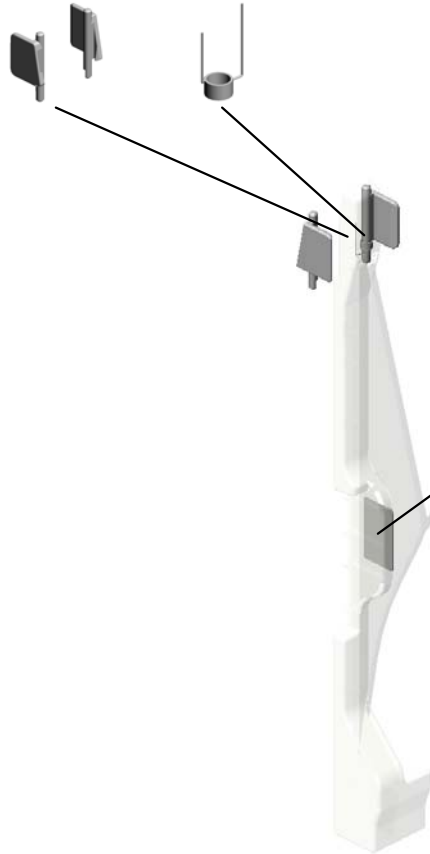
U001	U002	U003	U004	U005	U006	U007	U008	U009	U010	U011	U012	U013	U014	U015	U016
------	------	------	------	------	------	------	------	------	------	------	------	------	------	------	------

U013_S001_S001_S002
SIDE FENCE:REAR:ASS'Y

95.D1494720
PLATE:SIDE FENC
E:REAR

96.D1494721
TORSION SPRING:
SIDE FENCE:REAR

138.D2412632
SIDE FENCE:REAR
:ASS'Y



91.D1494711
DECAL:SIDE FENC
E:MANUAL FEED



U001	U002	U003	U004	U005	U006	U007	U008	U009	U010	U011	U012	U013	U014	U015	U016
------	------	------	------	------	------	------	------	------	------	------	------	------	------	------	------

U014.MAIN DRIVE

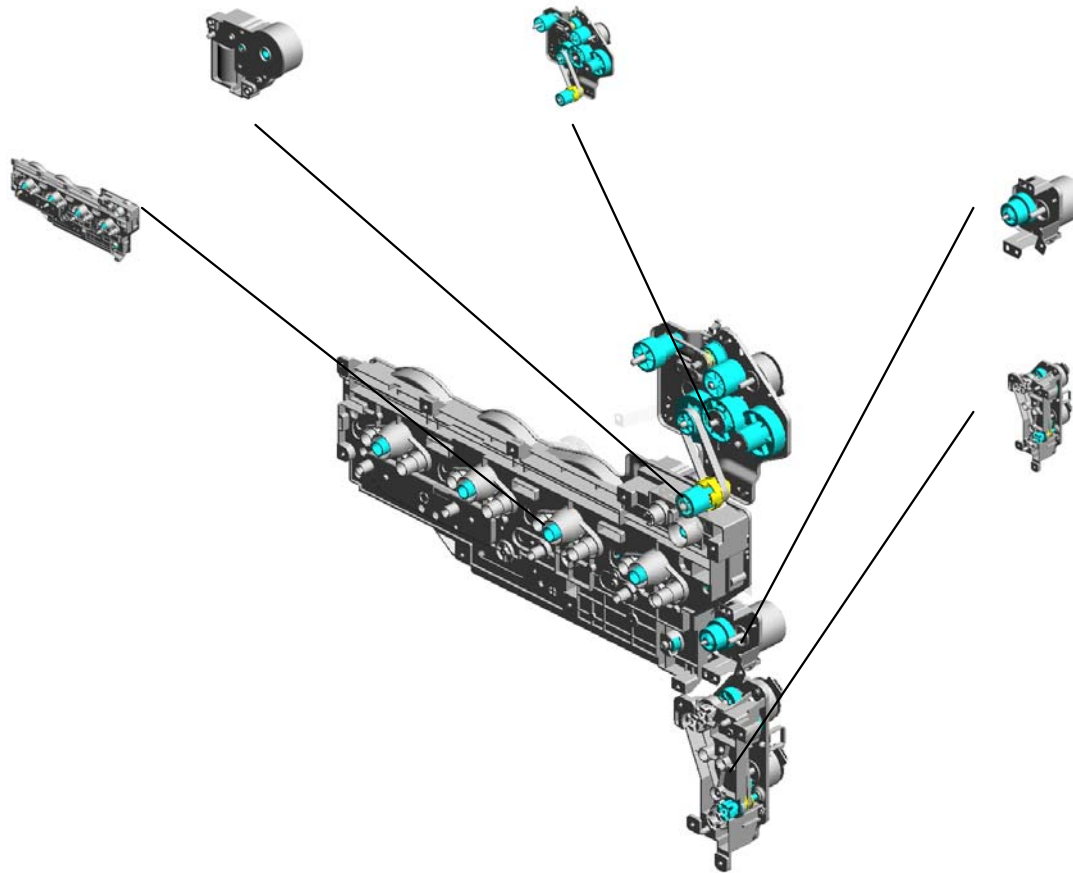
U014_S001
D1491199
DRIVE UNIT:ON-OFF:TRANS
FER

U014_S005
D2411357
DRIVE UNIT:FUSING/PAPER
EXIT UNIT:ASS'Y

U014_S003
D2391117
DRIVE UNIT:ENGINE:ASS'Y

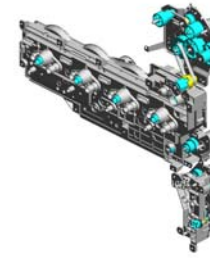
U014_S002
D1491351
DRIVE UNIT:REGISTRATION:
ASS'Y

U014_S004
D2411399
DRIVE UNIT:PAPER FEED:AS
S'Y



U001	U002	U003	U004	U005	U006	U007	U008	U009	U010	U011	U012	U013	U014	U015	U016
------	------	------	------	------	------	------	------	------	------	------	------	------	-------------	------	------

U014 MAIN DRIVE

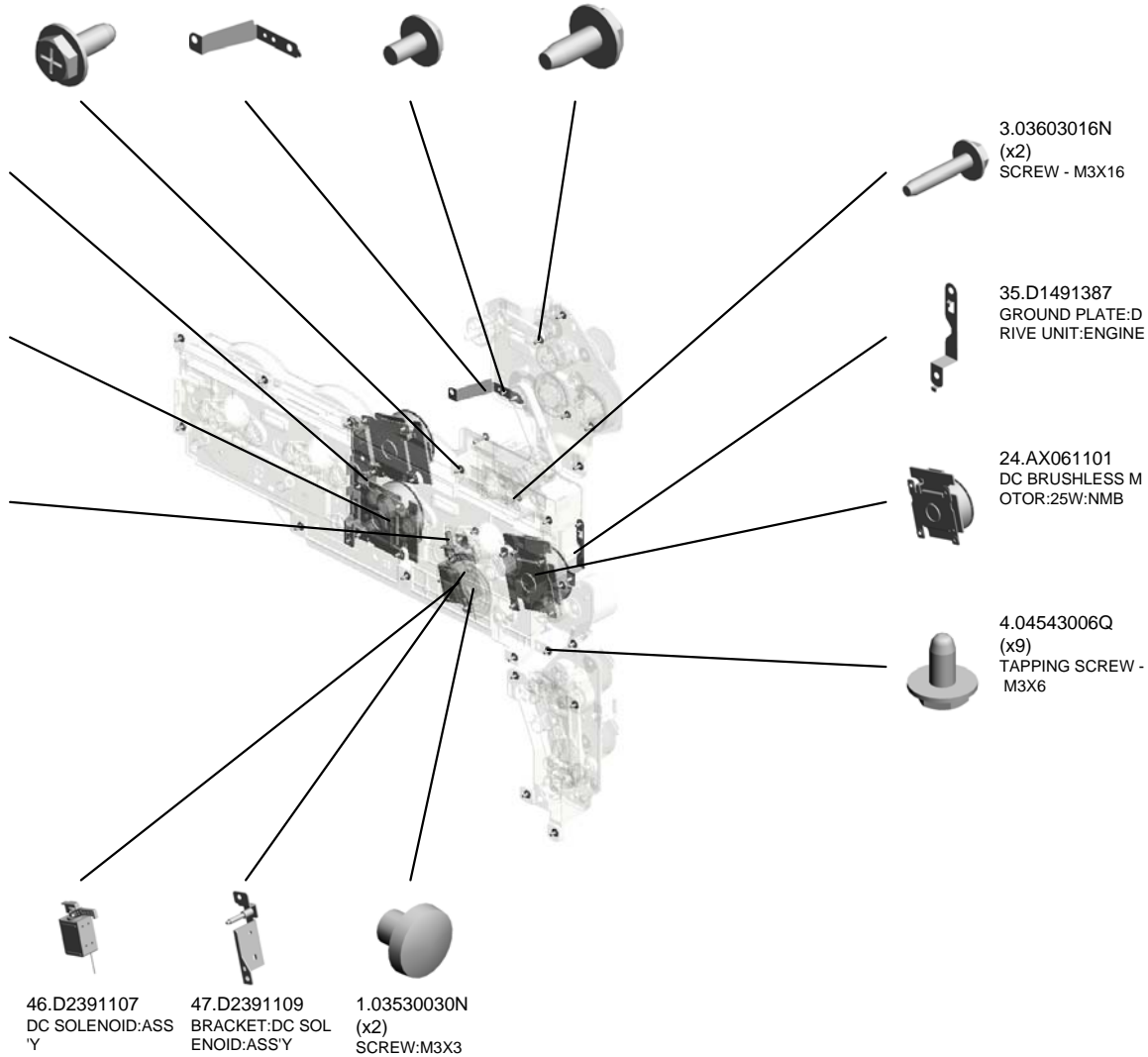


- 5.04543008Q (x9)
TAPPING SCREW: 3X8
- 37.D1491394
GROUND PLATE:DRIVE UNIT:FUSING/PAPER EXIT UNIT
- 2.03603006N (x18)
SCREW - M3X6
- 6.04583008N (x6)
HEXAGON HEAD TAPPING SCREW:3X8

49.D2411113
GUIDE:HARNESS:RIGHT

23.AX061001 (x2)
DC BRUSHLESS MOTOR:40W:NMB

26.D1471177
TENSION SPRING:ARM:MCPG



3.03603016N (x2)
SCREW - M3X16

35.D1491387
GROUND PLATE:DRIVE UNIT:ENGINE

24.AX061101
DC BRUSHLESS MOTOR:25W:NMB

4.04543006Q (x9)
TAPPING SCREW - M3X6

46.D2391107
DC SOLENOID:ASSY

47.D2391109
BRACKET:DC SOLENOID:ASSY

1.03530030N (x2)
SCREW:M3X3

U014_S001
DRIVE UNIT:ON-OFF:TRANSFER



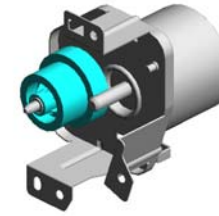
31.D1491199
DRIVE UNIT:ON-OF
F:TRANSFER

1.03530030N (x 2)
SCREW:M3X3

U001	U002	U003	U004	U005	U006	U007	U008	U009	U010	U011	U012	U013	U014	U015	U016
------	------	------	------	------	------	------	------	------	------	------	------	------	------	------	------

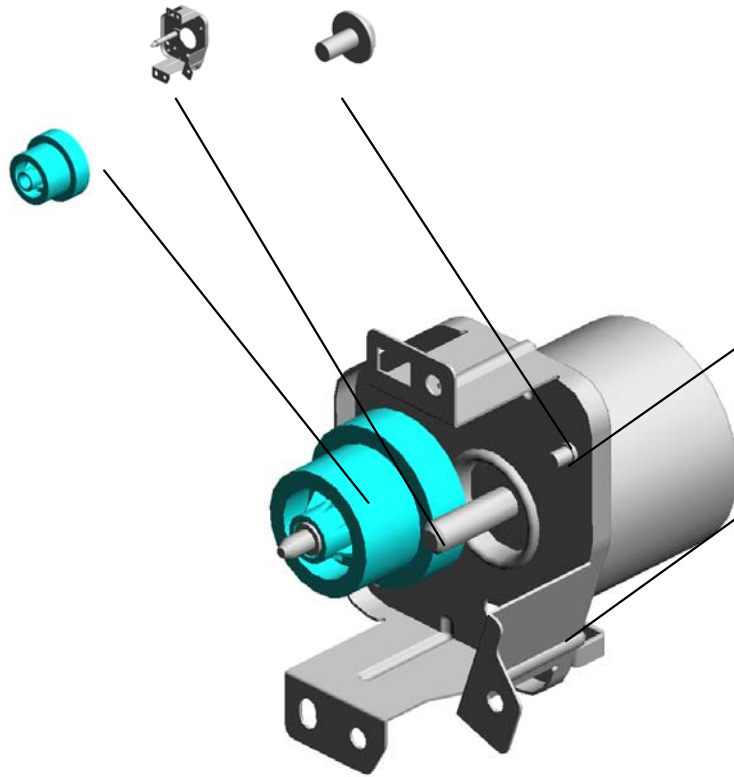
U014_S002
 DRIVE UNIT:REGISTRATION:ASS'Y

33.D1491352 2.03603006N
 BRACKET:DRIVE U (x2)
 NIT:REGISTRATIO SCREW - M3X6
 N:ASS'Y



32.D1491351
 DRIVE UNIT:REGIS
 TRATION:ASS'Y

34.D1491355
 GEAR:REGISTRATI
 ON:NO.1



21.AX060435
 DC MOTOR:GEAR:
 10W:BRUSHLESS



14.11050759
 CLAMP:LWSM-060
 5A

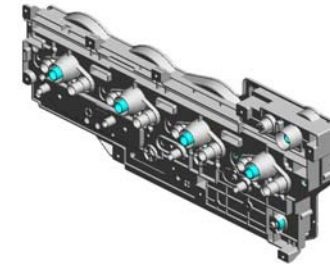


U001	U002	U003	U004	U005	U006	U007	U008	U009	U010	U011	U012	U013	U014	U015	U016
------	------	------	------	------	------	------	------	------	------	------	------	------	------	------	------

U014_S003
DRIVE UNIT:ENGINE:ASS'Y

7.04583010N
(x25)
HEXAGON HEAD TAPPING SCREW:3 X10

8.06220080E
SPRING PIN - 2X8 MM



48.D2391117
DRIVE UNIT:ENGINE:ASS'Y

2.03603006N
(x3)
SCREW - M3X6



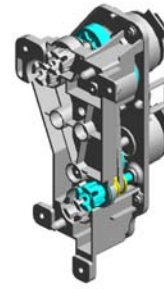
19.AA080346
BUSHING:FLANGE
TYPE:DIA6

20.AA082175
PLAIN SHAFT BEARING
RING:8X12X7

10.07200040E
(x6)
RETAINING RING - M4

U001	U002	U003	U004	U005	U006	U007	U008	U009	U010	U011	U012	U013	U014	U015	U016
------	------	------	------	------	------	------	------	------	------	------	------	------	------	------	------

U014_S004
DRIVE UNIT:PAPER FEED:ASS'Y



53.D2411399
DRIVE UNIT:PAPE
R FEED:ASS'Y

12.08050104 (x2) RETAINING RINGS -E:SILENCER:DIA4
43.D2021193 (x2) STUD:PAPER FEE D:GRIP:ASS'Y
42.D2021191 GEAR:GRIP:NO.1
9.06320100G PIN - 2X10MM
30.D1491197 GEAR:IDLER:PAPE R FEED:GRIP:NO.1

27.D1491194 PULLEY:PAPER FE ED:FEED:NO.1:ME CHANICAL ROLLE R CLUTCH

36.D1491392 FLANGE:PAPER F EED:FEED

40.D2021143 (x4) JOINT:DRIVE

18.AA043623 TIMING BELT - B40 S2M180

41.D2021152 BRACKET:DRIVE U NIT:PAPER FEED:A SS'Y

45.D2021196 HOUSING:DRIVE U NIT:PAPER FEED:A SS'Y

19.AA080346 (x4) BUSHING:FLANGE TYPE:DIA6

29.D1491196 GEAR:PAPER FEE D:FEED:NO.2:MEC HANICAL ROLLER CLUTCH

44.D2021195 PULLEY:GRIP:NO.2

2.03603006N (x8) SCREW - M3X6

13.11050655 (x2) CLAMP:LWSR-181 6S

17.AA043000 SYNCHRONOUS B ELT:40S3M192

22.AX060464 (x2) DC MOTOR:ENCO DER:NO:10W:GEA R:BRUSHLESS

28.D1491195 GEAR:IDLER:PAPE R FEED:FEED

10.07200040E (x8) RETAINING RING - M4

U001 U002 U003 U004 U005 U006 U007 U008 U009 U010 U011 U012 U013 U014 U015 U016

U014_S005

DRIVE UNIT:FUSING/PAPER EXIT UNIT:ASS'Y

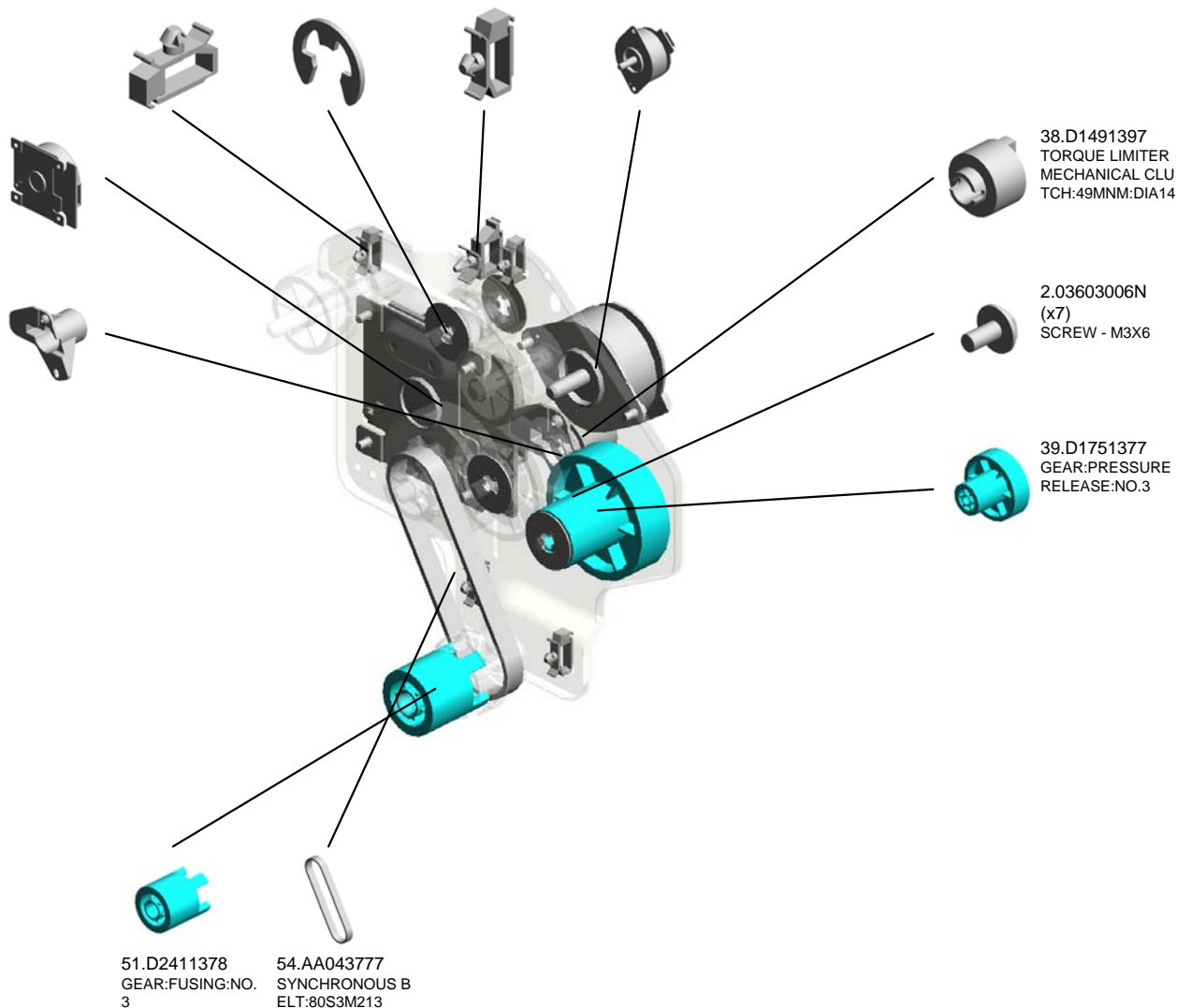
- 15.11050760 (x5) CLAMP:LWSM-051 1A
- 10.07200040E (x5) RETAINING RING - M4
- 16.11050762 CLAMP:LWS-0711A
- 22.AX060464 DC MOTOR:ENCO DER:NO:10W:GEAR:BRUSHLESS



50.D2411357
DRIVE UNIT:FUSING/PAPER EXIT UNIT:ASSY

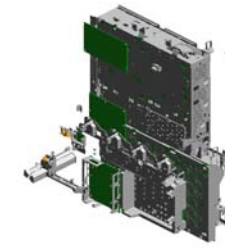
25.AX061202
DC BRUSHLESS MOTOR:25W:NID:FUSING UNIT

52.D2411396
HOLDER:TORQUE LIMITER MECHANICAL CLUTCH:PRESSURE RELEASE



U001	U002	U003	U004	U005	U006	U007	U008	U009	U010	U011	U012	U013	U014	U015	U016
------	------	------	------	------	------	------	------	------	------	------	------	------	------	------	------

U015 ELECTRICAL



- 1.03530060N (x5) BIND SCREW - M3 X6
- 11.04543020Q (x10) TAPPING SCREW:: 3X20
- 22.11050758 (x15) CLAMP:LWSM-030 6A
- 6.04543006N (x84) TAPPING SCREW: ROUND POINT:3X6
- 9.04543008Q (x10) TAPPING SCREW: 3X8

- 8.04543008N (x2) TAPPING SCREW: ROUND POINT:3X8

- 23.11050759 (x54) CLAMP:LWSM-060 5A

- 5.04513025N (x5) TAPPING SCREW: M3X25

- 13.08050103 (x5) RETAINING RINGS -E:SILENCER:DIA3

- 7.04543006Q (x366) TAPPING SCREW - M3X6

- 12.04583008N (x188) HEXAGON HEAD TAPPING SCREW:3 X8

- 19.11050725 (x5) CLAMPS:WES-111 7

- 10.04543010Q (x25) TAPPING SCREW: 3X10

- 2.03603006N (x2) SCREW - M3X6

- 17.11050723 (x5) CLAMPS:WES-050 7

- 20.11050726 (x10) CLAMPS:WES-221 7

- 3.04513006N (x68) TAPPING SCREW - 3X6

- 15.11050488 (x18) HARNESS CLAMP

- 16.11050692 (x10) CLAMP:LES-0503

- 18.11050724 (x5) CLAMPS:WES-121 0

- 14.11050409 (x5) CARD SPACER - 6. 4MM

- 15.11050488 (x32) HARNESS CLAMP

- 16.11050692 (x10) CLAMP:LES-0503

- 17.11050723 (x15) CLAMPS:WES-050 7

- 18.11050724 (x10) CLAMPS:WES-121 0

- 21.11050752 (x5) SADDLE:EDS-3005 LS-V0

- 22.11050758 (x30) CLAMP:LWSM-030 6A

- 23.11050759 (x142) CLAMP:LWSM-060 5A

U015 ELECTRICAL

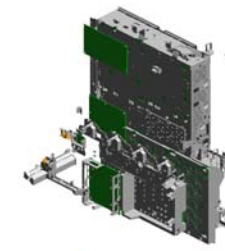
41.D0895824 (x5)
COVER:SD-CARD:
D086/D087

38.AZ320215 (x5)
POWER PACK:TTS
:L

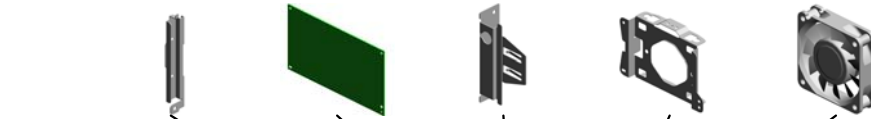
42.D0895887 (x5)
PANEL:INTERFAC
E

45.D1465786 (x5)
BRACKET:HDD
FAN:MM60X15

35.AX640236 (x5)
FAN:MM60X15



40.B2231317
(x15)
SCREW



28.12042612
(x10)
MICRO SWITCH:D3
V-16506-3C25



46.D1495703
(x5)
BRACKET:MICRO
SWITCH



32.AA061128
(x5)
TENSION SPRING:
SAFETY SWITCH:R
IGHT



31.AA061127
(x10)
TENSION SPRING:
SAFETY SWITCH:F
RONT



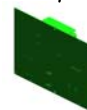
43.D1421805
(x10)
SHAFT:SCALE



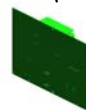
33.AA143848
(x20)
STEPPED SCREW
- M3



36.AZ240271
(x2)
(NA/TWN):DC POW
ER SUPPLY:289W



37.AZ240273
(x3)
(EU/CHN/AA/KOR):
DC POWER SUPPL
Y



39.AZ320216
(x5)
POWER PACK:CB:
H



27.11050765
(x35)
CLAMP:LWS-2218A

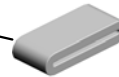


24.11050760
(x135)
CLAMP:LWSM-051
1A

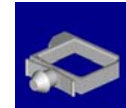


25.11050762
(x45)
CLAMP:LWS-0711A

30.16072525
(x5)
FERRITE CORE:K3
FF 35.00X14.60X7.
70X1.40



34.AA161167
(x20)
BUSHING:HDD

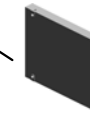


26.11050764
(x35)
CLAMP:LWS-1316A



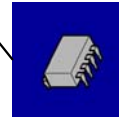
27.11050765
(x25)
CLAMP:LWS-2218A

44.D1465680
(x5)
HDD:250GB:JAGUA
RB7



3.04513006N (x 7)
TAPPING SCREW - 3X6
4.04513008N (x70)
TAPPING SCREW - M3X8
6.04543006N (x 6)
TAPPING SCREW:ROUND POINT:3X6

29.14078389
(x5)
EEPROM:BR24T12
8-W

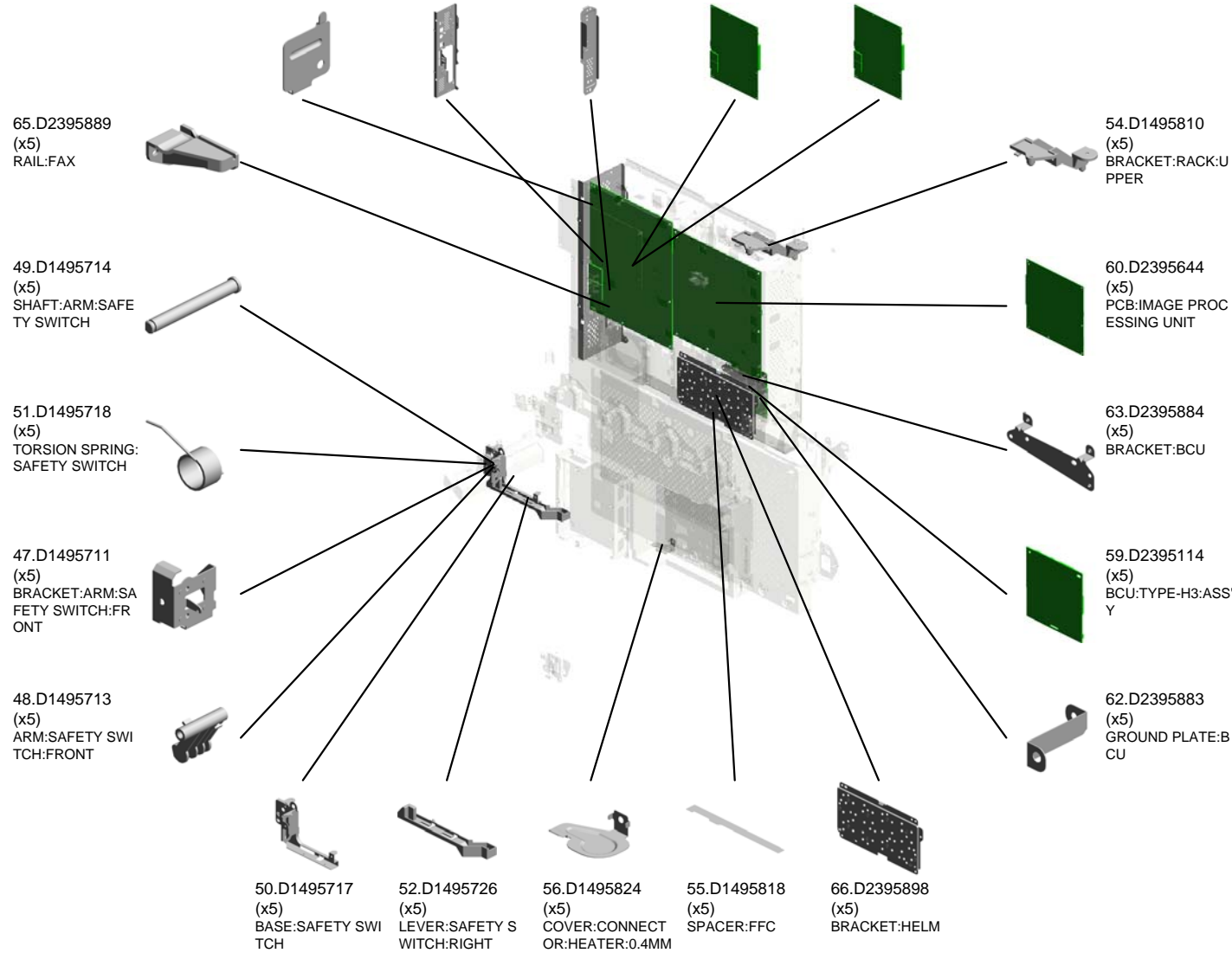
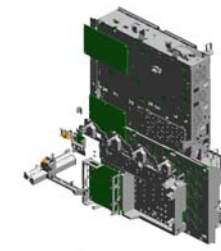


7.04543006Q (x31)
TAPPING SCREW - M3X6
8.04543008N (x 8)
TAPPING SCREW:ROUND POINT:3X8

12.04583008N (x12)
HEXAGON HEAD TAPPING SCREW:3X
8

U015 ELECTRICAL

53.D1495776 (x5) COVER:USB:SMALL
 61.D2395772 (x5) PANEL:CONTROL BOARD
 64.D2395888 (x5) COVER:FAX
 57.D2385660 (x5) (D238):PCB:SERVICE
 58.D2385661 (x5) (D239):PCB:CONTROL SERVICE



U015 ELECTRICAL

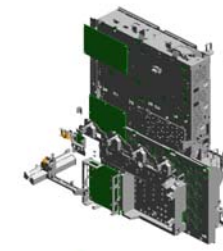
68.D2399591
(x5)
NVRAM

76.D2415796
(x5)
RACK:MIDDLE

80.D2415803
(x5)
GUIDE:HARNESS:
C/T BOX

78.D2415801
(x5)
COVER:RACK:REA
R

79.D2415802
(x5)
GUIDE:FFC:SCANN
ER



69.D2415112
(x5)
PCB:IOB:ENGINE



83.D2415832
(x20)
CAP:GUIDE:COIL S
PRING



71.D2415190
(x10)
PCB:MSSENS1



72.D2415192
(x5)
PCB:MSSENS2



82.D2415831
(x20)
CAP:GUIDE:WIRE



73.D2415737
(x5)
BRACKET:MAIN S
WITCH



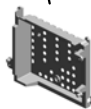
70.D2415109
(x5)
PCB:IOB:TRANSP
ORT
201605-01 X/O



85.D2415842
(x5)
COVER:GUIDE:WI
RE



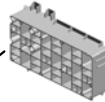
75.D2415765
(x5)
CASE:POWER PAC
K:CB



74.D2415764
(x5)
COVER:POWER P
ACK:CB



67.D2395899
(x5)
CAP:HELM



77.D2415800
(x5)
RACK:RIGHT:AUXI
LIARY



81.D2415817
(x5)
GUIDE:FFC:2



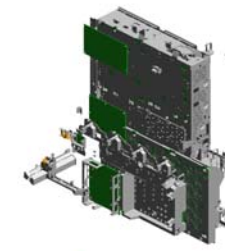
84.D2415841
(x5)
BASE:GUIDE:WIRE



86.D2415850
(x5)
WIRE:CHARGE:K



U015 ELECTRICAL



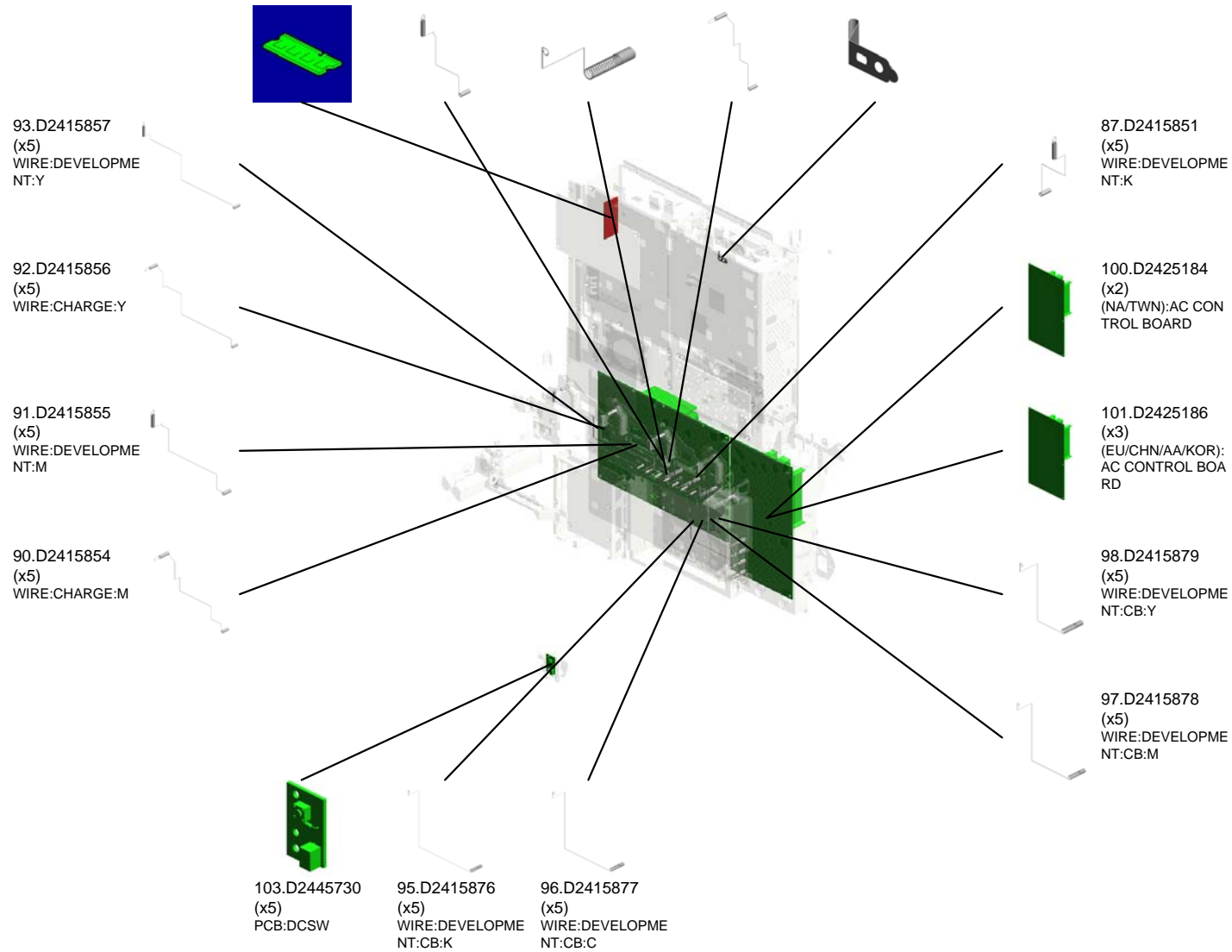
102.D2425605 (x5)
(EU/CHN/AA/KOR/
NA(-17)/TWN):PCB:
DDR3-DIMM:2GB:A
SS'Y

89.D2415853 (x5)
WIRE:DEVELOPME
NT:C

94.D2415875 (x20)
WIRE:CHARGE:CB

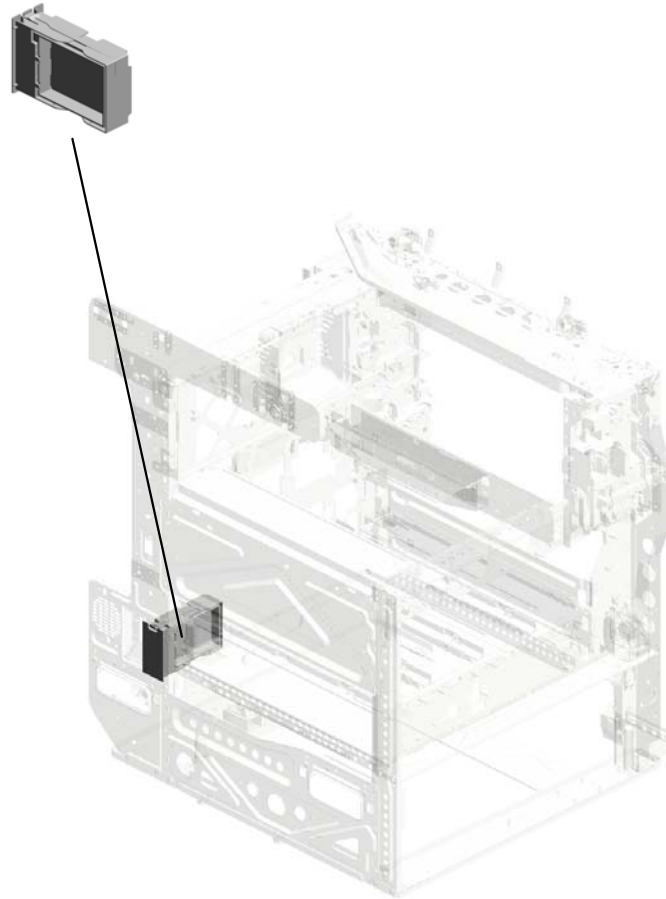
88.D2415852 (x5)
WIRE:CHARGE:C

99.D2415889 (x5)
SPRING PLATE:IM
AGE PROCESSING
UNIT



U016.MAIN FRAME

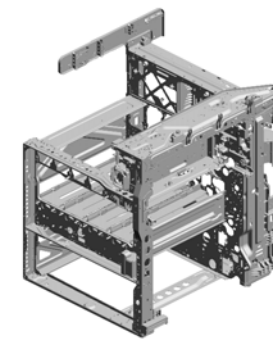
U016_S001
D1497935
CASE:FILTER:ASSY



U001	U002	U003	U004	U005	U006	U007	U008	U009	U010	U011	U012	U013	U014	U015	U016
------	------	------	------	------	------	------	------	------	------	------	------	------	------	------	------

U016 MAIN FRAME

- 21.D1477951 DUCT:SUPPLY:A
- 22.D1477952 DUCT:SUPPLY:B
- 19.D1175303 THERMISTOR
- 13.AX640199 (x2)
FAN:MM80:25MM:D
C 2.16W
- 12.AA080346 (x2)
BUSHING:FLANGE
TYPE:DIA6



- 23.D1477956 DUCT:EXHAUST:DRIVE:A

- 9.08025299 TAPPING SCREW - M3X8

- 16.AX660015 DC FAN MOTOR:SIROCCO:DC24V:PWM

- 10.08025328 (x2)
HEXAGON HEAD TAPPING SCREW:3X40

- 14.AX640219 (x2)
DC FAN MOTOR:DC24V:MM60:25MM

- 18.B2381089 COVER - POSITIONING PIN

- 5.04543006Q (x229)
TAPPING SCREW - M3X6

- 17.B2381088 COVER - CONNECTOR

- 8.04583008N (x55)
HEXAGON HEAD TAPPING SCREW:3X8

- 7.04543008Q (x15)
TAPPING SCREW:3X8

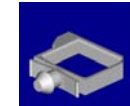
- 1.04503025N (x2)
TAPPING SCREW:3X25

- 15.AX640236 FAN:MM60X15

- 2.04503035N (x2)
TAPPING SCREW:3X35

- 6.04543008N TAPPING SCREW:ROUND POINT:3X8

- 3.04513006N (x6)
TAPPING SCREW - 3X6

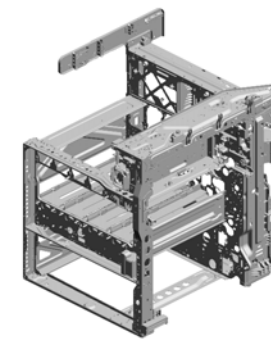


- 11.11050764 CLAMP:LWS-1316A

- 4.04533008N (x 1)
BINDING SELF TAPPING SCREW:3X8

- 5.04543006Q (x 1)
TAPPING SCREW - M3X6
- 7.04543008Q (x 3)
TAPPING SCREW:3X8
- 8.04583008N (x 2)
HEXAGON HEAD TAPPING SCREW:3X8

U016 MAIN FRAME



45.D2417945 DEODORIZE FILTER
 41.D2417941 DUCT:EXHAUST:UPPER:A
 42.D2417942 DUCT:EXHAUST:UPPER:B
 43.D2417943 DUCT:EXHAUST:UPPER:C
 44.D2417944 DUCT:EXHAUST:UPPER:D

35.D1497955 DUCT:SUPPLY:FAN:UPPER

34.D1497954 DUCT:SUPPLY:D

36.D1497956 DUCT:SUPPLY:FAN:LOWER

33.D1497953 DUCT:SUPPLY:C

40.D1501095 (x2) BRACKET:POSITIONING:FUSING UNIT:M3

39.D1497986 GUIDE:THERMISTOR

24.D1477957 DUCT:EXHAUST:DRIVE:B

28.D1497923 DUCT:DEVELOPMENT:RIGHT LOWER

29.D1497931 DUCT:DEVELOPMENT:EXHAUST

27.D1497922 COVER:FAN:DEVELOPMENT:RIGHT LOWER

38.D1497983 BRACKET:FAN:POWER SUPPLY UNIT

37.D1497982 DUCT:POWER SUPPLY UNIT

30.D1497932 DUCT:PCU:EXHAUST

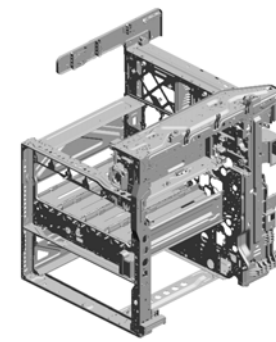
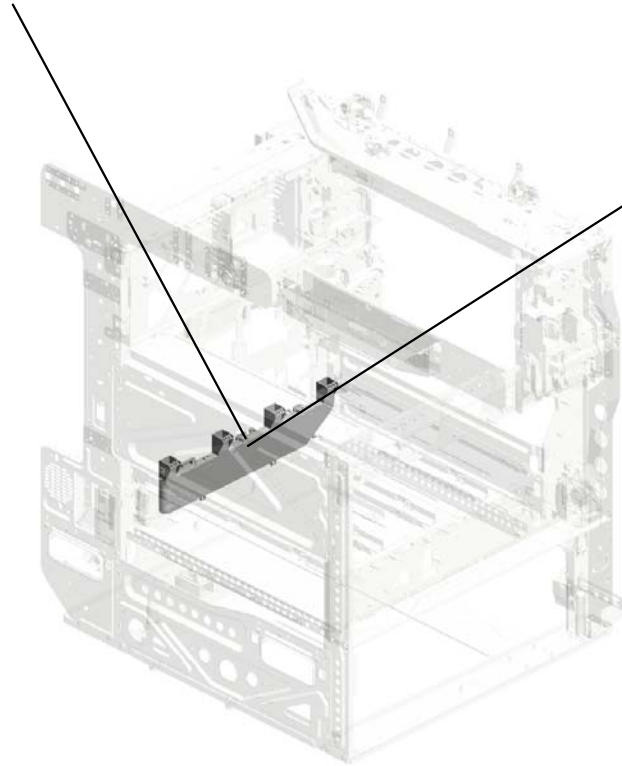
25.D1491099 (x2) COVER:GRIP:LEFT

26.D1491338 GUIDE PLATE:PAPER FEED TABLE:FRONT

U001	U002	U003	U004	U005	U006	U007	U008	U009	U010	U011	U012	U013	U014	U015	U016
------	------	------	------	------	------	------	------	------	------	------	------	------	------	------	------

U016 MAIN FRAME

47.D2417984
DUCT:DEVELOPM
ENT:REAR:B



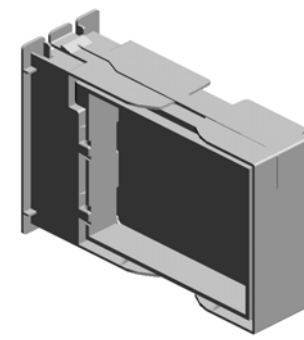
46.D2417983
DUCT:DEVELOPM
ENT:REAR:A



U001	U002	U003	U004	U005	U006	U007	U008	U009	U010	U011	U012	U013	U014	U015	U016
------	------	------	------	------	------	------	------	------	------	------	------	------	------	------	-------------

U016_S001
CASE:FILTER:ASS'Y

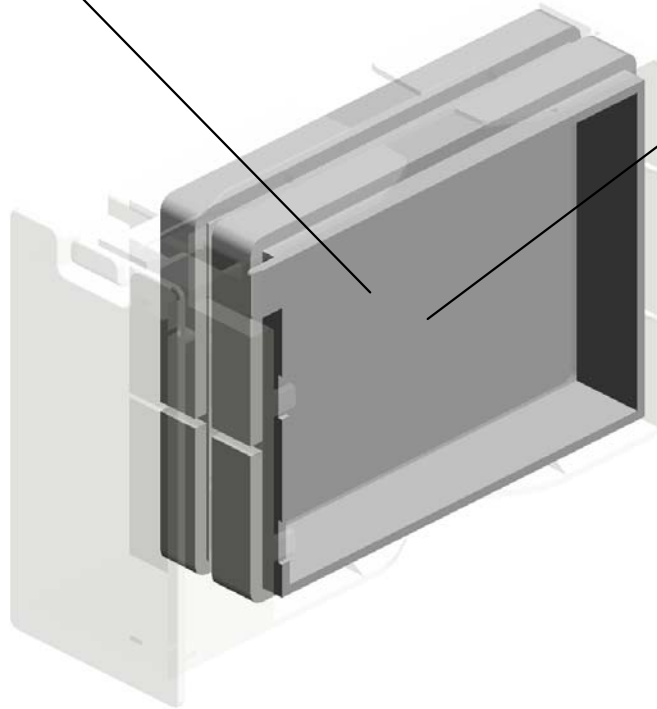
32.D1497938
OZONE FILTER



31.D1497935
CASE:FILTER:ASS'
Y



20.D1477937
FILTER:PREVENTF
ENCE:10



U001	U002	U003	U004	U005	U006	U007	U008	U009	U010	U011	U012	U013	U014	U015	U016
------	------	------	------	------	------	------	------	------	------	------	------	------	------	------	------

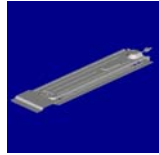
OPTION



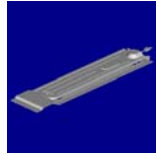
1.D2380071
(x2)
(NA/TWN):HEATER:SCANNER:120V:
ASS'Y



2.D2380072
(x3)
(EU/AA/KOR/CHN):HEATER:SCANNER:
R:220/240V:ASS'Y



3.D2386630
(x2)
(NA/TWN):HEATER:PAPER TRAY:120
V:ASS'Y



4.D2386640
(x3)
(EU/AA/KOR/CHN):HEATER:PAPER T
RAY:220/240V:ASS'Y



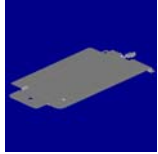
5.D2386650
(x5)
PCB:DHB:ASS'Y



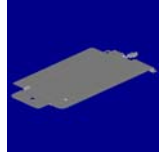
6.D2386661
(x2)
(NA/TWN):HEATER:PAPER TRAY:EL
ECTRICAL COMPONENTS SECTION:
ASS'Y



7.D2386662
(x3)
(EU/AA/KOR/CHN):HEATER:PAPER T
RAY:ELECTRICAL COMPONENTS SE
CTION:ASS'Y



8.D7390116
(x2)
(NA/TWN):HEATER:PHOTOCONDUCTOR:
ASS'Y



9.D7390117
(x3)
(EU/AA/KOR/CHN):HEATER:PHOTO
CONDUCTOR:ASS'Y

ACCESSORIES



1.04583008N
(x10)
HEXAGON HEAD TAPPING SCREW:3
X8



2.04583010N
(x5)
HEXAGON HEAD TAPPING SCREW:3
X10



3.08050103
(x5)
RETAINING RINGS-E:SILENCER:DIAM
ETER:3



4.11500440
(NA):POWER SUPPLY CODE:120V:15
A



5.11500441
(x2)
(EU/AA/KOR):POWER SUPPLY CODE
:250V:10A



6.11500442
(CHN):POWER SUPPLY CODE:250V:
10A



7.11500443
(TWN):POWER SUPPLY CODE:125V:
15A



8.16072470
(CHN):FERRITE CORE:GRFC-10



9.AA001564
(x5)
PLATE:LOGOTYPE:RICOH



10.AA001565
(AA/KOR):PLATE:LOGOTYPE:LANIER



11.AA001567
(x2)
(CHN(-22)/AA/KOR):PLATE:LOGOTYP
E:GESTETNER



12.B0651374
(x5)
CLOTH - DF EXPOSURE GLASS

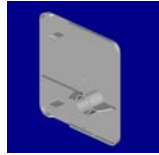
ACCESSORIES



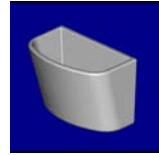
13.D1201556
(AA/KOR):SHEET:LOGO:LAN



14.D1201557
(x2)
(CHN(-22)/AA/KOR):SHEET:LOGO:GES



15.D1491264
(x5)
CAP:ROCKER SWITCH



16.D2581317
(x5)
HOLDER:GLASS:CLEANER:ASS'Y
201610-01 O/O



17.D1491321
(x4)
DECAL:TONER BOTTLE:BK



18.D1491322
(x4)
DECAL:TONER BOTTLE:C



19.D1491323
(x4)
DECAL:TONER BOTTLE:M



20.D1491324
(x4)
DECAL:TONER BOTTLE:Y



21.D1491553
(x5)
SHEET:LOGO



22.D1494390
(x2)
(NA/AA/KOR):DECAL:CAUTION:INKJET
201611-05



23.D1496667
(CHN):DECAL:CAUTION:INKJET
201611-06



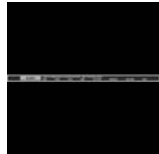
24.D1496668
(TWN):DECAL:CAUTION:INKJET
201611-07



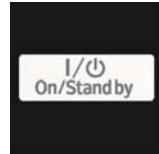
25.D1496766
(x3)
(EU/NA/AA/KOR):DECAL:CAUTION:ORIGINAL:ENGLISH



26.D1496767
(CHN):DECAL:CAUTION:ORIGINAL:CHINESE



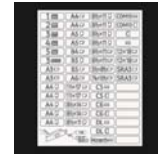
27.D1496768
(TWN):DECAL:CAUTION:ORIGINAL:TAIWAN



28.D1496851
(x2)
(NA/AA/KOR):DECAL:MAIN SWITCH:ON-STANDBY:ENGLISH



29.D1496852
(x3)
(EU/CHN/TWN):DECAL:MAIN SWITCH:ON-STANDBY



30.D1496862
(x5)
DECAL:SIZE INDICATION:PAPER TRAY



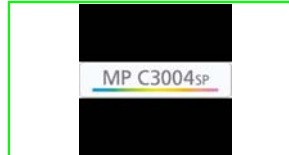
31.D2197454
(x3)
(AA/KOR/NA/TWN):CAUTION CHART



32.D2231381
(x3)
(EU/NA(-17)/TWN):DECAL:EXPOSURE GLASS:CLEANING



33.D2386752
(x3)
(EU/NA/AA/KOR):(D238):DECAL:MODEL NAME PLATE:RIC



34.D2386753
(x3)
(CHN(-21)/TWN):(D238):DECAL:MODEL NAME PLATE:RIC
201611-09 X/O



34.D2386753
(CHN(-21)/TWN):(D238):DECAL:MODEL NAME PLATE:RIC

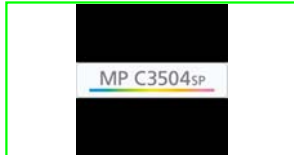


35.D2386754
(CHN(-22):(D238):DECAL:MODEL NAME PLATE:GES

ACCESSORIES



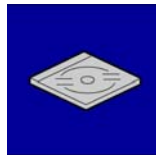
36.D2396752
(x3)
(EU/NA/AA/KOR):(D239):DECAL:MOD
EL NAME PLATE:RIC



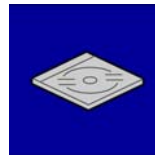
37.D2396753
[B]
(CHN(-21)/TWN):(D239):DECAL:MOD
EL NAME PLATE:RIC
201611-10 X/O



37.D2396753
(CHN(-21)/TWN):(D239):DECAL:MOD
EL NAME PLATE:RIC



38.D2397851
(NA):CD-ROM:DRV:ASS'Y



39.D2397852
(EU):CD-ROM:DRV:ASS'Y



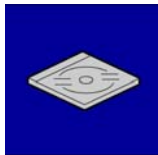
40.D2397853
(AA/KOR):CD-ROM:DRV:ASS'Y



D2386752
[C]
(EU/NA/AA/KOR):(D
238):DECAL:MODE
L NAME PLATE:RIC
201611-09 X/O



D2396752
[B]
(EU/NA/AA/KOR):(D
239):DECAL:MODE
L NAME PLATE:RIC
201611-10 X/O



41.D2397854
(x2)
(CHN(-21)/TWN):CD-ROM:DRV/OI:AS
S'Y



42.D2397862
(EU):CD-ROM:DRV
201609-01



43.D2411788
(x10)
[A]
CAP:COVER:POSITIONING
201611-03 X/O



44.D2414472
(x5)
END FENCE:TRAY:EXIT:ASS'Y



45.D2416335
(x5)
COVER:INTERMEDIATE TRANSFER



46.D2422389
(x5)
COVER:PCU:FRONT:SUB-ASS'Y



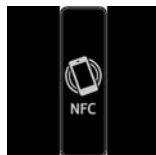
47.D2423284
(x5)
GRIP:ROLLING:SHEET:DEVELOPER:
DIA4



48.D2447854
(CHN(-22)):(D238):CD-ROM:DRV/OI:A
SS'Y



49.D2557798
(x3)
DECAL:BLUETOOTH



50.D1961485
(x3)
(EU/NA/AA/KOR):IC:NFC_TAG:MN63Y
3212NB
201606-01 X/O



51.D3B06303
(x2)
(EU(-65,-66)/NA):DECAL:CAUTION:O
RIGINAL:MANY LANGUAGES



52.D6836031
(x2)
(EU(-65,-66)/NA):DECAL:SET:ORIGIN
AL TABLE



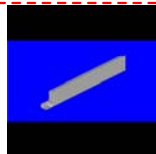
53.D6846031
(x2)
(EU(-27,-28)/TWN):DECAL:ORIGINAL
TABLE



54.D6846061
(x2)
(EU(-27,-28)/TWN):DECAL:ORIGINAL:
MANY LANGUAGES



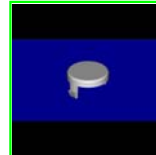
55.GA003268
(x5)
DECAL:PDF:I-GRAYS



56.D1491268
COVER:RIGHT:LOWER
201611-15



57.M0AJ6870
(CHN):DECAL:INKJET:MULTI-LANGU
AGE:CH
201611-08



D2411718
[A]
CAP:COVER
201611-03 X/O

SPECIAL TOOLS



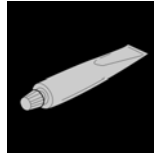
1.52039502
Silicon Grease G-501



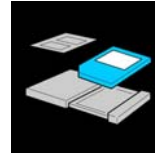
2.A0929503
C4 Color Test Chart (3 pcs/set)



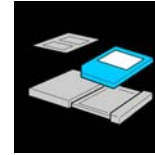
3.A1849501
Scanner Positioning Pin (2pcs/set)



4.A2579300
Grease Barrierta S552R



5.B6455020
SD Card (1GB)



6.B6455060
SD Card (16GB)



7.C4019503
20X Magnification Scope



8.VSSG9002
FLUOTRIBO MG GREASE: 100G

Exclusive Parts

Number	Part Name	Group	ID
52039502	Silicon Grease G-501	SPECIAL TOOLS	1
52062686	SNAP RING	U001	5
		U005_S005	13
		U005_S006	13
52152621	SNAP RING - M6	U010	7
		U013	18
54472681	SNAP RING	U010	8
		U013	19
A0929503	C4 Color Test Chart (3 pcs/set)	SPECIAL TOOLS	2
A1849501	Scanner Positioning Pin (2pcs/set)	SPECIAL TOOLS	3
A2324666	CUSHION - STEPPER MOTOR	U012_S001	12
A2501752	EXPOSURE GLASS	U003	16
A2579300	Grease Barrierta S552R	SPECIAL TOOLS	4
AA001564	PLATE:LOGOTYPE:RIC	ACCESSORIES	9
AA001565	(AA/KOR):PLATE:LOGOTYPE:LAN	ACCESSORIES	10
AA001567	(CHN(-22)/AA/KOR):PLATE:LOGOTYPE:GES	ACCESSORIES	11
AA021031	MAGNETIC CATCH	U001	6
AA043000	SYNCHRONOUS BELT:40S3M192	U014_S004	17
AA043623	TIMING BELT - B40S2M180	U014_S004	18
AA043777	SYNCHRONOUS BELT:80S3M213	U014_S005	54
AA043980	TIMING BELT:30S2M300	U013_S001	20
AA061127	TENSION SPRING:SAFETY SWITCH:FRONT	U015	31
AA061128	TENSION SPRING:SAFETY SWITCH:RIGHT	U015	32
AA061208	TENSION SPRING:STRIPPER PLATE	U011_S001	17
		U011_S002	17
		U011_S003	17
		U011_S004	17
		U011_S005	17
AA061209	TENSION SPRING:GATE PAWL	U011_S001	18
		U011_S002	18
		U011_S003	18
		U011_S004	18
		U011_S005	18
AA061211	TENSION SPRING:HOLDER:FUSING EXIT	U011_S001	19
		U011_S002	19

Number	Part Name	Group	ID
		U011_S003	19
		U011_S004	19
		U011_S005	19
AA063732	COMPRESSION SPRING:PRESSURE ROLLER	U011_S001	20
		U011_S002	20
		U011_S003	20
		U011_S004	20
		U011_S005	20
AA063942	COMPRESSION SPRING:REGISTRATION:DRIVE	U010	9
AA063943	COMPRESSION SPRING:GUIDE PLATE:REGISTRATION:4N	U010	10
AA080252	BUSHING - M4	U012_S001	13
AA080346	BUSHING:FLANGE TYPE:DIA6	U010	11
		U014_S003	19
		U014_S004	19
		U016	12
AA080387	PLAIN SHAFT BEARING:EXIT ROLLER:FUSING EXIT:RIGHT:FRONT	U011_S001	21
		U011_S002	21
		U011_S003	21
		U011_S004	21
		U011_S005	21
AA080388	PLAIN SHAFT BEARING:EXIT ROLLER:FUSING EXIT:RIGHT:REAR	U011_S001	22
		U011_S002	22
		U011_S003	22
		U011_S004	22
		U011_S005	22
AA082101	BUSHING - 6X10X6	U008	8
AA082144	BUSHING - 8X12X7	U010	12
AA082170	PLAIN SHAFT BEARING:DIA4XDIA8X5:EG-1	U012_S001	14
		U013_S001	21
AA082171	PLAIN SHAFT BEARING:6X10X6	U013_S001	22
AA082173	PLAIN SHAFT BEARING:6X10X6	U005	14
		U005_S005	14
		U005_S006	14
		U012_S001	15
		U013_S001	23
AA082174	PLAIN SHAFT BEARING:6X10X9	U005_S005	15

Exclusive Parts

Number	Part Name	Group	ID
		U005_S006	15
AA082175	PLAIN SHAFT BEARING:8X12X7	U005	16
		U014_S003	20
AA082187	BUSHING:DIA6XDIA10X9:EG-1	U013_S001	24
AA083014	ONE-WAY CLUTCH	U013_S001	25
AA083018	ROLLER CLUTCH - 6X14X10	U013_S001	26
AA100014	RETAINING RING C - SEPARATE	U005_S005	17
		U005_S006	17
		U013_S001	27
AA100016	RETAINING RINGS-C:DIA3	U011_S001	23
		U011_S002	23
		U011_S003	23
		U011_S004	23
		U011_S005	23
AA100018	STEPPED SCREW:FIX:FUSING	U011_S001	24
		U011_S002	24
		U011_S003	24
		U011_S004	24
		U011_S005	24
AA132208	SPACER - M6	U008_S001	9
AA143219	STEPPED SCREW	U011	25
AA143537	SCREW:M3:BLACK	U001	7
		U003	17
AA143579	SCREW - M3	U013_S001	28
AA143595	STEPPED SCREW:M3	U001	8
AA143807	SCREW:A	U013_S001	29
AA143848	STEPPED SCREW - M3	U015	33
AA161167	BUSHING:HDD	U015	34
AB010156	GEAR:SEPARATE:DRIVE	U013_S001	30
AB010157	GEAR:SEPARATE:DRIVEN	U013_S001	31
AB011252	GEAR - 20Z	U013_S001	32
AB011571	GEAR:Z19:DRIVE:REGISTRATION	U010	13
AB011572	GEAR:Z19:DRIVEN:REGISTRATIO N	U005	18
AB011573	GEAR:REGISTRATION:NO.2	U005	19
AB012099	GEAR:ON-OFF:PRESSURE ROLLE R	U011_S001	26
		U011_S002	26
		U011_S003	26

Number	Part Name	Group	ID
		U011_S004	26
		U011_S005	26
AB012107	GEAR:IDLER:EXIT:FUSING EXIT:1	U011_S001	27
		U011_S002	27
		U011_S003	27
		U011_S004	27
		U011_S005	27
AB012108	GEAR:IDLER:EXIT:FUSING EXIT:2	U011_S001	28
		U011_S002	28
		U011_S003	28
		U011_S004	28
		U011_S005	28
AB012109	GEAR:IDLER:EXIT:FUSING EXIT:3	U011_S001	29
		U011_S002	29
		U011_S003	29
		U011_S004	29
		U011_S005	29
AB012110	GEAR:EXIT ROLLER:FUSING EXIT: RIGHT	U011_S001	30
		U011_S002	30
		U011_S003	30
		U011_S004	30
		U011_S005	30
AB012111	GEAR:PRESSURE ROLLER:EXIT	U011_S001	31
		U011_S002	31
		U011_S003	31
		U011_S004	31
		U011_S005	31
AB012116	GEAR:DRIVE:FUSING UNIT	U011_S001	32
		U011_S002	32
		U011_S003	32
		U011_S004	32
		U011_S005	32
AB012117	GEAR:IDLER:PRESSURE ROLLER	U011_S001	33
		U011_S002	33
		U011_S003	33
		U011_S004	33
		U011_S005	33
AB012118	GEAR:PRESSURE ROLLER	U011_S001	34

Exclusive Parts

Number	Part Name	Group	ID
		U011_S002	34
		U011_S003	34
		U011_S004	34
		U011_S005	34
AE020238	PRESSURE ROLLER:DIA32	U011_S001	35
		U011_S002	35
		U011_S003	35
		U011_S004	35
		U011_S005	35
AE030074	BALL BEARING:DIA17XDIA26X5	U011_S001	36
		U011_S002	36
		U011_S003	36
		U011_S004	36
		U011_S005	36
AF013006	BOTTOM PLATE PAD	U005_S007_S004	20
		U005_S008_S002	20
AF013016	BOTTOM PLATE PAD	U013_S001_S001	33
AF030049	PICK-UP ROLLER	U013_S001	34
AF030094	PAPER FEED ROLLER:PICKUP	U005_S005	21
		U005_S006	21
AF031046	FEED ROLLER - MANUAL FEED	U013_S001	35
AF031094	PAPER FEED ROLLER:FEED	U005_S005	22
		U005_S006	22
AF032046	SEPARATION ROLLER - MANUAL FEED	U013_S001	36
AF032094	PAPER FEED ROLLER:SEPARATE	U005_S005	23
		U005_S006	23
AF040571	GUIDE ROLLER	U012_S001	16
AG070513	MAGNET CATCH	U001	9
AG070514	MAGNET CATCH	U009	9
AW010147	PHOTO REFLECTION SENSOR	U012_S001	17
AW010155	ORIGINAL SENSOR:66MM:3.3V	U003	18
AW010200	PAPER FEED SENSOR:FUSING EX IT	U010_S001	14
AW020190	PHOTOINTERRUPTOR	U011	37
AW020198	PHOTOINTERRUPTOR:LG2A14NL1	U009	10
		U013_S001	37
AW020203	PHOTOINTERRUPTOR:GP1A173L	U013_S001	38

Number	Part Name	Group	ID
	CS2F	U013_S001_S001	38
AW020207	PHOTOINTERRUPTOR:FLAT:PICH2MM:M4	U003	19
AW020224	PHOTOINTERRUPTOR:GP1A173L CSVF	U005_S005	24
		U005_S006	24
		U008	10
		U010	15
		U012_S001	18
AW100180	NON-CONTACT TYPE THERMISTOR:FUSING	U011_S001	38
		U011_S002	38
		U011_S003	38
		U011_S004	38
		U011_S005	38
AW100181	THERMISTOR:PRESSURE:FRONT	U011_S001	39
		U011_S002	39
		U011_S003	39
		U011_S004	39
		U011_S005	39
AW100182	THERMISTOR:PRESSURE:MIDDLE	U011_S001	40
		U011_S002	40
		U011_S003	40
		U011_S004	40
		U011_S005	40
AW100183	THERMOPILE	U011	41
AW110111	THERMOSTAT:MIDDLE	U011_S001	42
		U011_S002	42
		U011_S003	42
		U011_S004	42
		U011_S005	42
AW110112	THERMOSTAT:REAR	U011_S001	43
		U011_S002	43
		U011_S003	43
		U011_S004	43
		U011_S005	43
AW140026	TEMPERATURE & HUMIDITY SENSOR	U008	11
AW500039	ROTARY SWITCH:PAPER SIZE SENSOR:CW	U013_S001_S001	39

Exclusive Parts

Number	Part Name	Group	ID
AW500040	PUSH SWITCH:SW1AG-550:10MA	U005	25
		U009	11
		U013	40
		U013_S001	40
AW500044	PUSH SWITCH:PAPER SIZE SENSOR	U005	26
AX040273	DC MOTOR:RISING TRAY:ASS'Y:1.007W:BRUSH	U005	27
AX060435	DC MOTOR:GEAR:10W:BRUSHLESS	U014_S002	21
AX060464	DC MOTOR:ENCODER:NO:10W:GEAR:BRUSHLESS	U013	41
		U013_S001	41
		U014_S004	22
		U014_S005	22
AX060491	DC POLYGON MIRROR MOTOR	U004_S001	3
AX061001	DC BRUSHLESS MOTOR:40W:NMB	U014	23
AX061101	DC BRUSHLESS MOTOR:25W:NMB	U014	24
AX061202	DC BRUSHLESS MOTOR:25W:NID:FUSING UNIT	U014_S005	25
AX640199	FAN:MM80:25MM:DC 2.16W	U016	13
AX640219	DC FAN MOTOR:DC24V:MM60:25MM	U016	14
AX640236	FAN:MM60X15	U015	35
		U016	15
AX660015	DC FAN MOTOR:SIROCCO:DC24V:PWM	U016	16
AZ240271	(NA/TWN):DC POWER SUPPLY:289W	U015	36
AZ240273	(EU/CHN/AA/KOR):DC POWER SUPPLY	U015	37
AZ320215	POWER PACK:TTS:L	U015	38
AZ320216	POWER PACK:CB:H	U015	39
B0651374	CLOTH - DF EXPOSURE GLASS	ACCESSORIES	12
B2231099	FLAT SCREW	U013_S001_S001	42
B2231317	SCREW	U015	40
B2233241	SPRING:SHUTTER:PUMP UNIT	U006	10

Number	Part Name	Group	ID
B2234552	BUSHING:DIA4	U013_S001	43
B2236069	JOINT:DRIVE:INTERMEDIATE TRANSFER	U008_S001	12
B2236476	BUSHING - DIA5	U009	12
B2342864	PAD:CLEANER	U005_S007_S001	28
		U005_S007_S002	28
		U005_S008_S003	28
		U005_S008_S004	28
B2381088	COVER - CONNECTOR	U016	17
B2381089	COVER - POSITIONING PIN	U016	18
B6455020	SD Card (1GB)	SPECIAL TOOLS	5
B6455060	SD Card (16GB)	SPECIAL TOOLS	6
B8303504	TIMING BELT - 40S2M100	U005_S005	29
		U005_S006	29
C4019503	20X Magnification Scope	SPECIAL TOOLS	7
D0092573	PULLEY - VERTICAL TRANSPORT	U013_S001	44
D0092574	PULLEY - IDLER	U013_S001	45
D0094407	FEELER - OVERFLOW	U012_S001	19
D0094455	CUSHION - DC SOLENOID	U012	20
		U012_S001	20
		U013_S001	46
D0094485	BUSHING - GATE	U013_S001	47
D0094487	COMPRESSION SPRING - GATE	U013_S001	48
D0292677	TRANSPORT BELT:DRIVEN:VERTICAL TRANSPORT	U013_S001	49
D0392993	SHAFT:TRANSPORT BELT:PULLEY	U013_S001	50
D0394525	COMPRESSION SPRING:SHAFT:GUIDE PLATE:EXIT	U013_S001	51
D0394529	STOPPER:GUIDE PLATE:ROLLER:DRIVEN	U013_S001	52
D0394597	TENSION SPRING:DRIVEN ROLLER	U013_S001	53
D0394925	ROLLER:REVERSE:DRIVEN	U012_S001	21
D0394927	COMPRESSION SPRING:PRESSURE:REVERSE:DRIVEN	U012_S001	22
D0892764	GEAR:FEED	U005_S005	30
		U005_S006	30

Exclusive Parts

Number	Part Name	Group	ID
D0895824	COVER:SD-CARD:D086/D087	U015	41
D0895887	PANEL:INTERFACE	U015	42
D1124264	DECAL:WARNING (HIGH TEMPERATURE):FUSING	U011_S001	44
		U011_S002	44
		U011_S003	44
		U011_S004	44
		U011_S005	44
D1175303	THERMISTOR	U016	19
D1175916	STEPPED SCREW:M3X8:SECOND KIND	U008	13
D1185170	PCB:DIODE	U010_S001	16
D1201556	(AA/KOR):SHEET:LOGO:LAN	ACCESSORIES	13
D1201557	(CHN(-22)/AA/KOR):SHEET:LOGO:GES	ACCESSORIES	14
D1292783	TORQUE LIMITER MECHANICAL CLUTCH:40MM:DIA18	U005_S005	31
		U005_S006	31
		U013_S001	54
D1421805	SHAFT:SCALE	U015	43
D1441085	STEPPED SCREW:M3	U001	10
D1444183	SCREW:M3	U003	20
D1444484	SHOULDER SCREW - M3	U012_S001	23
D1444489	STOPPER:DRIVEN ROLLER	U013_S001	55
D1465680	HDD:250GB:JAGUAR B7	U015	44
D1465786	BRACKET:HDD	U015	45
D1471177	TENSION SPRING:ARM:MCPG	U014	26
D1471805	EXPOSURE GLASS:DOCUMENT FEEDER:APPLY	U003	21
D1472734	GUIDE PLATE:SEPARATE	U005_S005	32
		U005_S006	32
D1472737	LEVER:PRESSURE:SEPARATE	U005_S005	33
		U005_S006	33
D1472738	LINK:RELEASE	U005_S005	34
		U005_S006	34
D1472752	SHAFT:SEPARATE:ASS'Y	U005_S005	35
		U005_S006	35
D1472866	COVER:PAPER TRAY:NO.2	U005_S008	36
D1473269	DRIVE UNIT:TONER BOTTLE:ASS'Y	U006_S001	11
		U006_S002	11

Number	Part Name	Group	ID
		U006_S003	11
		U006_S004	11
D1473281	HOUSING:TONER CARTRIDGE:BK:ASS'Y	U006_S005	12
D1473282	HOUSING:TONER CARTRIDGE:CMY:ASS'Y	U006_S006	13
		U006_S007	13
		U006_S008	13
D1473285	TRANSPORT SCREW:NOZZLE:BK:ASS'Y	U006	14
D1473286	TRANSPORT SCREW:NOZZLE:CMY:ASS'Y	U006	15
D1473325	TORSION SPRING:STOPPER:TONER CARTRIDGE:4.8N	U006_S005	16
		U006_S006	16
		U006_S007	16
		U006_S008	16
D1477937	FILTER:PREVENTFENCE:10	U016_S001	20
D1477951	DUCT:SUPPLY:A	U016	21
D1477952	DUCT:SUPPLY:B	U016	22
D1477956	DUCT:EXHAUST:DRIVE:A	U016	23
D1477957	DUCT:EXHAUST:DRIVE:B	U016	24
D1482702	SPACER:TRANSPORT ROLLER	U005_S005	37
		U005_S006	37
D1482751	ARM:PRESSURE:SEPARATE	U005_S005	38
		U005_S006	38
D1482755	COIL SPRING:RELEASE:SEPARATE	U005_S005	39
		U005_S006	39
D1482906	LEVER:STRETCH:PAPER TRAY:ASS'Y	U005	40
		U005_S003	40
D1484681	BRACKET:MOTOR:PEEN	U013_S001	56
D1484690	TORSION SPRING:LINK	U013_S001	57
D1491099	COVER:GRIP:LEFT	U016	25
D1491168	BRACKET:DRIVE:COLLECTION BOTTLE:ASS'Y	U009	13
D1491173	GEAR:IDLER:TONER BOTTLE	U009	14
D1491174	GEAR:COLLECTION BOTTLE	U009	15
D1491194	PULLEY:PAPER FEED:FEED:NO.1:MECHANICAL ROLLER CLUTCH	U014_S004	27
D1491195	GEAR:IDLER:PAPER FEED:FEED	U014_S004	28

Exclusive Parts

Number	Part Name	Group	ID
D1491196	GEAR:PAPER FEED:FEED:NO.2:M ECHANICAL ROLLER CLUTCH	U014_S004	29
D1491197	GEAR:IDLER:PAPER FEED:GRIP:N O.1	U014_S004	30
D1491199	DRIVE UNIT:ON-OFF:TRANSFER	U014_S001	31
D1491233	COVER:UPPER:INNER BACK	U001	11
D1491234	COVER:UPPER:INNER BACK:MIDD LE	U001	12
D1491237	COVER:UPPER:INNER BACK:LEFT LOWER	U001	13
D1491243	COVER:FRONT:UPPER:OPERATIO N SUB-UNIT	U001	14
D1491248	HINGE:COVER:FRONT:USED TON ER	U001	15
D1491252	COVER:LEFT:UPPER:REAR	U001	16
D1491257	CAP:34X55	U001	17
D1491264	CAP:ROCKER SWITCH	ACCESSORIES	15
D1491268	COVER:RIGHT:LOWER	ACCESSORIES	56
D1491274	INNER COVER:FRONT:USED TON ER	U001	18
D1491278	TORSION SPRING:COVER:USED T ONER	U001	19
D1491281	COVER:SCANNER:FRONT	U001	20
D1491291	CAP:HARNESS	U001	21
D1491294	(EU(-27,-28,-66)/CHN/AA/KOR/TWN):CAP:HARNESS:CORNER	U001	22
D1491302	CLEANER:SHIELD GLASS:ASS'Y	U001	23
D1491305	CAP:TOTAL COUNTER	U001	24
D1491307	SPRING PLATE:BAND	U001	25
D1491321	DECAL:TONER BOTTLE:BK	ACCESSORIES	17
D1491322	DECAL:TONER BOTTLE:C	ACCESSORIES	18
D1491323	DECAL:TONER BOTTLE:M	ACCESSORIES	19
D1491324	DECAL:TONER BOTTLE:Y	ACCESSORIES	20
D1491338	GUIDE PLATE:PAPER FEED TABL E:FRONT	U016	26
D1491351	DRIVE UNIT:REGISTRATION:ASS'Y	U014_S002	32
D1491352	BRACKET:DRIVE UNIT:REGISTRA TION:ASS'Y	U014_S002	33

Number	Part Name	Group	ID
D1491355	GEAR:REGISTRATION:NO.1	U014_S002	34
D1491387	GROUND PLATE:DRIVE UNIT:ENGI NE	U014	35
D1491392	FLANGE:PAPER FEED:FEED	U014_S004	36
D1491394	GROUND PLATE:DRIVE UNIT:FUSI NG/PAPER EXIT UNIT	U014	37
D1491397	TORQUE LIMITER MECHANICAL C LUTCH:49MNM:DIA14	U014_S005	38
D1491553	SHEET:LOGO	ACCESSORIES	21
D1491706	SYNCHRONOUS BELT:138ST1.5-4. 0	U003	22
D1491798	SEAL:SHEET THROUGH:DOCUME NT FEEDER	U003	23
D1491804	HOLDER:EXPOSURE GLASS:SCA NNER	U003	24
D1491833	SHEET:GLASS	U003	25
D1492329	DUCT:GEAR:DEVELOPMENT:ASS' Y	U007_S001	4
D1492557	GUIDE:REGISTRATION:ENTRANC E:REAR	U013_S001	58
D1492558	GUIDE:REGISTRATION:ENTRANC E:FRONT	U013_S001	59
D1492562	COLLAR:REGISTRATION ROLLER	U005	41
D1492566	CASE:REMOVE PAPER DUST:ASS' Y	U005	42
D1492576	GUIDE PLATE:REGISTRATION:FR ONT LEFT	U005	43
D1492582	GUIDE PLATE:REGISTRATION:FR ONT RIGHT	U010	17
D1492584	COLLAR:SHAFT:REGISTRATION R OLLER	U010	18
D1492585	GUIDE:REGISTRATION:REAR RIG HT	U010	19
D1492586	GUIDE:REGISTRATION:FRONT RI GHT	U010	20
D1492612	ROLLER:GRIP:DRIVEN	U013_S001	60
D1492613	SHAFT:GRIP:DRIVEN	U013_S001	61
D1492614	TENSION SPRING:GRIP:PRESSUR	U013_S001	62

Exclusive Parts

Number	Part Name	Group	ID
	E		
D1492619	SHAFT:SEPARATOR:DRIVE:ASS'Y	U013_S001	63
D1492633	SHAFT:FEED:MANUAL FEED	U013_S001	64
D1492635	TRANSPORT ROLLER:MANUAL FEED	U013_S001	65
D1492638	LINK:PAPER STOPPER:MANUAL FEED	U013_S001	66
D1492639	SHAFT:PAPER STOPPER	U013_S001	67
D1492642	SHAFT:LINK:PAPER STOPPER	U013_S001	68
D1492655	FEELER:PAPER END SENSOR	U013_S001	69
D1492656	TORSION SPRING:PAPER END SENSOR	U013_S001	70
D1492658	COVER:PAPER FEED ROLLER	U013_S001	71
D1492686	WIRE:MANUAL FEED TABLE:TC075	U013_S001	72
D1492688	TENSION SPRING:WIRE	U013_S001	73
D1492692	ARM:MANUAL FEED:FRONT UPPER	U013_S001	74
D1492693	STOPPER:MANUAL FEED TABLE	U013_S001	75
D1492694	COMPRESSION SPRING:STOPPER:MANUAL FEED TABLE	U013_S001	76
D1492712	SHEET:GUIDE PLATE:SWIVEL	U005_S004	44
D1492713	GUIDE PLATE:SWIVEL:NO.1	U005_S004	45
D1492721	GUIDE PLATE:SWIVEL:NO.2	U005	46
D1492739	LEVER:PRESSURE RELEASE	U005_S005	47
		U005_S006	47
D1492772	ARM:PICKUP	U005_S005	48
		U005_S006	48
D1492773	PULLEY:PICKUP:MECHANICAL ROLLER CLUTCH	U005_S005	49
		U005_S006	49
D1492774	PULLEY:IDLER:PICKUP	U005_S005	50
		U005_S006	50
D1492775	SHAFT:FEED:ASS'Y	U005_S005	51
		U005_S006	51
D1492777	COIL SPRING:PRESSURE:PICKUP	U005_S005	52
		U005_S006	52
D1492778	FEELER:PAPER END	U005_S005	53
		U005_S006	53

Number	Part Name	Group	ID
D1492781	GROUND PLATE:PAPER FEED UNIT	U005_S005	54
		U005_S006	54
D1492787	BRACKET:SUPPORT:COVER	U005	55
D1492788	INNER COVER:HARNESS:PAPER FEED UNIT	U005	56
D1492791	GUIDE:FEED	U005_S005	57
		U005_S006	57
D1492812	ROLLER:PAPER TRAY:DIA19	U005_S007	58
		U005_S008	58
D1492813	PIN:STRETCH:TRAY	U005_S007	59
		U005_S008	59
D1492814	COIL SPRING:EARTH	U005_S007	60
		U005_S008	60
D1492816	SHAFT:RISE:ASS'Y	U005_S007	61
		U005_S008	61
D1492818	LEVER:RISE	U005_S007	62
		U005_S008	62
D1492824	LEVER:STOPPER:FRONT	U005_S007_S001	63
		U005_S008_S003	63
D1492826	COMPRESSION SPRING:SIDE FENCE:PLATE:FRONT	U005_S007_S001	64
		U005_S008_S003	64
D1492827	COMPRESSION SPRING:SIDE FENCE:POSITIONING	U005_S007_S001	65
		U005_S008_S003	65
D1492828	SIDE FENCE:FRONT:NO.1:ASS'Y	U005_S007_S001	66
D1492834	GUIDE:FEELER:PAPER END	U005_S007_S002	67
D1492835	RACK:SIDE FENCE	U005_S007	68
		U005_S008	68
D1492836	GEAR:Z20	U005_S007	69
		U005_S008	69
D1492838	SIDE FENCE:REAR:NO.1:ASS'Y	U005_S007_S002	70
D1492840	END FENCE:PAPER TRAY:ASS'Y	U005_S007_S003	71
		U005_S008_S001	71
D1492842	LEVER:END FENCE	U005_S007_S003	72
		U005_S008_S001	72
D1492843	CLICK:END FENCE	U005_S007_S003	73
		U005_S008_S001	73
D1492845	COMPRESSION SPRING:END FENCE:LEVER:5N	U005_S007_S003	74
		U005_S008_S001	74

Exclusive Parts

Number	Part Name	Group	ID
D1492846	DECAL:SIZE INDICATION:END FENCE:NO.1:FRONT	U005_S007	75
D1492847	DECAL:SIZE INDICATION:END FENCE:NO.1:REAR	U005_S007	76
D1492848	DECAL:SIZE INDICATION:END FENCE:NO.2:FRONT	U005_S008	77
D1492849	DECAL:SIZE INDICATION:END FENCE:NO.2:REAR	U005_S008	78
D1492850	TRAY BOTTOM PLATE:ASS'Y	U005_S007_S004	79
D1492856	GRIP:PAPER TRAY	U005_S007	80
		U005_S008	80
D1492863	DECAL:PAPER SET DIRECTION:TRAY:NO.1	U005_S007	81
D1492864	DECAL:PAPER SET DIRECTION:TRAY:NO.2	U005_S008	82
D1492872	LINK:END FENCE:PAPER SIZE SENSOR	U005_S008	83
D1492873	TRAY BOTTOM PLATE:NO.2:ASS'Y	U005_S008_S002	84
D1492886	COVER:TRAY:REAR RIGHT:NO.1	U005	85
D1492887	COVER:TRAY:REAR LEFT:NO.1	U005	86
D1492888	COVER:TRAY:REAR RIGHT:NO.2	U005	87
D1492889	COVER:TRAY:REAR LEFT:NO.2	U005	88
D1492903	SUPPORTER:RIGHT:NO.2:ASS'Y	U005_S002	89
D1492905	SUPPORTER:RIGHT:NO.1:ASS'Y	U005_S001	90
D1492918	SUPPORTER:LEFT UPPER:NO.1	U005	91
D1492923	ROLLER:SUPPORTER:PAPER TRAY	U005_S002	92
D1492924	STOPPER:PAPER TRAY	U005_S001	93
		U005_S002	93
D1492925	SUPPORTER:LEFT:NO.2	U005	94
D1492928	ROLLER:SUPPORTER:PAPER TRAY:LEFT	U005	95
D1492930	SUPPORTER:LEFT LOWER:NO.1:PEEN	U005	96
D1492952	DECAL:SIDE FENCE:PAPER VOLUME	U005_S007_S002	97
		U005_S008_S004	97
D1492954	DECAL:SIDE FENCE:PAPER VOLUME:ENVELOPE	U005_S008_S004	98

Number	Part Name	Group	ID
D1492956	ROLLER:SUPPORTER:PAPER TRAY	U005_S001	99
D1492958	ROLLER:SUPPORTER:PAPER TRAY:LEFT	U005	100
D1492990	PLAIN SHAFT BEARING:DRIVE:REGISTRATION ROLLER	U010	21
D1493210	DC MOTOR:TONER BOTTLE:ASS'Y:5.28W:BRUSH	U006_S001	17
		U006_S002	17
		U006_S003	17
		U006_S004	17
D1493240	TONER HOPPER:TONER SUPPLY:BK:ASS'Y	U006_S009	18
D1493270	TONER HOPPER:TONER SUPPLY:C:ASS'Y	U006_S010	19
D1493280	TONER HOPPER:TONER SUPPLY:M:ASS'Y	U006_S011	20
D1493307	BASE:TONER SUPPLY	U006	21
D1493310	TONER HOPPER:TONER SUPPLY:Y:ASS'Y	U006_S012	22
D1493321	DUCT:VERTICAL TRANSPORT:TONER SUPPLY	U006	23
D1493322	SHUTTER:DUCT:TONER SUPPLY	U006	24
D1493330	SEAL:CONNECTION:CARTRIDGE:TONER SUPPLY	U006	25
D1493331	COVER:GEAR:TONER SUPPLY SUB-UNIT	U006	26
D1493350	DC STEPPER MOTOR:TONER SUPPLY	U006_S009	27
		U006_S010	27
		U006_S012	27
D1494202	ENCODER:ON-OFF:PRESSURE ROLLER	U011_S001	45
		U011_S002	45
		U011_S003	45
		U011_S004	45
		U011_S005	45
D1494205	BRAKE:CAM	U011_S001	46
		U011_S002	46
		U011_S003	46
		U011_S004	46

Exclusive Parts

Number	Part Name	Group	ID
		U011_S005	46
D1494207	PLATE:CAM	U011_S001	47
		U011_S002	47
		U011_S003	47
		U011_S004	47
		U011_S005	47
D1494208	CAM:ON-OFF:PRESSURE ROLLER	U011_S001	48
		U011_S002	48
		U011_S003	48
		U011_S004	48
		U011_S005	48
D1494209	SHAFT:ON-OFF:PRESSURE ROLLER	U011_S001	49
		U011_S002	49
		U011_S003	49
		U011_S004	49
		U011_S005	49
D1494235	STEPPED SCREW:M3	U011_S001	50
		U011_S002	50
		U011_S003	50
		U011_S004	50
		U011_S005	50
D1494335	ELECTRODE PLATE:CONNECTING:THERMOSTAT	U011_S001	51
		U011_S002	51
		U011_S003	51
		U011_S004	51
		U011_S005	51
D1494421	GEAR:EXIT ROLLER	U012_S001	24
D1494422	GEAR:REVERSE ROLLER	U012_S001	25
D1494423	SYNCHRONOUS BELT:40S2M122	U012_S001	26
D1494425	DC STEPPER MOTOR:REVERSE:SUB-ASS'Y	U012_S001	27
D1494427	STUD:PULLEY:BRACKET:DC STEPPER MOTOR	U012_S001	28
D1494428	GROUND PLATE:PAPER EXIT UNIT	U012_S001	29
D1494429	PULLEY:GEAR:REVERSE	U012_S001	30
D1494434	TENSION SPRING:LEVER:GATE P AWL	U012_S001	31

Number	Part Name	Group	ID
D1494468	SHAFT:DRIVEN:REVERSE ROLLER	U012_S001	32
D1494469	SPRING PLATE:ROLLER:DRIVEN:REVERSE ROLLER	U012_S001	33
D1494471	SHAFT:DRIVEN:REVERSE ROLLER:OUTER	U012_S001	34
D1494484	TORSION SPRING:LEVER:GATE P AWL	U012_S001	35
D1494492	TRAY:REVERSE	U001	26
D1494638	GUIDE:WIRE	U013_S001	77
D1494645	SYNCHRONOUS BELT:30S2M118	U013_S001	79
D1494646	SYNCHRONOUS BELT:30S2M262	U013_S001	80
D1494647	SYNCHRONOUS BELT:30S2M212	U013_S001	81
D1494653	TENSION SPRING:SWIVEL	U013_S001	82
D1494655	GRIP:DUPLEX UNIT	U013_S001	83
D1494656	HOOK:STOPPER:DUPLEX UNIT:FRONT	U013_S001	84
D1494657	HOOK:STOPPER:DUPLEX UNIT:REAR	U013_S001	85
D1494658	COIL SPRING:LEVER:DUPLEX	U013_S001	86
D1494662	DIFFUSION PLATE:LED	U010_S001	22
D1494672	COMPRESSION SPRING:DRIVEN	U013_S001	87
D1494675	COVER:PUSH SWITCH	U013_S001	88
D1494688	LINK:DUPLEX:MAIN	U013_S001	89
D1494695	LINK:FRONT	U013_S001	90
D1494711	DECAL:SIDE FENCE:MANUAL FEED	U013_S001_S001_S002	91
D1494715	DECAL:GRIP:Z	U013_S001	92
D1494717	PLATE:SIDE FENCE:FRONT	U013_S001_S001_S001	93
D1494718	TORSION SPRING:SIDE FENCE:FRONT	U013_S001_S001_S001	94
D1494720	PLATE:SIDE FENCE:REAR	U013_S001_S001_S002	95
D1494721	TORSION SPRING:SIDE FENCE:REAR	U013_S001_S001_S002	96
D1494731	COMPRESSION SPRING:RACK:MANUAL FEED	U013_S001_S001	97

Exclusive Parts

Number	Part Name	Group	ID
D1494755	BRACKET:HINGE:DUPLEX:FRONT	U013	98
D1494770	SHAFT:SEPARATOR:DRIVEN:ASS'Y	U013_S001	100
D1494777	COMPRESSION SPRING:FLAT CONVEYER BELT:DRIVEN	U013_S001	101
D1494815	GUIDE PLATE:SEPARATOR:ASS'Y	U013_S001	103
D1494850	ARM:PUSH SWITCH	U013_S001	104
D1494883	ARM:MANUAL FEED:FRONT LOWER	U013_S001_S001	105
D1494884	ARM:MANUAL FEED:REAR LOWER	U013_S001_S001	106
D1495174	PCB:TCB	U006	28
D1495703	BRACKET:MICRO SWITCH	U015	46
D1495711	BRACKET:ARM:SAFETY SWITCH:FRONT	U015	47
D1495713	ARM:SAFETY SWITCH:FRONT	U015	48
D1495714	SHAFT:ARM:SAFETY SWITCH	U015	49
D1495717	BASE:SAFETY SWITCH	U015	50
D1495718	TORSION SPRING:SAFETY SWITCH	U015	51
D1495726	LEVER:SAFETY SWITCH:RIGHT	U015	52
D1495776	COVER:USB:SMALL	U015	53
D1495810	BRACKET:RACK:UPPER	U015	54
D1495818	SPACER:FFC	U015	55
D1495824	COVER:CONNECTOR:HEATER:0.4MM	U015	56
D1495883	KEYTOP:MAIN SWITCH	U001	27
D1495884	COMPRESSION SPRING:KEYTOP	U001	28
D1496030	CAM:ON-OFF:COLLAR	U008_S001	14
D1496036	CAM:ON-OFF:BK	U008_S001	15
D1496037	STOPPER:RIGHT:INTERMEDIATE TRANSFER	U008_S001	16
D1496038	LEVER:ON-OFF:BK	U008_S001	17
D1496172	BRACKET:BELT CLEANING:FRONT	U008	18
D1496173	BRACKET:BELT CLEANING:REAR	U008	19
D1496177	HOLDER:DISCHARGE USED TONER:ASS'Y	U008_S002	20

Number	Part Name	Group	ID
D1496179	GEAR:IDLER:DISCHARGE USED TONER	U008_S002	21
D1496192	LEVER:DISCHARGE USED TONER	U008_S002	22
D1496194	SHAFT:LEVER:DISCHARGE USED TONER	U008_S002	23
D1496195	CAM:DISCHARGE USED TONER	U008_S002	24
D1496226	LEVER:TRANSFER/SEPARATION UNIT:FRONT	U010_S001	23
D1496227	LEVER:SET:FRONT	U010_S001	24
D1496228	TORSION SPRING:LEVER:SET:FRONT	U010_S001	25
D1496229	TENSION SPRING:LEVER:SET	U010_S001	26
D1496231	LEVER:TRANSFER/SEPARATION UNIT:REAR	U010_S001	27
D1496232	LEVER:SET:REAR	U010_S001	28
D1496233	TORSION SPRING:LEVER:SET:REAR	U010_S001	29
D1496242	COMPRESSION SPRING:PRESSURE:TRANSFER ROLLER	U010_S001	30
D1496243	RECEIVE PLATE:COMPRESSION SPRING:TRANSFER ROLLER	U010_S001	31
D1496245	GROUND PLATE:TRANSFER/SEPARATION UNIT	U010_S001	32
D1496246	LINK:TRANSFER/SEPARATION UNIT	U010_S001	33
D1496248	CAP:LED	U010_S001	34
D1496254	DECAL:GRIP:B:LOWER	U010_S001	35
D1496257	GROUND PLATE:REGISTRATION ROLLER	U010_S001	36
D1496290	GUIDE:SET:TRANSFER/SEPARATION UNIT:FRONT	U010	37
D1496291	GUIDE:SET:TRANSFER/SEPARATION UNIT:REAR	U010	38
D1496295	COVER:HARNES:TRANSFER/SEPARATION UNIT	U010	39
D1496309	SHAFT:ON-OFF:COLLAR:MAIN	U008	25
D1496310	BRACKET:ON-OFF:COLLAR	U008	26
D1496311	GEAR:ON-OFF:COLLAR:OUTPUT	U008	27

Exclusive Parts

Number	Part Name	Group	ID
D1496312	JOINT:ON-OFF:COLLAR	U008	28
D1496318	DC STEPPER MOTOR:ON-OFF	U006_S011	29
D1496320	TERMINAL:BIAS:INTERMEDIATE T RANSFER:MAIN	U008	29
D1496321	HOLDER:TERMINAL:INTERMEDIAT E TRANSFER:MAIN	U008	30
D1496336	TRANSFER ROLLER:ASS'Y	U008_S001	31
D1496370	TONER OUTLET UNIT:BELT CLEA NING:ASS'Y	U008_S002	33
D1496552	GEAR:IDLER:Z30	U009	16
D1496553	GEAR:IDLER:Z61	U009	17
D1496554	GEAR:PULLEY:IDLER:Z16	U009	18
D1496555	GEAR:IDLER:Z21	U009	19
D1496556	TENSION SPRING:BELT TENSION ER	U009	20
D1496557	SYNCHRONOUS BELT:40S3M564	U009	21
D1496561	PULLEY:USED TONER	U009	22
D1496562	BRACKET:TIGHTENER:USED TON ER	U009	23
D1496571	BRACKET:PULLEY:IDLER:USED T ONER	U009	24
D1496574	GEAR:PULLEY:IDLER:Z18	U009	25
D1496575	FLANGE:IDLER:USED TONER	U009	26
D1496581	SHAFT:DRIVE:USED TONER:RIGH T	U009	27
D1496582	GEAR:USED TONER:RIGHT	U009	28
D1496583	GEAR:USED TONER:INPUT	U009	29
D1496586	SHAFT:DRIVE:USED TONER:LEFT	U009	30
D1496587	GEAR:USED TONER:LEFT	U009	31
D1496592	RAIL:COLLECTION BOTTLE	U009	32
D1496766	(EU/NA/AA/KOR):DECAL:CAUTION: ORIGINAL:ENGLISH	ACCESSORIES	25
D1496767	(CHN):DECAL:CAUTION:ORIGINAL: CHINES	ACCESSORIES	26
D1496768	(TWN):DECAL:CAUTION:ORIGINAL :TAIWAN	ACCESSORIES	27
D1496851	(NA/AA/KOR):DECAL:MAIN SWITC H:ON-STANDBY:ENGLISH	ACCESSORIES	28

Number	Part Name	Group	ID
D1496852	(EU/CHN/TWN):DECAL:MAIN SWIT CH:ON-STANDBY	ACCESSORIES	29
D1496859	DECAL:CLEANING:SHIELD GLASS	U001	29
D1496862	DECAL:SIZE INDICATION:PAPER T RAY	ACCESSORIES	30
D1496893	DECAL:PCU:BLACK	U001	30
D1496894	DECAL:PCU:CYAN	U001	31
D1496895	DECAL:PCU:MAGENTA	U001	32
D1496896	DECAL:PCU:YELLOW	U001	33
D1497922	COVER:FAN:DEVELOPMENT:RIGH T LOWER	U016	27
D1497923	DUCT:DEVELOPMENT:RIGHT LOW ER	U016	28
D1497931	DUCT:DEVELOPMENT:EXHAUST	U016	29
D1497932	DUCT:PCU:EXHAUST	U016	30
D1497935	CASE:FILTER:ASS'Y	U016_S001	31
D1497938	OZONE FILTER	U016_S001	32
D1497953	DUCT:SUPPLY:C	U016	33
D1497954	DUCT:SUPPLY:D	U016	34
D1497955	DUCT:SUPPLY:FAN:UPPER	U016	35
D1497956	DUCT:SUPPLY:FAN:LOWER	U016	36
D1497982	DUCT:POWER SUPPLY UNIT	U016	37
D1497983	BRACKET:FAN:POWER SUPPLY U NIT	U016	38
D1497984	DUCT:REAR:POWER SUPPLY UNI T	U001	34
D1497986	GUIDE:THERMISTOR	U016	39
D1501095	BRACKET:POSITIONING:FUSING UNIT:M3	U016	40
D1501235	COVER:UPPER:INNER BACK:BIN	U001	35
D1501250	COVER:LEFT	U001	36
D1501282	COVER:SCANNER:UPPER:FRONT	U001	37
D1501290	COVER:SCANNER:UPPER:REAR	U001	38
D1502666	GEAR:SIDE FENCE:MANUAL FEED TABLE	U013_S001_S001	107
D1751377	GEAR:PRESSURE RELEASE:NO.3	U014_S005	39
D1752726	STOPPER:GUIDE PLATE:SWIVEL	U005_S006	101
D1754654	SHAFT:LEVER:LOCK	U013_S001	108

Exclusive Parts

Number	Part Name	Group	ID
D1754737	PLAIN SHAFT BEARING:DUPLEX:EXIT	U013_S001	109
D1961485	(EU/NA/AA/KOR):IC:NFC_TAG:MN63Y3212NB	ACCESSORIES	50
D2021143	JOINT:DRIVE	U014_S004	40
D2021152	BRACKET:DRIVE UNIT:PAPER FEED:ASS'Y	U014_S004	41
D2021191	GEAR:GRIP:NO.1	U014_S004	42
D2021193	STUD:PAPER FEED:GRIP:ASS'Y	U014_S004	43
D2021195	PULLEY:GRIP:NO.2	U014_S004	44
D2021196	HOUSING:DRIVE UNIT:PAPER FEED:ASS'Y	U014_S004	45
D2022614	COIL SPRING:RELEASE:PICKUP:MANUAL FEED	U013_S001	110
D2022617	ARM:PICKUP:MANUAL FEED	U013_S001	111
D2022618	SHEET:PICKUP	U013_S001	112
D2022619	TORSION SPRING:PICKUP	U013_S001	113
D2022620	SHOE:TORSION SPRING:PICKUP	U013_S001	114
D2022624	COVER:PAPER END	U013_S001	115
D2022638	FEELER:PAPER SIZE SENSOR:MANUAL FEED	U013_S001_S001	116
D2022640	EXTENSION TRAY:NO.1	U013_S001	117
D2022641	EXTENSION TRAY:NO.2	U013_S001	118
D2022642	PULLEY:WIRE:MANUAL FEED TABLE	U013_S001	119
D2022646	ARM:MANUAL FEED:REAR UPPER	U013_S001	120
D2022654	CUSHION:GUIDE PLATE:SEPARATOR	U013_S001	121
D2022669	COVER:MANUAL FEED TABLE	U013_S001	122
D2022676	DECAL:SCALE:MANUAL FEED:MIDDLE	U013_S001_S001	123
D2022677	DECAL:SCALE:MANUAL FEED:REAR	U013_S001_S001	124
D2024477	REVERSE ROLLER	U012_S001	36
D2024673	FEELER:DUPLEX:ENTRANCE SENSOR	U013_S001	125
D2024674	TORSION SPRING:DUPLEX:ENTRANCE SENSOR	U013_S001	126

Number	Part Name	Group	ID
D2024679	DRIVEN ROLLER:DIA16:DUPLEX	U013_S001	127
D2024680	BRACKET:DRIVEN ROLLER:PRESURE	U013_S001	128
D2024682	DRIVEN ROLLER:DIA16	U013_S001	129
D2024692	SHAFT:PRESSURE:GUIDE PLATE:UPPER	U013_S001	130
D2024721	BRACKET:LINK:DUPLEX	U013_S001	131
D2024722	LINK:DUPLEX	U013_S001	132
D2024726	TORSION SPRING:LINK:CONTACT POINT	U013_S001	133
D2026255	DECAL:GRIP:B	U010_S001	40
D2197454	(AA/KOR/NA/TWN):CAUTION CHARACTER	ACCESSORIES	31
D2231381	(EU/NA(-17)/TWN):DECAL:EXPOSURE GLASS:CLEANING	ACCESSORIES	32
D2380071	(NA/TWN):HEATER:SCANNER:120V:ASS'Y	OPTION	1
D2380072	(EU/AA/KOR/CHN):HEATER:SCANNER:220/240V:ASS'Y	OPTION	2
D2385660	(D238):PCB:SERVICE	U015	57
D2385661	(D239):PCB:CTL:SERVICE	U015	58
D2386630	(NA/TWN):HEATER:PAPER TRAY:120V:ASS'Y	OPTION	3
D2386640	(EU/AA/KOR/CHN):HEATER:PAPER TRAY:220/240V:ASS'Y	OPTION	4
D2386650	PCB:DHB:ASS'Y	OPTION	5
D2386661	(NA/TWN):HEATER:PAPER TRAY:ELECTRICAL COMPONENTS SECTION:ASS'Y	OPTION	6
D2386662	(EU/AA/KOR/CHN):HEATER:PAPER TRAY:ELECTRICAL COMPONENTS SECTION:ASS'Y	OPTION	7
D2386752	(EU/NA/AA/KOR):(D238):DECAL:MODEL NAME PLATE:RIC	ACCESSORIES	33
D2386753	(CHN(-21)/TWN):(D238):DECAL:MODEL NAME PLATE:RIC	ACCESSORIES	34
D2386754	(CHN(-22)):(D238):DECAL:MODEL NAME PLATE:GES	ACCESSORIES	35

Exclusive Parts

Number	Part Name	Group	ID
D2391107	DC SOLENOID:ASS'Y	U014	46
D2391109	BRACKET:DC SOLENOID:ASS'Y	U014	47
D2391117	DRIVE UNIT:ENGINE:ASS'Y	U014_S003	48
D2391255	COVER:LEFT:INTERFACE	U001	39
D2391276	INNER COVER:TONER BOTTLE	U001	40
D2391855	OPTICAL WRITING UNIT	U004_S001	2
D2392231	PCDU:C	U007_S002	5
D2392232	PCDU:M	U007_S003	6
D2392233	PCDU:Y	U007_S004	7
D2392234	PCDU:K	U007_S001	8
D2392239	PCU:CMY	U007_S002	9
		U007_S003	9
		U007_S004	9
D2392240	PCU:K	U007_S001	10
D2393061	DEVELOPMENT UNIT:C	U007_S002	11
D2393062	DEVELOPMENT UNIT:M	U007_S003	12
D2393063	DEVELOPMENT UNIT:Y	U007_S004	13
D2393492	COVER:PCU:REAR:ASS'Y	U007_S002	14
		U007_S003	14
		U007_S004	14
D2394011	(NA):FUSING UNIT:120V	U011_S004	52
D2394012	(EU/CHN/AA/KOR):FUSING UNIT:20/240V	U011_S001	53
		U011_S002	53
		U011_S003	53
D2394013	(TWN):FUSING UNIT:110V	U011_S005	54
D2394041	(NA):SLEEVE:FUSING:120V	U011_S004	55
D2394042	(EU/CHN/AA/KOR):SLEEVE:FUSING:220/240V	U011_S001	56
		U011_S002	56
		U011_S003	56
D2394043	(TWN):SLEEVE:FUSING:110V	U011_S005	57
D2394262	FUSING COVER:LOWER	U011_S001	58
		U011_S002	58
		U011_S003	58
		U011_S004	58
		U011_S005	58
D2395114	BCU:TYPE-H3:ASS'Y	U015	59
D2395644	PCB:IMAGE PROCESSING UNIT	U015	60
D2395772	PANEL:CONTROL BOARD	U015	61

Number	Part Name	Group	ID
D2395883	GROUND PLATE:BCU	U015	62
D2395884	BRACKET:BCU	U015	63
D2395888	COVER:FAX	U015	64
D2395889	RAIL:FAX	U015	65
D2395898	BRACKET:HELM	U015	66
D2395899	CAP:HELM	U015	67
D2396752	(EU/NA/AA/KOR):(D239):DECAL:MODEL NAME PLATE:RIC	ACCESSORIES	36
D2396753	(CHN(-21)/TWN):(D239):DECAL:MODEL NAME PLATE:RIC	ACCESSORIES	37
D2397851	(NA):CD-ROM:DRV:ASS'Y	ACCESSORIES	38
D2397852	(EU):CD-ROM:DRV:ASS'Y	ACCESSORIES	39
D2397853	(AA/KOR):CD-ROM:DRV:ASS'Y	ACCESSORIES	40
D2397854	(CHN(-21)/TWN):CD-ROM:DRV/OIL:ASS'Y	ACCESSORIES	41
D2399591	NVRAM	U015	68
D2411113	GUIDE:HARNESS:RIGHT	U014	49
D2411230	COVER:UPPER	U001	41
D2411231	COVER:UPPER:FRONT	U001	42
D2411232	COVER:UPPER:EXIT	U001	43
D2411241	COVER:FRONT	U001	44
D2411242	COVER:MAIN SWITCH	U005_S007	102
D2411244	COVER:FRONT:RIGHT UPPER	U001	45
D2411245	COVER:FRONT:UPPER	U001	46
D2411251	COVER:LEFT:UPPER	U001	68
D2411260	COVER:REAR:LOWER	U001	48
D2411261	COVER:REAR	U001	49
D2411263	CAP:LOUVER:DEODORIZE FILTER	U001	50
D2411266	COVER:RIGHT:FRONT LOWER	U001	51
D2411273	INNER COVER:FRONT:LOWER	U001	52
D2411275	INNER COVER:FRONT:RIGHT LOWER	U001	53
D2411284	COVER:SCANNER:LEFT	U001	54
D2411285	COVER:SCANNER:UPPER:LEFT	U001	55
D2411287	COVER:SCANNER:RIGHT	U001	56
D2411288	COVER:SCANNER:UPPER:RIGHT	U001	57
D2411297	BRACKET:COVER:LEFT UPPER REAR	U001	58

Exclusive Parts

Number	Part Name	Group	ID
D2411298	INNER COVER:RIGHT	U001	59
D2411308	BAND:STOPPER:DOOR	U001	60
D2411309	MAGNET CATCH	U001	61
D2411357	DRIVE UNIT:FUSING/PAPER EXIT UNIT:ASS'Y	U014_S005	50
D2411378	GEAR:FUSING:NO.3	U014_S005	51
D2411396	HOLDER:TORQUE LIMITER MECHANICAL CLUTCH:PRESSURE RELEASE	U014_S005	52
D2411399	DRIVE UNIT:PAPER FEED:ASS'Y	U014_S004	53
D2411417	(EU/NA/TWN/AA/KOR):OPERATION SUB-UNIT:CT-G2:ASS'Y	U002_S001	14
		U002_S002	14
		U002_S003	14
		U002_S004	14
D2411418	(CHN):OPERATION SUB-UNIT:CT-G2:ASS'Y	U002_S005	15
D2411591	BRACKET:OPERATION SUB-UNIT:PEEN	U002	9
D2411598	COVER:BRACKET:OPERATION SUB-UNIT:LOWER	U002	10
D2411599	COVER:BRACKET:OPERATION SUB-UNIT:UPPER	U002	11
D2411671	PROTECTION:CARRIAGE:SCANNER	U003	59
D2411678	SHEET:FFC:LOWER	U003	26
D2411680	GUIDE ROD	U003	27
D2411681	STAY:GUIDE ROD	U003	28
D2411684	COVER:HARNESS:SCANNER	U003	29
D2411685	SPRING PLATE:GUIDE ROD	U003	30
D2411686	CLAMP:STAY:GUIDE ROD	U003	31
D2411688	SHEET:GLASS:LARGE	U003	32
D2411689	HOLDER:EXPOSURE GLASS	U003	33
D2411697	SLIDE RAIL	U003	34
D2411698	COVER:BASE:SCANNER	U003	35
D2411701	PULLEY:IDLER:LEADING EDGE	U003	36
D2411702	CAP:PULLEY:IDLER:LEADING EDGE	U003	37
D2411708	TIGHTENER:DIA8	U003	38

Number	Part Name	Group	ID
D2411710	PULLEY:IDLER:TRAILING EDGE	U003	39
D2411711	CAP:IDLER:TRAILING EDGE	U003	40
D2411712	TENSION SPRING:TIGHTENER:TENSION:4N	U003	41
D2411713	SYNCHRONOUS BELT:890ST55-4.0	U003	42
D2411715	PULLEY:DRIVE	U003	43
D2411716	CAP:PULLEY:DRIVE:UPPER	U003	44
D2411717	CAP:PULLEY:DRIVE:LOWER	U003	45
D2411719	DC STEPPER MOTOR	U003_S001	46
		U003_S003	46
		U003_S005	46
		U003_S007	46
		U003_S009	46
D2411722	TENSION SPRING:TENSION:11N	U003	47
D2411727	SHEET:GAP:ASS'Y	U003	48
D2411732	(EU/TWN/CHN/AA/KOR):SCALE:LEFT:MM:ASS'Y	U003	49
D2411733	COVER:SHEET THROUGH:DOCUMENT FEEDER	U003	50
D2411734	(NA):SCALE:LEFT:INCH:ASS'Y	U003	51
D2411738	(EU/TWN/CHN/AA/KOR):SCALE:REAR:PRINTING:MM	U003	52
D2411739	(NA):SCALE:REAR:PRINTING:INCH	U003	53
D2411741	BRACKET:DOCUMENT FEEDER:LEFT	U003	54
D2411742	BRACKET:DOCUMENT FEEDER:RIGHT	U003	55
D2411744	DOCUMENT FEEDER:CABLE:BRACKET	U003	56
D2411750	CARRIAGE:SCANNER:ASS'Y	U003_S002	57
		U003_S004	57
		U003_S006	57
		U003_S008	57
		U003_S010	57
D2411788	CAP:COVER:POSITIONING	ACCESSORIES	43
D2412559	SHAFT:REGISTRATION ROLLER:DRIVEN	U005	103

Exclusive Parts

Number	Part Name	Group	ID
D2412583	REGISTRATION ROLLER:DRIVE	U010	41
D2412612	DC SOLENOID:PICKUP:ASS'Y	U013_S001	134
D2412622	COVER:DAMPER	U013_S001	135
D2412627	MANUAL FEED TABLE:ASS'Y	U013_S001_S001	136
D2412630	SIDE FENCE:FRONT:ASS'Y	U013_S001_S001	137
D2412632	SIDE FENCE:REAR:ASS'Y	U013_S001_S001_S002	138
D2412634	RACK:MANUAL FEED	U013_S001_S001	139
D2412637	PAPER STOPPER:MANUAL FEED	U013_S001	140
D2412641	COVER:PAPER STOPPER:MANUAL FEED	U013_S001	141
D2412643	ARM:LINK:PAPER STOPPER	U013_S001	142
D2412644	TORSION SPRING:LINK:PAPER STOPPER	U013_S001	143
D2412652	GROUND PLATE:SHAFT:FEED	U013_S001	144
D2412653	COIL SPRING:PRESSURE:SEPARATOR	U013_S001	145
D2412656	HOLDER:HARNESS	U013_S001	146
D2412663	DECAL:SCALE:MANUAL FEED:FRONT	U013_S001_S001	147
D2412673	GUIDE PLATE:VERTICAL TRANSPORT:NO.1:DRIVEN	U013_S001	148
D2412674	GUIDE PLATE:VERTICAL TRANSPORT:NO.2:DRIVEN	U013_S001	149
D2412676	HOLDER:DRIVEN:BELT	U013_S001	150
D2412678	SHAFT:FLAT CONVEYER BELT:DRIVEN	U013_S001	151
D2412682	STAY:REAR:MANUAL FEED TABLE	U013_S001_S001	152
D2412685	DECAL:PAPER SET DIRECTION:MANUAL FEED	U013_S001_S001	153
D2412711	PAPER FEED UNIT:NO.1:ASS'Y	U005_S005	104
D2412712	PAPER FEED UNIT:NO.2:ASS'Y	U005_S006	105
D2412754	COIL SPRING:PRESSURE:SEPARATOR	U005_S005	106
		U005_S006	106
D2412759	TRANSPORT ROLLER:VERTICAL TRANSPORT:ASS'Y	U005_S005	107
		U005_S006	107
D2412800	PAPER TRAY:NO.1:ASS'Y	U005_S007	108

Number	Part Name	Group	ID
D2412805	PAPER TRAY:NO.2:ASS'Y	U005_S008	109
D2412837	DECAL:SET:SIDE FENCE:AUXILIARY	U005_S008	110
D2412865	COVER:PAPER TRAY:NO.1	U005_S007	111
D2412869	DECAL:SIZE INDICATION:SIDE FENCE:NO.2	U005_S008	112
D2412873	SIDE FENCE:AUXILIARY	U005_S008_S005	113
		U005_S008_S006	113
D2412875	SIDE FENCE:FRONT:ASS'Y	U005_S008_S003	114
D2412880	SIDE FENCE:REAR:ASS'Y	U005_S008_S004	115
D2412883	DECAL:SIZE INDICATION:SIDE FENCE:AUXILIARY:FRONT	U005_S008	116
D2412884	DECAL:SIZE INDICATION:SIDE FENCE:AUXILIARY:REAR	U005_S008	117
D2412885	DECAL:SIDE FENCE:AUXILIARY	U005_S008_S005	118
		U005_S008_S006	118
D2412991	PLAIN SHAFT BEARING:INNER:DRIVE:REGISTRATION ROLLER	U010	42
D2412993	STOPPER:REGISTRATION ROLLER	U010	43
D2412994	COMPRESSION SPRING:REGISTRATION:INNER:DRIVE	U010	44
D2414023	HOLDER:DRIVEN ROLLER:FUSING EXIT:FRONT	U011_S001	59
		U011_S002	59
		U011_S003	59
		U011_S004	59
		U011_S005	59
D2414024	HOLDER:DRIVEN ROLLER:FUSING EXIT:REAR	U011_S001	60
		U011_S002	60
		U011_S003	60
		U011_S004	60
		U011_S005	60
D2414102	DRIVEN ROLLER:FUSING EXIT:ASS'Y	U011_S001	61
		U011_S002	61
		U011_S003	61
		U011_S004	61
		U011_S005	61
D2414105	GUIDE PLATE:FUSING EXIT:LEFT	U011_S001	62

Exclusive Parts

Number	Part Name	Group	ID
		U011_S002	62
		U011_S003	62
		U011_S004	62
		U011_S005	62
D2414113	BRACKET:THERMISTOR:PRESSURE ROLLER	U011_S001	63
		U011_S002	63
		U011_S003	63
		U011_S004	63
		U011_S005	63
D2414121	INNER COVER:PRESSURE ROLLER:REAR	U011_S001	64
		U011_S002	64
		U011_S003	64
		U011_S004	64
		U011_S005	64
D2414122	INNER COVER:PRESSURE ROLLER:FRONT	U011_S001	65
		U011_S002	65
		U011_S003	65
		U011_S004	65
		U011_S005	65
D2414123	DISCHARGE BRUSH:PRESSURE ROLLER	U011_S001	66
		U011_S002	66
		U011_S003	66
		U011_S004	66
		U011_S005	66
D2414137	LEVER:PRESSURE:FRONT:PEEN	U011_S001	67
		U011_S002	67
		U011_S003	67
		U011_S004	67
		U011_S005	67
D2414140	HOLDER:PRESSURE:FRONT:ASS'Y	U011_S001	68
		U011_S002	68
		U011_S003	68
		U011_S004	68
		U011_S005	68
D2414155	HOLDER:PRESSURE:REAR:ASS'Y	U011_S001	69
		U011_S002	69
		U011_S003	69
		U011_S004	69

Number	Part Name	Group	ID
D2414160	LEVER:PRESSURE:REAR:PEEN	U011_S005	69
		U011_S001	70
		U011_S002	70
		U011_S003	70
		U011_S004	70
D2414212	GATE PAWL:FUSING EXIT	U011_S005	70
		U011_S001	71
		U011_S002	71
		U011_S003	71
		U011_S004	71
D2414214	EXIT ROLLER:FUSING EXIT:RIGHT	U011_S005	71
		U011_S001	72
		U011_S002	72
		U011_S003	72
		U011_S004	72
D2414215	GUIDE:FUSING EXIT:RIGHT:ASS'Y	U011_S005	72
		U011_S001	73
		U011_S002	73
		U011_S003	73
		U011_S004	73
D2414218	LINK:GATE PAWL:FUSING EXIT	U011_S005	73
		U011_S001	74
		U011_S002	74
		U011_S003	74
		U011_S004	74
D2414219	DECAL:C:GUIDE PLATE:FUSING EXIT	U011_S005	74
		U011_S001	75
		U011_S002	75
		U011_S003	75
		U011_S004	75
D2414221	STRIPPER PLATE:FUSING EXIT:ASS'Y	U011_S005	75
		U011_S001	76
		U011_S002	76
		U011_S003	76
		U011_S004	76
D2414252	FUSING ENTRANCE GUIDE PLATE	U011_S005	76
		U011_S001	77
		U011_S002	77

Exclusive Parts

Number	Part Name	Group	ID
		U011_S003	77
		U011_S004	77
		U011_S005	77
D2414261	FUSING COVER:UPPER	U011_S001	78
		U011_S002	78
		U011_S003	78
		U011_S004	78
		U011_S005	78
D2414317	GUIDE:HARNESS:DRAWER:PRESS FIT	U011_S001	79
		U011_S002	79
		U011_S003	79
		U011_S004	79
		U011_S005	79
D2414332	HOUSING:THERMOSTAT	U011_S001	80
		U011_S002	80
		U011_S003	80
		U011_S004	80
		U011_S005	80
D2414334	COVER:HOUSING:THERMOSTAT	U011_S001	81
		U011_S002	81
		U011_S003	81
		U011_S004	81
		U011_S005	81
D2414337	TERMINAL:THERMOSTAT:DRAWER	U011_S001	82
		U011_S002	82
		U011_S003	82
		U011_S004	82
		U011_S005	82
D2414338	TERMINAL:THERMOSTAT:HEATER	U011_S001	83
		U011_S002	83
		U011_S003	83
		U011_S004	83
		U011_S005	83
D2414342	HOUSING:NON-CONTACT TYPE THERMISTOR	U011_S001	84
		U011_S002	84
		U011_S003	84
		U011_S004	84
		U011_S005	84

Number	Part Name	Group	ID
D2414365	HOLDER:THERMOPILE	U011	85
D2414366	BRACKET:THERMOPILE	U011	86
D2414367	STOPPER:THERMOPILE	U011	87
D2414404	PAPER EXIT UNIT:ASS'Y	U012_S001	37
D2414441	GUIDE PLATE:EXIT:UPPER	U012_S001	38
D2414448	SHAFT:FEELER:OVERFLOW	U012_S001	39
D2414458	GUIDE:COVER:UPPER	U001	62
D2414461	GUIDE PLATE:REVERSE:UPPER	U012_S001	40
D2414466	GUIDE PLATE:REVERSE:LOWER	U012_S001	41
D2414472	END FENCE:TRAY:EXIT:ASS'Y	ACCESSORIES	44
D2414476	EXIT ROLLER	U012_S001	42
D2414481	GATE PAWL:EXIT	U012_S001	43
D2414483	LEVER:GATE PAWL	U012_S001	44
D2414494	TRAY:AUXILIARY:EXIT	U012	45
D2414497	TRAY:EXIT	U012	46
D2414499	COMPRESSION SPRING:BASE:TRAY:EXIT	U012	47
D2414513	DUPLEX UNIT:ASS'Y	U013_S001	154
D2414617	TRANSPORT ROLLER:DUPLEX:2:DIAM8	U013_S001	155
D2414628	GUIDE PLATE:DUPLEX:EXIT	U013_S001	156
D2414635	SHEET:CUSHION	U013_S001	157
D2414640	TRANSPORT ROLLER:EXIT:DIAM8	U013_S001	102
D2414642	TRANSPORT ROLLER:DUPLEX:1	U013_S001	158
D2414643	TRANSPORT ROLLER:ENTRANCE	U013_S001	78
D2414644	GEAR:MECHANICAL ROLLER CLUTCH	U013_S001	159
D2414652	GEAR:PULLEY:SWIVEL	U013_S001	160
D2414660	GUIDE PLATE:UPPER:RIGHT:DUPLEX	U013_S001	161
D2414673	GUIDE PLATE:DRIVEN	U013_S001	162
D2414676	LEVER:PRESSURE:DUPLEX	U013_S001	163
D2414677	COMPRESSION SPRING:EXIT:UPPER	U013_S001	164
D2414684	GEAR:OUTPUT	U013_S001	165
D2414692	INNER COVER:REAR:DUPLEX	U013_S001	166
D2414693	INNER COVER:FRONT:DUPLEX	U013_S001	167
D2414694	CAP:BELT:DUPLEX	U013_S001	168

Exclusive Parts

Number	Part Name	Group	ID
D2414707	GEAR:FEED:MANUAL FEED:DRIVE	U013_S001	169
D2414708	GEAR:SEPARATOR:MANUAL FEE D:DRIVE	U013_S001	170
D2414709	GEAR:TRANSPORT ROLLER:MAN UAL FEED	U013_S001	171
D2414710	GEAR:IDLER	U013_S001	172
D2414750	BRACKET:MOTOR:DUPLEX	U013	173
D2414755	GEAR:OUTPUT:DUPLEX:ENTRAN CE	U013	174
D2414757	SPACER:DC MOTOR:DUPLEX	U013	185
D2414761	DRIVEN ROLLER:DIA16	U013_S001	175
D2414762	DRIVEN ROLLER:DIA18	U013_S001	176
D2414763	GUIDE:HARNESS:ENTRANCE SEN SOR:DUPLEX	U013_S001	177
D2414765	PULLEY:T26	U013_S001	178
D2414766	TRANSPORT ROLLER:EXIT:DIA8	U013_S001	99
D2414921	COVER:GUIDE PLATE:DRIVEN	U013_S001	179
D2414923	STAY:CONTACT POINT:DUPLEX	U013_S001	180
D2414929	DC SOLENOID:FUSING EXIT:ASS'Y	U012	48
D2414936	INNER COVER:EXIT	U012	49
D2414937	TENSION SPRING:GATE:REVERS E	U012_S001	50
D2414938	TENSION SPRING:LINK:DC SOLEN OID:FUSING EXIT	U012	51
D2414941	GATE PAWL:REVERSE:FRONT MI DDLE	U012_S001	52
D2414942	GATE PAWL:REVERSE:REAR MID DLE	U012_S001	53
D2414943	GATE PAWL:REVERSE:REAR	U012_S001	54
D2414946	SHAFT:GATE PAWL:REVERSE	U012_S001	55
D2414947	GATE PAWL:REVERSE:FRONT	U012_S001	56
D2414948	GUIDE:HARNESS:REVERSE	U012_S001	57
D2414950	ROLLER:EXIT:PRESSURE:2TYPE: ASS'Y	U012_S001_S001	58
D2414955	HOLDER:ROLLER:EXIT:PRESSUR E:2TYPE	U012_S001	59
D2414957	SHAFT:ROLLER:PRESSURE:EXIT: 2TYPE	U012_S001_S001	60

Number	Part Name	Group	ID
D2414960	BASE:PLATE:EXIT	U012	73
D2414962	ROLLER:DRIVEN:EXIT	U012_S001_S001	61
D2414964	ROLLER:EXIT:PRESSURE	U012_S001_S001	62
D2414965	COLLAR:ROLLER:EXIT:PRESSURE	U012_S001_S001	63
D2414971	LINK:PLATE:EXIT	U012	74
D2414972	GUIDE:PLATE:EXIT	U012	75
D2414976	ROLLER:EXIT:PRESSURE:MIDDLE	U012_S001_S001	64
D2414977	ROLLER:DRIVEN:EXIT:MIDDLE	U012_S001_S001	65
D2414978	COLLAR:ROLLER:EXIT:PRESSURE :BOTH ENDS	U012_S001_S001	66
D2414981	COIL SPRING:ROLLER:PRESSURE :EXIT	U012_S001	67
D2414992	DISCHARGE BRUSH:EXIT	U012_S001	68
D2414994	GUIDE PLATE:EXIT:LOWER	U012_S001	69
D2414995	GUIDE PLATE:UPPER	U013_S001	181
D2414996	DC SOLENOID:ASS'Y	U012_S001	70
D2414998	CUSHION:DC SOLENOID:4MM	U012_S001	71
D2415109	PCB:IOB:TRANSPORT	U015	70
D2415112	PCB:IOB:ENGINE	U015	69
D2415190	PCB:MSSENS1	U015	71
D2415192	PCB:MSSENS2	U015	72
D2415711	COVER:HUMAN DETECTION SENS OR:CONNECTOR	U001	63
D2415737	BRACKET:MAIN SWITCH	U015	73
D2415764	COVER:POWER PACK:CB	U015	74
D2415765	CASE:POWER PACK:CB	U015	75
D2415796	RACK:MIDDLE	U015	76
D2415800	RACK:RIGHT:AUXILIARY	U015	77
D2415801	COVER:RACK:REAR	U015	78
D2415802	GUIDE:FFC:SCANNER	U015	79
D2415803	GUIDE:HARNESS:C/T BOX	U015	80
D2415817	GUIDE:FFC:2	U015	81
D2415831	CAP:GUIDE:WIRE	U015	82
D2415832	CAP:GUIDE:COIL SPRING	U015	83
D2415841	BASE:GUIDE:WIRE	U015	84
D2415842	COVER:GUIDE:WIRE	U015	85
D2415850	WIRE:CHARGE:K	U015	86
D2415851	WIRE:DEVELOPMENT:K	U015	87

Exclusive Parts

Number	Part Name	Group	ID
D2415852	WIRE:CHARGE:C	U015	88
D2415853	WIRE:DEVELOPMENT:C	U015	89
D2415854	WIRE:CHARGE:M	U015	90
D2415855	WIRE:DEVELOPMENT:M	U015	91
D2415856	WIRE:CHARGE:Y	U015	92
D2415857	WIRE:DEVELOPMENT:Y	U015	93
D2415875	WIRE:CHARGE:CB	U015	94
D2415876	WIRE:DEVELOPMENT:CB:K	U015	95
D2415877	WIRE:DEVELOPMENT:CB:C	U015	96
D2415878	WIRE:DEVELOPMENT:CB:M	U015	97
D2415879	WIRE:DEVELOPMENT:CB:Y	U015	98
D2415889	SPRING PLATE:IMAGE PROCESSING UNIT	U015	99
D2416001	TRANSFER UNIT:INTERMEDIATE TRANSFER:ASS'Y	U008_S001	34
D2416097	FLAT BELT-TRANSFER:INTERMEDIATE TRANSFER:TT	U008_S001	35
D2416141	CLEANING UNIT:BELT CLEANING:ASS'Y	U008	36
D2416212	TRANSFER ROLLER:SECOND:ASS'Y	U010	45
D2416215	GUIDE PLATE:TRANSFER:SECOND:ASS'Y	U010_S001	46
D2416240	LEVER:PRESSURE:TRANSFER ROLLER:FRONT:DIA19.5	U010_S001	47
D2416241	LEVER:PRESSURE:TRANSFER ROLLER:REAR:DIA19.5	U010_S001	48
D2416244	GROUND PLATE:SEPARATION	U010_S001	49
D2416256	GROUND PLATE:GUIDE:TRANSPORT	U010_S001	50
D2416258	COVER:TRANSFER/SEPARATION UNIT	U010_S001	51
D2416275	SHEET:ENTRANCE:TRANSFER	U010_S001	52
D2416290	LED:RED	U010_S001	53
D2416335	COVER:INTERMEDIATE TRANSFER	ACCESSORIES	45
D2417911	DUCT:DEVELOPMENT:FRONT	U001	64
D2417913	DUCT:OPTICAL WRITING UNIT	U001	65

Number	Part Name	Group	ID
D2417941	DUCT:EXHAUST:UPPER:A	U016	41
D2417942	DUCT:EXHAUST:UPPER:B	U016	42
D2417943	DUCT:EXHAUST:UPPER:C	U016	43
D2417944	DUCT:EXHAUST:UPPER:D	U016	44
D2417945	DEODORIZE FILTER	U016	45
D2417983	DUCT:DEVELOPMENT:REAR:A	U016	46
D2417984	DUCT:DEVELOPMENT:REAR:B	U016	47
D2421247	COVER:FRONT:USED TONER	U001	47
D2421265	COVER:RIGHT:REAR	U001	66
D2421267	COVER:RIGHT:UPPER	U001	67
D2422389	COVER:PCU:FRONT:SUB-ASS'Y	ACCESSORIES	46
		U007	15
D2423060	DEVELOPMENT UNIT:K	U007_S001	16
D2423284	GRIP:ROLLING:SHEET:DEVELOPER:DIA4	ACCESSORIES	47
D2425184	(NA/TWN):AC CONTROL BOARD	U015	100
D2425186	(EU/CHN/AA/KOR):AC CONTROL BOARD	U015	101
D2425605	(EU/CHN/AA/KOR/NA(-17)/TWN):PCB:DDR3-DIMM:2GB:ASS'Y	U015	102
D2426400	COLLECTION BOTTLE:ASS'Y	U009	33
D2426511	PIPE:ASS'Y	U009_S001	34
D2445730	PCB:DCSW	U015	103
D2447854	(CHN(-22)):(D238):CD-ROM:DRV/OI:ASS'Y	ACCESSORIES	48
D2557798	DECAL:BLUETOOTH	ACCESSORIES	49
D2581317	HOLDER:GLASS:CLEANER:ASS'Y	ACCESSORIES	16
D3B06303	(EU(-65,-66)/NA):DECAL:CAUTION:ORIGINAL:MANY LANGUAGES	ACCESSORIES	51
D6836031	(EU(-65,-66)/NA):DECAL:SET:ORIGINAL TABLE	ACCESSORIES	52
D6846031	(EU(-27,-28)/TWN):DECAL:ORIGINAL TABLE	ACCESSORIES	53
D6846061	(EU(-27,-28)/TWN):DECAL:ORIGINAL:MANY LANGUAGES	ACCESSORIES	54
D6932867	SUPPORTING PLATE:COVER:FRONT:PAPER TRAY	U005_S008	119
D7390116	(NA/TWN):HEATER:PHOTOCONDU	OPTION	8

Exclusive Parts

Number	Part Name	Group	ID
	CTOR:ASS'Y		
D7390117	(EU/AA/KOR/CHN):HEATER:PHOTO CONDUCTOR:ASS'Y	OPTION	9
G0652767	LEVER - FEED	U005_S005	120
		U005_S006	120
GA003268	DECAL:PDF:I-GRAYS	ACCESSORIES	55
GA143003	SCREW:MM5:2.5MM	U005	121
		U010_S001	54
GW010007	PHOTO REFLECTION SENSOR:EXIT	U005	122
		U005_S005	122
		U005_S006	122
		U012_S001	72
		U013_S001	182
GW010009	DENSITY SENSOR	U008	37
GW020022	PHOTOINTERRUPTOR:LG2A24BL1	U003	58
GW230008	TONER END SENSOR	U006_S009	30
		U006_S010	30
		U006_S011	30
		U006_S012	30
M0662743	FRICTION PAD:MANUAL FEED TABLE:18X7.5	U013_S001_S001	183
M0662749	OIL DAMPER:STRAIGHT:30N	U013_S001	184
M0AJ6870	(CHN):DECAL:INKJET:MULTI-LANGUAGE:CH	ACCESSORIES	57
Note	See 2D parts catalog for the components of the Smart Operation Panel.	U002_S001	12
		U002_S002	12
		U002_S003	12
		U002_S004	12
		U002_S005	12
VSSG9002	FLUOTRIBO MG GREASE: 100G	SPECIAL TOOLS	8

Standard Parts



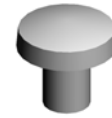
03130060N
SCREW - M3X6



03140120N
SCREW - M4X12



03530030N
SCREW:M3X3



03530040N
SCREW - M3X4



03530060N
BIND SCREW - M3X6



03603006N
SCREW - M3X6



03603016N
SCREW - M3X16



04503025N
TAPPING SCREW:3X25



04503035N
TAPPING SCREW:3X35



04513006N
TAPPING SCREW - 3X6



04513008N
TAPPING SCREW - M3X8



04513025N
TAPPING SCREW:M3X25



04533008N
BINDING SELF TAPPING SCREW:3X8



04543006N
TAPPING SCREW:ROUND POINT:3X6



04543006Q
TAPPING SCREW - M3X6



04543008N
TAPPING SCREW:ROUND POINT:3X8



04543008Q
TAPPING SCREW:3X8



04543010Q
TAPPING SCREW:3X10



04543020Q
TAPPING SCREW::3X20



04583008N
HEXAGON HEAD TAPPING SCREW:3X8



04583010N
HEXAGON HEAD TAPPING SCREW:3X10



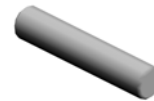
04593008N
BINDING HEAD TAPPING SCREW:3X8



04593010N
BINDING HEAD TAPPING SCREW:3X10



06220080E
SPRING PIN - 2X8MM



06320100G
PIN - 2X10MM



06330100G
PARALLEL PIN - 3X10



07200020G
RETAINING RING - M2



07200025E
RETAINING RING - M2.5

Standard Parts



07200030E
RETAINING RING - M3



07200040E
RETAINING RING - M4



07200060E
RETAINING RING - M6



07250170E
RETAINING RING C - M17



07403808
BALL BEARING - 8X16X5MM



08025299
TAPPING SCREW - M3X8



08025328
HEXAGON HEAD TAPPING S
CREW:3X40



08046123
HEXAGONAL BOLT:W/WASH
ER:M3X8



08046129
HEXAGON HEAD BOLT:IB-LO
CK:M3X6



08050089
RETAINING RING - M4



08050103
RETAINING RINGS-E:SILENC
ER:DIA3



08050104
RETAINING RINGS-E:SILENC
ER:DIA4



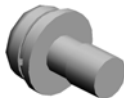
08050106
RETAINING RINGS-E:SILENC
ER:DIA6



09543005N
SCREW:POLISHED ROUND/
SPRING:M3X5



09573010N
SCREW:SMALL ROUND/SPRI
NG:M3X10



09574008N
SCREW:SMALL ROUND/SPRI
NG:M4X8



11050409
CARD SPACER- 6.4MM



11050488
HARNES CLAMP



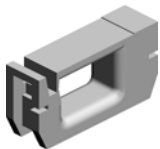
11050655
CLAMP:LWSR-1816S



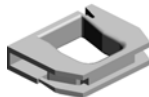
11050692
CLAMP:LES-0503



11050713
CLAMP:LWSM-0306H GRAY



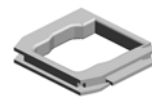
11050723
CLAMPS:WES-0507



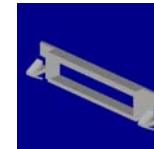
11050724
CLAMPS:WES-1210



11050725
CLAMPS:WES-1117



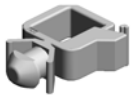
11050726
CLAMPS:WES-2217



11050752
SADDLE:EDS-3005LS-V0

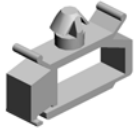


11050758
CLAMP:LWSM-0306A



11050759
CLAMP:LWSM-0605A

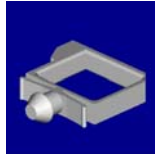
Standard Parts



11050760
CLAMP:LWSM-0511A



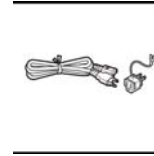
11050762
CLAMP:LWS-0711A



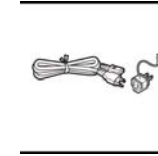
11050764
CLAMP:LWS-1316A



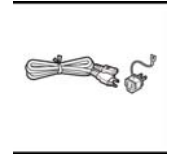
11050765
CLAMP:LWS-2218A



11500440
(NA):POWER SUPPLY CODE:
120V:15A



11500441
(EU/AA/KOR):POWER SUPPL
Y CODE:250V:10A



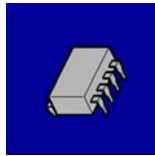
11500442
(CHN):POWER SUPPLY COD
E:250V:10A



11500443
(TWN):POWER SUPPLY COD
E:125V:15A



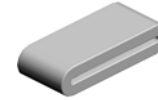
12042612
MICRO SWITCH:D3V-16506-3
C25



14078389
EEPROM:BR24T128-W



16072470
(CHN):FERRITE CORE:GRFC
-10



16072525
FERRITE CORE:K3 FF 35.00X
14.60X7.70X1.40

PM Part List

Number	Part Name	Num	Group	ID
AE020238	PRESSURE ROLLER:DIA32	5	U011_S001	35
			U011_S002	35
			U011_S003	35
			U011_S004	35
			U011_S005	35
AE030074	BALL BEARING:DIA17XDIA26 X5	10	U011_S001	36
			U011_S002	36
			U011_S003	36
			U011_S004	36
			U011_S005	36
D1477937	FILTER:PREVENTFENCE:10	1	U016_S001	20
D2392239	PCU:CMY	3	U007_S002	9
			U007_S003	9
			U007_S004	9
D2392240	PCU:K	1	U007_S001	10
D2393061	DEVELOPMENT UNIT:C	1	U007_S002	11
D2393062	DEVELOPMENT UNIT:M	1	U007_S003	12
D2393063	DEVELOPMENT UNIT:Y	1	U007_S004	13
D2394041	(NA):SLEEVE:FUSING:120V	1	U011_S004	55
D2394042	(EU/CHN/AA/KOR):SLEEVE:F USING:220/240V	3	U011_S001	56
			U011_S002	56
			U011_S003	56
D2394043	(TWN):SLEEVE:FUSING:110V	1	U011_S005	57
D2416001	TRANSFER UNIT:INTERMEDI ATE TRANSFER:ASS'Y	1	U008_S001	34
D2416141	CLEANING UNIT:BELT CLEA NING:ASS'Y	1	U008	36
D2416212	TRANSFER ROLLER:SECON D:ASS'Y	1	U010	45
D2423060	DEVELOPMENT UNIT:K	1	U007_S001	16
D2426400	COLLECTION BOTTLE:ASS'Y	1	U009	33

Design Change List

Number	Title	Set	Old Part		New Part		Index No.		Q'ty	Interchg		Reason	Cut-in S/N
			P/N	Name	P/N	Name	Group	ID		Indiv.	Set		
201611-02	1611 Modification	-	D2414511	DUPLEX UNIT:AS S'Y	D2414513	DUPLEX UNIT:AS S'Y	U013_S001	154	1	O/O			MP C3004SP_AS P_SPG_C3504SP _ASP_SPG_DS c1 230:
201611-03	1611 Modification	-	D2411718	CAP:COVER	D2411788	CAP:COVER:PO SITIONING	ACCESSO RIES	43	10	X/O			MP C3004SP_AS P_SPG_C3504SP _ASP_SPG_DS c1 230:
201611-04	1611 Modification	-	D2411247	COVER:FRONT: USED TONER	D2421247	COVER:FRONT: USED TONER	U001	47	5	X/O			MP C3004SP_AS P_SPG_C3504SP _ASP_SPG_DS c1 230:
201611-05	1611 Modification	-	D1494390	(NA/AA/KOR):DE CAL:CAUTION:IN KJET			ACCESSO RIES	22	1				MP C3004SP_AS P_SPG_C3504SP _ASP_SPG_DS c1 230:
			D1494390	(NA/AA/KOR):DE CAL:CAUTION:IN KJET			ACCESSO RIES	22	1				
201611-06	1611 Modification	-	D1496667	(CHN):DECAL:CA UTION:INKJET			ACCESSO RIES	23	1				MP C3004SP_AS P_SPG_C3504SP _ASP_SPG_DS c1 230:
201611-07	1611 Modification	-	D1496668	(TWN):DECAL:CA UTION:INKJET			ACCESSO RIES	24	1				MP C3004SP_AS P_SPG_C3504SP _ASP_SPG_DS c1 230:
201611-08	1611 Modification	-			M0AJ6870	(CHN):DECAL:IN KJET:MULTI-LAN GUAGE:CH	ACCESSO RIES	57	1				MP C3004SP_AS P_SPG_C3504SP _ASP_SPG_DS c1 230:

Design Change List

Number	Title	Set	Old Part		New Part		Index No.		Q'ty	Interchg		Reason	Cut-in S/N
			P/N	Name	P/N	Name	Group	ID		Indiv.	Set		
201611-09	1611 Modification	-	D2386752	(EU/NA/AA/KOR): (D238):DECAL:MODEL NAME PLATE:RIC	D2386753	(CHN(-21)/TWN): (D238):DECAL:MODEL NAME PLATE:RIC	ACCESSORIES	34	1	X/O			MP C3004SP_AS P_SPG_C3504SP _ASP_SPG_DS c1 230:
201611-10	1611 Modification	-	D2396752	(EU/NA/AA/KOR): (D239):DECAL:MODEL NAME PLATE:RIC	D2396753	(CHN(-21)/TWN): (D239):DECAL:MODEL NAME PLATE:RIC	ACCESSORIES	37	1	X/O			MP C3004SP_AS P_SPG_C3504SP _ASP_SPG_DS c1 230:
201611-11	1611 Modification	-			D2411671	PROTECTION:CARRIAGE:SCANNER	U003	59	10				MP C3004SP_AS P_SPG_C3504SP _ASP_SPG_DS c1 230:
201611-12	1611 Modification	-			D2414960	BASE:PLATE:EXIT	U012	73	1				MP C3004SP_AS P_SPG_C3504SP _ASP_SPG_DS c1 230:
201611-13	1611 Modification	-			D2414971	LINK:PLATE:EXIT	U012	74	2				MP C3004SP_AS P_SPG_C3504SP _ASP_SPG_DS c1 230:
201611-14	1611 Modification	-			D2414972	GUIDE:PLATE:EXIT	U012	75	2				MP C3004SP_AS P_SPG_C3504SP _ASP_SPG_DS c1 230:
201611-15	1611 Modification	-			D1491268	COVER:RIGHT:LOWER	ACCESSORIES	56	1				MP C3004SP_AS P_SPG_C3504SP _ASP_SPG_DS c1 230:
201610-01	1610 Modification	-	D1491317	HOLDER:GLASS:CLEANER:ASS'Y	D2581317	HOLDER:GLASS:CLEANER:ASS'Y	ACCESSORIES	16	1	O/O			MP C3004SP_AS P_SPG_C3504SP

Design Change List

Number	Title	Set	Old Part		New Part		Index No.		Q'ty	Interchg		Reason	Cut-in S/N
			P/N	Name	P/N	Name	Group	ID		Indiv.	Set		
		-	D1491317	HOLDER:GLASS:CLEANER:ASS'Y	D2581317	HOLDER:GLASS:CLEANER:ASS'Y	ACCESSORIES	16	1	O/O			_ASP_SPG_DS
			D1491317	HOLDER:GLASS:CLEANER:ASS'Y	D2581317	HOLDER:GLASS:CLEANER:ASS'Y	ACCESSORIES	16	1	O/O			c1230:
			D1491317	HOLDER:GLASS:CLEANER:ASS'Y	D2581317	HOLDER:GLASS:CLEANER:ASS'Y	ACCESSORIES	16	1	O/O			
			D1491317	HOLDER:GLASS:CLEANER:ASS'Y	D2581317	HOLDER:GLASS:CLEANER:ASS'Y	ACCESSORIES	16	1	O/O			
201609-01	1609 Modification	-	D2397862	(EU):CD-ROM:DR V			ACCESSORIES	42	1				MP C3004SP_AS P_SPG_C3504SP _ASP_SPG_DS
					D2414757	SPACER:DC MOTOR:DUPLEX	U013	185	1				c1230:
201608-01	1608 Modification	B	D1494643	TRANSPORT ROLLER:ENTRANCE	D2414643	TRANSPORT ROLLER:ENTRANCE	U013_S001	78	2	X/O	X/O		MP C3004SP_AS P_SPG_C3504SP _ASP_SPG_DS
													c1230:
201608-02	1608 Modification	B	D1494766	PULLEY:T26/T26	D2414766	TRANSPORT ROLLER:EXIT:DIA8	U013_S001	99	1	X/O	X/O		MP C3004SP_AS P_SPG_C3504SP _ASP_SPG_DS
			D1494766	PULLEY:T26/T26	D2414766	TRANSPORT ROLLER:EXIT:DIA8	U013_S001	99	1	X/O			c1230:
201608-03	1608 Modification	A	D1494779	TRANSPORT ROLLER:EXIT:DIA8	D2414640	TRANSPORT ROLLER:EXIT:DIA8	U013_S001	102	1	X/O	X/O		MP C3004SP_AS P_SPG_C3504SP _ASP_SPG_DS
													c1230:
201608-04	1608 Modification	A	D1494766	PULLEY:T26/T26	D2414766	TRANSPORT ROLLER:EXIT:DIA8	U013_S001	99	1	X/O	X/O		MP C3004SP_AS P_SPG_C3504SP

Design Change List

Number	Title	Set	Old Part		New Part		Index No.		Q'ty	Interchg		Reason	Cut-in S/N
			P/N	Name	P/N	Name	Group	ID		Indiv.	Set		
													_ASP_SPG_DSc1 230:
201608-05	1608 Modification	-			AA043777	SYNCHRONOUS BELT:80S3M213	U014_S005	54	1				MP C3004SP_AS P_SPG_C3504SP _ASP_SPG_DSc1 230:
201607-01	1607 Modification	-			D2415393	(-NA):HARNESS: AC:HEATER:DHB	G2(2/2)		1				MP C3004SP_AS P_SPG_C3504SP _ASP_SPG_DSc1 230:
201607-02	1607 Modification	-			D2415395	(-EU/-AA/-CHN):H ARNESS:AC:HEA TER:DHB	G2(2/2)		1				MP C3004SP_AS P_SPG_C3504SP _ASP_SPG_DSc1 230:
201607-03	1607 Modification	-			AX060491	DC POLYGON MI RROR MOTOR	U004_S001	3	1				MP C3004SP_AS P_SPG_C3504SP _ASP_SPG_DSc1 230:
201606-01	1606 Modification	-	D2591485	(EU/NA/AA/KOR): IC:NFC_TAG:RC H-NTG215	D1961485	(EU/NA/AA/KOR): IC:NFC_TAG:MN 63Y3212NB	ACCESSO RIES	50	1	X/O			MP C3004SP_AS P_SPG_C3504SP _ASP_SPG_DSc1 230:
			D2591485	(EU/NA/AA/KOR): IC:NFC_TAG:RC H-NTG215	D1961485	(EU/NA/AA/KOR): IC:NFC_TAG:MN 63Y3212NB	ACCESSO RIES	50	1	X/O			
			D2591485	(EU/NA/AA/KOR): IC:NFC_TAG:RC H-NTG215	D1961485	(EU/NA/AA/KOR): IC:NFC_TAG:MN 63Y3212NB	ACCESSO RIES	50	1	X/O			
201606-02	1606 Modification	-	D1771592	SCREW:M3X6	08025299	TAPPING SCRE W - M3X8	U002	13	45	X/O			MP C3004SP_AS P_SPG_C3504SP _ASP_SPG_DSc1

Design Change List

Number	Title	Set	Old Part		New Part		Index No.		Q'ty	Interchg		Reason	Cut-in S/N
			P/N	Name	P/N	Name	Group	ID		Indiv.	Set		
													230:
201606-03	1606 Modification	-			D2411251	COVER:LEFT:UP PER	U001	68	5				MP C3004SP_AS P_SPG_C3504SP _ASP_SPG_DSc1 230:
201606-04	1606 Modification	-	D2411424	(EU/NA/TWN/AA/ KOR):OPERATIO N SUB-UNIT:ASS' Y	D2411417	(EU/NA/TWN/AA/ KOR):OPERATIO N SUB-UNIT:CT- G2:ASS'Y	U002_S001	14	1	O/O			MP C3004SP_AS P_SPG_C3504SP _ASP_SPG_DSc1 230:
			D2411424	(EU/NA/TWN/AA/ KOR):OPERATIO N SUB-UNIT:ASS' Y	D2411417	(EU/NA/TWN/AA/ KOR):OPERATIO N SUB-UNIT:CT- G2:ASS'Y	U002_S002	14	1	O/O			
			D2411424	(EU/NA/TWN/AA/ KOR):OPERATIO N SUB-UNIT:ASS' Y	D2411417	(EU/NA/TWN/AA/ KOR):OPERATIO N SUB-UNIT:CT- G2:ASS'Y	U002_S003	14	1	O/O			
			D2411424	(EU/NA/TWN/AA/ KOR):OPERATIO N SUB-UNIT:ASS' Y	D2411417	(EU/NA/TWN/AA/ KOR):OPERATIO N SUB-UNIT:CT- G2:ASS'Y	U002_S004	14	1	O/O			
201606-05	1606 Modification	-	D2411426	(CHN):OPERATI ON SUB-UNIT:AS S'Y	D2411418	(CHN):OPERATI ON SUB-UNIT:CT -G2:ASS'Y	U002_S005	15	1	O/O			MP C3004SP_AS P_SPG_C3504SP _ASP_SPG_DSc1 230:
201605-01	1605 Modification	-	D2415120	PCB:IOB:TRANS PORT	D2415109	PCB:IOB:TRANS PORT	U015	70	5	X/O			MP C3004SP_AS P_SPG_C3504SP _ASP_SPG_DSc1 230:
201605-02	1605 Modification	-	AW020203	PHOTOINTERRU	AW020224	PHOTOINTERRU	U005_S005	24	1	X/O			MP C3004SP_AS

Design Change List

Number	Title	Set	Old Part		New Part		Index No.		Q'ty	Interchg		Reason	Cut-in S/N
			P/N	Name	P/N	Name	Group	ID		Indiv.	Set		
		-		PTOR:GP1A173L CS2F		PTOR:GP1A173L CSVF							P_SPG_C3504SP _ASP_SPG_DScl 230:
			AW020203	PHOTOINTERRU PTOR:GP1A173L CS2F	AW020224	PHOTOINTERRU PTOR:GP1A173L CSVF	U005_S005	24	1	X/O			
			AW020203	PHOTOINTERRU PTOR:GP1A173L CS2F	AW020224	PHOTOINTERRU PTOR:GP1A173L CSVF	U005_S006	24	1	X/O			
			AW020203	PHOTOINTERRU PTOR:GP1A173L CS2F	AW020224	PHOTOINTERRU PTOR:GP1A173L CSVF	U005_S006	24	1	X/O			
			AW020203	PHOTOINTERRU PTOR:GP1A173L CS2F	AW020224	PHOTOINTERRU PTOR:GP1A173L CSVF	U012_S001	18	1	X/O			
			AW020203	PHOTOINTERRU PTOR:GP1A173L CS2F	AW020224	PHOTOINTERRU PTOR:GP1A173L CSVF	U008	10	1	X/O			
			AW020203	PHOTOINTERRU PTOR:GP1A173L CS2F	AW020224	PHOTOINTERRU PTOR:GP1A173L CSVF	U010	15	1	X/O			
201605-03	1605 Modification	-	D2411416	(CHN):OPERATI ON PANEL:ASS'Y	D2411426	(CHN):OPERATI ON SUB-UNIT:AS S'Y	U002	8	1	X/O			MP C3004SP_AS P_SPG_C3504SP _ASP_SPG_DScl 230:
201605-04	1605 Modification	-	D1496345	CAM:SHUTTER:T M SENSOR			U008_S001	32	1				MP C3004SP_AS P_SPG_C3504SP _ASP_SPG_DScl 230:
201605-05	1605 Modification	-	D2411414	(EU/NA/TWN/AA/ KOR):OPERATIO	D2411424	(EU/NA/TWN/AA/ KOR):OPERATIO	U002	7	1	X/O			MP C3004SP_AS P_SPG_C3504SP

Design Change List

Number	Title	Set	Old Part		New Part		Index No.		Q'ty	Interchg		Reason	Cut-in S/N
			P/N	Name	P/N	Name	Group	ID		Indiv.	Set		
		-		N PANEL:ASS'Y		N SUB-UNIT:ASS'Y							_ASP_SPG_DSc1 230:
			D2411414	(EU/NA/TWN/AA/KOR):OPERATION PANEL:ASS'Y	D2411424	(EU/NA/TWN/AA/KOR):OPERATION SUB-UNIT:ASS'Y	U002	7	1	X/O			
			D2411414	(EU/NA/TWN/AA/KOR):OPERATION PANEL:ASS'Y	D2411424	(EU/NA/TWN/AA/KOR):OPERATION SUB-UNIT:ASS'Y	U002	7	1	X/O			
			D2411414	(EU/NA/TWN/AA/KOR):OPERATION PANEL:ASS'Y	D2411424	(EU/NA/TWN/AA/KOR):OPERATION SUB-UNIT:ASS'Y	U002	7	1	X/O			

