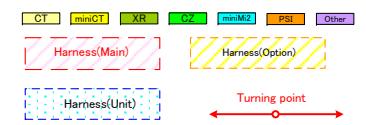
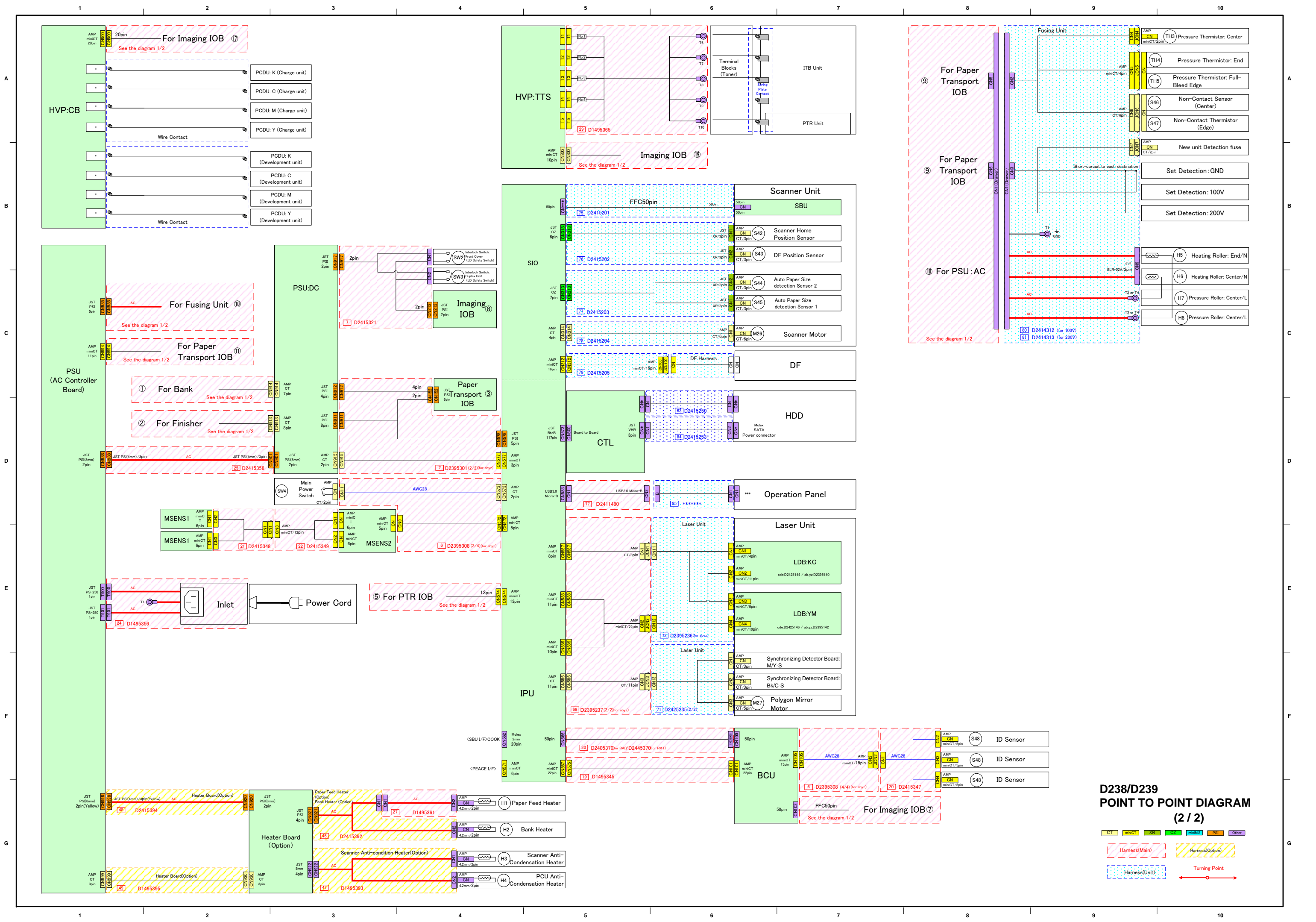
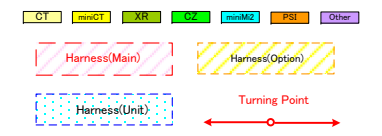


**D238/D239  
POINT TO POINT DIAGRAM  
(1 / 2)**

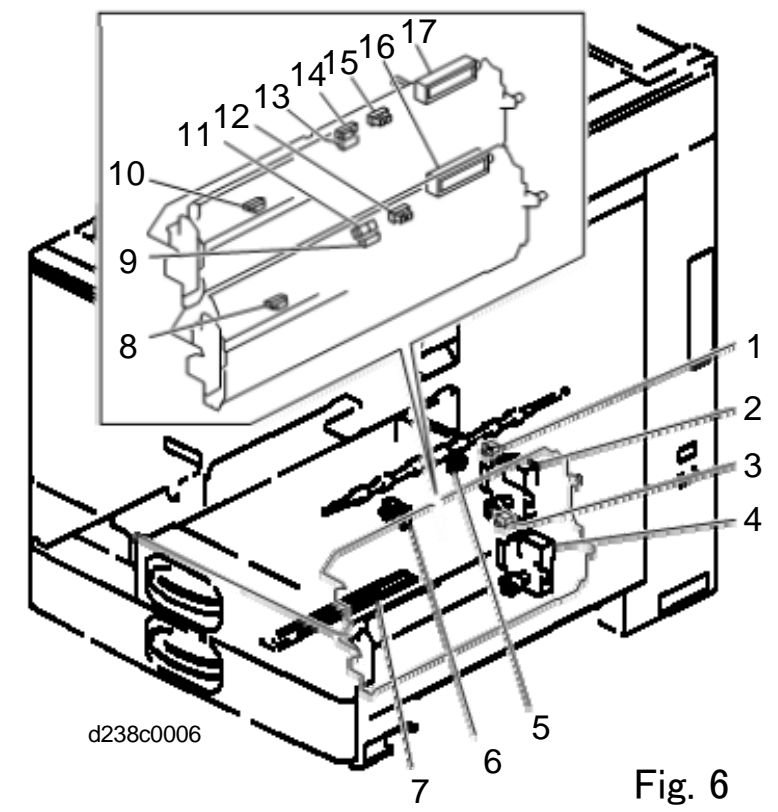
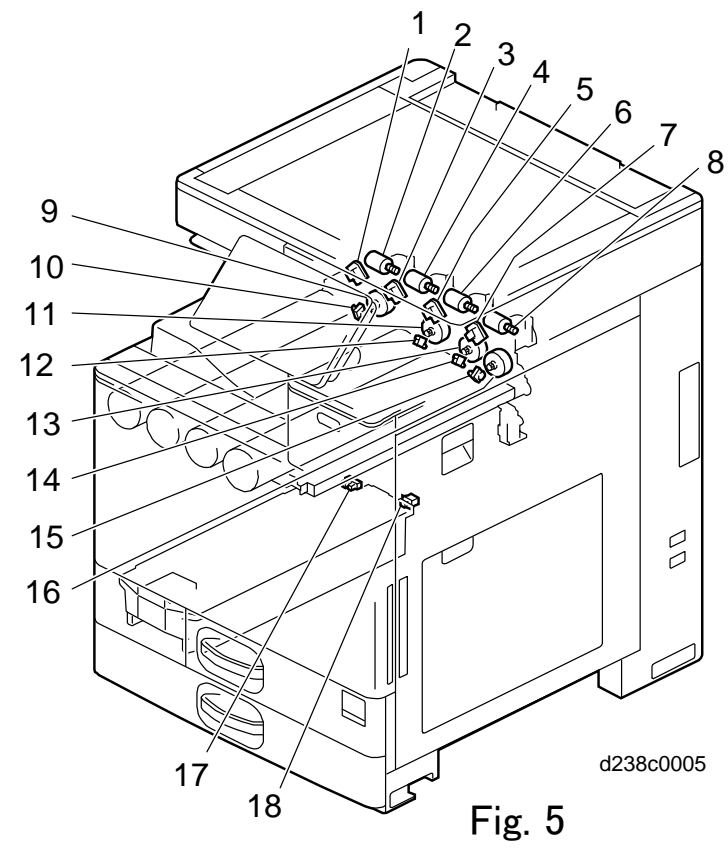
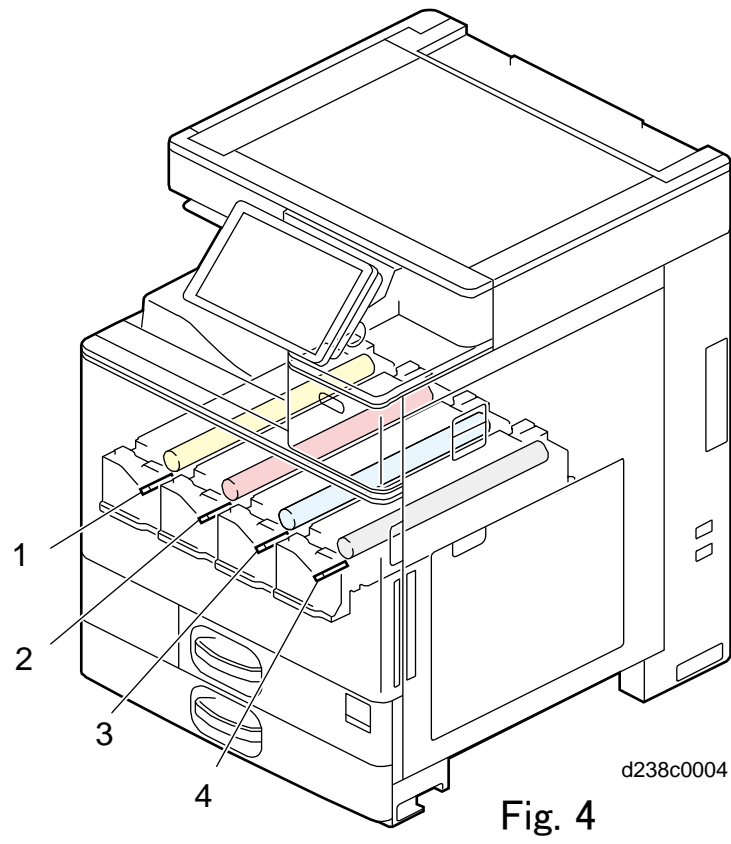
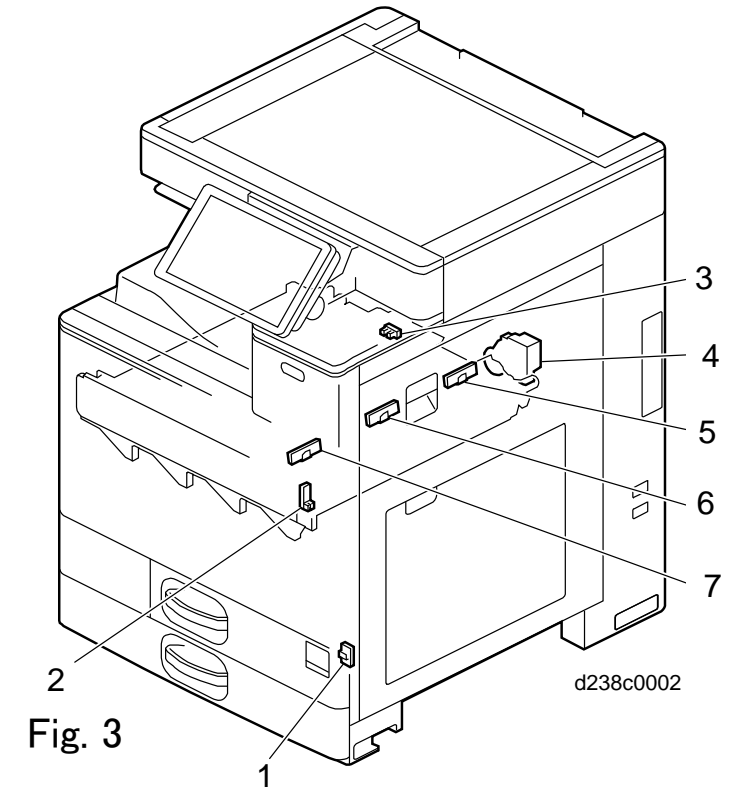
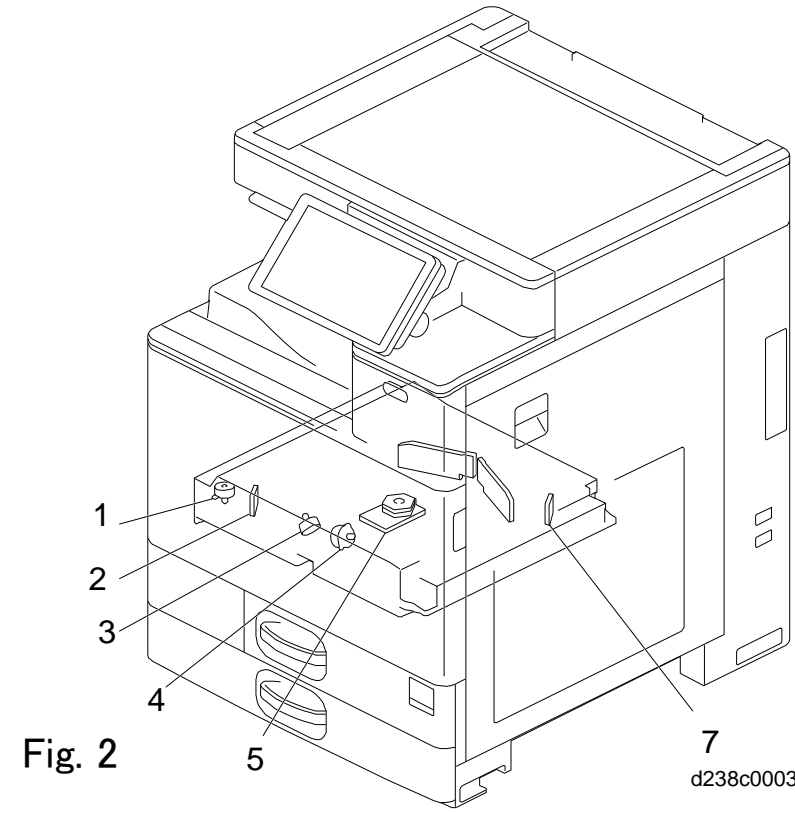
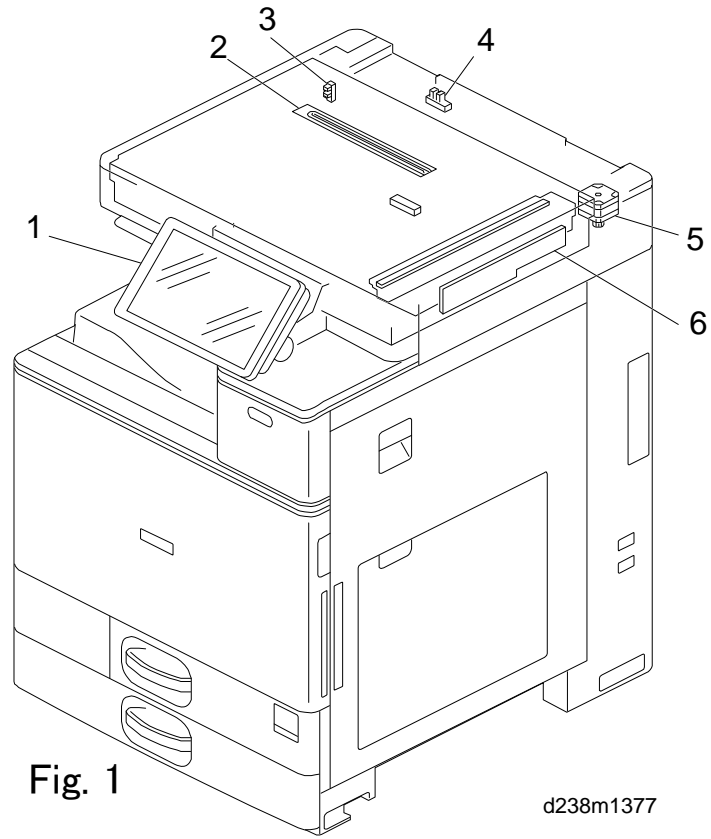




**D238/D239  
POINT TO POINT DIAGRAM  
(2 / 2)**

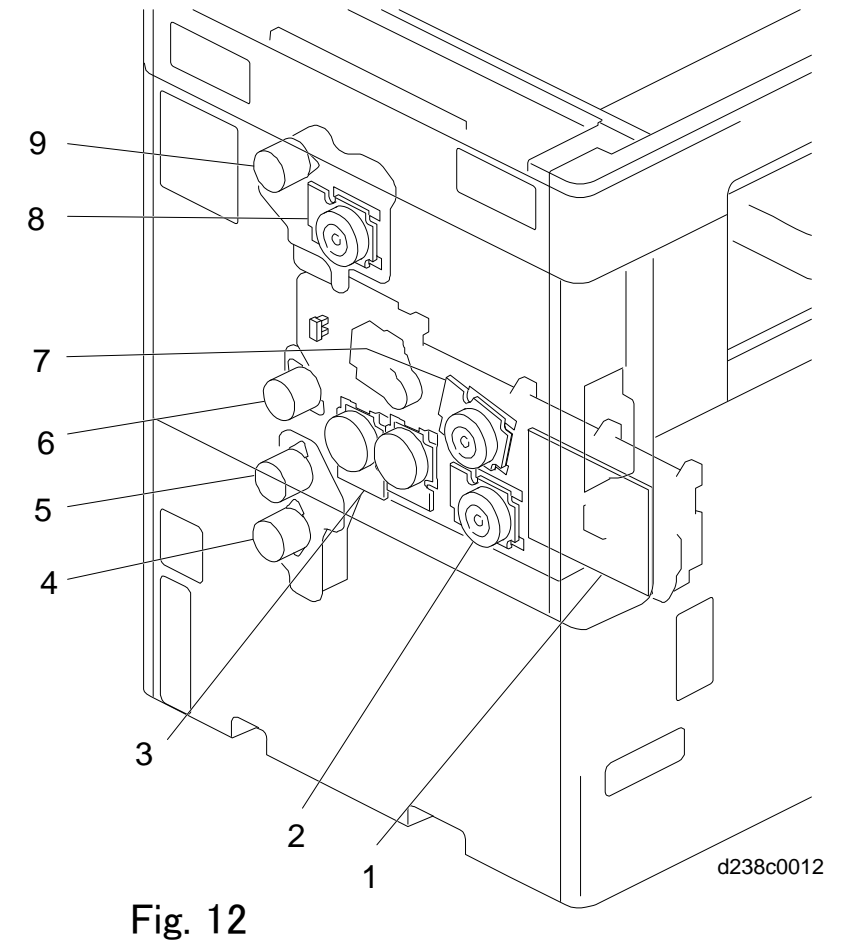
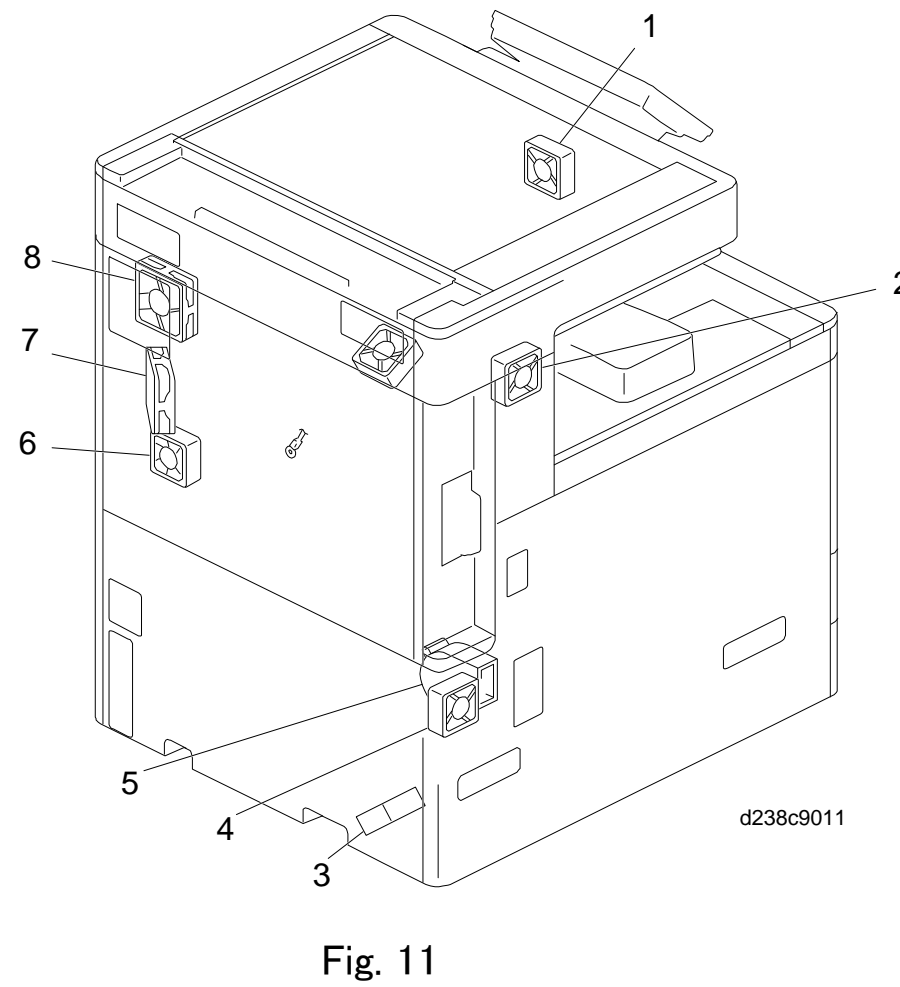
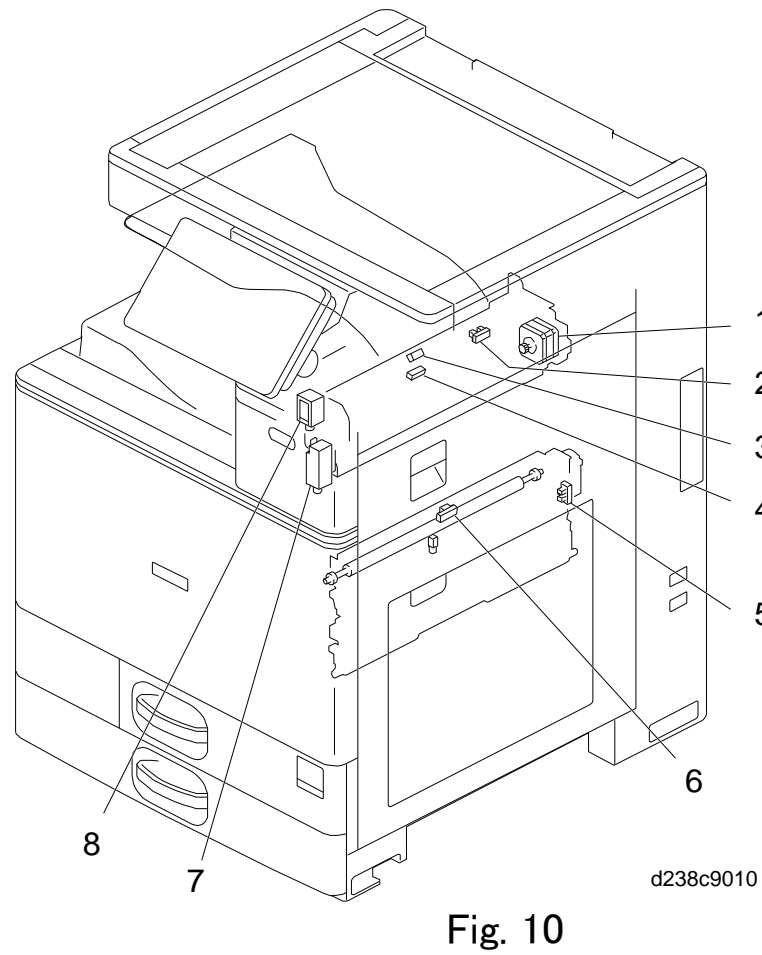
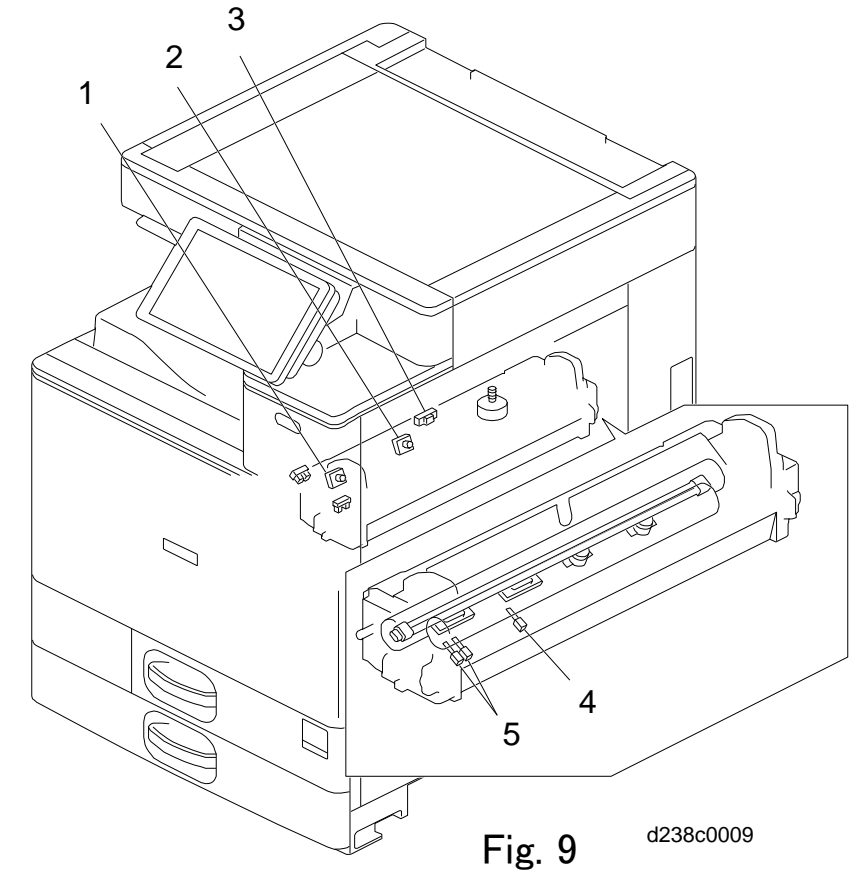
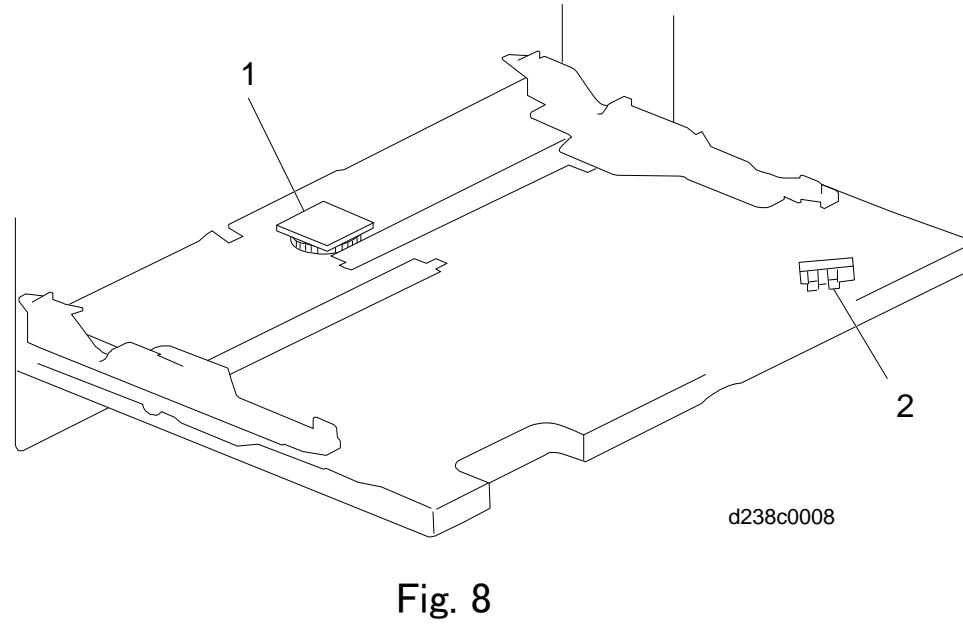
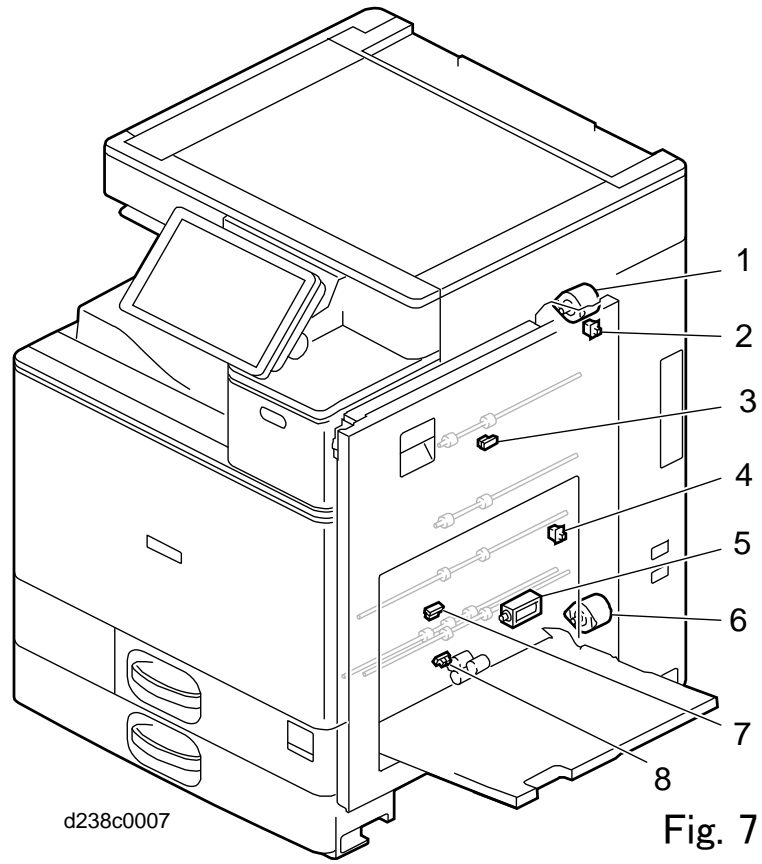


# D238/ D239 ELECTRICAL COMPONENT LAYOUT(1/4)

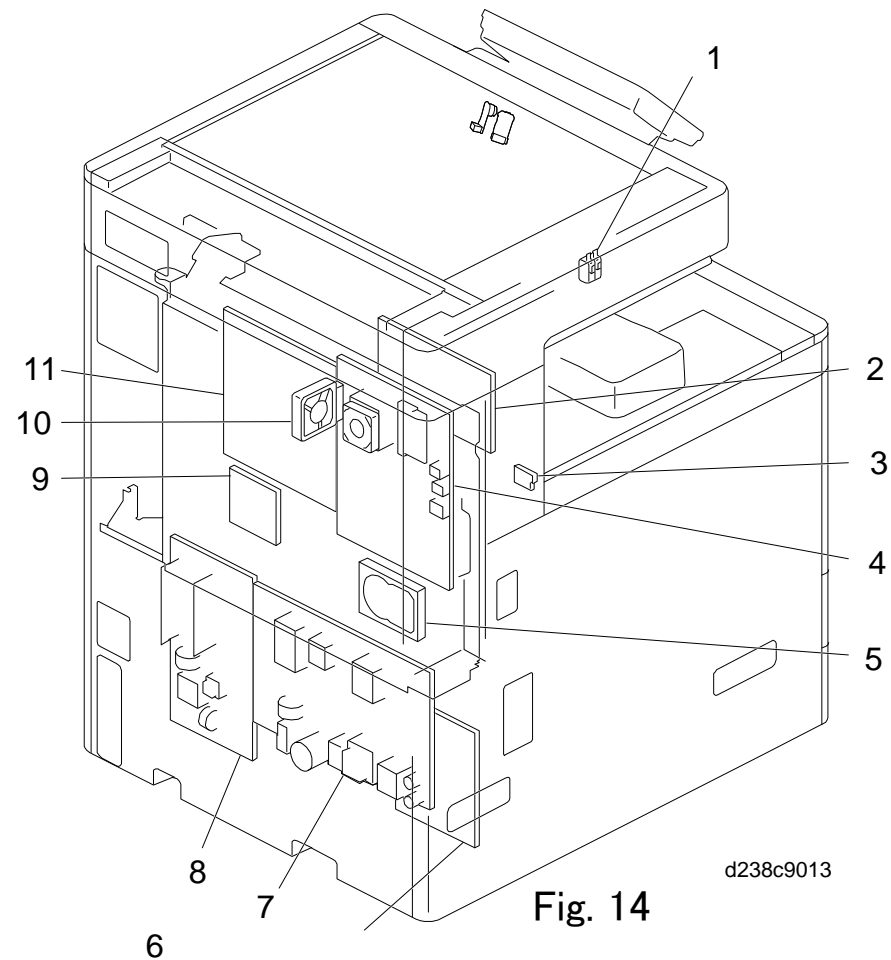
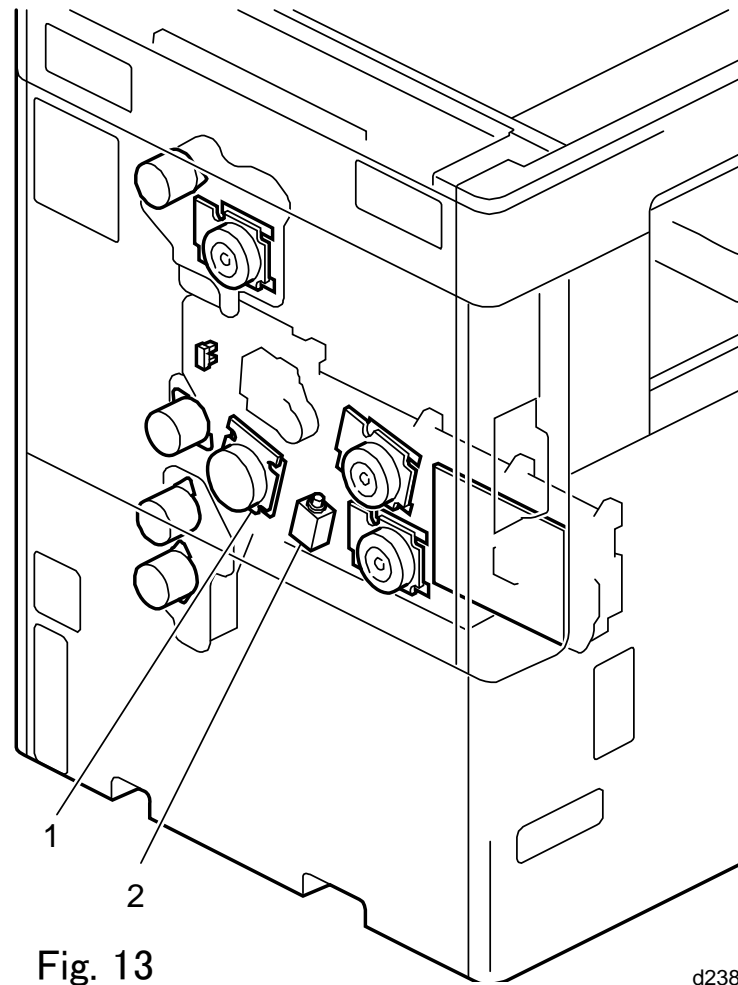




# D238/ D239 ELECTRICAL COMPONENT LAYOUT(2/4)



# D238/ D239 ELECTRICAL COMPONENT LAYOUT(3/4)



Symbol	Index No.	Description	P to P
<b>Motors</b>			
M1	Fig.7-1	Duplex Entrance Motor	1-A1
M2	Fig.7-6	By-pass/Duplex Motor	1-B1
M3	Fig.10-1	Inversion Motor	1-D1
M4	Fig.12-9	Paper Exit Motor	1-E1
M5	Fig.12-6	Registration Motor	1-E1
M6	Fig.12-5	Transport Motor	1-E1
M7	Fig.12-4	Paper Feed Motor	1-E1
M8	Fig.12-8	Fusing Motor	1-F1
M9	Fig.6-2	Lift Motor(1st Feed Tray)	1-A4
M10	Fig.6-4	Lift Motor(2nd Feed Tray)	1-A4
M11	Fig.5-8	Toner Bottle Drive Motor: K	1-M7
M12	Fig.5-6	Toner Bottle Drive Motor: C	1-M7
M13	Fig.5-4	Toner Bottle Drive Motor: M	1-M7
M14	Fig.5-2	Toner Bottle Drive Motor: Y	1-M7
M15	Fig.12-7	PCU Motor: CMY	1-D7
M16	Fig.12-2	Development Motor: CMY	1-D7
M17	Fig.12-3/Fig.13-1	PCU: Black / Image Transfer Motor	1-D7
M18	-	Paper Transfer Contact Motor	1-E7
M19	Fig.5-16	Toner Transport Motor: K	1-B10
M20	Fig.5-13	Toner Transport Motor: C	1-B10
M21	Fig.5-11	Toner Transport Motor: M	1-B10
M22	Fig.5-9	Toner Transport Motor: Y	1-B10
M23	Fig.2-1	Skew Motor: Y	1-C10
M24	Fig.2-3	Skew Motor: M	1-C10
M25	Fig.2-4	Skew Motor: C	1-D10
M26	Fig.1-5	Scanner Motor	2-C6
M27	Fig.2-5	Polygon Mirror Motor	2-F6
<b>Heaters</b>			
H1	Fig.6-7	Paper Feed Heater	2-G4
H2	-	Bank Heater	2-G4
H3	Fig.1-2	Scanner Anti-Condensation Heater	2-G4
H4	-	PCU Anti-Condensation Heater	2-G4
H5	-	Heating Roller: End/N	2-B10
H6	-	Heating Roller: Center/N	2-C10
H7	-	Pressure Roller: Center/L	2-C10
H8	-	Pressure Roller: Center/L	2-C10

# D238/ D239 ELECTRICAL COMPONENT LAYOUT(4/4)

Symbol	Index No.	Description	P to P
<b>Sensors</b>			
S1	Fig.10-6	Fusing Entrance Sensor	1-A1
S2	Fig.10-5	PTR Open/Close Sensor	1-A1
S3	Fig.7-7	Duplex Exit Sensor	1-B1
S4	Fig.7-4	Duplex Unit Open/Close Sensor	1-B1
S5	Fig.7-3	Duplex Entrance Sensor	1-B1
S6	Fig.7-8	By-pass Paper End Sensor	1-C1
S7	Fig.8-2	By-pass Paper length Sensor	1-C1
S8	Fig.8-1	By-pass Paper Size Sensor	1-C1
S9	Fig.10-3	Inversion Sensor	1-C1
S10	Fig.10-4	Paper Exit Sensor	1-C1
S11	Fig.10-2	Paper Exit Full Sensor	1-D1
S12	Fig.6-10	Paper Feed Sensor (1st Feed Tray)	1-D1
S13	Fig.6-13	Transport Sensor (1st Feed Tray)	1-D1
S14	Fig.6-14	Paper End Sensor (1st Feed Tray)	1-D1
S15	Fig.6-15	Limit Sensor (1st Feed Tray)	1-E1
S16	Fig.6-5	Registration Sensor	1-F1
S17	Fig.7-2	Right Door Open/Close Switch	1-F1
S18	-	Tray lift Sensor(1st Feed Tray)	1-A5
S19	Fig.6-1	Tray Set Sensor(1st Feed Tray)	1-A5
S20	-	Tray lift Sensor(2nd Feed Tray)	1-A5
S21	Fig.6-3	Tray Set Sensor(2nd Feed Tray)	1-B5
S22	Fig.6-8	Paper Feed Sensor(2nd Feed Tray)	1-B5
S23	Fig.6-9	Transport Sensor(2nd Feed Tray)	1-B5
S24	Fig.6-11	Paper End Sensor(2nd Feed Tray)	1-B5
S25	Fig.6-12	Limit Sensor(2nd Feed Tray)	1-C5
S26	-	Pressure Roller HP Sensor	1-E5
S27	Fig.9-3	Fusing Exit Sensor	1-F5
S28	Fig.5-15	Toner End Sensor: K	1-B7
S29	Fig.5-14	Toner End Sensor: C	1-B7
S30	Fig.5-12	Toner End Sensor: M	1-C7
S31	Fig.5-10	Toner End Sensor: Y	1-C7
S32	-	ITB Contact and Release Sensor	1-C7
S33	-	Imaging Temperature Sensor	1-C7
S34	Fig.5-17	Waste Toner Capacity Sensor	1-E7
S35	Fig.5-18	Waste toner bottle set Sensor	1-E7
S36	Fig.3-3	Paper Transfer Separation Sensor	1-E7
S37	-	HST Sensor: K	1-F8
S38	-	HST Sensor: C	1-G8
S39	-	HST Sensor: M	1-G8
S40	-	HST Sensor: Y	1-G8
S41	-	Temperature/Humidity Sensor	1-A10
S42	Fig.1-3	Scanner Home Position Sensor	2-B6
S43	Fig.1-4	DF Position Sensor	2-B6
S44	-	Auto Paper Size Detection Sensor 2	2-C6
S45	-	Auto Paper Size Detection Sensor 1	2-C6
S46	-	Non-Contact Sensor(Center)	2-A10
S47	-	Non-Contact Thermistor(Edge)	2-A10
S48	Fig.3-5/6/7	ID Sensor	2-F8

Symbol	Index No.	Description	P to P
<b>LED</b>			
LED1	-	PTR Open/Close LED	1-A1
LED2	-	1bin LED	1-E5
<b>Solenoid</b>			
SOL1	Fig.7-5	By-pass Pick-up Solenoid	1-B1
SOL2	Fig.10-8	Paper Exit Solenoid	1-C1
SOL3	-	Pick-up Solenoid (1st Feed Tray)	1-D1
SOL4	-	Pick-up Solenoid (2nd Feed Tray)	1-B5
SOL5	Fig.10-7	Fusing Exit Solenoid	1-E5
SOL6	Fig.13-2	Development Solenoid	1-D7
<b>FAN</b>			
FAN1	Fig.11-8	Fusing Exhaust Heat Fan	1-E1
FAN2	Fig.11-3	PSU Cooling Fan	1-C5
FAN3	Fig.11-4	PSU Exhaust Heat Fan	1-C5
FAN4	Fig.11-5	Ozone Exhaust Fan	1-D5
FAN5	Fig.14-10	Controller Box Cooling Fan	1-F7
FAN6	Fig.11-7	Toner supply cooling Fan	1-F7
FAN7	Fig.11-6	Drive Cooling Fan	1-F7
FAN8	Fig.11-2	Developing Air Intake Fan:Right	1-A10
FAN9	Fig.11-1	Paper Exit Cooling Fan	1-A10
<b>Switches</b>			
SW1	Fig.6-6	Size Switch(2nd Feed Tray)	1-B5
SW2	Fig.3-1/Fig	Interlock Switch: Front Cover (LD Safety Switch)	1-D10/2-B4
SW3	Fig.3-2	Interlock Switch: Duplex Unit (LD Safety Switch)	1-D10/2-C4
SW4	Fig.14-3	Main Power Switch	2-D3
<b>Thermopiles/Thermistors</b>			
TH1	Fig.9-1	Thermopile (center)	1-F5
TH2	Fig.9-2	Thermopile (edge)	1-F5
TH3	Fig.9-4	Pressure Thermistor: Center	2-A10
TH4	Fig.9-5	Pressure Thermistor: End	2-A10
TH5	-	Pressure Thermistor: Full-Bleed Edge	2-A10
<b>Others</b>			
-	Fig.1-1	Operation Panel	1-D7
-	Fig.1-6	SBU	2-B7
-	Fig.2-2	Synchronizing Detector Board: M/Y-S	2-F7
-	Fig.2-7	Synchronizing Detector Board: Bk/C-S	2-F7
-	Fig.4-1	PCDU: Y (Charge Unit)	2-A3
-	Fig.4-2	PCDU: M (Charge Unit)	2-A3
-	Fig.4-3	PCDU: C (Charge Unit)	2-A3
-	Fig.4-4	PCDU: K (Charge Unit)	2-A3
-	Fig.4-1	PCDU: Y (Development Unit)	2-B3
-	Fig.4-2	PCDU: M (Development Unit)	2-B3
-	Fig.4-3	PCDU: C (Development Unit)	2-B3
-	Fig.4-4	PCDU: K (Development Unit)	2-B3
-	Fig.5-1	ID Chip: Y	1-A7
-	Fig.5-3	ID Chip: M	1-B7
-	Fig.5-5	ID Chip: C	1-B7
-	Fig.5-7	ID Chip: K	1-B7
-	Fig.14-2	HVP TTS	1-B7
-	Fig.14-4	CTL	2-D5
-	Fig.14-5	HDD	2-D7
-	Fig.12-1	Imaging IOB	1-A5/8
-	Fig.14-6	Paper Transport IOB	1-D3
-	Fig.14-7	PSU: DC	1-C10/1-D10
-	Fig.14-8	PSU: AC Controller Board	1-C5/1-G5
-	Fig.14-9	BCU	1-C10
-	Fig.14-11	IPU	1-C5

# D238/D239 Harness Pin Assignment

Harness No.	Connector (From)			Signal Information	Connector (To)			Note	
	To Connector	Addr.	Pin No.		To Connector	Addr.	Pin No.		
1	Paper Transport IOB	CN155	1	Fusing Cooling Fan: +24V (CTRL)	Fusing Cooling Fan	CN1	3	CN9, CN15, CN16, CN17, CN18, CN19: With relay connector	
			2	Fusing Cooling Fan: LOCK Sensor Signal			2		
			3	Fusing Cooling Fan: GND			1		
			4	Registration Sensor: GND	Harness No.51 D1492556	CN2	3		
			5	Registration Sensor: Sensor Signal			2		
			6	Registration Sensor: +5V	Fusing Motor	CN3	1		
			7	Fusing Motor: PEAKI & GAIN			10		
			8	Fusing Motor: MAKER & CLOCK			9		
			9	Fusing Motor: FG & BRK			8		
			10	Fusing Motor: ROTATE & ROTATE			7		
			11	Fusing Motor: PWM & ON			6		
			12	Fusing Motor: Fusing Motor LOCK			5		
			13	Fusing Motor: GND			4		
			14	Fusing Motor: GND			3		
			15	Fusing Motor: 24VS2			2		
			16	Fusing Motor: 24VS2	1				
			17	N.C.	N.C.	-	-		
	18	Right Door Open/Close Switch: SW Terminal2	Right Door Open/Close Sensor	Right Door Open/Close Sensor	Right Door Open/Close Sensor	Right Door Open/Close Sensor	Right Door Open/Close Sensor		2
	19	Right Door Open/Close Switch: SW Terminal1							1
	A1	Paper Exit Motor: ENC: A Phase	Paper Exit Motor	CN6	8				
	A2	Paper Exit Motor: ENC: B Phase			7				
	A3	Paper Exit Motor: +5V			6				
	A4	Paper Exit Motor: CW/CCW (Low)			5				
	A5	Paper Exit Motor: PWM			4				
	A6	Paper Exit Motor: BRK (Low)			3				
	A7	Paper Exit Motor: GND			2				
	A8	Paper Exit Motor: +24VS2			1				
	A9	Transport Motor: ENC: A Phase	Paper Feed Motor	CN7	8				
	A10	Transport Motor: ENC: B Phase			7				
	A11	Transport Motor: +5V			6				
	A12	Transport Motor: CW/CCW (Low)			5				
	A13	Transport Motor: PWM			4				
	A14	Transport Motor: BRK (Low)			3				
	A15	Transport Motor: GND			2				
A16	Transport Motor: +24VS2	1							
B1	Paper Feed Motor: ENC: A Phase	Transport Motor	CN8	8					
B2	Paper Feed Motor: ENC: B Phase			7					
B3	Paper Feed Motor: +5V			6					
B4	Paper Feed Motor: CW/CCW (Low)			5					
B5	Paper Feed Motor: PWM			4					
B6	Paper Feed Motor: BRK (Low)			3					
B7	Paper Feed Motor: GND			2					
B8	Paper Feed Motor: +24VS2			1					
B9	Registration Motor: ENC: A Phase			Registration Motor	CN5	8			
B10	Registration Motor: ENC: B Phase					7			
B11	Registration Motor: +5V	6							
B12	Registration Motor: CW/CCW (Low)	5							
B13	Registration Motor: PWM	4							
B14	Registration Motor: BRK (Low)	3							
B15	Registration Motor: GND	2							
B16	Registration Motor: +24VS2	1							

Harness No.	Connector (From)			Signal Information	Connector (To)			Note
	To Connector	Addr.	Pin No.		To Connector	Addr.	Pin No.	
1	Paper Transport IOB	CN159	1	Pick-up Solenoid (1st Feed Tray): Terminal1	Harness No.56 D2022708	CN9	14	CN9, CN15, CN16, CN17, CN18: With relay connector
			2	Pick-up Solenoid (1st Feed Tray): Terminal2			13	
			3	Paper Feed Sensor (1st Feed Tray): GND			12	
			4	Paper Feed Sensor (1st Feed Tray): Sensor			11	
			5	Paper Feed Sensor (1st Feed Tray): +5V			10	
			6	Transport Sensor (1st Feed Tray): GND			9	
			7	Transport Sensor (1st Feed Tray): Sensor Signal			8	
			8	Transport Sensor (1st Feed Tray): +5V			7	
			9	Paper End Sensor (1st Feed Tray): GND			6	
			10	Paper End Sensor (1st Feed Tray): Sensor Signal			5	
			11	Paper End Sensor (1st Feed Tray): +5V			4	
			12	Limit Sensor (1st Feed Tray): GND			3	
			13	Limit Sensor (1st Feed Tray): Sensor Signal			2	
			14	Limit Sensor (1st Feed Tray): +5V			1	
	Paper Transport IOB	CN161	1	PTR Open/Close LED: CTRL	Harness No.57 D2416237	CN10	5	
			2	PTR Open/Close LED: +5V			4	
			3	Fusing Entrance Sensor: GND			3	
			4	Fusing Entrance Sensor: Sensor Signal			2	
			5	Fusing Entrance Sensor: +5V	1			
			6	PTR Open/Close Sensor: GND	PTR Open/Close Sensor	3		
			7	PTR Open/Close Sensor: Sensor Signal	2			
			8	PTR Open/Close Sensor: +5V	1			
			9	Duplex Entrance Motor: ENC: A Phase	Duplex Entrance Motor	CN14	8	
			10	Duplex Entrance Motor: ENC: B Phase			7	
			11	Duplex Entrance Motor: +5V			6	
			12	Duplex Entrance Motor: CW/CCW (Low)			5	
			13	Duplex Entrance Motor: PWM			4	
			14	Duplex Entrance Motor: BRK (Low)			3	
			15	Duplex Entrance Motor: GND			2	
			16	Duplex Entrance Motor: +24VS2			1	
			17	By-pass/Duplex Motor: ENC: A Phase	Harness No.58 D2414696	CN15	18	
			18	By-pass/Duplex Motor: ENC: B Phase			17	
			19	By-pass/Duplex Motor: +5V			16	
			20	By-pass/Duplex Motor: CW/CCW (Low)			15	
21	By-pass/Duplex Motor: PWM	14						
22	By-pass/Duplex Motor: BRK (Low)	13						
23	By-pass/Duplex Motor: GND	12						
24	By-pass/Duplex Motor: +24VS2	11						
25	Duplex Entrance Sensor: GND	10						
26	Duplex Entrance Sensor: Sensor Signal	9						
27	Duplex Entrance Sensor: +5V	8						
28	Duplex Exit Sensor: GND	7						
29	Duplex Exit Sensor: Sensor Signal	6						
30	Duplex Exit Sensor: +5V	5						
31	Duplex Unit Open/Close Sensor: SW Terminal2	4						
32	Duplex Unit Open/Close Sensor: SW Terminal1	3						
33	N.C.	2						
34	N.C.	1						

# D238/D239 Harness Pin Assignment

Harness No.	Connector (From)			Signal Information	Connector (To)			Note	
	To Connector	Addr.	Pin No.		To Connector	Addr.	Pin No.		
1	Paper Transport IOB	CN162	1	By-pass Pick-up Solenoid: Terminal2 (PWM)	Harness No.60 D2412661	CN16	14		
			2	By-pass Pick-up Solenoid: Terminal1 (+24VS2)			13		
			3	By-pass Paper End Sensor: GND			12		
			4	By-pass Paper End Sensor: Sensor Signal			11		
			5	By-pass Paper End Sensor: +5V			10		
			6	By-pass Paper Length Sensor: SW Terminal2			9		
			7	By-pass Paper Length Sensor: SW Terminal1			8		
			8	By-pass Paper Length Sensor: COM Terminal			7		
			9	By-pass Paper Length Sensor: SW Terminal4			6		
			10	By-pass Paper Length Sensor: SW Terminal5			5		
			11	By-pass Paper Length Sensor: SW Terminal3			4		
			12	By-pass Paper Size Sensor: GND			3		
			13	By-pass Paper Size Sensor: Sensor Signal			2		
			14	By-pass Paper Size Sensor: +5V			1		
			15	N.C.			-		-
			16	Paper Exit Solenoid: Terminal1 (+24VS2)			-		15
			17	Paper Exit Solenoid: Terminal2 (PWM)			-		14
			18	Inversion Sensor: GND			-		13
			19	Inversion Sensor: Sensor Signal			-		12
			20	Inversion Sensor: +5V			-		11
			21	Paper Exit Sensor: GND			-		10
			22	Paper Exit Sensor: Sensor Signal			-		9
			23	Paper Exit Sensor: +5V			-		8
			24	Exit Tray Full Detection Sensor: GND			-		7
			25	Exit Tray Full Detection Sensor: Sensor Signal			-		6
			26	Exit Tray Full Detection Sensor: +5V			-		5
			27	N.C.			-		-
			28	N.C.			-		-
			29	N.C.			-		-
			30	N.C.			-		-
1	Paper Transport IOB	CN167	1	Inversion Motor: XB Phase	-	-	4	CN9, CN15, CN16, CN17, CN18, CN19: With relay connector	
			2	Inversion Motor: B Phase			3		
			3	Inversion Motor: XA Phase			2		
			4	Inversion Motor: A Phase			1		
1	Paper Transport IOB	CN156	A1	Set Detection (P): GND	-	-	A17		
			A2	Set Detection (C): GND			A16		
			A3	Set Detection: NA			A15		
			A4	Set Detection: EU			A14		
			A5	Set Detection : Special Paper			A13		
			A6	NewUnit Detection Fuse			A12		
			A7	NewUnit Detection Fuse: GND			A11		
			A8	Thermopile (Edge): +5V			A10		
			A9	Thermopile (Edge): GND			A9		
			A10	Thermopile (Edge): FB			A8		
			A11	Thermopile (Center): +5V			A7		
			A12	Thermopile (Center): GND			A6		
			A13	Thermopile (Center): FB			A5		
			A14	Thermopile (Exit): GND			A4		
			A15	Thermopile (Exit): Sensor Signal			A3		
			A16	Thermopile (Exit): +5V			A2		
			1	Paper Transport IOB			CN156		B1
B2	N.C.	B17							
B3	Positioning Sensor/1:GND	B16							
B4	Positioning Sensor/1:Sensor Signal	B15							
B5	Positioning Sensor/1:+5V	B14							
B6	Non-Contact Thermistor (Edge): Detection	B13							
B7	Non-Contact Thermistor (Edge): Compensation	B12							
B8	Non-Contact Thermistor (Edge): GND	B11							
B9	Non-Contact Thermistor (Center): Detection	B10							
B10	Non-Contact Thermistor (Center): Compensation	B9							
B11	Non-Contact Thermistor (Center): GND	B8							
B12	Pressure Thermistor: Expanded End: FB	B7							
B13	Pressure Thermistor: Expanded End: GND	B6							
B14	Pressure Thermistor: End: FB	B5							
B15	Pressure Thermistor: End: GND	B4							
B16	Pressure Thermistor: Center: FB	B3							
B17	Pressure Thermistor: Center: GND	B2							
							B1		

Harness No.	Connector (From)			Signal Information	Connector (To)			Note	
	To Connector	Addr.	Pin No.		To Connector	Addr.	Pin No.		
2	Paper Transport IOB	CN153	1	AC driver: +24V	-	-	11		
			2	AC driver: GND			10		
			3	AC driver: Zero Cross Signal1			9		
			4	AC driver: Fusing Relay Trigger Signal1			8		
			5	AC driver: Anti-condensation Heater Relay Trigger Signal			7		
			6	AC driver: AC Voltage Detection Signal			6		
			7	AC driver: Fusing Heater2 Trigger Signal			5		
			8	AC driver: Fusing Heater1 Trigger Signal			4		
			9	AC driver: Fusing Relay Trigger Signal2			3		
			10	AC driver: Zero Cross Signal2			2		
			11	PSU Cooling Fan: +24V (CTRL)			1		
			12	PSU Cooling Fan: LOCK Sensor Signal			3		
			13	PSU Cooling Fan: GND			2		
			14	N.C.			1		
			15	N.C.			-		-
			16	N.C.			-		-
2	Paper Transport IOB	CN164	1	IPU: GND	-	-	13		
			2	IPU: +5VE			12		
			3	IPU: GND			11		
			4	IPU: +24V			10		
			5	IPU: +24V			9		
			6	IPU: +24V			8		
			7	IPU: +24V			7		
			8	IPU: GND			6		
			9	IPU: GND			5		
			10	IPU: GND			4		
			11	IPU: +24VS1			3		
			12	IPU: +24VS2			2		
			13	IPU: GND			1		
2	Paper Transport IOB	CN253	1	MKB: +5V	-	-	13		
			2	MKB: Key Card: Set Detection			12		
			3	MKB: b0 (Size1)			11		
			4	MKB: b1 (Size2)			10		
			5	MKB: b2 (Size3)			9		
			6	MKB: b3 (Size4)			8		
			7	MKB: b4 (Mode1)			7		
			8	MKB: b5 (Mode2)			6		
			9	MKB: b6 (Duplex)			5		
			10	MKB: b7 (Motor)			4		
			11	MKB: GND			3		
			12	MKB: Key Card: CTRL			2		
			13	MKB: For Optional Counter: +24V			1		
			14	Key-counter: GND			4		
			15	Key-counter: Key Counter: Set Detection			3		
			16	Key Counter: For Optional Counter: +24V			2		
			17	Key-counter: Key Counter: CTRL			1		
2	IPU	CN577	1	PSU: DC: PONENG_N	-	-	2		
			2	N.C.			1		
			3	PSU: DC: GND			4		
2	Paper Transport IOB	CN152	1	PSU: +24V	-	-	4		
			2	PSU: +24V			3		
			3	PSU: GND (+24V)			2		
			4	PSU: GND (+24V)			1		
			5	PSU: GND (+5V)			4		
			6	PSU: +5V			8		
2	IPU	CN578	1	PSU: GND	-	-	2		
			2	PSU: GND			3		
			3	PSU: 5V			7		
			4	PSU: 5VX			6		
			5	PSU: 5VX			5		
							1		

CN2, CN5: With relay connector



## D238/D239 Harness Pin Assignment

Harness No.	Connector (From)			Signal Information	Connector (To)			Note				
	To Connector	Addr.	Pin No.		To Connector	Addr.	Pin No.					
3	Image Processing IOB	CN207	1	Paper Transport IOB: GND	Paper Transport IOB	CN163	18					
			2	Paper Transport IOB: GND			17					
			3	Paper Transport IOB: +24VS2			16					
			4	Paper Transport IOB: +24VS2			15					
			5	Paper Transport IOB: +24VS2			14					
			6	Paper Transport IOB: +24VS2			13					
			7	Paper Transport IOB: +24VS1			12					
			8	Paper Transport IOB: GND			11					
			9	Paper Transport IOB: GND			10					
			10	Paper Transport IOB: GND			9					
			11	Paper Transport IOB: GND			8					
			12	Paper Transport IOB: GND			7					
			13	Paper Transport IOB: GND			6					
			14	Paper Transport IOB: +5V			5					
			15	Paper Transport IOB: +24V			4					
			16	Paper Transport IOB: +24V			3					
			17	Paper Transport IOB: +24V			2					
			18	Paper Transport IOB: GND			1					
4	Paper Transport IOB	CN256	1	Bank: RXD	Bank Drawer	CN1	16					
			2	Bank: TXD			14					
			3	Bank: GND			12					
			4	Bank: GND			10					
			5	Bank: +5V			8					
			6	Bank: +5V			6					
			7	Bank: GND			4					
	PSU (DC)	CN914	1	PSU: GND			3					
			2	PSU: GND			5					
			3	PSU: GND			7					
			4	PSU: 24V			9					
			5	PSU: 24V			11					
			6	PSU: 24V			13					
			7	PSU: 24V			15					
-	-	-	N.C.	1								
-	-	-	N.C.	2								
-	-	-	N.C.	17								
-	-	-	N.C.	18								
5	Paper Transport IOB	CN158	1	Lift Motor (2nd Feed Tray): Sensor: Paper Remaining Detection	Lift Motor (2nd Feed Tray): Sensor	CN1	5					
			2	Lift Motor (2nd Feed Tray): Sensor: Paper Remaining Detection: GND			4					
			3	Lift Motor (2nd Feed Tray): Sensor: Paper Remaining Detection			3					
			4	Lift Motor (2nd Feed Tray): Sensor: CTRL -			2					
			5	Lift Motor (2nd Feed Tray): Sensor: CTRL +			1					
			6	Tray Set Switch (2nd Feed Tray): GND			2					
			Paper Transport IOB	CN158	7	Tray Set Switch (2nd Feed Tray): SW Terminal1	Tray Set Switch (2nd Feed Tray)	CN2	1			
					8	Size Switch (2nd Feed Tray): SW Terminal1	5					
					9	Size Switch (2nd Feed Tray): SW Terminal2	4					
					10	Size Switch (2nd Feed Tray): SW Terminal3	3					
					11	Size Switch (2nd Feed Tray): GND	2					
					12	Size Switch (2nd Feed Tray): SW Terminal4	1					
					13	N.C.	-					
					14	N.C.	-					
					Paper Transport IOB	CN158	15	Pick-up Solenoid (2nd Feed Tray): +24VS2	Harness No.56 D2022708	CN5	14	
							16	Pick-up Solenoid (2nd Feed Tray): PWM			13	
							17	Paper Feed Sensor (2nd Feed Tray): GND			12	
							18	Paper Feed Sensor (2nd Feed Tray): Sensor			11	
	19	Paper Feed Sensor (2nd Feed Tray): +5V	10									
	20	Transport Sensor (2nd Feed Tray): GND	9									
	21	Transport Sensor (2nd Feed Tray): Sensor Signal	8									
	22	Transport Sensor (2nd Feed Tray): +5V	7									
	23	Paper End Sensor (2nd Feed Tray): GND	6									
	24	Paper End Sensor (2nd Feed Tray): Sensor	5									
	25	Paper End Sensor (2nd Feed Tray): +5V	4									
	26	Limit Sensor (2nd Feed Tray): GND	3									
	27	Limit Sensor (2nd Feed Tray): Sensor Signal	2									
	28	Limit Sensor (2nd Feed Tray): +5V	1									
	Paper Transport IOB	CN160	1	Lift Motor (1st Feed Tray): Sensor: Paper Remaining Detection	Lift Motor (1st Feed Tray): Sensor	CN6	5					
			2	Lift Motor (1st Feed Tray): Sensor: Paper Remaining Detection: GND			4					
3			Lift Motor (1st Feed Tray): Sensor: Paper Remaining Detection	3								
4			Lift Motor (1st Feed Tray): Sensor: CTRL -	2								
5			Lift Motor (1st Feed Tray): Sensor: CTRL +	1								
6			Tray set Switch (1st Feed Tray): GND	2								
7			Tray set Switch (1st Feed Tray): SW Terminal1	1								

Harness No.	Connector (From)			Signal Information	Connector (To)			Note		
	To Connector	Addr.	Pin No.		To Connector	Addr.	Pin No.			
6	BCU	CN105	1	ID Sensor: 3.3V	Harness No.20 D2415347	CN2	15			
			2	ID Sensor: GND			14			
			3	ID Sensor: FRONT LED Drive			13			
			4	ID Sensor: FRONT Diffuse Reflection Sensor			12			
			5	ID Sensor: FRONT Specular Reflection Sensor			11			
			6	ID Sensor: 3.3V			10			
			7	ID Sensor: GND			9			
			8	ID Sensor: CENTER LED Drive			8			
			9	ID Sensor: CENTER Diffuse Reflection Sensor			7			
			10	ID Sensor: CENTER Specular Reflection Sensor Output			6			
			11	ID Sensor: 3.3V			5			
			12	ID Sensor: GND			4			
			13	ID Sensor: REAR LED Drive			3			
			14	ID Sensor: REAR Diffuse Reflection Sensor			2			
			15	ID Sensor: REAR Specular Reflection Sensor			1			
	Paper Transport IOB	CN166	1	Fusing Exit Solenoid: 2(PWM)	Harness No.16 D2415332	CN13	2			
			2	Fusing Exit Solenoid: 1(+24VS2)			1			
			Image Processing IOB	CN251	3	Pressure Roller HP Sensor: GND	Pressure Roller HP Sensor	CN3	3	
					4	Pressure Roller HP Sensor: Signal			2	
					5	Pressure Roller HP Sensor: +5V			1	
	Image Processing IOB	CN209	1	1bin Tray: Mainframe Inversion Sensor Output	1bin Tray	CN10	6			
			2	1bin Tray: Paper Remaining Sensor			5			
			3	1bin Tray: Set Detection Mechanism			4			
			4	1bin Tray: GND			3			
			5	1bin Tray: +5VE_LPS			2			
			6	1bin Tray: +5V			1			
	Image Processing IOB	CN209	1	Temperature/Humidity Sensor: Temperature FB	Temperature/Humidity Sensor	CN4	4			
			2	Temperature/Humidity Sensor K: GND			3			
			3	Temperature/Humidity Sensor K: Humidity FB			2			
			4	Temperature/Humidity Sensor K: +3.3V			1			
Image Processing IOB			CN209	5	Mainframe Exhaust/Drive Cooling/Developing Air Intake Fan/Right: CTRL	Developing Air Intake Fan/Right	CN5	3		
				6	Developing Air Intake Fan/Right: LOCK			2		
				7	Developing Air Intake Fan/Right: GND	1				
				8	Paper Exit Cooling Fan: CTRL	Exit Exhaust Cooling Fan	CN8	3		
				9	Paper Exit Cooling Fan: LOCK			2		
				10	Paper Exit Cooling Fan: GND			1		
IPU	CN917	1	Main SW: ACSW_STAT_ON_O_ACSW	Main SW	CN11	2				
		2	Main SW: ACSWOFF_ACSW			1				
1bin LED	CN213	1	1bin LED: CATHODE	1bin Tray	CN12	2				
		2	1bin LED: ANODE			1				
IPU	CN572	1	Human Detect Setting: Power(+3.3VE)	MESENS2 (Human Detect Setting Board)	CN9	5				
		2	Human Detect Setting: Motion Sensor Signal			4				
		3	Human Detect Setting: GND			3				
		4	N.C.			2				
		5	N.C.			1				
PSU (DC)	CN589	1	PSU: DC: 24V	Interlock SW/1	CN1	1				
		2	PSU: DC: 24V			2				
Image Processing IOB	CN1	1	Interlock Switch: Front Cover (LD Safety Switch): +24VS1	Interlock SW/1	CN1	2				
		2	Interlock Switch: Duplex Unit (LD Safety Switch): +24VS2			2				
-	-	-	N.C.	-	-	8				
Image Processing IOB	CN217	1	Finisher: RXD	Lattice	CN1	7				
		-	N.C.			6				
		2	Finisher: TXD			5				
		-	N.C.			4				
		-	N.C.			3				
		3	Finisher: GND			2				
		4	Finisher: GND			1				
		5	Finisher: GND			1				
PSU (DC)	CN913	1	PSU: DC: GND	Lattice	CN2	9				
		2	PSU: DC: GND			8				
		3	PSU: DC: GND			7				
		4	PSU: DC: GND			6				
		5	PSU: DC: 24V			5				
		6	PSU: DC: 24V			4				
		7	PSU: DC: 24V			3				
		8	PSU: DC: 24V			2				
-	-	-	N.C.	-	-	1				

CN1, CN2, CN5, CN6, CN8: With relay connector

CN5: With relay connector

# D238/D239 Harness Pin Assignment

Harness No.	Connector (From)			Signal Information	Connector (To)			Note
	To Connector	Addr.	Pin No.		To Connector	Addr.	Pin No.	
9	Image Processing IOB	CN203	1	Toner Bottle Drive Motor: K: CTRL B	Toner Bottle Drive Motor/K	CN1	2	CN1, CN2, CN3, CN4, CN14, CN18: With relay connector
			2	Toner Bottle Drive Motor: K: +24VS1			1	
			3	Toner Bottle Drive Motor: C: CTRL B	Toner Bottle Drive Motor/C	CN2	2	
			4	Toner Bottle Drive Motor: C: +24VS1			1	
			5	Toner Bottle Drive Motor: M: CTRL B	Toner Bottle Drive Motor/M	CN3	2	
			6	Toner Bottle Drive Motor: M: +24VS1			1	
			7	Toner Bottle Drive Motor: Y: CTRL B	Toner Bottle Drive Motor/Y	CN4	2	
			8	Toner Bottle Drive Motor: Y: +24VS1			1	
			9	N.C.	-	-	-	
			10	Toner Bottle ID Chip: I2C	Toner Bottle ID Chip	CN5	4	
			11	Toner Bottle ID Chip: GND			3	
			12	Toner Bottle ID Chip: I2C			2	
			13	Toner Bottle ID Chip: +5V_HST			1	
			14	N.C.	-	-	-	
			15	Toner Bottle ID Chip: I2C	Toner Bottle ID Chip	CN6	4	
			16	Toner Bottle ID Chip: GND			3	
			17	Toner Bottle ID Chip: I2C	Toner Bottle ID Chip	CN7	2	
			18	Toner Bottle ID Chip: +5V_HST			1	
			19	Toner Bottle ID Chip: I2C			4	
			20	Toner Bottle ID Chip: GND			3	
			21	Toner Bottle ID Chip: I2C	Toner Bottle ID Chip	CN8	2	
			22	Toner Bottle ID Chip: +5V_HST			1	
			23	Toner Bottle ID Chip: I2C			4	
			24	Toner Bottle ID Chip: GND			3	
			25	Toner Bottle ID Chip: I2C			2	
			26	Toner Bottle ID Chip: +5V_HST			1	
9	Image Processing IOB	CN219	1	HVP TTS: +24VS2	HVP: TTS	CN802	10	CN8, CN9, CN13: With relay connector
			2	HVP TTS: GND			9	
			3	HVP TTS: Transfer/SC Detection			8	
			4	HVP TTS: Paper Transfer (-)/Output Voltage FB			7	
			5	HVP TTS: Paper Transfer (-)/PWM			6	
			6	HVP TTS: Paper Transfer (+)/PWM			5	
			7	HVP TTS: Image Transfer/K/PWM			4	
			8	HVP TTS: Image Transfer/C/PWM			3	
			9	HVP TTS: Image Transfer/M/PWM			2	
			10	HVP TTS: Image Transfer/Y/PWM			1	
			11	N.C.	-	-	-	
			12	N.C.	-	-	-	
9	Image Processing IOB	CN205	1	Toner End Sensor: K: GND	Harness No.18 D2415334	CN9	3	CN1, CN2, CN3, CN4, CN14, CN18: With relay connector
			2	Toner End Sensor: K: Signal			2	
			3	Toner End Sensor: K: +5VTEK			1	
			4	Toner End Sensor: C: GND	Harness No.18 D2415334	CN10	3	
			5	Toner End Sensor: C: Signal			2	
			6	Toner End Sensor: C: +5VTEFC			1	
			7	Toner End Sensor: M: GND	Harness No.18 D2415334	CN13	3	
			8	Toner End Sensor: M: Signal			2	
			9	Toner End Sensor: M: +5VTEFC			1	
			10	Toner End Sensor: Y: GND	Harness No.18 D2415334	CN17	3	
			11	Toner End Sensor: Y: Signal			2	
			12	Toner End Sensor: Y: +5VTEFC			1	
			13	ITB Contact and Release Sensor: GND	Harness No.18 D2415334	CN14	3	
			14	ITB Contact and Release Sensor: Signal			2	
			15	ITB Contact and Release Sensor: +5V			1	
			16	Imaging Temperature Sensor: GND	Imaging Temperature Sensor	CN18	2	
9	Image Processing IOB	CN218	1	Bridge unit/Shift Tray/Exit Tray Left: GND	Bridge Unit Drawer	CN19	10	CN1, CN2, CN3, CN4, CN14, CN18: With relay connector
			2	Bridge unit/Shift Tray/Exit Tray Left: +5V			9	
			3	Bridge unit/Shift Tray/Exit Tray Left:			8	
			4	Bridge unit/Shift Tray/Exit Tray Left: CBUCVSNNSNS_N_I			7	
			5	Bridge unit/Shift Tray/Exit Tray Left: CBUEPSNSNS_N_I			6	
			6	Bridge unit/Shift Tray/Exit Tray Left: CBUCVMTRST_N_O			5	
			7	Bridge unit/Shift Tray/Exit Tray Left:			4	
			8	Bridge unit/Shift Tray/Exit Tray Left: GND			3	
			9	Bridge unit/Shift Tray/Exit Tray Left: +24V			2	
			10	N.C.			1	
			11	Bridge unit/Exit Tray Left: +24V			9	
			12	Bridge unit/Exit Tray Left: CBU+5V_FU_I			8	
			13	Bridge unit/Exit Tray Left: CBUCVMTENA_N_O			7	
			14	Bridge unit/Exit Tray Left: CBU_SS2SET_I			6	
			15	Bridge unit/Exit Tray Left: CBUDVSLPWM_O			5	
			16	Bridge unit/Exit Tray Left: CBUCVMTCLK_O			4	
			17	Bridge unit/Exit Tray Left: CBU+24V_FU_I			3	
			18	Bridge unit/Exit Tray Left: CBTOCSNSNS_I			2	

Harness No.	Connector (From)			Signal Information	Connector (To)			Note
	To Connector	Addr.	Pin No.		To Connector	Addr.	Pin No.	
10	Image Processing IOB	CN222	1	Toner Bottle Drive Motor: K: A Phase	Toner Bottle Drive Motor: K	CN1	4	CN8, CN9, CN13: With relay connector
			2	Toner Bottle Drive Motor: K: XA Phase			3	
			3	Toner Bottle Drive Motor: K: B Phase			2	
			4	Toner Bottle Drive Motor: K: XB Phase			1	
			5	Toner Bottle Drive Motor: C: A Phase	Toner Bottle Drive Motor: C	CN2	4	
			6	Toner Bottle Drive Motor: C: XA Phase			3	
			7	Toner Bottle Drive Motor: C: B Phase			2	
			8	Toner Bottle Drive Motor: C: XB Phase			1	
			9	Toner Bottle Drive Motor: M: A Phase	Toner Bottle Drive Motor: M	CN3	4	
			10	Toner Bottle Drive Motor: M: XA Phase			3	
			11	Toner Bottle Drive Motor: M: B Phase			2	
			12	Toner Bottle Drive Motor: M: XB Phase			1	
			13	Toner Bottle Drive Motor: Y: A Phase	Toner Bottle Drive Motor: Y	CN4	4	
			14	Toner Bottle Drive Motor: Y: XA Phase			3	
			15	Toner Bottle Drive Motor: Y: B Phase			2	
			16	Toner Bottle Drive Motor: Y: XB Phase			1	
12	Image Processing IOB	CN200	1	Drum Motor/FC:Peak Hold	Drum Motor/FC	CN1	10	CN8, CN9, CN13: With relay connector
			2	Drum Motor/FC:Maker			9	
			3	Drum Motor/FC:FG			8	
			4	Drum Motor/FC:Direction			7	
			5	Drum Motor/FC:PWM			6	
			6	Drum Motor/FC:BRK			5	
			7	Drum Motor/FC:GND			4	
			8	Drum Motor/FC:GND			3	
			9	Drum Motor/FC: +24VS1			2	
			10	Drum Motor/FC: +24VS1			1	
			11	Development Motor/FC:Peak Hold	Development Motor/FC	CN2	10	
			12	Development Motor/FC:Maker			9	
			13	Development Motor/FC:FG			8	
			14	Development Motor/FC:Direction			7	
			15	Development Motor/FC:PWM			6	
			16	Development Motor/FC:BRK			5	
			17	Development Motor/FC:GND			4	
			18	Development Motor/FC:GND			3	
			19	Development Motor/FC: +24VS1			2	
			20	Development Motor/FC: +24VS1			1	
			21	Development Motor/K:Peak Hold	Development Motor/K	CN4	10	
			22	Development Motor/K:Maker			9	
			23	Development Motor/K:FG			8	
			24	Development Motor/K:Direction			7	
			25	Development Motor/K:PWM			6	
			26	Development Motor/K:BRK			5	
			27	Development Motor/K:GND			4	
			28	Development Motor/K:GND			3	
			29	Development Motor/K: +24VS1			2	
			30	Development Motor/K: +24VS1			1	
			31	Image Transfer Motor/K:Peak Hold	Image Transfer Motor	CN7	10	
			32	Image Transfer Motor/K:Maker			9	
			33	Image Transfer Motor/K:FG			8	
			34	Image Transfer Motor/K:Direction			7	
			35	Image Transfer Motor/K:PWM			6	
			36	Image Transfer Motor/K:BRK			5	
			37	Image Transfer Motor/K:GND			4	
			38	Image Transfer Motor/K:GND			3	
			39	Image Transfer Motor/K: +24VS1			2	
			40	Image Transfer Motor/K: +24VS1			1	

**D238/D239 Harness Pin Assignment**

Harness No.	Connector (From)			Signal Information	Connector (To)			Note
	To Connector	Addr.	Pin No.		To Connector	Addr.	Pin No.	
11	Image Processing IOB	CN201	1	Development Solenoid/CTRL	Development Solenoid	CN8	2	CN8, CN9, CN13: With relay connector
			2	Development Solenoid/CTRL			1	
			3	Waste toner capacity sensor: GND			3	
			4	Waste toner capacity sensor: Signal	Harness No.15 D1495330	CN5	2	
			5	Waste toner capacity sensor: +5V			1	
			6	Waste toner bottle set switch: GND	Waste Toner Bottle Set Switch	CN3	2	
			7	Waste toner bottle set switch: Signal			1	
			8	PTR Separation Sensor: GND	PTR Separation Sensor	CN11	3	
			9	PTR Separation Sensor: Signal			2	
			10	PTR Separation Sensor: +5V			1	
			11	Paper Transfer Contact Motor: CTRL2	Paper Transfer Contact Motor	CN12	2	
			12	Paper Transfer Contact Motor: CTRL1			1	
			13	N.C.	-	-	-	
	14	N.C.	-	-	16			
	15	N.C.	-	-	15			
	16	PCU: GND	Harness No.14 D1495328	CN13	14			
	17	PCU: HST Sensor/K/Out put			13			
	18	PCU: HST Sensor/Power			12			
	19	PCU: HST Sensor/K/SEL			11			
	20	PCU: HST_SDA			10			
	21	PCU: HST_SCL			9			
	22	N.C.			8			
	23	N.C.			7			
	24	PCU: GND			6			
	25	PCU: HST Sensor/C/Out put			5			
	26	PCU: HST Sensor/Power			4			
	27	PCU: HST Sensor/C/SEL			3			
	28	PCU: HST_SDA			2			
	29	PCU: HST_SCL			1			
	30	N.C.			-	-	32	
	31	N.C.			-	-	31	
	32	PCU: GND	-	-	30			
11	Image Processing IOB	CN211	1	HVP CB: HVP/Development/DC/Y/PWM	HVP CB	CN800	20	
			2	HVP CB: HVP/Development/DC/M/PWM			19	
			3	HVP CB: HVP/Development/DC/C/PWM			18	
			4	HVP CB: HVP/Development/DC/K/PWM			17	
			5	HVP CB: HVP/Charge/DC/K/PWM			16	
			6	HVP CB: HVP/Charge/DC/C/PWM			15	
			7	HVP CB: HVP/Charge/DC/M/PWM			14	
			8	HVP CB: HVP/Charge/DC/Y/PWM			13	
			9	HVP CB: HVP/Charge/AC/K/PWM			12	
			10	HVP CB: HVP/Charge/AC/C/PWM			11	
			11	HVP CB: HVP/Charge/AC/M/PWM			10	
			12	HVP CB: HVP/Charge/AC/Y/PWM			9	
			13	HVP CB: HVP/Charge/AC/Y/CLOCK			8	
			14	HVP CB: HVP/Charge Development/SC			7	
			15	HVP CB: HVP/Charge/AC/K/Output Voltage FB			6	
			16	HVP CB: HVP/Charge/AC/C/Output Voltage FB			5	
			17	HVP CB: HVP/Charge/AC/M/Output Voltage FB			4	
			18	HVP CB: HVP/Charge/AC/Y/Output Voltage FB			3	
			19	HVP CB: GND			2	
			20	HVP CB: +24VS2			1	
	1	N.C.	-	-	-			
	2	N.C.	-	-	-			
	3	N.C.	-	-	-			
	4	Controller Box Cooling Fan: CTRL	Controller Box Cooling Fan	CN9	3			
	5	Controller Box Cooling Fan: LOCK			2			
	6	Controller Box Cooling Fan: GND			1			
	7	N.C.	-	-	-			
	8	N.C.	-	-	-			
	9	N.C.	-	-	-			
	10	Developing Air Intake Fan:Left/Toner supply cooling Fan: CTRL	Toner Supply Cooling Fan	CN10	3			
	11	Toner Supply Cooling Fan: LOCK			2			
	12	Toner Supply Cooling Fan: GND			1			
13	N.C.	-	-	-				
14	N.C.	-	-	-				
15	N.C.	-	-	-				
13	Harness No.11 D2395326	CN1	1	PCU: Lubricant Near-End Sensor/K	Harness No.14 D2405329	CN2	16	
			2	PCU: +24VS2			15	
			3	PCU: HST_SCL			14	
			4	PCU: HST_SDA			13	
			5	PCU: HST Sensor/K/PWM			12	
			6	PCU: HST Sensor/+5V			11	
			7	PCU: HST Sensor/K/FB			10	
			8	PCU: GND			9	
			9	PCU: Lubricant Near-End Sensor/C			8	
			10	PCU: +24VS2			7	
			11	PCU: HST_SCL			6	
			12	PCU: HST_SDA			5	
			13	PCU: HST Sensor/C/PWM			4	
			14	PCU: HST Sensor/+5V			3	
			15	PCU: HST Sensor/C/FB			2	
			16	PCU: GND			1	
			17	PCU: Lubricant Near-End Sensor/M			32	
			18	PCU: +24VS2			31	
			19	PCU: HST_SCL			30	
			20	PCU: HST_SDA			29	
			21	PCU: HST Sensor/M/PWM			28	
			22	PCU: HST Sensor/+5V			27	
			23	PCU: HST Sensor/M/FB			26	
			24	PCU: GND			25	
			25	PCU: Lubricant Near-End Sensor/Y			24	
			26	PCU: +24VS2			23	
			27	PCU: HST_SCL			22	
			28	PCU: HST_SDA			21	
			29	PCU: HST Sensor/Y/PWM			20	
			30	PCU: HST Sensor/+5V			19	
			31	PCU: HST Sensor/Y/FB			18	
			32	PCU: GND			17	

### D238/D239 Harness Pin Assignment

Harness No.	Connector (From)			Signal Information	Connector (To)			Note				
	To Connector	Addr.	Pin No.		To Connector	Addr.	Pin No.					
14	Harness No.13 D1495328	CN1	1	N.C.	-	-	-	CN2, CN3, CN4, CN5: With relay connector				
			2	N.C.	-	-	-					
			3	PCU: GND	-	-	6					
			4	PCU: HST Sensor/K/Output	-	-	5					
			5	PCU: HST Sensor/Power	Harness No.66 D2423173	CN2	4					
			6	PCU: HST Sensor/K/SEL	-	-	3					
			7	PCU: HST_SDA	-	-	2					
			8	PCU: HST_SCL	-	-	1					
			9	N.C.	-	-	-					
			10	N.C.	-	-	-					
			11	PCU: GND	-	-	6					
			12	PCU: HST Sensor/C/Output	-	-	5					
			13	PCU: HST Sensor/Power	Harness No.67 D2393499	CN3	4					
			14	PCU: HST Sensor/C/SEL	-	-	3					
			15	PCU: HST_SDA	-	-	2					
			16	PCU: HST_SCL	-	-	1					
			17	N.C.	-	-	-					
			18	N.C.	-	-	-					
			19	PCU: GND	-	-	6					
			20	PCU: HST Sensor/M/Output	-	-	5					
			21	PCU: HST Sensor/Power	Harness No.67 D2393499	CN4	4					
			22	PCU: HST Sensor/M/SEL	-	-	3					
			23	PCU: HST_SDA	-	-	2					
			24	PCU: HST_SCL	-	-	1					
			25	N.C.	-	-	-					
			26	N.C.	-	-	-					
			27	PCU: HST GND	-	-	6					
			28	PCU: HST Sensor/Y/Output	-	-	5					
			29	PCU: HST Sensor/Power	Harness No.67 D2393499	CN5	4					
			30	PCU: HST Sensor/Y/SEL	-	-	3					
			31	PCU: HST_SDA	-	-	2					
			32	PCU: HST_SCL	-	-	1					
15	Harness No.11 D2395326	CN1	1	Waste toner capacity sensor: GND	Waste Toner Capacity Detection Sensor	CN2	3	CN1: With relay connector				
			2	Waste toner capacity sensor: Waste Toner Capacity Detection Sensor			2					
16	Harness No.6 D2395308	CN1	1	Waste toner capacity sensor: +5V	Fusing Exit Solenoid	CN2	3					
			2	Fusing Exit Solenoid:2(PWM)			2					
			3	N.C.			1					
			4	Fusing Exit Solenoid:2(+25VS2)			1					
17	Harness No.9 D2415324	CN1	1	ITB Contact and Release Sensor: GND	ITB Contact and Release Sensor	CN2	3					
			2	ITB Contact and Release Sensor: Signal			2					
			3	ITB Contact and Release Sensor: +5V			1					
18	Harness No.10 D2415324	CN1	1	Toner end Sensor: GND	Toner end Sensor	CN2	3	CN2: With relay connector				
			2	Toner end Sensor: Signal			2					
			3	Toner end Sensor: +5VTEK			1					
19	BCU	CN101	1	IPU: GND	IPU	CN575	22					
			2	IPU: 5V			21					
			3	IPU: GMAC1/GAVD Sync Serial TX Data			20					
			4	IPU: GMAC1/GAVD Sync Serial RX Data			19					
			5	IPU: GMAC1/GAVD Sync Serial CLOCK			18					
			6	IPU: N.C.			17					
			7	IPU: GMAC1/GAVD Sync Serial CS0			16					
			8	IPU: N.C.			15					
			9	IPU: GMAC2 Sync Serial TX Data			14					
			10	IPU: GMAC2 Sync Serial RX Data			13					
			11	IPU: Memory to plotter Reset Signal			12					
			12	IPU: Scanner to Memory Reset Signal			11					
			13	IPU: GMAC2 Sync Serial CLOCK			10					
			14	IPU: GMAC2 Sync Serial CS0			9					
			15	IPU: ADF TX Data			8					
			16	IPU: ADF RX Data			7					
			17	IPU: IPU Interruption			6					
			18	IPU: Engine OFF: Elapsed Time0			5					
			19	IPU: Engine OFF: Elapsed Time1			4					
			20	IPU: L: Normal Start/H: Awaiting Rapi Opening			3					
			21	IPU: Full Operation Mode Detection Signal			2					
			22	IPU: IPU Start Detection Signal			1					
20	Harness No.6 D2395308	CN1	1	ID Sensor: 3.3V	ID Sensor: FRONT	CN2	5					
			2	ID Sensor: GND			4					
			3	ID Sensor: FRONT LED Drive			3					
			4	ID Sensor: FRONT Diffuse Reflection Sensor			2					
			5	ID Sensor: FRONT Specular Reflection Sensor			1					
			6	ID Sensor: 3.3V			5					
			7	ID Sensor: GND			4					
			8	ID Sensor: CENTER LED Drive			ID Sensor: CENTER		CN3	3		
			9	ID Sensor: CENTER Diffuse Reflection Sensor						2		
			10	ID Sensor: CENTER Specular Reflection Sensor						1		
			11	Output						5		
			12	ID Sensor: 3.3V						4		
			13	ID Sensor: GND			3					
			14	ID Sensor: REAR LED Drive			ID Sensor: REAR		CN4	3		
			15	ID Sensor: REAR Diffuse Reflection Sensor						2		
			16	ID Sensor: REAR Specular Reflection Sensor	1							
			17	ID Sensor: 3.3V	5							
			18	ID Sensor: GND	4							
			21	Harness No.22 D2415349	CN1	1	GND		MSENS1	CN2	6	CN2: With relay connector
						2	Sensor Signal				5	
						3	Sensor Power				4	
						4	Potentiometer Clock				3	
						5	Potentiometer Value Setting Signal				2	
						6	Potentiometer CS Signal				1	
						7	GND		MSENS1	CN3	6	
						8	Sensor Signal				5	
						9	Sensor Power				4	
						10	Potentiometer Clock				3	
						11	Potentiometer Value Setting Signal				2	
						12	Potentiometer CS Signal				1	
			22	MSENS2	CN1	1	GND		Harness No.21 D2415348	CN3	12	
						2	Sensor Signal				11	
						3	Sensor Power				10	
						4	Potentiometer Clock				9	
						5	Potentiometer Value Setting Signal				8	
						6	Potentiometer CS Signal				7	
			23	Harness No.1 D2395300	CN1	1	GND		Fusing Drawer Harness No.80 D2414312 (100V) Harness No.81 D2414312 (200V)	CN6	6	
						2	Sensor Signal				5	
						3	Sensor Power				4	
						4	Potentiometer Clock				3	
						5	Potentiometer Value Setting Signal				2	
						6	Potentiometer CS Signal				1	
						7	N.C.				11	
8	Set Detection (P): GND	10										
9	Set Detection (C): GND	9										
10	Set Detection: NA	8										
11	Set Detection: EU	7										
12	Set Detection : Special Paper	6										
13	N.C.	5										
14	New unit Detection Fuse	4										
15	New unit Detection Fuse: GND	3										
16	N.C.	2										
17	N.C.	1										
18	N.C.	4										
19	Thermopile (Edge): +5V	Thermopile (Edge)				CN3	3					
20	Thermopile (Edge): GND						2					
21	Thermopile (Edge): FB						1					
22	N.C.	Thermopile (Center)				CN4	4					
23	Thermopile (Center): +5V						3					
24	Thermopile (Center): GND						2					
25	Thermopile (Center): FB	Thermopile (Exit)				CN2	1					
26	Thermopile (Exit): +5V						3					
27	Thermopile (Exit): GND						2					
28	Thermopile (Exit): FB	1										
29	N.C.	-				-	-					
30	N.C.	-				-	-					
31	N.C.	-				-	-					
32	N.C.	-				-	-					
33	N.C.	-				-	-					
34	N.C.	-				-	-					
35	N.C.	-				-	-					
36	N.C.	-				-	-					
37	N.C.	-	-	-								
38	N.C.	-	-	-								
39	N.C.	-	-	-								
40	N.C.	-	-	-								
41	N.C.	-	-	-								
42	N.C.	-	-	-								
43	N.C.	-	-	-								
44	N.C.	-	-	-								
45	N.C.	-	-	-								
46	N.C.	-	-	-								
47	N.C.	-	-	-								
48	N.C.	-	-	-								
49	N.C.	-	-	-								
50	N.C.	-	-	-								
51	N.C.	-	-	-								
52	N.C.	-	-	-								
53	N.C.	-	-	-								
54	N.C.	-	-	-								
55	N.C.	-	-	-								
56	N.C.	-	-	-								
57	N.C.	-	-	-								
58	N.C.	-	-	-								
59	N.C.	-	-	-								
60	N.C.	-	-	-								
61	N.C.	-	-	-								
62	N.C.	-	-	-								
63	N.C.	-	-	-								
64	N.C.	-	-	-								
65	N.C.	-	-	-								
66	N.C.	-	-	-								
67	N.C.	-	-	-								
68	N.C.	-	-	-								
69	N.C.	-	-	-								
70	N.C.	-	-	-								
71	N.C.	-	-	-								
72	N.C.	-	-	-								
73	N.C.	-	-	-								
74	N.C.	-	-	-								
75	N.C.	-	-	-								
76	N.C.	-	-	-								
77	N.C.	-	-	-								
78	N.C.	-	-	-								
79	N.C.	-	-	-								
80	N.C.	-	-	-								
81	N.C.	-	-	-								
82	N.C.	-	-	-								
83	N.C.	-	-	-								
84	N.C.	-	-	-								
85	N.C.	-	-	-								
86	N.C.	-	-	-								
87	N.C.	-	-	-								
88	N.C.	-	-	-								
89	N.C.	-	-	-								
90	N.C.	-	-	-								
91	N.C.	-	-	-								
92	N.C.	-	-	-								
93	N.C.	-	-	-								
94	N.C.	-	-	-								
95	N.C.	-	-	-								
96	N.C.	-	-	-								
97	N.C.	-	-	-								
98	N.C.	-	-	-								
99	N.C.	-	-	-								
100	N.C.	-	-	-								
101	N.C.	-	-	-								
102	N.C.	-	-	-								
103	N.C.	-	-	-								
104	N.C.	-	-	-								
105	N.C.	-	-	-								
106	N.C.	-	-	-								
107	N.C.	-	-	-								
108	N.C.	-	-	-								
109	N.C.	-	-	-								
110	N.C.	-	-	-								
111	N.C.	-	-	-								
112	N.C.	-	-	-								
113	N.C.	-	-	-								
114	N.C.	-	-	-								
115	N.C.	-	-	-								
116	N.C.	-	-	-								
117	N.C.	-	-	-								
118	N.C.	-	-	-								
119	N.C.	-	-	-								
120	N.C.	-	-	-								
121	N.C.	-	-	-								
122	N.C.	-	-	-								
123	N.C.	-	-	-								
124	N.C.	-	-	-								
125	N.C.	-	-	-								
126	N.C.	-	-	-								
127	N.C.	-	-	-								
128	N.C.	-	-	-								
129	N.C.	-	-	-								
130	N.C.	-	-	-								
131	N.C.	-	-	-								
132	N.C.	-	-	-								
133	N.C.	-	-	-								
134	N.C.	-	-	-								
135	N.C.	-	-	-								
136	N.C.	-	-	-								
137	N.C.	-	-	-								
138	N.C.	-	-	-								
139	N.C.	-	-	-								
140	N.C.	-	-	-								
141	N.C.	-	-	-								
142	N.C.	-	-	-								
143	N.C.	-	-	-								
144	N.C.	-	-	-								
145	N.C.	-	-	-								
146	N.C.	-	-	-								
147	N.C.	-	-	-								
148	N.C.	-	-	-								
149	N.C.	-	-	-								
150	N.C.	-	-	-								
151	N.C.	-	-	-								
152	N.C.	-	-	-								
153	N.C.	-	-	-								
154	N.C.	-	-	-								
155	N.C.	-	-	-								
156	N.C.	-	-	-								
157	N.C.	-	-	-								
158	N.C.	-	-	-								
159	N.C.	-	-	-								
160	N.C.	-	-	-								
161	N.C.	-	-	-								
162	N.C.	-	-	-								
163	N.C.	-	-	-								
164	N.C.	-	-	-								
165	N.C.	-	-	-								
166	N.C.	-	-	-								
167	N.C.	-	-	-								
168	N.C.	-	-	-								
169	N.C.	-	-	-								
170	N.C.	-	-	-								
171	N.C.	-	-	-								
172	N.C.	-	-	-								
173	N.C.	-	-	-								
174	N.C.	-	-	-								
175	N.C.	-	-	-								
176	N.C.	-	-	-								
177	N.C.	-	-	-								
178	N.C.	-	-	-								
179	N.C.	-	-	-								
180	N.C.	-	-	-								
18												

## D238/D239 Harness Pin Assignment

Harness No.	Connector (From)			Signal Information	Connector (To)			Note
	To Connector	Addr.	Pin No.		To Connector	Addr.	Pin No.	
24	INLET	INLET	L	AC_IN_L	PSU (AC)	T900		
			N	AC_IN_N	PSU (AC)	T901		
			E	EARTH	Screw	T1		
25	PSU (AC)	CN988	1	PSU (AC): AC L 5V 24V	PSU (DC)	CN901	1	
			2	N.C.				2
			3	PSU (AC): AC N 5V 24V				3
26	PSU (AC)	CN989	1	PCU Anti-condensation Heater_N	PCU Anti-condensation	CN1	2	
			2	Paper Feed Heater_N	Paper Feed Heater	CN2	2	
			3	Bank Heater_N	Bank Heater	CN3	2	
			4	PCU Anti-condensation Heater_L	PCU Anti-condensation	CN1	1	
			5	Paper Feed Heater_L	Paper Feed Heater	CN2	1	
			6	Bank Heater_L	Bank Heater	CN3	1	
27	Harness No.46 D2415392	CN1	1	Paper Feed Heater_L	Paper Feed Heater	CN2	1	
			2	Paper Feed Heater_N			CN2	2
28	PSU (AC)	CN990	1	Anti-condensation Heater SW_L	Anti-condensation Heater SW	CN1	1	
			2	Anti-condensation Heater SW_N		CN2	1	
29	HVP: TTS	T1	-	Image Transfer T1: Y	Image Transfer	T6		
		T2	-	Image Transfer T1: M		T7		
		T3	-	Image Transfer T1: C		T8		
		T4	-	Image Transfer T1: K		T9		
		T5	-	Paper Transfer T2		T10		
30	BCU	-	1	FFC Connection Detection	IPU	-	50	
			2	GND			49	
			3	IPU Addr. Path18			48	
			4	IPU Addr. Path17			47	
			5	IPU Addr. Path16			46	
			6	IPU Addr. Path15			45	
			7	IPU Addr. Path14			44	
			8	IPU Addr. Path13			43	
			9	IPU Addr. Path12			42	
			10	IPU Addr. Path11			41	
			11	IPU Addr. Path10			40	
			12	GND			39	
			13	IPU Addr. Path9			38	
			14	IPU Addr. Path8			37	
			15	IPU Addr. Path7			36	
			16	IPU Addr. Path6			35	
			17	IPU Addr. Path5			34	
			18	IPU Addr. Path4			33	
			19	IPU Addr. Path3			32	
			20	IPU Addr. Path2			31	
			21	IPU Addr. Path1			30	
			22	GND			29	
			23	IPU Data Path31			28	
			24	IPU Data Path30			27	
			25	IPU Data Path29			26	
			26	IPU Data Path28			25	
			27	IPU Data Path27			24	
			28	IPU Data Path26			23	
			29	IPU Data Path25			22	
			30	IPU Data Path24			21	
			31	GND			20	
			32	IPU Data Path23			19	
			33	IPU Data Path22			18	
			34	IPU Data Path21			17	
			35	IPU Data Path20			16	
			36	IPU Data Path19			15	
			37	IPU Data Path18			14	
			38	IPU Data Path17			13	
			39	IPU Data Path16			12	
			40	GND			11	
			41	Mint condition(Ander Chip Signal Deletion)			10	
			42	Mint condition(Patmos2 Chip Signal Deletion)			9	
			43	Macaron2 Chip Select			8	
			44	Macaron1 Chip Select			7	
			45	CDS Chip Select			6	
			46	IPU Write Signal			5	
			47	IPU Read Signal			4	
			48	IPU Read Write Signal (L: Write)			3	
			49	GND			2	
			50	FFC Connection Detection			1	

Harness No.	Connector (From)			Signal Information	Connector (To)			Note
	To Connector	Addr.	Pin No.		To Connector	Addr.	Pin No.	
31	Image Processing IOB	-	1	FFC Connection Detection	Paper Transport IOB	-	40	
			2	Power On Reset			39	
			3	IOB Start Check			38	
			4	GND			37	
			5	IOB Interruption			36	
			6	Addr. Path			35	
			7	Addr. Path			34	
			8	Addr. Path			33	
			9	Addr. Path			32	
			10	Addr. Path			31	
			11	Addr. Path			30	
			12	Addr. Path			29	
			13	Addr. Path			28	
			14	Addr. Path			27	
			15	Addr. Path			26	
			16	Addr. Path			25	
			17	Addr. Path			24	
			18	Addr. Path			23	
			19	Addr. Path			22	
			20	Addr. Path			21	
			21	Addr. Path			20	
			22	Addr. Path			19	
			23	Addr. Path			18	
			24	Addr. Path			17	
			25	Addr. Path			16	
			26	GND			15	
			27	Data Path			14	
			28	Data Path			13	
			29	Data Path			12	
			30	Data Path			11	
			31	Data Path			10	
			32	Data Path			9	
			33	Data Path			8	
			34	Data Path			7	
			35	GND			6	
			36	GND			5	
			37	IOB Chip Cell			4	
			38	IOB Read			3	
			39	IOB Write			2	
			40	FFC Connection Detection			1	



## D238/D239 Harness Pin Assignment

Harness No.	Connector (From)			Signal Information	Connector (To)			Note		
	To Connector	Addr.	Pin No.		To Connector	Addr.	Pin No.			
32	BCU		1	FFC Connection Detection	Image Processing IOB		50			
			2	I/OB Write Strobe Signal			49			
			3	I/OB Read Signal			48			
			4	GND			47			
			5	I/OB1 Chip Select			46			
			6	I/OB2 Chip Select			45			
			7	I/OB3 Chip Select			44			
			8	GND			43			
			9	I/OB Data24			42			
			10	I/OB Data25			41			
			11	I/OB Data26			40			
			12	I/OB Data27			39			
			13	I/OB Data28			38			
			14	I/OB Data29			37			
			15	I/OB Data30			36			
			16	I/OB Data31			35			
			17	GND			34			
			18	I/OB Addr.0			33			
			19	I/OB Addr.1			32			
			20	I/OB Addr.2			31			
			21	I/OB Addr.3			30			
			22	I/OB Addr.4			29			
			23	I/OB Addr.5			28			
			24	I/OB Addr.6			27			
			25	I/OB Addr.7			26			
			26	GND			25			
			27	I/OB Addr.8			24			
			28	I/OB Addr.9			23			
			29	I/OB Addr.10			22			
			30	I/OB Addr.11			21			
			31	I/OB Addr.12			20			
			32	I/OB Addr.13			19			
			33	I/OB Addr.14			18			
			34	I/OB Addr.15			17			
			35	I/OB Addr.16			16			
			36	I/OB Addr.17			15			
			37	I/OB Addr.18			14			
			38	I/OB Addr.19			13			
			39	GND			12			
			40	I/OB1 Interruption			11			
55	Harness No.1 D1475340	CN1	1	Registration Sensor: GND	Registration Sensor	CN2	3	CN1: With relay connector		
			2	Registration Sensor: Sensor Signal			2			
			3	Registration Sensor: +5V			1			
			1	Pick-up Solenoid: Terminal1 (+24VS2)			2			
			2	Pick-up Solenoid: Terminal2 (PWM)			1			
			3	Paper Feed: GND			3			
			4	Paper Feed: Sensor Signal			2			
			5	Paper Feed: +5V			1			
			6	Transport Sensor: GND			3			
			7	Transport Sensor: Sensor Signal			2			
56	Harness No.1 D2395300	CN1	8	Transport Sensor: +5V	Transport Sensor	CN3	1	CN2, CN3: With relay connector		
			9	Paper End Sensor: GND			3			
			10	Paper End Sensor: Sensor Signal			2			
			11	Paper End Sensor: +5V			1			
			12	Limit Sensor: GND			3			
			13	Limit Sensor: Sensor Signal			2			
			14	Limit Sensor: +5V			1			
	57	Harness No.1 D2395300	CN1	1	PTR Open/Close LED: Control	PTR Open/Close LED	CN2		2	
				2	PTR Open/Close LED: +5V				1	
				3	Fusing Entrance Sensor: GND				3	
				4	Fusing Entrance Sensor: Sensor Signal				2	
				5	Fusing Entrance Sensor: +5V				1	
	58	Harness No.1 D2395300	CN1	1	By-pass/Duplex Motor: ENC: A Phase	By-pass/Duplex Motor	CN3		8	CN4: With relay connector
				2	By-pass/Duplex Motor: ENC: B Phase				7	
3				By-pass/Duplex Motor: +5V	6					
4				By-pass/Duplex Motor: CW/CCW (Low)	5					
5				By-pass/Duplex Motor: PWM	4					
6				By-pass/Duplex Motor: BRK (Low)	3					
7				By-pass/Duplex Motor: GND	2					
8				By-pass/Duplex Motor: +24VS2	1					
9				Duplex Entrance Sensor: GND	5					
10				Duplex Entrance Sensor: Sensor Signal	4					
11				Duplex Entrance Sensor: +5V	3					
12				Duplex Exit Sensor: GND	3					
13				Duplex Exit Sensor: Sensor Signal	2					
14				Duplex Exit Sensor: +5V	1					
15				Duplex Unit Open/Close Sensor: SW Terminal2	2					
16				Duplex Unit Open/Close Sensor: SW Terminal1	1					
17				N.C.	-					
18				N.C.	-					
59	Harness No.58 D2414696	CN1	1	Duplex Entrance Sensor: GND	Duplex Entrance Sensor	CN2	3			
			2	Duplex Entrance Sensor: Sensor Signal			2			
			3	Duplex Entrance Sensor: +5V			1			
			4	N.C.			-			
			5	N.C.			-			
60	Harness No.1 D2395300	CN1	1	By-pass Pick-up Solenoid: Terminal 2 (PWM)	By-pass Pick-up Solenoid	CN2	5	CN1: With relay connector		
			2	By-pass Pick-up Solenoid: Terminal 1 (+24VS2)			4			
			3	By-pass Paper End Sensor: GND			3			
			4	By-pass Paper End Sensor: Sensor Signal			2			
			5	By-pass Paper End Sensor: +5V			1			
			6	By-pass Paper Length Sensor: SW Terminal3			9			
			7	By-pass Paper Length Sensor: SW Terminal5			8			
			8	By-pass Paper Length Sensor: SW Terminal4			7			
			9	By-pass Paper Length Sensor: COM Terminal			6			
			10	By-pass Paper Length Sensor: SW Terminal1			5			
			11	By-pass Paper Length Sensor: SW Terminal2			4			
			12	By-pass Paper Size Sensor: GND			3			
			13	By-pass Paper Size Sensor: Sensor Signal			2			
			14	By-pass Paper Size Sensor: +5V			1			
61	Harness No.60 D2412661	CN1	1	By-pass Pick-up Solenoid: Terminal 2 (PWM)	By-pass Pick-up Solenoid	CN2	3			
			-	N.C.			-			
			2	By-pass Pick-up Solenoid: Terminal 1 (+24VS2)			1			
62	Harness No.60 D2412661	CN1	3	By-pass Paper End Sensor: GND	By-pass Paper End Sensor	CN3	3			
			4	By-pass Paper End Sensor: Sensor Signal			2			
			5	By-pass Paper End Sensor: +5V			1			
			1	By-pass Paper Length Sensor: SW Terminal3			7			
			2	By-pass Paper Length Sensor: SW Terminal5			6			
			3	By-pass Paper Length Sensor: SW Terminal4			5			
			-	N.C.			-			
			4	By-pass Paper Length Sensor: COM Terminal			4			
			5	By-pass Paper Length Sensor: SW Terminal1			3			
6	By-pass Paper Length Sensor: SW Terminal2	2								
63	Harness No.1 D2395300	CN1	6	By-pass Paper Length Sensor: SW Terminal2	By-pass Paper Length Sensor	CN2	1	CN1: With relay connector		
			7	By-pass Paper Size Sensor: GND			3			
			8	By-pass Paper Size Sensor: Sensor Signal			2			
			9	By-pass Paper Size Sensor: +5V			1			
			1	Paper Exit Solenoid: Terminal1 (+24VS2)			2			
			2	Paper Exit Solenoid: Terminal2 (PWM)			1			
			3	Inversion Sensor: GND			3			
			4	Inversion Sensor: Sensor Signal			2			
			5	Inversion Sensor: +5V			1			
64	Harness No.12 D2405329	CN1	6	Paper Exit Sensor: GND	Paper Exit Sensor	CN5	3	CN2, CN3: With relay connector		
			7	Paper Exit Sensor: Sensor Signal			2			
			8	Paper Exit Sensor: +5V			1			
			9	Paper Exit Full Sensor: GND			3			
			10	Paper Exit Full Sensor: Sensor Signal			2			
			11	Paper Exit Full Sensor: +5V			1			
			12	c: XB Phase			4			
			13	Inversion Motor: B Phase			3			
			14	Inversion Motor: XA Phase			2			
			15	Inversion Motor: A Phase			1			
			1	PCU: GND			6			
			2	PCU: HST_Output			5			
			3	PCU: HST_Power			4			
			4	PCU: HST_SEL			3			
			5	PCU: HST_SDA			2			
6	PCU: HST_SCL	1								

## D238/D239 Harness Pin Assignment

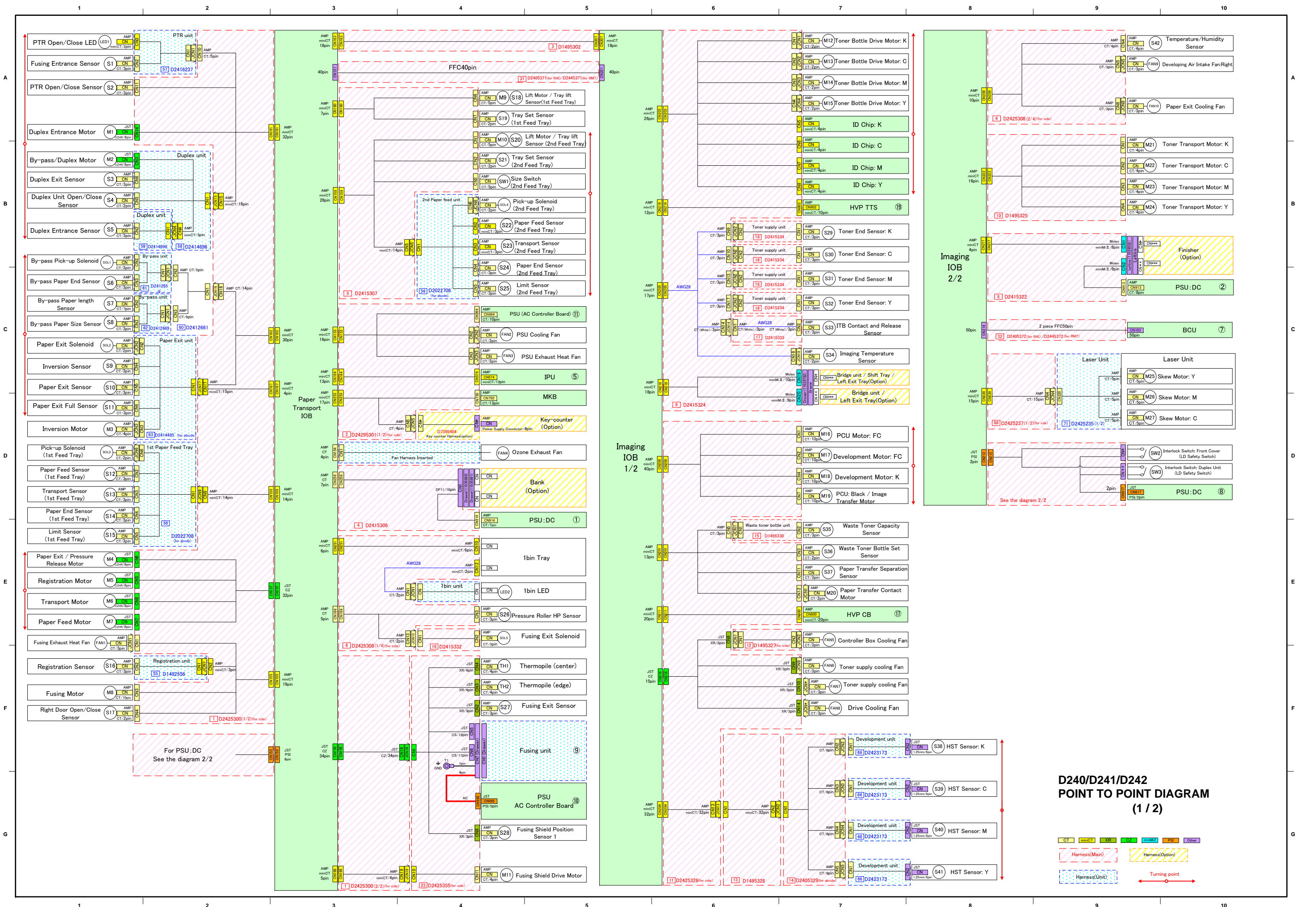
Harness No.	Connector (From)			Signal Information	Connector (To)			Note				
	To Connector	Addr.	Pin No.		To Connector	Addr.	Pin No.					
67	Harness No.12 D2405329	CN1	1	PCU: GND	HST Sensor	CN2	6					
			2	PCU: HST_Output			5					
			3	PCU: HST_Power			4					
			4	PCU: HST_SEL			3					
			5	PCU: HST_SDA			2					
			6	PCU: HST_SCL			1					
69	IPU	CN587	8	DATA_K_N	Harness No.73 D2395236	CN1	1	CN1,CN2,CN3,CN4: With relay connector				
			7	DATA_K			2					
			6	DATA_C_N			3					
			5	DATA_C			4					
			4	DATA_Y_N			5					
			3	DATA_Y			6					
			2	DATA_M_N			7					
			1	DATA_M			8					
			IPU	CN588			11		DROPEN KC	1		
							10		ERR KC N	2		
							9		APC KC N	3		
							8		GND	4		
	7	SYCLK KC					5					
	6	SYCS KC N					6					
	5	SYDI KC					7					
	4	SYDO KC					8					
	3	+5VS					9					
	2	+5VS					10					
	1	GND					11					
	IPU	CN589	-	N.C.			12					
			10	GND			13					
			9	SYCLK YM			14					
			8	SYCS YM N			15					
			7	SYDI YM			16					
			6	SYDO YM			17					
			5	ERR YM N			18					
			4	APC YM N			19					
			3	+5VS			20					
			2	+5VS			21					
	1	GND	22									
	69	IPU	CN586	11			Y: Sync GND		Harness No.71 D2425235	CN1	1	
				10			Y: Sync VCC				2	
				9			Y: Sync Signal				3	
8				K: Sync GND	1							
7				K: Sync VCC	2							
6				K: Sync Signal	3							
5				Polygon Mirror Motor CLOCK	1							
4				Polygon Mirror Motor READY	2							
3				Polygon Mirror Motor ON	3							
2				Polygon Mirror Motor GND	4							
1				Polygon Mirror Motor DV24V	5							
Image Processing IOB				CN220	15	Skew Motor: C: A Phase	CN6	2				
		14	Skew Motor: C: B Phase		3							
		13	+24 V		4							
		12	Skew Motor: C: /B Phase		5							
		11	Skew Motor: C: /A Phase		1							
		10	Skew Motor: M: A Phase		2							
		9	Skew Motor: M: B Phase		3							
		8	+24 V		4							
		7	Skew Motor: M: /B Phase		5							
		6	Skew Motor: M: /A Phase		1							
		5	Skew Motor: Y: A Phase		2							
		4	Skew Motor: Y: B Phase		3							
3		+24 V	4									
2	Skew Motor: Y: /B Phase	5										
1	Skew Motor: Y: /A Phase	1										

Harness No.	Connector (From)			Signal Information	Connector (To)			Note		
	To Connector	Addr.	Pin No.		To Connector	Addr.	Pin No.			
71	Harness No.69 D2395237	CN13	11	Y: Sync GND	Sync Detection Y	CN1	1			
			10	Y: Sync VCC			2			
			9	Y: Sync Signal			3			
			8	K: Sync GND			1			
			7	K: Sync VCC			2			
			6	K: Sync Signal			3			
			5	Polygon Mirror Motor CLOCK			1			
			4	Polygon Mirror Motor READY			2			
			3	Polygon Mirror Motor ON			3			
			2	Polygon Mirror Motor GND			4			
			1	Polygon Mirror Motor DV24V			5			
			Harness No.69 D2395237	CN220			15		Skew Motor: C: A Phase	C Skew Motor
	14	Skew Motor: C: B Phase			2					
	13	+24 V			3					
	12	Skew Motor: C: /B Phase			4					
	11	Skew Motor: C: /A Phase			5					
	10	Skew Motor: M: A Phase			1					
	9	Skew Motor: M: B Phase			2					
	8	+24 V			3					
	7	Skew Motor: M: /B Phase			4					
	6	Skew Motor: M: /A Phase			5					
	5	Skew Motor: Y: A Phase			1					
	73	Harness No.69 D2395237			CN11	8	DATA_K_N		LDB:KC	
			7	DATA_K		2				
6			DATA_C_N	3						
5			DATA_C	4						
4			DATA_Y_N	1						
3			DATA_Y	2						
2			DATA_M_N	3						
1			DATA_M	4						
-			N.C.	5						
11			DROPEN	1						
10			ERR KC N	2						
9			APC KC N	3						
8	GND	4								
7	SYCLK KC	5								
6	SYCS KC N	6								
5	SYDI KC	7								
4	SYDO KC	8								
3	+5VS	9								
2	+5VS	10								
1	GND	11								
22	N.C.	-								
21	GND	1								
20	SYCLK YM	2								
19	SYCS YM N	3								
18	SYDI YM	4								
17	SYDO YM	5								
16	ERR YM N	6								
15	APC YM N	7								
14	+5VS	8								
13	+5VS	9								
12	GND	10								

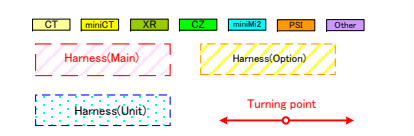
## D238/D239 Harness Pin Assignment

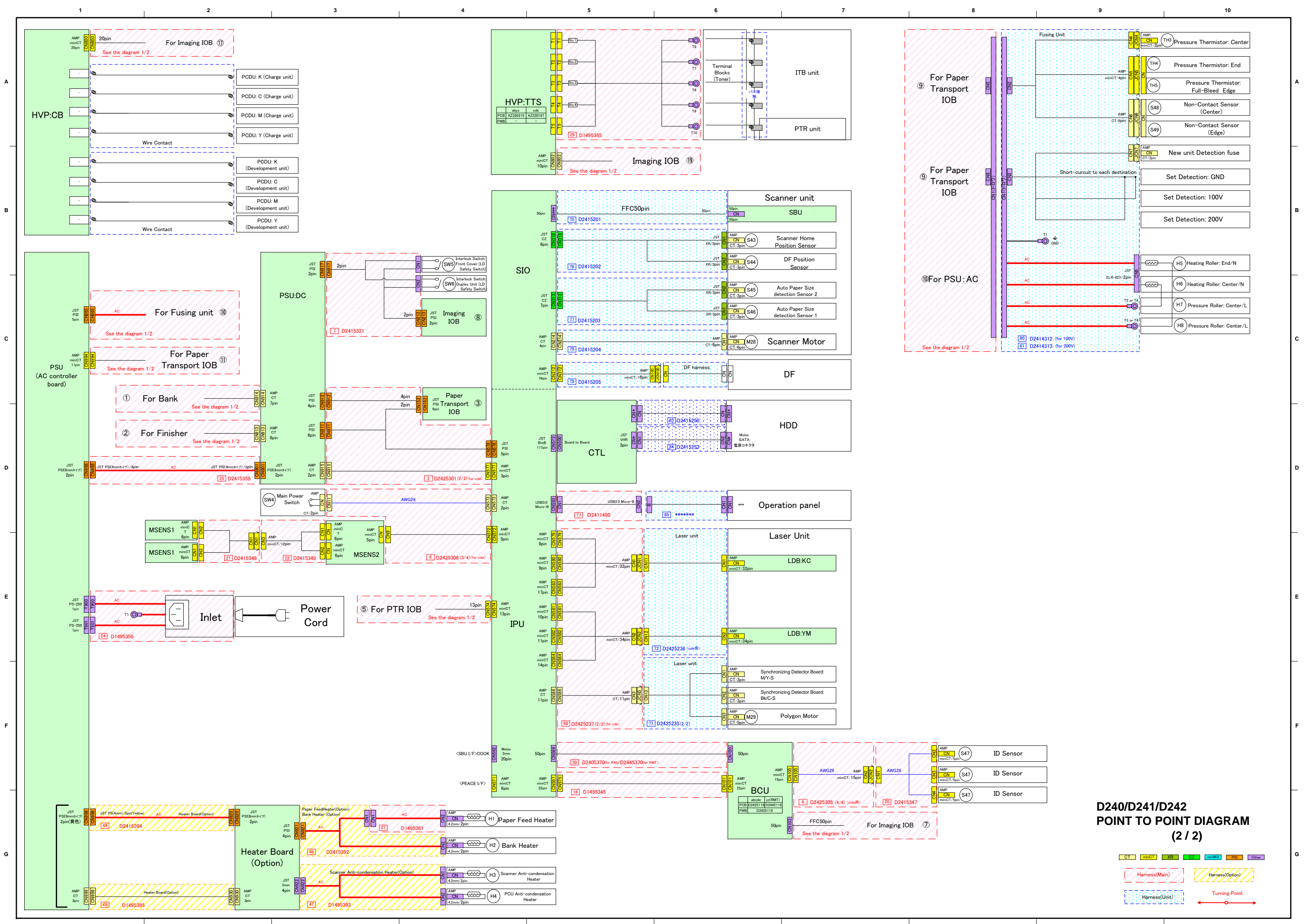
Harness No.	Connector (From)			Signal Information	Connector (To)			Note
	To Connector	Addr.	Pin No.		To Connector	Addr.	Pin No.	
75	IPU	-	1	Serial CS	SBU	-	50	
			2	Serial TX Data			49	
			3	Serial CLOCK			48	
			4	GND			47	
			5	White Board Erea Signal			46	
			6	Effective Original Erea			45	
			7	GND			44	
			8	LED Control			43	
			9	LED Light			42	
			10	GND			41	
			11	24V			40	
			12	24V			39	
			13	24V			38	
			14	GND			37	
			15	GND			36	
			16	GND			35	
			17	6V			34	
			18	6V			33	
			19	6V			32	
			20	GND			31	
			21	10V			30	
			22	10V			29	
			23	GND			28	
			24	3.3V			27	
			25	3.3V			26	
			26	3.3V			25	
			27	GND			24	
			28	GND			23	
			29	GND			22	
			30	GND			21	
			31	GND			20	
			32	LVDS Data E(+)			19	
			33	LVDS Data E(-)			18	
			34	GND			17	
			35	LVDS Data D(+)			16	
			36	LVDS Data D(-)			15	
			37	GND			14	
			38	LVDS Transfer clk(+)			13	
			39	LVDS Transfer clk(-)			12	
			40	GND			11	
			41	LVDS Data C(+)			10	
			42	LVDS Data C(-)			9	
			43	GND			8	
			44	LVDS Data B(+)			7	
			45	LVDS Data B(-)			6	
			46	GND			5	
			47	LVDS Data A(+)			4	
			48	LVDS Data A(-)			3	
			49	GND			2	
			50	Serial RX Data			1	

Harness No.	Connector (From)			Signal Information	Connector (To)			Note
	To Connector	Addr.	Pin No.		To Connector	Addr.	Pin No.	
76	IPU	CN318	1	GND	Carriage HP Sensor	CN1	3	
			2	HPS_SENS			2	
			3	+5V			1	
			4	GND			3	
			5	XAKS			2	
			6	5VE_AKS			1	
77	IPU	CN313	1	GND	Pressure Plate Open/Close Sensor	CN2	3	
			2	APS_V			2	
			3	VCC_APS			1	
			4	GND			3	
			5	APS2_V			2	
			6	VCC_APS			1	
			7	N.C.			-	
78	IPU	CN314	2	B	Scanner Motor	CN1	1	
			-	N.C.			2	
			1	B			3	
			4	A			4	
			-	N.C.			5	
			3	A			6	

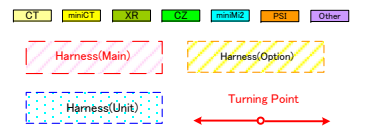


**D240/D241/D242  
POINT TO POINT DIAGRAM  
(1 / 2)**



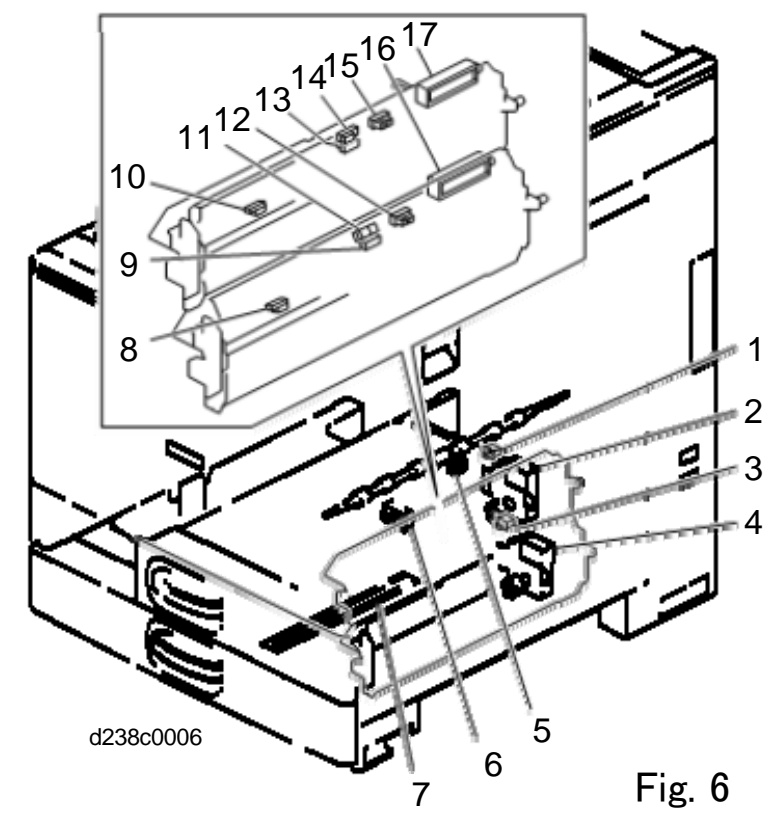
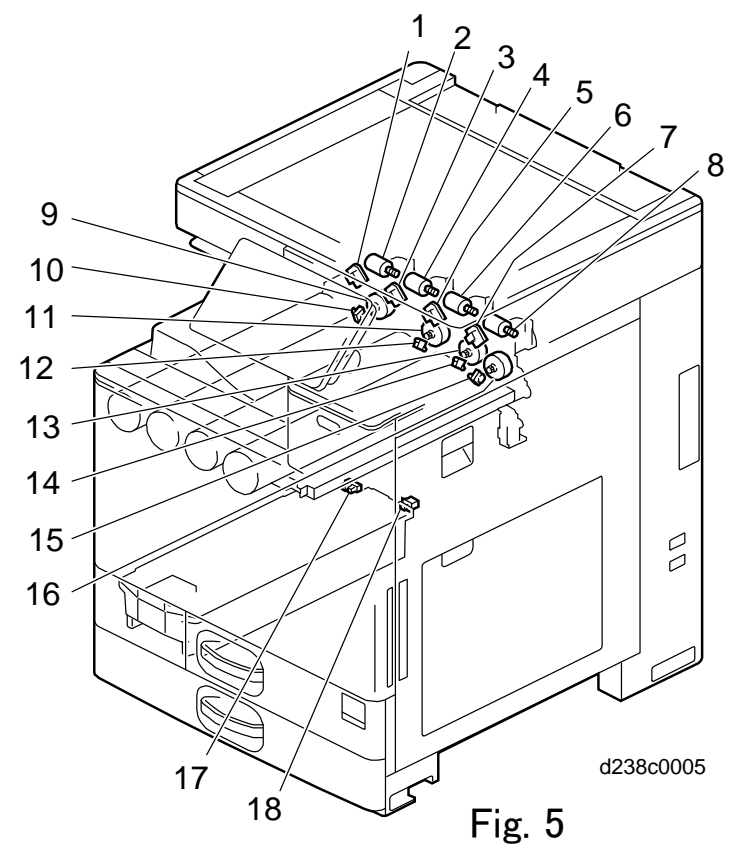
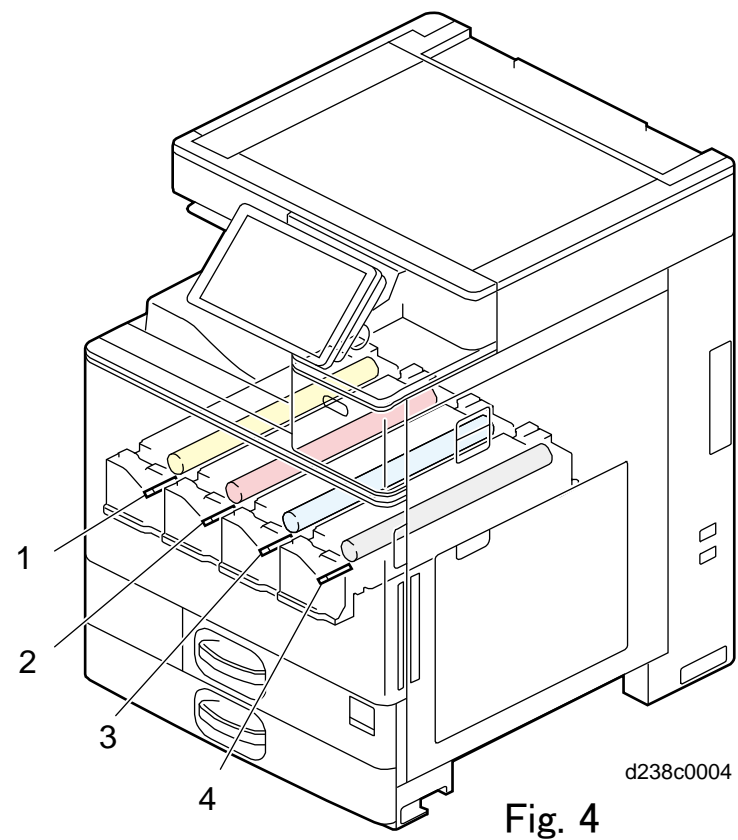
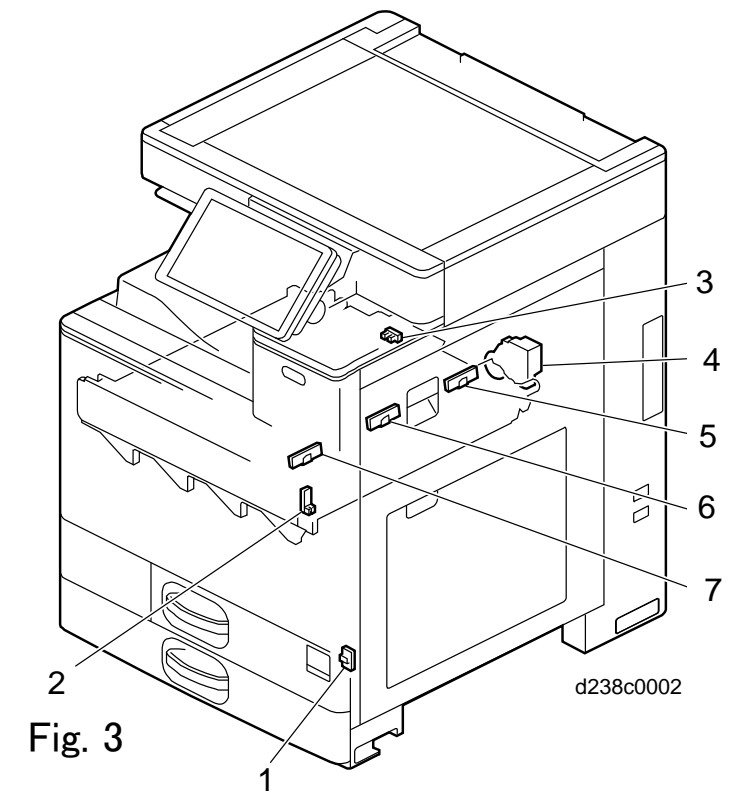
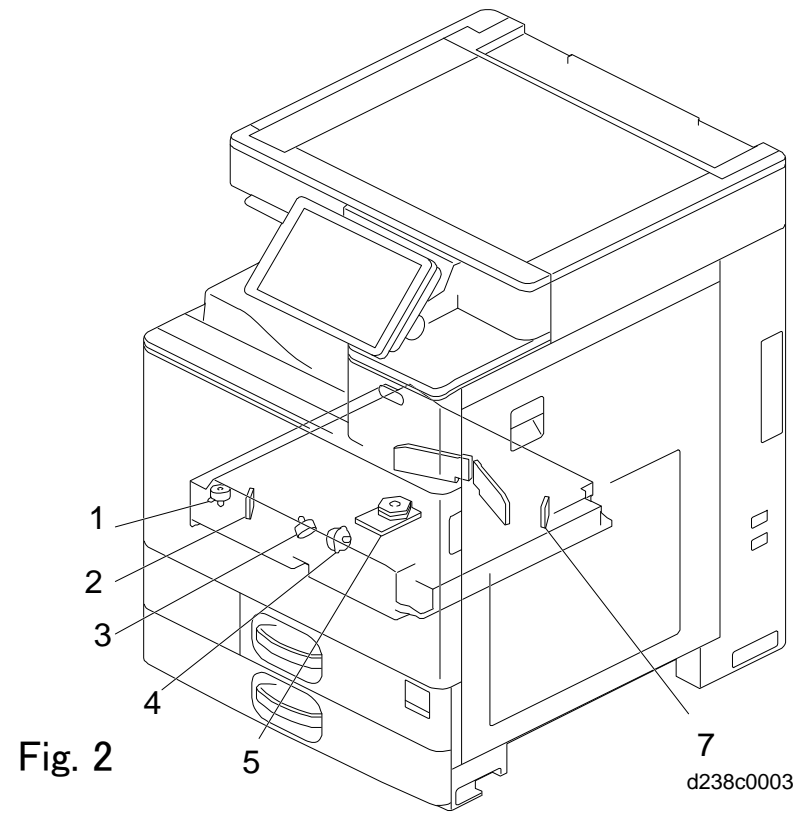
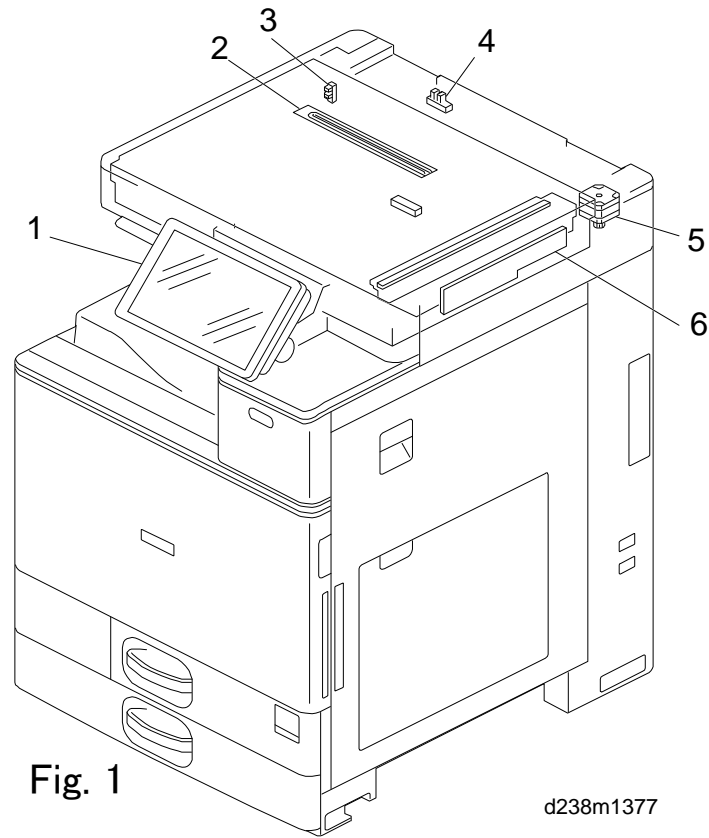


**D240/D241/D242  
POINT TO POINT DIAGRAM  
(2 / 2)**

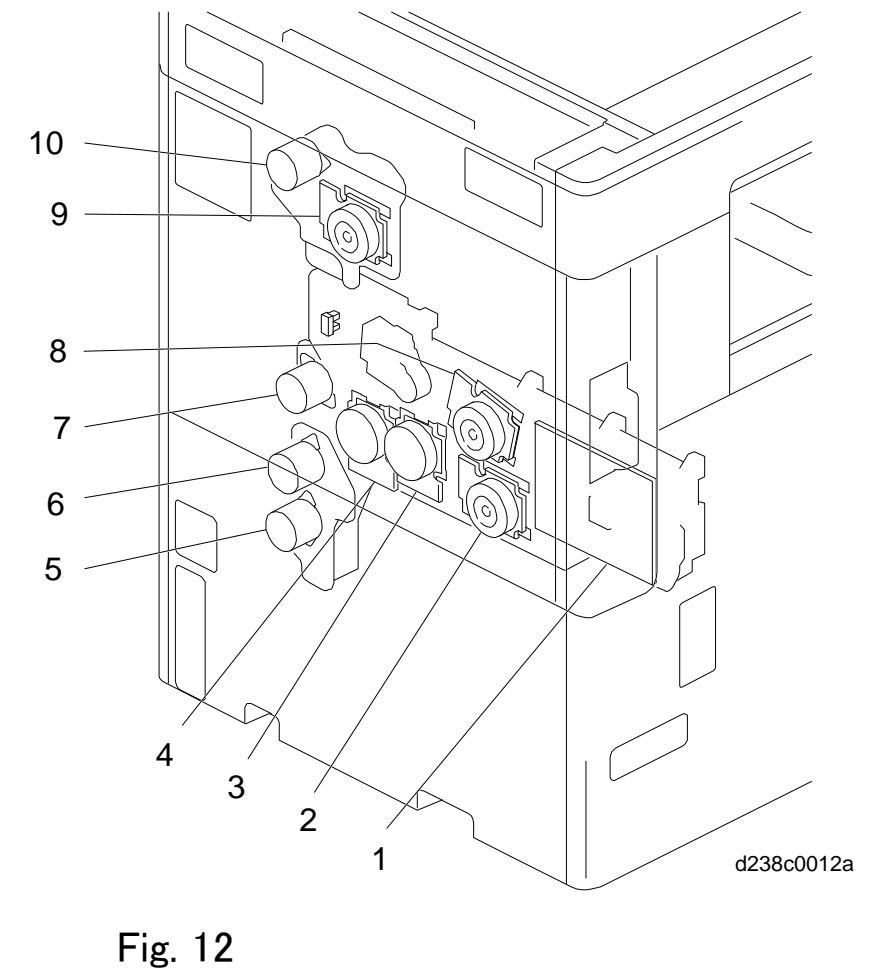
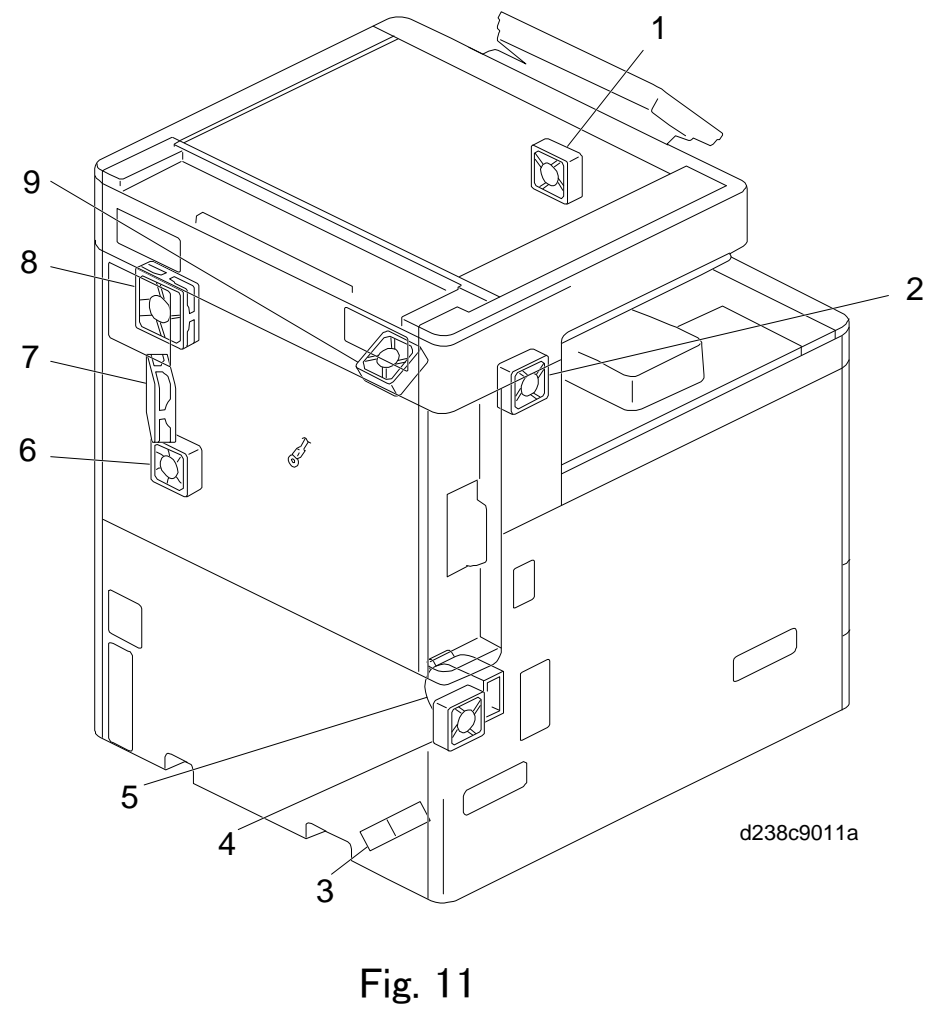
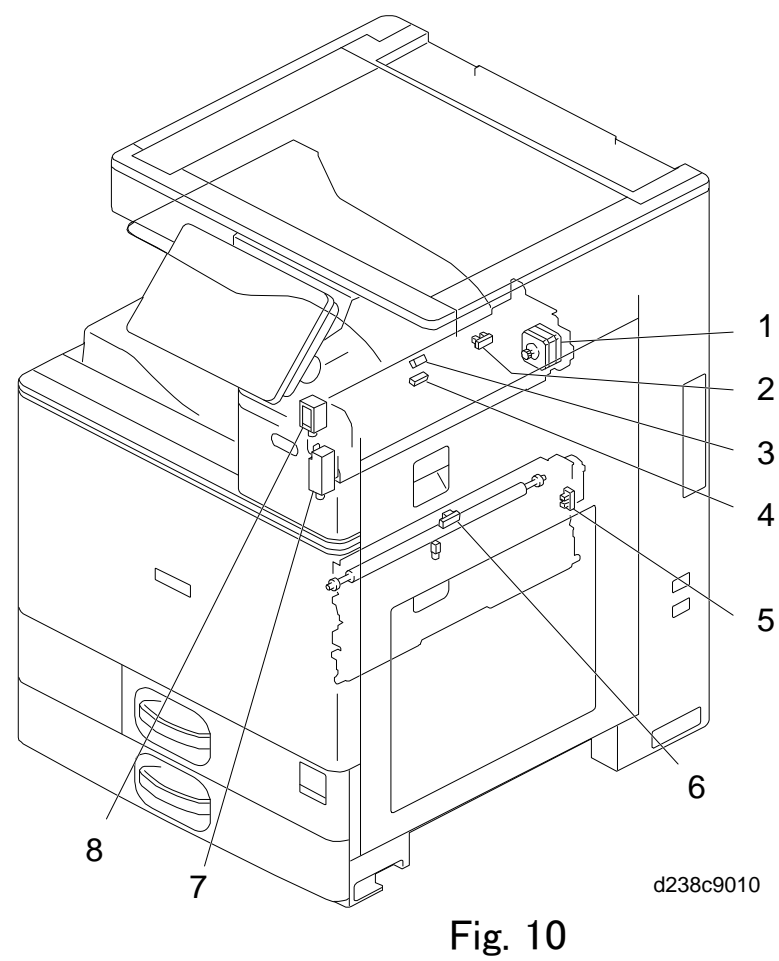
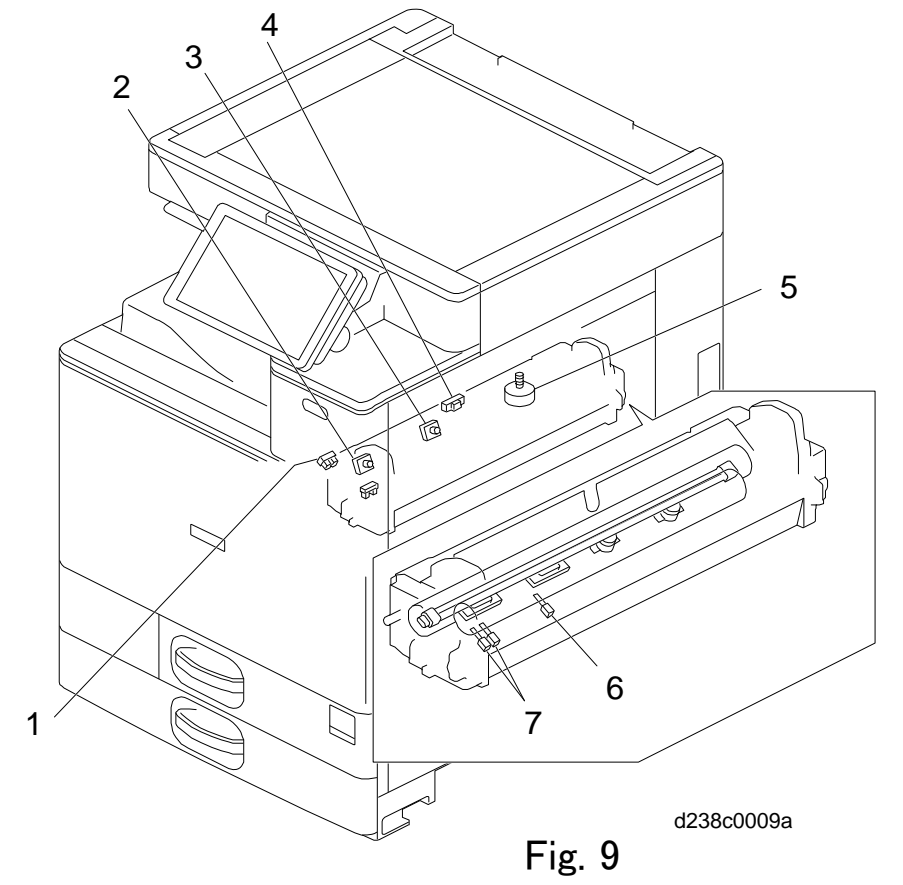
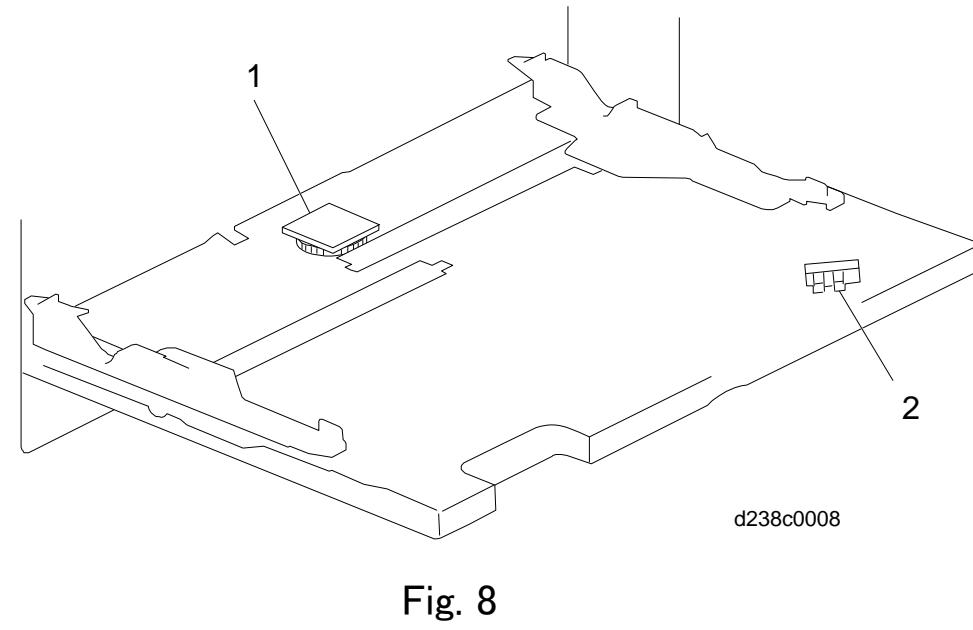
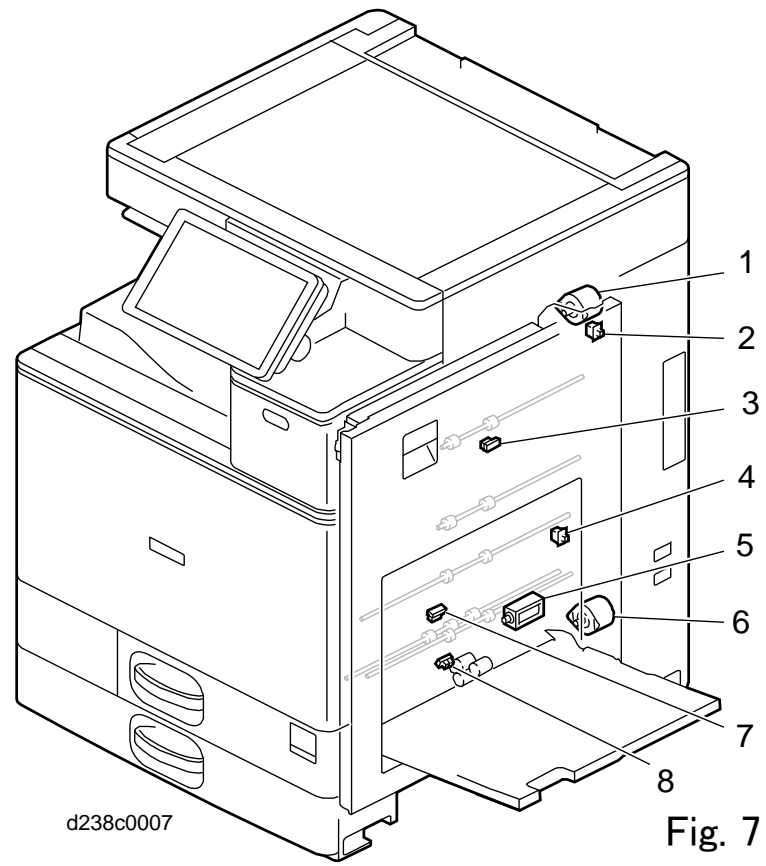




# D240/ D241/D242 ELECTRICAL COMPONENT LAYOUT(1/4)



# D240/ D241/D242 ELECTRICAL COMPONENT LAYOUT(2/4)



# D240/ D241/D242 ELECTRICAL COMPONENT LAYOUT(3/4)

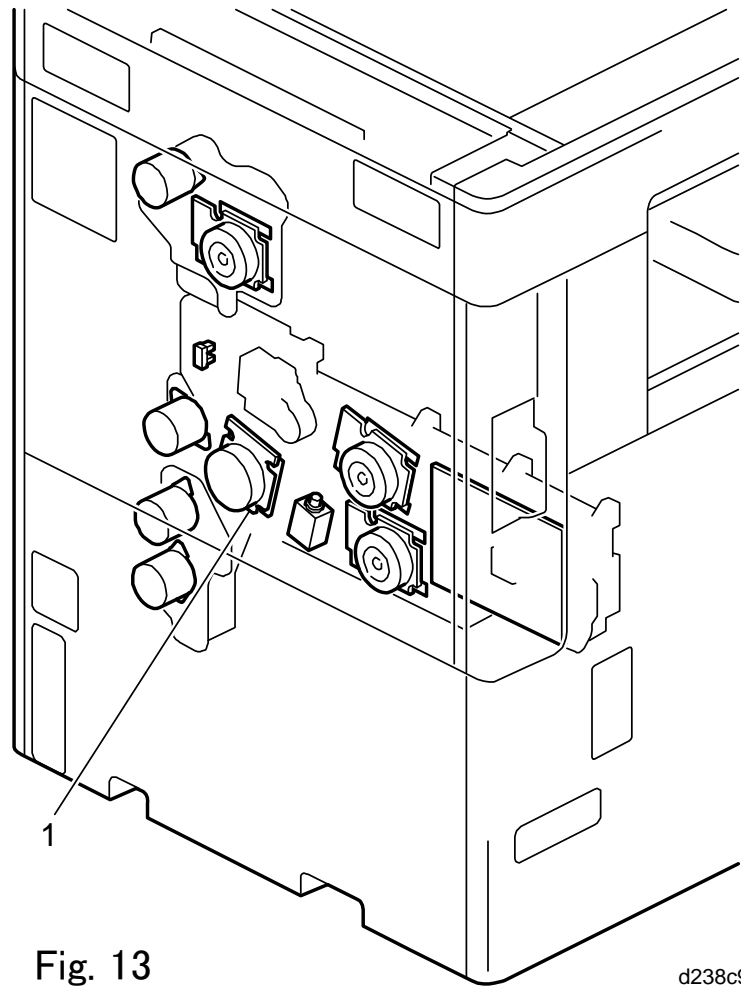


Fig. 13

d238c9014a

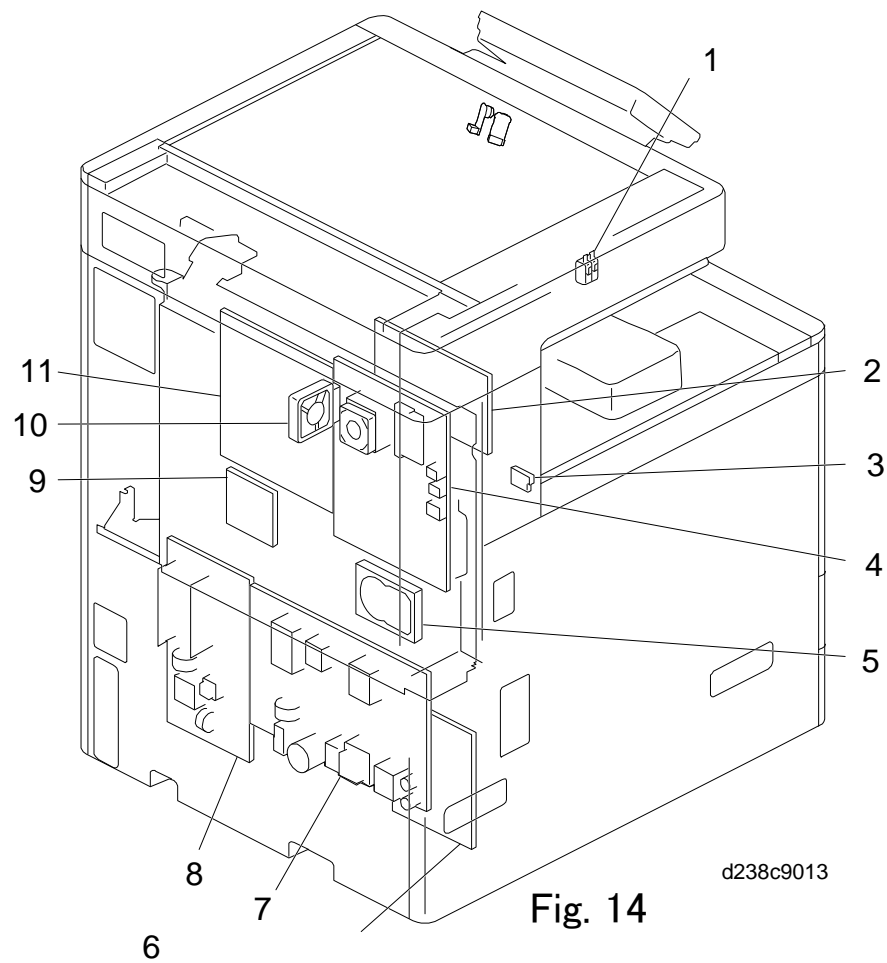


Fig. 14

d238c9013

Symbol	Index No.	Description	P to P
<b>Motors</b>			
M1	Fig.7-1	Duplex Entrance Motor	1-A1
M2	Fig.7-6	By-pass/Duplex Motor	1-B1
M3	Fig.10-1	Inversion Motor	1-D1
M4	Fig.12-10	Paper Exit / Pressure Release Motor	1-E1
M5	Fig.12-6	Registration Motor	1-E1
M6	Fig.12-5	Transport Motor	1-E1
M7	Fig.12-4	Paper Feed Motor	1-E1
M8	Fig.12-9	Fusing Motor	1-F1
M9	Fig.6-2	Lift Motor (1st Feed Tray)	1-A5
M10	Fig.6-4	Lift Motor (2nd Feed Tray)	1-A5
M11	Fig.9-5	Fusing Shield Drive Motor	1-G5
M12	Fig.5-8	Toner Bottle Drive Motor: K	1-A7
M13	Fig.5-6	Toner Bottle Drive Motor: C	1-A7
M14	Fig.5-4	Toner Bottle Drive Motor: M	1-A7
M15	Fig.5-2	Toner Bottle Drive Motor: Y	1-A7
M16	Fig.12-7	PCU Motor: FC	1-D7
M17	Fig.12-2	Development Motor: FC	1-D7
M18	Fig.12-3	Development Motor: K	1-D7
M19	Fig.12-4/ Fig.13-1	PCU: Black / Image Transfer Motor	1-D7
M20	-	Paper Transfer Contact Motor	1-E7
M21	Fig.5-16	Toner Transport Motor: K	1-B10
M22	Fig.5-13	Toner Transport Motor: C	1-B10
M23	Fig.5-11	Toner Transport Motor: M	1-B10
M24	Fig.5-9	Toner Transport Motor: Y	1-B10
M25	Fig.2-1	Skew Motor: Y	1-C10
M26	Fig.2-3	Skew Motor: M	1-D10
M27	Fig.2-4	Skew Motor: C	1-D10
M28	Fig.1-4	Scanner Motor	2-C6
M29	Fig.2-5	Polygon Motor	2-F7
<b>Heaters</b>			
H1	Fig.6-7	Paper Feed Heater	2-G4
H2	-	Bank Heater	2-G4
H3	Fig.1-2	Scanner Anti-condensation Heater	2-G4
H4	-	PCU Anti-condensation Heater	2-G4
H5	-	Heating Roller: End/N	2-B10
H6	-	Heating Roller: Center/N	2-C10
H7	-	Pressure Roller: Center/L	2-C10
H8	-	Pressure Roller: Center/L	2-C10

# D240/ D241/D242 ELECTRICAL COMPONENT LAYOUT(4/4)

Symbol	Index No.	Description	P to P
<b>Sensors</b>			
S1	Fig.10-6	Fusing Entrance Sensor	1-A1
S2	Fig.10-5	PTR Open/Close Sensor	1-A1
S3	Fig.7-7	Duplex Exit Sensor	1-B1
S4	Fig.7-4	Duplex Unit Open/Close Sensor	1-B1
S5	Fig.7-3	Duplex Entrance Sensor	1-B1
S6	Fig.7-8	By-pass Paper End Sensor	1-C1
S7	Fig.8-2	By-pass Paper length Sensor	1-C1
S8	Fig.8-1	By-pass Paper Size Sensor	1-C1
S9	Fig.10-3	Inversion Sensor	1-C1
S10	Fig.10-4	Paper Exit Sensor	1-C1
S11	Fig.10-2	Paper Exit Full Sensor	1-D1
S12	Fig.6-10	Paper Feed Sensor (1st Feed Tray)	1-D1
S13	Fig.6-13	Transport Sensor (1st Feed Tray)	1-D1
S14	Fig.6-14	Paper End Sensor (1st Feed Tray)	1-D1
S15	Fig.6-15	Limit Sensor (1st Feed Tray)	1-E1
S16	Fig.6-5	Registration Sensor	1-F1
S17	Fig.7-2	Right Door Open/Close Sensor	1-F1
S18	-	Tray lift Sensor(1st Feed Tray)	1-A5
S19	Fig.6-1	Tray Set Sensor (1st Feed Tray)	1-A5
S20	-	Tray lift Sensor (2nd Feed Tray)	1-A5
S21	Fig.6-3	Tray Set Sensor (2nd Feed Tray)	1-B5
S22	Fig.6-8	Paper Feed Sensor (2nd Feed Tray)	1-B5
S23	Fig.6-9	Transport Sensor (2nd Feed Tray)	1-B5
S24	Fig.6-11	Paper End Sensor (2nd Feed Tray)	1-C5
S25	Fig.6-12	Limit Sensor (2nd Feed Tray)	1-C5
S26	-	Pressure Roller HP Sensor	1-E5
S27	Fig.9-3	Fusing Exit Sensor	1-F5
S28	Fig.9-1	Fusing Shield Position Sensor 1	1-G5
S29	Fig.5-15	Toner End Sensor: K	1-B7
S30	Fig.5-14	Toner End Sensor: C	1-B7
S31	Fig.5-12	Toner End Sensor: M	1-C7
S32	Fig.5-10	Toner End Sensor: Y	1-C7
S33	-	ITB Contact and Release Sensor	1-C7
S34	-	Imaging Temperature Sensor	1-C7
S35	Fig.5-17	Waste Toner Capacity Sensor	1-E7
S36	Fig.5-18	Waste Toner Bottle Set Sensor	1-E7
S37	Fig.3-3	Paper Transfer Separation Sensor	1-E7
S38	-	HST Sensor: K	1-F8
S39	-	HST Sensor: C	1-G8
S40	-	HST Sensor: M	1-G8
S41	-	HST Sensor: Y	1-G8
S42	-	Temperature/Humidity Sensor	1-A10
S43	Fig.1-3	Scanner Home Position Sensor	2-B6
S44	-	DF Position Sensor	2-B6
S45	-	Auto Paper Size Detection Sensor 2	2-C6
S46	-	Auto Paper Size detection Sensor 1	2-C6
S47	Fig.3-5/6/7	ID Sensor	2-F8
S48	-	Non-Contact Sensor (Center)	2-A10
S49	-	Non-Contact Sensor (Edge)	2-A10

Symbol	Index No.	Description	P to P
<b>LED</b>			
LED1	-	PTR Open/Close LED	1-A1
LED1	-	1bin LED	1-E5
<b>Solenoids</b>			
SOL1	Fig.7-5	By-pass Pick-up Solenoid	1-B1
SOL2	Fig.10-8	Paper Exit Solenoid	1-C1
SOL3	-	Pick-up Solenoid (1st Feed Tray)	1-D1
SOL4	-	Pick-up Solenoid (2nd Feed Tray)	1-B5
SOL5	Fig.10-7	Fusing Exit Solenoid	1-E5
<b>Fans</b>			
FAN1	Fig.11-8	Fusing Exhaust Heat Fan	1-E1
FAN2	Fig.11-3	PSU Cooling Fan	1-C5
FAN3	Fig.11-4	PSU Exhaust Heat Fan	1-C5
FAN4	Fig.11-5	Ozone Exhaust Fan	1-D5
FAN5	Fig.11-9	Controller Box Cooling Fan	1-F7
FAN6	Fig.14-10	Toner supply cooling Fan	1-F7
FAN7	Fig.11-7	Toner supply cooling Fan	1-F7
FAN8	Fig.11-6	Drive Cooling Fan	1-F7
FAN9	Fig.11-2	Developing Air Intake Fan:Right	1-A10
FAN10	Fig.11-1	Paper Exit Cooling Fan	1-A10
<b>Switches</b>			
SW1	Fig.6-6	Size Switch (2nd Feed Tray)	1-B5
SW2	Fig.3-1/ Fig.14-1	Interlock Switch: Front Cover (LD Safety Switch)	1-D10/2-B4
SW3	Fig.3-2	Interlock Switch: Duplex Unit (LD Safety Switch)	1-D10/2-B5
SW4	Fig.14-3	Main Power Switch	2-D3
<b>Thermopiles/ Thermistors</b>			
TH1	Fig.9-1	Thermopile (center)	1-F5
TH2	Fig.9-2	Thermopile (edge)	1-F5
TH3	Fig.9-4	Pressure Thermistor: Center	2-A10
TH4	Fig.9-5	Pressure Thermistor: End	2-A10
TH5	-	Pressure Thermistor: Full-Bleed Edge	2-A10
<b>Others</b>			
-	Fig.1-1	Operation Panel	1-D7
-	Fig.1-6	SBU	2-B7
-	Fig.2-2	Synchronizing Detector Board: M/Y-S	2-F7
-	Fig.2-7	Synchronizing Detector Board: Bk/C-S	2-F7
-	Fig.4-1	PCDU: Y (Charge Unit)	2-A3
-	Fig.4-2	PCDU: M (Charge Unit)	2-A3
-	Fig.4-3	PCDU: C (Charge Unit)	2-A3
-	Fig.4-4	PCDU: K (Charge Unit)	2-A3
-	Fig.4-1	PCDU: Y (Development Unit)	2-B3
-	Fig.4-2	PCDU: M (Development Unit)	2-B3
-	Fig.4-3	PCDU: C (Development Unit)	2-B3
-	Fig.4-4	PCDU: K (Development Unit)	2-B3
-	Fig.5-1	ID Chip: Y	1-A7
-	Fig.5-3	ID Chip: M	1-B7
-	Fig.5-5	ID Chip: C	1-B7
-	Fig.5-7	ID Chip: K	1-B7
-	Fig.14-2	HVP TTS	1-B7
-	Fig.14-4	CTL	2-D5
-	Fig.14-5	HDD	2-D7
-	Fig.12-1	Imaging IOB	1-A5/8
-	Fig.14-6	Paper Transport IOB	1-D3
-	Fig.14-7	PSU: DC	1-C10/1-D10
-	Fig.14-8	PSU: AC Controller Board	1-C5/1-G5
-	Fig.14-9	BCU	1-C10
-	Fig.14-11	IPU	1-C5

# D240/D241/D242 Harness Pin Assignment

Harness No.	Connector (From)			Signal Information	Connector (To)			Note
	To Connector	Addr.	Pin No.		To Connector	Addr.	Pin No.	
1	Paper Transport IOB	CN155	1	Fusing Cooling Fan: +24V (CTRL)	Fusing Cooling Fan	CN1	3	CN9, CN15, CN16, CN17, CN18, CN19: With relay connector
			2	Fusing Cooling Fan: LOCK Sensor Signal			2	
			3	Fusing Cooling Fan: GND			1	
			4	Registration Sensor: GND	Harness No.55 D1492556	CN2	3	
			5	Registration Sensor: Sensor Signal			2	
			6	Registration Sensor: +5V	Fusing Motor	CN3	1	
			7	Fusing Motor: PEAKI & GAIN			10	
			8	Fusing Motor: MAKER & CLOCK			9	
			9	Fusing Motor: FG & BRK			8	
			10	Fusing Motor: ROTATE & ROTATE			7	
			11	Fusing Motor: PWM & ON			6	
			12	Fusing Motor: Fusing Motor BRK&LOCK			5	
			13	Fusing Motor: GND			4	
			14	Fusing Motor: GND			3	
			15	Fusing Motor: 24VS2			2	
			16	Fusing Motor: 24VS2	1			
			17	N.C.	-	-	-	
	18	Right Door Open/Close Switch: SW Terminal2	Right Door Open/Close Sensor	CN4	2			
	19	Right Door Open/Close Switch: SW Terminal1			1			
	A1	Paper Exit Motor: ENC: A Phase	Paper Exit Motor	CN6	8			
	A2	Paper Exit Motor: ENC: B Phase			7			
	A3	Paper Exit Motor: +5V			6			
	A4	Paper Exit Motor: CW/CCW (Low)			5			
	A5	Paper Exit Motor: PWM			4			
	A6	Paper Exit Motor: BRK (Low)			3			
	A7	Paper Exit Motor: GND			2			
	A8	Paper Exit Motor: +24VS2			1			
	A9	Transport Motor: ENC: A Phase	Transport Motor	CN8	8			
	A10	Transport Motor: ENC: B Phase			7			
	A11	Transport Motor: +5V			6			
	A12	Transport Motor: CW/CCW (Low)			5			
	A13	Transport Motor: PWM			4			
	A14	Transport Motor: BRK (Low)			3			
	A15	Transport Motor: GND			2			
A16	Transport Motor: +24VS2	1						
B1	Paper Feed Motor: ENC: A Phase	Paper Feed Motor	CN7	8				
B2	Paper Feed Motor: ENC: B Phase			7				
B3	Paper Feed Motor: +5V			6				
B4	Paper Feed Motor: CW/CCW (Low)			5				
B5	Paper Feed Motor: PWM			4				
B6	Paper Feed Motor: BRK (Low)			3				
B7	Paper Feed Motor: GND			2				
B8	Paper Feed Motor: +24VS2			1				
B9	Registration Motor: ENC: A Phase	Registration Motor	CN5	8				
B10	Registration Motor: ENC: B Phase			7				
B11	Registration Motor: +5V			6				
B12	Registration Motor: CW/CCW (Low)			5				
B13	Registration Motor: PWM			4				
B14	Registration Motor: BRK (Low)			3				
B15	Registration Motor: GND			2				
B16	Registration Motor: +24VS2			1				

Harness No.	Connector (From)			Signal Information	Connector (To)			Note
	To Connector	Addr.	Pin No.		To Connector	Addr.	Pin No.	
1	Paper Transport IOB	CN159	1	Pick-up Solenoid (1st Feed Tray): Terminal1	Harness No.56 D2022708	CN9	14	CN9, CN15, CN16, CN17, CN18: With relay connector
			2	Pick-up Solenoid (1st Feed Tray): Terminal2			13	
			3	Paper Feed Sensor (1st Feed Tray): GND			12	
			4	Paper Feed Sensor (1st Feed Tray): Sensor			11	
			5	Paper Feed Sensor (1st Feed Tray): +5V			10	
			6	Transport Sensor (1st Feed Tray): GND			9	
			7	Transport Sensor (1st Feed Tray): Sensor Signal			8	
			8	Transport Sensor (1st Feed Tray): +5V			7	
			9	Paper End Sensor (1st Feed Tray): GND			6	
			10	Paper End Sensor (1st Feed Tray): Sensor Signal			5	
			11	Paper End Sensor (1st Feed Tray): +5V			4	
			12	Limit Sensor (1st Feed Tray): GND			3	
			13	Limit Sensor (1st Feed Tray): Sensor Signal			2	
			14	Limit Sensor (1st Feed Tray): +5V			1	
	Paper Transport IOB	CN161	1	PTR Open/Close LED: CTRL	Harness No.57 D2416237	CN10	5	
			2	PTR Open/Close LED: +5V			4	
			3	Fusing Entrance Sensor: GND			3	
			4	Fusing Entrance Sensor: Sensor Signal			2	
			5	Fusing Entrance Sensor: +5V	1			
			6	PTR Open/Close Sensor: GND	PTR Open/Close Sensor	CN11	3	
			7	PTR Open/Close Sensor: Sensor Signal			2	
			8	PTR Open/Close Sensor: +5V	1			
			9	Duplex Entrance Motor: ENC: A Phase	Duplex Entrance Motor	CN14	8	
			10	Duplex Entrance Motor: ENC: B Phase			7	
			11	Duplex Entrance Motor: +5V			6	
			12	Duplex Entrance Motor: CW/CCW (Low)			5	
			13	Duplex Entrance Motor: PWM			4	
			14	Duplex Entrance Motor: BRK (Low)			3	
			15	Duplex Entrance Motor: GND			2	
			16	Duplex Entrance Motor: +24VS2			1	
			17	By-pass/Duplex Motor: ENC: A Phase	Harness No.58 D2414696	CN15	18	
			18	By-pass/Duplex Motor: ENC: B Phase			17	
			19	By-pass/Duplex Motor: +5V			16	
			20	By-pass/Duplex Motor: CW/CCW (Low)			15	
21	By-pass/Duplex Motor: PWM	14						
22	By-pass/Duplex Motor: BRK (Low)	13						
23	By-pass/Duplex Motor: GND	12						
24	By-pass/Duplex Motor: +24VS2	11						
25	Duplex Entrance Sensor: GND	10						
26	Duplex Entrance Sensor: Sensor Signal	9						
27	Duplex Entrance Sensor: +5V	8						
28	Duplex Exit Sensor: GND	7						
29	Duplex Exit Sensor: Sensor Signal	6						
30	Duplex Exit Sensor: +5V	5						
31	Duplex Unit Open/Close Sensor: SW Terminal2	4						
32	Duplex Unit Open/Close Sensor: SW Terminal1	3						
33	N.C.	2						
34	N.C.	1						



# D240/D241/D242 Harness Pin Assignment

Harness No.	Connector (From)			Signal Information	Connector (To)			Note	
	To Connector	Addr.	Pin No.		To Connector	Addr.	Pin No.		
1	Paper Transport IOB	CN162	1	By-pass Pick-up Solenoid: Terminal2 (PWM)	Harness No.60 D2412661	CN16	14		
			2	By-pass Pick-up Solenoid: Terminal1 (+24VS2)			13		
			3	By-pass Paper End Sensor: GND			12		
			4	By-pass Paper End Sensor: Sensor Signal			11		
			5	By-pass Paper End Sensor: +5V			10		
			6	By-pass Paper Length Sensor: SW Terminal2			9		
			7	By-pass Paper Length Sensor: SW Terminal1			8		
			8	By-pass Paper Length Sensor: COM Terminal			7		
			9	By-pass Paper Length Sensor: SW Terminal4			6		
			10	By-pass Paper Length Sensor: SW Terminal5			5		
			11	By-pass Paper Length Sensor: SW Terminal3			4		
			12	By-pass Paper Size Sensor: GND			3		
			13	By-pass Paper Size Sensor: Sensor Signal			2		
			14	By-pass Paper Size Sensor: +5V			1		
			15	N.C.			-		-
			16	Paper Exit Solenoid: Terminal1 (+24VS2)			-		15
			17	Paper Exit Solenoid: Terminal2 (PWM)			-		14
			18	Inversion Sensor: GND			-		13
			19	Inversion Sensor: Sensor Signal			-		12
			20	Inversion Sensor: +5V			-		11
			21	Paper Exit Sensor: GND			-		10
			22	Paper Exit Sensor: Sensor Signal			-		9
			23	Paper Exit Sensor: +5V			-		8
			24	Exit Tray Full Detection Sensor: GND			-		7
			25	Exit Tray Full Detection Sensor: Sensor Signal			-		6
			26	Exit Tray Full Detection Sensor: +5V			-		5
			27	N.C.			-		-
			28	N.C.			-		-
			29	N.C.			-		-
			30	N.C.			-		-
Paper Transport IOB	CN167	1	Inversion Motor: XB Phase	-	-	4			
		2	Inversion Motor: B Phase			3			
		3	Inversion Motor: XA Phase			2			
		4	Inversion Motor: A Phase			1			
Paper Transport IOB	CN156	A1	Set Detection (P): GND	Harness No.23 D2425355	CN18	A17	CN9, CN15, CN16, CN17, CN18, CN19: With relay connector		
		A2	Set Detection (C): GND			A16			
		A3	Set Detection: NA			A15			
		A4	Set Detection: EU			A14			
		A5	Set Detection : Special Paper			A13			
		A6	NewUnit Detection Fuse			A12			
		A7	NewUnit Detection Fuse: GND			A11			
		A8	Thermopile (Edge): +5V			A10			
		A9	Thermopile (Edge): GND			A9			
		A10	Thermopile (Edge): FB			A8			
		A11	Thermopile (Center): +5V			A7			
		A12	Thermopile (Center): GND			A6			
		A13	Thermopile (Center): FB			A5			
		A14	Thermopile (Exit): GND			A4			
		A15	Thermopile (Exit): Sensor Signal			A3			
		A16	Thermopile (Exit): +5V			A2			
		Paper Transport IOB	CN156			B1		N.C.	-
B2	N.C.			B16					
B3	Positioning Sensor/1:GND			B15					
B4	Positioning Sensor/1:Sensor Signal			B14					
B5	Positioning Sensor/1:+5V			B13					
B6	Non-Contact Thermistor (Edge): Detection			B12					
B7	Non-Contact Thermistor (Edge): Compensation			B11					
B8	Non-Contact Thermistor (Edge): GND			B10					
B9	Non-Contact Thermistor (Center): Detection			B9					
B10	Non-Contact Thermistor (Center): Compensation			B8					
B11	Non-Contact Thermistor (Center): GND			B7					
B12	Pressure Thermistor: Expanded End: FB			B6					
B13	Pressure Thermistor: Expanded End: GND			B5					
B14	Pressure Thermistor: End: FB			B4					
B15	Pressure Thermistor: End: GND			B3					
B16	Pressure Thermistor: Center: FB			B2					
B17	Pressure Thermistor: Center: GND			B1					
Paper Transport IOB	CN168	1	Fusing Douser Drive Motor :XB Fase(B3)	Harness No.23 D2425355	CN19	4			
		2	Fusing Douser Drive Motor :B Fase(B1)			3			
		3	Fusing Douser Drive Motor :A Fase(A1)			2			
		4	Fusing Douser Drive Motor :XA Fase(A3)			1			
		5	N.C.			-			

Harness No.	Connector (From)			Signal Information	Connector (To)			Note		
	To Connector	Addr.	Pin No.		To Connector	Addr.	Pin No.			
2	Paper Transport IOB	CN153	1	AC driver: +24V	-	-	10			
			2	AC driver: GND			9			
			3	AC driver: Zero Cross Signal1			8			
			4	AC driver: Fusing Relay Trigger Signal1			7			
			5	AC driver: Anti-condensation Heater Relay Trigger Signal			6			
			6	AC driver: AC Voltage Detection Signal			5			
			7	AC driver: Fusing Heater2 Trigger Signal			4			
			8	AC driver: Fusing Heater1 Trigger Signal			3			
			9	AC driver: Fusing Relay Trigger Signal2			2			
			10	AC driver: Zero Cross Signal2			1			
			11	PSU Cooling Fan: +24V (CTRL)			PSU Cooling Fan		CN2	3
			12	PSU Cooling Fan: LOCK Sensor Signal			2			
			13	PSU Cooling Fan: GND			1			
			14	PSU Exhaust Fan: +24V			PSU Exhaust Fan		CN3	3
			15	PSU Exhaust Fan:LOCK Sensor Signal			2			
			16	PSU Exhaust Fan:GND			1			
Paper Transport IOB	CN164	1	IPU: GND	-	-	13				
		2	IPU: +5VE			12				
		3	IPU: GND			11				
		4	IPU: +24V			10				
		5	IPU: +24V			9				
		6	IPU: +24V			8				
		7	IPU: +24V			7				
		8	IPU: GND			6				
		9	IPU: GND			5				
		10	IPU: GND			4				
		11	IPU: +24VS1			3				
		12	IPU: +24VS2			2				
		13	IPU: GND			1				
Paper Transport IOB	CN253	1	MKB: +5V	-	-	13	CN2, CN5: With relay connector			
		2	MKB: Key Card: Set Detection			12				
		3	MKB: b0 (Size1)			11				
		4	MKB: b1 (Size2)			10				
		5	MKB: b2 (Size3)			9				
		6	MKB: b3 (Size4)			8				
		7	MKB: b4 (Mode1)			7				
		8	MKB: b5 (Mode2)			6				
		9	MKB: b6 (Duplex)			5				
		10	MKB: b7 (Motor)			4				
		11	MKB: GND			3				
		12	MKB: Key Card: CTRL			2				
		13	MKB: For Optional Counter: +24V			1				
		14	Key-counter: GND			4				
		15	Key-counter: Set Detection			3				
		16	Key Counter: For Optional Counter: +24V			2				
		17	Key-counter: CTRL			1				
IPU	CN577	1	PSU: DC: PONENG_N	-	-	2				
		2	N.C.			1				
		3	PSU: DC: GND			4				
Paper Transport IOB	CN152	1	PSU: +24V	-	-	4				
		2	PSU: +24V			3				
		3	PSU: GND (+24V)			2				
		4	PSU: GND (+24V)			1				
		5	PSU: GND (+5V)			4				
		6	PSU: +5V			8				
IPU	CN578	1	PSU: GND	-	-	2				
		2	PSU: GND			3				
		3	PSU: 5V			7				
		4	PSU: 5VX			6				
		5	PSU: 5VX			5				
-	-	-	N.C.	-	-	1				

# D240/D241/D242 Harness Pin Assignment

Harness No.	Connector (From)			Signal Information	Connector (To)			Note											
	To Connector	Addr.	Pin No.		To Connector	Addr.	Pin No.												
3	Image Processing IOB	CN207	1	Paper Transport IOB: GND	Paper Transport IOB	CN163	18												
			2	Paper Transport IOB: GND			17												
			3	Paper Transport IOB: +24VS2			16												
			4	Paper Transport IOB: +24VS2			15												
			5	Paper Transport IOB: +24VS2			14												
			6	Paper Transport IOB: +24VS2			13												
			7	Paper Transport IOB: +24VS1			12												
			8	Paper Transport IOB: GND			11												
			9	Paper Transport IOB: GND			10												
			10	Paper Transport IOB: GND			9												
			11	Paper Transport IOB: GND			8												
			12	Paper Transport IOB: GND			7												
			13	Paper Transport IOB: GND			6												
			14	Paper Transport IOB: +5V			5												
			15	Paper Transport IOB: +24V			4												
			16	Paper Transport IOB: +24V			3												
			17	Paper Transport IOB: +24V			2												
									18	Paper Transport IOB: GND			1						
4	Paper Transport IOB	CN256	1	Bank: RXD	Bank Drawer	CN1	16												
			2	Bank: TXD			14												
			3	Bank: GND			12												
			4	Bank: GND			10												
			5	Bank: +5V			8												
			6	Bank: +5V			6												
			7	Bank: GND			4												
				1			PSU: GND				5								
				2			PSU: GND				7								
				3			PSU: GND				9								
				4			PSU: 24V				11								
				5			PSU: 24V				13								
				6			PSU: 24V				15								
				7			PSU: 24V				1								
			-	N.C.			2												
			-	N.C.			17												
			-	N.C.			18												
5	Paper Transport IOB	CN158	1	Lift Motor (2nd Feed Tray): Sensor: Paper Remaining Detection	Lift Motor (2nd Feed Tray): Sensor	CN1	5												
			2	Lift Motor (2nd Feed Tray): Sensor: Paper Remaining Detection: GND			4												
			3	Lift Motor (2nd Feed Tray): Sensor: Paper Remaining Detection			3												
			4	Lift Motor (2nd Feed Tray): Sensor: CTRL -			2												
			5	Lift Motor (2nd Feed Tray): Sensor: CTRL +			1												
			6	Tray Set Switch (2nd Feed Tray): GND			2												
			7	Tray Set Switch (2nd Feed Tray): SW Terminal1			1												
			8	Size Switch (2nd Feed Tray): SW Terminal4			5												
			9	Size Switch (2nd Feed Tray): GND			4												
			10	Size Switch (2nd Feed Tray): SW Terminal3			3												
			11	Size Switch (2nd Feed Tray): SW Terminal2			2												
			12	Size Switch (2nd Feed Tray): SW Terminal1			1												
			13	N.C.			-												
			14	N.C.			-												
				15	Pick-up Solenoid (2nd Feed Tray): +24VS2	Harness No.56 D2022708	CN5	14	CN5: With relay connector										
	16	Pick-up Solenoid (2nd Feed Tray): PWM	13																
	17	Paper Feed Sensor (2nd Feed Tray): GND	12																
	18	Paper Feed Sensor (2nd Feed Tray): Sensor	11																
	19	Paper Feed Sensor (2nd Feed Tray): +5V	10																
	20	Transport Sensor (2nd Feed Tray): GND	9																
	21	Transport Sensor (2nd Feed Tray): Sensor Signal	8																
	22	Transport Sensor (2nd Feed Tray): +5V	7																
	23	Paper End Sensor (2nd Feed Tray): GND	6																
	24	Paper End Sensor (2nd Feed Tray): Sensor	5																
	25	Paper End Sensor (2nd Feed Tray): +5V	4																
	26	Limit Sensor (2nd Feed Tray): GND	3																
	27	Limit Sensor (2nd Feed Tray): Sensor Signal	2																
	28	Limit Sensor (2nd Feed Tray): +5V	1																
			1	Lift Motor (1st Feed Tray): Sensor: Paper Remaining Detection	Lift Motor (1st Feed Tray): Sensor	CN6	5												
2	Lift Motor (1st Feed Tray): Sensor: Paper Remaining Detection: GND	4																	
3	Lift Motor (1st Feed Tray): Sensor: Paper Remaining Detection	3																	
4	Lift Motor (1st Feed Tray): Sensor: CTRL -	2																	
5	Lift Motor (1st Feed Tray): Sensor: CTRL +	1																	
6	Tray set Switch (1st Feed Tray): GND	2																	
7	Tray set Switch (1st Feed Tray): SW Terminal1	1																	
6	Paper Transport IOB	CN166	1	Fusing Exit Solenoid: 2(PWM)	Paper Transport IOB	CN166	2	Fusing Exit Solenoid: 1(+24VS2)	Harness No.16 D2415332	CN13	1								
			2	Fusing Exit Solenoid: 1(+24VS2)			3												
			3	Pressure Roller HP Sensor: GND			4												
			4	Pressure Roller HP Sensor: Signal			5												
			5	Pressure Roller HP Sensor: +5V			6												
				1	1bin Tray: Mainframe Inversion Sensor Output Signal	1bin Tray	CN10	2	1bin Tray	CN10	4	CN1, CN2, CN5, CN6, CN8: With relay connector							
	2	1bin Tray: Paper Remaining Sensor	5																
	3	1bin Tray: Set Detection Mechanism	4																
	4	1bin Tray: GND	3																
	5	1bin Tray: +5VE LPS	2																
	6	1bin Tray: +5V	1																
				1	Temperature/Humidity Sensor: Temperature FB	Temperature/Humidity Sensor	CN4	4	Temperature/Humidity Sensor	CN4	3								
	2	Temperature/Humidity Sensor : GND	2																
	3	Temperature/Humidity Sensor: Humidity FB	1																
	4	Temperature/Humidity Sensor: +3.3V	1																
				5	Developing Air Intake Fan/Right: CTRL	Developing Air Intake Fan/Right	CN5	3	Developing Air Intake Fan/Right	CN5	2								
	6	Developing Air Intake Fan/Right: LOCK	2																
	7	Developing Air Intake Fan/Right: GND	1																
				8	Paper Exit Cooling /Electrical BOX Cooling/CTL Cooling Fan: CTRL	Exit Exhaust Cooling Fan	CN8	3	Exit Exhaust Cooling Fan	CN8	2								
	9	Paper Exit Cooling Fan: LOCK	2																
10	Paper Exit Cooling Fan: GND	1																	
			1	Main SW: ACSW_STAT_ON_O_ACSW	Main SW	CN11	2	Main SW	CN11	1									
2	Main SW: ACSWOFF_ACSW	1																	
			1	1bin LED: CATHODE	1bin Tray	CN12	2	1bin LED: CATHODE	CN12	1									
2	1bin LED: ANODE	1																	
			1	Human Detect Setting: Power(+3.3VE)	MESENS2 (Human Detect Setting Board)	CN9	5	Human Detect Setting: Power(+3.3VE)	CN9	4									
2	Human Detect Setting: Motion Sensor Signal	4																	
3	Human Detect Setting: GND	3																	
4	N.C.	2																	
5	N.C.	1																	
7	PSU (DC)	CN917	1	PSU: DC: 24V	PSU (DC)	CN917	1	PSU: DC: 24V	Interlock SW/1	CN1	1								
			2	PSU: DC: 24V			2												
				1			Interlock Switch/1: +24VS1						Interlock SW/1	CN1	2	Interlock SW/1	CN1	2	
			2	Interlock Switch/2: +24VS2	2	Interlock SW/2	CN2	2											
			-	N.C.			-				8								
8	Image Processing IOB	CN217	1	Finisher: RXD	Image Processing IOB	CN217	1	Finisher: RXD	Lattice	CN1	7								
			-	N.C.			6												
			2	Finisher: TXD			5												
			-	N.C.			4												
			-	N.C.			3												
				3			Finisher: GND						Lattice	CN2	2	Lattice	CN2	1	
	4	Finisher: GND	1																
	1	PSU: DC: GND	9																
	2	PSU: DC: GND	8																
	3	PSU: DC: GND	7																
	4	PSU: DC: GND	6																
5	PSU: DC: 24V	5																	
			6	PSU: DC: 24V	Lattice	CN2	4	Lattice	CN2	4									
			7	PSU: DC: 24V			3												
			8	PSU: DC: 24V			2			2									
			-	N.C.			-			1									

# D240/D241/D242 Harness Pin Assignment

Harness No.	Connector (From)			Signal Information	Connector (To)			Note	
	To Connector	Addr.	Pin No.		To Connector	Addr.	Pin No.		
9	Image Processing IOB	CN203	1	Toner Bottle Drive Motor: K: CTRL B	Toner Bottle Drive Motor/K	CN1	2	CN1, CN2, CN3, CN4, CN14, CN18: With relay connector	
			2	Toner Bottle Drive Motor: K: +24VS1	Toner Bottle Drive Motor/C	CN2	1		
			3	Toner Bottle Drive Motor: C: CTRL B	Toner Bottle Drive Motor/M	CN3	2		
			4	Toner Bottle Drive Motor: C: +24VS1	Toner Bottle Drive Motor/Y	CN4	1		
			5	Toner Bottle Drive Motor: M: CTRL B	-	-	-		
			6	Toner Bottle Drive Motor: M: +24VS1	Toner ID TAG	CN5	4		
			7	Toner Bottle Drive Motor: Y: CTRL B	Toner ID TAG	CN6	2		
			8	Toner Bottle Drive Motor: Y: +24VS1	Toner ID TAG	CN7	3		
			9	N.C.	Toner ID TAG	CN8	2		
			10	Toner ID TAG: I2C	-	-	-		
			11	Toner ID TAG: GND	-	-	-		
			12	Toner ID TAG: I2C	-	-	-		
			13	Toner ID TAG: Power	-	-	-		
			14	N.C.	-	-	-		
			15	Toner ID TAG: I2C	-	-	-		
			16	Toner ID TAG: GND	-	-	-		
			17	Toner ID TAG: I2C	-	-	-		
			18	Toner ID TAG: Power	-	-	-		
9	Image Processing IOB	CN219	1	HVP TTS: +24VS2	HVP: TTS	CN802	10	CN9, CN13: With relay connector	
			2	HVP TTS: GND			9		
			3	HVP TTS: Transfer/SC Detection			8		
			4	HVP TTS: Paper Transfer (-)/Output Voltage FB			7		
			5	HVP TTS: Paper Transfer (-)/PWM			6		
			6	HVP TTS: Paper Transfer (+)/PWM			5		
			7	HVP TTS: Image Transfer/K/PWM			4		
			8	HVP TTS: Image Transfer/C/PWM			3		
			9	HVP TTS: Image Transfer/M/PWM			2		
			10	HVP TTS: Image Transfer/Y/PWM			1		
			11	N.C.			-		-
			12	N.C.			-		-
9	Image Processing IOB	CN205	1	Toner End Sensor: K: GND	Harness No.18 D2415334	CN9	3	CN1, CN2, CN3, CN4, CN14, CN18: With relay connector	
			2	Toner End Sensor: K: Signal	-	-	2		
			3	Toner End Sensor: K: +5VTEK	-	-	1		
			4	Toner End Sensor: C: GND	Harness No.18 D2415334	CN10	3		
			5	Toner End Sensor: C: Signal	-	-	2		
			6	Toner End Sensor: C: +5VTEFC	-	-	1		
			7	Toner End Sensor: M: GND	Harness No.18 D2415334	CN13	3		
			8	Toner End Sensor: M: Signal	-	-	2		
			9	Toner End Sensor: M: +5VTEFC	-	-	1		
			10	Toner End Sensor: Y: GND	Harness No.18 D2415334	CN17	3		
			11	Toner End Sensor: Y: Signal	-	-	2		
			12	Toner End Sensor: Y: +5VTEFC	-	-	1		
			13	ITB Contact and Release Sensor: GND	Harness No.18 D2415334	CN14	3		
			14	ITB Contact and Release Sensor: Signal	-	-	2		
			15	ITB Contact and Release Sensor: +5V	-	-	1		
			16	Imaging Temperature Sensor: GND	Imaging Temperature Sensor	CN18	2		
			17	Imaging Temperature Sensor: Imaging Temperature Sensor/FB	-	-	1		
9	Image Processing IOB	CN218	1	Bridge unit/Shift Tray/Exit Tray Left: GND	Bridge Unit Drawer	CN19	10	CN1, CN2, CN3, CN4, CN14, CN18: With relay connector	
			2	Bridge unit/Shift Tray/Exit Tray Left: +5V			9		
			3	Bridge unit/Shift Tray/Exit Tray Left: CBU_SS1SET_I			8		
			4	Bridge unit/Shift Tray/Exit Tray Left: CBUCVSNSNS_N_I			7		
			5	Bridge unit/Shift Tray/Exit Tray Left: CBUEPSNSNS_N_I			6		
			6	Bridge unit/Shift Tray/Exit Tray Left: CBUCVMTRST_N_O			5		
			7	Bridge unit/Shift Tray/Exit Tray Left: CBUCVMTCTL_O			4		
			8	Bridge unit/Shift Tray/Exit Tray Left: GND			3		
			9	Bridge unit/Shift Tray/Exit Tray Left: +24V			2		
			-	N.C.			1		
			10	Bridge unit/Exit Tray Left: +24V			CN20		9
			11	Bridge unit/Exit Tray Left: CBU+5VFU_I					8
			12	Bridge unit/Exit Tray Left: CBUCVMTENA_N_O					7
			13	Bridge unit/Exit Tray Left: CBU_SS2SET_I					6
			14	Bridge unit/Exit Tray Left: CBUDVSLPWM_O					5
			15	Bridge unit/Exit Tray Left: CBUCVMTCLK_O					4
			16	Bridge unit/Exit Tray Left: CBU+24VFU_I					3
			17	Bridge unit/Exit Tray Left: CBTOCSNSNS_I					2
18	Bridge unit/Exit Tray Left: CBEOCSNSNS_I	1							

Harness No.	Connector (From)			Signal Information	Connector (To)			Note
	To Connector	Addr.	Pin No.		To Connector	Addr.	Pin No.	
10	Image Processing IOB	CN222	1	Toner Bottle Supply Motor: K: A Phase	Toner Bottle Supply Motor: K	CN1	4	CN9, CN13: With relay connector
			2	Toner Bottle Supply Motor: K: XA Phase			3	
			3	Toner Bottle Supply Motor: K: B Phase			2	
			4	Toner Bottle Supply Motor: K: XB Phase			1	
			5	Toner Bottle Supply Motor: C: A Phase	Toner Bottle Supply Motor: C	CN2	4	
			6	Toner Bottle Supply Motor: C: XA Phase			3	
			7	Toner Bottle Supply Motor: C: B Phase			2	
			8	Toner Bottle Supply Motor: C: XB Phase			1	
			9	Toner Bottle Supply Motor: M: A Phase	Toner Bottle Supply Motor: M	CN3	4	
			10	Toner Bottle Supply Motor: M: XA Phase			3	
			11	Toner Bottle Supply Motor: M: B Phase			2	
			12	Toner Bottle Supply Motor: M: XB Phase			1	
			13	Toner Bottle Supply Motor: Y: A Phase	Toner Bottle Supply Motor: Y	CN4	4	
			14	Toner Bottle Supply Motor: Y: XA Phase			3	
			15	Toner Bottle Supply Motor: Y: B Phase			2	
			16	Toner Bottle Supply Motor: Y: XB Phase			1	
11	Image Processing IOB	CN200	1	Drum Motor/FC:Peak Hold	Drum Motor/FC	CN1	10	CN9, CN13: With relay connector
			2	Drum Motor/FC:Maker			9	
			3	Drum Motor/FC:FG			8	
			4	Drum Motor/FC:Direction			7	
			5	Drum Motor/FC:PWM			6	
			6	Drum Motor/FC:BRK			5	
			7	Drum Motor/FC:GND			4	
			8	Drum Motor/FC:GND			3	
			9	Drum Motor/FC: +24VS1			2	
			10	Drum Motor/FC: +24VS1			1	
			11	Development Motor/FC:Peak Hold	Development Motor/FC	CN2	10	
			12	Development Motor/FC:Maker			9	
			13	Development Motor/FC:FG			8	
			14	Development Motor/FC:Direction			7	
			15	Development Motor/FC:PWM			6	
			16	Development Motor/FC:BRK			5	
			17	Development Motor/FC:GND			4	
			18	Development Motor/FC:GND			3	
			19	Development Motor/FC: +24VS1			2	
			20	Development Motor/FC: +24VS1			1	
			21	Development Motor/K:Peak Hold	Development Motor/K	CN4	10	
			22	Development Motor/K:Maker			9	
			23	Development Motor/K:FG			8	
			24	Development Motor/K:Direction			7	
			25	Development Motor/K:PWM			6	
			26	Development Motor/K:BRK			5	
			27	Development Motor/K:GND			4	
			28	Development Motor/K:GND			3	
			29	Development Motor/K: +24VS1	2			
			30	Development Motor/K: +24VS1	1			
			31	Image Transfer Motor/K:Peak Hold	Image Transfer Motor	CN7	10	
			32	Image Transfer Motor/K:Maker			9	
			33	Image Transfer Motor/K:FG			8	
			34	Image Transfer Motor/K:Direction			7	
			35	Image Transfer Motor/K:PWM			6	
			36	Image Transfer Motor/K:BRK			5	
			37	Image Transfer Motor/K:GND			4	
			38	Image Transfer Motor/K:GND			3	
			39	Image Transfer Motor/K: +24VS1	2			
			40	Image Transfer Motor/K: +24VS1	1			

## D240/D241/D242 Harness Pin Assignment

Harness No.	Connector (From)			Signal Information	Connector (To)			Note
	To Connector	Addr.	Pin No.		To Connector	Addr.	Pin No.	
11	Image Processing IOB	CN201	1	N.C.	-	-	-	CN8, CN9, CN13: With relay connector
			2	N.C.	-	-	-	
			3	Waste toner capacity sensor: GND	Harness No.15 D1495330	CN5	3	
			4	Waste toner capacity sensor: Signal		2		
			5	Waste toner capacity sensor: +5V	-	-	1	
			6	Waste toner bottle set sensor: GND	Waste toner bottle set sensor	CN3	2	
			7	Waste toner bottle set sensor:Signal			1	
			8	Paper Transfer Contact and Release Sensor:GND	Paper Transfer Contact and Release Sensor	CN11	3	
			9	Paper Transfer Contact and Release Sensor:Signal			2	
			10	Paper Transfer Contact and Release Sensor:+5V			1	
			11	Paper Transfer Contact and Release Motor:CTRL2	Paper Transfer Contact and Release Motor	CN12	2	
			12	Paper Transfer Contact and Release Motor:CTRL1			1	
			13	N.C.	-	-	-	
	1	N.C.	-	-	16			
	2	N.C.	-	-	15			
	3	PCU: GND	-	-	14			
	4	PCU: HST/K:Output	-	-	13			
	5	PCU: HST:Power	-	-	12			
	6	PCU: HST/K:SEL	-	-	11			
	7	PCU: HST:SDA	-	-	10			
	8	PCU: HST:SCL	-	-	9			
	9	N.C.	-	-	8			
	10	N.C.	-	-	7			
	11	PCU: GND	-	-	6			
	12	PCU: HST/C:Output	-	-	5			
	13	PCU: HST:Power	-	-	4			
	14	PCU: HST/C:SEL	-	-	3			
	15	PCU: HST:SDA	Harness No.13 D1495328	CN13	2			
	16	PCU: HST:SCL			1			
	17	N.C.			32			
	18	N.C.			31			
	19	PCU: GND			30			
20	PCU: HST/M:Output	29						
21	PCU: HST:Power	28						
22	PCU: HST/M:SEL	27						
23	PCU: HST:SDA	26						
24	PCU: HST:SCL	25						
25	N.C.	24						
26	N.C.	23						
27	PCU: GND	22						
28	PCU: HST/Y:Output	21						
29	PCU: HST:Power	20						
30	PCU: HST/Y:SEL	19						
31	PCU: HST:SDA	18						
32	PCU:HST:SCL	17						

Harness No.	Connector (From)			Signal Information	Connector (To)			Note
	To Connector	Addr.	Pin No.		To Connector	Addr.	Pin No.	
11	Image Processing IOB	CN211	1	HVP CB: HVP/Development/DC/Y/PWM	HVP CB	CN800	20	CN9, CN13: With relay connector
			2	HVP CB: HVP/Development/DC/M/PWM			19	
			3	HVP CB: HVP/Development/DC/C/PWM			18	
			4	HVP CB: HVP/Development/DC/K/PWM			17	
			5	HVP CB: HVP/Charge/DC/K/PWM			16	
			6	HVP CB: HVP/Charge/DC/C/PWM			15	
			7	HVP CB: HVP/Charge/DC/M/PWM			14	
			8	HVP CB: HVP/Charge/DC/Y/PWM			13	
			9	HVP CB: HVP/Charge/AC/K/PWM			12	
			10	HVP CB: HVP/Charge/AC/K/PWM			11	
			11	HVP CB: HVP/Charge/AC/M/PWM			10	
			12	HVP CB: HVP/Charge/AC/Y/PWM			9	
			13	HVP CB: HVP/Charge/AC/Y/CLOCK			8	
			14	HVP CB: HVP/Charge Development/SC Detection			7	
			15	HVP CB: HVP/Charge/AC/K/Output Voltage FB			6	
			16	HVP CB: HVP/Charge/AC/C/Output Voltage FB			5	
			17	HVP CB: HVP/Charge/AC/M/Output Voltage FB			4	
			18	HVP CB: HVP/Charge/AC/Y/Output Voltage FB			3	
			19	HVP CB:GND			2	
			20	HVP CB:+24VS2			1	
11	Image Processing IOB	CN216	1	Toner Supply Cooling/Drive Cooling/Exhaust Fan: CTRL	Harness No.12 D1495327	CN8	-	CN9, CN13: With relay connector
			2	Exhaust Fan: LOCK			-	
			3	Exhaust Fan: GND			-	
			4	Exit Paper Cooling/Electrical BOX Cooling/CTL Cooling Fan:CTRL	Controller Box Cooling Fan	CN9	-	
			5	Controller Box Cooling Fan: LOCK			-	
			6	Controller Box Cooling Fan: GND			3	
			7	Toner Supply Cooling/Drive Cooling/Exhaust Fan: CTRL	Drive Cooling Fan	CN14	2	
			8	Drive Cooling Fan:LOCK			1	
			9	Drive Cooling Fan:GND			3	
			10	Toner Supply Cooling/Drive Cooling/Exhaust Fan:CTRL	Toner Supply Cooling Fan	CN10	2	
			11	Toner Supply Cooling Fan: LOCK			1	
			12	Toner Supply Cooling Fan: GND			-	
			13	N.C.	-	-	-	
			14	N.C.	-	-	-	
			15	N.C.	-	-	-	
12	Harness No.11 D2425326	CN1	1	Exhaust Fan:CTRL	Exhaust Fan	CN2	3	CN1,CN2: With relay connector
			2	Exhaust Fan:LOCK			2	
			3	Exhaust Fan:GND			1	

## D240/D241/D242 Harness Pin Assignment

Harness No.	Connector (From)			Signal Information	Connector (To)			Note	Harness No.	Connector (From)			Signal Information	Connector (To)			Note																			
	To Connector	Addr.	Pin No.		To Connector	Addr.	Pin No.			To Connector	Addr.	Pin No.																								
13	Harness No.11 D2425326	CN1	1	PCU: Remaining Amount Sensor/K	Harness No.14 D2405329	CN2	16	CN2: With relay connector	20	Harness No.6 D2425308	CN1	1	TMP Sensor: 3.3V	TMP Sensor: FRONT	CN2	5	21	Harness No.22 D2415349	CN1	1	GND	MSENS1	CN2	6	CN1: With relay connector											
			2	PCU: +24VS2			15					2	Sensor Signal			5				2	Sensor Power			4												
			3	PCU: HST_SCL			14					3	Sensor Power			4				3	Potentiometer Clock			3												
			4	PCU: HST_SDA			13					4	PCU: HST_SCL			30				4	Potentiometer Value Setting Signal			2		4	Potentiometer CS Signal	1								
			5	PCU: HST_Sensor/K/PWM			12					5	PCU: HST_SDA			29				5	Potentiometer CS Signal			6		5	GND	6								
			6	PCU: HST_Sensor+5V			11					6	PCU: HST_Sensor/M/PWM			28				6	GND			5		6	Sensor Signal	5								
			7	PCU: HST_Sensor/K/FB			10					7	PCU: HST_Sensor+5V			27				7	Sensor Power			4		7	Sensor Power	4								
			8	PCU: GND			9					8	PCU: HST_Sensor/M/FB			26				8	Potentiometer Clock			3		8	Potentiometer Value Setting Signal	2								
			9	PCU: Remaining Amount Sensor/C			8					9	PCU: GND			25				9	Potentiometer CS Signal			1		9	Potentiometer CS Signal	1								
			10	PCU: +24VS2			7					10	PCU: Remaining Amount Sensor/Y			24				10	GND			12		10	Sensor Signal	11								
			11	PCU: HST_SCL			6					11	PCU: +24VS2			23				11	Sensor Power			4		11	Sensor Power	4								
			12	PCU: HST_SDA			5					12	PCU: HST_SCL			22				12	Potentiometer Clock			3		12	Potentiometer Value Setting Signal	2								
			13	PCU: HST_Sensor/C/PWM			4					13	PCU: HST_SDA			21				13	Potentiometer Value Setting Signal			2		13	Potentiometer CS Signal	1								
			14	PCU: HST_Sensor+5V			3					14	PCU: HST_Sensor/Y/PWM			20				14	Potentiometer CS Signal			1		14	GND	12								
			15	PCU: HST_Sensor/C/FB			2					15	PCU: HST_Sensor+5V			19				15	GND			11		15	Sensor Signal	11								
			16	PCU: GND			1					16	PCU: HST_Sensor/Y/FB			18				16	Sensor Power			4		16	Potentiometer Clock	3								
			17	PCU: GND			1					17	PCU: HST_Sensor/Y			17				17	Potentiometer Value Setting Signal			2		17	Potentiometer CS Signal	1								
			18	PCU: Remaining Amount Sensor/M			1					18	N.C.			-				18	GND			10		18	Sensor Power	4								
			19	PCU: +24VS2			1					19	N.C.			-				19	Sensor Power			4		19	Potentiometer Clock	3								
			20	PCU: HST_SCL			1					20	N.C.			-				20	Potentiometer Value Setting Signal			2		20	Potentiometer CS Signal	1								
			21	PCU: HST_SDA			1					21	N.C.			-				21	Potentiometer CS Signal			1		21	GND	12								
			22	PCU: HST_Sensor/M/PWM			1					22	N.C.			-				22	Sensor Signal			11		22	Sensor Power	4								
			23	PCU: HST_Sensor+5V			1					23	N.C.			-				23	Sensor Power			4		23	Potentiometer Clock	3								
			24	PCU: HST_Sensor/M/FB			1					24	N.C.			-				24	Potentiometer Value Setting Signal			2		24	Potentiometer CS Signal	1								
			25	PCU: GND			1					25	N.C.			-				25	Potentiometer CS Signal			1		25	GND	12								
			26	PCU: Remaining Amount Sensor/Y			1					26	N.C.			-				26	Sensor Signal			11		26	Sensor Power	4								
			27	PCU: +24VS2			1					27	N.C.			-				27	Sensor Power			4		27	Potentiometer Clock	3								
			28	PCU: HST_SCL			1					28	N.C.			-				28	Potentiometer Value Setting Signal			2		28	Potentiometer CS Signal	1								
			29	PCU: HST_SDA			1					29	N.C.			-				29	Potentiometer CS Signal			1		29	GND	12								
			30	PCU: HST_Sensor/C/PWM			1					30	N.C.			-				30	Sensor Signal			11		30	Sensor Power	4								
			31	PCU: HST_Sensor+5V			1					31	N.C.			-				31	Sensor Power			4		31	Potentiometer Clock	3								
			32	PCU: HST_Sensor+5V			1					32	N.C.			-				32	Potentiometer Value Setting Signal			2		32	Potentiometer CS Signal	1								
14	Harness No.13 D1495328	CN1	1	N.C.	Harness No.66 D2423173	CN2	6	CN2,CN3,CN4,CN5: With relay connector	22	MSENS2	CN1	1	GND	Harness No.21 D2415348	CN3	1	23	Harness No.1 D2425300	CN1	1	Set Detection (P): GND	Fusing Drawer Harness No.80 D2414312(100V) or Harness No.81 D2414313(200V)	CN6	11	24	CN10	Screw	T1	1	HT1/L	Fusing Drawer Harness No.61 D1494321 (NA)	CN7	4	HT2/N	4	
			2	N.C.			2					Sensor Signal	5			2				Sensor Power	4			2						Set Detection (C): GND			8	2	HT2/N	5
			3	PCU: GND			5					Sensor Power	4			3				Potentiometer Clock	3			3						Set Detection: NA			7	3	HT1/L(reserve)	2
			4	PCU: HST:Output			4					Potentiometer Clock	3			4				Potentiometer Value Setting Signal	2			4						Set Detection: EU			6	4	HT2/L	3
			5	PCU: HST:Power			3					Potentiometer CS Signal	1			5				Potentiometer CS Signal	1			5						Set Detection : Special Paper			5	5		
			6	PCU: HST/K:SEL			2					GND	10			6				GND	10			6						N.C.			4	6		
			7	PCU: HST:SDA			1					Sensor Signal	5			7				Sensor Power	4			7						NewUnit Detection Fuse			4	7		
			8	PCU: HST:SCL			1					Sensor Power	4			8				Potentiometer Clock	3			8						NewUnit Detection Fuse: GND			3	8		
			9	N.C.			1					Potentiometer Value Setting Signal	2			9				Potentiometer CS Signal	1			9						N.C.			2	9		
			10	N.C.			1					Potentiometer CS Signal	1			10				GND	12			10						N.C.			1	10		
			11	PCU: GND			6					Sensor Signal	11			11				Sensor Power	4			11						N.C.			4	11		
			12	PCU: HST/C:Output			5					Sensor Power	4			12				Potentiometer Clock	3			12						Thermopile (Edge): +5V			3	12		
			13	PCU: HST:Power			4					Potentiometer Clock	3			13				Potentiometer Value Setting Signal	2			13						Thermopile (Edge): GND			2	13		
			14	PCU: HST/C:SEL			3					Potentiometer Value Setting Signal	2			14				Potentiometer CS Signal	1			14						Thermopile (Edge): FB			1	14		
			15	PCU: HST:SDA			2					Potentiometer CS Signal	1			15				GND	12			15						N.C.			4	15		
			16	PCU: HST:SCL			1					Sensor Signal	11			16				Sensor Power	4			16						N.C.			3	16		
			17	N.C.			1					Sensor Power	4			17				Potentiometer Clock	3			17						Thermopile (Center): +5V			3	17		
			18	N.C.			1					Potentiometer Value Setting Signal	2			18				Potentiometer CS Signal	1			18						Thermopile (Center): GND			2	18		
			19	PCU: GND			6					Potentiometer CS Signal	1			19				GND	12			19						Thermopile (Center): FB			1	19		
			20	PCU: HST/M:Output			5					Sensor Signal	11			20				Sensor Power	4			20						N.C.			4	20		
			21	PCU: HST:Power			4					Sensor Power	4			21				Potentiometer Clock	3			21						Thermopile (Center): GND			2	21		
			22	PCU: HST/M:SEL			3					Potentiometer Value Setting Signal	2			22				Potentiometer CS Signal	1			22						Thermopile (Center): FB			1	22		
			23	PCU: HST:SDA			2					Potentiometer CS Signal	1			23				GND	12			23						N.C.			4	23		
			24	PCU: HST:SCL			1					Sensor Signal	11			24				Sensor Power	4			24						Thermopile (Exit): GND			3	24		
			25	N.C.			1					Sensor Power	4			25				Potentiometer Clock	3			25						Thermopile (Exit): Sensor Signal			2	25		
			26	N.C.			1					Potentiometer Value Setting Signal	2			26				Potentiometer CS Signal	1			26						Thermopile (Exit): +5V			1	26		
			27	PCU: GND			6					Potentiometer CS Signal	1			27				GND	12			27						N.C.			4	27		
			28	PCU: HST/Y:Output			5					Sensor Signal	11			28				Sensor Power	4			28						Thermopile (Edge): +5V			3	28		
			29	PCU: HST:Power			4					Sensor Power	4			29				Potentiometer Clock	3			29						Thermopile (Edge): GND			2	29		
			30	PCU: HST/Y:SEL			3					Potentiometer Value Setting Signal	2			30				Potentiometer CS Signal	1			30						Thermopile (Edge): FB			1	30		
			31	PCU: HST:SDA			2					Potentiometer CS Signal	1			31				GND	12			31						N.C.			4	31		
			32	PCU: HST:SCL			1					Sensor Signal	11			32				Sensor Power	4			32						Thermopile (Center): +5V			3	32		
15	Harness No.11 D2425326	CN1	1	Waste toner capacity sensor: GND	Waste Toner Capacity Detection Sensor	CN2	3	CN1: With relay connector	23	Harness No.1 D2425300	CN10	1	Fusing Shield Drive Motor: XB Phase (B3)	Fusing Shield Drive Motor	CN11	4																				
16	Harness No.6 D2425308	CN1	1	Waste toner capacity sensor: +5V	Fusing Exit Drive Solenoid	CN2	1		23	Harness No.1 D2425300	CN10	2	Fusing Shield Drive Motor: B Phase (B1)	Fusing Shield Drive Motor	CN11	3																				
17	Harness No.9 D2415324	CN1	1	Fusing Exit Drive Solenoid Terminal2 (PWM)	ITB Contact and Release Sensor	CN2	3		23	Harness No.1 D2425300	CN10	3	Fusing Shield Drive Motor: A Phase (A1)	Fusing Shield Drive Motor	CN11	2																				
18	Harness No.9 D2415324	CN1	1	N.C.	ITB Contact and Release Sensor	CN2	2		23	Harness No.1 D2425300	CN10	4	Fusing Shield Drive Motor: XA Phase (A3)	Fusing Shield Drive Motor	CN11	1																				
19	Harness No.9 D2415324	CN1	1	Waste toner capacity sensor: +5V	Toner End Sensor	CN2	1	CN2: With relay connector	23	Harness No.1 D2425300	CN10	5	GND	Fusing Shield Drive Motor	CN11	1G																				
19	BCU	CN101	1	ITB Contact and Release Sensor: GND	IPU	CN575	22		19	PSU (AC)	CN985	1	HT1/L	Fusing Drawer Harness No.61 D1494321 (NA)	CN7	4																				
			2	ITB Contact and Release Sensor: Signa			21					HT2/N	5																							
			3	ITB Contact and Release Sensor: +5VTEK			20					N.C.	6																							
			1	Toner End Sensor:GND			19					HT1/L(reserve)	2																							
			2	Toner End Sensor:Signal			18					HT2/L	3																							
			3	Toner End Sensor:+5VTEK			17																													
			1	IPU: GND			16																													
			2	IPU: 5V			15																													
			3	IPU: GMAC1/GAVD Sync Serial TX Data			14																													
			4	IPU: GMAC1/GAVD Sync Serial RX Data			13																													
			5	IPU: GMAC1/GAVD Sync Serial CLOCK			12																													
			6	IPU: N.C.			11																													
			7	IPU: GMAC1/GAVD Sync Serial CS0			10																													
			8	IPU: N.C.			9																													
9	IPU: GMAC2 Sync Serial TX Data	8																																		
10	IPU: GMAC2 Sync Serial RX Data	7																																		
11	IPU: Memory to plotter Reset Signal	6																																		
12	IPU: Scanner to Memory Reset Signal	5																																		
13	IPU: GMAC2 Sync Serial CLOCK	4																																		
14	IPU: GMAC2 Sync Serial CS0	3																																		
15	IPU: ADF TX Data	2																																		
16	IPU: ADF RX Data	1																																		
17	IPU: IPU Interruption																																			
18	IPU: Engine OFF: Elapsed Time0																																			
19	IPU: Engine OFF: Elapsed Time1																																			
20	IPU: L: Normal Start/H: Awaiting Rapi Opening																																			
21	IPU: Full Operation Mode Detection Signal																																			
22	IPU: IPU Start Detection Signal																																			

## D240/D241/D242 Harness Pin Assignment

Harness No.	Connector (From)			Signal Information	Connector (To)			Note
	To Connector	Addr.	Pin No.		To Connector	Addr.	Pin No.	
24	INLET	INLET	L	AC_IN_L	PSU (AC)	T900	-	
			N	AC_IN_N	PSU (AC)	T901	-	
			E	EARTH	Screw	T1	-	
25	PSU (AC)	CN988	1	PSU (AC): AC_L_5V_24V	PSU (DC)	CN901	1	
			2	N.C.			2	
			3	PSU (AC): AC_N_5V_24V			3	
26	PSU (AC)	CN989	1	PCU Heater_N	PCU Heater	CN1	2	
			2	Paper Feed Heater_N	Paper Feed Heater	CN2	2	
			3	Bank Heater_N	Bank Feed Heater	CN3	2	
			4	PCU Heater_L	PCU Heater	CN1	1	
			5	Paper Feed Heater_L	Paper Feed Heater	CN2	1	
			6	Bank Heater_L	Bank Feed Heater	CN3	1	
27	Harness No.46 D1495392	CN1	1	Paper Feed Heater_L	Paper Feed Heater	CN2	1	
			2	Paper Feed Heater_N	Paper Feed Heater	CN2	2	
28	PSU (AC)	CN990	1	Anti-condensation Heater SW_L	Anti-condensation Heater SW	CN1	1	
			2	Anti-condensation Heater SW_N	Anti-condensation Heater SW	CN2	1	
29	HVP: TTS		T1	Image Transfer T1: Y	Image Transfer		T6	-
			T2	Image Transfer T1: M			T7	-
			T3	Image Transfer T1: C			T8	-
			T4	Image Transfer T1: K			T9	-
			T5	Paper Transfer T2			T10	-
30	BCU		1	FFC Connection Detection	IPU		50	
			2	GND			49	
			3	IPU Addr. Path18			48	
			4	IPU Addr. Path17			47	
			5	IPU Addr. Path16			46	
			6	IPU Addr. Path15			45	
			7	IPU Addr. Path14			44	
			8	IPU Addr. Path13			43	
			9	IPU Addr. Path12			42	
			10	IPU Addr. Path11			41	
			11	IPU Addr. Path10			40	
			12	GND			39	
			13	IPU Addr. Path9			38	
			14	IPU Addr. Path8			37	
			15	IPU Addr. Path7			36	
			16	IPU Addr. Path6			35	
			17	IPU Addr. Path5			34	
			18	IPU Addr. Path4			33	
			19	IPU Addr. Path3			32	
			20	IPU Addr. Path2			31	
			21	IPU Addr. Path1			30	
			22	GND			29	
			23	IPU Data Path31			28	
			24	IPU Data Path30			27	
			25	IPU Data Path29			26	
			26	IPU Data Path28			25	
			27	IPU Data Path27			24	
			28	IPU Data Path26			23	
			29	IPU Data Path25			22	
			30	IPU Data Path24			21	
			31	GND			20	
			32	IPU Data Path23			19	
			33	IPU Data Path22			18	
			34	IPU Data Path21			17	
			35	IPU Data Path20			16	
			36	IPU Data Path19			15	
			37	IPU Data Path18			14	
			38	IPU Data Path17			13	
			39	IPU Data Path16			12	
			40	GND			11	
			41	Mint condition(Ander Chip Signal Deletion)			10	
			42	Mint condition(Patmos2 Chip Signal Deletion)			9	
			43	Macaron2 Chip Select			8	
			44	Macaron1 Chip Select			7	
			45	CDS Chip Select			6	
			46	IPU Write Signal			5	
			47	IPU Read Signal			4	
			48	IPU Read Write Signal (L: Write)			3	
			49	GND			2	
			50	FFC Connection Detection			1	

Harness No.	Connector (From)			Signal Information	Connector (To)			Note
	To Connector	Addr.	Pin No.		To Connector	Addr.	Pin No.	
31	Image Processing IOB		1	FFC Connection Detection	Paper Transport IOB		40	
			2	Power On Reset			39	
			3	IOB Start Check			38	
			4	GND			37	
			5	IOB Interruption			36	
			6	Addr. Path			35	
			7	Addr. Path			34	
			8	Addr. Path			33	
			9	Addr. Path			32	
			10	Addr. Path			31	
			11	Addr. Path			30	
			12	Addr. Path			29	
			13	Addr. Path			28	
			14	Addr. Path			27	
			15	Addr. Path			26	
			16	Addr. Path			25	
			17	Addr. Path			24	
			18	Addr. Path			23	
			19	Addr. Path			22	
			20	Addr. Path			21	
			21	Addr. Path			20	
			22	Addr. Path			19	
			23	Addr. Path			18	
			24	Addr. Path			17	
			25	Addr. Path			16	
			26	GND			15	
			27	Data Path			14	
			28	Data Path			13	
			29	Data Path			12	
			30	Data Path			11	
			31	Data Path			10	
			32	Data Path			9	
			33	Data Path			8	
			34	Data Path			7	
			35	GND			6	
			36	GND			5	
			37	Paper Transport IOB Chip Select			4	
			38	IOB Read			3	
			39	IOB Write			2	
			40	FFC Connection Detection			1	
32	BCU		1	FFC Connection Detection	Image Processing IOB		50	
			2	IOB Write Strobe Signal			49	
			3	IOB Read Signal			48	
			4	GND			47	
			5	IOB1 Chip Select			46	
			6	IOB2 Chip Select			45	
			7	IOB3 Chip Select			44	
			8	GND			43	
			9	IOB Data24			42	
			10	IOB Data25			41	
			11	IOB Data26			40	
			12	IOB Data27			39	
			13	IOB Data28			38	
			14	IOB Data29			37	
			15	IOB Data30			36	
			16	IOB Data31			35	
			17	GND			34	
			18	IOB Addr.0			33	
			19	IOB Addr.1			32	
			20	IOB Addr.2			31	
			21	IOB Addr.3			30	
			22	IOB Addr.4			29	
			23	IOB Addr.5			28	
			24	IOB Addr.6			27	
			25	IOB Addr.7			26	

## D240/D241/D242 Harness Pin Assignment

Harness No.	Connector (From)			Signal Information	Connector (To)			Note	Harness No.	Connector (From)			Signal Information	Connector (To)			Note
	To Connector	Addr.	Pin No.		To Connector	Addr.	Pin No.			To Connector	Addr.	Pin No.					
32	BCU	-	26	GND	Image Processing IOB	-	25		60	Harness No.1 D2425300	CN1	1	By-pass Pick-up Solenoid: Terminal 2 (PWM)	Harness No.61 D2412659	CN2	5	
			27	IOB Addr.8			24					2	By-pass Pick-up Solenoid: Terminal 1 (+24VS2)			4	
			28	IOB Addr.9			23					3	By-pass Paper End Sensor: GND			3	
			29	IOB Addr.10			22					4	By-pass Paper End Sensor: Sensor Signal			2	
			30	IOB Addr.11			21					5	By-pass Paper End Sensor: +5V			1	
			31	IOB Addr.12			20					6	By-pass Paper Length Sensor: SW Terminal3			9	
			32	IOB Addr.13			19					7	By-pass Paper Length Sensor: SW Terminal5			8	
			33	IOB Addr.14			18					8	By-pass Paper Length Sensor: SW Terminal4			7	
			34	IOB Addr.15			17					9	By-pass Paper Length Sensor: COM Terminal			6	
			35	IOB Addr.16			16					10	By-pass Paper Length Sensor: SW Terminal1			5	
			36	IOB Addr.17			15					11	By-pass Paper Length Sensor: SW Terminal2			4	
			37	IOB Addr.18			14					12	By-pass Paper Size Sensor: GND			3	
			38	IOB Addr.19			13					13	By-pass Paper Size Sensor: Sensor Signal			2	
			39	GND			12					14	By-pass Paper Size Sensor: +5V			1	
			40	IOB1 Interruption			11					1	By-pass Pick-up Solenoid: Terminal 2 (PWM)			3	
			41	IOB2 Interruption			10					-	N.C.			2	
			42	GND			9					2	By-pass Pick-up Solenoid: Terminal 1 (+24VS2)			1	
			43	IOB Start Detection Signal			8					3	By-pass Paper End Sensor: GND			3	
			44	Power On Reset Signal			7					4	By-pass Paper End Sensor: Sensor Signal			2	
			45	GND			6					5	By-pass Paper End Sensor: +5V			1	
46	HST Sensor SCL Signal	5	1	By-pass Paper Length Sensor: SW Terminal3	8												
47	HST Sensor SDA Signal	4	2	By-pass Paper Length Sensor: SW Terminal5	7												
48	ID-TAG SCL Signal	3	3	By-pass Paper Length Sensor: SW Terminal4	6												
49	ID-TAG SDA Signal	2	-	N.C.	5												
50	FFC Connection Detection	1	4	By-pass Paper Length Sensor: COM Terminal	4												
55	Harness No.1 D2425300	CN1	1	Registration Sensor: GND	Registration Sensor	CN2	3	CN1: With relay connector	61	Harness No.60 D2412661	CN1	1	By-pass Pick-up Solenoid: Terminal 2 (PWM)	By-pass Pick-up Solenoid	CN2	3	CN1: With relay connector
			2	Registration Sensor: Sensor Signal	CN6	2	By-pass Paper End Sensor: GND					2					
			3	Registration Sensor: +5V	CN2	1	By-pass Paper End Sensor: Sensor Signal					3					
56	Harness No.1 D2425300	CN1	1	Pick-up Solenoid: Terminal1 (+24VS2)	Paper Feed Pick-up Solenoid	CN6	2	CN2, CN3: With relay connector	62	Harness No.60 D2412661	CN1	1	By-pass Paper Length Sensor: SW Terminal3	By-pass Paper Length Sensor	CN2	8	
			2	Pick-up Solenoid: Terminal2 (PWM)	CN2	1	By-pass Paper Length Sensor: SW Terminal5					7					
			3	Paper Feed Sensor: GND	CN3	2	By-pass Paper Length Sensor: SW Terminal4					6					
			4	Paper Feed Sensor: Sensor Signal	CN4	3	-					N.C.	5				
			5	Paper Feed Sensor: +5V	CN5	3	By-pass Paper Length Sensor: COM Terminal					4					
			6	Transport Sensor: GND	CN6	2	By-pass Paper Length Sensor: SW Terminal1					3					
			7	Transport Sensor: Sensor Signal	CN7	1	By-pass Paper Length Sensor: SW Terminal2					2					
	8	Transport Sensor: +5V	CN8	1	By-pass Paper Size Sensor: GND	3											
	9	Paper End Sensor: GND	CN9	3	By-pass Paper Size Sensor: Sensor Signal	2											
	10	Paper End Sensor: Sensor Signal	CN10	2	By-pass Paper Size Sensor: +5V	1											
	11	Paper End Sensor: +5V	CN11	1	1	Paper Exit Solenoid: Terminal1 (+24VS2)	2										
	12	Limit Sensor: GND	CN12	3	2	Paper Exit Solenoid: Terminal2 (PWM)	1										
	13	Limit Sensor: Sensor Signal	CN13	2	3	Inversion Sensor: GND	3										
	14	Limit Sensor: +5V	CN14	1	4	Inversion Sensor: Sensor Signal	2										
57	Harness No.1 D2425300	CN1	1	PTR Open/Close LED: CTRL	PTR Open/Close LED	CN3	2	CN1: With relay connector	63	Harness No.1 D2425300	CN1	5	Inversion Sensor: +5V	Exit Junction Solenoid	CN2	2	
			2	PTR Open/Close LED: +5V	CN4	1	6					Paper Exit Sensor: GND	3				
			3	Fusing Entrance Sensor: GND	CN5	3	7					Paper Exit Sensor: Sensor Signal	2				
			4	Fusing Entrance Sensor: Sensor Signal	CN6	2	8					Paper Exit Sensor: +5V	1				
			5	Fusing Entrance Sensor: +5V	CN7	1	9					Exit Tray Full Detection Sensor: GND	3				
58	Harness No.1 D2425300	CN1	1	By-pass/Duplex Motor: ENC: A Phase	By-pass/Duplex Motor	CN3	8	CN4: With relay connector	66	Harness No.14 D2425300	CN1	1	PCU: GND	HST	CN2	6	
			2	By-pass/Duplex Motor: ENC: B Phase			7					2	PCU: HST:Output			5	
			3	By-pass/Duplex Motor: +5V			6					3	PCU: HST:Power			4	
			4	By-pass/Duplex Motor: CW/CCW (Low)			5					4	PCU: HST:SEL			3	
			5	By-pass/Duplex Motor: PWM			4					5	PCU: HST:SDA			2	
			6	By-pass/Duplex Motor: BRK (Low)			3					6	PCU: HST:SCL			1	
			7	By-pass/Duplex Motor: GND			2					7	DATA3_K_N			1	
			8	By-pass/Duplex Motor: +24VS2			1					8	DATA3_K			2	
			9	Duplex Entrance Sensor: GND			5					9	DATA4_K_N			3	
			10	Duplex Entrance Sensor: Sensor Signal			4					5	DATA4_K			4	
			11	Duplex Entrance Sensor: +5V			3					6	DATA1_K_N			5	
			12	Duplex Exit Sensor: GND			2					7	DATA1_K			6	
			13	Duplex Exit Sensor: Sensor Signal			1					8	DATA2_K_N			7	
			14	Duplex Exit Sensor: +5V			3					9	DATA2_K			8	
			15	Duplex Unit Open/Close Sensor: SW Terminal2			2					1	DATA2_C_N			9	
			16	Duplex Unit Open/Close Sensor: SW Terminal1			1					2	DATA2_C			10	
			17	N.C.			-					3	DATA1_C_N			11	
			18	N.C.			-					4	DATA1_C			12	
59	Harness No.58 D2414696	CN1	1	Fusing Entrance Sensor: GND	Fusing Entrance Sensor	CN2	3		68	IPI	CN580	5	DATA4_C_N	Harness No.72 D2425236	CN1	13	
			2	Fusing Entrance Sensor: Sensor Signal			4					DATA4_C	14				
			3	Fusing Entrance Sensor: +5V			3					DATA3_C_N	15				
			4	N.C.			-					2	DATA3_C			16	
			5	N.C.			-					1	N.C.			-	



### D240/D241/D242 Harness Pin Assignment

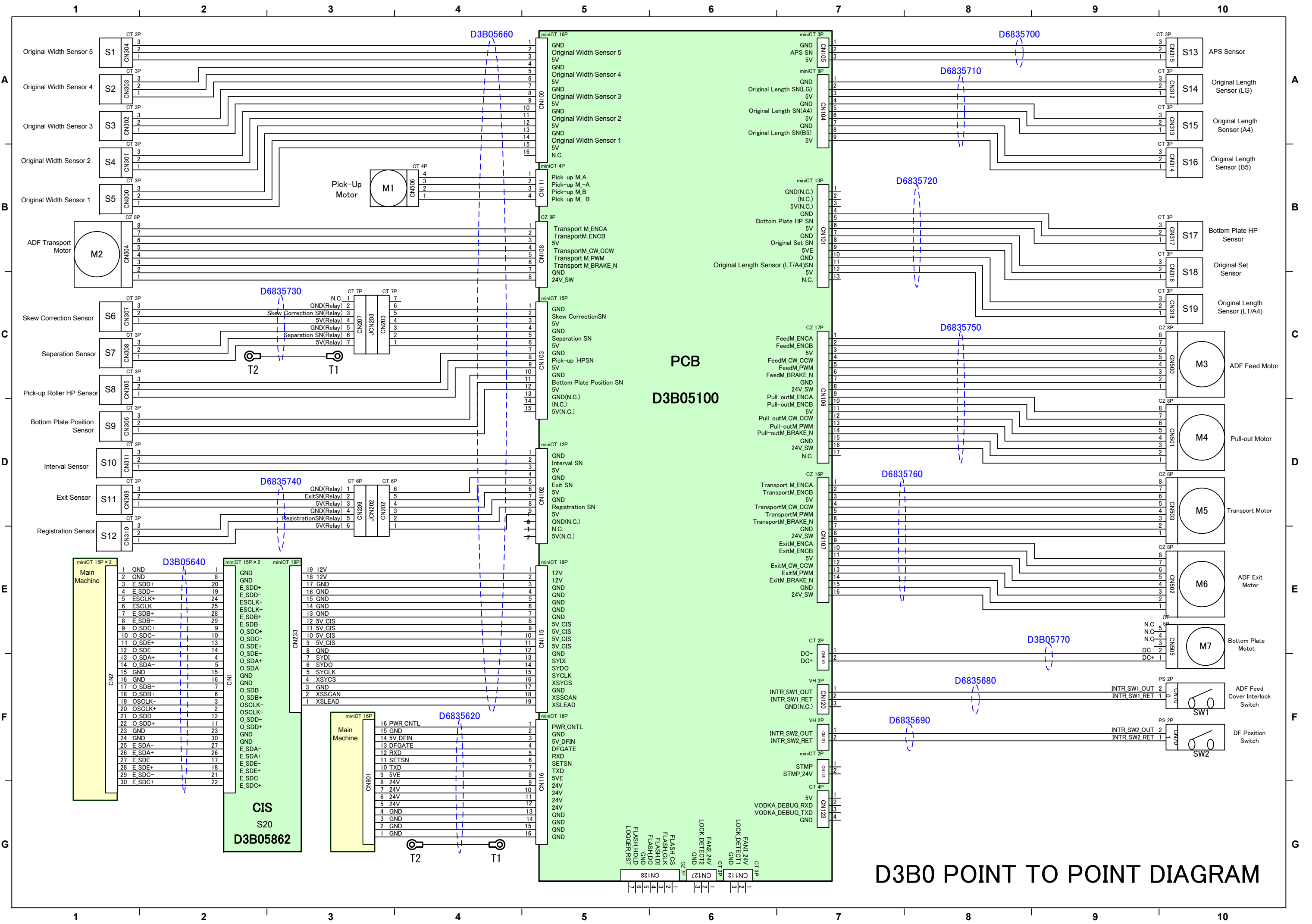
Harness No.	Connector (From)			Signal Information	Connector (To)			Note
	To Connector	Addr.	Pin No.		To Connector	Addr.	Pin No.	
68	IPU	CN583	17	N.C.	Harness No.72 D2425236	CN1	-	CN1,CN2,CN3,CN4: With relay connector
			16	GND			17	
			15	GND			18	
			14	N.C.			-	
			13	+5VS			19	
			12	GND			20	
			11	DROPEN			21	
			10	ERR_KC_N			22	
			9	APC_KC_N			23	
			8	N.C.			-	
			7	SYCLK_KC			24	
			6	SYCLK_KC_N			25	
			5	SYDI_KC			26	
			4	SYDO_KC			27	
			3	+5VS			28	
			2	-			29	
			-	N.C.			30	
	1	GND	31					
	-	N.C.	32					
	IPU	CN582	11	DATA2_Y	Harness No.72 D2425236	CN2	1	
			10	DATA2_Y_N			2	
			9	DATA1_Y			3	
			8	DATA1_Y_N			4	
			7	DATA4_Y			5	
			6	DATA4_Y_N			6	
			5	DATA3_Y			7	
			4	DATA3_Y_N			8	
			3	N.C.			-	
			2	N.C.			-	
			1	N.C.			-	
	IPU	CN581	10	DATA3_M	Harness No.72 D2425236	CN2	9	
			9	DATA3_M_N			10	
			8	DATA4_M			11	
			7	DATA4_M_N			12	
			6	DATA1_M			13	
			5	DATA1_M_N			14	
			4	DATA2_M			15	
			3	DATA2_M_N			16	
			2	N.C.			17	
			1	N.C.			-	
	IPU	CN584	14	GND	Harness No.71 D2425235	CN3	18	
			13	GND			19	
			12	+5VS			20	
			11	N.C.			21	
10			GND	22				
9			SYCLK_YM	23				
8			SYCS_YM_N	24				
7			SYDI_YM	25				
6			SYDO_YM	26				
5			ERR_YM_N	27				
4			APC_YM_N	28				
3			+5VS	29				
2			+5VS	30				
-			N.C.	31				
-			N.C.	32				
-			N.C.	33				
1			GND	34				
IPU	CN586	11	Y Sync GND	Harness No.71 D2425235	CN3	1		
		10	Y Sync VCC			2		
		9	Y Sync Signal			3		
		8	K Sync GND			4		
		7	K Sync VCC			5		
		6	K Sync Signal			6		
		5	Polygon Mirror Motor CLOCK			7		
		4	Polygon Mirror Motor READY			8		
		3	Polygon Mirror Motor ON			9		
		2	Polygon Mirror Motor GND			10		
		1	Polygon Mirror Motor DV24V			11		

Harness No.	Connector (From)			Signal Information	Connector (To)			Note
	To Connector	Addr.	Pin No.		To Connector	Addr.	Pin No.	
68	Image Processing IOB	CN220	15	Skew Motor: C: A Phase	Harness No.71 D2425235	CN4	1	CN1,CN2,CN3,CN4: With relay connector
			14	Skew Motor: C: B Phase			2	
			13	+24V			3	
			12	Skew Motor: C: /B Phase			4	
			11	Skew Motor: C: /A Phase			5	
			10	Skew Motor: M: A Phase			6	
			9	Skew Motor: M: B Phase			7	
			8	+24V			8	
			7	Skew Motor: M: /B Phase			9	
			6	Skew Motor: M: /A Phase			10	
			5	Skew Motor: Y: A Phase			11	
			4	Skew Motor: Y: B Phase			12	
			3	+24V			13	
			2	Skew Motor: Y: /B Phase			14	
			1	Skew Motor: Y: /A Phase			15	
71	Harness Nn.68 D2425237	CN13	11	Y Sync GND	Sync Detection Y	CN1	1	CN1,CN2,CN3,CN4: With relay connector
			10	Y Sync VCC			2	
			9	Y Sync Signal			3	
			8	K Sync GND			1	
			7	K Sync VCC			2	
			6	K Sync Signal			3	
			5	Polygon Mirror Motor CLOCK			1	
	Harness Nn.68 D2425237	CN220	4	Polygon Mirror Motor READY	Polygon Mirror Motor	CN3	2	
			3	Polygon Mirror Motor ON			3	
			2	Polygon Mirror Motor GND			4	
			1	Polygon Mirror Motor DV24V			5	
			15	Skew Motor: C: A Phase			1	
			14	Skew Motor: C: B Phase			2	
			13	+24V			3	
			12	Skew Motor: C: /B Phase			4	
71	Harness Nn.68 D2425237	CN220	11	Skew Motor: C: /A Phase	C Skew Motor	CN6	1	
			10	Skew Motor: M: A Phase			2	
			9	Skew Motor: M: B Phase			3	
			8	+24V			4	
			7	Skew Motor: M: /B Phase			5	
			6	Skew Motor: M: /A Phase			1	
			5	Skew Motor: Y: A Phase			2	
			4	Skew Motor: Y: B Phase			3	
			3	+24V			4	
			2	Skew Motor: Y: /B Phase			5	
1	Skew Motor: Y: /A Phase	5						



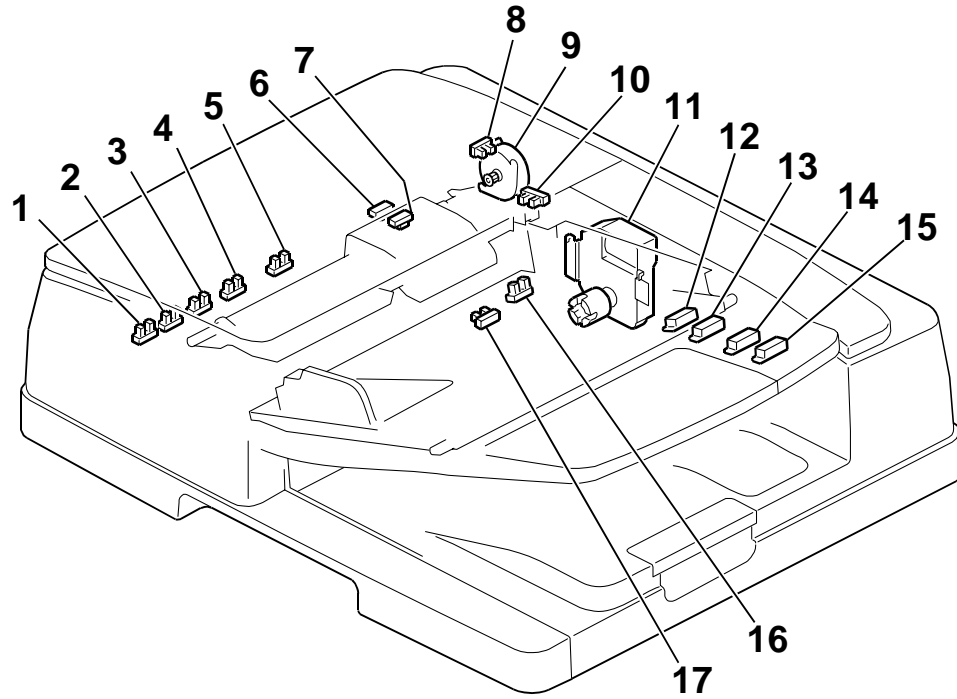
### D240/D241/D242 Harness Pin Assignment

Harness No.	Connector (From)			Signal Information	Connector (To)			Note
	To Connector	Addr.	Pin No.		To Connector	Addr.	Pin No.	
80	Harness No.23 D2425355	CN1	1	GND	Screw	T1	-	CN4,CN5,CN6,CN7: With relay connector
			2	N.C.	-	-	-	
			3	HT1/L	Screw	T3	-	
			4	HT2/L	Screw	T4	-	
			5	HT1/N	Heating Edge Heater	CN8	1	
			6	HT2/N	Heating Center Heater		2	
		CN2	1	Pressure Thermistor: Center: GND	Pressure Thermistor: Center	CN4	2	
			2	Pressure Thermistor: Center: FB	Center		1	
			3	Pressure Thermistor: End: GND	Pressure Thermistor: End	CN5	4	
			4	Pressure Thermistor: End: FB	End		3	
			5	Pressure Thermistor: Expanded End: GND	Pressure Thermistor: Expanded End		2	
			6	Pressure Thermistor: Expanded End: FB	Expanded End	CN6	1	
			7	Non-Contact Thermistor (Center): GND	Non-Contact Thermistor1		6	
			8	Non-Contact Thermistor (Center): Compensation	Thermistor1		5	
			9	Non-Contact Thermistor (Center):Detection	Thermistor1		4	
			10	Non-Contact Thermistor (Edge): GND	Thermistor2		3	
			11	Non-Contact Thermistor (Edge): Compensation	Thermistor2		2	
			12	Non-Contact Thermistor (Edge): Detection	Thermistor2		1	
			CN3	13	N.C.	-	-	
		1		N.C.	-	-	-	
		2		N.C.	-	-	-	
		3		NewUnit Detection Fuse: GND	NewUnit Detection Fuse	CN7	2	
		4		NewUnit Detection Fuse	NewUnit Detection Fuse		1	
		5		N.C.	-	-	-	
6	N.C.	-		-	-			
7	N.C.	-		-	-			
8	Detection for Fusing Unit Setting and Destination:100V	Fusing Unit Setting: 100V		CN3	9			
9	N.C.	-			-	-		
10	N.C.	-	-		-			
81	Harness No.23 D2425355	CN1	1	GND	Screw	T1	-	CN4,CN5,CN6,CN7: With relay connector
			2	N.C.	-	-	-	
			3	HT1/L	Screw	T3	-	
			4	HT2/L	Screw	T4	-	
			5	HT1/N	Heating Edge Heater	CN8	1	
			6	HT2/N	Heating Center Heater		2	
		CN2	1	Pressure Thermistor: Center: GND	Pressure Thermistor: Center	CN4	2	
			2	Pressure Thermistor: Center: FB	Center		1	
			3	Pressure Thermistor: End: GND	Pressure Thermistor: End	CN5	4	
			4	Pressure Thermistor: End: FB	End		3	
			5	Pressure Thermistor: Expanded End: GND	Pressure Thermistor: Expanded End		2	
			6	Pressure Thermistor: Expanded End: FB	Expanded End	CN6	1	
			7	Non-Contact Thermistor (Center): GND	Non-Contact Thermistor1		6	
			8	Non-Contact Thermistor (Center): Compensation	Thermistor1		5	
			9	Non-Contact Thermistor (Center):Detection	Thermistor1		4	
			10	Non-Contact Thermistor (Edge): GND	Thermistor2		3	
			11	Non-Contact Thermistor (Edge): Compensation	Thermistor2		2	
			12	Non-Contact Thermistor (Edge): Detection	Thermistor2		1	
			CN3	13	N.C.	-	-	
		1		N.C.	-	-	-	
		2		N.C.	-	-	-	
		3		NewUnit Detection Fuse: GND	NewUnit Detection Fuse	CN7	2	
		4		NewUnit Detection Fuse	NewUnit Detection Fuse		1	
		5		N.C.	-	-	-	
6	N.C.	-		-	-			
7	N.C.	-		-	-			
8	Detection for Fusing Unit Setting and Destination:100V	Fusing Unit Setting: 100V		CN3	9			
9	N.C.	-			-	-		
10	N.C.	-	-		-			

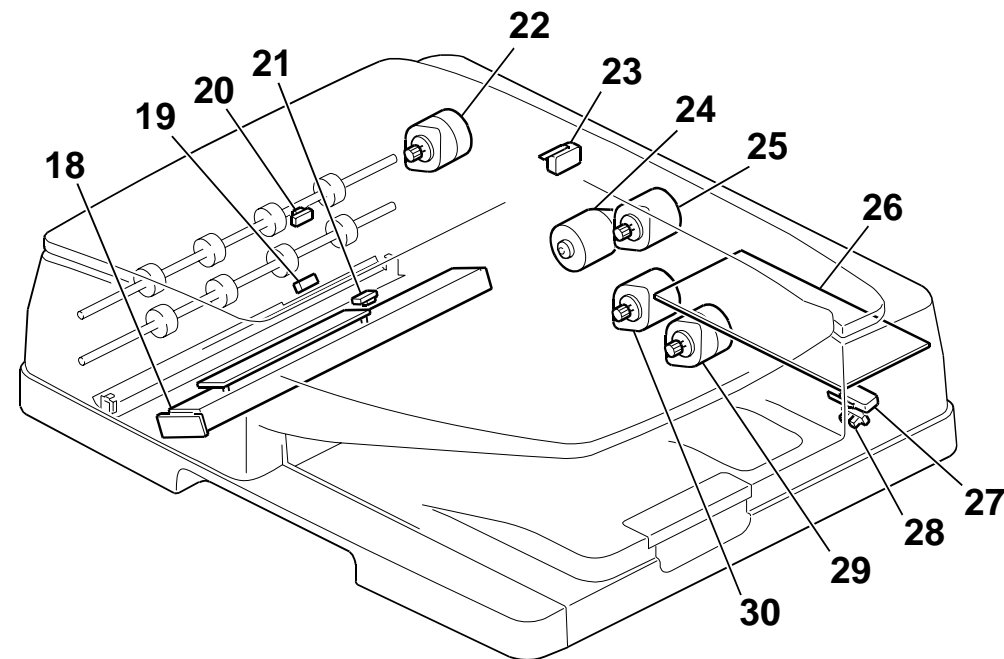


D3B0 POINT TO POINT DIAGRAM

# D3B0 ELECTRICAL COMPONENT LAYOUT



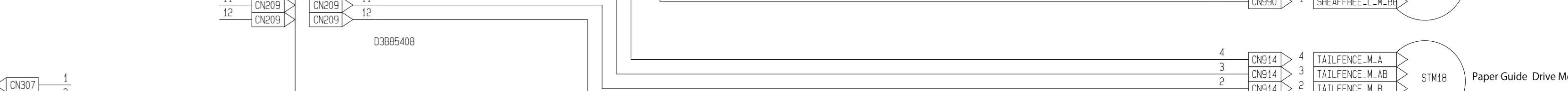
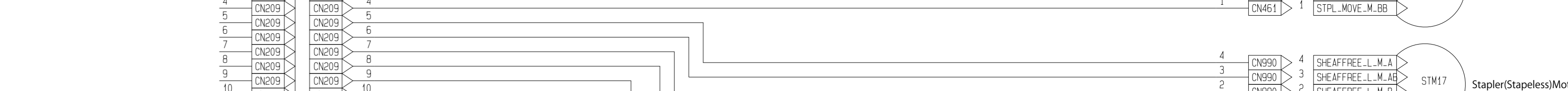
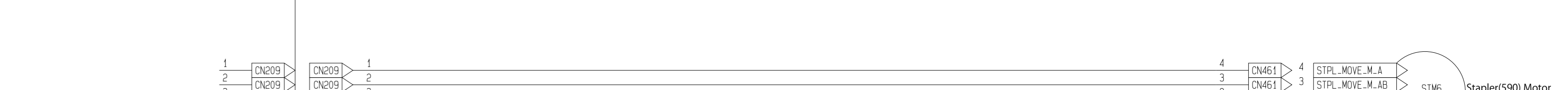
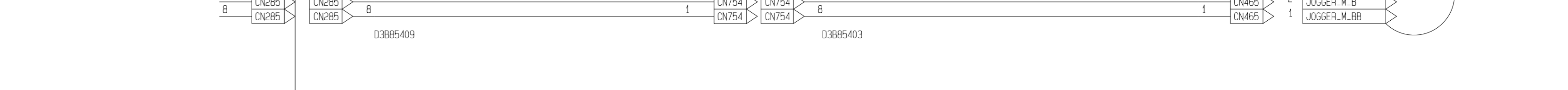
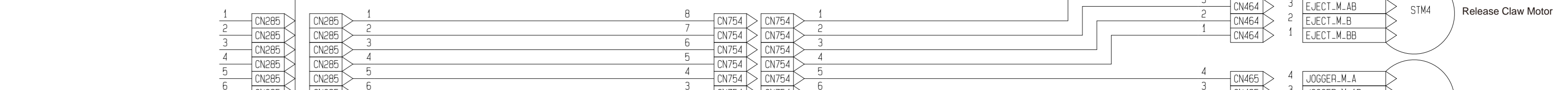
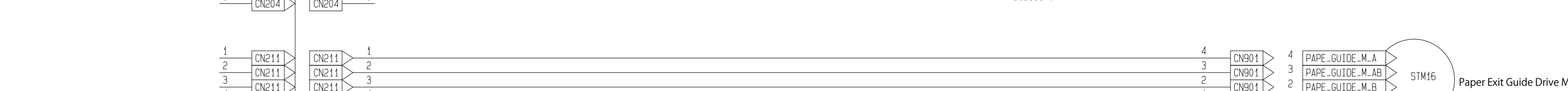
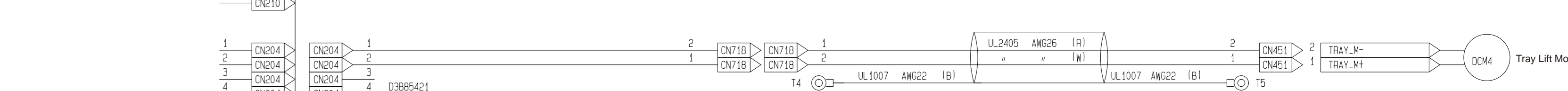
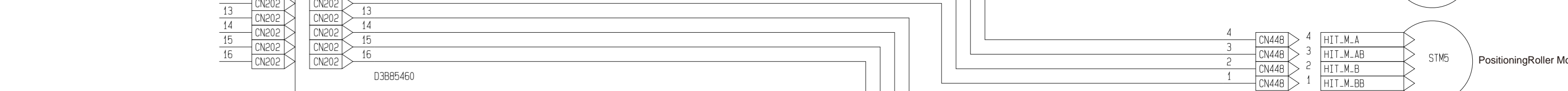
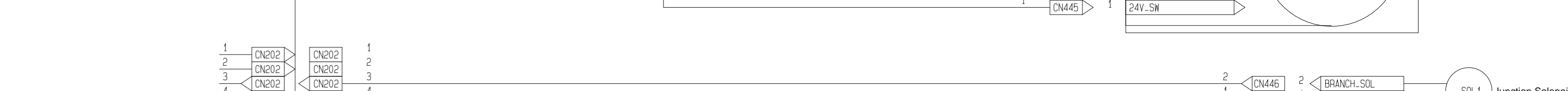
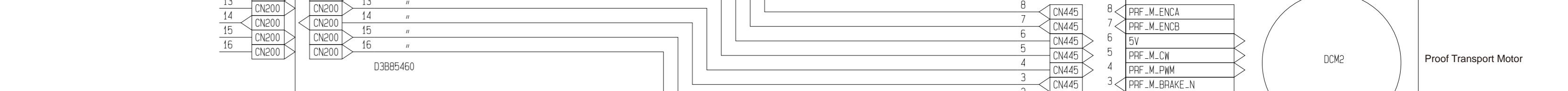
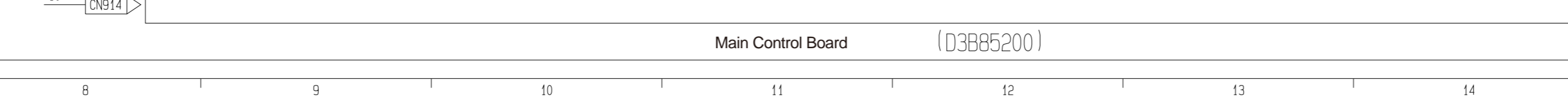
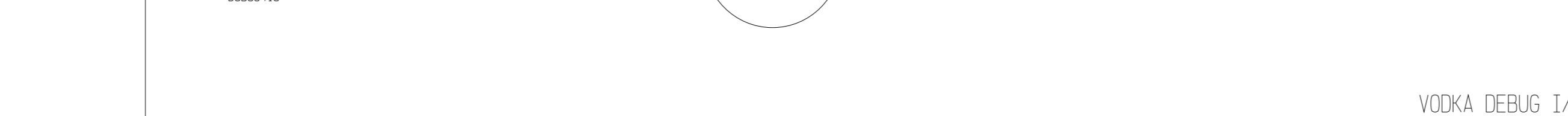
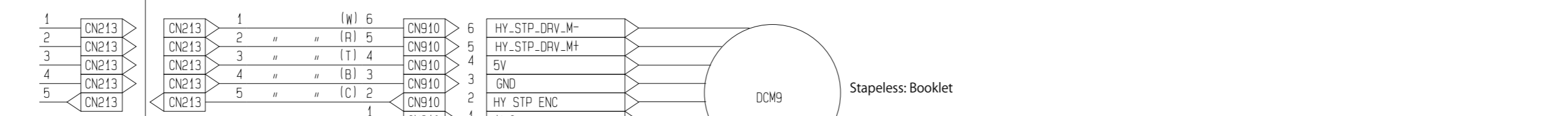
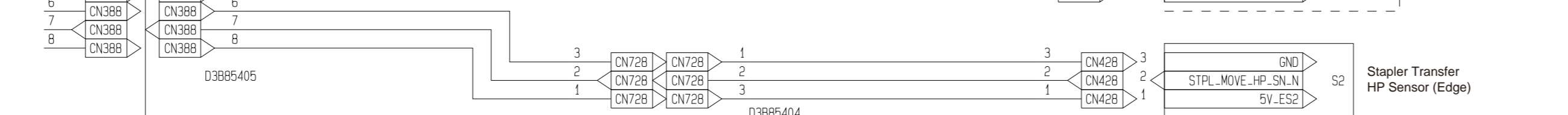
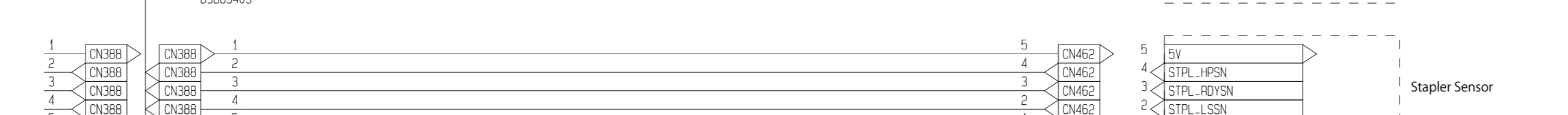
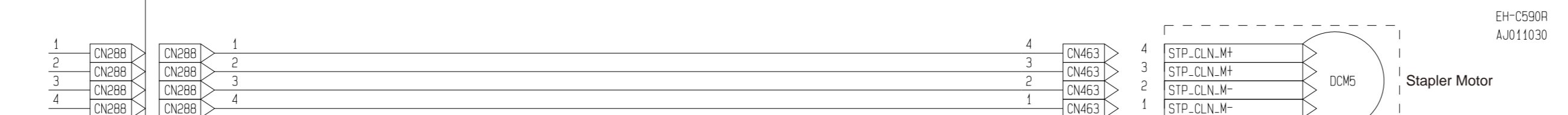
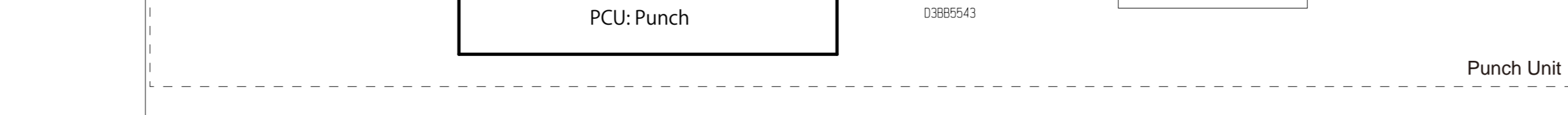
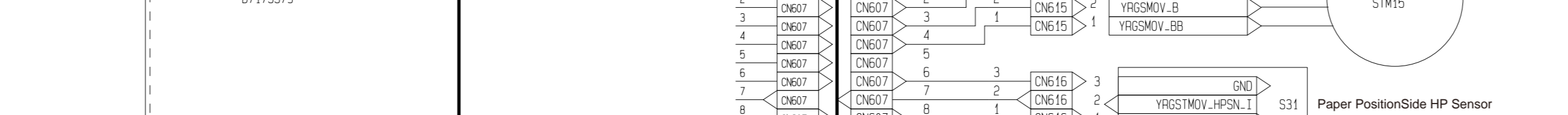
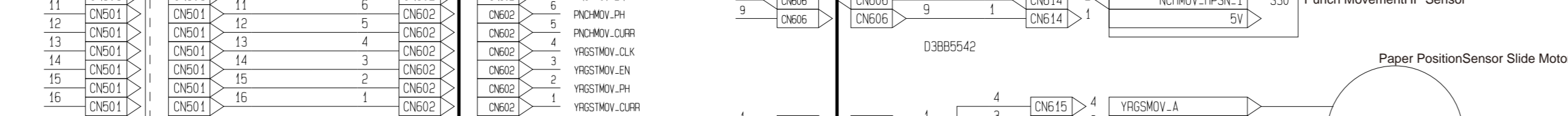
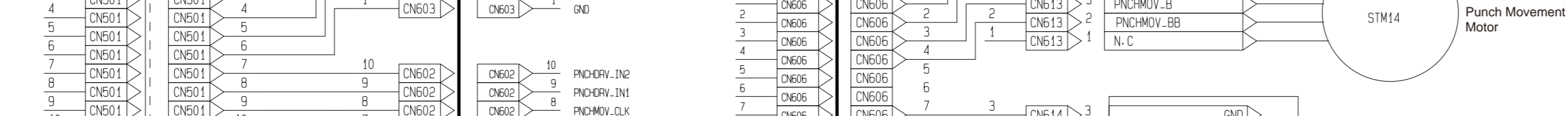
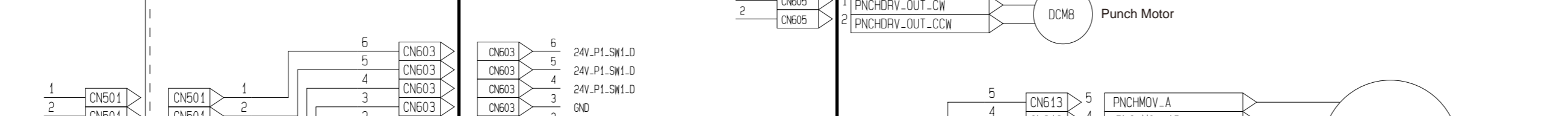
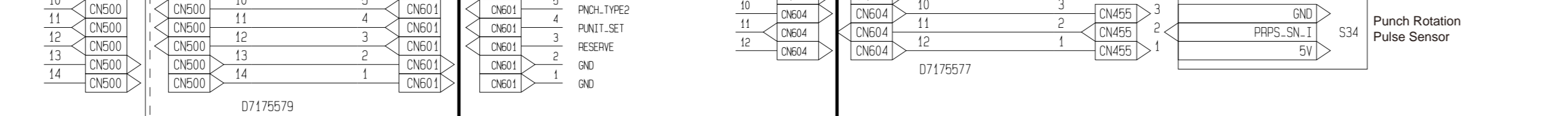
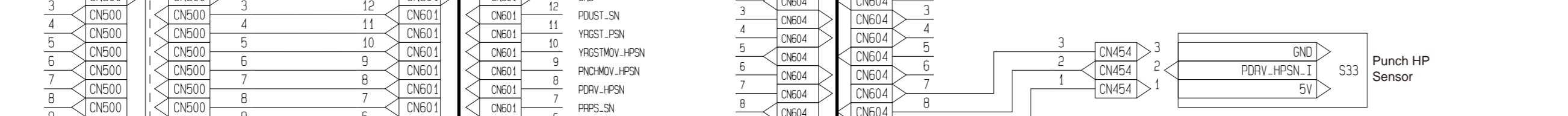
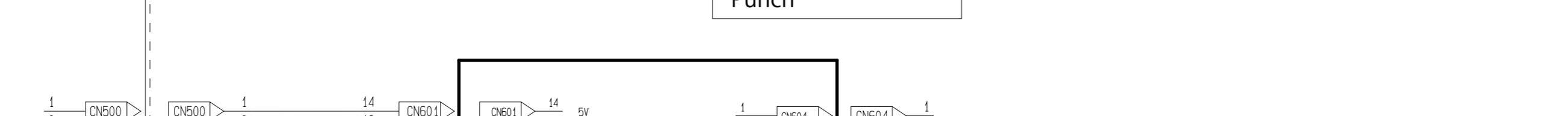
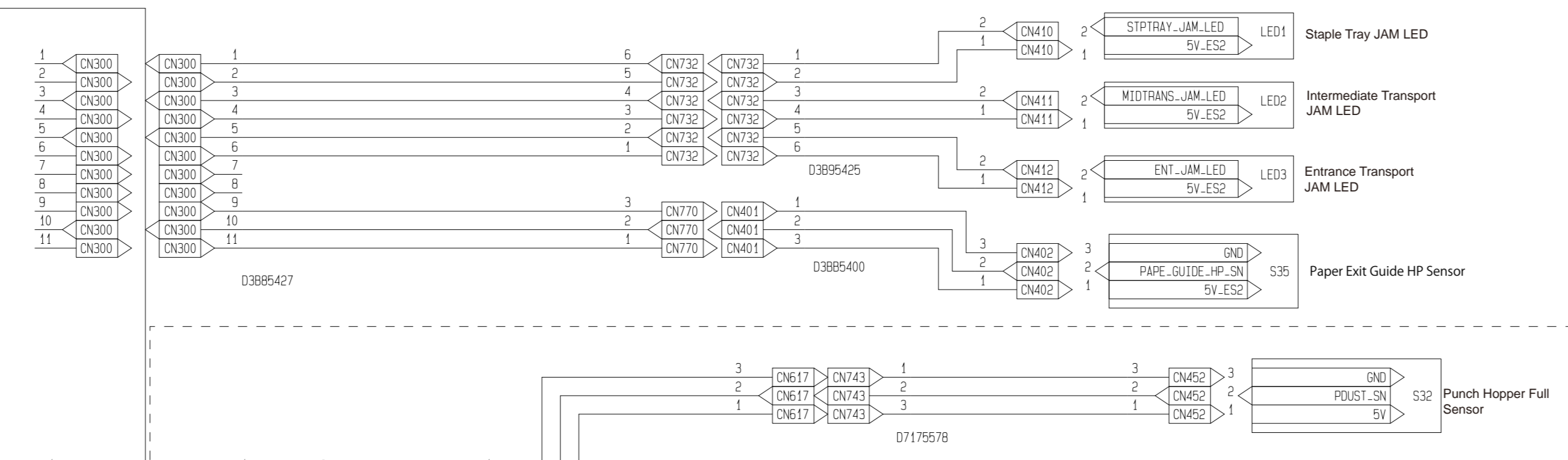
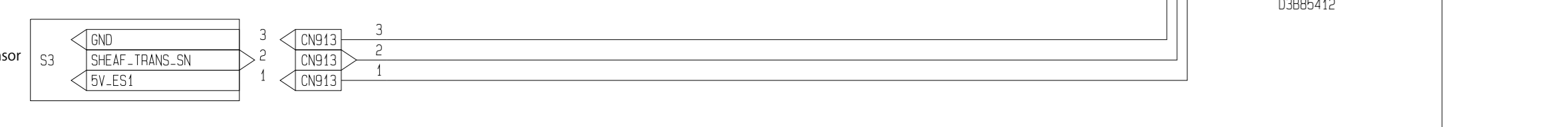
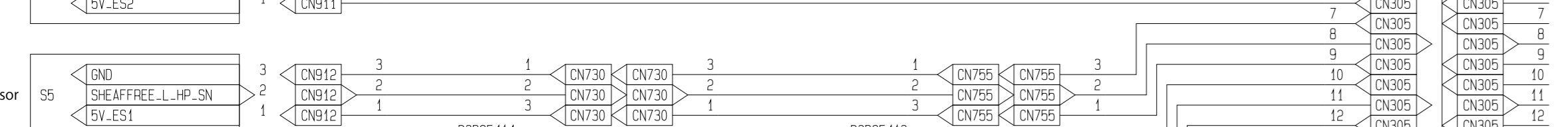
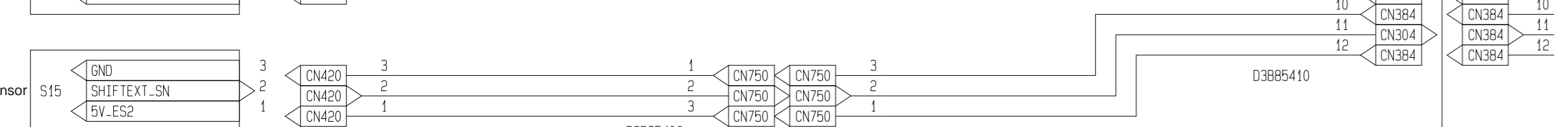
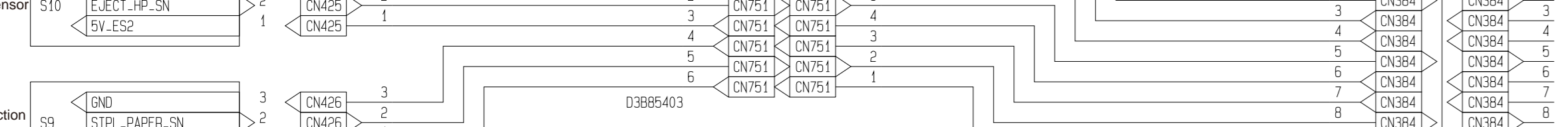
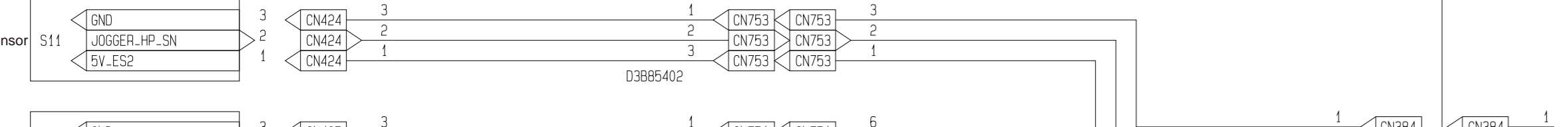
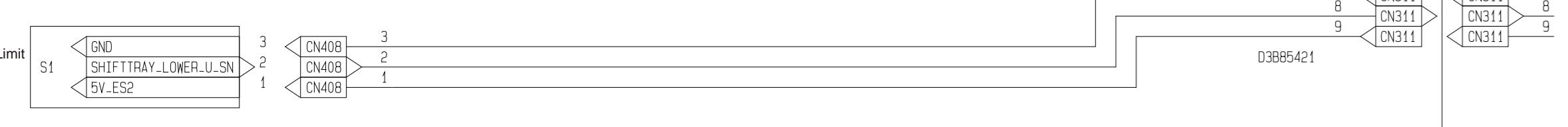
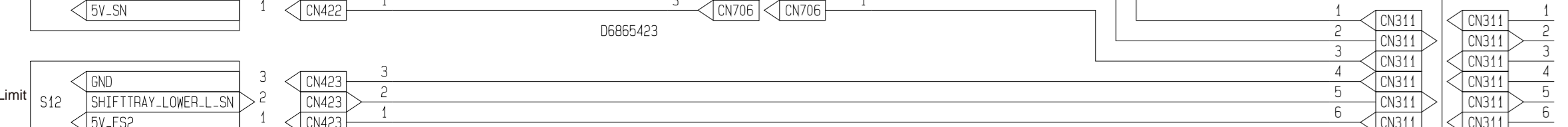
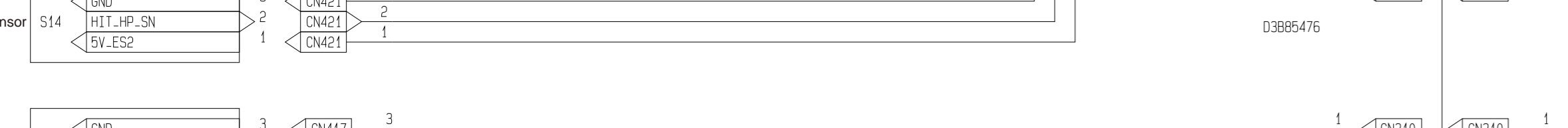
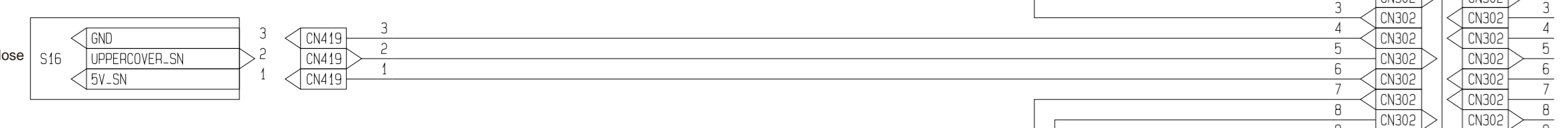
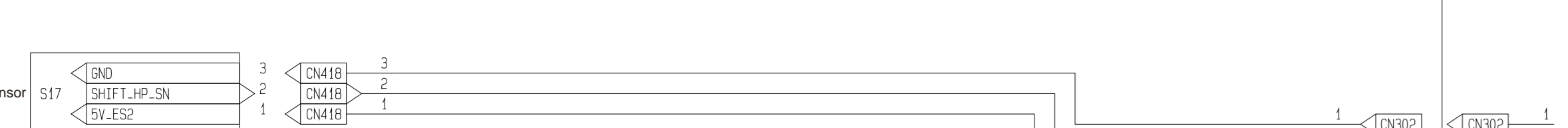
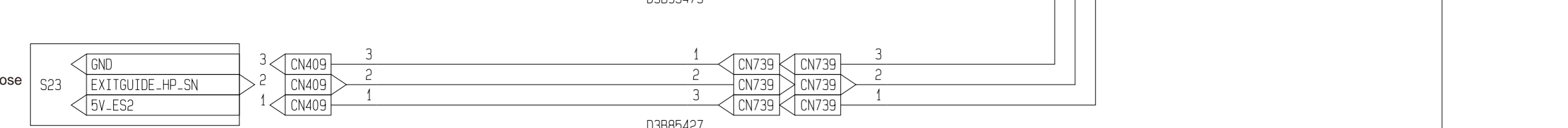
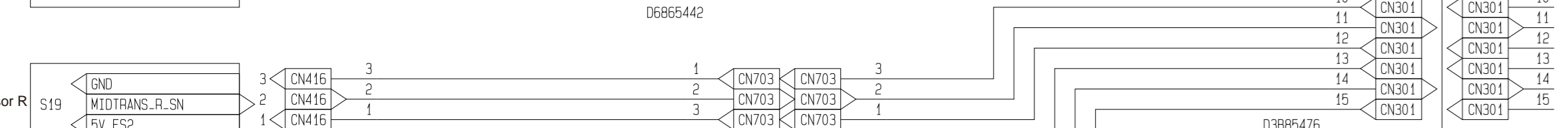
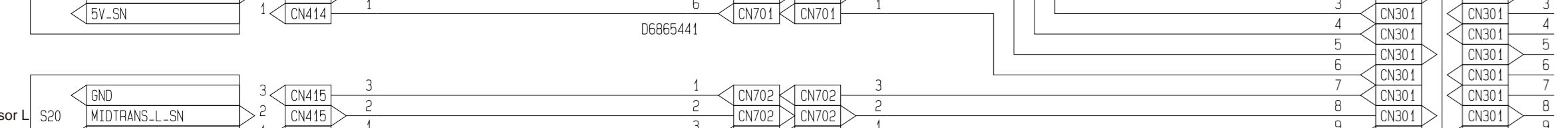
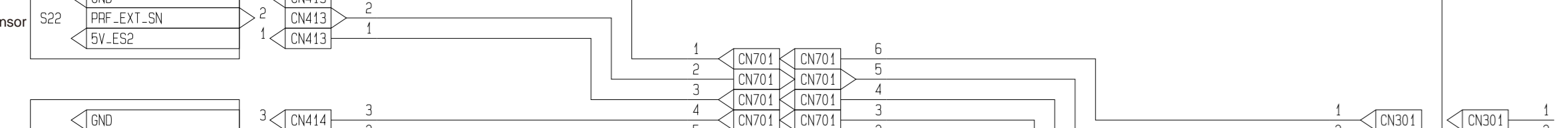
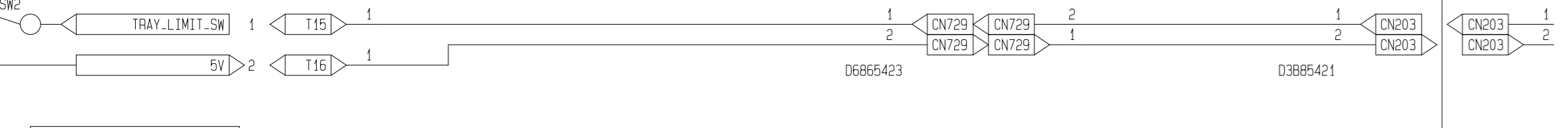
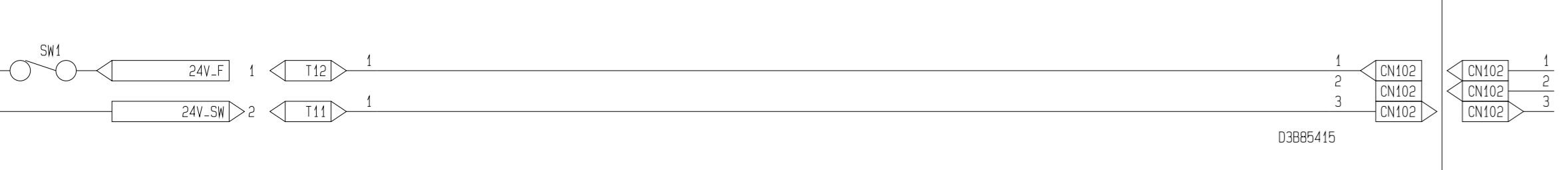
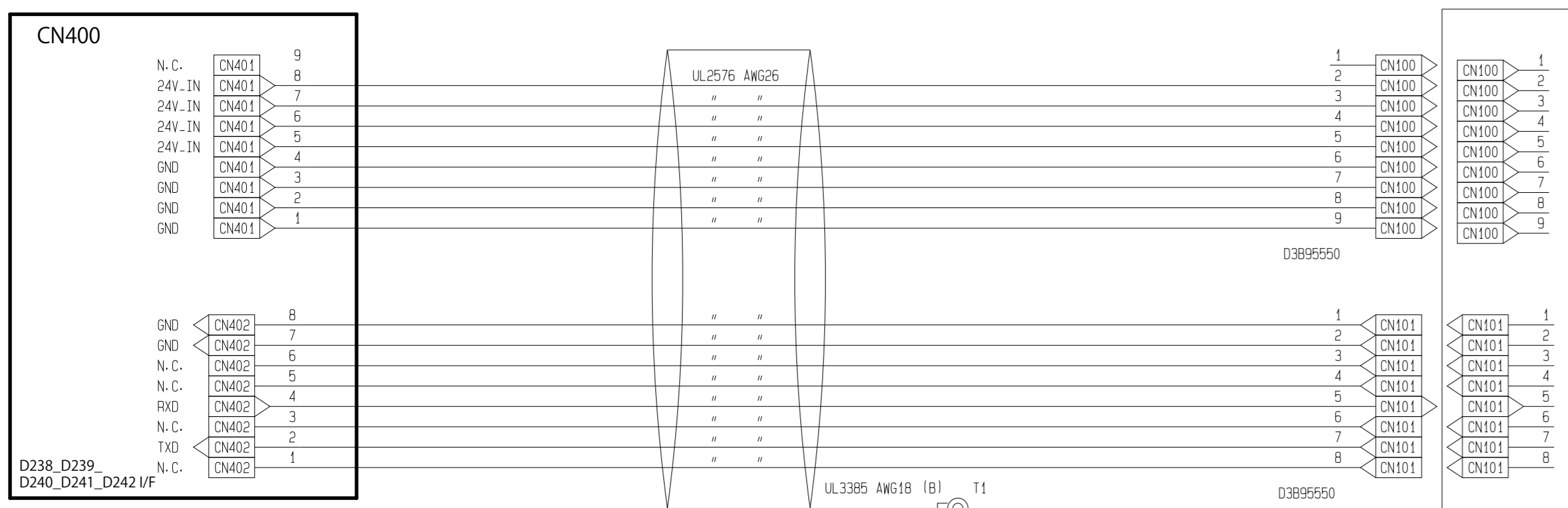
d1359901.wmf



d1359902.wmf

Symbol	Index No.	Description	P to P
<b>Sensors</b>			
S1	1	Original Width Sensor 5	A2
S2	2	Original Width Sensor 4	A2
S3	3	Original Width Sensor 3	B2
S4	4	Original Width Sensor 2	B2
S5	5	Original Width Sensor 1	B2
S6	7	Skew Correction Sensor	C2
S7	6	Seperation Sensor	D2
S8	10	Pick-up Roller HP Sensor	D2
S9	8	Bottom Plate Position Sensor	D2
S10	19	Interval Sensor	D2
S11	21	Exit Sensor	E2
S12	20	Registration Sensor	E2
S13	28	APS Sensor	A9
S14	15	Original Length Sensor (LG)	A9
S15	14	Original Length Sensor (A4)	B9
S16	13	Original Length Sensor (B5)	B9
S17	17	Bottom Plate HP Sensor	B9
S18	16	Original Set Sensor	B9-C9
S19	12	Original Length Sensor (LT/A4)	C9
S20	18	CIS	F2
<b>Motors</b>			
M1	9	Pick-up Motor	B3
M2	22	ADF Transport Motor	C2
M3	24	ADF Feed Motor	C9
M4	25	Pull-out Motor	D9
M5	30	Transport Motor	D9
M6	29	ADF Exit Motor	E9
M7	11	Bottom Plate Motor	E9
<b>Switches</b>			
SW1	23	ADF Feed Cover Interlock switch	F9
SW2	27	DF Position Switch	F9
<b>PCB</b>			
PCB1	26	ADF Control Board	D5-D6

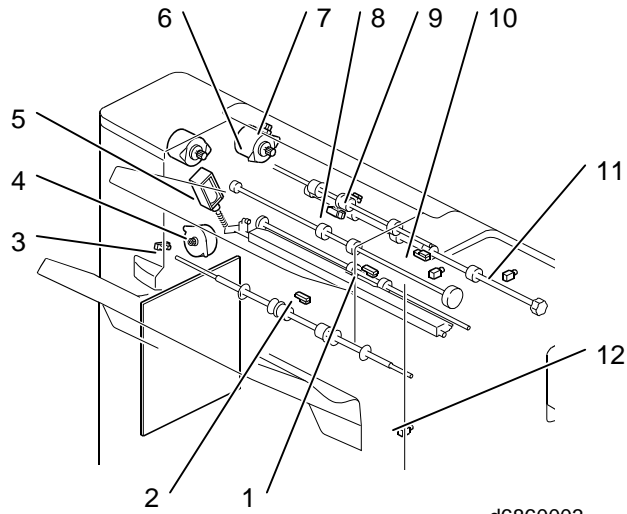




D3B8 POINT TO POINT DIAGRAM

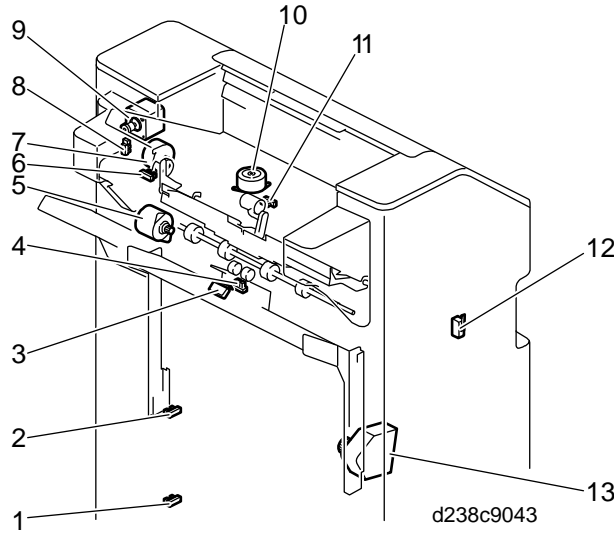


# D3B8 ELECTRICAL COMPONENT LAYOUT(1/2)



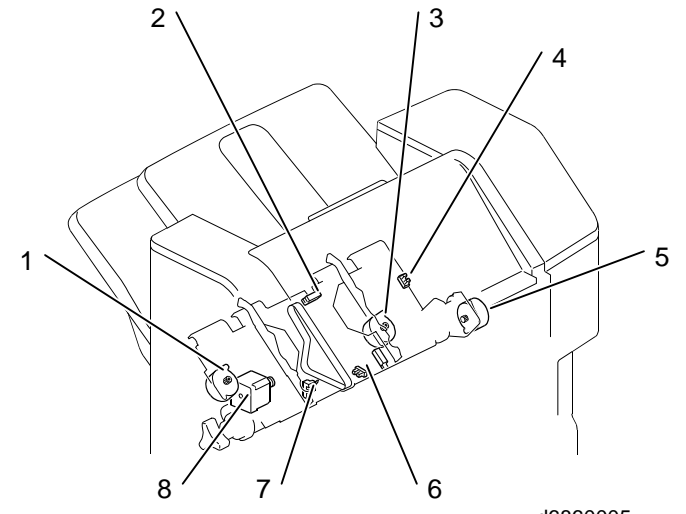
**Fig.1**

d6860003



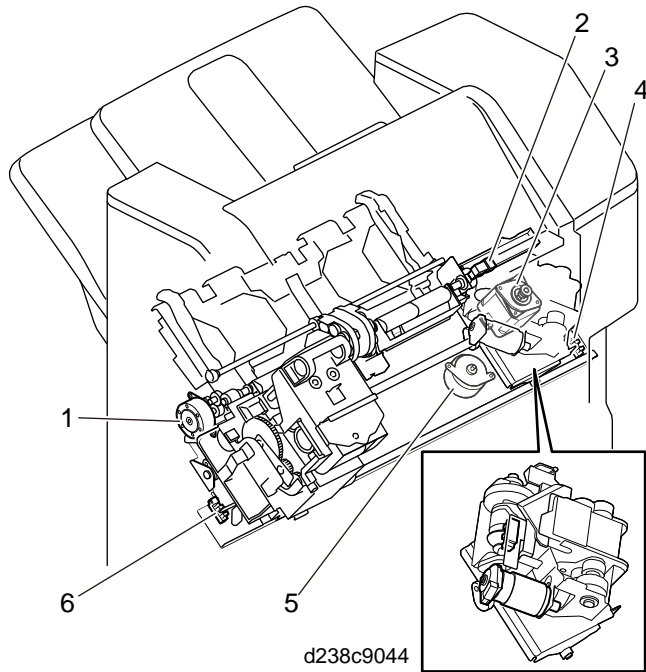
**Fig.2**

d238c9043



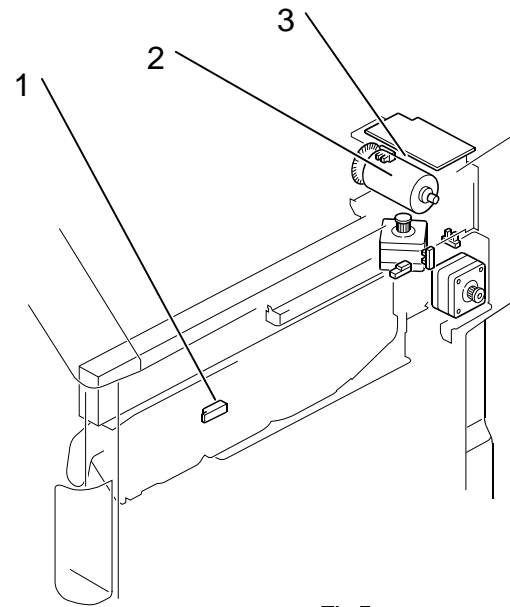
**Fig.3**

d6860005



**Fig.4**

d238c9044



**Fig.5**

d6860008



# D3B8 ELECTRICAL COMPONENT LAYOUT(2/2)

Symbol	Index No.	Description	P to P
Sensors			
S1	Fig2-1	Shift Tray Lower Limit Sensor (Upper)	J1
S2	-	Stapler Transfer HP Sensor (Edge)	I13
S3	Fig.4-2	Paper Guide HP Sensor	N1
S5	Fig.4-6	Stapler HP Sensor	N1
S6	Fig.4-4	Stapeless Stapler HP Sensor	M1
S9	Fig.3-4	Staple Tray Paper Detection Sensor	K1
S10	Fig.3-5	Release Claw HP Sensor	J1
S11	Fig.3-3	Jogger HP Sensor	J1
S12	Fig2-2	Shift Tray Lower Limit Sensor (Lower)	I1
S13	Fig2-4	Shift Tray Paper Surface Sensor	I1
S14	Fig2-6	Positioning Roller HP Sensor	H1
S15	Fig.3-2	Shift Tray Paper Eject Sensor	K1
S16	Fig.1-7	Upper Cover Open/Close Sensor	G1
S17	Fig.1-3	Shift HP Sensor	G1
S18	Fig.1-10	Entrance Sensor	H1
S19	Fig.1-1	Intermediate Transport Sensor R	F23
S20	Fig.1-2	Intermediate Transport Sensor L	E1
S21	Fig.1-8	Proof Tray Full Sensor	E1
S22	Fig.1-9	Proof Tray Paper Eject Sensor	D1
S23	Fig2-11	Paper Guide Plate Open/Close HP Sensor	F23
S29	-	Paper Position Sensor	C14
S30	-	Punch Movement HP Sensor	F13
S31	-	Paper Position Side HP Sensor	G13
S32	Fig.5-1	Punch Hopper Full Sensor	B14
S33	Fig.5-3	Punch HP Sensor	D14
S34	-	Punch Rotation Pulse Sensor	D14
S35	Fig2-8	Paper Guide HP Sensor	B13

Symbol	Index No.	Description	P to P
Motors			
STM1	Fig.1-4	Shift Motor	D23
STM2	Fig2-10	Paper Guide Plate Open/Close Motor	E23
STM3	Fig.3-1	Jogger Motor	H23
STM4	Fig.3-4	Release Claw Motor	G23
STM5	Fig2-7	Positioning Roller Motor	E23
STM6	-	Stapler (590) Motor	K23
STM14	-	Punch Movement Motor	E14
STM15	-	Paper Position Sensor Slide Motor	G14
STM16	Fig2-9	Paper Exit Guide Drive Motor	F23
STM17	Fig.4-3	Stapler (Stapeless) Motor	L23
STM18	Fig.4-1	Paper Guide Drive Motor	L23
DCM1	Fig.1-6	Entrance Transport Motor	A23
DCM2	-	Proof Transport Motor	C23
DCM3	Fig2-5	Paper Eject Transport Motor	B23
DCM4	Fig2-13	Tray Lift Motor	F23
DCM5	Fig.4-5	Stapler Motor	H14
DCM8	Fig.5-2	Punch Motor	E12
DCM9	-	Stapeless: Booklet	N11
Switches			
SW1	Fig2-12	Open/Close Door Switch	C1
SW2	Fig2-3	Shift Tray Upper Limit Switch	D1
LEDs			
LED1	Fig.1-12	Staple Tray JAM LED	A13
LED2	-	Intermediate Transport JAM LED	A13
LED3	Fig.1-11	Entrance Transport JAM LED	A13
Solenoids			
SOL1	Fig.1-5	Junction Solenoid	D23

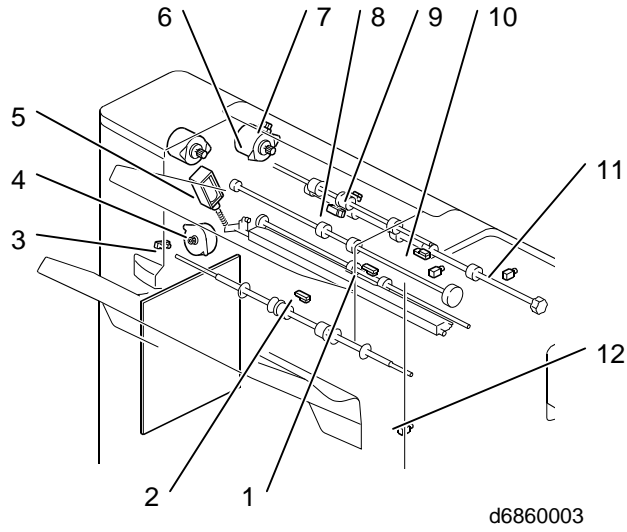




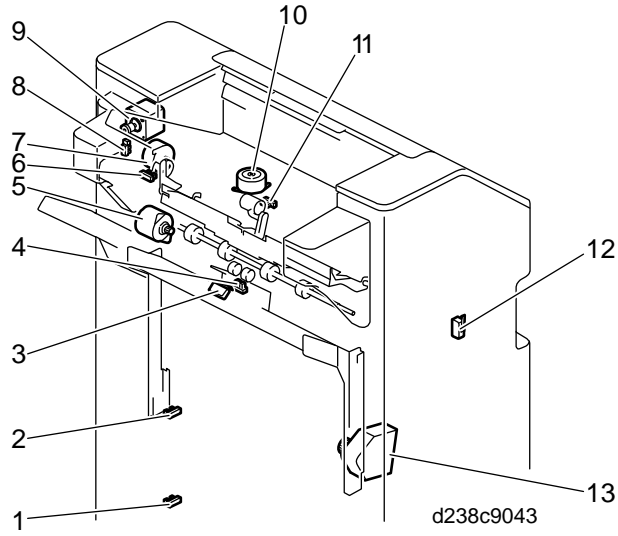
D3B9 POINT TO POINT DIAGRAM



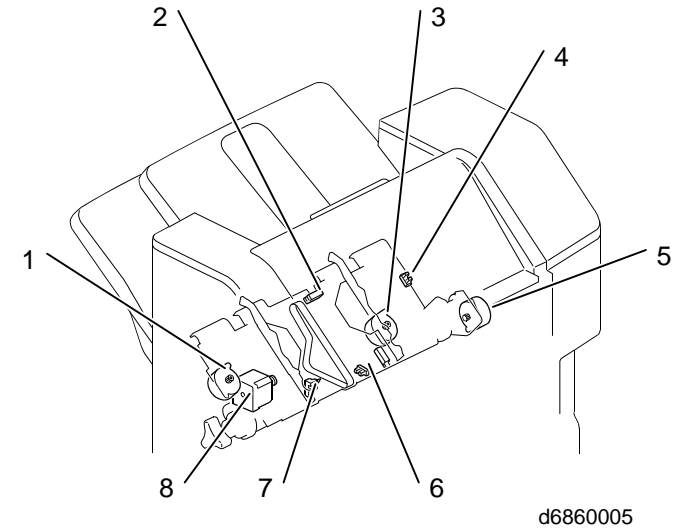
# D3B9 ELECTRICAL COMPONENT LAYOUT(1/2)



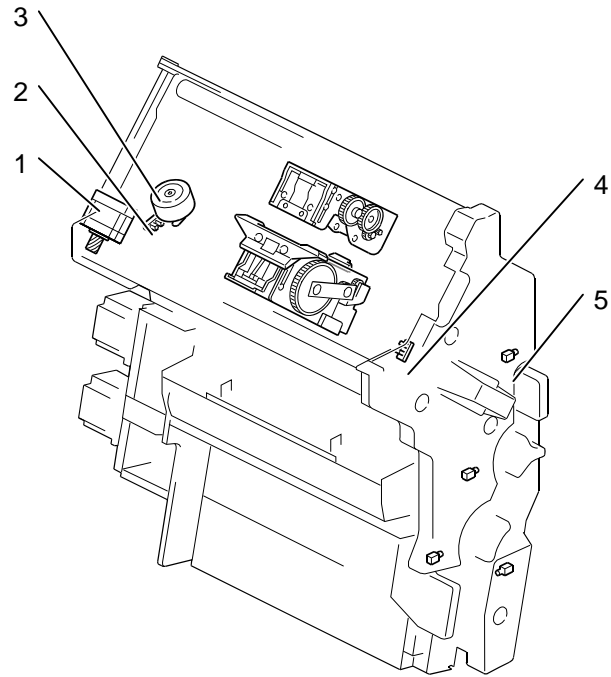
**Fig.1**



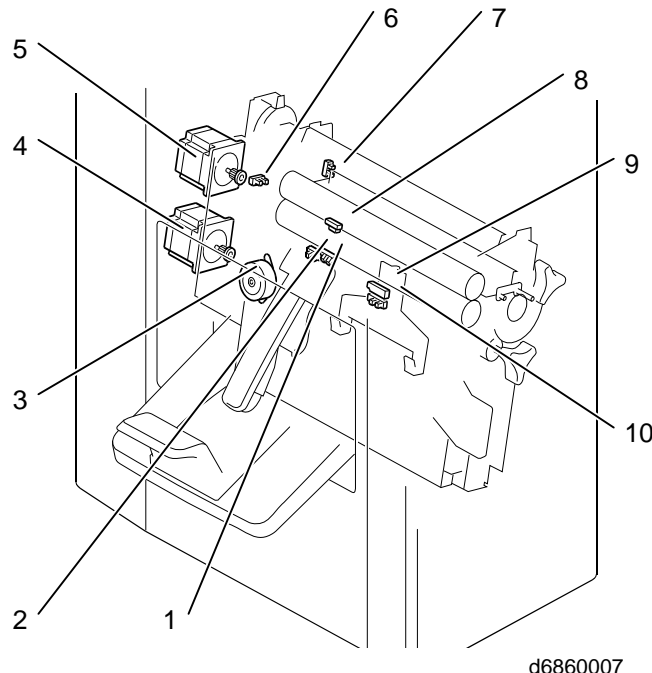
**Fig.2**



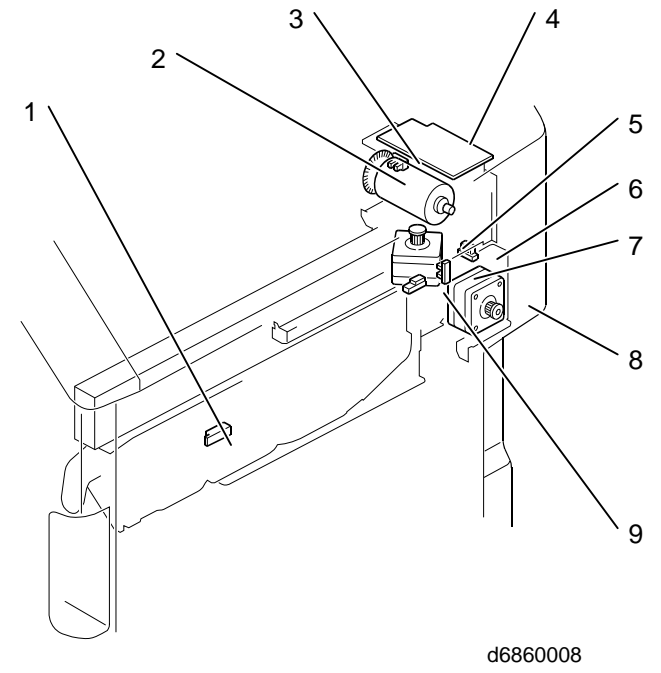
**Fig.3**



**Fig.4**



**Fig.5**



**Fig.6**

d6860006

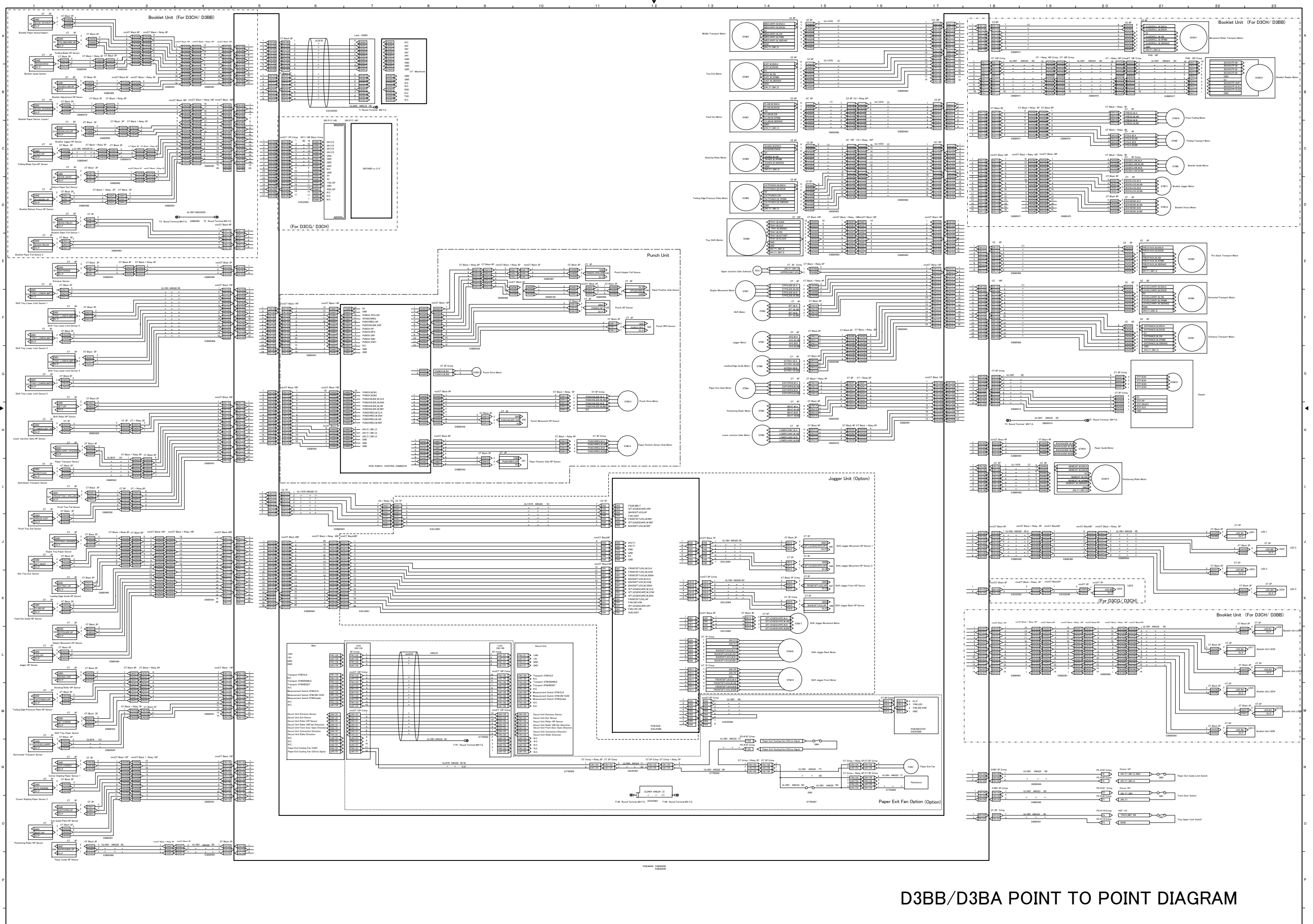
d6860007

d6860008

# D3B9 ELECTRICAL COMPONENT LAYOUT(2/2)

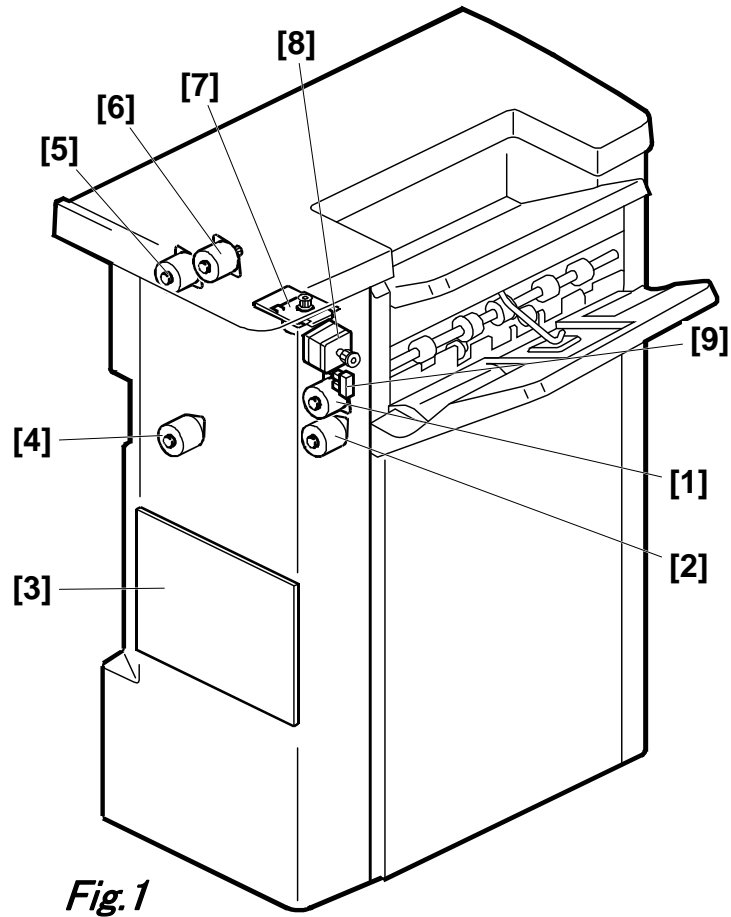
Symbol	Index No.	Description	P to P
Sensors			
S1	Fig.2-1	Shift Tray Lower Limit Sensor (Upper)	I1
S2	Fig.5-1	Center-Folding Tray Full Sensor 2	O1
S3	-	Paper Bundle Transport Sensor	N1
S4	Fig.5-2	Center-Folding Tray Full Sensor 1	O1
S5	Fig.4-2	Paper Bundle Transport Lower Pressure Release HP Sensor	N1
S6	-	Stapler Retreat Sensor	M1
S7	Fig.4-4	Stapler Transfer HP Sensor	M1
S8	-	Paper Bundle Transport Upper Pressure Release HP Sensor	L1
S9	Fig.3-6	Staple Tray Paper Detection Sensor	K1
S10	Fig.3-7	Release Claw HP Sensor	J1
S11	Fig.3-4	Jogger HP Sensor	J1
S12	Fig.2-2	Shift Tray Lower Limit Sensor (Lower)	I1
S13	Fig.2-4	Shift Tray Paper Surface Sensor	I1
S14	Fig.2-6	Positioning Roller HP Sensor	H1
S15	Fig.3-2	Shift Tray Paper Eject Sensor	K1
S16	Fig.1-7	Upper Cover Open/Close Sensor	G1
S17	Fig.1-3	Shift HP Sensor	G1
S18	Fig.1-10	Entrance Sensor	H1
S19	Fig.1-1	Intermediate Transport Sensor R	F1
S20	Fig.1-2	Intermediate Transport Sensor L	E1
S21	Fig.1-8	Proof Tray Full Sensor	E1
S22	Fig.1-9	Proof Tray Paper Eject Sensor	D1
S23	Fig.2-11	Paper Guide Plate Open/Close HP Sensor	F1
S24	Fig.5-8	Center-Folding Tray Paper Eject Sensor	N1
S25	Fig.5-7	Center-Folding Blade HP Sensor	M9
S26	Fig.5-6	Center-Folding Cam HP sensor	M9
S27	Fig.5-9	Trailing Edge Stopper Transport Sensor	M9
S28	Fig.5-10	Trailing Edge Stopper HP Sensor	N9
S29	-	Paper Position Sensor	C14
S30	-	Punch Movement HP Sensor	F13
S31	-	Paper Position Side HP Sensor	G13
S32	-	Punch Hopper Full Sensor	B14
S33	-	Punch HP Sensor	D13
S34	-	Punch Rotation Pulse Sensor	D13
S35	Fig.2-8	Paper Exit Guide HP Sensor	B13

Symbol	Index No.	Description	P to P
Motors			
STM1	Fig.1-4	Shift Motor	D23
STM2	Fig.2-10	Paper Guide Plate Open/Close Motor	E23
STM3	Fig.3-1	Jogger Motor	H23
STM4	Fig.3-8	Release Claw Motor	G23
STM5	Fig.2-7	Positioning Roller Motor	E23
STM7	Fig.4-1	Stapler Transfer Motor (Mid.)	K23
STM8	Fig.3-5	Paper Bundle Transport Upper Motor	I23
STM9	Fig.3-3	Paper Bundle Transport Upper Pressure Release Motor	H23
STM10	Fig.4-3	Paper Bundle Transport Lower Pressure Release Motor	L23
STM11	Fig.5-4	Folding Blade Motor	J23
STM12	Fig.5-5	Folding Transport Motor	K23
STM13	Fig.5-3	Trailing Edge Stopper Motor	L23
STM14	-	Punch Movement Motor	E14
STM15	-	Paper Position Sensor Slide Motor	F14
STM16	Fig.2-9	Paper Exit Guide Drive Motor	F23
DCM1	Fig.1-6	Entrance Transport Motor	A23
DCM2	-	Proof Transport Motor	C23
DCM3	Fig.2-5	Paper Eject Transport Motor	B23
DCM4	Fig.2-13	Tray Lift Motor	F23
DCM6	-	Stapler Motor: Clincher(Booklet)	N23
DCM7	-	Stapler Driver(Booklet)	O23
DCM8	-	Punch Motor	E12
Switches			
SW1	Fig.2-12	Open/Close Door Switch	C1
SW2	Fig.2-3	Shift Tray Upper Limit Switch	D1
LEDs			
LED1	Fig.1-12	Staple Tray JAM LED	A13
LED2	-	Intermediate Transport JAM LED	A13
LED3	Fig.1-11	Entrance Transport JAM LED	A13
LED4	Fig.4-5	Paper Bundle Transport JAM LED	K14
LED5	-	Folding Blade JAM LED	K14
LED6	-	Folding Roller JAM LED	K14
LED7	-	Trailing Edge Stopper JAM LED	L14
Solenoids			
SOL1	Fig.1-5	Junction Solenoid	D23

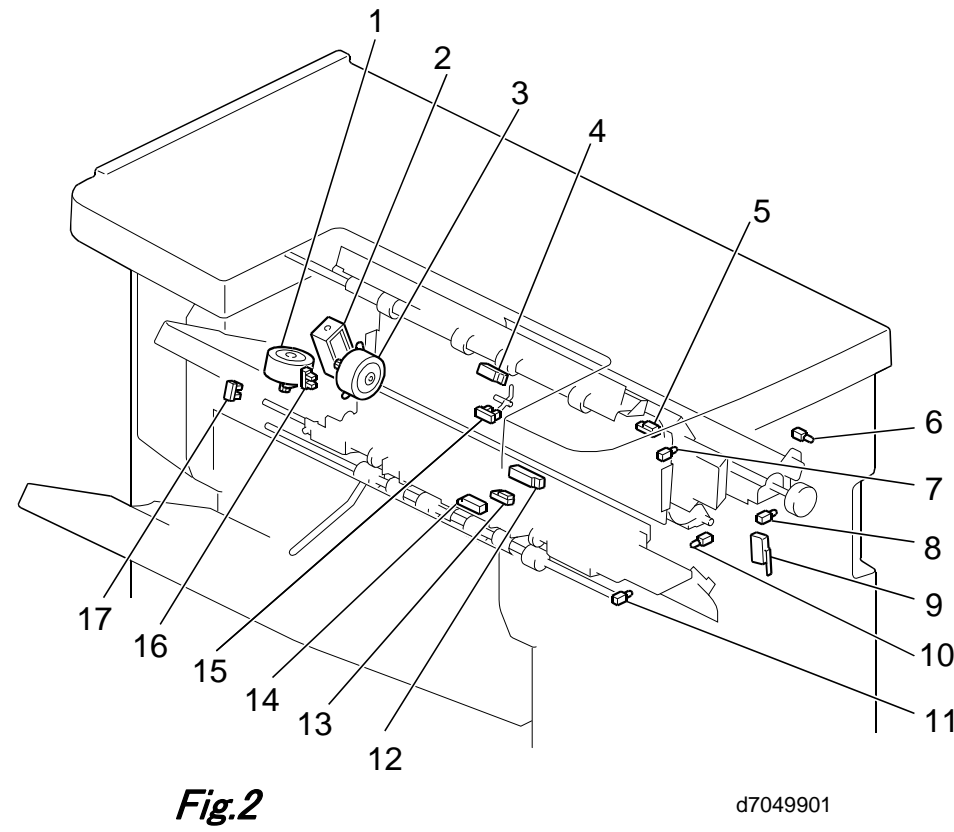


D3BB/D3BA POINT TO POINT DIAGRAM

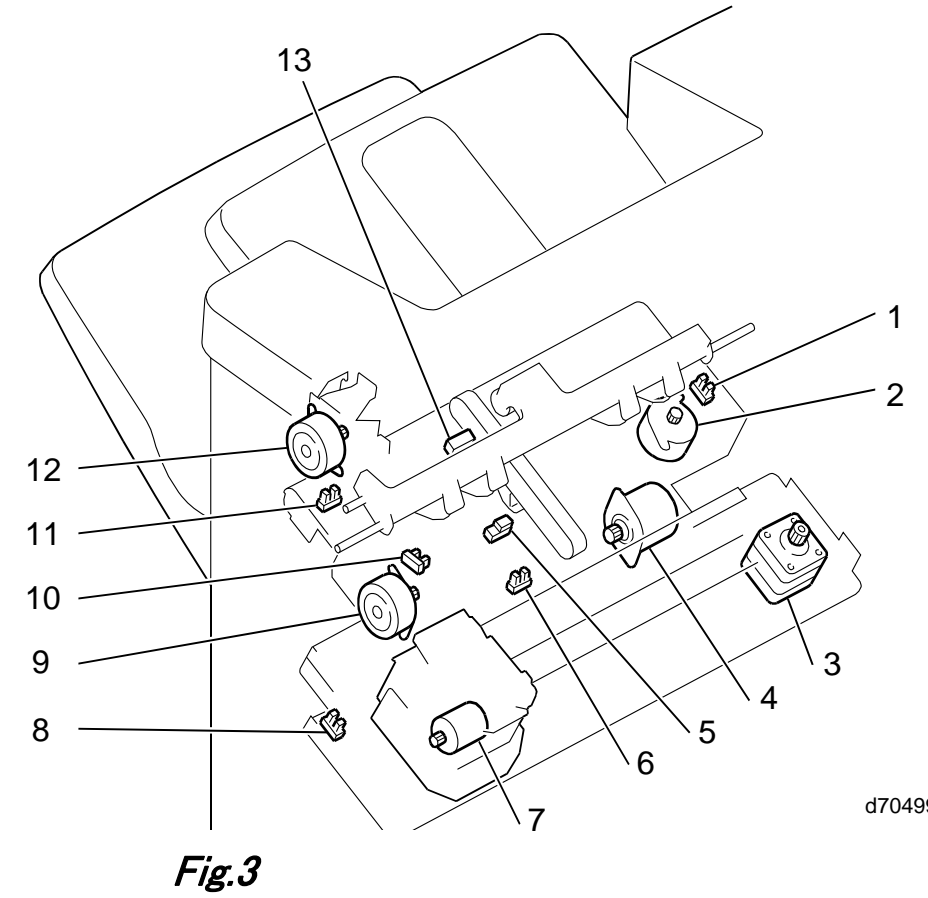
# D3BB/ D3BA ELECTRICAL COMPONENT LAYOUT(1/2)



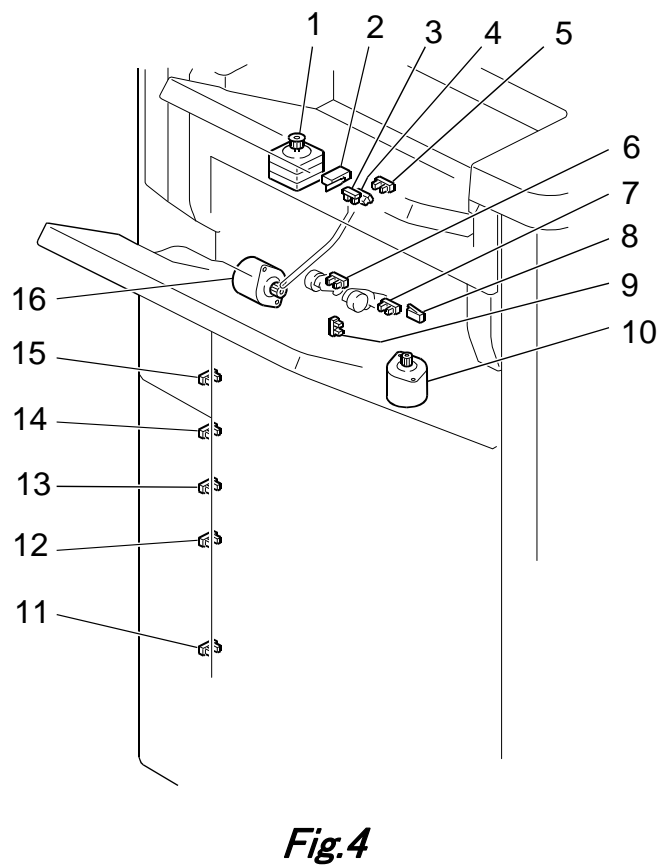
d223d8236



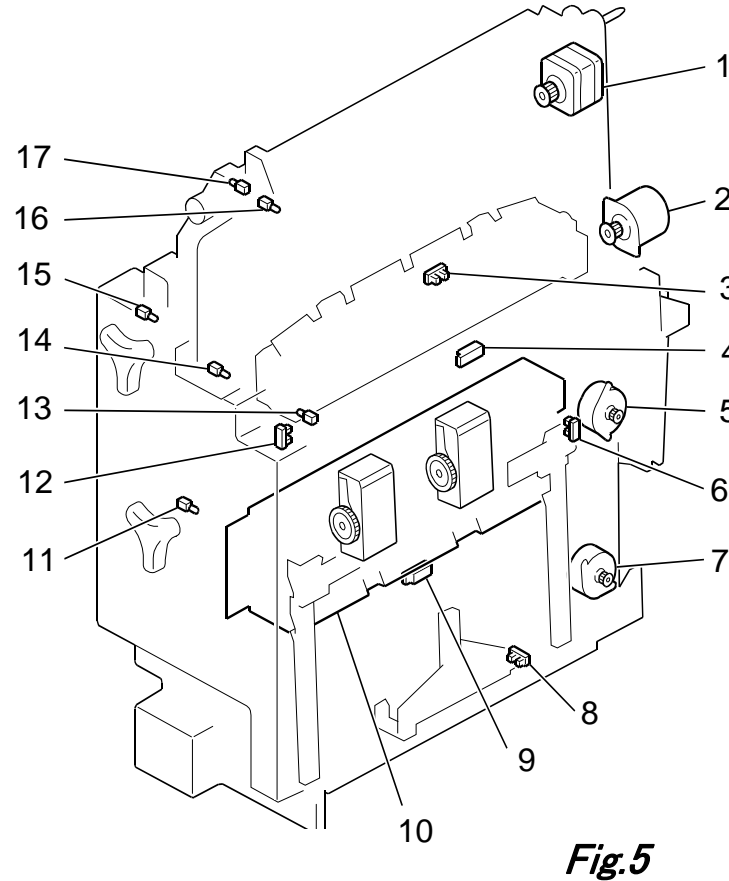
d7049901



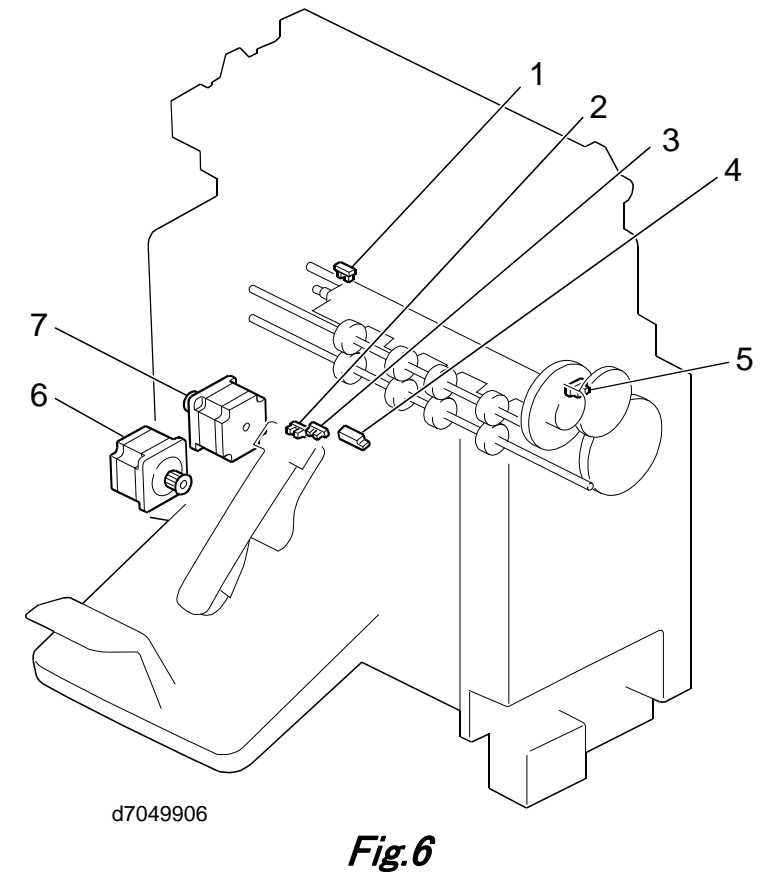
d7049903



d7049904

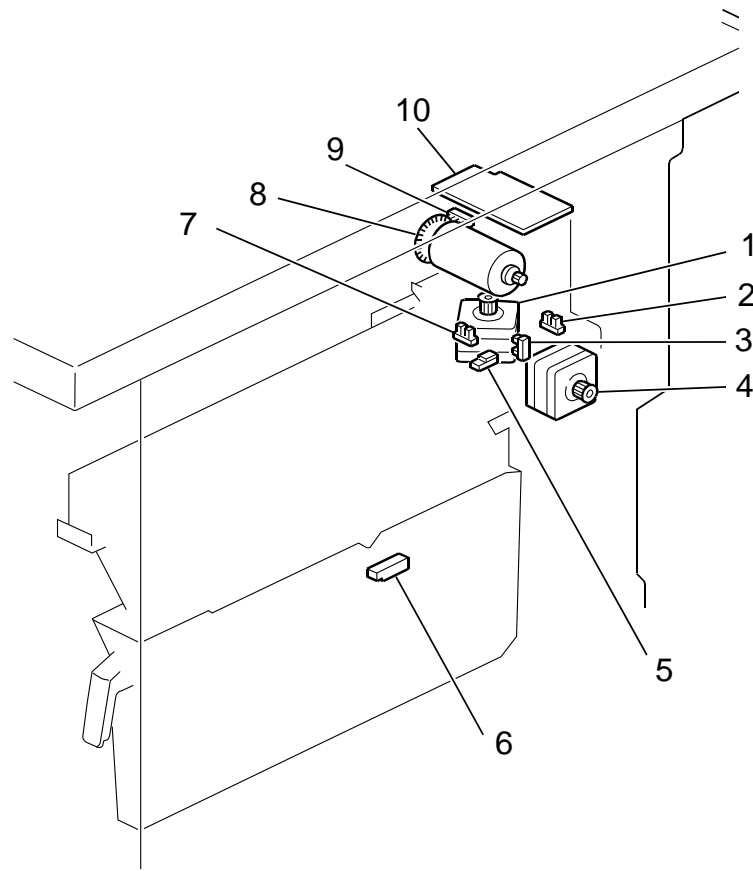


d7049905



d7049906

# D3BB/ D3BA ELECTRICAL COMPONENT LAYOUT(2/2)



**Fig.7**

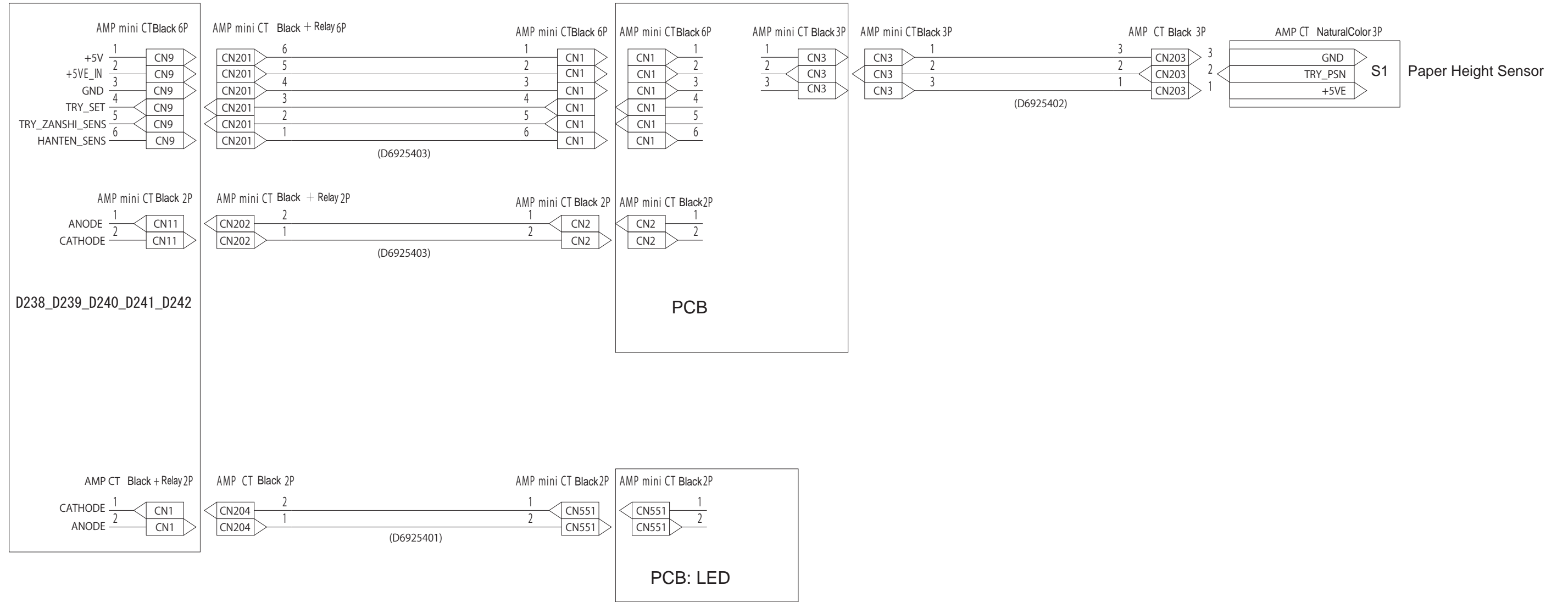
d7049907

Symbol	Index No.	Description	P to P
<b>Sensors</b>			
S1	Fig.6-1	Folding Blade HP Sensor	A1
S2	Fig.5-4	Booklet Paper Sensor(Upper)	A1
S3	Fig.5-3	Booklet Adjustment HP Senso	B1
S4	Fig.5-12	Booklet Guide Sensor	B1
S5	Fig.5-8	Booklet Bottom Fence HP Sensor	D1
S6	Fig.6-4	Bottom Paper Exit Sensor	D1
S7	Fig.6-3	Booklet Paper Full Sensor 1	D1
S8	Fig.6-2	Booklet Paper Full Sensor 2	E1
S9	Fig.6-5	Folding Blade Cam HP Sensor	C1
S10	Fig.5-6	Booklet Jogger HP Sensor	C1
S11	Fig.5-9	Booklet Paper Sensor (Lower)	B1
S12	Fig.3-6	Feed Out Guide HP Sensor	K1
S13	Fig.2-12	Horizonatal Transport Sensor	N1
S14	Fig.2-13	Switchback Transport Sensor	I1
S15	Fig.2-14	Paper Transport Sensor	H1
S16	Fig.4-15	Shift Tray Lower Limit Sensor 1	F1
S17	Fig.2-5	Entrance Sensor	E1
S18	Fig.2-16	Lower Junction Gate HP Sensor	H1
S19	Fig.2-17	Shift Roller HP Sensor	H1
S20	Fig.2-15	Proof Tray Exit Sensor	J1
S21	Fig.2-4	Proof Tray Full Sensor	I1
S22	Fig.3-13	Shift Tray Exit Sensor	J1
S23	Fig.3-8	Stapler Movement HP Sensor	L1
S24	Fig.4-6	Trailing Edge Pressure Plate HP Sensor	M1
S25	Fig.3-1	Jogger HP Sensor	L1
S26	Fig.4-3	Corner Stapling Paper Sensor 1	N1
S27	Fig.4-4	Corner Stapling Paper Sensor 2	N1
S28	Fig.3-11	Positioning Roller HP Sensor	O1
S29	Fig.4-12	Shift Tray Lower Limit Sensor 2	F1
S30	Fig.4-13	Shift Tray Lower Limit Sensor 3	F1
S31	Fig.3-5	Staple Tray Paper Sensor	J1
S32	Fig.4-9	Stacking Roller HP Sensor	L1
S33	Fig.3-10	Leading Edge Guide HP Sensor	K1
S34	Fig.4-5	Exit Guide Plate HP Sensor	O1
S35	Fig.4-7	Shift Tray Paper Sensor	M1
S36	Fig.4-12	Shift Tray Lower Limit Sensor 4	G1
S37	Fig.4-11	Shift Tray Lower Limit Sensor 5	G1
S38	Fig.7-7	Punch HP Sensor	F11
S39	Fig.7-9	Punch RPS Sensor	F12
S40	Fig.7-2	Punch Movement HP Sensor	H10
S41	Fig.7-3	Paper Position Side HP Sensor	I10
S42	Fig.7-6	Punch Hopper Full Sensor	E11
S43	Fig.7-5	Paper Position Side Sensor	E12
S44	Fig.1-9	Paper Guide HP Sensor	O1
S45	-	Shift Jogger Movement HP Sensor 1	J15
S46	-	Shift Jogger Movement HP Sensor 2	J15
S47	-	Shift Jogger Front HP Sensor	K15
S48	-	Shift Jogger Back HP Sensor	K15

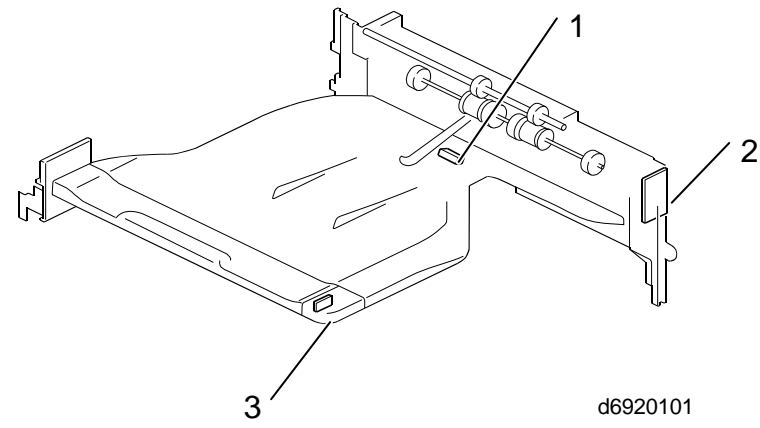
Symbol	Index No.	Description	P to P
<b>Motors</b>			
STM1	Fig.3-2	Jogger Motor	G14
STM2	Fig.2-3	Lower Junction Gate Motor	H14
STM3	Fig.2-1	Shift Motor	F14
STM4	Fig.4-1	Paper Exit Gate Motor	G14
STM5	Fig.3-12	Positioning Roller Motor	H14
STM6	Fig.3-9	Leading Edge Guide Motor	G14
STM7	Fig.3-3	Stapler Movement Motor	F14
STM8	Fig.5-1	Booklet Guide Motor	C21
STM9	Fig.6-6	Folding Transport Moto	C21
STM10	Fig.6-7	Press Folding Motor	B21
STM11	Fig.5-5	Booklet Jogger Motor	D21
STM12	Fig.5-7	Booklet Fence Motor	D21
STM13	Fig.7-8	Punch Drive Motor	G12
STM14	Fig.7-4	Paper Position Sensor Side Motor	H12
STM15	-	Shift Jogger Front Motor	L14
STM16	-	Shift Jogger Back Motor	L14
STM17	-	Shift Jogger Movement Motor	K15
STM18	Fig.1-8	Paper Guide Motor	H20
DCM1	Fig.1-5	Entrance Transport Motor	F22
DCM2	Fig.1-6	Horizontal Transport Motor	F22
DCM3	Fig.1-2	Middle Transport Motor	A14
DCM4	Fig.1-1	Tray Exit Motor	B14
DCM5	Fig.1-4	Pre Stack Transport Motor	E22
DCM6	Fig.4-10	Stacking Roller Motor	C14
DCM7	Fig.3-4	Feed Out Motor	B14
DCM8	Fig.4-16	Trailing Edge Pressure Plate Motor	D14
DCM9	Fig.1-7	Tray Shift Motor	D14
DCM10	Fig.3-7	Stapler	G21
DCM11	Fig.5-2	Movement Roller Transport Motor	A22
DCM12	Fig.5-10	Booklet Stapler Motor	B23
DCM13	Fig.7-1	Punch Drive Motor	G9
DCM14	Fig.3-12	Positioning Roller Motor	I20
<b>Switches</b>			
SW1	Fig.2-9	Front Door Switch	N21
SW2	Fig.4-2	Paper Exit Guide Limit Switch	N21
SW3	Fig.4-8	Tray Upper Limit Switch	O21
<b>LEDs</b>			
LED1	Fig.2-7	LED1	J23
LED2	Fig.2-11	LED2	J23
LED3	Fig.2-10	LED3	J23
LED4	Fig.2-8	LED4	K23
LED5	Fig.2-6	LED5	K20
LED6	Fig.5-11	Booklet Unit LED1	K23
LED7	Fig.5-13	Booklet Unit LED2	L23
LED8	Fig.5-14	Booklet Unit LED3	L23
LED9	Fig.5-15	Booklet Unit LED4	M23
LED10	Fig.5-16	Booklet Unit LED5	M23
LED11	Fig.5-17	Booklet Unit LED6	M23
<b>Solenoids</b>			
SOL1	Fig.2-2	Upper Junction Gate Solenoid	E14
<b>FAN</b>			
FAN1	-	Paper Exit Fan	N17
<b>PCBs</b>			
PCB1	Fig.1-3	Main Control Board	-
PCB2	Fig.7-10	Punch Unit Control Board	-



# D3CQ POINT TO POINT DIAGRAM



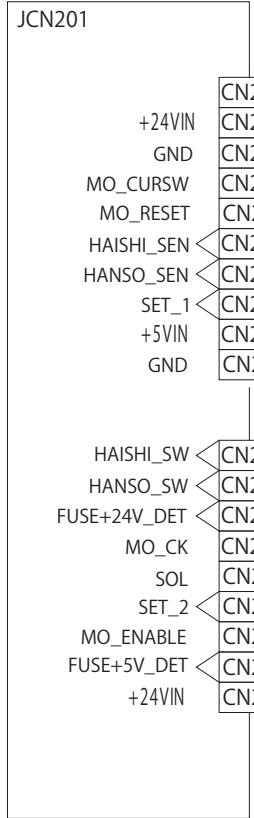
# D3CQ ELECTRICAL COMPONENT LAYOUT



Sensors			
Symbol	Index No.	Description	PtoP
SN1	1	Paper Height Sensor	B7
PCB			
Symbol	Index No.	Description	PtoP
PCB1	2	Control Board	C4
LED			
Symbol	Index No.	Description	PtoP
LED	3	LED	E4

# D685 POINT TO POINT DIAGRAM

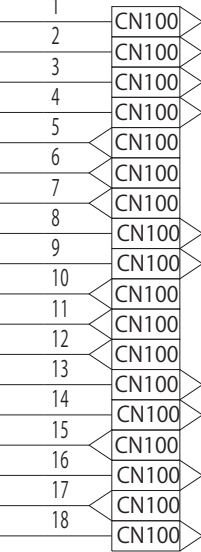
MOLEX Connector  
55949 18P



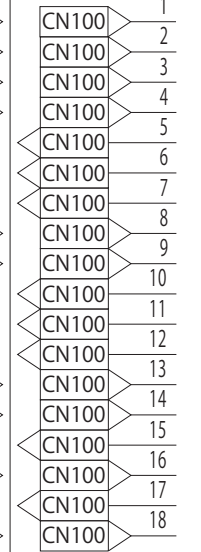
MOLEX miniMi2 10P



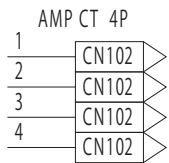
AMP miniCTBlack18P



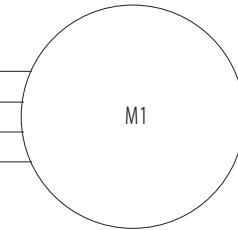
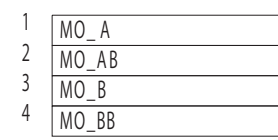
AMP miniCTBlack18P



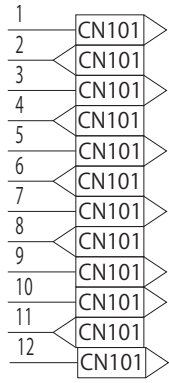
PCB



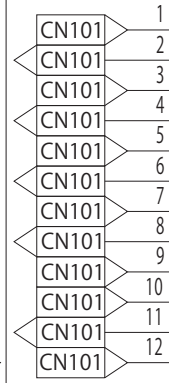
AMP CT 4P Crimp



Drive Motor

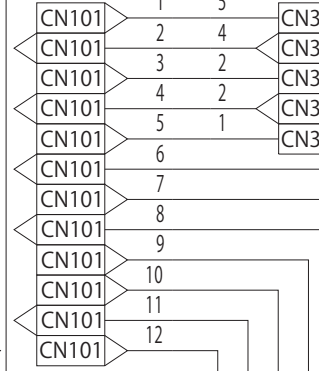


AMP miniCTBlack12P

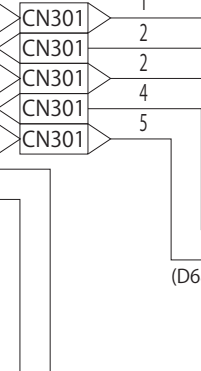


AMP miniCTBlack12P

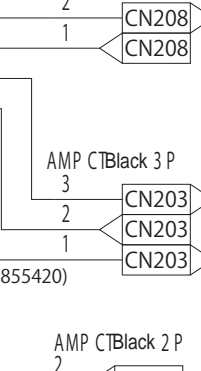
AMP CTBlack + Relay 5 P



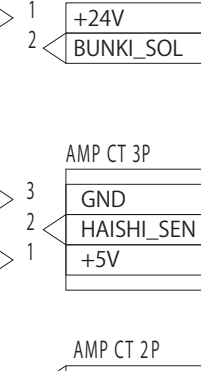
AMP CTBlack5 P



AMP CTBlack + Relay 2 P



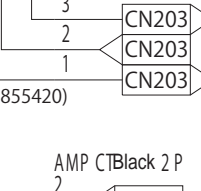
AMP CT 2P Crimp



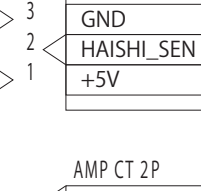
Relay Junction Gate Solenoid



AMP CTBlack 3 P



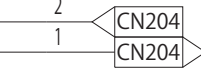
AMP CT 3P



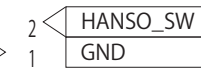
Paper Exit Sensor



AMP CTBlack 2 P



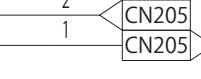
AMP CT 2P



Paper Exit Tray Set Switch



AMP CTBlack 2 P



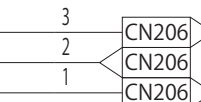
AMP CT 2P



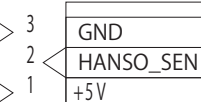
Paper Transport Unit Set Switch



AMP CTBlack 3 P



AMP CT 3P



Relay Transport Sensor

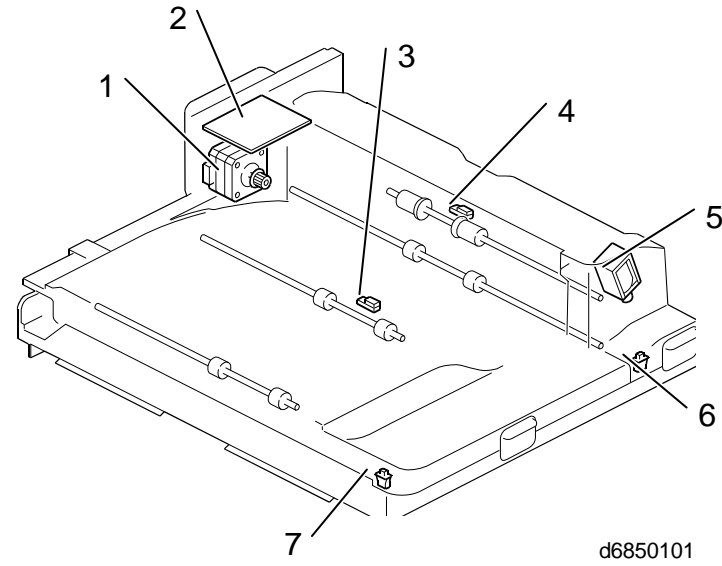


(D6855410)

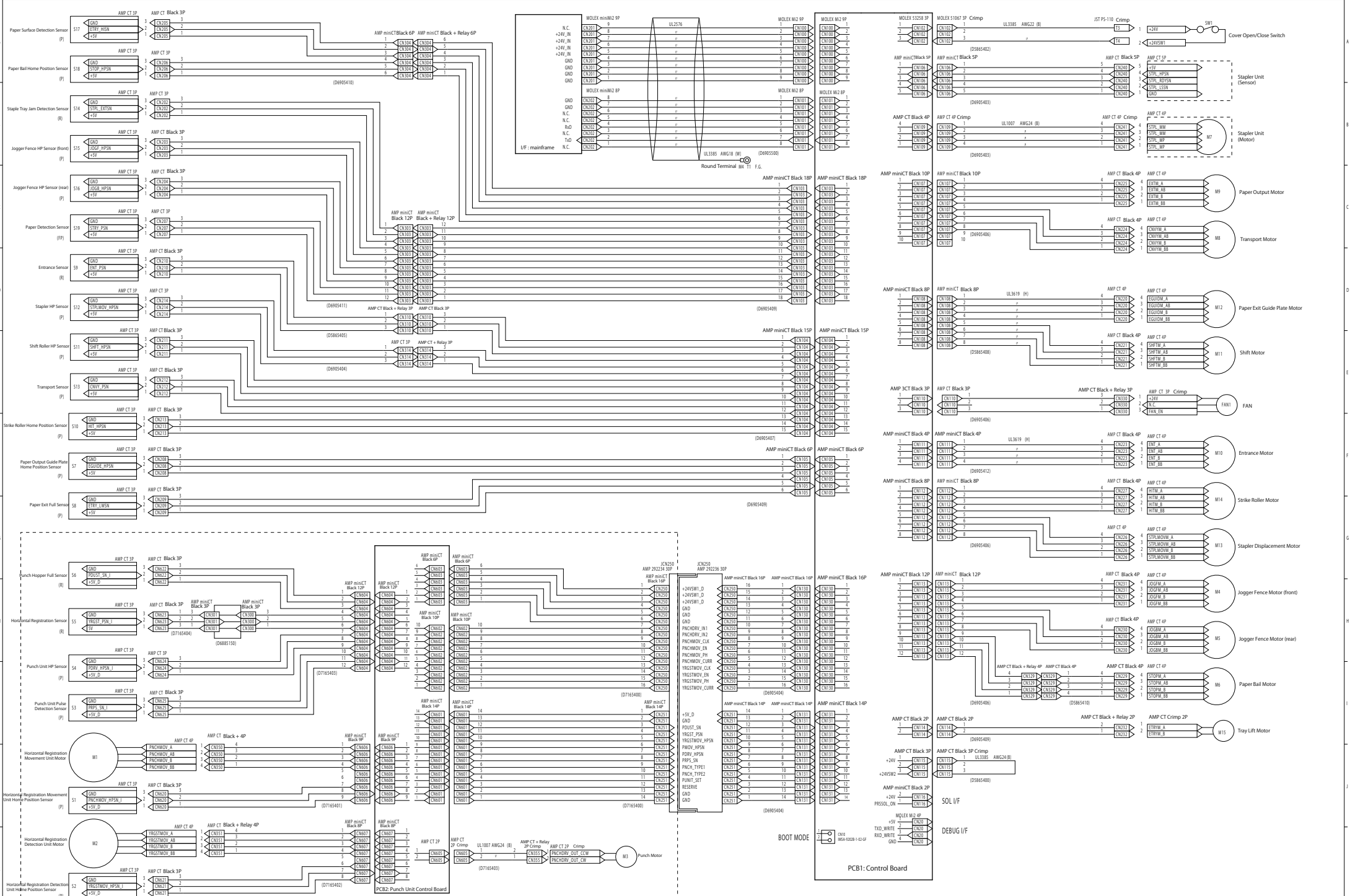
(D6855420)

(D6855430)

# D685 ELECTRICAL COMPONENT LAYOUT



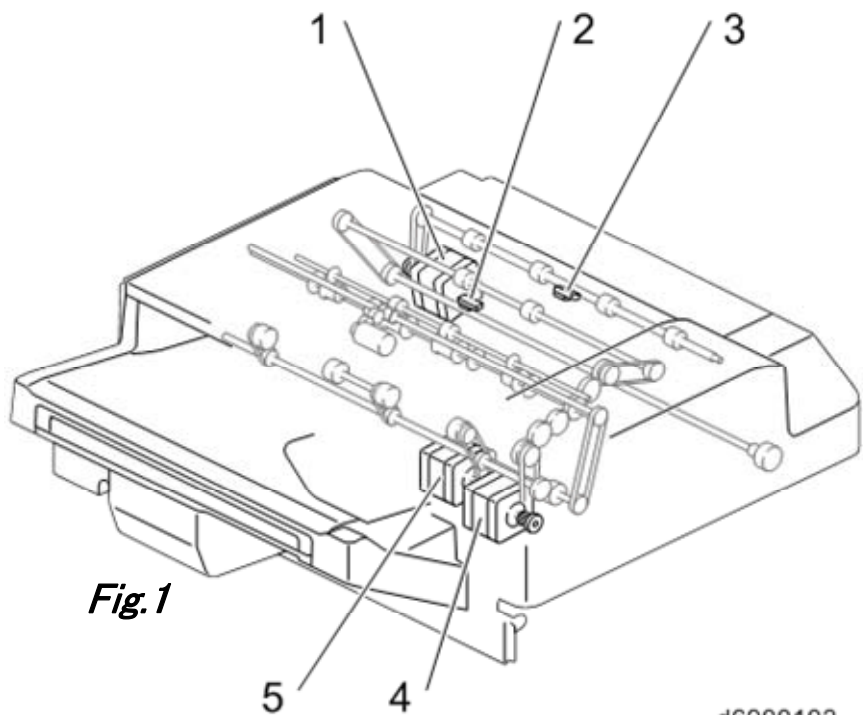
Motors			
Symbol	Index No.	Description	PtoP
M1	1	Drive Motor	B6
Sensors			
Symbol	Index No.	Description	PtoP
S1	4	Paper Exit Sensor	C7
S2	3	Relay Transport Sensor	E7
Solenoids			
Symbol	Index No.	Description	PtoP
SOL1	5	Relay Junction Gate Solenoid	C7
Switches			
Symbol	Index No.	Description	PtoP
SW1	7	Paper Exit Tray Set Switch	D7
SW2	6	Paper Transport Unit Set Switch	D7
PCB			
Symbol	Index No.	Description	PtoP
PCB1	2	Controller Board	E4



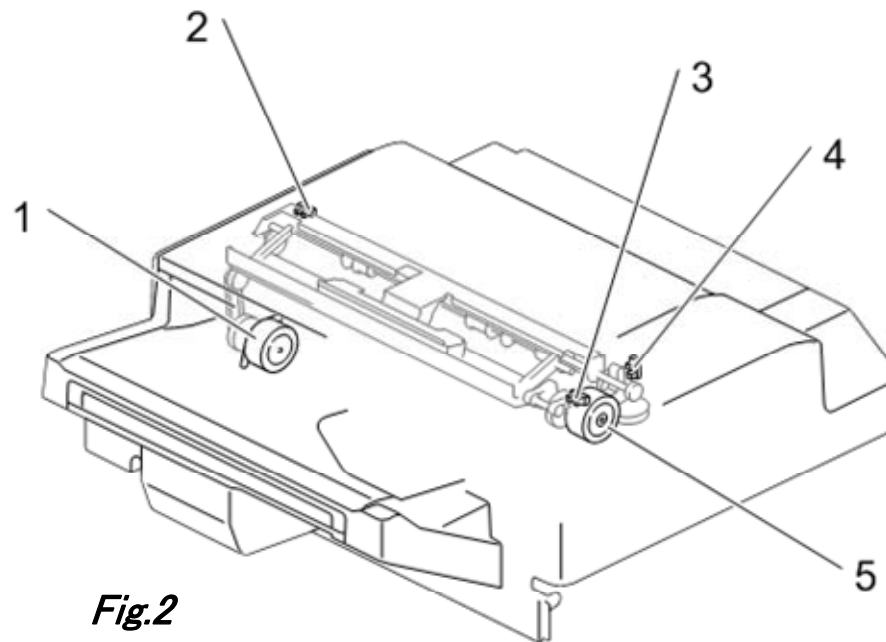
5. The Punch Unit is an option and they are D71617NA 3/2 holes, D71627EU 2/4 holes, and D71667(EU)-dholes.  
 4. Suffix is omitted.  
 3. The color of connector with no indication is the natural color.  
 2. The type of harness side connector with no indication is press-connect type.  
 (\*) 1. The UL style of electric wire with no indication is UL10275. AWG size is AWG26, and its color is (purple/M).

D690 POINT TO POINT DIAGRAM

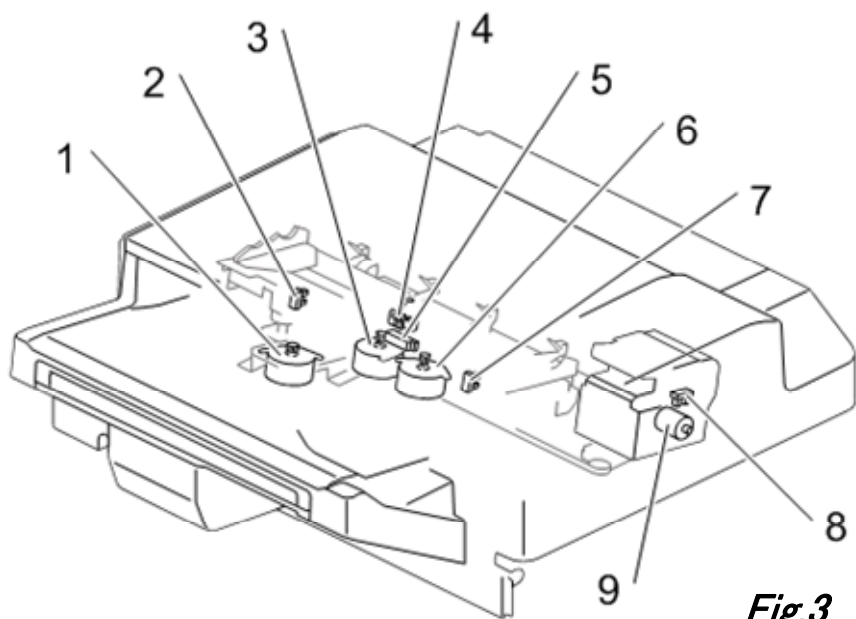
# D690 ELECTRICAL COMPONENT LAYOUT(1/2)



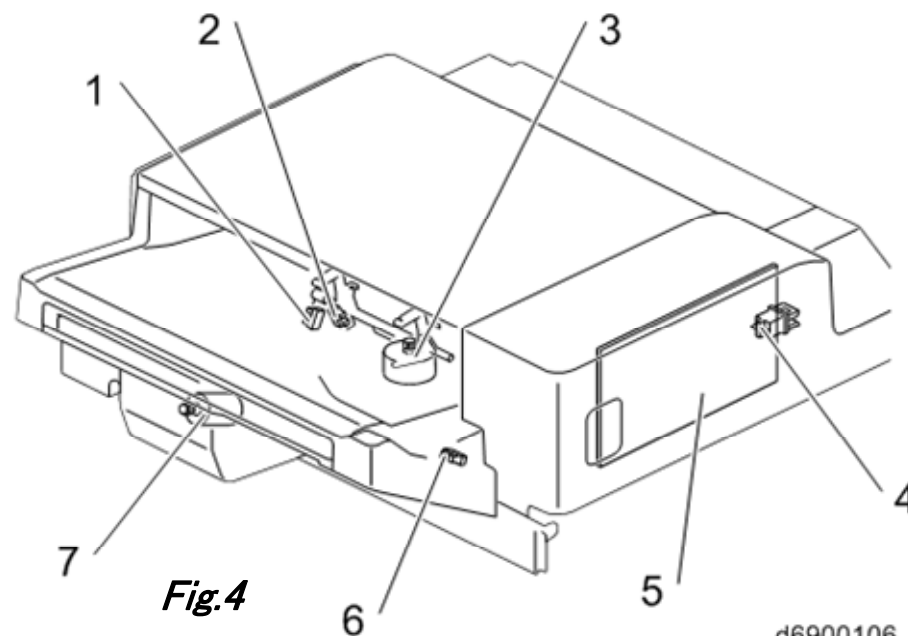
d6900103



d6900104

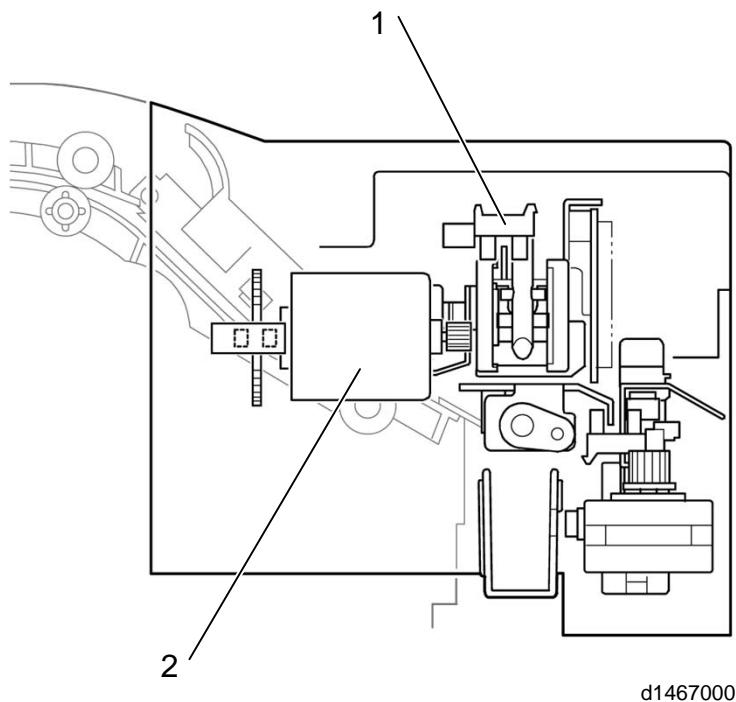


d6900105

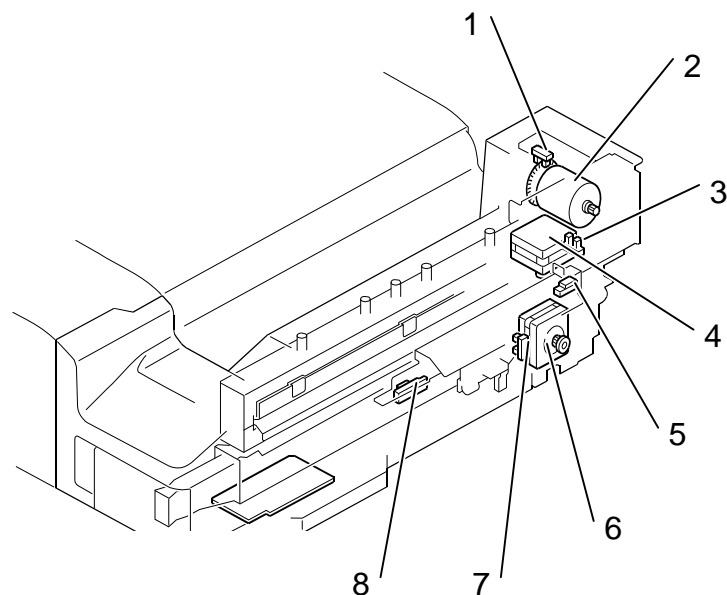


d6900106

# D690 ELECTRICAL COMPONENT LAYOUT(2/2)



**Fig.5**

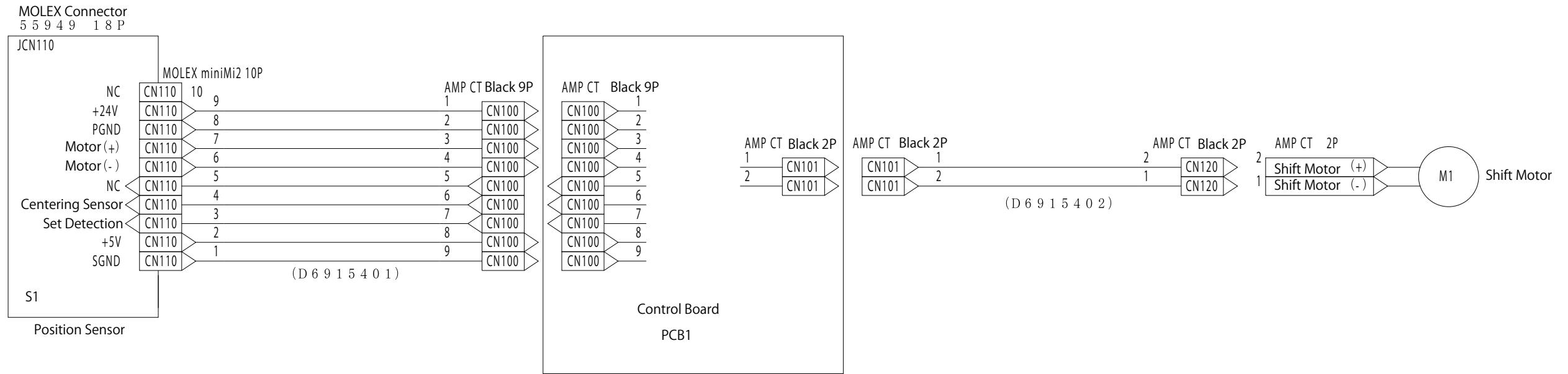


**Fig.6**

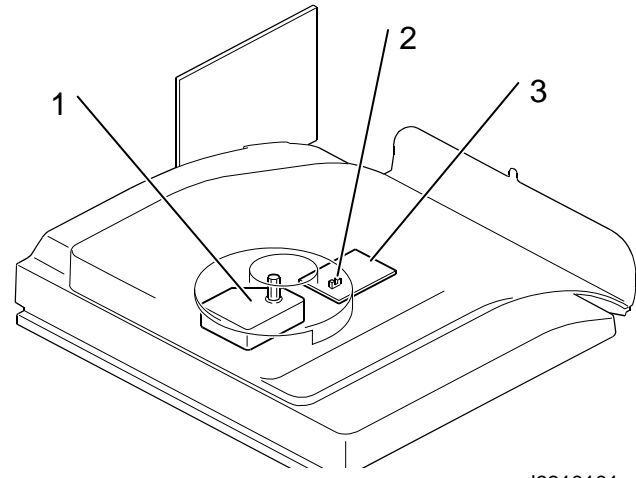
Symbol	Index No.	Description	P to P
<b>Sensors</b>			
S1	Fig.6-5	Horizontal Registration Movement Unit Home Position Sensor	J1
S2	Fig.6-7	Horizontal Registration Detection Unit Home Position Sensor	K1
S3	Fig.6-1	Punch Unit Pulse Detection Sensor	I1
S4	Fig.5-1	Punch Unit HP Sensor	I1
S5	Fig.6-3	Horizontal Registration Sensor	H1
S6	Fig.6-7	Punch Hopper Full Sensor	G1
S7	Fig.2-3	Paper Output Guide Plate Home Position Sensor	F1
S8	Fig.4-6	Paper Exit Full Sensor	G1
S9	Fig.1-3	Entrance Sensor	D1
S10	Fig.2-2	Strike Roller Home Position Sensor	F1
S11	Fig.2-4	Shift Roller HP Sensor	E1
S12	Fig.3-8	Stapler HP Sensor	D1
S13	Fig.1-2	Transport Sensor	E1
S14	Fig.3-5	Staple Tray Jam Detection Sensor	B1
S15	Fig.3-7	Jogger Fence HP Sensor (front)	B1
S16	Fig.3-2	Jogger Fence HP Sensor (rear)	C1
S17	Fig.4-2	Paper Surface Detection Sensor	A1
S18	Fig.4-1	Paper Bail Home Position Sensor	A1
S19	Fig.3-4	Paper Detection Sensor	C1
<b>Motors</b>			
M1	Fig.6-4	Horizontal Registration Movement Unit Motor	J1
M2	Fig.6-6	Horizontal Registration Detection Unit Motor	K1
M3	Fig.5-2/ Fig.6-2	Punch Motor	K8
M4	Fig.3-6	Jogger Fence Motor (front)	H16
M5	Fig.3-3	Jogger Fence Motor (rear)	H16
M6	Fig.4-3	Paper Bail Motor	I16
M7	Fig.3-9	Stapler Unit(Motor)	B16
M8	Fig.1-4	Transport Motor	C16
M9	Fig.1-5	Paper Output Motor	C16
M10	Fig.1-1	Entrance Motor	F16
M11	-	Shift Motor	E16
M12	Fig.2-5	Paper Exit Guide Plate Motor	D16
M13	Fig.3-1	Stapler Displacement Motor	G16
M14	Fig.2-1	Strike Roller Motor	G16
M15	Fig.4-7	Tray Lift Motor	I16
<b>Switches</b>			
SW1	Fig.4-4	Cover Open/Close Switch	A16
<b>FAN</b>			
FAN1	-	FAN	E16
<b>PCB</b>			
PCB1	Fig.4-5	Control Board	K11



# D691 POINT TO POINT DIAGRAM

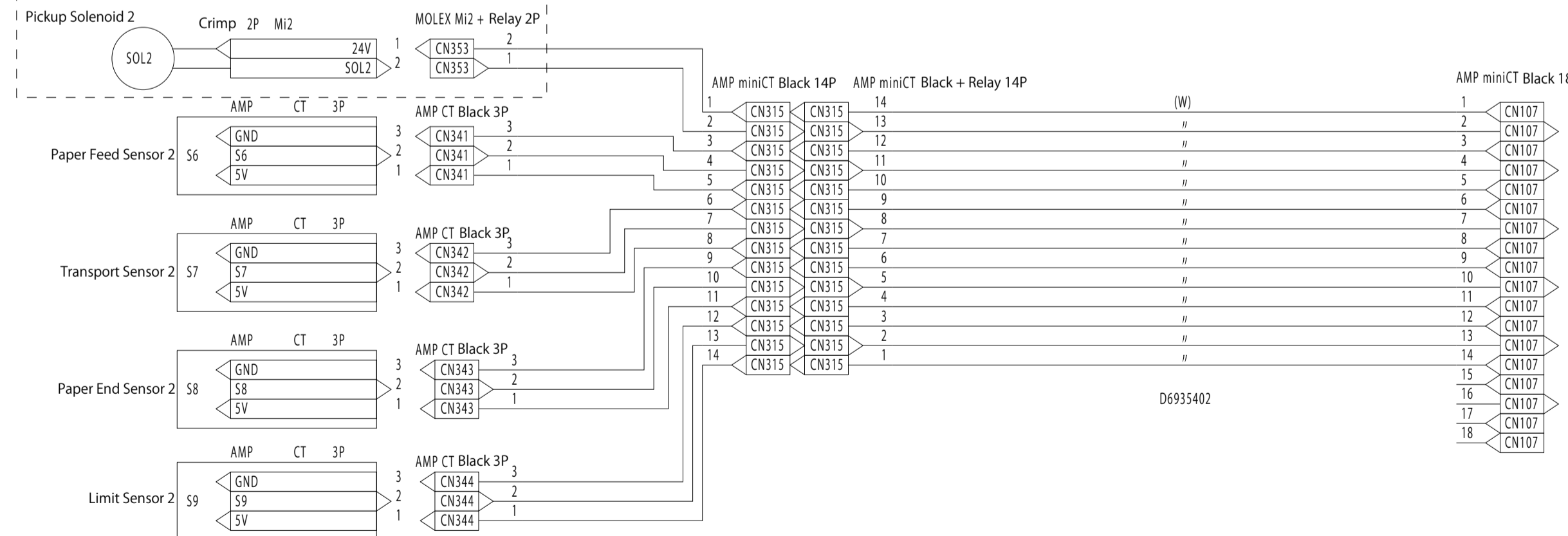
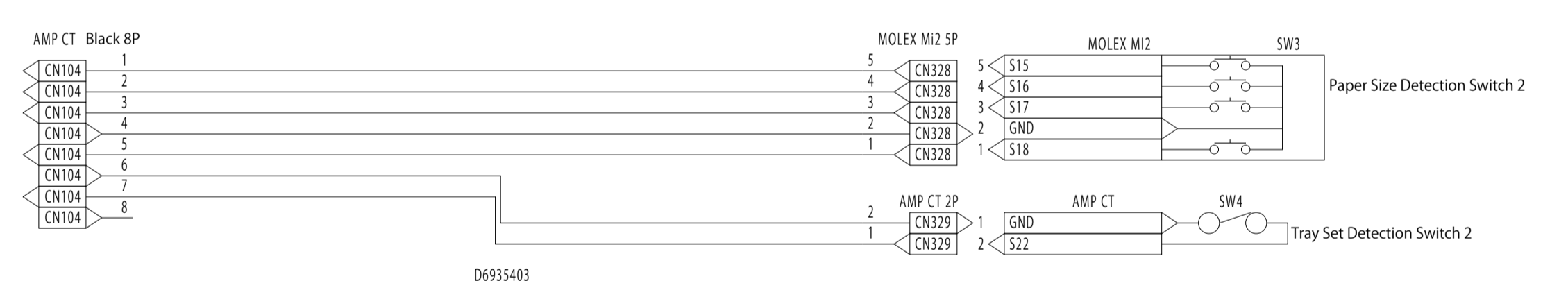
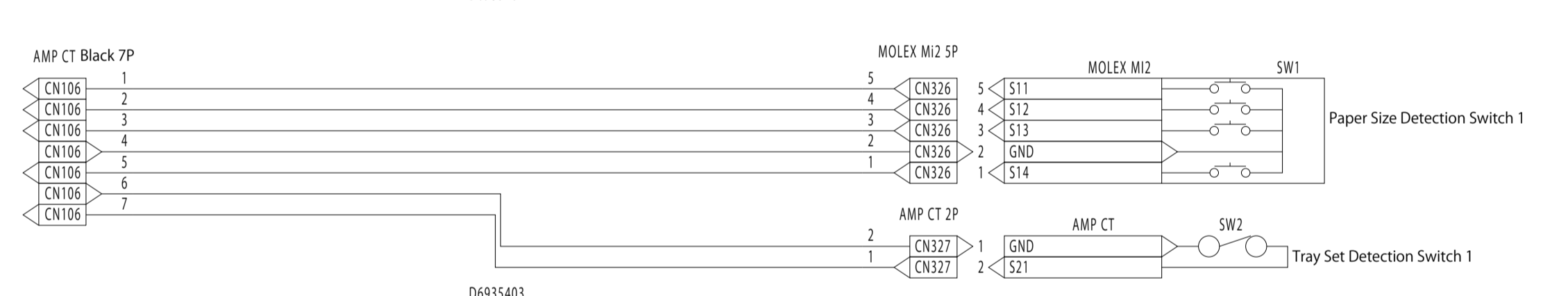
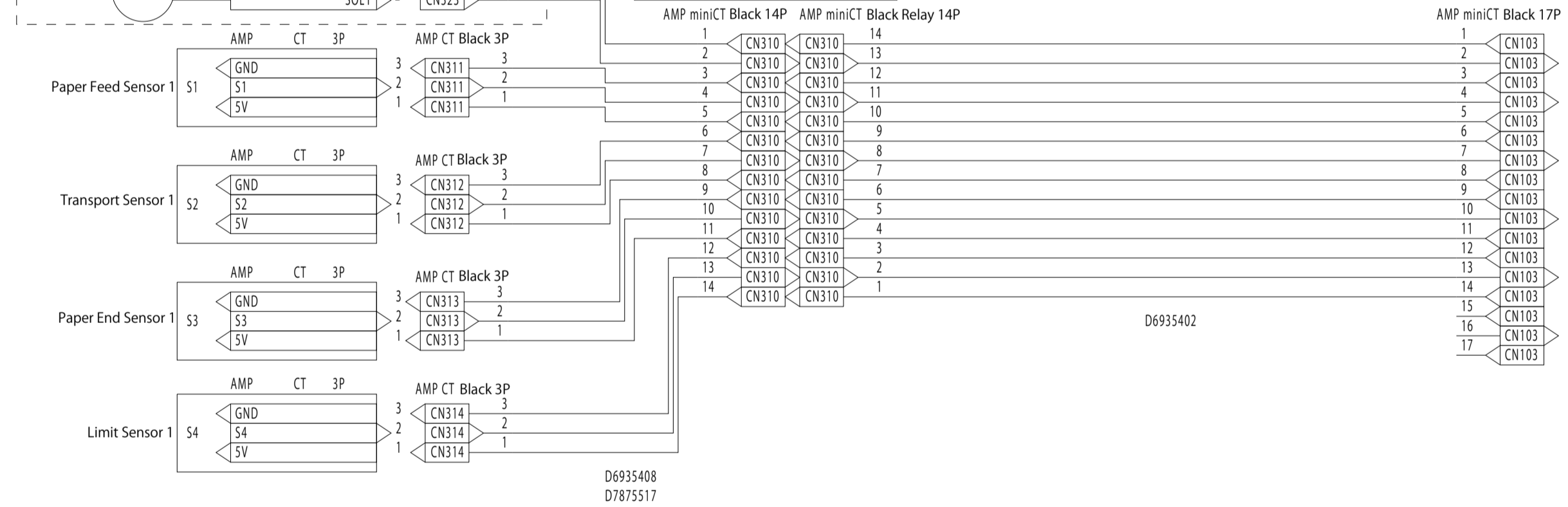
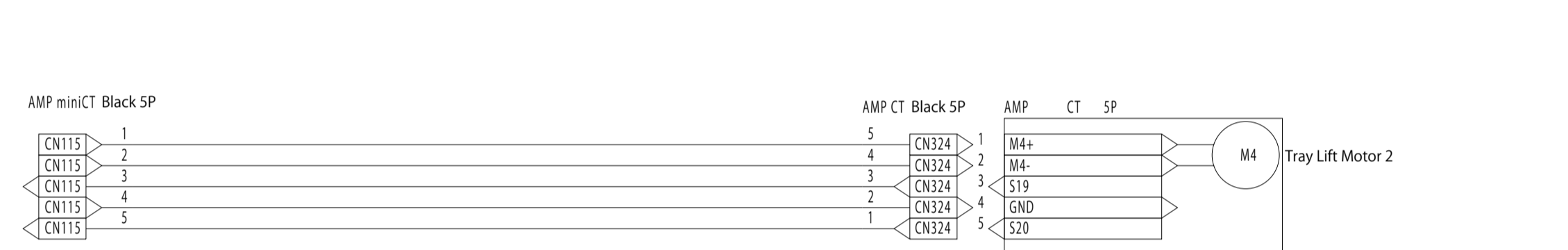
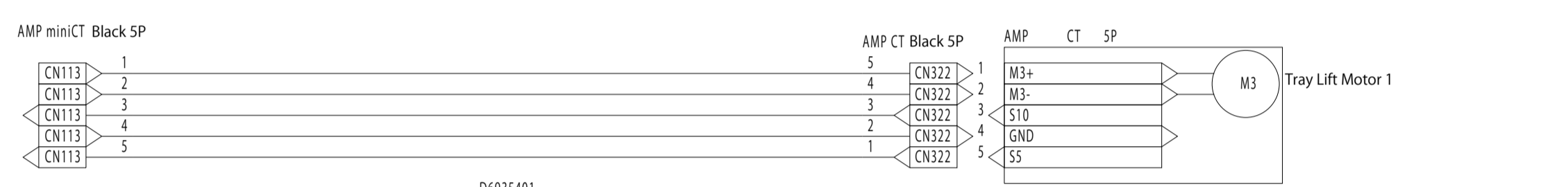
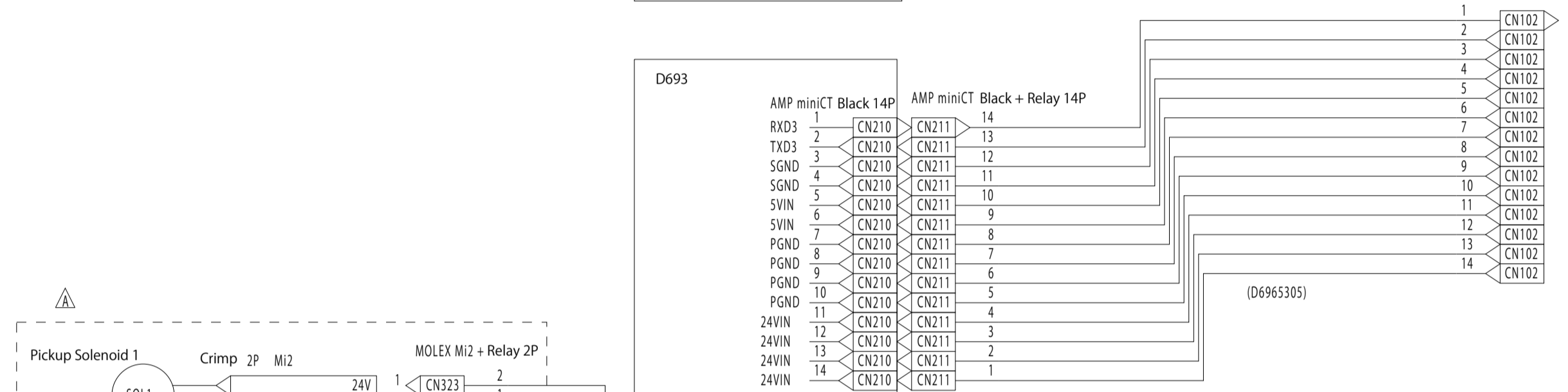
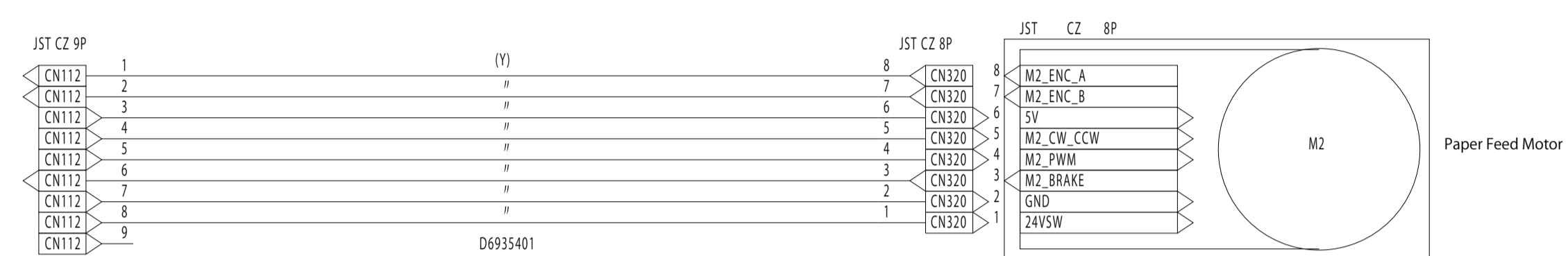
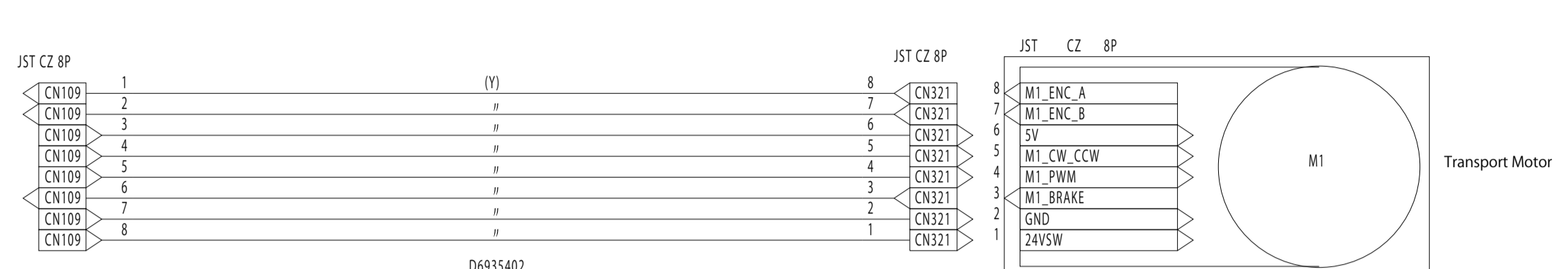
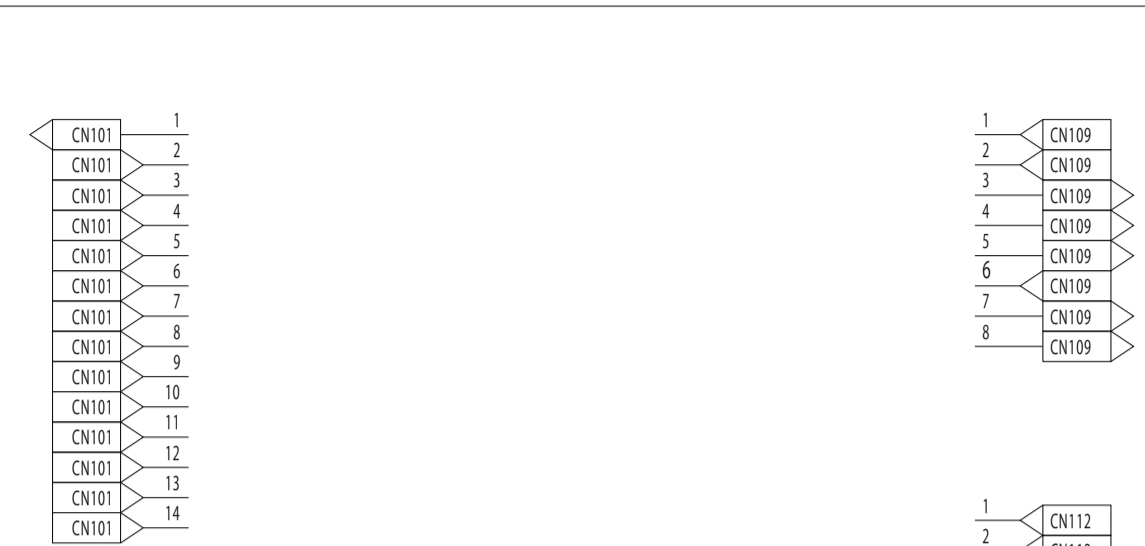
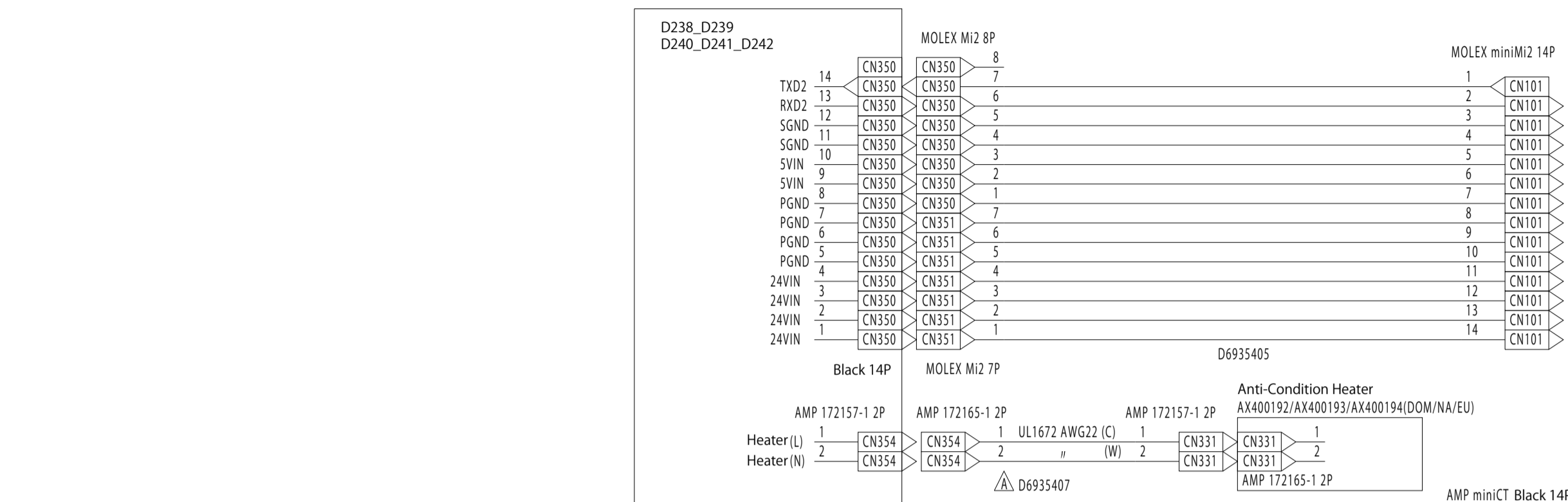


# D691 ELECTRICAL COMPONENT LAYOUT



d6910101

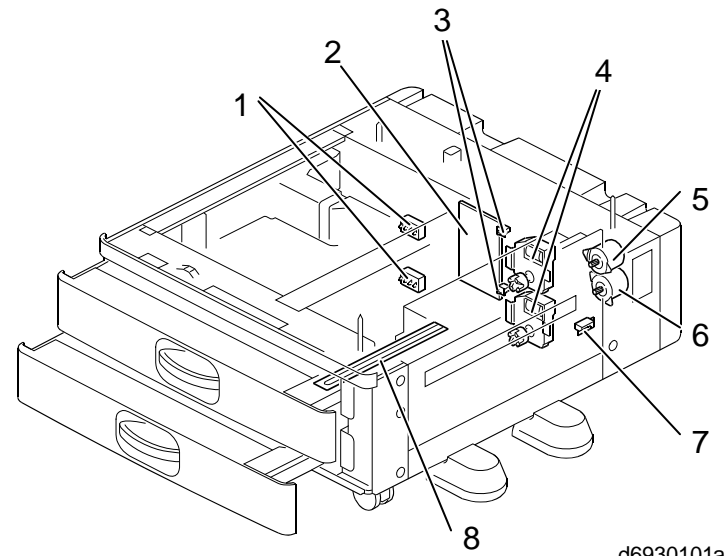
Motors			
Symbol	Index No.	Description	PtoP
M1	1	Shift Motor	C8
Sensors			
Symbol	Index No.	Description	PtoP
S1	2	Position Sensor	C1
PCB			
Symbol	Index No.	Description	PtoP
PCB1	3	Control Board	D4



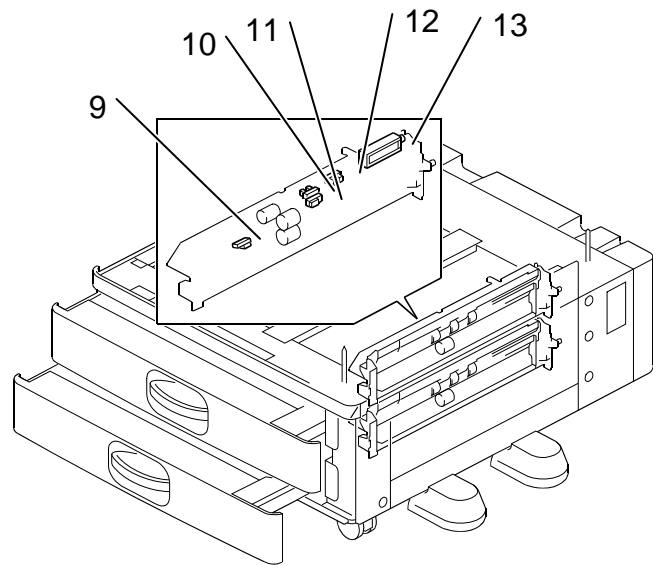
PCB1: Bank Control Board  
D6935202

# D693 POINT TO POINT DIAGRAM

# D693 ELECTRICAL COMPONENT LAYOUT



d6930101a

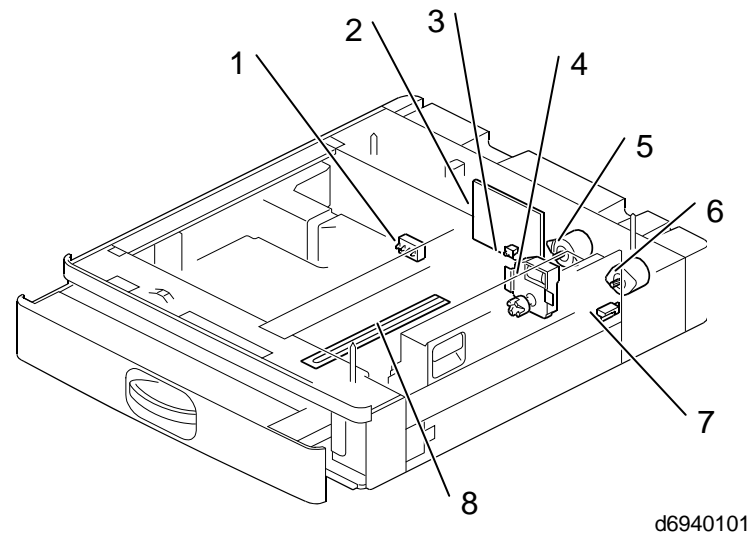


d6930102

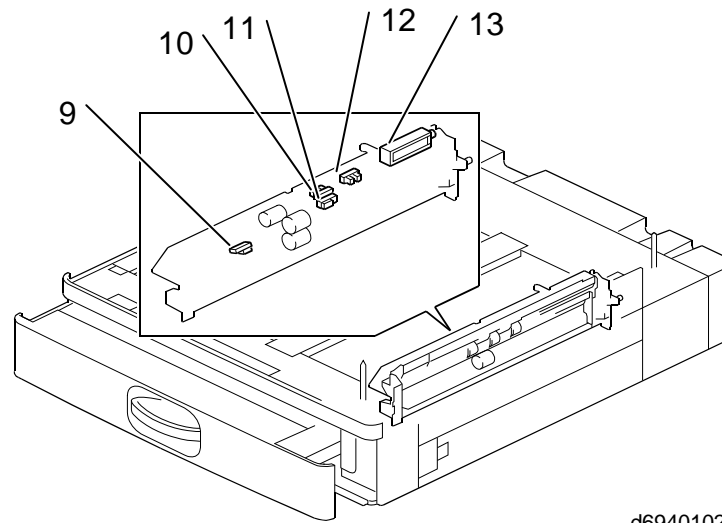
Motors			
Symbol	Index No.	Description	PtoP
M1	6	Transport Motor	C16
M2	5	Paper Feed Motor	D16
M3	4	Tray Lift Motor 1	D16
M4	4	Tray Lift Motor 2	E16
Sensors			
Symbol	Index No.	Description	PtoP
S1	9	Paper Feed Sensor 1	F1
S2	11	Transport Sensor 1	G1
S3	10	Paper End Sensor 1	G1
S4	12	Limit Sensor 1	H1
S5	-	-	-
S6	9	Paper Feed Sensor 2	I1
S7	11	Transport Sensor 2	I1
S8	10	Paper End Sensor 2	I1
S9	12	Limit Sensor 2	J1
Solenoids			
Symbol	Index No.	Description	PtoP
SOL1	13	Pickup Solenoid 1	F1
SOL2	13	Pickup Solenoid 2	H1
Switches			
Symbol	Index No.	Description	PtoP
SW1	1	Paper Size Detection Switch 1	F16
SW2	2	Tray Set Detection Switch 1	G16
SW3	1	Paper Size Detection Switch 2	G16
SW4	2	Tray Set Detection Switch 2	H16
SW5	7	Transport Cover Open/Close Switch	H16
PCB			
Symbol	Index No.	Description	PtoP
PCB1	2	Bank Control Board	J9
Others			
Symbol	Index No.	Description	PtoP
HTR	8	Anti-Condensation Heater	D6



# D694 ELECTRICAL COMPONENT LAYOUT



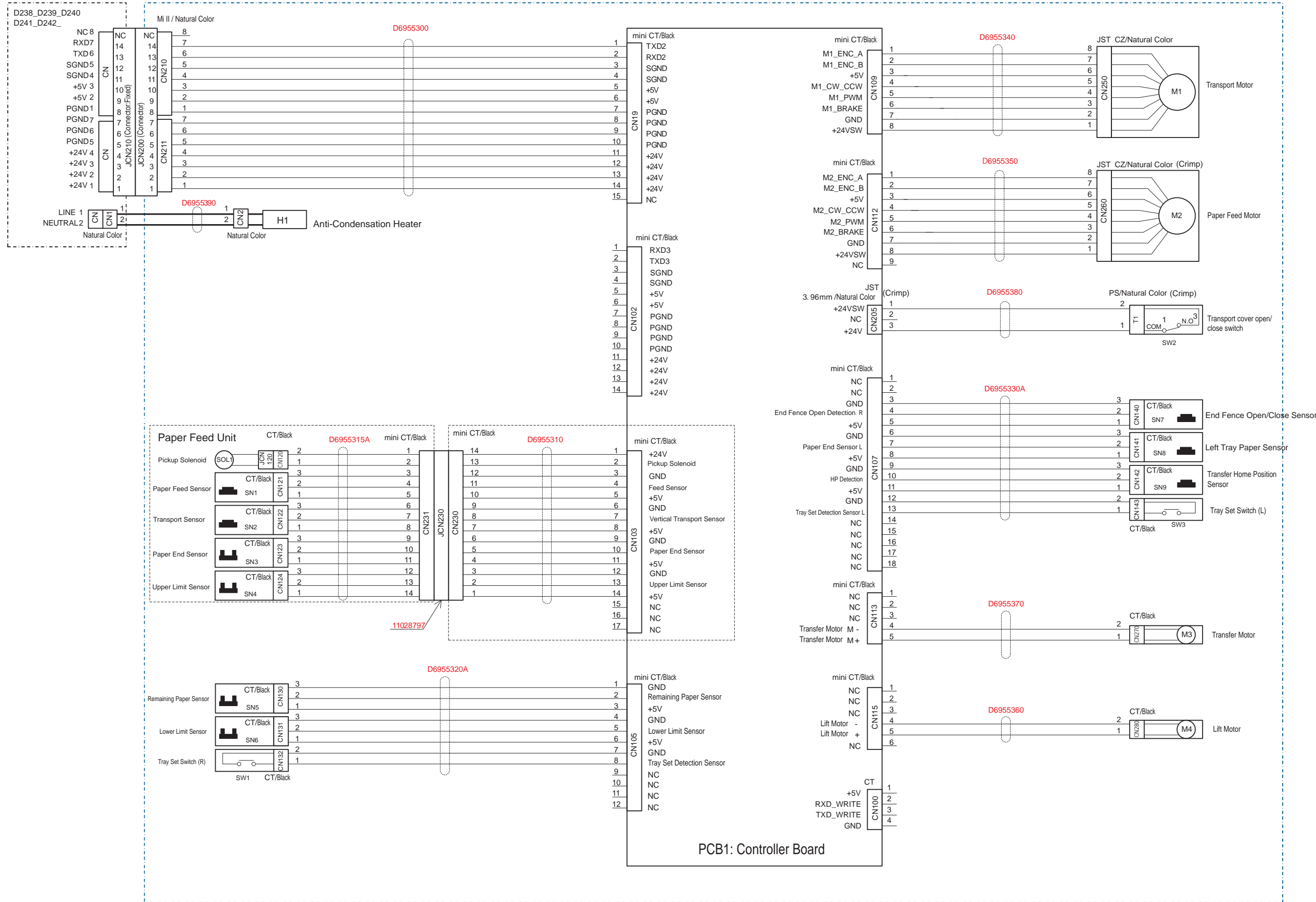
d6940101



d6940102

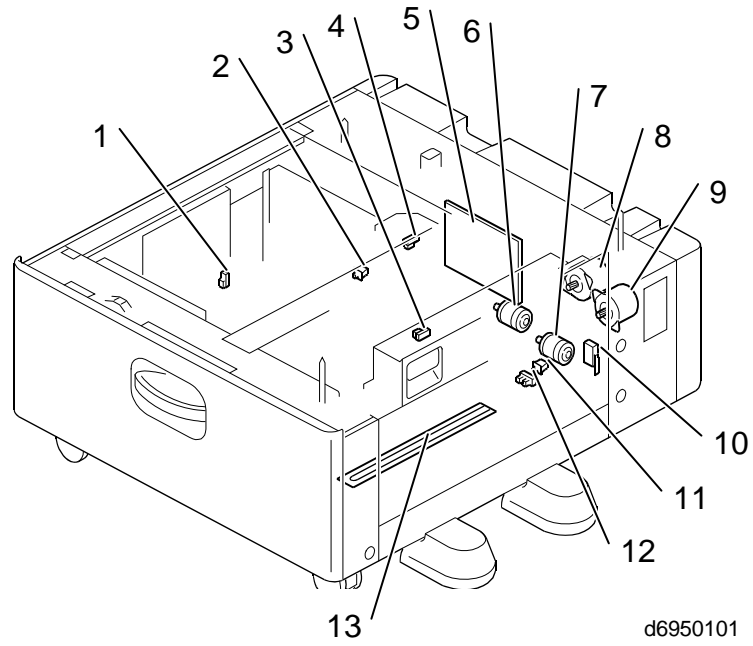
Motors			
Symbol	Index No.	Description	PtoP
M1	6	Transport Motor	B7
M2	5	Paper Feed Motor	C7
M3	4	Tray Lift Motor	C7
Sensors			
Symbol	Index No.	Description	PtoP
S1	9	Paper Feed Sensor	D1
S2	11	Transport Sensor	D1
S3	10	Paper End Sensor	E1
S4	12	Limit Sensor	E1
Solenoids			
Symbol	Index No.	Description	PtoP
SOL1	13	Pickup Solenoid	D1
Switches			
Symbol	Index No.	Description	PtoP
SW1	1	Paper Size Detection Switch	D7
SW2	3	Tray Set Detection Switch	D7
SW3	7	Transport Cover Open/Close Switch	E7
PCB			
Symbol	Index No.	Description	PtoP
PCB1	2	Controller Board	E4
Others			
Symbol	Index No.	Description	PtoP
HTR	8	Anti-Condensation Heater	C3

# D695 POINT TO POINT DIAGRAM

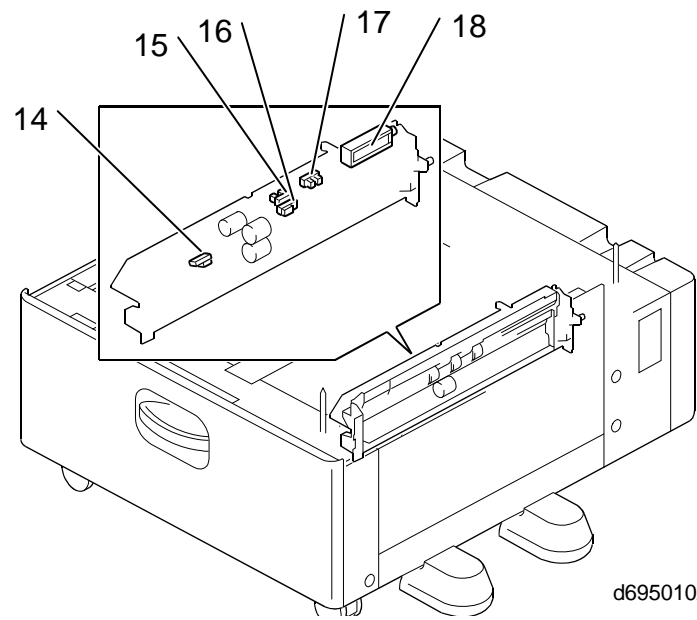




# D695 ELECTRICAL COMPONENT LAYOUT



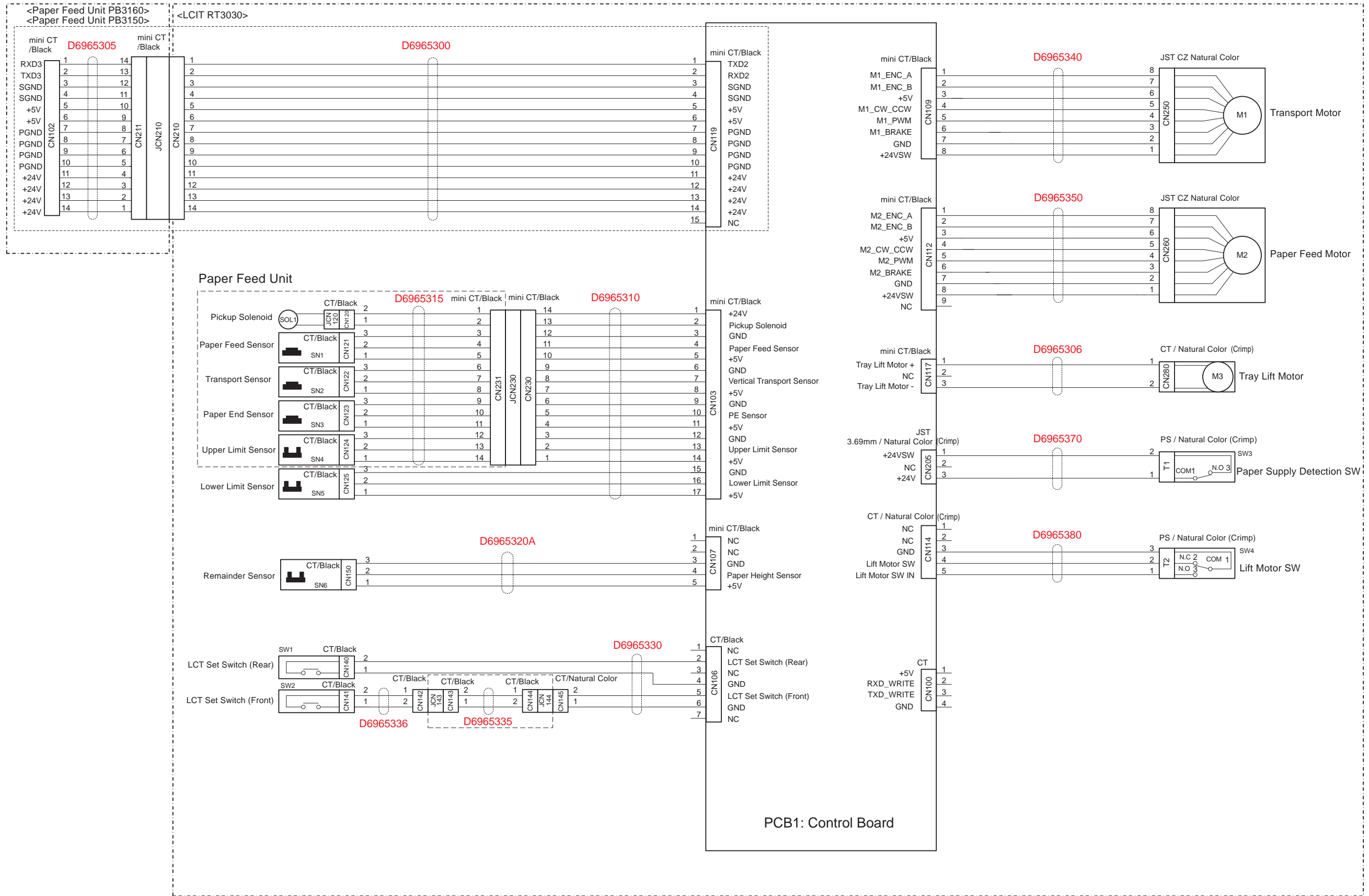
d6950101



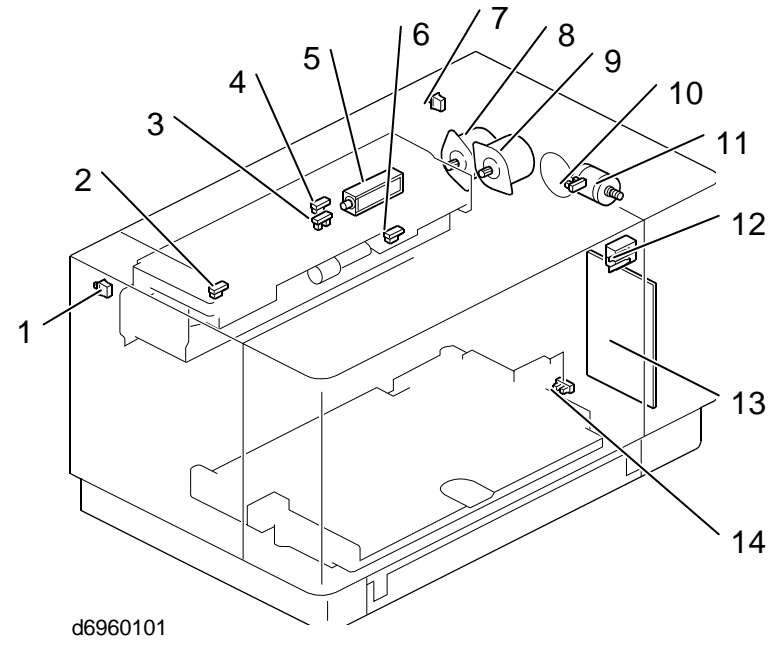
d6950102

Motors			
Symbol	Index No.	Description	PtoP
M1	6	Transport Motor	B7
M2	8	Paper Feed Motor	B7
M3	6	Transfer Motor	D7
M3	7	Lift Motor	E7
Sensors			
Symbol	Index No.	Description	PtoP
SN1	14	Paper Feed Sensor	D2
SN2	16	Transport Sensor	D2
SN3	15	Paper End Sensor	D2
SN4	17	Upper Limit Sensor	D2
SN5	-	Remaining Paper Sensor	E2
SN6	12	Lower Limit Sensor	E2
SN7	4	End Fence Open/Close Sensor	C7
SN8	3	Left Tray Paper Sensor	C7
SN9	1	Transfer Home Position Sensor	D7
Solenoids			
Symbol	Index No.	Description	PtoP
SOL1	18	Pickup Solenoid	D2
Switches			
Symbol	Index No.	Description	PtoP
SW1	11	Tray Set Switch (R)	E2
SW2	10	Transport Cover Open/Close Switch	C7
SW3			
PCB			
Symbol	Index No.	Description	PtoP
PCB1	5	Controller Board	F5
Others			
Symbol	Index No.	Description	PtoP
H1	13	Anti-Condensation Heater	B2

# D696 POINT TO POINT DIAGRAM

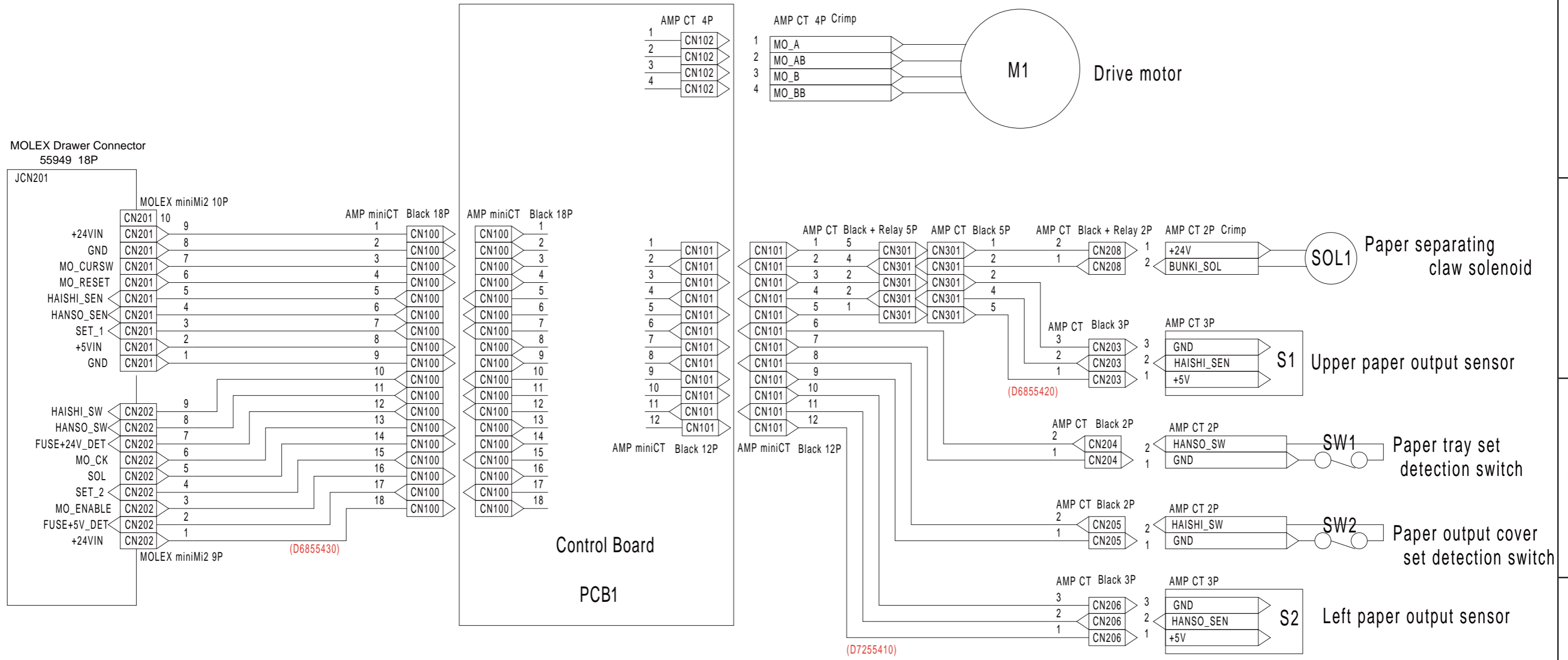


# D696 ELECTRICAL COMPONENT LAYOUT

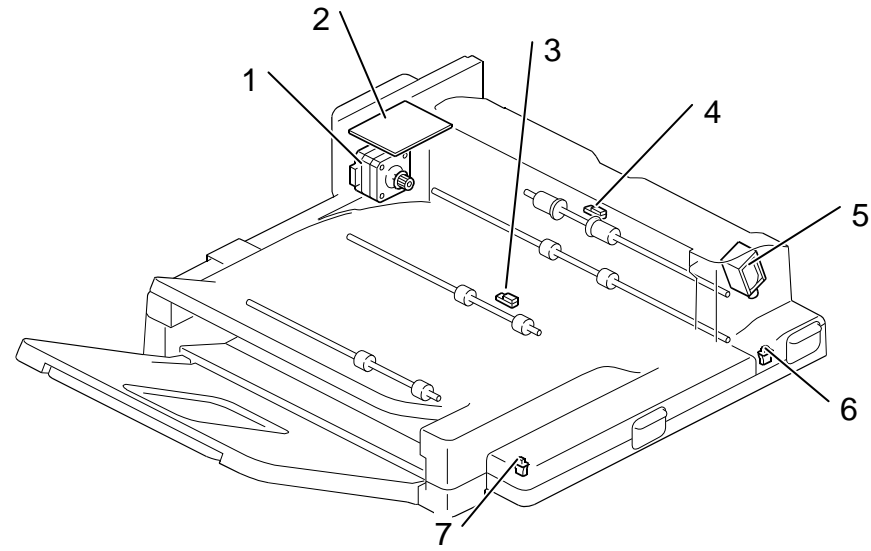


Motors			
Symbol	Index No.	Description	PtoP
M1	8	Transport Motor	B7
M2	9	Paper Feed Motor	C7
M3	11	Tray Lift Motor	C7
Sensors			
Symbol	Index No.	Description	PtoP
SN1	2	Paper Feed Sensor	C2
SN2	4	Transport Sensor	C2
SN3	6	Paper End Sensor	C2
SN4	3	Upper Limit Sensor	C2
SN5	14	Lower Limit Sensor	D2
SN6	10	Remainder Sensor	D2
Solenoids			
Symbol	Index No.	Description	PtoP
SOL1	5	Pickup Solenoid	C2
Switches			
Symbol	Index No.	Description	PtoP
SW1	7	LCT Set Switch (Rear)	E2
SW2	1	LCT Set Switch (Front)	E2
SW3	12	Paper Supply Detection Switch	D7
SW4	12	Lift Motor Switch	D7
PCB			
Symbol	Index No.	Description	PtoP
PCB1	13	Control Board	F5

# D725 POINT TO POINT DIAGRAM



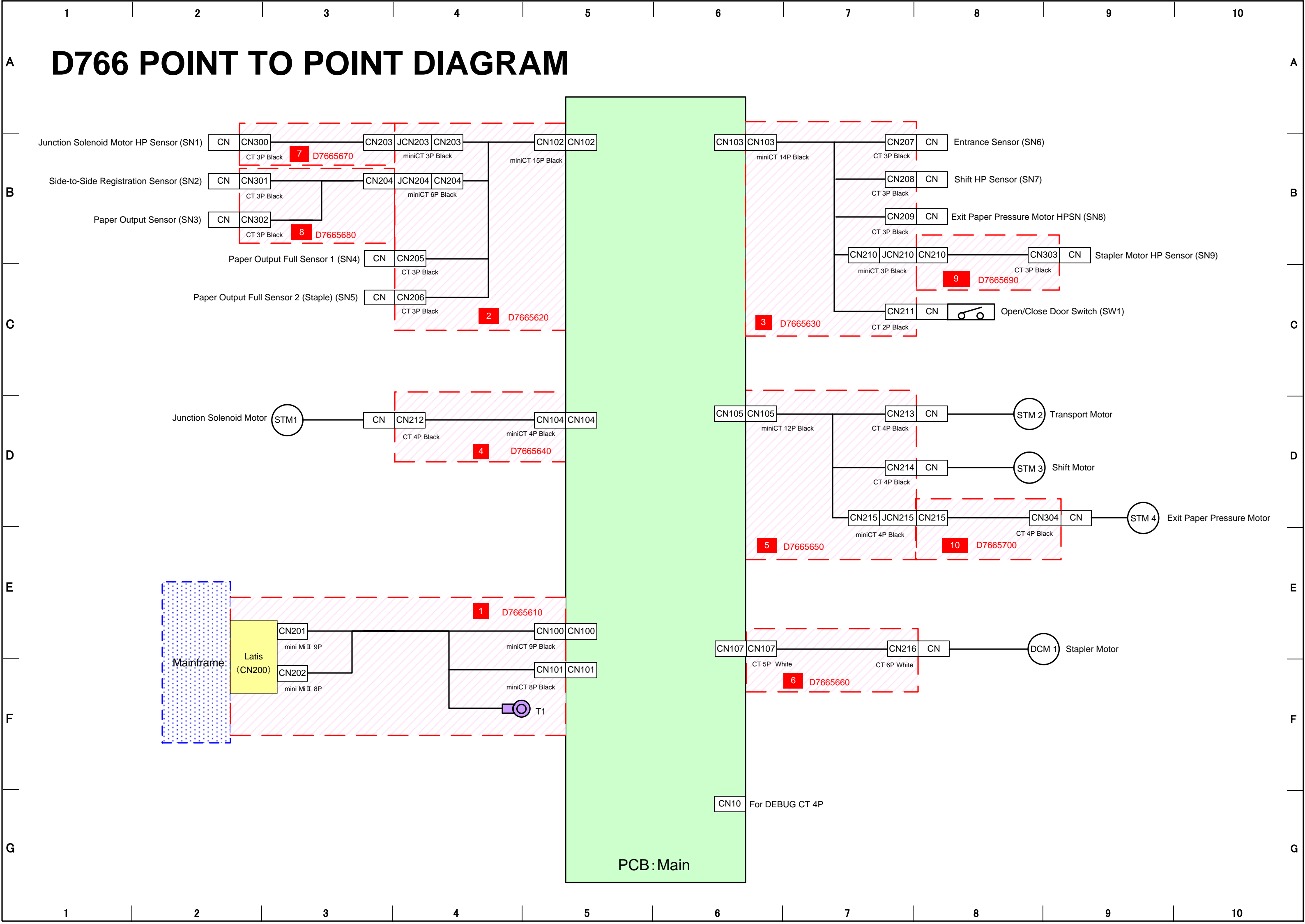
# D725 ELECTRICAL COMPONENT LAYOUT



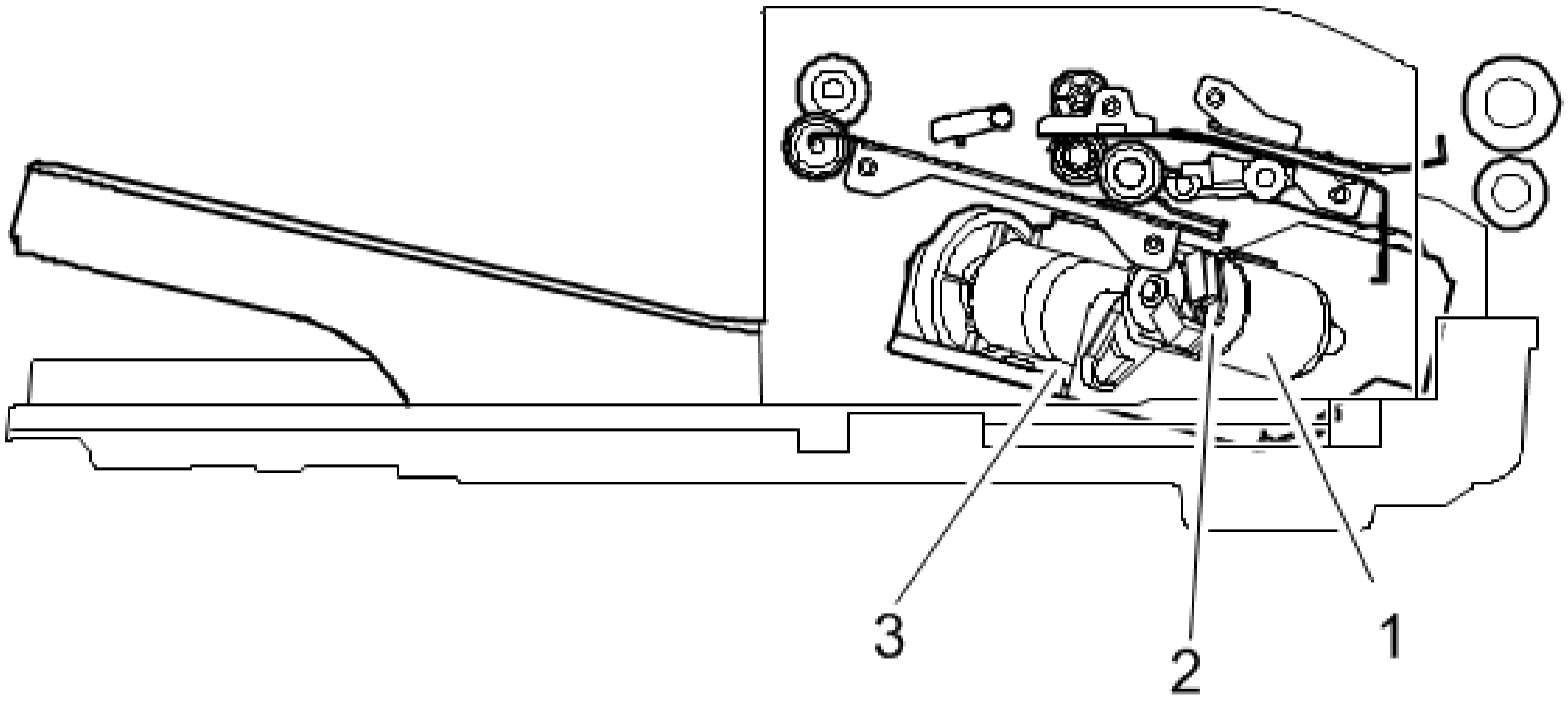
d7250101

Motors			
Symbol	Index No.	Description	PtoP
M1	1	Drive Motor	B6
Sensors			
Symbol	Index No.	Description	PtoP
S1	4	Upper Paper Output Sensor	C7
S2	3	Left Paper Output Sensor	E7
Solenoids			
Symbol	Index No.	Description	PtoP
SOL1	5	Paper Separating Claw Solenoid	C7
Switches			
Symbol	Index No.	Description	PtoP
SW1	7	Paper Tray Set Detection Switch	D7
SW2	6	Paper Output Cover Set Detection Switch	D7
PCB			
Symbol	Index No.	Description	PtoP
PCB1	2	Control Board	D4

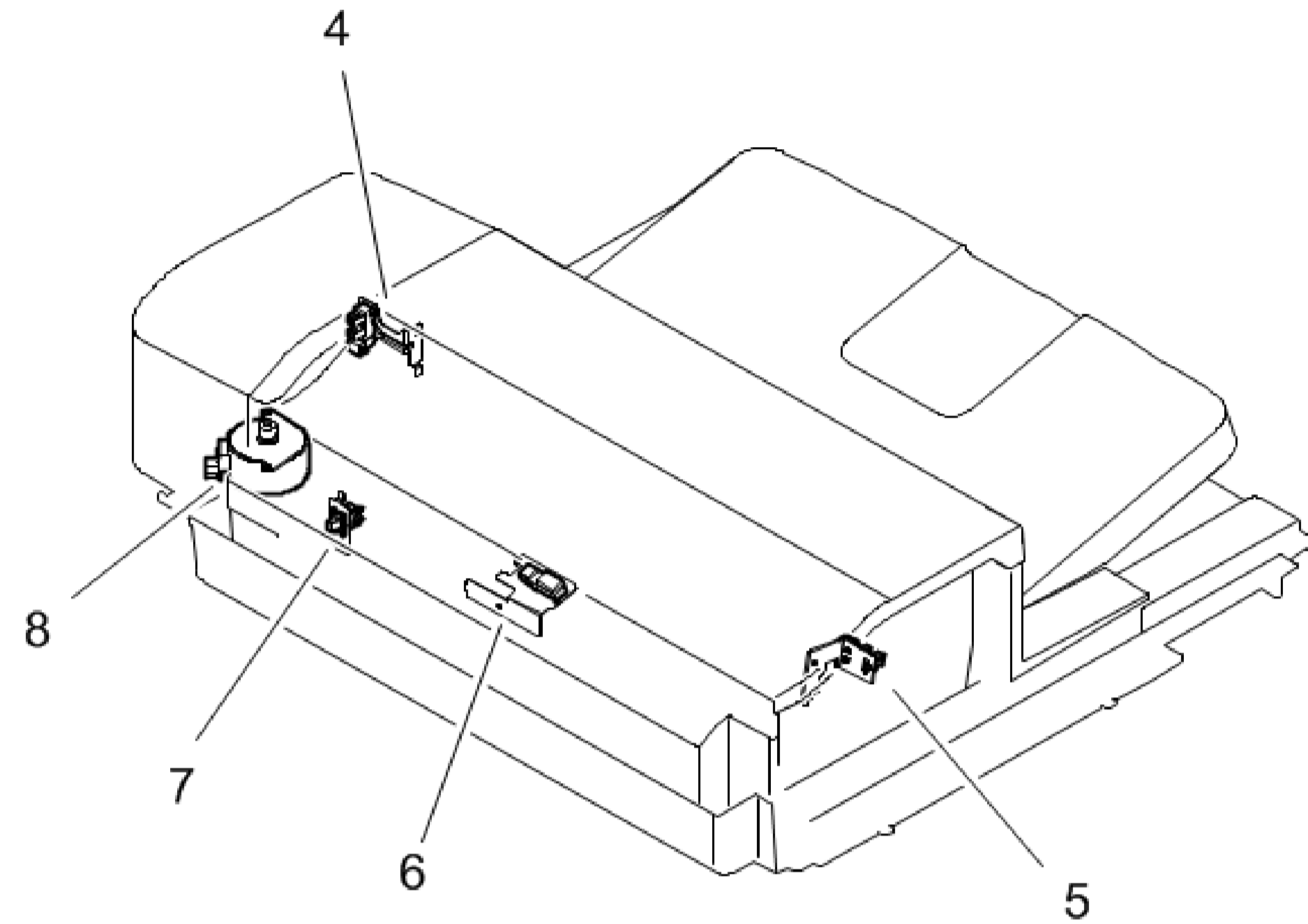
# D766 POINT TO POINT DIAGRAM



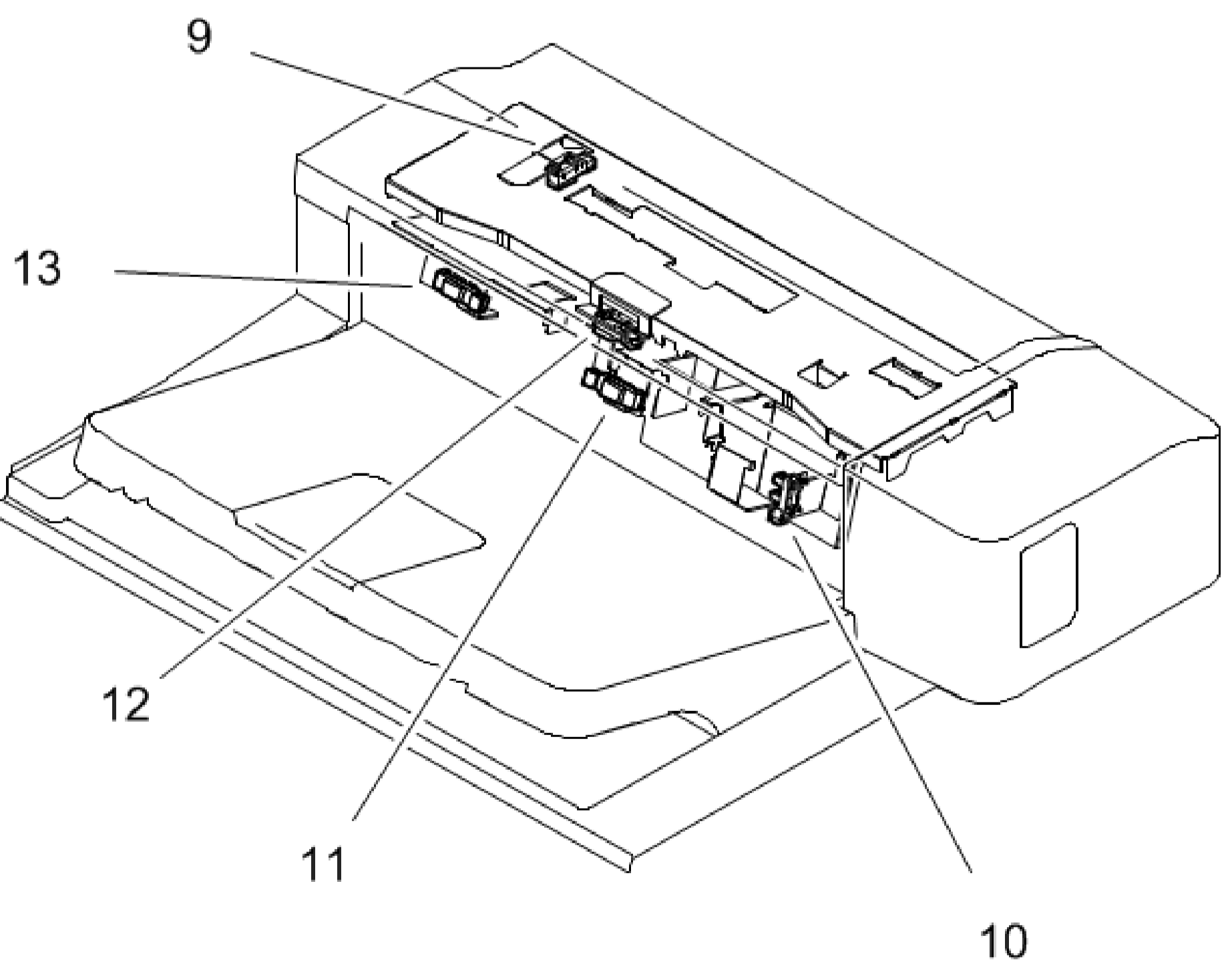
# D766 ELECTRICAL COMPONENT LAYOUT (1/2)



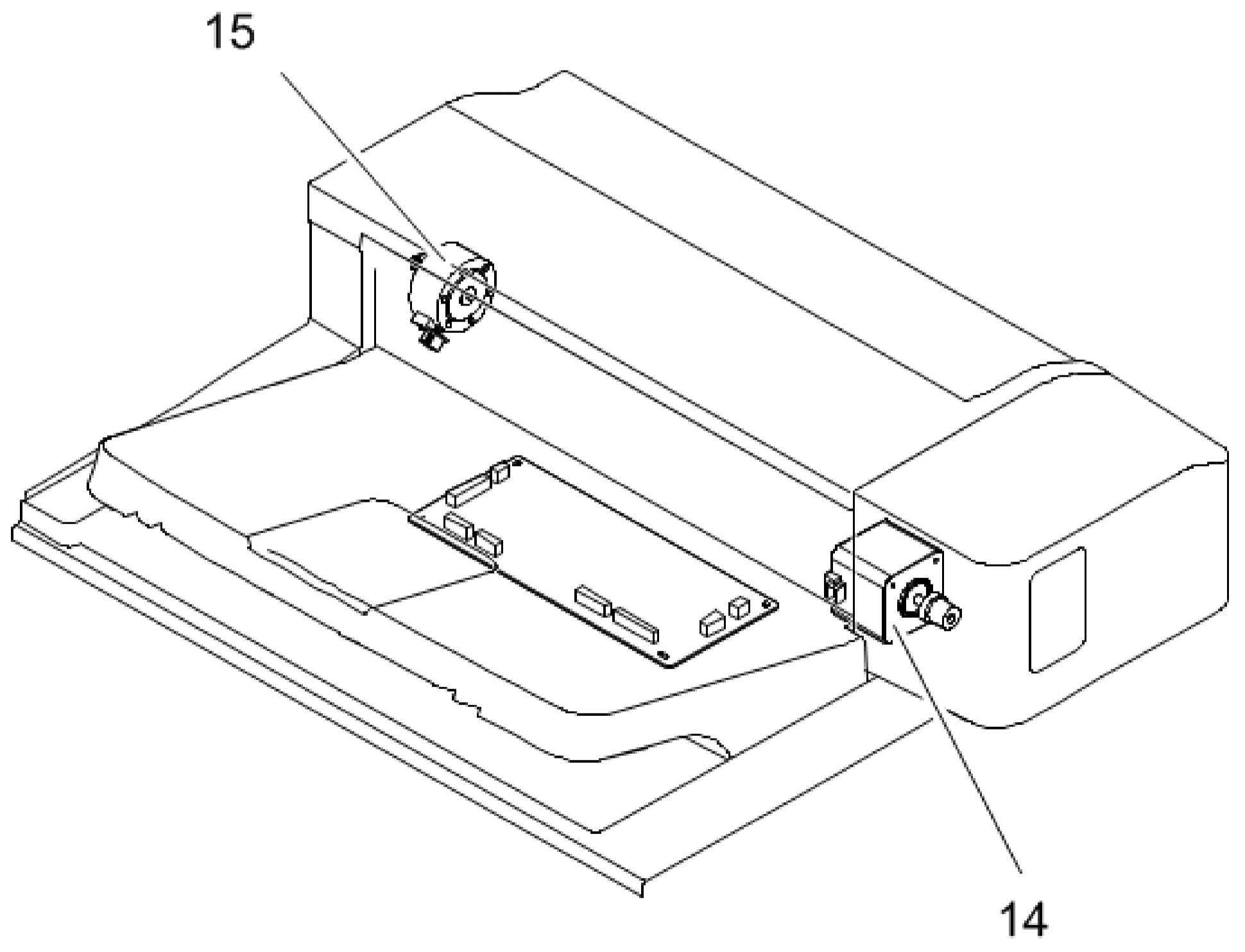
d766f0001



d766f0002



d766f0003



d766f0004

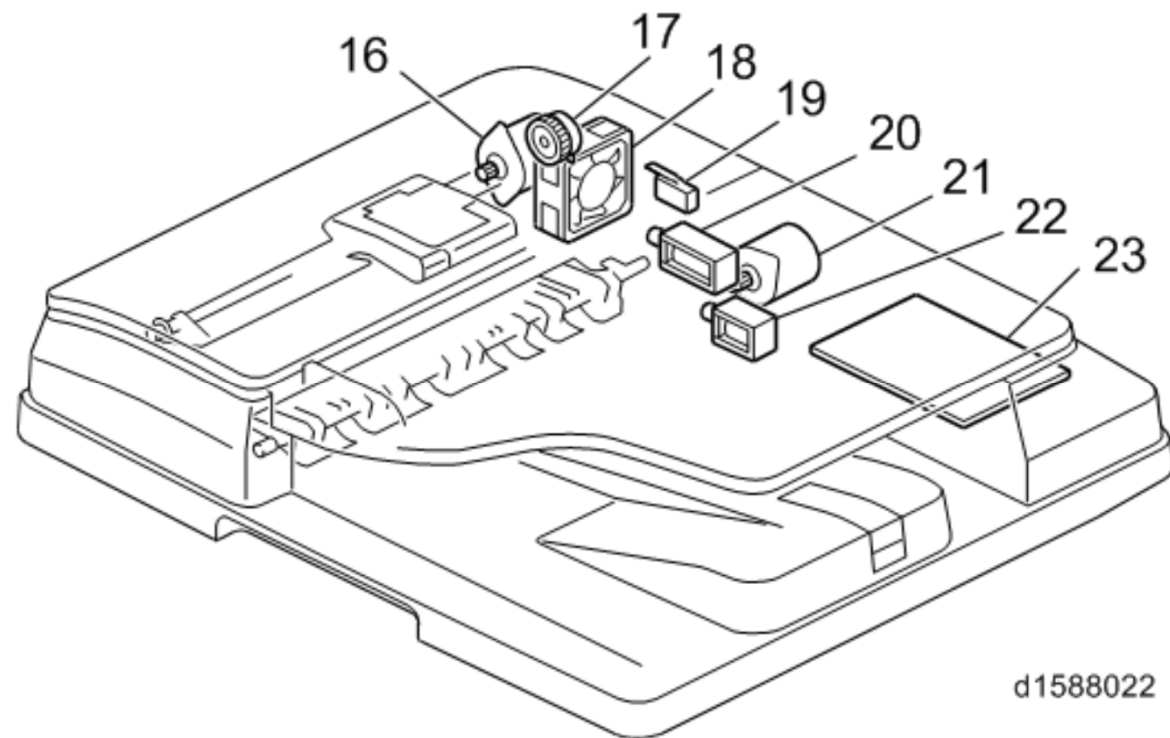
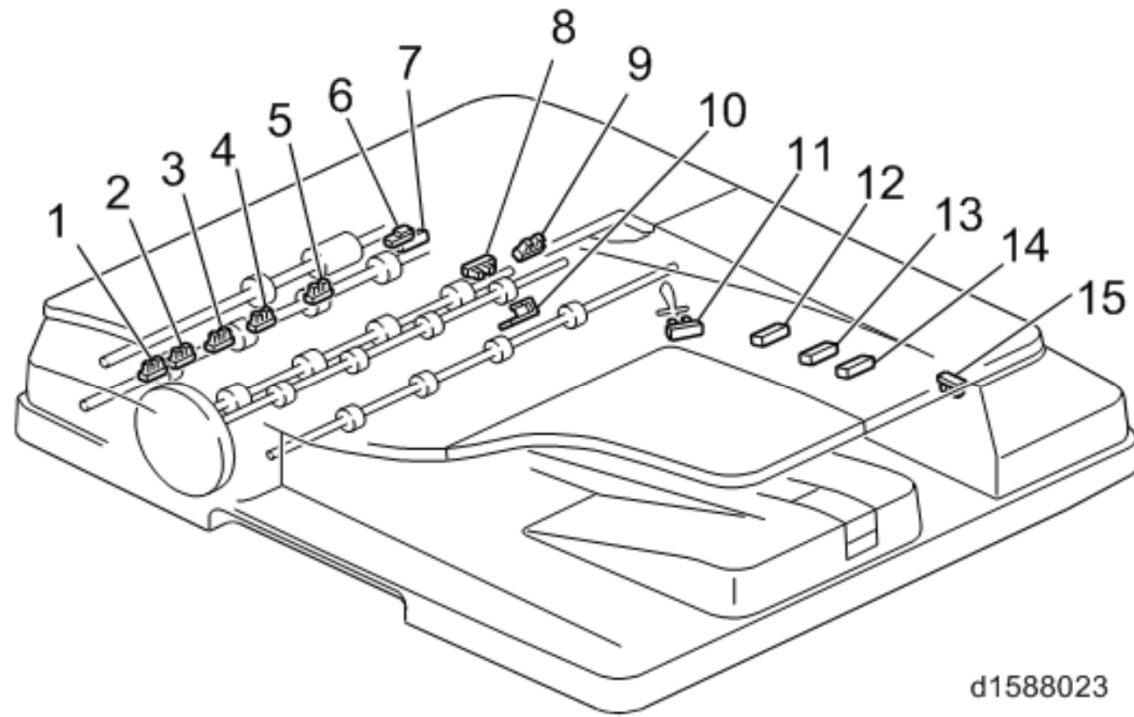
## D766 ELECTRICAL COMPONENT LAYOUT (2/2)

<b>Motors</b>			
<b>Symbol</b>	<b>Index No.</b>	<b>Description</b>	<b>PtoP</b>
STM1	15	Junction Solenoid Motor	D3
STM2	14	Transport Motor	D8
STM3	8	Shift Motor	D8
STM4	3	Exit Paper Pressure Motor	D9
DCM1	1	Stapler Motor	E8
<b>Sensors</b>			
<b>Symbol</b>	<b>Index No.</b>	<b>Description</b>	<b>PtoP</b>
SN1	5	Junction Solenoid Motor HP Sensor	B2
SN2	9	Side-to-Side Registration Sensor	B2
SN3	12	Paper Output Sensor	B2
SN4	11	Paper Output Full Sensor 1	B3
SN5	13	Paper Output Full Sensor 2 (Staple)	C3
SN6	6	Entrance Sensor	B8
SN7	4	Shift HP Sensor	B8
SN8	10	Exit Paper Pressure Motor HP Sensor	B8
SN9	2	Stapler Motor HP Sensor	B9
<b>Switches</b>			
<b>Symbol</b>	<b>Index No.</b>	<b>Description</b>	<b>PtoP</b>
SW1	7	Open/Close Door SW	C8





# D779 ELECTRICAL COMPONENT LAYOUT



Motors			
Symbol	Index No.	Description	PtoP
M1	21	Feed Motor	B8
M2	16	Transport Motor	A8
M3	18	Cooling Fan Motor	D7
Sensors			
Symbol	Index No.	Description	PtoP
S1	5	Original Width Sensor (SS)	A1
S2	4	Original Width Sensor (S)	A1
S3	3	Original Width Sensor (M)	B1
S4	2	Original Width Sensor (L)	B1
S5	1	Original Width Sensor (LL)	B1
S6	7	Registration Sensor	C1
S7	8	Original Exit Sensor	C1
S8	9	Original Set Sensor	C1
S9	15	ADF Position Sensor	D1
S10	6	Skew Correction Sensor	D1
S11	11	Original Sensor	E1
S12	14	Original Length Sensor (L)	E1
S13	13	Original Length Sensor (M)	E1
S14	12	Original Length Sensor (S)	H1
Solenoids			
Symbol	Index No.	Description	PtoP
SOL1	22	Inverter Solenoid	B7
SOL2	20	Pick-up Solenoid	C7
SOL3	10	Stamp Solenoid	C7
Clutch			
Symbol	Index No.	Description	PtoP
CL1	17	Paper Feed Clutch	C7
Switches			
Symbol	Index No.	Description	PtoP
SW1	19	Cover Switch	
PCB			
Symbol	Index No.	Description	PtoP
PCB1	23	Main Board	F4