



RICOH UNIVERSITY

Learning ♦ Knowledge ♦ Performance



D146/D147/D148/D149/D150 PARTS CATALOG

LANIER RICOH SAVIN®

It is the reader's responsibility when discussing the information contained within this document to maintain a level of confidentiality that is in the best interest of Ricoh Americas Corporation and its member companies.

**NO PART OF THIS DOCUMENT MAY BE REPRODUCED IN ANY
*FASHION AND DISTRIBUTED WITHOUT THE PRIOR
PERMISSION OF RICOH AMERICAS CORPORATION.***

All product names, domain names or product illustrations, including desktop images, used in this document are trademarks, registered trademarks or the property of their respective companies.

They are used throughout this book in an informational or editorial fashion only and for the benefit of such companies. No such use, or the use of any trade name, or web site is intended to convey endorsement or other affiliation with Ricoh products.

LEGEND

PRODUCT CODE	COMPANY		
	LANIER	RICOH	SAVIN
D146	MP C3003	MP C3003	MP C3003
D147	MP C3503	MP C3503	MP C3503
D148	MP C4503	MP C4503	MP C4503
D149	MP C5503	MP C5503	MP C5503
D150	MP C6003	MP C6003	MP C6003
D683	DF3080 SPDF:		
D779	DF3090 ADF:		
D694	PB3150 Paper Feed Unit:		
D693	PB3160 Paper Feed Unit:		
D695	PB3170 LCT:		
D696	RT3030 LCT:		
D692	BN3110 One-bin Tray:		
D691	SH3070 Shift Tray:		
D725	Side Tray Type M3:		
D690	SR3130 Internal Finisher:		

D685	BU3070 Bridge Unit:
D687	SR3140 Finisher:
D686	SR3150 Booklet Finisher:
D689	SR3160 Finisher:
D688	SR3170 Booklet Finisher:
D706	PU3060 Punch Unit (for SR3160 and SR3170):
D164/D165/D166	Controller Options and Other Options
D163/D165/D166/D167	Fax Option Type M3 Fax Option Type M4

DOCUMENTATION HISTORY

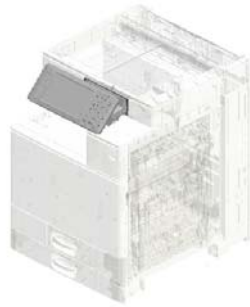
REV. NO.	DATE	COMMENTS
*	07/2013	Original Printing

Digital Color Copiers
(D146/D147-NA)
Parts Catalog

Unit All



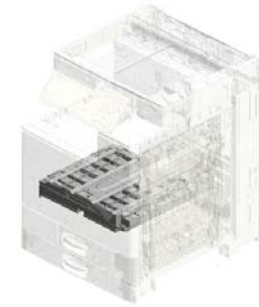
U001
EXTERIOR



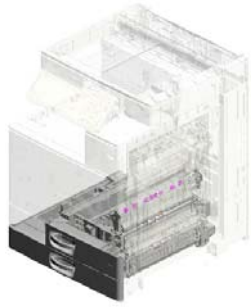
U002
OPERATION



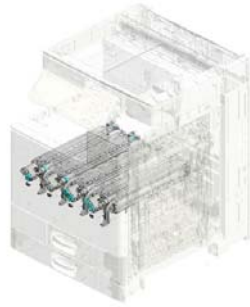
U003
SCANNER



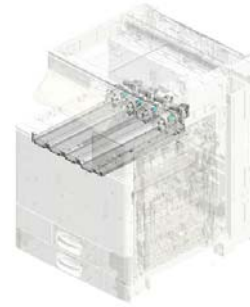
U004
LASER UNIT



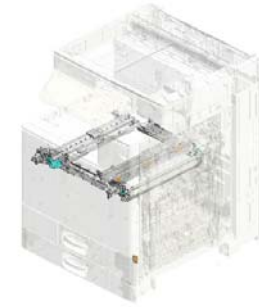
U005
PAPER FEED



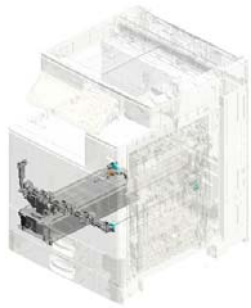
U006
PCDU



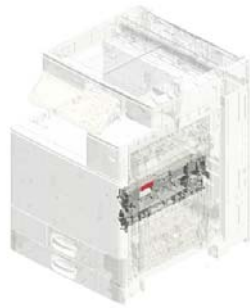
U007
TONNER SUPPRY



U008
ITB UNIT



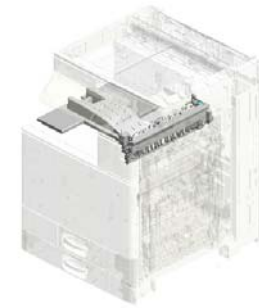
U009
USED TONER



U010
PAPER TRANSPORT

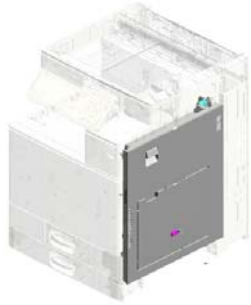


U011
FUSING

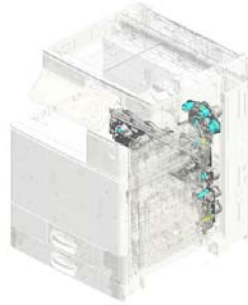


U012
PAPER EXIT

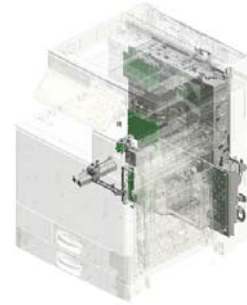
Unit All



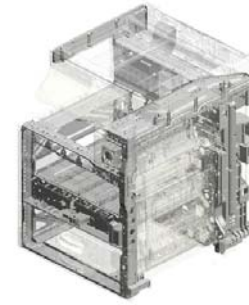
U013
DUPLEX



U014
MAIN DRIVE



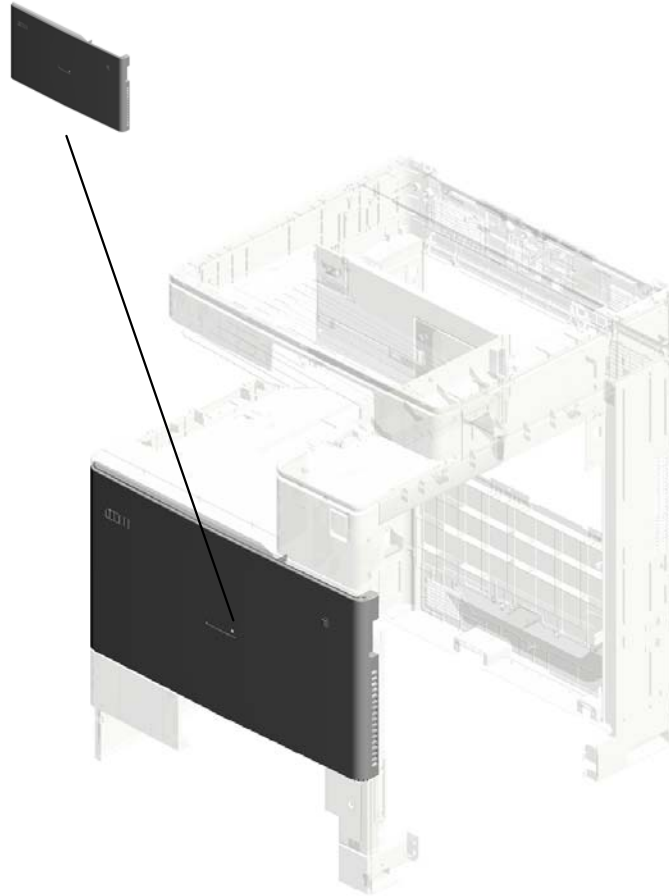
U015
ELECTRICAL



U016
MAIN FRAME

U001.EXTERIOR

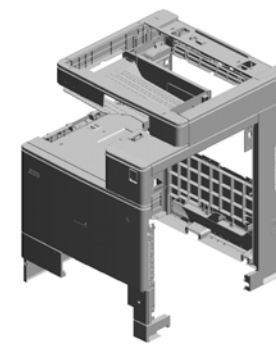
U001_S001
D1501240
COVER:FRONT:ASSY



U001	U002	U003	U004	U005	U006	U007	U008	U009	U010	U011	U012	U013	U014	U015	U016
------	------	------	------	------	------	------	------	------	------	------	------	------	------	------	------

U001 EXTERIOR

9.D1471285 COVER:SCANNER:UPPER:LEFT
 15.D1491235 COVER:UPPER:INNER BACK:BIN
 1.04543008N (x62) TAPPING SCREW:ROUND POINT:3X8
 7.D1471255 COVER:LEFT:INTERFACE:D146/D147
 13.D1491233 COVER:UPPER:INNER BACK



4.AA143537 (x2) SCREW:M3:BLACK

16.D1491237 COVER:UPPER:INNER BACK:LEFT LOWER

10.D1491230 COVER:UPPER

11.D1491231 COVER:UPPER:FRONT

3.52062686 SNAP RING

6.AG071007 LATCH - BY PASS FEED TABLE

8.D1471271 INNER COVER:TO INNER BOTTLE:C1B

5.AG070513 MAGNET CATCH

2.04583008N (x11) HEXAGON HEAD TAPPING SCREW:3X8

19.D1491244 COVER:FRONT:RIGHT UPPER

14.D1491234 COVER:UPPER:INNER BACK:MIDDLE

12.D1491232 COVER:UPPER:EXTERNAL

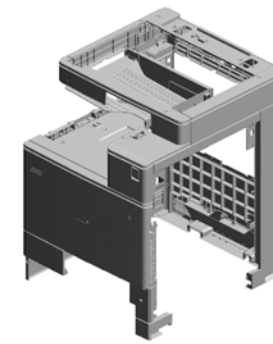
18.D1491243 COVER:FRONT:UPPER:OPERATIONS SUB-UNIT

20.D1491245 COVER:FRONT:UPPER

17.D1491242 COVER:MAIN SWITCH

U001 EXTERIOR

40.D1491284 COVER:SCANNER: LEFT
 38.D1491281 COVER:SCANNER: FRONT
 39.D1491282 COVER:SCANNER: UPPER:FRONT
 25.D1491252 COVER:LEFT:UPPER:REAR
 28.D1491261 COVER:REAR:UPPER



26.D1491257 CAP:34X55



24.D1491251 COVER:LEFT:UPPER



37.D1491278 TORSION SPRING: COVER:USED TONER



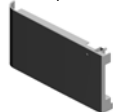
35.D1491274 INNER COVER:FRONT:USED TONER



22.D1491248 HINGE:COVER:FRONT:USED TONER



21.D1491247 COVER:FRONT:USED TONER



34.D1491273 INNER COVER:FRONT:LOWER



23.D1491250 COVER:LEFT



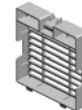
36.D1491275 INNER COVER:FRONT:RIGHT LOWER



32.D1491266 COVER:RIGHT:FRONT LOWER



30.D1491263 CAP:LOUVER:DEODORIZE FILTER



29.D1491262 COVER:REAR:RIGHT UPPER



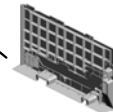
33.D1491267 COVER:RIGHT:UPPER



31.D1491265 COVER:RIGHT:REAR

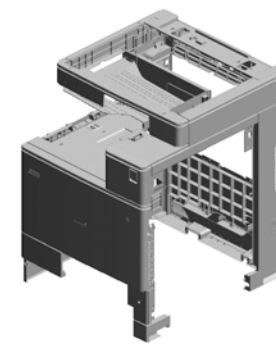


27.D1491260 COVER:REAR:LOWER



U001 EXTERIOR

44.D1491290 COVER:SCANNER:
UPPER:REAR
43.D1491289 COVER:SCANNER:
REAR
42.D1491288 COVER:SCANNER:
UPPER:RIGHT



51.D1494492 TRAY:REVERSE

52.D1495883 KEYTOP:MAIN SWI
TCH

53.D1495884 COMPRESSION SP
RING:KEYTOP

41.D1491287 COVER:SCANNER:
RIGHT

45.D1491291 CAP:HARNESS

47.D1491305 (x2)
CAP:TOTAL COUN
TER

48.D1491307 SPRING PLATE:BA
ND

49.D1491308 BAND:STOPPER:D
OOR

56.D1497984 DUCT:REAR:POW
ER SUPPLY UNIT

U001 U002 U003 U004 U005 U006 U007 U008 U009 U010 U011 U012 U013 U014 U015 U016

U001_S001
COVER:FRONT:ASS'Y

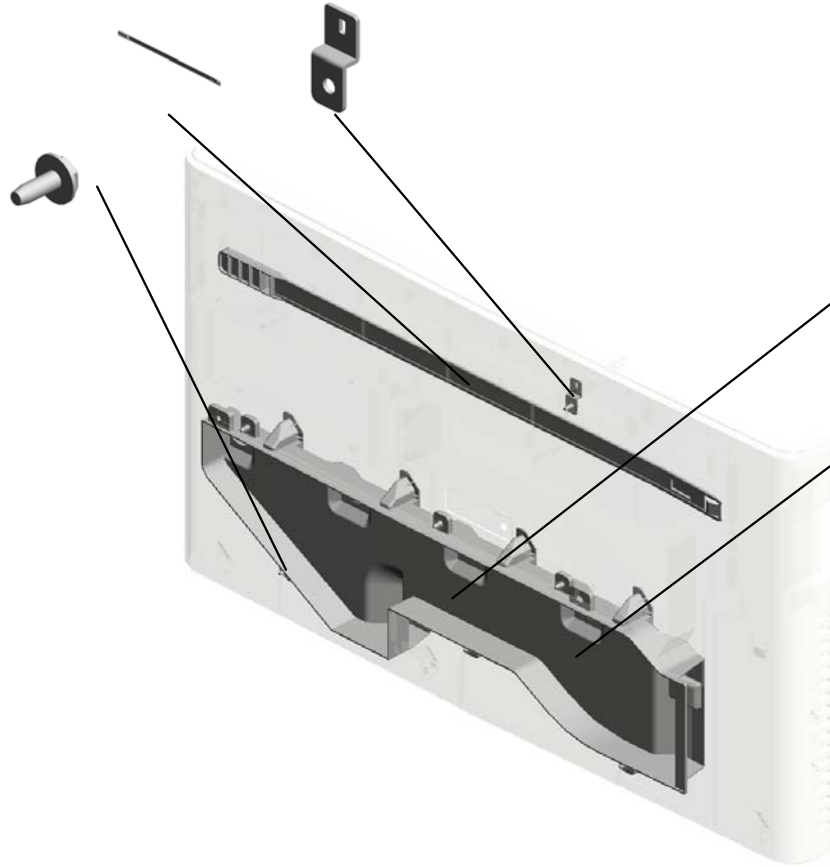
46.D1491302
CLEANER:SHIELD
GLASS:ASS'Y

50.D1491309
MAGNET CATCH:C
OVER:FRONT



57.D1501240
COVER:FRONT:AS
SY

2.04583008N
(X7)
HEXAGON HEAD T
APPING SCREW:3
X8

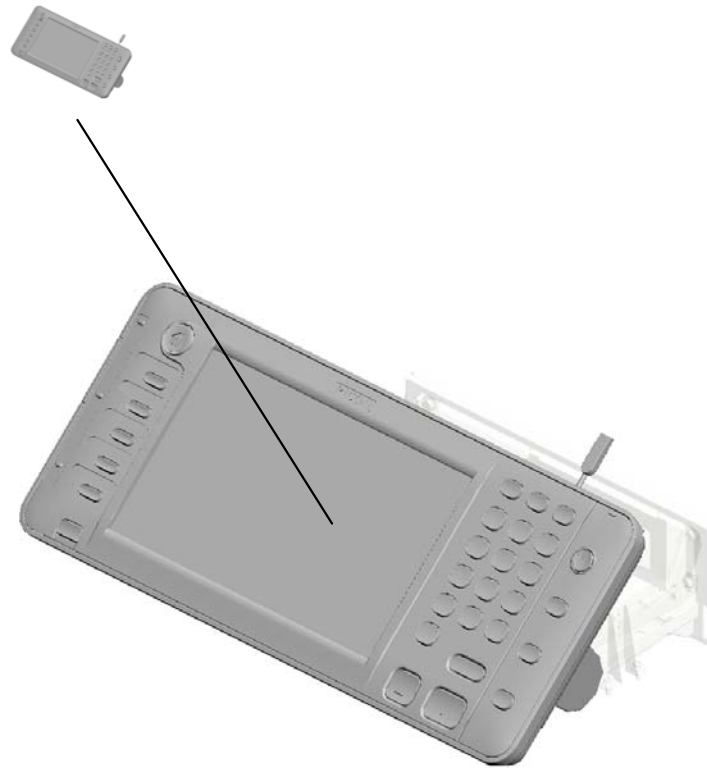


55.D1497911
DUCT:DEVELOPM
ENT:FRONT

54.D1496859
DECAL:CLEANING:
SHIELD GLASS

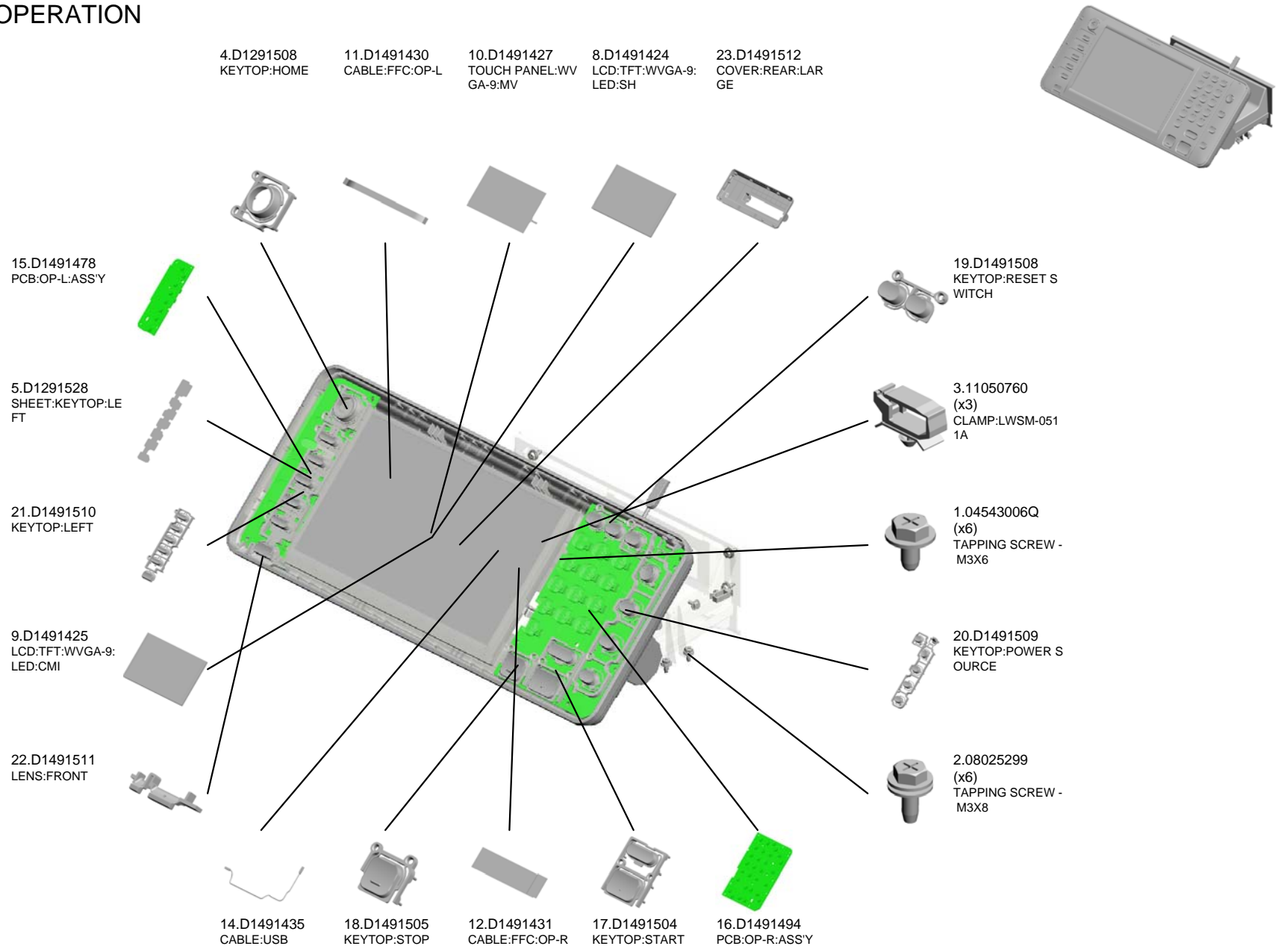
U002.OPERATION

U002_S001
D1461411
OPERATION PANEL:D146/D1
47:NA/AP:ASSY



U001	U002	U003	U004	U005	U006	U007	U008	U009	U010	U011	U012	U013	U014	U015	U016
------	-------------	------	------	------	------	------	------	------	------	------	------	------	------	------	------

U002 OPERATION



U002 OPERATION

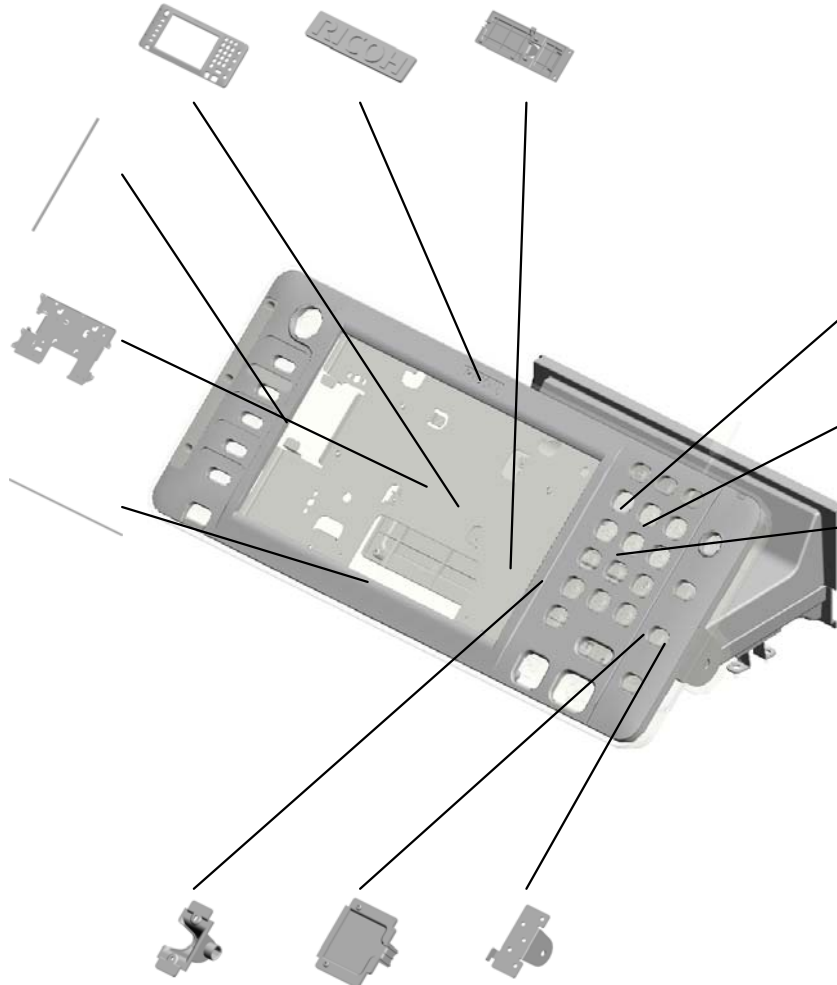
32.D1491534 COVER:UPPER:CM :NA
 34.D1491553 SHEET:LOGO
 24.D1491513 COVER:REAR:SMA LL:LEFT



28.D1491530 (x2) SPACER:LCD:A

27.D1491518 BRACKET:LCDC:CM

29.D1491531 (x2) SPACER:LCD:B



37.D1491599 COVER:BRACKET: OPERATION SUB-UNIT:UPPER

35.D1491595 BRACKET:OPERATION SUB-UNIT

36.D1491598 COVER:BRACKET: OPERATION SUB-UNIT:LOWER

25.D1491514 COVER:REAR:SMA LL:MIDDLE
 26.D1491515 COVER:REAR:SMA LL:RIGHT
 30.D1491532 HINGE:ASSY

U002_S001

OPERATION PANEL:D146/D147:NA/AP:ASS'Y

11.D1491430
CABLE:FFC:OP-L

14.D1491435
CABLE:USB

7.D1461455
PCB:LCDC:AR2FT:
D146/D147:ASS'Y

10.D1491427
TOUCH PANEL:WV
GA-9:MV

19.D1491508
KEYTOP:RESET S
WITCH

6.D1461411
OPERATION PANE
L:D146/D147:NA/AP
:ASS'Y



4.D1291508
KEYTOP:HOME

13.D1491434
CABLE:LCDC:USB

5.D1291528
SHEET:KEYTOP:LE
FT

15.D1491478
PCB:OP-L:ASS'Y

21.D1491510
KEYTOP:LEFT

22.D1491511
LENS:FRONT

8.D1491424
LCD:TFT:WVGA-9:
LED:SH

23.D1491512
COVER:REAR:LAR
GE

24.D1491513
COVER:REAR:SMA
LL:LEFT

25.D1491514
COVER:REAR:SMA
LL:MIDDLE

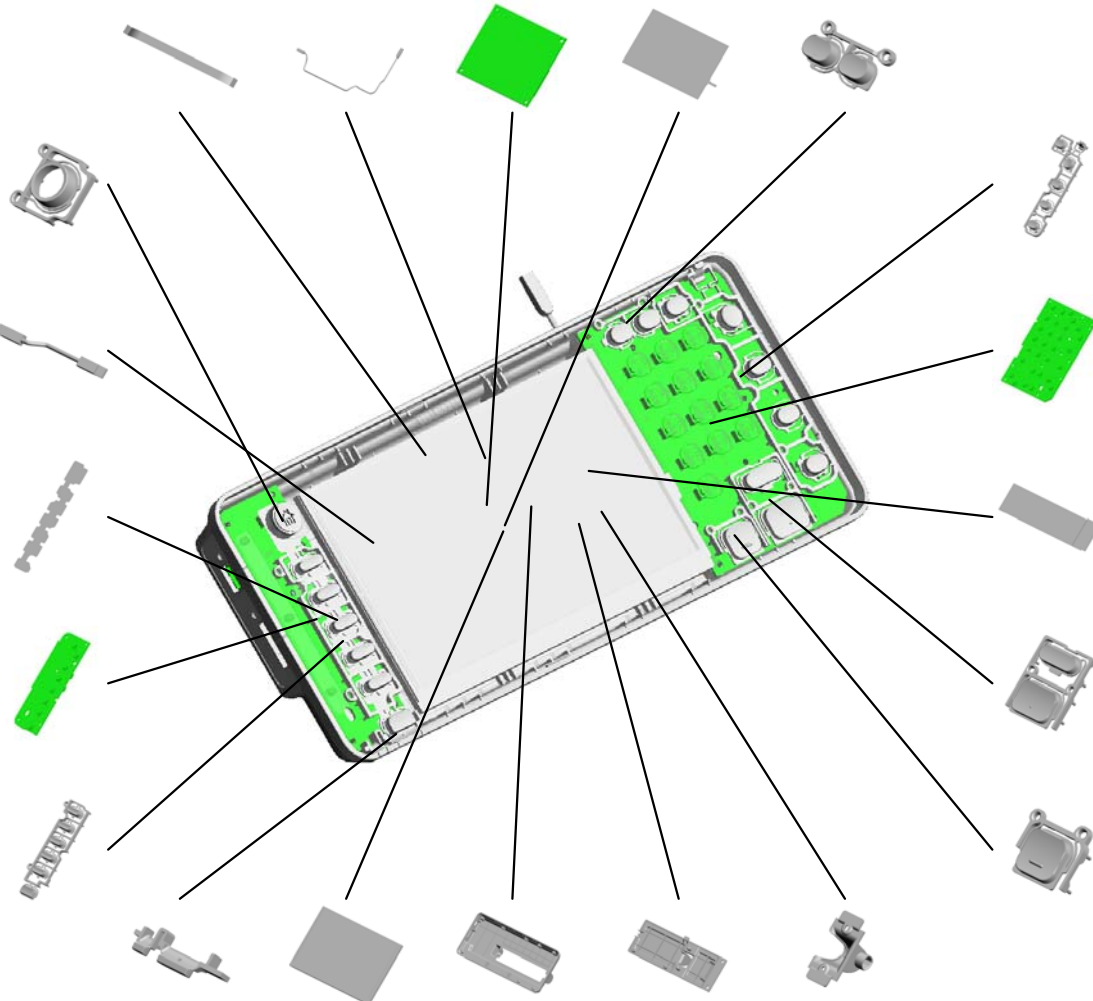
20.D1491509
KEYTOP:POWER S
OURCE

16.D1491494
PCB:OP-R:ASS'Y

12.D1491431
CABLE:FFC:OP-R

17.D1491504
KEYTOP:START

18.D1491505
KEYTOP:STOP



U002_S001

OPERATION PANEL:D146/D147:NA/AP:ASS'Y

34.D1491553
SHEET:LOGO

31.D1491533
COVER:UPPER:SH
:NA

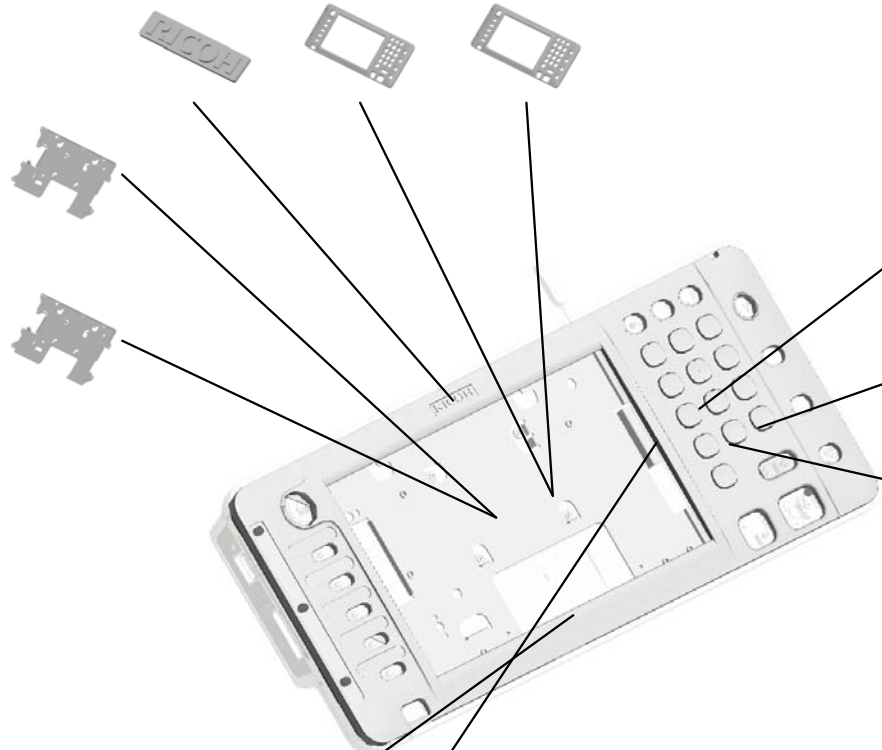
32.D1491534
COVER:UPPER:CM
:NA



6.D1461411
OPERATION PANE
L:D146/D147:NA/AP
:ASS'Y

27.D1491518
BRACKET:LCDC:C
M

38.D1821517
BRACKET:LCDC:S
H



33.D1491539
KEYTOP:10KEY:AA

30.D1491532
HINGE:ASS'Y

26.D1491515
COVER:REAR:SMA
LL:RIGHT

29.D1491531
(x2)
SPACER:LCD:B

28.D1491530
(x2)
SPACER:LCD:A

U003.SCANNER

U003_S002
D1491721
ILLUMINATION UNIT:LED-B:A
SS'Y

U003_S003
D1491730
CARRIAGE:NO.1:ASSY

U003_S001
D1491703
DC STEPPER MOTOR

U003_S004
D1491771
LENS:HOLDER:ASS'Y

U001	U002	U003	U004	U005	U006	U007	U008	U009	U010	U011	U012	U013	U014	U015	U016
------	------	------	------	------	------	------	------	------	------	------	------	------	------	------	------

U003 SCANNER



- 17.AA143537 (x6) SCREW:M3:BLACK
- 13.11050758 (x2) CLAMP:LWSM-0306A
- 4.03530060N (x3) BIND SCREW - M3 X6
- 20.AW020207 (x3) PHOTOINTERRUP TOR:FLAT:PICH2M M:M4
- 2.03140120N SCREW - M4X12

21.AW020214
PHOTOINTERRUP
TOR:LG248NL1A

7.07200040E
(x2)
RETAINING RING -
M4

3.03530030N
(x8)
SCREW:M3X3

15.A2501752
EXPOSURE GLASS

23.B2381807
(x2)
PULLEY

10.08050106
(x2)
RETAINING RINGS
-E:SILENCER:DIA6

5.03603006N
(x38)
SCREW - M3X6

22.B2381806
(x4)
IDLER PULLEY

19.AW010155
ORIGINAL SENSO
R:66MM:3.3V

16.AA082144
(x2)
BUSHING - 8X12X7

12.11050724
CLAMPS:WES-121
0

8.08025312
(x3)
TAPPING SCREW:
WASHER:3X10

11.11050488
HARNESS CLAMP

9.08046123
(x12)
HEXAGONAL BOLT
:W/WASHER:M3X8

1.03130060N
(x2)
SCREW - M3X6

U003 SCANNER

25.D1471750
SHEET:GAP:ASSY

26.D1471805
EXPOSURE GLASS
:DOCUMENT FEED
ER:APPLY

46.D1491754
GUIDE:FFC:CARRI
AGE:NO.2

47.D1491755
COVER:FFC:CARRI
AGE:NO.2

42.D1491728
GUIDE:HARNESS:L
ED-B



45.D1491742
CARRIAGE:NO.2:S
UB-ASSY

41.D1491726
(x2)
CLAMP:DRIVE WE
RE

35.D1491714
(x2)
DRIVE WERE:DIA1

24.D0291749
PULLEY:PROTECTI
ON

39.D1491719
BRACKET:TENSIO
N:FRONT

36.D1491715
PULLEY:DRIVE WE
RE:FRONT

34.D1491711
SHAFT:SCANNER:
DRIVE

27.D1491693
GUIDE:FFC

37.D1491717
PULLEY:DRIVE WE
RE:REAR

28.D1491694
PLATE SEAL:APS:
HARNESS

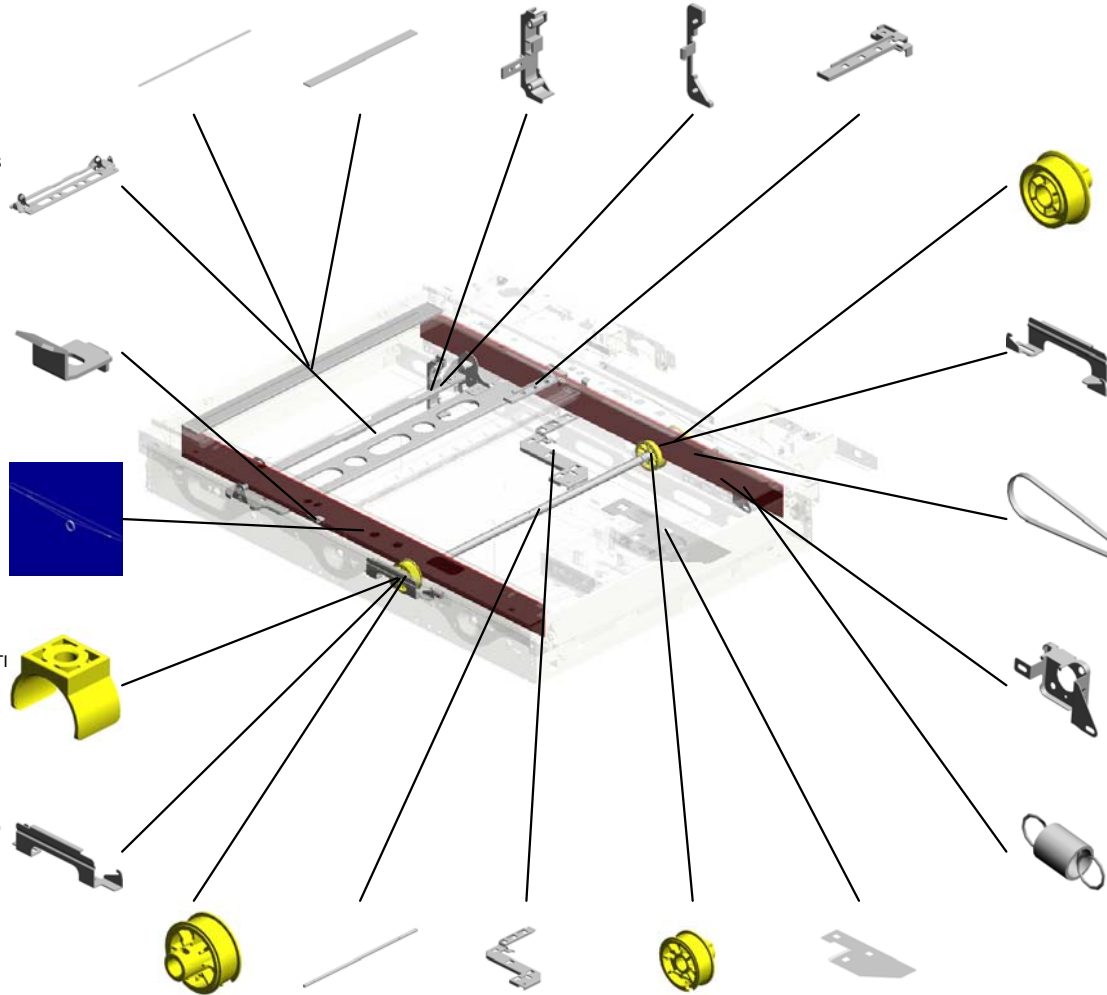
33.D1491710
TIMING PULLEY:62

38.D1491718
BRACKET:TENSIO
N:REAR

31.D1491706
SYNCHRONOUS B
ELT:138ST1.5-4.0

30.D1491705
BRACKET:DC STE
PPER MOTOR

32.D1491709
(x3)
TENSION SPRING:
TENSION:11.3N:30
MM



U003 SCANNER



52.D1491793
SCALE:LEFT:NA:
ASSY

54.D1491798
(x2)
SEAL:SHEET THR
OUGH:DOCUMENT
FEEDER

48.D1491756
MIRROR:NO.2:CON
CAVE:ASSY

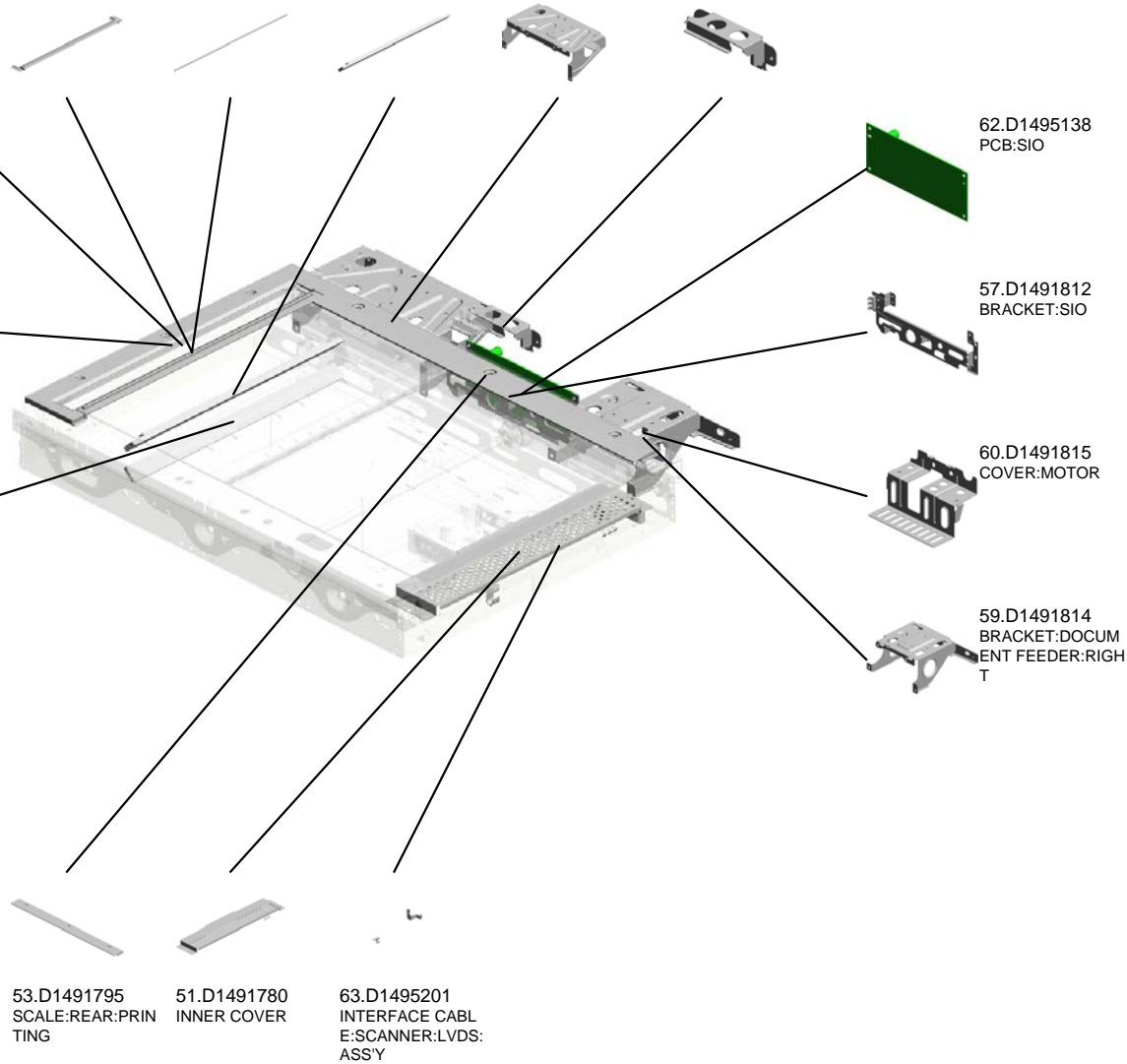
58.D1491813
BRACKET:DOCUM
ENT FEEDER:LEFT

61.D1491816
DOCUMENT FEED
ER:CABLE:BRACK
ET

55.D1491800
COVER:SHEET TH
ROUGH:DOCUMEN
T FEEDER

56.D1491801
BRACKET:SCALE:L
EFT

49.D1491757
MIRROR:NO.3:CON
VEX:ASSY



62.D1495138
PCB:SIO

57.D1491812
BRACKET:SIO

60.D1491815
COVER:MOTOR

59.D1491814
BRACKET:DOCUM
ENT FEEDER:RIGH
T

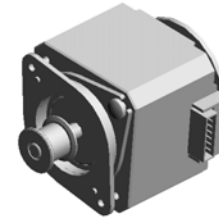
53.D1491795
SCALE:REAR:PRIN
TING

51.D1491780
INNER COVER

63.D1495201
INTERFACE CABL
E:SCANNER:LVDS:
ASSY

U003_S001
DC STEPPER MOTOR

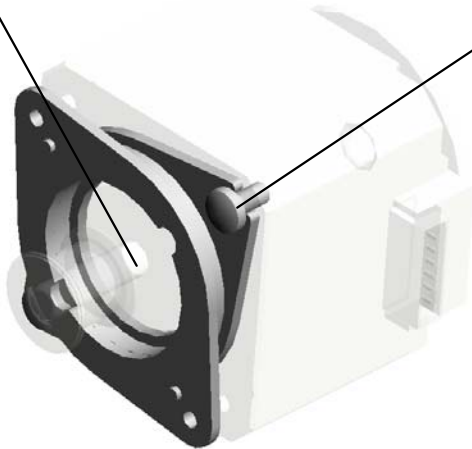
14.A2324666
CUSHION - STEPPER MOTOR



29.D1491703
DC STEPPER MOTOR



4.03530060N
(x2)
BIND SCREW - M3
X6



U001	U002	U003	U004	U005	U006	U007	U008	U009	U010	U011	U012	U013	U014	U015	U016
------	------	------	------	------	------	------	------	------	------	------	------	------	------	------	------

U003_S002
ILLUMINATION UNIT:LED-B:ASS'Y

4.03530060N
(x3)
BIND SCREW - M3
X6



40.D1491721
ILLUMINATION UNI
T:LED-B:ASS'Y



U001	U002	U003	U004	U005	U006	U007	U008	U009	U010	U011	U012	U013	U014	U015	U016
------	------	------	------	------	------	------	------	------	------	------	------	------	------	------	------

U003_S003
CARRIAGE:NO.1:ASS'Y

44.D1491731 18.AC030169
REFLECTOR:SCAN MIRROR:NO.1
NER



43.D1491730
CARRIAGE:NO.1:A
SS'Y

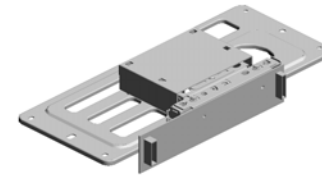


64.M0261815
(x2)
CLAMP:MIRROR:N
O.1

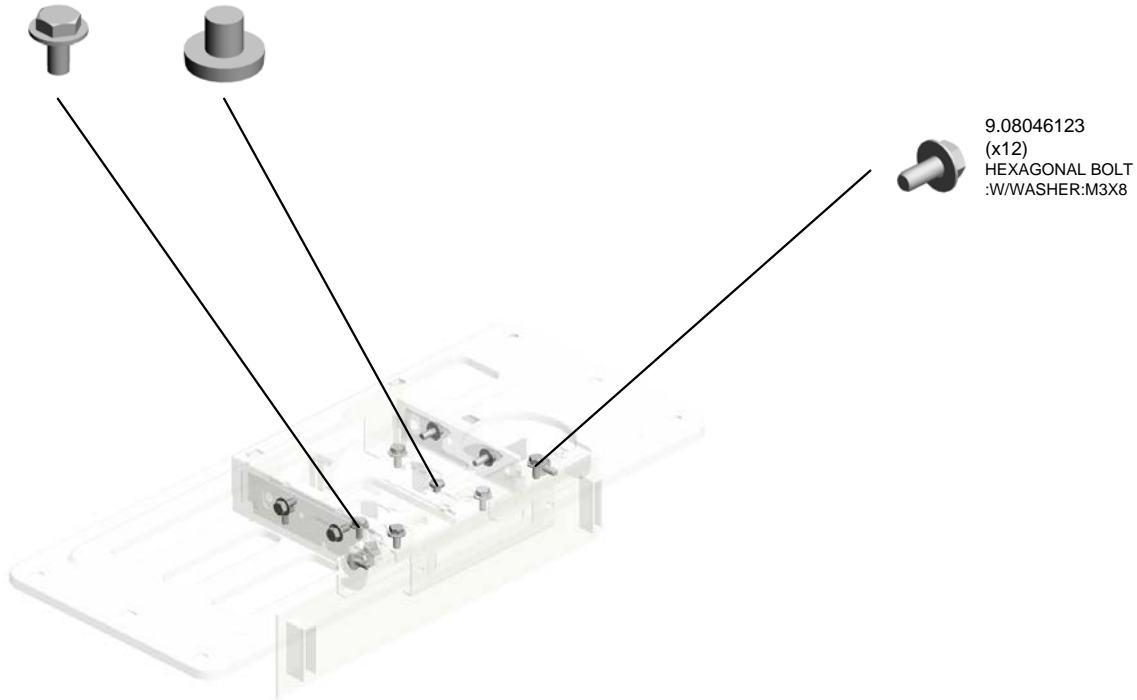
U001	U002	U003	U004	U005	U006	U007	U008	U009	U010	U011	U012	U013	U014	U015	U016
------	------	------	------	------	------	------	------	------	------	------	------	------	------	------	------

U003_S004
LENS:HOLDER:ASS'Y

6.04513006N 3.03530030N
TAPPING SCREW - SCREW:M3X3
3X6

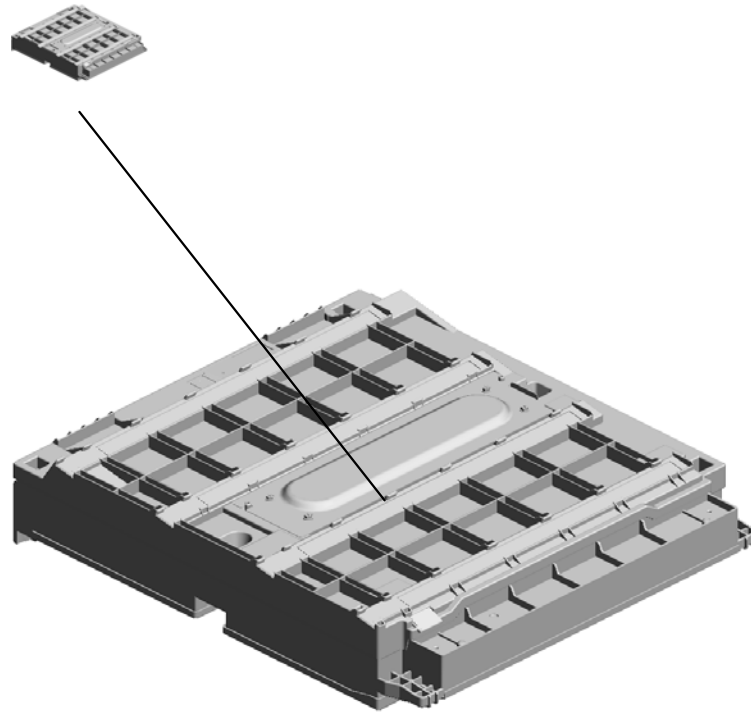


50.D1491771
LENS:HOLDER:AS
SY



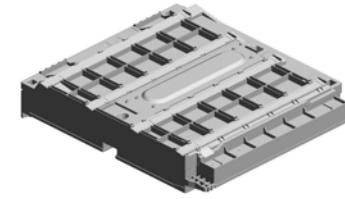
U004.LASER UNIT

U004_S001
D1471855
OPTICAL WRITING SECTION
:1LD:ASS'Y



U001	U002	U003	U004	U005	U006	U007	U008	U009	U010	U011	U012	U013	U014	U015	U016
------	------	------	------	------	------	------	------	------	------	------	------	------	------	------	------

U004
LASER UNIT



U001	U002	U003	U004	U005	U006	U007	U008	U009	U010	U011	U012	U013	U014	U015	U016
------	------	------	------	------	------	------	------	------	------	------	------	------	------	------	------

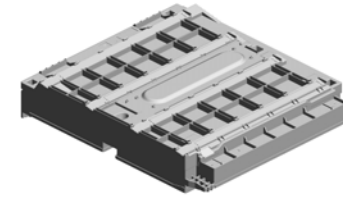
U004_S001

OPTICAL WRITING SECTION:1LD:ASS'Y

5.11050758
CLAMP:LWSM-030
6A

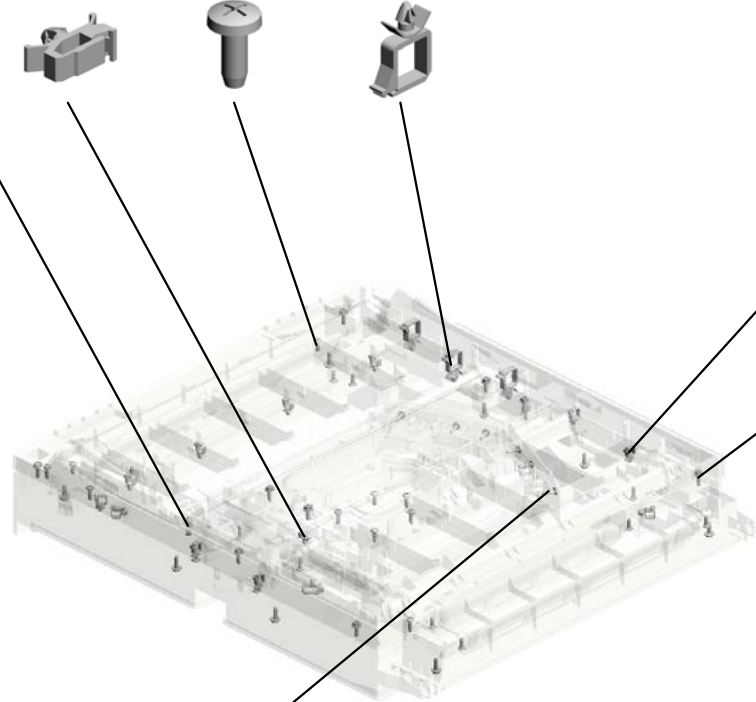
2.04593008N
(x9)
BINDING HEAD TA
PPING SCREW:3X
8

4.11050488
(x3)
HARNESS CLAMP



8.D1471855
OPTICAL WRITING
SECTION:1LD:ASS
Y

7.11050760
(x2)
CLAMP:LWSM-051
1A



6.11050759
(x11)
CLAMP:LWSM-060
5A



1.04583010N
(x18)
HEXAGON HEAD T
APPING SCREW:3
X10



3.04593010N
(x20)
BINDING HEAD TA
PPING SCREW:3X
10



U001	U002	U003	U004	U005	U006	U007	U008	U009	U010	U011	U012	U013	U014	U015	U016
------	------	------	-------------	------	------	------	------	------	------	------	------	------	------	------	------

U005.PAPER FEED

U005_S001
D1472703
PAPER FEED UNIT:NO.1:D14
6/D147/D148D149

U005_S008
AX040273
DC MOTOR:RISING TRAY:AS
S'Y:1.007W:BRUSH

U005_S004
D1492716
DC SOLENOID:PICKUP:NO.1:
ASS'Y

U005_S011
D1492809
PAPER TRAY:NO.1:ASS'Y

U005_S009
D1492906
LEVER:STRETCH:PAPER TR
AY:ASS'Y

U005_S012
D1492808
PAPER TRAY:NO.2:ASS'Y

U005_S007
AX040273
DC MOTOR:RISING TRAY:AS
S'Y:1.007W:BRUSH

U005_S005
D1492901
SUPPORTER:RIGHT:NO.1:AS
S'Y

U005_S010
D1492906
LEVER:STRETCH:PAPER TR
AY:ASS'Y

U005_S006
D1492903
SUPPORTER:RIGHT:NO.2:AS
S'Y

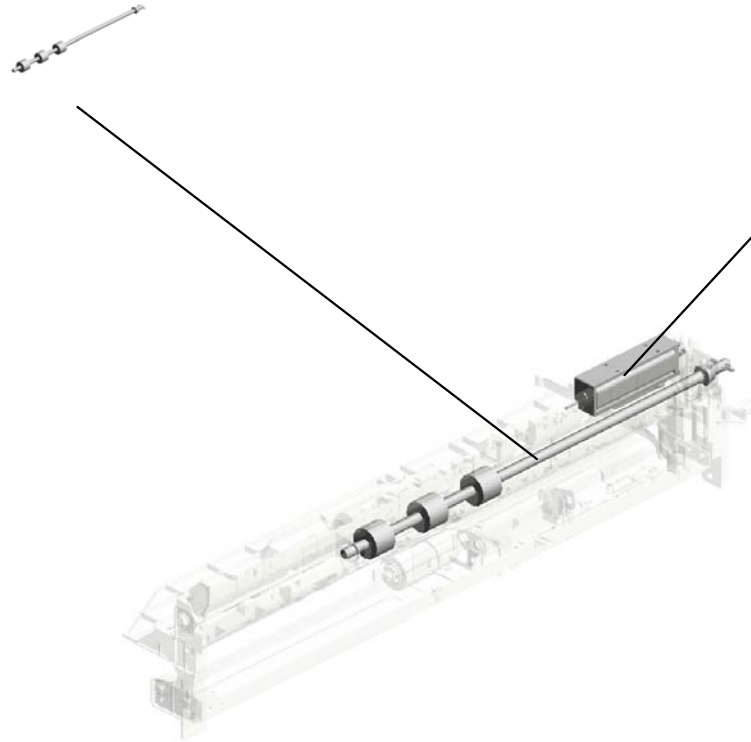
U005_S003
D1492713
GUIDE PLATE:SWIVEL:NO.1

U005_S002
D1472702
PAPER FEED UNIT:NO.2

U001	U002	U003	U004	U005	U006	U007	U008	U009	U010	U011	U012	U013	U014	U015	U016
------	------	------	------	------	------	------	------	------	------	------	------	------	------	------	------

U005_S001.PAPER FEED UNIT:NO.1:D146/D147/D148D149

U005_S001_S001
D1492768
TRANSPORT ROLLER:VERTI
CAL TRANSPORT:ASSY

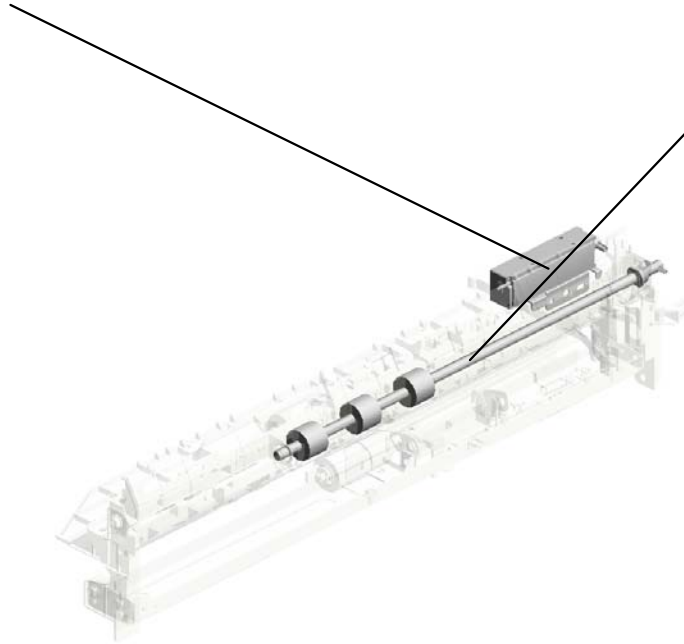


U005_S001_S002
D1492716
DC SOLENOID:PICKUP:NO.1:
ASS'Y

U001	U002	U003	U004	U005	U006	U007	U008	U009	U010	U011	U012	U013	U014	U015	U016
------	------	------	------	------	------	------	------	------	------	------	------	------	------	------	------

U005_S002.PAPER FEED UNIT:NO.2

U005_S002_S002
D1492726
DC SOLENOID:PICKUP:NO.2:
ASS'Y



U005_S002_S001
D1492768
TRANSPORT ROLLER:VERTI
CAL TRANSPORT:ASS'Y



U001	U002	U003	U004	U005	U006	U007	U008	U009	U010	U011	U012	U013	U014	U015	U016
------	------	------	------	------	------	------	------	------	------	------	------	------	------	------	------

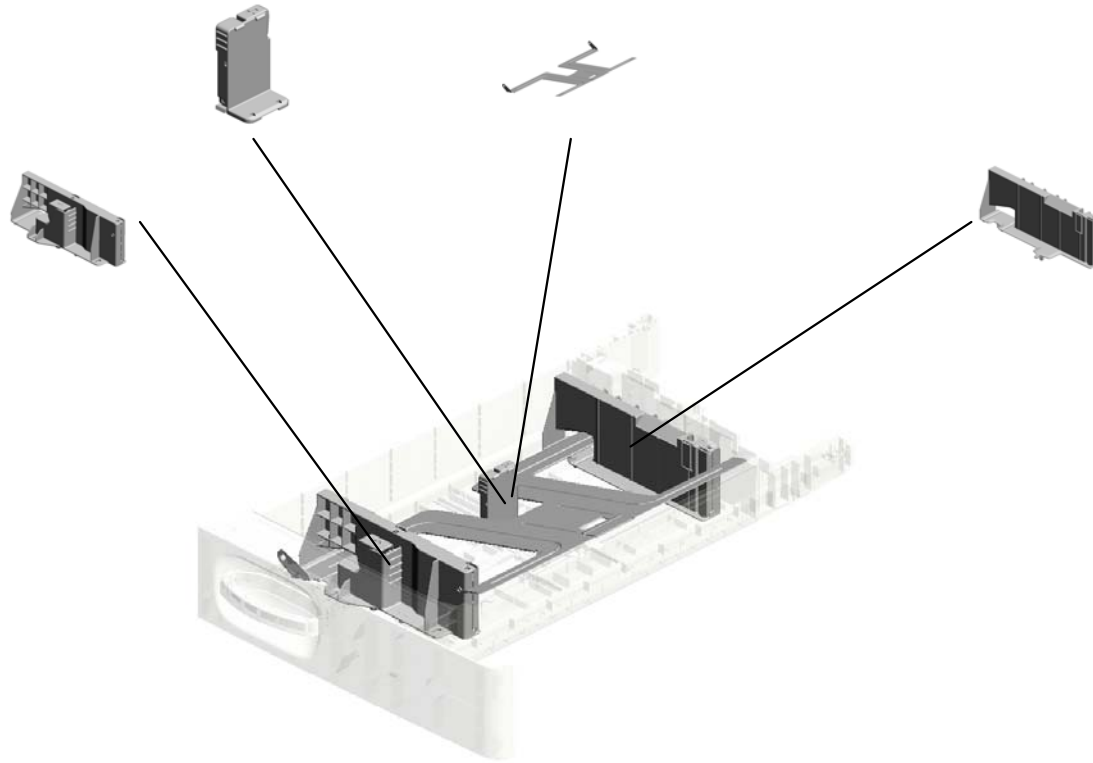
U005_S011.PAPER TRAY:NO.1:ASS'Y

U005_S011_S003
D1492840
END FENCE:PAPER TRAY:A
SS'Y

U005_S011_S004
D1492850
TRAY BOTTOM PLATE:ASS'Y

U005_S011_S001
D1492820
SIDE FENCE:FRONT:NO.1:A
SS'Y

U005_S011_S002
D1492838
SIDE FENCE:REAR:NO.1:AS
S'Y



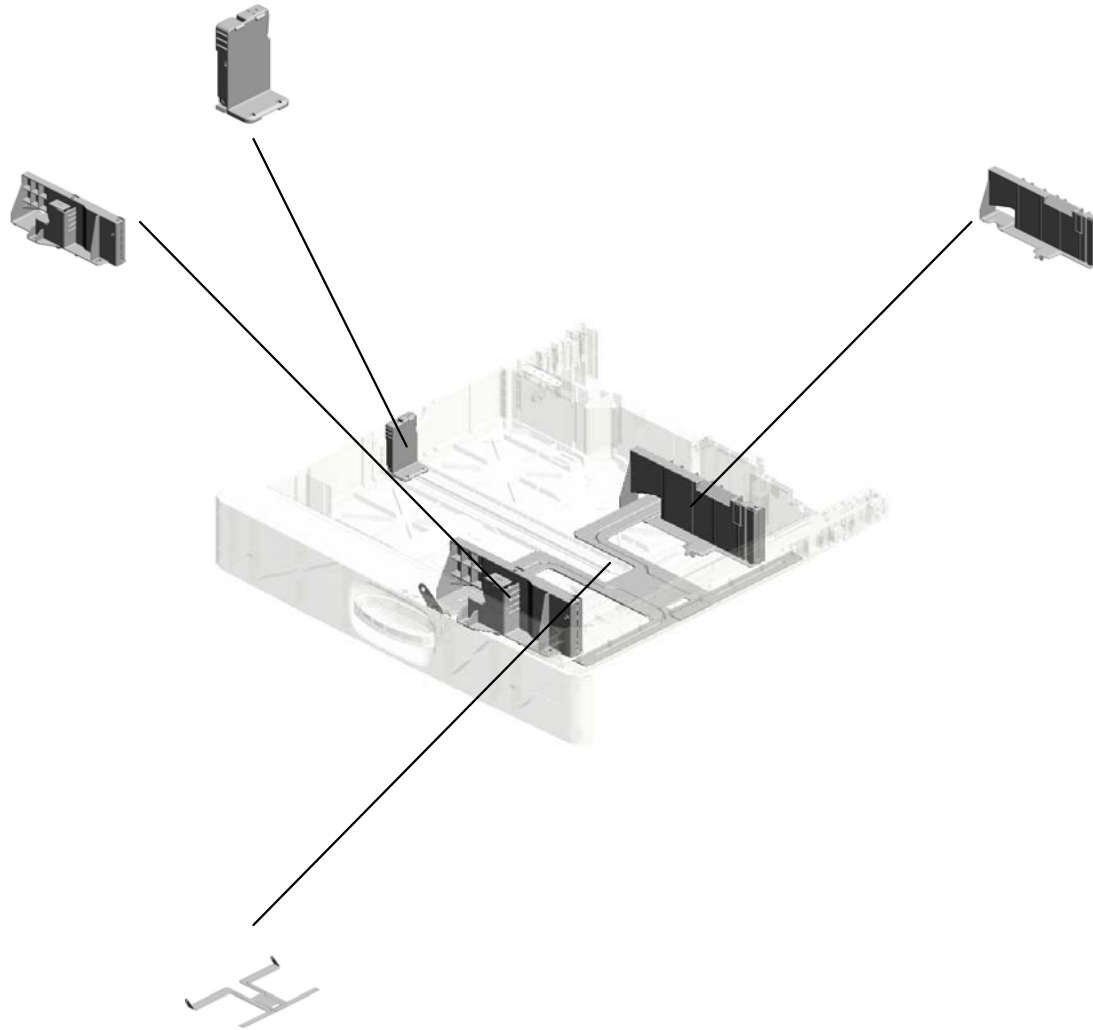
U001	U002	U003	U004	U005	U006	U007	U008	U009	U010	U011	U012	U013	U014	U015	U016
------	------	------	------	-------------	------	------	------	------	------	------	------	------	------	------	------

U005_S012.PAPER TRAY:NO.2:ASS'Y

U005_S012_S003
D1492840
END FENCE:PAPER TRAY:A
SS'Y

U005_S012_S001
D1492875
SIDE FENCE:FRONT:ASS'Y

U005_S012_S002
D1492885
SIDE FENCE:REAR:ASS'Y



U005_S012_S004
D1492873
TRAY BOTTOM PLATE:NO.2:
ASS'Y

U001	U002	U003	U004	U005	U006	U007	U008	U009	U010	U011	U012	U013	U014	U015	U016
------	------	------	------	-------------	------	------	------	------	------	------	------	------	------	------	------

U005 PAPER FEED

- 18.AA082175 (x2) PLAIN SHAFT BEARING RING:8X12X7
- 9.07200060E (x3) RETAINING RING - M6
- 20.AB011572 GEAR:Z19:DRIVEN:REGISTRATION
- 21.AB011573 GEAR:REGISTRATION:NO.2
- 8.07200040E (x2) RETAINING RING - M4



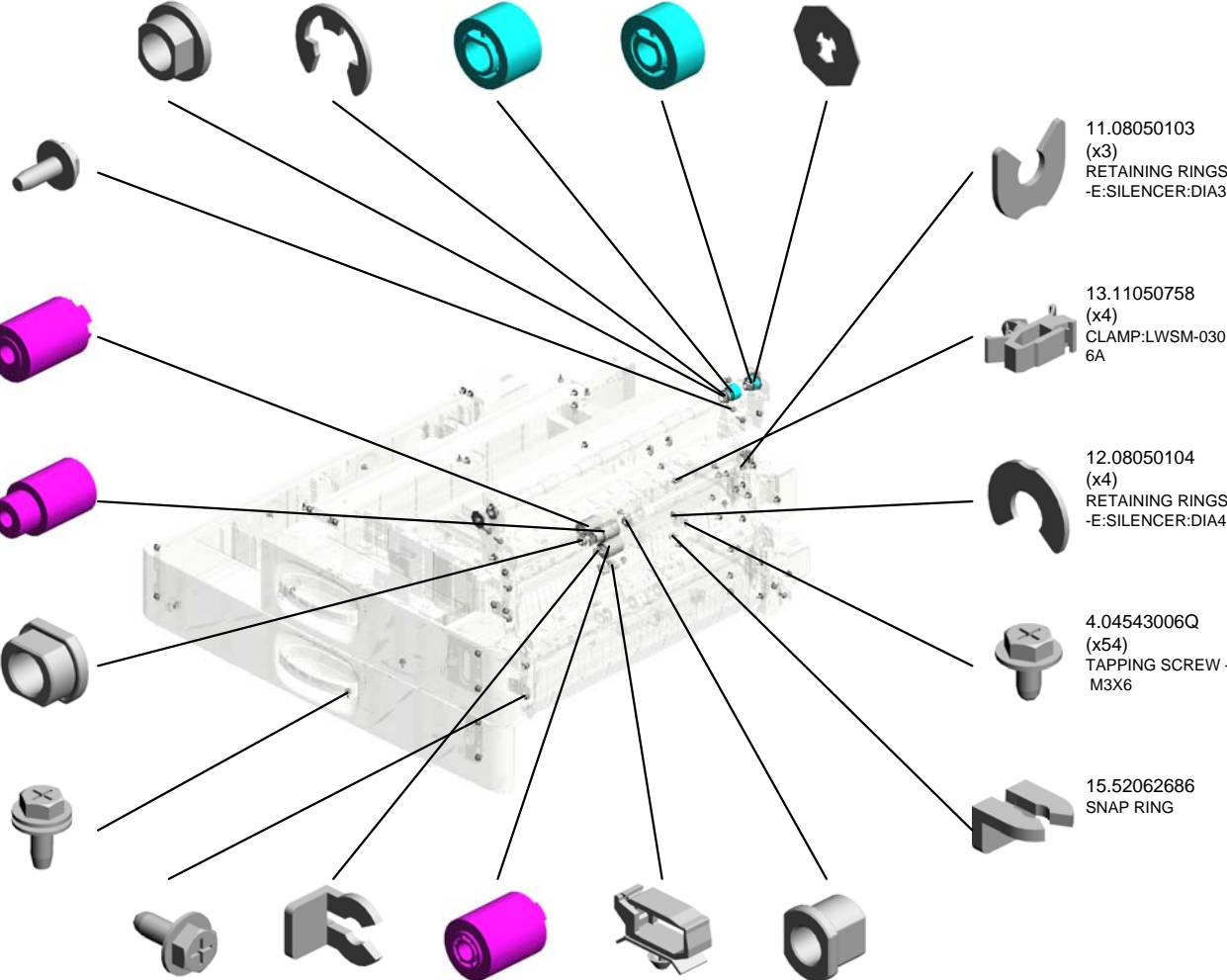
- 6.04583008N (x4) HEXAGON HEAD TAPPING SCREW:3X8

- 23.AF030094 PAPER FEED ROLLER:PICKUP

- 24.AF031094 PAPER FEED ROLLER:FEED

- 16.AA082173 (x4) PLAIN SHAFT BEARING RING:6X10X6

- 10.08025299 (x2) TAPPING SCREW - M3X8



- 5.04543008Q (x5) TAPPING SCREW:3X8

- 19.AA100014 (x2) RETAINING RING C - SEPARATE

- 25.AF032094 PAPER FEED ROLLER:SEPARATE

- 14.11050760 (x2) CLAMP:LWSM-0511A

- 17.AA082174 PLAIN SHAFT BEARING RING:6X10X9

- 11.08050103 (x3) RETAINING RINGS -E-SILENCER:DIA3

- 13.11050758 (x4) CLAMP:LWSM-0306A

- 12.08050104 (x4) RETAINING RINGS -E-SILENCER:DIA4

- 4.04543006Q (x54) TAPPING SCREW - M3X6

- 15.52062686 SNAP RING

U005 PAPER FEED

44.D1492561
SHAFT:REGISTRATION ROLLER:DRIVEN

46.D1492566
CASE:REMOVE PAPER DUST:ASSY

47.D1492576
GUIDE PLATE:REGISTRATION:FRONT LEFT

26.AW020203 (x2)
PHOTO INTERRUPTOR:GP1A173LCS2F

28.AW500040 (x2)
PUSH SWITCH:SW1AG-550:10MA2F



45.D1492562 (x2)
COLLAR:REGISTRATION ROLLER



27.AW500024
PUSH SWITCH



31.B8303504
TIMING BELT - 40S2M100



41.D1472752
SHAFT:SEPARATE:ASSY



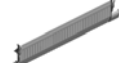
33.D1292783
TORQUE LIMITER MECHANICAL CLUTCH:40MMN:DIA18



42.D1472754
COIL SPRING:PRESSURE:SEPARATE



52.D1492721
GUIDE PLATE:SWIVEL:NO.2



38.D1472737
LEVER:PRESSURE:SEPARATE



40.D1472751
ARM:PRESSURE:SEPARATE



36.D1472734
GUIDE PLATE:SEPARATE



32.D0892764
GEAR:FEED



55.D1492739
LEVER:PRESSURE RELEASE



43.D1472755
COIL SPRING:RELEASE:SEPARATE



37.D1472736
BRACKET:SEPARATE:REAR



39.D1472738
LINK:RELEASE



U005 PAPER FEED

109.D1492918 SUPPORTER:LEFT UPPER:NO.1
 104.D1492889 COVER:TRAY:REA R LEFT:NO.2
 60.D1492774 PULLEY:IDLER:PIC KUP
 63.D1492778 FEELER:PAPER E ND
 102.D1492887 COVER:TRAY:REA R LEFT:NO.1



112.D1492925 SUPPORTER:LEFT :NO.2

108.D1492915 SUPPORTER:LEFT LOWER:NO.1

64.D1492780 GROUND WIRE:SE NSOR:PAPER FEE D

113.D1492928 (x2) ROLLER:SUPPORT ER:PAPER TRAY:L EFT

65.D1492781 GROUND PLATE:P APER FEED UNIT

69.D1492791 GUIDE:FEED

59.D1492773 PULLEY:PICKUP:M ECHANICAL ROLL ER CLUTCH

58.D1492772 ARM:PICKUP

61.D1492775 SHAFT:FEED:ASS' Y

68.D1492788 INNER COVER:HA RNESS:PAPER FE ED UNIT

56.D1492767 LEVER:PRESSURE :PICKUP

62.D1492777 COIL SPRING:PRE SSURE:PICKUP

101.D1492886 COVER:TRAY:REA R RIGHT:NO.1

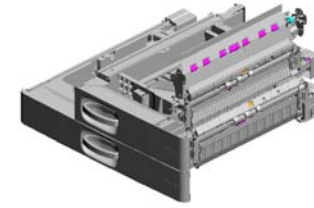
103.D1492888 COVER:TRAY:REA R RIGHT:NO.2

67.D1492787 BRACKET:SUPPO RT:COVER

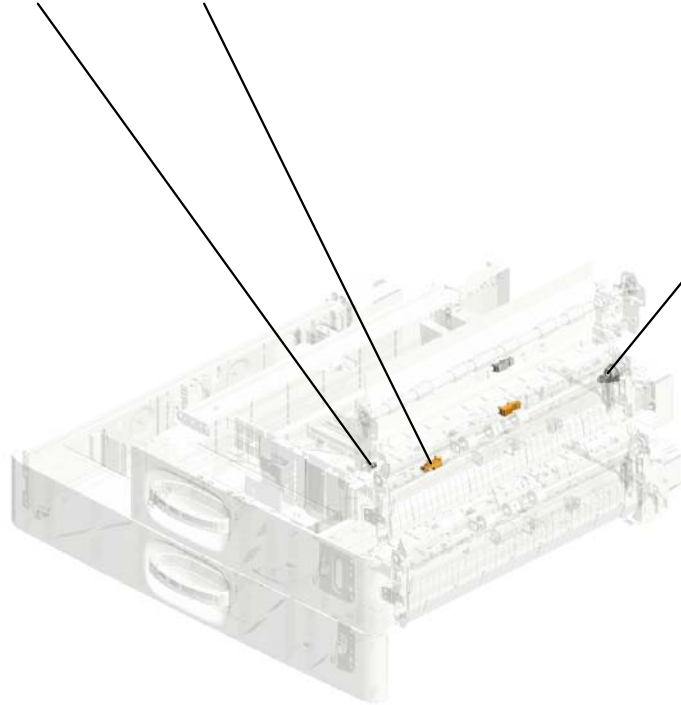
U005 PAPER FEED

116.GA143003
SCREW:MM5:2.5M
M

117.GW010007
(x3)
PHOTO REFLECTI
ON SENSOR:EXIT



115.G0652767
LEVER - FEED



U005_S001

PAPER FEED UNIT:NO.1:D146/D147/D148D149

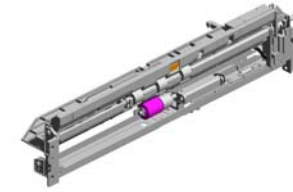
31.B8303504
TIMING BELT - 40S
2M100

33.D1292783
TORQUE LIMITER
MECHANICAL CLU
TCH:40MM: DIA18

17.AA082174
PLAIN SHAFT BEA
RING:6X10X9

26.AW020203
(x2)
PHOTOINTERRUP
TOR:GP1A173LCS
2F

13.11050758
(x2)
CLAMP:LWSM-030
6A



35.D1472703
PAPER FEED UNIT
:NO.1:D146/D147/D
148D149

23.AF030094
PAPER FEED ROL
LER:PICKUP



24.AF031094
PAPER FEED ROL
LER:FEED



16.AA082173
PLAIN SHAFT BEA
RING:6X10X6



25.AF032094
PAPER FEED ROL
LER:SEPARATE



19.AA100014
(x2)
RETAINING RING
C - SEPARATE



38.D1472737
LEVER:PRESSURE
:SEPARATE



40.D1472751
ARM:PRESSURE:S
EPARATE



36.D1472734
GUIDE PLATE:SEP
ARATE



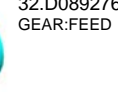
15.52062686
SNAP RING



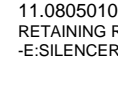
12.08050104
(x4)
RETAINING RINGS
-E:SILENCER:DIA4



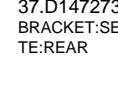
32.D0892764
GEAR:FEED



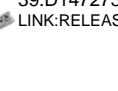
11.08050103
RETAINING RINGS
-E:SILENCER:DIA3



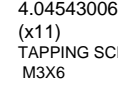
37.D1472736
BRACKET:SEPARA
TE:REAR



39.D1472738
LINK:RELEASE



4.04543006Q
(x11)
TAPPING SCREW -
M3X6



U005_S001

PAPER FEED UNIT:NO.1:D146/D147/D148D149

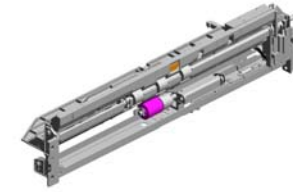
60.D1492774
PULLEY:IDLER:PIC
KUP

63.D1492778
FEELER:PAPER E
ND

66.D1492782
PLATE:HARNES:
PAPER FEED UNIT

59.D1492773
PULLEY:PICKUP:M
ECHANICAL ROLL
ER CLUTCH

50.D1492714
GUIDE PLATE:VER
TICAL TRANSPOR
T:PAPER FEED UN
IT:NO.1



35.D1472703
PAPER FEED UNIT
:NO.1:D146/D147/D
148D149

69.D1492791
GUIDE:FEED

117.GW010007
(x2)
PHOTO REFLECTI
ON SENSOR:EXIT

64.D1492780
GROUND WIRE:SE
NSOR:PAPER FEE
D

65.D1492781
GROUND PLATE:P
APER FEED UNIT

42.D1472754
COIL SPRING:PRE
SSURE:SEPARATE

41.D1472752
SHAFT:SEPARATE:
ASSY

58.D1492772
ARM:PICKUP

61.D1492775
SHAFT:FEED:ASS'
Y

56.D1492767
LEVER:PRESSURE
:PICKUP

115.G0652767
LEVER - FEED

62.D1492777
COIL SPRING:PRE
SSURE:PICKUP

55.D1492739
LEVER:PRESSURE
RELEASE

43.D1472755
COIL SPRING:REL
EASE:SEPARATE

U001	U002	U003	U004	U005	U006	U007	U008	U009	U010	U011	U012	U013	U014	U015	U016
------	------	------	------	------	------	------	------	------	------	------	------	------	------	------	------

U005_S001_S001
TRANSPORT ROLLER:VERTICAL TRANSPORT:ASS'Y

16.AA082173
PLAIN SHAFT BEARING
RING:6X10X6

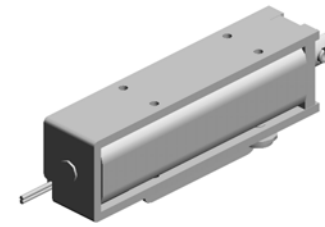


57.D1492768
TRANSPORT ROLLER:VERTICAL TRANSPORT:ASS'Y

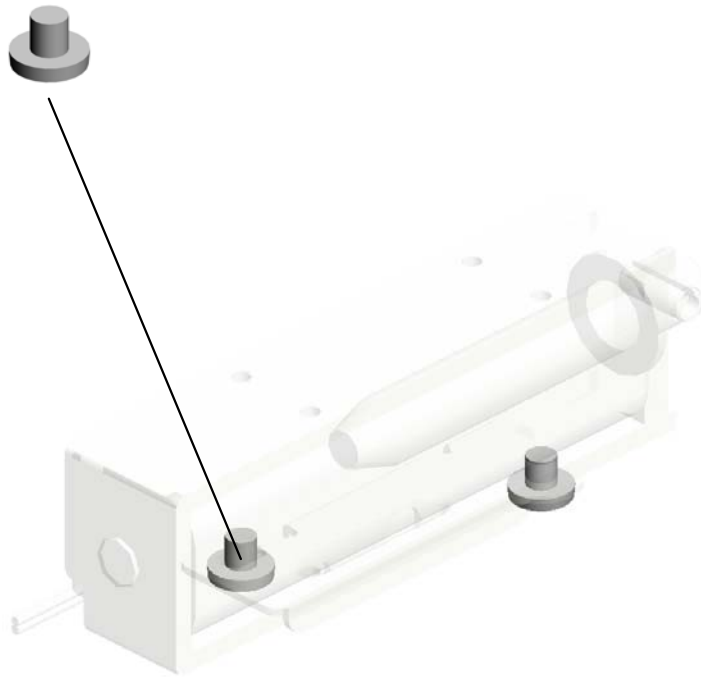
U001	U002	U003	U004	U005	U006	U007	U008	U009	U010	U011	U012	U013	U014	U015	U016
------	------	------	------	------	------	------	------	------	------	------	------	------	------	------	------

U005_S001_S002
DC SOLENOID:PICKUP:NO.1:ASS'Y

1.03530030N
(x2)
SCREW:M3X3



51.D1492716
DC SOLENOID:PIC
KUP:NO.1:ASS'Y



U001	U002	U003	U004	U005	U006	U007	U008	U009	U010	U011	U012	U013	U014	U015	U016
------	------	------	------	------	------	------	------	------	------	------	------	------	------	------	------

U005_S002 PAPER FEED UNIT:NO.2

31.B8303504
TIMING BELT - 40S
2M100

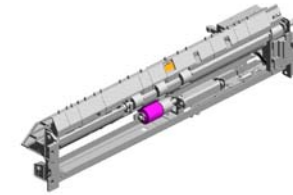
33.D1292783
TORQUE LIMITER
MECHANICAL CLU
TCH:40MMM:DIA18

17.AA082174
PLAIN SHAFT BEA
RING:6X10X9

26.AW020203
(x2)
PHOTOINTERRUPT
TOR:GP1A173LCS
2F

13.11050758
CLAMP:LWSM-030
6A

34.D1472702
PAPER FEED UNIT
:NO.2



23.AF030094
PAPER FEED ROL
LER:PICKUP



24.AF031094
PAPER FEED ROL
LER:FEED



16.AA082173
PLAIN SHAFT BEA
RING:6X10X6



25.AF032094
PAPER FEED ROL
LER:SEPARATE



19.AA100014
(x2)
RETAINING RING
C - SEPARATE



38.D1472737
LEVER:PRESSURE
:SEPARATE



40.D1472751
ARM:PRESSURE:S
EPARATE



36.D1472734
GUIDE PLATE:SEP
ARATE



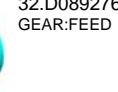
15.52062686
SNAP RING



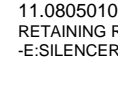
12.08050104
(x4)
RETAINING RINGS
-E:SILENCER:DIA4



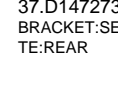
32.D0892764
GEAR:FEED



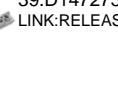
11.08050103
RETAINING RINGS
-E:SILENCER:DIA3



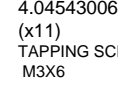
37.D1472736
BRACKET:SEPARA
TE:REAR



39.D1472738
LINK:RELEASE



4.04543006Q
(x11)
TAPPING SCREW -
M3X6



U005_S002
PAPER FEED UNIT:NO.2

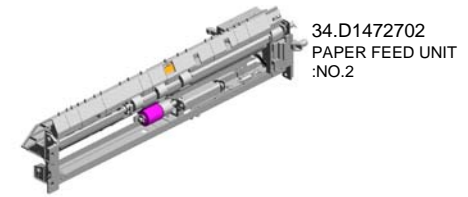
60.D1492774
PULLEY:IDLER:PI
KUP

63.D1492778
FEELER:PAPER E
ND

66.D1492782
PLATE:HARNES
S:PAPER FEED UN
IT

59.D1492773
PULLEY:PICKUP:M
ECHANICAL ROLL
ER CLUTCH

53.D1492724
GUIDE PLATE:VER
TICAL TRANSPOR
T:PAPER FEED UN
IT:NO.2



34.D1472702
PAPER FEED UN
IT:NO.2

69.D1492791
GUIDE:FEED

117.GW010007
(x2)
PHOTO REFLECTI
ON SENSOR:EXIT

64.D1492780
GROUND WIRE:SE
NSOR:PAPER FEE
D

65.D1492781
GROUND PLATE:P
APER FEED UNIT

42.D1472754
COIL SPRING:PRE
SSURE:SEPARATE

41.D1472752
SHAFT:SEPARATE:
ASSY

58.D1492772
ARM:PICKUP

61.D1492775
SHAFT:FEED:ASS'
Y

56.D1492767
LEVER:PRESSURE
:PICKUP

115.G0652767
LEVER - FEED

62.D1492777
COIL SPRING:PRE
SSURE:PICKUP

55.D1492739
LEVER:PRESSURE
RELEASE

43.D1472755
COIL SPRING:REL
EASE:SEPARATE

U005_S002_S001

TRANSPORT ROLLER:VERTICAL TRANSPORT:ASS'Y

16.AA082173
PLAIN SHAFT BEARING
RING:6X10X6



57.D1492768
TRANSPORT ROLLER:VERTICAL TRANSPORT:ASS'Y

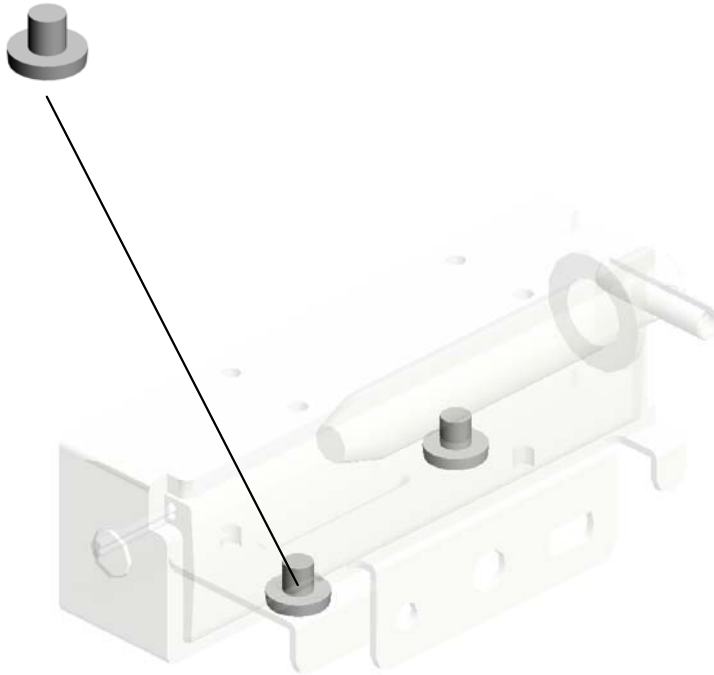
U001	U002	U003	U004	U005	U006	U007	U008	U009	U010	U011	U012	U013	U014	U015	U016
------	------	------	------	------	------	------	------	------	------	------	------	------	------	------	------

U005_S002_S002
DC SOLENOID:PICKUP:NO.2:ASS'Y

1.03530030N
(x2)
SCREW:M3X3



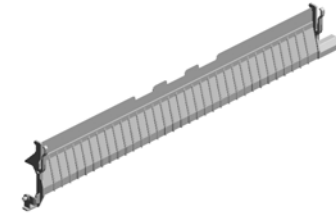
54.D1492726
DC SOLENOID:PIC
KUP:NO.2:ASS'Y



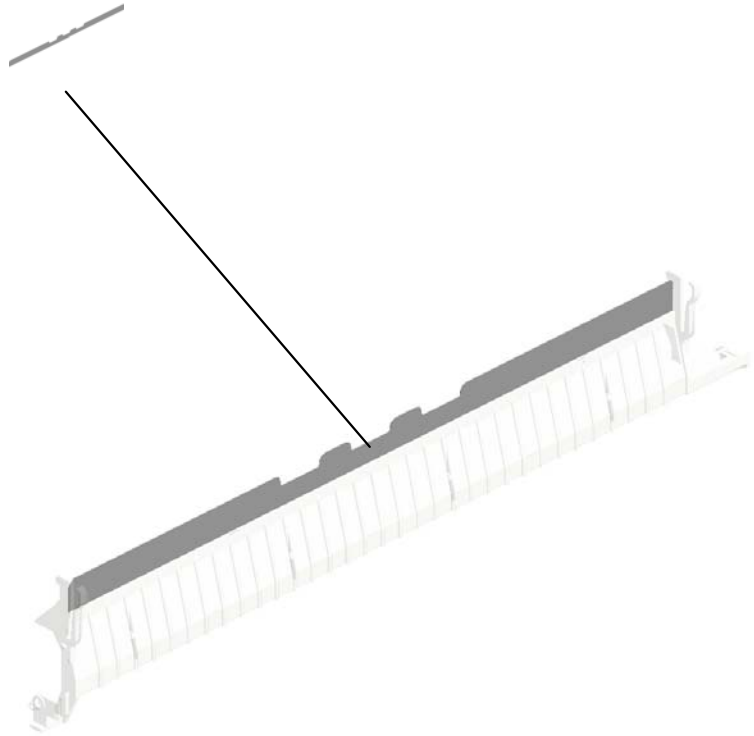
U001	U002	U003	U004	U005	U006	U007	U008	U009	U010	U011	U012	U013	U014	U015	U016
------	------	------	------	------	------	------	------	------	------	------	------	------	------	------	------

U005_S003
GUIDE PLATE:SWIVEL:NO.1

48.D1492712
SHEET:GUIDE PLA
TE:SWIVEL



49.D1492713
GUIDE PLATE:SWI
VEL:NO.1



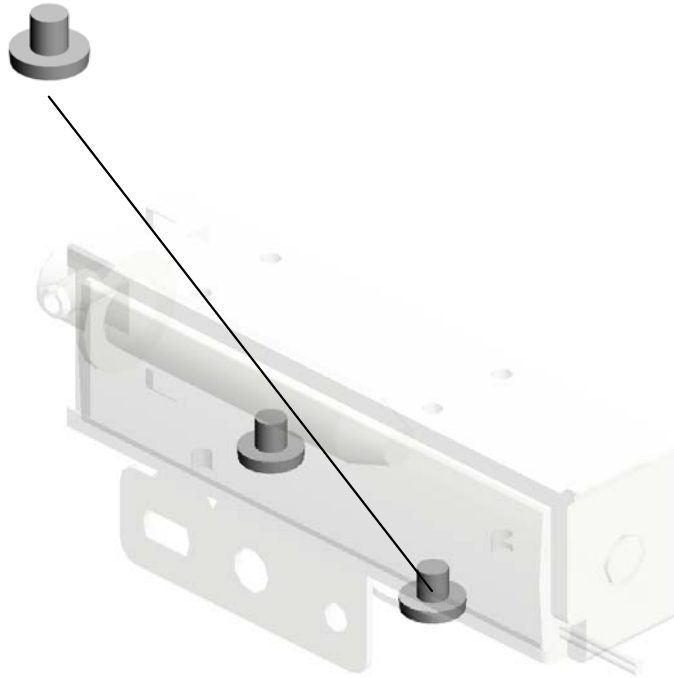
U001	U002	U003	U004	U005	U006	U007	U008	U009	U010	U011	U012	U013	U014	U015	U016
------	------	------	------	------	------	------	------	------	------	------	------	------	------	------	------

U005_S004
DC SOLENOID:PICKUP:NO.1:ASS'Y

1.03530030N
(x2)
SCREW:M3X3



51.D1492716
DC SOLENOID:PICKUP:NO.1:ASS'Y



U001	U002	U003	U004	U005	U006	U007	U008	U009	U010	U011	U012	U013	U014	U015	U016
------	------	------	------	------	------	------	------	------	------	------	------	------	------	------	------

U005_S005
SUPPORTER:RIGHT:NO.1:ASS'Y

4.04543006Q
(x3)
TAPPING SCREW -
M3X6



105.D1492901
SUPPORTER:RIGH
T:NO.1:ASS'Y

111.D1492924
STOPPER:PAPER
TRAY



110.D1492923
ROLLER:SUPPORT
ER:PAPER TRAY



11.08050103
RETAINING RINGS
-E:SILENCER:DIA3



U001	U002	U003	U004	U005	U006	U007	U008	U009	U010	U011	U012	U013	U014	U015	U016
------	------	------	------	------	------	------	------	------	------	------	------	------	------	------	------

U005_S006
SUPPORTER:RIGHT:NO.2:ASS'Y

111.D1492924
STOPPER:PAPER
TRAY

106.D1492903
SUPPORTER:RIGH
T:NO.2:ASS'Y

4.04543006Q
(x3)
TAPPING SCREW -
M3X6

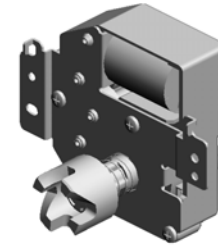
110.D1492923
ROLLER:SUPPORT
ER:PAPER TRAY

11.08050103
RETAINING RINGS
-E:SILENCER:DIA3

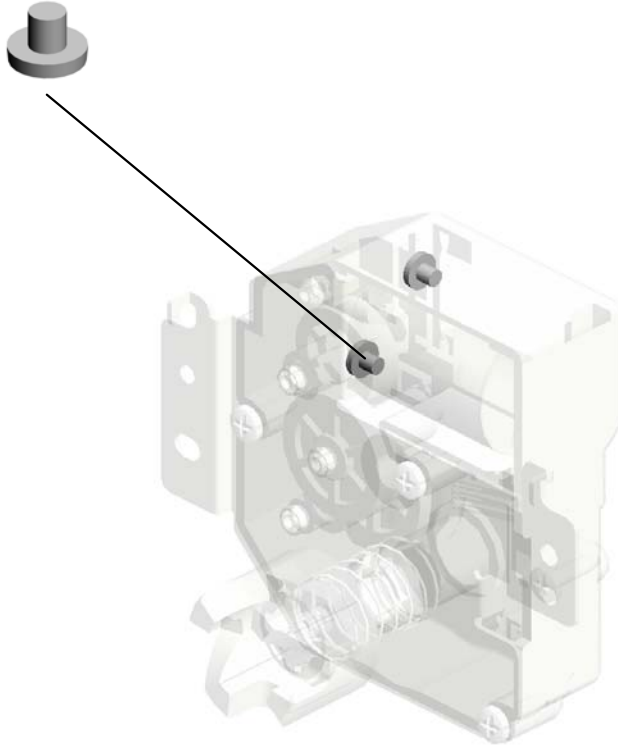
U001	U002	U003	U004	U005	U006	U007	U008	U009	U010	U011	U012	U013	U014	U015	U016
------	------	------	------	------	------	------	------	------	------	------	------	------	------	------	------

U005_S007
DC MOTOR:RISING TRAY:ASS'Y:1.007W:BRUSH

1.03530030N
(x2)
SCREW:M3X3



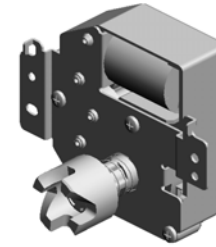
29.AX040273
DC MOTOR:RISING
TRAY:ASS'Y:1.007
W:BRUSH



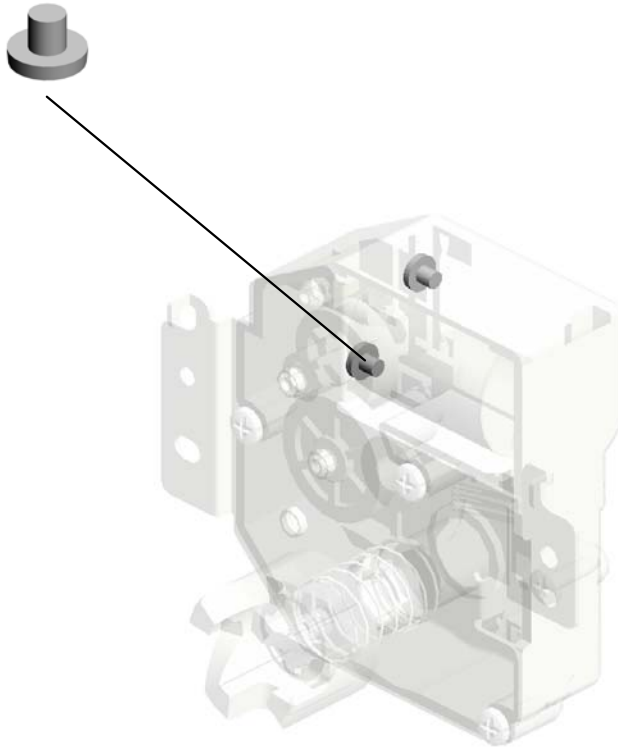
U001	U002	U003	U004	U005	U006	U007	U008	U009	U010	U011	U012	U013	U014	U015	U016
------	------	------	------	------	------	------	------	------	------	------	------	------	------	------	------

U005_S008
DC MOTOR:RISING TRAY:ASS'Y:1.007W:BRUSH

1.03530030N
(x2)
SCREW:M3X3



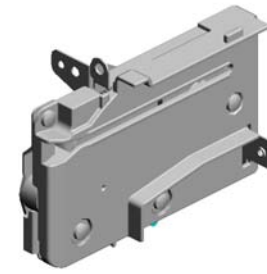
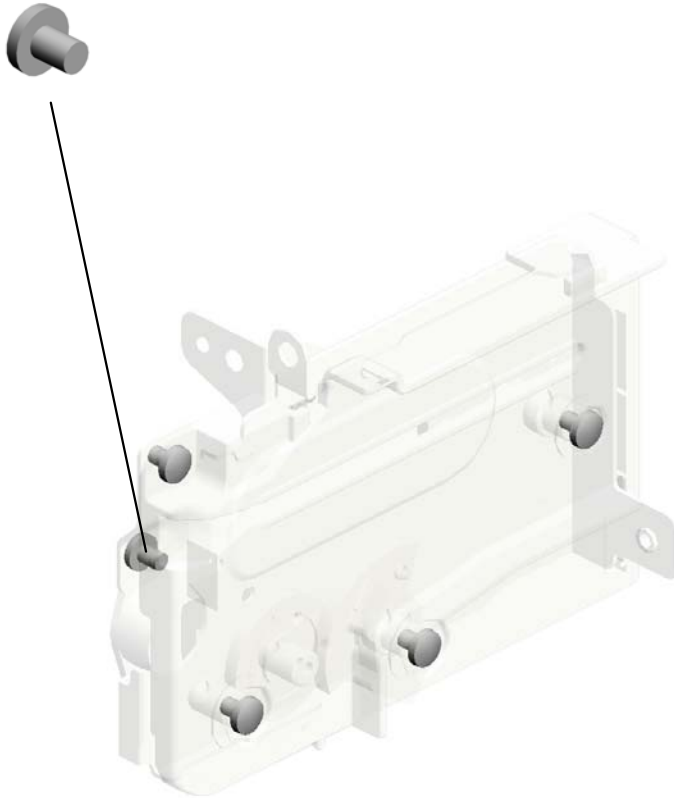
29.AX040273
DC MOTOR:RISING
TRAY:ASS'Y:1.007
W:BRUSH



U001	U002	U003	U004	U005	U006	U007	U008	U009	U010	U011	U012	U013	U014	U015	U016
------	------	------	------	-------------	------	------	------	------	------	------	------	------	------	------	------

U005_S009
LEVER:STRETCH:PAPER TRAY:ASS'Y

2.03530040N
(x5)
SCREW - M3X4

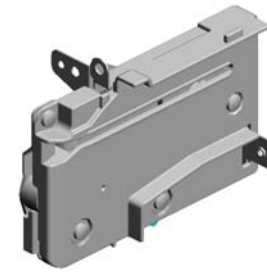


107.D1492906
LEVER:STRETCH:
PAPER TRAY:ASS'
Y

U001	U002	U003	U004	U005	U006	U007	U008	U009	U010	U011	U012	U013	U014	U015	U016
------	------	------	------	------	------	------	------	------	------	------	------	------	------	------	------

U005_S010
LEVER:STRETCH:PAPER TRAY:ASS'Y

2.03530040N
(x5)
SCREW - M3X4



107.D1492906
LEVER:STRETCH:
PAPER TRAY:ASS'
Y

U001	U002	U003	U004	U005	U006	U007	U008	U009	U010	U011	U012	U013	U014	U015	U016
------	------	------	------	-------------	------	------	------	------	------	------	------	------	------	------	------

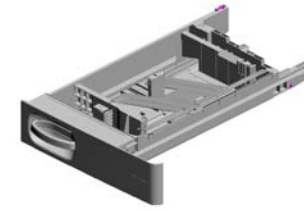
U005_S011
PAPER TRAY:NO.1:ASS'Y

90.D1492863
DECAL:PAPER SE
T DIRECTION:TRA
Y:NO.1

94.D1492867
DECAL:SIZE INDIC
ATION:END FENCE
:NO.1

74.D1492814
COIL SPRING:EAR
TH

72.D1492812
(x4)
ROLLER:PAPER T
RAY:DIA19

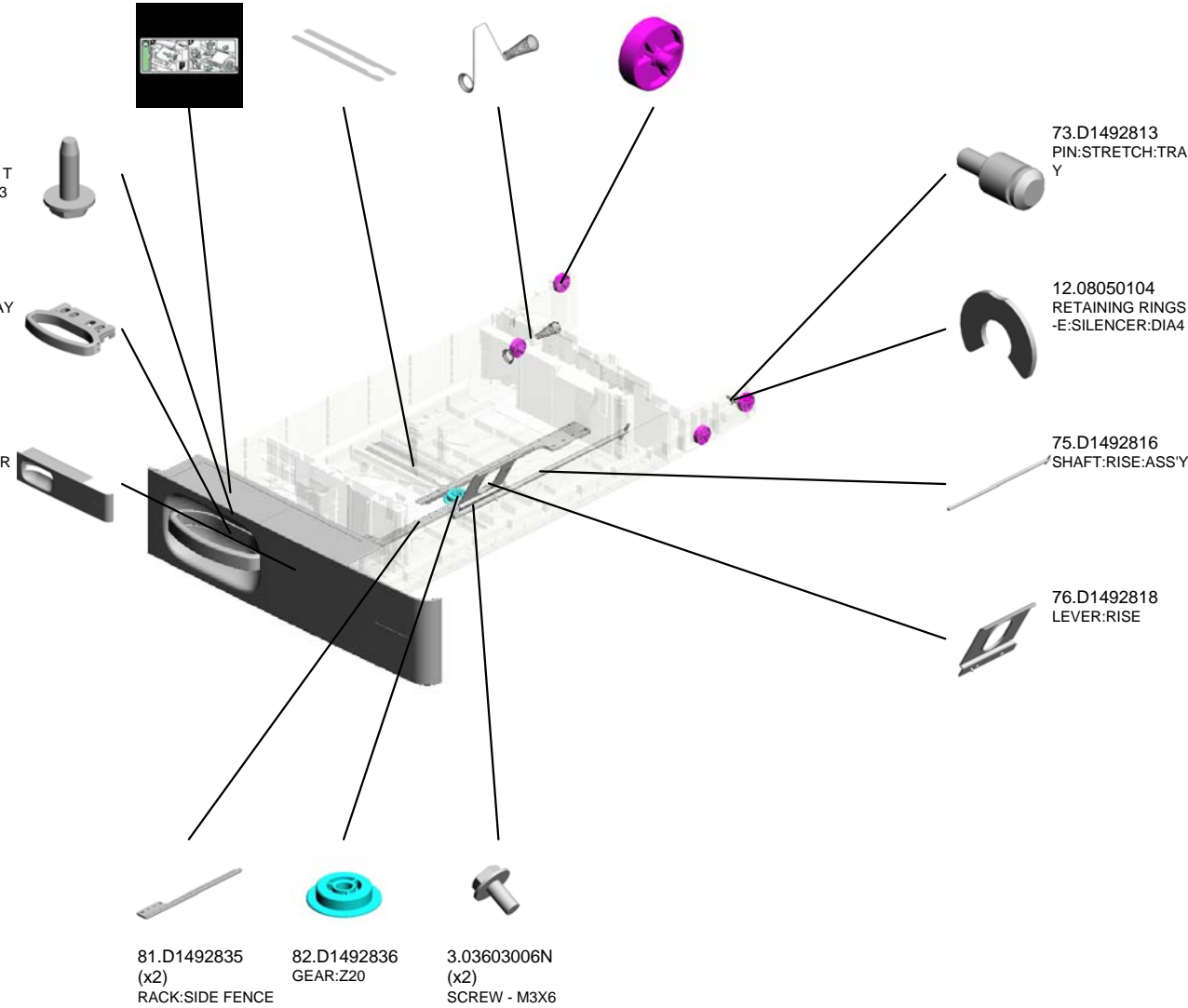


71.D1492809
PAPER TRAY:NO.1
:ASS'Y

7.04583010N
(x2)
HEXAGON HEAD T
APPING SCREW:3
X10

89.D1492856
GRIP:PAPER TRAY

92.D1492865
COVER:PAPER TR
AY:NO.1



73.D1492813
PIN:STRETCH:TRA
Y

12.08050104
RETAINING RINGS
-E:SILENCER:DIA4

75.D1492816
SHAFT:RISE:ASS'Y

76.D1492818
LEVER:RISE

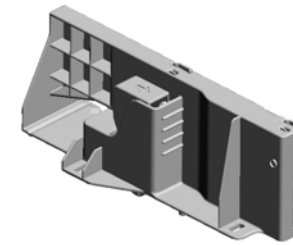
81.D1492835
(x2)
RACK:SIDE FENCE

82.D1492836
GEAR:Z20

3.03603006N
(x2)
SCREW - M3X6

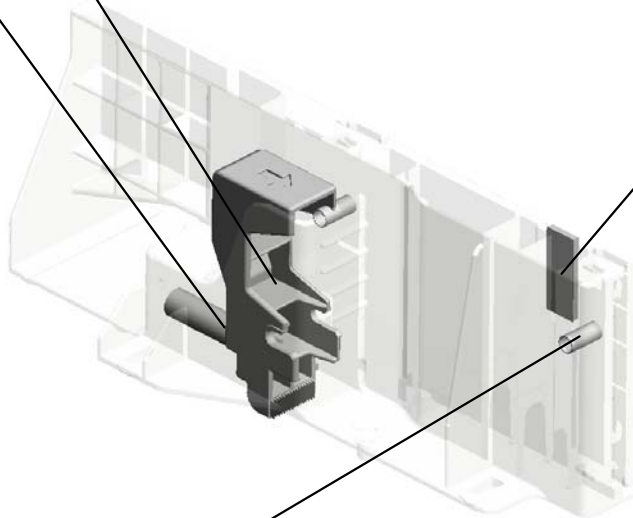
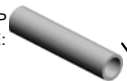
U005_S011_S001
SIDE FENCE:FRONT:NO.1:ASS'Y

78.D1492824
LEVER:STOPPER:
FRONT



77.D1492820
SIDE FENCE:FRON
T:NO.1:ASS'Y

79.D1492825
COMPRESSION SP
RING:SIDE FENCE:
POSITIONING



30.B2342864
PAD:CLEANER

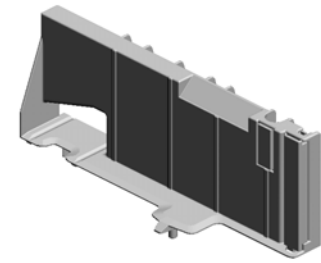


80.D1492826
(x2)
COMPRESSION SP
RING:SIDE FENCE:
PLATE:FRONT

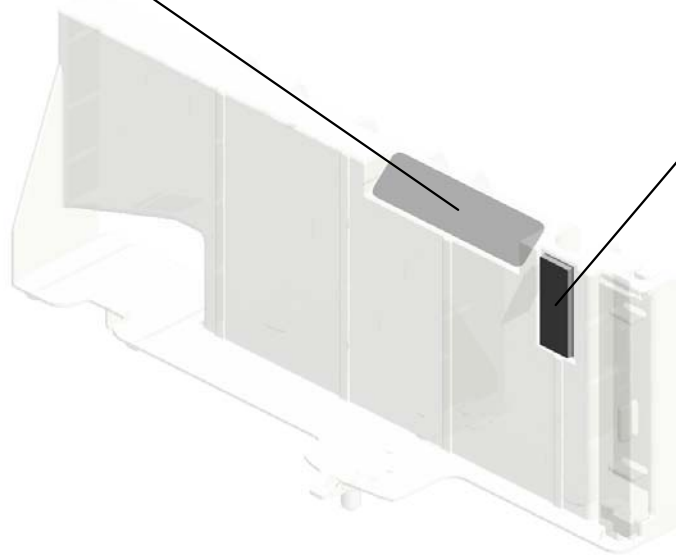
U001	U002	U003	U004	U005	U006	U007	U008	U009	U010	U011	U012	U013	U014	U015	U016
------	------	------	------	-------------	------	------	------	------	------	------	------	------	------	------	------

U005_S011_S002
SIDE FENCE:REAR:NO.1:ASS'Y

114.D1492952
DECAL:SIDE FENC
E:PAPER VOLUME



83.D1492838
SIDE FENCE:REAR
:NO.1:ASSY



30.B2342864
PAD:CLEANER

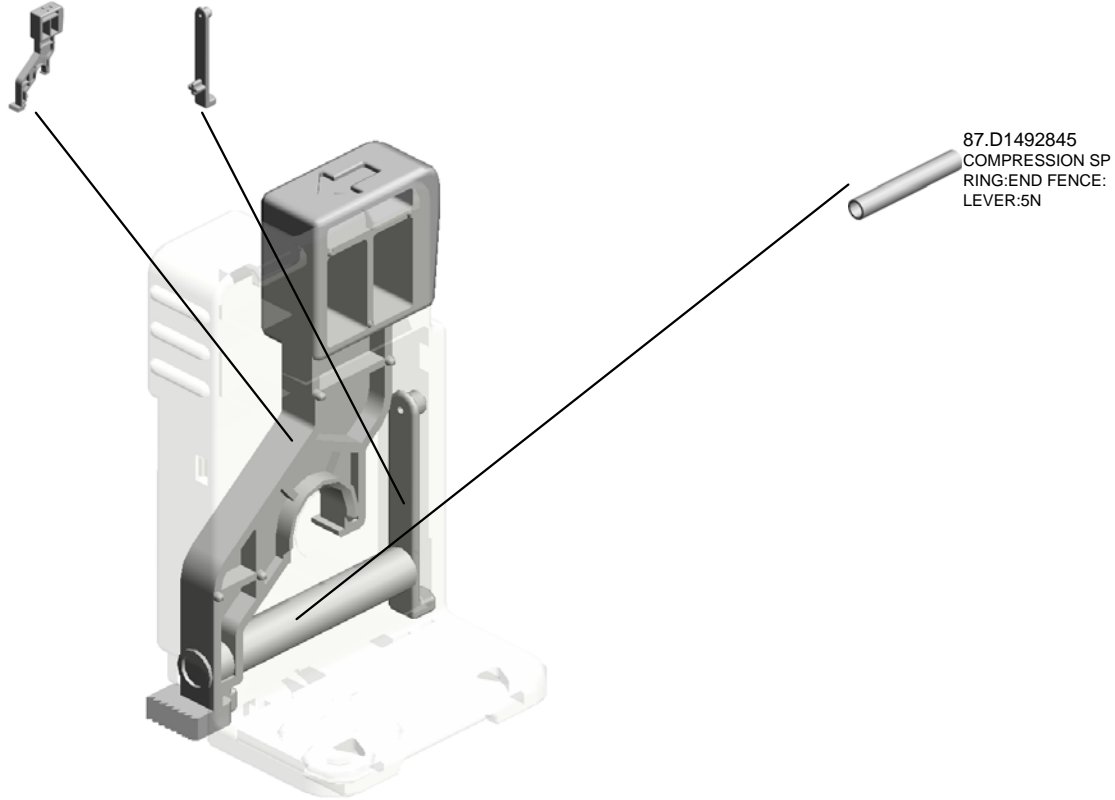
U001	U002	U003	U004	U005	U006	U007	U008	U009	U010	U011	U012	U013	U014	U015	U016
------	------	------	------	-------------	------	------	------	------	------	------	------	------	------	------	------

U005_S011_S003
END FENCE:PAPER TRAY:ASS'Y

85.D1492842 86.D1492843
LEVER:END FENC CLICK:END FENCE
E



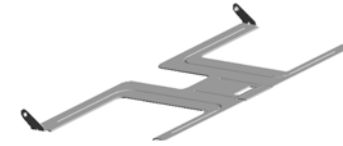
84.D1492840
END FENCE:PAPE
R TRAY:ASS'Y



U001	U002	U003	U004	U005	U006	U007	U008	U009	U010	U011	U012	U013	U014	U015	U016
------	------	------	------	-------------	------	------	------	------	------	------	------	------	------	------	------

U005_S011_S004
TRAY BOTTOM PLATE:ASS'Y

22.AF013006
BOTTOM PLATE P
AD



88.D1492850
TRAY BOTTOM PL
ATE:ASS'Y



U001	U002	U003	U004	U005	U006	U007	U008	U009	U010	U011	U012	U013	U014	U015	U016
------	------	------	------	------	------	------	------	------	------	------	------	------	------	------	------

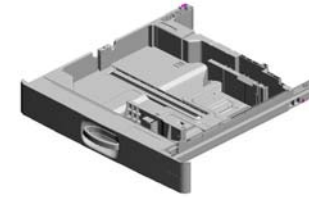
U005_S012
PAPER TRAY:NO.2:ASS'Y

95.D1492868
DECAL:SIZE INDIC
ATION:END FENCE
:NO.2

97.D1492872
LINK:END FENCE:
PAPER SIZE SENS
OR

72.D1492812
(x4)
ROLLER:PAPER T
RAY:DIA19

7.04583010N
(x3)
HEXAGON HEAD T
APPING SCREW:3
X10



70.D1492808
PAPER TRAY:NO.2
:ASS'Y

91.D1492864
DECAL:PAPER SE
T DIRECTION:TRA
Y:NO.2



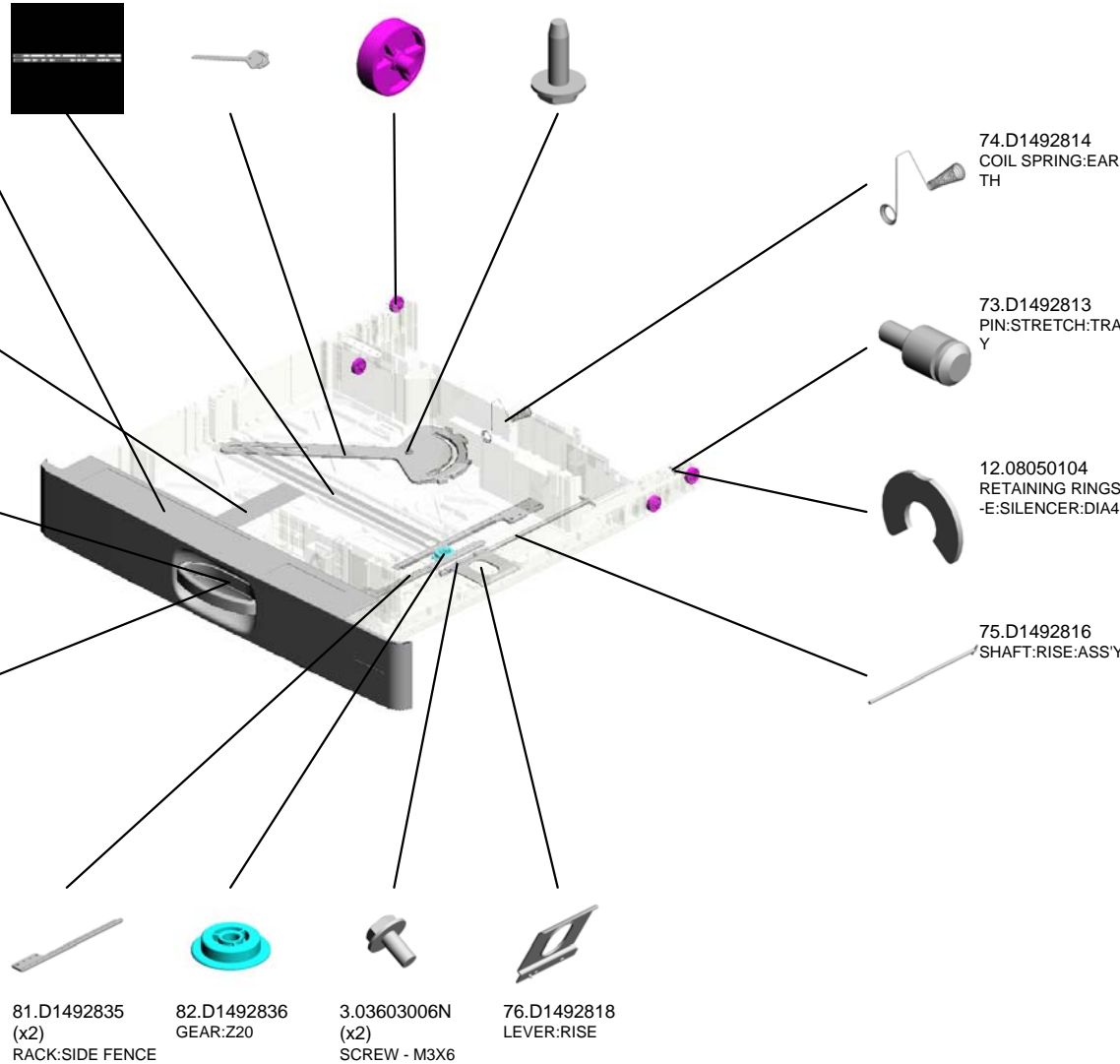
96.D1492869
DECAL:SIZE INDIC
ATION:SIDE FENC
E:NO.2



89.D1492856
GRIP:PAPER TRAY

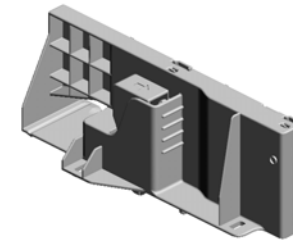


93.D1492866
COVER:PAPER TR
AY:NO.2



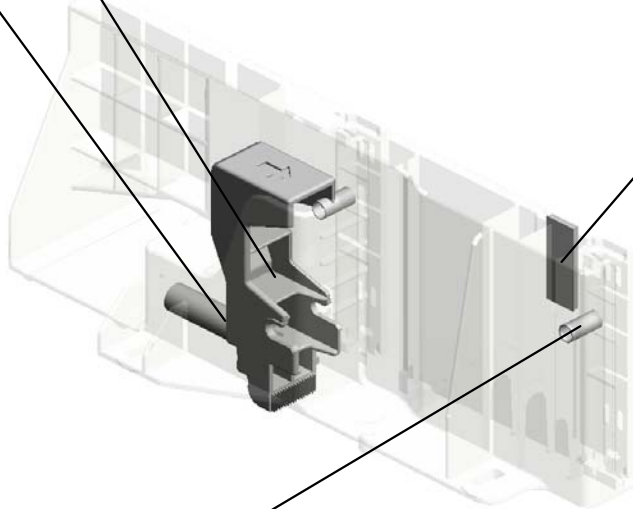
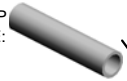
U005_S012_S001
SIDE FENCE:FRONT:ASS'Y

78.D1492824
LEVER:STOPPER:
FRONT



99.D1492875
SIDE FENCE:FRON
T:ASS'Y

79.D1492825
COMPRESSION SP
RING:SIDE FENCE:
POSITIONING



30.B2342864
PAD:CLEANER

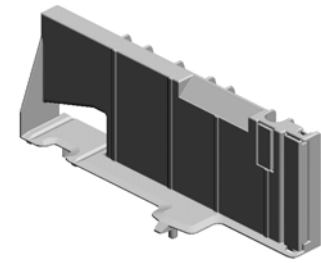


80.D1492826
(x2)
COMPRESSION SP
RING:SIDE FENCE:
PLATE:FRONT

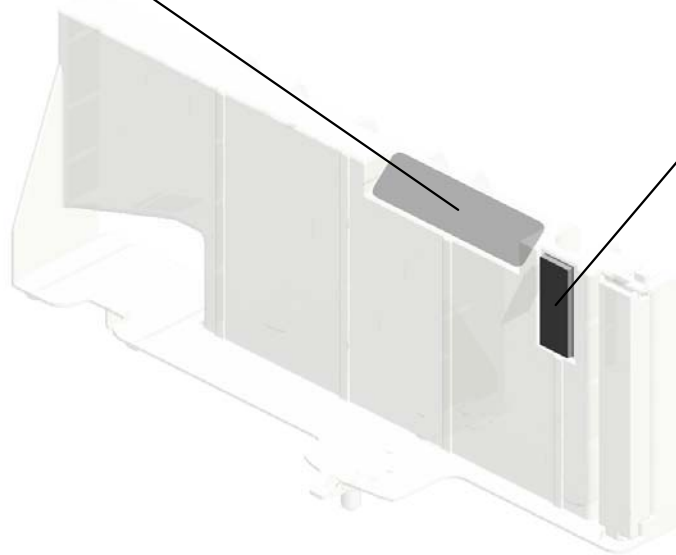
U001	U002	U003	U004	U005	U006	U007	U008	U009	U010	U011	U012	U013	U014	U015	U016
------	------	------	------	------	------	------	------	------	------	------	------	------	------	------	------

U005_S012_S002
SIDE FENCE:REAR:ASS'Y

114.D1492952
DECAL:SIDE FENC
E:PAPER VOLUME



100.D1492885
SIDE FENCE:REAR
:ASS'Y



30.B2342864
PAD:CLEANER

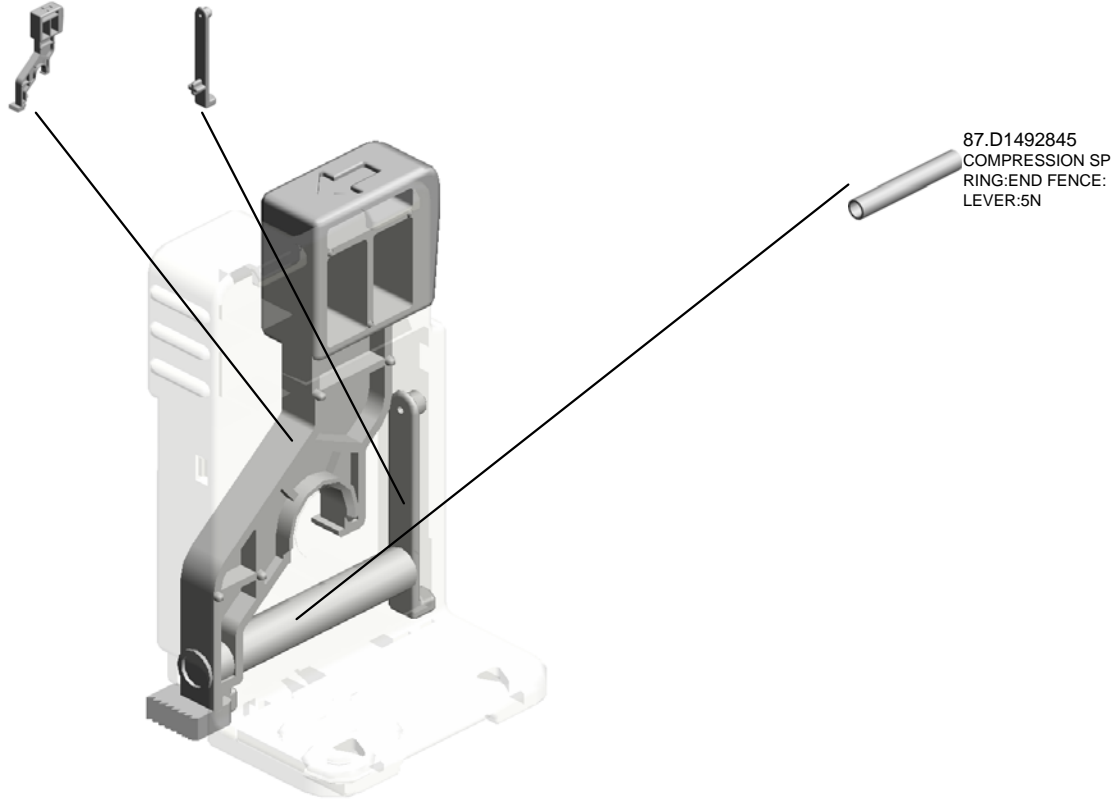
U001	U002	U003	U004	U005	U006	U007	U008	U009	U010	U011	U012	U013	U014	U015	U016
------	------	------	------	-------------	------	------	------	------	------	------	------	------	------	------	------

U005_S012_S003
END FENCE:PAPER TRAY:ASS'Y

85.D1492842 86.D1492843
LEVER:END FENC CLICK:END FENCE
E



84.D1492840
END FENCE:PAPE
R TRAY:ASS'Y



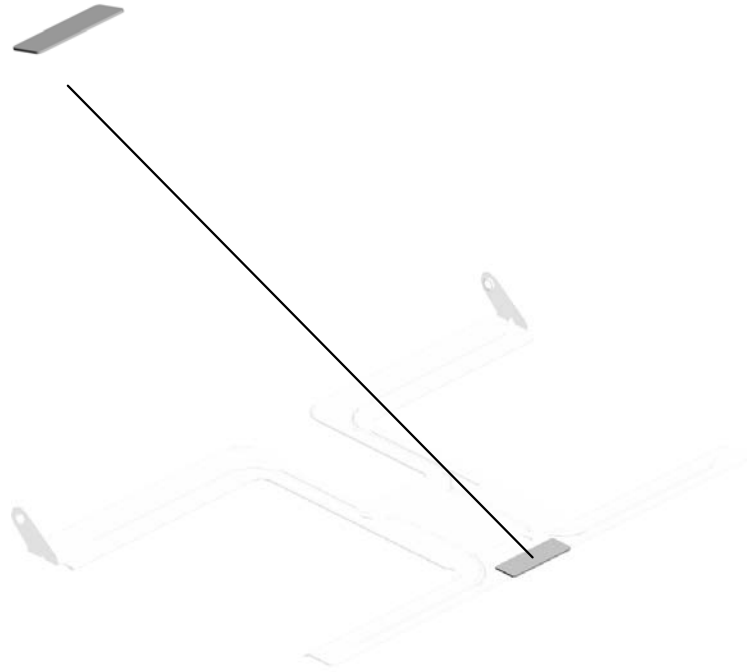
U001	U002	U003	U004	U005	U006	U007	U008	U009	U010	U011	U012	U013	U014	U015	U016
------	------	------	------	-------------	------	------	------	------	------	------	------	------	------	------	------

U005_S012_S004
TRAY BOTTOM PLATE:NO.2:ASS'Y

22.AF013006
BOTTOM PLATE P
AD



98.D1492873
TRAY BOTTOM PL
ATE:NO.2:ASS'Y



U001	U002	U003	U004	U005	U006	U007	U008	U009	U010	U011	U012	U013	U014	U015	U016
------	------	------	------	------	------	------	------	------	------	------	------	------	------	------	------

U006.PCDU

U006_S002
D1862202
PCDU:MAGENTA:SERVICE P
ARTS:EXP

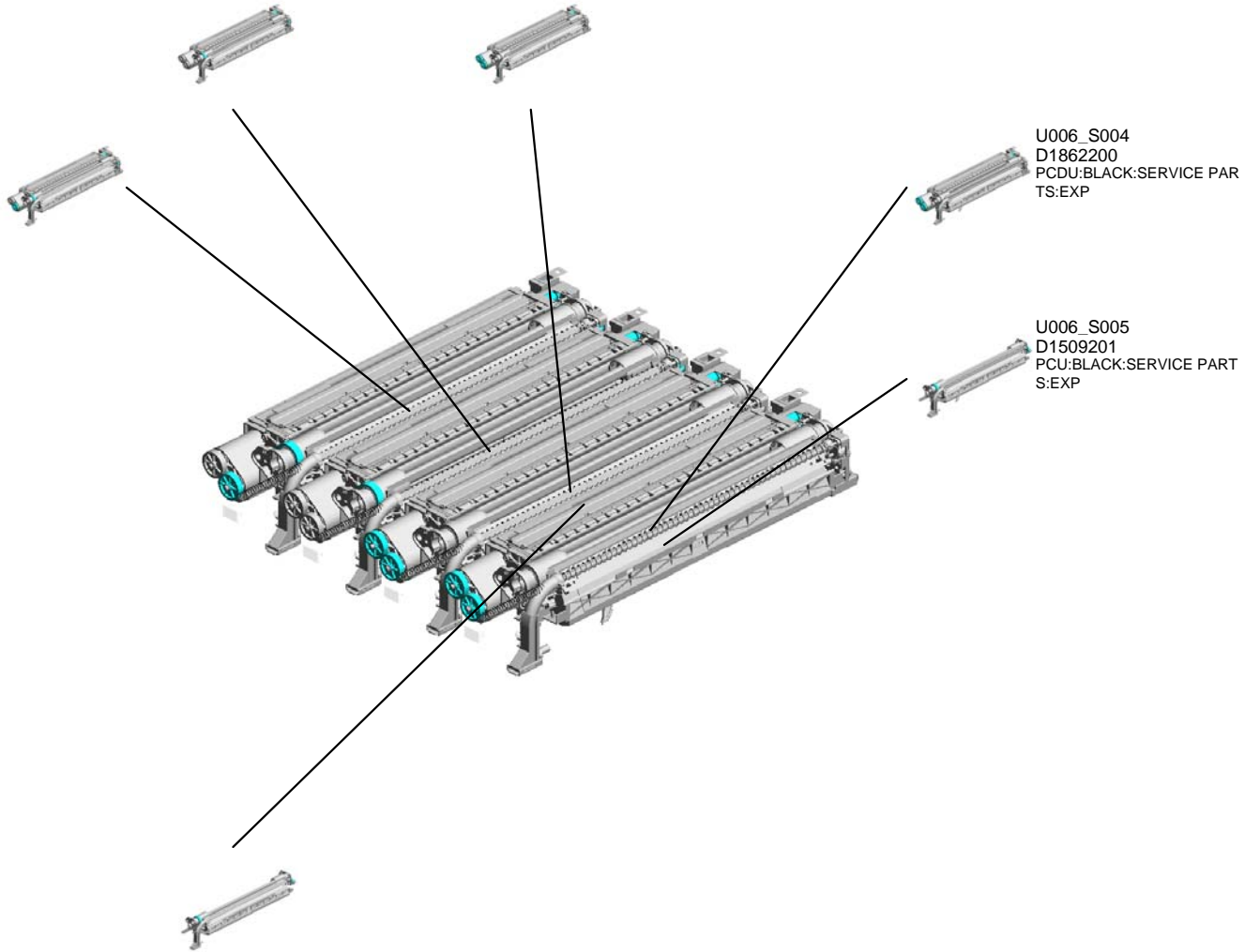
U006_S001
D1862201
PCDU:CYAN:SERVICE PART
S:EXP

U006_S003
D1862203
PCDU:YELLOW:SERVICE PA
RTS:EXP

U006_S004
D1862200
PCDU:BLACK:SERVICE PAR
TS:EXP

U006_S005
D1509201
PCU:BLACK:SERVICE PART
S:EXP

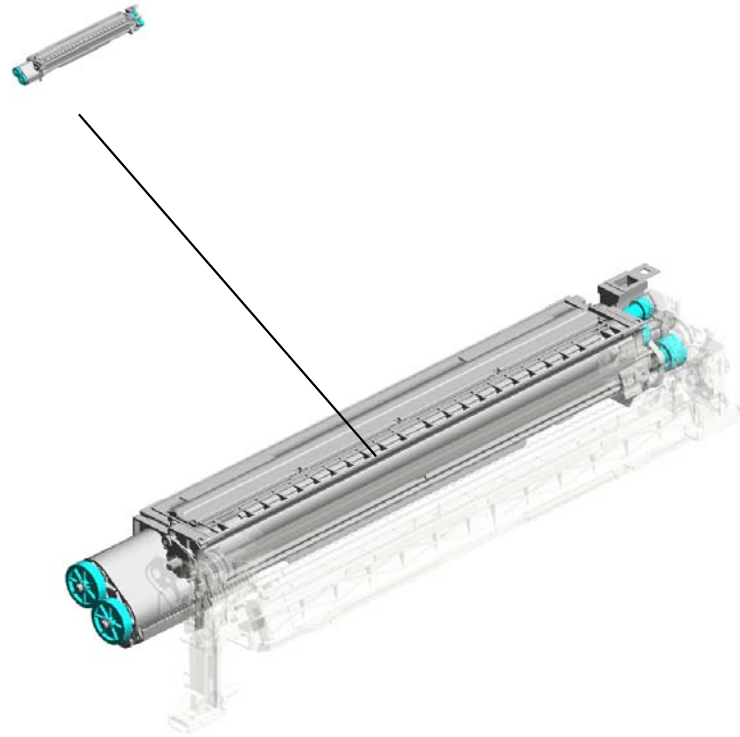
U006_S006
D1509202
PCU:COLOR:SERVICE PART
S:EXP



U001	U002	U003	U004	U005	U006	U007	U008	U009	U010	U011	U012	U013	U014	U015	U016
------	------	------	------	------	-------------	------	------	------	------	------	------	------	------	------	------

U006_S001.PCDU:CYAN:SERVICE PARTS:EXP

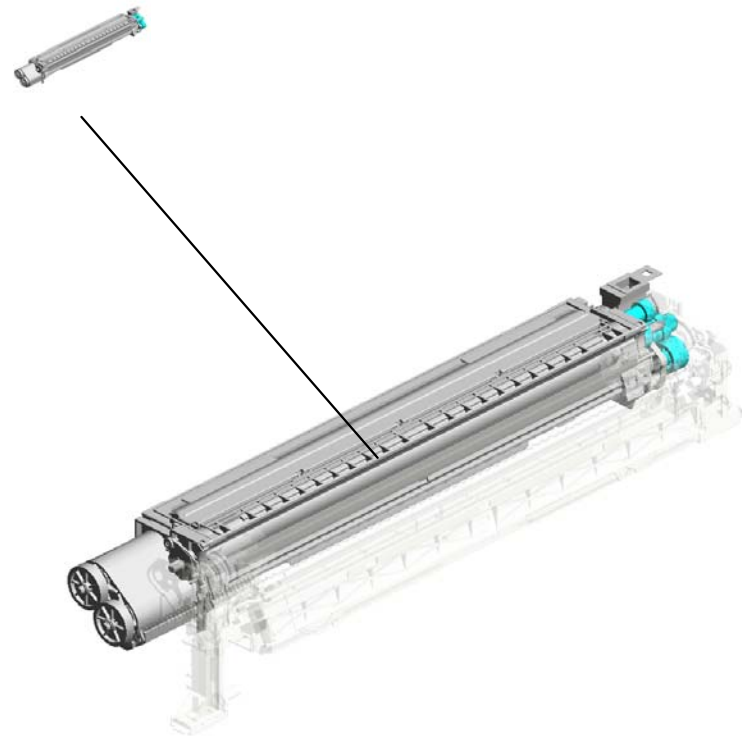
U006_S001_S001
D1863060
DEVELOPMENT UNIT:CYAN:
SERVICE PARTS:DOM



U001	U002	U003	U004	U005	U006	U007	U008	U009	U010	U011	U012	U013	U014	U015	U016
------	------	------	------	------	-------------	------	------	------	------	------	------	------	------	------	------

U006_S002.PCDU:MAGENTA:SERVICE PARTS:EXP

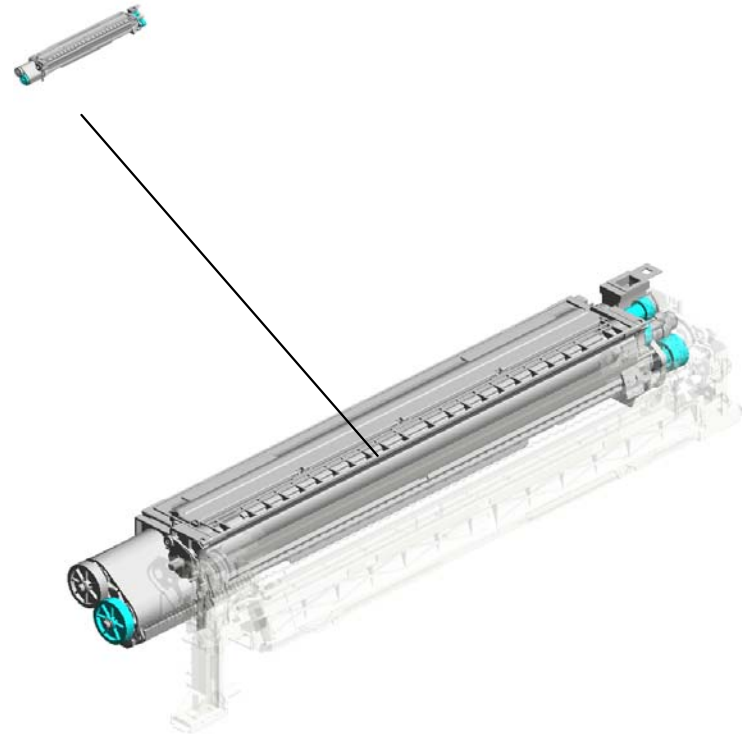
U006_S002_S001
D1863070
DEVELOPMENT UNIT:MAGE
NTA:SERVICE PARTS:DOM



U001	U002	U003	U004	U005	U006	U007	U008	U009	U010	U011	U012	U013	U014	U015	U016
------	------	------	------	------	-------------	------	------	------	------	------	------	------	------	------	------

U006_S003.PCDU:YELLOW:SERVICE PARTS:EXP

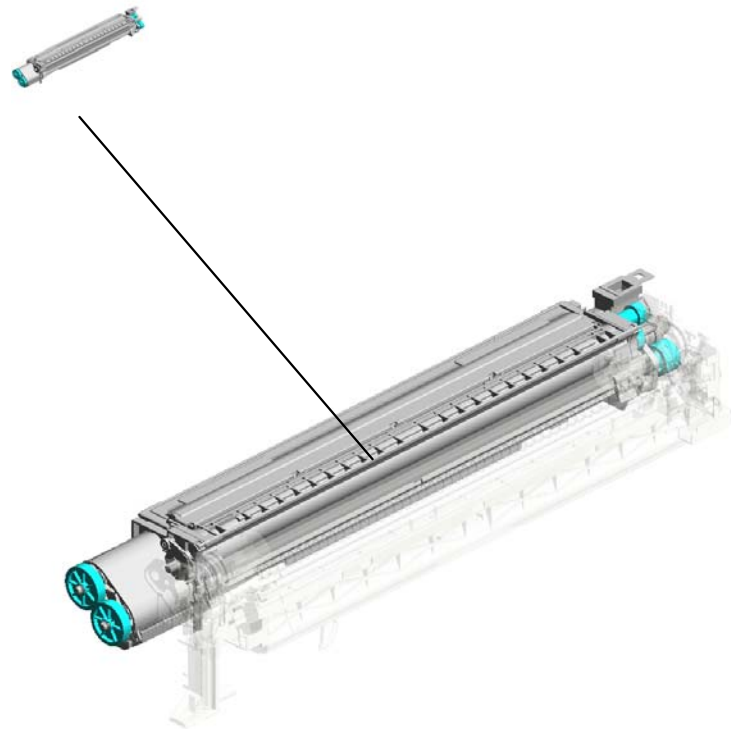
U006_S003_S001
D1863080
DEVELOPMENT UNIT:YELLO
W:SERVICE PARTS:DOM



U001	U002	U003	U004	U005	U006	U007	U008	U009	U010	U011	U012	U013	U014	U015	U016
------	------	------	------	------	-------------	------	------	------	------	------	------	------	------	------	------

U006_S004.PCDU:BLACK:SERVICE PARTS:EXP

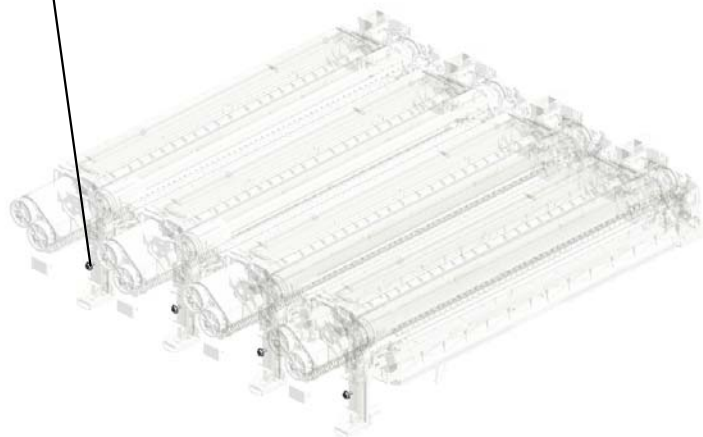
U006_S004_S001
D1863050
DEVELOPMENT UNIT:BLACK
:SERVICE PARTS:DOM



U001	U002	U003	U004	U005	U006	U007	U008	U009	U010	U011	U012	U013	U014	U015	U016
------	------	------	------	------	-------------	------	------	------	------	------	------	------	------	------	------

U006
PCDU

1.03603006N
(x4)
SCREW - M3X6



U001	U002	U003	U004	U005	U006	U007	U008	U009	U010	U011	U012	U013	U014	U015	U016
------	------	------	------	------	-------------	------	------	------	------	------	------	------	------	------	------

U006_S001
PCDU:CYAN:SERVICE PARTS:EXP

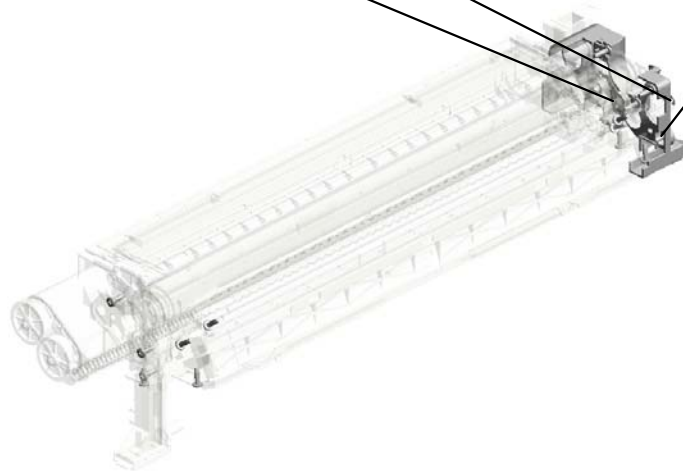
7.D1492398 4.07200030E
DUCT:GEAR:DEVE RETAINING RING -
LOPMENT:ASSY M3



11.D1862201
PCDU:CYAN:SERVI
CE PARTS:EXP



3.04593010N
(x16)
BINDING HEAD TA
PPING SCREW:3X
10



U001	U002	U003	U004	U005	U006	U007	U008	U009	U010	U011	U012	U013	U014	U015	U016
------	------	------	------	------	-------------	------	------	------	------	------	------	------	------	------	------

U006_S001_S001

DEVELOPMENT UNIT:CYAN:SERVICE PARTS:DOM

1.03603006N
(x2)
SCREW - M3X6

4.07200030E
(x5)
RETAINING RING -
M3



15.D1863060
DEVELOPMENT UN
IT:CYAN:SERVICE
PARTS:DOM

5.07200040E
(x3)
RETAINING RING -
M4



6.08050103
RETAINING RINGS
-E.SILENCER:DI A3

2.04593008N
(x2)
BINDING HEAD TA
PPING SCREW:3X
8

U001	U002	U003	U004	U005	U006	U007	U008	U009	U010	U011	U012	U013	U014	U015	U016
------	------	------	------	------	-------------	------	------	------	------	------	------	------	------	------	------

U006_S002

PCDU:MAGENTA:SERVICE PARTS:EXP

3.04593010N
(x16)
BINDING HEAD TA
PPING SCREW:3X
10

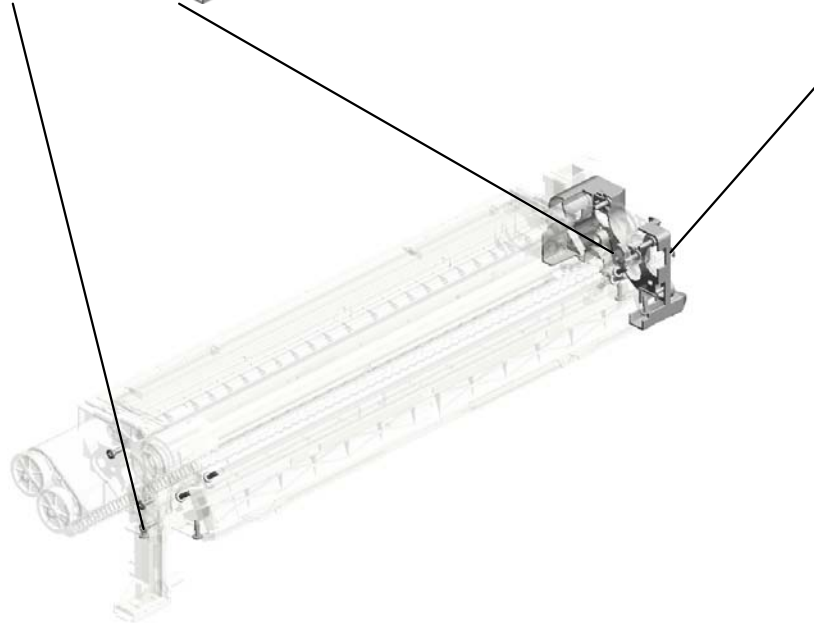
7.D1492398
DUCT:GEAR:DEVE
LOPMENT:ASS'Y



12.D1862202
PCDU:MAGENTA:S
ERVICE PARTS:EX
P



4.07200030E
RETAINING RING -
M3



U001	U002	U003	U004	U005	U006	U007	U008	U009	U010	U011	U012	U013	U014	U015	U016
------	------	------	------	------	-------------	------	------	------	------	------	------	------	------	------	------

U006_S002_S001
DEVELOPMENT UNIT:MAGENTA:SERVICE PARTS:DOM

1.03603006N
(x2)
SCREW - M3X6

4.07200030E
(x5)
RETAINING RING -
M3



16.D1863070
DEVELOPMENT UN
IT:MAGENTA:SERV
ICE PARTS:DOM

5.07200040E
(x3)
RETAINING RING -
M4



6.08050103
RETAINING RINGS
-E.SILENCER:DIA3

2.04593008N
(x2)
BINDING HEAD TA
PPING SCREW:3X
8

U001	U002	U003	U004	U005	U006	U007	U008	U009	U010	U011	U012	U013	U014	U015	U016
------	------	------	------	------	-------------	------	------	------	------	------	------	------	------	------	------

U006_S003

PCDU:YELLOW:SERVICE PARTS:EXP

3.04593010N
(x16)
BINDING HEAD TA
PPING SCREW:3X
10

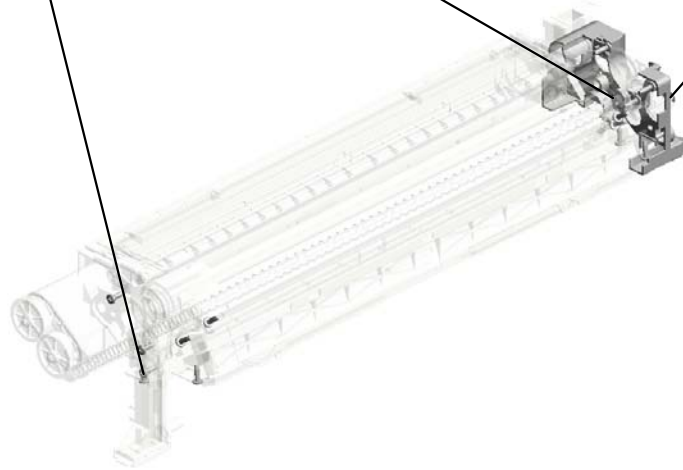
7.D1492398
DUCT:GEAR:DEVE
LOPMENT:ASS'Y



13.D1862203
PCDU:YELLOW:SE
RVICE PARTS:EXP



4.07200030E
RETAINING RING -
M3



U001	U002	U003	U004	U005	U006	U007	U008	U009	U010	U011	U012	U013	U014	U015	U016
------	------	------	------	------	-------------	------	------	------	------	------	------	------	------	------	------

U006_S003_S001

DEVELOPMENT UNIT:YELLOW:SERVICE PARTS:DOM

1.03603006N
(x2)
SCREW - M3X6

4.07200030E
(x5)
RETAINING RING -
M3



17.D1863080
DEVELOPMENT UN
IT:YELLOW:SERVI
CE PARTS:DOM

5.07200040E
(x3)
RETAINING RING -
M4



6.08050103
RETAINING RINGS
-E.SILENCER:DI A3



2.04593008N
(x2)
BINDING HEAD TA
PPING SCREW:3X
8



U001	U002	U003	U004	U005	U006	U007	U008	U009	U010	U011	U012	U013	U014	U015	U016
------	------	------	------	------	-------------	------	------	------	------	------	------	------	------	------	------

U006_S004
PCDU:BLACK:SERVICE PARTS:EXP

7.D1492398 4.07200030E
DUCT:GEAR:DEVE RETAINING RING -
LOPMENT:ASSY M3



10.D1862200
PCDU:BLACK:SER
VICE PARTS:EXP



3.04593010N
(x16)
BINDING HEAD TA
PPING SCREW:3X
10

U001	U002	U003	U004	U005	U006	U007	U008	U009	U010	U011	U012	U013	U014	U015	U016
------	------	------	------	------	-------------	------	------	------	------	------	------	------	------	------	------

U006_S004_S001
 DEVELOPMENT UNIT:BLACK:SERVICE PARTS:DOM

1.03603006N
 (x2)
 SCREW - M3X6

4.07200030E
 (x5)
 RETAINING RING -
 M3



14.D1863050
 DEVELOPMENT UN
 IT:BLACK:SERVIC
 E PARTS:DOM

5.07200040E
 (x3)
 RETAINING RING -
 M4



6.08050103
 RETAINING RINGS
 -E.SILENCER:DIA3



2.04593008N
 (x2)
 BINDING HEAD TA
 PPING SCREW:3X
 8



U001	U002	U003	U004	U005	U006	U007	U008	U009	U010	U011	U012	U013	U014	U015	U016
------	------	------	------	------	------	------	------	------	------	------	------	------	------	------	------

U006_S005
PCU:BLACK:SERVICE PARTS:EXP

3.04593010N
(x15)
BINDING HEAD TA
PPING SCREW:3X
10



4.07200030E
RETAINING RING -
M3



8.D1509201
PCU:BLACK:SERVI
CE PARTS:EXP

U001	U002	U003	U004	U005	U006	U007	U008	U009	U010	U011	U012	U013	U014	U015	U016
------	------	------	------	------	-------------	------	------	------	------	------	------	------	------	------	------

U006_S006
PCU:COLOR:SERVICE PARTS:EXP

3.04593010N
(x15)
BINDING HEAD TA
PPING SCREW:3X
10



4.07200030E
RETAINING RING -
M3



9.D1509202
PCU:COLOR:SERVI
CE PARTS:EXP

U001	U002	U003	U004	U005	U006	U007	U008	U009	U010	U011	U012	U013	U014	U015	U016
------	------	------	------	------	-------------	------	------	------	------	------	------	------	------	------	------

U007.TONNER SUPPLY

U007_S002
D1473269
DRIVE UNIT:TONER BOTTLE
:ASS'Y

U007_S006
D1473248
TRANSPORT SCREW:NOZZL
E:ASS'Y

U007_S001
D1473269
DRIVE UNIT:TONER BOTTLE
:ASS'Y

U007_S008
D1473248
TRANSPORT SCREW:NOZZL
E:ASS'Y

U007_S003
D1473269
DRIVE UNIT:TONER BOTTLE
:ASS'Y

U007_S012
D1493310
TONER HOPPER:TONER SU
PPLY:Y:ASS'Y

U007_S004
D1473269
DRIVE UNIT:TONER BOTTLE
:ASS'Y

U007_S011
D1493280
TONER HOPPER:TONER SU
PPLY:M:ASS'Y

U007_S005
D1473245
TRANSPORT SCREW:NOZZL
E:BK:ASS'Y

U007_S010
D1493270
TONER HOPPER:TONER SU
PPLY:C:ASS'Y

U007_S007
D1473248
TRANSPORT SCREW:NOZZL
E:ASS'Y

U007_S009
D1493240
TONER HOPPER:TONER SU
PPLY:BK:ASS'Y

U001	U002	U003	U004	U005	U006	U007	U008	U009	U010	U011	U012	U013	U014	U015	U016
------	------	------	------	------	------	------	------	------	------	------	------	------	------	------	------

U007 TONNER SUPPRY

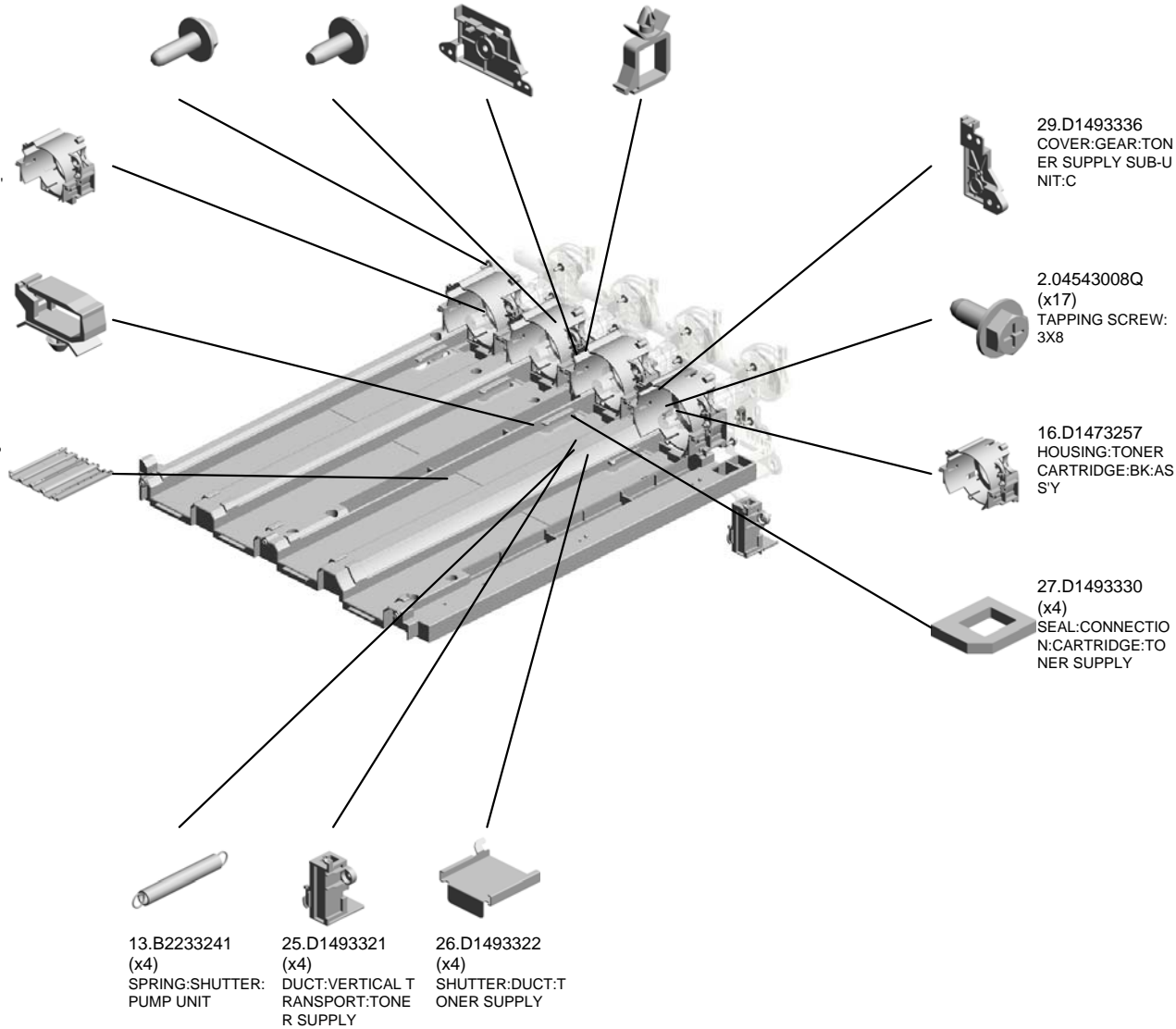


- 3.04543010Q TAPPING SCREW: 3X10
- 4.04583008N (x15) HEXAGON HEAD TAPPING SCREW: 3X8
- 28.D1493331 COVER:GEAR:TONER SUPPLY SUB-UNIT
- 8.11050488 HARNESS CLAMP

17.D1473258 (x3) HOUSING:TONER SUPPLY:CMY:ASS'Y

11.11050760 (x7) CLAMP:LWSM-051A

23.D1493307 BASE:TONER SUPPLY



29.D1493336 COVER:GEAR:TONER SUPPLY SUB-UNIT:C

2.04543008Q (x17) TAPPING SCREW: 3X8

16.D1473257 HOUSING:TONER CARTRIDGE:BK:ASS'Y

27.D1493330 (x4) SEAL:CONNECTOR:CARTRIDGE:TONER SUPPLY

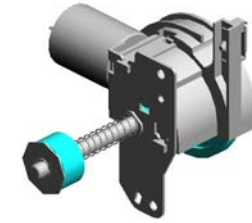
13.B2233241 (x4) SPRING:SHUTTER:PUMP UNIT

25.D1493321 (x4) DUCT:VERTICAL TRANSPORT:TONER SUPPLY

26.D1493322 (x4) SHUTTER:DUCT:TONER SUPPLY

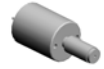
U007_S001
DRIVE UNIT:TONER BOTTLE:ASS'Y

19.D1493210
DC MOTOR:TONE
R BOTTLE:ASS'Y:5.
28W:BRUSH

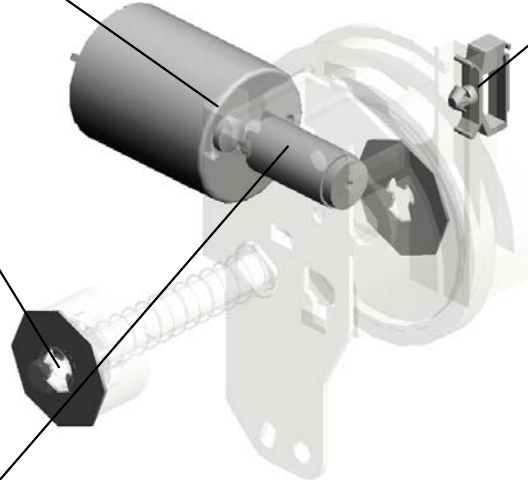


18.D1473269
DRIVE UNIT:TONE
R BOTTLE:ASS'Y

6.07200040E
(x2)
RETAINING RING -
M4



12.11050762
CLAMP:LWS-0711A



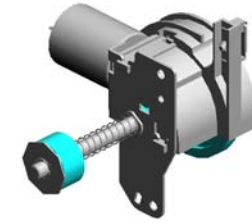
1.03530030N
(x2)
SCREW:M3X3



U001	U002	U003	U004	U005	U006	U007	U008	U009	U010	U011	U012	U013	U014	U015	U016
------	------	------	------	------	------	------	------	------	------	------	------	------	------	------	------

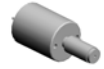
U007_S002
DRIVE UNIT:TONER BOTTLE:ASS'Y

19.D1493210
DC MOTOR:TONE
R BOTTLE:ASS'Y:5.
28W:BRUSH

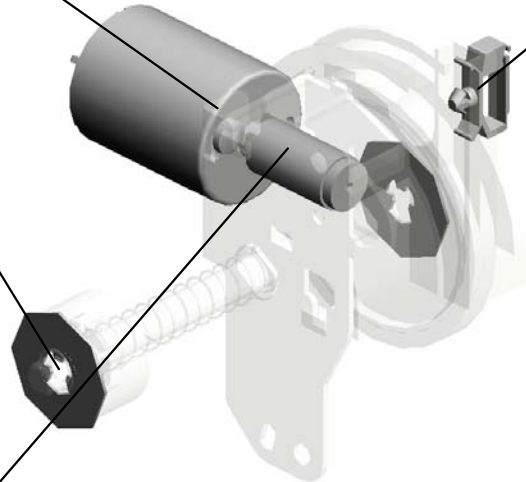


18.D1473269
DRIVE UNIT:TONE
R BOTTLE:ASS'Y

6.07200040E
(x2)
RETAINING RING -
M4



12.11050762
CLAMP:LWS-0711A



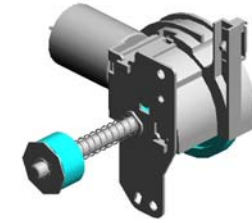
1.03530030N
(x2)
SCREW:M3X3



U001	U002	U003	U004	U005	U006	U007	U008	U009	U010	U011	U012	U013	U014	U015	U016
------	------	------	------	------	------	------	------	------	------	------	------	------	------	------	------

U007_S003
DRIVE UNIT:TONER BOTTLE:ASS'Y

19.D1493210
DC MOTOR:TONE
R BOTTLE:ASS'Y:5.
28W:BRUSH

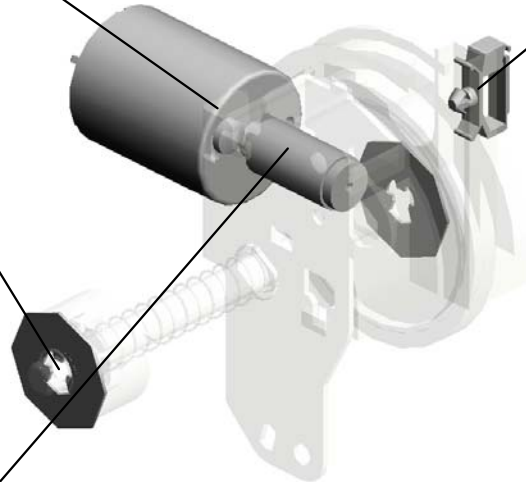


18.D1473269
DRIVE UNIT:TONE
R BOTTLE:ASS'Y

6.07200040E
(x2)
RETAINING RING -
M4



12.11050762
CLAMP:LWS-0711A



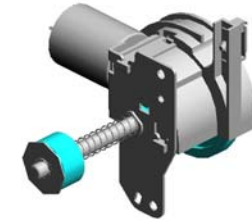
1.03530030N
(x2)
SCREW:M3X3



U001	U002	U003	U004	U005	U006	U007	U008	U009	U010	U011	U012	U013	U014	U015	U016
------	------	------	------	------	------	------	------	------	------	------	------	------	------	------	------

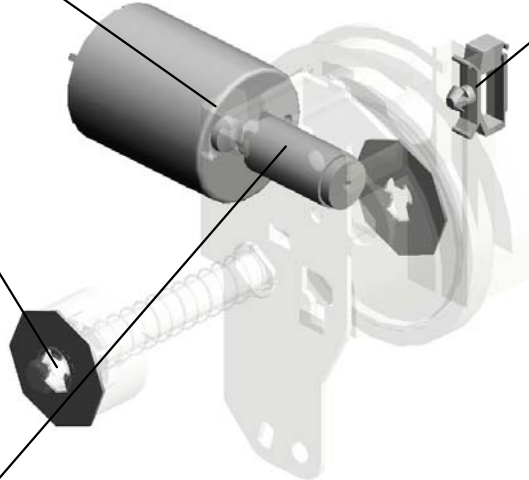
U007_S004
DRIVE UNIT:TONER BOTTLE:ASS'Y

19.D1493210
DC MOTOR:TONE
R BOTTLE:ASS'Y:5.
28W:BRUSH



18.D1473269
DRIVE UNIT:TONE
R BOTTLE:ASS'Y

6.07200040E
(x2)
RETAINING RING -
M4



12.11050762
CLAMP:LWS-0711A



1.03530030N
(x2)
SCREW:M3X3

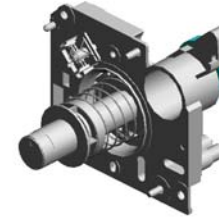


U001	U002	U003	U004	U005	U006	U007	U008	U009	U010	U011	U012	U013	U014	U015	U016
------	------	------	------	------	------	------	------	------	------	------	------	------	------	------	------

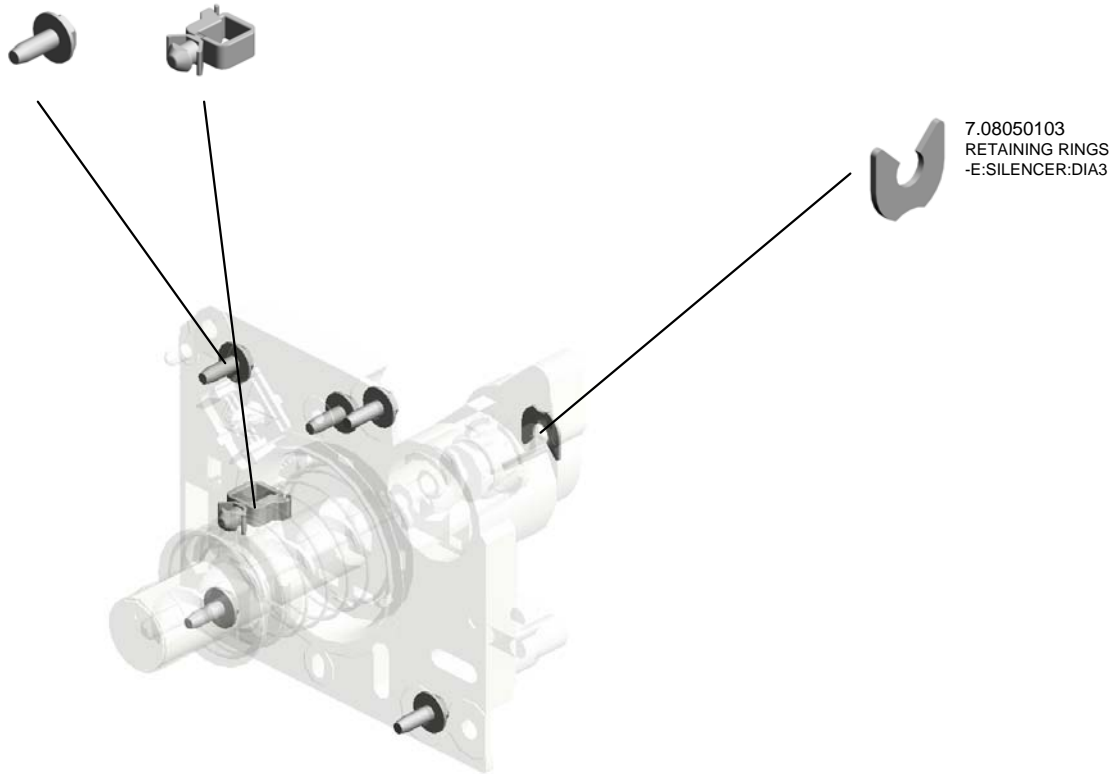
U007_S005
TRANSPORT SCREW:NOZZLE:BK:ASS'Y

4.04583008N
(x5)
HEXAGON HEAD T
APPING SCREW:3
X8

10.11050759
CLAMP:LWSM-060
5A



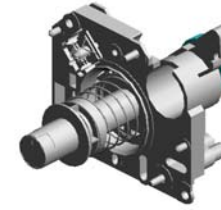
14.D1473245
TRANSPORT SCR
EW:NOZZLE:BK:AS
SY



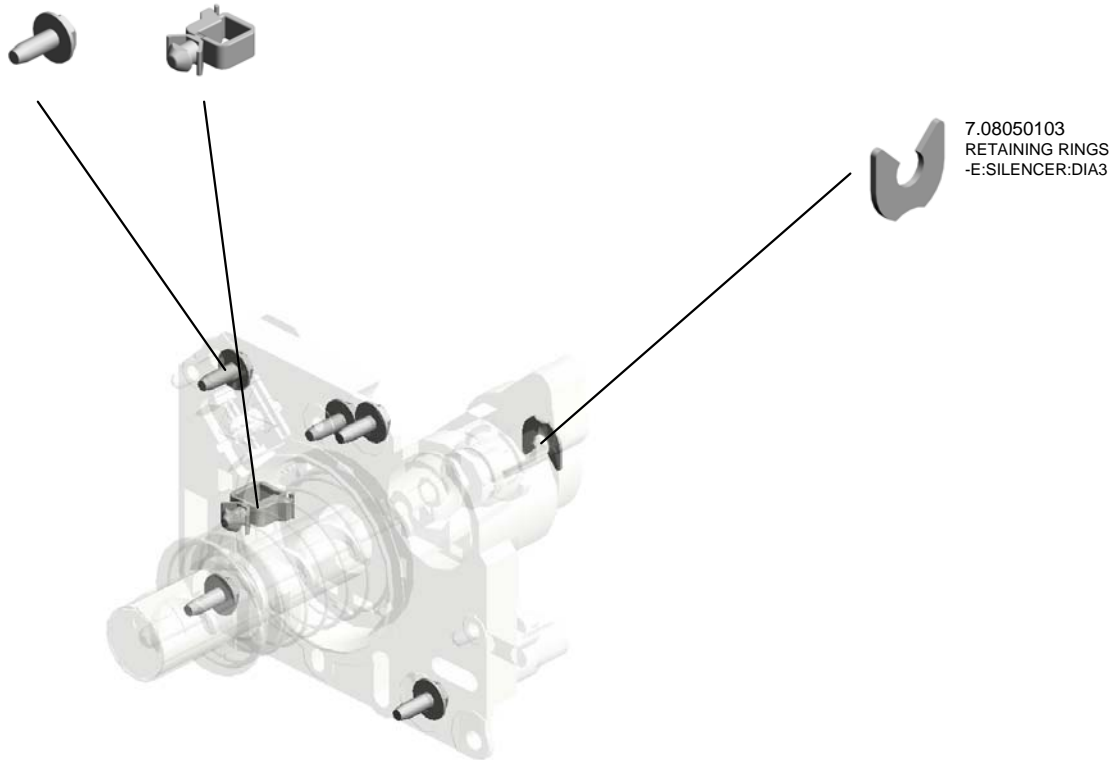
U001	U002	U003	U004	U005	U006	U007	U008	U009	U010	U011	U012	U013	U014	U015	U016
------	------	------	------	------	------	------	------	------	------	------	------	------	------	------	------

U007_S006
TRANSPORT SCREW:NOZZLE:ASS'Y

4.04583008N 10.11050759
(x5) CLAMP:LWSM-060
HEXAGON HEAD TAPPING SCREW:3
5A
X8



15.D1473248
TRANSPORT SCR
EW:NOZZLE:ASS'Y



7.08050103
RETAINING RINGS
-E:SILENCER:DIA3

U001	U002	U003	U004	U005	U006	U007	U008	U009	U010	U011	U012	U013	U014	U015	U016
------	------	------	------	------	------	------	------	------	------	------	------	------	------	------	------

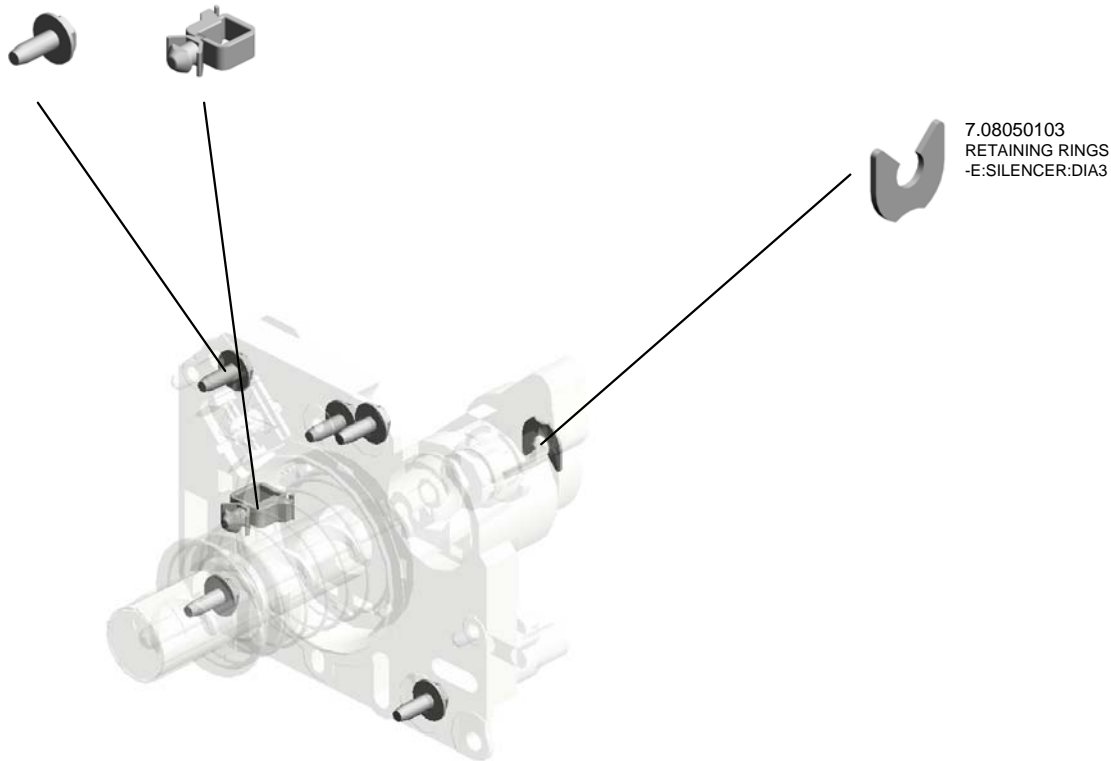
U007_S007

TRANSPORT SCREW:NOZZLE:ASS'Y

4.04583008N 10.11050759
(x5) CLAMP:LWSM-060
HEXAGON HEAD TAPPING SCREW:3
5A
X8



15.D1473248
TRANSPORT SCR
EW:NOZZLE:ASS'Y

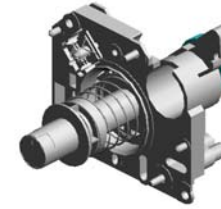


7.08050103
RETAINING RINGS
-E:SILENCER:DIA3

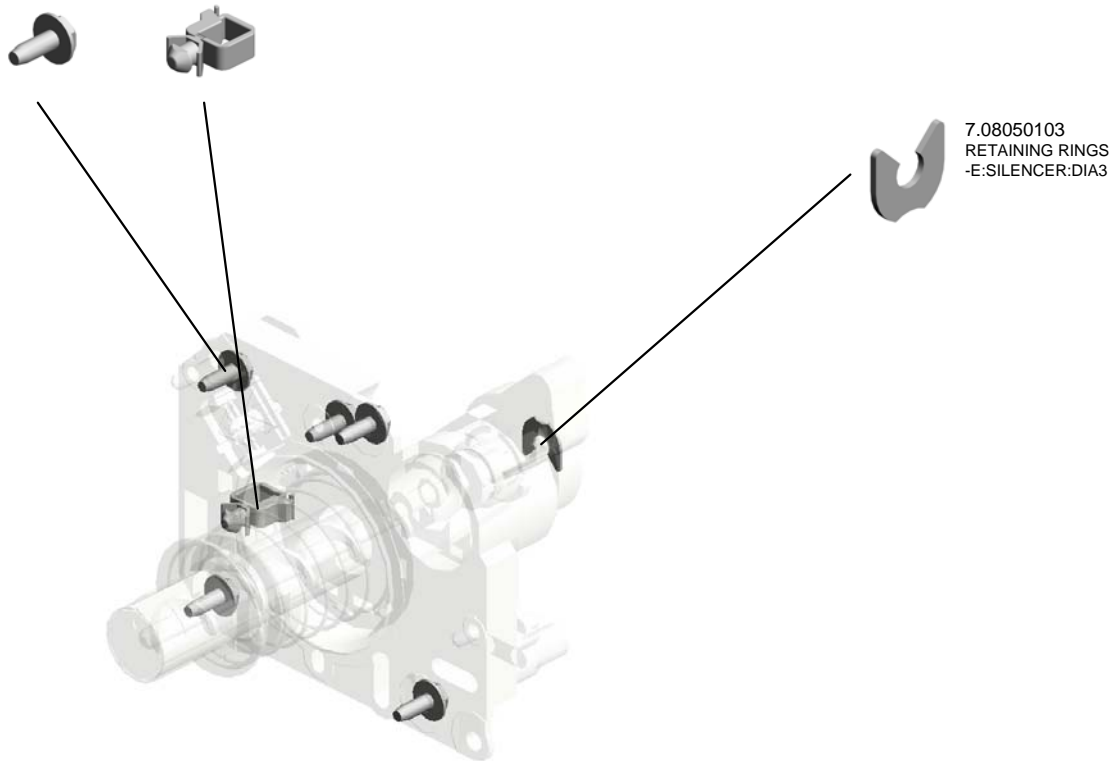
U001	U002	U003	U004	U005	U006	U007	U008	U009	U010	U011	U012	U013	U014	U015	U016
------	------	------	------	------	------	------	------	------	------	------	------	------	------	------	------

U007_S008
TRANSPORT SCREW:NOZZLE:ASS'Y

4.04583008N 10.11050759
(x5) CLAMP:LWSM-060
HEXAGON HEAD TAPPING SCREW:3
5A
X8



15.D1473248
TRANSPORT SCR
EW:NOZZLE:ASS'Y



U001	U002	U003	U004	U005	U006	U007	U008	U009	U010	U011	U012	U013	U014	U015	U016
------	------	------	------	------	------	------	------	------	------	------	------	------	------	------	------

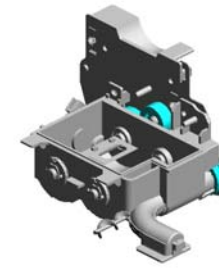
U007_S009

TONER HOPPER:TONER SUPPLY:BK:ASS'Y

4.04583008N
HEXAGON HEAD T
APPING SCREW:3
X8

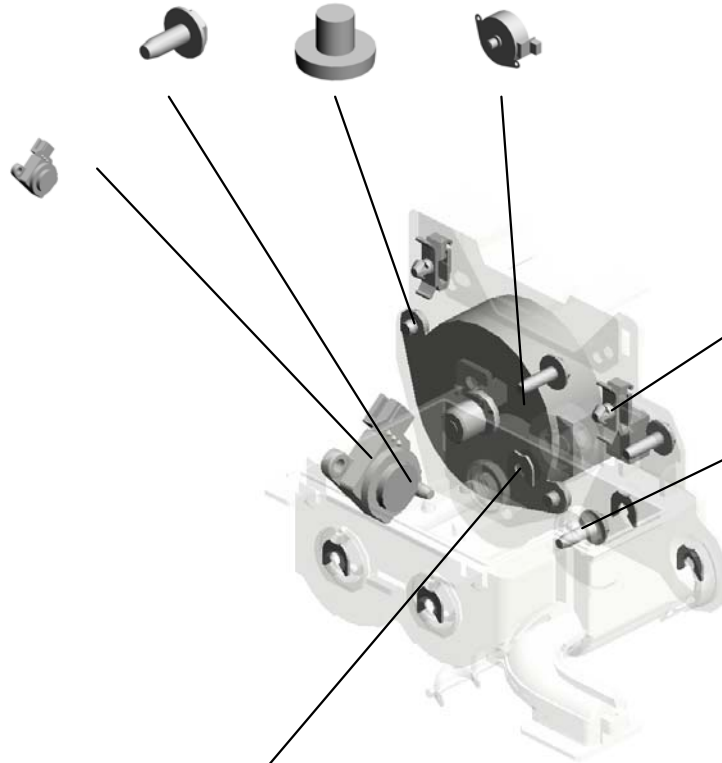
1.03530030N
(x2)
SCREW:M3X3

30.D1493350
DC STEPPER MOT
OR:TONER SUPPL
Y



20.D1493240
TONER HOPPER:T
ONER SUPPLY:BK:
ASS'Y

32.GW230008
TONER END SENS
OR



9.11050758
(x2)
CLAMP:LWSM-030
6A

5.04583010N
(x3)
HEXAGON HEAD T
APPING SCREW:3
X10

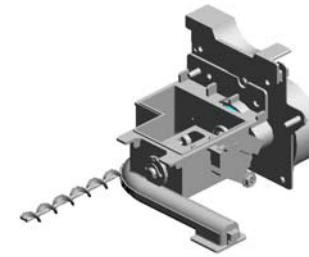
7.08050103
(x5)
RETAINING RINGS
-E:SILENCER:DIA3

U001	U002	U003	U004	U005	U006	U007	U008	U009	U010	U011	U012	U013	U014	U015	U016
------	------	------	------	------	------	------	------	------	------	------	------	------	------	------	------

U007_S010
 TONER HOPPER:TONER SUPPLY:C:ASS'Y

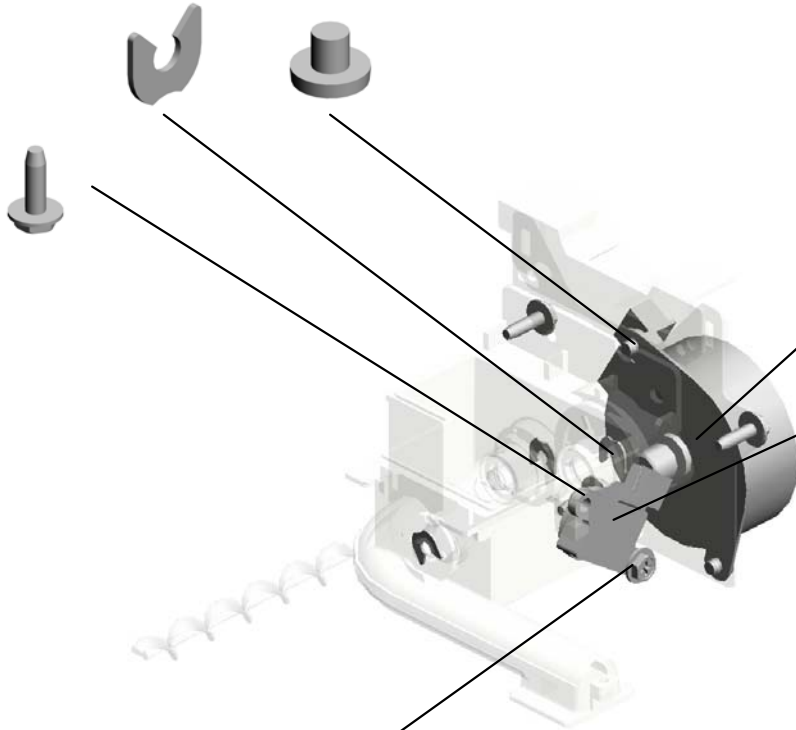
7.08050103 (x3)
 RETAINING RINGS
 -E:SILENCER:DIA3

1.03530030N (x2)
 SCREW:M3X3



21.D1493270
 TONER HOPPER:T
 ONER SUPPLY:C:A
 SS'Y

5.04583010N (x3)
 HEXAGON HEAD T
 APPING SCREW:3
 X10



30.D1493350
 DC STEPPER MOT
 OR:TONER SUPPL
 Y

32.GW230008
 TONER END SENS
 OR

4.04583008N
 HEXAGON HEAD T
 APPING SCREW:3
 X8

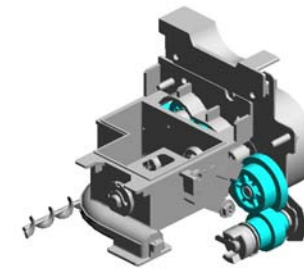
U001	U002	U003	U004	U005	U006	U007	U008	U009	U010	U011	U012	U013	U014	U015	U016
------	------	------	------	------	------	------	------	------	------	------	------	------	------	------	------

U007_S011
 TONER HOPPER:TONER SUPPLY:M:ASS'Y

5.04583010N (x3)
 HEXAGON HEAD TAPPING SCREW:3X10

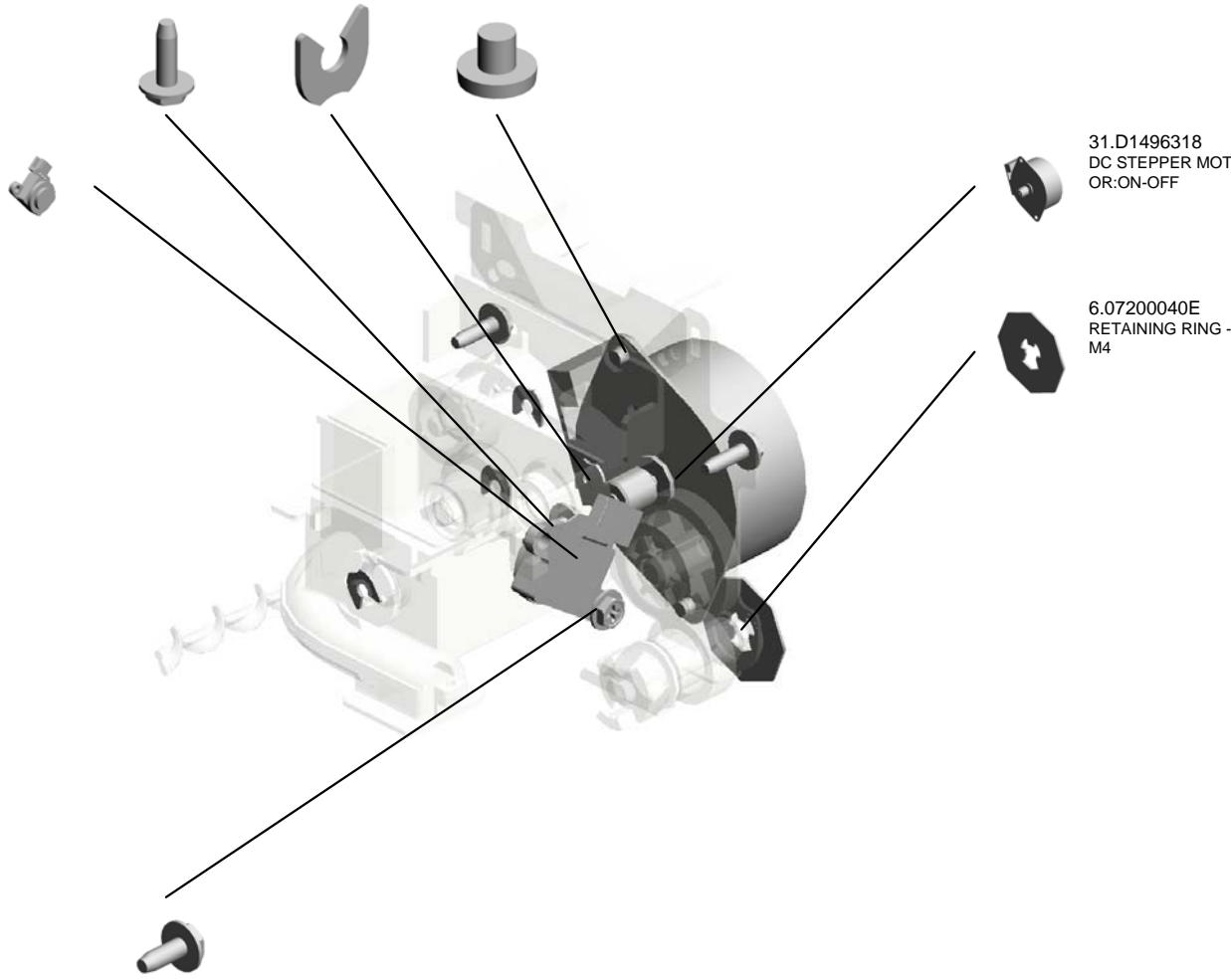
7.08050103 (x4)
 RETAINING RINGS -E:SILENCER:DIA3

1.03530030N (x2)
 SCREW:M3X3



22.D1493280
 TONER HOPPER:TONER SUPPLY:M:ASS'Y

32.GW230008
 TONER END SENSOR



31.D1496318
 DC STEPPER MOTOR:ON-OFF

6.07200040E
 RETAINING RING - M4

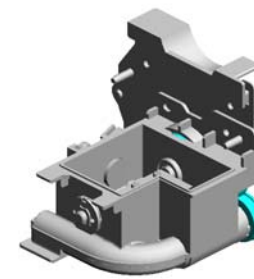
4.04583008N
 HEXAGON HEAD TAPPING SCREW:3X8

U001	U002	U003	U004	U005	U006	U007	U008	U009	U010	U011	U012	U013	U014	U015	U016
------	------	------	------	------	------	------	------	------	------	------	------	------	------	------	------

U007_S012
 TONER HOPPER:TONER SUPPLY:Y:ASS'Y

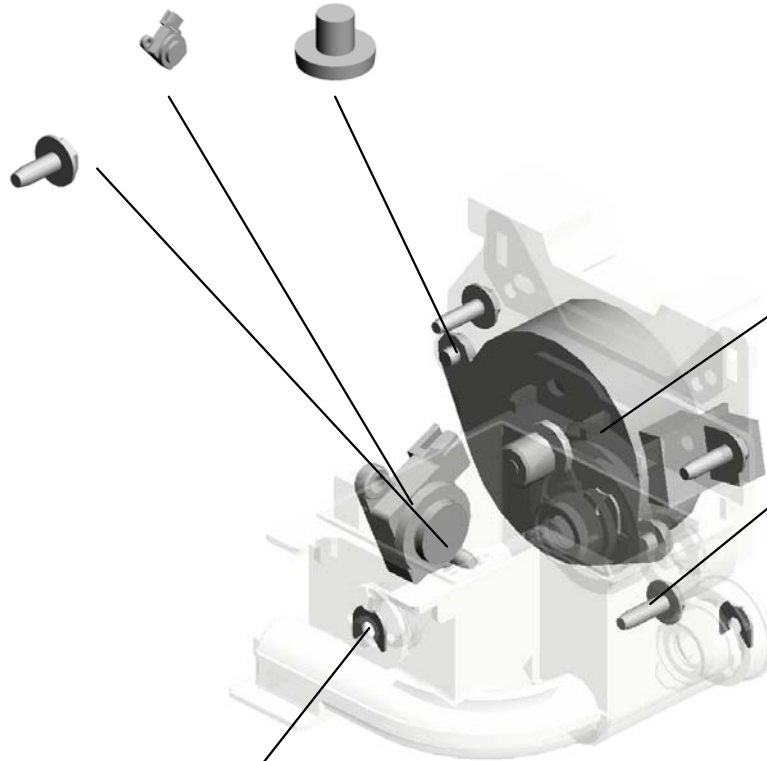
32.GW230008
 TONER END SENS
 OR

1.03530030N
 (x2)
 SCREW:M3X3



24.D1493310
 TONER HOPPER:T
 ONER SUPPLY:Y:A
 SS'Y

4.04583008N
 HEXAGON HEAD T
 APPING SCREW:3
 X8



30.D1493350
 DC STEPPER MOT
 OR:TONER SUPPL
 Y

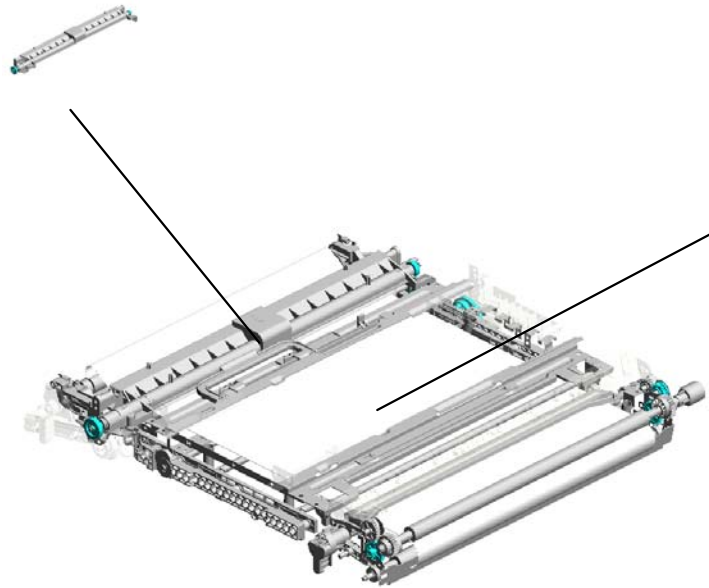
5.04583010N
 (x3)
 HEXAGON HEAD T
 APPING SCREW:3
 X10

7.08050103
 (x3)
 RETAINING RINGS
 -E:SILENCER:DIA3

U001	U002	U003	U004	U005	U006	U007	U008	U009	U010	U011	U012	U013	U014	U015	U016
------	------	------	------	------	------	------	------	------	------	------	------	------	------	------	------

U008.ITB UNIT

U008_S002
D1496141
CLEANING UNIT:BELT CLEANING:ASSY

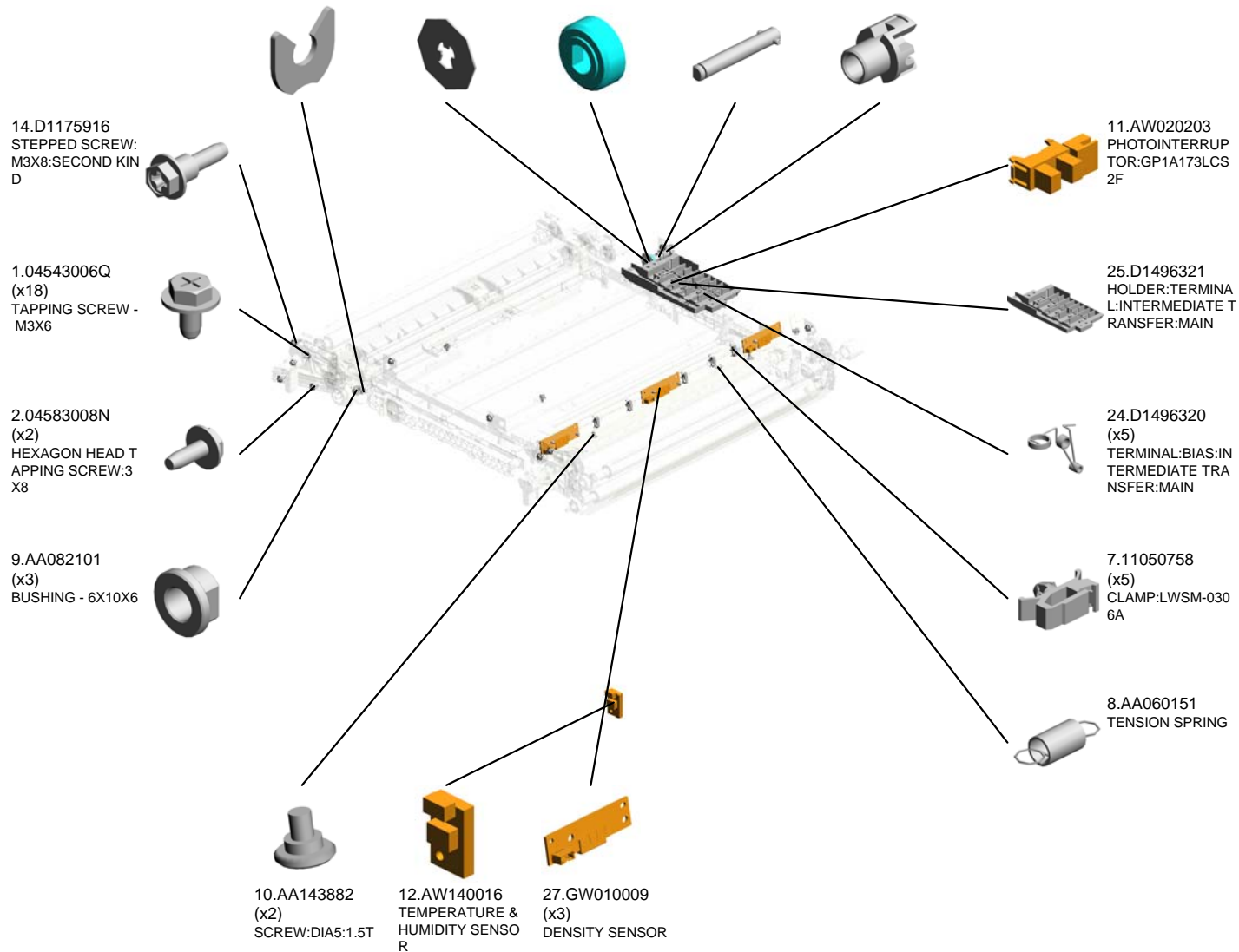


U008_S001
D1496001
TRANSFER UNIT:INTERMEDIATE TRANSFER:ASSY

U001	U002	U003	U004	U005	U006	U007	U008	U009	U010	U011	U012	U013	U014	U015	U016
------	------	------	------	------	------	------	-------------	------	------	------	------	------	------	------	------

U008 ITB UNIT

- 4.08050103 RETAINING RINGS -E:SILENCER:DIA3
- 3.07200040E RETAINING RING -M4
- 22.D1496311 GEAR:ON-OFF:COLLAR:OUTPUT
- 21.D1496309 SHAFT:ON-OFF:COLLAR:MAIN
- 23.D1496312 JOINT:ON-OFF:COLLAR



U001	U002	U003	U004	U005	U006	U007	U008	U009	U010	U011	U012	U013	U014	U015	U016
------	------	------	------	------	------	------	------	------	------	------	------	------	------	------	------

U008_S001
TRANSFER UNIT:INTERMEDIATE TRANSFER:ASS'Y

9.AA082101 (x2) BUSHING - 6X10X6
 26.D1496336 (x4) TRANSFER ROLLER ASS'Y
 3.07200040E (x11) RETAINING RING - M4



16.D1496001
TRANSFER UNIT:INTERMEDIATE TRANSFER:ASS'Y

5.08050104 (x8) RETAINING RINGS -E:SILENCER:DIA4

1.04543006Q (x10) TAPPING SCREW - M3X6

17.D1496030 CAM:ON-OFF:COLLAR

13.B2236069 JOINT:DRIVE:INTERMEDIATE TRANSFER

6.08050106 (x2) RETAINING RINGS -E:SILENCER:DIA6

2.04583008N HEXAGON HEAD TAPPING SCREW:3X8

18.D1496036 (x2) CAM:ON-OFF:BACK

19.D1496097 FLAT BELT-TRANSFER:INTERMEDIATE TRANSFER:N

15.D1441085 (x2) STEPPED SCREW: M3

U001	U002	U003	U004	U005	U006	U007	U008	U009	U010	U011	U012	U013	U014	U015	U016
------	------	------	------	------	------	------	------	------	------	------	------	------	------	------	------

U008_S002

CLEANING UNIT:BELT CLEANING:ASS'Y

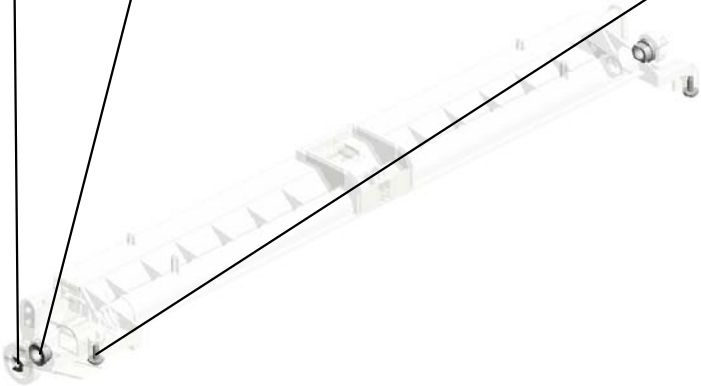
4.08050103 9.AA082101
RETAINING RINGS (x2)
-E:SILENCER:DIA3 BUSHING - 6X10X6



20.D1496141
CLEANING UNIT:BELT
CLEANING:AS
S'Y



2.04583008N
(x2)
HEXAGON HEAD TAPPING
SCREW:3X8



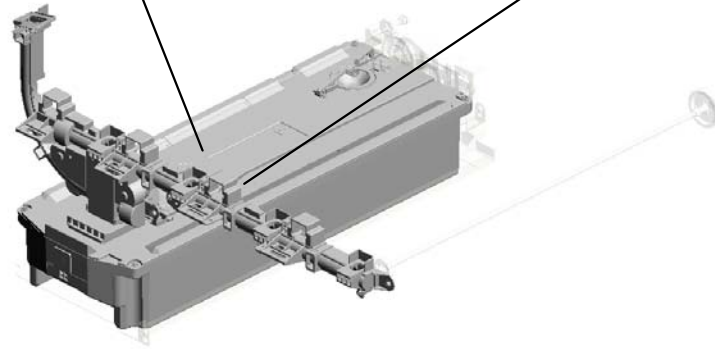
U001	U002	U003	U004	U005	U006	U007	U008	U009	U010	U011	U012	U013	U014	U015	U016
------	------	------	------	------	------	------	------	------	------	------	------	------	------	------	------

U009.USED TONER

U009_S002
D1496511
PIPE:ASS'Y



U009_S001
D1496400
COLLECTION BOTTLE:ASS'Y



U001	U002	U003	U004	U005	U006	U007	U008	U009	U010	U011	U012	U013	U014	U015	U016
------	------	------	------	------	------	------	------	------	------	------	------	------	------	------	------

U009 USED TONER

10.AW020198
PHOTOINTERRUP
TOR:LG2A14NL1

15.D1491174
GEAR:COLLECTIO
N BOTTLE

1.04543006Q
(x5)
TAPPING SCREW -
M3X6

6.08050089
RETAINING RING -
M4

7.08050103
(x4)
RETAINING RINGS
-SILENCER:DIA3



19.D1496553
GEAR:IDLER:Z61



18.D1496552
GEAR:IDLER:Z30



24.D1496561
PULLEY:USED TO
NER



5.07200040E
(x7)
RETAINING RING -
M4



2.04543008Q
(x4)
TAPPING SCREW:
3X8



22.D1496556
TENSION SPRING:
BELT TENSIONER



23.D1496557
GEAR:SYNCHRONOUS B
ELT:40S3M564



20.D1496554
GEAR:PULLEY:IDL
ER:Z16



4.07200030E
(x2)
RETAINING RING -
M3



21.D1496555
GEAR:IDLER:Z21



14.D1491173
GEAR:IDLER:TONE
R BOTTLE



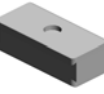
13.D1491168
BRACKET:DRIVE:C
OLLECTION BOTTL
E:ASSY



11.AW500040
PUSH SWITCH:SW
1AG-550:10MA



9.AG070514
MAGNET CATCH

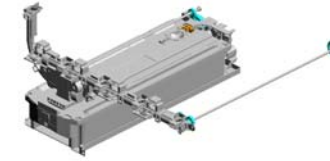


12.B2236476
(x4)
BUSHING - DIA5



U009 USED TONER

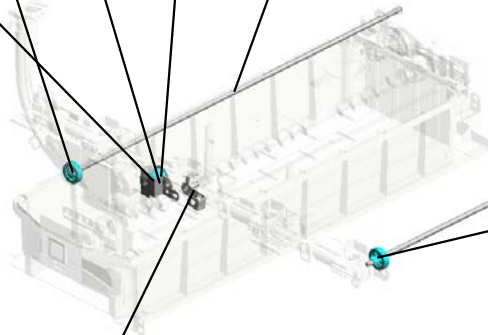
26.D1496571 BRACKET:PULLEY:
IDLER:USED TONE
R
28.D1496575 FLANGE:IDLER:US
ED TONER
32.D1496586 SHAFT:DRIVE:USE
D TONER:LEFT



33.D1496587
GEAR:USED TONE
R:LEFT



27.D1496574
GEAR:PULLEY:IDL
ER:Z18



31.D1496583
GEAR:USED TONE
R:INPUT



29.D1496581
SHAFT:DRIVE:USE
D TONER:RIGHT



30.D1496582
GEAR:USED TONE
R:RIGHT



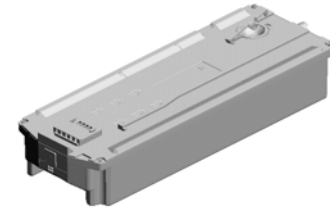
25.D1496562
BRACKET:TIGHTE
NER:USED TONER



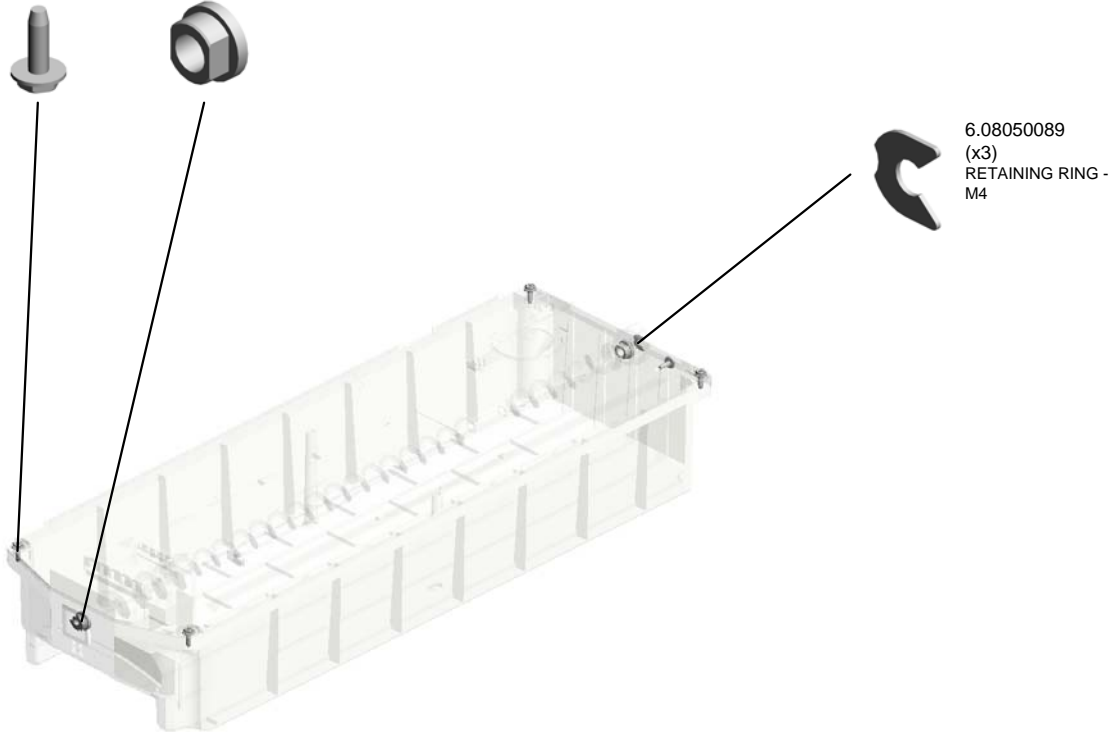
U001	U002	U003	U004	U005	U006	U007	U008	U009	U010	U011	U012	U013	U014	U015	U016
------	------	------	------	------	------	------	------	------	------	------	------	------	------	------	------

U009_S001
COLLECTION BOTTLE:ASS'Y

3.04583010N 8.AA080346
(x5) (x2)
HEXAGON HEAD TAPPING SCREW:3 X10 BUSHING:FLANGE TYPE:DIA6



16.D1496400
COLLECTION BOT
TLE:ASS'Y

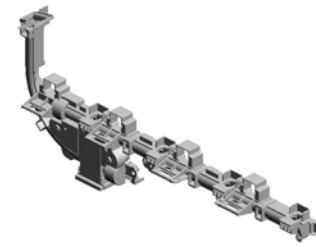


6.08050089
(x3)
RETAINING RING -
M4

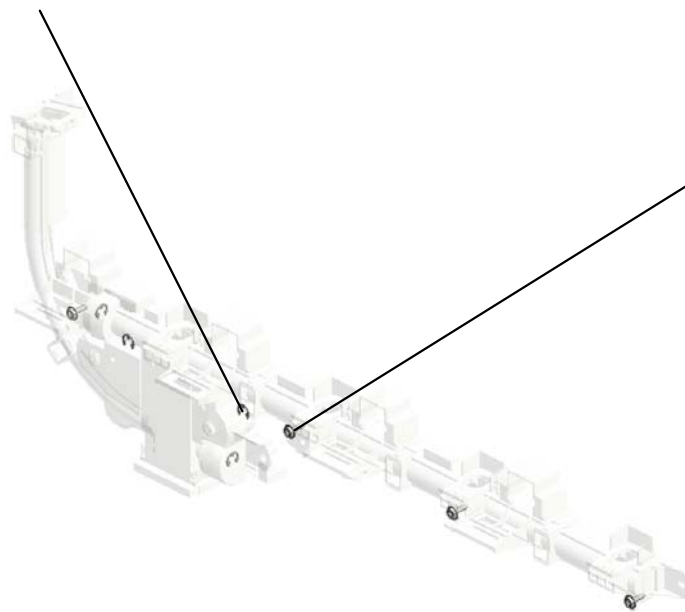
U001	U002	U003	U004	U005	U006	U007	U008	U009	U010	U011	U012	U013	U014	U015	U016
------	------	------	------	------	------	------	------	------	------	------	------	------	------	------	------

U009_S002
PIPE:ASS'Y

5.07200040E
(x4)
RETAINING RING -
M4



17.D1496511
PIPE:ASS'Y

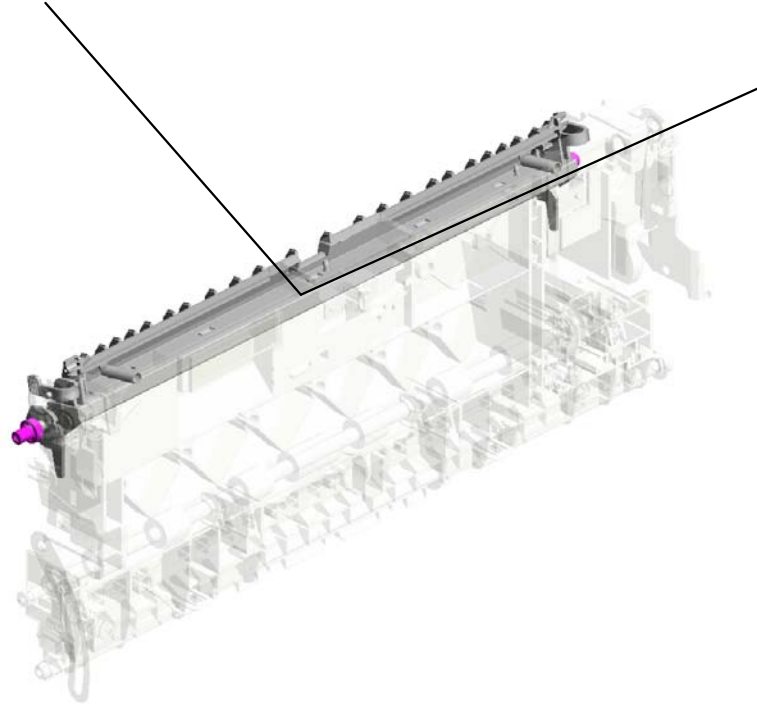


3.04583010N
(x4)
HEXAGON HEAD T
APPING SCREW:3
X10

U001	U002	U003	U004	U005	U006	U007	U008	U009	U010	U011	U012	U013	U014	U015	U016
------	------	------	------	------	------	------	------	------	------	------	------	------	------	------	------

U010.PAPER TRANSPORT

U010_S001
D1496211
TRANSFER ROLLER:SECON
D:ASS'Y



U010_S002
D7396211
TRANSFER ROLLER:IMAGE
AREA EXTENSION:OPTION:A
SS'Y



U001	U002	U003	U004	U005	U006	U007	U008	U009	U010	U011	U012	U013	U014	U015	U016
------	------	------	------	------	------	------	------	------	------	------	------	------	------	------	------

U010 PAPER TRANSPORT

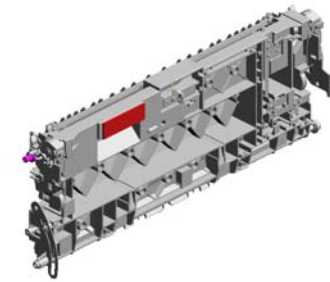
2.04543008Q
(x2)
TAPPING SCREW:
3X8

16.AF020799
REGISTRATION R
OLLER:DRIVE

17.AW010200
PAPER FEED SEN
SOR:FUSING EXIT

7.11050758
CLAMP:LWSM-030
6A

6.07200060E
(x2)
RETAINING RING -
M6



9.54472681
SNAP RING

5.07200040E
(x3)
RETAINING RING -
M4

4.07200030E
(x2)
RETAINING RING -
M3

12.AA063943
(x2)
COMPRESSION SP
RING:GUIDE PLAT
E:REGISTRATION:
4N

3.04583008N
(x6)
HEXAGON HEAD T
APPING SCREW:3
X8

19.D1492582
GUIDE PLATE:REG
ISTRATION:FRONT
RIGHT

10.AA063941
(x2)
COMPRESSION SP
RING:REGISTRATI
ON:INNER:DRIVE

20.D1492585
GUIDE:REGISTRAT
ION:REAR RIGHT

1.04543006Q
TAPPING SCREW -
M3X6

13.AA080346
(x2)
BUSHING:FLANGE
TYPE:DIA6

18.AW020203
PHOTOINTERRUP
TOR:GP1A173LCS
2F

15.AB011571
GEAR:Z19:DRIVE:R
EGISTRATION

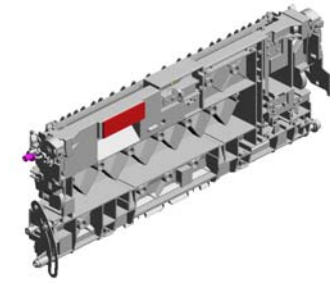
11.AA063942
COMPRESSION SP
RING:REGISTRATI
ON:DRIVE

8.52152621
SNAP RING - M6

14.AA082144
BUSHING - 8X12X7

U010 PAPER TRANSPORT

27.D1496226 LEVER:TRANSFER /SEPARATION UNIT:FRONT
 29.D1496228 TORSION SPRING: LEVER:SET:FRONT
 21.D1492586 GUIDE:REGISTRATION:FRONT RIGHT
 23.D1492589 GUIDE:REGISTRATION:FRONT RIGHT :AUXILIARY
 41.D1496255 DECAL:GRIP:B



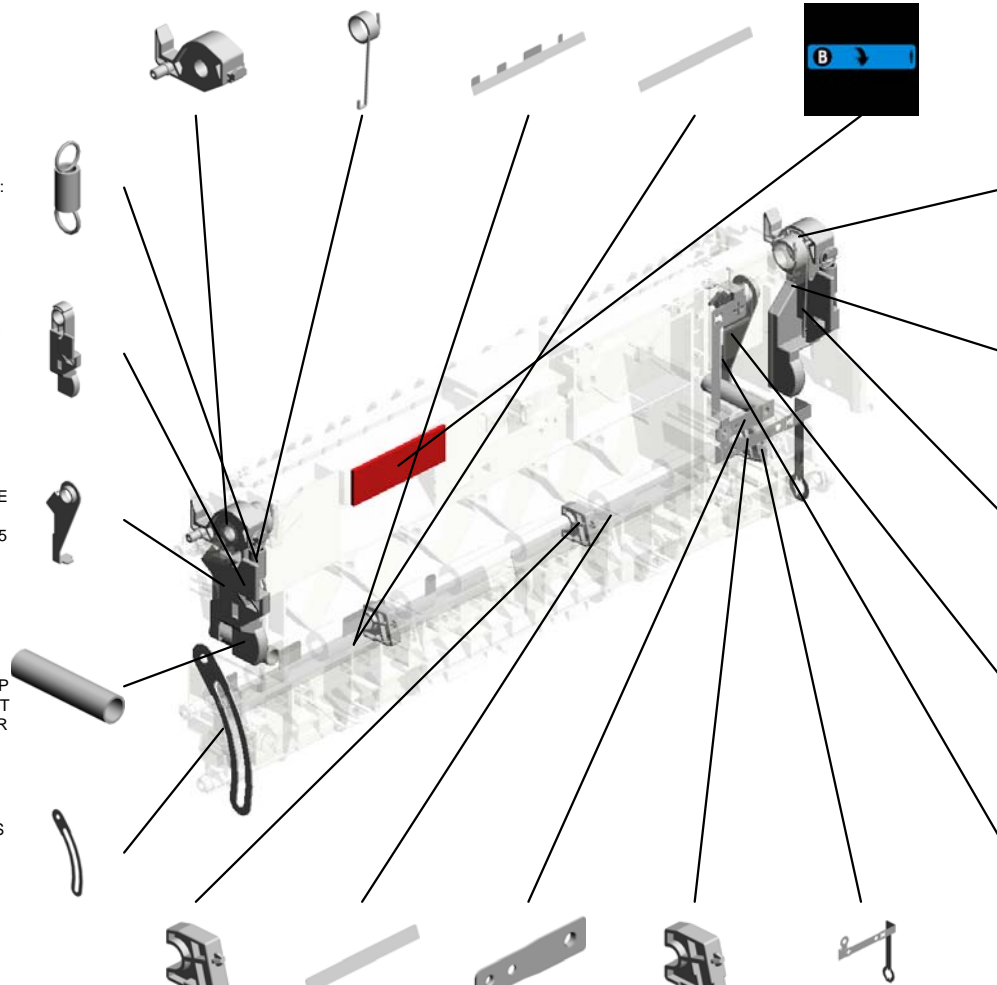
30.D1496229 (x2) TENSION SPRING: LEVER:SET

28.D1496227 LEVER:SET:FRONT

34.D1496240 LEVER:PRESSURE :TRANSFER ROLLER:FRONT:DIA15.5

36.D1496242 (x2) COMPRESSION SPRING:PRESSURE:TRANSFER ROLLER

40.D1496246 LINK:TRANSFER/SEPARATION UNIT



31.D1496231 LEVER:TRANSFER /SEPARATION UNIT:REAR

33.D1496233 TORSION SPRING: LEVER:SET:REAR

32.D1496232 LEVER:SET:REAR

35.D1496241 LEVER:PRESSURE :TRANSFER ROLLER:REAR:DIA15.5

38.D1496244 GROUND PLATE:SEPARATION

25.D1492991 (x2) PLAIN SHAFT BEARING:INNER:DRIVE:REGISTRATION ROLLER

22.D1492588 GUIDE:REGISTRATION:REAR RIGHT:AUXILIARY

37.D1496243 RECEIVE PLATE:COMPRESSION SPRING:TRANSFER ROLLER

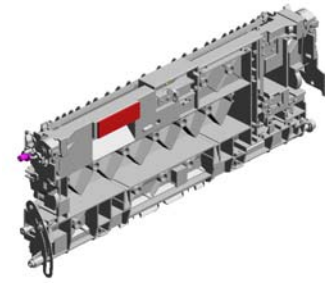
24.D1492990 PLAIN SHAFT BEARING:DRIVE:REGISTRATION ROLLER

39.D1496245 GROUND PLATE:TRANSFER/SEPARATION UNIT

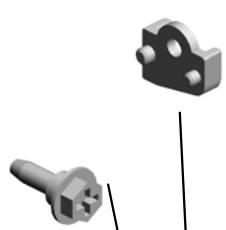
U010 PAPER TRANSPORT

44.D1496290
GUIDE:SET:TRANS
FER/SEPARATION
UNIT:FRONT

42.D1496256
GROUND PLATE:G
UIDE:TRANSPORT



48.GA143003
SCREW:MM5:2.5M
M



45.D1496291
GUIDE:SET:TRANS
FER/SEPARATION
UNIT:REAR



46.D1496295
COVER:HARNESS:
TRANSFER/SEPAR
ATION UNIT



43.D1496257
GROUND PLATE:R
EGISTRATION ROL
LER



U001	U002	U003	U004	U005	U006	U007	U008	U009	U010	U011	U012	U013	U014	U015	U016
------	------	------	------	------	------	------	------	------	------	------	------	------	------	------	------

U010_S001
TRANSFER ROLLER:SECOND:ASS'Y

5.07200040E
RETAINING RING -
M4



26.D1496211
TRANSFER ROLLE
R:SECOND:ASS'Y



U001	U002	U003	U004	U005	U006	U007	U008	U009	U010	U011	U012	U013	U014	U015	U016
------	------	------	------	------	------	------	------	------	------	------	------	------	------	------	------

U010_S002

TRANSFER ROLLER:IMAGE AREA EXTENSION:OPTION:ASS'Y

5.07200040E
RETAINING RING -
M4



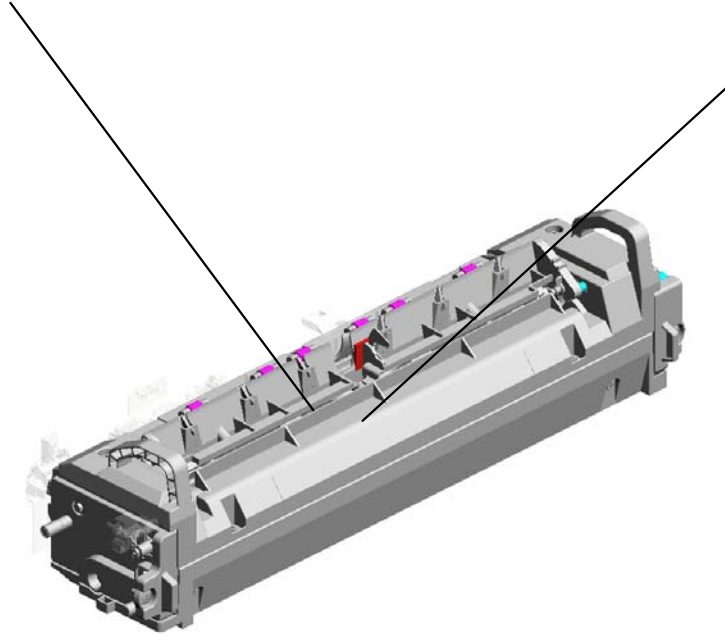
47.D7396211
TRANSFER ROLLE
R:IMAGE AREA EX
TENSION:OPTION:
ASS'Y



U001	U002	U003	U004	U005	U006	U007	U008	U009	U010	U011	U012	U013	U014	U015	U016
------	------	------	------	------	------	------	------	------	------	------	------	------	------	------	------

U011.FUSING

U011_S002
D1474031
SLEEVE:FUSING:NA:AB:SER
VICE



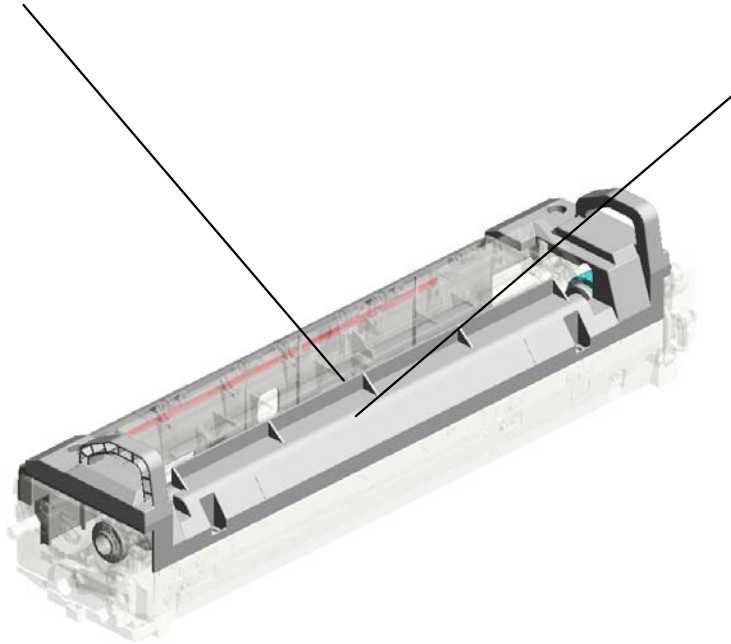
U011_S001
D1474011
FUSING UNIT:NA:D146/D147:
SERVICE



U001	U002	U003	U004	U005	U006	U007	U008	U009	U010	U011	U012	U013	U014	U015	U016
------	------	------	------	------	------	------	------	------	------	------	------	------	------	------	------

U011_S001.FUSING UNIT:NA:D146/D147:SERVICE

U011_S001_S002
D1494261
FUSING COVER:UPPER:ASSY
Y

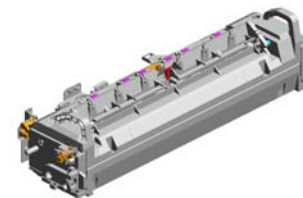


U011_S001_S001
AE020223
PRESSURE ROLLER:DIA32:SERV
SERVICE PARTS

U001	U002	U003	U004	U005	U006	U007	U008	U009	U010	U011	U012	U013	U014	U015	U016
------	------	------	------	------	------	------	------	------	------	------	------	------	------	------	------

U011 FUSING

- 2.04543006Q (x5) TAPPING SCREW - M3X6
- 18.11050759 (x2) CLAMP:LWSM-060 5A
- 14.09574008N SCREW:SMALL ROUND/SPRING:M4X8
- 16.11050723 (x2) CLAMPS:WES-050 7
- 13.08046129 (x2) HEXAGON HEAD BIND LOCK:M3X6



74.D1494354
BRACKET:DRAWER:MAIN



15.11050692 (x2)
CLAMP:LES-0503



23.AA143219 (x2)
STEPPED SCREW



36.AW100138 (x2)
THERMOPILE



43.D1054365 (x2)
HOLDER:THERMOPILE



3.04583008N (x3)
HEXAGON HEAD TAPPING SCREW:3X8



35.AW020190 (x3)
PHOTOINTERRUPTOR



11.08046123 (x2)
HEXAGONAL BOLT:W/WASHER:M3X8



34.AW010147 (x2)
PHOTO REFLECTOR SENSOR



17.11050758 (x2)
CLAMP:LWSM-030 6A



29.AB012102
GEAR:IDLER:WORM GEAR



24.AA148836
SHAFT:GEAR:IDLER:WORM GEAR



7.07200040E (x2)
RETAINING RING - M4



30.AB012103
GEAR:IDLER:LIGHT SHIELDING PLATE

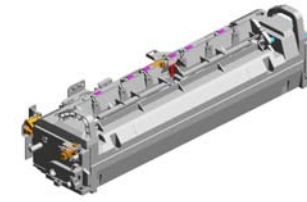


1.03530060N (x2)
BIND SCREW - M3 X6

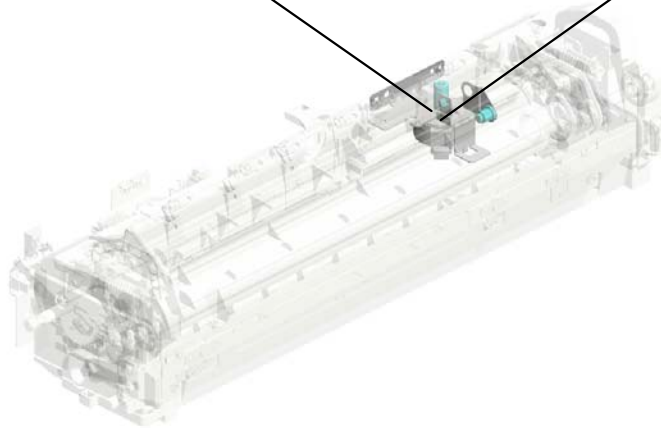


U011
FUSING

76.D1494383
BRACKET:DC STE
PPER MOTOR



75.D1494382
DC STEPPER MOT
OR:ASS'Y

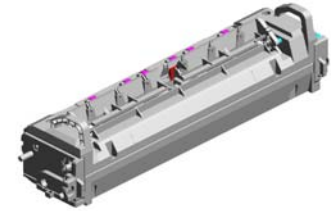


U001	U002	U003	U004	U005	U006	U007	U008	U009	U010	U011	U012	U013	U014	U015	U016
------	------	------	------	------	------	------	------	------	------	------	------	------	------	------	------

U011_S001

FUSING UNIT:NA:D146/D147:SERVICE

- | | | | | |
|--|---|---|--|--|
| 19.AA061121
TORSION SPRING:
STRIPPER PLATE:
FRONT | 38.AW100151
NON-CONTACT TY
PE THERMISTOR:
NC-F10:FRONT | 21.AA066423
TORSION SPRING:
GUIDE:FUSING EXI
T | 37.AW100150
NON-CONTACT TY
PE THERMISTOR:
NC-F10:MIDDLE | 33.AF040064
ROLLER:DRIVEN:F
USING EXIT |
|--|---|---|--|--|



46.D1474011
FUSING UNIT:NA:D
146/D147:SERVICE

13.08046129
(x29)
HEXAGON HEAD B
OLT:IB-LOCK:M3X6

7.07200040E
(x4)
RETAINING RING -
M4

10.07403808
(x2)
BALL BEARING - 8
X16X5MM

4.06330100G
(x2)
PARALLEL PIN - 3X
10

12.08046128
(x7)
HEXAGONAL BOLT
:DOUBLE SCREW:
M3X10

6.07200030E
(x2)
RETAINING RING -
M3

11.08046123
(x7)
HEXAGONAL BOLT
:W/WASHER:M3X8

39.AW100154
THERMISTOR:PRE
SSURE:MIDDLE

5.07200025E
(x3)
RETAINING RING -
M2.5

22.AA120149
DISCHARGE BRUS
H:PRESSURE ROL
LER

20.AA061122
TORSION SPRING:
STRIPPER PLATE:
REAR

8.07200060E
(x4)
RETAINING RING -
M6

28.AB012099
GEAR:ON-OFF:PR
ESSURE ROLLER

25.AB012096
GEAR:DRIVE:FUSI
NG UNIT

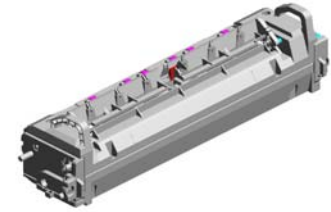
26.AB012097
GEAR:IDLER:PRES
SURE ROLLER

U001	U002	U003	U004	U005	U006	U007	U008	U009	U010	U011	U012	U013	U014	U015	U016
------	------	------	------	------	------	------	------	------	------	------	------	------	------	------	------

U011_S001

FUSING UNIT:NA:D146/D147:SERVICE

- 59.D1494229 STRIPPER PLATE: PRESSURE ROLLER
- 56.D1494214 GUIDE PLATE:FUSING EXIT:RIGHT
- 62.D1494246 DECAL:GUIDE PLATE:FUSING EXIT
- 61.D1494245 SHEET:C:GUIDE PLATE:FUSING EXIT
- 45.D1441085 (x17) STEPPED SCREW:M3



46.D1474011
FUSING UNIT:NA:D146/D147:SERVICE



58.D1494221 STRIPPER PLATE: ASS'Y

53.D1494207 (x2) PLATE:CAM

51.D1494202 ENCODER:ON-OFF:PRESSURE ROLLER

50.D1494127 BRACKET:THERMISTOR:PRESSURE ROLLER:FRONT

40.AW100156 THERMISTOR:PRESSURE:FRONT:2P

60.D1494234 GUIDE PLATE:FUSING EXIT:LEFT

63.D1494252 FUSING ENTRANCE GUIDE PLATE

48.D1474274 FUSING COVER:LOWER:D146/D147

41.AW110111 THERMISTOR:MIDDLE

55.D1494209 SHAFT:ON-OFF:PRESSURE ROLLER

57.D1494218 (x6) GUIDE:FUSING EXIT:PFA

52.D1494205 (x2) BRAKE:CAM

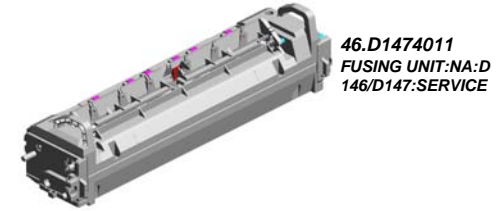
54.D1494208 (x2) CAM:ON-OFF:PRESSURE ROLLER

42.AW110112 THERMISTOR:REAR

49.D1494126 BRACKET:THERMISTOR:PRESSURE ROLLER

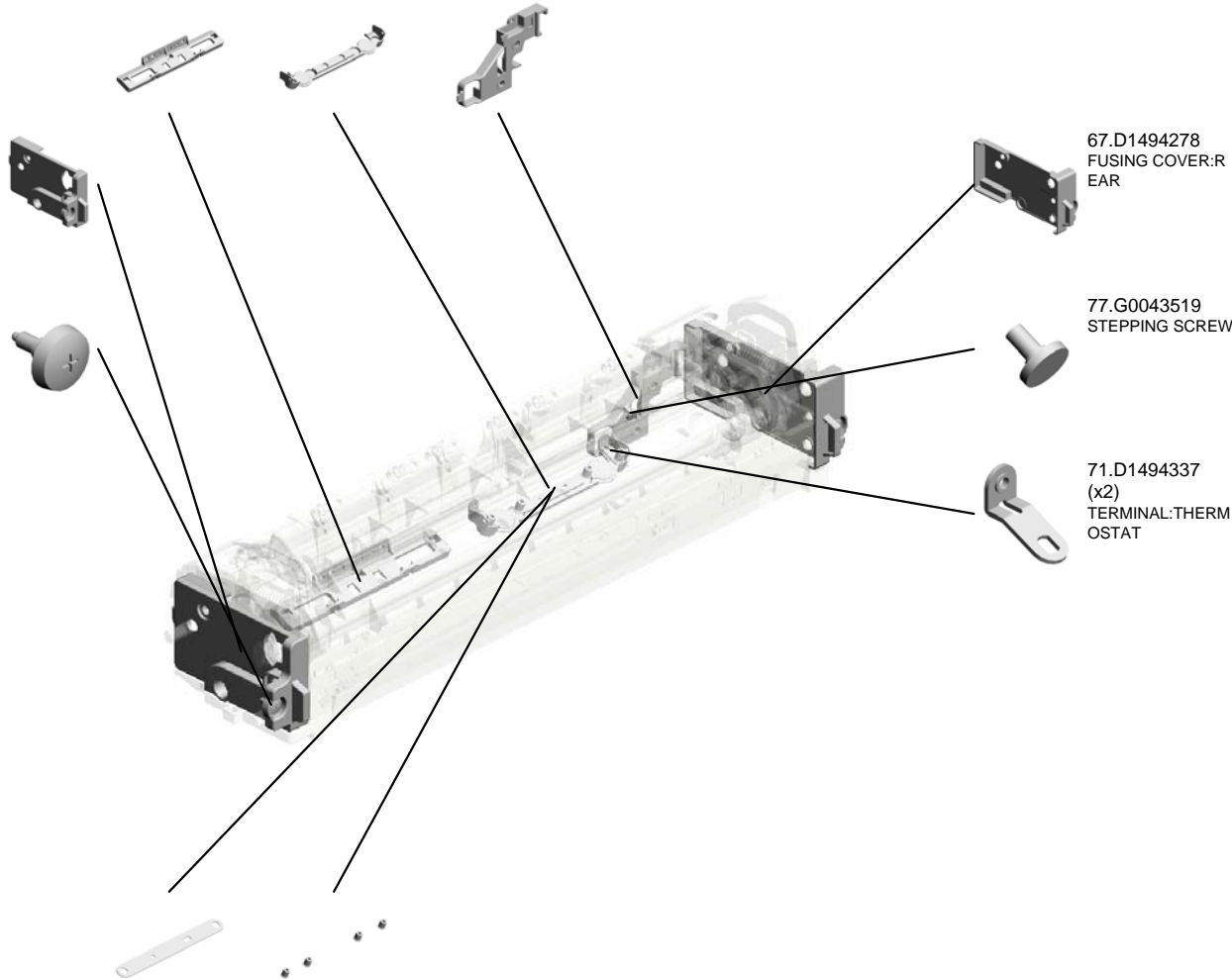
U011_S001
 FUSING UNIT:NA:D146/D147:SERVICE

72.D1494342 HOUSING:NON-CO
 NTACTION TYPE THE
 RMISTOR
 69.D1494334 COVER:HOUSING:
 THERMOSTAT
 73.D1494346 GUIDE:HARNES:
 HEATER



66.D1494276
 FUSING COVER:F
 RONT

65.D1494269
 (x2)
 KNOB SCREW:FIX:
 FUSING



67.D1494278
 FUSING COVER:R
 EAR

77.G0043519
 STEPPING SCREW

71.D1494337
 (x2)
 TERMINAL:THERM
 OSTAT

70.D1494335
 ELECTRODE PLAT
 E:CONNECTING:T
 HERMOSTAT
 68.D1494332
 HOUSING:THERM
 OSTAT

U001	U002	U003	U004	U005	U006	U007	U008	U009	U010	U011	U012	U013	U014	U015	U016
------	------	------	------	------	------	------	------	------	------	------	------	------	------	------	------

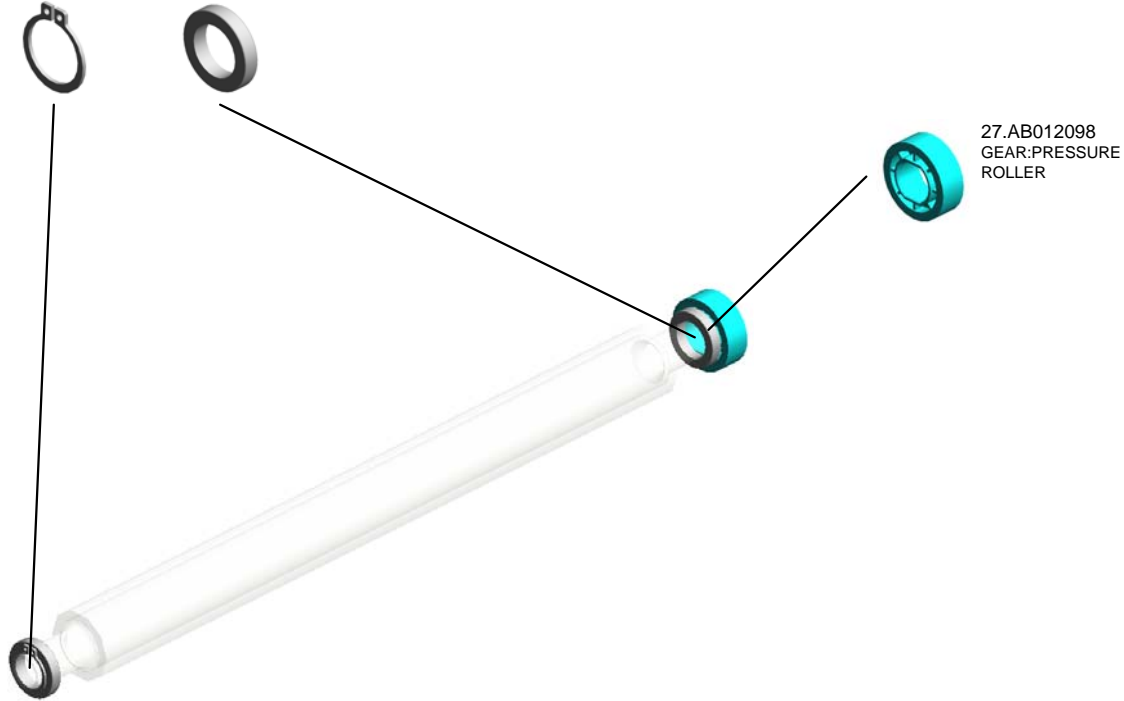
U011_S001_S001
PRESSURE ROLLER:DIA32:SERVICE PARTS

9.07250170E
(x2)
RETAINING RING
C - M17

32.AE030074
(x2)
BALL BEARING:DIA
17XDIA26X5



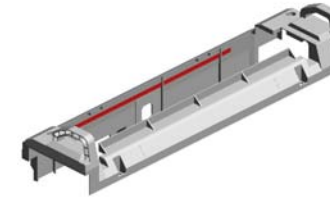
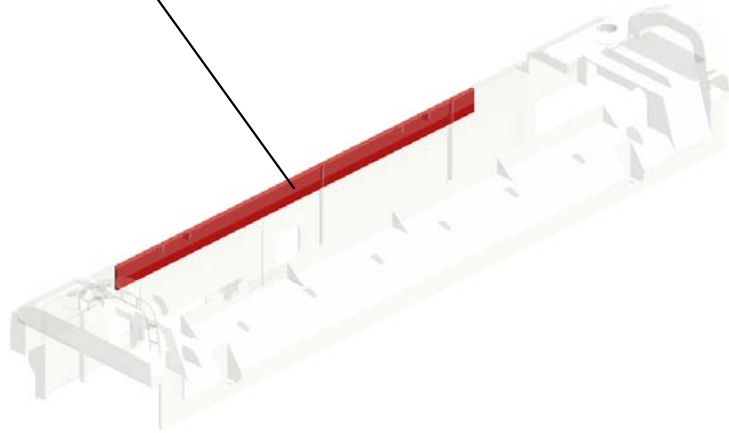
31.AE020223
PRESSURE ROLLER
R-DIA32:SERVICE
PARTS



U001	U002	U003	U004	U005	U006	U007	U008	U009	U010	U011	U012	U013	U014	U015	U016
------	------	------	------	------	------	------	------	------	------	------	------	------	------	------	------

U011_S001_S002
FUSING COVER:UPPER:ASS'Y

44.D1124264
DECAL:WARNING (HIGH TEMPERATU
RE):FUSING



64.D1494261
FUSING COVER:U
PPER:ASS'Y

U001	U002	U003	U004	U005	U006	U007	U008	U009	U010	U011	U012	U013	U014	U015	U016
------	------	------	------	------	------	------	------	------	------	------	------	------	------	------	------

U011_S002

SLEEVE:FUSING:NA:AB:SERVICE

12.08046128 (x4)
HEXAGONAL BOLT
:DOUBLE SCREW:
M3X10

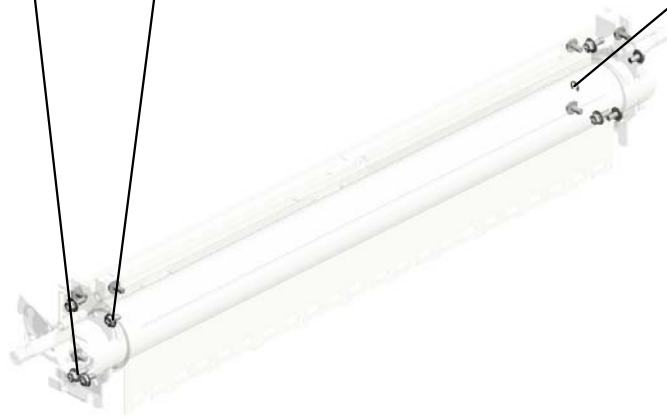
13.08046129 (x10)
HEXAGON HEAD B
OLT:IB-LOCK:M3X6



47.D1474031
SLEEVE:FUSING:N
A:AB:SERVICE



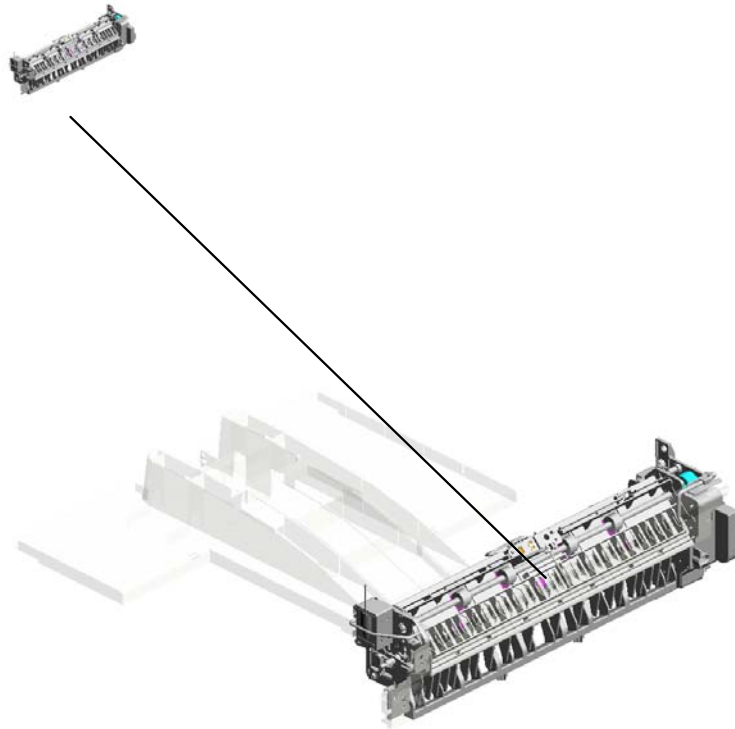
5.07200025E
RETAINING RING -
M2.5



U001	U002	U003	U004	U005	U006	U007	U008	U009	U010	U011	U012	U013	U014	U015	U016
------	------	------	------	------	------	------	------	------	------	------	------	------	------	------	------

U012.PAPER EXIT

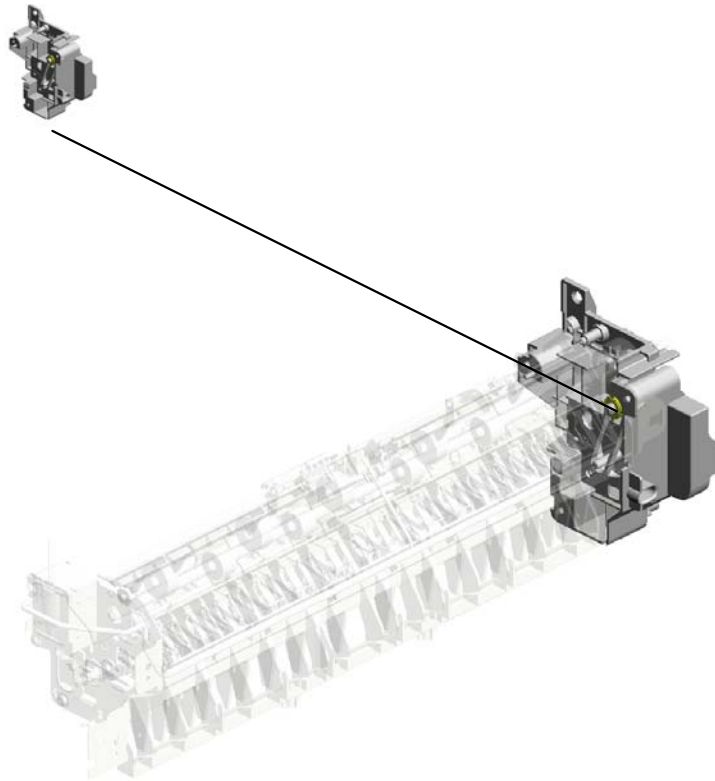
U012_S001
D1494405
PAPER EXIT UNIT



U001	U002	U003	U004	U005	U006	U007	U008	U009	U010	U011	U012	U013	U014	U015	U016
------	------	------	------	------	------	------	------	------	------	------	------	------	------	------	------

U012_S001.PAPER EXIT UNIT

U012_S001_S001
D1494424
DC STEPPER MOTOR:REVE
RSE:ASS'Y



U001	U002	U003	U004	U005	U006	U007	U008	U009	U010	U011	U012	U013	U014	U015	U016
------	------	------	------	------	------	------	------	------	------	------	------	------	------	------	------

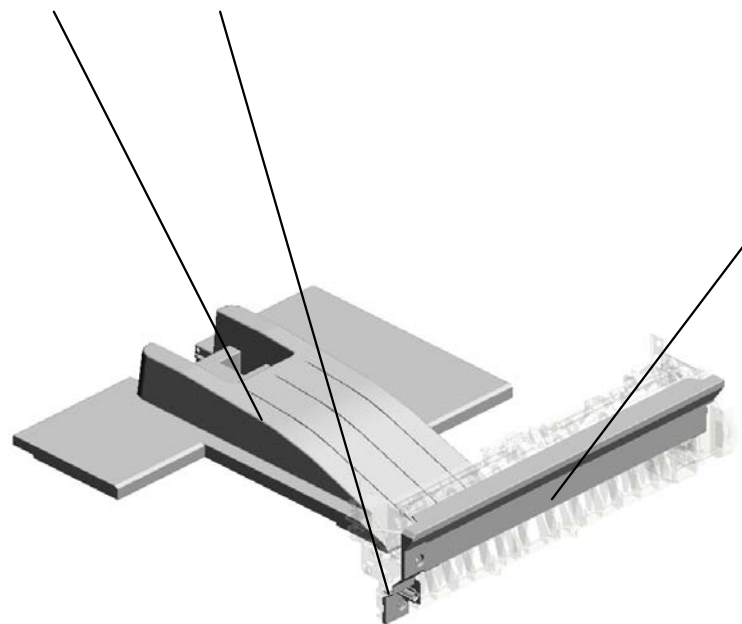
U012 PAPER EXIT

52.D1494496
TRAY:EXIT

2.04543006Q
TAPPING SCREW -
M3X6

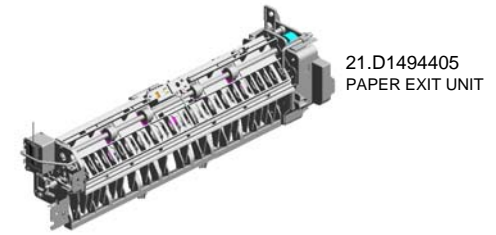


51.D1494491
INNER COVER:EXI
T



U012_S001 PAPER EXIT UNIT

- 7.11050758 (x5) CLAMP:LWSM-030 6A
- 12.AF040575 (x3) DRIVEN ROLLER
- 17.D0394912 DISCHARGE BRUSH H:REVERSE
- 15.D0094407 FEELER - OVERFLOW
- 13.AW020203 PHOTOINTERRUPTOR:GP1A173LCS 2F



21.D1494405
PAPER EXIT UNIT

1.03530030N
(x2)
SCREW:M3X3



6.11050692
(x2)
CLAMP:LES-0503



9.AA082170
(x3)
PLAIN SHAFT BEARING: DIA4XDIA8X5 :EG-1



20.D1444484
(x3)
SHOULDER SCREW - M3



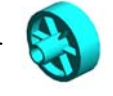
16.D0094455
CUSHION - DC SOLENOID



10.AA082173
(x2)
PLAIN SHAFT BEARING: 6X10X6



22.D1494421
GEAR:EXIT ROLLER



2.04543006Q
(x15)
TAPPING SCREW - M3X6



5.08050103
RETAINING RINGS - E-SILENCER: DIA3



18.D0394925
(x4)
ROLLER: REVERSE-DRIVEN



3.04583010N
HEXAGON HEAD TAPPING SCREW: 3X10



11.AF040571
(x9)
GUIDE ROLLER



19.D0394927
(x2)
COMPRESSION SPRING: RING: PRESSURE: REVERSE: DRIVEN



14.B2134460
(x4)
SHAFT: PRESSURE ROLLER



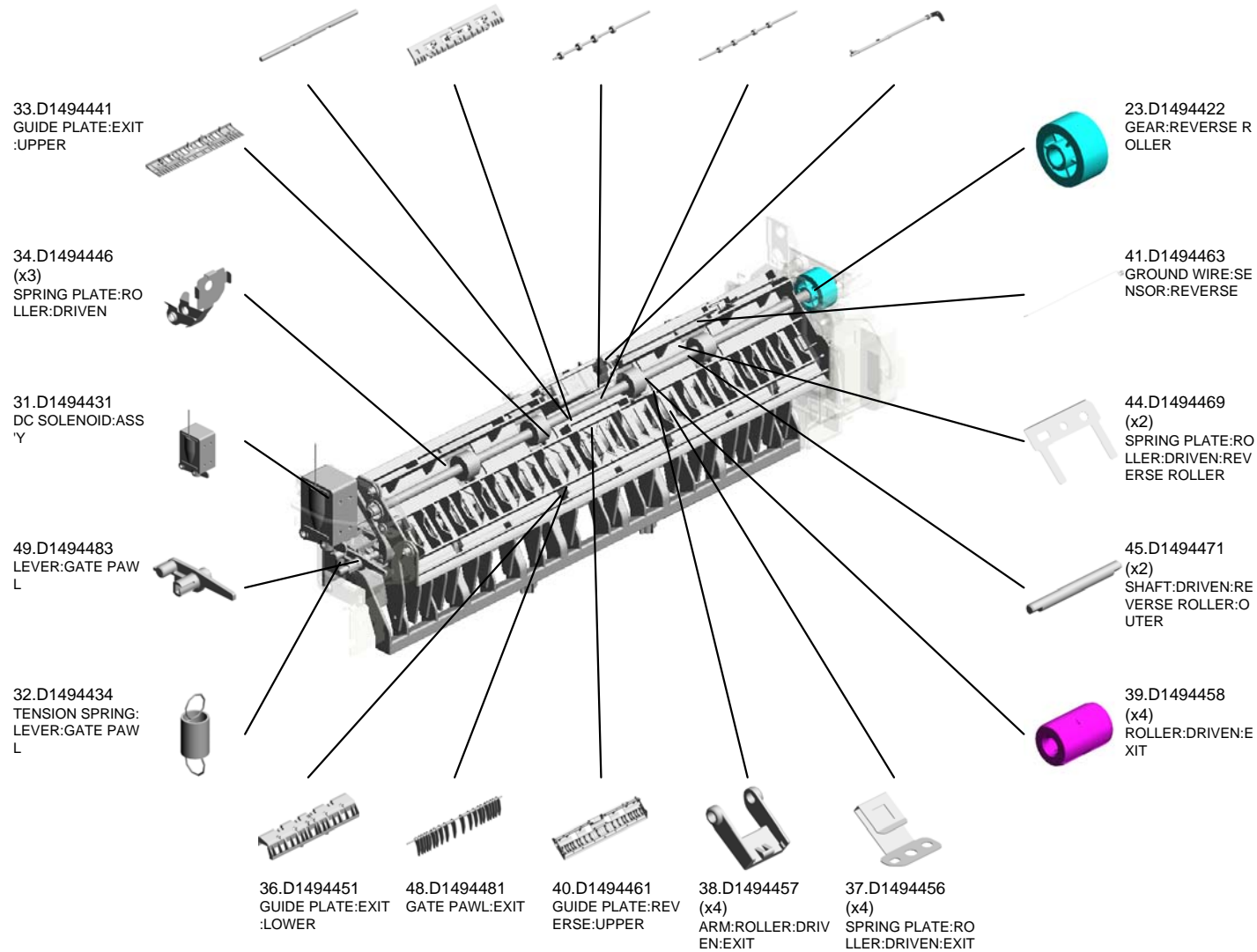
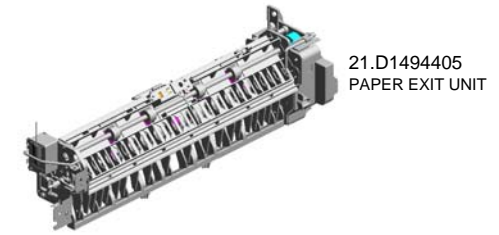
4.07200030E
(x4)
RETAINING RING - M3



U001	U002	U003	U004	U005	U006	U007	U008	U009	U010	U011	U012	U013	U014	U015	U016
------	------	------	------	------	------	------	------	------	------	------	------	------	------	------	------

U012_S001 PAPER EXIT UNIT

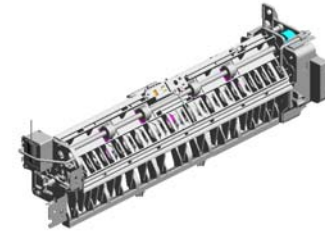
43.D1494468 SHAFT:DRIVEN:REVERSE ROLLER
 42.D1494466 GUIDE PLATE:REVERSE:LOWER
 46.D1494476 EXIT ROLLER
 47.D1494477 REVERSE ROLLER
 35.D1494448 SHAFT:FEELER:OVERFLOW



U001	U002	U003	U004	U005	U006	U007	U008	U009	U010	U011	U012	U013	U014	U015	U016
------	------	------	------	------	------	------	------	------	------	------	------	------	------	------	------

U012_S001
PAPER EXIT UNIT

50.D1494484
TORSION SPRING:
LEVER:GATE PAW
L



21.D1494405
PAPER EXIT UNIT



53.GW010007
(x2)
PHOTO REFLECTI
ON SENSOR:EXIT

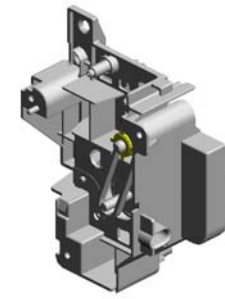


U001	U002	U003	U004	U005	U006	U007	U008	U009	U010	U011	U012	U013	U014	U015	U016
------	------	------	------	------	------	------	------	------	------	------	------	------	------	------	------

U012_S001_S001
DC STEPPER MOTOR:REVERSE:ASS'Y

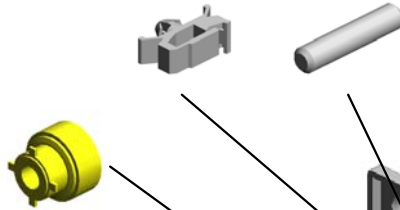
7.11050758
CLAMP:LWSM-030
6A

28.D1494427
STUD:PULLEY:BRACKET:DC STEPPE
R MOTOR



25.D1494424
DC STEPPER MOT
OR:REVERSE:ASS'
Y

30.D1494429
PULLEY:GEAR:RE
VERSE



27.D1494426
BRACKET:DC STE
PPER MOTOR:REV
ERSE



29.D1494428
GROUND PLATE:P
APER EXIT UNIT



26.D1494425
DC STEPPER MOT
OR:REVERSE:SUB
-ASS'Y



24.D1494423
SYNCHRONOUS B
ELT:40S2M122

8.A2324666
CUSHION - STEPP
ER MOTOR



U001	U002	U003	U004	U005	U006	U007	U008	U009	U010	U011	U012	U013	U014	U015	U016
------	------	------	------	------	------	------	------	------	------	------	------	------	------	------	------

U013.DUPLEX

U013_S004
D1474511
DUPLEX UNIT:METIS-C1AB:E
XP:ASSY

U013_S002
D1494716
SIDE FENCE:FRONT:ASSY

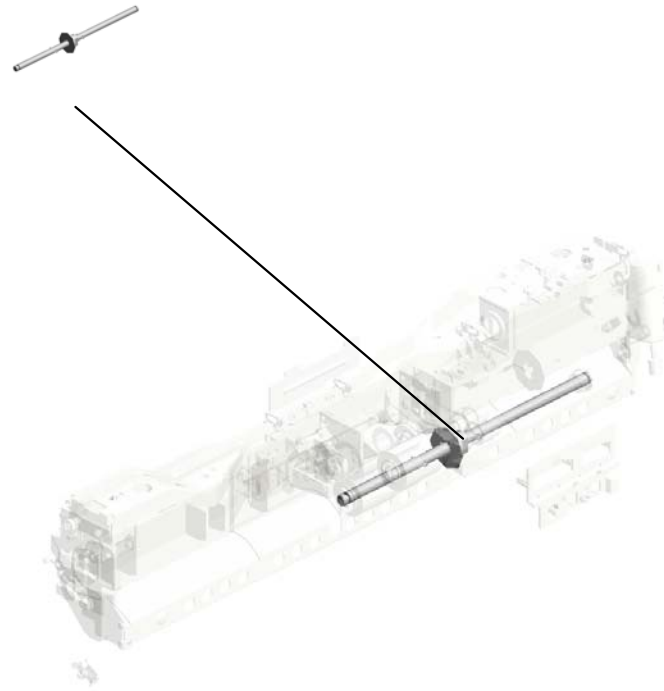
U013_S003
D1494719
SIDE FENCE:REAR:ASSY

U013_S001
D1492601
MANUAL FEED UNIT:ASSY

U001	U002	U003	U004	U005	U006	U007	U008	U009	U010	U011	U012	U013	U014	U015	U016
------	------	------	------	------	------	------	------	------	------	------	------	------	------	------	------

U013_S001.MANUAL FEED UNIT:ASS'Y

U013_S001_S001
D1492608
SHAFT:SEPARATOR:DRIVEN
:ASS'Y



U001	U002	U003	U004	U005	U006	U007	U008	U009	U010	U011	U012	U013	U014	U015	U016
------	------	------	------	------	------	------	------	------	------	------	------	------	------	------	------

U013 DUPLEX



- 15.AA082170 PLAIN SHAFT BEARING: DIA4X DIA8X5 :EG-1
- 31.AW020203 (x2) PHOTO INTERRUPTOR: GP1A173LCS 2F
- 12.54472681 SNAP RING
- 33.AW500040 PUSH SWITCH: SW 1AG-550:10MA
- 13.AA043980 TIMING BELT: 30S2 M300

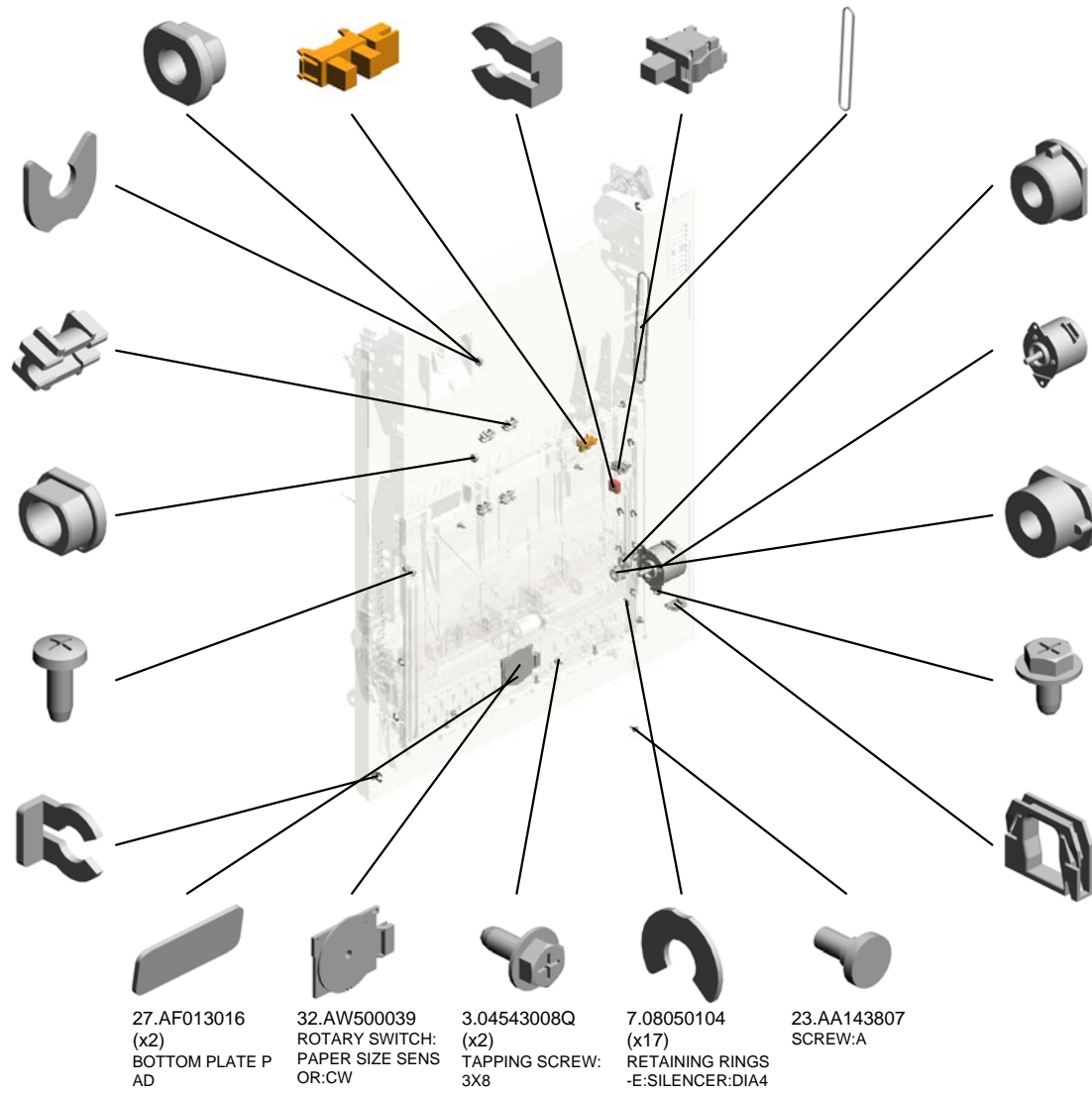
6.08050103 (x2) RETAINING RINGS -E:SILENCER:DIA3

35.B2234552 (x4) BUSHING:DIA4

17.AA082173 PLAIN SHAFT BEARING: 6X10X6

4.04593008N (x15) BINDING HEAD TAPPING SCREW: 3X8

11.52152621 SNAP RING - M6



20.AA083018 ROLLER CLUTCH - 6X14X10

34.AX060435 DC MOTOR: GEAR: 10W: BRUSHLESS

19.AA083014 ONE-WAY CLUTCH

2.04543006Q (x4) TAPPING SCREW - M3X6

8.11050724 CLAMPS: WES-1210

27.AF013016 (x2) BOTTOM PLATE PAD

32.AW500039 ROTARY SWITCH: PAPER SIZE SENSOR: CW

3.04543008Q (x2) TAPPING SCREW: 3X8

7.08050104 (x17) RETAINING RINGS -E:SILENCER:DIA4

23.AA143807 SCREW: A

U001	U002	U003	U004	U005	U006	U007	U008	U009	U010	U011	U012	U013	U014	U015	U016
------	------	------	------	------	------	------	------	------	------	------	------	------	------	------	------

U013 DUPLEX



- 43.D0394525 (x2) COMPRESSION SPRING:SHAFT:GUIDE PLATE:EXIT
- 39.D0094487 (x2) COMPRESSION SPRING - GATE
- 38.D0094485 (x2) BUSHING - GATE
- 46.D0394597 (x4) TENSION SPRING: DRIVEN ROLLER
- 45.D0394591 (x2) SHAFT:PRESSURE :GUIDE PLATE:EXIT

51.D1492558
GUIDE:REGISTRATION:ENTRANCE:FRONT



36.D0092573 (x9)
PULLEY - VERTICAL TRANSPORT



44.D0394529
STOPPER:GUIDE PLATE:ROLLER:DRIVEN



41.D0292677 (x9)
TRANSPORT BELT :DRIVEN:VERTICAL TRANSPORT



48.D1444489 (x6)
STOPPER:DRIVEN ROLLER



42.D0392993 (x3)
SHAFT:TRANSPORT BELT:PULLEY



82.D1492675 (x2)
HOLDER:DRIVEN:BELT



79.D1492667 (x2)
RACK:MANUAL FEED



81.D1492673
GUIDE PLATE:VERTICAL TRANSPORT:NO.2:DRIVEN



78.D1492666
GEAR:SIDE FENCE :MANUAL FEED TABLE



50.D1492557
GUIDE:REGISTRATION:ENTRANCE:REAR



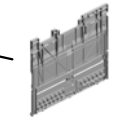
40.D0094489
DRIVEN ROLLER



37.D0092574 (x9)
PULLEY - IDLER



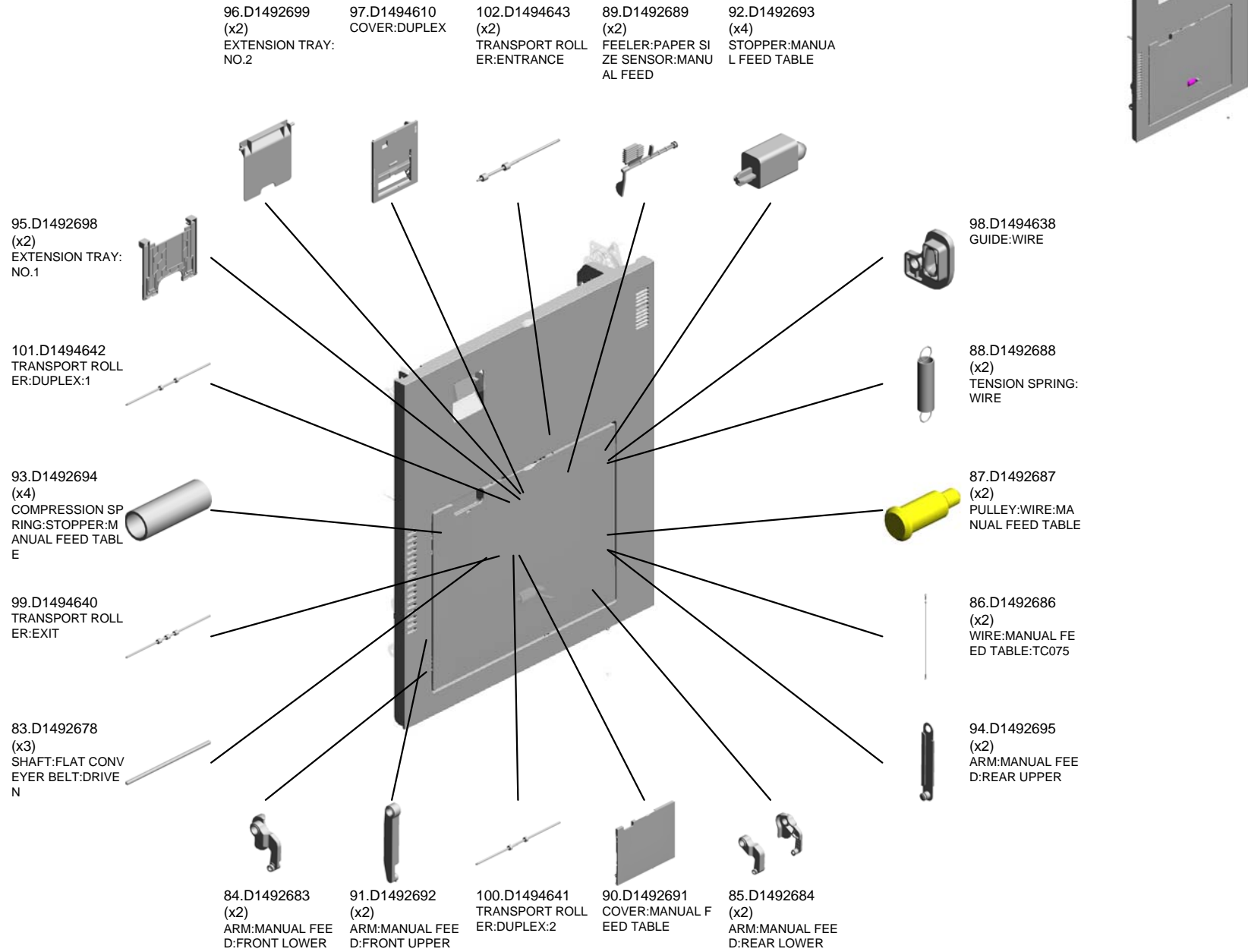
77.D1492663
MANUAL FEED TABLE



80.D1492672
GUIDE PLATE:VERTICAL TRANSPORT:NO.1:DRIVEN



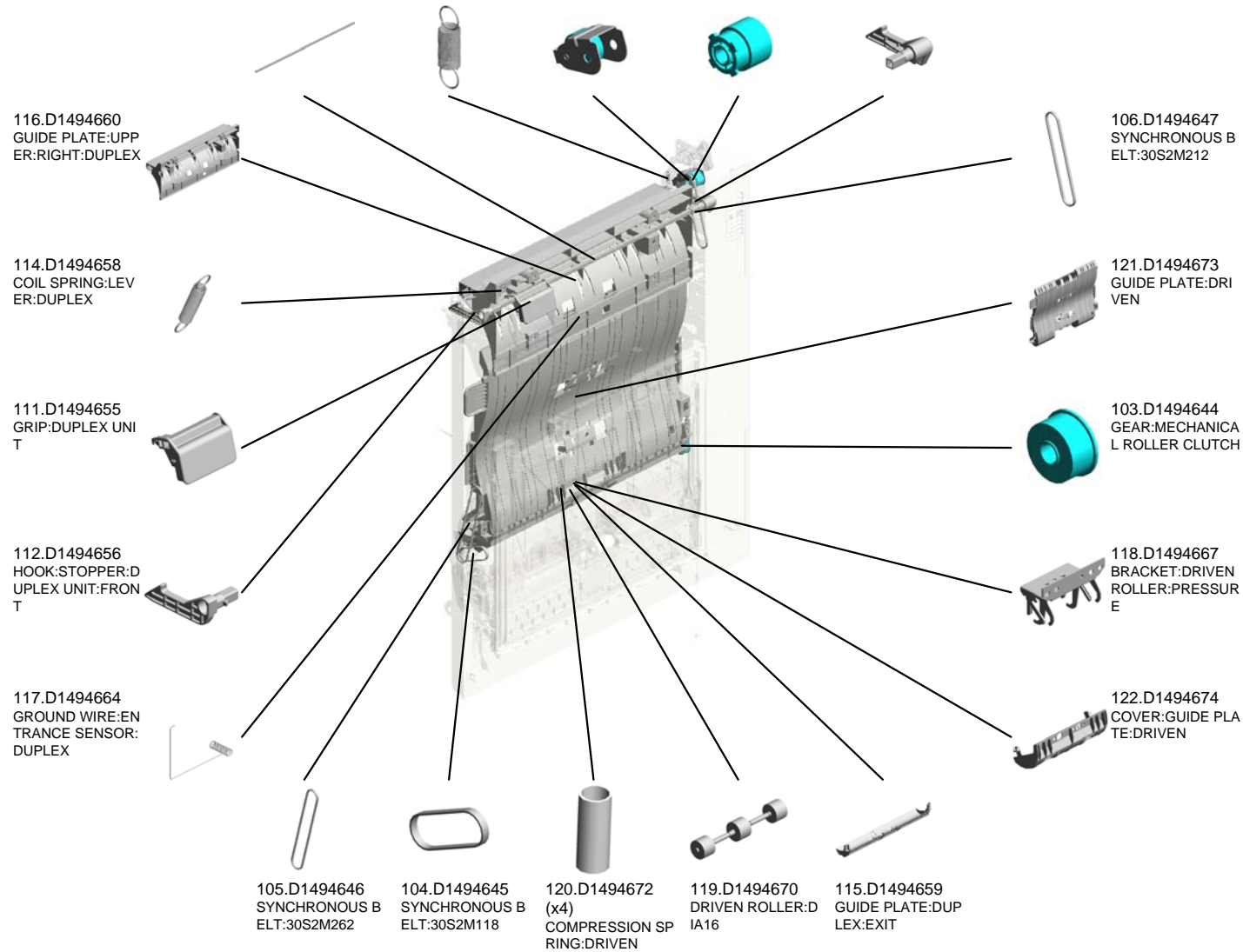
U013 DUPLEX



U001	U002	U003	U004	U005	U006	U007	U008	U009	U010	U011	U012	U013	U014	U015	U016
------	------	------	------	------	------	------	------	------	------	------	------	-------------	------	------	------

U013 DUPLEX

110.D1494654 SHAFT:LEVER:LOCK
 109.D1494653 TENSION SPRING:SWIVEL
 107.D1494648 BRACKET:SWIVEL
 108.D1494652 GEAR:PULLEY:SWIVEL
 113.D1494657 HOOK:STOPPER:DUPLEX UNIT:REAR



U013 DUPLEX

124.D1494679
GUIDE PLATE:UPPER

123.D1494675
COVER:PUSH SWITCH

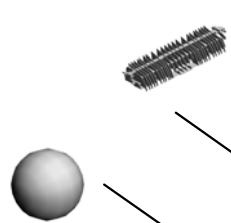
128.D1494688
LINK:DUPLEX:MAIN

130.D1494690
TORSION SPRING:LINK

132.D1494692
INNER COVER:REAR:DUPLEX



136.D1494697
GROUND WIRE:EXTERNAL SENSOR:DUPLEX



134.D1494694
ARM:PUSH SWITCH



137.D1494699
COVER:SENSOR:EXIT



133.D1494693
INNER COVER:FRONT:DUPLEX



135.D1494695
LINK:FRONT



140.D1494709
GEAR:TRANSPORT ROLLER:MANUAL FEED



142.D1494711
DECAL:SIDE FENCE:MANUAL FEED



139.D1494708
GEAR:SEPARATOR:MANUAL FEED:DRIVE



126.D1494684
GEAR:OUTPUT



125.D1494681
BRACKET:MOTOR



127.D1494685
LINK:DUPLEX



129.D1494689
BRACKET:LINK:DUPLEX



131.D1494691
TORSION SPRING:LINK:CONTACT POINT



141.D1494710
GEAR:IDLER



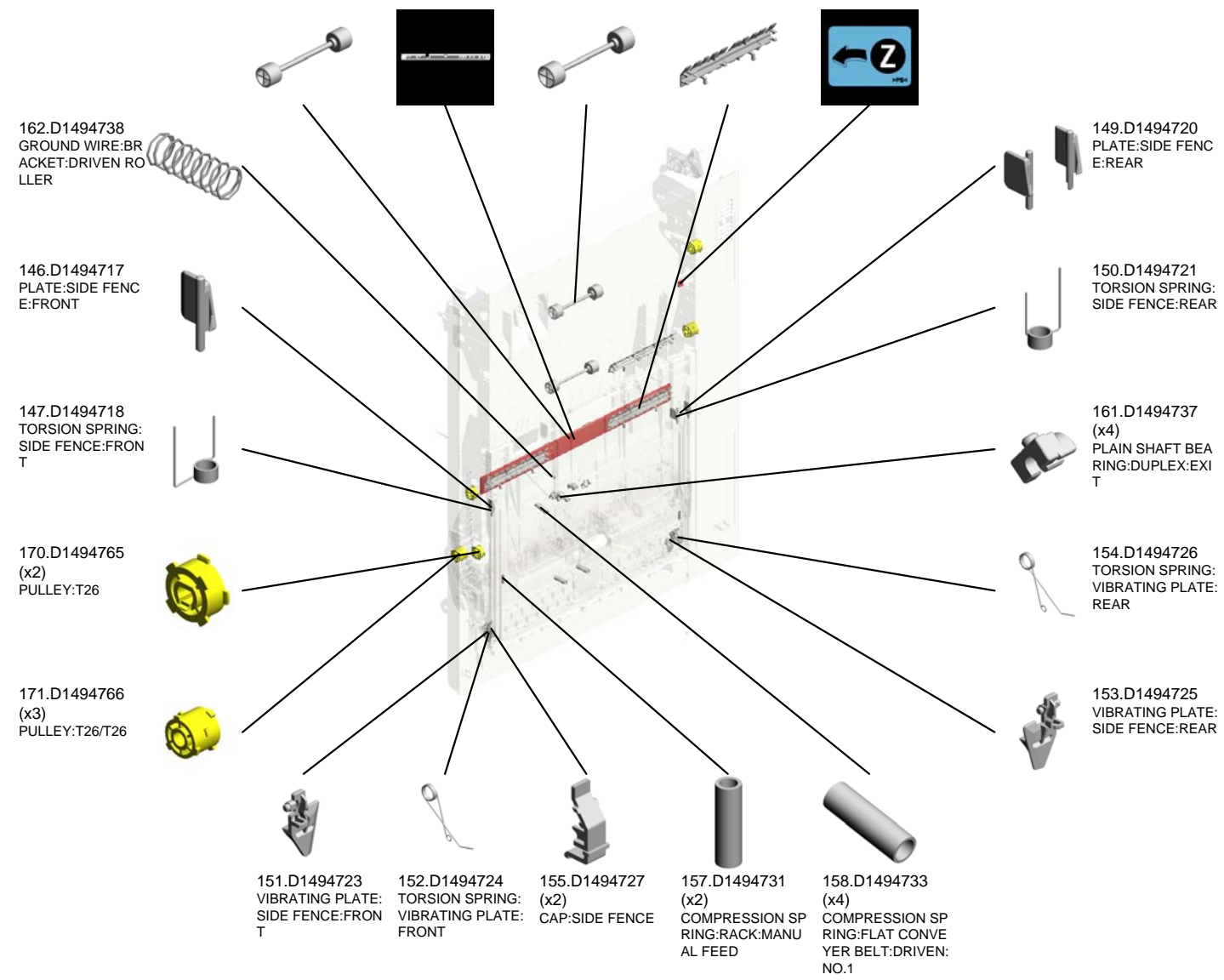
138.D1494707
GEAR:FEED:MANUAL FEED:DRIVE



U013 DUPLEX



- 168.D1494761 (x2) DRIVEN ROLLER:DI
A16
- 143.D1494714 (x2) DECAL:SCALE:MA
NUAL FEED
- 169.D1494762 DRIVEN ROLLER:D
IA18
- 172.D1494767 (x3) GUIDE:TRANSPOR
T ROLLER
- 144.D1494715 DECAL:GRIP:Z

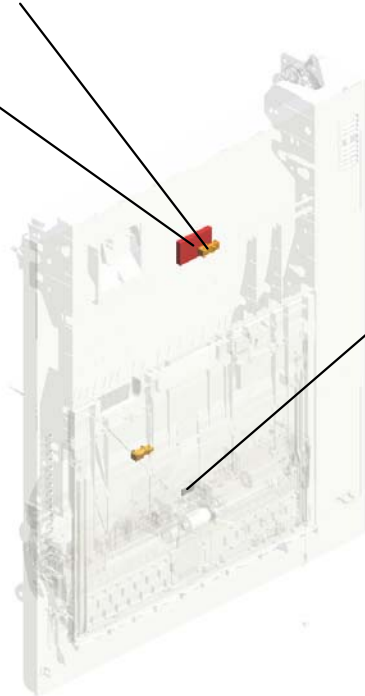
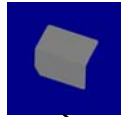


U001	U002	U003	U004	U005	U006	U007	U008	U009	U010	U011	U012	U013	U014	U015	U016
------	------	------	------	------	------	------	------	------	------	------	------	------	------	------	------

U013 DUPLEX

173.D1494768
SHEET:GUIDE PLA
TE:DRIVEN

174.GW010007
(x2)
PHOTO REFLECTI
ON SENSOR:EXIT

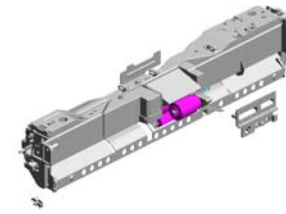


175.M0662743
(x2)
FRICTION PAD:MA
NUAL FEED TABLE
:18X7.5

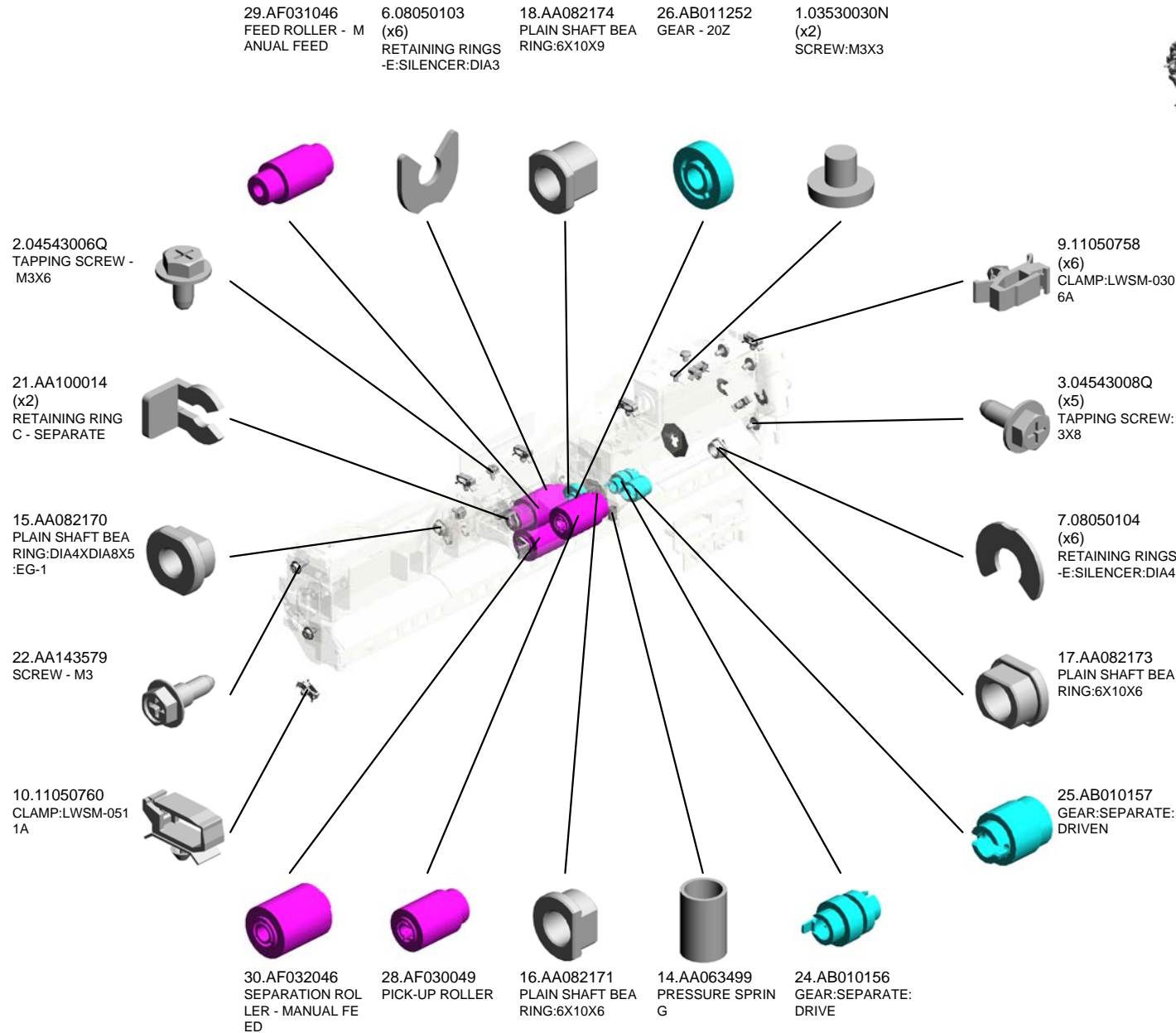


U001	U002	U003	U004	U005	U006	U007	U008	U009	U010	U011	U012	U013	U014	U015	U016
------	------	------	------	------	------	------	------	------	------	------	------	------	------	------	------

U013_S001 MANUAL FEED UNIT:ASS'Y

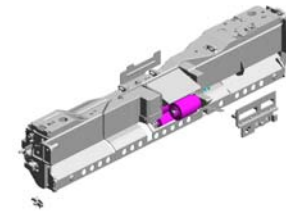


52.D1492601
MANUAL FEED UNI
T:ASS'Y



U001	U002	U003	U004	U005	U006	U007	U008	U009	U010	U011	U012	U013	U014	U015	U016
------	------	------	------	------	------	------	------	------	------	------	------	-------------	------	------	------

U013_S001 MANUAL FEED UNIT:ASS'Y



52.D1492601
MANUAL FEED UNIT:ASS'Y

- 69.D1492645 COIL SPRING:RELEASE:PICKUP:MANUAL FEED
- 67.D1492642 SHAFT:LINK:PAPER STOPPER
- 68.D1492644 TORSION SPRING:LINK:PAPER STOPPER
- 66.D1492641 COVER:PAPER STOPPER:MANUAL FEED
- 62.D1492635 TRANSPORT ROLLER:MANUAL FEED

31.AW020203 PHOTOINTERRUPTOR:GP1A173LCS2F



55.D1492613 SHAFT:GRIP:DRIVEN



57.D1492615 GUIDE PLATE:SEPARATOR:ASS'Y



56.D1492614 (x2) TENSION SPRING:GRIP:PRESSURE



54.D1492612 (x3) ROLLER:GRIP:DRIVEN



47.D1292783 TORQUE LIMITER MECHANICAL CLUTCH:40MM:DI18



64.D1492638 LINK:PAPER STOPPER:MANUAL FEED



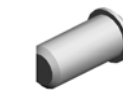
63.D1492637 PAPER STOPPER:MANUAL FEED



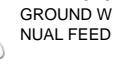
61.D1492634 ARM:PICKUP:MANUAL FEED



65.D1492639 SHAFT:PAPER STOPPER



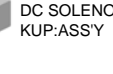
71.D1492651 GROUND WIRE:MANUAL FEED UNIT



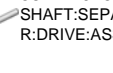
70.D1492647 COVER:DAMPER



59.D1492625 DC SOLENOID:PICKUP:ASS'Y



58.D1492619 SHAFT:SEPARATOR:DRIVE:ASS'Y



60.D1492633 SHAFT:FEED:MANUAL FEED



U001	U002	U003	U004	U005	U006	U007	U008	U009	U010	U011	U012	U013	U014	U015	U016
------	------	------	------	------	------	------	------	------	------	------	------	------	------	------	------

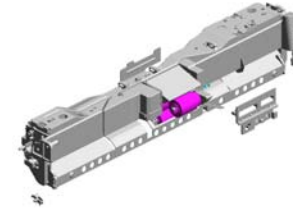
U013_S001
MANUAL FEED UNIT:ASS'Y

73.D1492655
FEELER:PAPER END SENSOR

72.D1492652
GROUND PLATE:SHAFT:FEED

76.D1492658
COVER:PAPER FEED ROLLER

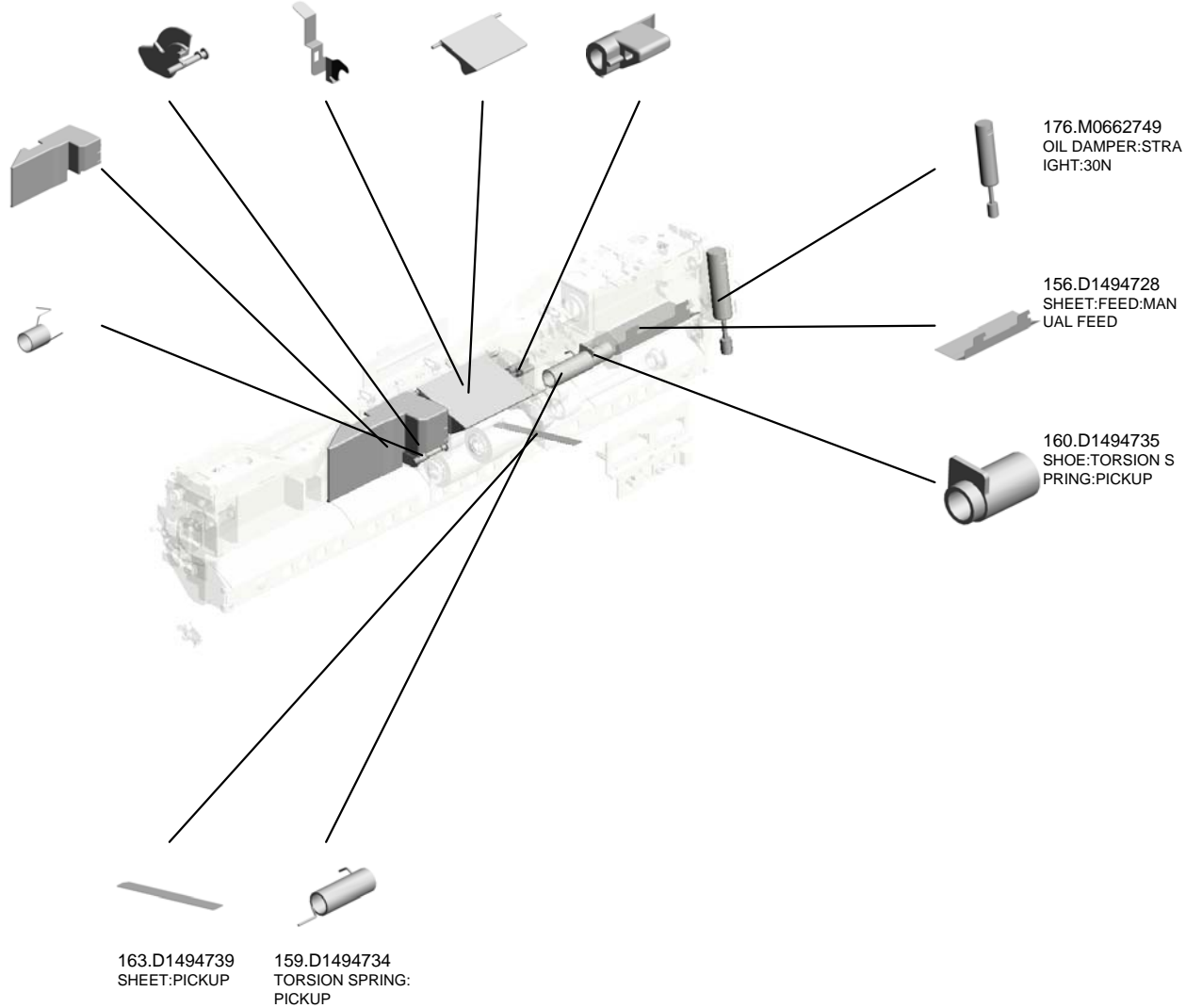
164.D1494741
ARM:LINK:PAPER STOPPER



52.D1492601
MANUAL FEED UNIT:ASSY

75.D1492657
COVER:PAPER END

74.D1492656
TORSION SPRING:PAPER END SENSOR



176.M0662749
OIL DAMPER:STRAIGHT:30N

156.D1494728
SHEET:FEED:MANUAL FEED

160.D1494735
SHOE:TORSION SPRING:PICKUP

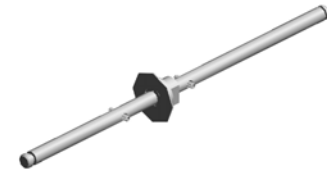
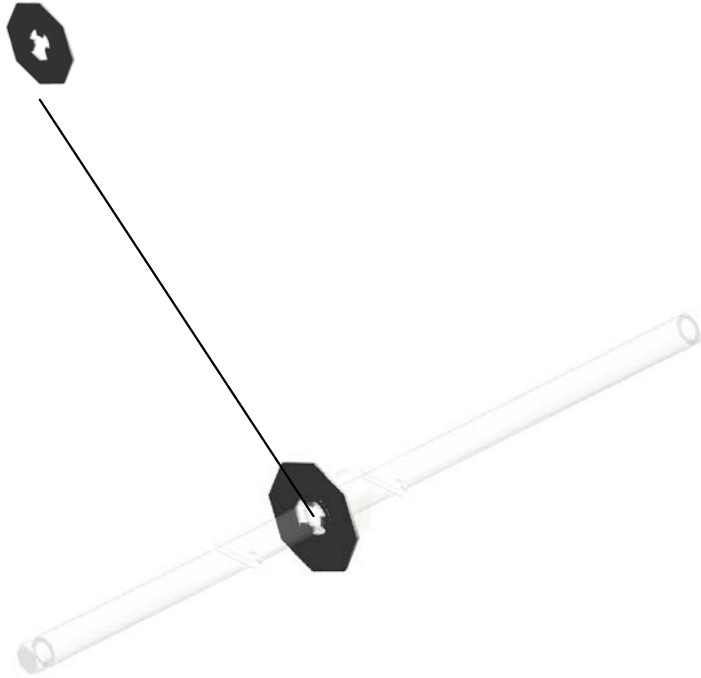
163.D1494739
SHEET:PICKUP

159.D1494734
TORSION SPRING:PICKUP

U001	U002	U003	U004	U005	U006	U007	U008	U009	U010	U011	U012	U013	U014	U015	U016
------	------	------	------	------	------	------	------	------	------	------	------	------	------	------	------

U013_S001_S001
SHAFT:SEPARATOR:DRIVEN:ASS'Y

5.07200040E
RETAINING RING -
M4



53.D1492608
SHAFT:SEPARATO
R:DRIVEN:ASS'Y

U001	U002	U003	U004	U005	U006	U007	U008	U009	U010	U011	U012	U013	U014	U015	U016
------	------	------	------	------	------	------	------	------	------	------	------	------	------	------	------

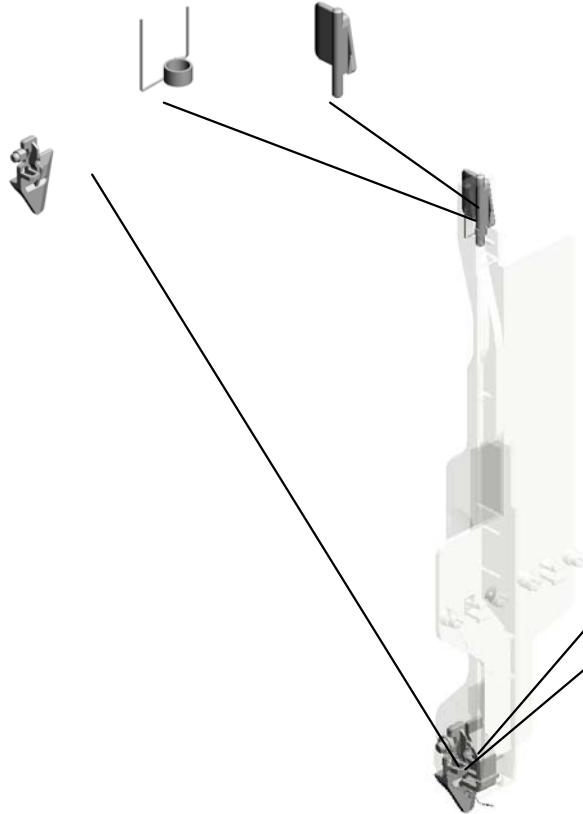
U013_S002
SIDE FENCE:FRONT:ASS'Y

147.D1494718 146.D1494717
TORSION SPRING: PLATE:SIDE FENC
SIDE FENCE:FRON E:FRONT
T



145.D1494716
SIDE FENCE:FRON
T:ASSY

151.D1494723
VIBRATING PLATE:
SIDE FENCE:FRON
T



155.D1494727
CAP:SIDE FENCE



152.D1494724
TORSION SPRING:
VIBRATING PLATE:
FRONT



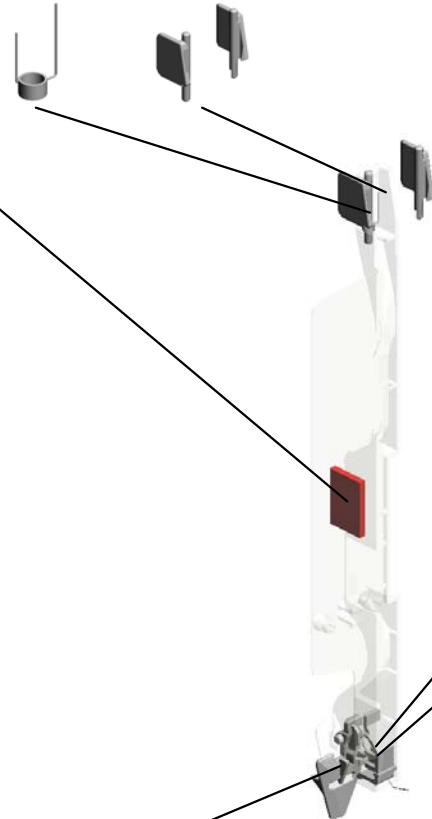
U001	U002	U003	U004	U005	U006	U007	U008	U009	U010	U011	U012	U013	U014	U015	U016
------	------	------	------	------	------	------	------	------	------	------	------	------	------	------	------

U013_S003
SIDE FENCE:REAR:ASS'Y

150.D1494721 149.D1494720
TORSION SPRING: PLATE:SIDE FENC
SIDE FENCE:REAR E:REAR

148.D1494719
SIDE FENCE:REAR
:ASS'Y

142.D1494711
DECAL:SIDE FENC
E:MANUAL FEED



155.D1494727
CAP:SIDE FENCE



154.D1494726
TORSION SPRING:
VIBRATING PLATE:
REAR



153.D1494725
VIBRATING PLATE:
SIDE FENCE:REAR



U001	U002	U003	U004	U005	U006	U007	U008	U009	U010	U011	U012	U013	U014	U015	U016
------	------	------	------	------	------	------	------	------	------	------	------	------	------	------	------

U013_S004

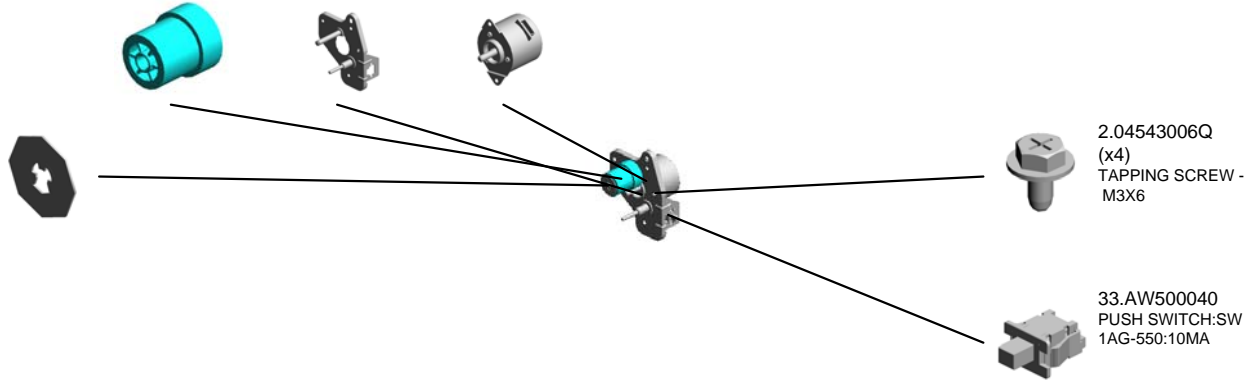
DUPLEX UNIT:METIS-C1AB:EXP:ASS'Y

166.D1494754 GEAR:OUTPUT:DU
PLEX:ENTRANCE
165.D1494750 BRACKET:MOTOR:
DUPLEX
34.AX060435 DC MOTOR:GEAR:
10W:BRUSHLESS



49.D1474511
DUPLEX UNIT:MET
IS-C1AB:EXP:ASS'
Y

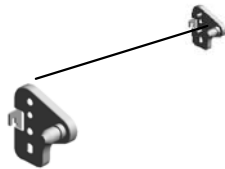
5.07200040E
RETAINING RING -
M4



2.04543006Q
(x4)
TAPPING SCREW -
M3X6

33.AW500040
PUSH SWITCH:SW
1AG-550:10MA

167.D1494755
BRACKET:HINGE:D
UPLEX:FRONT



U001	U002	U003	U004	U005	U006	U007	U008	U009	U010	U011	U012	U013	U014	U015	U016
------	------	------	------	------	------	------	------	------	------	------	------	------	------	------	------

U014.MAIN DRIVE

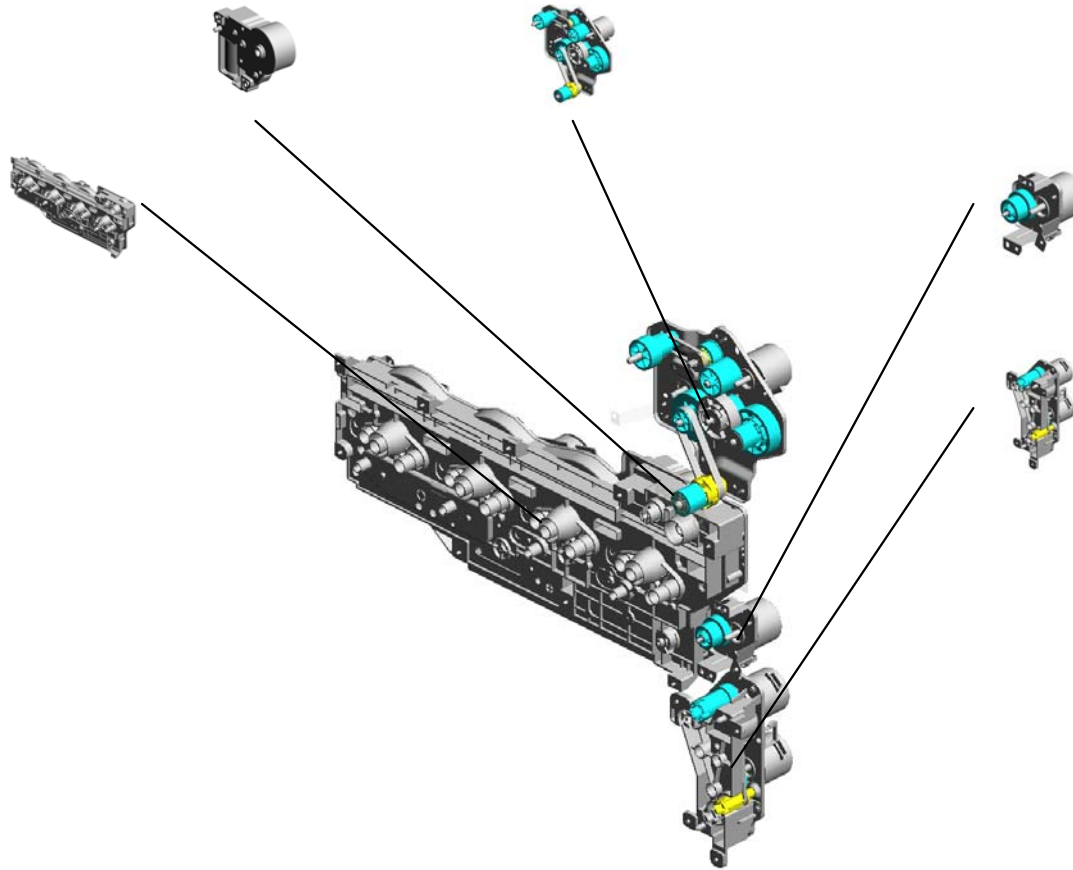
U014_S002
D1491199
DRIVE UNIT:ON-OFF:TRANS
FER

U014_S005
D1491357
DRIVE UNIT:FUSING/PAPER
EXIT UNIT:ASS'Y

U014_S001
D1471101
DRIVE UNIT:ENGINE:D146/D
147:ASS'Y

U014_S004
D1491351
DRIVE UNIT:REGISTRATION:
ASS'Y

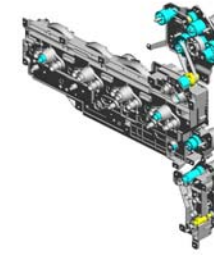
U014_S003
D1491178
DRIVE UNIT:PAPER FEED:AS
S'Y



U001	U002	U003	U004	U005	U006	U007	U008	U009	U010	U011	U012	U013	U014	U015	U016
------	------	------	------	------	------	------	------	------	------	------	------	------	------	------	------

U014 MAIN DRIVE

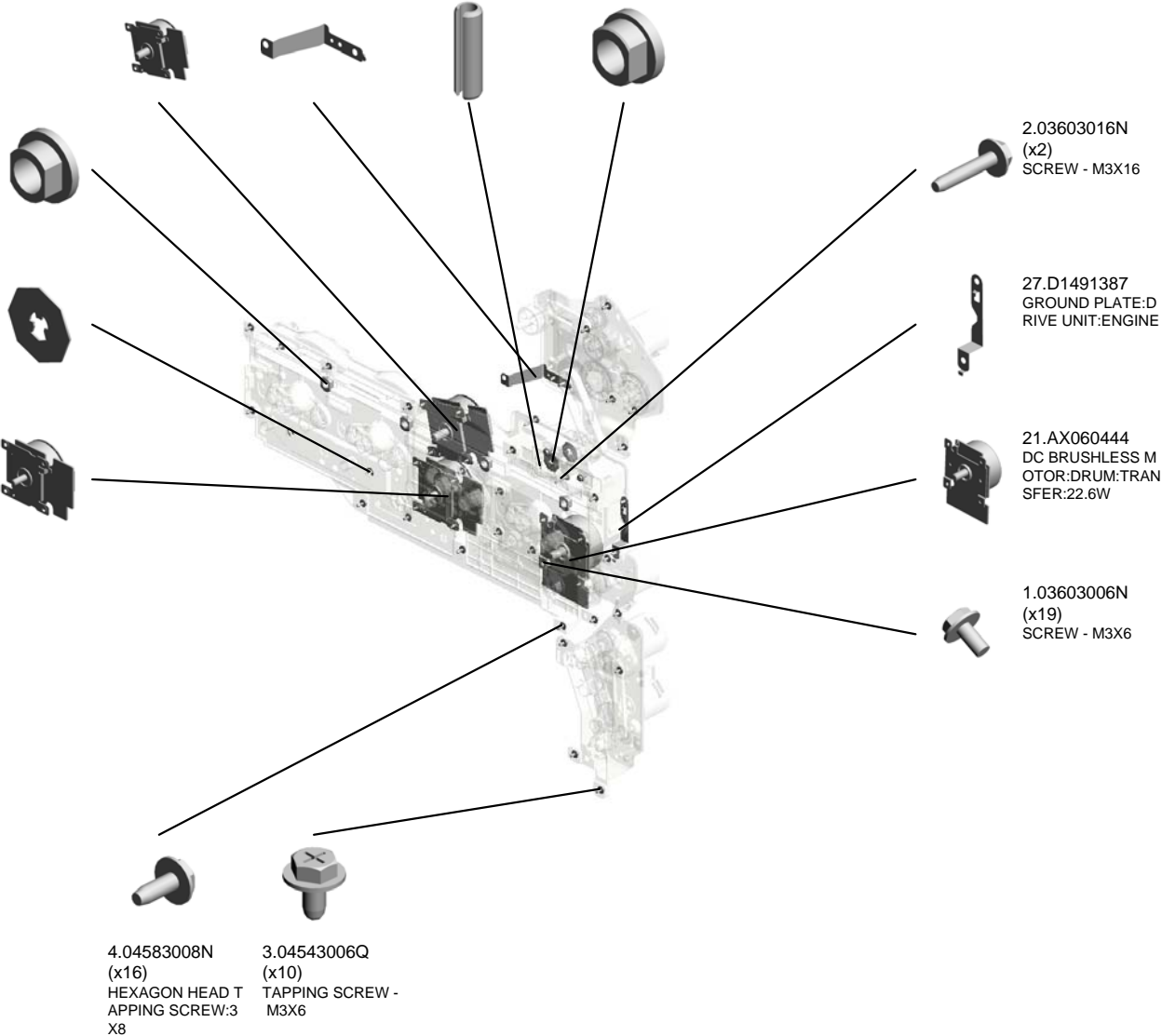
19.AX060442 DC BRUSHLESS MOTOR:DRUM:COLLAR:25.8W
 28.D1491394 GROUND PLATE:DRIVE UNIT:FUSING/PAPER EXIT UNIT
 5.06220080E SPRING PIN - 2X8 MM
 13.AA080346 BUSHING:FLANGE TYPE:DIA6



15.AA082175 (x4)
PLAIN SHAFT BEARING RING:8X12X7

6.07200040E (x5)
RETAINING RING - M4

20.AX060443 DC BRUSHLESS MOTOR:DEVELOPMENT:COLLAR:29.3W

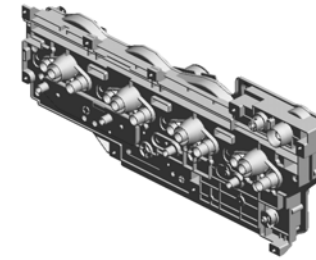


U014_S001
 DRIVE UNIT:ENGINE:D146/D147:ASS'Y

20.AX060443 DC BRUSHLESS M
 OTOR:DEVELOPM
 ENT:COLLAR:29.3
 W

19.AX060442 DC BRUSHLESS M
 OTOR:DRUM:COLL
 AR:25.8W

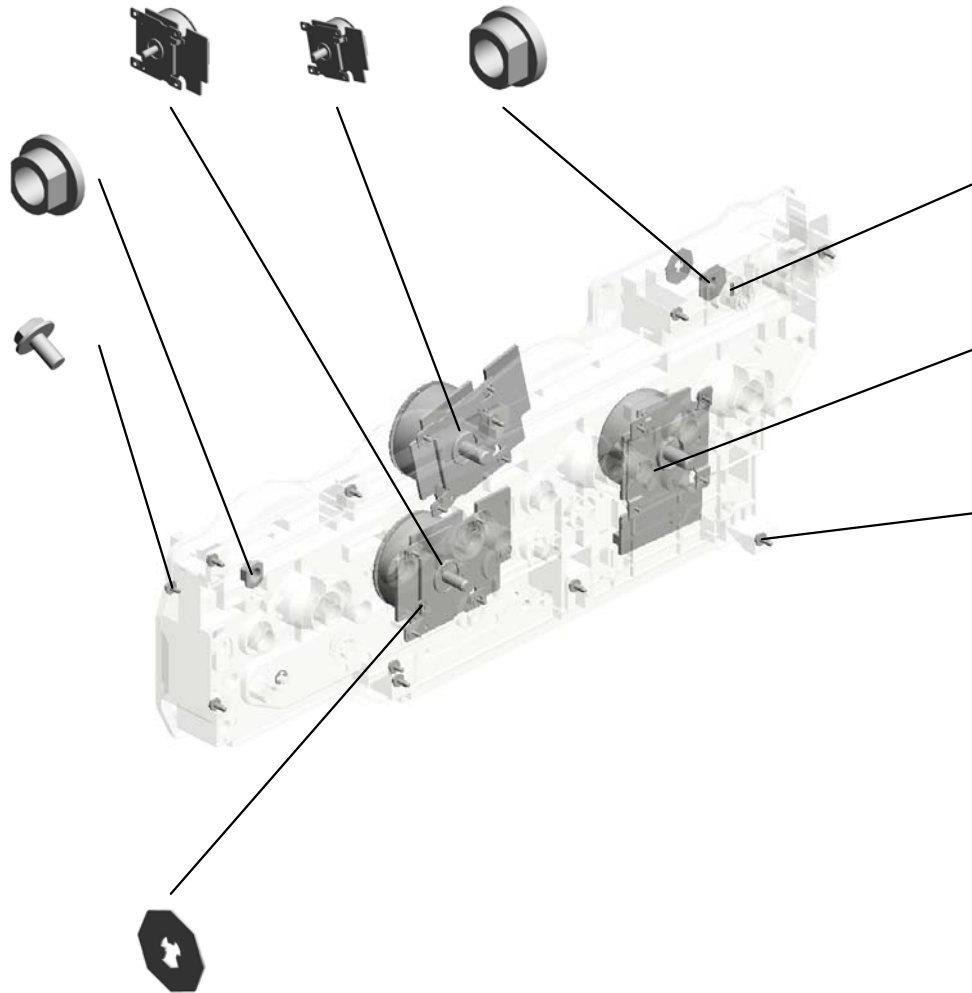
13.AA080346 BUSHING:FLANGE
 TYPE:DIA6



22.D1471101
 DRIVE UNIT:ENGIN
 E:D146/D147:ASS'Y

15.AA082175
 PLAIN SHAFT BEA
 RING:8X12X7

1.03603006N
 (x14)
 SCREW - M3X6



5.06220080E
 SPRING PIN - 2X8
 MM

21.AX060444
 DC BRUSHLESS M
 OTOR:DRUM:TRAN
 SFER:22.6W

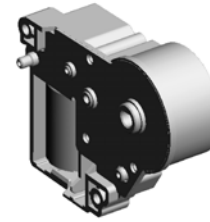
4.04583008N
 (x9)
 HEXAGON HEAD T
 APPING SCREW:3
 X8

6.07200040E
 (x5)
 RETAINING RING -
 M4

U001	U002	U003	U004	U005	U006	U007	U008	U009	U010	U011	U012	U013	U014	U015	U016
------	------	------	------	------	------	------	------	------	------	------	------	------	-------------	------	------

U014_S002
DRIVE UNIT:ON-OFF:TRANSFER

16.AW020198
PHOTOINTERRUP
TOR:LG2A14NL1



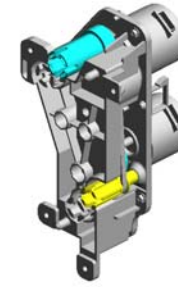
24.D1491199
DRIVE UNIT:ON-OF
F:TRANSFER



U001	U002	U003	U004	U005	U006	U007	U008	U009	U010	U011	U012	U013	U014	U015	U016
------	------	------	------	------	------	------	------	------	------	------	------	------	------	------	------

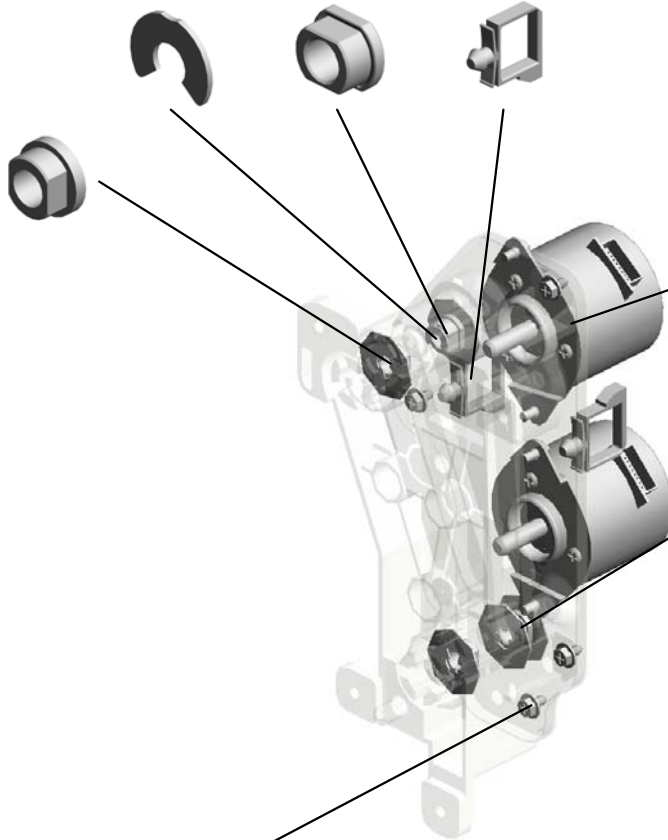
U014_S003
 DRIVE UNIT:PAPER FEED:ASS'Y

9.08050104 14.AA082173 12.11050764
 RETAINING RINGS (x2) PLAIN SHAFT BEA (x2) CLAMP:LWS-1316A
 -E:SILENCER:DIA4 RING:6X10X6



23.D1491178
 DRIVE UNIT:PAPER FEED:ASS'Y

13.AA080346
 (x2)
 BUSHING:FLANGE
 TYPE:DIA6



17.AX060435
 (x2)
 DC MOTOR:GEAR:
 10W:BRUSHLESS

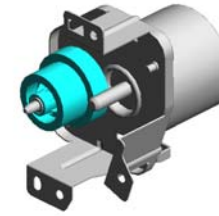
6.07200040E
 (x5)
 RETAINING RING -
 M4

1.03603006N
 (x8)
 SCREW - M3X6

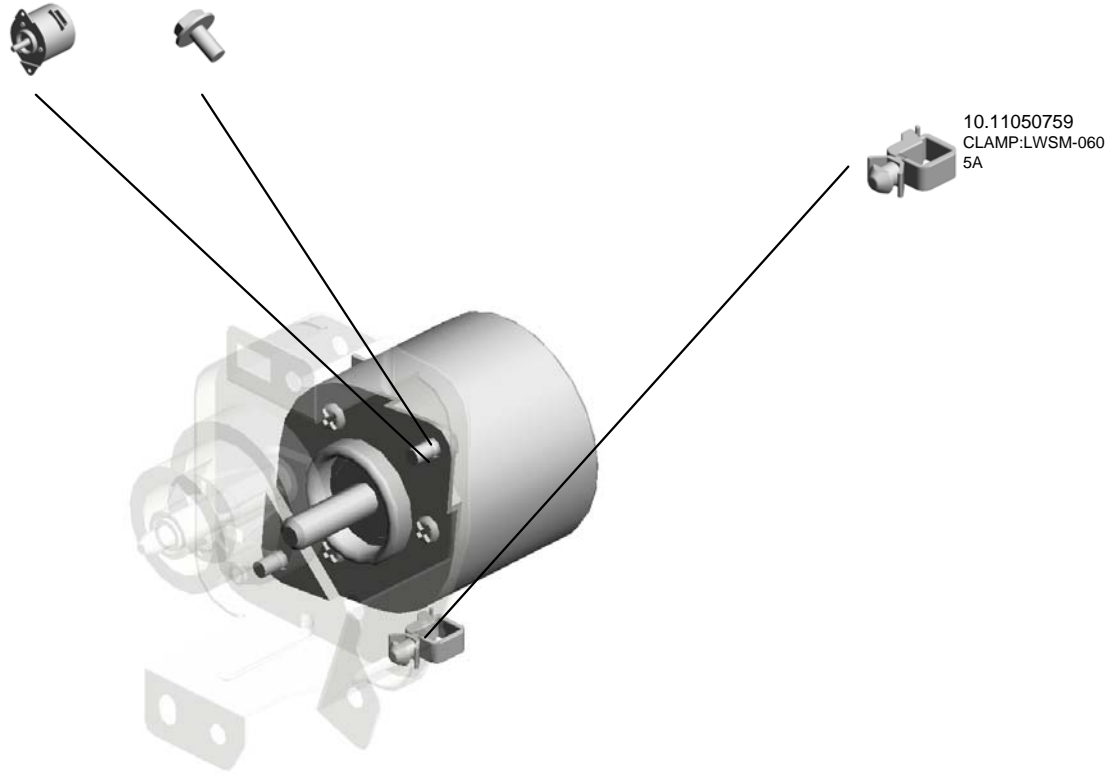
U001	U002	U003	U004	U005	U006	U007	U008	U009	U010	U011	U012	U013	U014	U015	U016
------	------	------	------	------	------	------	------	------	------	------	------	------	------	------	------

U014_S004
DRIVE UNIT:REGISTRATION:ASS'Y

17.AX060435 1.03603006N
DC MOTOR:GEAR: (x2)
10W:BRUSHLESS SCREW - M3X6



25.D1491351
DRIVE UNIT:REGIS
TRATION:ASS'Y



U001	U002	U003	U004	U005	U006	U007	U008	U009	U010	U011	U012	U013	U014	U015	U016
------	------	------	------	------	------	------	------	------	------	------	------	------	------	------	------

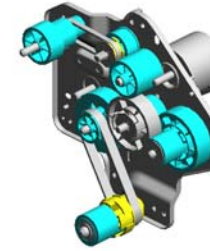
U014_S005

DRIVE UNIT:FUSING/PAPER EXIT UNIT:ASS'Y

11.11050760 (x5)
CLAMP:LWSM-051
1A

6.07200040E (x5)
RETAINING RING -
M4

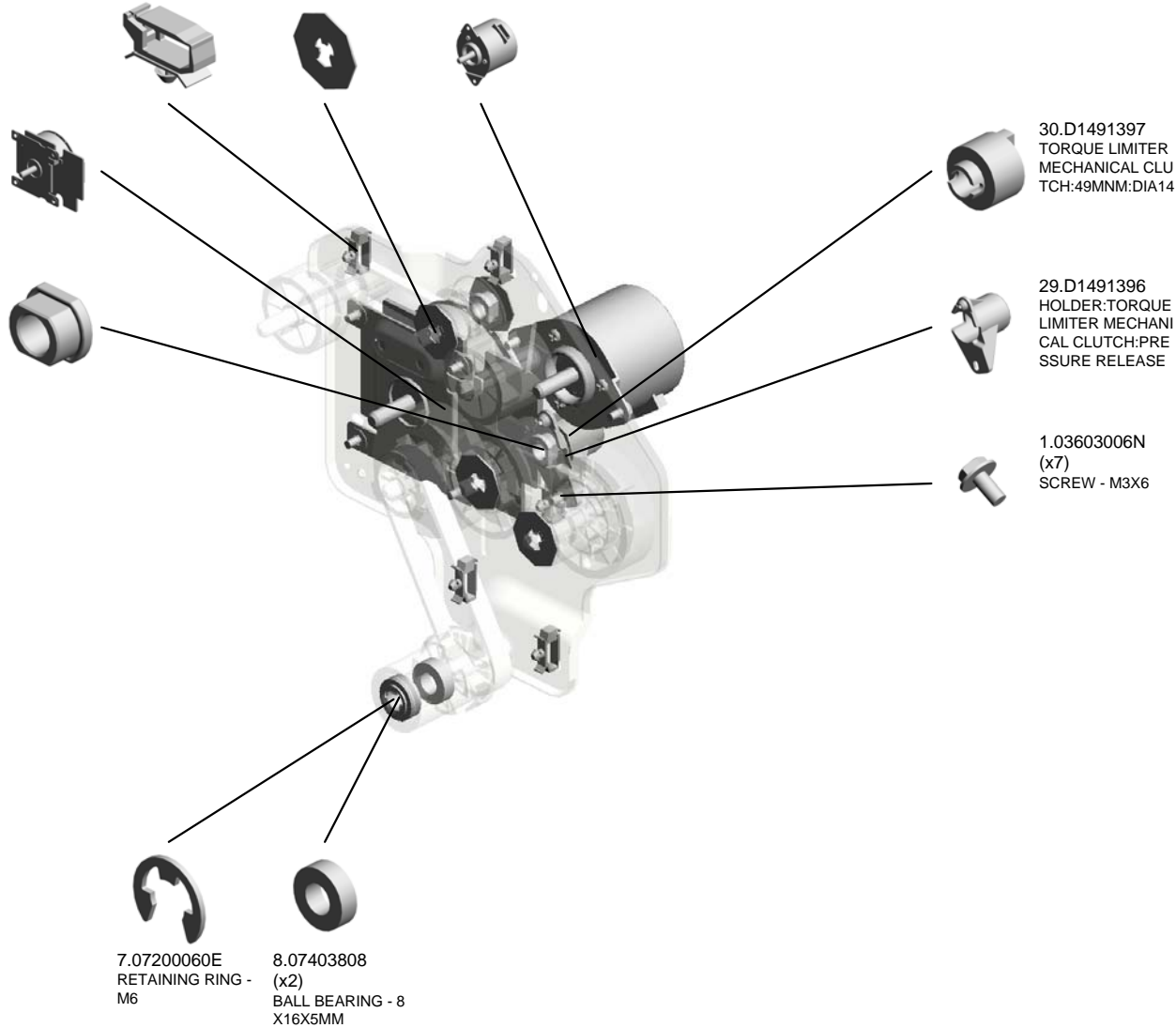
17.AX060435
DC MOTOR:GEAR:
10W:BRUSHLESS



26.D1491357
DRIVE UNIT:FUSIN
G/PAPER EXIT UNI
T:ASSY

18.AX060441
DC BRUSHLESS M
OTOR:FUSING UNI
T:26.8W

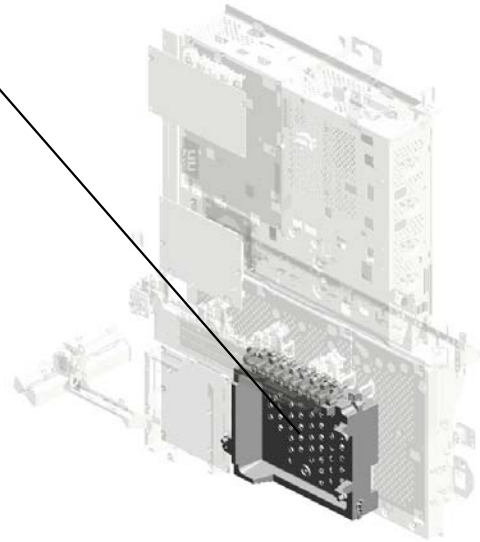
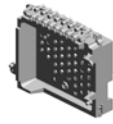
14.AA082173
(x2)
PLAIN SHAFT BEA
RING:6X10X6



U001	U002	U003	U004	U005	U006	U007	U008	U009	U010	U011	U012	U013	U014	U015	U016
------	------	------	------	------	------	------	------	------	------	------	------	------	------	------	------

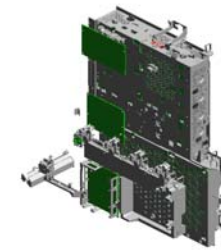
U015.ELECTRICAL

U015_S001
D1495761
CASE:POWER PACK:CB:ASS
Y



U001	U002	U003	U004	U005	U006	U007	U008	U009	U010	U011	U012	U013	U014	U015	U016
------	------	------	------	------	------	------	------	------	------	------	------	------	------	------	------

U015 ELECTRICAL



- 3.04543006N (x6) TAPPING SCREW: ROUND POINT:3X6
- 6.04543020Q (x2) TAPPING SCREW: 3X20
- 10.11029782 CONNECTOR:5140 5-1819
- 19.11050762 (x2) CLAMP:LWS-0711A
- 5.04543008Q (x2) TAPPING SCREW: 3X8

17.11050758
(x12)
CLAMP:LWSM-030
6A



18.11050759
(x19)
CLAMP:LWSM-060
5A



1.04513025N
TAPPING SCREW:
M3X25



9.08050103
RETAINING RINGS
-E:SILENCER:DIA3



4.04543006Q
(x104)
TAPPING SCREW -
M3X6



7.04583008N
(x6)
HEXAGON HEAD T
APPING SCREW:3
X8



15.11050725
CLAMPS:WES-111
7



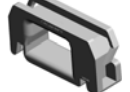
20.11050765
(x7)
CLAMP:LWS-2218A



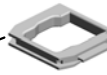
8.04583010N
HEXAGON HEAD T
APPING SCREW:3
X10



13.11050723
(x2)
CLAMPS:WES-050
7



16.11050726
(x2)
CLAMPS:WES-221
7



2.04533006N
(x4)
TAPPING SCREW -
M3X6



11.11050488
(x8)
HARNESS CLAMP



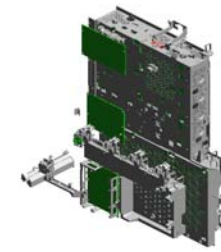
12.11050692
(x3)
CLAMP:LES-0503



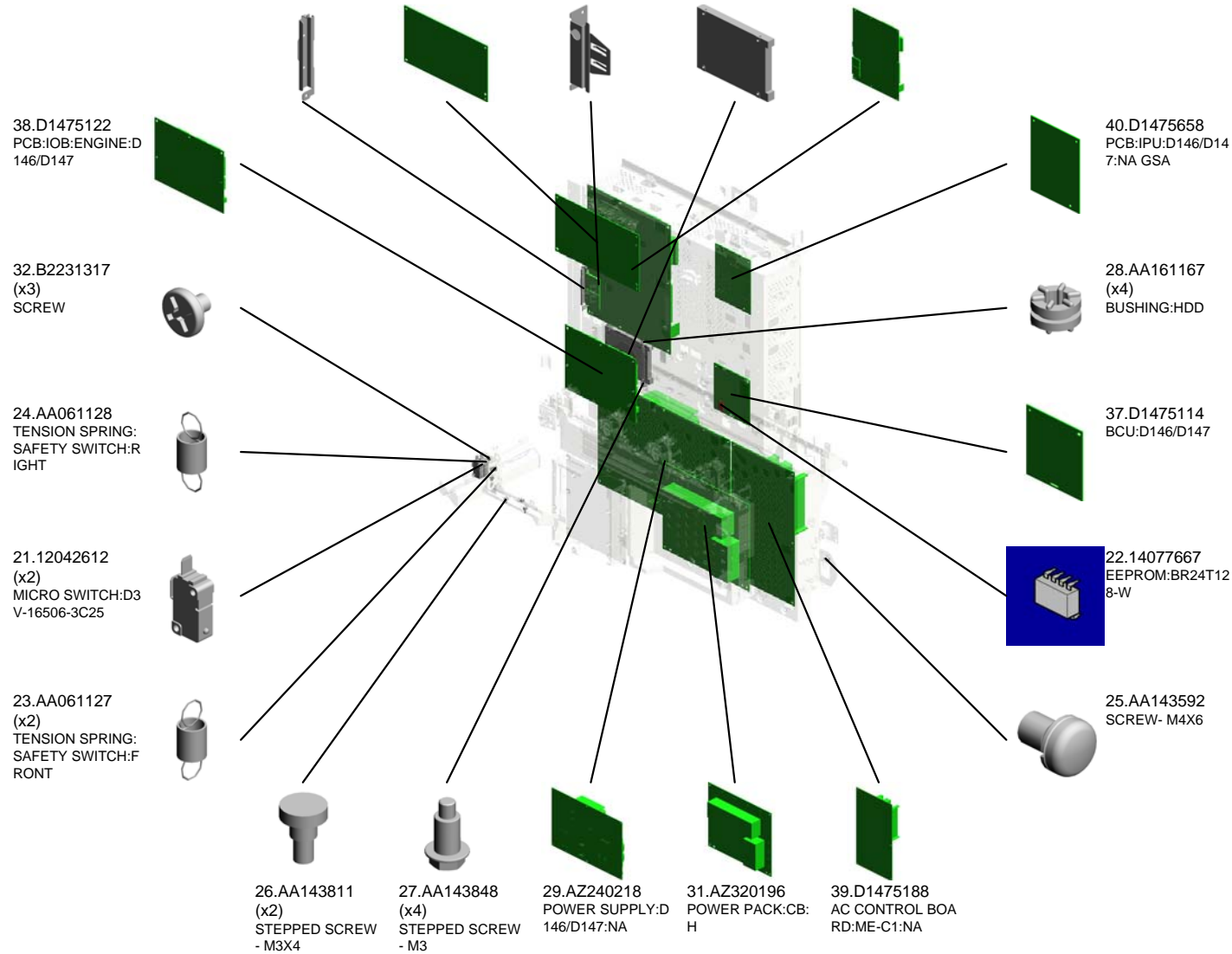
14.11050724
CLAMPS:WES-121
0



U015 ELECTRICAL



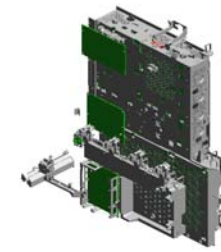
- 33.D0895824 COVER:SD-CARD: D086/D087
- 30.AZ320192 POWER PACK:T1T 2
- 34.D0895887 (x2) PANEL:INTERFAC E
- 35.D1425765 HDD:TOSHIBA:250 GB
- 36.D1465674 PCB:CTLA:EXP:(for D146)



U001	U002	U003	U004	U005	U006	U007	U008	U009	U010	U011	U012	U013	U015	U016
------	------	------	------	------	------	------	------	------	------	------	------	------	------	------

U015 ELECTRICAL

55.D1495776 COVER:USB:SMAL
L
44.D1475776 COVER:FAX CONT
ROL UNIT
42.D1475746 TERMINAL:TTS
43.D1475747 (x5)
SPRING PLATE:TT
S
61.GX640031 FAN MOTOR:DC.2.
64W



41.D1475674 PCB:CTLB:EXP:(for
D147)



46.D1495686 PCB:DCSW



47.D1495703 BRACKET:MICRO
SWITCH



50.D1495714 SHAFT:ARM:SAFE
TY SWITCH



52.D1495718 TORSION SPRING:
SAFETY SWITCH



49.D1495713 ARM:SAFETY SWI
TCH:FRONT



48.D1495711 BRACKET:ARM:SA
FETY SWITCH:FR
ONT



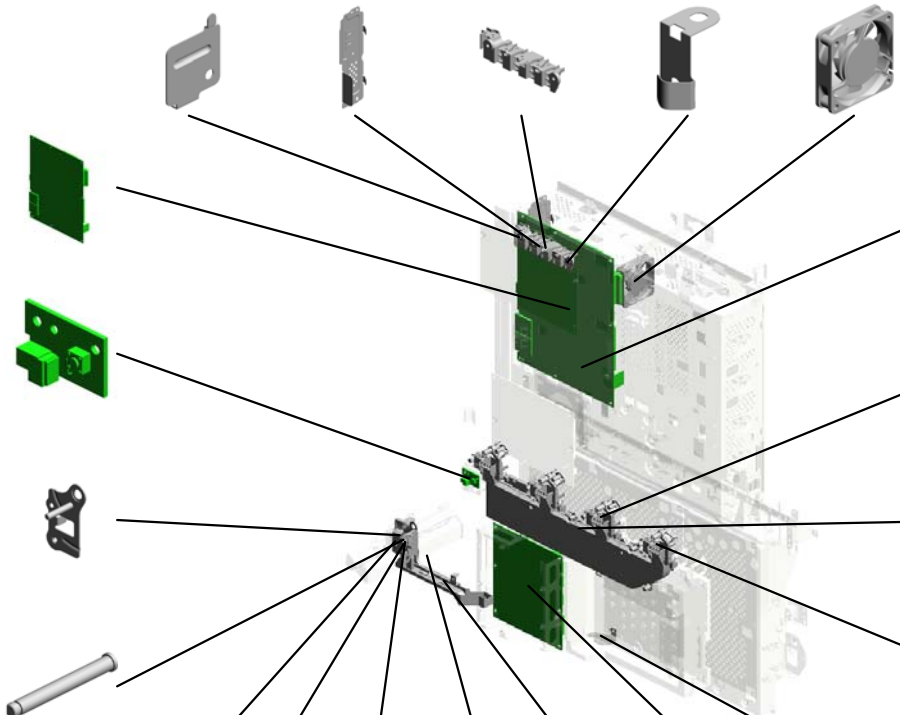
51.D1495717 BASE:SAFETY SWI
TCH



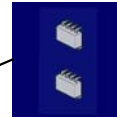
53.D1495726 LEVER:SAFETY S
WITCH:RIGHT



45.D1495120 PCB:IOB:TRANSP
ORT:D146/D147/D14
8/D149



60.D1509591 TOTAL COUNTER
SERVICE SET



57.D1495830 (x3)
TERMINAL:SUB-AS
S'Y



59.D1495840 BASE:DUCT:SUB-A
SS'Y



58.D1495835 TERMINAL:BLACK:
SUB-ASS'Y

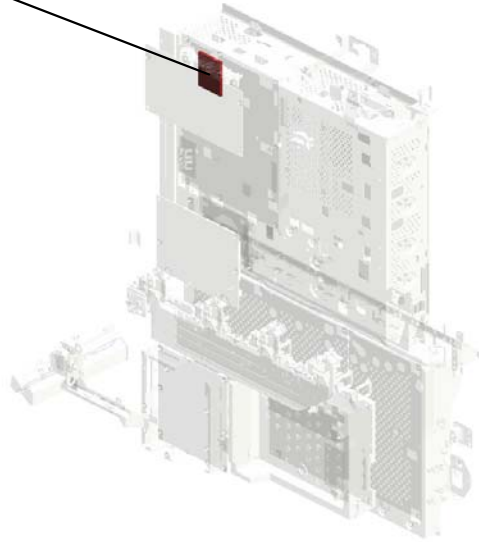
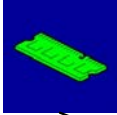
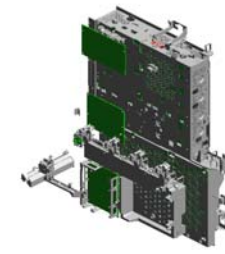


56.D1495824 COVER:CONNECT
OR:HEATER:0.4MM



U015
ELECTRICAL

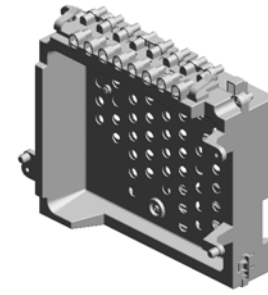
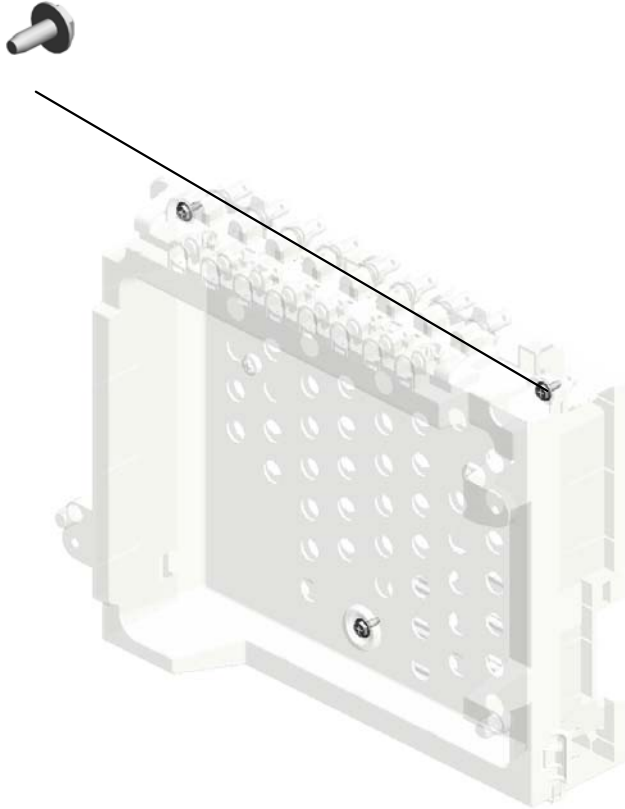
62.M1295245
PCB:DDR3-DIMM:R
C-A:1.5GB:ASSY



U001	U002	U003	U004	U005	U006	U007	U008	U009	U010	U011	U012	U013	U014	U015	U016
------	------	------	------	------	------	------	------	------	------	------	------	------	------	------	------

U015_S001
CASE:POWER PACK:CB:ASS'Y

7.04583008N
(x3)
HEXAGON HEAD TAPPING SCREW:3
X8

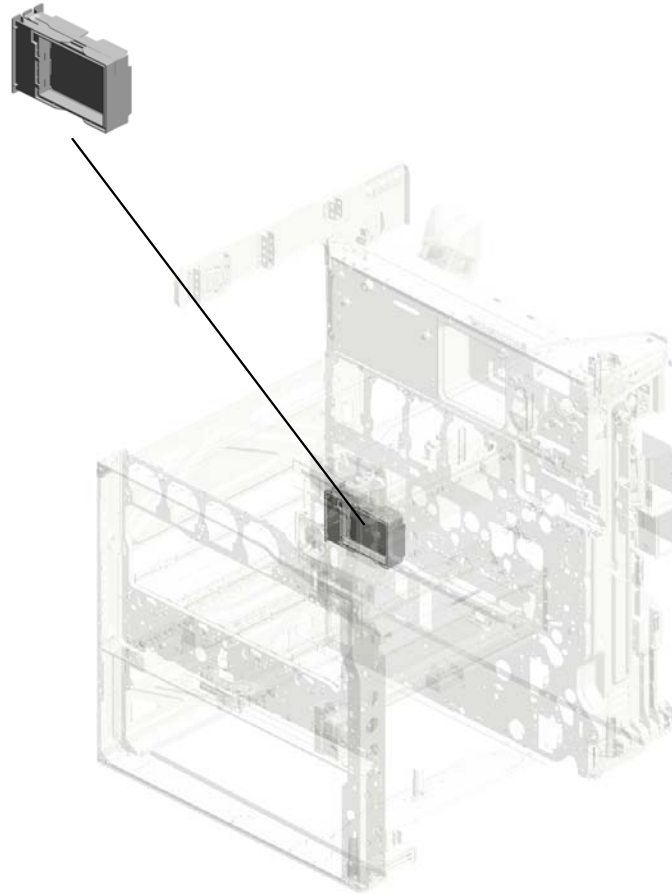


54.D1495761
CASE:POWER PAC
K:CB:ASS'Y

U001	U002	U003	U004	U005	U006	U007	U008	U009	U010	U011	U012	U013	U014	U015	U016
------	------	------	------	------	------	------	------	------	------	------	------	------	------	------	------

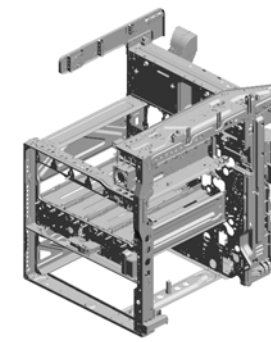
U016.MAIN FRAME

U016_S001
D1497935
CASE:FILTER:ASSY



U001	U002	U003	U004	U005	U006	U007	U008	U009	U010	U011	U012	U013	U014	U015	U016
------	------	------	------	------	------	------	------	------	------	------	------	------	------	------	-------------

U016 MAIN FRAME



- 14.AX660015 DC FAN MOTOR:SI
ROCCO:DC24V:PW
M
- 20.D1477956 DUCT:EXHAUST:D
RIVE:A
- 17.D1175303 THERMISTOR
- 10.AA080346 (x2)
BUSHING:FLANGE
TYPE:DIA6
- 11.AX640199 (x2)
FAN:MM80:25MM:D
C 2.16W

9.08025328
(x2)
HEXAGON HEAD T
APPING SCREW:3
X40

7.04583008N
(x56)
HEXAGON HEAD T
APPING SCREW:3
X8

4.04543006Q
(x242)
TAPPING SCREW -
M3X6

1.04503025N
(x4)
TAPPING SCREW:
3X25

12.AX640221
FAN:SIROCCO:DC
24V:50MM

13.AX640222
(x5)
DC FAN MOTOR:D
C24V:MM60:25MM

2.04503035N
(x2)
TAPPING SCREW:
3X35

5.04543008N
TAPPING SCREW:
ROUND POINT:3X8

16.B2381089
COVER - POSITIO
NING PIN

15.B2381088
COVER - CONNEC
TOR

18.D1477951
DUCT:SUPPLY:A

19.D1477952
DUCT:SUPPLY:B

3.04533008N
BINDING SELF TAP
PING SCREW:3X8

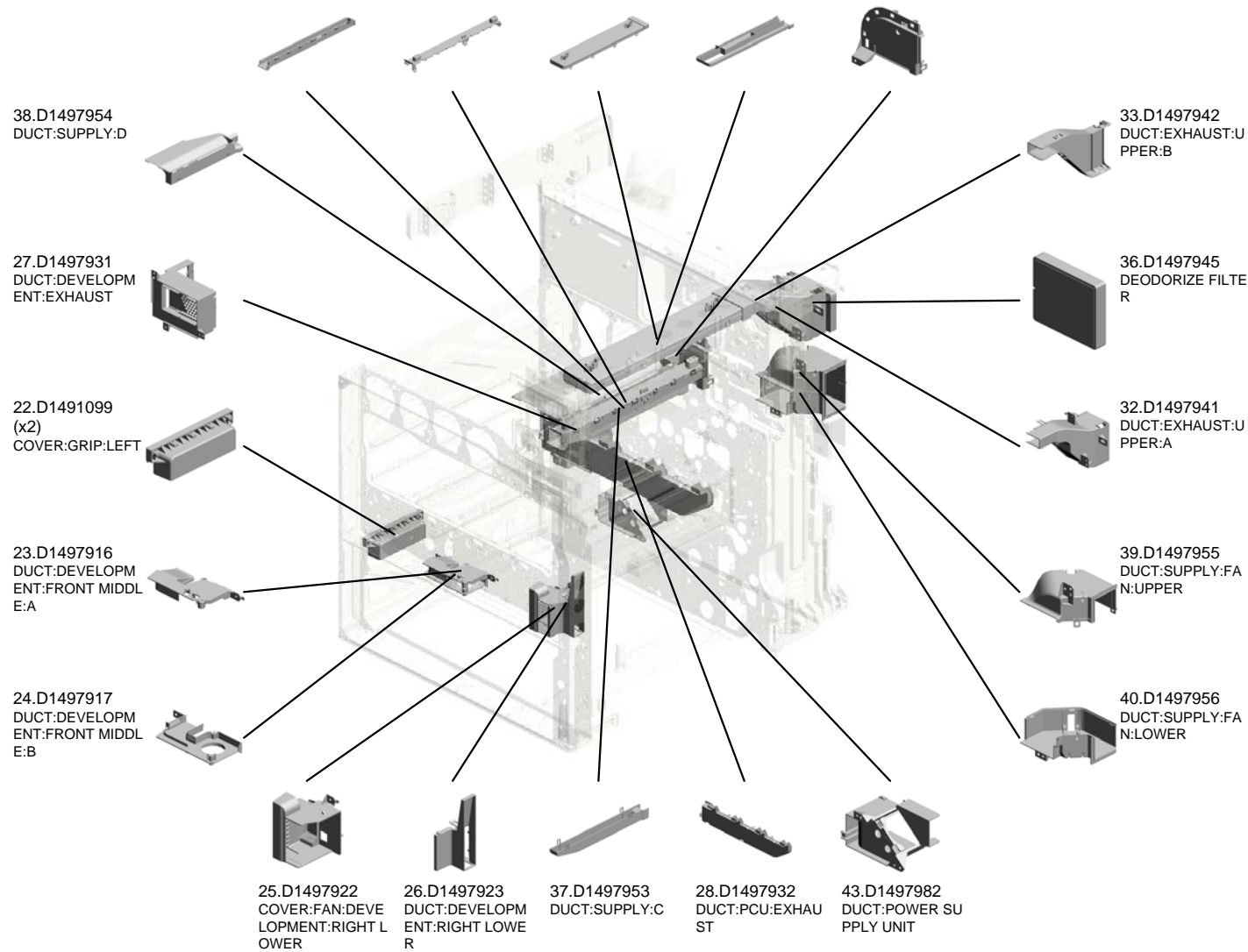
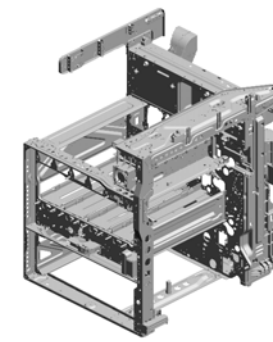
8.08025299
TAPPING SCREW -
M3X8

6.04543008Q
(x19)
TAPPING SCREW:
3X8

U001	U002	U003	U004	U005	U006	U007	U008	U009	U010	U011	U012	U013	U014	U015	U016
------	------	------	------	------	------	------	------	------	------	------	------	------	------	------	------

U016 MAIN FRAME

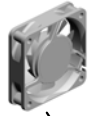
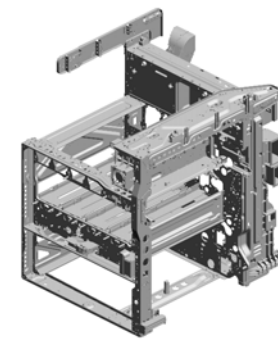
42.D1497962 DUCT:PAPER:COO LING:B
 41.D1497961 DUCT:PAPER:COO LING:A
 34.D1497943 DUCT:EXHAUST:U PPER:C
 35.D1497944 DUCT:EXHAUST:U PPER:D
 21.D1477957 DUCT:EXHAUST:D RIVE:B



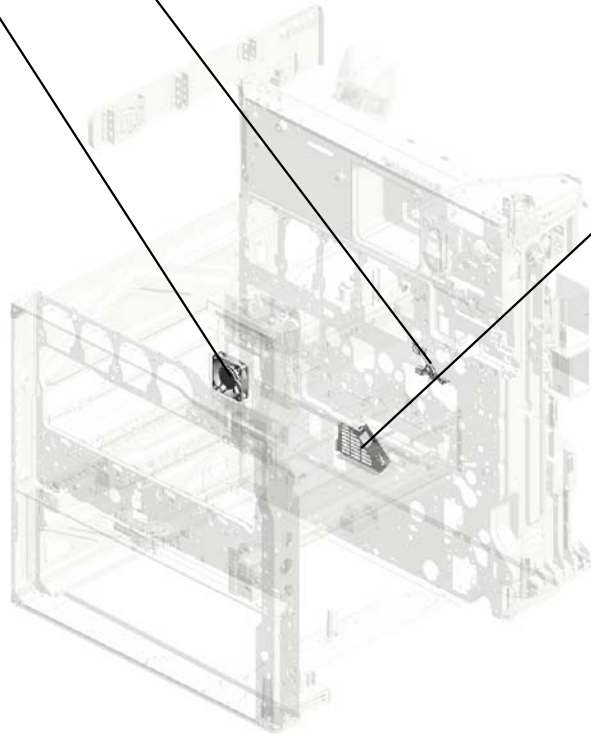
U016 MAIN FRAME

46.GX640031
FAN MOTOR:DC:2.
64W

45.D1497986
GUIDE:THERMIST
OR



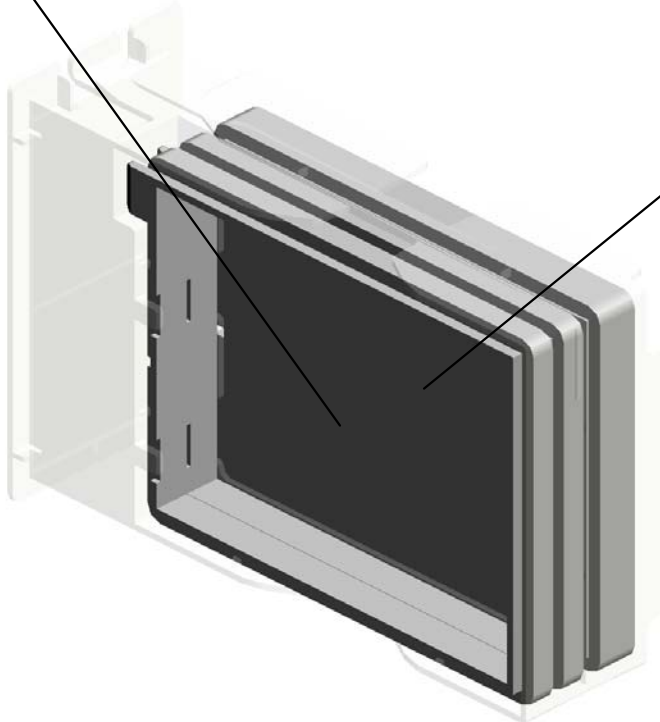
44.D1497983
BRACKET:FAN:PO
WER SUPPLY UNI
T



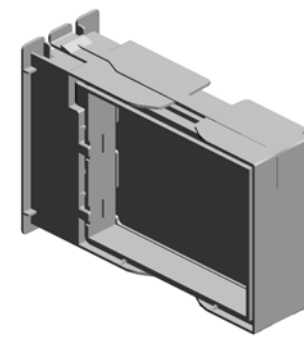
U001	U002	U003	U004	U005	U006	U007	U008	U009	U010	U011	U012	U013	U014	U015	U016
------	------	------	------	------	------	------	------	------	------	------	------	------	------	------	------

U016_S001
CASE:FILTER:ASS'Y

30.D1497937
(x2)
FILTER:PREVENTF
ENCE



31.D1497938
OZONE FILTER



29.D1497935
CASE:FILTER:ASS'
Y

U001	U002	U003	U004	U005	U006	U007	U008	U009	U010	U011	U012	U013	U014	U015	U016
------	------	------	------	------	------	------	------	------	------	------	------	------	------	------	------

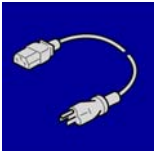
ACCESSORIES



1.04583008N
HEXAGON HEAD TAPPING SCREW:3
X8



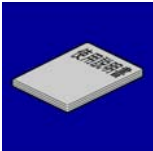
2.04583010N
HEXAGON HEAD TAPPING SCREW:3
X10



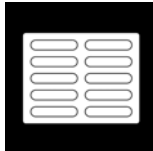
3.11500440
POWER SUPPLY CODE:120V:15A:NA



4.AA001564
PLATE:LOGOTYPE:RIC



5.B0651374
CLOTH - DF EXPOSURE GLASS



6.D1291568
SHEET:APPLICATION:MULTI-LANGU
AGE:BLANK



7.D1466752
DECAL:MODEL NAME PLATE:D146:R
IC:EXP:(for D146)



8.D1476752
DECAL:MODEL NAME PLATE:RIC:EX
P:(for D147)



9.D1491264
CAP:ROCKER SWITCH



10.D1491317
HOLDER:GLASS:CLEANER:ASS'Y



11.D1491321
DECAL:TONER BOTTLE:BK



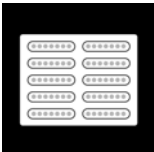
12.D1491322
DECAL:TONER BOTTLE:C



13.D1491323
DECAL:TONER BOTTLE:M



14.D1491324
DECAL:TONER BOTTLE:Y



15.D1491575
SHEET:APPLICATION:MULTI-LANGU
AGE:NA



16.D1492381
COVER:PCU:FRONT



17.D1494390
DECAL:CAUTION:INKJET:NA



18.D1494497
END FENCE:TRAY:EXIT



19.D1494736
DECAL:PAPER SET DIRECTION:MAN
UAL FEED:EXP



20.D1496333
COVER:INTERMEDIATE TRANSFER



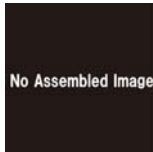
21.D1496766
DECAL:CAUTION:ORIGINAL:ENGLIS
H



22.D1496851
DECAL:MAIN SWITCH:ON-STANDBY:
ENGLISH



23.D1496862
DECAL:SIZE INDICATION:PAPER TR
AY:EXP



24.D6457901
SHEET:EULA:20LANGUAGES:CHN
AY:EXP

ACCESSORIES



25.D6457902
SEAL:CAUTION:20LANGUAGES



26.D6846031
DECAL:ORIGINAL TABLE



27.D6846061
DECAL::ORIGINAL:MANY LANGUAGES



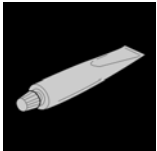
1.52039502
Silicon Grease G-501



2.A0929503
C4 COLOR TEST CHART (3 PCS/SET)



3.A1849501
Scanner Positioning Pin (2pcs/set)



4.A2579300
GREASE - BARRIERTA S552R



5.B6455020
SD CARD(1GB)



6.C4019503
20X MAGNIFICATION SCOPE



7.VSSG9002
FLUOTRIBO MG GREASE : 100G

SPECIAL TOOLS

Exclusive Parts

Number	Part Name	Group	ID
52039502	Silicon Grease G-501	SPECIAL TOOLS	1
52062686	SNAP RING	U001	3
		U005	15
		U005_S001	15
		U005_S002	15
		U010	8
52152621	SNAP RING - M6	U010	8
		U013	11
54472681	SNAP RING	U010	9
		U013	12
A0929503	C4 COLOR TEST CHART (3 PCS/SET)	SPECIAL TOOLS	2
A1849501	Scanner Positioning Pin (2pcs/set)	SPECIAL TOOLS	3
A2324666	CUSHION - STEPPER MOTOR	U003_S001	14
		U012_S001_S001	8
A2501752	EXPOSURE GLASS	U003	15
A2579300	GREASE - BARRIERTA S552R	SPECIAL TOOLS	4
AA001564	PLATE:LOGOTYPE:RIC	ACCESSORIES	4
AA043980	TIMING BELT:30S2M300	U013	13
AA060151	TENSION SPRING	U008	8
AA061121	TORSION SPRING:STRIPPER PLATE:FRONT	U011_S001	19
AA061122	TORSION SPRING:STRIPPER PLATE:REAR	U011_S001	20
AA061127	TENSION SPRING:SAFETY SWITCH:FRONT	U015	23
AA061128	TENSION SPRING:SAFETY SWITCH:RIGHT	U015	24
AA063499	PRESSURE SPRING	U013_S001	14
AA063941	COMPRESSION SPRING:REGISTRATION:INNER:DRIVE	U010	10
AA063942	COMPRESSION SPRING:REGISTRATION:DRIVE	U010	11
AA063943	COMPRESSION SPRING:GUIDE PLATE:REGISTRATION:4N	U010	12
AA066423	TORSION SPRING:GUIDE:FUSING EXIT	U011_S001	21
AA080346	BUSHING:FLANGE TYPE:DIA6	U009_S001	8
		U010	13

Number	Part Name	Group	ID
		U014	13
		U014_S001	13
		U014_S003	13
		U016	10
AA082101	BUSHING - 6X10X6	U008	9
		U008_S001	9
		U008_S002	9
AA082144	BUSHING - 8X12X7	U003	16
		U010	14
AA082170	PLAIN SHAFT BEARING:DIA4XDIA8X5:EG-1	U012_S001	9
		U013	15
		U013_S001	15
AA082171	PLAIN SHAFT BEARING:6X10X6	U013_S001	16
AA082173	PLAIN SHAFT BEARING:6X10X6	U005	16
		U005_S001	16
		U005_S001_S001	16
		U005_S002	16
		U005_S002_S001	16
		U012_S001	10
		U013	17
		U013_S001	17
		U014_S003	14
		U014_S005	14
AA082174	PLAIN SHAFT BEARING:6X10X9	U005	17
		U005_S001	17
		U005_S002	17
		U013_S001	18
AA082175	PLAIN SHAFT BEARING:8X12X7	U005	18
		U014	15
		U014_S001	15
AA083014	ONE-WAY CLUTCH	U013	19
AA083018	ROLLER CLUTCH - 6X14X10	U013	20
AA100014	RETAINING RING C - SEPARATE	U005	19
		U005_S001	19
		U005_S002	19
		U013_S001	21
AA120149	DISCHARGE BRUSH:PRESSURE ROLLER	U011_S001	22

Exclusive Parts

Number	Part Name	Group	ID
AA143219	STEPPED SCREW	U011	23
AA143537	SCREW:M3:BLACK	U001	4
		U003	17
AA143579	SCREW - M3	U013_S001	22
AA143592	SCREW- M4X6	U015	25
AA143807	SCREW:A	U013	23
AA143811	STEPPED SCREW - M3X4	U015	26
AA143848	STEPPED SCREW - M3	U015	27
AA143882	SCREW:DIA5:1.5T	U008	10
AA148836	SHAFT:GEAR:IDLER:WORM GEAR	U011	24
AA161167	BUSHING:HDD	U015	28
AB010156	GEAR:SEPARATE:DRIVE	U013_S001	24
AB010157	GEAR:SEPARATE:DRIVEN	U013_S001	25
AB011252	GEAR - 20Z	U013_S001	26
AB011571	GEAR:Z19:DRIVE:REGISTRATION	U010	15
AB011572	GEAR:Z19:DRIVEN:REGISTRATIO N	U005	20
AB011573	GEAR:REGISTRATION:NO.2	U005	21
AB012096	GEAR:DRIVE:FUSING UNIT	U011_S001	25
AB012097	GEAR:IDLER:PRESSURE ROLLER	U011_S001	26
AB012098	GEAR:PRESSURE ROLLER	U011_S001_S001	27
AB012099	GEAR:ON-OFF:PRESSURE ROLLE R	U011_S001	28
AB012102	GEAR:IDLER:WORM GEAR	U011	29
AB012103	GEAR:IDLER:LIGHT SHIELDING PL ATE	U011	30
AC030169	MIRROR:NO.1	U003_S003	18
AE020223	PRESSURE ROLLER:DIA32:SERVI CE PARTS	U011_S001_S001	31
AE030074	BALL BEARING:DIA17XDIA26X5	U011_S001_S001	32
AF013006	BOTTOM PLATE PAD	U005_S011_S004	22
		U005_S012_S004	22
AF013016	BOTTOM PLATE PAD	U013	27
AF020799	REGISTRATION ROLLER:DRIVE	U010	16
AF030049	PICK-UP ROLLER	U013_S001	28
AF030094	PAPER FEED ROLLER:PICKUP	U005	23
		U005_S001	23
		U005_S002	23

Number	Part Name	Group	ID
AF031046	FEED ROLLER - MANUAL FEED	U013_S001	29
AF031094	PAPER FEED ROLLER:FEED	U005	24
		U005_S001	24
		U005_S002	24
AF032046	SEPARATION ROLLER - MANUAL FEED	U013_S001	30
AF032094	PAPER FEED ROLLER:SEPARATE	U005	25
		U005_S001	25
		U005_S002	25
AF040064	ROLLER:DRIVEN:FUSING EXIT	U011_S001	33
AF040571	GUIDE ROLLER	U012_S001	11
AF040575	DRIVEN ROLLER	U012_S001	12
AG070513	MAGNET CATCH	U001	5
AG070514	MAGNET CATCH	U009	9
AG071007	LATCH - BY PASS FEED TABLE	U001	6
AW010147	PHOTO REFLECTION SENSOR	U011	34
AW010155	ORIGINAL SENSOR:66MM:3.3V	U003	19
AW010200	PAPER FEED SENSOR:FUSING EX IT	U010	17
AW020190	PHOTOINTERRUPTOR	U011	35
AW020198	PHOTOINTERRUPTOR:LG2A14NL 1	U009	10
		U014_S002	16
AW020203	PHOTOINTERRUPTOR:GP1A173L CS2F	U005	26
		U005_S001	26
		U005_S002	26
		U008	11
		U010	18
		U012_S001	13
		U013	31
		U013_S001	31
AW020207	PHOTOINTERRUPTOR:FLAT:PICH 2MM:M4	U003	20
AW020214	PHOTOINTERRUPTOR:LG248NL1 A	U003	21
AW100138	THERMOPILE	U011	36
AW100150	NON-CONTACT TYPE THERMISTO R:NC-F10:MIDDLE	U011_S001	37
AW100151	NON-CONTACT TYPE THERMISTO	U011_S001	38

Exclusive Parts

Number	Part Name	Group	ID
	R:NC-F10:FRONT		
AW100154	THERMISTOR:PRESSURE:MIDDLE	U011_S001	39
AW100156	THERMISTOR:PRESSURE:FRONT: 2P	U011_S001	40
AW110111	THERMOSTAT:MIDDLE	U011_S001	41
AW110112	THERMOSTAT:REAR	U011_S001	42
AW140016	TEMPERATURE & HUMIDITY SEN SOR	U008	12
AW500024	PUSH SWITCH	U005	27
AW500039	ROTARY SWITCH:PAPER SIZE SE NSOR:CW	U013	32
AW500040	PUSH SWITCH:SW1AG-550:10MA	U005	28
		U009	11
		U013	33
		U013_S004	33
AX040273	DC MOTOR:RISING TRAY:ASS'Y:1. 007W:BRUSH	U005_S007	29
		U005_S008	29
AX060435	DC MOTOR:GEAR:10W:BRUSHLES S	U013	34
		U013_S004	34
		U014_S003	17
		U014_S004	17
		U014_S005	17
AX060441	DC BRUSHLESS MOTOR:FUSING UNIT:26.8W	U014_S005	18
AX060442	DC BRUSHLESS MOTOR:DRUM:C OLLAR:25.8W	U014	19
		U014_S001	19
AX060443	DC BRUSHLESS MOTOR:DEVELO PMENT:COLLAR:29.3W	U014	20
		U014_S001	20
AX060444	DC BRUSHLESS MOTOR:DRUM:T RANSFER:22.6W	U014	21
		U014_S001	21
AX640199	FAN:MM80:25MM:DC 2.16W	U016	11
AX640221	FAN:SIROCCO:DC24V:50MM	U016	12
AX640222	DC FAN MOTOR:DC24V:MM60:25M M	U016	13
AX660015	DC FAN MOTOR:SIROCCO:DC24V: PWM	U016	14
AZ240218	POWER SUPPLY:D146/D147:NA	U015	29
AZ320192	POWER PACK:T1T2	U015	30

Number	Part Name	Group	ID
AZ320196	POWER PACK:CB:H	U015	31
B0651374	CLOTH - DF EXPOSURE GLASS	ACCESSORIES	5
B2134460	SHAFT:PRESSURE ROLLER	U012_S001	14
B2231317	SCREW	U015	32
B2233241	SPRING:SHUTTER:PUMP UNIT	U007	13
B2234552	BUSHING:DIA4	U013	35
B2236069	JOINT:DRIVE:INTERMEDIATE TRA NSFER	U008_S001	13
B2236476	BUSHING - DIA5	U009	12
B2342864	PAD:CLEANER	U005_S011_S001	30
		U005_S011_S002	30
		U005_S012_S001	30
		U005_S012_S002	30
B2381088	COVER - CONNECTOR	U016	15
B2381089	COVER - POSITIONING PIN	U016	16
B2381806	IDLER PULLEY	U003	22
B2381807	PULLEY	U003	23
B6455020	SD CARD(1GB)	SPECIAL TOOLS	5
B8303504	TIMING BELT - 40S2M100	U005	31
		U005_S001	31
		U005_S002	31
C4019503	20X MAGNIFICATION SCOPE	SPECIAL TOOLS	6
D0092573	PULLEY - VERTICAL TRANSPORT	U013	36
D0092574	PULLEY - IDLER	U013	37
D0094407	FEELER - OVERFLOW	U012_S001	15
D0094455	CUSHION - DC SOLENOID	U012_S001	16
D0094485	BUSHING - GATE	U013	38
D0094487	COMPRESSION SPRING - GATE	U013	39
D0094489	DRIVEN ROLLER	U013	40
D0291749	PULLEY:PROTECTION	U003	24
D0292677	TRANSPORT BELT:DRIVEN:VERTI CAL TRANSPORT	U013	41
D0392993	SHAFT:TRANSPORT BELT:PULLE Y	U013	42
D0394525	COMPRESSION SPRING:SHAFT:G UIDE PLATE:EXIT	U013	43
D0394529	STOPPER:GUIDE PLATE:ROLLER: DRIVEN	U013	44

Exclusive Parts

Number	Part Name	Group	ID
D0394591	SHAFT:PRESSURE:GUIDE PLATE:EXIT	U013	45
D0394597	TENSION SPRING:DRIVEN ROLLER	U013	46
D0394912	DISCHARGE BRUSH:REVERSE	U012_S001	17
D0394925	ROLLER:REVERSE:DRIVEN	U012_S001	18
D0394927	COMPRESSION SPRING:PRESSURE:REVERSE:DRIVEN	U012_S001	19
D0892764	GEAR:FEED	U005	32
		U005_S001	32
		U005_S002	32
D0895824	COVER:SD-CARD:D086/D087	U015	33
D0895887	PANEL:INTERFACE	U015	34
D1054365	HOLDER:THERMOPILE	U011	43
D1124264	DECAL:WARNING (HIGH TEMPERATURE):FUSING	U011_S001_S002	44
D1175303	THERMISTOR	U016	17
D1175916	STEPPED SCREW:M3X8:SECOND KIND	U008	14
D1291508	KEYTOP:HOME	U002	4
		U002_S001	4
D1291528	SHEET:KEYTOP:LEFT	U002	5
		U002_S001	5
D1291568	SHEET:APPLICATION:MULTI-LANGUAGE:BLANK	ACCESSORIES	6
D1292783	TORQUE LIMITER MECHANICAL CLUTCH:40MM:DIA18	U005	33
		U005_S001	33
		U005_S002	33
		U013_S001	47
D1425765	HDD:TOSHIBA:250GB	U015	35
D1441085	STEPPED SCREW:M3	U008_S001	15
		U011_S001	45
D1444484	SHOULDER SCREW - M3	U012_S001	20
D1444489	STOPPER:DRIVEN ROLLER	U013	48
D1461411	OPERATION PANEL:D146/D147:NA/AP:ASS'Y	U002_S001	6
D1461455	PCB:LCDC:AR2FT:D146/D147:ASS'Y	U002_S001	7

Number	Part Name	Group	ID
D1465674	PCB:CTLA:EXP:(for D146)	U015	36
D1466752	DECAL:MODEL NAME PLATE:D146:RIC:EXP:(for D146)	ACCESSORIES	7
D1471101	DRIVE UNIT:ENGINE:D146/D147:ASS'Y	U014_S001	22
D1471255	COVER:LEFT:INTERFACE:D146/D147	U001	7
D1471271	INNER COVER:TONER BOTTLE:C1B	U001	8
D1471285	COVER:SCANNER:UPPER:LEFT	U001	9
D1471750	SHEET:GAP:ASS'Y	U003	25
D1471805	EXPOSURE GLASS:DOCUMENT FEEDER:APPLY	U003	26
D1471855	OPTICAL WRITING SECTION:1LD:ASS'Y	U004_S001	8
D1472702	PAPER FEED UNIT:NO.2	U005_S002	34
D1472703	PAPER FEED UNIT:NO.1:D146/D147/D148D149	U005_S001	35
D1472734	GUIDE PLATE:SEPARATE	U005	36
		U005_S001	36
		U005_S002	36
D1472736	BRACKET:SEPARATE:REAR	U005	37
		U005_S001	37
		U005_S002	37
D1472737	LEVER:PRESSURE:SEPARATE	U005	38
		U005_S001	38
		U005_S002	38
D1472738	LINK:RELEASE	U005	39
		U005_S001	39
		U005_S002	39
D1472751	ARM:PRESSURE:SEPARATE	U005	40
		U005_S001	40
		U005_S002	40
D1472752	SHAFT:SEPARATE:ASS'Y	U005	41
		U005_S001	41
		U005_S002	41
D1472754	COIL SPRING:PRESSURE:SEPARATE	U005	42
		U005_S001	42

Exclusive Parts

Number	Part Name	Group	ID
		U005_S002	42
D1472755	COIL SPRING:RELEASE:SEPARATE	U005	43
		U005_S001	43
		U005_S002	43
D1473245	TRANSPORT SCREW:NOZZLE:BK:ASS'Y	U007_S005	14
D1473248	TRANSPORT SCREW:NOZZLE:ASS'Y	U007_S006	15
		U007_S007	15
		U007_S008	15
D1473257	HOUSING:TONER CARTRIDGE:BK:ASS'Y	U007	16
D1473258	HOUSING:TONER SUPPLY:CMY:ASS'Y	U007	17
D1473269	DRIVE UNIT:TONER BOTTLE:ASS'Y	U007_S001	18
		U007_S002	18
		U007_S003	18
		U007_S004	18
D1474011	FUSING UNIT:NA:D146/D147:SERVICE	U011_S001	46
D1474031	SLEEVE:FUSING:NA:AB:SERVICE	U011_S002	47
D1474274	FUSING COVER:LOWER:D146/D147	U011_S001	48
D1474511	DUPLEX UNIT:METIS-C1AB:EXP:ASS'Y	U013_S004	49
D1475114	BCU:D146/D147	U015	37
D1475122	PCB:IOB:ENGINE:D146/D147	U015	38
D1475188	AC CONTROL BOARD:ME-C1:NA	U015	39
D1475658	PCB:IPU:D146/D147:NA GSA	U015	40
D1475674	PCB:CTLB:EXP:(for D147)	U015	41
D1475746	TERMINAL:TTS	U015	42
D1475747	SPRING PLATE:TTS	U015	43
D1475776	COVER:FAX CONTROL UNIT	U015	44
D1476752	DECAL:MODEL NAME PLATE:RIC:EXP:(for D147)	ACCESSORIES	8
D1477951	DUCT:SUPPLY:A	U016	18
D1477952	DUCT:SUPPLY:B	U016	19
D1477956	DUCT:EXHAUST:DRIVE:A	U016	20
D1477957	DUCT:EXHAUST:DRIVE:B	U016	21

Number	Part Name	Group	ID
D1491099	COVER:GRIP:LEFT	U016	22
D1491168	BRACKET:DRIVE:COLLECTION BOTTLE:ASS'Y	U009	13
D1491173	GEAR:IDLER:TONER BOTTLE	U009	14
D1491174	GEAR:COLLECTION BOTTLE	U009	15
D1491178	DRIVE UNIT:PAPER FEED:ASS'Y	U014_S003	23
D1491199	DRIVE UNIT:ON-OFF:TRANSFER	U014_S002	24
D1491230	COVER:UPPER	U001	10
D1491231	COVER:UPPER:FRONT	U001	11
D1491232	COVER:UPPER:EXIT	U001	12
D1491233	COVER:UPPER:INNER BACK	U001	13
D1491234	COVER:UPPER:INNER BACK:MIDDLE	U001	14
D1491235	COVER:UPPER:INNER BACK:BIN	U001	15
D1491237	COVER:UPPER:INNER BACK:LEFT LOWER	U001	16
D1491242	COVER:MAIN SWITCH	U001	17
D1491243	COVER:FRONT:UPPER:OPERATION SUB-UNIT	U001	18
D1491244	COVER:FRONT:RIGHT UPPER	U001	19
D1491245	COVER:FRONT:UPPER	U001	20
D1491247	COVER:FRONT:USED TONER	U001	21
D1491248	HINGE:COVER:FRONT:USED TONER	U001	22
D1491250	COVER:LEFT	U001	23
D1491251	COVER:LEFT:UPPER	U001	24
D1491252	COVER:LEFT:UPPER:REAR	U001	25
D1491257	CAP:34X55	U001	26
D1491260	COVER:REAR:LOWER	U001	27
D1491261	COVER:REAR:UPPER	U001	28
D1491262	COVER:REAR:RIGHT UPPER	U001	29
D1491263	CAP:LOUVER:DEODORIZE FILTER	U001	30
D1491264	CAP:ROCKER SWITCH	ACCESSORIES	9
D1491265	COVER:RIGHT:REAR	U001	31
D1491266	COVER:RIGHT:FRONT LOWER	U001	32
D1491267	COVER:RIGHT:UPPER	U001	33
D1491273	INNER COVER:FRONT:LOWER	U001	34
D1491274	INNER COVER:FRONT:USED TONER	U001	35

Exclusive Parts

Number	Part Name	Group	ID
	ER		
D1491275	INNER COVER:FRONT:RIGHT LOWER	U001	36
D1491278	TORSION SPRING:COVER:USED TONER	U001	37
D1491281	COVER:SCANNER:FRONT	U001	38
D1491282	COVER:SCANNER:UPPER:FRONT	U001	39
D1491284	COVER:SCANNER:LEFT	U001	40
D1491287	COVER:SCANNER:RIGHT	U001	41
D1491288	COVER:SCANNER:UPPER:RIGHT	U001	42
D1491289	COVER:SCANNER:REAR	U001	43
D1491290	COVER:SCANNER:UPPER:REAR	U001	44
D1491291	CAP:HARNESS	U001	45
D1491302	CLEANER:SHIELD GLASS:ASS'Y	U001_S001	46
D1491305	CAP:TOTAL COUNTER	U001	47
D1491307	SPRING PLATE:BAND	U001	48
D1491308	BAND:STOPPER:DOOR	U001	49
D1491309	MAGNET CATCH:COVER:FRONT	U001_S001	50
D1491317	HOLDER:GLASS:CLEANER:ASS'Y	ACCESSORIES	10
D1491321	DECAL:TONER BOTTLE:BK	ACCESSORIES	11
D1491322	DECAL:TONER BOTTLE:C	ACCESSORIES	12
D1491323	DECAL:TONER BOTTLE:M	ACCESSORIES	13
D1491324	DECAL:TONER BOTTLE:Y	ACCESSORIES	14
D1491351	DRIVE UNIT:REGISTRATION:ASS'Y	U014_S004	25
D1491357	DRIVE UNIT:FUSING/PAPER EXIT UNIT:ASS'Y	U014_S005	26
D1491387	GROUND PLATE:DRIVE UNIT:ENGINE	U014	27
D1491394	GROUND PLATE:DRIVE UNIT:FUSING/PAPER EXIT UNIT	U014	28
D1491396	HOLDER:TORQUE LIMITER MECHANICAL CLUTCH:PRESSURE RELEASE	U014_S005	29
D1491397	TORQUE LIMITER MECHANICAL CLUTCH:49MMN:DIA14	U014_S005	30
D1491424	LCD:TFT:WVGA-9:LED:SH	U002	8
		U002_S001	8
D1491425	LCD:TFT:WVGA-9:LED:CMI	U002	9

Number	Part Name	Group	ID
D1491427	TOUCH PANEL:WVGA-9:MV	U002	10
		U002_S001	10
D1491430	CABLE:FFC:OP-L	U002	11
		U002_S001	11
D1491431	CABLE:FFC:OP-R	U002	12
		U002_S001	12
D1491434	CABLE:LCDC:USB	U002_S001	13
D1491435	CABLE:USB	U002	14
		U002_S001	14
D1491478	PCB:OP-L:ASS'Y	U002	15
		U002_S001	15
D1491494	PCB:OP-R:ASS'Y	U002	16
		U002_S001	16
D1491504	KEYTOP:START	U002	17
		U002_S001	17
D1491505	KEYTOP:STOP	U002	18
		U002_S001	18
D1491508	KEYTOP:RESET SWITCH	U002	19
		U002_S001	19
D1491509	KEYTOP:POWER SOURCE	U002	20
		U002_S001	20
D1491510	KEYTOP:LEFT	U002	21
		U002_S001	21
D1491511	LENS:FRONT	U002	22
		U002_S001	22
D1491512	COVER:REAR:LARGE	U002	23
		U002_S001	23
D1491513	COVER:REAR:SMALL:LEFT	U002	24
		U002_S001	24
D1491514	COVER:REAR:SMALL:MIDDLE	U002	25
		U002_S001	25
D1491515	COVER:REAR:SMALL:RIGHT	U002	26
		U002_S001	26
D1491518	BRACKET:LCDC:CM	U002	27
		U002_S001	27
D1491530	SPACER:LCD:A	U002	28
		U002_S001	28
D1491531	SPACER:LCD:B	U002	29

Exclusive Parts

Number	Part Name	Group	ID
		U002_S001	29
D1491532	HINGE:ASS'Y	U002	30
		U002_S001	30
D1491533	COVER:UPPER:SH:NA	U002_S001	31
D1491534	COVER:UPPER:CM:NA	U002	32
		U002_S001	32
D1491539	KEYTOP:10KEY:AA	U002_S001	33
D1491553	SHEET:LOGO	U002	34
		U002_S001	34
D1491575	SHEET:APPLICATION:MULTI-LANG UAGE:NA	ACCESSORIES	15
D1491595	BRACKET:OPERATION SUB-UNIT	U002	35
D1491598	COVER:BRACKET:OPERATION SU B-UNIT:LOWER	U002	36
D1491599	COVER:BRACKET:OPERATION SU B-UNIT:UPPER	U002	37
D1491693	GUIDE:FFC	U003	27
D1491694	PLATE SEAL:APS:HARNESS	U003	28
D1491703	DC STEPPER MOTOR	U003_S001	29
D1491705	BRACKET:DC STEPPER MOTOR	U003	30
D1491706	SYNCHRONOUS BELT:138ST1.5-4. 0	U003	31
D1491709	TENSION SPRING:TENSION:11.3N: 30MM	U003	32
D1491710	TIMING PULLEY:62	U003	33
D1491711	SHAFT:SCANNER:DRIVE	U003	34
D1491714	DRIVE WERE:DIA1	U003	35
D1491715	PULLEY:DRIVE WERE:FRONT	U003	36
D1491717	PULLEY:DRIVE WERE:REAR	U003	37
D1491718	BRACKET:TENSION:REAR	U003	38
D1491719	BRACKET:TENSION:FRONT	U003	39
D1491721	ILLUMINATION UNIT:LED-B:ASS'Y	U003_S002	40
D1491726	CLAMP:DRIVE WERE	U003	41
D1491728	GUIDE:HARNESS:LED-B	U003	42
D1491730	CARRIAGE:NO.1:ASS'Y	U003_S003	43
D1491731	REFLECTOR:SCANNER	U003_S003	44
D1491742	CARRIAGE:NO.2:SUB-ASS'Y	U003	45
D1491754	GUIDE:FFC:CARRIAGE:NO.2	U003	46

Number	Part Name	Group	ID
D1491755	COVER:FFC:CARRIAGE:NO.2	U003	47
D1491756	MIRROR:NO.2:CONCAVE:ASS'Y	U003	48
D1491757	MIRROR:NO.3:CONVEX:ASS'Y	U003	49
D1491771	LENS:HOLDER:ASS'Y	U003_S004	50
D1491780	INNER COVER	U003	51
D1491793	SCALE:LEFT:NA:ASS'Y	U003	52
D1491795	SCALE:REAR:PRINTING	U003	53
D1491798	SEAL:SHEET THROUGH:DOCUME NT FEEDER	U003	54
D1491800	COVER:SHEET THROUGH:DOCUM ENT FEEDER	U003	55
D1491801	BRACKET:SCALE:LEFT	U003	56
D1491812	BRACKET:SIO	U003	57
D1491813	BRACKET:DOCUMENT FEEDER:L EFT	U003	58
D1491814	BRACKET:DOCUMENT FEEDER:RI GHT	U003	59
D1491815	COVER:MOTOR	U003	60
D1491816	DOCUMENT FEEDER:CABLE:BRA CKET	U003	61
D1492381	COVER:PCU:FRONT	ACCESSORIES	16
D1492398	DUCT:GEAR:DEVELOPMENT:ASS' Y	U006_S001	7
		U006_S002	7
		U006_S003	7
		U006_S004	7
D1492557	GUIDE:REGISTRATION:ENTRANC E:REAR	U013	50
D1492558	GUIDE:REGISTRATION:ENTRANC E:FRONT	U013	51
D1492561	SHAFT:REGISTRATION ROLLER:D RIVEN	U005	44
D1492562	COLLAR:REGISTRATION ROLLER	U005	45
D1492566	CASE:REMOVE PAPER DUST:ASS' Y	U005	46
D1492576	GUIDE PLATE:REGISTRATION:FR ONT LEFT	U005	47
D1492582	GUIDE PLATE:REGISTRATION:FR ONT RIGHT	U010	19

Exclusive Parts

Number	Part Name	Group	ID
D1492585	GUIDE:REGISTRATION:REAR RIG HT	U010	20
D1492586	GUIDE:REGISTRATION:FRONT RI GHT	U010	21
D1492588	GUIDE:REGISTRATION:REAR RIG HT:AUXILIARY	U010	22
D1492589	GUIDE:REGISTRATION:FRONT RI GHT:AUXILIARY	U010	23
D1492601	MANUAL FEED UNIT:ASS'Y	U013_S001	52
D1492608	SHAFT:SEPARATOR:DRIVEN:ASS' Y	U013_S001_S001	53
D1492612	ROLLER:GRIP:DRIVEN	U013_S001	54
D1492613	SHAFT:GRIP:DRIVEN	U013_S001	55
D1492614	TENSION SPRING:GRIP:PRESSUR E	U013_S001	56
D1492615	GUIDE PLATE:SEPARATOR:ASS'Y	U013_S001	57
D1492619	SHAFT:SEPARATOR:DRIVE:ASS'Y	U013_S001	58
D1492625	DC SOLENOID:PICKUP:ASS'Y	U013_S001	59
D1492633	SHAFT:FEED:MANUAL FEED	U013_S001	60
D1492634	ARM:PICKUP:MANUAL FEED	U013_S001	61
D1492635	TRANSPORT ROLLER:MANUAL FE ED	U013_S001	62
D1492637	PAPER STOPPER:MANUAL FEED	U013_S001	63
D1492638	LINK:PAPER STOPPER:MANUAL F EED	U013_S001	64
D1492639	SHAFT:PAPER STOPPER	U013_S001	65
D1492641	COVER:PAPER STOPPER:MANUA L FEED	U013_S001	66
D1492642	SHAFT:LINK:PAPER STOPPER	U013_S001	67
D1492644	TORSION SPRING:LINK:PAPER ST OPPER	U013_S001	68
D1492645	COIL SPRING:RELEASE:PICKUP:M ANUAL FEED	U013_S001	69
D1492647	COVER:DAMPER	U013_S001	70
D1492651	GROUND WIRE:MANUAL FEED UN IT	U013_S001	71
D1492652	GROUND PLATE:SHAFT:FEED	U013_S001	72
D1492655	FEELER:PAPER END SENSOR	U013_S001	73

Number	Part Name	Group	ID
D1492656	TORSION SPRING:PAPER END SE NSOR	U013_S001	74
D1492657	COVER:PAPER END	U013_S001	75
D1492658	COVER:PAPER FEED ROLLER	U013_S001	76
D1492663	MANUAL FEED TABLE	U013	77
D1492666	GEAR:SIDE FENCE:MANUAL FEED TABLE	U013	78
D1492667	RACK:MANUAL FEED	U013	79
D1492672	GUIDE PLATE:VERTICAL TRANSP ORT:NO.1:DRIVEN	U013	80
D1492673	GUIDE PLATE:VERTICAL TRANSP ORT:NO.2:DRIVEN	U013	81
D1492675	HOLDER:DRIVEN:BELT	U013	82
D1492678	SHAFT:FLAT CONVEYER BELT:DR IVEN	U013	83
D1492683	ARM:MANUAL FEED:FRONT LOWE R	U013	84
D1492684	ARM:MANUAL FEED:REAR LOWE R	U013	85
D1492686	WIRE:MANUAL FEED TABLE:TC07 5	U013	86
D1492687	PULLEY:WIRE:MANUAL FEED TAB LE	U013	87
D1492688	TENSION SPRING:WIRE	U013	88
D1492689	FEELER:PAPER SIZE SENSOR:MA NUAL FEED	U013	89
D1492691	COVER:MANUAL FEED TABLE	U013	90
D1492692	ARM:MANUAL FEED:FRONT UPPE R	U013	91
D1492693	STOPPER:MANUAL FEED TABLE	U013	92
D1492694	COMPRESSION SPRING:STOPPE R:MANUAL FEED TABLE	U013	93
D1492695	ARM:MANUAL FEED:REAR UPPER	U013	94
D1492698	EXTENSION TRAY:NO.1	U013	95
D1492699	EXTENSION TRAY:NO.2	U013	96
D1492712	SHEET:GUIDE PLATE:SWIVEL	U005_S003	48
D1492713	GUIDE PLATE:SWIVEL:NO.1	U005_S003	49
D1492714	GUIDE PLATE:VERTICAL TRANSP	U005_S001	50

Exclusive Parts

Number	Part Name	Group	ID
	ORT:PAPER FEED UNIT:NO.1		
D1492716	DC SOLENOID:PICKUP:NO.1:ASS'Y	U005_S001_S002	51
		U005_S004	51
D1492721	GUIDE PLATE:SWIVEL:NO.2	U005	52
D1492724	GUIDE PLATE:VERTICAL TRANSPORT:PAPER FEED UNIT:NO.2	U005_S002	53
D1492726	DC SOLENOID:PICKUP:NO.2:ASS'Y	U005_S002_S002	54
D1492739	LEVER:PRESSURE RELEASE	U005	55
		U005_S001	55
		U005_S002	55
D1492767	LEVER:PRESSURE:PICKUP	U005	56
		U005_S001	56
		U005_S002	56
D1492768	TRANSPORT ROLLER:VERTICAL TRANSPORT:ASS'Y	U005_S001_S001	57
		U005_S002_S001	57
D1492772	ARM:PICKUP	U005	58
		U005_S001	58
		U005_S002	58
D1492773	PULLEY:PICKUP:MECHANICAL ROLLER CLUTCH	U005	59
		U005_S001	59
		U005_S002	59
D1492774	PULLEY:IDLER:PICKUP	U005	60
		U005_S001	60
		U005_S002	60
D1492775	SHAFT:FEED:ASS'Y	U005	61
		U005_S001	61
		U005_S002	61
D1492777	COIL SPRING:PRESSURE:PICKUP	U005	62
		U005_S001	62
		U005_S002	62
D1492778	FEELER:PAPER END	U005	63
		U005_S001	63
		U005_S002	63
D1492780	GROUND WIRE:SENSOR:PAPER FEED	U005	64
		U005_S001	64
		U005_S002	64
D1492781	GROUND PLATE:PAPER FEED UNI	U005	65

Number	Part Name	Group	ID
	T	U005_S001	65
		U005_S002	65
D1492782	PLATE:HARNESS:PAPER FEED UNIT	U005_S001	66
		U005_S002	66
D1492787	BRACKET:SUPPORT:COVER	U005	67
D1492788	INNER COVER:HARNESS:PAPER FEED UNIT	U005	68
D1492791	GUIDE:FEED	U005	69
		U005_S001	69
		U005_S002	69
D1492808	PAPER TRAY:NO.2:ASS'Y	U005_S012	70
D1492809	PAPER TRAY:NO.1:ASS'Y	U005_S011	71
D1492812	ROLLER:PAPER TRAY:DIA19	U005_S011	72
		U005_S012	72
D1492813	PIN:STRETCH:TRAY	U005_S011	73
		U005_S012	73
D1492814	COIL SPRING:EARTH	U005_S011	74
		U005_S012	74
D1492816	SHAFT:RISE:ASS'Y	U005_S011	75
		U005_S012	75
D1492818	LEVER:RISE	U005_S011	76
		U005_S012	76
D1492820	SIDE FENCE:FRONT:NO.1:ASS'Y	U005_S011_S001	77
D1492824	LEVER:STOPPER:FRONT	U005_S011_S001	78
		U005_S012_S001	78
D1492825	COMPRESSION SPRING:SIDE FENCE:POSITIONING	U005_S011_S001	79
		U005_S012_S001	79
D1492826	COMPRESSION SPRING:SIDE FENCE:PLATE:FRONT	U005_S011_S001	80
		U005_S012_S001	80
D1492835	RACK:SIDE FENCE	U005_S011	81
		U005_S012	81
D1492836	GEAR:Z20	U005_S011	82
		U005_S012	82
D1492838	SIDE FENCE:REAR:NO.1:ASS'Y	U005_S011_S002	83
D1492840	END FENCE:PAPER TRAY:ASS'Y	U005_S011_S003	84
		U005_S012_S003	84
D1492842	LEVER:END FENCE	U005_S011_S003	85
		U005_S012_S003	85

Exclusive Parts

Number	Part Name	Group	ID
D1492843	CLICK:END FENCE	U005_S011_S003	86
		U005_S012_S003	86
D1492845	COMPRESSION SPRING:END FENCE:LEVER:5N	U005_S011_S003	87
		U005_S012_S003	87
D1492850	TRAY BOTTOM PLATE:ASS'Y	U005_S011_S004	88
D1492856	GRIP:PAPER TRAY	U005_S011	89
		U005_S012	89
D1492863	DECAL:PAPER SET DIRECTION:TRAY:NO.1	U005_S011	90
D1492864	DECAL:PAPER SET DIRECTION:TRAY:NO.2	U005_S012	91
D1492865	COVER:PAPER TRAY:NO.1	U005_S011	92
D1492866	COVER:PAPER TRAY:NO.2	U005_S012	93
D1492867	DECAL:SIZE INDICATION:END FENCE:NO.1	U005_S011	94
D1492868	DECAL:SIZE INDICATION:END FENCE:NO.2	U005_S012	95
D1492869	DECAL:SIZE INDICATION:SIDE FENCE:NO.2	U005_S012	96
D1492872	LINK:END FENCE:PAPER SIZE SENSOR	U005_S012	97
D1492873	TRAY BOTTOM PLATE:NO.2:ASS'Y	U005_S012_S004	98
D1492875	SIDE FENCE:FRONT:ASS'Y	U005_S012_S001	99
D1492885	SIDE FENCE:REAR:ASS'Y	U005_S012_S002	100
D1492886	COVER:TRAY:REAR RIGHT:NO.1	U005	101
D1492887	COVER:TRAY:REAR LEFT:NO.1	U005	102
D1492888	COVER:TRAY:REAR RIGHT:NO.2	U005	103
D1492889	COVER:TRAY:REAR LEFT:NO.2	U005	104
D1492901	SUPPORTER:RIGHT:NO.1:ASS'Y	U005_S005	105
D1492903	SUPPORTER:RIGHT:NO.2:ASS'Y	U005_S006	106
D1492906	LEVER:STRETCH:PAPER TRAY:ASS'Y	U005_S009	107
		U005_S010	107
D1492915	SUPPORTER:LEFT LOWER:NO.1	U005	108
D1492918	SUPPORTER:LEFT UPPER:NO.1	U005	109
D1492923	ROLLER:SUPPORTER:PAPER TRAY	U005_S005	110
		U005_S006	110
D1492924	STOPPER:PAPER TRAY	U005_S005	111
		U005_S006	111

Number	Part Name	Group	ID
D1492925	SUPPORTER:LEFT:NO.2	U005	112
D1492928	ROLLER:SUPPORTER:PAPER TRAY:LEFT	U005	113
D1492952	DECAL:SIDE FENCE:PAPER VOLUME	U005_S011_S002	114
		U005_S012_S002	114
D1492990	PLAIN SHAFT BEARING:DRIVE:REGISTRATION ROLLER	U010	24
D1492991	PLAIN SHAFT BEARING:INNER:DRIVE:REGISTRATION ROLLER	U010	25
D1493210	DC MOTOR:TONER BOTTLE:ASS'Y:5.28W:BRUSH	U007_S001	19
		U007_S002	19
		U007_S003	19
		U007_S004	19
D1493240	TONER HOPPER:TONER SUPPLY:BACK:ASS'Y	U007_S009	20
D1493270	TONER HOPPER:TONER SUPPLY:CYCLE:ASS'Y	U007_S010	21
D1493280	TONER HOPPER:TONER SUPPLY:CYCLE:ASS'Y	U007_S011	22
D1493307	BASE:TONER SUPPLY	U007	23
D1493310	TONER HOPPER:TONER SUPPLY:CYCLE:ASS'Y	U007_S012	24
D1493321	DUCT:VERTICAL TRANSPORT:TONER SUPPLY	U007	25
D1493322	SHUTTER:DUCT:TONER SUPPLY	U007	26
D1493330	SEAL:CONNECTION:CARTRIDGE:TONER SUPPLY	U007	27
D1493331	COVER:GEAR:TONER SUPPLY SUB-UNIT	U007	28
D1493336	COVER:GEAR:TONER SUPPLY SUB-UNIT:C	U007	29
D1493350	DC STEPPER MOTOR:TONER SUPPLY	U007_S009	30
		U007_S010	30
		U007_S012	30
D1494126	BRACKET:THERMISTOR:PRESSURE ROLLER	U011_S001	49
D1494127	BRACKET:THERMISTOR:PRESSURE ROLLER:FRONT	U011_S001	50

Exclusive Parts

Number	Part Name	Group	ID
D1494202	ENCODER:ON-OFF:PRESSURE ROLLER	U011_S001	51
D1494205	BRAKE:CAM	U011_S001	52
D1494207	PLATE:CAM	U011_S001	53
D1494208	CAM:ON-OFF:PRESSURE ROLLER	U011_S001	54
D1494209	SHAFT:ON-OFF:PRESSURE ROLLER	U011_S001	55
D1494214	GUIDE PLATE:FUSING EXIT:RIGHT	U011_S001	56
D1494218	GUIDE:FUSING EXIT:PFA	U011_S001	57
D1494221	STRIPPER PLATE:ASS'Y	U011_S001	58
D1494229	STRIPPER PLATE:PRESSURE ROLLER	U011_S001	59
D1494234	GUIDE PLATE:FUSING EXIT:LEFT	U011_S001	60
D1494245	SHEET:C:GUIDE PLATE:FUSING EXIT	U011_S001	61
D1494246	DECAL:GUIDE PLATE:FUSING EXIT	U011_S001	62
D1494252	FUSING ENTRANCE GUIDE PLATE	U011_S001	63
D1494261	FUSING COVER:UPPER:ASS'Y	U011_S001_S002	64
D1494269	KNOB SCREW:FIX:FUSING	U011_S001	65
D1494276	FUSING COVER:FRONT	U011_S001	66
D1494278	FUSING COVER:REAR	U011_S001	67
D1494332	HOUSING:THERMOSTAT	U011_S001	68
D1494334	COVER:HOUSING:THERMOSTAT	U011_S001	69
D1494335	ELECTRODE PLATE:CONNECTING:THERMOSTAT	U011_S001	70
D1494337	TERMINAL:THERMOSTAT	U011_S001	71
D1494342	HOUSING:NON-CONTACT TYPE THERMISTOR	U011_S001	72
D1494346	GUIDE:HARNESS:HEATER	U011_S001	73
D1494354	BRACKET:DRAWER:MAIN	U011	74
D1494382	DC STEPPER MOTOR:ASS'Y	U011	75
D1494383	BRACKET:DC STEPPER MOTOR	U011	76
D1494390	DECAL:CAUTION:INKJET:NA	ACCESSORIES	17
D1494405	PAPER EXIT UNIT	U012_S001	21
D1494421	GEAR:EXIT ROLLER	U012_S001	22
D1494422	GEAR:REVERSE ROLLER	U012_S001	23
D1494423	SYNCHRONOUS BELT:40S2M122	U012_S001_S001	24

Number	Part Name	Group	ID
D1494424	DC STEPPER MOTOR:REVERSE:ASS'Y	U012_S001_S001	25
D1494425	DC STEPPER MOTOR:REVERSE:SUB-ASS'Y	U012_S001_S001	26
D1494426	BRACKET:DC STEPPER MOTOR:REVERSE	U012_S001_S001	27
D1494427	STUD:PULLEY:BRACKET:DC STEPPER MOTOR	U012_S001_S001	28
D1494428	GROUND PLATE:PAPER EXIT UNIT	U012_S001_S001	29
D1494429	PULLEY:GEAR:REVERSE	U012_S001_S001	30
D1494431	DC SOLENOID:ASS'Y	U012_S001	31
D1494434	TENSION SPRING:LEVER:GATE PAWL	U012_S001	32
D1494441	GUIDE PLATE:EXIT:UPPER	U012_S001	33
D1494446	SPRING PLATE:ROLLER:DRIVEN	U012_S001	34
D1494448	SHAFT:FEELER:OVERFLOW	U012_S001	35
D1494451	GUIDE PLATE:EXIT:LOWER	U012_S001	36
D1494456	SPRING PLATE:ROLLER:DRIVEN:EXIT	U012_S001	37
D1494457	ARM:ROLLER:DRIVEN:EXIT	U012_S001	38
D1494458	ROLLER:DRIVEN:EXIT	U012_S001	39
D1494461	GUIDE PLATE:REVERSE:UPPER	U012_S001	40
D1494463	GROUND WIRE:SENSOR:REVERSE	U012_S001	41
D1494466	GUIDE PLATE:REVERSE:LOWER	U012_S001	42
D1494468	SHAFT:DRIVEN:REVERSE ROLLER	U012_S001	43
D1494469	SPRING PLATE:ROLLER:DRIVEN:REVERSE ROLLER	U012_S001	44
D1494471	SHAFT:DRIVEN:REVERSE ROLLER:OUTER	U012_S001	45
D1494476	EXIT ROLLER	U012_S001	46
D1494477	REVERSE ROLLER	U012_S001	47
D1494481	GATE PAWL:EXIT	U012_S001	48
D1494483	LEVER:GATE PAWL	U012_S001	49
D1494484	TORSION SPRING:LEVER:GATE PAWL	U012_S001	50

Exclusive Parts

Number	Part Name	Group	ID
D1494491	INNER COVER:EXIT	U012	51
D1494492	TRAY:REVERSE	U001	51
D1494496	TRAY:EXIT	U012	52
D1494497	END FENCE:TRAY:EXIT	ACCESSORIES	18
D1494610	COVER:DUPLEX	U013	97
D1494638	GUIDE:WIRE	U013	98
D1494640	TRANSPORT ROLLER:EXIT	U013	99
D1494641	TRANSPORT ROLLER:DUPLEX:2	U013	100
D1494642	TRANSPORT ROLLER:DUPLEX:1	U013	101
D1494643	TRANSPORT ROLLER:ENTRANCE	U013	102
D1494644	GEAR:MECHANICAL ROLLER CLU TCH	U013	103
D1494645	SYNCHRONOUS BELT:30S2M118	U013	104
D1494646	SYNCHRONOUS BELT:30S2M262	U013	105
D1494647	SYNCHRONOUS BELT:30S2M212	U013	106
D1494648	BRACKET:SWIVEL	U013	107
D1494652	GEAR:PULLEY:SWIVEL	U013	108
D1494653	TENSION SPRING:SWIVEL	U013	109
D1494654	SHAFT:LEVER:LOCK	U013	110
D1494655	GRIP:DUPLEX UNIT	U013	111
D1494656	HOOK:STOPPER:DUPLEX UNIT:FR ONT	U013	112
D1494657	HOOK:STOPPER:DUPLEX UNIT:RE AR	U013	113
D1494658	COIL SPRING:LEVER:DUPLEX	U013	114
D1494659	GUIDE PLATE:DUPLEX:EXIT	U013	115
D1494660	GUIDE PLATE:UPPER:RIGHT:DUP LEX	U013	116
D1494664	GROUND WIRE:ENTRANCE SENS OR:DUPLEX	U013	117
D1494667	BRACKET:DRIVEN ROLLER:PRES SURE	U013	118
D1494670	DRIVEN ROLLER:DIA16	U013	119
D1494672	COMPRESSION SPRING:DRIVEN	U013	120
D1494673	GUIDE PLATE:DRIVEN	U013	121
D1494674	COVER:GUIDE PLATE:DRIVEN	U013	122
D1494675	COVER:PUSH SWITCH	U013	123
D1494679	GUIDE PLATE:UPPER	U013	124

Number	Part Name	Group	ID
D1494681	BRACKET:MOTOR	U013	125
D1494684	GEAR:OUTPUT	U013	126
D1494685	LINK:DUPLEX	U013	127
D1494688	LINK:DUPLEX:MAIN	U013	128
D1494689	BRACKET:LINK:DUPLEX	U013	129
D1494690	TORSION SPRING:LINK	U013	130
D1494691	TORSION SPRING:LINK:CONTACT POINT	U013	131
D1494692	INNER COVER:REAR:DUPLEX	U013	132
D1494693	INNER COVER:FRONT:DUPLEX	U013	133
D1494694	ARM:PUSH SWITCH	U013	134
D1494695	LINK:FRONT	U013	135
D1494697	GROUND WIRE:EXIT SENSOR:DU PLEX	U013	136
D1494699	COVER:SENSOR:EXIT	U013	137
D1494707	GEAR:FEED:MANUAL FEED:DRIVE	U013	138
D1494708	GEAR:SEPARATOR:MANUAL FEE D:DRIVE	U013	139
D1494709	GEAR:TRANSPORT ROLLER:MAN UAL FEED	U013	140
D1494710	GEAR:IDLER	U013	141
D1494711	DECAL:SIDE FENCE:MANUAL FEE D	U013 U013_S003	142 142
D1494714	DECAL:SCALE:MANUAL FEED	U013	143
D1494715	DECAL:GRIP:Z	U013	144
D1494716	SIDE FENCE:FRONT:ASS'Y	U013_S002	145
D1494717	PLATE:SIDE FENCE:FRONT	U013 U013_S002	146 146
D1494718	TORSION SPRING:SIDE FENCE:FR ONT	U013 U013_S002	147 147
D1494719	SIDE FENCE:REAR:ASS'Y	U013_S003	148
D1494720	PLATE:SIDE FENCE:REAR	U013 U013_S003	149 149
D1494721	TORSION SPRING:SIDE FENCE:R EAR	U013 U013_S003	150 150
D1494723	VIBRATING PLATE:SIDE FENCE:F RONT	U013 U013_S002	151 151
D1494724	TORSION SPRING:VIBRATING PLA	U013	152

Exclusive Parts

Number	Part Name	Group	ID
	TE:FRONT	U013_S002	152
D1494725	VIBRATING PLATE:SIDE FENCE:REAR	U013	153
		U013_S003	153
D1494726	TORSION SPRING:VIBRATING PLATE:REAR	U013	154
		U013_S003	154
D1494727	CAP:SIDE FENCE	U013	155
		U013_S002	155
		U013_S003	155
D1494728	SHEET:FEED:MANUAL FEED	U013_S001	156
D1494731	COMPRESSION SPRING:RACK:MANUAL FEED	U013	157
D1494733	COMPRESSION SPRING:FLAT CONVEYER BELT:DRIVEN:NO.1	U013	158
D1494734	TORSION SPRING:PICKUP	U013_S001	159
D1494735	SHOE:TORSION SPRING:PICKUP	U013_S001	160
D1494736	DECAL:PAPER SET DIRECTION:MANUAL FEED:EXP	ACCESSORIES	19
D1494737	PLAIN SHAFT BEARING:DUPLEX:EXIT	U013	161
D1494738	GROUND WIRE:BRACKET:DRIVEN ROLLER	U013	162
D1494739	SHEET:PICKUP	U013_S001	163
D1494741	ARM:LINK:PAPER STOPPER	U013_S001	164
D1494750	BRACKET:MOTOR:DUPLEX	U013_S004	165
D1494754	GEAR:OUTPUT:DUPLEX:ENTRANCE	U013_S004	166
D1494755	BRACKET:HINGE:DUPLEX:FRONT	U013_S004	167
D1494761	DRIVEN ROLLER:DIA16	U013	168
D1494762	DRIVEN ROLLER:DIA18	U013	169
D1494765	PULLEY:T26	U013	170
D1494766	PULLEY:T26/T26	U013	171
D1494767	GUIDE:TRANSPORT ROLLER	U013	172
D1494768	SHEET:GUIDE PLATE:DRIVEN	U013	173
D1495120	PCB:IOB:TRANSPORT:D146/D147/D148/D149	U015	45
D1495138	PCB:SIO	U003	62
D1495201	INTERFACE CABLE:SCANNER:LVD:ASS'Y	U003	63

Number	Part Name	Group	ID
D1495686	PCB:DCSW	U015	46
D1495703	BRACKET:MICRO SWITCH	U015	47
D1495711	BRACKET:ARM:SAFETY SWITCH:FRONT	U015	48
D1495713	ARM:SAFETY SWITCH:FRONT	U015	49
D1495714	SHAFT:ARM:SAFETY SWITCH	U015	50
D1495717	BASE:SAFETY SWITCH	U015	51
D1495718	TORSION SPRING:SAFETY SWITCH	U015	52
D1495726	LEVER:SAFETY SWITCH:RIGHT	U015	53
D1495761	CASE:POWER PACK:CB:ASS'Y	U015_S001	54
D1495776	COVER:USB:SMALL	U015	55
D1495824	COVER:CONNECTOR:HEATER:0.4MM	U015	56
D1495830	TERMINAL:SUB-ASS'Y	U015	57
D1495835	TERMINAL:BLACK:SUB-ASS'Y	U015	58
D1495840	BASE:DUCT:SUB-ASS'Y	U015	59
D1495883	KEYTOP:MAIN SWITCH	U001	52
D1495884	COMPRESSION SPRING:KEYTOP	U001	53
D1496001	TRANSFER UNIT:INTERMEDIATE TRANSFER:ASS'Y	U008_S001	16
D1496030	CAM:ON-OFF:COLLAR	U008_S001	17
D1496036	CAM:ON-OFF:BK	U008_S001	18
D1496097	FLAT BELT-TRANSFER:INTERMEDIATE TRANSFER:N	U008_S001	19
D1496141	CLEANING UNIT:BELT CLEANING:ASS'Y	U008_S002	20
D1496211	TRANSFER ROLLER:SECOND:ASS'Y	U010_S001	26
D1496226	LEVER:TRANSFER/SEPARATION UNIT:FRONT	U010	27
D1496227	LEVER:SET:FRONT	U010	28
D1496228	TORSION SPRING:LEVER:SET:FRONT	U010	29
D1496229	TENSION SPRING:LEVER:SET	U010	30
D1496231	LEVER:TRANSFER/SEPARATION UNIT:REAR	U010	31
D1496232	LEVER:SET:REAR	U010	32

Exclusive Parts

Number	Part Name	Group	ID
D1496233	TORSION SPRING:LEVER:SET:REAR	U010	33
D1496240	LEVER:PRESSURE:TRANSFER ROLLER:FRONT:DIA15.5	U010	34
D1496241	LEVER:PRESSURE:TRANSFER ROLLER:REAR:DIA15.5	U010	35
D1496242	COMPRESSION SPRING:PRESSURE:TRANSFER ROLLER	U010	36
D1496243	RECEIVE PLATE:COMPRESSION SPRING:TRANSFER ROLLER	U010	37
D1496244	GROUND PLATE:SEPARATION	U010	38
D1496245	GROUND PLATE:TRANSFER/SEPARATION UNIT	U010	39
D1496246	LINK:TRANSFER/SEPARATION UNIT	U010	40
D1496255	DECAL:GRIP:B	U010	41
D1496256	GROUND PLATE:GUIDE:TRANSPORT	U010	42
D1496257	GROUND PLATE:REGISTRATION ROLLER	U010	43
D1496290	GUIDE:SET:TRANSFER/SEPARATION UNIT:FRONT	U010	44
D1496291	GUIDE:SET:TRANSFER/SEPARATION UNIT:REAR	U010	45
D1496295	COVER:HARNESS:TRANSFER/SEPARATION UNIT	U010	46
D1496309	SHAFT:ON-OFF:COLLAR:MAIN	U008	21
D1496311	GEAR:ON-OFF:COLLAR:OUTPUT	U008	22
D1496312	JOINT:ON-OFF:COLLAR	U008	23
D1496318	DC STEPPER MOTOR:ON-OFF	U007_S011	31
D1496320	TERMINAL:BIAS:INTERMEDIATE TRANSFER:MAIN	U008	24
D1496321	HOLDER:TERMINAL:INTERMEDIATE TRANSFER:MAIN	U008	25
D1496333	COVER:INTERMEDIATE TRANSFER	ACCESSORIES	20
D1496336	TRANSFER ROLLER:ASS'Y	U008_S001	26
D1496400	COLLECTION BOTTLE:ASS'Y	U009_S001	16

Number	Part Name	Group	ID
D1496511	PIPE:ASS'Y	U009_S002	17
D1496552	GEAR:IDLER:Z30	U009	18
D1496553	GEAR:IDLER:Z61	U009	19
D1496554	GEAR:PULLEY:IDLER:Z16	U009	20
D1496555	GEAR:IDLER:Z21	U009	21
D1496556	TENSION SPRING:BELT TENSIONER	U009	22
D1496557	SYNCHRONOUS BELT:40S3M564	U009	23
D1496561	PULLEY:USED TONER	U009	24
D1496562	BRACKET:TIGHTENER:USED TONER	U009	25
D1496571	BRACKET:PULLEY:IDLER:USED TONER	U009	26
D1496574	GEAR:PULLEY:IDLER:Z18	U009	27
D1496575	FLANGE:IDLER:USED TONER	U009	28
D1496581	SHAFT:DRIVE:USED TONER:RIGHT	U009	29
D1496582	GEAR:USED TONER:RIGHT	U009	30
D1496583	GEAR:USED TONER:INPUT	U009	31
D1496586	SHAFT:DRIVE:USED TONER:LEFT	U009	32
D1496587	GEAR:USED TONER:LEFT	U009	33
D1496766	DECAL:CAUTION:ORIGINAL:ENGLISH	ACCESSORIES	21
D1496851	DECAL:MAIN SWITCH:ON-STANDBY:ENGLISH	ACCESSORIES	22
D1496859	DECAL:CLEANING:SHIELD GLASS	U001_S001	54
D1496862	DECAL:SIZE INDICATION:PAPER TRAY:EXP	ACCESSORIES	23
D1497911	DUCT:DEVELOPMENT:FRONT	U001_S001	55
D1497916	DUCT:DEVELOPMENT:FRONT MIDDLE:A	U016	23
D1497917	DUCT:DEVELOPMENT:FRONT MIDDLE:B	U016	24
D1497922	COVER:FAN:DEVELOPMENT:RIGHT LOWER	U016	25
D1497923	DUCT:DEVELOPMENT:RIGHT LOWER	U016	26
D1497931	DUCT:DEVELOPMENT:EXHAUST	U016	27

Exclusive Parts

Number	Part Name	Group	ID
D1497932	DUCT:PCU:EXHAUST	U016	28
D1497935	CASE:FILTER:ASS'Y	U016_S001	29
D1497937	FILTER:PREVENTFENCE	U016_S001	30
D1497938	OZONE FILTER	U016_S001	31
D1497941	DUCT:EXHAUST:UPPER:A	U016	32
D1497942	DUCT:EXHAUST:UPPER:B	U016	33
D1497943	DUCT:EXHAUST:UPPER:C	U016	34
D1497944	DUCT:EXHAUST:UPPER:D	U016	35
D1497945	DEODORIZE FILTER	U016	36
D1497953	DUCT:SUPPLY:C	U016	37
D1497954	DUCT:SUPPLY:D	U016	38
D1497955	DUCT:SUPPLY:FAN:UPPER	U016	39
D1497956	DUCT:SUPPLY:FAN:LOWER	U016	40
D1497961	DUCT:PAPER:COOLING:A	U016	41
D1497962	DUCT:PAPER:COOLING:B	U016	42
D1497982	DUCT:POWER SUPPLY UNIT	U016	43
D1497983	BRACKET:FAN:POWER SUPPLY UNIT	U016	44
D1497984	DUCT:REAR:POWER SUPPLY UNIT	U001	56
D1497986	GUIDE:THERMISTOR	U016	45
D1501240	COVER:FRONT:ASS'Y	U001_S001	57
D1509201	PCU:BLACK:SERVICE PARTS:EXP	U006_S005	8
D1509202	PCU:COLOR:SERVICE PARTS:EXP	U006_S006	9
D1509591	TOTAL COUNTER SERVICE SET	U015	60
D1821517	BRACKET:LCDC:SH	U002_S001	38
D1862200	PCDU:BLACK:SERVICE PARTS:EXP	U006_S004	10
D1862201	PCDU:CYAN:SERVICE PARTS:EXP	U006_S001	11
D1862202	PCDU:MAGENTA:SERVICE PARTS:EXP	U006_S002	12
D1862203	PCDU:YELLOW:SERVICE PARTS:EXP	U006_S003	13
D1863050	DEVELOPMENT UNIT:BLACK:SERVICE PARTS:DOM	U006_S004_S001	14
D1863060	DEVELOPMENT UNIT:CYAN:SERVICE PARTS:DOM	U006_S001_S001	15
D1863070	DEVELOPMENT UNIT:MAGENTA:SERVICE PARTS:DOM	U006_S002_S001	16

Number	Part Name	Group	ID
	SERVICE PARTS:DOM		
D1863080	DEVELOPMENT UNIT:YELLOW:SERVICE PARTS:DOM	U006_S003_S001	17
D6457901	SHEET:EULA:20LANGUAGES:CHN	ACCESSORIES	24
D6457902	SEAL:CAUTION:20LANGUAGES	ACCESSORIES	25
D6846031	DECAL:ORIGINAL TABLE	ACCESSORIES	26
D6846061	DECAL::ORIGINAL:MANY LANGUAGES	ACCESSORIES	27
D7396211	TRANSFER ROLLER:IMAGE AREA EXTENSION:OPTION:ASS'Y	U010_S002	47
G0043519	STEPPING SCREW	U011_S001	77
G0652767	LEVER - FEED	U005	115
		U005_S001	115
		U005_S002	115
GA143003	SCREW:MM5:2.5MM	U005	116
		U010	48
GW010007	PHOTO REFLECTION SENSOR:EXIT	U005	117
		U005_S001	117
		U005_S002	117
		U012_S001	53
		U013	174
GW010009	DENSITY SENSOR	U008	27
GW230008	TONER END SENSOR	U007_S009	32
		U007_S010	32
		U007_S011	32
		U007_S012	32
GX640031	FAN MOTOR:DC:2.64W	U015	61
		U016	46
M0261815	CLAMP:MIRROR:NO.1	U003_S003	64
M0662743	FRICTION PAD:MANUAL FEED TABLE:18X7.5	U013	175
M0662749	OIL DAMPER:STRAIGHT:30N	U013_S001	176
M1295245	PCB:DDR3-DIMM:RC-A:1.5GB:ASS'Y	U015	62
VSSG9002	FLUOTRIBO MG GREASE : 100G	SPECIAL TOOLS	7

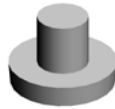
Standard Parts



03130060N
SCREW - M3X6



03140120N
SCREW - M4X12



03530030N
SCREW:M3X3



03530040N
SCREW - M3X4



03530060N
BIND SCREW - M3X6



03603006N
SCREW - M3X6



03603016N
SCREW - M3X16



04503025N
TAPPING SCREW:3X25



04503035N
TAPPING SCREW:3X35



04513006N
TAPPING SCREW - 3X6



04513025N
TAPPING SCREW:M3X25



04533006N
TAPPING SCREW - M3X6



04533008N
BINDING SELF TAPPING SCREW:3X8



04543006N
TAPPING SCREW:ROUND POINT:3X6



04543006Q
TAPPING SCREW - M3X6



04543008N
TAPPING SCREW:ROUND POINT:3X8



04543008Q
TAPPING SCREW:3X8



04543010Q
TAPPING SCREW:3X10



04543020Q
TAPPING SCREW::3X20



04583008N
HEXAGON HEAD TAPPING SCREW:3X8



04583010N
HEXAGON HEAD TAPPING SCREW:3X10



04593008N
BINDING HEAD TAPPING SCREW:3X8



04593010N
BINDING HEAD TAPPING SCREW:3X10



06220080E
SPRING PIN - 2X8MM



06330100G
PARALLEL PIN - 3X10



07200025E
RETAINING RING - M2.5



07200030E
RETAINING RING - M3



07200040E
RETAINING RING - M4

Standard Parts



07200060E
RETAINING RING - M6



07250170E
RETAINING RING C - M17



07403808
BALL BEARING - 8X16X5MM



08025299
TAPPING SCREW - M3X8



08025312
TAPPING SCREW:WASHER:3X10



08025328
HEXAGON HEAD TAPPING SCREW:3X40



08046123
HEXAGONAL BOLT:W/WASHER:M3X8



08046128
HEXAGONAL BOLT:DOUBLE SCREW:M3X10



08046129
HEXAGON HEAD BOLT:INTERNAL THREAD:LOOSE: M3X6



08050089
RETAINING RING - M4



08050103
RETAINING RINGS-E:SILENCER:DIA3



08050104
RETAINING RINGS-E:SILENCER:DIA4



08050106
RETAINING RINGS-E:SILENCER:DIA6



09574008N
SCREW:SMALL ROUND/SPRING:M4X8



11029782
CONNECTOR:51405-1819



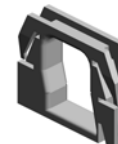
11050488
HARNESS CLAMP



11050692
CLAMP:LES-0503



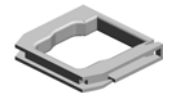
11050723
CLAMPS:WES-0507



11050724
CLAMPS:WES-1210



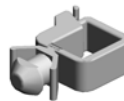
11050725
CLAMPS:WES-1117



11050726
CLAMPS:WES-2217



11050758
CLAMP:LWSM-0306A



11050759
CLAMP:LWSM-0605A



11050760
CLAMP:LWSM-0511A



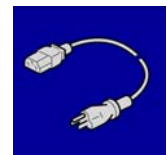
11050762
CLAMP:LWS-0711A



11050764
CLAMP:LWS-1316A



11050765
CLAMP:LWS-2218A



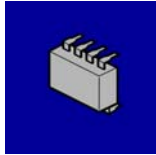
11500440
POWER SUPPLY CODE:120V:15A:NA

Standard Parts



12042612

MICRO SWITCH:D3V-16506-3
C25



14077667

EEPROM:BR24T128-W

PM Part List

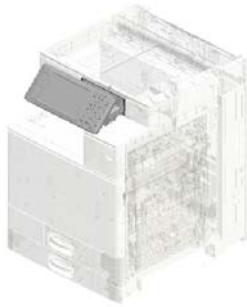
Number	Part Name	Num	Group	ID
D1474011	FUSING UNIT:NA:D146/D147: SERVICE	1	U011_S001	46
D1496001	TRANSFER UNIT:INTERMEDIATE TRANSFER:ASS'Y	1	U008_S001	16
D1496141	CLEANING UNIT:BELT CLEANING:ASS'Y	1	U008_S002	20
D1496211	TRANSFER ROLLER:SECOND:ASS'Y	1	U010_S001	26
D1497937	FILTER:PREVENTFENCE	2	U016_S001	30
D1509201	PCU:BLACK:SERVICE PARTS:EXP	1	U006_S005	8
D1509202	PCU:COLOR:SERVICE PARTS:EXP	1	U006_S006	9
D1863050	DEVELOPMENT UNIT:BLACK:SERVICE PARTS:DOM	1	U006_S004_S001	14
D1863060	DEVELOPMENT UNIT:CYAN:SERVICE PARTS:DOM	1	U006_S001_S001	15
D1863070	DEVELOPMENT UNIT:MAGENTA:SERVICE PARTS:DOM	1	U006_S002_S001	16
D1863080	DEVELOPMENT UNIT:YELLOW:SERVICE PARTS:DOM	1	U006_S003_S001	17
D7396211	TRANSFER ROLLER:IMAGE AREA EXTENSION:OPTION:ASS'Y	1	U010_S002	47

**Digital Color Copiers
(D148/D149/D150-NA)
Parts Catalog**

Unit All



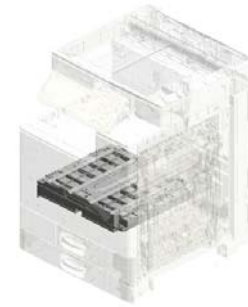
U001
EXTERIOR



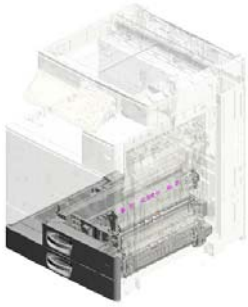
U002
OPERATION



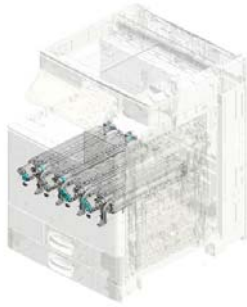
U003
SCANNER



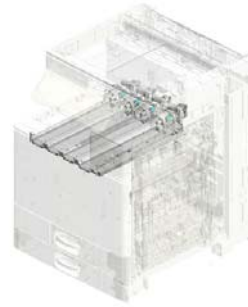
U004
LASER UNIT



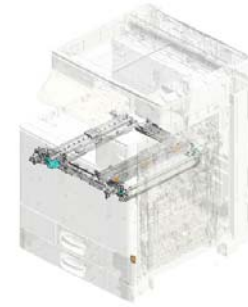
U005
PAPER FEED



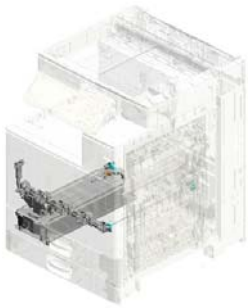
U006
PCDU



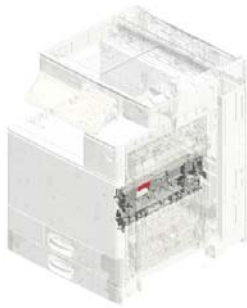
U007
TONNER SUPPRY



U008
ITB UNIT



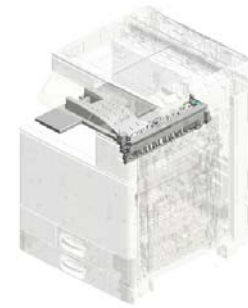
U009
USED TONER



U010
PAPER TRANSPORT

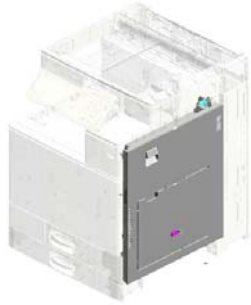


U011
FUSING

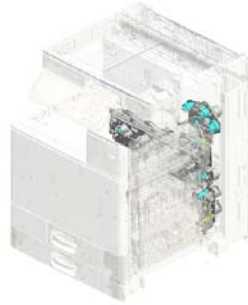


U012
PAPER EXIT

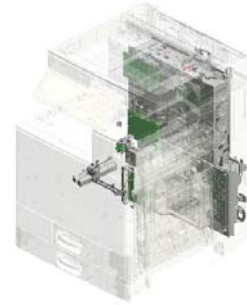
Unit All



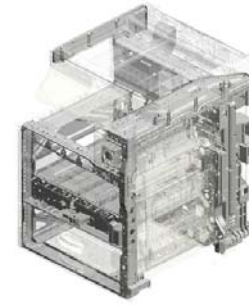
U013
DUPLEX



U014
MAIN DRIVE



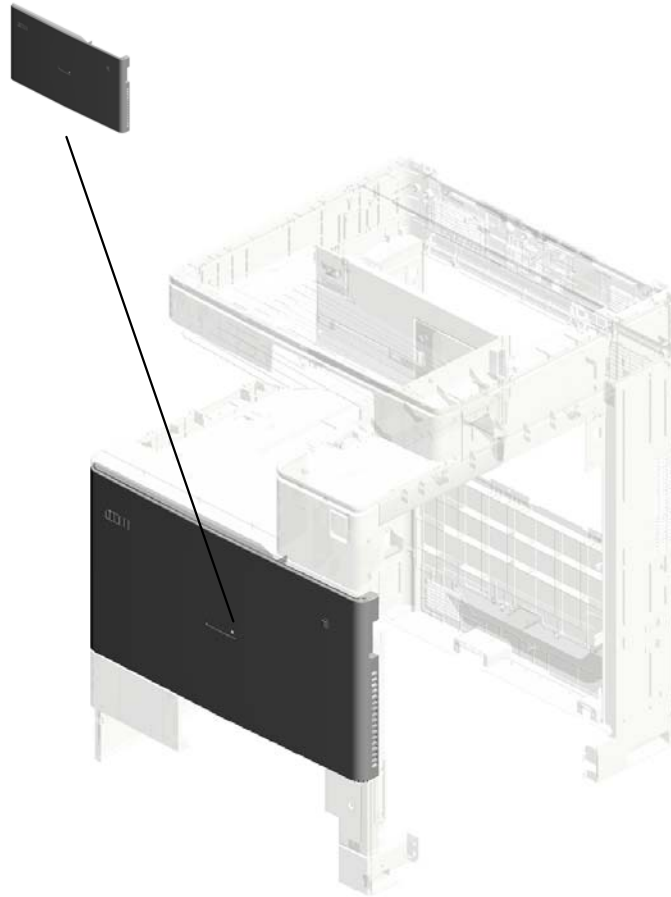
U015
ELECTRICAL



U016
MAIN FRAME

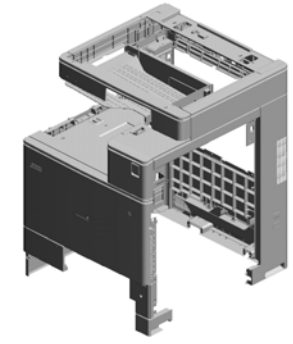
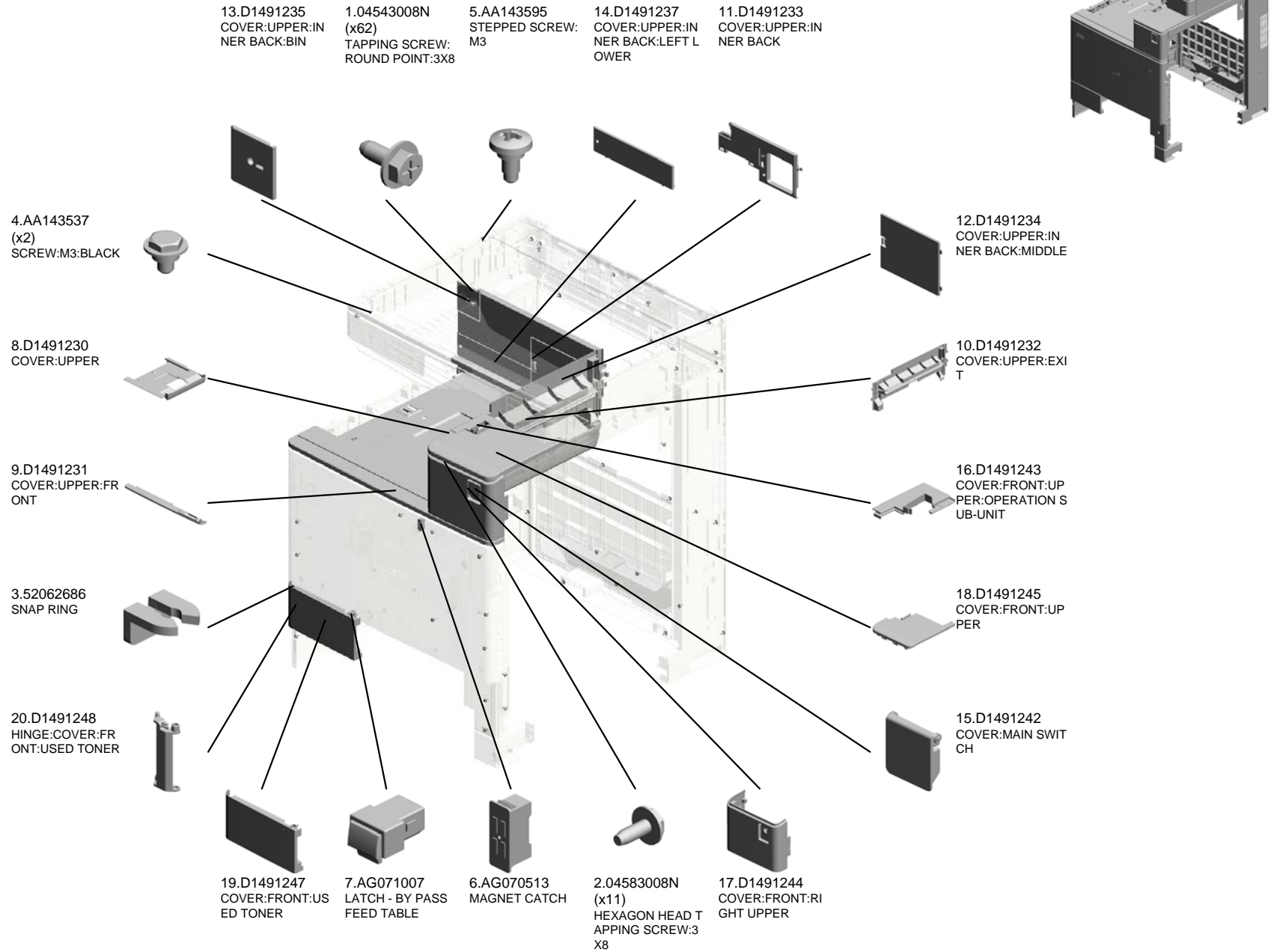
U001.EXTERIOR

U001_S001
D1501240
COVER:FRONT:ASSY



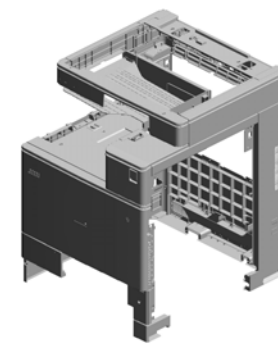
U001	U002	U003	U004	U005	U006	U007	U008	U009	U010	U011	U012	U013	U014	U015	U016
------	------	------	------	------	------	------	------	------	------	------	------	------	------	------	------

U001 EXTERIOR



U001 EXTERIOR

40.D1491282 COVER:SCANNER:
UPPER:FRONT
23.D1491252 COVER:LEFT:UPP
ER:REAR
25.D1491256 CAP:COVER:INTER
FACE
24.D1491255 COVER:LEFT:INTE
RFACE
28.D1491261 COVER:REAR:UPP
ER



39.D1491281 COVER:SCANNER:
FRONT

26.D1491257 CAP:34X55

22.D1491251 COVER:LEFT:UPP
ER

38.D1491278 TORSION SPRING:
COVER:USED TON
ER

36.D1491274 INNER COVER:FR
ONT:USED TONER

34.D1491271 INNER COVER:TO
NER BOTTLE:C1D

35.D1491273 INNER COVER:FR
ONT:LOWER

21.D1491250 COVER:LEFT

37.D1491275 INNER COVER:FR
ONT:RIGHT LOWE
R

32.D1491266 COVER:RIGHT:FR
ONT LOWER

30.D1491263 CAP:LOUVER:DEO
DORIZE FILTER

29.D1491262 COVER:REAR:RIG
HT UPPER

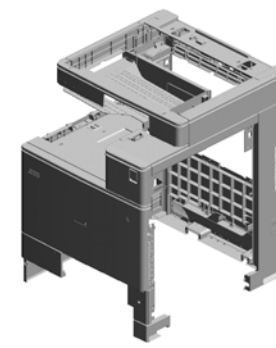
33.D1491267 COVER:RIGHT:UP
PER

31.D1491265 COVER:RIGHT:RE
AR

27.D1491260 COVER:REAR:LO
WER

U001 EXTERIOR

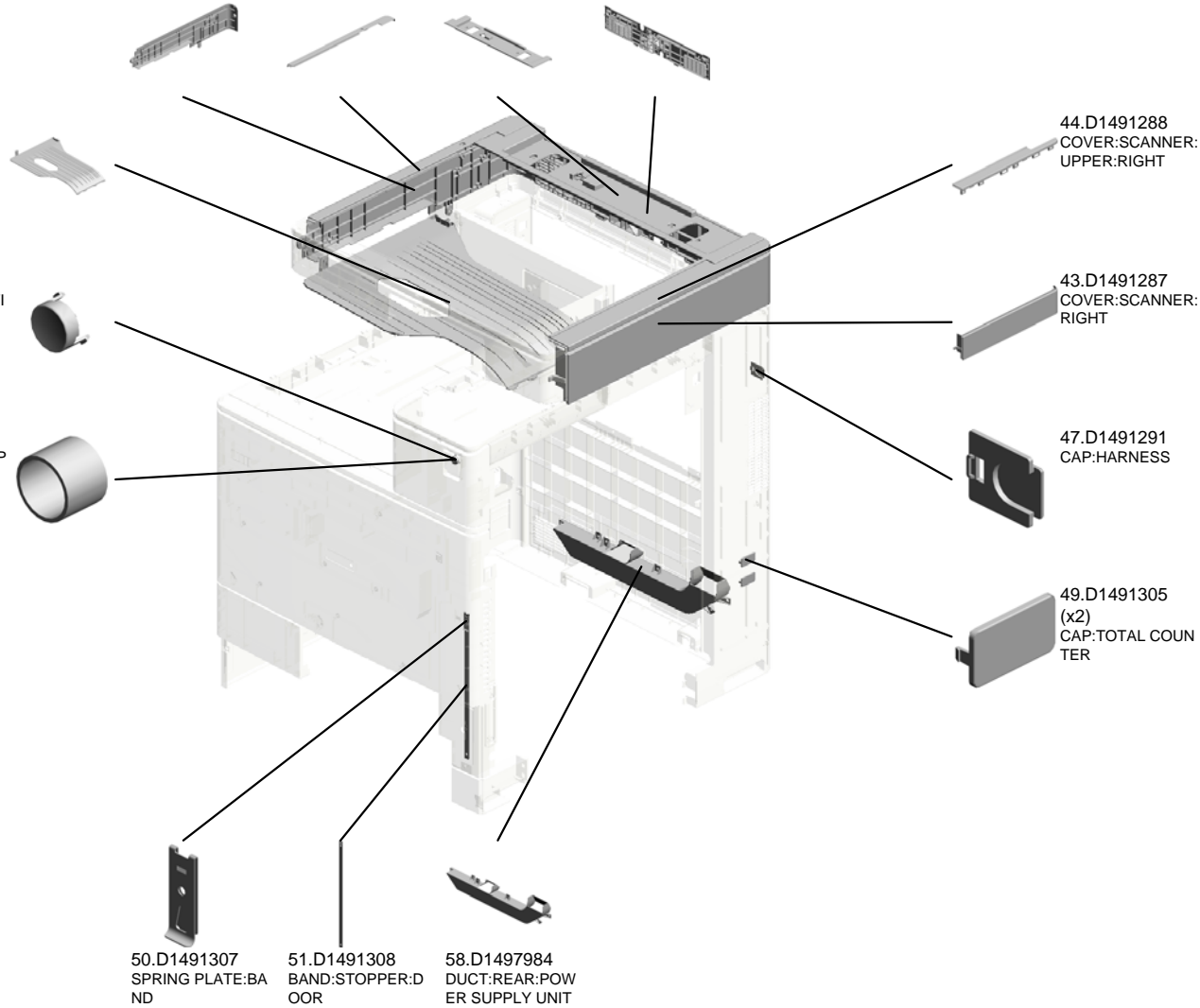
41.D1491284 COVER:SCANNER:
LEFT
42.D1491285 COVER:SCANNER:
UPPER:LEFT:1PAS
S
46.D1491290 COVER:SCANNER:
UPPER:REAR
45.D1491289 COVER:SCANNER:
REAR



53.D1494492
TRAY:REVERSE

54.D1495883
KEYTOP:MAIN SWI
TCH

55.D1495884
COMPRESSION SP
RING:KEYTOP



44.D1491288
COVER:SCANNER:
UPPER:RIGHT

43.D1491287
COVER:SCANNER:
RIGHT

47.D1491291
CAP:HARNESS

49.D1491305
(x2)
CAP:TOTAL COUN
TER

50.D1491307
SPRING PLATE:BA
ND

51.D1491308
BAND:STOPPER:D
OOR

58.D1497984
DUCT:REAR:POW
ER SUPPLY UNIT

U001_S001
COVER:FRONT:ASS'Y

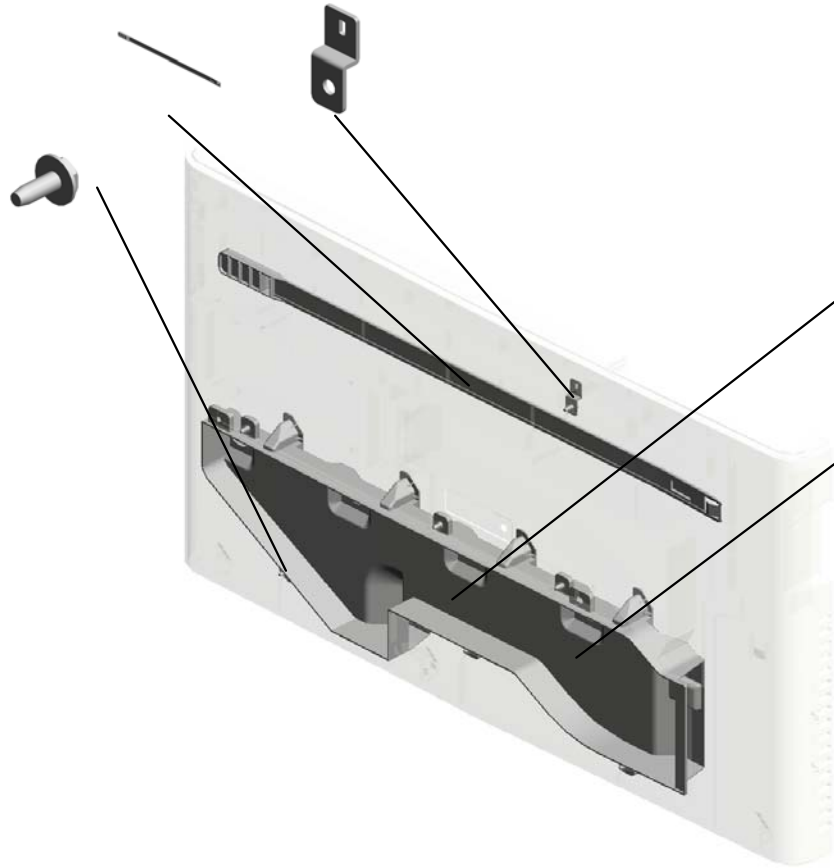
48.D1491302
CLEANER:SHIELD
GLASS:ASS'Y

52.D1491309
MAGNET CATCH:C
OVER:FRONT



59.D1501240
COVER:FRONT:AS
SY

2.04583008N
(x7)
HEXAGON HEAD T
APPING SCREW:3
X8



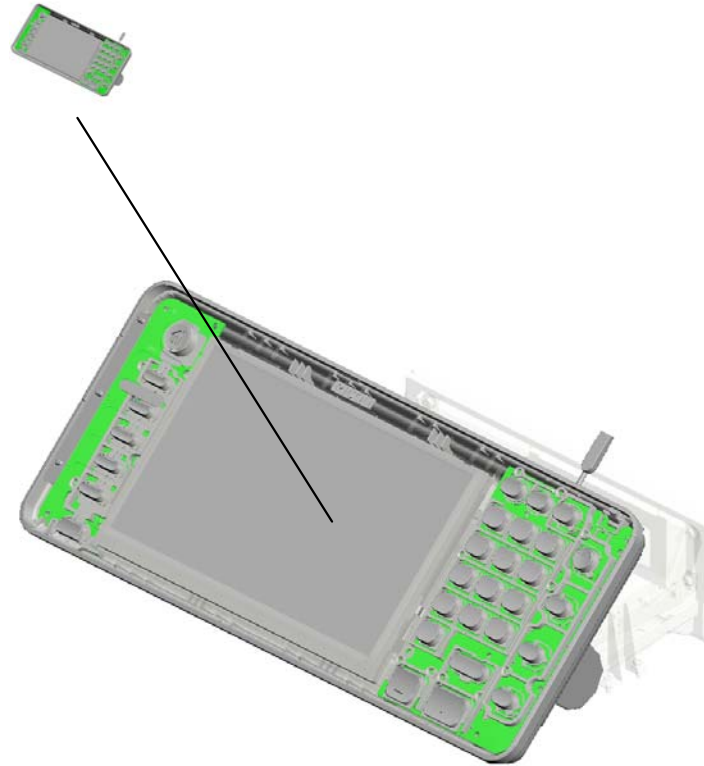
57.D1497911
DUCT:DEVELOPM
ENT:FRONT

56.D1496859
DECAL:CLEANING:
SHIELD GLASS

U001	U002	U003	U004	U005	U006	U007	U008	U009	U010	U011	U012	U013	U014	U015	U016
------	------	------	------	------	------	------	------	------	------	------	------	------	------	------	------

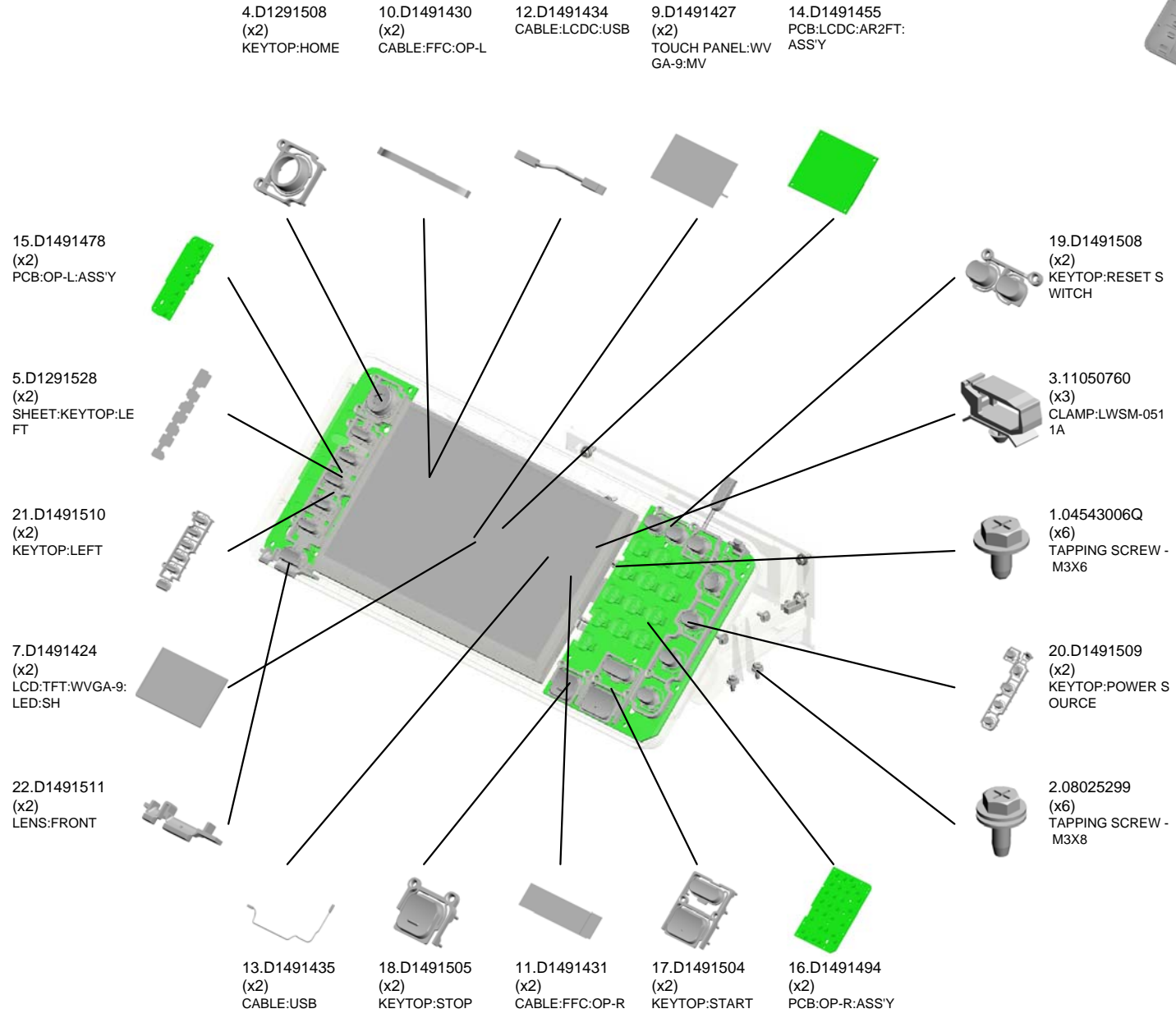
U002.OPERATION

U002_S001
D1491411
OPERATION PANEL:D148/D1
49/D150:NA/AP:ASS'Y



U001	U002	U003	U004	U005	U006	U007	U008	U009	U010	U011	U012	U013	U014	U015	U016
------	-------------	------	------	------	------	------	------	------	------	------	------	------	------	------	------

U002 OPERATION



U002 OPERATION

27.D1491518 BRACKET:LCDC:CM
M
31.D1491533 (x2) COVER:UPPER:SH
:NA
32.D1491534 COVER:UPPER:CM
:NA
23.D1491512 (x2) COVER:REAR:LAR
GE
34.D1491553 (x2) SHEET:LOGO



28.D1491530
(x4)
SPACER:LCD:A

39.D1821517
BRACKET:LCDC:SH

38.D1821432
CABLE:FFC:LCD

29.D1491531
(x4)
SPACER:LCD:B

24.D1491513
(x2)
COVER:REAR:SMALL:LEFT

25.D1491514
(x2)
COVER:REAR:SMALL:MIDDLE

26.D1491515
(x2)
COVER:REAR:SMALL:RIGHT

37.D1491599
COVER:BRACKET:
OPERATION SUB-
UNIT:UPPER

35.D1491595
BRACKET:OPERAT
ION SUB-UNIT

36.D1491598
COVER:BRACKET:
OPERATION SUB-
UNIT:LOWER

33.D1491539
(x2)
KEYTOP:10KEY:AA

30.D1491532
(x2)
HINGE:ASS'Y

U002_S001
OPERATION PANEL:D148/D149/D150:NA/AP:ASS'Y

8.D1491425
LCD:TFT:WVGA-9:
LED:CM



6.D1491411
OPERATION PANE
L:D148/D149/D150:
NA/AP:ASS'Y



33.D1491539
KEYTOP:10KEY:AA



U001	U002	U003	U004	U005	U006	U007	U008	U009	U010	U011	U012	U013	U014	U015	U016
------	-------------	------	------	------	------	------	------	------	------	------	------	------	------	------	------

U003.SCANNER

U003_S002
D1491721
ILLUMINATION UNIT:LED-B:A
SS'Y

U003_S003
D1491730
CARRIAGE:NO.1:ASSY

U003_S001
D1491703
DC STEPPER MOTOR

U003_S004
D1491771
LENS:HOLDER:ASS'Y

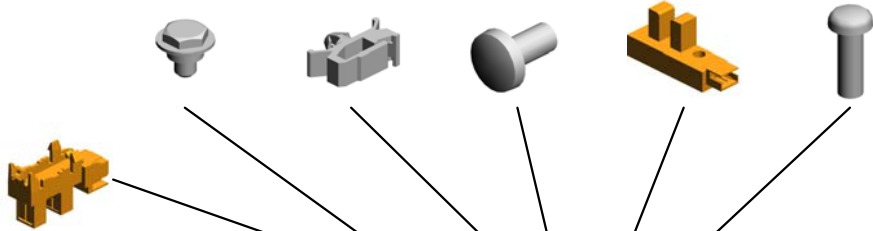
U001	U002	U003	U004	U005	U006	U007	U008	U009	U010	U011	U012	U013	U014	U015	U016
------	------	------	------	------	------	------	------	------	------	------	------	------	------	------	------

U003 SCANNER

- 16.AA143537 (x6) SCREW:M3:BLACK
- 12.11050758 (x2) CLAMP:LWSM-0306A
- 4.03530060N (x3) BIND SCREW - M3X6
- 19.AW020207 (x3) PHOTOINTERRUP TOR:FLAT:PICH2M M:M4
- 2.03140120N SCREW - M4X12



20.AW020214
PHOTOINTERRUP
TOR:LG248NL1A



6.07200040E
(x2)
RETAINING RING -
M4



3.03530030N
(x8)
SCREW:M3X3



14.A2501752
EXPOSURE GLASS



22.B2381807
(x2)
PULLEY



9.08050106
(x2)
RETAINING RINGS
-E:SILENCER:DIA6



5.03603006N
(x38)
SCREW - M3X6



21.B2381806
(x4)
IDLER PULLEY



18.AW010155
ORIGINAL SENSO
R:66MM:3.3V



15.AA082144
(x2)
BUSHING - 8X12X7



11.11050724
CLAMPS:WES-121
0



7.08025312
(x3)
TAPPING SCREW:
WASHER:3X10



10.11050488
HARNESS CLAMP



8.08046123
(x12)
HEXAGONAL BOLT
:W/WASHER:M3X8



1.03130060N
(x2)
SCREW - M3X6



U003 SCANNER

24.D1471750
SHEET:GAP:ASSY

25.D1471805
EXPOSURE GLASS
:DOCUMENT FEED
ER:APPLY

45.D1491754
GUIDE:FFC:CARRI
AGE:NO.2

46.D1491755
COVER:FFC:CARRI
AGE:NO.2

41.D1491728
GUIDE:HARNESS:L
ED-B



44.D1491742
CARRIAGE:NO.2:S
UB-ASSY

40.D1491726
(x2)
CLAMP:DRIVE WE
RE

34.D1491714
(x2)
DRIVE WERE:DIA1

23.D0291749
PULLEY:PROTECTI
ON

38.D1491719
BRACKET:TENSIO
N:FRONT

35.D1491715
PULLEY:DRIVE WE
RE:FRONT

33.D1491711
SHAFT:SCANNER:
DRIVE

26.D1491693
GUIDE:FFC

36.D1491717
PULLEY:DRIVE WE
RE:REAR

27.D1491694
PLATE SEAL:APS:
HARNESS

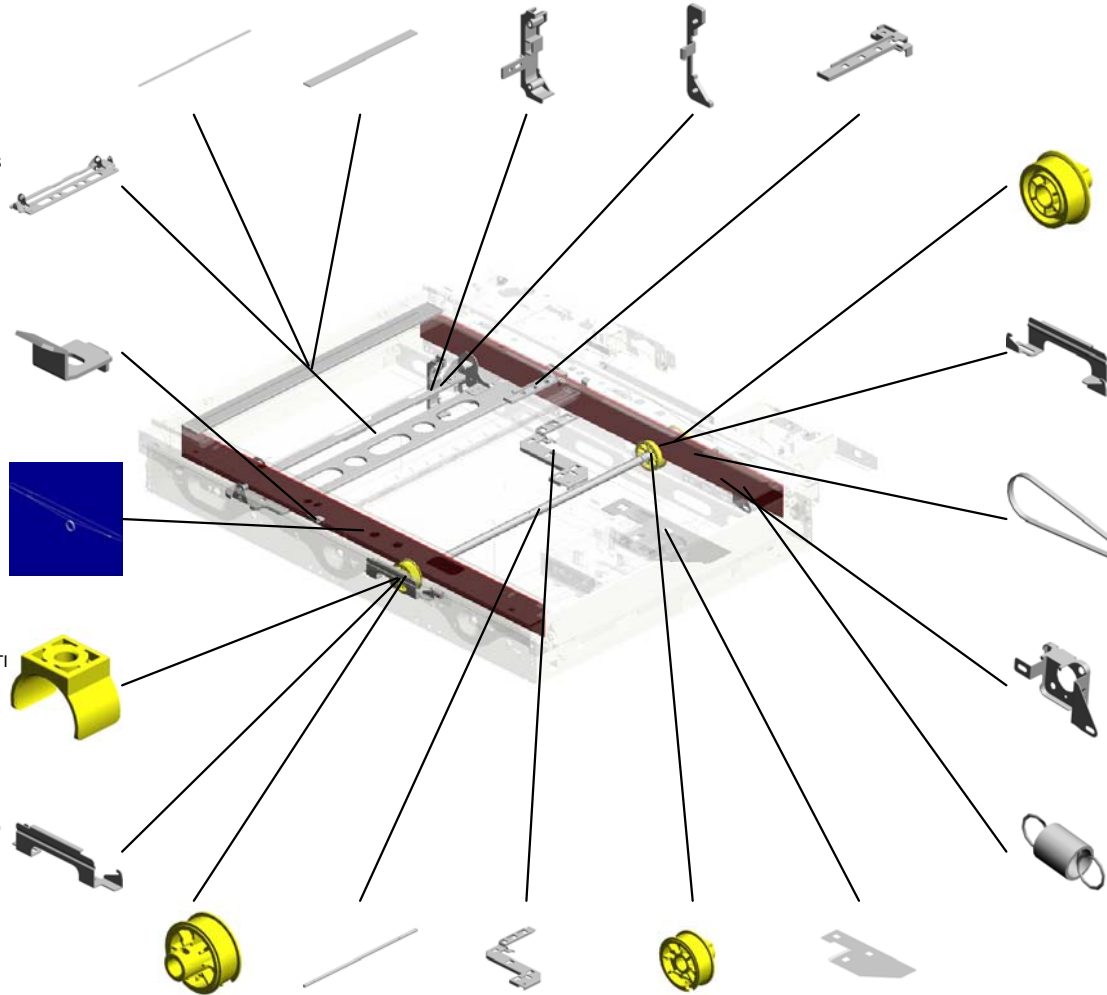
32.D1491710
TIMING PULLEY:62

37.D1491718
BRACKET:TENSIO
N:REAR

30.D1491706
SYNCHRONOUS B
ELT:138ST1.5-4.0

29.D1491705
BRACKET:DC STE
PPER MOTOR

31.D1491709
(x3)
TENSION SPRING:
TENSION:11.3N:30
MM



U003 SCANNER



51.D1491793
SCALE:LEFT:NA:
ASSY

53.D1491798
(x2)
SEAL:SHEET THR
OUGH:DOCUMENT
FEEDER

47.D1491756
MIRROR:NO.2:CON
CAVE:ASSY

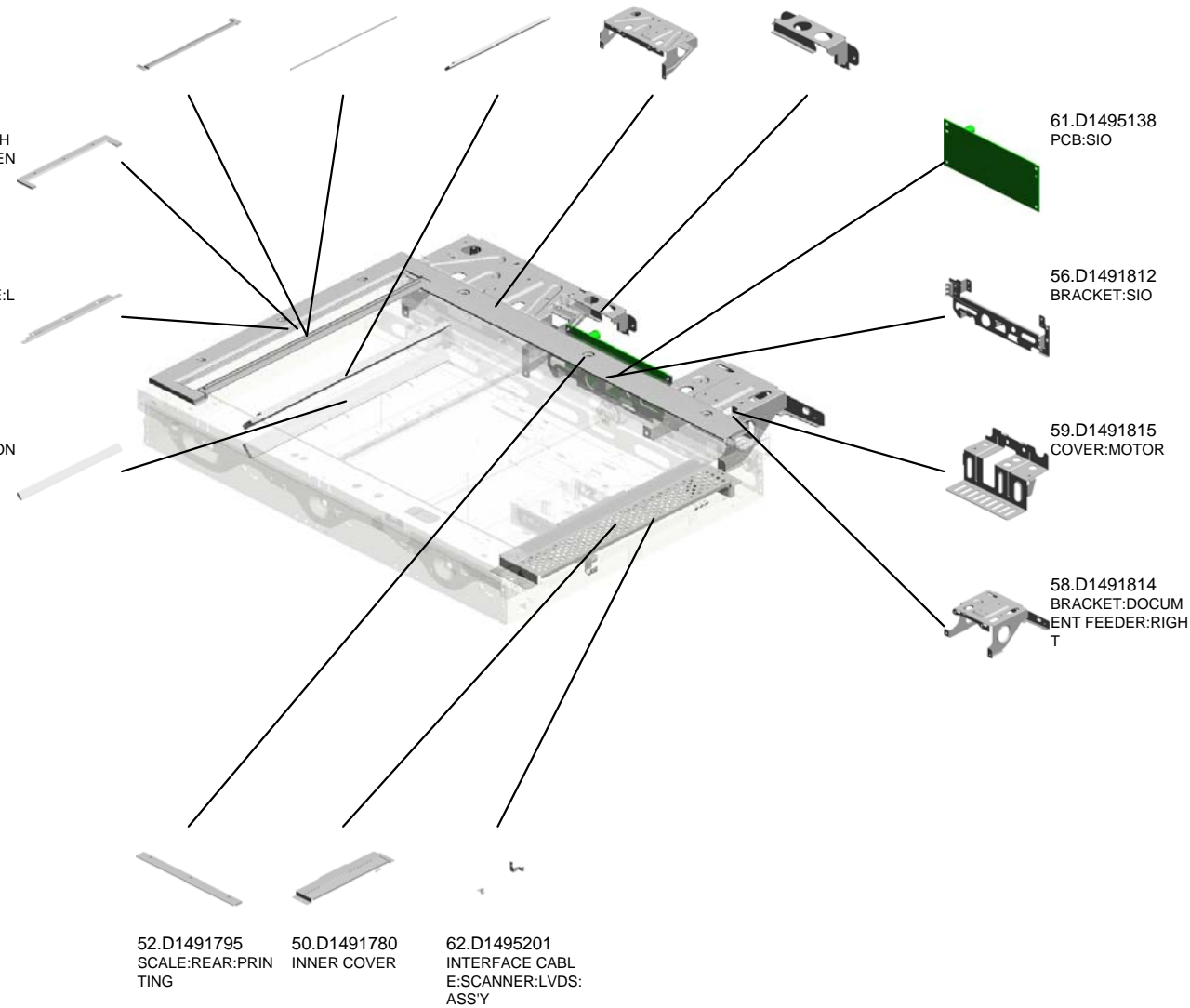
57.D1491813
BRACKET:DOCUM
ENT FEEDER:LEFT

60.D1491816
DOCUMENT FEED
ER:CABLE:BRACK
ET

54.D1491800
COVER:SHEET TH
ROUGH:DOCUMEN
T FEEDER

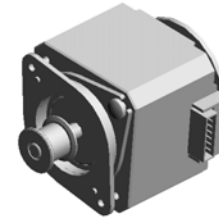
55.D1491801
BRACKET:SCALE:L
EFT

48.D1491757
MIRROR:NO.3:CON
VEX:ASSY



U003_S001
DC STEPPER MOTOR

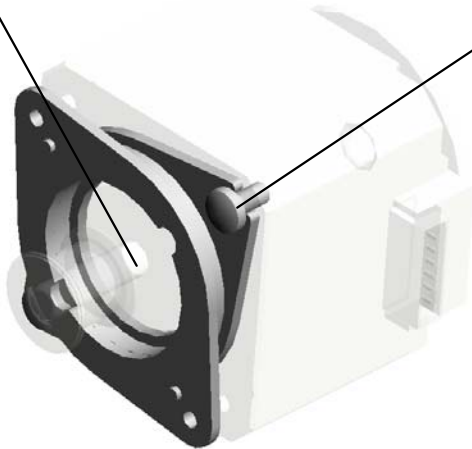
13.A2324666
CUSHION - STEPPER MOTOR



28.D1491703
DC STEPPER MOTOR



4.03530060N
(x2)
BIND SCREW - M3
X6



U001	U002	U003	U004	U005	U006	U007	U008	U009	U010	U011	U012	U013	U014	U015	U016
------	------	------	------	------	------	------	------	------	------	------	------	------	------	------	------

U003_S002
ILLUMINATION UNIT:LED-B:ASS'Y

4.03530060N
(x3)
BIND SCREW - M3
X6



39.D1491721
ILLUMINATION UNI
T:LED-B:ASS'Y



U001	U002	U003	U004	U005	U006	U007	U008	U009	U010	U011	U012	U013	U014	U015	U016
------	------	------	------	------	------	------	------	------	------	------	------	------	------	------	------

U003_S003
CARRIAGE:NO.1:ASS'Y

43.D1491731 17.AC030169
REFLECTOR:SCAN MIRROR:NO.1
NER



42.D1491730
CARRIAGE:NO.1:A
SS'Y

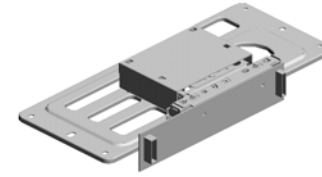


63.M0261815
(x2)
CLAMP:MIRROR:N
O.1

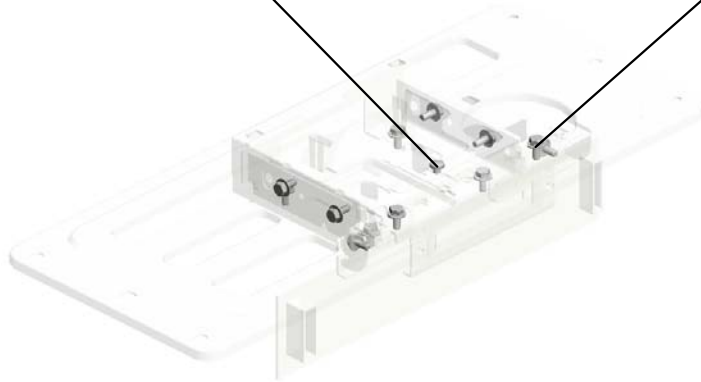
U001	U002	U003	U004	U005	U006	U007	U008	U009	U010	U011	U012	U013	U014	U015	U016
------	------	------	------	------	------	------	------	------	------	------	------	------	------	------	------

U003_S004
LENS:HOLDER:ASS'Y

3.03530030N
SCREW:M3X3



49.D1491771
LENS:HOLDER:AS
SY

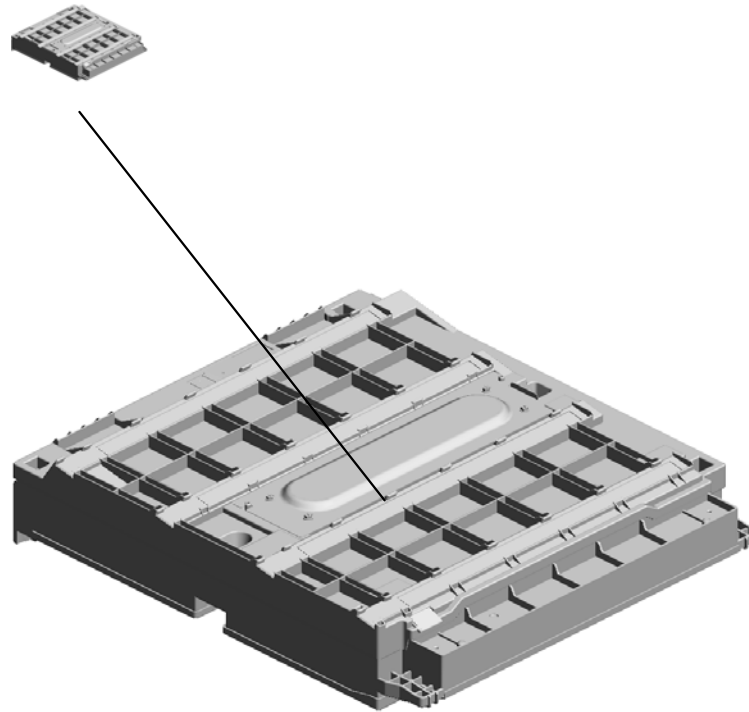


8.08046123
(x12)
HEXAGONAL BOLT
:W/WASHER:M3X8

U001	U002	U003	U004	U005	U006	U007	U008	U009	U010	U011	U012	U013	U014	U015	U016
------	------	------	------	------	------	------	------	------	------	------	------	------	------	------	------

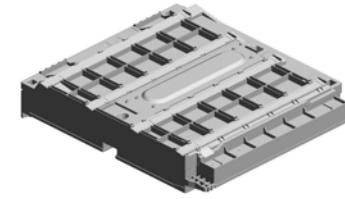
U004.LASER UNIT

U004_S001
D1491855
OPTICAL WRITING UNIT:D14
8/D149/D150:4LDA:ASS'Y



U001	U002	U003	U004	U005	U006	U007	U008	U009	U010	U011	U012	U013	U014	U015	U016
------	------	------	------	------	------	------	------	------	------	------	------	------	------	------	------

U004
LASER UNIT



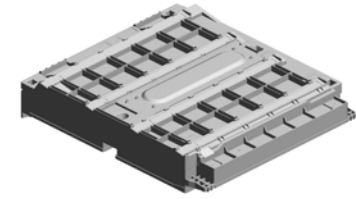
U001	U002	U003	U004	U005	U006	U007	U008	U009	U010	U011	U012	U013	U014	U015	U016
------	------	------	------	------	------	------	------	------	------	------	------	------	------	------	------

U004_S001
OPTICAL WRITING UNIT:D148/D149/D150:4LDA:ASS'Y

5.11050758
CLAMP:LWSM-030
6A

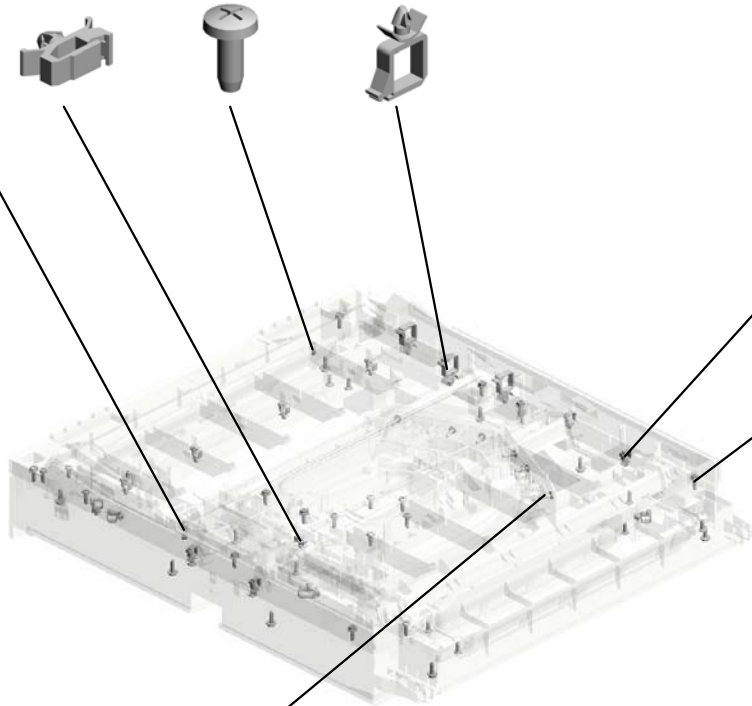
2.04593008N
(x9)
BINDING HEAD TA
PPING SCREW:3X
8

4.11050488
(x3)
HARNESS CLAMP



8.D1491855
OPTICAL WRITING
UNIT:D148/D149/D
150:4LDA:ASS'Y

7.11050760
(x2)
CLAMP:LWSM-051
1A



6.11050759
(x11)
CLAMP:LWSM-060
5A



1.04583010N
(x18)
HEXAGON HEAD T
APPING SCREW:3
X10



3.04593010N
(x20)
BINDING HEAD TA
PPING SCREW:3X
10



U001	U002	U003	U004	U005	U006	U007	U008	U009	U010	U011	U012	U013	U014	U015	U016
------	------	------	------	------	------	------	------	------	------	------	------	------	------	------	------

U005.PAPER FEED

U005_S001
D1472703
PAPER FEED UNIT:NO.1:D14
6/D147/D148D149:(for D148/D
149)

U005_S004
D1502701
PAPER FEED UNIT:NO.1:D15
0:(for D150)

U005_S008
AX040273
DC MOTOR:RISING TRAY:AS
S'Y:1.007W:BRUSH

U005_S011
D1492809
PAPER TRAY:NO.1:ASS'Y

U005_S009
D1492906
LEVER:STRETCH:PAPER TR
AY:ASS'Y

U005_S012
D1492808
PAPER TRAY:NO.2:ASS'Y

U005_S007
AX040273
DC MOTOR:RISING TRAY:AS
S'Y:1.007W:BRUSH

U005_S005
D1492901
SUPPORTER:RIGHT:NO.1:AS
S'Y

U005_S010
D1492906
LEVER:STRETCH:PAPER TR
AY:ASS'Y

U005_S006
D1492903
SUPPORTER:RIGHT:NO.2:AS
S'Y

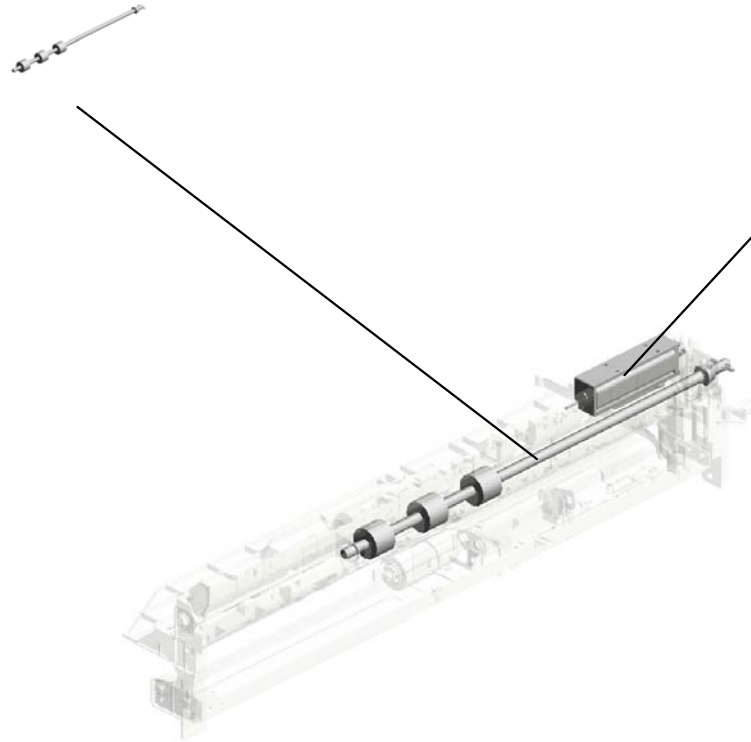
U005_S003
D1492713
GUIDE PLATE:SWIVEL:NO.1

U005_S002
D1472702
PAPER FEED UNIT:NO.2

U001	U002	U003	U004	U005	U006	U007	U008	U009	U010	U011	U012	U013	U014	U015	U016
------	------	------	------	------	------	------	------	------	------	------	------	------	------	------	------

U005_S001.PAPER FEED UNIT:NO.1:D146/D147/D148D149:(for D148/D149)

U005_S001_S001
D1492768
TRANSPORT ROLLER:VERTI
CAL TRANSPORT:ASSY

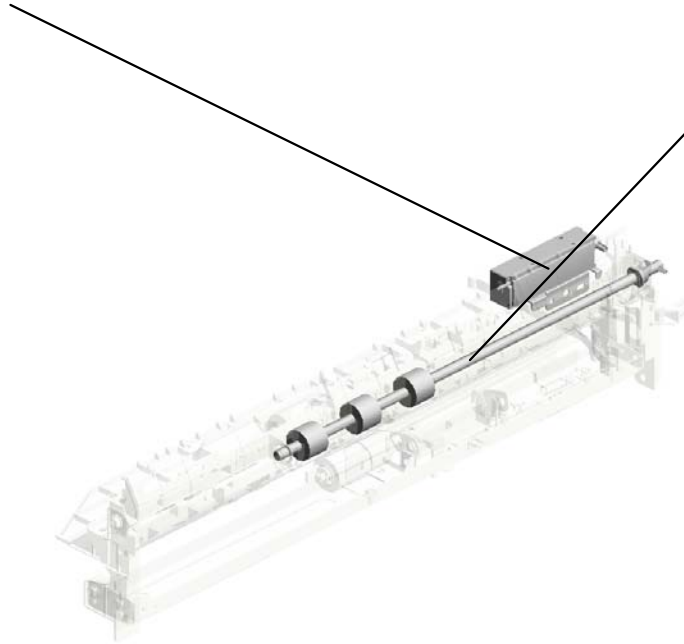


U005_S001_S002
D1492716
DC SOLENOID:PICKUP:NO.1:
ASS'Y

U001	U002	U003	U004	U005	U006	U007	U008	U009	U010	U011	U012	U013	U014	U015	U016
------	------	------	------	------	------	------	------	------	------	------	------	------	------	------	------

U005_S002.PAPER FEED UNIT:NO.2

U005_S002_S002
D1492726
DC SOLENOID:PICKUP:NO.2:
ASS'Y

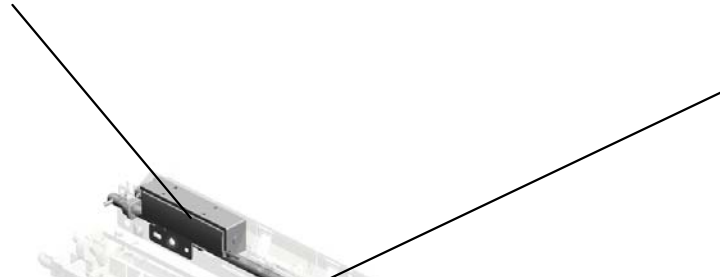


U005_S002_S001
D1492768
TRANSPORT ROLLER:VERTI
CAL TRANSPORT:ASS'Y

U001	U002	U003	U004	U005	U006	U007	U008	U009	U010	U011	U012	U013	U014	U015	U016
------	------	------	------	------	------	------	------	------	------	------	------	------	------	------	------

U005_S004.PAPER FEED UNIT:NO.1:D150:(for D150)

U005_S004_S002
D1492716
DC SOLENOID:PICKUP:NO.1:
ASS'Y



U005_S004_S001
D1502768
TRANSPORT ROLLER:VERTI
CAL TRANSPORT:ASS'Y:(for
D150)



U001	U002	U003	U004	U005	U006	U007	U008	U009	U010	U011	U012	U013	U014	U015	U016
------	------	------	------	------	------	------	------	------	------	------	------	------	------	------	------

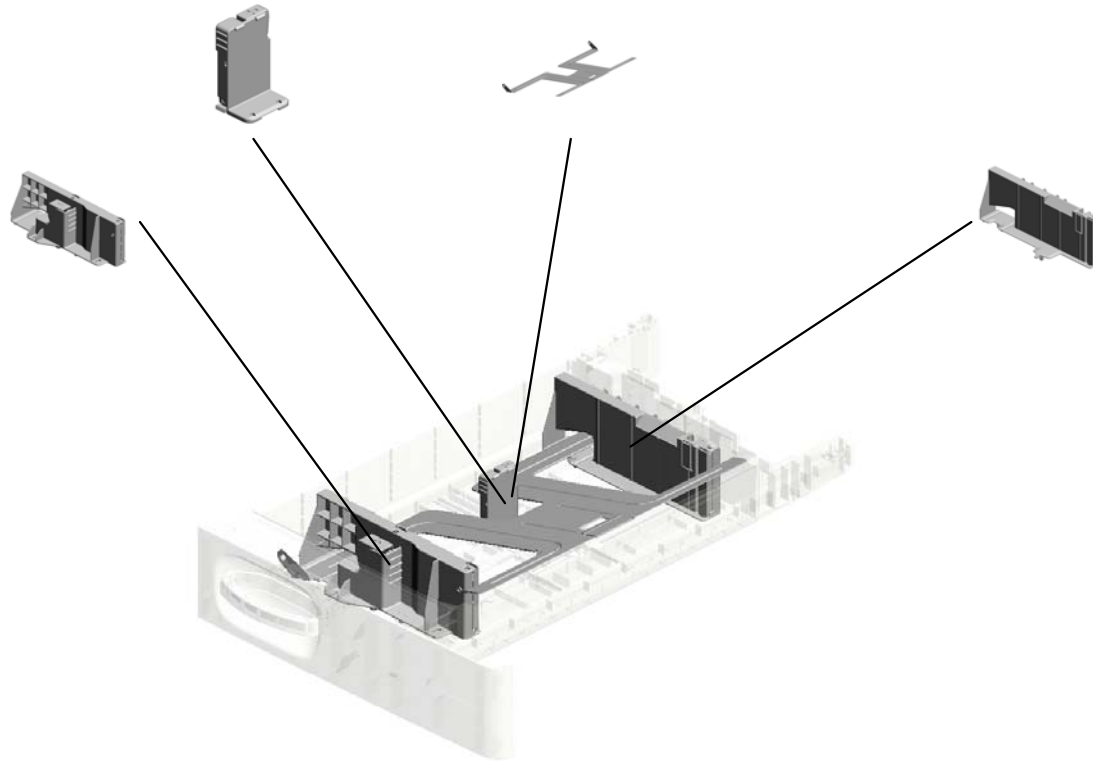
U005_S011.PAPER TRAY:NO.1:ASS'Y

U005_S011_S003
D1492840
END FENCE:PAPER TRAY:A
SS'Y

U005_S011_S004
D1492850
TRAY BOTTOM PLATE:ASS'Y

U005_S011_S001
D1492820
SIDE FENCE:FRONT:NO.1:A
SS'Y

U005_S011_S002
D1492838
SIDE FENCE:REAR:NO.1:AS
S'Y



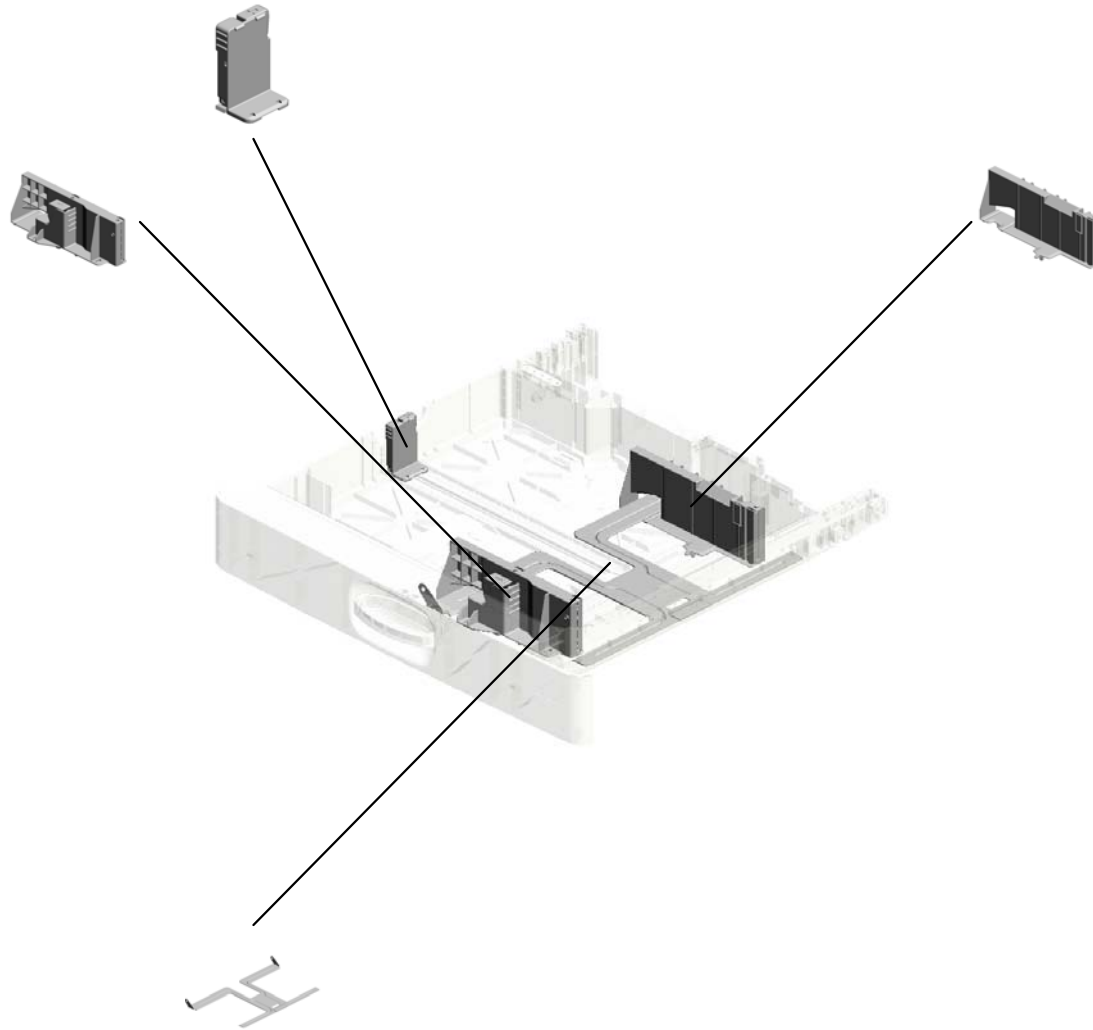
U001	U002	U003	U004	U005	U006	U007	U008	U009	U010	U011	U012	U013	U014	U015	U016
------	------	------	------	-------------	------	------	------	------	------	------	------	------	------	------	------

U005_S012.PAPER TRAY:NO.2:ASS'Y

U005_S012_S003
D1492840
END FENCE:PAPER TRAY:A
SS'Y

U005_S012_S001
D1492875
SIDE FENCE:FRONT:ASS'Y

U005_S012_S002
D1492885
SIDE FENCE:REAR:ASS'Y



U005_S012_S004
D1492873
TRAY BOTTOM PLATE:NO.2:
ASS'Y

U001	U002	U003	U004	U005	U006	U007	U008	U009	U010	U011	U012	U013	U014	U015	U016
------	------	------	------	-------------	------	------	------	------	------	------	------	------	------	------	------

U005 PAPER FEED

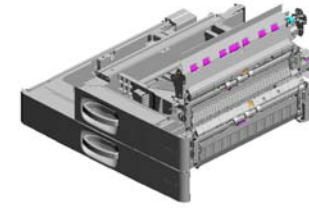
27.AW500024
PUSH SWITCH

44.D1492561
SHAFT:REGISTRATION ROLLER:DRIVEN

47.D1492576
GUIDE PLATE:REGISTRATION:FRONT LEFT

13.11050758
(x2)
CLAMP:LWSM-0306A

28.AW500040
(x2)
PUSH SWITCH:SW1AG-550:10MA



4.04543006Q
(x43)
TAPPING SCREW - M3X6



45.D1492562
(x2)
COLLAR:REGISTRATION ROLLER



16.AA082173
(x2)
PLAIN SHAFT BEARING RING:6X10X6



11.08050103
(x2)
RETAINING RINGS - SILENCER: DIA3



10.08025299
(x2)
TAPPING SCREW - M3X8



5.04543008Q
(x5)
TAPPING SCREW: 3X8



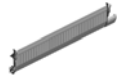
14.11050760
(x2)
CLAMP:LWSM-0511A



46.D1492566
CASE:REMOVE PAPER DUST:ASSY



52.D1492721
GUIDE PLATE:SWIVEL:NO.2



6.04583008N
(x4)
HEXAGON HEAD TAPPING SCREW:3X8



8.07200040E
(x2)
RETAINING RING - M4



21.AB011573
GEAR:REGISTRATION:NO.2



20.AB011572
GEAR:Z19:DRIVEN:REGISTRATION



9.07200060E
(x3)
RETAINING RING - M6

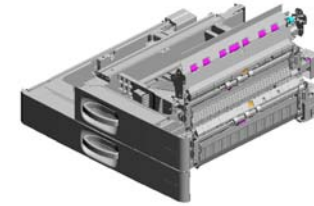


18.AA082175
(x2)
PLAIN SHAFT BEARING RING:8X12X7



U005 PAPER FEED

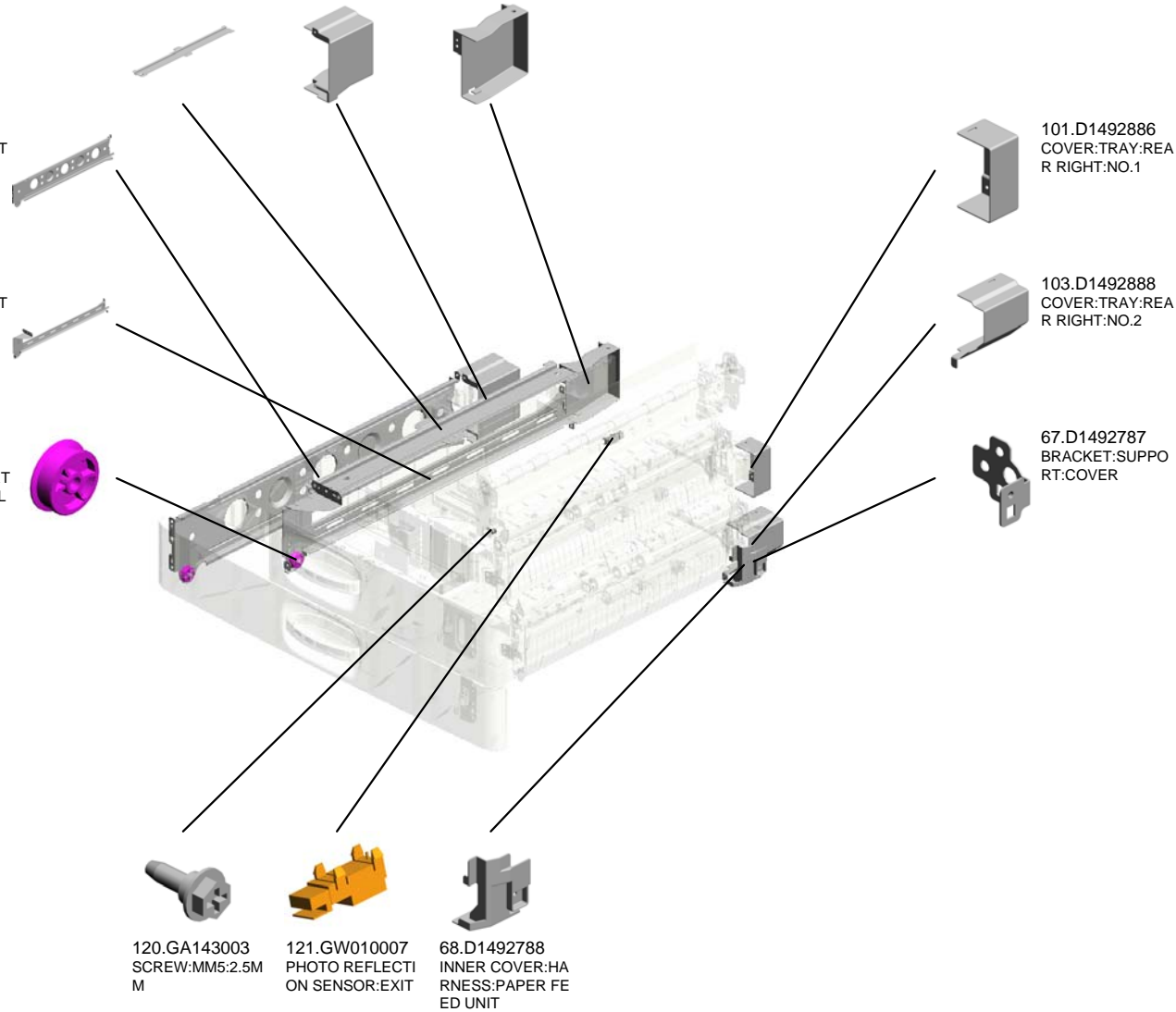
109.D1492918 SUPPORTER:LEFT UPPER:NO.1
 104.D1492889 COVER:TRAY:REA R LEFT:NO.2
 102.D1492887 COVER:TRAY:REA R LEFT:NO.1



112.D1492925 SUPPORTER:LEFT :NO.2

108.D1492915 SUPPORTER:LEFT LOWER:NO.1

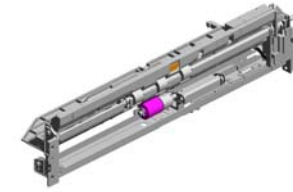
113.D1492928 (x2) ROLLER:SUPPORT ER:PAPER TRAY:L EFT



U005_S001

PAPER FEED UNIT:NO.1:D146/D147/D148D149:(for D148/D149)

- 31.B8303504 TIMING BELT - 40S 2M100
- 33.D1292783 TORQUE LIMITER MECHANICAL CLU TCH:40MM:DIA18
- 17.AA082174 PLAIN SHAFT BEA RING:6X10X9
- 26.AW020203 (x2) PHOTOINTERRUP TOR:GP1A173LCS 2F
- 13.11050758 (x2) CLAMP:LWSM-030 6A



35.D1472703
PAPER FEED UNIT
:NO.1:D146/D147/D
148D149:(for D148/
D149)

23.AF030094
PAPER FEED ROL
LER:PICKUP



24.AF031094
PAPER FEED ROL
LER:FEED



16.AA082173
PLAIN SHAFT BEA
RING:6X10X6



25.AF032094
PAPER FEED ROL
LER:SEPARATE



19.AA100014
(x2)
RETAINING RING
C - SEPARATE



32.D0892764
GEAR:FEED



11.08050103
RETAINING RINGS
-E:SILENCER:DIA3



37.D1472736
BRACKET:SEPARA
TE:REAR



39.D1472738
LINK:RELEASE



4.04543006Q
(x11)
TAPPING SCREW -
M3X6



38.D1472737
LEVER:PRESSURE
:SEPARATE



40.D1472751
ARM:PRESSURE:S
EPARATE



36.D1472734
GUIDE PLATE:SEP
ARATE



15.52062686
SNAP RING



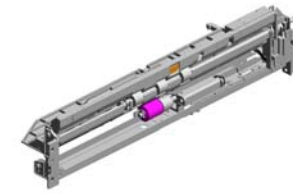
12.08050104
(x4)
RETAINING RINGS
-E:SILENCER:DIA4



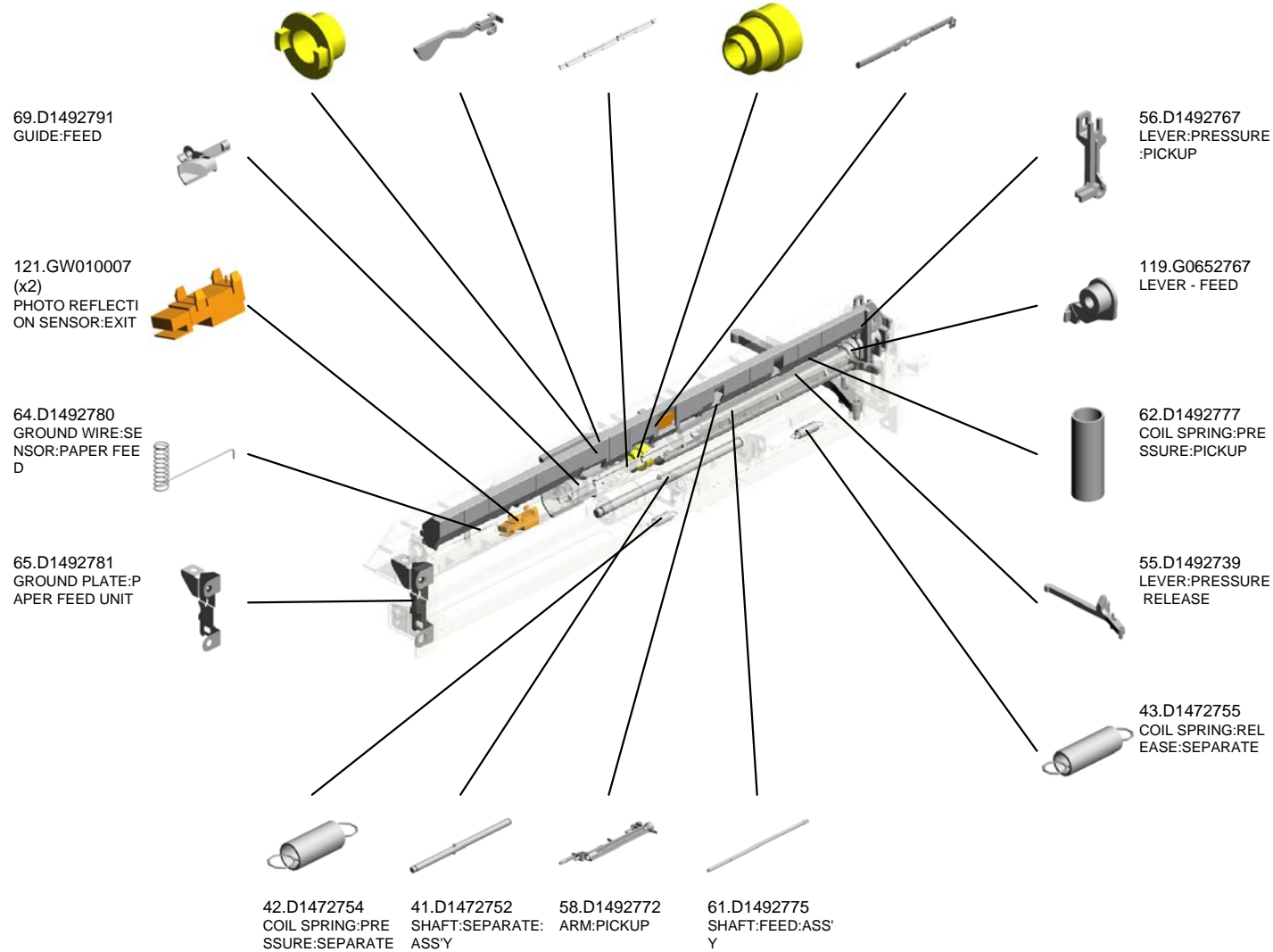
U005_S001

PAPER FEED UNIT:NO.1:D146/D147/D148D149:(for D148/D149)

- 60.D1492774 PULLEY:IDLER:PIKUP
- 63.D1492778 FEELER:PAPER END
- 66.D1492782 PLATE:HARNES: PAPER FEED UNIT
- 59.D1492773 PULLEY:PICKUP:MECHANICAL ROLLER CLUTCH
- 50.D1492714 GUIDE PLATE:VERTICAL TRANSPORT:PAPER FEED:(for D148/D149)



35.D1472703
PAPER FEED UNIT
:NO.1:D146/D147/D148D149:(for D148/D149)



U005_S001_S001
TRANSPORT ROLLER:VERTICAL TRANSPORT:ASS'Y

16.AA082173
PLAIN SHAFT BEARING
RING:6X10X6

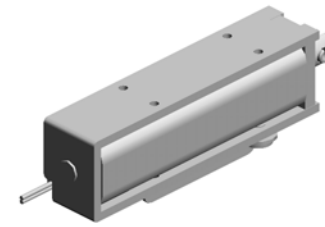


57.D1492768
TRANSPORT ROLLER:VERTICAL TRANSPORT:ASS'Y

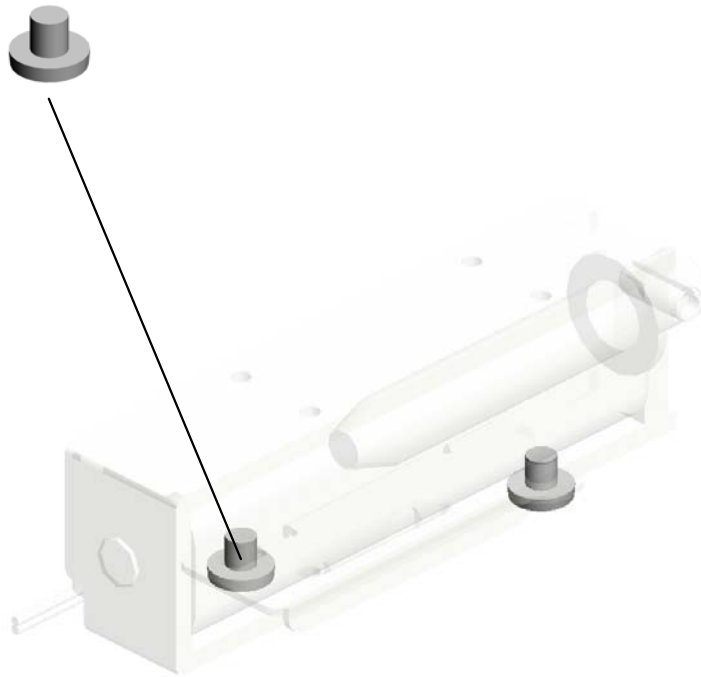
U001	U002	U003	U004	U005	U006	U007	U008	U009	U010	U011	U012	U013	U014	U015	U016
------	------	------	------	------	------	------	------	------	------	------	------	------	------	------	------

U005_S001_S002
DC SOLENOID:PICKUP:NO.1:ASS'Y

1.03530030N
(x2)
SCREW:M3X3

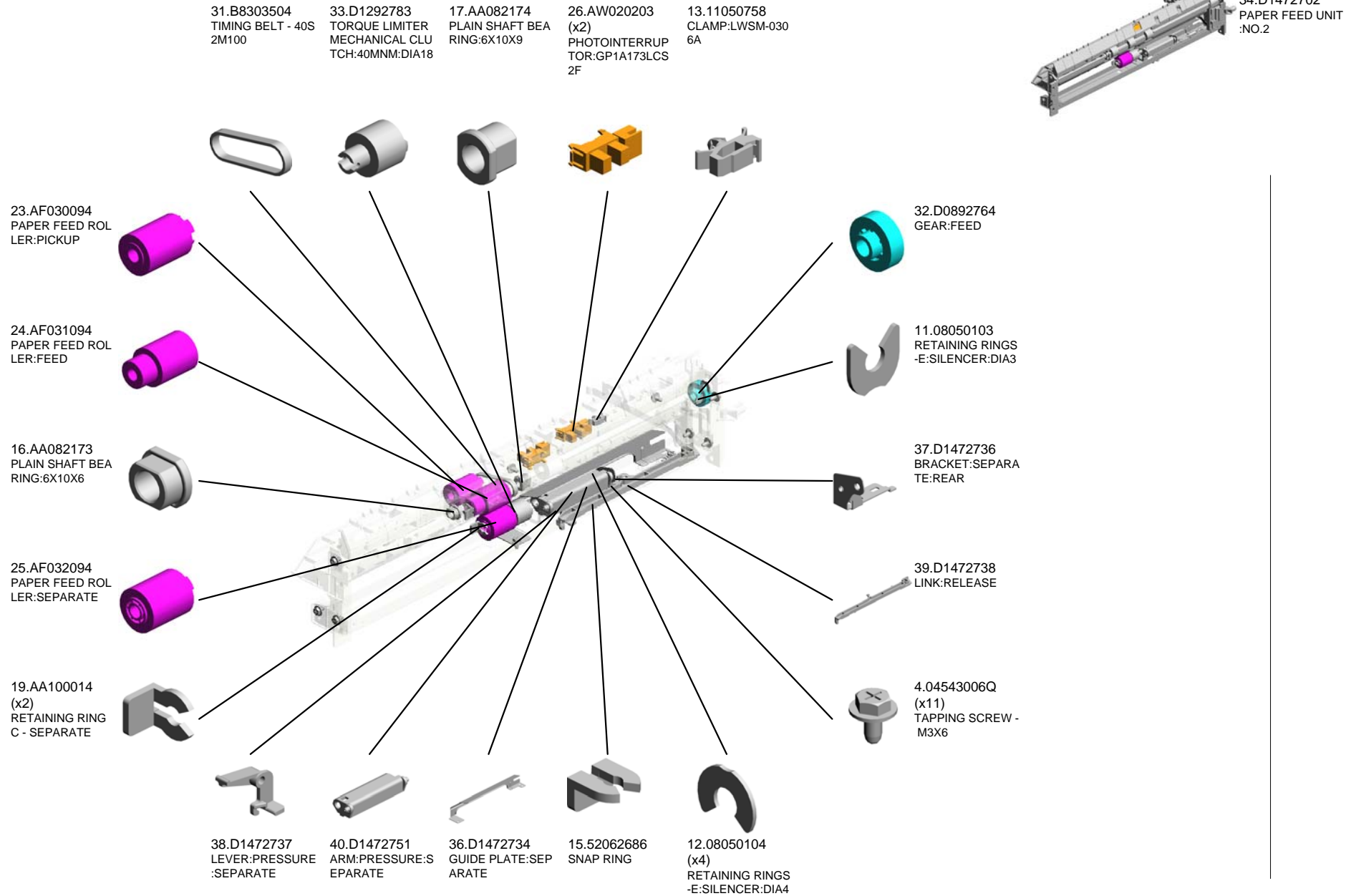


51.D1492716
DC SOLENOID:PIC
KUP:NO.1:ASS'Y



U001	U002	U003	U004	U005	U006	U007	U008	U009	U010	U011	U012	U013	U014	U015	U016
------	------	------	------	------	------	------	------	------	------	------	------	------	------	------	------

U005_S002 PAPER FEED UNIT:NO.2



U001	U002	U003	U004	U005	U006	U007	U008	U009	U010	U011	U012	U013	U014	U015	U016
------	------	------	------	------	------	------	------	------	------	------	------	------	------	------	------

U005_S002
PAPER FEED UNIT:NO.2

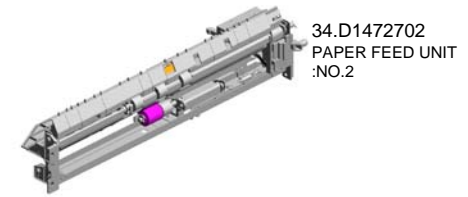
60.D1492774
PULLEY:IDLER:PI
KUP

63.D1492778
FEELER:PAPER E
ND

66.D1492782
PLATE:HARNES
S:PAPER FEED UN
IT

59.D1492773
PULLEY:PICKUP:M
ECHANICAL ROLL
ER CLUTCH

53.D1492724
GUIDE PLATE:VER
TICAL TRANSPOR
T:PAPER FEED UN
IT:NO.2



34.D1472702
PAPER FEED UN
IT:NO.2

69.D1492791
GUIDE:FEED

121.GW010007
(x2)
PHOTO REFLECTI
ON SENSOR:EXIT

64.D1492780
GROUND WIRE:SE
NSOR:PAPER FEE
D

65.D1492781
GROUND PLATE:P
APER FEED UNIT

42.D1472754
COIL SPRING:PRE
SSURE:SEPARATE

41.D1472752
SHAFT:SEPARATE:
ASSY

58.D1492772
ARM:PICKUP

61.D1492775
SHAFT:FEED:ASS'
Y

56.D1492767
LEVER:PRESSURE
:PICKUP

119.G0652767
LEVER - FEED

62.D1492777
COIL SPRING:PRE
SSURE:PICKUP

55.D1492739
LEVER:PRESSURE
RELEASE

43.D1472755
COIL SPRING:REL
EASE:SEPARATE

U005_S002_S001

TRANSPORT ROLLER:VERTICAL TRANSPORT:ASS'Y

16.AA082173
PLAIN SHAFT BEARING
RING:6X10X6



57.D1492768
TRANSPORT ROLLER:VERTICAL TRANSPORT:ASS'Y

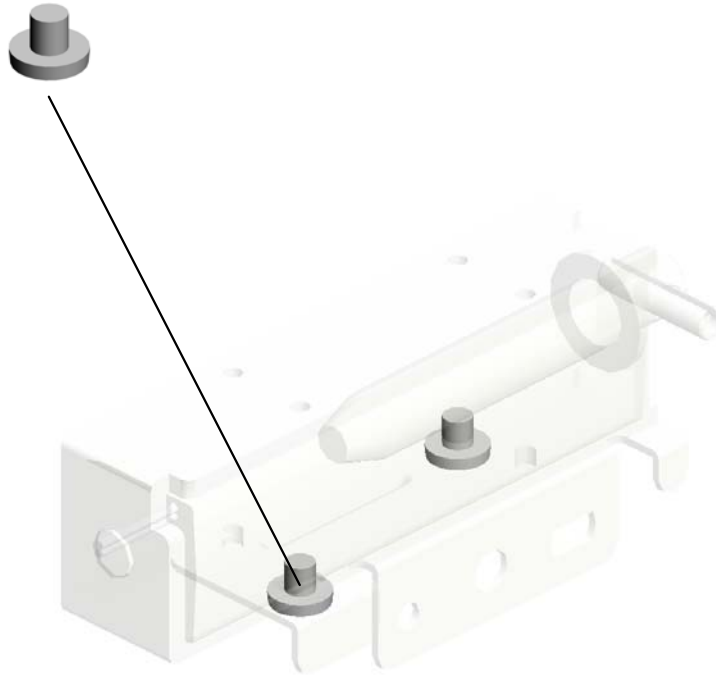
U001	U002	U003	U004	U005	U006	U007	U008	U009	U010	U011	U012	U013	U014	U015	U016
------	------	------	------	------	------	------	------	------	------	------	------	------	------	------	------

U005_S002_S002
DC SOLENOID:PICKUP:NO.2:ASS'Y

1.03530030N
(x2)
SCREW:M3X3



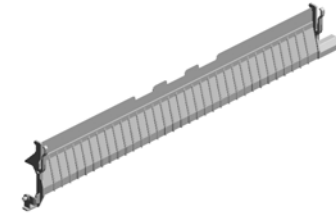
54.D1492726
DC SOLENOID:PIC
KUP:NO.2:ASS'Y



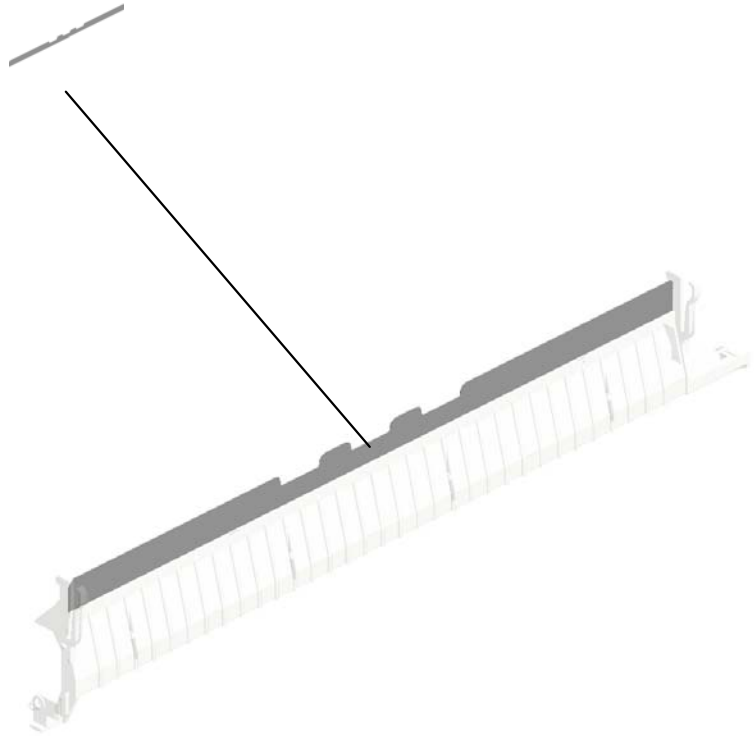
U001	U002	U003	U004	U005	U006	U007	U008	U009	U010	U011	U012	U013	U014	U015	U016
------	------	------	------	------	------	------	------	------	------	------	------	------	------	------	------

U005_S003
GUIDE PLATE:SWIVEL:NO.1

48.D1492712
SHEET:GUIDE PLA
TE:SWIVEL



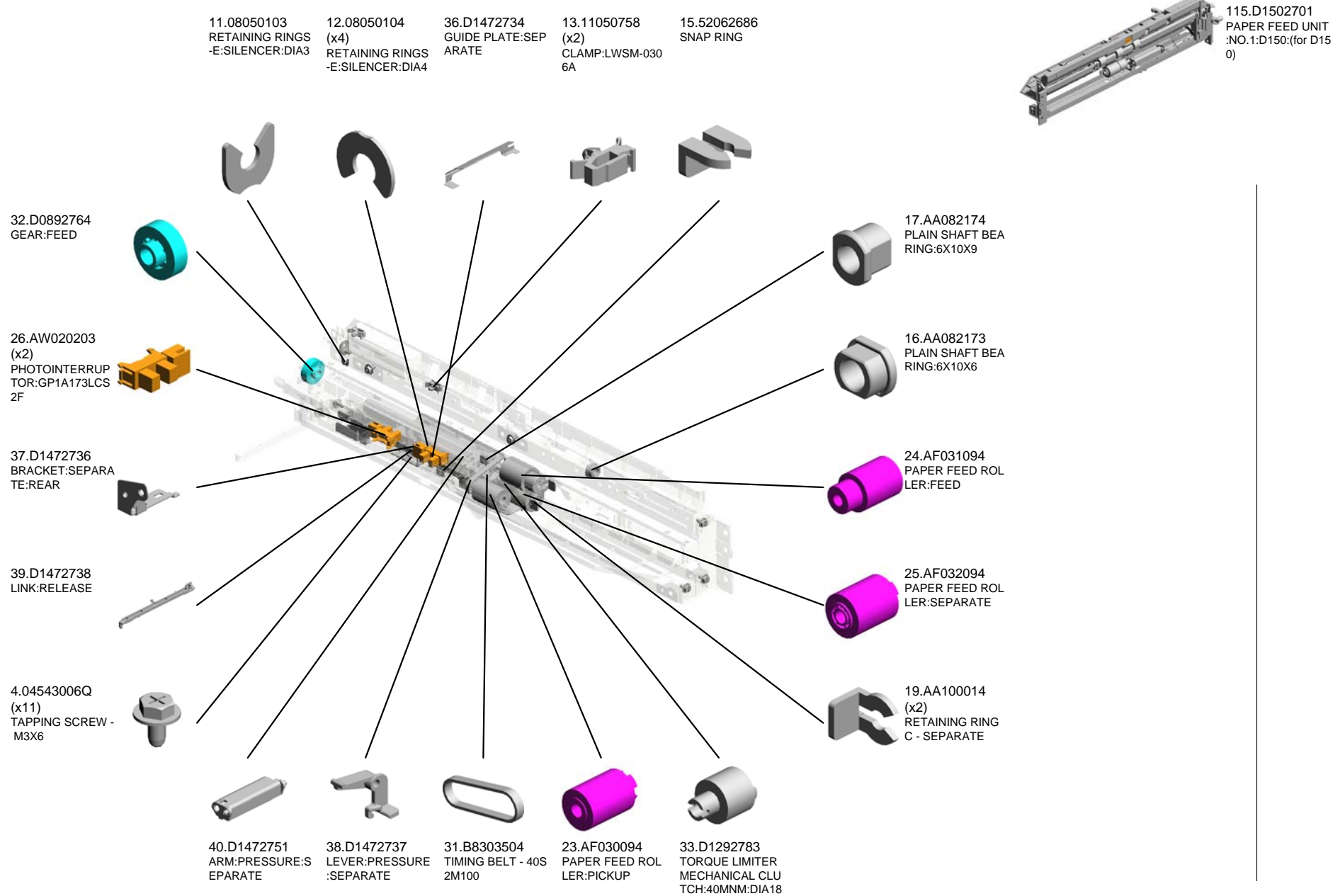
49.D1492713
GUIDE PLATE:SWI
VEL:NO.1



U001	U002	U003	U004	U005	U006	U007	U008	U009	U010	U011	U012	U013	U014	U015	U016
------	------	------	------	------	------	------	------	------	------	------	------	------	------	------	------

U005_S004

PAPER FEED UNIT:NO.1:D150:(for D150)



U005_S004

PAPER FEED UNIT:NO.1:D150:(for D150)

56.D1492767
LEVER:PRESSURE
:PICKUP

58.D1492772
ARM:PICKUP

61.D1492775
SHAFT:FEED:ASSY

63.D1492778
FEELER:PAPER END

116.D1502714
GUIDE PLATE:VERTICAL TRANSPORT:PAPER FEED UNIT:PAPER THICK:(for



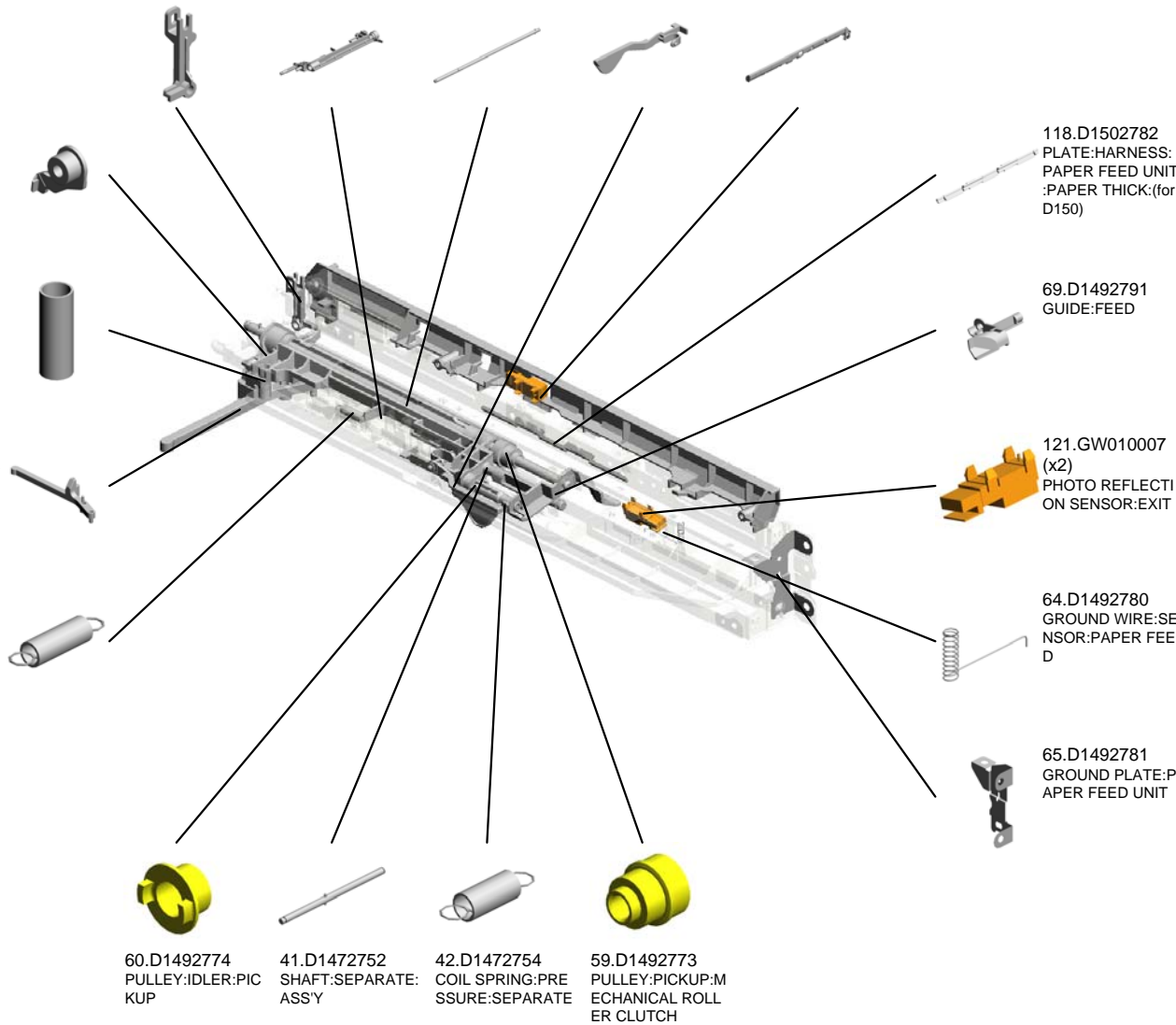
115.D1502701
PAPER FEED UNIT
:NO.1:D150:(for D150)

119.G0652767
LEVER - FEED

62.D1492777
COIL SPRING:PRESSURE:PICKUP

55.D1492739
LEVER:PRESSURE RELEASE

43.D1472755
COIL SPRING:RELEASE:SEPARATE



118.D1502782
PLATE:HARNESS:PAPER FEED UNIT:PAPER THICK:(for D150)

69.D1492791
GUIDE:FEED

121.GW010007
(x2)
PHOTO REFLECTION SENSOR:EXIT

64.D1492780
GROUND WIRE:SENSOR:PAPER FEED

65.D1492781
GROUND PLATE:PAPER FEED UNIT

60.D1492774
PULLEY:IDLER:PICKUP

41.D1472752
SHAFT:SEPARATE:ASSY

42.D1472754
COIL SPRING:PRESSURE:SEPARATE

59.D1492773
PULLEY:PICKUP:MECHANICAL ROLLER CLUTCH

U001	U002	U003	U004	U005	U006	U007	U008	U009	U010	U011	U012	U013	U014	U015	U016
------	------	------	------	------	------	------	------	------	------	------	------	------	------	------	------

U005_S004_S001

TRANSPORT ROLLER:VERTICAL TRANSPORT:ASS'Y:(for D150)

16.AA082173
PLAIN SHAFT BEARING
RING:6X10X6

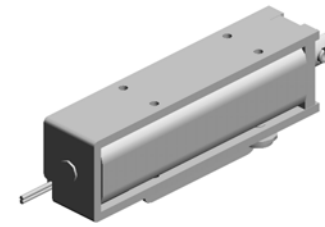


117.D1502768
TRANSPORT ROLLER:VERTICAL TRANSPORT:ASS'Y:(for D150)

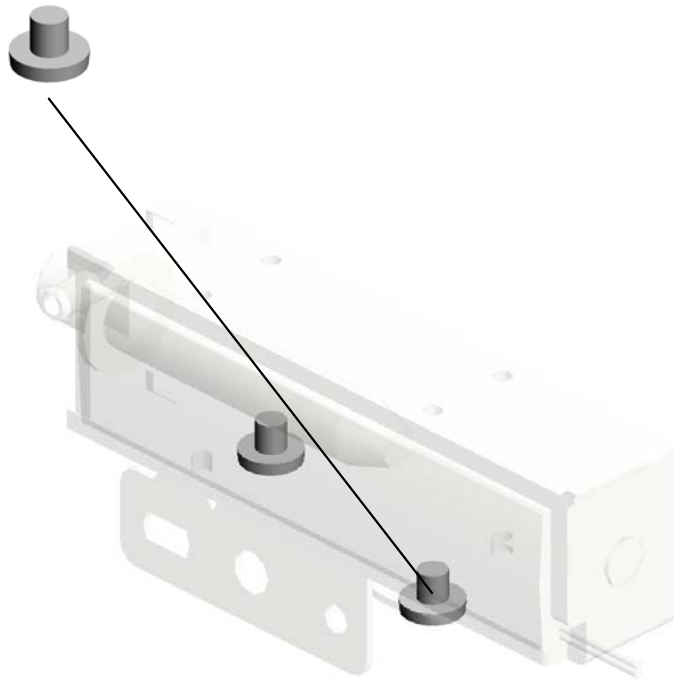
U001	U002	U003	U004	U005	U006	U007	U008	U009	U010	U011	U012	U013	U014	U015	U016
------	------	------	------	------	------	------	------	------	------	------	------	------	------	------	------

U005_S004_S002
DC SOLENOID:PICKUP:NO.1:ASS'Y

1.03530030N
(x2)
SCREW:M3X3



51.D1492716
DC SOLENOID:PIC
KUP:NO.1:ASS'Y



U001	U002	U003	U004	U005	U006	U007	U008	U009	U010	U011	U012	U013	U014	U015	U016
------	------	------	------	------	------	------	------	------	------	------	------	------	------	------	------

U005_S005
SUPPORTER:RIGHT:NO.1:ASS'Y

4.04543006Q
(x3)
TAPPING SCREW -
M3X6



105.D1492901
SUPPORTER:RIGH
T:NO.1:ASS'Y

111.D1492924
STOPPER:PAPER
TRAY



110.D1492923
ROLLER:SUPPORT
ER:PAPER TRAY



11.08050103
RETAINING RINGS
-E:SILENCER:DIA3



U001	U002	U003	U004	U005	U006	U007	U008	U009	U010	U011	U012	U013	U014	U015	U016
------	------	------	------	-------------	------	------	------	------	------	------	------	------	------	------	------

U005_S006
SUPPORTER:RIGHT:NO.2:ASS'Y

111.D1492924
STOPPER:PAPER
TRAY

106.D1492903
SUPPORTER:RIGH
T:NO.2:ASS'Y

4.04543006Q
(x3)
TAPPING SCREW -
M3X6

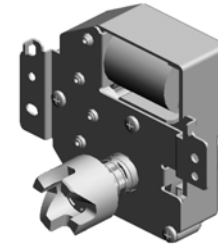
110.D1492923
ROLLER:SUPPORT
ER:PAPER TRAY

11.08050103
RETAINING RINGS
-E:SILENCER:DIA3

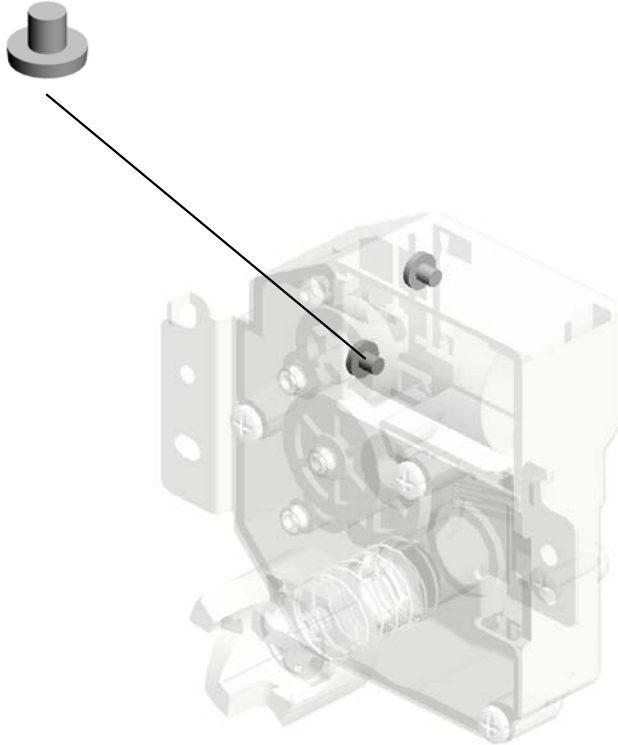
U001	U002	U003	U004	U005	U006	U007	U008	U009	U010	U011	U012	U013	U014	U015	U016
------	------	------	------	------	------	------	------	------	------	------	------	------	------	------	------

U005_S007
DC MOTOR:RISING TRAY:ASS'Y:1.007W:BRUSH

1.03530030N
(x2)
SCREW:M3X3



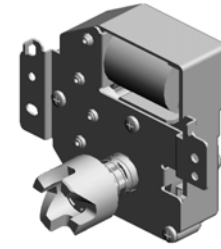
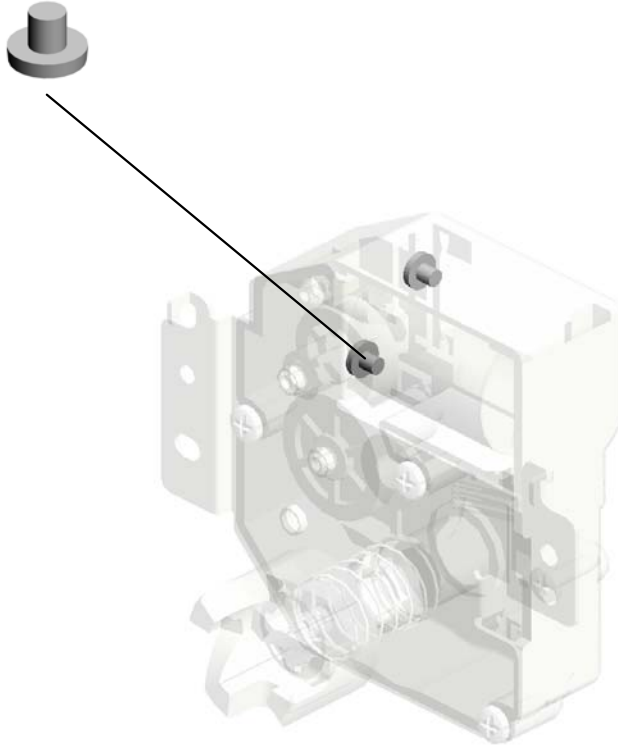
29.AX040273
DC MOTOR:RISING
TRAY:ASS'Y:1.007
W:BRUSH



U001	U002	U003	U004	U005	U006	U007	U008	U009	U010	U011	U012	U013	U014	U015	U016
------	------	------	------	-------------	------	------	------	------	------	------	------	------	------	------	------

U005_S008
DC MOTOR:RISING TRAY:ASS'Y:1.007W:BRUSH

1.03530030N
(x2)
SCREW:M3X3

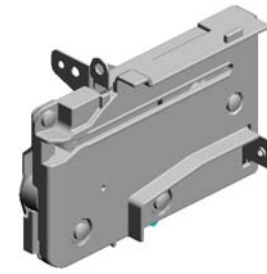


29.AX040273
DC MOTOR:RISING
TRAY:ASS'Y:1.007
W:BRUSH

U001	U002	U003	U004	U005	U006	U007	U008	U009	U010	U011	U012	U013	U014	U015	U016
------	------	------	------	-------------	------	------	------	------	------	------	------	------	------	------	------

U005_S009
LEVER:STRETCH:PAPER TRAY:ASS'Y

2.03530040N
(x5)
SCREW - M3X4

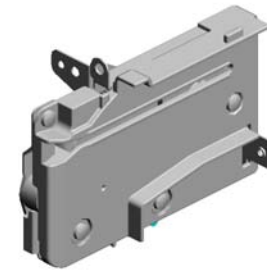


107.D1492906
LEVER:STRETCH:
PAPER TRAY:ASS'
Y

U001	U002	U003	U004	U005	U006	U007	U008	U009	U010	U011	U012	U013	U014	U015	U016
------	------	------	------	------	------	------	------	------	------	------	------	------	------	------	------

U005_S010
LEVER:STRETCH:PAPER TRAY:ASS'Y

2.03530040N
(x5)
SCREW - M3X4



107.D1492906
LEVER:STRETCH:
PAPER TRAY:ASS'
Y

U001	U002	U003	U004	U005	U006	U007	U008	U009	U010	U011	U012	U013	U014	U015	U016
------	------	------	------	------	------	------	------	------	------	------	------	------	------	------	------

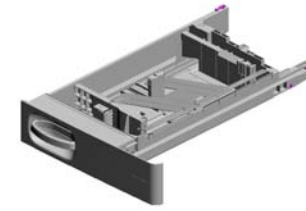
U005_S011
PAPER TRAY:NO.1:ASS'Y

90.D1492863
DECAL:PAPER SE
T DIRECTION:TRA
Y:NO.1

94.D1492867
DECAL:SIZE INDIC
ATION:END FENCE
:NO.1

74.D1492814
COIL SPRING:EAR
TH

72.D1492812
(x4)
ROLLER:PAPER T
RAY:DIA19

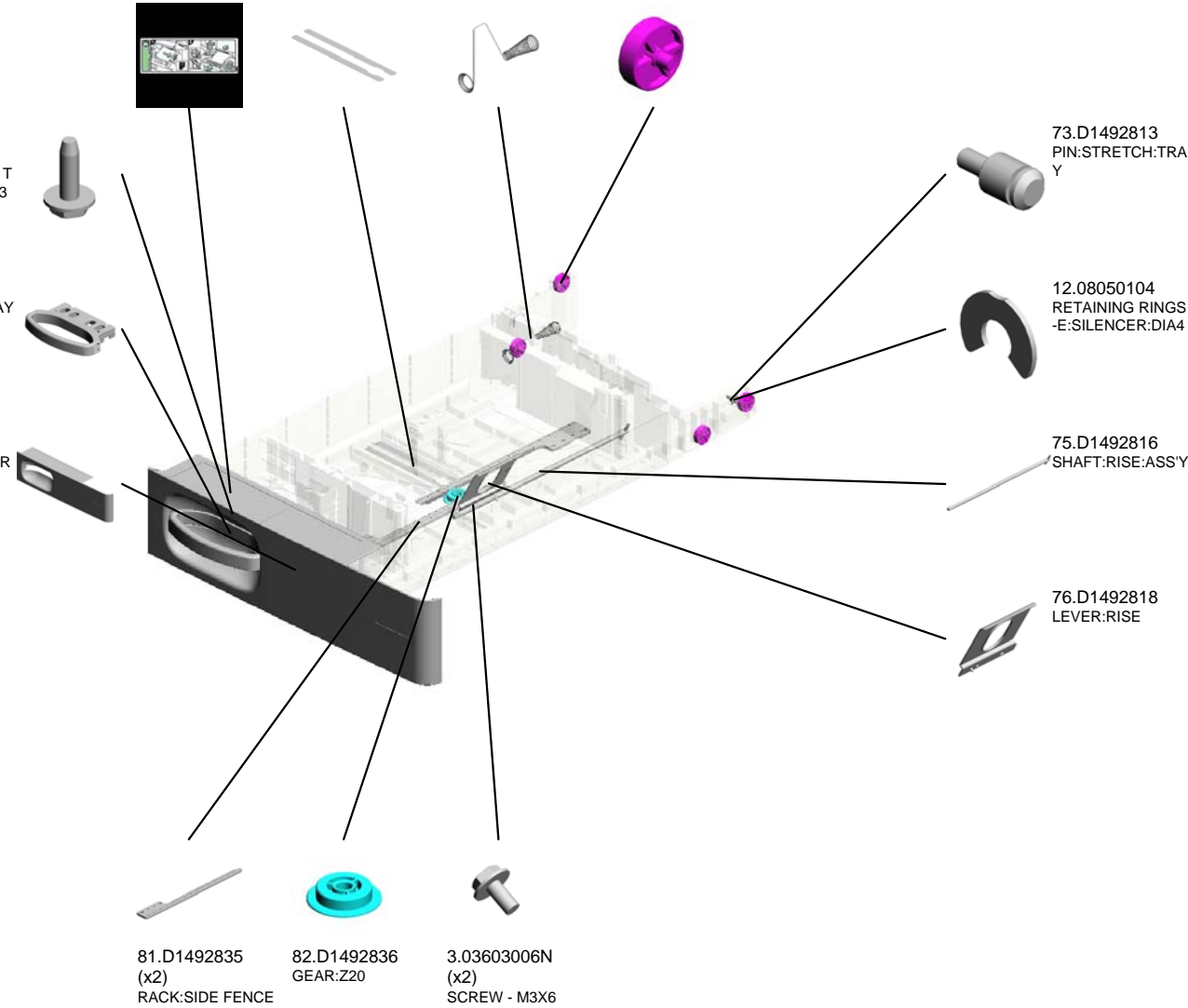


71.D1492809
PAPER TRAY:NO.1
:ASS'Y

7.04583010N
(x2)
HEXAGON HEAD T
APPING SCREW:3
X10

89.D1492856
GRIP:PAPER TRAY

92.D1492865
COVER:PAPER TR
AY:NO.1



73.D1492813
PIN:STRETCH:TRA
Y

12.08050104
RETAINING RINGS
-E:SILENCER:DIA4

75.D1492816
SHAFT:RISE:ASS'Y

76.D1492818
LEVER:RISE

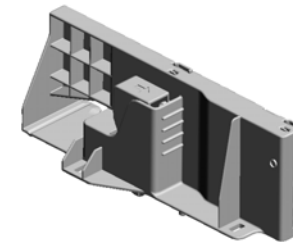
81.D1492835
(x2)
RACK:SIDE FENCE

82.D1492836
GEAR:Z20

3.03603006N
(x2)
SCREW - M3X6

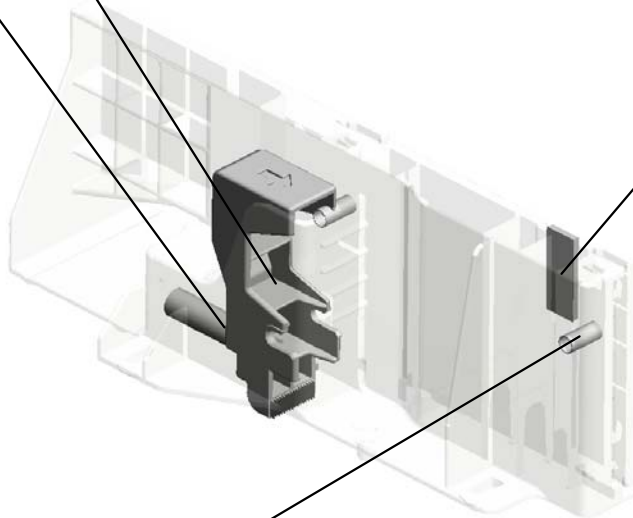
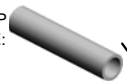
U005_S011_S001
SIDE FENCE:FRONT:NO.1:ASS'Y

78.D1492824
LEVER:STOPPER:
FRONT



77.D1492820
SIDE FENCE:FRON
T:NO.1:ASS'Y

79.D1492825
COMPRESSION SP
RING:SIDE FENCE:
POSITIONING



30.B2342864
PAD:CLEANER

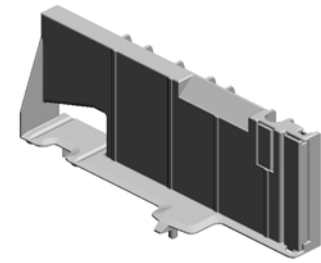


80.D1492826
(x2)
COMPRESSION SP
RING:SIDE FENCE:
PLATE:FRONT

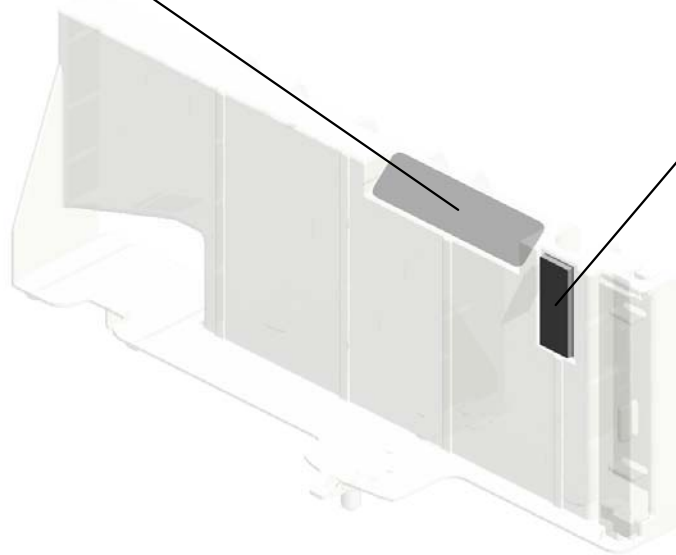
U001	U002	U003	U004	U005	U006	U007	U008	U009	U010	U011	U012	U013	U014	U015	U016
------	------	------	------	-------------	------	------	------	------	------	------	------	------	------	------	------

U005_S011_S002
SIDE FENCE:REAR:NO.1:ASS'Y

114.D1492952
DECAL:SIDE FENC
E:PAPER VOLUME



83.D1492838
SIDE FENCE:REAR
:NO.1:ASSY



30.B2342864
PAD:CLEANER

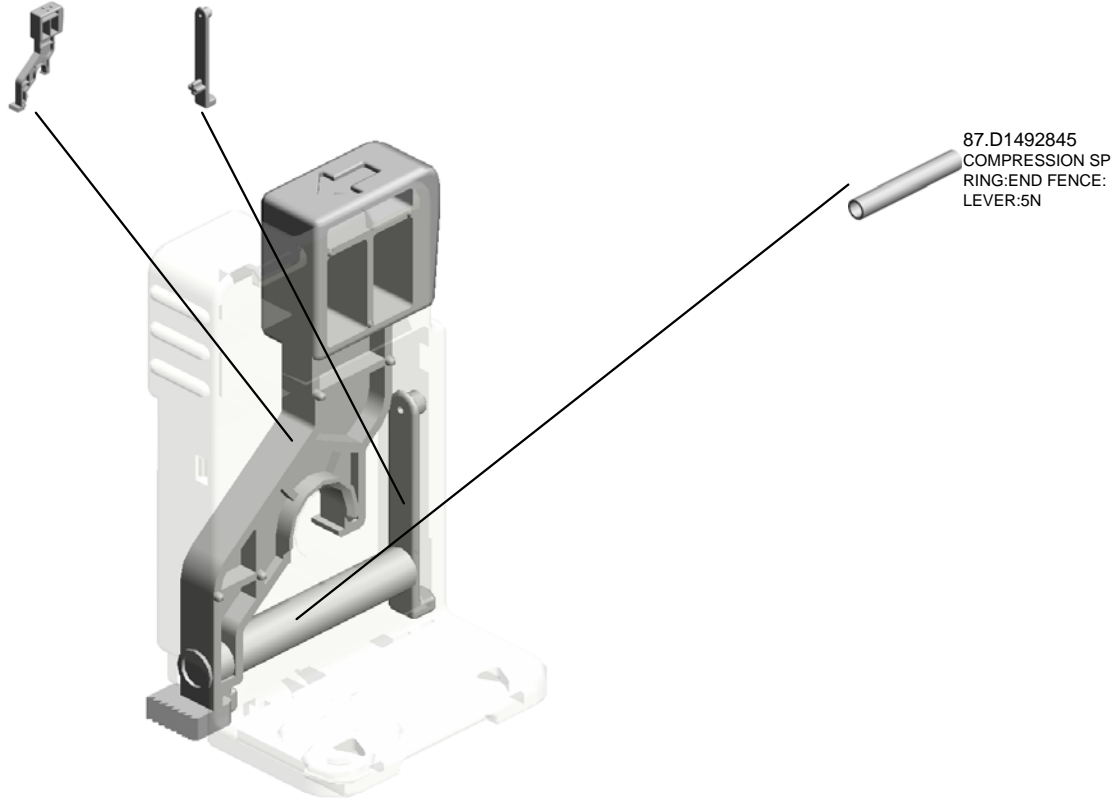
U001	U002	U003	U004	U005	U006	U007	U008	U009	U010	U011	U012	U013	U014	U015	U016
------	------	------	------	------	------	------	------	------	------	------	------	------	------	------	------

U005_S011_S003
END FENCE:PAPER TRAY:ASS'Y

85.D1492842 86.D1492843
LEVER:END FENC CLICK:END FENCE
E



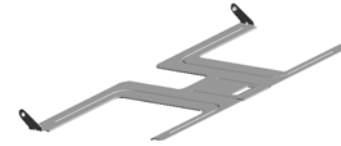
84.D1492840
END FENCE:PAPE
R TRAY:ASS'Y



U001	U002	U003	U004	U005	U006	U007	U008	U009	U010	U011	U012	U013	U014	U015	U016
------	------	------	------	------	------	------	------	------	------	------	------	------	------	------	------

U005_S011_S004
TRAY BOTTOM PLATE:ASS'Y

22.AF013006
BOTTOM PLATE P
AD



88.D1492850
TRAY BOTTOM PL
ATE:ASS'Y



U001	U002	U003	U004	U005	U006	U007	U008	U009	U010	U011	U012	U013	U014	U015	U016
------	------	------	------	------	------	------	------	------	------	------	------	------	------	------	------

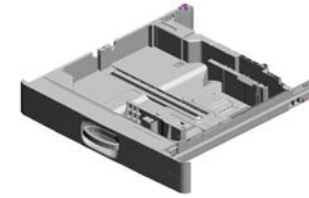
U005_S012
PAPER TRAY:NO.2:ASS'Y

95.D1492868
DECAL:SIZE INDIC
ATION:END FENCE
:NO.2

97.D1492872
LINK:END FENCE:
PAPER SIZE SENS
OR

72.D1492812
(x4)
ROLLER:PAPER T
RAY:DIA19

7.04583010N
(x3)
HEXAGON HEAD T
APPING SCREW:3
X10

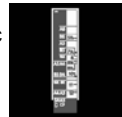


70.D1492808
PAPER TRAY:NO.2
:ASS'Y

91.D1492864
DECAL:PAPER SE
T DIRECTION:TRA
Y:NO.2



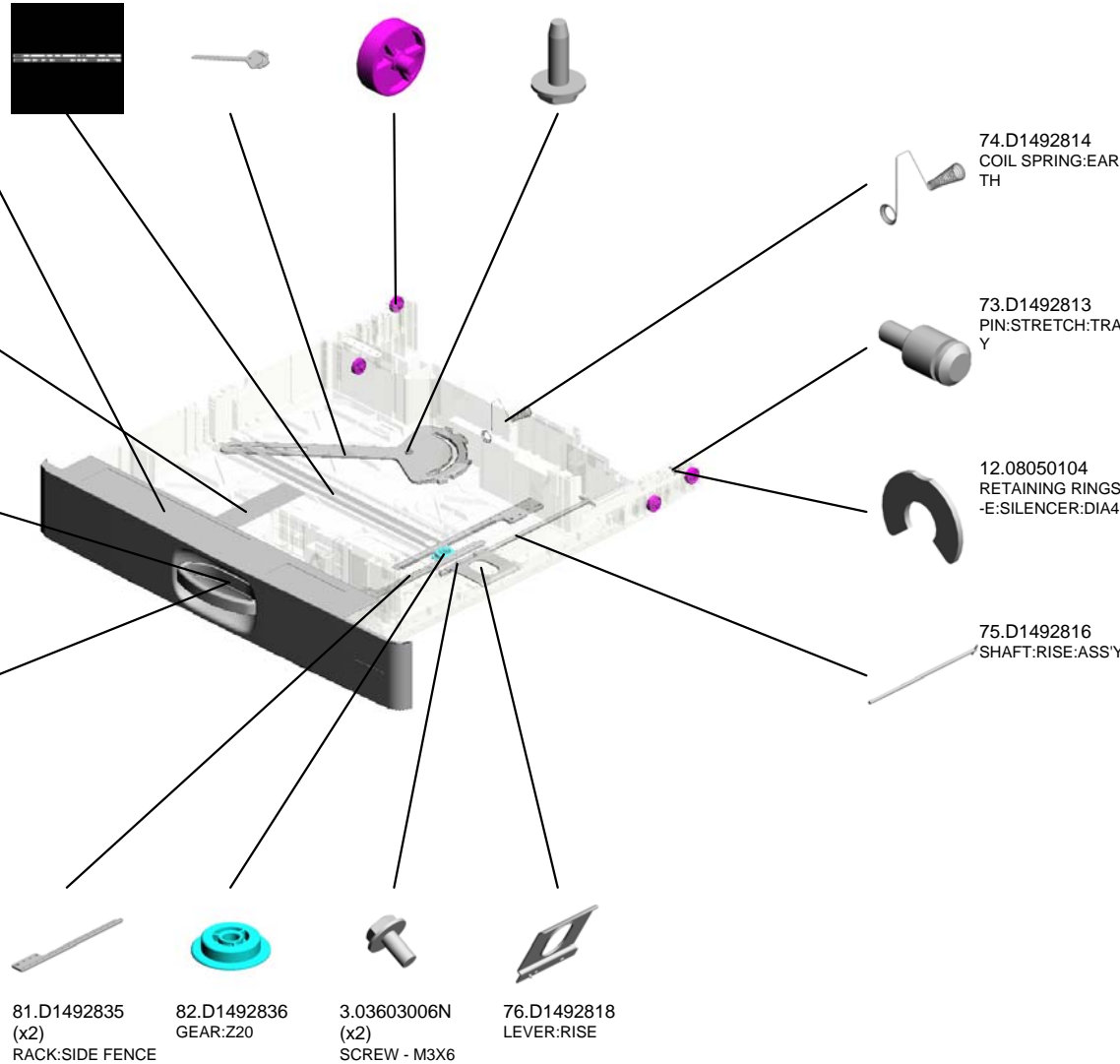
96.D1492869
DECAL:SIZE INDIC
ATION:SIDE FENC
E:NO.2



89.D1492856
GRIP:PAPER TRAY



93.D1492866
COVER:PAPER TR
AY:NO.2



74.D1492814
COIL SPRING:EAR
TH



73.D1492813
PIN:STRETCH:TRA
Y



12.08050104
RETAINING RINGS
-E.SILENCER:DIA4



75.D1492816
SHAFT:RISE:ASS'Y



81.D1492835
(x2)
RACK:SIDE FENCE



82.D1492836
GEAR:Z20



3.03603006N
(x2)
SCREW - M3X6

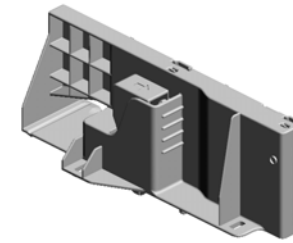


76.D1492818
LEVER:RISE



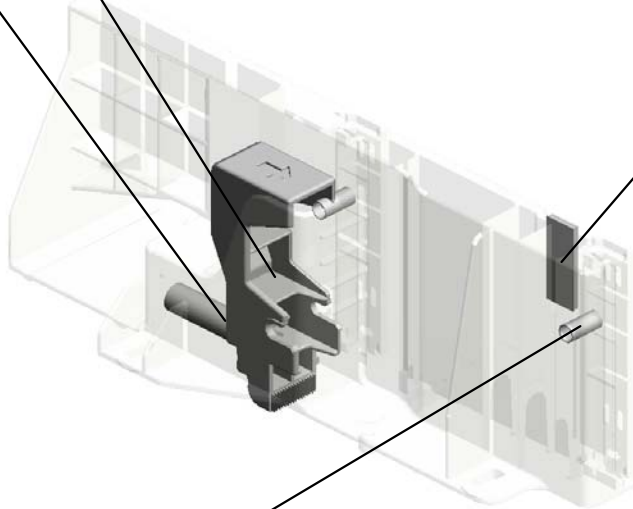
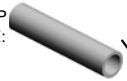
U005_S012_S001
SIDE FENCE:FRONT:ASS'Y

78.D1492824
LEVER:STOPPER:
FRONT



99.D1492875
SIDE FENCE:FRON
T:ASS'Y

79.D1492825
COMPRESSION SP
RING:SIDE FENCE:
POSITIONING



30.B2342864
PAD:CLEANER

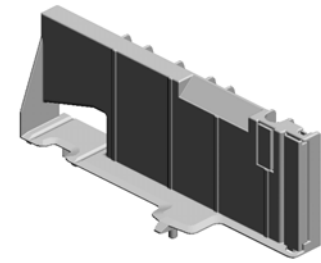


80.D1492826
(x2)
COMPRESSION SP
RING:SIDE FENCE:
PLATE:FRONT

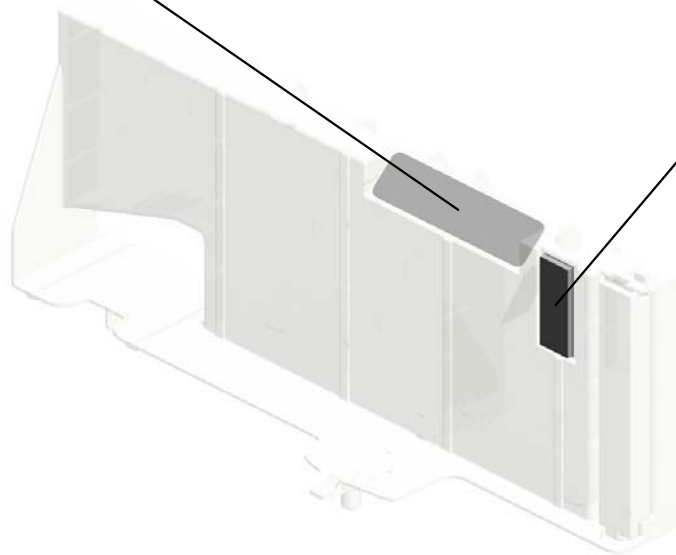
U001	U002	U003	U004	U005	U006	U007	U008	U009	U010	U011	U012	U013	U014	U015	U016
------	------	------	------	------	------	------	------	------	------	------	------	------	------	------	------

U005_S012_S002
SIDE FENCE:REAR:ASS'Y

114.D1492952
DECAL:SIDE FENC
E:PAPER VOLUME



100.D1492885
SIDE FENCE:REAR
:ASS'Y



30.B2342864
PAD:CLEANER

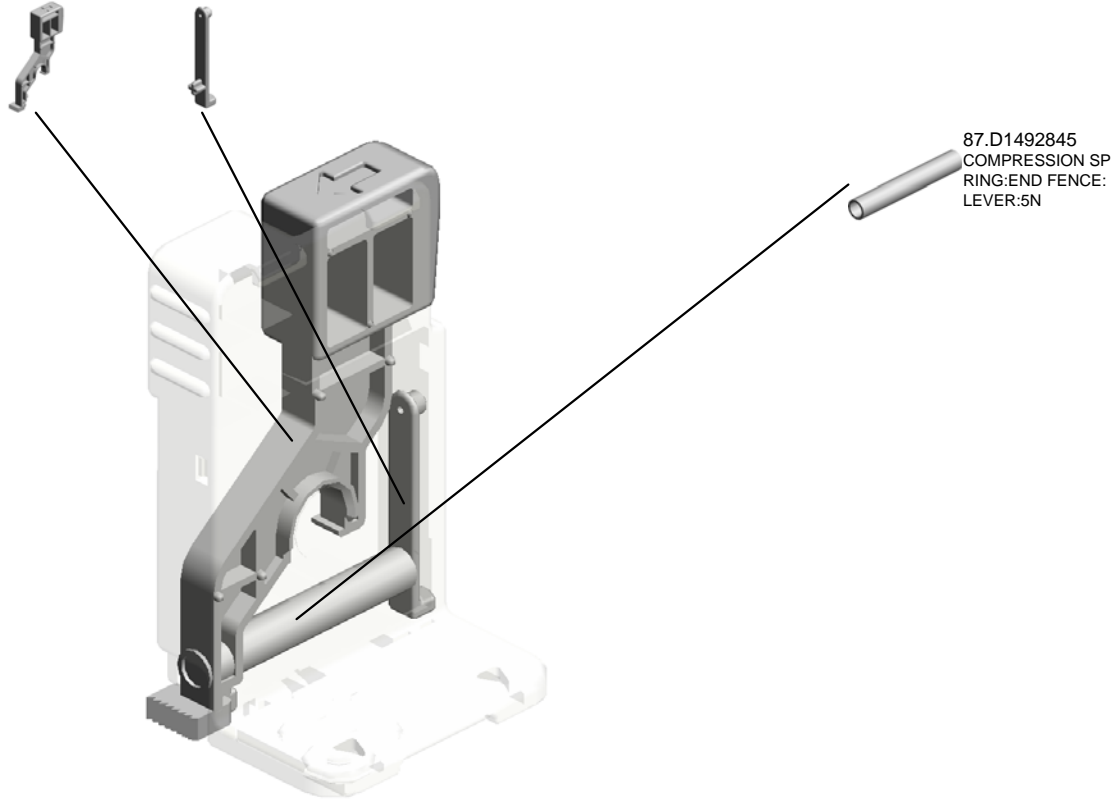
U001	U002	U003	U004	U005	U006	U007	U008	U009	U010	U011	U012	U013	U014	U015	U016
------	------	------	------	------	------	------	------	------	------	------	------	------	------	------	------

U005_S012_S003
END FENCE:PAPER TRAY:ASS'Y

85.D1492842 86.D1492843
LEVER:END FENC CLICK:END FENCE
E



84.D1492840
END FENCE:PAPE
R TRAY:ASS'Y



87.D1492845
COMPRESSION SP
RING:END FENCE:
LEVER:5N

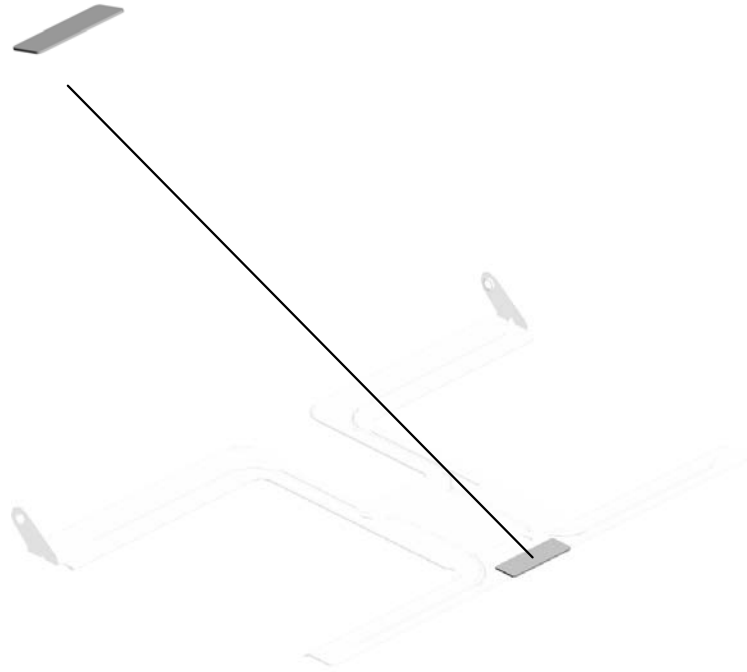
U001	U002	U003	U004	U005	U006	U007	U008	U009	U010	U011	U012	U013	U014	U015	U016
------	------	------	------	------	------	------	------	------	------	------	------	------	------	------	------

U005_S012_S004
TRAY BOTTOM PLATE:NO.2:ASS'Y

22.AF013006
BOTTOM PLATE P
AD



98.D1492873
TRAY BOTTOM PL
ATE:NO.2:ASS'Y



U001	U002	U003	U004	U005	U006	U007	U008	U009	U010	U011	U012	U013	U014	U015	U016
------	------	------	------	------	------	------	------	------	------	------	------	------	------	------	------

U006.PCDU

U006_S002
D1862202
PCDU:MAGENTA:SERVICE P
ARTS:EXP

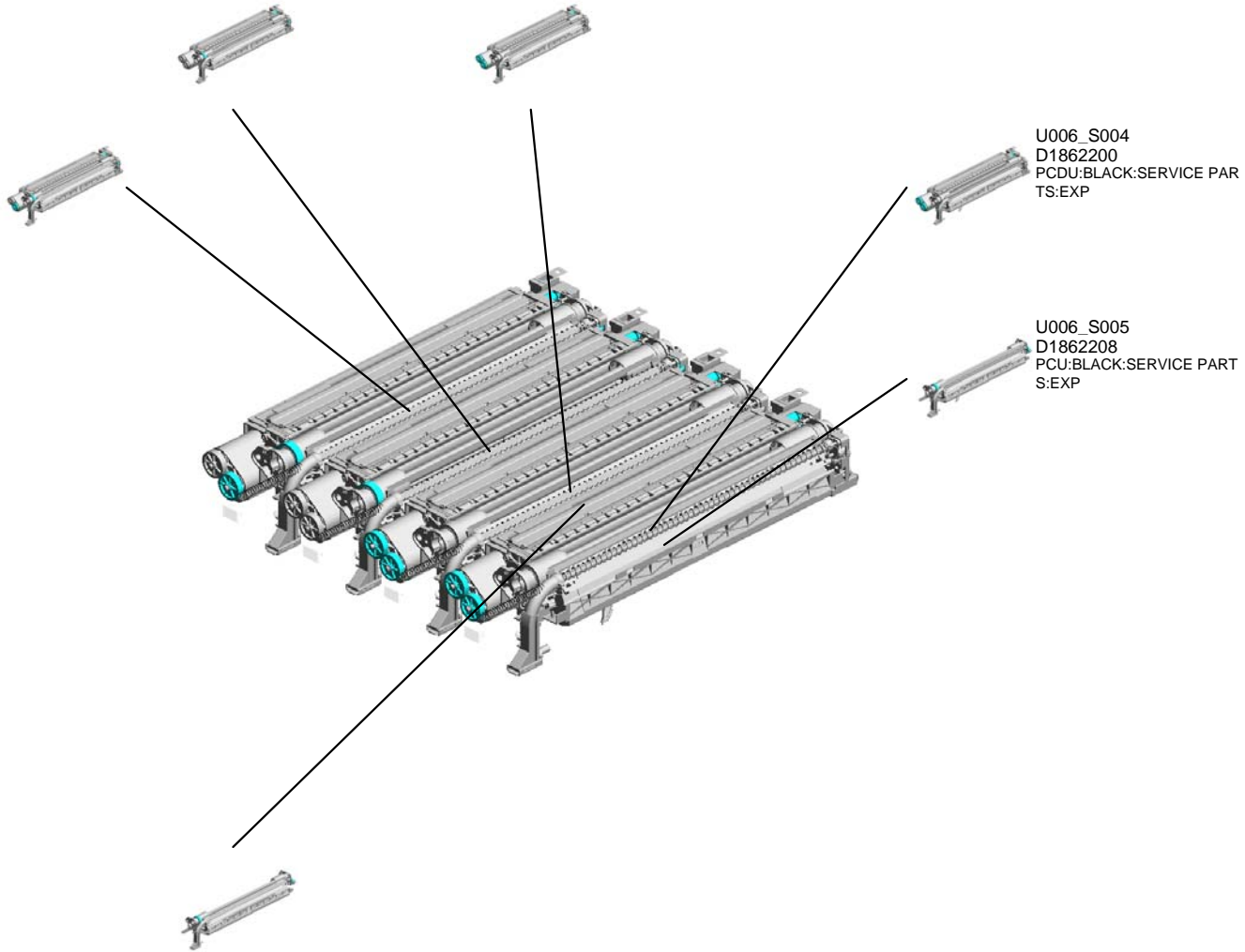
U006_S001
D1862201
PCDU:CYAN:SERVICE PART
S:EXP

U006_S003
D1862203
PCDU:YELLOW:SERVICE PA
RTS:EXP

U006_S004
D1862200
PCDU:BLACK:SERVICE PAR
TS:EXP

U006_S005
D1862208
PCU:BLACK:SERVICE PART
S:EXP

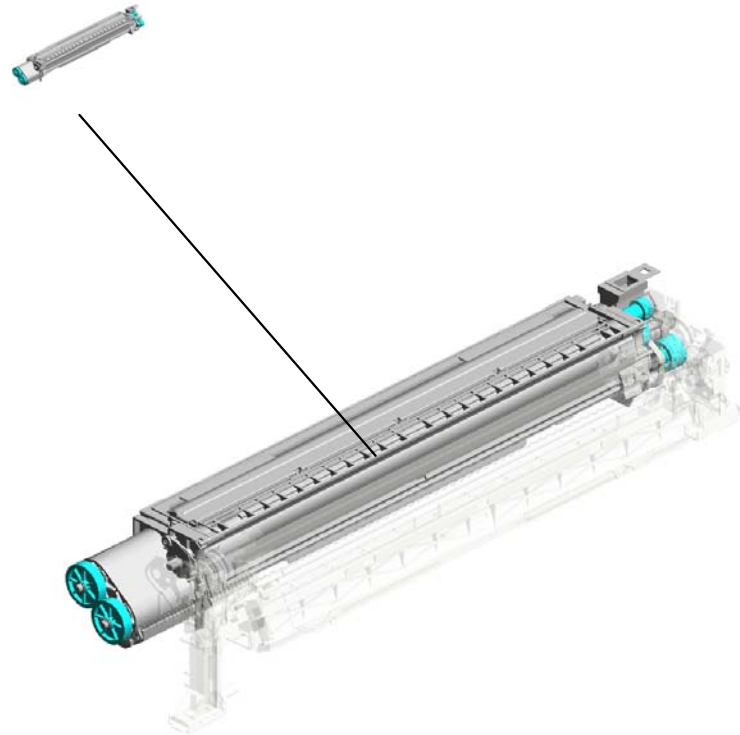
U006_S006
D1862205
PCU:COLOR:SERVICE PART
S:EXP



U001	U002	U003	U004	U005	U006	U007	U008	U009	U010	U011	U012	U013	U014	U015	U016
------	------	------	------	------	-------------	------	------	------	------	------	------	------	------	------	------

U006_S001.PCDU:CYAN:SERVICE PARTS:EXP

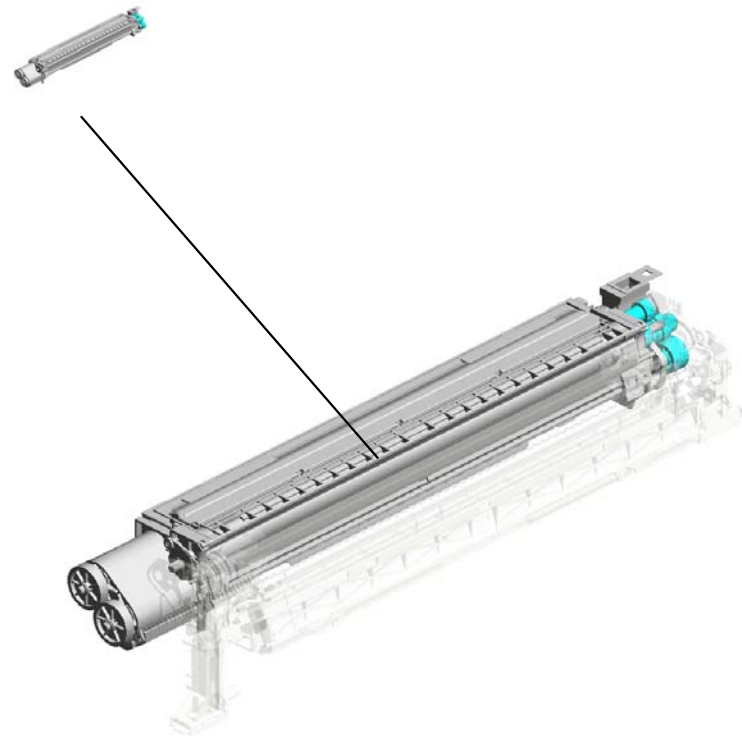
U006_S001_S001
D1863060
DEVELOPMENT UNIT:CYAN:
SERVICE PARTS:DOM



U001	U002	U003	U004	U005	U006	U007	U008	U009	U010	U011	U012	U013	U014	U015	U016
------	------	------	------	------	-------------	------	------	------	------	------	------	------	------	------	------

U006_S002.PCDU:MAGENTA:SERVICE PARTS:EXP

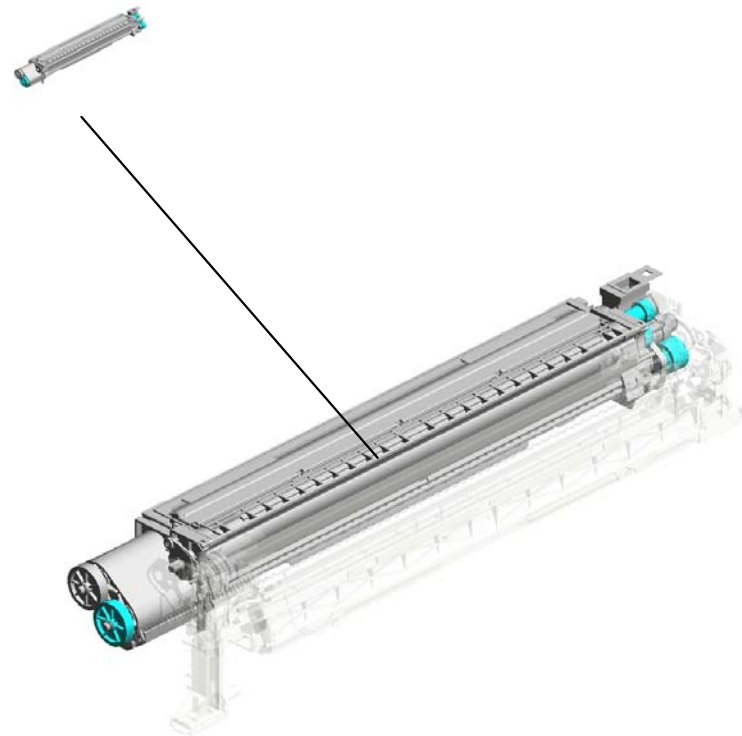
U006_S002_S001
D1863070
DEVELOPMENT UNIT:MAGE
NTA:SERVICE PARTS:DOM



U001	U002	U003	U004	U005	U006	U007	U008	U009	U010	U011	U012	U013	U014	U015	U016
------	------	------	------	------	-------------	------	------	------	------	------	------	------	------	------	------

U006_S003.PCDU:YELLOW:SERVICE PARTS:EXP

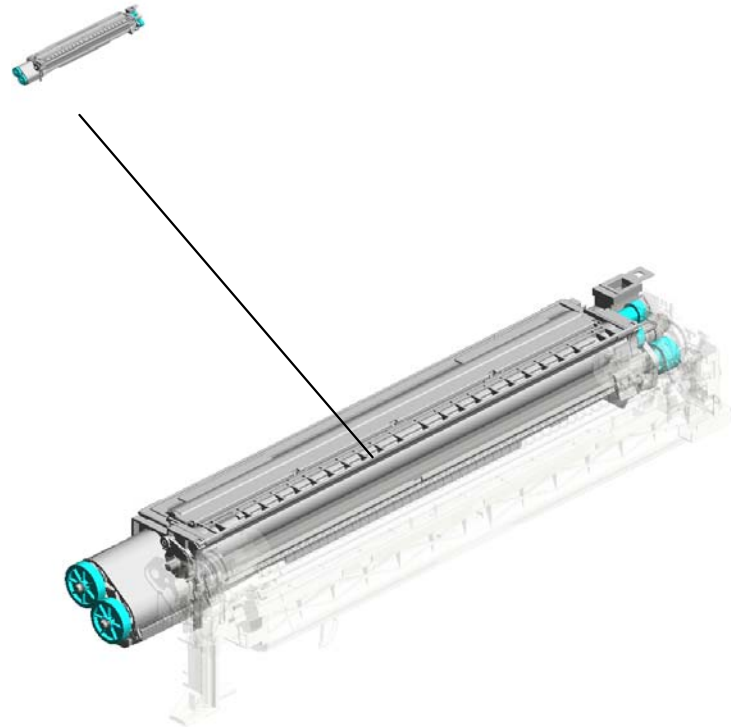
U006_S003_S001
D1863080
DEVELOPMENT UNIT:YELLOW
W:SERVICE PARTS:DOM



U001	U002	U003	U004	U005	U006	U007	U008	U009	U010	U011	U012	U013	U014	U015	U016
------	------	------	------	------	-------------	------	------	------	------	------	------	------	------	------	------

U006_S004.PCDU:BLACK:SERVICE PARTS:EXP

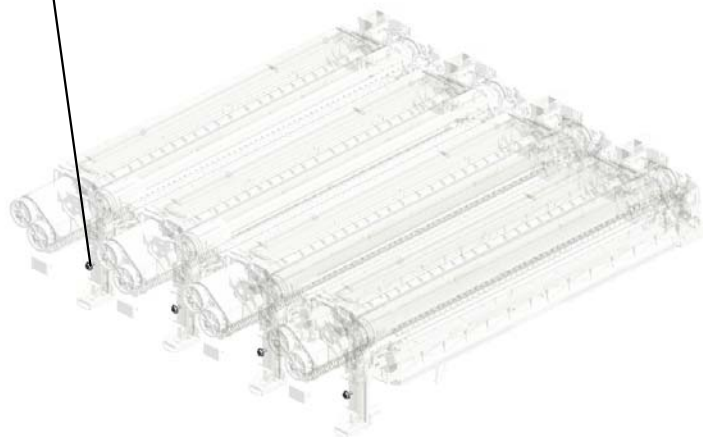
U006_S004_S001
D1863050
DEVELOPMENT UNIT:BLACK
:SERVICE PARTS:DOM



U001	U002	U003	U004	U005	U006	U007	U008	U009	U010	U011	U012	U013	U014	U015	U016
------	------	------	------	------	-------------	------	------	------	------	------	------	------	------	------	------

U006
PCDU

1.03603006N
(x4)
SCREW - M3X6



U001	U002	U003	U004	U005	U006	U007	U008	U009	U010	U011	U012	U013	U014	U015	U016
------	------	------	------	------	-------------	------	------	------	------	------	------	------	------	------	------

U006_S001
PCDU:CYAN:SERVICE PARTS:EXP

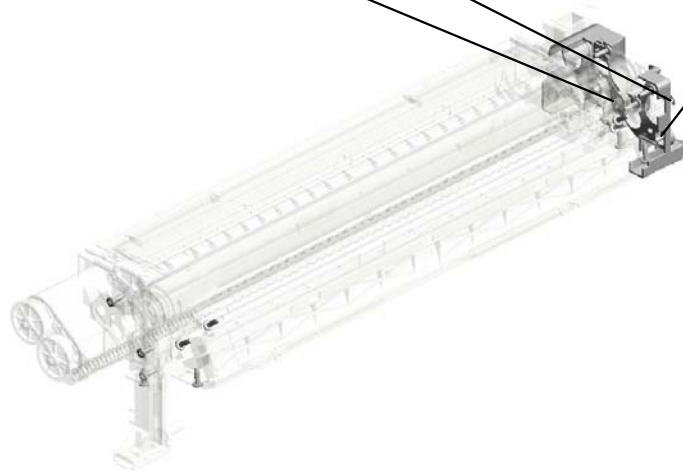
7.D1492398 4.07200030E
DUCT:GEAR:DEVE RETAINING RING -
LOPMENT:ASSY M3



9.D1862201
PCDU:CYAN:SERVI
CE PARTS:EXP



3.04593010N
(x16)
BINDING HEAD TA
PPING SCREW:3X
10



U001	U002	U003	U004	U005	U006	U007	U008	U009	U010	U011	U012	U013	U014	U015	U016
------	------	------	------	------	-------------	------	------	------	------	------	------	------	------	------	------

U006_S001_S001

DEVELOPMENT UNIT:CYAN:SERVICE PARTS:DOM

1.03603006N
(x2)
SCREW - M3X6

4.07200030E
(x5)
RETAINING RING -
M3



15.D1863060
DEVELOPMENT UN
IT:CYAN:SERVICE
PARTS:DOM

5.07200040E
(x3)
RETAINING RING -
M4



6.08050103
RETAINING RINGS
-E.SILENCER:DIA3

2.04593008N
(x2)
BINDING HEAD TA
PPING SCREW:3X
8

U001	U002	U003	U004	U005	U006	U007	U008	U009	U010	U011	U012	U013	U014	U015	U016
------	------	------	------	------	-------------	------	------	------	------	------	------	------	------	------	------

U006_S002

PCDU:MAGENTA:SERVICE PARTS:EXP

3.04593010N
(x16)
BINDING HEAD TA
PPING SCREW:3X
10

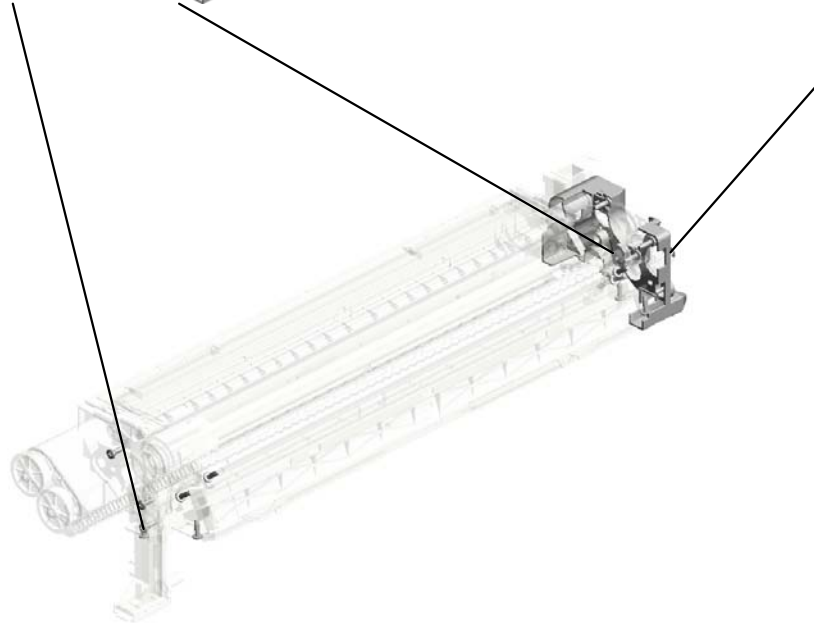
7.D1492398
DUCT:GEAR:DEVE
LOPMENT:ASS'Y



10.D1862202
PCDU:MAGENTA:S
ERVICE PARTS:EX
P



4.07200030E
RETAINING RING -
M3



U001	U002	U003	U004	U005	U006	U007	U008	U009	U010	U011	U012	U013	U014	U015	U016
------	------	------	------	------	-------------	------	------	------	------	------	------	------	------	------	------

U006_S002_S001
DEVELOPMENT UNIT:MAGENTA:SERVICE PARTS:DOM

1.03603006N
(x2)
SCREW - M3X6

4.07200030E
(x5)
RETAINING RING -
M3



16.D1863070
DEVELOPMENT UN
IT:MAGENTA:SERV
ICE PARTS:DOM

5.07200040E
(x3)
RETAINING RING -
M4



6.08050103
RETAINING RINGS
-E.SILENCER:DIA3

2.04593008N
(x2)
BINDING HEAD TA
PPING SCREW:3X
8

U001	U002	U003	U004	U005	U006	U007	U008	U009	U010	U011	U012	U013	U014	U015	U016
------	------	------	------	------	-------------	------	------	------	------	------	------	------	------	------	------

U006_S003

PCDU:YELLOW:SERVICE PARTS:EXP

3.04593010N
(x16)
BINDING HEAD TA
PPING SCREW:3X
10

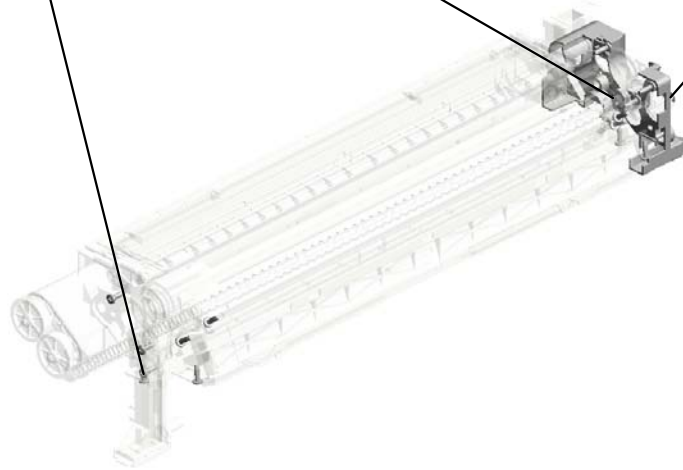
7.D1492398
DUCT:GEAR:DEVE
LOPMENT:ASS'Y



11.D1862203
PCDU:YELLOW:SE
RVICE PARTS:EXP



4.07200030E
RETAINING RING -
M3



U001	U002	U003	U004	U005	U006	U007	U008	U009	U010	U011	U012	U013	U014	U015	U016
------	------	------	------	------	-------------	------	------	------	------	------	------	------	------	------	------

U006_S003_S001

DEVELOPMENT UNIT:YELLOW:SERVICE PARTS:DOM

1.03603006N
(x2)
SCREW - M3X6

4.07200030E
(x5)
RETAINING RING -
M3



17.D1863080
DEVELOPMENT UN
IT:YELLOW:SERVI
CE PARTS:DOM

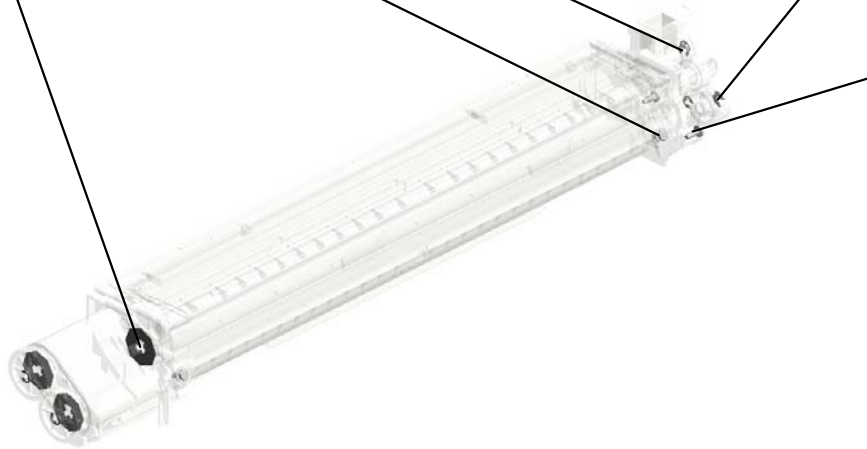
5.07200040E
(x3)
RETAINING RING -
M4



6.08050103
RETAINING RINGS
-E.SILENCER:DI A3



2.04593008N
(x2)
BINDING HEAD TA
PPING SCREW:3X
8



U001	U002	U003	U004	U005	U006	U007	U008	U009	U010	U011	U012	U013	U014	U015	U016
------	------	------	------	------	-------------	------	------	------	------	------	------	------	------	------	------

U006_S004
PCDU:BLACK:SERVICE PARTS:EXP

7.D1492398 4.07200030E
DUCT:GEAR:DEVE RETAINING RING -
LOPMENT:ASSY M3



8.D1862200
PCDU:BLACK:SER
VICE PARTS:EXP



U001	U002	U003	U004	U005	U006	U007	U008	U009	U010	U011	U012	U013	U014	U015	U016
------	------	------	------	------	-------------	------	------	------	------	------	------	------	------	------	------

U006_S004_S001
DEVELOPMENT UNIT:BLACK:SERVICE PARTS:DOM

1.03603006N
(x2)
SCREW - M3X6

4.07200030E
(x5)
RETAINING RING -
M3



14.D1863050
DEVELOPMENT UN
IT:BLACK:SERVIC
E PARTS:DOM

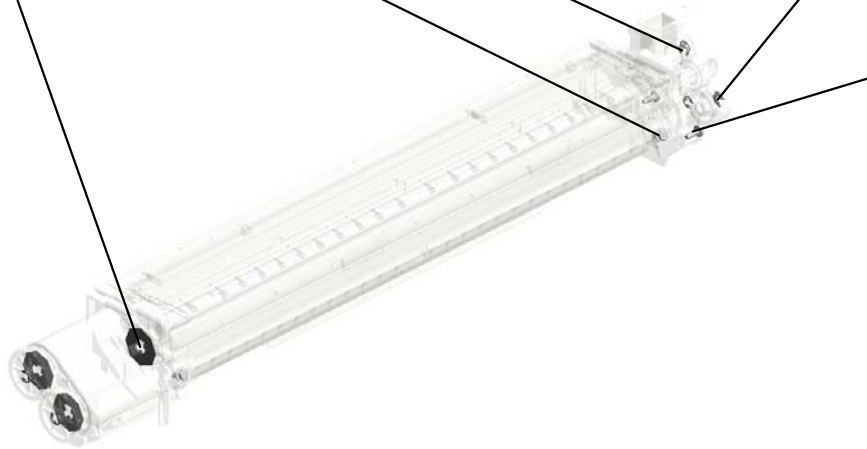
5.07200040E
(x3)
RETAINING RING -
M4



6.08050103
RETAINING RINGS
-E.SILENCER:DI3



2.04593008N
(x2)
BINDING HEAD TA
PPING SCREW:3X
8



U001	U002	U003	U004	U005	U006	U007	U008	U009	U010	U011	U012	U013	U014	U015	U016
------	------	------	------	------	-------------	------	------	------	------	------	------	------	------	------	------

U006_S005
PCU:BLACK:SERVICE PARTS:EXP

3.04593010N
(x15)
BINDING HEAD TA
PPING SCREW:3X
10



4.07200030E
RETAINING RING -
M3



13.D1862208
PCU:BLACK:SERVI
CE PARTS:EXP

U001	U002	U003	U004	U005	U006	U007	U008	U009	U010	U011	U012	U013	U014	U015	U016
------	------	------	------	------	-------------	------	------	------	------	------	------	------	------	------	------

U006_S006
PCU:COLOR:SERVICE PARTS:EXP

3.04593010N
(x15)
BINDING HEAD TA
PPING SCREW:3X
10



4.07200030E
RETAINING RING -
M3



12.D1862205
PCU:COLOR:SERVI
CE PARTS:EXP



U001	U002	U003	U004	U005	U006	U007	U008	U009	U010	U011	U012	U013	U014	U015	U016
------	------	------	------	------	-------------	------	------	------	------	------	------	------	------	------	------

U007.TONNER SUPPLY

U007_S002
D1473269
DRIVE UNIT:TONER BOTTLE
:ASS'Y

U007_S006
D1473248
TRANSPORT SCREW:NOZZL
E:ASS'Y

U007_S001
D1473269
DRIVE UNIT:TONER BOTTLE
:ASS'Y

U007_S008
D1473248
TRANSPORT SCREW:NOZZL
E:ASS'Y

U007_S003
D1473269
DRIVE UNIT:TONER BOTTLE
:ASS'Y

U007_S012
D1493310
TONER HOPPER:TONER SU
PPLY:Y:ASS'Y

U007_S004
D1473269
DRIVE UNIT:TONER BOTTLE
:ASS'Y

U007_S011
D1493280
TONER HOPPER:TONER SU
PPLY:M:ASS'Y

U007_S005
D1473245
TRANSPORT SCREW:NOZZL
E:BK:ASS'Y

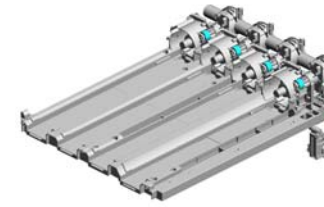
U007_S010
D1493270
TONER HOPPER:TONER SU
PPLY:C:ASS'Y

U007_S007
D1473248
TRANSPORT SCREW:NOZZL
E:ASS'Y

U007_S009
D1493240
TONER HOPPER:TONER SU
PPLY:BK:ASS'Y

U001	U002	U003	U004	U005	U006	U007	U008	U009	U010	U011	U012	U013	U014	U015	U016
------	------	------	------	------	------	------	------	------	------	------	------	------	------	------	------

U007 TONNER SUPPRY

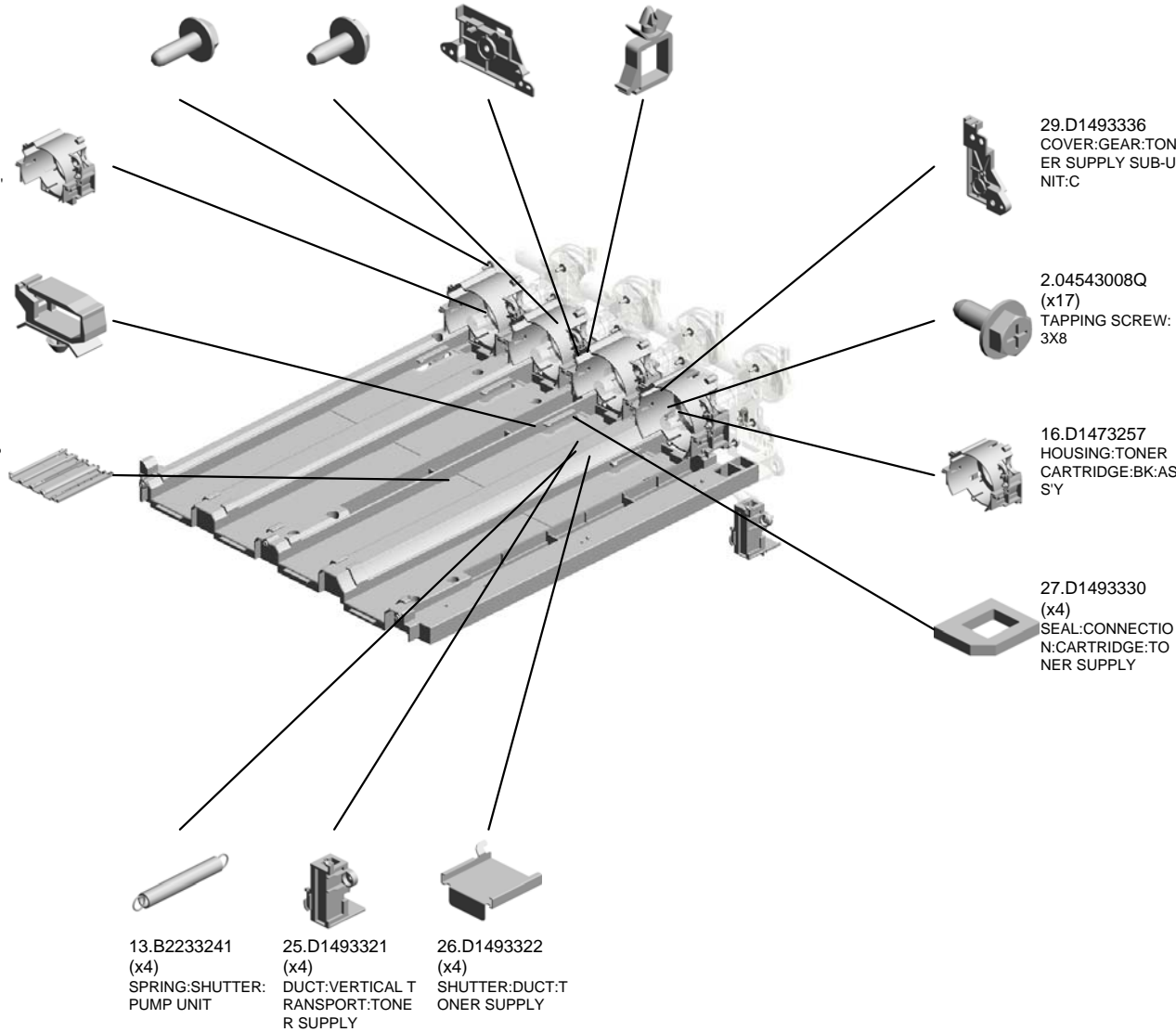


- 3.04543010Q TAPPING SCREW: 3X10
- 4.04583008N (x15) HEXAGON HEAD TAPPING SCREW: 3X8
- 28.D1493331 COVER:GEAR:TONER SUPPLY SUB-UNIT
- 8.11050488 HARNESS CLAMP

17.D1473258 (x3) HOUSING:TONER SUPPLY:CMY:ASS'Y

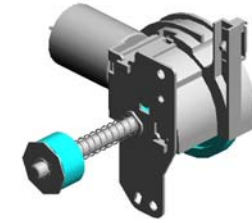
11.11050760 (x7) CLAMP:LWSM-051A

23.D1493307 BASE:TONER SUPPLY



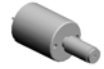
U007_S001
DRIVE UNIT:TONER BOTTLE:ASS'Y

19.D1493210
DC MOTOR:TONE
R BOTTLE:ASS'Y:5.
28W:BRUSH

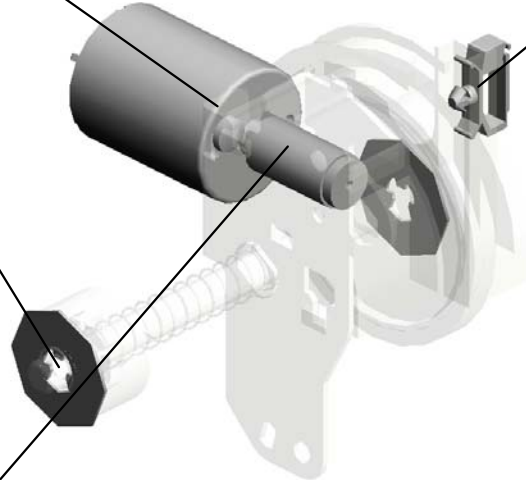


18.D1473269
DRIVE UNIT:TONE
R BOTTLE:ASS'Y

6.07200040E
(x2)
RETAINING RING -
M4



12.11050762
CLAMP:LWS-0711A



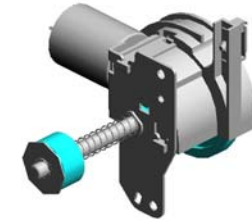
1.03530030N
(x2)
SCREW:M3X3



U001	U002	U003	U004	U005	U006	U007	U008	U009	U010	U011	U012	U013	U014	U015	U016
------	------	------	------	------	------	------	------	------	------	------	------	------	------	------	------

U007_S002
DRIVE UNIT:TONER BOTTLE:ASS'Y

19.D1493210
DC MOTOR:TONE
R BOTTLE:ASS'Y:5.
28W:BRUSH

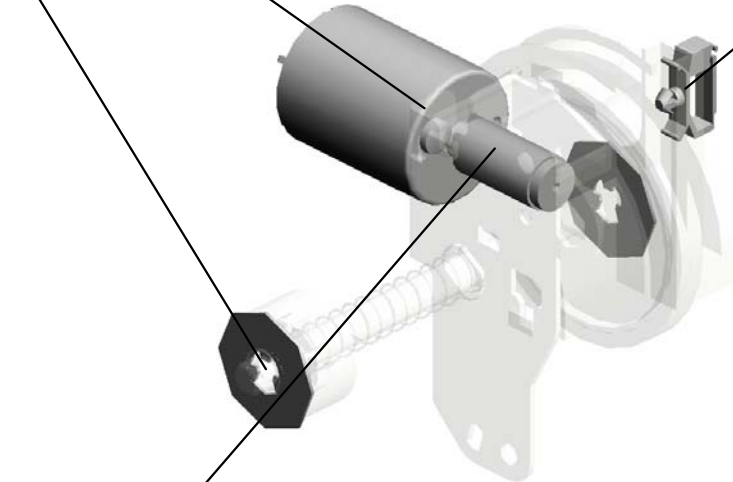


18.D1473269
DRIVE UNIT:TONE
R BOTTLE:ASS'Y

6.07200040E
(x2)
RETAINING RING -
M4



12.11050762
CLAMP:LWS-0711A



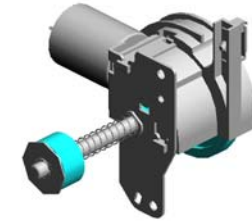
1.03530030N
(x2)
SCREW:M3X3



U001	U002	U003	U004	U005	U006	U007	U008	U009	U010	U011	U012	U013	U014	U015	U016
------	------	------	------	------	------	------	------	------	------	------	------	------	------	------	------

U007_S003
DRIVE UNIT:TONER BOTTLE:ASS'Y

19.D1493210
DC MOTOR:TONE
R BOTTLE:ASS'Y:5.
28W:BRUSH

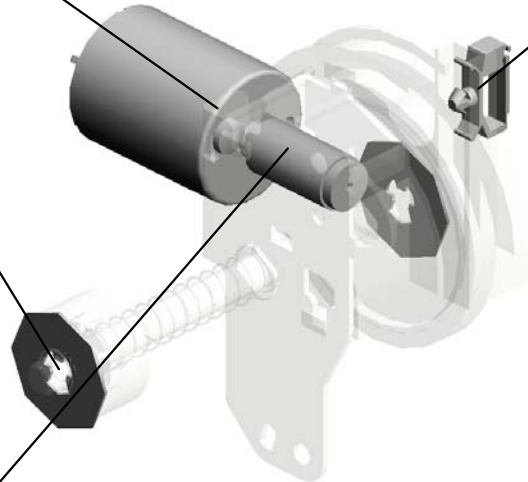


18.D1473269
DRIVE UNIT:TONE
R BOTTLE:ASS'Y

6.07200040E
(x2)
RETAINING RING -
M4



12.11050762
CLAMP:LWS-0711A



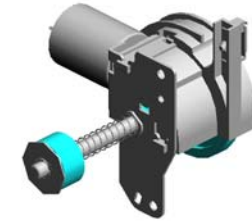
1.03530030N
(x2)
SCREW:M3X3



U001	U002	U003	U004	U005	U006	U007	U008	U009	U010	U011	U012	U013	U014	U015	U016
------	------	------	------	------	------	------	------	------	------	------	------	------	------	------	------

U007_S004
DRIVE UNIT:TONER BOTTLE:ASS'Y

19.D1493210
DC MOTOR:TONE
R BOTTLE:ASS'Y:5.
28W:BRUSH

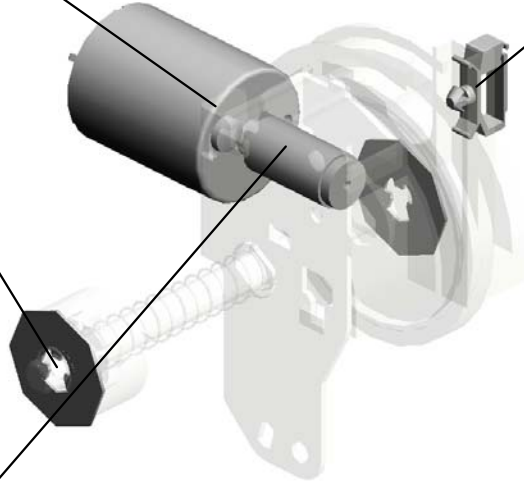


18.D1473269
DRIVE UNIT:TONE
R BOTTLE:ASS'Y

6.07200040E
(x2)
RETAINING RING -
M4



12.11050762
CLAMP:LWS-0711A



1.03530030N
(x2)
SCREW:M3X3

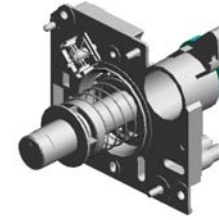


U001	U002	U003	U004	U005	U006	U007	U008	U009	U010	U011	U012	U013	U014	U015	U016
------	------	------	------	------	------	------	------	------	------	------	------	------	------	------	------

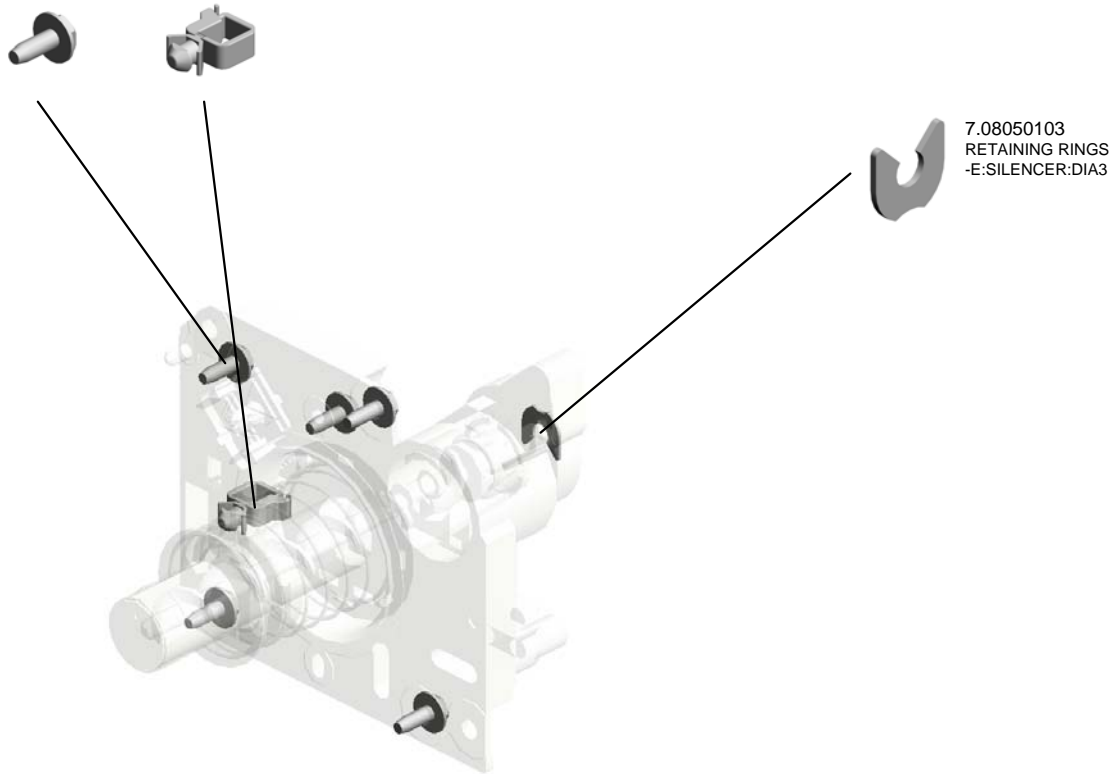
U007_S005
TRANSPORT SCREW:NOZZLE:BK:ASS'Y

4.04583008N
(x5)
HEXAGON HEAD T
APPING SCREW:3
X8

10.11050759
CLAMP:LWSM-060
5A



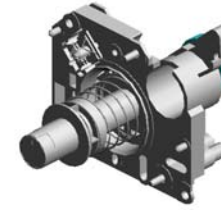
14.D1473245
TRANSPORT SCR
EW:NOZZLE:BK:AS
SY



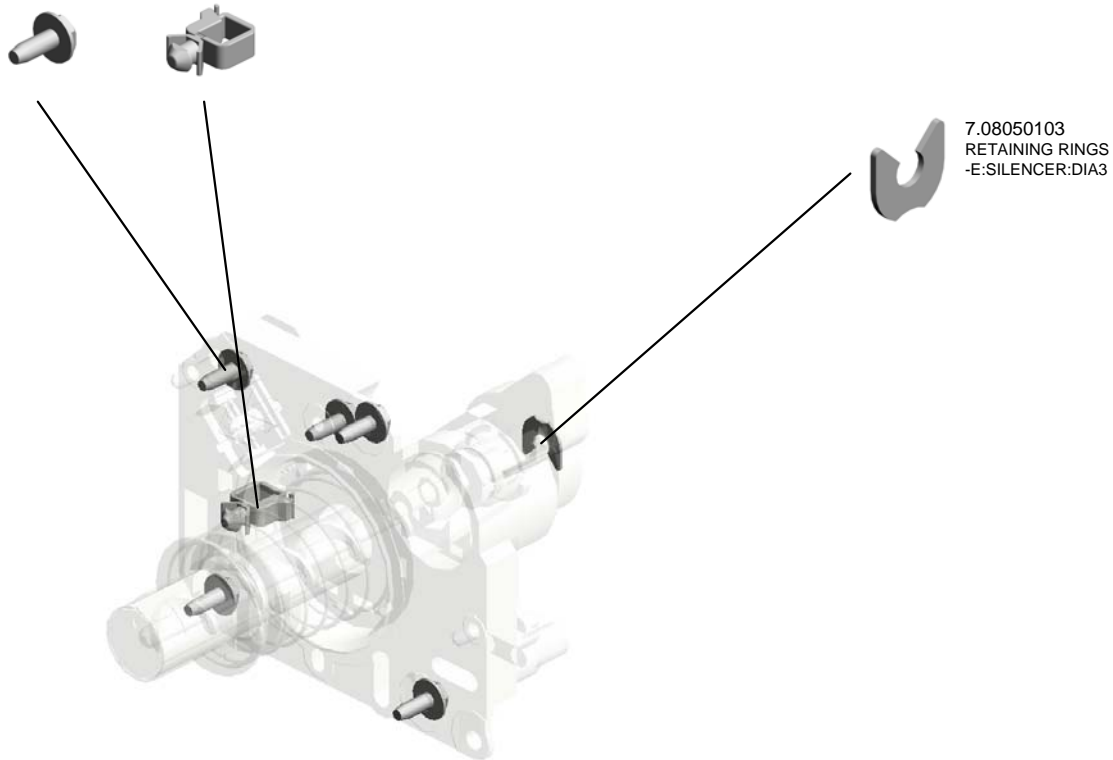
U001	U002	U003	U004	U005	U006	U007	U008	U009	U010	U011	U012	U013	U014	U015	U016
------	------	------	------	------	------	------	------	------	------	------	------	------	------	------	------

U007_S006
TRANSPORT SCREW:NOZZLE:ASS'Y

4.04583008N 10.11050759
(x5) CLAMP:LWSM-060
HEXAGON HEAD TAPPING SCREW:3
5A
X8



15.D1473248
TRANSPORT SCR
EW:NOZZLE:ASS'Y



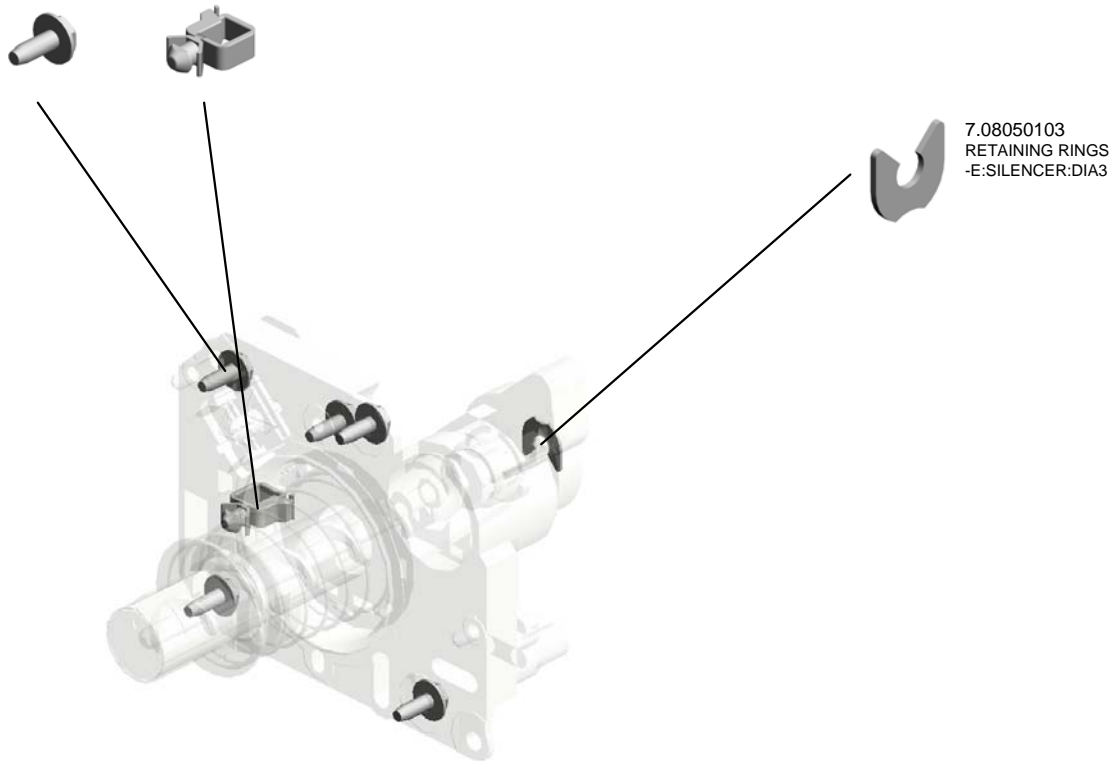
U001	U002	U003	U004	U005	U006	U007	U008	U009	U010	U011	U012	U013	U014	U015	U016
------	------	------	------	------	------	------	------	------	------	------	------	------	------	------	------

U007_S007
TRANSPORT SCREW:NOZZLE:ASS'Y

4.04583008N 10.11050759
(x5) CLAMP:LWSM-060
HEXAGON HEAD TAPPING SCREW:3
5A
X8



15.D1473248
TRANSPORT SCR
EW:NOZZLE:ASS'Y

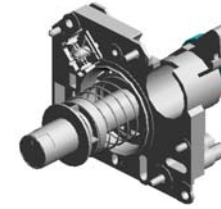


7.08050103
RETAINING RINGS
-E:SILENCER:DIA3

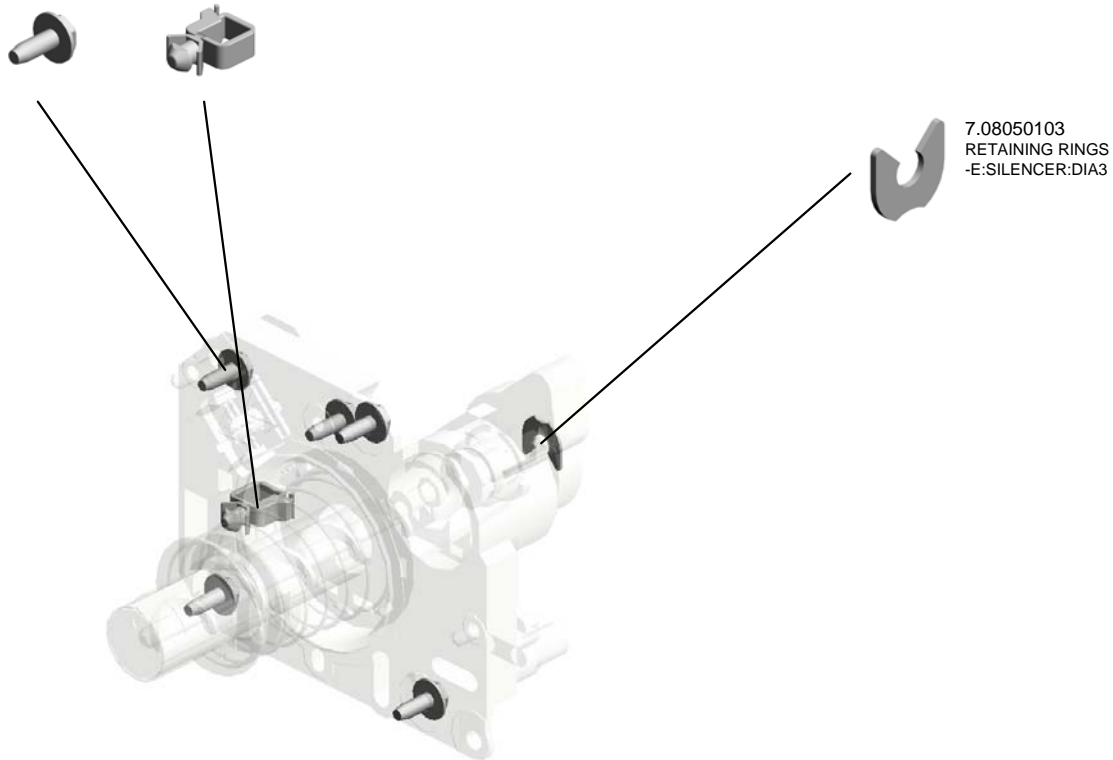
U001	U002	U003	U004	U005	U006	U007	U008	U009	U010	U011	U012	U013	U014	U015	U016
------	------	------	------	------	------	------	------	------	------	------	------	------	------	------	------

U007_S008
TRANSPORT SCREW:NOZZLE:ASS'Y

4.04583008N 10.11050759
(x5) CLAMP:LWSM-060
HEXAGON HEAD TAPPING SCREW:3
5A
X8



15.D1473248
TRANSPORT SCR
EW:NOZZLE:ASS'Y



U001	U002	U003	U004	U005	U006	U007	U008	U009	U010	U011	U012	U013	U014	U015	U016
------	------	------	------	------	------	------	------	------	------	------	------	------	------	------	------

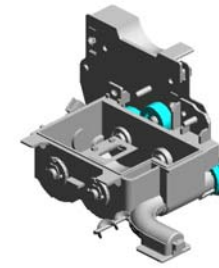
U007_S009

TONER HOPPER:TONER SUPPLY:BK:ASS'Y

4.04583008N
HEXAGON HEAD T
APPING SCREW:3
X8

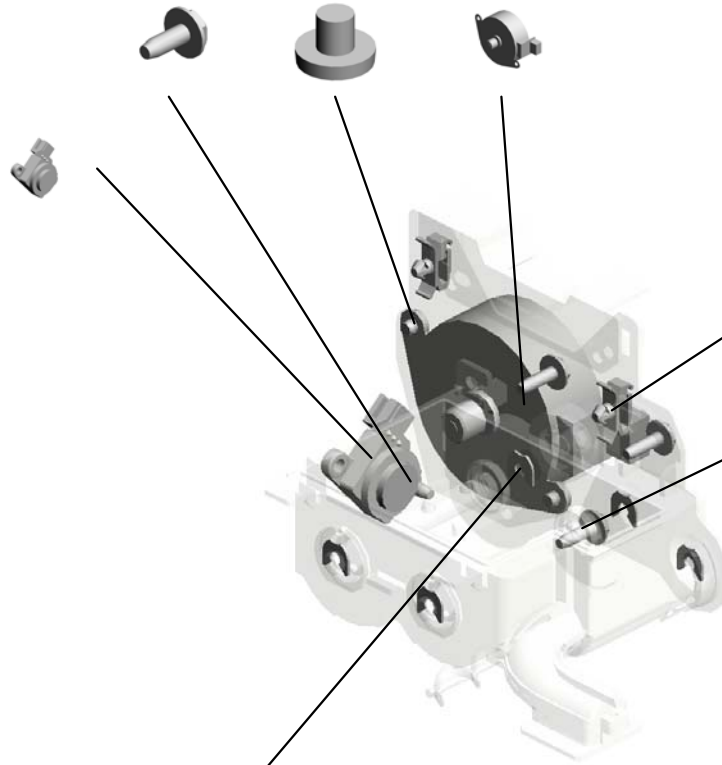
1.03530030N
(x2)
SCREW:M3X3

30.D1493350
DC STEPPER MOT
OR:TONER SUPPL
Y



20.D1493240
TONER HOPPER:T
ONER SUPPLY:BK:
ASS'Y

32.GW230008
TONER END SENS
OR



9.11050758
(x2)
CLAMP:LWSM-030
6A

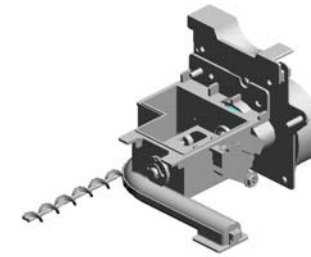
5.04583010N
(x3)
HEXAGON HEAD T
APPING SCREW:3
X10

7.08050103
(x5)
RETAINING RINGS
-E:SILENCER:DIA3

U001	U002	U003	U004	U005	U006	U007	U008	U009	U010	U011	U012	U013	U014	U015	U016
------	------	------	------	------	------	------	------	------	------	------	------	------	------	------	------

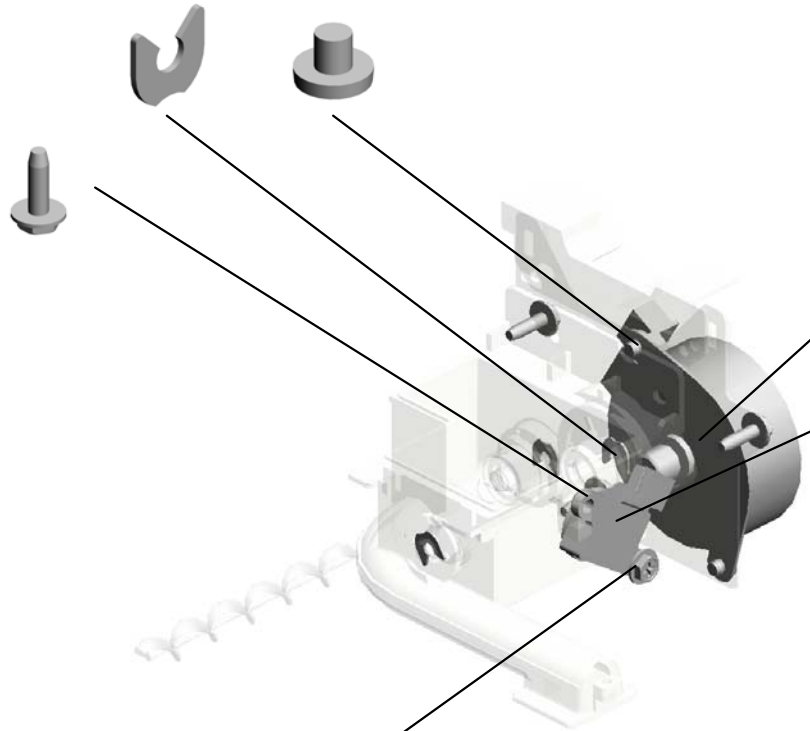
U007_S010
 TONER HOPPER:TONER SUPPLY:C:ASS'Y

7.08050103 (x3) RETAINING RINGS
 -E:SILENCER:DIA3
 1.03530030N (x2) SCREW:M3X3



21.D1493270
 TONER HOPPER:T
 ONER SUPPLY:C:A
 SS'Y

5.04583010N (x3)
 HEXAGON HEAD T
 APPING SCREW:3
 X10



30.D1493350
 DC STEPPER MOT
 OR:TONER SUPPL
 Y

32.GW230008
 TONER END SENS
 OR

4.04583008N
 HEXAGON HEAD T
 APPING SCREW:3
 X8

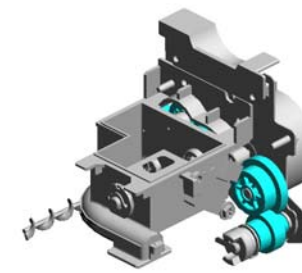
U001	U002	U003	U004	U005	U006	U007	U008	U009	U010	U011	U012	U013	U014	U015	U016
------	------	------	------	------	------	------	------	------	------	------	------	------	------	------	------

U007_S011
 TONER HOPPER:TONER SUPPLY:M:ASS'Y

5.04583010N (x3)
 HEXAGON HEAD TAPPING SCREW:3X10

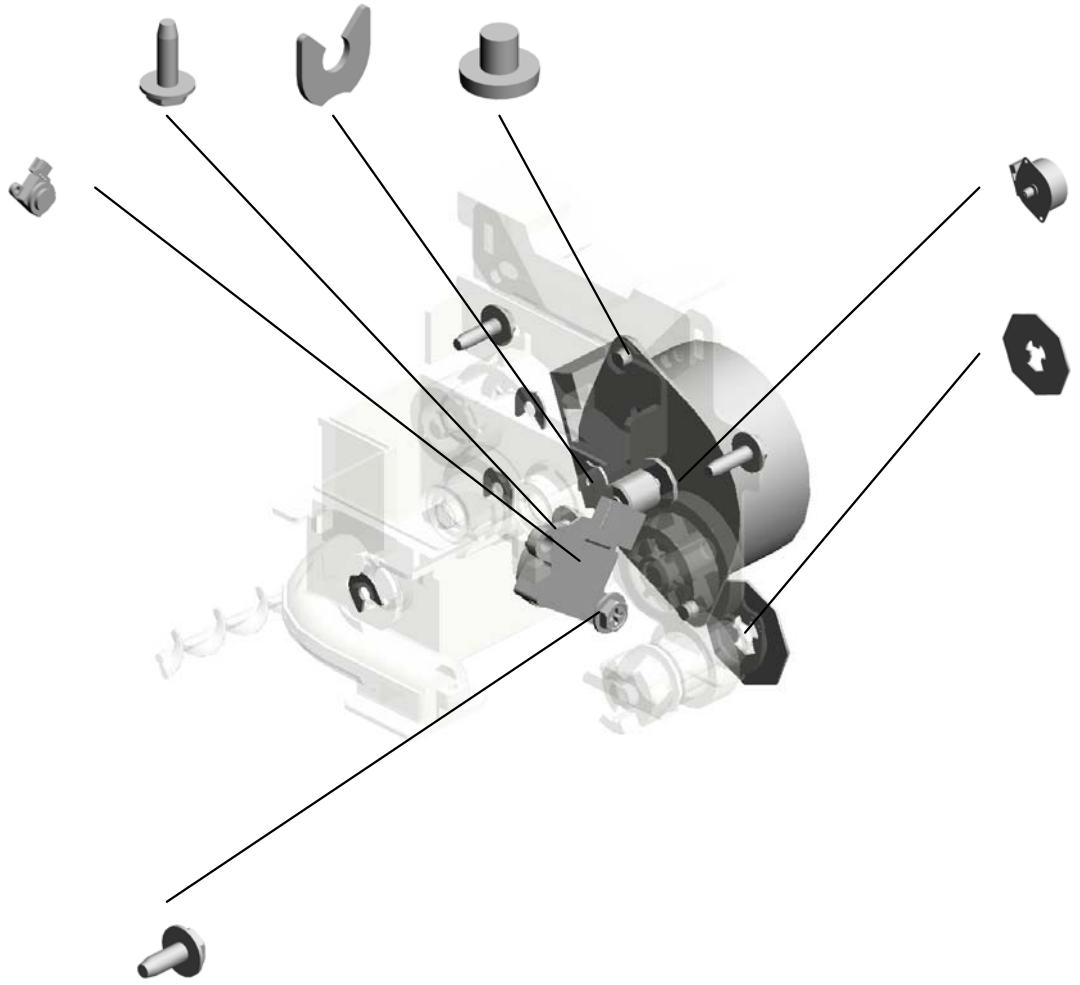
7.08050103 (x4)
 RETAINING RINGS -E:SILENCER:DIA3

1.03530030N (x2)
 SCREW:M3X3



22.D1493280
 TONER HOPPER:TONER SUPPLY:M:ASS'Y

32.GW230008
 TONER END SENSOR



31.D1496318
 DC STEPPER MOTOR:ON-OFF

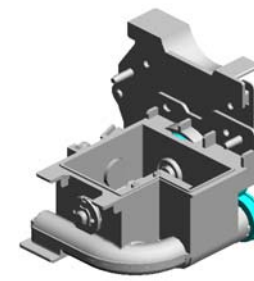
6.07200040E
 RETAINING RING - M4

4.04583008N
 HEXAGON HEAD TAPPING SCREW:3X8

U001	U002	U003	U004	U005	U006	U007	U008	U009	U010	U011	U012	U013	U014	U015	U016
------	------	------	------	------	------	------	------	------	------	------	------	------	------	------	------

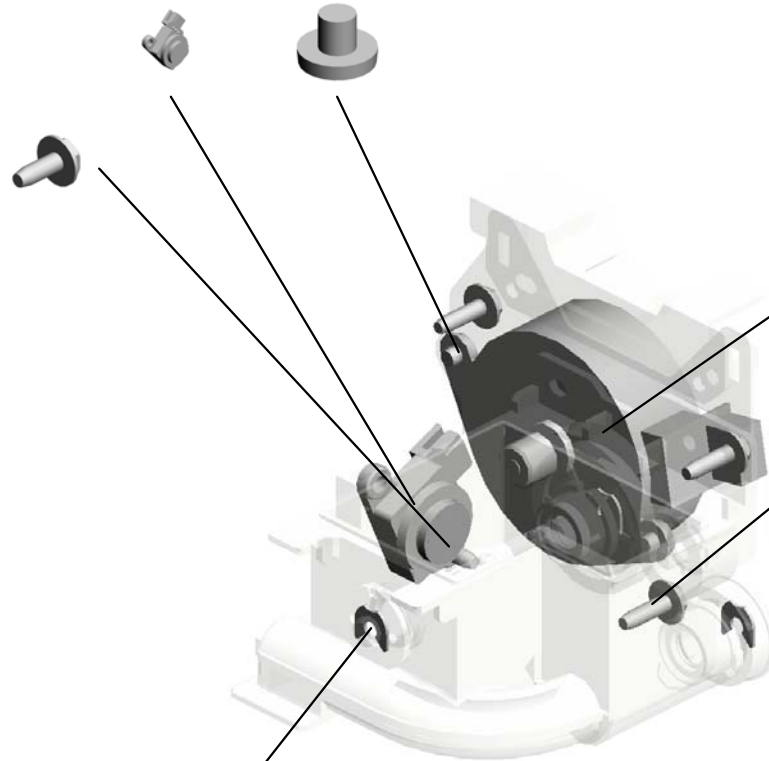
U007_S012
 TONER HOPPER:TONER SUPPLY:Y:ASS'Y

32.GW230008
 TONER END SENS
 OR
 1.03530030N
 (x2)
 SCREW:M3X3



24.D1493310
 TONER HOPPER:T
 ONER SUPPLY:Y:A
 SS'Y

4.04583008N
 HEXAGON HEAD T
 APPING SCREW:3
 X8



30.D1493350
 DC STEPPER MOT
 OR:TONER SUPPL
 Y

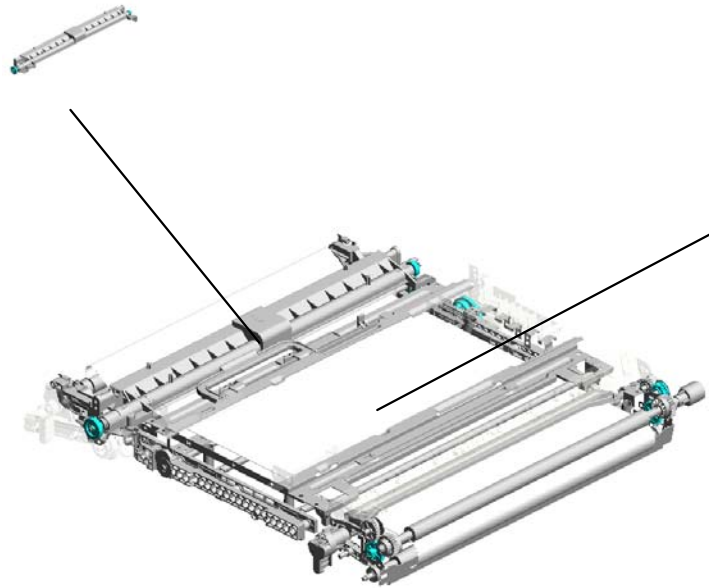
5.04583010N
 (x3)
 HEXAGON HEAD T
 APPING SCREW:3
 X10

7.08050103
 (x3)
 RETAINING RINGS
 -E:SILENCER:DIA3

U001	U002	U003	U004	U005	U006	U007	U008	U009	U010	U011	U012	U013	U014	U015	U016
------	------	------	------	------	------	------	------	------	------	------	------	------	------	------	------

U008.ITB UNIT

U008_S002
D1496141
CLEANING UNIT:BELT CLEANING:ASSY

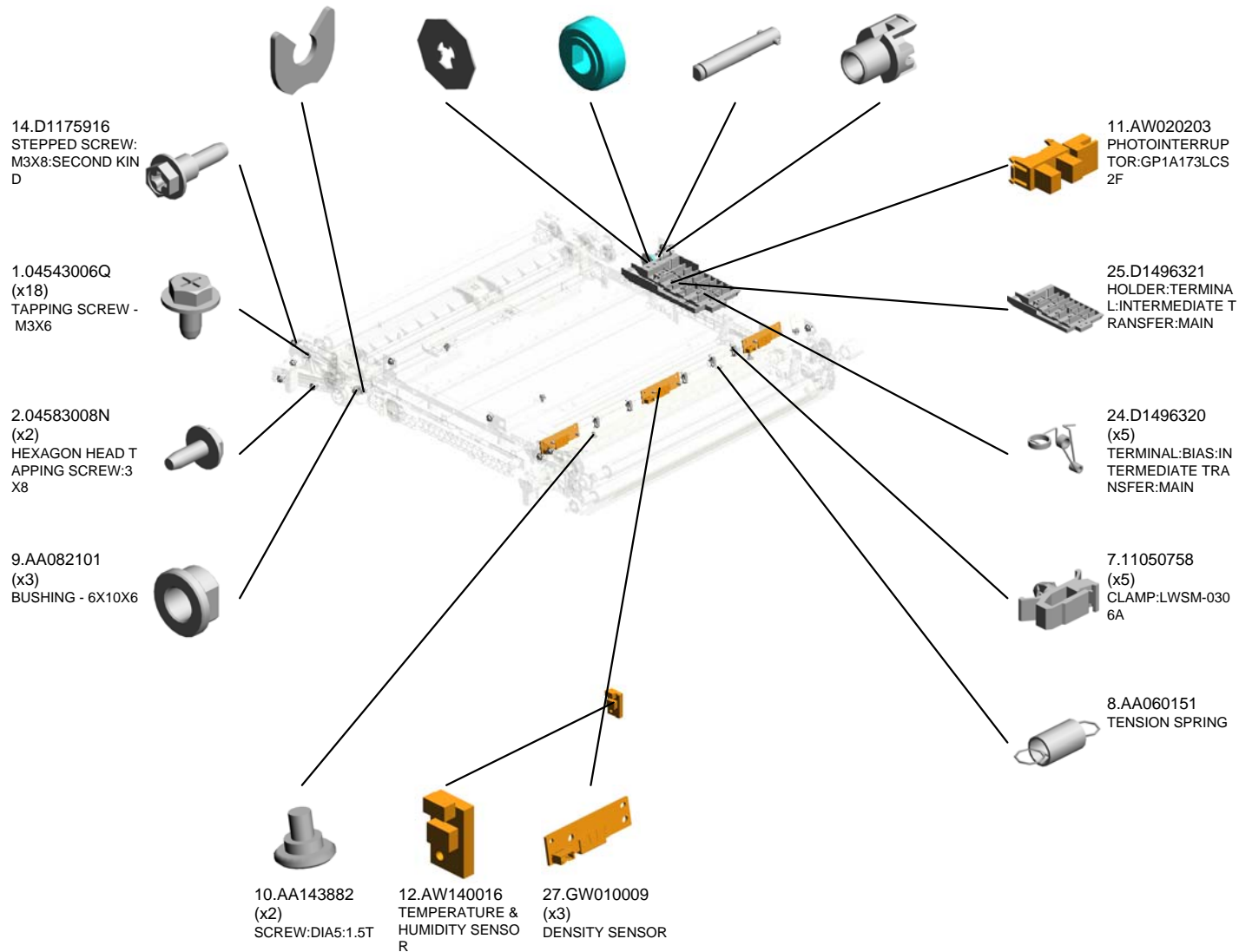


U008_S001
D1496001
TRANSFER UNIT:INTERMEDIATE TRANSFER:ASSY

U001	U002	U003	U004	U005	U006	U007	U008	U009	U010	U011	U012	U013	U014	U015	U016
------	------	------	------	------	------	------	-------------	------	------	------	------	------	------	------	------

U008 ITB UNIT

- 4.08050103 RETAINING RINGS -E:SILENCER:DIA3
- 3.07200040E RETAINING RING -M4
- 22.D1496311 GEAR:ON-OFF:COLLAR:OUTPUT
- 21.D1496309 SHAFT:ON-OFF:COLLAR:MAIN
- 23.D1496312 JOINT:ON-OFF:COLLAR



U001	U002	U003	U004	U005	U006	U007	U008	U009	U010	U011	U012	U013	U014	U015	U016
------	------	------	------	------	------	------	------	------	------	------	------	------	------	------	------

U008_S001
TRANSFER UNIT:INTERMEDIATE TRANSFER:ASS'Y

9.AA082101 (x2) BUSHING - 6X10X6
 26.D1496336 (x4) TRANSFER ROLLER ASS'Y
 3.07200040E (x11) RETAINING RING - M4



16.D1496001
TRANSFER UNIT:INTERMEDIATE TRANSFER:ASS'Y

5.08050104 (x8) RETAINING RINGS -E:SILENCER:DIA4

1.04543006Q (x10) TAPPING SCREW - M3X6

17.D1496030 CAM:ON-OFF:COLLAR

13.B2236069 JOINT:DRIVE:INTERMEDIATE TRANSFER

6.08050106 (x2) RETAINING RINGS -E:SILENCER:DIA6

2.04583008N HEXAGON HEAD TAPPING SCREW:3X8

18.D1496036 (x2) CAM:ON-OFF:BACK

19.D1496097 FLAT BELT-TRANSFER:INTERMEDIATE TRANSFER:NON

15.D1441085 (x2) STEPPED SCREW: M3

U001	U002	U003	U004	U005	U006	U007	U008	U009	U010	U011	U012	U013	U014	U015	U016
------	------	------	------	------	------	------	------	------	------	------	------	------	------	------	------

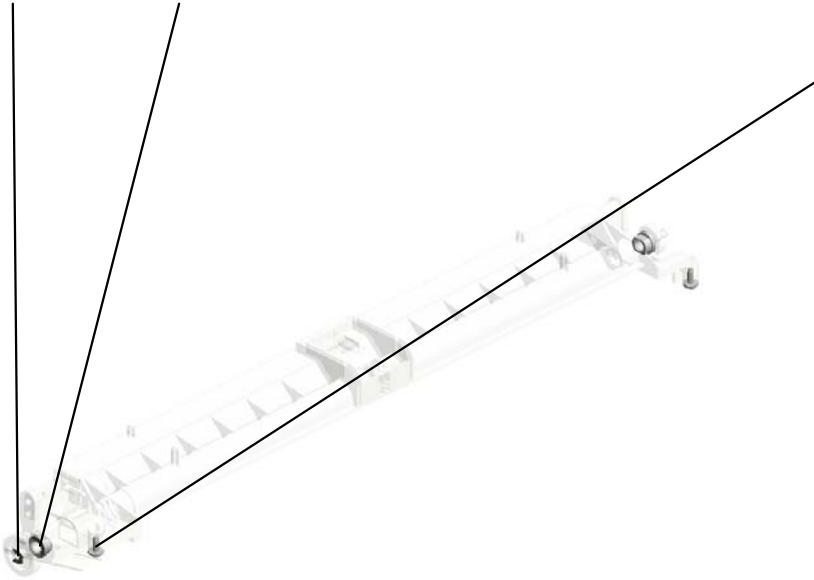
U008_S002

CLEANING UNIT:BELT CLEANING:ASS'Y

4.08050103 9.AA082101
RETAINING RINGS (x2)
-E:SILENCER:DIA3 BUSHING - 6X10X6



20.D1496141
CLEANING UNIT:BELT
CLEANING:AS
S'Y



2.04583008N
(x2)
HEXAGON HEAD TAPPING SCREW:3
X8

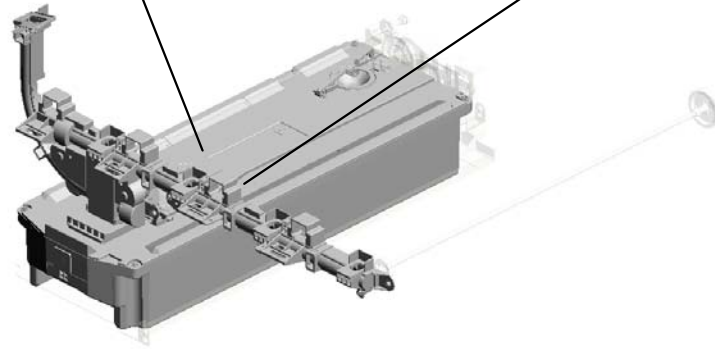
U001	U002	U003	U004	U005	U006	U007	U008	U009	U010	U011	U012	U013	U014	U015	U016
------	------	------	------	------	------	------	------	------	------	------	------	------	------	------	------

U009.USED TONER

U009_S002
D1496511
PIPE:ASS'Y



U009_S001
D1496400
COLLECTION BOTTLE:ASS'Y



U001	U002	U003	U004	U005	U006	U007	U008	U009	U010	U011	U012	U013	U014	U015	U016
------	------	------	------	------	------	------	------	------	------	------	------	------	------	------	------

U009 USED TONER

10.AW020198
PHOTOINTERRUP
TOR:LG2A14NL1

15.D1491174
GEAR:COLLECTIO
N BOTTLE

1.04543006Q
(x5)
TAPPING SCREW -
M3X6

6.08050089
RETAINING RING -
M4

7.08050103
(x4)
RETAINING RINGS
-E:SILENCER:DIA3



19.D1496553
GEAR:IDLER:Z61



18.D1496552
GEAR:IDLER:Z30



24.D1496561
PULLEY:USED TO
NER



5.07200040E
(x7)
RETAINING RING -
M4



2.04543008Q
(x4)
TAPPING SCREW:
3X8



22.D1496556
TENSION SPRING:
BELT TENSIONER



23.D1496557
GEAR:SYNCHRONOUS B
ELT:40S3M564



20.D1496554
GEAR:PULLEY:IDL
ER:Z16



4.07200030E
(x2)
RETAINING RING -
M3



21.D1496555
GEAR:IDLER:Z21



14.D1491173
GEAR:IDLER:TONE
R BOTTLE



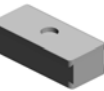
13.D1491168
BRACKET:DRIVE:C
OLLECTION BOTTL
E:ASSY



11.AW500040
PUSH SWITCH:SW
1AG-550:10MA



9.AG070514
MAGNET CATCH

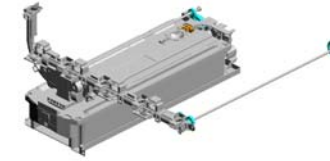


12.B2236476
(x4)
BUSHING - DIA5



U009 USED TONER

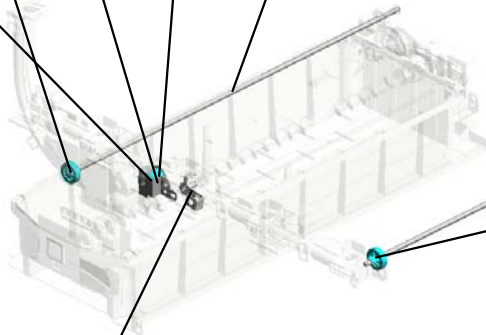
26.D1496571 BRACKET:PULLEY:
IDLER:USED TONE
R
28.D1496575 FLANGE:IDLER:US
ED TONER
32.D1496586 SHAFT:DRIVE:USE
D TONER:LEFT



33.D1496587
GEAR:USED TONE
R:LEFT



27.D1496574
GEAR:PULLEY:IDL
ER:Z18



25.D1496562
BRACKET:TIGHTE
NER:USED TONER



31.D1496583
GEAR:USED TONE
R:INPUT



29.D1496581
SHAFT:DRIVE:USE
D TONER:RIGHT

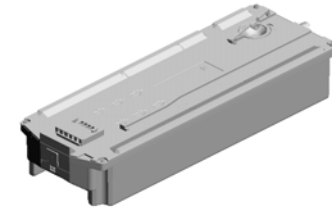


30.D1496582
GEAR:USED TONE
R:RIGHT

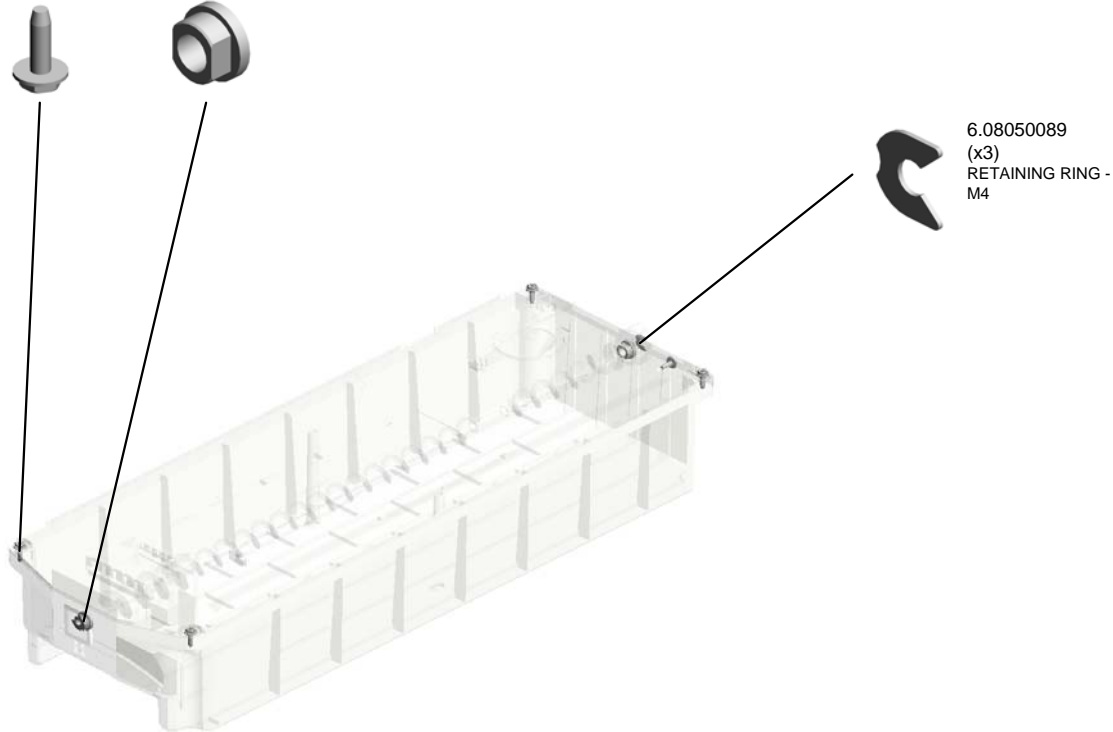


U009_S001
COLLECTION BOTTLE:ASS'Y

3.04583010N 8.AA080346
(x5) (x2)
HEXAGON HEAD TAPPING SCREW:3 X10 BUSHING:FLANGE TYPE:DIA6



16.D1496400
COLLECTION BOT
TLE:ASS'Y

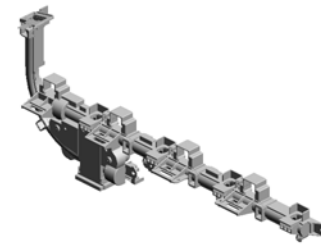


6.08050089
(x3)
RETAINING RING -
M4

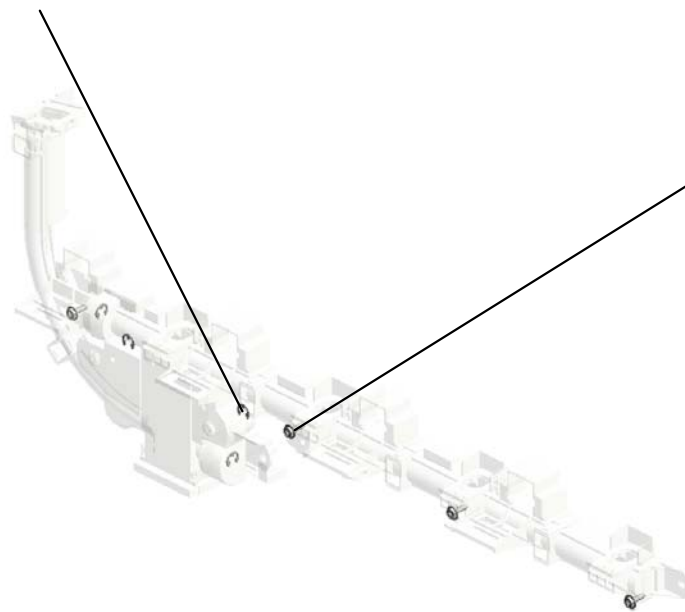
U001	U002	U003	U004	U005	U006	U007	U008	U009	U010	U011	U012	U013	U014	U015	U016
------	------	------	------	------	------	------	------	------	------	------	------	------	------	------	------

U009_S002
PIPE:ASS'Y

5.07200040E
(x4)
RETAINING RING -
M4



17.D1496511
PIPE:ASS'Y

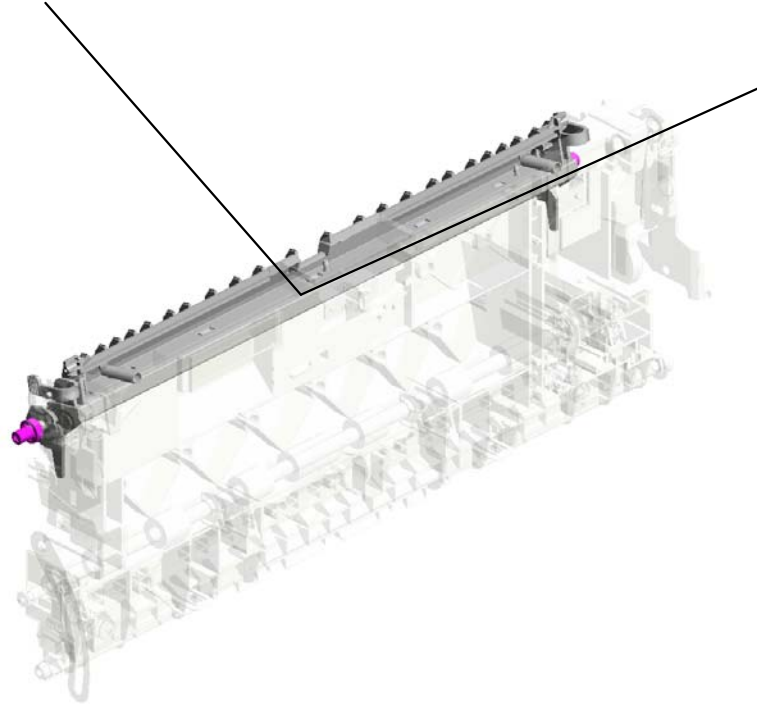


3.04583010N
(x4)
HEXAGON HEAD T
APPING SCREW:3
X10

U001	U002	U003	U004	U005	U006	U007	U008	U009	U010	U011	U012	U013	U014	U015	U016
------	------	------	------	------	------	------	------	------	------	------	------	------	------	------	------

U010.PAPER TRANSPORT

U010_S001
D1496211
TRANSFER ROLLER:SECON
D:ASS'Y



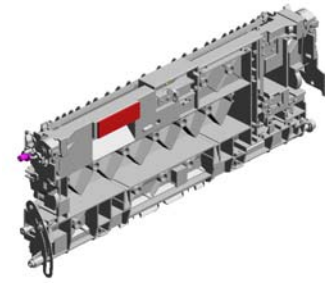
U010_S002
D7396211
TRANSFER ROLLER:IMAGE
AREA EXTENSION:OPTION:A
SS'Y



U001	U002	U003	U004	U005	U006	U007	U008	U009	U010	U011	U012	U013	U014	U015	U016
------	------	------	------	------	------	------	------	------	------	------	------	------	------	------	------

U010 PAPER TRANSPORT

2.04543008Q (x2) TAPPING SCREW: 3X8
 19.D1365510 LED:CONNECTOR: RED
 16.AF020799 REGISTRATION ROLLER:DRIVE
 17.AW010200 PAPER FEED SENSOR:FUSING EXIT
 7.11050758 CLAMP:LWSM-030 6A



9.54472681
SNAP RING



5.07200040E (x3) RETAINING RING - M4



4.07200030E (x2) RETAINING RING - M3



12.AA063943 (x2) COMPRESSION SPRING:GUIDE PLATE:REGISTRATION: 4N



3.04583008N (x6) HEXAGON HEAD TAPPING SCREW:3 X8



20.D1492582 GUIDE PLATE:REGISTRATION:FRONT RIGHT



10.AA063941 (x2) COMPRESSION SPRING:REGISTRATION:INNER:DRIVE



1.04543006Q TAPPING SCREW - M3X6



13.AA080346 (x2) BUSHING:FLANGE TYPE:DIA6



11.AA063942 COMPRESSION SPRING:REGISTRATION:DRIVE



6.07200060E (x2) RETAINING RING - M6



18.AW020203 PHOTOINTERRUPTOR:GP1A173LCS 2F



15.AB011571 GEAR:Z19:DRIVE:REGISTRATION



8.52152621 SNAP RING - M6

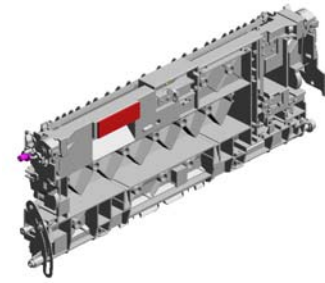


14.AA082144 BUSHING - 8X12X7



U010 PAPER TRANSPORT

29.D1496226 LEVER:TRANSFER /SEPARATION UNIT:FRONT
 22.D1492586 GUIDE:REGISTRATION:FRONT RIGHT
 24.D1492589 GUIDE:REGISTRATION:FRONT RIGHT :AUXILIARY
 27.D1494662 DIFFUSION PLATE:LED
 33.D1496231 LEVER:TRANSFER /SEPARATION UNIT:REAR



31.D1496228 TORSION SPRING: LEVER:SET:FRONT



32.D1496229 (x2) TENSION SPRING: LEVER:SET



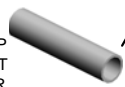
30.D1496227 LEVER:SET:FRONT



36.D1496240 LEVER:PRESSURE :TRANSFER ROLLER:FRONT:DIA15.5



38.D1496242 (x2) COMPRESSION SPRING:PRESSURE:TRANSFER ROLLER



26.D1492991 (x2) PLAIN SHAFT BEARING:INNER:DRIVE:REGISTRATION ROLLER



23.D1492588 GUIDE:REGISTRATION:REAR RIGHT:AUXILIARY



21.D1492585 GUIDE:REGISTRATION:REAR RIGHT



25.D1492990 PLAIN SHAFT BEARING:DRIVE:REGISTRATION ROLLER



41.D1496245 GROUND PLATE:TRANSFER/SEPARATION UNIT



35.D1496233 TORSION SPRING: LEVER:SET:REAR



34.D1496232 LEVER:SET:REAR



37.D1496241 LEVER:PRESSURE :TRANSFER ROLLER:REAR:DIA15.5



40.D1496244 GROUND PLATE:SEPARATION



39.D1496243 RECEIVE PLATE:COMPRESSION SPRING:TRANSFER ROLLER

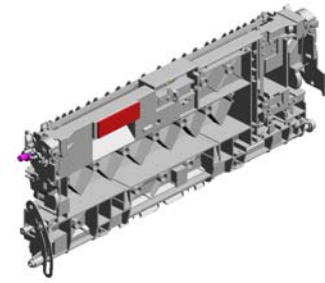


U010 PAPER TRANSPORT

47.D1496290
GUIDE:SET:TRANS
FER/SEPARATION
UNIT:FRONT

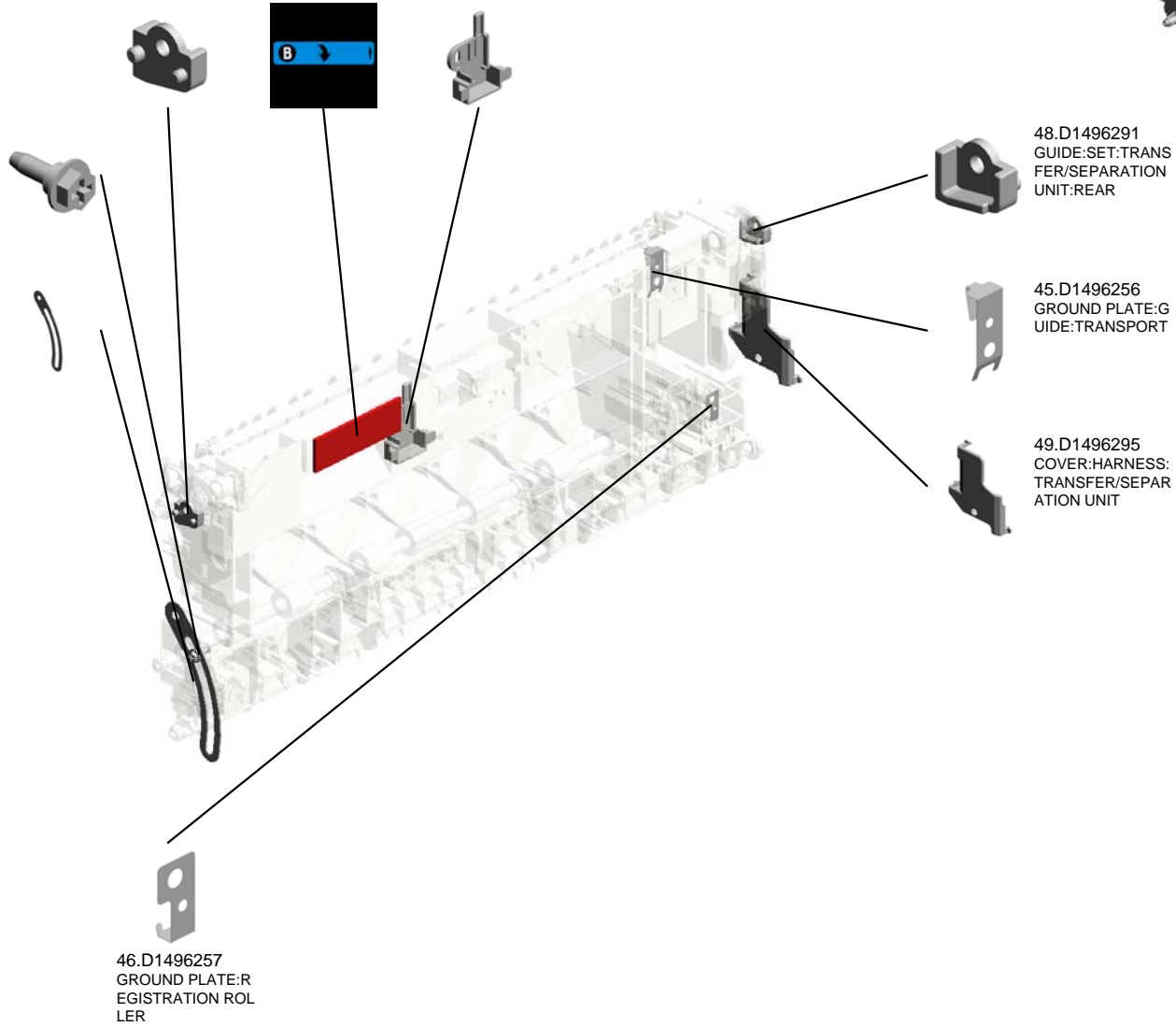
44.D1496255
DECAL:GRIP:B

43.D1496248
CAP:LED



51.GA143003
SCREW:MM5:2.5M
M

42.D1496246
LINK:TRANSFER/S
EPARATION UNIT



U001	U002	U003	U004	U005	U006	U007	U008	U009	U010	U011	U012	U013	U014	U015	U016
------	------	------	------	------	------	------	------	------	-------------	------	------	------	------	------	------

U010_S001
TRANSFER ROLLER:SECOND:ASS'Y

5.07200040E
RETAINING RING -
M4



28.D1496211
TRANSFER ROLLE
R:SECOND:ASS'Y



U001	U002	U003	U004	U005	U006	U007	U008	U009	U010	U011	U012	U013	U014	U015	U016
------	------	------	------	------	------	------	------	------	------	------	------	------	------	------	------

U010_S002

TRANSFER ROLLER:IMAGE AREA EXTENSION:OPTION:ASS'Y

5.07200040E
RETAINING RING -
M4



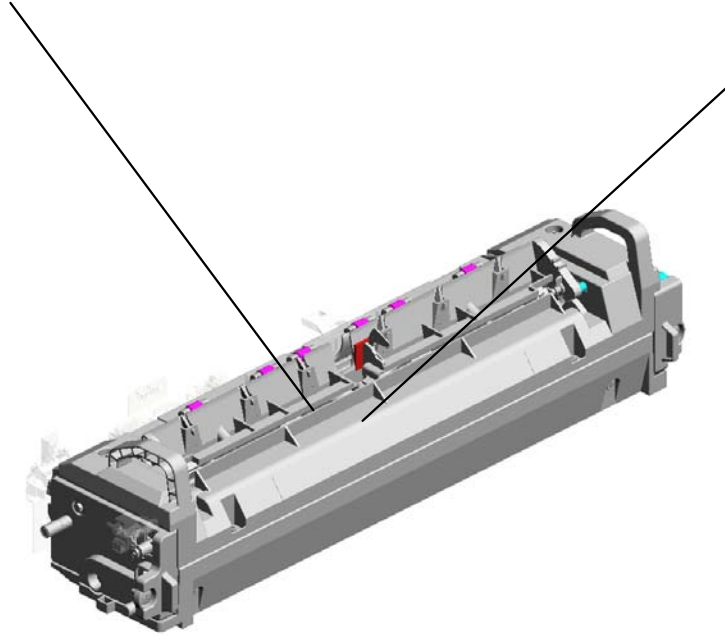
50.D7396211
TRANSFER ROLLE
R:IMAGE AREA EX
TENSION:OPTION:
ASS'Y



U001	U002	U003	U004	U005	U006	U007	U008	U009	U010	U011	U012	U013	U014	U015	U016
------	------	------	------	------	------	------	------	------	------	------	------	------	------	------	------

U011.FUSING

U011_S002
D1494031
SLEEVE:FUSING:NA:CDE:SE
RVICE



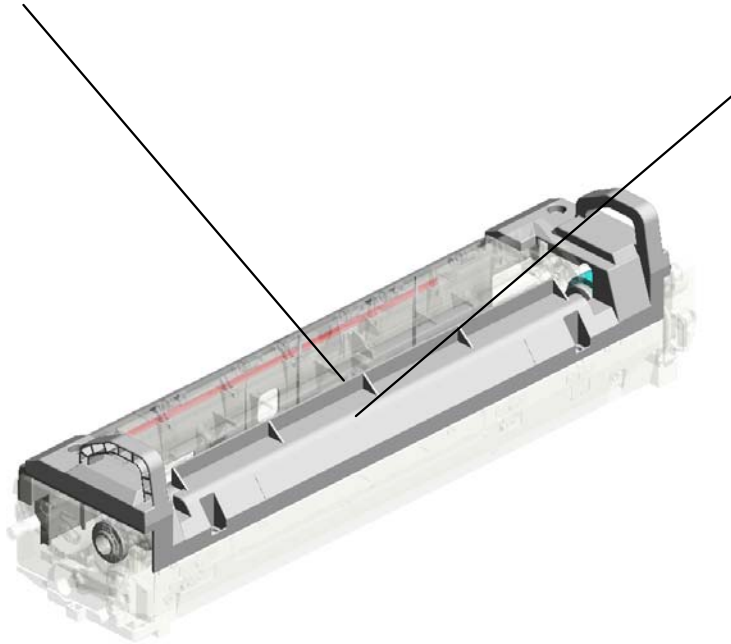
U011_S001
D1494011
FUSING UNIT:NA:D148/D149/
D150:SERVICE



U001	U002	U003	U004	U005	U006	U007	U008	U009	U010	U011	U012	U013	U014	U015	U016
------	------	------	------	------	------	------	------	------	------	------	------	------	------	------	------

U011_S001.FUSING UNIT:NA:D148/D149/D150:SERVICE

U011_S001_S002
D1494261
FUSING COVER:UPPER:ASSY
Y



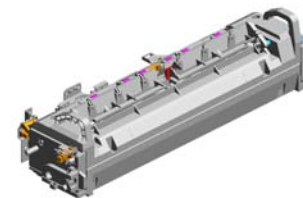
U011_S001_S001
AE020223
PRESSURE ROLLER:DIA32:SERV
SERVICE PARTS



U001	U002	U003	U004	U005	U006	U007	U008	U009	U010	U011	U012	U013	U014	U015	U016
------	------	------	------	------	------	------	------	------	------	------	------	------	------	------	------

U011 FUSING

- 2.04543006Q (x5) TAPPING SCREW - M3X6
- 18.11050759 (x2) CLAMP:LWSM-060 5A
- 14.09574008N SCREW:SMALL ROUND/SPRING:M4X8
- 16.11050723 (x2) CLAMPS:WES-050 7
- 13.08046129 (x2) HEXAGON HEAD BIND LOCK:M3X6



74.D1494354
BRACKET:DRAWER:MAIN



15.11050692 (x2)
CLAMP:LES-0503



23.AA143219 (x2)
STEPPED SCREW



36.AW100138 (x2)
THERMOPILE



43.D1054365 (x2)
HOLDER:THERMOPILE



3.04583008N (x3)
HEXAGON HEAD TAPPING SCREW:3X8



35.AW020190 (x3)
PHOTOINTERRUPTOR



11.08046123 (x2)
HEXAGONAL BOLT:W/WASHER:M3X8



34.AW010147 (x2)
PHOTO REFLECTOR SENSOR



17.11050758 (x2)
CLAMP:LWSM-030 6A



29.AB012102
GEAR:IDLER:WORM GEAR



24.AA148836
SHAFT:GEAR:IDLER:WORM GEAR



7.07200040E (x2)
RETAINING RING - M4



30.AB012103
GEAR:IDLER:LIGHT SHIELDING PLATE

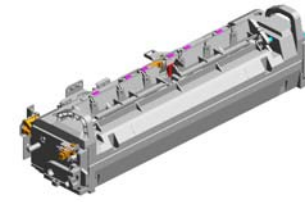


1.03530060N (x2)
BIND SCREW - M3 X6

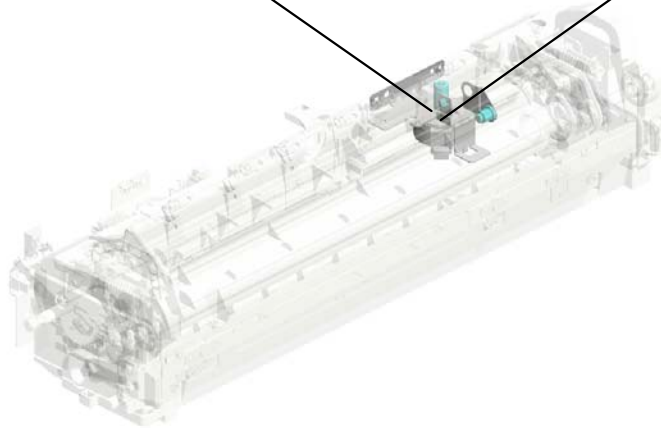


U011 FUSING

76.D1494383
BRACKET:DC STE
PPER MOTOR



75.D1494382
DC STEPPER MOT
OR:ASS'Y

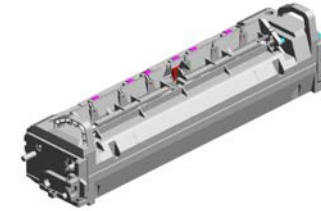


U001	U002	U003	U004	U005	U006	U007	U008	U009	U010	U011	U012	U013	U014	U015	U016
------	------	------	------	------	------	------	------	------	------	------	------	------	------	------	------

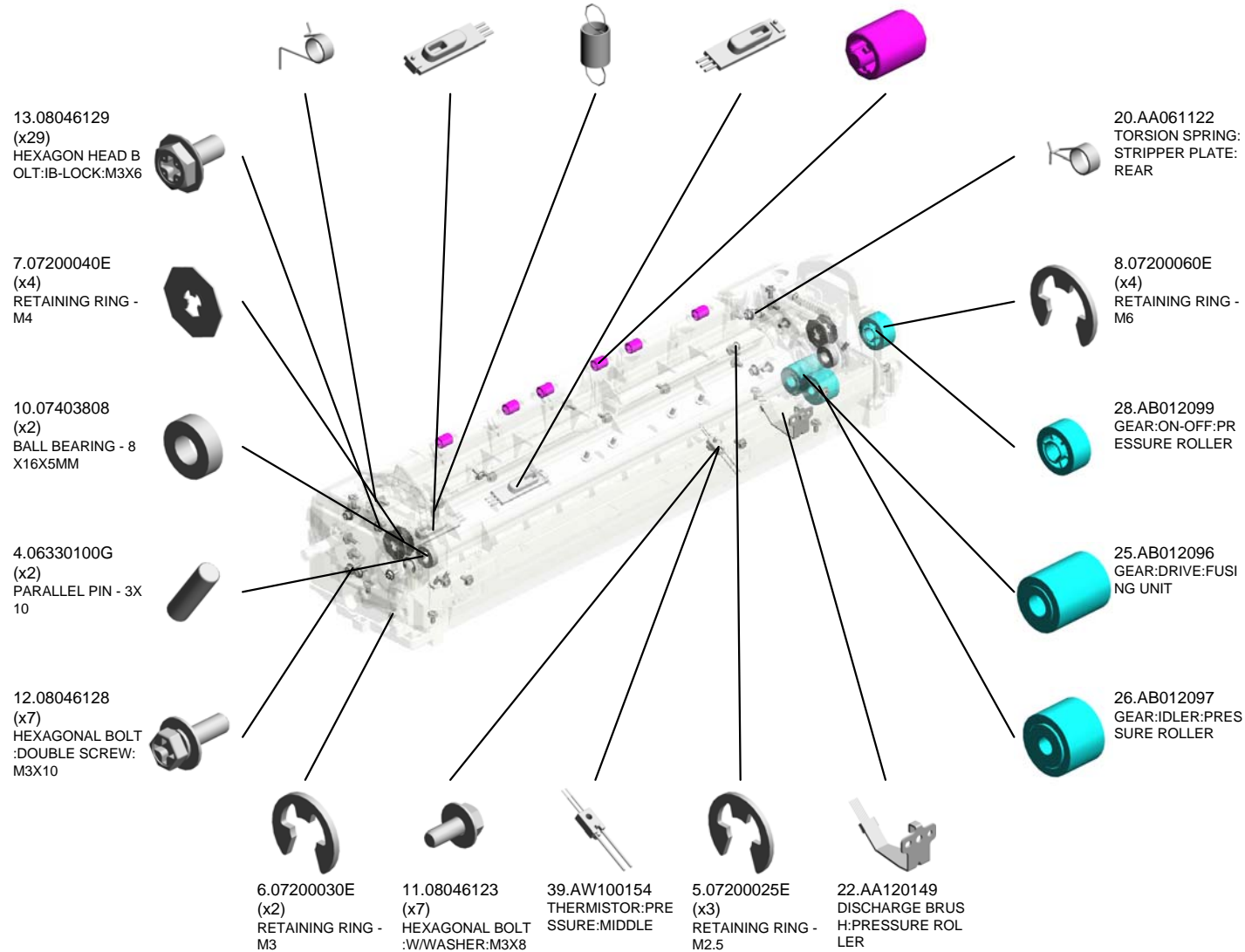
U011_S001

FUSING UNIT:NA:D148/D149/D150:SERVICE

- | | | | | |
|--|---|---|--|--|
| 19.AA061121
TORSION SPRING:
STRIPPER PLATE:
FRONT | 38.AW100151
NON-CONTACT TY
PE THERMISTOR:
NC-F10:FRONT | 21.AA066423
TORSION SPRING:
GUIDE:FUSING EXI
T | 37.AW100150
NON-CONTACT TY
PE THERMISTOR:
NC-F10:MIDDLE | 33.AF040064
(x6)
ROLLER:DRIVEN:F
USING EXIT |
|--|---|---|--|--|

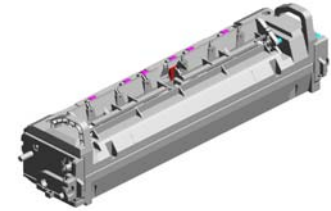


46.D1494011
FUSING UNIT:NA:D
148/D149/D150:SE
RVICE



U001 U002 U003 U004 U005 U006 U007 U008 U009 U010 **U011** U012 U013 U014 U015 U016

- 58.D1494229 STRIPPER PLATE: PRESSURE ROLLER
- 55.D1494214 GUIDE PLATE:FUSING EXIT:RIGHT
- 61.D1494246 DECAL:GUIDE PLATE:FUSING EXIT
- 60.D1494245 SHEET:C:GUIDE PLATE:FUSING EXIT
- 45.D1441085 (x17) STEPPED SCREW:M3



46.D1494011
FUSING UNIT:NA:D148/D149/D150:SERVICE



59.D1494234
GUIDE PLATE:FUSING EXIT:LEFT

57.D1494221
STRIPPER PLATE:ASS'Y

52.D1494207
(x2)
PLATE:CAM

50.D1494202
ENCODER:ON-OFF:PRESSURE ROLLER

64.D1494269
(x2)
KNOB SCREW:FIX:FUSING

40.AW100156
THERMISTOR:PRESSURE:FRONT:2P

49.D1494127
BRACKET:THERMISTOR:PRESSURE ROLLER:FRONT

62.D1494252
FUSING ENTRANCE GUIDE PLATE

41.AW110111
THERMISTOR:MIDDLE

54.D1494209
SHAFT:ON-OFF:PRESSURE ROLLER

56.D1494218
(x6)
GUIDE:FUSING EXIT:PFA

51.D1494205
(x2)
BRAKE:CAM

53.D1494208
(x2)
CAM:ON-OFF:PRESSURE ROLLER

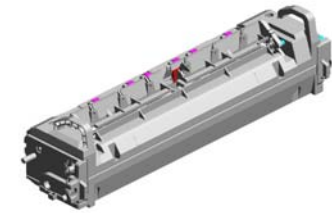
42.AW110112
THERMISTOR:REAR

48.D1494126
BRACKET:THERMISTOR:PRESSURE ROLLER

U011_S001

FUSING UNIT:NA:D148/D149/D150:SERVICE

68.D1494332 HOUSING:THERM
OSTAT
77.G0043519 STEPPING SCREW
73.D1494346 GUIDE:HARNES
S:HEATER

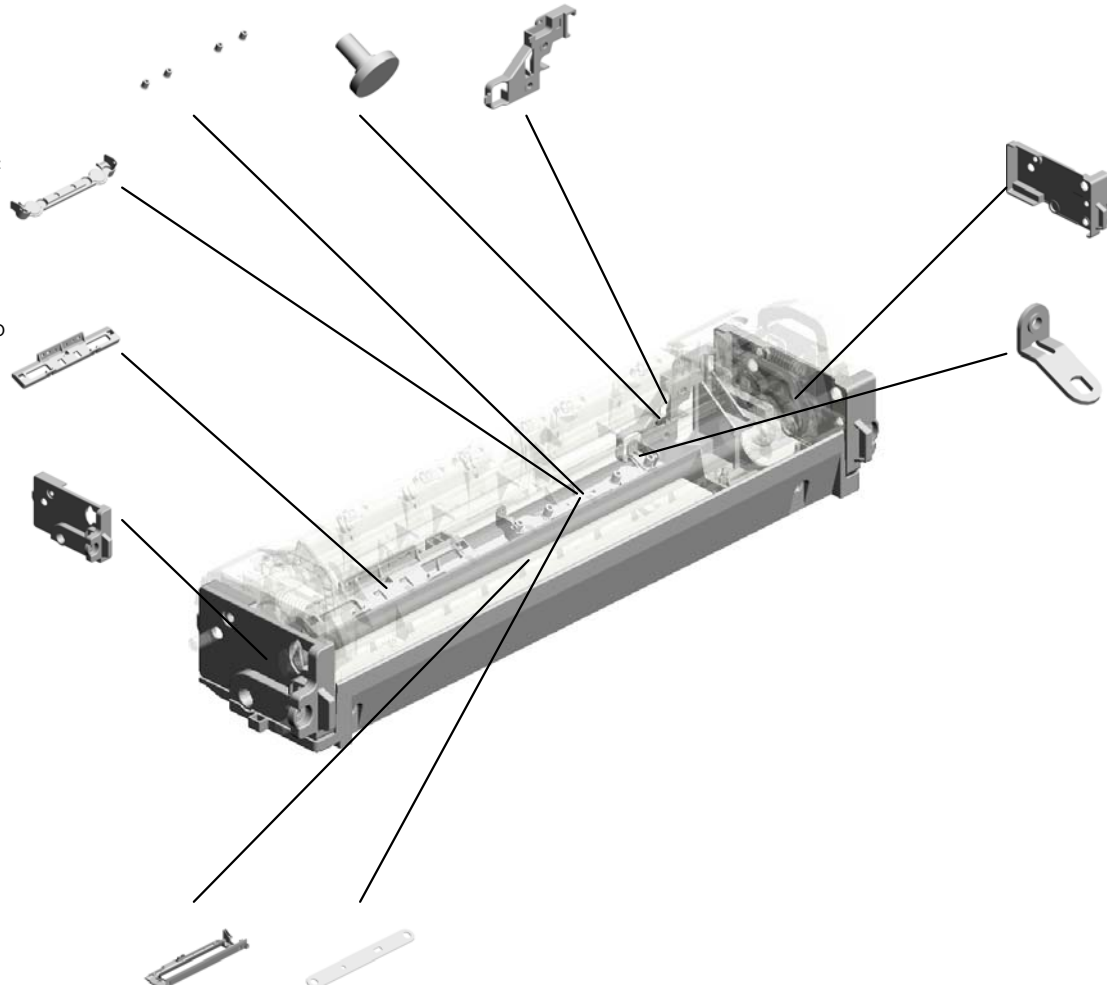


46.D1494011
FUSING UNIT:NA:D
148/D149/D150:SE
RVICE

69.D1494334
COVER:HOUSING:
THERMOSTAT

72.D1494342
HOUSING:NON-CON
TACT TYPE THERM
ISTOR

66.D1494276
FUSING COVER:FR
ONT



67.D1494278
FUSING COVER:R
EAR

71.D1494337
(x2)
TERMINAL:THERM
OSTAT

65.D1494274
FUSING COVER:LR
OWER

70.D1494335
ELECTRODE PLATE
CONNECTING:THER
MOSTAT

U001	U002	U003	U004	U005	U006	U007	U008	U009	U010	U011	U012	U013	U014	U015	U016
------	------	------	------	------	------	------	------	------	------	------	------	------	------	------	------

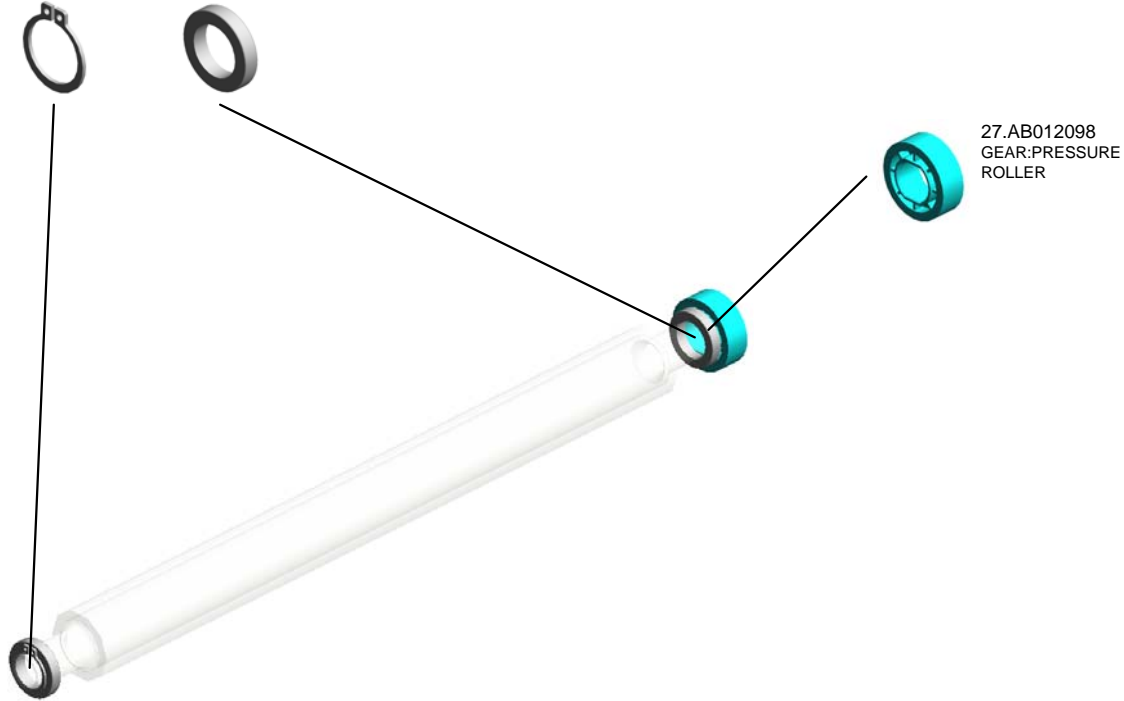
U011_S001_S001
PRESSURE ROLLER:DIA32:SERVICE PARTS

9.07250170E
(x2)
RETAINING RING
C - M17

32.AE030074
(x2)
BALL BEARING:DIA
17XDIA26X5



31.AE020223
PRESSURE ROLLER
R-DIA32:SERVICE
PARTS

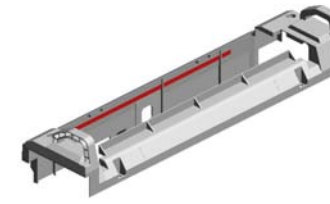
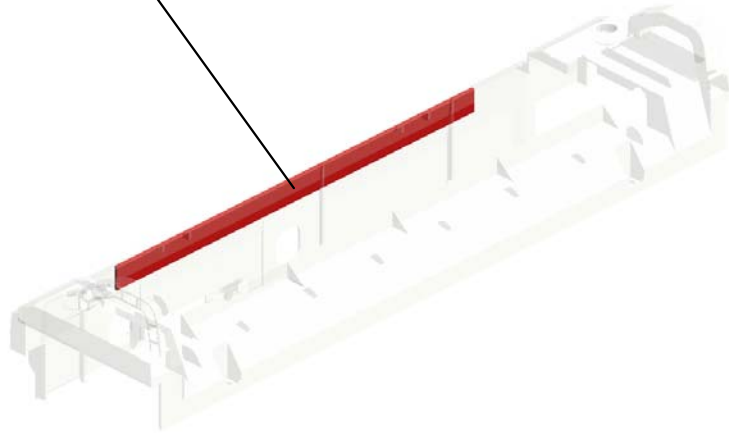


27.AB012098
GEAR:PRESSURE
ROLLER

U001	U002	U003	U004	U005	U006	U007	U008	U009	U010	U011	U012	U013	U014	U015	U016
------	------	------	------	------	------	------	------	------	------	------	------	------	------	------	------

U011_S001_S002
FUSING COVER:UPPER:ASS'Y

44.D1124264
DECAL:WARNING (HIGH TEMPERATU
RE):FUSING



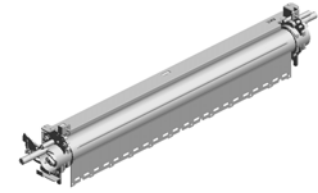
63.D1494261
FUSING COVER:U
PPER:ASS'Y

U001	U002	U003	U004	U005	U006	U007	U008	U009	U010	U011	U012	U013	U014	U015	U016
------	------	------	------	------	------	------	------	------	------	------	------	------	------	------	------

U011_S002
SLEEVE:FUSING:NA:CDE:SERVICE

12.08046128 (x4)
HEXAGONAL BOLT
:DOUBLE SCREW:
M3X10

13.08046129 (x10)
HEXAGON HEAD B
OLT:IB-LOCK:M3X6



47.D1494031
SLEEVE:FUSING:N
A:CDE:SERVICE

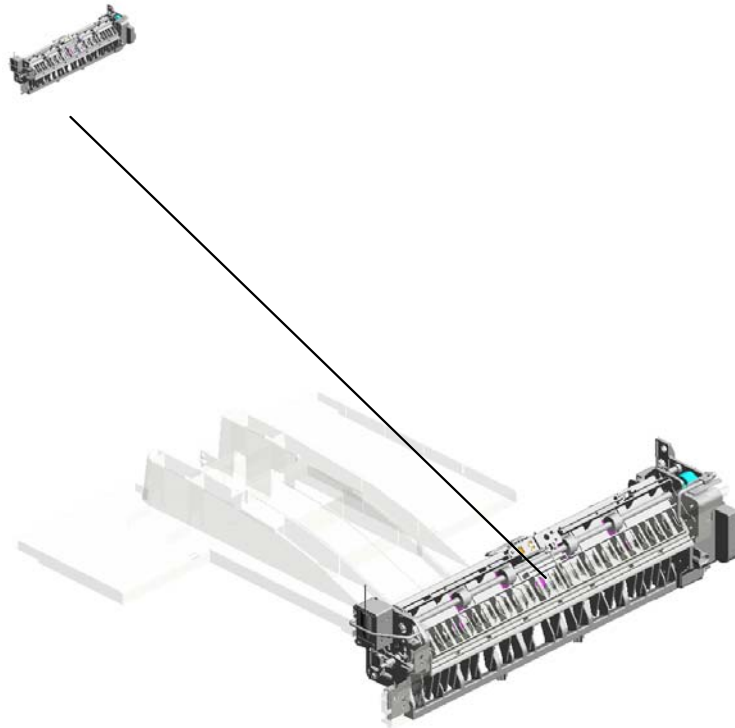


5.07200025E
RETAINING RING -
M2.5

U001	U002	U003	U004	U005	U006	U007	U008	U009	U010	U011	U012	U013	U014	U015	U016
------	------	------	------	------	------	------	------	------	------	------	------	------	------	------	------

U012.PAPER EXIT

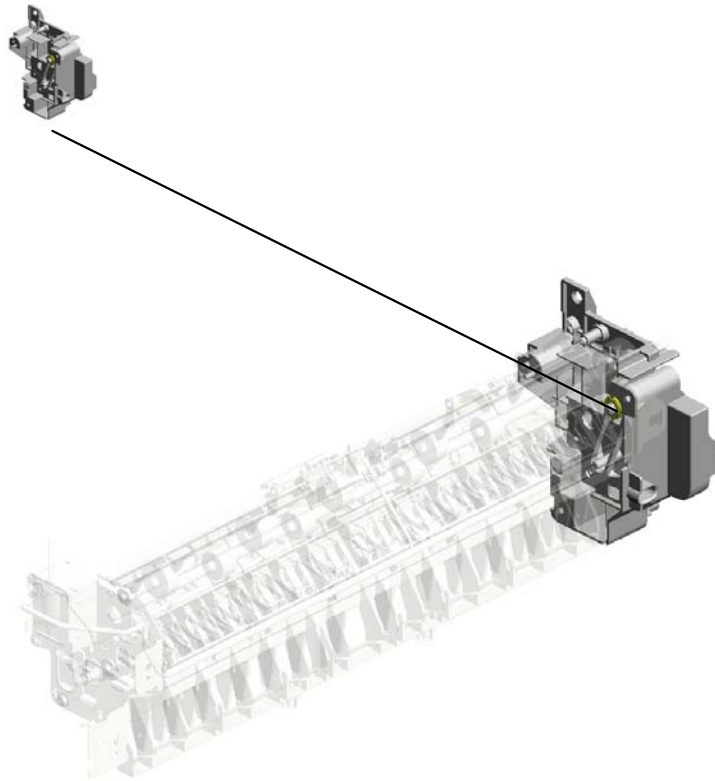
U012_S001
D1494405
PAPER EXIT UNIT



U001	U002	U003	U004	U005	U006	U007	U008	U009	U010	U011	U012	U013	U014	U015	U016
------	------	------	------	------	------	------	------	------	------	------	------	------	------	------	------

U012_S001.PAPER EXIT UNIT

U012_S001_S001
D1494424
DC STEPPER MOTOR:REVE
RSE:ASS'Y



U001	U002	U003	U004	U005	U006	U007	U008	U009	U010	U011	U012	U013	U014	U015	U016
------	------	------	------	------	------	------	------	------	------	------	------	------	------	------	------

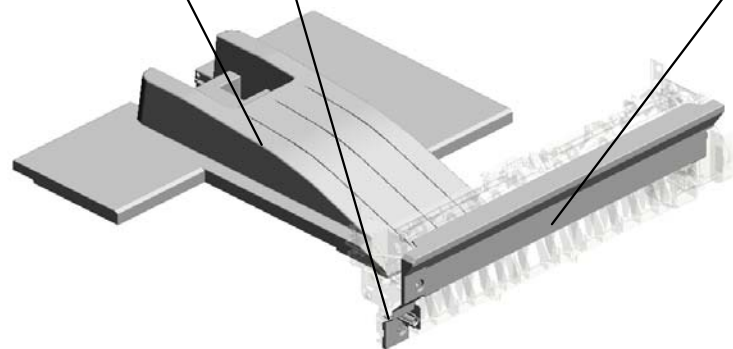
U012 PAPER EXIT

52.D1494496
TRAY:EXIT

2.04543006Q
TAPPING SCREW -
M3X6

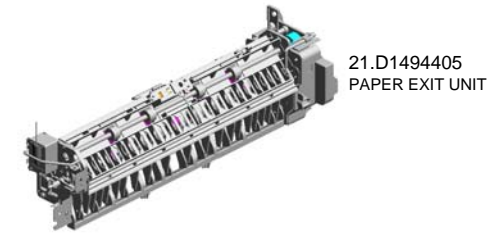


51.D1494491
INNER COVER:EXI
T



U012_S001 PAPER EXIT UNIT

- 7.11050758 (x5) CLAMP:LWSM-030 6A
- 12.AF040575 (x3) DRIVEN ROLLER
- 17.D0394912 DISCHARGE BRUSH H:REVERSE
- 15.D0094407 FEELER - OVERFLOW
- 13.AW020203 PHOTOINTERRUPTOR:GP1A173LCS 2F



21.D1494405
PAPER EXIT UNIT

1.03530030N
(x2)
SCREW:M3X3



6.11050692
(x2)
CLAMP:LES-0503



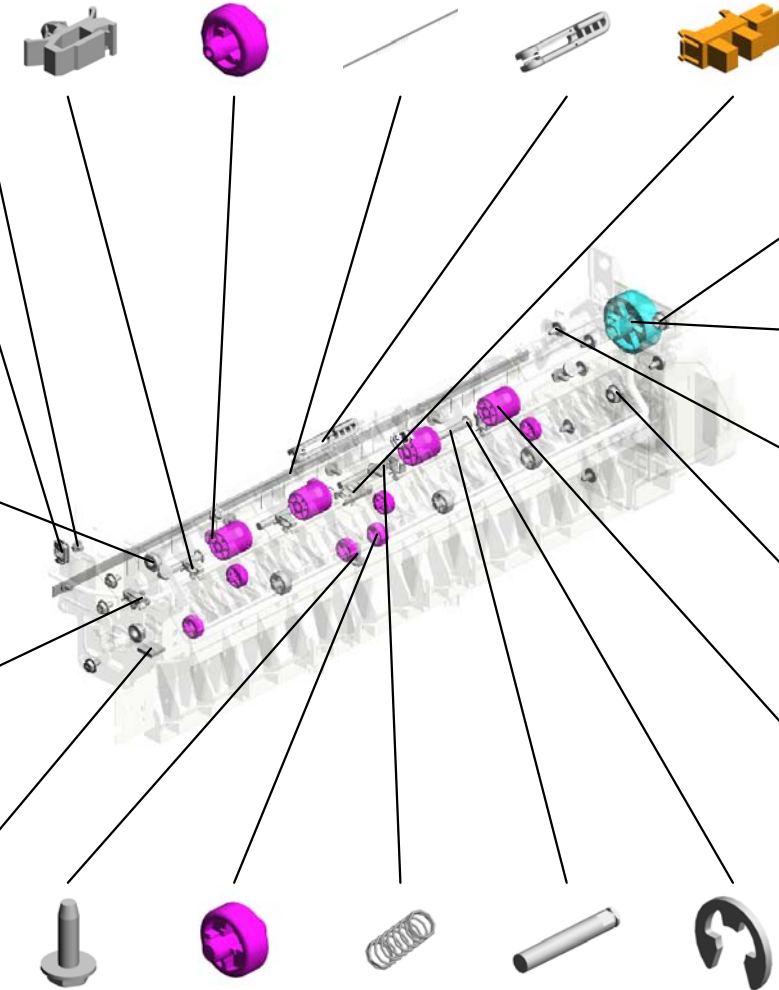
9.AA082170
(x3)
PLAIN SHAFT BEARING: DIA4XDIA8X5 :EG-1



20.D1444484
(x3)
SHOULDER SCREW - M3



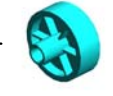
16.D0094455
CUSHION - DC SOLENOID



10.AA082173
(x2)
PLAIN SHAFT BEARING:6X10X6



22.D1494421
GEAR:EXIT ROLLER



2.04543006Q
(x15)
TAPPING SCREW - M3X6



5.08050103
RETAINING RINGS -E:SILENCER:DIA3



18.D0394925
(x4)
ROLLER:REVERSE :DRIVEN



3.04583010N
HEXAGON HEAD TAPPING SCREW:3 X10



11.AF040571
(x9)
GUIDE ROLLER



19.D0394927
(x2)
COMPRESSION SPRING:PRESSURE: REVERSE:DRIVEN



14.B2134460
(x4)
SHAFT:PRESSURE ROLLER



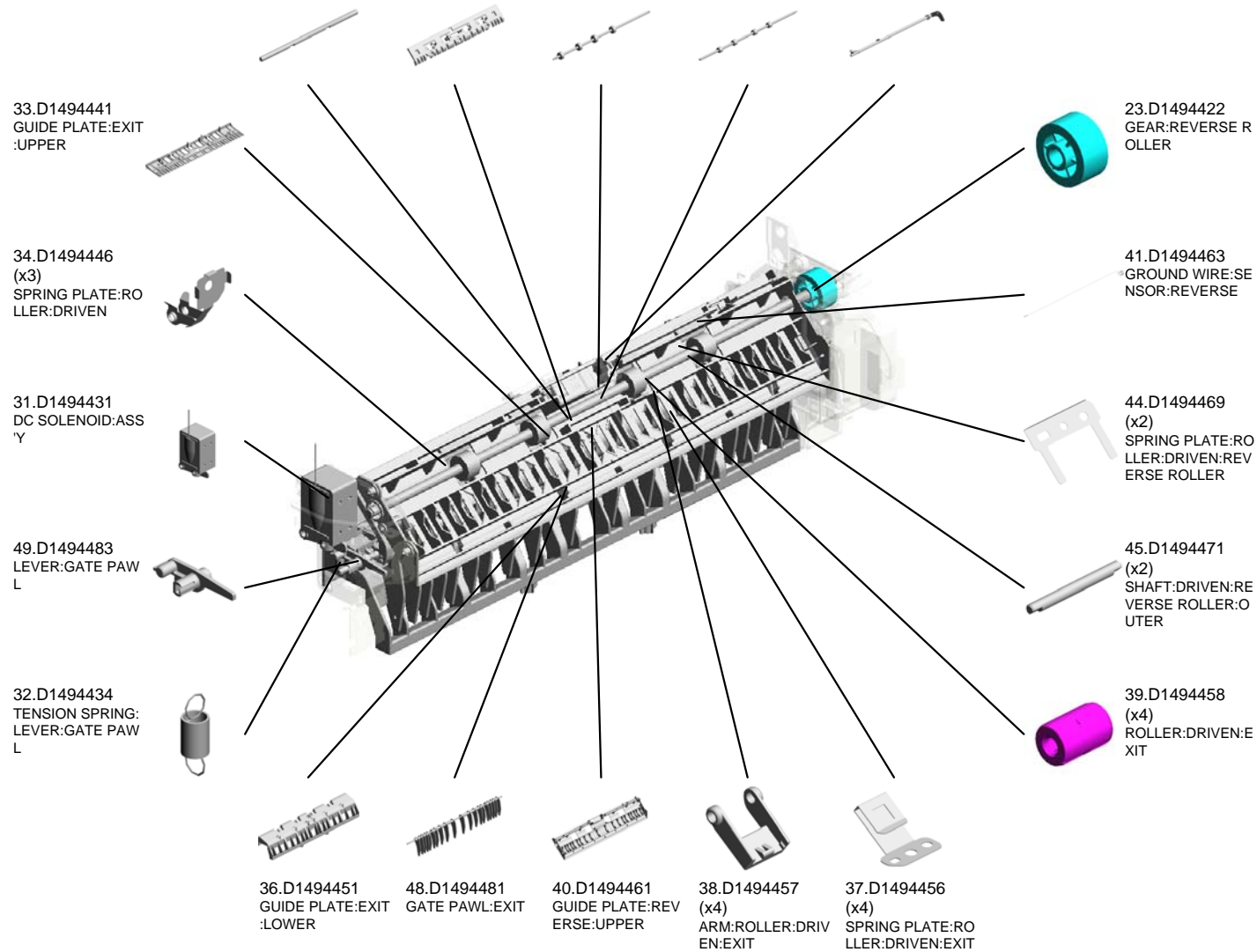
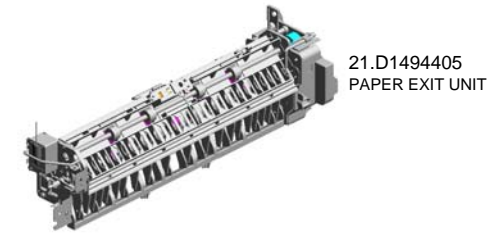
4.07200030E
(x4)
RETAINING RING - M3



U001	U002	U003	U004	U005	U006	U007	U008	U009	U010	U011	U012	U013	U014	U015	U016
------	------	------	------	------	------	------	------	------	------	------	------	------	------	------	------

U012_S001 PAPER EXIT UNIT

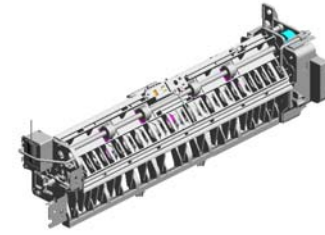
43.D1494468 SHAFT:DRIVEN:REVERSE ROLLER
 42.D1494466 GUIDE PLATE:REVERSE:LOWER
 46.D1494476 EXIT ROLLER
 47.D1494477 REVERSE ROLLER
 35.D1494448 SHAFT:FEELER:OVERFLOW



U001	U002	U003	U004	U005	U006	U007	U008	U009	U010	U011	U012	U013	U014	U015	U016
------	------	------	------	------	------	------	------	------	------	------	------	------	------	------	------

U012_S001
PAPER EXIT UNIT

50.D1494484
TORSION SPRING:
LEVER:GATE PAW
L



21.D1494405
PAPER EXIT UNIT



53.GW010007
(x2)
PHOTO REFLECTI
ON SENSOR:EXIT

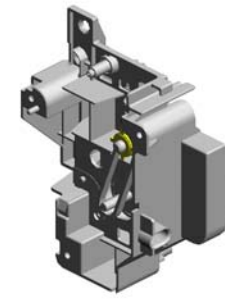


U001	U002	U003	U004	U005	U006	U007	U008	U009	U010	U011	U012	U013	U014	U015	U016
------	------	------	------	------	------	------	------	------	------	------	------	------	------	------	------

U012_S001_S001
DC STEPPER MOTOR:REVERSE:ASS'Y

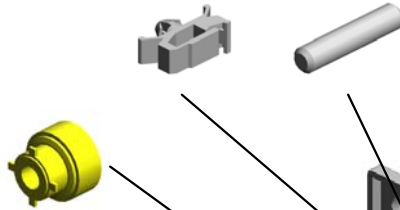
7.11050758
CLAMP:LWSM-030
6A

28.D1494427
STUD:PULLEY:BRACKET:DC STEPPE
R MOTOR

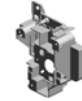


25.D1494424
DC STEPPER MOT
OR:REVERSE:ASS'
Y

30.D1494429
PULLEY:GEAR:RE
VERSE



27.D1494426
BRACKET:DC STE
PPER MOTOR:REV
ERSE



29.D1494428
GROUND PLATE:P
APER EXIT UNIT



26.D1494425
DC STEPPER MOT
OR:REVERSE:SUB
-ASS'Y



24.D1494423
SYNCHRONOUS B
ELT:40S2M122

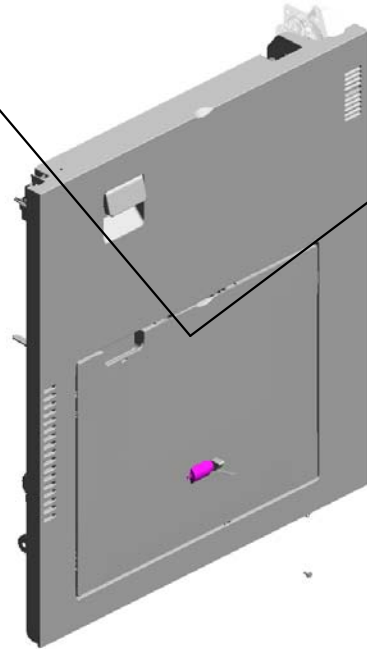
8.A2324666
CUSHION - STEPP
ER MOTOR



U001	U002	U003	U004	U005	U006	U007	U008	U009	U010	U011	U012	U013	U014	U015	U016
------	------	------	------	------	------	------	------	------	------	------	------	------	------	------	------

U013.DUPLEX

U013_S001
D1494511
DUPLEX UNIT:D148/D149:AS
SY



U013_S002
D1504510
DUPLEX UNIT:D150:ASS'Y:(fo
r D150)

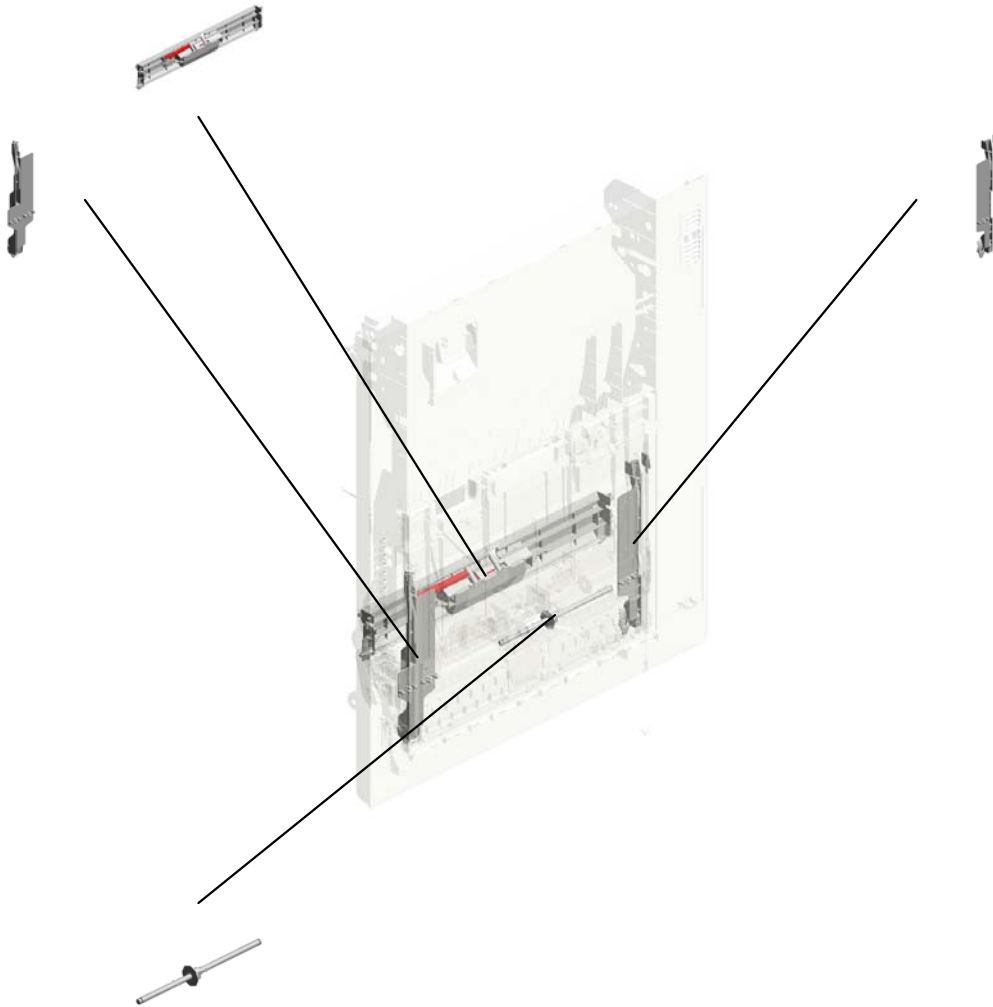
U001	U002	U003	U004	U005	U006	U007	U008	U009	U010	U011	U012	U013	U014	U015	U016
------	------	------	------	------	------	------	------	------	------	------	------	------	------	------	------

U013_S001.DUPLEX UNIT:D148/D149:ASS'Y

U013_S001_S004
D1502660
GUIDE PLATE:VERTICAL TR
ANSPORT:DRIVEN:PAPER T
HICK:(for D150)

U013_S001_S002
D1494716
SIDE FENCE:FRONT:ASS'Y:(f
or D148/D149)

U013_S001_S003
D1494719
SIDE FENCE:REAR:ASS'Y:(fo
r D148/D149)



U013_S001_S001
D1492608
SHAFT:SEPARATOR:DRIVEN
:ASS'Y

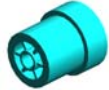
U001	U002	U003	U004	U005	U006	U007	U008	U009	U010	U011	U012	U013	U014	U015	U016
------	------	------	------	------	------	------	------	------	------	------	------	------	------	------	------

U013 DUPLEX

169.D1494750 35.AX060435
BRACKET:MOTOR: DC MOTOR:GEAR:
DUPLEX 10W:BRUSHLESS



170.D1494754
GEAR:OUTPUT:DU
PLEX:ENTRANCE



5.07200040E
RETAINING RING -
M4

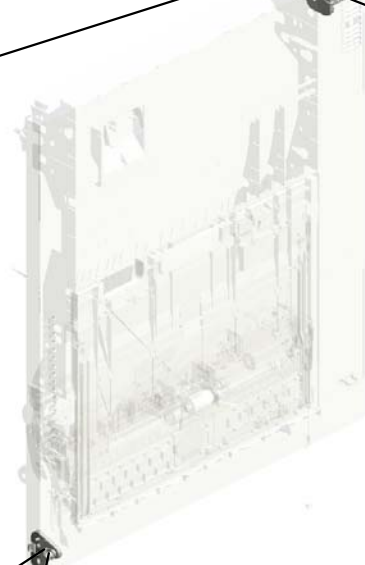


2.04543006Q
(x4)
TAPPING SCREW -
M3X6



34.AW500040
PUSH SWITCH:SW
1AG-550:10MA

171.D1494755 11.52152621
BRACKET:HINGE:D SNAP RING - M6
UPLEX:FRONT



U001	U002	U003	U004	U005	U006	U007	U008	U009	U010	U011	U012	U013	U014	U015	U016
------	------	------	------	------	------	------	------	------	------	------	------	------	------	------	------

U013_S001
 DUPLEX UNIT:D148/D149:ASS'Y



97.D1494511
 DUPLEX UNIT:D14
 8/D149:ASS'Y

- 2.04543006Q (x5) TAPPING SCREW - M3X6
- 6.08050103 (x8) RETAINING RINGS -E:SILENCER:DIA3
- 18.AA082174 PLAIN SHAFT BEA RING:6X10X9
- 1.03530030N (x2) SCREW:M3X3
- 12.AA043980 TIMING BELT:30S2 M300

4.04593008N (x15) BINDING HEAD TA PPING SCREW:3X 8

21.AA100014 (x2) RETAINING RING C - SEPARATE

15.AA082170 (x2) PLAIN SHAFT BEA RING:DIA4XDIA8X5 :EG-1

22.AA143579 SCREW - M3

10.11050760 CLAMP:LWSM-051 1A

16.AA082171 PLAIN SHAFT BEA RING:6X10X6

13.AA063499 PRESSURE SPRIN G

17.AA082173 (x2) PLAIN SHAFT BEA RING:6X10X6

7.08050104 (x23) RETAINING RINGS -E:SILENCER:DIA4

23.AA143807 SCREW:A

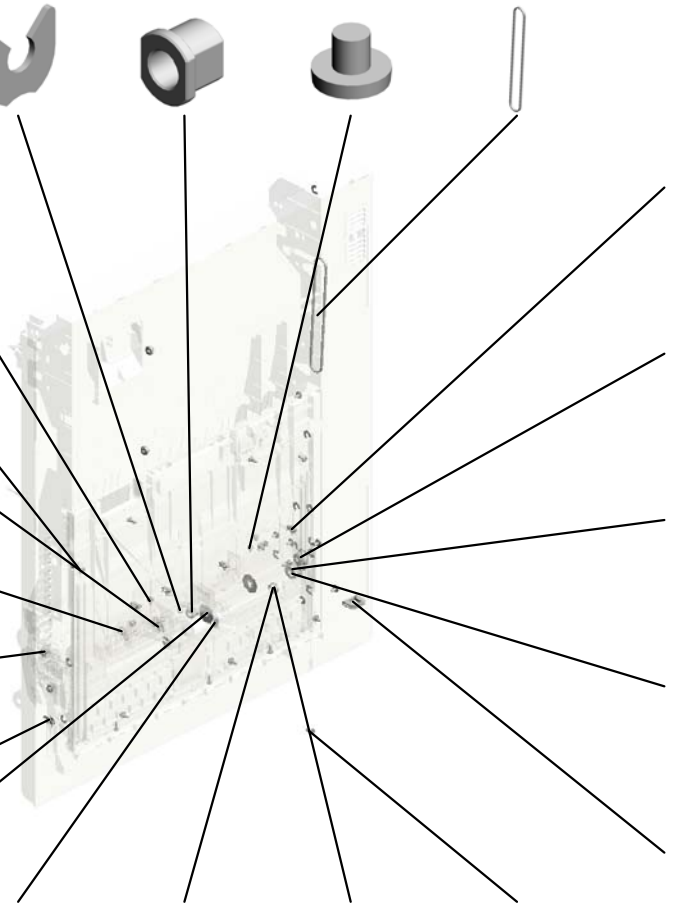
9.11050758 (x6) CLAMP:LWSM-030 6A

20.AA083018 ROLLER CLUTCH - 6X14X10

19.AA083014 ONE-WAY CLUTCH

3.04543008Q (x7) TAPPING SCREW: 3X8

8.11050724 CLAMPS:WES-121 0



U001	U002	U003	U004	U005	U006	U007	U008	U009	U010	U011	U012	U013	U014	U015	U016
------	------	------	------	------	------	------	------	------	------	------	------	------	------	------	------

U013_S001
 DUPLEX UNIT:D148/D149:ASS'Y



97.D1494511
 DUPLEX UNIT:D148/D149:ASS'Y

- 44.D0394525 (x2) COMPRESSION SPRING:SHAFT:GUIDE PLATE:EXIT
- 40.D0094487 (x2) COMPRESSION SPRING:RING - GATE
- 39.D0094485 (x2) BUSHING - GATE
- 36.B2234552 (x4) BUSHING:DIA4
- 34.AW500040 PUSH SWITCH:SW 1AG-550:10MA

41.D0094489
 DRIVEN ROLLER



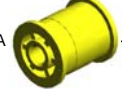
38.D0092574 (x6)
 PULLEY - IDLER



43.D0392993 (x2)
 SHAFT:TRANSPORT BELT:PULLEY



37.D0092573 (x6)
 PULLEY - VERTICAL TRANSPORT



42.D0292677 (x6)
 TRANSPORT BELT:DRIVEN:VERTICAL TRANSPORT



31.AW020203 (x3)
 PHOTO INTERRUPTOR:GP1A173LCS 2F



29.AF031046
 FEED ROLLER - MANUAL FEED



30.AF032046
 SEPARATION ROLLER - MANUAL FEED



27.AF013016 (x2)
 BOTTOM PLATE PAD



33.AW500039
 ROTARY SWITCH: PAPER SIZE SENSOR: CW: (for D148/D149)



35.AX060435
 DC MOTOR:GEAR: 10W:BRUSHLESS



24.AB010156
 GEAR:SEPARATE: DRIVE



25.AB010157
 GEAR:SEPARATE: DRIVEN



26.AB011252
 GEAR - 20Z



28.AF030049
 PICK-UP ROLLER



U001	U002	U003	U004	U005	U006	U007	U008	U009	U010	U011	U012	U013	U014	U015	U016
------	------	------	------	------	------	------	------	------	------	------	------	------	------	------	------

U013_S001
 DUPLEX UNIT:D148/D149:ASS'Y



97.D1494511
 DUPLEX UNIT:D148/D149:ASS'Y

54.D1492613 SHAFT:GRIP:DRIVEN
 56.D1492615 GUIDE PLATE:SEPARATOR:ASS'Y
 47.D0394597 (x4) TENSION SPRING:DRIVEN ROLLER
 50.D1492557 GUIDE:REGISTRATION:ENTRANCE:REAR
 46.D0394591 (x2) SHAFT:PRESSURE:GUIDE PLATE:EXIT

51.D1492558 GUIDE:REGISTRATION:ENTRANCE:FRONT

45.D0394529 STOPPER:GUIDE PLATE:ROLLER:DRIVEN

49.D1444489 (x4) STOPPER:DRIVEN ROLLER

55.D1492614 (x2) TENSION SPRING:GRIP:PRESSURE

53.D1492612 (x3) ROLLER:GRIP:DRIVEN

48.D1292783 TORQUE LIMITER MECHANICAL CLUTCH:40MM:DI18

63.D1492638 LINK:PAPER STOPPER:MANUAL FEED

62.D1492637 PAPER STOPPER:MANUAL FEED

60.D1492634 ARM:PICKUP:MANUAL FEED

64.D1492639 SHAFT:PAPER STOPPER

58.D1492625 DC SOLENOID:PICTURE:ASS'Y

61.D1492635 TRANSPORT ROLLER:MANUAL FEED

57.D1492619 SHAFT:SEPARATOR:DRIVE:ASS'Y

59.D1492633 SHAFT:FEED:MANUAL FEED

65.D1492641 COVER:PAPER STOPPER:MANUAL FEED

U001	U002	U003	U004	U005	U006	U007	U008	U009	U010	U011	U012	U013	U014	U015	U016
------	------	------	------	------	------	------	------	------	------	------	------	------	------	------	------

U013_S001
 DUPLEX UNIT:D148/D149:ASS'Y



97.D1494511
 DUPLEX UNIT:D148/D149:ASS'Y

71.D1492652 GROUND PLATE:SHAFT:FEED
 75.D1492658 COVER:PAPER FEED ROLLER
 76.D1492663 MANUAL FEED TABLE:(for D148/D149)
 68.D1492645 COIL SPRING:RELEASE:PICKUP:MANUAL FEED
 67.D1492644 TORSION SPRING:LINK:PAPER STOPPER

83.D1492678 (x2)
 SHAFT:FLAT CONVEYER BELT:DRIVE

81.D1492675 (x2)
 HOLDER:DRIVEN BELT

72.D1492655 FEELER:PAPER END SENSOR

74.D1492657 COVER:PAPER END

78.D1492667 (x2)
 RACK:MANUAL FEED:(for D148/D149)

84.D1492683 (x2)
 ARM:MANUAL FEED:FRONT LOWER

79.D1492672 GUIDE PLATE:VERTICAL TRANSPORT:1:(for D148/D149)

73.D1492656 TORSION SPRING:PAPER END SENSOR

80.D1492673 GUIDE PLATE:VERTICAL TRANSPORT:NO.2:DRIVEN

77.D1492666 GEAR:SIDE FENCE:MANUAL FEED TABLE:(for D148/D149)

70.D1492651 GROUND WIRE:MANUAL FEED UNIT

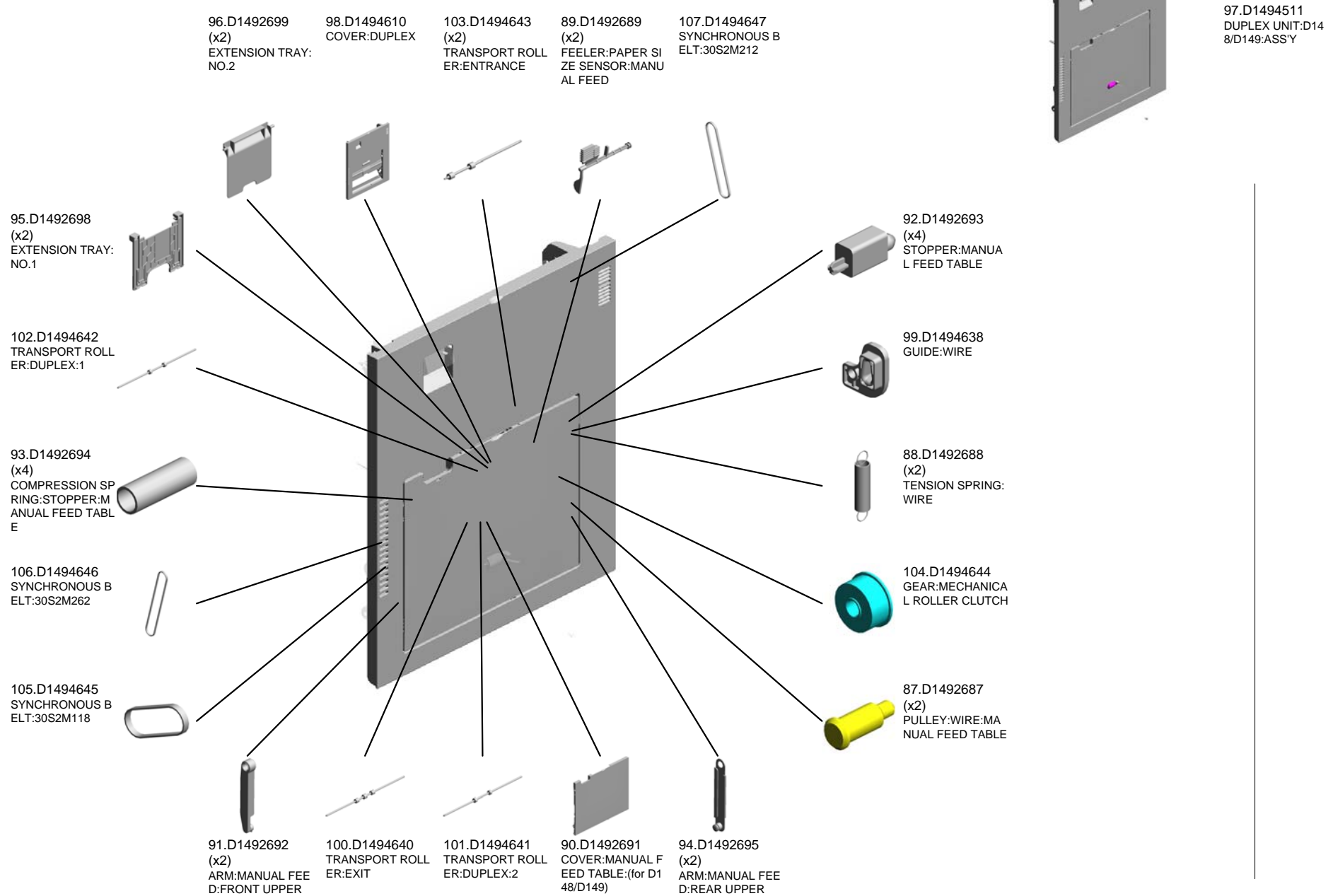
69.D1492647 COVER:DAMPER

86.D1492686 (x2)
 WIRE:MANUAL FEED TABLE:TC075

66.D1492642 SHAFT:LINK:PAPER STOPPER

85.D1492684 (x2)
 ARM:MANUAL FEED:REAR LOWER

U013_S001
 DUPLEX UNIT:D148/D149:ASS'Y



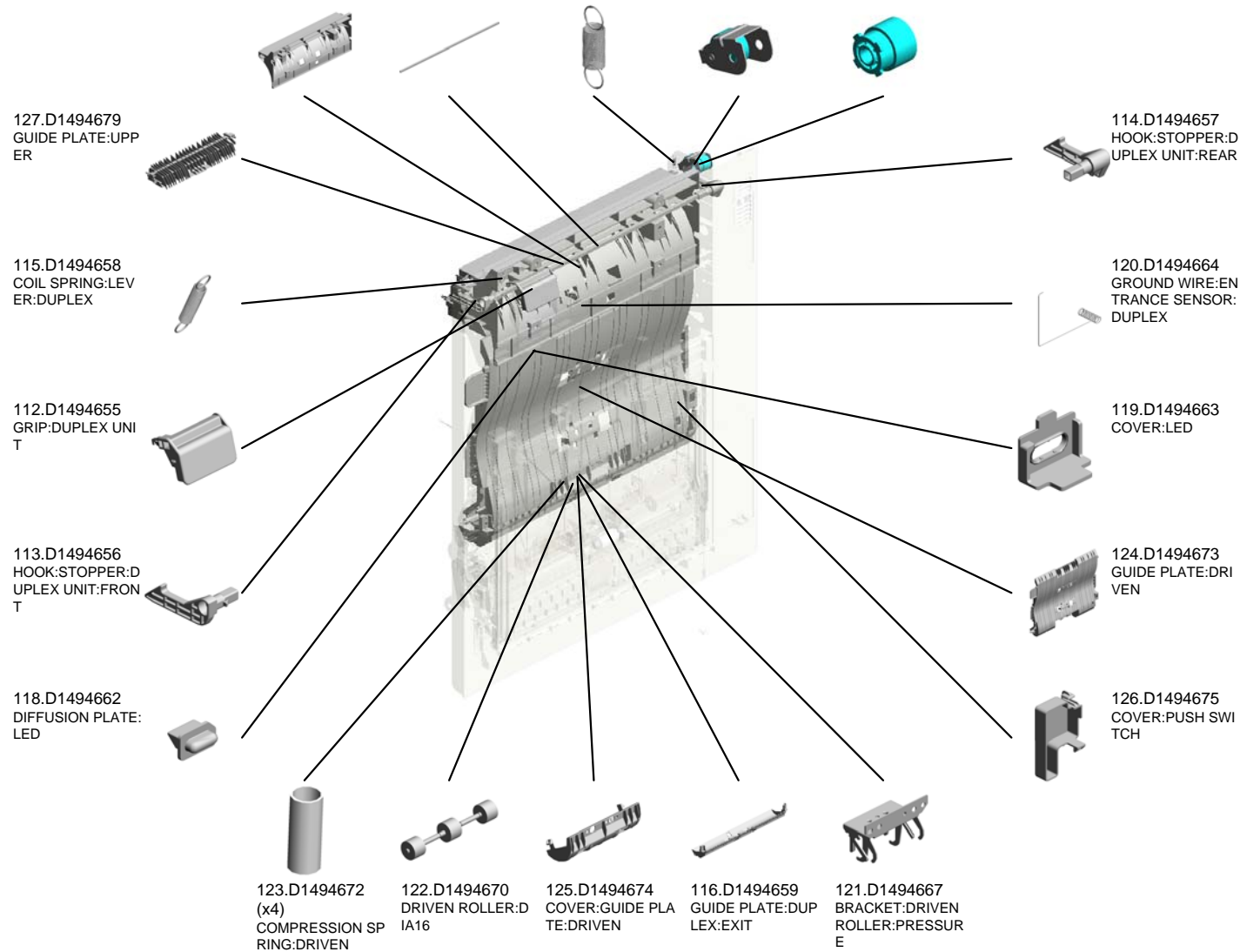
U001	U002	U003	U004	U005	U006	U007	U008	U009	U010	U011	U012	U013	U014	U015	U016
------	------	------	------	------	------	------	------	------	------	------	------	-------------	------	------	------

U013_S001
 DUPLEX UNIT:D148/D149:ASS'Y

117.D1494660 GUIDE PLATE:UPPER:RIGHT:DUPLEX
 111.D1494654 SHAFT:LEVER:LOCK
 110.D1494653 TENSION SPRING:SWIVEL
 108.D1494648 BRACKET:SWIVEL
 109.D1494652 GEAR:PULLEY:SWIVEL



97.D1494511
 DUPLEX UNIT:D148/D149:ASS'Y



U001	U002	U003	U004	U005	U006	U007	U008	U009	U010	U011	U012	U013	U014	U015	U016
------	------	------	------	------	------	------	------	------	------	------	------	-------------	------	------	------

U013_S001
 DUPLEX UNIT:D148/D149:ASS'Y

139.D1494697
 GROUND WIRE:EX
 IT SENSOR:DUPL
 X

147.D1494715
 DECAL:GRIP:Z

131.D1494688
 LINK:DUPLEX:MAI
 N

133.D1494690
 TORSION SPRING:
 LINK

135.D1494692
 INNER COVER:RE
 AR:DUPLEX

97.D1494511
 DUPLEX UNIT:D14
 8/D149:ASS'Y



146.D1494714
 (x2)
 DECAL:SCALE:MA
 NUAL FEED



137.D1494694
 ARM:PUSH SWITC
 H



140.D1494699
 COVER:SENSOR: E
 XIT



136.D1494693
 INNER COVER:FR
 ONT:DUPLEX



138.D1494695
 LINK:FRONT



130.D1494685
 LINK:DUPL
 EX



132.D1494689
 BRACKET:LINK:DU
 PLEX



134.D1494691
 TORSION SPRING:
 LINK:CONTACT PO
 INT



144.D1494710
 GEAR:IDLER



141.D1494707
 GEAR:FEED:MANU
 AL FEED:DRIVE



143.D1494709
 GEAR:TRANSPOR
 T ROLLER:MANUA
 L FEED



145.D1494711
 DECAL:SIDE FENC
 E:MANUAL FEED



142.D1494708
 GEAR:SEPARATO
 R:MANUAL FEED:DRIVE



129.D1494684
 GEAR:OUTPUT



128.D1494681
 BRACKET:MOTOR



U013_S001
 DUPLEX UNIT:D148/D149:ASS'Y



97.D1494511
 DUPLEX UNIT:D148/D149:ASS'Y

166.D1494738 GROUND WIRE:BRACKET:DRIVEN ROLLER
 172.D1494761 (x2) DRIVEN ROLLER:DIAM16
 164.D1494736 (x2) DECAL:PAPER SELECTION DIRECTION:MANUAL FEED:EXP
 153.D1494721 TORSION SPRING:SIDE FENCE:REAR
 152.D1494720 PLATE:SIDE FENCE:REAR

165.D1494737 (x4) PLAIN SHAFT BEARING:DUPLX:EXIT

149.D1494717 PLATE:SIDE FENCE:FRONT

161.D1494733 (x4) COMPRESSION SPRING:FLAT CONVEYER BELT:DRIVEN:NO.1

150.D1494718 TORSION SPRING:SIDE FENCE:FRONT

160.D1494731 (x2) COMPRESSION SPRING:RACK:MANUAL FEED:(for D148/D149)

154.D1494723 VIBRATING PLATE:SIDE FENCE:FRONT

155.D1494724 TORSION SPRING:VIBRATING PLATE:FRONT

158.D1494727 (x2) CAP:SIDE FENCE

168.D1494741 ARM:LINK:PAPER STOPPER

167.D1494739 SHEET:PICKUP

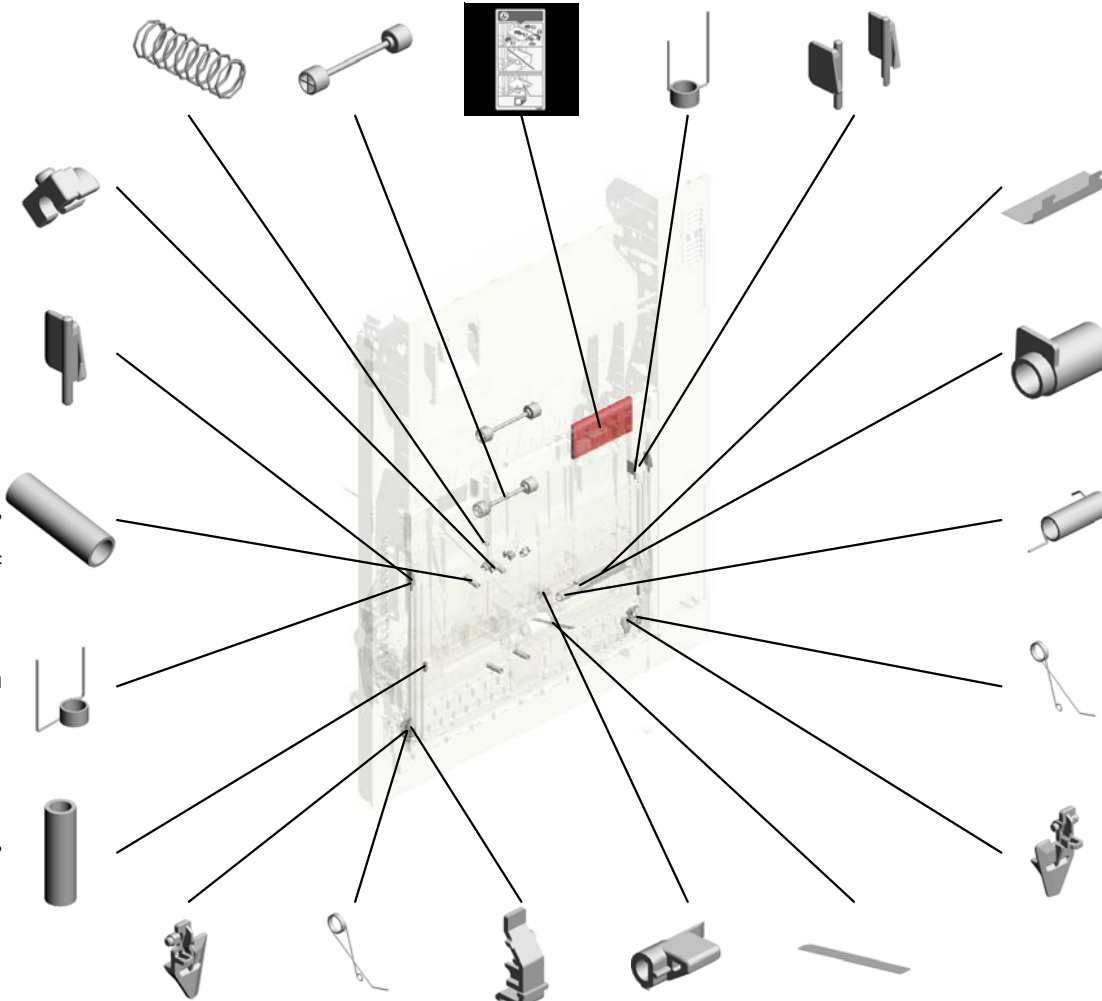
159.D1494728 SHEET:FEED:MANUAL FEED

163.D1494735 SHOE:TORSION SPRING:PICKUP

162.D1494734 TORSION SPRING:PICKUP

157.D1494726 TORSION SPRING:VIBRATING PLATE:REAR

156.D1494725 VIBRATING PLATE:SIDE FENCE:REAR



U001	U002	U003	U004	U005	U006	U007	U008	U009	U010	U011	U012	U013	U014	U015	U016
------	------	------	------	------	------	------	------	------	------	------	------	------	------	------	------

U013_S001
 DUPLEX UNIT:D148/D149:ASS'Y

177.D1494768
 SHEET:GUIDE PLATE:DRIVEN

186.GW010007
 (x2)
 PHOTO REFLECTOR SENSOR:EXIT

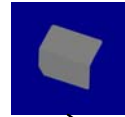


97.D1494511
 DUPLEX UNIT:D148/D149:ASS'Y

173.D1494762
 DRIVEN ROLLER:DIAMETER:18



175.D1494766
 (x3)
 PULLEY:T26/T26



176.D1494767
 (x3)
 GUIDE:TRANSPORT ROLLER



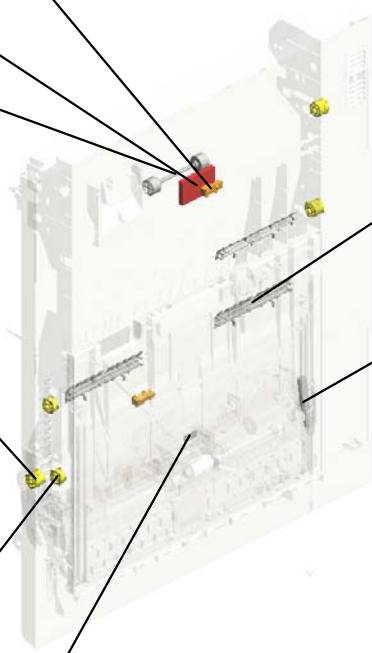
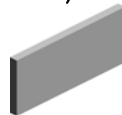
188.M0662749
 OIL DAMPER:STRAIGHT:30N



174.D1494765
 (x2)
 PULLEY:T26



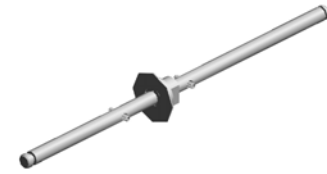
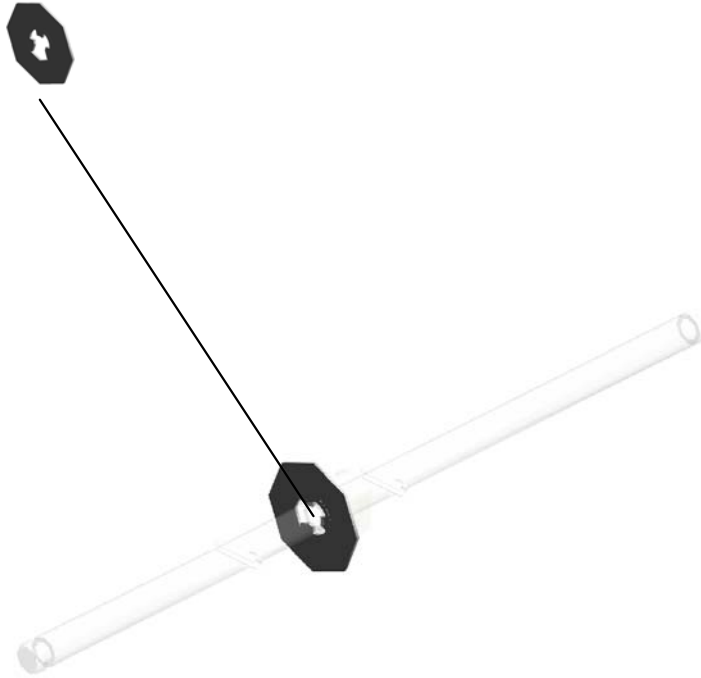
187.M0662743
 (x2)
 FRICTION PAD:MANUAL FEED TABLE:18X7.5



U001	U002	U003	U004	U005	U006	U007	U008	U009	U010	U011	U012	U013	U014	U015	U016
------	------	------	------	------	------	------	------	------	------	------	------	------	------	------	------

U013_S001_S001
SHAFT:SEPARATOR:DRIVEN:ASS'Y

5.07200040E
RETAINING RING -
M4



52.D1492608
SHAFT:SEPARATO
R:DRIVEN:ASS'Y

U001	U002	U003	U004	U005	U006	U007	U008	U009	U010	U011	U012	U013	U014	U015	U016
------	------	------	------	------	------	------	------	------	------	------	------	------	------	------	------

U013_S001_S002

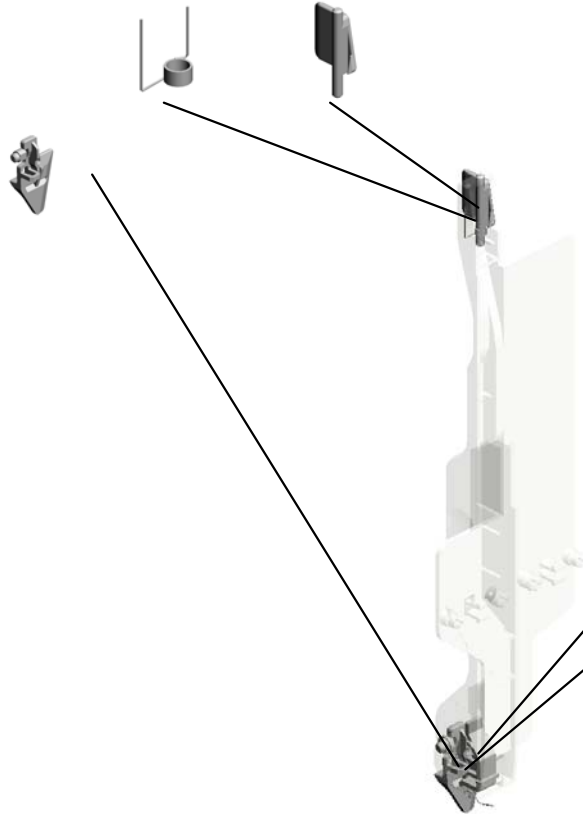
SIDE FENCE:FRONT:ASS'Y:(for D148/D149)

150.D1494718 149.D1494717
TORSION SPRING: PLATE:SIDE FENC
SIDE FENCE:FRON E:FRONT
T



148.D1494716
SIDE FENCE:FRON
T:ASS'Y:(for D148/D
149)

154.D1494723
VIBRATING PLATE:
SIDE FENCE:FRON
T



158.D1494727
CAP:SIDE FENCE



155.D1494724
TORSION SPRING:
VIBRATING PLATE:
FRONT



U001	U002	U003	U004	U005	U006	U007	U008	U009	U010	U011	U012	U013	U014	U015	U016
------	------	------	------	------	------	------	------	------	------	------	------	------	------	------	------

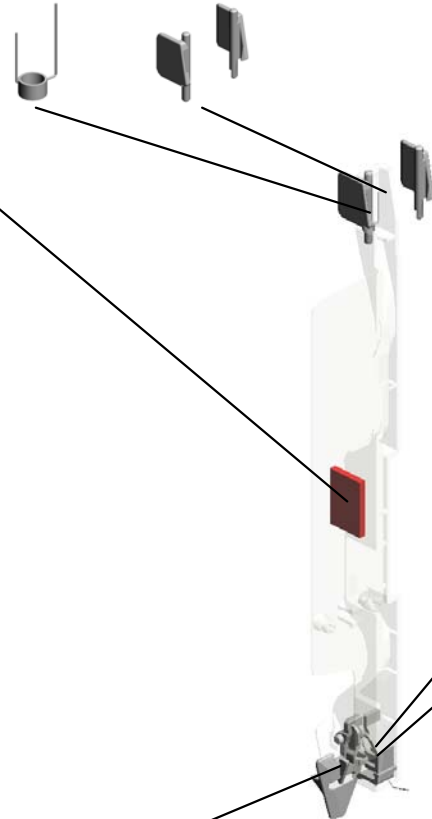
U013_S001_S003

SIDE FENCE:REAR:ASS'Y:(for D148/D149)

153.D1494721 152.D1494720
TORSION SPRING: PLATE:SIDE FENC
SIDE FENCE:REAR E:REAR

151.D1494719
SIDE FENCE:REAR
:ASS'Y:(for D148/D1
49)

145.D1494711
DECAL:SIDE FENC
E:MANUAL FEED



158.D1494727
CAP:SIDE FENCE



157.D1494726
TORSION SPRING:
VIBRATING PLATE:
REAR

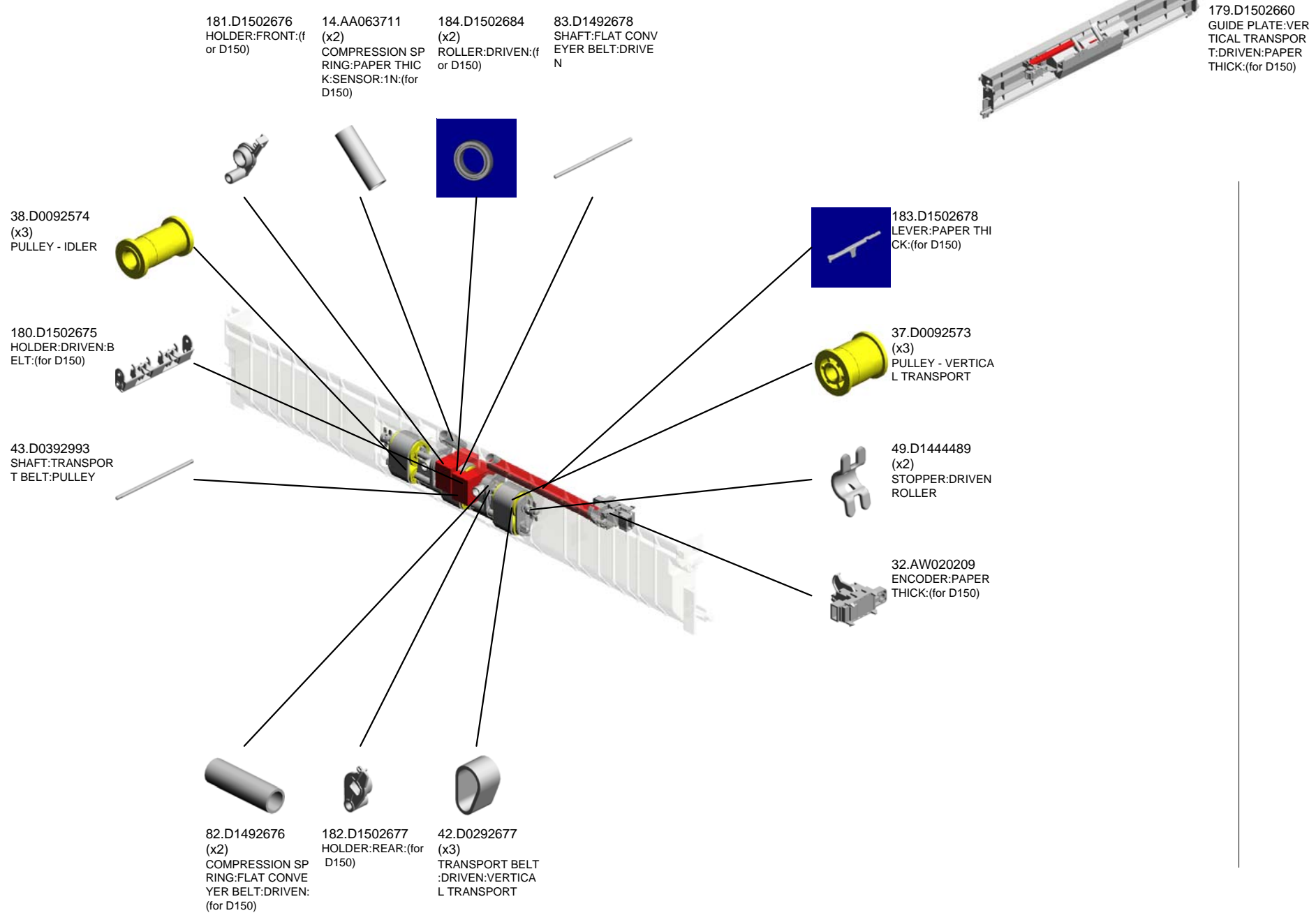


156.D1494725
VIBRATING PLATE:
SIDE FENCE:REAR



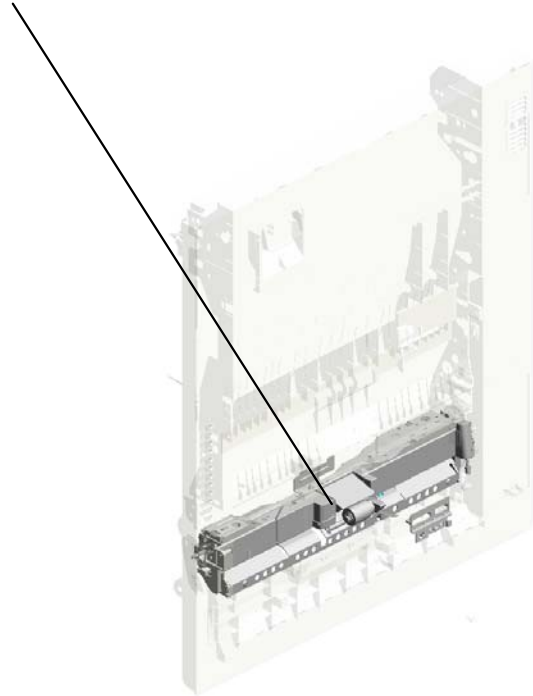
U001	U002	U003	U004	U005	U006	U007	U008	U009	U010	U011	U012	U013	U014	U015	U016
------	------	------	------	------	------	------	------	------	------	------	------	------	------	------	------

GUIDE PLATE:VERTICAL TRANSPORT:DRIVEN:PAPER THICK:(for D150)



U013_S002
DUPLEX UNIT:D150:ASS'Y:(for D150)

178.D1502601
MANUAL FEED UNI
T:METIS-C1E:ASS'
Y:(for D150)



185.D1504510
DUPLEX UNIT:D15
0:ASS'Y:(for D150)

U001	U002	U003	U004	U005	U006	U007	U008	U009	U010	U011	U012	U013	U014	U015	U016
------	------	------	------	------	------	------	------	------	------	------	------	------	------	------	------

U014.MAIN DRIVE

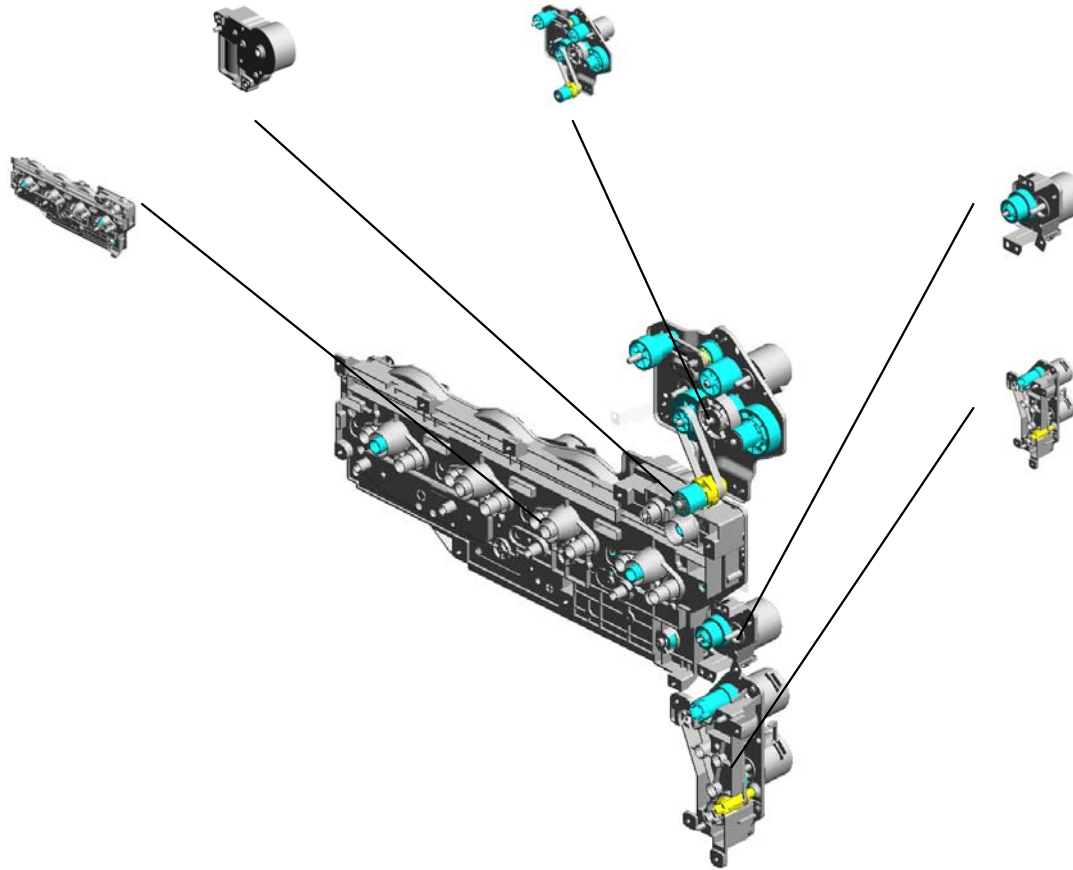
U014_S002
D1491199
DRIVE UNIT:ON-OFF:TRANS
FER

U014_S005
D1491357
DRIVE UNIT:FUSING/PAPER
EXIT UNIT:ASS'Y

U014_S001
D1491101
DRIVE UNIT:ENGINE:D148/D
149/D150

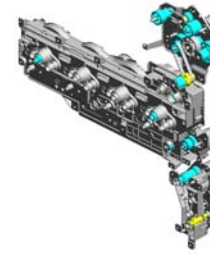
U014_S004
D1491351
DRIVE UNIT:REGISTRATION:
ASS'Y

U014_S003
D1491178
DRIVE UNIT:PAPER FEED:AS
S'Y



U001	U002	U003	U004	U005	U006	U007	U008	U009	U010	U011	U012	U013	U014	U015	U016
------	------	------	------	------	------	------	------	------	------	------	------	------	------	------	------

U014 MAIN DRIVE

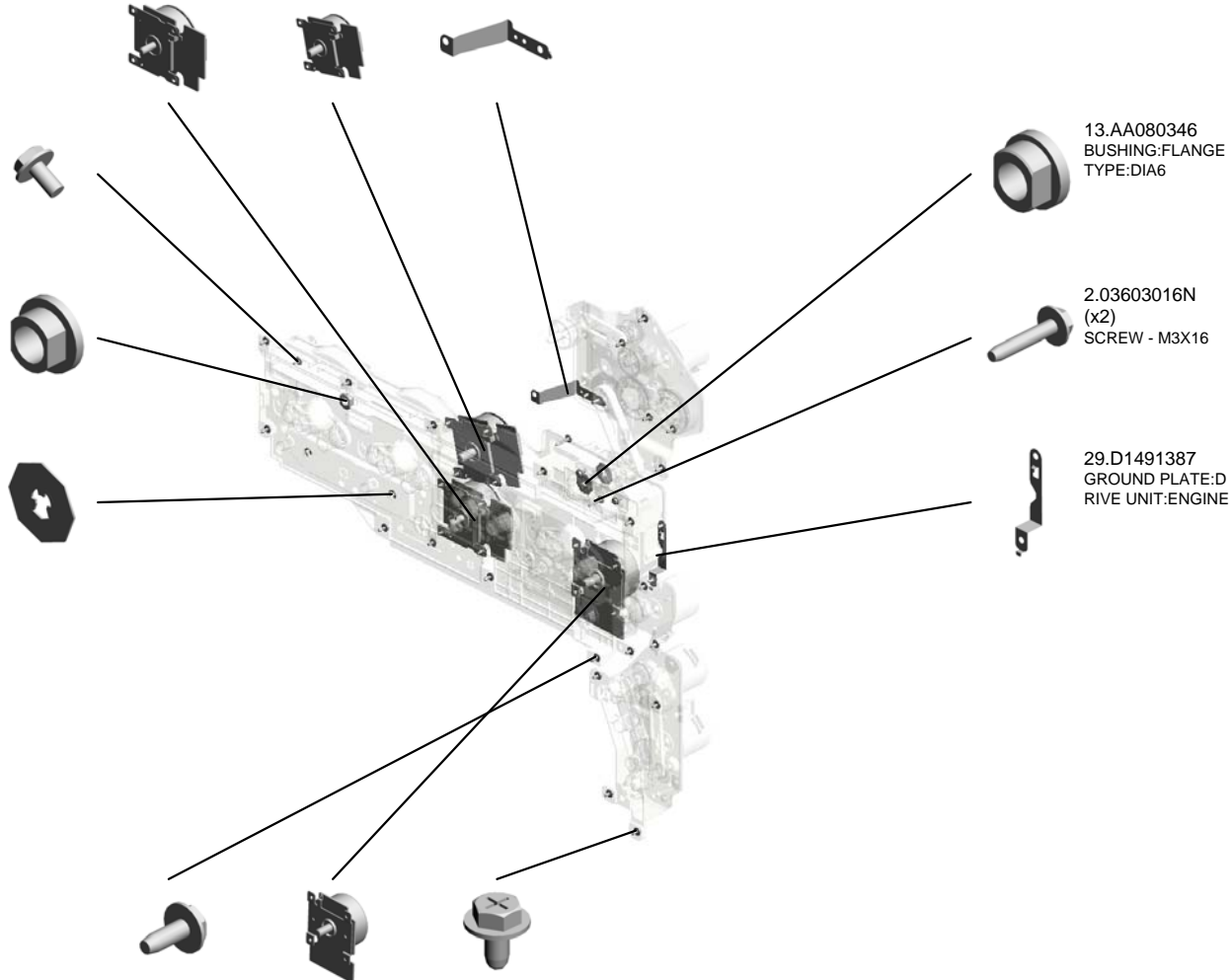


22.AX060443 DC BRUSHLESS MOTOR:DEVELOPMENT:COLLAR:29.3W
 21.AX060442 DC BRUSHLESS MOTOR:DRUM:COLLAR:25.8W
 30.D1491394 GROUND PLATE:DRIVE UNIT:FUSING/PAPER EXIT UNIT

1.03603006N (x15)
SCREW - M3X6

15.AA082175 PLAIN SHAFT BEARING:8X12X7

6.07200040E (x5)
RETAINING RING - M4



4.04583008N (x16)
HEXAGON HEAD TAPPING SCREW:3X8

23.AX060444 DC BRUSHLESS MOTOR:DRUM:TRANSFER:22.6W

3.04543006Q (x10)
TAPPING SCREW - M3X6

13.AA080346 BUSHING:FLANGE TYPE:DIA6

2.03603016N (x2)
SCREW - M3X16

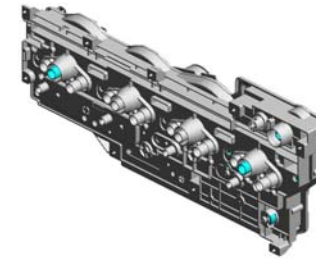
29.D1491387 GROUND PLATE:DRIVE UNIT:ENGINE

U014_S001
 DRIVE UNIT:ENGINE:D148/D149/D150

22.AX060443 DC BRUSHLESS M
 OTOR:DEVELOPM
 ENT:COLLAR:29.3
 W

21.AX060442 DC BRUSHLESS M
 OTOR:DRUM:COLL
 AR:25.8W

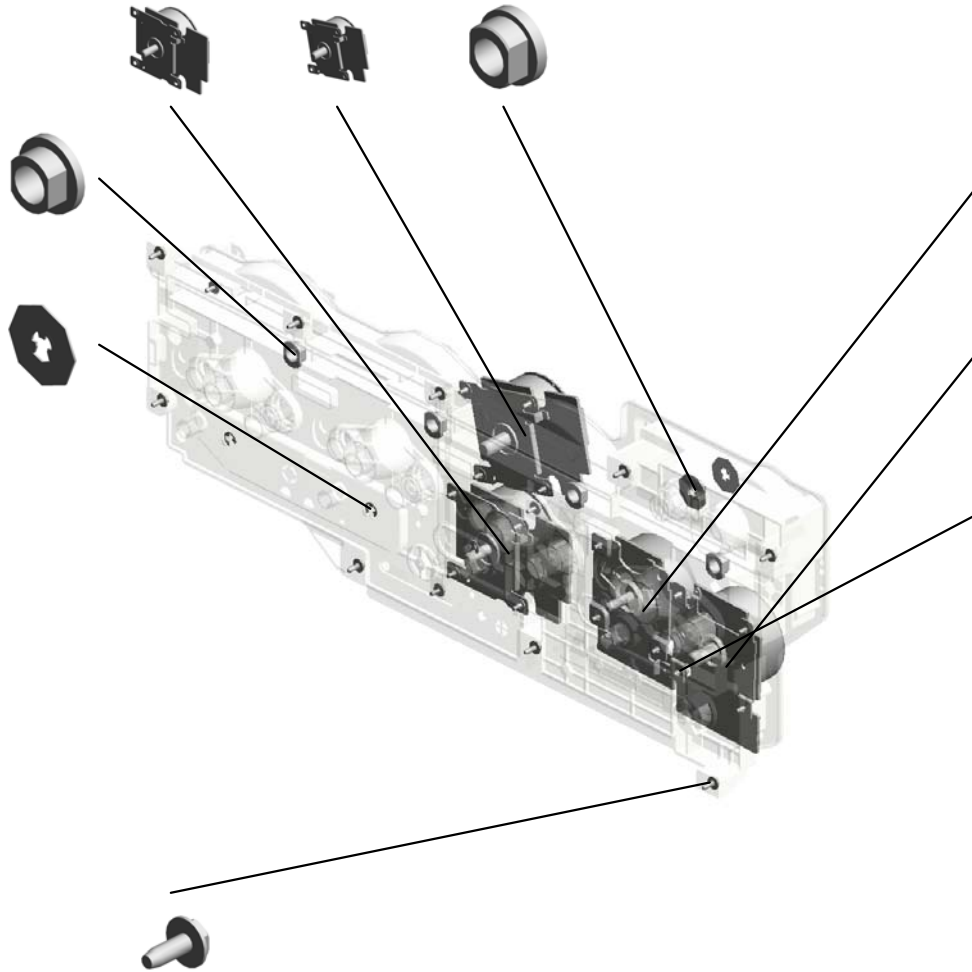
13.AA080346 BUSHING:FLANGE
 TYPE:DIA6



24.D1491101
 DRIVE UNIT:ENGIN
 E:D148/D149/D150

15.AA082175
 (x4)
 PLAIN SHAFT BEA
 RING:8X12X7

6.07200040E
 (x5)
 RETAINING RING -
 M4



18.AX050000
 DC BRUSHLESS M
 OTOR:DEVELOPM
 ENT:BLACK:9.3W

23.AX060444
 DC BRUSHLESS M
 OTOR:DRUM:TRAN
 SFER:22.6W

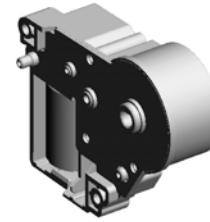
1.03603006N
 (x18)
 SCREW - M3X6

4.04583008N
 (x9)
 HEXAGON HEAD T
 APPING SCREW:3
 X8

U001	U002	U003	U004	U005	U006	U007	U008	U009	U010	U011	U012	U013	U014	U015	U016
------	------	------	------	------	------	------	------	------	------	------	------	------	------	------	------

U014_S002
DRIVE UNIT:ON-OFF:TRANSFER

17.AW020198
PHOTOINTERRUP
TOR:LG2A14NL1

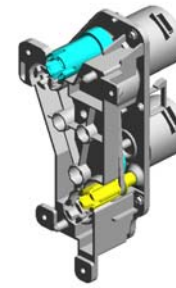


26.D1491199
DRIVE UNIT:ON-OF
F:TRANSFER

U001	U002	U003	U004	U005	U006	U007	U008	U009	U010	U011	U012	U013	U014	U015	U016
------	------	------	------	------	------	------	------	------	------	------	------	------	------	------	------

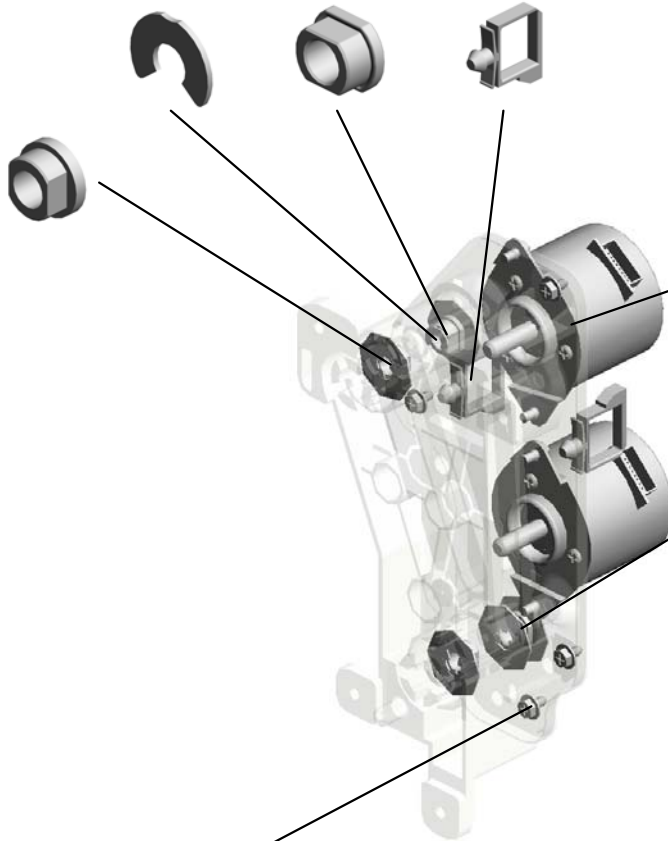
U014_S003
 DRIVE UNIT:PAPER FEED:ASS'Y

9.08050104 14.AA082173 12.11050764
 RETAINING RINGS (x2) PLAIN SHAFT BEA (x2) CLAMP:LWS-1316A
 -E:SILENCER:DIA4 RING:6X10X6



25.D1491178
 DRIVE UNIT:PAPE
 R FEED:ASS'Y

13.AA080346
 (x2)
 BUSHING:FLANGE
 TYPE:DIA6



19.AX060435
 (x2)
 DC MOTOR:GEAR:
 10W:BRUSHLESS

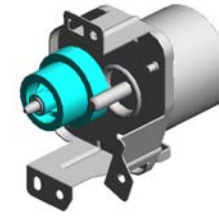
6.07200040E
 (x5)
 RETAINING RING -
 M4

1.03603006N
 (x8)
 SCREW - M3X6

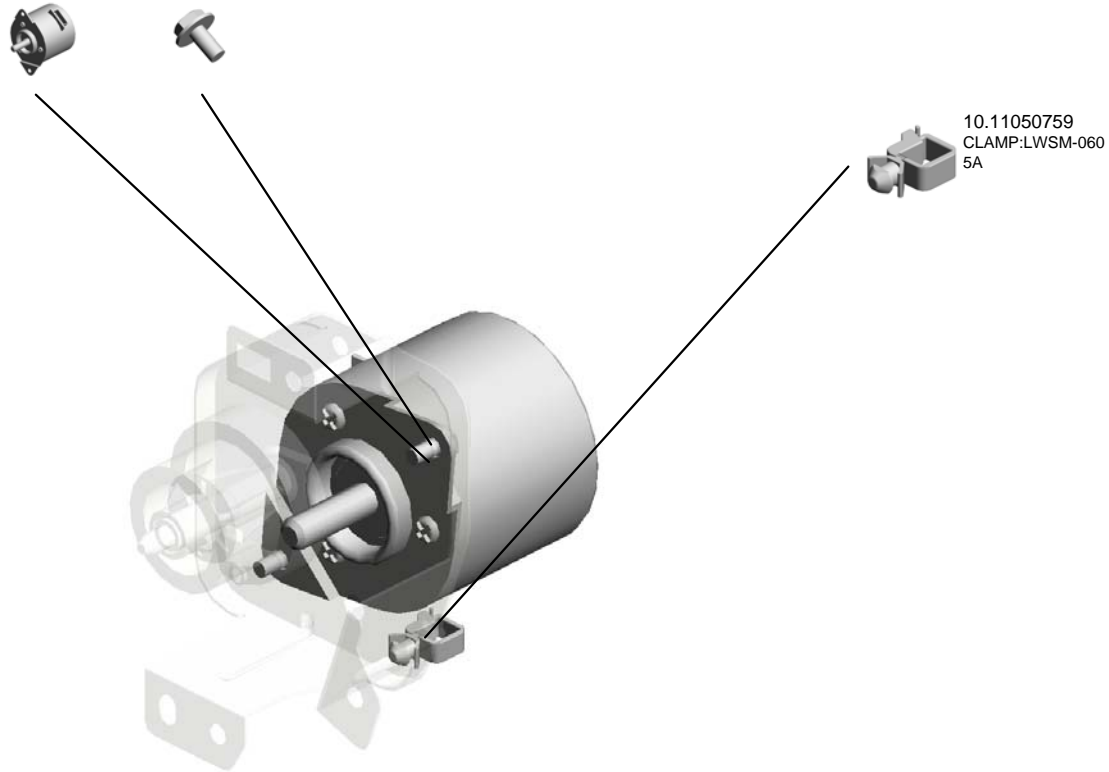
U001	U002	U003	U004	U005	U006	U007	U008	U009	U010	U011	U012	U013	U014	U015	U016
------	------	------	------	------	------	------	------	------	------	------	------	------	------	------	------

U014_S004
DRIVE UNIT:REGISTRATION:ASS'Y

19.AX060435 1.03603006N
DC MOTOR:GEAR: (x2)
10W:BRUSHLESS SCREW - M3X6



27.D1491351
DRIVE UNIT:REGIS
TRATION:ASS'Y



U001	U002	U003	U004	U005	U006	U007	U008	U009	U010	U011	U012	U013	U014	U015	U016
------	------	------	------	------	------	------	------	------	------	------	------	------	------	------	------

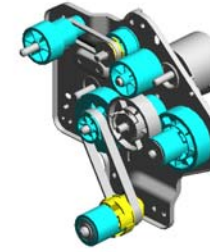
U014_S005

DRIVE UNIT:FUSING/PAPER EXIT UNIT:ASS'Y

11.11050760 (x5)
CLAMP:LWSM-051
1A

6.07200040E (x5)
RETAINING RING -
M4

19.AX060435
DC MOTOR:GEAR:
10W:BRUSHLESS

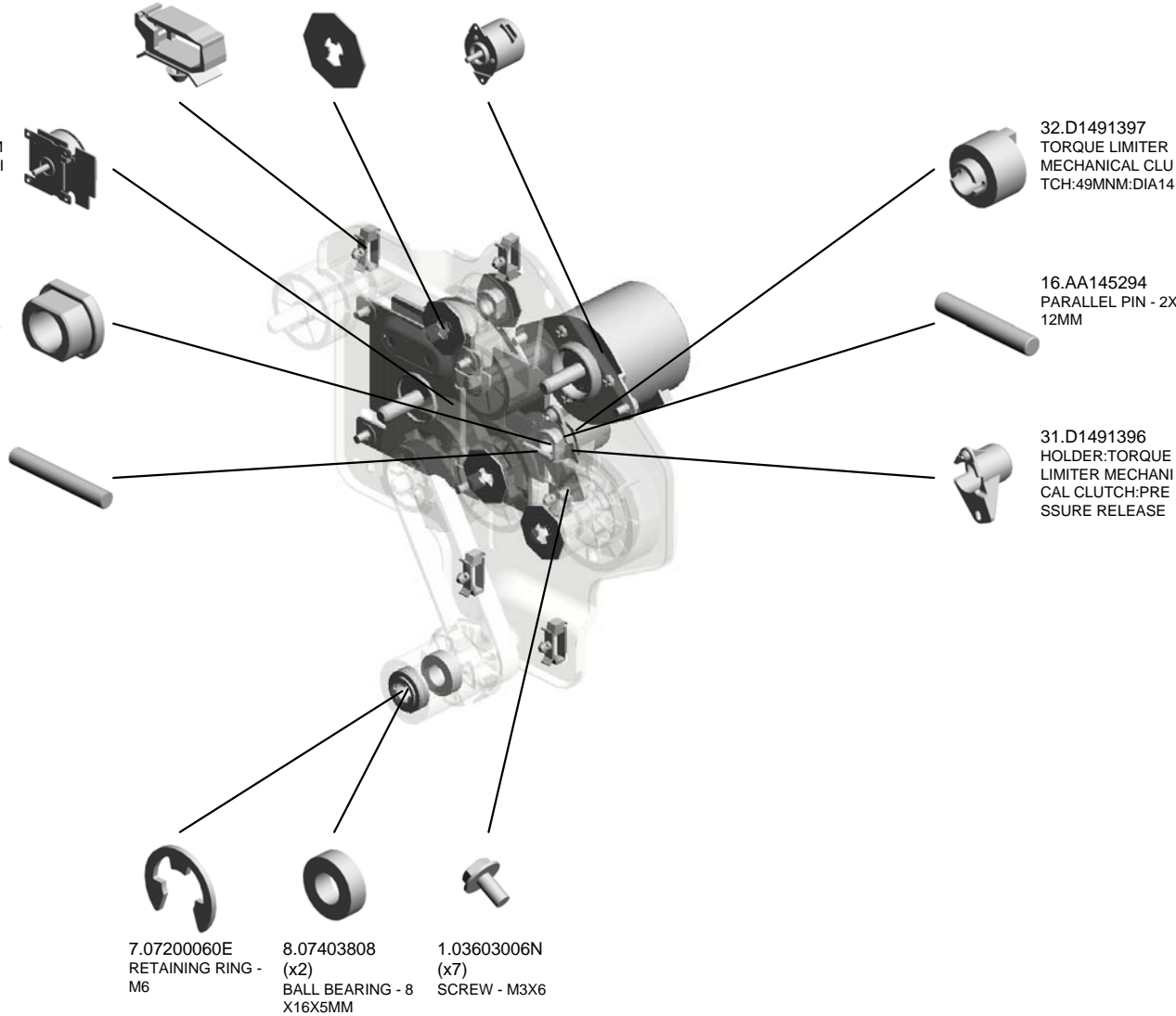


28.D1491357
DRIVE UNIT:FUSIN
G/PAPER EXIT UNI
T:ASSY

20.AX060441
DC BRUSHLESS M
OTOR:FUSING UNI
T:26.8W

14.AA082173
(x2)
PLAIN SHAFT BEA
RING:6X10X6

5.06320140G
PARALLEL PIN



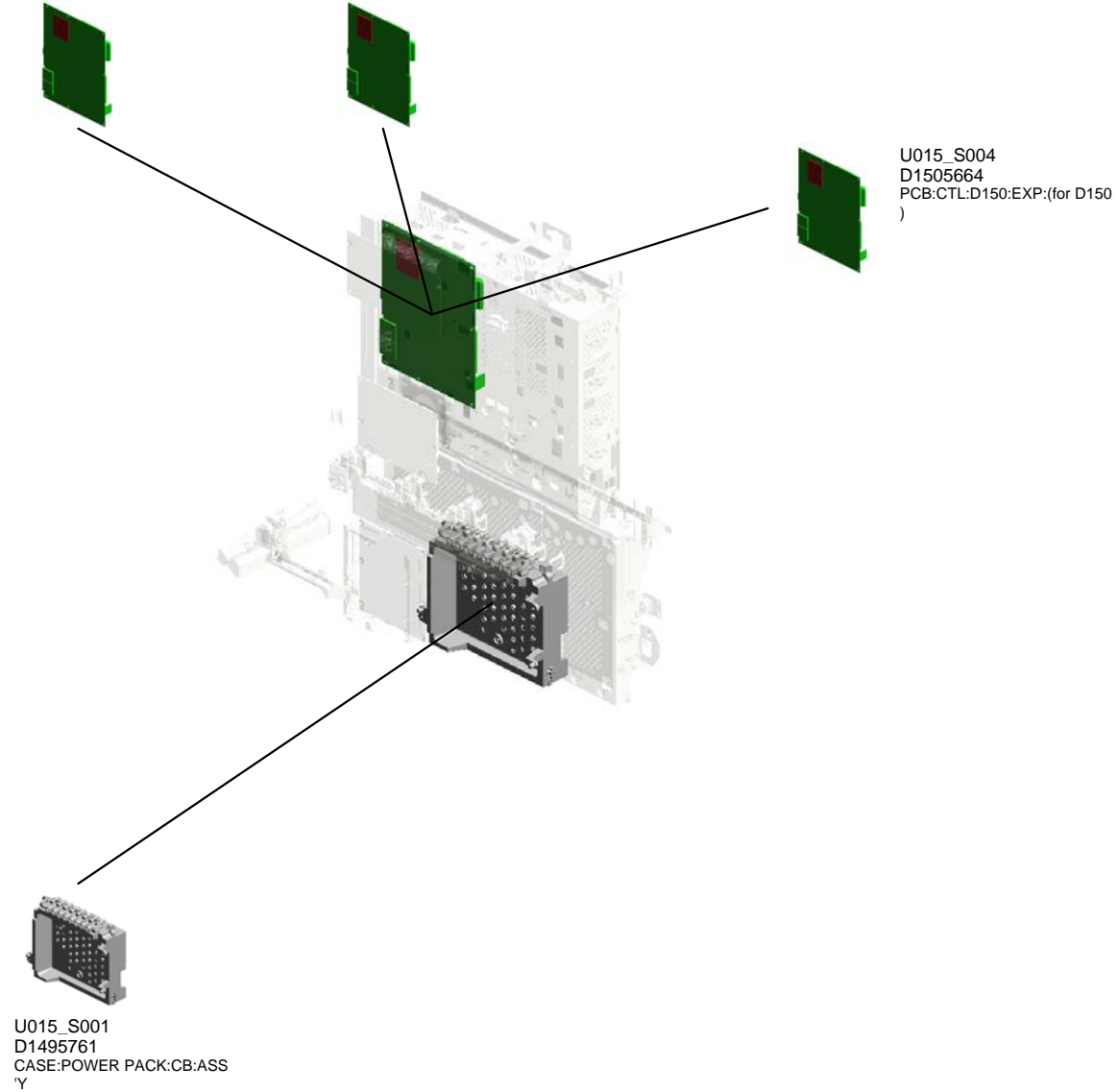
U001	U002	U003	U004	U005	U006	U007	U008	U009	U010	U011	U012	U013	U014	U015	U016
------	------	------	------	------	------	------	------	------	------	------	------	------	------	------	------

U015.ELECTRICAL

U015_S002
D1485664
PCB:CTL:D148:EXP:(for D148
)

U015_S003
D1495664
PCB:CTL:D149:EXP:(for D149
)

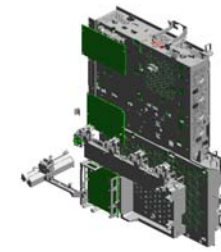
U015_S004
D1505664
PCB:CTL:D150:EXP:(for D150
)



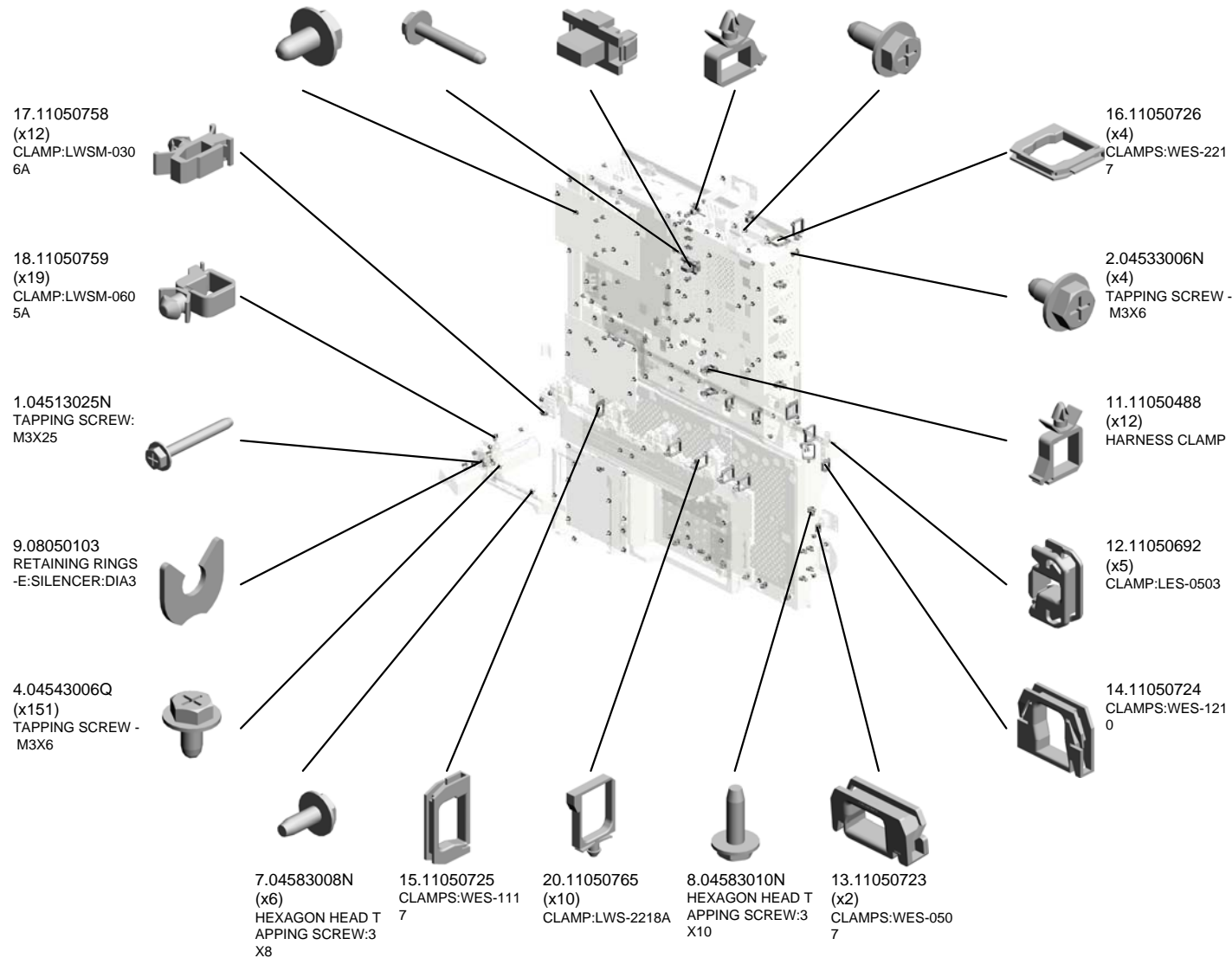
U015_S001
D1495761
CASE:POWER PACK:CB:ASS
Y

U001	U002	U003	U004	U005	U006	U007	U008	U009	U010	U011	U012	U013	U014	U015	U016
------	------	------	------	------	------	------	------	------	------	------	------	------	------	------	------

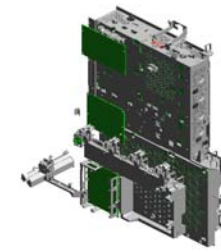
U015 ELECTRICAL



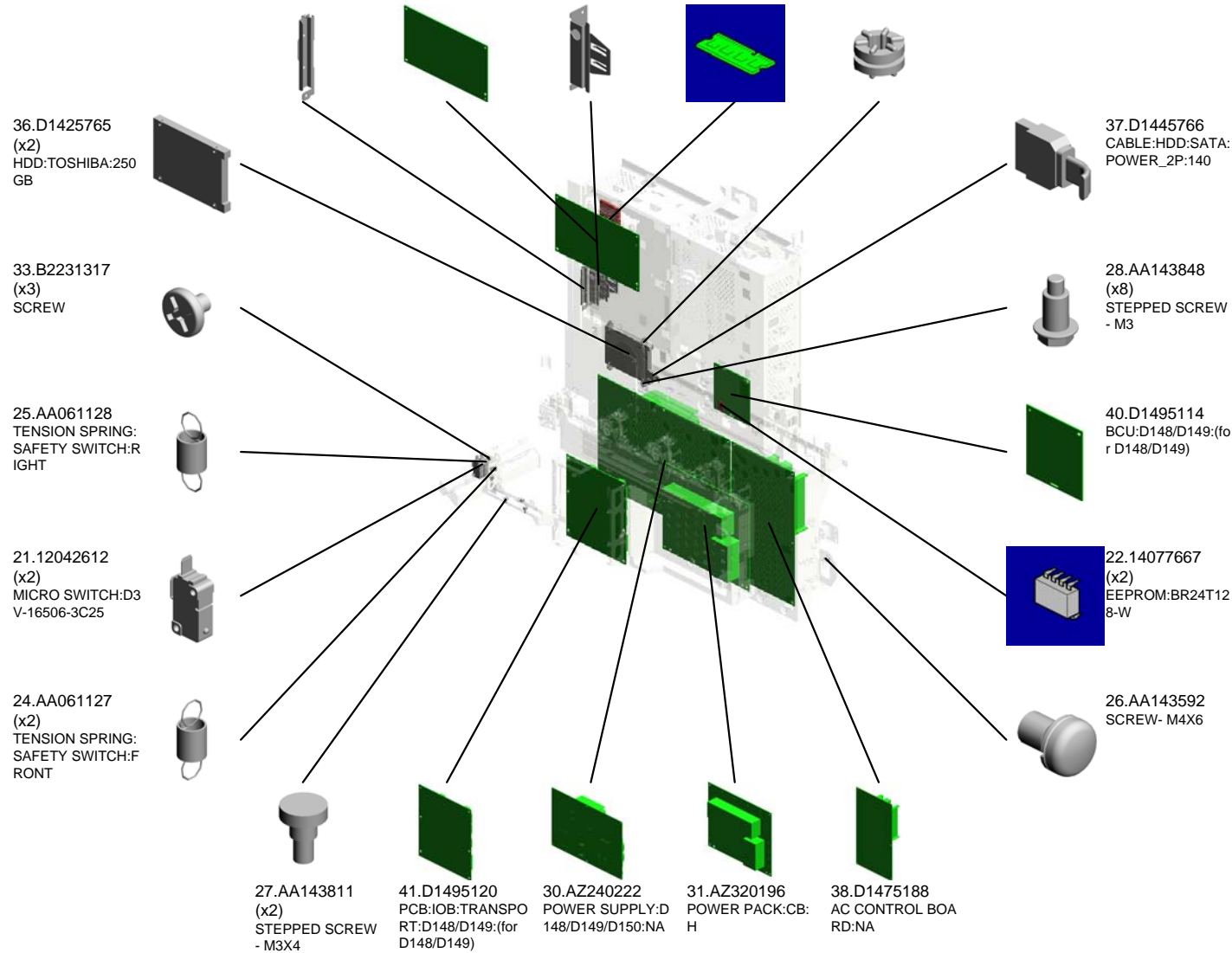
- 3.04543006N (x10) TAPPING SCREW: ROUND POINT:3X6
- 6.04543020Q (x4) TAPPING SCREW: 3X20
- 10.11029782 CONNECTOR:5140 5-1819
- 19.11050762 (x2) CLAMP:LWS-0711A
- 5.04543008Q (x4) TAPPING SCREW: 3X8



U015 ELECTRICAL

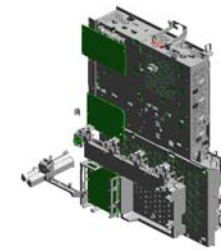


- 34.D0895824 (x2) COVER:SD-CARD: D086/D087
- 32.AZ320197 POWER PACK:TTS :H
- 35.D0895887 (x4) PANEL:INTERFAC E
- 23.19070159 SO-DIMM:DDR3:2G YTE:1333MBPS
- 29.AA161167 (x5) BUSHING:HDD



U001	U002	U003	U004	U005	U006	U007	U008	U009	U010	U011	U012	U013	U015	U016
------	------	------	------	------	------	------	------	------	------	------	------	------	------	------

U015 ELECTRICAL



49.D1495717 BASE:SAFETY SWI
TCH
44.D1495686 PCB:DCSW
53.D1495776 (x2)
COVER:USB:SMAL
L
42.D1495122 PCB:IOB:ENGINE:D
148/D149/D150
60.D1505624 PCB:IMAGE PROC
ESSING UNIT:TYP
E-S1MD-SUB:(for D
150)

45.D1495703
BRACKET:MICRO
SWITCH

48.D1495714
SHAFT:ARM:SAFE
TY SWITCH

50.D1495718
TORSION SPRING:
SAFETY SWITCH

46.D1495711
BRACKET:ARM:SA
FETY SWITCH:FR
ONT

47.D1495713
ARM:SAFETY SWI
TCH:FRONT

51.D1495726
LEVER:SAFETY S
WITCH:RIGHT

59.D1505120
PCB:IOB:TRANSP
ORT:D150:(for D150)

57.D1495840
BASE:DUCT:SUB-A
SS'Y

54.D1495824
COVER:CONNECT
OR:HEATER:0.4MM

55.D1495830
(x3)
TERMINAL:SUB-AS
S'Y

61.D1505628
PCB:SUB IPU:NA G
SA (For SPDF)

62.D1505656
PCB:IPU:D150:(for
D150)

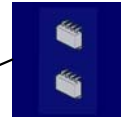
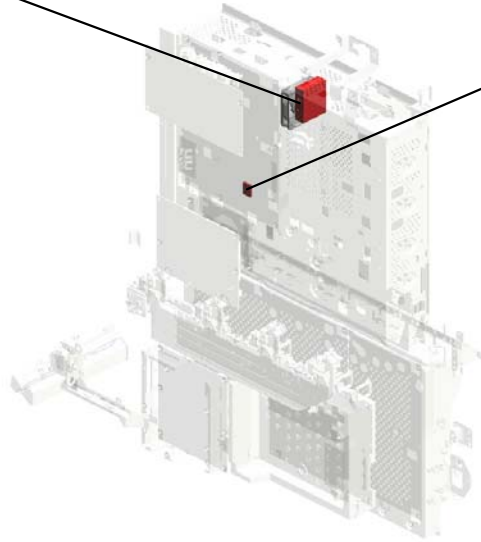
63.D1505658
PCB:IPU:D148/D14
9/D150:NA GSA

58.D1505114
BCU:D150:(for D15
0)

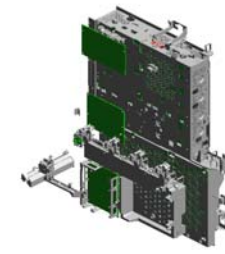
56.D1495835
TERMINAL:BLACK:
SUB-ASS'Y

U015 ELECTRICAL

66.GX640031
(x2)
FAN MOTOR:DC:2.
64W



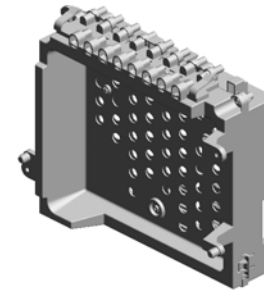
65.D1509591
TOTAL COUNTER
SERVICE SET



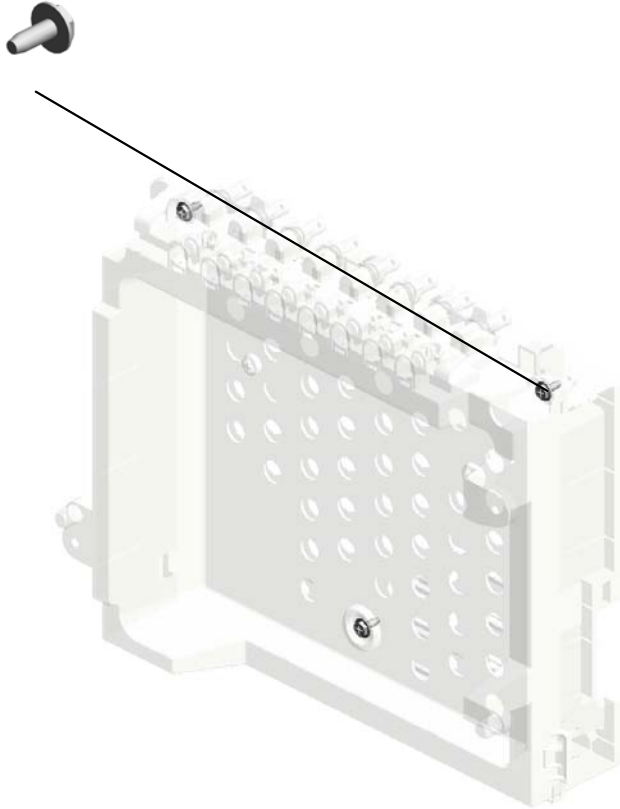
U001	U002	U003	U004	U005	U006	U007	U008	U009	U010	U011	U012	U013	U014	U015	U016
------	------	------	------	------	------	------	------	------	------	------	------	------	------	------	------

U015_S001
CASE:POWER PACK:CB:ASS'Y

7.04583008N
(x3)
HEXAGON HEAD TAPPING SCREW:3
X8



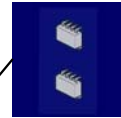
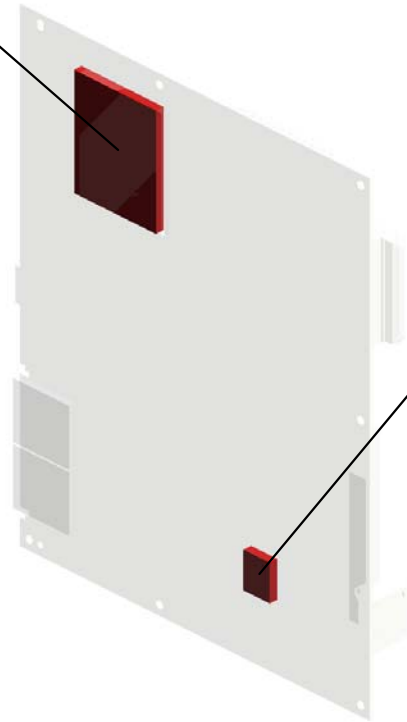
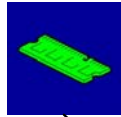
52.D1495761
CASE:POWER PAC
K:CB:ASS'Y



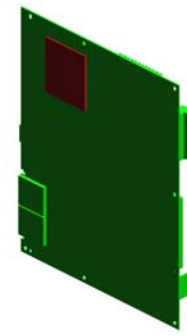
U001	U002	U003	U004	U005	U006	U007	U008	U009	U010	U011	U012	U013	U014	U015	U016
------	------	------	------	------	------	------	------	------	------	------	------	------	------	------	------

U015_S002
PCB:CTL:D148:EXP:(for D148)

23.19070159
SO-DIMM:DDR3:2G
YTE:1333MBPS



65.D1509591
TOTAL COUNTER
SERVICE SET

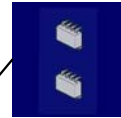
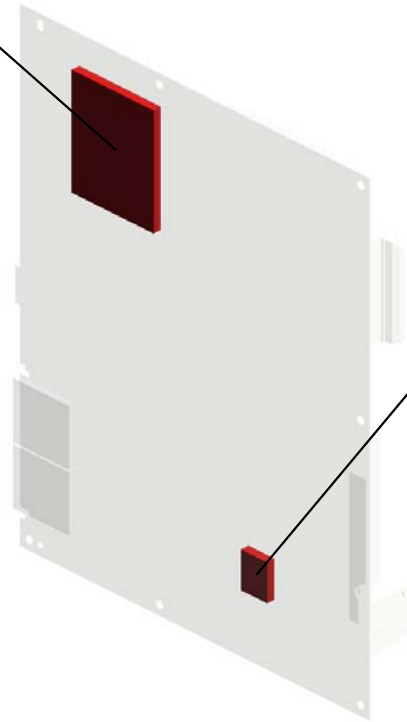
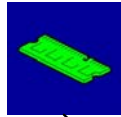


39.D1485664
PCB:CTL:D148:EXP
:(for D148)

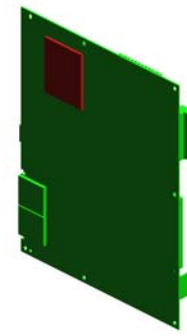
U001	U002	U003	U004	U005	U006	U007	U008	U009	U010	U011	U012	U013	U014	U015	U016
------	------	------	------	------	------	------	------	------	------	------	------	------	------	------	------

U015_S003
PCB:CTL:D149:EXP:(for D149)

23.19070159
SO-DIMM:DDR3:2G
YTE:1333MBPS



65.D1509591
TOTAL COUNTER
SERVICE SET

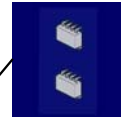
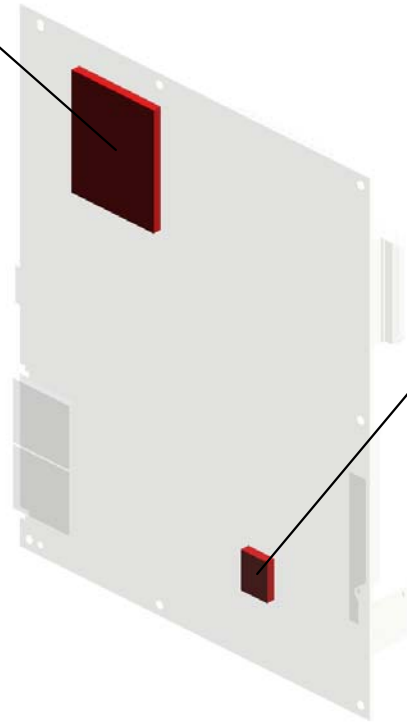
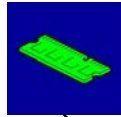


43.D1495664
PCB:CTL:D149:EXP
:(for D149)

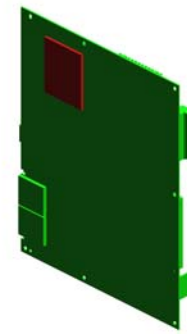
U001	U002	U003	U004	U005	U006	U007	U008	U009	U010	U011	U012	U013	U014	U015	U016
------	------	------	------	------	------	------	------	------	------	------	------	------	------	------	------

U015_S004
PCB:CTL:D150:EXP:(for D150)

23.19070159
SO-DIMM:DDR3:2G
YTE:1333MBPS



65.D1509591
TOTAL COUNTER
SERVICE SET

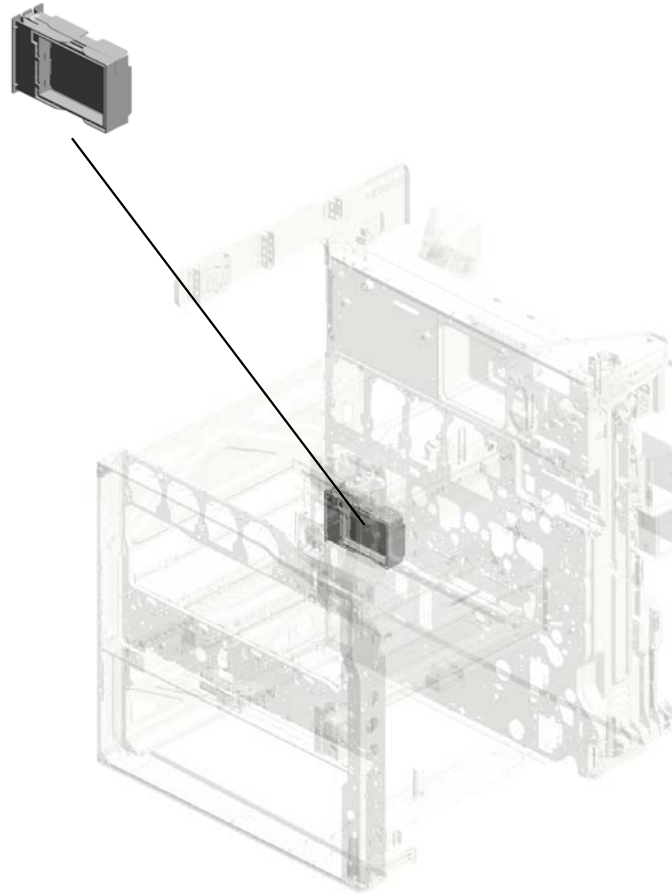


64.D1505664
PCB:CTL:D150:EXP
:(for D150)

U001	U002	U003	U004	U005	U006	U007	U008	U009	U010	U011	U012	U013	U014	U015	U016
------	------	------	------	------	------	------	------	------	------	------	------	------	------	------	------

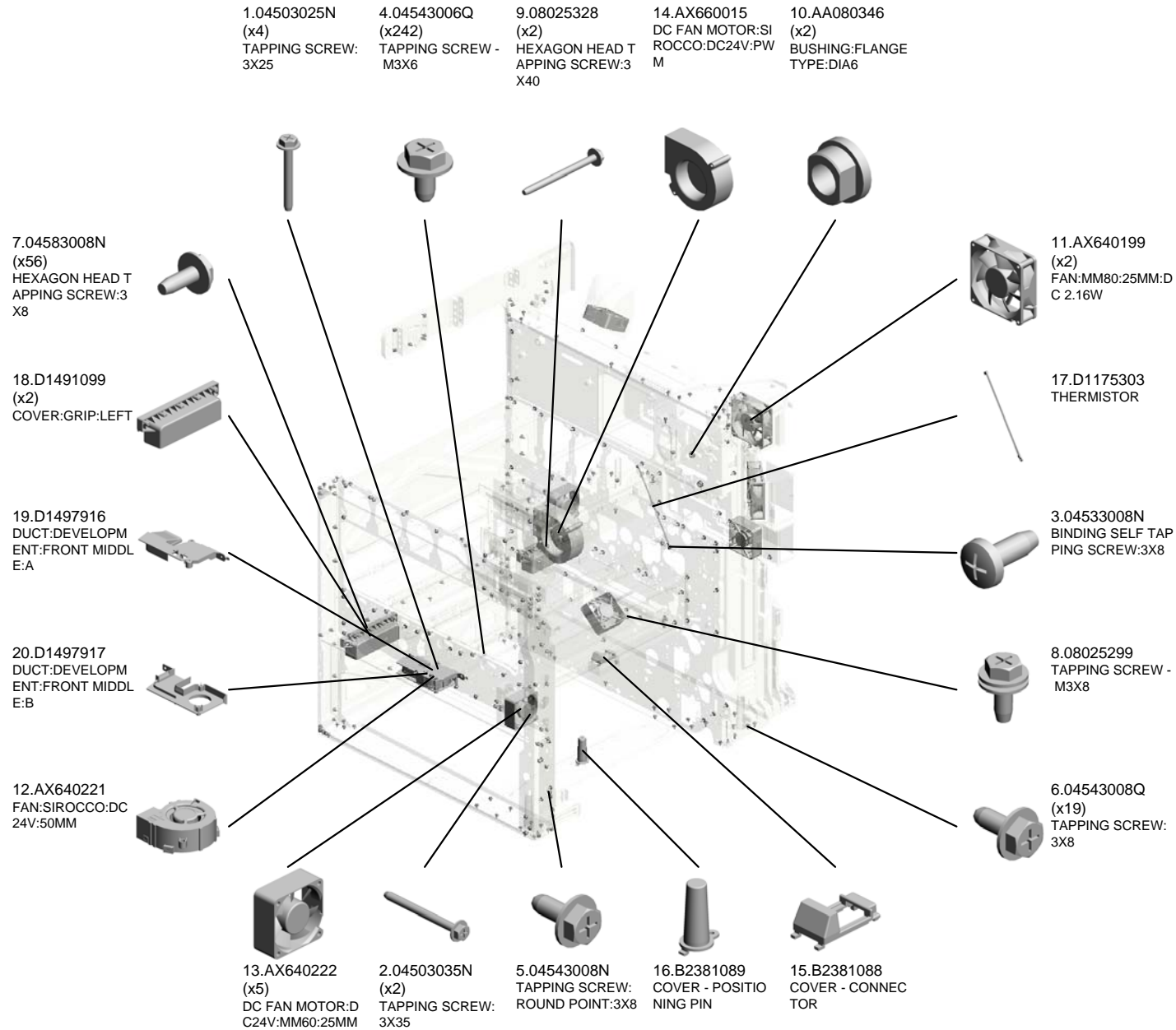
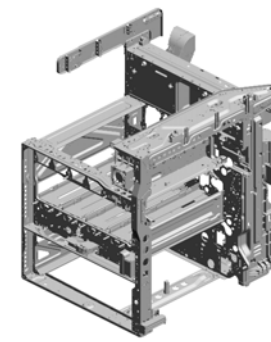
U016.MAIN FRAME

U016_S001
D1497935
CASE:FILTER:ASSY

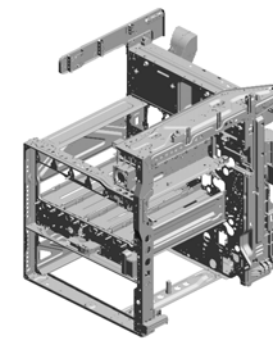


U001	U002	U003	U004	U005	U006	U007	U008	U009	U010	U011	U012	U013	U014	U015	U016
------	------	------	------	------	------	------	------	------	------	------	------	------	------	------	-------------

U016 MAIN FRAME



U016 MAIN FRAME



30.D1497943 DUCT:EXHAUST:U
PPER:C
31.D1497944 DUCT:EXHAUST:U
PPER:D
43.D1497971 DUCT:EXHAUST:R
EAR:A
29.D1497942 DUCT:EXHAUST:U
PPER:B
28.D1497941 DUCT:EXHAUST:U
PPER:A

36.D1497954
DUCT:SUPPLY:D

41.D1497961
DUCT:PAPER:COO
LING:A

42.D1497962
DUCT:PAPER:COO
LING:B

35.D1497953
DUCT:SUPPLY:C

23.D1497931
DUCT:DEVELOPM
ENT:EXHAUST

21.D1497922
COVER:FAN:DEVE
LOPMENT:RIGHT L
OWER

22.D1497923
DUCT:DEVELOPM
ENT:RIGHT LOWE
R

24.D1497932
DUCT:PCU:EXHAU
ST

34.D1497952
DUCT:SUPPLY:B

39.D1497957
DUCT:DRIVE:COO
LING:A

32.D1497945
DEODORIZE FILTE
R

37.D1497955
DUCT:SUPPLY:FA
N:UPPER

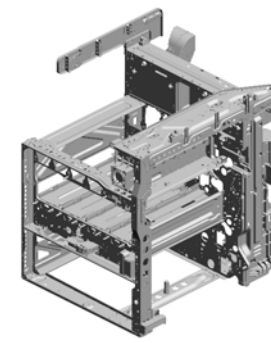
33.D1497951
DUCT:SUPPLY:A

38.D1497956
DUCT:SUPPLY:FA
N:LOWER

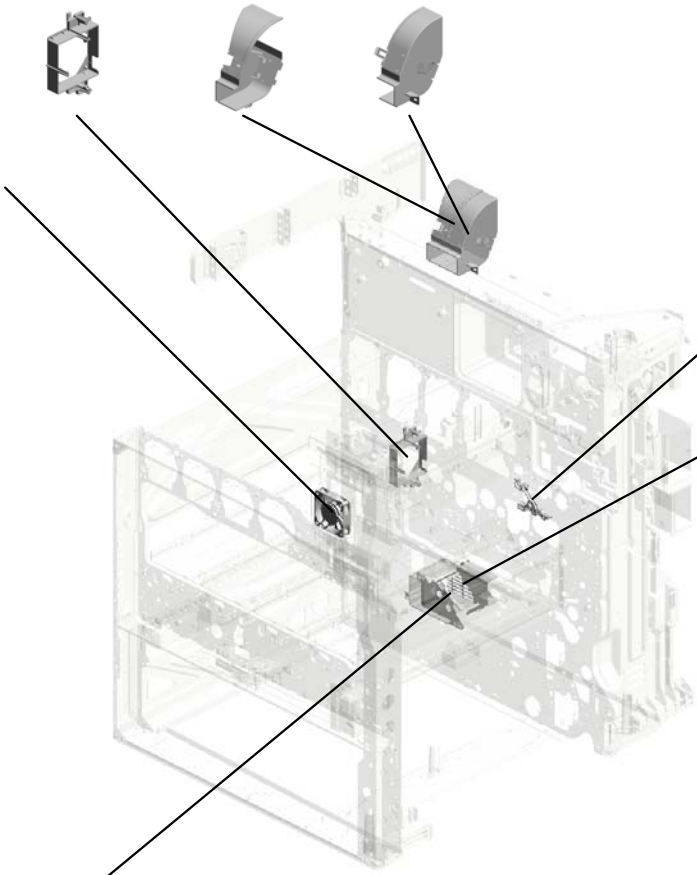
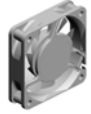
40.D1497958
DUCT:DRIVE:COO
LING:B

U016 MAIN FRAME

46.D1497981 DUCT:POWER SUPPLY UNIT:EXHAUST
45.D1497973 DUCT:EXHAUST:REAR:C
44.D1497972 DUCT:EXHAUST:REAR:B



50.GX640031 FAN MOTOR:DC:2.64W



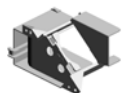
49.D1497986 GUIDE:THERMISTOR



48.D1497983 BRACKET:FAN:POWER SUPPLY UNIT

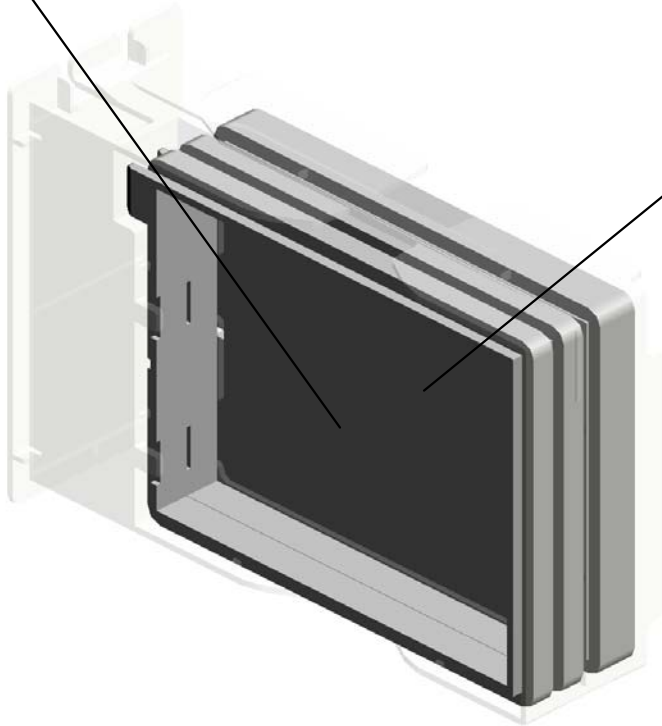


47.D1497982 DUCT:POWER SUPPLY UNIT

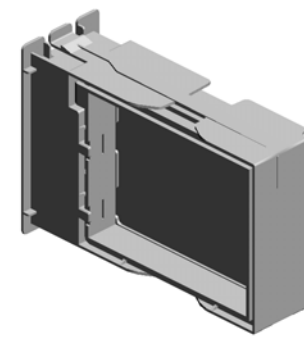


U016_S001
CASE:FILTER:ASS'Y

26.D1497937
(x2)
FILTER:PREVENTF
ENCE



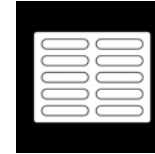
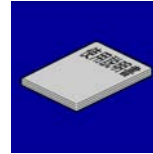
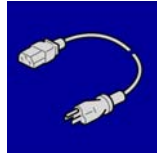
27.D1497938
OZONE FILTER



25.D1497935
CASE:FILTER:ASS'
Y

U001	U002	U003	U004	U005	U006	U007	U008	U009	U010	U011	U012	U013	U014	U015	U016
------	------	------	------	------	------	------	------	------	------	------	------	------	------	------	------

ACCESSORIES



1.04583008N
HEXAGON HEAD TAPPING SCREW:3
X8

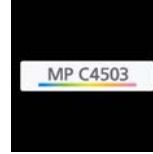
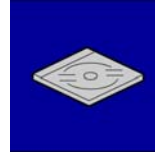
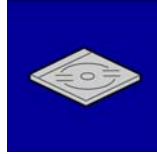
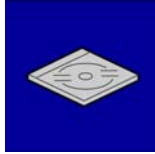
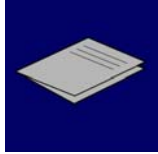
2.04583010N
HEXAGON HEAD TAPPING SCREW:3
X10

3.11500440
POWER SUPPLY CODE:120V:15A:NA

4.AA001564
PLATE:LOGOTYPE:RIC

5.B0651374
CLOTH - DF EXPOSURE GLASS

6.D1291568
SHEET:APPLICATION:MULTI-LANGU
AGE:BLANK



7.D1467502
MANUAL:USER_GUIDE:NA

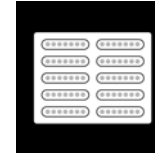
8.D1467853
CD-ROM:DRV:M-C1C:ASS'Y

9.D1467880
CD-ROM:OI:M-C1:EXP:ASS'Y

10.D1467881
CD-ROM:OI:M-C1:EXP

11.D1486752
DECAL:MODEL NAME PLATE:D148:R
IC:EXP:(for D148)

12.D1491264
CAP:ROCKER SWITCH



13.D1491317
HOLDER:GLASS:CLEANER:ASS'Y

14.D1491321
DECAL:TONER BOTTLE:BK

15.D1491322
DECAL:TONER BOTTLE:C

16.D1491323
DECAL:TONER BOTTLE:M

17.D1491324
DECAL:TONER BOTTLE:Y

18.D1491575
SHEET:APPLICATION:MULTI-LANGU
AGE:NA



19.D1492381
COVER:PCU:FRONT

20.D1494390
DECAL:CAUTION:INKJET:NA

21.D1494497
END FENCE:TRAY:EXIT

22.D1496333
COVER:INTERMEDIATE TRANSFER

23.D1496752
DECAL:MODEL NAME PLATE:D149:R
IC:EXP:(for D149)

24.D1496766
DECAL:CAUTION:ORIGINAL:ENGLIS
H

ACCESSORIES



25.D1496851
DECAL:MAIN SWITCH:ON-STANDBY:
ENGLISH



26.D1496862
DECAL:SIZE INDICATION:PAPER TR
AY:EXP



27.D1506752
DECAL:MODEL NAME PLATE:RIC:EX
P:(for D150)



28.D6457901
SHEET:EULA:20LANGUAGES:CHN



29.D6457902
SEAL:CAUTION:20LANGUAGES

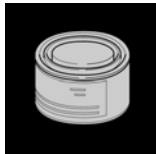


30.D6836031
DECAL:SET:ORIGINAL TABLE:(for D1
50)



31.D6846061
DECAL::ORIGINAL:MANY LANGUAG
ES

SPECIAL TOOLS



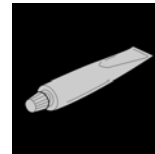
1.52039502
Silicon Grease G-501



2.A0929503
C4 COLOR TEST CHART (3 PCS/SET
)



3.A1849501
Scanner Positioning Pin (2pcs/set)



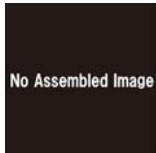
4.A2579300
GREASE - BARRIERTA S552R



5.B6455020
SD CARD(1GB)



6.C4019503
20X MAGNIFICATION SCOPE



7.VSSG9002
FLUOTRIBO MG GREASE : 100G

Exclusive Parts

Number	Part Name	Group	ID
52039502	Silicon Grease G-501	SPECIAL TOOLS	1
52062686	SNAP RING	U001	3
		U005_S001	15
		U005_S002	15
		U005_S004	15
52152621	SNAP RING - M6	U010	8
		U013	11
54472681	SNAP RING	U010	9
A0929503	C4 COLOR TEST CHART (3 PCS/S ET)	SPECIAL TOOLS	2
A1849501	Scanner Positioning Pin (2pcs/set)	SPECIAL TOOLS	3
A2324666	CUSHION - STEPPER MOTOR	U003_S001	13
		U012_S001_S001	8
A2501752	EXPOSURE GLASS	U003	14
A2579300	GREASE - BARRIERTA S552R	SPECIAL TOOLS	4
AA001564	PLATE:LOGOTYPE:RIC	ACCESSORIES	4
AA043980	TIMING BELT:30S2M300	U013_S001	12
AA060151	TENSION SPRING	U008	8
AA061121	TORSION SPRING:STRIPPER PLATE:FRONT	U011_S001	19
AA061122	TORSION SPRING:STRIPPER PLATE:REAR	U011_S001	20
AA061127	TENSION SPRING:SAFETY SWITCH:FRONT	U015	24
AA061128	TENSION SPRING:SAFETY SWITCH:RIGHT	U015	25
AA063499	PRESSURE SPRING	U013_S001	13
AA063711	COMPRESSION SPRING:PAPER THICK:SENSOR:1N:(for D150)	U013_S001_S004	14
AA063941	COMPRESSION SPRING:REGISTRATION:INNER:DRIVE	U010	10
AA063942	COMPRESSION SPRING:REGISTRATION:DRIVE	U010	11
AA063943	COMPRESSION SPRING:GUIDE PLATE:REGISTRATION:4N	U010	12
AA066423	TORSION SPRING:GUIDE:FUSING EXIT	U011_S001	21
AA080346	BUSHING:FLANGE TYPE:DIA6	U009_S001	8

Number	Part Name	Group	ID
		U010	13
		U014	13
		U014_S001	13
		U014_S003	13
		U016	10
AA082101	BUSHING - 6X10X6	U008	9
		U008_S001	9
		U008_S002	9
AA082144	BUSHING - 8X12X7	U003	15
		U010	14
AA082170	PLAIN SHAFT BEARING:DIA4XDIA 8X5:EG-1	U012_S001	9
		U013_S001	15
AA082171	PLAIN SHAFT BEARING:6X10X6	U013_S001	16
AA082173	PLAIN SHAFT BEARING:6X10X6	U005	16
		U005_S001	16
		U005_S001_S001	16
		U005_S002	16
		U005_S002_S001	16
		U005_S004	16
		U005_S004_S001	16
		U012_S001	10
		U013_S001	17
		U014_S003	14
		U014_S005	14
AA082174	PLAIN SHAFT BEARING:6X10X9	U005_S001	17
		U005_S002	17
		U005_S004	17
		U013_S001	18
AA082175	PLAIN SHAFT BEARING:8X12X7	U005	18
		U014	15
		U014_S001	15
AA083014	ONE-WAY CLUTCH	U013_S001	19
AA083018	ROLLER CLUTCH - 6X14X10	U013_S001	20
AA100014	RETAINING RING C - SEPARATE	U005_S001	19
		U005_S002	19
		U005_S004	19
		U013_S001	21
AA120149	DISCHARGE BRUSH:PRESSURE R	U011_S001	22

Exclusive Parts

Number	Part Name	Group	ID
	OLLER		
AA143219	STEPPED SCREW	U011	23
AA143537	SCREW:M3:BLACK	U001	4
		U003	16
AA143579	SCREW - M3	U013_S001	22
AA143592	SCREW- M4X6	U015	26
AA143595	STEPPED SCREW:M3	U001	5
AA143807	SCREW:A	U013_S001	23
AA143811	STEPPED SCREW - M3X4	U015	27
AA143848	STEPPED SCREW - M3	U015	28
AA143882	SCREW:DIA5:1.5T	U008	10
AA145294	PARALLEL PIN - 2X12MM	U014_S005	16
AA148836	SHAFT:GEAR:IDLER:WORM GEAR	U011	24
AA161167	BUSHING:HDD	U015	29
AB010156	GEAR:SEPARATE:DRIVE	U013_S001	24
AB010157	GEAR:SEPARATE:DRIVEN	U013_S001	25
AB011252	GEAR - 20Z	U013_S001	26
AB011571	GEAR:Z19:DRIVE:REGISTRATION	U010	15
AB011572	GEAR:Z19:DRIVEN:REGISTRATIO N	U005	20
AB011573	GEAR:REGISTRATION:NO.2	U005	21
AB012096	GEAR:DRIVE:FUSING UNIT	U011_S001	25
AB012097	GEAR:IDLER:PRESSURE ROLLER	U011_S001	26
AB012098	GEAR:PRESSURE ROLLER	U011_S001_S001	27
AB012099	GEAR:ON-OFF:PRESSURE ROLLE R	U011_S001	28
AB012102	GEAR:IDLER:WORM GEAR	U011	29
AB012103	GEAR:IDLER:LIGHT SHIELDING PL ATE	U011	30
AC030169	MIRROR:NO.1	U003_S003	17
AE020223	PRESSURE ROLLER:DIA32:SERVI CE PARTS	U011_S001_S001	31
AE030074	BALL BEARING:DIA17XDIA26X5	U011_S001_S001	32
AF013006	BOTTOM PLATE PAD	U005_S011_S004	22
		U005_S012_S004	22
AF013016	BOTTOM PLATE PAD	U013_S001	27
AF020799	REGISTRATION ROLLER:DRIVE	U010	16
AF030049	PICK-UP ROLLER	U013_S001	28

Number	Part Name	Group	ID
AF030094	PAPER FEED ROLLER:PICKUP	U005_S001	23
		U005_S002	23
		U005_S004	23
AF031046	FEED ROLLER - MANUAL FEED	U013_S001	29
AF031094	PAPER FEED ROLLER:FEED	U005_S001	24
		U005_S002	24
		U005_S004	24
AF032046	SEPARATION ROLLER - MANUAL FEED	U013_S001	30
AF032094	PAPER FEED ROLLER:SEPARATE	U005_S001	25
		U005_S002	25
		U005_S004	25
AF040064	ROLLER:DRIVEN:FUSING EXIT	U011_S001	33
AF040571	GUIDE ROLLER	U012_S001	11
AF040575	DRIVEN ROLLER	U012_S001	12
AG070513	MAGNET CATCH	U001	6
AG070514	MAGNET CATCH	U009	9
AG071007	LATCH - BY PASS FEED TABLE	U001	7
AW010147	PHOTO REFLECTION SENSOR	U011	34
AW010155	ORIGINAL SENSOR:66MM:3.3V	U003	18
AW010200	PAPER FEED SENSOR:FUSING EX IT	U010	17
AW020190	PHOTOINTERRUPTOR	U011	35
AW020198	PHOTOINTERRUPTOR:LG2A14NL 1	U009	10
		U014_S002	17
AW020203	PHOTOINTERRUPTOR:GP1A173L CS2F	U005_S001	26
		U005_S002	26
		U005_S004	26
		U008	11
		U010	18
		U012_S001	13
		U013_S001	31
AW020207	PHOTOINTERRUPTOR:FLAT:PICH 2MM:M4	U003	19
AW020209	ENCODER:PAPER THICK:(for D150)	U013_S001_S004	32
AW020214	PHOTOINTERRUPTOR:LG248NL1 A	U003	20

Exclusive Parts

Number	Part Name	Group	ID
AW100138	THERMOPILE	U011	36
AW100150	NON-CONTACT TYPE THERMISTOR:NC-F10:MIDDLE	U011_S001	37
AW100151	NON-CONTACT TYPE THERMISTOR:NC-F10:FRONT	U011_S001	38
AW100154	THERMISTOR:PRESSURE:MIDDLE	U011_S001	39
AW100156	THERMISTOR:PRESSURE:FRONT:2P	U011_S001	40
AW110111	THERMOSTAT:MIDDLE	U011_S001	41
AW110112	THERMOSTAT:REAR	U011_S001	42
AW140016	TEMPERATURE & HUMIDITY SENSOR	U008	12
AW500024	PUSH SWITCH	U005	27
AW500039	ROTARY SWITCH:PAPER SIZE SENSOR:CW:(for D148/D149)	U013_S001	33
AW500040	PUSH SWITCH:SW1AG-550:10MA	U005	28
		U009	11
		U013	34
		U013_S001	34
AX040273	DC MOTOR:RISING TRAY:ASS'Y:1.007W:BRUSH	U005_S007	29
		U005_S008	29
AX050000	DC BRUSHLESS MOTOR:DEVELOPMENT:BLACK:9.3W	U014_S001	18
AX060435	DC MOTOR:GEAR:10W:BRUSHLESS	U013	35
		U013_S001	35
		U014_S003	19
		U014_S004	19
		U014_S005	19
AX060441	DC BRUSHLESS MOTOR:FUSING UNIT:26.8W	U014_S005	20
AX060442	DC BRUSHLESS MOTOR:DRUM:COLLAR:25.8W	U014	21
		U014_S001	21
AX060443	DC BRUSHLESS MOTOR:DEVELOPMENT:COLLAR:29.3W	U014	22
		U014_S001	22
AX060444	DC BRUSHLESS MOTOR:DRUM:TRANSFER:22.6W	U014	23
		U014_S001	23
AX640199	FAN:MM80:25MM:DC 2.16W	U016	11
AX640221	FAN:SIROCCO:DC24V:50MM	U016	12

Number	Part Name	Group	ID
AX640222	DC FAN MOTOR:DC24V:MM60:25MM	U016	13
AX660015	DC FAN MOTOR:SIROCCO:DC24V:PWM	U016	14
AZ240222	POWER SUPPLY:D148/D149/D150:NA	U015	30
AZ320196	POWER PACK:CB:H	U015	31
AZ320197	POWER PACK:TTS:H	U015	32
B0651374	CLOTH - DF EXPOSURE GLASS	ACCESSORIES	5
B2134460	SHAFT:PRESSURE ROLLER	U012_S001	14
B2231317	SCREW	U015	33
B2233241	SPRING:SHUTTER:PUMP UNIT	U007	13
B2234552	BUSHING:DIA4	U013_S001	36
B2236069	JOINT:DRIVE:INTERMEDIATE TRANSFER	U008_S001	13
B2236476	BUSHING - DIA5	U009	12
B2342864	PAD:CLEANER	U005_S011_S001	30
		U005_S011_S002	30
		U005_S012_S001	30
		U005_S012_S002	30
B2381088	COVER - CONNECTOR	U016	15
B2381089	COVER - POSITIONING PIN	U016	16
B2381806	IDLER PULLEY	U003	21
B2381807	PULLEY	U003	22
B6455020	SD CARD(1GB)	SPECIAL TOOLS	5
B8303504	TIMING BELT - 40S2M100	U005_S001	31
		U005_S002	31
		U005_S004	31
C4019503	20X MAGNIFICATION SCOPE	SPECIAL TOOLS	6
D0092573	PULLEY - VERTICAL TRANSPORT	U013_S001	37
		U013_S001_S004	37
D0092574	PULLEY - IDLER	U013_S001	38
		U013_S001_S004	38
D0094407	FEELER - OVERFLOW	U012_S001	15
D0094455	CUSHION - DC SOLENOID	U012_S001	16
D0094485	BUSHING - GATE	U013_S001	39
D0094487	COMPRESSION SPRING - GATE	U013_S001	40
D0094489	DRIVEN ROLLER	U013_S001	41

Exclusive Parts

Number	Part Name	Group	ID
D0291749	PULLEY:PROTECTION	U003	23
D0292677	TRANSPORT BELT:DRIVEN:VERTICAL TRANSPORT	U013_S001	42
		U013_S001_S004	42
D0392993	SHAFT:TRANSPORT BELT:PULLEY	U013_S001	43
		U013_S001_S004	43
D0394525	COMPRESSION SPRING:SHAFT:GUIDE PLATE:EXIT	U013_S001	44
D0394529	STOPPER:GUIDE PLATE:ROLLER:DRIVEN	U013_S001	45
D0394591	SHAFT:PRESSURE:GUIDE PLATE:EXIT	U013_S001	46
D0394597	TENSION SPRING:DRIVEN ROLLER	U013_S001	47
D0394912	DISCHARGE BRUSH:REVERSE	U012_S001	17
D0394925	ROLLER:REVERSE:DRIVEN	U012_S001	18
D0394927	COMPRESSION SPRING:PRESSURE:REVERSE:DRIVEN	U012_S001	19
D0892764	GEAR:FEED	U005_S001	32
		U005_S002	32
		U005_S004	32
D0895824	COVER:SD-CARD:D086/D087	U015	34
D0895887	PANEL:INTERFACE	U015	35
D1054365	HOLDER:THERMOPILE	U011	43
D1124264	DECAL:WARNING (HIGH TEMPERATURE):FUSING	U011_S001_S002	44
D1175303	THERMISTOR	U016	17
D1175916	STEPPED SCREW:M3X8:SECOND KIND	U008	14
D1291508	KEYTOP:HOME	U002	4
D1291528	SHEET:KEYTOP:LEFT	U002	5
D1291568	SHEET:APPLICATION:MULTI-LANGUAGE:BLANK	ACCESSORIES	6
D1292783	TORQUE LIMITER MECHANICAL CLUTCH:40NM:DI18	U005_S001	33
		U005_S002	33
		U005_S004	33
		U013_S001	48
D1365510	LED:CONNECTOR:RED	U010	19
D1425765	HDD:TOSHIBA:250GB	U015	36

Number	Part Name	Group	ID
D1441085	STEPPED SCREW:M3	U008_S001	15
		U011_S001	45
D1444484	SHOULDER SCREW - M3	U012_S001	20
D1444489	STOPPER:DRIVEN ROLLER	U013_S001	49
		U013_S001_S004	49
D1445766	CABLE:HDD:SATA:POWER_2P:140	U015	37
D1467502	MANUAL:USER_GUIDE:NA	ACCESSORIES	7
D1467853	CD-ROM:DRV:M-C1C:ASS'Y	ACCESSORIES	8
D1467880	CD-ROM:OI:M-C1:EXP:ASS'Y	ACCESSORIES	9
D1467881	CD-ROM:OI:M-C1:EXP	ACCESSORIES	10
D1471750	SHEET:GAP:ASS'Y	U003	24
D1471805	EXPOSURE GLASS:DOCUMENT FEEDER:APPLY	U003	25
D1472702	PAPER FEED UNIT:NO.2	U005_S002	34
D1472703	PAPER FEED UNIT:NO.1:D146/D147/D148D149:(for D148/D149)	U005_S001	35
D1472734	GUIDE PLATE:SEPARATE	U005_S001	36
		U005_S002	36
		U005_S004	36
D1472736	BRACKET:SEPARATE:REAR	U005_S001	37
		U005_S002	37
		U005_S004	37
D1472737	LEVER:PRESSURE:SEPARATE	U005_S001	38
		U005_S002	38
		U005_S004	38
D1472738	LINK:RELEASE	U005_S001	39
		U005_S002	39
		U005_S004	39
D1472751	ARM:PRESSURE:SEPARATE	U005_S001	40
		U005_S002	40
		U005_S004	40
D1472752	SHAFT:SEPARATE:ASS'Y	U005_S001	41
		U005_S002	41
		U005_S004	41
D1472754	COIL SPRING:PRESSURE:SEPARATE	U005_S001	42
		U005_S002	42
		U005_S004	42
D1472755	COIL SPRING:RELEASE:SEPARATE	U005_S001	43

Exclusive Parts

Number	Part Name	Group	ID
	E	U005_S002	43
		U005_S004	43
D1473245	TRANSPORT SCREW:NOZZLE:BK:ASS'Y	U007_S005	14
D1473248	TRANSPORT SCREW:NOZZLE:ASS'Y	U007_S006	15
		U007_S007	15
		U007_S008	15
D1473257	HOUSING:TONER CARTRIDGE:BK:ASS'Y	U007	16
D1473258	HOUSING:TONER SUPPLY:CMY:ASS'Y	U007	17
D1473269	DRIVE UNIT:TONER BOTTLE:ASS'Y	U007_S001	18
		U007_S002	18
		U007_S003	18
		U007_S004	18
D1475188	AC CONTROL BOARD:NA	U015	38
D1485664	PCB:CTL:D148:EXP:(for D148)	U015_S002	39
D1486752	DECAL:MODEL NAME PLATE:D148:RIC:EXP:(for D148)	ACCESSORIES	11
D1491099	COVER:GRIP:LEFT	U016	18
D1491101	DRIVE UNIT:ENGINE:D148/D149/D150	U014_S001	24
D1491168	BRACKET:DRIVE:COLLECTION BOTTLE:ASS'Y	U009	13
D1491173	GEAR:IDLER:TONER BOTTLE	U009	14
D1491174	GEAR:COLLECTION BOTTLE	U009	15
D1491178	DRIVE UNIT:PAPER FEED:ASS'Y	U014_S003	25
D1491199	DRIVE UNIT:ON-OFF:TRANSFER	U014_S002	26
D1491230	COVER:UPPER	U001	8
D1491231	COVER:UPPER:FRONT	U001	9
D1491232	COVER:UPPER:EXIT	U001	10
D1491233	COVER:UPPER:INNER BACK	U001	11
D1491234	COVER:UPPER:INNER BACK:MIDDLE	U001	12
D1491235	COVER:UPPER:INNER BACK:BIN	U001	13
D1491237	COVER:UPPER:INNER BACK:LEFT LOWER	U001	14
D1491242	COVER:MAIN SWITCH	U001	15

Number	Part Name	Group	ID
D1491243	COVER:FRONT:UPPER:OPERATION SUB-UNIT	U001	16
D1491244	COVER:FRONT:RIGHT UPPER	U001	17
D1491245	COVER:FRONT:UPPER	U001	18
D1491247	COVER:FRONT:USED TONER	U001	19
D1491248	HINGE:COVER:FRONT:USED TONER	U001	20
D1491250	COVER:LEFT	U001	21
D1491251	COVER:LEFT:UPPER	U001	22
D1491252	COVER:LEFT:UPPER:REAR	U001	23
D1491255	COVER:LEFT:INTERFACE	U001	24
D1491256	CAP:COVER:INTERFACE	U001	25
D1491257	CAP:34X55	U001	26
D1491260	COVER:REAR:LOWER	U001	27
D1491261	COVER:REAR:UPPER	U001	28
D1491262	COVER:REAR:RIGHT UPPER	U001	29
D1491263	CAP:LOUVER:DEODORIZE FILTER	U001	30
D1491264	CAP:ROCKER SWITCH	ACCESSORIES	12
D1491265	COVER:RIGHT:REAR	U001	31
D1491266	COVER:RIGHT:FRONT LOWER	U001	32
D1491267	COVER:RIGHT:UPPER	U001	33
D1491271	INNER COVER:TONER BOTTLE:CID	U001	34
D1491273	INNER COVER:FRONT:LOWER	U001	35
D1491274	INNER COVER:FRONT:USED TONER	U001	36
D1491275	INNER COVER:FRONT:RIGHT LOWER	U001	37
D1491278	TORSION SPRING:COVER:USED TONER	U001	38
D1491281	COVER:SCANNER:FRONT	U001	39
D1491282	COVER:SCANNER:UPPER:FRONT	U001	40
D1491284	COVER:SCANNER:LEFT	U001	41
D1491285	COVER:SCANNER:UPPER:LEFT:1 PASS	U001	42
D1491287	COVER:SCANNER:RIGHT	U001	43
D1491288	COVER:SCANNER:UPPER:RIGHT	U001	44
D1491289	COVER:SCANNER:REAR	U001	45

Exclusive Parts

Number	Part Name	Group	ID
D1491290	COVER:SCANNER:UPPER:REAR	U001	46
D1491291	CAP:HARNESS	U001	47
D1491302	CLEANER:SHIELD GLASS:ASS'Y	U001_S001	48
D1491305	CAP:TOTAL COUNTER	U001	49
D1491307	SPRING PLATE:BAND	U001	50
D1491308	BAND:STOPPER:DOOR	U001	51
D1491309	MAGNET CATCH:COVER:FRONT	U001_S001	52
D1491317	HOLDER:GLASS:CLEANER:ASS'Y	ACCESSORIES	13
D1491321	DECAL:TONER BOTTLE:BK	ACCESSORIES	14
D1491322	DECAL:TONER BOTTLE:C	ACCESSORIES	15
D1491323	DECAL:TONER BOTTLE:M	ACCESSORIES	16
D1491324	DECAL:TONER BOTTLE:Y	ACCESSORIES	17
D1491351	DRIVE UNIT:REGISTRATION:ASS'Y	U014_S004	27
D1491357	DRIVE UNIT:FUSING/PAPER EXIT UNIT:ASS'Y	U014_S005	28
D1491387	GROUND PLATE:DRIVE UNIT:ENGINE	U014	29
D1491394	GROUND PLATE:DRIVE UNIT:FUSING/PAPER EXIT UNIT	U014	30
D1491396	HOLDER:TORQUE LIMITER MECHANICAL CLUTCH:PRESSURE RELEASE	U014_S005	31
D1491397	TORQUE LIMITER MECHANICAL CLUTCH:49MMN:DIA14	U014_S005	32
D1491411	OPERATION PANEL:D148/D149/D150:NA/AP:ASS'Y	U002_S001	6
D1491424	LCD:TFT:WVGA-9:LED:SH	U002	7
D1491425	LCD:TFT:WVGA-9:LED:CMI	U002_S001	8
D1491427	TOUCH PANEL:WVGA-9:MV	U002	9
D1491430	CABLE:FFC:OP-L	U002	10
D1491431	CABLE:FFC:OP-R	U002	11
D1491434	CABLE:LCDC:USB	U002	12
D1491435	CABLE:USB	U002	13
D1491455	PCB:LCDC:AR2FT:ASS'Y	U002	14
D1491478	PCB:OP-L:ASS'Y	U002	15
D1491494	PCB:OP-R:ASS'Y	U002	16
D1491504	KEYTOP:START	U002	17
D1491505	KEYTOP:STOP	U002	18

Number	Part Name	Group	ID
D1491508	KEYTOP:RESET SWITCH	U002	19
D1491509	KEYTOP:POWER SOURCE	U002	20
D1491510	KEYTOP:LEFT	U002	21
D1491511	LENS:FRONT	U002	22
D1491512	COVER:REAR:LARGE	U002	23
D1491513	COVER:REAR:SMALL:LEFT	U002	24
D1491514	COVER:REAR:SMALL:MIDDLE	U002	25
D1491515	COVER:REAR:SMALL:RIGHT	U002	26
D1491518	BRACKET:LCDC:CM	U002	27
D1491530	SPACER:LCD:A	U002	28
D1491531	SPACER:LCD:B	U002	29
D1491532	HINGE:ASS'Y	U002	30
D1491533	COVER:UPPER:SH:NA	U002	31
D1491534	COVER:UPPER:CM:NA	U002	32
D1491539	KEYTOP:10KEY:AA	U002 U002_S001	33
D1491553	SHEET:LOGO	U002	34
D1491575	SHEET:APPLICATION:MULTI-LANGUAGE:NA	ACCESSORIES	18
D1491595	BRACKET:OPERATION SUB-UNIT	U002	35
D1491598	COVER:BRACKET:OPERATION SUB-UNIT:LOWER	U002	36
D1491599	COVER:BRACKET:OPERATION SUB-UNIT:UPPER	U002	37
D1491693	GUIDE:FFC	U003	26
D1491694	PLATE SEAL:APS:HARNESS	U003	27
D1491703	DC STEPPER MOTOR	U003_S001	28
D1491705	BRACKET:DC STEPPER MOTOR	U003	29
D1491706	SYNCHRONOUS BELT:138ST1.5-4.0	U003	30
D1491709	TENSION SPRING:TENSION:11.3N:30MM	U003	31
D1491710	TIMING PULLEY:62	U003	32
D1491711	SHAFT:SCANNER:DRIVE	U003	33
D1491714	DRIVE WERE:DIA1	U003	34
D1491715	PULLEY:DRIVE WERE:FRONT	U003	35
D1491717	PULLEY:DRIVE WERE:REAR	U003	36
D1491718	BRACKET:TENSION:REAR	U003	37

Exclusive Parts

Number	Part Name	Group	ID
D1491719	BRACKET:TENSION:FRONT	U003	38
D1491721	ILLUMINATION UNIT:LED-B:ASS'Y	U003_S002	39
D1491726	CLAMP:DRIVE WERE	U003	40
D1491728	GUIDE:HARNESS:LED-B	U003	41
D1491730	CARRIAGE:NO.1:ASS'Y	U003_S003	42
D1491731	REFLECTOR:SCANNER	U003_S003	43
D1491742	CARRIAGE:NO.2:SUB-ASS'Y	U003	44
D1491754	GUIDE:FFC:CARRIAGE:NO.2	U003	45
D1491755	COVER:FFC:CARRIAGE:NO.2	U003	46
D1491756	MIRROR:NO.2:CONCAVE:ASS'Y	U003	47
D1491757	MIRROR:NO.3:CONVEX:ASS'Y	U003	48
D1491771	LENS:HOLDER:ASS'Y	U003_S004	49
D1491780	INNER COVER	U003	50
D1491793	SCALE:LEFT:NA:ASS'Y	U003	51
D1491795	SCALE:REAR:PRINTING	U003	52
D1491798	SEAL:SHEET THROUGH:DOCUMENT FEEDER	U003	53
D1491800	COVER:SHEET THROUGH:DOCUMENT FEEDER	U003	54
D1491801	BRACKET:SCALE:LEFT	U003	55
D1491812	BRACKET:SIO	U003	56
D1491813	BRACKET:DOCUMENT FEEDER:LEFT	U003	57
D1491814	BRACKET:DOCUMENT FEEDER:RIGHT	U003	58
D1491815	COVER:MOTOR	U003	59
D1491816	DOCUMENT FEEDER:CABLE:BRACKET	U003	60
D1491855	OPTICAL WRITING UNIT:D148/D149/D150:4LDA:ASS'Y	U004_S001	8
D1492381	COVER:PCU:FRONT	ACCESSORIES	19
D1492398	DUCT:GEAR:DEVELOPMENT:ASS'Y	U006_S001	7
		U006_S002	7
		U006_S003	7
		U006_S004	7
D1492557	GUIDE:REGISTRATION:ENTRANCE:REAR	U013_S001	50
D1492558	GUIDE:REGISTRATION:ENTRANCE	U013_S001	51

Number	Part Name	Group	ID
	E:FRONT		
D1492561	SHAFT:REGISTRATION ROLLER:DRIVEN	U005	44
D1492562	COLLAR:REGISTRATION ROLLER	U005	45
D1492566	CASE:REMOVE PAPER DUST:ASS'Y	U005	46
D1492576	GUIDE PLATE:REGISTRATION:FRONT LEFT	U005	47
D1492582	GUIDE PLATE:REGISTRATION:FRONT RIGHT	U010	20
D1492585	GUIDE:REGISTRATION:REAR RIGHT	U010	21
D1492586	GUIDE:REGISTRATION:FRONT RIGHT	U010	22
D1492588	GUIDE:REGISTRATION:REAR RIGHT:AUXILIARY	U010	23
D1492589	GUIDE:REGISTRATION:FRONT RIGHT:AUXILIARY	U010	24
D1492608	SHAFT:SEPARATOR:DRIVEN:ASS'Y	U013_S001_S001	52
D1492612	ROLLER:GRIP:DRIVEN	U013_S001	53
D1492613	SHAFT:GRIP:DRIVEN	U013_S001	54
D1492614	TENSION SPRING:GRIP:PRESSED	U013_S001	55
D1492615	GUIDE PLATE:SEPARATOR:ASS'Y	U013_S001	56
D1492619	SHAFT:SEPARATOR:DRIVE:ASS'Y	U013_S001	57
D1492625	DC SOLENOID:PICKUP:ASS'Y	U013_S001	58
D1492633	SHAFT:FEED:MANUAL FEED	U013_S001	59
D1492634	ARM:PICKUP:MANUAL FEED	U013_S001	60
D1492635	TRANSPORT ROLLER:MANUAL FEED	U013_S001	61
D1492637	PAPER STOPPER:MANUAL FEED	U013_S001	62
D1492638	LINK:PAPER STOPPER:MANUAL FEED	U013_S001	63
D1492639	SHAFT:PAPER STOPPER	U013_S001	64
D1492641	COVER:PAPER STOPPER:MANUAL FEED	U013_S001	65
D1492642	SHAFT:LINK:PAPER STOPPER	U013_S001	66

Exclusive Parts

Number	Part Name	Group	ID
D1492644	TORSION SPRING:LINK:PAPER STOPPER	U013_S001	67
D1492645	COIL SPRING:RELEASE:PICKUP:MANUAL FEED	U013_S001	68
D1492647	COVER:DAMPER	U013_S001	69
D1492651	GROUND WIRE:MANUAL FEED UNIT	U013_S001	70
D1492652	GROUND PLATE:SHAFT:FEED	U013_S001	71
D1492655	FEELER:PAPER END SENSOR	U013_S001	72
D1492656	TORSION SPRING:PAPER END SENSOR	U013_S001	73
D1492657	COVER:PAPER END	U013_S001	74
D1492658	COVER:PAPER FEED ROLLER	U013_S001	75
D1492663	MANUAL FEED TABLE:(for D148/D149)	U013_S001	76
D1492666	GEAR:SIDE FENCE:MANUAL FEED TABLE:(for D148/D149)	U013_S001	77
D1492667	RACK:MANUAL FEED:(for D148/D149)	U013_S001	78
D1492672	GUIDE PLATE:VERTICAL TRANSPORT:1:(for D148/D149)	U013_S001	79
D1492673	GUIDE PLATE:VERTICAL TRANSPORT:NO.2:DRIVEN	U013_S001	80
D1492675	HOLDER:DRIVEN:BELT	U013_S001	81
D1492676	COMPRESSION SPRING:FLAT CONVEYER BELT:DRIVEN:(for D150)	U013_S001_S004	82
D1492678	SHAFT:FLAT CONVEYER BELT:DRIVEN	U013_S001 U013_S001_S004	83 83
D1492683	ARM:MANUAL FEED:FRONT LOWER	U013_S001	84
D1492684	ARM:MANUAL FEED:REAR LOWER	U013_S001	85
D1492686	WIRE:MANUAL FEED TABLE:TC075	U013_S001	86
D1492687	PULLEY:WIRE:MANUAL FEED TABLE	U013_S001	87
D1492688	TENSION SPRING:WIRE	U013_S001	88
D1492689	FEELER:PAPER SIZE SENSOR:MA	U013_S001	89

Number	Part Name	Group	ID
	NUAL FEED		
D1492691	COVER:MANUAL FEED TABLE:(for D148/D149)	U013_S001	90
D1492692	ARM:MANUAL FEED:FRONT UPPER	U013_S001	91
D1492693	STOPPER:MANUAL FEED TABLE	U013_S001	92
D1492694	COMPRESSION SPRING:STOPPER:MANUAL FEED TABLE	U013_S001	93
D1492695	ARM:MANUAL FEED:REAR UPPER	U013_S001	94
D1492698	EXTENSION TRAY:NO.1	U013_S001	95
D1492699	EXTENSION TRAY:NO.2	U013_S001	96
D1492712	SHEET:GUIDE PLATE:SWIVEL	U005_S003	48
D1492713	GUIDE PLATE:SWIVEL:NO.1	U005_S003	49
D1492714	GUIDE PLATE:VERTICAL TRANSPORT:PAPER FEED:1:(for D148/D149)	U005_S001	50
D1492716	DC SOLENOID:PICKUP:NO.1:ASS'Y	U005_S001_S002 U005_S004_S002	51 51
D1492721	GUIDE PLATE:SWIVEL:NO.2	U005	52
D1492724	GUIDE PLATE:VERTICAL TRANSPORT:PAPER FEED UNIT:NO.2	U005_S002	53
D1492726	DC SOLENOID:PICKUP:NO.2:ASS'Y	U005_S002_S002	54
D1492739	LEVER:PRESSURE RELEASE	U005_S001 U005_S002 U005_S004	55 55 55
D1492767	LEVER:PRESSURE:PICKUP	U005_S001 U005_S002 U005_S004	56 56 56
D1492768	TRANSPORT ROLLER:VERTICAL TRANSPORT:ASS'Y	U005_S001_S001 U005_S002_S001	57 57
D1492772	ARM:PICKUP	U005_S001 U005_S002 U005_S004	58 58 58
D1492773	PULLEY:PICKUP:MECHANICAL ROLLER CLUTCH	U005_S001 U005_S002 U005_S004	59 59 59
D1492774	PULLEY:IDLER:PICKUP	U005_S001	60

Exclusive Parts

Number	Part Name	Group	ID
		U005_S002	60
		U005_S004	60
D1492775	SHAFT:FEED:ASS'Y	U005_S001	61
		U005_S002	61
		U005_S004	61
D1492777	COIL SPRING:PRESSURE:PICKUP	U005_S001	62
		U005_S002	62
		U005_S004	62
D1492778	FEELER:PAPER END	U005_S001	63
		U005_S002	63
		U005_S004	63
D1492780	GROUND WIRE:SENSOR:PAPER FEED	U005_S001	64
		U005_S002	64
		U005_S004	64
D1492781	GROUND PLATE:PAPER FEED UNIT	U005_S001	65
		U005_S002	65
		U005_S004	65
D1492782	PLATE:HARNESS:PAPER FEED UNIT	U005_S001	66
		U005_S002	66
D1492787	BRACKET:SUPPORT:COVER	U005	67
D1492788	INNER COVER:HARNESS:PAPER FEED UNIT	U005	68
D1492791	GUIDE:FEED	U005_S001	69
		U005_S002	69
		U005_S004	69
D1492808	PAPER TRAY:NO.2:ASS'Y	U005_S012	70
D1492809	PAPER TRAY:NO.1:ASS'Y	U005_S011	71
D1492812	ROLLER:PAPER TRAY:DIA19	U005_S011	72
		U005_S012	72
D1492813	PIN:STRETCH:TRAY	U005_S011	73
		U005_S012	73
D1492814	COIL SPRING:EARTH	U005_S011	74
		U005_S012	74
D1492816	SHAFT:RISE:ASS'Y	U005_S011	75
		U005_S012	75
D1492818	LEVER:RISE	U005_S011	76
		U005_S012	76
D1492820	SIDE FENCE:FRONT:NO.1:ASS'Y	U005_S011_S001	77

Number	Part Name	Group	ID
D1492824	LEVER:STOPPER:FRONT	U005_S011_S001	78
		U005_S012_S001	78
D1492825	COMPRESSION SPRING:SIDE FENCE:POSITIONING	U005_S011_S001	79
		U005_S012_S001	79
D1492826	COMPRESSION SPRING:SIDE FENCE:PLATE:FRONT	U005_S011_S001	80
		U005_S012_S001	80
D1492835	RACK:SIDE FENCE	U005_S011	81
		U005_S012	81
D1492836	GEAR:Z20	U005_S011	82
		U005_S012	82
D1492838	SIDE FENCE:REAR:NO.1:ASS'Y	U005_S011_S002	83
D1492840	END FENCE:PAPER TRAY:ASS'Y	U005_S011_S003	84
		U005_S012_S003	84
D1492842	LEVER:END FENCE	U005_S011_S003	85
		U005_S012_S003	85
D1492843	CLICK:END FENCE	U005_S011_S003	86
		U005_S012_S003	86
D1492845	COMPRESSION SPRING:END FENCE:LEVER:5N	U005_S011_S003	87
		U005_S012_S003	87
D1492850	TRAY BOTTOM PLATE:ASS'Y	U005_S011_S004	88
D1492856	GRIP:PAPER TRAY	U005_S011	89
		U005_S012	89
D1492863	DECAL:PAPER SET DIRECTION:TRAY:NO.1	U005_S011	90
D1492864	DECAL:PAPER SET DIRECTION:TRAY:NO.2	U005_S012	91
D1492865	COVER:PAPER TRAY:NO.1	U005_S011	92
D1492866	COVER:PAPER TRAY:NO.2	U005_S012	93
D1492867	DECAL:SIZE INDICATION:END FENCE:NO.1	U005_S011	94
D1492868	DECAL:SIZE INDICATION:END FENCE:NO.2	U005_S012	95
D1492869	DECAL:SIZE INDICATION:SIDE FENCE:NO.2	U005_S012	96
D1492872	LINK:END FENCE:PAPER SIZE SENSOR	U005_S012	97
D1492873	TRAY BOTTOM PLATE:NO.2:ASS'Y	U005_S012_S004	98
D1492875	SIDE FENCE:FRONT:ASS'Y	U005_S012_S001	99

Exclusive Parts

Number	Part Name	Group	ID
D1492885	SIDE FENCE:REAR:ASS'Y	U005_S012_S002	100
D1492886	COVER:TRAY:REAR RIGHT:NO.1	U005	101
D1492887	COVER:TRAY:REAR LEFT:NO.1	U005	102
D1492888	COVER:TRAY:REAR RIGHT:NO.2	U005	103
D1492889	COVER:TRAY:REAR LEFT:NO.2	U005	104
D1492901	SUPPORTER:RIGHT:NO.1:ASS'Y	U005_S005	105
D1492903	SUPPORTER:RIGHT:NO.2:ASS'Y	U005_S006	106
D1492906	LEVER:STRETCH:PAPER TRAY:ASS'Y	U005_S009	107
		U005_S010	107
D1492915	SUPPORTER:LEFT LOWER:NO.1	U005	108
D1492918	SUPPORTER:LEFT UPPER:NO.1	U005	109
D1492923	ROLLER:SUPPORTER:PAPER TRAY	U005_S005	110
		U005_S006	110
D1492924	STOPPER:PAPER TRAY	U005_S005	111
		U005_S006	111
D1492925	SUPPORTER:LEFT:NO.2	U005	112
D1492928	ROLLER:SUPPORTER:PAPER TRAY:LEFT	U005	113
D1492952	DECAL:SIDE FENCE:PAPER VOLUME	U005_S011_S002	114
		U005_S012_S002	114
D1492990	PLAIN SHAFT BEARING:DRIVE:REGISTRATION ROLLER	U010	25
D1492991	PLAIN SHAFT BEARING:INNER:DRIVE:REGISTRATION ROLLER	U010	26
D1493210	DC MOTOR:TONER BOTTLE:ASS'Y:5.28W:BRUSH	U007_S001	19
		U007_S002	19
		U007_S003	19
		U007_S004	19
D1493240	TONER HOPPER:TONER SUPPLY:BK:ASS'Y	U007_S009	20
D1493270	TONER HOPPER:TONER SUPPLY:C:ASS'Y	U007_S010	21
D1493280	TONER HOPPER:TONER SUPPLY:M:ASS'Y	U007_S011	22
D1493307	BASE:TONER SUPPLY	U007	23
D1493310	TONER HOPPER:TONER SUPPLY:Y:ASS'Y	U007_S012	24
D1493321	DUCT:VERTICAL TRANSPORT:TO	U007	25

Number	Part Name	Group	ID
	NER SUPPLY		
D1493322	SHUTTER:DUCT:TONER SUPPLY	U007	26
D1493330	SEAL:CONNECTION:CARTRIDGE:TONER SUPPLY	U007	27
D1493331	COVER:GEAR:TONER SUPPLY SUB-UNIT	U007	28
D1493336	COVER:GEAR:TONER SUPPLY SUB-UNIT:C	U007	29
D1493350	DC STEPPER MOTOR:TONER SUPPLY	U007_S009	30
		U007_S010	30
		U007_S012	30
D1494011	FUSING UNIT:NA:D148/D149/D150:SERVICE	U011_S001	46
D1494031	SLEEVE:FUSING:NA:CDE:SERVICE	U011_S002	47
D1494126	BRACKET:THERMISTOR:PRESSURE ROLLER	U011_S001	48
D1494127	BRACKET:THERMISTOR:PRESSURE ROLLER:FRONT	U011_S001	49
D1494202	ENCODER:ON-OFF:PRESSURE ROLLER	U011_S001	50
D1494205	BRAKE:CAM	U011_S001	51
D1494207	PLATE:CAM	U011_S001	52
D1494208	CAM:ON-OFF:PRESSURE ROLLER	U011_S001	53
D1494209	SHAFT:ON-OFF:PRESSURE ROLLER	U011_S001	54
D1494214	GUIDE PLATE:FUSING EXIT:RIGHT	U011_S001	55
D1494218	GUIDE:FUSING EXIT:PFA	U011_S001	56
D1494221	STRIPPER PLATE:ASS'Y	U011_S001	57
D1494229	STRIPPER PLATE:PRESSURE ROLLER	U011_S001	58
D1494234	GUIDE PLATE:FUSING EXIT:LEFT	U011_S001	59
D1494245	SHEET:C:GUIDE PLATE:FUSING EXIT	U011_S001	60
D1494246	DECAL:GUIDE PLATE:FUSING EXIT	U011_S001	61
D1494252	FUSING ENTRANCE GUIDE PLATE	U011_S001	62
D1494261	FUSING COVER:UPPER:ASS'Y	U011_S001_S002	63

Exclusive Parts

Number	Part Name	Group	ID
D1494269	KNOB SCREW:FIX:FUSING	U011_S001	64
D1494274	FUSING COVER:LOWER	U011_S001	65
D1494276	FUSING COVER:FRONT	U011_S001	66
D1494278	FUSING COVER:REAR	U011_S001	67
D1494332	HOUSING:THERMOSTAT	U011_S001	68
D1494334	COVER:HOUSING:THERMOSTAT	U011_S001	69
D1494335	ELECTRODE PLATE:CONNECTING :THERMOSTAT	U011_S001	70
D1494337	TERMINAL:THERMOSTAT	U011_S001	71
D1494342	HOUSING:NON-CONTACT TYPE T HERMISTOR	U011_S001	72
D1494346	GUIDE:HARNESS:HEATER	U011_S001	73
D1494354	BRACKET:DRAWER:MAIN	U011	74
D1494382	DC STEPPER MOTOR:ASS'Y	U011	75
D1494383	BRACKET:DC STEPPER MOTOR	U011	76
D1494390	DECAL:CAUTION:INKJET:NA	ACCESSORIES	20
D1494405	PAPER EXIT UNIT	U012_S001	21
D1494421	GEAR:EXIT ROLLER	U012_S001	22
D1494422	GEAR:REVERSE ROLLER	U012_S001	23
D1494423	SYNCHRONOUS BELT:40S2M122	U012_S001_S001	24
D1494424	DC STEPPER MOTOR:REVERSE:A SS'Y	U012_S001_S001	25
D1494425	DC STEPPER MOTOR:REVERSE:S UB-ASS'Y	U012_S001_S001	26
D1494426	BRACKET:DC STEPPER MOTOR:R EVERSE	U012_S001_S001	27
D1494427	STUD:PULLEY:BRACKET:DC STEP PER MOTOR	U012_S001_S001	28
D1494428	GROUND PLATE:PAPER EXIT UNI T	U012_S001_S001	29
D1494429	PULLEY:GEAR:REVERSE	U012_S001_S001	30
D1494431	DC SOLENOID:ASS'Y	U012_S001	31
D1494434	TENSION SPRING:LEVER:GATE P AWL	U012_S001	32
D1494441	GUIDE PLATE:EXIT:UPPER	U012_S001	33
D1494446	SPRING PLATE:ROLLER:DRIVEN	U012_S001	34
D1494448	SHAFT:FEELER:OVERFLOW	U012_S001	35
D1494451	GUIDE PLATE:EXIT:LOWER	U012_S001	36

Number	Part Name	Group	ID
D1494456	SPRING PLATE:ROLLER:DRIVEN:E XIT	U012_S001	37
D1494457	ARM:ROLLER:DRIVEN:EXIT	U012_S001	38
D1494458	ROLLER:DRIVEN:EXIT	U012_S001	39
D1494461	GUIDE PLATE:REVERSE:UPPER	U012_S001	40
D1494463	GROUND WIRE:SENSOR:REVERS E	U012_S001	41
D1494466	GUIDE PLATE:REVERSE:LOWER	U012_S001	42
D1494468	SHAFT:DRIVEN:REVERSE ROLLE R	U012_S001	43
D1494469	SPRING PLATE:ROLLER:DRIVEN: REVERSE ROLLER	U012_S001	44
D1494471	SHAFT:DRIVEN:REVERSE ROLLE R:OUTER	U012_S001	45
D1494476	EXIT ROLLER	U012_S001	46
D1494477	REVERSE ROLLER	U012_S001	47
D1494481	GATE PAWL:EXIT	U012_S001	48
D1494483	LEVER:GATE PAWL	U012_S001	49
D1494484	TORSION SPRING:LEVER:GATE P AWL	U012_S001	50
D1494491	INNER COVER:EXIT	U012	51
D1494492	TRAY:REVERSE	U001	53
D1494496	TRAY:EXIT	U012	52
D1494497	END FENCE:TRAY:EXIT	ACCESSORIES	21
D1494511	DUPLEX UNIT:D148/D149:ASS'Y	U013_S001	97
D1494610	COVER:DUPLEX	U013_S001	98
D1494638	GUIDE:WIRE	U013_S001	99
D1494640	TRANSPORT ROLLER:EXIT	U013_S001	100
D1494641	TRANSPORT ROLLER:DUPLEX:2	U013_S001	101
D1494642	TRANSPORT ROLLER:DUPLEX:1	U013_S001	102
D1494643	TRANSPORT ROLLER:ENTRANCE	U013_S001	103
D1494644	GEAR:MECHANICAL ROLLER CLU TCH	U013_S001	104
D1494645	SYNCHRONOUS BELT:30S2M118	U013_S001	105
D1494646	SYNCHRONOUS BELT:30S2M262	U013_S001	106
D1494647	SYNCHRONOUS BELT:30S2M212	U013_S001	107
D1494648	BRACKET:SWIVEL	U013_S001	108
D1494652	GEAR:PULLEY:SWIVEL	U013_S001	109

Exclusive Parts

Number	Part Name	Group	ID
D1494653	TENSION SPRING:SWIVEL	U013_S001	110
D1494654	SHAFT:LEVER:LOCK	U013_S001	111
D1494655	GRIP:DUPLEX UNIT	U013_S001	112
D1494656	HOOK:STOPPER:DUPLEX UNIT:FRONT	U013_S001	113
D1494657	HOOK:STOPPER:DUPLEX UNIT:REAR	U013_S001	114
D1494658	COIL SPRING:LEVER:DUPLEX	U013_S001	115
D1494659	GUIDE PLATE:DUPLEX:EXIT	U013_S001	116
D1494660	GUIDE PLATE:UPPER:RIGHT:DUPLEX	U013_S001	117
D1494662	DIFFUSION PLATE:LED	U010	27
		U013_S001	118
D1494663	COVER:LED	U013_S001	119
D1494664	GROUND WIRE:ENTRANCE SENSOR:DUPLEX	U013_S001	120
D1494667	BRACKET:DRIVEN ROLLER:PRESSURE	U013_S001	121
D1494670	DRIVEN ROLLER:DIA16	U013_S001	122
D1494672	COMPRESSION SPRING:DRIVEN	U013_S001	123
D1494673	GUIDE PLATE:DRIVEN	U013_S001	124
D1494674	COVER:GUIDE PLATE:DRIVEN	U013_S001	125
D1494675	COVER:PUSH SWITCH	U013_S001	126
D1494679	GUIDE PLATE:UPPER	U013_S001	127
D1494681	BRACKET:MOTOR	U013_S001	128
D1494684	GEAR:OUTPUT	U013_S001	129
D1494685	LINK:DUPLEX	U013_S001	130
D1494688	LINK:DUPLEX:MAIN	U013_S001	131
D1494689	BRACKET:LINK:DUPLEX	U013_S001	132
D1494690	TORSION SPRING:LINK	U013_S001	133
D1494691	TORSION SPRING:LINK:CONTACT POINT	U013_S001	134
D1494692	INNER COVER:REAR:DUPLEX	U013_S001	135
D1494693	INNER COVER:FRONT:DUPLEX	U013_S001	136
D1494694	ARM:PUSH SWITCH	U013_S001	137
D1494695	LINK:FRONT	U013_S001	138
D1494697	GROUND WIRE:EXIT SENSOR:DUPLEX	U013_S001	139

Number	Part Name	Group	ID
D1494699	COVER:SENSOR:EXIT	U013_S001	140
D1494707	GEAR:FEED:MANUAL FEED:DRIVE	U013_S001	141
D1494708	GEAR:SEPARATOR:MANUAL FEED:DRIVE	U013_S001	142
D1494709	GEAR:TRANSPORT ROLLER:MANUAL FEED	U013_S001	143
D1494710	GEAR:IDLER	U013_S001	144
D1494711	DECAL:SIDE FENCE:MANUAL FEED	U013_S001	145
		U013_S001_S003	145
D1494714	DECAL:SCALE:MANUAL FEED	U013_S001	146
D1494715	DECAL:GRIP:Z	U013_S001	147
D1494716	SIDE FENCE:FRONT:ASS'Y:(for D148/D149)	U013_S001_S002	148
D1494717	PLATE:SIDE FENCE:FRONT	U013_S001	149
		U013_S001_S002	149
D1494718	TORSION SPRING:SIDE FENCE:FRONT	U013_S001	150
		U013_S001_S002	150
D1494719	SIDE FENCE:REAR:ASS'Y:(for D148/D149)	U013_S001_S003	151
D1494720	PLATE:SIDE FENCE:REAR	U013_S001	152
		U013_S001_S003	152
D1494721	TORSION SPRING:SIDE FENCE:REAR	U013_S001	153
		U013_S001_S003	153
D1494723	VIBRATING PLATE:SIDE FENCE:FRONT	U013_S001	154
		U013_S001_S002	154
D1494724	TORSION SPRING:VIBRATING PLATE:FRONT	U013_S001	155
		U013_S001_S002	155
D1494725	VIBRATING PLATE:SIDE FENCE:REAR	U013_S001	156
		U013_S001_S003	156
D1494726	TORSION SPRING:VIBRATING PLATE:REAR	U013_S001	157
		U013_S001_S003	157
D1494727	CAP:SIDE FENCE	U013_S001	158
		U013_S001_S002	158
		U013_S001_S003	158
D1494728	SHEET:FEED:MANUAL FEED	U013_S001	159
D1494731	COMPRESSION SPRING:RACK:MANUAL FEED:(for D148/D149)	U013_S001	160
D1494733	COMPRESSION SPRING:FLAT CO	U013_S001	161

Exclusive Parts

Number	Part Name	Group	ID
	NVEYER BELT:DRIVEN:NO.1		
D1494734	TORSION SPRING:PICKUP	U013_S001	162
D1494735	SHOE:TORSION SPRING:PICKUP	U013_S001	163
D1494736	DECAL:PAPER SET DIRECTION:M ANUAL FEED:EXP	U013_S001	164
D1494737	PLAIN SHAFT BEARING:DUPLEX:E XIT	U013_S001	165
D1494738	GROUND WIRE:BRACKET:DRIVEN ROLLER	U013_S001	166
D1494739	SHEET:PICKUP	U013_S001	167
D1494741	ARM:LINK:PAPER STOPPER	U013_S001	168
D1494750	BRACKET:MOTOR:DUPLEX	U013	169
D1494754	GEAR:OUTPUT:DUPLEX:ENTRAN CE	U013	170
D1494755	BRACKET:HINGE:DUPLEX:FRONT	U013	171
D1494761	DRIVEN ROLLER:DIA16	U013_S001	172
D1494762	DRIVEN ROLLER:DIA18	U013_S001	173
D1494765	PULLEY:T26	U013_S001	174
D1494766	PULLEY:T26/T26	U013_S001	175
D1494767	GUIDE:TRANSPORT ROLLER	U013_S001	176
D1494768	SHEET:GUIDE PLATE:DRIVEN	U013_S001	177
D1495114	BCU:D148/D149:(for D148/D149)	U015	40
D1495120	PCB:IOB:TRANSPORT:D148/D149:(for D148/D149)	U015	41
D1495122	PCB:IOB:ENGINE:D148/D149/D150	U015	42
D1495138	PCB:SIO	U003	61
D1495201	INTERFACE CABLE:SCANNER:LV DS:ASS'Y	U003	62
D1495664	PCB:CTL:D149:EXP:(for D149)	U015_S003	43
D1495686	PCB:DCSW	U015	44
D1495703	BRACKET:MICRO SWITCH	U015	45
D1495711	BRACKET:ARM:SAFETY SWITCH:F RONT	U015	46
D1495713	ARM:SAFETY SWITCH:FRONT	U015	47
D1495714	SHAFT:ARM:SAFETY SWITCH	U015	48
D1495717	BASE:SAFETY SWITCH	U015	49
D1495718	TORSION SPRING:SAFETY SWITC H	U015	50

Number	Part Name	Group	ID
D1495726	LEVER:SAFETY SWITCH:RIGHT	U015	51
D1495761	CASE:POWER PACK:CB:ASS'Y	U015_S001	52
D1495776	COVER:USB:SMALL	U015	53
D1495824	COVER:CONNECTOR:HEATER:0.4 MM	U015	54
D1495830	TERMINAL:SUB-ASS'Y	U015	55
D1495835	TERMINAL:BLACK:SUB-ASS'Y	U015	56
D1495840	BASE:DUCT:SUB-ASS'Y	U015	57
D1495883	KEYTOP:MAIN SWITCH	U001	54
D1495884	COMPRESSION SPRING:KEYTOP	U001	55
D1496001	TRANSFER UNIT:INTERMEDIATE TRANSFER:ASS'Y	U008_S001	16
D1496030	CAM:ON-OFF:COLLAR	U008_S001	17
D1496036	CAM:ON-OFF:BK	U008_S001	18
D1496097	FLAT BELT-TRANSFER:INTERMED IATE TRANSFER:N	U008_S001	19
D1496141	CLEANING UNIT:BELT CLEANING: ASS'Y	U008_S002	20
D1496211	TRANSFER ROLLER:SECOND:ASS 'Y	U010_S001	28
D1496226	LEVER:TRANSFER/SEPARATION UNIT:FRONT	U010	29
D1496227	LEVER:SET:FRONT	U010	30
D1496228	TORSION SPRING:LEVER:SET:FR ONT	U010	31
D1496229	TENSION SPRING:LEVER:SET	U010	32
D1496231	LEVER:TRANSFER/SEPARATION UNIT:REAR	U010	33
D1496232	LEVER:SET:REAR	U010	34
D1496233	TORSION SPRING:LEVER:SET:RE AR	U010	35
D1496240	LEVER:PRESSURE:TRANSFER RO LLER:FRONT:DIA15.5	U010	36
D1496241	LEVER:PRESSURE:TRANSFER RO LLER:REAR:DIA15.5	U010	37
D1496242	COMPRESSION SPRING:PRESSU RE:TRANSFER ROLLER	U010	38
D1496243	RECEIVE PLATE:COMPRESSION S	U010	39

Exclusive Parts

Number	Part Name	Group	ID
	PRING:TRANSFER ROLLER		
D1496244	GROUND PLATE:SEPARATION	U010	40
D1496245	GROUND PLATE:TRANSFER/SEPARATION UNIT	U010	41
D1496246	LINK:TRANSFER/SEPARATION UNIT	U010	42
D1496248	CAP:LED	U010	43
D1496255	DECAL:GRIP:B	U010	44
D1496256	GROUND PLATE:GUIDE:TRANSPORT	U010	45
D1496257	GROUND PLATE:REGISTRATION ROLLER	U010	46
D1496290	GUIDE:SET:TRANSFER/SEPARATION UNIT:FRONT	U010	47
D1496291	GUIDE:SET:TRANSFER/SEPARATION UNIT:REAR	U010	48
D1496295	COVER:HARNESS:TRANSFER/SEPARATION UNIT	U010	49
D1496309	SHAFT:ON-OFF:COLLAR:MAIN	U008	21
D1496311	GEAR:ON-OFF:COLLAR:OUTPUT	U008	22
D1496312	JOINT:ON-OFF:COLLAR	U008	23
D1496318	DC STEPPER MOTOR:ON-OFF	U007_S011	31
D1496320	TERMINAL:BIAS:INTERMEDIATE TRANSFER:MAIN	U008	24
D1496321	HOLDER:TERMINAL:INTERMEDIATE TRANSFER:MAIN	U008	25
D1496333	COVER:INTERMEDIATE TRANSFER	ACCESSORIES	22
D1496336	TRANSFER ROLLER:ASS'Y	U008_S001	26
D1496400	COLLECTION BOTTLE:ASS'Y	U009_S001	16
D1496511	PIPE:ASS'Y	U009_S002	17
D1496552	GEAR:IDLER:Z30	U009	18
D1496553	GEAR:IDLER:Z61	U009	19
D1496554	GEAR:PULLEY:IDLER:Z16	U009	20
D1496555	GEAR:IDLER:Z21	U009	21
D1496556	TENSION SPRING:BELT TENSIONER	U009	22
D1496557	SYNCHRONOUS BELT:40S3M564	U009	23

Number	Part Name	Group	ID
D1496561	PULLEY:USED TONER	U009	24
D1496562	BRACKET:TIGHTENER:USED TONER	U009	25
D1496571	BRACKET:PULLEY:IDLER:USED TONER	U009	26
D1496574	GEAR:PULLEY:IDLER:Z18	U009	27
D1496575	FLANGE:IDLER:USED TONER	U009	28
D1496581	SHAFT:DRIVE:USED TONER:RIGHT	U009	29
D1496582	GEAR:USED TONER:RIGHT	U009	30
D1496583	GEAR:USED TONER:INPUT	U009	31
D1496586	SHAFT:DRIVE:USED TONER:LEFT	U009	32
D1496587	GEAR:USED TONER:LEFT	U009	33
D1496752	DECAL:MODEL NAME PLATE:D149:RIC:EXP:(for D149)	ACCESSORIES	23
D1496766	DECAL:CAUTION:ORIGINAL:ENGLISH	ACCESSORIES	24
D1496851	DECAL:MAIN SWITCH:ON-STANDBY:ENGLISH	ACCESSORIES	25
D1496859	DECAL:CLEANING:SHIELD GLASS	U001_S001	56
D1496862	DECAL:SIZE INDICATION:PAPER TRAY:EXP	ACCESSORIES	26
D1497911	DUCT:DEVELOPMENT:FRONT	U001_S001	57
D1497916	DUCT:DEVELOPMENT:FRONT MIDDLE:A	U016	19
D1497917	DUCT:DEVELOPMENT:FRONT MIDDLE:B	U016	20
D1497922	COVER:FAN:DEVELOPMENT:RIGHT LOWER	U016	21
D1497923	DUCT:DEVELOPMENT:RIGHT LOWER	U016	22
D1497931	DUCT:DEVELOPMENT:EXHAUST	U016	23
D1497932	DUCT:PCU:EXHAUST	U016	24
D1497935	CASE:FILTER:ASS'Y	U016_S001	25
D1497937	FILTER:PREVENTFENCE	U016_S001	26
D1497938	OZONE FILTER	U016_S001	27
D1497941	DUCT:EXHAUST:UPPER:A	U016	28
D1497942	DUCT:EXHAUST:UPPER:B	U016	29

Exclusive Parts

Number	Part Name	Group	ID
D1497943	DUCT:EXHAUST:UPPER:C	U016	30
D1497944	DUCT:EXHAUST:UPPER:D	U016	31
D1497945	DEODORIZE FILTER	U016	32
D1497951	DUCT:SUPPLY:A	U016	33
D1497952	DUCT:SUPPLY:B	U016	34
D1497953	DUCT:SUPPLY:C	U016	35
D1497954	DUCT:SUPPLY:D	U016	36
D1497955	DUCT:SUPPLY:FAN:UPPER	U016	37
D1497956	DUCT:SUPPLY:FAN:LOWER	U016	38
D1497957	DUCT:DRIVE:COOLING:A	U016	39
D1497958	DUCT:DRIVE:COOLING:B	U016	40
D1497961	DUCT:PAPER:COOLING:A	U016	41
D1497962	DUCT:PAPER:COOLING:B	U016	42
D1497971	DUCT:EXHAUST:REAR:A	U016	43
D1497972	DUCT:EXHAUST:REAR:B	U016	44
D1497973	DUCT:EXHAUST:REAR:C	U016	45
D1497981	DUCT:POWER SUPPLY UNIT:EXHAUST	U016	46
D1497982	DUCT:POWER SUPPLY UNIT	U016	47
D1497983	BRACKET:FAN:POWER SUPPLY UNIT	U016	48
D1497984	DUCT:REAR:POWER SUPPLY UNIT	U001	58
D1497986	GUIDE:THERMISTOR	U016	49
D1501240	COVER:FRONT:ASS'Y	U001_S001	59
D1502601	MANUAL FEED UNIT:METIS-C1E:ASS'Y:(for D150)	U013_S002	178
D1502660	GUIDE PLATE:VERTICAL TRANSPORT:DRIVEN:PAPER THICK:(for D150)	U013_S001_S004	179
D1502675	HOLDER:DRIVEN:BELT:(for D150)	U013_S001_S004	180
D1502676	HOLDER:FRONT:(for D150)	U013_S001_S004	181
D1502677	HOLDER:REAR:(for D150)	U013_S001_S004	182
D1502678	LEVER:PAPER THICK:(for D150)	U013_S001_S004	183
D1502684	ROLLER:DRIVEN:(for D150)	U013_S001_S004	184
D1502701	PAPER FEED UNIT:NO.1:D150:(for D150)	U005_S004	115
D1502714	GUIDE PLATE:VERTICAL TRANSPORT	U005_S004	116

Number	Part Name	Group	ID
	ORT:PAPER FEED UNIT:PAPER THICK:(for		
D1502768	TRANSPORT ROLLER:VERTICAL TRANSPORT:ASS'Y:(for D150)	U005_S004_S001	117
D1502782	PLATE:HARNESS:PAPER FEED UNIT:PAPER THICK:(for D150)	U005_S004	118
D1504510	DUPLEX UNIT:D150:ASS'Y:(for D150)	U013_S002	185
D1505114	BCU:D150:(for D150)	U015	58
D1505120	PCB:IOB:TRANSPORT:D150:(for D150)	U015	59
D1505624	PCB:IMAGE PROCESSING UNIT:TYPE-S1MD-SUB:(for D150)	U015	60
D1505628	PCB:SUB IPU:NA GSA (For SPDF)	U015	61
D1505656	PCB:IPU:D150:(for D150)	U015	62
D1505658	PCB:IPU:D148/D149/D150:NA GSA	U015	63
D1505664	PCB:CTL:D150:EXP:(for D150)	U015_S004	64
D1506752	DECAL:MODEL NAME PLATE:RIC:EXP:(for D150)	ACCESSORIES	27
D1509591	TOTAL COUNTER SERVICE SET	U015	65
		U015_S002	65
		U015_S003	65
		U015_S004	65
D1821432	CABLE:FFC:LCD	U002	38
D1821517	BRACKET:LCDC:SH	U002	39
D1862200	PCDU:BLACK:SERVICE PARTS:EXP	U006_S004	8
D1862201	PCDU:CYAN:SERVICE PARTS:EXP	U006_S001	9
D1862202	PCDU:MAGENTA:SERVICE PARTS:EXP	U006_S002	10
D1862203	PCDU:YELLOW:SERVICE PARTS:EXP	U006_S003	11
D1862205	PCU:COLOR:SERVICE PARTS:EXP	U006_S006	12
D1862208	PCU:BLACK:SERVICE PARTS:EXP	U006_S005	13
D1863050	DEVELOPMENT UNIT:BLACK:SERVICE PARTS:DOM	U006_S004_S001	14
D1863060	DEVELOPMENT UNIT:CYAN:SERVICE PARTS:DOM	U006_S001_S001	15

Exclusive Parts

Number	Part Name	Group	ID
D1863070	DEVELOPMENT UNIT:MAGENTA:SERVICE PARTS:DOM	U006_S002_S001	16
D1863080	DEVELOPMENT UNIT:YELLOW:SERVICE PARTS:DOM	U006_S003_S001	17
D6457901	SHEET:EULA:20LANGUAGES:CHN	ACCESSORIES	28
D6457902	SEAL:CAUTION:20LANGUAGES	ACCESSORIES	29
D6836031	DECAL:SET:ORIGINAL TABLE:(for D150)	ACCESSORIES	30
D6846061	DECAL::ORIGINAL:MANY LANGUAGES	ACCESSORIES	31
D7396211	TRANSFER ROLLER:IMAGE AREA EXTENSION:OPTION:ASS'Y	U010_S002	50
G0043519	STEPPING SCREW	U011_S001	77
G0652767	LEVER - FEED	U005_S001	119
		U005_S002	119
		U005_S004	119
GA143003	SCREW:MM5:2.5MM	U005	120
		U010	51
GW010007	PHOTO REFLECTION SENSOR:EXIT	U005	121
		U005_S001	121
		U005_S002	121
		U005_S004	121
		U012_S001	53
	U013_S001	186	
GW010009	DENSITY SENSOR	U008	27
GW230008	TONER END SENSOR	U007_S009	32
		U007_S010	32
		U007_S011	32
		U007_S012	32
GX640031	FAN MOTOR:DC:2.64W	U015	66
		U016	50
M0261815	CLAMP:MIRROR:NO.1	U003_S003	63
M0662743	FRICTION PAD:MANUAL FEED TABLE:18X7.5	U013_S001	187
M0662749	OIL DAMPER:STRAIGHT:30N	U013_S001	188
VSSG9002	FLUOTRIBO MG GREASE : 100G	SPECIAL TOOLS	7

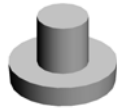
Standard Parts



03130060N
SCREW - M3X6



03140120N
SCREW - M4X12



03530030N
SCREW:M3X3



03530040N
SCREW - M3X4



03530060N
BIND SCREW - M3X6



03603006N
SCREW - M3X6



03603016N
SCREW - M3X16



04503025N
TAPPING SCREW:3X25



04503035N
TAPPING SCREW:3X35



04513025N
TAPPING SCREW:M3X25



04533006N
TAPPING SCREW - M3X6



04533008N
BINDING SELF TAPPING SCREW:3X8



04543006N
TAPPING SCREW:ROUND POINT:3X6



04543006Q
TAPPING SCREW - M3X6



04543008N
TAPPING SCREW:ROUND POINT:3X8



04543008Q
TAPPING SCREW:3X8



04543010Q
TAPPING SCREW:3X10



04543020Q
TAPPING SCREW::3X20



04583008N
HEXAGON HEAD TAPPING SCREW:3X8



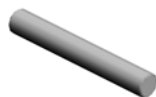
04583010N
HEXAGON HEAD TAPPING SCREW:3X10



04593008N
BINDING HEAD TAPPING SCREW:3X8



04593010N
BINDING HEAD TAPPING SCREW:3X10



06320140G
PARALLEL PIN



06330100G
PARALLEL PIN - 3X10



07200025E
RETAINING RING - M2.5



07200030E
RETAINING RING - M3



07200040E
RETAINING RING - M4



07200060E
RETAINING RING - M6

Standard Parts



07250170E
RETAINING RING C - M17



07403808
BALL BEARING - 8X16X5MM



08025299
TAPPING SCREW - M3X8



08025312
TAPPING SCREW:WASHER:3
X10



08025328
HEXAGON HEAD TAPPING S
CREW:3X40



08046123
HEXAGONAL BOLT:W/WASH
ER:M3X8



08046128
HEXAGONAL BOLT:DOUBLE
SCREW:M3X10



08046129
HEXAGON HEAD BOLT:IB-LO
CK:M3X6



08050089
RETAINING RING - M4



08050103
RETAINING RINGS-E:SILENC
ER:DIA3



08050104
RETAINING RINGS-E:SILENC
ER:DIA4



08050106
RETAINING RINGS-E:SILENC
ER:DIA6



09574008N
SCREW:SMALL ROUND/SPRI
NG:M4X8



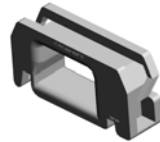
11029782
CONNECTOR:51405-1819



11050488
HARNES CLAMP



11050692
CLAMP:LES-0503



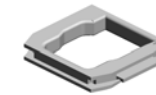
11050723
CLAMPS:WES-0507



11050724
CLAMPS:WES-1210



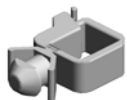
11050725
CLAMPS:WES-1117



11050726
CLAMPS:WES-2217



11050758
CLAMP:LWSM-0306A



11050759
CLAMP:LWSM-0605A



11050760
CLAMP:LWSM-0511A



11050762
CLAMP:LWS-0711A



11050764
CLAMP:LWS-1316A



11050765
CLAMP:LWS-2218A

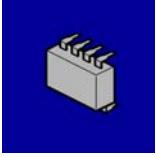


11500440
POWER SUPPLY CODE:120V
:15A:NA

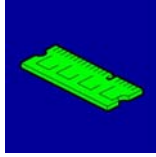


12042612
MICRO SWITCH:D3V-16506-3
C25

Standard Parts



14077667
EEPROM:BR24T128-W



19070159
SO-DIMM:DDR3:2GYTE:1333
MBPS

PM Part List

Number	Part Name	Num	Group	ID
D1494011	FUSING UNIT:NA:D148/D149/ D150:SERVICE	1	U011_S001	46
D1496001	TRANSFER UNIT:INTERMEDI ATE TRANSFER:ASS'Y	1	U008_S001	16
D1496141	CLEANING UNIT:BELT CLEA NING:ASS'Y	1	U008_S002	20
D1496211	TRANSFER ROLLER:SECON D:ASS'Y	1	U010_S001	28
D1497937	FILTER:PREVENTFENCE	2	U016_S001	26
D1862205	PCU:COLOR:SERVICE PART S:EXP	1	U006_S006	12
D1862208	PCU:BLACK:SERVICE PART S:EXP	1	U006_S005	13
D1863050	DEVELOPMENT UNIT:BLACK :SERVICE PARTS:DOM	1	U006_S004_S001	14
D1863060	DEVELOPMENT UNIT:CYAN: SERVICE PARTS:DOM	1	U006_S001_S001	15
D1863070	DEVELOPMENT UNIT:MAGE NTA:SERVICE PARTS:DOM	1	U006_S002_S001	16
D1863080	DEVELOPMENT UNIT:YELLO W:SERVICE PARTS:DOM	1	U006_S003_S001	17
D7396211	TRANSFER ROLLER:IMAGE AREA EXTENSION:OPTION: ASS'Y	1	U010_S002	50

