

MP 6503 SP/MP 7503 SP/MP 9003 SP
(D223/D224/D225)
Parts Catalog

Parts change information sample

 **Add**

 **Update**

 **Delete**

Model	Product Code	PC Style
MP 6503SP/MP 7503SP/MP 9003SP	D223/D224/D225	3D
LCIT RT4040	D3D6	3D
Finisher SR4120	D3CG	3D
Booklet Finisher SR4130	D3CH	3D
Output Jogger Unit Type M25	D3CJ	3D
Cover Interposer Tray CI4030	D3D7	Traditional
Cover Interposer Tray CI4040	D3CN	Traditional
Fax Option Type M25	D3D5	Traditional
G3 Interface Unit Type M25	D3D5	Traditional
FAX Memory Unit Type M25 64MB	D3D5	Traditional
Fax Connection Unit Type M25	D3D4	Traditional
PostScript3 Unit Type M25	D3D4	Traditional
IPDS Unit Type M25	D3D4	Traditional
OCR Unit Type M13	D3AC	Traditional
XPS Direct Print Option Type M25	D3D4	Traditional
DataOverwriteSecurity Unit Type M19	D3BS	Traditional
IEEE 1284 Interface Board Type M19	D3C0	Traditional
File Format Converter Type M19	D3BR	Traditional
IEEE 802.11a/g/n Interface Unit Type M19	D3BR	Traditional
Copy Connector Type M25	D3D3	Traditional
USB Device Server Option Type M19	D3BC	Traditional
Extended USB Board Type M19	D3BS	Traditional
Enhanced Security HDD Option Type M10	D792	Traditional
SD Card for Fonts Type D	D641	Traditional
Optional Counter Interface Unit Type M12	B870	Traditional
NFC Card Reader Type M19	D3BS	Traditional
Smart Card Reader Built-in Unit Type M19	D3BS	Traditional
Key Counter Bracket Type1027	B452	Traditional
External Keyboard Bracket Type M25	D3DH	Traditional
Smart Operation Panel	D223	Traditional

Unit All



U001
EXTERIOR



U002
OPERATION



U003
ADF



U004
SCANNER



U005
LASER UNIT



U006
PAPER TRAY



U007
PAPER FEED



U008
PCU



U009
DEVELOPMENT



U010
TRANSFER/SEPARATION



U011
USED TONER

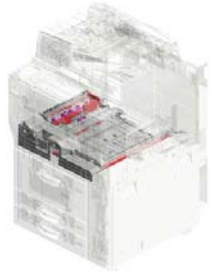


U012
FUSING

Unit All



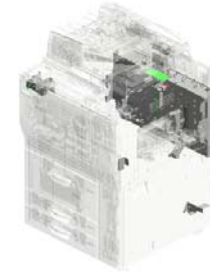
U013
PAPER EXIT



U014
DUPLEX



U015
MAIN DRIVE



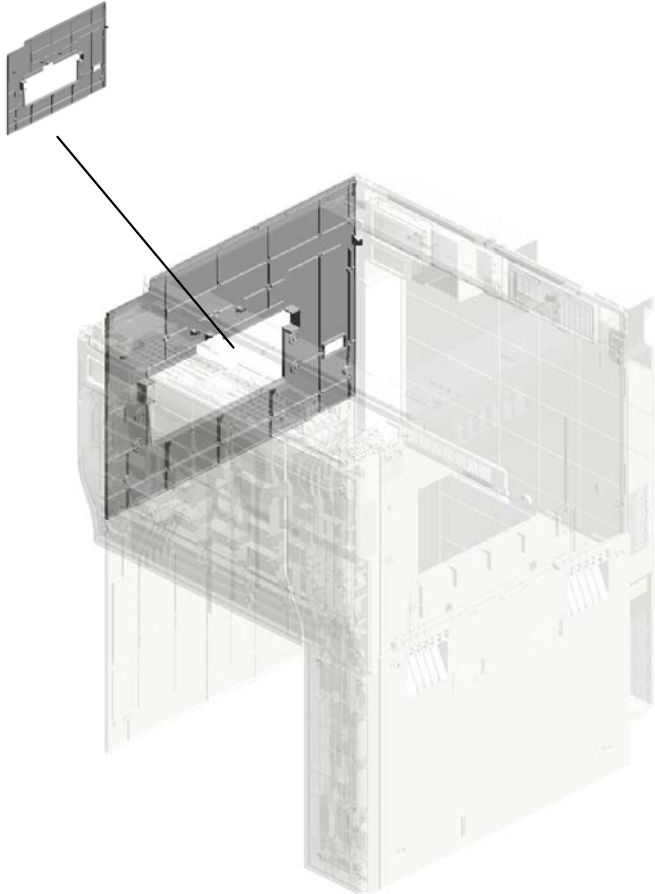
U016
ELECTRICAL



U017
MAIN FRAME

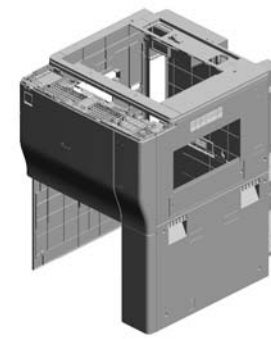
U001.EXTERIOR

U001_S001
D2231246
COVER:LEFT UPPER:ASS'Y



U001	U002	U003	U004	U005	U006	U007	U008	U009	U010	U011	U012	U013	U014	U015	U016	U017
------	------	------	------	------	------	------	------	------	------	------	------	------	------	------	------	------

U001 EXTERIOR



19.AA143878
(x2)
SCREW:M3:DIA5

18.AA143801
(x7)
SCREW:M4:EXTERIOR

11.04593006N
(x3)
BINDING HEAD TAPPING SCREW:3X6

4.04504010N
TAPPING SCREW:
M4X10

6.04513008N
TAPPING SCREW -
M3X8

7.04514008N (x 3)
TAPPING SCREW:4X8

16.AA012128
MACHINE OR COPIER FILTER

12.07200040E
RETAINING RING -
M4

17.AA063052
TURRET SPRING

3.04504008N
TAPPING SCREW -
M4X8

8.04514010N
(x21)
TAPPING SCREW:
4X10

7.04514008N
(x13)
TAPPING SCREW:
4X8

2.04503008N
(x12)
TAPPING SCREW -
M3X8

9.04543008N
(x2)
TAPPING SCREW:
ROUND POINT:3X8

15.A2941292
DOOR SWITCH BRACKET

10.04544008N
(x7)
TAPPING SCREW:
ROUND POINT:4X8

1.03540080N
(x2)
SCREW:M4X8

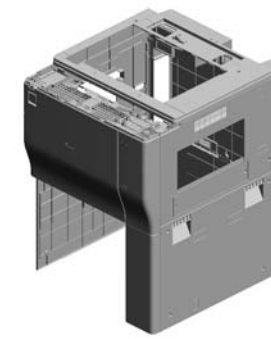
5.04504012N
(x21)
TAPPING SCREW:
4X12

20.AC020151
(x3)
LENS:LED:2

13.11050511
(x5)
HARNES CLAMP -
LWS-0306ZC

14.11050692
CLAMP:LES-0503

U001 EXTERIOR



- 38.D2231280 INNER COVER:FU SING UNIT:LOWER
- 39.D2231281 INNER COVER:FU SING UNIT:UPPER
- 22.AX640238 DC FAN MOTOR:M M60
- 23.B1321463 HINGE SHAFT
- 42.D2231305 COVER:REAR UPPER

34.D1495883
KEYTOP:MAIN SWI
TCH

35.D1495884
COMPRESSION SP
RING:KEYTOP

24.B1321526
DOOR CATCH

27.D1311334
COVER:LEFT LOW
ER

40.D2231301
DOOR:FRONT

21.AC020152
LENS:LED:3

32.D1361533
(x3)
BRACKET:LED

36.D2231227
HINGE:LOWER:AS
SY

29.D1311342
CAP:COUPLING

26.D1311333
COVER:RIGHT LO
WER

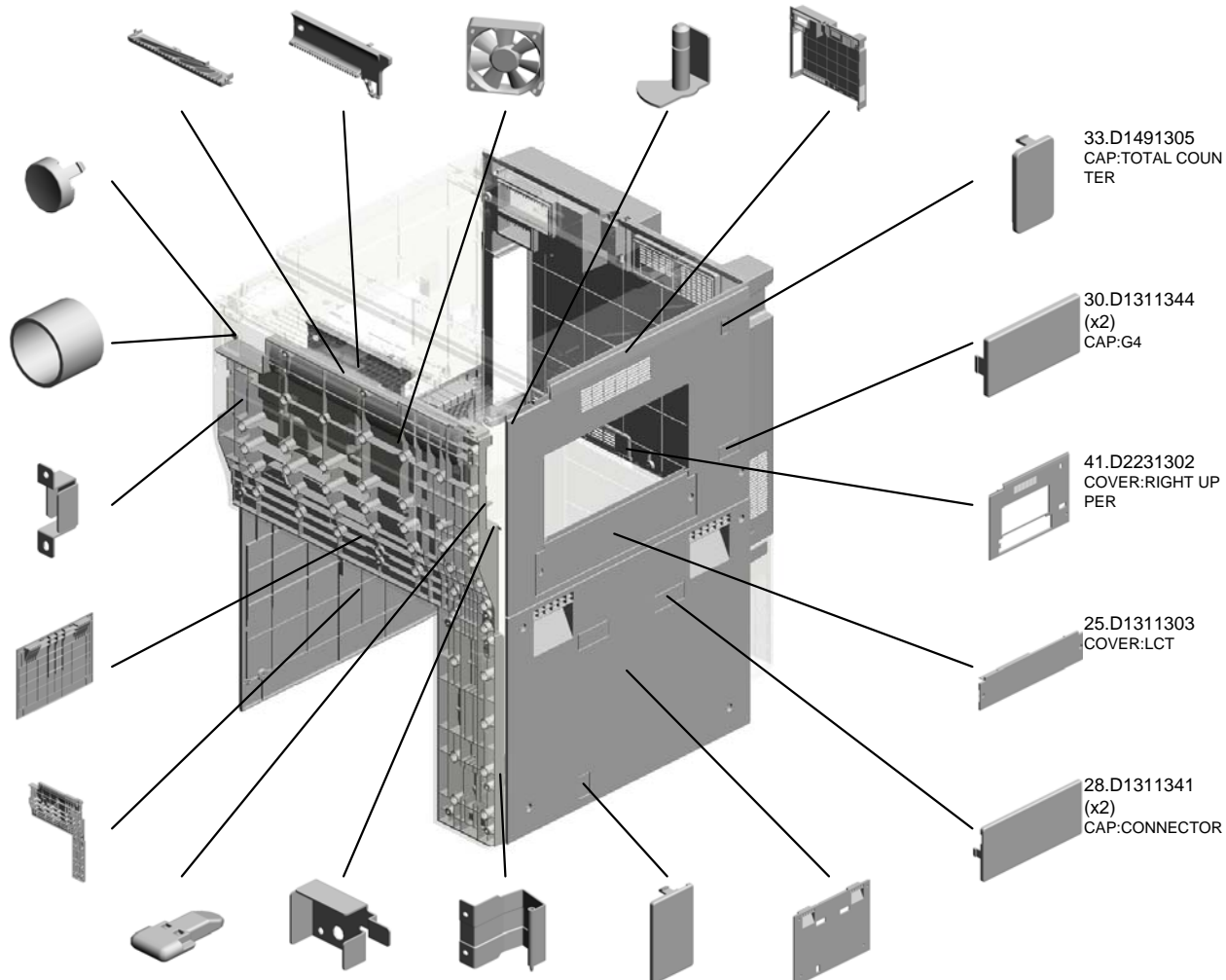
33.D1491305
CAP:TOTAL COUN
TER

30.D1311344
(x2)
CAP:G4

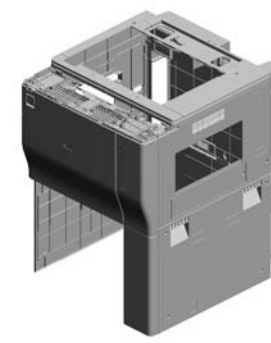
41.D2231302
COVER:RIGHT UP
PER

25.D1311303
COVER:LCT

28.D1311341
(x2)
CAP:CONNECTOR



U001 EXTERIOR



- 51.D2231314 INNER COVER:OPERATION SUB-UNIT
- 48.D2231311 COVER:UPPER LEFT
- 62.D2231333 OZONE FILTER:MAIN:EXHAUST
- 53.D2231317 COVER:UPPER MIDDLE
- 46.D2231309 COVER:UPPER REAR

56.D2231320
HOLDER:OPERATION SUB-UNIT:LEFT

52.D2231315
INNER COVER:MAIN SWITCH

58.D2231325
COVER:MAIN SWITCH

44.D2231307
COVER:DOOR:UPPER

50.D2231313
INNER COVER:AROUND THE PHOTO CONDUCTOR

54.D2231318
DUCT:INNER COVER:AROUND THE PHOTOCONDUCTOR

45.D2231308
COVER:DOOR:LOWER

49.D2231312
INNER COVER:RIGHT LOWER

55.D2231319
SEAL:DOOR:RIGHT UPPER

57.D2231323
LEVER:GUIDE PLATE:VERTICAL TRANSPORT

61.D2231332
LOUVER:FILTER

47.D2231310
COVER:UPPER RIGHT

60.D2231329
HOLDER:OPERATION SUB-UNIT:RIGHT:UPPER

59.D2231326
HOLDER:OPERATION SUB-UNIT:RIGHT:LOWER:PEEN

43.D2231306
COVER:REAR LOWER

U001	U002	U003	U004	U005	U006	U007	U008	U009	U010	U011	U012	U013	U014	U015	U016	U017
------	------	------	------	------	------	------	------	------	------	------	------	------	------	------	------	------

U001 EXTERIOR



71.D2231347 DESIGN PLATE:FRONT LEFT
 69.D2231345 COVER:UPPER FRONT
 70.D2231346 DESIGN PLATE:FRONT RIGHT
 68.D2231339 FILTER:VOC:MAIN:EXHAUST
 65.D2231336 DUCT:COVER:EXHAUST

67.D2231338 COVER:LENS:HUMAN DETECTION SENSOR:REAR

66.D2231337 COVER:LENS:HUMAN DETECTION SENSOR:FRONT

81.D2585505 (x2) PCB:MSSENS1

72.D2231351 GROUND PLATE:OPERATION SUB-UNIT:PEEN

78.D2231365 DECAL:LED:INNER COVER:AROUND THE PHOTOCONDUCTOR



77.D2231360 COVER:HARNESS:DOOR

79.D2231385 DECAL:INNER COVER:RIGHT LOWER

63.D2231334 BRACKET:LED:3

80.D2416290 (x4) LED:RED

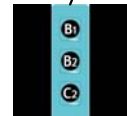
64.D2231335 BRACKET:DUCT:EXHAUST

73.D2231355 HINGE:UPPER

76.D2231358 COVER:HARNESS:DOOR:HINGE

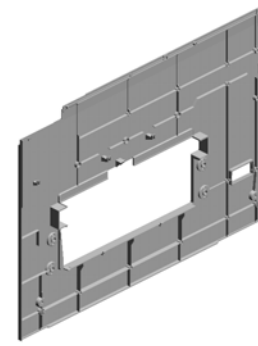
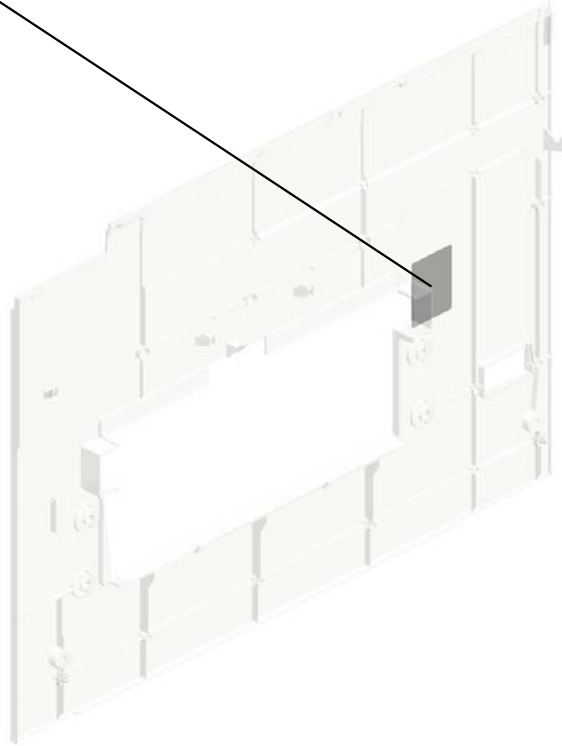
75.D2231357 BRACKET:HINGE:DOOR

74.D2231356 BRACKET:COVER:REAR LOWER



U001_S001
COVER:LEFT UPPER:ASS'Y

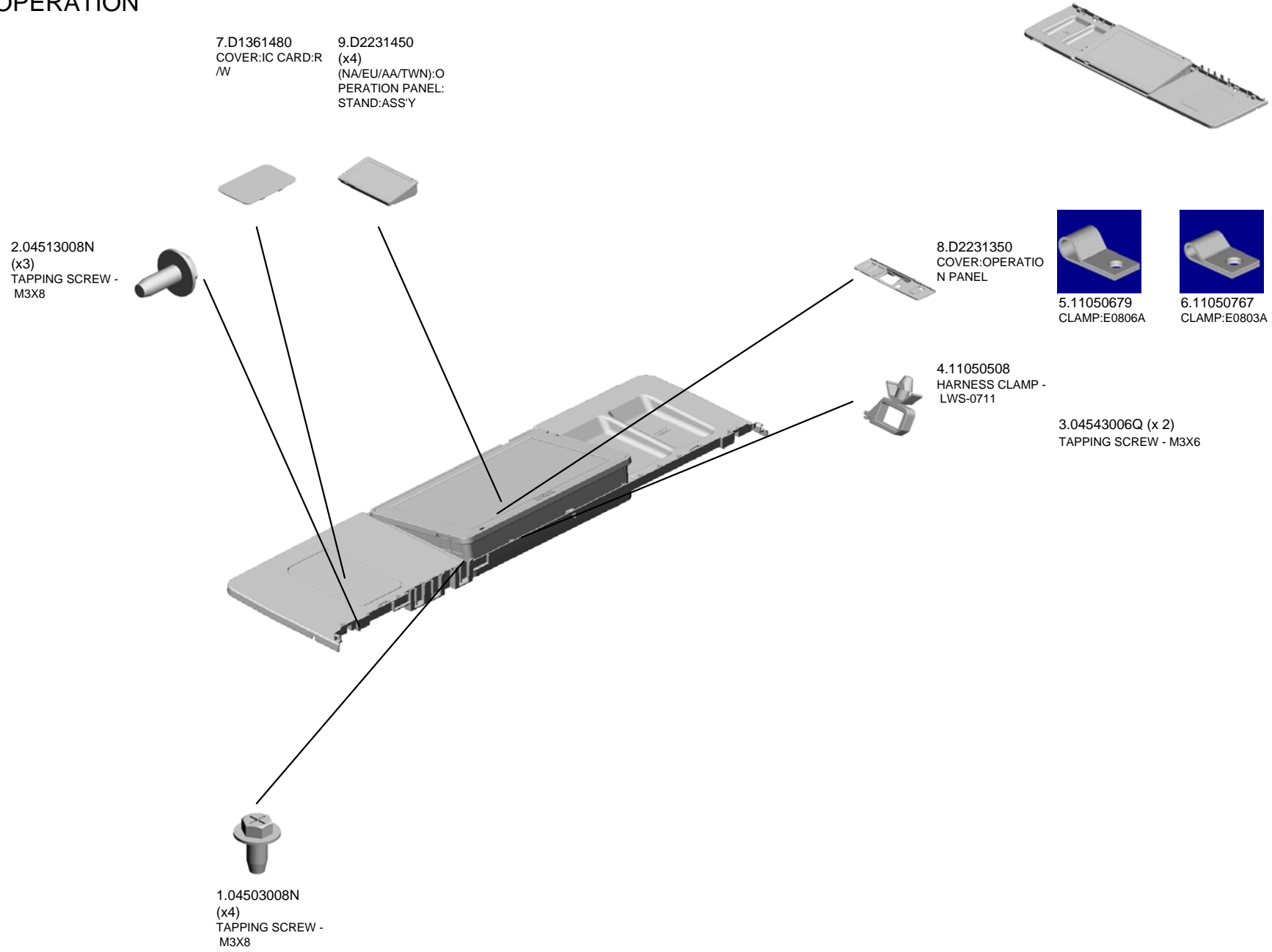
31.D1321366
DECAL:CAUTION:C
OVER:ABS



37.D2231246
COVER:LEFT UPP
ER:ASS'Y

U001	U002	U003	U004	U005	U006	U007	U008	U009	U010	U011	U012	U013	U014	U015	U016	U017
------	------	------	------	------	------	------	------	------	------	------	------	------	------	------	------	------

U002 OPERATION



U001	U002	U003	U004	U005	U006	U007	U008	U009	U010	U011	U012	U013	U014	U015	U016	U017
------	------	------	------	------	------	------	------	------	------	------	------	------	------	------	------	------

U003.ADF

U003_S006
D6831620
SHAFT:SEPARATION:DRIVE:
INPUT:SUB-ASSY

U003_S007
D6831632
SHAFT:REVERSE ROLLER:S
UB-ASSY

U003_S009
D3B02200
SHAFT:SEPARATION:ASSY

U003_S010
AX040199
DC MOTOR:RISING TRAY:AS
S'Y

U003_S012
D3B00430
COVER:PAPER FEED:ASS'Y

U003_S011
D3B04210
COVER:REAR:ASS'Y

U003_S004
D6833150
ROLLER:SCANNING:EXIT:DR
IVE:ASS'Y

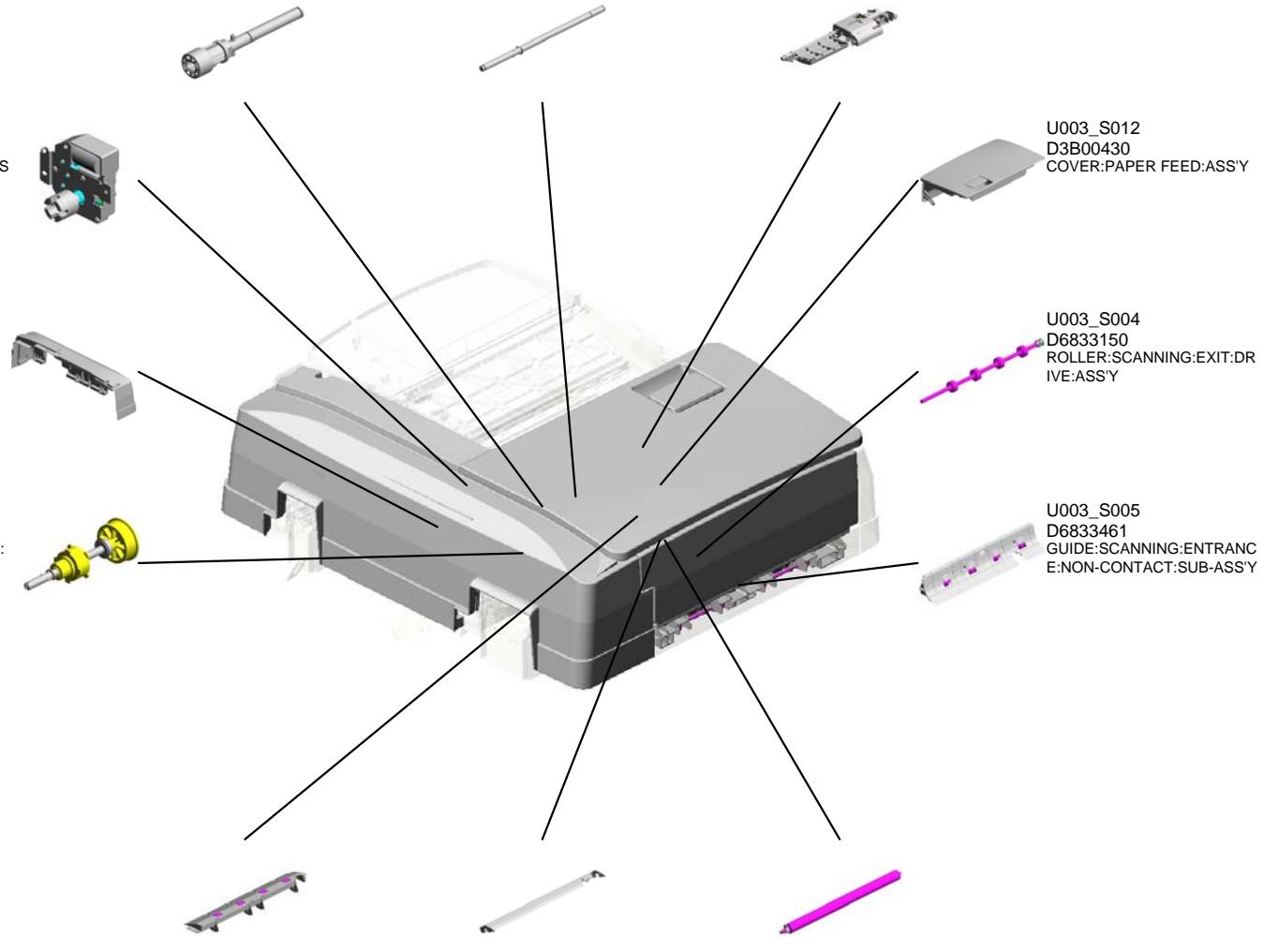
U003_S008
D6831640
SHAFT:INPUT:PAPER FEED:
SUB-ASSY

U003_S005
D6833461
GUIDE:SCANNING:ENTRANC
E:NON-CONTACT:SUB-ASS'Y

U003_S003
D6833641
GUIDE:CONTACT IMAGE SE
NSOR:EXIT:LOWER:ASSY

U003_S001
D3B03662
GUIDE PLATE:CONTACT IMA
GE SENSOR:ENTRANCE:AS
S'Y

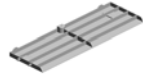
U003_S002
D5433631
ROLLER:SCANNING:BEHIND
:ASS'Y



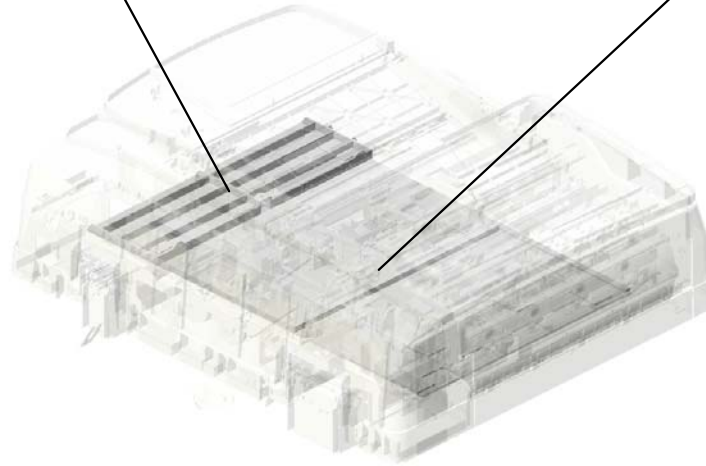
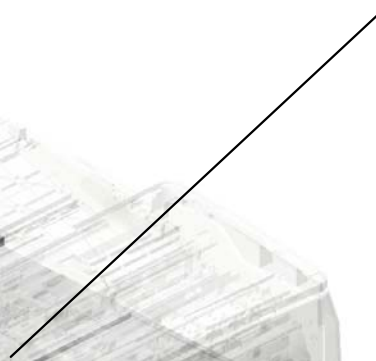
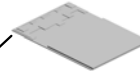
U001	U002	U003	U004	U005	U006	U007	U008	U009	U010	U011	U012	U013	U014	U015	U016	U017
------	------	------	------	------	------	------	------	------	------	------	------	------	------	------	------	------

U003.ADF

U003_S014
D6834510
COVER:LOWER RIGHT:ASS'
Y



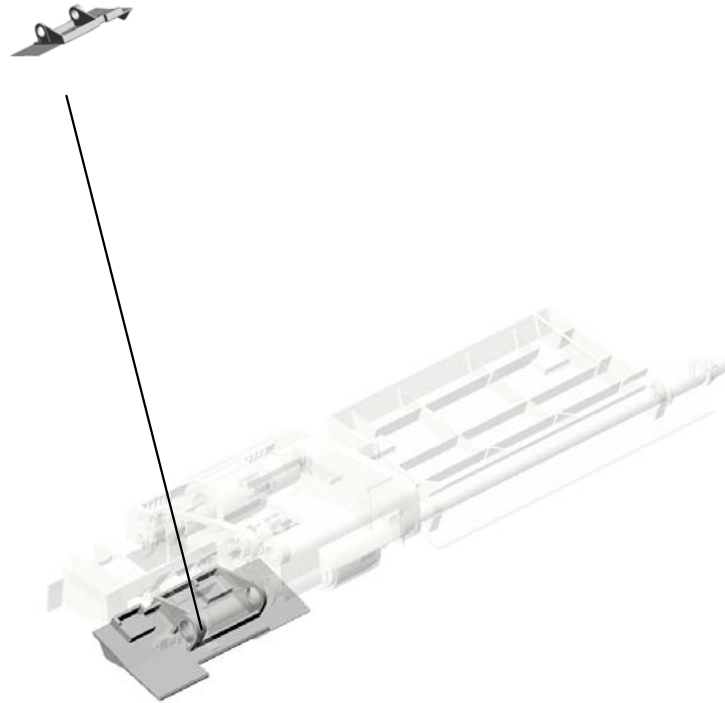
U003_S013
D3AZ4720
PRESSURE PLATE:ASSY



U001	U002	U003	U004	U005	U006	U007	U008	U009	U010	U011	U012	U013	U014	U015	U016	U017
------	------	------	------	------	------	------	------	------	------	------	------	------	------	------	------	------

U003_S009.SHAFT:SEPARATION:ASS'Y

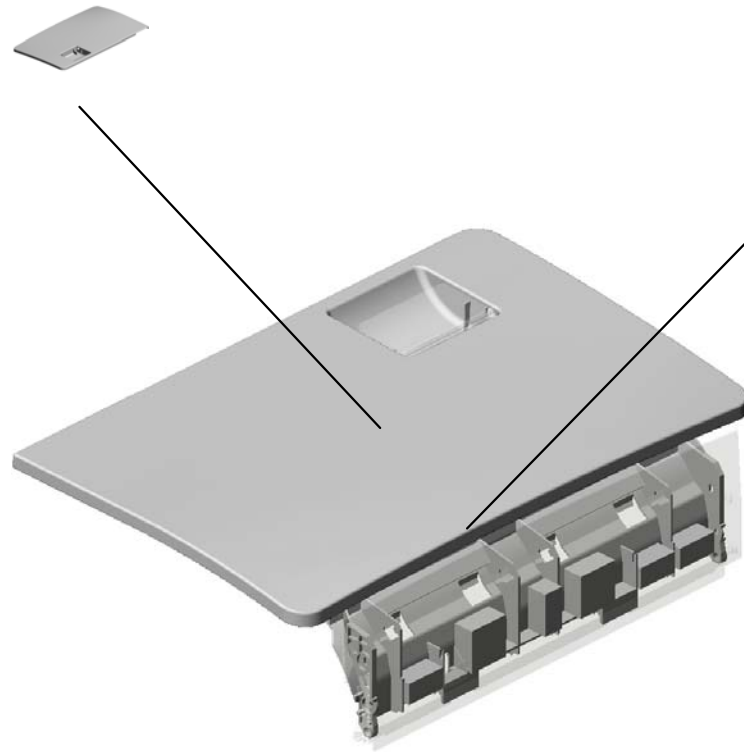
U003_S009_S001
D6832240
GUIDE:PAPER FEED:ENTRA
NCE:INNER BACK:ASS'Y



U001	U002	U003	U004	U005	U006	U007	U008	U009	U010	U011	U012	U013	U014	U015	U016	U017
------	------	------	------	------	------	------	------	------	------	------	------	------	------	------	------	------

U003_S012.COVER:PAPER FEED:ASS'Y

U003_S012_S001
D3B04750
COVER:PAPER FEED:UPPER
:ASS'Y



U003_S012_S002
D3B04310
GUIDE:PAPER FEED:UPPER:
SUB-ASS'Y

U001	U002	U003	U004	U005	U006	U007	U008	U009	U010	U011	U012	U013	U014	U015	U016	U017
------	------	------	------	------	------	------	------	------	------	------	------	------	------	------	------	------

U003
ADF

7.04543014Q (x4) TAPPING SCREW: 3X14
 10.07200040E (x3) RETAINING RING - M4
 1.03530060N (x2) BIND SCREW - M3 X6
 12.07433806 RADIAL BALL BEA RING: DIA6XDIA13X 5
 14.08025299 TAPPING SCREW - M3X8



22.11050723 (x2) CLAMPS: WES-050 7



19.11050508 (x6) HARNESS CLAMP - LWS-0711



9.07200030E RETAINING RING - M3



21.11050692 (x4) CLAMP: LES-0503



4.04543005N (x2) HEXAGON HEAD TAPPING SCREW: ROUND POINT: 3X5



6.04543006Q (x106) TAPPING SCREW - M3X6



18.11050487 (x3) HARNESS CLAMP



17.08050106 (x6) RETAINING RINGS - E: SILENCER: DIA6



5.04543006N (x8) TAPPING SCREW: ROUND POINT: 3X6



8.04583008N (x20) HEXAGON HEAD TAPPING SCREW: 3 X8



16.08050104 (x8) RETAINING RINGS - E: SILENCER: DIA4



13.07433808 (x3) RADIAL BALL BEA RING: DIA8XDIA16X 5



20.11050551 CLAMP: LES-0505



24.11050758 (x16) CLAMP: LWSM-030 6A



15.08050103 (x2) RETAINING RINGS - E: SILENCER: DIA3



16.08050104 (x2) RETAINING RINGS - E: SILENCER: DIA4



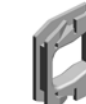
18.11050487 (x3) HARNESS CLAMP



19.11050508 HARNESS CLAMP - LWS-0711



23.11050724 CLAMPS: WES-1210



24.11050758 CLAMP: LWSM-030 6A



36.A8597211 (x2) STEPPED SCREW

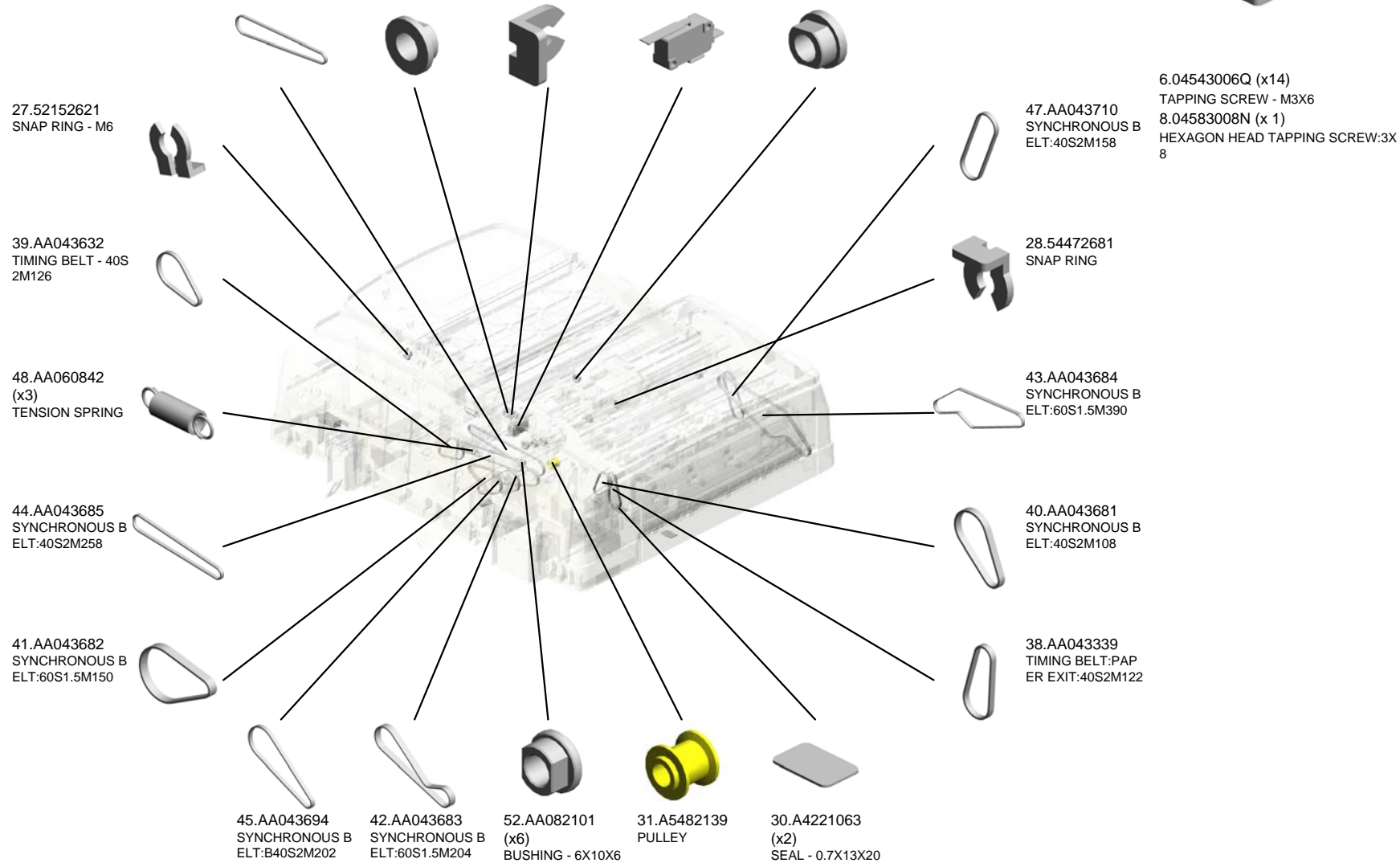


128.D5224906 STEPPED SCREW: M3: DIA6: 1.7MM: ROUND POINT



U003
ADF

- 46.AA043698 SYNCHRONOUS B
ELT:40S1.5M300
- 51.AA080347 BUSHING - 8MM
- 26.52062686 (x2)
SNAP RING
- 25.12042612 (x2)
MICRO SWITCH:D3
V-16506-3C25
- 50.AA080346 BUSHING:FLANGE
TYPE:DIA6



U003 ADF

- 60.AW010150 (x4) PHOTO REFLECTIVE SENSOR:ORIGINAL TRAY
- 63.AW020198 PHOTOINTERRUPTOR:LG2A14NL1
- 62.AW020190 PHOTOINTERRUPTOR
- 80.B8022532 SPRING PLATE:SIDE FENCE
- 81.B8022536 SLIDER:SIDE FENCE



85.B8301135
SCREW



78.B7061859
SCREW:SLIDER:LOCK



77.B7003305
TIMING BELT:B40S 2M152



76.B6523174
TENSION SPRING



68.B3871951
SPRING - PAPER SIZE SENSOR



58.AA143842
SCREW:DIA6:14.5: M4



74.B4774131 (x4)
SPRING



73.B4774129 (x2)
SPRING - 12N



53.AA082144 (x2)
BUSHING - 8X12X7



61.AW010151 (x3)
PHOTO REFLECTIVE SENSOR:PS122T L1-A



56.AA143789
SHAFT:CLEANER



57.AA143791
SCREW:SAFETY



55.AA143788 (x2)
PIN:GUIDE PLATE: PAPER FEED



84.B8041180 (x10)
DISCHARGE BRUSH:PUNCH UNIT



64.AW020203 (x8)
PHOTOINTERRUPTOR:GP1A173LCS 2F



U003
ADF



86.B8722524
SPACER:DIA9

132.D5431625
GEAR:Z24:SEPARATION

126.D4122669
(x2)
TENSION SPRING:
GUIDE PLATE:PRE
SSURE:2N

130.D5412241
REVERSE ROLLER
:PAPER FEED

94.D3B02510
GUIDE PLATE:PAPER FEED:LOWER: ASS'Y

89.D3AZ5100
PCB:MAIN CONTROL

92.D3B01766
DC MOTOR:10W:NI
DEC:ASS'Y

129.D5406121
(x2)
FULL DUG POINT
SCREW:FIX:HINGE

133.D5431717
SHAFT:PULLEY:SCANNING:EXIT

131.D5431313
COMPRESSION SPRING:HINGE:LEFT

125.D4122653
BUSHING:DIA6

87.D3AZ1762
BRACKET:MOTOR:MIDDLE

127.D4123145
TENSION SPRING:
LEVER:MISFEED REMOVAL

128.D5224906
(x9)
STEPPED SCREW:
M3:DIA6:1.7MM:ROUND POINT

90.D3AZ5860
CONTACT IMAGE SENSOR:ASS'Y

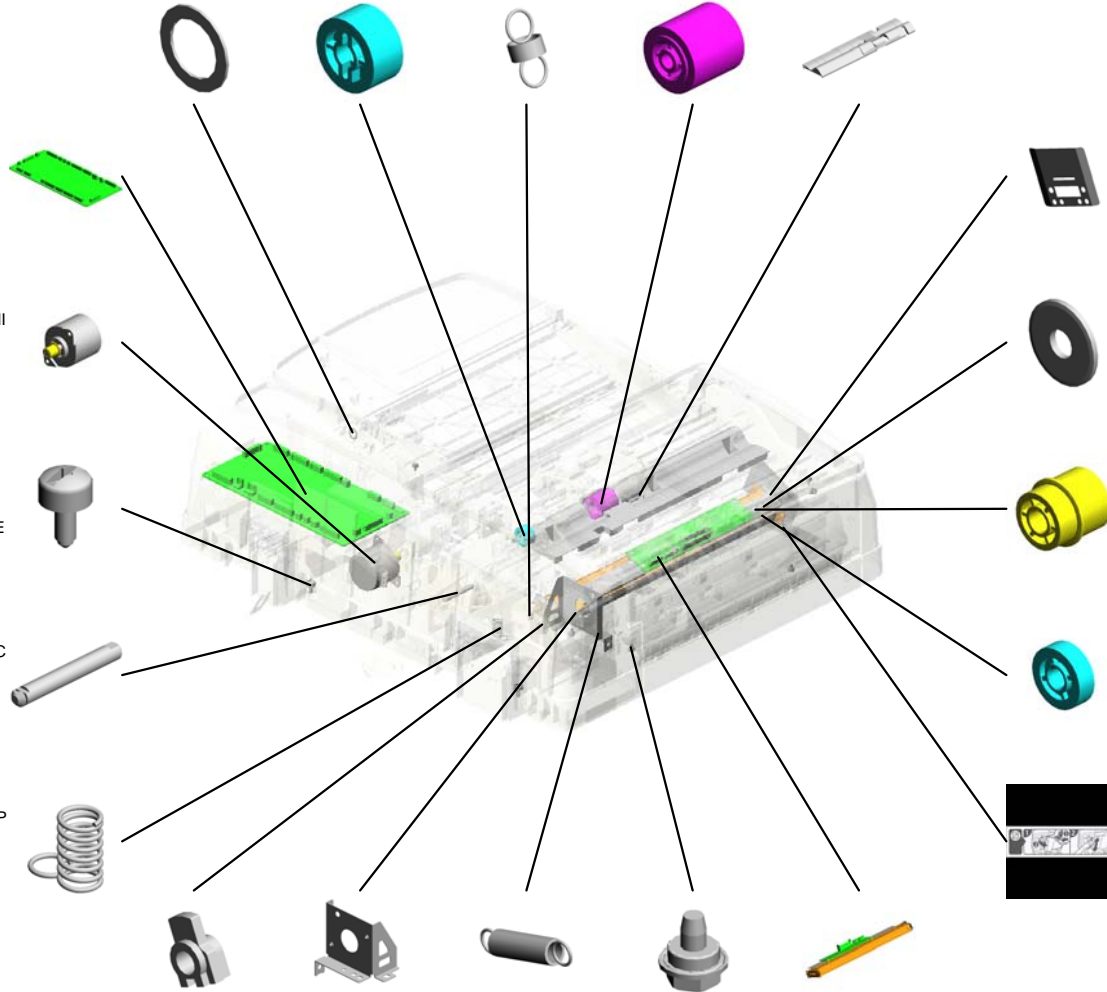
123.D3B05869
SHIELD PLATE:CONTACT IMAGE SENSOR:FRONT

135.D5431822
FLANGE:DIA24

134.D5431821
TIMING PULLEY:T3
3/Z24

138.D5433635
GEAR:ROLLER:SCANNING:BEHIND

124.D3B06321
DECAL:CAUTION:CONTACT IMAGE SENSOR



U003
ADF



- 154.D6831615 STAY:MOTOR:PAPER FEED
- 155.D6831617 DC MOTOR:ASSY:20W:BRUSHLESS
- 147.D6831386 SHAFT:CONTACT POINT:ON OFF DETECTOR:PAPER FEED
- 146.D6831385 BRACKET:SAFETY SWITCH:PAPER FEED
- 148.D6831387 TENSION SPRING:ON OFF DETECTOR:PAPER FEED

145.D6831362 COMPRESSION SPRING:HINGE:RIGHT

150.D6831414 SPRING PLATE:SAFETY SWITCH

149.D6831413 BRACKET:SAFETY SWITCH

144.D6831350 HINGE:RIGHT:ASSY

151.D6831415 FEELER:SENSOR:ON OFF DETECTOR

152.D6831451 HOLDER:FEELER:APS

142.D6421454 FEELER:APS

153.D6831614 BRACKET:MOTOR:PAPER FEED

162.D6831644 SPACER:SHAFT:INPUT:PAPER FEED

143.D6831320 HINGE:LEFT:ASSY

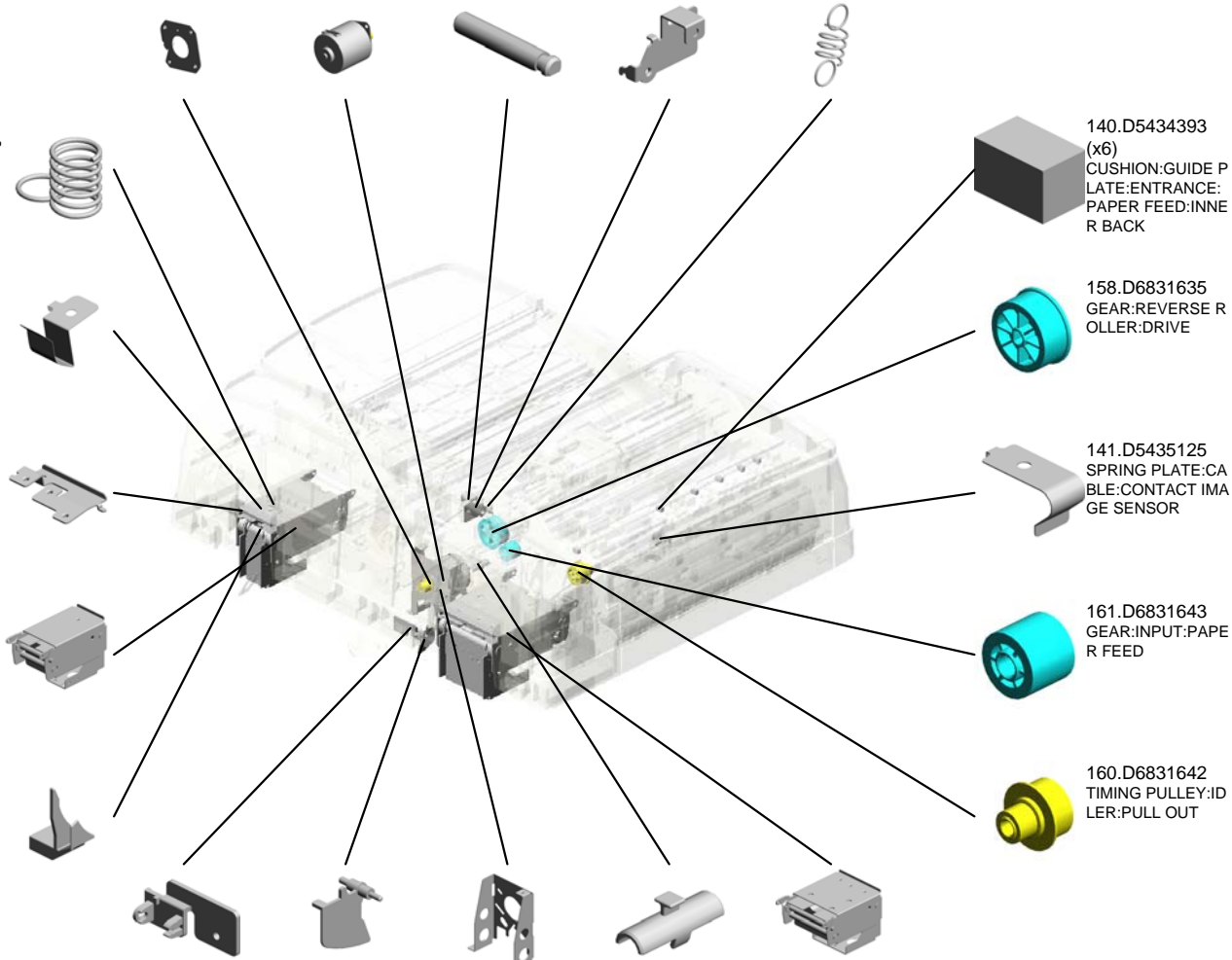
140.D5434393 (x6) CUSHION:GUIDE PLATE:ENTRANCE: PAPER FEED:INNER BACK

158.D6831635 GEAR:REVERSE ROLLER:DRIVE

141.D5435125 SPRING PLATE:CAMBLE:CONTACT IMAGE SENSOR

161.D6831643 GEAR:INPUT:PAPER FEED

160.D6831642 TIMING PULLEY:IDLER:PULL OUT



U003
ADF



- 168.D6831711 BRACKET:MOTOR: PULL OUT
- 172.D6831813 TIMING PULLEY:COUPLING:SCANNING:INNER BACK
- 175.D6831841 BRACKET:TENSIO NER:SCANNING:INNER BACK
- 176.D6831845 (x2) PULLEY:IDLER:DIAMETER:14
- 166.D6831682 TIMING PULLEY:PICKUP:DRIVE

173.D6831814 TIMING PULLEY:COUPLING:EXIT

180.D6831912 BRACKET:HINGE:RIGHT

169.D6831718 (x2) STAY:MOTOR:PULL OUT

174.D6831822 (x2) DC MOTOR:20W:SCANNING:20W:BRUSHLESS

171.D6831811 BRACKET:MOTOR:SCANNING:EXIT

163.D6831671 BRACKET:MOTOR: PICK UP

164.D6831675 DC STEPPER MOTOR:DIAMETER:42:TIMING:15:SIZE:2M:ASSY

167.D6831691 GEAR:PAPER FEED:COUPLING

182.D6832112 (x2) TIMING PULLEY:ROLLER:PULL OUT:DRIVE

170.D6831766 DC MOTOR:10W:BRUSHLESS

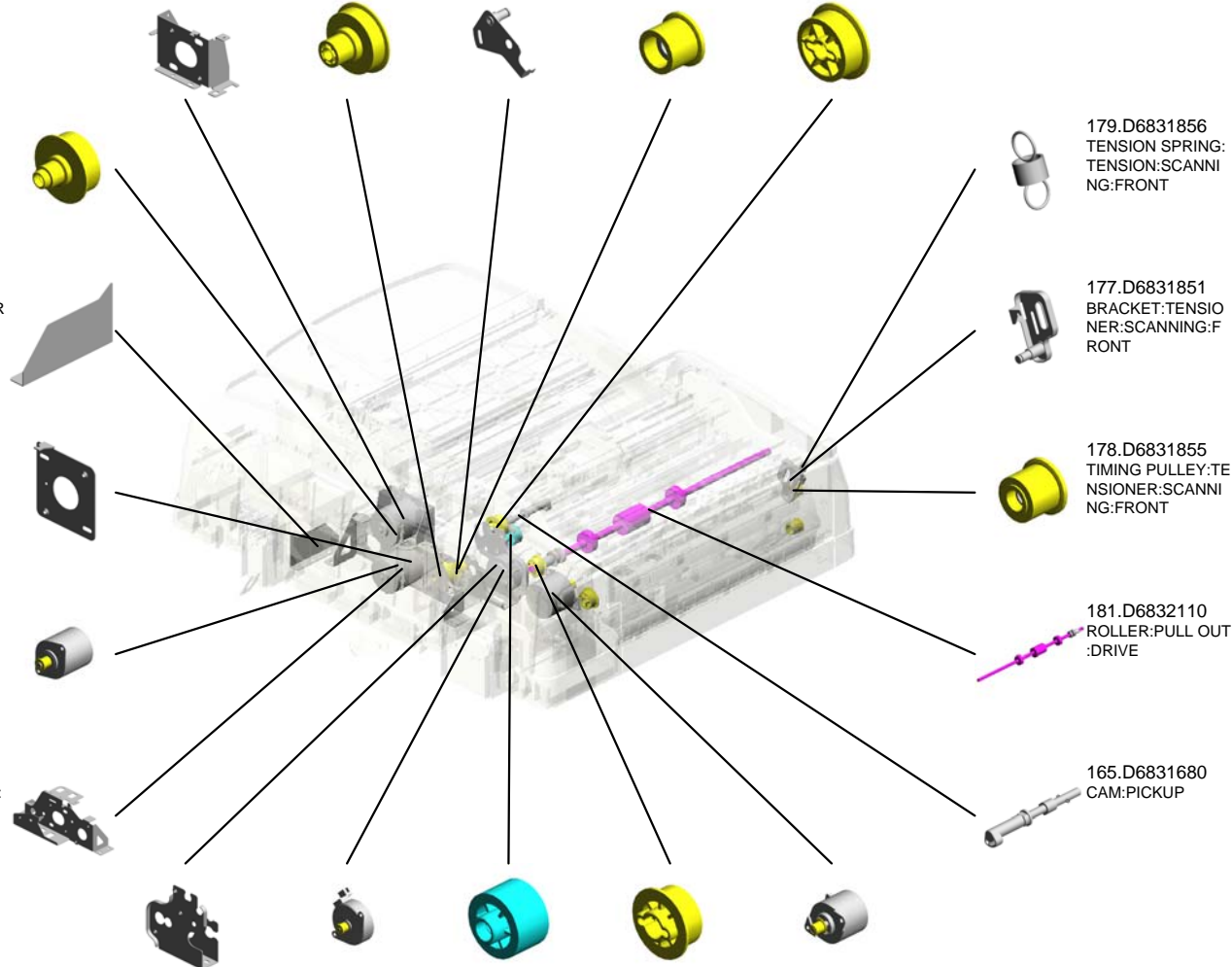
179.D6831856 TENSION SPRING:TENSION:SCANNING:FRONT

177.D6831851 BRACKET:TENSIO NER:SCANNING:FRONT

178.D6831855 TIMING PULLEY:TENSIONER:SCANNING:FRONT

181.D6832110 ROLLER:PULL OUT:DRIVE

165.D6831680 CAM:PICKUP



U003
ADF



- 217.D6832771 ORIGINAL TABLE
- 215.D6832755 SHAFT:RISE:BASE: SUB-ASS'Y
- 216.D6832756 RAIL:SIDE FENCE
- 211.D6832746 SIDE FENCE:ORIGINAL TABLE
- 213.D6832748 (x2) PAD:SIDE FENCE:LARGE

201.D6832393 HOLDER:ORIGINAL TABLE



206.D6832729 JOINT:RISING TRAY:AUXILIARY



205.D6832728 STOPPER:RELEASE:SHAFT:BASE



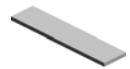
207.D6832733 FEELER:SENSOR:ORIGINAL SENSOR



208.D6832735 BRACKET:SENSOR:ORIGINAL SENSOR



209.D6832742 (x4) CUSHION:STOPPER PAWL



214.D6832752 LEVER:RISE:BASE



204.D6832724 COVER:LOWER:BASE



202.D6832415 SHEET:SEPARATION:ENTRANCE



200.D6832311 TORQUE LIMITER MECHANICAL CLUTCH:SEPARATOR



212.D6832747 (x3) PAD:SIDE FENCE:SMALL



186.D6832222 STOPPER:SHAFT:SEPARATION:DRIVE



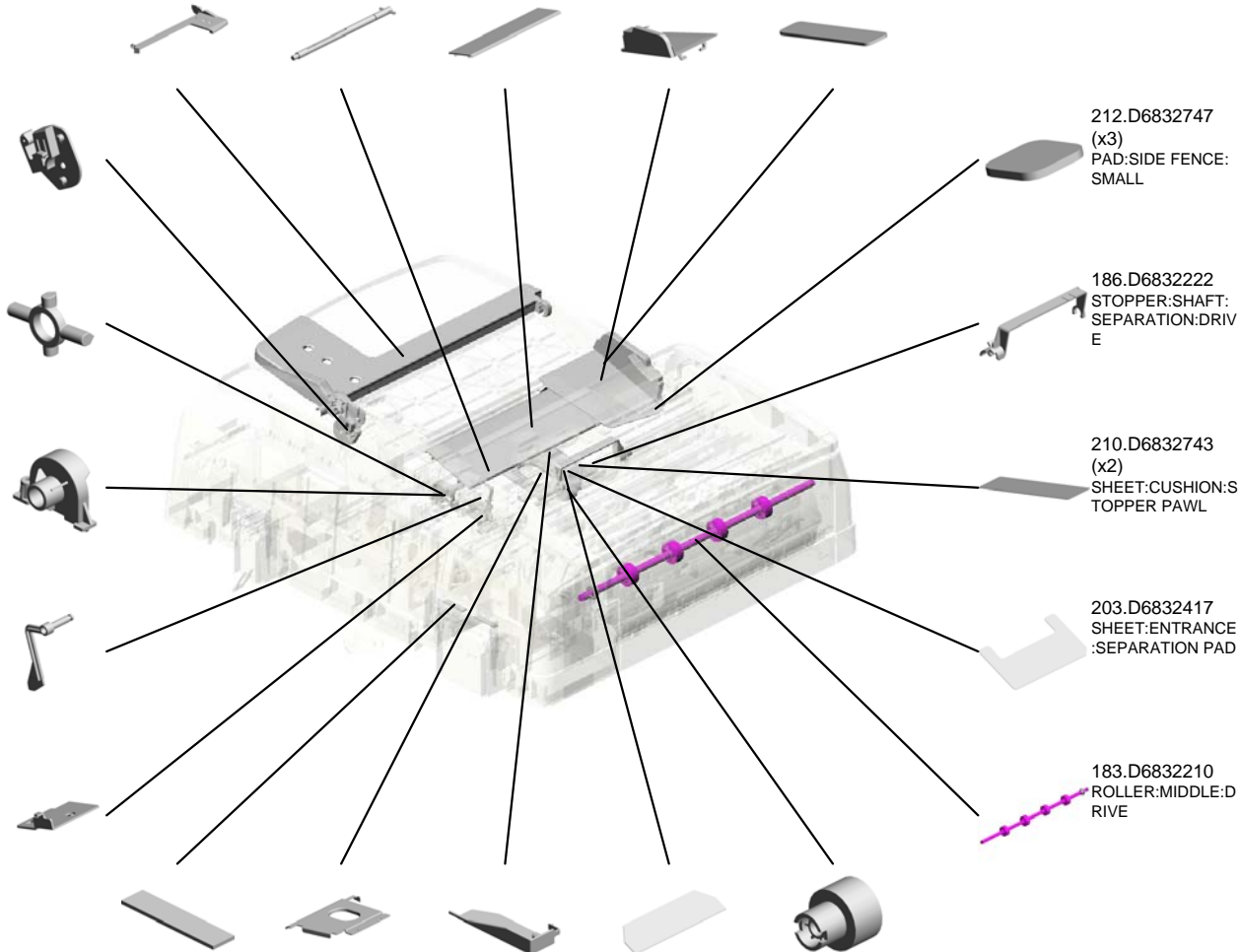
210.D6832743 (x2) SHEET:CUSHION:STOPPER PAWL



203.D6832417 SHEET:ENTRANCE:SEPARATION PAD



183.D6832210 ROLLER:MIDDLE:DRIVE



U003
ADF

221.D6832913 (x2) SHEET:SENSOR:SEPARATION
 246.D6833710 ROLLER:CONTACT IMAGE SENSOR:EXIT:DRIVE:PRESS FIT
 227.D6833260 SHEET:SCANNING:EXIT:UPPER:ASSY
 220.D6832912 (x6) FEELER:PAPER SIZE SENSOR
 219.D6832911 GUIDE PLATE:PULL OUT:LOWER



218.D6832781 ORIGINAL TABLE:BEHIND

236.D6833616 (x2) BRACKET:DISCHARGE BRUSH

226.D6833251 GROUND PLATE:ROLLER

228.D6833311 (x2) BRACKET:GUIDE:SCANNING:UPPER

229.D6833361 (x2) SPRING PLATE:GUIDE PLATE:SCANNING

237.D6833621 GUIDE:EXIT:LOWER:SUB-ASSY

234.D6833510 SHAFT:LEVER:MISFEED REMOVAL:ASSY

225.D6833221 GUIDE:SCANNING:UPPER

230.D6833370 GUIDE PLATE:SCANNING:NON-CONTACT

231.D6833421 BASE:SCANNING:ENTRANCE:LOWER

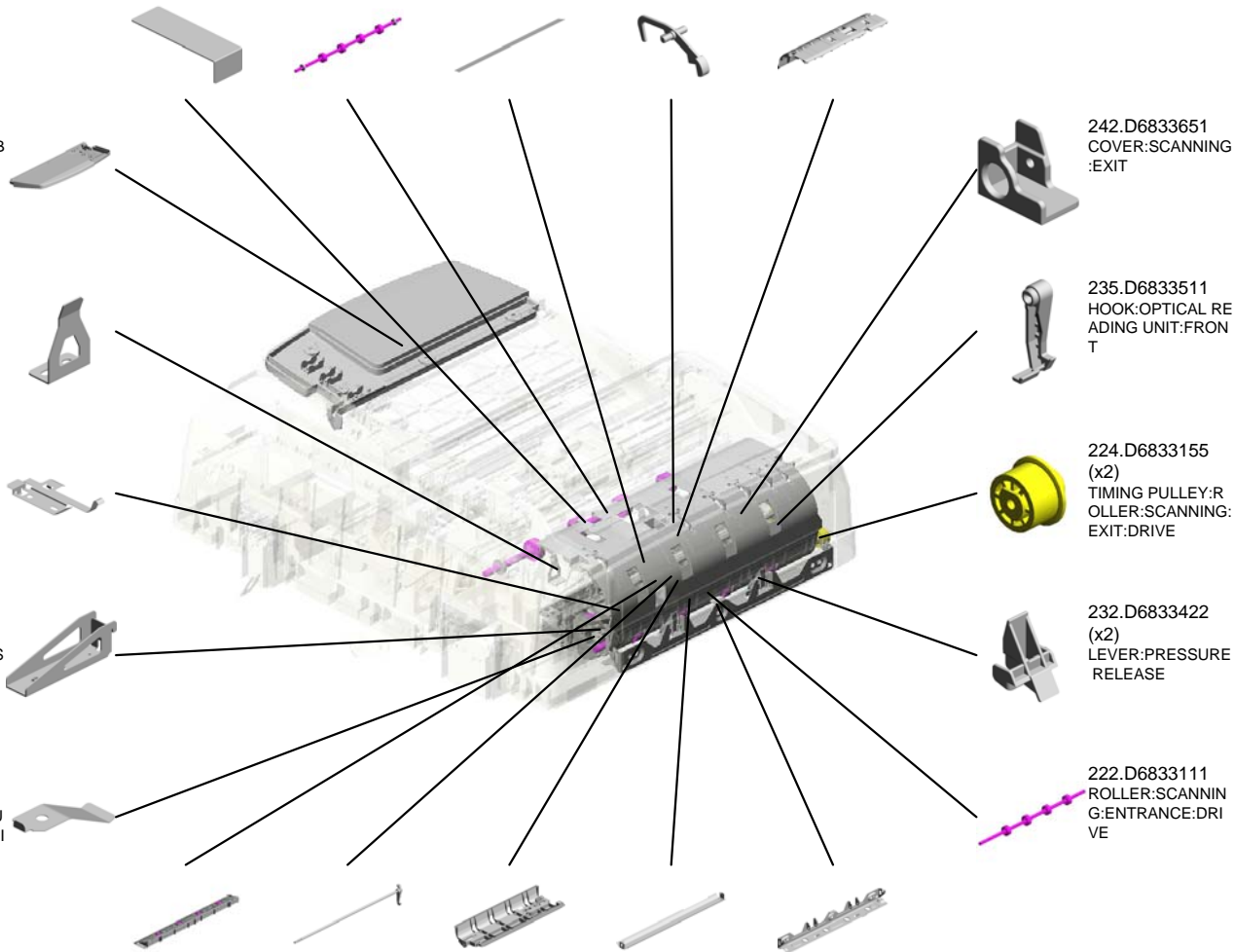
242.D6833651 COVER:SCANNING:EXIT

235.D6833511 HOOK:OPTICAL READING UNIT:FRONT

224.D6833155 (x2) TIMING PULLEY:ROLLER:SCANNING:EXIT:DRIVE

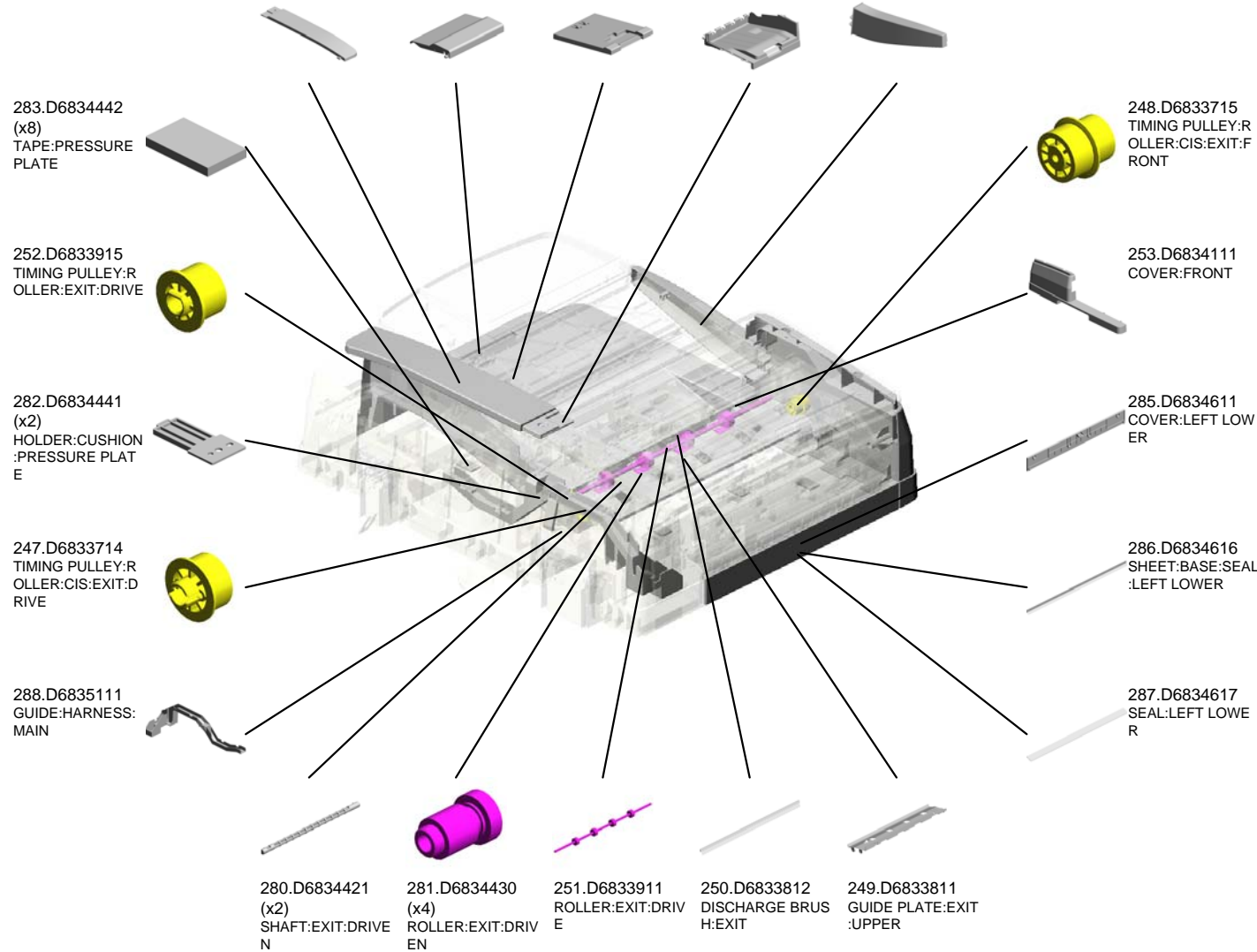
232.D6833422 (x2) LEVER:PRESSURE RELEASE

222.D6833111 ROLLER:SCANNING:ENTRANCE:DRIVE



U003
ADF

256.D6834212 COVER:UPPER REAR
 278.D6834413 TRAY:EXIT:AUXILIARY:SMALL
 277.D6834412 TRAY:EXIT:AUXILIARY:LARGE
 279.D6834418 TRAY:EXIT
 254.D6834112 COVER:FRONT RIGHT



U003
ADF

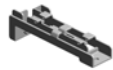


292.D6836051
DECAL:BASE:ORIGINAL

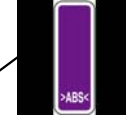
290.D6836011
DECAL:SIZE:ORIGINAL



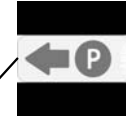
289.D6835121
GUIDE:HARNESS:
SUB



296.D6902425
DISCHARGE BRUSH:
SHORT:FRONT



297.D7316241
DECAL:STOPPER:
SEPARATION UNIT



291.D6836041
DECAL:DESIGN SK
ETCH:MISFEED RE
MOVAL:P2

300.M3644131
TIMING BELT:B40S
2M160

294.D6842412
(x2)
PAD:STOPPER:ORIGINAL



U003_S001

GUIDE PLATE:CONTACT IMAGE SENSOR:ENTRANCE:ASS'Y

244.D6833667 2.03603006N
LEVER:GUIDE PLA (x4)
TE:CONTACT IMA SCREW - M3X6
GE SENSOR:REAR

96.D3B03662
GUIDE PLATE:CON
TACT IMAGE SENS
OR:ENTRANCE:AS
SY

245.D6833668
(x2)
SPACER:GUIDE PL
ATE:CONTACT IMA
GE SENSOR:ENTR
ANCE

243.D6833666
LEVER:GUIDE PLA
TE:CONTACT IMA
GE SENSOR:FRON
T

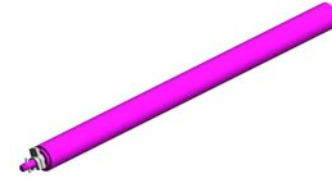
250.D6833812
DISCHARGE BRUS
H:EXIT



U001	U002	U003	U004	U005	U006	U007	U008	U009	U010	U011	U012	U013	U014	U015	U016	U017
------	------	------	------	------	------	------	------	------	------	------	------	------	------	------	------	------

U003_S002
ROLLER:SCANNING:BEHIND:ASS'Y

125.D4122653
BUSHING:DIA6



137.D5433631
ROLLER:SCANNIN
G:BEHIND:ASS'Y

U001	U002	U003	U004	U005	U006	U007	U008	U009	U010	U011	U012	U013	U014	U015	U016	U017
------	------	------	------	------	------	------	------	------	------	------	------	------	------	------	------	------

U003_S003

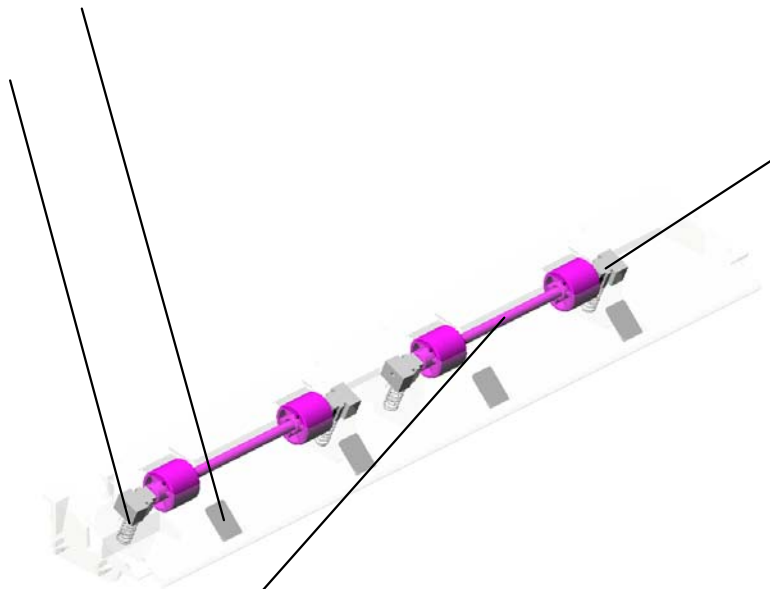
GUIDE:CONTACT IMAGE SENSOR:EXIT:LOWER:ASS'Y

240.D6833644
(x4)
SHEET:GUIDE:CO
NTACT IMAGE SEN
SOR:EXIT:LOWER



238.D6833641
GUIDE:CONTACT I
MAGE SENSOR:EX
IT:LOWER:ASS'Y

239.D6833643
(x4)
COMPRESSION SP
RING:CONTACT IM
AGE SENSOR:EXIT



298.G0602652
(x4)
BUSHING - M4

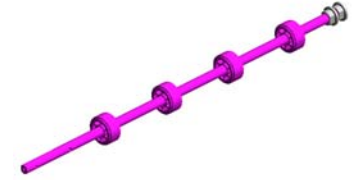


241.D6833645
(x2)
ROLLER:MIDDLE:D
RIVEN

U001	U002	U003	U004	U005	U006	U007	U008	U009	U010	U011	U012	U013	U014	U015	U016	U017
------	------	------	------	------	------	------	------	------	------	------	------	------	------	------	------	------

U003_S004
ROLLER:SCANNING:EXIT:DRIVE:ASS'Y

11.07200060E
RETAINING RING -
M6



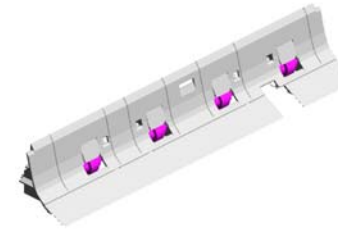
223.D6833150
ROLLER:SCANNIN
G:EXIT:DRIVE:ASS'
Y



U001	U002	U003	U004	U005	U006	U007	U008	U009	U010	U011	U012	U013	U014	U015	U016	U017
------	------	------	------	------	------	------	------	------	------	------	------	------	------	------	------	------

U003_S005
GUIDE:SCANNING:ENTRANCE:NON-CONTACT:SUB-ASS'Y

136.D5433314
(x4)
SHEET:SCANNING:
ENTRANCE:MIDDLE



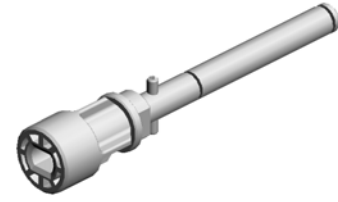
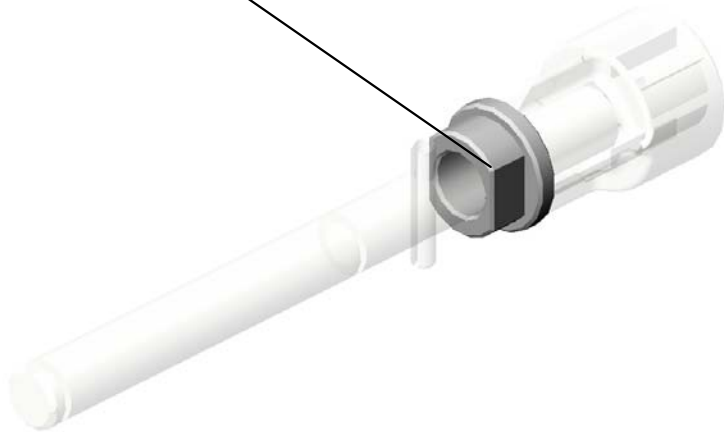
233.D6833461
GUIDE:SCANNING:
ENTRANCE:NON-C
ONTACT:SUB-ASS'
Y



U001	U002	U003	U004	U005	U006	U007	U008	U009	U010	U011	U012	U013	U014	U015	U016	U017
------	------	------	------	------	------	------	------	------	------	------	------	------	------	------	------	------

U003_S006
SHAFT:SEPARATION:DRIVE:INPUT:SUB-ASS'Y

52.AA082101
BUSHING - 6X10X6



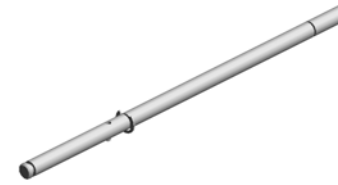
156.D6831620
SHAFT:SEPARATI
ON:DRIVE:INPUT:S
UB-ASSY

U001	U002	U003	U004	U005	U006	U007	U008	U009	U010	U011	U012	U013	U014	U015	U016	U017
------	------	------	------	------	------	------	------	------	------	------	------	------	------	------	------	------

U003_S007
SHAFT:REVERSE ROLLER:SUB-ASS'Y

10.07200040E
RETAINING RING -
M4

157.D6831632
SHAFT:REVERSE
ROLLER:SUB-ASS'
Y

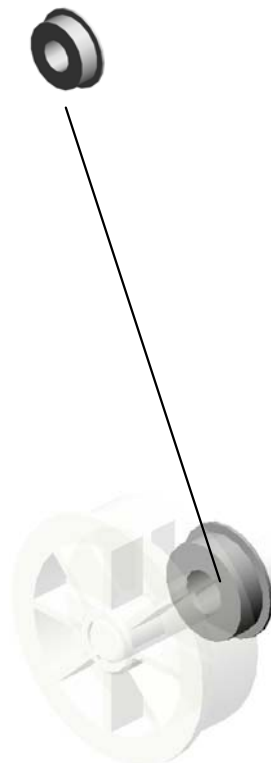


U001	U002	U003	U004	U005	U006	U007	U008	U009	U010	U011	U012	U013	U014	U015	U016	U017
------	------	------	------	------	------	------	------	------	------	------	------	------	------	------	------	------

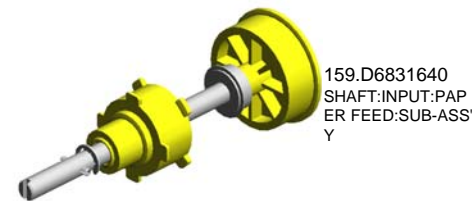
U003_S008

SHAFT:INPUT:PAPER FEED:SUB-ASS'Y

12.07433806
RADIAL BALL BEA
RING: DIA6X DIA13X
5



10.07200040E
RETAINING RING -
M4



159.D6831640
SHAFT:INPUT:PAP
ER FEED:SUB-ASS'
Y

U001	U002	U003	U004	U005	U006	U007	U008	U009	U010	U011	U012	U013	U014	U015	U016	U017
------	------	------	------	------	------	------	------	------	------	------	------	------	------	------	------	------

U003_S009
SHAFT:SEPARATION:ASS'Y

70.B4772227
PICKUP ROLLER:COUPLING

69.B3872113
ROLLER - PAPER FEED BELT

34.A8592112
DRIVE SHAFT - PAPER FEED BELT

121.D3B04781
CUSHION:BRACKET:PICKUP:FRONT

67.B3863320
(x2)
SPRING:BELT:PAPER FEED:8N

93.D3B02200
SHAFT:SEPARATION:ASS'Y



37.AA043328
TIMING BELT:40S2 M130

28.54472681
(x2)
SNAP RING

35.A8592319
BASE CUSHION

32.A6281225
(x4)
BUSHING - 8MM

17.08050106
(x2)
RETAINING RINGS - SILENCER:DIA6

79.B7892114
PAPER FEED BELT ROLLER

75.B6522215
GUIDE:PAPER FEED BELT:FRONT

184.D6832215
SHAFT:SEPARATION:DRIVE

33.A8061163
(x2)
GUIDE PLATE CUSHION

11.07200060E
RETAINING RING - M6

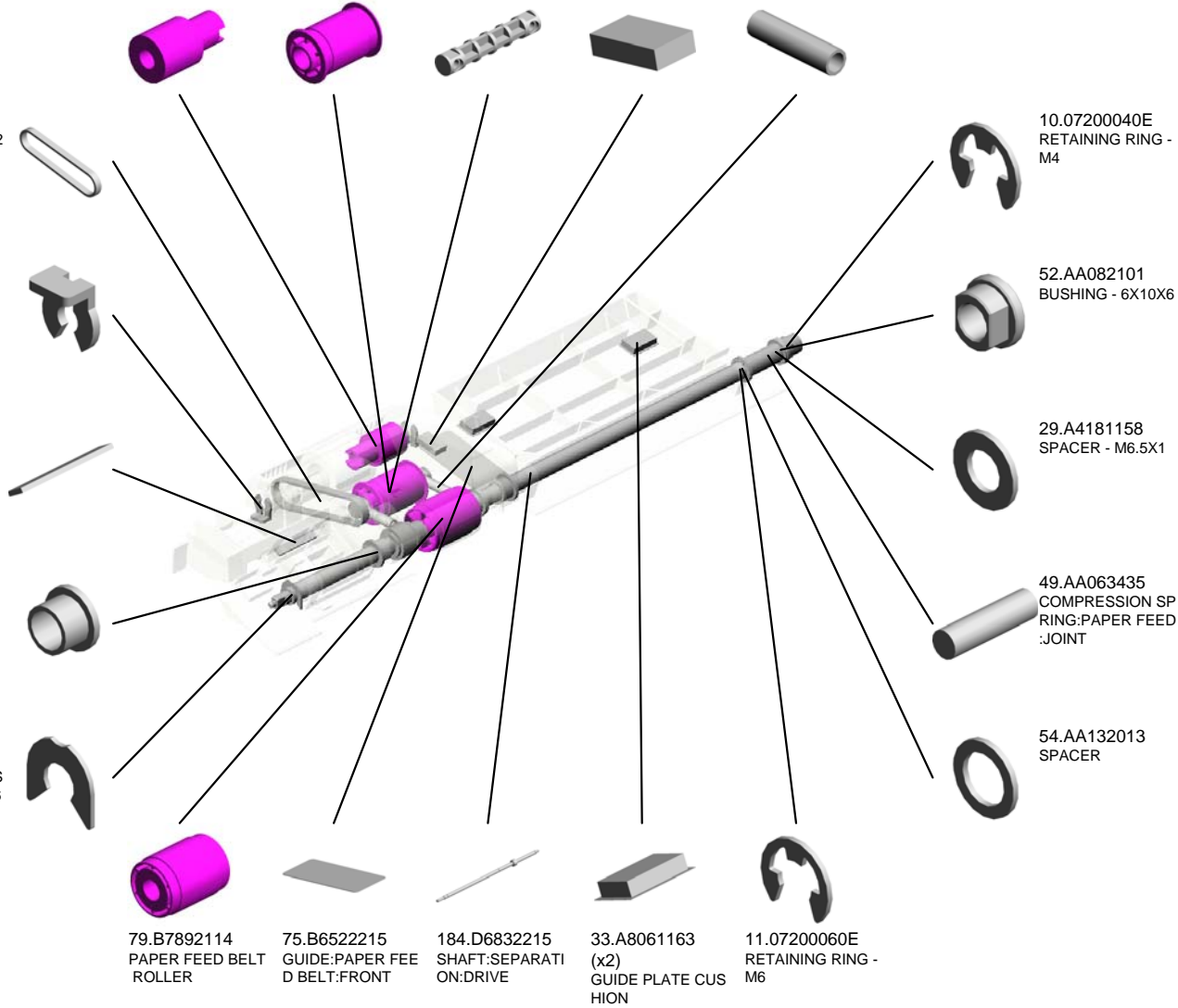
10.07200040E
RETAINING RING - M4

52.AA082101
BUSHING - 6X10X6

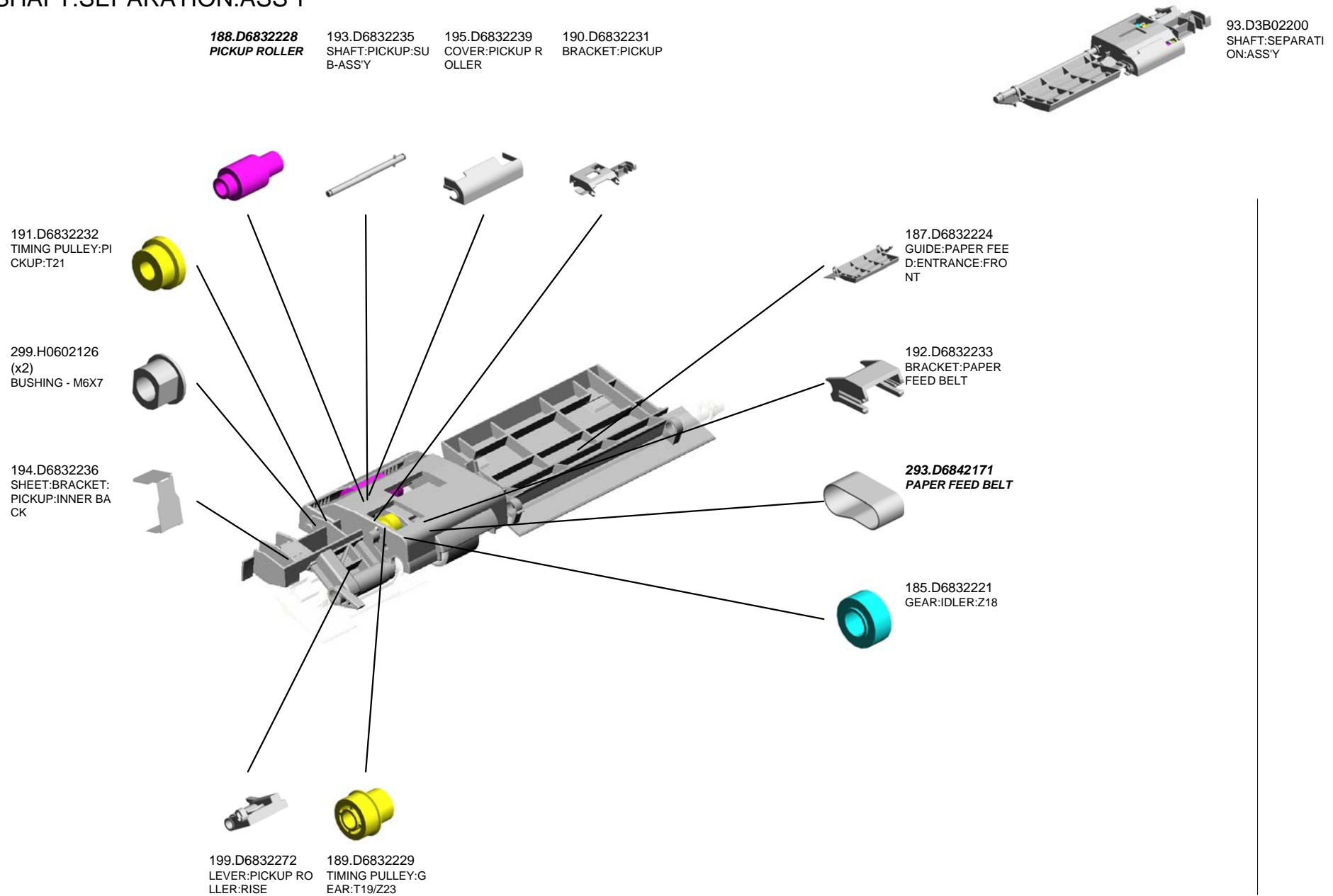
29.A4181158
SPACER - M6.5X1

49.AA063435
COMPRESSION SPRING:PAPER FEED:JOINT

54.AA132013
SPACER



U003_S009
SHAFT:SEPARATION:ASS'Y



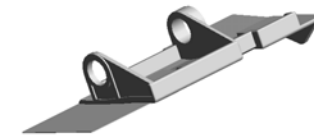
U001	U002	U003	U004	U005	U006	U007	U008	U009	U010	U011	U012	U013	U014	U015	U016	U017
------	------	------	------	------	------	------	------	------	------	------	------	------	------	------	------	------

U003_S009_S001

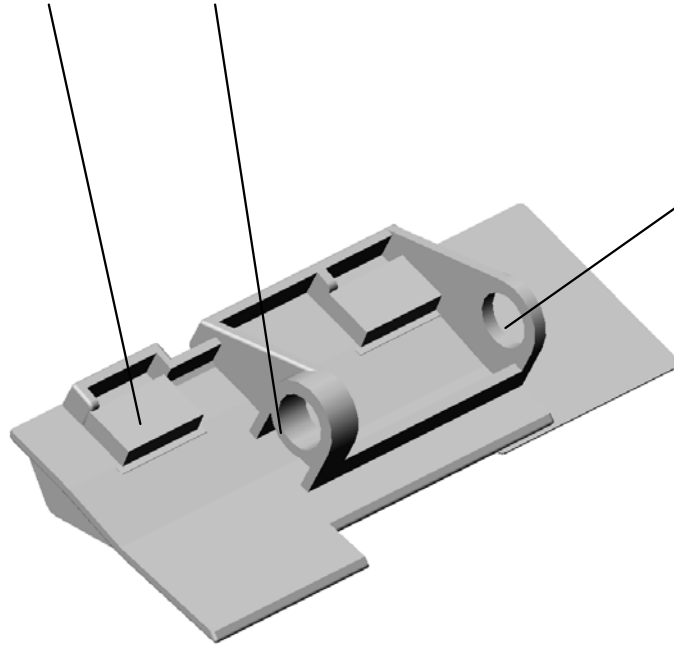
GUIDE:PAPER FEED:ENTRANCE:INNER BACK:ASS'Y

33.A8061163
(x2)
GUIDE PLATE CUS
HION

197.D6832241
GUIDE:PAPER FEE
D:ENTRANCE:INNE
R BACK



196.D6832240
GUIDE:PAPER FEE
D:ENTRANCE:INNE
R BACK:ASS'Y

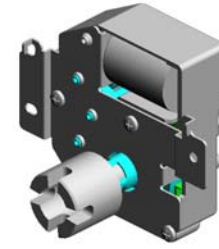
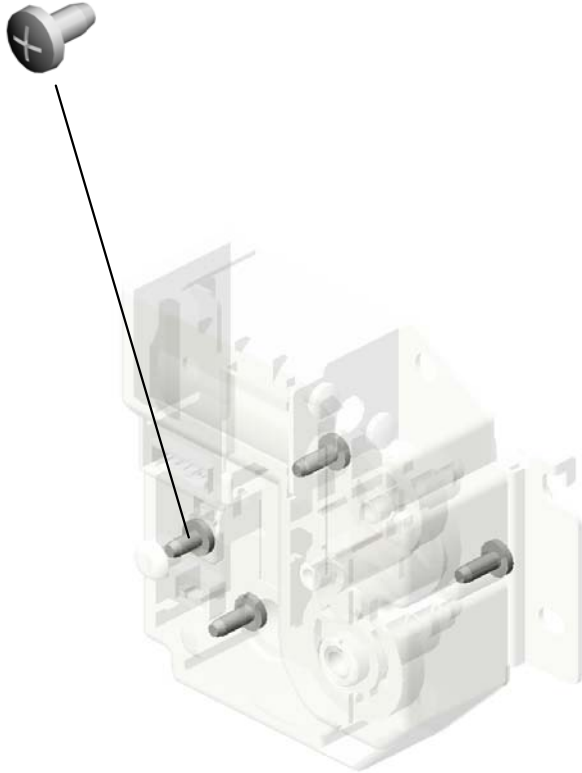


198.D6832242
SHEET:GUIDE:PAP
ER FEED:INNER B
ACK

U001	U002	U003	U004	U005	U006	U007	U008	U009	U010	U011	U012	U013	U014	U015	U016	U017
------	------	------	------	------	------	------	------	------	------	------	------	------	------	------	------	------

U003_S010
DC MOTOR:RISING TRAY:ASS'Y

3.04523010N
(x4)
BINDING SELF-TA
PPING SCREW:3X
10



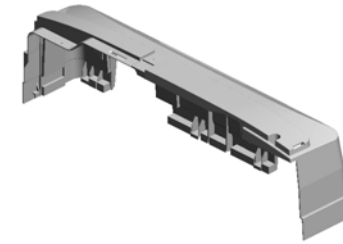
65.AX040199
DC MOTOR:RISING
TRAY:ASS'Y

U001	U002	U003	U004	U005	U006	U007	U008	U009	U010	U011	U012	U013	U014	U015	U016	U017
------	------	------	------	------	------	------	------	------	------	------	------	------	------	------	------	------

U003_S011
COVER:REAR:ASS'Y

114.D3B04765 (x2)
SOUND PROOFIN
G MATERIAL:COVE
R:REAR:UPPER

112.D3B04763 (x2)
SOUND PROOFIN
G MATERIAL:COVE
R:REAR:LOWER:3



97.D3B04210
COVER:REAR:ASS'
Y

110.D3B04761 (x6)
SOUND PROOFIN
G MATERIAL:COVE
R:REAR:LOWER:1

113.D3B04764 (x2)
SOUND PROOFIN
G MATERIAL:COVE
R:REAR:LOWER:4

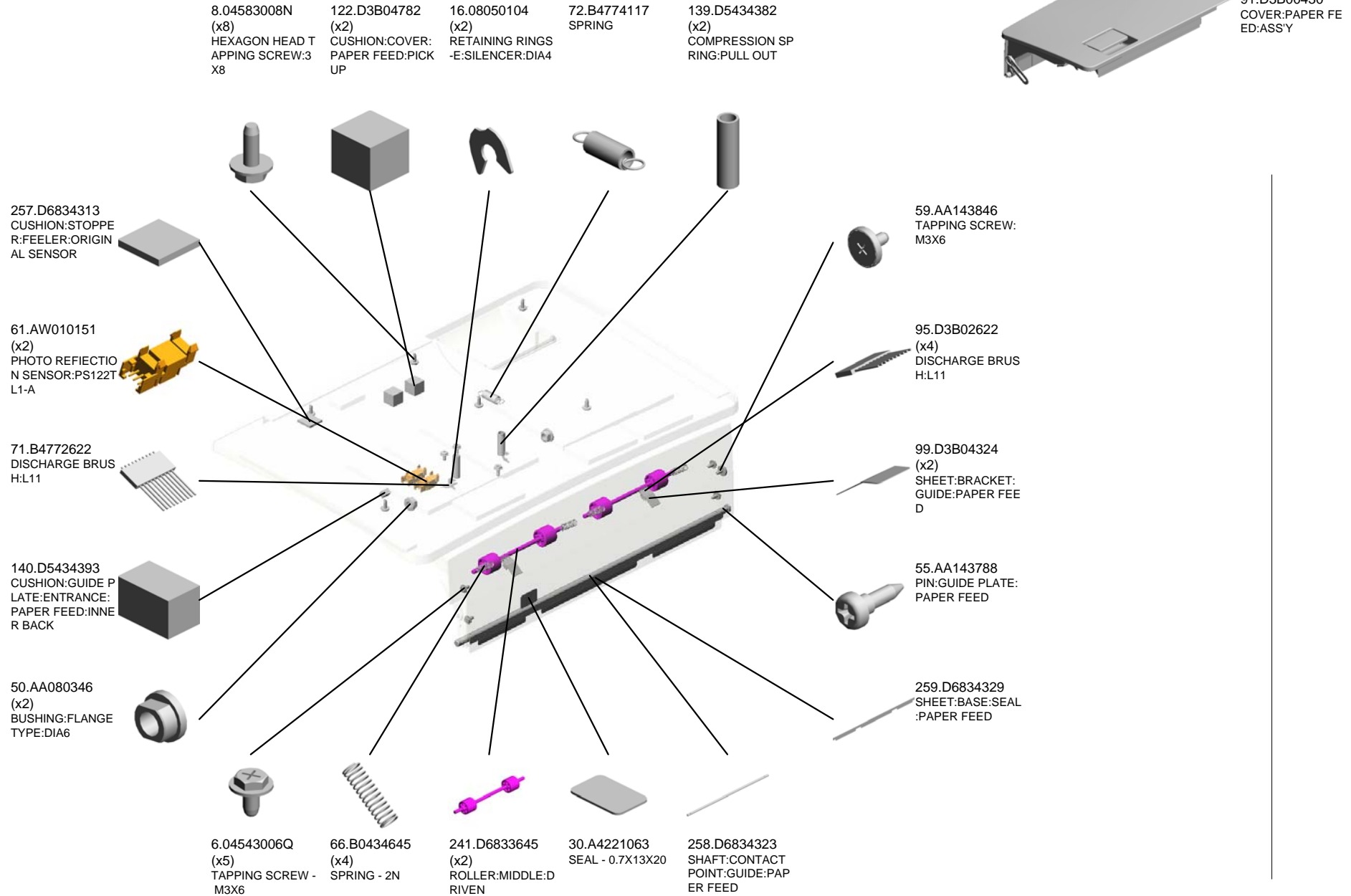
83.B8024712 (x7)
SOUND PROOFIN
G MATERIAL:COVE
R:REAR

82.B8024711 (x2)
SOUND PROOFIN
G MATERIAL

255.D6834211
COVER:REAR

111.D3B04762
SOUND PROOFIN
G MATERIAL:COVE
R:REAR:LOWER:2

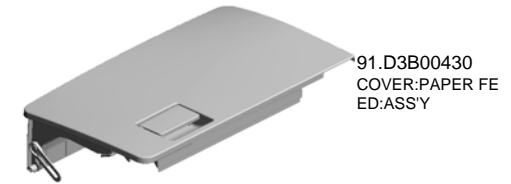
U003_S012 COVER:PAPER FEED:ASS'Y



U001	U002	U003	U004	U005	U006	U007	U008	U009	U010	U011	U012	U013	U014	U015	U016	U017
------	------	------	------	------	------	------	------	------	------	------	------	------	------	------	------	------

U003_S012
COVER:PAPER FEED:ASS'Y

266.D6834347 SEAL:ENTRANCE:
PAPER FEED
265.D6834346 SHIELD PLATE:EN
TRANCE:PAPER F
EED
274.D6834394 GUIDE PLATE:ENT
RANCE:PAPER FE
ED:UPPER
269.D6834361 SHAFT:CONTACT
POINT:GRIP
271.D6834371 GRIP:COVER:PAP
ER FEED



261.D6834342
BRACKET:PRESSU
RE:PICKUP



263.D6834344
COMPRESSION SP
RING:PICKUP:2.1N



262.D6834343
PRESSURE PLATE
:PICKUP



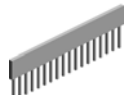
273.D6834374
HOOK:CONTACT P
OINT:INNER BACK:
GRIP



270.D6834367
GROUND PLATE:H
OOK:INNER BACK



264.D6834345
DISCHARGE BRUS
H:EXIT:L37



298.G0602652
(x4)
BUSHING - M4



260.D6834341
BRACKET:PULL O
UT:DRIVEN



267.D6834350
DRIVEN ROLLER:P
ULL OUT



287.D6834617
SEAL:LEFT LOWE
R



272.D6834372
HOOK:CONTACT P
OINT:FRONT:GRIP



295.D6866128
SPONGE:COVER:F
RONT:SMALL



276.D6834396
CUSHION:GUIDE P
LATE:ENTRANCE:
PAPER FEED:STO
PPER



275.D6834395
CUSHION:GUIDE P
LATE:ENTRANCE:
PAPER FEED:FRO
NT

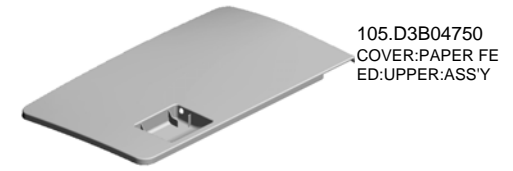


268.D6834351
LINK:STOPPER:CO
VER:PAPER FEED

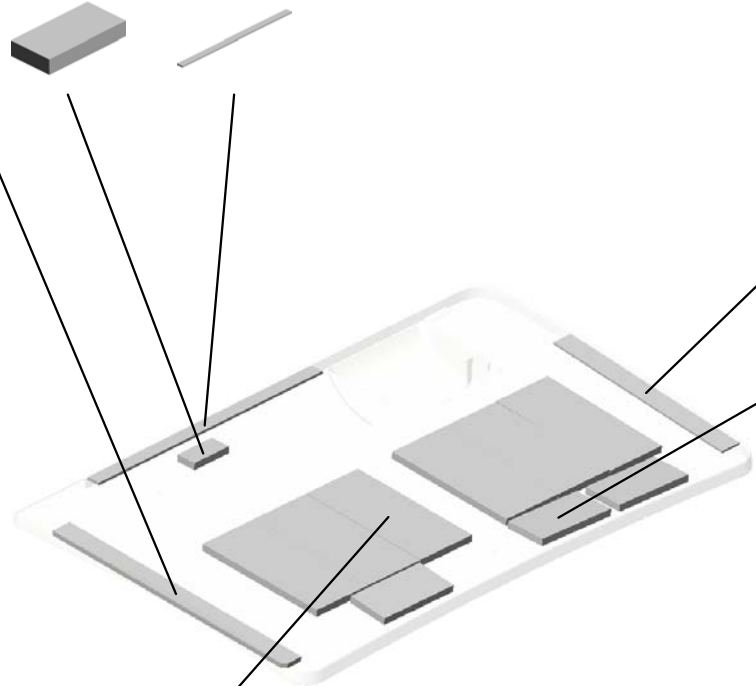


U003_S012_S001
 COVER:PAPER FEED:UPPER:ASS'Y

107.D3B04752 CUSHION:COVER:
 PAPER FEED:UPP
 ER:2
 106.D3B04751 CUSHION:COVER:
 PAPER FEED:UPP
 ER:1



109.D3B04754
 SOUND PROOFIN
 G MATERIAL:COVE
 R:PAPER FEED:UP
 PER:INNER BACK



108.D3B04753
 SOUND PROOFIN
 G MATERIAL:COVE
 R:PAPER FEED:UP
 PER:FRONT

82.B8024711
 (x3)
 SOUND PROOFIN
 G MATERIAL

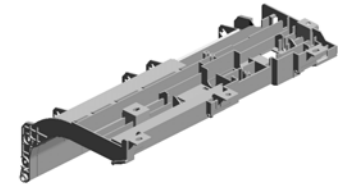
83.B8024712
 (x6)
 SOUND PROOFIN
 G MATERIAL:COVE
 R:REAR

U001	U002	U003	U004	U005	U006	U007	U008	U009	U010	U011	U012	U013	U014	U015	U016	U017
------	------	------	------	------	------	------	------	------	------	------	------	------	------	------	------	------

117.D3B04773
(x2)
SOUND PROOFIN
G MATERIAL:GUID
E:PAPER FEED:UP
PER:3

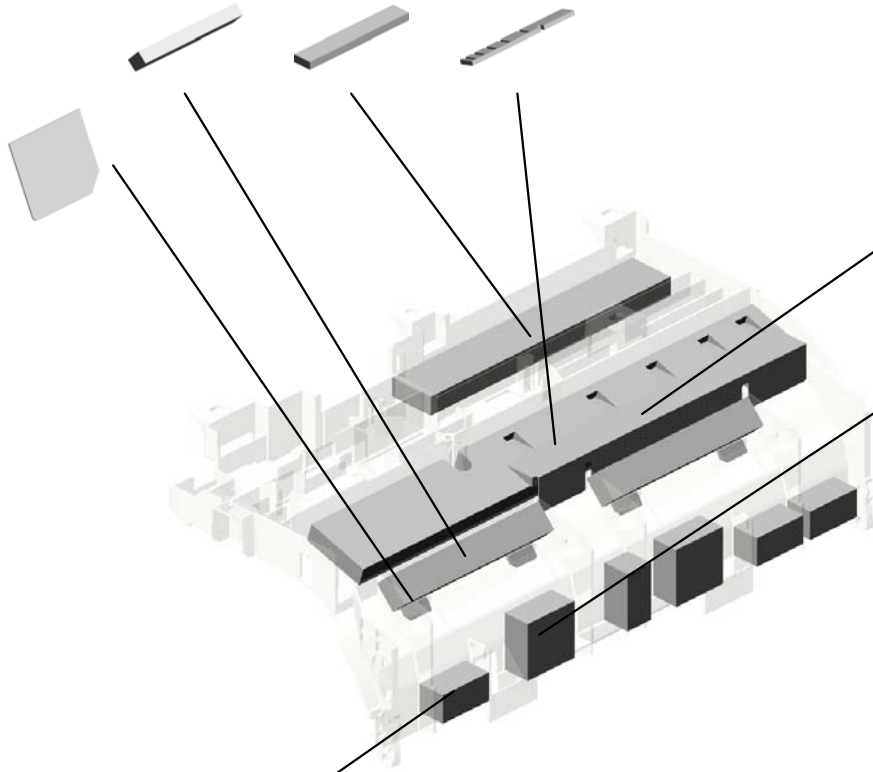
115.D3B04771
SOUND PROOFIN
G MATERIAL:GUID
E:PAPER FEED:UP
PER:1

116.D3B04772
SOUND PROOFIN
G MATERIAL:GUID
E:PAPER FEED:UP
PER:2



98.D3B04310
GUIDE:PAPER FEE
D:UPPER:SUB-ASS
Y

136.D5433314
(x4)
SHEET:SCANNING:
ENTRANCE:MIDDL
E



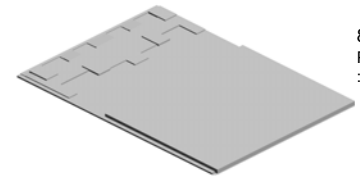
120.D3B04776
SOUND PROOFIN
G MATERIAL:GUID
E:PAPER FEED:UP
PER:6

119.D3B04775
(x2)
SOUND PROOFIN
G MATERIAL:GUID
E:PAPER FEED:UP
PER:5

118.D3B04774
(x4)
SOUND PROOFIN
G MATERIAL:GUID
E:PAPER FEED:UP
PER:4

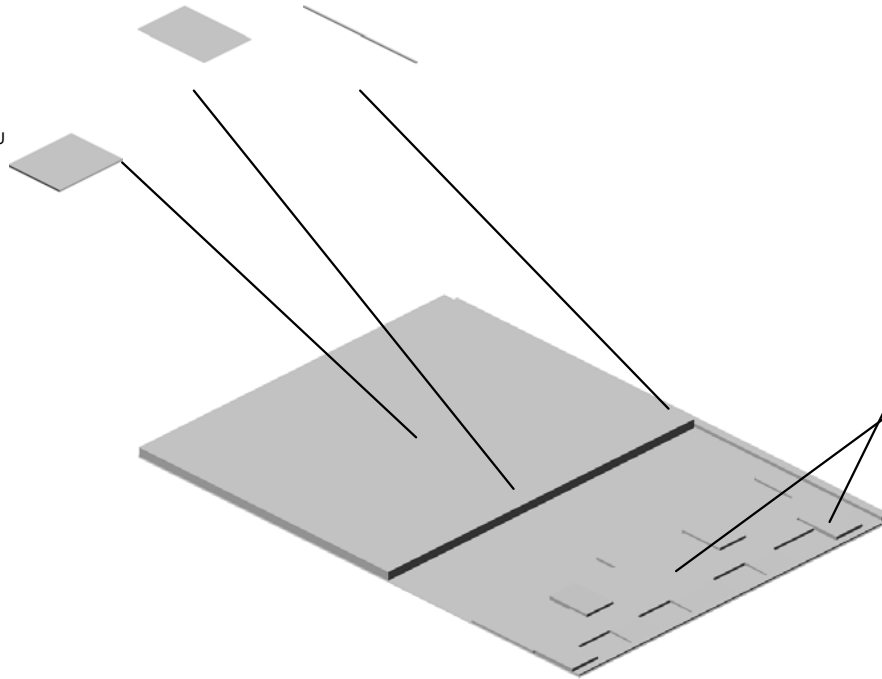
U003_S013
PRESSURE PLATE:ASS'Y

101.D3B04712 SHEET:PRESSURE PLATE
104.D3B04725 CUSHION:PRESSURE PLATE:SMALL



88.D3AZ4720 PRESSURE PLATE :ASS'Y

103.D3B04724 CUSHION:PRESSURE PLATE:LARGE



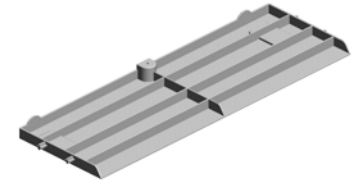
102.D3B04722 (x4) CUSHION:TAPE:SMALL

100.D3B04711 GUIDE PLATE:PRESSURE PLATE:LEFT:ASS'Y

U001	U002	U003	U004	U005	U006	U007	U008	U009	U010	U011	U012	U013	U014	U015	U016	U017
------	------	------	------	------	------	------	------	------	------	------	------	------	------	------	------	------

U003_S014
COVER:LOWER RIGHT:ASS'Y

283.D6834442
(x2)
TAPE:PRESSURE
PLATE



284.D6834510
COVER:LOWER RI
GHT:ASS'Y



U001	U002	U003	U004	U005	U006	U007	U008	U009	U010	U011	U012	U013	U014	U015	U016	U017
------	------	------	------	------	------	------	------	------	------	------	------	------	------	------	------	------

U004.SCANNER

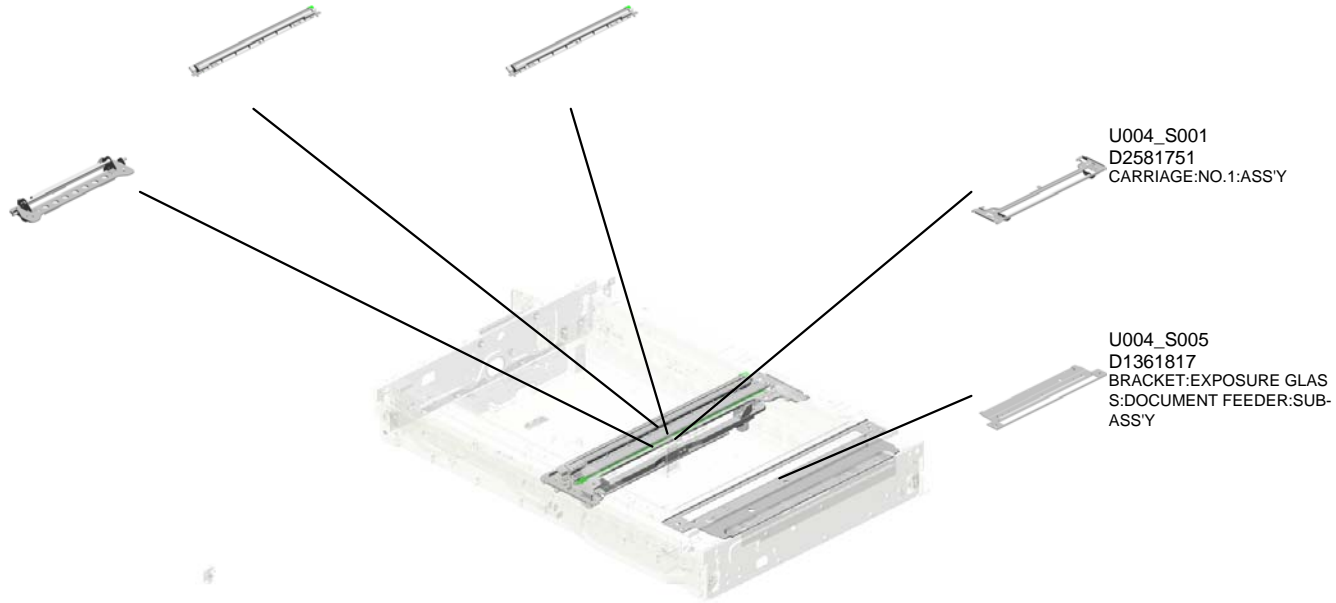
U004_S003
D2581769
ILLUMINATION UNIT:LED-B:A
SS'Y

U004_S002
D2581769
ILLUMINATION UNIT:LED-B:A
SS'Y

U004_S004
D2581776
CARRIAGE:NO.2:ASSY

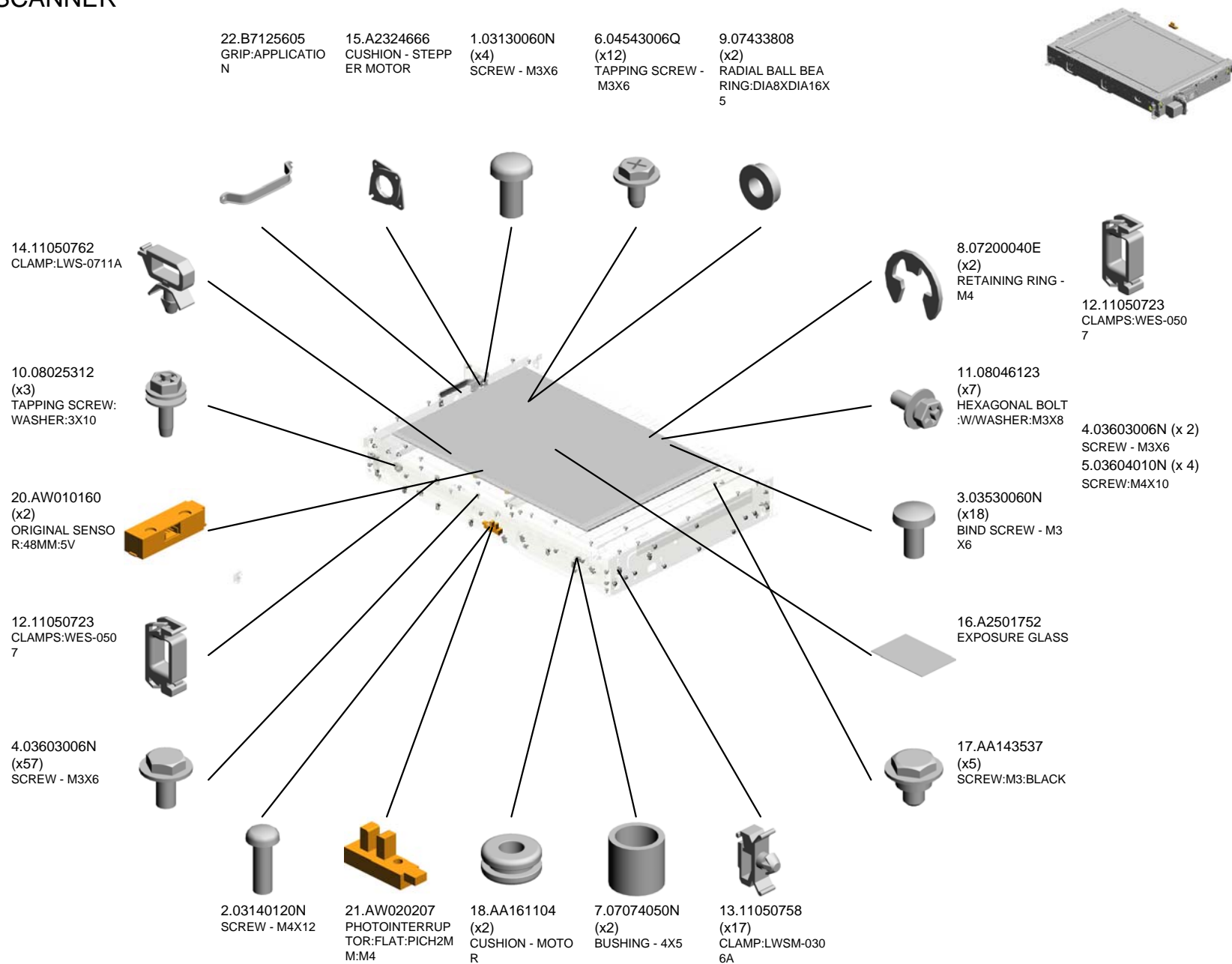
U004_S001
D2581751
CARRIAGE:NO.1:ASSY

U004_S005
D1361817
BRACKET:EXPOSURE GLAS
S:DOCUMENT FEEDER:SUB-
ASS'Y



U001	U002	U003	U004	U005	U006	U007	U008	U009	U010	U011	U012	U013	U014	U015	U016	U017
------	------	------	------	------	------	------	------	------	------	------	------	------	------	------	------	------

U004 SCANNER



U001	U002	U003	U004	U005	U006	U007	U008	U009	U010	U011	U012	U013	U014	U015	U016	U017
------	------	------	------	------	------	------	------	------	------	------	------	------	------	------	------	------

U004 SCANNER

30.D1361798 TENSION SPRING: TENSION:16N
 28.D1361793 DC STEPPER MOTOR:MM42
 33.D1361802 TIMING PULLEY:65
 23.D0291749 PULLEY:PROTECTION
 45.D1491715 PULLEY:DRIVE WERE:FRONT



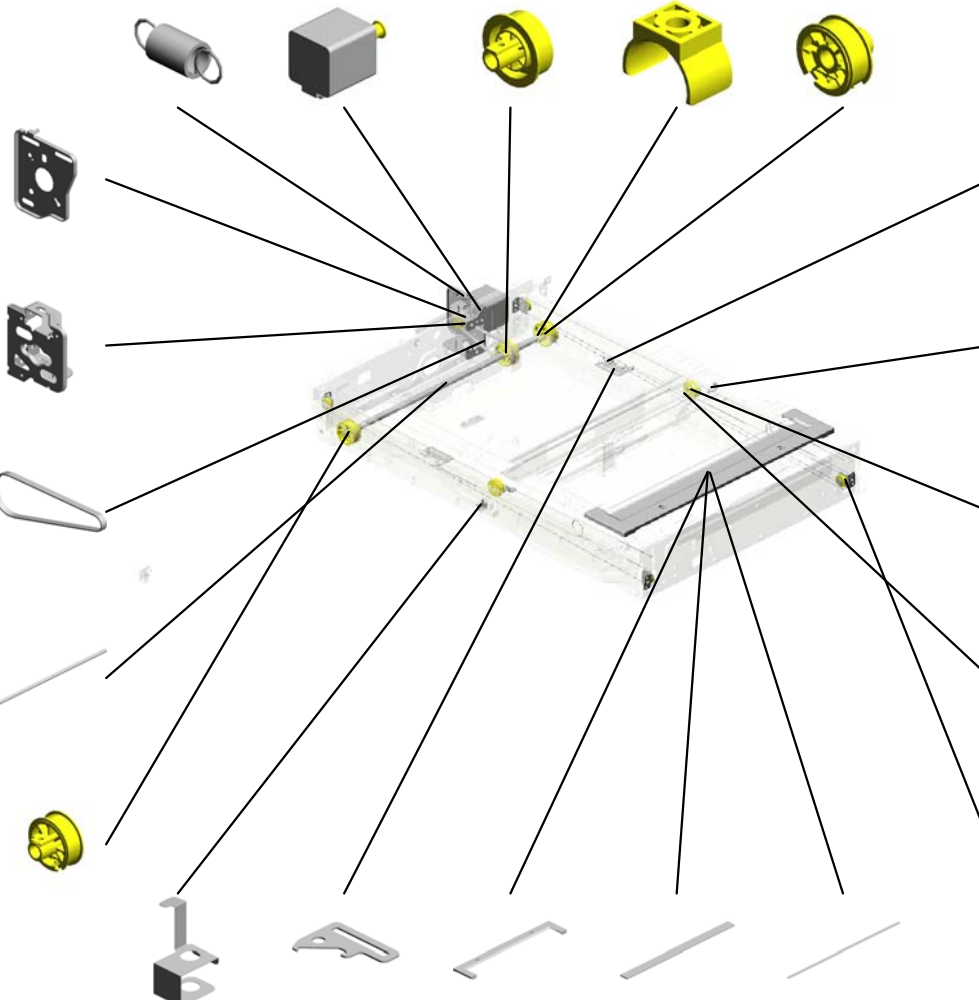
29.D1361794 BRACKET:DC STEPPER MOTOR:TENSION

31.D1361799 BRACKET:DC STEPPER MOTOR

34.D1361803 SYNCHRONOUS BELT:157ST1.5-6.0

32.D1361801 SHAFT:DRIVE:SCANNER

46.D1491717 PULLEY:DRIVE WERE:REAR



37.D1361810 (x2) TENSION SPRING: TENSION:11N

25.D1361758 (x2) CLAMP:WIRE

27.D1361788 (x2) PULLEY:IDLER:CARRIAGE

35.D1361806 (x2) DRIVE WERE:DIA1

38.D1361811 (x4) PULLEY:PEEN

24.D1361687 GROUND PLATE:SENSOR:AKS

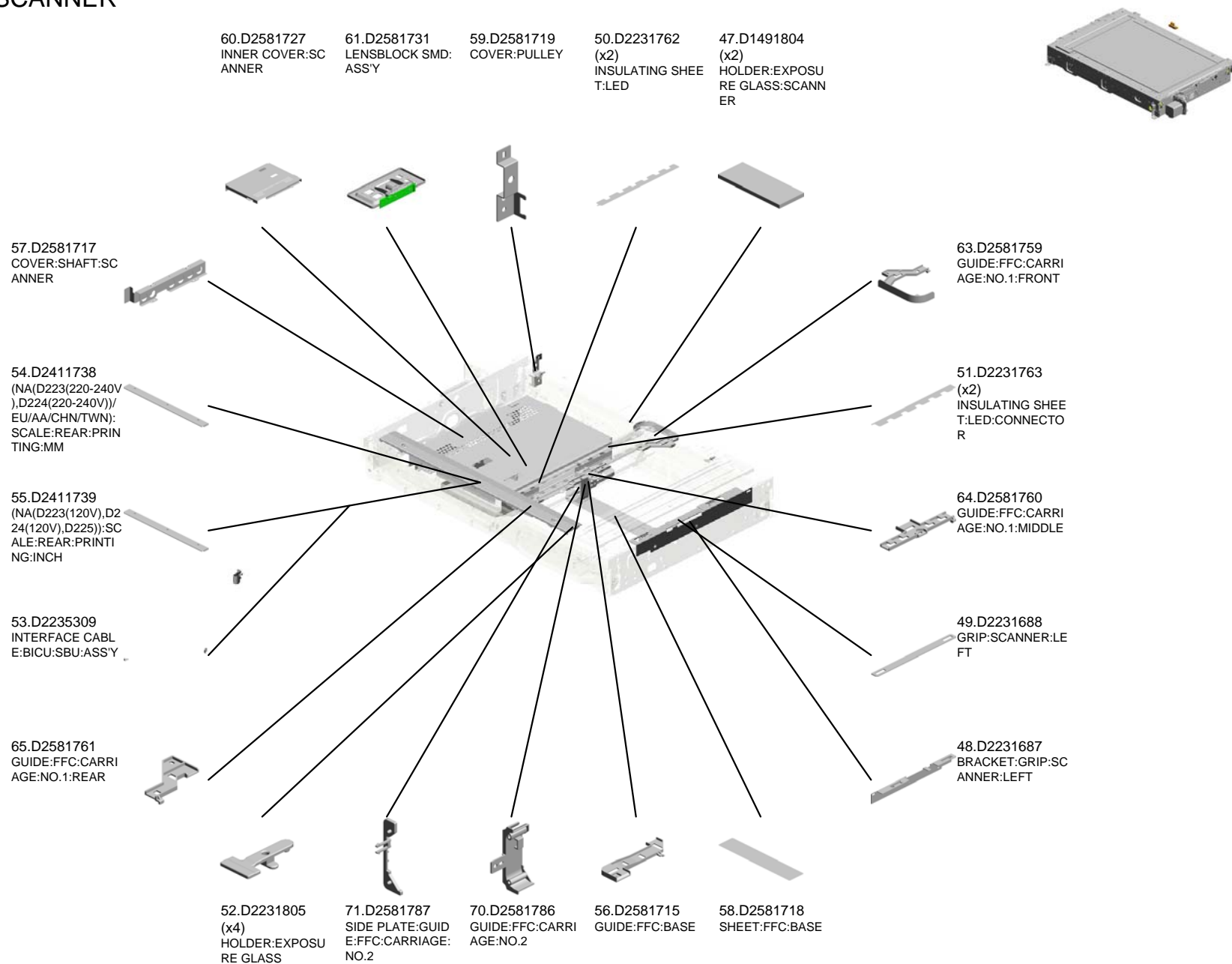
36.D1361809 (x2) BRACKET:TENSION

42.D1361821 COVER:EXPOSURE GLASS:DOCUMENT FEEDER

44.D1471805 EXPOSURE GLASS:DOCUMENT FEEDER:APPLY

43.D1471750 SHEET:GAP:ASSY

U004 SCANNER



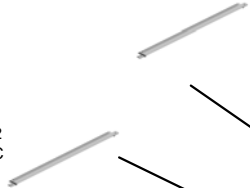
U001	U002	U003	U004	U005	U006	U007	U008	U009	U010	U011	U012	U013	U014	U015	U016	U017
------	------	------	------	------	------	------	------	------	------	------	------	------	------	------	------	------

U004 SCANNER

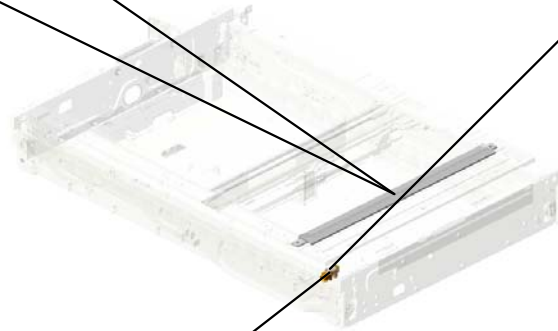
72.D2581822
(NA(D223(220-240V),D224(220-240V))/
EU/AA/CHN/TWN):
SCALE:LEFT:ASS'Y



73.D2581828
(NA(D223(120V),D224(120V),D225))/
SCALE:LEFT:ASS'Y



75.G5701225
SENSOR SHIELDING
PLATE

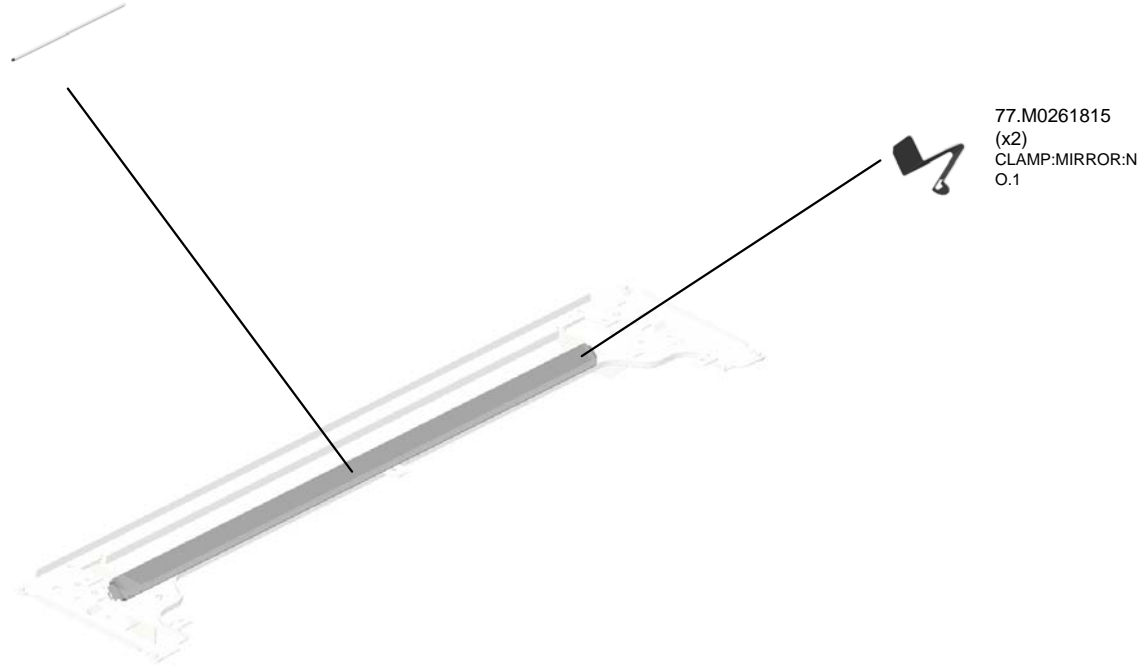


76.GW020022
PHOTOINTERRUPTOR:
TOR:LG2A24BL1

U001	U002	U003	U004	U005	U006	U007	U008	U009	U010	U011	U012	U013	U014	U015	U016	U017
------	------	------	------	------	------	------	------	------	------	------	------	------	------	------	------	------

U004_S001
CARRIAGE:NO.1:ASS'Y

19.AC030211
MIRROR:NO.1



U001	U002	U003	U004	U005	U006	U007	U008	U009	U010	U011	U012	U013	U014	U015	U016	U017
------	------	------	------	------	------	------	------	------	------	------	------	------	------	------	------	------

U004_S002
ILLUMINATION UNIT:LED-B:ASS'Y

3.03530060N
(x3)
BIND SCREW - M3
X6



66.D2581769
ILLUMINATION UNI
T:LED-B:ASS'Y



U001	U002	U003	U004	U005	U006	U007	U008	U009	U010	U011	U012	U013	U014	U015	U016	U017
------	------	------	-------------	------	------	------	------	------	------	------	------	------	------	------	------	------

U004_S003
ILLUMINATION UNIT:LED-B:ASS'Y

3.03530060N
(x3)
BIND SCREW - M3
X6



66.D2581769
ILLUMINATION UNI
T:LED-B:ASS'Y

U001	U002	U003	U004	U005	U006	U007	U008	U009	U010	U011	U012	U013	U014	U015	U016	U017
------	------	------	------	------	------	------	------	------	------	------	------	------	------	------	------	------

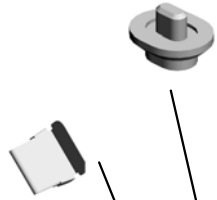
U004_S004
CARRIAGE:NO.2:ASS'Y

26.D1361783
(x4)
SLIDER:SCANNER:
NO.2

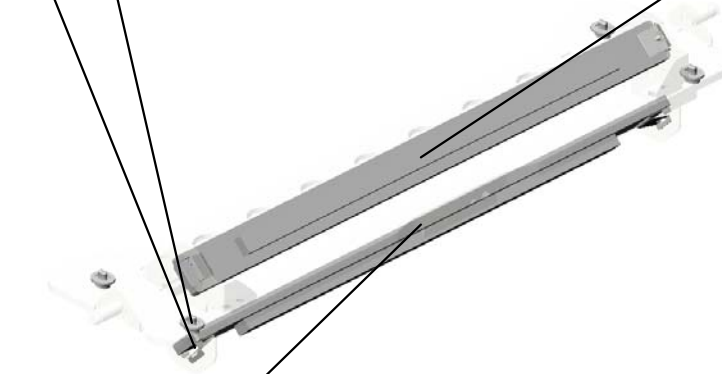


67.D2581776
CARRIAGE:NO.2:A
SS'Y

74.G4042810
(x4)
SPRING PLATE - 2
ND MIRROR



68.D2581784
MIRROR:NO.2:CON
CAVE:ASSY



69.D2581785
MIRROR:NO.3:CON
VEX:ASSY



U001	U002	U003	U004	U005	U006	U007	U008	U009	U010	U011	U012	U013	U014	U015	U016	U017
------	------	------	------	------	------	------	------	------	------	------	------	------	------	------	------	------

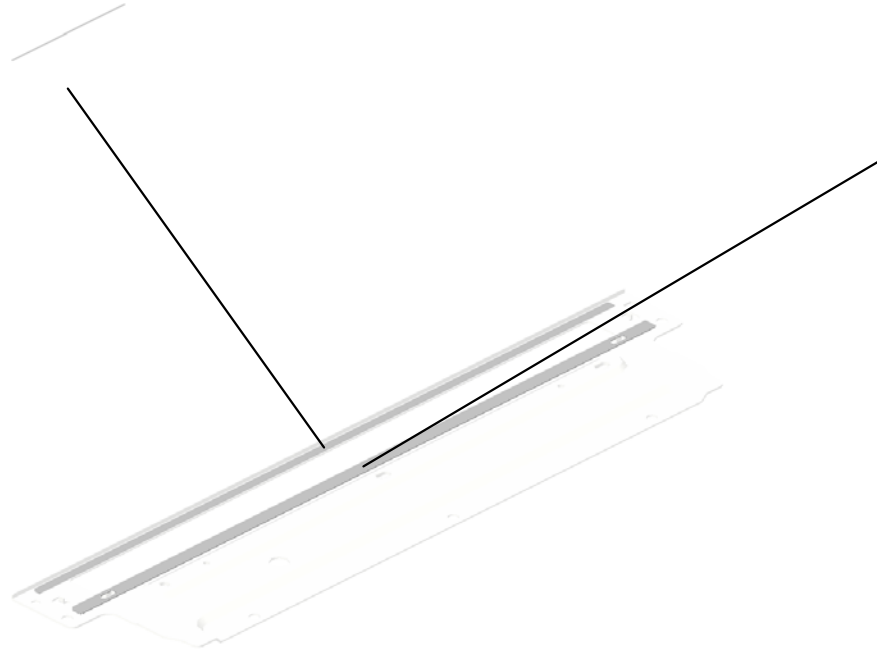
U004_S005

BRACKET:EXPOSURE GLASS:DOCUMENT FEEDER:SUB-ASS'Y

40.D1361819
SEAL:BRACKET:EX
POSURE GLASS:D
OCUMENT FEEDER
R



39.D1361817
BRACKET:EXPOSU
RE GLASS:DOCUM
ENT FEEDER:SUB-
ASS'Y

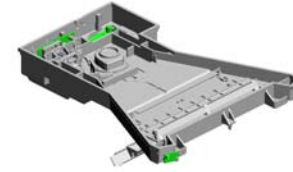


41.D1361820
SHEET:BRACKET:
EXPOSURE GLASS
:DOCUMENT FEED
ER

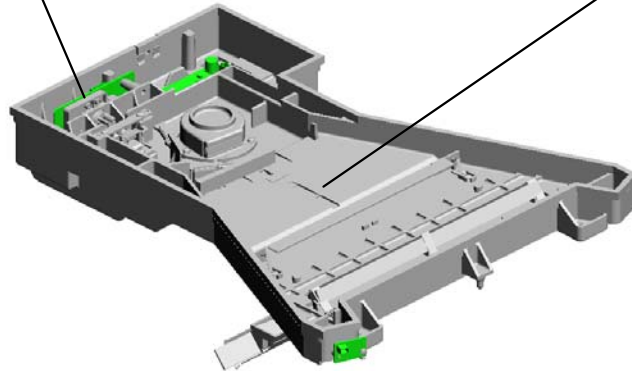
U001	U002	U003	U004	U005	U006	U007	U008	U009	U010	U011	U012	U013	U014	U015	U016	U017
------	------	------	------	------	------	------	------	------	------	------	------	------	------	------	------	------

U005 LASER UNIT

1.04514010N
(x3)
TAPPING SCREW:
4X10



2.D2231852
IMAGING UNIT



U001	U002	U003	U004	U005	U006	U007	U008	U009	U010	U011	U012	U013	U014	U015	U016	U017
------	------	------	------	-------------	------	------	------	------	------	------	------	------	------	------	------	------

U006.PAPER TRAY

U006_S007
D2236621
(NA(D223(120V),D224(120V),
D225)):TANDEM LCT:RIGHT:
LETTER:ASS'Y

U006_S009
D2236616
(NA(D223(220-240V),D224(22
0-240V))):TANDEM LCT:RIGH
T:A4:LA:ASS'Y

U006_S011
D2236611
(EU/AA):TANDEM LCT:RIGHT
:ASS'Y

U006_S008
D2236622
(NA(D223(120V),D224(120V),
D225)):TANDEM LCT:LEFT:L
ETTER:ASS'Y

U006_S002
D2236310
PAPER FEED UNIT:BANK:AS
S'Y

U006_S010
D2236623
(NA(D223(220-240V),D224(22
0-240V))):TANDEM LCT:LEFT
:A4:ASS'Y

U006_S001
D2236401
TRANSPORT UNIT:VERTICA
L TRANSPORT:THREE WAY:
ASS'Y

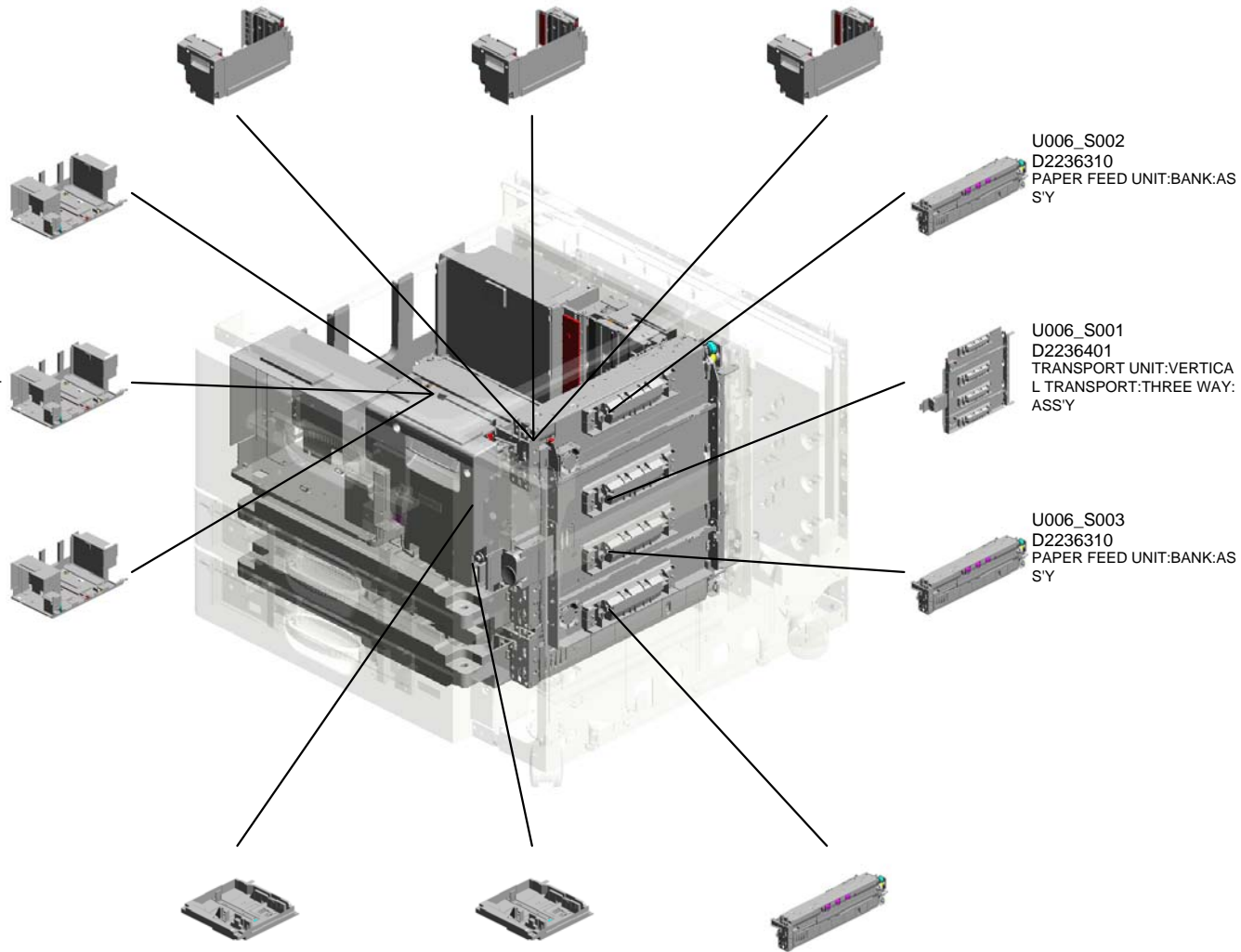
U006_S012
D2236612
(EU/AA):TANDEM LCT:LEFT:
ASS'Y

U006_S003
D2236310
PAPER FEED UNIT:BANK:AS
S'Y

U006_S005
D2236810
PAPER TRAY:UNIVERSAL:AS
S'Y

U006_S006
D2236810
PAPER TRAY:UNIVERSAL:AS
S'Y

U006_S004
D2236310
PAPER FEED UNIT:BANK:AS
S'Y



U001	U002	U003	U004	U005	U006	U007	U008	U009	U010	U011	U012	U013	U014	U015	U016	U017
------	------	------	------	------	------	------	------	------	------	------	------	------	------	------	------	------

U006.PAPER TRAY

U006_S014
D2236612
(EU/AA):TANDEM LCT:LEFT:
ASS'Y

U006_S019
B0986649
COVER:REAR:TANDEM LCT:
ASS'Y

U006_S024
B0986649
COVER:REAR:TANDEM LCT:
ASS'Y

U006_S018
D2236862
(CHN/TWN):TRAY BOTTOM
PLATE:LEFT MIDDLE:ASS'Y

U006_S015
B0986739
SUPPORTING PLATE:TANDE
M:RIGHT REAR

U006_S023
D2236862
(CHN/TWN):TRAY BOTTOM
PLATE:LEFT MIDDLE:ASS'Y

U006_S020
B0986739
SUPPORTING PLATE:TANDE
M:RIGHT REAR

U006_S016
D1316816
INNER COVER:TANDEM LCT
:ASS'Y

U006_S013
D2236611
(EU/AA):TANDEM LCT:RIGHT
:ASS'Y

U006_S021
D1316816
INNER COVER:TANDEM LCT
:ASS'Y

U006_S017
B0986736
SIDE FENCE:TANDEM LCT:R
IGHT FRONT

U006_S022
B0986736
SIDE FENCE:TANDEM LCT:R
IGHT FRONT

U001	U002	U003	U004	U005	U006	U007	U008	U009	U010	U011	U012	U013	U014	U015	U016	U017
------	------	------	------	------	------	------	------	------	------	------	------	------	------	------	------	------

U006.PAPER TRAY

U006_S029
B1406226
(NA(D223(220-240V),D224(220-240V),D225)/EU/AA/CHN/TWN(D225));HEAT SINK:HEATER:LOWER:ASS'Y

U006_S027
D2236231
DC SOLENOID:LOCK:ASS'Y

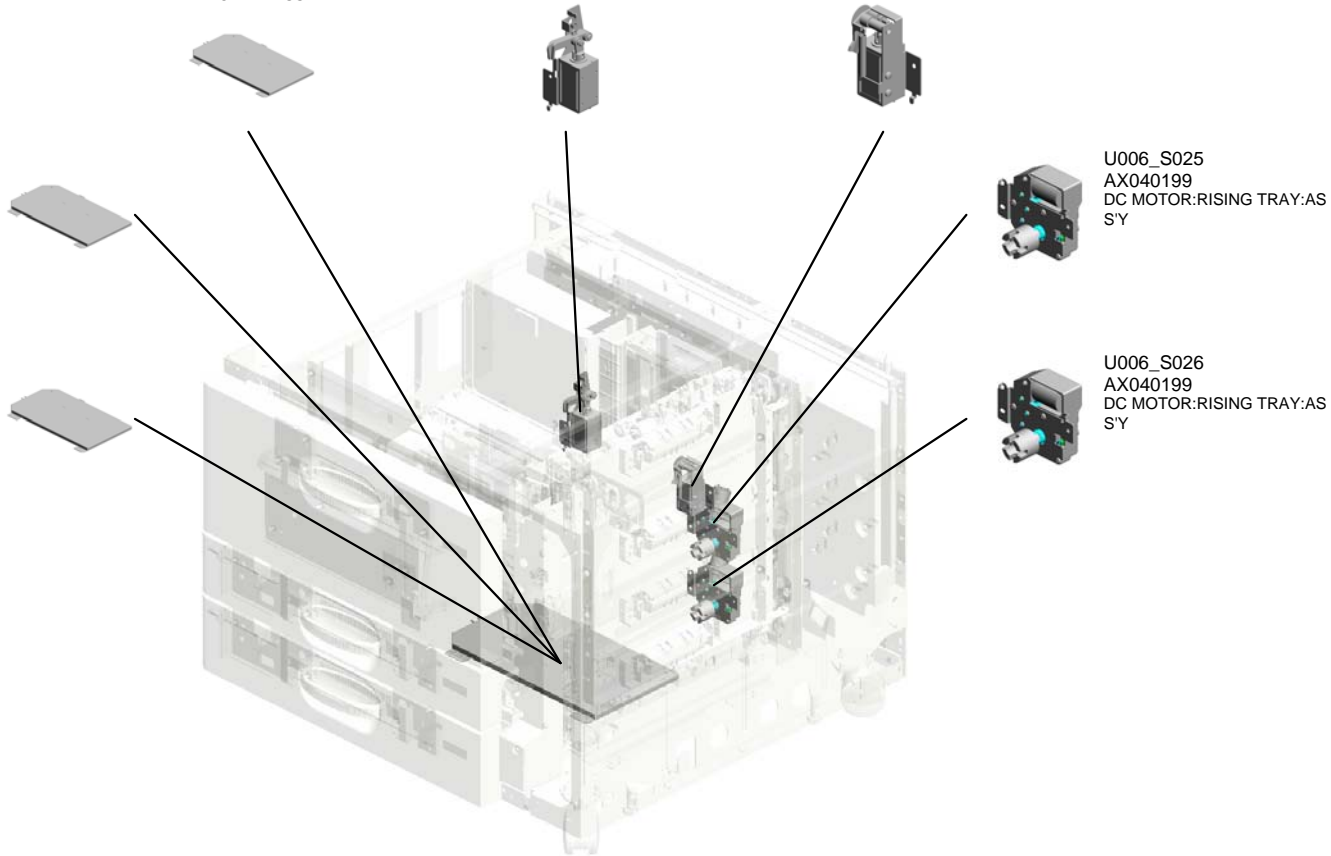
U006_S028
D2236233
DC SOLENOID:COUPLING:ASS'Y

U006_S030
B1406225
(NA(D223(120V),D224(120V))/TWN(D223,D224));HEAT SINK:HEATER:LOWER:ASS'Y

U006_S031
B1406225
(NA(D223(120V),D224(120V))/TWN(D223,D224));HEAT SINK:HEATER:LOWER:ASS'Y

U006_S025
AX040199
DC MOTOR:RISING TRAY:ASS'Y

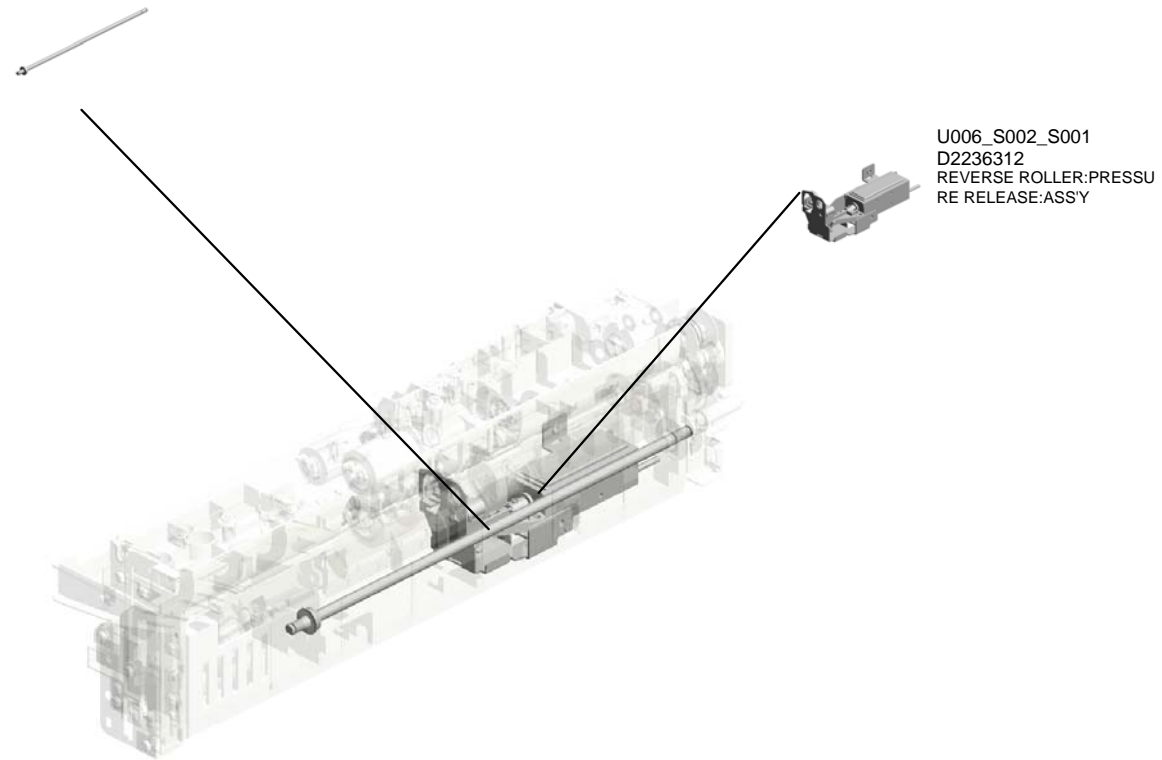
U006_S026
AX040199
DC MOTOR:RISING TRAY:ASS'Y



U001	U002	U003	U004	U005	U006	U007	U008	U009	U010	U011	U012	U013	U014	U015	U016	U017
------	------	------	------	------	------	------	------	------	------	------	------	------	------	------	------	------

U006_S002.PAPER FEED UNIT: BANK: ASS'Y

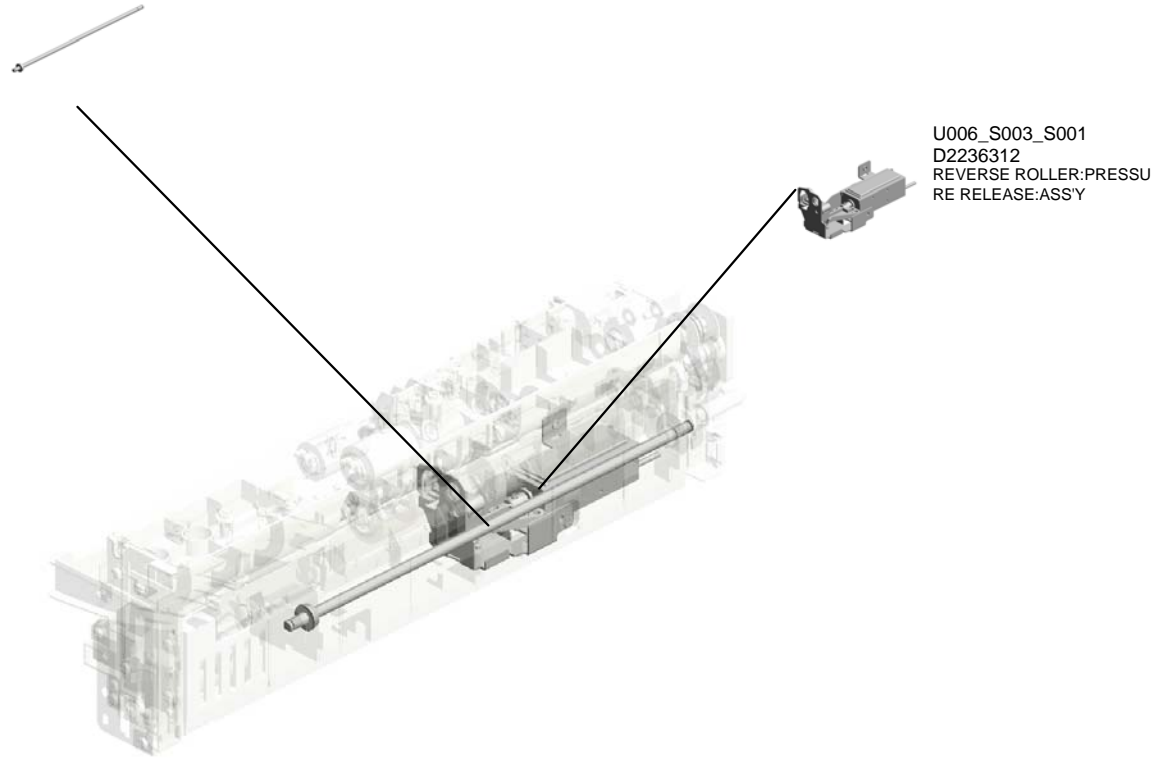
U006_S002_S002
D2236317
SHAFT:CONNECTING:ASS'Y



U001	U002	U003	U004	U005	U006	U007	U008	U009	U010	U011	U012	U013	U014	U015	U016	U017
------	------	------	------	------	-------------	------	------	------	------	------	------	------	------	------	------	------

U006_S003.PAPER FEED UNIT: BANK: ASS'Y

U006_S003_S002
D2236317
SHAFT:CONNECTING:ASS'Y



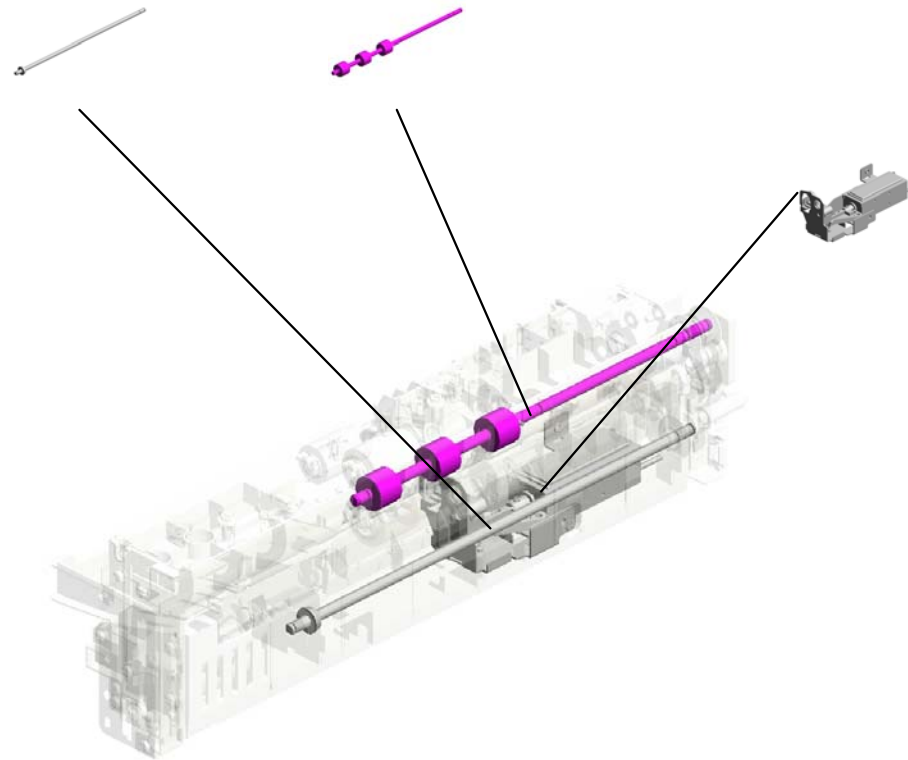
U001	U002	U003	U004	U005	U006	U007	U008	U009	U010	U011	U012	U013	U014	U015	U016	U017
------	------	------	------	------	-------------	------	------	------	------	------	------	------	------	------	------	------

U006_S004.PAPER FEED UNIT: BANK: ASS'Y

U006_S004_S002
D2236317
SHAFT:CONNECTING:ASS'Y

U006_S004_S003
D2236361
TRANSPORT ROLLER:GRIP:
ASS'Y

U006_S004_S001
D2236312
REVERSE ROLLER:PRESSU
RE RELEASE:ASS'Y



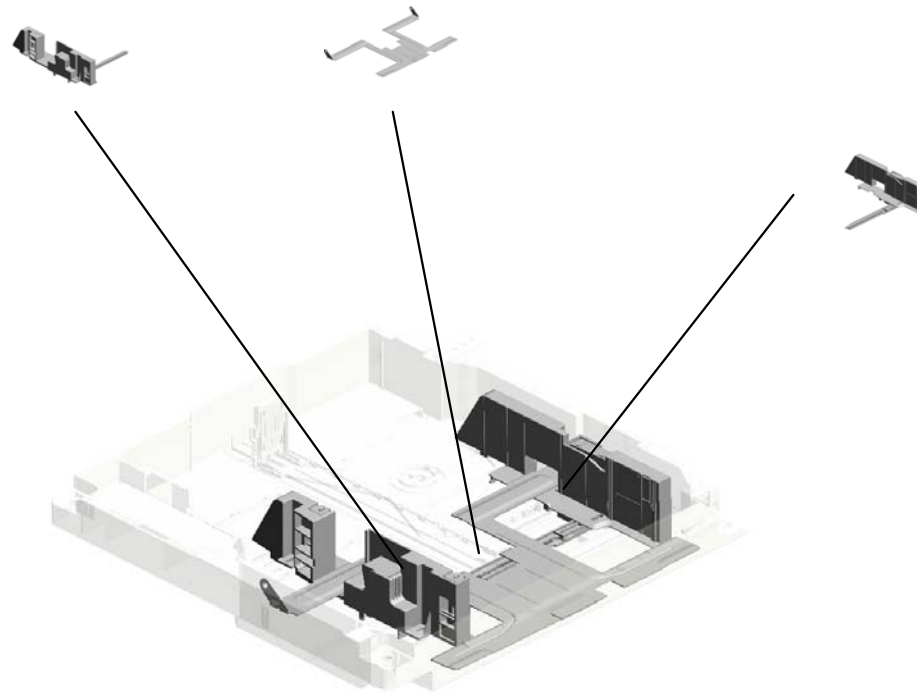
U001	U002	U003	U004	U005	U006	U007	U008	U009	U010	U011	U012	U013	U014	U015	U016	U017
------	------	------	------	------	-------------	------	------	------	------	------	------	------	------	------	------	------

U006_S005.PAPER TRAY:UNIVERSAL:ASS'Y

U006_S005_S002
D1316777
SIDE FENCE:FRONT:ASS'Y

U006_S005_S001
D0146780
TRAY BOTTOM PLATE:ASS'Y

U006_S005_S003
D2236815
SIDE FENCE:REAR:ASS'Y



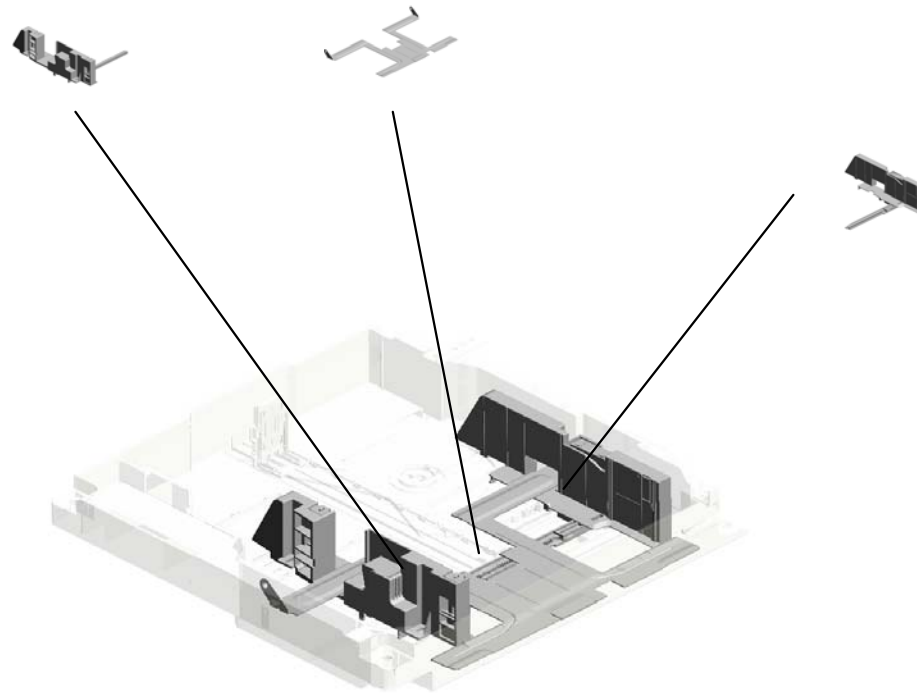
U001	U002	U003	U004	U005	U006	U007	U008	U009	U010	U011	U012	U013	U014	U015	U016	U017
------	------	------	------	------	-------------	------	------	------	------	------	------	------	------	------	------	------

U006_S006.PAPER TRAY:UNIVERSAL:ASS'Y

U006_S006_S002
D1316777
SIDE FENCE:FRONT:ASS'Y

U006_S006_S001
D0146780
TRAY BOTTOM PLATE:ASS'Y

U006_S006_S003
D2236815
SIDE FENCE:REAR:ASS'Y



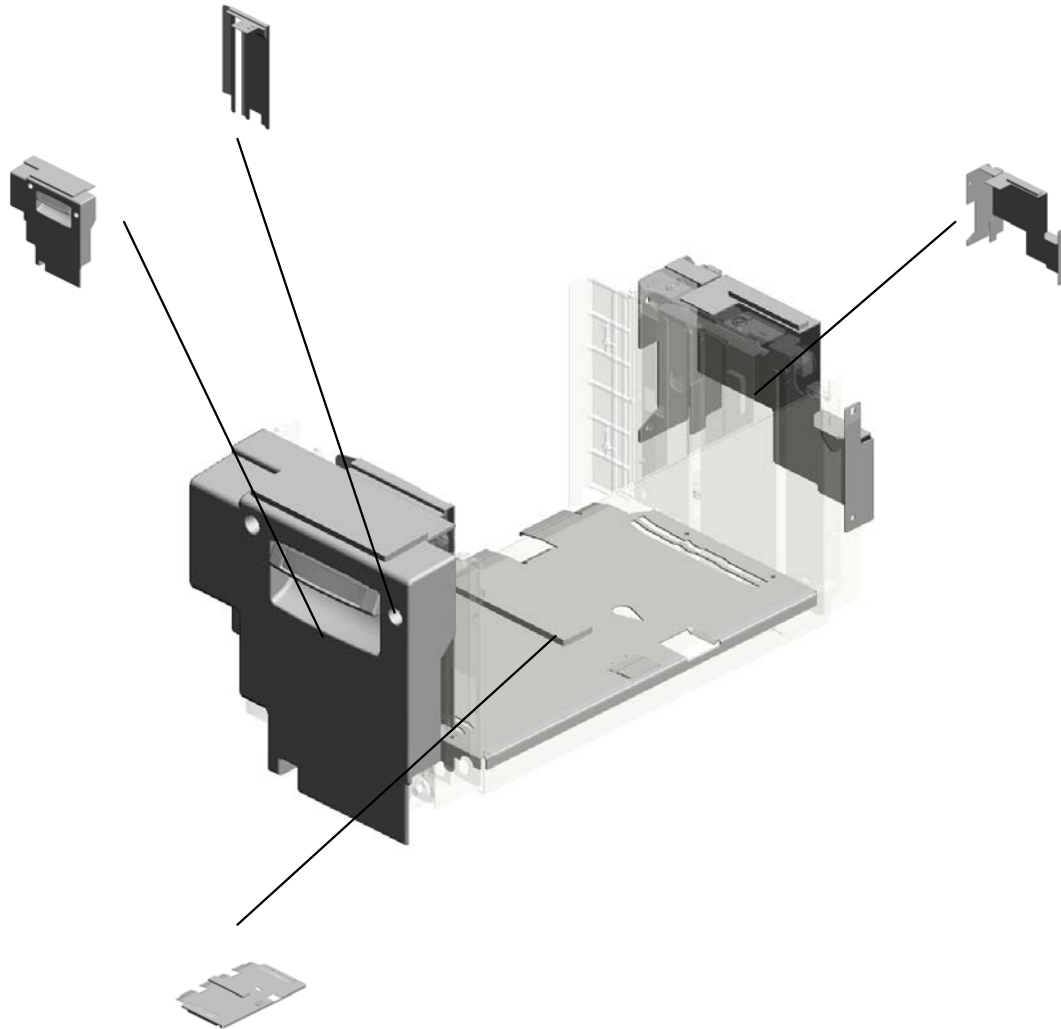
U001	U002	U003	U004	U005	U006	U007	U008	U009	U010	U011	U012	U013	U014	U015	U016	U017
------	------	------	------	------	-------------	------	------	------	------	------	------	------	------	------	------	------

U006_S007.(NA(D223(120V),D224(120V),D225)):TANDEM LCT:RIGHT:LETTER:ASS'Y

U006_S007_S004
B0986736
SIDE FENCE:TANDEM LCT:R
IGHT FRONT

U006_S007_S003
D1316816
INNER COVER:TANDEM LCT
:ASSY

U006_S007_S001
B0986739
SUPPORTING PLATE:TANDE
M:RIGHT REAR

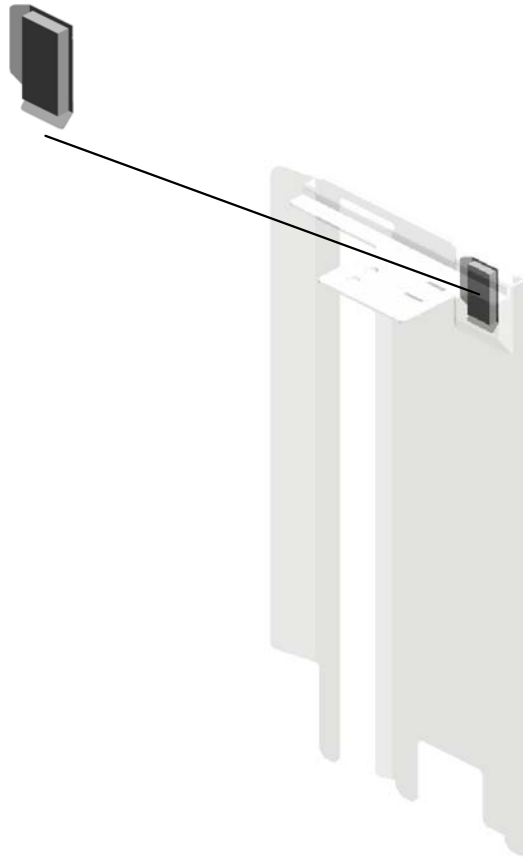


U006_S007_S002
D1316716
(NA/EU/AA):BASE:TANDEM L
CT:RIGHT:ADHESION

U001	U002	U003	U004	U005	U006	U007	U008	U009	U010	U011	U012	U013	U014	U015	U016	U017
------	------	------	------	------	-------------	------	------	------	------	------	------	------	------	------	------	------

U006_S007_S004.SIDE FENCE:TANDEM LCT:RIGHT FRONT

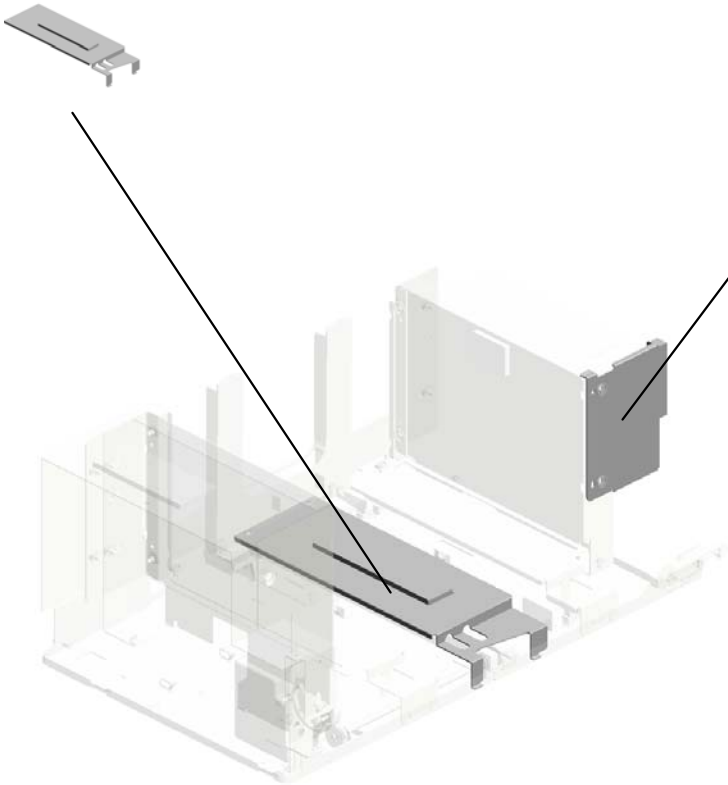
U006_S007_S004_S001
B2346690
PLATE:PAPER



U001	U002	U003	U004	U005	U006	U007	U008	U009	U010	U011	U012	U013	U014	U015	U016	U017
------	------	------	------	------	-------------	------	------	------	------	------	------	------	------	------	------	------

U006_S008.(NA(D223(120V),D224(120V),D225)):TANDEM LCT:LEFT:LETTER:ASS'Y

U006_S008_S001
D1316839
(NA/EU/AA):TRAY BOTTOM P
LATE:LEFT MIDDLE:ASS'Y



U006_S008_S002
B0986649
COVER:REAR:TANDEM LCT:
ASS'Y

U001	U002	U003	U004	U005	U006	U007	U008	U009	U010	U011	U012	U013	U014	U015	U016	U017
------	------	------	------	------	-------------	------	------	------	------	------	------	------	------	------	------	------

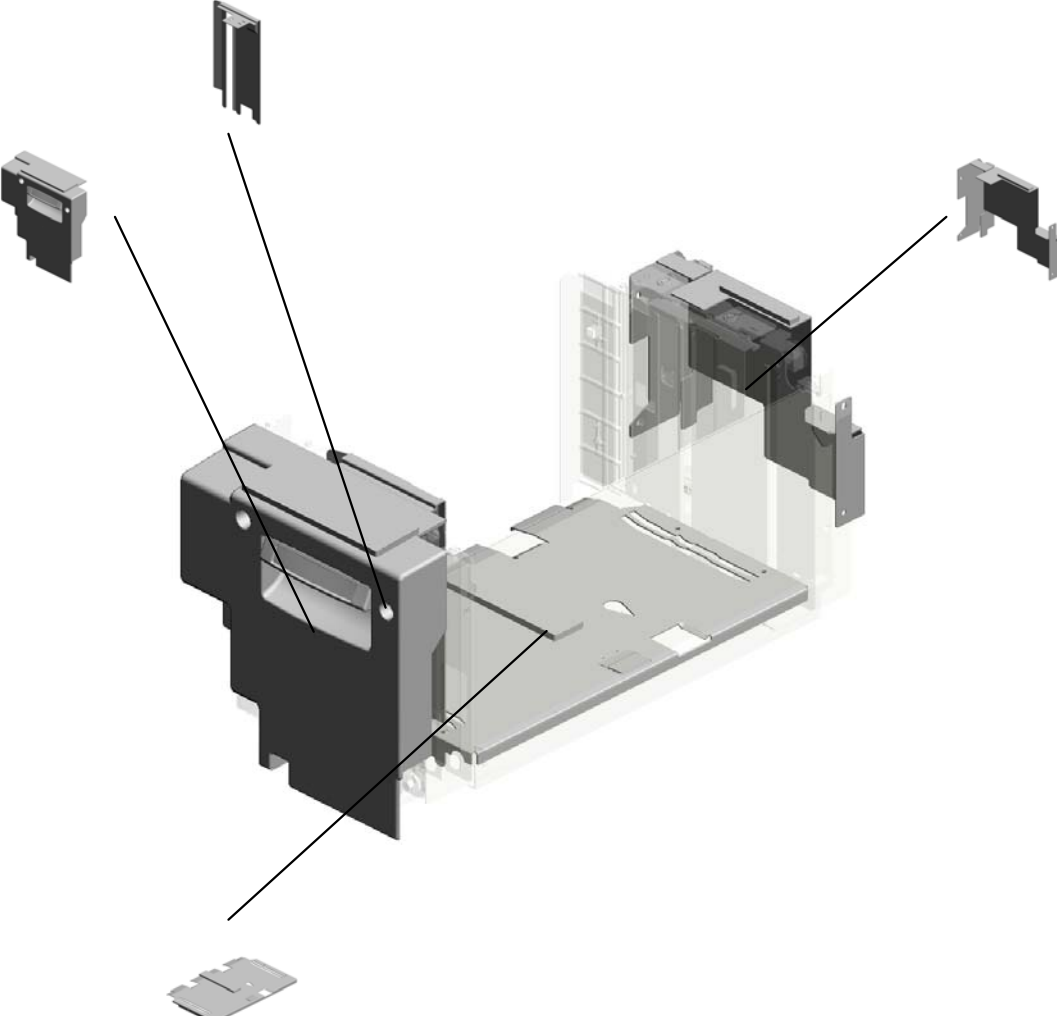
U006_S009.(NA(D223(220-240V),D224(220-240V))):TANDEM LCT:RIGHT:A4:LA:ASS'Y

U006_S009_S004
B0986736
SIDE FENCE:TANDEM LCT:R
IGHT FRONT

U006_S009_S003
D1316816
INNER COVER:TANDEM LCT
:ASSY

U006_S009_S001
B0986739
SUPPORTING PLATE:TANDE
M:RIGHT REAR

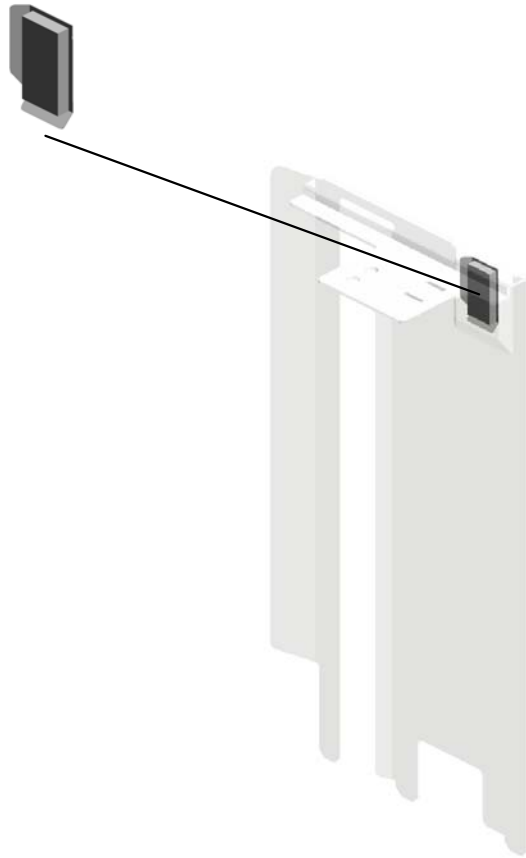
U006_S009_S002
D1316716
(NA/EU/AA):BASE:TANDEM L
CT:RIGHT:ADHESION



U001	U002	U003	U004	U005	U006	U007	U008	U009	U010	U011	U012	U013	U014	U015	U016	U017
------	------	------	------	------	-------------	------	------	------	------	------	------	------	------	------	------	------

U006_S009_S004.SIDE FENCE:TANDEM LCT:RIGHT FRONT

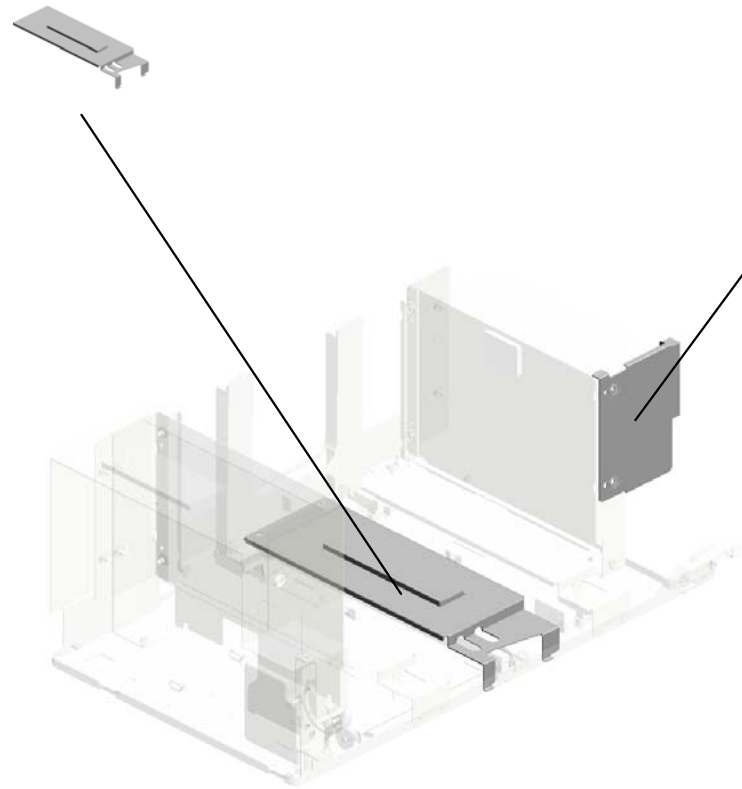
U006_S009_S004_S001
B2346690
PLATE:PAPER



U001	U002	U003	U004	U005	U006	U007	U008	U009	U010	U011	U012	U013	U014	U015	U016	U017
------	------	------	------	------	------	------	------	------	------	------	------	------	------	------	------	------

U006_S010.(NA(D223(220-240V),D224(220-240V))):TANDEM LCT:LEFT:A4:ASS'Y

U006_S010_S01
D1316839
(NA/EU/AA):TRAY BOTTOM P
LATE:LEFT MIDDLE:ASS'Y



U006_S010_S02
B0986649
COVER:REAR:TANDEM LCT:
ASS'Y

U001	U002	U003	U004	U005	U006	U007	U008	U009	U010	U011	U012	U013	U014	U015	U016	U017
------	------	------	------	------	-------------	------	------	------	------	------	------	------	------	------	------	------

U006_S011.(EU/AA):TANDEM LCT:RIGHT:ASS'Y

U006_S011_S004
B0986736
SIDE FENCE:TANDEM LCT:R
IGHT FRONT

U006_S011_S003
D1316816
INNER COVER:TANDEM LCT
:ASSY

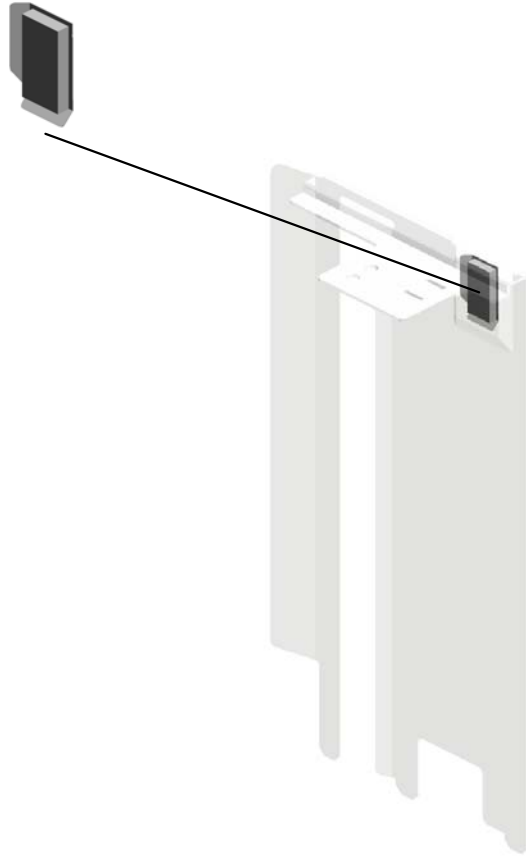
U006_S011_S001
B0986739
SUPPORTING PLATE:TANDE
M:RIGHT REAR

U006_S011_S002
D1316716
(NA/EU/AA):BASE:TANDEM L
CT:RIGHT:ADHESION

U001	U002	U003	U004	U005	U006	U007	U008	U009	U010	U011	U012	U013	U014	U015	U016	U017
------	------	------	------	------	-------------	------	------	------	------	------	------	------	------	------	------	------

U006_S011_S004.SIDE FENCE:TANDEM LCT:RIGHT FRONT

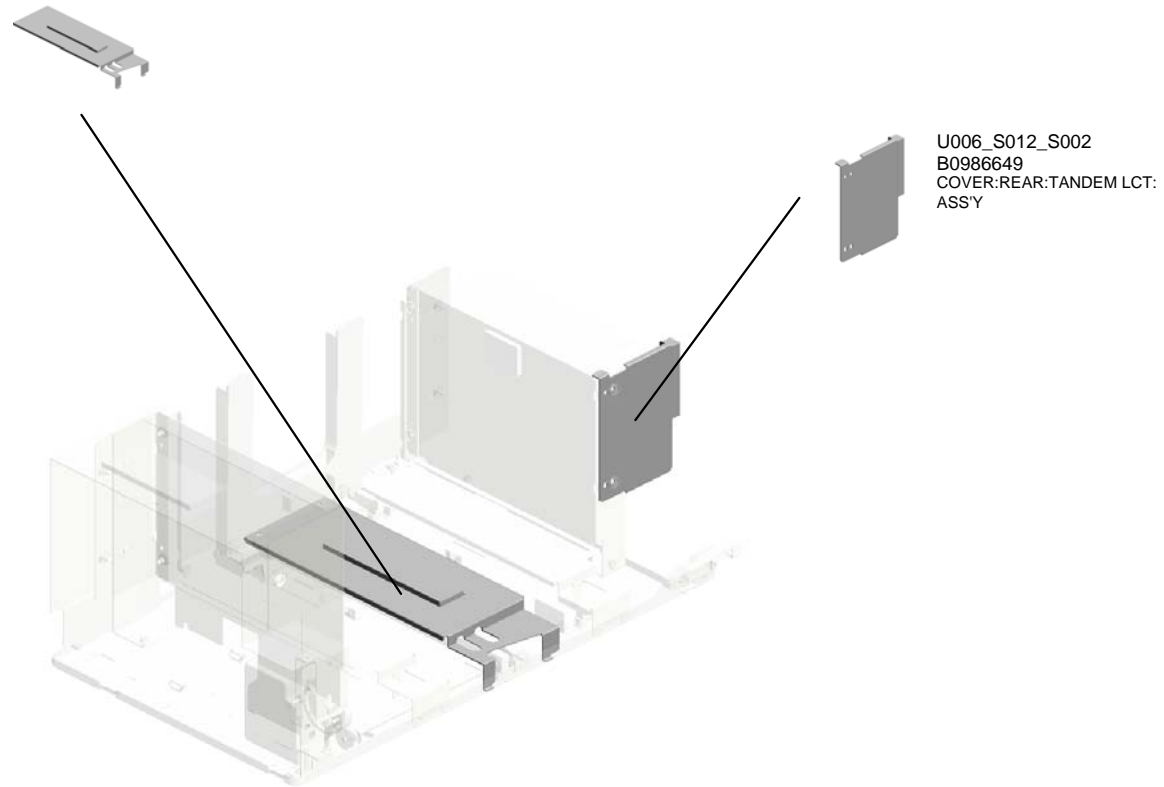
U006_S011_S004_S001
B2346690
PLATE:PAPER



U001	U002	U003	U004	U005	U006	U007	U008	U009	U010	U011	U012	U013	U014	U015	U016	U017
------	------	------	------	------	-------------	------	------	------	------	------	------	------	------	------	------	------

U006_S012.(EU/AA):TANDEM LCT:LEFT:ASS'Y

U006_S012_S001
D1316839
(NA/EU/AA):TRAY BOTTOM P
LATE:LEFT MIDDLE:ASS'Y



U001	U002	U003	U004	U005	U006	U007	U008	U009	U010	U011	U012	U013	U014	U015	U016	U017
------	------	------	------	------	-------------	------	------	------	------	------	------	------	------	------	------	------

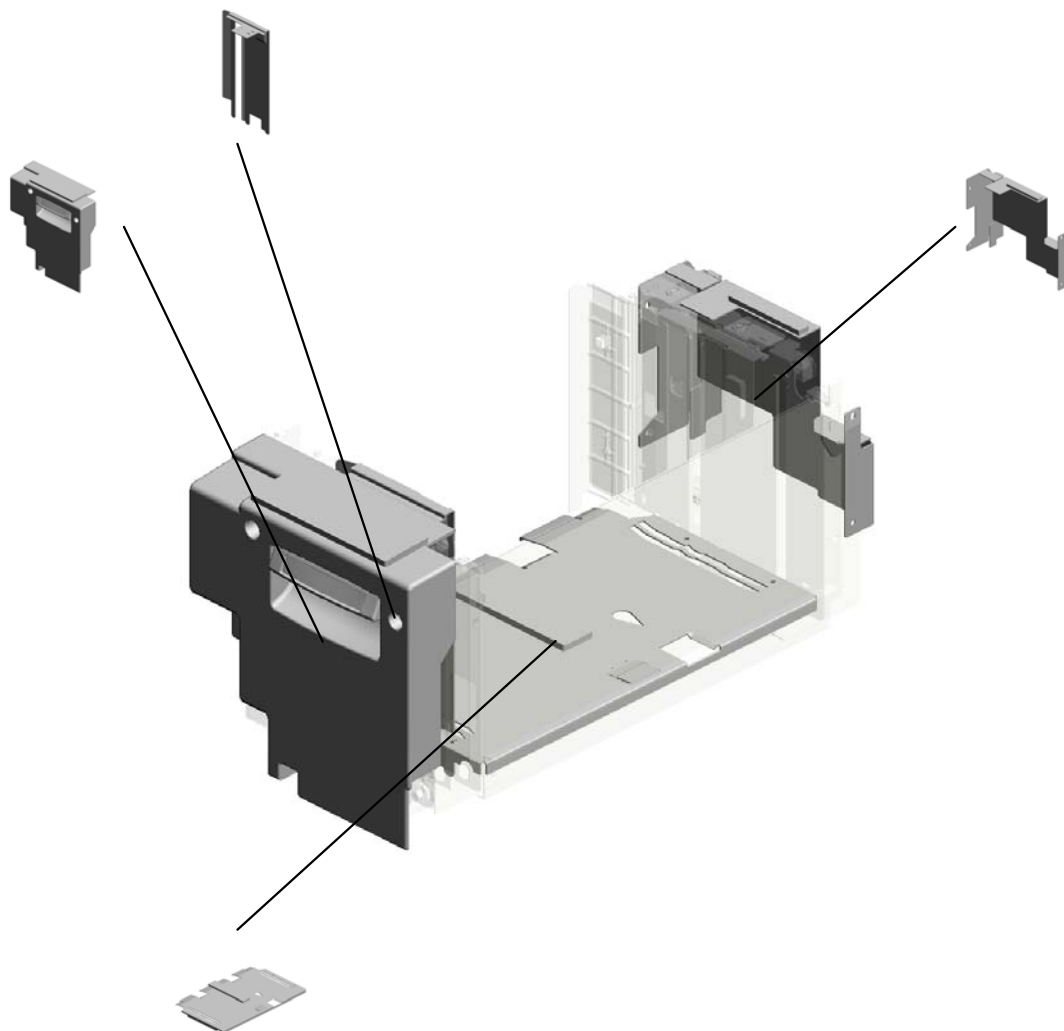
U006_S013.(EU/AA):TANDEM LCT:RIGHT:ASS'Y

U006_S013_S004
B0986736
SIDE FENCE:TANDEM LCT:R
IGHT FRONT

U006_S013_S003
D1316816
INNER COVER:TANDEM LCT
:ASSY

U006_S013_S001
B0986739
SUPPORTING PLATE:TANDE
M:RIGHT REAR

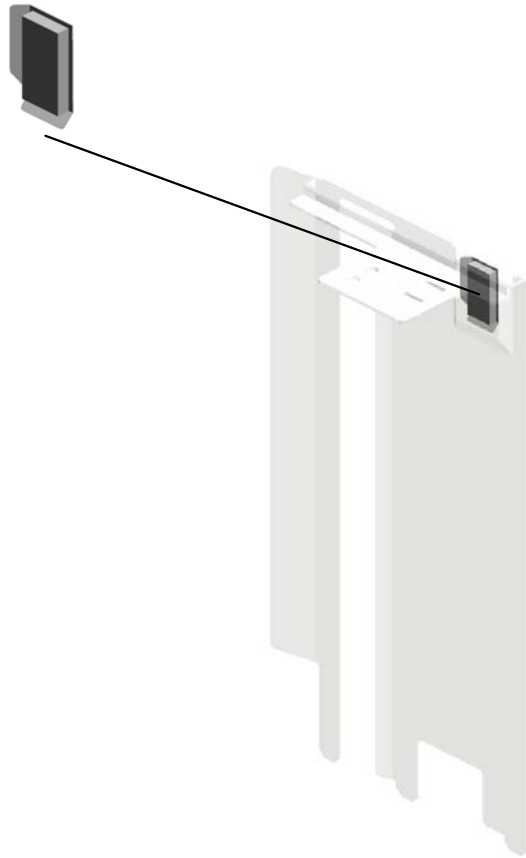
U006_S013_S002
D1316716
(NA/EU/AA):BASE:TANDEM L
CT:RIGHT:ADHESION



U001	U002	U003	U004	U005	U006	U007	U008	U009	U010	U011	U012	U013	U014	U015	U016	U017
------	------	------	------	------	-------------	------	------	------	------	------	------	------	------	------	------	------

U006_S013_S004.SIDE FENCE:TANDEM LCT:RIGHT FRONT

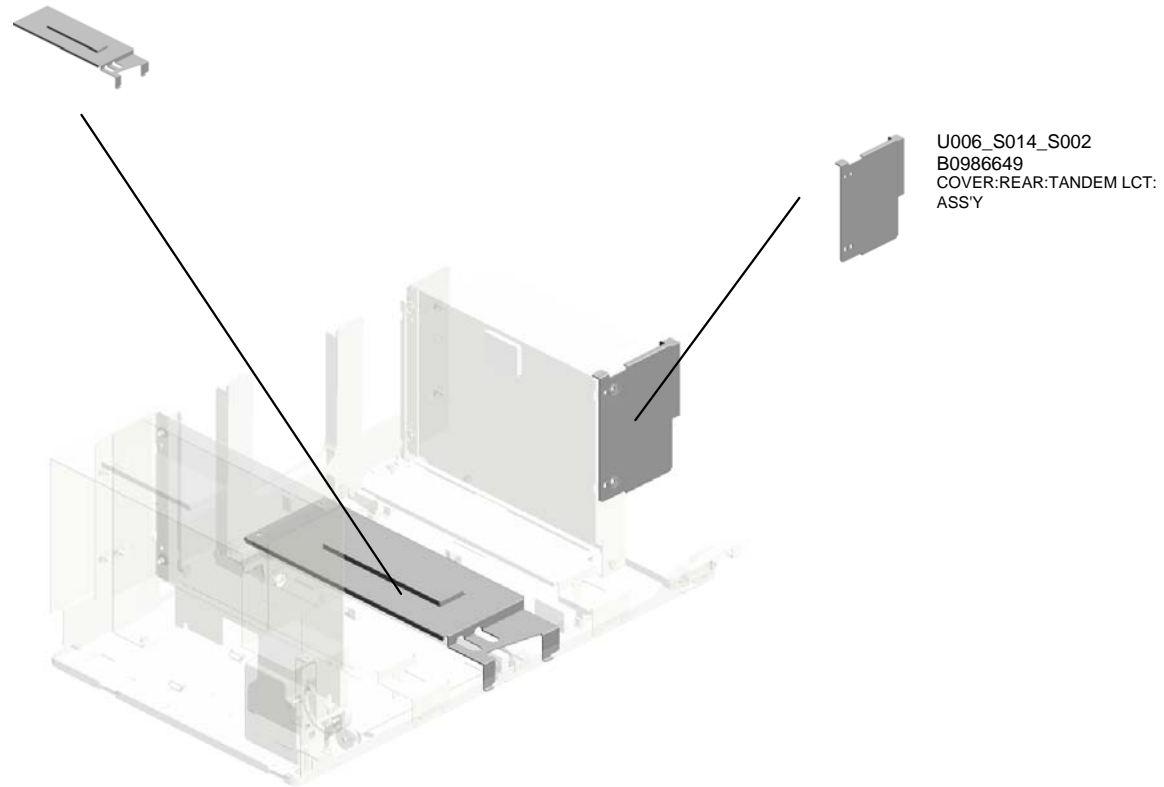
U006_S013_S004_S001
B2346690
PLATE:PAPER



U001	U002	U003	U004	U005	U006	U007	U008	U009	U010	U011	U012	U013	U014	U015	U016	U017
------	------	------	------	------	------	------	------	------	------	------	------	------	------	------	------	------

U006_S014.(EU/AA):TANDEM LCT:LEFT:ASS'Y

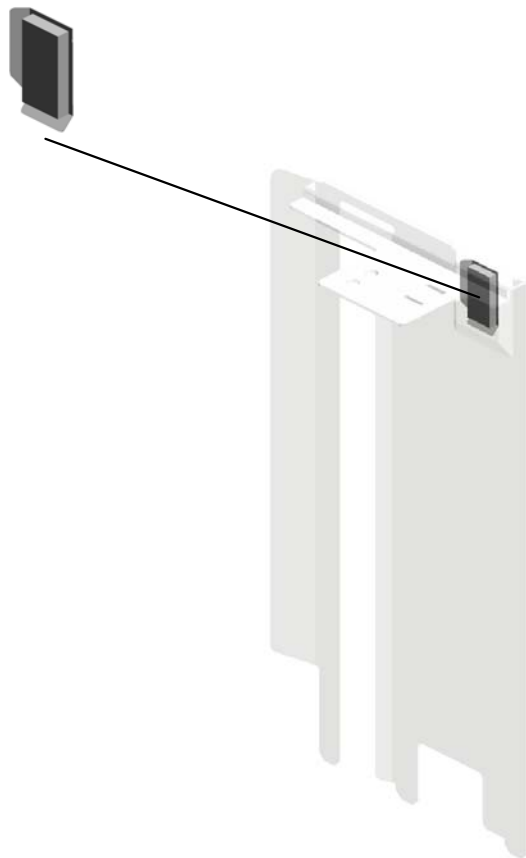
U006_S014_S001
D1316839
(NA/EU/AA):TRAY BOTTOM P
LATE:LEFT MIDDLE:ASS'Y



U001	U002	U003	U004	U005	U006	U007	U008	U009	U010	U011	U012	U013	U014	U015	U016	U017
------	------	------	------	------	-------------	------	------	------	------	------	------	------	------	------	------	------

U006_S017.SIDE FENCE:TANDEM LCT:RIGHT FRONT

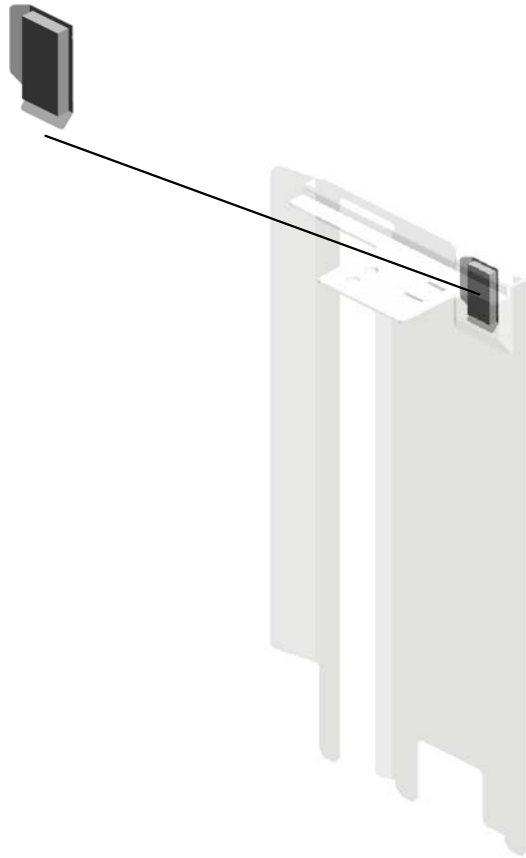
U006_S017_S001
B2346690
PLATE:PAPER



U001	U002	U003	U004	U005	U006	U007	U008	U009	U010	U011	U012	U013	U014	U015	U016	U017
------	------	------	------	------	-------------	------	------	------	------	------	------	------	------	------	------	------

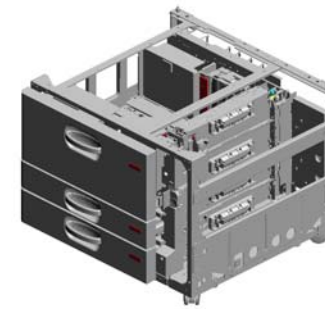
U006_S022.SIDE FENCE:TANDEM LCT:RIGHT FRONT

U006_S022_S001
B2346690
PLATE:PAPER



U001	U002	U003	U004	U005	U006	U007	U008	U009	U010	U011	U012	U013	U014	U015	U016	U017
------	------	------	------	------	------	------	------	------	------	------	------	------	------	------	------	------

U006 PAPER TRAY



- 13.04504008N (x6) TAPPING SCREW - M4X8
- 19.04523006N (x4) (NA/D223(220-240V),D224(220-240V))/EU/AA/CHN/TWN): BINDING SELF-TAPPING SCREW:3X
- 22.04533006N (x9) TAPPING SCREW - M3X6
- 24.04534006N (x2) BINDING SELF TAPPING SCREW:4X6
- 17.04514006N (x64) TAPPING SCREW - 4X6

7.03530060N (x10) BIND SCREW - M3 X6

16.04513008N (x4) TAPPING SCREW - M3X8

3.03140040N (x3) PAN HEAD SCREW - M4X4

28.04544006Q (x54) TAPPING SCREW: 4X6

14.04504010N (x19) TAPPING SCREW: M4X10

8.03540040N (x2) SCREW-M4X4

12.04503008N (x7) TAPPING SCREW - M3X8

18.04514008N (x120) TAPPING SCREW: 4X8

2.03130120N (x2) PAN HEAD SCREW :M3X12

27.04543030Q (x4) TAPPING SCREW: ROUND POINT:3X30

23.04533008N (x8) BINDING SELF TAPPING SCREW:3X8

21.04524010N (x3) BINDING SELF-TAPPING SCREW:4X10

1.03130060N (x2) SCREW - M3X6

10.03604006N SCREW - M4X6

26.04543006Q (x25) TAPPING SCREW - M3X6

45.11050291 (x2) HARNESS CLAMP - LWS-3S

47.11050488 HARNESS CLAMP

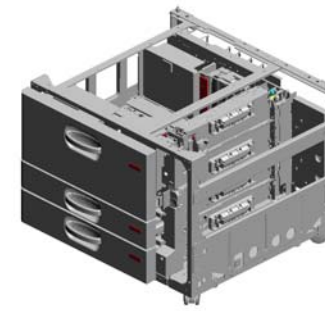
50.11050511 (x5) HARNESS CLAMP - LWS-0306ZC

51.11050516 (x5) CLAMP

53.11050532 EDGE SADDLE - L ES-25L

4.03140060N (x3) SCREW - M4X6
8.03540040N (x4) SCREW-M4X4

U006 PAPER TRAY



- 40.08010234 SCREW WITH WASHER:SMALL ROUND WITH SPRING WASHER:M5X8
- 48.11050490 (x3) HARNESS CLAMP - IWS-2218
- 37.07200040E (x57) RETAINING RING - M4
- 45.11050291 (x8) HARNESS CLAMP - LWS-3S
- 42.09513006N (x2) SCREW - M3X6

- 49.11050508 (x13) HARNESS CLAMP - LWS-0711

- 44.09543008N (x2) SCREW - M3X8

- 46.11050328 (x8) HARNESS CLAMP - ES-0505

- 29.04544008N (x2) TAPPING SCREW: ROUND POINT:4X8

- 43.09514006N (x8) SCREW:POLISHED ROUND:M4X6

- 30.04544008Q (x7) TAPPING SCREW - M4X8

- 31.04544020Q (x2) TAPPING SCREW: 4X20

- 50.11050511 (x5) HARNESS CLAMP - LWS-0306ZC

- 34.06330200G (x4) PIN - M3X20

- 41.08010236 (x2) HEXAGONAL BOLT :DOUBLE SCREW: M4X8

- 35.07010060N WASHER DIA6

- 38.07200060E (x9) RETAINING RING - M6

- 47.11050488 (x22) HARNESS CLAMP

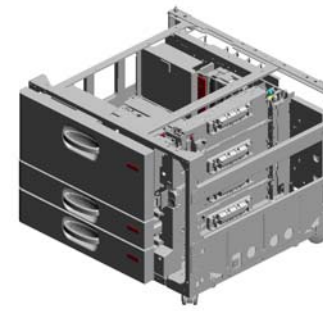
- 33.06320160G PARALLEL PIN-M2 X16

- 39.07413506 (x2) BALL BEARING - 6 X12X4 MM

- 15.04513006N (x 6) TAPPING SCREW - 3X6
- 17.04514006N (x10) TAPPING SCREW - 4X6
- 18.04514008N (x48) TAPPING SCREW:4X8
- 25.04534008N (x 7) BINDING SELF TAPPING SCREW:4X8

- 28.04544006Q (x 4) TAPPING SCREW:4X6
- 30.04544008Q (x30) TAPPING SCREW - M4X8
- 59.12010045 (x 1) FERRITE CORE

U006 PAPER TRAY



- 75.AA001644 (x2) DECAL:SIDE FENC E:40X30
- 65.A2486103 (x4) GUIDE PLATE - UP PER HEAT SINK
- 54.11050534 (x4) CLAMP
- 52.11050517 (x4) HARNESS CLAMP - LWS-2111Z
- 77.AA001646 (x2) DECAL:SIDE FENC E:16X30

67.A2486695 (x8) GUIDE - PULLEY



68.A2486713 (x4) HOOK - TENSION SPRING



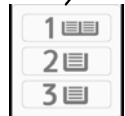
61.50530447 (x4) BUSHING - 6MM



72.A2946655 (x2) FRONT ROLLER - SLIDE RAIL



73.A2946690 (x2) FEELER - PAPER HEIGHT SENSOR



80.AA003221 (x4) DECAL:PAPER TRAY:DESIGN SKETCH:MULTI-LANGUAGE



58.11060411 (x4) BUSHING - 11.5MM



60.50530223 (x6) BUSHING - 8MM



55.11050692 (x2) CLAMP:LES-0503



62.52012858 (x2) FRICTION PAD

66.A2486694 (x8) WIRE RING



56.11050723 (x2) CLAMPS:WES-0507



51.11050516 (x24) CLAMP



57.11050725 CLAMPS:WES-1117

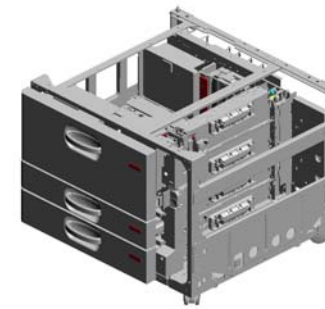


53.11050532 EDGE SADDLE - LES-25L



U001	U002	U003	U004	U005	U006	U007	U008	U009	U010	U011	U012	U013	U014	U015	U016	U017
------	------	------	------	------	------	------	------	------	------	------	------	------	------	------	------	------

U006 PAPER TRAY



- 101.AA143803 (x12) FLANGED HEXAGONAL HEAD BOLT: CASTER
- 91.AA070087 (x1) SLIDE RAIL:TANDEM LCT
- 89.AA063880 (x2) SPRING
- 96.AA140912 (x2) SCREW - 8X14X2.8
- 105.AA161130 (x4) CUSHION - SMALL

- 81.AA043271 (x2) TIMING BELT S3M 196T

- 84.AA060757 (x4) TENSION SPRING - LONG

- 85.AA060758 (x4) TENSION SPRING - SHORT

- 95.AA140686 (x2) SHAFT - TIMING PULLEY

- 100.AA143798 (x4) HEXAGONAL BOLT :M12X35

- 102.AA143810 (x2) DEVELOPMENT COVER SCREW

- 94.AA132233 (x2) SPACER:SLIDE RAIL:0.4MM

- 98.AA143569 (x4) SCREW

- 104.AA161129 (x2) CUSHION - LARGE

- 83.AA043974 TIMING BELT - B60 S2M112

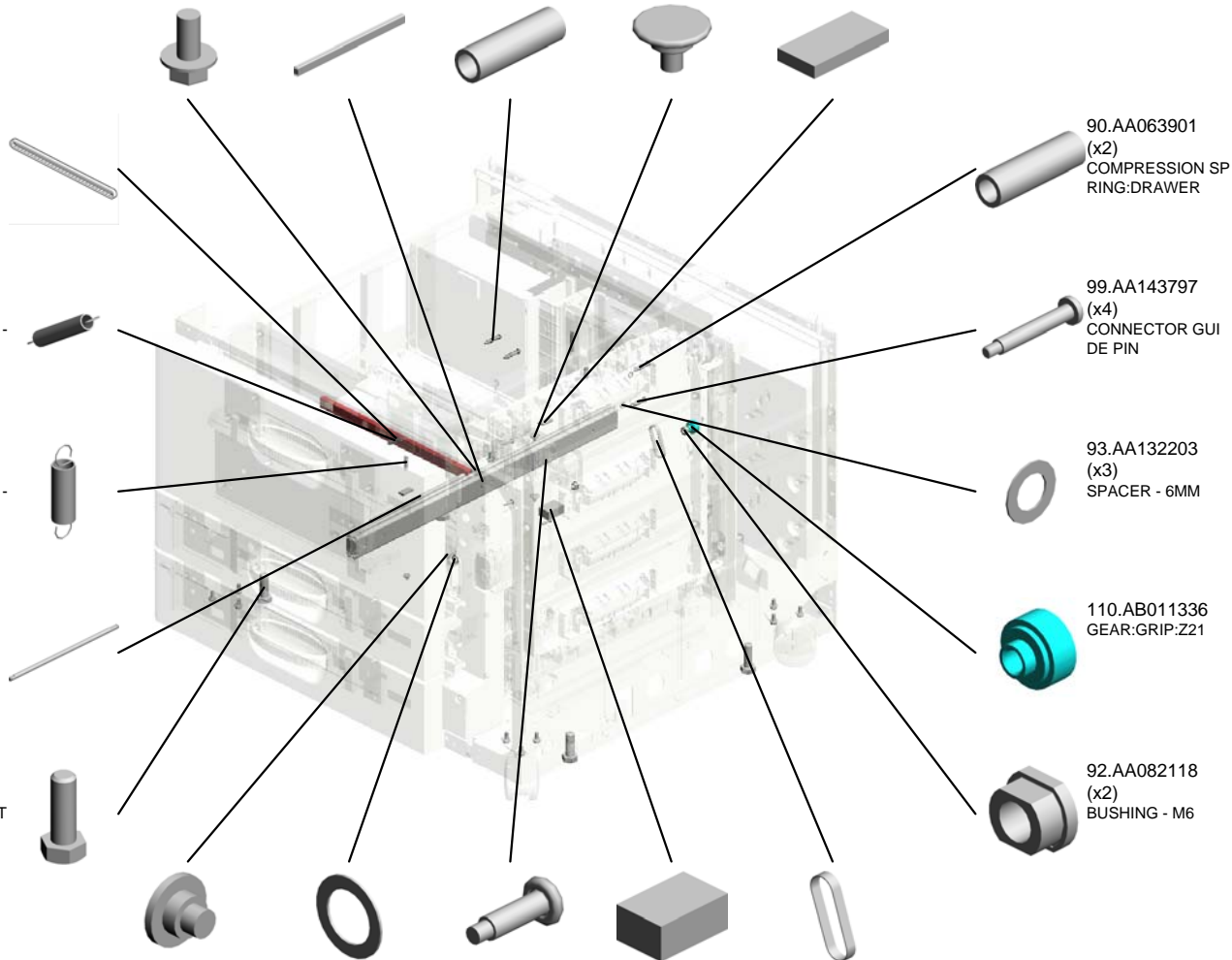
- 90.AA063901 (x2) COMPRESSION SPRING:DRAWER

- 99.AA143797 (x4) CONNECTOR GUIDE PIN

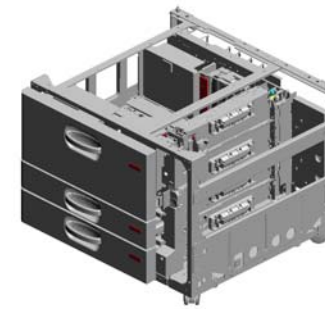
- 93.AA132203 (x3) SPACER - 6MM

- 110.AB011336 GEAR:GRIP:Z21

- 92.AA082118 (x2) BUSHING - M6



U006 PAPER TRAY



- 124.AB032058 (x4) WIRE PULLEY - M10
- 139.AW020203 (x22) PHOTOINTERRUPTOR:GP1A173LCS 2F
- 125.AB032719 (x4) PULLEY - M10
- 144.AX400178 (NA(D223(220-240V),D224(220-240V),D225)/EU/AA/CHN/TWN(D225)):HEATER:240V:18W:UPPER
- 141.AW500010 (x2) PUSH SWITCH

127.AB033085 (x2) TIMING PULLEY - 15T

137.AW020163 (x2) PAPER FEED SENSOR

126.AB033084 (x2) TIMING PULLEY - 15T

123.AB019475 (x2) GEAR - 48T

117.AB013798 (x2) GEAR - Z18

116.AB013781 (x2) GEAR - 30Z

148.B0656122 MICRO SWITCHBRACKET

128.AC020151 LENS:LED:2

134.AH012031 (x4) CASTER:1470N

135.AW010113 (x2) SENSOR

130.AF022105 (x2) ROLLER - SLIDE RAIL

118.AB017690 PULLEY:IDLER:30T/24Z

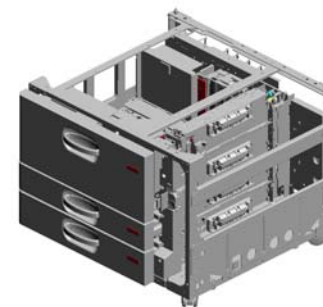
146.AZ240278 (x2) (NA(D223(120V),D224(120V))/TWN(D223,D224)):DC POWER SUPPLY:450W

147.AZ240280 (NA(D223(220-240V),D224(220-240V),D225)/EU/AA/CHN/TWN(D225)):DC POWER SUPPLY:450W

145.AX640219 (x3) DC FAN MOTOR:DC24V:MM60:25MM

U001	U002	U003	U004	U005	U006	U007	U008	U009	U010	U011	U012	U013	U014	U015	U016	U017
------	------	------	------	------	------	------	------	------	------	------	------	------	------	------	------	------

U006 PAPER TRAY



- 158.B0656712 (x4) (NA(D223(220-240V),D224(220-240V))/
EU/AA/CHN/TWN):
END FENCE GUIDE
- 165.B0656830 (x2) PULLEY BRACKET
- 149.B0656136 (x3) TRAY LOCK ARM
- 172.B0656884 (x2) DETECTOR BRACKET
- 174.B0706684 (x2) LEVER:RELEASE:R
EAR

164.B0656823 (x2) TIMING BELT COVER

173.B0706683 (x2) LEVER:RELEASE:FRONT

175.B0986640 (x2) TRAY BOTTOM PLATE:LEFT FRONT

159.B0656717 (x2) PAPER VOLUME SHIELD PLATE

157.B0656589 (x2) LEFT SUPPORT PLATE

156.B0656588 (x2) RIGHT SUPPORT PLATE

170.B0656872 (x2) OIL DAMPER BRACKET

163.B0656774 SLIDEBRACKET

169.B0656870 (x4) STAY -RIGHTBASE

166.B0656831 (x2) SENSOR BRACKET

162.B0656769 LOCK ARM

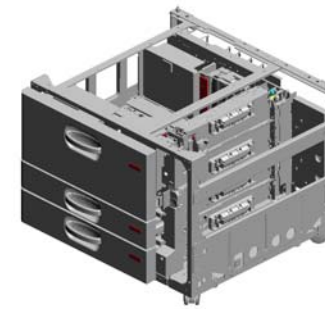
161.B0656767 RIGHT CONNECTING BRACKET

160.B0656743 (x2) RIGHT BRACKET

168.B0656864 (x2) SMALL LEVER

167.B0656862 (x2) LARGE LEVER

U006 PAPER TRAY



- 198.B2476624 (x2) BACK FENCE - LEFT
- 209.B2476792 BASE:SLIDE RAIL:TANDEM LCT:PEEN
- 179.B0986693 SHIELD:FRAME:PPER BANK:UPPER
- 176.B0986642 (x2) TRAY BOTTOM PLATE:LEFT REAR
- 203.B2476714 (x2) END FENCE - REAR

177.B0986647 (x4) END FENCE:AUXILIARY

187.B1327564 (x2) SLIDER:BACK FENCE:LEFT

207.B2476755 (x2) TENSION SPRING - 10N

202.B2476713 (x2) END FENCE - FRONT

208.B2476783 (x2) BASE:SLIDE RAIL:NO.3:PEEN

211.B2476901 (x2) LOCK SPRING - FALL

206.B2476754 (x2) LOCK SPRING - SMALL

205.B2476753 LOCK SPRING - LARGE

200.B2476694 (x4) PULLEY:DRIVE WHEEL:ASSY

195.B2476174 (x2) BRACKET:POSITIONING:PAPER TRAY:ASSY

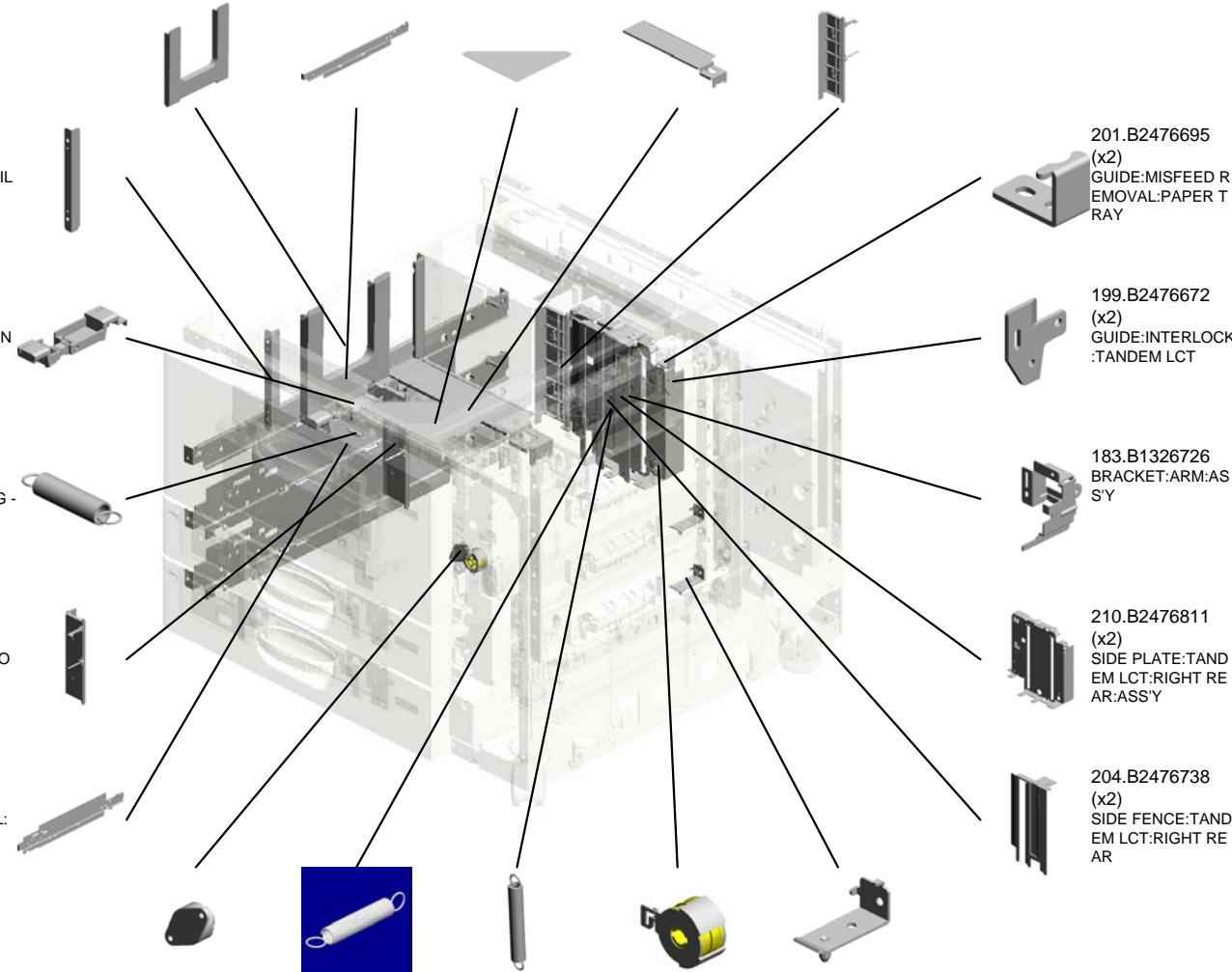
201.B2476695 (x2) GUIDE:MISFEED REMOVAL:PAPER TRAY

199.B2476672 (x2) GUIDE:INTERLOCK:TANDEM LCT

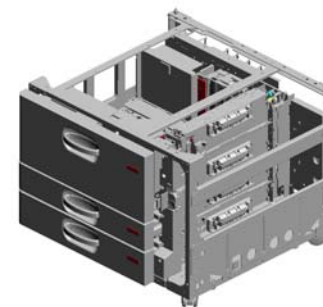
183.B1326726 BRACKET:ARM:ASSY

210.B2476811 (x2) SIDE PLATE:TANDEM LCT:RIGHT REAR:ASSY

204.B2476738 (x2) SIDE FENCE:TANDEM LCT:RIGHT REAR



U006 PAPER TRAY



- 230.D0626256 SLIDE RAIL:TANDEM LCT:LEFT:ASS'Y
- 229.D0626246 (x2) SLIDE RAIL:PAPER TRAY:LEFT:SUB-ASS'Y
- 213.B2476951 (x2) BRACKET:PULLEY:DRIVEN:ASS'Y
- 212.B2476950 (x2) SHAFT:SLIDER:BACK FENCE
- 226.D0596742 BRACKET:RAIL:LEFT

- 236.D0626438 (x4) ROLLER:STOPPER:PAPER TRAY



- 235.D0626435 (x2) ARM:STOPPER:PAPER TRAY:PEEN



- 233.D0626433 (x2) SHAFT:STOPPER:PAPER TRAY



- 237.D0626439 (x2) TORSION SPRING:STOPPER:PAPER TRAY



- 234.D0626434 (x2) LINK:STOPPER:PAPER TRAY



- 225.D0596699 BRACKET:BASE:STOPPER:TANDEM LCT

- 227.D0596858 SCREW:M4X10



- 214.B2476955 (x2) SIDE PLATE:TANDEM LCT:FRONT RIGHT:ASS'Y



- 223.D0596591 (x2) SPRING:PAPER TRAY:LOCK



- 232.D0626280 (x2) SLIDE RAIL:RIGHT:ASS'Y



- 224.D0596620 (x2) LEVER:COUPLING:LEFT



- 216.B8353968 TIMING BELT - B60 S2M126



- 222.D0596153 (x2) SPRING PLATE:BRACKET:SENSOR:PAPER TRAY



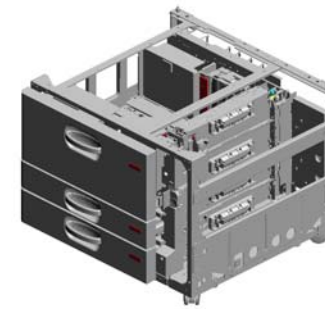
- 228.D0622850 (x2) SPACER:SHAFT:RIGHT



- 231.D0626275 SLIDE RAIL:TANDEM LCT:RIGHT:ASS'Y



U006 PAPER TRAY



- 252.D0626705 ARM:GRIP:TANDEM LCT:LEFT
- 257.D0626716 BRACKET:GRIP:TANDEM LCT:LEFT
- 247.D0626646 (x2) INNER COVER:TANDEM LCT:LEFT
- 253.D0626706 SHAFT:GRIP:TANDEM LCT
- 244.D0626590 SPRING:TANDEM LCT:LOCK

256.D0626715
TORSION SPRING:
GRIP:TANDEM LCT

254.D0626707
BASE:STOPPER:TANDEM LCT:PEEN

242.D0626458
(x2)
HOLDER:STOPPER:R:PAPER TRAY

239.D0626442
(x2)
ARM:GRIP:PAPER TRAY:LEFT:PEEN

245.D0626610
(x2)
BLOCK:POSITIONING:PAPER TRAY

238.D0626441
(x2)
SHAFT:GRIP:PAPER TRAY

240.D0626447
(x2)
ARM:GRIP:PAPER TRAY:RIGHT

249.D0626701
TORSION SPRING:
STOPPER:TANDEM LCT

241.D0626449
(x2)
TORSION SPRING:
GRIP:PAPER TRAY

250.D0626702
STOPPER:TANDEM LCT

246.D0626640
(x2)
BRACKET:SENSOR:PAPER SIZE SENSOR

258.D0626717
BRACKET:GRIP:TANDEM LCT:RIGHT

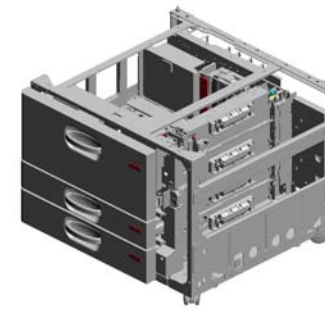
248.D0626665
(x2)
BRACKET:DC MOTOR:LEFT:PEEN

255.D0626713
ARM:GRIP:TANDEM LCT:RIGHT

251.D0626703
LINK:STOPPER:TANDEM LCT:PEEN

U001	U002	U003	U004	U005	U006	U007	U008	U009	U010	U011	U012	U013	U014	U015	U016	U017
------	------	------	------	------	------	------	------	------	------	------	------	------	------	------	------	------

U006 PAPER TRAY



- 290.D1316846 (x2) DECAL:PAPER SE T DIRECTION:TAN DEM LCT:LEFT
- 278.D1316697 (x2) SIDE FENCE:TAND EM LCT:LEFT FRO NT
- 275.D1316675 (x2) SIDE PLATE:TAND EM LCT:LEFT SIDE WAYS
- 279.D1316698 (x2) SIDE FENCE:TAND EM LCT:LEFT REA R
- 267.D1316511 BRACKET:CONNE CTOR:LEFT

269.D1316627 (x3) GRIP:PAPER TRAY

270.D1316630 COVER:TANDEM LCT

259.D0626777 BRACKET:LEVER: SLIDE:AUXILIARY

272.D1316633 COVER:PAPER TR AY:SHORT

271.D1316632 COVER:PAPER TR AY:LONG

261.D0626859 HOLDER:STOPPE R:TANDEM LCT

260.D0626857 BRACKET:HOLDER :STOPPER:TANDE M LCT

262.D0626958 (x2) SHAFT:DRIVE:TRA Y BOTTOM PLATE: RIGHT:PRESS FIT

277.D1316695 (x2) SIDE PLATE:SIDE: TANDEM LCT

276.D1316693 COMPRESSION SP RING:JOINT:2.0N

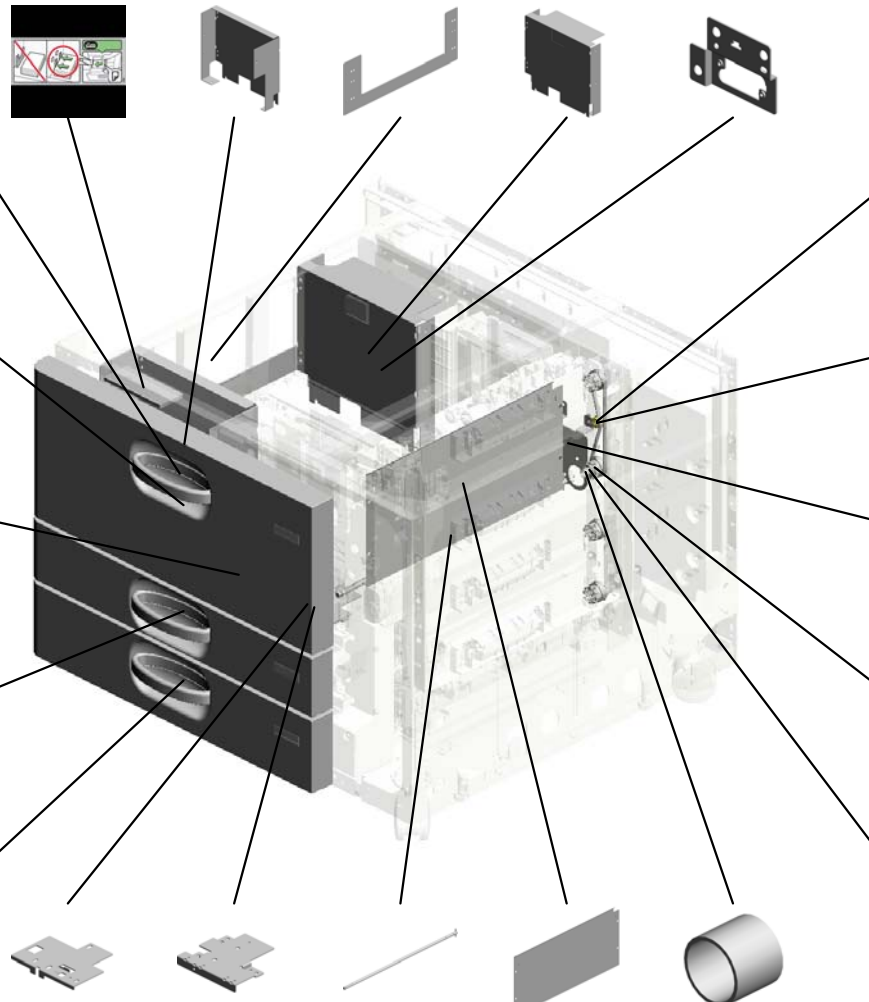
282.D1316764 PULLEY:TENSION ER:DIA15

283.D1316765 SYNCHRONOUS B ELT:COUPLING:36 0

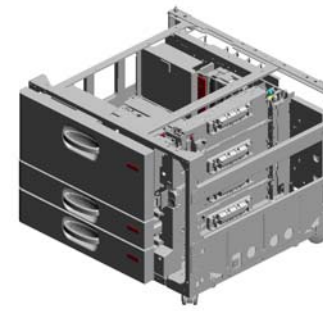
263.D0666738 BRACKET:LIFT MO TOR:TANDEM LCT

281.D1316751 (x4) JOINT:PULLEY:FR AME:43T

273.D1316663 JOINT:SLIDER:GRI P



U006 PAPER TRAY



- 307.D2235883
COVER:GROUND
POINT DECAL
- 302.D2025185
(NA/EU/AA/CHN/T
WN(D225)):PCB:DH
B
- 304.D2235292
(NA(D223(120V),D2
24(120V)):AC CON
TROL BOARD
- 305.D2235294
(NA(D223(220-240V
,D224(220-240V),D
225)/EU/AA/CHN/T
WN(D225)):AC CO
NTROL BOARD
- 303.D2235232
PCB:RYB

297.D1365904
BRACKET:DC FAN
MOTOR:INDUCTIO
N HEATING UNIT

311.D2236149
HEAT SINK:HEATE
R:UPPER:FIBER

308.D2236115
(x2)
STOPPER:ASS'Y

315.D2236244
STAY:TANDEM LC
T

310.D2236141
(x2)
STAY:HOLDER:PA
PER TRAY:ASS'Y

312.D2236184
INNER COVER:PA
PER FEED

296.D1361533
BRACKET:LED

306.D2235881
(NA/EU/AA/CHN/T
WN(D225)):BRACK
ET:POWER SUPPL
Y CORD:1POINT

357.D2236452
GUIDE PLATE:JOIN
T UNIT:ASS'Y

309.D2236123
SYNCHRONOUS B
ELT:COUPLING:27
8

301.D1947346
DC MOTOR:RISE:T
ANDEM LCT:ASS'Y:
19.2W:BRUSH

338.D2236381
JOINT:TIMING PUL
LEY:REVERSE:T35

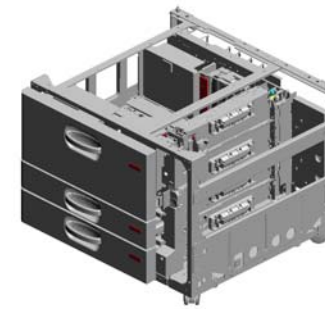
322.D2236328
COIL SPRING:DC
MOTOR

336.D2236362
TRANSPORT ROLL
ER:GRIP

319.D2236321
DC MOTOR:ASS'Y:
20W:BRUSHLESS

U001	U002	U003	U004	U005	U006	U007	U008	U009	U010	U011	U012	U013	U014	U015	U016	U017
------	------	------	------	------	------	------	------	------	------	------	------	------	------	------	------	------

U006 PAPER TRAY



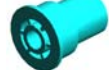
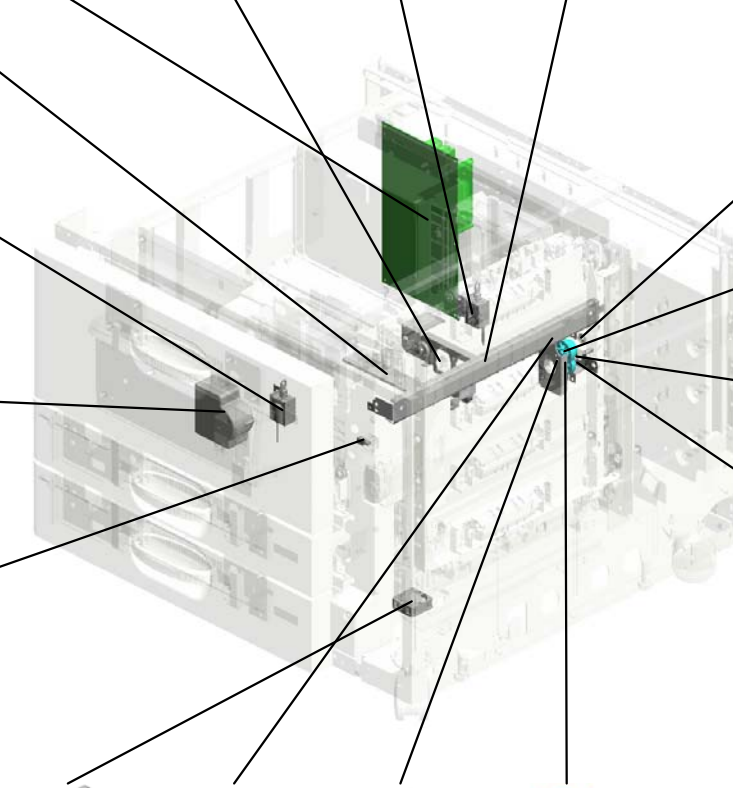
- 378.D2255296 (TWN(D223,D224)): AC CONTROL BOARD
- 379.D2255881 (TWN(D223,D224)): BRACKET:POWER SUPPLY CORD:POINT
- 373.D2236732 (x2) DC SOLENOID:EN D FENCE:REAR:ASSY
- 365.D2236481 GUIDE PLATE:CONNECTING:PAPER BANK

- 381.D6952528 (x2) (CHN/TWN):DECAL:PAPER SET DIRECTION:TANDEM TRAY:RIGHT

- 372.D2236722 (x2) DC SOLENOID:EN D FENCE:FRONT:ASSY

- 374.D2236747 (x2) DC MOTOR:TANDEM LCT:19.2W:BRUSH

- 380.D2416290 LED:RED



- 383.GX640028 FAN MOTOR DC24 V 1.92W

- 360.D2236462 GEAR:IDLER:JOINT UNIT:1:Z14T27

- 361.D2236466 BRACKET:DC MOTOR:JOINT UNIT

- 362.D2236471 GEAR:GRIP:JOINT UNIT

- 358.D2236459 SPACER:TRANSPORT ROLLER:JOINT UNIT

- 359.D2236461 GEAR:IDLER:JOINT UNIT:2

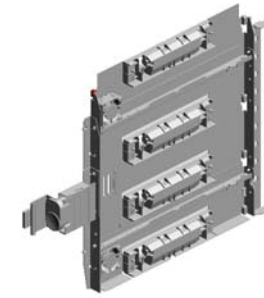
- 364.D2236473 SHAFT:JOINT:JOINT UNIT

- 363.D2236472 BRACKET:GRIP:SHAFT:JOINT UNIT

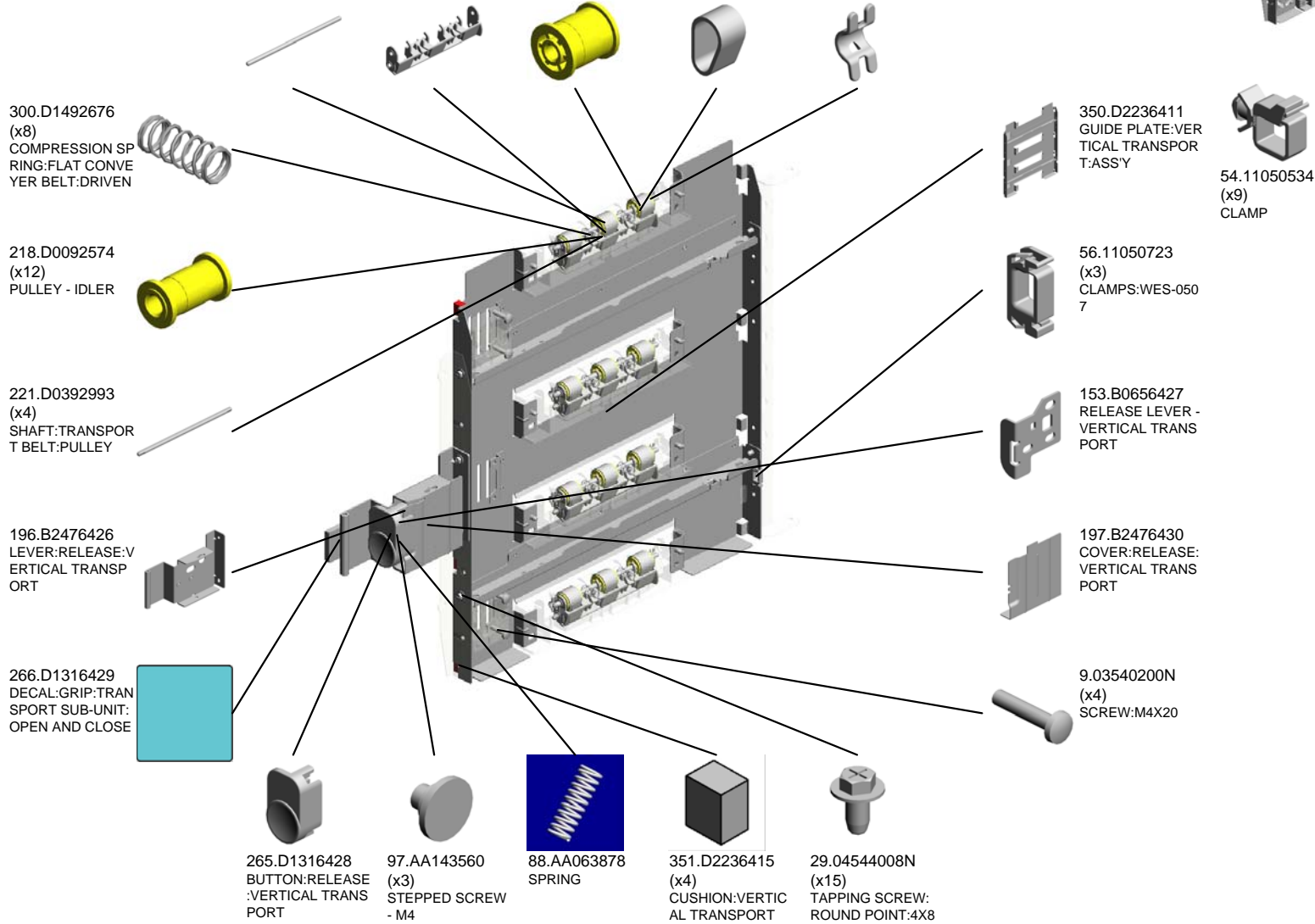
U006_S001

TRANSPORT UNIT:VERTICAL TRANSPORT:THREE WAY:ASS'Y

- 352.D2236420 (x4) SHAFT:FLAT CONVEYER BELT:DRIVEN:LONG
- 299.D1482675 (x4) HOLDER:DRIVEN:BELT
- 217.D0092573 (x12) PULLEY - VERTICAL TRANSPORT
- 220.D0292677 (x12) TRANSPORT BELT :DRIVEN:VERTICAL TRANSPORT
- 298.D1444489 (x8) STOPPER:DRIVEN ROLLER



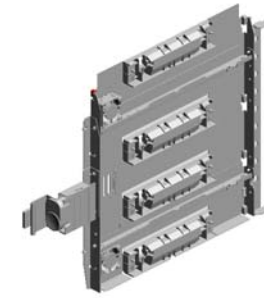
349.D2236401
TRANSPORT UNIT:
VERTICAL TRANSP
PORT:THREE WAY
:ASS'Y



U001	U002	U003	U004	U005	U006	U007	U008	U009	U010	U011	U012	U013	U014	U015	U016	U017
------	------	------	------	------	------	------	------	------	------	------	------	------	------	------	------	------

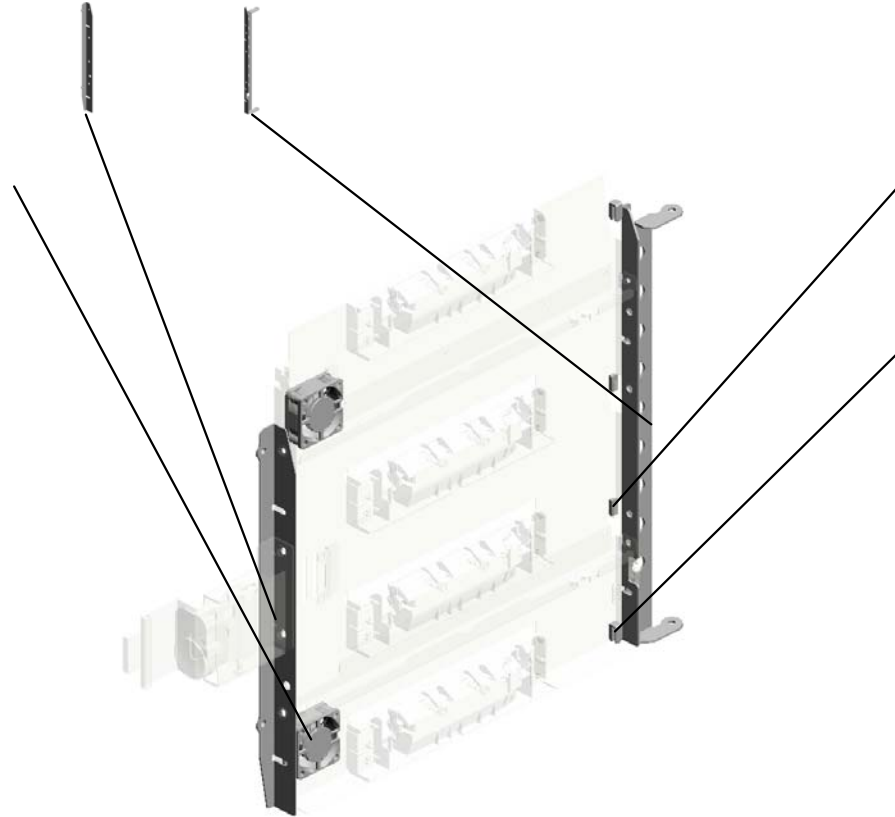
U006_S001
 TRANSPORT UNIT:VERTICAL TRANSPORT:THREE WAY:ASS'Y

353.D2236421 354.D2236422
 SIDE PLATE:FRON SIDE PLATE:REAR:
 T:VERTICAL TRAN VERTICAL TRAN
 SPORT PORT



349.D2236401
 TRANSPORT UNIT:
 VERTICAL TRAN
 PORT:THREE WAY
 :ASS'Y

383.GX640028
 (x2)
 FAN MOTOR DC24
 V 1.92W



355.D2236430
 (x4)
 GUIDE:CUSHION:V
 ERTICAL TRANSP
 ORT:ASS'Y

356.D2236433
 (x2)
 STOPPER:CUSHIO
 N:VERTICAL TRAN
 SPORT:HING

U001	U002	U003	U004	U005	U006	U007	U008	U009	U010	U011	U012	U013	U014	U015	U016	U017
------	------	------	------	------	-------------	------	------	------	------	------	------	------	------	------	------	------

U006_S002 PAPER FEED UNIT: BANK: ASS'Y

63.54472681
(x3)
SNAP RING

74.A2946700
TORQUE LIMITER -
53MNXM

87.AA061076
COIL SPRING:PRE
SSURE RELEASE:
PICKUP

107.AB010213
GEAR:IDLER

56.11050723
(x2)
CLAMPS:WES-050
7



316.D2236310
PAPER FEED UNIT
:BANK:ASS'Y

14.04504010N
(x17)
TAPPING SCREW:
M4X10

50.11050511
(x8)
HARNESS CLAMP -
LWS-0306ZC

5.03530040N
(x4)
SCREW - M3X4

41.08010236
(x2)
HEXAGONAL BOLT
:DOUBLE SCREW:
M4X8

82.AA043699
SYNCHRONOUS B
ELT:60S2M80

37.07200040E
(x23)
RETAINING RING -
M4

39.07413506
BALL BEARING - 6
X12X4 MM

32.05730030E
HEXAGON HEADL
ESS SET SCREW -
M3X3

108.AB010214
(x2)
GEAR:ROLLER

18.04514008N
(x11)
TAPPING SCREW:
4X8

38.07200060E (x 1)
RETAINING RING - M6

33.06320160G
PARALLEL PIN-M2
X16

36.07200030E
RETAINING RING -
M3

38.07200060E
RETAINING RING -
M6

11.03604008N
(x2)
SCREW - M4X8

92.AA082118
(x10)
BUSHING - M6

U001	U002	U003	U004	U005	U006	U007	U008	U009	U010	U011	U012	U013	U014	U015	U016	U017
------	------	------	------	------	------	------	------	------	------	------	------	------	------	------	------	------

U006_S002 PAPER FEED UNIT:BANK:ASS'Y

150.B0656350
PICK-UP GEAR COVER

111.AB011465
IDLER GEAR

136.AW010151
(x3)
PHOTO REFLECTIVE
SENSOR:PS122T
L1-A

151.B0656357
PICK-UP ARM

138.AW020198
PHOTO INTERRUPTOR:
LG2A14NL1



316.D2236310
PAPER FEED UNIT
:BANK:ASS'Y

131.AF030081
PAPER FEED ROLLER:
PICKUP

132.AF031082
PAPER FEED ROLLER:
FEED

152.B0656358
PAPER FEED SENSOR
BRACKET

120.AB017875
GEAR:IDLER:DC MOTOR:
2:Z24Z18

119.AB017874
GEAR:IDLER:DC MOTOR:
1:Z14T27

109.AB011335
(x2)
GEAR:IDLER:CONNECTING:
Z16

133.AF032080
PAPER FEED ROLLER:
SEPARATE

114.AB011590
GEAR:REVERSE:DRIVEN

113.AB011471
REVERSE GEAR

122.AB017877
GEAR:IDLER:REVERSE:
RSE:Z26Z24

110.AB011336
GEAR:GRIP:Z21

154.B0656445
FEED LEVER

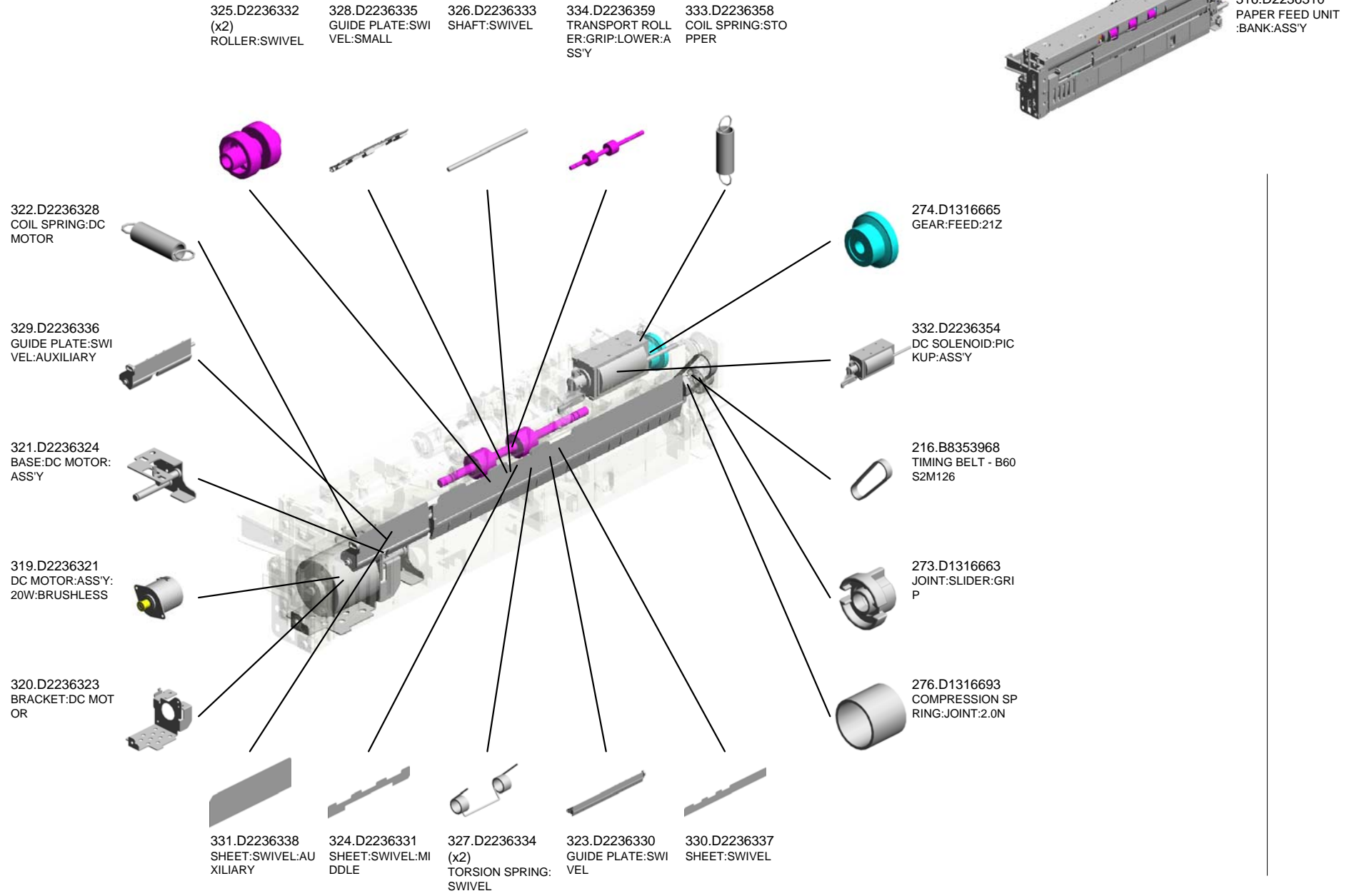
118.AB017690
PULLEY:IDLER:30T/
Z4Z

112.AB011470
GEAR - 18Z

121.AB017876
GEAR:REVERSE:38Z
Z1Z

U001	U002	U003	U004	U005	U006	U007	U008	U009	U010	U011	U012	U013	U014	U015	U016	U017
------	------	------	------	------	------	------	------	------	------	------	------	------	------	------	------	------

U006_S002
PAPER FEED UNIT:BANK:ASS'Y



U001	U002	U003	U004	U005	U006	U007	U008	U009	U010	U011	U012	U013	U014	U015	U016	U017
------	------	------	------	------	------	------	------	------	------	------	------	------	------	------	------	------

U006_S002
 PAPER FEED UNIT: BANK: ASS'Y

- 345.D2236392 COIL SPRING:PRE SSURE:PICKUP
- 346.D2236393 SHAFT:DRIVEN:REVERSE:ASS'Y
- 348.D2236395 SHAFT:FEED ROLLER
- 335.D2236361 TRANSPORT ROLLER:GRIP:ASS'Y

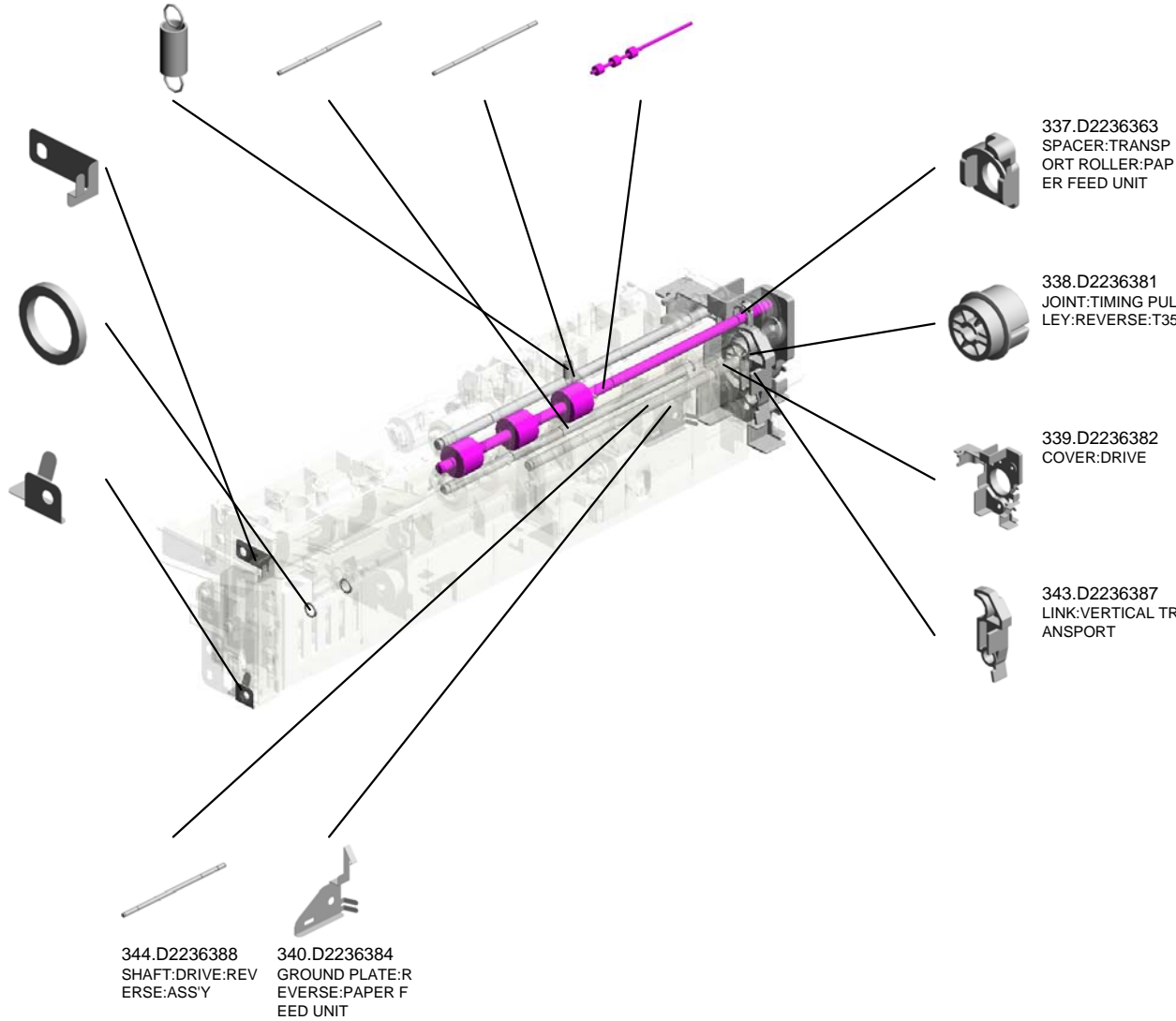


316.D2236310
 PAPER FEED UNIT
 :BANK:ASS'Y

341.D2236385
 GROUND PLATE:STAY

347.D2236394
 (x2)
 WASHER:DIA6

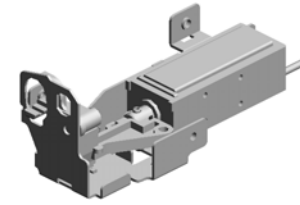
342.D2236386
 GROUND PLATE:DRIVE MOTOR



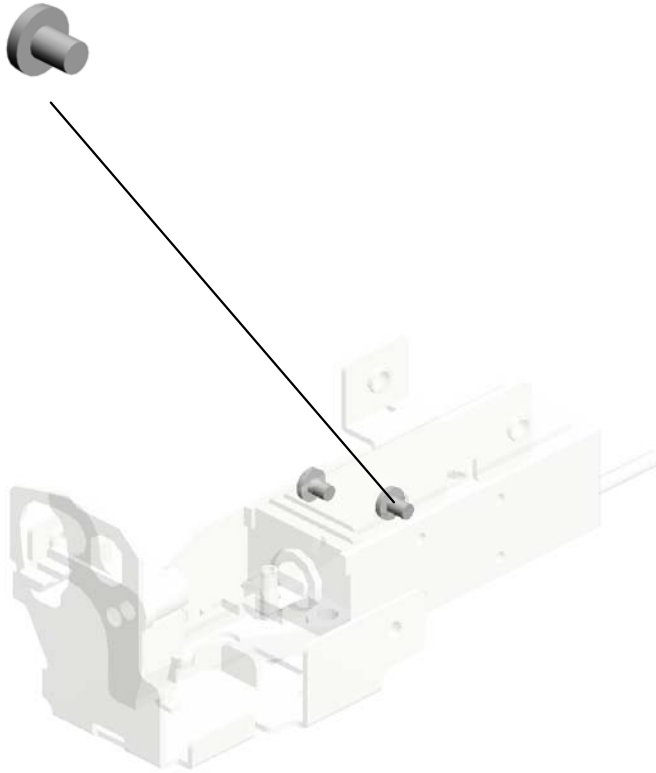
U001	U002	U003	U004	U005	U006	U007	U008	U009	U010	U011	U012	U013	U014	U015	U016	U017
------	------	------	------	------	------	------	------	------	------	------	------	------	------	------	------	------

U006_S002_S001
REVERSE ROLLER:PRESSURE RELEASE:ASS'Y

5.03530040N
(x2)
SCREW - M3X4



317.D2236312
REVERSE ROLLER
:PRESSURE RELE
ASE:ASS'Y



U001	U002	U003	U004	U005	U006	U007	U008	U009	U010	U011	U012	U013	U014	U015	U016	U017
------	------	------	------	------	-------------	------	------	------	------	------	------	------	------	------	------	------

U006_S002_S002
SHAFT:CONNECTING:ASS'Y

39.07413506
BALL BEARING - 6
X12X4 MM



318.D2236317
SHAFT:CONNECTI
NG:ASSY

U001	U002	U003	U004	U005	U006	U007	U008	U009	U010	U011	U012	U013	U014	U015	U016	U017
------	------	------	------	------	-------------	------	------	------	------	------	------	------	------	------	------	------

U006_S003 PAPER FEED UNIT: BANK: ASS'Y

63.54472681
(x3)
SNAP RING

74.A2946700
TORQUE LIMITER -
53MNXM

87.AA061076
COIL SPRING:PRE
SSURE RELEASE:
PICKUP

107.AB010213
GEAR:IDLER

56.11050723
(x2)
CLAMPS:WES-050
7



316.D2236310
PAPER FEED UNIT
:BANK:ASS'Y

14.04504010N
(x17)
TAPPING SCREW:
M4X10

50.11050511
(x8)
HARNESS CLAMP -
LWS-0306ZC

5.03530040N
(x4)
SCREW - M3X4

41.08010236
(x2)
HEXAGONAL BOLT
:DOUBLE SCREW:
M4X8

82.AA043699
SYNCHRONOUS B
ELT:60S2M80

37.07200040E
(x23)
RETAINING RING -
M4

39.07413506
BALL BEARING - 6
X12X4 MM

32.05730030E
HEXAGON HEADL
ESS SET SCREW -
M3X3

108.AB010214
(x2)
GEAR:ROLLER

18.04514008N
(x11)
TAPPING SCREW:
4X8

38.07200060E (x 1)
RETAINING RING - M6

33.06320160G
PARALLEL PIN-M2
X16

36.07200030E
RETAINING RING -
M3

38.07200060E
RETAINING RING -
M6

11.03604008N
(x2)
SCREW - M4X8

92.AA082118
(x10)
BUSHING - M6

U001	U002	U003	U004	U005	U006	U007	U008	U009	U010	U011	U012	U013	U014	U015	U016	U017
------	------	------	------	------	------	------	------	------	------	------	------	------	------	------	------	------

U006_S003
PAPER FEED UNIT:BANK:ASS'Y

150.B0656350
PICK-UP GEAR COVER

111.AB011465
IDLER GEAR

136.AW010151
(x3)
PHOTO REFLECTIVE
SENSOR:PS122T
L1-A

151.B0656357
PICK-UP ARM

138.AW020198
PHOTO INTERRUPTOR:
LG2A14NL1



316.D2236310
PAPER FEED UNIT
:BANK:ASS'Y

131.AF030081
PAPER FEED ROLLER:
PICKUP

132.AF031082
PAPER FEED ROLLER:
FEED

152.B0656358
PAPER FEED SENSOR
BRACKET

120.AB017875
GEAR:IDLER:DC MOTOR:
2:Z24Z18

119.AB017874
GEAR:IDLER:DC MOTOR:
1:Z14T27

109.AB011335
(x2)
GEAR:IDLER:CONNECTING:
Z16

133.AF032080
PAPER FEED ROLLER:
SEPARATE

114.AB011590
GEAR:REVERSE:DIRT
RIVEN

113.AB011471
REVERSE GEAR

122.AB017877
GEAR:IDLER:REVERSE:
RSE:Z26Z24

110.AB011336
GEAR:GRIP:Z21

154.B0656445
FEED LEVER

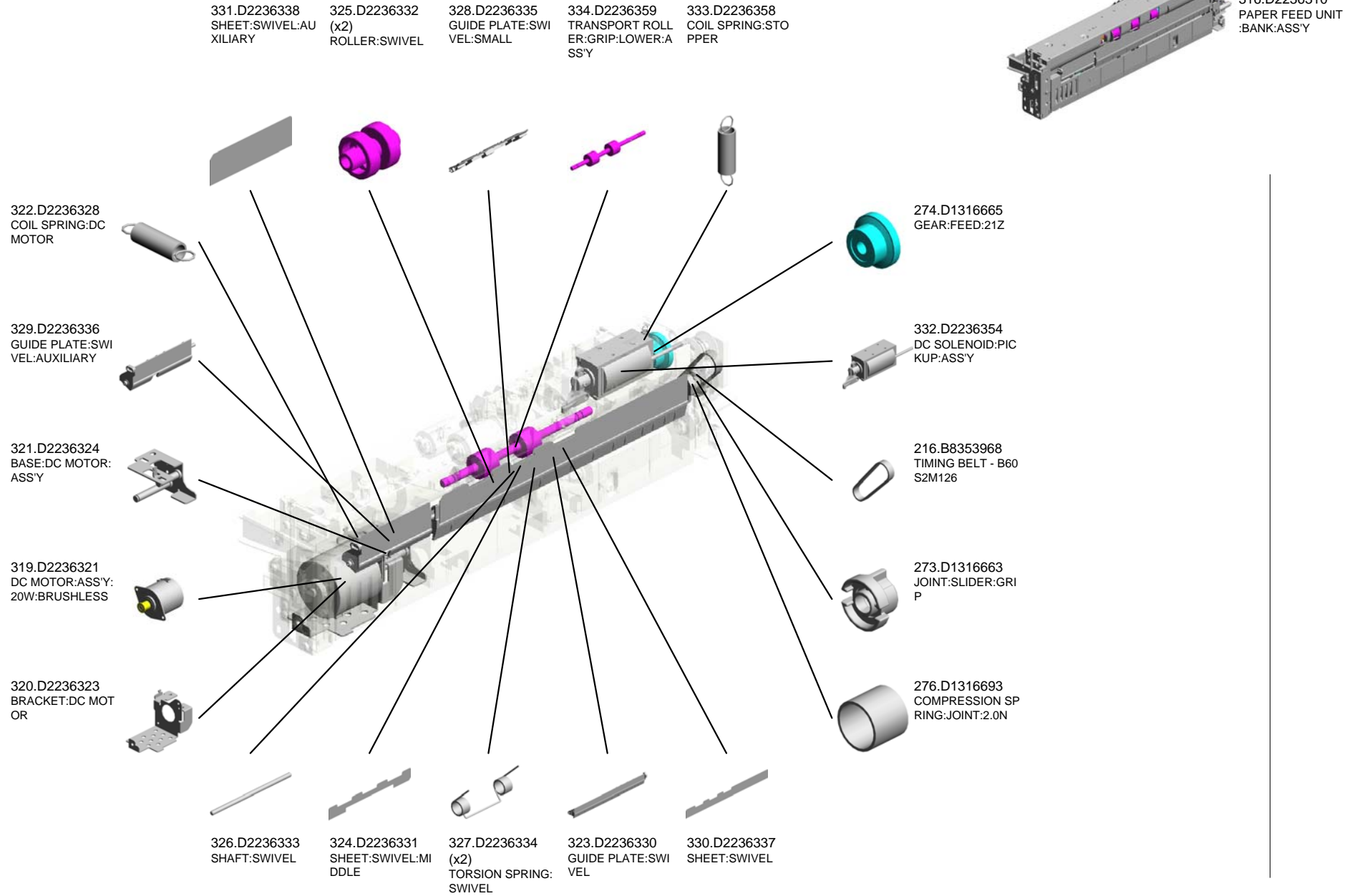
118.AB017690
PULLEY:IDLER:30T/
Z4Z

112.AB011470
GEAR - 18Z

121.AB017876
GEAR:REVERSE:38
Z21Z

U001	U002	U003	U004	U005	U006	U007	U008	U009	U010	U011	U012	U013	U014	U015	U016	U017
------	------	------	------	------	------	------	------	------	------	------	------	------	------	------	------	------

U006_S003
PAPER FEED UNIT:BANK:ASS'Y



U001	U002	U003	U004	U005	U006	U007	U008	U009	U010	U011	U012	U013	U014	U015	U016	U017
------	------	------	------	------	------	------	------	------	------	------	------	------	------	------	------	------

U006_S003
 PAPER FEED UNIT:BANK:ASS'Y

- 345.D2236392 COIL SPRING:PRE SSURE:PICKUP
- 346.D2236393 SHAFT:DRIVEN:REVERSE:ASS'Y
- 348.D2236395 SHAFT:FEED ROLLER
- 335.D2236361 TRANSPORT ROLLER:GRIP:ASS'Y

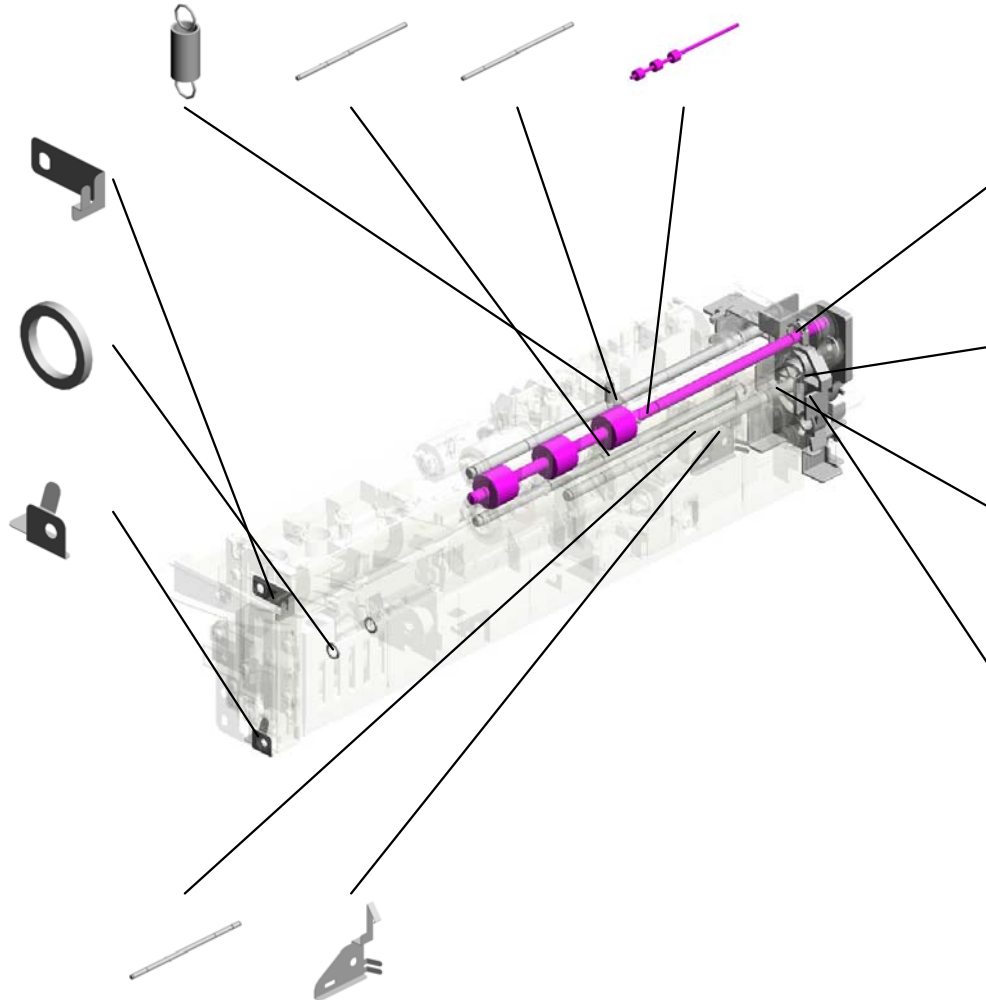


316.D2236310
 PAPER FEED UNIT
 :BANK:ASS'Y

341.D2236385
 GROUND PLATE:STAY

347.D2236394
 (x2)
 WASHER:DIA6

342.D2236386
 GROUND PLATE:DRIVE MOTOR



337.D2236363
 SPACER:TRANSPORT ROLLER:PAPER FEED UNIT

338.D2236381
 JOINT:TIMING PULLEY:REVERSE:T35

339.D2236382
 COVER:DRIVE

343.D2236387
 LINK:VERTICAL TRANSPORT

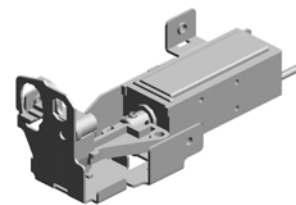
344.D2236388
 SHAFT:DRIVE:REVERSE:ASS'Y

340.D2236384
 GROUND PLATE:REVERSE:PAPER FEED UNIT

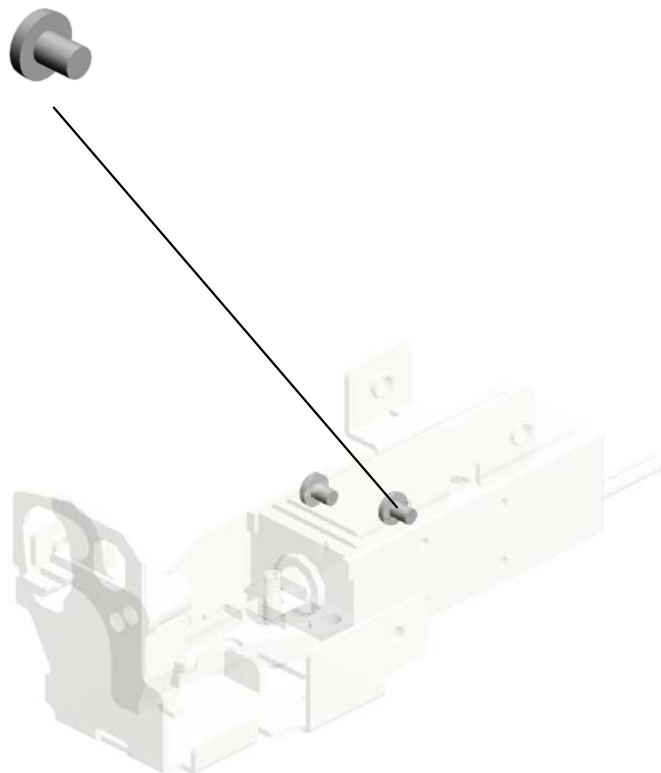
U001	U002	U003	U004	U005	U006	U007	U008	U009	U010	U011	U012	U013	U014	U015	U016	U017
------	------	------	------	------	------	------	------	------	------	------	------	------	------	------	------	------

U006_S003_S001
REVERSE ROLLER:PRESSURE RELEASE:ASS'Y

5.03530040N
(x2)
SCREW - M3X4



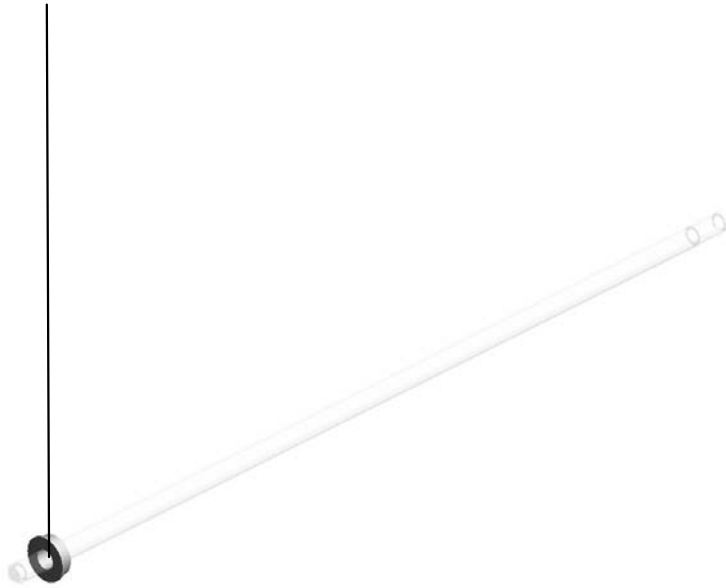
317.D2236312
REVERSE ROLLER
:PRESSURE RELE
ASE:ASS'Y



U001	U002	U003	U004	U005	U006	U007	U008	U009	U010	U011	U012	U013	U014	U015	U016	U017
------	------	------	------	------	-------------	------	------	------	------	------	------	------	------	------	------	------

U006_S003_S002
SHAFT:CONNECTING:ASS'Y

39.07413506
BALL BEARING - 6
X12X4 MM



318.D2236317
SHAFT:CONNECTI
NG:ASSY

U001	U002	U003	U004	U005	U006	U007	U008	U009	U010	U011	U012	U013	U014	U015	U016	U017
------	------	------	------	------	-------------	------	------	------	------	------	------	------	------	------	------	------

U006_S004 PAPER FEED UNIT: BANK: ASS'Y

63.54472681
(x3)
SNAP RING

74.A2946700
TORQUE LIMITER -
53MNXM

87.AA061076
COIL SPRING:PRE
SSURE RELEASE:
PICKUP

107.AB010213
GEAR:IDLER

56.11050723
(x2)
CLAMPS:WES-050
7



316.D2236310
PAPER FEED UNIT
:BANK:ASS'Y

14.04504010N
(x17)
TAPPING SCREW:
M4X10

50.11050511
(x8)
HARNESS CLAMP -
LWS-0306ZC

5.03530040N
(x4)
SCREW - M3X4

41.08010236
(x2)
HEXAGONAL BOLT
:DOUBLE SCREW:
M4X8

82.AA043699
SYNCHRONOUS B
ELT:60S2M80

37.07200040E
(x23)
RETAINING RING -
M4

39.07413506
BALL BEARING - 6
X12X4 MM

32.05730030E
HEXAGON HEADL
ESS SET SCREW -
M3X3

108.AB010214
(x2)
GEAR:ROLLER

18.04514008N
(x11)
TAPPING SCREW:
4X8

38.07200060E (x 1)
RETAINING RING - M6

33.06320160G
PARALLEL PIN-M2
X16

36.07200030E
RETAINING RING -
M3

38.07200060E
RETAINING RING -
M6

11.03604008N
(x2)
SCREW - M4X8

92.AA082118
(x10)
BUSHING - M6

U001	U002	U003	U004	U005	U006	U007	U008	U009	U010	U011	U012	U013	U014	U015	U016	U017
------	------	------	------	------	------	------	------	------	------	------	------	------	------	------	------	------

U006_S004
PAPER FEED UNIT:BANK:ASS'Y

150.B0656350
PICK-UP GEAR COVER

111.AB011465
IDLER GEAR

136.AW010151
(x3)
PHOTO REFLECTIVE
SENSOR:PS122T
L1-A

151.B0656357
PICK-UP ARM

138.AW020198
PHOTO INTERRUPTOR:
LG2A14NL1



316.D2236310
PAPER FEED UNIT
:BANK:ASS'Y

131.AF030081
PAPER FEED ROLLER:
PICKUP

132.AF031082
PAPER FEED ROLLER:
FEED

152.B0656358
PAPER FEED SENSOR
BRACKET

120.AB017875
GEAR:IDLER:DC MOTOR:
2:Z24Z18

119.AB017874
GEAR:IDLER:DC MOTOR:
1:Z14T27

109.AB011335
(x2)
GEAR:IDLER:CONNECTING:
Z16

133.AF032080
PAPER FEED ROLLER:
SEPARATE

114.AB011590
GEAR:REVERSE:DRIVEN

113.AB011471
REVERSE GEAR

122.AB017877
GEAR:IDLER:REVERSE:
RSE:Z26Z24

110.AB011336
GEAR:GRIP:Z21

154.B0656445
FEED LEVER

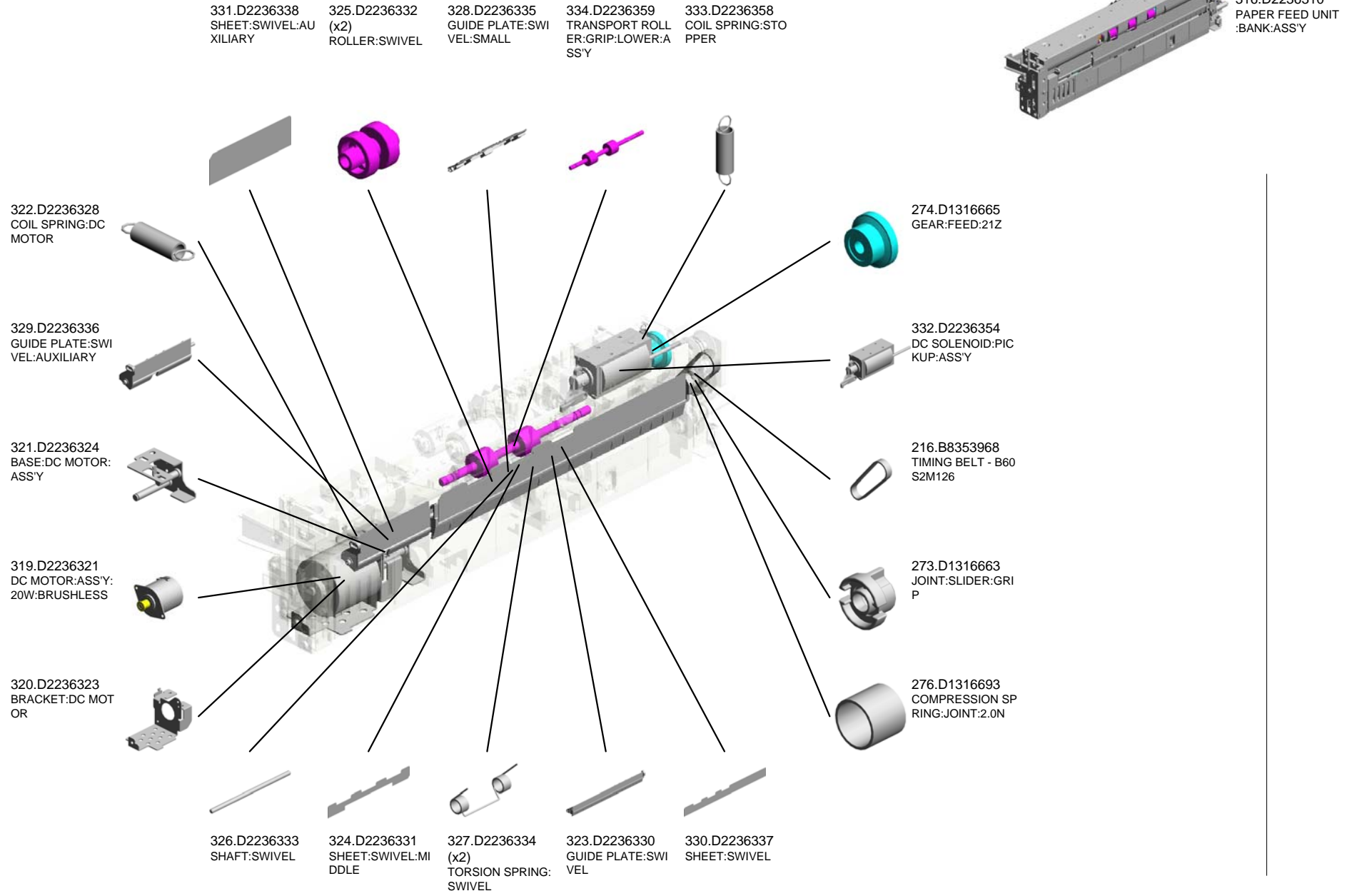
118.AB017690
PULLEY:IDLER:30T/
Z4Z

112.AB011470
GEAR - 18Z

121.AB017876
GEAR:REVERSE:38Z
Z1Z

U001	U002	U003	U004	U005	U006	U007	U008	U009	U010	U011	U012	U013	U014	U015	U016	U017
------	------	------	------	------	------	------	------	------	------	------	------	------	------	------	------	------

U006_S004
PAPER FEED UNIT:BANK:ASS'Y



U001	U002	U003	U004	U005	U006	U007	U008	U009	U010	U011	U012	U013	U014	U015	U016	U017
------	------	------	------	------	------	------	------	------	------	------	------	------	------	------	------	------

U006_S004
 PAPER FEED UNIT: BANK: ASS'Y

345.D2236392 COIL SPRING:PRE
 SSURE:PICKUP
 346.D2236393 SHAFT:DRIVEN:RE
 VERSE:ASS'Y
 348.D2236395 SHAFT:FEED ROLL
 ER



316.D2236310
 PAPER FEED UNIT
 :BANK:ASS'Y

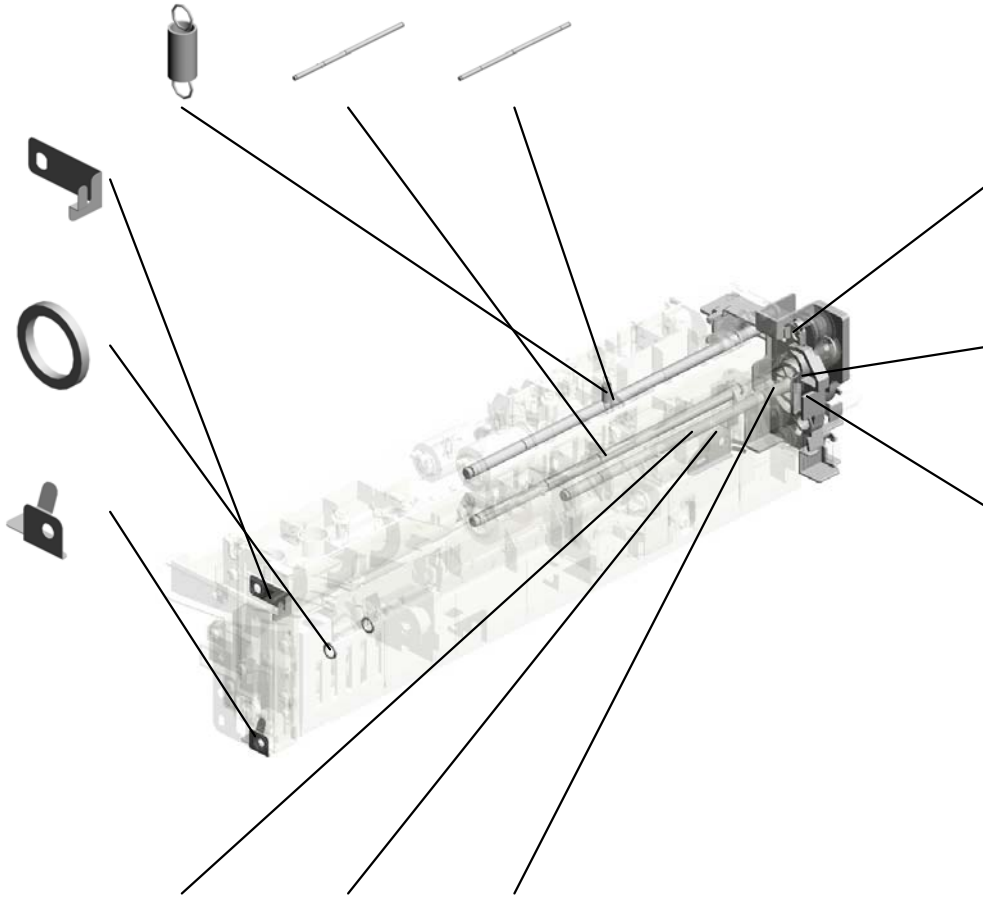
341.D2236385
 GROUND PLATE:S
 TAY



347.D2236394
 (x2)
 WASHER:DIA6



342.D2236386
 GROUND PLATE:D
 C MOTOR



337.D2236363
 SPACER:TRANSP
 ORT ROLLER:PAP
 ER FEED UNIT



338.D2236381
 JOINT:TIMING PUL
 LEY:REVERSE:T35



343.D2236387
 LINK:VERTICAL TR
 ANSPORT



344.D2236388
 SHAFT:DRIVE:REV
 ERSE:ASS'Y



340.D2236384
 GROUND PLATE:R
 EVERSE:PAPER F
 EED UNIT



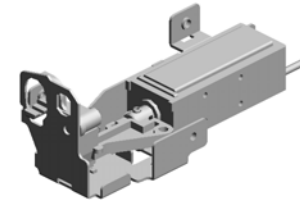
339.D2236382
 COVER:DRIVE



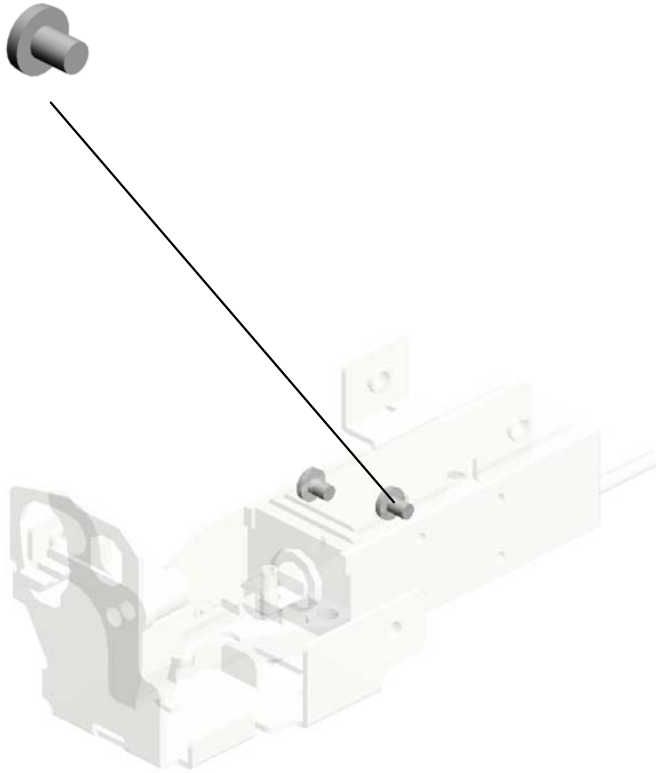
U001	U002	U003	U004	U005	U006	U007	U008	U009	U010	U011	U012	U013	U014	U015	U016	U017
------	------	------	------	------	------	------	------	------	------	------	------	------	------	------	------	------

U006_S004_S001
REVERSE ROLLER:PRESSURE RELEASE:ASS'Y

5.03530040N
(x2)
SCREW - M3X4



317.D2236312
REVERSE ROLLER
:PRESSURE RELE
ASE:ASS'Y



U001	U002	U003	U004	U005	U006	U007	U008	U009	U010	U011	U012	U013	U014	U015	U016	U017
------	------	------	------	------	-------------	------	------	------	------	------	------	------	------	------	------	------

U006_S004_S002
SHAFT:CONNECTING:ASS'Y

39.07413506
BALL BEARING - 6
X12X4 MM

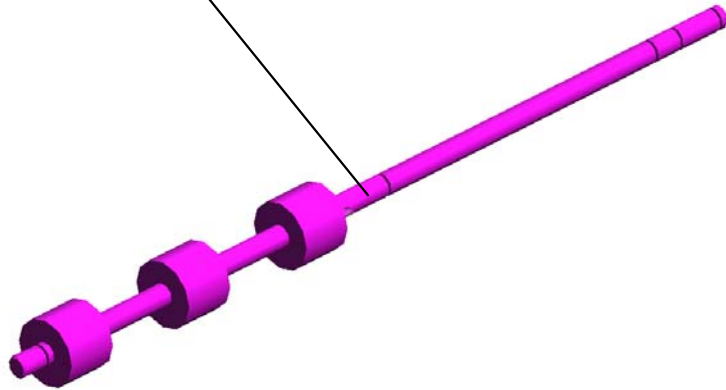


318.D2236317
SHAFT:CONNECTI
NG:ASSY

U001	U002	U003	U004	U005	U006	U007	U008	U009	U010	U011	U012	U013	U014	U015	U016	U017
------	------	------	------	------	-------------	------	------	------	------	------	------	------	------	------	------	------

U006_S004_S003
TRANSPORT ROLLER:GRIP:ASS'Y

336.D2236362
TRANSPORT ROLL
ER:GRIP



335.D2236361
TRANSPORT ROLL
ER:GRIP:ASS'Y

U001	U002	U003	U004	U005	U006	U007	U008	U009	U010	U011	U012	U013	U014	U015	U016	U017
------	------	------	------	------	-------------	------	------	------	------	------	------	------	------	------	------	------

U006_S005
 PAPER TRAY:UNIVERSAL:ASS'Y

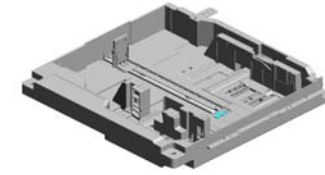
286.D1316783
 ARM:END FENCE:LEFT
 END FENCE
 LOCK

295.D1317032
 END FENCE

191.B1816780
 LINK:END FENCE:
 PAPER SIZE SENS
 OR:ASS'Y

13.04504008N
 (x3)
 TAPPING SCREW -
 M4X8

185.B1326797
 SIDE FENCE:REAR
 :AUXILIARY



375.D2236810
 PAPER TRAY:UNIV
 ERNAL:ASS'Y

79.AA001648
 DECAL:SCALE:EN
 D FENCE



287.D1316786
 DECAL:PAPER TR
 AY:PAPER SET DI
 RECTION



78.AA001647
 DECAL:SCALE:SID
 E FENCE



186.B1326798
 SPRING PLATE:PA
 PER TRAY:EARTH



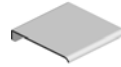
86.AA060961
 TENSION SPRING:
 SIDE FENCE:REAR



115.AB012327
 GEAR:16Z



155.B0656526
 LIFT LEVER



192.B1816789
 LINK:SIDE FENCE:
 PAPER SIZE SENS
 OR



201.B2476695
 GUIDE:MISFEED R
 EMOVAL:PAPER T
 RAY



38.07200060E
 (x2)
 RETAINING RING -
 M6



243.D0626524
 SHAFT:RISE:TRAY
 BOTTOM PLATE:P
 RESS FIT



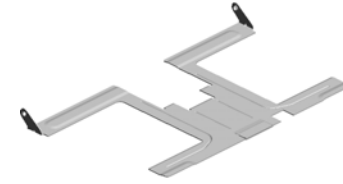
11.03604008N
 (x2)
 SCREW - M4X8



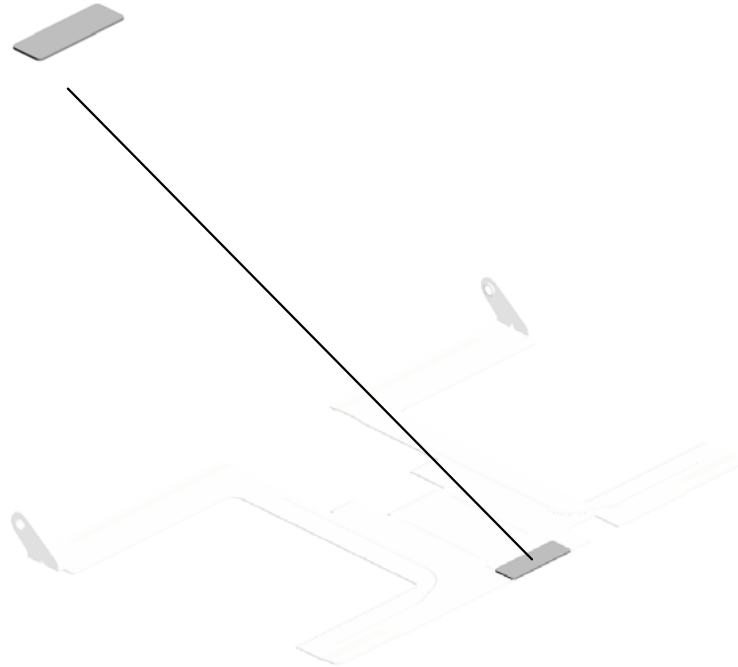
U001	U002	U003	U004	U005	U006	U007	U008	U009	U010	U011	U012	U013	U014	U015	U016	U017
------	------	------	------	------	-------------	------	------	------	------	------	------	------	------	------	------	------

U006_S005_S001
TRAY BOTTOM PLATE:ASS'Y

129.AF013005
BOTTOM PLATE P
AD



219.D0146780
TRAY BOTTOM PL
ATE:ASS'Y



U001	U002	U003	U004	U005	U006	U007	U008	U009	U010	U011	U012	U013	U014	U015	U016	U017
------	------	------	------	------	-------------	------	------	------	------	------	------	------	------	------	------	------

U006_S005_S002
SIDE FENCE:FRONT:ASS'Y

64.A1342978
SPRING PLATE

284.D1316777
SIDE FENCE:FRON
T:ASS'Y

268.D1316538
LEVER:STOPPER:
POSITIONING

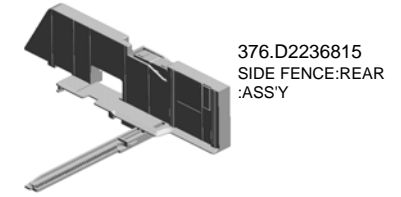
193.B2342864
PAD:CLEANER

184.B1326791
(x2)
PLATE:SIDE FENC
E

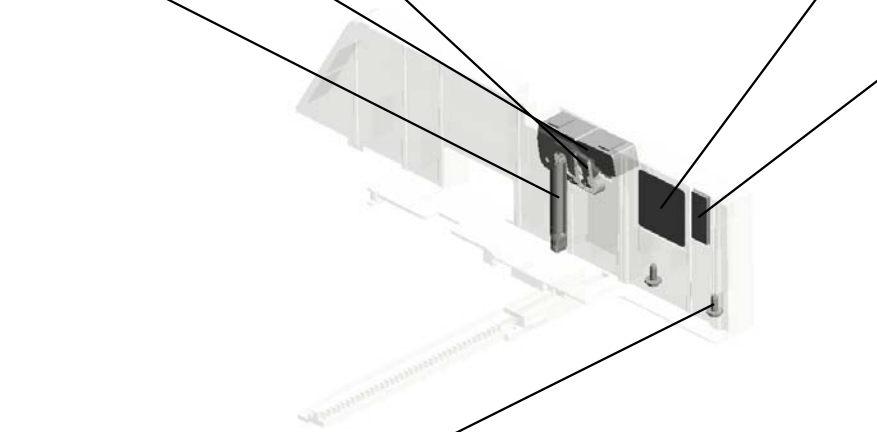
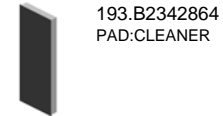
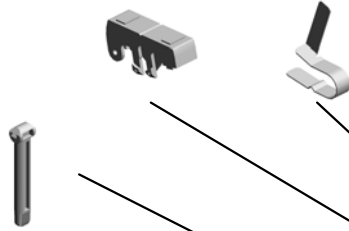
U001	U002	U003	U004	U005	U006	U007	U008	U009	U010	U011	U012	U013	U014	U015	U016	U017
------	------	------	------	------	-------------	------	------	------	------	------	------	------	------	------	------	------

U006_S005_S003
SIDE FENCE:REAR:ASS'Y

264.D1202864 69.A2672857
LEVER:STOPPER: SPRING PLATE - SI
POSITIONING DE FENCE



70.A2672859
SIDE FENCE STOP
PER



12.04503008N
(x2)
TAPPING SCREW -
M3X8

U001	U002	U003	U004	U005	U006	U007	U008	U009	U010	U011	U012	U013	U014	U015	U016	U017
------	------	------	------	------	-------------	------	------	------	------	------	------	------	------	------	------	------

U006_S006
 PAPER TRAY:UNIVERSAL:ASS'Y

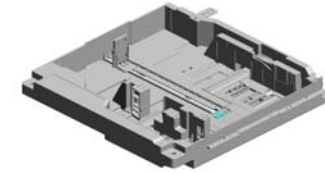
286.D1316783
 ARM:END FENCE:LEFT
 END FENCE
 LOCK

295.D1317032
 END FENCE

191.B1816780
 LINK:END FENCE:
 PAPER SIZE SENS
 OR:ASS'Y

13.04504008N
 (x3)
 TAPPING SCREW -
 M4X8

185.B1326797
 SIDE FENCE:REAR
 :AUXILIARY



375.D2236810
 PAPER TRAY:UNIV
 ERSA:ASS'Y

79.AA001648
 DECAL:SCALE:EN
 D FENCE



287.D1316786
 DECAL:PAPER TR
 AY:PAPER SET DI
 RECTION



78.AA001647
 DECAL:SCALE:SID
 E FENCE



186.B1326798
 SPRING PLATE:PA
 PER TRAY:EARTH



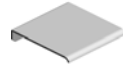
86.AA060961
 TENSION SPRING:
 SIDE FENCE:REAR



115.AB012327
 GEAR:16Z



155.B0656526
 LIFT LEVER



192.B1816789
 LINK:SIDE FENCE:
 PAPER SIZE SENS
 OR



201.B2476695
 GUIDE:MISFEED R
 EMOVAL:PAPER T
 RAY



38.07200060E
 (x2)
 RETAINING RING -
 M6



243.D0626524
 SHAFT:RISE:TRAY
 BOTTOM PLATE:P
 RESS FIT



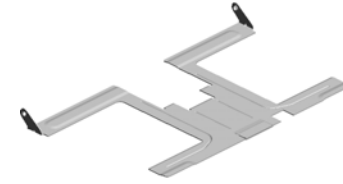
11.03604008N
 (x2)
 SCREW - M4X8



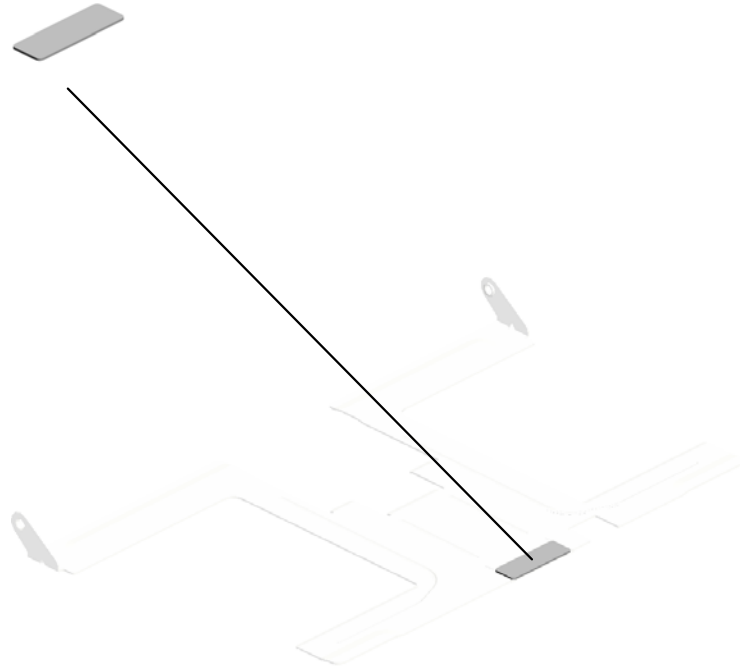
U001	U002	U003	U004	U005	U006	U007	U008	U009	U010	U011	U012	U013	U014	U015	U016	U017
------	------	------	------	------	-------------	------	------	------	------	------	------	------	------	------	------	------

U006_S006_S001
TRAY BOTTOM PLATE:ASS'Y

129.AF013005
BOTTOM PLATE P
AD



219.D0146780
TRAY BOTTOM PL
ATE:ASS'Y



U001	U002	U003	U004	U005	U006	U007	U008	U009	U010	U011	U012	U013	U014	U015	U016	U017
------	------	------	------	------	-------------	------	------	------	------	------	------	------	------	------	------	------

U006_S006_S002
SIDE FENCE:FRONT:ASS'Y

64.A1342978
SPRING PLATE

284.D1316777
SIDE FENCE:FRON
T:ASS'Y

268.D1316538
LEVER:STOPPER:
POSITIONING

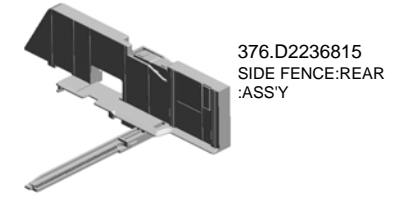
193.B2342864
PAD:CLEANER

184.B1326791
(x2)
PLATE:SIDE FENC
E

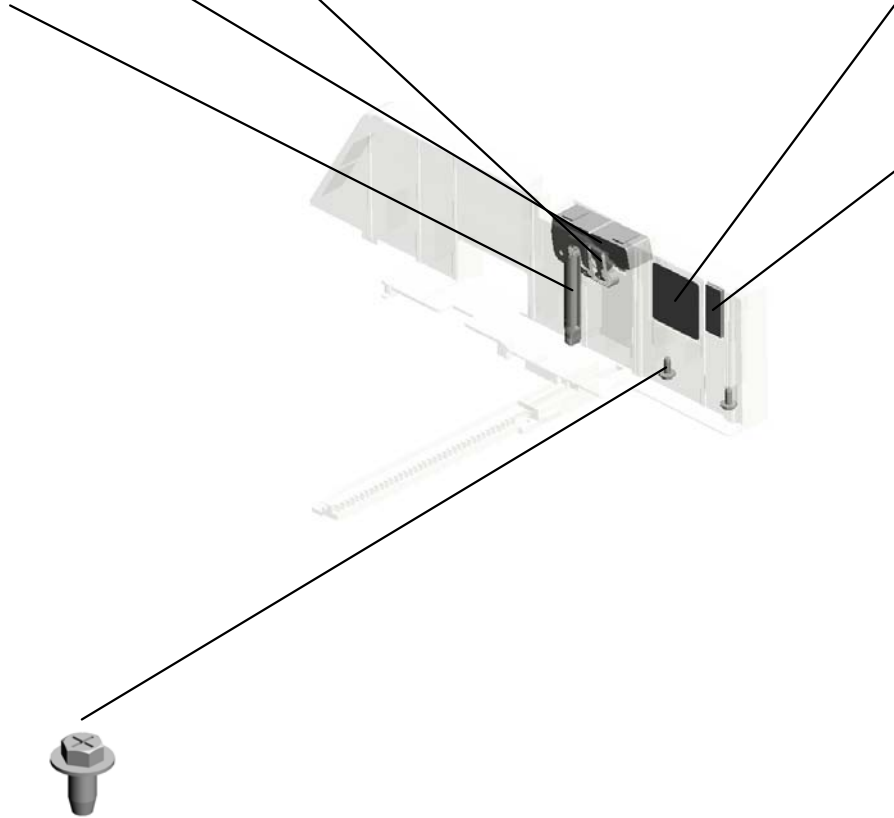
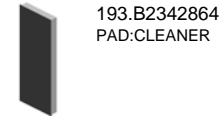
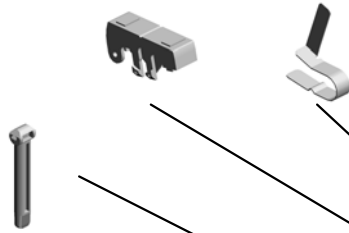
U001	U002	U003	U004	U005	U006	U007	U008	U009	U010	U011	U012	U013	U014	U015	U016	U017
------	------	------	------	------	-------------	------	------	------	------	------	------	------	------	------	------	------

U006_S006_S003
SIDE FENCE:REAR:ASS'Y

264.D1202864 69.A2672857
LEVER:STOPPER: SPRING PLATE - SI
POSITIONING DE FENCE



70.A2672859
SIDE FENCE STOP
PER



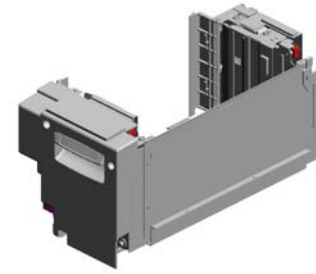
12.04503008N
(x2)
TAPPING SCREW -
M3X8

U001	U002	U003	U004	U005	U006	U007	U008	U009	U010	U011	U012	U013	U014	U015	U016	U017
------	------	------	------	------	-------------	------	------	------	------	------	------	------	------	------	------	------

U006_S007

(NA(D223(120V),D224(120V),D225)):TANDEM LCT:RIGHT:LETTER:ASS'Y

- 67.A2486695 (x4) GUIDE - PULLEY
- 17.04514006N (x13) TAPPING SCREW - 4X6
- 54.11050534 (x2) CLAMP
- 45.11050291 (x4) HARNESS CLAMP - LWS-3S
- 37.07200040E (x8) RETAINING RING - M4



369.D2236621
(NA(D223(120V),D224(120V),D225)):TANDEM LCT:RIGHT:LETTER:ASS'Y

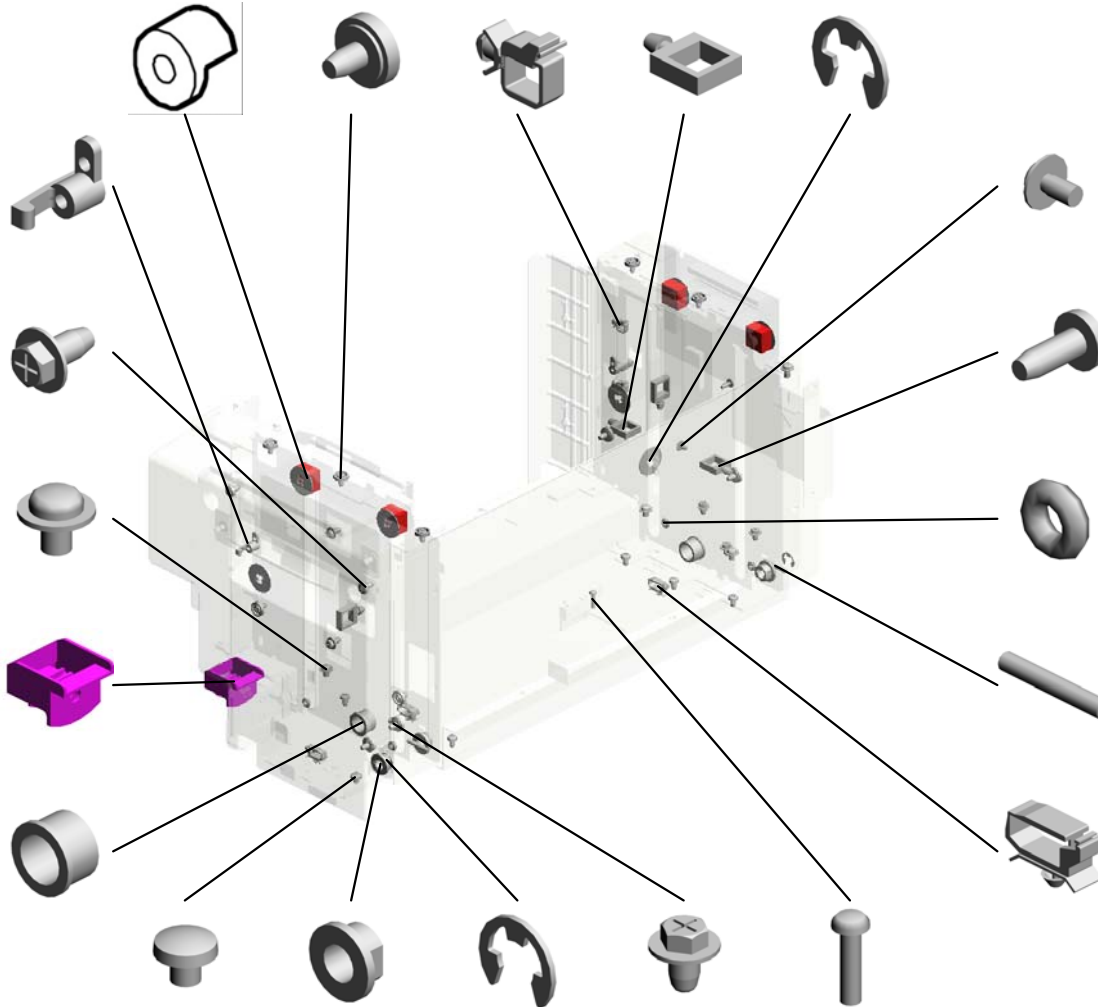
68.A2486713 (x2) HOOK - TENSION SPRING

18.04514008N (x5) TAPPING SCREW: 4X8

43.09514006N (x4) SCREW:POLISHED ROUND:M4X6

72.A2946655 FRONT ROLLER - SLIDE RAIL

58.11060411 (x2) BUSHING - 11.5MM



8.03540040N SCREW-M4X4

60.50530223 (x3) BUSHING - 8MM

38.07200060E (x4) RETAINING RING - M6

28.04544006Q (x9) TAPPING SCREW: 4X6

2.03130120N PAN HEAD SCREW :M3X12

42.09513006N SCREW - M3X6

45.11050291 HARNESS CLAMP - LWS-3S

23.04533008N (x2) BINDING SELF TAPPING SCREW:3X8

17.04514006N (x 4) TAPPING SCREW - 4X6
18.04514008N (x 2) TAPPING SCREW:4X8
28.04544006Q (x 2) TAPPING SCREW:4X6

66.A2486694 (x4) WIRE RING

34.06330200G (x2) PIN - M3X20

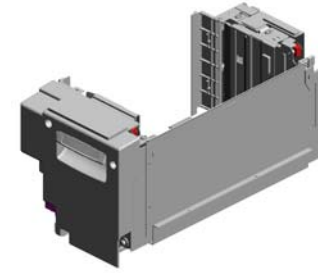
51.11050516 (x3) CLAMP

U001	U002	U003	U004	U005	U006	U007	U008	U009	U010	U011	U012	U013	U014	U015	U016	U017
------	------	------	------	------	------	------	------	------	------	------	------	------	------	------	------	------

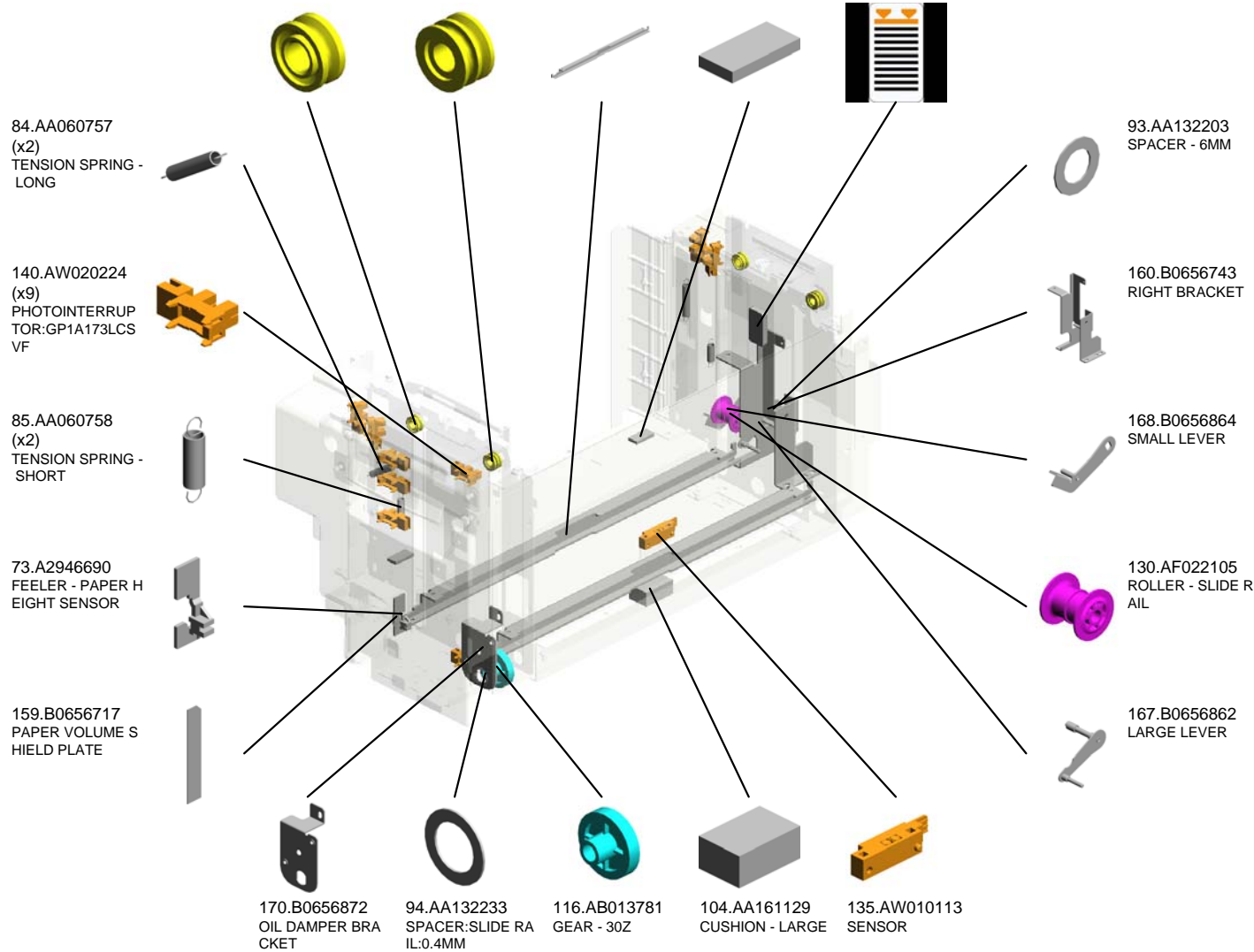
U006_S007

(NA(D223(120V),D224(120V),D225)):TANDEM LCT:RIGHT:LETTER:ASS'Y

- 124.AB032058 (x2) WIRE PULLEY - M10
- 125.AB032719 (x2) PULLEY - M10
- 169.B0656870 (x2) STAY - RIGHTBASE
- 105.AA161130 (x2) CUSHION - SMALL
- 77.AA001646 DECAL:SIDE FENCE:16X30



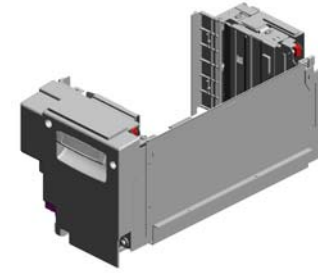
369.D2236621
(NA(D223(120V),D224(120V),D225)):TANDEM LCT:RIGHT:LETTER:ASS'Y



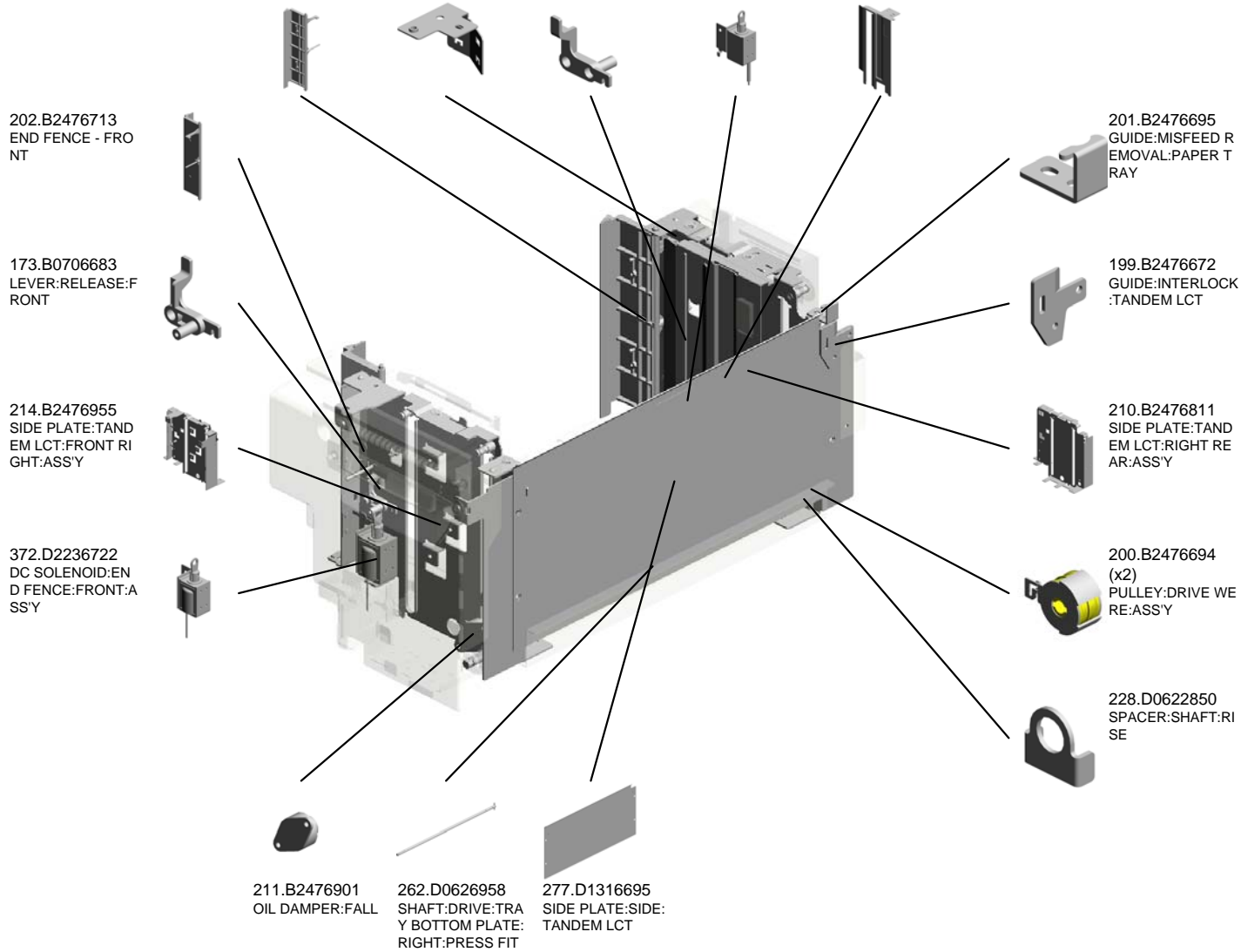
U006_S007

(NA(D223(120V),D224(120V),D225)):TANDEM LCT:RIGHT:LETTER:ASS'Y

- 203.B2476714 END FENCE - REAR
- 172.B0656884 DETECTOR BRACKET
- 174.B0706684 LEVER:RELEASE:REAR
- 373.D2236732 DC SOLENOID:END FENCE:REAR:ASS'Y
- 204.B2476738 SIDE FENCE:TANDEM LCT:RIGHT REAR



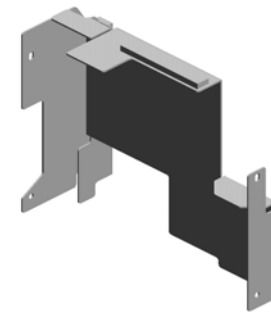
369.D2236621
(NA(D223(120V),D224(120V),D225)):TANDEM LCT:RIGHT:LETTER:ASS'Y



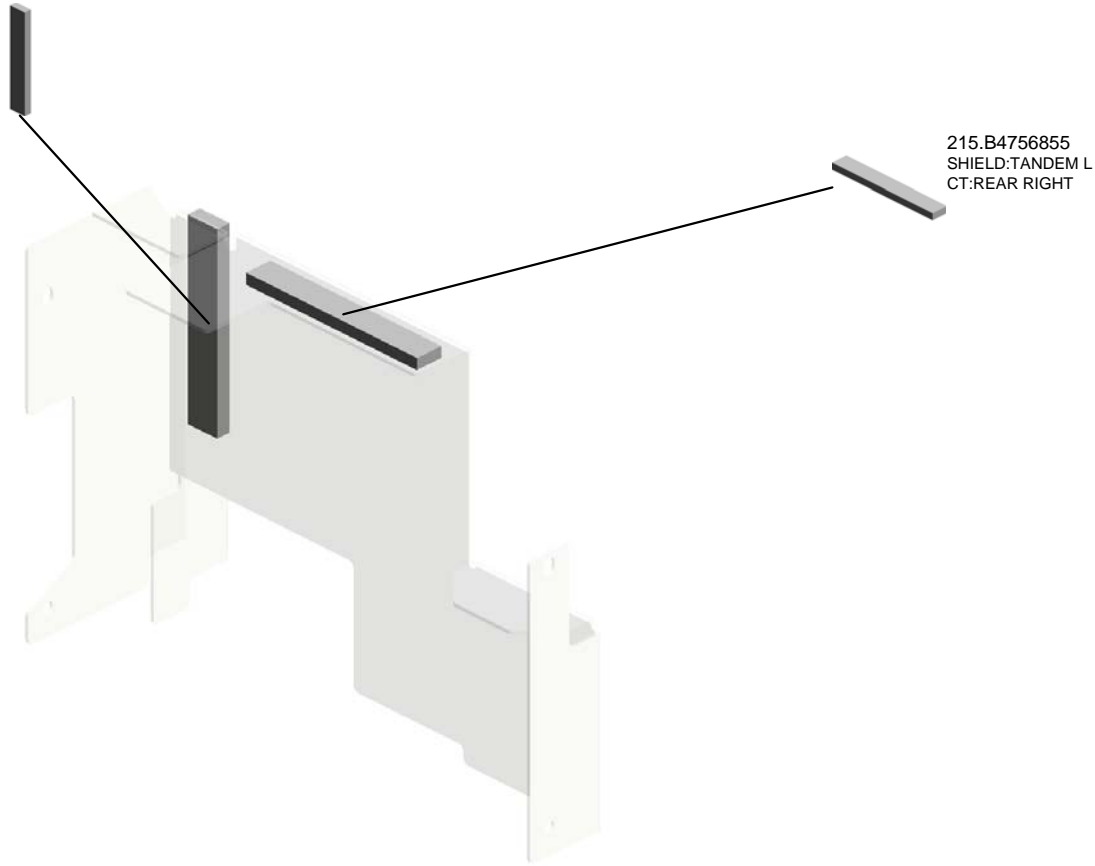
U001	U002	U003	U004	U005	U006	U007	U008	U009	U010	U011	U012	U013	U014	U015	U016	U017
------	------	------	------	------	------	------	------	------	------	------	------	------	------	------	------	------

U006_S007_S001
SUPPORTING PLATE:TANDEM:RIGHT REAR

103.AA153138
INNER COVER CU
SHION - RIGHT RE
AR



182.B0986739
SUPPORTING PLA
TE:TANDEM:RIGHT
REAR

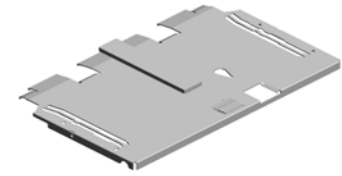


215.B4756855
SHIELD:TANDEM L
CT:REAR RIGHT

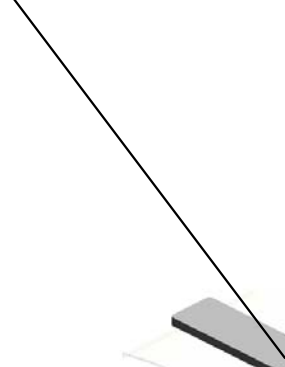
U001	U002	U003	U004	U005	U006	U007	U008	U009	U010	U011	U012	U013	U014	U015	U016	U017
------	------	------	------	------	-------------	------	------	------	------	------	------	------	------	------	------	------

U006_S007_S002
(NA/EU/AA):BASE:TANDEM LCT:RIGHT:ADHESION

294.D1316877
(NA/EU/AA):DECAL
:PAPER SET DIRE
CTION:TANDEM T
RAY:RIGHT



280.D1316716
(NA/EU/AA):BASE:T
ANDEM LCT:RIGHT
:ADHESION



62.52012858
FRICTION PAD



U001	U002	U003	U004	U005	U006	U007	U008	U009	U010	U011	U012	U013	U014	U015	U016	U017
------	------	------	------	------	-------------	------	------	------	------	------	------	------	------	------	------	------

U006_S007_S003

INNER COVER:TANDEM LCT:ASS'Y

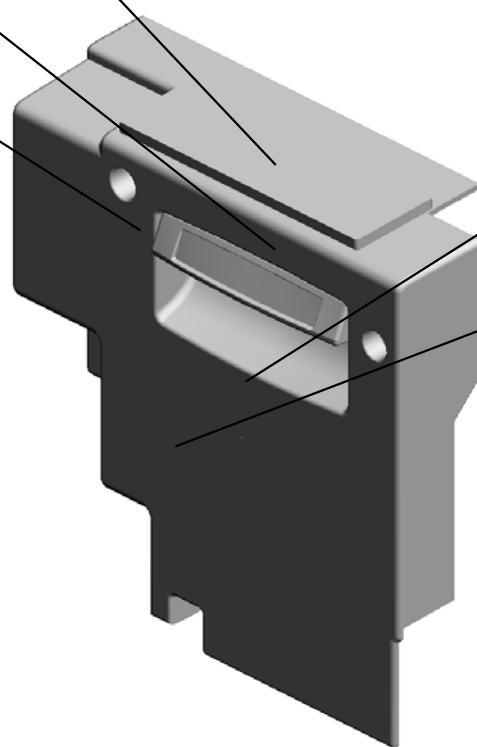
171.B0656875
PROTECTION -INN
ER COVER

291.D1316870
DECAL:PAPER SE
T DIRECTION:TAN
DEM LCT:RIGHT



288.D1316816
INNER COVER:TA
NDEM LCT:ASS'Y

13.04504008N
(x2)
TAPPING SCREW -
M4X8



285.D1316780
INNER COVER:TA
NDEM LCT:RIGHT

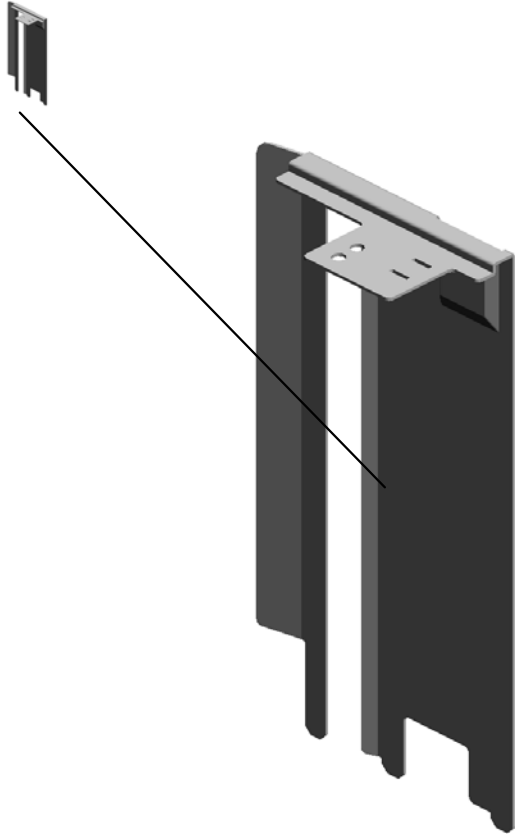


292.D1316871
DECAL:CAUTION C
HART:TANDEM LC
T

U001	U002	U003	U004	U005	U006	U007	U008	U009	U010	U011	U012	U013	U014	U015	U016	U017
------	------	------	------	------	-------------	------	------	------	------	------	------	------	------	------	------	------

U006_S007_S004
SIDE FENCE:TANDEM LCT:RIGHT FRONT

181.B0986737
SIDE FENCE:TAND
EM LCT:RIGHT FR
ONT

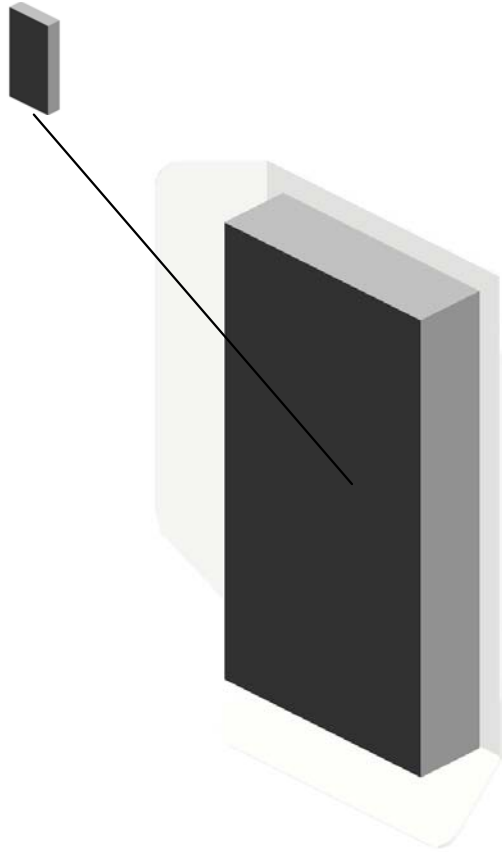


180.B0986736
SIDE FENCE:TAND
EM LCT:RIGHT FR
ONT

U001	U002	U003	U004	U005	U006	U007	U008	U009	U010	U011	U012	U013	U014	U015	U016	U017
------	------	------	------	------	-------------	------	------	------	------	------	------	------	------	------	------	------

U006_S007_S004_S001
PLATE:PAPER

106.AA162082
CUSHION:PLATE:P
APER



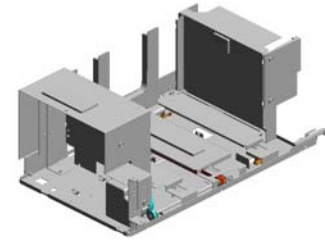
194.B2346690
PLATE:PAPER

U001	U002	U003	U004	U005	U006	U007	U008	U009	U010	U011	U012	U013	U014	U015	U016	U017
------	------	------	------	------	-------------	------	------	------	------	------	------	------	------	------	------	------

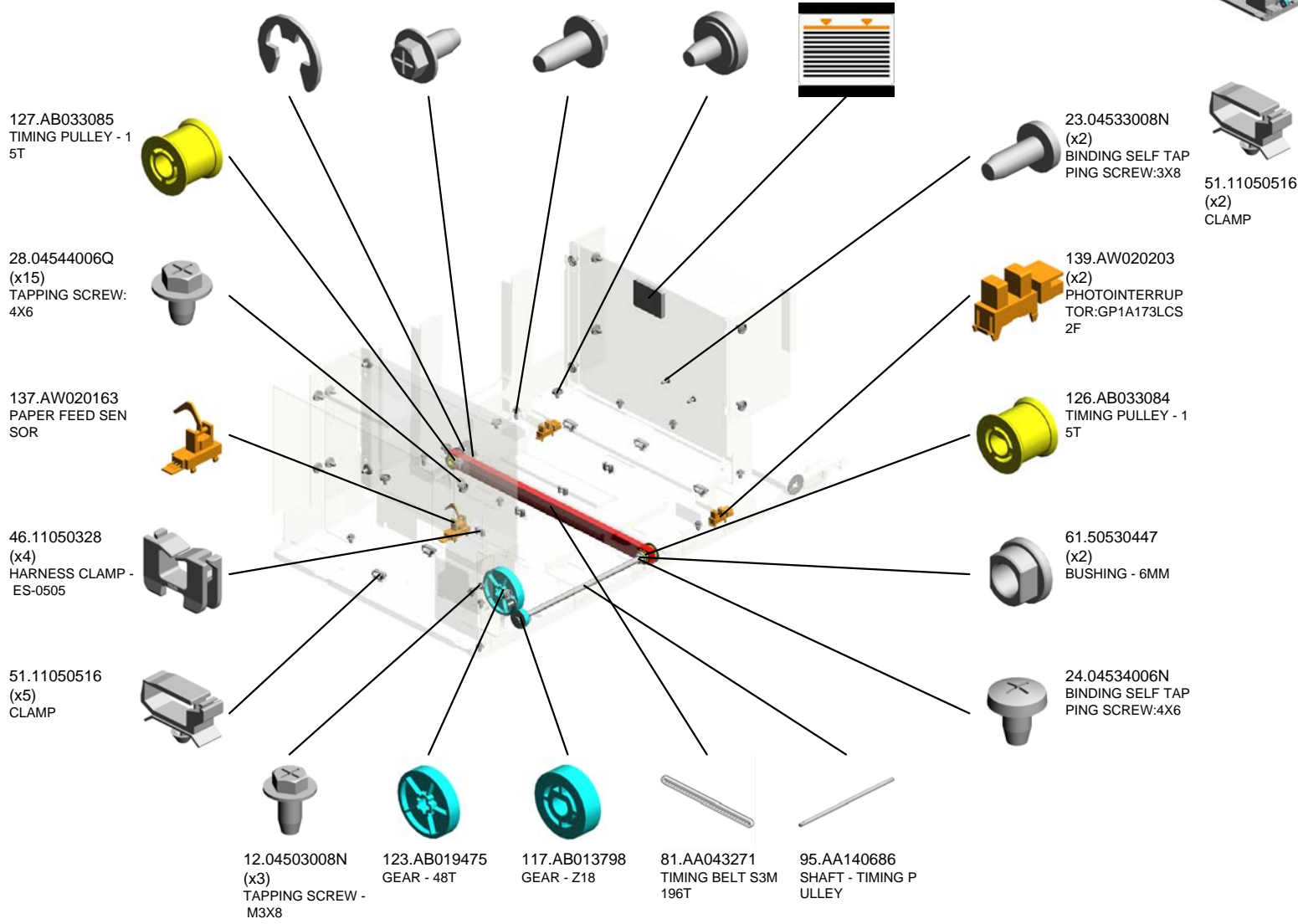
U006_S008

(NA(D223(120V),D224(120V),D225)):TANDEM LCT:LEFT:LETTER:ASS'Y

- 37.07200040E (x5) RETAINING RING - M4
- 13.04504008N (x2) TAPPING SCREW - M4X8
- 14.04504010N (x2) TAPPING SCREW: M4X10
- 17.04514006N (x14) TAPPING SCREW - 4X6
- 75.AA001644 DECAL:SIDE FENC E:40X30



370.D2236622
(NA(D223(120V),D224(120V),D225)):TANDEM LCT:LEFT:LETTER:ASS'Y

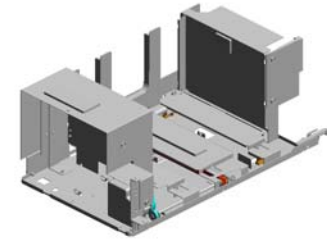


U001	U002	U003	U004	U005	U006	U007	U008	U009	U010	U011	U012	U013	U014	U015	U016	U017
------	------	------	------	------	------	------	------	------	------	------	------	------	------	------	------	------

U006_S008

(NA(D223(120V),D224(120V),D225)):TANDEM LCT:LEFT:LETTER:ASS'Y

- 275.D1316675 SIDE PLATE:TANDEM LCT:LEFT SIDEWAYS
- 164.B0656823 TIMING BELT COVER
- 198.B2476624 BACK FENCE - LEFT
- 187.B1327564 SLIDER:BACK FENCE:LEFT
- 207.B2476755 TENSION SPRING - 10N



370.D2236622
(NA(D223(120V),D224(120V),D225)):TANDEM LCT:LEFT:LETTER:ASS'Y

290.D1316846
DECAL:PAPER SELECTION DIRECTION:TANDEM LCT:LEFT

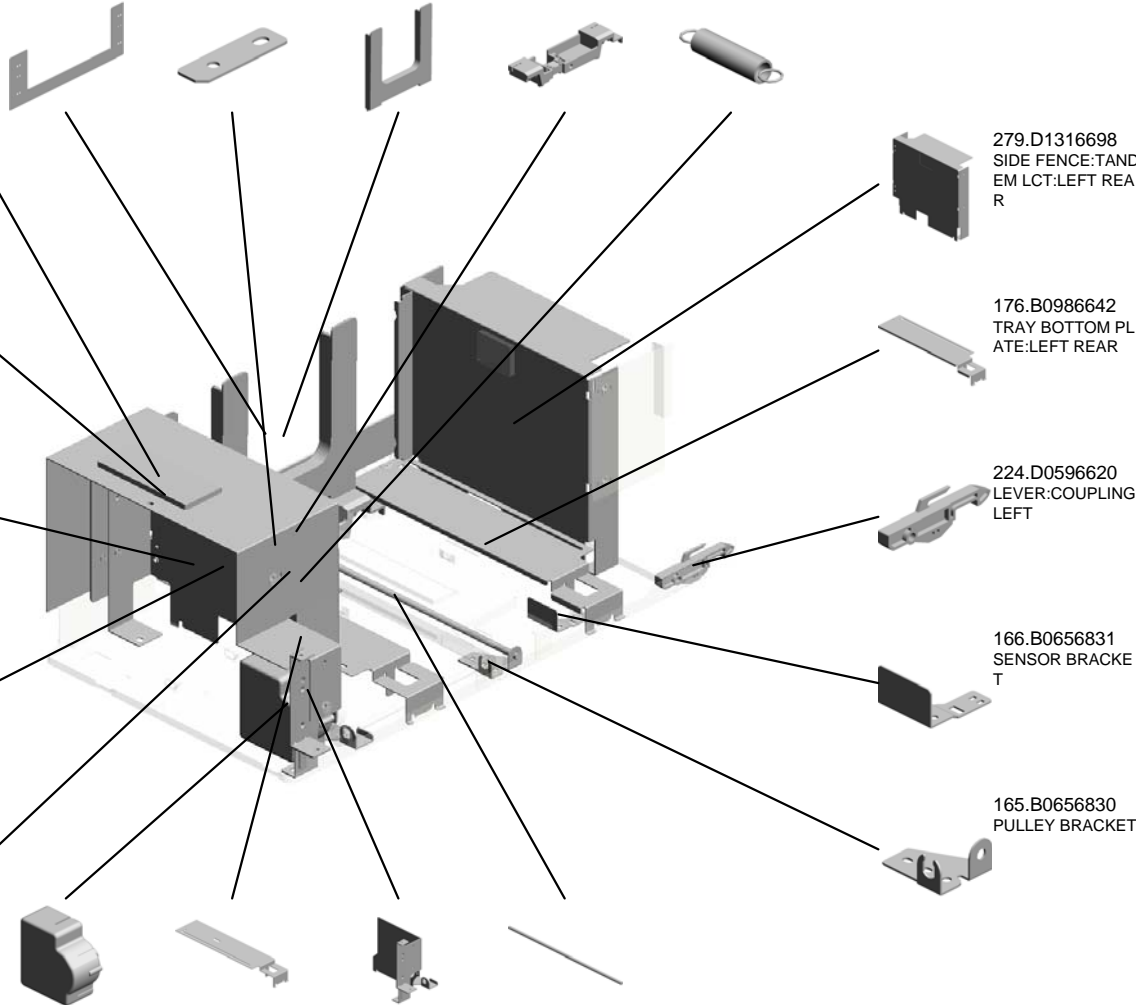


177.B0986647
(x2)
END FENCE:AUXILIARY

247.D0626646
INNER COVER:TANDEM LCT:LEFT

278.D1316697
SIDE FENCE:TANDEM LCT:LEFT FRONT

213.B2476951
BRACKET:PULLEY DRIVEN:ASS'Y



279.D1316698
SIDE FENCE:TANDEM LCT:LEFT REAR

176.B0986642
TRAY BOTTOM PLATE:LEFT REAR

224.D0596620
LEVER:COUPLING:LEFT

166.B0656831
SENSOR BRACKET

165.B0656830
PULLEY BRACKET

374.D2236747
DC MOTOR:TANDEM LCT:19.2W:BRUSH

175.B0986640
TRAY BOTTOM PLATE:LEFT FRONT

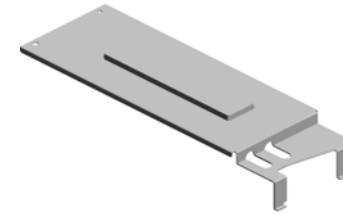
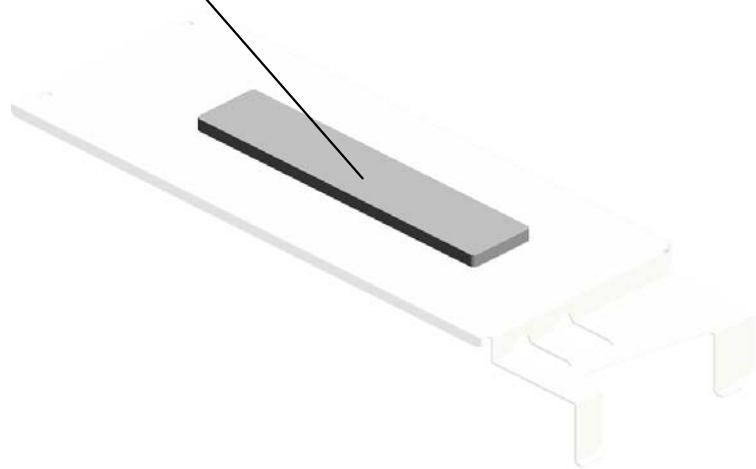
248.D0626665
BRACKET:DC MOTOR:LEFT:PEEN

212.B2476950
SHAFT:SLIDER:BACK FENCE

U001	U002	U003	U004	U005	U006	U007	U008	U009	U010	U011	U012	U013	U014	U015	U016	U017
------	------	------	------	------	------	------	------	------	------	------	------	------	------	------	------	------

U006_S008_S001
(NA/EU/AA):TRAY BOTTOM PLATE:LEFT MIDDLE:ASS'Y

293.D1316876
(NA/EU/AA):DECAL
:PAPER SET DIRE
CTION:TANDEM T
RAY:RIGHT

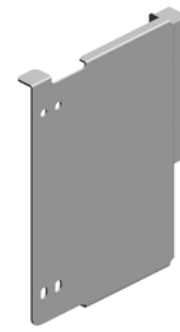
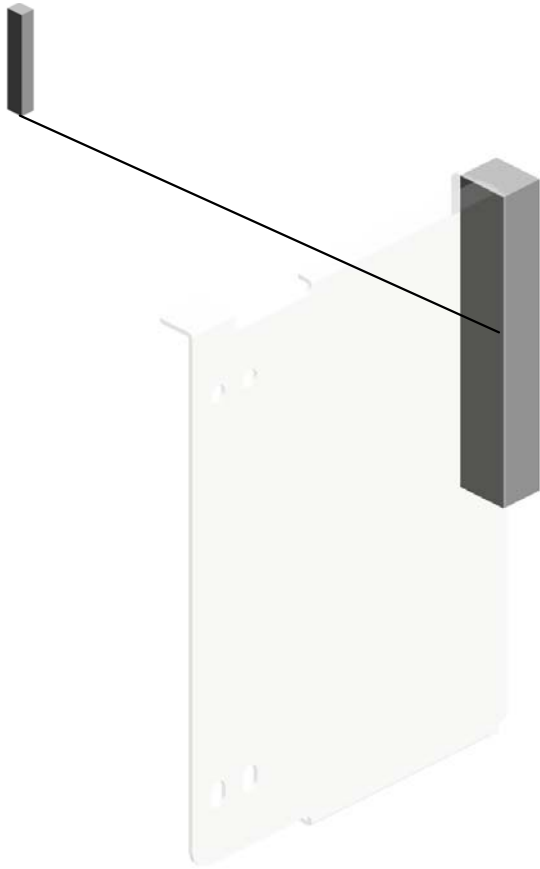


289.D1316839
(NA/EU/AA):TRAY
BOTTOM PLATE:L
EFT MIDDLE:ASS'Y

U001	U002	U003	U004	U005	U006	U007	U008	U009	U010	U011	U012	U013	U014	U015	U016	U017
------	------	------	------	------	-------------	------	------	------	------	------	------	------	------	------	------	------

U006_S008_S002
COVER:REAR:TANDEM LCT:ASS'Y

71.A2936649
REAR COVER CUS
HION - TANDEM LC
T



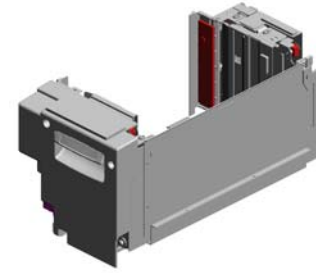
178.B0986649
COVER:REAR:TAN
DEM LCT:ASS'Y

U001	U002	U003	U004	U005	U006	U007	U008	U009	U010	U011	U012	U013	U014	U015	U016	U017
------	------	------	------	------	-------------	------	------	------	------	------	------	------	------	------	------	------

U006_S009

(NA(D223(220-240V),D224(220-240V))):TANDEM LCT:RIGHT:A4:LA:ASS'Y

- 67.A2486695 (x4) GUIDE - PULLEY
- 17.04514006N (x13) TAPPING SCREW - 4X6
- 54.11050534 (x2) CLAMP
- 45.11050291 (x4) HARNESS CLAMP - LWS-3S
- 37.07200040E (x8) RETAINING RING - M4



368.D2236616
(NA(D223(220-240V),D224(220-240V))):
TANDEM LCT:RIGHT:
A4:LA:ASS'Y

19.04523006N (x2)
(NA(D223(220-240V),D224(220-240V))/
EU/AA/CHN/TWN):
BINDING SELF-TAPPING SCREW:3X

68.A2486713 (x2)
HOOK - TENSION SPRING

43.09514006N (x4)
SCREW:POLISHED ROUND:M4X6

58.11060411 (x2)
BUSHING - 11.5MM

28.04544006Q (x9)
TAPPING SCREW: 4X6

8.03540040N SCREW-M4X4

60.50530223 (x3)
BUSHING - 8MM

38.07200060E (x4)
RETAINING RING - M6

2.03130120N PAN HEAD SCREW :M3X12

51.11050516 (x3)
CLAMP

18.04514008N (x5)
TAPPING SCREW: 4X8

45.11050291 HARNESS CLAMP - LWS-3S

42.09513006N SCREW - M3X6

17.04514006N (x 4)
TAPPING SCREW - 4X6
18.04514008N (x 2)
TAPPING SCREW:4X8
28.04544006Q (x 2)
TAPPING SCREW:4X6

23.04533008N (x2)
BINDING SELF TAPPING SCREW:3X8

66.A2486694 (x4)
WIRE RING

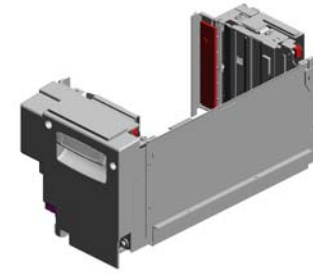
34.06330200G (x2)
PIN - M3X20

U001	U002	U003	U004	U005	U006	U007	U008	U009	U010	U011	U012	U013	U014	U015	U016	U017
------	------	------	------	------	------	------	------	------	------	------	------	------	------	------	------	------

U006_S009

(NA(D223(220-240V),D224(220-240V))):TANDEM LCT:RIGHT:A4:LA:ASS'Y

- 84.AA060757 (x2) TENSION SPRING - LONG
- 124.AB032058 (x2) WIRE PULLEY - M10
- 139.AW020203 (x9) PHOTOINTERRUPTOR:GP1A173LCS 2F
- 125.AB032719 (x2) PULLEY - M10
- 105.AA161130 (x2) CUSHION - SMALL



368.D2236616
(NA(D223(220-240V),D224(220-240V))):
TANDEM LCT:RIGHT:A4:LA:ASS'Y

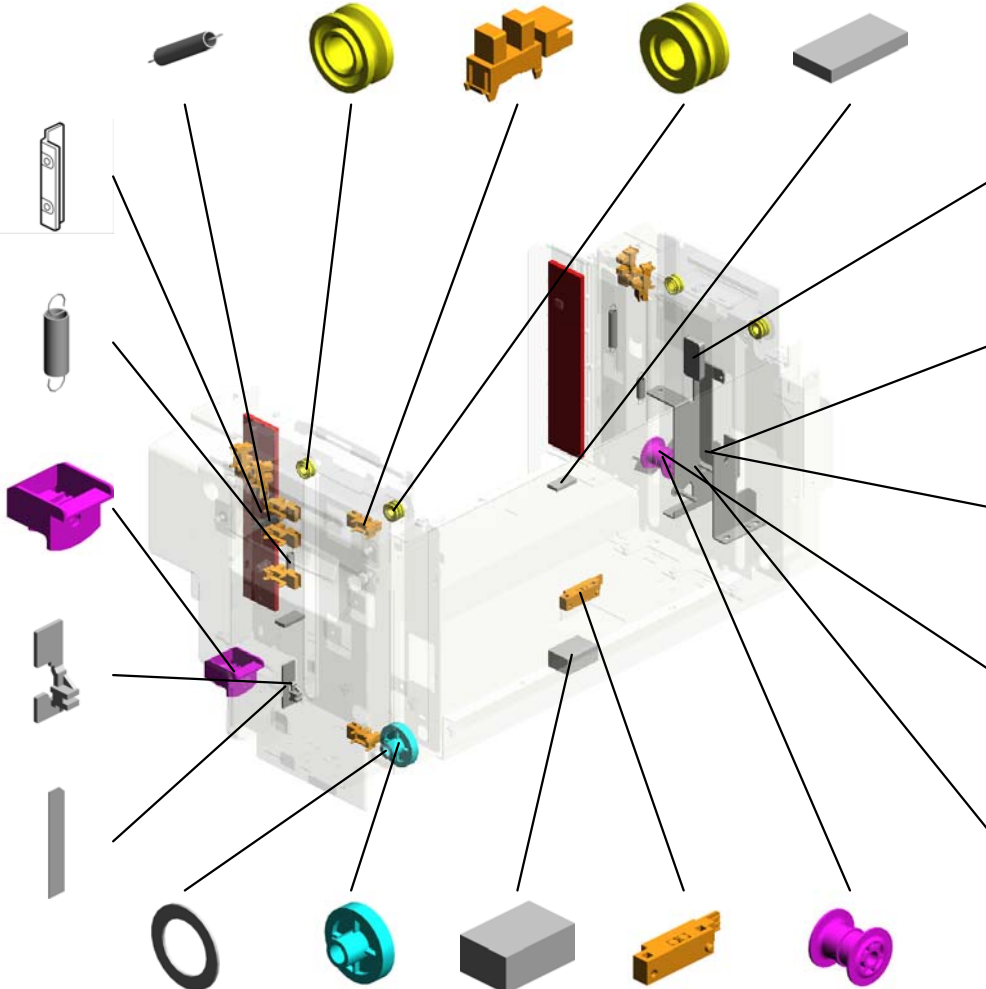
158.B0656712 (x2)
(NA(D223(220-240V),D224(220-240V))/
EU/AA/CHN/TWN):
END FENCE GUIDE

85.AA060758 (x2)
TENSION SPRING - SHORT

72.A2946655
FRONT ROLLER - SLIDE RAIL

73.A2946690
FEELER - PAPER HEIGHT SENSOR

159.B0656717
PAPER VOLUME SHIELD PLATE



77.AA001646
DECAL:SIDE FENCE:16X30

93.AA132203
SPACER - 6MM

160.B0656743
RIGHT BRACKET

168.B0656864
SMALL LEVER

167.B0656862
LARGE LEVER

94.AA132233
SPACER:SLIDE RAIL:0.4MM

116.AB013781
GEAR - 30Z

104.AA161129
CUSHION - LARGE

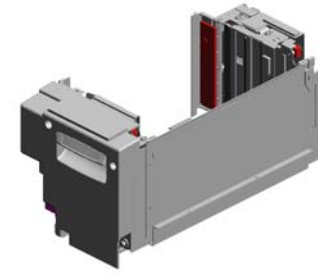
135.AW010113
SENSOR

130.AF022105
ROLLER - SLIDE RAIL

U006_S009

(NA(D223(220-240V),D224(220-240V))):TANDEM LCT:RIGHT:A4:LA:ASS'Y

203.B2476714 END FENCE - REAR
 172.B0656884 DETECTOR BRACKET
 174.B0706684 LEVER:RELEASE:REAR
 373.D2236732 DC SOLENOID:END FENCE:REAR:ASSY
 204.B2476738 SIDE FENCE:TANDEM LCT:RIGHT REAR



368.D2236616 (NA(D223(220-240V),D224(220-240V))):TANDEM LCT:RIGHT:A4:LA:ASS'Y

202.B2476713 END FENCE - FRONT

173.B0706683 LEVER:RELEASE:FRONT

169.B0656870 (x2) STAY -RIGHTBASE

214.B2476955 SIDE PLATE:TANDEM LCT:FRONT RIGHT:ASSY

372.D2236722 DC SOLENOID:END FENCE:FRONT:ASSY

170.B0656872 OIL DAMPER BRACKET

211.B2476901 OIL DAMPER:FALL

262.D0626958 SHAFT:DRIVE:TRAY BOTTOM PLATE:RIGHT:PRESS FIT

277.D1316695 SIDE PLATE:SIDE:TANDEM LCT

201.B2476695 GUIDE:MISFEED REMOVAL:PAPER TRAY

199.B2476672 GUIDE:INTERLOCK:TANDEM LCT

210.B2476811 SIDE PLATE:TANDEM LCT:RIGHT REAR:ASSY

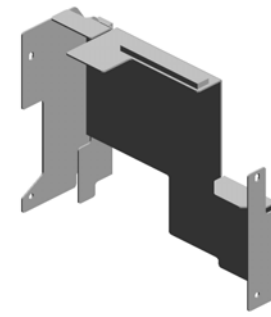
200.B2476694 (x2) PULLEY:DRIVE WHEEL:ASSY

228.D0622850 SPACER:SHAFT:RIGHT

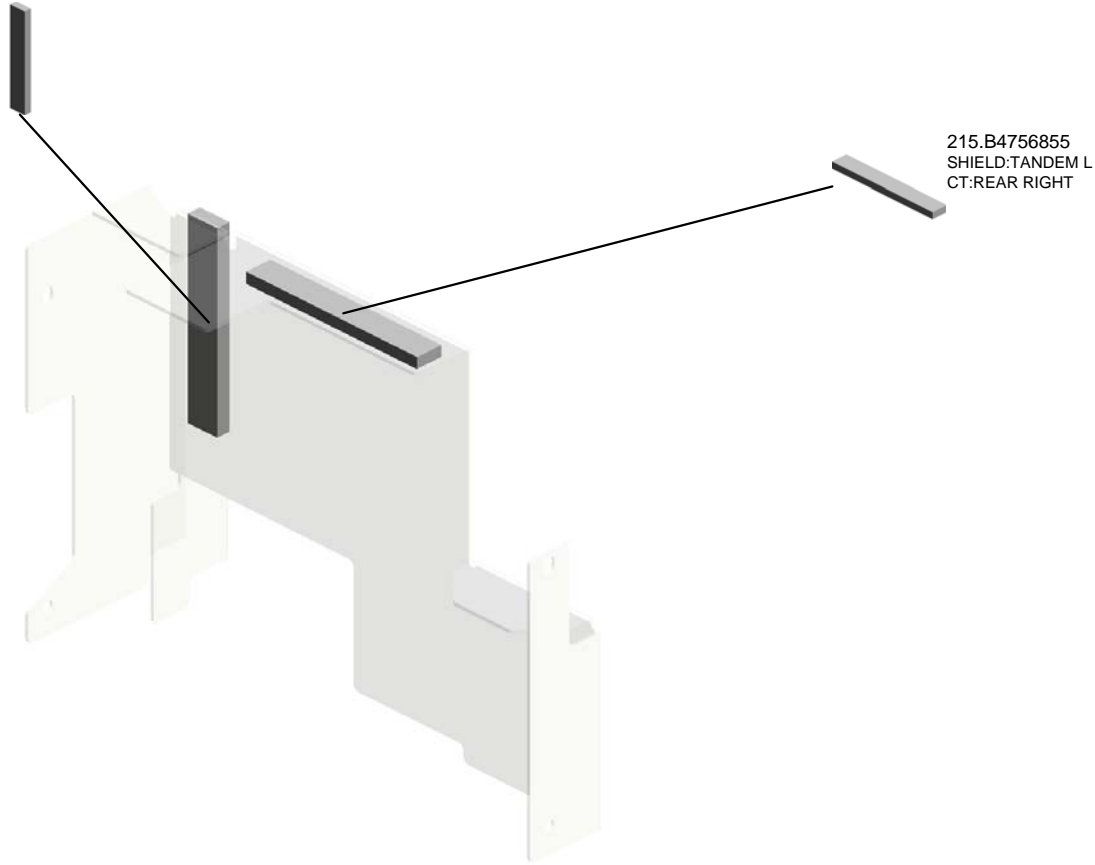
U001	U002	U003	U004	U005	U006	U007	U008	U009	U010	U011	U012	U013	U014	U015	U016	U017
------	------	------	------	------	-------------	------	------	------	------	------	------	------	------	------	------	------

U006_S009_S001
SUPPORTING PLATE:TANDEM:RIGHT REAR

103.AA153138
INNER COVER CU
SHION - RIGHT RE
AR



182.B0986739
SUPPORTING PLA
TE:TANDEM:RIGHT
REAR

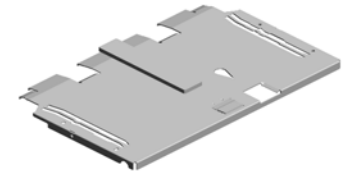


215.B4756855
SHIELD:TANDEM L
CT:REAR RIGHT

U001	U002	U003	U004	U005	U006	U007	U008	U009	U010	U011	U012	U013	U014	U015	U016	U017
------	------	------	------	------	-------------	------	------	------	------	------	------	------	------	------	------	------

U006_S009_S002
(NA/EU/AA):BASE:TANDEM LCT:RIGHT:ADHESION

294.D1316877
(NA/EU/AA):DECAL
:PAPER SET DIRE
CTION:TANDEM T
RAY:RIGHT



280.D1316716
(NA/EU/AA):BASE:T
ANDEM LCT:RIGHT
:ADHESION



62.52012858
FRICTION PAD



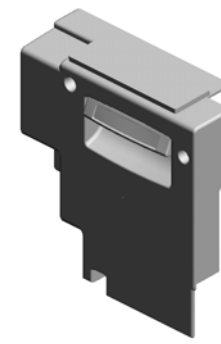
U001	U002	U003	U004	U005	U006	U007	U008	U009	U010	U011	U012	U013	U014	U015	U016	U017
------	------	------	------	------	-------------	------	------	------	------	------	------	------	------	------	------	------

U006_S009_S003

INNER COVER:TANDEM LCT:ASS'Y

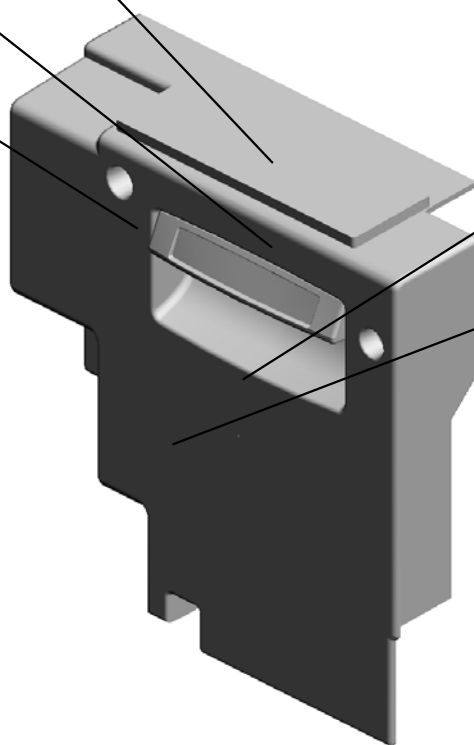
171.B0656875
PROTECTION -INN
ER COVER

291.D1316870
DECAL:PAPER SE
T DIRECTION:TAN
DEM LCT:RIGHT

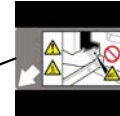


288.D1316816
INNER COVER:TA
NDEM LCT:ASS'Y

13.04504008N
(x2)
TAPPING SCREW -
M4X8



285.D1316780
INNER COVER:TA
NDEM LCT:RIGHT

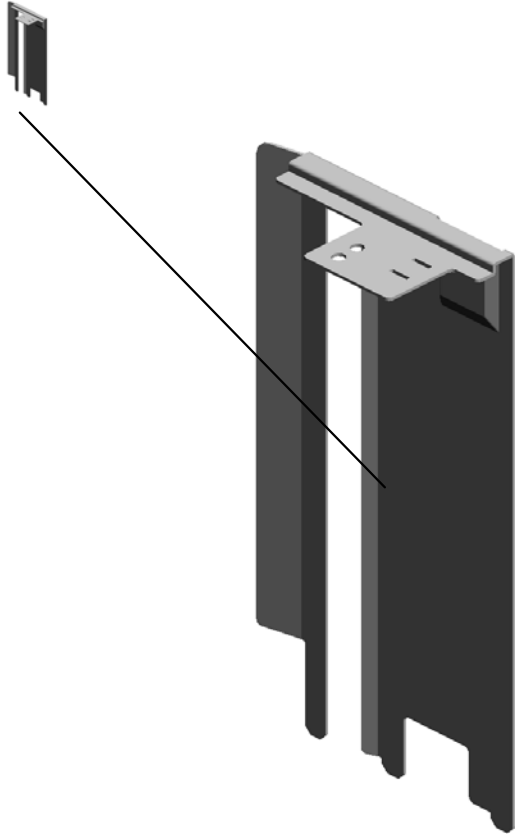


292.D1316871
DECAL:CAUTION C
HART:TANDEM LC
T

U001	U002	U003	U004	U005	U006	U007	U008	U009	U010	U011	U012	U013	U014	U015	U016	U017
------	------	------	------	------	-------------	------	------	------	------	------	------	------	------	------	------	------

U006_S009_S004
SIDE FENCE:TANDEM LCT:RIGHT FRONT

181.B0986737
SIDE FENCE:TAND
EM LCT:RIGHT FR
ONT

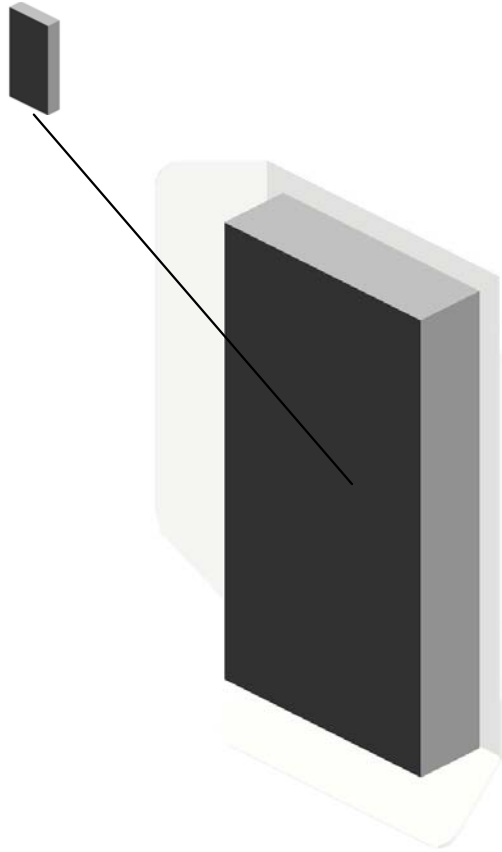


180.B0986736
SIDE FENCE:TAND
EM LCT:RIGHT FR
ONT

U001	U002	U003	U004	U005	U006	U007	U008	U009	U010	U011	U012	U013	U014	U015	U016	U017
------	------	------	------	------	-------------	------	------	------	------	------	------	------	------	------	------	------

U006_S009_S004_S001
PLATE:PAPER

106.AA162082
CUSHION:PLATE:P
APER



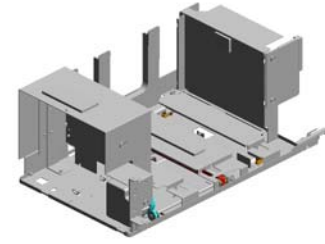
194.B2346690
PLATE:PAPER

U001	U002	U003	U004	U005	U006	U007	U008	U009	U010	U011	U012	U013	U014	U015	U016	U017
------	------	------	------	------	-------------	------	------	------	------	------	------	------	------	------	------	------

U006_S010

(NA(D223(220-240V),D224(220-240V))):TANDEM LCT:LEFT:A4:ASS'Y

- 37.07200040E (x5) RETAINING RING - M4
- 13.04504008N (x2) TAPPING SCREW - M4X8
- 14.04504010N (x2) TAPPING SCREW: M4X10
- 17.04514006N (x14) TAPPING SCREW - 4X6
- 75.AA001644 DECAL:SIDE FENC E:40X30



371.D2236623
(NA(D223(220-240V),D224(220-240V))):
TANDEM LCT:LEFT
:A4:ASS'Y

127.AB033085
TIMING PULLEY - 1
5T



28.04544006Q
(x15)
TAPPING SCREW:
4X6



137.AW020163
PAPER FEED SEN
SOR



46.11050328
(x4)
HARNESS CLAMP -
ES-0505



51.11050516
(x5)
CLAMP



12.04503008N
(x3)
TAPPING SCREW -
M3X8



123.AB019475
GEAR - 48T



117.AB013798
GEAR - Z18



81.AA043271
TIMING BELT S3M
196T



95.AA140686
SHAFT - TIMING P
ULLEY



23.04533008N
(x2)
BINDING SELF TAP
PING SCREW:3X8



51.11050516
(x2)
CLAMP

139.AW020203
(x2)
PHOTOINTERRUP
TOR:GP1A173LCS
2F



126.AB033084
TIMING PULLEY - 1
5T



61.50530447
(x2)
BUSHING - 6MM



24.04534006N
BINDING SELF TAP
PING SCREW:4X6

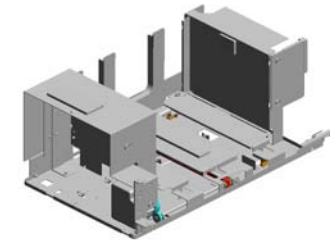


U001	U002	U003	U004	U005	U006	U007	U008	U009	U010	U011	U012	U013	U014	U015	U016	U017
------	------	------	------	------	------	------	------	------	------	------	------	------	------	------	------	------

U006_S010

(NA(D223(220-240V),D224(220-240V))):TANDEM LCT:LEFT:A4:ASS'Y

- 275.D1316675 SIDE PLATE:TANDEM LCT:LEFT SIDEWAYS
- 164.B0656823 TIMING BELT COVER
- 198.B2476624 BACK FENCE - LEFT
- 187.B1327564 SLIDER:BACK FENCE:LEFT
- 207.B2476755 TENSION SPRING - 10N



371.D2236623
(NA(D223(220-240V),D224(220-240V))):
TANDEM LCT:LEFT
:A4:ASS'Y

290.D1316846
DECAL:PAPER SE
T DIRECTION:TAN
DEM LCT:LEFT

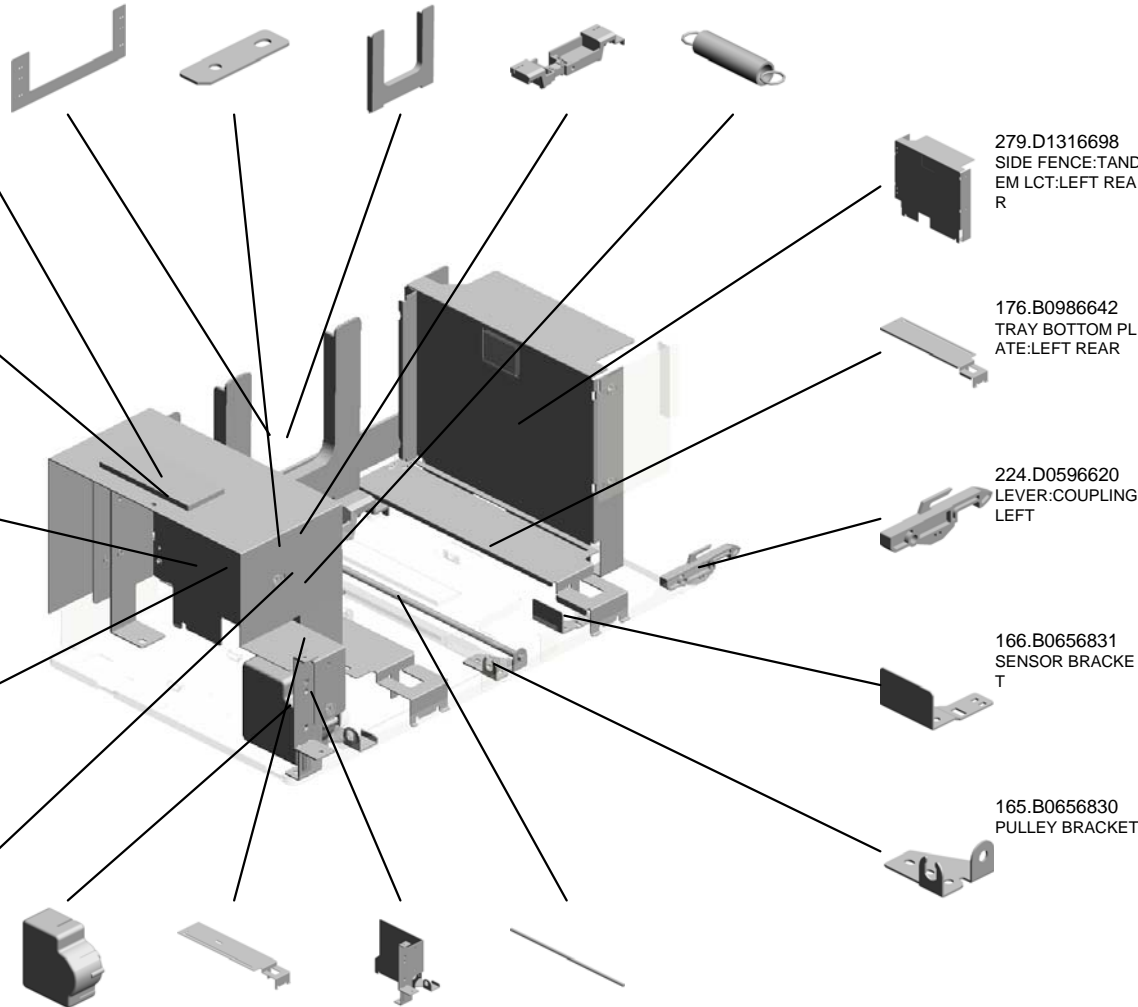


177.B0986647
(x2)
END FENCE:AUXIL
IARY

247.D0626646
INNER COVER:TA
NDEM LCT:LEFT

278.D1316697
SIDE FENCE:TAND
EM LCT:LEFT FRO
NT

213.B2476951
BRACKET:PULLEY:
DRIVEN:ASS'Y



279.D1316698
SIDE FENCE:TAND
EM LCT:LEFT REA
R

176.B0986642
TRAY BOTTOM PL
ATE:LEFT REAR

224.D0596620
LEVER:COUPLING:
LEFT

166.B0656831
SENSOR BRACK
ET

165.B0656830
PULLEY BRACKET

374.D2236747
DC MOTOR:TANDE
M LCT:19.2W:BRU
SH

175.B0986640
TRAY BOTTOM PL
ATE:LEFT FRONT

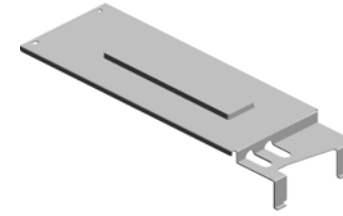
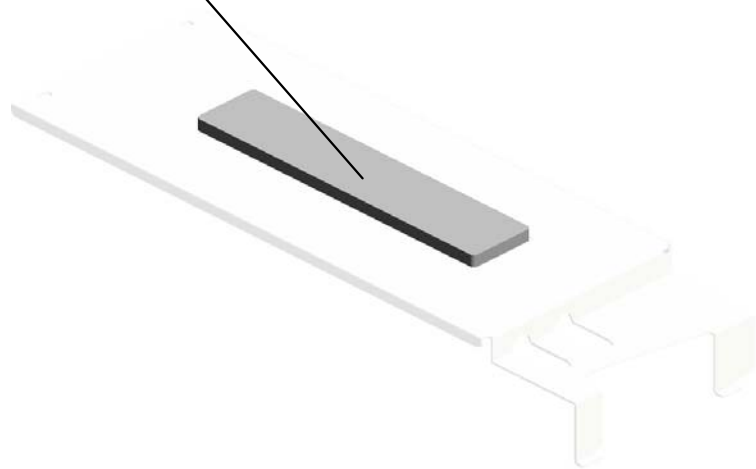
248.D0626665
BRACKET:DC MOT
OR:LEFT:PEEN

212.B2476950
SHAFT:SLIDER:BA
CK FENCE

U001	U002	U003	U004	U005	U006	U007	U008	U009	U010	U011	U012	U013	U014	U015	U016	U017
------	------	------	------	------	------	------	------	------	------	------	------	------	------	------	------	------

U006_S010_S001
(NA/EU/AA):TRAY BOTTOM PLATE:LEFT MIDDLE:ASS'Y

293.D1316876
(NA/EU/AA):DECAL
:PAPER SET DIRE
CTION:TANDEM T
RAY:RIGHT

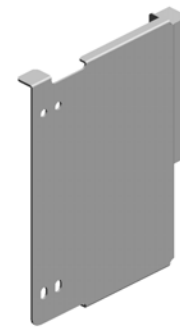
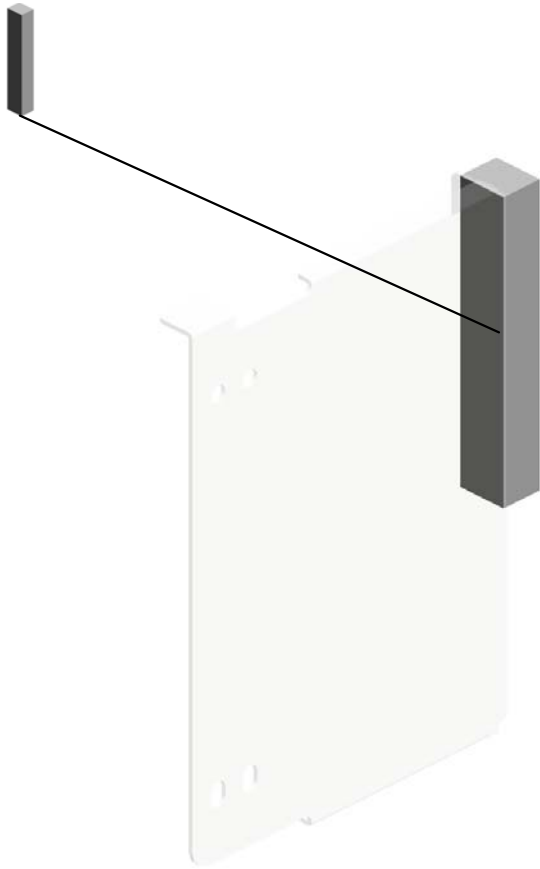


289.D1316839
(NA/EU/AA):TRAY
BOTTOM PLATE:L
EFT MIDDLE:ASS'Y

U001	U002	U003	U004	U005	U006	U007	U008	U009	U010	U011	U012	U013	U014	U015	U016	U017
------	------	------	------	------	-------------	------	------	------	------	------	------	------	------	------	------	------

U006_S010_S002
COVER:REAR:TANDEM LCT:ASS'Y

71.A2936649
REAR COVER CUS
HION - TANDEM LC
T



178.B0986649
COVER:REAR:TAN
DEM LCT:ASS'Y

U001	U002	U003	U004	U005	U006	U007	U008	U009	U010	U011	U012	U013	U014	U015	U016	U017
------	------	------	------	------	-------------	------	------	------	------	------	------	------	------	------	------	------

U006_S011
(EU/AA):TANDEM LCT:RIGHT:ASS'Y

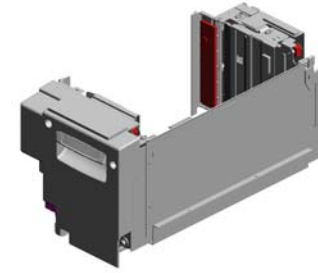
67.A2486695
(x4)
GUIDE - PULLEY

17.04514006N
(x13)
TAPPING SCREW -
4X6

54.11050534
(x2)
CLAMP

45.11050291
(x4)
HARNESS CLAMP -
LWS-3S

37.07200040E
(x8)
RETAINING RING -
M4



366.D2236611
(EU/AA):TANDEM L
CT:RIGHT:ASS'Y

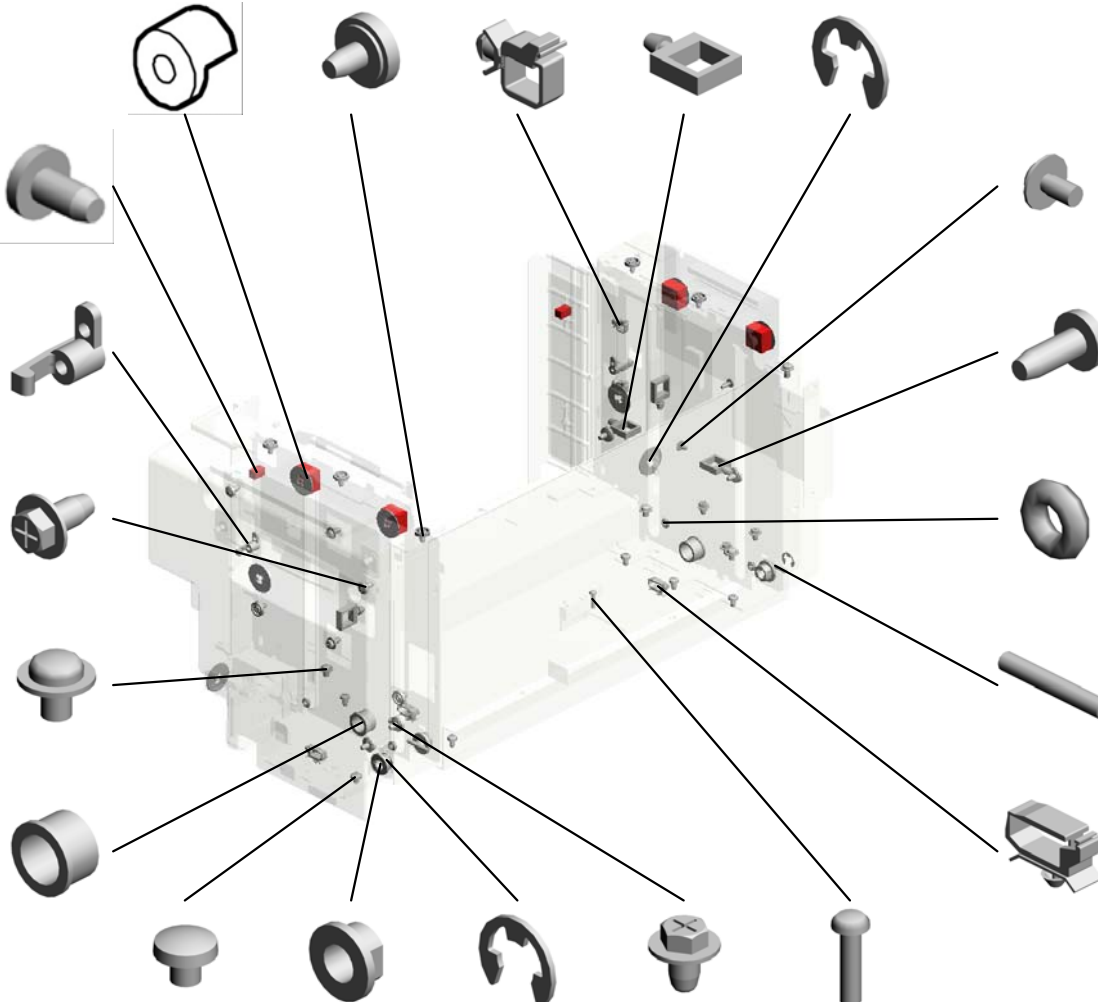
19.04523006N
(x2)
(NA(D223(220-240V)
,D224(220-240V))/
EU/AA/CHN/TWN):
BINDING SELF-TA
PPING SCREW:3X

68.A2486713
(x2)
HOOK - TENSION
SPRING

18.04514008N
(x5)
TAPPING SCREW:
4X8

43.09514006N
(x4)
SCREW:POLISHED
ROUND:M4X6

58.11060411
(x2)
BUSHING - 11.5MM



42.09513006N
SCREW - M3X6



45.11050291
HARNESS CLAMP -
LWS-3S

23.04533008N
(x2)
BINDING SELF TAP
PING SCREW:3X8

17.04514006N (x 4)
TAPPING SCREW - 4X6
18.04514008N (x 2)
TAPPING SCREW:4X8
28.04544006Q (x 2)
TAPPING SCREW:4X6

66.A2486694
(x4)
WIRE RING

34.06330200G
(x2)
PIN - M3X20

51.11050516
(x3)
CLAMP

8.03540040N
SCREW-M4X4

60.50530223
(x3)
BUSHING - 8MM

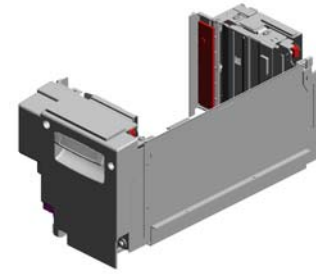
38.07200060E
(x4)
RETAINING RING -
M6

28.04544006Q
(x9)
TAPPING SCREW:
4X6

2.03130120N
PAN HEAD SCREW
:M3X12

U006_S011
(EU/AA):TANDEM LCT:RIGHT:ASS'Y

- 84.AA060757 (x2) TENSION SPRING - LONG
- 124.AB032058 (x2) WIRE PULLEY - M10
- 139.AW020203 (x9) PHOTOINTERRUPTOR:GP1A173LCS 2F
- 125.AB032719 (x2) PULLEY - M10
- 105.AA161130 (x2) CUSHION - SMALL



366.D2236611
(EU/AA):TANDEM LCT:RIGHT:ASS'Y

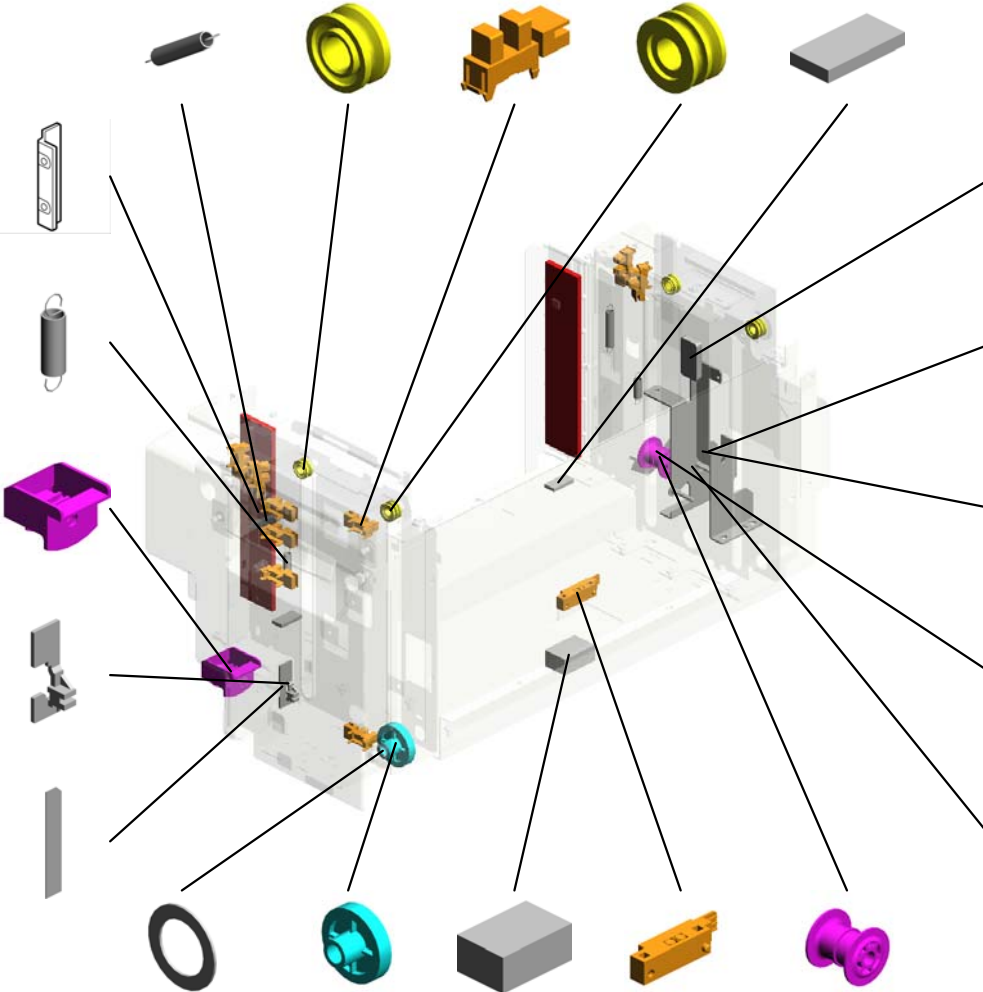
158.B0656712 (x2) (NA(D223(220-240V),D224(220-240V))/EU/AA/CHN/TWN): END FENCE GUIDE

85.AA060758 (x2) TENSION SPRING - SHORT

72.A2946655 FRONT ROLLER - SLIDE RAIL

73.A2946690 FEELER - PAPER HEIGHT SENSOR

159.B0656717 PAPER VOLUME SHIELD PLATE



77.AA001646 DECAL:SIDE FENCE:16X30

93.AA132203 SPACER - 6MM

160.B0656743 RIGHT BRACKET

168.B0656864 SMALL LEVER

167.B0656862 LARGE LEVER

94.AA132233 SPACER:SLIDE RAIL:0.4MM

116.AB013781 GEAR - 30Z

104.AA161129 CUSHION - LARGE

135.AW010113 SENSOR

130.AF022105 ROLLER - SLIDE RAIL

U001	U002	U003	U004	U005	U006	U007	U008	U009	U010	U011	U012	U013	U014	U015	U016	U017
------	------	------	------	------	------	------	------	------	------	------	------	------	------	------	------	------

U006_S011
(EU/AA):TANDEM LCT:RIGHT:ASS'Y

203.B2476714
END FENCE - REAR

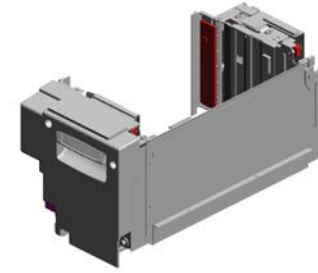
172.B0656884
DETECTOR BRACKET

174.B0706684
LEVER:RELEASE:REAR

373.D2236732
DC SOLENOID:END FENCE:REAR:ASS'Y

204.B2476738
SIDE FENCE:TANDEM LCT:RIGHT REAR

366.D2236611
(EU/AA):TANDEM LCT:RIGHT:ASS'Y



202.B2476713
END FENCE - FRONT

173.B0706683
LEVER:RELEASE:FRONT

169.B0656870
(x2)
STAY -RIGHTBASE

214.B2476955
SIDE PLATE:TANDEM LCT:FRONT RIGHT:ASS'Y

372.D2236722
DC SOLENOID:END FENCE:FRONT:ASS'Y

170.B0656872
OIL DAMPER BRACKET

211.B2476901
OIL DAMPER:FALL

262.D0626958
SHAFT:DRIVE:TRAY BOTTOM PLATE:RIGHT:PRESS FIT

277.D1316695
SIDE PLATE:SIDE:TANDEM LCT

201.B2476695
GUIDE:MISFEED REMOVAL:PAPER TRAY

199.B2476672
GUIDE:INTERLOCK:TANDEM LCT

210.B2476811
SIDE PLATE:TANDEM LCT:RIGHT REAR:ASS'Y

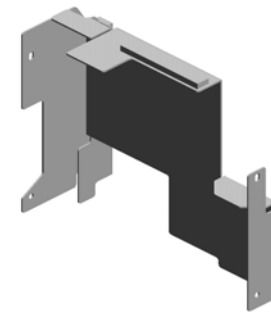
200.B2476694
(x2)
PULLEY:DRIVE WHEEL:ASS'Y

228.D0622850
SPACER:SHAFT:RIGHT

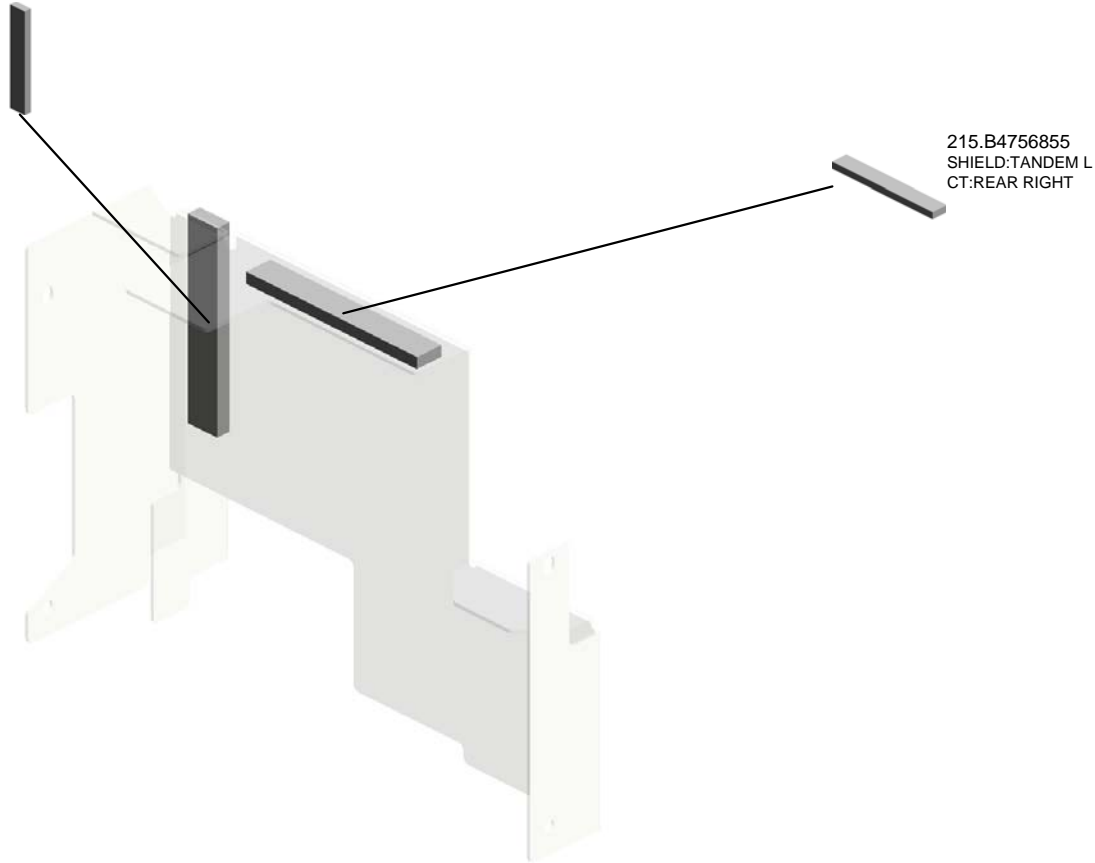
U001	U002	U003	U004	U005	U006	U007	U008	U009	U010	U011	U012	U013	U014	U015	U016	U017
------	------	------	------	------	-------------	------	------	------	------	------	------	------	------	------	------	------

U006_S011_S001
SUPPORTING PLATE:TANDEM:RIGHT REAR

103.AA153138
INNER COVER CU
SHION - RIGHT RE
AR



182.B0986739
SUPPORTING PLA
TE:TANDEM:RIGHT
REAR

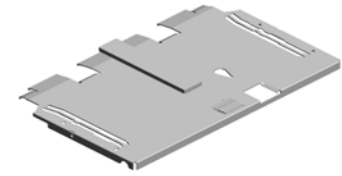


215.B4756855
SHIELD:TANDEM L
CT:REAR RIGHT

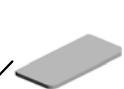
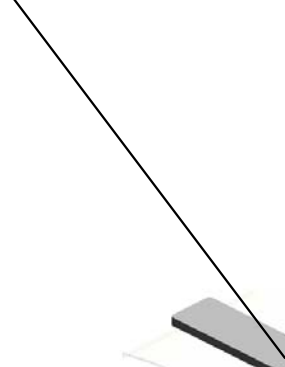
U001	U002	U003	U004	U005	U006	U007	U008	U009	U010	U011	U012	U013	U014	U015	U016	U017
------	------	------	------	------	-------------	------	------	------	------	------	------	------	------	------	------	------

U006_S011_S002
(NA/EU/AA):BASE:TANDEM LCT:RIGHT:ADHESION

294.D1316877
(NA/EU/AA):DECAL
:PAPER SET DIRE
CTION:TANDEM T
RAY:RIGHT



280.D1316716
(NA/EU/AA):BASE:T
ANDEM LCT:RIGHT
:ADHESION



62.52012858
FRICTION PAD



U001	U002	U003	U004	U005	U006	U007	U008	U009	U010	U011	U012	U013	U014	U015	U016	U017
------	------	------	------	------	-------------	------	------	------	------	------	------	------	------	------	------	------

U006_S011_S003

INNER COVER:TANDEM LCT:ASS'Y

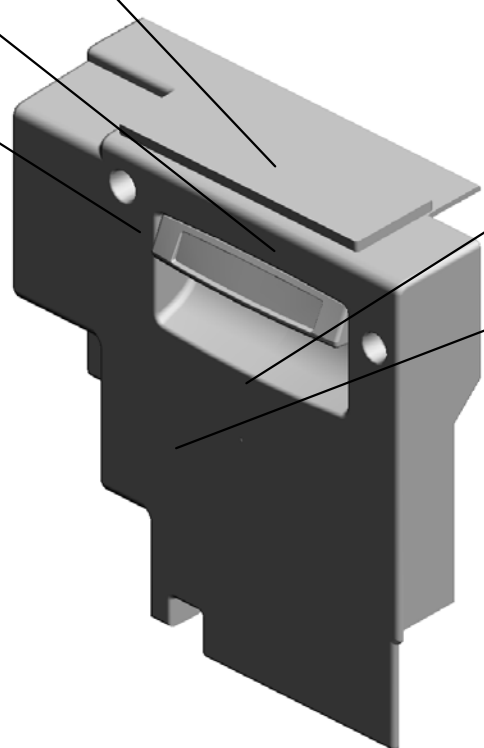
171.B0656875
PROTECTION -INN
ER COVER

291.D1316870
DECAL:PAPER SE
T DIRECTION:TAN
DEM LCT:RIGHT



288.D1316816
INNER COVER:TA
NDEM LCT:ASS'Y

13.04504008N
(x2)
TAPPING SCREW -
M4X8



285.D1316780
INNER COVER:TA
NDEM LCT:RIGHT

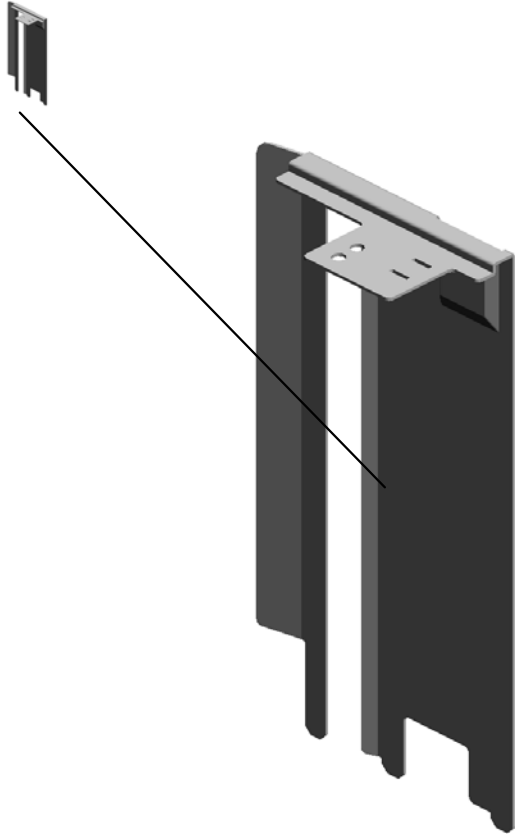


292.D1316871
DECAL:CAUTION C
HART:TANDEM LC
T

U001	U002	U003	U004	U005	U006	U007	U008	U009	U010	U011	U012	U013	U014	U015	U016	U017
------	------	------	------	------	-------------	------	------	------	------	------	------	------	------	------	------	------

U006_S011_S004
SIDE FENCE:TANDEM LCT:RIGHT FRONT

181.B0986737
SIDE FENCE:TAND
EM LCT:RIGHT FR
ONT

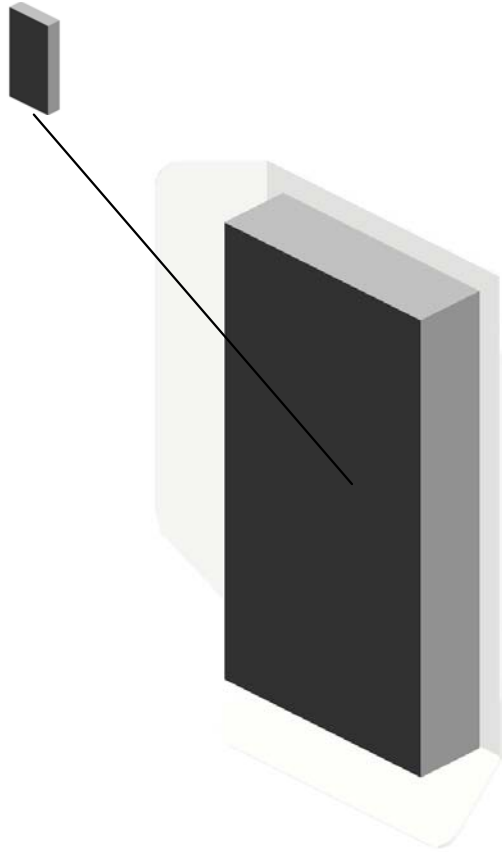


180.B0986736
SIDE FENCE:TAND
EM LCT:RIGHT FR
ONT

U001	U002	U003	U004	U005	U006	U007	U008	U009	U010	U011	U012	U013	U014	U015	U016	U017
------	------	------	------	------	-------------	------	------	------	------	------	------	------	------	------	------	------

U006_S011_S004_S001
PLATE:PAPER

106.AA162082
CUSHION:PLATE:P
APER

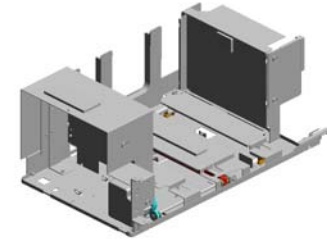


194.B2346690
PLATE:PAPER

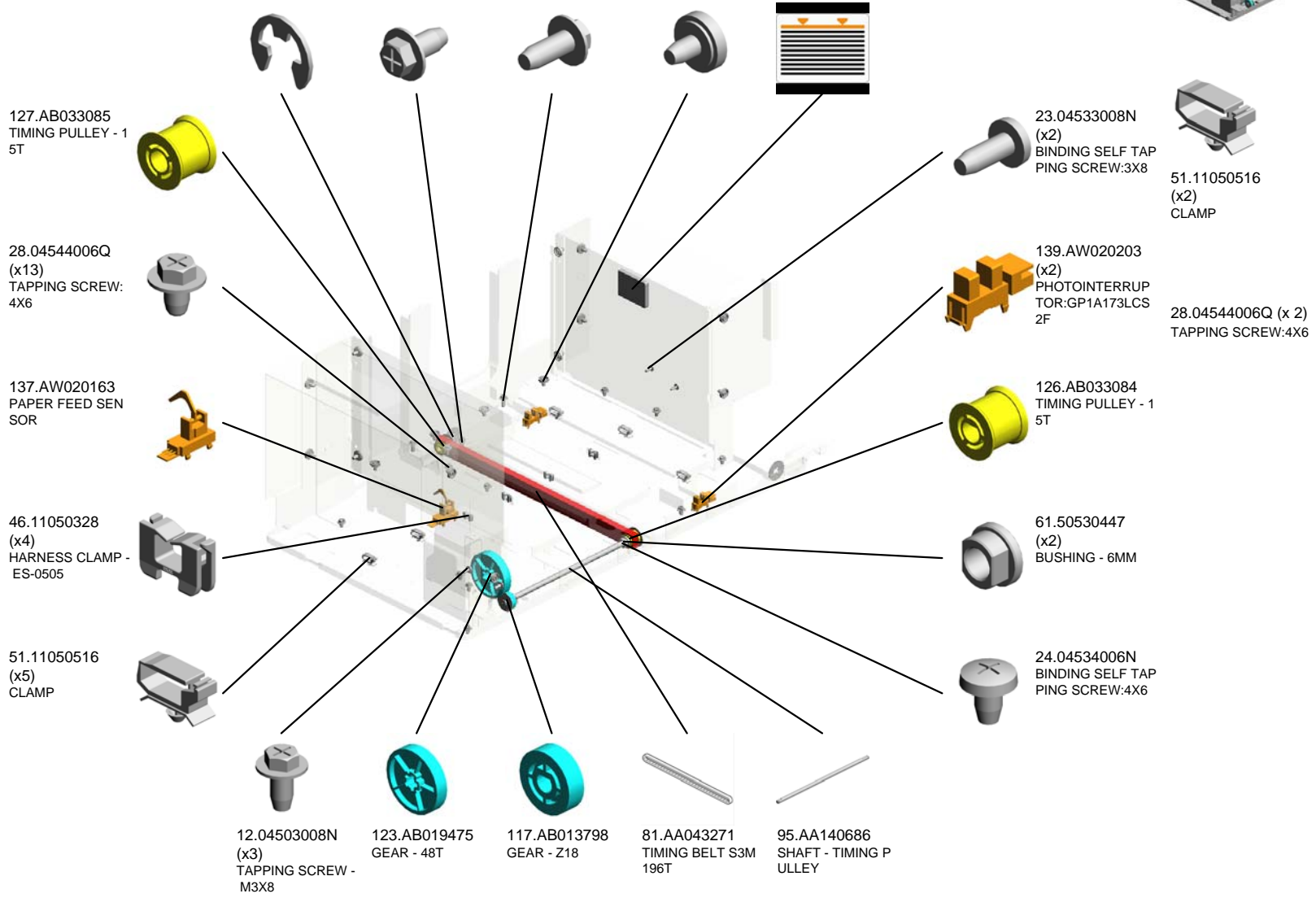
U001	U002	U003	U004	U005	U006	U007	U008	U009	U010	U011	U012	U013	U014	U015	U016	U017
------	------	------	------	------	-------------	------	------	------	------	------	------	------	------	------	------	------

U006_S012
(EU/AA):TANDEM LCT:LEFT:ASS'Y

- 37.07200040E (x5) RETAINING RING - M4
- 13.04504008N (x2) TAPPING SCREW - M4X8
- 14.04504010N (x2) TAPPING SCREW: M4X10
- 17.04514006N (x14) TAPPING SCREW - 4X6
- 75.AA001644 DECAL:SIDE FENC E:40X30



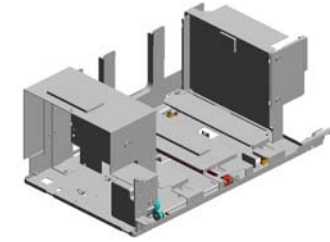
367.D2236612
(EU/AA):TANDEM L
CT:LEFT:ASS'Y



U001	U002	U003	U004	U005	U006	U007	U008	U009	U010	U011	U012	U013	U014	U015	U016	U017
------	------	------	------	------	------	------	------	------	------	------	------	------	------	------	------	------

U006_S012
(EU/AA):TANDEM LCT:LEFT:ASS'Y

275.D1316675 SIDE PLATE:TANDEM LCT:LEFT SIDEWAYS
 164.B0656823 TIMING BELT COVER
 198.B2476624 BACK FENCE - LEFT
 187.B1327564 SLIDER:BACK FENCE:LEFT
 207.B2476755 TENSION SPRING - 10N



367.D2236612
(EU/AA):TANDEM LCT:LEFT:ASS'Y

290.D1316846
DECAL:PAPER SE
T DIRECTION:TAN
DEM LCT:LEFT

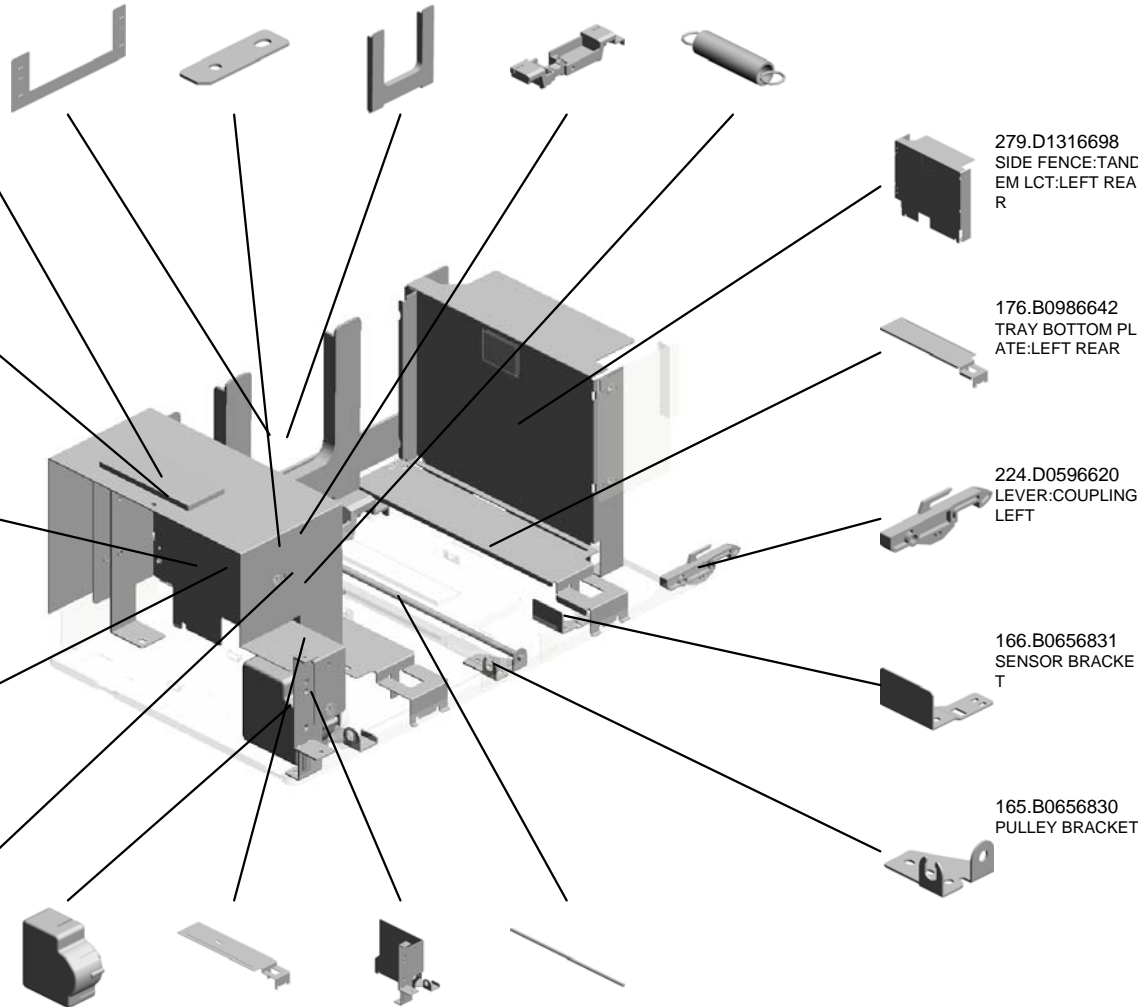


177.B0986647
(x2)
END FENCE:AUXIL
IARY

247.D0626646
INNER COVER:TA
NDEM LCT:LEFT

278.D1316697
SIDE FENCE:TAND
EM LCT:LEFT FRO
NT

213.B2476951
BRACKET:PULLEY:
DRIVEN:ASS'Y



279.D1316698
SIDE FENCE:TAND
EM LCT:LEFT REA
R

176.B0986642
TRAY BOTTOM PL
ATE:LEFT REAR

224.D0596620
LEVER:COUPLING:
LEFT

166.B0656831
SENSOR BRACK
ET

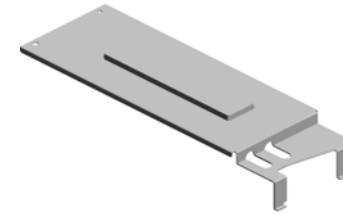
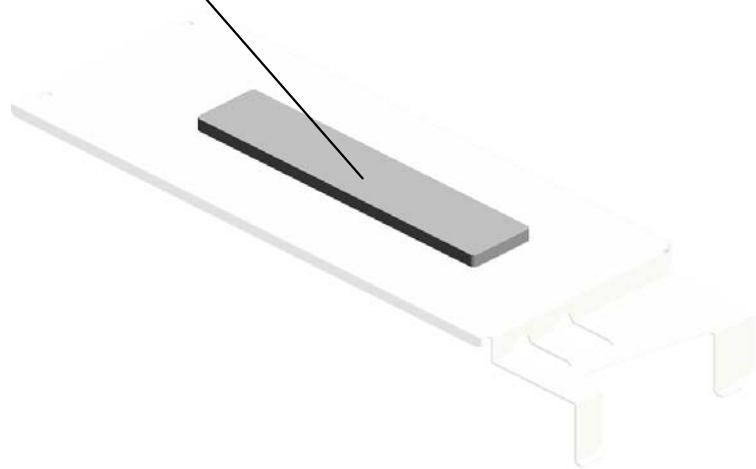
165.B0656830
PULLEY BRACKET

374.D2236747 DC MOTOR:TANDEM LCT:19.2W:BRUSH
 175.B0986640 TRAY BOTTOM PLATE:LEFT FRONT
 248.D0626665 BRACKET:DC MOTOR:LEFT:PEEN
 212.B2476950 SHAFT:SLIDER:BACK FENCE

U001	U002	U003	U004	U005	U006	U007	U008	U009	U010	U011	U012	U013	U014	U015	U016	U017
------	------	------	------	------	------	------	------	------	------	------	------	------	------	------	------	------

U006_S012_S001
(NA/EU/AA):TRAY BOTTOM PLATE:LEFT MIDDLE:ASS'Y

293.D1316876
(NA/EU/AA):DECAL
:PAPER SET DIRE
CTION:TANDEM T
RAY:RIGHT

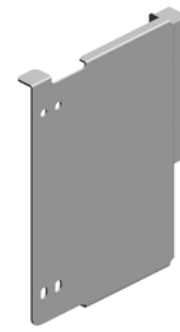
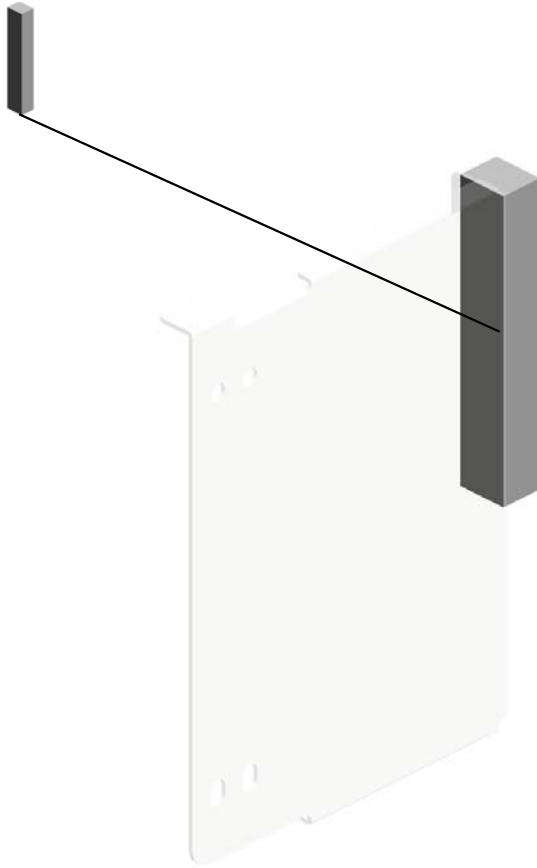


289.D1316839
(NA/EU/AA):TRAY
BOTTOM PLATE:L
EFT MIDDLE:ASS'Y

U001	U002	U003	U004	U005	U006	U007	U008	U009	U010	U011	U012	U013	U014	U015	U016	U017
------	------	------	------	------	-------------	------	------	------	------	------	------	------	------	------	------	------

U006_S012_S002
COVER:REAR:TANDEM LCT:ASS'Y

71.A2936649
REAR COVER CUS
HION - TANDEM LC
T



178.B0986649
COVER:REAR:TAN
DEM LCT:ASS'Y

U001	U002	U003	U004	U005	U006	U007	U008	U009	U010	U011	U012	U013	U014	U015	U016	U017
------	------	------	------	------	-------------	------	------	------	------	------	------	------	------	------	------	------

U006_S013
(EU/AA):TANDEM LCT:RIGHT:ASS'Y

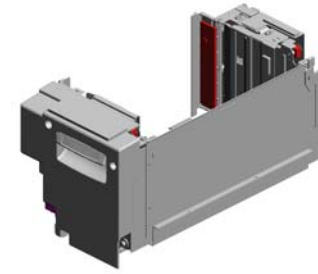
67.A2486695
(x4)
GUIDE - PULLEY

17.04514006N
(x12)
TAPPING SCREW -
4X6

54.11050534
(x2)
CLAMP

45.11050291
(x4)
HARNESS CLAMP -
LWS-3S

37.07200040E
(x8)
RETAINING RING -
M4



366.D2236611
(EU/AA):TANDEM L
CT:RIGHT:ASS'Y

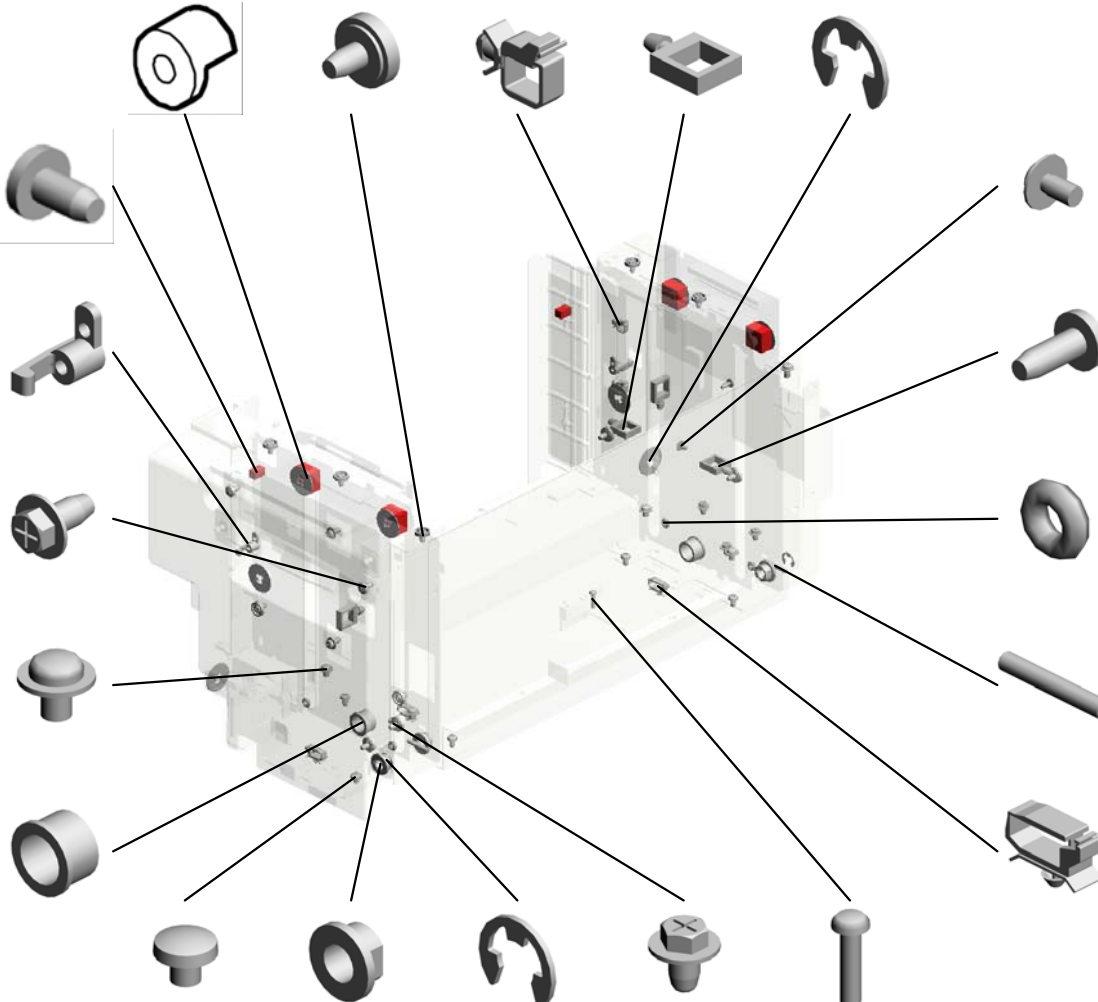
19.04523006N
(x2)
(NA(D223(220-240V)
,D224(220-240V))/
EU/AA/CHN/TWN):
BINDING SELF-TA
PPING SCREW:3X

68.A2486713
(x2)
HOOK - TENSION
SPRING

18.04514008N
(x5)
TAPPING SCREW:
4X8

43.09514006N
(x4)
SCREW:POLISHED
ROUND:M4X6

58.11060411
(x2)
BUSHING - 11.5MM



8.03540040N
SCREW-M4X4

60.50530223
(x3)
BUSHING - 8MM

38.07200060E
(x4)
RETAINING RING -
M6

28.04544006Q
(x8)
TAPPING SCREW:
4X6

2.03130120N
PAN HEAD SCREW
:M3X12

42.09513006N
SCREW - M3X6

23.04533008N
(x2)
BINDING SELF TAP
PING SCREW:3X8

66.A2486694
(x4)
WIRE RING

34.06330200G
(x2)
PIN - M3X20

51.11050516
(x3)
CLAMP

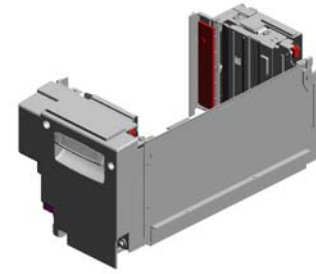


45.11050291
HARNESS CLAMP -
LWS-3S

17.04514006N (x 5)
TAPPING SCREW - 4X6
18.04514008N (x 2)
TAPPING SCREW:4X8
28.04544006Q (x 3)
TAPPING SCREW:4X6

U006_S013
(EU/AA):TANDEM LCT:RIGHT:ASS'Y

- 84.AA060757 (x2) TENSION SPRING - LONG
- 124.AB032058 (x2) WIRE PULLEY - M10
- 139.AW020203 (x9) PHOTOINTERRUPTOR:GP1A173LCS 2F
- 125.AB032719 (x2) PULLEY - M10
- 105.AA161130 (x2) CUSHION - SMALL



366.D2236611
(EU/AA):TANDEM LCT:RIGHT:ASS'Y

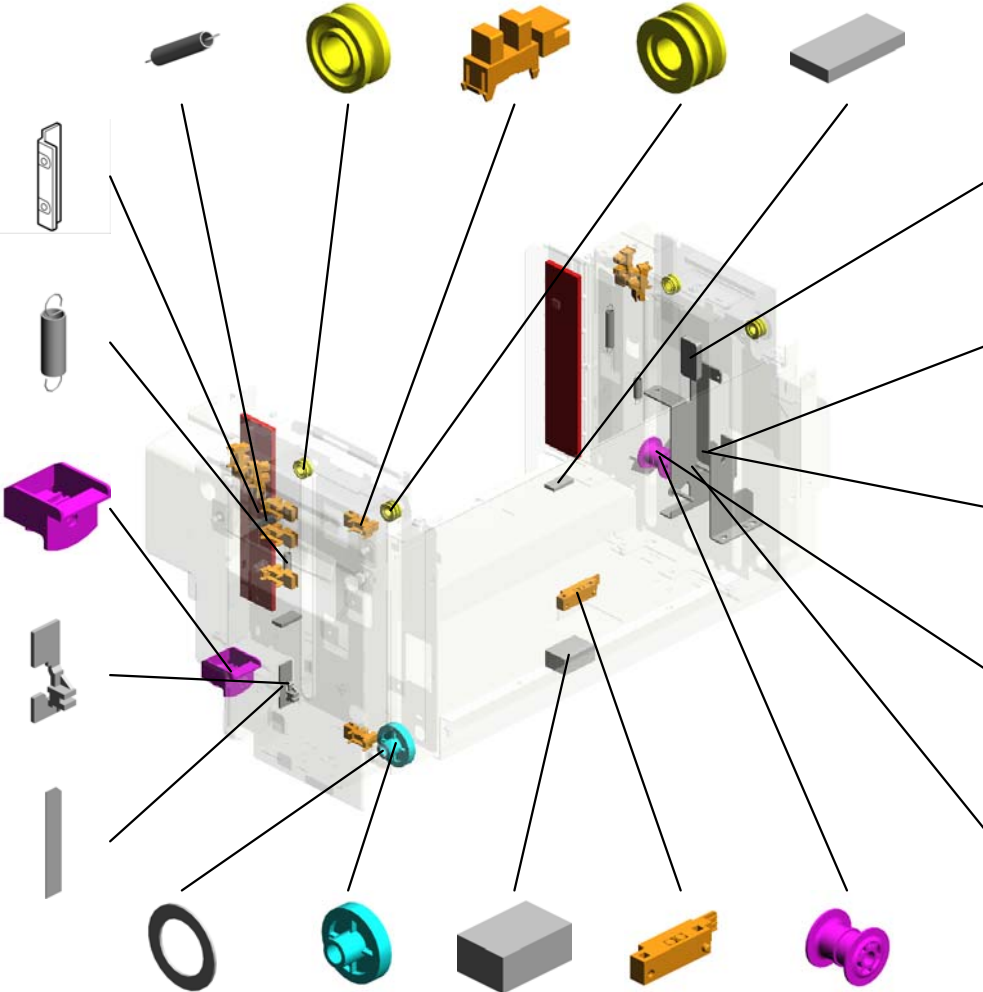
158.B0656712 (x2)
(NA(D223(220-240V),D224(220-240V))/EU/AA/CHN/TWN): END FENCE GUIDE

85.AA060758 (x2) TENSION SPRING - SHORT

72.A2946655 FRONT ROLLER - SLIDE RAIL

73.A2946690 FEELER - PAPER HEIGHT SENSOR

159.B0656717 PAPER VOLUME SHIELD PLATE



94.AA132233 SPACER:SLIDE RAIL:0.4MM

116.AB013781 GEAR - 30Z

104.AA161129 CUSHION - LARGE

135.AW010113 SENSOR

130.AF022105 ROLLER - SLIDE RAIL

77.AA001646 DECAL:SIDE FENCE:16X30

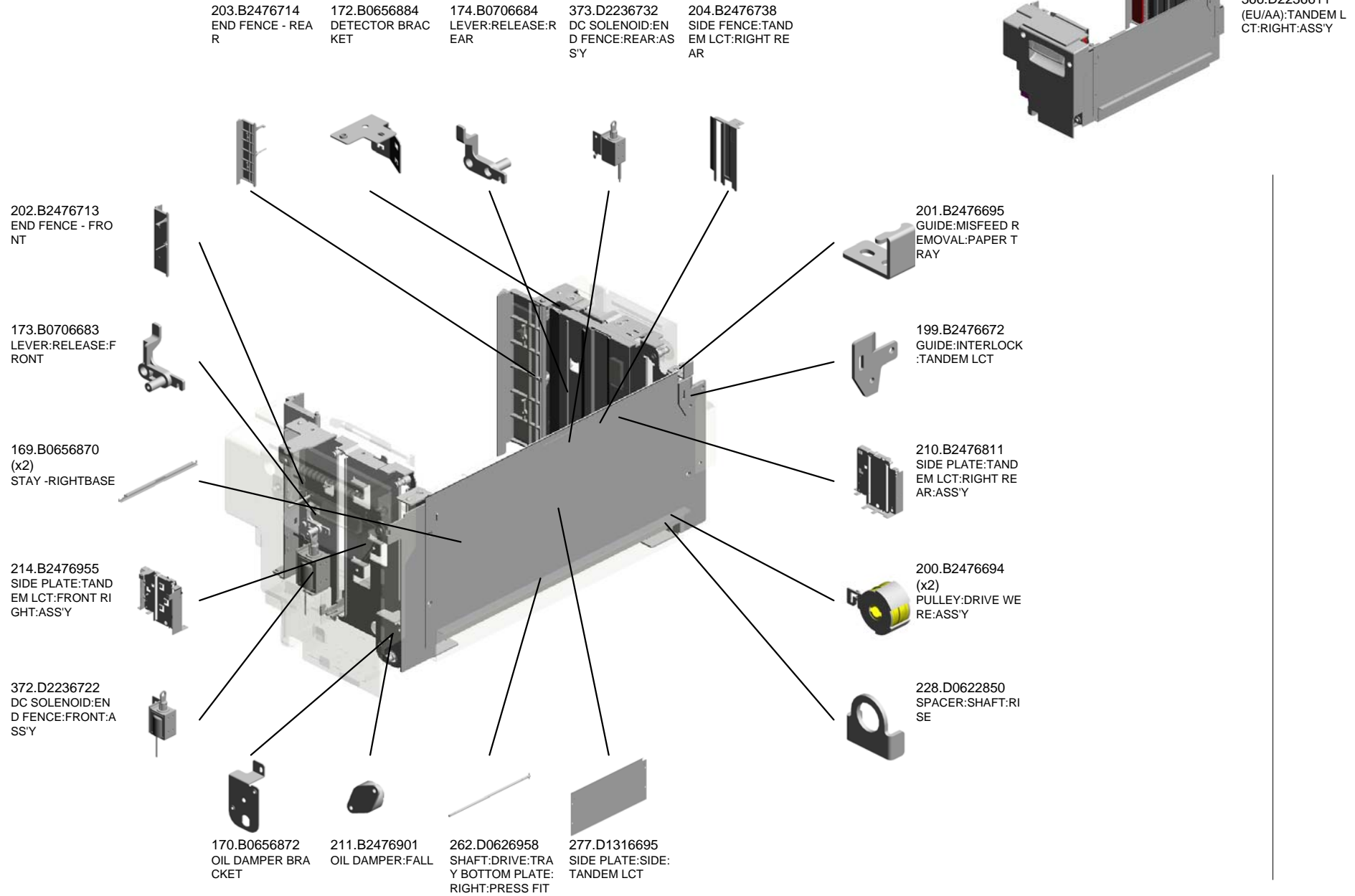
93.AA132203 SPACER - 6MM

160.B0656743 RIGHT BRACKET

168.B0656864 SMALL LEVER

167.B0656862 LARGE LEVER

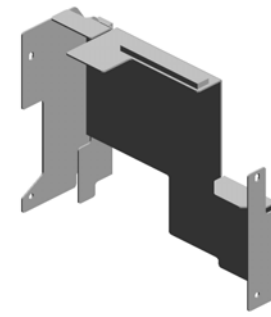
U006_S013
(EU/AA):TANDEM LCT:RIGHT:ASS'Y



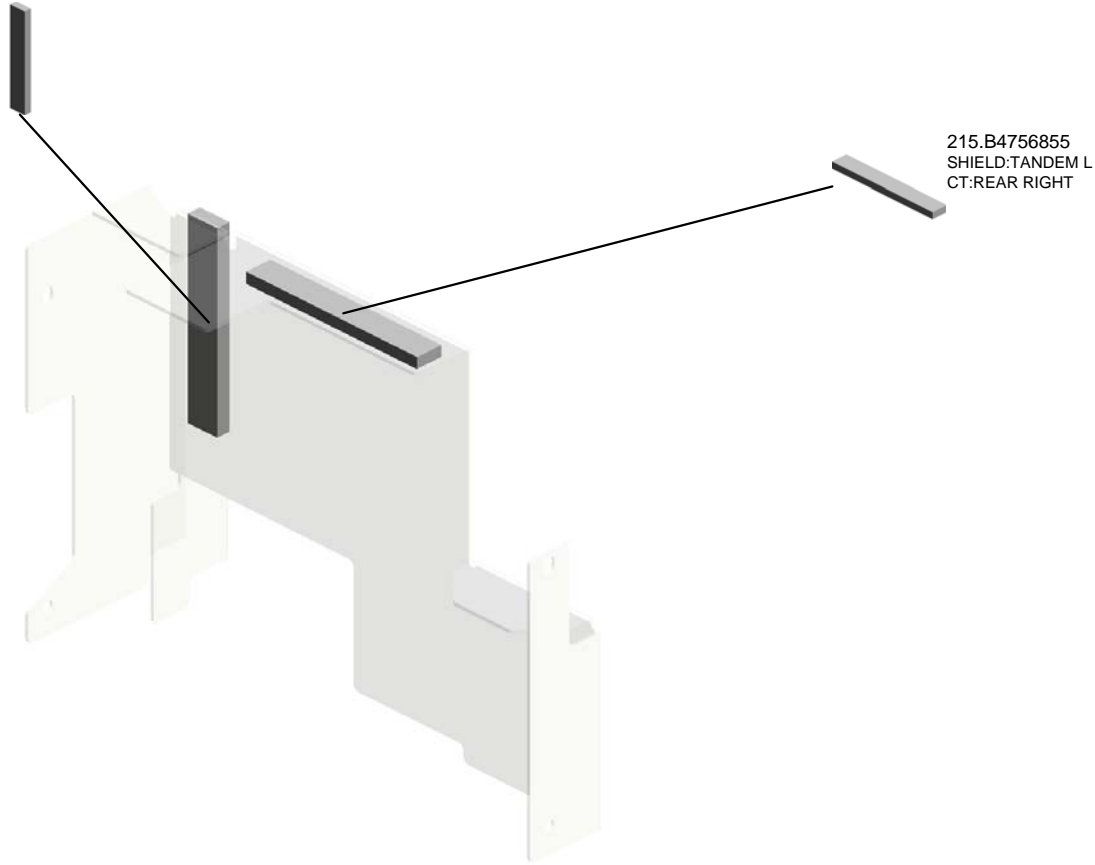
U001	U002	U003	U004	U005	U006	U007	U008	U009	U010	U011	U012	U013	U014	U015	U016	U017
------	------	------	------	------	-------------	------	------	------	------	------	------	------	------	------	------	------

U006_S013_S001
SUPPORTING PLATE:TANDEM:RIGHT REAR

103.AA153138
INNER COVER CU
SHION - RIGHT RE
AR



182.B0986739
SUPPORTING PLA
TE:TANDEM:RIGHT
REAR

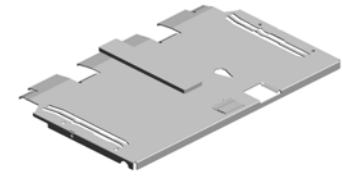


215.B4756855
SHIELD:TANDEM L
CT:REAR RIGHT

U001	U002	U003	U004	U005	U006	U007	U008	U009	U010	U011	U012	U013	U014	U015	U016	U017
------	------	------	------	------	-------------	------	------	------	------	------	------	------	------	------	------	------

U006_S013_S002
(NA/EU/AA):BASE:TANDEM LCT:RIGHT:ADHESION

294.D1316877
(NA/EU/AA):DECAL
:PAPER SET DIRE
CTION:TANDEM T
RAY:RIGHT



280.D1316716
(NA/EU/AA):BASE:T
ANDEM LCT:RIGHT
:ADHESION



62.52012858
FRICTION PAD

U001	U002	U003	U004	U005	U006	U007	U008	U009	U010	U011	U012	U013	U014	U015	U016	U017
------	------	------	------	------	-------------	------	------	------	------	------	------	------	------	------	------	------

U006_S013_S003

INNER COVER:TANDEM LCT:ASS'Y

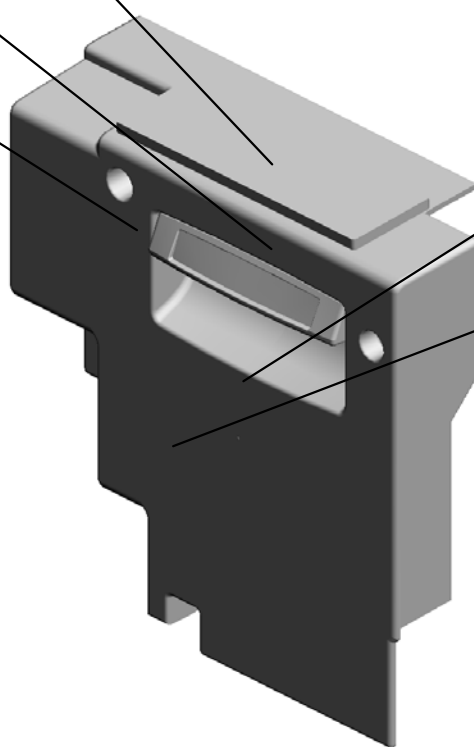
171.B0656875
PROTECTION -INN
ER COVER

291.D1316870
DECAL:PAPER SE
T DIRECTION:TAN
DEM LCT:RIGHT



288.D1316816
INNER COVER:TA
NDEM LCT:ASS'Y

13.04504008N
(x2)
TAPPING SCREW -
M4X8



285.D1316780
INNER COVER:TA
NDEM LCT:RIGHT

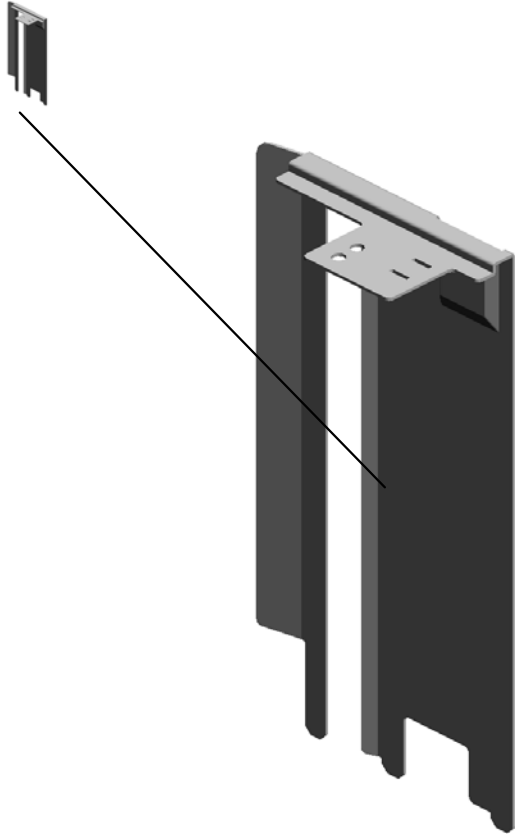


292.D1316871
DECAL:CAUTION C
HART:TANDEM LC
T

U001	U002	U003	U004	U005	U006	U007	U008	U009	U010	U011	U012	U013	U014	U015	U016	U017
------	------	------	------	------	-------------	------	------	------	------	------	------	------	------	------	------	------

U006_S013_S004
SIDE FENCE:TANDEM LCT:RIGHT FRONT

181.B0986737
SIDE FENCE:TAND
EM LCT:RIGHT FR
ONT

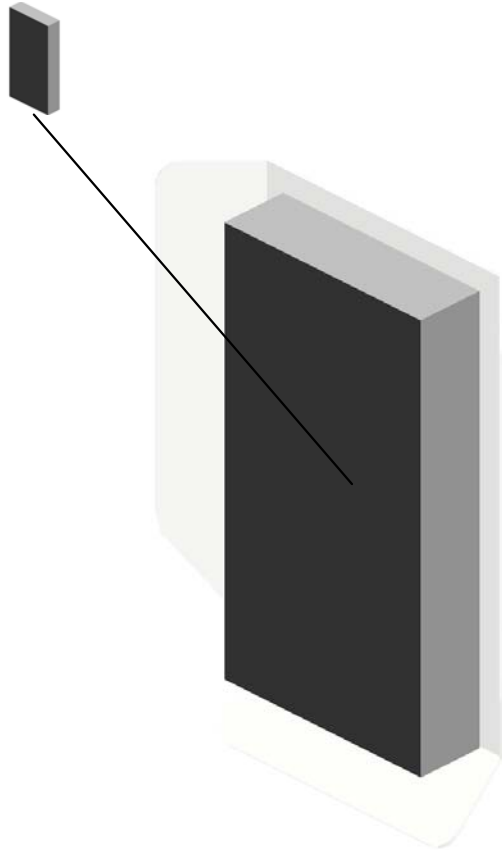


180.B0986736
SIDE FENCE:TAND
EM LCT:RIGHT FR
ONT

U001	U002	U003	U004	U005	U006	U007	U008	U009	U010	U011	U012	U013	U014	U015	U016	U017
------	------	------	------	------	-------------	------	------	------	------	------	------	------	------	------	------	------

U006_S013_S004_S001
PLATE:PAPER

106.AA162082
CUSHION:PLATE:P
APER

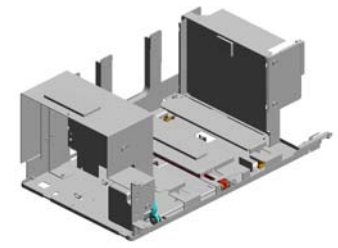


194.B2346690
PLATE:PAPER

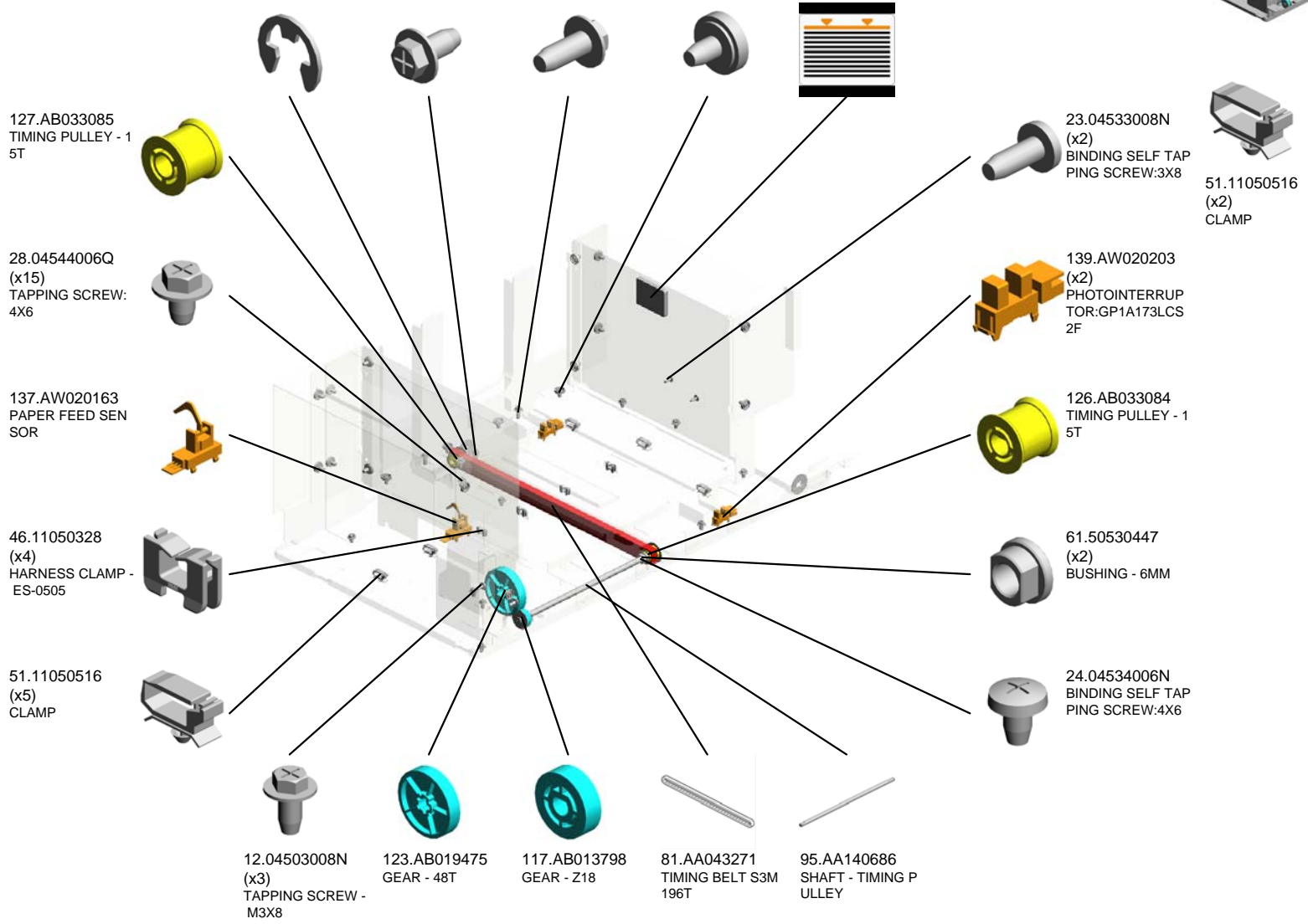
U001	U002	U003	U004	U005	U006	U007	U008	U009	U010	U011	U012	U013	U014	U015	U016	U017
------	------	------	------	------	-------------	------	------	------	------	------	------	------	------	------	------	------

U006_S014
(EU/AA):TANDEM LCT:LEFT:ASS'Y

- 37.07200040E (x5) RETAINING RING - M4
- 13.04504008N (x2) TAPPING SCREW - M4X8
- 14.04504010N (x2) TAPPING SCREW: M4X10
- 17.04514006N (x14) TAPPING SCREW - 4X6
- 75.AA001644 DECAL:SIDE FENC E:40X30



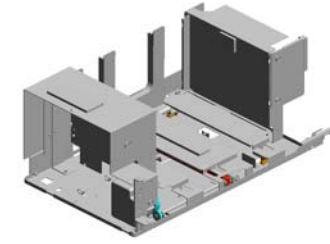
367.D2236612
(EU/AA):TANDEM LCT:LEFT:ASS'Y



U001	U002	U003	U004	U005	U006	U007	U008	U009	U010	U011	U012	U013	U014	U015	U016	U017
------	------	------	------	------	------	------	------	------	------	------	------	------	------	------	------	------

U006_S014
(EU/AA):TANDEM LCT:LEFT:ASS'Y

275.D1316675 SIDE PLATE:TANDEM LCT:LEFT SIDEWAYS
 164.B0656823 TIMING BELT COVER
 198.B2476624 BACK FENCE - LEFT
 187.B1327564 SLIDER:BACK FENCE:LEFT
 207.B2476755 TENSION SPRING - 10N



367.D2236612 (EU/AA):TANDEM LCT:LEFT:ASS'Y

290.D1316846 DECAL:PAPER SELECTION DIRECTION:TANDEM LCT:LEFT

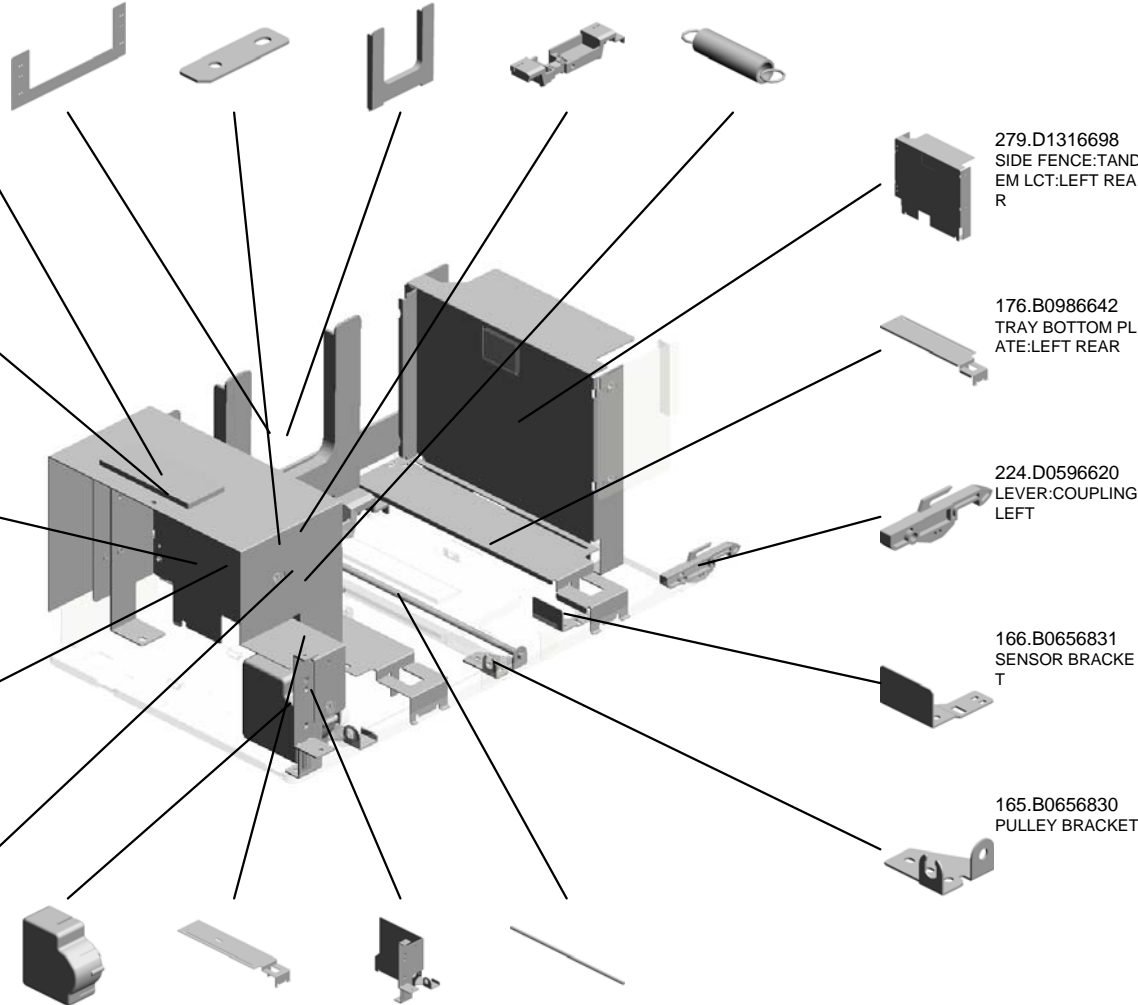


177.B0986647 (x2) END FENCE:AUXILIARY

247.D0626646 INNER COVER:TANDEM LCT:LEFT

278.D1316697 SIDE FENCE:TANDEM LCT:LEFT FRONT

213.B2476951 BRACKET:PULLEY DRIVEN:ASS'Y



279.D1316698 SIDE FENCE:TANDEM LCT:LEFT REAR

176.B0986642 TRAY BOTTOM PLATE:LEFT REAR

224.D0596620 LEVER:COUPLING:LEFT

166.B0656831 SENSOR BRACKET

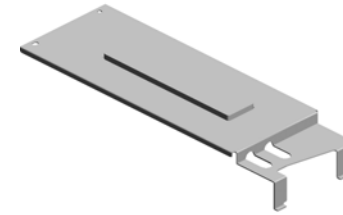
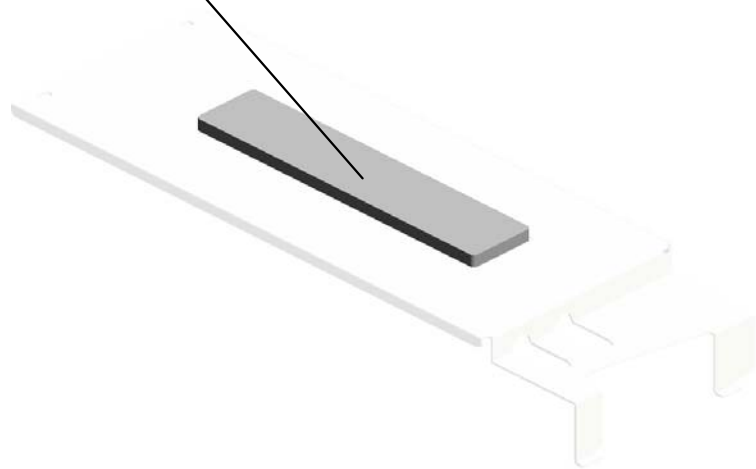
165.B0656830 PULLEY BRACKET

374.D2236747 DC MOTOR:TANDEM LCT:19.2W:BRUSH
 175.B0986640 TRAY BOTTOM PLATE:LEFT FRONT
 248.D0626665 BRACKET:DC MOTOR:LEFT:PEEN
 212.B2476950 SHAFT:SLIDER:BACK FENCE

U001	U002	U003	U004	U005	U006	U007	U008	U009	U010	U011	U012	U013	U014	U015	U016	U017
------	------	------	------	------	-------------	------	------	------	------	------	------	------	------	------	------	------

U006_S014_S001
(NA/EU/AA):TRAY BOTTOM PLATE:LEFT MIDDLE:ASS'Y

293.D1316876
(NA/EU/AA):DECAL
:PAPER SET DIRE
CTION:TANDEM T
RAY:RIGHT

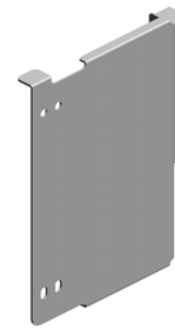
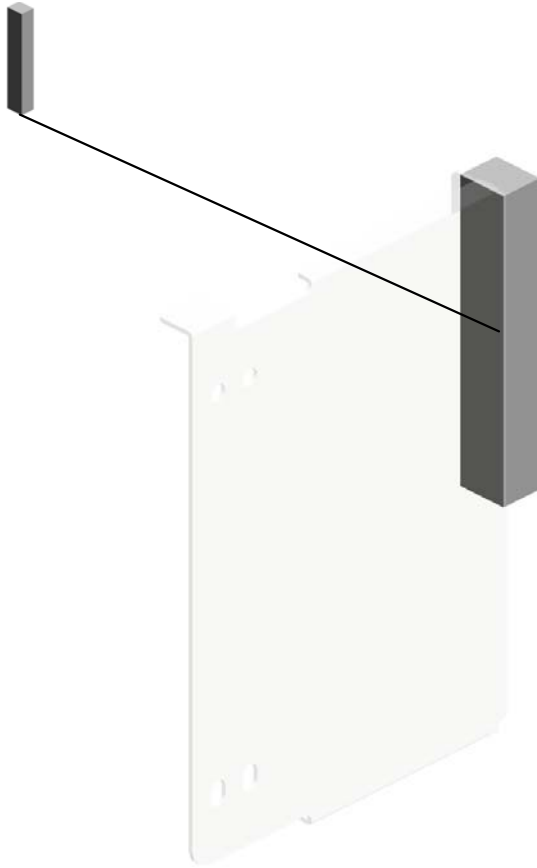


289.D1316839
(NA/EU/AA):TRAY
BOTTOM PLATE:L
EFT MIDDLE:ASS'Y

U001	U002	U003	U004	U005	U006	U007	U008	U009	U010	U011	U012	U013	U014	U015	U016	U017
------	------	------	------	------	-------------	------	------	------	------	------	------	------	------	------	------	------

U006_S014_S002
COVER:REAR:TANDEM LCT:ASS'Y

71.A2936649
REAR COVER CUS
HION - TANDEM LC
T

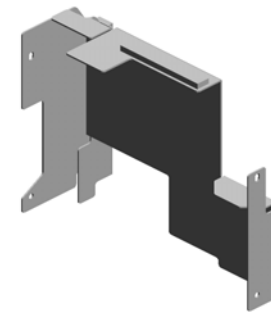


178.B0986649
COVER:REAR:TAN
DEM LCT:ASS'Y

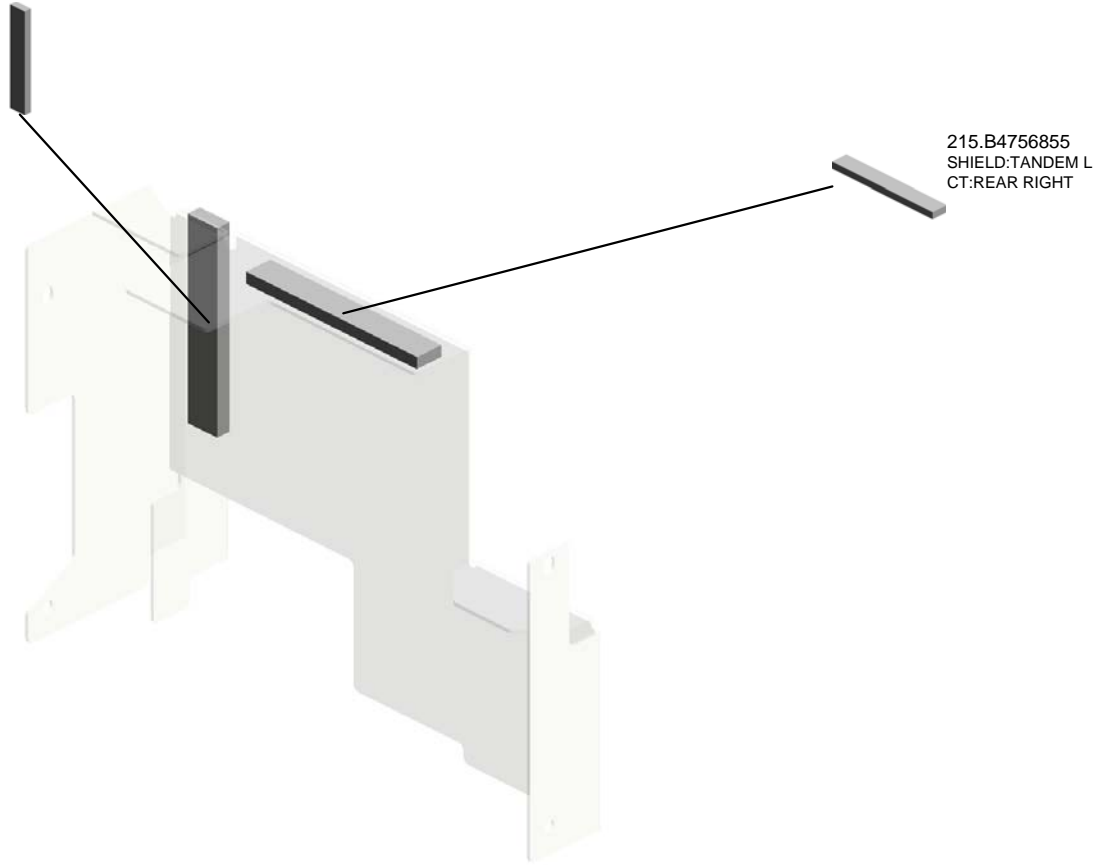
U001	U002	U003	U004	U005	U006	U007	U008	U009	U010	U011	U012	U013	U014	U015	U016	U017
------	------	------	------	------	-------------	------	------	------	------	------	------	------	------	------	------	------

U006_S015
SUPPORTING PLATE:TANDEM:RIGHT REAR

103.AA153138
INNER COVER CU
SHION - RIGHT RE
AR



182.B0986739
SUPPORTING PLA
TE:TANDEM:RIGHT
REAR



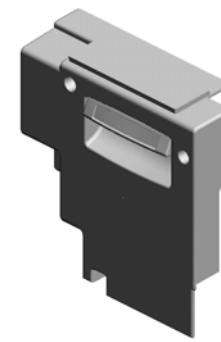
215.B4756855
SHIELD:TANDEM L
CT:REAR RIGHT

U001	U002	U003	U004	U005	U006	U007	U008	U009	U010	U011	U012	U013	U014	U015	U016	U017
------	------	------	------	------	-------------	------	------	------	------	------	------	------	------	------	------	------

U006_S016
INNER COVER:TANDEM LCT:ASS'Y

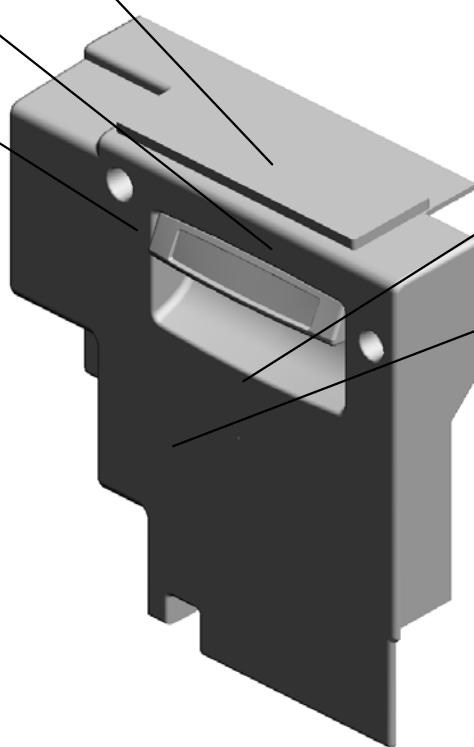
171.B0656875
PROTECTION -INN
ER COVER

291.D1316870
DECAL:PAPER SE
T DIRECTION:TAN
DEM LCT:RIGHT



288.D1316816
INNER COVER:TA
NDEM LCT:ASS'Y

13.04504008N
(x2)
TAPPING SCREW -
M4X8



285.D1316780
INNER COVER:TA
NDEM LCT:RIGHT

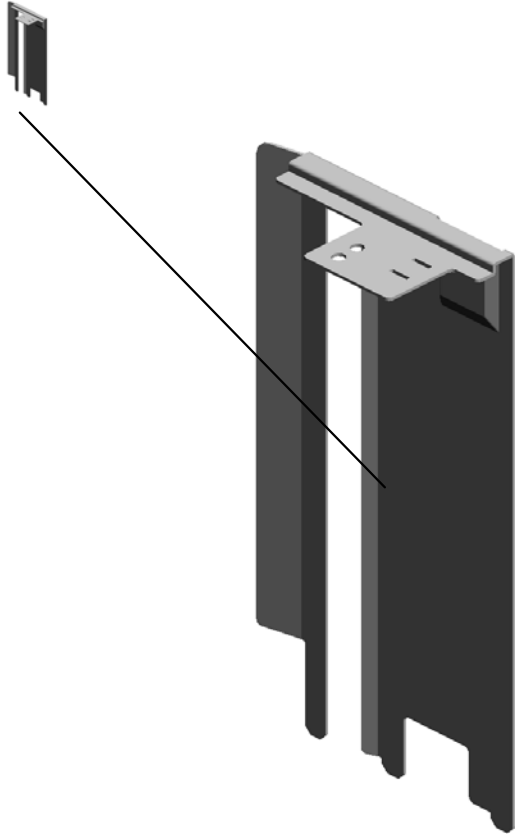


292.D1316871
DECAL:CAUTION C
HART:TANDEM LC
T

U001	U002	U003	U004	U005	U006	U007	U008	U009	U010	U011	U012	U013	U014	U015	U016	U017
------	------	------	------	------	------	------	------	------	------	------	------	------	------	------	------	------

U006_S017
SIDE FENCE:TANDEM LCT:RIGHT FRONT

181.B0986737
SIDE FENCE:TAND
EM LCT:RIGHT FR
ONT

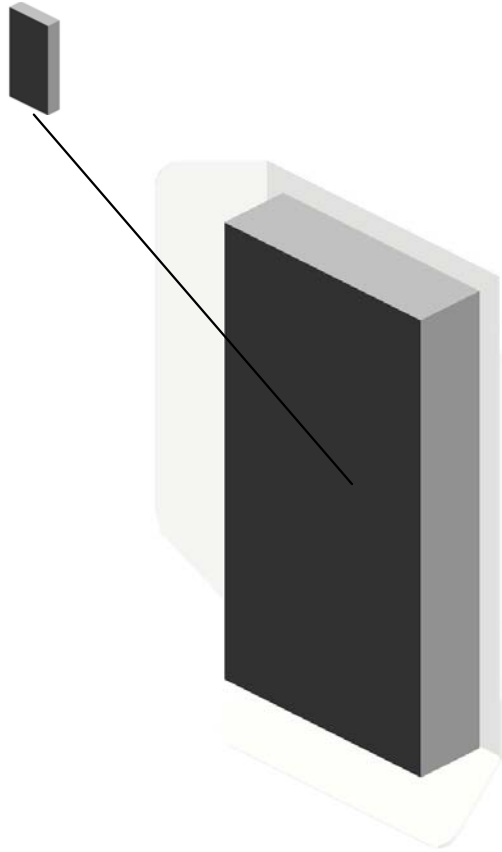


180.B0986736
SIDE FENCE:TAND
EM LCT:RIGHT FR
ONT

U001	U002	U003	U004	U005	U006	U007	U008	U009	U010	U011	U012	U013	U014	U015	U016	U017
------	------	------	------	------	-------------	------	------	------	------	------	------	------	------	------	------	------

U006_S017_S001
PLATE:PAPER

106.AA162082
CUSHION:PLATE:P
APER

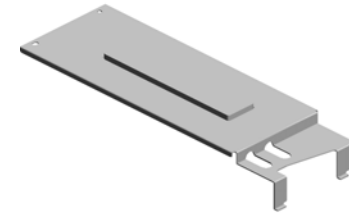
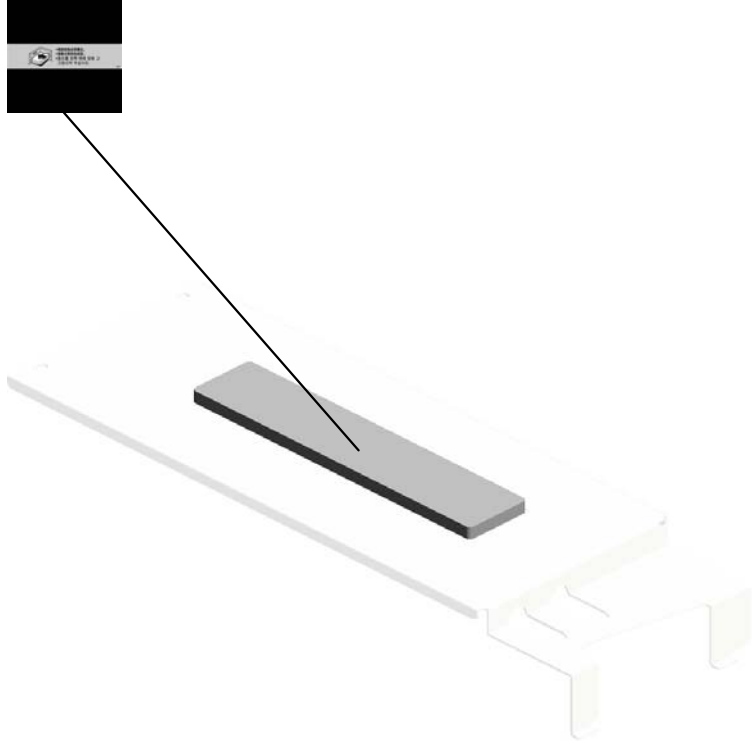


194.B2346690
PLATE:PAPER

U001	U002	U003	U004	U005	U006	U007	U008	U009	U010	U011	U012	U013	U014	U015	U016	U017
------	------	------	------	------	-------------	------	------	------	------	------	------	------	------	------	------	------

U006_S018
(CHN/TWN):TRAY BOTTOM PLATE:LEFT MIDDLE:ASS'Y

382.D6952529
(CHN/TWN):DECAL
:PAPER SET DIRE
CTION:TANDEM T
RAY:LEFT

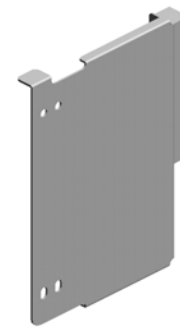
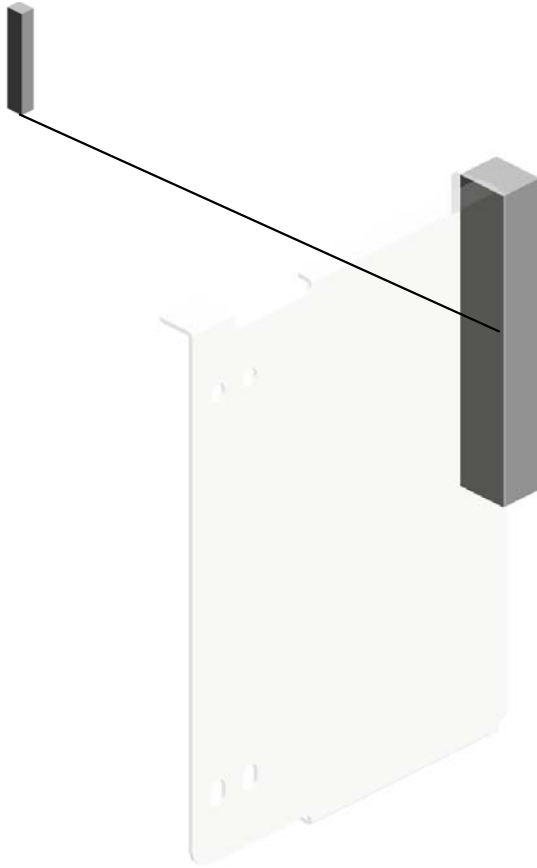


377.D2236862
(CHN/TWN):TRAY
BOTTOM PLATE:L
EFT MIDDLE:ASS'Y

U001	U002	U003	U004	U005	U006	U007	U008	U009	U010	U011	U012	U013	U014	U015	U016	U017
------	------	------	------	------	-------------	------	------	------	------	------	------	------	------	------	------	------

U006_S019
COVER:REAR:TANDEM LCT:ASS'Y

71.A2936649
REAR COVER CUS
HION - TANDEM LC
T

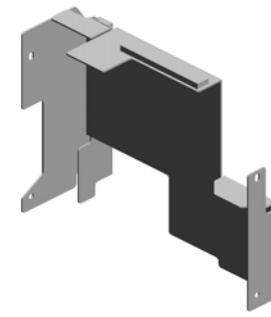


178.B0986649
COVER:REAR:TAN
DEM LCT:ASS'Y

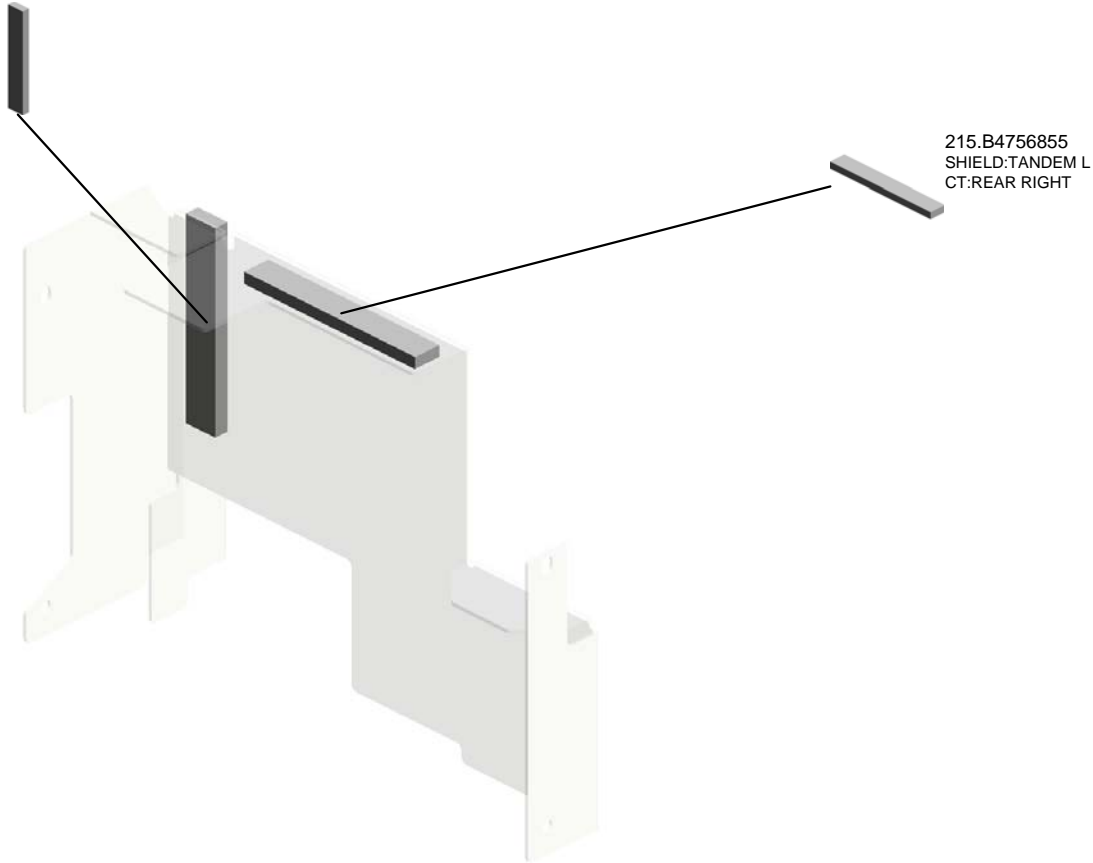
U001	U002	U003	U004	U005	U006	U007	U008	U009	U010	U011	U012	U013	U014	U015	U016	U017
------	------	------	------	------	-------------	------	------	------	------	------	------	------	------	------	------	------

U006_S020
SUPPORTING PLATE:TANDEM:RIGHT REAR

103.AA153138
INNER COVER CU
SHION - RIGHT RE
AR



182.B0986739
SUPPORTING PLA
TE:TANDEM:RIGHT
REAR



215.B4756855
SHIELD:TANDEM L
CT:REAR RIGHT

U001	U002	U003	U004	U005	U006	U007	U008	U009	U010	U011	U012	U013	U014	U015	U016	U017
------	------	------	------	------	-------------	------	------	------	------	------	------	------	------	------	------	------

U006_S021
 INNER COVER:TANDEM LCT:ASS'Y

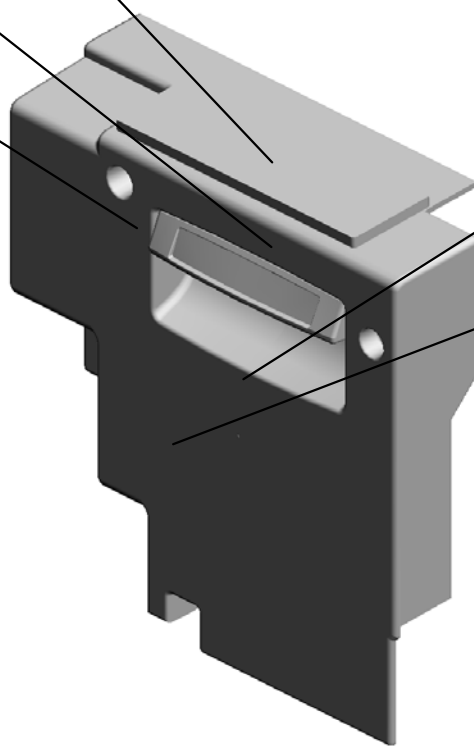
171.B0656875
 PROTECTION -INNER COVER

291.D1316870
 DECAL:PAPER SE
 T DIRECTION:TAN
 DEM LCT:RIGHT



288.D1316816
 INNER COVER:TAN
 DEM LCT:ASS'Y

13.04504008N
 (x2)
 TAPPING SCREW -
 M4X8



285.D1316780
 INNER COVER:TAN
 DEM LCT:RIGHT

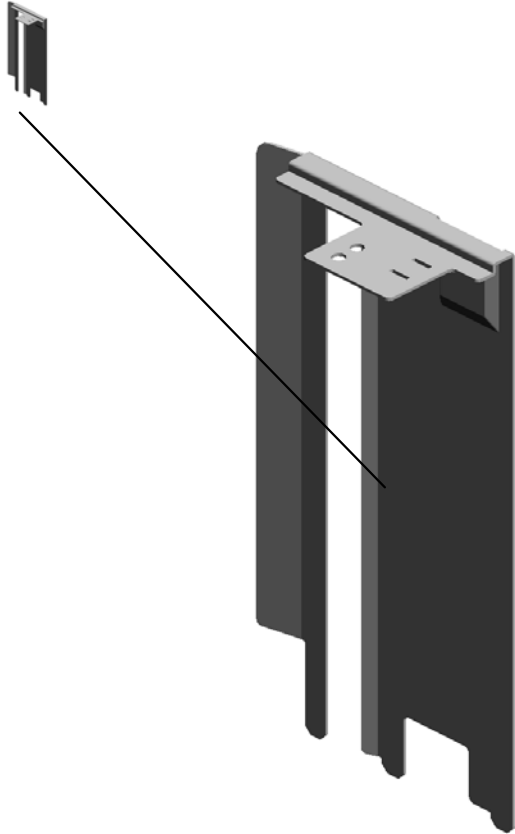


292.D1316871
 DECAL:CAUTION C
 HART:TANDEM LC
 T

U001	U002	U003	U004	U005	U006	U007	U008	U009	U010	U011	U012	U013	U014	U015	U016	U017
------	------	------	------	------	------	------	------	------	------	------	------	------	------	------	------	------

U006_S022
SIDE FENCE:TANDEM LCT:RIGHT FRONT

181.B0986737
SIDE FENCE:TAND
EM LCT:RIGHT FR
ONT

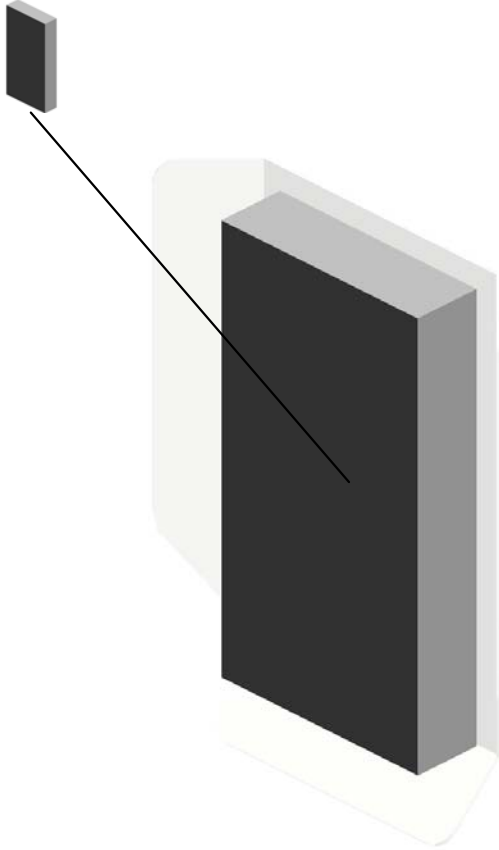


180.B0986736
SIDE FENCE:TAND
EM LCT:RIGHT FR
ONT

U001	U002	U003	U004	U005	U006	U007	U008	U009	U010	U011	U012	U013	U014	U015	U016	U017
------	------	------	------	------	-------------	------	------	------	------	------	------	------	------	------	------	------

U006_S022_S001
PLATE:PAPER

106.AA162082
CUSHION:PLATE:P
APER

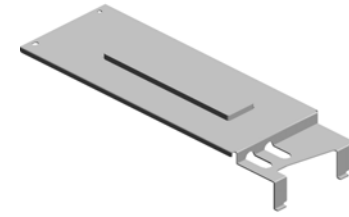
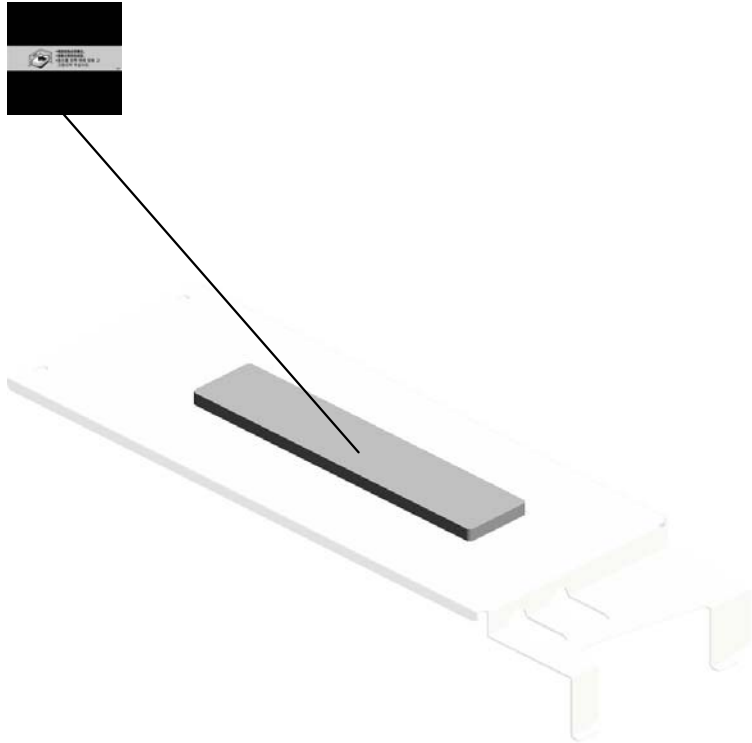


194.B2346690
PLATE:PAPER

U001	U002	U003	U004	U005	U006	U007	U008	U009	U010	U011	U012	U013	U014	U015	U016	U017
------	------	------	------	------	-------------	------	------	------	------	------	------	------	------	------	------	------

U006_S023
(CHN/TWN):TRAY BOTTOM PLATE:LEFT MIDDLE:ASS'Y

382.D6952529
(CHN/TWN):DECAL
:PAPER SET DIRE
CTION:TANDEM T
RAY:LEFT

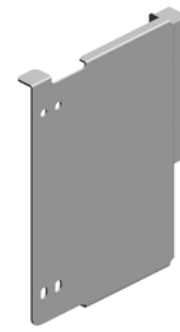
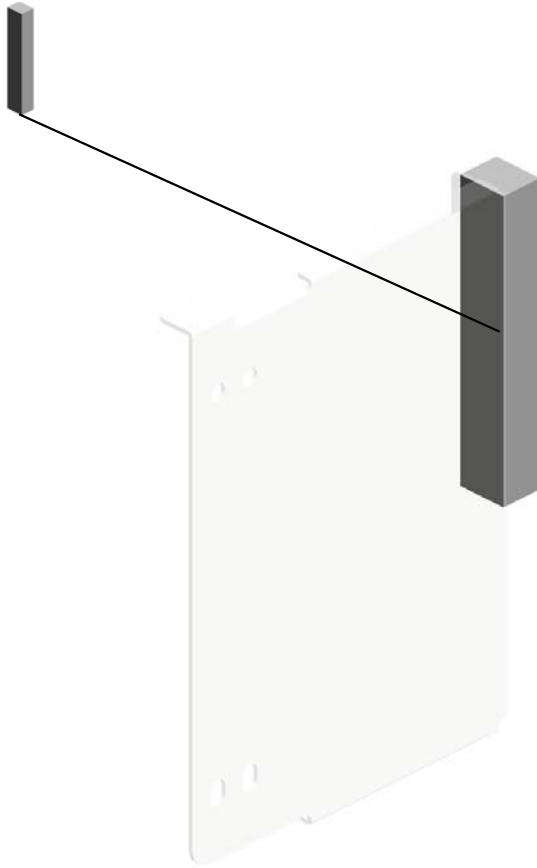


377.D2236862
(CHN/TWN):TRAY
BOTTOM PLATE:L
EFT MIDDLE:ASS'Y

U001	U002	U003	U004	U005	U006	U007	U008	U009	U010	U011	U012	U013	U014	U015	U016	U017
------	------	------	------	------	-------------	------	------	------	------	------	------	------	------	------	------	------

U006_S024
COVER:REAR:TANDEM LCT:ASS'Y

71.A2936649
REAR COVER CUS
HION - TANDEM LC
T

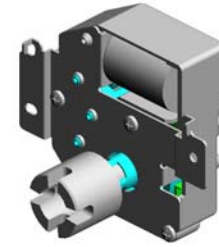
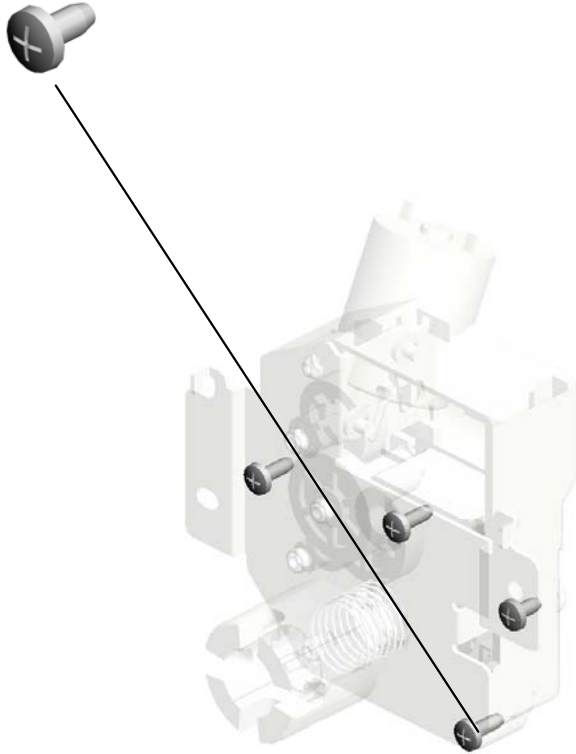


178.B0986649
COVER:REAR:TAN
DEM LCT:ASS'Y

U001	U002	U003	U004	U005	U006	U007	U008	U009	U010	U011	U012	U013	U014	U015	U016	U017
------	------	------	------	------	-------------	------	------	------	------	------	------	------	------	------	------	------

U006_S025
DC MOTOR:RISING TRAY:ASS'Y

20.04523010N
(x4)
BINDING SELF-TA
PPING SCREW:3X
10

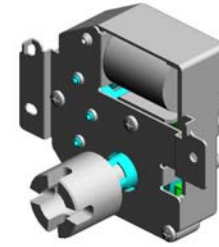
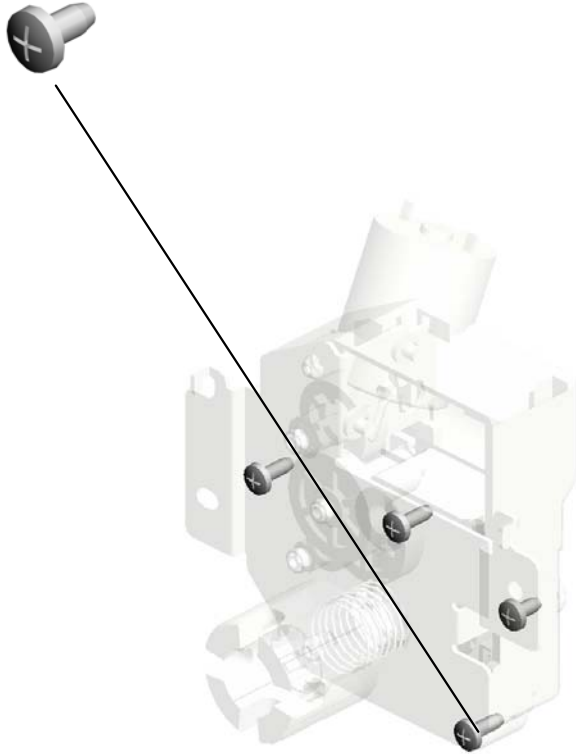


142.AX040199
DC MOTOR:RISING
TRAY:ASS'Y

U001	U002	U003	U004	U005	U006	U007	U008	U009	U010	U011	U012	U013	U014	U015	U016	U017
------	------	------	------	------	-------------	------	------	------	------	------	------	------	------	------	------	------

U006_S026
DC MOTOR:RISING TRAY:ASS'Y

20.04523010N
(x4)
BINDING SELF-TA
PPING SCREW:3X
10

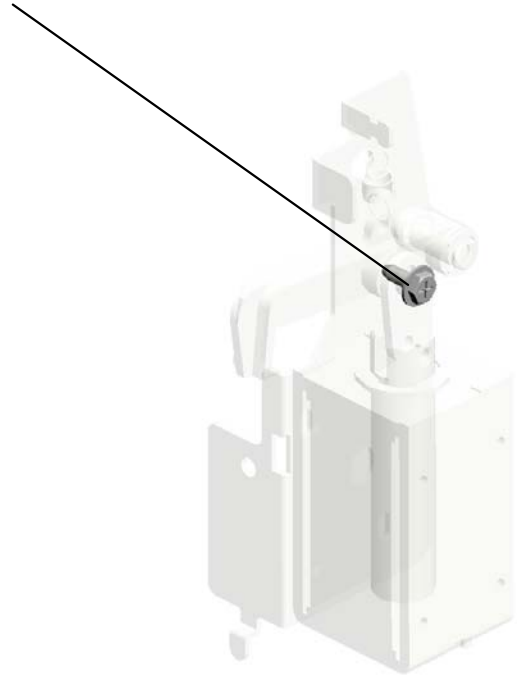


142.AX040199
DC MOTOR:RISING
TRAY:ASS'Y

U001	U002	U003	U004	U005	U006	U007	U008	U009	U010	U011	U012	U013	U014	U015	U016	U017
------	------	------	------	------	-------------	------	------	------	------	------	------	------	------	------	------	------

U006_S027
DC SOLENOID:LOCK:ASS'Y

12.04503008N
TAPPING SCREW -
M3X8



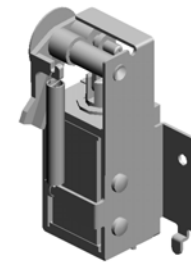
313.D2236231
DC SOLENOID:LO
CK:ASSY

37.07200040E (x 1)
RETAINING RING - M4

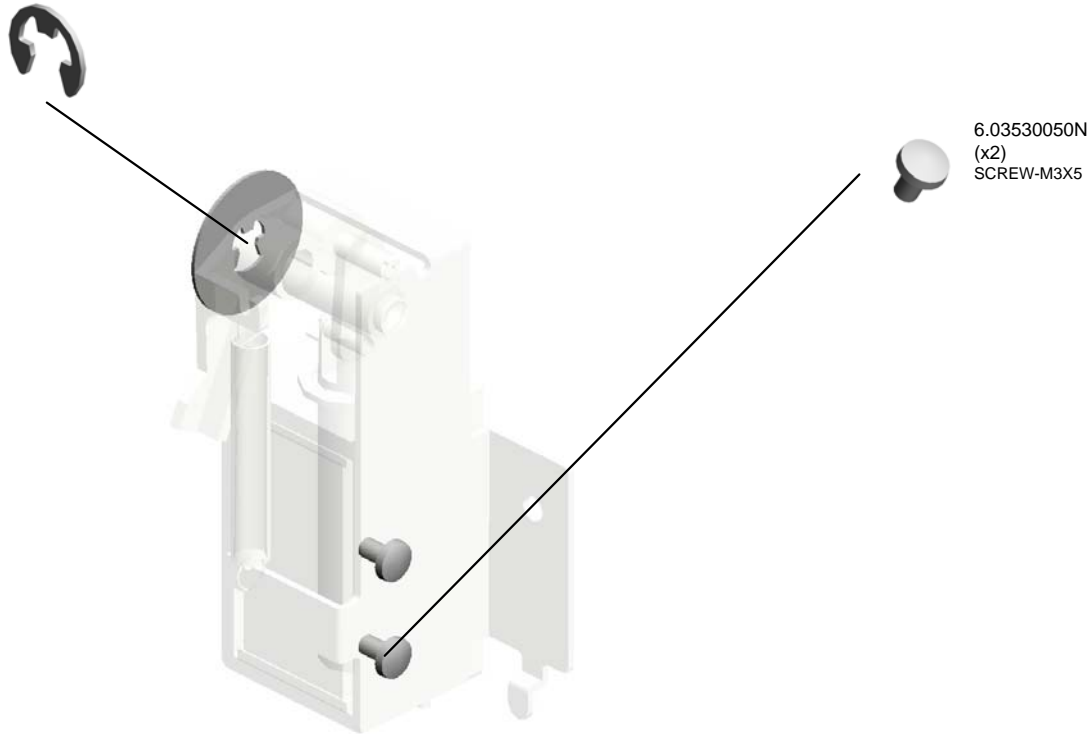
U001	U002	U003	U004	U005	U006	U007	U008	U009	U010	U011	U012	U013	U014	U015	U016	U017
------	------	------	------	------	-------------	------	------	------	------	------	------	------	------	------	------	------

U006_S028
DC SOLENOID:COUPLING:ASS'Y

37.07200040E
RETAINING RING -
M4



314.D2236233
DC SOLENOID:CO
UPLING:ASS'Y



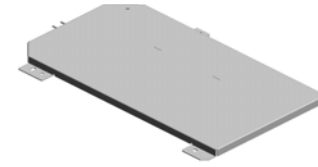
6.03530050N
(x2)
SCREW-M3X5

U001	U002	U003	U004	U005	U006	U007	U008	U009	U010	U011	U012	U013	U014	U015	U016	U017
------	------	------	------	------	-------------	------	------	------	------	------	------	------	------	------	------	------

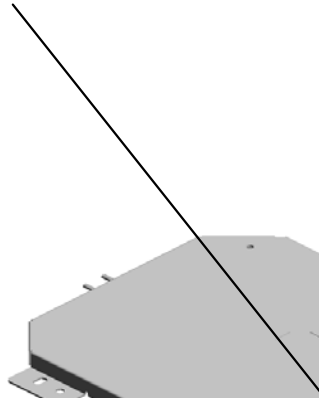
U006_S029

(NA(D223(220-240V),D224(220-240V),D225)/EU/AA/CHN/TWN(D225)):HEAT SINK:HEATER:LOWER:ASS'Y

144.AX400178
(NA(D223(220-240V),D224(220-240V),D225)/EU/AA/CHN/TWN(D225)):HEATER:240V:18W:UPPER



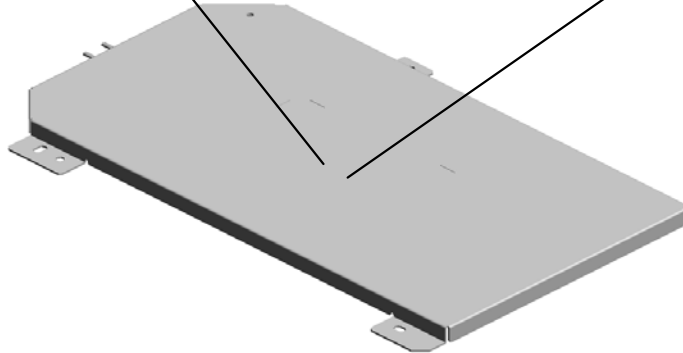
190.B1406226
(NA(D223(220-240V),D224(220-240V),D225)/EU/AA/CHN/TWN(D225)):HEAT SINK:HEATER:LOWER:ASS'Y



188.B1406221
HEAT SINK:HEATER:LOWER:SUB-ASS'Y



51.11050516
CLAMP

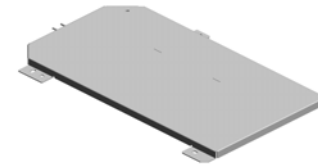


U001	U002	U003	U004	U005	U006	U007	U008	U009	U010	U011	U012	U013	U014	U015	U016	U017
------	------	------	------	------	-------------	------	------	------	------	------	------	------	------	------	------	------

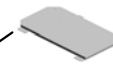
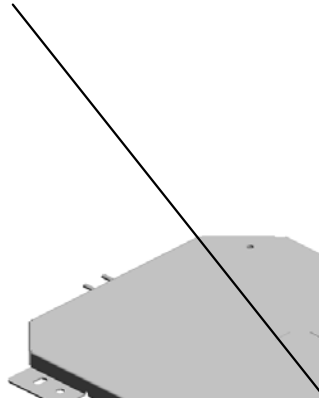
U006_S030

(NA(D223(120V),D224(120V))/TWN(D223,D224)):HEAT SINK:HEATER:LOWER:ASS'Y

143.AX400176
(NA(D223(120V),D2
24(120V))/TWN(D2
23,D224)):HEATER:
115V:18W:UPPER



189.B1406225
(NA(D223(120V),D2
24(120V))/TWN(D2
23,D224)):HEAT SI
NK:HEATER:LOWE
R:ASS'Y



188.B1406221
HEAT SINK:HEATE
R:LOWER:SUB-AS
S'Y



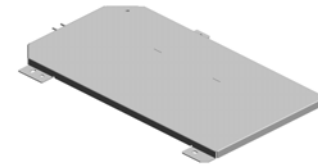
51.11050516
CLAMP

U001	U002	U003	U004	U005	U006	U007	U008	U009	U010	U011	U012	U013	U014	U015	U016	U017
------	------	------	------	------	-------------	------	------	------	------	------	------	------	------	------	------	------

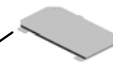
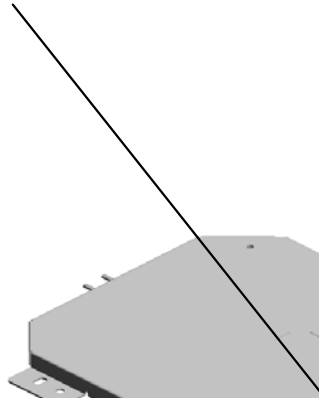
U006_S031

(NA(D223(120V),D224(120V))/TWN(D223,D224)):HEAT SINK:HEATER:LOWER:ASS'Y

143.AX400176
(NA(D223(120V),D2
24(120V))/TWN(D2
23,D224)):HEATER:
115V:18W:UPPER



189.B1406225
(NA(D223(120V),D2
24(120V))/TWN(D2
23,D224)):HEAT SI
NK:HEATER:LOWE
R:ASS'Y



188.B1406221
HEAT SINK:HEATE
R:LOWER:SUB-AS
S'Y



51.11050516
CLAMP

U001	U002	U003	U004	U005	U006	U007	U008	U009	U010	U011	U012	U013	U014	U015	U016	U017
------	------	------	------	------	-------------	------	------	------	------	------	------	------	------	------	------	------

U007.PAPER FEED

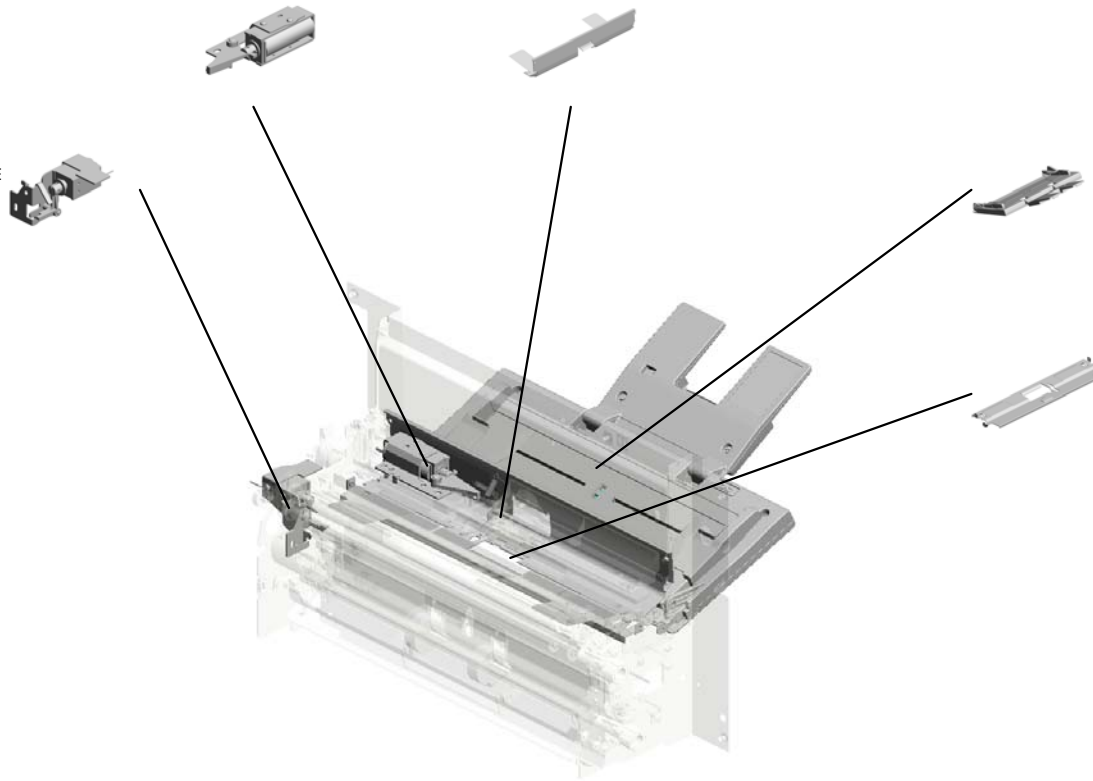
U007_S003
D2232690
DC SOLENOID:PICKUP:MAN
UAL FEED:ASS'Y

U007_S002
D2232723
GUIDE PLATE:MANUAL FEE
D:PEEN

U007_S001
D2232655
DC SOLENOID:GUIDE PLATE
:OPEN AND CLOSE:ASS'Y

U007_S005
D2232729
MANUAL FEED TABLE:ASS'Y

U007_S004
D2232700
STAY:REVERSE:ASS'Y



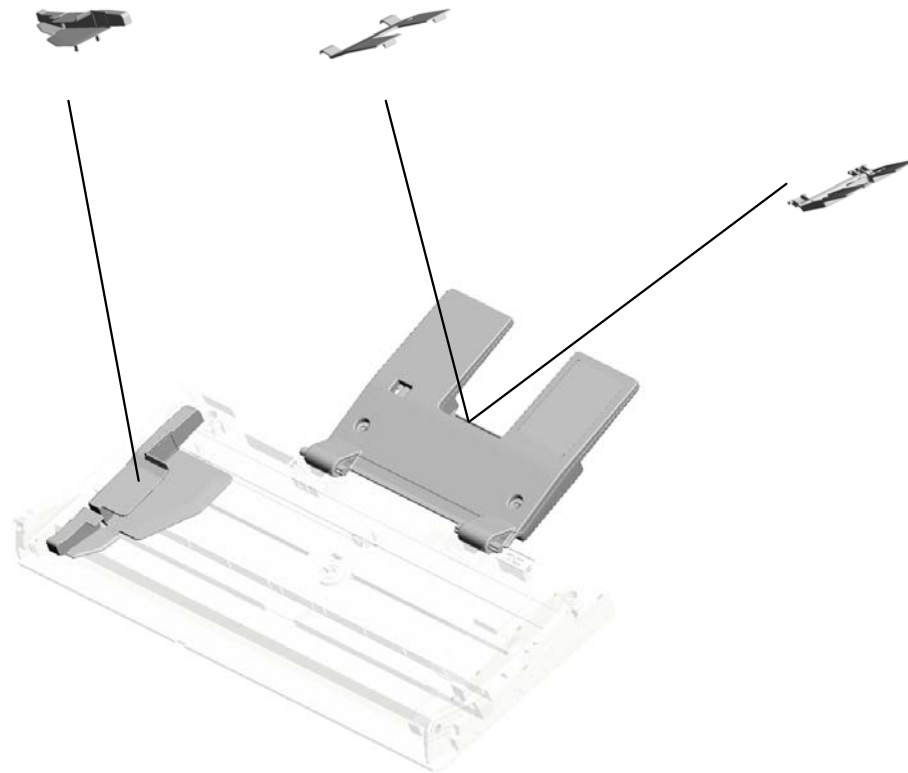
U001	U002	U003	U004	U005	U006	U007	U008	U009	U010	U011	U012	U013	U014	U015	U016	U017
------	------	------	------	------	------	------	------	------	------	------	------	------	------	------	------	------

U007_S005.MANUAL FEED TABLE:ASS'Y

U007_S005_S001
D2232736
SIDE FENCE:MANUAL FEED:
REAR:ASS'Y

U007_S005_S002
D2232726
EXTENSION TRAY:MANUAL
FEED:UPPER:SUB-ASS'Y

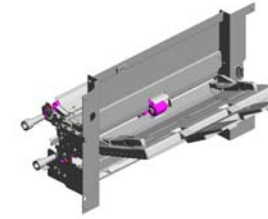
U007_S005_S003
D2232727
EXTENSION TRAY:MANUAL
FEED:LOWER:SUB-ASS'Y



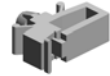
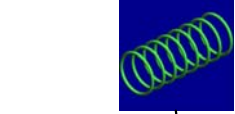
U001	U002	U003	U004	U005	U006	U007	U008	U009	U010	U011	U012	U013	U014	U015	U016	U017
------	------	------	------	------	------	------	------	------	------	------	------	------	------	------	------	------

U007 PAPER FEED

23.54422754 (x2) SPRING - REGISTRATION ROLLER
 14.08050088 RETAINING RING - M6
 19.11050511 (x9) HARNESS CLAMP - LWS-0306ZC
 10.07200060E (x11) RETAINING RING - M6
 18.11050487 (x5) HARNESS CLAMP



9.07200040E (x13) RETAINING RING - M4



15.08050103 RETAINING RINGS - E: SILENCER: DIA3

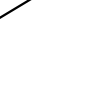


17.11050328 HARNESS CLAMP - ES-0505



22.11050724 (x2) CLAMPS: WES-1210

12.07413708 (x2) BALL BEARING - 8 X12X3.5MM



25.54472681 (x3) SNAP RING

5.04514008N (x34) TAPPING SCREW: 4X8

20.11050517 HARNESS CLAMP - LWS-2111Z



11.07413506 BALL BEARING - 6 X12X4 MM

4.04513006N (x2) TAPPING SCREW - 3X6



6.04533006N TAPPING SCREW - M3X6

21.11050723 (x3) CLAMPS: WES-0507



5.04514008N (x63) TAPPING SCREW: 4X8

7.05730030E HEXAGON HEADLESS SET SCREW - M3X3

8.07200030E (x6) RETAINING RING - M3

24.54432668 (x2) BUSHING - 4X6X7 MM

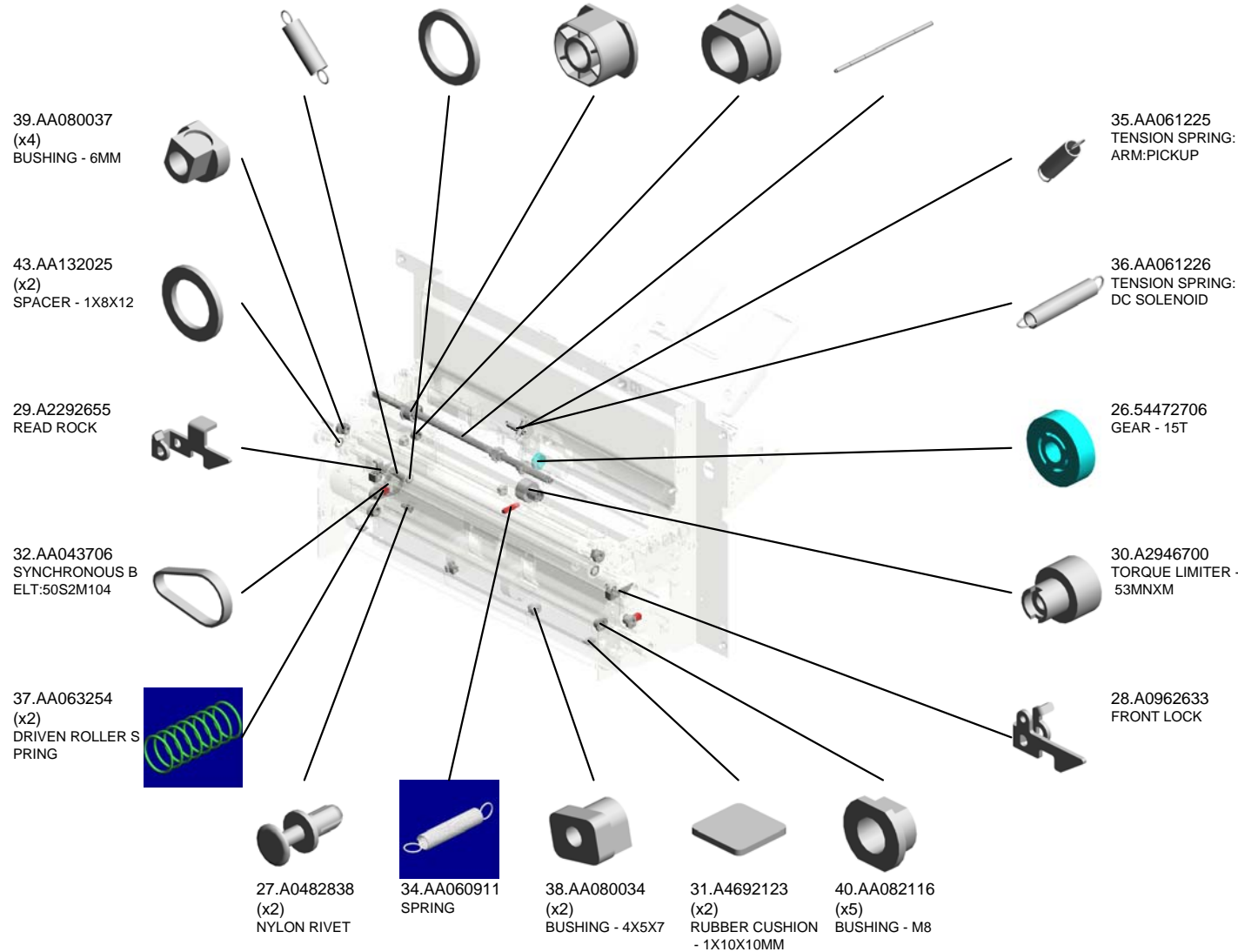
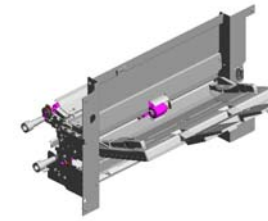
13.07433808 (x2) RADIAL BALL BEARING: DIA8XDIA16X5

16.09514008N (x2) SCREW: POLISHED ROUND: M4X8



U007 PAPER FEED

33.AA060722 TENSION SPRING
 44.AA132228 SPACER - 1MM
 42.AA083019 BUSHING
 41.AA082118 (x3) BUSHING - M6
 45.AA140956 SHAFT:FEED ROLLER



U001	U002	U003	U004	U005	U006	U007	U008	U009	U010	U011	U012	U013	U014	U015	U016	U017
------	------	------	------	------	------	------	------	------	------	------	------	------	------	------	------	------

U007 PAPER FEED

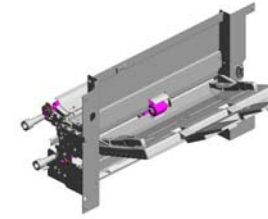
66.AX210107
ELECTROMAGNET
IC CLUTCH:0.49N:3
6Z

53.AB017606
GEAR - 24Z/46Z

55.AB017946
GEAR:PULLEY:SL
OW DOWN:JOINT
UNIT:FIRST

56.AB017947
GEAR:PULLEY:SL
OW DOWN:JOINT
UNIT:SECOND

48.AB011392
DRIVE REVERSE G
EAR - 24Z



52.AB011622
GEAR:REGISTRATI
ON ROLLER

57.AB030722
(x2)
PULLEY - 13MM

54.AB017607
GEAR - 22Z/39Z

49.AB011457
TRANSPORT ROLL
ER GEAR

65.AW020224
(x2)
PHOTOINTERRUP
TOR:GP1A173LCS
VF

51.AB011591
GEAR:REVERSE

58.AF020831
ROLLER:CONNEC
TING:DRIVE

64.AW010151
(x2)
PHOTO REFLECTIO
N SENSOR:PS122T
L1-A

46.AA152441
(x4)
CASE SEAL

47.AA162079
CUSHION

59.AF030080
PAPER FEED ROL
LER:PICKUP

50.AB011478
GEAR - 18Z

60.AF031083
PAPER FEED ROL
LER:FEED:MANUA
L FEED

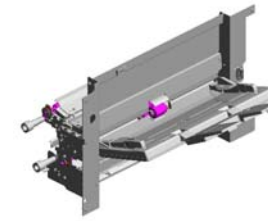
61.AF032080
PAPER FEED ROL
LER:SEPARATE

67.B0652607
FRONT SUPPORT
PLATE

U001	U002	U003	U004	U005	U006	U007	U008	U009	U010	U011	U012	U013	U014	U015	U016	U017
------	------	------	------	------	------	------	------	------	------	------	------	------	------	------	------	------

U007 PAPER FEED

- 69.B0652621 SENSOR BRACKET
- 78.B1402614 UPPER FRONT REGISTRATION GUIDE
- 79.B1402622 LOWER FRONT REGISTRATION GUIDE
- 71.B0652709 REVERSE PRESSURE LEVER
- 73.B0652729 PAPER END FEELER



76.B0656445
FEED LEVER

90.B2472644
REAR LOCK SPRING

68.B0652620
PAPER DUST REMOVAL CASE

87.B2472623
REGISTRATION ROLLER:UPPER:PRESS FIT

86.B2472611
LOWER REGISTRATION GUIDE

82.B1402671
EXIT DUPLEX GUIDE ASS'Y

80.B1402647
OPEN AND CLOSE GUIDE ASS'Y

88.B2472642
LOCK SHAFT

81.B1402665
PAPER BANK GUIDE PLATE ASS'Y

89.B2472643
TRANSPORT ROLLER:RIGHT:DRIVEN: ASS'Y

75.B0652743
FRONT SHAFT - B Y-PASS

85.B2472605
SIDE PLATE:PAPER FEED:FRONT:PELLEN

70.B0652708
MIDDLE SENSOR BRACKET

84.B1402675
OPTION TRAY GUIDE ASS'Y

83.B1402673
OPEN AND CLOSE OPTION TRAY EXIT GUIDE

U001	U002	U003	U004	U005	U006	U007	U008	U009	U010	U011	U012	U013	U014	U015	U016	U017
------	------	------	------	------	------	------	------	------	------	------	------	------	------	------	------	------

U007 PAPER FEED

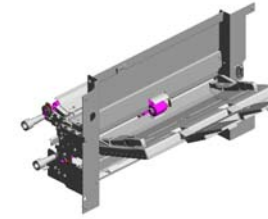
111.D2232695
LINK:PAPER STOP
PER

108.D2232688
ARM:PICKUP:ASS'
Y DRAWING

110.D2232694
PAPER STOPPER:
PAPER TRAY

106.D2232661
COVER:PAPER FE
ED:MAIN

107.D2232662
BRACKET:MAGNE
T CATCH



102.D2232609
COVER:PAPER FE
ED UNIT:GEAR

95.B2472754
BRACKET:TIGHTE
NER:PEEN

122.D2232752
BRACKET:DC MOT
OR:JOINT UNIT:PE
EN

99.D1312622
SHEET:GUARD:RE
GISTRATION SENS
OR

103.D2232627
REGISTRATION R
OLLER:LOWER:PR
ESS FIT

92.B2472678
DUPLEX EXIT ROL
LER

97.D1312615
(x2)
SPONGE:REGISTR
ATION SENSOR:G
UARD

93.B2472699
STAY:REVERSE R
OLLER:PEEN

91.B2472669
(x2)
EXIT ROLLER SPRI
NG

104.D2232643
DECAL:POSITIONI
NG DISPLAY:B2

124.D2232783
LIQUID STREAM P
LATE:DEVELOPME
NT:LOWER

101.D2232608
BRACKET:CONNE
CTOR:DEVELOPM
ENT

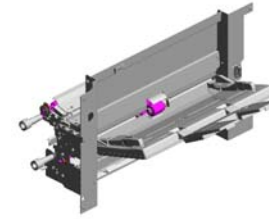
98.D1312620
DISCHARGE BRUS
H:PAPER FEED UN
IT:REGISTRATION
ROLLER

96.D1312552
(x2)
KNOB:DUPLEX

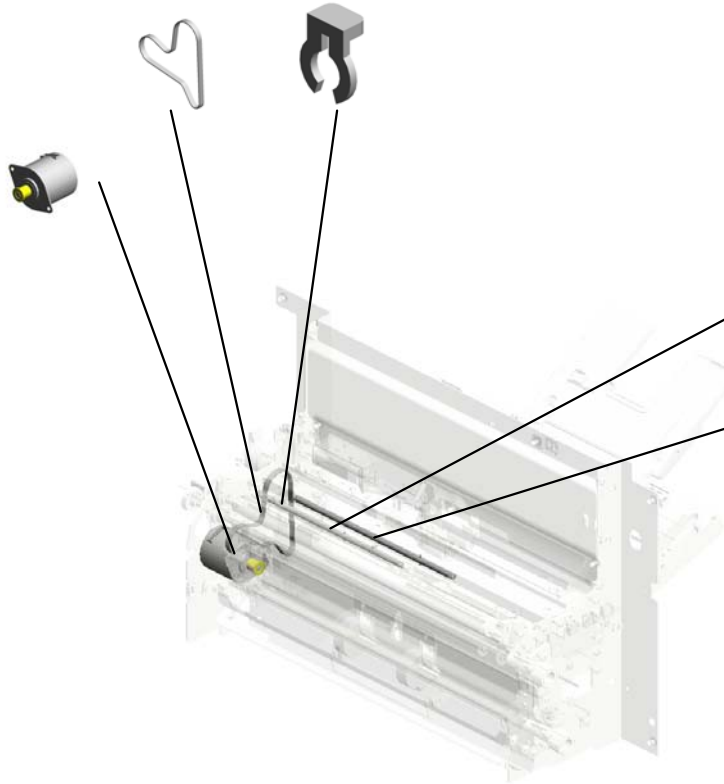
100.D1312719
LEVER:LOCK

U007 PAPER FEED

132.GA043028 129.G0111058
TIMING BELT:60S2 (x2)
M288 SNAP RING



128.D2236321
DC MOTOR-ASS'Y:
20W:BRUSHLESS



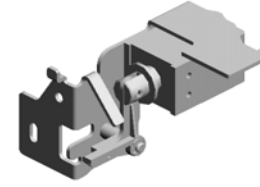
130.G1262713
SHAFT:REVERSE:
DRIVE:ASS'Y

131.G1262714
SHAFT:REVERSE
ROLLER:ASS'Y

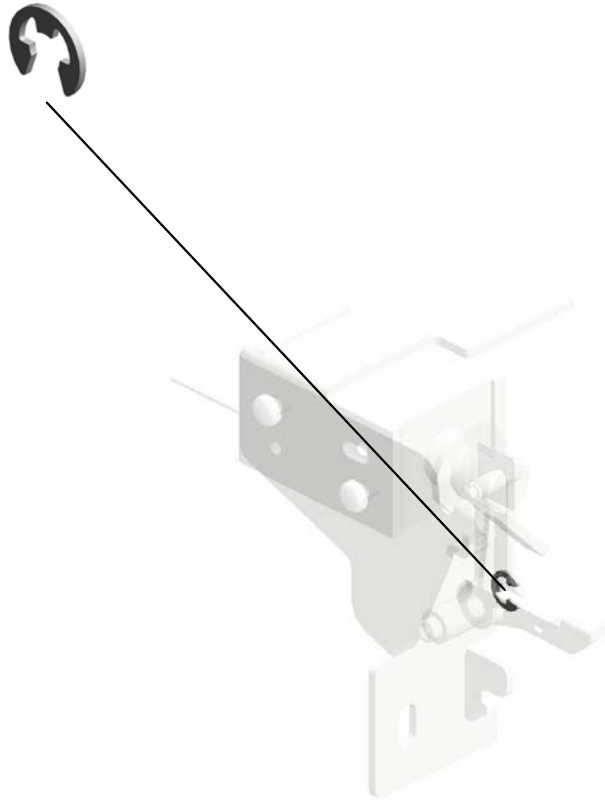
U001	U002	U003	U004	U005	U006	U007	U008	U009	U010	U011	U012	U013	U014	U015	U016	U017
------	------	------	------	------	------	-------------	------	------	------	------	------	------	------	------	------	------

U007_S001
DC SOLENOID:GUIDE PLATE:OPEN AND CLOSE:ASS'Y

8.07200030E
RETAINING RING -
M3



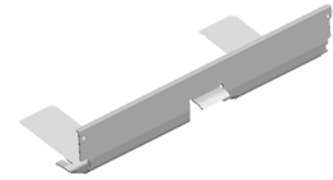
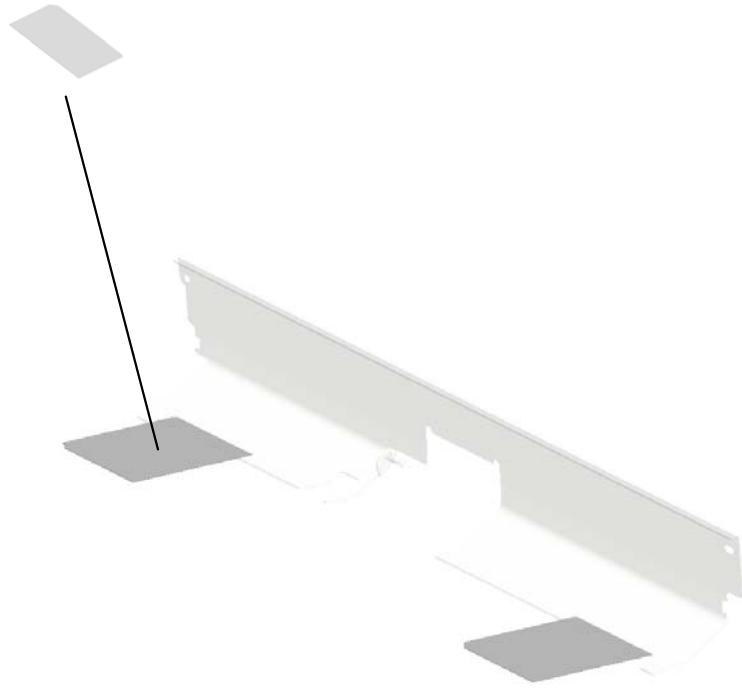
105.D2232655
DC SOLENOID:GUI
DE PLATE:OPEN A
ND CLOSE:ASS'Y



U001	U002	U003	U004	U005	U006	U007	U008	U009	U010	U011	U012	U013	U014	U015	U016	U017
------	------	------	------	------	------	------	------	------	------	------	------	------	------	------	------	------

U007_S002
GUIDE PLATE:MANUAL FEED:PEEN

72.B0652723
(x2)
SHEET - MANUAL
FEED GUIDE PLAT
E

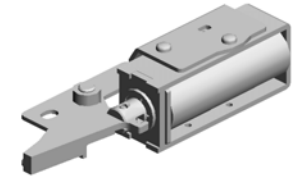


113.D2232723
GUIDE PLATE:MAN
UAL FEED:PEEN

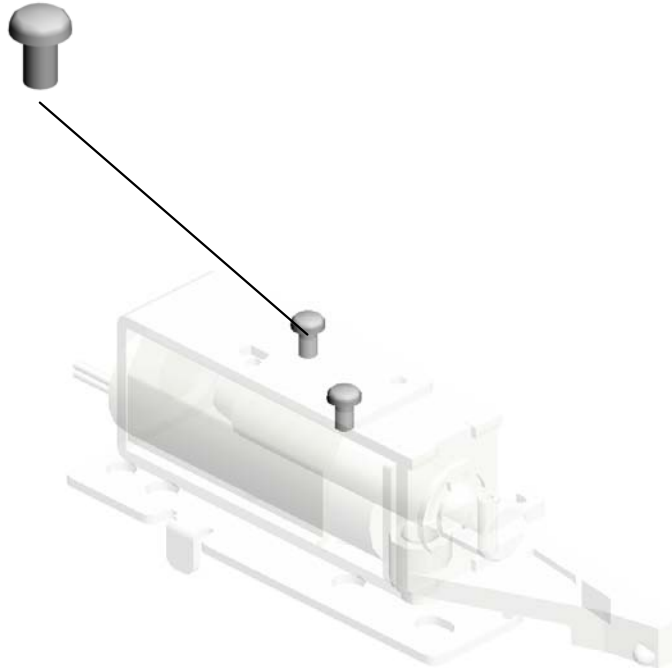
U001	U002	U003	U004	U005	U006	U007	U008	U009	U010	U011	U012	U013	U014	U015	U016	U017
------	------	------	------	------	------	------	------	------	------	------	------	------	------	------	------	------

U007_S003
DC SOLENOID:PICKUP:MANUAL FEED:ASS'Y

1.03130050N
(x2)
PHILIPS PAN HEA
D SCREW - M3X5



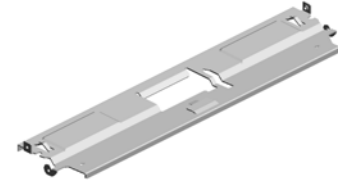
109.D2232690
DC SOLENOID:PIC
KUP:MANUAL FEE
D:ASS'Y



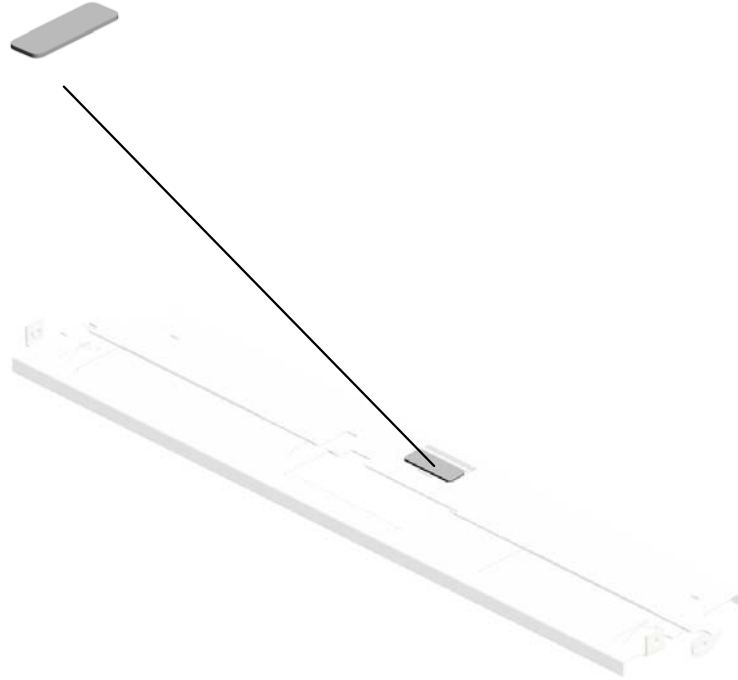
U001	U002	U003	U004	U005	U006	U007	U008	U009	U010	U011	U012	U013	U014	U015	U016	U017
------	------	------	------	------	------	------	------	------	------	------	------	------	------	------	------	------

U007_S004
STAY:REVERSE:ASS'Y

94.B2472702
FRICTION PAD - B



112.D2232700
STAY:REVERSE:A
SS'Y



U001	U002	U003	U004	U005	U006	U007	U008	U009	U010	U011	U012	U013	U014	U015	U016	U017
------	------	------	------	------	------	------	------	------	------	------	------	------	------	------	------	------

U007_S005 MANUAL FEED TABLE:ASS'Y

3.04503010N (x2) TAPPING SCREW - M3X10
 74.B0652741 SENSOR BRACKET
 120.D2232745 PAPER SIZE SENSOR:MANUAL FEED:ASS'Y

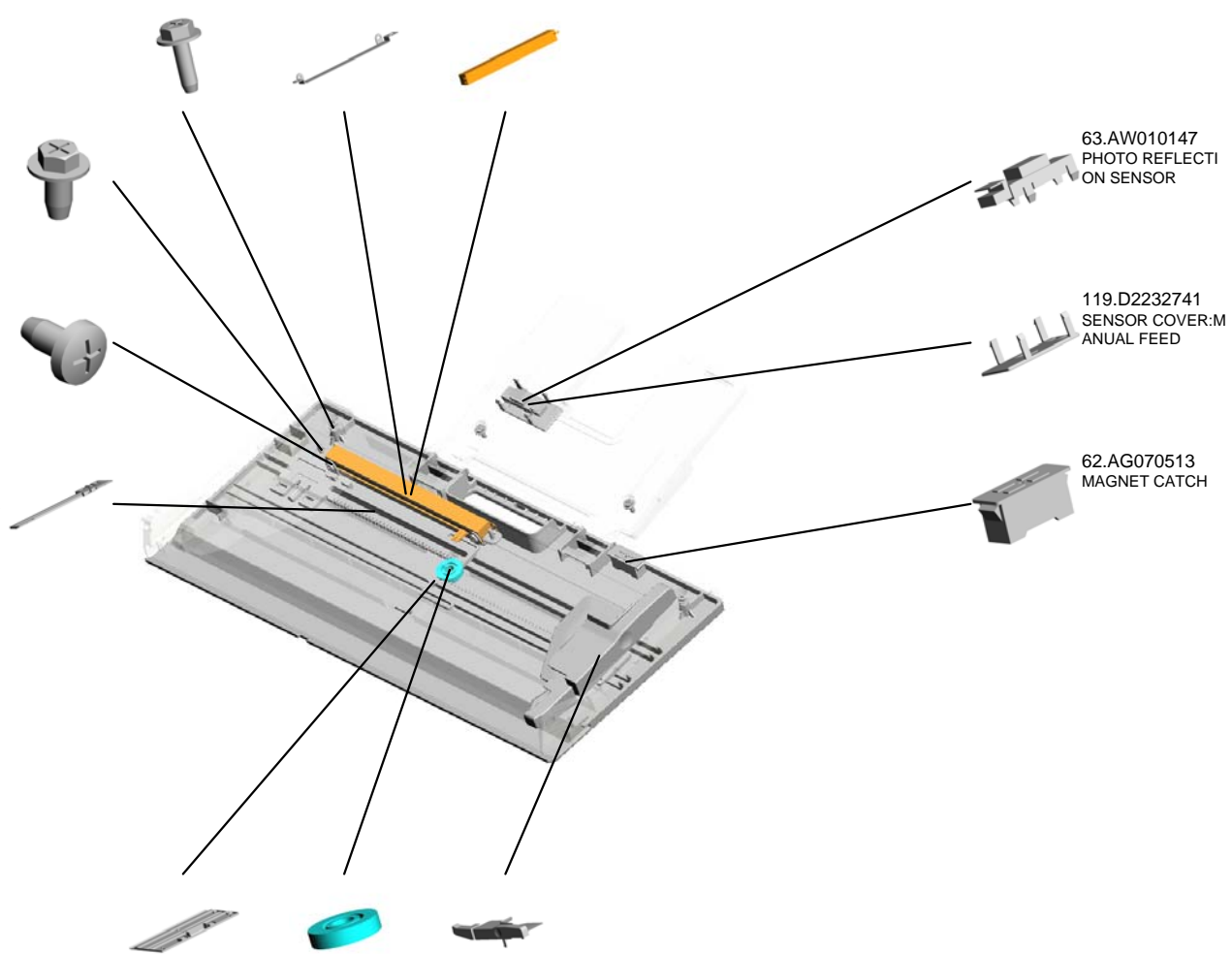


116.D2232729
MANUAL FEED TABLE:ASS'Y

2.04503008N (x4) TAPPING SCREW - M3X8

6.04533006N (x2) TAPPING SCREW - M3X6

123.D2232780 (x2) RACK:SIDE FENCE



63.AW010147 PHOTO REFLECTIVE SENSOR

119.D2232741 SENSOR COVER:MANUAL FEED

62.AG070513 MAGNET CATCH

121.D2232746 MANUAL FEED TABLE:LOWER:PRINTING
 77.B0983492 GEAR:MANUAL FEED TABLE
 118.D2232737 SIDE FENCE:MANUAL FEED:FRONT

U001	U002	U003	U004	U005	U006	U007	U008	U009	U010	U011	U012	U013	U014	U015	U016	U017
------	------	------	------	------	------	------	------	------	------	------	------	------	------	------	------	------

U007_S005_S001
SIDE FENCE:MANUAL FEED:REAR:ASS'Y

126.D2232876
DECAL:SIDE FENC
E:MANUAL FEED



117.D2232736
SIDE FENCE:MAN
UAL FEED:REAR:A
SS'Y



U001	U002	U003	U004	U005	U006	U007	U008	U009	U010	U011	U012	U013	U014	U015	U016	U017
------	------	------	------	------	------	------	------	------	------	------	------	------	------	------	------	------

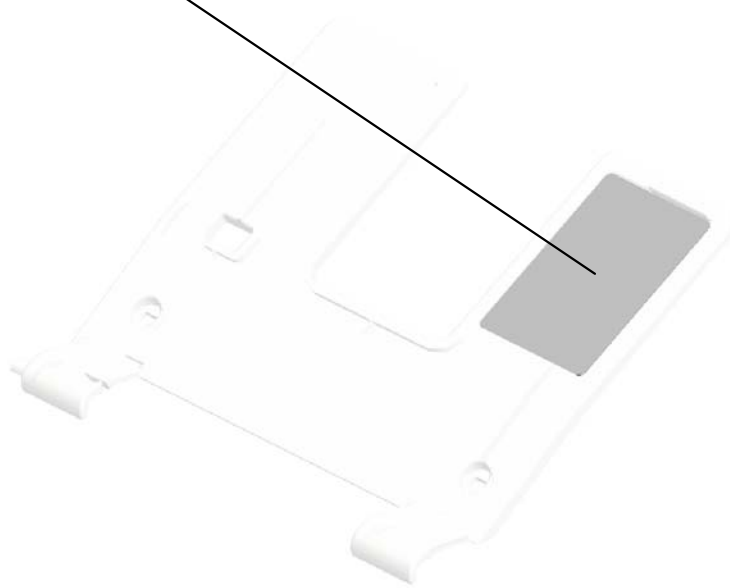
U007_S005_S002

EXTENSION TRAY:MANUAL FEED:UPPER:SUB-ASS'Y

125.D2232875
DECAL:PAPER SE
T DIRECTION:MAN
UAL FEED



114.D2232726
EXTENSION TRAY:
MANUAL FEED:UP
PER:SUB-ASSY

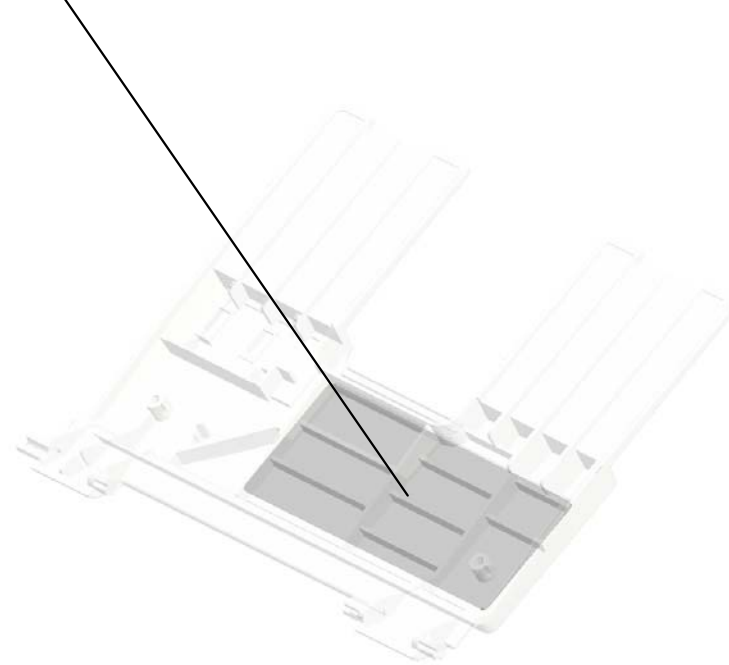
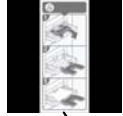


U001	U002	U003	U004	U005	U006	U007	U008	U009	U010	U011	U012	U013	U014	U015	U016	U017
------	------	------	------	------	------	------	------	------	------	------	------	------	------	------	------	------

U007_S005_S003

EXTENSION TRAY:MANUAL FEED:LOWER:SUB-ASS'Y

127.D2232877
DECAL:OPERATIO
N INSTRUCTIONS:
EXTENSION TRAY:
MANUAL FEED



115.D2232727
EXTENSION TRAY:
MANUAL FEED:LO
WER:SUB-ASS'Y

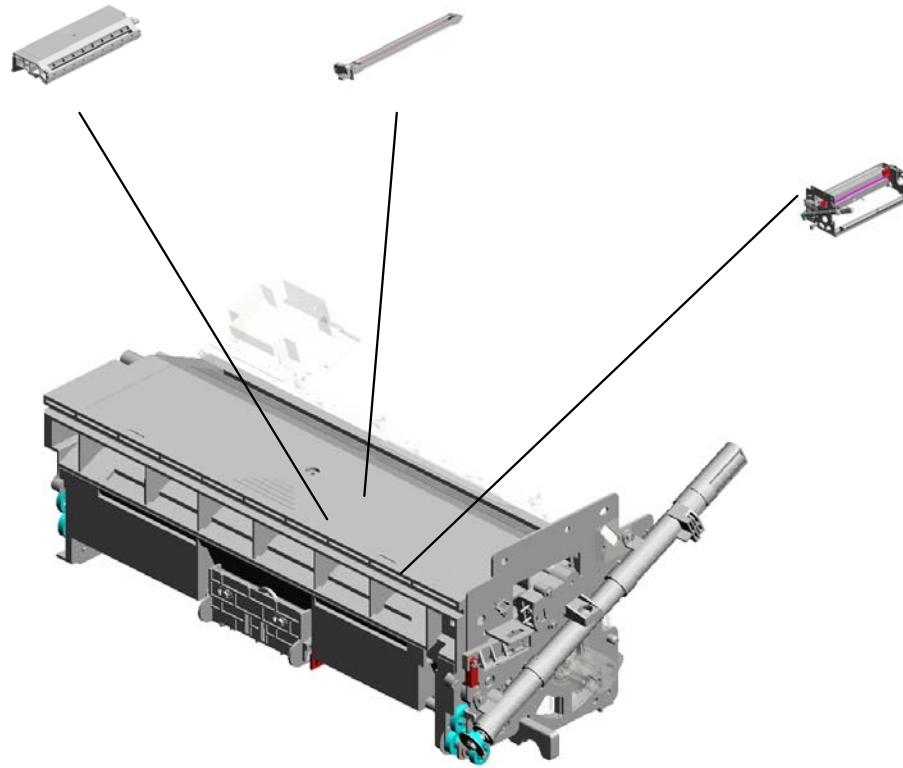
U001	U002	U003	U004	U005	U006	U007	U008	U009	U010	U011	U012	U013	U014	U015	U016	U017
------	------	------	------	------	------	------	------	------	------	------	------	------	------	------	------	------

U008.PCU

U008_S001
D2232270
PCU:UPPER:ASS'Y

U008_S002
D2232010
CHARGE COROASS'Y

U008_S003
D2232260
PCU:LOWER:ASS'Y



U001	U002	U003	U004	U005	U006	U007	U008	U009	U010	U011	U012	U013	U014	U015	U016	U017
------	------	------	------	------	------	------	-------------	------	------	------	------	------	------	------	------	------

U008_S003.PCU:LOWER:ASS'Y

U008_S003_S004
B2472300
CASE:PCU:LOWER:ASS'Y

U008_S003_S001
B0652336
PICKOFF PAWL:DRUM:ASS'
Y

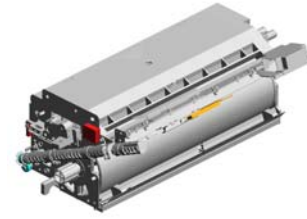
U008_S003_S003
B2472395
TONER RECYCLING ASS'Y

U008_S003_S002
B2472366
SHAFT:BRUSH ROLLER:FRO
NT:ASS'Y

U001	U002	U003	U004	U005	U006	U007	U008	U009	U010	U011	U012	U013	U014	U015	U016	U017
------	------	------	------	------	------	------	------	------	------	------	------	------	------	------	------	------

U008
PCU

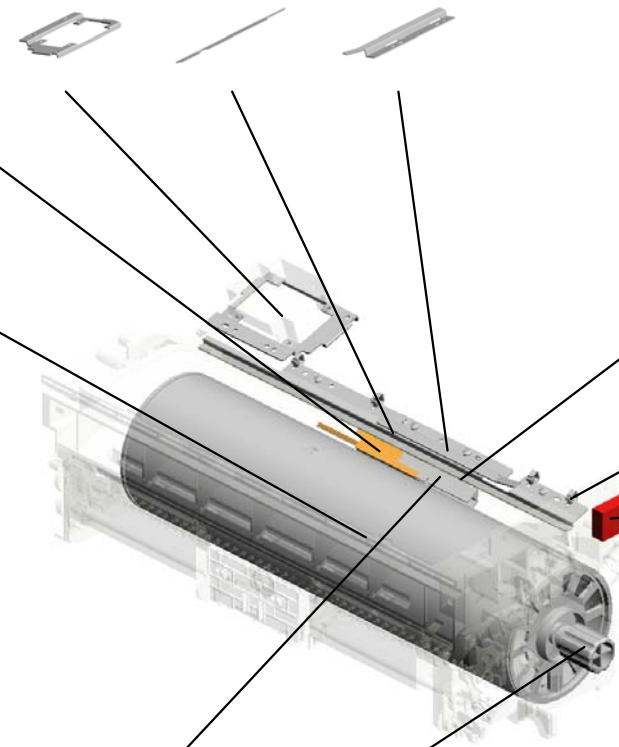
114.D2232443 BRACKET:BASE:EL
ELECTRIC POTENTIAL SENSOR
115.D2232461 RAIL:PCU:RIGHT
113.D2232439 GUIDE PLATE:PCU
:RIGHT



107.D1942277
ELECTRIC POTENTIAL SENSOR



86.B2469510
OPC DRUM



2.03530060N
(x8)
BIND SCREW - M3
X6



14.11050511
HARNESS CLAMP -
LWS-0306ZC



15.11050534
(x3)
CLAMP



15.11050534
(x4)
CLAMP



64.B0651957
SHIELD GLASS CO
VER



16.11050600
CLAMP:LWSM-030
6-2M



2.03530060N (x 3)
BIND SCREW - M3X6
3.03540080N (x 4)
SCREW:M4X8
5.04514008N (x 1)
TAPPING SCREW:4X8

106.D1792417
HOLDER:ELECTRI
C POTENTIAL SEN
SOR



99.B2472410
DRUM SHAFT KNO
B



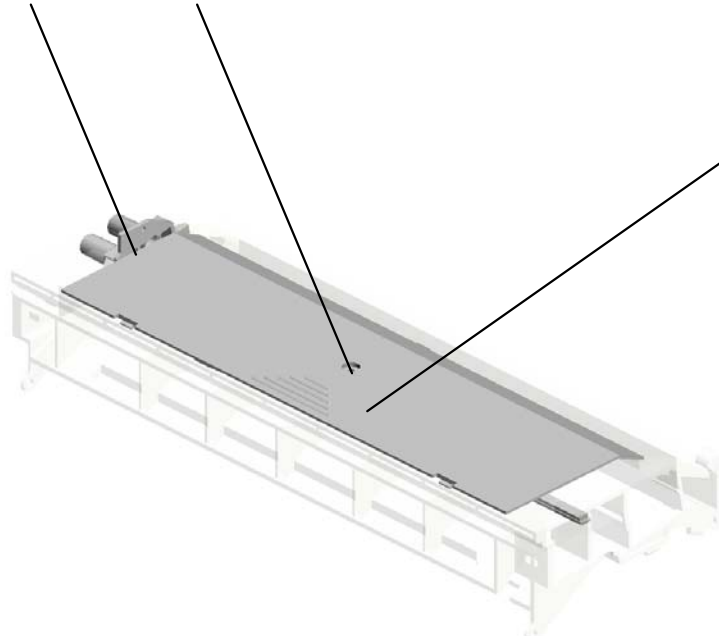
U008_S001
PCU:UPPER:ASS'Y

75.B0652392
RECEPTACLE

28.A2932418
UPPER UNIT COVER



110.D2232270
PCU:UPPER:ASS'Y



111.D2232272
LED ARRAY:PRE-T
RANSFER LAMP:A
SS'Y

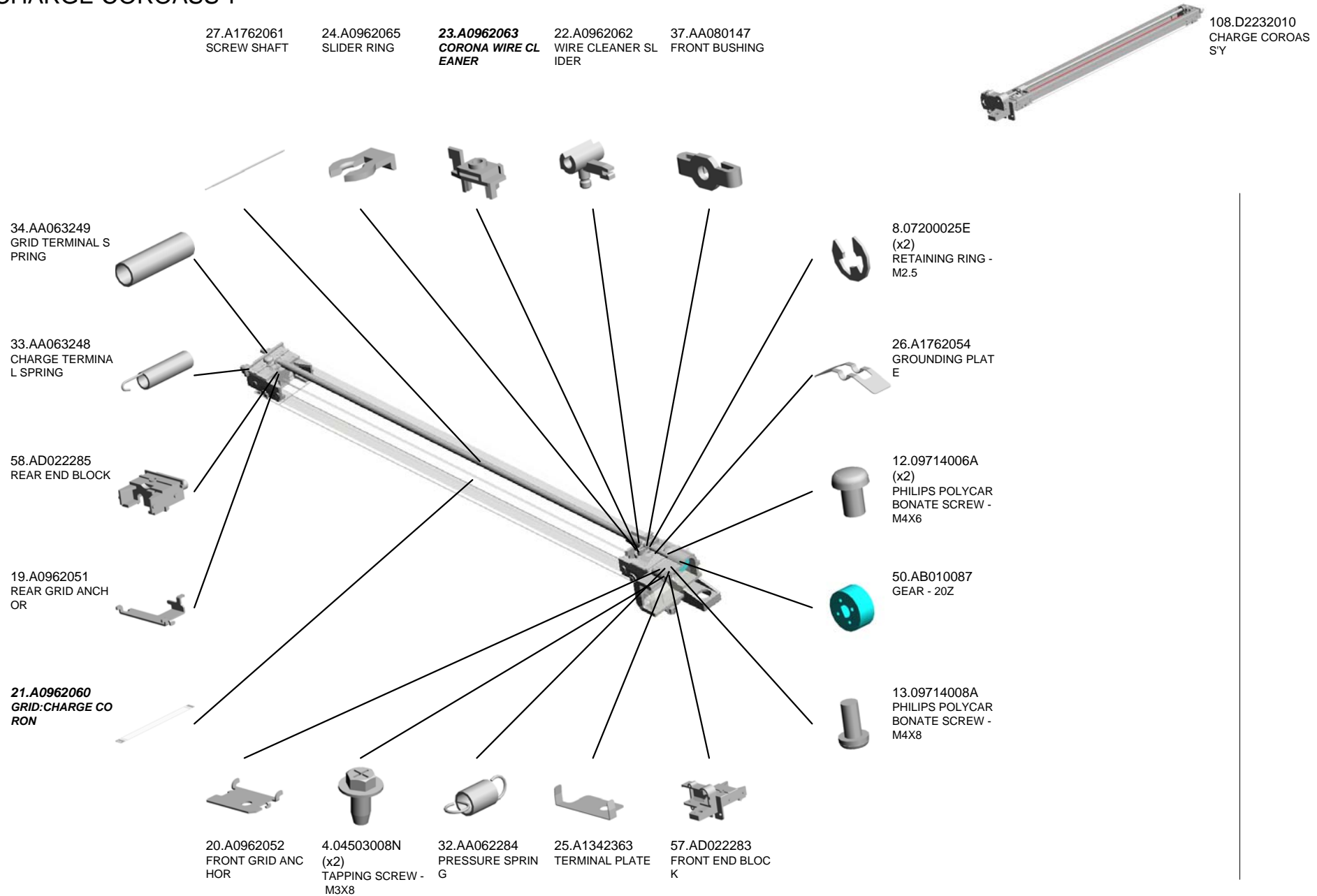


16.11050600
CLAMP:LWSM-030
6-2M

7.04523010N (x 3)
BINDING SELF-TAPPING SCREW:3X10

U001	U002	U003	U004	U005	U006	U007	U008	U009	U010	U011	U012	U013	U014	U015	U016	U017
------	------	------	------	------	------	------	-------------	------	------	------	------	------	------	------	------	------

U008_S002 CHARGE COROASS'Y



U001	U002	U003	U004	U005	U006	U007	U008	U009	U010	U011	U012	U013	U014	U015	U016	U017
------	------	------	------	------	------	------	------	------	------	------	------	------	------	------	------	------

U008_S002
CHARGE COROASS'Y

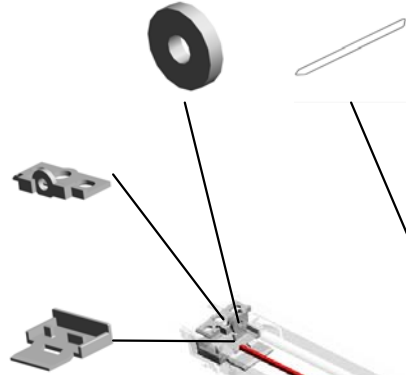
87.B2472295
CUSHION - SPACE
R

79.B0702364
CHARGE CORONA
WIRE

108.D2232010
CHARGE COROAS
S'Y

81.B1402291
BUSHING:SCREW
SHAFT:REAR

60.AD022307
COVER - REAR EN
D BLOCK



84.B2342123
(x2)
CUSHION - WIRE

59.AD022306
COVER - FRONT E
ND BLOCK

63.AX040294
DC MOTOR:CLEAN
ER:0.46W:BRUSH

80.B0702365
CLEANER MOTOR
COVER

U001	U002	U003	U004	U005	U006	U007	U008	U009	U010	U011	U012	U013	U014	U015	U016	U017
------	------	------	------	------	------	------	------	------	------	------	------	------	------	------	------	------

U008_S003
PCU:LOWER:ASS'Y

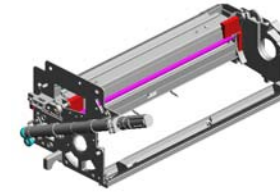
6.04523008N
(x7)
TAPPING SCREW -
M3X8

11.09513008N
(x3)
SCREW:POLISHED
ROUND:M3X8

41.AA082120
BUSHING

1.03140060N
(x2)
SCREW - M4X6

15.11050534
CLAMP



109.D2232260
PCU:LOWER:ASS'
Y

42.AA082121
(x3)
TONER COLLECTI
ON COIL BUSHING

40.AA082119
ROLLER BUSHING

7.04523010N
(x6)
BINDING SELF-TA
PPING SCREW:3X
10

29.A2943572
REAR DRUM SEAL

35.AA063576
SPRING

30.AA060891
SPRING

43.AA082122
BUSHING

39.AA082101
(x2)
BUSHING - 6X10X6

9.07200040E
(x3)
RETAINING RING -
M4

38.AA082094
BUSHING - BRUSH
ROLLER

5.04514008N
(x4)
TAPPING SCREW:
4X8

36.AA063610
SPRING - 4060MN

44.AA132208
(x2)
SPACER - M6

10.09513006N
(x4)
SCREW - M3X6

17.52062684
SHOULDER SCRE
W - M3

6.04523008N (x 5)
TAPPING SCREW - M3X8
10.09513006N (x 1)
SCREW - M3X6

U001	U002	U003	U004	U005	U006	U007	U008	U009	U010	U011	U012	U013	U014	U015	U016	U017
------	------	------	------	------	------	------	------	------	------	------	------	------	------	------	------	------

U008_S003
PCU:LOWER:ASS'Y

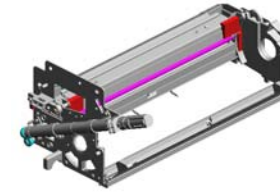
77.B0652427
CAM - BLADE

66.B0652317
REAR BLADE SEAL

73.B0652381
GROUNDING PLAT
E

74.B0652386
MIDDLE PCU CASI
NG

62.AD041140
CLEANING BLADE



109.D2232260
PCU:LOWER:ASS'
Y

52.AB011460
(x2)
IDLER GEAR

51.AB011459
(x3)
TONER COLLECTI
ON COIL GEAR

69.B0652358
BRACKET GROUN
DING BRACKET

72.B0652369
GROUNDING PLAT
E - ENTRANCE SE
AL

46.AA143544
SCREW - M3

56.AB017612
GEAR

55.AB017611
PICK-OFF PAWL C
AM

45.AA143523
(x2)
SHOULDER SCRE
W - M3

70.B0652361
ENTRANCE SEAL
HOLDER

71.B0652364
PICK-OFF PAWL P
OSITIONING PLAT
E

65.B0652316
FRONT BLADE SE
AL

76.B0652426
PRESSURE RELEA
SE LEVER

47.AA152431
FRONT DRUM SEA
L

53.AB011461
TONER RECYCLIN
G CONNECTING G
EAR

54.AB011462
TONER RECYCLIN
G GEAR

U001	U002	U003	U004	U005	U006	U007	U008	U009	U010	U011	U012	U013	U014	U015	U016	U017
------	------	------	------	------	------	------	------	------	------	------	------	------	------	------	------	------

U008_S003
PCU:LOWER:ASS'Y

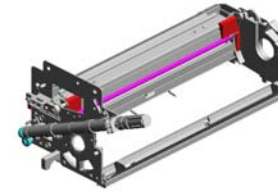
101.D0622388
SPRING PLATE:BRUSH ROLLER

102.D0622389
HOLDER:SPRING PLATE:BRUSH ROLLER

90.B2472322
AGITATOR:ASS'Y

92.B2472330
BRUSH ROLLER:CLEANING

89.B2472314
BRACKET:BLADE:ASS'Y



109.D2232260
PCU:LOWER:ASS'Y

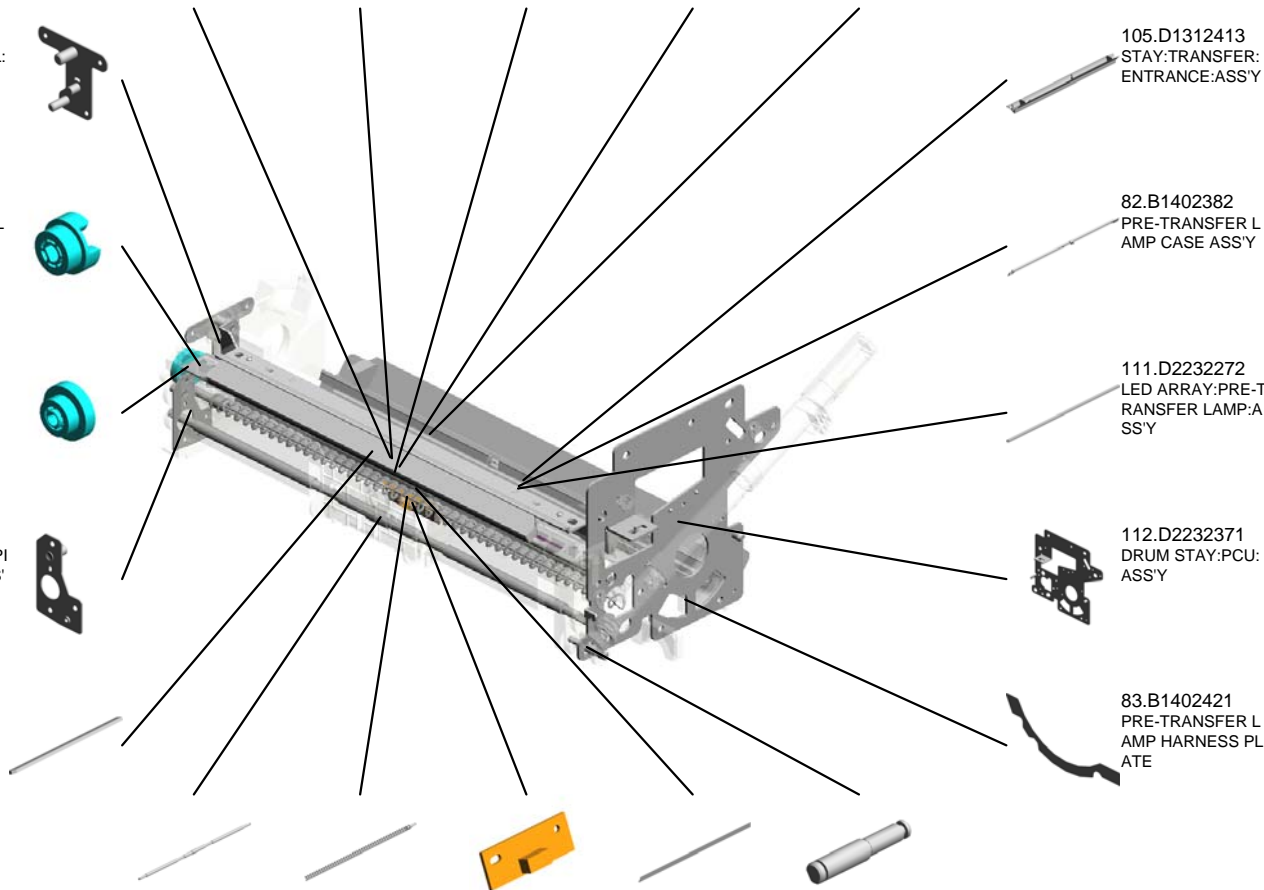
95.B2472353
BRACKET:SWIVEL:BLADE:ASS'Y

103.D0622425
GEAR:BRUSH ROLLER

78.B0652428
AGITATOR GEAR

94.B2472344
BRACKET:IDLER:PICKOFF PAWL:ASS'Y

100.B2473340
FILTER:DEVELOPMENT



105.D1312413
STAY:TRANSFER:ENTRANCE:ASS'Y

82.B1402382
PRE-TRANSFER LAMP CASE ASS'Y

111.D2232272
LED ARRAY:PRE-TRANSFER LAMP:ASS'Y

112.D2232371
DRUM STAY:PCU:ASS'Y

83.B1402421
PRE-TRANSFER LAMP HARNESS PLATE

93.B2472342
SHAFT:PICKOFF PAWL:SWIVEL

91.B2472326
TONER COLLECTION COIL

85.B2342279
DENSITY SENSOR

104.D1312362
ENTRANCE SEAL:CLEANING:ASS'Y

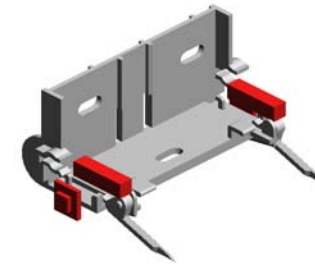
97.B2472377
SHAFT:CONNECTING:TONER RECYCLING

U001	U002	U003	U004	U005	U006	U007	U008	U009	U010	U011	U012	U013	U014	U015	U016	U017
------	------	------	------	------	------	------	------	------	------	------	------	------	------	------	------	------

U008_S003_S001
 PICKOFF PAWL:DRUM:ASS'Y

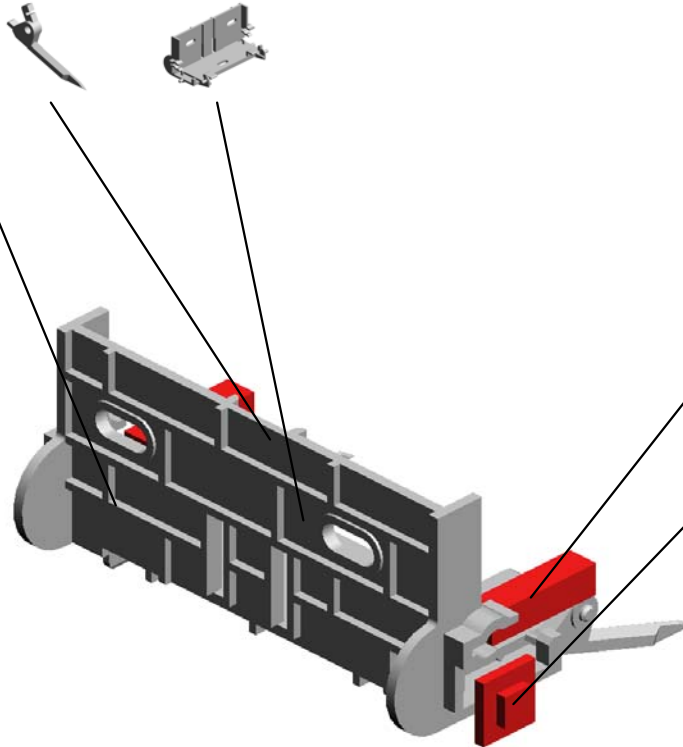
61.AD025024
 (x2)
 PICK-OFF PAWL

68.B0652337
 PICK-OFF PAWL H
 OLDER



67.B0652336
 PICKOFF PAWL:DRUM:ASS'Y

18.A0482276
 (x2)
 RING - TRANSPORT BRACKET



31.AA060892
 (x2)
 PICK-OFF PAWL SPRING



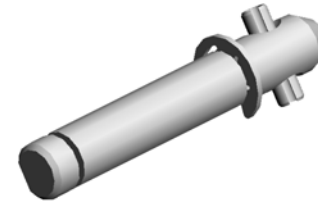
116.G0203566
 (x2)
 NUT - 2.4MM

U001	U002	U003	U004	U005	U006	U007	U008	U009	U010	U011	U012	U013	U014	U015	U016	U017
------	------	------	------	------	------	------	------	------	------	------	------	------	------	------	------	------

U008_S003_S002

SHAFT:BRUSH ROLLER:FRONT:ASS'Y

9.07200040E
RETAINING RING -
M4



96.B2472366
SHAFT:BRUSH RO
LLER:FRONT:ASS'
Y



U001	U002	U003	U004	U005	U006	U007	U008	U009	U010	U011	U012	U013	U014	U015	U016	U017
------	------	------	------	------	------	------	-------------	------	------	------	------	------	------	------	------	------

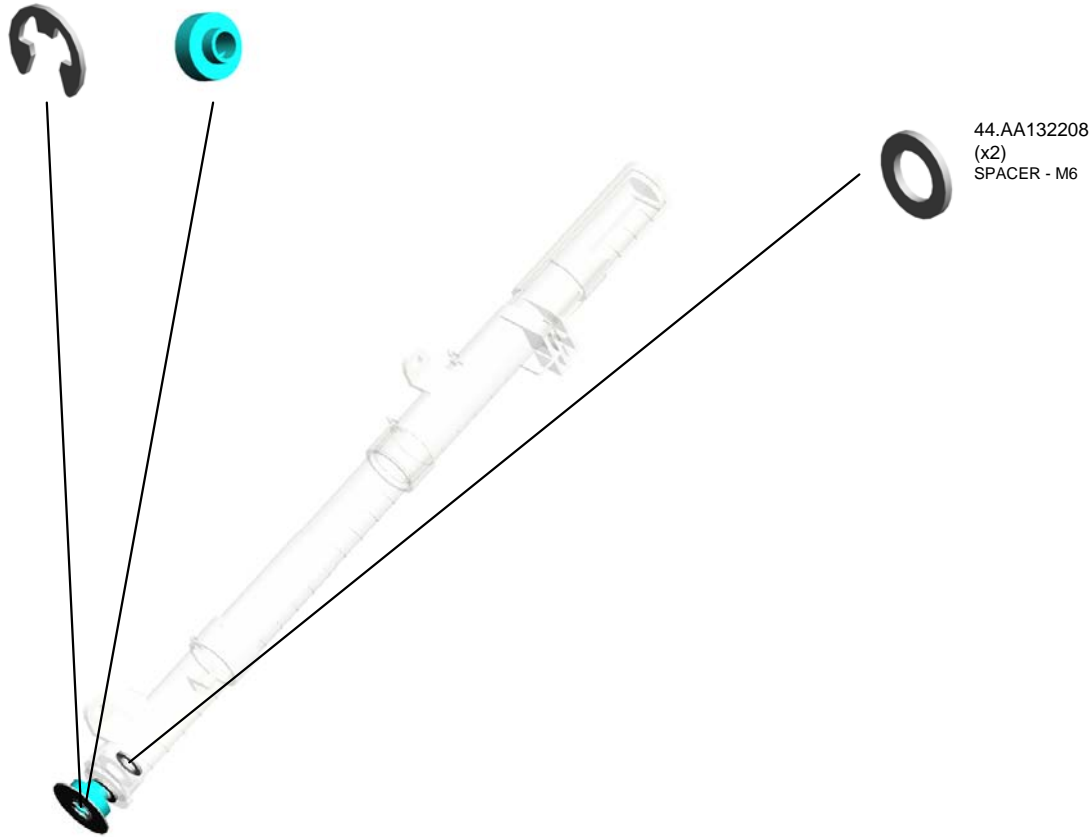
U008_S003_S003
TONER RECYCLING ASS'Y

9.07200040E
RETAINING RING -
M4

54.AB011462
TONER RECYCLIN
G GEAR



98.B2472395
TONER RECYCLIN
G ASS'Y

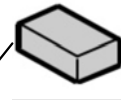
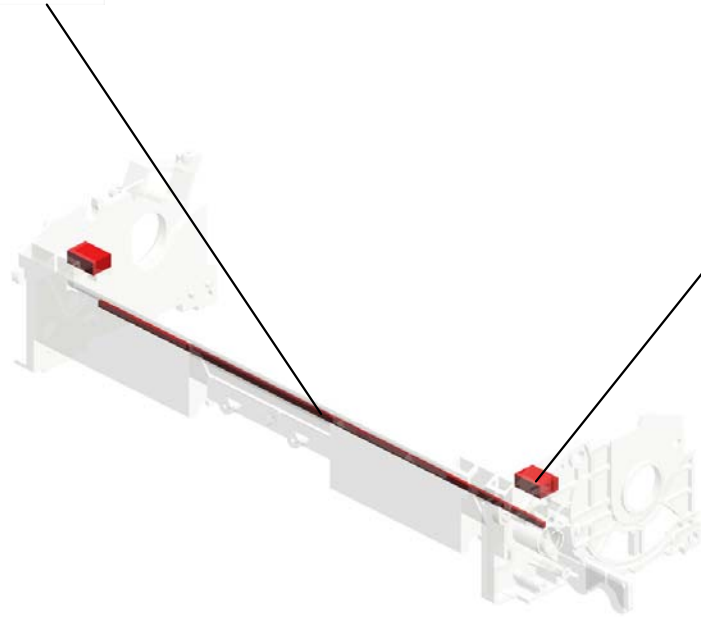


44.AA132208
(x2)
SPACER - M6

U001	U002	U003	U004	U005	U006	U007	U008	U009	U010	U011	U012	U013	U014	U015	U016	U017
------	------	------	------	------	------	------	-------------	------	------	------	------	------	------	------	------	------

U008_S003_S004
CASE:PCU:LOWER:ASS'Y

49.AA153088
CLEANING ENTRANCE SEAL - 3X345
X2



48.AA153085
(x2)
INNER CASE SEAL



88.B2472300
CASE:PCU:LOWER
:ASS'Y

U001	U002	U003	U004	U005	U006	U007	U008	U009	U010	U011	U012	U013	U014	U015	U016	U017
------	------	------	------	------	------	------	-------------	------	------	------	------	------	------	------	------	------

U009.DEVELOPMENT

U009_S001
D2233301
BOTTLE:DRIVE:ASSY

U009_S005
D2233211
(D225):TONER SUPPLY UNIT
:ASSY

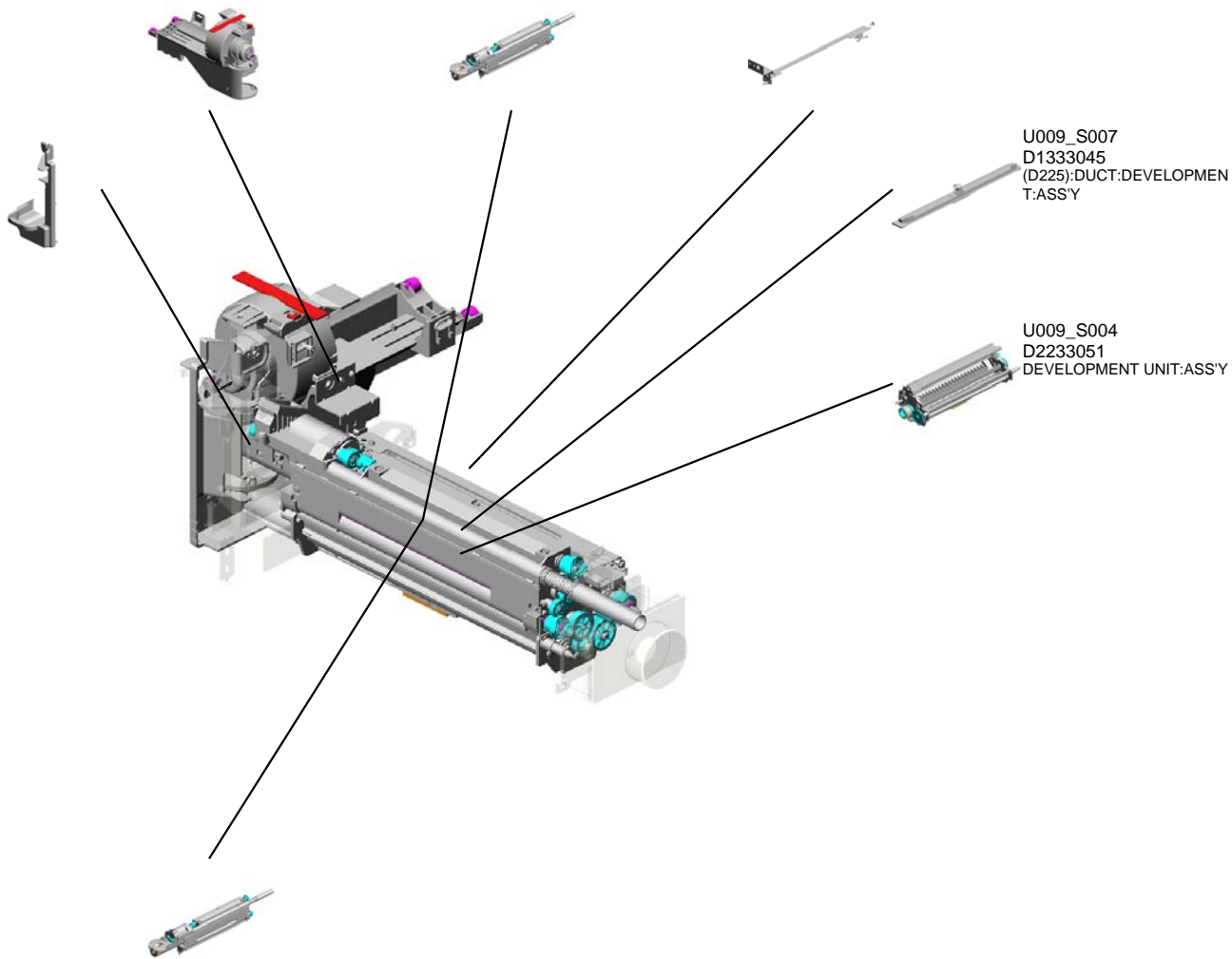
U009_S003
D2233250
RAIL:DEVELOPMENT UNIT:ASSY

U009_S002
D1313290
INNER COVER:DEVELOPMENT SUB-UNIT:RIGHT:ASSY

U009_S007
D1333045
(D225):DUCT:DEVELOPMENT:ASSY

U009_S004
D2233051
DEVELOPMENT UNIT:ASSY

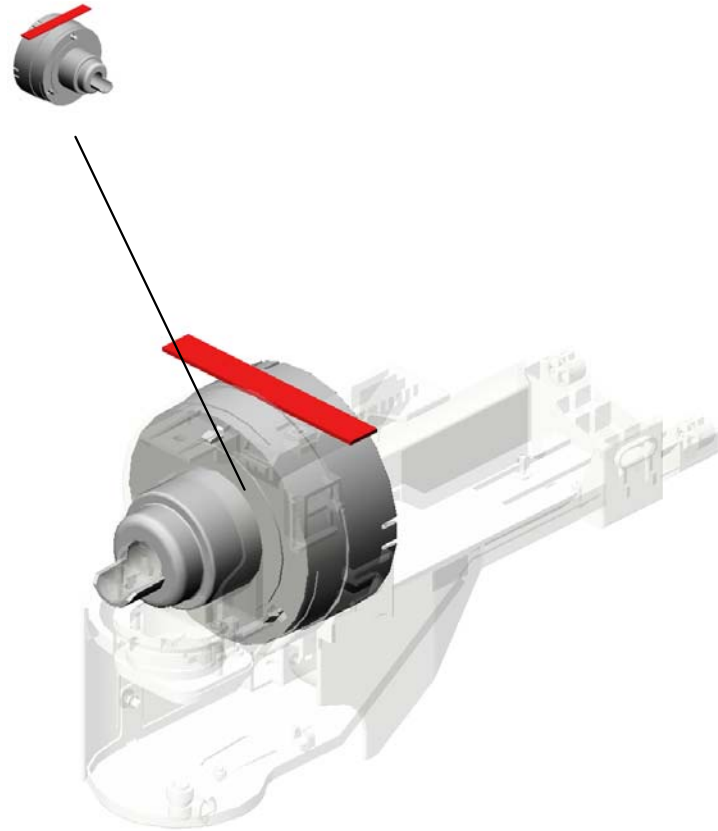
U009_S006
D2233210
(D223,D224):TONER SUPPLY UNIT:ASSY



U001	U002	U003	U004	U005	U006	U007	U008	U009	U010	U011	U012	U013	U014	U015	U016	U017
------	------	------	------	------	------	------	------	------	------	------	------	------	------	------	------	------

U009_S001.BOTTLE:DRIVE:ASS'Y

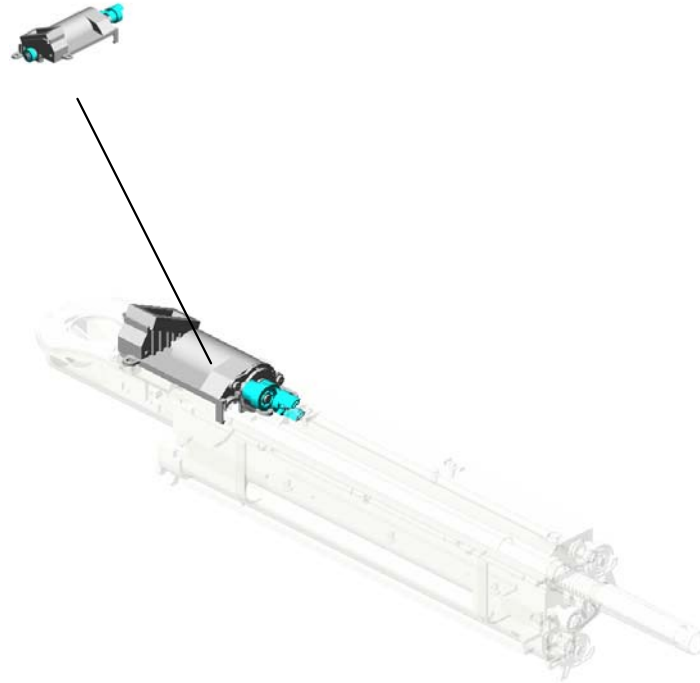
U009_S001_S001
A2933220
TONER BOTTLE STOPPER



U001	U002	U003	U004	U005	U006	U007	U008	U009	U010	U011	U012	U013	U014	U015	U016	U017
------	------	------	------	------	------	------	------	------	------	------	------	------	------	------	------	------

U009_S005.(D225):TONER SUPPLY UNIT:ASS'Y

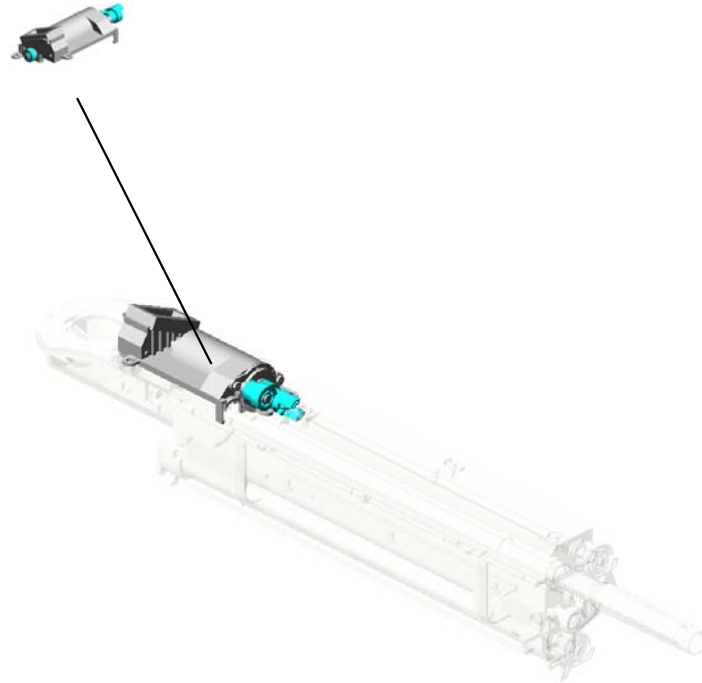
U009_S005_S001
D1333161
(D225):CASE:CLASSIFICATIO
N:ASS'Y



U001	U002	U003	U004	U005	U006	U007	U008	U009	U010	U011	U012	U013	U014	U015	U016	U017
------	------	------	------	------	------	------	------	------	------	------	------	------	------	------	------	------

U009_S006.(D223,D224):TONER SUPPLY UNIT:ASS'Y

U009_S006_S001
D1313161
(D223,D224):CASE:CLASSIFI
CATION:ASS'Y



U001	U002	U003	U004	U005	U006	U007	U008	U009	U010	U011	U012	U013	U014	U015	U016	U017
------	------	------	------	------	------	------	------	------	------	------	------	------	------	------	------	------

U009 DEVELOPMENT

90.B2473273
CONTACT POINT S
TAY - UPPER

82.B0653266
TONER BOTTLE C
AM

10.04514008N
(x6)
TAPPING SCREW:
4X8

83.B0653267
INNER BACK CAM

119.D2233316
BRACKET:HINGE:
OPEN AND CLOSE:
ASSY

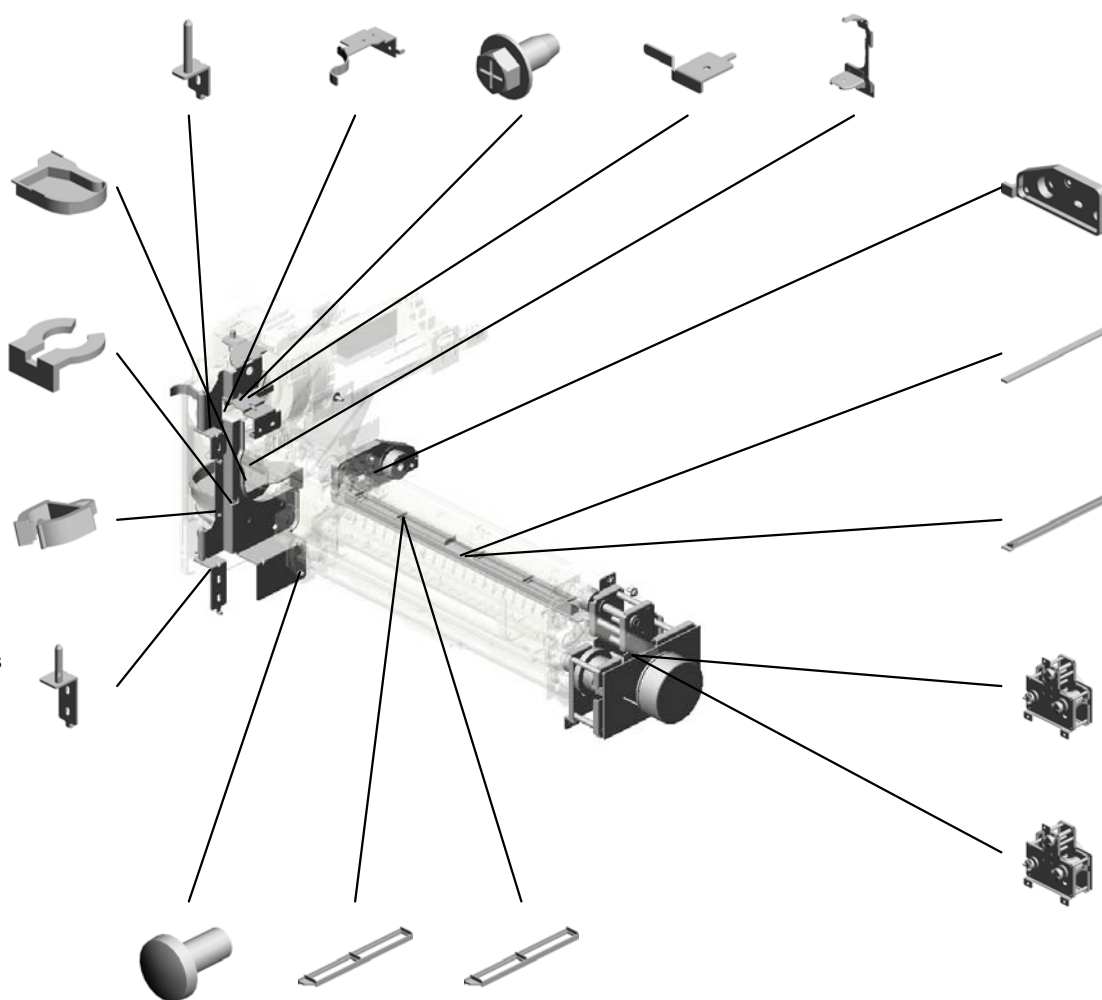


88.B2473258
TONER CATCHPA
N BOTTLE

28.A2222724
EXTERNAL CIRCLI
P - MM8

21.11050229
CLAMP

89.B2473271
CONTACT POINT S
TAY - LOWER



10.04514008N (x 5)
TAPPING SCREW:4X8

81.B0653258
DEVELOPMENT D
RUM STAY

106.D1313340
(D223,D224):FILTE
R:DEVELOPMENT

24.A0963141
(D223,D224):DEVE
LOPMENT FILTER
CASE

100.D0625325
(D225):BRUSHLES
S MOTOR:DEVELO
PMENT UNIT:ASS'
Y

105.D1313326
(D223,D224):BRUS
HLESS MOTOR:DE
VELOPMENT DRIV
E UNIT:ASS'Y:20.7
W

3.03540080N
(x5)
SCREW:M4X8

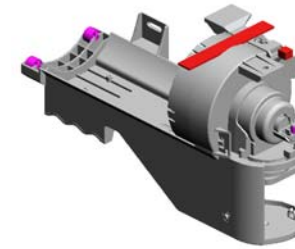
67.B0653108
(x2)
(D223,D224):FILTE
R PLATE

99.D0623108
(x2)
(D225):PLATE:FILT
ER

U001	U002	U003	U004	U005	U006	U007	U008	U009	U010	U011	U012	U013	U014	U015	U016	U017
------	------	------	------	------	------	------	------	------	------	------	------	------	------	------	------	------

U009_S001
BOTTLE:DRIVE:ASS'Y

- 42.A2933230 TONER BOTTLE C HUCK
- 41.A2933227 TONER SLIDER
- 30.A2293219 RUBBER BUSHING - TONER SUPPLY UNIT
- 38.A2293266 UPPER SHUTTER SHIELD
- 7.04503006N TAPPING SCREW - M3X6



118.D2233301
BOTTLE:DRIVE:AS
SY

31.A2293232
CHUCK ROLLER



39.A2293285
SHUTTER COVER



34.A2293261
OUTER SHUTTER



35.A2293262
INNER SHUTTER



10.04514008N
TAPPING SCREW:
4X8



36.A2293263
OUTER SHUTTER
SHIELD



37.A2293264
SHUTTER LEVER



21.11050229
(x2)
CLAMP



18.08050072
CS RING



32.A2293242
TONER BOTTLE J
OINT GEAR



26.A0963224
(x2)
BOTTLE ROLLER



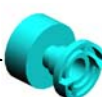
8.04503008N
(x7)
TAPPING SCREW -
M3X8



14.07200040E
RETAINING RING -
M4



33.A2293243
MOTOR JOINT GE
AR

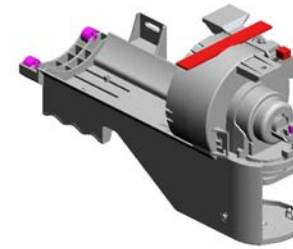


17.08000072
(x2)
PHILIPS PAN HEA
D SCREW - M2.6X4

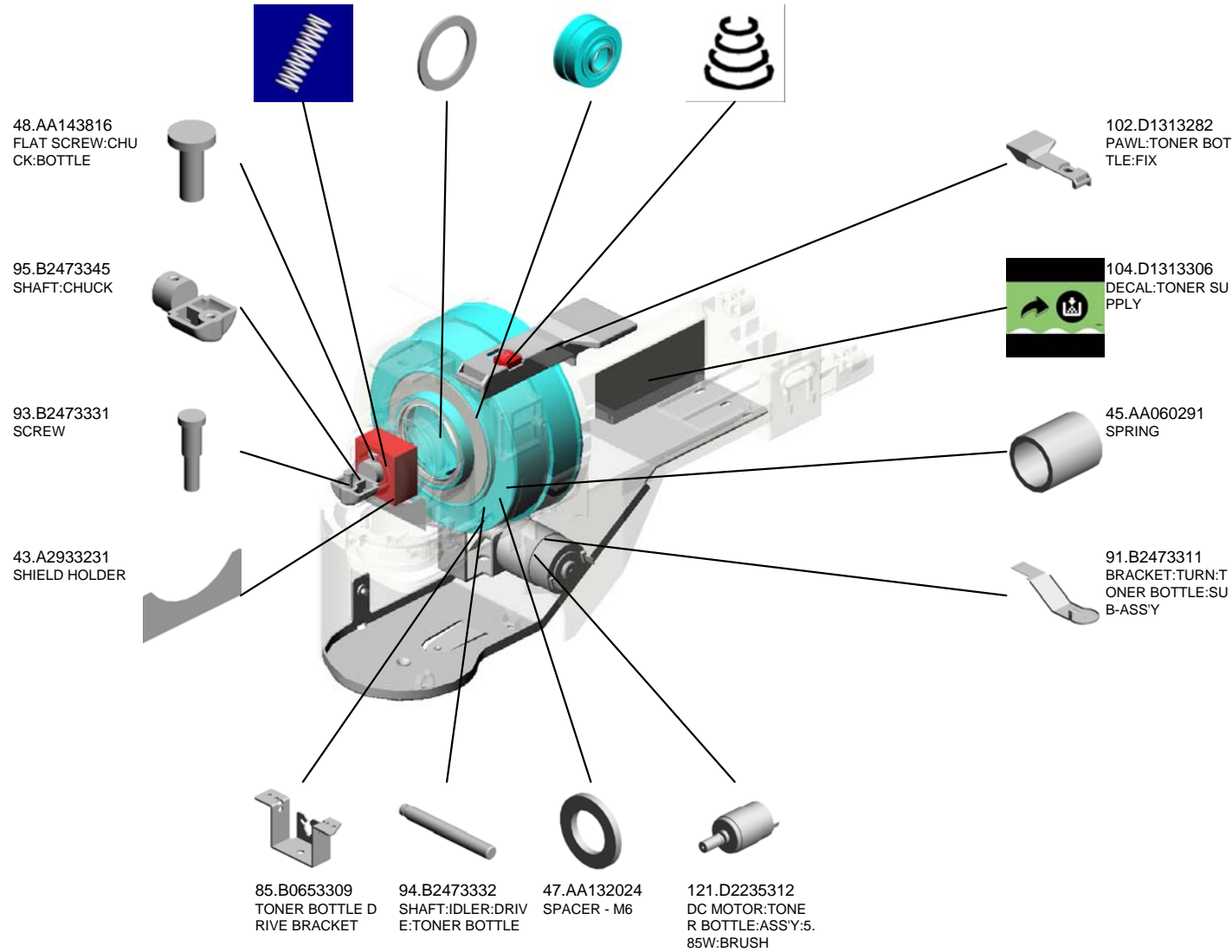


U009_S001
BOTTLE:DRIVE:ASS'Y

46.AA063366 CHUCK SPRING
44.A2933234 SHIELD PLATE - TONER BOTTLE
84.B0653306 GEAR:TONER BOTTLER ASS'Y
92.B2473330 SPRING



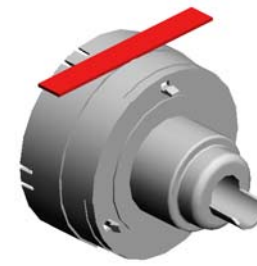
118.D2233301
BOTTLE:DRIVE:ASS'Y



U001	U002	U003	U004	U005	U006	U007	U008	U009	U010	U011	U012	U013	U014	U015	U016	U017
------	------	------	------	------	------	------	------	-------------	------	------	------	------	------	------	------	------

U009_S001_S001
TONER BOTTLE STOPPER

27.A1343192
SEAL - TONER BO
TTLE



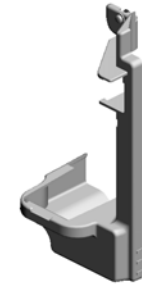
40.A2933220
TONER BOTTLE S
TOPPER



U001	U002	U003	U004	U005	U006	U007	U008	U009	U010	U011	U012	U013	U014	U015	U016	U017
------	------	------	------	------	------	------	------	------	------	------	------	------	------	------	------	------

U009_S002
INNER COVER:DEVELOPMENT SUB-UNIT:RIGHT:ASS'Y

20.09514012N
SCREW:POLISHED
ROUND:M4X12



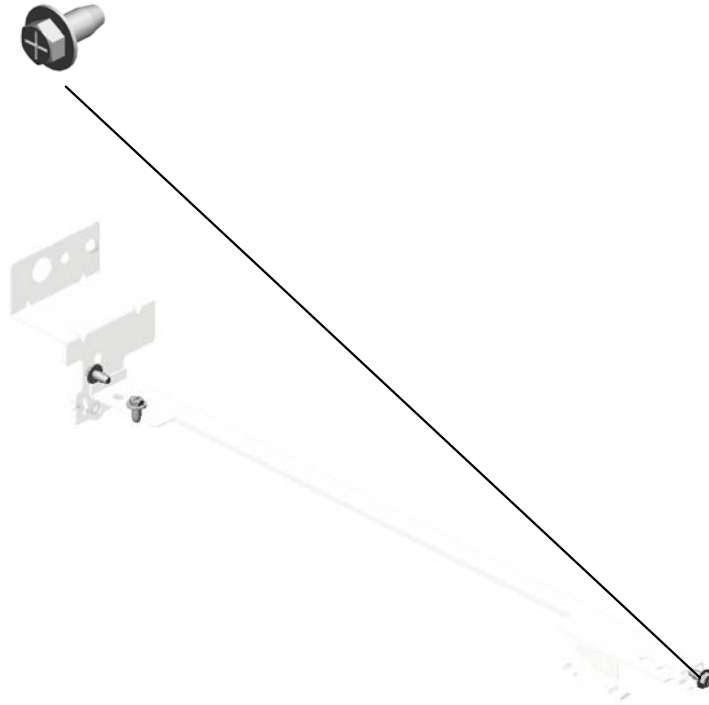
103.D1313290
INNER COVER:DE
VELOPMENT SUB-
UNIT:RIGHT:ASS'Y



U001	U002	U003	U004	U005	U006	U007	U008	U009	U010	U011	U012	U013	U014	U015	U016	U017
------	------	------	------	------	------	------	------	------	------	------	------	------	------	------	------	------

U009_S003
RAIL:DEVELOPMENT UNIT:ASS'Y

10.04514008N
(x3)
TAPPING SCREW:
4X8



117.D2233250
RAIL:DEVELOPME
NT UNIT:ASS'Y



22.11050511
HARNESS CLAMP -
LWS-0306ZC

U001	U002	U003	U004	U005	U006	U007	U008	U009	U010	U011	U012	U013	U014	U015	U016	U017
------	------	------	------	------	------	------	------	------	------	------	------	------	------	------	------	------

U009_S004
DEVELOPMENT UNIT:ASS'Y

15.07200060E
(x4)
RETAINING RING -
M6

63.B0653082
DEVELOPMENT BI
AS PLATE

60.B0653077
DEVELOPMENT R
OLLER ADJUSTER

3.03540080N
(x2)
SCREW:M4X8

55.B0653062
DEVELOPMENT R
OLLER

110.D2233051
DEVELOPMENT U
NIT:ASS'Y



13.07200030E
(x2)
RETAINING RING -
M3

57.B0653071
DEVELOPMENT K
NOB

59.B0653076
GEAR - 41Z

4.03540120N
(x4)
SCREW M4X12

54.AW230046
DENSITY SENSOR:
DEVELOPMENT:24
V

2.03530050P
(x2)
SCREW:M3X5

53.AB013790
GEAR - 25Z

56.B0653069
(x2)
BUSHING - 8MM

58.B0653073
GEAR - 31Z

5.03540200N
(x2)
SCREW:M4X20

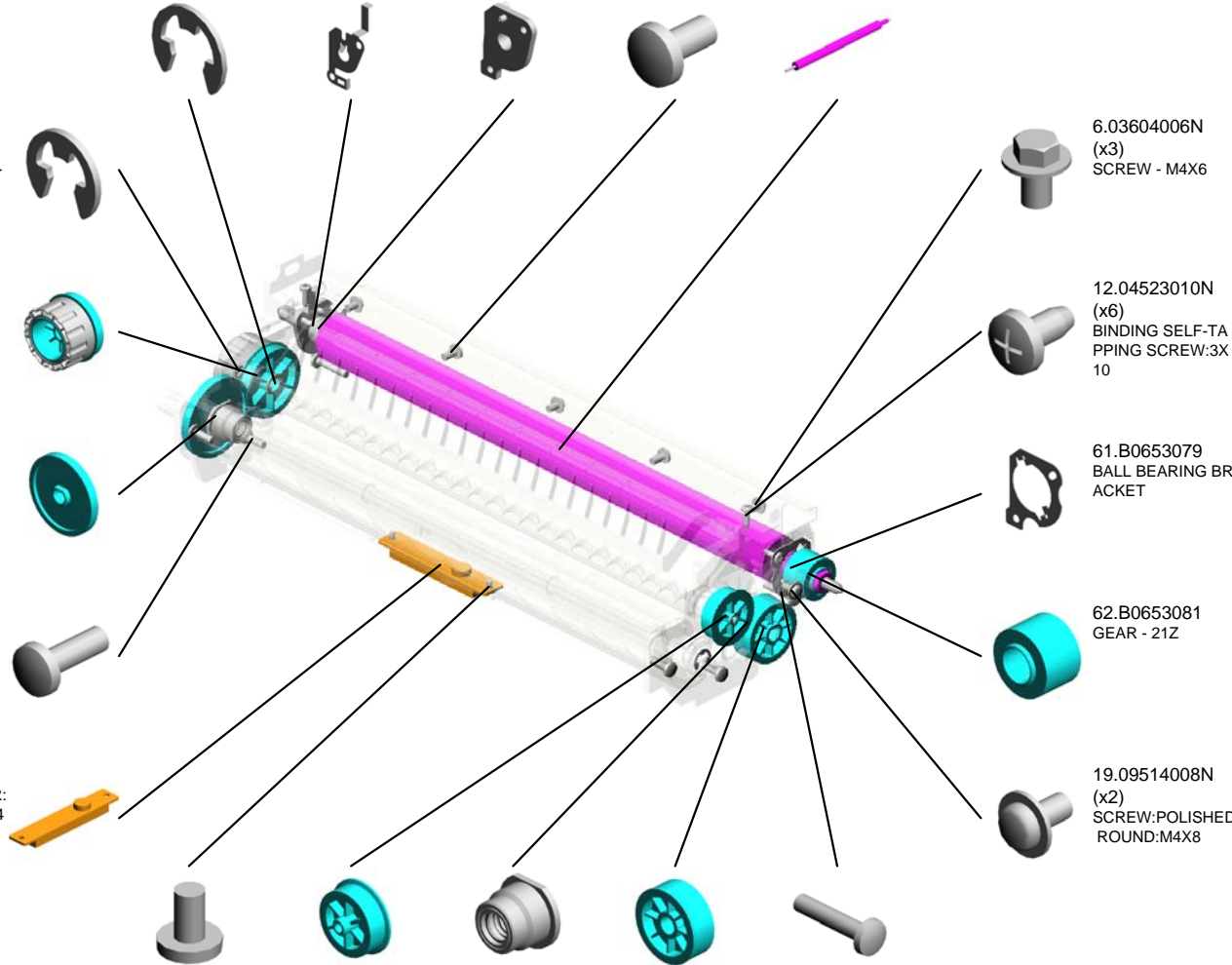
6.03604006N
(x3)
SCREW - M4X6

12.04523010N
(x6)
BINDING SELF-TA
PPING SCREW:3X
10

61.B0653079
BALL BEARING BR
ACKET

62.B0653081
GEAR - 21Z

19.09514008N
(x2)
SCREW:POLISHED
ROUND:M4X8



U009_S004
DEVELOPMENT UNIT:ASS'Y

97.D0623099
SEAL:DRUM:FRONT

64.B0653095
DEVELOPMENT GUIDE RAIL

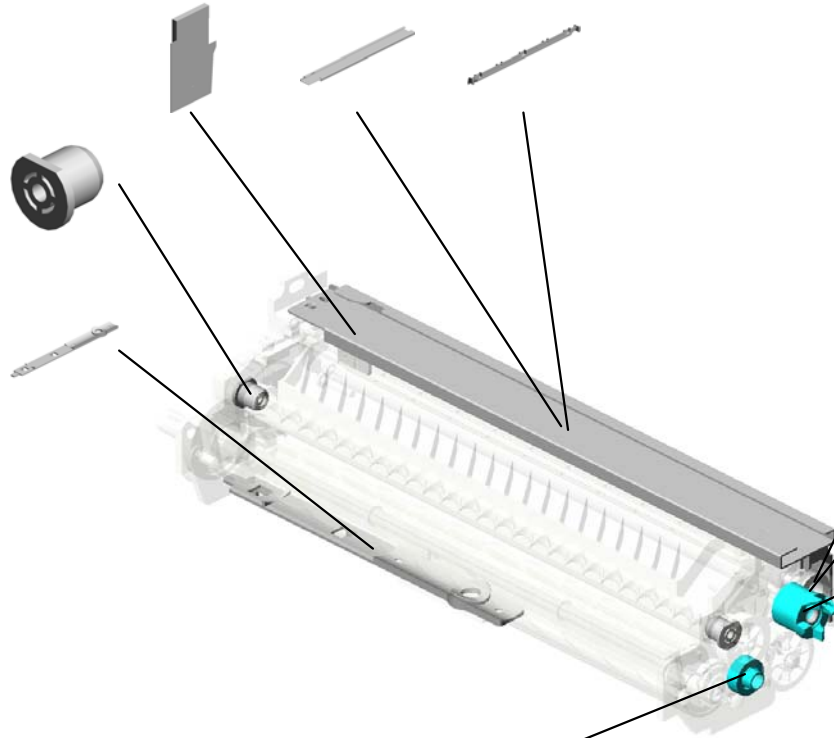
113.D2233091
ENTRANCE SEAL: ASS'Y



110.D2233051
DEVELOPMENT UNIT:ASS'Y

114.D2233115
(x2)
PLAIN SHAFT BEARING: DIA4: ASS'Y

111.D2233065
GUIDE: DENSITY SENSOR



98.D0623100
SEAL:DRUM:REAR

112.D2233080
BALL BEARING: 12 X 21 X 5

65.B0653096
GEAR - 20Z

66.B0653098
GEAR - 17Z

U001	U002	U003	U004	U005	U006	U007	U008	U009	U010	U011	U012	U013	U014	U015	U016	U017
------	------	------	------	------	------	------	------	------	------	------	------	------	------	------	------	------

U009_S005
(D225):TONER SUPPLY UNIT:ASS'Y

11.04523008P
(x2)
BINDING SELF-TAPPING SCREW 3X8

68.B0653122
TONER SEPARATION JOINT SEAL

69.B0653123
REAR TONER SEPARATION JOINT SEAL

23.50530447
(x2)
BUSHING - 6MM

70.B0653125
TONER SEPARATION JOINT SEAL

116.D2233211
(D225):TONER SUPPLY UNIT:ASS'Y



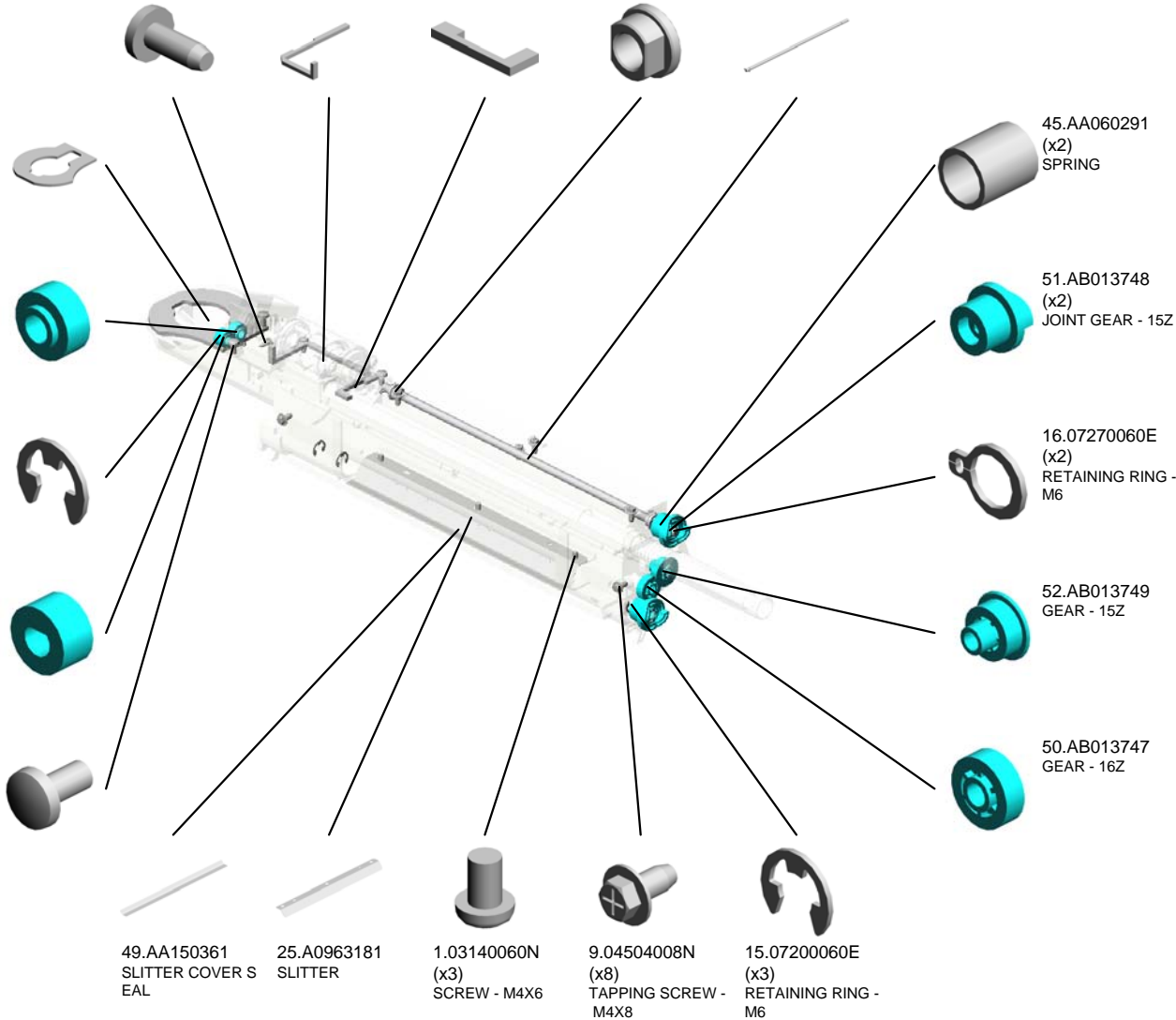
29.A2293154
CASE SEAL

71.B0653138
IDLE GEAR

14.07200040E
(x5)
RETAINING RING - M4

72.B0653139
TONER COLLECTION GEAR

3.03540080N
(x3)
SCREW:M4X8



49.AA150361
SLITTER COVER SEAL

25.A0963181
SLITTER

1.03140060N
(x3)
SCREW - M4X6

9.04504008N
(x8)
TAPPING SCREW - M4X8

15.07200060E
(x3)
RETAINING RING - M6

45.AA060291
(x2)
SPRING

51.AB013748
(x2)
JOINT GEAR - 15Z

16.07270060E
(x2)
RETAINING RING - M6

52.AB013749
GEAR - 15Z

50.AB013747
GEAR - 16Z

U001	U002	U003	U004	U005	U006	U007	U008	U009	U010	U011	U012	U013	U014	U015	U016	U017
------	------	------	------	------	------	------	------	------	------	------	------	------	------	------	------	------

U009_S005
(D225):TONER SUPPLY UNIT:ASS'Y

96.B2473720 TRANSPORT SCR
EW
73.B0653140 UPPER COVER
80.B0653153 LOWER FILTER CASE FILTER



116.D2233211
(D225):TONER SUPPLY UNIT:ASS'Y

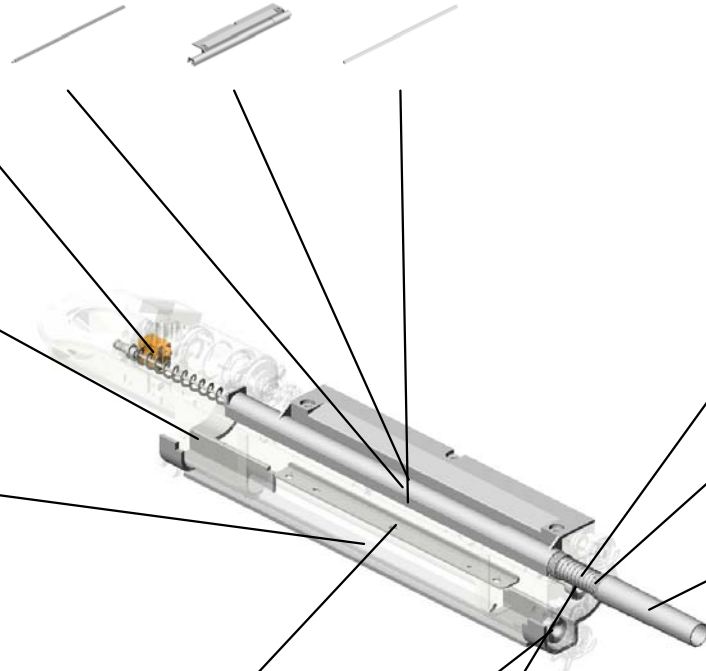
120.D2235311
TONER END SENSOR



79.B0653152
(x2)
LOWER FRONT CASE SEAL - REAR



78.B0653151
LOWER RIGHT CASE SEAL



76.B0653143
TONER SEPARATION SPRING



74.B0653141
EXIT TONER PILE



75.B0653142
TONER SEPARATION SHUTTER



77.B0653146
NUT



86.B2473175
BUSHING 8X14X8



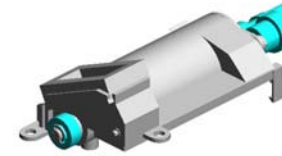
87.B2473176
BOSS:BEARING:AGITATOR:PRESS FIT



U001	U002	U003	U004	U005	U006	U007	U008	U009	U010	U011	U012	U013	U014	U015	U016	U017
------	------	------	------	------	------	------	------	------	------	------	------	------	------	------	------	------

U009_S005_S001
(D225):CASE:CLASSIFICATION:ASS'Y

14.07200040E
RETAINING RING -
M4



108.D1333161
(D225):CASE:CLAS
SIFICATION:ASS'Y



8.04503008N
(x2)
TAPPING SCREW -
M3X8

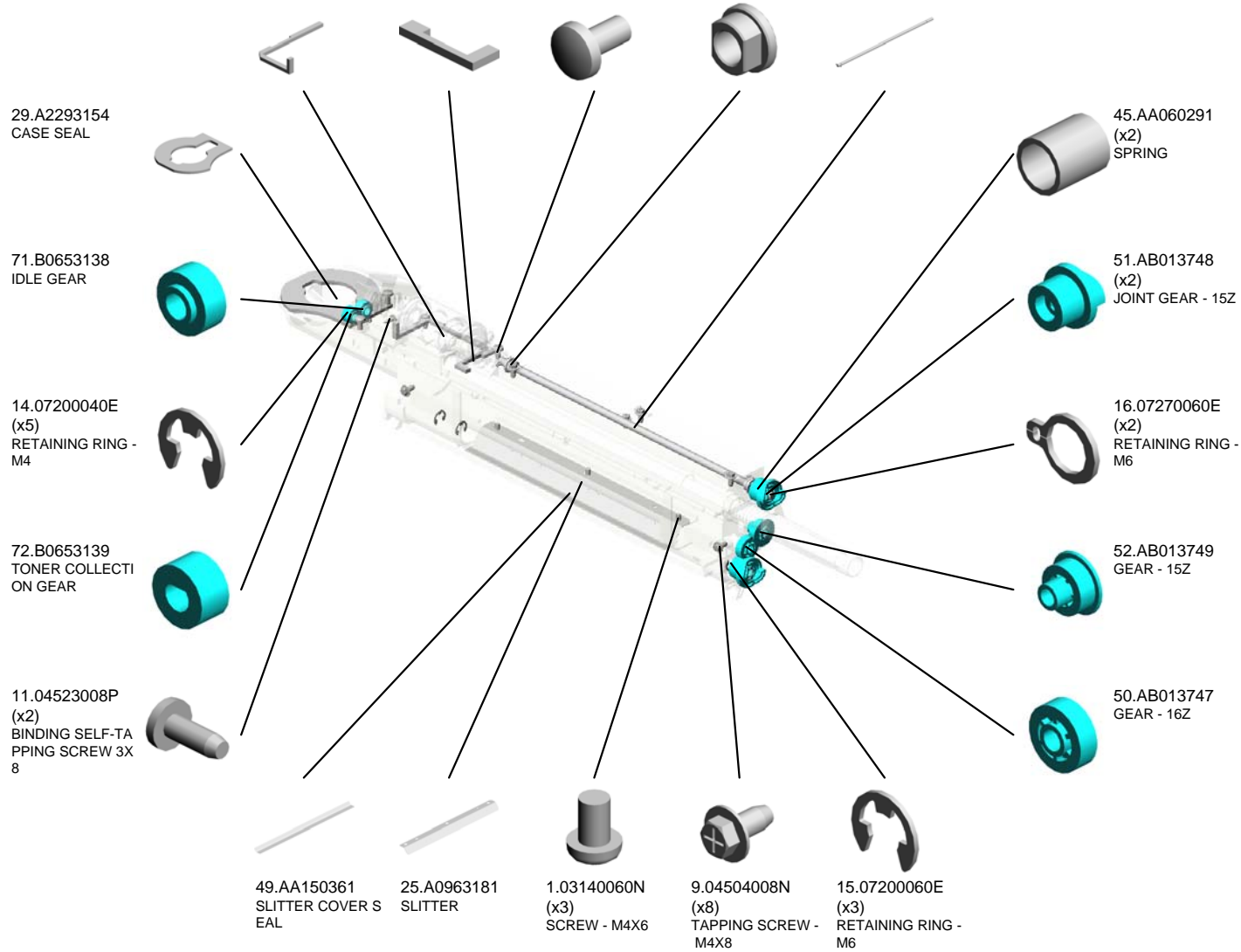


U001	U002	U003	U004	U005	U006	U007	U008	U009	U010	U011	U012	U013	U014	U015	U016	U017
------	------	------	------	------	------	------	------	------	------	------	------	------	------	------	------	------

U009_S006
(D223,D224):TONER SUPPLY UNIT:ASS'Y

68.B0653122 TONER SEPARATION JOINT SEAL
 69.B0653123 REAR TONER SEPARATION JOINT SEAL
 3.03540080N (x3) SCREW:M4X8
 23.50530447 (x2) BUSHING - 6MM
 70.B0653125 TONER SEPARATION DRIVE SHAFT

115.D2233210 (D223,D224):TONER SUPPLY UNIT:ASS'Y



U001	U002	U003	U004	U005	U006	U007	U008	U009	U010	U011	U012	U013	U014	U015	U016	U017
------	------	------	------	------	------	------	------	-------------	------	------	------	------	------	------	------	------

U009_S006
 (D223,D224):TONER SUPPLY UNIT:ASS'Y

96.B2473720 TRANSPORT SCR
 73.B0653140 UPPER COVER
 80.B0653153 LOWER FILTER CASE FILTER



115.D2233210
 (D223,D224):TONE
 R SUPPLY UNIT:AS
 SY

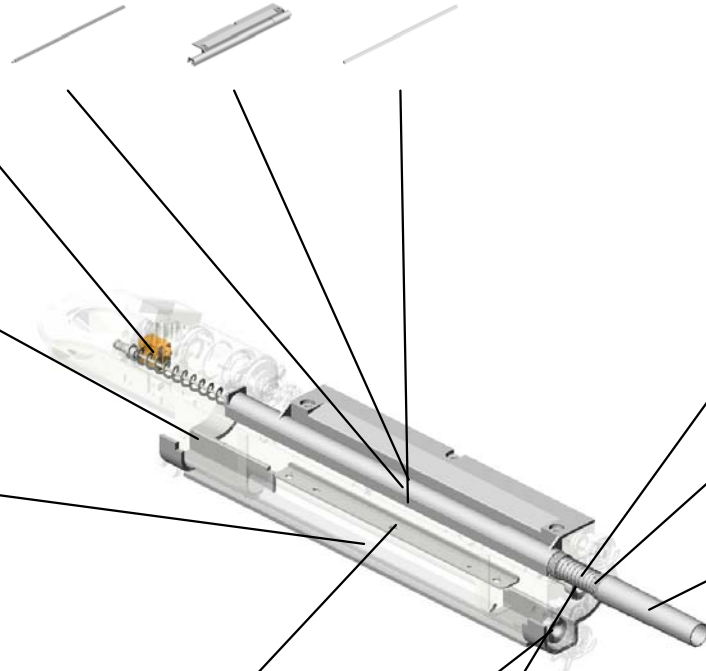
120.D2235311
 TONER END SENS
 OR



79.B0653152
 (x2)
 LOWER FRONT CA
 SE SEAL - REAR



78.B0653151
 LOWER RIGHT CA
 SE SEAL



76.B0653143
 TONER SEPARATI
 ON SPRING



74.B0653141
 EXIT TONER PILE



75.B0653142
 TONER SEPARATI
 ON SHUTTER



77.B0653146
 NUT



86.B2473175
 BUSHING 8X14X8



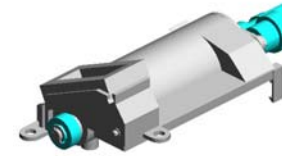
87.B2473176
 BOSS:BEARING:A
 GITATOR:PRESS F
 IT



U001	U002	U003	U004	U005	U006	U007	U008	U009	U010	U011	U012	U013	U014	U015	U016	U017
------	------	------	------	------	------	------	------	------	------	------	------	------	------	------	------	------

U009_S006_S001
(D223,D224):CASE:CLASSIFICATION:ASS'Y

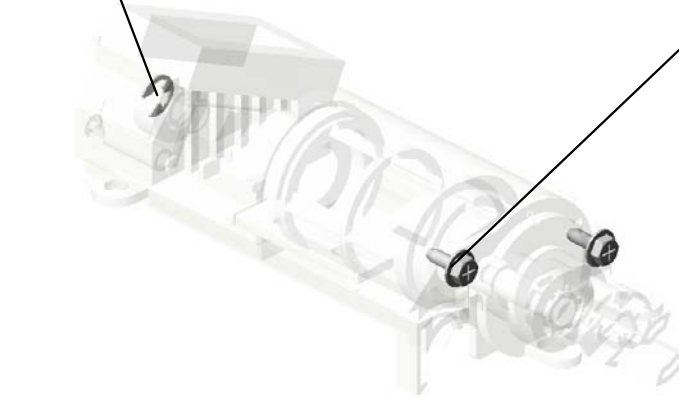
14.07200040E
RETAINING RING -
M4



101.D1313161
(D223,D224):CASE:
CLASSIFICATION:A
SS'Y



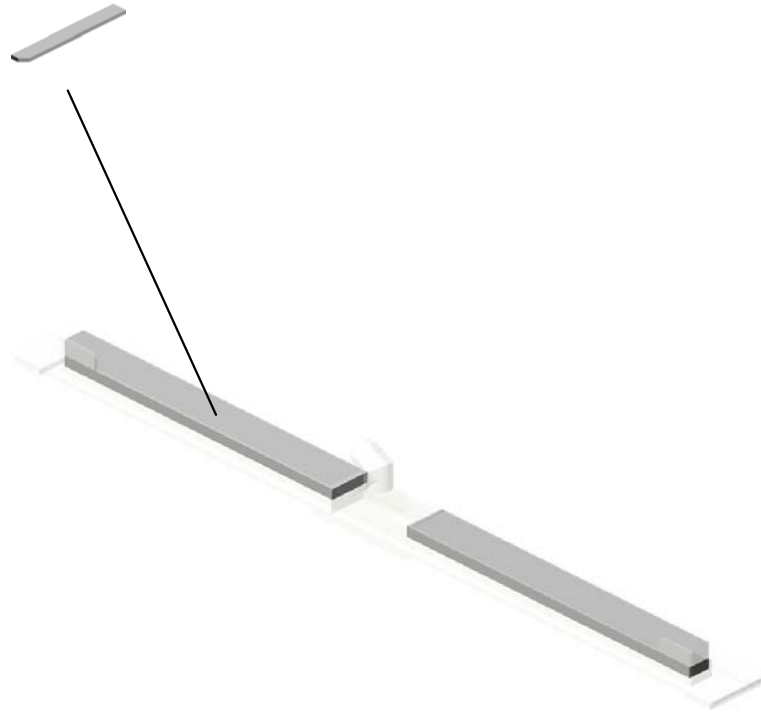
8.04503008N
(x2)
TAPPING SCREW -
M3X8



U001	U002	U003	U004	U005	U006	U007	U008	U009	U010	U011	U012	U013	U014	U015	U016	U017
------	------	------	------	------	------	------	------	------	------	------	------	------	------	------	------	------

U009_S007
(D225):DUCT:DEVELOPMENT:ASS'Y

109.D1333340
(x2)
(D225):FILTER:DEVE
LOPMENT



107.D1333045
(D225):DUCT:DEVE
LOPMENT:ASS'Y

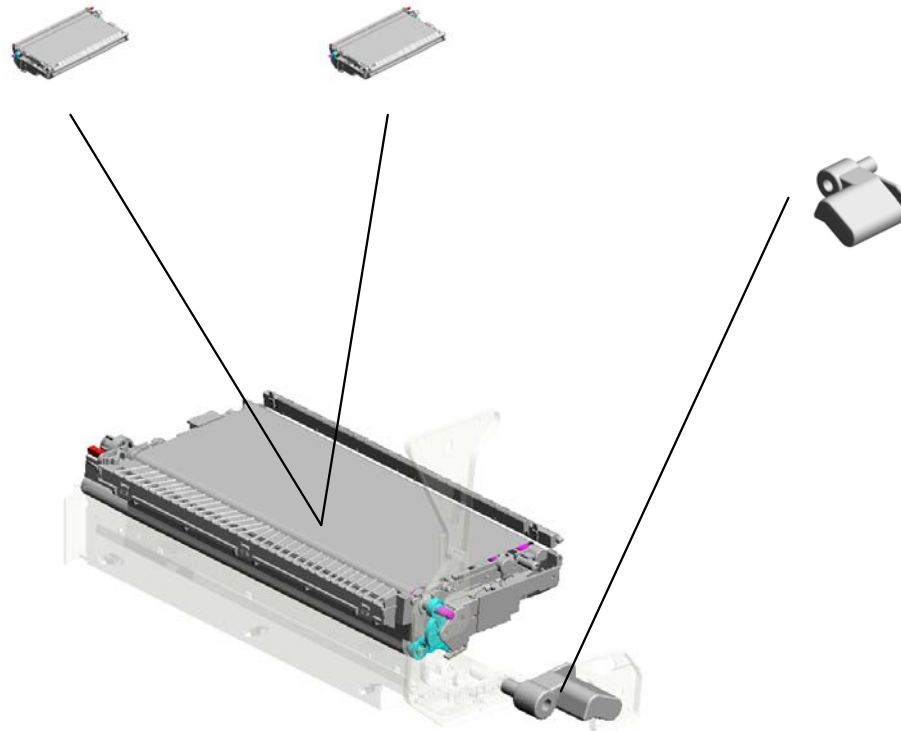
U001	U002	U003	U004	U005	U006	U007	U008	U009	U010	U011	U012	U013	U014	U015	U016	U017
------	------	------	------	------	------	------	------	------	------	------	------	------	------	------	------	------

U010.TRANSFER/SEPARATION

U010_S002
D2253856
(D225):TRANSFER UNIT:ASSY

U010_S003
D2233855
(D223,D224):TRANSFER UNIT:ASSY

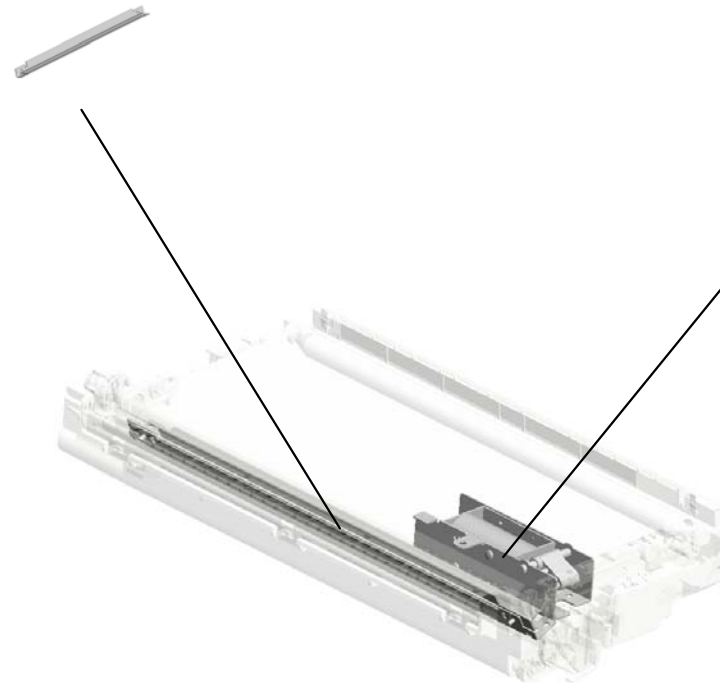
U010_S001
D2233832
LEVER:TRANSFER UNIT:ASSY



U001	U002	U003	U004	U005	U006	U007	U008	U009	U010	U011	U012	U013	U014	U015	U016	U017
------	------	------	------	------	------	------	------	------	------	------	------	------	------	------	------	------

U010_S002.(D225):TRANSFER UNIT:ASS'Y

U010_S002_S001
AD041126
TRANSFER BELT CLEANING
BLADE

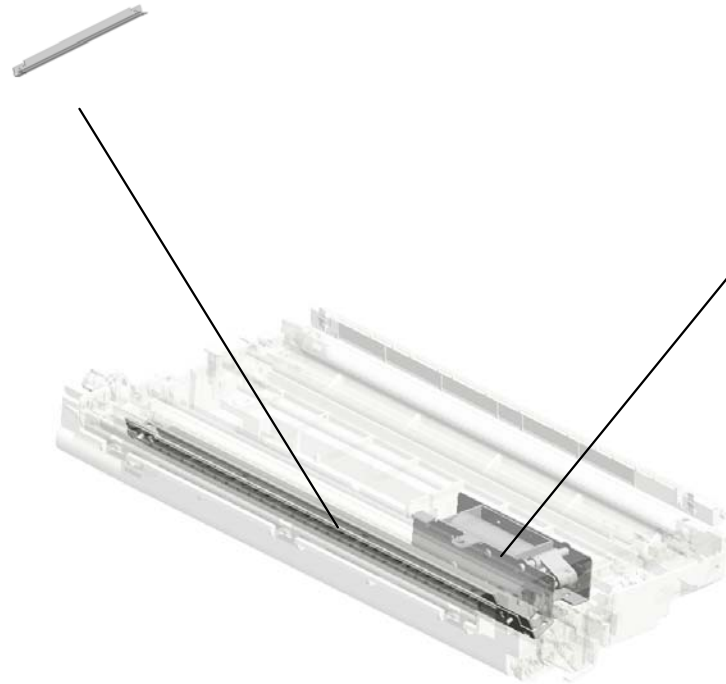


U010_S002_S002
D2253967
(D225):DC SOLENOID:ON-OFF
F:ASS'Y

U001	U002	U003	U004	U005	U006	U007	U008	U009	U010	U011	U012	U013	U014	U015	U016	U017
------	------	------	------	------	------	------	------	------	------	------	------	------	------	------	------	------

U010_S003.(D223,D224):TRANSFER UNIT:ASS'Y

U010_S003_S001
AD041126
TRANSFER BELT CLEANING
BLADE



U010_S003_S002
D2233966
(D223,D224):DC SOLENOID:
ON-OFF:ASS'Y

U001	U002	U003	U004	U005	U006	U007	U008	U009	U010	U011	U012	U013	U014	U015	U016	U017
------	------	------	------	------	------	------	------	------	------	------	------	------	------	------	------	------

U010 TRANSFER/SEPARATION

71.D2233827
STAY:HANDLE:PE
EN

8.04534008N
(x3)
BINDING SELF TAP
PING SCREW:4X8

53.B2473820
POSITIONING PLA
TE:TRANSFER UNI
T:ASS'Y

36.B0653818
TRANSFER UNIT G
UIDE PLATE

69.D2233815
CHANNEL:LENGTH
WISE:MIDDLE FRO
NT:ASS'Y DRAWIN
G



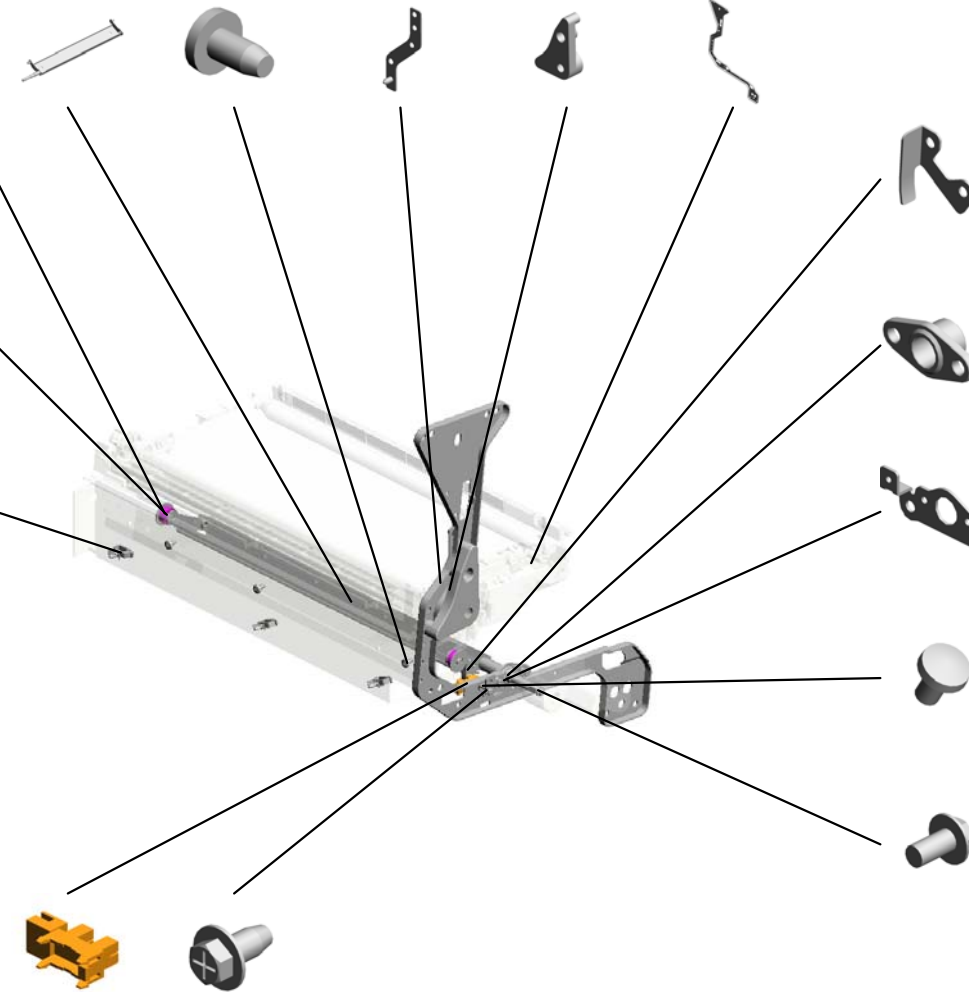
10.07200040E
(x2)
RETAINING RING -
M4



17.67542866
(x2)
ROLLER - POSITIO
NING GUIDE



16.11050487
(x4)
HARNESS CLAMP



70.D2233823
FEELER:ON OFF D
ETECTOR



28.AA082064
BUSHING - 10MM



37.B0653831
RELEASE POSITIO
NING PLATE



2.03530050N
(x2)
SCREW-M3X5



3.03604008N
SCREW - M4X8



2.03530050N (x 1)
SCREW-M3X5
3.03604008N (x 1)
SCREW - M4X8
6.04513008N (x 1)
TAPPING SCREW - M3X8
7.04514008N (x14)
TAPPING SCREW:4X8
15.09514014N (x 1)
SCREW:POLISHED ROUND:M4X14

34.AW020224
PHOTOINTERRUP
TOR:GP1A173LCS
VF

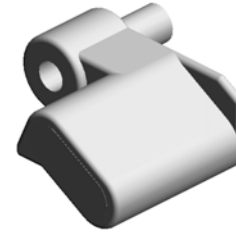


7.04514008N
(x4)
TAPPING SCREW:
4X8

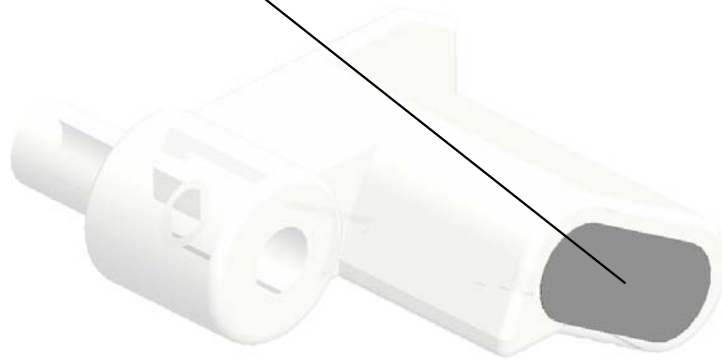


U010_S001
LEVER:TRANSFER UNIT:ASS'Y

73.D2233837
DECAL:LEVER:TRA
NSFER UNIT



72.D2233832
LEVER:TRANSFER
UNIT:ASSY



U001	U002	U003	U004	U005	U006	U007	U008	U009	U010	U011	U012	U013	U014	U015	U016	U017
------	------	------	------	------	------	------	------	------	------	------	------	------	------	------	------	------

U010_S002 (D225):TRANSFER UNIT:ASS'Y

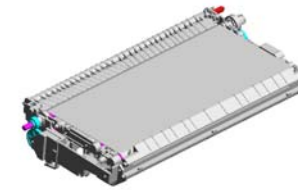
19.A2293862
REAR ARM

22.A2293910
FRONT BUSHING

13.09513006N
(x6)
SCREW - M3X6

38.B0653868
(x2)
PRESSURE ARM

35.AZ320220
POWER PACK:T



77.D2253856
(D225):TRANSFER
UNIT:ASS'Y

11.07200060E
RETAINING RING -
M6

25.AA063310
GUIDE PLATE SPR
ING

31.AB014176
CAM GEAR - 37Z

30.AA132024
SPACER - M6

27.AA082058
BUSHING - 6X10X9
MM

33.AD047025
EXIT SEAL

24.A2293934
TAPE

29.AA082101
(x2)
BUSHING - 6X10X6

18.A2293861
FRONT ARM

9.06330180G
PARALLEL PIN - 3X
18MM

20.A2293865
TRANSPORT DRIV
EN ROLLER

26.AA063877
SPRING

14.09513008N
(x2)
SCREW:POLISHED
ROUND:M3X8

21.A2293875
DRIVE ELECTROD
E

23.A2293911
REAR BUSHING

4.04503008N (x 9)
TAPPING SCREW - M3X8
5.04503010N (x 1)
TAPPING SCREW - M3X10
12.09513004P (x 1)
SCREW:POLISHED ROUND:M3X4

13.09513006N (x 3)
SCREW - M3X6

U001	U002	U003	U004	U005	U006	U007	U008	U009	U010	U011	U012	U013	U014	U015	U016	U017
------	------	------	------	------	------	------	------	------	-------------	------	------	------	------	------	------	------

U010_S002
(D225):TRANSFER UNIT:ASS'Y

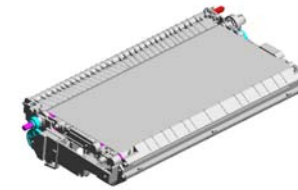
50.B0653962
(x2)
SPRING PLATE

58.B2473961
SHAFT - ON-OFF

55.B2473870
BIAS ROLLER

49.B0653955
ENTRANCE GUIDE
PLATE

52.B0653964
BUSHING



77.D2253856
(D225):TRANSFER
UNIT:ASS'Y

43.B0653878
BIAS TERMINAL

39.B0653872
TRANSFER UNIT J
OINT

54.B2473866
DRIVE ROLLER

56.B2473911
TONER COLLECTI
ON COIL

57.B2473914
AGITATOR

44.B0653918
(x2)
TONER COLLECTI
ON GEAR COIL

40.B0653873
TONER COLLECTI
ON GEAR

45.B0653920
IDLE GEAR - 1

46.B0653921
IDLE GEAR - 2

47.B0653922
ELECTRODE PLAT
E COVER

41.B0653874
ELECTRODE PLAT
E

42.B0653875
TERMINAL

51.B0653963
LEVER

59.B2473965
LEVER SHAFT

48.B0653928
CLEANING ROLLE
R TERMINAL

U001	U002	U003	U004	U005	U006	U007	U008	U009	U010	U011	U012	U013	U014	U015	U016	U017
------	------	------	------	------	------	------	------	------	------	------	------	------	------	------	------	------

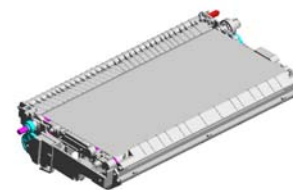
U010_S002
(D225):TRANSFER UNIT:ASS'Y

60.B2473980
ELECTRODE:BIAS

64.D0663990
(D225):COVER:ELE
CTRODE PLATE

63.D0663988
(D225):ELECTROD
E:BIAS:TRANSFER:
ASS'Y

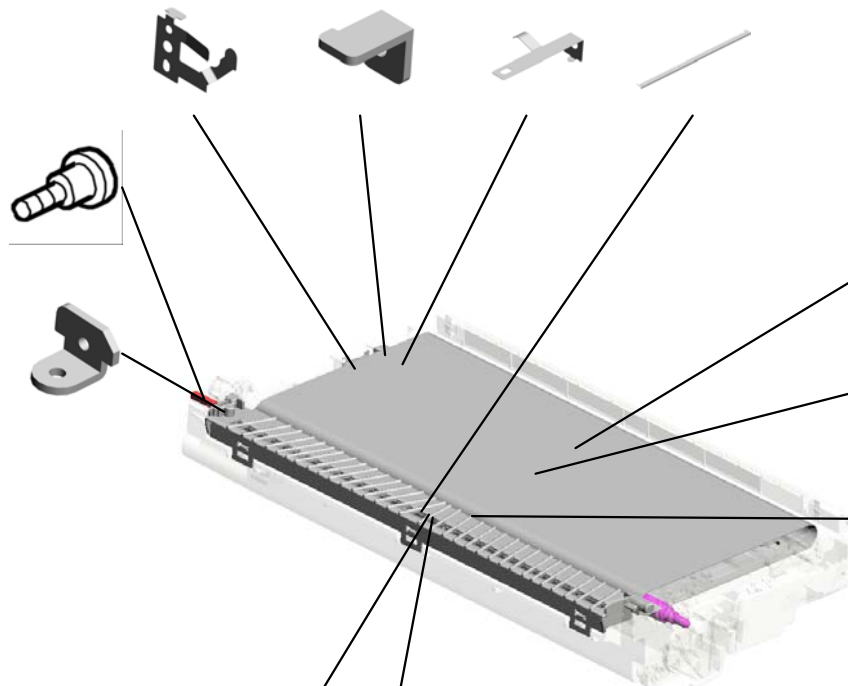
66.D1313949
ELECTRODE PLAT
E:FLAT BELT-TRA
NSFER



77.D2253856
(D225):TRANSFER
UNIT:ASS'Y

79.H0531150
STEPPED SCREW
- LOCKING

67.D1313950
BRACKET:EARTH



62.D0663984
(D225):BRUSH:FLA
T BELT-TRANSFER
:ASS'Y

75.D2233870
TRANSFER BELT

61.D0623925
CLEANING ROLLE
R:TRANSFER BELT
:ASS'Y

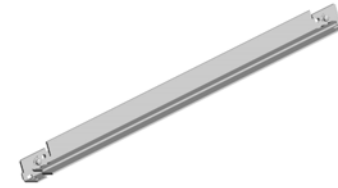
68.D1313951
GUIDE PLATE:TRA
NSFER/SEPARATI
ON UNIT:VAPOR D
EPOSITION

65.D1313945
HOLDER:ENTRAN
CE SEAL:ASS'Y

U001	U002	U003	U004	U005	U006	U007	U008	U009	U010	U011	U012	U013	U014	U015	U016	U017
------	------	------	------	------	------	------	------	------	------	------	------	------	------	------	------	------

U010_S002_S001
TRANSFER BELT CLEANING BLADE

13.09513006N
(x2)
SCREW - M3X6



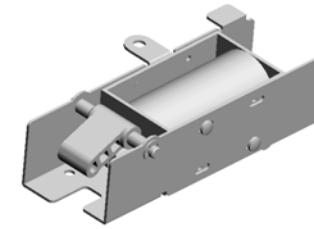
32.AD041126
TRANSFER BELT C
LEANING BLADE



U001	U002	U003	U004	U005	U006	U007	U008	U009	U010	U011	U012	U013	U014	U015	U016	U017
------	------	------	------	------	------	------	------	------	------	------	------	------	------	------	------	------

U010_S002_S002
(D225):DC SOLENOID:ON-OFF:ASS'Y

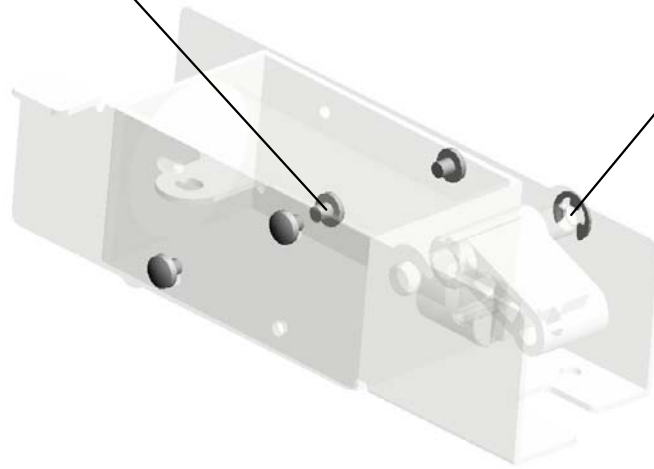
1.03530040N
(x4)
SCREW - M3X4



78.D2253967
(D225):DC SOLEN
OID:ON-OFF:ASS'Y



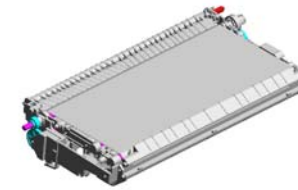
10.07200040E
RETAINING RING -
M4



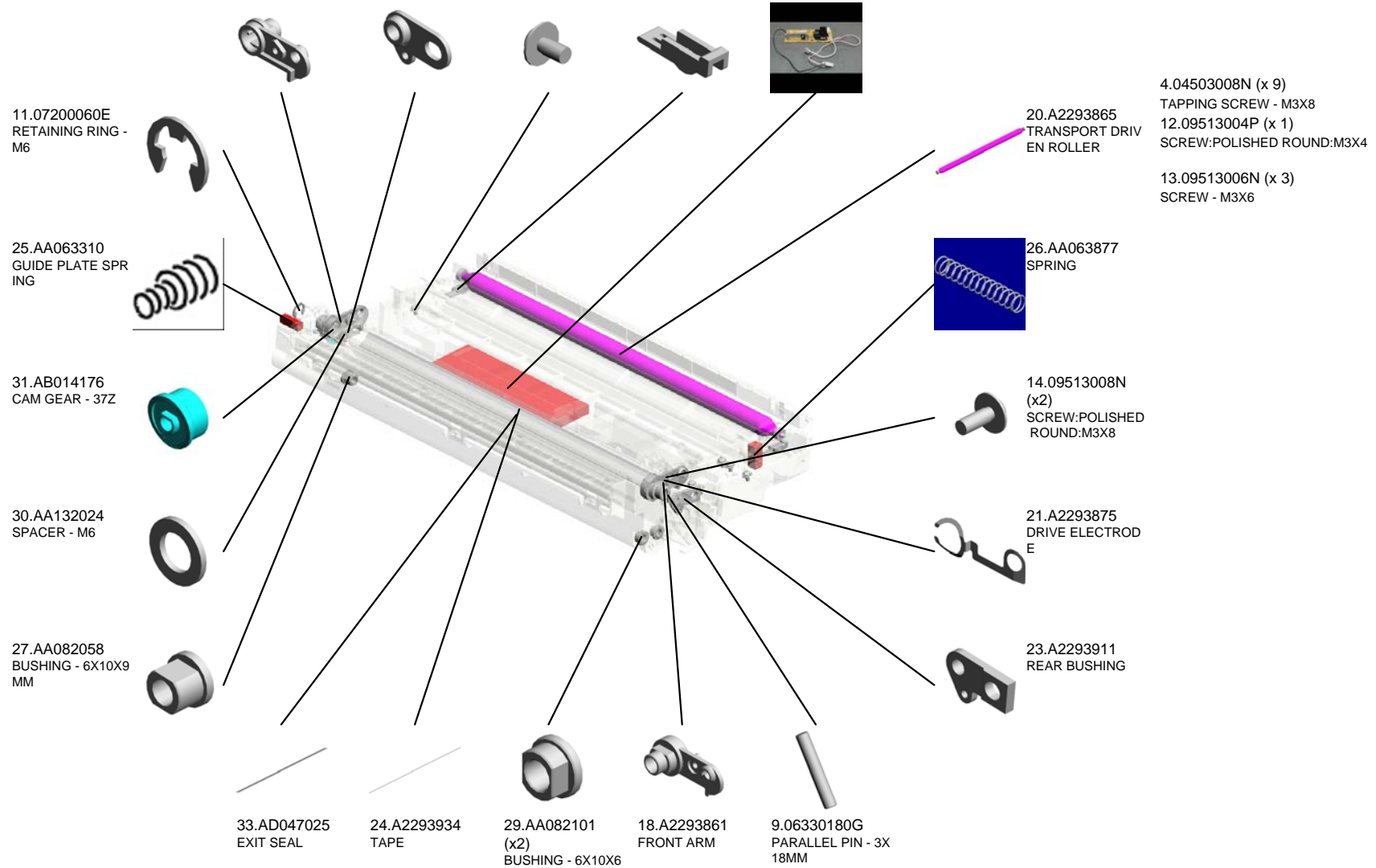
U001	U002	U003	U004	U005	U006	U007	U008	U009	U010	U011	U012	U013	U014	U015	U016	U017
------	------	------	------	------	------	------	------	------	------	------	------	------	------	------	------	------

U010_S003 (D223,D224):TRANSFER UNIT:ASS'Y

- 19.A2293862 REAR ARM
- 22.A2293910 FRONT BUSHING
- 13.09513006N (x6) SCREW - M3X6
- 38.B0653868 (x2) PRESSURE ARM
- 35.AZ320220 POWER PACK:T



74.D2233855
(D223,D224):TRANSFER UNIT:ASS'Y



U001	U002	U003	U004	U005	U006	U007	U008	U009	U010	U011	U012	U013	U014	U015	U016	U017
------	------	------	------	------	------	------	------	------	------	------	------	------	------	------	------	------

U010_S003
(D223,D224):TRANSFER UNIT:ASS'Y

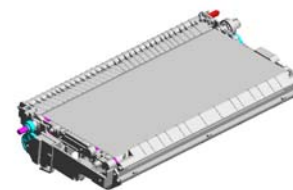
50.B0653962
(x2)
SPRING PLATE

58.B2473961
SHAFT - ON-OFF

55.B2473870
BIAS ROLLER

49.B0653955
ENTRANCE GUIDE
PLATE

52.B0653964
BUSHING



74.D2233855
(D223,D224):TRAN
SFER UNIT:ASS'Y

43.B0653878
BIAS TERMINAL

39.B0653872
TRANSFER UNIT J
OINT

54.B2473866
DRIVE ROLLER

56.B2473911
TONER COLLECTI
ON COIL

57.B2473914
AGITATOR

44.B0653918
(x2)
TONER COLLECTI
ON GEAR COIL

40.B0653873
TONER COLLECTI
ON GEAR

45.B0653920
IDLE GEAR - 1

46.B0653921
IDLE GEAR - 2

47.B0653922
ELECTRODE PLAT
E COVER

41.B0653874
ELECTRODE PLAT
E

42.B0653875
TERMINAL

51.B0653963
LEVER

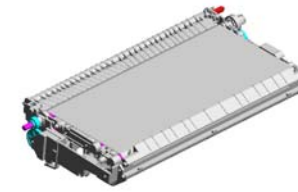
59.B2473965
LEVER SHAFT

48.B0653928
CLEANING ROLLE
R TERMINAL

U001	U002	U003	U004	U005	U006	U007	U008	U009	U010	U011	U012	U013	U014	U015	U016	U017
------	------	------	------	------	------	------	------	------	------	------	------	------	------	------	------	------

U010_S003
(D223,D224):TRANSFER UNIT:ASS'Y

60.B2473980 ELECTRODE:BIAS
66.D1313949 ELECTRODE PLAT
E:FLAT BELT-TRA
NSFER

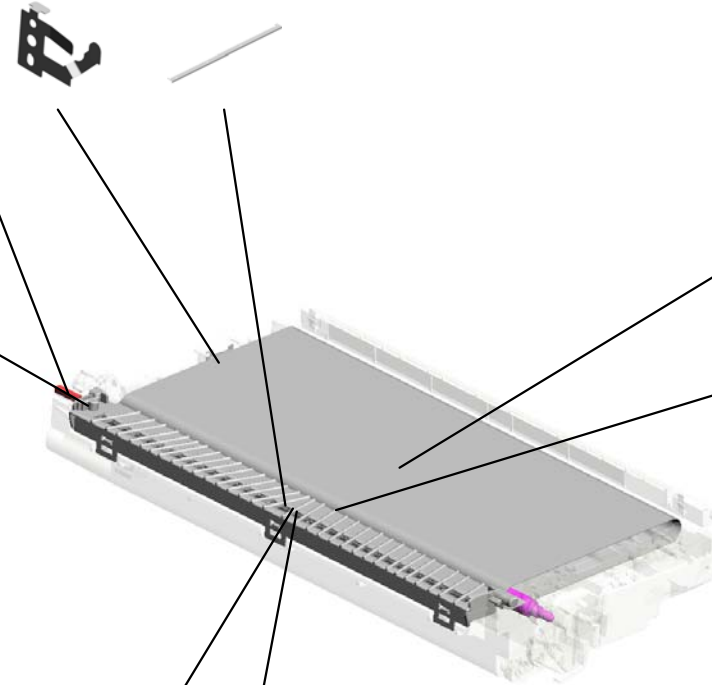


74.D2233855
(D223,D224):TRAN
SFER UNIT:ASS'Y

79.H0531150
STEPPED SCREW
- LOCKING



67.D1313950
BRACKET:EARTH



75.D2233870
TRANSFER BELT



61.D0623925
CLEANING ROLLE
R:TRANSFER BELT
:ASS'Y



68.D1313951 GUIDE PLATE:TRA
NSFER/SEPARATI
ON UNIT:VAPOR D
EPOSITION
65.D1313945 HOLDER:ENTRAN
CE SEAL:ASS'Y



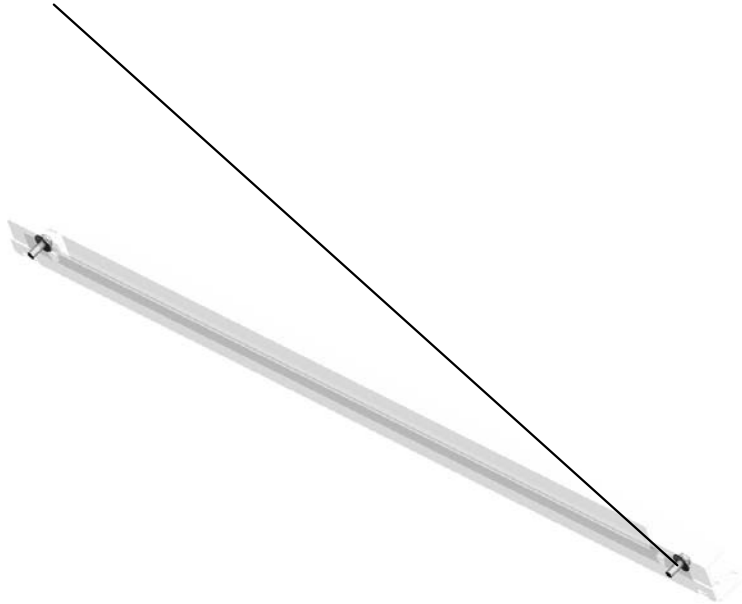
U001	U002	U003	U004	U005	U006	U007	U008	U009	U010	U011	U012	U013	U014	U015	U016	U017
------	------	------	------	------	------	------	------	------	------	------	------	------	------	------	------	------

U010_S003_S001
TRANSFER BELT CLEANING BLADE

13.09513006N
(x2)
SCREW - M3X6



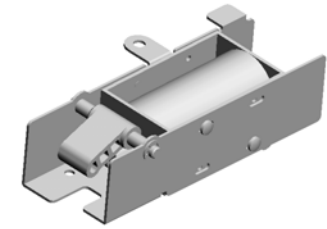
32.AD041126
TRANSFER BELT C
LEANING BLADE



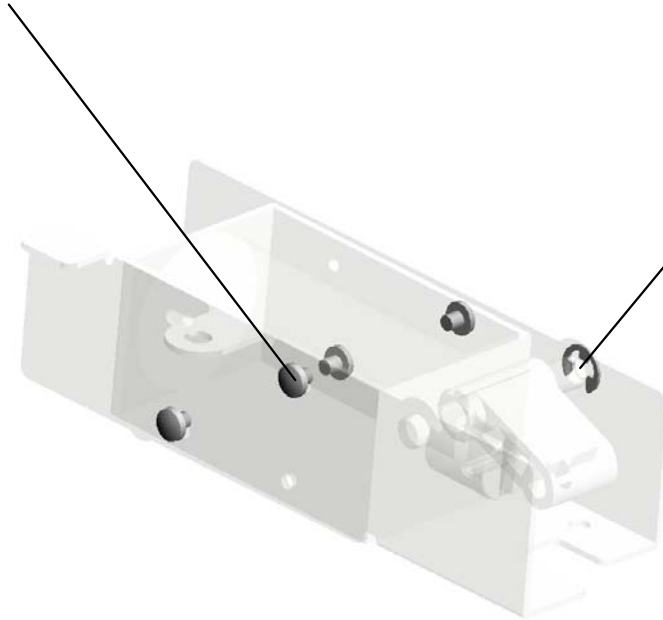
U001	U002	U003	U004	U005	U006	U007	U008	U009	U010	U011	U012	U013	U014	U015	U016	U017
------	------	------	------	------	------	------	------	------	------	------	------	------	------	------	------	------

U010_S003_S002
(D223,D224):DC SOLENOID:ON-OFF:ASS'Y

1.03530040N
(x4)
SCREW - M3X4



76.D2233966
(D223,D224):DC SO
LENOID:ON-OFF:A
SS'Y

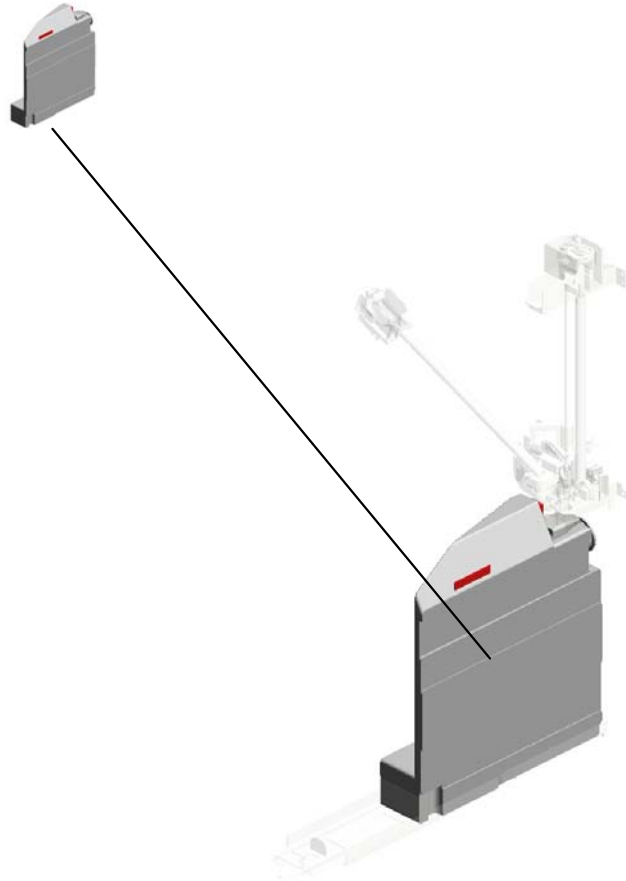


10.07200040E
RETAINING RING -
M4

U001	U002	U003	U004	U005	U006	U007	U008	U009	U010	U011	U012	U013	U014	U015	U016	U017
------	------	------	------	------	------	------	------	------	------	------	------	------	------	------	------	------

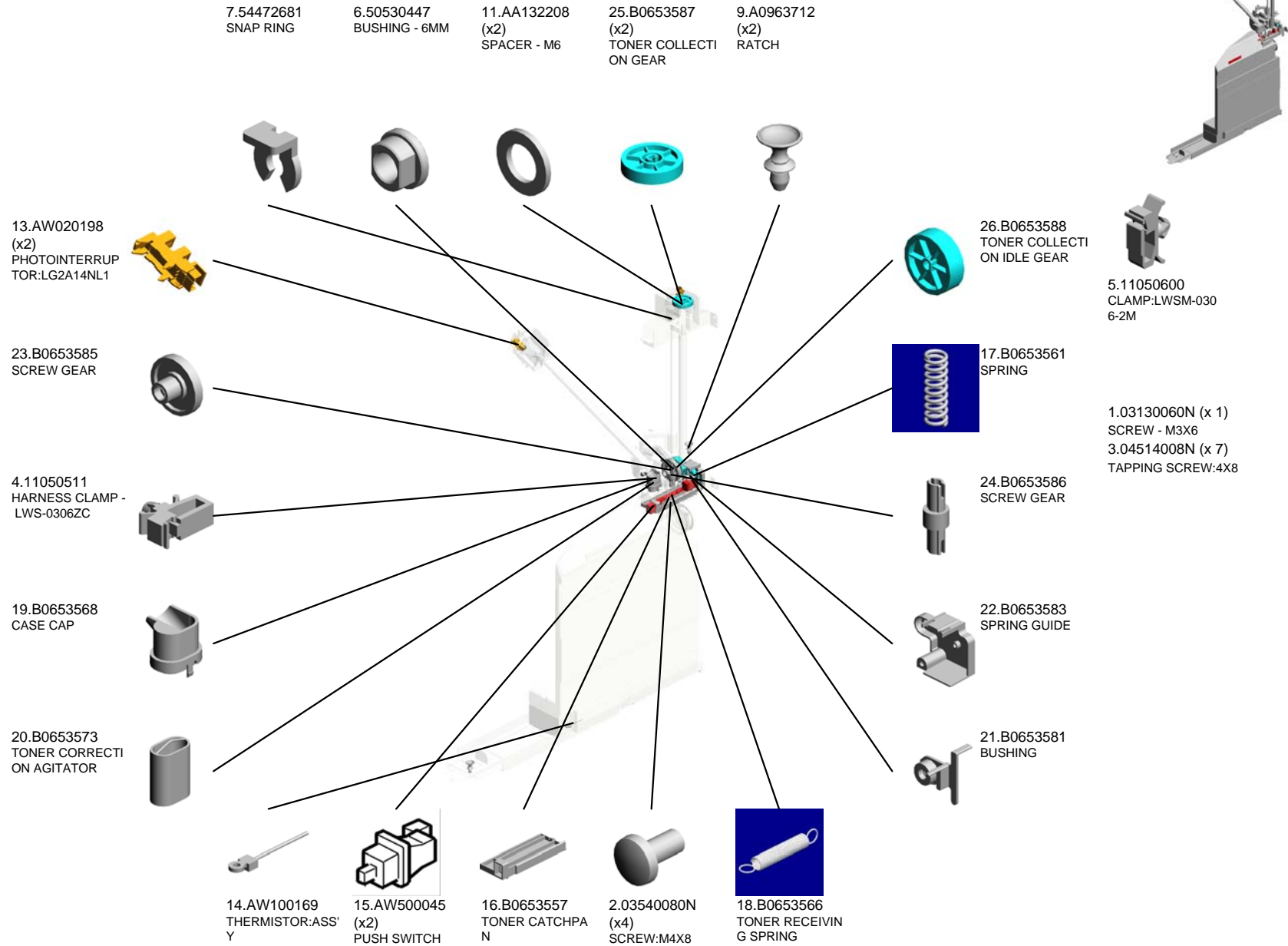
U011.USED TONER

U011_S001
D2233680
TANK:DISCHARGE USED TO
NER



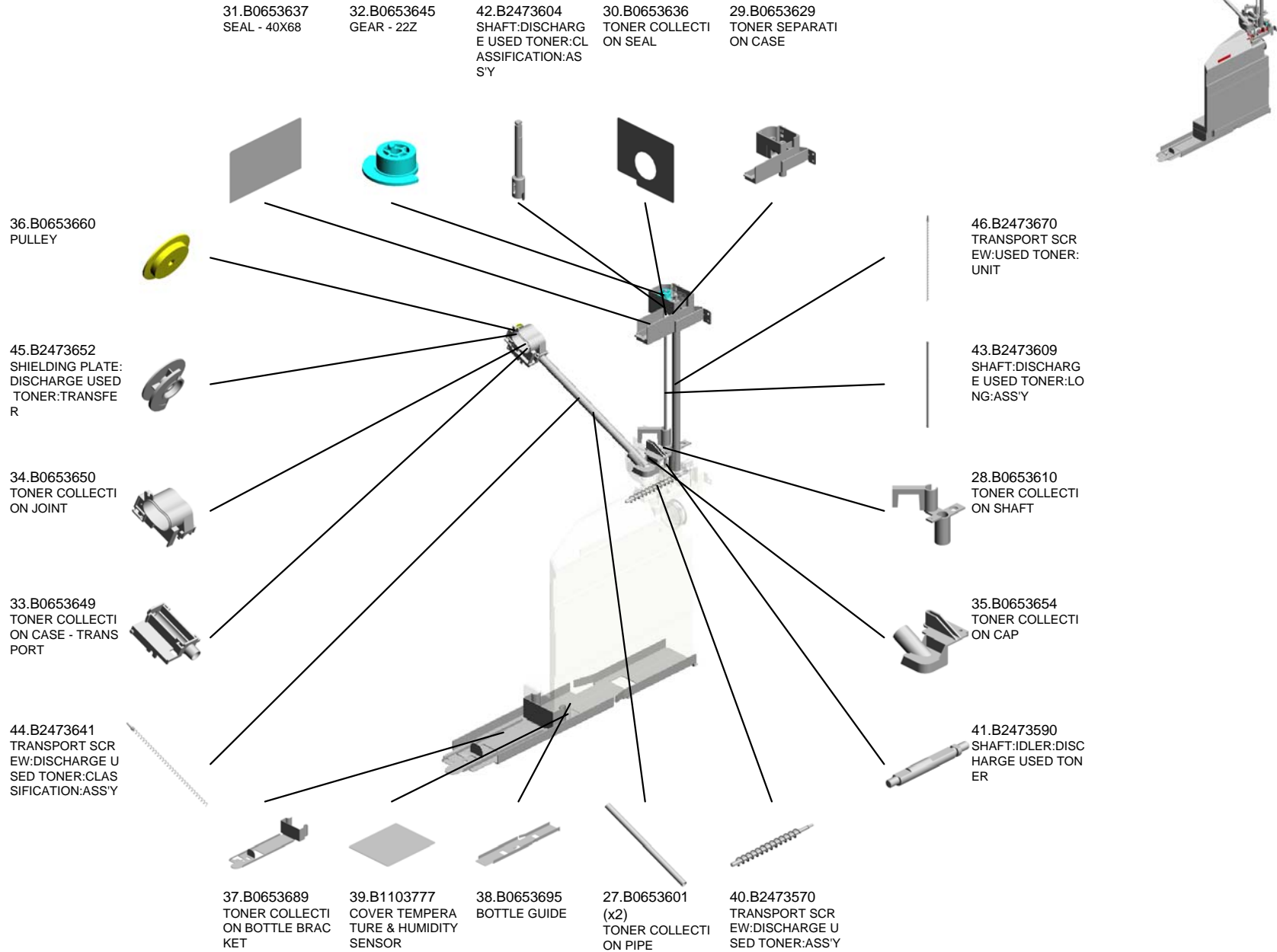
U001	U002	U003	U004	U005	U006	U007	U008	U009	U010	U011	U012	U013	U014	U015	U016	U017
------	------	------	------	------	------	------	------	------	------	------	------	------	------	------	------	------

U011 USED TONER



U001	U002	U003	U004	U005	U006	U007	U008	U009	U010	U011	U012	U013	U014	U015	U016	U017
------	------	------	------	------	------	------	------	------	------	------	------	------	------	------	------	------

U011 USED TONER



U001	U002	U003	U004	U005	U006	U007	U008	U009	U010	U011	U012	U013	U014	U015	U016	U017
------	------	------	------	------	------	------	------	------	------	------	------	------	------	------	------	------

U011 USED TONER

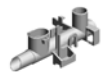
51.H0532208
BUSHING - M4

47.D2233556
DC BRUSHLESS M
OTOR:25W:NID:DI
SCHARGE USED T
ONER



48.D2233559
BASE:DISCHARGE
USED TONER:ASS'
Y

49.D2233565
CASE:DISCHARGE
USED TONER



U001	U002	U003	U004	U005	U006	U007	U008	U009	U010	U011	U012	U013	U014	U015	U016	U017
------	------	------	------	------	------	------	------	------	------	------	------	------	------	------	------	------

U011_S001
TANK:DISCHARGE USED TONER

10.AA001650
DECAL:CAUTION C
HART:COLLECTIO
N BOTTLE

12.AA152315
TANK SEAL



8.A0073751
LARGE CAP - TON
ER COLLECTION T
ANK



50.D2233680
TANK:DISCHARGE
USED TONER

U001	U002	U003	U004	U005	U006	U007	U008	U009	U010	U011	U012	U013	U014	U015	U016	U017
------	------	------	------	------	------	------	------	------	------	------	------	------	------	------	------	------

U012.FUSING

U012_S008
D2254202
(D225):CLEANING UNIT:HOT
ROLLER:D225:ASS'Y

U012_S001
D2234593
(D223,D224):(TWN):FUSING
UNIT:SERVICE

U012_S007
D2254001
(D225):FUSING UNIT:ASS'Y

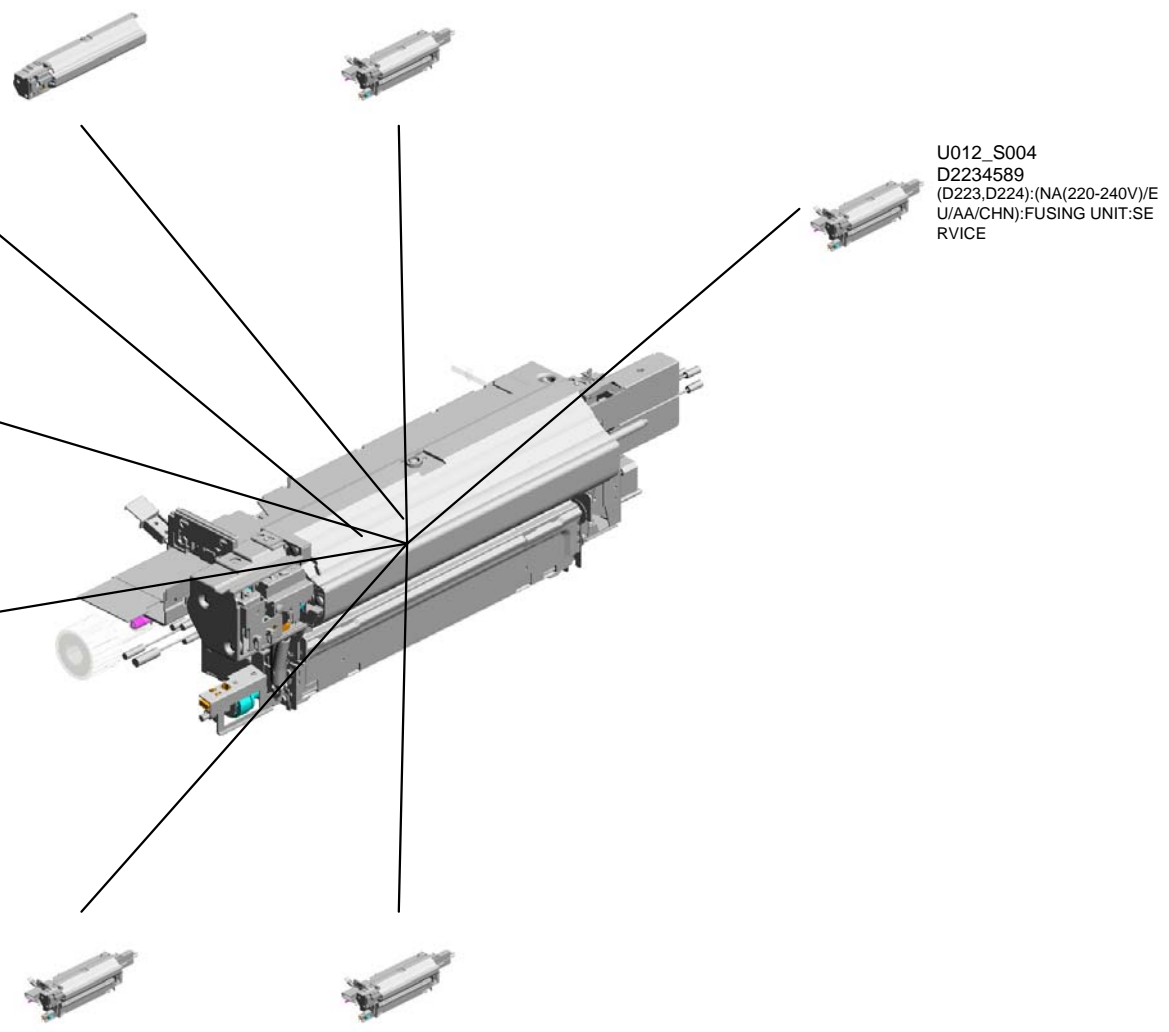
U012_S004
D2234589
(D223,D224):(NA(220-240V)/E
U/AA/CHN):FUSING UNIT:SE
RVICE

U012_S002
D2234586
(NA(D223(120V),D224(120V)))
:FUSING UNIT:SERVICE

U012_S003
D2234589
(D223,D224):(NA(220-240V)/E
U/AA/CHN):FUSING UNIT:SE
RVICE

U012_S005
D2234589
(D223,D224):(NA(220-240V)/E
U/AA/CHN):FUSING UNIT:SE
RVICE

U012_S006
D2234589
(D223,D224):(NA(220-240V)/E
U/AA/CHN):FUSING UNIT:SE
RVICE



U001	U002	U003	U004	U005	U006	U007	U008	U009	U010	U011	U012	U013	U014	U015	U016	U017
------	------	------	------	------	------	------	------	------	------	------	------	------	------	------	------	------

U012_S001.(D223,D224):(TWN):FUSING UNIT:SERVICE

U012_S001_S001
AE030055
(D223,D224):BALL BEARING -
6X15X5

U012_S001_S002
D2234080
(D223,D224):STRIPPER PAW
LS:OPEN AND CLOSE:ASS'Y

U012_S001_S003
D2234091
(D223,D224):CLEANING UNIT
:HOT ROLLER:ASS'Y



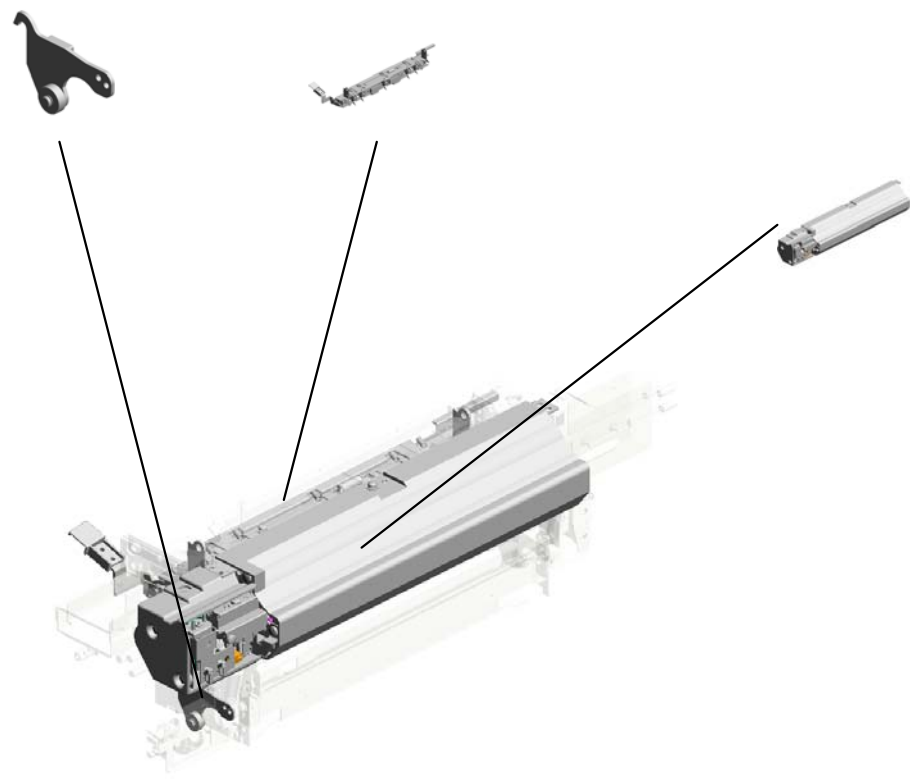
U001	U002	U003	U004	U005	U006	U007	U008	U009	U010	U011	U012	U013	U014	U015	U016	U017
------	------	------	------	------	------	------	------	------	------	------	------	------	------	------	------	------

U012_S002.(NA(D223(120V),D224(120V))):FUSING UNIT:SERVICE

U012_S002_S001
AE030055
(D223,D224):BALL BEARING -
6X15X5

U012_S002_S002
D2234080
(D223,D224):STRIPPER PAW
LS:OPEN AND CLOSE:ASS'Y

U012_S002_S003
D2234091
(D223,D224):CLEANING UNIT
:HOT ROLLER:ASS'Y



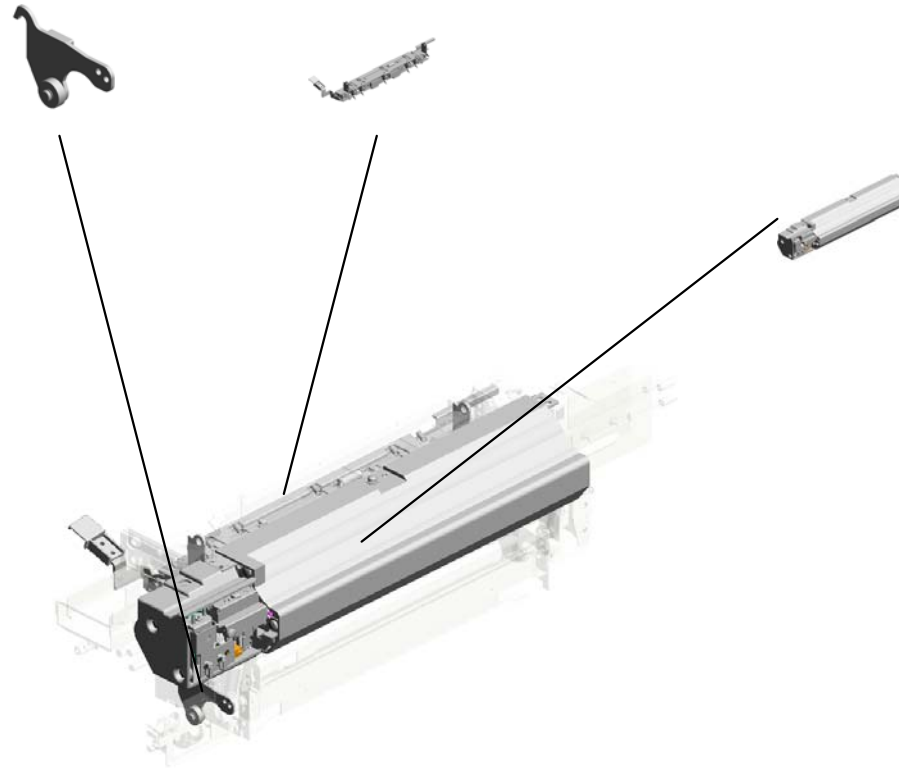
U001	U002	U003	U004	U005	U006	U007	U008	U009	U010	U011	U012	U013	U014	U015	U016	U017
------	------	------	------	------	------	------	------	------	------	------	------	------	------	------	------	------

U012_S003.(D223,D224):(NA(220-240V)/EU/AA/CHN):FUSING UNIT:SERVICE

U012_S003_S001
AE030055
(D223,D224):BALL BEARING -
6X15X5

U012_S003_S002
D2234080
(D223,D224):STRIPPER PAW
LS:OPEN AND CLOSE:ASS'Y

U012_S003_S003
D2234091
(D223,D224):CLEANING UNIT
:HOT ROLLER:ASS'Y



U001	U002	U003	U004	U005	U006	U007	U008	U009	U010	U011	U012	U013	U014	U015	U016	U017
------	------	------	------	------	------	------	------	------	------	------	------	------	------	------	------	------

U012_S004.(D223,D224):(NA(220-240V)/EU/AA/CHN):FUSING UNIT:SERVICE

U012_S004_S001
AE030055
(D223,D224):BALL BEARING -
6X15X5

U012_S004_S002
D2234080
(D223,D224):STRIPPER PAW
LS:OPEN AND CLOSE:ASS'Y

U012_S004_S003
D2234091
(D223,D224):CLEANING UNIT
:HOT ROLLER:ASS'Y



U001	U002	U003	U004	U005	U006	U007	U008	U009	U010	U011	U012	U013	U014	U015	U016	U017
------	------	------	------	------	------	------	------	------	------	------	------	------	------	------	------	------

U012_S005.(D223,D224):(NA(220-240V)/EU/AA/CHN):FUSING UNIT:SERVICE

U012_S005_S001
AE030055
(D223,D224):BALL BEARING -
6X15X5

U012_S005_S002
D2234080
(D223,D224):STRIPPER PAW
LS:OPEN AND CLOSE:ASS'Y

U012_S005_S003
D2234091
(D223,D224):CLEANING UNIT
:HOT ROLLER:ASS'Y



U001	U002	U003	U004	U005	U006	U007	U008	U009	U010	U011	U012	U013	U014	U015	U016	U017
------	------	------	------	------	------	------	------	------	------	------	------	------	------	------	------	------

U012_S006.(D223,D224):(NA(220-240V)/EU/AA/CHN):FUSING UNIT:SERVICE

U012_S006_S001
AE030055
(D223,D224):BALL BEARING -
6X15X5

U012_S006_S002
D2234080
(D223,D224):STRIPPER PAW
LS:OPEN AND CLOSE:ASS'Y

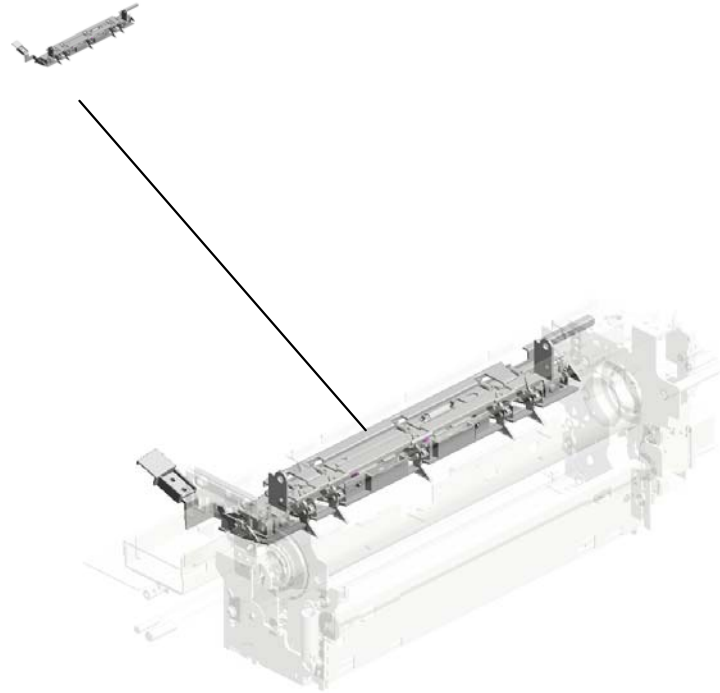
U012_S006_S003
D2234091
(D223,D224):CLEANING UNIT
:HOT ROLLER:ASS'Y



U001	U002	U003	U004	U005	U006	U007	U008	U009	U010	U011	U012	U013	U014	U015	U016	U017
------	------	------	------	------	------	------	------	------	------	------	------	------	------	------	------	------

U012_S007.(D225):FUSING UNIT:ASS'Y

U012_S007_S001
D2254080
(D225):STRIPPER PAWLS:O
PEN AND CLOSE:D225:ASS'
Y



U001	U002	U003	U004	U005	U006	U007	U008	U009	U010	U011	U012	U013	U014	U015	U016	U017
------	------	------	------	------	------	------	------	------	------	------	------	------	------	------	------	------

U012 FUSING

70.AG050104
KNOB:FUSING

20.09514008N
SCREW:POLISHED
ROUND:M4X8



191.D1314167
DECAL:KNOB:FUSI
NG



103.B0654154
REAR FUSING PLA
TE



8.03604006N
(x2)
SCREW - M4X6



9.04514008N
TAPPING SCREW:
4X8



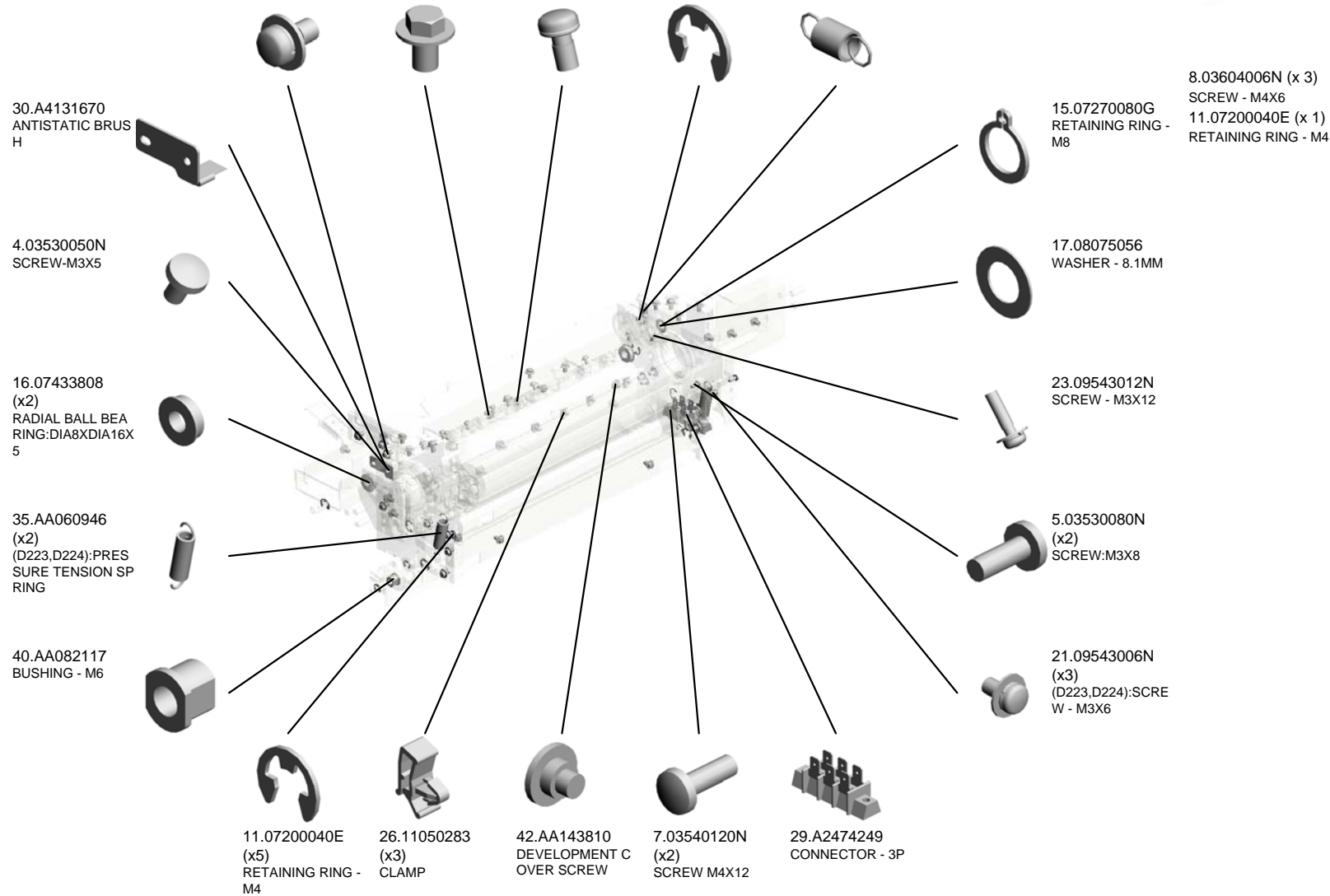
U001	U002	U003	U004	U005	U006	U007	U008	U009	U010	U011	U012	U013	U014	U015	U016	U017
------	------	------	------	------	------	------	------	------	------	------	------	------	------	------	------	------

U012_S001
(D223,D224):(TWN):FUSING UNIT:SERVICE

25.09544008N (x9) SCREW - M4X8
 8.03604006N (x36) SCREW - M4X6
 18.09503006M (x6) PHILIPS SCREW WITH LOCK WASHER
 12.07200060E (x9) RETAINING RING - M6
 33.AA060894 SPRING



210.D2234593
(D223,D224):(TWN)
:FUSING UNIT:SER
VICE



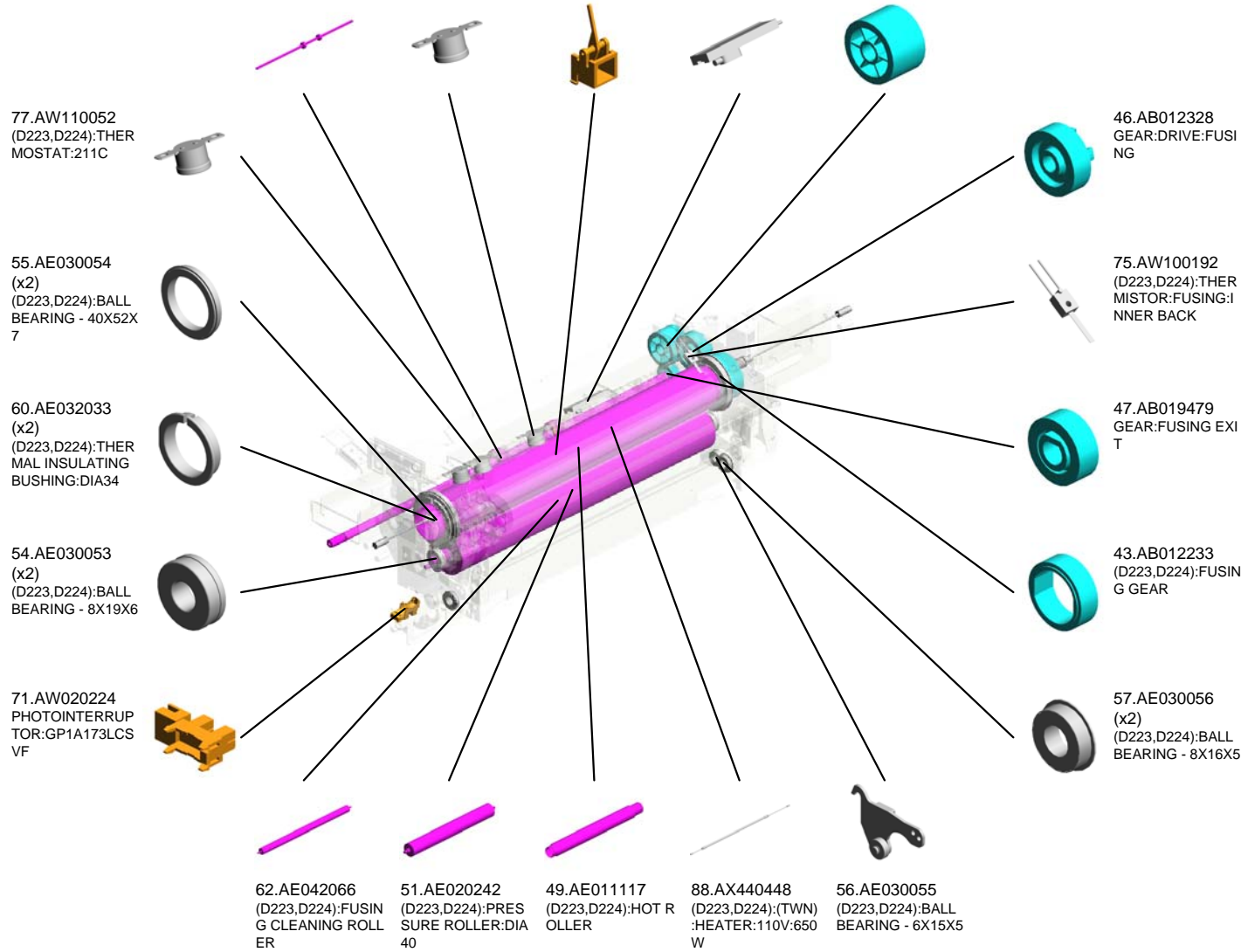
U001	U002	U003	U004	U005	U006	U007	U008	U009	U010	U011	U012	U013	U014	U015	U016	U017
------	------	------	------	------	------	------	------	------	------	------	------	------	------	------	------	------

U012_S001
(D223,D224):(TWN):FUSING UNIT:SERVICE

- 68.AF040055 FUSING EXIT ROLLER
- 76.AW110040 (x2) (D223,D224):THERMOSTAT - 192C
- 80.AW200010 PAPER FEED SENSOR
- 74.AW100191 (D223,D224):THERMISTOR:FUSING:MIDDLE
- 45.AB012318 IDLER GEAR



210.D2234593
(D223,D224):(TWN):FUSING UNIT:SERVICE



U001	U002	U003	U004	U005	U006	U007	U008	U009	U010	U011	U012	U013	U014	U015	U016	U017
------	------	------	------	------	------	------	------	------	------	------	------	------	------	------	------	------

U012_S001
(D223,D224):(TWN):FUSING UNIT:SERVICE



210.D2234593
(D223,D224):(TWN)
:FUSING UNIT:SER
VICE

95.B0654129 SHEET:FIBER:SIDE PLATE
132.B1104223 (D223,D224):ELECTRODE PLATE:THERMOSTAT:COUPLING
138.B1404145 (D223,D224):BRACKET:THERMOSTAT
141.B1404169 (D223,D224):THERMOSTAT ELECTRODE PLATE
136.B1404140 (D223,D224):LOWER FUSING EXIT GUIDE

99.B0654138 SIDE PLATE COVER

144.B1404174 (D223,D224):GRIP:FUSING UNIT:FRONT:ASSY

135.B1404113 BRACKET:COVER:CONNECTOR:ASSY

143.B1404171 (D223,D224):FRONT HEATER HOLDER

150.B1404200 (x2) (D223,D224):PRESSURE CLEANING ROLLER SPRING

149.B1404198 (D223,D224):FUSING CLEANING ROLLER BRACKET

100.B0654139 SWITCH HOLDER

102.B0654141 SPRING PLATE - SWITCH

90.AX440450 (D223,D224):(TWN):HEATER:110V:280W:AUXILIARY

134.B1404112 (D223,D224):RIGHT FUSING STAY

140.B1404167 (D223,D224):CONNECTOR COVER BRACKET

145.B1404179 (D223,D224):PLATE:THERMISTOR

142.B1404170 (D223,D224):REAR HEATER HOLDER

139.B1404159 (D223,D224):HARNESSESS PLATE

89.AX440449 (D223,D224):(TWN):HEATER:110V:550W

U001	U002	U003	U004	U005	U006	U007	U008	U009	U010	U011	U012	U013	U014	U015	U016	U017
------	------	------	------	------	------	------	------	------	------	------	------	------	------	------	------	------

U012_S001
(D223,D224):(TWN):FUSING UNIT:SERVICE

162.B2474128 (D223,D224):HOUSING:THERMOSTAT
 189.D1314114 STAY:FUSING:LEFT
 190.D1314117 (D223,D224):FUSING COVER:UPPER:ASSY
 202.D2234142 (D223,D224):STAY:UPPER:ASSY
 199.D1364196 (D223,D224):HOUSING:TEMPERATURE SENSOR:NC-F10



210.D2234593 (D223,D224):(TWN):FUSING UNIT:SERVICE

160.B2474101 (D223,D224):SIDE PLATE:FUSING:FRONT:ASSY



163.B2474131 LEVER:RELEASE:FRONT:ASSY



183.D0624226 (x2) (D223,D224):BUSHING:OIL SUPPLY



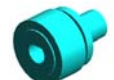
157.B1404258 (D223,D224):SENSOR BRACKET ASSY



158.B1404320 (D223,D224):SENSOR FEELER



172.B2474264 (D223,D224):GEAR:PRESSURE



151.B1404203 (D223,D224):LOWER FUSING COVER



176.D0544254 (D223,D224):SHAFT:TURN



152.B1404205 (D223,D224):PRESSURE OIL SUPPLY ROLLER BRACKET



174.D0544135 (D223,D224):(TWN) FUSING ENTRANCE GUIDE PLATE:ASSY



175.D0544172 (x2) (D223,D224):RETAINING RINGS-C:HO T ROLLER



161.B2474105 (D223,D224):SIDE PLATE:FUSING:REAR:ASSY



164.B2474147 LEVER:RELEASE:PRESSURE:REAR:ASSY



165.B2474231 (D223,D224):LEVER:REAR:ASSY



156.B1404256 (x2) (D223,D224):PRESSURE RELEASE ECCENTRIC CAM

U001	U002	U003	U004	U005	U006	U007	U008	U009	U010	U011	U012	U013	U014	U015	U016	U017
------	------	------	------	------	------	------	------	------	------	------	------	------	------	------	------	------

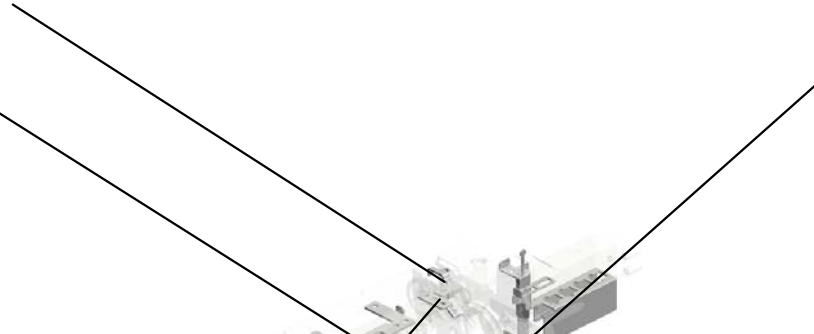
U012_S001
(D223,D224):(TWN):FUSING UNIT:SERVICE

205.D2234185
(D223,D224):PLATE
:FUSING EXIT



210.D2234593
(D223,D224):(TWN)
:FUSING UNIT:SER
VICE

207.D2234197
(D223,D224):BRAC
KET:THERMISTOR:
MIDDLE



203.D2234157
(D223,D224):BRAC
KET:DRAWER:ASS'
Y



206.D2234196
(D223,D224):BRAC
KET:THERMISTOR:
INNER BACK

U001	U002	U003	U004	U005	U006	U007	U008	U009	U010	U011	U012	U013	U014	U015	U016	U017
------	------	------	------	------	------	------	------	------	------	------	------	------	------	------	------	------

U012_S001_S001
(D223,D224):BALL BEARING - 6X15X5

173.B2474323
(D223,D224):LEVE
R:FRONT:ASS'Y

56.AE030055
(D223,D224):BALL
BEARING - 6X15X5



U001	U002	U003	U004	U005	U006	U007	U008	U009	U010	U011	U012	U013	U014	U015	U016	U017
------	------	------	------	------	------	------	------	------	------	------	------	------	------	------	------	------

U012_S001_S002

(D223,D224):STRIPPER PAWLS:OPEN AND CLOSE:ASS'Y

171.B2474247
(x2)
SCREW:SLIDER

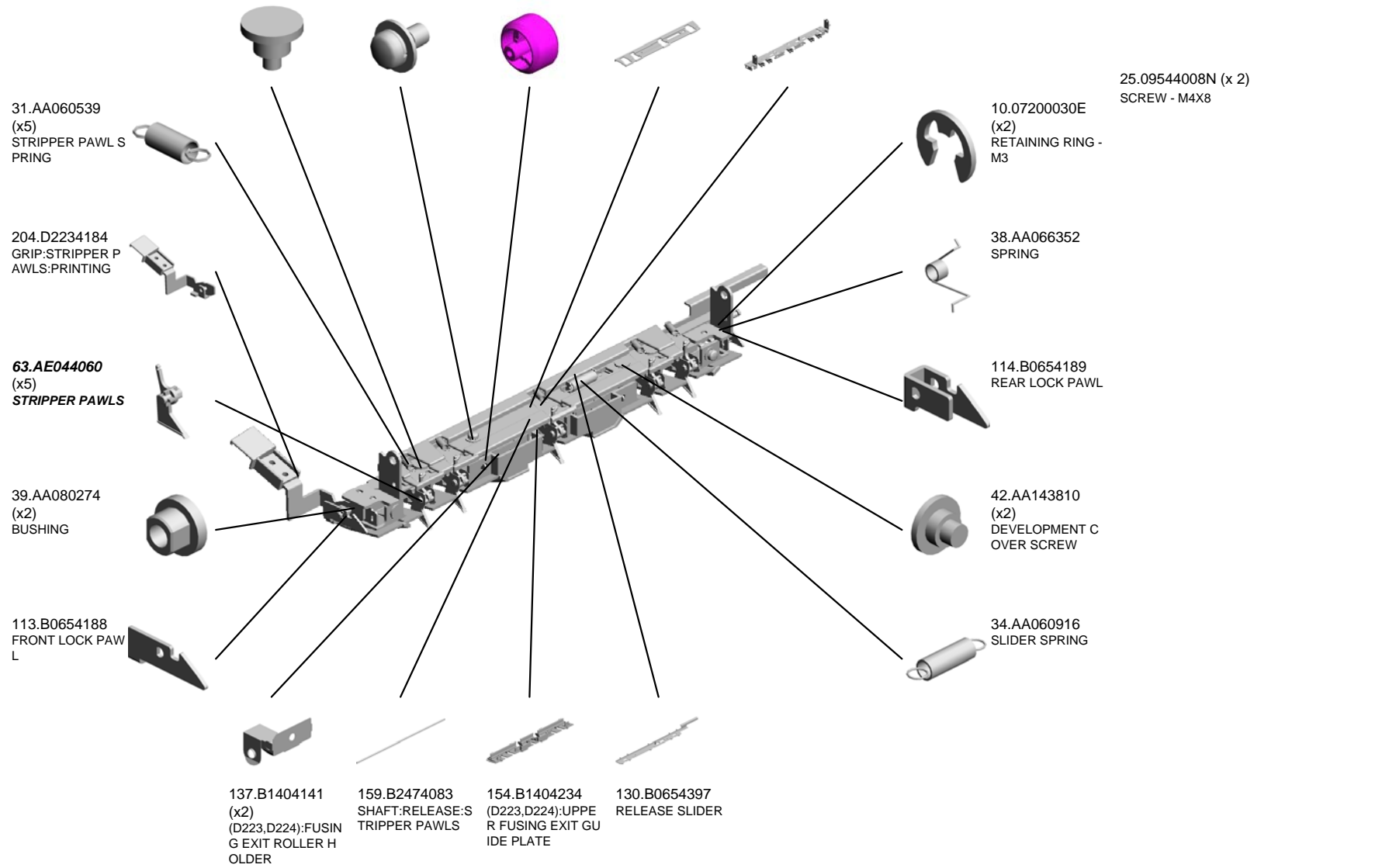
25.09544008N
(x2)
SCREW - M4X8

69.AF040629
(x2)
ROLLER:FUSING E
XIT:UPPER

131.B0654398
SLIDER COVER

155.B1404240
(D223,D224):BRAC
KET:GUIDE PLATE:
FUSING EXIT:UPP
ER:ASS'Y

200.D2234080
(D223,D224):STRIP
PER PAWLS:OPEN
AND CLOSE:ASS'Y



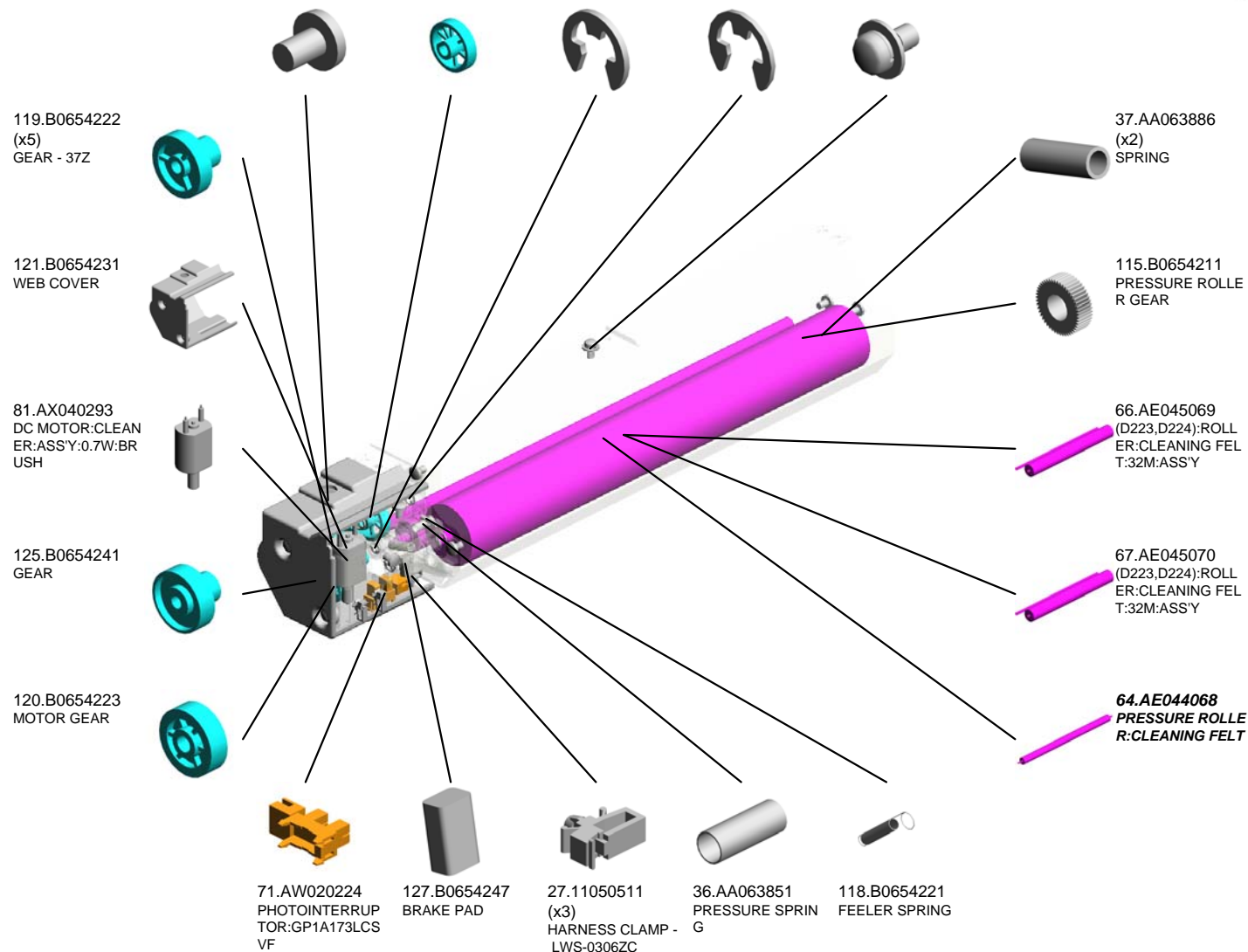
U001	U002	U003	U004	U005	U006	U007	U008	U009	U010	U011	U012	U013	U014	U015	U016	U017
------	------	------	------	------	------	------	------	------	------	------	------	------	------	------	------	------

U012_S001_S003
(D223,D224):CLEANING UNIT:HOT ROLLER:ASS'Y

- 6.03540060N (x10) SCREW-M4X6
- 124.B0654238 GEAR - 50Z
- 10.07200030E (x3) RETAINING RING - M3
- 11.07200040E (x4) RETAINING RING - M4
- 25.09544008N SCREW - M4X8



201.D2234091
(D223,D224):CLEANING UNIT:HOT ROLLER:ASS'Y



U001	U002	U003	U004	U005	U006	U007	U008	U009	U010	U011	U012	U013	U014	U015	U016	U017
------	------	------	------	------	------	------	------	------	------	------	------	------	------	------	------	------

U012_S001_S003

(D223,D224):CLEANING UNIT:HOT ROLLER:ASS'Y

184.D0624236
(x4)
BUSHING:DIA6

169.B2474242
SHAFT:DRIVE:ROL
LING:ASS'Y

180.D0624191
BUSHING:FRONT:
OIL SUPPLY

166.B2474234
(x2)
(D223,D224):GEAR:
STOPPER:OIL SUP
PLY ROLLER

194.D1314218
BRACKET:GUARD:
FEELER

201.D2234091
(D223,D224):CLEA
NING UNIT:HOT R
OLLER:ASS'Y

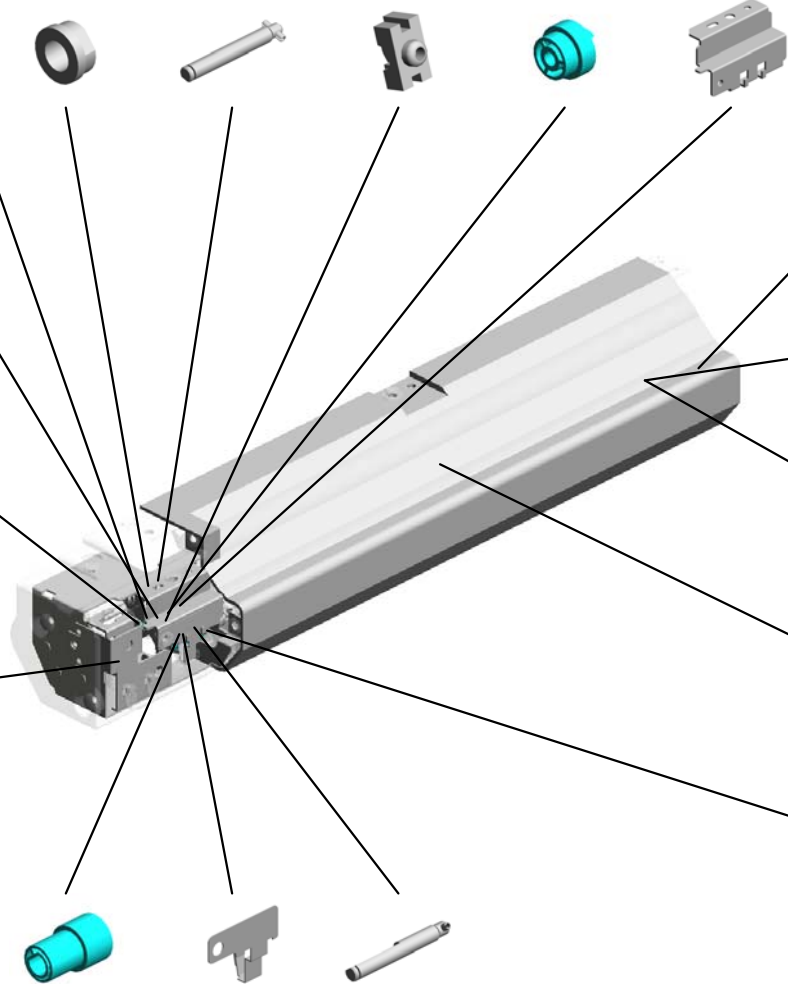


146.B1404187
(D223,D224):CLEA
NING UNIT DRIVE
POSITIONING PLA
TE

167.B2474235
(D223,D224):GEAR:
IDLER:CLEANING
UNIT

192.D1314188
(D223,D224):BRAC
KET:DRIVE:ASS'Y

195.D1314225
BRACKET:PLATE:D
C MOTOR



182.D0624207
(x2)
SHAFT:PLATE:CLE
ANING FELT

153.B1404209
BRACKET:STOPPE
R:ASS'Y

181.D0624192
BUSHING:INNER B
ACK:OIL SUPPLY

147.B1404193
(D223,D224):CLEA
NING UNIT COVER

148.B1404195
(D223,D224):FEELE
R:OIL END SENSO
R

170.B2474244
(D223,D224):GEAR:
Z23:OIL SUPPLY R
OLLER

193.D1314190
(D223,D224):SPRIN
G PLATE:BRAKE

168.B2474239
SHAFT:DRIVE:OIL
SUPPLY ROLLER:ASS'Y

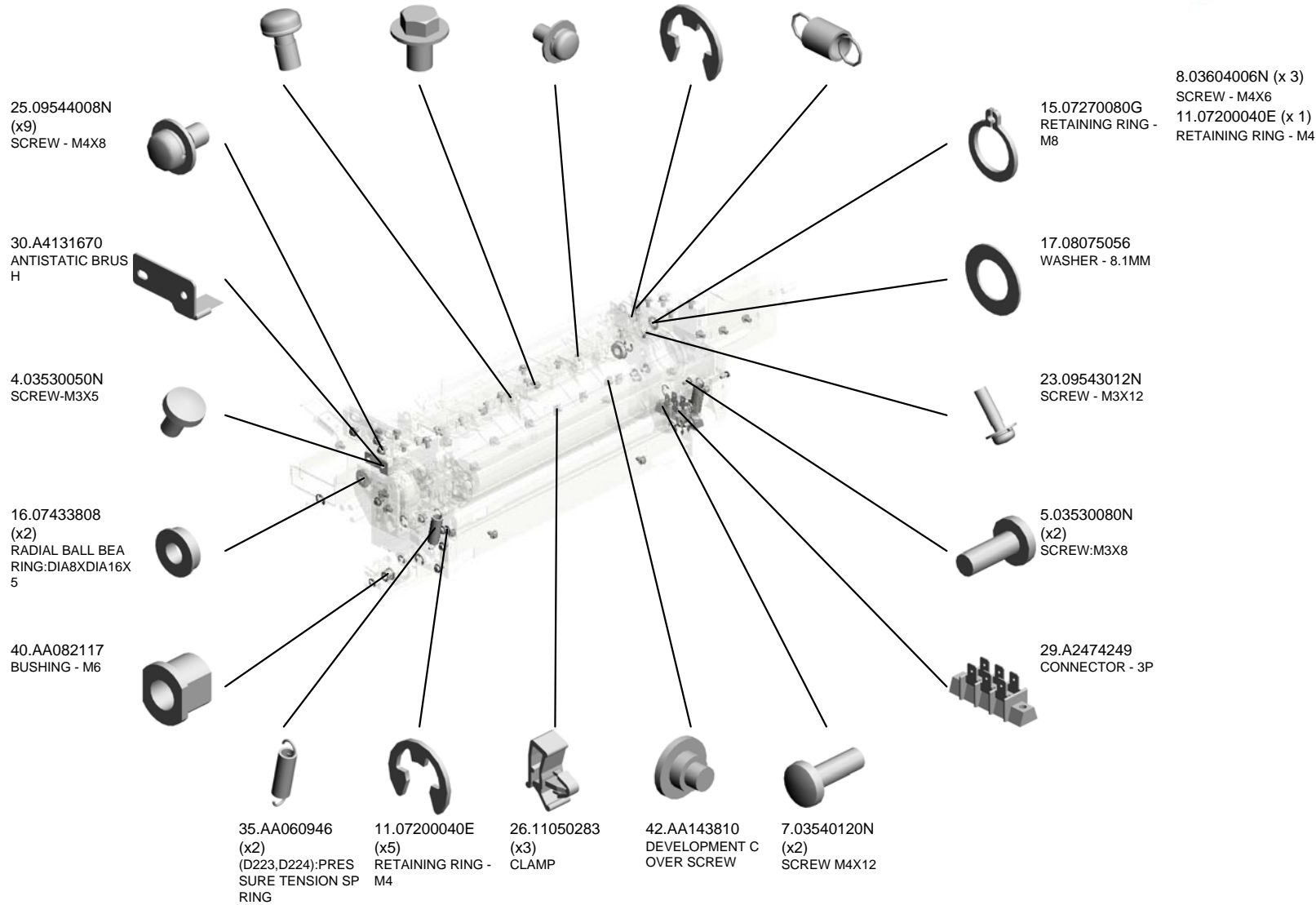
U001	U002	U003	U004	U005	U006	U007	U008	U009	U010	U011	U012	U013	U014	U015	U016	U017
------	------	------	------	------	------	------	------	------	------	------	------	------	------	------	------	------

U012_S002
 (NA(D223(120V),D224(120V))):FUSING UNIT:SERVICE

- 18.09503006M (x6) PHILIPS SCREW WITH LOCK WASHER
- 8.03604006N (x36) SCREW - M4X6
- 21.09543006N (x3) (D223,D224):SCREW - M3X6
- 12.07200060E (x9) RETAINING RING - M6
- 33.AA060894 SPRING



208.D2234586
 (NA(D223(120V),D224(120V))):FUSING UNIT:SERVICE



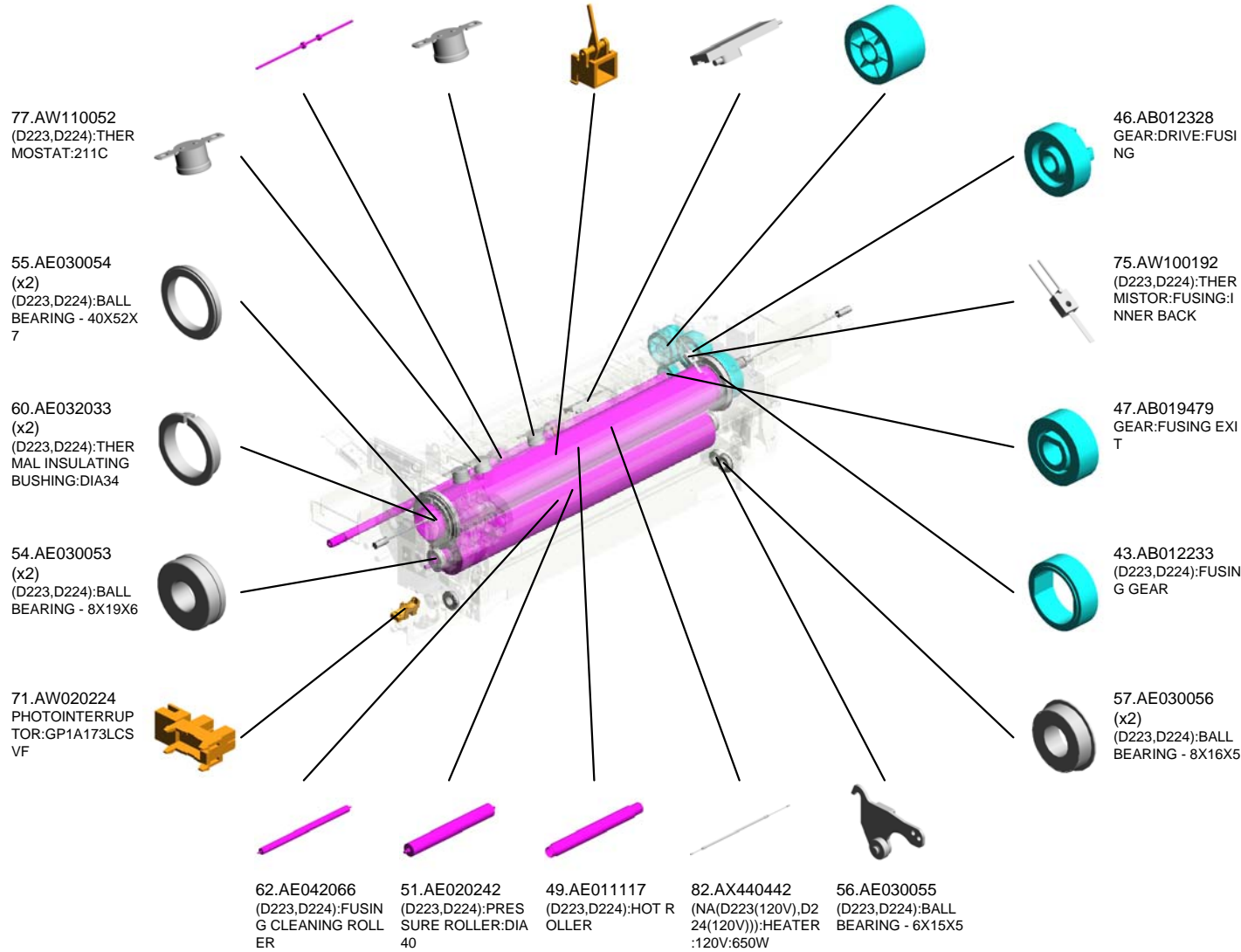
U001	U002	U003	U004	U005	U006	U007	U008	U009	U010	U011	U012	U013	U014	U015	U016	U017
------	------	------	------	------	------	------	------	------	------	------	------	------	------	------	------	------

U012_S002
 (NA(D223(120V),D224(120V))):FUSING UNIT:SERVICE

- 68.AF040055 FUSING EXIT ROLLER
- 76.AW110040 (x2) (D223,D224):THERMOSTAT - 192C
- 80.AW200010 PAPER FEED SENSOR
- 74.AW100191 (D223,D224):THERMISTOR:FUSING:MIDDLE
- 45.AB012318 IDLER GEAR



208.D2234586
 (NA(D223(120V),D224(120V))):FUSING UNIT:SERVICE



U001	U002	U003	U004	U005	U006	U007	U008	U009	U010	U011	U012	U013	U014	U015	U016	U017
------	------	------	------	------	------	------	------	------	------	------	------	------	------	------	------	------

U012_S002
 (NA(D223(120V),D224(120V))):FUSING UNIT:SERVICE



208.D2234586
 (NA(D223(120V),D224(120V))):FUSING UNIT:SERVICE

95.B0654129 SHEET:FIBER:SIDE PLATE
 132.B1104223 (D223,D224):ELECTRODE PLATE:THERMOSTAT:COUPLING
 138.B1404145 (D223,D224):BRACKET:THERMOSTAT
 141.B1404169 (D223,D224):THERMOSTAT ELECTRODE PLATE
 136.B1404140 (D223,D224):LOWER FUSING EXIT GUIDE

99.B0654138 SIDE PLATE COVER

144.B1404174 (D223,D224):GRIP:FUSING UNIT:FRONT:ASSY

135.B1404113 BRACKET:COVER:CONNECTOR:ASSY

143.B1404171 (D223,D224):FRONT HEATER HOLDER

150.B1404200 (x2) (D223,D224):PRESSURE CLEANING ROLLER SPRING

149.B1404198 (D223,D224):FUSING CLEANING ROLLER BRACKET

100.B0654139 SWITCH HOLDER

102.B0654141 SPRING PLATE - SWITCH

84.AX440444 (NA(D223(120V),D224(120V))):HEATER :120V:280W:AUXILIARY

134.B1404112 (D223,D224):RIGHT FUSING STAY

140.B1404167 (D223,D224):CONNECTOR COVER BRACKET

145.B1404179 (D223,D224):PLATE:THERMISTOR

142.B1404170 (D223,D224):REAR HEATER HOLDER

139.B1404159 (D223,D224):HARNESSESS PLATE

83.AX440443 (NA(D223(120V),D224(120V))):HEATER :120V:550W

U001	U002	U003	U004	U005	U006	U007	U008	U009	U010	U011	U012	U013	U014	U015	U016	U017
------	------	------	------	------	------	------	------	------	------	------	------	------	------	------	------	------

U012_S002
 (NA(D223(120V),D224(120V))):FUSING UNIT:SERVICE

162.B2474128 (D223,D224):HOUSING:THERMOSTAT
 189.D1314114 STAY:FUSING:LEFT
 190.D1314117 (D223,D224):FUSING COVER:UPPER:ASSY
 202.D2234142 (D223,D224):STAY:UPPER:ASSY
 199.D1364196 (D223,D224):HOUSING:TEMPERATURE SENSOR:NC-F10



208.D2234586 (NA(D223(120V),D224(120V))):FUSING UNIT:SERVICE

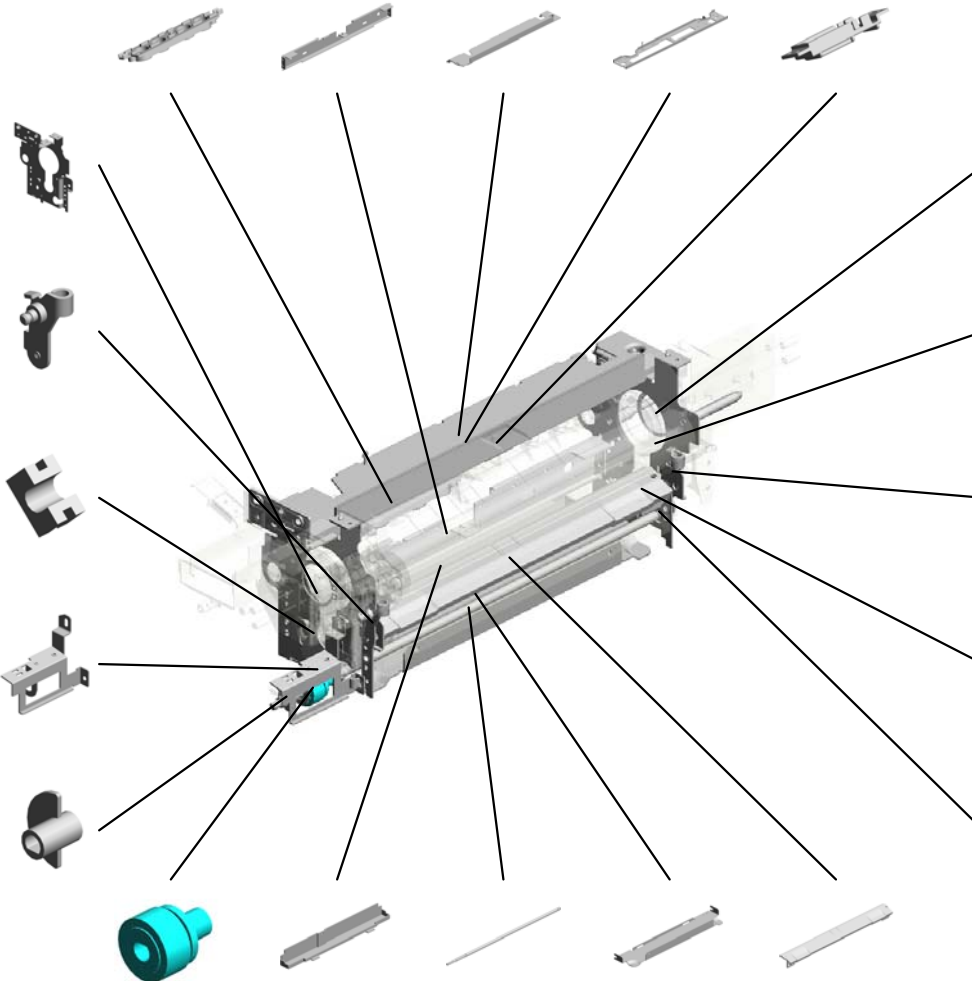
160.B2474101 (D223,D224):SIDE PLATE:FUSING:FRONT:ASSY

163.B2474131 LEVER:RELEASE:FRONT:ASSY

183.D0624226 (x2) (D223,D224):BUSHING:OIL SUPPLY

157.B1404258 (D223,D224):SENSOR BRACKET ASSY

158.B1404320 (D223,D224):SENSOR FEELER



175.D0544172 (x2) (D223,D224):RETAINING RINGS-CENTRAL ROLLER

161.B2474105 (D223,D224):SIDE PLATE:FUSING:REAR:ASSY

164.B2474147 LEVER:RELEASE:PRESSURE:REAR:ASSY

165.B2474231 (D223,D224):LEVER:REAR:ASSY

156.B1404256 (x2) (D223,D224):PRESSURE RELEASE ECCENTRIC CAM

172.B2474264 (D223,D224):GEAR:PRESSURE

151.B1404203 (D223,D224):LOWER FUSING COVER

176.D0544254 (D223,D224):SHAFT:TURN

152.B1404205 (D223,D224):PRESSURE OIL SUPPLY ROLLER BRACKET

177.D0624131 (NA(D223(120V),D224(120V))):FUSING ENTRANCE GUIDE PLATE:ASSY

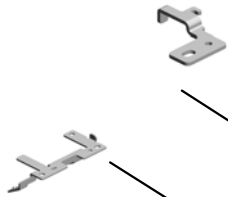
U012_S002
(NA(D223(120V),D224(120V))):FUSING UNIT:SERVICE

205.D2234185
(D223,D224):PLATE
:FUSING EXIT

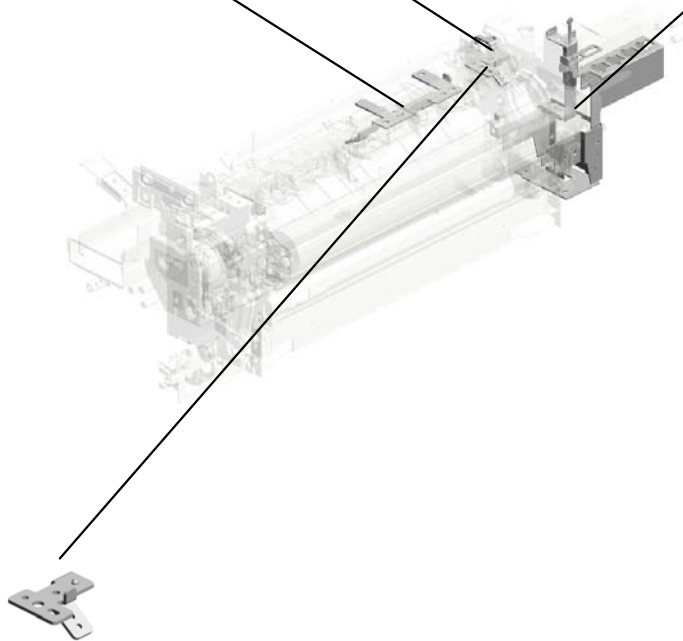


208.D2234586
(NA(D223(120V),D224(120V))):FUSING
UNIT:SERVICE

207.D2234197
(D223,D224):BRAC
KET:THERMISTOR:
MIDDLE



203.D2234157
(D223,D224):BRAC
KET:DRAWER:ASS'
Y



206.D2234196
(D223,D224):BRAC
KET:THERMISTOR:
INNER BACK



U001	U002	U003	U004	U005	U006	U007	U008	U009	U010	U011	U012	U013	U014	U015	U016	U017
------	------	------	------	------	------	------	------	------	------	------	------	------	------	------	------	------

U012_S002_S001
(D223,D224):BALL BEARING - 6X15X5

173.B2474323
(D223,D224):LEVE
R:FRONT:ASS'Y

56.AE030055
(D223,D224):BALL
BEARING - 6X15X5



U001	U002	U003	U004	U005	U006	U007	U008	U009	U010	U011	U012	U013	U014	U015	U016	U017
------	------	------	------	------	------	------	------	------	------	------	------	------	------	------	------	------

U012_S002_S002

(D223,D224):STRIPPER PAWLS:OPEN AND CLOSE:ASS'Y

171.B2474247
(x2)
SCREW:SLIDER

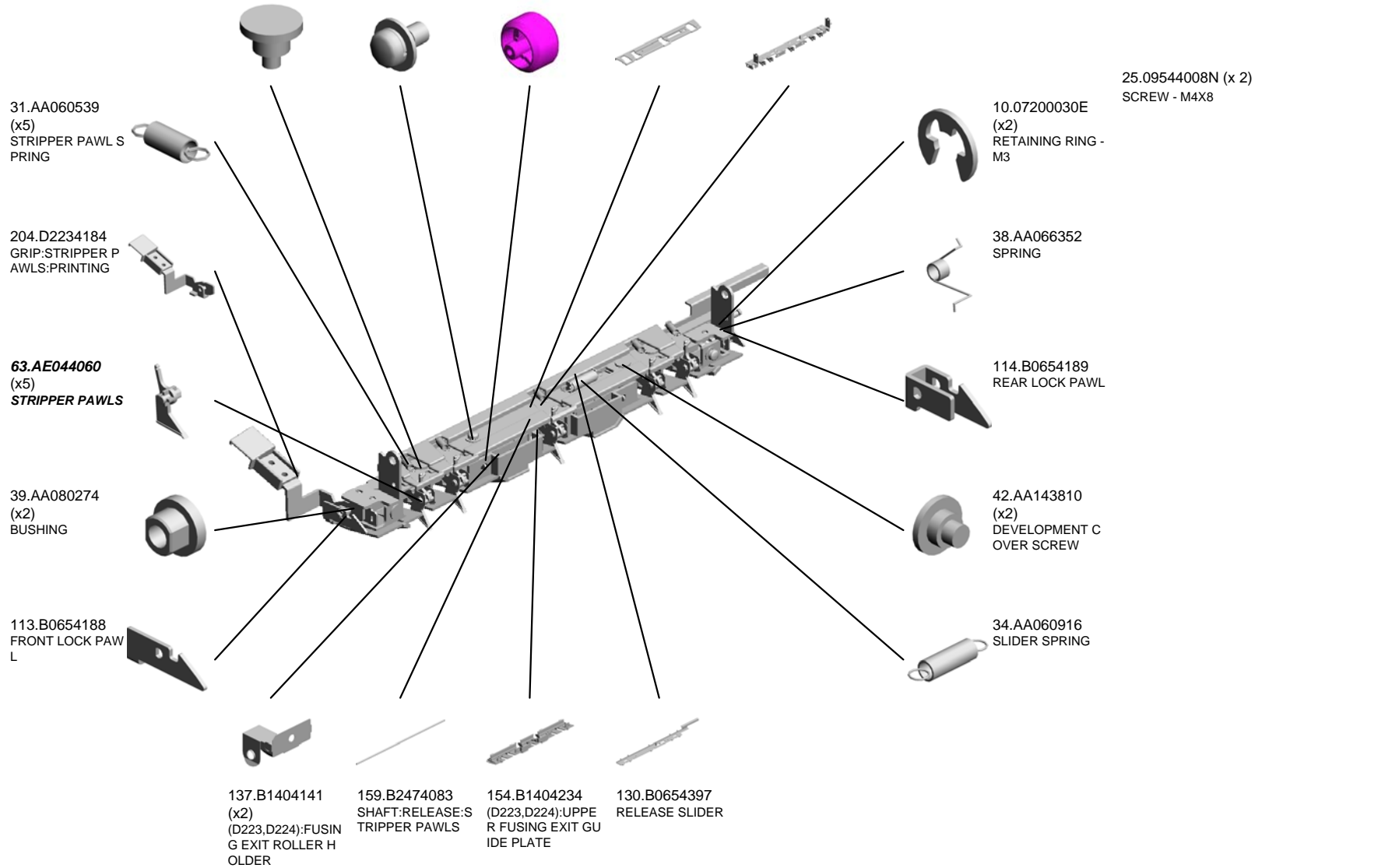
25.09544008N
(x2)
SCREW - M4X8

69.AF040629
(x2)
ROLLER:FUSING E
XIT:UPPER

131.B0654398
SLIDER COVER

155.B1404240
(D223,D224):BRAC
KET:GUIDE PLATE:
FUSING EXIT:UPP
ER:ASS'Y

200.D2234080
(D223,D224):STRIP
PER PAWLS:OPEN
AND CLOSE:ASS'Y



U001	U002	U003	U004	U005	U006	U007	U008	U009	U010	U011	U012	U013	U014	U015	U016	U017
------	------	------	------	------	------	------	------	------	------	------	------	------	------	------	------	------

U012_S002_S003

(D223,D224):CLEANING UNIT:HOT ROLLER:ASS'Y

6.03540060N
(x10)
SCREW-M4X6

124.B0654238
GEAR - 50Z

10.07200030E
(x3)
RETAINING RING -
M3

11.07200040E
(x4)
RETAINING RING -
M4

25.09544008N
SCREW - M4X8

201.D2234091
(D223,D224):CLEA
NING UNIT:HOT R
OLLER:ASS'Y

119.B0654222
(x5)
GEAR - 37Z

121.B0654231
WEB COVER

81.AX040293
DC MOTOR:CLEAN
ER:ASS'Y:0.7W:BR
USH

125.B0654241
GEAR

120.B0654223
MOTOR GEAR

71.AW020224
PHOTOINTERRUP
TOR:GP1A173LCS
VF

127.B0654247
BRAKE PAD

27.11050511
(x3)
HARNESS CLAMP -
LWS-0306ZC

36.AA063851
PRESSURE SPRIN
G

118.B0654221
FEELER SPRING

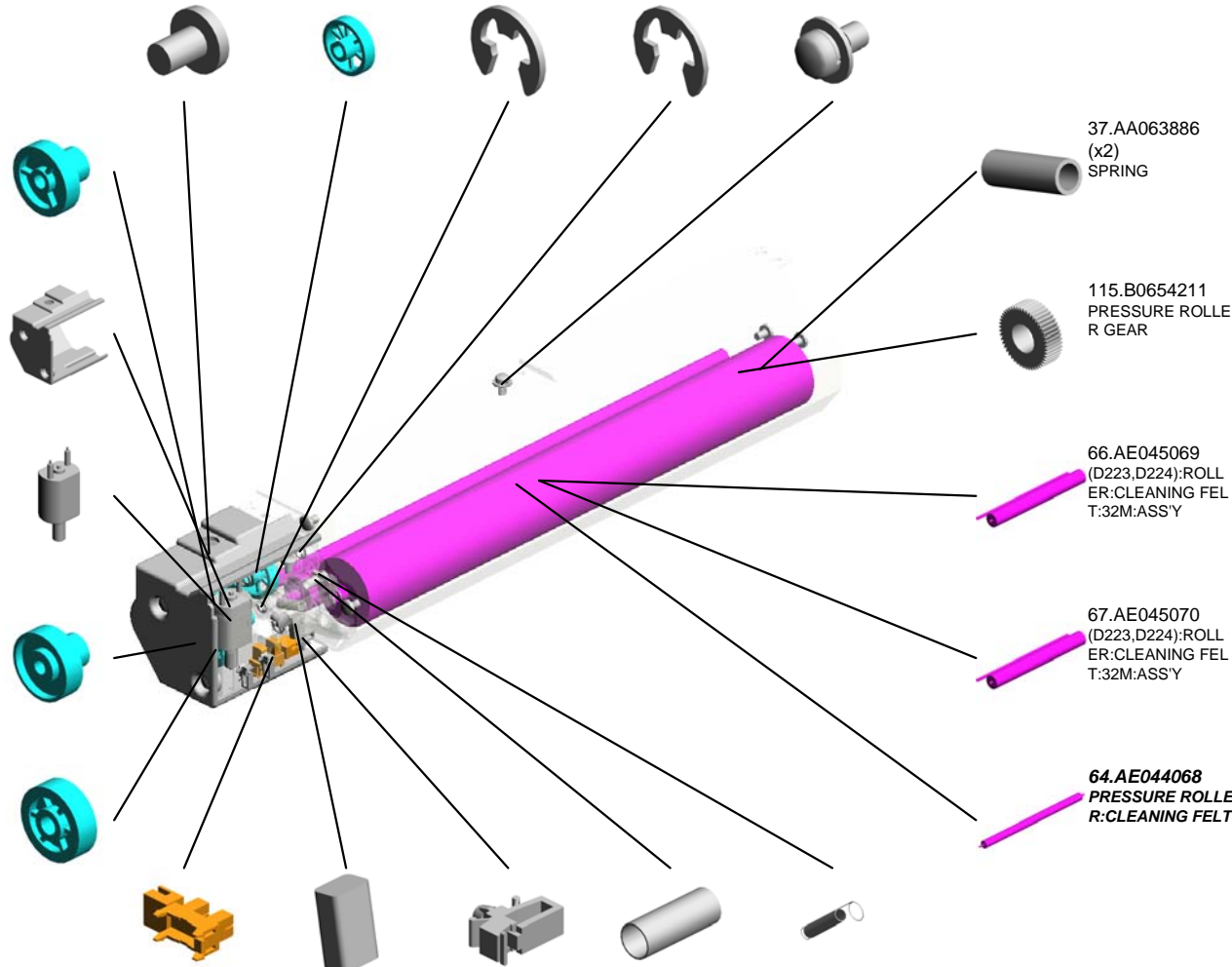
37.AA063886
(x2)
SPRING

115.B0654211
PRESSURE ROLLE
R GEAR

66.AE045069
(D223,D224):ROLL
ER:CLEANING FEL
T:32M:ASS'Y

67.AE045070
(D223,D224):ROLL
ER:CLEANING FEL
T:32M:ASS'Y

64.AE044068
PRESSURE ROLLE
R:CLEANING FELT



U001	U002	U003	U004	U005	U006	U007	U008	U009	U010	U011	U012	U013	U014	U015	U016	U017
------	------	------	------	------	------	------	------	------	------	------	------	------	------	------	------	------

U012_S002_S003

(D223,D224):CLEANING UNIT:HOT ROLLER:ASS'Y

184.D0624236
(x4)
BUSHING:DIA6

169.B2474242
SHAFT:DRIVE:ROL
LING:ASS'Y

180.D0624191
BUSHING:FRONT:
OIL SUPPLY

166.B2474234
(x2)
(D223,D224):GEAR:
STOPPER:OIL SUP
PLY ROLLER

194.D1314218
BRACKET:GUARD:
FEELER

201.D2234091
(D223,D224):CLEA
NING UNIT:HOT R
OLLER:ASS'Y

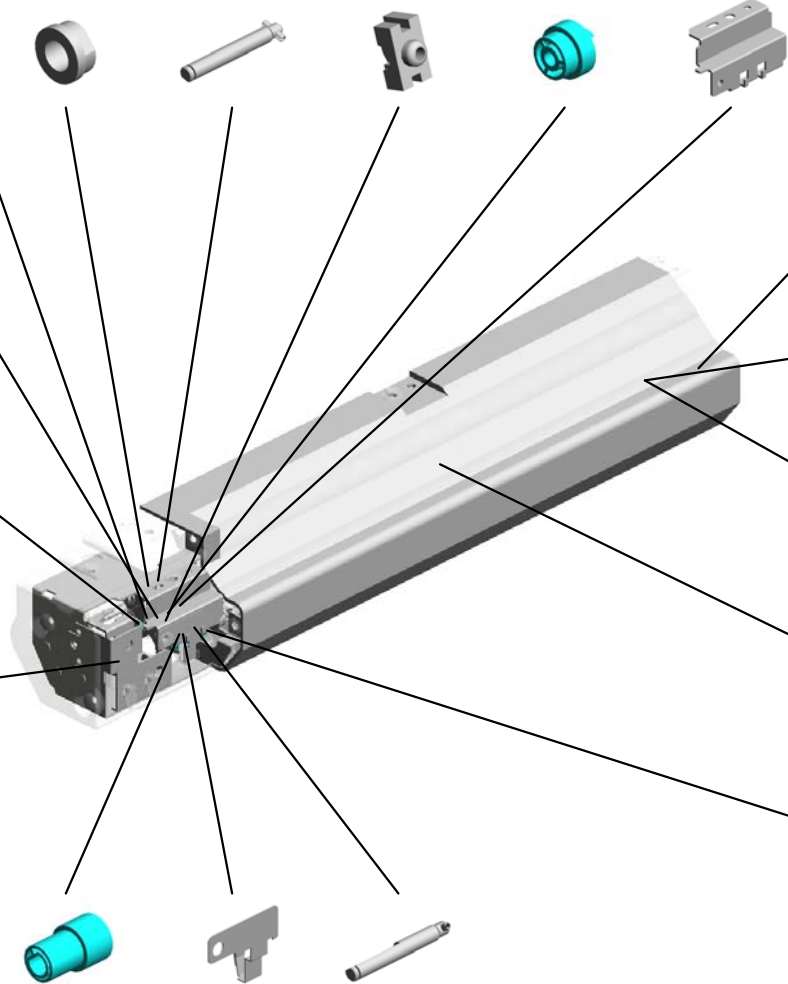


146.B1404187
(D223,D224):CLEA
NING UNIT DRIVE
POSITIONING PLA
TE

167.B2474235
(D223,D224):GEAR:
IDLER:CLEANING
UNIT

192.D1314188
(D223,D224):BRAC
KET:DRIVE:ASS'Y

195.D1314225
BRACKET:PLATE:D
C MOTOR



182.D0624207
(x2)
SHAFT:PLATE:CLE
ANING FELT

153.B1404209
BRACKET:STOPPE
R:ASS'Y

181.D0624192
BUSHING:INNER B
ACK:OIL SUPPLY

147.B1404193
(D223,D224):CLEA
NING UNIT COVER

148.B1404195
(D223,D224):FEELE
R:OIL END SENSO
R

170.B2474244
(D223,D224):GEAR:
Z23:OIL SUPPLY R
OLLER

193.D1314190
(D223,D224):SPRIN
G PLATE:BRAKE

168.B2474239
SHAFT:DRIVE:OIL
SUPPLY ROLLER:ASS'Y

U001	U002	U003	U004	U005	U006	U007	U008	U009	U010	U011	U012	U013	U014	U015	U016	U017
------	------	------	------	------	------	------	------	------	------	------	------	------	------	------	------	------

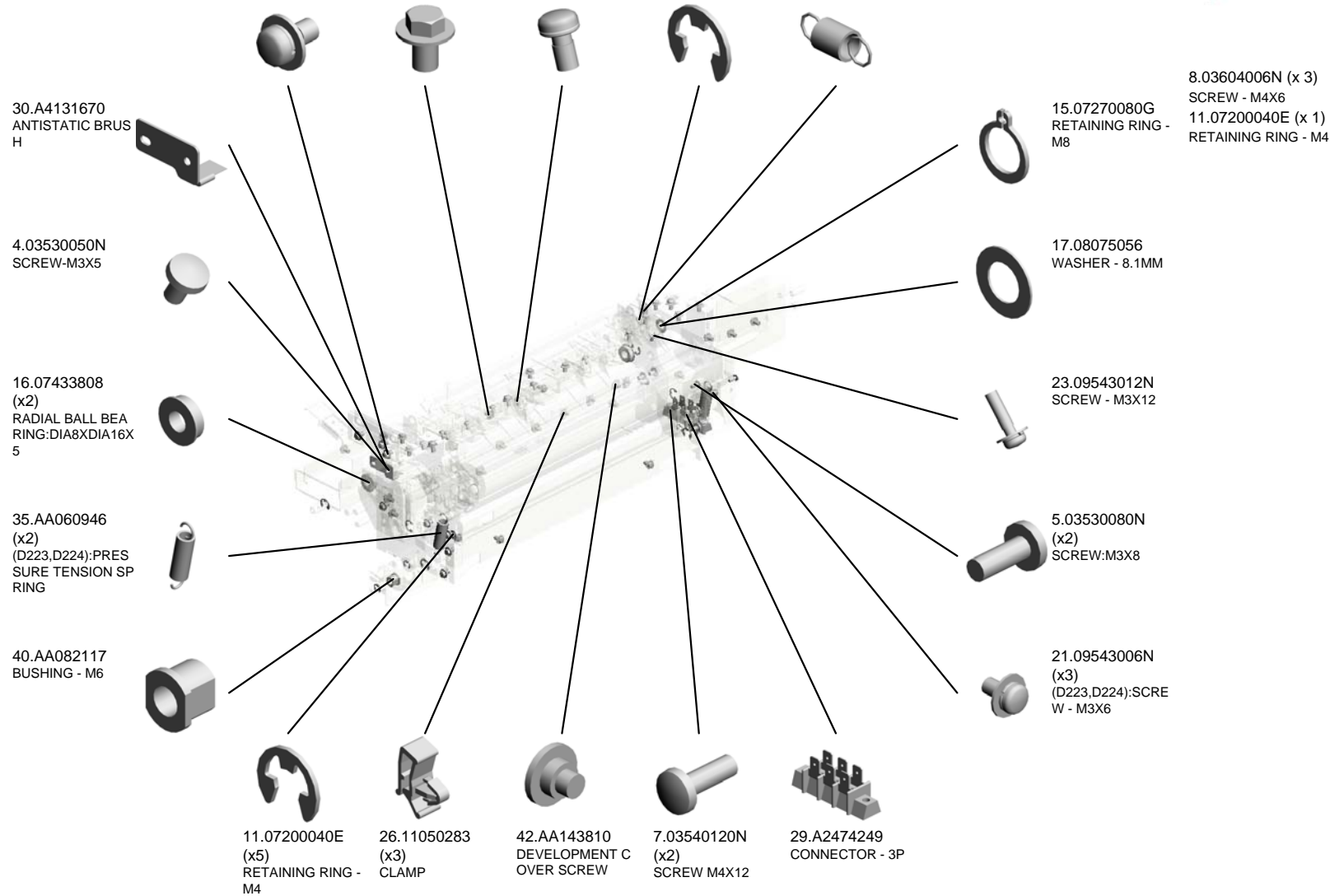
U012_S003

(D223,D224):(NA(220-240V)/EU/AA/CHN):FUSING UNIT:SERVICE

- 25.09544008N (x9) SCREW - M4X8
- 8.03604006N (x36) SCREW - M4X6
- 18.09503006M (x6) PHILIPS SCREW WITH LOCK WASHER
- 12.07200060E (x9) RETAINING RING - M6
- 33.AA060894 SPRING



209.D2234589
(D223,D224):(NA(220-240V)/EU/AA/CHN):FUSING UNIT:SERVICE



U001	U002	U003	U004	U005	U006	U007	U008	U009	U010	U011	U012	U013	U014	U015	U016	U017
------	------	------	------	------	------	------	------	------	------	------	------	------	------	------	------	------

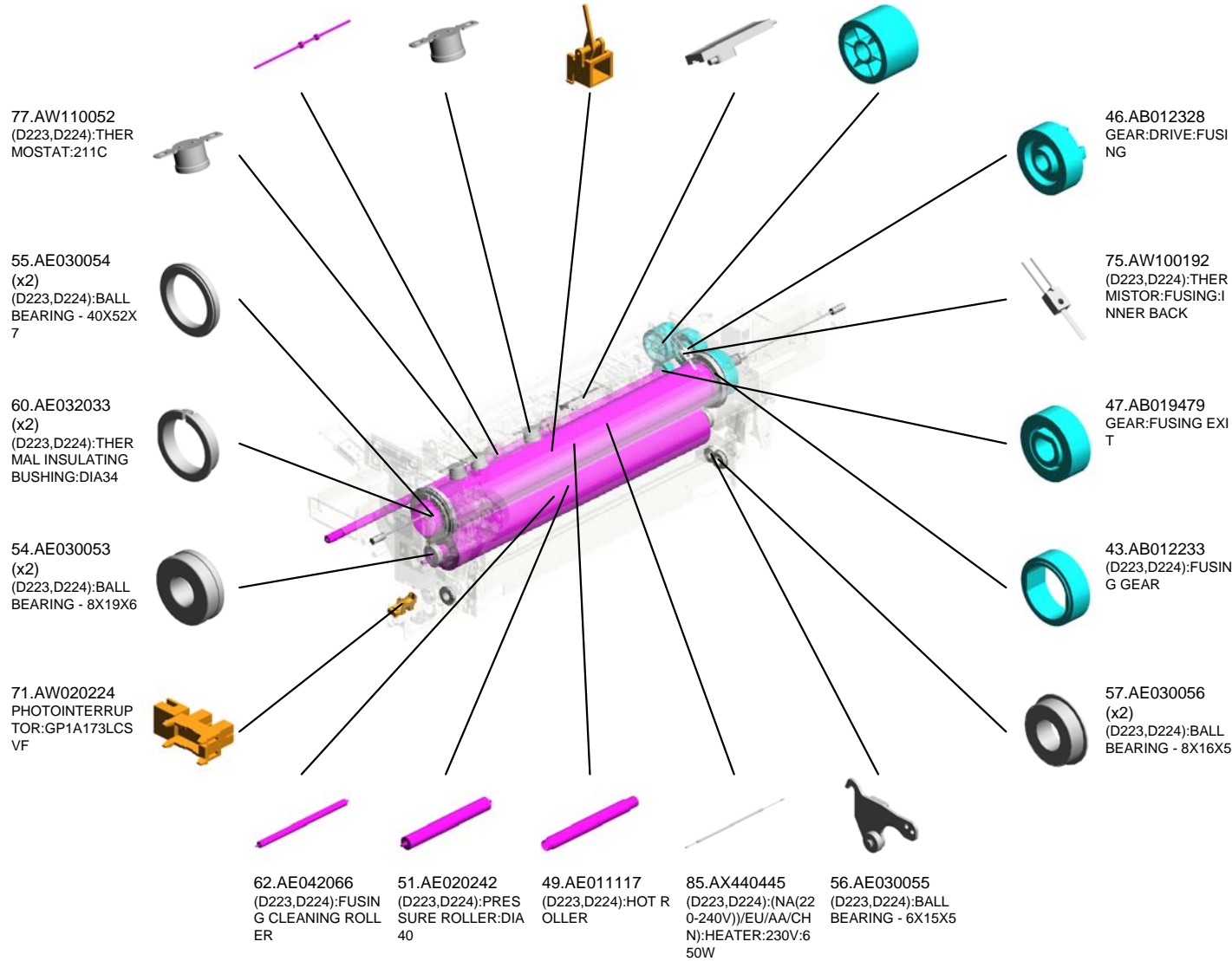
U012_S003

(D223,D224):(NA(220-240V)/EU/AA/CHN):FUSING UNIT:SERVICE

- 68.AF040055 FUSING EXIT ROLLER
- 76.AW110040 (x2) (D223,D224):THERMOSTAT - 192C
- 80.AW200010 PAPER FEED SENSOR
- 74.AW100191 (D223,D224):THERMISTOR:FUSING:MIDDLE
- 45.AB012318 IDLER GEAR



209.D2234589
(D223,D224):(NA(220-240V)/EU/AA/CHN):FUSING UNIT:SERVICE



U001	U002	U003	U004	U005	U006	U007	U008	U009	U010	U011	U012	U013	U014	U015	U016	U017
------	------	------	------	------	------	------	------	------	------	------	------	------	------	------	------	------

U012_S003

(D223,D224):(NA(220-240V)/EU/AA/CHN):FUSING UNIT:SERVICE



209.D2234589
(D223,D224):(NA(220-240V)/EU/AA/CHN):FUSING UNIT:SERVICE

95.B0654129 SHEET:FIBER:SIDE PLATE
132.B1104223 (D223,D224):ELECTRODE PLATE:THERMOSTAT:COUPLING
138.B1404145 (D223,D224):BRACKET:THERMOSTAT
141.B1404169 (D223,D224):THERMOSTAT ELECTRODE PLATE
136.B1404140 (D223,D224):LOWER FUSING EXIT GUIDE

99.B0654138 SIDE PLATE COVER

144.B1404174 (D223,D224):GRIP:FUSING UNIT:FRONT:ASSY

135.B1404113 BRACKET:COVER:CONNECTOR:ASSY

143.B1404171 (D223,D224):FRONT HEATER HOLDER

150.B1404200 (x2) (D223,D224):PRESSURE CLEANING ROLLER SPRING

149.B1404198 (D223,D224):FUSING CLEANING ROLLER BRACKET

100.B0654139 SWITCH HOLDER

102.B0654141 SPRING PLATE - SWITCH

87.AX440447 (D223,D224):(NA(220-240V))/EU/AA/CHN):HEATER:230V:280W:AUXILIARY

134.B1404112 (D223,D224):RIGHT FUSING STAY

140.B1404167 (D223,D224):CONNECTOR COVER BRACKET

145.B1404179 (D223,D224):PLATE:THERMISTOR

142.B1404170 (D223,D224):REAR HEATER HOLDER

139.B1404159 (D223,D224):HARNESSESS PLATE

86.AX440446 (D223,D224):(NA(220-240V))/EU/AA/CHN):HEATER:230V:550W

U001	U002	U003	U004	U005	U006	U007	U008	U009	U010	U011	U012	U013	U014	U015	U016	U017
------	------	------	------	------	------	------	------	------	------	------	------	------	------	------	------	------

U012_S003

(D223,D224):(NA(220-240V)/EU/AA/CHN):FUSING UNIT:SERVICE

162.B2474128 (D223,D224):HOUSING:THERMOSTAT
 189.D1314114 STAY:FUSING:LEFT
 190.D1314117 (D223,D224):FUSING COVER:UPPER:ASSY
 202.D2234142 (D223,D224):STAY:UPPER:ASSY
 199.D1364196 (D223,D224):HOUSING:TEMPERATURE SENSOR:NC-F10



209.D2234589 (D223,D224):(NA(220-240V)/EU/AA/CHN):FUSING UNIT:SERVICE

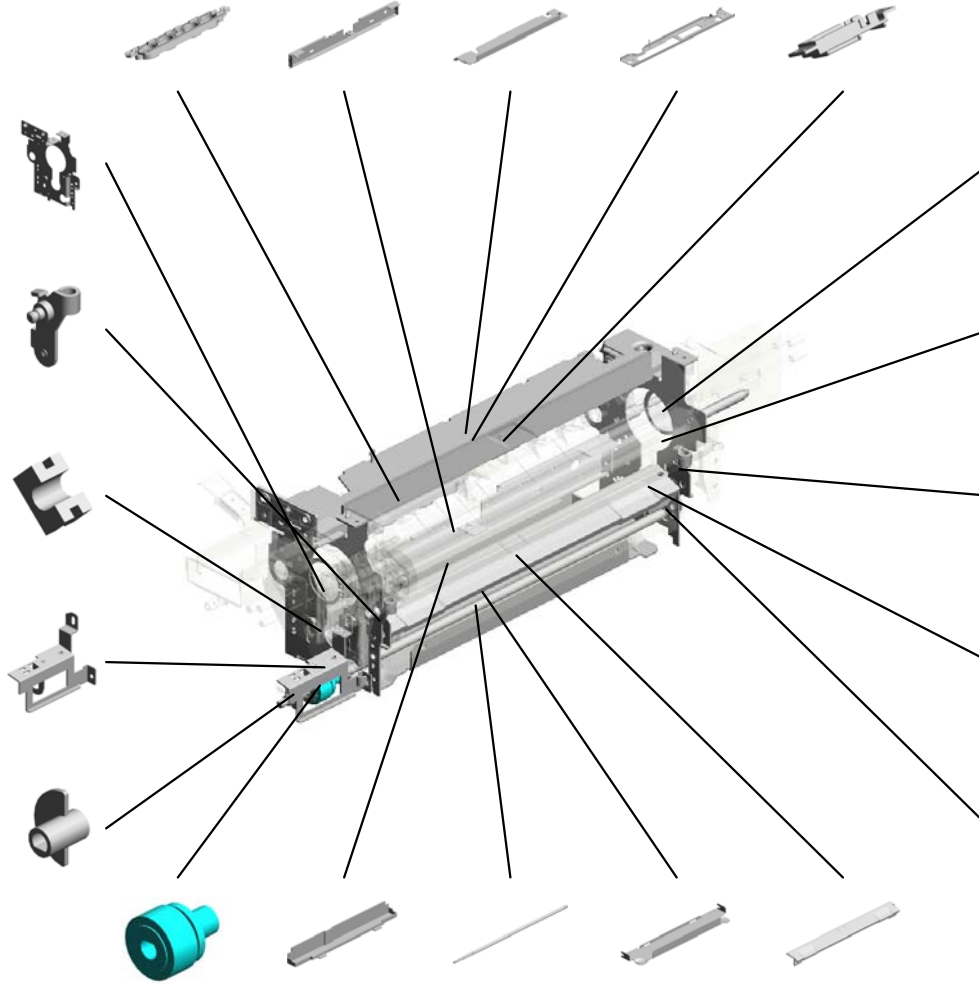
160.B2474101 (D223,D224):SIDE PLATE:FUSING:FRONT:ASSY

163.B2474131 LEVER:RELEASE:FRONT:ASSY

183.D0624226 (x2) (D223,D224):BUSHING:OIL SUPPLY

157.B1404258 (D223,D224):SENSOR BRACKET ASSY

158.B1404320 (D223,D224):SENSOR FEELER



175.D0544172 (x2) (D223,D224):RETAINING RINGS-C:HOT ROLLER

161.B2474105 (D223,D224):SIDE PLATE:FUSING:REAR:ASSY

164.B2474147 LEVER:RELEASE:PRESSURE:REAR:ASSY

165.B2474231 (D223,D224):LEVER:REAR:ASSY

156.B1404256 (x2) (D223,D224):PRESSURE RELEASE ECCENTRIC CAM

172.B2474264 (D223,D224):GEAR:PRESSURE

151.B1404203 (D223,D224):LOWER FUSING COVER

176.D0544254 (D223,D224):SHAFT:TURN

152.B1404205 (D223,D224):PRESSURE OIL SUPPLY ROLLER BRACKET

178.D0624135 (D223,D224):(NA(220-240V)/EU/AA/CHN):FUSING ENTRANCE GUIDE PLATE:LOWER:ASSY

U001	U002	U003	U004	U005	U006	U007	U008	U009	U010	U011	U012	U013	U014	U015	U016	U017
------	------	------	------	------	------	------	------	------	------	------	------	------	------	------	------	------

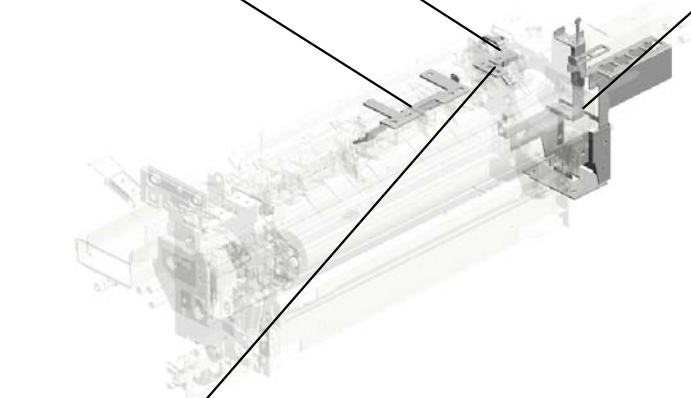
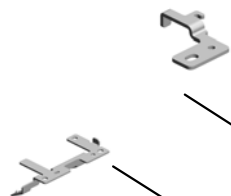
U012_S003
(D223,D224):(NA(220-240V)/EU/AA/CHN):FUSING UNIT:SERVICE

205.D2234185
(D223,D224):PLATE
:FUSING EXIT



209.D2234589
(D223,D224):(NA(220-240V)/EU/AA/CHN);FUSING UNIT:SERVICE

207.D2234197
(D223,D224):BRAC
KET:THERMISTOR:
MIDDLE



203.D2234157
(D223,D224):BRAC
KET:DRAWER:ASS'
Y



206.D2234196
(D223,D224):BRAC
KET:THERMISTOR:
INNER BACK



U001	U002	U003	U004	U005	U006	U007	U008	U009	U010	U011	U012	U013	U014	U015	U016	U017
------	------	------	------	------	------	------	------	------	------	------	------	------	------	------	------	------

U012_S003_S001
(D223,D224):BALL BEARING - 6X15X5

173.B2474323
(D223,D224):LEVE
R:FRONT:ASS'Y

56.AE030055
(D223,D224):BALL
BEARING - 6X15X5



U001	U002	U003	U004	U005	U006	U007	U008	U009	U010	U011	U012	U013	U014	U015	U016	U017
------	------	------	------	------	------	------	------	------	------	------	------	------	------	------	------	------

U012_S003_S002

(D223,D224):STRIPPER PAWLS:OPEN AND CLOSE:ASS'Y

171.B2474247
(x2)
SCREW:SLIDER

25.09544008N
(x2)
SCREW - M4X8

69.AF040629
(x2)
ROLLER:FUSING E
XIT:UPPER

131.B0654398
SLIDER COVER

155.B1404240
(D223,D224):BRAC
KET:GUIDE PLATE:
FUSING EXIT:UPP
ER:ASS'Y

200.D2234080
(D223,D224):STRIP
PER PAWLS:OPEN
AND CLOSE:ASS'Y



31.AA060539
(x5)
STRIPPER PAWL S
PRING

204.D2234184
GRIP:STRIPPER P
AWLS:PRINTING

63.AE044060
(x5)
STRIPPER PAWLS

39.AA080274
(x2)
BUSHING

113.B0654188
FRONT LOCK PAW
L

137.B1404141
(x2)
(D223,D224):FUSIN
G EXIT ROLLER H
OLDER

159.B2474083
SHAFT:RELEASE:S
TRIPPER PAWLS

154.B1404234
(D223,D224):UPPE
R FUSING EXIT GU
IDE PLATE

130.B0654397
RELEASE SLIDER

25.09544008N (x 2)
SCREW - M4X8

10.07200030E
(x2)
RETAINING RING -
M3

38.AA066352
SPRING

114.B0654189
REAR LOCK PAWL

42.AA143810
(x2)
DEVELOPMENT C
OVER SCREW

34.AA060916
SLIDER SPRING

U001	U002	U003	U004	U005	U006	U007	U008	U009	U010	U011	U012	U013	U014	U015	U016	U017
------	------	------	------	------	------	------	------	------	------	------	------	------	------	------	------	------

U012_S003_S003

(D223,D224):CLEANING UNIT:HOT ROLLER:ASS'Y

6.03540060N
(x10)
SCREW-M4X6

124.B0654238
GEAR - 50Z

10.07200030E
(x3)
RETAINING RING -
M3

11.07200040E
(x4)
RETAINING RING -
M4

25.09544008N
SCREW - M4X8



201.D2234091
(D223,D224):CLEA
NING UNIT:HOT R
OLLER:ASS'Y

119.B0654222
(x5)
GEAR - 37Z

121.B0654231
WEB COVER

81.AX040293
DC MOTOR:CLEAN
ER:ASS'Y:0.7W:BR
USH

125.B0654241
GEAR

120.B0654223
MOTOR GEAR

71.AW020224
PHOTOINTERRUP
TOR:GP1A173LCS
VF

127.B0654247
BRAKE PAD

27.11050511
(x3)
HARNESS CLAMP -
LWS-0306ZC

36.AA063851
PRESSURE SPRIN
G

118.B0654221
FEELER SPRING

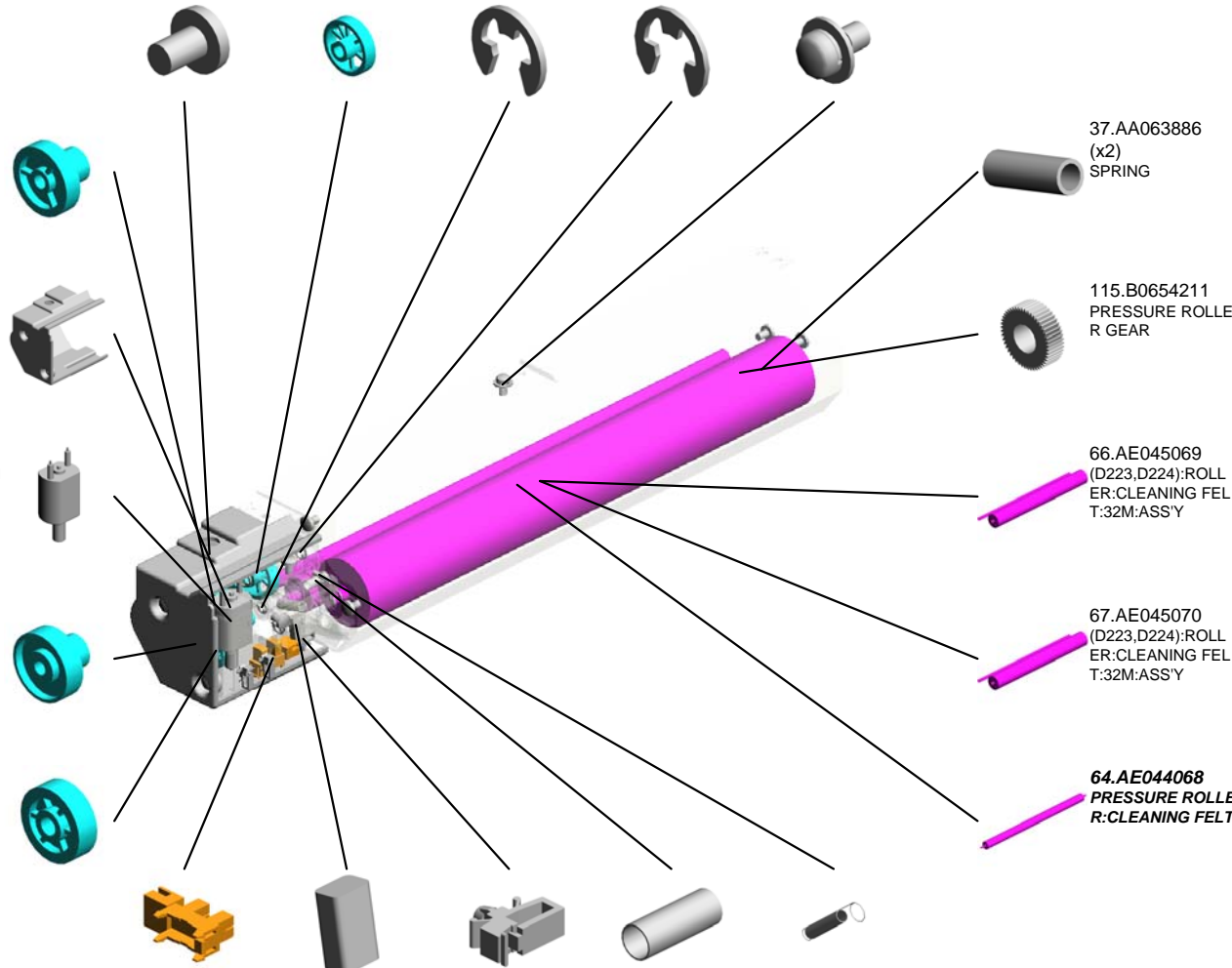
37.AA063886
(x2)
SPRING

115.B0654211
PRESSURE ROLLE
R GEAR

66.AE045069
(D223,D224):ROLL
ER:CLEANING FEL
T:32M:ASS'Y

67.AE045070
(D223,D224):ROLL
ER:CLEANING FEL
T:32M:ASS'Y

64.AE044068
PRESSURE ROLLE
R:CLEANING FELT



U001	U002	U003	U004	U005	U006	U007	U008	U009	U010	U011	U012	U013	U014	U015	U016	U017
------	------	------	------	------	------	------	------	------	------	------	------	------	------	------	------	------

U012_S003_S003

(D223,D224):CLEANING UNIT:HOT ROLLER:ASS'Y

184.D0624236
(x4)
BUSHING:DIA6

169.B2474242
SHAFT:DRIVE:ROL
LING:ASS'Y

180.D0624191
BUSHING:FRONT:
OIL SUPPLY

166.B2474234
(x2)
(D223,D224):GEAR:
STOPPER:OIL SUP
PLY ROLLER

194.D1314218
BRACKET:GUARD:
FEELER

201.D2234091
(D223,D224):CLEA
NING UNIT:HOT R
OLLER:ASS'Y

146.B1404187
(D223,D224):CLEA
NING UNIT DRIVE
POSITIONING PLA
TE

167.B2474235
(D223,D224):GEAR:
IDLER:CLEANING
UNIT

192.D1314188
(D223,D224):BRAC
KET:DRIVE:ASS'Y

195.D1314225
BRACKET:PLATE:D
C MOTOR

170.B2474244
(D223,D224):GEAR:
Z23:OIL SUPPLY R
OLLER

193.D1314190
(D223,D224):SPRIN
G PLATE:BRAKE

168.B2474239
SHAFT:DRIVE:OIL
SUPPLY ROLLER:ASS'Y

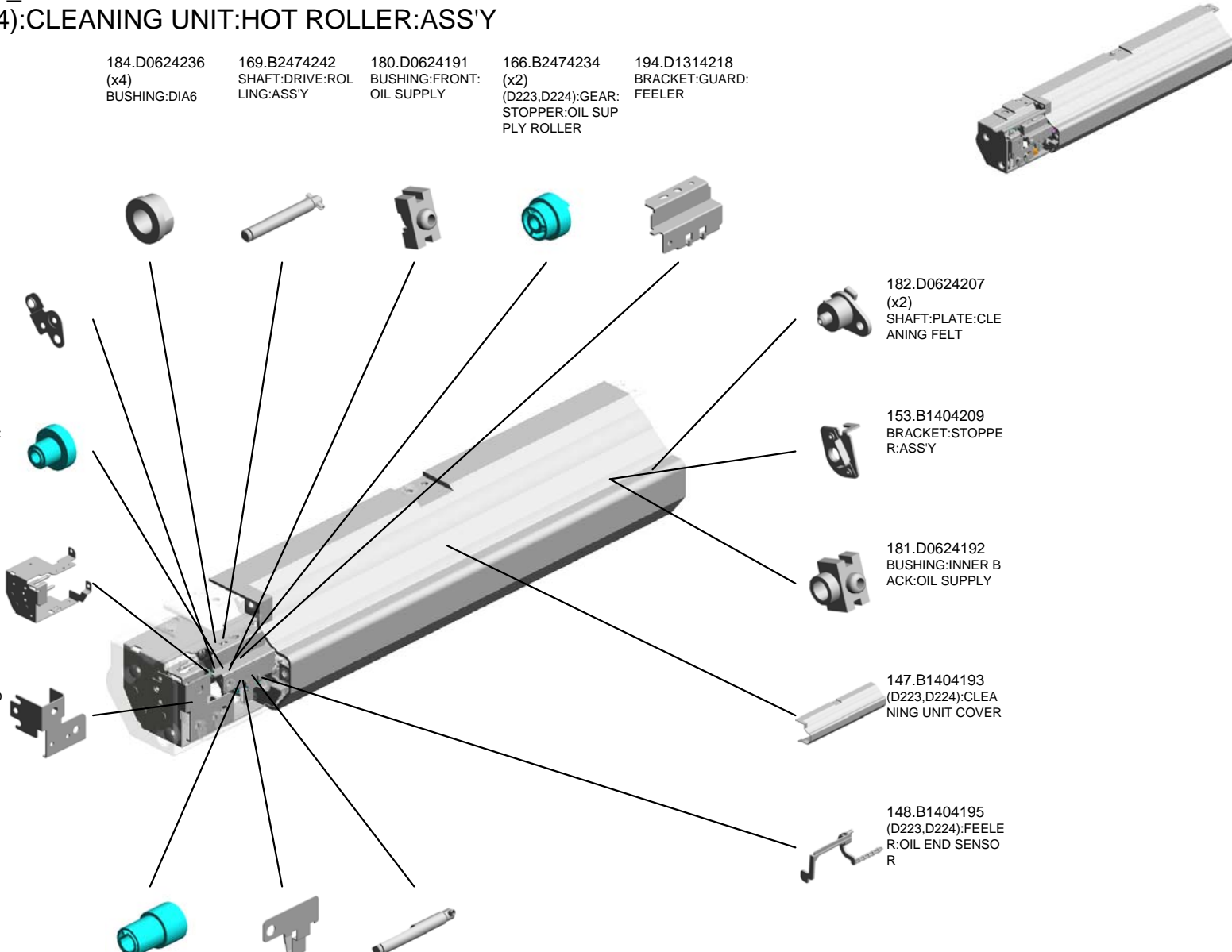
182.D0624207
(x2)
SHAFT:PLATE:CLE
ANING FELT

153.B1404209
BRACKET:STOPPE
R:ASS'Y

181.D0624192
BUSHING:INNER B
ACK:OIL SUPPLY

147.B1404193
(D223,D224):CLEA
NING UNIT COVER

148.B1404195
(D223,D224):FEELE
R:OIL END SENSO
R



U001	U002	U003	U004	U005	U006	U007	U008	U009	U010	U011	U012	U013	U014	U015	U016	U017
------	------	------	------	------	------	------	------	------	------	------	------	------	------	------	------	------

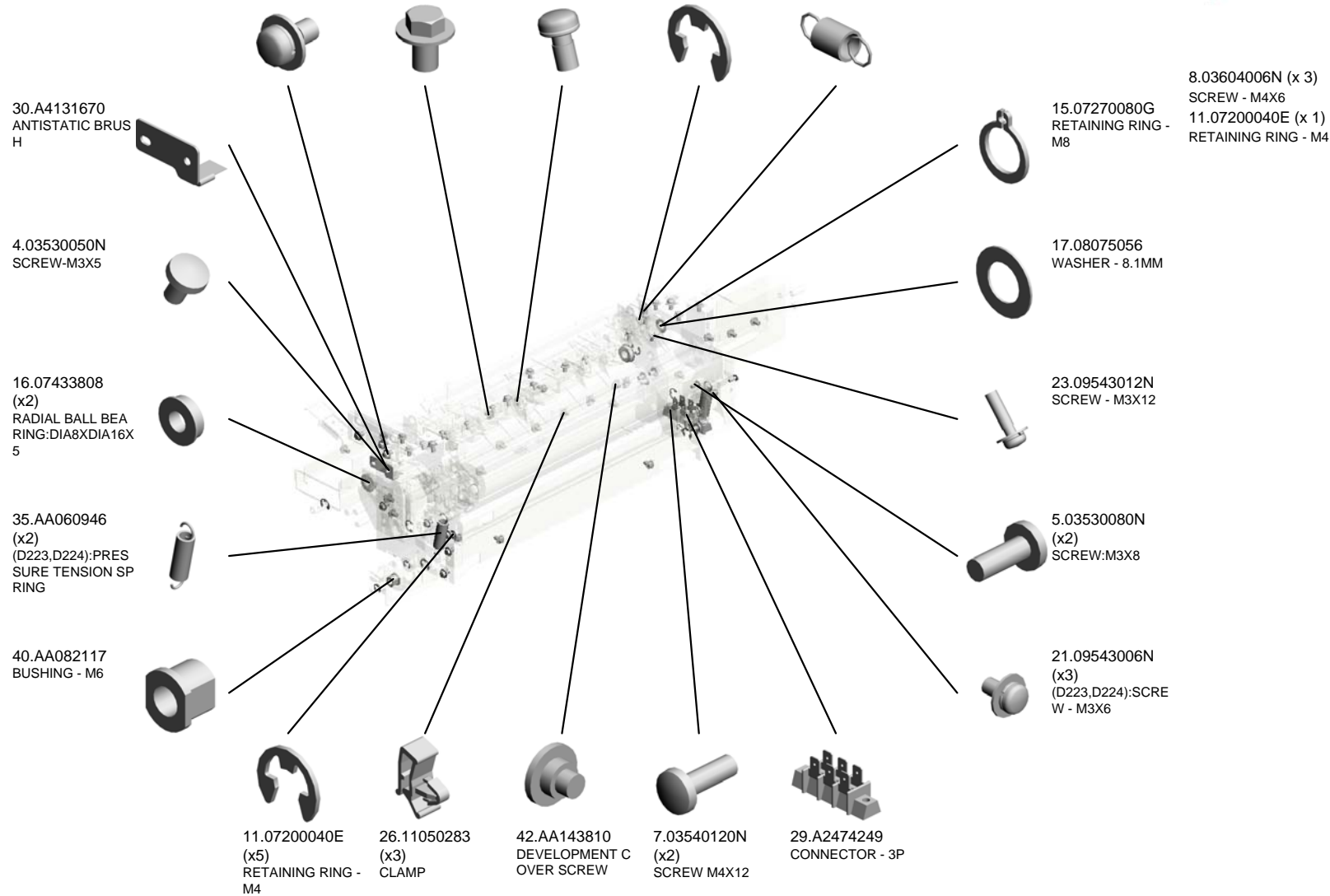
U012_S004

(D223,D224):(NA(220-240V)/EU/AA/CHN):FUSING UNIT:SERVICE

- 25.09544008N (x9) SCREW - M4X8
- 8.03604006N (x36) SCREW - M4X6
- 18.09503006M (x6) PHILIPS SCREW WITH LOCK WASHER
- 12.07200060E (x9) RETAINING RING - M6
- 33.AA060894 SPRING



209.D2234589
(D223,D224):(NA(220-240V)/EU/AA/CHN):FUSING UNIT:SERVICE



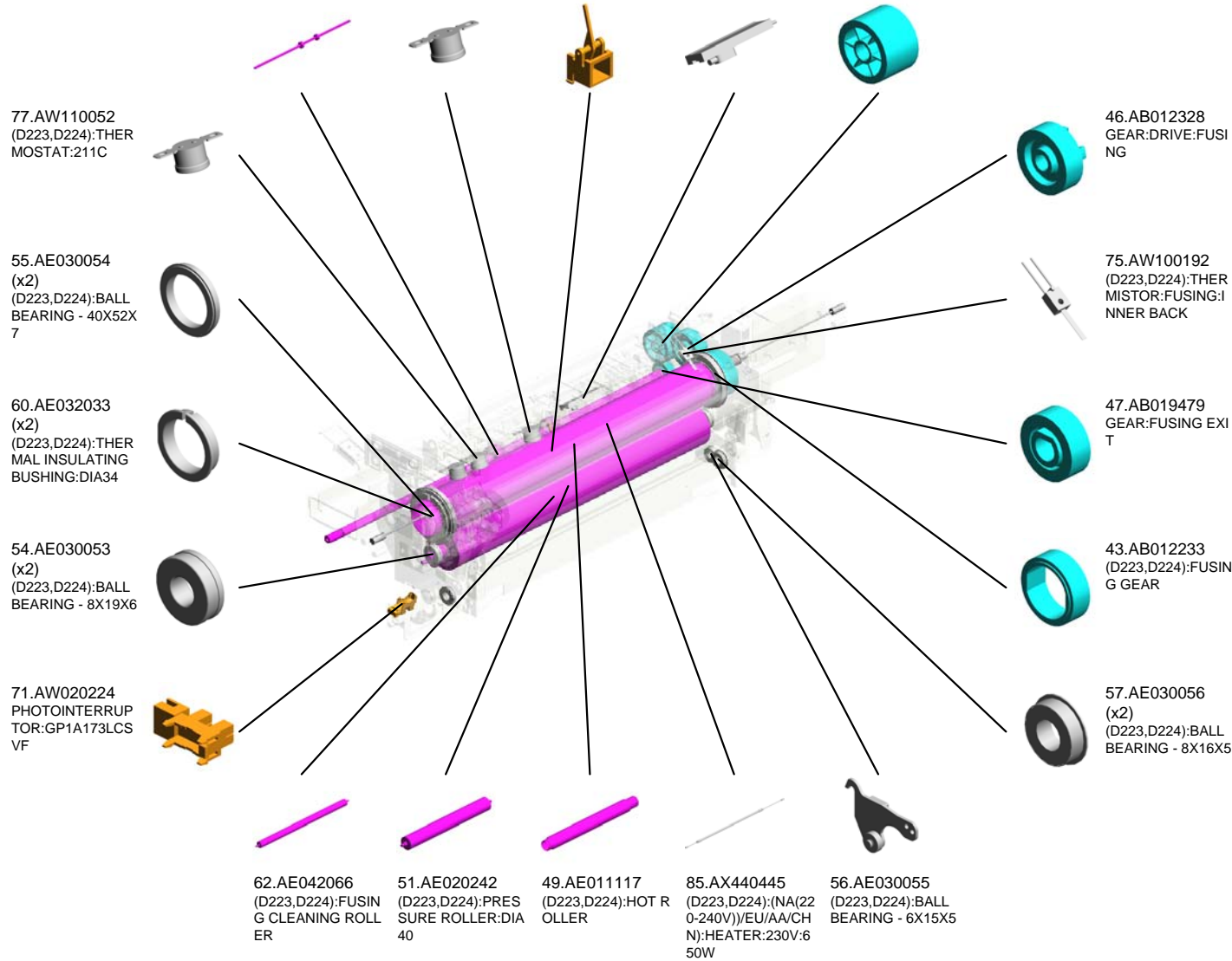
U012_S004

(D223,D224):(NA(220-240V)/EU/AA/CHN):FUSING UNIT:SERVICE

- 68.AF040055 FUSING EXIT ROLLER
- 76.AW110040 (x2) (D223,D224):THERMOSTAT - 192C
- 80.AW200010 PAPER FEED SENSOR
- 74.AW100191 (D223,D224):THERMISTOR:FUSING:MIDDLE
- 45.AB012318 IDLER GEAR



209.D2234589
(D223,D224):(NA(220-240V)/EU/AA/CHN):FUSING UNIT:SERVICE



U001	U002	U003	U004	U005	U006	U007	U008	U009	U010	U011	U012	U013	U014	U015	U016	U017
------	------	------	------	------	------	------	------	------	------	------	------	------	------	------	------	------

U012_S004
 (D223,D224):(NA(220-240V)/EU/AA/CHN):FUSING UNIT:SERVICE



209.D2234589
 (D223,D224):(NA(220-240V)/EU/AA/CHN):FUSING UNIT:SERVICE

95.B0654129 SHEET:FIBER:SIDE PLATE
 132.B1104223 (D223,D224):ELECTRODE PLATE:THERMOSTAT:COUPLING
 138.B1404145 (D223,D224):BRACKET:THERMOSTAT
 141.B1404169 (D223,D224):THERMOSTAT ELECTRODE PLATE
 136.B1404140 (D223,D224):LOWER FUSING EXIT GUIDE

99.B0654138 SIDE PLATE COVER

144.B1404174 (D223,D224):GRIP:FUSING UNIT:FRONT:ASSY

135.B1404113 BRACKET:COVER:CONNECTOR:ASSY

143.B1404171 (D223,D224):FRONT HEATER HOLDER

150.B1404200 (x2) (D223,D224):PRESSURE CLEANING ROLLER SPRING

149.B1404198 (D223,D224):FUSING CLEANING ROLLER BRACKET

100.B0654139 SWITCH HOLDER

102.B0654141 SPRING PLATE - SWITCH

87.AX440447 (D223,D224):(NA(220-240V))/EU/AA/CHN):HEATER:230V:280W:AUXILIARY

134.B1404112 (D223,D224):RIGHT FUSING STAY

140.B1404167 (D223,D224):CONNECTOR COVER BRACKET

145.B1404179 (D223,D224):PLATE:THERMISTOR

142.B1404170 (D223,D224):REAR HEATER HOLDER

139.B1404159 (D223,D224):HARNESSESS PLATE

86.AX440446 (D223,D224):(NA(220-240V))/EU/AA/CHN):HEATER:230V:550W

U001	U002	U003	U004	U005	U006	U007	U008	U009	U010	U011	U012	U013	U014	U015	U016	U017
------	------	------	------	------	------	------	------	------	------	------	------	------	------	------	------	------

U012_S004

(D223,D224):(NA(220-240V)/EU/AA/CHN):FUSING UNIT:SERVICE

162.B2474128 (D223,D224):HOUSING:THERMOSTAT
 189.D1314114 STAY:FUSING:LEFT
 190.D1314117 (D223,D224):FUSING COVER:UPPER:ASSY
 202.D2234142 (D223,D224):STAY:UPPER:ASSY
 199.D1364196 (D223,D224):HOUSING:TEMPERATURE SENSOR:NC-F10



209.D2234589 (D223,D224):(NA(220-240V)/EU/AA/CHN):FUSING UNIT:SERVICE

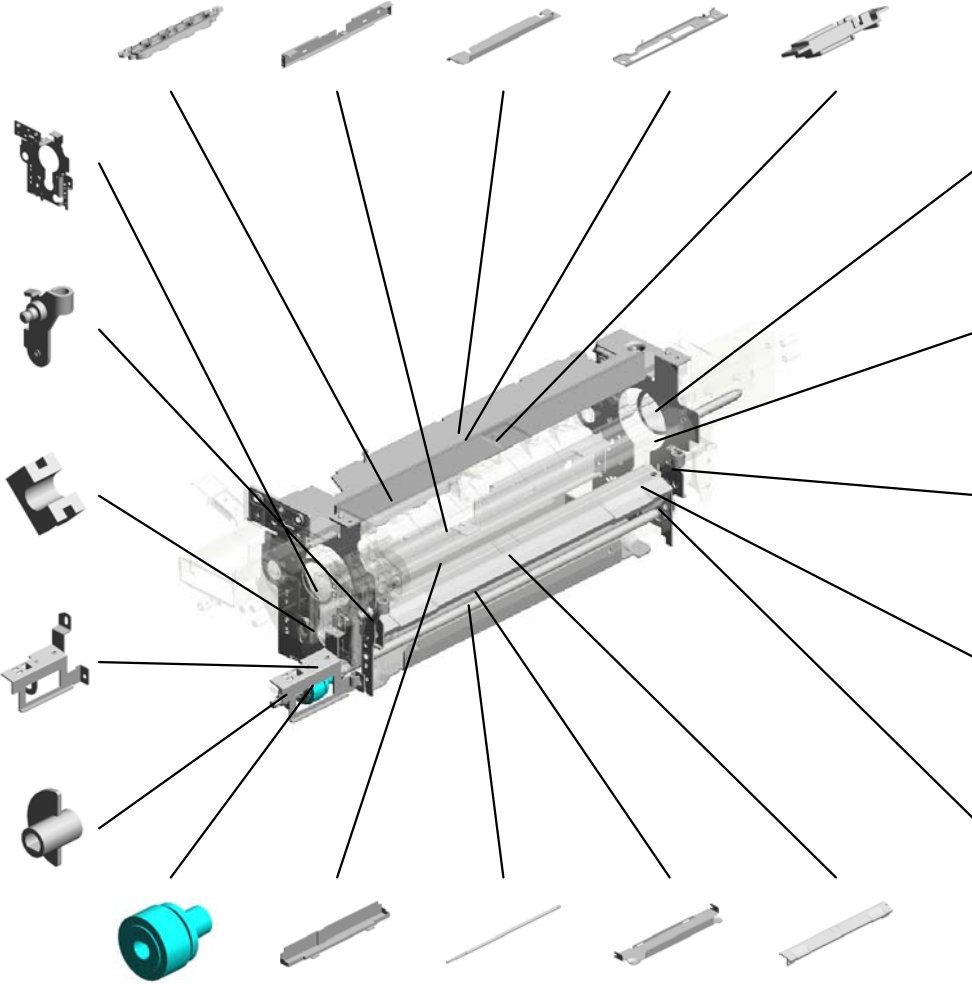
160.B2474101 (D223,D224):SIDE PLATE:FUSING:FRONT:ASSY

163.B2474131 LEVER:RELEASE:FRONT:ASSY

183.D0624226 (x2) (D223,D224):BUSHING:OIL SUPPLY

157.B1404258 (D223,D224):SENSOR BRACKET ASSY

158.B1404320 (D223,D224):SENSOR FEELER



175.D0544172 (x2) (D223,D224):RETAINING RINGS-C:HOT ROLLER

161.B2474105 (D223,D224):SIDE PLATE:FUSING:REAR:ASSY

164.B2474147 LEVER:RELEASE:PRESSURE:REAR:ASSY

165.B2474231 (D223,D224):LEVER:REAR:ASSY

156.B1404256 (x2) (D223,D224):PRESSURE RELEASE ECCENTRIC CAM

172.B2474264 (D223,D224):GEAR:PRESSURE

151.B1404203 (D223,D224):LOWER FUSING COVER

176.D0544254 (D223,D224):SHAFT:TURN

152.B1404205 (D223,D224):PRESSURE OIL SUPPLY ROLLER BRACKET

178.D0624135 (D223,D224):(NA(220-240V)/EU/AA/CHN):FUSING ENTRANCE GUIDE PLATE:LOWER:ASSY

U001	U002	U003	U004	U005	U006	U007	U008	U009	U010	U011	U012	U013	U014	U015	U016	U017
------	------	------	------	------	------	------	------	------	------	------	------	------	------	------	------	------

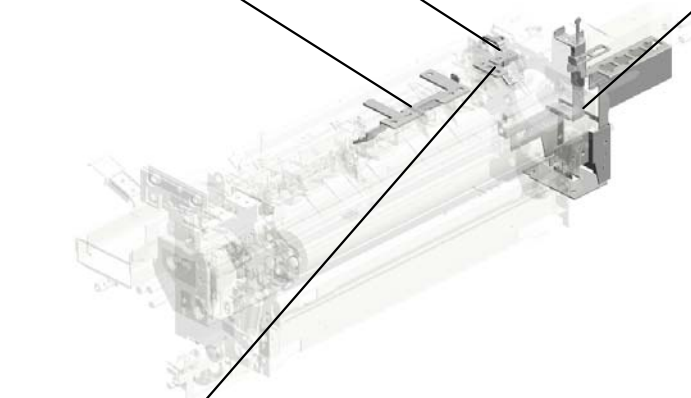
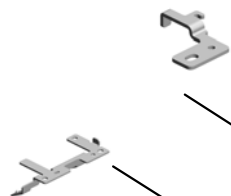
U012_S004
(D223,D224):(NA(220-240V)/EU/AA/CHN):FUSING UNIT:SERVICE

205.D2234185
(D223,D224):PLATE
:FUSING EXIT



209.D2234589
(D223,D224):(NA(220-240V)/EU/AA/CHN);FUSING UNIT:SERVICE

207.D2234197
(D223,D224):BRAC
KET:THERMISTOR:
MIDDLE



203.D2234157
(D223,D224):BRAC
KET:DRAWER:ASS'
Y



206.D2234196
(D223,D224):BRAC
KET:THERMISTOR:
INNER BACK



U001	U002	U003	U004	U005	U006	U007	U008	U009	U010	U011	U012	U013	U014	U015	U016	U017
------	------	------	------	------	------	------	------	------	------	------	------	------	------	------	------	------

U012_S004_S001
(D223,D224):BALL BEARING - 6X15X5

173.B2474323
(D223,D224):LEVE
R:FRONT:ASS'Y

56.AE030055
(D223,D224):BALL
BEARING - 6X15X5



U001	U002	U003	U004	U005	U006	U007	U008	U009	U010	U011	U012	U013	U014	U015	U016	U017
------	------	------	------	------	------	------	------	------	------	------	------	------	------	------	------	------

U012_S004_S002

(D223,D224):STRIPPER PAWLS:OPEN AND CLOSE:ASS'Y

171.B2474247
(x2)
SCREW:SLIDER

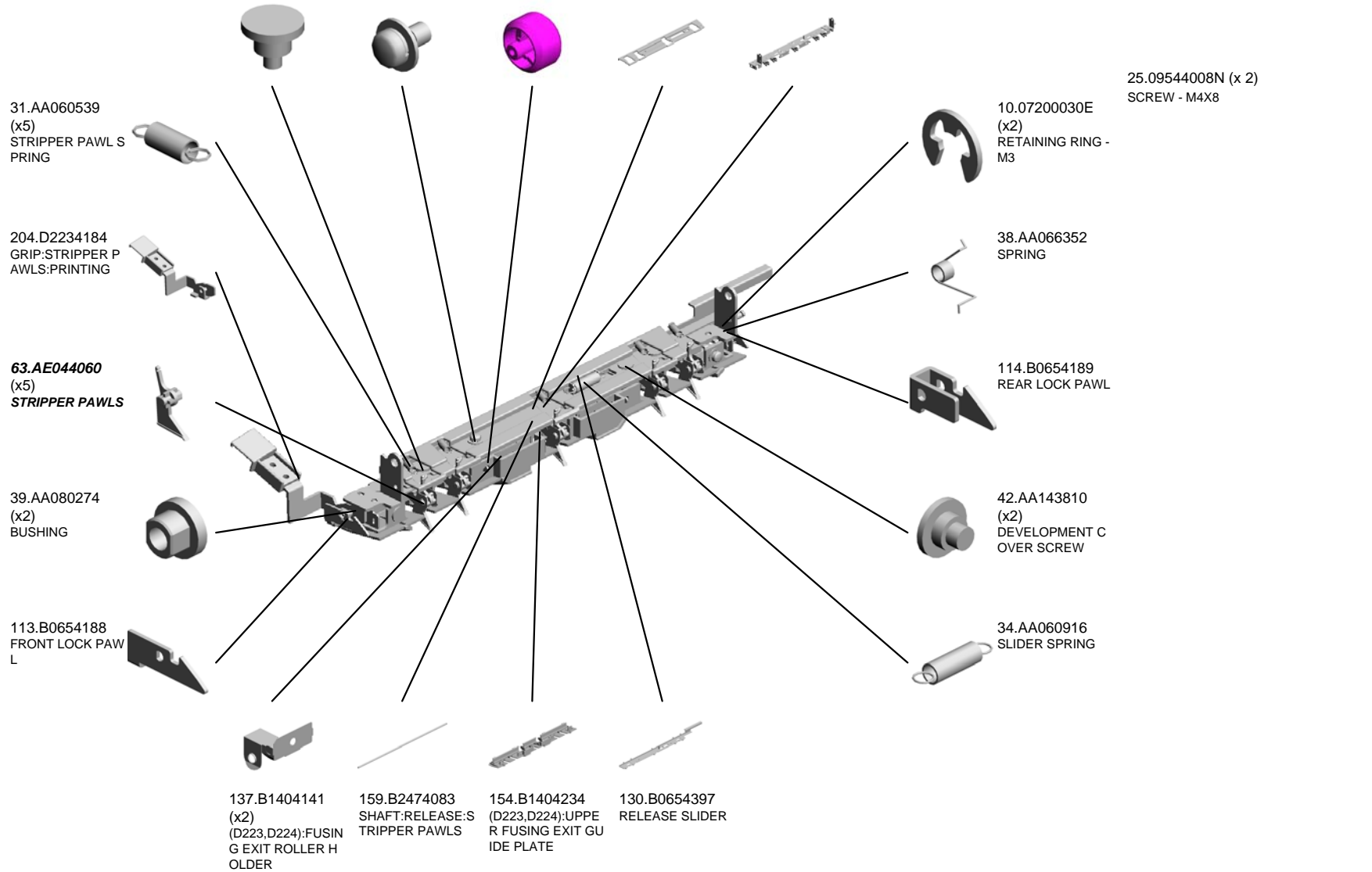
25.09544008N
(x2)
SCREW - M4X8

69.AF040629
(x2)
ROLLER:FUSING E
XIT:UPPER

131.B0654398
SLIDER COVER

155.B1404240
(D223,D224):BRAC
KET:GUIDE PLATE:
FUSING EXIT:UPP
ER:ASS'Y

200.D2234080
(D223,D224):STRIP
PER PAWLS:OPEN
AND CLOSE:ASS'Y



U001	U002	U003	U004	U005	U006	U007	U008	U009	U010	U011	U012	U013	U014	U015	U016	U017
------	------	------	------	------	------	------	------	------	------	------	------	------	------	------	------	------

U012_S004_S003

(D223,D224):CLEANING UNIT:HOT ROLLER:ASS'Y

6.03540060N
(x10)
SCREW-M4X6

124.B0654238
GEAR - 50Z

10.07200030E
(x3)
RETAINING RING -
M3

11.07200040E
(x4)
RETAINING RING -
M4

25.09544008N
SCREW - M4X8

201.D2234091
(D223,D224):CLEA
NING UNIT:HOT R
OLLER:ASS'Y

119.B0654222
(x5)
GEAR - 37Z

121.B0654231
WEB COVER

81.AX040293
DC MOTOR:CLEAN
ER:ASS'Y:0.7W:BR
USH

125.B0654241
GEAR

120.B0654223
MOTOR GEAR

71.AW020224
PHOTOINTERRUP
TOR:GP1A173LCS
VF

127.B0654247
BRAKE PAD

27.11050511
(x3)
HARNESS CLAMP -
LWS-0306ZC

36.AA063851
PRESSURE SPRIN
G

118.B0654221
FEELER SPRING

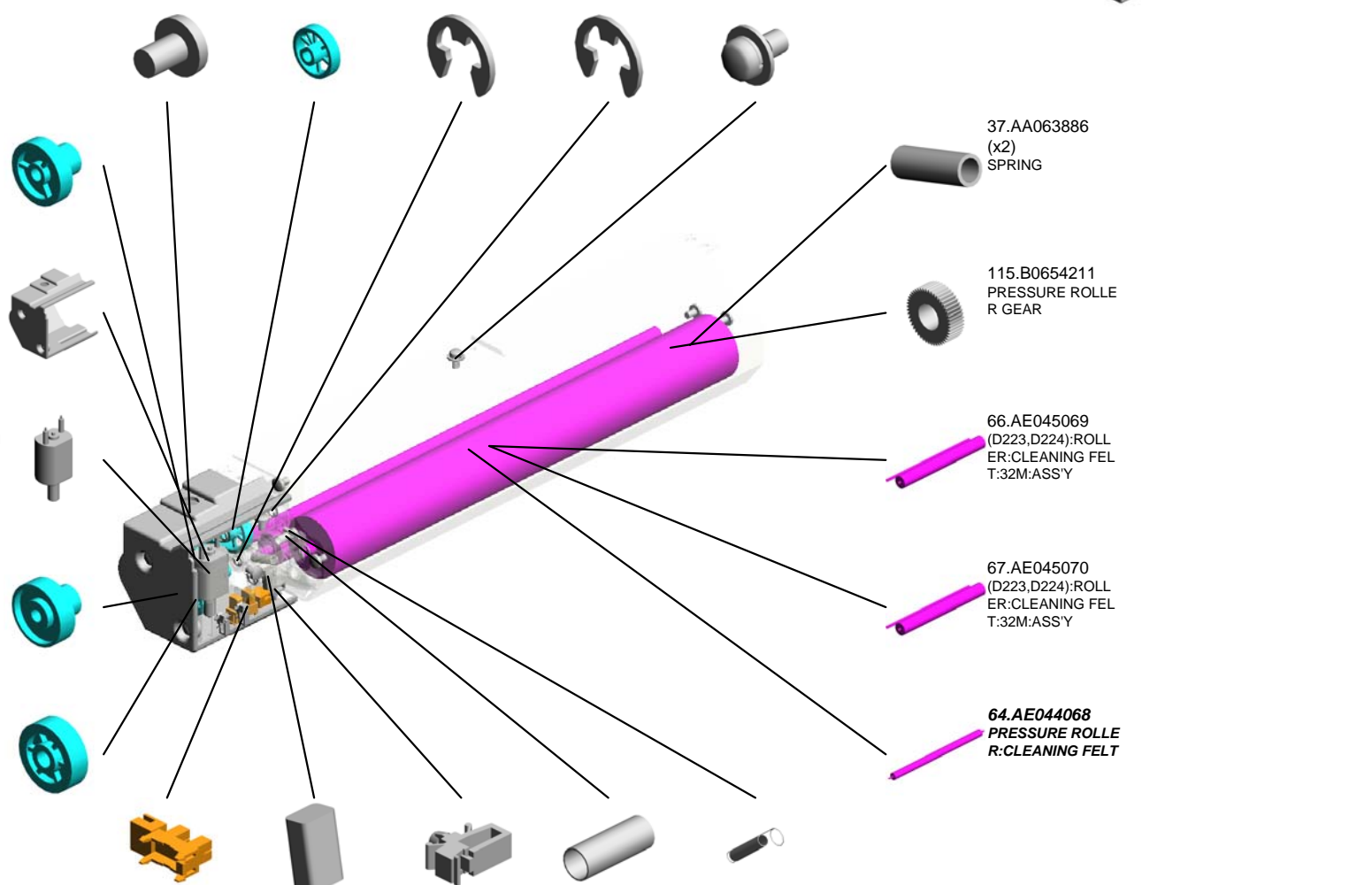
37.AA063886
(x2)
SPRING

115.B0654211
PRESSURE ROLLE
R GEAR

66.AE045069
(D223,D224):ROLL
ER:CLEANING FEL
T:32M:ASS'Y

67.AE045070
(D223,D224):ROLL
ER:CLEANING FEL
T:32M:ASS'Y

64.AE044068
PRESSURE ROLLE
R:CLEANING FELT



U001	U002	U003	U004	U005	U006	U007	U008	U009	U010	U011	U012	U013	U014	U015	U016	U017
------	------	------	------	------	------	------	------	------	------	------	------	------	------	------	------	------

U012_S004_S003

(D223,D224):CLEANING UNIT:HOT ROLLER:ASS'Y

184.D0624236
(x4)
BUSHING:DIA6

169.B2474242
SHAFT:DRIVE:ROL
LING:ASS'Y

180.D0624191
BUSHING:FRONT:
OIL SUPPLY

166.B2474234
(x2)
(D223,D224):GEAR:
STOPPER:OIL SUP
PLY ROLLER

194.D1314218
BRACKET:GUARD:
FEELER

201.D2234091
(D223,D224):CLEA
NING UNIT:HOT R
OLLER:ASS'Y



146.B1404187
(D223,D224):CLEA
NING UNIT DRIVE
POSITIONING PLA
TE

167.B2474235
(D223,D224):GEAR:
IDLER:CLEANING
UNIT

192.D1314188
(D223,D224):BRAC
KET:DRIVE:ASS'Y

195.D1314225
BRACKET:PLATE:D
C MOTOR

170.B2474244
(D223,D224):GEAR:
Z23:OIL SUPPLY R
OLLER

193.D1314190
(D223,D224):SPRIN
G PLATE:BRAKE

168.B2474239
SHAFT:DRIVE:OIL
SUPPLY ROLLER:ASS'Y

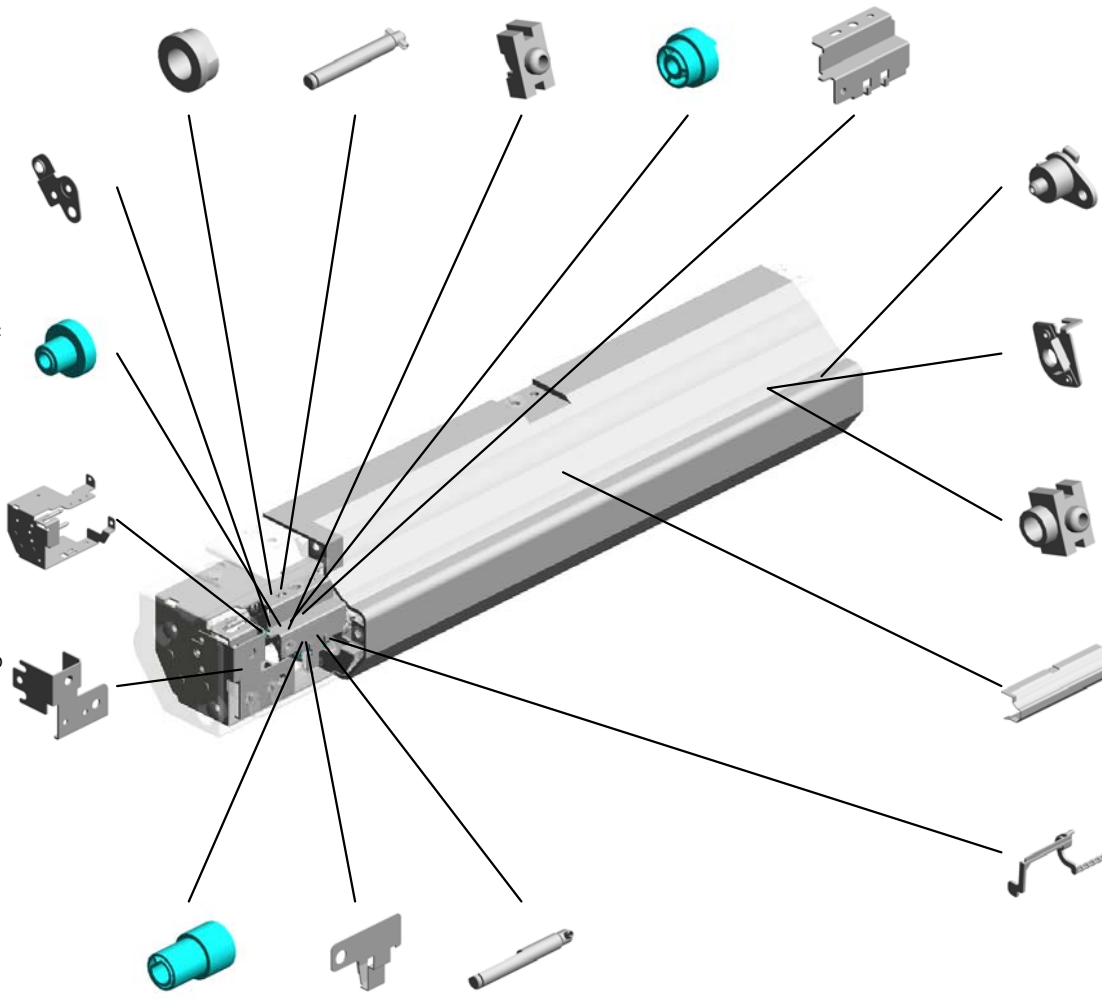
182.D0624207
(x2)
SHAFT:PLATE:CLE
ANING FELT

153.B1404209
BRACKET:STOPPE
R:ASS'Y

181.D0624192
BUSHING:INNER B
ACK:OIL SUPPLY

147.B1404193
(D223,D224):CLEA
NING UNIT COVER

148.B1404195
(D223,D224):FEELE
R:OIL END SENSO
R



U001	U002	U003	U004	U005	U006	U007	U008	U009	U010	U011	U012	U013	U014	U015	U016	U017
------	------	------	------	------	------	------	------	------	------	------	------	------	------	------	------	------

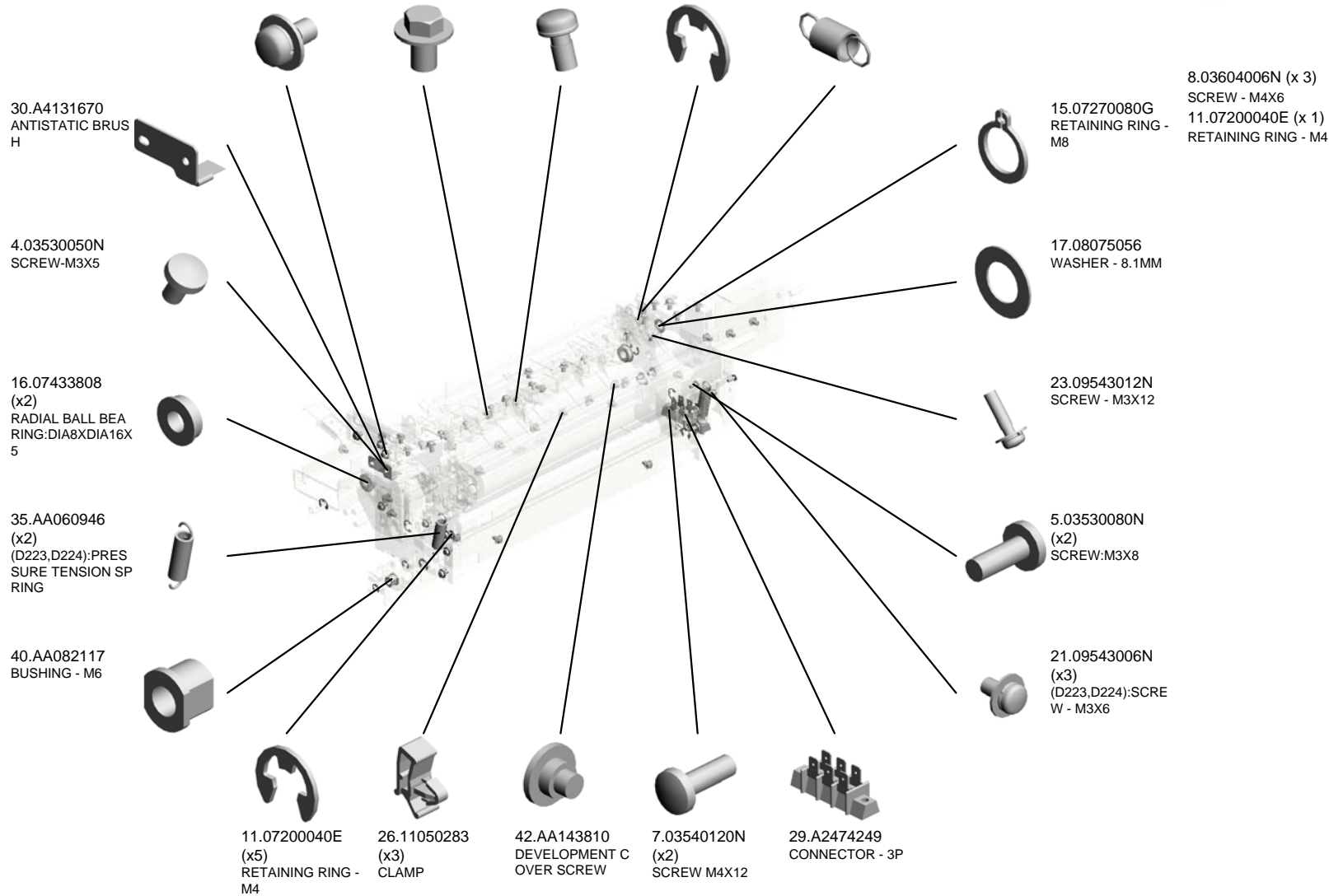
U012_S005

(D223,D224):(NA(220-240V)/EU/AA/CHN):FUSING UNIT:SERVICE

- 25.09544008N (x9) SCREW - M4X8
- 8.03604006N (x36) SCREW - M4X6
- 18.09503006M (x6) PHILIPS SCREW WITH LOCK WASHER
- 12.07200060E (x9) RETAINING RING - M6
- 33.AA060894 SPRING



209.D2234589
(D223,D224):(NA(220-240V)/EU/AA/CHN):FUSING UNIT:SERVICE



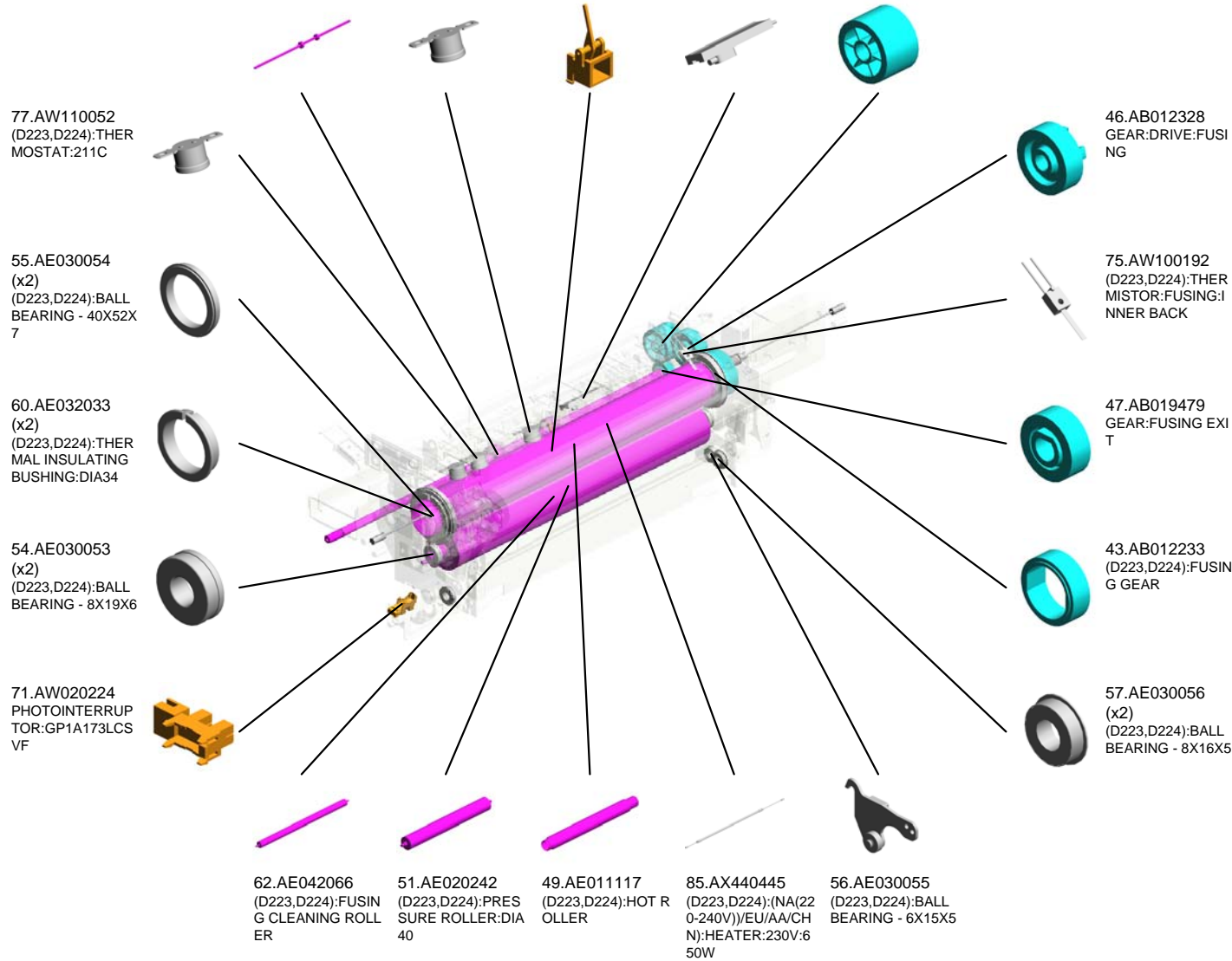
U012_S005

(D223,D224):(NA(220-240V)/EU/AA/CHN):FUSING UNIT:SERVICE

- 68.AF040055 FUSING EXIT ROLLER
- 76.AW110040 (x2) (D223,D224):THERMOSTAT - 192C
- 80.AW200010 PAPER FEED SENSOR
- 74.AW100191 (D223,D224):THERMISTOR:FUSING:MIDDLE
- 45.AB012318 IDLER GEAR



209.D2234589
(D223,D224):(NA(220-240V)/EU/AA/CHN):FUSING UNIT:SERVICE



U001	U002	U003	U004	U005	U006	U007	U008	U009	U010	U011	U012	U013	U014	U015	U016	U017
------	------	------	------	------	------	------	------	------	------	------	------	------	------	------	------	------

U012_S005
 (D223,D224):(NA(220-240V)/EU/AA/CHN):FUSING UNIT:SERVICE



209.D2234589
 (D223,D224):(NA(220-240V)/EU/AA/CHN):FUSING UNIT:SERVICE

95.B0654129 SHEET:FIBER:SIDE PLATE
 132.B1104223 (D223,D224):ELECTRODE PLATE:THERMOSTAT:COUPLING
 138.B1404145 (D223,D224):BRACKET:THERMOSTAT
 141.B1404169 (D223,D224):THERMOSTAT ELECTRODE PLATE
 136.B1404140 (D223,D224):LOWER FUSING EXIT GUIDE

99.B0654138 SIDE PLATE COVER

144.B1404174 (D223,D224):GRIP:FUSING UNIT:FRONT:ASSY

135.B1404113 BRACKET:COVER:CONNECTOR:ASSY

143.B1404171 (D223,D224):FRONT HEATER HOLDER

150.B1404200 (x2) (D223,D224):PRESSURE CLEANING ROLLER SPRING

149.B1404198 (D223,D224):FUSING CLEANING ROLLER BRACKET

100.B0654139 SWITCH HOLDER

102.B0654141 SPRING PLATE - SWITCH

87.AX440447 (D223,D224):(NA(220-240V))/EU/AA/CHN):HEATER:230V:280W:AUXILIARY

134.B1404112 (D223,D224):RIGHT FUSING STAY

140.B1404167 (D223,D224):CONNECTOR COVER BRACKET

145.B1404179 (D223,D224):PLATE:THERMISTOR

142.B1404170 (D223,D224):REAR HEATER HOLDER

139.B1404159 (D223,D224):HARNESSESS PLATE

86.AX440446 (D223,D224):(NA(220-240V))/EU/AA/CHN):HEATER:230V:550W

U001	U002	U003	U004	U005	U006	U007	U008	U009	U010	U011	U012	U013	U014	U015	U016	U017
------	------	------	------	------	------	------	------	------	------	------	------	------	------	------	------	------

U012_S005

(D223,D224):(NA(220-240V)/EU/AA/CHN):FUSING UNIT:SERVICE

- 162.B2474128 (D223,D224):HOUSING:THERMOSTAT
- 189.D1314114 STAY:FUSING:LEFT
- 190.D1314117 (D223,D224):FUSING COVER:UPPER:ASSY
- 202.D2234142 (D223,D224):STAY:UPPER:ASSY
- 199.D1364196 (D223,D224):HOUSING:TEMPERATURE SENSOR:NC-F10



209.D2234589 (D223,D224):(NA(220-240V)/EU/AA/CHN):FUSING UNIT:SERVICE

160.B2474101 (D223,D224):SIDE PLATE:FUSING:FRONT:ASSY

163.B2474131 LEVER:RELEASE:FRONT:ASSY

183.D0624226 (x2) (D223,D224):BUSHING:OIL SUPPLY

157.B1404258 (D223,D224):SENSOR BRACKET ASSY

158.B1404320 (D223,D224):SENSOR FEELER

172.B2474264 (D223,D224):GEAR:PRESSURE

151.B1404203 (D223,D224):LOWER FUSING COVER

176.D0544254 (D223,D224):SHAFT:TURN

152.B1404205 (D223,D224):PRESSURE OIL SUPPLY ROLLER BRACKET

178.D0624135 (D223,D224):(NA(220-240V)/EU/AA/CHN):FUSING ENTRANCE GUIDE PLATE:LOWER:ASSY

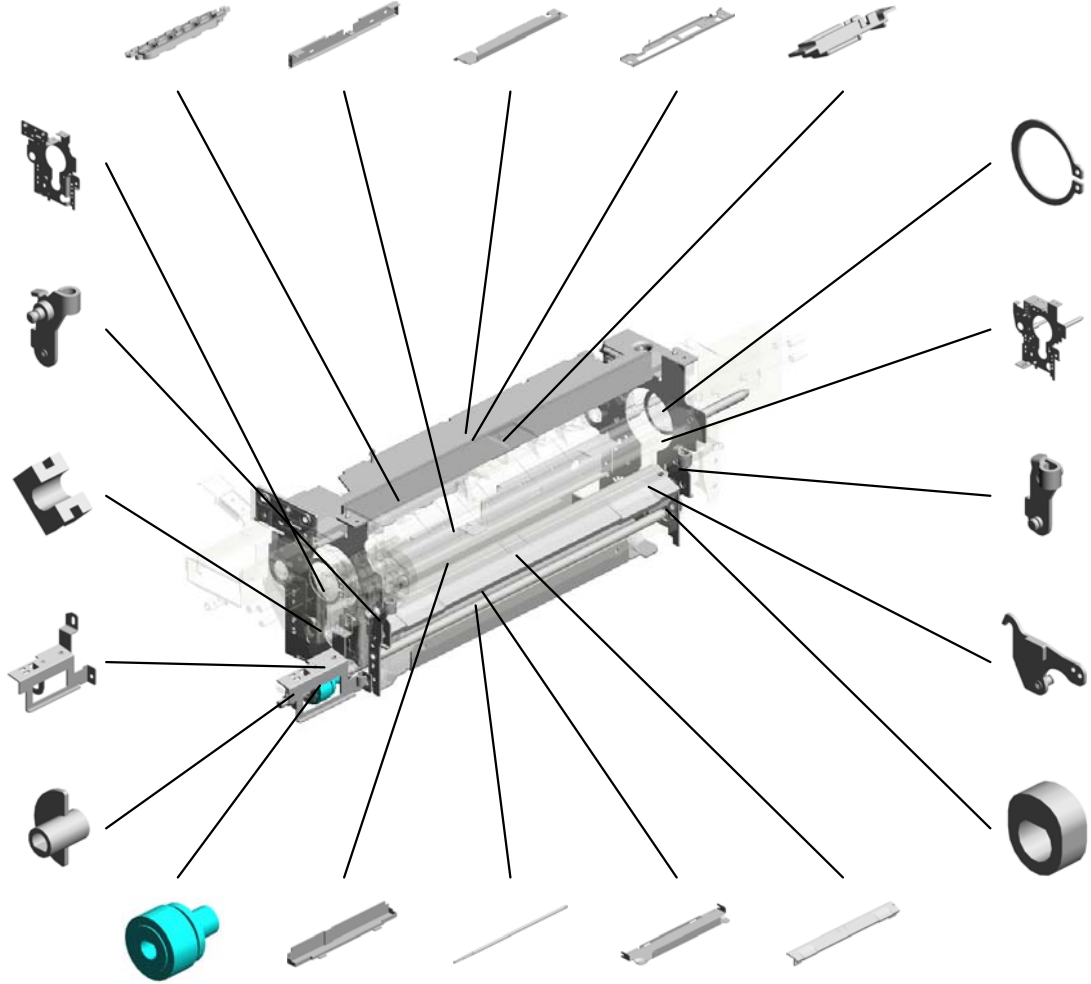
175.D0544172 (x2) (D223,D224):RETAINING RINGS-C:HOT ROLLER

161.B2474105 (D223,D224):SIDE PLATE:FUSING:REAR:ASSY

164.B2474147 LEVER:RELEASE:PRESSURE:REAR:ASSY

165.B2474231 (D223,D224):LEVER:REAR:ASSY

156.B1404256 (x2) (D223,D224):PRESSURE RELEASE ECCENTRIC CAM



U001	U002	U003	U004	U005	U006	U007	U008	U009	U010	U011	U012	U013	U014	U015	U016	U017
------	------	------	------	------	------	------	------	------	------	------	------	------	------	------	------	------

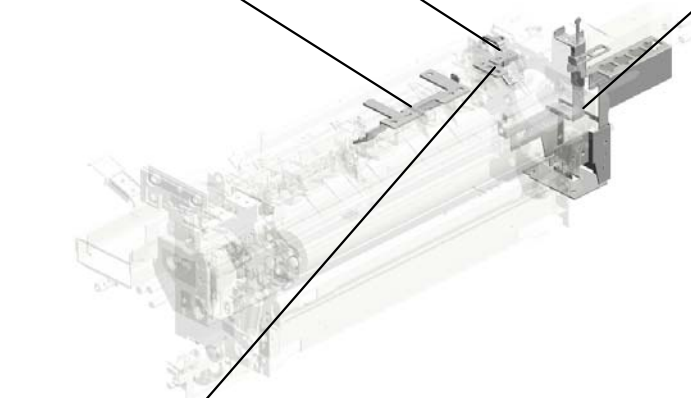
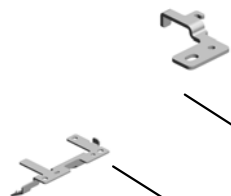
U012_S005
(D223,D224):(NA(220-240V)/EU/AA/CHN):FUSING UNIT:SERVICE

205.D2234185
(D223,D224):PLATE
:FUSING EXIT



209.D2234589
(D223,D224):(NA(220-240V)/EU/AA/CHN);FUSING UNIT:SERVICE

207.D2234197
(D223,D224):BRAC
KET:THERMISTOR:
MIDDLE



203.D2234157
(D223,D224):BRAC
KET:DRAWER:ASS'
Y



206.D2234196
(D223,D224):BRAC
KET:THERMISTOR:
INNER BACK



U001	U002	U003	U004	U005	U006	U007	U008	U009	U010	U011	U012	U013	U014	U015	U016	U017
------	------	------	------	------	------	------	------	------	------	------	------	------	------	------	------	------

U012_S005_S001
(D223,D224):BALL BEARING - 6X15X5

173.B2474323
(D223,D224):LEVE
R:FRONT:ASS'Y

56.AE030055
(D223,D224):BALL
BEARING - 6X15X5



U001	U002	U003	U004	U005	U006	U007	U008	U009	U010	U011	U012	U013	U014	U015	U016	U017
------	------	------	------	------	------	------	------	------	------	------	------	------	------	------	------	------

U012_S005_S002

(D223,D224):STRIPPER PAWLS:OPEN AND CLOSE:ASS'Y

171.B2474247
(x2)
SCREW:SLIDER

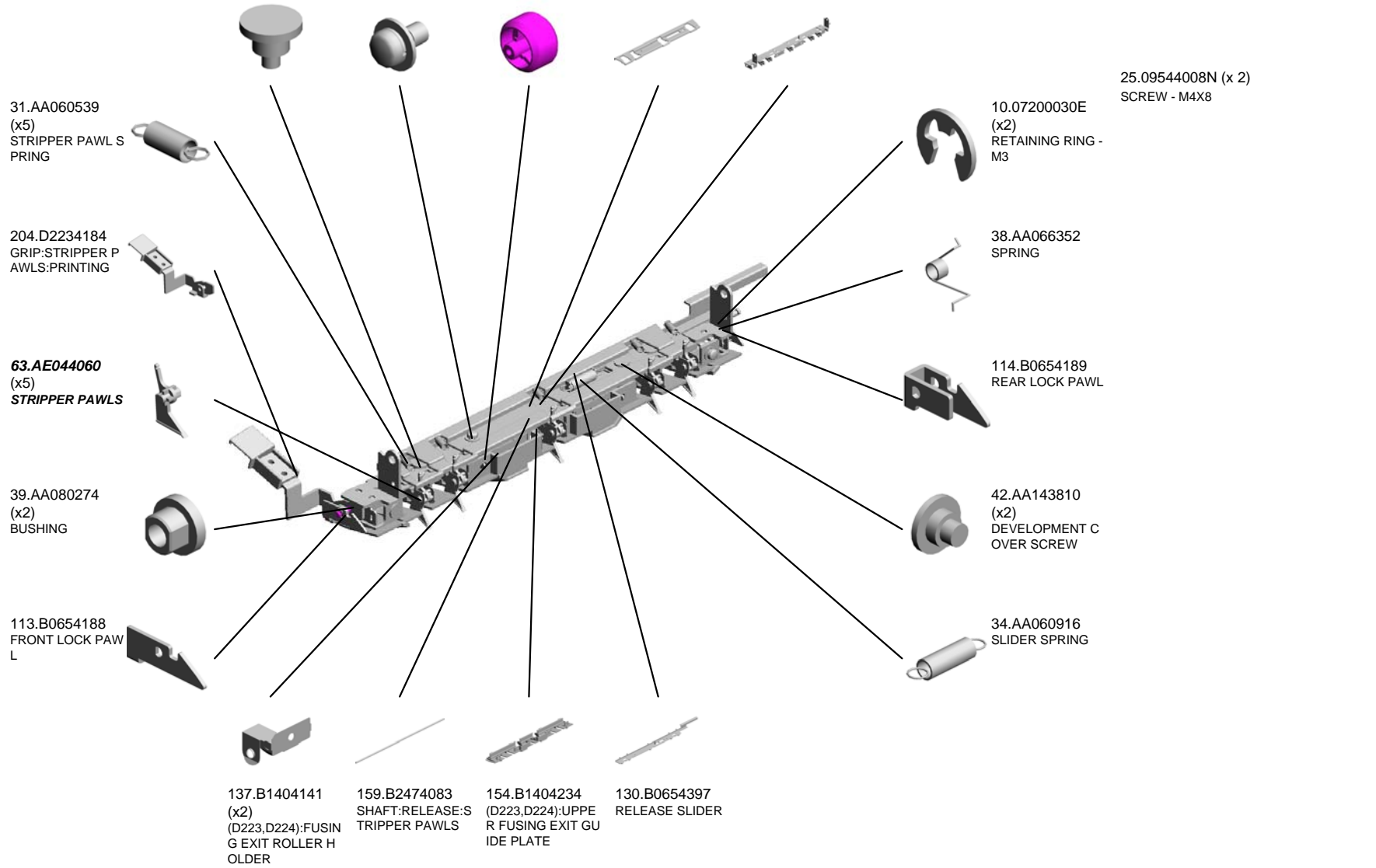
25.09544008N
(x2)
SCREW - M4X8

69.AF040629
(x2)
ROLLER:FUSING E
XIT:UPPER

131.B0654398
SLIDER COVER

155.B1404240
(D223,D224):BRAC
KET:GUIDE PLATE:
FUSING EXIT:UPP
ER:ASS'Y

200.D2234080
(D223,D224):STRIP
PER PAWLS:OPEN
AND CLOSE:ASS'Y



U001	U002	U003	U004	U005	U006	U007	U008	U009	U010	U011	U012	U013	U014	U015	U016	U017
------	------	------	------	------	------	------	------	------	------	------	------	------	------	------	------	------

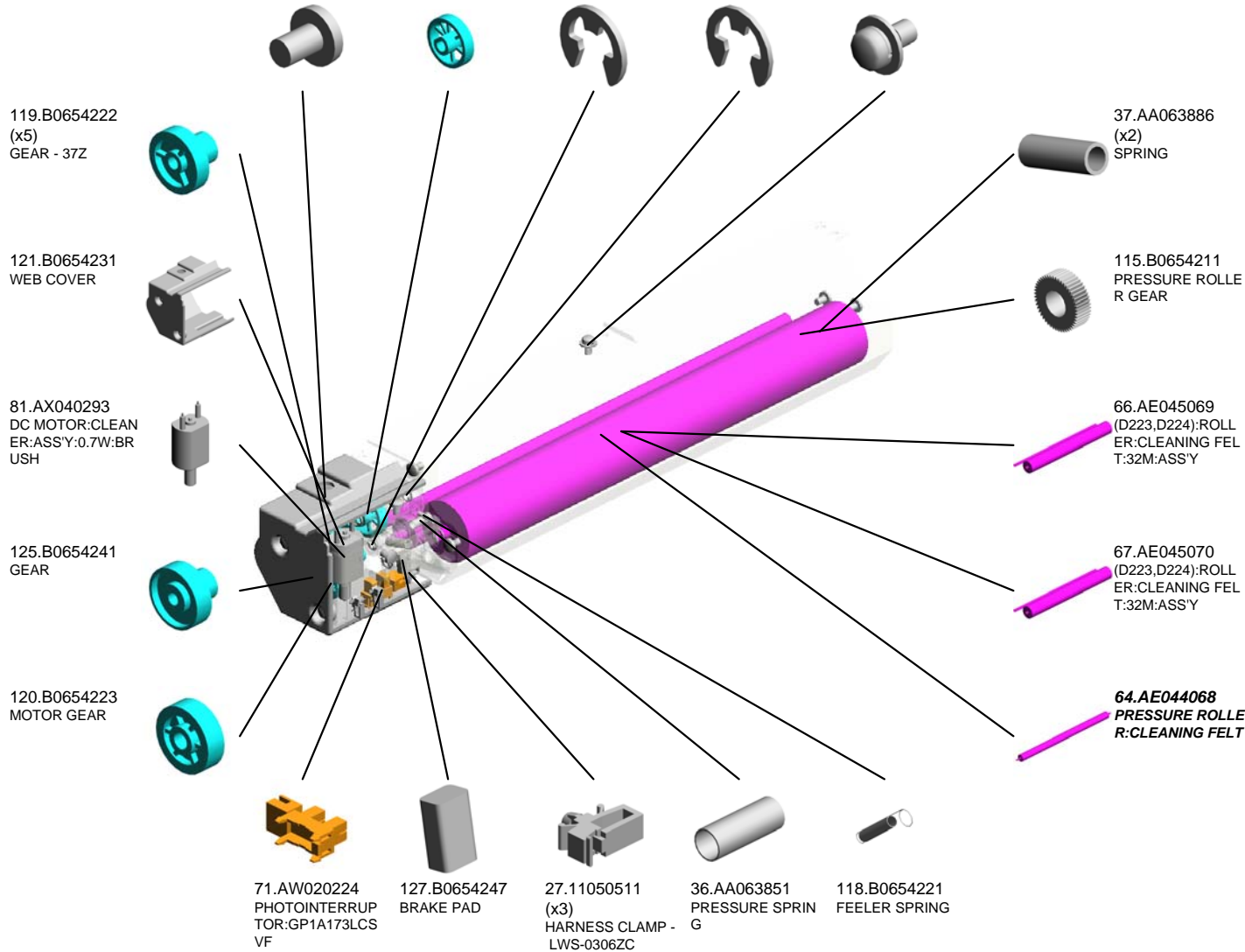
U012_S005_S003

(D223,D224):CLEANING UNIT:HOT ROLLER:ASS'Y

- 6.03540060N (x10) SCREW-M4X6
- 124.B0654238 GEAR - 50Z
- 10.07200030E (x3) RETAINING RING - M3
- 11.07200040E (x4) RETAINING RING - M4
- 25.09544008N SCREW - M4X8



201.D2234091
(D223,D224):CLEANING UNIT:HOT ROLLER:ASS'Y



U001	U002	U003	U004	U005	U006	U007	U008	U009	U010	U011	U012	U013	U014	U015	U016	U017
------	------	------	------	------	------	------	------	------	------	------	------	------	------	------	------	------

U012_S005_S003

(D223,D224):CLEANING UNIT:HOT ROLLER:ASS'Y

184.D0624236
(x4)
BUSHING:DIA6

169.B2474242
SHAFT:DRIVE:ROL
LING:ASS'Y

180.D0624191
BUSHING:FRONT:
OIL SUPPLY

166.B2474234
(x2)
(D223,D224):GEAR:
STOPPER:OIL SUP
PLY ROLLER

194.D1314218
BRACKET:GUARD:
FEELER

201.D2234091
(D223,D224):CLEA
NING UNIT:HOT R
OLLER:ASS'Y



146.B1404187
(D223,D224):CLEA
NING UNIT DRIVE
POSITIONING PLA
TE

167.B2474235
(D223,D224):GEAR:
IDLER:CLEANING
UNIT

192.D1314188
(D223,D224):BRAC
KET:DRIVE:ASS'Y

195.D1314225
BRACKET:PLATE:D
C MOTOR

170.B2474244
(D223,D224):GEAR:
Z23:OIL SUPPLY R
OLLER

193.D1314190
(D223,D224):SPRIN
G PLATE:BRAKE

168.B2474239
SHAFT:DRIVE:OIL
SUPPLY ROLLER:ASS'Y

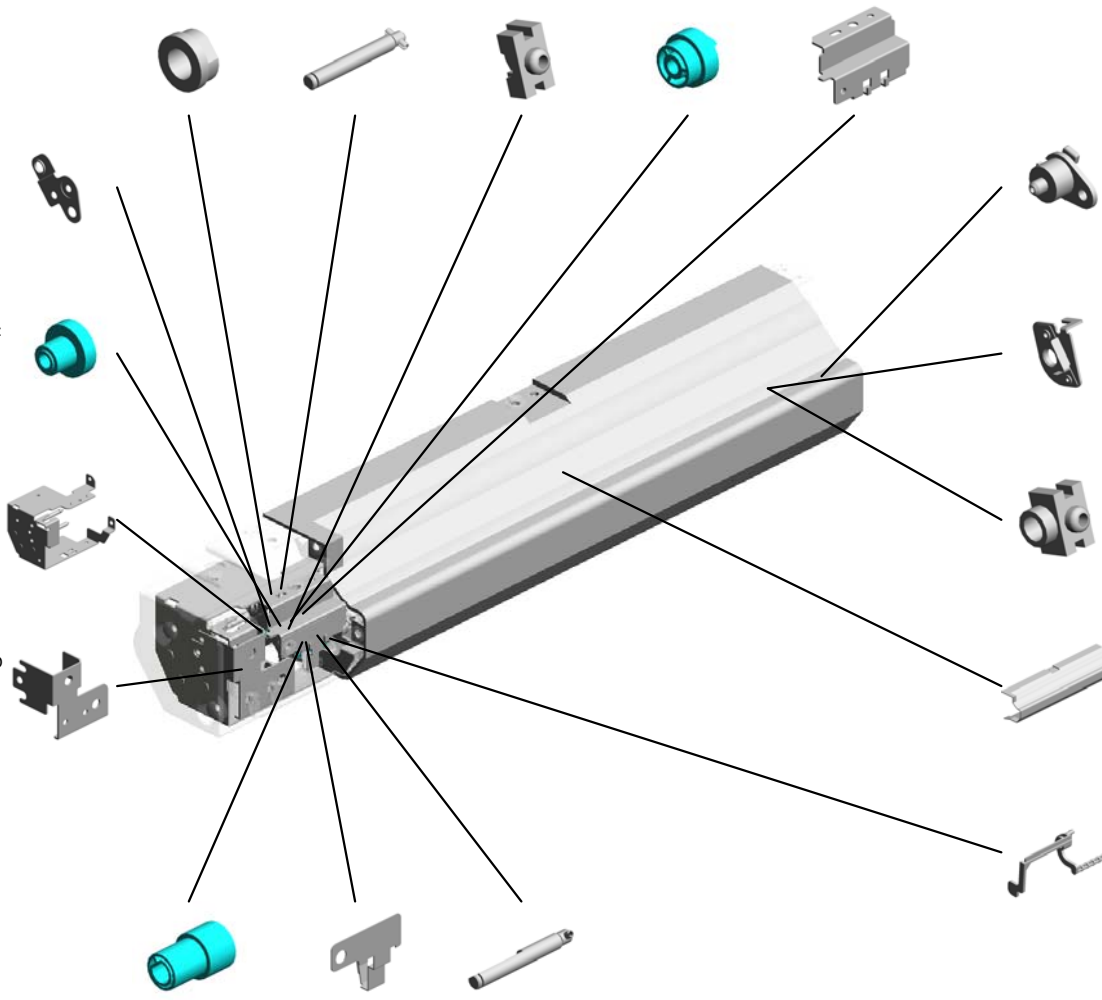
182.D0624207
(x2)
SHAFT:PLATE:CLE
ANING FELT

153.B1404209
BRACKET:STOPPE
R:ASS'Y

181.D0624192
BUSHING:INNER B
ACK:OIL SUPPLY

147.B1404193
(D223,D224):CLEA
NING UNIT COVER

148.B1404195
(D223,D224):FEELE
R:OIL END SENSO
R



U001	U002	U003	U004	U005	U006	U007	U008	U009	U010	U011	U012	U013	U014	U015	U016	U017
------	------	------	------	------	------	------	------	------	------	------	------	------	------	------	------	------

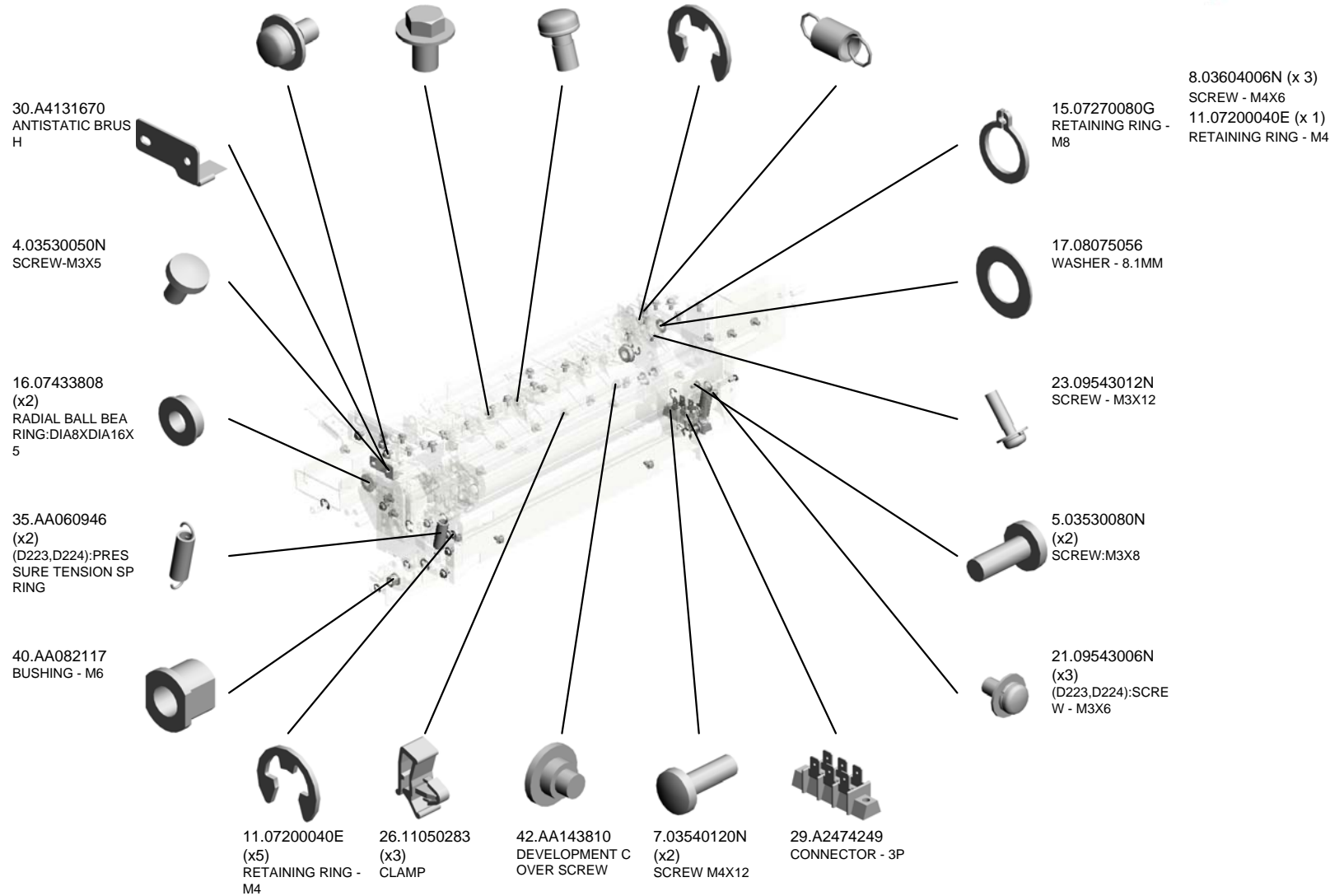
U012_S006

(D223,D224):(NA(220-240V)/EU/AA/CHN):FUSING UNIT:SERVICE

- 25.09544008N (x9) SCREW - M4X8
- 8.03604006N (x36) SCREW - M4X6
- 18.09503006M (x6) PHILIPS SCREW WITH LOCK WASHER
- 12.07200060E (x9) RETAINING RING - M6
- 33.AA060894 SPRING



209.D2234589
(D223,D224):(NA(220-240V)/EU/AA/CHN):FUSING UNIT:SERVICE



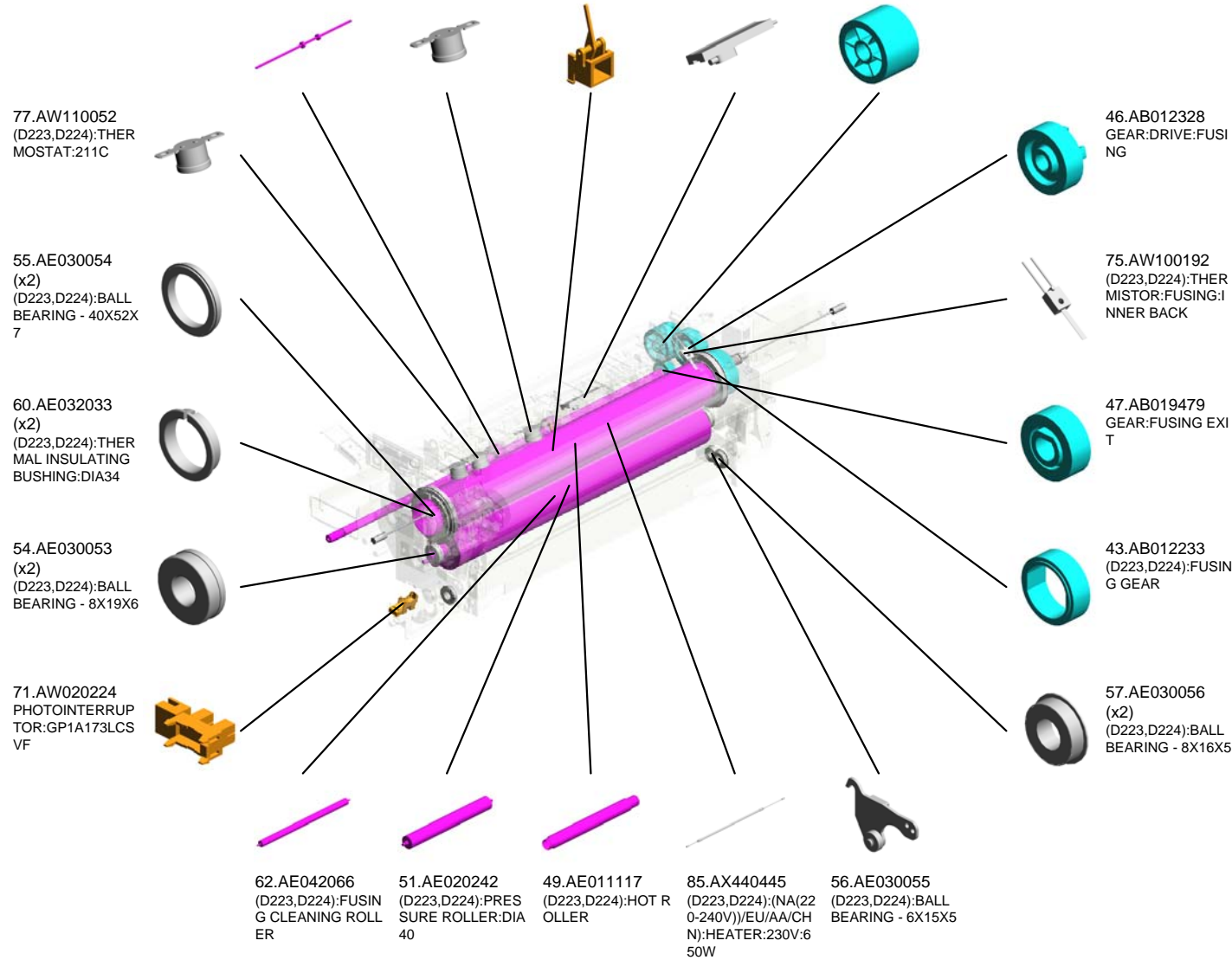
U012_S006

(D223,D224):(NA(220-240V)/EU/AA/CHN):FUSING UNIT:SERVICE

- 68.AF040055 FUSING EXIT ROLLER
- 76.AW110040 (x2) (D223,D224):THERMOSTAT - 192C
- 80.AW200010 PAPER FEED SENSOR
- 74.AW100191 (D223,D224):THERMISTOR:FUSING:MIDDLE
- 45.AB012318 IDLER GEAR



209.D2234589
(D223,D224):(NA(220-240V)/EU/AA/CHN):FUSING UNIT:SERVICE



U001	U002	U003	U004	U005	U006	U007	U008	U009	U010	U011	U012	U013	U014	U015	U016	U017
------	------	------	------	------	------	------	------	------	------	------	------	------	------	------	------	------

U012_S006

(D223,D224):(NA(220-240V)/EU/AA/CHN):FUSING UNIT:SERVICE



209.D2234589
(D223,D224):(NA(220-240V)/EU/AA/CHN);FUSING UNIT:SERVICE

95.B0654129 SHEET:FIBER:SIDE PLATE
132.B1104223 (D223,D224):ELECTRODE PLATE:THERMOSTAT:COUPLING
138.B1404145 (D223,D224):BRACKET:THERMOSTAT
141.B1404169 (D223,D224):THERMOSTAT ELECTRODE PLATE
136.B1404140 (D223,D224):LOWER FUSING EXIT GUIDE

99.B0654138 SIDE PLATE COVER

144.B1404174 (D223,D224):GRIP:FUSING UNIT:FRONT:ASSY

135.B1404113 BRACKET:COVER:CONNECTOR:ASSY

143.B1404171 (D223,D224):FRONT HEATER HOLDER

150.B1404200 (x2) (D223,D224):PRESSURE CLEANING ROLLER SPRING

149.B1404198 (D223,D224):FUSING CLEANING ROLLER BRACKET

100.B0654139 SWITCH HOLDER

102.B0654141 SPRING PLATE - SWITCH

87.AX440447 (D223,D224):(NA(220-240V))/EU/AA/CHN);HEATER:230V:280W:AUXILIARY

134.B1404112 (D223,D224):RIGHT FUSING STAY

140.B1404167 (D223,D224):CONNECTOR COVER BRACKET

145.B1404179 (D223,D224):PLATE:THERMISTOR

142.B1404170 (D223,D224):REAR HEATER HOLDER

139.B1404159 (D223,D224):HARNESSESS PLATE

86.AX440446 (D223,D224):(NA(220-240V))/EU/AA/CHN);HEATER:230V:550W

U001	U002	U003	U004	U005	U006	U007	U008	U009	U010	U011	U012	U013	U014	U015	U016	U017
------	------	------	------	------	------	------	------	------	------	------	------	------	------	------	------	------

U012_S006

(D223,D224):(NA(220-240V)/EU/AA/CHN):FUSING UNIT:SERVICE

162.B2474128 (D223,D224):HOUSING:THERMOSTAT
 189.D1314114 STAY:FUSING:LEFT
 190.D1314117 (D223,D224):FUSING COVER:UPPER:ASSY
 202.D2234142 (D223,D224):STAY:UPPER:ASSY
 199.D1364196 (D223,D224):HOUSING:TEMPERATURE SENSOR:NC-F10



209.D2234589 (D223,D224):(NA(220-240V)/EU/AA/CHN):FUSING UNIT:SERVICE

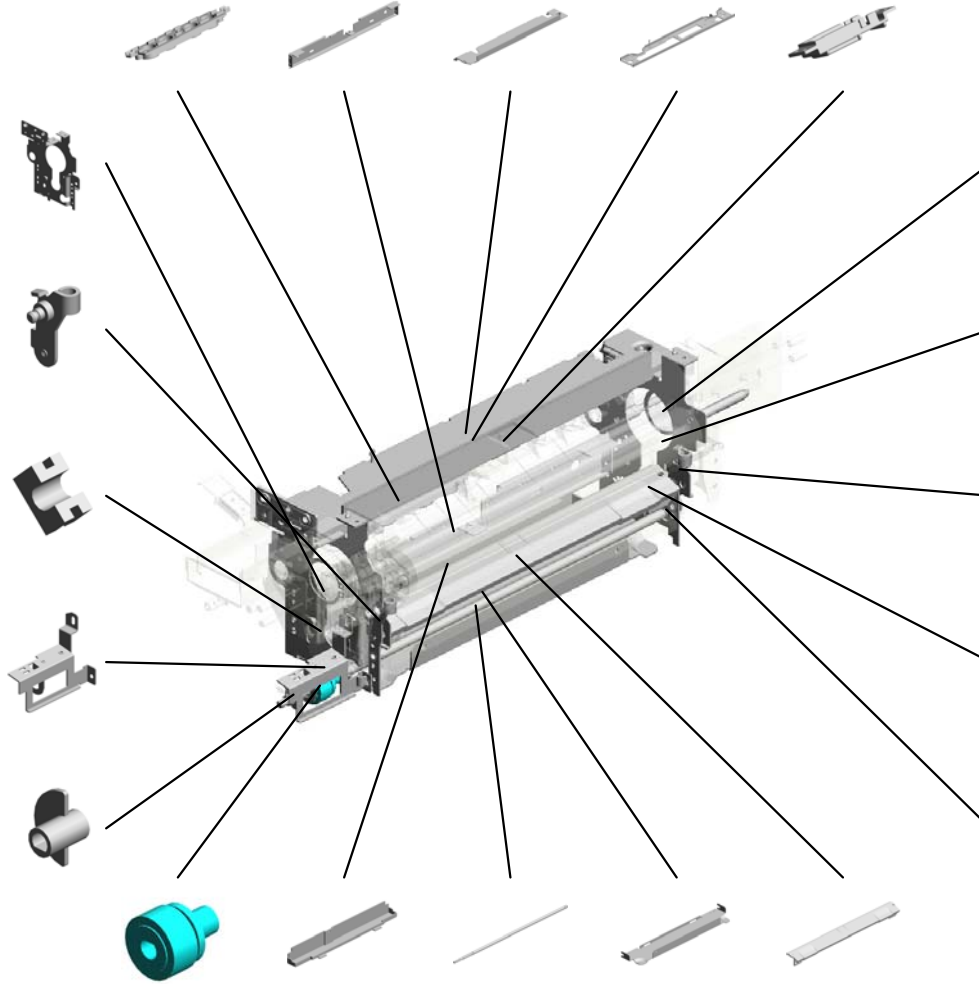
160.B2474101 (D223,D224):SIDE PLATE:FUSING:FRONT:ASSY

163.B2474131 LEVER:RELEASE:FRONT:ASSY

183.D0624226 (x2) (D223,D224):BUSHING:OIL SUPPLY

157.B1404258 (D223,D224):SENSOR BRACKET ASSY

158.B1404320 (D223,D224):SENSOR FEELER



175.D0544172 (x2) (D223,D224):RETAINING RINGS-C:HOT ROLLER

161.B2474105 (D223,D224):SIDE PLATE:FUSING:REAR:ASSY

164.B2474147 LEVER:RELEASE:PRESSURE:REAR:ASSY

165.B2474231 (D223,D224):LEVER:REAR:ASSY

156.B1404256 (x2) (D223,D224):PRESSURE RELEASE ECCENTRIC CAM

172.B2474264 (D223,D224):GEAR:PRESSURE

151.B1404203 (D223,D224):LOWER FUSING COVER

176.D0544254 (D223,D224):SHAFT:TURN

152.B1404205 (D223,D224):PRESSURE OIL SUPPLY ROLLER BRACKET

178.D0624135 (D223,D224):(NA(220-240V)/EU/AA/CHN):FUSING ENTRANCE GUIDE PLATE:LOWER:ASSY

U001	U002	U003	U004	U005	U006	U007	U008	U009	U010	U011	U012	U013	U014	U015	U016	U017
------	------	------	------	------	------	------	------	------	------	------	------	------	------	------	------	------

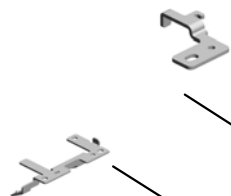
U012_S006
(D223,D224):(NA(220-240V)/EU/AA/CHN):FUSING UNIT:SERVICE

205.D2234185
(D223,D224):PLATE
:FUSING EXIT

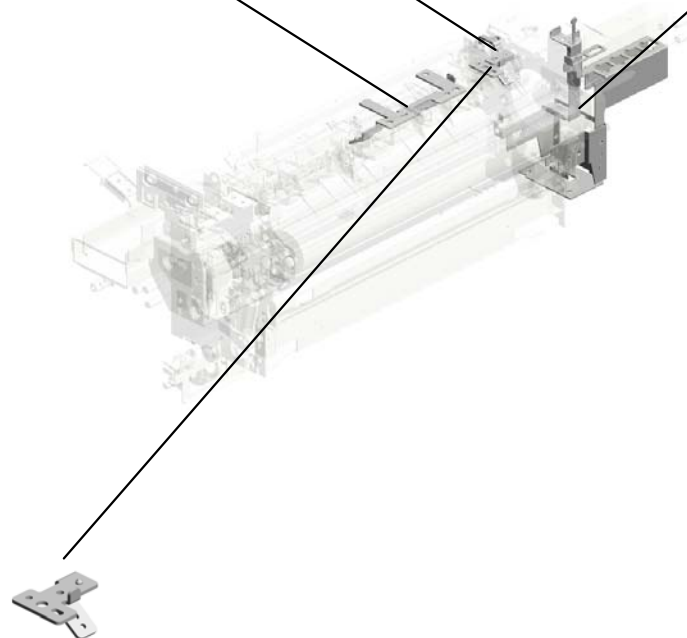


209.D2234589
(D223,D224):(NA(220-240V)/EU/AA/CHN);FUSING UNIT:SERVICE

207.D2234197
(D223,D224):BRAC
KET:THERMISTOR:
MIDDLE



203.D2234157
(D223,D224):BRAC
KET:DRAWER:ASS'
Y



206.D2234196
(D223,D224):BRAC
KET:THERMISTOR:
INNER BACK



U001	U002	U003	U004	U005	U006	U007	U008	U009	U010	U011	U012	U013	U014	U015	U016	U017
------	------	------	------	------	------	------	------	------	------	------	------	------	------	------	------	------

U012_S006_S001
(D223,D224):BALL BEARING - 6X15X5

173.B2474323
(D223,D224):LEVE
R:FRONT:ASS'Y

56.AE030055
(D223,D224):BALL
BEARING - 6X15X5



U001	U002	U003	U004	U005	U006	U007	U008	U009	U010	U011	U012	U013	U014	U015	U016	U017
------	------	------	------	------	------	------	------	------	------	------	------	------	------	------	------	------

U012_S006_S002

(D223,D224):STRIPPER PAWLS:OPEN AND CLOSE:ASS'Y

171.B2474247
(x2)
SCREW:SLIDER

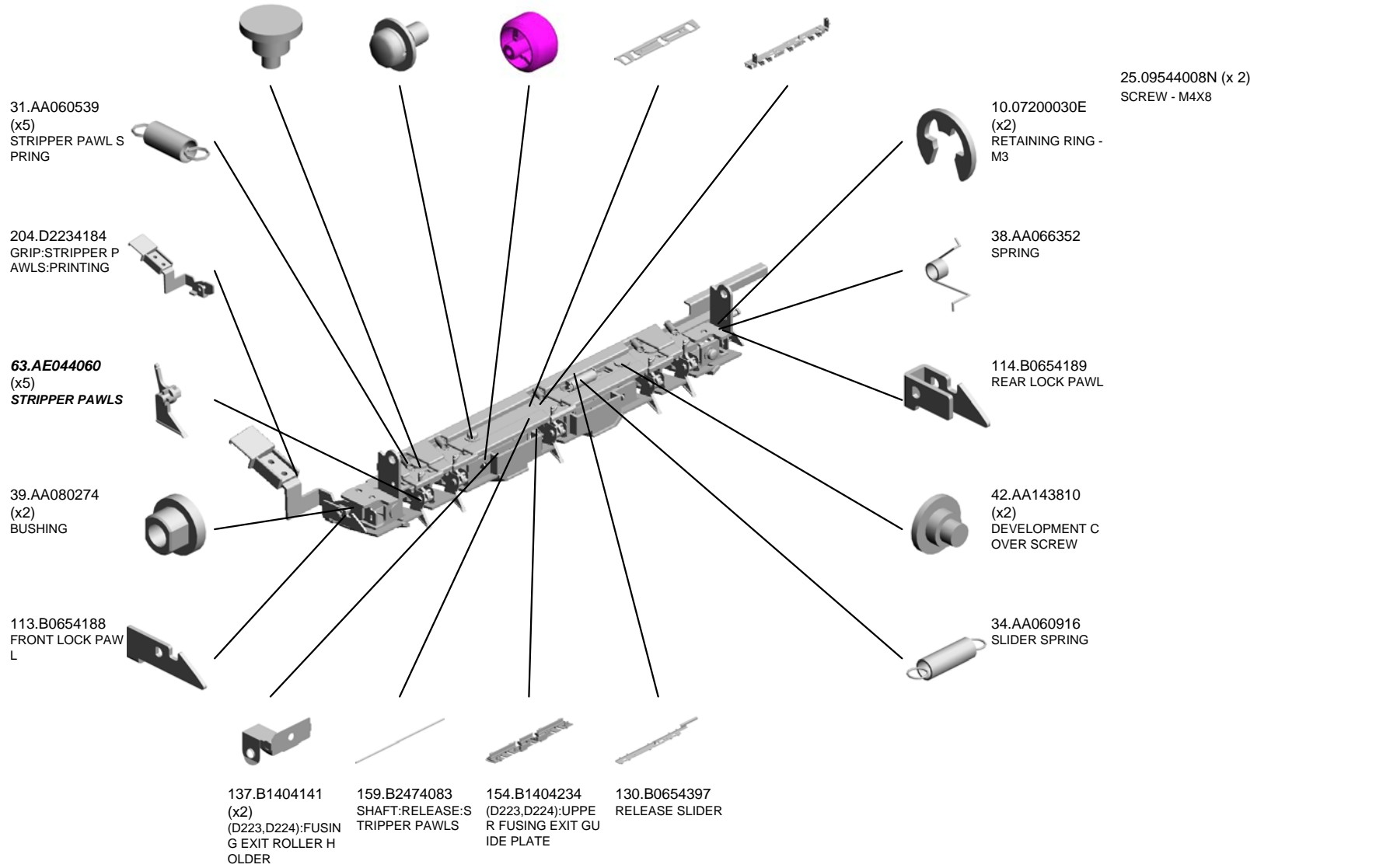
25.09544008N
(x2)
SCREW - M4X8

69.AF040629
(x2)
ROLLER:FUSING E
XIT:UPPER

131.B0654398
SLIDER COVER

155.B1404240
(D223,D224):BRAC
KET:GUIDE PLATE:
FUSING EXIT:UPP
ER:ASS'Y

200.D2234080
(D223,D224):STRIP
PER PAWLS:OPEN
AND CLOSE:ASS'Y



U012_S006_S003

(D223,D224):CLEANING UNIT:HOT ROLLER:ASS'Y

6.03540060N
(x10)
SCREW-M4X6

124.B0654238
GEAR - 50Z

10.07200030E
(x3)
RETAINING RING -
M3

11.07200040E
(x4)
RETAINING RING -
M4

25.09544008N
SCREW - M4X8



201.D2234091
(D223,D224):CLEA
NING UNIT:HOT R
OLLER:ASS'Y

119.B0654222
(x5)
GEAR - 37Z

121.B0654231
WEB COVER

81.AX040293
DC MOTOR:CLEAN
ER:ASS'Y:0.7W:BR
USH

125.B0654241
GEAR

120.B0654223
MOTOR GEAR

71.AW020224
PHOTOINTERRUP
TOR:GP1A173LCS
VF

127.B0654247
BRAKE PAD

27.11050511
(x3)
HARNESS CLAMP -
LWS-0306ZC

36.AA063851
PRESSURE SPRIN
G

118.B0654221
FEELER SPRING

37.AA063886
(x2)
SPRING

115.B0654211
PRESSURE ROLLE
R GEAR

66.AE045069
(D223,D224):ROLL
ER:CLEANING FEL
T:32M:ASS'Y

67.AE045070
(D223,D224):ROLL
ER:CLEANING FEL
T:32M:ASS'Y

64.AE044068
PRESSURE ROLLE
R:CLEANING FELT

U001	U002	U003	U004	U005	U006	U007	U008	U009	U010	U011	U012	U013	U014	U015	U016	U017
------	------	------	------	------	------	------	------	------	------	------	------	------	------	------	------	------

U012_S006_S003

(D223,D224):CLEANING UNIT:HOT ROLLER:ASS'Y

184.D0624236
(x4)
BUSHING:DIA6

169.B2474242
SHAFT:DRIVE:ROL
LING:ASS'Y

180.D0624191
BUSHING:FRONT:
OIL SUPPLY

166.B2474234
(x2)
(D223,D224):GEAR:
STOPPER:OIL SUP
PLY ROLLER

194.D1314218
BRACKET:GUARD:
FEELER

201.D2234091
(D223,D224):CLEA
NING UNIT:HOT R
OLLER:ASS'Y

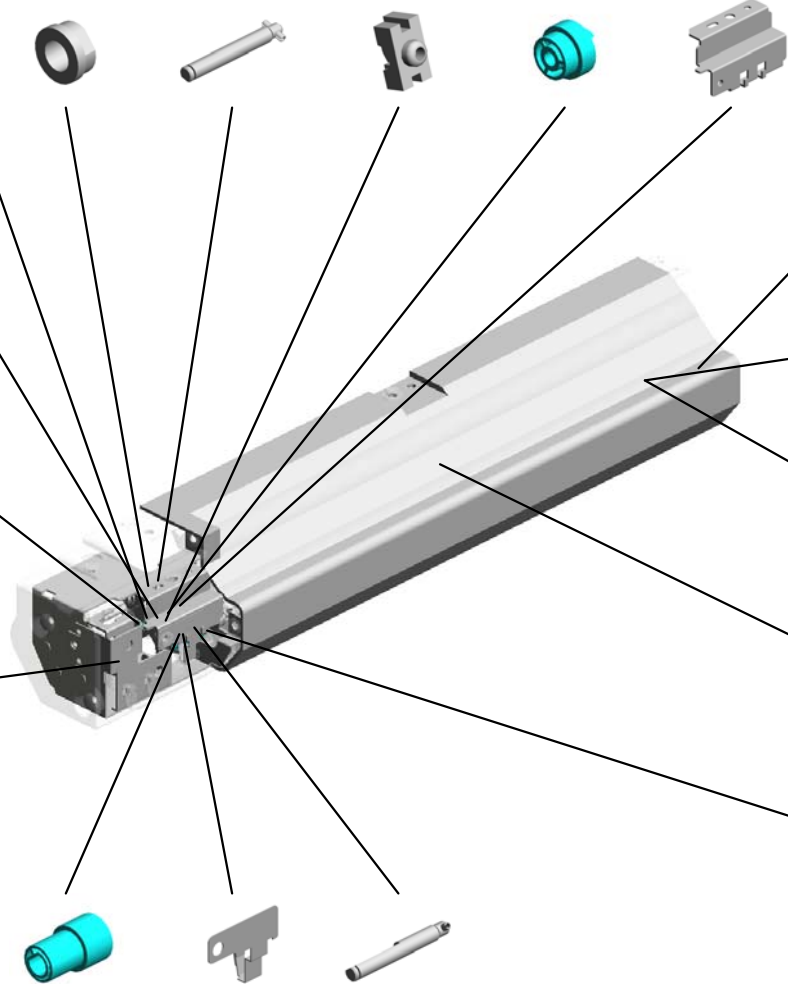


146.B1404187
(D223,D224):CLEA
NING UNIT DRIVE
POSITIONING PLA
TE

167.B2474235
(D223,D224):GEAR:
IDLER:CLEANING
UNIT

192.D1314188
(D223,D224):BRAC
KET:DRIVE:ASS'Y

195.D1314225
BRACKET:PLATE:D
C MOTOR



182.D0624207
(x2)
SHAFT:PLATE:CLE
ANING FELT

153.B1404209
BRACKET:STOPPE
R:ASS'Y

181.D0624192
BUSHING:INNER B
ACK:OIL SUPPLY

147.B1404193
(D223,D224):CLEA
NING UNIT COVER

148.B1404195
(D223,D224):FEELE
R:OIL END SENSO
R

170.B2474244
(D223,D224):GEAR:
Z23:OIL SUPPLY R
OLLER

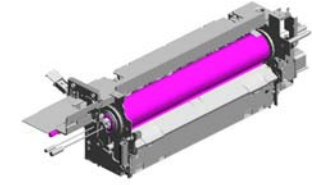
193.D1314190
(D223,D224):SPRIN
G PLATE:BRAKE

168.B2474239
SHAFT:DRIVE:OIL
SUPPLY ROLLER:ASS'Y

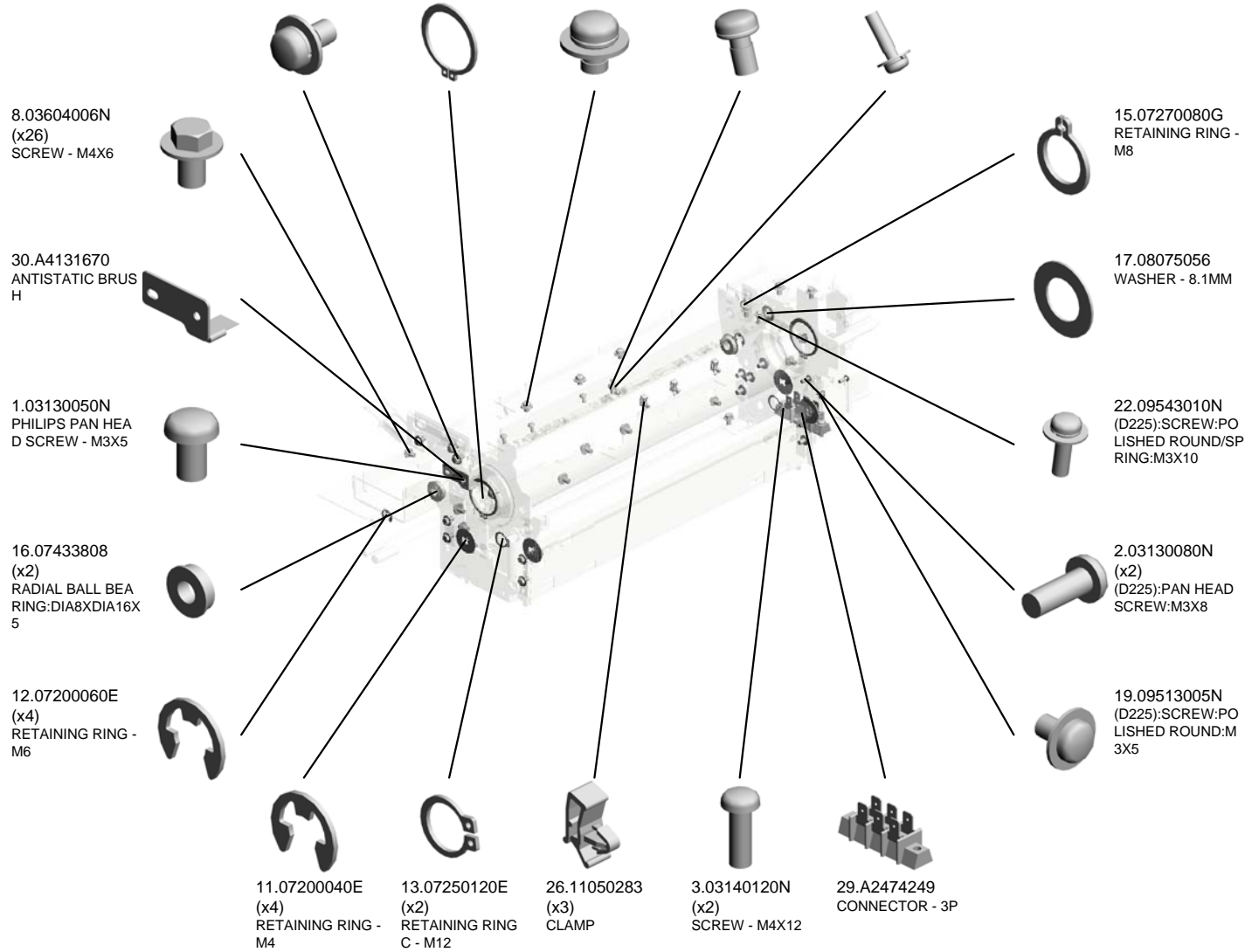
U001	U002	U003	U004	U005	U006	U007	U008	U009	U010	U011	U012	U013	U014	U015	U016	U017
------	------	------	------	------	------	------	------	------	------	------	------	------	------	------	------	------

U012_S007
(D225):FUSING UNIT:ASS'Y

- 25.09544008N (x7) SCREW - M4X8
- 14.07250300E (x2) (D225):RETAINING RING C - M30
- 24.09544006N (x3) (D225):SCREW:POLISHED ROUND/SPRING: M4X6
- 18.09503006M (x4) PHILIPS SCREW WITH LOCK WASHER
- 23.09543012N SCREW - M3X12



211.D2254001
(D225):FUSING UNIT:ASS'Y



U001	U002	U003	U004	U005	U006	U007	U008	U009	U010	U011	U012	U013	U014	U015	U016	U017
------	------	------	------	------	------	------	------	------	------	------	------	------	------	------	------	------

U012_S007
(D225):FUSING UNIT:ASS'Y

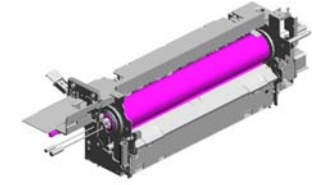
73.AW100084
(D225):MIDDLE THERMISTOR

45.AB012318
IDLER GEAR

47.AB019479
GEAR:FUSING EXIT

72.AW100076
(D225):THERMISTOR:INNER BACK

46.AB012328
GEAR:DRIVE:FUSING



211.D2254001
(D225):FUSING UNIT:ASS'Y

78.AW110082
(D225):THERMISTOR AT:190C

48.AE011044
(D225):HOT ROLLER

68.AF040055
FUSING EXIT ROLLER

79.AW110083
(D225):THERMISTOR AT:193C

32.AA060893
(x2)
(D225):SPRING

61.AE042052
(D225):CLEANING ROLLER

41.AA140823
(D225):PRESSURE ROLLER SHAFT

50.AE020178
(D225):PRESSURE ROLLER:DIA50

42.AA143810
DEVELOPMENT COVER SCREW

58.AE031024
(x2)
(D225):BUSHING - M4X7

33.AA060894
SPRING

44.AB012316
(D225):FUSING GEAR

59.AE032014
(x2)
(D225):BUSHING - 30X35X13.5

52.AE030017
(x2)
(D225):BALL BEARING - 35X50X10

53.AE030018
(x2)
(D225):BALL BEARING - 12X28X8

U001	U002	U003	U004	U005	U006	U007	U008	U009	U010	U011	U012	U013	U014	U015	U016	U017
------	------	------	------	------	------	------	------	------	------	------	------	------	------	------	------	------

U012_S007
(D225):FUSING UNIT:ASS'Y

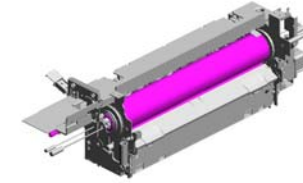
100.B0654139
SWITCH HOLDER

92.AX440454
(D225):HEATER:22
0V:600W

80.AW200010
PAPER FEED SEN
SOR

97.B0654132
(D225):MIDDLE TH
ERMISTOR COVER

96.B0654130
(D225):THERMOST
AT HOUSING - MID
DLE



211.D2254001
(D225):FUSING UNI
T:ASS'Y

101.B0654140
(D225):LOWER GUI
DE PLATE - EXIT

95.B0654129
SHEET:FIBER:SIDE
PLATE

99.B0654138
SIDE PLATE COVE
R

94.B0654124
(D225):FRONT HEA
TER HOLDER

107.B0654161
(D225):LEFT SUPP
ORT BRACKET

110.B0654177
(D225):FRONT PRE
SSURE LEVER

106.B0654160
(D225):CLEANING
ROLLER GUIDE PL
ATE

102.B0654141
SPRING PLATE - S
WITCH

91.AX440453
(D225):HEATER:22
0V:700W

93.B0654116
(D225):LOWER FU
SING COVER

109.B0654170
(D225):REAR HEAT
ER HOLDER

104.B0654157
(D225):CONNECTO
R BRACKET

105.B0654159
(D225):HARNESS H
OLDER

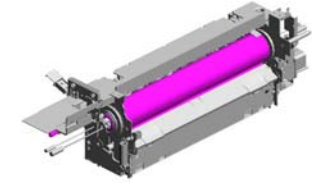
108.B0654164
(D225):RIGHT SUP
PORT BRACKET

98.B0654135
(D225):LOWER FU
SING ENTRANCE P
LATE - 240V

U001	U002	U003	U004	U005	U006	U007	U008	U009	U010	U011	U012	U013	U014	U015	U016	U017
------	------	------	------	------	------	------	------	------	------	------	------	------	------	------	------	------

U012_S007
(D225):FUSING UNIT:ASS'Y

186.D0664221 (D225):HOUSING:THERMOSTAT
 196.D1334117 (D225):FUSING COVER:UPPER:D133:ASS'Y
 185.D0664211 (D225):STAY:FUSING:UPPER:ASS'Y



211.D2254001 (D225):FUSING UNIT:ASS'Y

187.D0664223 (D225):ELECTRODE PLATE:THERMOSTAT

179.D0624174 (D225):GRIP:FUSING UNIT:FRONT:ASS'Y

135.B1404113 BRACKET:COVER:CONNECTOR:ASS'Y

133.B1104231 (D225):BRACKET:THERMOSTOR:INNER BACK

164.B2474147 LEVER:RELEASE:PRESSURE:REAR:ASS'Y

111.B0654178 (D225):REAR PRESSURE LEVER

112.B0654180 (x2) (D225):SPACER - 1.6MM

163.B2474131 LEVER:RELEASE:FRONT:ASS'Y

189.D1314114 STAY:FUSING:LEFT

U001	U002	U003	U004	U005	U006	U007	U008	U009	U010	U011	U012	U013	U014	U015	U016	U017
------	------	------	------	------	------	------	------	------	------	------	------	------	------	------	------	------

U012_S007_S001
 (D225):STRIPPER PAWLS:OPEN AND CLOSE:D225:ASS'Y

131.B0654398 SLIDER COVER
 188.D0664291 (D225):BRACKET:GUIDE PLATE:FUSING EXIT:UPPER:ASS'Y
 69.AF040629 (x2) ROLLER:FUSING EXIT:UPPER
 130.B0654397 RELEASE SLIDER
 34.AA060916 SLIDER SPRING



212.D2254080 (D225):STRIPPER PAWLS:OPEN AND CLOSE:D225:ASS'Y

159.B2474083 SHAFT:RELEASE:STRIPPER PAWLS

129.B0654390 (D225):FUSING EXIT GUIDE PLATE

42.AA143810 (x2) DEVELOPMENT COVER SCREW

204.D2234184 GRIP:STRIPPER PAWLS:PRINTING

113.B0654188 FRONT LOCK PAWL



10.07200030E (x2) RETAINING RING - M3

38.AA066352 SPRING

39.AA080274 (x2) BUSHING

114.B0654189 REAR LOCK PAWL

25.09544008N (x4) SCREW - M4X8

28.A0964319 (x2) (D225):EXIT ROLLER HOLDER
 171.B2474247 (x2) SCREW:SLIDER
 31.AA060539 (x5) STRIPPER PAWLS SPRING
63.AE044060 (x5) STRIPPER PAWLS



U001	U002	U003	U004	U005	U006	U007	U008	U009	U010	U011	U012	U013	U014	U015	U016	U017
------	------	------	------	------	------	------	------	------	------	------	------	------	------	------	------	------

U012_S008

(D225):CLEANING UNIT:HOT ROLLER:D225:ASS'Y

- 11.07200040E (x4) RETAINING RING - M4
- 10.07200030E (x3) RETAINING RING - M3
- 123.B0654235 (D225):WEB IDLE GEAR
- 122.B0654234 (x2) (D225):STOPPER GEAR
- 117.B0654219 (D225):WEB END FEELER



213.D2254202 (D225):CLEANING UNIT:HOT ROLLER :D225:ASS'Y

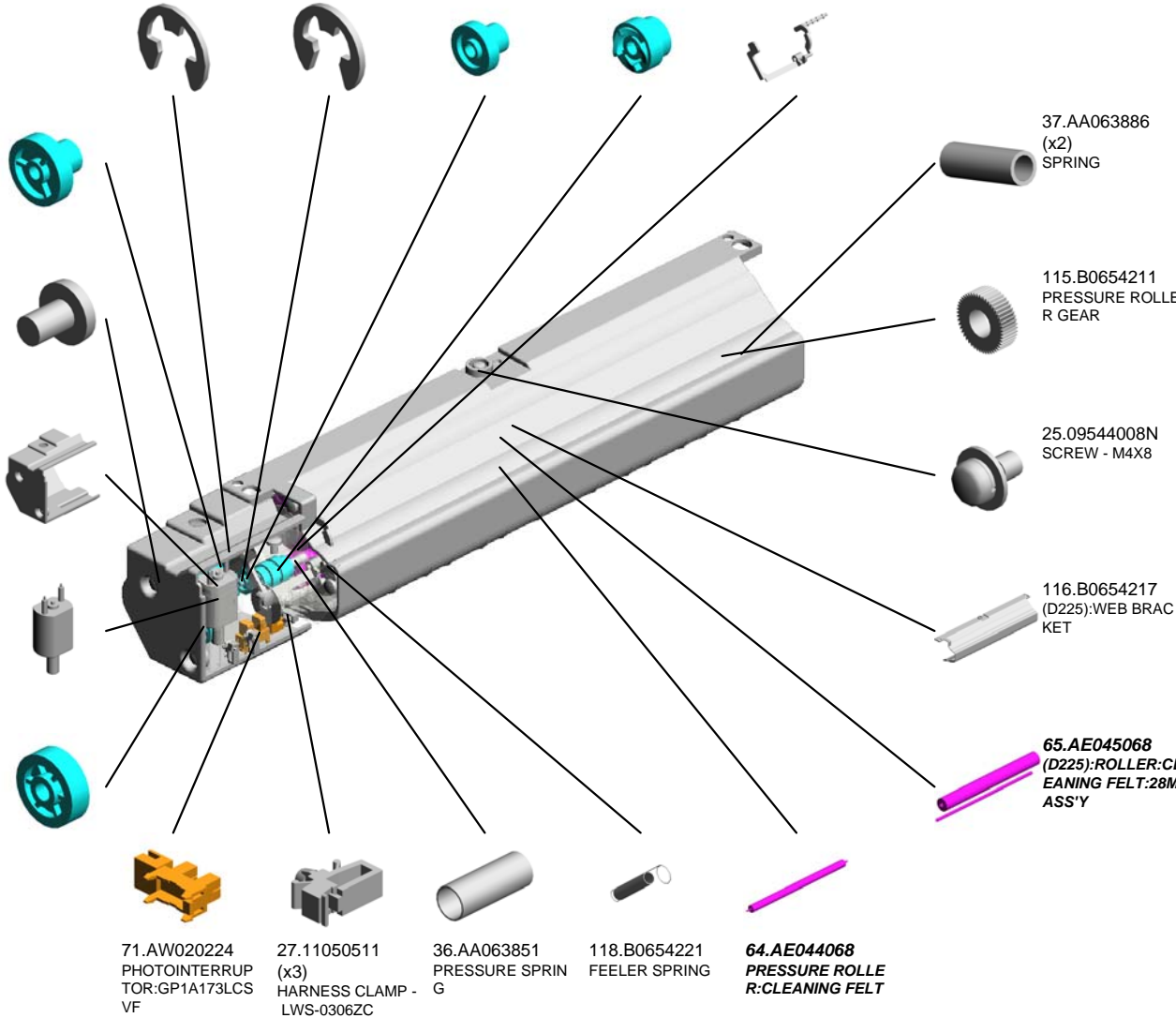
119.B0654222 (x5) GEAR - 37Z

6.03540060N (x10) SCREW-M4X6

121.B0654231 WEB COVER

81.AX040293 DC MOTOR:CLEANER:ASS'Y:0.7W:BRUSH

120.B0654223 MOTOR GEAR



37.AA063886 (x2) SPRING

115.B0654211 PRESSURE ROLLER GEAR

25.09544008N SCREW - M4X8

116.B0654217 (D225):WEB BRACKET

65.AE045068 (D225):ROLLER-CLEANING FELT:28M:ASS'Y

71.AW020224 PHOTOINTERRUPTOR:GP1A173LCSVF

27.11050511 (x3) HARNESS CLAMP - LWS-0306ZC

36.AA063851 PRESSURE SPRING

118.B0654221 FEELER SPRING

64.AE044068 PRESSURE ROLLER:CLEANING FELT

U001	U002	U003	U004	U005	U006	U007	U008	U009	U010	U011	U012	U013	U014	U015	U016	U017
------	------	------	------	------	------	------	------	------	------	------	------	------	------	------	------	------

U012_S008
 (D225):CLEANING UNIT:HOT ROLLER:D225:ASS'Y

124.B0654238
 GEAR - 50Z

169.B2474242
 SHAFT:DRIVE:ROL
 LING:ASS'Y

180.D0624191
 BUSHING:FRONT:
 OIL SUPPLY

194.D1314218
 BRACKET:GUARD:
 FEELER

126.B0654244
 (D225):GEAR - 23Z



213.D2254202
 (D225):CLEANING
 UNIT:HOT ROLLER
 :D225:ASS'Y

128.B0654251
 (D225):POSITIONIN
 G PLATE - WEB UN
 IT

197.D1334226
 (D225):BRACKET:D
 RIVE:ASS'Y

125.B0654241
 GEAR

195.D1314225
 BRACKET:PLATE:D
 C MOTOR

198.D1334246
 (D225):SPRING PL
 ATE:BRAKE

127.B0654247
 BRAKE PAD

168.B2474239
 SHAFT:DRIVE:OIL
 SUPPLY ROLLER:A
 SS'Y

182.D0624207
 (x2)
 SHAFT:PLATE:CLE
 ANING FELT

181.D0624192
 BUSHING:INNER B
 ACK:OIL SUPPLY

153.B1404209
 BRACKET:STOPPE
 R:ASS'Y

214.G1484202
 (D225):BRACKET:C
 LEANING UNIT:AS
 S'Y

184.D0624236
 (x4)
 BUSHING:DIA6

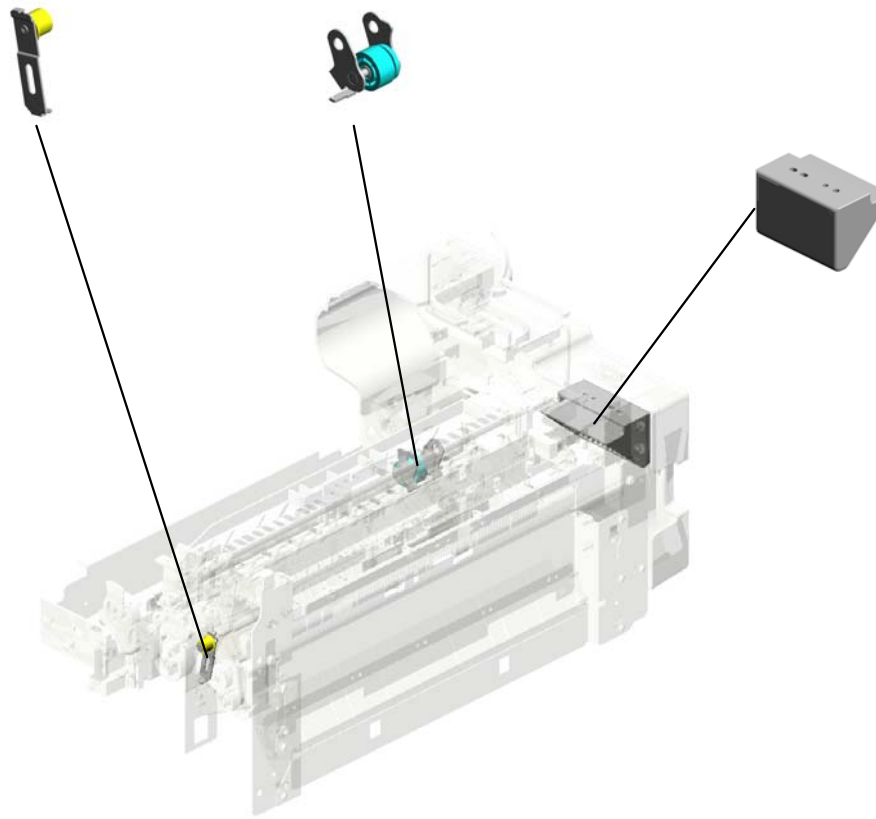
U001	U002	U003	U004	U005	U006	U007	U008	U009	U010	U011	U012	U013	U014	U015	U016	U017
------	------	------	------	------	------	------	------	------	------	------	------	------	------	------	------	------

U013.PAPER EXIT

U013_S001
B2474315
TIGHTENER:EXIT:ASSY

U013_S002
B2474317
(D223,D224):GEAR:SWIVEL:
ASSY

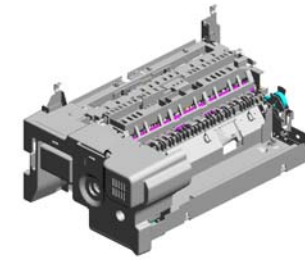
U013_S003
D2234683
GRIP:RELEASE:FUSING/PAP
ER EXIT UNIT:ASSY



U001	U002	U003	U004	U005	U006	U007	U008	U009	U010	U011	U012	U013	U014	U015	U016	U017
------	------	------	------	------	------	------	------	------	------	------	------	------	------	------	------	------

U013 PAPER EXIT

- 17.11050328 (x2) HARNESS CLAMP - ES-0505
- 19.11050511 (x21) HARNESS CLAMP - LWS-0306ZC
- 10.04533006N (x2) TAPPING SCREW - M3X6
- 9.04523014N (x2) BINDING SELF-TAPPING SCREW:M3 X14
- 1.03130060N (x2) SCREW - M3X6



24.54472681
(x2)
SNAP RING



2.03530060N
(x5)
BIND SCREW - M3 X6



13.07433906
(x2)
RADIAL BALL BEARING: DIA6X DIA15X5



14.08046123
(x2)
HEXAGONAL BOLT: W/WASHER: M3X8



12.07200060E
(x4)
RETAINING RING - M6



18.11050508
(x4)
HARNESS CLAMP - LWS-0711



22.11050723
(x12)
CLAMPS: WES-0507



11.07200040E
(x12)
RETAINING RING - M4



15.08053480
BUSHING - 6MM



16.11050290
(x2)
(D223, D224): HARN
ESS CLAMP - HORIZONTAL



7.04514008N
(x66)
TAPPING SCREW: 4X8



8.04523010N
(x4)
BINDING SELF-TAPPING SCREW: 3X10



4.03540080N
(x2)
SCREW: M4X8



5.04503008N
(x4)
TAPPING SCREW - M3X8



6.04513006N
(x2)
TAPPING SCREW - 3X6



20.11050516
CLAMP



21.11050600
(x2)
CLAMP: LWSM-0306-2M

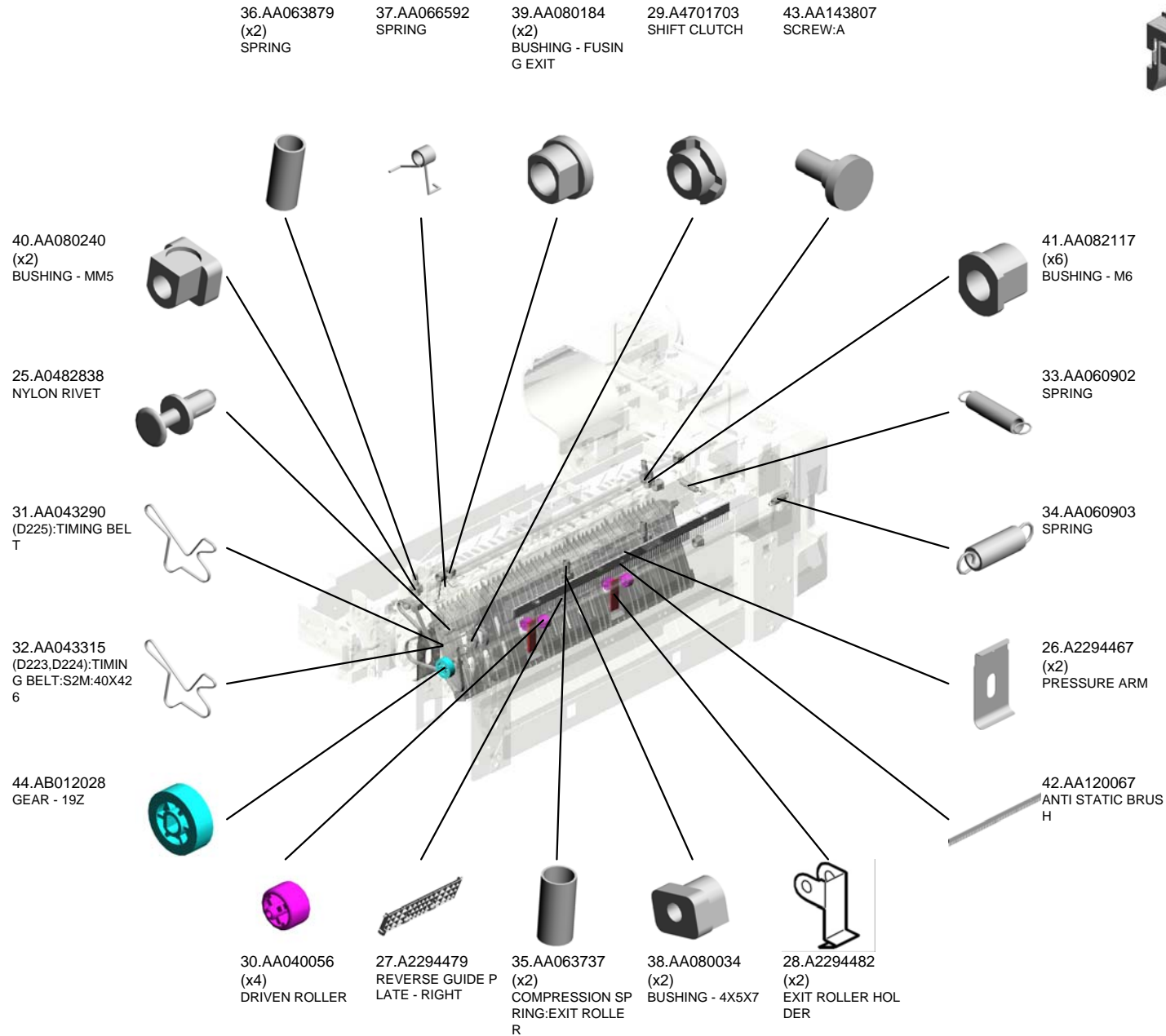
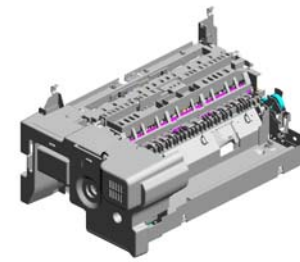


23.11050724
(x2)
CLAMPS: WES-1210



3.03540060N (x 4)
SCREW-M4X6
4.03540080N (x 5)
SCREW:M4X8

U013 PAPER EXIT



U001	U002	U003	U004	U005	U006	U007	U008	U009	U010	U011	U012	U013	U014	U015	U016	U017
------	------	------	------	------	------	------	------	------	------	------	------	-------------	------	------	------	------

U013 PAPER EXIT

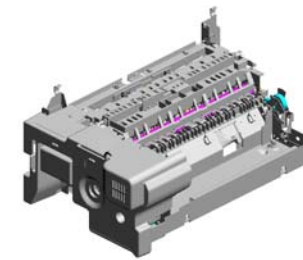
51.AF020578
(D225):ENTRANCE
DECURA ROLLER

52.AF020579
(D225):EXITDECUR
A ROLLER

55.AW020221
(x2)
PHOTOINTERRUP
TOR:EXIT

64.B0654374
EXIT ENTRANCE S
ENSOR BRACKET

57.AX640221
FAN:SIROCCO:DC
24V:50MM



58.B0654254
LOWER ENTRANC
E GUIDE PLATE

62.B0654359
(x2)
GRIP SUPPORTER

48.AB030578
(x2)
TIMING PULLEY - 1
8Z

45.AB012031
GEAR

46.AB019197
EXIT GEAR

47.AB019200
GEAR

60.B0654317
(x2)
IDLE PULLEY - 11M
M

49.AB030579
TIMING PULLEY - 2
7Z

61.B0654358
PAPER FEED SEN
SOR BRACKET

54.AF040065
EXIT ROLLER:DRIV
E:EXIT

53.AF022126
EXIT ROLLER - DRI
VEN

56.AW020224
PHOTOINTERRUP
TOR:GP1A173LCS
VF

63.B0654360
(x2)
SPRING PLATE

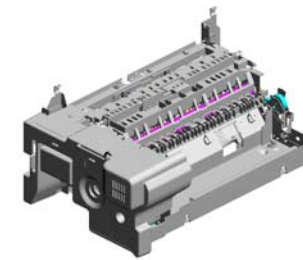
59.B0654262
LOCK LEVER BRA
CKET

50.AC020151
(x2)
LENS:LED:2

U001	U002	U003	U004	U005	U006	U007	U008	U009	U010	U011	U012	U013	U014	U015	U016	U017
------	------	------	------	------	------	------	------	------	------	------	------	-------------	------	------	------	------

U013 PAPER EXIT

- 72.B1404304 (D223,D224):GEAR - 21/35Z
- 73.B1404306 (x2) (D223,D224):GEAR - 21/35Z
- 80.B1404474 (D223,D224):HEAT INSULATING PLATE BRACKET
- 85.B2474324 (D223,D224):STEP PER MOTOR DC3.4V
- 79.B1404336 (D223,D224):GEAR - IDLER WORM GEAR



71.B1404300 (D223,D224):PRESSURE TENSION SPRING



86.B2474361 SHAFT:GRIP:GUIDE PLATE



87.B2474378 ROLLER:DECURATED:DRIVEN:ASSY



65.B0654413 EXIT GATE PAWL



69.B0654459 REAR HARNESS BRACKET



68.B0654453 MIDDLE EXIT GUIDE PLATE



74.B1404308 LEFT REVERSE GUIDE PLATE ASSY



75.B1404312 LEFT RISE GUIDE PLATE



76.B1404313 EXHAUST COVER ASSY



66.B0654424 (x2) EXIT ARM PAD



81.B2474263 BRACKET:SHAFT:LOCK:ASSY



78.B1404329 (D223,D224):FRONT DRIVE BRACKET ASSY



77.B1404322 (D223,D224):GEAR - 21/33Z



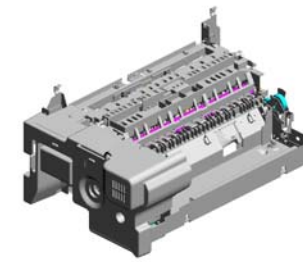
67.B0654441 EXIT DRUM STAY



70.B0654460 (D225):FRONT HARNESS BRACKET



U013 PAPER EXIT



- 102.D2234249 (D223,D224):STAY:EXIT:RIGHT:ASS'Y
- 93.B2474438 (D223,D224):ROLL ER:DECURA:ENTRANCE
- 94.B2474439 (D223,D224):ROLL ER:DECURA:EXIT
- 103.D2234257 SEAL:DUCT:FUSIN G/PAPER EXIT UNI T:A
- 104.D2234258 SEAL:DUCT:FUSIN G/PAPER EXIT UNI T:B

90.B2474403
LOCK SPRING

89.B2474400
BRACKET:SWIVEL:ASS'Y

92.B2474433
(D223,D224):SIDE PLATE:REAR:EXIT

98.B2474487
WASHER:DIA6.3XD IA18X1

95.B2474454
TENSION SPRING

96.B2474456
SPRING - LOWER EXIT ROLLER

88.B2474381
SHAFT:CONTACT POINT:ASS'Y

97.B2474463
REVERSE ROLLER :DRIVE

100.D1314252
STAY:EXIT:LEFT

99.D0624440
SLIDE RAIL:FUSIN G/PAPER EXIT UNI T:LEFT:ASS'Y

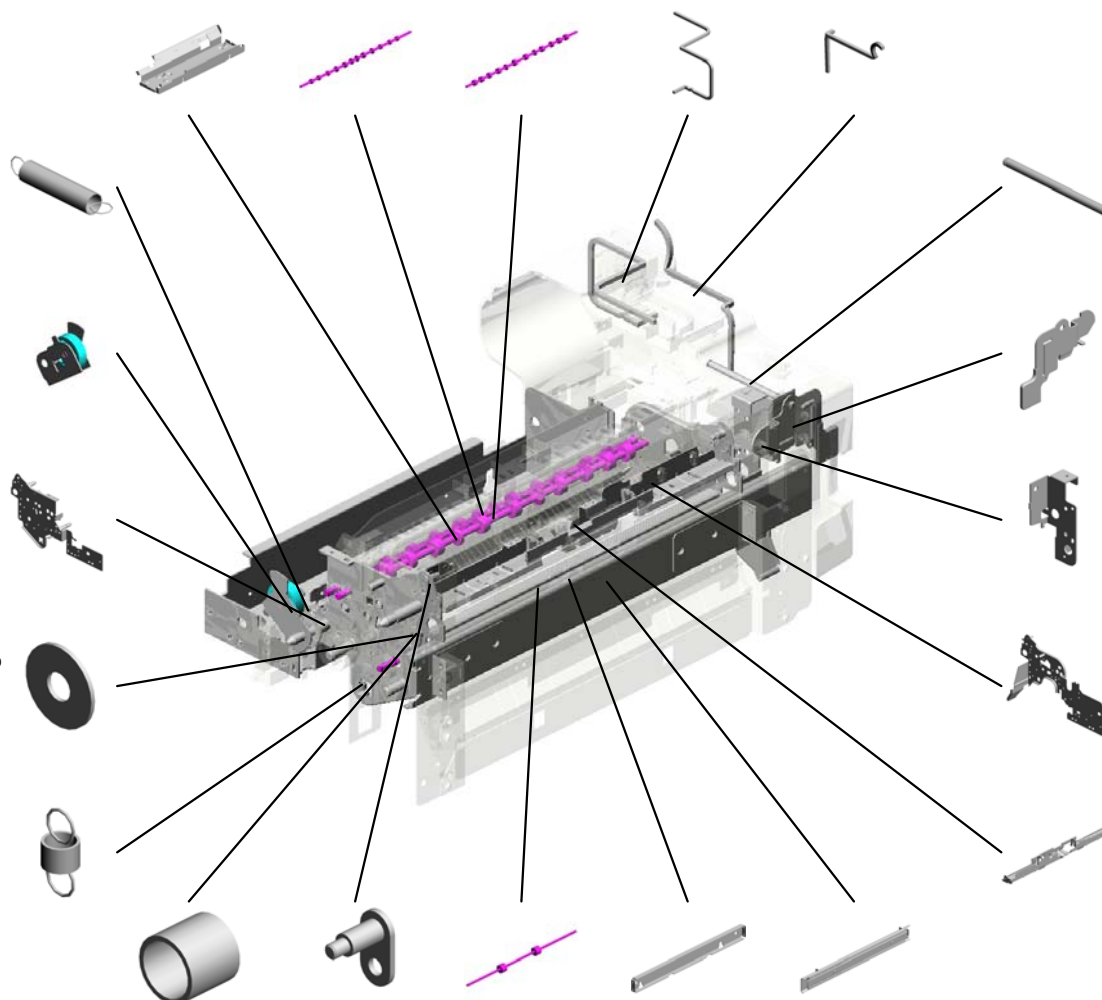
106.D2234260
SHAFT:CONTACT POINT:LEVER

105.D2234259
LEVER:LOCK:FUSIN G/PAPER EXIT UNIT:ASS'Y

107.D2234266
BRACKET:CONTACT POINT:LEVER

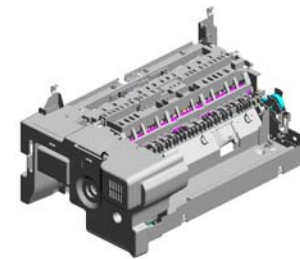
91.B2474429
(D223,D224):SIDE PLATE:FRONT:EXIT

101.D1314351
GUIDE PLATE:EXHAUST:UPPER:ASS'Y



U001	U002	U003	U004	U005	U006	U007	U008	U009	U010	U011	U012	U013	U014	U015	U016	U017
------	------	------	------	------	------	------	------	------	------	------	------	------	------	------	------	------

U013 PAPER EXIT



- 114.D2234281 (x3) (NA/EU/AA):DECAL :MISFEED REMOVAL:D2/D3
- 115.D2234282 (CHN):DECAL:MISFEED REMOVAL:D2/D3
- 116.D2234283 (TWN):DECAL:MISFEED REMOVAL:D2/D3
- 113.D2234278 (x2) BRACKET:LED
- 109.D2234270 DECAL:D1/E1

119.D2234299 DUCT:FUSING/PAPER EXIT UNIT

117.D2234286 COVER:GRIP:EXIT

108.D2234268 (D223.D224):INNER COVER:FUSING/PAPER EXIT UNIT:A

124.D2234373 GUIDE PLATE:EXIT :UPPER

126.D2234458 BRACKET:DRAWER:EXIT



123.D2234363 GRIP:GUIDE PLATE:UPPER:ASSY

127.D2234470 (D223.D224):BRACKET:PROTECT:ASSY

125.D2234415 DC SOLENOID:GATE PAWL:ASSY

110.D2234271 (TWN):DECAL:MISFEED REMOVAL:D1/E1

120.D2234306 SIDE PLATE:EXHAUST:FRONT

121.D2234307 SIDE PLATE:EXHAUST:REAR

128.D2234478 GUIDE PLATE:REVERSE:MIDDLE

122.D2234311 GUIDE PLATE:EXIT :EXIT:UPPER

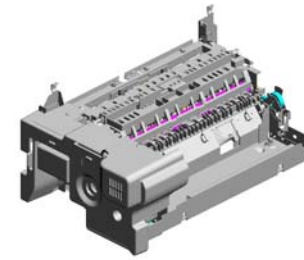
111.D2234272 (CHN):DECAL:MISFEED REMOVAL:D1/E1

112.D2234274 (x3) (NA/EU/AA):DECAL :MISFEED REMOVAL:D1/E1

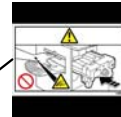
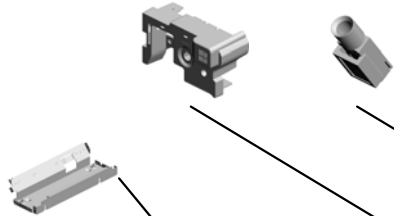
U001	U002	U003	U004	U005	U006	U007	U008	U009	U010	U011	U012	U013	U014	U015	U016	U017
------	------	------	------	------	------	------	------	------	------	------	------	------	------	------	------	------

U013 PAPER EXIT

133.D2254268 134.D2416290
(D225):INNER COV (x2)
ER:FUSING/PAPER LED:RED
EXIT UNIT:E



132.D2254249
(D225):STAY:EXIT:
RIGHT:ASS'Y



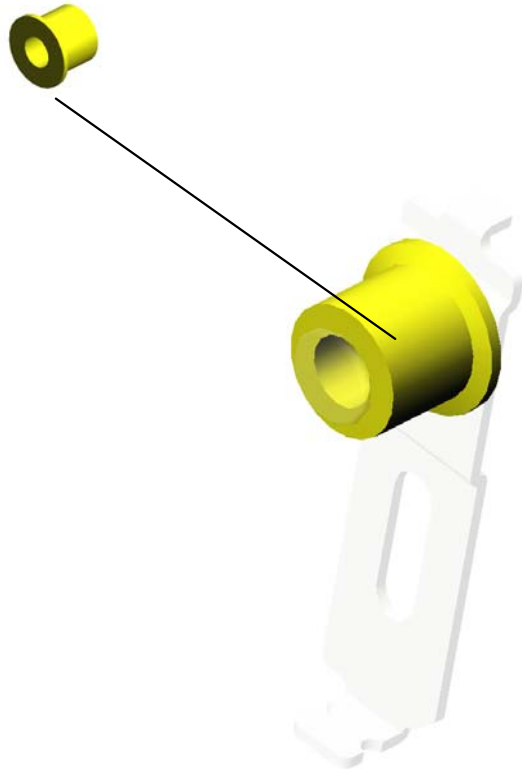
129.D2234480
DECAL:CAUTION:EXIT

130.D2234481
FEELER:TURN:EXIT



U013_S001
TIGHTENER:EXIT:ASS'Y

60.B0654317
IDLE PULLEY - 11M
M

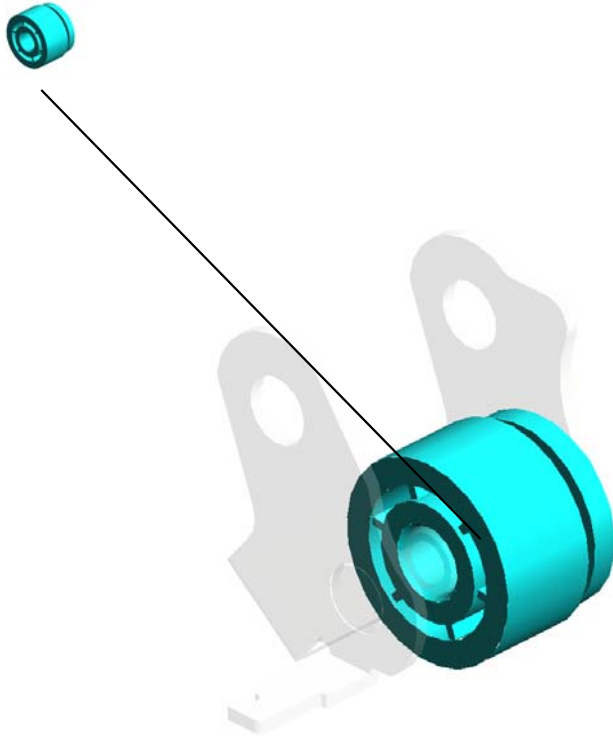


83.B2474315
TIGHTENER:EXIT:
ASS'Y

U001	U002	U003	U004	U005	U006	U007	U008	U009	U010	U011	U012	U013	U014	U015	U016	U017
------	------	------	------	------	------	------	------	------	------	------	------	------	------	------	------	------

U013_S002
(D223,D224):GEAR:SWIVEL:ASS'Y

82.B2474302
(D223,D224):GEAR:
IDLER:PRESSURE

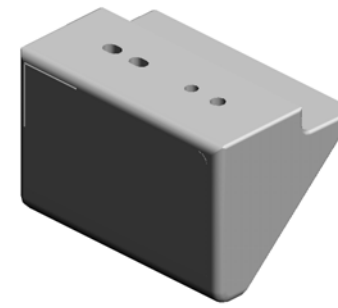
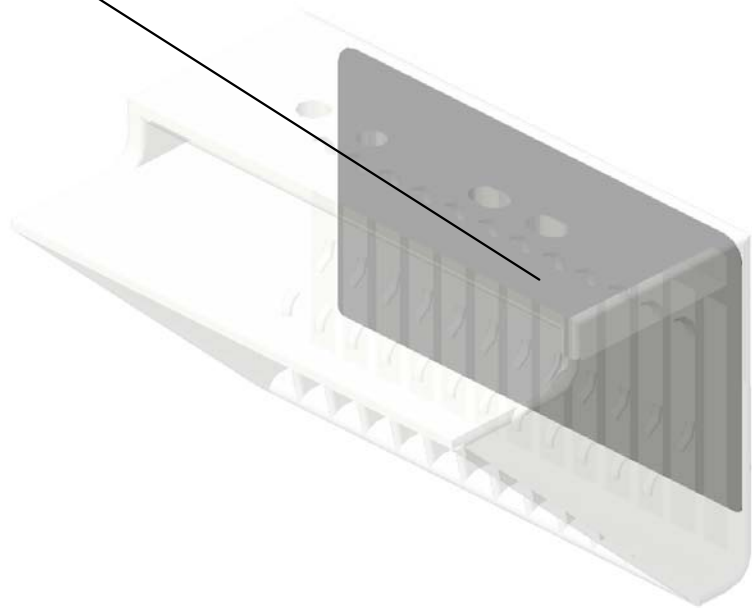


84.B2474317
(D223,D224):GEAR:
SWIVEL:ASS'Y

U001	U002	U003	U004	U005	U006	U007	U008	U009	U010	U011	U012	U013	U014	U015	U016	U017
------	------	------	------	------	------	------	------	------	------	------	------	------	------	------	------	------

U013_S003
GRIP:RELEASE:FUSING/PAPER EXIT UNIT:ASS'Y

118.D2234288
DECAL:GRIP:FUSI
NG/PAPER EXIT U
NIT

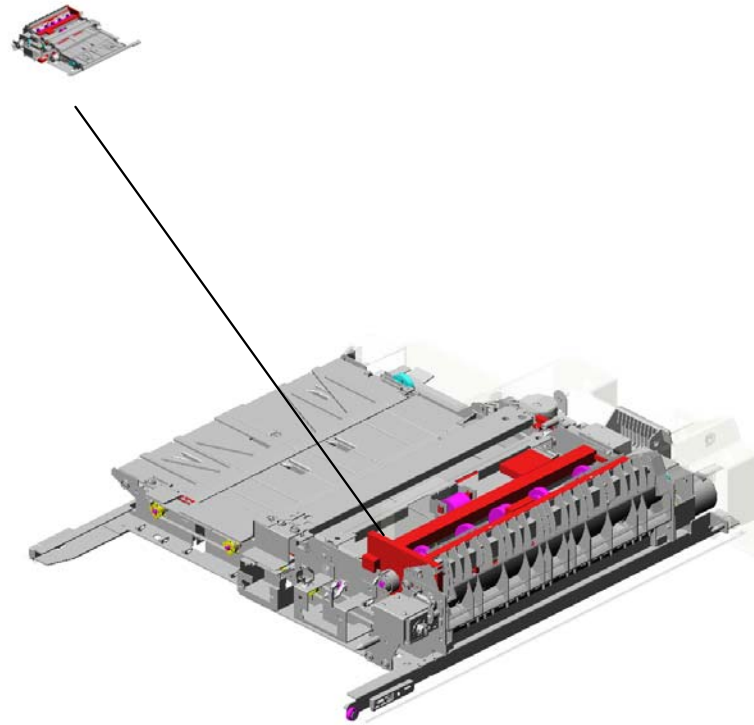


131.D2234683
GRIP:RELEASE:FU
SING/PAPER EXIT
UNIT:ASS'Y

U001	U002	U003	U004	U005	U006	U007	U008	U009	U010	U011	U012	U013	U014	U015	U016	U017
------	------	------	------	------	------	------	------	------	------	------	------	------	------	------	------	------

U014.DUPLEX

U014_S001
D2234500
DUPLEX UNIT:ASSY



U001	U002	U003	U004	U005	U006	U007	U008	U009	U010	U011	U012	U013	U014	U015	U016	U017
------	------	------	------	------	------	------	------	------	------	------	------	------	------	------	------	------

U014_S001.DUPLEX UNIT:ASS'Y

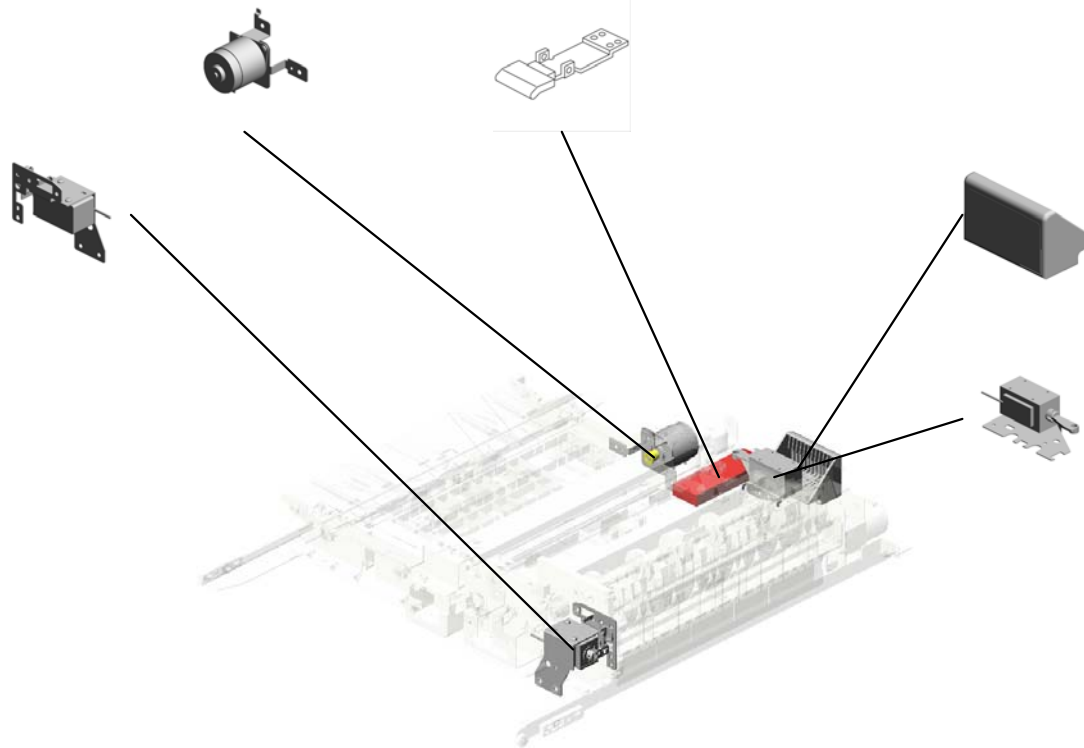
U014_S001_S004
D2234785
DC MOTOR:TRANSPORT:AS
S'Y

U014_S001_S001
D2234615
LEVER:GUIDE PLATE

U014_S001_S002
D2234740
DC SOLENOID:GATE PAWL:
ASS'Y

U014_S001_S005
D2234665
GRIP:RELEASE:DUPLEX UNI
T:ASS'Y

U014_S001_S003
D2234745
DC SOLENOID:REVERSAL:A
SS'Y



U001	U002	U003	U004	U005	U006	U007	U008	U009	U010	U011	U012	U013	U014	U015	U016	U017
------	------	------	------	------	------	------	------	------	------	------	------	------	------	------	------	------

U014 DUPLEX

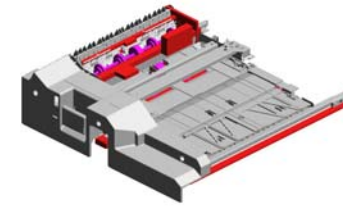
39.A3002134
(x2)
GUIDE ROLLER - B

28.54472681
SNAP RING

151.D2234798
DECAL:CAUTION

107.B0654830
HOLDER BRACKET

152.D2234799
INNER COVER:DU
PLEX UNIT



116.B2474591
RIGHT DUPLEX RA
IL

86.B0654648
LEVER CAM

10.04514006N
(x3)
TAPPING SCREW -
4X6

14.04544008N
(x2)
TAPPING SCREW:
ROUND POINT:4X8

128.B2474835
RAIL:LEFT:MACHIN
E OR COPIER:ASS
Y

135.D1314797
DECAL:H-TEMP W
ARNING:DUPLEX U
NIT

25.11050692
CLAMP:LES-0503

29.67542866
(x2)
ROLLER - POSITIO
NING GUIDE

22.11050511
(x2)
HARNES CLAMP -
LWS-0306ZC

7.04503008N
TAPPING SCREW -
M3X8

70.AC020151
LENS:LED:2

140.D1361533
BRACKET:LED

157.D2416290
LED:RED

5.04340080N (x 1)
PAN SELF-TAPPING SCREW:M4X8

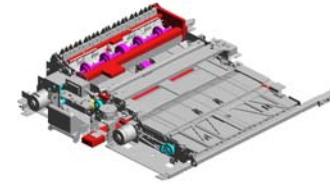
11.04514008N (x 5)
TAPPING SCREW:4X8
14.04544008N (x 1)
TAPPING SCREW:ROUND POINT:4X8

17.07200040E (x 2)
RETAINING RING - M4

U001	U002	U003	U004	U005	U006	U007	U008	U009	U010	U011	U012	U013	U014	U015	U016	U017
------	------	------	------	------	------	------	------	------	------	------	------	------	-------------	------	------	------

U014_S001
 DUPLEX UNIT:ASS'Y

141.D2234500
 DUPLEX UNIT:ASS'
 Y



- 28.54472681 (x5) SNAP RING
- 15.04583010N (x4) HEXAGON HEAD TAPPING SCREW:3 X10
- 16.07200030E (x2) RETAINING RING - M3
- 8.04504008N (x2) TAPPING SCREW - M4X8
- 26.11050723 (x3) CLAMPS:WES-050 7

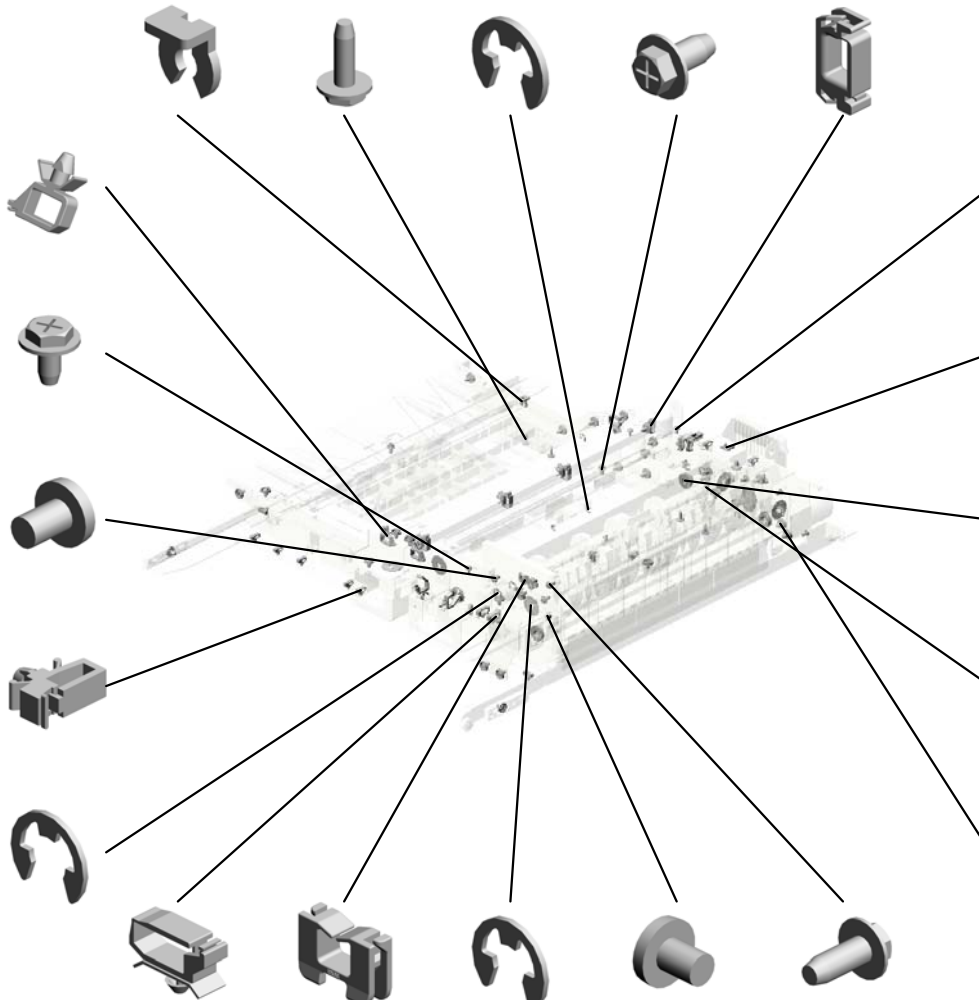
21.11050508 (x8) HARNESS CLAMP - LWS-0711

6.04503006N (x2) TAPPING SCREW - M3X6

4.03540060N (x4) SCREW-M4X6

22.11050511 (x14) HARNESS CLAMP - LWS-0306ZC

18.07200060E (x8) RETAINING RING - M6



3.03530060N (x4) BIND SCREW - M3 X6

22.11050511 (x2) HARNESS CLAMP - LWS-0306ZC

26.11050723 CLAMPS:WES-050 7

24.11050551 CLAMP:LES-0505

19.07433808 (x4) RADIAL BALL BEARING: DIA8X DIA16X 5

27.11050724 CLAMPS:WES-121 0

2.03530050N (x2) SCREW-M3X5

2.03530050N (x 4) SCREW-M3X5
 7.04503008N (x 4) TAPPING SCREW - M3X8
 8.04504008N (x 3) TAPPING SCREW - M4X8

10.04514006N (x30) TAPPING SCREW - 4X6

10.04514006N (x 7) TAPPING SCREW - 4X6
 12.04533008N (x 4) BINDING SELF TAPPING SCREW:3X8

13.04544006Q (x 5) TAPPING SCREW:4X6
 17.07200040E (x 2) RETAINING RING - M4

23.11050516 (x3) CLAMP

20.11050328 (x2) HARNESS CLAMP - ES-0505

17.07200040E (x9) RETAINING RING - M4

1.03530040N SCREW - M3X4

9.04504010N (x2) TAPPING SCREW: M4X10

U001	U002	U003	U004	U005	U006	U007	U008	U009	U010	U011	U012	U013	U014	U015	U016	U017
------	------	------	------	------	------	------	------	------	------	------	------	------	------	------	------	------

U014_S001 DUPLEX UNIT:ASS'Y

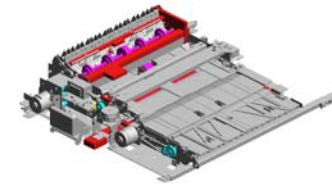
31.A0964928
 GUIDE PLATE BAN
 D

43.AA043651
 TIMING BELT - B60
 S2M264

47.AA063655
 (x2)
 SPRING

37.A2944723
 BELT HOLDER FIXI
 NG PLATE

36.A2944669
 CUSHION



141.D2234500
 DUPLEX UNIT:ASS'
 Y

42.AA043435
 TIMING BELT:40S2
 M810

49.AA066353
 SPRING

30.A0964595
 (x2)
 DUPLEX GUIDE

33.A2294740
 DRIVE JOINT

41.AA043293
 (x2)
 TIMING BELT - 40S
 2M268G

35.A2934614
 REAR GATE PAWL

40.AA021034
 MAGNETIC

32.A2294623
 LOWER ENTRANC
 E GUIDE PLATE

34.A2934613
 FRONT GATE PAWL

50.AA080034
 (x4)
 BUSHING - 4X5X7

44.AA060806
 SPRING

38.A2944754
 ROLLER LEVER

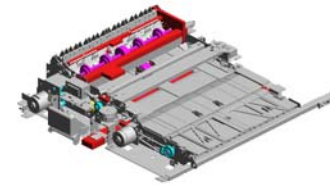
45.AA062318
 (x2)
 SPRING

46.AA062320
 SPRING

48.AA063736
 (x2)
 COMPRESSION SP
 RING:ROLLER:DRI
 VEN

U001	U002	U003	U004	U005	U006	U007	U008	U009	U010	U011	U012	U013	U014	U015	U016	U017
------	------	------	------	------	------	------	------	------	------	------	------	------	------	------	------	------

U014_S001 DUPLEX UNIT:ASS'Y



141.D2234500
DUPLEX UNIT:ASS'
Y

61.AB011575
GEAR:Z36

66.AB017887
GEAR:PULLEY:Z19
:T36:TRANSPORT

54.AA143183
(x2)
STEPPED SCREW

63.AB017615
GEAR - 30Z/45Z

58.AB011463
CONNECTING GEAR

57.AA143811
(x4)
STEPPED SCREW
- M3X4

71.AF020826
ROLLER:REVERSA
L:DRIVE

69.AB030732
JOGGER PULLEY

68.AB030583
(x4)
TIMING PULLEY - 2
4Z

52.AA082118
(x12)
BUSHING - M6

60.AB011496
GEAR - 32Z

62.AB017614
PULLEY

53.AA143129
SHOULDER SCRE
W - FRONT COVER

51.AA082116
(x2)
BUSHING - M8

65.AB017886
GEAR:PULLEY:T36
:Z16:REVERSE

55.AA143426
STOPPED SCREW
- M4X17

67.AB017888
GEAR:TURN:CONN
ECTING

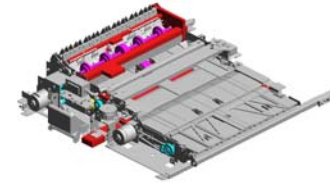
64.AB017885
GEAR:PULLEY:T24
:Z20:REVERSE

56.AA143788
PIN:GUIDE PLATE:
PAPER FEED

59.AB011464
TURN GEAR

U001	U002	U003	U004	U005	U006	U007	U008	U009	U010	U011	U012	U013	U014	U015	U016	U017
------	------	------	------	------	------	------	------	------	------	------	------	------	------	------	------	------

U014_S001
 DUPLEX UNIT:ASS'Y



141.D2234500
 DUPLEX UNIT:ASS'Y

72.AF020827 ROLLER:REVERSE:DRIVEN
 85.B0654647 INVERTOR LEVER
 78.AW010169 REFLECTION PHOTO SENSOR:DUPL EX
 90.B0654681 FRONT JOGGER FENCE
 80.AW020224 PHOTOINTERRUPTOR:GP1A173LCS VF

75.AF020830 ROLLER:DRIVE:RIGHT

74.AF020829 ROLLER:DRIVE:LEFT

92.B0654683 (x2) SPRING PLATE - REAR JOGGER FENCE

91.B0654682 REAR JOGGER FENCE

83.B0654632 JOINT HOLDER

77.AF022077 (x8) DRIVEN ROLLER

79.AW020219 (x3) PHOTOINTERRUPTOR:ACTUATOR:2.9.2MM

73.AF020828 (x2) ROLLER:TRANSPORT:DRIVEN:LEFT:RIGHT

84.B0654644 SENSOR BRACKET

81.AW020248 PHOTOINTERRUPTOR:REVERSE:EXIT

82.B0654627 FRONT SIDE PLATE

87.B0654671 DUPLEX LOCK ARM

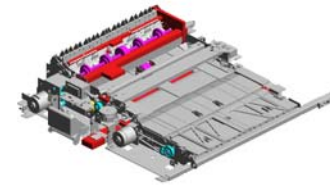
89.B0654675 DUPLEX RELEASE BRACKET

88.B0654672 RELEASE LEVER BRACKET

76.AF022067 (x2) GUIDE STOPPER ROLLER

U001	U002	U003	U004	U005	U006	U007	U008	U009	U010	U011	U012	U013	U014	U015	U016	U017
------	------	------	------	------	------	------	------	------	------	------	------	------	------	------	------	------

U014_S001
 DUPLEX UNIT:ASS'Y



141.D2234500
 DUPLEX UNIT:ASS'
 Y

102.B0654727 RIGHT SENSOR BRACKET
 100.B0654725 RIGHT DUPLEX BRACKET
 109.B0654987 UPPER DUPLEX STAY
 95.B0654694 JOGGER GUIDE ROD
 110.B1324650 STEPPER MOTOR: JOGGER:ASS'Y

113.B1404800 EXIT DUPLEX GUIDE PLATE

101.B0654726 RIGHT GUIDE TABLE

103.B0654728 SPRING PLATE - RIGHT TABLE GUIDE

94.B0654693 REAR JOGGER FENCE SLIDER

106.B0654790 DRAWER BRACKET - 32P

105.B0654738 GATE PAWL CUSHION

99.B0654720 LEFT DUPLEX TABLE

112.B1404710 UPPER TRANSPORT GUIDE PLATE ASS'Y

104.B0654731 (x8) SPRING PLATE - DRIVEN ROLLER

98.B0654715 EXIT REVERSE SENSOR BRACKET

96.B0654696 JOGGER MOTOR BRACKET

97.B0654699 JOGGER H.P. SENSOR BRACKET

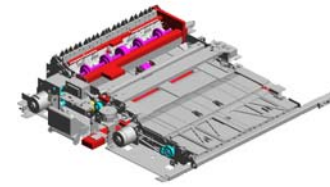
108.B0654865 SPACER

93.B0654692 FRONT JOGGER FENCE SLIDER

111.B1404640 UPPER ENTRANCE GUIDE PLATE ASS'Y

U001	U002	U003	U004	U005	U006	U007	U008	U009	U010	U011	U012	U013	U014	U015	U016	U017
------	------	------	------	------	------	------	------	------	------	------	------	------	-------------	------	------	------

U014_S001
 DUPLEX UNIT:ASS'Y



141.D2234500
 DUPLEX UNIT:ASS'
 Y

114.B1801743
 (x4)
 SBU WASHER

131.D0624727
 (x2)
 HOLDER:PRESSU
 RE:GUIDE PLATE

122.B2474655
 BRACKET:REVERS
 AL:DRIVEN:ASS'Y

118.B2474617
 (x2)
 DISCHARGE BRUS
 H:DUPLEX

126.B2474818
 REVERSE ROLLER
 :ENTRANCE

132.D0624730
 GUIDE PLATE:TRA
 NSPORT:LOWER

127.B2474820
 BRACKET::JOGGE
 R:ASS'Y

119.B2474620
 SIDE PLATE:REAR:
 REVERSE UNIT:AS
 SY

124.B2474815
 COMPRESSION SP
 RING

134.D1314734
 SPRING:GATE PA
 WL:DUPLEX

117.B2474615
 (x2)
 SPACER

121.B2474645
 GATE PAWL:REVE
 RSE

120.B2474624
 ROLLER:DRIVEN:D
 UPLEX

136.D1314814
 ROLLER:TURN:DU
 PLEX

133.D0624741
 (x4)
 COMPRESSION SP
 RING:HOLDER:GUI
 DE PLATE

129.B6521613
 TIMING BELT:B60S
 2M12

123.B2474673
 SHAFT:LEVER:REL
 EASE

125.B2474816
 TENSION SPRING

130.B7027210
 TIMING BELT:B60S
 2M12

115.B2344846
 CUSHION:GATE P
 AWL:SWITCHBAC
 K

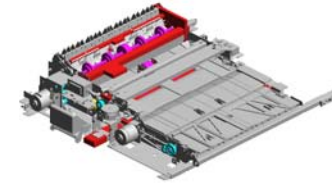
U001	U002	U003	U004	U005	U006	U007	U008	U009	U010	U011	U012	U013	U014	U015	U016	U017
------	------	------	------	------	------	------	------	------	------	------	------	------	------	------	------	------

U014_S001
 DUPLEX UNIT:ASS'Y

146.D2234734
 PLATE:GATE PAWL:
 DUPLEX

154.D2234866
 KNOB:REVERSE U
 NIT

138.D1314933
 GUIDE PLATE LEV
 ER HOOK

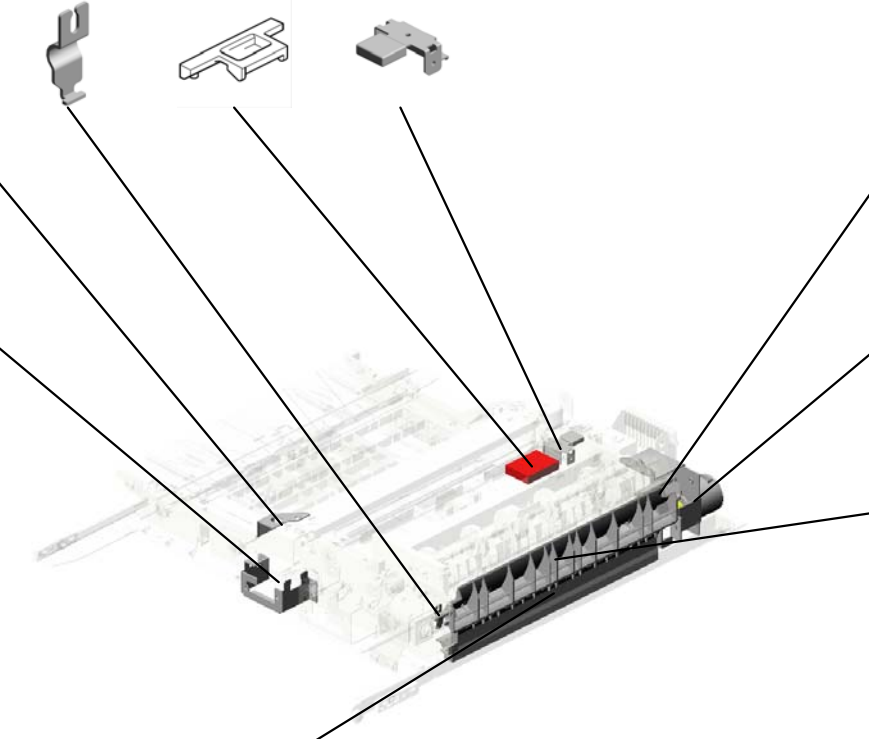


141.D2234500
 DUPLEX UNIT:ASS'
 Y

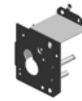
139.D1314988
 BRACKET:GUARD:
 HARNESS



150.D2234791
 BRACKET:DRAWER:
 24PIN:DUPLEX



153.D2234810
 BRACKET:MOTOR:
 REVERSE:ASS'Y



156.D2236321
 DC MOTOR:ASS'Y:
 20W:BRUSHLESS



145.D2234732
 DUPLEX GATE PA
 WL



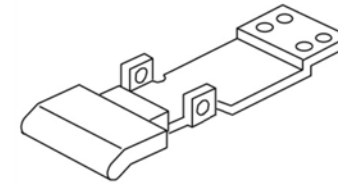
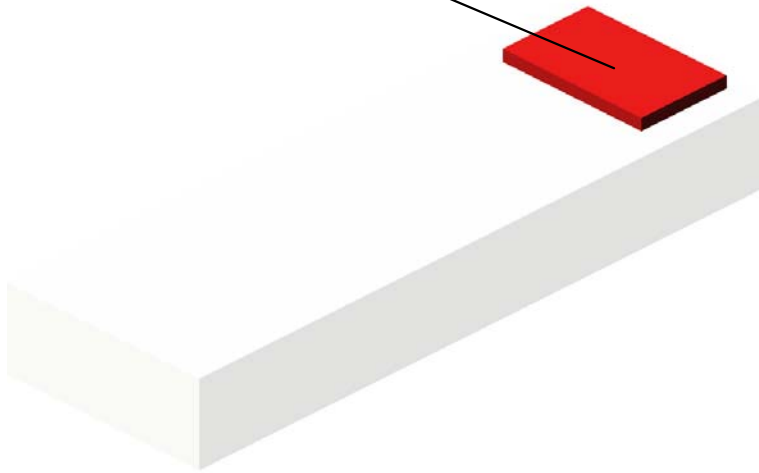
137.D1314860
 GUIDE PLATE:DUP
 LEX:LOWER



U001	U002	U003	U004	U005	U006	U007	U008	U009	U010	U011	U012	U013	U014	U015	U016	U017
------	------	------	------	------	------	------	------	------	------	------	------	------	------	------	------	------

U014_S001_S001
LEVER:GUIDE PLATE

155.D2234867
DECAL:LEVER:GUI
DE PLATE

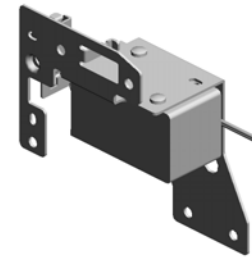


142.D2234615
LEVER:GUIDE PLATE

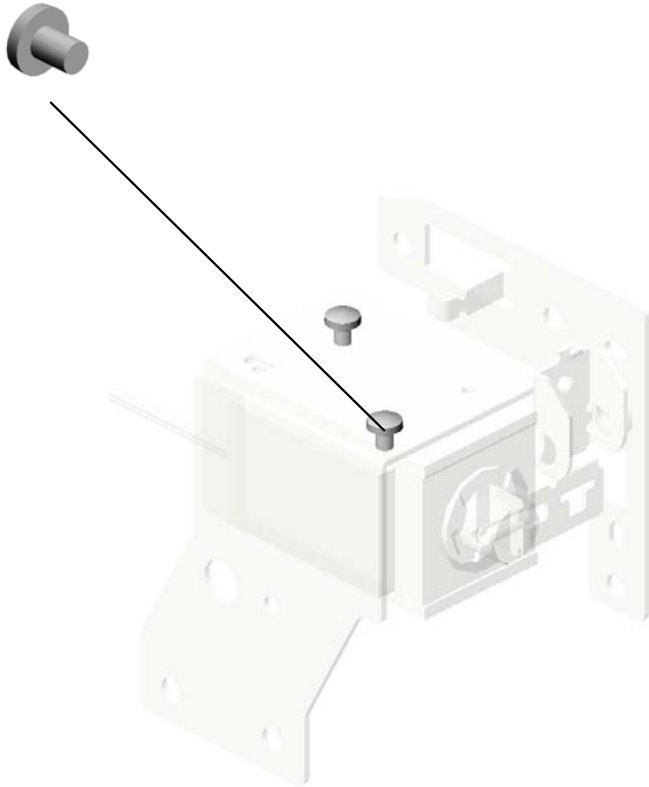
U001	U002	U003	U004	U005	U006	U007	U008	U009	U010	U011	U012	U013	U014	U015	U016	U017
------	------	------	------	------	------	------	------	------	------	------	------	------	------	------	------	------

U014_S001_S002
DC SOLENOID:GATE PAWL:ASS'Y

1.03530040N
(x2)
SCREW - M3X4



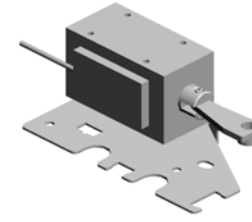
147.D2234740
DC SOLENOID:GA
TE PAWL:ASSY



U001	U002	U003	U004	U005	U006	U007	U008	U009	U010	U011	U012	U013	U014	U015	U016	U017
------	------	------	------	------	------	------	------	------	------	------	------	------	------	------	------	------

U014_S001_S003
DC SOLENOID:REVERSAL:ASS'Y

1.03530040N
(x2)
SCREW - M3X4



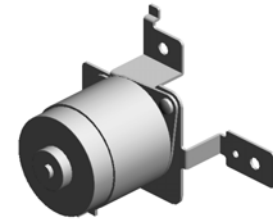
148.D2234745
DC SOLENOID:RE
VERSAL:ASS'Y



U001	U002	U003	U004	U005	U006	U007	U008	U009	U010	U011	U012	U013	U014	U015	U016	U017
------	------	------	------	------	------	------	------	------	------	------	------	------	------	------	------	------

U014_S001_S004
DC MOTOR:TRANSPORT:ASS'Y

3.03530060N
(x2)
BIND SCREW - M3
X6



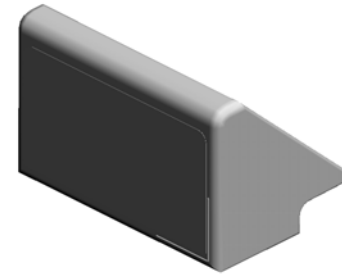
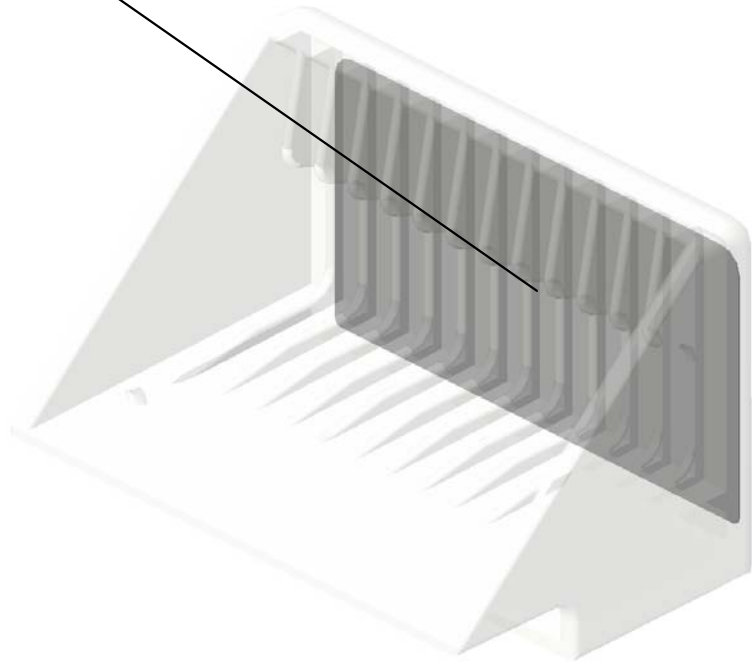
149.D2234785
DC MOTOR:TRANS
PORT:ASS'Y



U001	U002	U003	U004	U005	U006	U007	U008	U009	U010	U011	U012	U013	U014	U015	U016	U017
------	------	------	------	------	------	------	------	------	------	------	------	------	------	------	------	------

U014_S001_S005
GRIP:RELEASE:DUPLEX UNIT:ASS'Y

144.D2234685
DECAL:RELEASE:
DUPLEX UNIT



143.D2234665
GRIP:RELEASE:DU
PLEX UNIT:ASS'Y

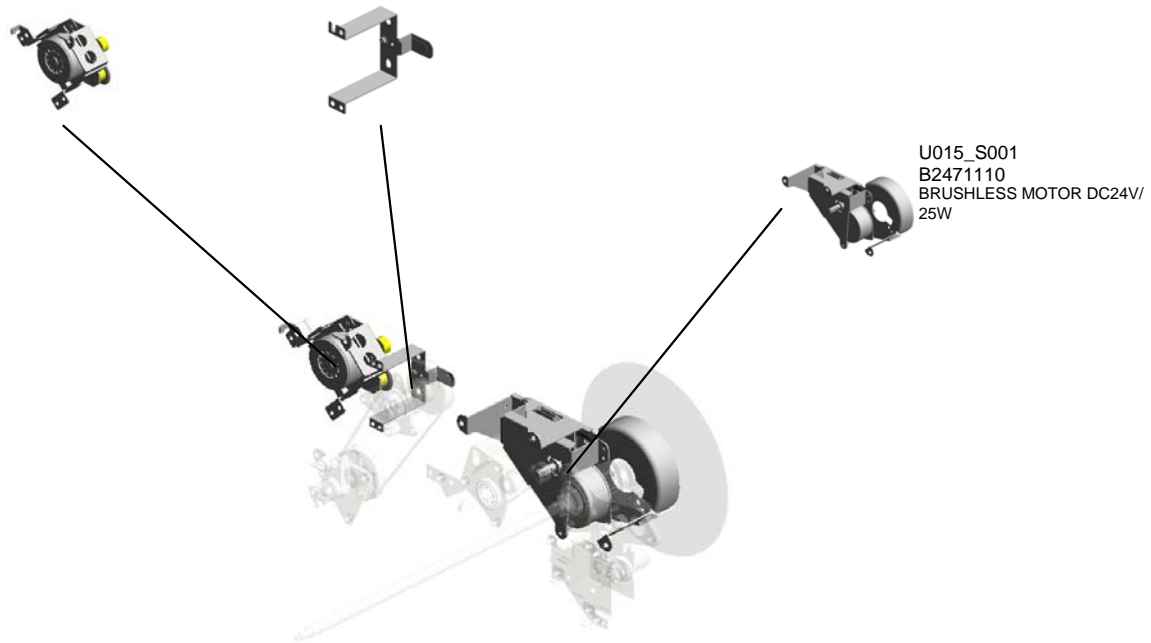
U001	U002	U003	U004	U005	U006	U007	U008	U009	U010	U011	U012	U013	U014	U015	U016	U017
------	------	------	------	------	------	------	------	------	------	------	------	------	------	------	------	------

U015.MAIN DRIVE

U015_S003
D2231110
DC BRUSHLESS MOTOR:26
W:DRIVE:FUSING/PAPER EX
IT UNIT:ASS'Y

U015_S002
D1311106
DRIVE SUB-UNIT:FUSING:G
ROUND PLATE:ASS'Y

U015_S001
B2471110
BRUSHLESS MOTOR DC24V/
25W



U001	U002	U003	U004	U005	U006	U007	U008	U009	U010	U011	U012	U013	U014	U015	U016	U017
------	------	------	------	------	------	------	------	------	------	------	------	------	------	------	------	------

U015 MAIN DRIVE



- 6.04544006Q (x2) TAPPING SCREW: 4X6
- 20.AA043945 TIMING BELT
- 2.04504008N TAPPING SCREW - M4X8
- 8.06330180G PARALLEL PIN - 3X 18MM
- 16.A2291135 (x2) RING - 55

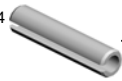
15.11050489
HARNES CLAMP -
LWS 1316



21.AA043946
TIMING BELT



7.06230140E
SPRING PIN - 3X14
MM



4.04514008N
(x21)
TAPPING SCREW:
4X8



17.A2931155
DUPLEX DRIVE BR
ACKET



10.07200060E
(x7)
RETAINING RING -
M6



13.09514008N
(x3)
SCREW:POLISHED
ROUND:M4X8



3.04513006N
(x2)
TAPPING SCREW -
3X6



19.AA043709
SYNCHRONOUS B
ELT:50S2M110



1.04503008N
(x3)
TAPPING SCREW -
M3X8



14.09514012N
SCREW:POLISHED
ROUND:M4X12



4.04514008N (x 6)
TAPPING SCREW:4X8
9.07200040E (x 1)
RETAINING RING - M4

18.A2941119
FLY WHEEL



9.07200040E
(x3)
RETAINING RING -
M4



11.07250120E
RETAINING RING
C - M12



12.09514005N
SCREW:POLISHED
ROUND:M4X5

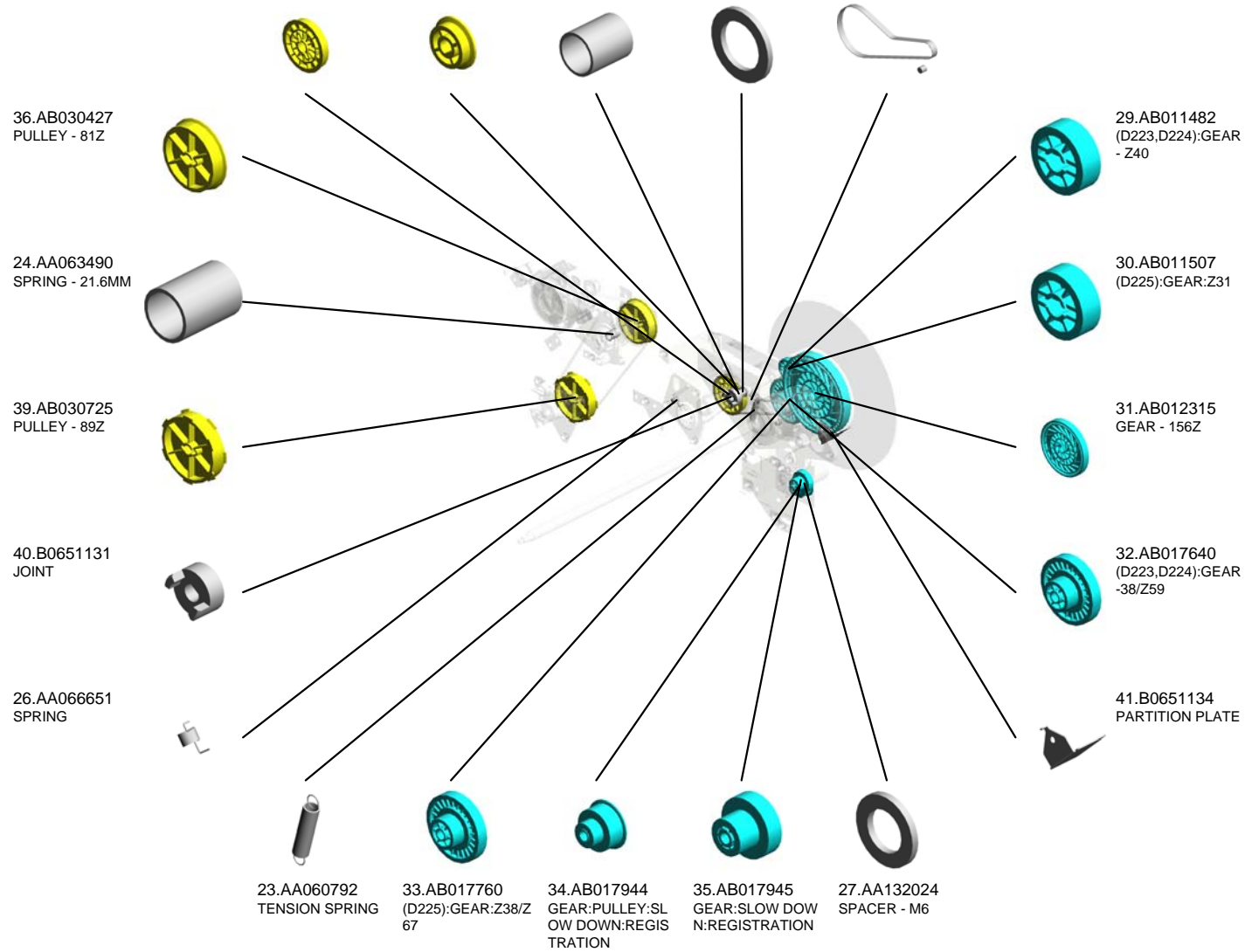


U001	U002	U003	U004	U005	U006	U007	U008	U009	U010	U011	U012	U013	U014	U015	U016	U017
------	------	------	------	------	------	------	------	------	------	------	------	------	------	------	------	------

U015 MAIN DRIVE



38.AB030724 PULLEY - 74Z 37.AB030458 PULLEY - 28Z 25.AA063654 SPRING 28.AA132025 SPACER - 1X8X12 22.AA043948 TIMING BELT



U001	U002	U003	U004	U005	U006	U007	U008	U009	U010	U011	U012	U013	U014	U015	U016	U017
------	------	------	------	------	------	------	------	------	------	------	------	------	------	-------------	------	------

U015 MAIN DRIVE



46.B0651168 FUSING DRIVE BRACKET
 59.D1311136 SHAFT:FUSING DRIVE SUB-UNIT
 44.B0651160 TONER RECYCLING TIGHTENER
 43.B0651147 TRANSFER DRIVE BRACKET
 52.B2471149 JOINT:TRANSFER DRIVE:ASSY

48.B1401173 FUSING DRIVE SUB-UNIT JOINT

54.B2471157 (D223,D224):BRACKET:TONER RECYCLING:ASSY

64.G1481157 (D225):BRACKET:TONER RECYCLING

55.B2471166 SHAFT:DRIVE:DUPLEX:ASSY

45.B0651167 DUPLEX DRIVE JOINT

56.D0621140 DRUM SHAFT:ASSY

49.B2471027 TENSION SPRING:7.75N

61.D2231171 BASE:REGISTRATION:ASSY DRAWING

62.D2231172 BRACKET:DC MOTOR:REGISTRATION

63.D2236321 DC MOTOR:ASSY:20W:BRUSHLESS

57.D0621145 BOSS:GEAR

51.B2471122 BRACKET:TIGHTENER:ASSY

53.B2471154 ELECTRODE PLATE:DRUM SHAFT:ASSY

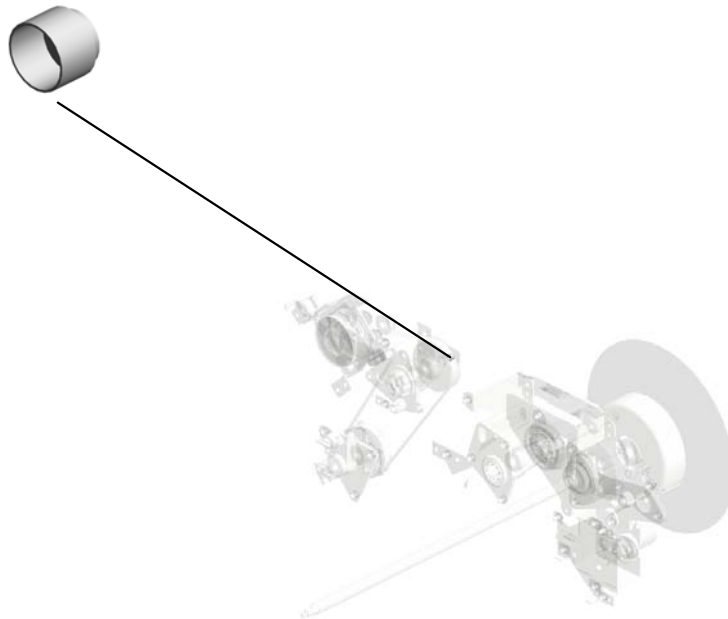
42.B0651137 BRACKET

47.B0653262 ELECTRODE PLATE

U001	U002	U003	U004	U005	U006	U007	U008	U009	U010	U011	U012	U013	U014	U015	U016	U017
------	------	------	------	------	------	------	------	------	------	------	------	------	------	-------------	------	------

U015
MAIN DRIVE

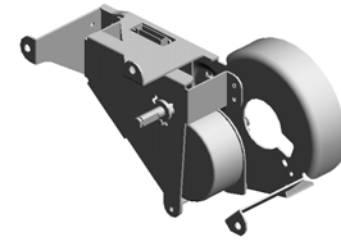
65.G1783232
TERMINAL:DEVEL
OPMENT ROLLER



U001	U002	U003	U004	U005	U006	U007	U008	U009	U010	U011	U012	U013	U014	U015	U016	U017
------	------	------	------	------	------	------	------	------	------	------	------	------	------	------	------	------

U015_S001
BRUSHLESS MOTOR DC24V/25W

10.07200060E
(x2)
RETAINING RING -
M6



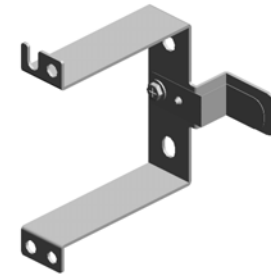
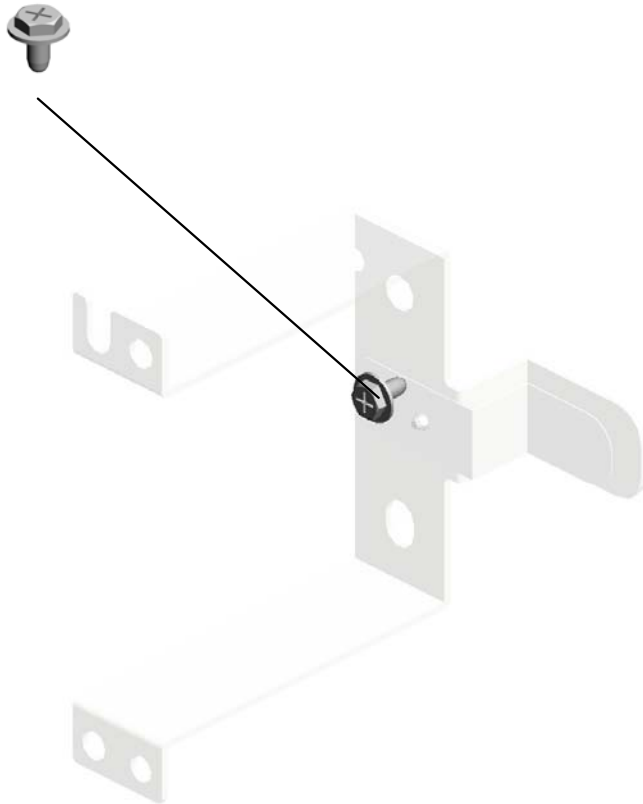
50.B2471110
BRUSHLESS MOT
OR DC24V/25W



U001	U002	U003	U004	U005	U006	U007	U008	U009	U010	U011	U012	U013	U014	U015	U016	U017
------	------	------	------	------	------	------	------	------	------	------	------	------	------	------	------	------

U015_S002
DRIVE SUB-UNIT:FUSING:GROUND PLATE:ASS'Y

5.04543006Q
TAPPING SCREW -
M3X6



58.D1311106
DRIVE SUB-UNIT:F
USING:GROUND P
LATE:ASSY

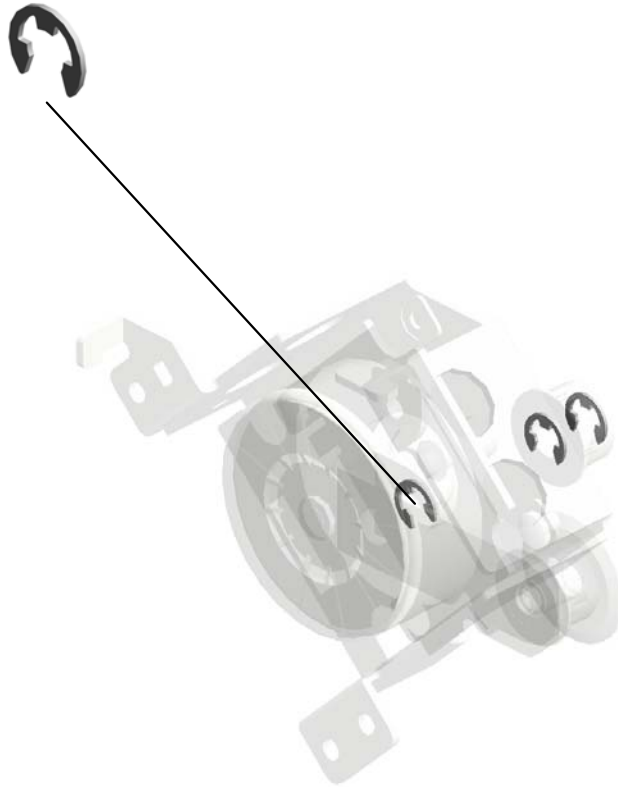
U001	U002	U003	U004	U005	U006	U007	U008	U009	U010	U011	U012	U013	U014	U015	U016	U017
------	------	------	------	------	------	------	------	------	------	------	------	------	------	------	------	------

U015_S003
DC BRUSHLESS MOTOR:26W:DRIVE:FUSING/PAPER EXIT UNIT:ASS'Y

10.07200060E
(x3)
RETAINING RING -
M6



60.D2231110
DC BRUSHLESS M
OTOR:26W:DRIVE:
FUSING/PAPER EX
IT UNIT:ASSY



U001	U002	U003	U004	U005	U006	U007	U008	U009	U010	U011	U012	U013	U014	U015	U016	U017
------	------	------	------	------	------	------	------	------	------	------	------	------	------	------	------	------

U016 ELECTRICAL

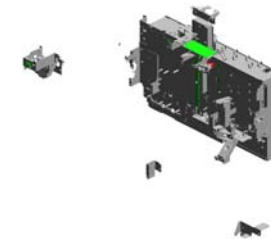
17.11050516
(x5)
CLAMP

21.11050725
CLAMPS:WES-111
7

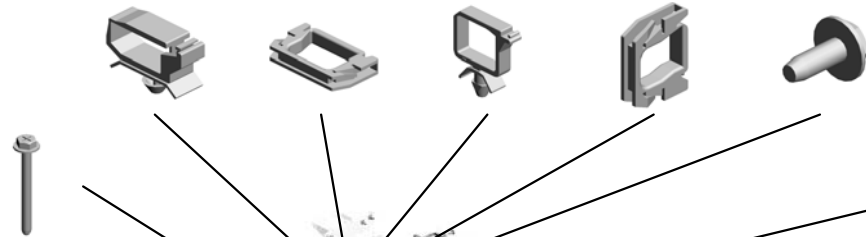
14.11050489
(x26)
HARNESS CLAMP -
LWS 1316

20.11050724
(x3)
CLAMPS:WES-121
0

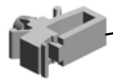
4.04513008N
(x16)
TAPPING SCREW -
M3X8



10.04543030Q
(x2)
TAPPING SCREW:
ROUND POINT:3X3
0



16.11050511
(x8)
HARNESS CLAMP -
LWS-0306ZC



8.04543006N
(x10)
TAPPING SCREW:
ROUND POINT:3X6



7.04533008N
(x4)
BINDING SELF TAP
PING SCREW:3X8



5.04514008N
(x51)
TAPPING SCREW:
4X8



9.04543006Q
(x54)
TAPPING SCREW -
M3X6



15.11050490
(x12)
HARNESS CLAMP -
IWS-2218



1.03530050N
(x2)
SCREW-M3X5



2.03530140N
(x2)
SCREW:M3X14



23.12042612
MICRO SWITCH:D3
V-16506-3C25



13.11050488
(x8)
HARNESS CLAMP



12.11050484
(x4)
CLAMP:AL-3



13.11050488
(x11)
HARNESS CLAMP



19.11050723
(x3)
CLAMPS:WES-050
7



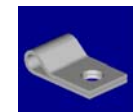
11.04544008Q
(x13)
TAPPING SCREW -
M4X8



16.11050511
HARNESS CLAMP -
LWS-0306ZC



22.11050767
(x2)
CLAMP:E0803A



18.11050532
(x2)
EDGE SADDLE - L
ES-25L



28.AA143592
SCREW- M4X6

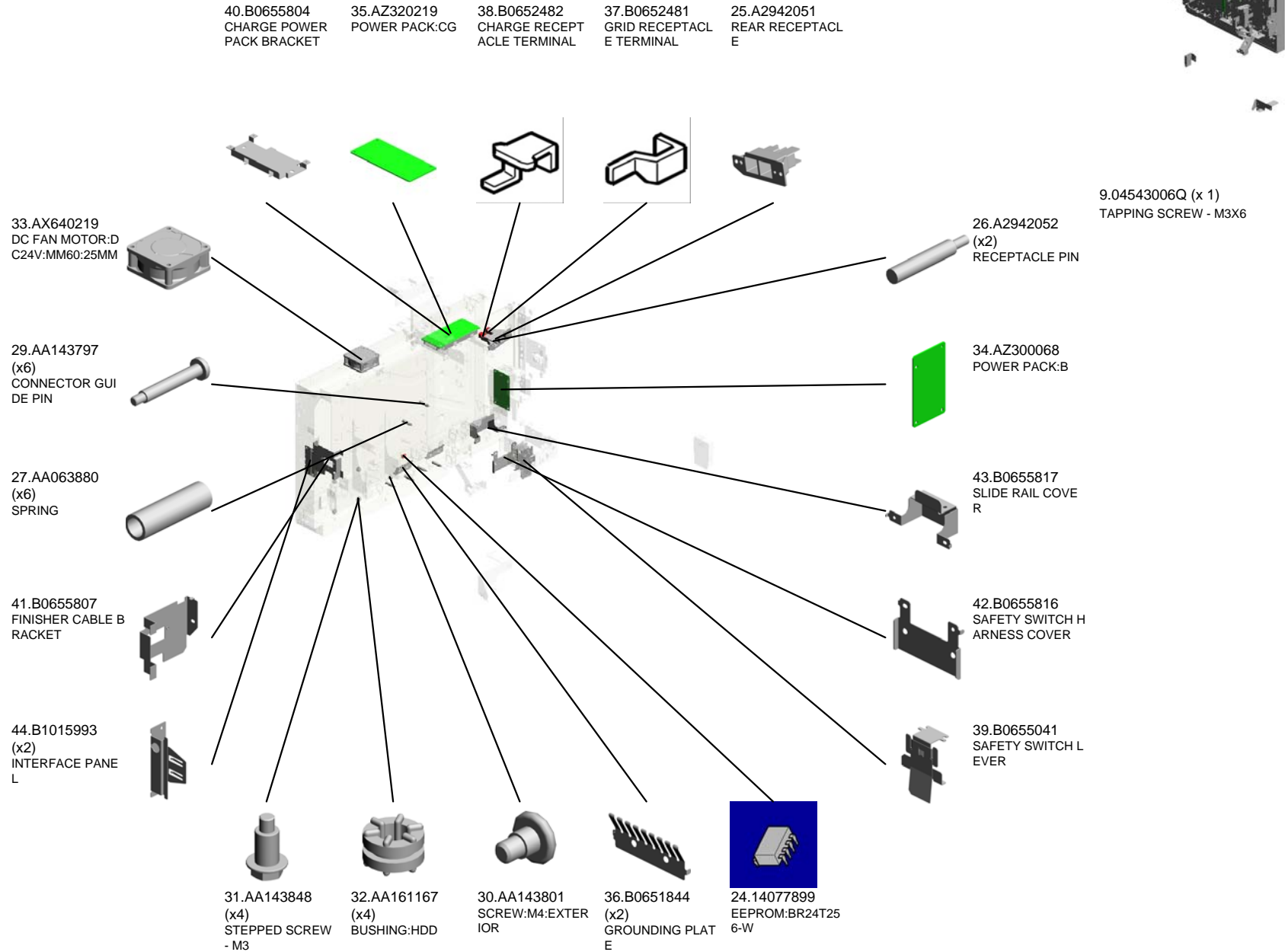


3.04513006N
(x5)
TAPPING SCREW -
3X6



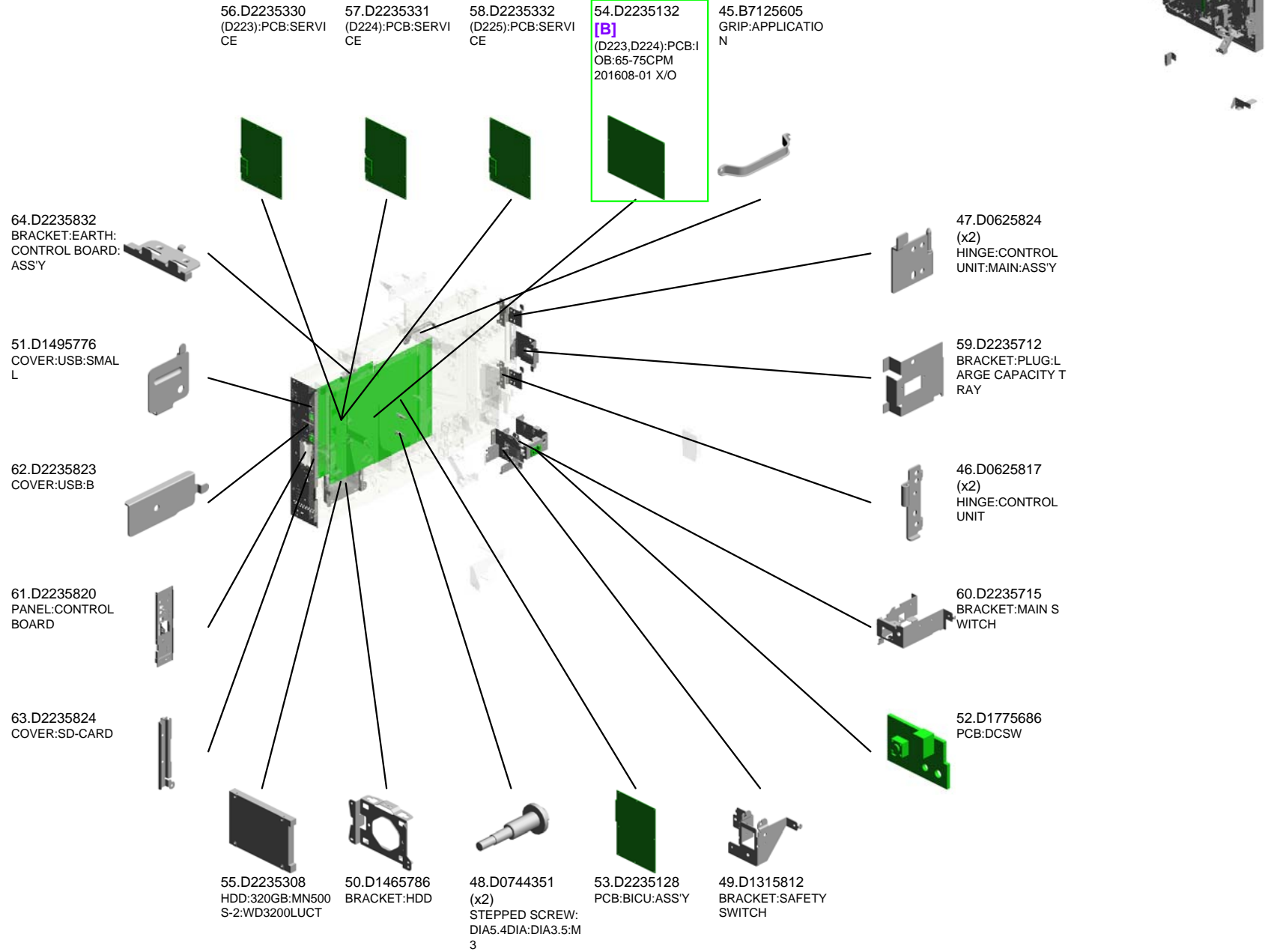
5.04514008N (x 1)
TAPPING SCREW:4X8
6.04533006N (x 1)
TAPPING SCREW - M3X6

U016 ELECTRICAL



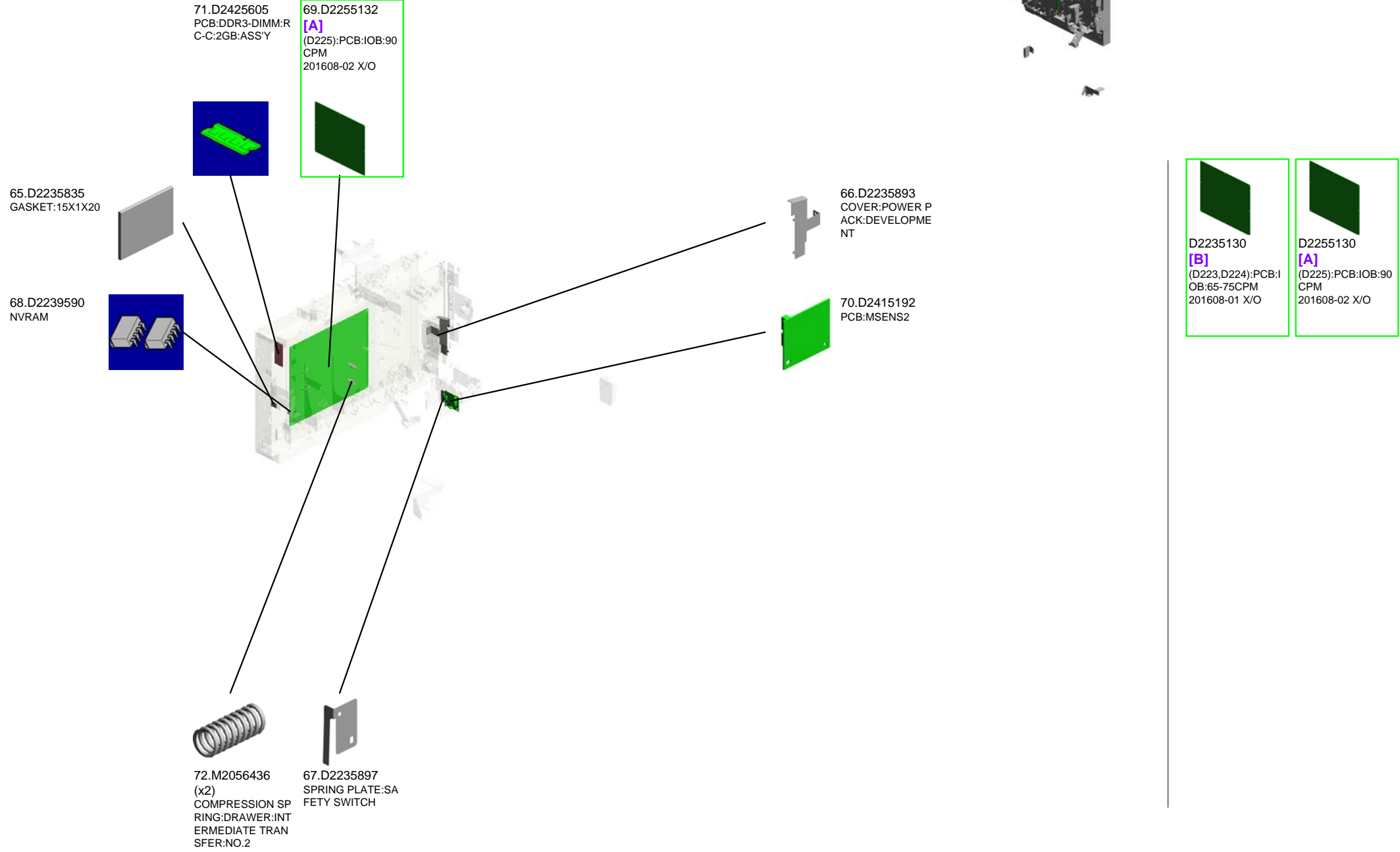
U001	U002	U003	U004	U005	U006	U007	U008	U009	U010	U011	U012	U013	U014	U015	U016	U017
------	------	------	------	------	------	------	------	------	------	------	------	------	------	------	------	------

U016 ELECTRICAL



U001	U002	U003	U004	U005	U006	U007	U008	U009	U010	U011	U012	U013	U014	U015	U016	U017
------	------	------	------	------	------	------	------	------	------	------	------	------	------	------	------	------

U016 ELECTRICAL

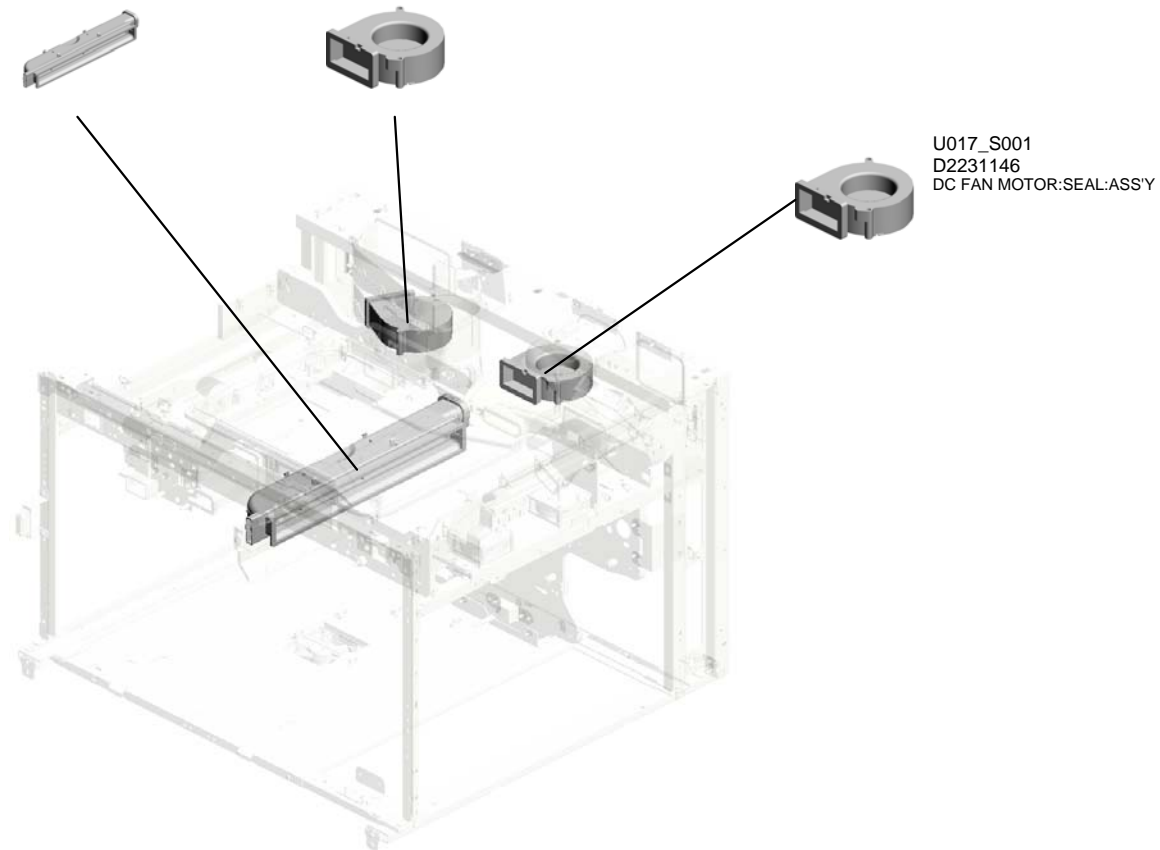


U001	U002	U003	U004	U005	U006	U007	U008	U009	U010	U011	U012	U013	U014	U015	U016	U017
------	------	------	------	------	------	------	------	------	------	------	------	------	------	------	------	------

U017.MAIN FRAME

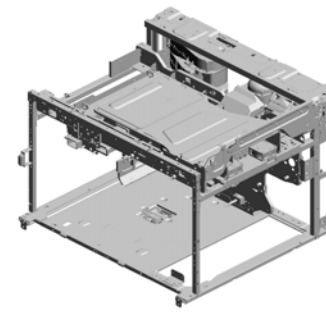
U017_S003
B0651185
DUCT - CHARGE

U017_S002
D2231146
DC FAN MOTOR:SEAL:ASSY



U001	U002	U003	U004	U005	U006	U007	U008	U009	U010	U011	U012	U013	U014	U015	U016	U017
------	------	------	------	------	------	------	------	------	------	------	------	------	------	------	------	------

U017 MAIN FRAME



- 3.03540400N (x4) SCREW:M4X40
- 5.04503010N (x4) TAPPING SCREW - M3X10
- 20.11050511 (x8) HARNESS CLAMP - LWS-0306ZC
- 14.09514010N (x4) SCREW:POLISHED ROUND:M4X10
- 12.07074050N (x4) BUSHING - 4X5

15.11050487
HARNESS CLAMP



17.11050489
(x4)
HARNESS CLAMP - LWS 1316



11.04543006Q
(x2)
TAPPING SCREW - M3X6



1.03530060N
BIND SCREW - M3 X6



19.11050508
(x17)
HARNESS CLAMP - LWS-0711



7.04504025N
(x2)
TAPPING SCREW: 4X25



2.03540300N
(x2)
SCREW:M4X30



10.04514010N
(x8)
TAPPING SCREW: 4X10



18.11050490
(x2)
HARNESS CLAMP - IWS-2218



4.03604030N
(x4)
SCREW:M4X30



6.04504008N
(x2)
TAPPING SCREW - M4X8



13.08025328
(x2)
HEXAGON HEAD TAPPING SCREW:3 X40



8.04504035N
(x2)
TAPPING SCREW: 4X35



16.11050488
(x12)
HARNESS CLAMP



9.04514008N
(x91)
TAPPING SCREW: 4X8



U017 MAIN FRAME

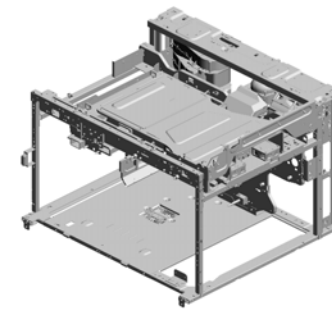
24.11050723
(x5)
CLAMPS:WES-050
7

26.AA000217
(x2)
DECAL - LD 655

44.D2231062
STAY:LEFT:ASS'Y

22.11050600
(x6)
CLAMP:LWSM-030
6-2M

30.AA161104
(x4)
CUSHION - MOTO
R



40.B0655899
BUSHING

32.AW100169
THERMISTOR:ASS'
Y

39.B0651197
MAGNET CATCH B
RACKET

31.AG071012
MAGNET CATCH:A
SS'Y

37.B0651092
(x4)
BRACKET

42.D0621198
BRACKET:DC FAN
MOTOR:DUPLX

43.D0621199
GUARD:FAN:MM80

34.AX640231
DC FAN MOTOR:A
XIAL:MM80:25MM

23.11050601
(x3)
CLAMP:LWSM-051
1-2M

41.B2471084
GUIDE PLATE:POS
ITIONING PIN:DUP
LEX:ASS'Y

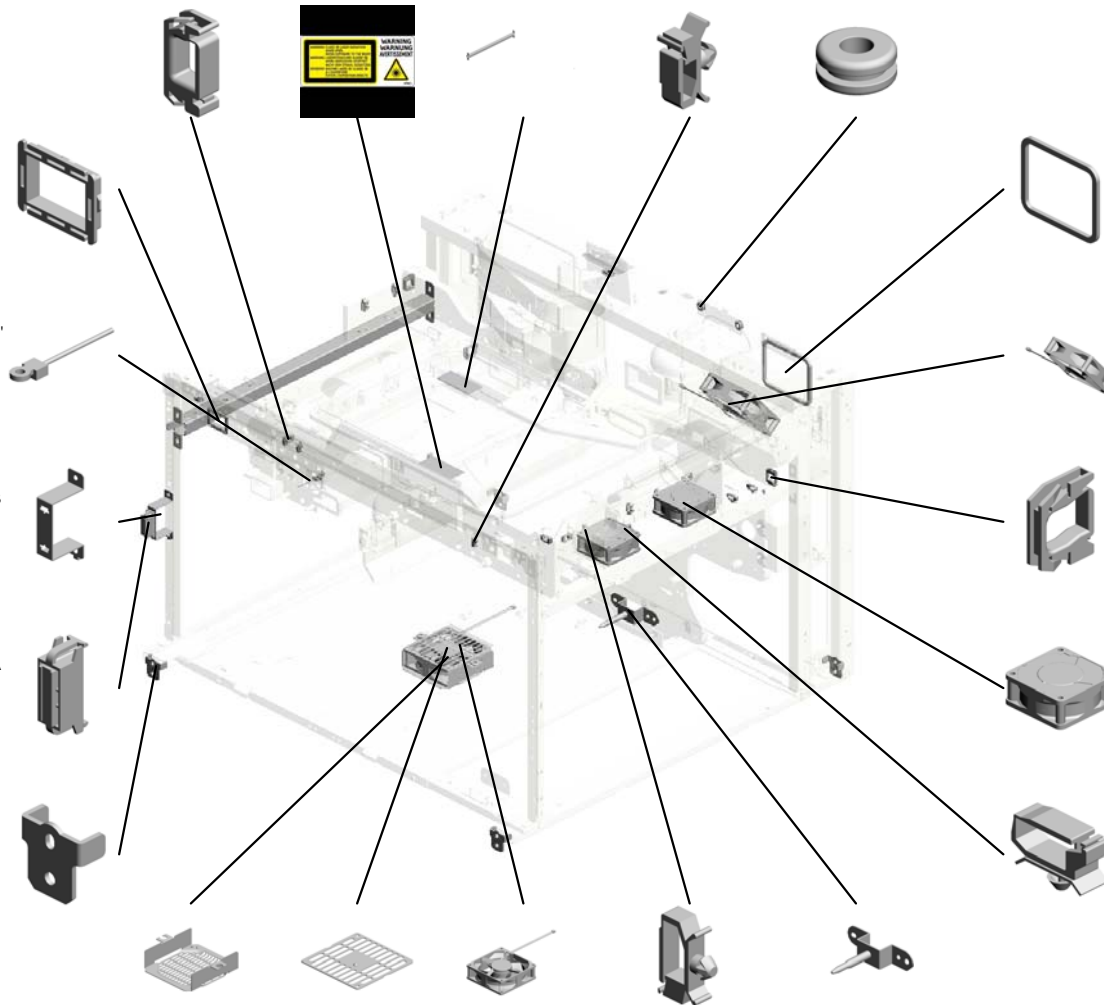
29.AA153154
DUCT SEAL - PCU

35.AX640237
DC FAN MOTOR:M
M80:25MM:24V

25.11050724
(x3)
CLAMPS:WES-121
0

33.AX640219
(x2)
DC FAN MOTOR:D
C24V:MM60:25MM

21.11050516
(x5)
CLAMP



U017 MAIN FRAME

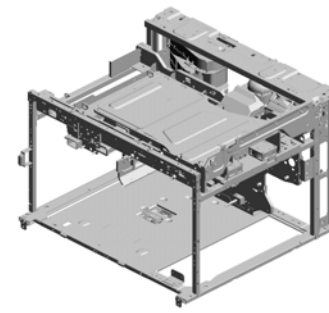
64.D2231144 DUCT:FUSING:EXH
AUST:ASS'Y

60.D2231137 DUCT:EXHAUST:E
XIT:ASS'Y

61.D2231138 DC FAN MOTOR:E
XHAUST:SEAL:ASS
Y

59.D2231136 DUCT:EXHAUST:A
SS'Y

47.D2231071 STAY:UPPER:REA
R



51.D2231094
COVER:DC POLY
GON MIRROR MOT
OR

50.D2231078
STAY:SIDE PLATE:
LEFT

52.D2231095
(x2)
SEAL:COVER:DC P
OLYGON MIRROR
MOTOR

46.D2231069
STAY:UPPER:FRO
NT

53.D2231098
BRACKET:THERMI
STOR

48.D2231075
COVER:BASE

55.D2231127
DUCT:PCU:LEFT:A
SS'Y

49.D2231076
STAY:SIDE PLATE:
LOWER

54.D2231126
LIQUID STREAM P
LATE:DEVELOPME
NT:UPPER

62.D2231140
BRACKET:FAN:DE
VELOPMENT

58.D2231134
BRACKET:FAN:OP
TICAL WRITING SE
CTION

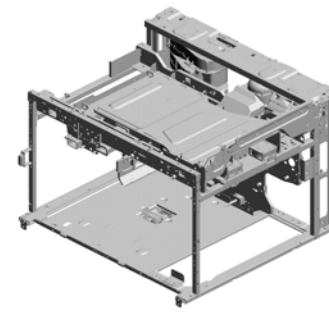
57.D2231133
DUCT:OPTICAL W
RITING SECTION:E
NTRANCE

56.D2231132
DUCT:PCU:ENTRA
NCE

45.D2231067
STAY:RIGHT:ASS'Y

63.D2231141
DUCT:DEVELOPM
ENT:ENTRANCE

U017 MAIN FRAME

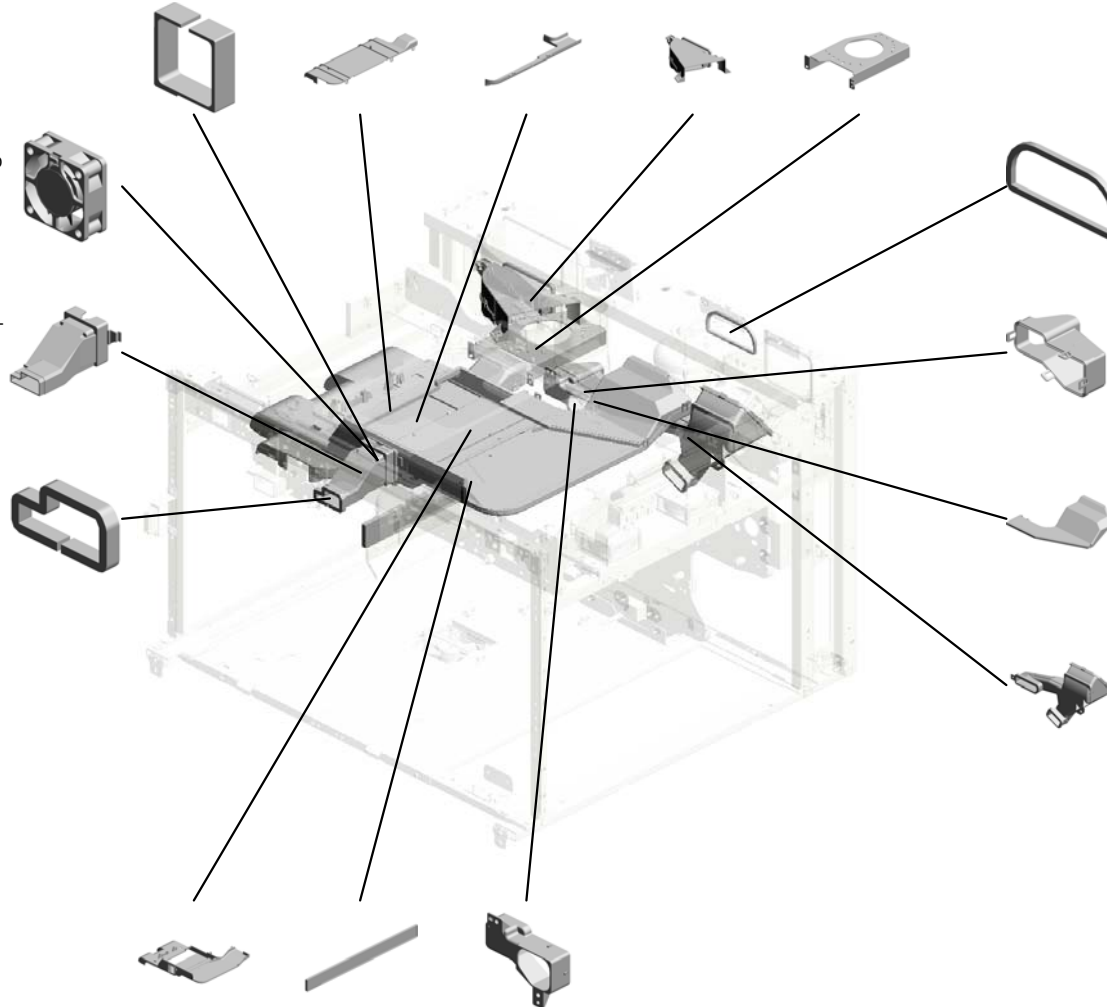


- 76.D2231188 SEAL:FAN:TONER BOTTLE
- 71.D2231153 DUCT:FUSING:UPPER
- 70.D2231152 DUCT:FUSING:LOWER
- 65.D2231145 DUCT:FUSING:EXHAUST:EXIT:ASS'Y
- 67.D2231147 BRACKET:DUCT:FUSING:EXHAUST

80.GX640029
FAN:MM40X15:NIDEC:L

72.D2231164
DUCT:TONER BOTTLE

77.D2231189
SEAL:DUCT:TONER BOTTLE



78.D2231194
SEAL:DUCT:OPTICAL WRITING SECTION:ENTRANCE

74.D2231168
DUCT:EXHAUST:CONNECTING:REAR

68.D2231150
DUCT:IMAGE FORMING SECTION:UPPER:ASS'Y

75.D2231180
DUCT:PCU:ASS'Y

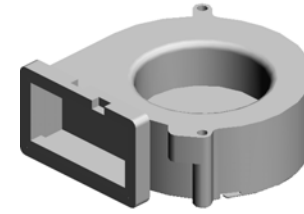
69.D2231151
DUCT:IMAGE FORMING SECTION:MAIN:ASS'Y

79.D2232114
FILTER:TONER:AROUND THE PHOTO CONDUCTOR

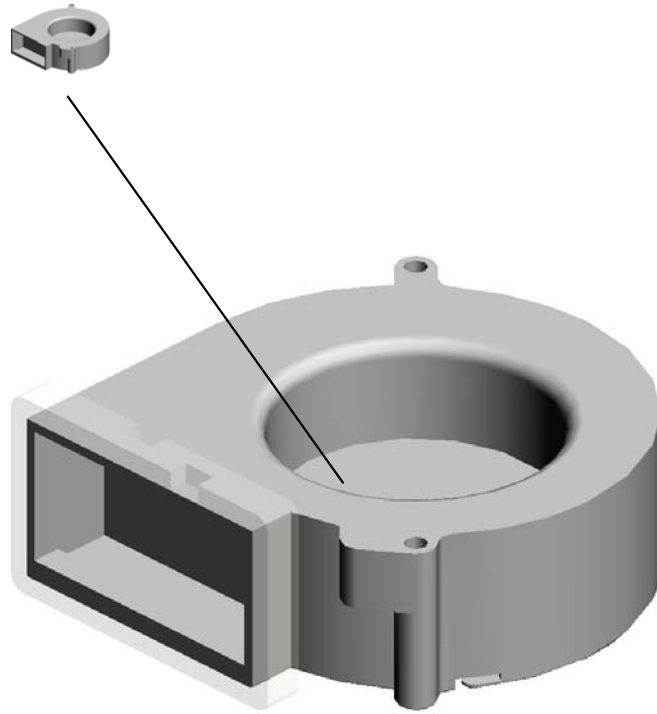
73.D2231167
DUCT:EXHAUST:CONNECTING:FRONT

U017_S001
DC FAN MOTOR:SEAL:ASS'Y

36.AX650054
DC FAN MOTOR:SI
ROCCO:DC24V:PW
M



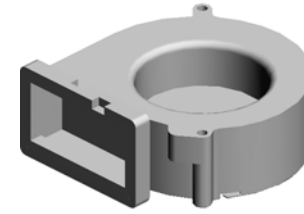
66.D2231146
DC FAN MOTOR:S
EAL:ASS'Y



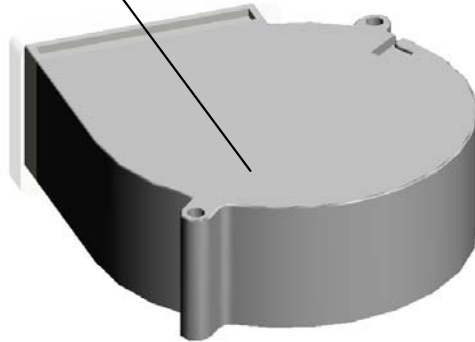
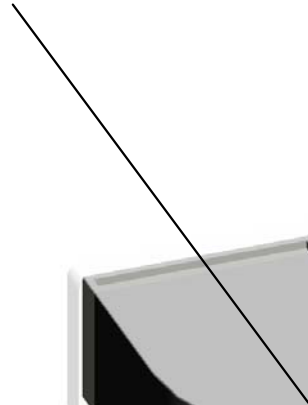
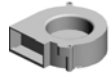
U001	U002	U003	U004	U005	U006	U007	U008	U009	U010	U011	U012	U013	U014	U015	U016	U017
------	------	------	------	------	------	------	------	------	------	------	------	------	------	------	------	------

U017_S002
DC FAN MOTOR:SEAL:ASS'Y

36.AX650054
DC FAN MOTOR:SI
ROCCO:DC24V:PW
M



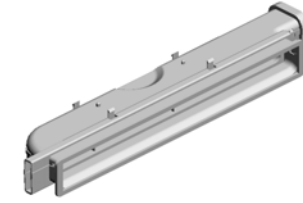
66.D2231146
DC FAN MOTOR:S
EAL:ASS'Y



U001	U002	U003	U004	U005	U006	U007	U008	U009	U010	U011	U012	U013	U014	U015	U016	U017
------	------	------	------	------	------	------	------	------	------	------	------	------	------	------	------	------

U017_S003
DUCT - CHARGE

28.AA153149
DUCT SEAL - CHARGE B



38.B0651185
DUCT - CHARGE



27.AA153148
DUCT SEAL - CHARGE A



U001	U002	U003	U004	U005	U006	U007	U008	U009	U010	U011	U012	U013	U014	U015	U016	U017
------	------	------	------	------	------	------	------	------	------	------	------	------	------	------	------	------

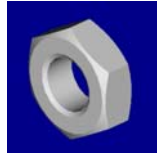
ACCESSORIES



1.03603006N
SCREW - M3X6



2.04543008Q
(x6)
TAPPING SCREW:3X8



3.07120120N
(x2)
HEXAGONAL NUT:M12



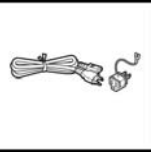
4.11500446
(x3)
(NA(D223(220-240V),D224(220-240V))
/EU/AA):POWER SUPPLY CODE:250
V:16A



5.11500447
(NA(D225)):POWER SUPPLY CODE:2
50V:20A



6.11500448
(NA(D223(120V),D224(120V))):POWE
R SUPPLY CODE:125V:20A



7.11500466
(CHN):POWER SUPPLY CODE:250V



8.11500467
(TWN(D225)):POWER SUPPLY CODE
:250V:16A



9.11500479
(TWN(D223,D224)):POWER SUPPLY
CODE:125V:15A



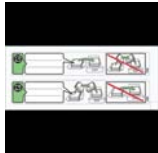
10.16072595
FERRITE CORE:GRFC-13



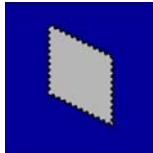
11.AA001565
(AA):PLATE:LOGOTYPE:LAN



12.AA001567
(AA):PLATE:LOGOTYPE:GES



13.AA003048
DECAL:CAUTION CHART:PAPER SE
T DIRECTION



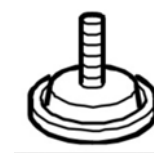
14.B0651374
CLOTH - DF EXPOSURE GLASS



15.B1321226
(x2)
HOLDER:STAND



16.B2478701
(x2)
STAND:AUXILIARY:ASS'Y



17.B2478706
(x2)
ADJUSTING PIN:AUXILIARY



18.B2478710
(x2)
FLANGE:NUT:M12



19.D1201556
(AA):SHEET:LOGO:LAN



20.D1201557
(AA):SHEET:LOGO:GES



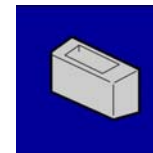
21.D1311695
SHEET:SCALE



22.D1318510
DECAL:SIZE INDICATION:MULTI-LAN
GUAGE



23.D1355930
STOPPER:POWER SUPPLY CORD



24.D1441396
HOLDER:EXPOSURE GLASS:IG:ASS'
Y

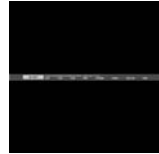
ACCESSORIES



25.D1491553
SHEET:LOGO



26.D1496766
(x3)
(NA/EU/AA):DECAL:CAUTION:ORIGIN
AL:ENGLISH



27.D1496767
(CHN):DECAL:CAUTION:ORIGINAL:CH
HINESE



28.D1496768
(TWN):DECAL:CAUTION:ORIGINAL:T
AIWAN



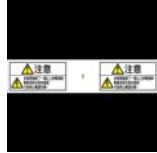
29.D1496851
(x2)
(NA/AA):DECAL:MAIN SWITCH:ON-S
TANDBY:ENGLISH



30.D1496852
(x3)
(EU/CHN/TWN):DECAL:MAIN SWITC
H:ON-STANDBY



31.D1581310
PLATE:LOGOTYPE:RIC:V554R10



32.D2231379
(x2)
(TWN):DECAL:POWER SUPPLY COR
D:CAUTION



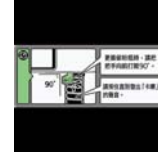
33.D2231380
(TWN):DECAL:POWER RATING:POW
ER SUPPLY PLUG



34.D2231381
DECAL:EXPOSURE GLASS:CLEANIN
G



35.D2231383
(x2)
(NA/AA):DECAL:TONER SUPPLY SUB
-UNIT



36.D2231384
(TWN):DECAL:TONER SUPPLY SUB-
UNIT



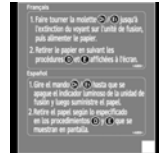
37.D2231386
(CHN):DECAL:TONER SUPPLY SUB-
UNIT



38.D2231387
(EU):DECAL:TONER SUPPLY SUB-U
NIT:MANY LANGUAGES



39.D2234273
(EU):DECAL:MISFEED REMOVAL:D1/
E1:MANY LANGUAGES



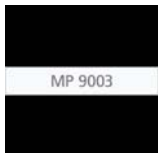
40.D2234284
(EU):DECAL:MISFEED REMOVAL:D2/
D3:MANY LANGUAGES



41.D2237040
(D223):DECAL:MODEL NAME PLATE



42.D2247040
(D224):DECAL:MODEL NAME PLATE



43.D2257040
(D225):DECAL:MODEL NAME PLATE



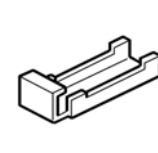
44.D3B06303
(x4)
(NA/EU/AA/TWN):DECAL:CAUTION:O
RIGINAL:MANY LANGUAGES



45.D3B06304
(CHN):DECAL:CAUTION:ORIGINAL



46.D6836031
DECAL:SET:ORIGINAL TABLE



47.G1268705
(x2)
BRACKET:STAND:AUXILIARY

SPECIAL TOOLS



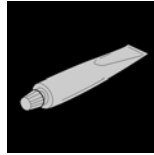
1.52039502
Silicon Grease G-501



2.54429101
Setting Powder



3.A0069104
Scanner Positioning Pin (4pcs/set)



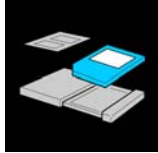
4.A2579300
Grease - Barrierta S552R



5.A2929500
Test Chart - OS-A3 (10 pcs/set)



6.B0649500
Test Chart for CIS



7.B6455020
SD-CARD:SERVICE:1GB

Exclusive Parts

Number	Part Name	Group	ID
50530223	BUSHING - 8MM	U006	60
		U006_S007	60
		U006_S009	60
		U006_S011	60
		U006_S013	60
50530447	BUSHING - 6MM	U006	61
		U006_S008	61
		U006_S010	61
		U006_S012	61
		U006_S014	61
		U009_S005	23
		U009_S006	23
52012858	FRICTION PAD	U006	62
		U006_S007_S002	62
		U006_S009_S002	62
		U006_S011_S002	62
		U006_S013_S002	62
52039502	Silicon Grease G-501	SPECIAL TOOLS	1
52062684	SHOULDER SCREW - M3	U008_S003	17
52062686	SNAP RING	U003	26
52152621	SNAP RING - M6	U003	27
54422754	SPRING - REGISTRATION ROLLER	U007	23
54429101	Setting Powder	SPECIAL TOOLS	2
54432668	BUSHING - 4X6X7MM	U007	24
54472681	SNAP RING	U003	28
		U003_S009	28
		U006_S002	63
		U006_S003	63
		U006_S004	63
		U007	25
		U011	7
		U013	24
		U014	28
		U014_S001	28
54472706	GEAR - 15T	U007	26
67542866	ROLLER - POSITIONING GUIDE	U010	17
		U014	29

Number	Part Name	Group	ID
A0069104	Scanner Positioning Pin (4pcs/set)	SPECIAL TOOLS	3
A0073751	LARGE CAP - TONER COLLECTIO N TANK	U011_S001	8
A0482276	RING - TRANSPORT BRACKET	U008_S003_S001	18
A0482838	NYLON RIVET	U007	27
		U013	25
A0962051	REAR GRID ANCHOR	U008_S002	19
A0962052	FRONT GRID ANCHOR	U008_S002	20
A0962060	GRID:CHARGE CORON	U008_S002	21
A0962062	WIRE CLEANER SLIDER	U008_S002	22
A0962063	CORONA WIRE CLEANER	U008_S002	23
A0962065	SLIDER RING	U008_S002	24
A0962633	FRONT LOCK	U007	28
A0963141	(D223,D224):DEVELOPMENT FILT ER CASE	U009	24
A0963181	SLITTER	U009_S005	25
		U009_S006	25
A0963224	BOTTLE ROLLER	U009_S001	26
A0963712	RATCH	U011	9
A0964319	(D225):EXIT ROLLER HOLDER	U012_S007_S001	28
A0964595	DUPLEX GUIDE	U014_S001	30
A0964928	GUIDE PLATE BAND	U014_S001	31
A1342363	TERMINAL PLATE	U008_S002	25
A1342978	SPRING PLATE	U006_S005_S002	64
		U006_S006_S002	64
A1343192	SEAL - TONER BOTTLE	U009_S001_S001	27
A1762054	GROUNDING PLATE	U008_S002	26
A1762061	SCREW SHAFT	U008_S002	27
A2222724	EXTERNAL CIRCLIP - MM8	U009	28
A2291135	RING - 55	U015	16
A2292655	READ ROCK	U007	29
A2293154	CASE SEAL	U009_S005	29
		U009_S006	29
A2293219	RUBBER BUSHING - TONER SUPP LY UNIT	U009_S001	30
A2293232	CHUCK ROLLER	U009_S001	31
A2293242	TONER BOTTLE JOINT GEAR	U009_S001	32
A2293243	MOTOR JOINT GEAR	U009_S001	33

Exclusive Parts

Number	Part Name	Group	ID
A2293261	OUTER SHUTTER	U009_S001	34
A2293262	INNER SHUTTER	U009_S001	35
A2293263	OUTER SHUTTER SHIELD	U009_S001	36
A2293264	SHUTTER LEVER	U009_S001	37
A2293266	UPPER SHUTTER SHIELD	U009_S001	38
A2293285	SHUTTER COVER	U009_S001	39
A2293861	FRONT ARM	U010_S002	18
		U010_S003	18
A2293862	REAR ARM	U010_S002	19
		U010_S003	19
A2293865	TRANSPORT DRIVEN ROLLER	U010_S002	20
		U010_S003	20
A2293875	DRIVE ELECTRODE	U010_S002	21
		U010_S003	21
A2293910	FRONT BUSHING	U010_S002	22
		U010_S003	22
A2293911	REAR BUSHING	U010_S002	23
		U010_S003	23
A2293934	TAPE	U010_S002	24
		U010_S003	24
A2294467	PRESSURE ARM	U013	26
A2294479	REVERSE GUIDE PLATE - RIGHT	U013	27
A2294482	EXIT ROLLER HOLDER	U013	28
A2294623	LOWER ENTRANCE GUIDE PLATE	U014_S001	32
A2294740	DRIVE JOINT	U014_S001	33
A2324666	CUSHION - STEPPER MOTOR	U004	15
A2474249	CONNECTOR - 3P	U012_S001	29
		U012_S002	29
		U012_S003	29
		U012_S004	29
		U012_S005	29
		U012_S006	29
		U012_S007	29
A2486103	GUIDE PLATE - UPPER HEAT SINK	U006	65
A2486694	WIRE RING	U006	66
		U006_S007	66
		U006_S009	66
		U006_S011	66

Number	Part Name	Group	ID
		U006_S013	66
A2486695	GUIDE - PULLEY	U006	67
		U006_S007	67
		U006_S009	67
		U006_S011	67
		U006_S013	67
A2486713	HOOK - TENSION SPRING	U006	68
		U006_S007	68
		U006_S009	68
		U006_S011	68
		U006_S013	68
A2501752	EXPOSURE GLASS	U004	16
A2579300	Grease - Barrierta S552R	SPECIAL TOOLS	4
A2672857	SPRING PLATE - SIDE FENCE	U006_S005_S003	69
		U006_S006_S003	69
A2672859	SIDE FENCE STOPPER	U006_S005_S003	70
		U006_S006_S003	70
A2929500	Test Chart - OS-A3 (10 pcs/set)	SPECIAL TOOLS	5
A2931155	DUPLEX DRIVE BRACKET	U015	17
A2932418	UPPER UNIT COVER	U008_S001	28
A2933220	TONER BOTTLE STOPPER	U009_S001_S001	40
A2933227	TONER SLIDER	U009_S001	41
A2933230	TONER BOTTLE CHUCK	U009_S001	42
A2933231	SHIELD HOLDER	U009_S001	43
A2933234	SHIELD PLATE - TONER BOTTLE	U009_S001	44
A2934613	FRONT GATE PAWL	U014_S001	34
A2934614	REAR GATE PAWL	U014_S001	35
A2936649	REAR COVER CUSHION - TANDE M LCT	U006_S008_S002	71
		U006_S010_S002	71
		U006_S012_S002	71
		U006_S014_S002	71
		U006_S019	71
		U006_S024	71
A2941119	FLY WHEEL	U015	18
A2941292	DOOR SWITCH BRACKET	U001	15
A2942051	REAR RECEPTACLE	U016	25
A2942052	RECEPTACLE PIN	U016	26
A2943572	REAR DRUM SEAL	U008_S003	29

Exclusive Parts

Number	Part Name	Group	ID
A2944669	CUSHION	U014_S001	36
A2944723	BELT HOLDER FIXING PLATE	U014_S001	37
A2944754	ROLLER LEVER	U014_S001	38
A2946655	FRONT ROLLER - SLIDE RAIL	U006	72
		U006_S007	72
		U006_S009	72
		U006_S011	72
		U006_S013	72
A2946690	FEELER - PAPER HEIGHT SENSOR	U006	73
		U006_S007	73
		U006_S009	73
		U006_S011	73
		U006_S013	73
A2946700	TORQUE LIMITER - 53MNXM	U006_S002	74
		U006_S003	74
		U006_S004	74
		U007	30
A3002134	GUIDE ROLLER - B	U014	39
A4131670	ANTISTATIC BRUSH	U012_S001	30
		U012_S002	30
		U012_S003	30
		U012_S004	30
		U012_S005	30
		U012_S006	30
		U012_S007	30
A4181158	SPACER - M6.5X1	U003_S009	29
A4221063	SEAL - 0.7X13X20	U003	30
		U003_S012	30
A4692123	RUBBER CUSHION - 1X10X10MM	U007	31
A4701703	SHIFT CLUTCH	U013	29
A5482139	PULLEY	U003	31
A6281225	BUSHING - 8MM	U003_S009	32
A8061163	GUIDE PLATE CUSHION	U003_S009	33
		U003_S009_S001	33
A8592112	DRIVE SHAFT - PAPER FEED BELT	U003_S009	34
A8592319	BASE CUSHION	U003_S009	35
A8597211	STEPPED SCREW	U003	36

Number	Part Name	Group	ID
AA000217	DECAL - LD 655	U017	26
AA001565	(AA):PLATE:LOGOTYPE:LAN	ACCESSORIES	11
AA001567	(AA):PLATE:LOGOTYPE:GES	ACCESSORIES	12
AA001644	DECAL:SIDE FENCE:40X30	U006	75
		U006_S008	75
		U006_S010	75
		U006_S012	75
		U006_S014	75
AA001645	DECAL:SIDE FENCE:REAR	U006_S005_S003	76
		U006_S006_S003	76
AA001646	DECAL:SIDE FENCE:16X30	U006	77
		U006_S007	77
		U006_S009	77
		U006_S011	77
		U006_S013	77
AA001647	DECAL:SCALE:SIDE FENCE	U006_S005	78
		U006_S006	78
AA001648	DECAL:SCALE:END FENCE	U006_S005	79
		U006_S006	79
AA001650	DECAL:CAUTION CHART:COLLECTION BOTTLE	U011_S001	10
AA003048	DECAL:CAUTION CHART:PAPER SET DIRECTION	ACCESSORIES	13
AA003221	DECAL:PAPER TRAY:DESIGN SKETCH:MULTI-LANGUAGE	U006	80
AA012128	MACHINE OR COPIER FILTER	U001	16
AA021034	MAGNETIC	U014_S001	40
AA040056	DRIVEN ROLLER	U013	30
AA043271	TIMING BELT S3M 196T	U006	81
		U006_S008	81
		U006_S010	81
		U006_S012	81
		U006_S014	81
AA043290	(D225):TIMING BELT	U013	31
AA043293	TIMING BELT - 40S2M268G	U014_S001	41
AA043315	(D223,D224):TIMING BELT:S2M:40X426	U013	32
AA043328	TIMING BELT:40S2M130	U003_S009	37

Exclusive Parts

Number	Part Name	Group	ID
AA043339	TIMING BELT:PAPER EXIT:40S2M122	U003	38
AA043435	TIMING BELT:40S2M810	U014_S001	42
AA043632	TIMING BELT - 40S2M126	U003	39
AA043651	TIMING BELT - B60S2M264	U014_S001	43
AA043681	SYNCHRONOUS BELT:40S2M108	U003	40
AA043682	SYNCHRONOUS BELT:60S1.5M150	U003	41
AA043683	SYNCHRONOUS BELT:60S1.5M204	U003	42
AA043684	SYNCHRONOUS BELT:60S1.5M390	U003	43
AA043685	SYNCHRONOUS BELT:40S2M258	U003	44
AA043694	SYNCHRONOUS BELT:B40S2M202	U003	45
AA043698	SYNCHRONOUS BELT:40S1.5M300	U003	46
AA043699	SYNCHRONOUS BELT:60S2M80	U006_S002	82
		U006_S003	82
		U006_S004	82
AA043706	SYNCHRONOUS BELT:50S2M104	U007	32
AA043709	SYNCHRONOUS BELT:50S2M110	U015	19
AA043710	SYNCHRONOUS BELT:40S2M158	U003	47
AA043945	TIMING BELT	U015	20
AA043946	TIMING BELT	U015	21
AA043948	TIMING BELT	U015	22
AA043974	TIMING BELT - B60S2M112	U006	83
AA060291	SPRING	U009_S001	45
		U009_S005	45
		U009_S006	45
AA060539	STRIPPER PAWL SPRING	U012_S001_S002	31
		U012_S002_S002	31
		U012_S003_S002	31
		U012_S004_S002	31
		U012_S005_S002	31
		U012_S006_S002	31
		U012_S007_S001	31
AA060722	TENSION SPRING	U007	33
AA060757	TENSION SPRING - LONG	U006	84

Number	Part Name	Group	ID
		U006_S007	84
		U006_S009	84
		U006_S011	84
		U006_S013	84
AA060758	TENSION SPRING - SHORT	U006	85
		U006_S007	85
		U006_S009	85
		U006_S011	85
		U006_S013	85
AA060792	TENSION SPRING	U015	23
AA060806	SPRING	U014_S001	44
AA060842	TENSION SPRING	U003	48
AA060891	SPRING	U008_S003	30
AA060892	PICK-OFF PAWL SPRING	U008_S003_S001	31
AA060893	(D225):SPRING	U012_S007	32
AA060894	SPRING	U012_S001	33
		U012_S002	33
		U012_S003	33
		U012_S004	33
		U012_S005	33
		U012_S006	33
		U012_S007	33
AA060902	SPRING	U013	33
AA060903	SPRING	U013	34
AA060911	SPRING	U007	34
AA060916	SLIDER SPRING	U012_S001_S002	34
		U012_S002_S002	34
		U012_S003_S002	34
		U012_S004_S002	34
		U012_S005_S002	34
		U012_S006_S002	34
AA060946	(D223,D224):PRESSURE TENSION SPRING	U012_S001	35
		U012_S002	35
		U012_S003	35
		U012_S004	35
		U012_S005	35
		U012_S006	35
		U012_S006	35

Exclusive Parts

Number	Part Name	Group	ID
AA060961	TENSION SPRING:SIDE FENCE:REAR	U006_S005	86
		U006_S006	86
AA061076	COIL SPRING:PRESSURE RELEASE:PICKUP	U006_S002	87
		U006_S003	87
		U006_S004	87
AA061225	TENSION SPRING:ARM:PICKUP	U007	35
AA061226	TENSION SPRING:DC SOLENOID	U007	36
AA062284	PRESSURE SPRING	U008_S002	32
AA062318	SPRING	U014_S001	45
AA062320	SPRING	U014_S001	46
AA063052	TURRET SPRING	U001	17
AA063248	CHARGE TERMINAL SPRING	U008_S002	33
AA063249	GRID TERMINAL SPRING	U008_S002	34
AA063254	DRIVEN ROLLER SPRING	U007	37
AA063310	GUIDE PLATE SPRING	U010_S002	25
		U010_S003	25
AA063366	CHUCK SPRING	U009_S001	46
AA063435	COMPRESSION SPRING:PAPER FEED:JOINT	U003_S009	49
AA063490	SPRING - 21.6MM	U015	24
AA063576	SPRING	U008_S003	35
AA063610	SPRING - 4060MN	U008_S003	36
AA063654	SPRING	U015	25
AA063655	SPRING	U014_S001	47
AA063736	COMPRESSION SPRING:ROLLER:DRIVEN	U014_S001	48
AA063737	COMPRESSION SPRING:EXIT ROLLER	U013	35
AA063851	PRESSURE SPRING	U012_S001_S003	36
		U012_S002_S003	36
		U012_S003_S003	36
		U012_S004_S003	36
		U012_S005_S003	36
		U012_S006_S003	36
		U012_S008	36
AA063877	SPRING	U010_S002	26
		U010_S003	26
AA063878	SPRING	U006_S001	88

Number	Part Name	Group	ID
AA063879	SPRING	U013	36
AA063880	SPRING	U006	89
		U016	27
AA063886	SPRING	U012_S001_S003	37
		U012_S002_S003	37
		U012_S003_S003	37
		U012_S004_S003	37
		U012_S005_S003	37
		U012_S006_S003	37
		U012_S008	37
AA063901	COMPRESSION SPRING:DRAWER	U006	90
AA066352	SPRING	U012_S001_S002	38
		U012_S002_S002	38
		U012_S003_S002	38
		U012_S004_S002	38
		U012_S005_S002	38
		U012_S006_S002	38
		U012_S007_S001	38
AA066353	SPRING	U014_S001	49
AA066592	SPRING	U013	37
AA066651	SPRING	U015	26
AA070087	SLIDE RAIL:TANDEM LCT	U006	91
AA080034	BUSHING - 4X5X7	U007	38
		U013	38
		U014_S001	50
AA080037	BUSHING - 6MM	U007	39
AA080147	FRONT BUSHING	U008_S002	37
AA080184	BUSHING - FUSING EXIT	U013	39
AA080240	BUSHING - MM5	U013	40
AA080274	BUSHING	U012_S001_S002	39
		U012_S002_S002	39
		U012_S003_S002	39
		U012_S004_S002	39
		U012_S005_S002	39
		U012_S006_S002	39
		U012_S007_S001	39
AA080346	BUSHING:FLANGE TYPE:DIA6	U003	50
		U003_S012	50

Exclusive Parts

Number	Part Name	Group	ID
AA080347	BUSHING - 8MM	U003	51
AA082058	BUSHING - 6X10X9MM	U010_S002	27
		U010_S003	27
AA082064	BUSHING - 10MM	U010	28
AA082094	BUSHING - BRUSH ROLLER	U008_S003	38
AA082101	BUSHING - 6X10X6	U003	52
		U003_S006	52
		U003_S009	52
		U008_S003	39
		U010_S002	29
		U010_S003	29
AA082116	BUSHING - M8	U007	40
		U014_S001	51
AA082117	BUSHING - M6	U012_S001	40
		U012_S002	40
		U012_S003	40
		U012_S004	40
		U012_S005	40
		U012_S006	40
		U013	41
AA082118	BUSHING - M6	U006	92
		U006_S002	92
		U006_S003	92
		U006_S004	92
		U007	41
		U014_S001	52
AA082119	ROLLER BUSHING	U008_S003	40
AA082120	BUSHING	U008_S003	41
AA082121	TONER COLLECTION COIL BUSHING	U008_S003	42
AA082122	BUSHING	U008_S003	43
AA082144	BUSHING - 8X12X7	U003	53
AA083019	BUSHING	U007	42
AA120067	ANTI STATIC BRUSH	U013	42
AA132013	SPACER	U003_S009	54
AA132024	SPACER - M6	U009_S001	47
		U010_S002	30
		U010_S003	30

Number	Part Name	Group	ID
		U015	27
AA132025	SPACER - 1X8X12	U007	43
		U015	28
AA132203	SPACER - 6MM	U006	93
		U006_S007	93
		U006_S009	93
		U006_S011	93
		U006_S013	93
AA132208	SPACER - M6	U008_S003	44
		U008_S003_S003	44
		U011	11
AA132228	SPACER - 1MM	U007	44
AA132233	SPACER:SLIDE RAIL:0.4MM	U006	94
		U006_S007	94
		U006_S009	94
		U006_S011	94
		U006_S013	94
AA140686	SHAFT - TIMING PULLEY	U006	95
		U006_S008	95
		U006_S010	95
		U006_S012	95
		U006_S014	95
AA140823	(D225):PRESSURE ROLLER SHAF T	U012_S007	41
AA140912	SCREW - 8X14X2.8	U006	96
AA140956	SHAFT:FEED ROLLER	U007	45
AA143129	SHOULDER SCREW - FRONT COVER	U014_S001	53
AA143183	STEPPED SCREW	U014_S001	54
AA143426	STOPPED SCREW - M4X17	U014_S001	55
AA143523	SHOULDER SCREW - M3	U008_S003	45
AA143537	SCREW:M3:BLACK	U004	17
AA143544	SCREW - M3	U008_S003	46
AA143560	STEPPED SCREW - M4	U006_S001	97
AA143569	SCREW	U006	98
AA143592	SCREW- M4X6	U016	28
AA143788	PIN:GUIDE PLATE:PAPER FEED	U003	55
		U003_S012	55

Exclusive Parts

Number	Part Name	Group	ID
		U014_S001	56
AA143789	SHAFT:CLEANER	U003	56
AA143791	SCREW:SAFETY	U003	57
AA143797	CONNECTOR GUIDE PIN	U006	99
		U016	29
AA143798	HEXAGONAL BOLT:M12X35	U006	100
AA143801	SCREW:M4:EXTERIOR	U001	18
		U016	30
AA143803	FLANGED HEXAGONAL HEAD BOLT:CASTER	U006	101
AA143807	SCREW:A	U013	43
AA143810	DEVELOPMENT COVER SCREW	U006	102
		U012_S001	42
		U012_S001_S002	42
		U012_S002	42
		U012_S002_S002	42
		U012_S003	42
		U012_S003_S002	42
		U012_S004	42
		U012_S004_S002	42
		U012_S005	42
		U012_S005_S002	42
		U012_S006	42
		U012_S006_S002	42
		U012_S007	42
		U012_S007_S001	42
AA143811	STEPPED SCREW - M3X4	U014_S001	57
AA143816	FLAT SCREW:CHUCK:BOTTLE	U009_S001	48
AA143842	SCREW:DIA6:14.5:M4	U003	58
AA143846	TAPPING SCREW:M3X6	U003_S012	59
AA143848	STEPPED SCREW - M3	U016	31
AA143878	SCREW:M3:DIA5	U001	19
AA150361	SLITTER COVER SEAL	U009_S005	49
		U009_S006	49
AA152315	TANK SEAL	U011_S001	12
AA152431	FRONT DRUM SEAL	U008_S003	47
AA152441	CASE SEAL	U007	46
AA153085	INNER CASE SEAL	U008_S003_S004	48

Number	Part Name	Group	ID
AA153088	CLEANING ENTRANCE SEAL - 3X345X2	U008_S003_S004	49
AA153138	INNER COVER CUSHION - RIGHT REAR	U006_S007_S001	103
		U006_S009_S001	103
		U006_S011_S001	103
		U006_S013_S001	103
		U006_S015	103
		U006_S020	103
AA153148	DUCT SEAL - CHARGE A	U017_S003	27
AA153149	DUCT SEAL - CHARGE B	U017_S003	28
AA153154	DUCT SEAL - PCU	U017	29
AA161104	CUSHION - MOTOR	U004	18
		U017	30
AA161129	CUSHION - LARGE	U006	104
		U006_S007	104
		U006_S009	104
		U006_S011	104
		U006_S013	104
AA161130	CUSHION - SMALL	U006	105
		U006_S007	105
		U006_S009	105
		U006_S011	105
		U006_S013	105
AA161167	BUSHING:HDD	U016	32
AA162079	CUSHION	U007	47
AA162082	CUSHION:PLATE:PAPER	U006_S007_S004_S001	106
		U006_S009_S004_S001	106
		U006_S011_S004_S001	106
		U006_S013_S004_S001	106
		U006_S017_S001	106
		U006_S022_S001	106
AB010087	GEAR - 20Z	U008_S002	50
AB010213	GEAR:IDLER	U006_S002	107
		U006_S003	107

Exclusive Parts

Number	Part Name	Group	ID
		U006_S004	107
AB010214	GEAR:ROLLER	U006_S002	108
		U006_S003	108
		U006_S004	108
		U006_S004	108
AB011335	GEAR:IDLER:CONNECTING:Z16	U006_S002	109
		U006_S003	109
		U006_S004	109
AB011336	GEAR:GRIP:Z21	U006	110
		U006_S002	110
		U006_S003	110
		U006_S004	110
AB011392	DRIVE REVERSE GEAR - 24Z	U007	48
AB011457	TRANSPORT ROLLER GEAR	U007	49
AB011459	TONER COLLECTION COIL GEAR	U008_S003	51
AB011460	IDLER GEAR	U008_S003	52
AB011461	TONER RECYCLING CONNECTIN G GEAR	U008_S003	53
AB011462	TONER RECYCLING GEAR	U008_S003	54
		U008_S003_S003	54
AB011463	CONNECTING GEAR	U014_S001	58
AB011464	TURN GEAR	U014_S001	59
AB011465	IDLER GEAR	U006_S002	111
		U006_S003	111
		U006_S004	111
AB011470	GEAR - 18Z	U006_S002	112
		U006_S003	112
		U006_S004	112
AB011471	REVERSE GEAR	U006_S002	113
		U006_S003	113
		U006_S004	113
AB011478	GEAR - 18Z	U007	50
AB011482	(D223,D224):GEAR - Z40	U015	29
AB011496	GEAR - 32Z	U014_S001	60
AB011507	(D225):GEAR:Z31	U015	30
AB011575	GEAR:Z36	U014_S001	61
AB011590	GEAR:REVERSE:DRIVEN	U006_S002	114
		U006_S003	114
		U006_S004	114

Number	Part Name	Group	ID
AB011591	GEAR:REVERSE	U007	51
AB011622	GEAR:REGISTRATION ROLLER	U007	52
AB012028	GEAR - 19Z	U013	44
AB012031	GEAR	U013	45
AB012233	(D223,D224):FUSING GEAR	U012_S001	43
		U012_S002	43
		U012_S003	43
		U012_S004	43
		U012_S005	43
		U012_S006	43
AB012315	GEAR - 156Z	U015	31
AB012316	(D225):FUSING GEAR	U012_S007	44
AB012318	IDLER GEAR	U012_S001	45
		U012_S002	45
		U012_S003	45
		U012_S004	45
		U012_S005	45
		U012_S006	45
		U012_S007	45
AB012327	GEAR:16Z	U006_S005	115
		U006_S006	115
AB012328	GEAR:DRIVE:FUSING	U012_S001	46
		U012_S002	46
		U012_S003	46
		U012_S004	46
		U012_S005	46
		U012_S006	46
		U012_S007	46
AB013747	GEAR - 16Z	U009_S005	50
		U009_S006	50
AB013748	JOINT GEAR - 15Z	U009_S005	51
		U009_S006	51
AB013749	GEAR - 15Z	U009_S005	52
		U009_S006	52
AB013781	GEAR - 30Z	U006	116
		U006_S007	116
		U006_S009	116
		U006_S011	116
		U006_S011	116

Exclusive Parts

Number	Part Name	Group	ID
		U006_S013	116
AB013790	GEAR - 25Z	U009_S004	53
AB013798	GEAR - Z18	U006	117
		U006_S008	117
		U006_S010	117
		U006_S012	117
		U006_S014	117
AB014176	CAM GEAR - 37Z	U010_S002	31
		U010_S003	31
AB017606	GEAR - 24Z/46Z	U007	53
AB017607	GEAR - 22Z/39Z	U007	54
AB017611	PICK-OFF PAWL CAM	U008_S003	55
AB017612	GEAR	U008_S003	56
AB017614	PULLEY	U014_S001	62
AB017615	GEAR - 30Z/45Z	U014_S001	63
AB017640	(D223,D224):GEAR -38/Z59	U015	32
AB017690	PULLEY:IDLER:30T/24Z	U006	118
		U006_S002	118
		U006_S003	118
		U006_S004	118
AB017760	(D225):GEAR:Z38/Z67	U015	33
AB017874	GEAR:IDLER:DC MOTOR:1:Z14T27	U006_S002	119
		U006_S003	119
		U006_S004	119
AB017875	GEAR:IDLER:DC MOTOR:2:Z24Z18	U006_S002	120
		U006_S003	120
		U006_S004	120
AB017876	GEAR:REVERSE:38Z21Z	U006_S002	121
		U006_S003	121
		U006_S004	121
AB017877	GEAR:IDLER:REVERSE:Z26Z24	U006_S002	122
		U006_S003	122
		U006_S004	122
AB017885	GEAR:PULLEY:T24:Z20:REVERSE	U014_S001	64
AB017886	GEAR:PULLEY:T36:Z16:REVERSE	U014_S001	65
AB017887	GEAR:PULLEY:Z19:T36:TRANSPORT	U014_S001	66
AB017888	GEAR:TURN:CONNECTING	U014_S001	67

Number	Part Name	Group	ID
AB017944	GEAR:PULLEY:SLOW DOWN:REGISTRATION	U015	34
AB017945	GEAR:SLOW DOWN:REGISTRATION	U015	35
AB017946	GEAR:PULLEY:SLOW DOWN:JOIN T UNIT:FIRST	U007	55
AB017947	GEAR:PULLEY:SLOW DOWN:JOIN T UNIT:SECOND	U007	56
AB019197	EXIT GEAR	U013	46
AB019200	GEAR	U013	47
AB019475	GEAR - 48T	U006	123
		U006_S008	123
		U006_S010	123
		U006_S012	123
		U006_S014	123
AB019479	GEAR:FUSING EXIT	U012_S001	47
		U012_S002	47
		U012_S003	47
		U012_S004	47
		U012_S005	47
		U012_S006	47
		U012_S007	47
AB030427	PULLEY - 81Z	U015	36
AB030458	PULLEY - 28Z	U015	37
AB030578	TIMING PULLEY - 18Z	U013	48
AB030579	TIMING PULLEY - 27Z	U013	49
AB030583	TIMING PULLEY - 24Z	U014_S001	68
AB030722	PULLEY - 13MM	U007	57
AB030724	PULLEY - 74Z	U015	38
AB030725	PULLEY - 89Z	U015	39
AB030732	JOGGER PULLEY	U014_S001	69
AB032058	WIRE PULLEY - M10	U006	124
		U006_S007	124
		U006_S009	124
		U006_S011	124
		U006_S013	124
AB032719	PULLEY - M10	U006	125
		U006_S007	125

Exclusive Parts

Number	Part Name	Group	ID
		U006_S009	125
		U006_S011	125
		U006_S013	125
AB033084	TIMING PULLEY - 15T	U006	126
		U006_S008	126
		U006_S010	126
		U006_S012	126
		U006_S014	126
AB033085	TIMING PULLEY - 15T	U006	127
		U006_S008	127
		U006_S010	127
		U006_S012	127
		U006_S014	127
AC020151	LENS:LED:2	U001	20
		U006	128
		U013	50
		U014	70
AC020152	LENS:LED:3	U001	21
AC030211	MIRROR:NO.1	U004_S001	19
AD022283	FRONT END BLOCK	U008_S002	57
AD022285	REAR END BLOCK	U008_S002	58
AD022306	COVER - FRONT END BLOCK	U008_S002	59
AD022307	COVER - REAR END BLOCK	U008_S002	60
AD025024	PICK-OFF PAWL	U008_S003_S001	61
AD041126	TRANSFER BELT CLEANING BLADE	U010_S002_S001	32
		U010_S003_S001	32
AD041140	CLEANING BLADE	U008_S003	62
AD047025	EXIT SEAL	U010_S002	33
		U010_S003	33
AE011044	(D225):HOT ROLLER	U012_S007	48
AE011117	(D223,D224):HOT ROLLER	U012_S001	49
		U012_S002	49
		U012_S003	49
		U012_S004	49
		U012_S005	49
AE020178	(D225):PRESSURE ROLLER:DIA50	U012_S007	50
AE020242	(D223,D224):PRESSURE ROLLER:	U012_S001	51

Number	Part Name	Group	ID
	DIA40	U012_S002	51
		U012_S003	51
		U012_S004	51
		U012_S005	51
		U012_S006	51
AE030017	(D225):BALL BEARING - 35X50X10	U012_S007	52
AE030018	(D225):BALL BEARING - 12X28X8	U012_S007	53
AE030053	(D223,D224):BALL BEARING - 8X19X6	U012_S001	54
		U012_S002	54
		U012_S003	54
		U012_S004	54
		U012_S005	54
AE030054	(D223,D224):BALL BEARING - 40X52X7	U012_S006	54
AE030054	(D223,D224):BALL BEARING - 40X52X7	U012_S001	55
		U012_S002	55
		U012_S003	55
		U012_S004	55
		U012_S005	55
		U012_S006	55
AE030055	(D223,D224):BALL BEARING - 6X15X5	U012_S001	56
		U012_S001_S001	56
		U012_S002	56
		U012_S002_S001	56
		U012_S003	56
		U012_S003_S001	56
		U012_S004	56
		U012_S004_S001	56
		U012_S005	56
		U012_S005_S001	56
AE030056	(D223,D224):BALL BEARING - 8X16X5	U012_S006	56
AE030056	(D223,D224):BALL BEARING - 8X16X5	U012_S001	57
		U012_S002	57
		U012_S003	57
		U012_S004	57
		U012_S005	57
		U012_S006	57
AE031024	(D225):BUSHING - M4X7	U012_S007	58

Exclusive Parts

Number	Part Name	Group	ID
AE032014	(D225):BUSHING - 30X35X13.5	U012_S007	59
AE032033	(D223,D224):THERMAL INSULATING BUSHING:DIA34	U012_S001	60
		U012_S002	60
		U012_S003	60
		U012_S004	60
		U012_S005	60
		U012_S006	60
AE042052	(D225):CLEANING ROLLER	U012_S007	61
AE042066	(D223,D224):FUSING CLEANING ROLLER	U012_S001	62
		U012_S002	62
		U012_S003	62
		U012_S004	62
		U012_S005	62
AE044060	STRIPPER PAWLS	U012_S001_S002	63
		U012_S002_S002	63
		U012_S003_S002	63
		U012_S004_S002	63
		U012_S005_S002	63
		U012_S006_S002	63
AE044068	PRESSURE ROLLER:CLEANING FELT	U012_S001_S003	64
		U012_S002_S003	64
		U012_S003_S003	64
		U012_S004_S003	64
		U012_S005_S003	64
		U012_S006_S003	64
		U012_S008	64
AE045068	(D225):ROLLER:CLEANING FELT:28M:ASS'Y	U012_S008	65
AE045069	(D223,D224):ROLLER:CLEANING FELT:32M:ASS'Y	U012_S001_S003	66
		U012_S002_S003	66
		U012_S003_S003	66
		U012_S004_S003	66
		U012_S005_S003	66
AE045070	(D223,D224):ROLLER:CLEANING FELT:32M:ASS'Y	U012_S001_S003	67
		U012_S002_S003	67

Number	Part Name	Group	ID
		U012_S003_S003	67
		U012_S004_S003	67
		U012_S005_S003	67
		U012_S006_S003	67
AF013005	BOTTOM PLATE PAD	U006_S005_S001	129
		U006_S006_S001	129
AF020578	(D225):ENTRANCEDECUR ROLLER	U013	51
AF020579	(D225):EXITDECUR ROLLER	U013	52
AF020826	ROLLER:REVERSAL:DRIVE	U014_S001	71
AF020827	ROLLER:REVERSAL:DRIVEN	U014_S001	72
AF020828	ROLLER:TRANSPORT:DRIVEN:LEFT:RIGHT	U014_S001	73
AF020829	ROLLER:DRIVE:LEFT	U014_S001	74
AF020830	ROLLER:DRIVE:RIGHT	U014_S001	75
AF020831	ROLLER:CONNECTING:DRIVE	U007	58
AF022067	GUIDE STOPPER ROLLER	U014_S001	76
AF022077	DRIVEN ROLLER	U014_S001	77
AF022105	ROLLER - SLIDE RAIL	U006	130
		U006_S007	130
		U006_S009	130
		U006_S011	130
		U006_S013	130
AF022126	EXIT ROLLER - DRIVEN	U013	53
AF030080	PAPER FEED ROLLER:PICKUP	U007	59
AF030081	PAPER FEED ROLLER:PICKUP	U006_S002	131
		U006_S003	131
		U006_S004	131
AF031082	PAPER FEED ROLLER:FEED	U006_S002	132
		U006_S003	132
		U006_S004	132
AF031083	PAPER FEED ROLLER:FEED:MANUAL FEED	U007	60
AF032080	PAPER FEED ROLLER:SEPARATE	U006_S002	133
		U006_S003	133
		U006_S004	133
		U007	61
AF040055	FUSING EXIT ROLLER	U012_S001	68

Exclusive Parts

Number	Part Name	Group	ID
		U012_S002	68
		U012_S003	68
		U012_S004	68
		U012_S005	68
		U012_S006	68
		U012_S007	68
AF040065	EXIT ROLLER:DRIVE:EXIT	U013	54
AF040629	ROLLER:FUSING EXIT:UPPER	U012_S001_S002	69
		U012_S002_S002	69
		U012_S003_S002	69
		U012_S004_S002	69
		U012_S005_S002	69
		U012_S006_S002	69
		U012_S007_S001	69
AG050104	KNOB:FUSING	U012	70
AG070513	MAGNET CATCH	U007_S005	62
AG071012	MAGNET CATCH:ASS'Y	U017	31
AH012031	CASTER:1470N	U006	134
AW010113	SENSOR	U006	135
		U006_S007	135
		U006_S009	135
		U006_S011	135
		U006_S013	135
AW010147	PHOTO REFLECTION SENSOR	U007_S005	63
AW010150	PHOTO REFLECTION SENSOR:ORIGINAL TRAY	U003	60
AW010151	PHOTO REFLECTION SENSOR:PS122TL1-A	U003	61
		U003_S012	61
		U006_S002	136
		U006_S003	136
		U006_S004	136
		U007	64
AW010160	ORIGINAL SENSOR:48MM:5V	U004	20
AW010169	REFLECTION PHOTO SENSOR:DUPLIX	U014_S001	78
AW020163	PAPER FEED SENSOR	U006	137
		U006_S008	137
		U006_S010	137

Number	Part Name	Group	ID
		U006_S012	137
		U006_S014	137
AW020190	PHOTOINTERRUPTOR	U003	62
AW020198	PHOTOINTERRUPTOR:LG2A14NL1	U003	63
		U006_S002	138
		U006_S003	138
		U006_S004	138
		U011	13
AW020203	PHOTOINTERRUPTOR:GP1A173LCS2F	U003	64
		U006	139
		U006_S008	139
		U006_S009	139
		U006_S010	139
		U006_S011	139
		U006_S012	139
		U006_S013	139
		U006_S014	139
AW020207	PHOTOINTERRUPTOR:FLAT:PICH2MM:M4	U004	21
AW020219	PHOTOINTERRUPTOR:ACTUATOR:29.2MM	U014_S001	79
AW020221	PHOTOINTERRUPTOR:EXIT	U013	55
AW020224	PHOTOINTERRUPTOR:GP1A173LCSVF	U006_S007	140
		U007	65
		U010	34
		U012_S001	71
		U012_S001_S003	71
		U012_S002	71
		U012_S002_S003	71
		U012_S003	71
		U012_S003_S003	71
		U012_S004	71
		U012_S004_S003	71
		U012_S005	71
		U012_S005_S003	71
		U012_S006	71
		U012_S006_S003	71
		U012_S008	71

Exclusive Parts

Number	Part Name	Group	ID
		U013	56
		U014_S001	80
AW020248	PHOTOINTERRUPTOR:REVERSE:EXIT	U014_S001	81
AW100076	(D225):THERMISTOR:INNER BACK	U012_S007	72
AW100084	(D225):MIDDLE THERMISTOR	U012_S007	73
AW100169	THERMISTOR:ASS'Y	U011	14
		U017	32
AW100191	(D223,D224):THERMISTOR:FUSING:MIDDLE	U012_S001	74
		U012_S002	74
		U012_S003	74
		U012_S004	74
		U012_S005	74
		U012_S006	74
AW100192	(D223,D224):THERMISTOR:FUSING:INNER BACK	U012_S001	75
		U012_S002	75
		U012_S003	75
		U012_S004	75
		U012_S005	75
		U012_S006	75
AW110040	(D223,D224):THERMOSTAT - 192C	U012_S001	76
		U012_S002	76
		U012_S003	76
		U012_S004	76
		U012_S005	76
		U012_S006	76
AW110052	(D223,D224):THERMOSTAT:211C	U012_S001	77
		U012_S002	77
		U012_S003	77
		U012_S004	77
		U012_S005	77
		U012_S006	77
AW110082	(D225):THERMOSTAT:190C	U012_S007	78
AW110083	(D225):THERMOSTAT:193C	U012_S007	79
AW200010	PAPER FEED SENSOR	U012_S001	80
		U012_S002	80
		U012_S003	80
		U012_S004	80

Number	Part Name	Group	ID
		U012_S005	80
		U012_S006	80
		U012_S007	80
AW230046	DENSITY SENSOR:DEVELOPMENT:24V	U009_S004	54
AW500010	PUSH SWITCH	U006	141
AW500045	PUSH SWITCH	U011	15
AX040199	DC MOTOR:RISING TRAY:ASS'Y	U003_S010	65
		U006_S025	142
		U006_S026	142
AX040293	DC MOTOR:CLEANER:ASS'Y:0.7W:BRUSH	U012_S001_S003	81
		U012_S002_S003	81
		U012_S003_S003	81
		U012_S004_S003	81
		U012_S005_S003	81
		U012_S006_S003	81
		U012_S008	81
AX040294	DC MOTOR:CLEANER:0.46W:BRUSH	U008_S002	63
AX210107	ELECTROMAGNETIC CLUTCH:0.49N:36Z	U007	66
AX400176	(NA(D223(120V),D224(120V))/TWN(D223,D224)):HEATER:115V:18W:UPPER	U006_S030	143
		U006_S031	143
AX400178	(NA(D223(220-240V),D224(220-240V),D225)/EU/AA/CHN/TWN(D225)):HEATER:240V:18W:UPPER	U006	144
		U006_S029	144
AX440442	(NA(D223(120V),D224(120V))):HEATER:120V:650W	U012_S002	82
AX440443	(NA(D223(120V),D224(120V))):HEATER:120V:550W	U012_S002	83
AX440444	(NA(D223(120V),D224(120V))):HEATER:120V:280W:AUXILIARY	U012_S002	84
AX440445	(D223,D224):(NA(220-240V))/EU/AA/CHN):HEATER:230V:650W	U012_S003	85
		U012_S004	85
		U012_S005	85
		U012_S006	85
AX440446	(D223,D224):(NA(220-240V))/EU/AA	U012_S003	86

Exclusive Parts

Number	Part Name	Group	ID
	/CHN):HEATER:230V:550W	U012_S004	86
		U012_S005	86
		U012_S006	86
AX440447	(D223,D224):(NA(220-240V))/EU/AA /CHN):HEATER:230V:280W:AUXILI ARY	U012_S003	87
		U012_S004	87
		U012_S005	87
		U012_S006	87
AX440448	(D223,D224):(TWN):HEATER:110V: 650W	U012_S001	88
AX440449	(D223,D224):(TWN):HEATER:110V: 550W	U012_S001	89
AX440450	(D223,D224):(TWN):HEATER:110V: 280W:AUXILIARY	U012_S001	90
AX440453	(D225):HEATER:220V:700W	U012_S007	91
AX440454	(D225):HEATER:220V:600W	U012_S007	92
AX640219	DC FAN MOTOR:DC24V:MM60:25M M	U006	145
		U016	33
		U017	33
AX640221	FAN:SIROCCO:DC24V:50MM	U013	57
AX640231	DC FAN MOTOR:AXIAL:MM80:25M M	U017	34
AX640237	DC FAN MOTOR:MM80:25MM:24V	U017	35
AX640238	DC FAN MOTOR:MM60	U001	22
AX650054	DC FAN MOTOR:SIROCCO:DC24V: PWM	U017_S001	36
		U017_S002	36
AZ240278	(NA(D223(120V),D224(120V))/TWN(D223,D224)):DC POWER SUPPLY: 450W	U006	146
AZ240280	(NA(D223(220-240V),D224(220-240 V),D225)/EU/AA/CHN/TWN(D225)): DC POWER SUPPLY:450W	U006	147
AZ300068	POWER PACK:B	U016	34
AZ320219	POWER PACK:CG	U016	35
AZ320220	POWER PACK:T	U010_S002	35
		U010_S003	35
B0434645	SPRING - 2N	U003_S012	66
B0649500	Test Chart for CIS	SPECIAL TOOLS	6
B0651092	BRACKET	U017	37

Number	Part Name	Group	ID
B0651131	JOINT	U015	40
B0651134	PARTITION PLATE	U015	41
B0651137	BRACKET	U015	42
B0651147	TRANSFER DRIVE BRACKET	U015	43
B0651160	TONER RECYCLING TIGHTENER	U015	44
B0651167	DUPLEX DRIVE JOINT	U015	45
B0651168	FUSING DRIVE BRACKET	U015	46
B0651185	DUCT - CHARGE	U017_S003	38
B0651197	MAGNET CATCH BRACKET	U017	39
B0651374	CLOTH - DF EXPOSURE GLASS	ACCESSORIES	14
B0651844	GROUNDING PLATE	U016	36
B0651957	SHIELD GLASS COVER	U008	64
B0652316	FRONT BLADE SEAL	U008_S003	65
B0652317	REAR BLADE SEAL	U008_S003	66
B0652336	PICKOFF PAWL:DRUM:ASS'Y	U008_S003_S001	67
B0652337	PICK-OFF PAWL HOLDER	U008_S003_S001	68
B0652358	BRACKET GROUNDING BRACKET	U008_S003	69
B0652361	ENTRANCE SEAL HOLDER	U008_S003	70
B0652364	PICK-OFF PAWL POSITIONING PL ATE	U008_S003	71
B0652369	GROUNDING PLATE - ENTRANCE SEAL	U008_S003	72
B0652381	GROUNDING PLATE	U008_S003	73
B0652386	MIDDLE PCU CASING	U008_S003	74
B0652392	RECEPTACLE	U008_S001	75
B0652426	PRESSURE RELEASE LEVER	U008_S003	76
B0652427	CAM - BLADE	U008_S003	77
B0652428	AGITATOR GEAR	U008_S003	78
B0652481	GRID RECEPTACLE TERMINAL	U016	37
B0652482	CHARGE RECEPTACLE TERMINAL	U016	38
B0652607	FRONT SUPPORT PLATE	U007	67
B0652620	PAPER DUST REMOVAL CASE	U007	68
B0652621	SENSOR BRACKET	U007	69
B0652708	MIDDLE SENSOR BRACKET	U007	70
B0652709	REVERSE PRESSURE LEVER	U007	71
B0652723	SHEET - MANUAL FEED GUIDE PL ATE	U007_S002	72
B0652729	PAPER END FEELER	U007	73

Exclusive Parts

Number	Part Name	Group	ID
B0652741	SENSOR BRACKET	U007_S005	74
B0652743	FRONT SHAFT - BY-PASS	U007	75
B0653062	DEVELOPMENT ROLLER	U009_S004	55
B0653069	BUSHING - 8MM	U009_S004	56
B0653071	DEVELOPMENT KNOB	U009_S004	57
B0653073	GEAR - 31Z	U009_S004	58
B0653076	GEAR - 41Z	U009_S004	59
B0653077	DEVELOPMENT ROLLER ADJUST ER	U009_S004	60
B0653079	BALL BEARING BRACKET	U009_S004	61
B0653081	GEAR - 21Z	U009_S004	62
B0653082	DEVELOPMENT BIAS PLATE	U009_S004	63
B0653095	DEVELOPMENT GUIDE RAIL	U009_S004	64
B0653096	GEAR - 20Z	U009_S004	65
B0653098	GEAR - 17Z	U009_S004	66
B0653108	(D223,D224):FILTER PLATE	U009	67
B0653122	TONER SEPARATION JOINT SEAL	U009_S005	68
		U009_S006	68
B0653123	REAR TONER SEPARATION JOINT SEAL	U009_S005	69
		U009_S006	69
B0653125	TONER SEPARATION DRIVE SHAF T	U009_S005	70
		U009_S006	70
B0653138	IDLE GEAR	U009_S005	71
		U009_S006	71
B0653139	TONER COLLECTION GEAR	U009_S005	72
		U009_S006	72
B0653140	UPPER COVER	U009_S005	73
		U009_S006	73
B0653141	EXIT TONER PILE	U009_S005	74
		U009_S006	74
B0653142	TONER SEPARATION SHUTTER	U009_S005	75
		U009_S006	75
B0653143	TONER SEPARATION SPRING	U009_S005	76
		U009_S006	76
B0653146	NUT	U009_S005	77
		U009_S006	77
B0653151	LOWER RIGHT CASE SEAL	U009_S005	78
		U009_S006	78

Number	Part Name	Group	ID
B0653152	LOWER FRONT CASE SEAL - REA R	U009_S005	79
		U009_S006	79
B0653153	LOWER FILTER CASE FILTER	U009_S005	80
		U009_S006	80
B0653258	DEVELOPMENT DRUM STAY	U009	81
B0653262	ELECTRODE PLATE	U015	47
B0653266	TONER BOTTLE CAM	U009	82
B0653267	INNER BACK CAM	U009	83
B0653306	GEAR:TONER BOTTLE:ASS'Y	U009_S001	84
B0653309	TONER BOTTLE DRIVE BRACKET	U009_S001	85
B0653557	TONER CATCHPAN	U011	16
B0653561	SPRING	U011	17
B0653566	TONER RECEIVING SPRING	U011	18
B0653568	CASE CAP	U011	19
B0653573	TONER CORRECTION AGITATOR	U011	20
B0653581	BUSHING	U011	21
B0653583	SPRING GUIDE	U011	22
B0653585	SCREW GEAR	U011	23
B0653586	SCREW GEAR	U011	24
B0653587	TONER COLLECTION GEAR	U011	25
B0653588	TONER COLLECTION IDLE GEAR	U011	26
B0653601	TONER COLLECTION PIPE	U011	27
B0653610	TONER COLLECTION SHAFT	U011	28
B0653629	TONER SEPARATION CASE	U011	29
B0653636	TONER COLLECTION SEAL	U011	30
B0653637	SEAL - 40X68	U011	31
B0653645	GEAR - 22Z	U011	32
B0653649	TONER COLLECTION CASE - TRA NSPORT	U011	33
B0653650	TONER COLLECTION JOINT	U011	34
B0653654	TONER COLLECTION CAP	U011	35
B0653660	PULLEY	U011	36
B0653689	TONER COLLECTION BOTTLE BR ACKET	U011	37
B0653695	BOTTLE GUIDE	U011	38
B0653818	TRANSFER UNIT GUIDE PLATE	U010	36
B0653831	RELEASE POSITIONING PLATE	U010	37
B0653868	PRESSURE ARM	U010_S002	38

Exclusive Parts

Number	Part Name	Group	ID
		U010_S003	38
B0653872	TRANSFER UNIT JOINT	U010_S002	39
		U010_S003	39
B0653873	TONER COLLECTION GEAR	U010_S002	40
		U010_S003	40
B0653874	ELECTRODE PLATE	U010_S002	41
		U010_S003	41
B0653875	TERMINAL	U010_S002	42
		U010_S003	42
B0653878	BIAS TERMINAL	U010_S002	43
		U010_S003	43
B0653918	TONER COLLECTION GEAR COIL	U010_S002	44
		U010_S003	44
B0653920	IDLE GEAR - 1	U010_S002	45
		U010_S003	45
B0653921	IDLE GEAR - 2	U010_S002	46
		U010_S003	46
B0653922	ELECTRODE PLATE COVER	U010_S002	47
		U010_S003	47
B0653928	CLEANING ROLLER TERMINAL	U010_S002	48
		U010_S003	48
B0653955	ENTRANCE GUIDE PLATE	U010_S002	49
		U010_S003	49
B0653962	SPRING PLATE	U010_S002	50
		U010_S003	50
B0653963	LEVER	U010_S002	51
		U010_S003	51
B0653964	BUSHING	U010_S002	52
		U010_S003	52
B0654116	(D225):LOWER FUSING COVER	U012_S007	93
B0654124	(D225):FRONT HEATER HOLDER	U012_S007	94
B0654129	SHEET:FIBER:SIDE PLATE	U012_S001	95
		U012_S002	95
		U012_S003	95
		U012_S004	95
		U012_S005	95
		U012_S006	95
		U012_S007	95

Number	Part Name	Group	ID
B0654130	(D225):THERMOSTAT HOUSING - MIDDLE	U012_S007	96
B0654132	(D225):MIDDLE THERMISTOR COVER	U012_S007	97
B0654135	(D225):LOWER FUSING ENTRANCE PLATE - 240V	U012_S007	98
B0654138	SIDE PLATE COVER	U012_S001	99
		U012_S002	99
		U012_S003	99
		U012_S004	99
		U012_S005	99
		U012_S006	99
		U012_S007	99
B0654139	SWITCH HOLDER	U012_S001	100
		U012_S002	100
		U012_S003	100
		U012_S004	100
		U012_S005	100
		U012_S006	100
		U012_S007	100
B0654140	(D225):LOWER GUIDE PLATE - EXIT	U012_S007	101
B0654141	SPRING PLATE - SWITCH	U012_S001	102
		U012_S002	102
		U012_S003	102
		U012_S004	102
		U012_S005	102
		U012_S006	102
		U012_S007	102
B0654154	REAR FUSING PLATE	U012	103
B0654157	(D225):CONNECTOR BRACKET	U012_S007	104
B0654159	(D225):HARNESS HOLDER	U012_S007	105
B0654160	(D225):CLEANING ROLLER GUIDE PLATE	U012_S007	106
B0654161	(D225):LEFT SUPPORT BRACKET	U012_S007	107
B0654164	(D225):RIGHT SUPPORT BRACKET	U012_S007	108
B0654170	(D225):REAR HEATER HOLDER	U012_S007	109
B0654177	(D225):FRONT PRESSURE LEVER	U012_S007	110

Exclusive Parts

Number	Part Name	Group	ID
B0654178	(D225):REAR PRESSURE LEVER	U012_S007	111
B0654180	(D225):SPACER - 16MM	U012_S007	112
B0654188	FRONT LOCK PAWL	U012_S001_S002	113
		U012_S002_S002	113
		U012_S003_S002	113
		U012_S004_S002	113
		U012_S005_S002	113
		U012_S006_S002	113
		U012_S007_S001	113
		B0654189	REAR LOCK PAWL
U012_S002_S002	114		
U012_S003_S002	114		
U012_S004_S002	114		
U012_S005_S002	114		
U012_S006_S002	114		
U012_S007_S001	114		
B0654211	PRESSURE ROLLER GEAR	U012_S001_S003	115
		U012_S002_S003	115
		U012_S003_S003	115
		U012_S004_S003	115
		U012_S005_S003	115
		U012_S006_S003	115
B0654217	(D225):WEB BRACKET	U012_S008	116
		U012_S008	117
B0654219	(D225):WEB END FEELER	U012_S008	117
B0654221	FEELER SPRING	U012_S001_S003	118
		U012_S002_S003	118
		U012_S003_S003	118
		U012_S004_S003	118
		U012_S005_S003	118
		U012_S006_S003	118
		U012_S008	118
		B0654222	GEAR - 37Z
U012_S002_S003	119		
U012_S003_S003	119		
U012_S004_S003	119		
U012_S005_S003	119		
U012_S006_S003	119		

Number	Part Name	Group	ID
		U012_S008	119
B0654223	MOTOR GEAR	U012_S001_S003	120
		U012_S002_S003	120
		U012_S003_S003	120
		U012_S004_S003	120
		U012_S005_S003	120
		U012_S006_S003	120
		U012_S008	120
		B0654231	WEB COVER
U012_S002_S003	121		
U012_S003_S003	121		
U012_S004_S003	121		
U012_S005_S003	121		
U012_S006_S003	121		
U012_S008	121		
B0654234	(D225):STOPPER GEAR	U012_S008	122
B0654235	(D225):WEB IDLE GEAR	U012_S008	123
B0654238	GEAR - 50Z	U012_S001_S003	124
		U012_S002_S003	124
		U012_S003_S003	124
		U012_S004_S003	124
		U012_S005_S003	124
		U012_S006_S003	124
		U012_S008	124
		B0654241	GEAR
U012_S002_S003	125		
U012_S003_S003	125		
U012_S004_S003	125		
U012_S005_S003	125		
U012_S006_S003	125		
U012_S008	125		
B0654244	(D225):GEAR - 23Z		
B0654247	BRAKE PAD	U012_S001_S003	127
		U012_S002_S003	127
		U012_S003_S003	127
		U012_S004_S003	127
		U012_S005_S003	127
		U012_S006_S003	127

Exclusive Parts

Number	Part Name	Group	ID
		U012_S008	127
B0654251	(D225):POSITIONING PLATE - WEB UNIT	U012_S008	128
B0654254	LOWER ENTRANCE GUIDE PLATE	U013	58
B0654262	LOCK LEVER BRACKET	U013	59
B0654317	IDLE PULLEY - 11MM	U013	60
		U013_S001	60
B0654358	PAPER FEED SENSOR BRACKET	U013	61
B0654359	GRIP SUPPORTER	U013	62
B0654360	SPRING PLATE	U013	63
B0654374	EXIT ENTRANCE SENSOR BRACKET	U013	64
B0654390	(D225):FUSING EXITGUIDE PLATE	U012_S007_S001	129
B0654397	RELEASE SLIDER	U012_S001_S002	130
		U012_S002_S002	130
		U012_S003_S002	130
		U012_S004_S002	130
		U012_S005_S002	130
		U012_S006_S002	130
		U012_S007_S001	130
B0654398	SLIDER COVER	U012_S001_S002	131
		U012_S002_S002	131
		U012_S003_S002	131
		U012_S004_S002	131
		U012_S005_S002	131
		U012_S006_S002	131
		U012_S007_S001	131
B0654413	EXIT GATE PAWL	U013	65
B0654424	EXIT ARM PAD	U013	66
B0654441	EXIT DRUM STAY	U013	67
B0654453	MIDDLE EXIT GUIDE PLATE	U013	68
B0654459	REAR HARNESS BRACKET	U013	69
B0654460	(D225):FRONT HARNESS BRACKET	U013	70
B0654627	FRONT SIDE PLATE	U014_S001	82
B0654632	JOINT HOLDER	U014_S001	83
B0654644	SENSOR BRACKET	U014_S001	84
B0654647	INVERTOR LEVER	U014_S001	85

Number	Part Name	Group	ID
B0654648	LEVER CAM	U014	86
B0654671	DUPLEX LOCK ARM	U014_S001	87
B0654672	RELEASE LEVER BRACKET	U014_S001	88
B0654675	DUPLEX RELEASE BRACKET	U014_S001	89
B0654681	FRONT JOGGER FENCE	U014_S001	90
B0654682	REAR JOGGER FENCE	U014_S001	91
B0654683	SPRING PLATE - REAR JOGGER FENCE	U014_S001	92
B0654692	FRONT JOGGER FENCE SLIDER	U014_S001	93
B0654693	REAR JOGGER FENCE SLIDER	U014_S001	94
B0654694	JOGGER GUIDE ROD	U014_S001	95
B0654696	JOGGER MOTOR BRACKET	U014_S001	96
B0654699	JOGGER H.P. SENSOR BRACKET	U014_S001	97
B0654715	EXIT REVERSE SENSOR BRACKET	U014_S001	98
B0654720	LEFT DUPLEX TABLE	U014_S001	99
B0654725	RIGHT DUPLEX BRACKET	U014_S001	100
B0654726	RIGHT GUIDE TABLE	U014_S001	101
B0654727	RIGHT SENSOR BRACKET	U014_S001	102
B0654728	SPRING PLATE - RIGHT TABLE GUIDE	U014_S001	103
B0654731	SPRING PLATE - DRIVEN ROLLER	U014_S001	104
B0654738	GATE PAWL CUSHION	U014_S001	105
B0654790	DRAWER BRACKET - 32P	U014_S001	106
B0654830	HOLDER BRACKET	U014	107
B0654865	SPACER	U014_S001	108
B0654987	UPPER DUPLEX STAY	U014_S001	109
B0655041	SAFETY SWITCH LEVER	U016	39
B0655804	CHARGE POWER PACK BRACKET	U016	40
B0655807	FINISHER CABLE BRACKET	U016	41
B0655816	SAFETY SWITCH HARNESS COVER	U016	42
B0655817	SLIDE RAIL COVER	U016	43
B0655899	BUSHING	U017	40
B0656122	MICRO SWITCHBRACKET	U006	148
B0656136	TRAY LOCK ARM	U006	149
B0656350	PICK-UP GEAR COVER	U006_S002	150
		U006_S003	150

Exclusive Parts

Number	Part Name	Group	ID
		U006_S004	150
B0656357	PICK-UP ARM	U006_S002	151
		U006_S003	151
		U006_S004	151
B0656358	PAPER FEED SENSOR BRACKET	U006_S002	152
		U006_S003	152
		U006_S004	152
B0656427	RELEASE LEVER - VERTICAL TRANSPORT	U006_S001	153
B0656445	FEED LEVER	U006_S002	154
		U006_S003	154
		U006_S004	154
		U007	76
B0656526	LIFT LEVER	U006_S005	155
		U006_S006	155
B0656588	RIGHT SUPPORT PLATE	U006	156
B0656589	LEFT SUPPORT PLATE	U006	157
B0656712	(NA(D223(220-240V),D224(220-240V))/EU/AA/CHN/TWN):END FENCE GUIDE	U006	158
		U006_S009	158
		U006_S011	158
		U006_S013	158
B0656717	PAPER VOLUME SHIELD PLATE	U006	159
		U006_S007	159
		U006_S009	159
		U006_S011	159
		U006_S013	159
B0656743	RIGHT BRACKET	U006	160
		U006_S007	160
		U006_S009	160
		U006_S011	160
		U006_S013	160
B0656767	RIGHT CONNECTING BRACKET	U006	161
B0656769	LOCK ARM	U006	162
B0656774	SLIDE BRACKET	U006	163
B0656823	TIMING BELT COVER	U006	164
		U006_S008	164
		U006_S010	164
		U006_S012	164

Number	Part Name	Group	ID
		U006_S014	164
B0656830	PULLEY BRACKET	U006	165
		U006_S008	165
		U006_S010	165
		U006_S012	165
		U006_S014	165
B0656831	SENSOR BRACKET	U006	166
		U006_S008	166
		U006_S010	166
		U006_S012	166
B0656862	LARGE LEVER	U006	167
		U006_S007	167
		U006_S009	167
		U006_S011	167
B0656864	SMALL LEVER	U006	168
		U006_S007	168
		U006_S009	168
		U006_S011	168
B0656870	STAY -RIGHTBASE	U006	169
		U006_S007	169
		U006_S009	169
		U006_S011	169
		U006_S013	169
B0656872	OIL DAMPER BRACKET	U006	170
		U006_S007	170
		U006_S009	170
		U006_S011	170
		U006_S013	170
B0656875	PROTECTION -INNER COVER	U006_S007_S003	171
		U006_S009_S003	171
		U006_S011_S003	171
		U006_S013_S003	171
		U006_S016	171
B0656884	DETECTOR BRACKET	U006_S021	171
		U006	172

Exclusive Parts

Number	Part Name	Group	ID
		U006_S007	172
		U006_S009	172
		U006_S011	172
		U006_S013	172
B0702364	CHARGE CORONA WIRE	U008_S002	79
B0702365	CLEANER MOTOR COVER	U008_S002	80
B0706683	LEVER:RELEASE:FRONT	U006	173
		U006_S007	173
		U006_S009	173
		U006_S011	173
		U006_S013	173
B0706684	LEVER:RELEASE:REAR	U006	174
		U006_S007	174
		U006_S009	174
		U006_S011	174
		U006_S013	174
B0983492	GEAR:MANUAL FEED TABLE	U007_S005	77
B0986640	TRAY BOTTOM PLATE:LEFT FRONT	U006	175
		U006_S008	175
		U006_S010	175
		U006_S012	175
		U006_S014	175
B0986642	TRAY BOTTOM PLATE:LEFT REAR	U006	176
		U006_S008	176
		U006_S010	176
		U006_S012	176
		U006_S014	176
B0986647	END FENCE:AUXILIARY	U006	177
		U006_S008	177
		U006_S010	177
		U006_S012	177
		U006_S014	177
B0986649	COVER:REAR:TANDEM LCT:ASS'Y	U006_S008_S002	178
		U006_S010_S002	178
		U006_S012_S002	178
		U006_S014_S002	178
		U006_S019	178
		U006_S024	178

Number	Part Name	Group	ID
B0986693	SHIELD:FRAME:PAPER BANK:UPPER	U006	179
B0986736	SIDE FENCE:TANDEM LCT:RIGHT FRONT	U006_S007_S004	180
		U006_S009_S004	180
		U006_S011_S004	180
		U006_S013_S004	180
		U006_S017	180
		U006_S022	180
B0986737	SIDE FENCE:TANDEM LCT:RIGHT FRONT	U006_S007_S004	181
		U006_S009_S004	181
		U006_S011_S004	181
		U006_S013_S004	181
		U006_S017	181
B0986739	SUPPORTING PLATE:TANDEM:RIGHT REAR	U006_S007_S001	182
		U006_S009_S001	182
		U006_S011_S001	182
		U006_S013_S001	182
		U006_S015	182
B1015993	INTERFACE PANEL	U016	44
B1103777	COVER TEMPERATURE & HUMIDITY SENSOR	U011	39
B1104223	(D223,D224):ELECTRODE PLATE:THERMOSTAT:COUPLING	U012_S001	132
		U012_S002	132
		U012_S003	132
		U012_S004	132
		U012_S005	132
		U012_S006	132
B1104231	(D225):BRACKET:THERMISTOR:INNER BACK	U012_S007	133
B1321226	HOLDER:STAND	ACCESSORIES	15
B1321463	HINGE SHAFT	U001	23
B1321526	DOOR CATCH	U001	24
B1324650	STEPPER MOTOR:JOGGER:ASS'Y	U014_S001	110
B1326726	BRACKET:ARM:ASS'Y	U006	183
B1326791	PLATE:SIDE FENCE	U006_S005_S002	184
		U006_S006_S002	184

Exclusive Parts

Number	Part Name	Group	ID
B1326797	SIDE FENCE:REAR:AUXILIARY	U006_S005	185
		U006_S006	185
B1326798	SPRING PLATE:PAPER TRAY:EAR TH	U006_S005	186
		U006_S006	186
B1327564	SLIDER:BACK FENCE:LEFT	U006	187
		U006_S008	187
		U006_S010	187
		U006_S012	187
		U006_S014	187
B1401173	FUSING DRIVE SUB-UNIT JOINT	U015	48
B1402291	BUSHING:SCREW SHAFT:REAR	U008_S002	81
B1402382	PRE-TRANSFER LAMP CASE ASS'Y	U008_S003	82
B1402421	PRE-TRANSFER LAMP HARNESS PLATE	U008_S003	83
B1402614	UPPER FRONT REGISTRATION GUIDE	U007	78
B1402622	LOWER FRONT REGISTRATION GUIDE	U007	79
B1402647	OPEN AND CLOSE GUIDE ASS'Y	U007	80
B1402665	PAPER BANK GUIDE PLATE ASS'Y	U007	81
B1402671	EXIT DUPLEX GUIDE ASS'Y	U007	82
B1402673	OPEN AND CLOSE OPTION TRAY EXIT GUIDE	U007	83
B1402675	OPTION TRAY GUIDE ASS'Y	U007	84
B1404112	(D223,D224):RIGHT FUSING STAY	U012_S001	134
		U012_S002	134
		U012_S003	134
		U012_S004	134
		U012_S005	134
		U012_S006	134
B1404113	BRACKET:COVER:CONNECTOR:ASS'Y	U012_S001	135
		U012_S002	135
		U012_S003	135
		U012_S004	135
		U012_S005	135
		U012_S006	135
		U012_S007	135

Number	Part Name	Group	ID
B1404140	(D223,D224):LOWER FUSING EXIT GUIDE	U012_S001	136
		U012_S002	136
		U012_S003	136
		U012_S004	136
		U012_S005	136
		U012_S006	136
B1404141	(D223,D224):FUSING EXIT ROLLER HOLDER	U012_S001_S002	137
		U012_S002_S002	137
		U012_S003_S002	137
		U012_S004_S002	137
		U012_S005_S002	137
		U012_S006_S002	137
B1404145	(D223,D224):BRACKET:THERMOSTAT	U012_S001	138
		U012_S002	138
		U012_S003	138
		U012_S004	138
		U012_S005	138
		U012_S006	138
B1404159	(D223,D224):HARNESS PLATE	U012_S001	139
		U012_S002	139
		U012_S003	139
		U012_S004	139
		U012_S005	139
		U012_S006	139
B1404167	(D223,D224):CONNECTOR COVER BRACKET	U012_S001	140
		U012_S002	140
		U012_S003	140
		U012_S004	140
		U012_S005	140
		U012_S006	140
B1404169	(D223,D224):THERMOSTAT ELECTRODE PLATE	U012_S001	141
		U012_S002	141
		U012_S003	141
		U012_S004	141
		U012_S005	141
		U012_S006	141
B1404170	(D223,D224):REAR HEATER HOLDER	U012_S001	142
		U012_S002	142

Exclusive Parts

Number	Part Name	Group	ID
		U012_S003	142
		U012_S004	142
		U012_S005	142
		U012_S006	142
B1404171	(D223,D224):FRONT HEATER HOLDER	U012_S001	143
		U012_S002	143
		U012_S003	143
		U012_S004	143
		U012_S005	143
		U012_S006	143
B1404174	(D223,D224):GRIP:FUSING UNIT:FRONT:ASS'Y	U012_S001	144
		U012_S002	144
		U012_S003	144
		U012_S004	144
		U012_S005	144
		U012_S006	144
B1404179	(D223,D224):PLATE:THERMISTOR	U012_S001	145
		U012_S002	145
		U012_S003	145
		U012_S004	145
		U012_S005	145
		U012_S006	145
B1404187	(D223,D224):CLEANING UNIT DRIVE POSITIONING PLATE	U012_S001_S003	146
		U012_S002_S003	146
		U012_S003_S003	146
		U012_S004_S003	146
		U012_S005_S003	146
		U012_S006_S003	146
B1404193	(D223,D224):CLEANING UNIT COVER	U012_S001_S003	147
		U012_S002_S003	147
		U012_S003_S003	147
		U012_S004_S003	147
		U012_S005_S003	147
		U012_S006_S003	147
B1404195	(D223,D224):FEELER:OIL END SENSOR	U012_S001_S003	148
		U012_S002_S003	148
		U012_S003_S003	148
		U012_S004_S003	148

Number	Part Name	Group	ID
		U012_S005_S003	148
		U012_S006_S003	148
B1404198	(D223,D224):FUSING CLEANING ROLLER BRACKET	U012_S001	149
		U012_S002	149
		U012_S003	149
		U012_S004	149
		U012_S005	149
		U012_S006	149
B1404200	(D223,D224):PRESSURE CLEANING ROLLER SPRING	U012_S001	150
		U012_S002	150
		U012_S003	150
		U012_S004	150
		U012_S005	150
		U012_S006	150
B1404203	(D223,D224):LOWER FUSING COVER	U012_S001	151
		U012_S002	151
		U012_S003	151
		U012_S004	151
		U012_S005	151
		U012_S006	151
B1404205	(D223,D224):PRESSURE OIL SUPPLY ROLLER BRACKET	U012_S001	152
		U012_S002	152
		U012_S003	152
		U012_S004	152
		U012_S005	152
		U012_S006	152
B1404209	BRACKET:STOPPER:ASS'Y	U012_S001_S003	153
		U012_S002_S003	153
		U012_S003_S003	153
		U012_S004_S003	153
		U012_S005_S003	153
		U012_S006_S003	153
		U012_S008	153
B1404234	(D223,D224):UPPER FUSING EXIT GUIDE PLATE	U012_S001_S002	154
		U012_S002_S002	154
		U012_S003_S002	154
		U012_S004_S002	154
		U012_S005_S002	154

Exclusive Parts

Number	Part Name	Group	ID
		U012_S006_S002	154
B1404240	(D223,D224):BRACKET:GUIDE PLATE:FUSING EXIT:UPPER:ASS'Y	U012_S001_S002	155
		U012_S002_S002	155
		U012_S003_S002	155
		U012_S004_S002	155
		U012_S005_S002	155
		U012_S006_S002	155
B1404256	(D223,D224):PRESSURE RELEASE ECCENTRIC CAM	U012_S001	156
		U012_S002	156
		U012_S003	156
		U012_S004	156
		U012_S005	156
		U012_S006	156
B1404258	(D223,D224):SENSOR BRACKET ASS'Y	U012_S001	157
		U012_S002	157
		U012_S003	157
		U012_S004	157
		U012_S005	157
		U012_S006	157
B1404300	(D223,D224):PRESSURE TENSION SPRING	U013	71
B1404304	(D223,D224):GEAR - 21/35Z	U013	72
B1404306	(D223,D224):GEAR - 21/35Z	U013	73
B1404308	EFT REVERSE GUIDE PLATE ASS'Y	U013	74
B1404312	LEFT RISE GUIDE PLATE	U013	75
B1404313	EXHAUST COVER ASS'Y	U013	76
B1404320	(D223,D224):SENSOR FEELER	U012_S001	158
		U012_S002	158
		U012_S003	158
		U012_S004	158
		U012_S005	158
		U012_S006	158
B1404322	(D223,D224):GEAR - 21/33Z	U013	77
B1404329	(D223,D224):FRONT DRIVE BRACKET ASS'Y	U013	78
B1404336	(D223,D224):GEAR - IDLER WORM GEAR	U013	79

Number	Part Name	Group	ID
B1404474	(D223,D224):HEAT INSULATING PLATE BRACKET	U013	80
B1404640	UPPER ENTRANCE GUIDE PLATE ASS'Y	U014_S001	111
B1404710	UPPER TRANSPORT GUIDE PLATE ASS'Y	U014_S001	112
B1404800	EXIT DUPLEX GUIDE PLATE	U014_S001	113
B1406221	HEAT SINK:HEATER:LOWER:SUB-ASS'Y	U006_S029	188
		U006_S030	188
		U006_S031	188
B1406225	(NA(D223(120V),D224(120V))/TWN(D223,D224)):HEAT SINK:HEATER:LOWER:ASS'Y	U006_S030	189
		U006_S031	189
B1406226	(NA(D223(220-240V),D224(220-240V),D225)/EU/AA/CHN/TWN(D225)):HEAT SINK:HEATER:LOWER:ASS'Y	U006_S029	190
B1801743	SBU WASHER	U014_S001	114
B1816780	LINK:END FENCE:PAPER SIZE SENSOR:ASS'Y	U006_S005	191
		U006_S006	191
B1816789	LINK:SIDE FENCE:PAPER SIZE SENSOR	U006_S005	192
		U006_S006	192
B2342123	CUSHION - WIRE	U008_S002	84
B2342279	DENSITY SENSOR P	U008_S003	85
B2342864	PAD:CLEANER	U006_S005_S002	193
		U006_S005_S003	193
		U006_S006_S002	193
		U006_S006_S003	193
B2344846	CUSHION:GATE PAWL:SWITCHBACK	U014_S001	115
B2346690	PLATE:PAPER	U006_S007_S004_S001	194
		U006_S009_S004_S001	194
		U006_S011_S004_S001	194
		U006_S013_S004_S001	194

Exclusive Parts

Number	Part Name	Group	ID
		U006_S017_S001	194
		U006_S022_S001	194
B2469510	OPC DRUM	U008	86
B2471027	TENSION SPRING:7.75N	U015	49
B2471084	GUIDE PLATE:POSITIONING PIN:DU PLEX:ASS'Y	U017	41
B2471110	BRUSHLESS MOTOR DC24V/25W	U015_S001	50
B2471122	BRACKET:TIGHTENER:ASS'Y	U015	51
B2471149	JOINT:TRANSFER DRIVE:ASS'Y	U015	52
B2471154	ELECTRODE PLATE:DRUM SHAFT :ASS'Y	U015	53
B2471157	(D223,D224):BRACKET:TONER RE CYCLING:ASS'Y	U015	54
B2471166	SHAFT:DRIVE:DUPEX:ASS'Y	U015	55
B2472295	CUSHION - SPACER	U008_S002	87
B2472300	CASE:PCU:LOWER:ASS'Y	U008_S003_S004	88
B2472314	BRACKET:BLADE:ASS'Y	U008_S003	89
B2472322	AGITATOR:ASS'Y	U008_S003	90
B2472326	TONER COLLECTION COIL	U008_S003	91
B2472330	BRUSH ROLLER:CLEANING	U008_S003	92
B2472342	SHAFT:PICKOFF PAWL:SWIVEL	U008_S003	93
B2472344	BRACKET:IDLER:PICKOFF PAWL: ASS'Y	U008_S003	94
B2472353	BRACKET:SWIVEL:BLADE:ASS'Y	U008_S003	95
B2472366	SHAFT:BRUSH ROLLER:FRONT:A SS'Y	U008_S003_S002	96
B2472377	SHAFT:CONNECTING:TONER REC YCLING	U008_S003	97
B2472395	TONER RECYCLING ASS'Y	U008_S003_S003	98
B2472410	DRUM SHAFT KNOB	U008	99
B2472605	SIDE PLATE:PAPER FEED:FRONT: PEEN	U007	85
B2472611	LOWER REGISTRATION GUIDE	U007	86
B2472623	REGISTRATION ROLLER:UPPER:P RESS FIT	U007	87
B2472642	LOCK SHAFT	U007	88
B2472643	TRANSPORT ROLLER:RIGHT:DRIV EN:ASS'Y	U007	89

Number	Part Name	Group	ID
B2472644	REAR LOCK SPRING	U007	90
B2472669	EXIT ROLLER SPRING	U007	91
B2472678	DUPLEX EXIT ROLLER	U007	92
B2472699	STAY:REVERSE ROLLER:PEEN	U007	93
B2472702	FRICTION PAD - B	U007_S004	94
B2472754	BRACKET:TIGHTENER:PEEN	U007	95
B2473175	BUSHING 8X14X8	U009_S005	86
		U009_S006	86
B2473176	BOSS:BEARING:AGITATOR:PRES S FIT	U009_S005	87
		U009_S006	87
B2473258	TONER CATCHPAN BOTTLE	U009	88
B2473271	CONTACT POINT STAY - LOWER	U009	89
B2473273	CONTACT POINT STAY - UPPER	U009	90
B2473311	BRACKET:TURN:TONER BOTTLE: SUB-ASS'Y	U009_S001	91
B2473330	SPRING	U009_S001	92
B2473331	SCREW	U009_S001	93
B2473332	SHAFT:IDLER:DRIVE:TONER BOTT LE	U009_S001	94
B2473340	FILTER:DEVELOPMENT	U008_S003	100
B2473345	SHAFT:CHUCK	U009_S001	95
B2473570	TRANSPORT SCREW:DISCHARGE USED TONER:ASS'Y	U011	40
B2473590	SHAFT:IDLER:DISCHARGE USED TONER	U011	41
B2473604	SHAFT:DISCHARGE USED TONER :CLASSIFICATION:ASS'Y	U011	42
B2473609	SHAFT:DISCHARGE USED TONER :LONG:ASS'Y	U011	43
B2473641	TRANSPORT SCREW:DISCHARGE USED TONER:CLASSIFICATION:A SS'Y	U011	44
B2473652	SHIELDING PLATE:DISCHARGE U SED TONER:TRANSFER	U011	45
B2473670	TRANSPORT SCREW:USED TONE R:UNIT	U011	46
B2473720	TRANSPORT SCREW	U009_S005	96
		U009_S006	96

Exclusive Parts

Number	Part Name	Group	ID
B2473820	POSITIONING PLATE:TRANSFER UNIT:ASS'Y	U010	53
B2473866	DRIVE ROLLER	U010_S002	54
		U010_S003	54
B2473870	BIAS ROLLER	U010_S002	55
		U010_S003	55
B2473911	TONER COLLECTION COIL	U010_S002	56
		U010_S003	56
B2473914	AGITATOR	U010_S002	57
		U010_S003	57
B2473961	SHAFT - ON-OFF	U010_S002	58
		U010_S003	58
B2473965	LEVER SHAFT	U010_S002	59
		U010_S003	59
B2473980	ELECTRODE:BIAS	U010_S002	60
		U010_S003	60
B2474083	SHAFT:RELEASE:STRIPPER PAWLS	U012_S001_S002	159
		U012_S002_S002	159
		U012_S003_S002	159
		U012_S004_S002	159
		U012_S005_S002	159
		U012_S006_S002	159
B2474101	(D223,D224):SIDE PLATE:FUSING:FRONT:ASS'Y	U012_S001	160
		U012_S002	160
		U012_S003	160
		U012_S004	160
		U012_S005	160
		U012_S006	160
B2474105	(D223,D224):SIDE PLATE:FUSING:REAR:ASS'Y	U012_S001	161
		U012_S002	161
		U012_S003	161
		U012_S004	161
		U012_S005	161
		U012_S006	161
B2474128	(D223,D224):HOUSING:THERMOSTAT	U012_S001	162
		U012_S002	162
		U012_S003	162

Number	Part Name	Group	ID
		U012_S004	162
		U012_S005	162
		U012_S006	162
B2474131	LEVER:RELEASE:FRONT:ASS'Y	U012_S001	163
		U012_S002	163
		U012_S003	163
		U012_S004	163
		U012_S005	163
		U012_S006	163
		U012_S007	163
B2474147	LEVER:RELEASE:PRESSURE:REAR:ASS'Y	U012_S001	164
		U012_S002	164
		U012_S003	164
		U012_S004	164
		U012_S005	164
		U012_S006	164
		U012_S007	164
B2474231	(D223,D224):LEVER:REAR:ASS'Y	U012_S001	165
		U012_S002	165
		U012_S003	165
		U012_S004	165
		U012_S005	165
		U012_S006	165
B2474234	(D223,D224):GEAR:STOPPER:OIL SUPPLY ROLLER	U012_S001_S003	166
		U012_S002_S003	166
		U012_S003_S003	166
		U012_S004_S003	166
		U012_S005_S003	166
		U012_S006_S003	166
B2474235	(D223,D224):GEAR:IDLER:CLEANING UNIT	U012_S001_S003	167
		U012_S002_S003	167
		U012_S003_S003	167
		U012_S004_S003	167
		U012_S005_S003	167
		U012_S006_S003	167
B2474239	SHAFT:DRIVE:OIL SUPPLY ROLLER:ASS'Y	U012_S001_S003	168
		U012_S002_S003	168
		U012_S003_S003	168

Exclusive Parts

Number	Part Name	Group	ID
		U012_S004_S003	168
		U012_S005_S003	168
		U012_S006_S003	168
		U012_S008	168
B2474242	SHAFT:DRIVE:ROLLING:ASS'Y	U012_S001_S003	169
		U012_S002_S003	169
		U012_S003_S003	169
		U012_S004_S003	169
		U012_S005_S003	169
		U012_S006_S003	169
		U012_S008	169
B2474244	(D223,D224):GEAR:Z23:OIL SUPPLY ROLLER	U012_S001_S003	170
		U012_S002_S003	170
		U012_S003_S003	170
		U012_S004_S003	170
		U012_S005_S003	170
		U012_S006_S003	170
B2474247	SCREW:SLIDER	U012_S001_S002	171
		U012_S002_S002	171
		U012_S003_S002	171
		U012_S004_S002	171
		U012_S005_S002	171
		U012_S006_S002	171
		U012_S007_S001	171
B2474263	BRACKET:SHAFT:LOCK:ASS'Y	U013	81
B2474264	(D223,D224):GEAR:PRESSURE	U012_S001	172
		U012_S002	172
		U012_S003	172
		U012_S004	172
		U012_S005	172
		U012_S006	172
B2474302	(D223,D224):GEAR:IDLER:PRESSURE	U013_S002	82
B2474315	TIGHTENER:EXIT:ASS'Y	U013_S001	83
B2474317	(D223,D224):GEAR:SWIVEL:ASS'Y	U013_S002	84
B2474323	(D223,D224):LEVER:FRONT:ASS'Y	U012_S001_S001	173
		U012_S002_S001	173
		U012_S003_S001	173

Number	Part Name	Group	ID
		U012_S004_S001	173
		U012_S005_S001	173
		U012_S006_S001	173
B2474324	(D223,D224):STEPPER MOTOR DC 3.4V	U013	85
B2474361	SHAFT:GRIP:GUIDE PLATE	U013	86
B2474378	ROLLER:DECURA:DRIVEN:ASS'Y	U013	87
B2474381	SHAFT:CONTACT POINT:ASS'Y	U013	88
B2474400	BRACKET:SWIVEL:ASS'Y	U013	89
B2474403	LOCK SPRING	U013	90
B2474429	(D223,D224):SIDE PLATE:FRONT:EXIT	U013	91
B2474433	(D223,D224):SIDE PLATE:REAR:EXIT	U013	92
B2474438	(D223,D224):ROLLER:DECURA:ENTRANCE	U013	93
B2474439	(D223,D224):ROLLER:DECURA:EXIT	U013	94
B2474454	TENSION SPRING	U013	95
B2474456	SPRING - LOWER EXIT ROLLER	U013	96
B2474463	REVERSE ROLLER:DRIVE	U013	97
B2474487	WASHER:DIA6.3XDIA18X1	U013	98
B2474591	RIGHT DUPLEX RAIL	U014	116
B2474615	SPACER	U014_S001	117
B2474617	DISCHARGE BRUSH:DUPLEX	U014_S001	118
B2474620	SIDE PLATE:REAR:REVERSE UNIT:ASS'Y	U014_S001	119
B2474624	ROLLER:DRIVEN:DUPLEX	U014_S001	120
B2474645	GATE PAWL:REVERSE	U014_S001	121
B2474655	BRACKET:REVERSAL:DRIVEN:ASS'Y	U014_S001	122
B2474673	SHAFT:LEVER:RELEASE	U014_S001	123
B2474815	COMPRESSION SPRING	U014_S001	124
B2474816	TENSION SPRING	U014_S001	125
B2474818	REVERSE ROLLER:ENTRANCE	U014_S001	126
B2474820	BRACKET::JOGGER:ASS'Y	U014_S001	127
B2474835	RAIL:LEFT:MACHINE OR COPIER:ASS'Y	U014	128

Exclusive Parts

Number	Part Name	Group	ID
B2476174	BRACKET:POSITIONING:PAPER TRAY:ASS'Y	U006	195
B2476426	LEVER:RELEASE:VERTICAL TRANSPORT	U006_S001	196
B2476430	COVER:RELEASE:VERTICAL TRANSPORT	U006_S001	197
B2476624	BACK FENCE - LEFT	U006	198
		U006_S008	198
		U006_S010	198
		U006_S012	198
		U006_S014	198
B2476672	GUIDE:INTERLOCK:TANDEM LCT	U006	199
		U006_S007	199
		U006_S009	199
		U006_S011	199
		U006_S013	199
B2476694	PULLEY:DRIVE WERE:ASS'Y	U006	200
		U006_S007	200
		U006_S009	200
		U006_S011	200
		U006_S013	200
B2476695	GUIDE:MISFEED REMOVAL:PAPER TRAY	U006	201
		U006_S005	201
		U006_S006	201
		U006_S007	201
		U006_S009	201
		U006_S011	201
		U006_S013	201
B2476713	END FENCE - FRONT	U006	202
		U006_S007	202
		U006_S009	202
		U006_S011	202
		U006_S013	202
B2476714	END FENCE - REAR	U006	203
		U006_S007	203
		U006_S009	203
		U006_S011	203
		U006_S013	203

Number	Part Name	Group	ID
B2476738	SIDE FENCE:TANDEM LCT:RIGHT REAR	U006	204
		U006_S007	204
		U006_S009	204
		U006_S011	204
		U006_S013	204
B2476753	LOCK SPRING - LARGE	U006	205
B2476754	LOCK SPRING - SMALL	U006	206
B2476755	TENSION SPRING - 10N	U006	207
		U006_S008	207
		U006_S010	207
		U006_S012	207
		U006_S014	207
B2476783	BASE:SLIDE RAIL:NO.3:PEEN	U006	208
B2476792	BASE:SLIDE RAIL:TANDEM LCT:PEEN	U006	209
B2476811	SIDE PLATE:TANDEM LCT:RIGHT REAR:ASS'Y	U006	210
		U006_S007	210
		U006_S009	210
		U006_S011	210
		U006_S013	210
B2476901	OIL DAMPER:FALL	U006	211
		U006_S007	211
		U006_S009	211
		U006_S011	211
		U006_S013	211
B2476950	SHAFT:SLIDER:BACK FENCE	U006	212
		U006_S008	212
		U006_S010	212
		U006_S012	212
		U006_S014	212
B2476951	BRACKET:PULLEY:DRIVEN:ASS'Y	U006	213
		U006_S008	213
		U006_S010	213
		U006_S012	213
		U006_S014	213
B2476955	SIDE PLATE:TANDEM LCT:FRONT RIGHT:ASS'Y	U006	214
		U006_S007	214
		U006_S009	214

Exclusive Parts

Number	Part Name	Group	ID
		U006_S011	214
		U006_S013	214
B2478701	STAND:AUXILIARY:ASS'Y	ACCESSORIES	16
B2478706	ADJUSTING PIN:AUXILIARY	ACCESSORIES	17
B2478710	FLANGE:NUT:M12	ACCESSORIES	18
B3863320	SPRING:BELT:PAPER FEED:8N	U003_S009	67
B3871951	SPRING - PAPER SIZE SENSOR	U003	68
B3872113	ROLLER - PAPER FEED BELT	U003_S009	69
B4756855	SHIELD:TANDEM LCT:REAR RIGH T	U006_S007_S001	215
		U006_S009_S001	215
		U006_S011_S001	215
		U006_S013_S001	215
		U006_S015	215
		U006_S020	215
B4772227	PICKUP ROLLER:COUPLING	U003_S009	70
B4772622	DISCHARGE BRUSH:L11	U003_S012	71
B4774117	SPRING	U003_S012	72
B4774129	SPRING - 12N	U003	73
B4774131	SPRING	U003	74
B6455020	SD-CARD:SERVICE:1GB	SPECIAL TOOLS	7
B6521613	TIMING BELT:B60S2M212	U014_S001	129
B6522215	GUIDE:PAPER FEED BELT:FRONT	U003_S009	75
B6523174	TENSION SPRING	U003	76
B7003305	TIMING BELT:B40S2M152	U003	77
B7027210	TIMING BELT:B60S2M122	U014_S001	130
B7061859	SCREW:SLIDER:LOCK	U003	78
B7125605	GRIP:APPLICATION	U004	22
		U016	45
B7892114	PAPER FEED BELT ROLLER	U003_S009	79
B8022532	SPRING PLATE:SIDE FENCE	U003	80
B8022536	SLIDER:SIDE FENCE	U003	81
B8024711	SOUND PROOFING MATERIAL	U003_S011	82
		U003_S012_S001	82
B8024712	SOUND PROOFING MATERIAL:CO VER:REAR	U003_S011	83
		U003_S012_S001	83
B8041180	DISCHARGE BRUSH:PUNCH UNIT	U003	84
B8301135	SCREW	U003	85
B8353968	TIMING BELT - B60S2M126	U006	216

Number	Part Name	Group	ID
		U006_S002	216
		U006_S003	216
		U006_S004	216
B8722524	SPACER:DIA9	U003	86
D0092573	PULLEY - VERTICAL TRANSPORT	U006_S001	217
D0092574	PULLEY - IDLER	U006_S001	218
D0146780	TRAY BOTTOM PLATE:ASS'Y	U006_S005_S001	219
		U006_S006_S001	219
D0291749	PULLEY:PROTECTION	U004	23
D0292677	TRANSPORT BELT:DRIVEN:VERTI CAL TRANSPORT	U006_S001	220
D0392993	SHAFT:TRANSPORT BELT:PULLE Y	U006_S001	221
D0544135	(D223,D224):(TWN)FFUSING ENTR ANCE GUIDE PLATE:ASS'Y	U012_S001	174
D0544172	(D223,D224):RETAINING RINGS-C: HOT ROLLER	U012_S001	175
		U012_S002	175
		U012_S003	175
		U012_S004	175
		U012_S005	175
		U012_S006	175
D0544254	(D223,D224):SHAFT:TURN	U012_S001	176
		U012_S002	176
		U012_S003	176
		U012_S004	176
		U012_S005	176
		U012_S006	176
D0596153	SPRING PLATE:BRACKET:SENSO R:PAPER TRAY	U006	222
D0596591	SPRING:PAPER TRAY:LOCK	U006	223
D0596620	LEVER:COUPLING:LEFT	U006	224
		U006_S008	224
		U006_S010	224
		U006_S012	224
		U006_S014	224
D0596699	BRACKET:BASE:STOPPER:TANDE M LCT	U006	225
D0596742	BRACKET:RAIL:LEFT	U006	226

Exclusive Parts

Number	Part Name	Group	ID
D0596858	SCREW:M4X10	U006	227
D0621140	DRUM SHAFT:ASS'Y	U015	56
D0621145	BOSS:GEAR	U015	57
D0621198	BRACKET:DC FAN MOTOR:DUPL X	U017	42
D0621199	GUARD:FAN:MM80	U017	43
D0622388	SPRING PLATE:BRUSH ROLLER	U008_S003	101
D0622389	HOLDER:SPRING PLATE:BRUSH R OLLER	U008_S003	102
D0622425	GEAR:BRUSH ROLLER	U008_S003	103
D0622850	SPACER:SHAFT:RISE	U006	228
		U006_S007	228
		U006_S009	228
		U006_S011	228
		U006_S013	228
D0623099	SEAL:DRUM:FRONT	U009_S004	97
D0623100	SEAL:DRUM:REAR	U009_S004	98
D0623108	(D225):PLATE:FILTER	U009	99
D0623925	CLEANING ROLLER:TRANSFER B ELT:ASS'Y	U010_S002	61
		U010_S003	61
D0624131	(NA(D223(120V),D224(120V))):FUSI NG ENTRANCE GUIDE PLATE:ASS 'Y	U012_S002	177
D0624135	(D223,D224):(NA(220-240V)/EU/AA/ CHN):FUSING ENTRANCE GUIDE PLATE:LOWER:ASS'Y	U012_S003	178
		U012_S004	178
		U012_S005	178
		U012_S006	178
D0624174	(D225):GRIP:FUSING UNIT:FRONT: ASS'Y	U012_S007	179
D0624191	BUSHING:FRONT:OIL SUPPLY	U012_S001_S003	180
		U012_S002_S003	180
		U012_S003_S003	180
		U012_S004_S003	180
		U012_S005_S003	180
		U012_S006_S003	180
		U012_S008	180
D0624192	BUSHING:INNER BACK:OIL SUPPL Y	U012_S001_S003	181
		U012_S002_S003	181

Number	Part Name	Group	ID
		U012_S003_S003	181
		U012_S004_S003	181
		U012_S005_S003	181
		U012_S006_S003	181
		U012_S008	181
D0624207	SHAFT:PLATE:CLEANING FELT	U012_S001_S003	182
		U012_S002_S003	182
		U012_S003_S003	182
		U012_S004_S003	182
		U012_S005_S003	182
		U012_S006_S003	182
		U012_S008	182
D0624226	(D223,D224):BUSHING:OIL SUPPL Y	U012_S001	183
		U012_S002	183
		U012_S003	183
		U012_S004	183
		U012_S005	183
		U012_S006	183
D0624236	BUSHING:DIA6	U012_S001_S003	184
		U012_S002_S003	184
		U012_S003_S003	184
		U012_S004_S003	184
		U012_S005_S003	184
		U012_S006_S003	184
		U012_S008	184
D0624440	SLIDE RAIL:FUSING/PAPER EXIT UNIT:LEFT:ASS'Y	U013	99
D0624727	HOLDER:PRESSURE:GUIDE PLAT E	U014_S001	131
D0624730	GUIDE PLATE:TRANSPORT:LOWE R	U014_S001	132
D0624741	COMPRESSION SPRING:HOLDER: GUIDE PLATE	U014_S001	133
D0625325	(D225):BRUSHLESS MOTOR:DEVE LOPMENT UNIT:ASS'Y	U009	100
D0625817	HINGE:CONTROL UNIT	U016	46
D0625824	HINGE:CONTROL UNIT:MAIN:ASS' Y	U016	47

Exclusive Parts

Number	Part Name	Group	ID
D0626246	SLIDE RAIL:PAPER TRAY:LEFT:SU B-ASS'Y	U006	229
D0626256	SLIDE RAIL:TANDEM LCT:LEFT:AS S'Y	U006	230
D0626275	SLIDE RAIL:TANDEM LCT:RIGHT:A SS'Y	U006	231
D0626280	SLIDE RAIL:RIGHT:ASS'Y	U006	232
D0626433	SHAFT:STOPPER:PAPER TRAY	U006	233
D0626434	LINK:STOPPER:PAPER TRAY	U006	234
D0626435	ARM:STOPPER:PAPER TRAY:PEE N	U006	235
D0626438	ROLLER:STOPPER:PAPER TRAY	U006	236
D0626439	TORSION SPRING:STOPPER:PAP ER TRAY	U006	237
D0626441	SHAFT:GRIP:PAPER TRAY	U006	238
D0626442	ARM:GRIP:PAPER TRAY:LEFT:PEE N	U006	239
D0626447	ARM:GRIP:PAPER TRAY:RIGHT	U006	240
D0626449	TORSION SPRING:GRIP:PAPER T RAY	U006	241
D0626458	HOLDER:STOPPER:PAPER TRAY	U006	242
D0626524	SHAFT:RISE:TRAY BOTTOM PLAT E:PRESS FIT	U006_S005 U006_S006	243 243
D0626590	SPRING:TANDEM LCT:LOCK	U006	244
D0626610	BLOCK:POSITIONING:PAPER TRA Y	U006	245
D0626640	BRACKET:SENSOR:PAPER SIZE S ENSOR	U006	246
D0626646	INNER COVER:TANDEM LCT:LEFT	U006 U006_S008 U006_S010 U006_S012 U006_S014	247 247 247 247 247
D0626665	BRACKET:DC MOTOR:LEFT:PEEN	U006 U006_S008 U006_S010 U006_S012 U006_S014	248 248 248 248 248

Number	Part Name	Group	ID
D0626701	TORSION SPRING:STOPPER:TAN DEM LCT	U006	249
D0626702	STOPPER:TANDEM LCT	U006	250
D0626703	LINK:STOPPER:TANDEM LCT:PEE N	U006	251
D0626705	ARM:GRIP:TANDEM LCT:LEFT	U006	252
D0626706	SHAFT:GRIP:TANDEM LCT	U006	253
D0626707	BASE:STOPPER:TANDEM LCT:PE EN	U006	254
D0626713	ARM:GRIP:TANDEM LCT:RIGHT	U006	255
D0626715	TORSION SPRING:GRIP:TANDEM LCT	U006	256
D0626716	BRACKET:GRIP:TANDEM LCT:LEF T	U006	257
D0626717	BRACKET:GRIP:TANDEM LCT:RIG HT	U006	258
D0626777	BRACKET:LEVER:SLIDE:AUXILIAR Y	U006	259
D0626857	BRACKET:HOLDER:STOPPER:TAN DEM LCT	U006	260
D0626859	HOLDER:STOPPER:TANDEM LCT	U006	261
D0626958	SHAFT:DRIVE:TRAY BOTTOM PLA TE:RIGHT:PRESS FIT	U006 U006_S007 U006_S009 U006_S011 U006_S013	262 262 262 262 262
D0663984	(D225):BRUSH:FLAT BELT-TRANS FER:ASS'Y	U010_S002	62
D0663988	(D225):ELECTRODE:BIAS:TRANSF ER:ASS'Y	U010_S002	63
D0663990	(D225):COVER:ELECTRODE PLAT E	U010_S002	64
D0664211	(D225):STAY:FUSING:UPPER:ASS' Y	U012_S007	185
D0664221	(D225):HOUSING:THERMOSTAT	U012_S007	186
D0664223	(D225):ELECTRODE PLATE:THER MOSTAT	U012_S007	187
D0664291	(D225):BRACKET:GUIDE PLATE:FU	U012_S007_S001	188

Exclusive Parts

Number	Part Name	Group	ID
	SING EXIT:UPPER:ASS'Y		
D0666738	BRACKET:LIFT MOTOR:TANDEM LCT	U006	263
D0744351	STEPPED SCREW:DIA5.4DIA:DIA3.5:M3	U016	48
D1201556	(AA):SHEET:LOGO:LAN	ACCESSORIES	19
D1201557	(AA):SHEET:LOGO:GES	ACCESSORIES	20
D1202864	LEVER:STOPPER:POSITIONING	U006_S005_S003	264
		U006_S006_S003	264
D1311106	DRIVE SUB-UNIT:FUSING:GROUND PLATE:ASS'Y	U015_S002	58
D1311136	SHAFT:FUSING DRIVE SUB-UNIT	U015	59
D1311303	COVER:LCT	U001	25
D1311333	COVER:RIGHT LOWER	U001	26
D1311334	COVER:LEFT LOWER	U001	27
D1311341	CAP:CONNECTOR	U001	28
D1311342	CAP:COUPLING	U001	29
D1311344	CAP:G4	U001	30
D1311695	SHEET:SCALE	ACCESSORIES	21
D1312362	ENTRANCE SEAL:CLEANING:ASS'Y	U008_S003	104
D1312413	STAY:TRANSFER:ENTRANCE:ASS'Y	U008_S003	105
D1312552	KNOB:DUPLEX	U007	96
D1312615	SPONGE:REGISTRATION SENSOR:GUARD	U007	97
D1312620	DISCHARGE BRUSH:PAPER FEED UNIT:REGISTRATION ROLLER	U007	98
D1312622	SHEET:GUARD:REGISTRATION SENSOR	U007	99
D1312719	LEVER:LOCK	U007	100
D1313161	(D223,D224):CASE:CLASSIFICATION:ASS'Y	U009_S006_S001	101
D1313282	PAWL:TONER BOTTLE:FIX	U009_S001	102
D1313290	INNER COVER:DEVELOPMENT SUB-UNIT:RIGHT:ASS'Y	U009_S002	103
D1313306	DECAL:TONER SUPPLY	U009_S001	104
D1313326	(D223,D224):BRUSHLESS MOTOR:	U009	105

Number	Part Name	Group	ID
	DEVELOPMENT DRIVE UNIT:ASS'Y:20.7W		
D1313340	(D223,D224):FILTER:DEVELOPMENT	U009	106
D1313945	HOLDER:ENTRANCE SEAL:ASS'Y	U010_S002	65
		U010_S003	65
D1313949	ELECTRODE PLATE:FLAT BELT-TRANSFER	U010_S002	66
		U010_S003	66
D1313950	BRACKET:EARTH	U010_S002	67
		U010_S003	67
D1313951	GUIDE PLATE:TRANSFER/SEPARATION UNIT:VAPOR DEPOSITION	U010_S002	68
		U010_S003	68
D1314114	STAY:FUSING:LEFT	U012_S001	189
		U012_S002	189
		U012_S003	189
		U012_S004	189
		U012_S005	189
		U012_S006	189
		U012_S007	189
D1314117	(D223,D224):FUSING COVER:UPPER:ASS'Y	U012_S001	190
		U012_S002	190
		U012_S003	190
		U012_S004	190
		U012_S005	190
		U012_S006	190
D1314167	DECAL:KNOB:FUSING	U012	191
D1314188	(D223,D224):BRACKET:DRIVE:ASS'Y	U012_S001_S003	192
		U012_S002_S003	192
		U012_S003_S003	192
		U012_S004_S003	192
		U012_S005_S003	192
		U012_S006_S003	192
D1314190	(D223,D224):SPRING PLATE:BRAKE	U012_S001_S003	193
		U012_S002_S003	193
		U012_S003_S003	193
		U012_S004_S003	193
		U012_S005_S003	193
		U012_S006_S003	193

Exclusive Parts

Number	Part Name	Group	ID
D1314218	BRACKET:GUARD:FEELER	U012_S001_S003	194
		U012_S002_S003	194
		U012_S003_S003	194
		U012_S004_S003	194
		U012_S005_S003	194
		U012_S006_S003	194
		U012_S008	194
D1314225	BRACKET:PLATE:DC MOTOR	U012_S001_S003	195
		U012_S002_S003	195
		U012_S003_S003	195
		U012_S004_S003	195
		U012_S005_S003	195
		U012_S006_S003	195
		U012_S008	195
D1314252	STAY:EXIT:LEFT	U013	100
D1314351	GUIDE PLATE:EXHAUST:UPPER:ASS'Y	U013	101
D1314734	SPRING:GATE PAWL:DUPLEX	U014_S001	134
D1314797	DECAL:H-TEMP WARNING:DUPLICATE UNIT	U014	135
D1314814	ROLLER:TURN:DUPLEX	U014_S001	136
D1314860	GUIDE PLATE:DUPLEX:LOWER	U014_S001	137
D1314933	GUIDE PLATE LEVER HOOK	U014_S001	138
D1314988	BRACKET:GUARD:HARNESS	U014_S001	139
D1315812	BRACKET:SAFETY SWITCH	U016	49
D1316428	BUTTON:RELEASE:VERTICAL TRANSPORT	U006_S001	265
D1316429	DECAL:GRIP:TRANSPORT SUB-UNIT:OPEN AND CLOSE	U006_S001	266
D1316511	BRACKET:CONNECTOR:LEFT	U006	267
D1316538	LEVER:STOPPER:POSITIONING	U006_S005_S002	268
		U006_S006_S002	268
D1316627	GRIP:PAPER TRAY	U006	269
D1316630	COVER:TANDEM LCT	U006	270
D1316632	COVER:PAPER TRAY:LONG	U006	271
D1316633	COVER:PAPER TRAY:SHORT	U006	272
D1316663	JOINT:SLIDER:GRIP	U006	273
		U006_S002	273

Number	Part Name	Group	ID
		U006_S003	273
		U006_S004	273
D1316665	GEAR:FEED:21Z	U006_S002	274
		U006_S003	274
		U006_S004	274
D1316675	SIDE PLATE:TANDEM LCT:LEFT SIDEWAYS	U006	275
		U006_S008	275
		U006_S010	275
		U006_S012	275
		U006_S014	275
D1316693	COMPRESSION SPRING:JOINT:2.0MM	U006	276
		U006_S002	276
		U006_S003	276
		U006_S004	276
D1316695	SIDE PLATE:SIDE:TANDEM LCT	U006	277
		U006_S007	277
		U006_S009	277
		U006_S011	277
		U006_S013	277
D1316697	SIDE FENCE:TANDEM LCT:LEFT FRONT	U006	278
		U006_S008	278
		U006_S010	278
		U006_S012	278
		U006_S014	278
D1316698	SIDE FENCE:TANDEM LCT:LEFT REAR	U006	279
		U006_S008	279
		U006_S010	279
		U006_S012	279
		U006_S014	279
D1316716	(NA/EU/AA):BASE:TANDEM LCT:RIGHT:ADHESION	U006_S007_S002	280
		U006_S009_S002	280
		U006_S011_S002	280
		U006_S013_S002	280
D1316751	JOINT:PULLEY:FRAME:43T	U006	281
D1316764	PULLEY:TENSIONER:DIA15	U006	282
D1316765	SYNCHRONOUS BELT:COUPLING:360	U006	283
D1316777	SIDE FENCE:FRONT:ASS'Y	U006_S005_S002	284

Exclusive Parts

Number	Part Name	Group	ID
		U006_S006_S002	284
D1316780	INNER COVER:TANDEM LCT:RIGHT	U006_S007_S003	285
		U006_S009_S003	285
		U006_S011_S003	285
		U006_S013_S003	285
		U006_S016	285
		U006_S021	285
D1316783	ARM:END FENCE:LOCK	U006_S005	286
		U006_S006	286
D1316786	DECAL:PAPER TRAY:PAPER SET DIRECTION	U006_S005	287
		U006_S006	287
D1316816	INNER COVER:TANDEM LCT:ASS'Y	U006_S007_S003	288
		U006_S009_S003	288
		U006_S011_S003	288
		U006_S013_S003	288
		U006_S016	288
		U006_S021	288
D1316839	(NA/EU/AA):TRAY BOTTOM PLATE:LEFT MIDDLE:ASS'Y	U006_S008_S001	289
		U006_S010_S001	289
		U006_S012_S001	289
		U006_S014_S001	289
D1316846	DECAL:PAPER SET DIRECTION:TANDEM LCT:LEFT	U006	290
		U006_S008	290
		U006_S010	290
		U006_S012	290
		U006_S014	290
D1316870	DECAL:PAPER SET DIRECTION:TANDEM LCT:RIGHT	U006_S007_S003	291
		U006_S009_S003	291
		U006_S011_S003	291
		U006_S013_S003	291
		U006_S016	291
		U006_S021	291
D1316871	DECAL:CAUTION CHART:TANDEM LCT	U006_S007_S003	292
		U006_S009_S003	292
		U006_S011_S003	292
		U006_S013_S003	292
		U006_S016	292
		U006_S021	292

Number	Part Name	Group	ID
D1316876	(NA/EU/AA):DECAL:PAPER SET DIRECTION:TANDEM TRAY:RIGHT	U006_S008_S001	293
		U006_S010_S001	293
		U006_S012_S001	293
		U006_S014_S001	293
D1316877	(NA/EU/AA):DECAL:PAPER SET DIRECTION:TANDEM TRAY:RIGHT	U006_S007_S002	294
		U006_S009_S002	294
		U006_S011_S002	294
		U006_S013_S002	294
D1317032	END FENCE	U006_S005	295
		U006_S006	295
D1318510	DECAL:SIZE INDICATION:MULTI-LANGUAGE	ACCESSORIES	22
D1321366	DECAL:CAUTION:COVER:ABS	U001_S001	31
D1333045	(D225):DUCT:DEVELOPMENT:ASS'Y	U009_S007	107
D1333161	(D225):CASE:CLASSIFICATION:ASS'Y	U009_S005_S001	108
D1333340	(D225):FILTER:DEVELOPMENT	U009_S007	109
D1334117	(D225):FUSING COVER:UPPER:D133:ASS'Y	U012_S007	196
D1334226	(D225):BRACKET:DRIVE:ASS'Y	U012_S008	197
D1334246	(D225):SPRING PLATE:BRAKE	U012_S008	198
D1355930	STOPPER:POWER SUPPLY CORD	ACCESSORIES	23
D1361480	COVER:IC CARD:R/W	U002	7
D1361533	BRACKET:LED	U001	32
		U006	296
		U014	140
D1361687	GROUND PLATE:SENSOR:AKS	U004	24
D1361758	CLAMP:WIRE	U004	25
D1361783	SLIDER:SCANNER:NO.2	U004_S004	26
D1361788	PULLEY:IDLER:CARRIAGE	U004	27
D1361793	DC STEPPER MOTOR:MM42	U004	28
D1361794	BRACKET:DC STEPPER MOTOR:TENSION	U004	29
D1361798	TENSION SPRING:TENSION:16N	U004	30
D1361799	BRACKET:DC STEPPER MOTOR	U004	31
D1361801	SHAFT:DRIVE:SCANNER	U004	32
D1361802	TIMING PULLEY:65	U004	33

Exclusive Parts

Number	Part Name	Group	ID
D1361803	SYNCHRONOUS BELT:157ST1.5-6.0	U004	34
D1361806	DRIVE WERE:DIA1	U004	35
D1361809	BRACKET:TENSION	U004	36
D1361810	TENSION SPRING:TENSION:11N	U004	37
D1361811	PULLEY:PEEN	U004	38
D1361817	BRACKET:EXPOSURE GLASS:DOCUMENT FEEDER:SUB-ASS'Y	U004_S005	39
D1361819	SEAL:BRACKET:EXPOSURE GLASS:DOCUMENT FEEDER	U004_S005	40
D1361820	SHEET:BRACKET:EXPOSURE GLASS:DOCUMENT FEEDER	U004_S005	41
D1361821	COVER:EXPOSURE GLASS:DOCUMENT FEEDER	U004	42
D1364196	(D223,D224):HOUSING:TEMPERATURE SENSOR:NC-F10	U012_S001	199
		U012_S002	199
		U012_S003	199
		U012_S004	199
		U012_S005	199
		U012_S006	199
D1365904	BRACKET:DC FAN MOTOR:INDUCTION HEATING UNIT	U006	297
D1441396	HOLDER:EXPOSURE GLASS:IG:ASS'Y	ACCESSORIES	24
D1444489	STOPPER:DRIVEN ROLLER	U006_S001	298
D1465786	BRACKET:HDD	U016	50
D1471750	SHEET:GAP:ASS'Y	U004	43
D1471805	EXPOSURE GLASS:DOCUMENT FEEDER:APPLY	U004	44
D1482675	HOLDER:DRIVEN:BELT	U006_S001	299
D1491305	CAP:TOTAL COUNTER	U001	33
D1491553	SHEET:LOGO	ACCESSORIES	25
D1491715	PULLEY:DRIVE WERE:FRONT	U004	45
D1491717	PULLEY:DRIVE WERE:REAR	U004	46
D1491804	HOLDER:EXPOSURE GLASS:SCANNER	U004	47
D1492676	COMPRESSION SPRING:FLAT CONVEYER BELT:DRIVEN	U006_S001	300

Number	Part Name	Group	ID
D1495776	COVER:USB:SMALL	U016	51
D1495883	KEYTOP:MAIN SWITCH	U001	34
D1495884	COMPRESSION SPRING:KEYTOP	U001	35
D1496766	(NA/EU/AA):DECAL:CAUTION:ORIGINAL:ENGLISH	ACCESSORIES	26
D1496767	(CHN):DECAL:CAUTION:ORIGINAL:CHINESE	ACCESSORIES	27
D1496768	(TWN):DECAL:CAUTION:ORIGINAL:TAIWAN	ACCESSORIES	28
D1496851	(NA/AA):DECAL:MAIN SWITCH:ON-STANDBY:ENGLISH	ACCESSORIES	29
D1496852	(EU/CHN/TWN):DECAL:MAIN SWITCH:ON-STANDBY	ACCESSORIES	30
D1581310	PLATE:LOGOTYPE:RIC:V554R10	ACCESSORIES	31
D1775686	PCB:DCSW	U016	52
D1792417	HOLDER:ELECTRIC POTENTIAL SENSOR	U008	106
D1942277	ELECTRIC POTENTIAL SENSOR	U008	107
D1947346	DC MOTOR:RISE:TANDEM LCT:ASS'Y:19.2W:BRUSH	U006	301
D2025185	(NA/EU/AA/CHN/TWN(D225)):PCB:DHB	U006	302
D2231062	STAY:LEFT:ASS'Y	U017	44
D2231067	STAY:RIGHT:ASS'Y	U017	45
D2231069	STAY:UPPER:FRONT	U017	46
D2231071	STAY:UPPER:REAR	U017	47
D2231075	COVER:BASE	U017	48
D2231076	STAY:SIDE PLATE:LOWER	U017	49
D2231078	STAY:SIDE PLATE:LEFT	U017	50
D2231094	COVER:DC POLYGON MIRROR MOTOR	U017	51
D2231095	SEAL:COVER:DC POLYGON MIRROR MOTOR	U017	52
D2231098	BRACKET:THERMISTOR	U017	53
D2231110	DC BRUSHLESS MOTOR:26W:DRIVE:FUSING/PAPER EXIT UNIT:ASS'Y	U015_S003	60
D2231126	LIQUID STREAM PLATE:DEVELOP	U017	54

Exclusive Parts

Number	Part Name	Group	ID
	MENT:UPPER		
D2231127	DUCT:PCU:LEFT:ASS'Y	U017	55
D2231132	DUCT:PCU:ENTRANCE	U017	56
D2231133	DUCT:OPTICAL WRITING SECTION:ENTRANCE	U017	57
D2231134	BRACKET:FAN:OPTICAL WRITING SECTION	U017	58
D2231136	DUCT:EXHAUST:ASS'Y	U017	59
D2231137	DUCT:EXHAUST:EXIT:ASS'Y	U017	60
D2231138	DC FAN MOTOR:EXHAUST:SEAL:ASS'Y	U017	61
D2231140	BRACKET:FAN:DEVELOPMENT	U017	62
D2231141	DUCT:DEVELOPMENT:ENTRANCE	U017	63
D2231144	DUCT:FUSING:EXHAUST:ASS'Y	U017	64
D2231145	DUCT:FUSING:EXHAUST:EXIT:ASS'Y	U017	65
D2231146	DC FAN MOTOR:SEAL:ASS'Y	U017_S001	66
		U017_S002	66
D2231147	BRACKET:DUCT:FUSING:EXHAUST	U017	67
D2231150	DUCT:IMAGE FORMING SECTION:UPPER:ASS'Y	U017	68
D2231151	DUCT:IMAGE FORMING SECTION:MAIN:ASS'Y	U017	69
D2231152	DUCT:FUSING:LOWER	U017	70
D2231153	DUCT:FUSING:UPPER	U017	71
D2231164	DUCT:TONER BOTTLE	U017	72
D2231167	DUCT:EXHAUST:CONNECTING:FRONT	U017	73
D2231168	DUCT:EXHAUST:CONNECTING:REAR	U017	74
D2231171	BASE:REGISTRATION:ASS'Y DRAWING	U015	61
D2231172	BRACKET:DC MOTOR:REGISTRATION	U015	62
D2231180	DUCT:PCU:ASS'Y	U017	75
D2231188	SEAL:FAN:TONER BOTTLE	U017	76
D2231189	SEAL:DUCT:TONER BOTTLE	U017	77

Number	Part Name	Group	ID
D2231194	SEAL:DUCT:OPTICAL WRITING SECTION:ENTRANCE	U017	78
D2231227	HINGE:LOWER:ASS'Y	U001	36
D2231246	COVER:LEFT UPPER:ASS'Y	U001_S001	37
D2231280	INNER COVER:FUSING UNIT:LOWER	U001	38
D2231281	INNER COVER:FUSING UNIT:UPPER	U001	39
D2231301	DOOR:FRONT	U001	40
D2231302	COVER:RIGHT UPPER	U001	41
D2231305	COVER:REAR UPPER	U001	42
D2231306	COVER:REAR LOWER	U001	43
D2231307	COVER:DOOR:UPPER	U001	44
D2231308	COVER:DOOR:LOWER	U001	45
D2231309	COVER:UPPER REAR	U001	46
D2231310	COVER:UPPER RIGHT	U001	47
D2231311	COVER:UPPER LEFT	U001	48
D2231312	INNER COVER:RIGHT LOWER	U001	49
D2231313	INNER COVER:AROUND THE PHOTOCONDUCTOR	U001	50
D2231314	INNER COVER:OPERATION SUB-UNIT	U001	51
D2231315	INNER COVER:MAIN SWITCH	U001	52
D2231317	COVER:UPPER MIDDLE	U001	53
D2231318	DUCT:INNER COVER:AROUND THE PHOTOCONDUCTOR	U001	54
D2231319	SEAL:DOOR:RIGHT UPPER	U001	55
D2231320	HOLDER:OPERATION SUB-UNIT:LEFT	U001	56
D2231323	LEVER:GUIDE PLATE:VERTICAL TRANSPORT	U001	57
D2231325	COVER:MAIN SWITCH	U001	58
D2231326	HOLDER:OPERATION SUB-UNIT:RIGHT:LOWER:PEEN	U001	59
D2231329	HOLDER:OPERATION SUB-UNIT:RIGHT:UPPER	U001	60
D2231332	LOUVER:FILTER	U001	61
D2231333	OZONE FILTER:MAIN:EXHAUST	U001	62

Exclusive Parts

Number	Part Name	Group	ID
D2231334	BRACKET:LED:3	U001	63
D2231335	BRACKET:DUCT:EXHAUST	U001	64
D2231336	DUCT:COVER:EXHAUST	U001	65
D2231337	COVER:LENS:HUMAN DETECTION SENSOR:FRONT	U001	66
D2231338	COVER:LENS:HUMAN DETECTION SENSOR:REAR	U001	67
D2231339	FILTER:VOC:MAIN:EXHAUST	U001	68
D2231345	COVER:UPPER FRONT	U001	69
D2231346	DESIGN PLATE:FRONT RIGHT	U001	70
D2231347	DESIGN PLATE:FRONT LEFT	U001	71
D2231350	COVER:OPERATION PANEL	U002	8
D2231351	GROUND PLATE:OPERATION SUB -UNIT:PEEN	U001	72
D2231355	HINGE:UPPER	U001	73
D2231356	BRACKET:COVER:REAR LOWER	U001	74
D2231357	BRACKET:HINGE:DOOR	U001	75
D2231358	COVER:HARNESS:DOOR:HINGE	U001	76
D2231360	COVER:HARNESS:DOOR	U001	77
D2231365	DECAL:LED:INNER COVER:AROU ND THE PHOTOCONDUCTOR	U001	78
D2231379	(TWN):DECAL:POWER SUPPLY C ORD:CAUTION	ACCESSORIES	32
D2231380	(TWN):DECAL:POWER RATING:PO WER SUPPLY PLUG	ACCESSORIES	33
D2231381	DECAL:EXPOSURE GLASS:CLEAN ING	ACCESSORIES	34
D2231383	(NA/AA):DECAL:TONER SUPPLY S UB-UNIT	ACCESSORIES	35
D2231384	(TWN):DECAL:TONER SUPPLY SU B-UNIT	ACCESSORIES	36
D2231385	DECAL:INNER COVER:RIGHT LOW ER	U001	79
D2231386	(CHN):DECAL:TONER SUPPLY SU B-UNIT	ACCESSORIES	37
D2231387	(EU):DECAL:TONER SUPPLY SUB- UNIT:MANY LANGUAGES	ACCESSORIES	38
D2231450	(NA/EU/AA/TWN):OPERATION PAN	U002	9

Number	Part Name	Group	ID
	EL:STAND:ASS'Y		
D2231687	BRACKET:GRIP:SCANNER:LEFT	U004	48
D2231688	GRIP:SCANNER:LEFT	U004	49
D2231762	INSULATING SHEET:LED	U004	50
D2231763	INSULATING SHEET:LED:CONNEC TOR	U004	51
D2231805	HOLDER:EXPOSURE GLASS	U004	52
D2231852	IMAGING UNIT	U005	2
D2232010	CHARGE COROASS'Y	U008_S002	108
D2232114	FILTER:TONER:AROUND THE PHO TOCONDUCTOR	U017	79
D2232260	PCU:LOWER:ASS'Y	U008_S003	109
D2232270	PCU:UPPER:ASS'Y	U008_S001	110
D2232272	LED ARRAY:PRE-TRANSFER LAM P:ASS'Y	U008_S001 U008_S003	111 111
D2232371	DRUM STAY:PCU:ASS'Y	U008_S003	112
D2232439	GUIDE PLATE:PCU:RIGHT	U008	113
D2232443	BRACKET:BASE:ELECTRIC POTE NTIAL SENSOR	U008	114
D2232461	RAIL:PCU:RIGHT	U008	115
D2232608	BRACKET:CONNECTOR:DEVELOP MENT	U007	101
D2232609	COVER:PAPER FEED UNIT:GEAR	U007	102
D2232627	REGISTRATION ROLLER:LOWER: PRESS FIT	U007	103
D2232643	DECAL:POSITIONING DISPLAY:B2	U007	104
D2232655	DC SOLENOID:GUIDE PLATE:OPE N AND CLOSE:ASS'Y	U007_S001	105
D2232661	COVER:PAPER FEED:MAIN	U007	106
D2232662	BRACKET:MAGNET CATCH	U007	107
D2232688	ARM:PICKUP:ASS'Y DRAWING	U007	108
D2232690	DC SOLENOID:PICKUP:MANUAL F EED:ASS'Y	U007_S003	109
D2232694	PAPER STOPPER:PAPER TRAY	U007	110
D2232695	LINK:PAPER STOPPER	U007	111
D2232700	STAY:REVERSE:ASS'Y	U007_S004	112
D2232723	GUIDE PLATE:MANUAL FEED:PEE N	U007_S002	113

Exclusive Parts

Number	Part Name	Group	ID
D2232726	EXTENSION TRAY:MANUAL FEED:UPPER:SUB-ASS'Y	U007_S005_S002	114
D2232727	EXTENSION TRAY:MANUAL FEED:LOWER:SUB-ASS'Y	U007_S005_S003	115
D2232729	MANUAL FEED TABLE:ASS'Y	U007_S005	116
D2232736	SIDE FENCE:MANUAL FEED:REAR:ASS'Y	U007_S005_S001	117
D2232737	SIDE FENCE:MANUAL FEED:FRONT	U007_S005	118
D2232741	SENSOR COVER:MANUAL FEED	U007_S005	119
D2232745	PAPER SIZE SENSOR:MANUAL FEED:ASS'Y	U007_S005	120
D2232746	MANUAL FEED TABLE:LOWER:PRINTING	U007_S005	121
D2232752	BRACKET:DC MOTOR:JOINT UNIT:PEEN	U007	122
D2232780	RACK:SIDE FENCE	U007_S005	123
D2232783	LIQUID STREAM PLATE:DEVELOPMENT:LOWER	U007	124
D2232875	DECAL:PAPER SET DIRECTION:MANUAL FEED	U007_S005_S002	125
D2232876	DECAL:SIDE FENCE:MANUAL FEED	U007_S005_S001	126
D2232877	DECAL:OPERATION INSTRUCTIONS:EXTENSION TRAY:MANUAL FEED	U007_S005_S003	127
D2233051	DEVELOPMENT UNIT:ASS'Y	U009_S004	110
D2233065	GUIDE:DENSITY SENSOR	U009_S004	111
D2233080	BALL BEARING:12X21X5	U009_S004	112
D2233091	ENTRANCE SEAL:ASS'Y	U009_S004	113
D2233115	PLAIN SHAFT BEARING:DIA4:ASS'Y	U009_S004	114
D2233210	(D223,D224):TONER SUPPLY UNIT:ASS'Y	U009_S006	115
D2233211	(D225):TONER SUPPLY UNIT:ASS'Y	U009_S005	116
D2233250	RAIL:DEVELOPMENT UNIT:ASS'Y	U009_S003	117
D2233301	BOTTLE:DRIVE:ASS'Y	U009_S001	118

Number	Part Name	Group	ID
D2233316	BRACKET:HINGE:OPEN AND CLOSE:ASS'Y	U009	119
D2233556	DC BRUSHLESS MOTOR:25W:NID:DISCHARGE USED TONER	U011	47
D2233559	BASE:DISCHARGE USED TONER:ASS'Y	U011	48
D2233565	CASE:DISCHARGE USED TONER	U011	49
D2233680	TANK:DISCHARGE USED TONER	U011_S001	50
D2233815	CHANNEL:LENGTHWISE:MIDDLE FRONT:ASS'Y DRAWING	U010	69
D2233823	FEELER:ON OFF DETECTOR	U010	70
D2233827	STAY:HANDLE:PEEN	U010	71
D2233832	LEVER:TRANSFER UNIT:ASS'Y	U010_S001	72
D2233837	DECAL:LEVER:TRANSFER UNIT	U010_S001	73
D2233855	(D223,D224):TRANSFER UNIT:ASS'Y	U010_S003	74
D2233870	TRANSFER BELT	U010_S002	75
		U010_S003	75
D2233966	(D223,D224):DC SOLENOID:ON-OFF:ASS'Y	U010_S003_S002	76
D2234080	(D223,D224):STRIPPER PAWLS:OPEN AND CLOSE:ASS'Y	U012_S001_S002	200
		U012_S002_S002	200
		U012_S003_S002	200
		U012_S004_S002	200
		U012_S005_S002	200
		U012_S006_S002	200
D2234091	(D223,D224):CLEANING UNIT:HOT ROLLER:ASS'Y	U012_S001_S003	201
		U012_S002_S003	201
		U012_S003_S003	201
		U012_S004_S003	201
		U012_S005_S003	201
		U012_S006_S003	201
D2234142	(D223,D224):STAY:UPPER:ASS'Y	U012_S001	202
		U012_S002	202
		U012_S003	202
		U012_S004	202
		U012_S005	202
		U012_S006	202

Exclusive Parts

Number	Part Name	Group	ID
D2234157	(D223,D224):BRACKET:DRAWER:ASS'Y	U012_S001	203
		U012_S002	203
		U012_S003	203
		U012_S004	203
		U012_S005	203
		U012_S006	203
D2234184	GRIP:STRIPPER PAWLS:PRINTING	U012_S001_S002	204
		U012_S002_S002	204
		U012_S003_S002	204
		U012_S004_S002	204
		U012_S005_S002	204
		U012_S006_S002	204
D2234185	(D223,D224):PLATE:FUSING EXIT	U012_S001	205
		U012_S002	205
		U012_S003	205
		U012_S004	205
		U012_S005	205
		U012_S006	205
D2234196	(D223,D224):BRACKET:THERMISTOR:INNER BACK	U012_S001	206
		U012_S002	206
		U012_S003	206
		U012_S004	206
		U012_S005	206
		U012_S006	206
D2234197	(D223,D224):BRACKET:THERMISTOR:MIDDLE	U012_S001	207
		U012_S002	207
		U012_S003	207
		U012_S004	207
		U012_S005	207
		U012_S006	207
D2234249	(D223,D224):STAY:EXIT:RIGHT:ASS'Y	U013	102
D2234257	SEAL:DUCT:FUSING/PAPER EXIT UNIT:A	U013	103
D2234258	SEAL:DUCT:FUSING/PAPER EXIT UNIT:B	U013	104
D2234259	LEVER:LOCK:FUSING/PAPER EXIT	U013	105

Number	Part Name	Group	ID
	UNIT:ASS'Y		
D2234260	SHAFT:CONTACT POINT:LEVER	U013	106
D2234266	BRACKET:CONTACT POINT:LEVER	U013	107
D2234268	(D223,D224):INNER COVER:FUSING/PAPER EXIT UNIT:A	U013	108
D2234270	DECAL:D1/E1	U013	109
D2234271	(TWN):DECAL:MISFEED REMOVAL:D1/E1	U013	110
D2234272	(CHN):DECAL:MISFEED REMOVAL:D1/E1	U013	111
D2234273	(EU):DECAL:MISFEED REMOVAL:D1/E1:MANY LANGUAGES	ACCESSORIES	39
D2234274	(NA/EU/AA):DECAL:MISFEED REMOVAL:D1/E1	U013	112
D2234278	BRACKET:LED	U013	113
D2234281	(NA/EU/AA):DECAL:MISFEED REMOVAL:D2/D3	U013	114
D2234282	(CHN):DECAL:MISFEED REMOVAL:D2/D3	U013	115
D2234283	(TWN):DECAL:MISFEED REMOVAL:D2/D3	U013	116
D2234284	(EU):DECAL:MISFEED REMOVAL:D2/D3:MANY LANGUAGES	ACCESSORIES	40
D2234286	COVER:GRIP:EXIT	U013	117
D2234288	DECAL:GRIP:FUSING/PAPER EXIT UNIT	U013_S003	118
D2234299	DUCT:FUSING/PAPER EXIT UNIT	U013	119
D2234306	SIDE PLATE:EXHAUST:FRONT	U013	120
D2234307	SIDE PLATE:EXHAUST:REAR	U013	121
D2234311	GUIDE PLATE:EXIT:EXIT:UPPER	U013	122
D2234363	GRIP:GUIDE PLATE:UPPER:ASS'Y	U013	123
D2234373	GUIDE PLATE:EXIT:UPPER	U013	124
D2234415	DC SOLENOID:GATE PAWL:ASS'Y	U013	125
D2234458	BRACKET:DRAWER:EXIT	U013	126
D2234470	(D223,D224):BRACKET:PROTECT:ASS'Y	U013	127
D2234478	GUIDE PLATE:REVERSE:MIDDLE	U013	128

Exclusive Parts

Number	Part Name	Group	ID
D2234480	DECAL:CAUTION:EXIT	U013	129
D2234481	FEELER:TURN:EXIT	U013	130
D2234500	DUPLEX UNIT:ASS'Y	U014_S001	141
D2234586	(NA(D223(120V),D224(120V))):FUSING UNIT:SERVICE	U012_S002	208
D2234589	(D223,D224):(NA(220-240V)/EU/AA/CHN):FUSING UNIT:SERVICE	U012_S003	209
		U012_S004	209
		U012_S005	209
		U012_S006	209
D2234593	(D223,D224):(TWN):FUSING UNIT:SERVICE	U012_S001	210
D2234615	LEVER:GUIDE PLATE	U014_S001_S001	142
D2234665	GRIP:RELEASE:DUPLEX UNIT:ASS'Y	U014_S001_S005	143
D2234683	GRIP:RELEASE:FUSING/PAPER EXIT UNIT:ASS'Y	U013_S003	131
D2234685	DECAL:RELEASE:DUPLEX UNIT	U014_S001_S005	144
D2234732	DUPLEX GATE PAWL	U014_S001	145
D2234734	PLATE:GATE PAWL:DUPLEX	U014_S001	146
D2234740	DC SOLENOID:GATE PAWL:ASS'Y	U014_S001_S002	147
D2234745	DC SOLENOID:REVERSAL:ASS'Y	U014_S001_S003	148
D2234785	DC MOTOR:TRANSPORT:ASS'Y	U014_S001_S004	149
D2234791	BRACKET:DRAWER:24PIN:DUPLEX	U014_S001	150
D2234798	DECAL:CAUTION	U014	151
D2234799	INNER COVER:DUPLEX UNIT	U014	152
D2234810	BRACKET:MOTOR:REVERSE:ASS'Y	U014_S001	153
D2234866	KNOB:REVERSE UNIT	U014_S001	154
D2234867	DECAL:LEVER:GUIDE PLATE	U014_S001_S001	155
D2235128	PCB:BICU:ASS'Y	U016	53
D2235132	(D223,D224):PCB:IOB:65-75CPM	U016	54
D2235232	PCB:RYB	U006	303
D2235292	(NA(D223(120V),D224(120V))):AC CONTROL BOARD	U006	304
D2235294	(NA(D223(220-240V),D224(220-240V),D225)/EU/AA/CHN/TWN(D225)):AC CONTROL BOARD	U006	305

Number	Part Name	Group	ID
D2235308	HDD:320GB:MN500S-2:WD3200LUCT	U016	55
D2235309	INTERFACE CABLE:BICU:SBU:ASS'Y	U004	53
D2235311	TONER END SENSOR	U009_S005	120
		U009_S006	120
D2235312	DC MOTOR:TONER BOTTLE:ASS'Y:5.85W:BRUSH	U009_S001	121
D2235330	(D223):PCB:SERVICE	U016	56
D2235331	(D224):PCB:SERVICE	U016	57
D2235332	(D225):PCB:SERVICE	U016	58
D2235712	BRACKET:PLUG:LARGE CAPACITY TRAY	U016	59
D2235715	BRACKET:MAIN SWITCH	U016	60
D2235820	PANEL:CONTROL BOARD	U016	61
D2235823	COVER:USB:B	U016	62
D2235824	COVER:SD-CARD	U016	63
D2235832	BRACKET:EARTH:CONTROL BOARD:ASS'Y	U016	64
D2235835	GASKET:15X1X20	U016	65
D2235881	(NA/EU/AA/CHN/TWN(D225)):BRACKET:POWER SUPPLY CORD:1POINT	U006	306
D2235883	COVER:GROUND POINT DECAL	U006	307
D2235893	COVER:POWER PACK:DEVELOPMENT	U016	66
D2235897	SPRING PLATE:SAFETY SWITCH	U016	67
D2236115	STOPPER:ASS'Y	U006	308
D2236123	SYNCHRONOUS BELT:COUPLING:278	U006	309
D2236141	STAY:HOLDER:PAPER TRAY:ASS'Y	U006	310
D2236149	HEAT SINK:HEATER:UPPER:FIBER	U006	311
D2236184	INNER COVER:PAPER FEED	U006	312
D2236231	DC SOLENOID:LOCK:ASS'Y	U006_S027	313
D2236233	DC SOLENOID:COUPLING:ASS'Y	U006_S028	314
D2236244	STAY:TANDEM LCT	U006	315
D2236310	PAPER FEED UNIT:BANK:ASS'Y	U006_S002	316

Exclusive Parts

Number	Part Name	Group	ID
		U006_S003	316
		U006_S004	316
D2236312	REVERSE ROLLER:PRESSURE RELEASE:ASS'Y	U006_S002_S001	317
		U006_S003_S001	317
		U006_S004_S001	317
D2236317	SHAFT:CONNECTING:ASS'Y	U006_S002_S002	318
		U006_S003_S002	318
		U006_S004_S002	318
D2236321	DC MOTOR:ASS'Y:20W:BRUSHLESS	U006	319
		U006_S002	319
		U006_S003	319
		U006_S004	319
		U007	128
		U014_S001	156
		U015	63
D2236323	BRACKET:DC MOTOR	U006_S002	320
		U006_S003	320
		U006_S004	320
D2236324	BASE:DC MOTOR:ASS'Y	U006_S002	321
		U006_S003	321
		U006_S004	321
D2236328	COIL SPRING:DC MOTOR	U006	322
		U006_S002	322
		U006_S003	322
		U006_S004	322
D2236330	GUIDE PLATE:SWIVEL	U006_S002	323
		U006_S003	323
		U006_S004	323
D2236331	SHEET:SWIVEL:MIDDLE	U006_S002	324
		U006_S003	324
		U006_S004	324
D2236332	ROLLER:SWIVEL	U006_S002	325
		U006_S003	325
		U006_S004	325
D2236333	SHAFT:SWIVEL	U006_S002	326
		U006_S003	326
		U006_S004	326
D2236334	TORSION SPRING:SWIVEL	U006_S002	327

Number	Part Name	Group	ID
		U006_S003	327
		U006_S004	327
D2236335	GUIDE PLATE:SWIVEL:SMALL	U006_S002	328
		U006_S003	328
		U006_S004	328
D2236336	GUIDE PLATE:SWIVEL:AUXILIARY	U006_S002	329
		U006_S003	329
		U006_S004	329
D2236337	SHEET:SWIVEL	U006_S002	330
		U006_S003	330
		U006_S004	330
D2236338	SHEET:SWIVEL:AUXILIARY	U006_S002	331
		U006_S003	331
		U006_S004	331
D2236354	DC SOLENOID:PICKUP:ASS'Y	U006_S002	332
		U006_S003	332
		U006_S004	332
D2236358	COIL SPRING:STOPPER	U006_S002	333
		U006_S003	333
		U006_S004	333
D2236359	TRANSPORT ROLLER:GRIP:LOWER:ASS'Y	U006_S002	334
		U006_S003	334
		U006_S004	334
D2236361	TRANSPORT ROLLER:GRIP:ASS'Y	U006_S002	335
		U006_S003	335
		U006_S004_S003	335
D2236362	TRANSPORT ROLLER:GRIP	U006	336
		U006_S004_S003	336
D2236363	SPACER:TRANSPORT ROLLER:PA PER FEED UNIT	U006_S002	337
		U006_S003	337
		U006_S004	337
D2236381	JOINT:TIMING PULLEY:REVERSE: T35	U006	338
		U006_S002	338
		U006_S003	338
		U006_S004	338
D2236382	COVER:DRIVE	U006_S002	339
		U006_S003	339
		U006_S004	339

Exclusive Parts

Number	Part Name	Group	ID
D2236384	GROUND PLATE:REVERSE:PAPE R FEED UNIT	U006_S002	340
		U006_S003	340
		U006_S004	340
D2236385	GROUND PLATE:STAY	U006_S002	341
		U006_S003	341
		U006_S004	341
D2236386	GROUND PLATE:DC MOTOR	U006_S002	342
		U006_S003	342
		U006_S004	342
D2236387	LINK:VERTICAL TRANSPORT	U006_S002	343
		U006_S003	343
		U006_S004	343
D2236388	SHAFT:DRIVE:REVERSE:ASS'Y	U006_S002	344
		U006_S003	344
		U006_S004	344
D2236392	COIL SPRING:PRESSURE:PICKUP	U006_S002	345
		U006_S003	345
		U006_S004	345
D2236393	SHAFT:DRIVEN:REVERSE:ASS'Y	U006_S002	346
		U006_S003	346
		U006_S004	346
D2236394	WASHER:DIA6	U006_S002	347
		U006_S003	347
		U006_S004	347
D2236395	SHAFT:FEED ROLLER	U006_S002	348
		U006_S003	348
		U006_S004	348
D2236401	TRANSPORT UNIT:VERTICAL TRA NSPORT:THREE WAY:ASS'Y	U006_S001	349
D2236411	GUIDE PLATE:VERTICAL TRANSP ORT:ASS'Y	U006_S001	350
D2236415	CUSHION:VERTICAL TRANSPORT	U006_S001	351
D2236420	SHAFT:FLAT CONVEYER BELT:DR IVEN:LONG	U006_S001	352
D2236421	SIDE PLATE:FRONT:VERTICAL TR ANSPORT	U006_S001	353
D2236422	SIDE PLATE:REAR:VERTICAL TRA NSPORT	U006_S001	354

Number	Part Name	Group	ID
D2236430	GUIDE:CUSHION:VERTICAL TRAN SPORT:ASS'Y	U006_S001	355
D2236433	STOPPER:CUSHION:VERTICAL TR ANSPORT:HING	U006_S001	356
D2236452	GUIDE PLATE:JOINT UNIT:ASS'Y	U006	357
D2236459	SPACER:TRANSPORT ROLLER:JO INT UNIT	U006	358
D2236461	GEAR:IDLER:JOINT UNIT:2	U006	359
D2236462	GEAR:IDLER:JOINT UNIT:1:Z14T27	U006	360
D2236466	BRACKET:DC MOTOR:JOINT UNIT	U006	361
D2236471	GEAR:GRIP:JOINT UNIT	U006	362
D2236472	BRACKET:GRIP:SHAFT:JOINT UNI T	U006	363
D2236473	SHAFT:JOINT:JOINT UNIT	U006	364
D2236481	GUIDE PLATE:CONNECTING:PAPE R BANK	U006	365
D2236611	(EU/AA):TANDEM LCT:RIGHT:ASS' Y	U006_S011	366
		U006_S013	366
D2236612	(EU/AA):TANDEM LCT:LEFT:ASS'Y	U006_S012	367
		U006_S014	367
D2236616	(NA(D223(220-240V),D224(220-240 V))):TANDEM LCT:RIGHT:A4:LA:AS S'Y	U006_S009	368
D2236621	(NA(D223(120V),D224(120V),D225)) :TANDEM LCT:RIGHT:LETTER:ASS 'Y	U006_S007	369
D2236622	(NA(D223(120V),D224(120V),D225)) :TANDEM LCT:LEFT:LETTER:ASS' Y	U006_S008	370
D2236623	(NA(D223(220-240V),D224(220-240 V))):TANDEM LCT:LEFT:A4:ASS'Y	U006_S010	371
D2236722	DC SOLENOID:END FENCE:FRON T:ASS'Y	U006	372
		U006_S007	372
		U006_S009	372
		U006_S011	372
D2236732	DC SOLENOID:END FENCE:REAR: ASS'Y	U006	373
		U006_S007	373

Exclusive Parts

Number	Part Name	Group	ID
		U006_S009	373
		U006_S011	373
		U006_S013	373
D2236747	DC MOTOR:TANDEM LCT:19.2W:B RUSH	U006	374
		U006_S008	374
		U006_S010	374
		U006_S012	374
		U006_S014	374
D2236810	PAPER TRAY:UNIVERSAL:ASS'Y	U006_S005	375
		U006_S006	375
D2236815	SIDE FENCE:REAR:ASS'Y	U006_S005_S003	376
		U006_S006_S003	376
D2236862	(CHN/TWN):TRAY BOTTOM PLATE :LEFT MIDDLE:ASS'Y	U006_S018	377
		U006_S023	377
D2237040	(D223):DECAL:MODEL NAME PLATE	ACCESSORIES	41
D2239590	NVRAM	U016	68
D2247040	(D224):DECAL:MODEL NAME PLATE	ACCESSORIES	42
D2253856	(D225):TRANSFER UNIT:ASS'Y	U010_S002	77
D2253967	(D225):DC SOLENOID:ON-OFF:ASS'Y	U010_S002_S002	78
D2254001	(D225):FUSING UNIT:ASS'Y	U012_S007	211
D2254080	(D225):STRIPPER PAWLS:OPEN AND CLOSE:D225:ASS'Y	U012_S007_S001	212
D2254202	(D225):CLEANING UNIT:HOT ROLLER:D225:ASS'Y	U012_S008	213
D2254249	(D225):STAY:EXIT:RIGHT:ASS'Y	U013	132
D2254268	(D225):INNER COVER:FUSING/PAPER EXIT UNIT:E	U013	133
D2255132	(D225):PCB:IOB:90CPM	U016	69
D2255296	(TWN(D223,D224)):AC CONTROL BOARD	U006	378
D2255881	(TWN(D223,D224)):BRACKET:POWER SUPPLY CORD:2POINT	U006	379
D2257040	(D225):DECAL:MODEL NAME PLATE	ACCESSORIES	43
D2411738	(NA(D223(220-240V),D224(220-240	U004	54

Number	Part Name	Group	ID
	V)))/EU/AA/CHN/TWN):SCALE:REAR :PRINTING:MM		
D2411739	(NA(D223(120V),D224(120V),D225)) :SCALE:REAR:PRINTING:INCH	U004	55
D2415192	PCB:MSSENS2	U016	70
D2416290	LED:RED	U001	80
		U006	380
		U013	134
		U014	157
D2425605	PCB:DDR3-DIMM:RC-C:2GB:ASS'Y	U016	71
D2581715	GUIDE:FFC:BASE	U004	56
D2581717	COVER:SHAFT:SCANNER	U004	57
D2581718	SHEET:FFC:BASE	U004	58
D2581719	COVER:PULLEY	U004	59
D2581727	INNER COVER:SCANNER	U004	60
D2581731	LENSBLOCK SMD:ASS'Y	U004	61
D2581751	CARRIAGE:NO.1:ASS'Y	U004_S001	62
D2581759	GUIDE:FFC:CARRIAGE:NO.1:FRO NT	U004	63
D2581760	GUIDE:FFC:CARRIAGE:NO.1:MIDDLE	U004	64
D2581761	GUIDE:FFC:CARRIAGE:NO.1:REAR	U004	65
D2581769	ILLUMINATION UNIT:LED-B:ASS'Y	U004_S002	66
		U004_S003	66
D2581776	CARRIAGE:NO.2:ASS'Y	U004_S004	67
D2581784	MIRROR:NO.2:CONCAVE:ASS'Y	U004_S004	68
D2581785	MIRROR:NO.3:CONVEX:ASS'Y	U004_S004	69
D2581786	GUIDE:FFC:CARRIAGE:NO.2	U004	70
D2581787	SIDE PLATE:GUIDE:FFC:CARRIAGE:NO.2	U004	71
D2581822	(NA(D223(220-240V),D224(220-240 V)))/EU/AA/CHN/TWN):SCALE:LEFT: ASS'Y	U004	72
D2581828	(NA(D223(120V),D224(120V),D225)) :SCALE:LEFT:ASS'Y	U004	73
D2585505	PCB:MSSENS1	U001	81
D3AZ1762	BRACKET:MOTOR:MIDDLE	U003	87
D3AZ4720	PRESSURE PLATE:ASS'Y	U003_S013	88

Exclusive Parts

Number	Part Name	Group	ID
D3AZ5100	PCB:MAIN CONTROL	U003	89
D3AZ5860	CONTACT IMAGE SENSOR:ASS'Y	U003	90
D3B00430	COVER:PAPER FEED:ASS'Y	U003_S012	91
D3B01766	DC MOTOR:10W:NIDEC:ASS'Y	U003	92
D3B02200	SHAFT:SEPARATION:ASS'Y	U003_S009	93
D3B02510	GUIDE PLATE:PAPER FEED:LOWER:ASS'Y	U003	94
D3B02622	DISCHARGE BRUSH:L11	U003_S012	95
D3B03662	GUIDE PLATE:CONTACT IMAGE SENSOR:ENTRANCE:ASS'Y	U003_S001	96
D3B04210	COVER:REAR:ASS'Y	U003_S011	97
D3B04310	GUIDE:PAPER FEED:UPPER:SUB-ASS'Y	U003_S012_S002	98
D3B04324	SHEET:BRACKET:GUIDE:PAPER FEED	U003_S012	99
D3B04711	GUIDE PLATE:PRESSURE PLATE:LEFT:ASS'Y	U003_S013	100
D3B04712	SHEET:PRESSURE PLATE	U003_S013	101
D3B04722	CUSHION:TAPE:SMALL	U003_S013	102
D3B04724	CUSHION:PRESSURE PLATE:LARGE	U003_S013	103
D3B04725	CUSHION:PRESSURE PLATE:SMALL	U003_S013	104
D3B04750	COVER:PAPER FEED:UPPER:ASS'Y	U003_S012_S001	105
D3B04751	CUSHION:COVER:PAPER FEED:UPPER:1	U003_S012_S001	106
D3B04752	CUSHION:COVER:PAPER FEED:UPPER:2	U003_S012_S001	107
D3B04753	SOUND PROOFING MATERIAL:COVER:PAPER FEED:UPPER:FRONT	U003_S012_S001	108
D3B04754	SOUND PROOFING MATERIAL:COVER:PAPER FEED:UPPER:INNER BACK	U003_S012_S001	109
D3B04761	SOUND PROOFING MATERIAL:COVER:REAR:LOWER:1	U003_S011	110
D3B04762	SOUND PROOFING MATERIAL:COVER:REAR:LOWER:2	U003_S011	111

Number	Part Name	Group	ID
D3B04763	SOUND PROOFING MATERIAL:COVER:REAR:LOWER:3	U003_S011	112
D3B04764	SOUND PROOFING MATERIAL:COVER:REAR:LOWER:4	U003_S011	113
D3B04765	SOUND PROOFING MATERIAL:COVER:REAR:UPPER	U003_S011	114
D3B04771	SOUND PROOFING MATERIAL:GUIDE:PAPER FEED:UPPER:1	U003_S012_S002	115
D3B04772	SOUND PROOFING MATERIAL:GUIDE:PAPER FEED:UPPER:2	U003_S012_S002	116
D3B04773	SOUND PROOFING MATERIAL:GUIDE:PAPER FEED:UPPER:3	U003_S012_S002	117
D3B04774	SOUND PROOFING MATERIAL:GUIDE:PAPER FEED:UPPER:4	U003_S012_S002	118
D3B04775	SOUND PROOFING MATERIAL:GUIDE:PAPER FEED:UPPER:5	U003_S012_S002	119
D3B04776	SOUND PROOFING MATERIAL:GUIDE:PAPER FEED:UPPER:6	U003_S012_S002	120
D3B04781	CUSHION:BRACKET:PICKUP:FRONT	U003_S009	121
D3B04782	CUSHION:COVER:PAPER FEED:PICKUP	U003_S012	122
D3B05869	SHIELD PLATE:CONTACT IMAGE SENSOR:FRONT	U003	123
D3B06303	(NA/EU/AA/TWN):DECAL:CAUTION:ORIGINAL:MANY LANGUAGES	ACCESSORIES	44
D3B06304	(CHN):DECAL:CAUTION:ORIGINAL	ACCESSORIES	45
D3B06321	DECAL:CAUTION:CONTACT IMAGE SENSOR	U003	124
D4122653	BUSHING:DIA6	U003 U003_S002	125 125
D4122669	TENSION SPRING:GUIDE PLATE:PRESSURE:2N	U003	126
D4123145	TENSION SPRING:LEVER:MISFEED REMOVAL	U003	127
D5224906	STEPPED SCREW:M3:DIA6:1.7MM:ROUND POINT	U003	128
D5406121	FULL DUG POINT SCREW:FIX:HIN	U003	129

Exclusive Parts

Number	Part Name	Group	ID
	GE		
D5412241	REVERSE ROLLER:PAPER FEED	U003	130
D5431313	COMPRESSION SPRING:HINGE:LEFT	U003	131
D5431625	GEAR:Z24:SEPARATION	U003	132
D5431717	SHAFT:PULLEY:SCANNING:EXIT	U003	133
D5431821	TIMING PULLEY:T33/Z24	U003	134
D5431822	FLANGE:DIA24	U003	135
D5433314	SHEET:SCANNING:ENTRANCE:MIDDLE	U003_S005	136
		U003_S012_S002	136
D5433631	ROLLER:SCANNING:BEHIND:ASS'Y	U003_S002	137
D5433635	GEAR:ROLLER:SCANNING:BEHIND	U003	138
D5434382	COMPRESSION SPRING:PULL OUT	U003_S012	139
D5434393	CUSHION:GUIDE PLATE:ENTRANCE:PAPER FEED:INNER BACK	U003	140
		U003_S012	140
D5435125	SPRING PLATE:CABLE:CONTACT IMAGE SENSOR	U003	141
D6421454	FEELER:APS	U003	142
D6831320	HINGE:LEFT:ASS'Y	U003	143
D6831350	HINGE:RIGHT:ASS'Y	U003	144
D6831362	COMPRESSION SPRING:HINGE:RIGHT	U003	145
D6831385	BRACKET:SAFETY SWITCH:PAPER FEED	U003	146
D6831386	SHAFT:CONTACT POINT:ON OFF DETECTOR:PAPER FEED	U003	147
D6831387	TENSION SPRING:ON OFF DETECTOR:PAPER FEED	U003	148
D6831413	BRACKET:SAFETY SWITCH	U003	149
D6831414	SPRING PLATE:SAFETY SWITCH	U003	150
D6831415	FEELER:SENSOR:ON OFF DETECTOR	U003	151
D6831451	HOLDER:FEELER:APS	U003	152
D6831614	BRACKET:MOTOR:PAPER FEED	U003	153
D6831615	STAY:MOTOR:PAPER FEED	U003	154

Number	Part Name	Group	ID
D6831617	DC MOTOR:ASS'Y:20W:BRUSHLESS	U003	155
D6831620	SHAFT:SEPARATION:DRIVE:INPUT:SUB-ASS'Y	U003_S006	156
D6831632	SHAFT:REVERSE ROLLER:SUB-ASS'Y	U003_S007	157
D6831635	GEAR:REVERSE ROLLER:DRIVE	U003	158
D6831640	SHAFT:INPUT:PAPER FEED:SUB-ASS'Y	U003_S008	159
D6831642	TIMING PULLEY:IDLER:PULL OUT	U003	160
D6831643	GEAR:INPUT:PAPER FEED	U003	161
D6831644	SPACER:SHAFT:INPUT:PAPER FEED	U003	162
D6831671	BRACKET:MOTOR:PICK UP	U003	163
D6831675	DC STEPPER MOTOR:DIA42:T15:52M:ASS'Y	U003	164
D6831680	CAM:PICKUP	U003	165
D6831682	TIMING PULLEY:PICKUP:DRIVE	U003	166
D6831691	GEAR:PAPER FEED:COUPLING	U003	167
D6831711	BRACKET:MOTOR:PULL OUT	U003	168
D6831718	STAY:MOTOR:PULL OUT	U003	169
D6831766	DC MOTOR:10W:BRUSHLESS	U003	170
D6831811	BRACKET:MOTOR:SCANNING:EXIT	U003	171
D6831813	TIMING PULLEY:COUPLING:SCANNING:INNER BACK	U003	172
D6831814	TIMING PULLEY:COUPLING:EXIT	U003	173
D6831822	DC MOTOR:20W:SCANNING:20W:BRUSHLESS	U003	174
D6831841	BRACKET:TENSIONER:SCANNING:INNER BACK	U003	175
D6831845	PULLEY:IDLER:DIA14	U003	176
D6831851	BRACKET:TENSIONER:SCANNING:FRONT	U003	177
D6831855	TIMING PULLEY:TENSIONER:SCANNING:FRONT	U003	178
D6831856	TENSION SPRING:TENSION:SCANNING:FRONT	U003	179

Exclusive Parts

Number	Part Name	Group	ID
D6831912	BRACKET:HINGE:RIGHT	U003	180
D6832110	ROLLER:PULL OUT:DRIVE	U003	181
D6832112	TIMING PULLEY:ROLLER:PULL OUT:DRIVE	U003	182
D6832210	ROLLER:MIDDLE:DRIVE	U003	183
D6832215	SHAFT:SEPARATION:DRIVE	U003_S009	184
D6832221	GEAR:IDLER:Z18	U003_S009	185
D6832222	STOPPER:SHAFT:SEPARATION:DRIVE	U003	186
D6832224	GUIDE:PAPER FEED:ENTRANCE:FRONT	U003_S009	187
D6832228	PICKUP ROLLER	U003_S009	188
D6832229	TIMING PULLEY:GEAR:T19/Z23	U003_S009	189
D6832231	BRACKET:PICKUP	U003_S009	190
D6832232	TIMING PULLEY:PICKUP:T21	U003_S009	191
D6832233	BRACKET:PAPER FEED BELT	U003_S009	192
D6832235	SHAFT:PICKUP:SUB-ASS'Y	U003_S009	193
D6832236	SHEET:BRACKET:PICKUP:INNER BACK	U003_S009	194
D6832239	COVER:PICKUP ROLLER	U003_S009	195
D6832240	GUIDE:PAPER FEED:ENTRANCE:INNER BACK:ASS'Y	U003_S009_S001	196
D6832241	GUIDE:PAPER FEED:ENTRANCE:INNER BACK	U003_S009_S001	197
D6832242	SHEET:GUIDE:PAPER FEED:INNER BACK	U003_S009_S001	198
D6832272	LEVER:PICKUP ROLLER:RISE	U003_S009	199
D6832311	TORQUE LIMITER MECHANICAL CLUTCH:SEPARATOR	U003	200
D6832393	HOLDER:ORIGINAL TABLE	U003	201
D6832415	SHEET:SEPARATION:ENTRANCE	U003	202
D6832417	SHEET:ENTRANCE:SEPARATION PAD	U003	203
D6832724	COVER:LOWER:BASE	U003	204
D6832728	STOPPER:RELEASE:SHAFT:BASE	U003	205
D6832729	JOINT:RISING TRAY:AUXILIARY	U003	206
D6832733	FEELER:SENSOR:ORIGINAL SENSOR	U003	207

Number	Part Name	Group	ID
D6832735	BRACKET:SENSOR:ORIGINAL SENSOR	U003	208
D6832742	CUSHION:STOPPER PAWL	U003	209
D6832743	SHEET:CUSHION:STOPPER PAWL	U003	210
D6832746	SIDE FENCE:ORIGINAL TABLE	U003	211
D6832747	PAD:SIDE FENCE:SMALL	U003	212
D6832748	PAD:SIDE FENCE:LARGE	U003	213
D6832752	LEVER:RISE:BASE	U003	214
D6832755	SHAFT:RISE:BASE:SUB-ASS'Y	U003	215
D6832756	RAIL:SIDE FENCE	U003	216
D6832771	ORIGINAL TABLE	U003	217
D6832781	ORIGINAL TABLE:BEHIND	U003	218
D6832911	GUIDE PLATE:PULL OUT:LOWER	U003	219
D6832912	FEELER:PAPER SIZE SENSOR	U003	220
D6832913	SHEET:SENSOR:SEPARATION	U003	221
D6833111	ROLLER:SCANNING:ENTRANCE:DRIVE	U003	222
D6833150	ROLLER:SCANNING:EXIT:DRIVE:ASS'Y	U003_S004	223
D6833155	TIMING PULLEY:ROLLER:SCANNING:EXIT:DRIVE	U003	224
D6833221	GUIDE:SCANNING:UPPER	U003	225
D6833251	GROUND PLATE:ROLLER	U003	226
D6833260	SHEET:SCANNING:EXIT:UPPER:ASS'Y	U003	227
D6833311	BRACKET:GUIDE:SCANNING:UPPER	U003	228
D6833361	SPRING PLATE:GUIDE PLATE:SCANNING	U003	229
D6833370	GUIDE PLATE:SCANNING:NON-CO NTACT	U003	230
D6833421	BASE:SCANNING:ENTRANCE:LOWER	U003	231
D6833422	LEVER:PRESSURE RELEASE	U003	232
D6833461	GUIDE:SCANNING:ENTRANCE:NON-CONTACT:SUB-ASS'Y	U003_S005	233
D6833510	SHAFT:LEVER:MISFEED REMOVAL:ASS'Y	U003	234

Exclusive Parts

Number	Part Name	Group	ID
D6833511	HOOK:OPTICAL READING UNIT:FRONT	U003	235
D6833616	BRACKET:DISCHARGE BRUSH	U003	236
D6833621	GUIDE:EXIT:LOWER:SUB-ASS'Y	U003	237
D6833641	GUIDE:CONTACT IMAGE SENSOR:EXIT:LOWER:ASS'Y	U003_S003	238
D6833643	COMPRESSION SPRING:CONTACT IMAGE SENSOR:EXIT	U003_S003	239
D6833644	SHEET:GUIDE:CONTACT IMAGE SENSOR:EXIT:LOWER	U003_S003	240
D6833645	ROLLER:MIDDLE:DRIVEN	U003_S003	241
		U003_S012	241
D6833651	COVER:SCANNING:EXIT	U003	242
D6833666	LEVER:GUIDE PLATE:CONTACT IMAGE SENSOR:FRONT	U003_S001	243
D6833667	LEVER:GUIDE PLATE:CONTACT IMAGE SENSOR:REAR	U003_S001	244
D6833668	SPACER:GUIDE PLATE:CONTACT IMAGE SENSOR:ENTRANCE	U003_S001	245
D6833710	ROLLER:CONTACT IMAGE SENSOR:EXIT:DRIVE:PRESS FIT	U003	246
D6833714	TIMING PULLEY:ROLLER:CIS:EXIT:DRIVE	U003	247
D6833715	TIMING PULLEY:ROLLER:CIS:EXIT:FRONT	U003	248
D6833811	GUIDE PLATE:EXIT:UPPER	U003	249
D6833812	DISCHARGE BRUSH:EXIT	U003	250
		U003_S001	250
D6833911	ROLLER:EXIT:DRIVE	U003	251
D6833915	TIMING PULLEY:ROLLER:EXIT:DRIVE	U003	252
D6834111	COVER:FRONT	U003	253
D6834112	COVER:FRONT RIGHT	U003	254
D6834211	COVER:REAR	U003_S011	255
D6834212	COVER:UPPER REAR	U003	256
D6834313	CUSHION:STOPPER:FEELER:ORIGINAL SENSOR	U003_S012	257
D6834323	SHAFT:CONTACT POINT:GUIDE:P	U003_S012	258

Number	Part Name	Group	ID
	APER FEED		
D6834329	SHEET:BASE:SEAL:PAPER FEED	U003_S012	259
D6834341	BRACKET:PULL OUT:DRIVEN	U003_S012	260
D6834342	BRACKET:PRESSURE:PICKUP	U003_S012	261
D6834343	PRESSURE PLATE:PICKUP	U003_S012	262
D6834344	COMPRESSION SPRING:PICKUP:2.1N	U003_S012	263
D6834345	DISCHARGE BRUSH:EXIT:L37	U003_S012	264
D6834346	SHIELD PLATE:ENTRANCE:PAPER FEED	U003_S012	265
D6834347	SEAL:ENTRANCE:PAPER FEED	U003_S012	266
D6834350	DRIVEN ROLLER:PULL OUT	U003_S012	267
D6834351	LINK:STOPPER:COVER:PAPER FEED	U003_S012	268
D6834361	SHAFT:CONTACT POINT:GRIP	U003_S012	269
D6834367	GROUND PLATE:HOOK:INNER BACK	U003_S012	270
D6834371	GRIP:COVER:PAPER FEED	U003_S012	271
D6834372	HOOK:CONTACT POINT:FRONT:GRIP	U003_S012	272
D6834374	HOOK:CONTACT POINT:INNER BACK:GRIP	U003_S012	273
D6834394	GUIDE PLATE:ENTRANCE:PAPER FEED:UPPER	U003_S012	274
D6834395	CUSHION:GUIDE PLATE:ENTRANCE:PAPER FEED:FRONT	U003_S012	275
D6834396	CUSHION:GUIDE PLATE:ENTRANCE:PAPER FEED:STOPPER	U003_S012	276
D6834412	TRAY:EXIT:AUXILIARY:LARGE	U003	277
D6834413	TRAY:EXIT:AUXILIARY:SMALL	U003	278
D6834418	TRAY:EXIT	U003	279
D6834421	SHAFT:EXIT:DRIVEN	U003	280
D6834430	ROLLER:EXIT:DRIVEN	U003	281
D6834441	HOLDER:CUSHION:PRESSURE PLATE	U003	282
D6834442	TAPE:PRESSURE PLATE	U003	283
		U003_S014	283
D6834510	COVER:LOWER RIGHT:ASS'Y	U003_S014	284

Exclusive Parts

Number	Part Name	Group	ID
D6834611	COVER:LEFT LOWER	U003	285
D6834616	SHEET:BASE:SEAL:LEFT LOWER	U003	286
D6834617	SEAL:LEFT LOWER	U003	287
		U003_S012	287
D6835111	GUIDE:HARNESS:MAIN	U003	288
D6835121	GUIDE:HARNESS:SUB	U003	289
D6836011	DECAL:SIZE:ORIGINAL	U003	290
D6836031	DECAL:SET:ORIGINAL TABLE	ACCESSORIES	46
D6836041	DECAL:DESIGN SKETCH:MISFEED REMOVAL:P2	U003	291
D6836051	DECAL:BASE:ORIGINAL	U003	292
D6842171	PAPER FEED BELT	U003_S009	293
D6842412	PAD:STOPPER:ORIGINAL	U003	294
D6866128	SPONGE:COVER:FRONT:SMALL	U003_S012	295
D6902425	DISCHARGE BRUSH:SHORT:FRO NT	U003	296
D6952528	(CHN/TWN):DECAL:PAPER SET DI RECTION:TANDEM TRAY:RIGHT	U006	381
D6952529	(CHN/TWN):DECAL:PAPER SET DI RECTION:TANDEM TRAY:LEFT	U006_S018	382
		U006_S023	382
D7316241	DECAL:STOPPER:SEPARATION U NIT	U003	297
G0111058	SNAP RING	U007	129
G0203566	NUT - 2.4MM	U008_S003_S001	116
G0602652	BUSHING - M4	U003_S003	298
		U003_S012	298
G1262713	SHAFT:REVERSE:DRIVE:ASS'Y	U007	130
G1262714	SHAFT:REVERSE ROLLER:ASS'Y	U007	131
G1268705	BRACKET:STAND:AUXILIARY	ACCESSORIES	47
G1481157	(D225):BRACKET:TONER RECYCLI NG	U015	64
G1484202	(D225):BRACKET:CLEANING UNIT: ASS'Y	U012_S008	214
G1783232	TERMINAL:DEVELOPMENT ROLLE R	U015	65
G4042810	SPRING PLATE - 2ND MIRROR	U004_S004	74
G5701225	SENSOR SHIELDING PLATE	U004	75
GA043028	TIMING BELT:60S2M288	U007	132

Number	Part Name	Group	ID
GW020022	PHOTOINTERRUPTOR:LG2A24BL1	U004	76
GX640028	FAN MOTOR DC24V 1.92W	U006	383
		U006_S001	383
GX640029	FAN:MM40X15:NIDEC:L	U017	80
H0531150	STEPPED SCREW - LOCKING	U010_S002	79
		U010_S003	79
H0532208	BUSHING - M4	U011	51
H0602126	BUSHING - M6X7	U003_S009	299
M0261815	CLAMP:MIRROR:NO.1	U004_S001	77
M2056436	COMPRESSION SPRING:DRAWER :INTERMEDIATE TRANSFER:NO.2	U016	72
M3644131	TIMING BELT:B40S2M160	U003	300

Standard Parts



03130050N
PHILIPS PAN HEAD SCREW -
M3X5



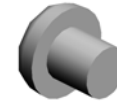
03130060N
SCREW - M3X6



03130080N
(D225):PAN HEAD SCREW:M
3X8



03130120N
PAN HEAD SCREW:M3X12



03140040N
PAN HEAD SCREW - M4X4



03140060N
SCREW - M4X6



03140120N
SCREW - M4X12



03530040N
SCREW - M3X4



03530050N
SCREW-M3X5



03530050P
SCREW:M3X5



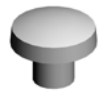
03530060N
BIND SCREW - M3X6



03530080N
SCREW:M3X8



03530140N
SCREW:M3X14



03540040N
SCREW-M4X4



03540060N
SCREW-M4X6



03540080N
SCREW:M4X8



03540120N
SCREW M4X12



03540200N
SCREW:M4X20



03540300N
SCREW:M4X30



03540400N
SCREW:M4X40



03603006N
SCREW - M3X6



03604006N
SCREW - M4X6



03604008N
SCREW - M4X8



03604010N
SCREW:M4X10



03604030N
SCREW:M4X30



04340080N
PAN SELF-TAPPING SCREW:
M4X8



04503006N
TAPPING SCREW - M3X6



04503008N
TAPPING SCREW - M3X8

Standard Parts



04503010N
TAPPING SCREW - M3X10



04504008N
TAPPING SCREW - M4X8



04504010N
TAPPING SCREW:M4X10



04504012N
TAPPING SCREW:4X12



04504025N
TAPPING SCREW:4X25



04504035N
TAPPING SCREW:4X35



04513006N
TAPPING SCREW - 3X6



04513008N
TAPPING SCREW - M3X8



04514006N
TAPPING SCREW - 4X6



04514008N
TAPPING SCREW:4X8



04514010N
TAPPING SCREW:4X10



04523006N
(NA(D223(220-240V),D224(220-240V))/EU/AA/CHN/TWN):BINDING SELF-TAPPING SCREW:3X6



04523008N
TAPPING SCREW - M3X8



04523008P
BINDING SELF-TAPPING SCREW 3X8



04523010N
BINDING SELF-TAPPING SCREW:3X10



04523014N
BINDING SELF-TAPPING SCREW:M3X14



04524010N
BINDING SELF-TAPPING SCREW:4X10



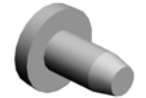
04533006N
TAPPING SCREW - M3X6



04533008N
BINDING SELF TAPPING SCREW:3X8



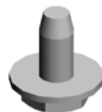
04534006N
BINDING SELF TAPPING SCREW:4X6



04534008N
BINDING SELF TAPPING SCREW:4X8



04543005N
HEXAGON HEAD TAPPING SCREW:ROUND POINT:3X5



04543006N
TAPPING SCREW:ROUND POINT:3X6



04543006Q
TAPPING SCREW - M3X6



04543008N
TAPPING SCREW:ROUND POINT:3X8



04543008Q
TAPPING SCREW:3X8



04543014Q
TAPPING SCREW:3X14



04543030Q
TAPPING SCREW:ROUND POINT:3X30

Standard Parts



04544006Q
TAPPING SCREW:4X6



04544008N
TAPPING SCREW:ROUND P
OINT:4X8



04544008Q
TAPPING SCREW - M4X8



04544020Q
TAPPING SCREW:4X20



04583008N
HEXAGON HEAD TAPPING S
CREW:3X8



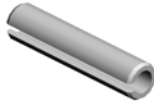
04583010N
HEXAGON HEAD TAPPING S
CREW:3X10



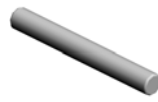
04593006N
BINDING HEAD TAPPING SC
REW:3X6



05730030E
HEXAGON HEADLESS SET S
CREW - M3X3



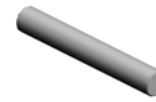
06230140E
SPRING PIN - 3X14MM



06320160G
PARALLEL PIN-M2X16



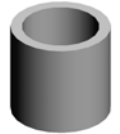
06330180G
PARALLEL PIN - 3X18MM



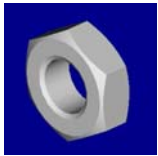
06330200G
PIN - M3X20



07010060N
WASHER DIA6



07074050N
BUSHING - 4X5



07120120N
HEXAGONAL NUT:M12



07200025E
RETAINING RING - M2.5



07200030E
RETAINING RING - M3



07200040E
RETAINING RING - M4



07200060E
RETAINING RING - M6



07250120E
RETAINING RING C - M12



07250300E
(D225):RETAINING RING C -
M30



07270060E
RETAINING RING - M6



07270080G
RETAINING RING - M8



07413506
BALL BEARING - 6X12X4 MM



07413708
BALL BEARING - 8X12X3.5M
M



07433806
RADIAL BALL BEARING:DIA6
XDIA13X5



07433808
RADIAL BALL BEARING:DIA8
XDIA16X5



07433906
RADIAL BALL BEARING:DIA6
XDIA15X5

Standard Parts



08000072
PHILIPS PAN HEAD SCREW -
M2.6X4



08010234
SCREW WITH WASHER:SMA
LL ROUND WITH SPRING WA
SHER:M5X8



08010236
HEXAGONAL BOLT:DOUBLE
SCREW:M4X8



08025299
TAPPING SCREW - M3X8



08025312
TAPPING SCREW:WASHER:3
X10



08025328
HEXAGON HEAD TAPPING S
CREW:3X40



08046123
HEXAGONAL BOLT:W/WASH
ER:M3X8



08050072
CS RING



08050088
RETAINING RING - M6



08050103
RETAINING RINGS-E:SILENC
ER:DIA3



08050104
RETAINING RINGS-E:SILENC
ER:DIA4



08050106
RETAINING RINGS-E:SILENC
ER:DIA6



08053480
BUSHING - 6MM



08075056
WASHER - 8.1MM



09503006M
PHILIPS SCREW WITH LOCK
WASHER



09513004P
SCREW:POLISHED ROUND:
M3X4



09513005N
(D225):SCREW:POLISHED R
OUND:M3X5



09513006N
SCREW - M3X6



09513008N
SCREW:POLISHED ROUND:
M3X8



09514005N
SCREW:POLISHED ROUND:
M4X5



09514006N
SCREW:POLISHED ROUND:
M4X6



09514008N
SCREW:POLISHED ROUND:
M4X8



09514010N
SCREW:POLISHED ROUND:
M4X10



09514012N
SCREW:POLISHED ROUND:
M4X12



09514014N
SCREW:POLISHED ROUND:
M4X14



09543006N
(D223,D224):SCREW - M3X6



09543008N
SCREW - M3X8

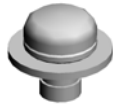


09543010N
(D225):SCREW:POLISHED R
OUND/SPRING:M3X10

Standard Parts



09543012N
SCREW - M3X12



09544006N
(D225):SCREW:POLISHED R
OUND/SPRING:M4X6



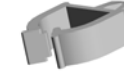
09544008N
SCREW - M4X8



09714006A
PHILIPS POLYCARBONATE S
CREW - M4X6



09714008A
PHILIPS POLYCARBONATE S
CREW - M4X8



11050229
CLAMP



11050283
CLAMP



11050290
(D223,D224):HARNESS CLAM
P - HORIZONTAL



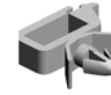
11050291
HARNESS CLAMP - LWS-3S



11050328
HARNESS CLAMP - ES-0505



11050484
CLAMP:AL-3



11050487
HARNESS CLAMP



11050488
HARNESS CLAMP



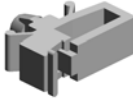
11050489
HARNESS CLAMP - LWS 131
6



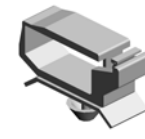
11050490
HARNESS CLAMP - IWS-2218



11050508
HARNESS CLAMP - LWS-071
1



11050511
HARNESS CLAMP - LWS-030
6ZC



11050516
CLAMP



11050517
HARNESS CLAMP - LWS-211
1Z



11050532
EDGE SADDLE - LES-25L



11050534
CLAMP



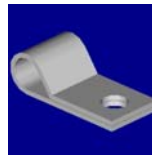
11050551
CLAMP:LES-0505



11050600
CLAMP:LWSM-0306-2M



11050601
CLAMP:LWSM-0511-2M



11050679
CLAMP:E0806A



11050692
CLAMP:LES-0503



11050723
CLAMPS:WES-0507



11050724
CLAMPS:WES-1210

Standard Parts



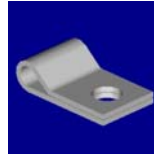
11050725
CLAMPS:WES-1117



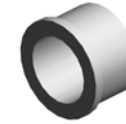
11050758
CLAMP:LWSM-0306A



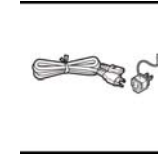
11050762
CLAMP:LWS-0711A



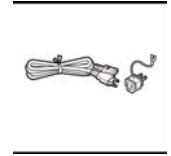
11050767
CLAMP:E0803A



11060411
BUSHING - 11.5MM



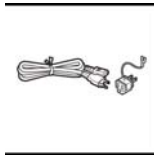
11500446
(NA(D223(220-240V),D224(220-240V))/
EU/AA):POWER SUPPLY CODE:250V:16A



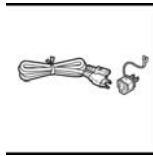
11500447
(NA(D225)):POWER SUPPLY CODE:250V:20A



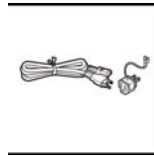
11500448
(NA(D223(120V),D224(120V))/
:POWER SUPPLY CODE:125V:20A



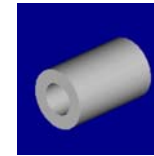
11500466
(CHN):POWER SUPPLY CODE:250V



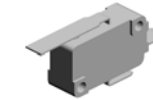
11500467
(TWN(D225)):POWER SUPPLY CODE:250V:16A



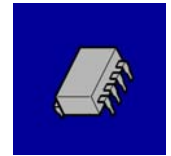
11500479
(TWN(D223,D224)):POWER SUPPLY CODE:125V:15A



12010045
FERRITE CORE



12042612
MICRO SWITCH:D3V-16506-3 C25



14077899
EEPROM:BR24T256-W



16072595
FERRITE CORE:GRFC-13

PM Part List

Number	Part Name	Num	Group	ID
A0962060	GRID:CHARGE CORON	1	U008_S002	21
A0962063	CORONA WIRE CLEANER	1	U008_S002	23
AA012128	MACHINE OR COPIER FILTER	1	U001	16
AD041126	TRANSFER BELT CLEANING BLADE	2	U010_S002_S001	32
			U010_S003_S001	32
AD041140	CLEANING BLADE	1	U008_S003	62
AE011044	(D225):HOT ROLLER	1	U012_S007	48
AE020178	(D225):PRESSURE ROLLER: DIA50	1	U012_S007	50
AE030017	(D225):BALL BEARING - 35X 50X10	2	U012_S007	52
AE030018	(D225):BALL BEARING - 12X 28X8	2	U012_S007	53
AE031024	(D225):BUSHING - M4X7	2	U012_S007	58
AE042052	(D225):CLEANING ROLLER	1	U012_S007	61
AE044060	STRIPPER PAWLS	35	U012_S001_S002	63
			U012_S002_S002	63
			U012_S003_S002	63
			U012_S004_S002	63
			U012_S005_S002	63
			U012_S006_S002	63
			U012_S007_S001	63
AE044068	PRESSURE ROLLER:CLEANING FELT	7	U012_S001_S003	64
			U012_S002_S003	64
			U012_S003_S003	64
			U012_S004_S003	64
			U012_S005_S003	64
			U012_S006_S003	64
			U012_S008	64
AE045068	(D225):ROLLER:CLEANING FELT:28M:ASS'Y	1	U012_S008	65
AW100076	(D225):THERMISTOR:INNER BACK	1	U012_S007	72
AW100084	(D225):MIDDLE THERMISTOR	1	U012_S007	73
B0702364	CHARGE CORONA WIRE	1	U008_S002	79
B2472330	BRUSH ROLLER:CLEANING	1	U008_S003	92

Number	Part Name	Num	Group	ID
D1313340	(D223,D224):FILTER:DEVELOPMENT	1	U009	106
D1333161	(D225):CASE:CLASSIFICATION:ASS'Y	1	U009_S005_S001	108
D2233870	TRANSFER BELT	2	U010_S002	75
			U010_S003	75
D5412241	REVERSE ROLLER:PAPER FEED	1	U003	130
D6832228	PICKUP ROLLER	1	U003_S009	188
D6842171	PAPER FEED BELT	1	U003_S009	293

Design Change List

Number	Title	Set	Old Part		New Part		Index No.		Q'ty	Interchg		Reason	Cut-in S/N
			P/N	Name	P/N	Name	Group	ID		Indiv.	Set		
201608-01	1608 Modification	-	D2235130	(D223,D224):PCB :IOB:65-75CPM	D2235132	(D223,D224):PCB :IOB:65-75CPM	U016	54	1	X/O			MP 6503 SP_MP 7503 SP_MP 900 3 SP:
201608-02	1608 Modification	-	D2255130	(D225):PCB:IOB:9 0CPM	D2255132	(D225):PCB:IOB:9 0CPM	U016	69	1	X/O			MP 6503 SP_MP 7503 SP_MP 900 3 SP:

