

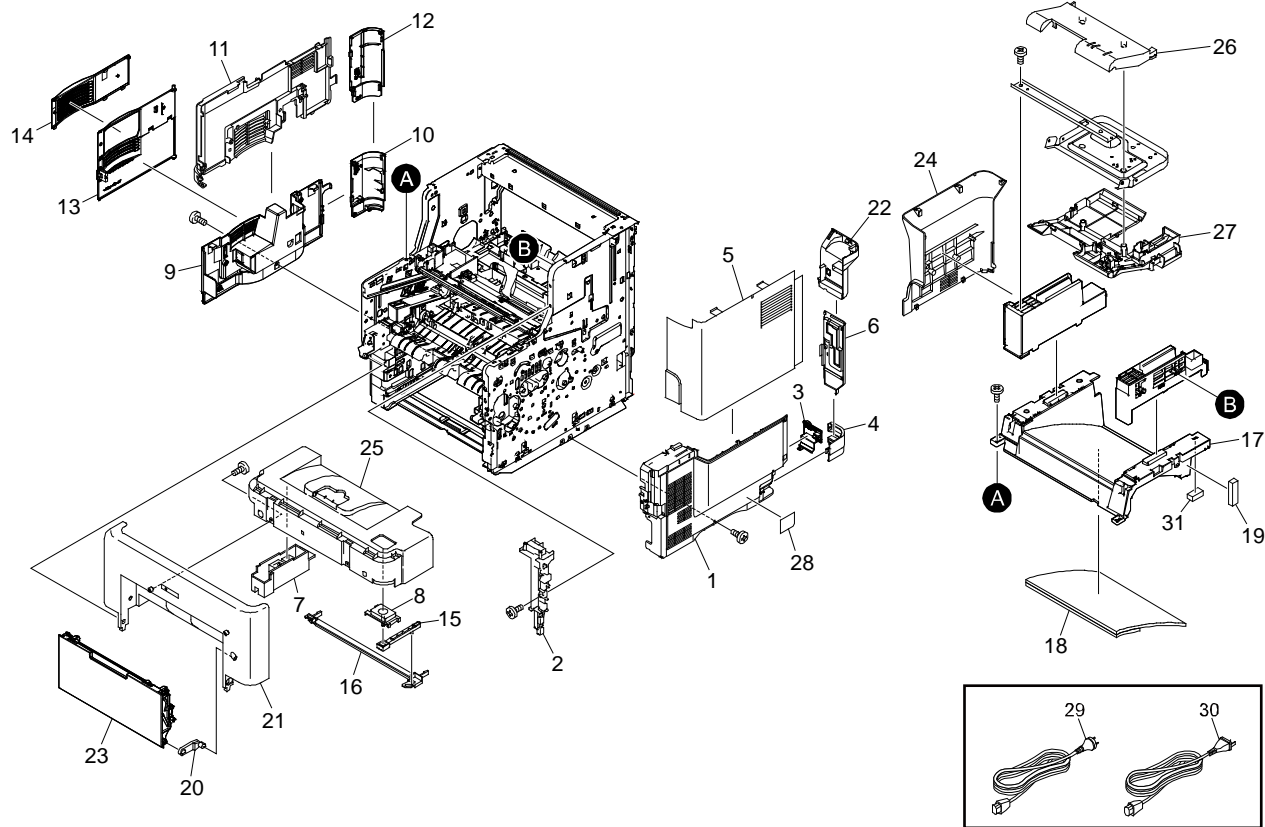
MP 501SPF/601SPF

PARTS CATALOG

This catalog gives the numbers and names of parts on this machine.

1	Covers	3P
2	Frames	5P
3	Paper Cassette	7P
4	Paper Feed Section	9P
5	Drum Unit Section	11P
6	Developer Section	13P
7	Fusing Section	15P
8	Exit Section	17P
9	Scanner Section	19P
10	Drive Section	21P
11	ARDF Section	23P
	Parts Index	25P

1.Covers

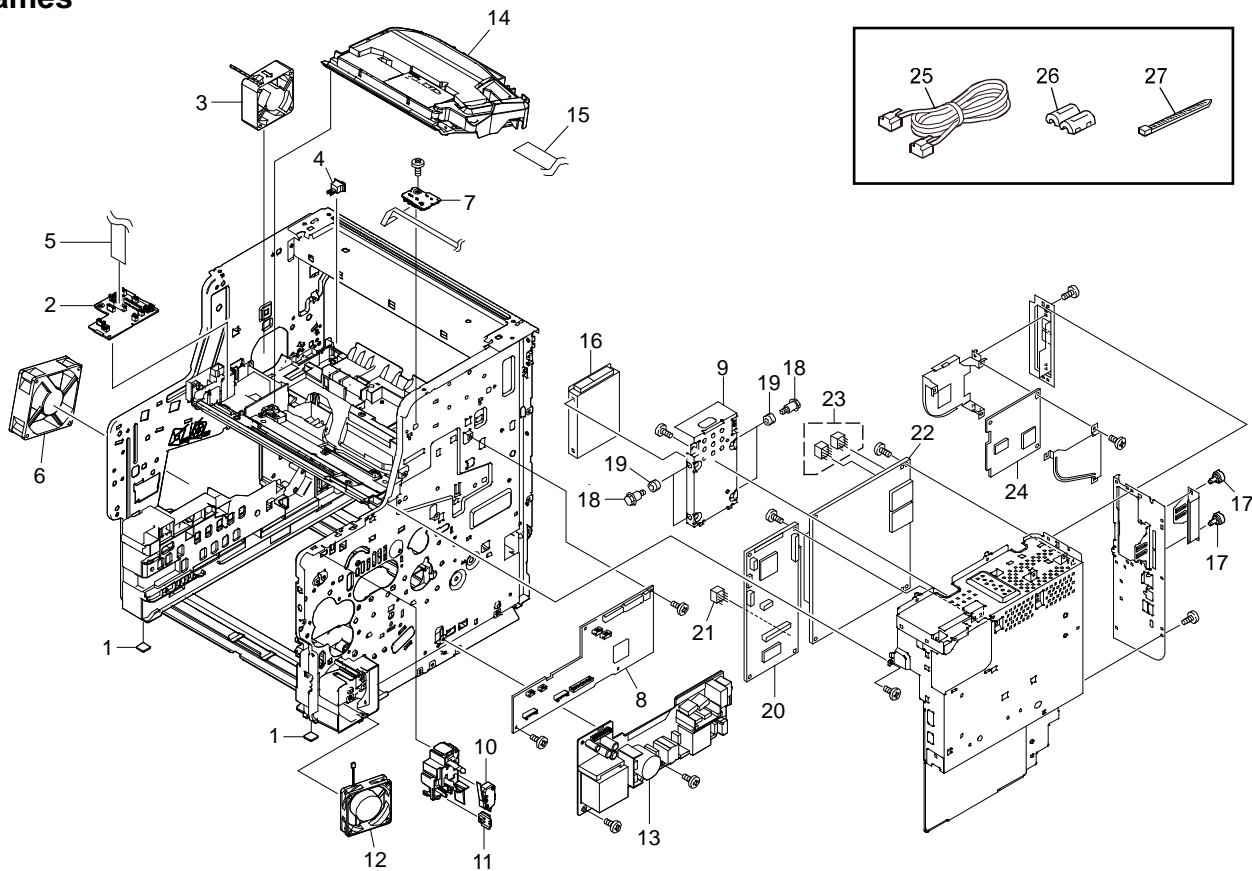


1. Covers

Index No.	Part No.	Description	Q'ty Per Assembly
1	D2551248	COVER RIGHT LOW	1
2	D2551245	COVER RIGHT UP B	1
3	M2811270	COVER RIGHT REAR	1
4	M2811235	COVER CONT LOW	1
5	D2551233	COVER RIGHT UP	1
6	D2551238	COVER CONT MIDDLE	1
7	M2811240	LID TOP B	1
8	D2551242	BUTTON COVER OPEN	1
9	M2811281	COVER LEFT LOW	1
10	M2811293	COVER LEFT LOW REAR	1
11	D2551251	COVER LEFT MIDDLE	1
12	M2811292	COVER LEFT UP REAR	1
13	M2811291	COVER SIDE LOW	1
14	M2811290	COVER SIDE UP	1
15	D2551243	HOOK LID TOP A	1
16	D2551244	HOOK LID TOP B	1
17	D2551231	TRAY TOP	1
18	M2811271	SPONGE COVER TOP	1
19	M2811272	SPONGE TRAY REAR	2
20	M2812847	LEVER LINK	2
21	D2551232	COVER FRONT	1
22	D2551237	COVER CONT UP	1
23	M2812845	PARTS COVER MPF ASSY SP	1
24	D2551235	COVER LEFT UP	1
25	D2551230	LID TOP	1
26	D2551451	COVER OPERATION UP	1
27	D2551452	COVER OPERATION LOW	1
28	M2818532	LABEL DRAWER CAUTION	1
29	M2815567	POWER CORD(120)(NA)	1
30	M2815568	AC CORD ASSY(EU/AA)	1
31	M2811275	SPONGE EXIT	1
			

Index No.	Part No.	Description	Q'ty Per Assembly

2. Frames

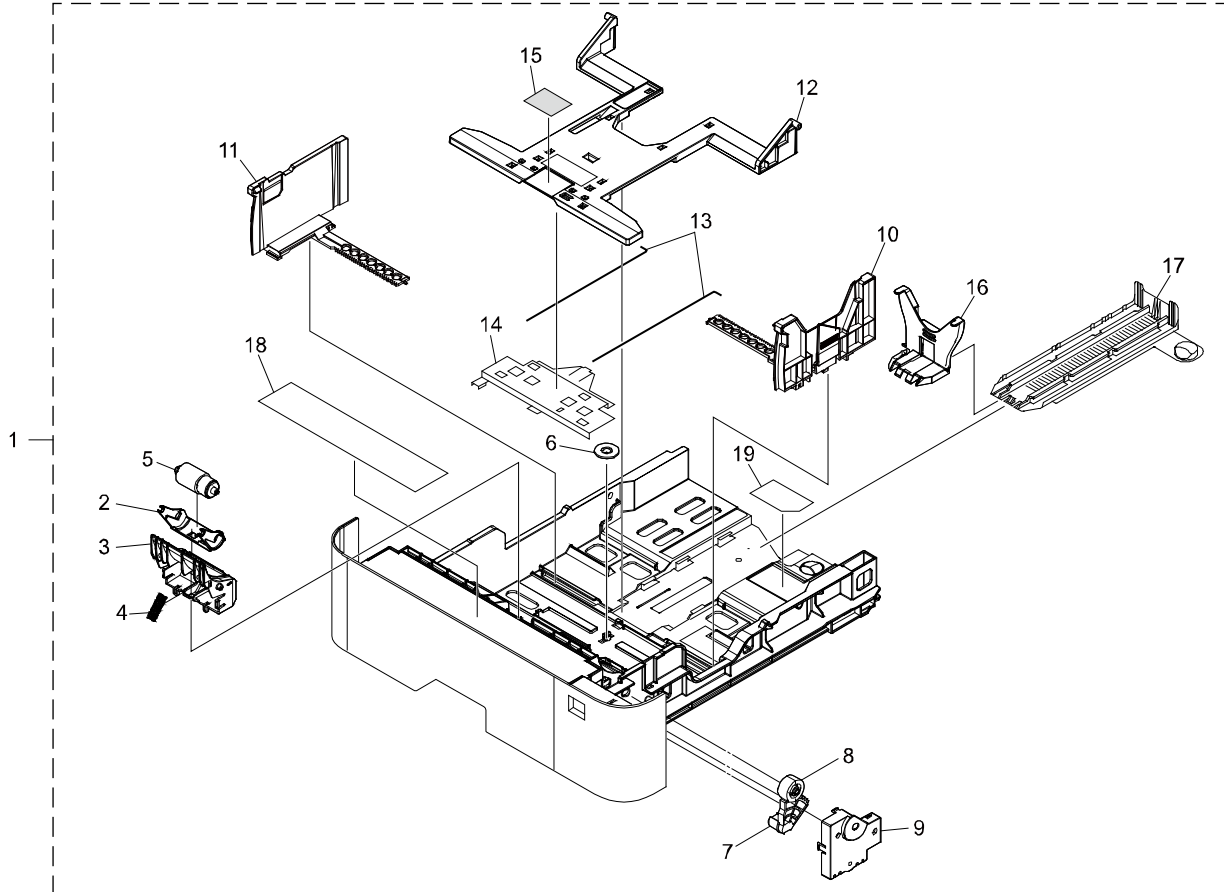


2. Frames

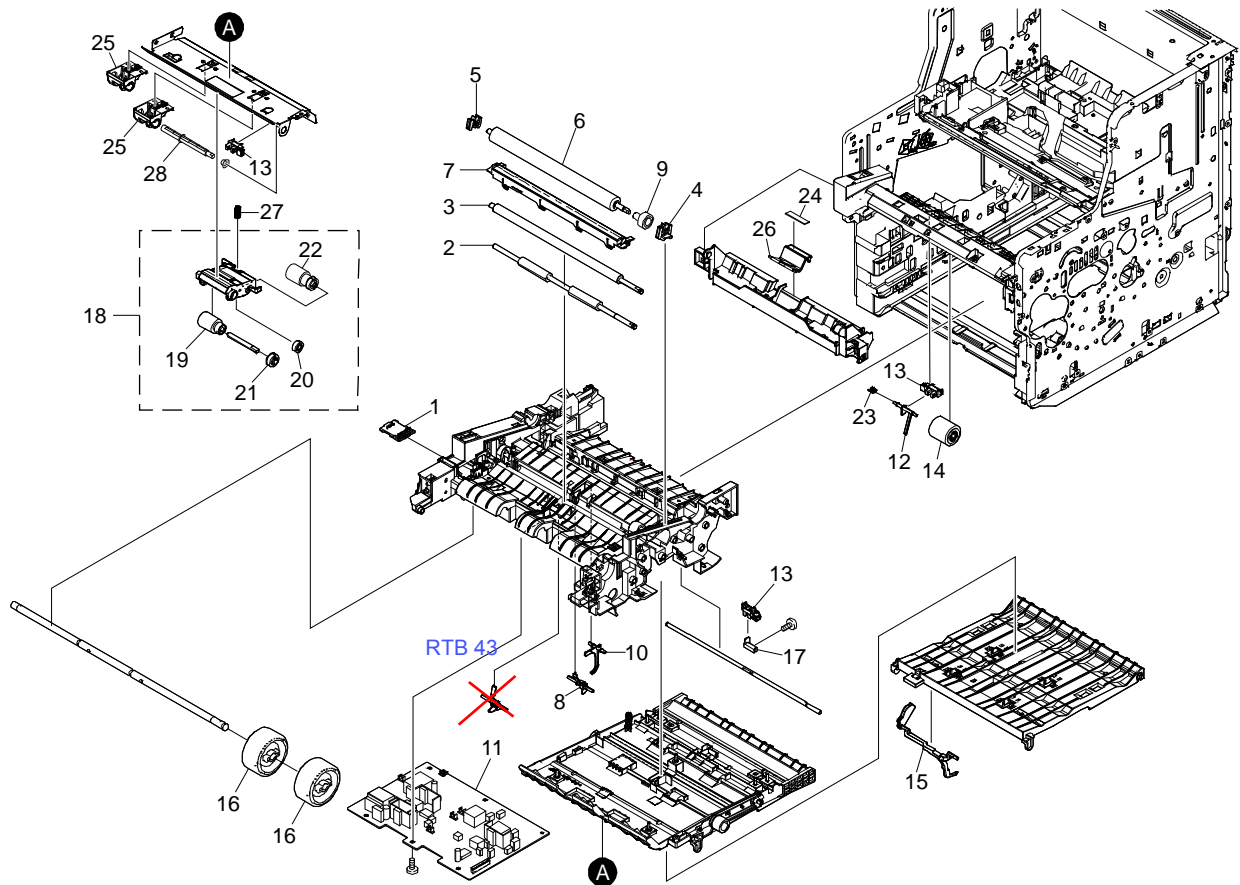
Index No.	Part No.	Description	Q'ty Per Assembly
1	M2811053	FOOT	2
2	M2811064	PARTS PWB ASSY CONNECT-L SP	1
3	M2811052	FAN LSU 60-25	1
4	M2811080	SW.PUSH	1
5	D2551053	CONN.CORD ASSY S03861 CONT-CONN L FFC	1
6	M2811063	PARTS FAN MOTOR ASSY SP	1
7	M2811067	PARTS PWB ASSY TH CONNECT SP	1
8	D2551079	PARTS PWB ASSY ENGINE SP(D255)	1
8	D2551078	PARTS PWB ASSY ENGINE SP(D256)	1
9	D2555562	PLATE HOLDER HDD	1
10	M2811050	INTER LOCK SWITCH	1
11	M2811066	PARTS PWB ASSY SWITCH SP	1
12	M2811069	PARTS,FAN COOLING CONVEYING SP	1
13	M2811071	PARTS UNIT LOW VOLTAGE 200V SP(EU/AA)	1
13	M2811070	PARTS UNIT LOW VOLTAGE 100V SP(NA)	1
14	D2555566	IMAGING UNIT (LK-3163) (D255)	1
14	D2555565	IMAGING UNIT (LK-3162) (D256)	1
15	D2555570	CONN.CORD ASSY FFC S04134 ENG-APC	1
16	M4445201	HDD:320GB:AQUARIUS	1
17	M2811051	SCREW BOX	2
18	D2551052	PIN HDD	4
19	D2555563	BUSHING FAN	4
20	D2555020	PCB:IMAGE PROCESSING UNIT:ASS'Y	1
21	14077726	EEPROM:BR24T08-W	1
22	D2555541	PCB:CTL:D255:50PPM(D255)	1
22	D2555542	PCB:CTL:D256:60PPM(D256)	1
23	D2559590	NVRAM	2
24	D2555545	FCU:NA	1
24	D2555546	FCU:EU/AA	1
25	D2555412	HARNESS:MODULAR CORD:303HZ45010	1
26	16072211	FERRITE CORE:K3 NF-110(N)BK0	1
27	11050047	TY - WRAP	1

Index No.	Part No.	Description	Q'ty Per Assembly

3. Paper Cassette



4. Paper Feed Section

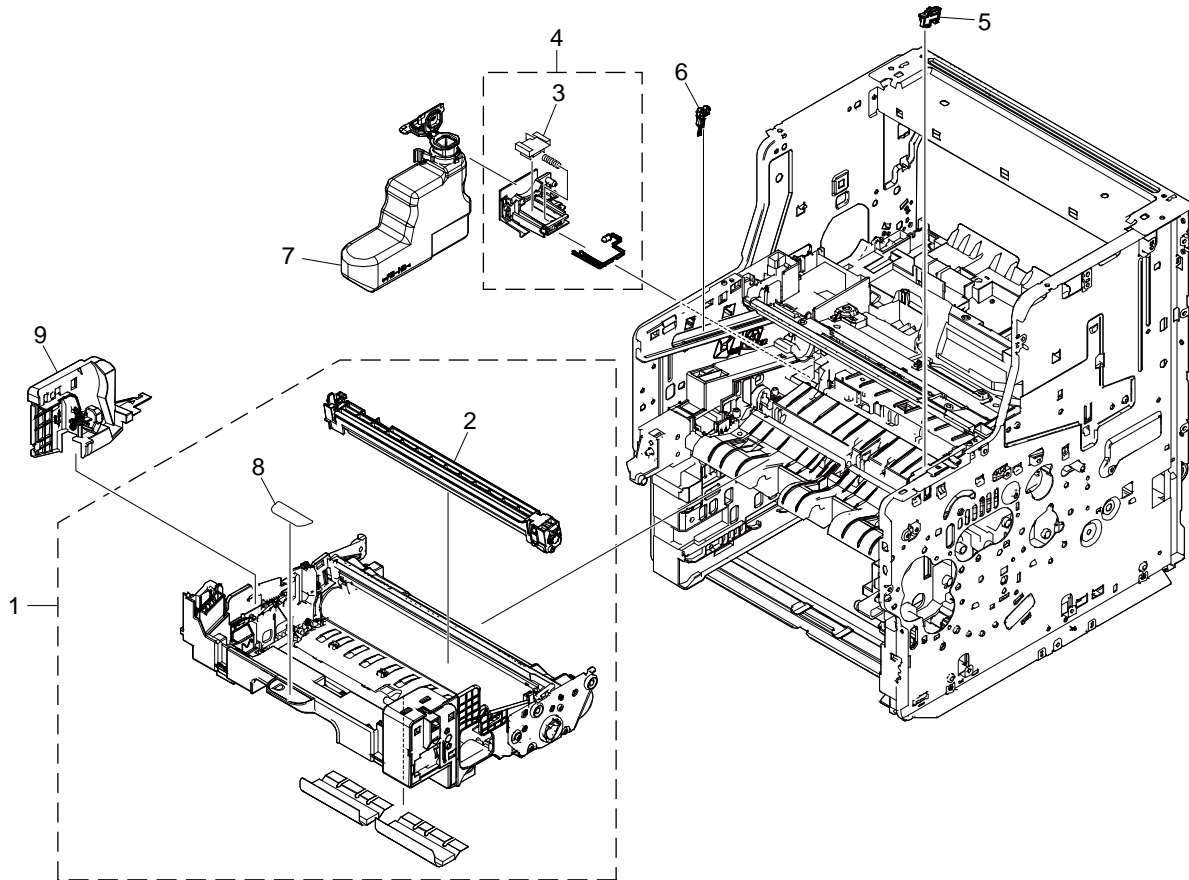


4. Paper Feed Section

Index No.	Part No.	Description	Q'ty Per Assembly
1	M2811065	PARTS PWB ASSY DRUM CONNECT SP	1
2	M2812839	PARTS ROLLER REGIST LOW SP	1
3	M2812840	PARTS ROLLER REGIST UP SP	1
4	M2812828	BUSH TRANSFER R	1
5	M2812832	BUSH TRANSFER L	1
6	M2812838	PARTS ROLLER TRANSFER SP	1
7	M2812836	PARTS GUIDE PAPER CHUTE SP	1
8	M2812829	ACTUATOR IMAGE	1
9	M2812831	GEAR Z22R TC	1
10	M2812850	ACTUATOR DU	1
11	M2812837	PARTS UNIT HIGH VOLTAGE SP	1
12	M2811056	ACTUATOR MPF	1
13	M2812841	PARTS SENSOR OPT SP	3
14	M2811054	ROLLER M/P ASSY	1
15	M2812843	ACTUATOR PE	1
16	M2812834	ROLLER MIDDLE ASSY	2
17	M2812833	ACTUATOR ENVELOPE	1
18	M2812826	PARTS HOLDER FEED ASSY SP	1
19	M2812821	PULLEY FEED ASSY	1
20	M2812820	GEAR FEED Z26H	1
21	M2812822	GEAR FEED Z30H	1
22	M2812824	PULLEY PICKUP ASSY	1
23	M2811057	SPRING ACTUATOR MPF	1
24	M2812844	PAD SEPARATOR MPF	1
25	M2812827	GUIDE FEED SIDE	2
26	M2812846	HOLDER SEPARATION MPF	1
27	M2812849	SPRING PICKUP B	1
28	M2812823	SHAFT FEED R	1

Index No.	Part No.	Description	Q'ty Per Assembly

5. Drum Unit Section

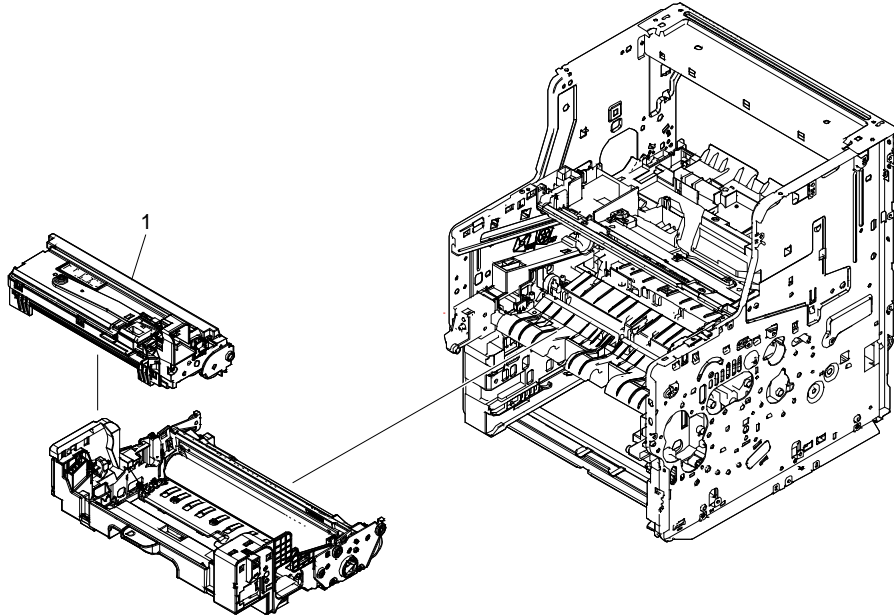


5. Drum Unit Section

Index No.	Part No.	Description	Q'ty Per Assembly
1	M2813040	PCU (DK-3160)	1
2	M2813050	CHARGE ROLLER UNIT (MC-3160)	1
3	M2812842	SHUTTER WASTE	1
4	M2812835	PARTS TONER FULL DETECT ASSY SP	1
5	M2811061	STOPPER PROCESS	1
6	M2811062	STOPPER PROCESS L	1
7	M2816550	TONER COLLECTION BOTTLE (WT-3160)	1
8	M2818536	LABEL DRUM UP	1
9	M2811058	GUIDE CONTAINER	1

Index No.	Part No.	Description	Q'ty Per Assembly

6. Developer Section

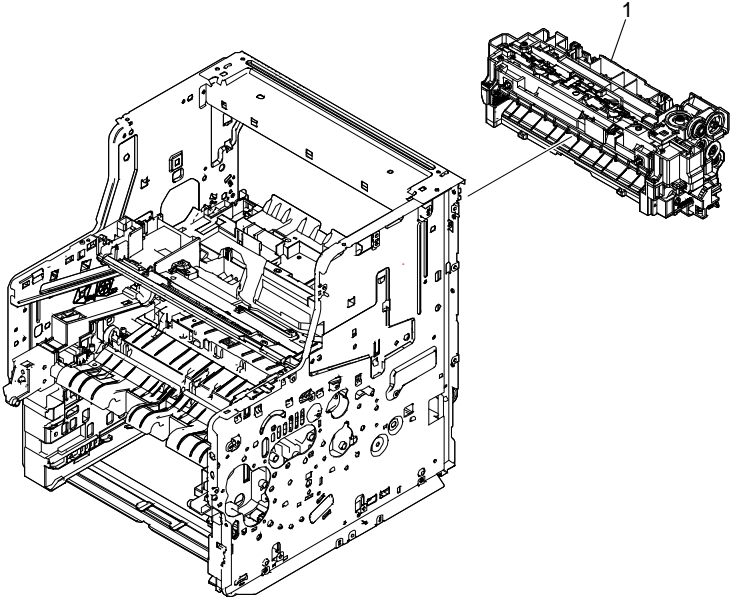


6. Developer Section

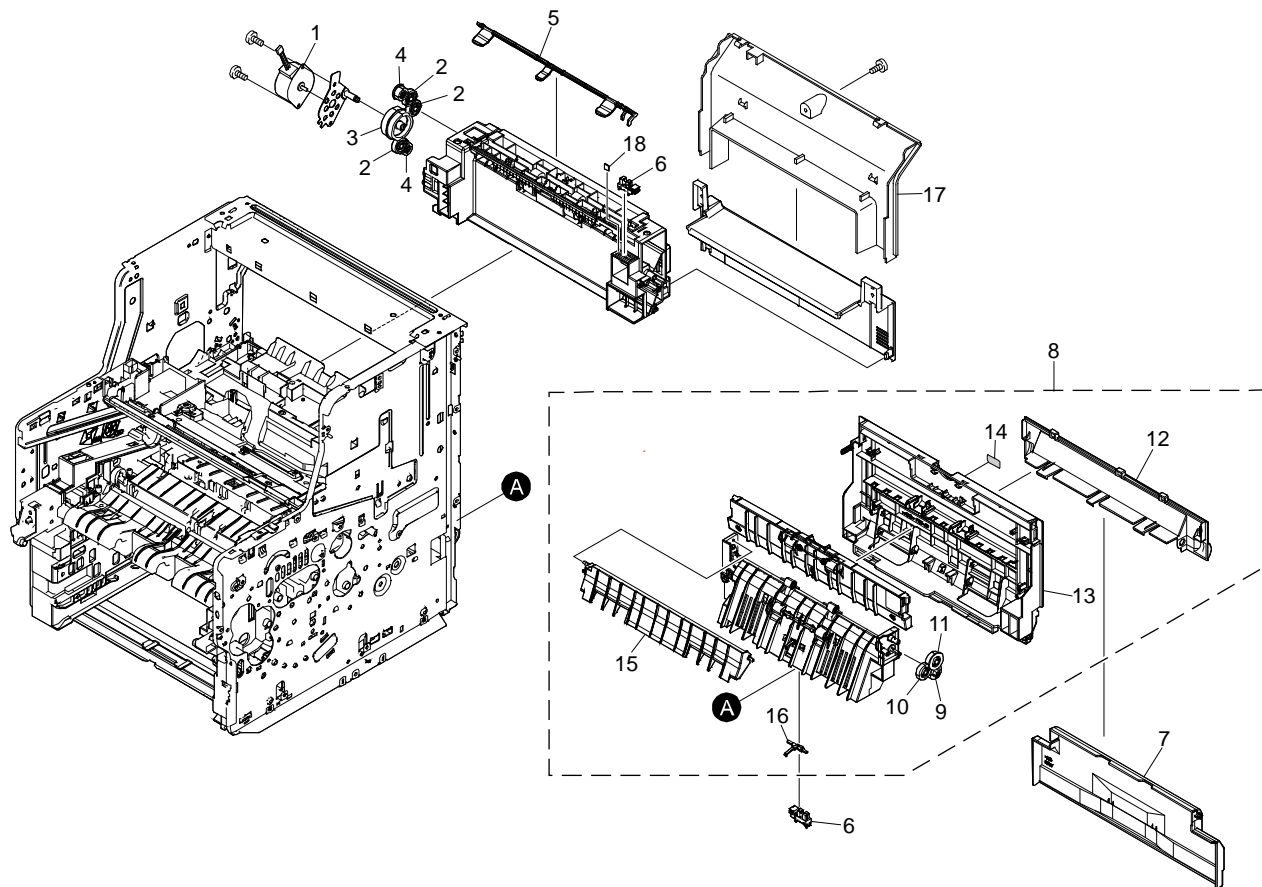
Index No.	Part No.	Description	Q'ty Per Assembly
1	M2813030	DEVELOPMENT UNIT (DV-3100)	1

Index No.	Part No.	Description	Q'ty Per Assembly

7. Fusing Section



8. Exit Section

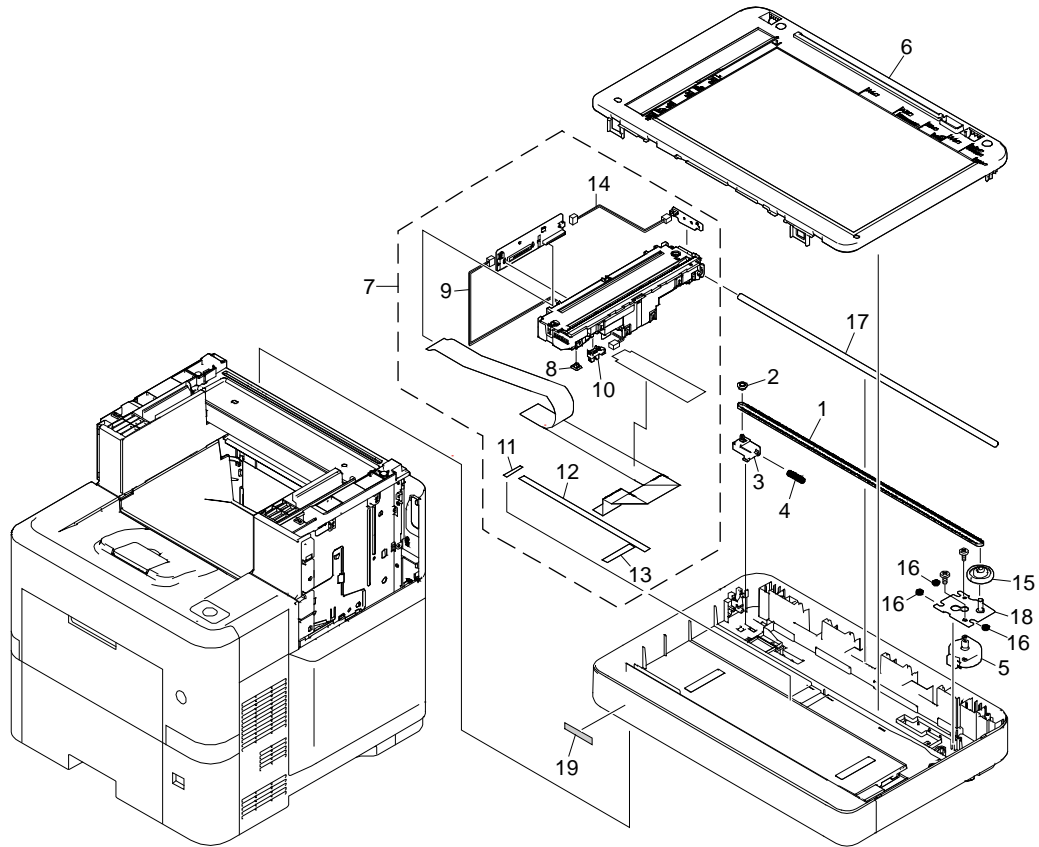


8. Exit Section

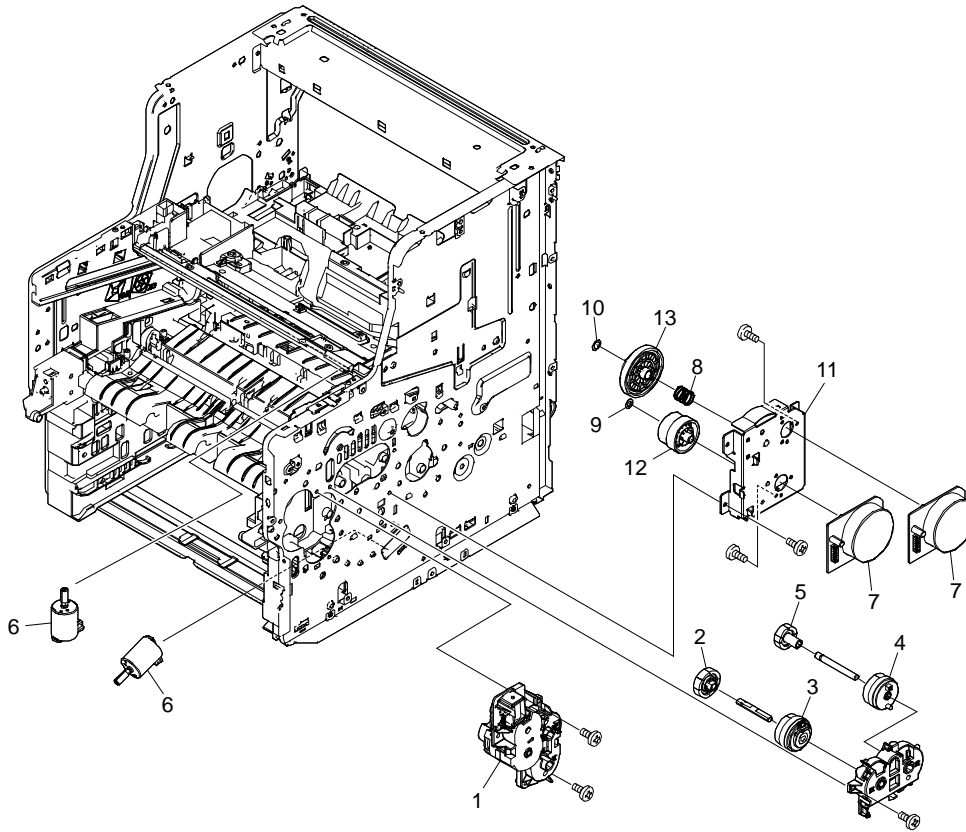
Index No.	Part No.	Description	Q'ty Per Assembly
1	M2814450	MOTOR EJECT	1
2	M2814453	GEAR Z22S	3
3	M2814451	GEAR Z66R-Z40S	1
4	M2814452	GEAR Z17S	2
5	M2814454	ACTUATOR OVERFLOW	1
6	M2812841	PARTS SENSOR OPT SP	2
7	M2811285	COVER CASSETTE	1
8	M2811298	PARTS COVER REAR ASSY SP	1
9	M2811273	GEAR Z20S	1
10	M2811276	GEAR Z22S B	1
11	M2811274	GEAR Z22S A	1
12	M2811284	COVER REAR LOW	1
13	M2811283	COVER REAR UP	1
14	M2811297	LABEL PUSH	1
15	D2551285	GUIDE CHANGE	1
16	M2811299	ACTUATOR DU	1
17	D2551240	COVER STAY B	1
18	M2814455	SEAL EXIT C	1

Index No.	Part No.	Description	Q'ty Per Assembly

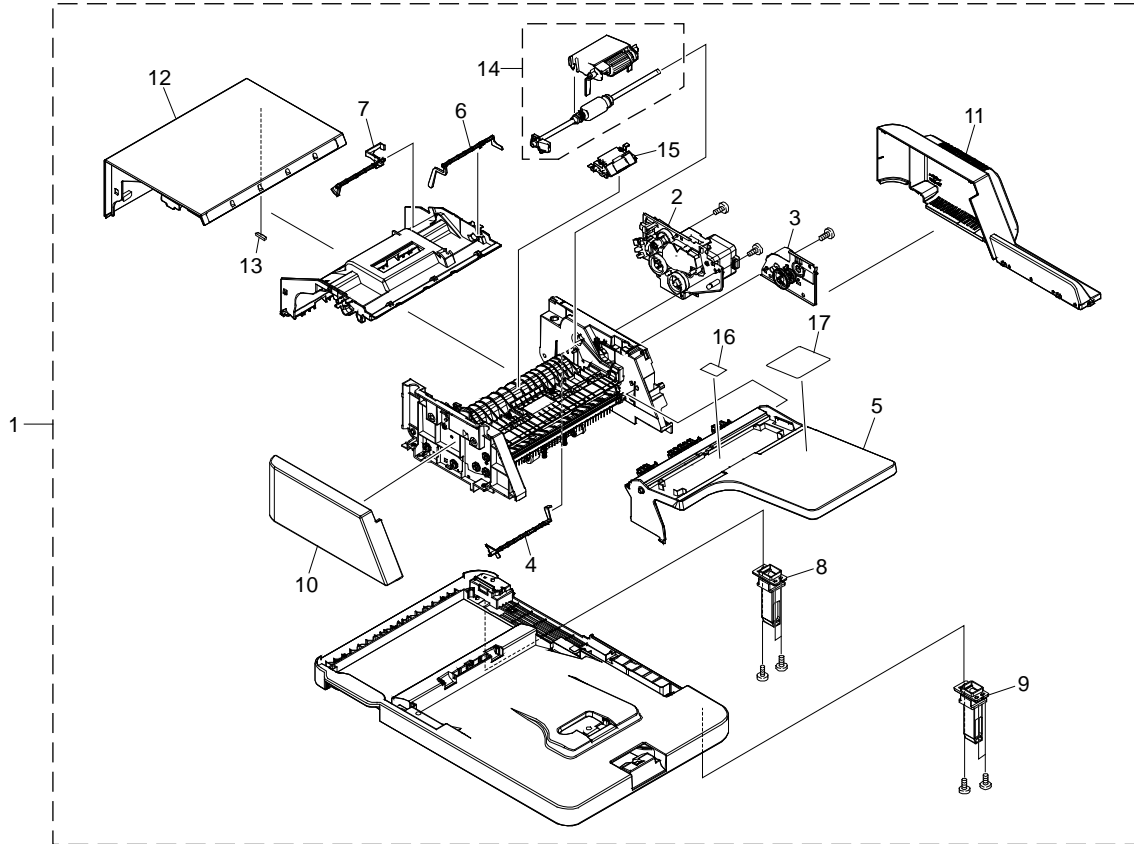
9. Scanner Section



10. Drive Section



11. ARDF Section



Parts Index

Parts Index

Part No.	Description	Page and Index No.
11050047	TY - WRAP	5-27
14077726	EEPROM:BR24T08-W	5-21
16072211	FERRITE CORE:K3 NF-110(N)BK0	5-26
D2551052	PIN HDD	5-18
D2551053	CONN.CORD ASSY S03861 CONT-CONN L FFC	5-5
D2551078	PARTS PWB ASSY ENGINE SP(D256)	5-8
D2551079	PARTS PWB ASSY ENGINE SP(D255)	5-8
D2551230	LID TOP	3-25
D2551231	TRAY TOP	3-17
D2551232	COVER FRONT	3-21
D2551233	COVER RIGHT UP	3-5
D2551235	COVER LEFT UP	3-24
D2551237	COVER CONT UP	3-22
D2551238	COVER CONT MIDDLE	3-6
D2551240	COVER STAY B	17-17
D2551242	BUTTON COVER OPEN	3-8
D2551243	HOOK LID TOP A	3-15
D2551244	HOOK LID TOP B	3-16
D2551245	COVER RIGHT UP B	3-2
D2551248	COVER RIGHT LOW	3-1
D2551251	COVER LEFT MIDDLE	3-11
D2551285	GUIDE CHANGE	17-15
D2551451	COVER OPERATION UP	3-26
D2551452	COVER OPERATION LOW	3-27
D2551625	TAPE FFC A	19-11
D2551650	BELT ISU	19-1
D2551651	SLIDER ISU	19-8
D2551653	PULLEY TENSION	19-2
D2551654	TAPE FFC B	19-12
D2551657	PARTS ISU ASSY SP	19-7
D2551658	PARTS FRAME ISU TOP ASSY SP	19-6
D2551659	PARTS MOTOR ISU SP	19-5
D2551660	MOUNT MOTOR ISU	19-18
D2551661	GEAR Z63R-P32 ISU	19-15
D2551662	MOUNT TENSION PULLEY	19-3

Part No.	Description	Page and Index No.
D2551663	SHAFT ISU	19-17
D2551664	TAPE FFC C	19-13
D2551665	SPRING-COMPRESSION ISU BELT	19-4
D2551666	CONN.CORD ASSY S03840 CCD-LED	19-14
D2551668	CONN.CORD ASSY S04135 CCD-HP	19-9
D2555020	PCB:IMAGE PROCESSING UNIT:ASS'Y	5-20
D2555412	HARNESS:MODULAR CORD:303HZ45010	5-25
D2555541	PCB:CTL:D255:50PPM(D255)	5-22
D2555542	PCB:CTL:D256:60PPM(D256)	5-22
D2555545	FCU:NA	5-24
D2555546	FCU:EU/AA	5-24
D2555562	PLATE HOLDER HDD	5-9
D2555563	BUSHING FAN	5-19
D2555563	BUSHING FAN	19-16
D2555565	IMAGING UNIT (LK-3162) (D256)	5-14
D2555566	IMAGING UNIT (LK-3163) (D255)	5-14
D2555567	PARTS HOLDER PICKUP ASSY SP	23-14
D2555568	PARTS DP PAD ASSY SP	23-15
D2555570	CONN.CORD ASSY FFC S04134 ENG-APC	5-15
D2556652	COVER FRONT	23-10
D2556653	COVER REAR	23-11
D2556654	COVER PF	23-12
D2556655	PARTS TABLE MAIN ASSY SP	23-5
D2556656	PARTS DP UNIT SP	23-1
D2556657	PARTS DRIVE ASSY A SP	23-2
D2556658	PARTS DRIVE ASSY B SP	23-3
D2556659	CUSHION PF	23-13
D2556660	ACTUATOR TIMING	23-4
D2556661	ACTUATOR ORIGINAL	23-6
D2556662	ACTUATOR PF	23-7
D2556663	HINGE LEFT	23-8
D2556664	HINGE RIGHT	23-9
D2558530	LABEL FACE UP	23-16
D2558531	LABEL PAPER CAUTION	23-17
D2558532	LABEL MODEL MF60(D256)	19-19

Part No.	Description	Page and Index No.
D2558533	LABEL MODEL MF50(D255)	19-19
D2559590	NVRAM	5-23
M2811050	INTER LOCK SWITCH	5-10
M2811051	SCREW BOX	5-17
M2811052	FAN LSU 60-25	5-3
M2811053	FOOT	5-1
M2811054	ROLLER M/P ASSY	9-14
M2811055	CLUTCH 50 Z35R	21-3
M2811056	ACTUATOR MPF	9-12
M2811057	SPRING ACTUATOR MPF	9-23
M2811058	GUIDE CONTAINER	11-9
M2811059	GEAR Z26L DLP CLUTCH	21-5
M2811060	GEAR Z32L REG CL	21-2
M2811061	STOPPER PROCESS	11-5
M2811062	STOPPER PROCESS L	11-6
M2811063	PARTS FAN MOTOR ASSY SP	5-6
M2811064	PARTS PWB ASSY CONNECT-L SP	5-2
M2811065	PARTS PWB ASSY DRUM CONNECT SP	9-1
M2811066	PARTS PWB ASSY SWITCH SP	5-11
M2811067	PARTS PWB ASSY TH CONNECT SP	5-7
M2811068	PARTS DC MOTOR ASSY SP	21-6
M2811069	PARTS,FAN COOLING CONVEYING SP	5-12
M2811070	PARTS UNIT LOW VOLTAGE 100V SP(NA)	5-13
M2811071	PARTS UNIT LOW VOLTAGE 200V SP(EU/AA)	5-13
M2811080	SW.PUSH	5-4
M2811120	CUT WASHER 5	21-9
M2811121	CUT WASHER 7	21-10
M2811122	PLATE DRIVE	21-11
M2811123	GEAR Z119R	21-13
M2811124	GEAR Z80R-Z36L	21-12
M2811125	SPRING COUPLING DRUM	21-8
M2811126	PARTS DRIVE FEED ASSY SP	21-1
M2811127	PARTS CLUTCH 20-2W Z35R	21-4
M2811128	PARTS MOTOR-BL W30 SP	21-7
M2811235	COVER CONT LOW	3-4

Part No.	Description	Page and Index No.
M2811240	LID TOP B	3-7
M2811270	COVER RIGHT REAR	3-3
M2811271	SPONGE COVER TOP	3-18
M2811272	SPONGE TRAY REAR	3-19
M2811273	GEAR Z20S	17-9
M2811274	GEAR Z22S A	17-11
M2811275	SPONGE EXIT	3-31
M2811276	GEAR Z22S B	17-10
M2811281	COVER LEFT LOW	3-9
M2811283	COVER REAR UP	17-13
M2811284	COVER REAR LOW	17-12
M2811285	COVER CASSETTE	17-7
M2811290	COVER SIDE UP	3-14
M2811291	COVER SIDE LOW	3-13
M2811292	COVER LEFT UP REAR	3-12
M2811293	COVER LEFT LOW REAR	3-10
M2811297	LABEL PUSH	17-14
M2811298	PARTS COVER REAR ASSY SP	17-8
M2811299	ACTUATOR DU	17-16
M2812520	RETARD ROLLER ASSY	7-5
M2812521	PAD BOTTOM	7-15
M2812522	GEAR Z15S JOINT	7-8
M2812523	GEAR Z48S LIFT	7-7
M2812524	SPRING RETARD B	7-4
M2812525	CASSETTE BOTTOM	7-12
M2812528	RAIL CURSOR END	7-17
M2812529	COVER LIFT GEAR	7-9
M2812530	GUIDE RETARD B	7-3
M2812531	CASSETTE ASS'Y (CT-3160)	7-1
M2812532	PARTS CURSOR END ASSY SP	7-16
M2812534	PLATE BOTTOM	7-14
M2812535	WIRE CASSETTE BOTTOM	7-13
M2812536	HOLDER RETARD B	7-2
M2812537	GEAR CASSETTE	7-6
M2812538	CURSOR RIGHT	7-10

Part No.	Description	Page and Index No.
M2812539	CURSOR LEFT	7-11
M2812820	GEAR FEED Z26H	9-20
M2812821	PULLEY FEED ASSY	9-19
M2812822	GEAR FEED Z30H	9-21
M2812823	SHAFT FEED R	9-28
M2812824	PULLEY PICKUP ASSY	9-22
M2812826	PARTS HOLDER FEED ASSY SP	9-18
M2812827	GUIDE FEED SIDE	9-25
M2812828	BUSH TRANSFER R	9-4
M2812829	ACTUATOR IMAGE	9-8
M2812831	GEAR Z22R TC	9-9
M2812832	BUSH TRANSFER L	9-5
M2812833	ACTUATOR ENVELOPE	9-17
M2812834	ROLLER MIDDLE ASSY	9-16
M2812835	PARTS TONER FULL DETECT ASSY SP	11-4
M2812836	PARTS GUIDE PAPER CHUTE SP	9-7
M2812837	PARTS UNIT HIGH VOLTAGE SP	9-11
M2812838	PARTS ROLLER TRANSFER SP	9-6
M2812839	PARTS ROLLER REGIST LOW SP	9-2
M2812840	PARTS ROLLER REGIST UP SP	9-3
M2812841	PARTS SENSOR OPT SP	9-13
M2812841	PARTS SENSOR OPT SP	17-6
M2812841	PARTS SENSOR OPT SP	19-10
M2812842	SHUTTER WASTE	11-3
M2812843	ACTUATOR PE	9-15
M2812844	PAD SEPARATOR MPF	9-24
M2812845	PARTS COVER MPF ASSY SP	3-23
M2812846	HOLDER SEPARATION MPF	9-26
M2812847	LEVER LINK	3-20
M2812849	SPRING PICKUP B	9-27
M2812850	ACTUATOR DU	9-10
M2813030	DEVELOPMENT UNIT (DV-3100)	13-1
M2813040	PCU (DK-3160)	11-1
M2813050	CHARGE ROLLER UNIT (MC-3160)	11-2
M2814060	FUSING UNIT (FK-3160(E)) (EU/AA)	15-1

Part No.	Description	Page and Index No.
M2814070	FUSING UNIT (FK-3160(U)) (NA)	15-1
M2814450	MOTOR EJECT	17-1
M2814451	GEAR Z66R-Z40S	17-3
M2814452	GEAR Z17S	17-4
M2814453	GEAR Z22S	17-2
M2814454	ACTUATOR OVERFLOW	17-5
M2814455	SEAL EXIT C	17-18
M2815567	POWER CORD(120)(NA)	3-29
M2815568	AC CORD ASSY(EU/AA)	3-30
M2816550	TONER COLLECTION BOTTLE (WT-3160)	11-7
M2818532	LABEL DRAWER CAUTION	3-28
M2818534	LABEL OPERATION CASSETTE	7-18
M2818535	LABEL OPERATION END	7-19
M2818536	LABEL DRUM UP	11-8
M4445201	HDD:320GB:AQUARIUS	5-16