

# MP 402SPF

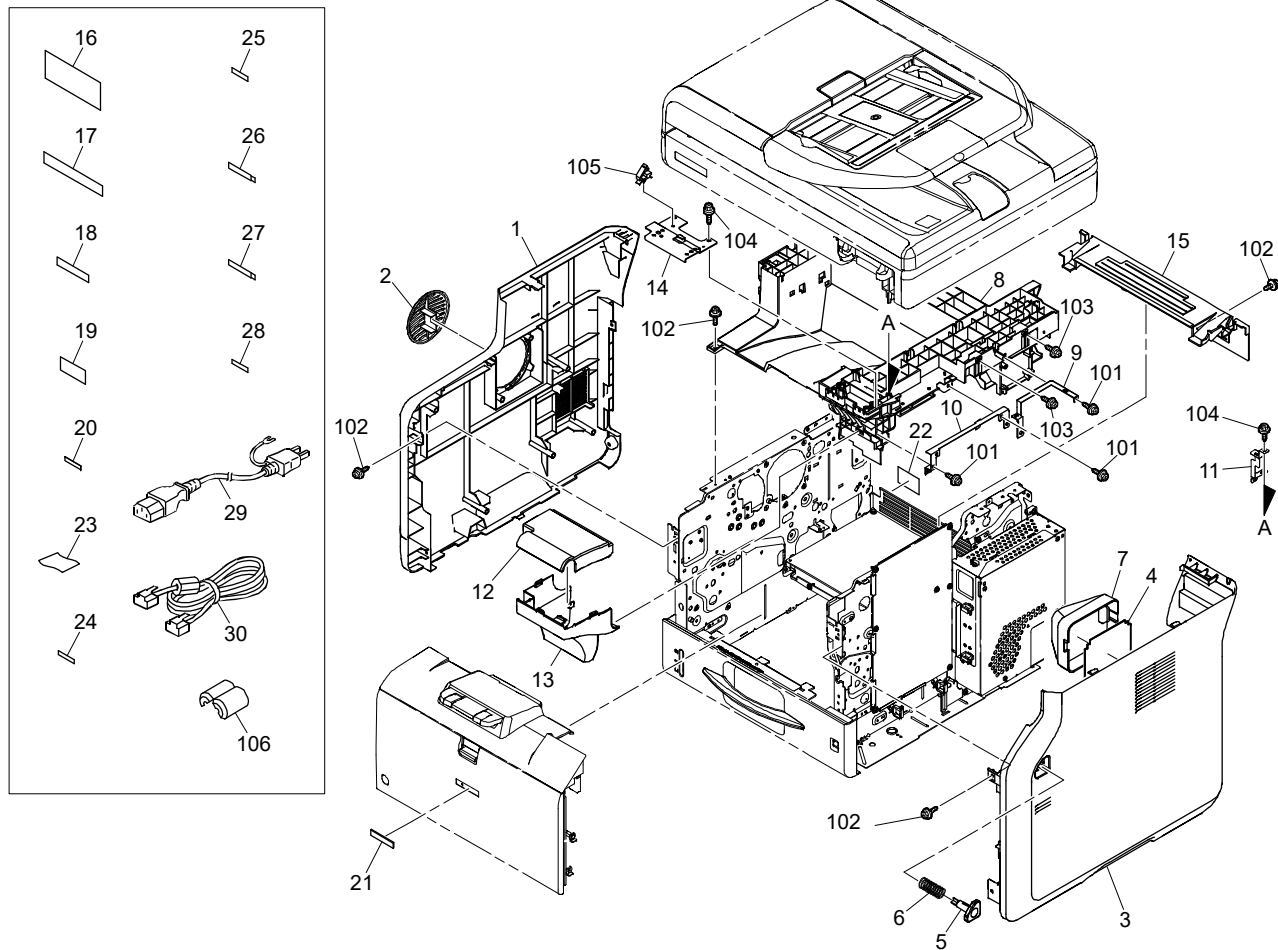
## PARTS CATALOG

This catalog gives the numbers and names of parts on this machine.

1. Exterior.....	1 P	18. Paper Exit Section.....	35 P
2. ADF Section 1.....	3 P	19. Duplex Section.....	37 P
3. ADF Section 2.....	5 P	20. Drive Section 1.....	39 P
4. ADF Section 3.....	7 P	21. Drive Section 2.....	41 P
5. ADF Section 4.....	9 P	22. Electrical Components Section.....	43 P
6. ADF Section 5.....	11 P	23. Main Frame Section.....	45 P
7. ADF Section 6.....	13 P	24. Decal and Document.....	47 P
8. Optical Reading Section.....	15 P	25. Parts Index.....	49 P
9. Optical Writing Section.....	17 P		
10. Manual Feed Section 1.....	19 P		
11. Manual Feed Section 2.....	21 P		
12. Paper Feed 1.....	23 P		
13. Paper Feed 2.....	25 P		
14. Registration Roller.....	27 P		
15. Transfer.....	29 P		
16. Fusing Section 1.....	31 P		
17. Fusing Section 2.....	33 P		

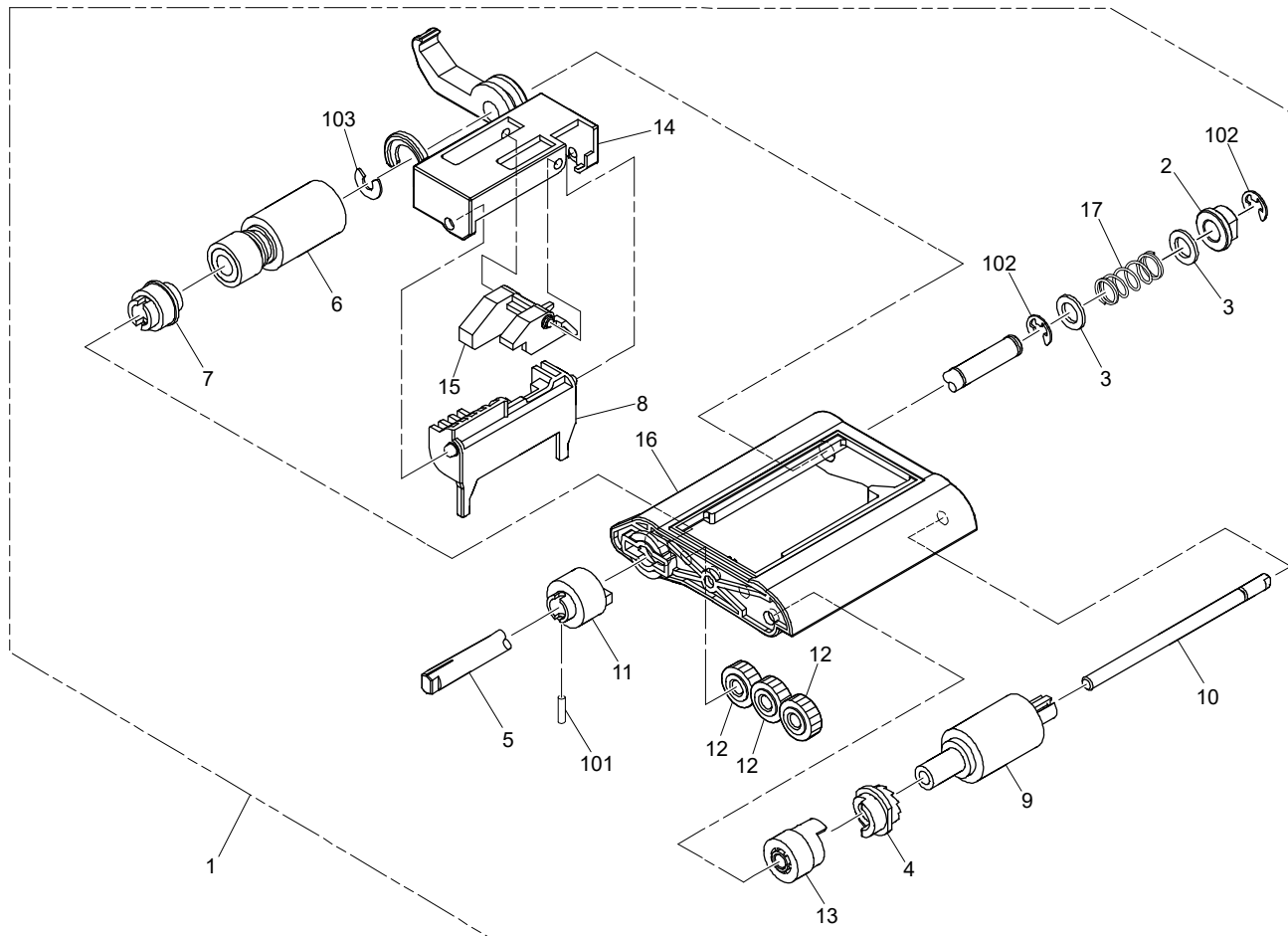


# 1. Exterior



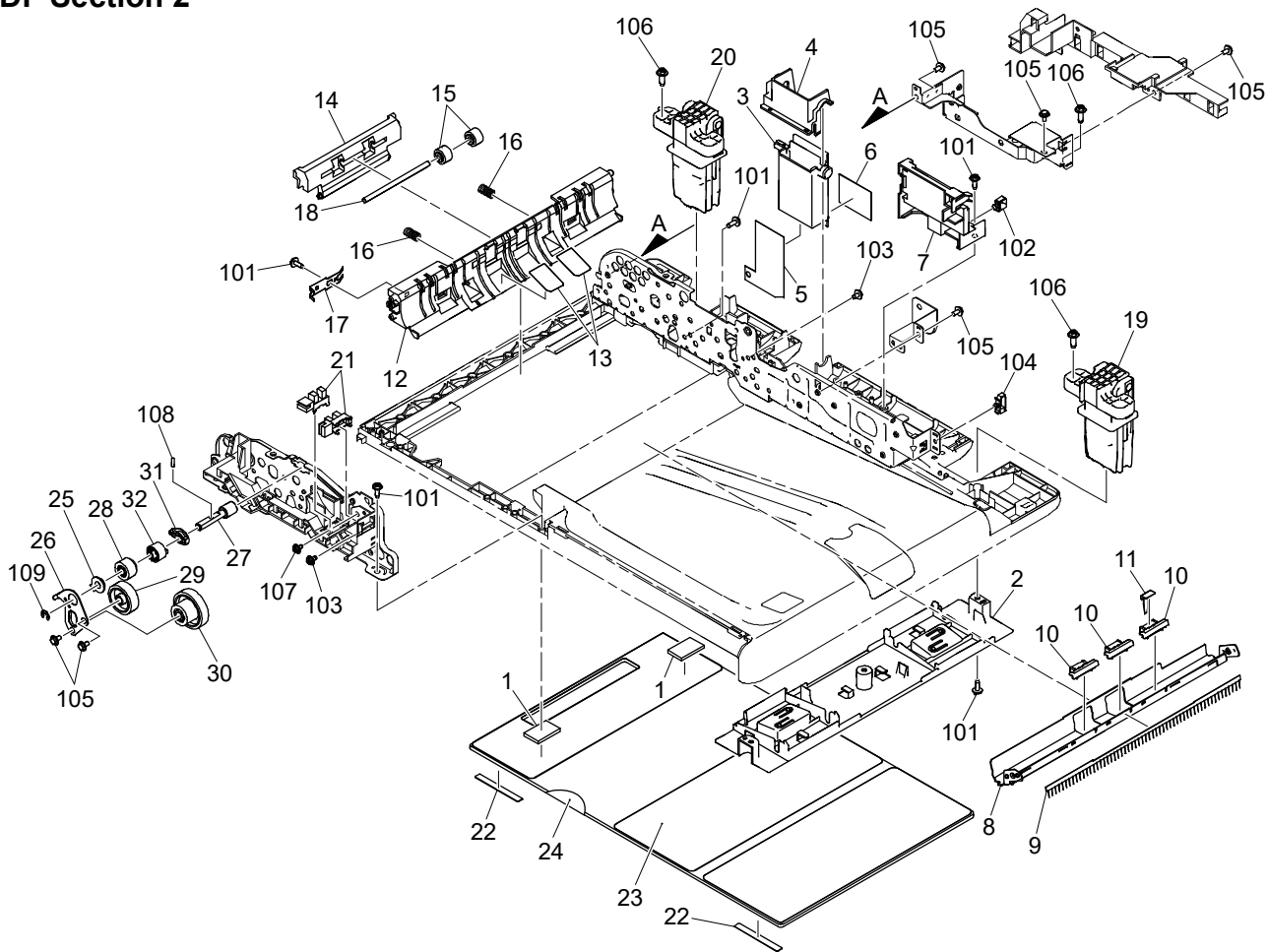


## 2. ADF Section 1





### 3. ADF Section 2



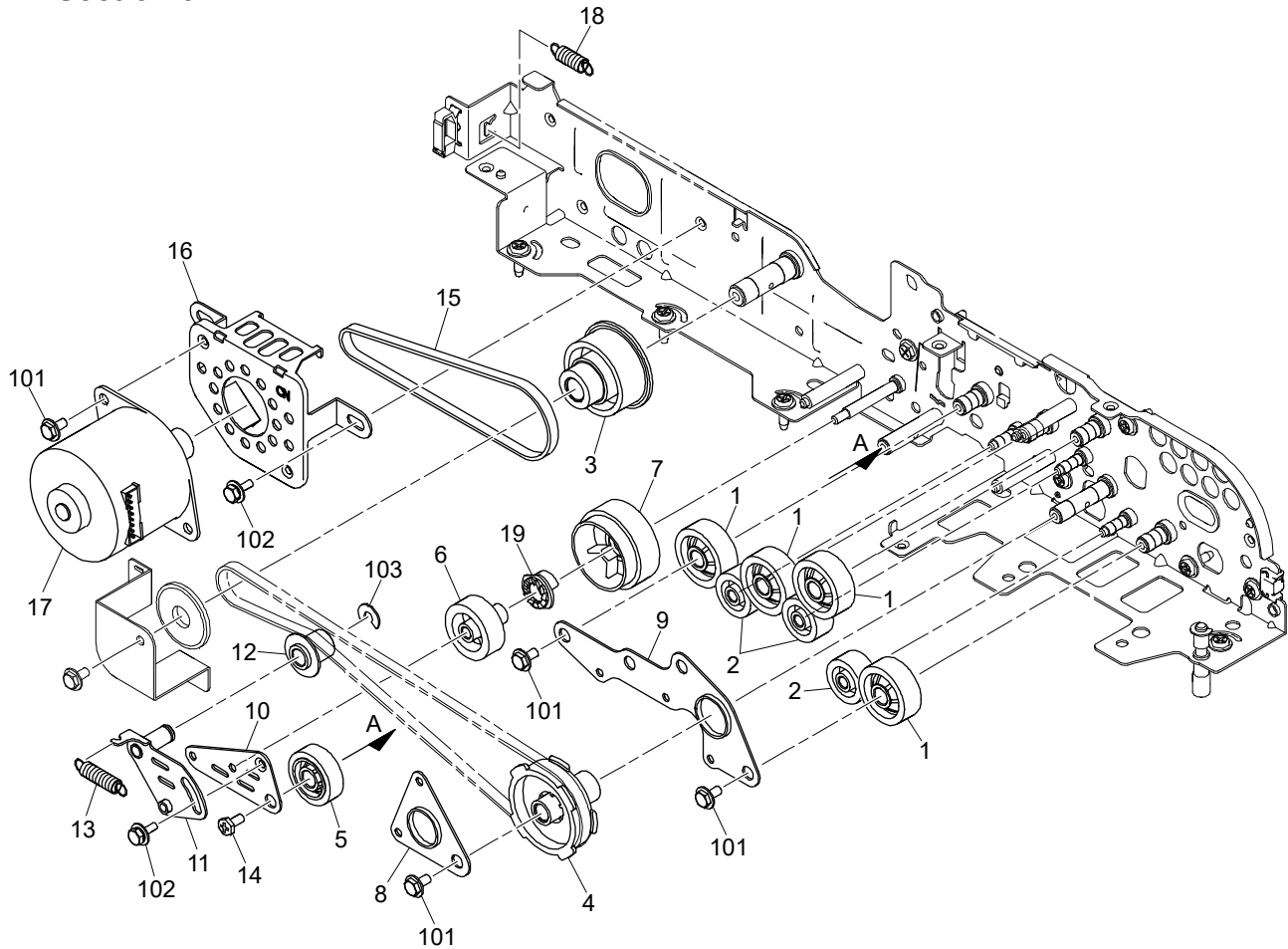
### 3. ADF Section 2

Index No.	Part No.	Description	Q'ty Per Assembly
1	D3DJ1114	TAPE:PRESSURE PLATE	2
2	D3DJ1121	COVER:CARD READER	1
3	D3DJ1141	GUIDE:HARNNESS:CONTACT POINT	1
4	D3DJ1142	HOLDER:GUIDE:HARNNESS:CONTACT POINT	1
5	D3DJ1143	SHEET:HOLDER:FLAT CABLE	1
6	D3DJ1144	SHEET:CUSHION:FLAT CABLE	1
7	D3DJ1131	HOLDER:DFRB	1
8	D3DJ1151	GUIDE PLATE:EXIT	1
9	D3DJ1152	DISCHARGE BRUSH:EXIT:SUS	1
10	D3DJ1160	SHEET:EXIT:ASSY	3
11	D3DJ1162	SHEET:EXIT	1
12	D3DJ1410	GUIDE PLATE:SCANNING:FRONT LOWER	1
13	D3DJ1411	SHEET:SCANNING:FRONT LOWER	2
14	D3DJ1413	LEVER:DRIVEN:SCANNING	1
15	D3DJ1414	ROLLER:ENTRANCE	2
16	D3DJ1416	COMPRESSION SPRING:SCANNING:DRIVEN	2
17	D3DJ1417	SPRING PLATE:DISCHARGE:SCANNING	1
18	D6064516	SHAFT:ROLLER:PULL OUT	1
19	D3DJ1821	HINGE:RIGHT:NON DAMPER:LONG	1
20	D3DJ1820	HINGE:LEFT:DAMPER:LONG	1
21	AW020224	PHOTOINTERRUPTOR:GP1A173LCSVF	2
22	B6524743	SHEET:PRESSURE PLATE:SMALL	2
23	D3DJ4911	SHEET:PRESSURE PLATE	1
24	D3DJ4912	CUSHION:PRESSURE PLATE:LARGE	1
25	B8722421	PLAIN SHAFT BEARING:FEED	1
26	D3DJ4110	POSITIONING PLATE:DRIVE:FRONT	1
27	D3DJ4111	SHAFT:COUPLING:PEEN	1
28	D3DJ4112	GEAR:ROLLER:FEED	1
29	D3DJ4113	GEAR:IDLER:SEPARATION SUB-UNIT	1
30	D3DJ4114	GEAR:SLOW DOWN:FEED	1
31	D3DJ4124	BUSHING:FEED	1
32	D3DJ4127	TORQUE LIMITER MECHANICAL CLUTCH:PAPER FEED UNIT	1

Index No.	Part No.	Description	Q'ty Per Assembly
101	04583010N	HEXAGON HEAD TAPPING SCREW:3X10	
102	11050759	CLAMP:LWSM-0605A	
103	04513006N	TAPPING SCREW:3X6	
104	11050760	CLAMP:LWSM-0511A	
105	03603006N	SCREW:M3X6	
106	04504012N	TAPPING SCREW:4X12	
107	04543006Q	TAPPING SCREW:3X6	
108	06320080G	PARALLEL PIN:2X8	
109	07200040E	RETAINING RINGS-E:4	

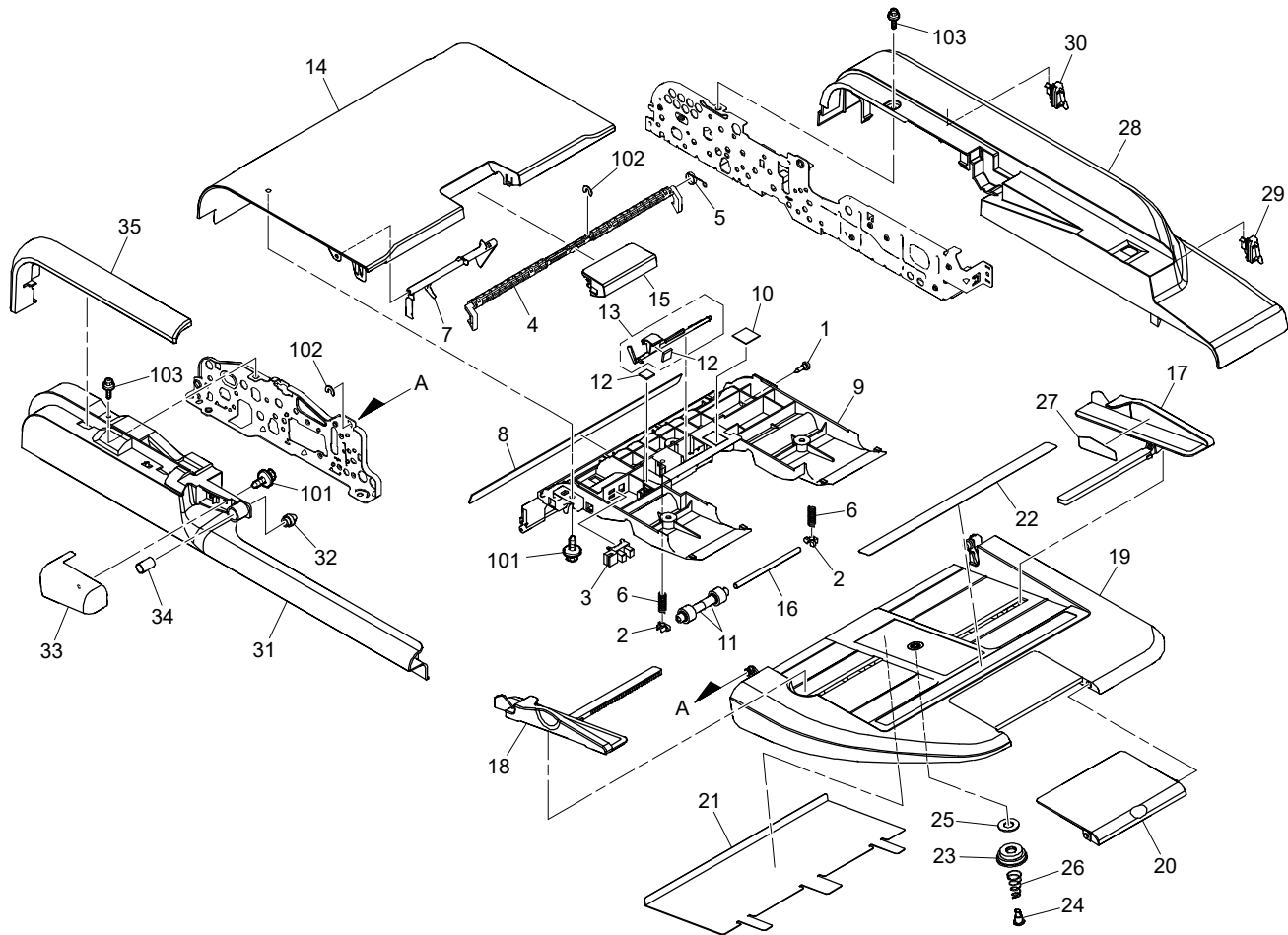


## 4. ADF Section 3



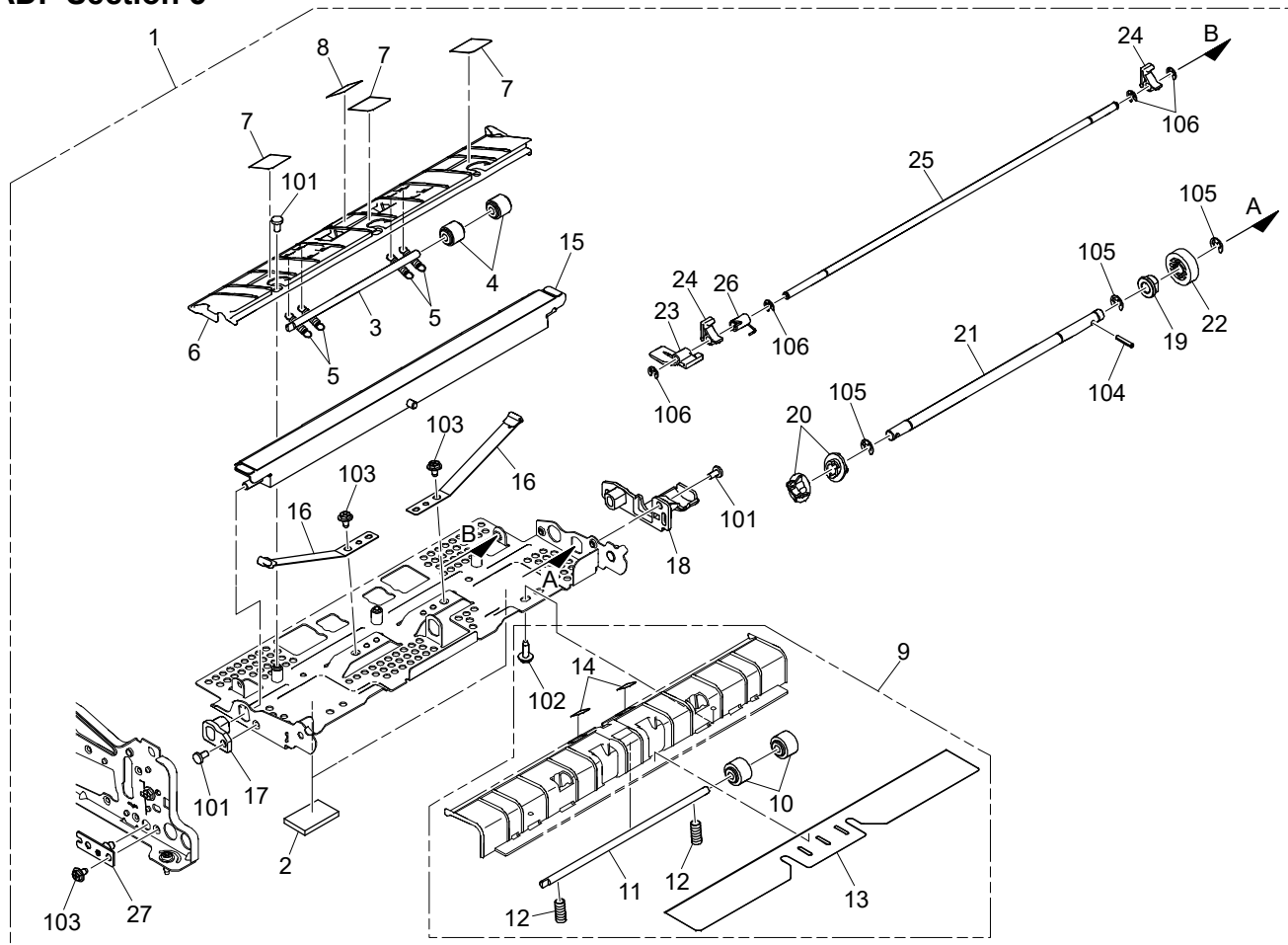


# 5. ADF Section 4





## 6. ADF Section 5

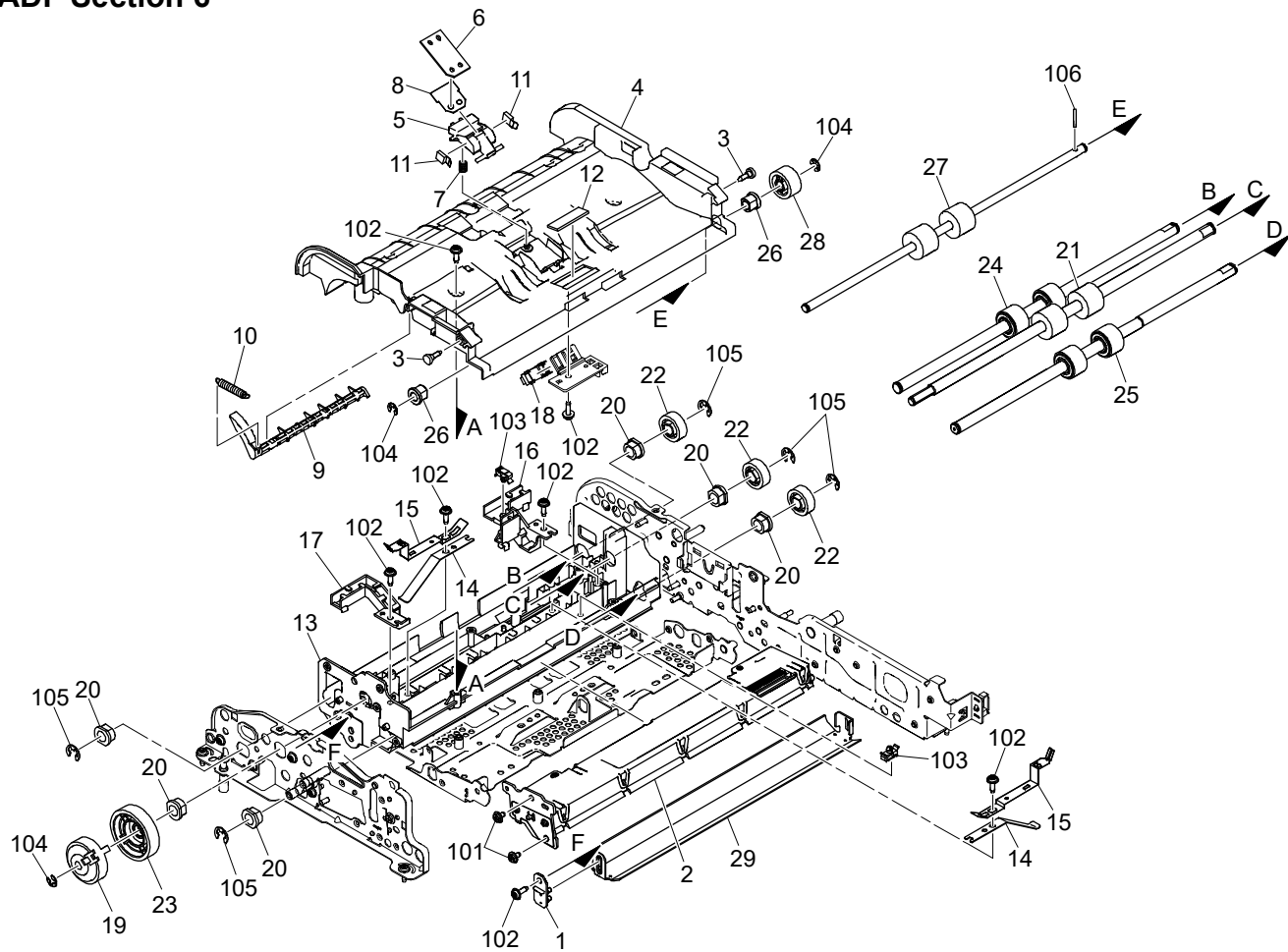


**6. ADF Section 5**

Index No.	Part No.	Description	Q'ty Per Assembly
1	D3DJ1600	GUIDE PLATE:LOWER:OPEN AND CLOSE:ASSY	1
2	D3DJ1114	TAPE:PRESSURE PLATE	2
3	D3DJ1622	SHAFT:SCANNING:EXIT:DRIVEN	1
4	D3DJ1623	ROLLER:EXIT	2
5	D3DJ1624	TENSION SPRING:SCANNING:EXIT:DRIVEN	4
6	D3DJ1625	GUIDE:TRANSPORT:EXIT:LOWER	1
7	D3DJ1626	SHEET:GUIDE:TRANSPORT:EXIT:LOWER	3
8	D3DJ1627	SHEET:EXIT:PLATE	1
9	D3DJ1632	GUIDE:EXIT:ASSY	1
10	D3DJ1414	ROLLER:ENTRANCE	2
11	D3DJ1634	SHAFT:EXIT:DRIVEN	1
12	D3DJ1636	COMPRESSION SPRING:EXIT:DRIVEN	2
13	D3DJ1639	SHEET:TRAY	1
14	D3DJ1649	SHEET:SCANNING:BEHIND:PLATE	2
15	D3DJ1642	GUIDE:REFLECTANCE TARGETS PLATE:BEHIND:ASSY	1
16	D3DJ1650	SPRING PLATE:GUIDE:BEHIND:PRESS FIT	2
17	D3DJ1653	PLAIN SHAFT BEARING:GUIDE:BEHIND:FRONT	1
18	D3DJ1654	PLAIN SHAFT BEARING:GUIDE:BEHIND:INNER BACK	1
19	AA082101	PLAIN SHAFT BEARING:MM6XMM10X6	2
20	D3DJ1662	CAM:MOVE:REFLECTANCE TARGETS PLATE:BEHIND	2
21	D3DJ1664	SHAFT:CAM:PRESS FIT	1
22	D5433635	GEAR:ROLLER:SCANNING:BEHIND	1
23	D3DJ1672	LEVER:GUIDE PLATE:LOWER:OPEN AND CLOSE	1
24	D3DJ1673	PAWL:GUIDE PLATE:LOWER:OPEN AND CLOSE	2
25	D3DJ1674	SHAFT:LEVER:GUIDE PLATE:LOWER:OPEN AND CLOSE	1
26	D3DJ1676	TORSION SPRING:GUIDE PLATE:LOWER:OPEN AND CLOSE	1
27	D3DJ1681	PIN:GUIDE PLATE:PEEN	1

Index No.	Part No.	Description	Q'ty Per Assembly
101	03530060N	SCREW:M3X6	
102	04583010N	HEXAGON HEAD TAPPING SCREW:3X10	
103	04543006Q	TAPPING SCREW:3X6	
104	06320080G	PARALLEL PIN:2X8	
105	07200040E	RETAINING RINGS-E:4	
106	07200030E	RETAINING RINGS-E:3	

# 7. ADF Section 6



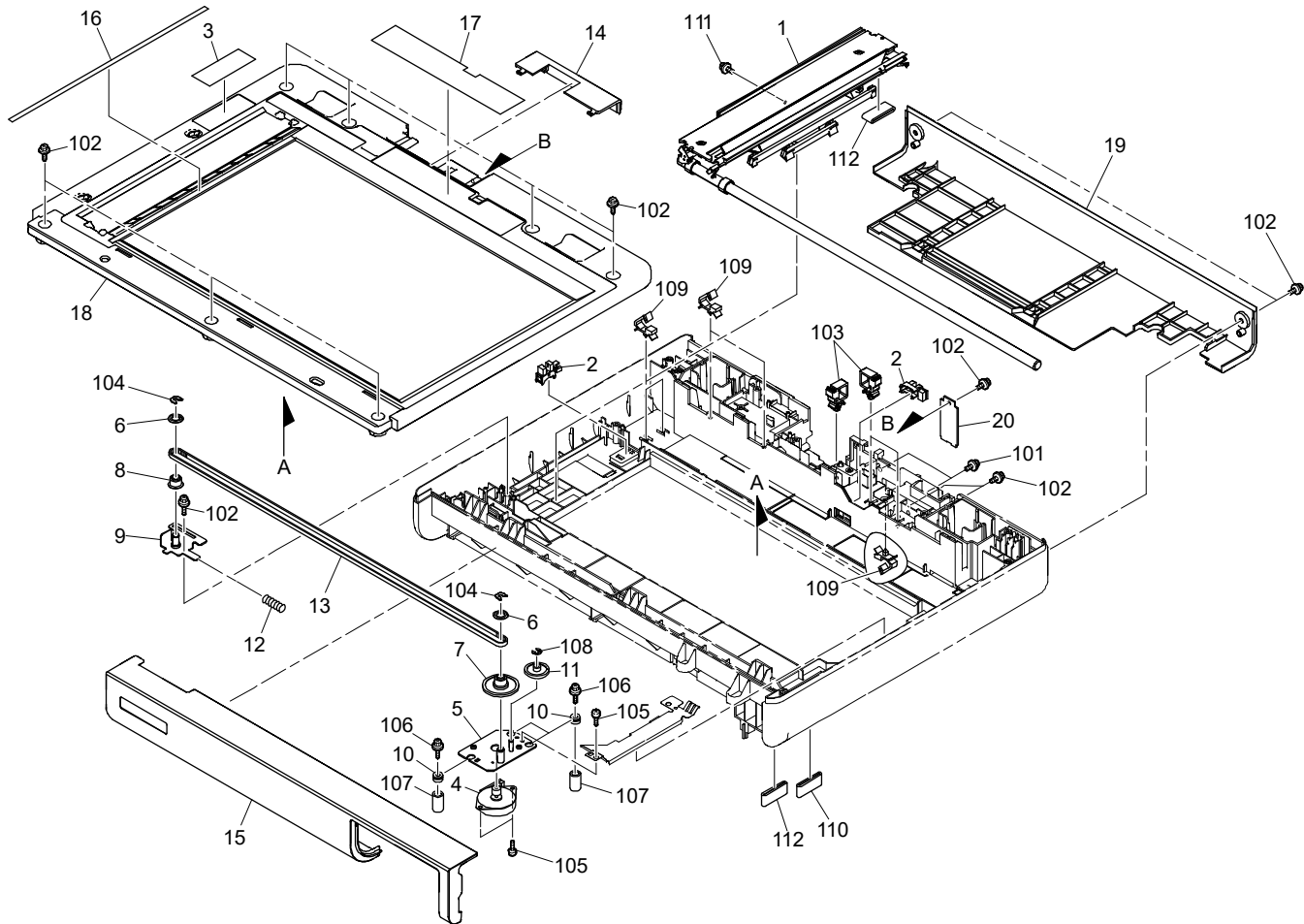
## 7. ADF Section 6

Index No.	Part No.	Description	Q'ty Per Assembly
1	D3DJ3821	PIN:GUIDE PLATE	1
2	D3DJ1710	OPTICAL READING MD:BEHIND:ASS'Y	1
3	AA143788	PIN:GUIDE PLATE:PAPER FEED	2
4	D3DJ3110	GUIDE PLATE:PAPER FEED	1
5	D2162002	HOLDER:FRICTION PAD	1
6	D6063112	FRICTION PAD	1
7	D6063114	COMPRESSION SPRING:SEPARATION	1
8	D6063118	SHEET:SEPARATION	1
9	D6063116	LEVER:PRESSURE RELEASE:SEPARATION	1
10	D6063117	TENSION SPRING:PRESSURE RELEASE:SEPARATION:4.5N	1
11	D6063119	CUSHION:SEPARATION	2
12	H5211350	PAD - PICK-UP	1
13	D3DJ3210	GUIDE PLATE:TRANSPORT	1
14	D3DJ3211	SPRING PLATE:GUIDE:EXPOSURE GLASS	2
15	D3DJ3216	SPRING PLATE:DISCHARGE:EXPOSURE GLASS	2
16	D3DJ3831	GUIDE:HARNES:TRANSPORT:REAR	1
17	D3DJ3836	GUIDE:HARNES:TRANSPORT:FRONT	1
18	AW010151	REFLECTION PHOTO SENSOR:PS122TL1-A	1
19	AX201012	ELECTROMAGNETIC CLUTCH:0.35N·M:REVERSE EXIT	1
20	B8722614	PLAIN SHAFT BEARING:R1	6
21	D3DJ3410	TRANSPORT ROLLER:PULL OUT	1
22	D3DJ4120	GEAR:ROLLER:DIA8	3
23	D3DJ4125	GEAR:PULL OUT	1
24	D3DJ3510	TRANSPORT ROLLER:ENTRANCE	1
25	D3DJ3610	TRANSPORT ROLLER:EXIT	1
26	AA082180	BUSHING:DIA6:DIA10:9	2
27	D3DJ3710	TRANSPORT ROLLER:EXIT	1
28	D3DJ4121	GEAR:ROLLER:DIA6	1
29	D3DJ3811	GUIDE PLATE:SCANNING:FACE FRONT	1

Index No.	Part No.	Description	Q'ty Per Assembly
101	04543006Q	TAPPING SCREW:3X6	
102	04583010N	HEXAGON HEAD TAPPING SCREW:3X10	
103	11050511	CLAMP:LWSM-0306	
104	07200040E	RETAINING RINGS-E:4	
105	07200060E	RETAINING RINGS-E:6	
106	06320140G	PARALLEL PIN:2X14	



## 8. Optical Reading Section

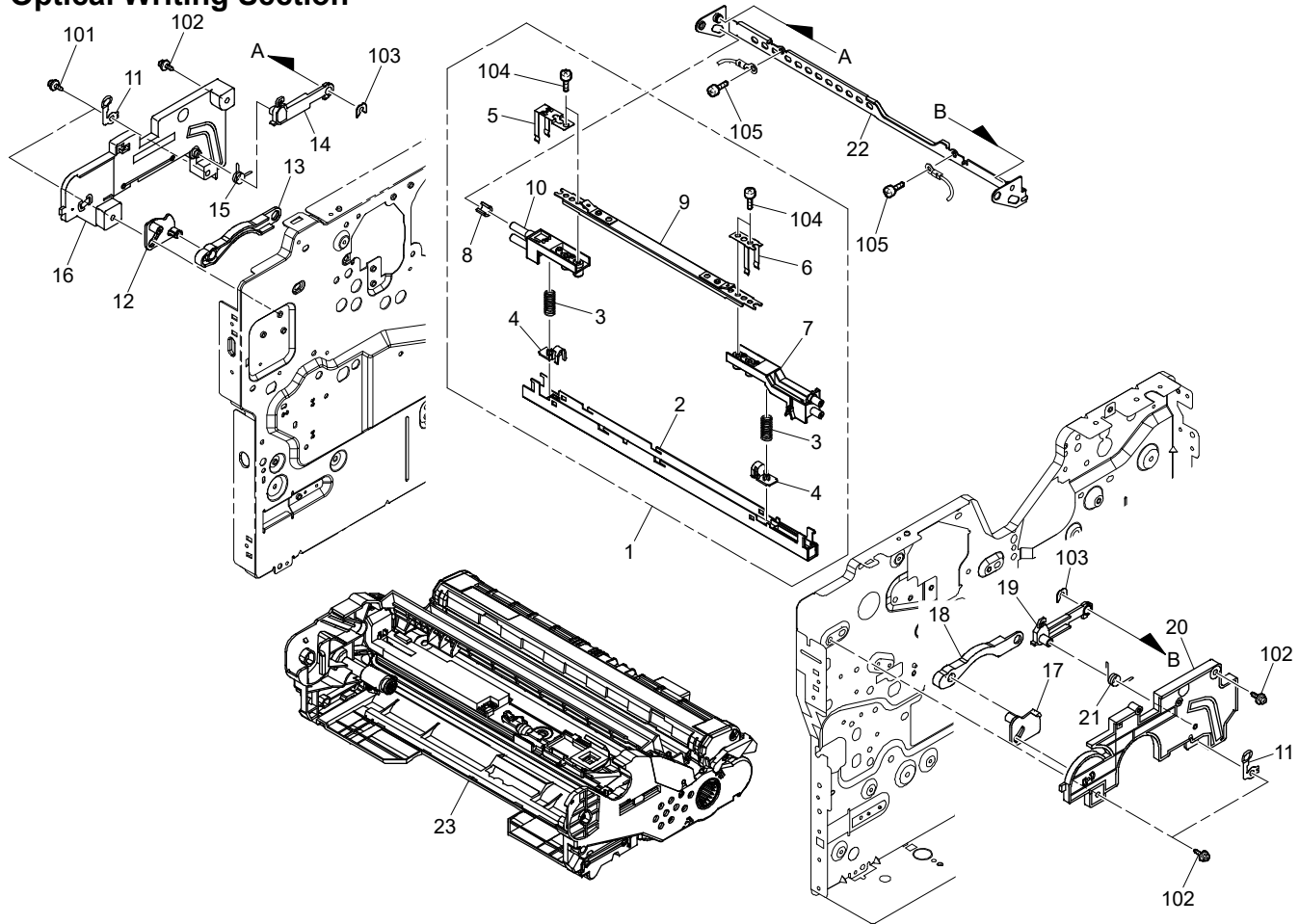


## 8. Optical Reading Section

Index No.	Part No.	Description	Q'ty Per Assembly
1	M0A01651	CARRIAGE:SCANNER:ASS'Y	1
2	AW020224	PHOTOINTERRUPTOR:GP1A173LCSVF	2
3	D3DJ6035	DECAL:CLEANING:DOCUMENT FEEDER	1
4	AX040272	DC STEPPER MOTOR:NMB	1
5	D1171801	BRACKET:MOTOR:PEEN	1
6	D1171804	CAP:TIMING PULLEY	2
7	D1171805	GEAR:TIMING PULLEY:81-18:MITSUBOSHI	1
8	D1171806	PULLEY:IDLER	1
9	D1171807	BRACKET:IDLER:PEEN	1
10	D1171820	BUSHING:BRACKET	3
11	D1171826	GEAR:SLOW DOWN:53-19	1
12	D1171837	COIL SPRING:TENSION	1
13	D1171810	SYNCHRONOUS BELT:S2M:441	1
14	M0A01746	COVER:SCANNER:REAR UPPER	1
15	M0A01840	COVER:SCANNER:FRONT:ASSY	1
16	M0A01710	DECAL:SCALE:LEFT:NA	1
16	M0A01718	DECAL:SCALE:LEFT:EU	1
17	M0A01704	DECAL:CAUTION:ORIGINAL:ENGLISH	1
18	M0A01657	ORIGINAL TRAY:SCANNER:NA:ASSY	1
18	M0A01667	ORIGINAL TRAY:SCANNER:EU:ASSY	1
19	M0A01745	COVER:SCANNER:REAR	1
20	M0A05928	PCB:CNB	1

Index No.	Part No.	Description	Q'ty Per Assembly
101	03603006N	SCREW:M3X6	
102	04583010N	HEXAGON HEAD TAPPING SCREW:3X10	
103	11050759	CLAMP:LWSM-0605A	
104	08050104	RETAINING RINGS-E:SILENCER:DIA4	
105	03530040N	SCREW:M3X4	
106	04503014N	TAPPING SCREW:3X14	
107	07073050N	BUSHING:DIA3X5	
108	07200025E	RETAINING RINGS-E:2.5	
109	11050758	CLAMP:LWSM-0306A	
110	16072758	FERRITE CORE:K3 FF 40.00X20.00X6.50X1.30	
111	08046123	HEXAGONAL BOLT:W/WASHER:M3X8	
112	16072525	FERRITE CORE:K3 FF 35.00X14.60X7.70X1.40	

# 9. Optical Writing Section

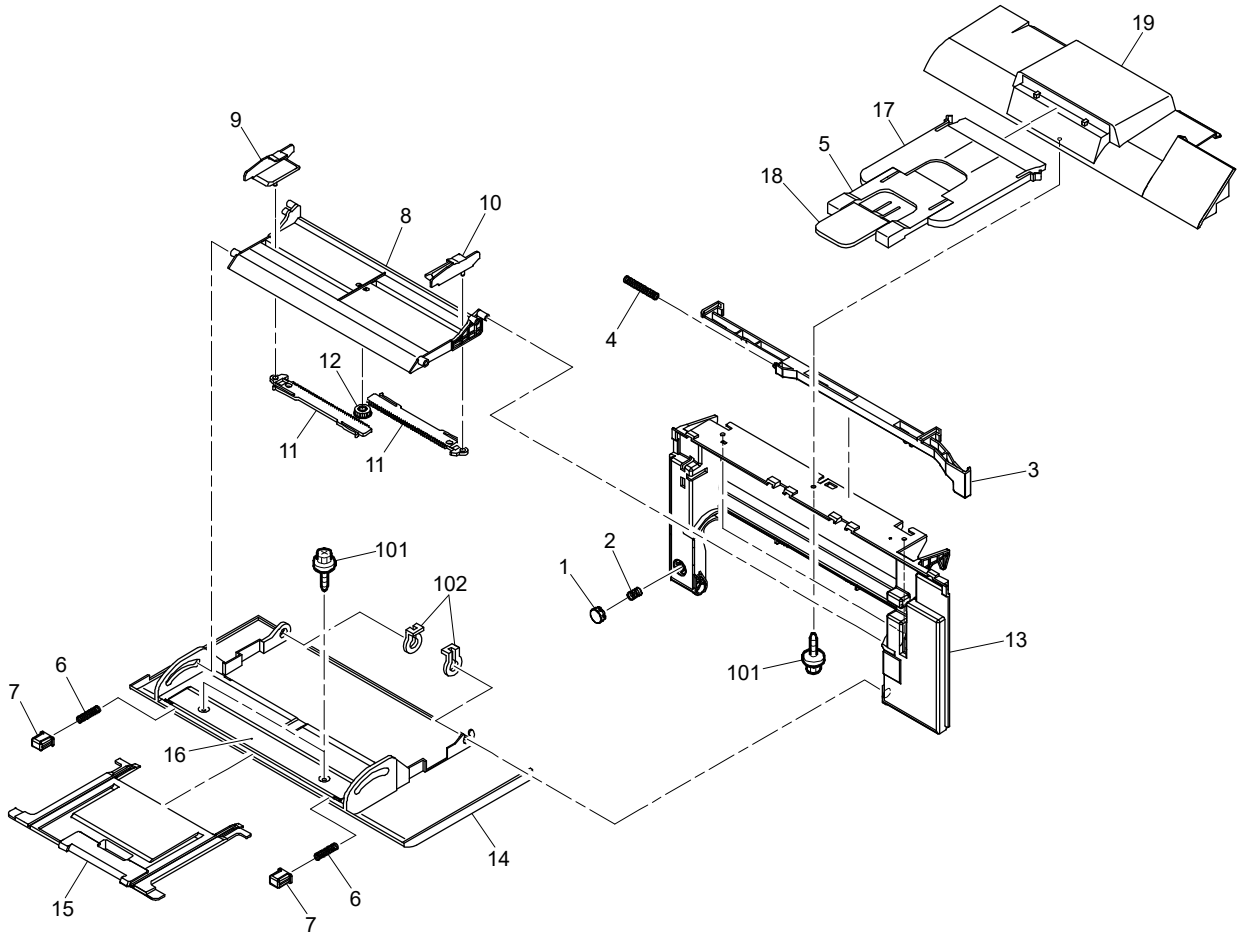


## 9. Optical Writing Section

Index No.	Part No.	Description	Q'ty Per Assembly
1	M1601850	OPTICAL WRITING UNIT:ASS'Y	1
2	M1601900	LED HEAD:1200DPI:211.3MM	1
3	M1601901	COIL SPRING:HOLDER:LED	2
4	M1601902	HOLDER:COIL SPRING:LED	2
5	M1601903	GROUND PLATE:LED:A:LEFT	1
6	M1601904	GROUND PLATE:LED:A:RIGHT	1
7	M1601906	HOLDER:LED:RIGHT	1
8	M1601916	SPACER:HOLDER:LED	1
9	M1601926	FRAME:HOLDER:LED:ASS'Y	1
10	M1601936	HOLDER:LED:LEFT	1
11	M1601905	GROUND PLATE:LED:B	2
12	M1601910	LINK:LED:A:LEFT	1
13	M1601911	LINK:LED:B:LEFT	1
14	M1601912	LINK:LED:C:LEFT	1
15	M1601917	COIL SPRING:LINK:LED:LEFT	1
16	M1601918	GUIDE:LINK:LED:LEFT	1
17	M1601913	LINK:LED:A:RIGHT	1
18	M1601914	LINK:LED:B:RIGHT	1
19	M1601915	LINK:LED:C:RIGHT	1
20	M1601919	GUIDE:LINK:LED:RIGHT	1
21	M1601928	COIL SPRING:LINK:LED:RIGHT	1
22	M1601907	HINGE:LED:ASS'Y	1
23	M9060118	PCU:CLICK:SERVICE:EXP	1

Index No.	Part No.	Description	Q'ty Per Assembly
101	04513006N	TAPPING SCREW:3X6	
102	04543006Q	TAPPING SCREW:3X6	
103	08050089	RETAINING RINGS-E:SILENCER:DIA4	
104	04523008N	BINDING SELF-TAPPING SCREW:3X8	
105	03130040N	PAN HEAD SCREW:M3X4	

# 10. Manual Feed Section 1

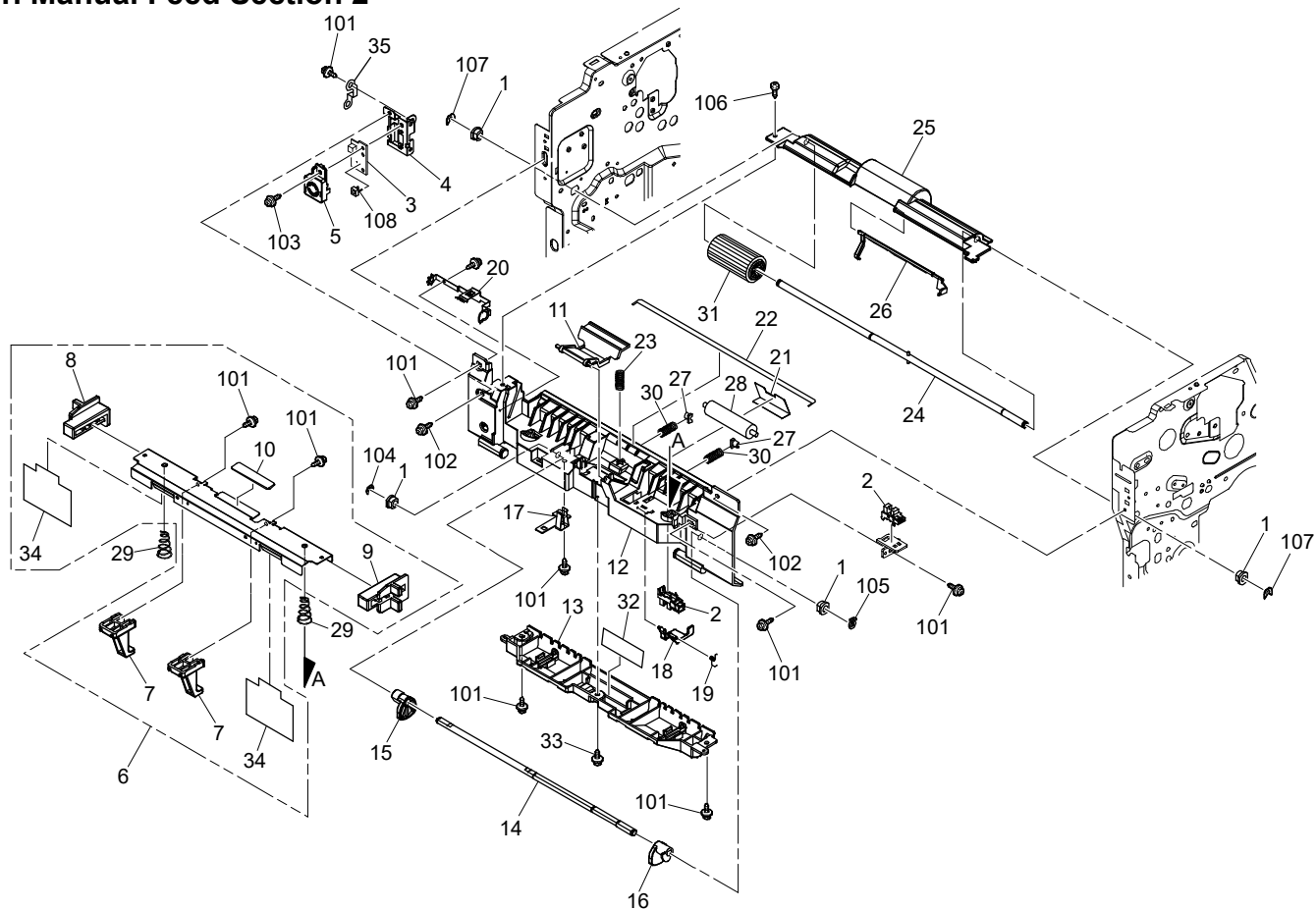


### 10. Manual Feed Section 1

Index No.	Part No.	Description	Q'ty Per Assembly
1	M1601084	KEY:BUTTON:MAIN SWITCH	1
2	M1601085	COIL SPRING:MAIN SWITCH	1
3	M1602712	LINK:LATCH:DOOR:FRONT	1
4	M1602713	COIL SPRING:LATCH:DOOR:FRONT	1
5	M1602784	EXTENSION TRAY:INNER:2	1
6	M1602774	COIL SPRING:LATCH:COVER:MANUAL FEED	2
7	M1602775	HOLDER:COMPRESSION SPRING:EXTENSION TRAY	2
8	M1602715	BASE:PAPER TRAY:MANUAL FEED	1
9	M1602721	GUIDE:SIDE FENCE:LEFT:MANUAL FEED	1
10	M1602722	GUIDE:SIDE FENCE:RIGHT:MANUAL FEED	1
11	M1602723	GEAR:RACK:SIDE FENCE:MANUAL FEED	2
12	M1602724	GEAR:PIVOT	1
13	M1602710	COVER:DOOR:FRONT:MIDDLE	1
14	M1602711	COVER:MANUAL FEED	1
15	M1602773	EXTENSION TRAY:MANUAL FEED	1
16	M1602776	COVER:EXTENSION TRAY:MANUAL FEED	1
17	M1602791	COVER:EXTENSION TRAY:MIDDLE	1
18	M1602792	COVER:STOPPER:EXTENSION TRAY	1
19	M1602793	COVER:FRONT:UPPER:MF	1

Index No.	Part No.	Description	Q'ty Per Assembly
101	04503008N	TAPPING SCREW:3X8	
102	52152621	SNAP RING - M6	

# 11. Manual Feed Section 2



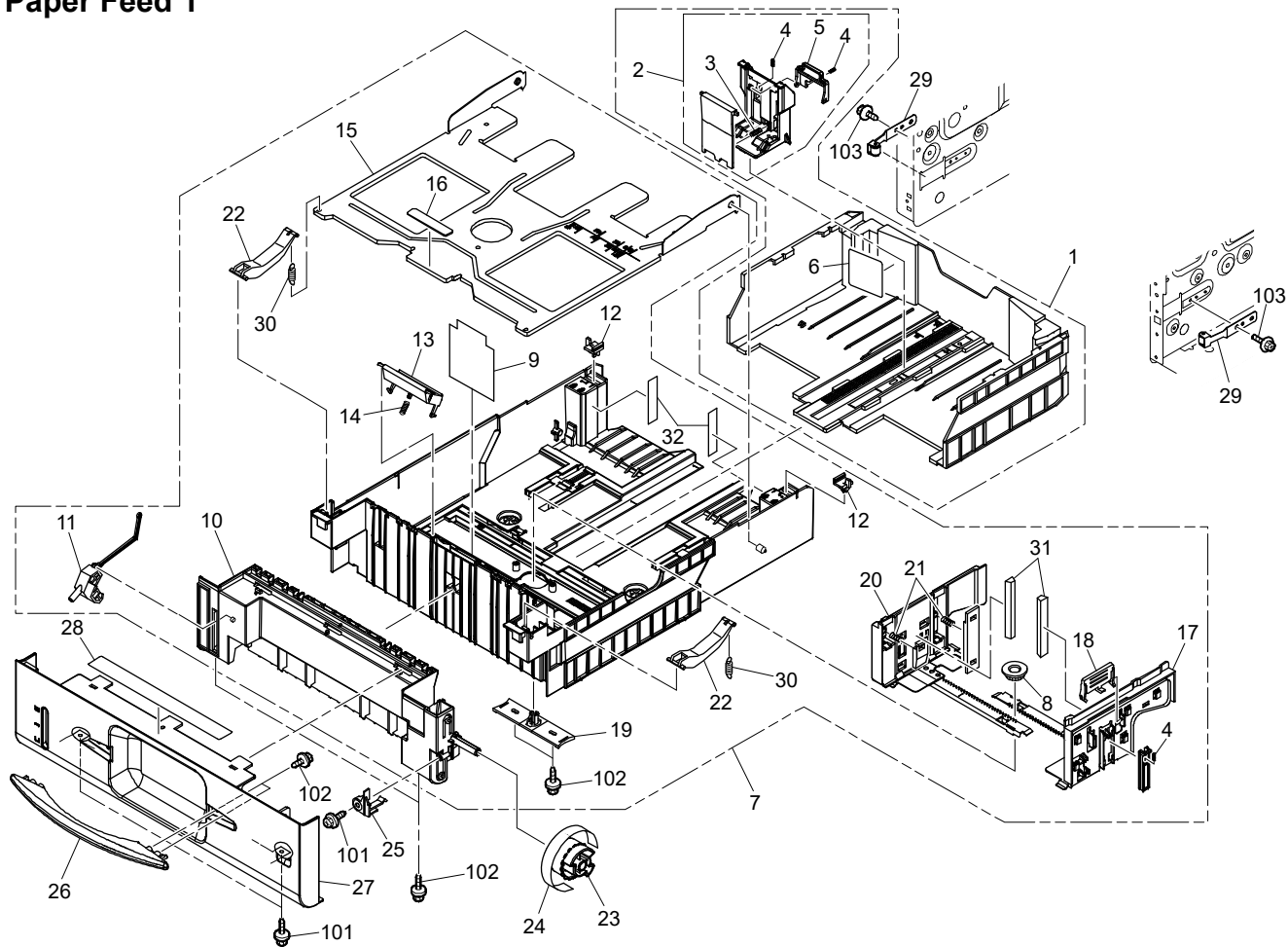
## 11. Manual Feed Section 2

Index No.	Part No.	Description	Q'ty Per Assembly
1	AA082118	PLAIN SHAFT BEARING:MM6	4
2	AW020198	PHOTOINTERRUPTOR:LG2A14NL1	2
3	D1495686	PCB:DCSW	1
4	M1601082	BRACKET:MAIN SWITCH	1
5	M1601083	HOLDER:MAIN SWITCH	1
6	M1602706	TRAY BOTTOM PLATE:MANUAL FEED:ASS'Y	1
7	M1602733	LINK:BASE:SILENCER	2
8	M1602734	GUIDE:LEFT:TRAY BOTTOM PLATE	1
9	M1602735	GUIDE:RIGHT:TRAY BOTTOM PLATE	1
10	M1602755	PAD:BASE	1
11	M1602707	HOLDER:FRICTION PAD:MANUAL FEED:ASS'Y	1
12	M1602730	GUIDE:STAY:MANUAL FEED	1
13	M1602731	GUIDE:SUB:STAY:MANUAL FEED	1
14	M1602741	SHAFT:SILENCER	1
15	M1602742	CAM:SILENCER:LEFT	1
16	M1602743	CAM:SILENCER:RIGHT	1
17	M1602744	SPRING PLATE:HOME POSITION SENSOR:SILENCER	1
18	M1602745	LINK:FEELER:HOME POSITION SENSOR:SILENCER	1
19	M1602746	COIL SPRING:FEELER:SILENCER	1
20	M1602747	GROUND PLATE:MANUAL FEED	1
21	M1602751	SHEET:ENTRANCE:MIDDLE:ROLLER	1
22	M1602752	SHEET:EXIT:STAY:MANUAL FEED	1
23	M1602754	COIL SPRING:FRICTION PAD	1
24	M1602760	SHAFT:PICKUP:MANUAL FEED	1
25	M1602762	GUIDE:UPPER:MANUAL FEED	1
26	M1602763	LINK:FEELER:PAPER END	1
27	AA080249	PLAIN SHAFT BEARING:MM4:VERTICAL TRANSPORT	2
28	B0902742	ROLLER:PULL OUT:OPTION TRAY	1
29	D1172725	COMPRESSION SPRING:PAPER FEED:MANUAL FEED	2
30	AA063399	COMPRESSION SPRING:VERTICAL TRANSPORT	2
31	AF031092	PAPER FEED ROLLER:MANUAL FEED	1
32	M1602737	MYLAR:CLEANER:MID ROLLER DRIVEN	1
33	B0394480	STEP SCREW	1
34	M1602788	SEAL:TRAY BOTTOM PLATE:MANUAL FEED:SIDE	2

Index No.	Part No.	Description	Q'ty Per Assembly
35	M1602795	GROUND PLATE:MAIN SWITCH	1
101	04503008N	TAPPING SCREW:3X8	
102	04513006N	TAPPING SCREW:3X6	
103	04543006Q	TAPPING SCREW:3X6	
104	07200040E	RETAINING RINGS-E:4	
105	54472681	SNAP RING	
106	04523010N	BINDING SELF-TAPPING SCREW:3X10	
107	08050089	RETAINING RINGS-E:SILENCER:DIA4	
108	12042555	TACTSWITCH:SKHVBBDD010	



## 12. Paper Feed 1

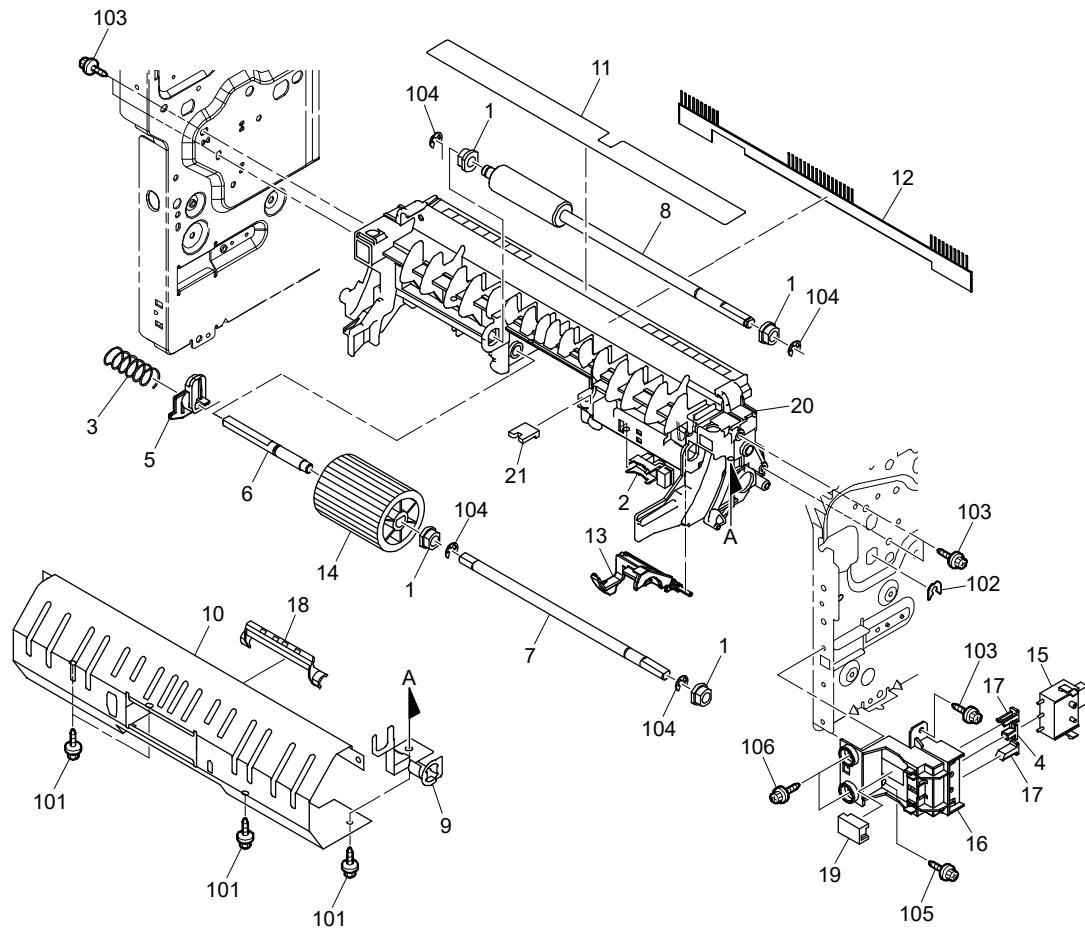


## 12. Paper Feed 1

Index No.	Part No.	Description	Q'ty Per Assembly
1	M1602550	PAPER TRAY:REAR:500 SHEET FEED UNIT:ASS'Y	1
2	M1602560	END FENCE:500 SHEET FEED UNIT:ASS'Y	1
3	GA063082	COMPRESSION SPRING:PRESSURE:END FENCE	1
4	M0752610	COMPRESSION SPRING:LOCK:SIDE FENCE	3
5	M1602563	LEVER:LOCK:END FENCE	1
6	M1602572	DECAL:OPERATION INSTRUCTIONS:TRAY:REAR	1
7	M1602600	PAPER TRAY:FRONT:500 SHEET FEED UNIT:SUB-ASS'Y	1
8	B0902869	GEAR:16Z	1
9	M1602602	SHEET:HOLDER:500 SHEET FEED UNIT:FRONT	1
10	M1602605	GUIDE:PAPER TRAY:500 SHEET FEED UNIT:FRONT	1
11	M1602606	INDICATOR:PAPER VOLUME SENSOR:PAPER TRAY:500 SHEET FEED UNIT	1
12	M0212609	STOPPER:CASSETTE	2
13	M1602620	HOLDER:FRICITION PAD:ADHESION	1
14	M1602623	COMPRESSION SPRING:SEPARATION	1
15	M1602630	TRAY BOTTOM PLATE:ADHESION	1
16	GF013001	PAD:BASE	1
17	M1602640	SIDE FENCE:RIGHT:500 SHEET FEED UNIT:ASS'Y	1
18	M1602655	LEVER:LOCK:SIDE FENCE:TRAY	1
19	M1602641	HOLDER:PINION	1
20	M1602660	SIDE FENCE:LEFT:500 SHEET FEED UNIT:ASS'Y	1
21	GA063084	COMPRESSION SPRING:AUXILIARY:SIDE FENCE	2
22	M1602668	ARM:TRAY BOTTOM PLATE	2
23	M1602687	DIAL:PAPER SIZE SENSOR:TRAY:EXP:ASS'Y	1
24	M1602682	DECAL:DIAL:PAPER SIZE SENSOR:TRAY:EXP	1
25	M1602683	CLICK:DIAL:PAPER SIZE SENSOR:TRAY	1
26	M1602631	GRIP:PAPER TRAY	1
27	M1602691	COVER:TRAY:500 SHEET FEED UNIT:FRONT	1
28	M1602693	DECAL:PAPER SET DIRECTION	1
29	M1602590	TIGHTENER:SPRING PLATE:TRAY:ASS'Y	2
30	M1602627	TENSION SPRING:TRAY BOTTOM PLATE:500 SHEET FEED UNIT	2
31	M1602666	SHEET:SPONGE:SIDE FENCE:500TYPE	2
32	M1602607	SEAL:PAPER TRAY:REAR:EU/AA	2

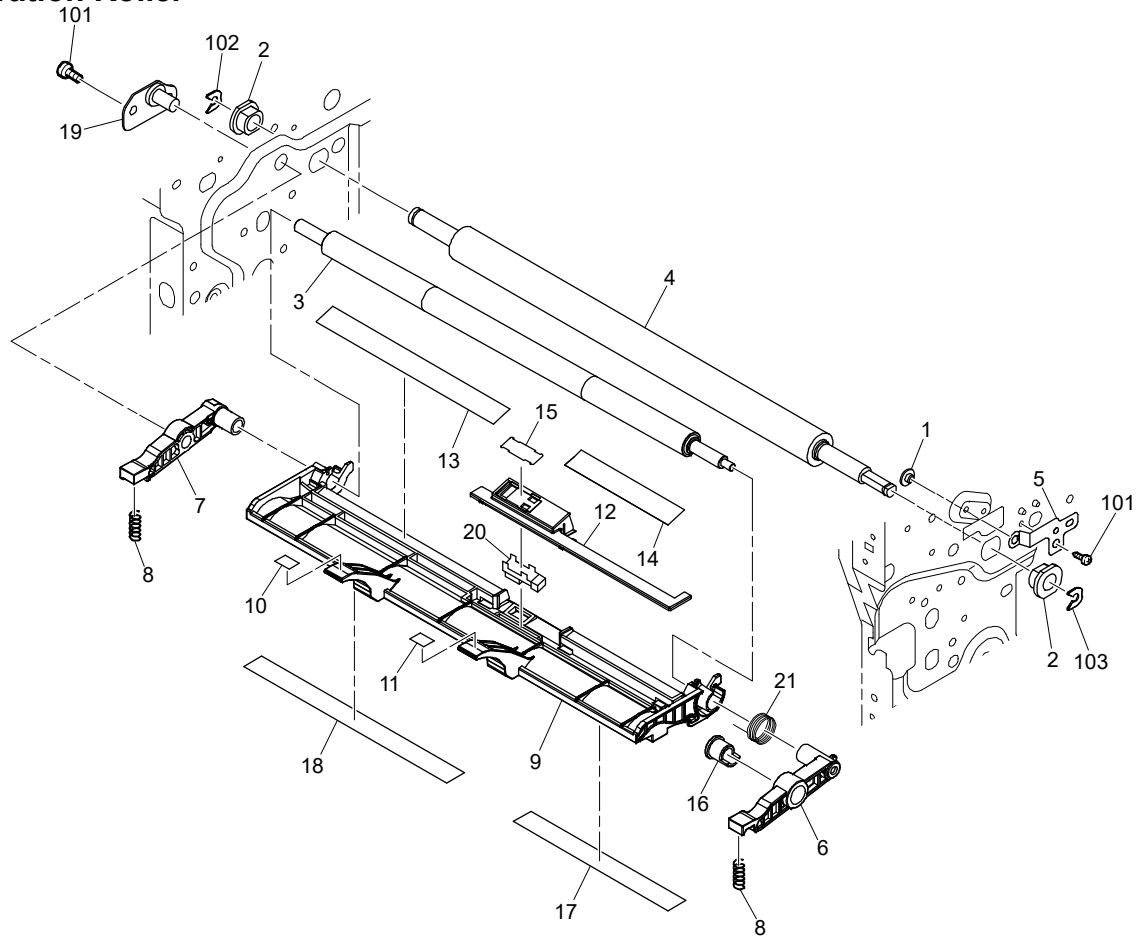
Index No.	Part No.	Description	Q'ty Per Assembly
32	M1602608	SEAL:PAPER TRAY:REAR:NA	2
101	04503008N	TAPPING SCREW:3X8	
102	04503010N	TAPPING SCREW:3X10	
103	04543006Q	TAPPING SCREW:3X6	

## 13. Paper Feed 2





# 14. Registration Roller

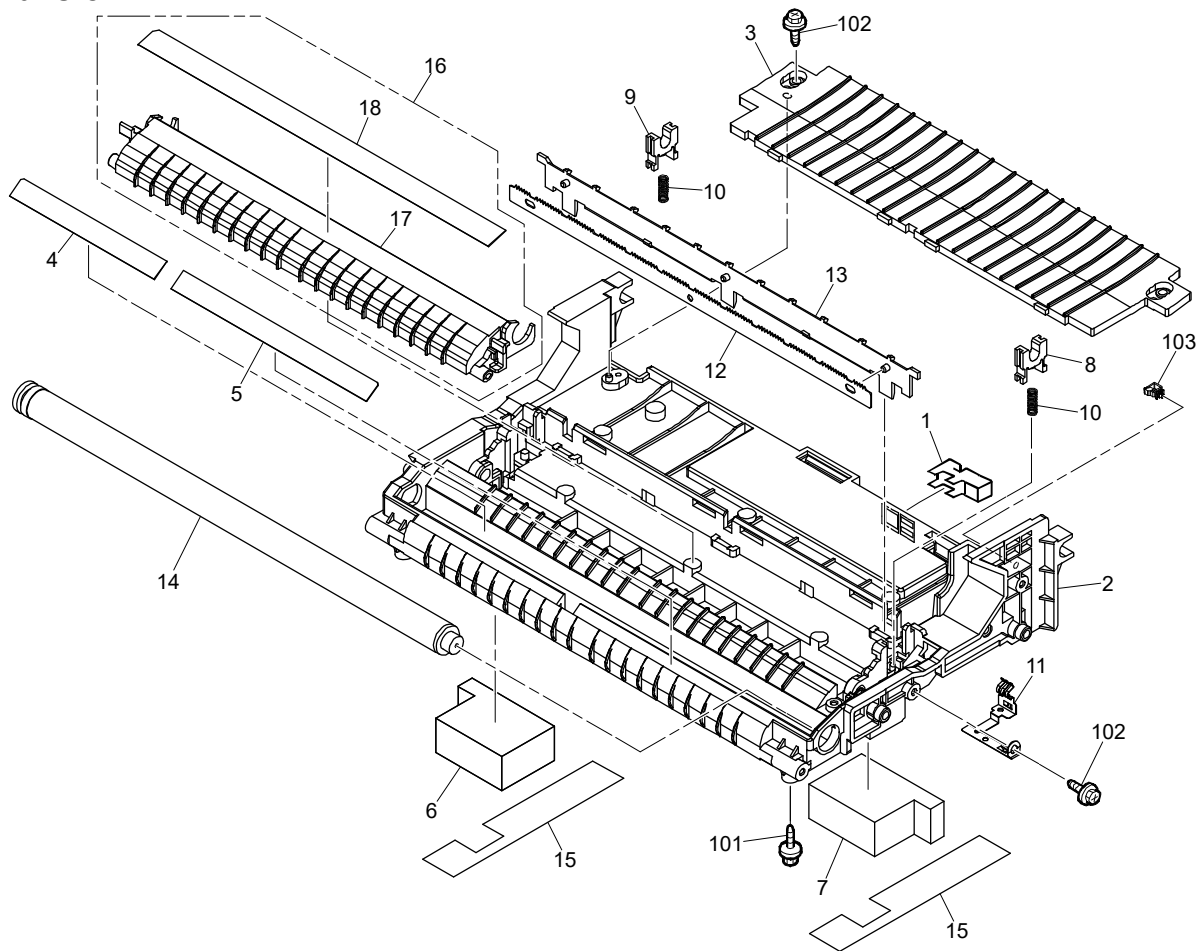


### 14. Registration Roller

Index No.	Part No.	Description	Q'ty Per Assembly
1	A1532117	ROLLER TERMINAL	1
2	AA082116	PLAIN SHAFT BEARING:MM8	2
3	M1602900	REGISTRATION ROLLER:DRIVEN	1
4	M1602901	REGISTRATION ROLLER:DRIVE	1
5	M1602902	GROUND PLATE:REGISTRATION ROLLER:DRIVEN	1
6	M1602903	LEVER:PRESSURE:REGISTRATION ROLLER:RIGHT	1
7	M1602904	LEVER:PRESSURE:REGISTRATION ROLLER:LEFT	1
8	M1602905	COIL SPRING:REGISTRATION ROLLER:PRESSURE:LEVER	2
9	M1602906	GUIDE:REGISTRATION ROLLER:UPPER	1
10	M1602907	DECAL:REGISTRATION:GUIDE:LEFT UPPER	1
11	M1602908	DECAL:REGISTRATION ROLLER:GUIDE:UPPER	1
12	M1602909	COVER:REGISTRATION ROLLER:GUIDE:UPPER	1
13	M1602922	SEAL:CLEANER:REGISTRATION:LEFT	1
14	M1602923	SEAL:CLEANER:REGISTRATION:RIGHT	1
15	M1602917	SHEET:REGISTRATION ROLLER:HOLDER:SENSOR	1
16	M1602919	CAP:REGISTRATION ROLLER:LEVER:RIGHT	1
17	M1602924	SHEET:REGISTRATION:DUPLICATE:ENTRANCE:RIGHT	1
18	M1602925	SHEET:REGISTRATION:DUPLICATE:ENTRANCE:LEFT	1
19	M1602929	STUD:BRACKET:REGISTRATION:LEFT:ASSY	1
20	GW010007	REFLECTION PHOTO SENSOR:EXIT	1
21	M1602912	TORSION SPRING:REGISTRATION:GUIDE RIHGT	1

Index No.	Part No.	Description	Q'ty Per Assembly
101	04533006N	BINDING SELF TAPPING SCREW:3X6	
102	08050088	RETAINING RINGS-E:SILENCER:DIA6	
103	08050089	RETAINING RINGS-E:SILENCER:DIA4	

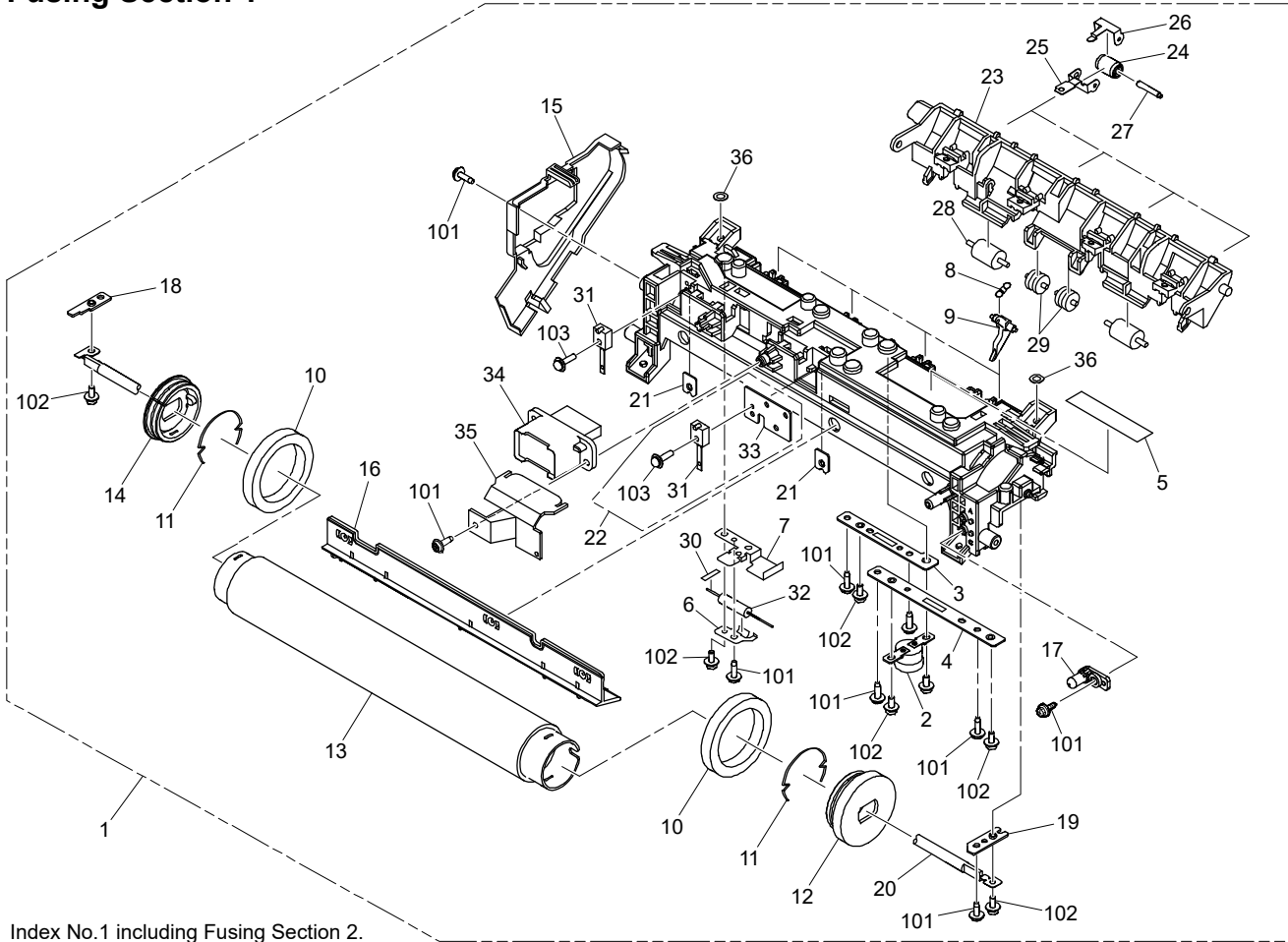
## 15. Transfer







# 16. Fusing Section 1



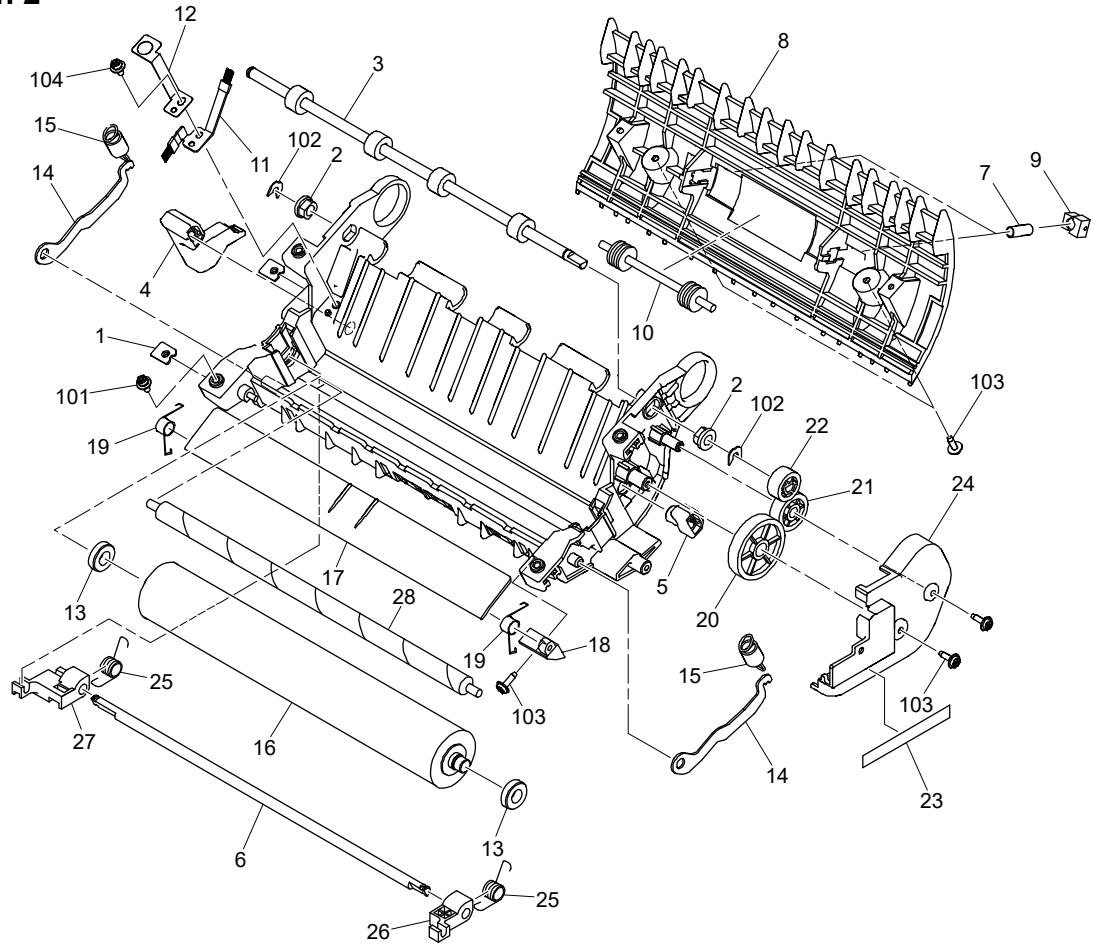
Index No.1 including Fusing Section 2.

## 16. Fusing Section 1

Index No.	Part No.	Description	Q'ty Per Assembly
1	M1604017	FUSING UNIT:NA (NA)	1
1	M1604028	FUSING UNIT:EU (EU/AA)	1
2	AW110101	THERMOSTAT:LOWER	1
3	M1604106	ELECTRODE PLATE:LEFT	1
4	M1604107	ELECTRODE PLATE:RIGHT	1
5	D1204184	DECAL:H-TEMP WARNING:SMALL	1
6	M1604138	GROUND PLATE:HOT ROLLER	1
7	M1604140	BRACKET:GROUND PLATE:HOT ROLLER	1
8	M1604114	TENSION SPRING:PICKOFF PAWL	4
9	M1604113	PICKOFF PAWL:HOT ROLLER	4
10	M0124055	RADIAL BALL BEARING:35X47X7	2
11	M0124281	RETAINING RINGS-C:HOT ROLLER	2
12	M1604086	GEAR:HOT ROLLER	1
13	M1604119	HOT ROLLER:DIA30	1
14	M1604118	THERMAL INSULATING BUSHING:HOT ROLLER	1
15	M1604171	COVER:FUSING:LEFT	1
16	M1604130	FUSING ENTRANCE GUIDE PLATE:UPPER	1
17	M1604126	SEPARATOR:FUSING	1
18	M1604121	BRACKET:HEATER:LEFT	1
19	M1604122	BRACKET:HEATER:RIGHT	1
20	M1604204	HEATER:820W:227V:EU/AA	1
20	M1604205	HEATER:820W:117V:NA	1
21	M1604103	FLAT NUT:THERMISTOR	2
22	M1604216	THERMISTOR:FUSING:ASS'Y	1
23	M1604151	GUIDE PLATE:FUSING EXIT	1
24	M1604154	EXIT ROLLER:FUSING EXIT	4
25	M1604155	HOLDER:EXIT ROLLER	4
26	M1604156	SPRING PLATE:EXIT ROLLER	4
27	M1604159	SHAFT:EXIT ROLLER:FUSING EXIT	1
28	M1604157	ROLLER:MIDDLE:FUSING:DIA11	2
29	M1604158	ROLLER:MIDDLE:FUSING:DIA11	2
30	M1604133	FELT WICK:EARTH:HOT ROLLER	1
31	M1604102	THERMISTOR:FUSING	1
32	M1604139	RESISTOR:1GOHM	1

Index No.	Part No.	Description	Q'ty Per Assembly
33	M1604134	BRACKET:THERMISTOR	1
34	M1604211	DRAWER:FUSING:EU (EU/AA)	1
34	M1604212	DRAWER:FUSING:NA (NA)	1
35	M1604173	CAP:THERMISTOR	1
36	M1604141	WASHER:DIA10.1:DIA6.0:0.6T	2
101	04503010N	TAPPING SCREW:3X10	
102	08046127	HEXAGONAL BOLT:DOUBLE SCREW:M3X8	
103	09543012N	SCREW:POLISHED ROUND/SPRING:M3X12	

## 17. Fusing Section 2

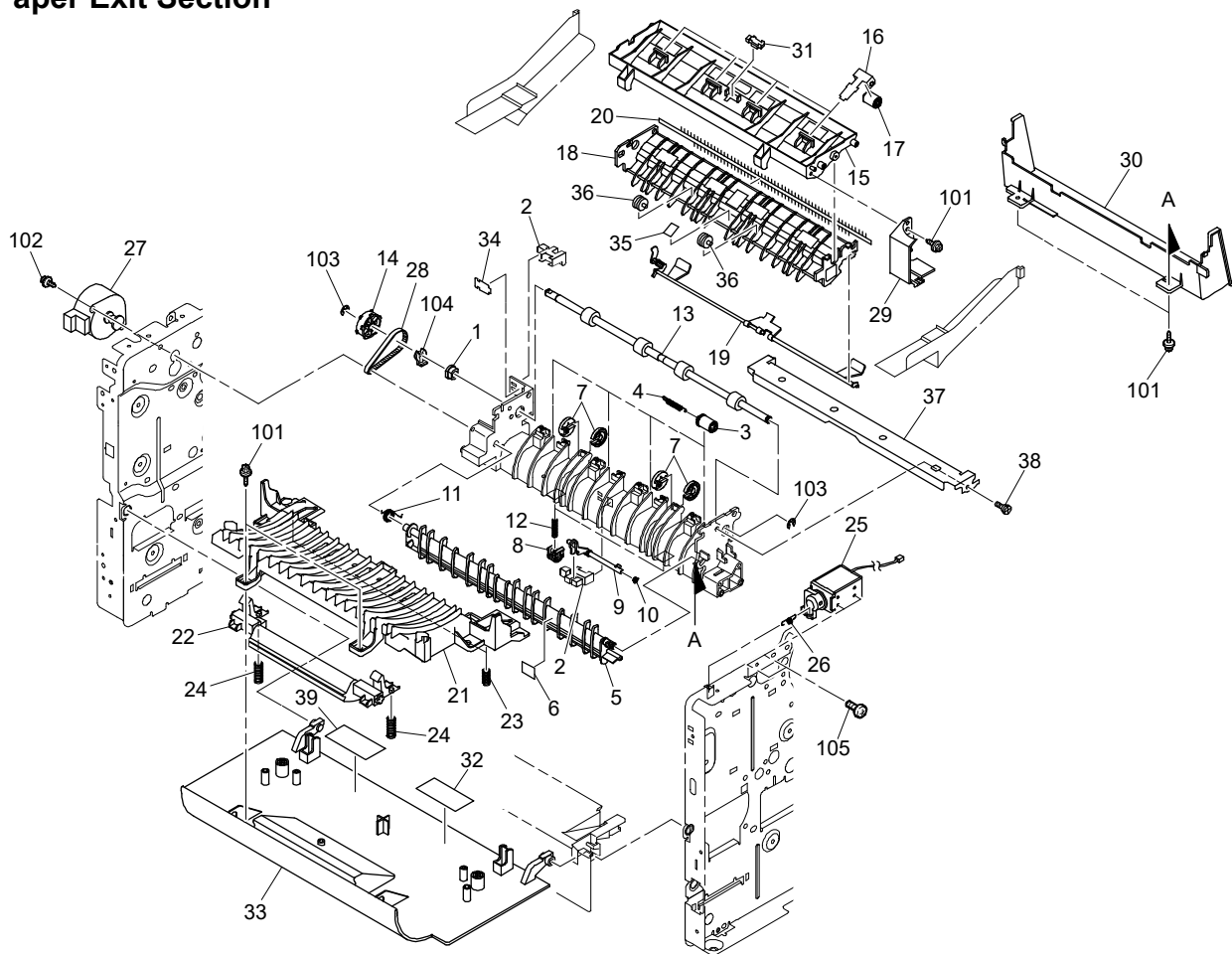


## 17. Fusing Section 2

Index No.	Part No.	Description	Q'ty Per Assembly
1	M1604053	FLAT NUT:FRAME	5
2	AA082118	PLAIN SHAFT BEARING:MM6	2
3	M1604055	EXIT ROLLER:FUSING	1
4	M1604057	LEVER:ENVELOPE:LEFT	1
5	M1604058	LEVER:ENVELOPE:RIGHT	1
6	M1604059	SHAFT:LEVER:ENVELOPE	1
7	M0214619	COMPRESSION SPRING:2N	2
8	M1604061	GUIDE:DUPLICATION:FUSING	1
9	M1604090	PLAIN SHAFT BEARING:MM4	2
10	M1604091	DRIVEN ROLLER:DUPLICATION	1
11	M1604063	DISCHARGE BRUSH:PRESSURE ROLLER	1
12	M1604064	GROUND PLATE:PRESSURE ROLLER	1
13	AE030083	RADIAL BALL BEARING:DIA6XDIA12X4	2
14	M1604074	LEVER:PRESSURE	2
15	M1604073	TENSION SPRING:PRESSURE ROLLER	2
16	M1604096	PRESSURE ROLLER:DIA34	1
17	M1604077	FUSING ENTRANCE GUIDE PLATE:LOWER	1
18	M1604079	BRACKET:FUSING ENTRANCE GUIDE PLATE:RIGHT	1
19	M1604085	TORSION SPRING:FUSING ENTRANCE GUIDE PLATE	2
20	M1604087	GEAR:IDLER:DIA35:FUSING	1
21	M1604088	GEAR:IDLER:DIA20:FUSING	1
22	M1604089	GEAR:IDLER:DIA18:FUSING EXIT	1
23	M0524301	DECAL:BARCODE:FUSING UNIT	2
24	M1604172	COVER:FUSING:RIGHT	1
25	M1604080	COIL SPRING:CLEANING ROLLER:PRESSURE ROLLER	2
26	M1604083	BUSHING:FUSING CLEANING ROLLER:RIGHT	1
27	M1604084	BUSHING:FUSING CLEANING ROLLER:LEFT	1
28	M1604065	CLEANING ROLLER:ASS'Y	1

Index No.	Part No.	Description	Q'ty Per Assembly
101	09543012N	SCREW:POLISHED ROUND/SPRING:M3X12	
102	08050089	RETAINING RINGS-E:SILENCER:DIA4	
103	04503010N	TAPPING SCREW:3X10	
104	08046127	HEXAGONAL BOLT:DOUBLE SCREW:M3X8	

## 18. Paper Exit Section

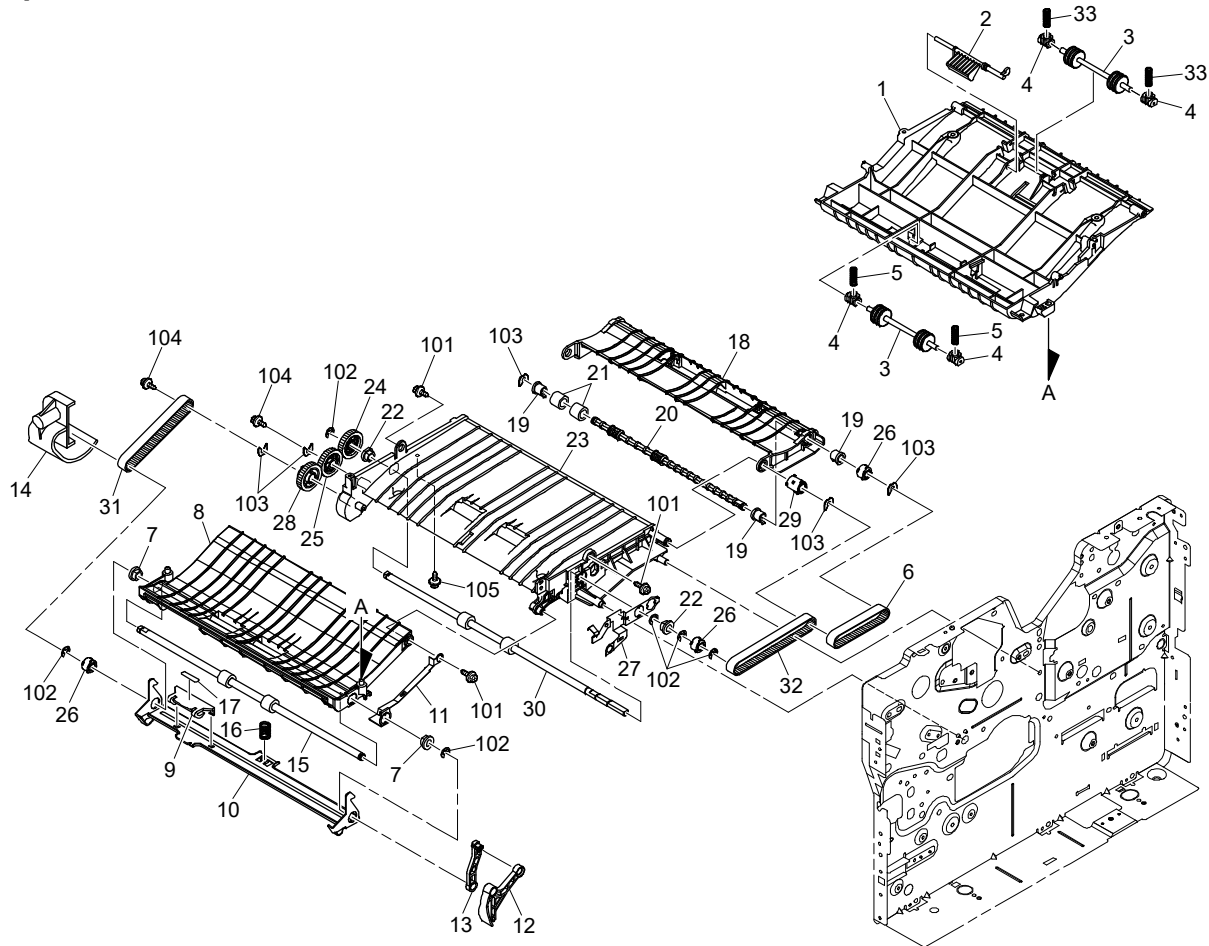


## 18. Paper Exit Section

Index No.	Part No.	Description	Q'ty Per Assembly
1	AA082118	PLAIN SHAFT BEARING:MM6	1
2	AW020198	PHOTOINTERRUPTOR:LG2A14NL1	2
3	M1604457	ROLLER:IDLER:EXIT:MF1D	4
4	M1604459	COIL SPRING:ROLLER:EXIT:MF1D	4
5	M1604460	GUIDE:GATE	1
6	M1604461	DECAL:GATE:EXIT	1
7	M1604463	RING:DECURA:EXIT	6
8	M1604464	PRESSURE PLATE:FUSING:GUIDE	2
9	M1604465	FEELER:EXIT	1
10	M1604466	COIL SPRING:FEELER:EXIT	1
11	M1604467	COIL SPRING:GUIDE:GATE	1
12	M1604468	COIL SPRING:PRESSURE PLATE	2
13	M1604470	SHAFT:ROLLER:EXIT:MF1D	1
14	M1604471	PULLEY:ROLLER:EXIT	1
15	M1604480	GUIDE:UPPER:EXIT	1
16	M1604481	SPRING PLATE:UPPER:EXIT	4
17	M1604482	ROLLER:IDLER:EXIT:UPPER	4
18	M1604484	GUIDE:MIDDLE:EXIT	1
19	M1604486	FEELER:OVERFLOW:PAPER FEED SENSOR:MF1D	1
20	M1604488	ANTISTATIC BRUSH:EXIT	1
21	M1604491	GUIDE:REAR:EXIT	1
22	M1604493	LEVER:DOOR:EXIT:MF1D	1
23	M1604497	COIL SPRING:GUIDE:REAR:EXIT	2
24	M1604498	COIL SPRING:LEVER:DOOR:EXIT	2
25	M1604436	DC SOLENOID:EXIT:ASS'Y	1
26	M1604479	COIL SPRING:DC SOLENOID:GATE	1
27	M1604446	DC STEPPER MOTOR:EXIT	1
28	M1604447	SYNCHRONOUS BELT:EXIT	1
29	M1604441	INNER COVER:EXIT:LEFT:MF1D	1
30	M1604453	COVER:UPPER:EXIT:MF1D	1
31	GW010007	REFLECTION PHOTO SENSOR:EXIT	1
32	M1604495	DECAL:RIGHT:COVER:REAR	1
33	M1604490	COVER:REAR:MF1D	1
34	M0214620	SHEET:FIX:SENSOR	1

Index No.	Part No.	Description	Q'ty Per Assembly
35	M1604483	SHEET:OPPOSED:SENSOR	1
36	M1604489	ROLLER:IDLER:MIDDLE:GUIDE	2
37	M1604452	BRACKET:REVERSE GUIDE	1
38	B0394480	STEP SCREW	2
39	M1604494	DECAL:LEFT:COVER:REAR	1
101	04503008N	TAPPING SCREW:3X8	
102	04523010N	BINDING SELF-TAPPING SCREW:3X10	
103	07200040E	RETAINING RINGS-E:4	
104	54472681	SNAP RING	
105	03130030N	PAN HEAD SCREW:M3X3	

# 19. Duplex Section



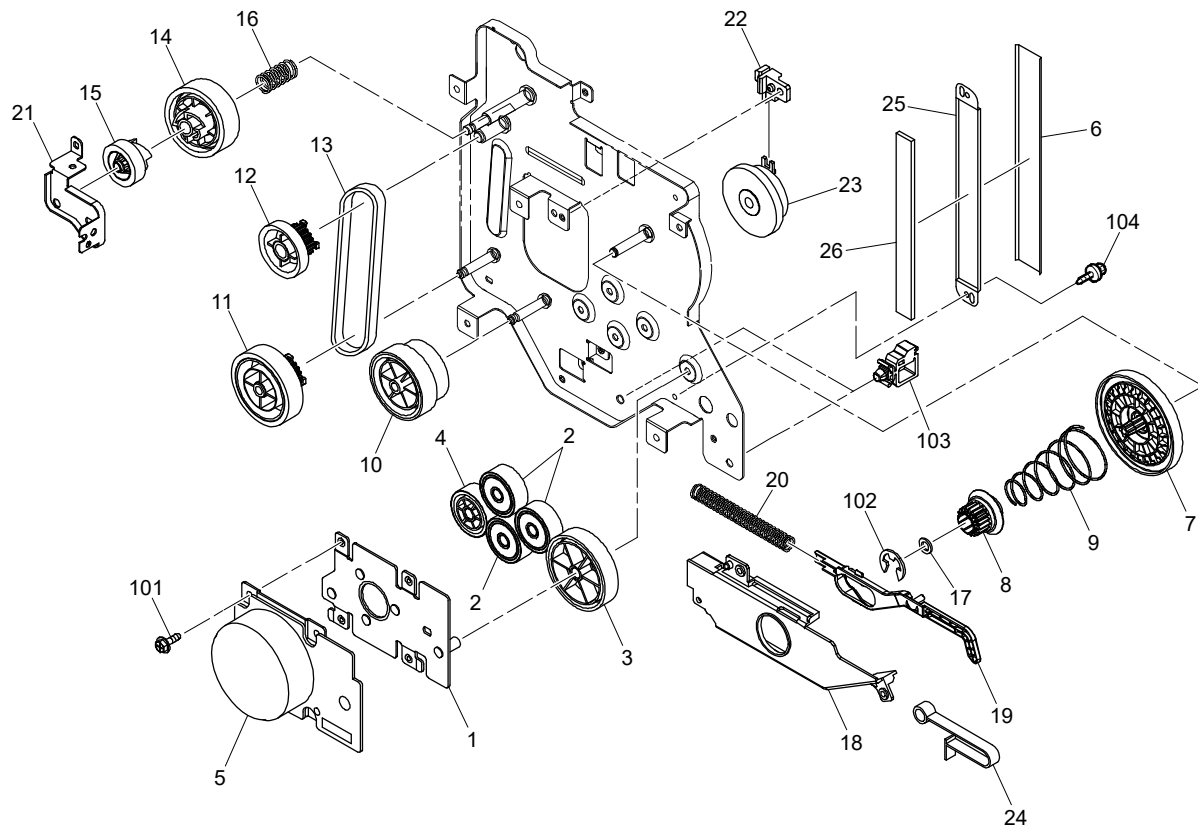
## 19. Duplex Section

Index No.	Part No.	Description	Q'ty Per Assembly
1	M1604601	GUIDE:UPPER:DUPLEX UNIT	1
2	M1604603	FEELER:UPPER:DUPLEX UNIT	1
3	M1604605	SHAFT:IDLER:UPPER:ASSY	2
4	M1604607	BUSHING:IDLER:DIA4	4
5	M1604611	COIL SPRING:IDLER:DUPLEX UNIT	2
6	M1604674	SYNCHRONOUS BELT:REAR:DUPLEX UNIT	1
7	AA082058	PLAIN SHAFT BEARING - 6X10X9MM	2
8	M1604621	GUIDE:FRONT:DUPLEX UNIT	1
9	M1604622	GRIP:FRONT:DUPLEX UNIT	1
10	M1604623	HOOK:FRONT:DUPLEX UNIT	1
11	M1604624	GROUND PLATE:FRONT:DUPLEX UNIT	1
12	M1604625	LINK:FRAME:DUPLEX UNIT	1
13	M1604626	LINK:FRONT:DUPLEX UNIT	1
14	M1604627	DAMPER:FRONT:DUPLEX UNIT	1
15	M1604631	SHAFT:FRONT:DUPLEX UNIT	1
16	M1604633	COMPRESSION SPRING:HOOK:DUPLEX UNIT	1
17	M1604635	DECAL:HANDLE:DUPLEX UNIT	1
18	M1604641	GUIDE:REAR:DUPLEX UNIT	1
19	M1604643	BUSHING:DIA6	3
20	M1604644	SHAFT:REAR:ASSY	1
21	M1604645	RUBBER BUSHING:SHAFT:REAR	2
22	AA082118	PLAIN SHAFT BEARING:MM6	2
23	M1604661	GUIDE:MIDDLE:DUPLEX UNIT	1
24	M1604662	GEAR:DRIVE:DUPLEX UNIT	1
25	M1604663	GEAR:IDLER:DUPLEX UNIT	1
26	M1604664	PULLEY:DRIVE:DUPLEX UNIT	3
27	M1604666	GROUND PLATE:MIDDLE:DUPLEX UNIT	1
28	M1604667	PULLEY:GEAR:DUPLEX UNIT	1
29	M1604668	PULLEY:NO.2:DUPLEX UNIT	1
30	M1604671	SHAFT:MIDDLE:DUPLEX UNIT	1
31	M1604672	SYNCHRONOUS BELT:FRONT:DUPLEX UNIT	1
32	M1604673	SYNCHRONOUS BELT:FUSING:DUPLEX UNIT	1
33	M1604614	COIL SPRING:MIDDLE:DUPLEX UNIT	2

Index No.	Part No.	Description	Q'ty Per Assembly
101	04503008N	TAPPING SCREW:3X8	
102	07200040E	RETAINING RINGS-E:4	
103	08050089	RETAINING RINGS-E:SILENCER:DIA4	
104	04503010N	TAPPING SCREW:3X10	
105	04513006N	TAPPING SCREW:3X6	

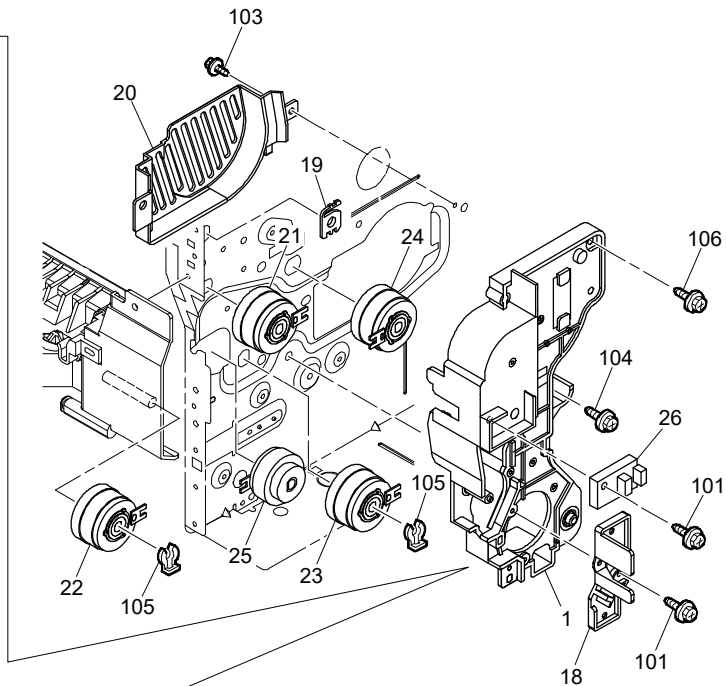
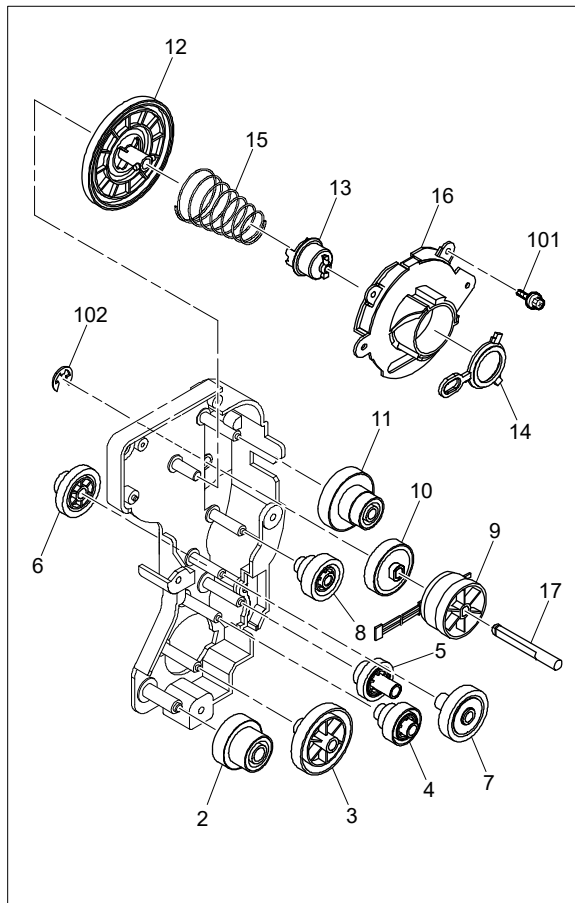


## 20. Drive Section 1





## 21. Drive Section 2

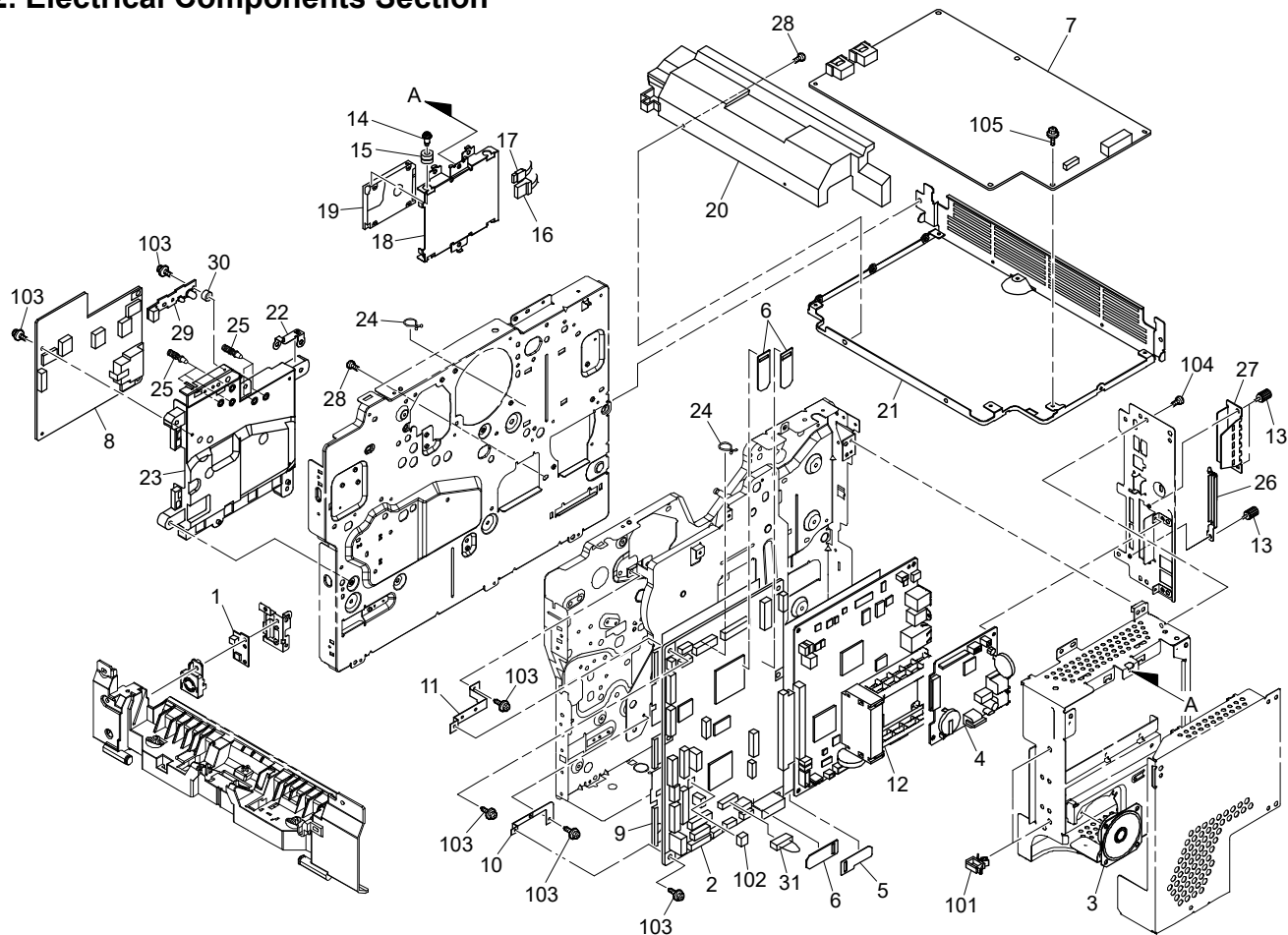


## 21. Drive Section 2

Index No.	Part No.	Description	Q'ty Per Assembly
1	M1601141	HOUSING:PAPER FEED	1
2	M1601142	GEAR:PAPER FEED:NO.2	1
3	M1601143	GEAR:PAPER FEED:NO.3	1
4	M1601144	GEAR:TRANSFER:NO.1	1
5	M1601145	GEAR:TRANSFER:NO.2	1
6	M1601146	GEAR:MANUAL FEED TABLE:NO.1	1
7	M1601147	GEAR:MANUAL FEED:NO.1	1
8	M1601148	GEAR:MANUAL FEED:NO.2	1
9	M1601149	ELECTROMAGNETIC CLUTCH:TONER SUPPLY	1
10	M1601150	GEAR:TONER SUPPLY:NO.1	1
11	M1601151	GEAR:TONER SUPPLY:NO.2	1
12	M1601152	GEAR:TONER SUPPLY:NO.3	1
13	M1601153	JOINT:TONER	1
14	M1601154	GUIDE:JOINT:TONER	1
15	M1601155	COIL SPRING:TONER SUPPLY	1
16	M1601156	HOUSING:JOINT:TONER	1
17	M1601157	SHAFT:TONER SUPPLY	1
18	M1601158	GUIDE:GEAR:MANUAL FEED TABLE	1
19	M1601138	BUSHING:TONER SUPPLY:ELECTROMAGNETIC CLUTCH	1
20	M1601161	COVER:MOTOR	1
21	M1601182	ELECTROMAGNETIC CLUTCH:MANUAL FEED	1
22	M1601183	ELECTROMAGNETIC CLUTCH:MANUAL FEED:TRAY BOTTOM PLATE	1
23	M1601184	ELECTROMAGNETIC CLUTCH:PAPER FEED	1
24	M1601185	ELECTROMAGNETIC CLUTCH:REGISTRATION	1
25	M1601186	ELECTROMAGNETIC CLUTCH:CONNECTING	1
26	AW140016	TEMPERATURE & HUMIDITY SENSOR	1

Index No.	Part No.	Description	Q'ty Per Assembly
101	04503008N	TAPPING SCREW:3X8	
102	07200040E	RETAINING RINGS-E:4	
103	03603006N	SCREW:M3X6	
104	04513006N	TAPPING SCREW:3X6	
105	54472681	SNAP RING	
106	04503010N	TAPPING SCREW:3X10	

## 22. Electrical Components Section

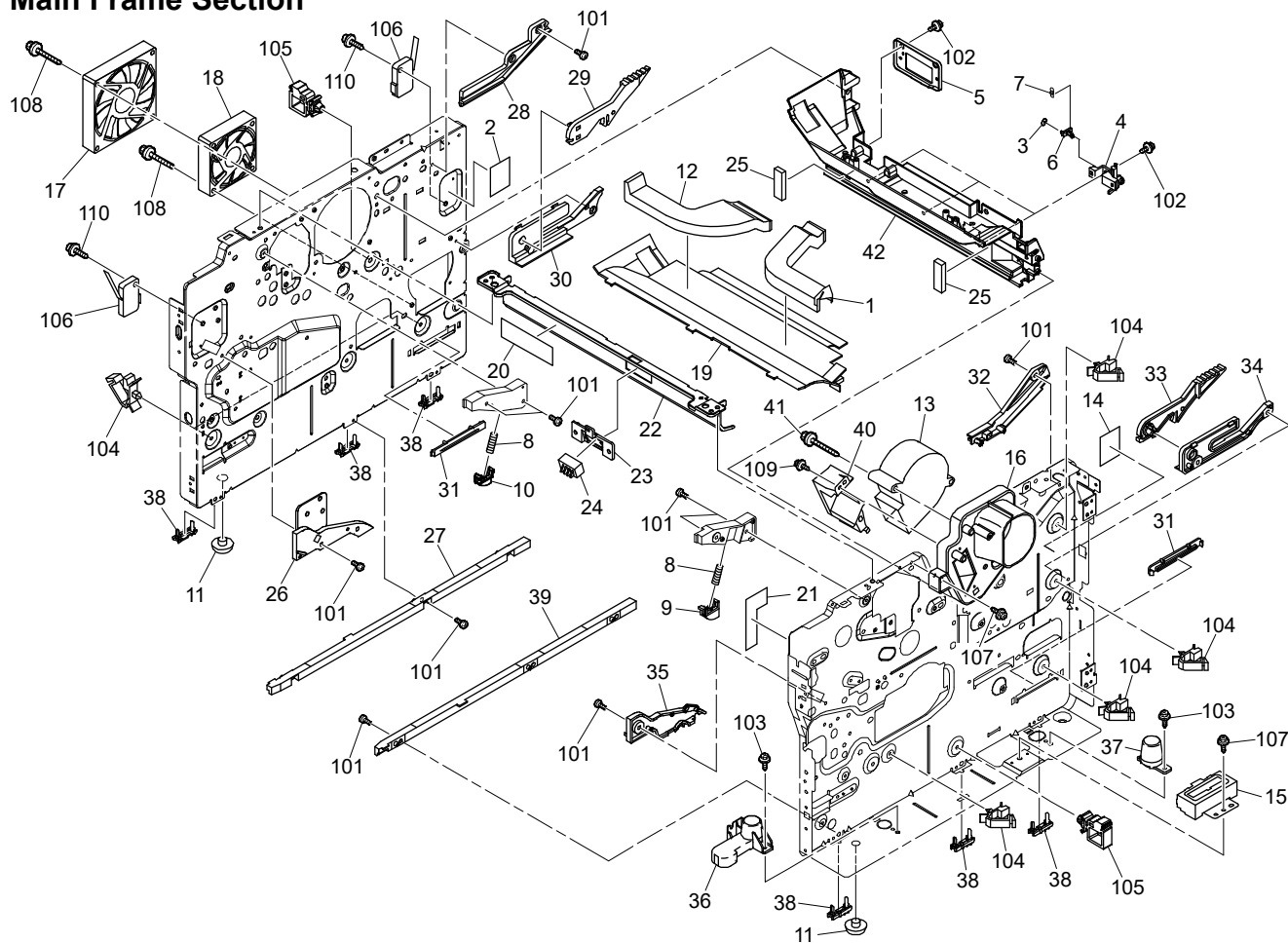


## 22. Electrical Components Section

Index No.	Part No.	Description	Q'ty Per Assembly
1	D1775686	PCB:DCSW	1
2	M0A05012	PCB:BICU:GIM-MF1.5:ASS'Y	1
3	B2845050	SPEAKER:B284	1
4	M0A05805	PCB:FCU3.8LE:NA:ASS'Y	1
4	M0A05806	PCB:FCU3.8LE:EU:ASS'Y	1
5	M1605535	SHEET:INSULATION:AUX2	1
6	M1605534	SHEET:INSULATION:AUX	3
7	GZ230090	POWER SUPPLY UNIT:GIM-MF1.5:DOM/NA	1
7	GZ230091	POWER SUPPLY UNIT:GIM-MF1.5:EU/AA	1
8	AZ320187	POWER PACK:CDVT:GIM	1
9	M0A05533	SHEET:INSULATION:MF1.5D	1
10	M1605519	GROUND PLATE:BICU:LEFT LOWER	1
11	M1605518	GROUND PLATE:BICU:LEFT MIDDLE	1
12	M0A05802	PCB:CTL:GIM-MF1.5:EXP:SUB-ASS'Y	1
13	G1045141	KNOB SCREW:M3	3
14	AA143848	FLANGED HEXAGONAL HEAD BOLT:HDD UNIT:M3X3	4
15	AA161125	BUSHING:HDD	4
16	D2415250	CABLE:HDD:SATA:210	1
17	M0A05241	CABLE:HDD:SATA:POWER_3P:210	1
18	M1605513	BRACKET:HDD:MF1D	1
19	M4445201	HDD:320GB:AQUARIUS	1
20	M1605501	COVER:FRONT:POWER SUPPLY UNIT	1
21	M1605500	BRACKET:POWER SUPPLY UNIT	1
22	M1605515	GROUND PLATE:POWER PACK	1
23	M1605506	BRACKET:POWER PACK	1
24	M1605555	CLAMP:TWISTLOCK	2
25	M1605507	TERMINAL:POWER PACK:ASS'Y	5
26	M1605531	COVER:CARD	1
27	M1605520	PANEL:INTERFACE	1
28	AA143592	SCREW:4X6	1
29	M1605120	PCB:SENSOR:TONE END SENSOR	1
30	M1875881	SEAL:BLOCK LIGHT:SENSOR:TONE END SENSOR	1
31	M0A05360	HARNES:BICU:KEY CARD	1

Index No.	Part No.	Description	Q'ty Per Assembly
101	11050763	CLAMP:LWS-1211A	
102	14077677	EEPROM:BR24T64-W	
103	03603006N	SCREW:M3X6	
104	03130030N	PAN HEAD SCREW:M3X3	
105	08046123	HEXAGONAL BOLT:W/WASHER:M3X8	

## 23. Main Frame Section



## 23. Main Frame Section

Index No.	Part No.	Description	Q'ty Per Assembly
1	M1601035	DUCT:EXIT:RIGHT:MF	1
2	M1604248	DECAL:ENVELOPE:LEVER:FUSER	1
3	M1601044	PICKOFF PAWL:MAIN	3
4	M1601045	BRACKET:HOLDER:PICKOFFPAWL	3
5	M1601080	BRACKET:DRAWER:FUSING	1
6	M1601092	HOLDER:PICKOFF PAWL:MAIN	3
7	M1601093	COIL SPRING:HOLDER:PICKOFF PAWL	3
8	M1601063	COIL SPRING:TIGHTENER:PCU	2
9	M1601066	TIGHTENER:PCU:RIGHT	1
10	M1601062	TIGHTENER:PCU:LEFT	1
11	AH010009	RUBBER FOOT:H5	2
12	M1601036	DUCT:EXIT:LEFT	1
13	M0521069	DC FAN MOTOR:AIO	1
14	M1601059	DECAL:H-TEMP WARNING	1
15	M1601091	BRACKET:CONNECTOR:PAPER BANK	1
16	M1601097	COVER:DUCT:1:FAN:MF1D	1
17	M1601194	DC FAN MOTOR:80X25	1
18	M1601192	DC FAN MOTOR:60X25	1
19	M1601079	DUCT:PCU:MF	1
20	M1601028	DECAL:DISCHARGE:HIGH TEMPERATURE:WARNING	1
21	M1601198	DECAL:LEVER:SEPARATOR:TONER CARTRIDGE	1
22	M1601056	STAY:FRAME:FRONT	1
23	M1601078	BRACKET:RAM BOARD:PCU	1
24	M1873360	CONNECTOR:ID_CHIP	1
25	M1601047	SEAL:STAY:FRAME:REAR:B	2
26	M1601061	GUIDE:PCU:LEFT LOWER	1
27	M1601067	GUIDE:TRAY:LEFT	1
28	M1601071	GUIDE:FUSING:LEFT UPPER	1
29	M1601073	LEVER:FUSING:LEFT	1
30	M1601072	GUIDE:FUSING:LEFT LOWER	1
31	M1601095	COVER:FRAME:TRAY	2
32	M1601075	GUIDE:FUSING:RIGHT UPPER	1
33	M1601077	LEVER:FUSING:RIGHT	1
34	M1601076	GUIDE:FUSING:RIGHT LOWER	1

Index No.	Part No.	Description	Q'ty Per Assembly
35	M1601064	GUIDE:PCU:RIGHT LOWER	1
36	M1601197	COVER:BANKHOLE:FRONT	1
37	M1601094	COVER:FRAME:PAPER BANK	1
38	M1601096	COVER:FRAME:LOWER	6
39	M1601068	GUIDE:TRAY:RIGHT	1
40	M1601098	COVER:DUCT:2:FAN:MF1D	1
41	B2591119	TAPPING SCREW:M3X33	2
42	M1611020	STAY:FRAME:REAR	1
101	04533006N	BINDING SELF TAPPING SCREW:3X6	
102	04503008N	TAPPING SCREW:3X8	
103	04543006Q	TAPPING SCREW:3X6	
104	11050758	CLAMP:LWSM-0306A	
105	11050762	CLAMP:LWS-0711A	
106	12042612	MICROSWITCH:D3V-16506-3C25(10E)	
107	04513006N	TAPPING SCREW:3X6	
108	04513030N	TAPPING SCREW:3X30	
109	04503010N	TAPPING SCREW:3X10	
110	04543014Q	TAPPING SCREW:3X14	



# 24. Decal and Document

<p>1</p>	<p>2</p>	<p>3</p>	<p>4</p>	<p>5</p>	<p>19</p>	<p>20</p>	<p>21</p> <div style="border: 1px solid black; padding: 5px;"> <p style="text-align: center;">Attention</p> <p style="text-align: center;">● Do not use thin originals</p> <div style="display: flex; justify-content: space-around;"> </div> <p>● Face up</p> <ul style="list-style-type: none"> <li>● Originals with notes stuck to backs</li> <li>● Originals pasted together</li> <li>● Originals with correction fluid or ink that has not dried completely</li> <li>● Originals with staples</li> <li>● Originals with paper clips</li> </ul> </div>	
<p>8</p>	<p>9</p>	<p>10</p>	<p>11</p>	<p>12</p>	<p>13</p> <p>Apparaten skall anslutas till jordat uttag. Apparaten må tillkoplas jordstämning. Laitte on liitettävä suojamaadoitus- koskettimalla varustettuun pistorasiaan.</p> <p>14</p> <p>MP 402</p>	<p>21</p> <p>110°C</p>	<p>22</p> <p>110°C</p>	<p>23</p>
<p>15</p>	<p>16</p>	<p>17</p>	<p>24</p>	<p>24</p>	<p>26</p>			
<p>18</p> <div style="border: 1px solid black; padding: 5px;"> <p style="text-align: center;"><b>Prohibited Copying</b></p> <p>Do not copy any item for which copying is prohibited by national or local law. Copying the following items is generally prohibited:</p> <div style="display: flex; flex-wrap: wrap; justify-content: space-between;"> <ul style="list-style-type: none"> <li>● Bank notes</li> <li>● Revenue stamps</li> </ul> <ul style="list-style-type: none"> <li>● Passports</li> <li>● Driver's licenses</li> </ul> <ul style="list-style-type: none"> <li>● Checks</li> <li>● Bank drafts</li> </ul> <ul style="list-style-type: none"> <li>● Bonds</li> <li>● Stock certificates</li> </ul> </div> </div>	<p>27</p> <div style="border: 1px solid black; padding: 5px;"> <p style="text-align: center;"><b>When Streaks Appear on Copies/Scanned Images</b></p> <p>Wipe the strip of glass with a cloth dampened with water or neutral detergent. Wait until it dries completely before using the ADF.</p> </div>							

## 24. Decal and Document

Index No.	Part No.	Description	Q'ty Per Assembly
1	M1601059	DECAL:H-TEMP WARNING	1
2	M1601198	DECAL:LEVER:SEPARATOR:TONER CARTRIDGE	1
3	M1604248	DECAL:ENVELOPE:LEVER:FUSER	1
4	M1604461	DECAL:GATE:EXIT	1
5	M1604635	DECAL:HANDLE:DUPLEX UNIT	1
6	M1602907	DECAL:REGISTRATION:GUIDE:LEFT UPPER	1
7	M1602908	DECAL:REGISTRATION ROLLER:GUIDE:UPPER	1
8	D3DJ6035	DECAL:CLEANING:DOCUMENT FEEDER	1
9	M1602682	DECAL:DIAL:PAPER SIZE SENSOR:TRAY:EXP	1
10	M0524301	DECAL:BARCODE:FUSING UNIT	2
11	M1872258	DECAL:PCDU:CAUTION:EXP	1
12	M1602572	DECAL:OPERATION INSTRUCTIONS:TRAY:REAR	1
13	AA000267	DECAL:EARTH:NE:ABS	1
14	M0A06640	DECAL:NAME PLATE:M0A0	1
15	M1601028	DECAL:DISCHARGE:HIGH TEMPERATURE:WARNING	1
16	M1602693	DECAL:PAPER SET DIRECTION	1
17	M1604930	DECAL:SIDE FENCE	1
18	M0A01704	DECAL:CAUTION:ORIGINAL:ENGLISH	1
19	D3DJ6031	DECAL:ORIGINAL SCALE	1
20	M0A01710	DECAL:SCALE:LEFT:NA	1
21	D3DJ6032	DECAL:ORIGINAL TABLE:NA	1
22	D1204184	DECAL:H-TEMP WARNING:SMALL	1
23	M1601029	DECAL:CAUTION:TC	1
24	M1601934	DECAL:OPERATE:LEVER:LED	1
25	M1604494	DECAL:LEFT:COVER:REAR	1
26	M1604495	DECAL:RIGHT:COVER:REAR	1
27	M0A01706	DECAL:CLEANING:SCANNER:ENGLISH	1

Index No.	Part No.	Description	Q'ty Per Assembly

## 25. Parts Index

Part No.	Description	Page and Index No.
03130030N	PAN HEAD SCREW:M3X3	36 - 105
03130030N	PAN HEAD SCREW:M3X3	44 - 104
03130040N	PAN HEAD SCREW:M3X4	18 - 105
03530040N	SCREW:M3X4	16 - 105
03530060N	SCREW:M3X6	12 - 101
03603006N	SCREW:M3X6	6 - 105
03603006N	SCREW:M3X6	8 - 101
03603006N	SCREW:M3X6	10 - 103
03603006N	SCREW:M3X6	16 - 101
03603006N	SCREW:M3X6	40 - 102
03603006N	SCREW:M3X6	42 - 103
03603006N	SCREW:M3X6	44 - 103
04503008N	TAPPING SCREW:3X8	20 - 101
04503008N	TAPPING SCREW:3X8	22 - 101
04503008N	TAPPING SCREW:3X8	24 - 101
04503008N	TAPPING SCREW:3X8	26 - 103
04503008N	TAPPING SCREW:3X8	30 - 101
04503008N	TAPPING SCREW:3X8	36 - 101
04503008N	TAPPING SCREW:3X8	38 - 101
04503008N	TAPPING SCREW:3X8	42 - 101
04503008N	TAPPING SCREW:3X8	46 - 102
04503010N	TAPPING SCREW:3X10	24 - 102
04503010N	TAPPING SCREW:3X10	26 - 101
04503010N	TAPPING SCREW:3X10	30 - 102
04503010N	TAPPING SCREW:3X10	32 - 101
04503010N	TAPPING SCREW:3X10	34 - 103
04503010N	TAPPING SCREW:3X10	38 - 104
04503010N	TAPPING SCREW:3X10	42 - 106
04503010N	TAPPING SCREW:3X10	46 - 109
04503014N	TAPPING SCREW:3X14	16 - 106
04504012N	TAPPING SCREW:4X12	6 - 106
04513006N	TAPPING SCREW:3X6	2 - 102
04513006N	TAPPING SCREW:3X6	6 - 103
04513006N	TAPPING SCREW:3X6	18 - 101

Part No.	Description	Page and Index No.
04513006N	TAPPING SCREW:3X6	22 - 102
04513006N	TAPPING SCREW:3X6	26 - 105
04513006N	TAPPING SCREW:3X6	38 - 105
04513006N	TAPPING SCREW:3X6	40 - 101
04513006N	TAPPING SCREW:3X6	42 - 104
04513006N	TAPPING SCREW:3X6	46 - 107
04513030N	TAPPING SCREW:3X30	46 - 108
04523008N	BINDING SELF-TAPPING SCREW:3X8	18 - 104
04523010N	BINDING SELF-TAPPING SCREW:3X10	22 - 106
04523010N	BINDING SELF-TAPPING SCREW:3X10	36 - 102
04533006N	BINDING SELF TAPPING SCREW:3X6	28 - 101
04533006N	BINDING SELF TAPPING SCREW:3X6	40 - 104
04533006N	BINDING SELF TAPPING SCREW:3X6	46 - 101
04543006Q	TAPPING SCREW:3X6	6 - 107
04543006Q	TAPPING SCREW:3X6	12 - 103
04543006Q	TAPPING SCREW:3X6	14 - 101
04543006Q	TAPPING SCREW:3X6	18 - 102
04543006Q	TAPPING SCREW:3X6	22 - 103
04543006Q	TAPPING SCREW:3X6	24 - 103
04543006Q	TAPPING SCREW:3X6	26 - 106
04543006Q	TAPPING SCREW:3X6	46 - 103
04543014Q	TAPPING SCREW:3X14	46 - 110
04583008N	HEXAGON HEAD TAPPING SCREW:3X8	2 - 101
04583010N	HEXAGON HEAD TAPPING SCREW:3X10	2 - 103
04583010N	HEXAGON HEAD TAPPING SCREW:3X10	6 - 101
04583010N	HEXAGON HEAD TAPPING SCREW:3X10	10 - 101
04583010N	HEXAGON HEAD TAPPING SCREW:3X10	12 - 102
04583010N	HEXAGON HEAD TAPPING SCREW:3X10	14 - 102
04583010N	HEXAGON HEAD TAPPING SCREW:3X10	16 - 102
04583012N	HEXAGON HEAD TAPPING SCREW:3X12	2 - 104
06320080G	PARALLEL PIN:2X8	4 - 101
06320080G	PARALLEL PIN:2X8	6 - 108
06320080G	PARALLEL PIN:2X8	12 - 104
06320140G	PARALLEL PIN:2X14	14 - 106

Part No.	Description	Page and Index No.
07073050N	BUSHING:DIA3X5	16 - 107
07200025E	RETAINING RINGS-E:2.5	16 - 108
07200030E	RETAINING RINGS-E:3	12 - 106
07200040E	RETAINING RINGS-E:4	4 - 102
07200040E	RETAINING RINGS-E:4	6 - 109
07200040E	RETAINING RINGS-E:4	12 - 105
07200040E	RETAINING RINGS-E:4	14 - 104
07200040E	RETAINING RINGS-E:4	22 - 104
07200040E	RETAINING RINGS-E:4	26 - 104
07200040E	RETAINING RINGS-E:4	36 - 103
07200040E	RETAINING RINGS-E:4	38 - 102
07200040E	RETAINING RINGS-E:4	42 - 102
07200060E	RETAINING RINGS-E:6	14 - 105
08046123	HEXAGONAL BOLT:W/WASHER:M3X8	8 - 102
08046123	HEXAGONAL BOLT:W/WASHER:M3X8	16 - 111
08046123	HEXAGONAL BOLT:W/WASHER:M3X8	44 - 105
08046127	HEXAGONAL BOLT:DOUBLE SCREW:M3X8	32 - 102
08046127	HEXAGONAL BOLT:DOUBLE SCREW:M3X8	34 - 104
08050088	RETAINING RINGS-E:SILENCER:DIA6	28 - 102
08050089	RETAINING RINGS-E:SILENCER:DIA4	18 - 103
08050089	RETAINING RINGS-E:SILENCER:DIA4	22 - 107
08050089	RETAINING RINGS-E:SILENCER:DIA4	26 - 102
08050089	RETAINING RINGS-E:SILENCER:DIA4	28 - 103
08050089	RETAINING RINGS-E:SILENCER:DIA4	34 - 102
08050089	RETAINING RINGS-E:SILENCER:DIA4	38 - 103
08050104	RETAINING RINGS-E:SILENCER:DIA4	4 - 103
08050104	RETAINING RINGS-E:SILENCER:DIA4	8 - 103
08050104	RETAINING RINGS-E:SILENCER:DIA4	10 - 102
08050104	RETAINING RINGS-E:SILENCER:DIA4	16 - 104
09543012N	SCREW:POLISHED ROUND/SPRING:M3X12	32 - 103
09543012N	SCREW:POLISHED ROUND/SPRING:M3X12	34 - 101
11050511	CLAMP:LWSM-0306	14 - 103
11050758	CLAMP:LWSM-0306A	16 - 109
11050758	CLAMP:LWSM-0306A	30 - 103

Part No.	Description	Page and Index No.
11050758	CLAMP:LWSM-0306A	46 - 104
11050759	CLAMP:LWSM-0605A	6 - 102
11050759	CLAMP:LWSM-0605A	16 - 103
11050760	CLAMP:LWSM-0511A	2 - 105
11050760	CLAMP:LWSM-0511A	6 - 104
11050762	CLAMP:LWS-0711A	46 - 105
11050763	CLAMP:LWS-1211A	40 - 103
11050763	CLAMP:LWS-1211A	44 - 101
11500427	POWER SUPPLY CODE:125V:15A:NA	2 - 29
11500458	POWER SUPPLY CODE:250V:10A:EU	2 - 29
12042555	TACTSWITCH:SKHVBBDD010	22 - 108
12042612	MICROSWITCH:D3V-16506-3C25(10E)	46 - 106
14077677	EEPROM:BR24T64-W	44 - 102
16072211	FERRITE CORE:K3 NF-110(N)BK0	2 - 106
16072525	FERRITE CORE:K3 FF 35.00X14.60X7.70X1.40	16 - 112
16072758	FERRITE CORE:K3 FF 40.00X20.00X6.50X1.30	16 - 110
52152621	SNAP RING - M6	20 - 102
54472681	SNAP RING	22 - 105
54472681	SNAP RING	36 - 104
54472681	SNAP RING	42 - 105
A1532117	ROLLER TERMINAL	28 - 1
AA000267	DECAL:EARTH:NE:ABS:EU	2 - 22
AA000267	DECAL:EARTH:NE:ABS	48 - 13
AA001527	PLATE:LOGOTYPE:GES:IG	2 - 26
AA001531	PLATE:LOGOTYPE:LAN:IG	2 - 27
AA063399	COMPRESSION SPRING:VERTICAL TRANSPORT	22 - 30
AA080249	PLAIN SHAFT BEARING:MM4:VERTICAL TRANSPORT	10 - 2
AA080249	PLAIN SHAFT BEARING:MM4:VERTICAL TRANSPORT	22 - 27
AA082058	PLAIN SHAFT BEARING - 6X10X9MM	38 - 7
AA082101	PLAIN SHAFT BEARING:MM6XMM10X6	4 - 2
AA082101	PLAIN SHAFT BEARING:MM6XMM10X6	12 - 19
AA082116	PLAIN SHAFT BEARING:MM8	28 - 2
AA082118	PLAIN SHAFT BEARING:MM6	22 - 1
AA082118	PLAIN SHAFT BEARING:MM6	26 - 1

Part No.	Description	Page and Index No.
AA082118	PLAIN SHAFT BEARING:MM6	34 - 2
AA082118	PLAIN SHAFT BEARING:MM6	36 - 1
AA082118	PLAIN SHAFT BEARING:MM6	38 - 22
AA082180	BUSHING:DIA6:DIA10:9	14 - 26
AA132208	SPACER:DIA6	4 - 3
AA143592	SCREW:4X6	44 - 28
AA143788	PIN:GUIDE PLATE:PAPER FEED	10 - 1
AA143788	PIN:GUIDE PLATE:PAPER FEED	14 - 3
AA143848	FLANGED HEXAGONAL HEAD BOLT:HDD UNIT:M3X3	44 - 14
AA161125	BUSHING:HDD	44 - 15
AE030083	RADIAL BALL BEARING:DIA6XDIA12X4	34 - 13
AF031092	PAPER FEED ROLLER:MANUAL FEED	22 - 31
AH010009	RUBBER FOOT:H5	46 - 11
AW010151	REFLECTION PHOTO SENSOR:PS122TL1-A	14 - 18
AW020198	PHOTOINTERRUPTOR:LG2A14NL1	22 - 2
AW020198	PHOTOINTERRUPTOR:LG2A14NL1	26 - 2
AW020198	PHOTOINTERRUPTOR:LG2A14NL1	30 - 1
AW020198	PHOTOINTERRUPTOR:LG2A14NL1	36 - 2
AW020224	PHOTOINTERRUPTOR:GP1A173LCSVF	6 - 21
AW020224	PHOTOINTERRUPTOR:GP1A173LCSVF	10 - 3
AW020224	PHOTOINTERRUPTOR:GP1A173LCSVF	16 - 2
AW110101	THERMOSTAT:LOWER	32 - 2
AW140016	TEMPERATURE & HUMIDITY SENSOR	42 - 26
AX040272	DC STEPPER MOTOR:NMB	16 - 4
AX201012	ELECTROMAGNETIC CLUTCH:0.35N·M:REVERSE EXIT	14 - 19
AZ320187	POWER PACK:CDVT:GIM	44 - 8
B0394480	STEP SCREW	22 - 33
B0394480	STEP SCREW	36 - 38
B0902742	ROLLER:PULL OUT:OPTION TRAY	22 - 28
B0902869	GEAR:16Z	24 - 8
B2591119	TAPPING SCREW:M3X33	46 - 41
B2845050	SPEAKER:B284	44 - 3
B6524743	SHEET:PRESSURE PLATE:SMALL	6 - 22
B8722421	PLAIN SHAFT BEARING:FEED	6 - 25

Part No.	Description	Page and Index No.
B8722529	COLLAR:PICKUP	4 - 4
B8722614	PLAIN SHAFT BEARING:R1	14 - 20
D1171801	BRACKET:MOTOR:PEEN	16 - 5
D1171804	CAP:TIMING PULLEY	16 - 6
D1171805	GEAR:TIMING PULLEY:81-18:MITSUBOSHI	16 - 7
D1171806	PULLEY:IDLER	16 - 8
D1171807	BRACKET:IDLER:PEEN	16 - 9
D1171810	SYNCHRONOUS BELT:S2M:441	16 - 13
D1171820	BUSHING:BRACKET	16 - 10
D1171826	GEAR:SLOW DOWN:53-19	16 - 11
D1171837	COIL SPRING:TENSION	16 - 12
D1172725	COMPRESSION SPRING:PAPER FEED:MANUAL FEED	22 - 29
D1201556	SHEET:LOGO:LAN	2 - 20
D1201557	SHEET:LOGO:GES	2 - 24
D1201561	SHEET:LOGO:SAV	2 - 28
D1204184	DECAL:H-TEMP WARNING:SMALL	32 - 5
D1204184	DECAL:H-TEMP WARNING:SMALL	48 - 22
D1491553	SHEET:LOGO	2 - 25
D1495686	PCB:DSCW	22 - 3
D1775686	PCB:DSCW	44 - 1
D2162002	HOLDER:FRICTION PAD	14 - 5
D2415250	CABLE:HDD:SATA:210	44 - 16
D3DJ1114	TAPE:PRESSURE PLATE	6 - 1
D3DJ1114	TAPE:PRESSURE PLATE	12 - 2
D3DJ1121	COVER:CARD READER	6 - 2
D3DJ1131	HOLDER:DFRB	6 - 7
D3DJ1141	GUIDE:HARNESS:CONTACT POINT	6 - 3
D3DJ1142	HOLDER:GUIDE:HARNESS:CONTACT POINT	6 - 4
D3DJ1143	SHEET:HOLDER:FLAT CABLE	6 - 5
D3DJ1144	SHEET:CUSHION:FLAT CABLE	6 - 6
D3DJ1151	GUIDE PLATE:EXIT	6 - 8
D3DJ1152	DISCHARGE BRUSH:EXIT:SUS	6 - 9
D3DJ1160	SHEET:EXIT:ASS'Y	6 - 10
D3DJ1162	SHEET:EXIT	6 - 11

Part No.	Description	Page and Index No.
D3DJ1410	GUIDE PLATE:SCANNING:FRONT LOWER	6 - 12
D3DJ1411	SHEET:SCANNING:FRONT LOWER	6 - 13
D3DJ1413	LEVER:DRIVEN:SCANNING	6 - 14
D3DJ1414	ROLLER:ENTRANCE	6 - 15
D3DJ1414	ROLLER:ENTRANCE	12 - 10
D3DJ1416	COMPRESSION SPRING:SCANNING:DRIVEN	6 - 16
D3DJ1417	SPRING PLATE:DISCHARGE:SCANNING	6 - 17
D3DJ1600	GUIDE PLATE:LOWER:OPEN AND CLOSE:ASS'Y	12 - 1
D3DJ1622	SHAFT:SCANNING:EXIT:DRIVEN	12 - 3
D3DJ1623	ROLLER:EXIT	12 - 4
D3DJ1624	TENSION SPRING:SCANNING:EXIT:DRIVEN	12 - 5
D3DJ1625	GUIDE:TRANSPORT:EXIT:LOWER	12 - 6
D3DJ1626	SHEET:GUIDE:TRANSPORT:EXIT:LOWER	12 - 7
D3DJ1627	SHEET:EXIT:PLATE	12 - 8
D3DJ1632	GUIDE:EXIT:ASS'Y	12 - 9
D3DJ1634	SHAFT:EXIT:DRIVEN	12 - 11
D3DJ1636	COMPRESSION SPRING:EXIT:DRIVEN	12 - 12
D3DJ1639	SHEET:TRAY	12 - 13
D3DJ1642	GUIDE:REFLECTANCE TARGETS PLATE:BEHIND:ASS'Y	12 - 15
D3DJ1649	SHEET:SCANNING:BEHIND:PLATE	12 - 14
D3DJ1650	SPRING PLATE:GUIDE:BEHIND:PRESS FIT	12 - 16
D3DJ1653	PLAIN SHAFT BEARING:GUIDE:BEHIND:FRONT	12 - 17
D3DJ1654	PLAIN SHAFT BEARING:GUIDE:BEHIND:INNER BACK	12 - 18
D3DJ1662	CAM:MOVE:REFLECTANCE TARGETS PLATE:BEHIND	12 - 20
D3DJ1664	SHAFT:CAM:PRESS FIT	12 - 21
D3DJ1672	LEVER:GUIDE PLATE:LOWER:OPEN AND CLOSE	12 - 23
D3DJ1673	PAWL:GUIDE PLATE:LOWER:OPEN AND CLOSE	12 - 24
D3DJ1674	SHAFT:LEVER:GUIDE PLATE:LOWER:OPEN AND CLOSE	12 - 25
D3DJ1676	TORSION SPRING:GUIDE PLATE:LOWER:OPEN AND CLOSE	12 - 26
D3DJ1681	PIN:GUIDE PLATE:PEEN	12 - 27
D3DJ1710	OPTICAL READING MD:BEHIND:ASS'Y	14 - 2
D3DJ1820	HINGE:LEFT:DAMPER:LONG	6 - 20
D3DJ1821	HINGE:RIGHT:NON DAMPER:LONG	6 - 19
D3DJ2101	SHAFT:PAPER FEED UNIT:ASS'Y	4 - 5

Part No.	Description	Page and Index No.
D3DJ2111	FEED ROLLER	4 - 6
D3DJ2116	GEAR:FEED	4 - 7
D3DJ2120	PAPER STOPPER	4 - 8
D3DJ2200	PAPER FEED UNIT:ASS'Y	4 - 1
D3DJ3110	GUIDE PLATE:PAPER FEED	14 - 4
D3DJ3210	GUIDE PLATE:TRANSPORT	14 - 13
D3DJ3211	SPRING PLATE:GUIDE:EXPOSURE GLASS	14 - 14
D3DJ3216	SPRING PLATE:DISCHARGE:EXPOSURE GLASS	14 - 15
D3DJ3410	TRANSPORT ROLLER:PULL OUT	14 - 21
D3DJ3510	TRANSPORT ROLLER:ENTRANCE	14 - 24
D3DJ3610	TRANSPORT ROLLER:EXIT	14 - 25
D3DJ3710	TRANSPORT ROLLER:EXIT	14 - 27
D3DJ3811	GUIDE PLATE:SCANNING:FACE FRONT	14 - 29
D3DJ3821	PIN:GUIDE PLATE	14 - 1
D3DJ3831	GUIDE:HARNESS:TRANSPORT:REAR	14 - 16
D3DJ3836	GUIDE:HARNESS:TRANSPORT:FRONT	14 - 17
D3DJ4110	POSITIONING PLATE:DRIVE:FRONT	6 - 26
D3DJ4111	SHAFT:COUPLING:PEEN	6 - 27
D3DJ4112	GEAR:ROLLER:FEED	6 - 28
D3DJ4113	GEAR:IDLER:SEPARATION SUB-UNIT	6 - 29
D3DJ4114	GEAR:SLOW DOWN:FEED	6 - 30
D3DJ4115	GEAR:IDLER:LARGE	8 - 1
D3DJ4116	GEAR:IDLER:SMALL	8 - 2
D3DJ4117	PULLEY:SLOW DOWN:MOTOR	8 - 3
D3DJ4118	PULLEY:SLOW DOWN:MIDDLE	8 - 4
D3DJ4119	GEAR:IDLER:SHADING	8 - 5
D3DJ4120	GEAR:ROLLER:DIA8	14 - 22
D3DJ4121	GEAR:ROLLER:DIA6	14 - 28
D3DJ4122	GEAR:IDLER:MECHANICAL ROLLER CLUTCH:UPPER POSITION	8 - 6
D3DJ4123	GEAR:IDLER:MECHANICAL ROLLER CLUTCH:LOWER	8 - 7
D3DJ4124	BUSHING:FEED	6 - 31
D3DJ4125	GEAR:PULL OUT	14 - 23
D3DJ4127	TORQUE LIMITER MECHANICAL CLUTCH:PAPER FEED UNIT	6 - 32

Part No.	Description	Page and Index No.
D3DJ4312	POSITIONING PLATE:DRIVE:MIDDLE	8 - 8
D3DJ4315	POSITIONING PLATE:DRIVE:REAR	8 - 9
D3DJ4316	POSITIONING PLATE:DRIVE:SHADING	8 - 10
D3DJ4322	BELT TENSIONER:PEEN	8 - 11
D3DJ4323	PULLEY:IDLER:DIA10	8 - 12
D3DJ4326	TENSION SPRING:TENSION:MIDDLE	8 - 13
D3DJ4327	HEXAGON HEAD BOLT:M3X6	8 - 14
D3DJ4331	SYNCHRONOUS BELT:40S1.5M224	8 - 15
D3DJ4334	POSITIONING PLATE:MOTOR	8 - 16
D3DJ4335	TENSION SPRING:TENSION:MOTOR	8 - 18
D3DJ4336	DC MOTOR:10W:ASSY	8 - 17
D3DJ4512	SHAFT:LEVER:COVER:PAPER FEED	10 - 4
D3DJ4515	TORSION SPRING:COVER:PAPER FEED:INNER BACK	10 - 5
D3DJ4518	COMPRESSION SPRING:DRIVEN ROLLER:PULL OUT	10 - 6
D3DJ4519	FEELER:ORIGINAL SENSOR	10 - 7
D3DJ4520	SEAL:COVER:PAPER FEED	10 - 8
D3DJ4522	COVER:PAPER FEED:MIDDLE	10 - 9
D3DJ4523	SPACER:COVER:PAPER FEED:MIDDLE	10 - 10
D3DJ4525	ROLLER:PULL OUT	10 - 11
D3DJ4527	CUSHION:FEELER:FEED:REAR	10 - 12
D3DJ4530	FEELER:FEED:REAR:ASSY	10 - 13
D3DJ4541	COVER:PAPER FEED	10 - 14
D3DJ4542	LEVER:COVER:PAPER FEED	10 - 15
D3DJ4612	SIDE FENCE:INNER BACK	10 - 17
D3DJ4613	SIDE FENCE:FRONT	10 - 18
D3DJ4614	ORIGINAL TABLE	10 - 19
D3DJ4621	EXTENSION TRAY	10 - 20
D3DJ4622	SHEET:ORIGINAL TABLE	10 - 21
D3DJ4710	COVER:REAR	10 - 28
D3DJ4711	CAP:CABLE:IC CARD:NO	10 - 29
D3DJ4712	CAP:CABLE:IC CARD:YES	10 - 30
D3DJ4810	COVER:FRONT	10 - 31
D3DJ4811	STOPPER:ORIGINAL TABLE	10 - 32
D3DJ4812	BRACKET:STOPPER:ORIGINAL TABLE	10 - 33

Part No.	Description	Page and Index No.
D3DJ4813	COMPRESSION SPRING:STOPPER:ORIGINAL TABLE	10 - 34
D3DJ4814	COVER:FRONT:LEFT UPPER	10 - 35
D3DJ4911	SHEET:PRESSURE PLATE	6 - 23
D3DJ4912	CUSHION:PRESSURE PLATE:LARGE	6 - 24
D3DJ6031	DECAL:ORIGINAL SCALE	10 - 22
D3DJ6031	DECAL:ORIGINAL SCALE	48 - 19
D3DJ6032	DECAL:ORIGINAL TABLE:ENGLISH	2 - 16
D3DJ6032	DECAL:ORIGINAL TABLE:NA	48 - 21
D3DJ6035	DECAL:CLEANING:DOCUMENT FEEDER	16 - 3
D3DJ6035	DECAL:CLEANING:DOCUMENT FEEDER	48 - 8
D5433635	GEAR:ROLLER:SCANNING:BEHIND	12 - 22
D6062113	PICKUP ROLLER	4 - 9
D6062114	SHAFT:PICKUP	4 - 10
D6062115	TORQUE LIMITER MECHANICAL CLUTCH:FEED	4 - 11
D6062117	GEAR:IDLER:FEED	4 - 12
D6062118	GEAR:PICKUP	4 - 13
D6062119	ARM:PAPER STOPPER	4 - 14
D6062121	LINK:PAPER STOPPER	4 - 15
D6062122	HOLDER:PICKUP ROLLER	4 - 16
D6063112	FRICITION PAD	14 - 6
D6063114	COMPRESSION SPRING:SEPARATION	14 - 7
D6063116	LEVER:PRESSURE RELEASE:SEPARATION	14 - 9
D6063117	TENSION SPRING:PRESSURE RELEASE:SEPARATION:4.5N	14 - 10
D6063118	SHEET:SEPARATION	14 - 8
D6063119	CUSHION:SEPARATION	14 - 11
D6064124	COLLAR:REVERSE	8 - 19
D6064516	SHAFT:ROLLER:PULL OUT	6 - 18
D6064516	SHAFT:ROLLER:PULL OUT	10 - 16
D6064614	GEAR:SIDE FENCE	10 - 23
D6064615	PIN:SIDE FENCE	10 - 24
D6064616	DISC:SIDE FENCE	10 - 25
D6064617	COIL SPRING:SIDE FENCE:ARDF:12N	10 - 26
G1045141	KNOB SCREW:M3	44 - 13
G8003035	PUSH SWITCH:CASSETTE	26 - 15

Part No.	Description	Page and Index No.
GA063082	COMPRESSION SPRING:PRESSURE:END FENCE	24 - 3
GA063084	COMPRESSION SPRING:AUXILIARY:SIDE FENCE	24 - 21
GF013001	PAD:BASE	24 - 16
GW010007	REFLECTION PHOTO SENSOR:EXIT	28 - 20
GW010007	REFLECTION PHOTO SENSOR:EXIT	36 - 31
GZ230090	POWER SUPPLY UNIT:GIM-MF1.5:DOM/NA	44 - 7
GZ230091	POWER SUPPLY UNIT:GIM-MF1.5:EU/AA	44 - 7
H5211350	PAD - PICK-UP	14 - 12
M0124055	RADIAL BALL BEARING:35X47X7	32 - 10
M0124281	RETAINING RINGS-C:HOT ROLLER	32 - 11
M0212609	STOPPER:CASSETTE	24 - 12
M0212816	COMPRESSION SPRING:PAPER FEED	26 - 3
M0214619	COMPRESSION SPRING:2N	34 - 7
M0214620	SHEET:FIX:SENSOR	36 - 34
M0521069	DC FAN MOTOR:AIO	46 - 13
M0521210	PLATE:LOGO:RIC	2 - 21
M0524301	DECAL:BARCODE:FUSING UNIT	34 - 23
M0524301	DECAL:BARCODE:FUSING UNIT	48 - 10
M0752610	COMPRESSION SPRING:LOCK:SIDE FENCE	24 - 4
M0A01105	GEAR:MOTOR:DRIVE	40 - 2
M0A01211	COVER:LEFT:MF1.5D	2 - 1
M0A01221	COVER:RIGHT:MF1.5D	2 - 3
M0A01231	COVER:UPPER:MF1.5D	2 - 8
M0A01235	COVER:UPPER:OPERATION SUB-UNIT:MF1.5D	2 - 12
M0A01236	COVER:LOWER:OPERATION SUB-UNIT:MF1.5D	2 - 13
M0A01241	GROUND PLATE:BICU:UPPER	2 - 9
M0A01242	GROUND PLATE:BICU:LOWER	2 - 10
M0A01243	GROUND PLATE:OPERATION SUB-UNIT	2 - 11
M0A01245	BRACKET:SUPPORT:OPERATION SUB-UNIT	2 - 14
M0A01250	FILTER:FAN	2 - 4
M0A01651	CARRIAGE:SCANNER:ASSY	16 - 1
M0A01657	ORIGINAL TRAY:SCANNER:NA:ASSY	16 - 18
M0A01667	ORIGINAL TRAY:SCANNER:EU:ASSY	16 - 18
M0A01704	DECAL:CAUTION:ORIGINAL:ENGLISH	16 - 17

Part No.	Description	Page and Index No.
M0A01704	DECAL:CAUTION:ORIGINAL:ENGLISH	48 - 18
M0A01706	DECAL:CLEANING:SCANNER:ENGLISH	2 - 17
M0A01706	DECAL:CLEANING:SCANNER:ENGLISH	48 - 27
M0A01710	DECAL:SCALE:LEFT:NA	16 - 16
M0A01710	DECAL:SCALE:LEFT:NA	48 - 20
M0A01718	DECAL:SCALE:LEFT:EU	16 - 16
M0A01745	COVER:SCANNER:REAR	16 - 19
M0A01746	COVER:SCANNER:REAR UPPER	16 - 14
M0A01840	COVER:SCANNER:FRONT:ASSY	16 - 15
M0A05012	PCB:BICU:GIM-MF1.5:ASSY	44 - 2
M0A05241	CABLE:HDD:SATA:POWER_3P:210	44 - 17
M0A05360	HARNES:BICU:KEY CARD	44 - 31
M0A05533	SHEET:INSULATION:MF1.5D	44 - 9
M0A05802	PCB:CTL:GIM-MF1.5:EXP:SUB-ASSY	44 - 12
M0A05805	PCB:FCU3.8LE:NA:ASSY	44 - 4
M0A05806	PCB:FCU3.8LE:EU:ASSY	44 - 4
M0A05928	PCB:CNB	16 - 20
M0A06640	DECAL:NAME PLATE:M0A0	2 - 18
M0A06640	DECAL:NAME PLATE:M0A0	48 - 14
M1091948	CLEANER:LENS:LED HEAD	2 - 23
M1601028	DECAL:DISCHARGE:HIGH TEMPERATURE:WARNING	46 - 20
M1601028	DECAL:DISCHARGE:HIGH TEMPERATURE:WARNING	48 - 15
M1601029	DECAL:CAUTION:TC	2 - 19
M1601029	DECAL:CAUTION:TC	48 - 23
M1601035	DUCT:EXIT:RIGHT:MF	46 - 1
M1601036	DUCT:EXIT:LEFT	46 - 12
M1601044	PICKOFF PAWL:MAIN	46 - 3
M1601045	BRACKET:HOLDER:PICKOFFPAWL	46 - 4
M1601047	SEAL:STAY:FRAME:REAR:B	46 - 25
M1601056	STAY:FRAME:FRONT	46 - 22
M1601059	DECAL:H-TEMP WARNING	46 - 14
M1601059	DECAL:H-TEMP WARNING	48 - 1
M1601061	GUIDE:PCU:LEFT LOWER	46 - 26
M1601062	TIGHTENER:PCU:LEFT	46 - 10



Part No.	Description	Page and Index No.
M1601063	COIL SPRING:TIGHTENER:PCU	46 - 8
M1601064	GUIDE:PCU:RIGHT LOWER	46 - 35
M1601066	TIGHTENER:PCU:RIGHT	46 - 9
M1601067	GUIDE:TRAY:LEFT	46 - 27
M1601068	GUIDE:TRAY:RIGHT	46 - 39
M1601071	GUIDE:FUSING:LEFT UPPER	46 - 28
M1601072	GUIDE:FUSING:LEFT LOWER	46 - 30
M1601073	LEVER:FUSING:LEFT	46 - 29
M1601075	GUIDE:FUSING:RIGHT UPPER	46 - 32
M1601076	GUIDE:FUSING:RIGHT LOWER	46 - 34
M1601077	LEVER:FUSING:RIGHT	46 - 33
M1601078	BRACKET:RAM BOARD:PCU	46 - 23
M1601079	DUCT:PCU:MF	46 - 19
M1601080	BRACKET:DRAWER:FUSING	46 - 5
M1601082	BRACKET:MAIN SWITCH	22 - 4
M1601083	HOLDER:MAIN SWITCH	22 - 5
M1601084	KEY:BUTTON:MAIN SWITCH	20 - 1
M1601085	COIL SPRING:MAIN SWITCH	20 - 2
M1601091	BRACKET:CONNECTOR:PAPER BANK	46 - 15
M1601092	HOLDER:PICKOFF PAWL:MAIN	46 - 6
M1601093	COIL SPRING:HOLDER:PICKOFF PAWL	46 - 7
M1601094	COVER:FRAME:PAPER BANK	46 - 37
M1601095	COVER:FRAME:TRAY	46 - 31
M1601096	COVER:FRAME:LOWER	46 - 38
M1601097	COVER:DUCT:1:FAN:MF1D	46 - 16
M1601098	COVER:DUCT:2:FAN:MF1D	46 - 40
M1601101	BRACKET:MOTOR:ASS'Y	40 - 1
M1601106	GEAR:PAPER FEED:NO.1	40 - 3
M1601107	GEAR:DUPLEX:NO.1	40 - 4
M1601108	DC BRUSHLESS MOTOR:MAIN	40 - 5
M1601121	GEAR:DRUM:NO.2	40 - 7
M1601122	JOINT:DRUM	40 - 8
M1601123	COIL SPRING:DRUM	40 - 9
M1601124	GEAR:DUPLEX UNIT:NO.2	40 - 10

Part No.	Description	Page and Index No.
M1601125	PULLEY:FUSING:NO.1	40 - 11
M1601126	PULLEY:FUSING:NO.2	40 - 12
M1601127	SYNCHRONOUS BELT:FUSING:S3M	40 - 13
M1601128	GEAR:FUSING:NO.1	40 - 14
M1601129	GEAR:FUSING:NO.2	40 - 15
M1601130	COIL SPRING:FUSING	40 - 16
M1601131	HOLDER:SPLINE:JOINT	40 - 17
M1601135	GUIDE:LINK:MAIN	40 - 18
M1601136	LINK:MAIN	40 - 19
M1601137	COIL SPRING:MAIN	40 - 20
M1601138	BUSHING:TONER SUPPLY:ELECTROMAGNETIC CLUTCH	42 - 19
M1601139	LINK:FRONT	40 - 24
M1601141	HOUSING:PAPER FEED	42 - 1
M1601142	GEAR:PAPER FEED:NO.2	42 - 2
M1601143	GEAR:PAPER FEED:NO.3	42 - 3
M1601144	GEAR:TRANSFER:NO.1	42 - 4
M1601145	GEAR:TRANSFER:NO.2	42 - 5
M1601146	GEAR:MANUAL FEED TABLE:NO.1	42 - 6
M1601147	GEAR:MANUAL FEED:NO.1	42 - 7
M1601148	GEAR:MANUAL FEED:NO.2	42 - 8
M1601149	ELECTROMAGNETIC CLUTCH:TONER SUPPLY	42 - 9
M1601150	GEAR:TONER SUPPLY:NO.1	42 - 10
M1601151	GEAR:TONER SUPPLY:NO.2	42 - 11
M1601152	GEAR:TONER SUPPLY:NO.3	42 - 12
M1601153	JOINT:TONER	42 - 13
M1601154	GUIDE:JOINT:TONER	42 - 14
M1601155	COIL SPRING:TONER SUPPLY	42 - 15
M1601156	HOUSING:JOINT:TONER	42 - 16
M1601157	SHAFT:TONER SUPPLY	42 - 17
M1601158	GUIDE:GEAR:MANUAL FEED TABLE	42 - 18
M1601161	COVER:MOTOR	42 - 20
M1601162	BRACKET:FUSING	40 - 21
M1601163	GUIDE:ELECTROMAGNETIC CLUTCH	40 - 22
M1601171	BKT:DAMPER	40 - 25

Part No.	Description	Page and Index No.
M1601172	PAD:DAMPER	40 - 26
M1601173	MYLAR:BKT:DAMPER	40 - 6
M1601181	ELECTROMAGNETIC CLUTCH:DUPLX UNIT	40 - 23
M1601182	ELECTROMAGNETIC CLUTCH:MANUAL FEED	42 - 21
M1601183	ELECTROMAGNETIC CLUTCH:MANUAL FEED:TRAY BOTTOM PLATE	42 - 22
M1601184	ELECTROMAGNETIC CLUTCH:PAPER FEED	42 - 23
M1601185	ELECTROMAGNETIC CLUTCH:REGISTRATION	42 - 24
M1601186	ELECTROMAGNETIC CLUTCH:CONNECTING	42 - 25
M1601192	DC FAN MOTOR:60X25	46 - 18
M1601194	DC FAN MOTOR:80X25	46 - 17
M1601197	COVER:BANKHOLE:FRONT	46 - 36
M1601198	DECAL:LEVER:SEPARATOR:TONER CARTRIDGE	46 - 21
M1601198	DECAL:LEVER:SEPARATOR:TONER CARTRIDGE	48 - 2
M1601222	COVER:BUTTON:DOOR:MF	2 - 5
M1601223	COIL SPRING:BUTTON:DOOR:MF	2 - 6
M1601225	COVER:LOUVER	2 - 2
M1601228	COVER:DUCT:MF	2 - 7
M1601850	OPTICAL WRITING UNIT:ASS'Y	18 - 1
M1601900	LED HEAD:1200DPI:211.3MM	18 - 2
M1601901	COIL SPRING:HOLDER:LED	18 - 3
M1601902	HOLDER:COIL SPRING:LED	18 - 4
M1601903	GROUND PLATE:LED:A:LEFT	18 - 5
M1601904	GROUND PLATE:LED:A:RIGHT	18 - 6
M1601905	GROUND PLATE:LED:B	18 - 11
M1601906	HOLDER:LED:RIGHT	18 - 7
M1601907	HINGE:LED:ASS'Y	18 - 22
M1601910	LINK:LED:A:LEFT	18 - 12
M1601911	LINK:LED:B:LEFT	18 - 13
M1601912	LINK:LED:C:LEFT	18 - 14
M1601913	LINK:LED:A:RIGHT	18 - 17
M1601914	LINK:LED:B:RIGHT	18 - 18
M1601915	LINK:LED:C:RIGHT	18 - 19
M1601916	SPACER:HOLDER:LED	18 - 8

Part No.	Description	Page and Index No.
M1601917	COIL SPRING:LINK:LED:LEFT	18 - 15
M1601918	GUIDE:LINK:LED:LEFT	18 - 16
M1601919	GUIDE:LINK:LED:RIGHT	18 - 20
M1601926	FRAME:HOLDER:LED:ASS'Y	18 - 9
M1601928	COIL SPRING:LINK:LED:RIGHT	18 - 21
M1601934	DECAL:OPERATE:LEVER:LED	48 - 24
M1601936	HOLDER:LED:LEFT	18 - 10
M1602550	PAPER TRAY:REAR:500 SHEET FEED UNIT:ASS'Y	24 - 1
M1602560	END FENCE:500 SHEET FEED UNIT:ASS'Y	24 - 2
M1602563	LEVER:LOCK:END FENCE	24 - 5
M1602572	DECAL:OPERATION INSTRUCTIONS:TRAY:REAR	24 - 6
M1602572	DECAL:OPERATION INSTRUCTIONS:TRAY:REAR	48 - 12
M1602581	BRACKET:SENSOR:PAPER SIZE SENSOR:500 SHEET FEED UNIT	26 - 16
M1602582	COVER:PSU HARNESS:CONNECTOR:SENSOR BKT	26 - 19
M1602590	TIGHTENER:SPRING PLATE:TRAY:ASS'Y	24 - 29
M1602600	PAPER TRAY:FRONT:500 SHEET FEED UNIT:SUB-ASS'Y	24 - 7
M1602602	SHEET:HOLDER:500 SHEET FEED UNIT:FRONT	24 - 9
M1602605	GUIDE:PAPER TRAY:500 SHEET FEED UNIT:FRONT	24 - 10
M1602606	INDICATOR:PAPER VOLUME SENSOR:PAPER TRAY:500 SHEET FEED UNIT	24 - 11
M1602607	SEAL:PAPER TRAY:REAR:EU/AA	24 - 32
M1602608	SEAL:PAPER TRAY:REAR:NA	24 - 32
M1602620	HOLDER:FRICTION PAD:ADHESION	24 - 13
M1602623	COMPRESSION SPRING:SEPARATION	24 - 14
M1602627	TENSION SPRING:TRAY BOTTOM PLATE:500 SHEET FEED UNIT	24 - 30
M1602630	TRAY BOTTOM PLATE:ADHESION	24 - 15
M1602631	GRIP:PAPER TRAY	24 - 26
M1602635	SPACER:SENSOR:PAPER SIZE SENSOR:OUTER	26 - 17
M1602636	SPACER:SENSOR:PAPER SIZE SENSOR:MIDDLE	26 - 4
M1602640	SIDE FENCE:RIGHT:500 SHEET FEED UNIT:ASS'Y	24 - 17
M1602641	HOLDER:PINION	24 - 19
M1602655	LEVER:LOCK:SIDE FENCE:TRAY	24 - 18

Part No.	Description	Page and Index No.
M1602660	SIDE FENCE:LEFT:500 SHEET FEED UNIT:ASSY	24 - 20
M1602666	SHEET:SPONGE:SIDE FENCE:500TYPE	24 - 31
M1602668	ARM:TRAY BOTTOM PLATE	24 - 22
M1602682	DECAL:DIAL:PAPER SIZE SENSOR:TRAY:EXP	24 - 24
M1602682	DECAL:DIAL:PAPER SIZE SENSOR:TRAY:EXP	48 - 9
M1602683	CLICK:DIAL:PAPER SIZE SENSOR:TRAY	24 - 25
M1602687	DIAL:PAPER SIZE SENSOR:TRAY:EXP:ASSY	24 - 23
M1602691	COVER:TRAY:500 SHEET FEED UNIT:FRONT	24 - 27
M1602693	DECAL:PAPER SET DIRECTION	24 - 28
M1602693	DECAL:PAPER SET DIRECTION	48 - 16
M1602706	TRAY BOTTOM PLATE:MANUAL FEED:ASSY	22 - 6
M1602707	HOLDER:FRICION PAD:MANUAL FEED:ASSY	22 - 11
M1602710	COVER:DOOR:FRONT:MIDDLE	20 - 13
M1602711	COVER:MANUAL FEED	20 - 14
M1602712	LINK:LATCH:DOOR:FRONT	20 - 3
M1602713	COIL SPRING:LATCH:DOOR:FRONT	20 - 4
M1602715	BASE:PAPER TRAY:MANUAL FEED	20 - 8
M1602721	GUIDE:SIDE FENCE:LEFT:MANUAL FEED	20 - 9
M1602722	GUIDE:SIDE FENCE:RIGHT:MANUAL FEED	20 - 10
M1602723	GEAR:RACK:SIDE FENCE:MANUAL FEED	20 - 11
M1602724	GEAR:PIVOT	20 - 12
M1602730	GUIDE:STAY:MANUAL FEED	22 - 12
M1602731	GUIDE:SUB:STAY:MANUAL FEED	22 - 13
M1602733	LINK:BASE:SILENCER	22 - 7
M1602734	GUIDE:LEFT:TRAY BOTTOM PLATE	22 - 8
M1602735	GUIDE:RIGHT:TRAY BOTTOM PLATE	22 - 9
M1602737	MYLAR:CLEANER:MID ROLLER DRIVEN	22 - 32
M1602741	SHAFT:SILENCER	22 - 14
M1602742	CAM:SILENCER:LEFT	22 - 15
M1602743	CAM:SILENCER:RIGHT	22 - 16
M1602744	SPRING PLATE:HOME POSITION SENSOR:SILENCER	22 - 17
M1602745	LINK:FEELER:HOME POSITION SENSOR:SILENCER	22 - 18
M1602746	COIL SPRING:FEELER:SILENCER	22 - 19
M1602747	GROUND PLATE:MANUAL FEED	22 - 20

Part No.	Description	Page and Index No.
M1602751	SHEET:ENTRANCE:MIDDLE:ROLLER	22 - 21
M1602752	SHEET:EXIT:STAY:MANUAL FEED	22 - 22
M1602754	COIL SPRING:FRICION PAD	22 - 23
M1602755	PAD:BASE	22 - 10
M1602760	SHAFT:PICKUP:MANUAL FEED	22 - 24
M1602762	GUIDE:UPPER:MANUAL FEED	22 - 25
M1602763	LINK:FEELER:PAPER END	22 - 26
M1602773	EXTENSION TRAY:MANUAL FEED	20 - 15
M1602774	COIL SPRING:LATCH:COVER:MANUAL FEED	20 - 6
M1602775	HOLDER:COMPRESSION SPRING:EXTENSION TRAY	20 - 7
M1602776	COVER:EXTENSION TRAY:MANUAL FEED	20 - 16
M1602784	EXTENSION TRAY:INNER:2	20 - 5
M1602788	SEAL:TRAY BOTTOM PLATE:MANUAL FEED:SIDE	22 - 34
M1602791	COVER:EXTENSION TRAY:MIDDLE	20 - 17
M1602792	COVER:STOPPER:EXTENSION TRAY	20 - 18
M1602793	COVER:FRONT:UPPER:MF	20 - 19
M1602795	GROUND PLATE:MAIN SWITCH	22 - 35
M1602801	STAY:PAPER TRAY	26 - 20
M1602802	PLAIN SHAFT BEARING:SUPPORT:CONNECTION:ROLLER	26 - 21
M1602803	LEVER:PRESSURE RELEASE:FEED ROLLER	26 - 5
M1602804	SHAFT:PRESSURE RELEASE:FEED ROLLER:DIA6	26 - 6
M1602807	SHAFT:ROLLER:PAPER TRAY:DIA6	26 - 7
M1602811	ROLLER:CONNECTING:PAPER TRAY:STAY	26 - 8
M1602812	GROUND PLATE:PAPER TRAY:STAY	26 - 9
M1602813	GUIDE:COVER:STAY:PAPER TRAY:FRONT	26 - 10
M1602814	GUIDE:TRANSFER:AUXILIARY	26 - 18
M1602816	SHEET:REGISTRATION GUIDE:STAY:UPPER	26 - 11
M1602819	DISCHARGE BRUSH:FEED PAPER AGAIN:STAY:REAR	26 - 12
M1602822	FEELER:PAPER END SENSOR:PAPER TRAY:STAY	26 - 13
M1602830	ROLLER:PAPER FEED:ASSY	26 - 14
M1602900	REGISTRATION ROLLER:DRIVEN	28 - 3
M1602901	REGISTRATION ROLLER:DRIVE	28 - 4
M1602902	GROUND PLATE:REGISTRATION ROLLER:DRIVEN	28 - 5
M1602903	LEVER:PRESSURE:REGISTRATION ROLLER:RIGHT	28 - 6

Part No.	Description	Page and Index No.
M1602904	LEVER:PRESSURE:REGISTRATION ROLLER:LEFT	28 - 7
M1602905	COIL SPRING:REGISTRATION ROLLER:PRESSURE:LEVER	28 - 8
M1602906	GUIDE:REGISTRATION ROLLER:UPPER	28 - 9
M1602907	DECAL:REGISTRATION:GUIDE:LEFT UPPER	28 - 10
M1602907	DECAL:REGISTRATION:GUIDE:LEFT UPPER	48 - 6
M1602908	DECAL:REGISTRATION ROLLER:GUIDE:UPPER	28 - 11
M1602908	DECAL:REGISTRATION ROLLER:GUIDE:UPPER	48 - 7
M1602909	COVER:REGISTRATION ROLLER:GUIDE:UPPER	28 - 12
M1602912	TORSION SPRING:REGISTRATION:GUIDE RIHGT	28 - 21
M1602917	SHEET:REGISTRATION ROLLER:HOLDER:SENSOR	28 - 15
M1602919	CAP:REGISTRATION ROLLER:LEVER:RIGHT	28 - 16
M1602922	SEAL:CLEANER:REGISTRATION:LEFT	28 - 13
M1602923	SEAL:CLEANER:REGISTRATION:RIGHT	28 - 14
M1602924	SHEET:REGISTRATION:DUPLX:ENTRANCE:RIGHT	28 - 17
M1602925	SHEET:REGISTRATION:DUPLX:ENTRANCE:LEFT	28 - 18
M1602929	STUD:BRACKET:REGISTRATION:LEFT:ASSY	28 - 19
M1603852	SHEET:GUIDE:REGISTRATION:ENTRANCE:LEFT	30 - 4
M1603853	SHEET:GUIDE:REGISTRATION:ENTRANCE:RIGHT	30 - 5
M1603856	BUSHING:TRANSFER ROLLER:LEFT	30 - 8
M1603857	BUSHING:TRANSFER ROLLER:RIGHT	30 - 9
M1603858	COIL SPRING:TRANSFER ROLLER	30 - 10
M1603859	GROUND PLATE:ELECTRODE PLATE:SEPARATION	30 - 11
M1603860	ELECTRODE PLATE:SEPARATION	30 - 12
M1603865	COVER:ELECTRODE PLATE:SEPARATION:2	30 - 13
M1603866	GUIDE:EXIT:STAY:TRANSFER:2	30 - 3
M1603870	STAY:TRANSFER	30 - 2
M1603874	GUIDE:TRANSFER ROLLER:CLICK	30 - 17
M1603875	SHEET:GUIDE:TRANSFER ROLLER:CLICK	30 - 18
M1603877	SPONGE:TRANSFER/SEPARATION UNIT:LEFT	30 - 6
M1603878	SPONGE:TRANSFER/SEPARATION UNIT:RIGHT	30 - 7
M1603879	SHEET:TRANSFER UNIT:TONER CATCHPAN	30 - 15
M1603880	GUIDE:TRANSFER ROLLER:CLICK:ASSY	30 - 16
M1604017	FUSING UNIT:NA (NA)	32 - 1
M1604028	FUSING UNIT:EU (EU/AA)	32 - 1

Part No.	Description	Page and Index No.
M1604053	FLAT NUT:FRAME	34 - 1
M1604055	EXIT ROLLER:FUSING	34 - 3
M1604057	LEVER:ENVELOPE:LEFT	34 - 4
M1604058	LEVER:ENVELOPE:RIGHT	34 - 5
M1604059	SHAFT:LEVER:ENVELOPE	34 - 6
M1604061	GUIDE:DUPLX:FUSING	34 - 8
M1604063	DISCHARGE BRUSH:PRESSURE ROLLER	34 - 11
M1604064	GROUND PLATE:PRESSURE ROLLER	34 - 12
M1604065	CLEANING ROLLER:ASSY	34 - 28
M1604073	TENSION SPRING:PRESSURE ROLLER	34 - 15
M1604074	LEVER:PRESSURE	34 - 14
M1604077	FUSING ENTRANCE GUIDE PLATE:LOWER	34 - 17
M1604079	BRACKET:FUSING ENTRANCE GUIDE PLATE:RIGHT	34 - 18
M1604080	COIL SPRING:CLEANING ROLLER:PRESSURE ROLLER	34 - 25
M1604083	BUSHING:FUSING CLEANING ROLLER:RIGHT	34 - 26
M1604084	BUSHING:FUSING CLEANING ROLLER:LEFT	34 - 27
M1604085	TORSION SPRING:FUSING ENTRANCE GUIDE PLATE	34 - 19
M1604086	GEAR:HOT ROLLER	32 - 12
M1604087	GEAR:IDLER:DIA35:FUSING	34 - 20
M1604088	GEAR:IDLER:DIA20:FUSING	34 - 21
M1604089	GEAR:IDLER:DIA18:FUSING EXIT	34 - 22
M1604090	PLAIN SHAFT BEARING:MM4	34 - 9
M1604091	DRIVEN ROLLER:DUPLX	34 - 10
M1604096	PRESSURE ROLLER:DIA34	34 - 16
M1604102	THERMISTOR:FUSING	32 - 31
M1604103	FLAT NUT:THERMISTOR	32 - 21
M1604106	ELECTRODE PLATE:LEFT	32 - 3
M1604107	ELECTRODE PLATE:RIGHT	32 - 4
M1604113	PICKOFF PAWL:HOT ROLLER	32 - 9
M1604114	TENSION SPRING:PICKOFF PAWL	32 - 8
M1604118	THERMAL INSULATING BUSHING:HOT ROLLER	32 - 14
M1604119	HOT ROLLER:DIA30	32 - 13
M1604121	BRACKET:HEATER:LEFT	32 - 18
M1604122	BRACKET:HEATER:RIGHT	32 - 19

Part No.	Description	Page and Index No.
M1604126	SEPARATOR:FUSING	32 - 17
M1604130	FUSING ENTRANCE GUIDE PLATE:UPPER	32 - 16
M1604133	FELT WICK:EARTH:HOT ROLLER	32 - 30
M1604134	BRACKET:THERMISTOR	32 - 33
M1604138	GROUND PLATE:HOT ROLLER	32 - 6
M1604139	RESISTOR:1GOHM	32 - 32
M1604140	BRACKET:GROUND PLATE:HOT ROLLER	32 - 7
M1604141	WASHER:DIA10.1:DIA6.0:0.6T	32 - 36
M1604151	GUIDE PLATE:FUSING EXIT	32 - 23
M1604154	EXIT ROLLER:FUSING EXIT	32 - 24
M1604155	HOLDER:EXIT ROLLER	32 - 25
M1604156	SPRING PLATE:EXIT ROLLER	32 - 26
M1604157	ROLLER:MIDDLE:FUSING:DIA11	32 - 28
M1604158	ROLLER:MIDDLE:FUSING:DIA11	32 - 29
M1604159	SHAFT:EXIT ROLLER:FUSING EXIT	32 - 27
M1604171	COVER:FUSING:LEFT	32 - 15
M1604172	COVER:FUSING:RIGHT	34 - 24
M1604173	CAP:THERMISTOR	32 - 35
M1604204	HEATER:820W:227V:EU/AA	32 - 20
M1604205	HEATER:820W:117V:NA	32 - 20
M1604211	DRAWER:FUSING:EU (EU/AA)	32 - 34
M1604212	DRAWER:FUSING:NA (NA)	32 - 34
M1604216	THERMISTOR:FUSING:ASS'Y	32 - 22
M1604248	DECAL:ENVELOPE:LEVER:FUSER	46 - 2
M1604248	DECAL:ENVELOPE:LEVER:FUSER	48 - 3
M1604436	DC SOLENOID:EXIT:ASS'Y	36 - 25
M1604441	INNER COVER:EXIT:LEFT:MF1D	36 - 29
M1604446	DC STEPPER MOTOR:EXIT	36 - 27
M1604447	SYNCHRONOUS BELT:EXIT	36 - 28
M1604452	BRACKET:REVERSE GUIDE	36 - 37
M1604453	COVER:UPPER:EXIT:MF1D	36 - 30
M1604457	ROLLER:IDLER:EXIT:MF1D	36 - 3
M1604459	COIL SPRING:ROLLER:EXIT:MF1D	36 - 4
M1604460	GUIDE:GATE	36 - 5

Part No.	Description	Page and Index No.
M1604461	DECAL:GATE:EXIT	36 - 6
M1604461	DECAL:GATE:EXIT	48 - 4
M1604463	RING:DECURA:EXIT	36 - 7
M1604464	PRESSURE PLATE:FUSING:GUIDE	36 - 8
M1604465	FEELER:EXIT	36 - 9
M1604466	COIL SPRING:FEELER:EXIT	36 - 10
M1604467	COIL SPRING:GUIDE:GATE	36 - 11
M1604468	COIL SPRING:PRESSURE PLATE	36 - 12
M1604470	SHAFT:ROLLER:EXIT:MF1D	36 - 13
M1604471	PULLEY:ROLLER:EXIT	36 - 14
M1604479	COIL SPRING:DC SOLENOID:GATE	36 - 26
M1604480	GUIDE:UPPER:EXIT	36 - 15
M1604481	SPRING PLATE:UPPER:EXIT	36 - 16
M1604482	ROLLER:IDLER:EXIT:UPPER	36 - 17
M1604483	SHEET:OPPOSED:SENSOR	36 - 35
M1604484	GUIDE:MIDDLE:EXIT	36 - 18
M1604486	FEELER:OVERFLOW:PAPER FEED SENSOR:MF1D	36 - 19
M1604488	ANTISTATIC BRUSH:EXIT	36 - 20
M1604489	ROLLER:IDLER:MIDDLE:GUIDE	36 - 36
M1604490	COVER:REAR:MF1D	36 - 33
M1604491	GUIDE:REAR:EXIT	36 - 21
M1604493	LEVER:DOOR:EXIT:MF1D	36 - 22
M1604494	DECAL:LEFT:COVER:REAR	36 - 39
M1604494	DECAL:LEFT:COVER:REAR	48 - 25
M1604495	DECAL:RIGHT:COVER:REAR	36 - 32
M1604495	DECAL:RIGHT:COVER:REAR	48 - 26
M1604497	COIL SPRING:GUIDE:REAR:EXIT	36 - 23
M1604498	COIL SPRING:LEVER:DOOR:EXIT	36 - 24
M1604601	GUIDE:UPPER:DUPLX UNIT	38 - 1
M1604603	FEELER:UPPER:DUPLX UNIT	38 - 2
M1604605	SHAFT:IDLER:UPPER:ASS'Y	38 - 3
M1604607	BUSHING:IDLER:DIA4	38 - 4
M1604611	COIL SPRING:IDLER:DUPLX UNIT	38 - 5
M1604614	COIL SPRING:MIDDLE:DUPLX UNIT	38 - 33

