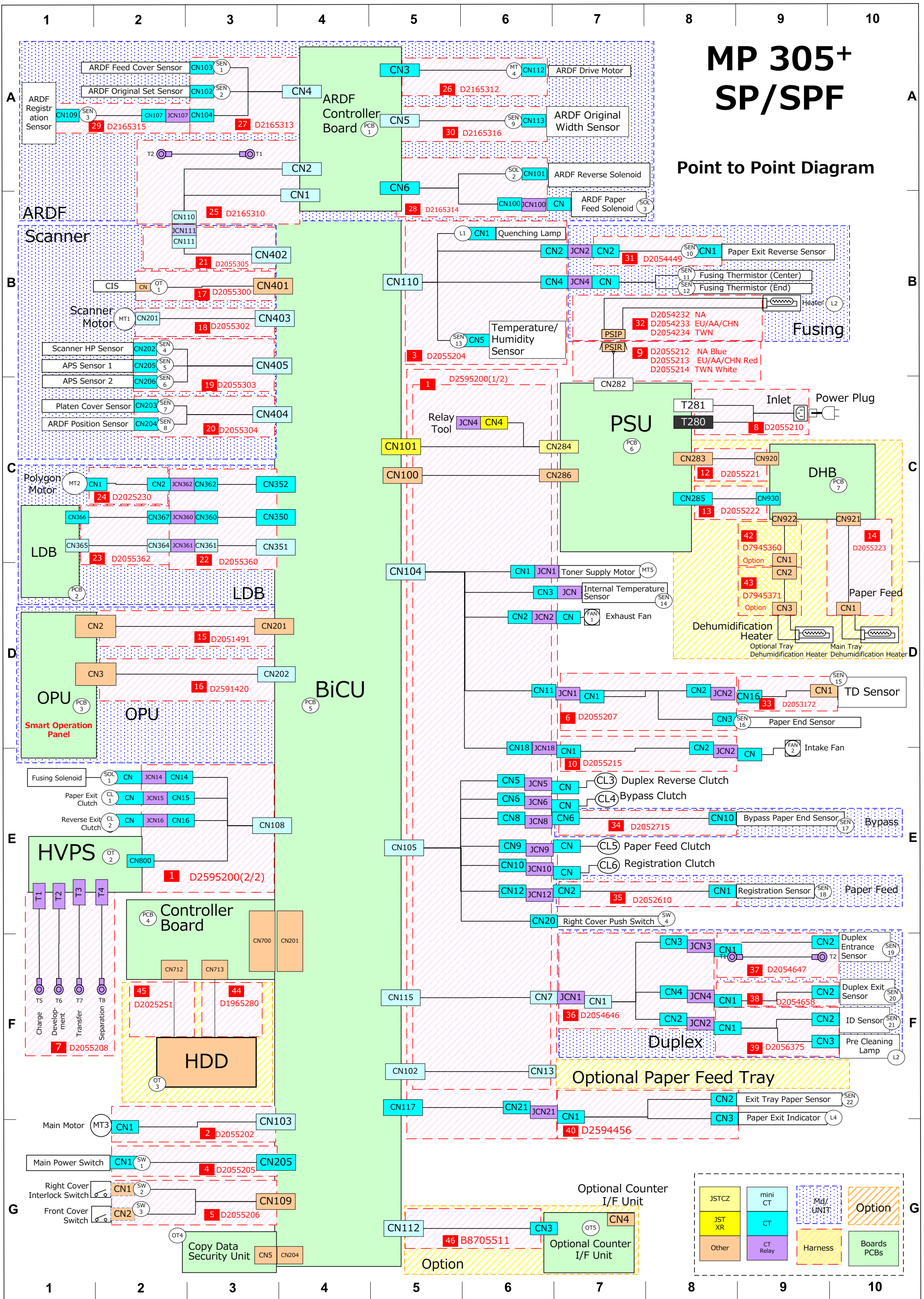


MP 305+ SP/SPF

Point to Point Diagram



Symbol	Address		Part Name
	PtoP	Layout	
Motors			
MT1	B-2	Fig.1-5	Scanner Motor
MT2	C-2	Fig.7-1	Polygon Motor
MT3	G-2	Fig.8-2	Main Motor
MT4	A-7	-	ARDF Drive Motor
MT5	D-7	Fig.9-1	Toner Supply Motor
Sensors			
SEN1	A-2	-	ARDF Feed Cover Sensor
SEN2	A-2	-	ARDF Original Set Sensor
SEN3	A-1	-	ARDF Registration Sensor
SEN4	B-2	Fig.1-1	Scanner HP Sensor
SEN5	B-2	Fig.1-6	APS Sensor 1 (EU Only)
SEN6	C-2	Fig.1-7	APS Sensor 2
SEN7	C-2	Fig.1-4	Platen Cover Sensor
SEN8	C-2	Fig.1-3	ARDF Position Sensor
SEN9	A-7	-	ARDF Original Width Sensor
SEN10	B-7	Fig.2-1	Paper Exit Reverse Sensor
SEN11	B-8	Fig.2-6	Fusing Thermistor (Center)
SEN12	B-8	Fig.2-7	Fusing Thermistor (End)
SEN13	B-6	Fig.4-5	Temperature/Humidity Sensor
SEN14	D-7	Fig.6-8	Internal Temperature Sensor
SEN15	D-10	Fig.7-5	TD Sensor
SEN16	D-10	Fig.5-5	Paper End Sensor
SEN17	E-9	Fig.5-6	Bypass Paper End Sensor
SEN18	E-9	Fig.5-4	Registration Sensor
SEN19	F-10	Fig.4-1	Duplex Entrance Sensor
SEN20	F-10	Fig.4-3	Duplex Exit Sensor
SEN21	F-10	Fig.4-4	ID Sensor
SEN22	F-9	Fig.6-5	Exit Tray Paper Sensor
Lamps/Heaters			
L1	B-6	Fig.7-3	Quenching Lamp
L2	B-9	Fig.2-4	Heater (Fusing Lamp)
L3	F-10	Fig.7-4	Pre Cleaning Lamp
L4	F-9	Fig.6-2	Paper Exit Indicator

Symbol	Address		Part Name
	PtoP	Layout	
Clutches			
CL1	E-2	Fig.2- 3	Paper Exit Clutch
CL2	E-2	Fig.2-2	Reverse Exit Clutch
CL3	E-7	Fig.4-2	Duplex Reverse Clutch
CL4	E-7	Fig.5-3	Bypass Clutch
CL5	E-7	Fig.5-2	Paper Feed Clutch
CL6	E-7	Fig.5-1	Registration Clutch
Solenoids			
SOL1	E-2	Fig.8-1	Fusing Solenoid
SOL2	B-7	-	ARDF Reverse Solenoid
SOL3	B-7	-	ARDF Paper Feed Solenoid
Switches			
SW1	G-2	Fig.6-1	Main Power Switch
SW2	G-2	Fig.6-4	Right Cover Interlock Switch
SW3	G-2	Fig.6-3	Front Cover Switch
SW4	E-7	Fig.6-9	Right Cover Push Switch
PCBs			
PCB1	A-4	-	ARDF Controller Board
PCB2	D-2	Fig.7-2	LDB
PCB3	D-2	-	OPU
PCB4	E-3	Fig.3-6	Controller Board
PCB5	D-4	Fig.3-8	BiCU
PCB6	C-7	Fig.3-2	PSU
PCB7	C-9	Fig.3-3	DHB
Fans			
FAN1	D-7	Fig.6-7	Exhaust Fan
FAN2	E-9	Fig.6-6	Intake Fan
Others			
OT1	B-2	Fig.1-2	CIS
OT2	E-2	Fig.3-4	HVPS
OT3	F-3	Fig.3-7	HDD
OT4	G-3	Fig.3-1	Copy Data Security Unit
OT5	G-7	Fig.3-4	Optional Counter I/F Unit
OT6	D-10	Fig.5-7	Main Tray Dehumidification Heater
OT7	D-10	-	Optional Tray Dehumidification Heater

MP 305+ SP/SPF Component Layout

RTB 56
ARDF diagram added

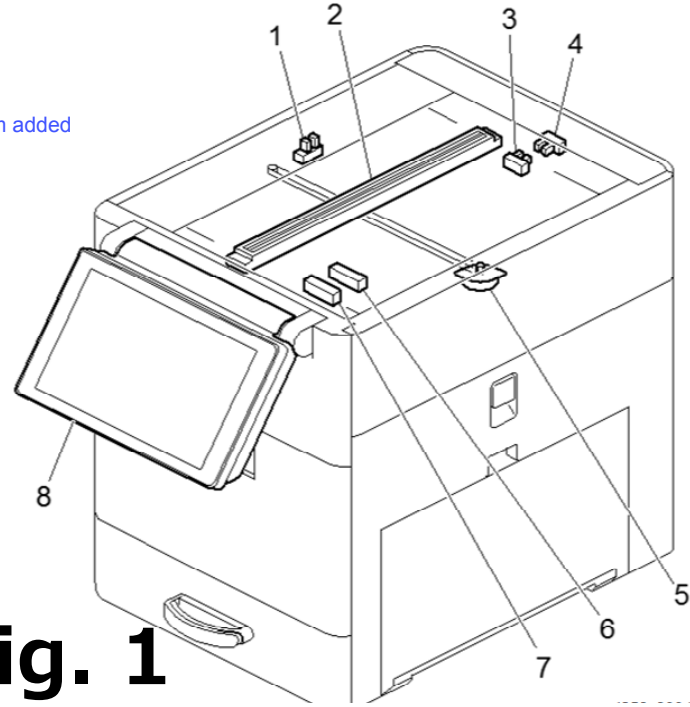


Fig. 1

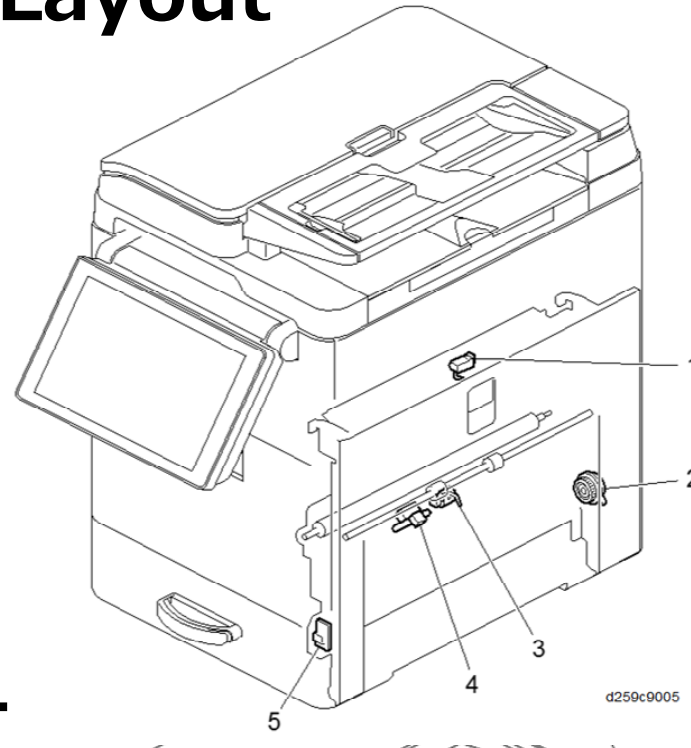


Fig. 4

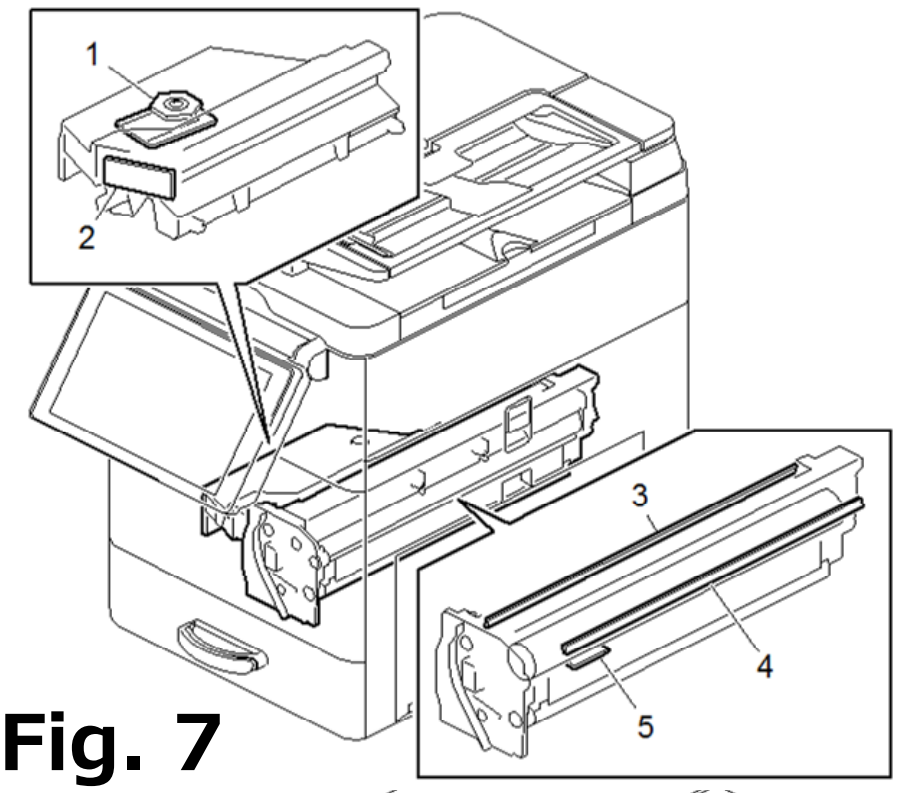


Fig. 7

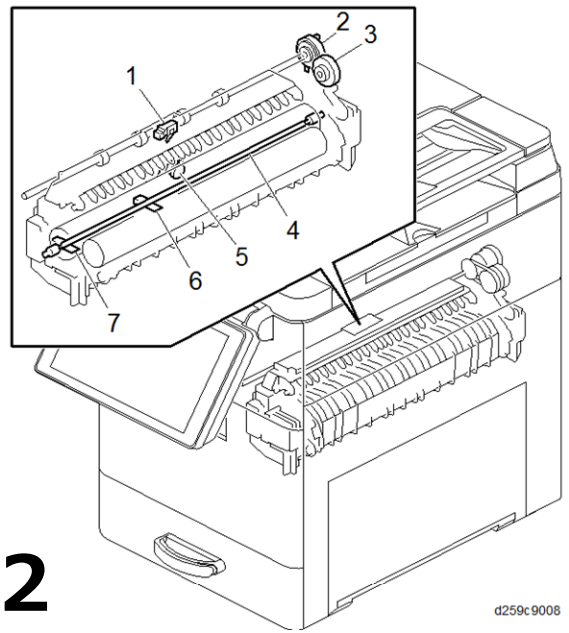


Fig. 2

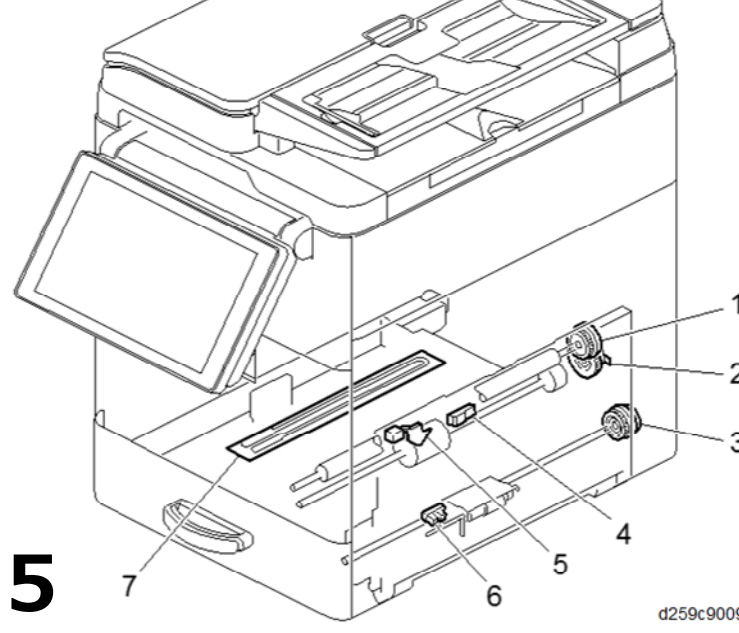


Fig. 5

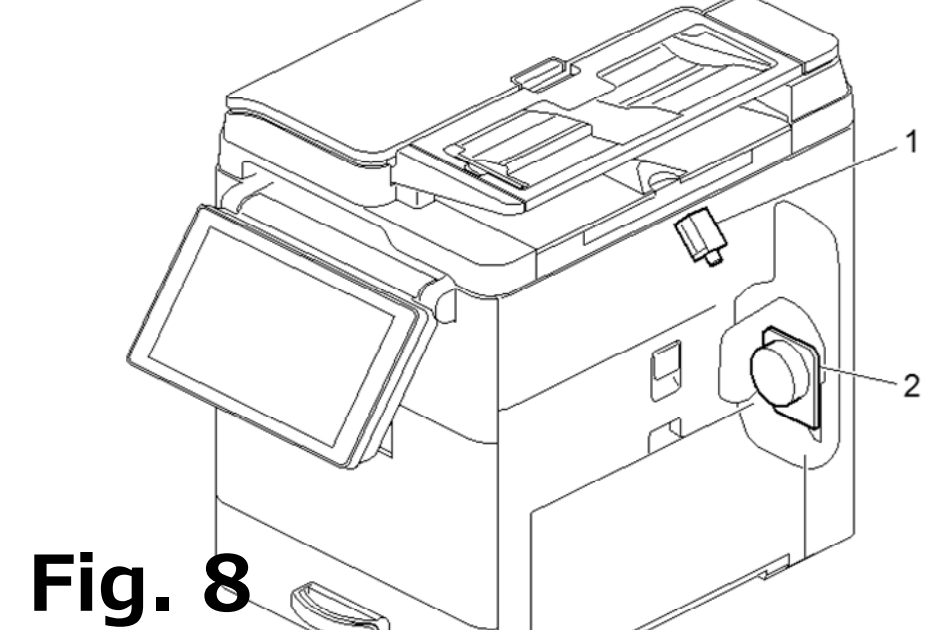


Fig. 8

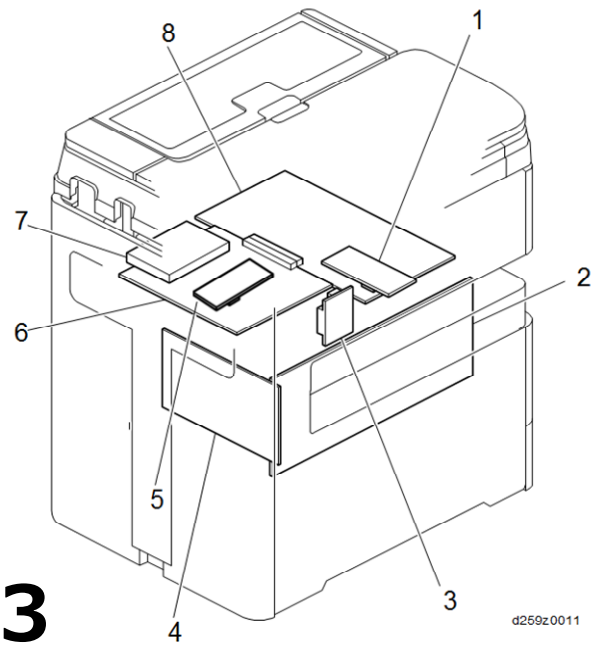


Fig. 3

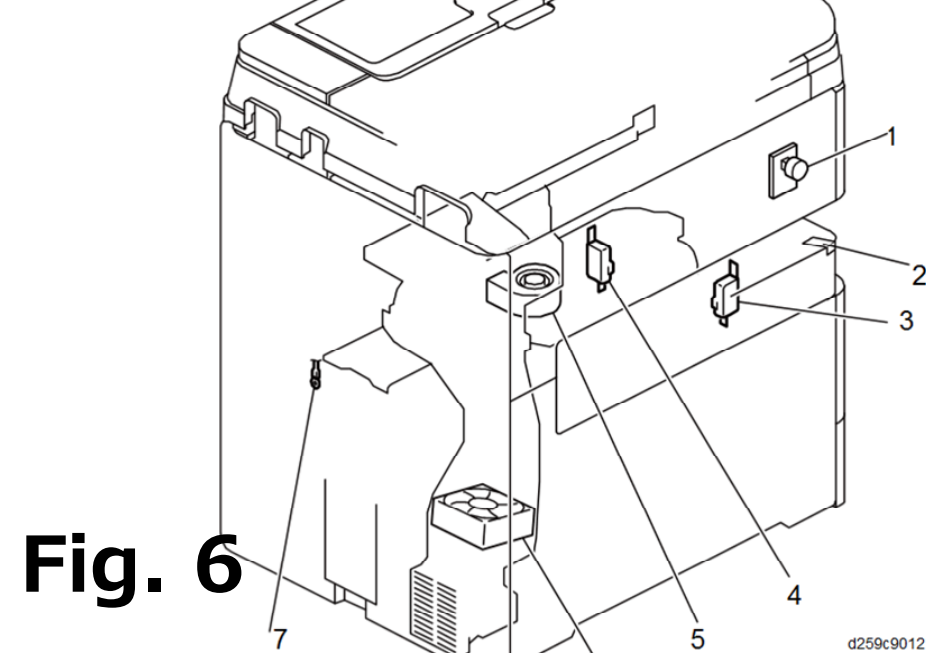


Fig. 6

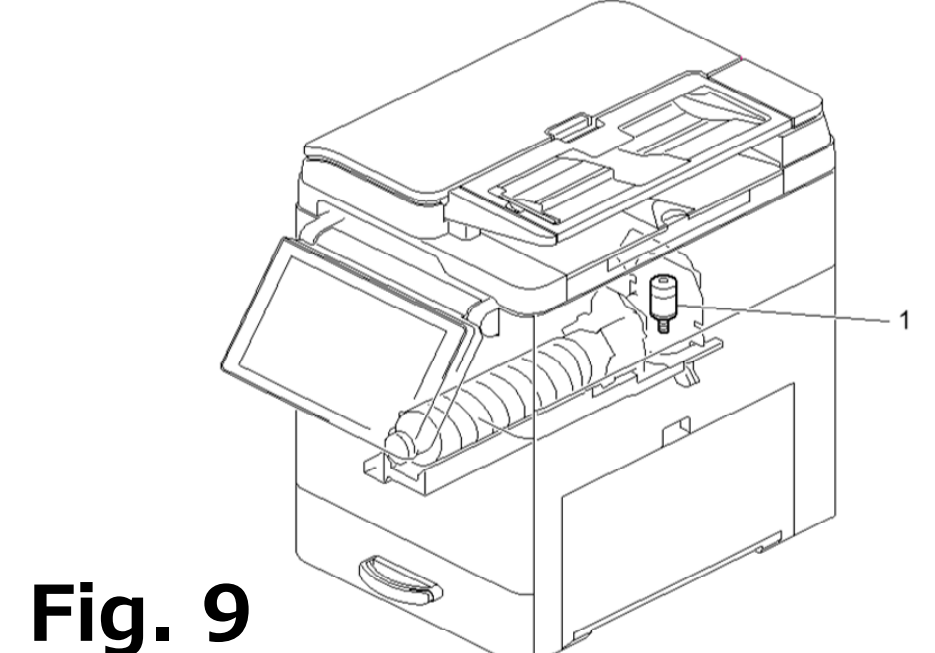


Fig. 9

MP305+ SP/SPF Harness Pin Assignment List

Harness Number	Harness P/N	Connector [FROM]			Signal Information	Relay Harness No.	Connector [TO]							
		Number	To	Pin#	Signal Name		Number	To	Pin#					
1	D2055200 D2595200	CN100	BICU CN100	1	+24V	None	CN286	PSU CN286	6					
				2	+5V				5					
				3	+5VX				4					
				4	GND				3					
				5	GND				2					
				6	GND				1					
		CN101	BICU CN101	1	AC Voltage Detection	None	CN284	PSU CN284	11					
				2	Main Tray Dehumidification Heater: Relay				10					
				3	Fusing Lamp: Trigger: Sub				9					
				4	Fusing Lamp: Trigger: Main				8					
				5	Fusing Lamp: Relay				7					
				6	Energy Save Signal				6					
				7	Zerocross Signal				5					
				8	GND				4					
				9	+24VR				3					
				JCN4	Relay tool				1	Relay tool: -	None	None	None	2
									2	Relay tool: +				1
		CN102	BICU CN102	1	Bank Motor Clock2	None	CN13	Optional Paper Feed Tray	11					
				2	Bank Motor Clock1				10					
				3	+5V_IO				9					
				4	GND				8					
				5	Bank: SPIClock				7					
				6	Bank: SPIReceive				6					
				7	Bank: SPITransmit				5					
				8	GND				4					
				9	GND				3					
				10	+24V				2					
				11	+24V				1					
		CN104	BICU CN104	1	Toner Supply Motor: ControlA	None	JCN1	Toner Supply Motor	2					
				2	Toner Supply Motor: ControlB				1					
				3	GND	None	CN3	Internal Temperature Sensor	2					
				4	Analog Feedback(Internal Temperature Sensor)				1					
				5	+24V	None	JCN2	Exhaust Fan	4					
				6	PWM_Exhaust Fan/Lock				3					
				7	GND	2								
				8	PWM_Exhaust Fan/Control	1								
				9	NC	-								
				10	GND	[6] D2055207 JCN1	CN11	TD Sensor Paper End Sensor	8					
				11	TD Sensor: Clock				7					
				12	3.3V				6					
				13	TD Sensor: SEL				5					
				14	TD Sensor: SDA				4					
				15	TD Sensor: SCL				3					
				16	GND				2					
				17	Paper End Sensor				1					
				18	Intake Fan: Control	[10] D2055215 CN1	JCN18	Intake Fan	4					
				19	Intake Fan:Lock				3					
				20	GND				2					
		CN105	BICU CN105	-	N.C.	None	None	None	1					
				1	+24VS				JCN5	Duplex Reverse Clutch	2			
				2	Duplex Reverse Clutch				1					
				3	+24VS				None	JCN6	Bypass Clutch	2		
				4	Bypass Clutch				1					
				5	+24VS				None	JCN9	Paper Feed Clutch	3		
		6	Paper Feed Clutch	2										
		-	N.C.	1										
		6	Paper Feed Clutch	1										

Harness Number	Harness P/N	Connector [FROM]			Signal Information	Relay Harness No.	Connector [TO]							
		Number	To	Pin#	Signal Name		Number	To	Pin#					
1	D2055200 D2595200	CN105	BICU CN105	7	+24VS	None	JCN10	Registration Clutch	2					
				8	Registration Clutch				1					
				9	GND				[35] D2052610 CN2	JCN12	Registration Sensor	3		
				10	Registration Sensor							2		
				11	+5V_IO				[34] D2052796 CN2	JCN8	Bypass Paper End Sensor	3		
				12	GND							2		
				13	Bypass Paper End Sensor				None	JCN20	Right Cover Open/Close Switch	2		
				14	+5V_IO							1		
				15	Right Cover Open/Close Switch				None	JCN14	Fusing Solenoid	2		
				16	GND							1		
				CN108	BICU CN108				1	+24VS	None	JCN15	Paper Exit Clutch	3
									2	Fusing Solenoid				2
									3	+24VS				2
									-	N.C.				1
									4	Paper Exit Clutch				1
									5	+24VS				None
		6	Reverse Exit Clutch			1								
		7	HVPS/SeparationDC/(-): PWM			None	CN800	HVPS	12					
		8	HVPS/SeparationDC/(-): Error						11					
		9	HVPS/TransferDC/(+): Output V FB						10					
		10	HVPS/TransferDC/(-): PWM						9					
		11	HVPS/TransferDC/(+): PWM						8					
		12	HVPS/DevelopmentDC/(-): PWM						7					
		13	HVPS/ChargeDC/(-): PWM						6					
		14	HVPS/TransferDC/(+)&(-): Error						5					
		15	HVPS/DevelopmentDC/(-): Error						4					
		16	HVPS/ChargeDC/(-): Error						3					
		17	GND						2					
		18	+24VS	1										
		CN115	BICU CN115	1	PCL: Control				[36] D2054646 JCN1	CN7	ID Sensor Duplex Entrance Sensor Duplex Exit Sensor PCL	12		
				2	+24VS							11		
				3	Analog Feedback (ID Sensor)							10		
				4	PWM ID Sensor							9		
				5	GND	8								
				6	+3.3V	7								
				7	GND	6								
				8	Duplex Entrance Sensor	5								
				9	+5V_IO	4								
				10	GND	3								
				11	Duplex Exit Sensor	2								
				12	+5V_IO	1								
		2	D2055203	CN103	BICU CN103	1	Main Motor: SW: Gain	None	CN1	Main Motor	10			
						2	Main Motor: CLK				9			
						3	Main Motor: Brake				8			
						4	Main Motor: Rotation				7			
5	Main Motor: Start					6								
6	Main Motor: Lock					5								
7	GND					4								
8	GND					3								
9	+24VS					2								
10	+24VS					1								
3	D2055204	CN110	BICU CN110	1	Quenching Lamp: Control	None	CN1	Quenching Lamp	2					
				2	+24VS				1					
				3	GND				Fusing JCN4	CN2	Paper Exit Reverse Sensor	3		
				4	Paper Exit Reverse Sensor							2		
				5	+5V_IO							1		

MP305+ SP/SPF Harness Pin Assignment List

Harness Number	Harness P/N	Connector [FROM]			Signal Information		Relay Harness No.	Connector [TO]		
		Number	To	Pin#	Signal Name	Number		To	Pin#	
3	D2055204	CN110	BICU	6	NC	None	CN4	Fusing Thermistor (Center)	-	
				7	Analog Feedback (Fusing Thermistor/Center)				4	
				8	+3.3V				3	
				9	Analog Feedback(Fusing Thermistor/End)				2	
				10	+3.3V				1	
				11	Analog Feedback(Temperature/Humidity Sensor: Temp)				4	
				12	GND				3	
				13	Analog Feedback(Temperature/Humidity Sensor: Humid)				2	
4	D2055205	CN205	BICU CN205	1	Relay ON Signal	None	CN1	Main Power Switch	2	
				2	Power				1	
5	D2055206	CN109	BICU CN109	1	+24V	None	CN2	Front Cover Switch	1	
				2	+24VM				2	
				3	+24VM				1	
				4	+24VS				2	
6	D2055207	JCN1	[1] D2055200 CN11	1	GND	[33]D2053172 CN16	CN2	TD Sensor	6	
				2	TD Sensor: Clock				5	
				3	3.3V				4	
				4	TD Sensor: SEL				3	
				5	TD Sensor: SDA				2	
				6	TD Sensor: SCL				1	
				7	GND				2	
				8	Paper End Sensor				1	
7	D2055208	T1	HVPS		HVPS: Charge	None		Charge: C		
		T2		HVPS: Development	Development: B					
		T3		HVPS: Transfer	Transfer: T					
		T4		HVPS: Separation	Separation: D					
8	D2055210	T280	PSU		AC Input: L	None		Inlet		
		T281		AC Input: N						
9	D2055212:NA:Blue D2055213:EU:Red D2055214:TWN:White	CN282	PSU CN282	1	Fusing Lamp: Main: L	[32] D2054232: NA D2054233: EU D2054234:TWN PSIP	PSIR	Heater	1	
				2	N.C.				-	
				3	Fusing Lamp: Main: N				2	
				-	N.C.				3	
10	D2055215	CN1	[1] D2055200 JCN18	1	Intake Fan/Control	None	JCN2	Intake Fan	3	
				2	Intake Fan/Lock				2	
				3	GND				1	
				4	N.C.				-	
12	D2055221	CN283	PSU CN283	1	AC Relay: N	None	CN920	DHB	3	
				2	N.C.				2	
				3	AC Relay: L				1	
13	D2055222	CN285	PSU CN285	1	+24V	None	CN930	DHB	3	
				2	Main Tray Dehumidification Heater:Relay				2	
				3	GND				1	
14	D2055223	CN921	DHB CN921	1	Main Tray Dehumidification Heater: N	None	CN1	Main Tray Dehumidification Heater	2	
				2	N.C.				-	
				3	N.C.				-	
				4	Main Tray Dehumidification Heater:L				1	
				5	N.C.				-	
15	D2051488	CN201	BICU CN201	1	+5VX	None	micro USB	OPU	1	
				2	USB Differential Signal-				2	
17	D2055300	CN401	BICU CN401	37	+3.3V_SCN	None	FFC	CIS	14	
				38	+3.3V_SCN				13	
				39	+3.3V_SCN				12	
				40	+3.3V_SCN				11	
				41	+3.3V_SCN				10	
				42	+3.3V_SCN				9	
				43	+3.3V_SCN				8	
				44	+3.3V_LED				7	
				45	+3.3V_LED				6	
				46	+3.3V_LED				5	
				47	+3.3V_LED				4	
				48	GND				3	
				49	GND				2	
				50	GND				1	

Harness Number	Harness P/N	Connector [FROM]			Signal Information		Relay Harness No.	Connector [TO]		
		Number	To	Pin#	Signal Name	Number		To	Pin#	
15	D2051488	CN201	BICU CN201	3	USB差動子-夕信号+	None	micro USB	OPU	3	
				-	N.C.				4	
				4	GND				5	
				4	GND				4	
16	D2051486 D2591420	CN202	BICU CN202	1	GND	None	CN1	OPU	15	
				2	GND				14	
				3	GND				13	
				4	SDMODE_N				12	
				5	LDET_IN_N				11	
				6	ENG_ENABLE_N				10	
				7	PONOPE_N				9	
				8	ECO_SW_N				8	
				9	POKUSB				7	
				10	OPE_CTLERR_N				6	
				11	OPE_LED_N				5	
				12	5VX_LPS1				4	
				13	5VX_LPS1				3	
				14	5VX_LPS1				2	
				15	5VX_LPS1				1	
17	D2055300	CN401	BICU CN401	1	GND	None	FFC	CIS	50	
				2	LVDS_4_N				49	
				3	LVDS_4_P				48	
				4	GND				47	
				5	LVDS_3_N				46	
				6	LVDS_3_P				45	
				7	GND				44	
				8	LVDS_CLK_N				43	
				9	LVDS_CLK_P				42	
				10	GND				41	
				11	LVDS_2_N				40	
				12	LVDS_2_P				39	
				13	GND				38	
				14	LVDS_1_N				37	
				15	LVDS_1_P				36	
				16	GND				35	
				17	LVDS_0_N				34	
				18	LVDS_0_P				33	
				19	GND				32	
				20	CIS_CLK-				31	
				21	CIS_CLK+				30	
				22	GND				29	
				23	CIS_SDO				28	
				24	CIS_SDCLK				27	
				25	CIS_SDI				26	
				26	CIS_SDEN				25	
				27	N.C.				24	
				28	N.C.				23	
				29	CIS_SH				22	
				30	GND				21	
31	GND	20								
32	GND	19								
33	+3.3V_SCN	18								
34	+3.3V_SCN	17								
35	+3.3V_SCN	16								
36	+3.3V_SCN	15								
22	D2055360	CN351	BICU CN351	3	DETP_N	[23] D2055362 CN367	JCN360	LDB	10	
				4	SYDO				9	
				5	SYDI				8	
				6	SYCLK				7	
				7	SYCS_N				6	
				8	DROPEN				5	
				9	ERR_N				4	
				10	APC_N				3	
11	+5VS	2								
12	+5VS	1								

MP305+ SP/SPF Harness Pin Assignment List

Harness Number	Harness P/N	Connector [FROM]			Signal Information	Relay Harness No.	Connector [TO]				
		Number	To	Pin#			Number	To	Pin#		
18	D2055302	CN403	BICU CN403	1	FB_A	None	CN201	Scanner Motor	4		
				2	FB_B				3		
				3	FB_A_				2		
				4	FB_B_				1		
19	D2055303	CN405	BICU CN405	1	GND	None	CN202	Scanner HP Sensor	3		
				2	HPS				2		
				3	+5V_SCN1				1		
				4	GND		CN205	APS Sensor 1	3		
				5	XAPS_1				2		
				6	+5V_APS				1		
				7	GND		CN206	APS Sensor 2	3		
				8	XAPS_2				2		
				9	+5V_APS				1		
20	D2055304	CN404	BICU CN404	1	GND	None	CN203	Platen Cover Sensor	3		
				2	X_AKS				2		
				3	+5VE_Z				1		
				4	GND		CN204	ARDF Position Sensor	3		
				5	X_LUS				2		
				6	+5V_SCN3				1		
21	D2055305	CN402	BICU CN402	1	REV_SOL	[25] D2165310 CN110	JCN111	DFRB	11		
				2	FEED_SOL				10		
				3	+24V				9		
				4	+24V				8		
				5	DF_WSS2				7		
				6	DF_WSS1				6		
				7	DF_WSS4				5		
				8	DF_WSS5				4		
				9	DF_WSS3				3		
				10	X_COV				2		
				11	+5V_SCN3				1		
				12	MOTOR(+)				22		
				13	B_OUT				21		
				14	MOTOR(-)				20		
				15	A_OUT				19		
				16	+5V_SCN1				18		
				17	X_REG				17		
				18	GND				16		
				19	+5VE_Z				15		
				20	X_DOC				14		
				21	X_DFSET				13		
				22	GND				12		
22	D2055360	CN350	BICU CN350	1	LDD2_N	[23] D2055362 CN367	JCN360	LDB	4		
				2	LDD2				3		
				3	LDD1_N				2		
				4	LDD1				1		
		CN351	BICU CN351	1	GND		[23] D2055362 CN364	JCN361	LDB	12	
				2	GND					11	
26	D2165312	CN3	DFRB	3	PW: +5V (Scanner)	None	CN112	ARDF Drive Motor	4		
				4	GND				3		
				5	インコーダ-B				2		
				6	インコーダ-A				1		

Harness Number	Harness P/N	Connector [FROM]			Signal Information	Relay Harness No.	Connector [TO]									
		Number	To	Pin#			Number	To	Pin#							
23	D2055362	CN364	[22]D2055360 JCN361	1	GND	None	CN365	LDB	12							
				2	GND				11							
				3	DETP_N				10							
				4	SYDO				9							
				5	SYDI				8							
				6	SYCLK				7							
				7	SYCS_N				6							
				8	DROPEN				5							
				9	ERR_N				4							
				10	APC_N				3							
				11	+5VS				2							
				12	+5VS				1							
24	D2025230	CN2	[22]D2055360 JCN362	1	+24V	None	CN1	Polygon Motor	5							
				2	GND				4							
				3	PMON_N				3							
				4	PMRDY_N				2							
				5	PMCLK				1							
				25	D2165310				CN110	[21]D2055305 JCN111	1	REV_SOL	None	CN1	DFRB	11
											2	FEED_SOL				10
											3	+24V				9
											4	+24V				8
											5	DF_WSS2				7
											6	DF_WSS1				6
											7	DF_WSS4				5
8	DF_WSS5	4														
9	DF_WSS3	3														
10	X_COV	2														
11	+5V_SCN3	1														
12	MOTOR(+)	22														
13	B_OUT	21														
14	MOTOR(-)	20														
15	A_OUT	19														
16	+5V_SCN1	18														
17	X_REG	17														
18	GND	16														
19	+5VE_Z	15														
20	X_DOC	14														
21	X_DFSET	13														
22	GND	12														
26	D2165312	CN3	DFRB	1	Motor(-)	None	CN112	ARDF Drive Motor	6							
				2	Motor(+)				5							

MP305+ SP/SPF Harness Pin Assignment List

Harness Number	Harness P/N	Connector [FROM]			Signal Information	Relay Harness No.	Connector [TO]										
		Number	To	Pin#			Number	To	Pin#								
27	D2165313	CN4	DFRB	1	GND	None	CN103	ARDF Feed Cover Sensor	3								
				2	ARDF Feed Cover Sensor				2								
				3	PW: +5V (DF Cover)				1								
				28	D2165314	CN6	DFRB	4	GND	None	CN102	ARDF Original Set Sensor	3				
								5	ARDF Original Set Sensor				2				
								6	PW: +5VE (PONSENS)				1				
								29	D2165315	JCN107	[27] D2165313 CN104	7	GND	[29] D2165315 JCN107	CN104	ARDF Registration Sensor	3
												8	ARDF Registration Sensor				2
												9	PW: +5V (Scanner)				1
28	D2165314	CN6	DFRB									1	ARDF Reverse Solenoid (Sink)	None	CN101	ARDF Reverse Solenoid	3
												-	N.C.				2
												2	PW: +24V				1
				3	Paper Feed Clutch (Sink)	None	JCN100					ARDF Paper Feed Solenoid	2				
				4	PW: +24V	None	JCN109					Registration Sensor	3				
30	D2165316	CN5	DFRB	1	ARDF Original Width Sensor 2	None	CN113					ARDF Original Width Sensor	7				
				2	ARDF Original Width Sensor 1			6									
				3	GND			5									
				-	N.C.			4									
				4	ARDF Original Width Sensor 4			3									
				5	ARDF Original Width Sensor 5			2									
31	D2054449	CN2	Fusing JCN2	1	GND	None	CN1	Paper Exit Reverse Sensor	3								
				2	Paper Exit Reverse Sensor				2								
				3	+5V_IO				1								
32	D2054232: NA D2054233: EU D2054234: TWN	PSIP	[9] D2055212: NA: Blue D2055213: EU: Red D2055214: TWN: White	1	Fusing LampMain: L	None	None	Fusing Lamp	1								
				2	N.C.				-								
				3	Fusing LampMain: N				2								
				-	N.C.				3								
33	D2053172	CN16	[6] D2055207 JCN2	1	GND	None	CN1	TD Sensor	6								
				2	TD Sensor: Clock				5								
				3	3.3V				4								
				4	TD Sensor: SEL				3								
				5	TD Sensor: SDA				2								
				6	TD Sensor: SCL				1								
34	D2052796	CN6	[1] D2055200 JCN8	1	GND	None	CN10	Bypass Paper End Sensor	3								
				2	Bypass Paper End Sensor				2								
				3	+5V_IO				1								
35	D2052610	CN1	[1] D2055200 JCN12	1	GND	None	CN2	Registration Sensor	3								
				2	Registration Sensor				2								
				3	+5V_IO				1								
36	D2054646	JCN1	[1] D2055200 CN7	1	PCL: Control	[39] D2056375 CN1	JCN2	ID Sensor Pre Cleaning Lamp	6								
				2	+24VS				5								
				3	Analog Feedback (ID Sensor)				4								
				36	D2054646	JCN1	[1] D2055200 CN7	4	PWM ID Sensor	[37] D2054647	JCN3	Duplex Entrance Sensor	3				
								5	GND				2				
								6	+3.3V				1				
								7	GND	3							
								8	Duplex Entrance Sensor	2							
								9	+5V_IO	1							

Harness Number	Harness P/N	Connector [FROM]			Signal Information	Relay Harness No.	Connector [TO]					
		Number	To	Pin#			Number	To	Pin#			
36	D2054646	JCN1	[1] D2055200 CN7	10	GND	[38]D2054658	JCN4	Duplex Exit Sensor	3			
				11	Duplex Exit Sensor				2			
				12	+5V_IO				1			
37	D2054647	CN1	[36]D2054646 JCN3	1	GND	None	CN2	Duplex Entrance Sensor	3			
				2	Duplex Entrance Sensor				2			
				3	+5V_IO				1			
38	D2054658	CN1	[36]D2054646 JCN4	1	GND: Duplex Entrance Sensor	None	T2	Duplex Exit Sensor	3			
				2	Duplex Exit Sensor				2			
				3	+5V_IO				1			
39	D2056375	CN1	[36]D2054646 JCN2	1	PCL: Control	None	CN3	PCL	2			
				2	+24VS				1			
				3	Analog Feedback (ID Sensor)				None	CN2	ID Sensor	4
				4	PWM ID Sensor							3
				5	GND							2
39	D2056375	CN1	[36]D2054646 JCN2	6	+3.3V	None	CN2	ID Sensor	1			
40	D2057197	CN1	[1]D2595200 JCN21	1	GND	None	CN2	Exit Tray Paper Sensor	3			
				2	Exit Tray Paper Sensor				2			
				3	+5VE_LPS				1			
				4	Paper Exit Indicator				None	CN3	Paper Exit Indicator	2
				5	+5VE_LPS							1
42	D7945360	CN922	DHB CN922	1	Optional Tray Dehumidification Heater: N	[43]D7945371 CN2	CN1	Optional Tray Dehumidification Heater	2			
				2	N.C.				-			
				3	Optional Tray Dehumidification Heater: L				1			
				4	N.C.				-			
43	D7945371	CN2	[42] D7945360 CN1	1	Optional Tray Dehumidification Heater: L	None	CN3	Optional Tray Dehumidification Heater	1			
				2	Optional Tray Dehumidification Heater: N				2			
44	D1965280	CN713	Controller Board CN713	1	N.C.	None		HDD	5			
				2	GND				4			
				3	5V				3			
				3	GND				2			
45	D2052521	CN712	Controller Board CN712	1	GND	None		HDD	1			
				2	DATA A+				2			
				3	DATA A-				3			
				4	GND				4			
				5	DATA B-				5			
				6	DATA B+				6			
				7	GND				7			
46	B8705511	CN112	BICU CN112	1	+5V_IO	None	CN3	Optional Counter I/F Unit	13			
				2	KEY_CD_SET_N				12			
				3	KEY_DATA_1				11			
				4	KEY_DATA_2				10			
				5	KEY_DATA_3				9			
				6	KEY_DATA_4				8			
				7	KEY_DATA_5				7			
				8	KEY_DATA_6				6			
				9	KEY_DATA_7				5			
				10	KEY_DATA_8				4			
				11	GND				3			
				12	KEY_CD_ON				2			
				13	+24VCNT				1			